

FK74R
No.1

11 エンジン シリンダーブロック クランクシャフト バルブ機構	12 潤滑装置 オイルポンプ、ストレーナー オイルクーラー	13 燃料 燃料ポンプ、燃料フィルター 燃料インジェクター、バルブ 燃料タンク、燃料ホース	14 クーリング コンプレッサー ファンベルト ウォーターポンプ	15 インテーク & エグゾースト マフラー インタークーラー エアクリーナー エキゾーストパイプ エキゾーストマニホールド エキゾーストシールド
16 エンジン電気系 スターター コイル 充電機 クローラク、リレー エンジンハーネス	17 エミッションコントロール コリアタック コリアコントロール	18 HEVシステム ドバイドモーター クーリング バッテリー インバーター	21 クラッチ クラッチペダル クラッチコントロール	22 マニュアルトランスミッション PTO T/Mシャフト
23 オートマチックトランスミッション T/Mシャフト	24 トランスアクセル T/Fシャフト	25 プロペラシャフト プロペラシャフト	26 フロントアクセル フロントアクセル	27 リアアクセル リアアクセル
31 ホイール & タイヤ ホイール タイヤ	33 フロントサスペンション スプリング ダンパー ショックアブソーバー	34 リアサスペンション スプリング ダンパー ショックアブソーバー	35 ブレーキ ブレーキペダル ブレーキマスターシリンダー ブレーキボoster	37 ステアリング ステアリングホイール ステアリングシャフト
41 フレーム スプリングアサンプト ハンドル	42 キャブ & ボディー エンジン プレート スプリング パネル フロントエンジン、リフト エンジン、キャブマウント	43 ドア ドア ドアロック	44 リアボディー リアボディー リアボディーマウント	51 エクステリア ヘッドライト ランプ ランプ ランプ ランプ ランプ ランプ
52 インテリア コンソール ドア インストルメントパネル シートベルト シートベルト シートベルト	53 シート シート シート	54 シャシ電気系 ランプ ワイヤー ワイヤー ワイヤー ワイヤー ワイヤー	55 ヒューズボックス & ベンチレーション ヒューズボックス ベンチレーション	61 スペシャルエキップメント オートリフト
91 ツール ドライバー レンチ	95 アクセサリー ACCESSORIES CATALOGUE			

2A0999

Ref. |0000000

Page

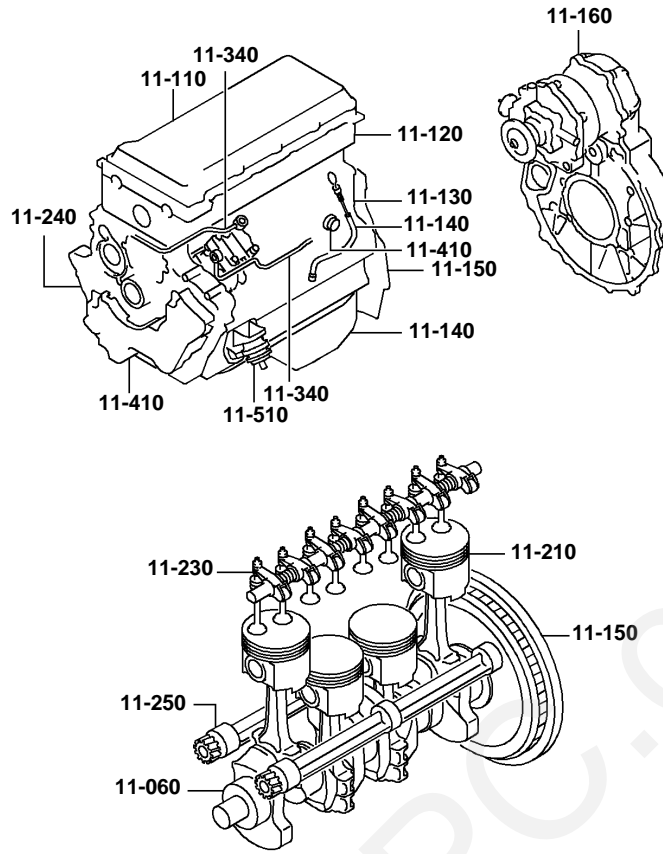
FK74R
GENERAL

No.	Title
11	ENGINE
12	LUBRICATION
13	FUEL
14	COOLING
15	INTAKE & EXHAUST
16	ENGINE ELECTRICAL
21	CLUTCH
22	MANUAL TRANSMISSION
23	AUTOMATIC TRANSMISSION
25	PROPELLER SHAFT
26	FRONT AXLE
27	REAR AXLE
31	WHEEL & TIRE
33	FRONT SUSPENSION
34	REAR SUSPENSION
35	BRAKE
37	STEERING
41	FRAME
42	CAB & BODY
43	DOOR
44	REAR BODY
51	EXTERIOR
52	INTERIOR
53	SEAT
54	CHASSIS ELECTRICAL
55	HEATER, A/C & VENTILATION
61	SPECIAL EQUIPMENT
91	TOOL

Ref. |0000000

Page

FK74R
No.1

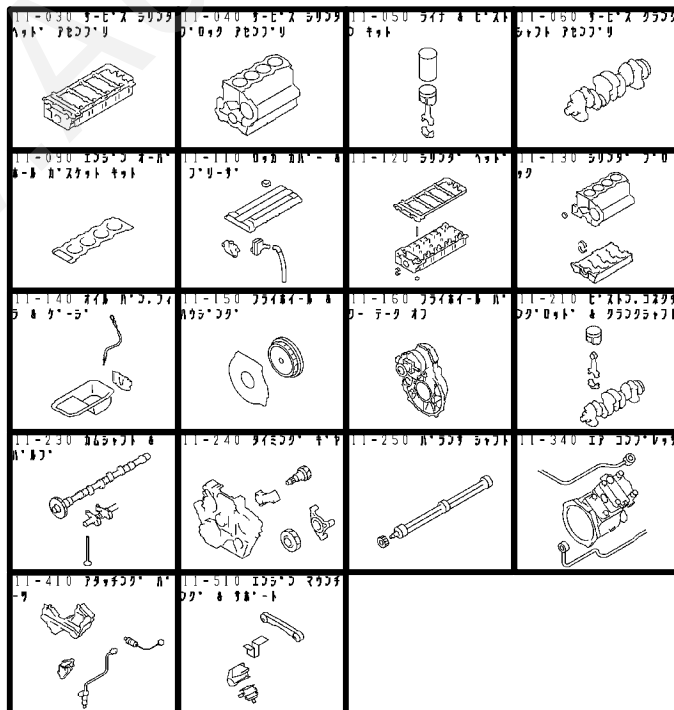


2C2902

Ref. |1011000

Page

FK74R
No.2



2C2903

Ref. |1011000

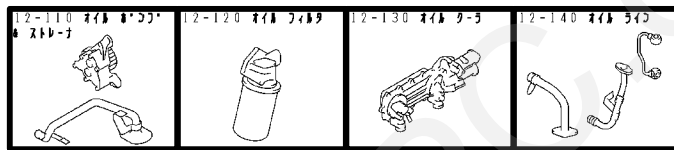
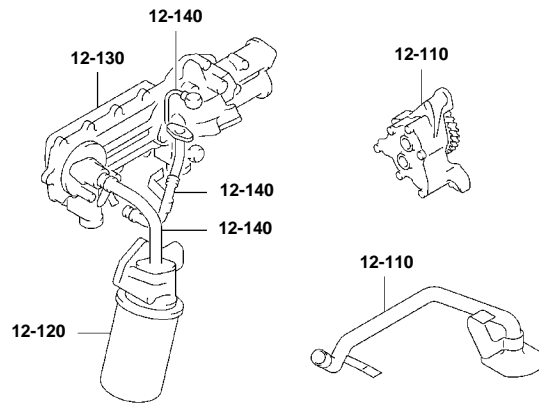
Page

FK74R
11 ENGINE

No.	Title	
11-030	SERVICE CYLINDER HEAD ASSY	
11-040	SERVICE CYLINDER BLOCK ASSY	
11-050	LINER & PISTON KIT	
11-060	SERVICE CRANKSHAFT ASSY	
11-090	ENGINE OVERHAUL GASKET KIT	
11-110	ROCKER COVER & BREATHER	
11-120	CYLINDER HEAD	
11-130	CYLINDER BLOCK	
11-140	OIL PAN,FILLER & GAUGE	
11-150	FLYWHEEL & HOUSING	
11-210	PISTON,CONNROD & CRANKSHAFT	
11-230	CAMSHAFT & VALVE	
11-240	TIMING GEAR	
11-340	AIR COMPRESSOR	
11-410	ATTACHING PARTS	
11-510	ENGINE MOUNTING & SUPPORT	

www.AutoEPC.com

FK74R
No.1



202300

Ref. |1012000

Page

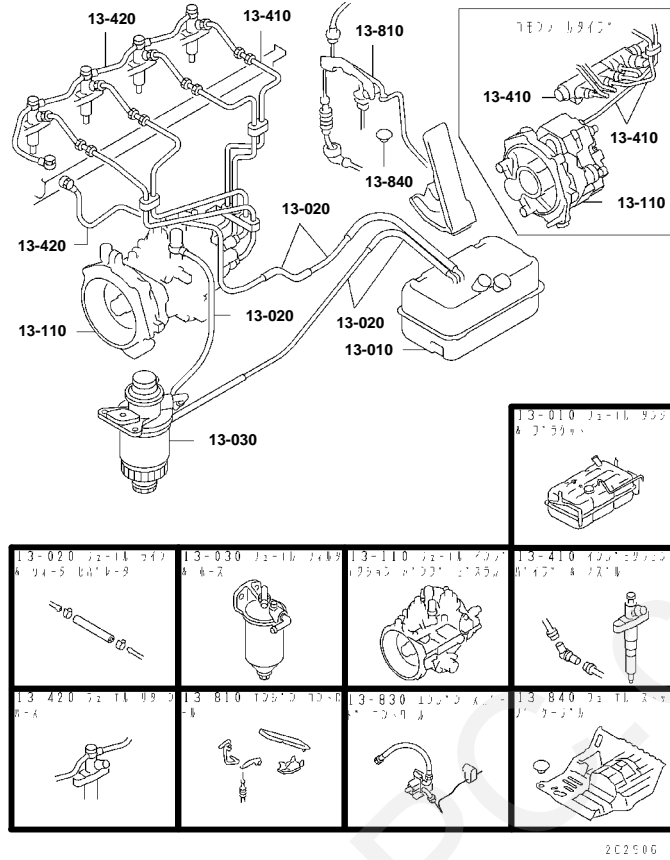
FK74R
12 LUBRICATION

No.	Title
12-110	OIL PUMP & STRAINER
12-120	OIL FILTER
12-130	OIL COOLER
12-140	OIL LINE

Ref. |1012000

Page

**FK74R
No.1**



Ref. |1013000

Page

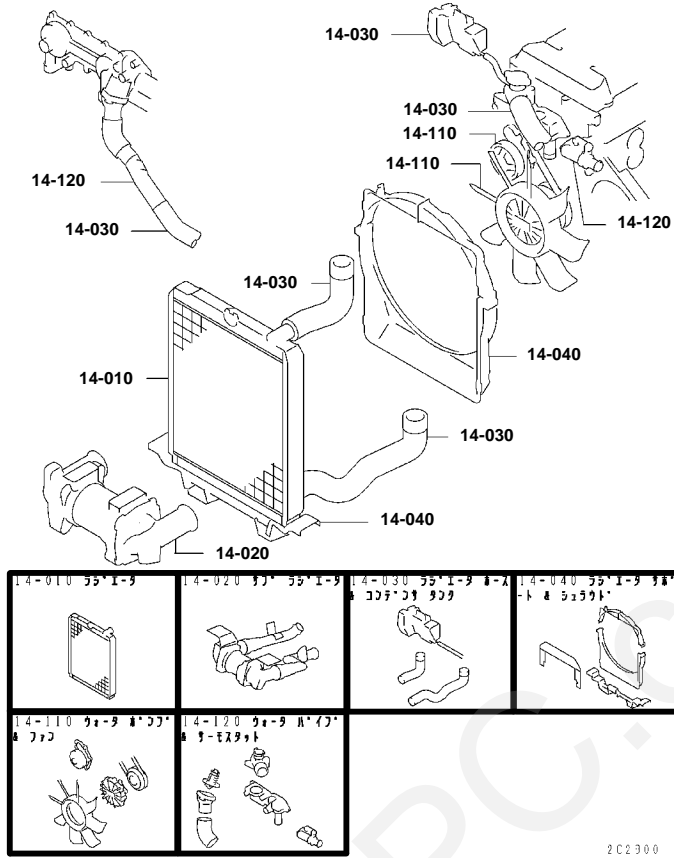
**FK74R
13 FUEL**

No.	Title
13-010	FUEL TANK & BRACKET
13-020	FUEL LINE & WATER SEPARATOR
13-030	FUEL FILTER & HOSE
13-110	FUEL INJECTION PUMP GENERAL
13-410	INJECTION PIPE & NOZZLE
13-420	FUEL RETURN HOSE
13-810	ENGINE CONTROL
13-830	ENGINE SPEED CONTROL
13-840	FUEL STOP CABLE

Ref. |1013000

Page

**FK74R
No.1**



Ref. |1014000

Page

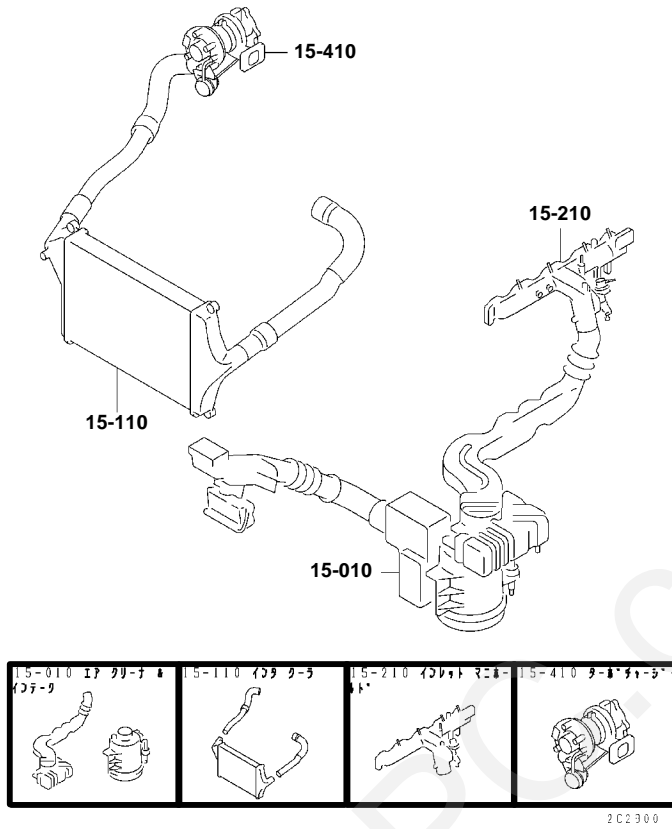
**FK74R
14 COOLING**

No.	Title
14-010	RADIATOR
14-030	RADIATOR HOSE & CONDENSER TAN
14-040	RADIATOR SUPPORT & SHROUD
14-110	WATER PUMP & FAN
14-120	WATER PIPE & THERMOSTAT

Ref. |1014000

Page

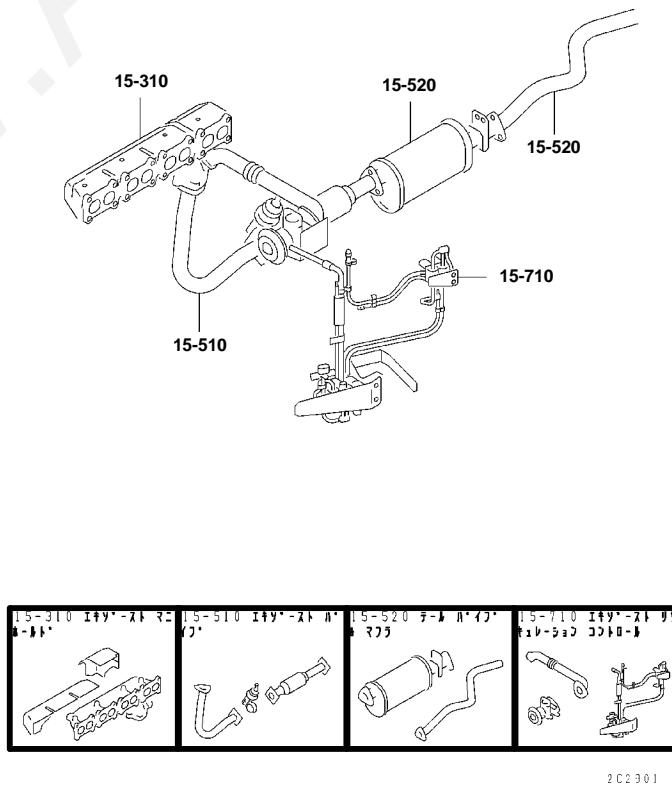
FK74R
No.1



Ref. |1015000

Page

FK74R
No.2



Ref. |1015000

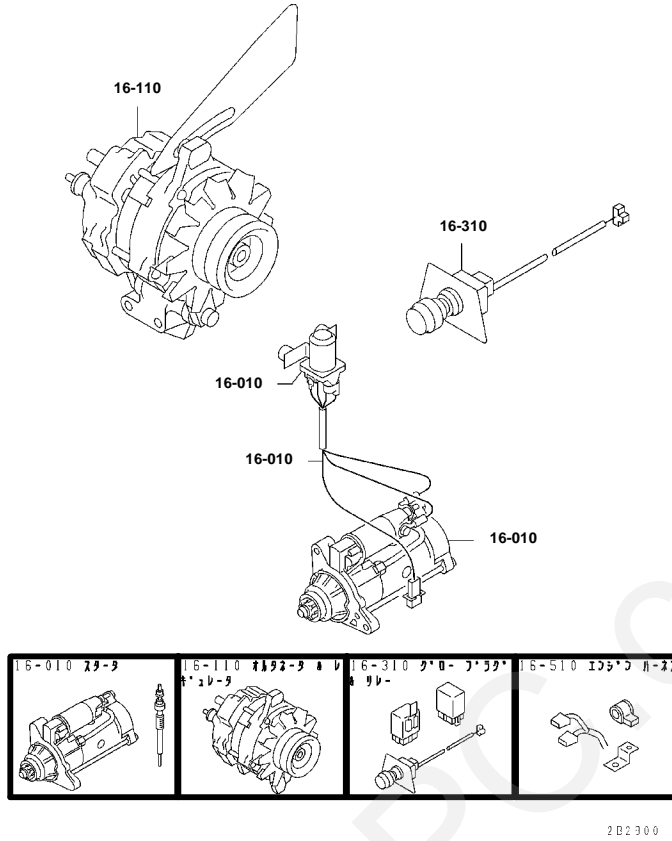
Page

FK74R
15 INTAKE & EXHAUST

No.	Title	
15-010	AIR CLEANER & INTAKE	
15-110	INTER COOLER	
15-210	INLET MANIFOLD	
15-310	EXHAUST MANIFOLD	
15-410	TURBOCHARGER	
15-510	EXHAUST PIPE	
15-520	TAIL PIPE & MUFFLER	
15-710	EXHAUST RECIRCULATION CONTROL	

www.AutoEPC.com

**FK74R
No.1**



Ref. |1016000

Page

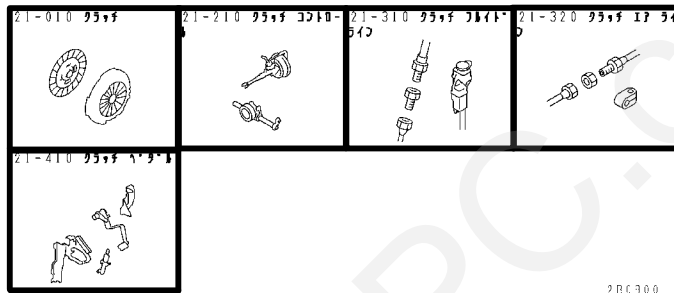
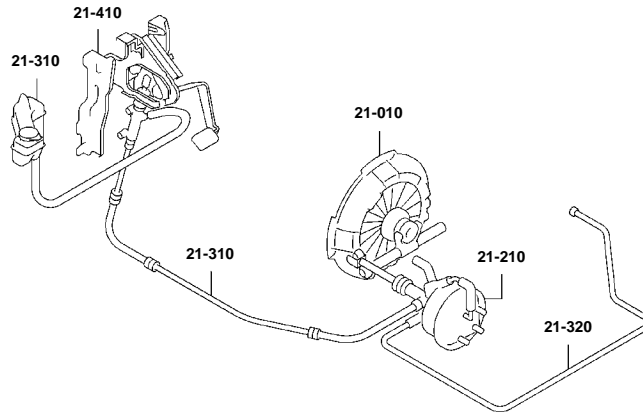
**FK74R
16 ENGINE ELECTRICAL**

No.	Title
16-010	STARTER
16-110	ALTERNATOR & REGULATOR
16-310	GLOW PLUG & RELAY
16-510	ENGINE HARNESS

Ref. |1016000

Page

FK74R
No.1



2BC300

Ref. |1021000

Page

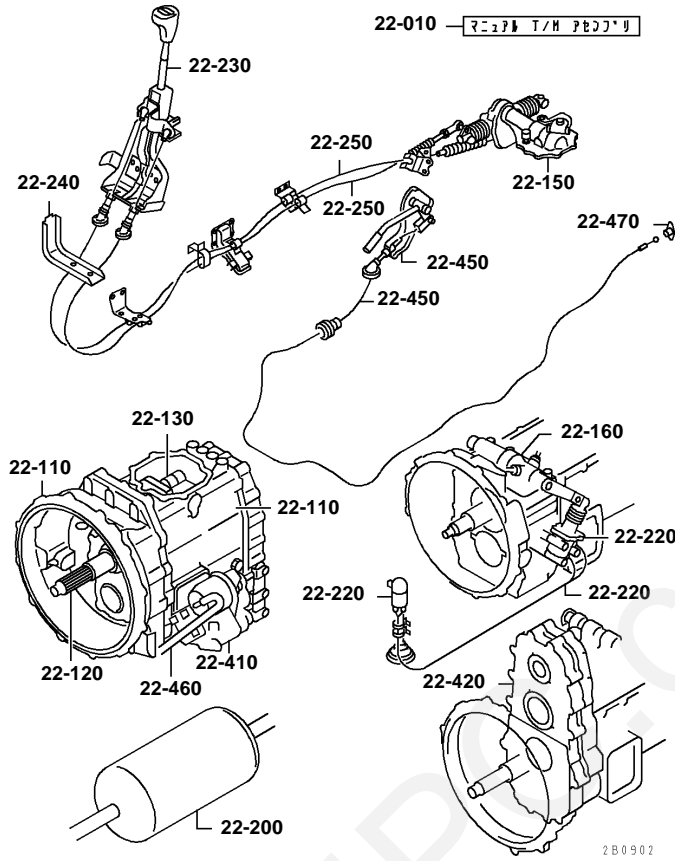
FK74R
21 CLUTCH

No.	Title
21-010	CLUTCH
21-210	CLUTCH CONTROL
21-310	CLUTCH FLUID LINE
21-320	CLUTCH AIR LINE
21-410	CLUTCH PEDAL

Ref. |1021000

Page

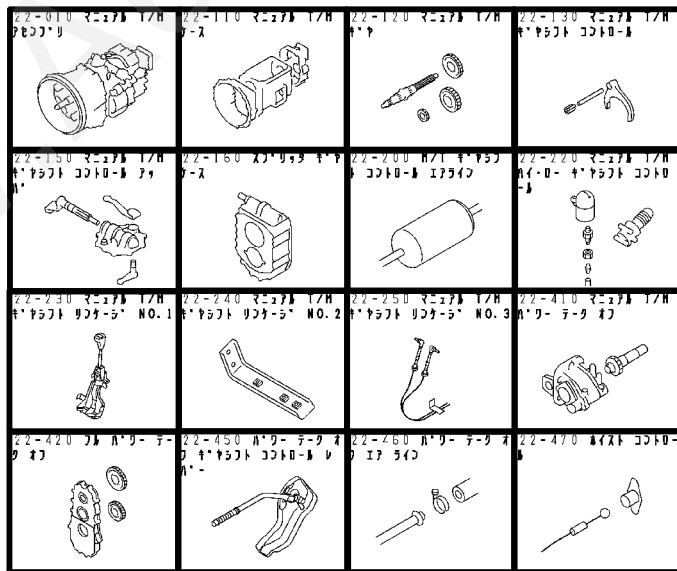
FK74R
No.1



Ref. |1022000

Page

FK74R
No.2



2B0303

Ref. |1022000

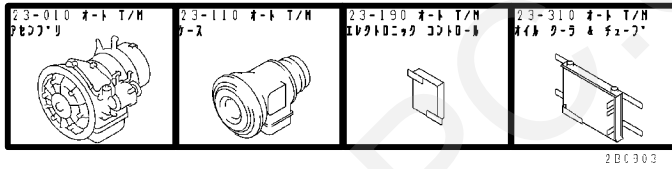
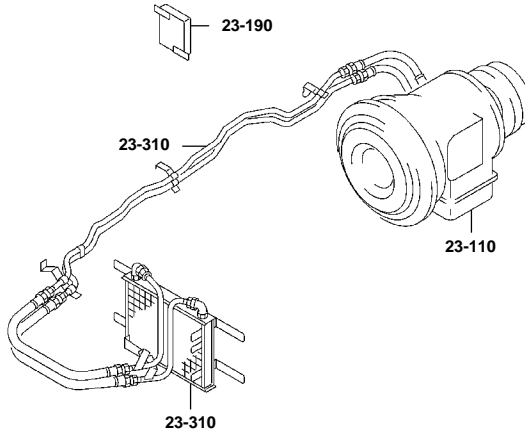
Page

FK74R
22 MANUAL TRANSMISSION

No.	Title
22-010	MANUAL TRANSMISSION ASSY
22-110	M/T CASE
22-120	M/T GEAR
22-130	M/T GEARSHIFT CONTROL
22-150	M/T GEARSHIFT CONTROL UPPER
22-230	M/T GEARSHIFT LINKAGE NO.1
22-240	M/T GEARSHIFT LINKAGE NO.2
22-250	M/T GEARSHIFT LINKAGE NO.3
22-410	M/T PTO
22-460	PTO AIR LINE

www.AutoEPC.com

FK74R
No.1



Ref. |1023000

Page

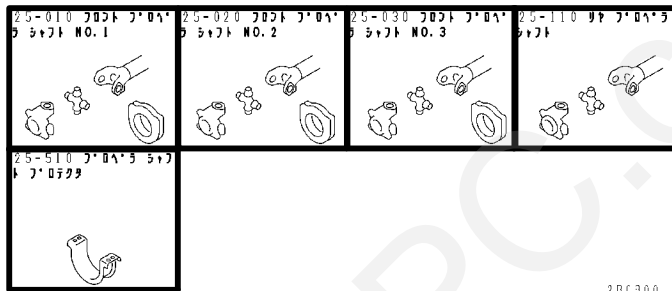
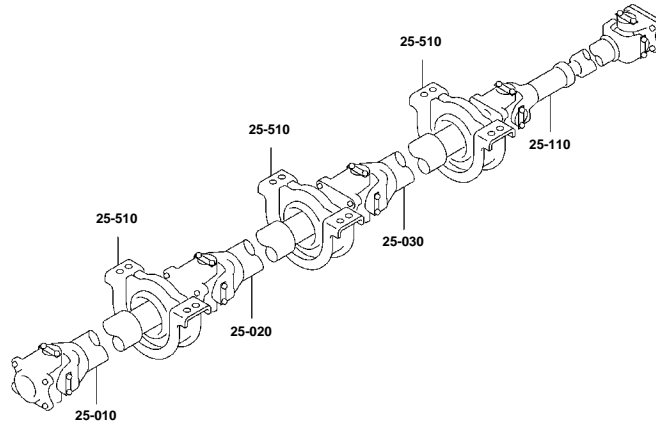
FK74R
23 AUTOMATIC TRANSMISSION

No.	Title
23-010	AUTO TRANSMISSION ASSY
23-110	A/T CASE
23-190	A/T ELECTRONIC CONTROL
23-310	A/T OIL COOLER & TUBE

Ref. |1023000

Page

**FK74R
No.1**



2BC300

Ref. |1025000

Page

**FK74R
25 PROPELLER SHAFT**

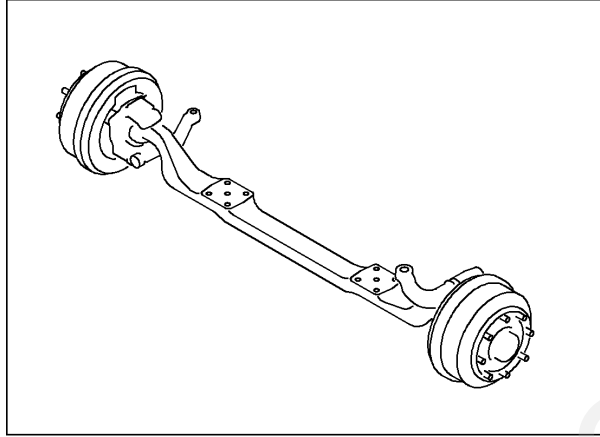
No.	Title
25-010	FRONT PROPELLER SHAFT NO.1
25-020	FRONT PROPELLER SHAFT NO.2
25-110	REAR PROPELLER SHAFT
25-510	PROPELLER SHAFT PROTECTOR

Ref. |1025000

Page

FK74R
No.1

26-150 2001 9278 47' 8 1'56



2B0900

Ref. |1026000

Page

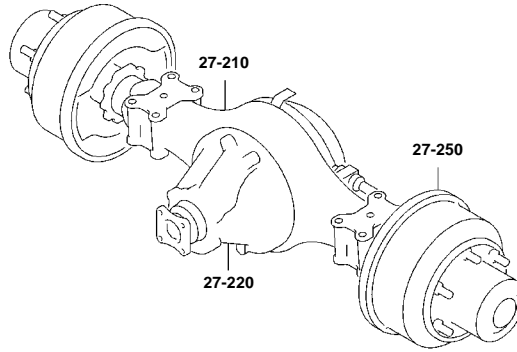
FK74R
26 FRONT AXLE

No.	Title
26-150	FRONT AXLE HUB & DRUM

Ref. |1026000

Page

FK74R
No.1



200500

Ref. |1027000

Page

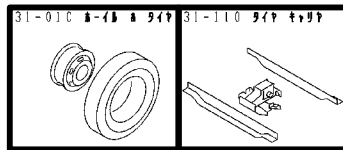
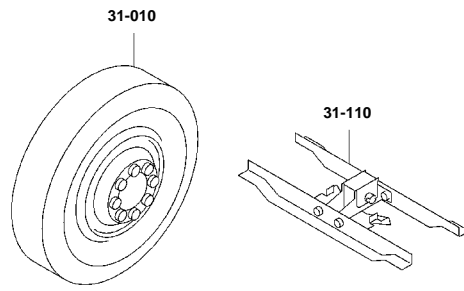
FK74R
27 REAR AXLE

No.	Title
27-210	REAR AXLE HOUSING
27-220	REAR AXLE DIFFERENTIAL
27-250	REAR AXLE HUB & DRUM

Ref. |1027000

Page

FK74R
No.1



200500

Ref. |1031000

Page

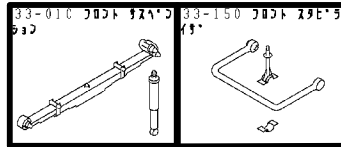
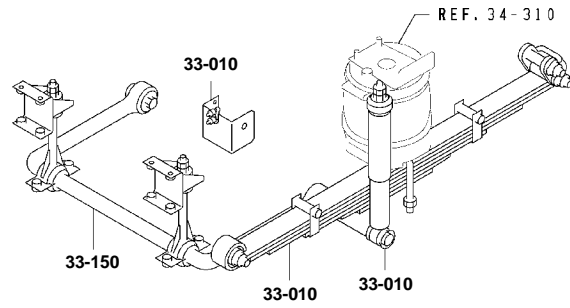
FK74R
31 WHEEL & TIRE

No.	Title
31-010	WHEEL & TIRE
31-110	TIRE CARRIER

Ref. |1031000

Page

FK74R
No.1



2B0301

Ref. |1033000

Page

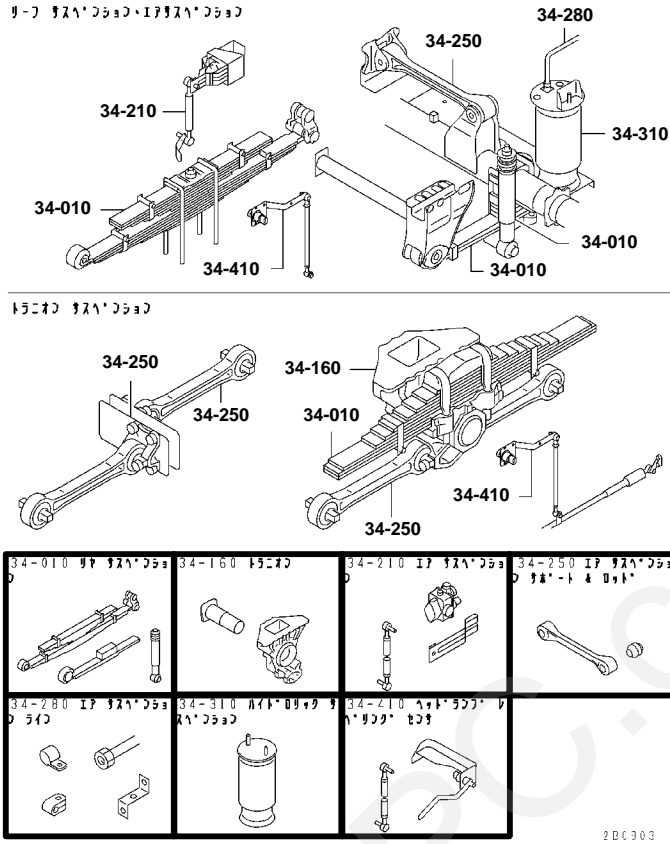
FK74R
33 FRONT SUSPENSION

No.	Title
33-010	FRONT SUSPENSION
33-150	FRONT STABILIZER

Ref. |1033000

Page

FK74R
No.1



Ref. |1034000

Page

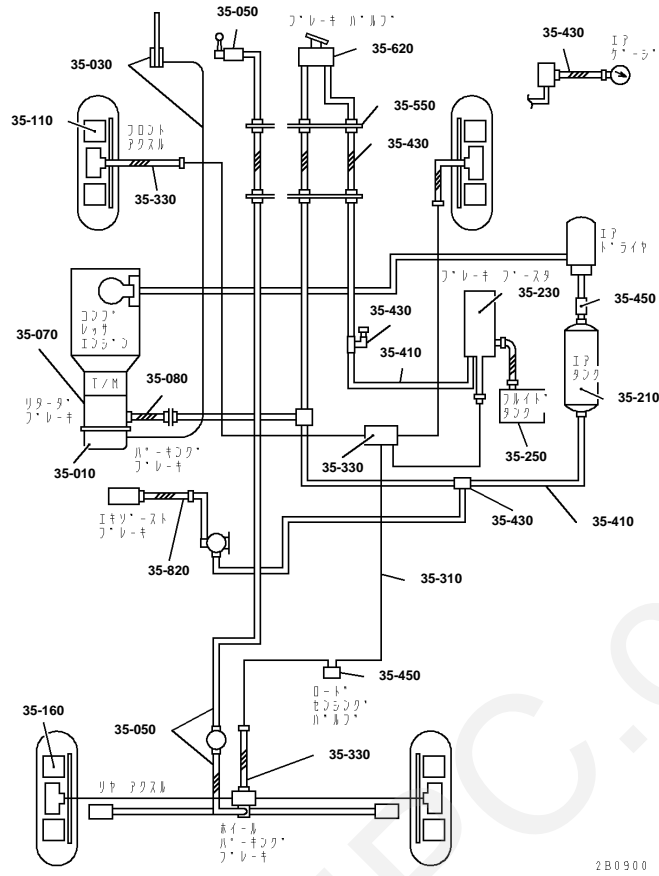
FK74R
34 REAR SUSPENSION

No.	Title
34-010	REAR SUSPENSION
34-210	AIR SUSPENSION
34-250	AIR SUSPENSION SUPPORT & ROD
34-280	AIR SUSPENSION LINE
34-310	HYDRAULIC SUSPENSION

Ref. |1034000

Page

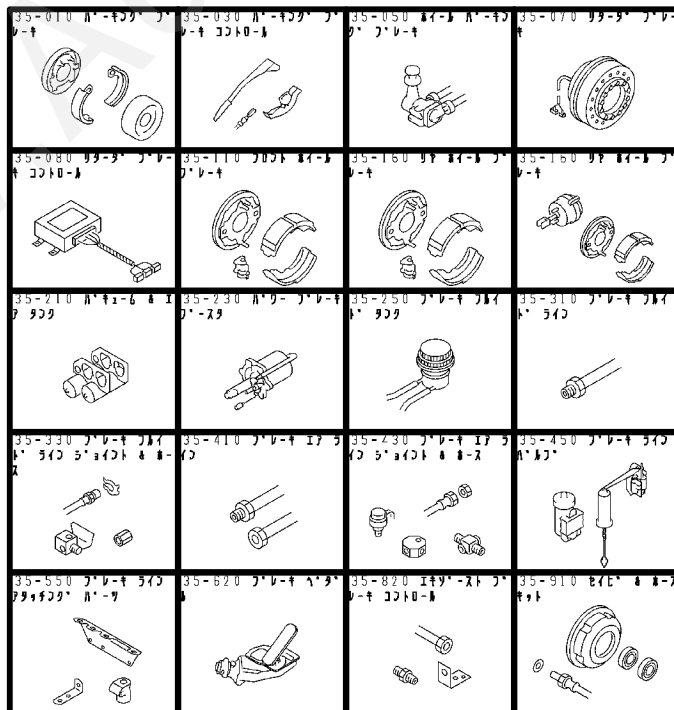
FK74R
No.1



Ref. |1035000

Page

FK74R
No.2



Ref. |1035000

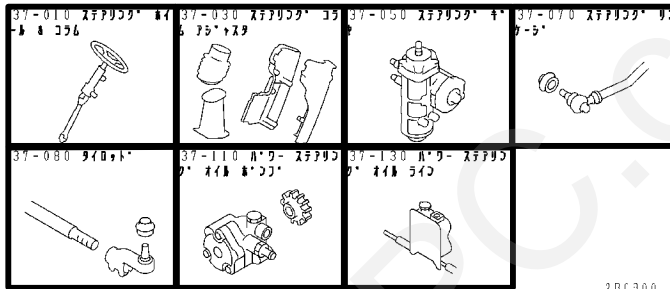
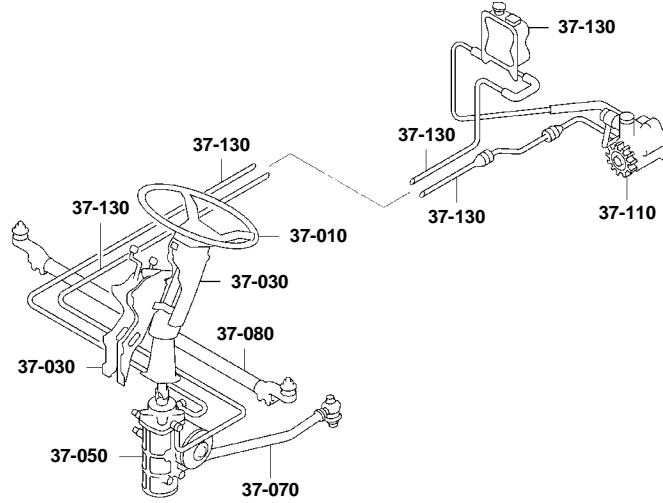
Page

FK74R
35 BRAKE

No.	Title
35-010	PARKING BRAKE
35-030	PARKING BRAKE CONTROL
35-070	RETARDER BRAKE
35-080	RETARDER BRAKE CONTROL
35-110	FRONT WHEEL BRAKE
35-160	REAR WHEEL BRAKE
35-210	VACUUM & AIR TANK
35-230	POWER BRAKE BOOSTER
35-250	BRAKE FLUID TANK
35-310	BRAKE FLUID LINE
35-330	BRAKE FLUID LINE JOINT & HOSE
35-410	BRAKE AIR LINE
35-430	BRAKE AIR LINE JOINT & HOSE
35-450	BRAKE LINE VALVE
35-550	BRAKE LINE ATTACHING PARTS
35-620	BRAKE PEDAL
35-820	EXHAUST BRAKE CONTROL
35-910	SEIBI & HOSE KIT

www.AutoEPC.com

FK74R
No.1



2BC300

Ref. |1037000

Page

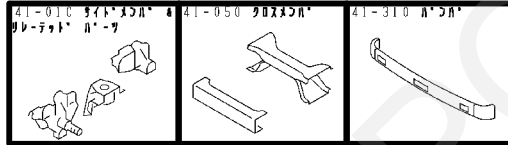
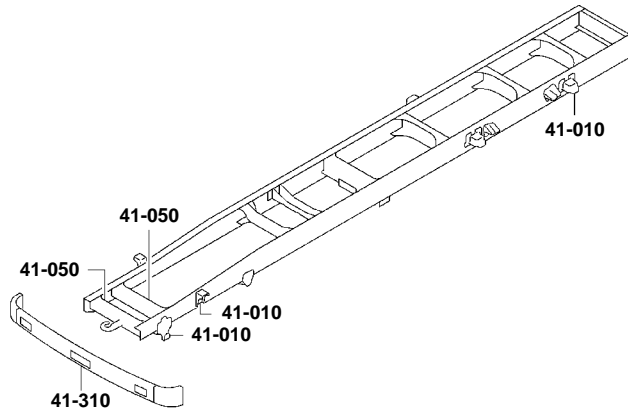
FK74R
37 STEERING

No.	Title
37-010	STEERING WHEEL & COLUMN
37-030	STEERING COLUMN ADJUSTER
37-050	STEERING GEAR
37-070	STEERING LINKAGE
37-080	TIEROD
37-110	POWER STEERING OIL PUMP
37-130	POWER STEERING OIL LINE

Ref. |1037000

Page

FK74R
No.1



200500

Ref. |1041000

Page

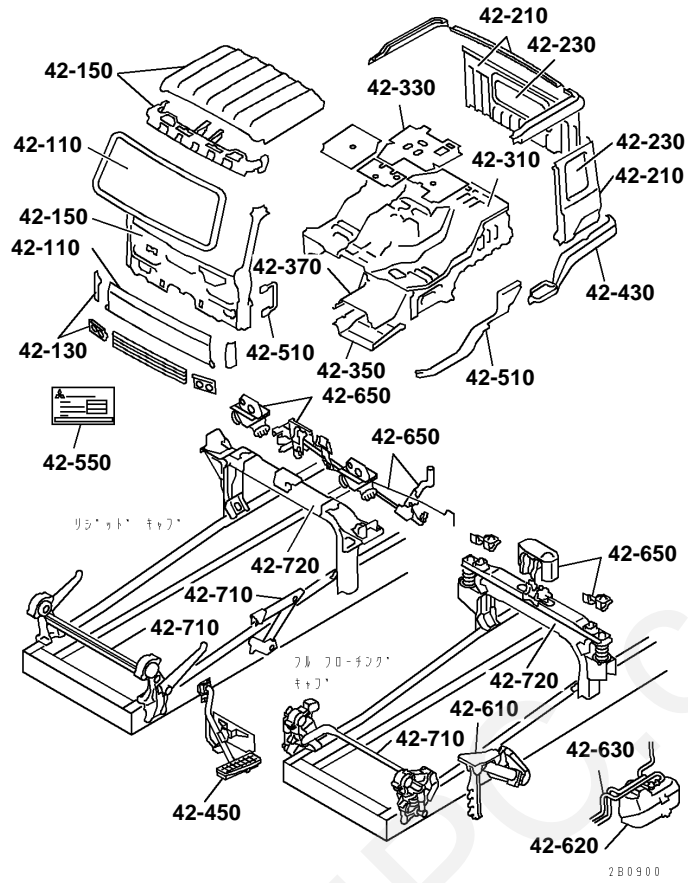
FK74R
41 FRAME

No.	Title
41-010	SIDEMEBER & RELAYTED PARTS
41-050	CROSSMEMBER
41-310	BUMPER

Ref. |1041000

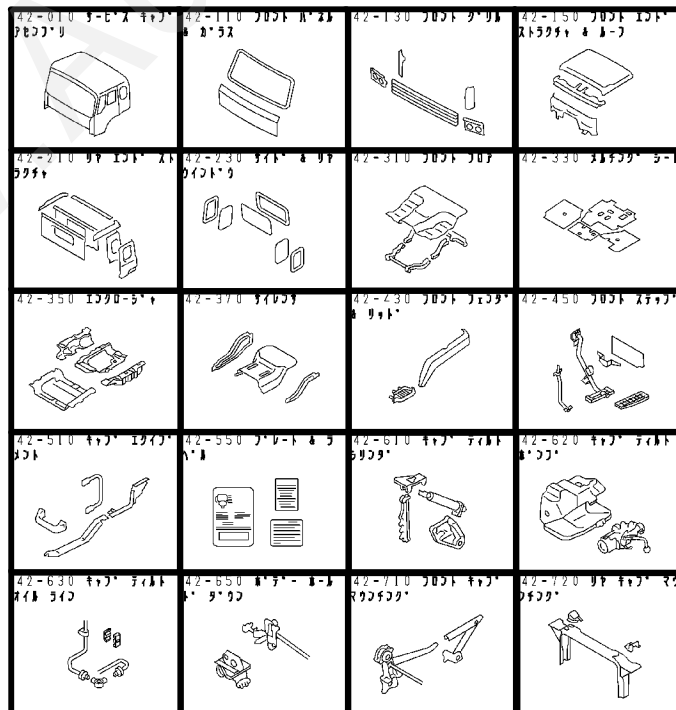
Page

FK74R
No.1



2B0900

FK74R
No.2



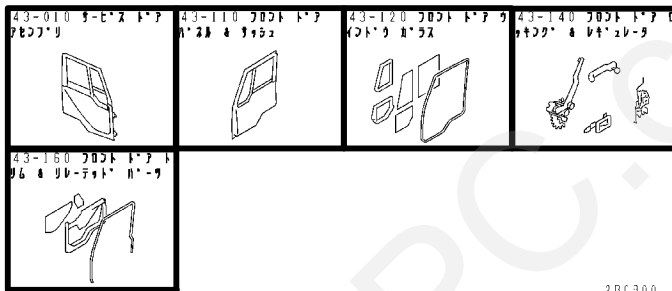
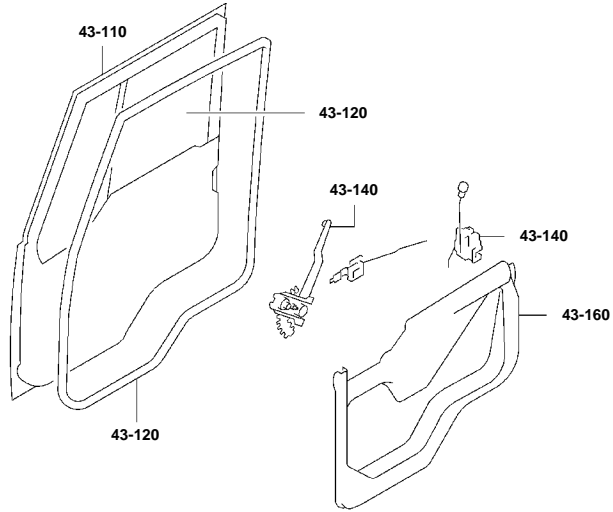
2B0301

FK74R
42 CAB & BODY

No.	Title
42-010	SERVICE CAB ASSY
42-110	FRONT PANEL & GLASS
42-130	FRONT GRILLE
42-150	FRONT END STRUCTURE & ROOF
42-210	REAR END STRUCTURE
42-230	SIDE & REAR WINDOW
42-310	FRONT FLOOR
42-330	MELTING SHEET
42-350	ENCLOSURE
42-370	SILENCER
42-430	FRONT FENDER & LID
42-510	CAB EQUIPMENT
42-550	PLATE & LABEL
42-650	BODY HOLD DOWN
42-710	FRONT CAB MOUNTING
42-720	REAR CAB MOUNTING

www.AutoEPC.com

**FK74R
No.1**



2BC300

Ref. |1043000

Page

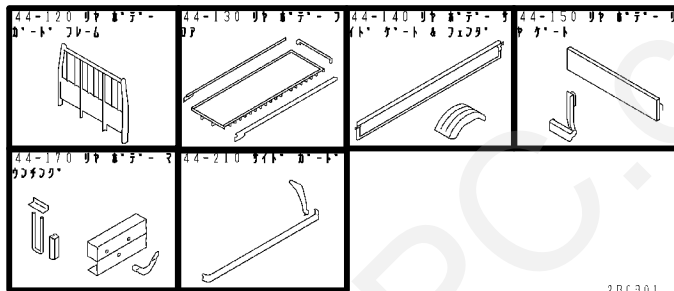
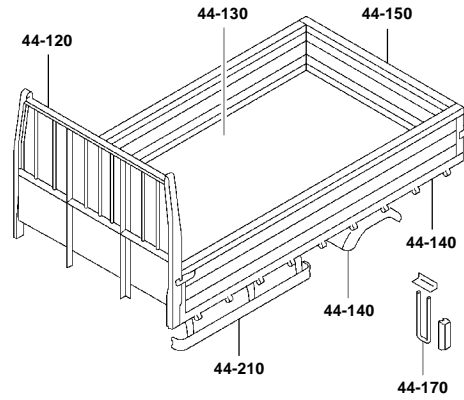
**FK74R
43 DOOR**

No.	Title
43-010	SERVICE DOOR ASSY
43-110	FRONT DOOR PANEL & SASH
43-120	FRONT DOOR WINDOW GLASS
43-140	FRONT DOOR LOCKING & REGULATO
43-160	FR DOOR TRIM & RELATED PARTS

Ref. |1043000

Page

FK74R
No.1



2B0301

Ref. |1044000

Page

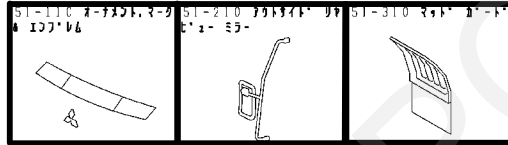
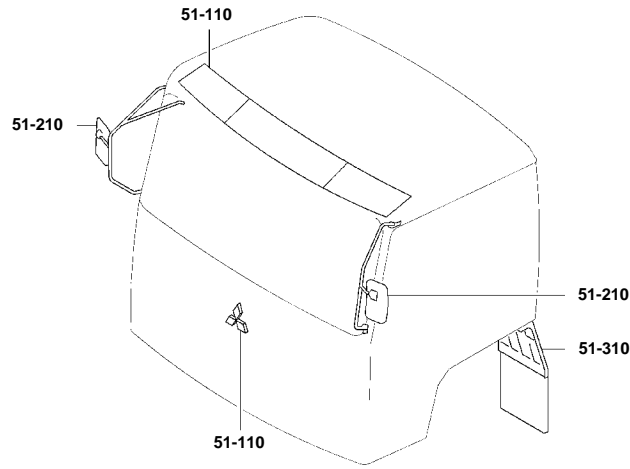
FK74R
44 REAR BODY

No.	Title
44-120	REAR BODY GUARD FRAME
44-130	REAR BODY FLOOR
44-140	REAR BODY SIDE GATE & FENDER
44-150	REAR BODY REAR GATE
44-170	REAR BODY MOUNTING
44-210	SIDE GUARD

Ref. |1044000

Page

FK74R
No.1



2B0301

Ref. |1051000

Page

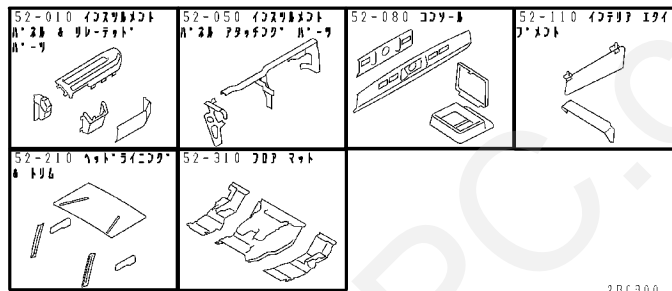
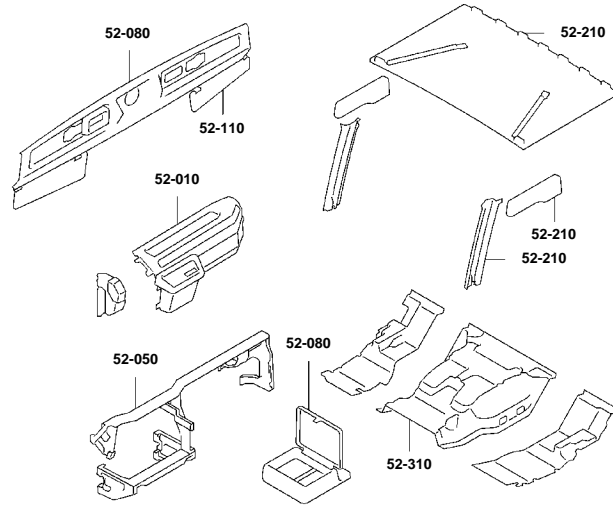
FK74R
51 EXTERIOR

No.	Title
51-110	ORNAMENT, MARK & EMBLEM
51-210	OUTSIDE REAR VIEW MIRROR
51-310	MUD GUARD

Ref. |1051000

Page

FK74R
No.1



2BC300

Ref. |1052000

Page

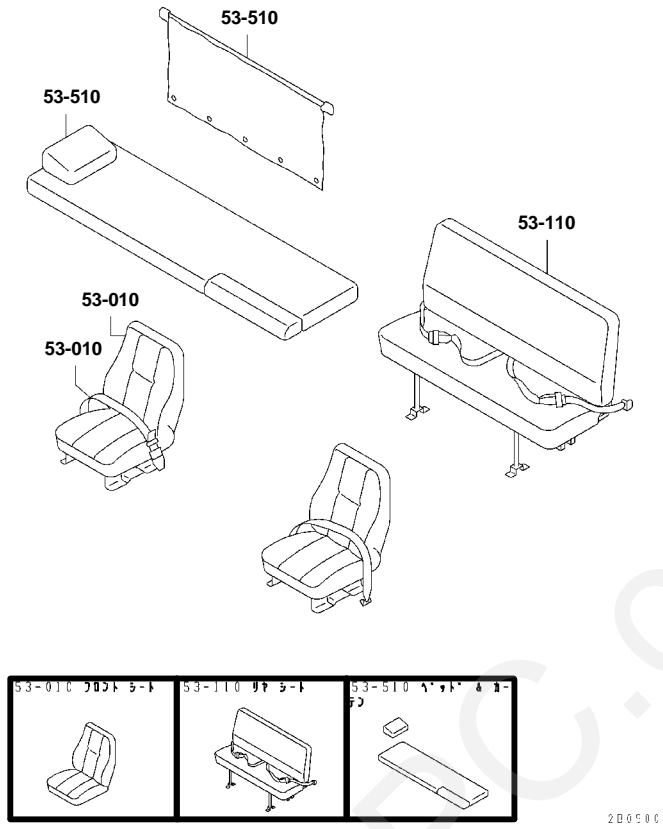
FK74R
52 INTERIOR

No.	Title
52-010	I/PANEL & RELATED PARTS
52-080	CONSOLE
52-110	INTERIOR EQUIPMENT
52-210	HEADLINING & TRIM
52-310	FLOOR MAT

Ref. |1052000

Page

**FK74R
No.1**



Ref. |1053000

Page

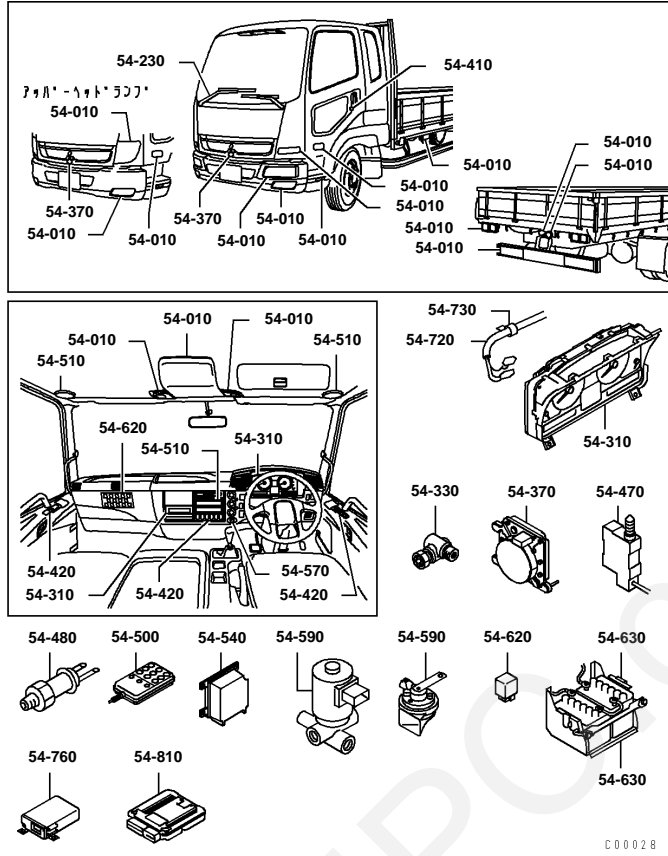
**FK74R
53 SEAT**

No.	Title
53-010	FRONT SEAT
53-510	BED & CURTAIN

Ref. |1053000

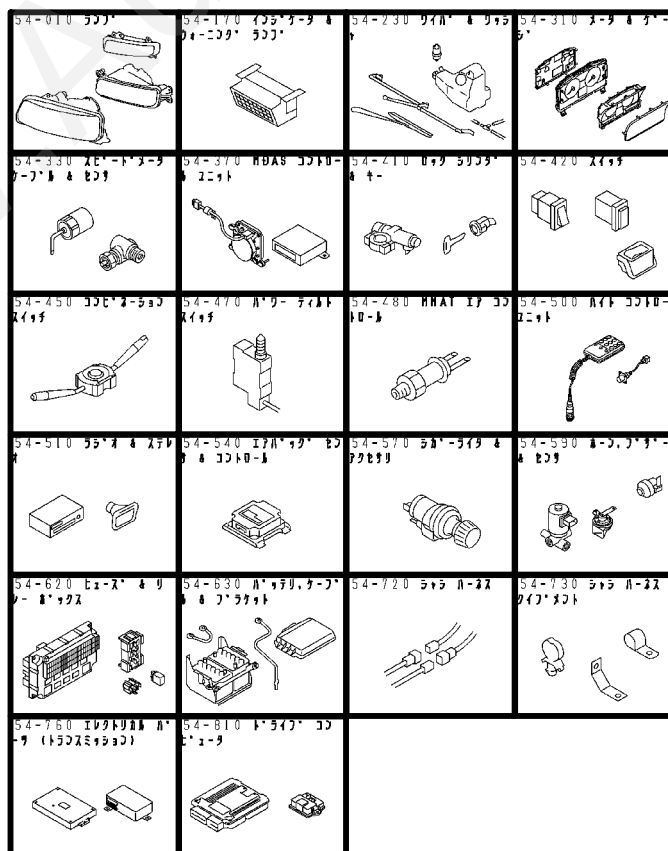
Page

FK74R
No.1



C00028

FK74R
No.2



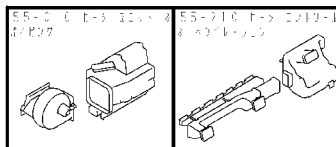
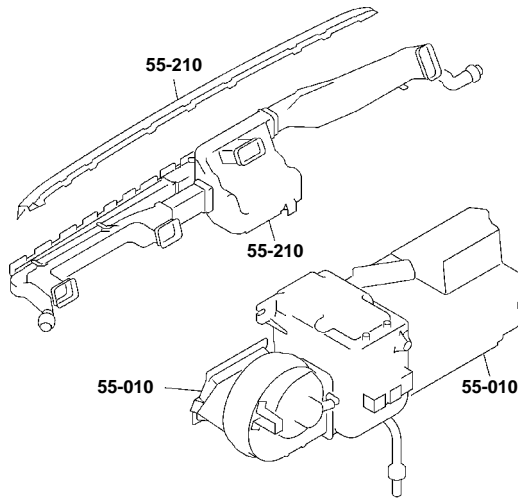
C00029

FK74R
54 CHASSIS ELECTRICAL

No.	Title
54-010	LAMP
54-230	WIPER & WASHER
54-310	METER & GAUGE
54-330	SPEEDOMETER CABLE & SENSOR
54-370	MDAS CONTROL UNIT
54-410	LOCK CYLINDER & KEY
54-420	SWITCH
54-450	COMBINATION SWITCH
54-470	POWER TILT SWITCH
54-500	HIGHT CONTROL UNIT
54-510	RADIO & STEREO
54-540	AIR BAG SENSOR & CONTROL
54-570	CIGAR LIGHTER & ACCESSORY
54-590	HORN,BUZZER & SENSOR
54-620	FUSE & RELAY BOX
54-630	BATTERY,CABLE & BRACKET
54-720	CHASSIS HARNESS
54-730	CHASSIS HARNESS EQUIPMENT
54-760	ELECTRICAL PARTS(TRANSMISSION
54-810	DRIVE COMPUTER

www.AutoEPC.com

FK74R
No.1

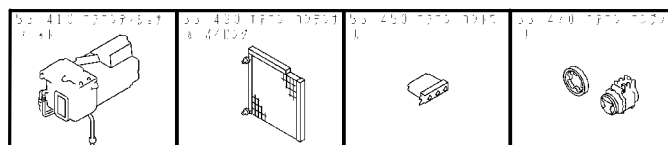
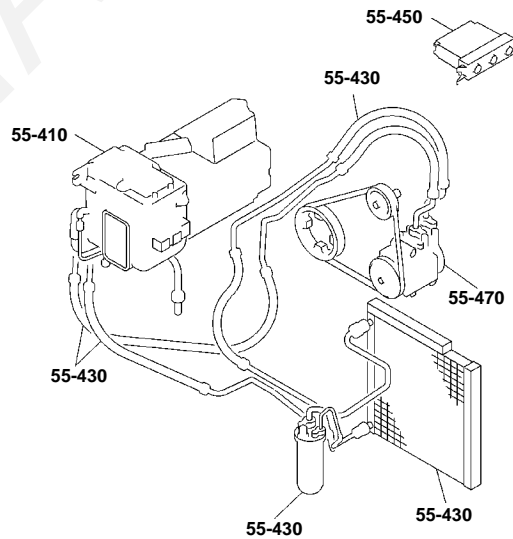


200031

Ref. |1055000

Page

FK74R
No.2

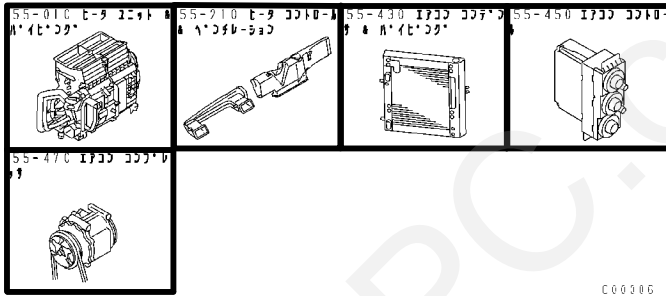
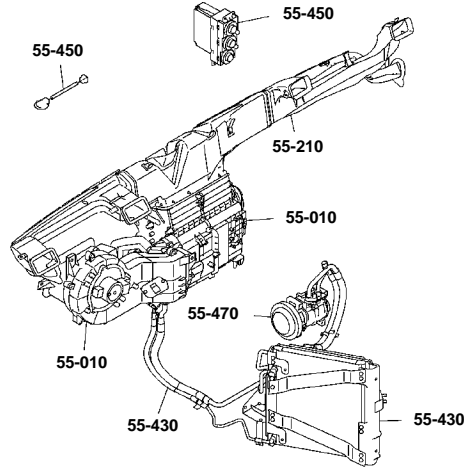


200033

Ref. |1055000

Page

FK74R
No.3



C00106

Ref. |1055000

Page

FK74R
55 HEATER,A/C & VENTILATION

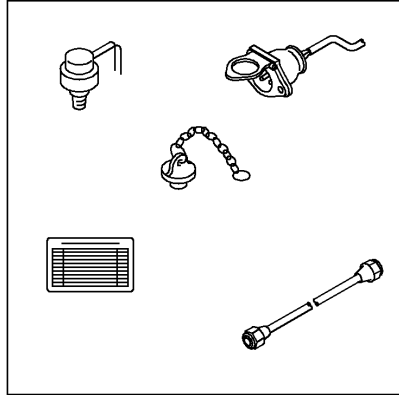
No.	Title
55-010	HEATER UNIT & PIPING
55-210	HEATER CONTROL & VENTILATION
55-410	AIR CONDITIONER UNIT
55-430	A/C CONDENSER & PIPING
55-450	A/C CONTROL
55-470	A/C COMPRESSOR

Ref. |1055000

Page

FK74R
No.1

61-510 61-510 61-510



C00001

Ref. |1061000

Page

FK74R
61 SPECIAL EQUIPMENT

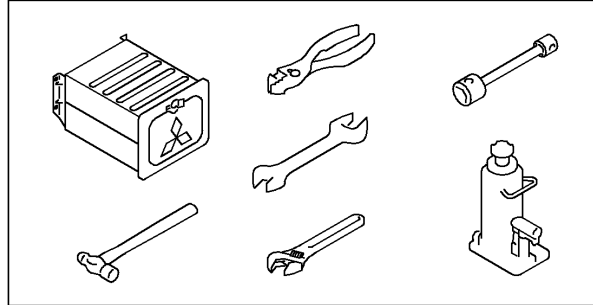
No. 61-510	Title SUPPLY PARTS

Ref. |1061000

Page

FK74R
No.1

91-010 スタンド・ツール



2B0900

Ref. |1091000

Page

FK74R
91 TOOL

No.	Title
91-010	STANDARD TOOL

Ref. |1091000

Page

FK74R
No.1

01200A 11-120 ASSY, ICHUWA SHIROTA

クニ-クニ NO	名 称
11-120	11-120 ASSY, ICHUWA SHIROTA
11-120	11-120 STAPLE, SHIROTA ASSY
11-120	11-120 JIRUWA, SHIROTA ASSY
11-120	11-120 JIRUWA, SHIROTA ASSY
11-120	11-120 KAPPAN, SHIROTA ASSY
11-120	11-120 JIRUWA, SHIROTA ASSY
11-120	11-120 SUWA, ICHUWA-STEEL PART
11-120	11-120 SUWA, ICHUWA PART
11-120	11-120 SUWA, ICHUWA PART
11-120	11-120 SUWA, ICHUWA-STEEL PART
11-120	11-120 SUWA, ICHUWA-STEEL PART
11-120	11-120 SUWA, ICHUWA-STEEL PART
15-310	15-310 SUWA, ICHUWA-STEEL PART
15-310	15-310 SUWA, ICHUWA-STEEL PART
15-310	15-310 SUWA, ICHUWA-STEEL PART

2 K 0 0 0 0

Ref. |2011030

Page

FK74R
11-030 SERVICE CYLINDER HEAD ASSY

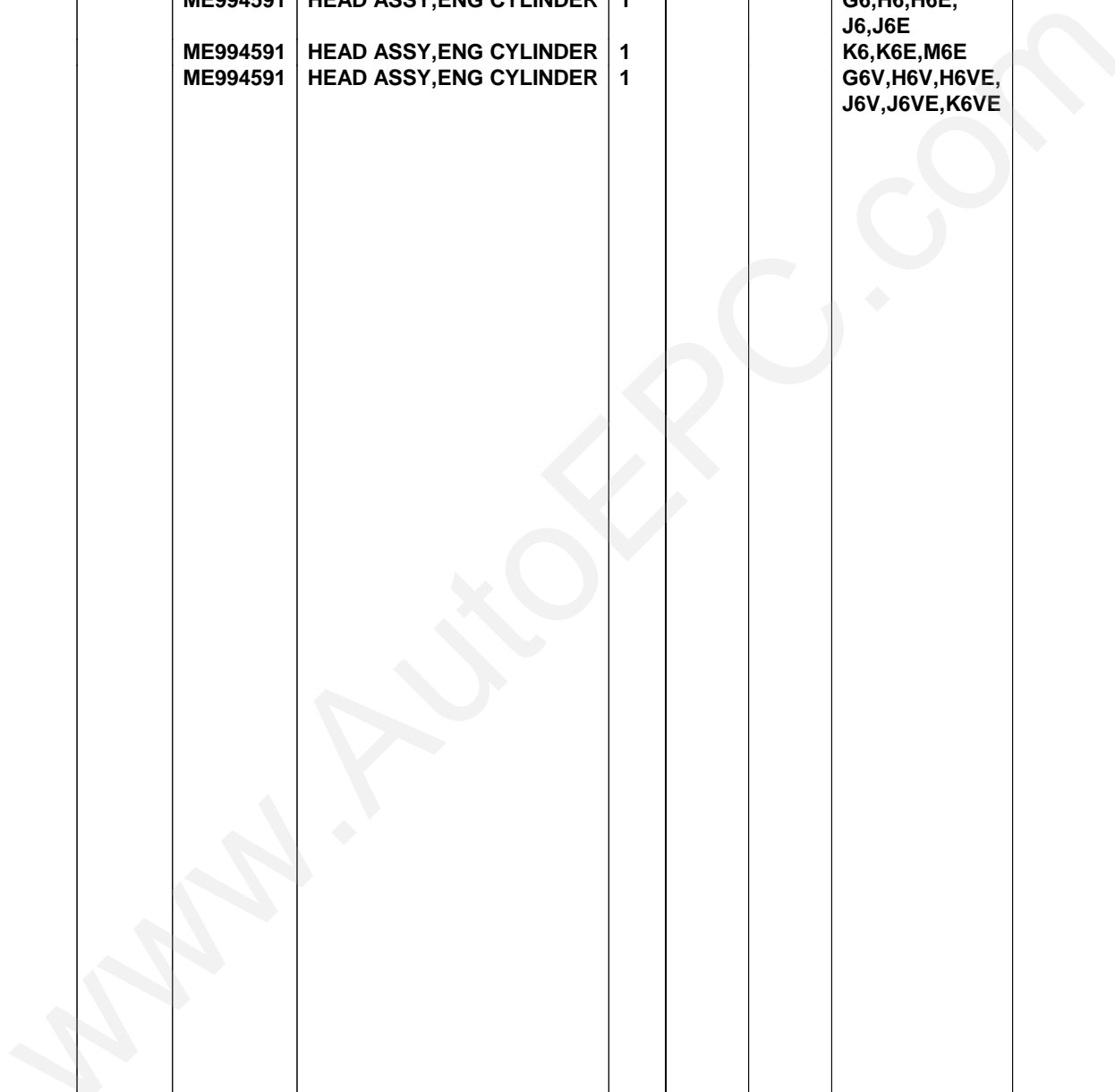
SPN	Repl Part RP	PNC 01200A	Part No	Part Name	Qty	NEW1	NEW2	Classification	Option	Model Year	Sta
			ME993916	HEAD ASSY,ENG CYLINDER	1	Y	Y	G6,G6E,H6, H6E,J6,J6E, K6,K6E,M6, M6E			040
	RP		ME994048	HEAD ASSY,ENG CYLINDER	1	Y	R	G6,G6E,G6V, H6,H6E,H6V, H6VE,J6,J6E, J6V,J6VE,K6, K6E,K6V,K6VE, M6,M6E,M6VE			040
SP			ME994500	HEAD ASSY,ENG CYLINDER	1	R		G6,G6V,H6, H6E,H6V,H6VE, J6,J6E,J6V, J6VE,K6,K6E, K6V,K6VE,M6E, M6VE			061
			ME994590	HEAD ASSY,ENG CYLINDER	1			G6V,H6V,H6VE, J6V,J6VE,K6V, K6VE,M6VE			070
			ME994590	HEAD ASSY,ENG CYLINDER	1			K6,K6E,M6E			070
			ME994590	HEAD ASSY,ENG CYLINDER	1			G6,G6V,H6, H6E,H6V,H6VE, J6,J6E,J6V, J6VE,K6,K6E, K6V,K6VE,M6E, M6VE			070
			ME994590	HEAD ASSY,ENG CYLINDER	1			G6,H6,H6E, J6,J6E			070

Ref. |2011030

Page

FK74R
11-030 SERVICE CYLINDER HEAD ASSY

SPN	Repl Part	PNC 01200A	Part No	Part Name	Qty	NEW1	NEW2	Classification	Option	Model Year	Sta
			ME994590	HEAD ASSY,ENG CYLINDER	1			G6,G6V,H6, H6E,H6V,H6VE, J6,J6E,J6V, J6VE,K6,K6E, K6V,K6VE,M6E, M6VE			070
			ME994591	HEAD ASSY,ENG CYLINDER	1			G6,H6,H6E, J6,J6E,K6, K6E,M6E	14C,1C0,1XS, 1XT,1XX,1XY	07	070
			ME994591	HEAD ASSY,ENG CYLINDER	1			G6,H6,H6E, J6,J6E	1SP,1XU,1XZ	07	070
			ME994591	HEAD ASSY,ENG CYLINDER	1			G6,H6,H6E, J6,J6E,K6, K6E,M6E			070
			ME994591	HEAD ASSY,ENG CYLINDER	1			G6,H6,H6E, J6,J6E			070
			ME994591	HEAD ASSY,ENG CYLINDER	1			K6,K6E,M6E			070
			ME994591	HEAD ASSY,ENG CYLINDER	1			G6V,H6V,H6VE, J6V,J6VE,K6VE			070



FK74R
No.1

01300A ｼﾞﾝｼﾞﾝ ASSY, ﾘﾝﾀﾞｰ

ｼﾞﾝｼﾞﾝ NO	名 称
11-130	ｼﾞﾝｼﾞﾝ, ﾘﾝﾀﾞｰ
11-130	ﾗｲﾝ, ﾘﾝﾀﾞｰ
11-130	ｼﾞﾝｼﾞﾝ, ﾘﾝﾀﾞｰ
11-130	ﾋﾞｼﾞ, ﾘﾝﾀﾞｰ
11-130	ｸﾗﾝｸ, ﾘﾝﾀﾞｰ
11-130	ｷｬｯﾌﾟ, ﾘﾝﾀﾞｰ
11-130	ｼﾞﾝｼﾞﾝ, ﾘﾝﾀﾞｰ
11-130	ﾈｯﾄ, ﾘﾝﾀﾞｰ
11-130	ﾈｯﾄ, ﾘﾝﾀﾞｰ
11-410	ﾈｯﾄ ﾏｽﾄ, ﾘﾝﾀﾞｰ
11-410	ｼﾞﾝｼﾞﾝ, ﾘﾝﾀﾞｰ
11-410	ﾈｯﾄ ﾏｽﾄ, ﾘﾝﾀﾞｰ
11-410	ｷｬｯﾌﾟ, ﾘﾝﾀﾞｰ

2 K 0 0 0 1

Ref. |2011040

Page

FK74R
11-040 SERVICE CYLINDER BLOCK ASSY

Repl Part RP	PNC 01300A	Part No	Part Name	Qty	NEW1	Classification	Option	Model Year	Start	End
		ME994011	BLOCK ASSY,CYLINDER	1	Y	G6,G6E,H6, H6E,J6,J6E, K6,K6E,M6, M6E			04053	04063
		ME994057	BLOCK ASSY,CYLINDER	1		K6,K6E,M6E			04071	07052
		ME994057	BLOCK ASSY,CYLINDER	1		G6,G6E,G6V, H6,H6E,H6V, H6VE,J6,J6E, J6V,J6VE,K6, K6E,K6V,K6VE, M6,M6E,M6VE			04071	07052
		ME994057	BLOCK ASSY,CYLINDER	1		G6,G6E,G6V, H6,H6E,H6V, H6VE,J6,J6E, J6V,J6VE,K6, K6E,K6V,K6VE, M6,M6E,M6VE			04071	07052
		ME994057	BLOCK ASSY,CYLINDER	1		G6,G6E,G6V, H6,H6E,H6V, H6VE,J6,J6E, J6V,J6VE,K6, K6E,K6V,K6VE, M6,M6E,M6VE			04071	07052
		ME994057	BLOCK ASSY,CYLINDER	1		G6,H6,H6E, J6,J6E	14C,1C0	07	07053	09052
		ME994057	BLOCK ASSY,CYLINDER	1		G6,H6,H6E, J6,J6E,K6, K6E,M6E	1SP	07	07053	09052
		ME994057	BLOCK ASSY,CYLINDER	1		G6,H6,H6E, J6,J6E			07053	09052
		ME994057	BLOCK ASSY,CYLINDER	1		G6,H6,H6E, J6,J6E			07053	09052
		ME994057	BLOCK ASSY,CYLINDER	1		K6,K6E,M6E			07053	09052

Ref. |2011040

Page

FK74R

11-040 SERVICE CYLINDER BLOCK ASSY

Repl Part	PNC	Part No	Part Name	Qty	NEW1	Classification	Option	Model Year	Start	End
	01300A	ME994057	BLOCK ASSY,CYLINDER	1		G6,H6,H6E, J6,J6E,K6, K6E,M6E			07053	09052
		ME994057	BLOCK ASSY,CYLINDER	1		G6V,H6V,H6VE, J6V,J6VE,K6VE			07053	09052
		ME994519	BLOCK ASSY,CYLINDER	1		G6,H6,H6E, J6,J6E,K6, K6E,M6E	1XS,1XT,1XX, 1XY	07	07053	09052
		ME994519	BLOCK ASSY,CYLINDER	1		G6,H6,H6E, J6,J6E	1XU,1XZ	07	07053	09052

www.AutoEPC.com

FK74R
No.1

01340

547 6 1' ストド キット

ク' & ヲ' NO	名 称
11-130	ライナ, ピストン
11-210	ク' ヲ' NO, コネクタ' ヲ' NO
11-210	ピ' ストド
11-210	ピ' ストド
11-210	ク' ヲ' NO, ピ' ストド
11-210	ク' ヲ' NO, ピ' ストド

2K0000

Ref. |2011050

Page

FK74R
11-050 LINER & PISTON KIT

Repl Part	PNC	Part No	Part Name	Qty	Part Spec	Remarks	NEW1	Classification	Option	Model
RP	01340	ME994009	LINER & PISTON KIT	1	SIZE 1	FOR ONE VEHICLE	Y	K6,K6E,M6E		
RP		ME994009	LINER & PISTON KIT	1	SIZE 1	FOR ONE VEHICLE	Y	G6,G6E,G6V, H6,H6E,H6V, H6VE,J6,J6E, J6V,J6VE,K6, K6E,K6V,K6VE, M6,M6E,M6VE		
RP		ME994009	LINER & PISTON KIT	1	SIZE 1	FOR ONE VEHICLE	Y	G6E,G6V,H6V, H6VE,J6V,J6VE, K6V,K6VE,M6, M6VE		
RP		ME994009	LINER & PISTON KIT	1	SIZE 1	FOR ONE VEHICLE	Y	G6,G6E,G6V, H6,H6E,H6V, H6VE,J6,J6E, J6V,J6VE,K6, K6E,K6V,K6VE, M6,M6E,M6VE		
RP		ME994010	LINER & PISTON KIT	1	SIZE 2	FOR ONE VEHICLE	Y	G6,H6,H6E, J6,J6E		
RP		ME994010	LINER & PISTON KIT	1	SIZE 2	FOR ONE VEHICLE	Y	K6,K6E,M6E		
RP		ME994010	LINER & PISTON KIT	1	SIZE 2	FOR ONE VEHICLE	Y	G6,G6E,G6V, H6,H6E,H6V, H6VE,J6,J6E, J6V,J6VE,K6, K6E,K6V,K6VE, M6,M6E,M6VE		
RP		ME994010	LINER & PISTON KIT	1	SIZE 2	FOR ONE VEHICLE	Y	G6E,G6V,H6V, H6VE,J6V,J6VE, K6V,K6VE,M6, M6VE		

Ref. |2011050

Page

FK74R
11-050 LINER & PISTON KIT

Repl Part RP	PNC 01340	Part No ME994010	Part Name LINER & PISTON KIT	Qty 1	Part Spec SIZE 2	Remarks FOR ONE VEHICLE	NEW1 Y	Classification G6,G6E,G6V, H6,H6E,H6V, H6VE,J6,J6E, J6V,J6VE,K6, K6E,K6V,K6VE, M6,M6E,M6VE	Option	Model
RP		ME994010	LINER & PISTON KIT	1	SIZE 2	FOR ONE VEHICLE	Y	G6,H6,H6E, J6,J6E		
RP		ME994009	LINER & PISTON KIT	1	SIZE 1	FOR ONE VEHICLE	Y	G6,H6,H6E, J6,J6E,K6, K6E,M6E	14C,1C0,1XS, 1XT,1XX,1XY	07
RP		ME994010	LINER & PISTON KIT	1	SIZE 2	FOR ONE VEHICLE	Y	G6,H6,H6E, J6,J6E,K6, K6E,M6E	14C,1C0,1XS, 1XT,1XX,1XY	07
RP		ME994009	LINER & PISTON KIT	1	SIZE 1	FOR ONE VEHICLE	Y	G6,H6,H6E, J6,J6E	1SP,1XU,1XZ	07
RP		ME994010	LINER & PISTON KIT	1	SIZE 2	FOR ONE VEHICLE	Y	G6,H6,H6E, J6,J6E	1SP,1XU,1XZ	07
		ME994613	LINER & PISTON KIT	1	SIZE 1	FOR ONE VEHICLE		G6,H6,H6E, J6,J6E,K6, K6E,M6E	14C,1C0,1XS, 1XT,1XX,1XY	07
		ME994614	LINER & PISTON KIT	1	SIZE 2	FOR ONE VEHICLE		G6,H6,H6E, J6,J6E,K6, K6E,M6E	14C,1C0,1XS, 1XT,1XX,1XY	07
		ME994613	LINER & PISTON KIT	1	SIZE 1	FOR ONE VEHICLE		G6,H6,H6E, J6,J6E	1SP,1XU,1XZ	07
		ME994614	LINER & PISTON KIT	1	SIZE 2	FOR ONE VEHICLE		G6,H6,H6E, J6,J6E	1SP,1XU,1XZ	07
		ME994613	LINER & PISTON KIT	1	SIZE 1	FOR ONE VEHICLE		K6,K6E,M6E		
		ME994613	LINER & PISTON KIT	1	SIZE 1	FOR ONE VEHICLE		G6,H6,H6E, J6,J6E,K6, K6E,M6E		
		ME994613	LINER & PISTON KIT	1	SIZE 1	FOR ONE VEHICLE		G6,H6,H6E, J6,J6E		
		ME994614	LINER & PISTON KIT	1	SIZE 2	FOR ONE VEHICLE		G6,H6,H6E, J6,J6E,K6, K6E,M6E		
		ME994614	LINER & PISTON KIT	1	SIZE 2	FOR ONE VEHICLE		G6,H6,H6E, J6,J6E		
		ME994614	LINER & PISTON KIT	1	SIZE 2	FOR ONE VEHICLE		K6,K6E,M6E		
		ME994613	LINER & PISTON KIT	1	SIZE 1	FOR ONE VEHICLE		G6V,H6V,H6VE, J6V,J6VE,K6VE		
		ME994614	LINER & PISTON KIT	1	SIZE 2	FOR ONE VEHICLE		G6V,H6V,H6VE, J6V,J6VE,K6VE		

FK74R
No.1

03000A 055799771 ASSY

クォーテラノ	名 称
11-210	クランクシャフト
11-210	ピストン、クランクシャフト

260000

Ref. |2011060

Page

FK74R
11-060 SERVICE CRANKSHAFT ASSY

PNC	Part No	Part Name	Qty	Classification	Option	Model Year	Start	End
03000A	ME223935	CRANKSHAFT ASSY	1	K6,K6E,M6E			04053	07052
	ME223935	CRANKSHAFT ASSY	1	G6,G6E,G6V, H6,H6E,H6V, H6VE,J6,J6E, J6V,J6VE,K6, K6E,K6V,K6VE, M6,M6E,M6VE			04053	07052
	ME223935	CRANKSHAFT ASSY	1	G6E,G6V,H6V, H6VE,J6V,J6VE, K6V,K6VE,M6, M6VE			04053	07052
	ME223935	CRANKSHAFT ASSY	1	G6,G6E,G6V, H6,H6E,H6V, H6VE,J6,J6E, J6V,J6VE,K6, K6E,K6V,K6VE, M6,M6E,M6VE			04053	07052
	ME223935	CRANKSHAFT ASSY	1	G6,H6,H6E, J6,J6E			04053	07052
	ME223935	CRANKSHAFT ASSY	1	G6,H6,H6E, J6,J6E,K6, K6E,M6E	14C,1C0,1XS, 1XT,1XX,1XY	07	07053	09052
	ME223935	CRANKSHAFT ASSY	1	G6,H6,H6E, J6,J6E	1SP,1XU,1XZ	07	07053	09052
	ME223935	CRANKSHAFT ASSY	1	G6,H6,H6E, J6,J6E			07053	09052
	ME223935	CRANKSHAFT ASSY	1	G6,H6,H6E, J6,J6E,K6, K6E,M6E			07053	09052
	ME223935	CRANKSHAFT ASSY	1	K6,K6E,M6E			07053	09052
	ME223935	CRANKSHAFT ASSY	1	G6V,H6V,H6VE, J6V,J6VE,K6VE			07053	09052

Ref. |2011060

Page

FK74R
No.1

01070 ｶﾞｽｹｯﾄ ｷｯﾄ, ﺇﾝｼﾞﾝ ﾍﾞｰｽ ﾍﾞｰｽ

ｸﾞﾙｰﾌﾞ ﻧﻮ	名 称
11-110	ﻮﻟﺪﻭﻛ, ﺇﻧﺴﻮﻝ ﺟﻮﻟﻴﻮﻧ
11-110	ﻮﻟﺪﻭﻛ, ﻮﻳﻞ ﺋﺎﻟﻰ
11-110	ｶﾞｽｹｯﾄ, ﺇﻧﺴﻮﻝ ﺟﻮﻟﻴﻮﻧ
11-110	ｶﾞｽｹｯﾄ, ﻮﻳﻞ ﺋﺎﻟﻰ
11-110	ｶﾞｽｹｯﾄ, ﻮﻳﻞ ﻛﻪﺱ
11-120	ｶﾞｽｹｯﾄ, ﺗﻮﻟﻮﻳﻦ ﺋﺎﻟﻰ
11-120	ﻮﻟﺪﻭﻛ, ﺗﻮﻟﻮﻳﻦ ﺋﺎﻟﻰ
11-120	ｶﾞｽｹｯﾄ, ﺗﻮﻟﻮﻳﻦ ﻛﻪﺱ ﺋﺎﻟﻰ ﺟﻮﻳﻨﺘﻮﻛ
11-140	ﻮﻟﺪﻭﻛ, ﺇﻧﺴﻮﻝ ﻮﻳﻞ ﺟﻮﻳﻨﺘﻮﻛ
11-140	ｶﾞｽｹｯﾄ, ﺇﻧﺴﻮﻝ ﻮﻳﻞ ﺋﺎﻟﻰ ﺗﻮﻟﻮﻳﻦ ﺟﻮﻟﻴﻮﻧ
11-240	ﻮﻟﺪﻭﻛ, ﺗﺎﻳﻤﻮﻛ ﻛﻪﺱ
11-240	ｶﾞｽｹｯﾄ, ﺗﺎﻳﻤﻮﻛ ﻛﻪﺱ
12-110	ﻮﻟﺪﻭﻛ, ﺇﻧﺴﻮﻝ ﻮﻳﻞ ﺋﺎﻟﻰ
12-110	ﻮﻟﺪﻭﻛ, ﻮﻳﻞ ﺋﺎﻟﻰ
12-120	ｶﾞｽｹｯﾄ, ﻮﻳﻞ ﺟﻮﻳﻨﺘﻮﻛ ﺋﺎﻟﻰ
12-130	ﻮﻟﺪﻭﻛ, ﺇﻧﺴﻮﻝ ﻮﻳﻞ ﻛﻪﺱ
12-130	ｶﾞｽｹｯﾄ, ﺇﻧﺴﻮﻝ ﻮﻳﻞ ﻛﻪﺱ ﺋﺎﻟﻰ
12-140	ﻮﻟﺪﻭﻛ, ﺇﻧﺴﻮﻝ ﻮﻳﻞ ﺟﻮﻳﻨﺘﻮﻛ
12-140	ｶﾞｽｹｯﾄ, ﺗﻮﻟﻮﻳﻦ ﺗﺎﻳﻤﻮﻛ ﻮﻳﻞ ﻛﻪﺱ ﺟﻮﻳﻨﺘﻮﻛ
13-030	ﻮﻟﺪﻭﻛ, ﺟﻮﻳﻨﺘﻮﻛ ﺟﻮﻳﻨﺘﻮﻛ
13-030	ｶﾞｽｹｯﾄ, ﺟﻮﻳﻨﺘﻮﻛ ﺟﻮﻳﻨﺘﻮﻛ
13-110	ﻮﻟﺪﻭﻛ, ﺇﻧﺴﻮﻝ ﺋﺎﻟﻰ
13-410	ﻮﻟﺪﻭﻛ, ﺟﻮﻳﻨﺘﻮﻛ ﺇﻧﺴﻮﻝ ﺋﺎﻟﻰ
13-410	ｶﾞｽｹｯﾄ, ﺟﻮﻳﻨﺘﻮﻛ ﺇﻧﺴﻮﻝ ﺋﺎﻟﻰ
13-420	ｶﾞｽｹｯﾄ, ﺟﻮﻳﻨﺘﻮﻛ ﺟﻮﻳﻨﺘﻮﻛ
14-110	ｶﾞｽｹｯﾄ, ﻛﻪﺱ ﺋﺎﻟﻰ
14-120	ﻮﻟﺪﻭﻛ, ﻛﻪﺱ ﺟﻮﻳﻨﺘﻮﻛ
14-120	ｶﾞｽｹｯﾄ, ﻛﻪﺱ ﺟﻮﻳﻨﺘﻮﻛ ﻛﻪﺱ ﺟﻮﻳﻨﺘﻮﻛ ﺋﺎﻟﻰ
15-210	ｶﾞｽｹｯﾄ, ﺇﻧﺴﻮﻝ ﻣﺎﻧﻴﻔﻪﺳﺘ
15-210	ｶﾞｽｹｯﾄ, ﺇﻧﺴﻮﻝ ﻣﺎﻧﻴﻔﻪﺳﺘ ﺋﺎﻟﻰ
15-210	ｶﾞｽｹｯﾄ, ﺳﻮﻟﻴﻨﻮﻳﺪ ﺋﺎﻟﻰ
15-310	ｶﾞｽｹｯﾄ, ﺇﻧﺴﻮﻝ ﻣﺎﻧﻴﻔﻪﺳﺘ
15-410	ﻮﻟﺪﻭﻛ, ﺗﻮﻟﻮﻳﻦ ﺗﺎﻳﻤﻮﻛ
15-410	ｶﾞｽｹｯﾄ, ﺗﻮﻟﻮﻳﻦ ﺗﺎﻳﻤﻮﻛ
15-410	ｶﾞｽｹｯﾄ, ﺗﻮﻟﻮﻳﻦ ﺗﺎﻳﻤﻮﻛ ﺇﻧﺴﻮﻝ ﺋﺎﻟﻰ
15-710	ｶﾞｽｹｯﾄ, ﺇﻧﺴﻮﻝ ﺋﺎﻟﻰ
15-710	ﻮﻟﺪﻭﻛ, ﺇﻧﺴﻮﻝ ﺋﺎﻟﻰ
16-110	ﻮﻟﺪﻭﻛ, ﺋﺎﻟﻰ ﺋﺎﻟﻰ
37-110	ﻮﻟﺪﻭﻛ, ﺋﺎﻟﻰ ﺋﺎﻟﻰ

C00016

Ref. |2011090

Page

FK74R
11-090 ENGINE OVERHAUL GASKET KIT

PNC	Part No	Part Name	Qty	Supply Mode	Part Spec	Classification	Option	Model Year	Start	E
01070	ME994029	GASKET KIT,ENG OVERHAUL	1		A SIZE	K6,K6E,M6E			04053	07
	ME994029	GASKET KIT,ENG OVERHAUL	1		A SIZE	G6,G6E,G6V, H6,H6E,H6V, H6VE,J6,J6E, J6V,J6VE,K6, K6E,K6V,K6VE, M6,M6E,M6VE			04053	07
	ME994029	GASKET KIT,ENG OVERHAUL	1		A SIZE	G6E,G6V,H6V, H6VE,J6V,J6VE, K6V,K6VE,M6, M6VE			04053	07
	ME994029	GASKET KIT,ENG OVERHAUL	1		A SIZE	G6,G6E,G6V, H6,H6E,H6V, H6VE,J6,J6E, J6V,J6VE,K6, K6E,K6V,K6VE, M6,M6E,M6VE			04053	07
	ME994029	GASKET KIT,ENG OVERHAUL	1		A SIZE	G6,H6,H6E, J6,J6E			04053	07
	ME994030	GASKET KIT,ENG OVERHAUL	1		B SIZE	K6,K6E,M6E			04053	07
	ME994030	GASKET KIT,ENG OVERHAUL	1		B SIZE	G6,G6E,G6V, H6,H6E,H6V, H6VE,J6,J6E, J6V,J6VE,K6, K6E,K6V,K6VE, M6,M6E,M6VE			04053	07
	ME994030	GASKET KIT,ENG OVERHAUL	1		B SIZE	G6E,G6V,H6V, H6VE,J6V,J6VE, K6V,K6VE,M6, M6VE			04053	07

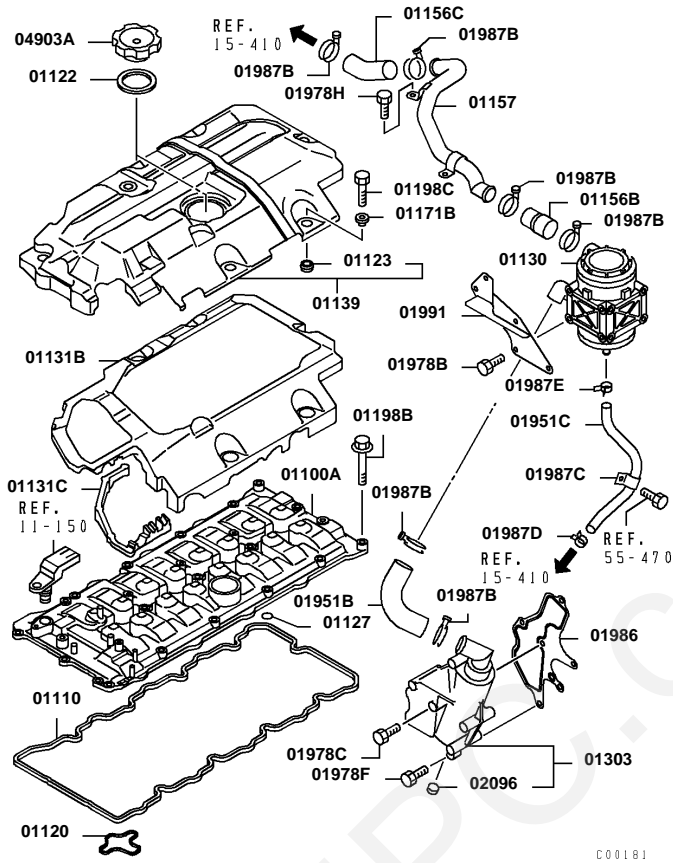
Ref. |2011090

Page

FK74R
11-090 ENGINE OVERHAUL GASKET KIT

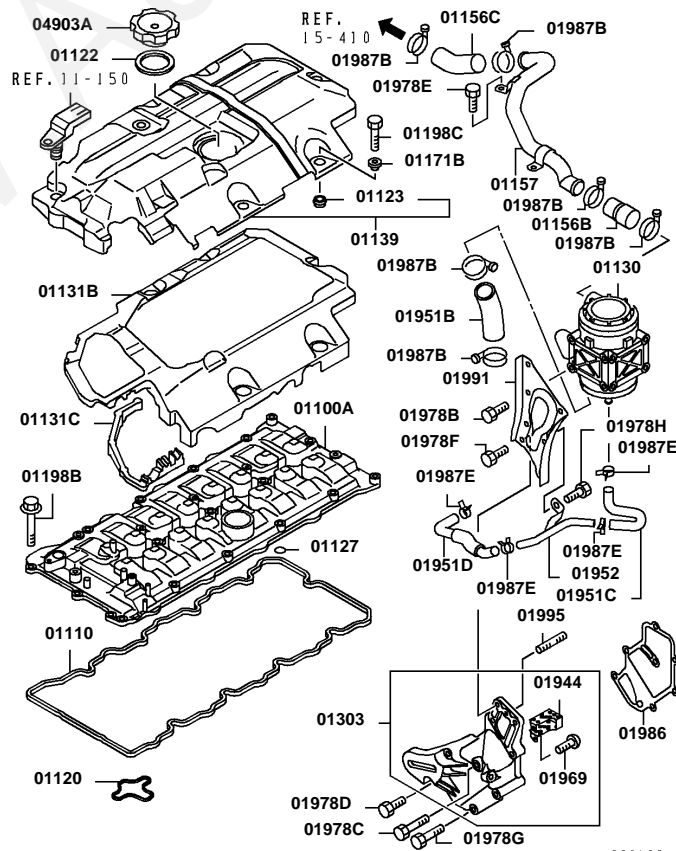
PNC	Part No	Part Name	Qty	Supply Mode	Part Spec	Classification	Option	Model Year	Start	E
01070	ME994030	GASKET KIT,ENG OVERHAUL	1		B SIZE	G6,G6E,G6V, H6,H6E,H6V, H6VE,J6,J6E, J6V,J6VE,K6, K6E,K6V,K6VE, M6,M6E,M6VE			04053	07
	ME994030	GASKET KIT,ENG OVERHAUL	1		B SIZE	G6,H6,H6E, J6,J6E			04053	07
	ME994031	GASKET KIT,ENG OVERHAUL	1		C SIZE	K6,K6E,M6E			04053	07
	ME994031	GASKET KIT,ENG OVERHAUL	1		C SIZE	G6,G6E,G6V, H6,H6E,H6V, H6VE,J6,J6E, J6V,J6VE,K6, K6E,K6V,K6VE, M6,M6E,M6VE			04053	07
	ME994031	GASKET KIT,ENG OVERHAUL	1		C SIZE	G6E,G6V,H6V, H6VE,J6V,J6VE, K6V,K6VE,M6, M6VE			04053	07
	ME994031	GASKET KIT,ENG OVERHAUL	1		C SIZE	G6,G6E,G6V, H6,H6E,H6V, H6VE,J6,J6E, J6V,J6VE,K6, K6E,K6V,K6VE, M6,M6E,M6VE			04053	07
	ME994031	GASKET KIT,ENG OVERHAUL	1		C SIZE	G6,H6,H6E, J6,J6E			04053	07
	ME994618	GASKET KIT,ENG OVERHAUL	1	OR	A SIZE	G6,H6,H6E, J6,J6E,K6, K6E,M6E	14C,1C0,1XS, 1XT,1XX,1XY	07	07053	09
	ME994619	GASKET KIT,ENG OVERHAUL	1		B SIZE	G6,H6,H6E, J6,J6E,K6, K6E,M6E	14C,1C0,1XS, 1XT,1XX,1XY	07	07053	09
	ME994620	GASKET KIT,ENG OVERHAUL	1	OR	C SIZE	G6,H6,H6E, J6,J6E,K6, K6E,M6E	14C,1C0,1XS, 1XT,1XX,1XY	07	07053	09
	ME994618	GASKET KIT,ENG OVERHAUL	1	OR	A SIZE	G6,H6,H6E, J6,J6E	1SP,1XU,1XZ	07	07053	09
	ME994619	GASKET KIT,ENG OVERHAUL	1		B SIZE	G6,H6,H6E, J6,J6E	1SP,1XU,1XZ	07	07053	09
	ME994620	GASKET KIT,ENG OVERHAUL	1	OR	C SIZE	G6,H6,H6E, J6,J6E	1SP,1XU,1XZ	07	07053	09
	ME994618	GASKET KIT,ENG OVERHAUL	1	OR	A SIZE	G6,H6,H6E, J6,J6E,K6, K6E,M6E			07053	09
	ME994618	GASKET KIT,ENG OVERHAUL	1	OR	A SIZE	K6,K6E,M6E			07053	09
	ME994619	GASKET KIT,ENG OVERHAUL	1		B SIZE	G6,H6,H6E, J6,J6E			07053	09
	ME994619	GASKET KIT,ENG OVERHAUL	1		B SIZE	G6,H6,H6E, J6,J6E,K6, K6E,M6E			07053	09
	ME994619	GASKET KIT,ENG OVERHAUL	1		B SIZE	K6,K6E,M6E			07053	09
	ME994619	GASKET KIT,ENG OVERHAUL	1		B SIZE	G6,H6,H6E, J6,J6E			07053	09
	ME994620	GASKET KIT,ENG OVERHAUL	1	OR	C SIZE	G6,H6,H6E, J6,J6E			07053	09
	ME994620	GASKET KIT,ENG OVERHAUL	1	OR	C SIZE	G6,H6,H6E, J6,J6E,K6, K6E,M6E			07053	09
	ME994620	GASKET KIT,ENG OVERHAUL	1	OR	C SIZE	K6,K6E,M6E			07053	09
	ME994618	GASKET KIT,ENG OVERHAUL	1	OR	A SIZE	G6V,H6V,H6VE, J6V,J6VE,K6VE			07053	09
	ME994619	GASKET KIT,ENG OVERHAUL	1		B SIZE	G6V,H6V,H6VE, J6V,J6VE,K6VE			07053	09
	ME994620	GASKET KIT,ENG OVERHAUL	1	OR	C SIZE	G6V,H6V,H6VE, J6V,J6VE,K6VE			07053	09

FK74R
No.1



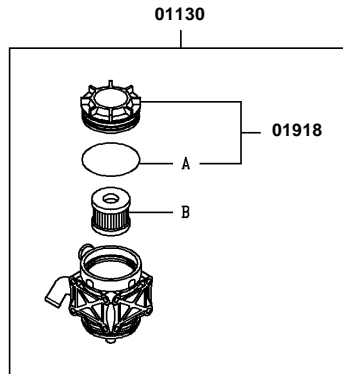
C00181

FK74R
No.2



C00163

FK74R
No.3



01163

A, B

A: O-RING
B: ELEMENT

C00180

Ref. |2011110

Page

FK74R
11-110 ROCKER COVER & BREATHER

Repl Part	PNC	Part No	Part Name	Qty	Part Spec	Remarks	NEW1	NEW2	Classif
RP	01100A	ME222549	COVER ASSY,ROCKER	1			Y	Y	G6,G6E, H6E,J6, K6,K6E, M6E
RP		ME225178	COVER ASSY,ROCKER	1			Y		K6,K6E, M6E
RP		ME225178	COVER ASSY,ROCKER	1			Y		G6,G6E, H6,H6E, H6VE,J6 J6V,J6V K6E,K6V M6,M6E, G6E,G6V H6VE,J6 K6V,K6V M6VE
RP		ME225178	COVER ASSY,ROCKER	1			Y		G6,G6E, H6,H6E, H6VE,J6 J6V,J6V K6E,K6V M6,M6E, G6,H6,H J6,J6E
RP		ME225178	COVER ASSY,ROCKER	1			Y		G6,H6,H J6,J6E, K6E,M6E
RP		ME225178	COVER ASSY,ROCKER	1			Y		G6,H6,H J6,J6E
RP		ME227732	COVER ASSY,ROCKER	1					G6,H6,H J6,J6E, K6E,M6E

Ref. |2011110

Page

FK74R
11-110 ROCKER COVER & BREATHER

Repl Part	PNC	Part No	Part Name	Qty	Part Spec	Remarks	NEW1	NEW2	Classif
	01100A	ME227732	COVER ASSY,ROCKER	1					G6,H6,H J6,J6E
		ME227732	COVER ASSY,ROCKER	1					K6,K6E,
		ME227732	COVER ASSY,ROCKER	1					G6,H6,H J6,J6E
		ME227732	COVER ASSY,ROCKER	1					G6,H6,H J6,J6E,K
		ME227732	COVER ASSY,ROCKER	1					K6E,M6E
		ME227732	COVER ASSY,ROCKER	1					G6V,H6V J6V,J6V
	01110	ME222553	GASKET,ROCKER COVER	1					K6,K6E,
		ME222553	GASKET,ROCKER COVER	1					G6,G6E, H6,H6E, H6VE,J6 J6V,J6V
		ME222553	GASKET,ROCKER COVER	1					K6E,K6V M6,M6E, G6E,G6V H6VE,J6 K6V,K6V M6VE
		ME222553	GASKET,ROCKER COVER	1					G6,G6E, H6,H6E, H6VE,J6 J6V,J6V
		ME222553	GASKET,ROCKER COVER	1					K6E,K6V M6,M6E, G6,H6,H J6,J6E
		ME222553	GASKET,ROCKER COVER	1					G6,H6,H J6,J6E,K K6E,M6E
		ME222553	GASKET,ROCKER COVER	1					G6,H6,H J6,J6E
		ME222553	GASKET,ROCKER COVER	1					G6,H6,H J6,J6E
		ME222553	GASKET,ROCKER COVER	1					G6,H6,H J6,J6E
		ME222553	GASKET,ROCKER COVER	1					G6,H6,H J6,J6E,K K6E,M6E
		ME222553	GASKET,ROCKER COVER	1					K6,K6E, G6V,H6V J6V,J6V
	01120	ME221402	GASKET,ROCKER CASE	4					K6,K6E, G6,G6E, H6,H6E, H6VE,J6 J6V,J6V
		ME221402	GASKET,ROCKER CASE	4					K6E,K6V M6,M6E, G6E,G6V H6VE,J6 K6V,K6V M6VE
		ME221402	GASKET,ROCKER CASE	4					G6,G6E, H6,H6E, H6VE,J6 J6V,J6V
		ME221402	GASKET,ROCKER CASE	4					K6E,K6V M6,M6E, G6,H6,H J6,J6E
		ME221402	GASKET,ROCKER CASE	4					G6,H6,H J6,J6E,K K6E,M6E
		ME221402	GASKET,ROCKER CASE	4					G6,H6,H J6,J6E
		ME221402	GASKET,ROCKER CASE	4					G6,H6,H J6,J6E
		ME221402	GASKET,ROCKER CASE	4					G6,H6,H J6,J6E
		ME221402	GASKET,ROCKER CASE	4					G6,H6,H J6,J6E,K K6E,M6E
		ME221402	GASKET,ROCKER CASE	4					K6,K6E,

FK74R
11-110 ROCKER COVER & BREATHER

Repl Part	PNC	Part No	Part Name	Qty	Part Spec	Remarks	NEW1	NEW2	Classif
	01120	ME221402	GASKET,ROCKER CASE	4					G6V,H6V
	01122	ME013655	GROMMET,ROCKER COVER	1					J6V,J6V
		ME013655	GROMMET,ROCKER COVER	1					K6,K6E,
									G6,G6E,
									H6,H6E,
									H6VE,J6
									J6V,J6V
									K6E,K6V
		ME013655	GROMMET,ROCKER COVER	1					M6,M6E,
									G6E,G6V
									H6VE,J6
		ME013655	GROMMET,ROCKER COVER	1					K6V,K6V
									M6VE
									G6,G6E,
									H6,H6E,
									H6VE,J6
									J6V,J6V
									K6E,K6V
									M6,M6E,
		ME013655	GROMMET,ROCKER COVER	1					G6,H6,H
									J6,J6E
		ME013655	GROMMET,ROCKER COVER	1					G6,H6,H
									J6,J6E,K
									K6E,M6E
									G6,H6,H
		ME013655	GROMMET,ROCKER COVER	1					J6,J6E
									G6,H6,H
		ME013655	GROMMET,ROCKER COVER	1					J6,J6E
									G6,H6,H
		ME013655	GROMMET,ROCKER COVER	1					J6,J6E,K
									K6E,M6E
									K6,K6E,
		ME013655	GROMMET,ROCKER COVER	1					G6V,H6V
		ME013655	GROMMET,ROCKER COVER	1					J6V,J6V
	01123	ME013289	INSULATOR,ROCKER COVER BOLT	6					K6,K6E,
		ME013289	INSULATOR,ROCKER COVER BOLT	6					G6,G6E,
									H6,H6E,
									H6VE,J6
									J6V,J6V
									K6E,K6V
									M6,M6E,
									G6E,G6V
									H6VE,J6
									K6V,K6V
									M6VE
									G6,G6E,
									H6,H6E,
									H6VE,J6
									J6V,J6V
									K6E,K6V
									M6,M6E,
		ME013289	INSULATOR,ROCKER COVER BOLT	6					G6,H6,H
									J6,J6E
		ME013289	INSULATOR,ROCKER COVER BOLT	6					G6,H6,H
									J6,J6E,K
									K6E,M6E
									G6,H6,H
		ME013289	INSULATOR,ROCKER COVER BOLT	6					J6,J6E
									G6,H6,H
		ME013289	INSULATOR,ROCKER COVER BOLT	6					J6,J6E
									G6,H6,H
		ME013289	INSULATOR,ROCKER COVER BOLT	6					J6,J6E,K
									K6E,M6E
									K6,K6E,
		ME013289	INSULATOR,ROCKER COVER BOLT	6					G6V,H6V
		ME013289	INSULATOR,ROCKER COVER BOLT	6					J6V,J6V
									K6E,K6V
									M6,M6E,
RP	01127	MF520010	O-RING,ROCKER COVER	3	D=15		Y		K6,K6E,
RP		MF520010	O-RING,ROCKER COVER	3	D=15		Y		G6,G6E,
									H6,H6E,
									H6VE,J6
									J6V,J6V
									K6E,K6V
									M6,M6E,

FK74R
11-110 ROCKER COVER & BREATHER

Repl Part RP	PNC 01127	Part No MF520010	Part Name O-RING,ROCKER COVER	Qty 3	Part Spec D=15	Remarks	NEW1 Y	NEW2	Classif G6E,G6V, H6VE,J6 K6V,K6V, M6VE G6,G6E, H6,H6E, H6VE,J6 J6V,J6V, K6E,K6V, M6,M6E, G6,H6,H J6,J6E G6,H6,H J6,J6E,K K6E,M6E, K6,K6E, G6V,H6V, J6V,J6V, K6E,K6V, M6,M6E, G6E,G6V, H6VE,J6 K6V,K6V, M6VE G6,G6E, H6,H6E, H6VE,J6 J6V,J6V, K6E,K6V, M6,M6E, G6,H6,H J6,J6E G6,H6,H J6,J6E,K K6E,M6E, K6,K6E, G6V,H6V, J6V,J6V, K6E,K6V, M6,M6E, G6,H6,H J6,J6E G6,H6,H J6,J6E, H6E,H6V, J6VE,K6 K6V,K6V, M6VE
RP		MF520010	O-RING,ROCKER COVER	3	D=15		Y		
RP		MF520010	O-RING,ROCKER COVER	3	D=15		Y		
RP		MF520010	O-RING,ROCKER COVER	3	D=15		Y		
RP		MF520010	O-RING,ROCKER COVER	3	D=15		Y		
RP		MF520010	O-RING,ROCKER COVER	3	D=15		Y		
RP		MF520010	O-RING,ROCKER COVER	3	D=15		Y		
RP		MF520010	O-RING,ROCKER COVER	3	D=15		Y		
RP		MF520010	O-RING,ROCKER COVER	3	D=15		Y		
RP		MF520010	O-RING,ROCKER COVER	3	D=15		Y		
RP		MF520010	O-RING,ROCKER COVER	3	D=15		Y		
RP		MF520010	O-RING,ROCKER COVER	3	D=15		Y		
RP		MF520010	O-RING,ROCKER COVER	3	D=15		Y		
RP		MF520010	O-RING,ROCKER COVER	3	D=15		Y		
RP	01130	ME224141	VALVE,PCV	1					
		ME224141	VALVE,PCV	1					
		ME224141	VALVE,PCV	1					
		ME224141	VALVE,PCV	1					
		ME224141	VALVE,PCV	1					
		ME225717	VALVE,PCV	1					
		ME225717	VALVE,PCV	1					
		ME225717	VALVE,PCV	1					
		ME225717	VALVE,PCV	1					
		ME225717	VALVE,PCV	1					
		ME225717	VALVE,PCV	1					
		ME225717	VALVE,PCV	1					
		ME225717	VALVE,PCV	1					
RP	01131B	ME223396	PAD,ROCKER COVER INSULATOR	1			Y		
		ME226618	PAD,ROCKER COVER INSULATOR	1					
		ME226618	PAD,ROCKER COVER INSULATOR	1					

FK74R
11-110 ROCKER COVER & BREATHER

Repl Part	PNC	Part No	Part Name	Qty	Part Spec	Remarks	NEW1	NEW2	Classif
RP	01131B	ME226618	PAD,ROCKER COVER INSULATOR	1					G6,G6V, H6E,H6V, J6,J6E,J J6VE,K6 K6V,K6V M6VE
		ME226618	PAD,ROCKER COVER INSULATOR	1					K6V,M6V
		ME226618	PAD,ROCKER COVER INSULATOR	1					K6,K6E, G6V,H6V
		ME226618	PAD,ROCKER COVER INSULATOR	1					J6V,J6V
	01131C	ME226618	PAD,ROCKER COVER INSULATOR	1					G6,G6V, H6E,H6V, J6,J6E,J J6VE,K6 K6VE,M6
		ME226618	PAD,ROCKER COVER INSULATOR	1					G6,H6,H J6,J6E
		ME226618	PAD,ROCKER COVER INSULATOR	1					G6,H6,H J6,J6E,K K6E,M6E
		ME223397	PAD,ROCKER COVER INSULATOR	1				Y	G6,G6E, H6,H6E, H6VE,J6 J6V,J6V K6E,K6V M6,M6E,
		ME226617	PAD,ROCKER COVER INSULATOR	1					G6,H6,H J6,J6E
	ME226617	PAD,ROCKER COVER INSULATOR	1					G6,G6V, H6E,H6V J6,J6E,J J6VE,K6 K6V,K6V M6VE	
	01139	ME226617	PAD,ROCKER COVER INSULATOR	1					G6,G6V, H6E,H6V J6,J6E,J J6VE,K6 K6V,K6V M6VE
		ME226617	PAD,ROCKER COVER INSULATOR	1					K6V,M6V
		ME226617	PAD,ROCKER COVER INSULATOR	1					K6,K6E, G6V,H6V J6V,J6V
ME226617		PAD,ROCKER COVER INSULATOR	1					G6,G6V, H6E,H6V J6,J6E,J J6VE,K6 K6V,K6V M6VE	
ME226617		PAD,ROCKER COVER INSULATOR	1					G6,G6E, H6,H6E, H6VE,J6 J6V,J6V K6E,K6V M6,M6E, G6V,H6V J6V,J6V K6VE,M6	
ME226617		PAD,ROCKER COVER INSULATOR	1					G6,H6,H J6,J6E	
ME226617		PAD,ROCKER COVER INSULATOR	1					G6,H6,H J6,J6E,K K6E,M6E	
RP	01139	ME223927	COVER,ROCKER COVER	1			Y	Y	G6,G6E, H6E,J6, K6,K6E, M6E
RP		ME224814	COVER,ROCKER COVER	1			Y	Y	G6,G6E, H6,H6E, H6VE,J6 J6V,J6V K6E,K6V M6,M6E, G6V,H6V J6V,J6V K6VE,M6
RP		ME226154	COVER,ROCKER COVER	1			Y		K6V,K6V M6VE
RP		ME226154	COVER,ROCKER COVER	1			Y		K6,K6E,

FK74R
11-110 ROCKER COVER & BREATHER

Repl Part	PNC	Part No	Part Name	Qty	Part Spec	Remarks	NEW1	NEW2	Classif
RP	01139	ME226154	COVER,ROCKER COVER	1			Y		G6,G6V, H6E,H6V, J6,J6E,J J6VE,K6 K6V,K6V M6VE
RP		ME226154	COVER,ROCKER COVER	1			Y		G6,H6,H J6,J6E, K6E,M6E
RP		ME226154	COVER,ROCKER COVER	1			Y		G6,G6V, H6E,H6V, J6,J6E,J J6VE,K6 K6V,K6V M6VE
RP		ME226154	COVER,ROCKER COVER	1			Y		G6,H6,H J6,J6E, K6E,M6E
RP		ME226154	COVER,ROCKER COVER	1			Y		G6,H6,H J6,J6E, K6E,M6E
RP		ME226154	COVER,ROCKER COVER	1			Y		G6,H6,H J6,J6E, K6E,M6E
RP		ME226154	COVER,ROCKER COVER	1			Y		G6,H6,H J6,J6E, K6E,M6E
RP		ME226154	COVER,ROCKER COVER	1			Y		G6,H6,H J6,J6E, K6E,M6E
RP		ME226154	COVER,ROCKER COVER	1			Y		G6,H6,H J6,J6E, K6E,M6E
	01156B	ME223337	HOSE,PCV VALVE	1					G6,G6E, H6,H6E, H6VE,J6 J6V,J6V K6E,K6V M6,M6E, G6E,G6V H6VE,J6 K6V,K6V M6VE
		ME223337	HOSE,PCV VALVE	1					G6,G6E, H6,H6E, H6VE,J6 J6V,J6V K6E,K6V M6,M6E, G6E,G6V H6VE,J6 K6V,K6V M6VE
		ME223337	HOSE,PCV VALVE	1					G6,G6E, H6,H6E, H6VE,J6 J6V,J6V K6E,K6V M6,M6E, G6E,G6V H6VE,J6 K6V,K6V M6VE
		ME223337	HOSE,PCV VALVE	1					G6,G6E, H6,H6E, H6VE,J6 J6V,J6V K6E,K6V M6,M6E, G6E,G6V H6VE,J6 K6V,K6V M6VE
		ME223337	HOSE,PCV VALVE	1					G6,G6E, H6,H6E, H6VE,J6 J6V,J6V K6E,K6V M6,M6E, G6E,G6V H6VE,J6 K6V,K6V M6VE
		ME223337	HOSE,PCV VALVE	1					G6,G6E, H6,H6E, H6VE,J6 J6V,J6V K6E,K6V M6,M6E, G6E,G6V H6VE,J6 K6V,K6V M6VE
		ME223337	HOSE,PCV VALVE	1					G6,G6E, H6,H6E, H6VE,J6 J6V,J6V K6E,K6V M6,M6E, G6E,G6V H6VE,J6 K6V,K6V M6VE
		ME223337	HOSE,PCV VALVE	1					G6,G6E, H6,H6E, H6VE,J6 J6V,J6V K6E,K6V M6,M6E, G6E,G6V H6VE,J6 K6V,K6V M6VE
		ME223337	HOSE,PCV VALVE	1					G6,G6E, H6,H6E, H6VE,J6 J6V,J6V K6E,K6V M6,M6E, G6E,G6V H6VE,J6 K6V,K6V M6VE
		ME223337	HOSE,PCV VALVE	1					G6,G6E, H6,H6E, H6VE,J6 J6V,J6V K6E,K6V M6,M6E, G6E,G6V H6VE,J6 K6V,K6V M6VE
		ME223337	HOSE,PCV VALVE	1					G6,G6E, H6,H6E, H6VE,J6 J6V,J6V K6E,K6V M6,M6E, G6E,G6V H6VE,J6 K6V,K6V M6VE
		ME223337	HOSE,PCV VALVE	1					G6,G6E, H6,H6E, H6VE,J6 J6V,J6V K6E,K6V M6,M6E, G6E,G6V H6VE,J6 K6V,K6V M6VE
		ME223337	HOSE,PCV VALVE	1					G6,G6E, H6,H6E, H6VE,J6 J6V,J6V K6E,K6V M6,M6E, G6E,G6V H6VE,J6 K6V,K6V M6VE
		ME223337	HOSE,PCV VALVE	1					G6,G6E, H6,H6E, H6VE,J6 J6V,J6V K6E,K6V M6,M6E, G6E,G6V H6VE,J6 K6V,K6V M6VE
		ME223337	HOSE,PCV VALVE	1					G6,G6E, H6,H6E, H6VE,J6 J6V,J6V K6E,K6V M6,M6E, G6E,G6V H6VE,J6 K6V,K6V M6VE
	01156C	ME223338	HOSE,PCV VALVE	1					G6,G6E, H6,H6E, H6VE,J6 J6V,J6V K6E,K6V M6,M6E, G6E,G6V H6VE,J6 K6V,K6V M6VE
		ME223338	HOSE,PCV VALVE	1					G6,G6E, H6,H6E, H6VE,J6 J6V,J6V K6E,K6V M6,M6E, G6E,G6V H6VE,J6 K6V,K6V M6VE
		ME223338	HOSE,PCV VALVE	1					G6,G6E, H6,H6E, H6VE,J6 J6V,J6V K6E,K6V M6,M6E, G6E,G6V H6VE,J6 K6V,K6V M6VE

FK74R
11-110 ROCKER COVER & BREATHER

Repl Part	PNC	Part No	Part Name	Qty	Part Spec	Remarks	NEW1	NEW2	Classif
	01156C	ME223338	HOSE,PCV VALVE	1					G6,G6E, H6,H6E, H6VE,J6 J6V,J6V K6E,K6V M6,M6E,
		ME223338	HOSE,PCV VALVE	1					G6,H6,H J6,J6E
		ME226994	HOSE,PCV VALVE	1					G6,H6,H J6,J6E,K K6E,M6E
		ME226994	HOSE,PCV VALVE	1					G6,H6,H J6,J6E
		ME226994	HOSE,PCV VALVE	1					G6,H6,H J6,J6E
		ME226994	HOSE,PCV VALVE	1					G6,H6,H J6,J6E,K K6E,M6E
		ME226994	HOSE,PCV VALVE	1					K6,K6E, G6V,H6V J6V,J6V
		ME226994	HOSE,PCV VALVE	1					K6,K6E, G6,G6E, H6,H6E, H6VE,J6 J6V,J6V
	01157	ME223334	PIPE,PCV VALVE	1					K6E,K6V M6,M6E, G6E,G6V H6VE,J6 K6V,K6V M6VE
		ME223334	PIPE,PCV VALVE	1					G6,G6E, H6,H6E, H6VE,J6 J6V,J6V
		ME223334	PIPE,PCV VALVE	1					K6E,K6V M6,M6E, G6,H6,H J6,J6E
		ME226991	PIPE,PCV VALVE	1					G6,H6,H J6,J6E,K K6E,M6E
		ME226991	PIPE,PCV VALVE	1					G6,H6,H J6,J6E
		ME226991	PIPE,PCV VALVE	1					G6,H6,H J6,J6E
		ME226991	PIPE,PCV VALVE	1					G6,H6,H J6,J6E,K K6E,M6E
		ME226991	PIPE,PCV VALVE	1					K6,K6E, G6V,H6V J6V,J6V
		ME226991	PIPE,PCV VALVE	1					K6,K6E, G6,G6E, H6,H6E, H6VE,J6 J6V,J6V
		ME226991	PIPE,PCV VALVE	1					K6E,K6V M6,M6E, G6E,G6V H6VE,J6 K6V,K6V M6VE
		ME226991	PIPE,PCV VALVE	1					G6,G6E, H6,H6E, H6VE,J6 J6V,J6V
		ME226991	PIPE,PCV VALVE	1					K6E,K6V M6,M6E, G6,H6,H J6,J6E
	01163	ME224207	ELEMENT KIT,PCV VALVE	1					K6,K6E, G6,G6E, H6,H6E, H6VE,J6 J6V,J6V
		ME224207	ELEMENT KIT,PCV VALVE	1					K6E,K6V M6,M6E, G6E,G6V H6VE,J6 K6V,K6V M6VE
		ME224207	ELEMENT KIT,PCV VALVE	1					G6,G6E, H6,H6E, H6VE,J6 J6V,J6V
		ME224207	ELEMENT KIT,PCV VALVE	1					K6E,K6V M6,M6E, G6,H6,H J6,J6E

FK74R
11-110 ROCKER COVER & BREATHER

Repl Part	PNC	Part No	Part Name	Qty	Part Spec	Remarks	NEW1	NEW2	Classif
	01163	ME224207	ELEMENT KIT,PCV VALVE	1					G6,H6,H J6,J6E,K K6E,M6E,
		ME224207	ELEMENT KIT,PCV VALVE	1					G6,H6,H J6,J6E
		ME224207	ELEMENT KIT,PCV VALVE	1					G6,H6,H J6,J6E
		ME224207	ELEMENT KIT,PCV VALVE	1					G6,H6,H J6,J6E,K K6E,M6E,
		ME224207	ELEMENT KIT,PCV VALVE	1					K6,K6E,
		ME224207	ELEMENT KIT,PCV VALVE	1					G6V,H6V J6V,J6V
	01171B	ME015774	SPACER,ROCKER COVER	6	T=11.6				K6,K6E,
		ME015774	SPACER,ROCKER COVER	6	T=11.6				G6,G6E, H6,H6E, H6VE,J6 J6V,J6V K6E,K6V M6,M6E,
		ME015774	SPACER,ROCKER COVER	6	T=11.6				G6E,G6V H6VE,J6 K6V,K6V M6VE
		ME015774	SPACER,ROCKER COVER	6	T=11.6				G6,G6E, H6,H6E, H6VE,J6 J6V,J6V K6E,K6V M6,M6E,
		ME015774	SPACER,ROCKER COVER	6	T=11.6				G6,H6,H J6,J6E
		ME015774	SPACER,ROCKER COVER	6	T=11.6				G6,H6,H J6,J6E,K K6E,M6E,
		ME015774	SPACER,ROCKER COVER	6	T=11.6				G6,H6,H J6,J6E
		ME015774	SPACER,ROCKER COVER	6	T=11.6				G6,H6,H J6,J6E
		ME015774	SPACER,ROCKER COVER	6	T=11.6				G6,H6,H J6,J6E,K K6E,M6E,
		ME015774	SPACER,ROCKER COVER	6	T=11.6				K6,K6E,
		ME015774	SPACER,ROCKER COVER	6	T=11.6				G6V,H6V J6V,J6V
	01198B	MF140231	BOLT,ROCKER COVER	17	FLANGE,8X35	7T			G6E,K6V M6VE
		MF140231	BOLT,ROCKER COVER	17	FLANGE,8X35	7T			G6,H6,H J6,J6E
		MF140231	BOLT,ROCKER COVER	17	FLANGE,8X35	7T			G6,G6E, H6,H6E, H6VE,J6 J6V,J6V K6E,K6V M6,M6E,
		MF140231	BOLT,ROCKER COVER	17	FLANGE,8X35	7T			G6,G6E, H6,H6E, H6VE,J6 J6V,J6V K6E,K6V M6,M6E,
		MF140231	BOLT,ROCKER COVER	17	FLANGE,8X35	7T			K6,K6E,
		MF140231	BOLT,ROCKER COVER	17	FLANGE,8X35	7T			G6V,H6V J6V,J6V
		MF140231	BOLT,ROCKER COVER	17	FLANGE,8X35	7T			G6,G6V, H6E,H6V, J6,J6E,J J6VE,K6
		MF140231	BOLT,ROCKER COVER	17	FLANGE,8X35	7T			K6VE,M6 G6,H6,H J6,J6E

FK74R
11-110 ROCKER COVER & BREATHER

Repl Part	PNC	Part No	Part Name	Qty	Part Spec	Remarks	NEW1	NEW2	Classif
	01198B	MF140231	BOLT,ROCKER COVER	17	FLANGE,8X35	7T			G6,H6,H J6,J6E,K K6E,M6E
	01198C	MF140226	BOLT,ROCKER COVER	6	FLANGE,8X22	7T			G6E,K6V M6VE
		MF140226	BOLT,ROCKER COVER	6	FLANGE,8X22	7T			G6,H6,H J6,J6E
		MF140226	BOLT,ROCKER COVER	6	FLANGE,8X22	7T			G6,G6E, H6,H6E, H6VE,J6 J6V,J6V
		MF140226	BOLT,ROCKER COVER	6	FLANGE,8X22	7T			K6E,K6V M6,M6E, G6,G6E, H6,H6E, H6VE,J6 J6V,J6V
		MF140226	BOLT,ROCKER COVER	6	FLANGE,8X22	7T			K6E,K6V M6,M6E, K6,K6E, G6V,H6V J6V,J6V
		MF140226	BOLT,ROCKER COVER	6	FLANGE,8X22	7T			G6,G6V, H6E,H6V, J6,J6E,J J6VE,K6
		MF140226	BOLT,ROCKER COVER	6	FLANGE,8X22	7T			K6VE,M6 G6,H6,H J6,J6E
		MF140226	BOLT,ROCKER COVER	6	FLANGE,8X22	7T			G6,H6,H J6,J6E,K K6E,M6E
	01303	ME224643	BREATHER,ENG	1					K6,K6E, G6,G6E, H6,H6E, H6VE,J6 J6V,J6V
		ME224643	BREATHER,ENG	1					K6E,K6V M6,M6E, G6E,G6V H6VE,J6 K6V,K6V M6VE
		ME224643	BREATHER,ENG	1					G6,G6E, H6,H6E, H6VE,J6 J6V,J6V
		ME224643	BREATHER,ENG	1					K6E,K6V M6,M6E, G6,H6,H J6,J6E
		ME226387	BREATHER,ENG	1					G6,H6,H J6,J6E,K K6E,M6E
		ME226387	BREATHER,ENG	1					G6,H6,H J6,J6E
		ME226387	BREATHER,ENG	1					G6,H6,H J6,J6E
		ME226387	BREATHER,ENG	1					G6,H6,H J6,J6E
		ME226387	BREATHER,ENG	1					G6,H6,H J6,J6E
		ME226387	BREATHER,ENG	1					G6,H6,H J6,J6E
		ME226387	BREATHER,ENG	1					K6,K6E, G6V,H6V J6V,J6V
	01918	ME224142	CAP,PCV VALVE	1					K6,K6E, G6,G6E, H6,H6E, H6VE,J6 J6V,J6V
		ME224142	CAP,PCV VALVE	1					K6E,K6V M6,M6E,

FK74R
11-110 ROCKER COVER & BREATHER

Repl Part	PNC	Part No	Part Name	Qty	Part Spec	Remarks	NEW1	NEW2	Classif
	01918	ME224142	CAP,PCV VALVE	1					G6E,G6V H6VE,J6 K6V,K6V M6VE
		ME224142	CAP,PCV VALVE	1					G6,G6E, H6,H6E, H6VE,J6 J6V,J6V K6E,K6V M6,M6E, G6,H6,H J6,J6E
		ME224142	CAP,PCV VALVE	1					G6,H6,H J6,J6E,K K6E,M6E, G6,H6,H J6,J6E
		ME227110	CAP,PCV VALVE	1					G6,H6,H J6,J6E,K K6E,M6E, G6,H6,H J6,J6E
		ME227110	CAP,PCV VALVE	1					G6,H6,H J6,J6E,K K6E,M6E, G6,H6,H J6,J6E
		ME227110	CAP,PCV VALVE	1					G6,H6,H J6,J6E,K K6E,M6E, K6,K6E, G6V,H6V J6V,J6V
		ME227110	CAP,PCV VALVE	1					G6,H6,H J6,J6E,K K6E,M6E, G6,H6,H J6,J6E
		ME227110	CAP,PCV VALVE	1					G6,H6,H J6,J6E,K K6E,M6E, K6,K6E, G6V,H6V J6V,J6V
	01944	ME225745	PLATE,ENG BREATHER	1					G6,H6,H J6,J6E,K K6E,M6E, G6,H6,H J6,J6E
		ME225745	PLATE,ENG BREATHER	1					G6,H6,H J6,J6E
		ME225745	PLATE,ENG BREATHER	1					G6,H6,H J6,J6E
		ME225745	PLATE,ENG BREATHER	1					K6,K6E, G6,H6,H J6,J6E,K K6E,M6E, G6V,H6V J6V,J6V
		ME225745	PLATE,ENG BREATHER	1					K6,K6E, G6,H6,H J6,J6E,K K6E,M6E, G6V,H6V J6V,J6V
	01951B	ME222317	HOSE,ENG BREATHER	1	RUBBER,27.6				K6,K6E, G6,G6E, H6,H6E, H6VE,J6 J6V,J6V K6E,K6V M6,M6E, G6E,G6V H6VE,J6 K6V,K6V M6VE
		ME222317	HOSE,ENG BREATHER	1	RUBBER,27.6				G6,G6E, H6,H6E, H6VE,J6 J6V,J6V K6E,K6V M6,M6E, G6E,G6V H6VE,J6 K6V,K6V M6VE
		ME222317	HOSE,ENG BREATHER	1	RUBBER,27.6				G6,G6E, H6,H6E, H6VE,J6 J6V,J6V K6E,K6V M6,M6E, G6E,G6V H6VE,J6 K6V,K6V M6VE
		ME222317	HOSE,ENG BREATHER	1	RUBBER,27.6				G6,G6E, H6,H6E, H6VE,J6 J6V,J6V K6E,K6V M6,M6E, G6E,G6V H6VE,J6 K6V,K6V M6VE
		ME222317	HOSE,ENG BREATHER	1	RUBBER,27.6				G6,G6E, H6,H6E, H6VE,J6 J6V,J6V K6E,K6V M6,M6E, G6E,G6V H6VE,J6 K6V,K6V M6VE
		ME225720	HOSE,ENG BREATHER	1	27.5X107.5				G6,H6,H J6,J6E,K K6E,M6E, G6,H6,H J6,J6E
		ME225720	HOSE,ENG BREATHER	1	27.5X107.5				G6,H6,H J6,J6E
		ME225720	HOSE,ENG BREATHER	1	27.5X107.5				G6,H6,H J6,J6E
		ME225720	HOSE,ENG BREATHER	1	27.5X107.5				G6,H6,H J6,J6E
		ME225720	HOSE,ENG BREATHER	1	27.5X107.5				G6,H6,H J6,J6E,K K6E,M6E, K6,K6E, G6V,H6V J6V,J6V
		ME225720	HOSE,ENG BREATHER	1	27.5X107.5				G6V,H6V J6V,J6V
	01951C	ME224334	HOSE,ENG BREATHER	1	RUBBER,9,12X330				K6,K6E,

11-110 ROCKER COVER & BREATHER

Repl Part	PNC	Part No	Part Name	Qty	Part Spec	Remarks	NEW1	NEW2	Classif
	01951C	ME224334	HOSE,ENG BREATHER	1	RUBBER,9,12X330				G6,G6E, H6,H6E, H6VE, J6 J6V, J6V K6E, K6V M6, M6E, G6E, G6V H6VE, J6 K6V, K6V M6VE
		ME224334	HOSE,ENG BREATHER	1	RUBBER,9,12X330				G6, G6E, H6, H6E, H6VE, J6 J6V, J6V K6E, K6V M6, M6E, G6, H6, H6VE, J6 J6E
		ME224334	HOSE,ENG BREATHER	1	RUBBER,9,12X330				G6, H6, H6VE, J6 J6E, K6E, M6E
		ME224334	HOSE,ENG BREATHER	1	RUBBER,9,12X330				G6, H6, H6VE, J6 J6E
		ME227435	HOSE,ENG BREATHER	1	9.8X42				G6, H6, H6VE, J6 J6E, K6E, M6E
		ME227435	HOSE,ENG BREATHER	1	9.8X42				G6, H6, H6VE, J6 J6E
		ME227435	HOSE,ENG BREATHER	1	9.8X42				G6, H6, H6VE, J6 J6E
		ME227435	HOSE,ENG BREATHER	1	9.8X42				G6, H6, H6VE, J6 J6E
		ME227435	HOSE,ENG BREATHER	1	9.8X42				G6, H6, H6VE, J6 J6E, K6E, M6E
		ME227435	HOSE,ENG BREATHER	1	9.8X42				G6, H6, H6VE, J6 J6E, K6E, M6E
		ME227435	HOSE,ENG BREATHER	1	9.8X42				G6, H6, H6VE, J6 J6E
		ME227435	HOSE,ENG BREATHER	1	9.8X42				G6, H6, H6VE, J6 J6E, K6E, M6E
		ME227435	HOSE,ENG BREATHER	1	9.8X42				G6, H6, H6VE, J6 J6E, K6E, M6E
		ME227435	HOSE,ENG BREATHER	1	9.8X42				G6, H6, H6VE, J6 J6E, K6E, M6E
		ME227435	HOSE,ENG BREATHER	1	9.8X42				G6, H6, H6VE, J6 J6E, K6E, M6E
		ME227436	HOSE,ENG BREATHER	1	17X196				G6, H6, H6VE, J6 J6E, K6E, M6E
		ME227436	HOSE,ENG BREATHER	1	17X196				G6, H6, H6VE, J6 J6E
		ME227436	HOSE,ENG BREATHER	1	17X196				G6, H6, H6VE, J6 J6E
		ME227436	HOSE,ENG BREATHER	1	17X196				G6, H6, H6VE, J6 J6E
		ME227436	HOSE,ENG BREATHER	1	17X196				G6, H6, H6VE, J6 J6E
		ME227436	HOSE,ENG BREATHER	1	17X196				G6, H6, H6VE, J6 J6E
		ME227436	HOSE,ENG BREATHER	1	17X196				G6, H6, H6VE, J6 J6E
		ME227436	HOSE,ENG BREATHER	1	17X196				G6, H6, H6VE, J6 J6E
	01951D	ME227436	HOSE,ENG BREATHER	1	17X196				G6, H6, H6VE, J6 J6E, K6E, M6E
		ME227436	HOSE,ENG BREATHER	1	17X196				G6, H6, H6VE, J6 J6E
		ME227436	HOSE,ENG BREATHER	1	17X196				G6, H6, H6VE, J6 J6E
		ME227436	HOSE,ENG BREATHER	1	17X196				G6, H6, H6VE, J6 J6E
		ME227436	HOSE,ENG BREATHER	1	17X196				G6, H6, H6VE, J6 J6E
		ME227436	HOSE,ENG BREATHER	1	17X196				G6, H6, H6VE, J6 J6E
		ME227436	HOSE,ENG BREATHER	1	17X196				G6, H6, H6VE, J6 J6E
		ME227436	HOSE,ENG BREATHER	1	17X196				G6, H6, H6VE, J6 J6E
		ME227436	HOSE,ENG BREATHER	1	17X196				G6, H6, H6VE, J6 J6E
		ME227436	HOSE,ENG BREATHER	1	17X196				G6, H6, H6VE, J6 J6E
		ME227436	HOSE,ENG BREATHER	1	17X196				G6, H6, H6VE, J6 J6E
		ME227436	HOSE,ENG BREATHER	1	17X196				G6, H6, H6VE, J6 J6E
		ME227436	HOSE,ENG BREATHER	1	17X196				G6, H6, H6VE, J6 J6E
	01952	ME227437	PIPE,ENG BREATHER	1	10				G6, H6, H6VE, J6 J6E, K6E, M6E
		ME227437	PIPE,ENG BREATHER	1	10				G6, H6, H6VE, J6 J6E
		ME227437	PIPE,ENG BREATHER	1	10				G6, H6, H6VE, J6 J6E
		ME227437	PIPE,ENG BREATHER	1	10				G6, H6, H6VE, J6 J6E
		ME227437	PIPE,ENG BREATHER	1	10				G6, H6, H6VE, J6 J6E
		ME227437	PIPE,ENG BREATHER	1	10				G6, H6, H6VE, J6 J6E
		ME227437	PIPE,ENG BREATHER	1	10				G6, H6, H6VE, J6 J6E
		ME227437	PIPE,ENG BREATHER	1	10				G6, H6, H6VE, J6 J6E
		ME227437	PIPE,ENG BREATHER	1	10				G6, H6, H6VE, J6 J6E
		ME227437	PIPE,ENG BREATHER	1	10				G6, H6, H6VE, J6 J6E
		ME227437	PIPE,ENG BREATHER	1	10				G6, H6, H6VE, J6 J6E
		ME227437	PIPE,ENG BREATHER	1	10				G6, H6, H6VE, J6 J6E
		ME227437	PIPE,ENG BREATHER	1	10				G6, H6, H6VE, J6 J6E
		ME227437	PIPE,ENG BREATHER	1	10				G6, H6, H6VE, J6 J6E
		ME227437	PIPE,ENG BREATHER	1	10				G6, H6, H6VE, J6 J6E
		ME227437	PIPE,ENG BREATHER	1	10				G6, H6, H6VE, J6 J6E
		ME227437	PIPE,ENG BREATHER	1	10				G6, H6, H6VE, J6 J6E
		ME227437	PIPE,ENG BREATHER	1	10				G6, H6, H6VE, J6 J6E
	01969	MH000596	SCREW,ENG BREATHER	2	WASHER ASSEMBLED,4X8				G6, H6, H6VE, J6 J6E, K6E, M6E
		MH000596	SCREW,ENG BREATHER	2	WASHER ASSEMBLED,4X8				G6, H6, H6VE, J6 J6E
		MH000596	SCREW,ENG BREATHER	2	WASHER ASSEMBLED,4X8				G6, H6, H6VE, J6 J6E
		MH000596	SCREW,ENG BREATHER	2	WASHER ASSEMBLED,4X8				G6, H6, H6VE, J6 J6E
		MH000596	SCREW,ENG BREATHER	2	WASHER ASSEMBLED,4X8				G6, H6, H6VE, J6 J6E
		MH000596	SCREW,ENG BREATHER	2	WASHER ASSEMBLED,4X8				G6, H6, H6VE, J6 J6E
		MH000596	SCREW,ENG BREATHER	2	WASHER ASSEMBLED,4X8				G6, H6, H6VE, J6 J6E
		MH000596	SCREW,ENG BREATHER	2	WASHER ASSEMBLED,4X8				G6, H6, H6VE, J6 J6E

FK74R
11-110 ROCKER COVER & BREATHER

Repl Part	PNC	Part No	Part Name	Qty	Part Spec	Remarks	NEW1	NEW2	Classif
01969		MH000596	SCREW,ENG BREATHER	2	WASHER ASSEMBLED,4X8				G6,H6,H
		MH000596	SCREW,ENG BREATHER	2	WASHER ASSEMBLED,4X8				J6,J6E
01978B		MF140225	BOLT,ENG BREATHER	6	FLANGE,8X20	7T			G6,H6,H
		MF140225	BOLT,ENG BREATHER	6	FLANGE,8X20	7T			J6,J6E,K
		MF140225	BOLT,ENG BREATHER	6	FLANGE,8X20	7T			K6E,M6E
		MF140225	BOLT,ENG BREATHER	6	FLANGE,8X20	7T			G6E,K6V
		MF140225	BOLT,ENG BREATHER	6	FLANGE,8X20	7T			M6VE
		MF140225	BOLT,ENG BREATHER	6	FLANGE,8X20	7T			G6,H6,H
		MF140225	BOLT,ENG BREATHER	6	FLANGE,8X20	7T			J6,J6E
		MF140225	BOLT,ENG BREATHER	6	FLANGE,8X20	7T			G6,G6E,
		MF140225	BOLT,ENG BREATHER	6	FLANGE,8X20	7T			H6,H6E,
		MF140225	BOLT,ENG BREATHER	6	FLANGE,8X20	7T			H6VE,J6
		MF140225	BOLT,ENG BREATHER	6	FLANGE,8X20	7T			J6V,J6V
		MF140225	BOLT,ENG BREATHER	6	FLANGE,8X20	7T			K6E,K6V
01978C		MF140225	BOLT,ENG BREATHER	6	FLANGE,8X20	7T			M6,M6E,
		MF140225	BOLT,ENG BREATHER	6	FLANGE,8X20	7T			G6,G6E,
		MF140225	BOLT,ENG BREATHER	6	FLANGE,8X20	7T			H6,H6E,
		MF140225	BOLT,ENG BREATHER	6	FLANGE,8X20	7T			H6VE,J6
		MF140225	BOLT,ENG BREATHER	6	FLANGE,8X20	7T			J6V,J6V
		MF140225	BOLT,ENG BREATHER	6	FLANGE,8X20	7T			K6E,K6V
		MF140225	BOLT,ENG BREATHER	6	FLANGE,8X20	7T			M6,M6E,
		MF140225	BOLT,ENG BREATHER	6	FLANGE,8X20	7T			K6,K6E,
		MF140225	BOLT,ENG BREATHER	6	FLANGE,8X20	7T			G6V,H6V
		MF140225	BOLT,ENG BREATHER	6	FLANGE,8X20	7T			J6V,J6V
		MF140225	BOLT,ENG BREATHER	6	FLANGE,8X20	7T			G6,G6V,
		MF140225	BOLT,ENG BREATHER	6	FLANGE,8X20	7T			H6E,H6V
01978C		MF140241	BOLT,ENG BREATHER	5	FLANGE,8X80	7T			J6,J6E,J
		MF140241	BOLT,ENG BREATHER	5	FLANGE,8X80	7T			J6VE,K6
		MF140241	BOLT,ENG BREATHER	5	FLANGE,8X80	7T			K6VE,M6
		MF140241	BOLT,ENG BREATHER	5	FLANGE,8X80	7T			G6,G6V,
		MF140241	BOLT,ENG BREATHER	5	FLANGE,8X80	7T			H6E,H6V
		MF140241	BOLT,ENG BREATHER	5	FLANGE,8X80	7T			J6,J6E,J
		MF140241	BOLT,ENG BREATHER	5	FLANGE,8X80	7T			J6VE,K6
		MF140241	BOLT,ENG BREATHER	5	FLANGE,8X80	7T			K6VE,M6
		MF140241	BOLT,ENG BREATHER	5	FLANGE,8X80	7T			G6,G6E,
		MF140241	BOLT,ENG BREATHER	5	FLANGE,8X80	7T			H6,H6E,
		MF140241	BOLT,ENG BREATHER	5	FLANGE,8X80	7T			H6VE,J6
		MF140241	BOLT,ENG BREATHER	5	FLANGE,8X80	7T			J6V,J6V
01978C		MH001267	BOLT,ENG BREATHER	1	8				K6E,K6V
		MH001267	BOLT,ENG BREATHER	1	8				M6,M6E,
		MH001267	BOLT,ENG BREATHER	1	8				G6,H6,H
		MH001267	BOLT,ENG BREATHER	1	8				J6,J6E
		MH001267	BOLT,ENG BREATHER	1	8				K6,K6E,
		MH001267	BOLT,ENG BREATHER	1	8				G6V,H6V
		MH001267	BOLT,ENG BREATHER	1	8				J6V,J6V
		MH001267	BOLT,ENG BREATHER	1	8				G6,G6V,
		MH001267	BOLT,ENG BREATHER	1	8				H6E,H6V
		MH001267	BOLT,ENG BREATHER	1	8				J6,J6E,J
		MH001267	BOLT,ENG BREATHER	1	8				J6VE,K6
		MH001267	BOLT,ENG BREATHER	1	8				K6VE,M6
01978C		MH001267	BOLT,ENG BREATHER	1	8				G6,G6V,
		MH001267	BOLT,ENG BREATHER	1	8				H6E,H6V
01978C		MH001267	BOLT,ENG BREATHER	1	8				J6,J6E,J
		MH001267	BOLT,ENG BREATHER	1	8				J6VE,K6
01978C		MH001267	BOLT,ENG BREATHER	1	8				K6VE,M6
		MH001267	BOLT,ENG BREATHER	1	8				G6,H6,H
01978C		MH001267	BOLT,ENG BREATHER	1	8				J6,J6E
		MH001267	BOLT,ENG BREATHER	1	8				G6,H6,H
01978C		MH001267	BOLT,ENG BREATHER	1	8				J6,J6E,K
		MH001267	BOLT,ENG BREATHER	1	8				K6E,M6E

FK74R
11-110 ROCKER COVER & BREATHER

Repl Part	PNC	Part No	Part Name	Qty	Part Spec	Remarks	NEW1	NEW2	Classif
	01978D	MF140243	BOLT,ENG BREATHER	2	FLANGE,8X85	7T			G6V,H6V
		MF140243	BOLT,ENG BREATHER	2	FLANGE,8X85	7T			J6V,J6V
		MF140243	BOLT,ENG BREATHER	2	FLANGE,8X85	7T			G6,H6,H
									J6,J6E
									G6,G6V,
									H6E,H6V,
									J6,J6E,J
									J6VE,K6
									K6VE,M
		MF140243	BOLT,ENG BREATHER	2	FLANGE,8X85	7T			K6,K6E,
		MF140243	BOLT,ENG BREATHER	2	FLANGE,8X85	7T			G6,G6V,
									H6E,H6V,
									J6,J6E,J
									J6VE,K6
									K6VE,M
		MF140243	BOLT,ENG BREATHER	2	FLANGE,8X85	7T			G6,H6,H
		MF140243	BOLT,ENG BREATHER	2	FLANGE,8X85	7T			J6,J6E
									G6,H6,H
									J6,J6E,K
									K6E,M6E
	01978E	MF140223	BOLT,ENG BREATHER	4	FLANGE,8X16	7T			G6V,H6V
		MF140223	BOLT,ENG BREATHER	4	FLANGE,8X16	7T			J6V,J6V
		MF140223	BOLT,ENG BREATHER	4	FLANGE,8X16	7T			G6,H6,H
									J6,J6E
									G6,G6V,
									H6E,H6V,
									J6,J6E,J
									J6VE,K6
									K6VE,M
		MF140223	BOLT,ENG BREATHER	4	FLANGE,8X16	7T			K6,K6E,
		MF140223	BOLT,ENG BREATHER	4	FLANGE,8X16	7T			G6,G6V,
									H6E,H6V,
									J6,J6E,J
									J6VE,K6
									K6VE,M
		MF140223	BOLT,ENG BREATHER	4	FLANGE,8X16	7T			G6,H6,H
		MF140223	BOLT,ENG BREATHER	4	FLANGE,8X16	7T			J6,J6E
									G6,H6,H
									J6,J6E,K
									K6E,M6E
	01978F	MF140229	BOLT,ENG BREATHER	1	FLANGE,8X30	7T			G6V,H6V
		MF140229	BOLT,ENG BREATHER	1	FLANGE,8X30	7T			J6V,J6V
		MF140229	BOLT,ENG BREATHER	1	FLANGE,8X30	7T			K6,K6E,
		MF140229	BOLT,ENG BREATHER	1	FLANGE,8X30	7T			G6,H6,H
									J6,J6E
									G6E,K6V
									M6VE
									G6,G6E,
									H6,H6E,
									H6VE,J6
									J6V,J6V
									K6E,K6V
									M6,M6E,
									G6,G6E,
									H6,H6E,
									H6VE,J6
									J6V,J6V
									K6E,K6V
									M6,M6E,
		MF140233	BOLT,ENG BREATHER	2	FLANGE,8X40	7T			G6,H6,H
		MF140233	BOLT,ENG BREATHER	2	FLANGE,8X40	7T			J6,J6E
		MF140233	BOLT,ENG BREATHER	2	FLANGE,8X40	7T			K6,K6E,
		MF140233	BOLT,ENG BREATHER	2	FLANGE,8X40	7T			G6V,H6V
									J6V,J6V
									G6,G6V,
									H6E,H6V,
									J6,J6E,J
									J6VE,K6
									K6VE,M

FK74R
11-110 ROCKER COVER & BREATHER

Repl Part	PNC	Part No	Part Name	Qty	Part Spec	Remarks	NEW1	NEW2	Classif
	01978F	MF140233	BOLT,ENG BREATHER	2	FLANGE,8X40	7T			G6,G6V, H6E,H6V, J6,J6E,J J6VE,K6 K6VE,M6
		MF140233	BOLT,ENG BREATHER	2	FLANGE,8X40	7T			G6,H6,H J6,J6E
		MF140233	BOLT,ENG BREATHER	2	FLANGE,8X40	7T			G6,H6,H J6,J6E,K K6E,M6E
	01978G	MF140240	BOLT,ENG BREATHER	2	FLANGE,8X75	7T			G6V,H6V, J6V,J6V
		MF140240	BOLT,ENG BREATHER	2	FLANGE,8X75	7T			G6,H6,H J6,J6E
		MF140240	BOLT,ENG BREATHER	2	FLANGE,8X75	7T			G6,G6V, H6E,H6V
		MF140240	BOLT,ENG BREATHER	2	FLANGE,8X75	7T			J6,J6E,J J6VE,K6 K6VE,M6
		MF140240	BOLT,ENG BREATHER	2	FLANGE,8X75	7T			K6,K6E, G6,G6V, H6E,H6V
		MF140240	BOLT,ENG BREATHER	2	FLANGE,8X75	7T			J6,J6E,J J6VE,K6 K6VE,M6
		MF140240	BOLT,ENG BREATHER	2	FLANGE,8X75	7T			G6,H6,H J6,J6E
		MF140240	BOLT,ENG BREATHER	2	FLANGE,8X75	7T			G6,H6,H J6,J6E,K K6E,M6E
	01978H	MF140223	BOLT,ENG BREATHER	2	FLANGE,8X16	7T			G6V,H6V, J6V,J6V
		MF140223	BOLT,ENG BREATHER	2	FLANGE,8X16	7T			K6,K6E, G6,H6,H
		MF140223	BOLT,ENG BREATHER	2	FLANGE,8X16	7T			J6,J6E G6E,K6V M6VE
		MF140223	BOLT,ENG BREATHER	2	FLANGE,8X16	7T			G6,G6E, H6,H6E, H6VE,J6 J6V,J6V
		MF140223	BOLT,ENG BREATHER	2	FLANGE,8X16	7T			K6E,K6V M6,M6E, G6,G6E, H6,H6E, H6VE,J6 J6V,J6V
		MF140223	BOLT,ENG BREATHER	2	FLANGE,8X16	7T			K6E,K6V M6,M6E, G6,H6,H J6,J6E
		MF140221	BOLT,ENG BREATHER	1	FLANGE,8X12	7T			K6,K6E, G6V,H6V J6V,J6V
		MF140221	BOLT,ENG BREATHER	1	FLANGE,8X12	7T			G6,G6V, H6E,H6V
		MF140221	BOLT,ENG BREATHER	1	FLANGE,8X12	7T			J6,J6E,J J6VE,K6 K6VE,M6
		MF140221	BOLT,ENG BREATHER	1	FLANGE,8X12	7T			G6,H6,H J6,J6E
		MF140221	BOLT,ENG BREATHER	1	FLANGE,8X12	7T			G6,H6,H J6,J6E,K K6E,M6E
	01986	ME222302	GASKET,ENG BREATHER	1					K6,K6E,

FK74R
11-110 ROCKER COVER & BREATHER

Repl Part	PNC	Part No	Part Name	Qty	Part Spec	Remarks	NEW1	NEW2	Classif	
	01986	ME222302	GASKET,ENG BREATHER	1					G6,G6E, H6,H6E, H6VE,J6 J6V,J6V K6E,K6V M6,M6E, G6E,G6V H6VE,J6 K6V,K6V M6VE G6,G6E, H6,H6E, H6VE,J6 J6V,J6V K6E,K6V M6,M6E, G6,H6,H J6,J6E G6,H6,H J6,J6E,K K6E,M6E G6,H6,H J6,J6E G6,H6,H J6,J6E G6,H6,H J6,J6E,K K6E,M6E K6,K6E, G6V,H6V J6V,J6V K6,K6E, G6,G6E, H6,H6E, H6VE,J6 J6V,J6V K6E,K6V M6,M6E, G6E,G6V H6VE,J6 K6V,K6V M6VE G6,G6E, H6,H6E, H6VE,J6 J6V,J6V K6E,K6V M6,M6E, G6,H6,H J6,J6E G6,H6,H J6,J6E,K K6E,M6E G6,H6,H J6,J6E G6,H6,H J6,J6E G6,H6,H J6,J6E G6,H6,H J6,J6E,K K6E,M6E K6,K6E, G6V,H6V J6V,J6V G6,G6E, H6,H6E, H6VE,J6 J6V,J6V K6E,K6V M6,M6E,	
		ME222302	GASKET,ENG BREATHER	1						
		ME222302	GASKET,ENG BREATHER	1						
		ME222302	GASKET,ENG BREATHER	1						
		ME222302	GASKET,ENG BREATHER	1						
		ME226899	GASKET,ENG BREATHER	1						
		ME226899	GASKET,ENG BREATHER	1						
		ME226899	GASKET,ENG BREATHER	1						
		ME226899	GASKET,ENG BREATHER	1						
		ME226899	GASKET,ENG BREATHER	1						
		ME226899	GASKET,ENG BREATHER GASKET,ENG BREATHER	1 1						
		01987B	MS666013 MS666013	CLIP,ENG BREATHER	6	D=35				
				CLIP,ENG BREATHER	6	D=35				
			MS666013	CLIP,ENG BREATHER	6	D=35				
	MS666013		CLIP,ENG BREATHER	6	D=35					
	MS666013		CLIP,ENG BREATHER	6	D=35					
	MS666013		CLIP,ENG BREATHER	6	D=35					
	MS666013		CLIP,ENG BREATHER	6	D=35					
	MS666013		CLIP,ENG BREATHER	6	D=35					
	MS666013		CLIP,ENG BREATHER CLIP,ENG BREATHER	6 6	D=35 D=35					
	MS666013		CLIP,ENG BREATHER	6	D=35					
	01987C	MH020423	CLIP,ENG BREATHER	1	D=18					
			CLIP,ENG BREATHER	1	D=18					

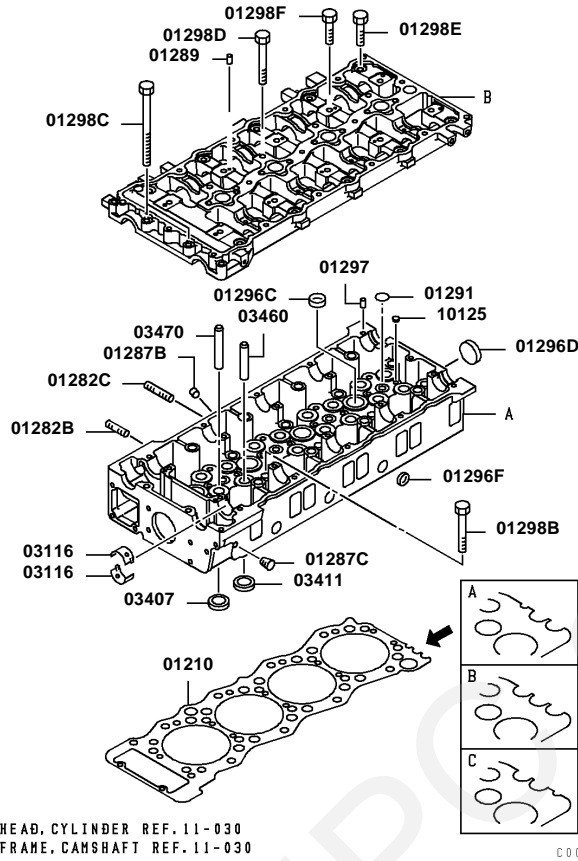
FK74R
11-110 ROCKER COVER & BREATHER

Repl Part	PNC	Part No	Part Name	Qty	Part Spec	Remarks	NEW1	NEW2	Classif
	01987D	MS660168	CLIP,ENG BREATHER	1	D=17.8				G6,G6E, H6,H6E, H6VE,J6 J6V,J6V K6E,K6V M6,M6E, K6,K6E, G6,G6E, H6,H6E, H6VE,J6 J6V,J6V K6E,K6V M6,M6E, G6E,G6V H6VE,J6 K6V,K6V M6VE G6,G6E, H6,H6E, H6VE,J6 J6V,J6V K6E,K6V M6,M6E, G6,H6,H J6,J6E G6,H6,H J6,J6E,K K6E,M6E G6,H6,H J6,J6E G6,H6,H J6,J6E G6,H6,H J6,J6E,K K6E,M6E G6,H6,H J6,J6E G6,H6,H J6,J6E G6,H6,H J6,J6E,K K6E,M6E K6,K6E, G6V,H6V J6V,J6V K6,K6E, G6,G6E, H6,H6E, H6VE,J6 J6V,J6V K6E,K6V M6,M6E, G6E,G6V H6VE,J6 K6V,K6V M6VE G6,G6E, H6,H6E, H6VE,J6 J6V,J6V K6E,K6V M6,M6E, G6,H6,H J6,J6E G6,H6,H J6,J6E,K K6E,M6E G6,H6,H J6,J6E G6,H6,H J6,J6E G6,H6,H J6,J6E,K K6E,M6E K6,K6E, G6V,H6V J6V,J6V G6,H6,H J6,J6E,K K6E,M6E
	01987E	MS660165	CLIP,ENG BREATHER	1	D=14.8				
		MS660165	CLIP,ENG BREATHER	1	D=14.8				
		MS660165	CLIP,ENG BREATHER	1	D=14.8				
		MS660165	CLIP,ENG BREATHER	1	D=14.8				
		MS660165	CLIP,ENG BREATHER	1	D=14.8				
		MS660165	CLIP,ENG BREATHER	4	D=14.8				
		MS660165	CLIP,ENG BREATHER	4	D=14.8				
		MS660165	CLIP,ENG BREATHER	4	D=14.8				
		MS660165	CLIP,ENG BREATHER	4	D=14.8				
		MS660165	CLIP,ENG BREATHER	4	D=14.8				
		MS660165	CLIP,ENG BREATHER	4	D=14.8				
		MS660165	CLIP,ENG BREATHER	4	D=14.8				
		MS660165	CLIP,ENG BREATHER	4	D=14.8				
		MS660165	CLIP,ENG BREATHER	4	D=14.8				
		MS660165	CLIP,ENG BREATHER	4	D=14.8				
		MS660165	CLIP,ENG BREATHER	4	D=14.8				
	01991	ME224609	BRACKET,ENG BREATHER	1					
		ME224609	BRACKET,ENG BREATHER	1					
		ME224609	BRACKET,ENG BREATHER	1					
		ME224609	BRACKET,ENG BREATHER	1					
		ME224609	BRACKET,ENG BREATHER	1					
		ME227440	BRACKET,ENG BREATHER	1					
		ME227440	BRACKET,ENG BREATHER	1					
		ME227440	BRACKET,ENG BREATHER	1					
		ME227440	BRACKET,ENG BREATHER	1					
		ME227440	BRACKET,ENG BREATHER	1					
		ME227440	BRACKET,ENG BREATHER	1					
		ME227440	BRACKET,ENG BREATHER	1					
		ME227440	BRACKET,ENG BREATHER	1					
		ME227440	BRACKET,ENG BREATHER	1					
		ME227440	BRACKET,ENG BREATHER	1					
	01995	MH002310	STUD,ENG BREATHER	1	6X35				

FK74R
11-110 ROCKER COVER & BREATHER

Repl Part	PNC	Part No	Part Name	Qty	Part Spec	Remarks	NEW1	NEW2	Classif
	01995	MH002310	STUD,ENG BREATHER	1	6X35				G6,H6,H J6,J6E
		MH002310	STUD,ENG BREATHER	1	6X35				G6,H6,H J6,J6E
		MH002310	STUD,ENG BREATHER	1	6X35				K6,K6E, G6,H6,H
		MH002310	STUD,ENG BREATHER	1	6X35				J6,J6E,K K6E,M6E
		MH002310	STUD,ENG BREATHER	1	6X35				G6V,H6V J6V,J6V
	02096	MF665537	CAP,ENG FR CASE	1	SEALING,22				G6,G6E, H6,H6E, H6VE,J6 J6V,J6V
RP	04903A	MD008784	CAP ASSY,ENG OIL FILLER	1			Y	Y	K6,K6E, M6,M6E,
RP		MD008784	CAP ASSY,ENG OIL FILLER	1			Y	Y	G6,G6E, H6,H6E, H6VE,J6 J6V,J6V
RP		MD008784	CAP ASSY,ENG OIL FILLER	1			Y	Y	K6E,K6V M6,M6E, G6E,G6V
RP		MD008784	CAP ASSY,ENG OIL FILLER	1			Y	Y	H6VE,J6 K6V,K6V M6VE
RP		MD008784	CAP ASSY,ENG OIL FILLER	1			Y	Y	G6,G6E, H6,H6E, H6VE,J6 J6V,J6V
RP		MD008784	CAP ASSY,ENG OIL FILLER	1			Y	Y	K6E,K6V M6,M6E, G6,H6,H
RP		MD008784	CAP ASSY,ENG OIL FILLER	1			Y	Y	J6,J6E G6,H6,H
RP		MD008784	CAP ASSY,ENG OIL FILLER	1			Y	Y	J6,J6E,K K6E,M6E
RP		MD008784	CAP ASSY,ENG OIL FILLER	1			Y	Y	G6,H6,H J6,J6E
RP		MD008784	CAP ASSY,ENG OIL FILLER	1			Y	Y	G6,H6,H J6,J6E
RP		MD008784	CAP ASSY,ENG OIL FILLER	1			Y	Y	G6,H6,H J6,J6E,K K6E,M6E
RP		MD008784	CAP ASSY,ENG OIL FILLER	1			Y	Y	K6,K6E, G6V,H6V
RP		MD008784	CAP ASSY,ENG OIL FILLER	1			Y	Y	J6V,J6V

FK74R
No.1



Ref. |2011120

Page

FK74R
11-120 CYLINDER HEAD

PNC	Part No	Part Name	Qty	Supply Mode	Part Spec	Remarks	Classification
01210	ME303202	GASKET,CYLINDER HEAD	1		A SIZE		K6,K6E,M6E
	ME303202	GASKET,CYLINDER HEAD	1		A SIZE		G6,G6E,G6V, H6,H6E,H6V, H6VE,J6,J6E, J6V,J6VE,K6, K6E,K6V,K6VE, M6,M6E,M6VE
	ME303202	GASKET,CYLINDER HEAD	1		A SIZE		G6E,G6V,H6V, H6VE,J6V,J6VE, K6V,K6VE,M6, M6VE
	ME303202	GASKET,CYLINDER HEAD	1		A SIZE		G6,G6E,G6V, H6,H6E,H6V, H6VE,J6,J6E, J6V,J6VE,K6, K6E,K6V,K6VE, M6,M6E,M6VE
	ME303203	GASKET,CYLINDER HEAD	1		B SIZE		G6,H6,H6E, J6,J6E
	ME303203	GASKET,CYLINDER HEAD	1		B SIZE		K6,K6E,M6E
	ME303203	GASKET,CYLINDER HEAD	1		B SIZE		G6,G6E,G6V, H6,H6E,H6V, H6VE,J6,J6E, J6V,J6VE,K6, K6E,K6V,K6VE, M6,M6E,M6VE
	ME303203	GASKET,CYLINDER HEAD	1		B SIZE		G6E,G6V,H6V, H6VE,J6V,J6VE, K6V,K6VE,M6, M6VE

Ref. |2011120

Page

FK74R
11-120 CYLINDER HEAD

PNC	Part No	Part Name	Qty	Supply Mode	Part Spec	Remarks	Classification
01210	ME303203	GASKET,CYLINDER HEAD	1		B SIZE		G6,G6E,G6V, H6,H6E,H6V, H6VE,J6,J6E, J6V,J6VE,K6, K6E,K6V,K6VE, M6,M6E,M6VE
	ME303203	GASKET,CYLINDER HEAD	1		B SIZE		G6,H6,H6E, J6,J6E
	ME303204	GASKET,CYLINDER HEAD	1		C SIZE		K6,K6E,M6E
	ME303204	GASKET,CYLINDER HEAD	1		C SIZE		G6,G6E,G6V, H6,H6E,H6V, H6VE,J6,J6E, J6V,J6VE,K6, K6E,K6V,K6VE, M6,M6E,M6VE
	ME303204	GASKET,CYLINDER HEAD	1		C SIZE		G6E,G6V,H6V, H6VE,J6V,J6VE, K6V,K6VE,M6, M6VE
	ME303204	GASKET,CYLINDER HEAD	1		C SIZE		G6,G6E,G6V, H6,H6E,H6V, H6VE,J6,J6E, J6V,J6VE,K6, K6E,K6V,K6VE, M6,M6E,M6VE
	ME303204	GASKET,CYLINDER HEAD	1		C SIZE		G6,H6,H6E, J6,J6E
	ME226784	GASKET,CYLINDER HEAD	1	OR	A SIZE		G6,H6,H6E, J6,J6E,K6, K6E,M6E
	ME226785	GASKET,CYLINDER HEAD	1		B SIZE		G6,H6,H6E, J6,J6E,K6, K6E,M6E
	ME226786	GASKET,CYLINDER HEAD	1	OR	C SIZE		G6,H6,H6E, J6,J6E,K6, K6E,M6E
	ME226784	GASKET,CYLINDER HEAD	1	OR	A SIZE		G6,H6,H6E, J6,J6E
	ME226785	GASKET,CYLINDER HEAD	1		B SIZE		G6,H6,H6E, J6,J6E
	ME226786	GASKET,CYLINDER HEAD	1	OR	C SIZE		G6,H6,H6E, J6,J6E
	ME226784	GASKET,CYLINDER HEAD	1	OR	A SIZE		G6,H6,H6E, J6,J6E,K6, K6E,M6E
	ME226784	GASKET,CYLINDER HEAD	1	OR	A SIZE		K6,K6E,M6E
	ME226784	GASKET,CYLINDER HEAD	1	OR	A SIZE		G6,H6,H6E, J6,J6E
	ME226785	GASKET,CYLINDER HEAD	1		B SIZE		G6,H6,H6E, J6,J6E,K6, K6E,M6E
	ME226785	GASKET,CYLINDER HEAD	1		B SIZE		K6,K6E,M6E
	ME226785	GASKET,CYLINDER HEAD	1		B SIZE		G6,H6,H6E, J6,J6E
	ME226786	GASKET,CYLINDER HEAD	1	OR	C SIZE		G6,H6,H6E, J6,J6E
	ME226786	GASKET,CYLINDER HEAD	1	OR	C SIZE		G6,H6,H6E, J6,J6E,K6, K6E,M6E
	ME226786	GASKET,CYLINDER HEAD	1	OR	C SIZE		K6,K6E,M6E
	ME226784	GASKET,CYLINDER HEAD	1	OR	A SIZE		G6V,H6V,H6VE, J6V,J6VE,K6VE
	ME226785	GASKET,CYLINDER HEAD	1		B SIZE		G6V,H6V,H6VE, J6V,J6VE,K6VE
	ME226786	GASKET,CYLINDER HEAD	1	OR	C SIZE		G6V,H6V,H6VE, J6V,J6VE,K6VE
01282B	MH002149	STUD,CYLINDER HEAD	13		10X48		G6,G6E,H6, H6E,J6,J6E, K6,K6E,M6, M6E
	MH002149	STUD,CYLINDER HEAD	12		10X48		K6,K6E,M6E

FK74R
11-120 CYLINDER HEAD

PNC	Part No	Part Name	Qty	Supply Mode	Part Spec	Remarks	Classification	
01282B	MH002149	STUD,CYLINDER HEAD	12		10X48		G6,G6E,G6V, H6,H6E,H6V, H6VE,J6,J6E, J6V,J6VE,K6, K6E,K6V,K6VE, M6,M6E,M6VE	
	MH002149	STUD,CYLINDER HEAD	12		10X48		G6E,G6V,H6V, H6VE,J6V,J6VE, K6V,K6VE,M6, M6VE	
	MH002149	STUD,CYLINDER HEAD	12		10X48		G6,G6E,G6V, H6,H6E,H6V, H6VE,J6,J6E, J6V,J6VE,K6, K6E,K6V,K6VE, M6,M6E,M6VE	
	MH002149	STUD,CYLINDER HEAD	12		10X48		G6,H6,H6E, J6,J6E	
	MH002149	STUD,CYLINDER HEAD	12		10X48		G6,H6,H6E, J6,J6E,K6, K6E,M6E	
	MH002149	STUD,CYLINDER HEAD	12		10X48		G6,H6,H6E, J6,J6E	
	MH002149	STUD,CYLINDER HEAD	12		10X48		G6,H6,H6E, J6,J6E	
	MH002149	STUD,CYLINDER HEAD	12		10X48		K6,K6E,M6E	
	MH002149	STUD,CYLINDER HEAD	12		10X48		G6,H6,H6E, J6,J6E,K6, K6E,M6E	
	MH002149	STUD,CYLINDER HEAD	12		10X48		G6V,H6V,H6VE, J6V,J6VE,K6VE	
	01282C	MH002167	STUD,CYLINDER HEAD	3		10X30		G6,G6E,H6, H6E,J6,J6E, K6,K6E,M6, M6E
		MH002167	STUD,CYLINDER HEAD	4		10X30		K6,K6E,M6E
		MH002167	STUD,CYLINDER HEAD	4		10X30		G6,G6E,G6V, H6,H6E,H6V, H6VE,J6,J6E, J6V,J6VE,K6, K6E,K6V,K6VE, M6,M6E,M6VE
		MH002167	STUD,CYLINDER HEAD	4		10X30		G6E,G6V,H6V, H6VE,J6V,J6VE, K6V,K6VE,M6, M6VE
MH002167		STUD,CYLINDER HEAD	4		10X30		G6,G6E,G6V, H6,H6E,H6V, H6VE,J6,J6E, J6V,J6VE,K6, K6E,K6V,K6VE, M6,M6E,M6VE	
MH002167		STUD,CYLINDER HEAD	4		10X30		G6,H6,H6E, J6,J6E	
MH002167		STUD,CYLINDER HEAD	4		10X30		G6,H6,H6E, J6,J6E,K6, K6E,M6E	
MH002167		STUD,CYLINDER HEAD	4		10X30		G6,H6,H6E, J6,J6E	
MH002167		STUD,CYLINDER HEAD	4		10X30		G6,H6,H6E, J6,J6E	
MH002167		STUD,CYLINDER HEAD	4		10X30		K6,K6E,M6E	
MH002167		STUD,CYLINDER HEAD	4		10X30		G6,H6,H6E, J6,J6E,K6, K6E,M6E	
MH002167		STUD,CYLINDER HEAD	4		10X30		G6V,H6V,H6VE, J6V,J6VE,K6VE	
01287B		MH037762	PLUG,CYLINDER HEAD	4		11		K6,K6E,M6E

FK74R
11-120 CYLINDER HEAD

PNC	Part No	Part Name	Qty	Supply Mode	Part Spec	Remarks	Classification	
01287B	MH037762	PLUG,CYLINDER HEAD	4		11		G6,G6E,G6V, H6,H6E,H6V, H6VE,J6,J6E, J6V,J6VE,K6, K6E,K6V,K6VE, M6,M6E,M6VE	
	MH037762	PLUG,CYLINDER HEAD	4		11		G6E,G6V,H6V, H6VE,J6V,J6VE, K6V,K6VE,M6, M6VE	
	MH037762	PLUG,CYLINDER HEAD	4		11		G6,G6E,G6V, H6,H6E,H6V, H6VE,J6,J6E, J6V,J6VE,K6, K6E,K6V,K6VE, M6,M6E,M6VE	
	MH037762	PLUG,CYLINDER HEAD	4		11		G6,H6,H6E, J6,J6E	
	MH037762	PLUG,CYLINDER HEAD	4		11		G6,H6,H6E, J6,J6E,K6, K6E,M6E	
	MH037762	PLUG,CYLINDER HEAD	4		11		G6,H6,H6E, J6,J6E	
	MH037762	PLUG,CYLINDER HEAD	4		11		G6,H6,H6E, J6,J6E	
	MH037762	PLUG,CYLINDER HEAD	4		11		G6,H6,H6E, J6,J6E,K6, K6E,M6E	
	MH037762	PLUG,CYLINDER HEAD	4		11		K6,K6E,M6E	
	MH037762	PLUG,CYLINDER HEAD	4		11		G6V,H6V,H6VE, J6V,J6VE,K6VE	
	01287C	MH037788	PLUG,CYLINDER HEAD	1		TAPER,1/8		K6,K6E,M6E
		MH037788	PLUG,CYLINDER HEAD	1		TAPER,1/8		G6,G6E,G6V, H6,H6E,H6V, H6VE,J6,J6E, J6V,J6VE,K6, K6E,K6V,K6VE, M6,M6E,M6VE
		MH037788	PLUG,CYLINDER HEAD	1		TAPER,1/8		G6E,G6V,H6V, H6VE,J6V,J6VE, K6V,K6VE,M6, M6VE
		MH037788	PLUG,CYLINDER HEAD	1		TAPER,1/8		G6,G6E,G6V, H6,H6E,H6V, H6VE,J6,J6E, J6V,J6VE,K6, K6E,K6V,K6VE, M6,M6E,M6VE
MH037788		PLUG,CYLINDER HEAD	1		TAPER,1/8		G6,H6,H6E, J6,J6E	
MH037788		PLUG,CYLINDER HEAD	1		TAPER,1/8		G6,H6,H6E, J6,J6E,K6, K6E,M6E	
MH037788		PLUG,CYLINDER HEAD	1		TAPER,1/8		G6,H6,H6E, J6,J6E	
MH037788		PLUG,CYLINDER HEAD	1		TAPER,1/8		G6,H6,H6E, J6,J6E	
MH037788		PLUG,CYLINDER HEAD	1		TAPER,1/8		G6,H6,H6E, J6,J6E	
MH037788		PLUG,CYLINDER HEAD	1		TAPER,1/8		G6,H6,H6E, J6,J6E,K6, K6E,M6E	
01289	MF472401	PIN,CYLINDER HEAD	4		DOWEL,4X10		K6,K6E,M6E	
	MF472401	PIN,CYLINDER HEAD	4		DOWEL,4X10		G6,G6E,G6V, H6,H6E,H6V, H6VE,J6,J6E, J6V,J6VE,K6, K6E,K6V,K6VE, M6,M6E,M6VE	

FK74R
11-120 CYLINDER HEAD

PNC	Part No	Part Name	Qty	Supply Mode	Part Spec	Remarks	Classification
01289	MF472401	PIN,CYLINDER HEAD	4		DOWEL,4X10		G6E,G6V,H6V, H6VE,J6V,J6VE, K6V,K6VE,M6, M6VE
	MF472401	PIN,CYLINDER HEAD	4		DOWEL,4X10		G6,G6E,G6V, H6,H6E,H6V, H6VE,J6,J6E, J6V,J6VE,K6, K6E,K6V,K6VE, M6,M6E,M6VE
	MF472401	PIN,CYLINDER HEAD	4		DOWEL,4X10		G6,H6,H6E, J6,J6E
	MF472401	PIN,CYLINDER HEAD	4		DOWEL,4X10		G6,H6,H6E, J6,J6E,K6, K6E,M6E
	MF472401	PIN,CYLINDER HEAD	4		DOWEL,4X10		G6,H6,H6E, J6,J6E
	MF472401	PIN,CYLINDER HEAD	4		DOWEL,4X10		G6,H6,H6E, J6,J6E
	MF472401	PIN,CYLINDER HEAD	4		DOWEL,4X10		G6,H6,H6E, J6,J6E,K6, K6E,M6E
	MF472401	PIN,CYLINDER HEAD	4		DOWEL,4X10		K6,K6E,M6E
	MF472401	PIN,CYLINDER HEAD	4		DOWEL,4X10		G6V,H6V,H6VE, J6V,J6VE,K6VE
	MF472401	PIN,CYLINDER HEAD	4		DOWEL,4X10		K6,K6E,M6E
01291	ME223236	O-RING,CYLINDER HEAD	4		30		G6,G6E,G6V, H6,H6E,H6V, H6VE,J6,J6E, J6V,J6VE,K6, K6E,K6V,K6VE, M6,M6E,M6VE
	ME223236	O-RING,CYLINDER HEAD	4		30		G6,G6E,G6V, H6,H6E,H6V, H6VE,J6,J6E, J6V,J6VE,K6, K6E,K6V,K6VE, M6,M6E,M6VE
	ME223236	O-RING,CYLINDER HEAD	4		30		G6,H6,H6E, J6,J6E
	ME223236	O-RING,CYLINDER HEAD	4		30		G6,H6,H6E, J6,J6E
	ME223236	O-RING,CYLINDER HEAD	4		30		G6,H6,H6E, J6,J6E
	ME223236	O-RING,CYLINDER HEAD	4		30		G6,H6,H6E, J6,J6E
	ME223236	O-RING,CYLINDER HEAD	4		30		G6,H6,H6E, J6,J6E
	ME223236	O-RING,CYLINDER HEAD	4		30		G6,H6,H6E, J6,J6E
	ME223236	O-RING,CYLINDER HEAD	4		30		G6,H6,H6E, J6,J6E
	ME223236	O-RING,CYLINDER HEAD	4		30		G6,H6,H6E, J6,J6E
	ME223236	O-RING,CYLINDER HEAD	4		30		G6,H6,H6E, J6,J6E
	ME223236	O-RING,CYLINDER HEAD	4		30		G6,H6,H6E, J6,J6E
	ME223236	O-RING,CYLINDER HEAD	4		30		G6,H6,H6E, J6,J6E
	ME223236	O-RING,CYLINDER HEAD	4		30		G6,H6,H6E, J6,J6E
	ME223236	O-RING,CYLINDER HEAD	4		30		G6,H6,H6E, J6,J6E
01296C	MS666136	CAP,CYLINDER HEAD	23		SEALING,D=22		K6,K6E,M6E
	MS666136	CAP,CYLINDER HEAD	23		SEALING,D=22		G6V,H6V,H6VE, J6V,J6VE,K6VE
	MS666136	CAP,CYLINDER HEAD	23		SEALING,D=22		K6,K6E,M6E
	MS666136	CAP,CYLINDER HEAD	23		SEALING,D=22		G6,G6E,G6V, H6,H6E,H6V, H6VE,J6,J6E, J6V,J6VE,K6, K6E,K6V,K6VE, M6,M6E,M6VE

FK74R
11-120 CYLINDER HEAD

PNC	Part No	Part Name	Qty	Supply Mode	Part Spec	Remarks	Classification	
01296C	MS666136	CAP,CYLINDER HEAD	23		SEALING,D=22		G6,G6E,G6V, H6,H6E,H6V, H6VE,J6,J6E, J6V,J6VE,K6, K6E,K6V,K6VE, M6,M6E,M6VE	
	MS666136	CAP,CYLINDER HEAD	23		SEALING,D=22		G6,H6,H6E, J6,J6E	
	MS666136	CAP,CYLINDER HEAD	23		SEALING,D=22		G6,H6,H6E, J6,J6E,K6, K6E,M6E	
	MS666136	CAP,CYLINDER HEAD	23		SEALING,D=22		G6,H6,H6E, J6,J6E	
	MS666136	CAP,CYLINDER HEAD	23		SEALING,D=22		G6,H6,H6E, J6,J6E	
	MS666136	CAP,CYLINDER HEAD	23		SEALING,D=22		G6,H6,H6E, J6,J6E,K6, K6E,M6E	
	MS666136	CAP,CYLINDER HEAD	23		SEALING,D=22		K6,K6E,M6E	
	MS666136	CAP,CYLINDER HEAD	23		SEALING,D=22		G6V,H6V,H6VE, J6V,J6VE,K6VE	
	01296D	MS666141	CAP,CYLINDER HEAD	1		SEALING,D=40		K6,K6E,M6E
		MS666141	CAP,CYLINDER HEAD	1		SEALING,D=40		G6,G6E,G6V, H6,H6E,H6V, H6VE,J6,J6E, J6V,J6VE,K6, K6E,K6V,K6VE, M6,M6E,M6VE
MS666141		CAP,CYLINDER HEAD	1		SEALING,D=40		G6E,G6V,H6V, H6VE,J6V,J6VE, K6V,K6VE,M6, M6VE	
MS666141		CAP,CYLINDER HEAD	1		SEALING,D=40		G6,G6E,G6V, H6,H6E,H6V, H6VE,J6,J6E, J6V,J6VE,K6, K6E,K6V,K6VE, M6,M6E,M6VE	
MS666141		CAP,CYLINDER HEAD	1		SEALING,D=40		G6,H6,H6E, J6,J6E	
MS666141		CAP,CYLINDER HEAD	1		SEALING,D=40		G6,H6,H6E, J6,J6E,K6, K6E,M6E	
MS666141		CAP,CYLINDER HEAD	1		SEALING,D=40		G6,H6,H6E, J6,J6E	
MS666141		CAP,CYLINDER HEAD	1		SEALING,D=40		G6,H6,H6E, J6,J6E	
MS666141		CAP,CYLINDER HEAD	1		SEALING,D=40		G6,H6,H6E, J6,J6E	
MS666141		CAP,CYLINDER HEAD	1		SEALING,D=40		G6,H6,H6E, J6,J6E,K6, K6E,M6E	
01296F	MS666139	CAP,CYLINDER HEAD	4		SEALING,30		K6,K6E,M6E	
	MS666139	CAP,CYLINDER HEAD	4		SEALING,30		G6,G6E,G6V, H6,H6E,H6V, H6VE,J6,J6E, J6V,J6VE,K6, K6E,K6V,K6VE, M6,M6E,M6VE	
	MS666139	CAP,CYLINDER HEAD	4		SEALING,30		G6E,G6V,H6V, H6VE,J6V,J6VE, K6V,K6VE,M6, M6VE	
	MS666139	CAP,CYLINDER HEAD	4		SEALING,30		G6,G6E,G6V, H6,H6E,H6V, H6VE,J6,J6E, J6V,J6VE,K6, K6E,K6V,K6VE, M6,M6E,M6VE	
	MS666139	CAP,CYLINDER HEAD	4		SEALING,30		G6,H6,H6E, J6,J6E	
	MS666139	CAP,CYLINDER HEAD	4		SEALING,30		G6,H6,H6E, J6,J6E	
	MS666139	CAP,CYLINDER HEAD	4		SEALING,30		G6,H6,H6E, J6,J6E	
	MS666139	CAP,CYLINDER HEAD	4		SEALING,30		G6,H6,H6E, J6,J6E	
	MS666139	CAP,CYLINDER HEAD	4		SEALING,30		G6,H6,H6E, J6,J6E	
	MS666139	CAP,CYLINDER HEAD	4		SEALING,30		G6,H6,H6E, J6,J6E	

FK74R
11-120 CYLINDER HEAD

PNC	Part No	Part Name	Qty	Supply Mode	Part Spec	Remarks	Classification		
01296F	MS666139	CAP,CYLINDER HEAD	4		SEALING,30		G6,H6,H6E, J6,J6E,K6, K6E,M6E	140 1XT	
	MS666139	CAP,CYLINDER HEAD	4		SEALING,30		G6,H6,H6E, J6,J6E	1SF	
	MS666139	CAP,CYLINDER HEAD	4		SEALING,30		G6,H6,H6E, J6,J6E		
	MS666139	CAP,CYLINDER HEAD	4		SEALING,30		G6,H6,H6E, J6,J6E,K6, K6E,M6E		
	MS666139	CAP,CYLINDER HEAD	4		SEALING,30		K6,K6E,M6E		
	MS666139	CAP,CYLINDER HEAD	4		SEALING,30		G6V,H6V,H6VE, J6V,J6VE,K6VE		
01297	MH007030	BUSHING,CYLINDER HEAD	2		10X9		K6,K6E,M6E		
	MH007030	BUSHING,CYLINDER HEAD	2		10X9		G6,G6E,G6V, H6,H6E,H6V, H6VE,J6,J6E, J6V,J6VE,K6, K6E,K6V,K6VE, M6,M6E,M6VE		
	MH007030	BUSHING,CYLINDER HEAD	2		10X9		G6E,G6V,H6V, H6VE,J6V,J6VE, K6V,K6VE,M6, M6VE		
	MH007030	BUSHING,CYLINDER HEAD	2		10X9		G6,G6E,G6V, H6,H6E,H6V, H6VE,J6,J6E, J6V,J6VE,K6, K6E,K6V,K6VE, M6,M6E,M6VE		
	MH007030	BUSHING,CYLINDER HEAD	2		10X9		G6,H6,H6E, J6,J6E		
	MH007030	BUSHING,CYLINDER HEAD	2		10X9		G6,H6,H6E, J6,J6E,K6, K6E,M6E	140 1XT	
	MH007030	BUSHING,CYLINDER HEAD	2		10X9		G6,H6,H6E, J6,J6E	1SF	
	MH007030	BUSHING,CYLINDER HEAD	2		10X9		G6,H6,H6E, J6,J6E		
	MH007030	BUSHING,CYLINDER HEAD	2		10X9		G6,H6,H6E, J6,J6E,K6, K6E,M6E		
	MH007030	BUSHING,CYLINDER HEAD	2		10X9		K6,K6E,M6E		
	MH007030	BUSHING,CYLINDER HEAD	2		10X9		G6V,H6V,H6VE, J6V,J6VE,K6VE		
	01298B	ME240570	BOLT,CYLINDER HEAD	18		14X111		G6E,K6V,M6, M6VE	
		ME240570	BOLT,CYLINDER HEAD	18		14X111		G6,H6,H6E, J6,J6E	
		ME240570	BOLT,CYLINDER HEAD	18		14X111		G6,G6E,G6V, H6,H6E,H6V, H6VE,J6,J6E, J6V,J6VE,K6, K6E,K6V,K6VE, M6,M6E,M6VE	
ME240570		BOLT,CYLINDER HEAD	18		14X111		G6,G6E,G6V, H6,H6E,H6V, H6VE,J6,J6E, J6V,J6VE,K6, K6E,K6V,K6VE, M6,M6E,M6VE		
ME240570		BOLT,CYLINDER HEAD	18		14X111		K6,K6E,M6E		
ME240570		BOLT,CYLINDER HEAD	18		14X111		G6V,H6V,H6VE, J6V,J6VE,K6VE		
ME240570		BOLT,CYLINDER HEAD	18		14X111		G6,G6V,H6, H6E,H6V,H6VE, J6,J6E,J6V, J6VE,K6,K6E, K6VE,M6E	140	
ME240570		BOLT,CYLINDER HEAD	18		14X111		G6,H6,H6E, J6,J6E	1SF	
ME240570		BOLT,CYLINDER HEAD	18		14X111				
ME240570		BOLT,CYLINDER HEAD	18		14X111				

FK74R
11-120 CYLINDER HEAD

PNC	Part No	Part Name	Qty	Supply Mode	Part Spec	Remarks	Classification	
01298B	ME240570	BOLT,CYLINDER HEAD	18		14X111		G6,H6,H6E, J6,J6E,K6, K6E,M6E	1X 1X
01298C	MH001518	BOLT,CYLINDER HEAD	2		FLANGE,8X155		G6E,K6V,M6, M6VE	
	MH001518	BOLT,CYLINDER HEAD	2		FLANGE,8X155		G6,H6,H6E, J6,J6E	
	MH001518	BOLT,CYLINDER HEAD	2		FLANGE,8X155		G6,G6E,G6V, H6,H6E,H6V, H6VE,J6,J6E, J6V,J6VE,K6, K6E,K6V,K6VE, M6,M6E,M6VE	
	MH001518	BOLT,CYLINDER HEAD	2		FLANGE,8X155		G6,G6E,G6V, H6,H6E,H6V, H6VE,J6,J6E, J6V,J6VE,K6, K6E,K6V,K6VE, M6,M6E,M6VE	
	MH001518	BOLT,CYLINDER HEAD	2		FLANGE,8X155		K6,K6E,M6E	
	MH001518	BOLT,CYLINDER HEAD	2		FLANGE,8X155		G6V,H6V,H6VE, J6V,J6VE,K6VE	
	MH001518	BOLT,CYLINDER HEAD	2		FLANGE,8X155		G6,G6V,H6, H6E,H6V,H6VE, J6,J6E,J6V, J6VE,K6,K6E, K6VE,M6E	140
	MH001518	BOLT,CYLINDER HEAD	2		FLANGE,8X155		G6,H6,H6E, J6,J6E	1SF
	MH001518	BOLT,CYLINDER HEAD	2		FLANGE,8X155		G6,H6,H6E, J6,J6E,K6, K6E,M6E	1X 1X
	01298D	MF140235	BOLT,CYLINDER HEAD	4		FLANGE,8X50	7T	G6E,K6V,M6, M6VE
MF140235		BOLT,CYLINDER HEAD	4		FLANGE,8X50	7T	G6,H6,H6E, J6,J6E	
MF140235		BOLT,CYLINDER HEAD	4		FLANGE,8X50	7T	G6,G6E,G6V, H6,H6E,H6V, H6VE,J6,J6E, J6V,J6VE,K6, K6E,K6V,K6VE, M6,M6E,M6VE	
MF140235		BOLT,CYLINDER HEAD	4		FLANGE,8X50	7T	G6,G6E,G6V, H6,H6E,H6V, H6VE,J6,J6E, J6V,J6VE,K6, K6E,K6V,K6VE, M6,M6E,M6VE	
MF140235		BOLT,CYLINDER HEAD	4		FLANGE,8X50	7T	K6,K6E,M6E	
MF140235		BOLT,CYLINDER HEAD	4		FLANGE,8X50	7T	G6V,H6V,H6VE, J6V,J6VE,K6VE	
MF140235		BOLT,CYLINDER HEAD	4		FLANGE,8X50	7T	G6,G6V,H6, H6E,H6V,H6VE, J6,J6E,J6V, J6VE,K6,K6E, K6VE,M6E	140
MF140235		BOLT,CYLINDER HEAD	4		FLANGE,8X50	7T	G6,H6,H6E, J6,J6E	1SF
MF140235		BOLT,CYLINDER HEAD	4		FLANGE,8X50	7T	G6,H6,H6E, J6,J6E,K6, K6E,M6E	1X 1X
01298E		MF140434	BOLT,CYLINDER HEAD	13		FLANGE,8X45	8T	G6E,K6V,M6, M6VE
	MF140434	BOLT,CYLINDER HEAD	13		FLANGE,8X45	8T	G6,H6,H6E, J6,J6E	
	MF140434	BOLT,CYLINDER HEAD	13		FLANGE,8X45	8T	G6,G6E,G6V, H6,H6E,H6V, H6VE,J6,J6E, J6V,J6VE,K6, K6E,K6V,K6VE, M6,M6E,M6VE	

**FK74R
11-120 CYLINDER HEAD**

PNC	Part No	Part Name	Qty	Supply Mode	Part Spec	Remarks	Classification
01298E	MF140434	BOLT,CYLINDER HEAD	13		FLANGE,8X45	8T	G6,G6E,G6V, H6,H6E,H6V, H6VE,J6,J6E, J6V,J6VE,K6, K6E,K6V,K6VE, M6,M6E,M6VE
	MF140434	BOLT,CYLINDER HEAD	13		FLANGE,8X45	8T	K6,K6E,M6E
	MF140434	BOLT,CYLINDER HEAD	13		FLANGE,8X45	8T	G6V,H6V,H6VE, J6V,J6VE,K6VE
	MF140434	BOLT,CYLINDER HEAD	13		FLANGE,8X45	8T	G6,G6V,H6, H6E,H6V,H6VE, J6,J6E,J6V, J6VE,K6,K6E, K6VE,M6E
	MF140434	BOLT,CYLINDER HEAD	13		FLANGE,8X45	8T	G6,H6,H6E, J6,J6E
	MF140434	BOLT,CYLINDER HEAD	13		FLANGE,8X45	8T	G6,H6,H6E, J6,J6E,K6, K6E,M6E
01298F	MF140437	BOLT,CYLINDER HEAD	10		FLANGE,8X60	8T	G6E,K6V,M6, M6VE
	MF140437	BOLT,CYLINDER HEAD	10		FLANGE,8X60	8T	G6,H6,H6E, J6,J6E
	MF140437	BOLT,CYLINDER HEAD	10		FLANGE,8X60	8T	G6,G6E,G6V, H6,H6E,H6V, H6VE,J6,J6E, J6V,J6VE,K6, K6E,K6V,K6VE, M6,M6E,M6VE
	MF140437	BOLT,CYLINDER HEAD	10		FLANGE,8X60	8T	G6,G6E,G6V, H6,H6E,H6V, H6VE,J6,J6E, J6V,J6VE,K6, K6E,K6V,K6VE, M6,M6E,M6VE
	MF140437	BOLT,CYLINDER HEAD	10		FLANGE,8X60	8T	K6,K6E,M6E
	MF140437	BOLT,CYLINDER HEAD	10		FLANGE,8X60	8T	G6V,H6V,H6VE, J6V,J6VE,K6VE
	MF140437	BOLT,CYLINDER HEAD	10		FLANGE,8X60	8T	G6,G6V,H6, H6E,H6V,H6VE, J6,J6E,J6V, J6VE,K6,K6E, K6VE,M6E
	MF140437	BOLT,CYLINDER HEAD	10		FLANGE,8X60	8T	G6,H6,H6E, J6,J6E
	MF140437	BOLT,CYLINDER HEAD	10		FLANGE,8X60	8T	G6,H6,H6E, J6,J6E,K6, K6E,M6E
	MF140437	BOLT,CYLINDER HEAD	10		FLANGE,8X60	8T	K6,K6E,M6E
03116	ME240854	BEARING,CAMSHAFT	20				G6,G6E,G6V, H6,H6E,H6V, H6VE,J6,J6E, J6V,J6VE,K6, K6E,K6V,K6VE, M6,M6E,M6VE
	ME240854	BEARING,CAMSHAFT	20				G6E,G6V,H6V, H6VE,J6V,J6VE, K6V,K6VE,M6, M6VE
	ME240854	BEARING,CAMSHAFT	20				G6,G6E,G6V, H6,H6E,H6V, H6VE,J6,J6E, J6V,J6VE,K6, K6E,K6V,K6VE, M6,M6E,M6VE
	ME240854	BEARING,CAMSHAFT	20				G6,H6,H6E, J6,J6E
	ME240854	BEARING,CAMSHAFT	20				G6,H6,H6E, J6,J6E,K6, K6E,M6E
	ME240854	BEARING,CAMSHAFT	20				G6,H6,H6E, J6,J6E
	ME240854	BEARING,CAMSHAFT	20				G6,H6,H6E, J6,J6E,K6, K6E,M6E
	ME240854	BEARING,CAMSHAFT	20				G6,H6,H6E, J6,J6E

FK74R
11-120 CYLINDER HEAD

PNC	Part No	Part Name	Qty	Supply Mode	Part Spec	Remarks	Classification
03116	ME240854	BEARING,CAMSHAFT	20				G6,H6,H6E, J6,J6E
	ME240854	BEARING,CAMSHAFT	20				G6,H6,H6E, J6,J6E,K6, K6E,M6E
	ME240854	BEARING,CAMSHAFT	20				K6,K6E,M6E
	ME240854	BEARING,CAMSHAFT	20				G6V,H6V,H6VE, J6V,J6VE,K6VE
03407	ME240040	SEAT,EXHAUST VALVE	8				K6,K6E,M6E
	ME240040	SEAT,EXHAUST VALVE	8				G6,G6E,G6V, H6,H6E,H6V, H6VE,J6,J6E, J6V,J6VE,K6, K6E,K6V,K6VE, M6,M6E,M6VE
	ME240040	SEAT,EXHAUST VALVE	8				G6E,G6V,H6V, H6VE,J6V,J6VE, K6V,K6VE,M6, M6VE
	ME240040	SEAT,EXHAUST VALVE	8				G6,G6E,G6V, H6,H6E,H6V, H6VE,J6,J6E, J6V,J6VE,K6, K6E,K6V,K6VE, M6,M6E,M6VE
	ME240040	SEAT,EXHAUST VALVE	8				G6,H6,H6E, J6,J6E
	ME240040	SEAT,EXHAUST VALVE	8				G6,H6,H6E, J6,J6E,K6, K6E,M6E
	ME240040	SEAT,EXHAUST VALVE	8				G6,H6,H6E, J6,J6E
	ME240040	SEAT,EXHAUST VALVE	8				G6,H6,H6E, J6,J6E,K6, K6E,M6E
	ME240040	SEAT,EXHAUST VALVE	8				G6,H6,H6E, J6,J6E
	ME240040	SEAT,EXHAUST VALVE	8				G6,H6,H6E, J6,J6E,K6, K6E,M6E
	ME240040	SEAT,EXHAUST VALVE	8				G6V,H6V,H6VE, J6V,J6VE,K6VE
	ME240040	SEAT,EXHAUST VALVE	8				K6,K6E,M6E
03411	ME240038	SEAT,INLET VALVE	8				G6,G6E,G6V, H6,H6E,H6V, H6VE,J6,J6E, J6V,J6VE,K6, K6E,K6V,K6VE, M6,M6E,M6VE
	ME240038	SEAT,INLET VALVE	8				G6E,G6V,H6V, H6VE,J6V,J6VE, K6V,K6VE,M6, M6VE
	ME240038	SEAT,INLET VALVE	8				G6,G6E,G6V, H6,H6E,H6V, H6VE,J6,J6E, J6V,J6VE,K6, K6E,K6V,K6VE, M6,M6E,M6VE
	ME240038	SEAT,INLET VALVE	8				G6,H6,H6E, J6,J6E
	ME240038	SEAT,INLET VALVE	8				G6,H6,H6E, J6,J6E,K6, K6E,M6E
	ME240038	SEAT,INLET VALVE	8				G6,H6,H6E, J6,J6E
	ME240038	SEAT,INLET VALVE	8				G6,H6,H6E, J6,J6E
	ME240038	SEAT,INLET VALVE	8				G6,H6,H6E, J6,J6E,K6, K6E,M6E
	ME240038	SEAT,INLET VALVE	8				G6,H6,H6E, J6,J6E
	ME240038	SEAT,INLET VALVE	8				G6,H6,H6E, J6,J6E,K6, K6E,M6E
	ME240038	SEAT,INLET VALVE	8				K6,K6E,M6E
	ME240038	SEAT,INLET VALVE	8				G6V,H6V,H6VE, J6V,J6VE,K6VE
03460	ME240030	GUIDE,INLET VALVE	8		FINISH SIZE		K6,K6E,M6E

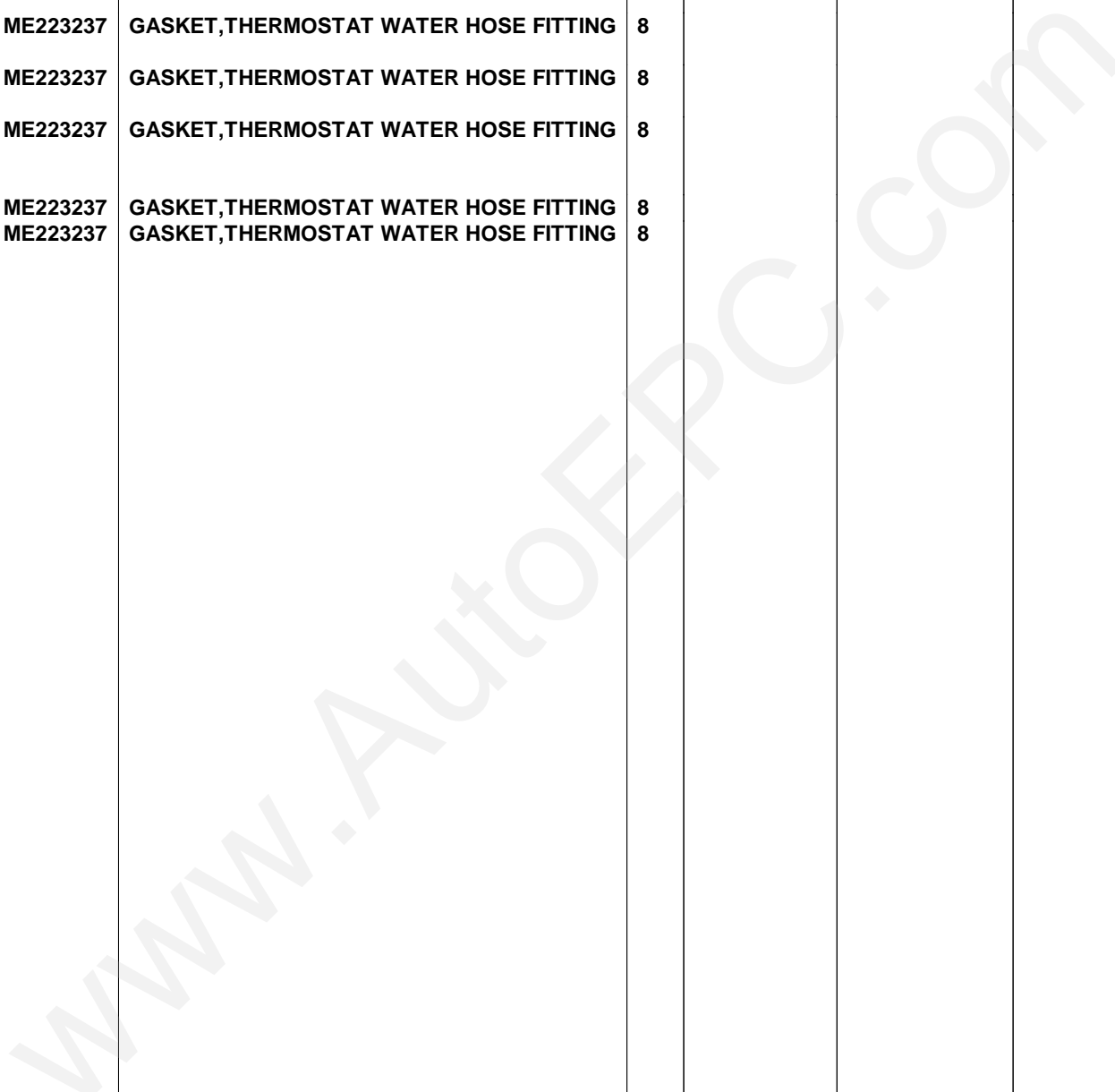
FK74R
11-120 CYLINDER HEAD

PNC	Part No	Part Name	Qty	Supply Mode	Part Spec	Remarks	Classification	
03460	ME240030	GUIDE,INLET VALVE	8		FINISH SIZE		G6,G6E,G6V, H6,H6E,H6V, H6VE,J6,J6E, J6V,J6VE,K6, K6E,K6V,K6VE, M6,M6E,M6VE	
	ME240030	GUIDE,INLET VALVE	8		FINISH SIZE		G6E,G6V,H6V, H6VE,J6V,J6VE, K6V,K6VE,M6, M6VE	
	ME240030	GUIDE,INLET VALVE	8		FINISH SIZE		G6,G6E,G6V, H6,H6E,H6V, H6VE,J6,J6E, J6V,J6VE,K6, K6E,K6V,K6VE, M6,M6E,M6VE	
	ME240030	GUIDE,INLET VALVE	8		FINISH SIZE		G6,H6,H6E, J6,J6E	
	ME240030	GUIDE,INLET VALVE	8		FINISH SIZE		G6,H6,H6E, J6,J6E,K6, K6E,M6E	
	ME240030	GUIDE,INLET VALVE	8		FINISH SIZE		G6,H6,H6E, J6,J6E	
	ME240030	GUIDE,INLET VALVE	8		FINISH SIZE		G6,H6,H6E, J6,J6E	
	ME240030	GUIDE,INLET VALVE	8		FINISH SIZE		G6,H6,H6E, J6,J6E,K6, K6E,M6E	
	ME240030	GUIDE,INLET VALVE	8		FINISH SIZE		K6,K6E,M6E	
	ME240030	GUIDE,INLET VALVE	8		FINISH SIZE		G6V,H6V,H6VE, J6V,J6VE,K6VE	
	03470	ME240032	GUIDE,EXHAUST VALVE	8		FINISH SIZE		K6,K6E,M6E
		ME240032	GUIDE,EXHAUST VALVE	8		FINISH SIZE		G6,G6E,G6V, H6,H6E,H6V, H6VE,J6,J6E, J6V,J6VE,K6, K6E,K6V,K6VE, M6,M6E,M6VE
		ME240032	GUIDE,EXHAUST VALVE	8		FINISH SIZE		G6E,G6V,H6V, H6VE,J6V,J6VE, K6V,K6VE,M6, M6VE
		ME240032	GUIDE,EXHAUST VALVE	8		FINISH SIZE		G6,G6E,G6V, H6,H6E,H6V, H6VE,J6,J6E, J6V,J6VE,K6, K6E,K6V,K6VE, M6,M6E,M6VE
ME240032		GUIDE,EXHAUST VALVE	8		FINISH SIZE		G6,H6,H6E, J6,J6E	
ME240032		GUIDE,EXHAUST VALVE	8		FINISH SIZE		G6,H6,H6E, J6,J6E,K6, K6E,M6E	
ME240032		GUIDE,EXHAUST VALVE	8		FINISH SIZE		G6,H6,H6E, J6,J6E	
ME240032		GUIDE,EXHAUST VALVE	8		FINISH SIZE		G6,H6,H6E, J6,J6E	
ME240032		GUIDE,EXHAUST VALVE	8		FINISH SIZE		G6,H6,H6E, J6,J6E,K6, K6E,M6E	
ME240032		GUIDE,EXHAUST VALVE	8		FINISH SIZE		K6,K6E,M6E	
ME240032		GUIDE,EXHAUST VALVE	8		FINISH SIZE		G6V,H6V,H6VE, J6V,J6VE,K6VE	
10125		ME223237	GASKET,THERMOSTAT WATER HOSE FITTING	8				K6,K6E,M6E
		ME223237	GASKET,THERMOSTAT WATER HOSE FITTING	8				G6,G6E,G6V, H6,H6E,H6V, H6VE,J6,J6E, J6V,J6VE,K6, K6E,K6V,K6VE, M6,M6E,M6VE

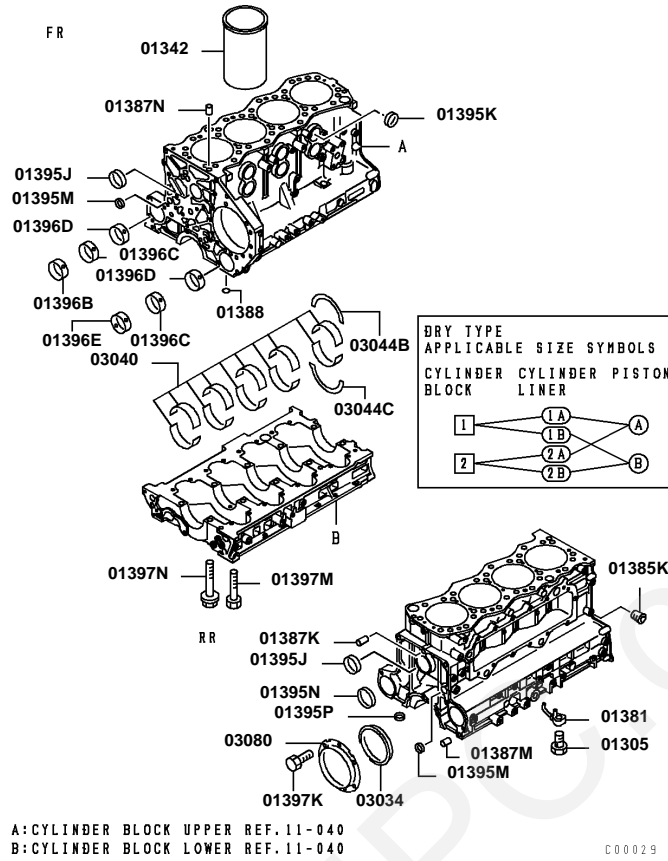
FK74R
11-120 CYLINDER HEAD

PNC	Part No	Part Name	Qty	Supply Mode	Part Spec	Remarks	Classification
10125	ME223237	GASKET,THERMOSTAT WATER HOSE FITTING	8				G6E,G6V,H6V, H6VE,J6V,J6VE, K6V,K6VE,M6, M6VE
	ME223237	GASKET,THERMOSTAT WATER HOSE FITTING	8				G6,G6E,G6V, H6,H6E,H6V, H6VE,J6,J6E, J6V,J6VE,K6, K6E,K6V,K6VE, M6,M6E,M6VE
	ME223237	GASKET,THERMOSTAT WATER HOSE FITTING	8				G6,H6,H6E, J6,J6E
	ME223237	GASKET,THERMOSTAT WATER HOSE FITTING	8				G6,H6,H6E, J6,J6E,K6, K6E,M6E
	ME223237	GASKET,THERMOSTAT WATER HOSE FITTING	8				G6,H6,H6E, J6,J6E
	ME223237	GASKET,THERMOSTAT WATER HOSE FITTING	8				G6,H6,H6E, J6,J6E
	ME223237	GASKET,THERMOSTAT WATER HOSE FITTING	8				G6,H6,H6E, J6,J6E,K6, K6E,M6E
	ME223237	GASKET,THERMOSTAT WATER HOSE FITTING	8				K6,K6E,M6E
	ME223237	GASKET,THERMOSTAT WATER HOSE FITTING	8				G6V,H6V,H6VE, J6V,J6VE,K6VE

140
1X7
1SF



FK74R
No.1



Ref. |2011130

Page

FK74R
11-130 CYLINDER BLOCK

SPN	Repl Part	PNC	Part No	Part Name	Qty	Part Spec	Remarks	PREV.1	N
	RP	01305	ME012586	CHECK VALVE,CYLINDER BLOCK PISTON LUBRICANT	4			O	
	RP		ME012586	CHECK VALVE,CYLINDER BLOCK PISTON LUBRICANT	4			O	
	RP		ME012586	CHECK VALVE,CYLINDER BLOCK PISTON LUBRICANT	4			O	
	RP		ME012586	CHECK VALVE,CYLINDER BLOCK PISTON LUBRICANT	4			O	
	RP		ME012586	CHECK VALVE,CYLINDER BLOCK PISTON LUBRICANT	4			O	
	RP		ME012586	CHECK VALVE,CYLINDER BLOCK PISTON LUBRICANT	4			O	
	RP		ME012586	CHECK VALVE,CYLINDER BLOCK PISTON LUBRICANT	4			O	
	RP		ME012586	CHECK VALVE,CYLINDER BLOCK PISTON LUBRICANT	4			O	
	RP		ME012586	CHECK VALVE,CYLINDER BLOCK PISTON LUBRICANT	4			O	
	RP		ME012586	CHECK VALVE,CYLINDER BLOCK PISTON LUBRICANT	4			O	

Ref. |2011130

Page

FK74R
11-130 CYLINDER BLOCK

SPN	Repl Part	PNC	Part No	Part Name	Qty	Part Spec	Remarks	PREV.1	N
		01342	ME221681	LINER,CYLINDER	4	A SIZE 1			
			ME221681	LINER,CYLINDER	4	A SIZE 1			
			ME221681	LINER,CYLINDER	4	A SIZE 1			
			ME221681	LINER,CYLINDER	4	A SIZE 1			
			ME221682	LINER,CYLINDER	4	A SIZE 2			
			ME221682	LINER,CYLINDER	4	A SIZE 2			
			ME221682	LINER,CYLINDER	4	A SIZE 2			
			ME221682	LINER,CYLINDER	4	A SIZE 2			
			ME221682	LINER,CYLINDER	4	A SIZE 2			
			ME221683	LINER,CYLINDER	4	B SIZE 1			
			ME221683	LINER,CYLINDER	4	B SIZE 1			
			ME221683	LINER,CYLINDER	4	B SIZE 1			
			ME221684	LINER,CYLINDER	4	B SIZE 2			
			ME221684	LINER,CYLINDER	4	B SIZE 2			
			ME221684	LINER,CYLINDER	4	B SIZE 2			

FK74R
11-130 CYLINDER BLOCK

SPN	Repl Part	PNC	Part No	Part Name	Qty	Part Spec	Remarks	PREV.1	N
		01342	ME221684	LINER,CYLINDER	4	B SIZE 2			
			ME221684	LINER,CYLINDER	4	B SIZE 2			
			ME221681	LINER,CYLINDER	4	A SIZE 1			
			ME221682	LINER,CYLINDER	4	A SIZE 2			
			ME221683	LINER,CYLINDER	4	B SIZE 1			
			ME221684	LINER,CYLINDER	4	B SIZE 2			
			ME221681	LINER,CYLINDER	4	A SIZE 1			
			ME221682	LINER,CYLINDER	4	A SIZE 2			
			ME221683	LINER,CYLINDER	4	B SIZE 1			
			ME221684	LINER,CYLINDER	4	B SIZE 2			
			ME221681	LINER,CYLINDER	4	A SIZE 1			
			ME221681	LINER,CYLINDER	4	A SIZE 1			
			ME221681	LINER,CYLINDER	4	A SIZE 1			
			ME221682	LINER,CYLINDER	4	A SIZE 2			
			ME221682	LINER,CYLINDER	4	A SIZE 2			
			ME221682	LINER,CYLINDER	4	A SIZE 2			
			ME221683	LINER,CYLINDER	4	B SIZE 1			
			ME221683	LINER,CYLINDER	4	B SIZE 1			
			ME221684	LINER,CYLINDER	4	B SIZE 2			
			ME221684	LINER,CYLINDER	4	B SIZE 2			
			ME221684	LINER,CYLINDER	4	B SIZE 2			
			ME221681	LINER,CYLINDER	4	A SIZE 1			
			ME221682	LINER,CYLINDER	4	A SIZE 2			
			ME221683	LINER,CYLINDER	4	B SIZE 1			
			ME221684	LINER,CYLINDER	4	B SIZE 2			
	RP	01381	ME223437	OIL JET,CYLINDER BLOCK	4				
			ME225553	OIL JET,CYLINDER BLOCK	4				
			ME225553	OIL JET,CYLINDER BLOCK	4				

FK74R
11-130 CYLINDER BLOCK

SPN	Repl Part	PNC	Part No	Part Name	Qty	Part Spec	Remarks	PREV.1	N
		01381	ME225553	OIL JET,CYLINDER BLOCK	4				
			ME225553	OIL JET,CYLINDER BLOCK	4				
			ME225553	OIL JET,CYLINDER BLOCK	4				
			ME225553	OIL JET,CYLINDER BLOCK	4				
			ME225553	OIL JET,CYLINDER BLOCK	4				
			ME225553	OIL JET,CYLINDER BLOCK	4				
			ME225553	OIL JET,CYLINDER BLOCK	4				
			ME225553	OIL JET,CYLINDER BLOCK	4				
		01385K	MH037725	PLUG,CYLINDER BLOCK	2	TAPER,1/8			
			MH037725	PLUG,CYLINDER BLOCK	2	TAPER,1/8			
			MH037725	PLUG,CYLINDER BLOCK	2	TAPER,1/8			
			MH037725	PLUG,CYLINDER BLOCK	2	TAPER,1/8			
			MH037725	PLUG,CYLINDER BLOCK	2	TAPER,1/8			
			MH037725	PLUG,CYLINDER BLOCK	2	TAPER,1/8			
			MH037725	PLUG,CYLINDER BLOCK	2	TAPER,1/8			
			MH037725	PLUG,CYLINDER BLOCK	2	TAPER,1/8			
			MH037725	PLUG,CYLINDER BLOCK	2	TAPER,1/8			
			MH037788	PLUG,CYLINDER BLOCK	2	TAPER,1/8			
			MH037788	PLUG,CYLINDER BLOCK	2	TAPER,1/8			
			MH037788	PLUG,CYLINDER BLOCK	2	TAPER,1/8			
			MH037788	PLUG,CYLINDER BLOCK	2	TAPER,1/8			
			MH037788	PLUG,CYLINDER BLOCK	2	TAPER,1/8			
			MH037788	PLUG,CYLINDER BLOCK	2	TAPER,1/8			
			MH037788	PLUG,CYLINDER BLOCK	2	TAPER,1/8			
		01387K	MH007010	PIN,CYLINDER BLOCK	1	DOWEL,12X17			
			MH007010	PIN,CYLINDER BLOCK	1	DOWEL,12X17			
			MH007010	PIN,CYLINDER BLOCK	1	DOWEL,12X17			

FK74R
11-130 CYLINDER BLOCK

SPN	Repl Part	PNC	Part No	Part Name	Qty	Part Spec	Remarks	PREV.1	N
		01387K	MH007010	PIN,CYLINDER BLOCK	1	DOWEL,12X17			
			MH007010	PIN,CYLINDER BLOCK	1	DOWEL,12X17			
			MH007010	PIN,CYLINDER BLOCK	1	DOWEL,12X17			
			MH007010	PIN,CYLINDER BLOCK	1	DOWEL,12X17			
			MH007010	PIN,CYLINDER BLOCK	1	DOWEL,12X17			
			MH007010	PIN,CYLINDER BLOCK	1	DOWEL,12X17			
			MH007010	PIN,CYLINDER BLOCK	1	DOWEL,12X17			
			MH007010	PIN,CYLINDER BLOCK	1	DOWEL,12X17			
		01387M	MH007010	PIN,CYLINDER BLOCK	1	DOWEL,12X17			
			MH007010	PIN,CYLINDER BLOCK	1	DOWEL,12X17			
			MH007010	PIN,CYLINDER BLOCK	1	DOWEL,12X17			
			MH007010	PIN,CYLINDER BLOCK	1	DOWEL,12X17			
			MH007010	PIN,CYLINDER BLOCK	1	DOWEL,12X17			
			MH007010	PIN,CYLINDER BLOCK	1	DOWEL,12X17			
			MH007010	PIN,CYLINDER BLOCK	1	DOWEL,12X17			
			MH007010	PIN,CYLINDER BLOCK	1	DOWEL,12X17			
			MH007010	PIN,CYLINDER BLOCK	1	DOWEL,12X17			
			MH007010	PIN,CYLINDER BLOCK	1	DOWEL,12X17			
			MH007010	PIN,CYLINDER BLOCK	1	DOWEL,12X17			
			MH007010	PIN,CYLINDER BLOCK	1	DOWEL,12X17			
			MH007010	PIN,CYLINDER BLOCK	1	DOWEL,12X17			
			MH007010	PIN,CYLINDER BLOCK	1	DOWEL,12X17			
			MH007010	PIN,CYLINDER BLOCK	1	DOWEL,12X17			
		01387N	MF472406	PIN,CYLINDER BLOCK	4	DOWEL,12X24			
			MF472406	PIN,CYLINDER BLOCK	4	DOWEL,12X24			
			MF472406	PIN,CYLINDER BLOCK	4	DOWEL,12X24			
			MF472406	PIN,CYLINDER BLOCK	4	DOWEL,12X24			
			MF472406	PIN,CYLINDER BLOCK	4	DOWEL,12X24			

FK74R
11-130 CYLINDER BLOCK

SPN	Repl Part	PNC	Part No	Part Name	Qty	Part Spec	Remarks	PREV.1	N
		01387N	MF472406	PIN,CYLINDER BLOCK	4	DOWEL,12X24			
			MF472406	PIN,CYLINDER BLOCK	4	DOWEL,12X24			
			MF472406	PIN,CYLINDER BLOCK	4	DOWEL,12X24			
			MF472406	PIN,CYLINDER BLOCK	4	DOWEL,12X24			
			MF472406	PIN,CYLINDER BLOCK	4	DOWEL,12X24			
			MF472406	PIN,CYLINDER BLOCK	4	DOWEL,12X24			
		01388	MH035092	O-RING,CYLINDER BLOCK	2	D=14			
			MH035248	O-RING,CYLINDER BLOCK	2	17.8			
			MH035248	O-RING,CYLINDER BLOCK	2	17.8			
			MH035248	O-RING,CYLINDER BLOCK	2	17.8			
			MH035248	O-RING,CYLINDER BLOCK	2	17.8			
			MH035248	O-RING,CYLINDER BLOCK	2	17.8			
			MH035248	O-RING,CYLINDER BLOCK	2	17.8			
			MH035248	O-RING,CYLINDER BLOCK	2	17.8			
			MH035248	O-RING,CYLINDER BLOCK	2	17.8			
			MH035248	O-RING,CYLINDER BLOCK	2	17.8			
			MH035248	O-RING,CYLINDER BLOCK	2	17.8			
		01395J	MS666143	CAP,CYLINDER BLOCK	2	SEALING,D=50			
			MS666143	CAP,CYLINDER BLOCK	2	SEALING,D=50			
			MS666143	CAP,CYLINDER BLOCK	2	SEALING,D=50			
			MS666143	CAP,CYLINDER BLOCK	2	SEALING,D=50			
			MS666143	CAP,CYLINDER BLOCK	2	SEALING,D=50			
			MS666143	CAP,CYLINDER BLOCK	2	SEALING,D=50			
			MS666143	CAP,CYLINDER BLOCK	2	SEALING,D=50			
			MS666143	CAP,CYLINDER BLOCK	2	SEALING,D=50			

FK74R
11-130 CYLINDER BLOCK

SPN	Repl Part	PNC	Part No	Part Name	Qty	Part Spec	Remarks	PREV.1	N
		01395J	MS666143	CAP,CYLINDER BLOCK	2	SEALING,D=50			
			MS666143	CAP,CYLINDER BLOCK	2	SEALING,D=50			
			MS666143	CAP,CYLINDER BLOCK	2	SEALING,D=50			
			MS666143	CAP,CYLINDER BLOCK	2	SEALING,D=50			
		01395K	MS666141	CAP,CYLINDER BLOCK	5	SEALING,D=40			
			MS666141	CAP,CYLINDER BLOCK	5	SEALING,D=40			
			MS666141	CAP,CYLINDER BLOCK	5	SEALING,D=40			
			MS666141	CAP,CYLINDER BLOCK	5	SEALING,D=40			
			MS666141	CAP,CYLINDER BLOCK	5	SEALING,D=40			
			MS666141	CAP,CYLINDER BLOCK	5	SEALING,D=40			
			MS666141	CAP,CYLINDER BLOCK	5	SEALING,D=40			
			MS666141	CAP,CYLINDER BLOCK	5	SEALING,D=40			
			MS666141	CAP,CYLINDER BLOCK	5	SEALING,D=40			
			MS666141	CAP,CYLINDER BLOCK	5	SEALING,D=40			
			MS666141	CAP,CYLINDER BLOCK	5	SEALING,D=40			
			MS666141	CAP,CYLINDER BLOCK	5	SEALING,D=40			
		01395M	MS666136	CAP,CYLINDER BLOCK	2	SEALING,D=22			
			MS666136	CAP,CYLINDER BLOCK	2	SEALING,D=22			
			MS666136	CAP,CYLINDER BLOCK	2	SEALING,D=22			
			MS666136	CAP,CYLINDER BLOCK	2	SEALING,D=22			
			MS666136	CAP,CYLINDER BLOCK	2	SEALING,D=22			
			MS666136	CAP,CYLINDER BLOCK	2	SEALING,D=22			
			MS666136	CAP,CYLINDER BLOCK	2	SEALING,D=22			
			MS666136	CAP,CYLINDER BLOCK	2	SEALING,D=22			
			MS666136	CAP,CYLINDER BLOCK	2	SEALING,D=22			
			MS666136	CAP,CYLINDER BLOCK	2	SEALING,D=22			
			MS666136	CAP,CYLINDER BLOCK	2	SEALING,D=22			
		01395N	MH038114	CAP,CYLINDER BLOCK	2	SEALING,D=57			

**FK74R
11-130 CYLINDER BLOCK**

SPN	Repl Part	PNC	Part No	Part Name	Qty	Part Spec	Remarks	PREV.1	N
		01395N	MH038114	CAP,CYLINDER BLOCK	2	SEALING,D=57			
			MH038114	CAP,CYLINDER BLOCK	2	SEALING,D=57			
			MH038114	CAP,CYLINDER BLOCK	2	SEALING,D=57			
			MH038114	CAP,CYLINDER BLOCK	2	SEALING,D=57			
			MH038114	CAP,CYLINDER BLOCK	2	SEALING,D=57			
			MH038114	CAP,CYLINDER BLOCK	2	SEALING,D=57			
			MH038114	CAP,CYLINDER BLOCK	2	SEALING,D=57			
			MH038114	CAP,CYLINDER BLOCK	2	SEALING,D=57			
			MH038114	CAP,CYLINDER BLOCK	2	SEALING,D=57			
			MH038114	CAP,CYLINDER BLOCK	2	SEALING,D=57			
			MH038114	CAP,CYLINDER BLOCK	2	SEALING,D=57			
			MH038114	CAP,CYLINDER BLOCK	2	SEALING,D=57			
		01395P	MS666131	CAP,CYLINDER BLOCK	1	SEALING,12			
			MS666131	CAP,CYLINDER BLOCK	1	SEALING,12			
			MS666131	CAP,CYLINDER BLOCK	1	SEALING,12			
			MS666131	CAP,CYLINDER BLOCK	1	SEALING,12			
			MS666131	CAP,CYLINDER BLOCK	1	SEALING,12			
			MS666131	CAP,CYLINDER BLOCK	1	SEALING,12			
			MS666131	CAP,CYLINDER BLOCK	1	SEALING,12			
			MS666131	CAP,CYLINDER BLOCK	1	SEALING,12			
			MS666131	CAP,CYLINDER BLOCK	1	SEALING,12			
			MS666131	CAP,CYLINDER BLOCK	1	SEALING,12			
			MS666131	CAP,CYLINDER BLOCK	1	SEALING,12			
			MS666131	CAP,CYLINDER BLOCK	1	SEALING,12			
			MS666131	CAP,CYLINDER BLOCK	1	SEALING,12			
		01396B	ME241018	BUSHING,CYLINDER BLOCK	1				
		01396C	ME241019	BUSHING,CYLINDER BLOCK	2				

FK74R
11-130 CYLINDER BLOCK

SPN	Repl Part	PNC	Part No	Part Name	Qty	Part Spec	Remarks	PREV.1	N
		01396D	ME241020	BUSHING,CYLINDER BLOCK	2				
		01396E	ME241021	BUSHING,CYLINDER BLOCK	1				
		01397K	MF140203	BOLT,CYLINDER BLOCK	7	FLANGE,6X12	7T		
			MF140203	BOLT,CYLINDER BLOCK	7	FLANGE,6X12	7T		
			MF140203	BOLT,CYLINDER BLOCK	7	FLANGE,6X12	7T		
			MF140203	BOLT,CYLINDER BLOCK	7	FLANGE,6X12	7T		
			MF140203	BOLT,CYLINDER BLOCK	7	FLANGE,6X12	7T		
			MF140203	BOLT,CYLINDER BLOCK	7	FLANGE,6X12	7T		
			MF140203	BOLT,CYLINDER BLOCK	7	FLANGE,6X12	7T		
			MF140203	BOLT,CYLINDER BLOCK	7	FLANGE,6X12	7T		
			MF140203	BOLT,CYLINDER BLOCK	7	FLANGE,6X12	7T		
			MF140203	BOLT,CYLINDER BLOCK	7	FLANGE,6X12	7T		
		01397M	MF140244	BOLT,CYLINDER BLOCK	16	FLANGE,8X90	7T		
			MF140244	BOLT,CYLINDER BLOCK	16	FLANGE,8X90	7T		
			MF140244	BOLT,CYLINDER BLOCK	16	FLANGE,8X90	7T		
			MF140244	BOLT,CYLINDER BLOCK	16	FLANGE,8X90	7T		
			MF140244	BOLT,CYLINDER BLOCK	16	FLANGE,8X90	7T		
			MF140244	BOLT,CYLINDER BLOCK	16	FLANGE,8X90	7T		
			MF140244	BOLT,CYLINDER BLOCK	16	FLANGE,8X90	7T		
			MF140244	BOLT,CYLINDER BLOCK	16	FLANGE,8X90	7T		
			MF140244	BOLT,CYLINDER BLOCK	16	FLANGE,8X90	7T		
			MF140244	BOLT,CYLINDER BLOCK	16	FLANGE,8X90	7T		
		01397N	ME240570	BOLT,CYLINDER BLOCK	10	14X111			
			ME240570	BOLT,CYLINDER BLOCK	10	14X111			

FK74R
11-130 CYLINDER BLOCK

SPN	Repl Part	PNC	Part No	Part Name	Qty	Part Spec	Remarks	PREV.1	N
		01397N	ME240570	BOLT,CYLINDER BLOCK	10	14X111			
			ME240570	BOLT,CYLINDER BLOCK	10	14X111			
			ME240570	BOLT,CYLINDER BLOCK	10	14X111			
			ME240570	BOLT,CYLINDER BLOCK	10	14X111			
			ME240570	BOLT,CYLINDER BLOCK	10	14X111			
			ME240570	BOLT,CYLINDER BLOCK	10	14X111			
			ME240570	BOLT,CYLINDER BLOCK	10	14X111			
		03034	ME017240	OIL SLINGER,CRANKSHAFT,RR	1				
			ME017240	OIL SLINGER,CRANKSHAFT,RR	1				
			ME017240	OIL SLINGER,CRANKSHAFT,RR	1				
			ME017240	OIL SLINGER,CRANKSHAFT,RR	1				
			ME017240	OIL SLINGER,CRANKSHAFT,RR	1				
			ME017240	OIL SLINGER,CRANKSHAFT,RR	1				
			ME017240	OIL SLINGER,CRANKSHAFT,RR	1				
			ME017240	OIL SLINGER,CRANKSHAFT,RR	1				
			ME017240	OIL SLINGER,CRANKSHAFT,RR	1				
			ME017240	OIL SLINGER,CRANKSHAFT,RR	1				
			ME017240	OIL SLINGER,CRANKSHAFT,RR	1				
		03040	ME993902	BEARING SET,CRANKSHAFT	1	STD			
			ME993902	BEARING SET,CRANKSHAFT	1	STD			
			ME993902	BEARING SET,CRANKSHAFT	1	STD			

FK74R
11-130 CYLINDER BLOCK

SPN	Repl Part	PNC 03040	Part No	Part Name	Qty	Part Spec	Remarks	PREV.1	N
			ME993902	BEARING SET,CRANKSHAFT	1	STD			
			ME993902	BEARING SET,CRANKSHAFT	1	STD			
			ME993903	BEARING SET,CRANKSHAFT	1	U/SIZE 0.25			
			ME993903	BEARING SET,CRANKSHAFT	1	U/SIZE 0.25			
			ME993903	BEARING SET,CRANKSHAFT	1	U/SIZE 0.25			
			ME993903	BEARING SET,CRANKSHAFT	1	U/SIZE 0.25			
			ME993903	BEARING SET,CRANKSHAFT	1	U/SIZE 0.25			
			ME993904	BEARING SET,CRANKSHAFT	1	U/SIZE 0.50			
			ME993904	BEARING SET,CRANKSHAFT	1	U/SIZE 0.50			
			ME993904	BEARING SET,CRANKSHAFT	1	U/SIZE 0.50			
			ME993904	BEARING SET,CRANKSHAFT	1	U/SIZE 0.50			
			ME993904	BEARING SET,CRANKSHAFT	1	U/SIZE 0.50			
			ME993905	BEARING SET,CRANKSHAFT	1	U/SIZE 0.75			
			ME993905	BEARING SET,CRANKSHAFT	1	U/SIZE 0.75			
			ME993905	BEARING SET,CRANKSHAFT	1	U/SIZE 0.75			
			ME993905	BEARING SET,CRANKSHAFT	1	U/SIZE 0.75			
			ME993906	BEARING SET,CRANKSHAFT	1	U/SIZE 1.00			
			ME993906	BEARING SET,CRANKSHAFT	1	U/SIZE 1.00			

FK74R
11-130 CYLINDER BLOCK

SPN	Repl Part	PNC 03040	Part No	Part Name	Qty	Part Spec	Remarks	PREV.1	N
			ME993906	BEARING SET,CRANKSHAFT	1	U/SIZE 1.00			
			ME993906	BEARING SET,CRANKSHAFT	1	U/SIZE 1.00			
			ME993906	BEARING SET,CRANKSHAFT	1	U/SIZE 1.00			
			ME993902	BEARING SET,CRANKSHAFT	1	STD			
			ME993903	BEARING SET,CRANKSHAFT	1	U/SIZE 0.25			
			ME993904	BEARING SET,CRANKSHAFT	1	U/SIZE 0.50			
			ME993905	BEARING SET,CRANKSHAFT	1	U/SIZE 0.75			
			ME993906	BEARING SET,CRANKSHAFT	1	U/SIZE 1.00			
			ME993902	BEARING SET,CRANKSHAFT	1	STD			
			ME993903	BEARING SET,CRANKSHAFT	1	U/SIZE 0.25			
			ME993904	BEARING SET,CRANKSHAFT	1	U/SIZE 0.50			
			ME993905	BEARING SET,CRANKSHAFT	1	U/SIZE 0.75			
			ME993906	BEARING SET,CRANKSHAFT	1	U/SIZE 1.00			
			ME993902	BEARING SET,CRANKSHAFT	1	STD			
			ME993902	BEARING SET,CRANKSHAFT	1	STD			
			ME993903	BEARING SET,CRANKSHAFT	1	U/SIZE 0.25			
			ME993903	BEARING SET,CRANKSHAFT	1	U/SIZE 0.25			
			ME993903	BEARING SET,CRANKSHAFT	1	U/SIZE 0.25			
			ME993904	BEARING SET,CRANKSHAFT	1	U/SIZE 0.50			
			ME993904	BEARING SET,CRANKSHAFT	1	U/SIZE 0.50			
			ME993904	BEARING SET,CRANKSHAFT	1	U/SIZE 0.50			
			ME993905	BEARING SET,CRANKSHAFT	1	U/SIZE 0.75			
			ME993905	BEARING SET,CRANKSHAFT	1	U/SIZE 0.75			
			ME993905	BEARING SET,CRANKSHAFT	1	U/SIZE 0.75			
			ME993906	BEARING SET,CRANKSHAFT	1	U/SIZE 1.00			
			ME993906	BEARING SET,CRANKSHAFT	1	U/SIZE 1.00			
			ME993906	BEARING SET,CRANKSHAFT	1	U/SIZE 1.00			
			ME993902	BEARING SET,CRANKSHAFT	1	STD			
			ME993903	BEARING SET,CRANKSHAFT	1	U/SIZE 0.25			
			ME993904	BEARING SET,CRANKSHAFT	1	U/SIZE 0.50			

**FK74R
11-130 CYLINDER BLOCK**

SPN	Repl Part	PNC	Part No	Part Name	Qty	Part Spec	Remarks	PREV.1	
		03040	ME993905	BEARING SET,CRANKSHAFT	1	U/SIZE 0.75			
			ME993906	BEARING SET,CRANKSHAFT	1	U/SIZE 1.00			
SP		03044B	ME227360	PLATE,CRANKSHAFT THRUST	2	O/SIZE 0.15			R
SP			ME227361	PLATE,CRANKSHAFT THRUST	2	O/SIZE 0.30			R
SP			ME227362	PLATE,CRANKSHAFT THRUST	2	O/SIZE 0.45			R
SP			ME242095	PLATE,CRANKSHAFT THRUST	2	STD			R
			ME226843	PLATE,CRANKSHAFT THRUST	2	STD			
			ME226844	PLATE,CRANKSHAFT THRUST	2	O/SIZE 0.15			
			ME226845	PLATE,CRANKSHAFT THRUST	2	O/SIZE 0.30			
			ME226846	PLATE,CRANKSHAFT THRUST	2	O/SIZE 0.45			
			ME226843	PLATE,CRANKSHAFT THRUST	2	STD			
			ME226844	PLATE,CRANKSHAFT THRUST	2	O/SIZE 0.15			
			ME226845	PLATE,CRANKSHAFT THRUST	2	O/SIZE 0.30			
			ME226846	PLATE,CRANKSHAFT THRUST	2	O/SIZE 0.45			
SP			ME227360	PLATE,CRANKSHAFT THRUST	2	O/SIZE 0.15			R
SP			ME227361	PLATE,CRANKSHAFT THRUST	2	O/SIZE 0.30			R
SP			ME227362	PLATE,CRANKSHAFT THRUST	2	O/SIZE 0.45			R
SP			ME242095	PLATE,CRANKSHAFT THRUST	2	STD			R
SP			ME227360	PLATE,CRANKSHAFT THRUST	2	O/SIZE 0.15			R
SP			ME227360	PLATE,CRANKSHAFT THRUST	2	O/SIZE 0.15			R
SP			ME227360	PLATE,CRANKSHAFT THRUST	2	O/SIZE 0.15			R
SP			ME227360	PLATE,CRANKSHAFT THRUST	2	O/SIZE 0.15			R
SP			ME227360	PLATE,CRANKSHAFT THRUST	2	O/SIZE 0.15			R
SP			ME227360	PLATE,CRANKSHAFT THRUST	2	O/SIZE 0.15			R
SP			ME227360	PLATE,CRANKSHAFT THRUST	2	O/SIZE 0.15			R

FK74R
11-130 CYLINDER BLOCK

SPN	Repl Part	PNC	Part No	Part Name	Qty	Part Spec	Remarks	PREV.1
SPN		03044B	ME227360	PLATE,CRANKSHAFT THRUST	2	O/SIZE 0.15		
SP			ME227360	PLATE,CRANKSHAFT THRUST	2	O/SIZE 0.15		
SP			ME227360	PLATE,CRANKSHAFT THRUST	2	O/SIZE 0.15		
SP			ME227360	PLATE,CRANKSHAFT THRUST	2	O/SIZE 0.15		
SP			ME227361	PLATE,CRANKSHAFT THRUST	2	O/SIZE 0.30		
SP			ME227361	PLATE,CRANKSHAFT THRUST	2	O/SIZE 0.30		
SP			ME227361	PLATE,CRANKSHAFT THRUST	2	O/SIZE 0.30		
SP			ME227361	PLATE,CRANKSHAFT THRUST	2	O/SIZE 0.30		
SP			ME227361	PLATE,CRANKSHAFT THRUST	2	O/SIZE 0.30		
SP			ME227361	PLATE,CRANKSHAFT THRUST	2	O/SIZE 0.30		
SP			ME227361	PLATE,CRANKSHAFT THRUST	2	O/SIZE 0.30		
SP			ME227361	PLATE,CRANKSHAFT THRUST	2	O/SIZE 0.30		
SP			ME227361	PLATE,CRANKSHAFT THRUST	2	O/SIZE 0.30		
SP			ME227361	PLATE,CRANKSHAFT THRUST	2	O/SIZE 0.30		
SP			ME227361	PLATE,CRANKSHAFT THRUST	2	O/SIZE 0.30		
SP			ME227361	PLATE,CRANKSHAFT THRUST	2	O/SIZE 0.30		
SP			ME227361	PLATE,CRANKSHAFT THRUST	2	O/SIZE 0.30		
SP			ME227361	PLATE,CRANKSHAFT THRUST	2	O/SIZE 0.30		
SP			ME227362	PLATE,CRANKSHAFT THRUST	2	O/SIZE 0.45		
SP			ME227362	PLATE,CRANKSHAFT THRUST	2	O/SIZE 0.45		
SP			ME227362	PLATE,CRANKSHAFT THRUST	2	O/SIZE 0.45		
SP			ME227362	PLATE,CRANKSHAFT THRUST	2	O/SIZE 0.45		
SP			ME227362	PLATE,CRANKSHAFT THRUST	2	O/SIZE 0.45		
SP			ME227362	PLATE,CRANKSHAFT THRUST	2	O/SIZE 0.45		
SP			ME227362	PLATE,CRANKSHAFT THRUST	2	O/SIZE 0.45		
SP			ME227362	PLATE,CRANKSHAFT THRUST	2	O/SIZE 0.45		
SP			ME227362	PLATE,CRANKSHAFT THRUST	2	O/SIZE 0.45		
SP			ME227362	PLATE,CRANKSHAFT THRUST	2	O/SIZE 0.45		
SP			ME227362	PLATE,CRANKSHAFT THRUST	2	O/SIZE 0.45		
SP			ME242095	PLATE,CRANKSHAFT THRUST	2	STD		
SP			ME242095	PLATE,CRANKSHAFT THRUST	2	STD		
SP			ME242095	PLATE,CRANKSHAFT THRUST	2	STD		

FK74R
11-130 CYLINDER BLOCK

SPN	Repl Part	PNC	Part No	Part Name	Qty	Part Spec	Remarks	PREV.1
SP		03044B	ME242095	PLATE,CRANKSHAFT THRUST	2	STD		
SP			ME242095	PLATE,CRANKSHAFT THRUST	2	STD		
SP			ME242095	PLATE,CRANKSHAFT THRUST	2	STD		
SP			ME242095	PLATE,CRANKSHAFT THRUST	2	STD		
SP			ME242095	PLATE,CRANKSHAFT THRUST	2	STD		
SP			ME242095	PLATE,CRANKSHAFT THRUST	2	STD		
SP			ME242095	PLATE,CRANKSHAFT THRUST	2	STD		
SP			ME242095	PLATE,CRANKSHAFT THRUST	2	STD		
SP			ME242095	PLATE,CRANKSHAFT THRUST	2	STD		
SP			ME242095	PLATE,CRANKSHAFT THRUST	2	STD		
SP			ME227360	PLATE,CRANKSHAFT THRUST	2	O/SIZE 0.15		
SP			ME227361	PLATE,CRANKSHAFT THRUST	2	O/SIZE 0.30		
SP			ME227362	PLATE,CRANKSHAFT THRUST	2	O/SIZE 0.45		
SP			ME242095	PLATE,CRANKSHAFT THRUST	2	STD		
			ME226843	PLATE,CRANKSHAFT THRUST	2	STD		
			ME226844	PLATE,CRANKSHAFT THRUST	2	O/SIZE 0.15		
			ME226845	PLATE,CRANKSHAFT THRUST	2	O/SIZE 0.30		
			ME226846	PLATE,CRANKSHAFT THRUST	2	O/SIZE 0.45		
			ME226843	PLATE,CRANKSHAFT THRUST	2	STD		
			ME226844	PLATE,CRANKSHAFT THRUST	2	O/SIZE 0.15		
			ME226845	PLATE,CRANKSHAFT THRUST	2	O/SIZE 0.30		
			ME226846	PLATE,CRANKSHAFT THRUST	2	O/SIZE 0.45		
SP			ME227360	PLATE,CRANKSHAFT THRUST	2	O/SIZE 0.15		
SP			ME227361	PLATE,CRANKSHAFT THRUST	2	O/SIZE 0.30		
SP			ME227362	PLATE,CRANKSHAFT THRUST	2	O/SIZE 0.45		
SP			ME242095	PLATE,CRANKSHAFT THRUST	2	STD		
SP			ME227360	PLATE,CRANKSHAFT THRUST	2	O/SIZE 0.15		
SP			ME227360	PLATE,CRANKSHAFT THRUST	2	O/SIZE 0.15		
SP			ME227360	PLATE,CRANKSHAFT THRUST	2	O/SIZE 0.15		
SP			ME227360	PLATE,CRANKSHAFT THRUST	2	O/SIZE 0.15		

FK74R
11-130 CYLINDER BLOCK

SPN	Repl Part	PNC	Part No	Part Name	Qty	Part Spec	Remarks	PREV.1	
SPN SP		03044B	ME227361	PLATE,CRANKSHAFT THRUST	2	O/SIZE 0.30			R R
SP			ME227361	PLATE,CRANKSHAFT THRUST	2	O/SIZE 0.30			R
SP			ME227361	PLATE,CRANKSHAFT THRUST	2	O/SIZE 0.30			R
SP			ME227361	PLATE,CRANKSHAFT THRUST	2	O/SIZE 0.30			R
SP			ME227362	PLATE,CRANKSHAFT THRUST	2	O/SIZE 0.45			R
SP			ME227362	PLATE,CRANKSHAFT THRUST	2	O/SIZE 0.45			R
SP			ME227362	PLATE,CRANKSHAFT THRUST	2	O/SIZE 0.45			R
SP			ME227362	PLATE,CRANKSHAFT THRUST	2	O/SIZE 0.45			R
SP			ME242095	PLATE,CRANKSHAFT THRUST	2	STD			R
SP			ME242095	PLATE,CRANKSHAFT THRUST	2	STD			R
SP			ME242095	PLATE,CRANKSHAFT THRUST	2	STD			R
SP			ME242095	PLATE,CRANKSHAFT THRUST	2	STD			R
SP			ME242095	PLATE,CRANKSHAFT THRUST	2	STD			R
SP			ME242095	PLATE,CRANKSHAFT THRUST	2	STD			R
SP			ME227360	PLATE,CRANKSHAFT THRUST	2	O/SIZE 0.15			R
SP			ME227361	PLATE,CRANKSHAFT THRUST	2	O/SIZE 0.30			R
SP			ME227362	PLATE,CRANKSHAFT THRUST	2	O/SIZE 0.45			R
SP			ME242095	PLATE,CRANKSHAFT THRUST	2	STD			R
SP		03044C	ME227357	PLATE,CRANKSHAFT THRUST	2	O/SIZE 0.15			R
SP			ME227358	PLATE,CRANKSHAFT THRUST	2	O/SIZE 0.30			R
SP			ME227359	PLATE,CRANKSHAFT THRUST	2	O/SIZE 0.45			R
SP			ME242094	PLATE,CRANKSHAFT THRUST	2	STD			R
			ME226839	PLATE,CRANKSHAFT THRUST	2	STD			
			ME226840	PLATE,CRANKSHAFT THRUST	2	O/SIZE 0.15			
			ME226841	PLATE,CRANKSHAFT THRUST	2	O/SIZE 0.30			
			ME226842	PLATE,CRANKSHAFT THRUST	2	O/SIZE 0.45			
			ME226839	PLATE,CRANKSHAFT THRUST	2	STD			
			ME226840	PLATE,CRANKSHAFT THRUST	2	O/SIZE 0.15			
			ME226841	PLATE,CRANKSHAFT THRUST	2	O/SIZE 0.30			

FK74R
11-130 CYLINDER BLOCK

SPN	Repl Part	PNC 03044C	Part No	Part Name	Qty	Part Spec	Remarks	PREV.1	N
			ME226842	PLATE,CRANKSHAFT THRUST	2	O/SIZE 0.45			
SP			ME227357	PLATE,CRANKSHAFT THRUST	2	O/SIZE 0.15			R
SP			ME227358	PLATE,CRANKSHAFT THRUST	2	O/SIZE 0.30			R
SP			ME227359	PLATE,CRANKSHAFT THRUST	2	O/SIZE 0.45			R
SP			ME242094	PLATE,CRANKSHAFT THRUST	2	STD			R
SP			ME227357	PLATE,CRANKSHAFT THRUST	2	O/SIZE 0.15			R
SP			ME227357	PLATE,CRANKSHAFT THRUST	2	O/SIZE 0.15			R
SP			ME227357	PLATE,CRANKSHAFT THRUST	2	O/SIZE 0.15			R
SP			ME227357	PLATE,CRANKSHAFT THRUST	2	O/SIZE 0.15			R
SP			ME227357	PLATE,CRANKSHAFT THRUST	2	O/SIZE 0.15			R
SP			ME227357	PLATE,CRANKSHAFT THRUST	2	O/SIZE 0.15			R
SP			ME227357	PLATE,CRANKSHAFT THRUST	2	O/SIZE 0.15			R
SP			ME227357	PLATE,CRANKSHAFT THRUST	2	O/SIZE 0.15			R
SP			ME227357	PLATE,CRANKSHAFT THRUST	2	O/SIZE 0.15			R
SP			ME227357	PLATE,CRANKSHAFT THRUST	2	O/SIZE 0.15			R
SP			ME227357	PLATE,CRANKSHAFT THRUST	2	O/SIZE 0.15			R
SP			ME227357	PLATE,CRANKSHAFT THRUST	2	O/SIZE 0.15			R
SP			ME227357	PLATE,CRANKSHAFT THRUST	2	O/SIZE 0.15			R
SP			ME227358	PLATE,CRANKSHAFT THRUST	2	O/SIZE 0.30			R
SP			ME227358	PLATE,CRANKSHAFT THRUST	2	O/SIZE 0.30			R
SP			ME227358	PLATE,CRANKSHAFT THRUST	2	O/SIZE 0.30			R
SP			ME227358	PLATE,CRANKSHAFT THRUST	2	O/SIZE 0.30			R
SP			ME227358	PLATE,CRANKSHAFT THRUST	2	O/SIZE 0.30			R
SP			ME227358	PLATE,CRANKSHAFT THRUST	2	O/SIZE 0.30			R
SP			ME227358	PLATE,CRANKSHAFT THRUST	2	O/SIZE 0.30			R
SP			ME227358	PLATE,CRANKSHAFT THRUST	2	O/SIZE 0.30			R
SP			ME227358	PLATE,CRANKSHAFT THRUST	2	O/SIZE 0.30			R
SP			ME227358	PLATE,CRANKSHAFT THRUST	2	O/SIZE 0.30			R
SP			ME227358	PLATE,CRANKSHAFT THRUST	2	O/SIZE 0.30			R
SP			ME227358	PLATE,CRANKSHAFT THRUST	2	O/SIZE 0.30			R
SP			ME227358	PLATE,CRANKSHAFT THRUST	2	O/SIZE 0.30			R
SP			ME227358	PLATE,CRANKSHAFT THRUST	2	O/SIZE 0.30			R
SP			ME227358	PLATE,CRANKSHAFT THRUST	2	O/SIZE 0.30			R
SP			ME227359	PLATE,CRANKSHAFT THRUST	2	O/SIZE 0.45			R
SP			ME227359	PLATE,CRANKSHAFT THRUST	2	O/SIZE 0.45			R

FK74R
11-130 CYLINDER BLOCK

SPN	Repl Part	PNC	Part No	Part Name	Qty	Part Spec	Remarks	PREV.1	
SP		03044C	ME227359	PLATE,CRANKSHAFT THRUST	2	O/SIZE 0.45			R
SP			ME227359	PLATE,CRANKSHAFT THRUST	2	O/SIZE 0.45			R
SP			ME227359	PLATE,CRANKSHAFT THRUST	2	O/SIZE 0.45			R
SP			ME227359	PLATE,CRANKSHAFT THRUST	2	O/SIZE 0.45			R
SP			ME227359	PLATE,CRANKSHAFT THRUST	2	O/SIZE 0.45			R
SP			ME227359	PLATE,CRANKSHAFT THRUST	2	O/SIZE 0.45			R
SP			ME227359	PLATE,CRANKSHAFT THRUST	2	O/SIZE 0.45			R
SP			ME227359	PLATE,CRANKSHAFT THRUST	2	O/SIZE 0.45			R
SP			ME242094	PLATE,CRANKSHAFT THRUST	2	STD			R
SP			ME242094	PLATE,CRANKSHAFT THRUST	2	STD			R
SP			ME242094	PLATE,CRANKSHAFT THRUST	2	STD			R
SP			ME242094	PLATE,CRANKSHAFT THRUST	2	STD			R
SP			ME242094	PLATE,CRANKSHAFT THRUST	2	STD			R
SP			ME242094	PLATE,CRANKSHAFT THRUST	2	STD			R
SP			ME242094	PLATE,CRANKSHAFT THRUST	2	STD			R
SP			ME242094	PLATE,CRANKSHAFT THRUST	2	STD			R
SP			ME242094	PLATE,CRANKSHAFT THRUST	2	STD			R
SP			ME242094	PLATE,CRANKSHAFT THRUST	2	STD			R
SP			ME242094	PLATE,CRANKSHAFT THRUST	2	STD			R
SP			ME242094	PLATE,CRANKSHAFT THRUST	2	STD			R
SP			ME227357	PLATE,CRANKSHAFT THRUST	2	O/SIZE 0.15			R
SP			ME227358	PLATE,CRANKSHAFT THRUST	2	O/SIZE 0.30			R
SP			ME227359	PLATE,CRANKSHAFT THRUST	2	O/SIZE 0.45			R
SP			ME242094	PLATE,CRANKSHAFT THRUST	2	STD			R
			ME226839	PLATE,CRANKSHAFT THRUST	2	STD			
			ME226840	PLATE,CRANKSHAFT THRUST	2	O/SIZE 0.15			

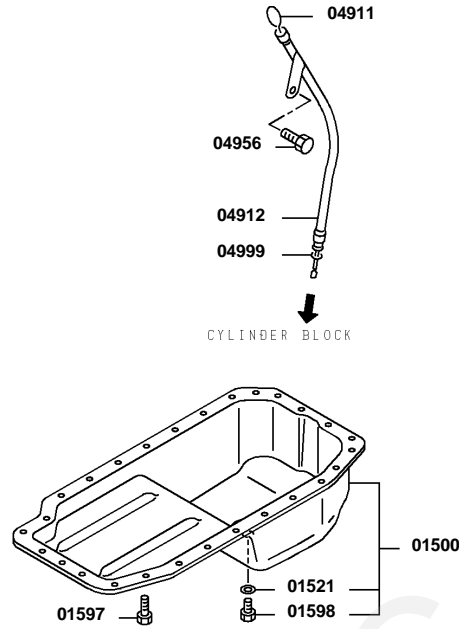
FK74R
11-130 CYLINDER BLOCK

SPN	Repl Part	PNC	Part No	Part Name	Qty	Part Spec	Remarks	PREV.1	N
		03044C	ME226841	PLATE,CRANKSHAFT THRUST	2	O/SIZE 0.30			
			ME226842	PLATE,CRANKSHAFT THRUST	2	O/SIZE 0.45			
			ME226839	PLATE,CRANKSHAFT THRUST	2	STD			
			ME226840	PLATE,CRANKSHAFT THRUST	2	O/SIZE 0.15			
			ME226841	PLATE,CRANKSHAFT THRUST	2	O/SIZE 0.30			
			ME226842	PLATE,CRANKSHAFT THRUST	2	O/SIZE 0.45			
SP			ME227357	PLATE,CRANKSHAFT THRUST	2	O/SIZE 0.15			R
SP			ME227358	PLATE,CRANKSHAFT THRUST	2	O/SIZE 0.30			R
SP			ME227359	PLATE,CRANKSHAFT THRUST	2	O/SIZE 0.45			R
SP			ME242094	PLATE,CRANKSHAFT THRUST	2	STD			R
SP			ME227357	PLATE,CRANKSHAFT THRUST	2	O/SIZE 0.15			R
SP			ME227357	PLATE,CRANKSHAFT THRUST	2	O/SIZE 0.15			R
SP			ME227357	PLATE,CRANKSHAFT THRUST	2	O/SIZE 0.15			R
SP			ME227358	PLATE,CRANKSHAFT THRUST	2	O/SIZE 0.30			R
SP			ME227358	PLATE,CRANKSHAFT THRUST	2	O/SIZE 0.30			R
SP			ME227358	PLATE,CRANKSHAFT THRUST	2	O/SIZE 0.30			R
SP			ME227358	PLATE,CRANKSHAFT THRUST	2	O/SIZE 0.30			R
SP			ME227358	PLATE,CRANKSHAFT THRUST	2	O/SIZE 0.30			R
SP			ME227358	PLATE,CRANKSHAFT THRUST	2	O/SIZE 0.30			R
SP			ME227358	PLATE,CRANKSHAFT THRUST	2	O/SIZE 0.30			R
SP			ME227359	PLATE,CRANKSHAFT THRUST	2	O/SIZE 0.45			R
SP			ME227359	PLATE,CRANKSHAFT THRUST	2	O/SIZE 0.45			R
SP			ME227359	PLATE,CRANKSHAFT THRUST	2	O/SIZE 0.45			R
SP			ME227359	PLATE,CRANKSHAFT THRUST	2	O/SIZE 0.45			R
SP			ME227359	PLATE,CRANKSHAFT THRUST	2	O/SIZE 0.45			R
SP			ME227359	PLATE,CRANKSHAFT THRUST	2	O/SIZE 0.45			R
SP			ME242094	PLATE,CRANKSHAFT THRUST	2	STD			R
SP			ME242094	PLATE,CRANKSHAFT THRUST	2	STD			R
SP			ME242094	PLATE,CRANKSHAFT THRUST	2	STD			R
SP			ME242094	PLATE,CRANKSHAFT THRUST	2	STD			R
SP			ME242094	PLATE,CRANKSHAFT THRUST	2	STD			R
SP			ME242094	PLATE,CRANKSHAFT THRUST	2	STD			R
SP			ME227357	PLATE,CRANKSHAFT THRUST	2	O/SIZE 0.15			R
SP			ME227358	PLATE,CRANKSHAFT THRUST	2	O/SIZE 0.30			R
SP			ME227359	PLATE,CRANKSHAFT THRUST	2	O/SIZE 0.45			R
SP			ME242094	PLATE,CRANKSHAFT THRUST	2	STD			R
		03080	ME240010	OIL SEAL,CRANKSHAFT,RR	1				
			ME240010	OIL SEAL,CRANKSHAFT,RR	1				

FK74R
11-130 CYLINDER BLOCK

SPN	Repl Part	PNC 03080	Part No	Part Name	Qty	Part Spec	Remarks	PREV.1	N
			ME240010	OIL SEAL,CRANKSHAFT,RR	1				
			ME240010	OIL SEAL,CRANKSHAFT,RR	1				
			ME240010	OIL SEAL,CRANKSHAFT,RR	1				
			ME240010	OIL SEAL,CRANKSHAFT,RR	1				
			ME240010	OIL SEAL,CRANKSHAFT,RR	1				
			ME240010	OIL SEAL,CRANKSHAFT,RR	1				
			ME240010	OIL SEAL,CRANKSHAFT,RR	1				
			ME240010	OIL SEAL,CRANKSHAFT,RR	1				
			ME240010	OIL SEAL,CRANKSHAFT,RR	1				
			ME240010	OIL SEAL,CRANKSHAFT,RR	1				
			ME240010	OIL SEAL,CRANKSHAFT,RR	1				
			ME240010	OIL SEAL,CRANKSHAFT,RR	1				

FK74R
No.1



C00061

Ref. |2011140

Page

FK74R
11-140 OIL PAN,FILLER & GAUGE

Repl Part	PNC	Part No	Part Name	Qty	Part Spec	Remarks	NEW1	Classification	Option
	01500	ME993964	OIL PAN,ENG	1				K6,K6E,M6E	
		ME993964	OIL PAN,ENG	1				G6,G6E,G6V, H6,H6E,H6V, H6VE,J6,J6E, J6V,J6VE,K6, K6E,K6V,K6VE, M6,M6E,M6VE	
		ME993964	OIL PAN,ENG	1				G6E,G6V,H6V, H6VE,J6V,J6VE, K6V,K6VE,M6, M6VE	
		ME993964	OIL PAN,ENG	1				G6,G6E,G6V, H6,H6E,H6V, H6VE,J6,J6E, J6V,J6VE,K6, K6E,K6V,K6VE, M6,M6E,M6VE	
		ME993964	OIL PAN,ENG	1				G6,H6,H6E, J6,J6E	
		ME993964	OIL PAN,ENG	1				G6,H6,H6E, J6,J6E,K6, K6E,M6E	14C,1C0,1XS 1XT,1XX,1XY
		ME993964	OIL PAN,ENG	1				G6,H6,H6E, J6,J6E	1SP,1XU,1XZ
		ME993964	OIL PAN,ENG	1				G6,H6,H6E, J6,J6E	
		ME993964	OIL PAN,ENG	1				G6,H6,H6E, J6,J6E,K6, K6E,M6E	
		ME993964	OIL PAN,ENG	1				K6,K6E,M6E	
		ME993964	OIL PAN,ENG	1				G6V,H6V,H6VE, J6V,J6VE,K6VE	

Ref. |2011140

Page

FK74R
11-140 OIL PAN,FILLER & GAUGE

Repl Part	PNC	Part No	Part Name	Qty	Part Spec	Remarks	NEW1	Classification	Option		
01521		MH035018	GASKET,ENG OIL PAN DRAIN PLUG	1	18			K6,K6E,M6E			
		MH035018	GASKET,ENG OIL PAN DRAIN PLUG	1	18			G6,G6E,G6V, H6,H6E,H6V, H6VE,J6,J6E, J6V,J6VE,K6, K6E,K6V,K6VE, M6,M6E,M6VE			
		MH035018	GASKET,ENG OIL PAN DRAIN PLUG	1	18			G6E,G6V,H6V, H6VE,J6V,J6VE, K6V,K6VE,M6, M6VE			
		MH035018	GASKET,ENG OIL PAN DRAIN PLUG	1	18			G6,G6E,G6V, H6,H6E,H6V, H6VE,J6,J6E, J6V,J6VE,K6, K6E,K6V,K6VE, M6,M6E,M6VE			
		MH035018	GASKET,ENG OIL PAN DRAIN PLUG	1	18			G6,H6,H6E, J6,J6E			
		MH035018	GASKET,ENG OIL PAN DRAIN PLUG	1	18			G6,H6,H6E, J6,J6E,K6, K6E,M6E	14C,1C0,1XS 1XT,1XX,1XY		
		MH035018	GASKET,ENG OIL PAN DRAIN PLUG	1	18			G6,H6,H6E, J6,J6E	1SP,1XU,1XZ		
		MH035018	GASKET,ENG OIL PAN DRAIN PLUG	1	18			G6,H6,H6E, J6,J6E			
		MH035018	GASKET,ENG OIL PAN DRAIN PLUG	1	18			G6,H6,H6E, J6,J6E,K6, K6E,M6E			
		MH035018	GASKET,ENG OIL PAN DRAIN PLUG	1	18			K6,K6E,M6E			
		MH035018	GASKET,ENG OIL PAN DRAIN PLUG	1	18			G6V,H6V,H6VE, J6V,J6VE,K6VE			
		01597		MF140224	BOLT,ENG OIL PAN	21	FLANGE,8X18	7T		G6E,K6V,M6, M6VE	
				MF140224	BOLT,ENG OIL PAN	21	FLANGE,8X18	7T		G6,H6,H6E, J6,J6E	
				MF140224	BOLT,ENG OIL PAN	21	FLANGE,8X18	7T		G6,G6E,G6V, H6,H6E,H6V, H6VE,J6,J6E, J6V,J6VE,K6, K6E,K6V,K6VE, M6,M6E,M6VE	
MF140224	BOLT,ENG OIL PAN			21	FLANGE,8X18	7T		G6,G6E,G6V, H6,H6E,H6V, H6VE,J6,J6E, J6V,J6VE,K6, K6E,K6V,K6VE, M6,M6E,M6VE			
MF140224	BOLT,ENG OIL PAN			21	FLANGE,8X18	7T		K6,K6E,M6E			
MF140224	BOLT,ENG OIL PAN			21	FLANGE,8X18	7T		G6V,H6V,H6VE, J6V,J6VE,K6VE			
MF140224	BOLT,ENG OIL PAN			21	FLANGE,8X18	7T		G6,G6V,H6, H6E,H6V,H6VE, J6,J6E,J6V, J6VE,K6,K6E, K6VE,M6E	14C,1C0		
MF140224	BOLT,ENG OIL PAN			21	FLANGE,8X18	7T		G6,H6,H6E, J6,J6E	1SP,1XU,1XZ		
MF140224	BOLT,ENG OIL PAN			21	FLANGE,8X18	7T		G6,H6,H6E, J6,J6E,K6, K6E,M6E	1XS,1XT,1XX 1XY		
01598				MH037126	PLUG,ENG OIL PAN	1	SCREW,18			K6,K6E,M6E	
		MH037126	PLUG,ENG OIL PAN	1	SCREW,18			G6,G6E,G6V, H6,H6E,H6V, H6VE,J6,J6E, J6V,J6VE,K6, K6E,K6V,K6VE, M6,M6E,M6VE			
		MH037126	PLUG,ENG OIL PAN	1	SCREW,18			G6E,G6V,H6V, H6VE,J6V,J6VE, K6V,K6VE,M6, M6VE			

FK74R
11-140 OIL PAN,FILLER & GAUGE

Repl Part	PNC	Part No	Part Name	Qty	Part Spec	Remarks	NEW1	Classification	Option
	01598	MH037126	PLUG,ENG OIL PAN	1	SCREW,18			G6,G6E,G6V, H6,H6E,H6V, H6VE,J6,J6E, J6V,J6VE,K6, K6E,K6V,K6VE, M6,M6E,M6VE	
		MH037126	PLUG,ENG OIL PAN	1	SCREW,18			G6,H6,H6E, J6,J6E	
		MH037126	PLUG,ENG OIL PAN	1	SCREW,18			G6,H6,H6E, J6,J6E,K6, K6E,M6E	14C,1C0,1XS 1XT,1XX,1XY
		MH037126	PLUG,ENG OIL PAN	1	SCREW,18			G6,H6,H6E, J6,J6E	1SP,1XU,1XZ
		MH037126	PLUG,ENG OIL PAN	1	SCREW,18			G6,H6,H6E, J6,J6E	
		MH037126	PLUG,ENG OIL PAN	1	SCREW,18			G6,H6,H6E, J6,J6E,K6, K6E,M6E	
		MH037126	PLUG,ENG OIL PAN	1	SCREW,18			K6,K6E,M6E	
		MH037126	PLUG,ENG OIL PAN	1	SCREW,18			G6V,H6V,H6VE, J6V,J6VE,K6VE	
	04911	ME224477	GAUGE,ENG OIL LEVEL	1				K6,K6E,M6E	
		ME224477	GAUGE,ENG OIL LEVEL	1				G6,G6E,G6V, H6,H6E,H6V, H6VE,J6,J6E, J6V,J6VE,K6, K6E,K6V,K6VE, M6,M6E,M6VE	
		ME224477	GAUGE,ENG OIL LEVEL	1				G6,G6E,G6V, H6,H6E,H6V, H6VE,J6,J6E, J6V,J6VE,K6, K6E,K6V,K6VE, M6,M6E,M6VE	
		ME224477	GAUGE,ENG OIL LEVEL	1				G6E,G6V,H6V, H6VE,J6V,J6VE, K6V,K6VE,M6, M6VE	
		ME224477	GAUGE,ENG OIL LEVEL	1				G6,H6,H6E, J6,J6E	
		ME227371	GAUGE,ENG OIL LEVEL	1				K6,K6E,M6E	
		ME227371	GAUGE,ENG OIL LEVEL	1				G6,G6V,H6, H6E,H6V,H6VE, J6,J6E,J6V, J6VE,K6,K6E, K6VE,M6E	
		ME227371	GAUGE,ENG OIL LEVEL	1				G6,H6,H6E, J6,J6E	
		ME227371	GAUGE,ENG OIL LEVEL	1				G6V,H6V,H6VE, J6V,J6VE,K6VE	
		ME227371	GAUGE,ENG OIL LEVEL	1				G6,H6,H6E, J6,J6E,K6, K6E,M6E	14C,1C0,1XS 1XT,1XX,1XY
		ME227371	GAUGE,ENG OIL LEVEL	1				G6,H6,H6E, J6,J6E	1SP,1XU,1XZ
		ME228030	GAUGE,ENG OIL LEVEL	1				G6,H6,H6E, J6,J6E,K6, K6E,M6E	14C,1C0,1XS 1XT,1XX,1XY
		ME228030	GAUGE,ENG OIL LEVEL	1				G6,H6,H6E, J6,J6E	1SP,1XU,1XZ
		ME228030	GAUGE,ENG OIL LEVEL	1				K6,K6E,M6E	
		ME228030	GAUGE,ENG OIL LEVEL	1				G6,H6,H6E, J6,J6E,K6, K6E,M6E	
		ME228030	GAUGE,ENG OIL LEVEL	1				G6,H6,H6E, J6,J6E	
		ME228030	GAUGE,ENG OIL LEVEL	1				G6V,H6V,H6VE, J6V,J6VE,K6VE	
RP	04912	ME223646	GUIDE,ENG OIL LEVEL GAUGE	1			Y	G6,G6E,H6, H6E,J6,J6E, K6,K6E,M6, M6E	

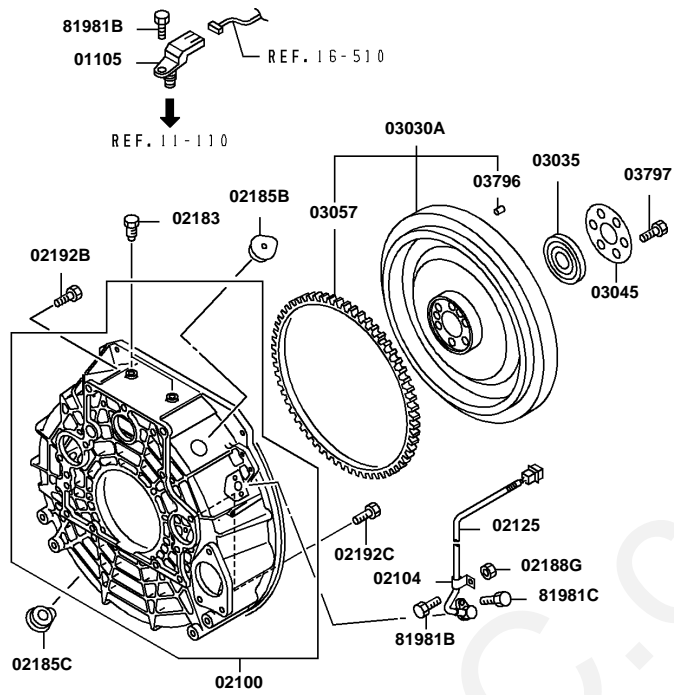
FK74R
11-140 OIL PAN,FILLER & GAUGE

Repl Part	PNC	Part No	Part Name	Qty	Part Spec	Remarks	NEW1	Classification	Option
	04912	ME225253	GUIDE,ENG OIL LEVEL GAUGE	1				G6,G6E,G6V, H6,H6E,H6V, H6VE,J6,J6E, J6V,J6VE,K6, K6E,K6V,K6VE, M6,M6E,M6VE	
		ME225253	GUIDE,ENG OIL LEVEL GAUGE	1				K6,K6E,M6E	
		ME225253	GUIDE,ENG OIL LEVEL GAUGE	1				G6E,G6V,H6V, H6VE,J6V,J6VE, K6V,K6VE,M6, M6VE	
		ME225253	GUIDE,ENG OIL LEVEL GAUGE	1				G6,H6,H6E, J6,J6E	
		ME225253	GUIDE,ENG OIL LEVEL GAUGE	1				G6,G6E,G6V, H6,H6E,H6V, H6VE,J6,J6E, J6V,J6VE,K6, K6E,K6V,K6VE, M6,M6E,M6VE	
		ME225125	GUIDE,ENG OIL LEVEL GAUGE	1				K6,K6E,M6E	
		ME225125	GUIDE,ENG OIL LEVEL GAUGE	1				G6,G6V,H6, H6E,H6V,H6VE, J6,J6E,J6V, J6VE,K6,K6E, K6VE,M6E	
		ME225125	GUIDE,ENG OIL LEVEL GAUGE	1				G6,H6,H6E, J6,J6E	
		ME225125	GUIDE,ENG OIL LEVEL GAUGE	1				G6V,H6V,H6VE, J6V,J6VE,K6VE	
		ME225125	GUIDE,ENG OIL LEVEL GAUGE	1				G6,H6,H6E, J6,J6E,K6, K6E,M6E	14C,1C0,1XS 1XT,1XX,1XY
		ME225125	GUIDE,ENG OIL LEVEL GAUGE	1				G6,H6,H6E, J6,J6E	1SP,1XU,1XZ
		ME226956	GUIDE,ENG OIL LEVEL GAUGE	1				G6,H6,H6E, J6,J6E,K6, K6E,M6E	14C,1C0,1XS 1XT,1XX,1XY
		ME226956	GUIDE,ENG OIL LEVEL GAUGE	1				G6,H6,H6E, J6,J6E	1SP,1XU,1XZ
		ME226956	GUIDE,ENG OIL LEVEL GAUGE	1				G6,H6,H6E, J6,J6E,K6, K6E,M6E	
		ME226956	GUIDE,ENG OIL LEVEL GAUGE	1				K6,K6E,M6E	
		ME226956	GUIDE,ENG OIL LEVEL GAUGE	1				G6,H6,H6E, J6,J6E	
		ME226956	GUIDE,ENG OIL LEVEL GAUGE	1				G6V,H6V,H6VE, J6V,J6VE,K6VE	
	04956	MH000999	BOLT,ENG OIL FILLER	1	FLANGE,6X12			G6V,H6V,H6VE, J6V,J6VE,K6VE	
		MH000999	BOLT,ENG OIL FILLER	1	FLANGE,6X12			K6,K6E,M6E	
		MH000999	BOLT,ENG OIL FILLER	1	FLANGE,6X12			G6,H6,H6E, J6,J6E	
		MH000999	BOLT,ENG OIL FILLER	1	FLANGE,6X12			G6E,K6V,M6, M6VE	
		MH000999	BOLT,ENG OIL FILLER	1	FLANGE,6X12			G6,G6E,G6V, H6,H6E,H6V, H6VE,J6,J6E, J6V,J6VE,K6, K6E,K6V,K6VE, M6,M6E,M6VE	
		MH000999	BOLT,ENG OIL FILLER	1	FLANGE,6X12			G6,G6E,G6V, H6,H6E,H6V, H6VE,J6,J6E, J6V,J6VE,K6, K6E,K6V,K6VE, M6,M6E,M6VE	
		MF140223	BOLT,ENG OIL FILLER	1	FLANGE,8X16	7T		G6,H6,H6E, J6,J6E	
		MF140223	BOLT,ENG OIL FILLER	1	FLANGE,8X16	7T		K6,K6E,M6E	
		MF140223	BOLT,ENG OIL FILLER	1	FLANGE,8X16	7T		G6V,H6V,H6VE, J6V,J6VE,K6VE	

FK74R
11-140 OIL PAN,FILLER & GAUGE

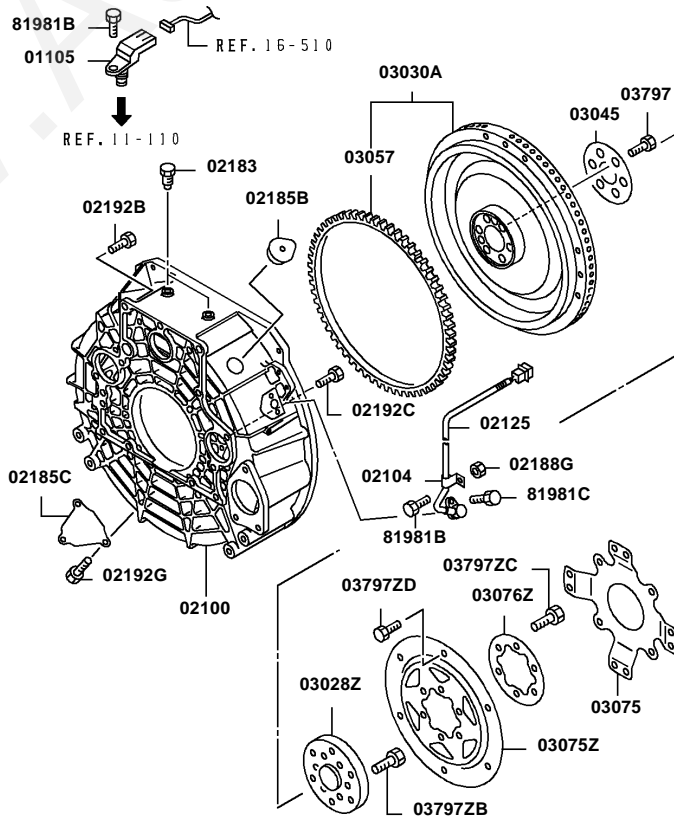
Repl Part	PNC	Part No	Part Name	Qty	Part Spec	Remarks	NEW1	Classification	Option
	04956	MF140223	BOLT,ENG OIL FILLER	1	FLANGE,8X16	7T		G6,G6V,H6, H6E,H6V,H6VE, J6,J6E,J6V, J6VE,K6,K6E, K6VE,M6E	
		MF140223	BOLT,ENG OIL FILLER	1	FLANGE,8X16	7T		G6,G6V,H6, H6E,H6V,H6VE, J6,J6E,J6V, J6VE,K6,K6E, K6VE,M6E	14C,1C0
		MF140223	BOLT,ENG OIL FILLER	1	FLANGE,8X16	7T		G6,H6,H6E, J6,J6E	1SP,1XU,1XZ
		MF140223	BOLT,ENG OIL FILLER	1	FLANGE,8X16	7T		G6,H6,H6E, J6,J6E,K6, K6E,M6E	1XS,1XT,1XX 1XY
	04999	MH035242	O-RING,ENG OIL FILLER	1	10.8			K6,K6E,M6E	
		MH035242	O-RING,ENG OIL FILLER	1	10.8			G6,G6E,G6V, H6,H6E,H6V, H6VE,J6,J6E, J6V,J6VE,K6, K6E,K6V,K6VE, M6,M6E,M6VE	
		MH035242	O-RING,ENG OIL FILLER	1	10.8			G6E,G6V,H6V, H6VE,J6V,J6VE, K6V,K6VE,M6, M6VE	
		MH035242	O-RING,ENG OIL FILLER	1	10.8			G6,G6E,G6V, H6,H6E,H6V, H6VE,J6,J6E, J6V,J6VE,K6, K6E,K6V,K6VE, M6,M6E,M6VE	
		MH035242	O-RING,ENG OIL FILLER	1	10.8			G6,H6,H6E, J6,J6E	14C,1C0,1XS 1XT,1XX,1XY
		MH035242	O-RING,ENG OIL FILLER	1	10.8			G6,H6,H6E, J6,J6E	1SP,1XU,1XZ
		MH035242	O-RING,ENG OIL FILLER	1	10.8			G6,H6,H6E, J6,J6E	
		MH035242	O-RING,ENG OIL FILLER	1	10.8			G6,H6,H6E, J6,J6E,K6, K6E,M6E	
		MH035242	O-RING,ENG OIL FILLER	1	10.8			K6,K6E,M6E	
		MH035242	O-RING,ENG OIL FILLER	1	10.8			G6V,H6V,H6VE, J6V,J6VE,K6VE	

FK74R
No.1



C00089

FK74R
No.2



C00091

**FK74R
11-150 FLYWHEEL & HOUSING**

SPN	Repl Part	PNC	Part No	Part Name	Qty	Part Spec	Remarks	PREV.1	NEW
		01105	ME222242	SENSOR,ROCKER COVER ENG SPEED	1				
			ME222242	SENSOR,ROCKER COVER ENG SPEED	1				
			ME222242	SENSOR,ROCKER COVER ENG SPEED	1				
			ME222242	SENSOR,ROCKER COVER ENG SPEED	1				
			ME222242	SENSOR,ROCKER COVER ENG SPEED	1				
			ME222242	SENSOR,ROCKER COVER ENG SPEED	1				
			ME222242	SENSOR,ROCKER COVER ENG SPEED	1				
			ME222242	SENSOR,ROCKER COVER ENG SPEED	1				
			ME222242	SENSOR,ROCKER COVER ENG SPEED	1				
			ME222242	SENSOR,ROCKER COVER ENG SPEED	1				
			ME222242	SENSOR,ROCKER COVER ENG SPEED	1				
			ME222242	SENSOR,ROCKER COVER ENG SPEED	1				
			ME222242	SENSOR,ROCKER COVER ENG SPEED	1				
			ME222242	SENSOR,ROCKER COVER ENG SPEED	1				
SP			02100	ME223832	HOUSING,FLYWHEEL	1			
SP		ME223832		HOUSING,FLYWHEEL	1				N
SP		ME223832		HOUSING,FLYWHEEL	1				N
SP		ME223832		HOUSING,FLYWHEEL	1				N
SP		ME223832		HOUSING,FLYWHEEL	1				N
SP		ME223861		HOUSING,FLYWHEEL	1				N
SP		ME223861		HOUSING,FLYWHEEL	1				N
SP		ME223832		HOUSING,FLYWHEEL	1				N
SP		ME225033		HOUSING,FLYWHEEL	1				N
SP		ME225033		HOUSING,FLYWHEEL	1				N
SP		ME225033		HOUSING,FLYWHEEL	1				N
SP		ME225033		HOUSING,FLYWHEEL	1				N
SP		ME225033		HOUSING,FLYWHEEL	1				N
SP		ME225033		HOUSING,FLYWHEEL	1				N
SP		ME225034		HOUSING,FLYWHEEL	1				N
SP		ME225034		HOUSING,FLYWHEEL	1				N
SP		ME225033		HOUSING,FLYWHEEL	1				N

FK74R
11-150 FLYWHEEL & HOUSING

SPN	Repl Part RP	PNC 02100	Part No	Part Name	Qty	Part Spec	Remarks	PREV.1	NEW
			ME225509	HOUSING,FLYWHEEL	1				0
	RP		ME225510	HOUSING,FLYWHEEL	1				0
	RP		ME225510	HOUSING,FLYWHEEL	1				0
	RP		ME225509	HOUSING,FLYWHEEL	1				0
	RP		ME225509	HOUSING,FLYWHEEL	1				0
	RP		ME225509	HOUSING,FLYWHEEL	1				0
	RP		ME225509	HOUSING,FLYWHEEL	1				0
	RP		ME225509	HOUSING,FLYWHEEL	1				0
	RP		ME225509	HOUSING,FLYWHEEL	1				0
	RP		ME225509	HOUSING,FLYWHEEL	1				0
	RP		ME225509	HOUSING,FLYWHEEL	1				0
	RP		ME225509	HOUSING,FLYWHEEL	1				0
	RP		ME225509	HOUSING,FLYWHEEL	1				0
	RP		ME225509	HOUSING,FLYWHEEL	1				0
	RP		ME225509	HOUSING,FLYWHEEL	1				0
	RP		ME225510	HOUSING,FLYWHEEL	1				0
	RP		ME225510	HOUSING,FLYWHEEL	1				0
	RP		ME227281	HOUSING,FLYWHEEL	1			0	
	RP		ME227281	HOUSING,FLYWHEEL	1			0	
	RP		ME227281	HOUSING,FLYWHEEL	1			0	
	RP		ME227281	HOUSING,FLYWHEEL	1			0	
	RP		ME227281	HOUSING,FLYWHEEL	1			0	
	RP		ME227281	HOUSING,FLYWHEEL	1			0	
	RP		ME227281	HOUSING,FLYWHEEL	1			0	
	RP		ME227281	HOUSING,FLYWHEEL	1			0	
	RP		ME227352	HOUSING,FLYWHEEL	1			0	
	RP		ME227352	HOUSING,FLYWHEEL	1			0	
	RP		ME227281	HOUSING,FLYWHEEL	1			0	

FK74R
11-150 FLYWHEEL & HOUSING

SPN	Repl Part RP	PNC 02100	Part No ME227281	Part Name HOUSING,FLYWHEEL	Qty 1	Part Spec	Remarks	PREV.1 O	NEW
	RP		ME227281	HOUSING,FLYWHEEL	1			O	
	RP		ME227281	HOUSING,FLYWHEEL	1			O	
	RP		ME227281	HOUSING,FLYWHEEL	1			O	
	RP		ME227281	HOUSING,FLYWHEEL	1			O	
	RP		ME227281	HOUSING,FLYWHEEL	1			O	
		02104	MH020517	CLIP,FLYWHEEL HOUSING	1	D=6.4 H=15			
			MH020517	CLIP,FLYWHEEL HOUSING	1	D=6.4 H=15			
			MH020517	CLIP,FLYWHEEL HOUSING	1	D=6.4 H=15			
			MH020517	CLIP,FLYWHEEL HOUSING	1	D=6.4 H=15			
			MH020517	CLIP,FLYWHEEL HOUSING	1	D=6.4 H=15			
			MH020517	CLIP,FLYWHEEL HOUSING	1	D=6.4 H=15			
			MH020517	CLIP,FLYWHEEL HOUSING	1	D=6.4 H=15			
			MH020517	CLIP,FLYWHEEL HOUSING	1	D=6.4 H=15			
			MH020517	CLIP,FLYWHEEL HOUSING	1	D=6.4 H=15			
			MH020517	CLIP,FLYWHEEL HOUSING	1	D=6.4 H=15			
			MH020517	CLIP,FLYWHEEL HOUSING	1	D=6.4 H=15			
			MH020517	CLIP,FLYWHEEL HOUSING	1	D=6.4 H=15			
			MH020517	CLIP,FLYWHEEL HOUSING	1	D=6.4 H=15			
		02125	ME222926	SENSOR,FLYWHEEL HOUSING ENG SPEED	1				
SP			ME225366	SENSOR,FLYWHEEL HOUSING ENG SPEED	1				R
SP			ME225366	SENSOR,FLYWHEEL HOUSING ENG SPEED	1				R
SP			ME225366	SENSOR,FLYWHEEL HOUSING ENG SPEED	1				R
SP			ME225366	SENSOR,FLYWHEEL HOUSING ENG SPEED	1				R
SP			ME225366	SENSOR,FLYWHEEL HOUSING ENG SPEED	1				R
SP			ME225366	SENSOR,FLYWHEEL HOUSING ENG SPEED	1				R
SP			ME225366	SENSOR,FLYWHEEL HOUSING ENG SPEED	1				R
SP			ME225366	SENSOR,FLYWHEEL HOUSING ENG SPEED	1				R

FK74R
11-150 FLYWHEEL & HOUSING

SPN	Repl Part	PNC	Part No	Part Name	Qty	Part Spec	Remarks	PREV.1	NEW
SP		02125	ME225366	SENSOR,FLYWHEEL HOUSING ENG SPEED	1				R
SP			ME225366	SENSOR,FLYWHEEL HOUSING ENG SPEED	1				R
SP			ME225366	SENSOR,FLYWHEEL HOUSING ENG SPEED	1				R
		02183	ME031087	SCREW,FLYWHEEL HOUSING	2	SCREW,10			
			ME031087	SCREW,FLYWHEEL HOUSING	2	SCREW,10			
			ME031087	SCREW,FLYWHEEL HOUSING	2	SCREW,10			
			ME031087	SCREW,FLYWHEEL HOUSING	2	SCREW,10			
			ME031087	SCREW,FLYWHEEL HOUSING	2	SCREW,10			
			ME031087	SCREW,FLYWHEEL HOUSING	2	SCREW,10			
RP		02185B	ME020359	PLUG,FLYWHEEL HOUSING	1	RUBBER,29			Y
RP			ME020359	PLUG,FLYWHEEL HOUSING	1	RUBBER,29			Y
RP			ME020359	PLUG,FLYWHEEL HOUSING	1	RUBBER,29			Y
RP			ME020359	PLUG,FLYWHEEL HOUSING	1	RUBBER,29			Y
RP			ME020359	PLUG,FLYWHEEL HOUSING	1	RUBBER,29			Y
RP			ME020359	PLUG,FLYWHEEL HOUSING	1	RUBBER,29			Y
RP			ME020359	PLUG,FLYWHEEL HOUSING	1	RUBBER,29			Y
RP			ME020359	PLUG,FLYWHEEL HOUSING	1	RUBBER,29			Y
RP			ME020359	PLUG,FLYWHEEL HOUSING	1	RUBBER,29			Y
RP		02185C	3091201400	PLUG,FLYWHEEL HOUSING	1	RUBBER,29			
			ME222575	PLUG,FLYWHEEL HOUSING	2				
			ME222575	PLUG,FLYWHEEL HOUSING	2				
			3091201400	PLUG,FLYWHEEL HOUSING	1	RUBBER,29			
			3091201400	PLUG,FLYWHEEL HOUSING	1	RUBBER,29			

FK74R
11-150 FLYWHEEL & HOUSING

SPN	Repl Part	PNC	Part No	Part Name	Qty	Part Spec	Remarks	PREV.1	NEW
		02185C	3091201400	PLUG,FLYWHEEL HOUSING	1	RUBBER,29			
			3091201400	PLUG,FLYWHEEL HOUSING	1	RUBBER,29			
			3091201400	PLUG,FLYWHEEL HOUSING	1	RUBBER,29			
			3091201400	PLUG,FLYWHEEL HOUSING	1	RUBBER,29			
			3091201400	PLUG,FLYWHEEL HOUSING	1	RUBBER,29			
			3091201400	PLUG,FLYWHEEL HOUSING	1	RUBBER,29			
			3091201400	PLUG,FLYWHEEL HOUSING	1	RUBBER,29			
			3091201400	PLUG,FLYWHEEL HOUSING	1	RUBBER,29			
			3091201400	PLUG,FLYWHEEL HOUSING	1	RUBBER,29			
			3091201400	PLUG,FLYWHEEL HOUSING	1	RUBBER,29			
			3091201400	PLUG,FLYWHEEL HOUSING	1	RUBBER,29			
			3091201400	PLUG,FLYWHEEL HOUSING	1	RUBBER,29			
			3091201400	PLUG,FLYWHEEL HOUSING	1	RUBBER,29			
			3091201400	PLUG,FLYWHEEL HOUSING	1	RUBBER,29			
			3091201400	PLUG,FLYWHEEL HOUSING	1	RUBBER,29			
			ME222575	PLUG,FLYWHEEL HOUSING	2				
			ME222575	PLUG,FLYWHEEL HOUSING	2				
			3091201400	PLUG,FLYWHEEL HOUSING	1	RUBBER,29			
			3091201400	PLUG,FLYWHEEL HOUSING	1	RUBBER,29			
			3091201400	PLUG,FLYWHEEL HOUSING	1	RUBBER,29			
			3091201400	PLUG,FLYWHEEL HOUSING	1	RUBBER,29			
			3091201400	PLUG,FLYWHEEL HOUSING	1	RUBBER,29			
			3091201400	PLUG,FLYWHEEL HOUSING	1	RUBBER,29			
			3091201400	PLUG,FLYWHEEL HOUSING	1	RUBBER,29			
			3091201400	PLUG,FLYWHEEL HOUSING	1	RUBBER,29			
		02188G	MF434103	NUT,FLYWHEEL HOUSING	1	FLANGE,6	W/O COATING		
			MF434103	NUT,FLYWHEEL HOUSING	1	FLANGE,6	W/O COATING		
			MF434103	NUT,FLYWHEEL HOUSING	1	FLANGE,6	W/O COATING		
			MF434103	NUT,FLYWHEEL HOUSING	1	FLANGE,6	W/O COATING		
			MF434103	NUT,FLYWHEEL HOUSING	1	FLANGE,6	W/O COATING		
			MF434103	NUT,FLYWHEEL HOUSING	1	FLANGE,6	W/O COATING		
			MF434103	NUT,FLYWHEEL HOUSING	1	FLANGE,6	W/O COATING		
			MF434103	NUT,FLYWHEEL HOUSING	1	FLANGE,6	W/O COATING		
			MF434103	NUT,FLYWHEEL HOUSING	1	FLANGE,6	W/O COATING		
			MF434103	NUT,FLYWHEEL HOUSING	1	FLANGE,6	W/O COATING		

FK74R
11-150 FLYWHEEL & HOUSING

SPN	Repl Part	PNC	Part No	Part Name	Qty	Part Spec	Remarks	PREV.1	NEW
		02188G	MF434103	NUT,FLYWHEEL HOUSING	1	FLANGE,6	W/O COATING		
			MF434103	NUT,FLYWHEEL HOUSING	1	FLANGE,6	W/O COATING		
			MF434103	NUT,FLYWHEEL HOUSING	1	FLANGE,6	W/O COATING		
			MF434103	NUT,FLYWHEEL HOUSING	1	FLANGE,6	W/O COATING		
		02192B	MH000727	BOLT,FLYWHEEL HOUSING	2	FLANGE,12X30			
			MH000727	BOLT,FLYWHEEL HOUSING	2	FLANGE,12X30			
			MH000727	BOLT,FLYWHEEL HOUSING	2	FLANGE,12X30			
			MH000727	BOLT,FLYWHEEL HOUSING	2	FLANGE,12X30			
			MH000727	BOLT,FLYWHEEL HOUSING	2	FLANGE,12X30			
			MH000727	BOLT,FLYWHEEL HOUSING	2	FLANGE,12X30			
			MH000727	BOLT,FLYWHEEL HOUSING	2	FLANGE,12X30			
			MH000727	BOLT,FLYWHEEL HOUSING	2	FLANGE,12X30			
			MH000727	BOLT,FLYWHEEL HOUSING	2	FLANGE,12X30			
		02192C	MH000937	BOLT,FLYWHEEL HOUSING	10	FLANGE,10X35			
			MH000937	BOLT,FLYWHEEL HOUSING	10	FLANGE,10X35			
			MH000937	BOLT,FLYWHEEL HOUSING	10	FLANGE,10X35			
			MH000937	BOLT,FLYWHEEL HOUSING	10	FLANGE,10X35			
			MH000937	BOLT,FLYWHEEL HOUSING	10	FLANGE,10X35			
			MH000937	BOLT,FLYWHEEL HOUSING	10	FLANGE,10X35			
			MH000937	BOLT,FLYWHEEL HOUSING	10	FLANGE,10X35			
			MH000937	BOLT,FLYWHEEL HOUSING	10	FLANGE,10X35			
			MH000937	BOLT,FLYWHEEL HOUSING	10	FLANGE,10X35			
		02192G	MF140224	BOLT,FLYWHEEL HOUSING	6	FLANGE,8X18	7T		
			MF140224	BOLT,FLYWHEEL HOUSING	6	FLANGE,8X18	7T		

FK74R
11-150 FLYWHEEL & HOUSING

SPN	Repl Part	PNC	Part No	Part Name	Qty	Part Spec	Remarks	PREV.1	NEW
		02192G	MF140224	BOLT,FLYWHEEL HOUSING	6	FLANGE,8X18	7T		
			MF140224	BOLT,FLYWHEEL HOUSING	6	FLANGE,8X18	7T		
		03028Z	ME513303	ADAPTER,FLYWHEEL	1				
			ME513303	ADAPTER,FLYWHEEL	1				
			ME513303	ADAPTER,FLYWHEEL	1				
			ME513303	ADAPTER,FLYWHEEL	1				
		03030A	ME223813	FLYWHEEL ASSY	1				
			ME223268	FLYWHEEL ASSY	1				
			ME223268	FLYWHEEL ASSY	1				
			ME223813	FLYWHEEL ASSY	1				
			ME223813	FLYWHEEL ASSY	1				
			ME223813	FLYWHEEL ASSY	1				
			ME223813	FLYWHEEL ASSY	1				
			ME223813	FLYWHEEL ASSY	1				
			ME223813	FLYWHEEL ASSY	1				
			ME223813	FLYWHEEL ASSY	1				
			ME223813	FLYWHEEL ASSY	1				
			ME223813	FLYWHEEL ASSY	1				
			ME223813	FLYWHEEL ASSY	1				
			ME223813	FLYWHEEL ASSY	1				
			ME223813	FLYWHEEL ASSY	1				
			ME223813	FLYWHEEL ASSY	1				
			ME223813	FLYWHEEL ASSY	1				
			ME223813	FLYWHEEL ASSY	1				
			ME223813	FLYWHEEL ASSY	1				
			ME223268	FLYWHEEL ASSY	1				
			ME223268	FLYWHEEL ASSY	1				
			ME223813	FLYWHEEL ASSY	1				
			ME223813	FLYWHEEL ASSY	1				
			ME223813	FLYWHEEL ASSY	1				
			ME223813	FLYWHEEL ASSY	1				

FK74R
11-150 FLYWHEEL & HOUSING

SPN	Repl Part	PNC	Part No	Part Name	Qty	Part Spec	Remarks	PREV.1	NEW
		03030A	ME223813	FLYWHEEL ASSY	1				
			ME223813	FLYWHEEL ASSY	1				
			ME223813	FLYWHEEL ASSY	1				
			ME228527	FLYWHEEL ASSY	1				
			ME228527	FLYWHEEL ASSY	1				
			ME228527	FLYWHEEL ASSY	1				
			ME228527	FLYWHEEL ASSY	1				
			ME228527	FLYWHEEL ASSY	1				
		03035	MH040027	BEARING,FLYWHEEL DRIVE PINION	1	BALL			
			MH040027	BEARING,FLYWHEEL DRIVE PINION	1	BALL			
			MH040027	BEARING,FLYWHEEL DRIVE PINION	1	BALL			
			MH040027	BEARING,FLYWHEEL DRIVE PINION	1	BALL			
			MH040027	BEARING,FLYWHEEL DRIVE PINION	1	BALL			
			MH040027	BEARING,FLYWHEEL DRIVE PINION	1	BALL			
			MH040027	BEARING,FLYWHEEL DRIVE PINION	1	BALL			
			MH040027	BEARING,FLYWHEEL DRIVE PINION	1	BALL			
			MH040027	BEARING,FLYWHEEL DRIVE PINION	1	BALL			
			MH040027	BEARING,FLYWHEEL DRIVE PINION	1	BALL			
			MH040027	BEARING,FLYWHEEL DRIVE PINION	1	BALL			
			MH040027	BEARING,FLYWHEEL DRIVE PINION	1	BALL			
			MH040027	BEARING,FLYWHEEL DRIVE PINION	1	BALL			
			MH040027	BEARING,FLYWHEEL DRIVE PINION	1	BALL			
			MH040027	BEARING,FLYWHEEL DRIVE PINION	1	BALL			
			MH040027	BEARING,FLYWHEEL DRIVE PINION	1	BALL			
			MH040027	BEARING,FLYWHEEL DRIVE PINION	1	BALL			
			MH040027	BEARING,FLYWHEEL DRIVE PINION	1	BALL			
			MH040027	BEARING,FLYWHEEL DRIVE PINION	1	BALL			
			MH040027	BEARING,FLYWHEEL DRIVE PINION	1	BALL			
		03045	ME072601	PLATE,FLYWHEEL BOLT LOCK	1				
			ME223651	PLATE,FLYWHEEL BOLT LOCK	1				

FK74R
11-150 FLYWHEEL & HOUSING

SPN	Repl Part RP	PNC 03057	Part No ME072527	Part Name RING GEAR,FLYWHEEL	Qty 1	Part Spec N=129	Remarks	PREV.1 O	NEW
	RP		ME072527	RING GEAR,FLYWHEEL	1	N=129		O	
	RP		ME072527	RING GEAR,FLYWHEEL	1	N=129		O	
	RP		ME072527	RING GEAR,FLYWHEEL	1	N=129		O	
	RP		ME072527	RING GEAR,FLYWHEEL	1	N=129		O	
	RP		ME072527	RING GEAR,FLYWHEEL	1	N=129		O	
	RP		ME072527	RING GEAR,FLYWHEEL	1	N=129		O	
		03075	ME513302	PLATE,FLYWHEEL FLEXIBLE	1				
			ME513302	PLATE,FLYWHEEL FLEXIBLE	1				
			ME513302	PLATE,FLYWHEEL FLEXIBLE	1				
			ME513302	PLATE,FLYWHEEL FLEXIBLE	1				
		03075Z	ME513301	PLATE,FLYWHEEL FLEXIBLE	1				
			ME513301	PLATE,FLYWHEEL FLEXIBLE	1				
			ME513301	PLATE,FLYWHEEL FLEXIBLE	1				
			ME513301	PLATE,FLYWHEEL FLEXIBLE	1				
		03076Z	ME513348	PLATE,FLYWHEEL WEAR	1				
			ME513348	PLATE,FLYWHEEL WEAR	1				
			ME513348	PLATE,FLYWHEEL WEAR	1				
			ME513348	PLATE,FLYWHEEL WEAR	1				
		03796	MF472405	PIN,FLYWHEEL	2	DOWEL,10X20			
			MF472405	PIN,FLYWHEEL	2	DOWEL,10X20			
			MF472405	PIN,FLYWHEEL	2	DOWEL,10X20			
			MF472405	PIN,FLYWHEEL	2	DOWEL,10X20			
			MF472405	PIN,FLYWHEEL	2	DOWEL,10X20			
			MF472405	PIN,FLYWHEEL	2	DOWEL,10X20			
			MF472405	PIN,FLYWHEEL	2	DOWEL,10X20			
			MF472405	PIN,FLYWHEEL	2	DOWEL,10X20			
			MF472405	PIN,FLYWHEEL	2	DOWEL,10X20			
			MF472405	PIN,FLYWHEEL	2	DOWEL,10X20			

FK74R
11-150 FLYWHEEL & HOUSING

SPN	Repl Part	PNC	Part No	Part Name	Qty	Part Spec	Remarks	PREV.1	NEW
		03796	MF472405	PIN,FLYWHEEL	2	DOWEL,10X20			
			MF472405	PIN,FLYWHEEL	2	DOWEL,10X20			
			MF472405	PIN,FLYWHEEL	2	DOWEL,10X20			
			MF472405	PIN,FLYWHEEL	2	DOWEL,10X20			
			MF472405	PIN,FLYWHEEL	2	DOWEL,10X20			
			MF472405	PIN,FLYWHEEL	2	DOWEL,10X20			
			MF472405	PIN,FLYWHEEL	2	DOWEL,10X20			
			MF472405	PIN,FLYWHEEL	2	DOWEL,10X20			
			MF472405	PIN,FLYWHEEL	2	DOWEL,10X20			
			MF472405	PIN,FLYWHEEL	2	DOWEL,10X20			
			MF472405	PIN,FLYWHEEL	2	DOWEL,10X20			
			MF472404	PIN,FLYWHEEL	2	DOWEL,8X18			
			MF472404	PIN,FLYWHEEL	2	DOWEL,8X18			
			MF472404	PIN,FLYWHEEL	2	DOWEL,8X18			
			MF472404	PIN,FLYWHEEL	2	DOWEL,8X18			
			MF472404	PIN,FLYWHEEL	2	DOWEL,8X18			
			MF472404	PIN,FLYWHEEL	2	DOWEL,8X18			
		03797	ME222099	BOLT,FLYWHEEL	6	16X56			
			ME222099	BOLT,FLYWHEEL	6	16X56			
			ME222099	BOLT,FLYWHEEL	6	16X56			
			ME222099	BOLT,FLYWHEEL	6	16X56			
			ME222099	BOLT,FLYWHEEL	6	16X56			
			ME222099	BOLT,FLYWHEEL	6	16X56			
			ME222099	BOLT,FLYWHEEL	6	16X56			
			ME222099	BOLT,FLYWHEEL	6	16X56			
			ME222099	BOLT,FLYWHEEL	6	16X56			
			ME222099	BOLT,FLYWHEEL	6	16X56			
			ME222099	BOLT,FLYWHEEL	6	16X56			
			ME222099	BOLT,FLYWHEEL	6	16X56			
		03797ZB	MS146310	BOLT,FLYWHEEL	10	FLANGE,10X35	10T		
			MS146310	BOLT,FLYWHEEL	10	FLANGE,10X35	10T		

FK74R
11-150 FLYWHEEL & HOUSING

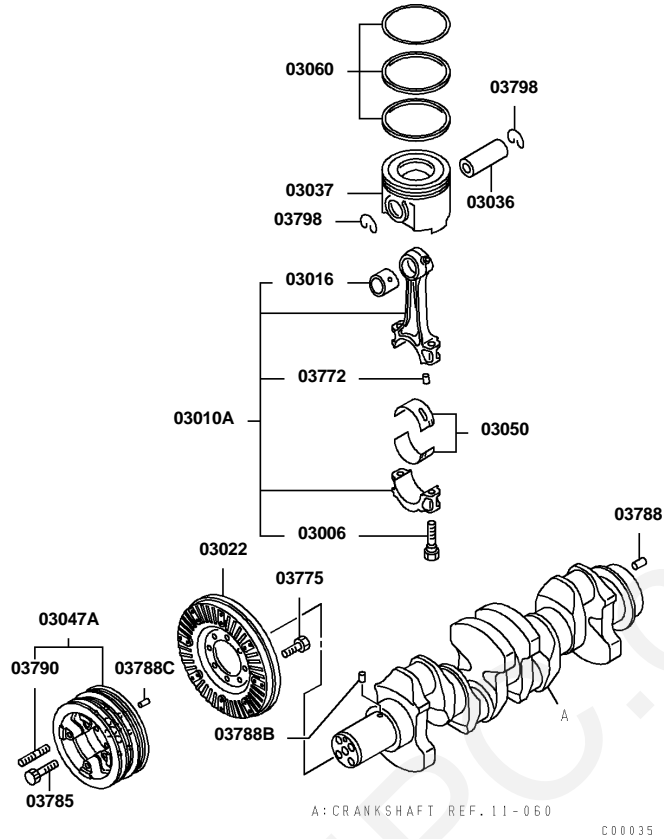
SPN	Repl Part	PNC	Part No	Part Name	Qty	Part Spec	Remarks	PREV.1	NEW
		03797ZB	MS146310	BOLT,FLYWHEEL	10	FLANGE,10X35	10T		
			MS146310	BOLT,FLYWHEEL	10	FLANGE,10X35	10T		
		03797ZC	MS146822	BOLT,FLYWHEEL	8	FLANGE,12X25			
			MS146822	BOLT,FLYWHEEL	8	FLANGE,12X25			
			MS146822	BOLT,FLYWHEEL	8	FLANGE,12X25			
			MS146822	BOLT,FLYWHEEL	8	FLANGE,12X25			
		03797ZD	ME633230	BOLT,FLYWHEEL	2				
			ME633230	BOLT,FLYWHEEL	2				
			ME633230	BOLT,FLYWHEEL	2				
			ME633230	BOLT,FLYWHEEL	2				
		81981B	MF140003	BOLT,TACHOMETER DRIVE	2	FLANGE,6X12	4T		
			MF140003	BOLT,TACHOMETER DRIVE	2	FLANGE,6X12	4T		
			MF140003	BOLT,TACHOMETER DRIVE	2	FLANGE,6X12	4T		
			MF140003	BOLT,TACHOMETER DRIVE	2	FLANGE,6X12	4T		
			MF140003	BOLT,TACHOMETER DRIVE	2	FLANGE,6X12	4T		
			MF140003	BOLT,TACHOMETER DRIVE	2	FLANGE,6X12	4T		
			MF140003	BOLT,TACHOMETER DRIVE	2	FLANGE,6X12	4T		
			MF140003	BOLT,TACHOMETER DRIVE	2	FLANGE,6X12	4T		
		81981C	MF140005	BOLT,TACHOMETER DRIVE	1	FLANGE,6X16	4T		
			MF140005	BOLT,TACHOMETER DRIVE	1	FLANGE,6X16	4T		
			MF140005	BOLT,TACHOMETER DRIVE	1	FLANGE,6X16	4T		
			MF140005	BOLT,TACHOMETER DRIVE	1	FLANGE,6X16	4T		
			MF140005	BOLT,TACHOMETER DRIVE	1	FLANGE,6X16	4T		
			MF140005	BOLT,TACHOMETER DRIVE	1	FLANGE,6X16	4T		

FK74R
11-150 FLYWHEEL & HOUSING

SPN	Repl Part	PNC	Part No	Part Name	Qty	Part Spec	Remarks	PREV.1	NEW
		81981C	MF140005	BOLT,TACHOMETER DRIVE	1	FLANGE,6X16	4T		
			MF140005	BOLT,TACHOMETER DRIVE	1	FLANGE,6X16	4T		
			MF140005	BOLT,TACHOMETER DRIVE	1	FLANGE,6X16	4T		
			MF140005	BOLT,TACHOMETER DRIVE	1	FLANGE,6X16	4T		

www.AutoEPC.com

FK74R
No.1



Ref. |2011210

Page

FK74R
11-210 PISTON, CONNROD & CRANKSHAFT

Repl Part	PNC	Part No	Part Name	Qty	Part Spec	Remarks	NEW1	Class
	03006	ME131963	BOLT, CONNROD	8	REAMER, 12.5X73.5			K6, K6
		ME131963	BOLT, CONNROD	8	REAMER, 12.5X73.5			G6, G6
		ME131963	BOLT, CONNROD	8	REAMER, 12.5X73.5			H6, H6
		ME131963	BOLT, CONNROD	8	REAMER, 12.5X73.5			H6VE,
		ME131963	BOLT, CONNROD	8	REAMER, 12.5X73.5			J6V, J6
		ME131963	BOLT, CONNROD	8	REAMER, 12.5X73.5			K6E, K6
		ME131963	BOLT, CONNROD	8	REAMER, 12.5X73.5			M6, M6
		ME131963	BOLT, CONNROD	8	REAMER, 12.5X73.5			G6E, G6
		ME131963	BOLT, CONNROD	8	REAMER, 12.5X73.5			H6VE,
		ME131963	BOLT, CONNROD	8	REAMER, 12.5X73.5			K6V, K6
		ME131963	BOLT, CONNROD	8	REAMER, 12.5X73.5			M6VE,
		ME131963	BOLT, CONNROD	8	REAMER, 12.5X73.5			G6, G6
		ME131963	BOLT, CONNROD	8	REAMER, 12.5X73.5			H6, H6
		ME131963	BOLT, CONNROD	8	REAMER, 12.5X73.5			H6VE,
		ME131963	BOLT, CONNROD	8	REAMER, 12.5X73.5			J6V, J6
		ME131963	BOLT, CONNROD	8	REAMER, 12.5X73.5			K6E, K6
		ME131963	BOLT, CONNROD	8	REAMER, 12.5X73.5			M6, M6
		ME131963	BOLT, CONNROD	8	REAMER, 12.5X73.5			G6, H6
		ME131963	BOLT, CONNROD	8	REAMER, 12.5X73.5			J6, J6E
		ME131963	BOLT, CONNROD	8	REAMER, 12.5X73.5			G6, H6
		ME131963	BOLT, CONNROD	8	REAMER, 12.5X73.5			J6, J6E
		ME131963	BOLT, CONNROD	8	REAMER, 12.5X73.5			K6E, M6
		ME131963	BOLT, CONNROD	8	REAMER, 12.5X73.5			G6, H6
		ME131963	BOLT, CONNROD	8	REAMER, 12.5X73.5			J6, J6E
		ME131963	BOLT, CONNROD	8	REAMER, 12.5X73.5			K6E, M6
		ME131963	BOLT, CONNROD	8	REAMER, 12.5X73.5			K6, K6
		ME131963	BOLT, CONNROD	8	REAMER, 12.5X73.5			G6V, H6
		ME131963	BOLT, CONNROD	8	REAMER, 12.5X73.5			J6V, J6

Ref. |2011210

Page

FK74R
11-210 PISTON, CONNROD & CRANKSHAFT

Repl Part	PNC	Part No	Part Name	Qty	Part Spec	Remarks	NEW1	Class
	03010A	ME222065	CONNECTING ROD ASSY	4				K6, K6
		ME222065	CONNECTING ROD ASSY	4				G6, G6
								H6, H6
								H6VE,
								J6V, J6
								K6E, K6
								M6, M6
		ME222065	CONNECTING ROD ASSY	4				G6E, G6
								H6VE,
								K6V, K6
								M6VE
		ME222065	CONNECTING ROD ASSY	4				G6, G6
								H6, H6
								H6VE,
								J6V, J6
								K6E, K6
								M6, M6
		ME222065	CONNECTING ROD ASSY	4				G6, H6
		ME222068	CONNECTING ROD ASSY	4		WEIGHT X 1CYL		J6, J6
		ME222068	CONNECTING ROD ASSY	4		WEIGHT X 1CYL		K6, K6
								G6, G6
								H6, H6
								H6VE,
								J6V, J6
								K6E, K6
								M6, M6
		ME222068	CONNECTING ROD ASSY	4		WEIGHT X 1CYL		G6E, G6
								H6VE,
								K6V, K6
								M6VE
		ME222068	CONNECTING ROD ASSY	4		WEIGHT X 1CYL		G6, G6
								H6, H6
								H6VE,
								J6V, J6
								K6E, K6
								M6, M6
		ME222068	CONNECTING ROD ASSY	4		WEIGHT X 1CYL		G6, H6
		ME222069	CONNECTING ROD ASSY	4		WEIGHT A 1CYL		J6, J6
		ME222069	CONNECTING ROD ASSY	4		WEIGHT A 1CYL		K6, K6
								G6, G6
								H6, H6
								H6VE,
								J6V, J6
								K6E, K6
								M6, M6
		ME222069	CONNECTING ROD ASSY	4		WEIGHT A 1CYL		G6E, G6
								H6VE,
								K6V, K6
								M6VE
		ME222069	CONNECTING ROD ASSY	4		WEIGHT A 1CYL		G6, G6
								H6, H6
								H6VE,
								J6V, J6
								K6E, K6
								M6, M6
		ME222069	CONNECTING ROD ASSY	4		WEIGHT A 1CYL		G6, H6
		ME222070	CONNECTING ROD ASSY	4		WEIGHT B 1CYL		J6, J6
		ME222070	CONNECTING ROD ASSY	4		WEIGHT B 1CYL		K6, K6
								G6, G6
								H6, H6
								H6VE,
								J6V, J6
								K6E, K6
								M6, M6
		ME222070	CONNECTING ROD ASSY	4		WEIGHT B 1CYL		G6E, G6
								H6VE,
								K6V, K6
								M6VE

FK74R
11-210 PISTON,CONNROD & CRANKSHAFT

Repl Part	PNC	Part No	Part Name	Qty	Part Spec	Remarks	NEW1	Class
	03010A	ME222070	CONNECTING ROD ASSY	4		WEIGHT B 1CYL		G6,G6 H6,H6 H6VE, J6V,J K6E,K M6,M6
		ME222070	CONNECTING ROD ASSY	4		WEIGHT B 1CYL		G6,H6 J6,J6E
		ME222071	CONNECTING ROD ASSY	4		WEIGHT C 1CYL		K6,K6
		ME222071	CONNECTING ROD ASSY	4		WEIGHT C 1CYL		G6,G6 H6,H6 H6VE, J6V,J K6E,K M6,M6
		ME222071	CONNECTING ROD ASSY	4		WEIGHT C 1CYL		G6E,G H6VE, K6V,K M6VE
		ME222071	CONNECTING ROD ASSY	4		WEIGHT C 1CYL		G6,G6 H6,H6 H6VE, J6V,J K6E,K M6,M6
		ME222071	CONNECTING ROD ASSY	4		WEIGHT C 1CYL		G6,H6 J6,J6E
		ME222072	CONNECTING ROD ASSY	4		WEIGHT D 1CYL		K6,K6
		ME222072	CONNECTING ROD ASSY	4		WEIGHT D 1CYL		G6,G6 H6,H6 H6VE, J6V,J K6E,K M6,M6
		ME222072	CONNECTING ROD ASSY	4		WEIGHT D 1CYL		G6E,G H6VE, K6V,K M6VE
		ME222072	CONNECTING ROD ASSY	4		WEIGHT D 1CYL		G6,G6 H6,H6 H6VE, J6V,J K6E,K M6,M6
		ME222072	CONNECTING ROD ASSY	4		WEIGHT D 1CYL		G6,H6 J6,J6E
		ME222065	CONNECTING ROD ASSY	4				G6,H6 J6,J6E K6E,M
		ME222068	CONNECTING ROD ASSY	4		WEIGHT X 1CYL		G6,H6 J6,J6E K6E,M
		ME222069	CONNECTING ROD ASSY	4		WEIGHT A 1CYL		G6,H6 J6,J6E K6E,M
		ME222070	CONNECTING ROD ASSY	4		WEIGHT B 1CYL		G6,H6 J6,J6E K6E,M
		ME222071	CONNECTING ROD ASSY	4		WEIGHT C 1CYL		G6,H6 J6,J6E K6E,M
		ME222072	CONNECTING ROD ASSY	4		WEIGHT D 1CYL		G6,H6 J6,J6E K6E,M
		ME222065	CONNECTING ROD ASSY	4				G6,H6 J6,J6E
		ME222068	CONNECTING ROD ASSY	4		WEIGHT X 1CYL		G6,H6 J6,J6E
		ME222069	CONNECTING ROD ASSY	4		WEIGHT A 1CYL		G6,H6 J6,J6E
		ME222070	CONNECTING ROD ASSY	4		WEIGHT B 1CYL		G6,H6 J6,J6E

FK74R
11-210 PISTON,CONNROD & CRANKSHAFT

Repl Part	PNC	Part No	Part Name	Qty	Part Spec	Remarks	NEW1	Class
	03010A	ME222071	CONNECTING ROD ASSY	4		WEIGHT C 1CYL		G6,H6 J6,J6E
		ME222072	CONNECTING ROD ASSY	4		WEIGHT D 1CYL		G6,H6 J6,J6E
		ME222065	CONNECTING ROD ASSY	4				G6,H6 J6,J6E
		ME222065	CONNECTING ROD ASSY	4				K6E,M G6,H6 J6,J6E
		ME222065	CONNECTING ROD ASSY	4				K6,K6 G6,H6 J6,J6E
		ME222068	CONNECTING ROD ASSY	4		WEIGHT X 1CYL		G6,H6 J6,J6E
		ME222068	CONNECTING ROD ASSY	4		WEIGHT X 1CYL		K6,K6 G6,H6 J6,J6E
		ME222068	CONNECTING ROD ASSY	4		WEIGHT X 1CYL		G6,H6 J6,J6E
		ME222069	CONNECTING ROD ASSY	4		WEIGHT A 1CYL		K6E,M G6,H6 J6,J6E
		ME222069	CONNECTING ROD ASSY	4		WEIGHT A 1CYL		G6,H6 J6,J6E
		ME222069	CONNECTING ROD ASSY	4		WEIGHT A 1CYL		K6,K6 G6,H6 J6,J6E
		ME222070	CONNECTING ROD ASSY	4		WEIGHT B 1CYL		G6,H6 J6,J6E
		ME222070	CONNECTING ROD ASSY	4		WEIGHT B 1CYL		K6,K6 G6,H6 J6,J6E
		ME222070	CONNECTING ROD ASSY	4		WEIGHT B 1CYL		G6,H6 J6,J6E
		ME222070	CONNECTING ROD ASSY	4		WEIGHT B 1CYL		K6,K6 G6,H6 J6,J6E
		ME222071	CONNECTING ROD ASSY	4		WEIGHT C 1CYL		K6E,M G6,H6 J6,J6E
		ME222071	CONNECTING ROD ASSY	4		WEIGHT C 1CYL		G6,H6 J6,J6E
		ME222071	CONNECTING ROD ASSY	4		WEIGHT C 1CYL		K6,K6 G6,H6 J6,J6E
		ME222072	CONNECTING ROD ASSY	4		WEIGHT D 1CYL		G6,H6 J6,J6E
		ME222072	CONNECTING ROD ASSY	4		WEIGHT D 1CYL		K6,K6 G6,H6 J6,J6E
		ME222072	CONNECTING ROD ASSY	4		WEIGHT D 1CYL		G6,H6 J6,J6E
		ME222072	CONNECTING ROD ASSY	4		WEIGHT D 1CYL		K6,K6 G6,H6 J6,J6E
		ME222065	CONNECTING ROD ASSY	4				G6V,H J6V,J
		ME222068	CONNECTING ROD ASSY	4		WEIGHT X 1CYL		G6V,H J6V,J
		ME222069	CONNECTING ROD ASSY	4		WEIGHT A 1CYL		G6V,H J6V,J
		ME222070	CONNECTING ROD ASSY	4		WEIGHT B 1CYL		G6V,H J6V,J
		ME222071	CONNECTING ROD ASSY	4		WEIGHT C 1CYL		G6V,H J6V,J
		ME222072	CONNECTING ROD ASSY	4		WEIGHT D 1CYL		G6V,H J6V,J
	03016	ME301855	BUSHING,CONNROD	4				K6,K6 G6,G6 H6,H6 H6VE, J6V,J
		ME301855	BUSHING,CONNROD	4				K6E,K M6,M6 G6E,G
		ME301855	BUSHING,CONNROD	4				H6VE, K6V,K M6VE
		ME301855	BUSHING,CONNROD	4				G6,G6 H6,H6 H6VE, J6V,J
		ME301855	BUSHING,CONNROD	4				K6E,K M6,M6 G6,H6 J6,J6E

FK74R
11-210 PISTON,CONNROD & CRANKSHAFT

Repl Part	PNC	Part No	Part Name	Qty	Part Spec	Remarks	NEW1	Class
	03016	ME301855	BUSHING,CONNROD	4				G6,H6 J6,J6E K6E,M G6,H6 J6,J6E G6,H6 J6,J6E G6,H6 J6,J6E K6E,M K6,K6
		ME301855	BUSHING,CONNROD	4				G6,H6 J6,J6E G6,H6 J6,J6E K6E,M K6,K6
		ME301855	BUSHING,CONNROD	4				G6,H6 J6,J6E K6E,M K6,K6
		ME301855	BUSHING,CONNROD	4				G6,H6 J6,J6E K6E,M K6,K6
		ME301855	BUSHING,CONNROD	4				G6,H6 J6,J6E K6E,M K6,K6
		ME301855	BUSHING,CONNROD	4				G6,H6 J6,J6E K6E,M K6,K6
		ME301855	BUSHING,CONNROD	4				G6,H6 J6,J6E K6E,M K6,K6
		ME301855	BUSHING,CONNROD	4				G6,H6 J6,J6E K6E,M K6,K6
		ME301855	BUSHING,CONNROD	4				G6,H6 J6,J6E K6E,M K6,K6
		ME301855	BUSHING,CONNROD	4				G6,H6 J6,J6E K6E,M K6,K6
	03022	ME131138	DAMPER,CRANKSHAFT TORSIONAL	1				G6V,H J6V,J K6,K6 G6,G6 H6,H6 H6VE, J6V,J K6E,K M6,M6
		ME131138	DAMPER,CRANKSHAFT TORSIONAL	1				G6,G6 H6,H6 H6VE, J6V,J K6E,K M6,M6
		ME131138	DAMPER,CRANKSHAFT TORSIONAL	1				G6,G6 H6,H6 H6VE, J6V,J K6E,K M6,M6
		ME131138	DAMPER,CRANKSHAFT TORSIONAL	1				G6,G6 H6,H6 H6VE, J6V,J K6E,K M6,M6
		ME131138	DAMPER,CRANKSHAFT TORSIONAL	1				G6,G6 H6,H6 H6VE, J6V,J K6E,K M6,M6
		ME131138	DAMPER,CRANKSHAFT TORSIONAL	1				G6,G6 H6,H6 H6VE, J6V,J K6E,K M6,M6
		ME131138	DAMPER,CRANKSHAFT TORSIONAL	1				G6,G6 H6,H6 H6VE, J6V,J K6E,K M6,M6
		ME131138	DAMPER,CRANKSHAFT TORSIONAL	1				G6,G6 H6,H6 H6VE, J6V,J K6E,K M6,M6
		ME131138	DAMPER,CRANKSHAFT TORSIONAL	1				G6,G6 H6,H6 H6VE, J6V,J K6E,K M6,M6
		ME131138	DAMPER,CRANKSHAFT TORSIONAL	1				G6,G6 H6,H6 H6VE, J6V,J K6E,K M6,M6
RP	03036	ME300701	PIN,PISTON	4	19X93		Y	K6,K6 G6,G6 H6,H6 H6VE, J6V,J K6E,K M6,M6
RP		ME300701	PIN,PISTON	4	19X93		Y	G6,G6 H6,H6 H6VE, J6V,J K6E,K M6,M6
RP		ME300701	PIN,PISTON	4	19X93		Y	G6,G6 H6,H6 H6VE, J6V,J K6E,K M6,M6
RP		ME300701	PIN,PISTON	4	19X93		Y	G6,G6 H6,H6 H6VE, J6V,J K6E,K M6,M6
RP		ME300701	PIN,PISTON	4	19X93		Y	G6,G6 H6,H6 H6VE, J6V,J K6E,K M6,M6
RP		ME300701	PIN,PISTON	4	19X93		Y	G6,G6 H6,H6 H6VE, J6V,J K6E,K M6,M6
RP		ME300701	PIN,PISTON	4	19X93		Y	G6,G6 H6,H6 H6VE, J6V,J K6E,K M6,M6
RP		ME300701	PIN,PISTON	4	19X93		Y	G6,G6 H6,H6 H6VE, J6V,J K6E,K M6,M6
RP		ME300701	PIN,PISTON	4	19X93		Y	G6,G6 H6,H6 H6VE, J6V,J K6E,K M6,M6

FK74R
11-210 PISTON,CONNROD & CRANKSHAFT

Repl Part	PNC	Part No	Part Name	Qty	Part Spec	Remarks	NEW1	Class
RP	03036	ME300701	PIN,PISTON	4	19X93		Y	G6,H6 J6,J6E K6E,M
RP		ME300701	PIN,PISTON	4	19X93		Y	K6,K6
RP		ME300701	PIN,PISTON	4	19X93		Y	G6V,H J6V,J
RP	03037	ME223046	PISTON	4	A SIZE		Y	K6,K6
RP		ME223046	PISTON	4	A SIZE		Y	G6,G6 H6,H6 H6VE, J6V,J K6E,K M6,M6
RP		ME223046	PISTON	4	A SIZE		Y	G6E,G H6VE, K6V,K M6VE
RP		ME223046	PISTON	4	A SIZE		Y	G6,G6 H6,H6 H6VE, J6V,J K6E,K M6,M6
RP		ME223047	PISTON	4	B SIZE		Y	G6,H6 J6,J6E
RP		ME223047	PISTON	4	B SIZE		Y	K6,K6
RP		ME223047	PISTON	4	B SIZE		Y	G6,G6 H6,H6 H6VE, J6V,J K6E,K M6,M6
RP		ME223047	PISTON	4	B SIZE		Y	G6E,G H6VE, K6V,K M6VE
RP		ME223047	PISTON	4	B SIZE		Y	G6,G6 H6,H6 H6VE, J6V,J K6E,K M6,M6
RP		ME223047	PISTON	4	B SIZE		Y	G6,H6 J6,J6E
RP		ME223046	PISTON	4	A SIZE		Y	G6,H6 J6,J6E K6E,M
RP		ME223047	PISTON	4	B SIZE		Y	G6,H6 J6,J6E K6E,M
RP		ME223046	PISTON	4	A SIZE		Y	G6,H6 J6,J6E
RP		ME223047	PISTON	4	B SIZE		Y	G6,H6 J6,J6E K6E,M
RP		ME227602	PISTON	4	A SIZE			G6,H6 J6,J6E K6E,M
RP		ME227603	PISTON	4	B SIZE			G6,H6 J6,J6E K6E,M
RP		ME227602	PISTON	4	A SIZE			G6,H6 J6,J6E K6E,M
RP		ME227603	PISTON	4	B SIZE			G6,H6 J6,J6E K6E,M
RP		ME227602	PISTON	4	A SIZE			G6,H6 J6,J6E K6E,M
RP		ME227602	PISTON	4	A SIZE			G6,H6 J6,J6E K6E,M
RP		ME227602	PISTON	4	A SIZE			G6,H6 J6,J6E K6E,M
RP		ME227602	PISTON	4	A SIZE			G6,H6 J6,J6E K6E,M
RP		ME227603	PISTON	4	B SIZE			G6,H6 J6,J6E K6E,M

FK74R
11-210 PISTON, CONNROD & CRANKSHAFT

Repl Part	PNC	Part No	Part Name	Qty	Part Spec	Remarks	NEW1	Class	
	03037	ME227603	PISTON	4	B SIZE			G6,H6 J6,J6E K6,K6E	
		ME227603	PISTON	4	B SIZE			G6V,H6 J6V,J6E	
		ME227602	PISTON	4	A SIZE			G6V,H6 J6V,J6E	
		ME227603	PISTON	4	B SIZE			G6V,H6 J6V,J6E	
	03047A	ME223054	PULLEY ASSY,CRANKSHAFT	1				K6,K6E	
			PULLEY ASSY,CRANKSHAFT	1				G6,G6E H6,H6E H6VE, J6V,J6E K6E,K6E M6,M6E	
		ME223054	PULLEY ASSY,CRANKSHAFT	1				G6E,G6E H6VE, K6V,K6E M6VE	
		ME223054	PULLEY ASSY,CRANKSHAFT	1					G6,G6E H6,H6E H6VE, J6V,J6E K6E,K6E M6,M6E
			PULLEY ASSY,CRANKSHAFT	1					G6,H6E J6,J6E G6,H6E J6,J6E K6E,M6E
			PULLEY ASSY,CRANKSHAFT	1					G6,H6E J6,J6E G6,H6E J6,J6E G6,H6E J6,J6E K6E,M6E
			PULLEY ASSY,CRANKSHAFT	1					K6,K6E G6V,H6 J6V,J6E K6,K6E G6,G6E H6,H6E H6VE, J6V,J6E K6E,K6E M6,M6E
			PULLEY ASSY,CRANKSHAFT	1					G6E,G6E H6VE, K6V,K6E M6VE
			PULLEY ASSY,CRANKSHAFT	1					G6,G6E H6,H6E H6VE, J6V,J6E K6E,K6E M6,M6E
			PULLEY ASSY,CRANKSHAFT	1					G6,H6E J6,J6E G6,H6E J6,J6E G6,H6E J6,J6E K6E,M6E
			PULLEY ASSY,CRANKSHAFT	1					K6,K6E G6V,H6 J6V,J6E K6,K6E G6,G6E H6,H6E H6VE, J6V,J6E K6E,K6E M6,M6E
			PULLEY ASSY,CRANKSHAFT	1					G6,H6E J6,J6E G6,H6E J6,J6E K6E,M6E
			PULLEY ASSY,CRANKSHAFT	1					K6,K6E G6V,H6 J6V,J6E K6,K6E G6,G6E H6,H6E H6VE, J6V,J6E K6E,K6E M6,M6E
			PULLEY ASSY,CRANKSHAFT	1					G6,H6E J6,J6E G6,H6E J6,J6E K6E,M6E
	03050		ME990007	BEARING SET,CONNROD	1	STD			K6,K6E G6,G6E H6,H6E H6VE, J6V,J6E K6E,K6E M6,M6E
		BEARING SET,CONNROD		1	STD			G6E,G6E H6VE, K6V,K6E M6VE	
		ME990007	BEARING SET,CONNROD	1	STD			G6,G6E H6,H6E H6VE, J6V,J6E K6E,K6E M6,M6E	
			BEARING SET,CONNROD	1	STD			G6,H6E J6,J6E G6,H6E J6,J6E K6E,M6E	
		ME990008	BEARING SET,CONNROD	1	U/SIZE 0.25			K6,K6E G6,G6E H6,H6E H6VE, J6V,J6E K6E,K6E M6,M6E	
BEARING SET,CONNROD			1	U/SIZE 0.25			G6,G6E H6,H6E H6VE, J6V,J6E K6E,K6E M6,M6E		
ME990008		BEARING SET,CONNROD	1	U/SIZE 0.25			G6E,G6E H6VE, K6V,K6E M6VE		
		BEARING SET,CONNROD	1	U/SIZE 0.25			G6,H6E J6,J6E G6,H6E J6,J6E K6E,M6E		

FK74R
11-210 PISTON,CONNROD & CRANKSHAFT

Repl Part	PNC	Part No	Part Name	Qty	Part Spec	Remarks	NEW1	Class
	03050	ME990008	BEARING SET,CONNROD	1	U/SIZE 0.25			G6,G6 H6,H6 H6VE, J6V,J K6E,K M6,M6
		ME990008	BEARING SET,CONNROD	1	U/SIZE 0.25			G6,H6 J6,J6E
		ME990009	BEARING SET,CONNROD	1	U/SIZE 0.50			K6,K6
		ME990009	BEARING SET,CONNROD	1	U/SIZE 0.50			G6,G6 H6,H6 H6VE, J6V,J K6E,K M6,M6
		ME990009	BEARING SET,CONNROD	1	U/SIZE 0.50			G6E,G H6VE, K6V,K M6VE
		ME990009	BEARING SET,CONNROD	1	U/SIZE 0.50			G6,G6 H6,H6 H6VE, J6V,J K6E,K M6,M6
		ME990009	BEARING SET,CONNROD	1	U/SIZE 0.50			G6,H6 J6,J6E
		ME990010	BEARING SET,CONNROD	1	U/SIZE 0.75			K6,K6
		ME990010	BEARING SET,CONNROD	1	U/SIZE 0.75			G6,G6 H6,H6 H6VE, J6V,J K6E,K M6,M6
		ME990010	BEARING SET,CONNROD	1	U/SIZE 0.75			G6E,G H6VE, K6V,K M6VE
		ME990010	BEARING SET,CONNROD	1	U/SIZE 0.75			G6,G6 H6,H6 H6VE, J6V,J K6E,K M6,M6
		ME990010	BEARING SET,CONNROD	1	U/SIZE 0.75			G6,H6 J6,J6E
		ME990011	BEARING SET,CONNROD	1	U/SIZE 1.00			K6,K6
		ME990011	BEARING SET,CONNROD	1	U/SIZE 1.00			G6,G6 H6,H6 H6VE, J6V,J K6E,K M6,M6
		ME990011	BEARING SET,CONNROD	1	U/SIZE 1.00			G6E,G H6VE, K6V,K M6VE
		ME990011	BEARING SET,CONNROD	1	U/SIZE 1.00			G6,G6 H6,H6 H6VE, J6V,J K6E,K M6,M6
		ME990011	BEARING SET,CONNROD	1	U/SIZE 1.00			G6,H6 J6,J6E
		ME990007	BEARING SET,CONNROD	1	STD			G6,H6 J6,J6E
		ME990008	BEARING SET,CONNROD	1	U/SIZE 0.25			K6E,M G6,H6 J6,J6E K6E,M

FK74R
11-210 PISTON,CONNROD & CRANKSHAFT

Repl Part	PNC	Part No	Part Name	Qty	Part Spec	Remarks	NEW1	Class
	03050	ME990009	BEARING SET,CONNROD	1	U/SIZE 0.50			G6,H6 J6,J6E K6E,M
		ME990010	BEARING SET,CONNROD	1	U/SIZE 0.75			G6,H6 J6,J6E K6E,M
		ME990011	BEARING SET,CONNROD	1	U/SIZE 1.00			G6,H6 J6,J6E K6E,M
		ME990007	BEARING SET,CONNROD	1	STD			G6,H6 J6,J6E K6E,M
		ME990008	BEARING SET,CONNROD	1	U/SIZE 0.25			G6,H6 J6,J6E K6E,M
		ME990009	BEARING SET,CONNROD	1	U/SIZE 0.50			G6,H6 J6,J6E K6E,M
		ME990010	BEARING SET,CONNROD	1	U/SIZE 0.75			G6,H6 J6,J6E K6E,M
		ME990011	BEARING SET,CONNROD	1	U/SIZE 1.00			G6,H6 J6,J6E K6E,M
		ME990007	BEARING SET,CONNROD	1	STD			G6,H6 J6,J6E K6E,M
		ME990007	BEARING SET,CONNROD	1	STD			G6,H6 J6,J6E K6E,M
		ME990008	BEARING SET,CONNROD	1	U/SIZE 0.25			G6,H6 J6,J6E K6E,M
		ME990008	BEARING SET,CONNROD	1	U/SIZE 0.25			G6,H6 J6,J6E K6E,M
		ME990009	BEARING SET,CONNROD	1	U/SIZE 0.50			G6,H6 J6,J6E K6E,M
		ME990009	BEARING SET,CONNROD	1	U/SIZE 0.50			G6,H6 J6,J6E K6E,M
		ME990009	BEARING SET,CONNROD	1	U/SIZE 0.50			G6,H6 J6,J6E K6E,M
		ME990010	BEARING SET,CONNROD	1	U/SIZE 0.75			G6,H6 J6,J6E K6E,M
		ME990010	BEARING SET,CONNROD	1	U/SIZE 0.75			G6,H6 J6,J6E K6E,M
		ME990010	BEARING SET,CONNROD	1	U/SIZE 0.75			G6,H6 J6,J6E K6E,M
		ME990011	BEARING SET,CONNROD	1	U/SIZE 1.00			G6,H6 J6,J6E K6E,M
		ME990011	BEARING SET,CONNROD	1	U/SIZE 1.00			G6,H6 J6,J6E K6E,M
		ME990011	BEARING SET,CONNROD	1	U/SIZE 1.00			G6,H6 J6,J6E K6E,M
		ME990007	BEARING SET,CONNROD	1	STD			G6,H6 J6,J6E K6E,M
		ME990008	BEARING SET,CONNROD	1	U/SIZE 0.25			G6V,H J6V,J G6V,H
		ME990009	BEARING SET,CONNROD	1	U/SIZE 0.50			J6V,J G6V,H
		ME990010	BEARING SET,CONNROD	1	U/SIZE 0.75			J6V,J G6V,H
		ME990011	BEARING SET,CONNROD	1	U/SIZE 1.00			J6V,J G6V,H
RP	03060	ME993913	RING SET,PISTON	1	STD		Y	K6,K6
RP		ME993913	RING SET,PISTON	1	STD		Y	G6,G6 H6,H6 H6VE, J6V,J K6E,K
RP		ME993913	RING SET,PISTON	1	STD		Y	M6,M6 G6E,G H6VE, K6V,K M6VE

FK74R

11-210 PISTON,CONNROD & CRANKSHAFT

Repl Part RP	PNC 03060	Part No ME993913	Part Name RING SET,PISTON	Qty 1	Part Spec STD	Remarks	NEW1 Y	Class G6,G6 H6,H6 H6VE, J6V,J K6E,K M6,M6	
RP		ME993913	RING SET,PISTON	1	STD		Y	G6,H6 J6,J6E	
RP		ME993913	RING SET,PISTON	1	STD		Y	G6,H6 J6,J6E K6E,M	
RP		ME993913	RING SET,PISTON	1	STD		Y	G6,H6 J6,J6E	
RP		ME993913	RING SET,PISTON	1	STD		Y	G6,H6 J6,J6E	
RP		ME993913	RING SET,PISTON	1	STD		Y	G6,H6 J6,J6E K6E,M	
RP RP		ME993913 ME993913	RING SET,PISTON RING SET,PISTON	1 1	STD STD		Y Y	K6,K6 G6V,H J6V,J K6,K6	
	03772	MF472401	PIN,CONNROD	8	DOWEL,4X10			G6,G6 H6,H6 H6VE, J6V,J K6E,K	
		MF472401	PIN,CONNROD	8	DOWEL,4X10			M6,M6 G6E,G H6VE, K6V,K M6VE	
		MF472401	PIN,CONNROD	8	DOWEL,4X10			G6,G6 H6,H6 H6VE, J6V,J K6E,K	
		MF472401	PIN,CONNROD	8	DOWEL,4X10			M6,M6 G6,H6 J6,J6E	
		MF472401	PIN,CONNROD	8	DOWEL,4X10			G6,H6 J6,J6E K6E,M	
		MF472401	PIN,CONNROD	8	DOWEL,4X10			G6,H6 J6,J6E	
		MF472401	PIN,CONNROD	8	DOWEL,4X10			G6,H6 J6,J6E	
		MF472401	PIN,CONNROD	8	DOWEL,4X10			G6,H6 J6,J6E K6E,M	
		MF472401	PIN,CONNROD	8	DOWEL,4X10			G6,H6 J6,J6E	
		MF472401	PIN,CONNROD	8	DOWEL,4X10			G6,H6 J6,J6E K6E,M	
		MF472401	PIN,CONNROD	8	DOWEL,4X10			K6,K6 G6V,H J6V,J	
		MF472401	PIN,CONNROD	8	DOWEL,4X10			G6E,K M6VE G6,H6 J6,J6E	
		MF472401	PIN,CONNROD	8	DOWEL,4X10			G6,G6 H6,H6 H6VE, J6V,J K6E,K	
		MF472401	PIN,CONNROD	8	DOWEL,4X10			M6,M6 G6,G6 H6,H6 H6VE, J6V,J K6E,K	
		MF472401	PIN,CONNROD	8	DOWEL,4X10			M6,M6 K6,K6 G6V,H J6V,J	
		03775	MH000973	BOLT,TORSIONAL DAMPER	8	WASHER ASSEMBLED,10X25			G6E,K M6VE G6,H6 J6,J6E
			MH000973	BOLT,TORSIONAL DAMPER	8	WASHER ASSEMBLED,10X25			G6,G6 H6,H6 H6VE, J6V,J K6E,K
	MH000973		BOLT,TORSIONAL DAMPER	8	WASHER ASSEMBLED,10X25			M6,M6 G6,G6 H6,H6 H6VE, J6V,J K6E,K	
	MH000973		BOLT,TORSIONAL DAMPER	8	WASHER ASSEMBLED,10X25			M6,M6 K6,K6 G6V,H J6V,J	
	MH000973		BOLT,TORSIONAL DAMPER	8	WASHER ASSEMBLED,10X25			G6,G6 H6,H6 H6VE, J6V,J K6E,K	
		MH000973 MH000973	BOLT,TORSIONAL DAMPER BOLT,TORSIONAL DAMPER	8 8	WASHER ASSEMBLED,10X25 WASHER ASSEMBLED,10X25			M6,M6 K6,K6 G6V,H J6V,J	

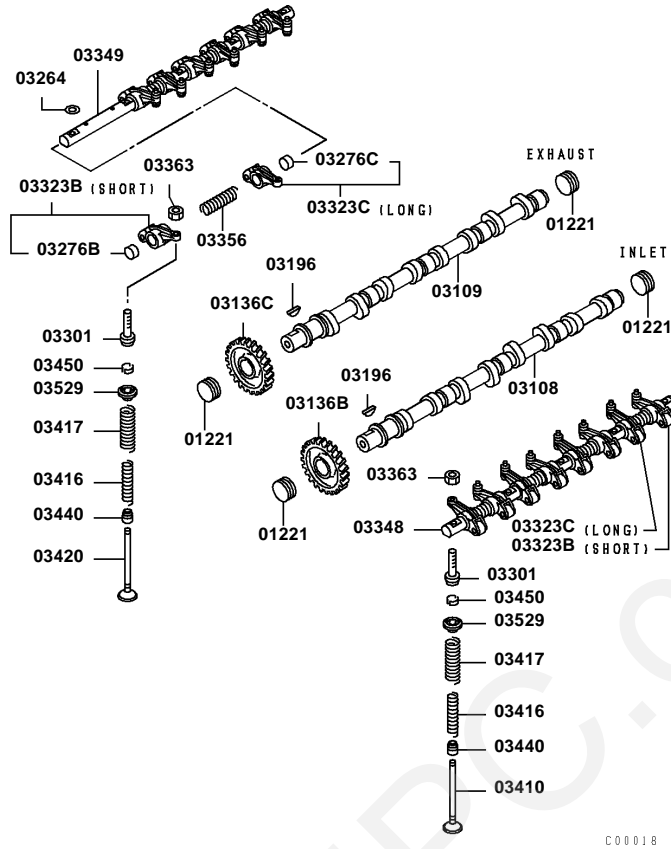
FK74R
11-210 PISTON, CONROD & CRANKSHAFT

Repl Part	PNC	Part No	Part Name	Qty	Part Spec	Remarks	NEW1	Class
	03788	MF472407	PIN,CRANKSHAFT	1	DOWEL,14X28			G6V,H J6V,J K6,K6 G6,G6 H6,H6 H6VE, J6V,J K6E,K M6,M6 G6E,G H6VE, K6V,K M6VE G6,G6 H6,H6 H6VE, J6V,J K6E,K M6,M6 G6,H6 J6,J6 G6,H6 J6,J6 K6E,M G6,H6 J6,J6 G6,H6 J6,J6 K6E,M K6,K6 G6V,H J6V,J K6,K6 G6,G6 H6,H6 H6VE, J6V,J K6E,K M6,M6 G6E,G H6VE, K6V,K M6VE G6,G6 H6,H6 H6VE, J6V,J K6E,K M6,M6 G6,H6 J6,J6 G6,H6 J6,J6 K6E,M K6,K6 G6V,H J6V,J K6,K6 G6,G6 H6,H6 H6VE, J6V,J K6E,K M6,M6
	03788B	MH012026	PIN,CRANKSHAFT	1	DOWEL,5X11			
		MH012026	PIN,CRANKSHAFT	1	DOWEL,5X11			
		MH012026	PIN,CRANKSHAFT	1	DOWEL,5X11			
		MH012026	PIN,CRANKSHAFT	1	DOWEL,5X11			
		MH012026	PIN,CRANKSHAFT	1	DOWEL,5X11			
		MH012026	PIN,CRANKSHAFT	1	DOWEL,5X11			
		MH012026	PIN,CRANKSHAFT	1	DOWEL,5X11			
		MH012026	PIN,CRANKSHAFT	1	DOWEL,5X11			
		MH012026	PIN,CRANKSHAFT	1	DOWEL,5X11			
		MH012026	PIN,CRANKSHAFT	1	DOWEL,5X11			
		MH012026	PIN,CRANKSHAFT	1	DOWEL,5X11			
		MH012026	PIN,CRANKSHAFT	1	DOWEL,5X11			
		MH012026	PIN,CRANKSHAFT	1	DOWEL,5X11			
		MH012026	PIN,CRANKSHAFT	1	DOWEL,5X11			
		MH012026	PIN,CRANKSHAFT	1	DOWEL,5X11			
		MH012026	PIN,CRANKSHAFT	1	DOWEL,5X11			
	03788C	MF472404	PIN,CRANKSHAFT	1	DOWEL,8X18			
		MF472404	PIN,CRANKSHAFT	1	DOWEL,8X18			
		MF472404	PIN,CRANKSHAFT	1	DOWEL,8X18			
		MF472404	PIN,CRANKSHAFT	1	DOWEL,8X18			
		MF472404	PIN,CRANKSHAFT	1	DOWEL,8X18			
		MF472404	PIN,CRANKSHAFT	1	DOWEL,8X18			
		MF472404	PIN,CRANKSHAFT	1	DOWEL,8X18			
		MF472404	PIN,CRANKSHAFT	1	DOWEL,8X18			
		MF472404	PIN,CRANKSHAFT	1	DOWEL,8X18			
		MF472404	PIN,CRANKSHAFT	1	DOWEL,8X18			
		MF472404	PIN,CRANKSHAFT	1	DOWEL,8X18			
		MF472404	PIN,CRANKSHAFT	1	DOWEL,8X18			
		MF472404	PIN,CRANKSHAFT	1	DOWEL,8X18			
		MF472404	PIN,CRANKSHAFT	1	DOWEL,8X18			
		MF472404	PIN,CRANKSHAFT	1	DOWEL,8X18			
		MF472404	PIN,CRANKSHAFT	1	DOWEL,8X18			
		MF472404	PIN,CRANKSHAFT	1	DOWEL,8X18			
		MF472404	PIN,CRANKSHAFT	1	DOWEL,8X18			
	03790	MF407006	STUD,CRANKSHAFT PULLEY	4	10X25			
		MF407006	STUD,CRANKSHAFT PULLEY	4	10X25			

**FK74R
11-210 PISTON,CONNROD & CRANKSHAFT**

Repl Part	PNC	Part No	Part Name	Qty	Part Spec	Remarks	NEW1	Class
	03790	MF407006	STUD,CRANKSHAFT PULLEY	4	10X25			G6E,G H6VE, K6V,K M6VE G6,G6 H6,H6 H6VE, J6V,J K6E,K M6,M6 G6,H6 J6,J6E G6,H6 J6,J6E K6E,M G6,H6 J6,J6E G6,H6 J6,J6E K6E,M K6,K6 G6V,H J6V,J K6,K6 G6,G6 H6,H6 H6VE, J6V,J K6E,K M6,M6 G6E,G H6VE, K6V,K M6VE G6,G6 H6,H6 H6VE, J6V,J K6E,K M6,M6 G6,H6 J6,J6E G6,H6 J6,J6E K6E,M K6,K6 G6V,H J6V,J
		MF407006	STUD,CRANKSHAFT PULLEY	4	10X25			
		MF407006	STUD,CRANKSHAFT PULLEY	4	10X25			
		MF407006	STUD,CRANKSHAFT PULLEY	4	10X25			
		MF407006	STUD,CRANKSHAFT PULLEY	4	10X25			
		MF407006	STUD,CRANKSHAFT PULLEY	4	10X25			
		MF407006	STUD,CRANKSHAFT PULLEY	4	10X25			
		MF407006	STUD,CRANKSHAFT PULLEY	4	10X25			
		MF407006	STUD,CRANKSHAFT PULLEY	4	10X25			
		MF407006	STUD,CRANKSHAFT PULLEY	4	10X25			
		MF407006	STUD,CRANKSHAFT PULLEY	4	10X25			
		MF407006	STUD,CRANKSHAFT PULLEY	4	10X25			
		MF407006	STUD,CRANKSHAFT PULLEY	4	10X25			
		MF407006	STUD,CRANKSHAFT PULLEY	4	10X25			
		MF407006	STUD,CRANKSHAFT PULLEY	4	10X25			
		MF407006	STUD,CRANKSHAFT PULLEY	4	10X25			
	03798	ME130964	SNAP RING,PISTON	8				
		ME130964	SNAP RING,PISTON	8				
		ME130964	SNAP RING,PISTON	8				
		ME130964	SNAP RING,PISTON	8				
		ME130964	SNAP RING,PISTON	8				
		ME130964	SNAP RING,PISTON	8				
		ME130964	SNAP RING,PISTON	8				
		ME130964	SNAP RING,PISTON	8				
		ME130964	SNAP RING,PISTON	8				
		ME130964	SNAP RING,PISTON	8				
		ME130964	SNAP RING,PISTON	8				
		ME130964	SNAP RING,PISTON	8				
		ME130964	SNAP RING,PISTON	8				
		ME130964	SNAP RING,PISTON	8				
		ME130964	SNAP RING,PISTON	8				

FK74R
No.1



C00018

Ref. |2011230

Page

FK74R
11-230 CAMSHAFT & VALVE

Repl Part	PNC	Part No	Part Name	Qty	Part Spec	PREV.1	Classification	Opt
	01221	ME220934	SEAL,CYLINDER HEAD CAMSHAFT END	4	RUBBER		K6,K6E,M6E	
		ME220934	SEAL,CYLINDER HEAD CAMSHAFT END	4	RUBBER		G6,G6E,G6V, H6,H6E,H6V, H6VE,J6,J6E, J6V,J6VE,K6, K6E,K6V,K6VE, M6,M6E,M6VE	
		ME220934	SEAL,CYLINDER HEAD CAMSHAFT END	4	RUBBER		G6E,G6V,H6V, H6VE,J6V,J6VE, K6V,K6VE,M6, M6VE	
		ME220934	SEAL,CYLINDER HEAD CAMSHAFT END	4	RUBBER		G6,G6E,G6V, H6,H6E,H6V, H6VE,J6,J6E, J6V,J6VE,K6, K6E,K6V,K6VE, M6,M6E,M6VE	
		ME220934	SEAL,CYLINDER HEAD CAMSHAFT END	4	RUBBER		G6,H6,H6E, J6,J6E	14C,1C
		ME220934	SEAL,CYLINDER HEAD CAMSHAFT END	4	RUBBER		G6,H6,H6E, J6,J6E,K6, K6E,M6E	1XT,1X
		ME220934	SEAL,CYLINDER HEAD CAMSHAFT END	4	RUBBER		G6,H6,H6E, J6,J6E	1SP,1X
		ME220934	SEAL,CYLINDER HEAD CAMSHAFT END	4	RUBBER		G6,H6,H6E, J6,J6E	
		ME220934	SEAL,CYLINDER HEAD CAMSHAFT END	4	RUBBER		G6,H6,H6E, J6,J6E,K6, K6E,M6E	
		ME220934	SEAL,CYLINDER HEAD CAMSHAFT END	4	RUBBER		K6,K6E,M6E	
		ME220934	SEAL,CYLINDER HEAD CAMSHAFT END	4	RUBBER		G6V,H6V,H6VE, J6V,J6VE,K6VE	

Ref. |2011230

Page

FK74R
11-230 CAMSHAFT & VALVE

Repl Part	PNC	Part No	Part Name	Qty	Part Spec	PREV.1	Classification	Opt	
	03108	ME222585	CAMSHAFT,INLET	1			K6,K6E,M6E		
		ME222585	CAMSHAFT,INLET	1			G6,G6E,G6V, H6,H6E,H6V, H6VE,J6,J6E, J6V,J6VE,K6, K6E,K6V,K6VE, M6,M6E,M6VE		
		ME222585	CAMSHAFT,INLET	1			G6E,G6V,H6V, H6VE,J6V,J6VE, K6V,K6VE,M6, M6VE		
		ME222585	CAMSHAFT,INLET	1			G6,G6E,G6V, H6,H6E,H6V, H6VE,J6,J6E, J6V,J6VE,K6, K6E,K6V,K6VE, M6,M6E,M6VE		
		ME222585	CAMSHAFT,INLET	1			G6,H6,H6E, J6,J6E	14C,1C 1XT,1X	
		ME222585	CAMSHAFT,INLET	1			G6,H6,H6E, J6,J6E,K6, K6E,M6E	1SP,1X	
		ME222585	CAMSHAFT,INLET	1			G6,H6,H6E, J6,J6E		
		ME222585	CAMSHAFT,INLET	1			G6,H6,H6E, J6,J6E		
		ME222585	CAMSHAFT,INLET	1			G6,H6,H6E, J6,J6E,K6, K6E,M6E		
		ME222585	CAMSHAFT,INLET	1			K6,K6E,M6E		
		ME222585	CAMSHAFT,INLET	1			G6V,H6V,H6VE, J6V,J6VE,K6VE		
		03109	ME222588	CAMSHAFT,EXHAUST	1			K6,K6E,M6E	
			ME222588	CAMSHAFT,EXHAUST	1			G6,G6E,G6V, H6,H6E,H6V, H6VE,J6,J6E, J6V,J6VE,K6, K6E,K6V,K6VE, M6,M6E,M6VE	
			ME222588	CAMSHAFT,EXHAUST	1			G6E,G6V,H6V, H6VE,J6V,J6VE, K6V,K6VE,M6, M6VE	
	ME222588		CAMSHAFT,EXHAUST	1			G6,G6E,G6V, H6,H6E,H6V, H6VE,J6,J6E, J6V,J6VE,K6, K6E,K6V,K6VE, M6,M6E,M6VE		
	ME222588		CAMSHAFT,EXHAUST	1			G6,H6,H6E, J6,J6E	14C,1C 1XT,1X	
	ME222588		CAMSHAFT,EXHAUST	1			G6,H6,H6E, J6,J6E	1SP,1X	
	RP RP	03136B	ME241494	GEAR,CAMSHAFT	1	N=32	O	K6,K6E,M6E	
			ME241494	GEAR,CAMSHAFT	1	N=32	O	G6,G6E,G6V, H6,H6E,H6V, H6VE,J6,J6E, J6V,J6VE,K6, K6E,K6V,K6VE, M6,M6E,M6VE	

FK74R
11-230 CAMSHAFT & VALVE

Repl Part RP	PNC 03136B	Part No ME241494	Part Name GEAR,CAMSHAFT	Qty 1	Part Spec N=32	PREV.1 O	Classification G6E,G6V,H6V, H6VE,J6V,J6VE, K6V,K6VE,M6, M6VE	Opt
RP		ME241494	GEAR,CAMSHAFT	1	N=32	O	G6,G6E,G6V, H6,H6E,H6V, H6VE,J6,J6E, J6V,J6VE,K6, K6E,K6V,K6VE, M6,M6E,M6VE	
RP		ME241494	GEAR,CAMSHAFT	1	N=32	O	G6,H6,H6E, J6,J6E	
RP		ME241494	GEAR,CAMSHAFT	1	N=32	O	G6,H6,H6E, J6,J6E,K6, K6E,M6E	14C,1C 1XT,1X
RP		ME241494	GEAR,CAMSHAFT	1	N=32	O	G6,H6,H6E, J6,J6E	1SP,1X
RP		ME241494	GEAR,CAMSHAFT	1	N=32	O	G6,H6,H6E, J6,J6E	
RP		ME241494	GEAR,CAMSHAFT	1	N=32	O	G6,H6,H6E, J6,J6E,K6, K6E,M6E	
RP		ME241494	GEAR,CAMSHAFT	1	N=32	O	K6,K6E,M6E	
RP		ME241494	GEAR,CAMSHAFT	1	N=32	O	G6V,H6V,H6VE, J6V,J6VE,K6VE	
	03136C	ME224209	GEAR,CAMSHAFT	1			K6,K6E,M6E	
		ME224209	GEAR,CAMSHAFT	1			G6,G6E,G6V, H6,H6E,H6V, H6VE,J6,J6E, J6V,J6VE,K6, K6E,K6V,K6VE, M6,M6E,M6VE	
		ME224209	GEAR,CAMSHAFT	1			G6E,G6V,H6V, H6VE,J6V,J6VE, K6V,K6VE,M6, M6VE	
		ME224209	GEAR,CAMSHAFT	1			G6,G6E,G6V, H6,H6E,H6V, H6VE,J6,J6E, J6V,J6VE,K6, K6E,K6V,K6VE, M6,M6E,M6VE	
		ME224209	GEAR,CAMSHAFT	1			G6,H6,H6E, J6,J6E	
		ME224209	GEAR,CAMSHAFT	1			G6,H6,H6E, J6,J6E,K6, K6E,M6E	14C,1C 1XT,1X
		ME224209	GEAR,CAMSHAFT	1			G6,H6,H6E, J6,J6E	1SP,1X
		ME224209	GEAR,CAMSHAFT	1			G6,H6,H6E, J6,J6E	
		ME224209	GEAR,CAMSHAFT	1			G6,H6,H6E, J6,J6E,K6, K6E,M6E	
		ME224209	GEAR,CAMSHAFT	1			K6,K6E,M6E	
		ME224209	GEAR,CAMSHAFT	1			G6V,H6V,H6VE, J6V,J6VE,K6VE	
	03196	MS476137	KEY,CAMSHAFT	2	WOODRUFF,7X22		K6,K6E,M6E	
		MS476137	KEY,CAMSHAFT	2	WOODRUFF,7X22		G6,G6E,G6V, H6,H6E,H6V, H6VE,J6,J6E, J6V,J6VE,K6, K6E,K6V,K6VE, M6,M6E,M6VE	
		MS476137	KEY,CAMSHAFT	2	WOODRUFF,7X22		G6E,G6V,H6V, H6VE,J6V,J6VE, K6V,K6VE,M6, M6VE	

FK74R
11-230 CAMSHAFT & VALVE

Repl Part	PNC	Part No	Part Name	Qty	Part Spec	PREV.1	Classification	Opt
	03196	MS476137	KEY,CAMSHAFT	2	WOODRUFF,7X22		G6,G6E,G6V, H6,H6E,H6V, H6VE,J6,J6E, J6V,J6VE,K6, K6E,K6V,K6VE, M6,M6E,M6VE	
		MS476137	KEY,CAMSHAFT	2	WOODRUFF,7X22		G6,H6,H6E, J6,J6E	
		MS476137	KEY,CAMSHAFT	2	WOODRUFF,7X22		G6,H6,H6E, J6,J6E,K6, K6E,M6E	14C,10 1XT,1X
		MS476137	KEY,CAMSHAFT	2	WOODRUFF,7X22		G6,H6,H6E, J6,J6E	1SP,1X
		MS476137	KEY,CAMSHAFT	2	WOODRUFF,7X22		G6,H6,H6E, J6,J6E	
		MS476137	KEY,CAMSHAFT	2	WOODRUFF,7X22		G6,H6,H6E, J6,J6E,K6, K6E,M6E	
		MS476137	KEY,CAMSHAFT	2	WOODRUFF,7X22		K6,K6E,M6E	
		MS476137	KEY,CAMSHAFT	2	WOODRUFF,7X22		G6V,H6V,H6VE, J6V,J6VE,K6VE	
	03264	MD000425	WASHER,VALVE GEAR TRAIN	10	PLAIN,8		K6,K6E,M6E	
		MD000425	WASHER,VALVE GEAR TRAIN	10	PLAIN,8		G6,G6E,G6V, H6,H6E,H6V, H6VE,J6,J6E, J6V,J6VE,K6, K6E,K6V,K6VE, M6,M6E,M6VE	
		MD000425	WASHER,VALVE GEAR TRAIN	10	PLAIN,8		G6E,G6V,H6V, H6VE,J6V,J6VE, K6V,K6VE,M6, M6VE	
		MD000425	WASHER,VALVE GEAR TRAIN	10	PLAIN,8		G6,G6E,G6V, H6,H6E,H6V, H6VE,J6,J6E, J6V,J6VE,K6, K6E,K6V,K6VE, M6,M6E,M6VE	
		MD000425	WASHER,VALVE GEAR TRAIN	10	PLAIN,8		G6,H6,H6E, J6,J6E	14C,10 1XT,1X
		MD000425	WASHER,VALVE GEAR TRAIN	10	PLAIN,8		G6,H6,H6E, J6,J6E,K6, K6E,M6E	1SP,1X
		MD000425	WASHER,VALVE GEAR TRAIN	10	PLAIN,8		G6,H6,H6E, J6,J6E	
		MD000425	WASHER,VALVE GEAR TRAIN	10	PLAIN,8		G6,H6,H6E, J6,J6E,K6, K6E,M6E	
		MD000425	WASHER,VALVE GEAR TRAIN	10	PLAIN,8		K6,K6E,M6E	
		MD000425	WASHER,VALVE GEAR TRAIN	10	PLAIN,8		G6V,H6V,H6VE, J6V,J6VE,K6VE	
	03276B	ME222873	BUSHING,VALVE GEAR TRAIN	8			K6,K6E,M6E	
		ME222873	BUSHING,VALVE GEAR TRAIN	8			G6,G6E,G6V, H6,H6E,H6V, H6VE,J6,J6E, J6V,J6VE,K6, K6E,K6V,K6VE, M6,M6E,M6VE	
		ME222873	BUSHING,VALVE GEAR TRAIN	8			G6E,G6V,H6V, H6VE,J6V,J6VE, K6V,K6VE,M6, M6VE	
		ME222873	BUSHING,VALVE GEAR TRAIN	8			G6,G6E,G6V, H6,H6E,H6V, H6VE,J6,J6E, J6V,J6VE,K6, K6E,K6V,K6VE, M6,M6E,M6VE	
		ME222873	BUSHING,VALVE GEAR TRAIN	8			G6,H6,H6E, J6,J6E	

FK74R
11-230 CAMSHAFT & VALVE

Repl Part	PNC	Part No	Part Name	Qty	Part Spec	PREV.1	Classification	Opt
	03276B	ME222873	BUSHING,VALVE GEAR TRAIN	8			G6,H6,H6E, J6,J6E,K6, K6E,M6E	14C,1C 1XT,1X
		ME222873	BUSHING,VALVE GEAR TRAIN	8			G6,H6,H6E, J6,J6E	1SP,1X
		ME222873	BUSHING,VALVE GEAR TRAIN	8			G6,H6,H6E, J6,J6E	
		ME222873	BUSHING,VALVE GEAR TRAIN	8			G6,H6,H6E, J6,J6E,K6, K6E,M6E	
		ME222873	BUSHING,VALVE GEAR TRAIN	8			K6,K6E,M6E	
		ME222873	BUSHING,VALVE GEAR TRAIN	8			G6V,H6V,H6VE, J6V,J6VE,K6VE	
	03276C	ME222872	BUSHING,VALVE GEAR TRAIN	8			K6,K6E,M6E	
		ME222872	BUSHING,VALVE GEAR TRAIN	8			G6,G6E,G6V, H6,H6E,H6V, H6VE,J6,J6E, J6V,J6VE,K6, K6E,K6V,K6VE, M6,M6E,M6VE	
		ME222872	BUSHING,VALVE GEAR TRAIN	8			G6E,G6V,H6V, H6VE,J6V,J6VE, K6V,K6VE,M6, M6VE	
		ME222872	BUSHING,VALVE GEAR TRAIN	8			G6,G6E,G6V, H6,H6E,H6V, H6VE,J6,J6E, J6V,J6VE,K6, K6E,K6V,K6VE, M6,M6E,M6VE	
		ME222872	BUSHING,VALVE GEAR TRAIN	8			G6,H6,H6E, J6,J6E	
		ME222872	BUSHING,VALVE GEAR TRAIN	8			G6,H6,H6E, J6,J6E,K6, K6E,M6E	14C,1C 1XT,1X
		ME222872	BUSHING,VALVE GEAR TRAIN	8			G6,H6,H6E, J6,J6E	1SP,1X
		ME222872	BUSHING,VALVE GEAR TRAIN	8			G6,H6,H6E, J6,J6E	
		ME222872	BUSHING,VALVE GEAR TRAIN	8			G6,H6,H6E, J6,J6E,K6, K6E,M6E	
		ME222872	BUSHING,VALVE GEAR TRAIN	8			K6,K6E,M6E	
		ME222872	BUSHING,VALVE GEAR TRAIN	8			G6V,H6V,H6VE, J6V,J6VE,K6VE	
	03301	ME220155	ADJUSTER,ROCKER ARM LASH	16			K6,K6E,M6E	
		ME220155	ADJUSTER,ROCKER ARM LASH	16			G6,G6E,G6V, H6,H6E,H6V, H6VE,J6,J6E, J6V,J6VE,K6, K6E,K6V,K6VE, M6,M6E,M6VE	
		ME220155	ADJUSTER,ROCKER ARM LASH	16			G6E,G6V,H6V, H6VE,J6V,J6VE, K6V,K6VE,M6, M6VE	
		ME220155	ADJUSTER,ROCKER ARM LASH	16			G6,G6E,G6V, H6,H6E,H6V, H6VE,J6,J6E, J6V,J6VE,K6, K6E,K6V,K6VE, M6,M6E,M6VE	
		ME220155	ADJUSTER,ROCKER ARM LASH	16			G6,H6,H6E, J6,J6E	
		ME220155	ADJUSTER,ROCKER ARM LASH	16			G6,H6,H6E, J6,J6E,K6, K6E,M6E	14C,1C 1XT,1X
		ME220155	ADJUSTER,ROCKER ARM LASH	16			G6,H6,H6E, J6,J6E	1SP,1X
		ME220155	ADJUSTER,ROCKER ARM LASH	16			G6,H6,H6E, J6,J6E	

FK74R
11-230 CAMSHAFT & VALVE

Repl Part	PNC	Part No	Part Name	Qty	Part Spec	PREV.1	Classification	Opt
	03301	ME220155	ADJUSTER,ROCKER ARM LASH	16			G6,H6,H6E, J6,J6E,K6, K6E,M6E	
		ME220155	ADJUSTER,ROCKER ARM LASH	16			K6,K6E,M6E	
		ME220155	ADJUSTER,ROCKER ARM LASH	16			G6V,H6V,H6VE, J6V,J6VE,K6VE	
	03323B	ME222871	ROCKER ARM,INLET & EXHAUST VALVE	8			K6,K6E,M6E	
		ME222871	ROCKER ARM,INLET & EXHAUST VALVE	8			G6,G6E,G6V, H6,H6E,H6V, H6VE,J6,J6E, J6V,J6VE,K6, K6E,K6V,K6VE, M6,M6E,M6VE	
		ME222871	ROCKER ARM,INLET & EXHAUST VALVE	8			G6E,G6V,H6V, H6VE,J6V,J6VE, K6V,K6VE,M6, M6VE	
		ME222871	ROCKER ARM,INLET & EXHAUST VALVE	8			G6,G6E,G6V, H6,H6E,H6V, H6VE,J6,J6E, J6V,J6VE,K6, K6E,K6V,K6VE, M6,M6E,M6VE	
		ME222871	ROCKER ARM,INLET & EXHAUST VALVE	8			G6,H6,H6E, J6,J6E	
		ME222871	ROCKER ARM,INLET & EXHAUST VALVE	8			G6,H6,H6E, J6,J6E,K6, K6E,M6E	14C,1C 1XT,1X
		ME222871	ROCKER ARM,INLET & EXHAUST VALVE	8			G6,H6,H6E, J6,J6E	1SP,1X
		ME222871	ROCKER ARM,INLET & EXHAUST VALVE	8			G6,H6,H6E, J6,J6E	
		ME222871	ROCKER ARM,INLET & EXHAUST VALVE	8			G6,H6,H6E, J6,J6E,K6, K6E,M6E	
		ME222871	ROCKER ARM,INLET & EXHAUST VALVE	8			K6,K6E,M6E	
		ME222871	ROCKER ARM,INLET & EXHAUST VALVE	8			G6V,H6V,H6VE, J6V,J6VE,K6VE	
	03323C	ME222870	ROCKER ARM,INLET & EXHAUST VALVE	8			K6,K6E,M6E	
		ME222870	ROCKER ARM,INLET & EXHAUST VALVE	8			G6,G6E,G6V, H6,H6E,H6V, H6VE,J6,J6E, J6V,J6VE,K6, K6E,K6V,K6VE, M6,M6E,M6VE	
		ME222870	ROCKER ARM,INLET & EXHAUST VALVE	8			G6E,G6V,H6V, H6VE,J6V,J6VE, K6V,K6VE,M6, M6VE	
		ME222870	ROCKER ARM,INLET & EXHAUST VALVE	8			G6,G6E,G6V, H6,H6E,H6V, H6VE,J6,J6E, J6V,J6VE,K6, K6E,K6V,K6VE, M6,M6E,M6VE	
		ME222870	ROCKER ARM,INLET & EXHAUST VALVE	8			G6,H6,H6E, J6,J6E	
		ME222870	ROCKER ARM,INLET & EXHAUST VALVE	8			G6,H6,H6E, J6,J6E,K6, K6E,M6E	14C,1C 1XT,1X
		ME222870	ROCKER ARM,INLET & EXHAUST VALVE	8			G6,H6,H6E, J6,J6E	1SP,1X
		ME222870	ROCKER ARM,INLET & EXHAUST VALVE	8			G6,H6,H6E, J6,J6E	
		ME222870	ROCKER ARM,INLET & EXHAUST VALVE	8			G6,H6,H6E, J6,J6E,K6, K6E,M6E	
		ME222870	ROCKER ARM,INLET & EXHAUST VALVE	8			K6,K6E,M6E	
		ME222870	ROCKER ARM,INLET & EXHAUST VALVE	8			G6V,H6V,H6VE, J6V,J6VE,K6VE	
	03348	ME240813	SHAFT,INLET VALVE ROCKER ARM	1			K6,K6E,M6E	

FK74R
11-230 CAMSHAFT & VALVE

Repl Part	PNC	Part No	Part Name	Qty	Part Spec	PREV.1	Classification	Opt
	03348	ME240813	SHAFT,INLET VALVE ROCKER ARM	1			G6,G6E,G6V, H6,H6E,H6V, H6VE,J6,J6E, J6V,J6VE,K6, K6E,K6V,K6VE, M6,M6E,M6VE	
		ME240813	SHAFT,INLET VALVE ROCKER ARM	1			G6E,G6V,H6V, H6VE,J6V,J6VE, K6V,K6VE,M6, M6VE	
		ME240813	SHAFT,INLET VALVE ROCKER ARM	1			G6,G6E,G6V, H6,H6E,H6V, H6VE,J6,J6E, J6V,J6VE,K6, K6E,K6V,K6VE, M6,M6E,M6VE	
		ME240813	SHAFT,INLET VALVE ROCKER ARM	1			G6,H6,H6E, J6,J6E	
		ME240813	SHAFT,INLET VALVE ROCKER ARM	1			G6,H6,H6E, J6,J6E,K6, K6E,M6E	14C,1C 1XT,1X
		ME240813	SHAFT,INLET VALVE ROCKER ARM	1			G6,H6,H6E, J6,J6E	1SP,1X
		ME240813	SHAFT,INLET VALVE ROCKER ARM	1			G6,H6,H6E, J6,J6E	
		ME240813	SHAFT,INLET VALVE ROCKER ARM	1			G6,H6,H6E, J6,J6E,K6, K6E,M6E	
		ME240813	SHAFT,INLET VALVE ROCKER ARM	1			K6,K6E,M6E	
		ME240813	SHAFT,INLET VALVE ROCKER ARM	1			G6V,H6V,H6VE, J6V,J6VE,K6VE	
	03349	ME240814	SHAFT,EXHAUST VALVE ROCKER ARM	1			K6,K6E,M6E	
		ME240814	SHAFT,EXHAUST VALVE ROCKER ARM	1			G6,G6E,G6V, H6,H6E,H6V, H6VE,J6,J6E, J6V,J6VE,K6, K6E,K6V,K6VE, M6,M6E,M6VE	
		ME240814	SHAFT,EXHAUST VALVE ROCKER ARM	1			G6E,G6V,H6V, H6VE,J6V,J6VE, K6V,K6VE,M6, M6VE	
		ME240814	SHAFT,EXHAUST VALVE ROCKER ARM	1			G6,G6E,G6V, H6,H6E,H6V, H6VE,J6,J6E, J6V,J6VE,K6, K6E,K6V,K6VE, M6,M6E,M6VE	
		ME240814	SHAFT,EXHAUST VALVE ROCKER ARM	1			G6,H6,H6E, J6,J6E	
		ME240814	SHAFT,EXHAUST VALVE ROCKER ARM	1			G6,H6,H6E, J6,J6E,K6, K6E,M6E	14C,1C 1XT,1X
		ME240814	SHAFT,EXHAUST VALVE ROCKER ARM	1			G6,H6,H6E, J6,J6E	1SP,1X
		ME240814	SHAFT,EXHAUST VALVE ROCKER ARM	1			G6,H6,H6E, J6,J6E	
		ME240814	SHAFT,EXHAUST VALVE ROCKER ARM	1			G6,H6,H6E, J6,J6E,K6, K6E,M6E	
		ME240814	SHAFT,EXHAUST VALVE ROCKER ARM	1			K6,K6E,M6E	
		ME240814	SHAFT,EXHAUST VALVE ROCKER ARM	1			G6V,H6V,H6VE, J6V,J6VE,K6VE	
	03356	ME240755	SPRING,ROCKER SHAFT	8			K6,K6E,M6E	
		ME240755	SPRING,ROCKER SHAFT	8			G6,G6E,G6V, H6,H6E,H6V, H6VE,J6,J6E, J6V,J6VE,K6, K6E,K6V,K6VE, M6,M6E,M6VE	

FK74R
11-230 CAMSHAFT & VALVE

Repl Part	PNC	Part No	Part Name	Qty	Part Spec	PREV.1	Classification	Opt
	03356	ME240755	SPRING,ROCKER SHAFT	8			G6E,G6V,H6V, H6VE,J6V,J6VE, K6V,K6VE,M6, M6VE	
		ME240755	SPRING,ROCKER SHAFT	8			G6,G6E,G6V, H6,H6E,H6V, H6VE,J6,J6E, J6V,J6VE,K6, K6E,K6V,K6VE, M6,M6E,M6VE	14C,1C 1XT,1X
		ME240755	SPRING,ROCKER SHAFT	8			G6,H6,H6E, J6,J6E	1SP,1X
		ME240755	SPRING,ROCKER SHAFT	8			G6,H6,H6E, J6,J6E,K6, K6E,M6E	
		ME240755	SPRING,ROCKER SHAFT	8			G6,H6,H6E, J6,J6E	
		ME240755	SPRING,ROCKER SHAFT	8			G6,H6,H6E, J6,J6E,K6, K6E,M6E	
		ME240755	SPRING,ROCKER SHAFT	8			K6,K6E,M6E	
		ME240755	SPRING,ROCKER SHAFT	8			G6V,H6V,H6VE, J6V,J6VE,K6VE	
	03363	MD000961	NUT,ROCKER ARM ADJUSTING SCREW LOCK	16	JAM,8		K6,K6E,M6E	
		MD000961	NUT,ROCKER ARM ADJUSTING SCREW LOCK	16	JAM,8		G6,G6E,G6V, H6,H6E,H6V, H6VE,J6,J6E, J6V,J6VE,K6, K6E,K6V,K6VE, M6,M6E,M6VE	
		MD000961	NUT,ROCKER ARM ADJUSTING SCREW LOCK	16	JAM,8		G6E,G6V,H6V, H6VE,J6V,J6VE, K6V,K6VE,M6, M6VE	
		MD000961	NUT,ROCKER ARM ADJUSTING SCREW LOCK	16	JAM,8		G6,G6E,G6V, H6,H6E,H6V, H6VE,J6,J6E, J6V,J6VE,K6, K6E,K6V,K6VE, M6,M6E,M6VE	
		MD000961	NUT,ROCKER ARM ADJUSTING SCREW LOCK	16	JAM,8		G6,H6,H6E, J6,J6E	14C,1C 1XT,1X
		MD000961	NUT,ROCKER ARM ADJUSTING SCREW LOCK	16	JAM,8		G6,H6,H6E, J6,J6E,K6, K6E,M6E	1SP,1X
		MD000961	NUT,ROCKER ARM ADJUSTING SCREW LOCK	16	JAM,8		G6,H6,H6E, J6,J6E	
		MD000961	NUT,ROCKER ARM ADJUSTING SCREW LOCK	16	JAM,8		G6,H6,H6E, J6,J6E,K6, K6E,M6E	
		MD000961	NUT,ROCKER ARM ADJUSTING SCREW LOCK	16	JAM,8		K6,K6E,M6E	
		MD000961	NUT,ROCKER ARM ADJUSTING SCREW LOCK	16	JAM,8		G6V,H6V,H6VE, J6V,J6VE,K6VE	
	03410	ME221722	VALVE,INLET	8			K6,K6E,M6E	
		ME221722	VALVE,INLET	8			G6,G6E,G6V, H6,H6E,H6V, H6VE,J6,J6E, J6V,J6VE,K6, K6E,K6V,K6VE, M6,M6E,M6VE	
		ME221722	VALVE,INLET	8			G6E,G6V,H6V, H6VE,J6V,J6VE, K6V,K6VE,M6, M6VE	

FK74R
11-230 CAMSHAFT & VALVE

Repl Part	PNC	Part No	Part Name	Qty	Part Spec	PREV.1	Classification	Opt
	03410	ME221722	VALVE,INLET	8			G6,G6E,G6V, H6,H6E,H6V, H6VE,J6,J6E, J6V,J6VE,K6, K6E,K6V,K6VE, M6,M6E,M6VE	
		ME221722	VALVE,INLET	8			G6,H6,H6E, J6,J6E	
		ME221722	VALVE,INLET	8			G6,H6,H6E, J6,J6E,K6, K6E,M6E	14C,10 1XT,1X
		ME221722	VALVE,INLET	8			G6,H6,H6E, J6,J6E	1SP,1X
		ME221722	VALVE,INLET	8			G6,H6,H6E, J6,J6E	
		ME221722	VALVE,INLET	8			G6,H6,H6E, J6,J6E,K6, K6E,M6E	
		ME221722	VALVE,INLET	8			K6,K6E,M6E	
		ME221722	VALVE,INLET	8			G6V,H6V,H6VE, J6V,J6VE,K6VE	
	03416	ME240924	SPRING,VALVE,INR	16			K6,K6E,M6E	
		ME240924	SPRING,VALVE,INR	16			G6,G6E,G6V, H6,H6E,H6V, H6VE,J6,J6E, J6V,J6VE,K6, K6E,K6V,K6VE, M6,M6E,M6VE	
		ME240924	SPRING,VALVE,INR	16			G6E,G6V,H6V, H6VE,J6V,J6VE, K6V,K6VE,M6, M6VE	
		ME240924	SPRING,VALVE,INR	16			G6,G6E,G6V, H6,H6E,H6V, H6VE,J6,J6E, J6V,J6VE,K6, K6E,K6V,K6VE, M6,M6E,M6VE	
		ME240924	SPRING,VALVE,INR	16			G6,H6,H6E, J6,J6E	
		ME240924	SPRING,VALVE,INR	16			G6,H6,H6E, J6,J6E,K6, K6E,M6E	14C,10 1XT,1X
		ME240924	SPRING,VALVE,INR	16			G6,H6,H6E, J6,J6E	1SP,1X
		ME240924	SPRING,VALVE,INR	16			G6,H6,H6E, J6,J6E	
		ME240924	SPRING,VALVE,INR	16			G6,H6,H6E, J6,J6E,K6, K6E,M6E	
		ME240924	SPRING,VALVE,INR	16			K6,K6E,M6E	
		ME240924	SPRING,VALVE,INR	16			G6V,H6V,H6VE, J6V,J6VE,K6VE	
	03417	ME240925	SPRING,VALVE,OTR	16			K6,K6E,M6E	
		ME240925	SPRING,VALVE,OTR	16			G6,G6E,G6V, H6,H6E,H6V, H6VE,J6,J6E, J6V,J6VE,K6, K6E,K6V,K6VE, M6,M6E,M6VE	
		ME240925	SPRING,VALVE,OTR	16			G6E,G6V,H6V, H6VE,J6V,J6VE, K6V,K6VE,M6, M6VE	
		ME240925	SPRING,VALVE,OTR	16			G6,G6E,G6V, H6,H6E,H6V, H6VE,J6,J6E, J6V,J6VE,K6, K6E,K6V,K6VE, M6,M6E,M6VE	
		ME240925	SPRING,VALVE,OTR	16			G6,H6,H6E, J6,J6E	

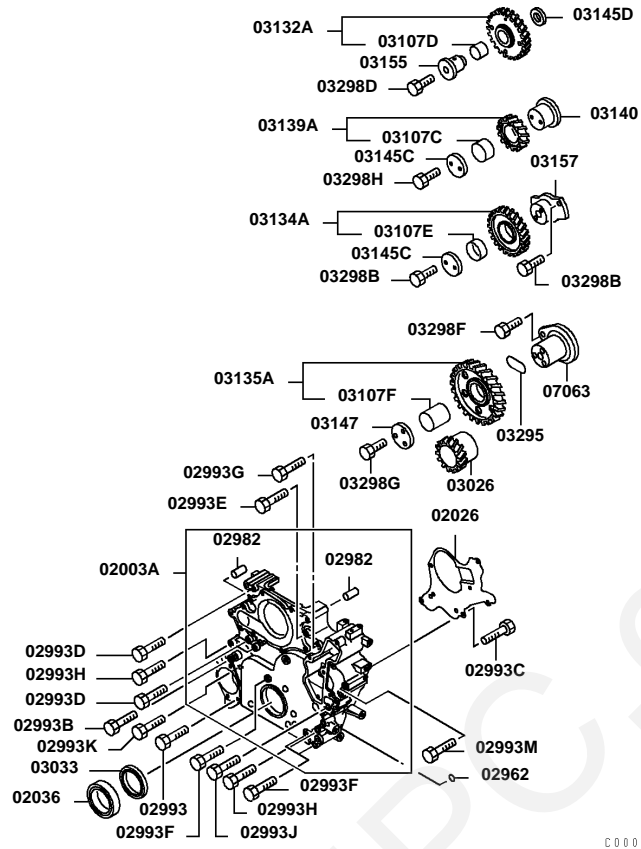
FK74R
11-230 CAMSHAFT & VALVE

Repl Part	PNC	Part No	Part Name	Qty	Part Spec	PREV.1	Classification	Opt
	03417	ME240925	SPRING,VALVE,OTR	16			G6,H6,H6E, J6,J6E,K6, K6E,M6E	14C,1C 1XT,1X
		ME240925	SPRING,VALVE,OTR	16			G6,H6,H6E, J6,J6E	1SP,1X
		ME240925	SPRING,VALVE,OTR	16			G6,H6,H6E, J6,J6E	
		ME240925	SPRING,VALVE,OTR	16			G6,H6,H6E, J6,J6E,K6, K6E,M6E	
		ME240925	SPRING,VALVE,OTR	16			K6,K6E,M6E	
		ME240925	SPRING,VALVE,OTR	16			G6V,H6V,H6VE, J6V,J6VE,K6VE	
	03420	ME222734	VALVE,EXHAUST	8			K6,K6E,M6E	
		ME222734	VALVE,EXHAUST	8			G6,G6E,G6V, H6,H6E,H6V, H6VE,J6,J6E, J6V,J6VE,K6, K6E,K6V,K6VE, M6,M6E,M6VE	
		ME222734	VALVE,EXHAUST	8			G6E,G6V,H6V, H6VE,J6V,J6VE, K6V,K6VE,M6, M6VE	
		ME222734	VALVE,EXHAUST	8			G6,G6E,G6V, H6,H6E,H6V, H6VE,J6,J6E, J6V,J6VE,K6, K6E,K6V,K6VE, M6,M6E,M6VE	
		ME222734	VALVE,EXHAUST	8			G6,H6,H6E, J6,J6E	14C,1C 1XT,1X
		ME222734	VALVE,EXHAUST	8			G6,H6,H6E, J6,J6E	1SP,1X
		ME222734	VALVE,EXHAUST	8			G6,H6,H6E, J6,J6E	
		ME222734	VALVE,EXHAUST	8			G6,H6,H6E, J6,J6E,K6, K6E,M6E	
		ME222734	VALVE,EXHAUST	8			G6,H6,H6E, J6,J6E	
		ME222734	VALVE,EXHAUST	8			G6,H6,H6E, J6,J6E,K6, K6E,M6E	
		ME222734	VALVE,EXHAUST	8			K6,K6E,M6E	
		ME222734	VALVE,EXHAUST	8			G6V,H6V,H6VE, J6V,J6VE,K6VE	
	03440	ME241213	SEAL,VALVE STEM	16			K6,K6E,M6E	
		ME241213	SEAL,VALVE STEM	16			G6,G6E,G6V, H6,H6E,H6V, H6VE,J6,J6E, J6V,J6VE,K6, K6E,K6V,K6VE, M6,M6E,M6VE	
		ME241213	SEAL,VALVE STEM	16			G6E,G6V,H6V, H6VE,J6V,J6VE, K6V,K6VE,M6, M6VE	
		ME241213	SEAL,VALVE STEM	16			G6,G6E,G6V, H6,H6E,H6V, H6VE,J6,J6E, J6V,J6VE,K6, K6E,K6V,K6VE, M6,M6E,M6VE	
		ME241213	SEAL,VALVE STEM	16			G6,H6,H6E, J6,J6E	14C,1C 1XT,1X
		ME241213	SEAL,VALVE STEM	16			G6,H6,H6E, J6,J6E	1SP,1X
		ME241213	SEAL,VALVE STEM	16			G6,H6,H6E, J6,J6E	

FK74R
11-230 CAMSHAFT & VALVE

Repl Part	PNC	Part No	Part Name	Qty	Part Spec	PREV.1	Classification	Opt
	03440	ME241213	SEAL,VALVE STEM	16			G6,H6,H6E, J6,J6E,K6, K6E,M6E	
		ME241213	SEAL,VALVE STEM	16			K6,K6E,M6E	
		ME241213	SEAL,VALVE STEM	16			G6V,H6V,H6VE, J6V,J6VE,K6VE	
	03450	ME001121	LOCK,VALVE SPRING RETAINER	32			K6,K6E,M6E	
		ME001121	LOCK,VALVE SPRING RETAINER	32			G6,G6E,G6V, H6,H6E,H6V, H6VE,J6,J6E, J6V,J6VE,K6, K6E,K6V,K6VE, M6,M6E,M6VE	
		ME001121	LOCK,VALVE SPRING RETAINER	32			G6E,G6V,H6V, H6VE,J6V,J6VE, K6V,K6VE,M6, M6VE	
		ME001121	LOCK,VALVE SPRING RETAINER	32			G6,G6E,G6V, H6,H6E,H6V, H6VE,J6,J6E, J6V,J6VE,K6, K6E,K6V,K6VE, M6,M6E,M6VE	
		ME001121	LOCK,VALVE SPRING RETAINER	32			G6,H6,H6E, J6,J6E	
		ME001121	LOCK,VALVE SPRING RETAINER	32			G6,H6,H6E, J6,J6E,K6, K6E,M6E	14C,1C 1XT,1X
		ME001121	LOCK,VALVE SPRING RETAINER	32			G6,H6,H6E, J6,J6E	1SP,1X
		ME001121	LOCK,VALVE SPRING RETAINER	32			G6,H6,H6E, J6,J6E	
		ME001121	LOCK,VALVE SPRING RETAINER	32			G6,H6,H6E, J6,J6E,K6, K6E,M6E	
		ME001121	LOCK,VALVE SPRING RETAINER	32			K6,K6E,M6E	
		ME001121	LOCK,VALVE SPRING RETAINER	32			G6V,H6V,H6VE, J6V,J6VE,K6VE	
	03529	ME071966	RETAINER,POWERTARD VALVE SPRING,UPR	16			K6,K6E,M6E	
		ME071966	RETAINER,POWERTARD VALVE SPRING,UPR	16			G6,G6E,G6V, H6,H6E,H6V, H6VE,J6,J6E, J6V,J6VE,K6, K6E,K6V,K6VE, M6,M6E,M6VE	
		ME071966	RETAINER,POWERTARD VALVE SPRING,UPR	16			G6E,G6V,H6V, H6VE,J6V,J6VE, K6V,K6VE,M6, M6VE	
		ME071966	RETAINER,POWERTARD VALVE SPRING,UPR	16			G6,G6E,G6V, H6,H6E,H6V, H6VE,J6,J6E, J6V,J6VE,K6, K6E,K6V,K6VE, M6,M6E,M6VE	
		ME071966	RETAINER,POWERTARD VALVE SPRING,UPR	16			G6,H6,H6E, J6,J6E	
		ME071966	RETAINER,POWERTARD VALVE SPRING,UPR	16			G6,H6,H6E, J6,J6E,K6, K6E,M6E	14C,1C 1XT,1X
		ME071966	RETAINER,POWERTARD VALVE SPRING,UPR	16			G6,H6,H6E, J6,J6E	1SP,1X
		ME071966	RETAINER,POWERTARD VALVE SPRING,UPR	16			G6,H6,H6E, J6,J6E	
		ME071966	RETAINER,POWERTARD VALVE SPRING,UPR	16			G6,H6,H6E, J6,J6E,K6, K6E,M6E	
		ME071966	RETAINER,POWERTARD VALVE SPRING,UPR	16			K6,K6E,M6E	
		ME071966	RETAINER,POWERTARD VALVE SPRING,UPR	16			G6V,H6V,H6VE, J6V,J6VE,K6VE	

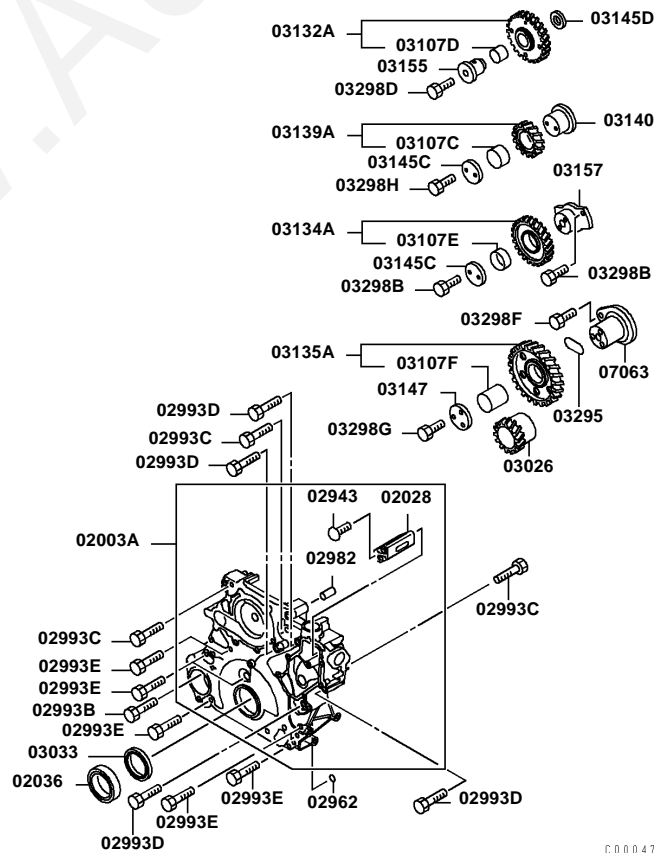
FK74R
No.1



Ref. |2011240

Page

FK74R
No.2



Ref. |2011240

Page

FK74R
11-240 TIMING GEAR

SPN	Repl Part RP	PNC	Part No	Part Name	Qty	Part Spec	Remarks	NEW1 Y
		02003A	ME224557	CASE ASSY,TIMING GEAR	1			
			ME225956	CASE ASSY,TIMING GEAR	1			
			ME225956	CASE ASSY,TIMING GEAR	1			
			ME225956	CASE ASSY,TIMING GEAR	1			
			ME225956	CASE ASSY,TIMING GEAR	1			
			ME225956	CASE ASSY,TIMING GEAR	1			
			ME227423	CASE ASSY,TIMING GEAR	1			
			ME227423	CASE ASSY,TIMING GEAR	1			
			ME227423	CASE ASSY,TIMING GEAR	1			
			ME227423	CASE ASSY,TIMING GEAR	1			
			ME227423	CASE ASSY,TIMING GEAR	1			
			ME227423	CASE ASSY,TIMING GEAR	1			
			ME227423	CASE ASSY,TIMING GEAR	1			
		02026	ME224134	GASKET,TIMING GEAR CASE	1			
		02028	ME227426	PLATE,TIMING GEAR CASE	1			
			ME227426	PLATE,TIMING GEAR CASE	1			
			ME227426	PLATE,TIMING GEAR CASE	1			
			ME227426	PLATE,TIMING GEAR CASE	1			
			ME227426	PLATE,TIMING GEAR CASE	1			
		02036	ME221974	OIL SEAL,TIMING GEAR CASE	1			
			ME221974	OIL SEAL,TIMING GEAR CASE	1			
			ME221974	OIL SEAL,TIMING GEAR CASE	1			
			ME221974	OIL SEAL,TIMING GEAR CASE	1			
			ME221974	OIL SEAL,TIMING GEAR CASE	1			

FK74R
11-240 TIMING GEAR

SPN	Repl Part	PNC	Part No	Part Name	Qty	Part Spec	Remarks	NEW1
		02036	ME221974	OIL SEAL,TIMING GEAR CASE	1			
			ME221974	OIL SEAL,TIMING GEAR CASE	1			
			ME221974	OIL SEAL,TIMING GEAR CASE	1			
			ME221974	OIL SEAL,TIMING GEAR CASE	1			
			ME221974	OIL SEAL,TIMING GEAR CASE	1			
			ME221974	OIL SEAL,TIMING GEAR CASE	1			
			ME221974	OIL SEAL,TIMING GEAR CASE	1			
		02943	MH000596	SCREW,TIMING GEAR CASE	2	WASHER ASSEMBLED,4X8		
			MH000596	SCREW,TIMING GEAR CASE	2	WASHER ASSEMBLED,4X8		
			MH000596	SCREW,TIMING GEAR CASE	2	WASHER ASSEMBLED,4X8		
			MH000596	SCREW,TIMING GEAR CASE	2	WASHER ASSEMBLED,4X8		
			MH000596	SCREW,TIMING GEAR CASE	2	WASHER ASSEMBLED,4X8		
			MH000596	SCREW,TIMING GEAR CASE	2	WASHER ASSEMBLED,4X8		
		02962	MH035237	O-RING,TIMING GEAR CASE	1	D=10.8		
			MH035237	O-RING,TIMING GEAR CASE	1	D=10.8		
			MH035237	O-RING,TIMING GEAR CASE	1	D=10.8		
			MH035237	O-RING,TIMING GEAR CASE	1	D=10.8		
			MH035237	O-RING,TIMING GEAR CASE	1	D=10.8		
			MH035237	O-RING,TIMING GEAR CASE	1	D=10.8		
			MH035237	O-RING,TIMING GEAR CASE	1	D=10.8		
			MH035237	O-RING,TIMING GEAR CASE	1	D=10.8		
			MH035237	O-RING,TIMING GEAR CASE	1	D=10.8		
			MH035237	O-RING,TIMING GEAR CASE	1	D=10.8		
			MH035237	O-RING,TIMING GEAR CASE	1	D=10.8		
		02982	MS471104	PIN,TIMING POWER TRAIN CASE	2	8X9		
			MS471104	PIN,TIMING POWER TRAIN CASE	2	8X9		
			MS471104	PIN,TIMING POWER TRAIN CASE	2	8X9		

**FK74R
11-240 TIMING GEAR**

SPN	Repl Part	PNC	Part No	Part Name	Qty	Part Spec	Remarks	NEW1
		02982	MS471104	PIN,TIMING POWER TRAIN CASE	2	8X9		
			MS471104	PIN,TIMING POWER TRAIN CASE	2	8X9		
			MS471104	PIN,TIMING POWER TRAIN CASE	2	8X9		
			MS471104	PIN,TIMING POWER TRAIN CASE	2	8X9		
			MS471104	PIN,TIMING POWER TRAIN CASE	2	8X9		
			MS471104	PIN,TIMING POWER TRAIN CASE	2	8X9		
			MS471104	PIN,TIMING POWER TRAIN CASE	2	8X9		
			MS471104	PIN,TIMING POWER TRAIN CASE	2	8X9		
			MS471104	PIN,TIMING POWER TRAIN CASE	2	8X9		
		02993	MF140244	BOLT,TIMING GEAR CASE	1	FLANGE,8X90	7T	
		02993B	MF140245	BOLT,TIMING GEAR CASE	1	FLANGE,8X100	7T	
			MF140245	BOLT,TIMING GEAR CASE	1	FLANGE,8X100	7T	
			MF140245	BOLT,TIMING GEAR CASE	1	FLANGE,8X100	7T	
			MF140245	BOLT,TIMING GEAR CASE	1	FLANGE,8X100	7T	
			MF140245	BOLT,TIMING GEAR CASE	1	FLANGE,8X100	7T	
			MF140245	BOLT,TIMING GEAR CASE	1	FLANGE,8X100	7T	
			MF140245	BOLT,TIMING GEAR CASE	1	FLANGE,8X100	7T	
			MF140236	BOLT,TIMING GEAR CASE	1	FLANGE,8X55	7T	
			MF140236	BOLT,TIMING GEAR CASE	1	FLANGE,8X55	7T	
			MF140236	BOLT,TIMING GEAR CASE	1	FLANGE,8X55	7T	
			MF140236	BOLT,TIMING GEAR CASE	1	FLANGE,8X55	7T	
			MF140236	BOLT,TIMING GEAR CASE	1	FLANGE,8X55	7T	
			MF140236	BOLT,TIMING GEAR CASE	1	FLANGE,8X55	7T	
			MF140236	BOLT,TIMING GEAR CASE	1	FLANGE,8X55	7T	
		02993C	MF140202	BOLT,TIMING GEAR CASE	7	FLANGE,6X10	7T	
			MF140202	BOLT,TIMING GEAR CASE	7	FLANGE,6X10	7T	
			MF140202	BOLT,TIMING GEAR CASE	7	FLANGE,6X10	7T	
			MF140202	BOLT,TIMING GEAR CASE	7	FLANGE,6X10	7T	

FK74R
11-240 TIMING GEAR

SPN	Repl Part	PNC	Part No	Part Name	Qty	Part Spec	Remarks	NEW1
		02993C	MF140202	BOLT,TIMING GEAR CASE	7	FLANGE,6X10	7T	
			MF140202	BOLT,TIMING GEAR CASE	7	FLANGE,6X10	7T	
			MF140240	BOLT,TIMING GEAR CASE	3	FLANGE,8X75	7T	
			MF140240	BOLT,TIMING GEAR CASE	3	FLANGE,8X75	7T	
			MF140240	BOLT,TIMING GEAR CASE	3	FLANGE,8X75	7T	
			MF140240	BOLT,TIMING GEAR CASE	3	FLANGE,8X75	7T	
			MF140240	BOLT,TIMING GEAR CASE	3	FLANGE,8X75	7T	
			MF140240	BOLT,TIMING GEAR CASE	3	FLANGE,8X75	7T	
			MF140240	BOLT,TIMING GEAR CASE	3	FLANGE,8X75	7T	
		02993D	MF140241	BOLT,TIMING GEAR CASE	3	FLANGE,8X80	7T	
			MF140241	BOLT,TIMING GEAR CASE	3	FLANGE,8X80	7T	
			MF140241	BOLT,TIMING GEAR CASE	3	FLANGE,8X80	7T	
			MF140241	BOLT,TIMING GEAR CASE	3	FLANGE,8X80	7T	
			MF140241	BOLT,TIMING GEAR CASE	3	FLANGE,8X80	7T	
			MF140241	BOLT,TIMING GEAR CASE	3	FLANGE,8X80	7T	
			MF140241	BOLT,TIMING GEAR CASE	3	FLANGE,8X80	7T	
			MH000821	BOLT,TIMING GEAR CASE	4	FLANGE,8X130		
			MH000821	BOLT,TIMING GEAR CASE	4	FLANGE,8X130		
			MH000821	BOLT,TIMING GEAR CASE	4	FLANGE,8X130		
			MH000821	BOLT,TIMING GEAR CASE	4	FLANGE,8X130		
			MH000821	BOLT,TIMING GEAR CASE	4	FLANGE,8X130		
			MH000821	BOLT,TIMING GEAR CASE	4	FLANGE,8X130		
			MH000821	BOLT,TIMING GEAR CASE	4	FLANGE,8X130		
			MH000821	BOLT,TIMING GEAR CASE	4	FLANGE,8X130		
		02993E	MF140237	BOLT,TIMING GEAR CASE	1	FLANGE,8X60	7T	

FK74R
11-240 TIMING GEAR

SPN	Repl Part	PNC	Part No	Part Name	Qty	Part Spec	Remarks	NEW1
		02993E	MF140237	BOLT,TIMING GEAR CASE	1	FLANGE,8X60	7T	
			MF140237	BOLT,TIMING GEAR CASE	1	FLANGE,8X60	7T	
			MF140237	BOLT,TIMING GEAR CASE	1	FLANGE,8X60	7T	
			MF140237	BOLT,TIMING GEAR CASE	1	FLANGE,8X60	7T	
			MF140237	BOLT,TIMING GEAR CASE	1	FLANGE,8X60	7T	
			MF140243	BOLT,TIMING GEAR CASE	8	FLANGE,8X85	7T	
			MF140243	BOLT,TIMING GEAR CASE	8	FLANGE,8X85	7T	
			MF140243	BOLT,TIMING GEAR CASE	8	FLANGE,8X85	7T	
			MF140243	BOLT,TIMING GEAR CASE	8	FLANGE,8X85	7T	
			MF140243	BOLT,TIMING GEAR CASE	8	FLANGE,8X85	7T	
			MF140243	BOLT,TIMING GEAR CASE	8	FLANGE,8X85	7T	
			MF140243	BOLT,TIMING GEAR CASE	8	FLANGE,8X85	7T	
		02993F	MF140243	BOLT,TIMING GEAR CASE	3	FLANGE,8X85	7T	
		02993G	MF140246	BOLT,TIMING GEAR CASE	1	FLANGE,8X110	7T	
		02993H	MH000820	BOLT,TIMING GEAR CASE	3	FLANGE,8X105		
		02993J	MH000823	BOLT,TIMING GEAR CASE	1	FLANGE,8X138		
		02993K	MF140235	BOLT,TIMING GEAR CASE	1	FLANGE,8X50	7T	
		02993M	MH000966	BOLT,TIMING GEAR CASE	2	FLANGE,8X120		

FK74R
11-240 TIMING GEAR

SPN	Repl Part	PNC	Part No	Part Name	Qty	Part Spec	Remarks	NEW1
		03026	ME223664	GEAR,CRANKSHAFT	1			
			ME223664	GEAR,CRANKSHAFT	1			
			ME223664	GEAR,CRANKSHAFT	1			
			ME223664	GEAR,CRANKSHAFT	1			
			ME223664	GEAR,CRANKSHAFT	1			
			ME223664	GEAR,CRANKSHAFT	1			
			ME223664	GEAR,CRANKSHAFT	1			
			ME223664	GEAR,CRANKSHAFT	1			
			ME223664	GEAR,CRANKSHAFT	1			
			ME223664	GEAR,CRANKSHAFT	1			
			ME223664	GEAR,CRANKSHAFT	1			
			ME223664	GEAR,CRANKSHAFT	1			
		03033	ME221975	OIL SLINGER,CRANKSHAFT,FR	1			
			ME221975	OIL SLINGER,CRANKSHAFT,FR	1			
			ME221975	OIL SLINGER,CRANKSHAFT,FR	1			
			ME221975	OIL SLINGER,CRANKSHAFT,FR	1			
			ME221975	OIL SLINGER,CRANKSHAFT,FR	1			
			ME221975	OIL SLINGER,CRANKSHAFT,FR	1			
			ME221975	OIL SLINGER,CRANKSHAFT,FR	1			
			ME221975	OIL SLINGER,CRANKSHAFT,FR	1			
			ME221975	OIL SLINGER,CRANKSHAFT,FR	1			
			ME221975	OIL SLINGER,CRANKSHAFT,FR	1			
			ME221975	OIL SLINGER,CRANKSHAFT,FR	1			
			ME221975	OIL SLINGER,CRANKSHAFT,FR	1			
		03107C	ME240296	BUSHING,TIMING GEAR TRAIN	1			
			ME240296	BUSHING,TIMING GEAR TRAIN	1			

FK74R
11-240 TIMING GEAR

SPN	Repl Part	PNC	Part No	Part Name	Qty	Part Spec	Remarks	NEW1
		03107C	ME240296	BUSHING,TIMING GEAR TRAIN	1			
			ME240296	BUSHING,TIMING GEAR TRAIN	1			
			ME240296	BUSHING,TIMING GEAR TRAIN	1			
			ME240296	BUSHING,TIMING GEAR TRAIN	1			
			ME240296	BUSHING,TIMING GEAR TRAIN	1			
			ME240296	BUSHING,TIMING GEAR TRAIN	1			
			ME240296	BUSHING,TIMING GEAR TRAIN	1			
			ME240296	BUSHING,TIMING GEAR TRAIN	1			
			ME240296	BUSHING,TIMING GEAR TRAIN	1			
			ME240296	BUSHING,TIMING GEAR TRAIN	1			
			ME240296	BUSHING,TIMING GEAR TRAIN	1			
		03107D	ME240760	BUSHING,TIMING GEAR TRAIN	1			
			ME240760	BUSHING,TIMING GEAR TRAIN	1			
			ME240760	BUSHING,TIMING GEAR TRAIN	1			
			ME240760	BUSHING,TIMING GEAR TRAIN	1			
			ME240760	BUSHING,TIMING GEAR TRAIN	1			
			ME240760	BUSHING,TIMING GEAR TRAIN	1			
			ME240760	BUSHING,TIMING GEAR TRAIN	1			
			ME240760	BUSHING,TIMING GEAR TRAIN	1			
			ME240760	BUSHING,TIMING GEAR TRAIN	1			
			ME240760	BUSHING,TIMING GEAR TRAIN	1			
			ME240760	BUSHING,TIMING GEAR TRAIN	1			
			ME240760	BUSHING,TIMING GEAR TRAIN	1			
			ME240760	BUSHING,TIMING GEAR TRAIN	1			
			ME240760	BUSHING,TIMING GEAR TRAIN	1			
		03107E	ME221962	BUSHING,TIMING GEAR TRAIN	1			
			ME221962	BUSHING,TIMING GEAR TRAIN	1			
			ME221962	BUSHING,TIMING GEAR TRAIN	1			

FK74R
11-240 TIMING GEAR

SPN	Repl Part	PNC	Part No	Part Name	Qty	Part Spec	Remarks	NEW1
		03107E	ME221962	BUSHING,TIMING GEAR TRAIN	1			
			ME221962	BUSHING,TIMING GEAR TRAIN	1			
			ME221962	BUSHING,TIMING GEAR TRAIN	1			
			ME221962	BUSHING,TIMING GEAR TRAIN	1			
			ME221962	BUSHING,TIMING GEAR TRAIN	1			
			ME221962	BUSHING,TIMING GEAR TRAIN	1			
			ME221962	BUSHING,TIMING GEAR TRAIN	1			
			ME221962	BUSHING,TIMING GEAR TRAIN	1			
		03107F	ME223735	BUSHING,TIMING GEAR TRAIN	1			
			ME223735	BUSHING,TIMING GEAR TRAIN	1			
			ME223735	BUSHING,TIMING GEAR TRAIN	1			
			ME223735	BUSHING,TIMING GEAR TRAIN	1			
			ME223735	BUSHING,TIMING GEAR TRAIN	1			
			ME223735	BUSHING,TIMING GEAR TRAIN	1			
			ME223735	BUSHING,TIMING GEAR TRAIN	1			
			ME223735	BUSHING,TIMING GEAR TRAIN	1			
			ME223735	BUSHING,TIMING GEAR TRAIN	1			
			ME223735	BUSHING,TIMING GEAR TRAIN	1			
			ME223735	BUSHING,TIMING GEAR TRAIN	1			
			ME223735	BUSHING,TIMING GEAR TRAIN	1			
			ME223735	BUSHING,TIMING GEAR TRAIN	1			
			ME223735	BUSHING,TIMING GEAR TRAIN	1			
			ME223735	BUSHING,TIMING GEAR TRAIN	1			
			ME223735	BUSHING,TIMING GEAR TRAIN	1			
			ME223735	BUSHING,TIMING GEAR TRAIN	1			
			ME223735	BUSHING,TIMING GEAR TRAIN	1			
		03132A	ME223652	GEAR ASSY,CAM IDLER	1			R
			ME226998	GEAR ASSY,CAM IDLER	1	N=54		
			ME226998	GEAR ASSY,CAM IDLER	1	N=54		
			ME226998	GEAR ASSY,CAM IDLER	1	N=54		

FK74R
11-240 TIMING GEAR

SPN	Repl Part	PNC	Part No	Part Name	Qty	Part Spec	Remarks	NEW1
		03132A	ME226998	GEAR ASSY,CAM IDLER	1	N=54		
			ME226998	GEAR ASSY,CAM IDLER	1	N=54		
			ME226998	GEAR ASSY,CAM IDLER	1	N=54		
			ME226998	GEAR ASSY,CAM IDLER	1	N=54		
			ME226998	GEAR ASSY,CAM IDLER	1	N=54		
			ME226998	GEAR ASSY,CAM IDLER	1	N=54		
			ME226998	GEAR ASSY,CAM IDLER	1	N=54		
			ME226998	GEAR ASSY,CAM IDLER	1	N=54		
		03134A	ME223654	GEAR ASSY,CAM IDLER 2ND	1			
			ME223654	GEAR ASSY,CAM IDLER 2ND	1			
			ME223654	GEAR ASSY,CAM IDLER 2ND	1			
			ME223654	GEAR ASSY,CAM IDLER 2ND	1			
			ME223654	GEAR ASSY,CAM IDLER 2ND	1			
			ME223654	GEAR ASSY,CAM IDLER 2ND	1			
			ME223654	GEAR ASSY,CAM IDLER 2ND	1			
			ME223654	GEAR ASSY,CAM IDLER 2ND	1			
			ME223654	GEAR ASSY,CAM IDLER 2ND	1			
			ME223654	GEAR ASSY,CAM IDLER 2ND	1			
			ME223654	GEAR ASSY,CAM IDLER 2ND	1			
		03135A	ME223653	GEAR ASSY,INJECTION PUMP IDLER	1			
			ME223653	GEAR ASSY,INJECTION PUMP IDLER	1			
			ME223653	GEAR ASSY,INJECTION PUMP IDLER	1			
			ME223653	GEAR ASSY,INJECTION PUMP IDLER	1			
			ME223653	GEAR ASSY,INJECTION PUMP IDLER	1			

FK74R
11-240 TIMING GEAR

SPN	Repl Part	PNC	Part No	Part Name	Qty	Part Spec	Remarks	NEW1
		03135A	ME223653	GEAR ASSY,INJECTION PUMP IDLER	1			
			ME223653	GEAR ASSY,INJECTION PUMP IDLER	1			
			ME223653	GEAR ASSY,INJECTION PUMP IDLER	1			
			ME223653	GEAR ASSY,INJECTION PUMP IDLER	1			
			ME223653	GEAR ASSY,INJECTION PUMP IDLER	1			
			ME223653	GEAR ASSY,INJECTION PUMP IDLER	1			
		03139A	ME223655	GEAR ASSY,CAM IDLER 3RD	1			
			ME223655	GEAR ASSY,CAM IDLER 3RD	1			
			ME223655	GEAR ASSY,CAM IDLER 3RD	1			
			ME223655	GEAR ASSY,CAM IDLER 3RD	1			
			ME223655	GEAR ASSY,CAM IDLER 3RD	1			
			ME223655	GEAR ASSY,CAM IDLER 3RD	1			
			ME223655	GEAR ASSY,CAM IDLER 3RD	1			
			ME223655	GEAR ASSY,CAM IDLER 3RD	1			
			ME223655	GEAR ASSY,CAM IDLER 3RD	1			
			ME223655	GEAR ASSY,CAM IDLER 3RD	1			
			ME223655	GEAR ASSY,CAM IDLER 3RD	1			
			ME223655	GEAR ASSY,CAM IDLER 3RD	1			
		03140	ME240103	SHAFT,CAM IDLER 3RD GEAR	1			
			ME240103	SHAFT,CAM IDLER 3RD GEAR	1			
			ME240103	SHAFT,CAM IDLER 3RD GEAR	1			
			ME240103	SHAFT,CAM IDLER 3RD GEAR	1			
			ME240103	SHAFT,CAM IDLER 3RD GEAR	1			
			ME240103	SHAFT,CAM IDLER 3RD GEAR	1			
			ME240103	SHAFT,CAM IDLER 3RD GEAR	1			
			ME240103	SHAFT,CAM IDLER 3RD GEAR	1			
			ME240103	SHAFT,CAM IDLER 3RD GEAR	1			
			ME240103	SHAFT,CAM IDLER 3RD GEAR	1			

FK74R
11-240 TIMING GEAR

SPN	Repl Part	PNC	Part No	Part Name	Qty	Part Spec	Remarks	NEW1
		03140	ME240103	SHAFT,CAM IDLER 3RD GEAR	1			
			ME240103	SHAFT,CAM IDLER 3RD GEAR	1			
			ME240103	SHAFT,CAM IDLER 3RD GEAR	1			
		03145C	ME240102	PLATE,CAM IDLER GEAR THRUST	2			
			ME240102	PLATE,CAM IDLER GEAR THRUST	2			
			ME240102	PLATE,CAM IDLER GEAR THRUST	2			
			ME240102	PLATE,CAM IDLER GEAR THRUST	2			
			ME240102	PLATE,CAM IDLER GEAR THRUST	2			
			ME240102	PLATE,CAM IDLER GEAR THRUST	2			
			ME240102	PLATE,CAM IDLER GEAR THRUST	2			
			ME240102	PLATE,CAM IDLER GEAR THRUST	2			
			ME240102	PLATE,CAM IDLER GEAR THRUST	2			
			ME240102	PLATE,CAM IDLER GEAR THRUST	2			
			ME240102	PLATE,CAM IDLER GEAR THRUST	2			
			ME240102	PLATE,CAM IDLER GEAR THRUST	2			
			ME240102	PLATE,CAM IDLER GEAR THRUST	2			
		03145D	ME220143	PLATE,CAM IDLER GEAR THRUST	1			
			ME220143	PLATE,CAM IDLER GEAR THRUST	1			
			ME220143	PLATE,CAM IDLER GEAR THRUST	1			
			ME220143	PLATE,CAM IDLER GEAR THRUST	1			
			ME220143	PLATE,CAM IDLER GEAR THRUST	1			
			ME220143	PLATE,CAM IDLER GEAR THRUST	1			
			ME220143	PLATE,CAM IDLER GEAR THRUST	1			
			ME220143	PLATE,CAM IDLER GEAR THRUST	1			
			ME220143	PLATE,CAM IDLER GEAR THRUST	1			
			ME220143	PLATE,CAM IDLER GEAR THRUST	1			
			ME220143	PLATE,CAM IDLER GEAR THRUST	1			
			ME220143	PLATE,CAM IDLER GEAR THRUST	1			
			ME220143	PLATE,CAM IDLER GEAR THRUST	1			
			ME220143	PLATE,CAM IDLER GEAR THRUST	1			

FK74R
11-240 TIMING GEAR

SPN	Repl Part RP	PNC	Part No	Part Name	Qty	Part Spec	Remarks	NEW1 Y
		03147	ME222209	PLATE,INJECTION PUMP IDLER GEAR THRUST	1			
			ME226131	PLATE,INJECTION PUMP IDLER GEAR THRUST	1			
			ME226131	PLATE,INJECTION PUMP IDLER GEAR THRUST	1			
			ME226131	PLATE,INJECTION PUMP IDLER GEAR THRUST	1			
			ME226131	PLATE,INJECTION PUMP IDLER GEAR THRUST	1			
			ME226131	PLATE,INJECTION PUMP IDLER GEAR THRUST	1			
			ME226131	PLATE,INJECTION PUMP IDLER GEAR THRUST	1			
			ME226131	PLATE,INJECTION PUMP IDLER GEAR THRUST	1			
			ME226131	PLATE,INJECTION PUMP IDLER GEAR THRUST	1			
			ME226131	PLATE,INJECTION PUMP IDLER GEAR THRUST	1			
			ME226131	PLATE,INJECTION PUMP IDLER GEAR THRUST	1			
			ME226131	PLATE,INJECTION PUMP IDLER GEAR THRUST	1			
			ME226131	PLATE,INJECTION PUMP IDLER GEAR THRUST	1			
SP		03155	ME240104	SHAFT,CAM IDLER GEAR	1			R
			ME226983	SHAFT,CAM IDLER GEAR	1			
			ME226983	SHAFT,CAM IDLER GEAR	1			
			ME226983	SHAFT,CAM IDLER GEAR	1			
			ME226983	SHAFT,CAM IDLER GEAR	1			
			ME226983	SHAFT,CAM IDLER GEAR	1			
			ME226983	SHAFT,CAM IDLER GEAR	1			
			ME226983	SHAFT,CAM IDLER GEAR	1			
			ME226983	SHAFT,CAM IDLER GEAR	1			
			ME226983	SHAFT,CAM IDLER GEAR	1			
			ME226983	SHAFT,CAM IDLER GEAR	1			
			ME226983	SHAFT,CAM IDLER GEAR	1			
			ME226983	SHAFT,CAM IDLER GEAR	1			

FK74R
11-240 TIMING GEAR

SPN	Repl Part	PNC	Part No	Part Name	Qty	Part Spec	Remarks	NEW1
		03155	ME226983	SHAFT,CAM IDLER GEAR	1			
		03157	ME221969	SHAFT,CAM IDLER 2ND GEAR	1			
			ME221969	SHAFT,CAM IDLER 2ND GEAR	1			
			ME221969	SHAFT,CAM IDLER 2ND GEAR	1			
			ME221969	SHAFT,CAM IDLER 2ND GEAR	1			
			ME221969	SHAFT,CAM IDLER 2ND GEAR	1			
			ME221969	SHAFT,CAM IDLER 2ND GEAR	1			
			ME221969	SHAFT,CAM IDLER 2ND GEAR	1			
			ME221969	SHAFT,CAM IDLER 2ND GEAR	1			
			ME221969	SHAFT,CAM IDLER 2ND GEAR	1			
			ME221969	SHAFT,CAM IDLER 2ND GEAR	1			
			ME221969	SHAFT,CAM IDLER 2ND GEAR	1			
			ME221969	SHAFT,CAM IDLER 2ND GEAR	1			
			ME221969	SHAFT,CAM IDLER 2ND GEAR	1			
		03295	ME222151	O-RING,TIMING GEAR TRAIN	1			
			ME222151	O-RING,TIMING GEAR TRAIN	1			
			ME222151	O-RING,TIMING GEAR TRAIN	1			
			ME222151	O-RING,TIMING GEAR TRAIN	1			
			ME222151	O-RING,TIMING GEAR TRAIN	1			
			ME222151	O-RING,TIMING GEAR TRAIN	1			
			ME222151	O-RING,TIMING GEAR TRAIN	1			
			ME222151	O-RING,TIMING GEAR TRAIN	1			
			ME222151	O-RING,TIMING GEAR TRAIN	1			
			ME222151	O-RING,TIMING GEAR TRAIN	1			
			ME222151	O-RING,TIMING GEAR TRAIN	1			
			ME222151	O-RING,TIMING GEAR TRAIN	1			
		03298B	MD040758	BOLT,TIMING GEAR TRAIN	4	FLANGE,8X16		
			MD040758	BOLT,TIMING GEAR TRAIN	4	FLANGE,8X16		

FK74R
11-240 TIMING GEAR

SPN	Repl Part	PNC	Part No	Part Name	Qty	Part Spec	Remarks	NEW1
		03298B	MD040758	BOLT,TIMING GEAR TRAIN	4	FLANGE,8X16		
			MD040758	BOLT,TIMING GEAR TRAIN	4	FLANGE,8X16		
			MD040758	BOLT,TIMING GEAR TRAIN	4	FLANGE,8X16		
			MD040758	BOLT,TIMING GEAR TRAIN	4	FLANGE,8X16		
			MD040758	BOLT,TIMING GEAR TRAIN	4	FLANGE,8X16		
			MD040758	BOLT,TIMING GEAR TRAIN	4	FLANGE,8X16		
		03298D	MS146048	BOLT,TIMING GEAR TRAIN	1	FLANGE,10X62	8.8	
			MS146349	BOLT,TIMING GEAR TRAIN	1	FLANGE,10X67	10T	
			MS146349	BOLT,TIMING GEAR TRAIN	1	FLANGE,10X67	10T	
			MS146349	BOLT,TIMING GEAR TRAIN	1	FLANGE,10X67	10T	
			MS146349	BOLT,TIMING GEAR TRAIN	1	FLANGE,10X67	10T	
			MS146349	BOLT,TIMING GEAR TRAIN	1	FLANGE,10X67	10T	
			MS146349	BOLT,TIMING GEAR TRAIN	1	FLANGE,10X67	10T	
			MS146349	BOLT,TIMING GEAR TRAIN	1	FLANGE,10X67	10T	
		03298F	MS146004	BOLT,TIMING GEAR TRAIN	1	FLANGE,10X20	8.8	
			MS146004	BOLT,TIMING GEAR TRAIN	1	FLANGE,10X20	8.8	
			MS146004	BOLT,TIMING GEAR TRAIN	1	FLANGE,10X20	8.8	

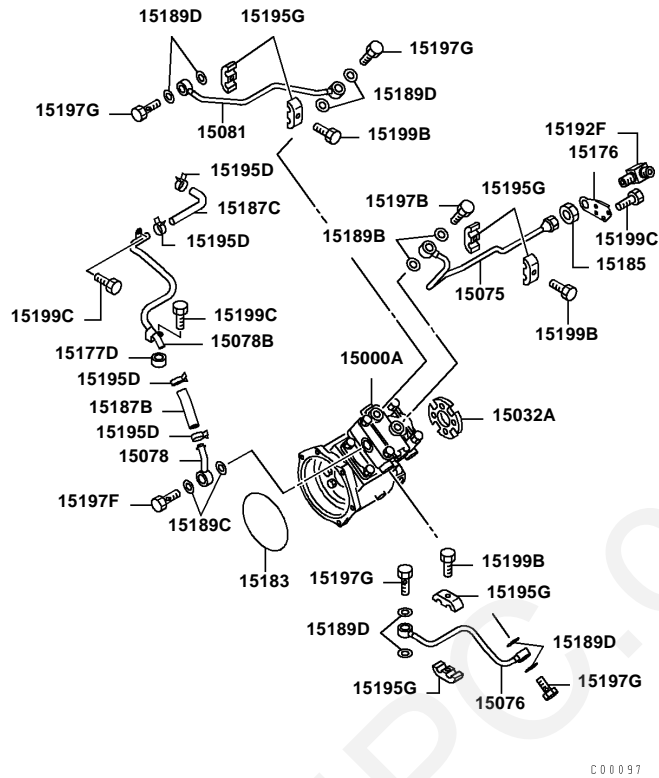
FK74R
11-240 TIMING GEAR

SPN	Repl Part	PNC	Part No	Part Name	Qty	Part Spec	Remarks	NEW1
		03298F	MS146004	BOLT,TIMING GEAR TRAIN	1	FLANGE,10X20	8.8	
			MS146004	BOLT,TIMING GEAR TRAIN	1	FLANGE,10X20	8.8	
			MS146004	BOLT,TIMING GEAR TRAIN	1	FLANGE,10X20	8.8	
			MS146004	BOLT,TIMING GEAR TRAIN	1	FLANGE,10X20	8.8	
			MS146004	BOLT,TIMING GEAR TRAIN	1	FLANGE,10X20	8.8	
		03298G	MS146021	BOLT,TIMING GEAR TRAIN	3	FLANGE,10X75	8.8	
			MS146021	BOLT,TIMING GEAR TRAIN	3	FLANGE,10X75	8.8	
			MS146021	BOLT,TIMING GEAR TRAIN	3	FLANGE,10X75	8.8	
			MS146021	BOLT,TIMING GEAR TRAIN	3	FLANGE,10X75	8.8	
			MS146021	BOLT,TIMING GEAR TRAIN	3	FLANGE,10X75	8.8	
			MS146021	BOLT,TIMING GEAR TRAIN	3	FLANGE,10X75	8.8	
			MS146021	BOLT,TIMING GEAR TRAIN	3	FLANGE,10X75	8.8	
		03298H	MS146805	BOLT,TIMING GEAR TRAIN	2	FLANGE,8X50		
			MS146805	BOLT,TIMING GEAR TRAIN	2	FLANGE,8X50		
			MS146805	BOLT,TIMING GEAR TRAIN	2	FLANGE,8X50		
			MS146805	BOLT,TIMING GEAR TRAIN	2	FLANGE,8X50		
			MS146805	BOLT,TIMING GEAR TRAIN	2	FLANGE,8X50		
			MS146805	BOLT,TIMING GEAR TRAIN	2	FLANGE,8X50		
			MS146805	BOLT,TIMING GEAR TRAIN	2	FLANGE,8X50		
			MS146805	BOLT,TIMING GEAR TRAIN	2	FLANGE,8X50		

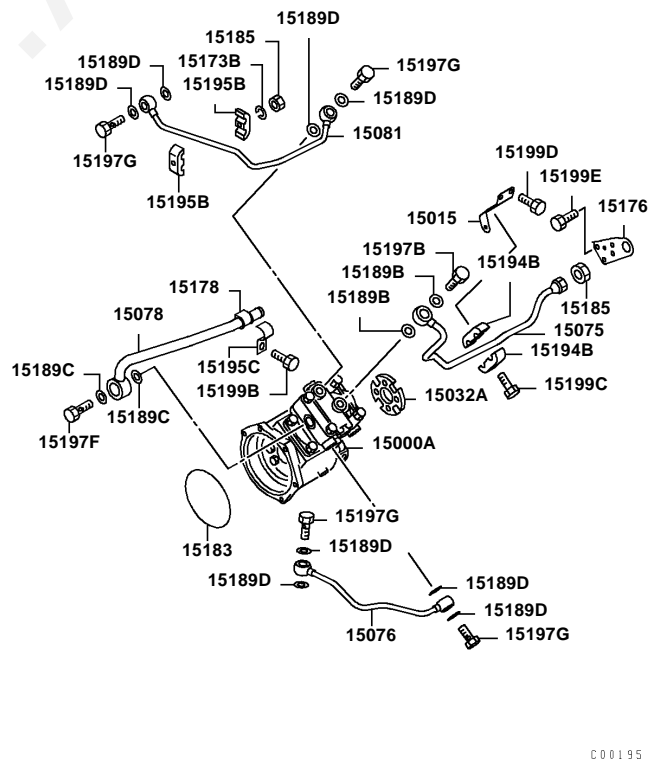
**FK74R
11-240 TIMING GEAR**

SPN	Repl Part	PNC	Part No	Part Name	Qty	Part Spec	Remarks	NEW1
		03298H	MS146805	BOLT,TIMING GEAR TRAIN	2	FLANGE,8X50		
			MS146805	BOLT,TIMING GEAR TRAIN	2	FLANGE,8X50		
		07063	ME223777	SHAFT,INJECTION PUMP IDLER GEAR	1			
			ME223777	SHAFT,INJECTION PUMP IDLER GEAR	1			
			ME223777	SHAFT,INJECTION PUMP IDLER GEAR	1			
			ME223777	SHAFT,INJECTION PUMP IDLER GEAR	1			
			ME223777	SHAFT,INJECTION PUMP IDLER GEAR	1			
			ME223777	SHAFT,INJECTION PUMP IDLER GEAR	1			
			ME223777	SHAFT,INJECTION PUMP IDLER GEAR	1			
			ME223777	SHAFT,INJECTION PUMP IDLER GEAR	1			
			ME223777	SHAFT,INJECTION PUMP IDLER GEAR	1			
			ME223777	SHAFT,INJECTION PUMP IDLER GEAR	1			
			ME223777	SHAFT,INJECTION PUMP IDLER GEAR	1			
			ME223777	SHAFT,INJECTION PUMP IDLER GEAR	1			
			ME223777	SHAFT,INJECTION PUMP IDLER GEAR	1			
			ME223777	SHAFT,INJECTION PUMP IDLER GEAR	1			
			ME223777	SHAFT,INJECTION PUMP IDLER GEAR	1			

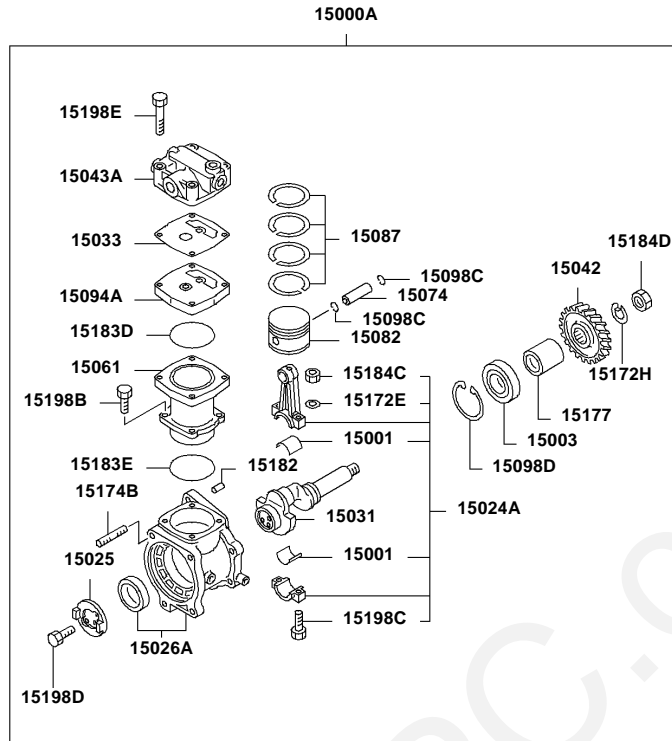
FK74R
No.1



FK74R
No.2



FK74R
No.3



C00098

Ref. |2011340

Page

FK74R
11-340 AIR COMPRESSOR

Repl Part	PNC	Part No	Part Name	Qty	Part Spec	Remarks	PREV.1
	15000A	ME224144	AIR COMPRESSOR ASSY	1			
		ME224144	AIR COMPRESSOR ASSY	1			
		ME224144	AIR COMPRESSOR ASSY	1			
		ME224144	AIR COMPRESSOR ASSY	1			
		ME224144	AIR COMPRESSOR ASSY	1			
		ME226060	AIR COMPRESSOR ASSY	1			
		ME226060	AIR COMPRESSOR ASSY	1			
		ME226060	AIR COMPRESSOR ASSY	1			
		ME226060	AIR COMPRESSOR ASSY	1			
		ME226060	AIR COMPRESSOR ASSY	1			
		ME226060	AIR COMPRESSOR ASSY	1			
		ME226060	AIR COMPRESSOR ASSY	1			

Ref. |2011340

Page

FK74R
11-340 AIR COMPRESSOR

Repl Part	PNC	Part No	Part Name	Qty	Part Spec	Remarks	PREV.1	
	15001	ME760048	BEARING,AIR COMPRESSOR CONNROD	2				
		ME760048	BEARING,AIR COMPRESSOR CONNROD	2				
		ME760048	BEARING,AIR COMPRESSOR CONNROD	2				
		ME760048	BEARING,AIR COMPRESSOR CONNROD	2				
		ME760048	BEARING,AIR COMPRESSOR CONNROD	2				
		ME760048	BEARING,AIR COMPRESSOR CONNROD	2				
		ME760048	BEARING,AIR COMPRESSOR CONNROD	2				
		ME760048	BEARING,AIR COMPRESSOR CONNROD	2				
		ME760048	BEARING,AIR COMPRESSOR CONNROD	2				
		ME760048	BEARING,AIR COMPRESSOR CONNROD	2				
		ME760048	BEARING,AIR COMPRESSOR CONNROD	2				
		ME760048	BEARING,AIR COMPRESSOR CONNROD	2				
		ME760048	BEARING,AIR COMPRESSOR CONNROD	2				
		ME760048	BEARING,AIR COMPRESSOR CONNROD	2				
RP	15003	ME737094	BEARING,AIR COMPRESSOR CRANKSHAFT,RR	1			O	
RP		ME737094	BEARING,AIR COMPRESSOR CRANKSHAFT,RR	1			O	
RP		ME737094	BEARING,AIR COMPRESSOR CRANKSHAFT,RR	1			O	
RP		ME737094	BEARING,AIR COMPRESSOR CRANKSHAFT,RR	1			O	
RP		ME737094	BEARING,AIR COMPRESSOR CRANKSHAFT,RR	1			O	
RP		ME737094	BEARING,AIR COMPRESSOR CRANKSHAFT,RR	1			O	
RP		ME737094	BEARING,AIR COMPRESSOR CRANKSHAFT,RR	1			O	
RP		ME737094	BEARING,AIR COMPRESSOR CRANKSHAFT,RR	1			O	
RP		ME737094	BEARING,AIR COMPRESSOR CRANKSHAFT,RR	1			O	
RP		ME737094	BEARING,AIR COMPRESSOR CRANKSHAFT,RR	1			O	
RP		ME737094	BEARING,AIR COMPRESSOR CRANKSHAFT,RR	1			O	
RP		ME737094	BEARING,AIR COMPRESSOR CRANKSHAFT,RR	1			O	
RP		ME737094	BEARING,AIR COMPRESSOR CRANKSHAFT,RR	1			O	
RP		ME737094	BEARING,AIR COMPRESSOR CRANKSHAFT,RR	1			O	
RP		ME737094	BEARING,AIR COMPRESSOR CRANKSHAFT,RR	1			O	
RP		ME737094	BEARING,AIR COMPRESSOR CRANKSHAFT,RR	1			O	
		15015	ME227377	BRACKET,AIR COMPRESSOR OUTLET PIPE	1			
			ME227377	BRACKET,AIR COMPRESSOR OUTLET PIPE	1			
	ME227377		BRACKET,AIR COMPRESSOR OUTLET PIPE	1				
	ME227377		BRACKET,AIR COMPRESSOR OUTLET PIPE	1				

FK74R
11-340 AIR COMPRESSOR

Repl Part	PNC	Part No	Part Name	Qty	Part Spec	Remarks	PREV.1
	15015	ME227377	BRACKET,AIR COMPRESSOR OUTLET PIPE	1			
		ME227377	BRACKET,AIR COMPRESSOR OUTLET PIPE	1			
15024A		ME760058	CONNECTING ROD ASSY,AIR COMPRESSOR	1			
		ME760058	CONNECTING ROD ASSY,AIR COMPRESSOR	1			
		ME760058	CONNECTING ROD ASSY,AIR COMPRESSOR	1			
		ME760058	CONNECTING ROD ASSY,AIR COMPRESSOR	1			
		ME760058	CONNECTING ROD ASSY,AIR COMPRESSOR	1			
		ME760058	CONNECTING ROD ASSY,AIR COMPRESSOR	1			
		ME760058	CONNECTING ROD ASSY,AIR COMPRESSOR	1			
		ME760058	CONNECTING ROD ASSY,AIR COMPRESSOR	1			
		ME760058	CONNECTING ROD ASSY,AIR COMPRESSOR	1			
		ME760058	CONNECTING ROD ASSY,AIR COMPRESSOR	1			
		ME760058	CONNECTING ROD ASSY,AIR COMPRESSOR	1			
		ME760058	CONNECTING ROD ASSY,AIR COMPRESSOR	1			
		ME760058	CONNECTING ROD ASSY,AIR COMPRESSOR	1			
		ME760058	CONNECTING ROD ASSY,AIR COMPRESSOR	1			
		ME760058	CONNECTING ROD ASSY,AIR COMPRESSOR	1			
		ME760058	CONNECTING ROD ASSY,AIR COMPRESSOR	1			
		ME760058	CONNECTING ROD ASSY,AIR COMPRESSOR	1			
15025		ME760029	COUPLING,AIR COMPRESSOR CRANKSHAFT	1			
		ME760029	COUPLING,AIR COMPRESSOR CRANKSHAFT	1			
		ME760029	COUPLING,AIR COMPRESSOR CRANKSHAFT	1			
		ME760029	COUPLING,AIR COMPRESSOR CRANKSHAFT	1			
		ME760029	COUPLING,AIR COMPRESSOR CRANKSHAFT	1			
		ME760029	COUPLING,AIR COMPRESSOR CRANKSHAFT	1			
		ME760029	COUPLING,AIR COMPRESSOR CRANKSHAFT	1			
		ME760029	COUPLING,AIR COMPRESSOR CRANKSHAFT	1			
		ME760029	COUPLING,AIR COMPRESSOR CRANKSHAFT	1			
		ME760029	COUPLING,AIR COMPRESSOR CRANKSHAFT	1			
		ME760029	COUPLING,AIR COMPRESSOR CRANKSHAFT	1			
		ME760029	COUPLING,AIR COMPRESSOR CRANKSHAFT	1			
		ME760029	COUPLING,AIR COMPRESSOR CRANKSHAFT	1			
		ME760029	COUPLING,AIR COMPRESSOR CRANKSHAFT	1			
		ME760029	COUPLING,AIR COMPRESSOR CRANKSHAFT	1			
		ME760029	COUPLING,AIR COMPRESSOR CRANKSHAFT	1			
		ME760029	COUPLING,AIR COMPRESSOR CRANKSHAFT	1			
		ME760029	COUPLING,AIR COMPRESSOR CRANKSHAFT	1			
15026A		ME760104	CRANKCASE ASSY,AIR COMPRESSOR	1			

**FK74R
11-340 AIR COMPRESSOR**

Repl Part	PNC	Part No	Part Name	Qty	Part Spec	Remarks	PREV.1
	15026A	ME760104	CRANKCASE ASSY,AIR COMPRESSOR	1			
		ME760104	CRANKCASE ASSY,AIR COMPRESSOR	1			
		ME760104	CRANKCASE ASSY,AIR COMPRESSOR	1			
		ME760104	CRANKCASE ASSY,AIR COMPRESSOR	1			
		ME760104	CRANKCASE ASSY,AIR COMPRESSOR	1			
		ME760104	CRANKCASE ASSY,AIR COMPRESSOR	1			
		ME760104	CRANKCASE ASSY,AIR COMPRESSOR	1			
		ME760104	CRANKCASE ASSY,AIR COMPRESSOR	1			
		ME760104	CRANKCASE ASSY,AIR COMPRESSOR	1			
		ME760104 ME760104	CRANKCASE ASSY,AIR COMPRESSOR CRANKCASE ASSY,AIR COMPRESSOR	1 1			
	15031	ME760065	CRANKSHAFT,AIR COMPRESSOR	1			
		ME760065	CRANKSHAFT,AIR COMPRESSOR	1			
		ME760065	CRANKSHAFT,AIR COMPRESSOR	1			
		ME760065	CRANKSHAFT,AIR COMPRESSOR	1			
		ME760065	CRANKSHAFT,AIR COMPRESSOR	1			
		ME760065	CRANKSHAFT,AIR COMPRESSOR	1			
		ME760065	CRANKSHAFT,AIR COMPRESSOR	1			
		ME760065	CRANKSHAFT,AIR COMPRESSOR	1			
		ME760065	CRANKSHAFT,AIR COMPRESSOR	1			
		ME760065	CRANKSHAFT,AIR COMPRESSOR	1			
		ME760065 ME760065	CRANKSHAFT,AIR COMPRESSOR CRANKSHAFT,AIR COMPRESSOR	1 1			
	15032A	ME241416	DISC ASSY,AIR COMPRESSOR DRIVING	1			
		ME241416	DISC ASSY,AIR COMPRESSOR DRIVING	1			

FK74R
11-340 AIR COMPRESSOR

Repl Part	PNC	Part No	Part Name	Qty	Part Spec	Remarks	PREV.1
	15032A	ME241416	DISC ASSY,AIR COMPRESSOR DRIVING	1			
		ME241416	DISC ASSY,AIR COMPRESSOR DRIVING	1			
		ME241416	DISC ASSY,AIR COMPRESSOR DRIVING	1			
		ME241416	DISC ASSY,AIR COMPRESSOR DRIVING	1			
		ME241416	DISC ASSY,AIR COMPRESSOR DRIVING	1			
		ME241416	DISC ASSY,AIR COMPRESSOR DRIVING	1			
		ME241416	DISC ASSY,AIR COMPRESSOR DRIVING	1			
		ME241416	DISC ASSY,AIR COMPRESSOR DRIVING	1			
		ME241416	DISC ASSY,AIR COMPRESSOR DRIVING	1			
		ME241416	DISC ASSY,AIR COMPRESSOR DRIVING	1			
		ME241416	DISC ASSY,AIR COMPRESSOR DRIVING	1			
	15033	ME737153	GASKET,AIR COMPRESSOR CYLINDER HEAD	1			
		ME737153	GASKET,AIR COMPRESSOR CYLINDER HEAD	1			
		ME737153	GASKET,AIR COMPRESSOR CYLINDER HEAD	1			
		ME737153	GASKET,AIR COMPRESSOR CYLINDER HEAD	1			
		ME737153	GASKET,AIR COMPRESSOR CYLINDER HEAD	1			
		ME737153	GASKET,AIR COMPRESSOR CYLINDER HEAD	1			
		ME737153	GASKET,AIR COMPRESSOR CYLINDER HEAD	1			
		ME737153	GASKET,AIR COMPRESSOR CYLINDER HEAD	1			
		ME737153	GASKET,AIR COMPRESSOR CYLINDER HEAD	1			
		ME737153	GASKET,AIR COMPRESSOR CYLINDER HEAD	1			
		ME737153	GASKET,AIR COMPRESSOR CYLINDER HEAD	1			
		ME737153	GASKET,AIR COMPRESSOR CYLINDER HEAD	1			
		ME737153	GASKET,AIR COMPRESSOR CYLINDER HEAD	1			
		ME737153	GASKET,AIR COMPRESSOR CYLINDER HEAD	1			
		ME737153	GASKET,AIR COMPRESSOR CYLINDER HEAD	1			
		ME737153	GASKET,AIR COMPRESSOR CYLINDER HEAD	1			
		ME737153	GASKET,AIR COMPRESSOR CYLINDER HEAD	1			
	15042	ME221965	GEAR,AIR COMPRESSOR DRIVE	1	N=24		
		ME221965	GEAR,AIR COMPRESSOR DRIVE	1	N=24		
		ME221965	GEAR,AIR COMPRESSOR DRIVE	1	N=24		

**FK74R
11-340 AIR COMPRESSOR**

Repl Part	PNC	Part No	Part Name	Qty	Part Spec	Remarks	PREV.1
	15042	ME221965	GEAR,AIR COMPRESSOR DRIVE	1	N=24		
		ME221965	GEAR,AIR COMPRESSOR DRIVE	1	N=24		
		ME221965	GEAR,AIR COMPRESSOR DRIVE	1	N=24		
		ME221965	GEAR,AIR COMPRESSOR DRIVE	1	N=24		
		ME221965	GEAR,AIR COMPRESSOR DRIVE	1	N=24		
		ME221965	GEAR,AIR COMPRESSOR DRIVE	1	N=24		
		ME221965 ME221965	GEAR,AIR COMPRESSOR DRIVE GEAR,AIR COMPRESSOR DRIVE	1 1	N=24 N=24		
	15043A	ME737247	HEAD ASSY,AIR COMPRESSOR CYLINDER	1			
		ME737247	HEAD ASSY,AIR COMPRESSOR CYLINDER	1			
		ME737247	HEAD ASSY,AIR COMPRESSOR CYLINDER	1			
		ME737247	HEAD ASSY,AIR COMPRESSOR CYLINDER	1			
		ME760126	HEAD ASSY,AIR COMPRESSOR CYLINDER	1			
		ME760126	HEAD ASSY,AIR COMPRESSOR CYLINDER	1			
		ME760126	HEAD ASSY,AIR COMPRESSOR CYLINDER	1			
		ME760126	HEAD ASSY,AIR COMPRESSOR CYLINDER	1			
		ME760126	HEAD ASSY,AIR COMPRESSOR CYLINDER	1			
		ME760126 ME760126	HEAD ASSY,AIR COMPRESSOR CYLINDER HEAD ASSY,AIR COMPRESSOR CYLINDER	1 1			
	15061	ME760060	LINER,AIR COMPRESSOR CYLINDER	1			
		ME760060	LINER,AIR COMPRESSOR CYLINDER	1			
		ME760060	LINER,AIR COMPRESSOR CYLINDER	1			
		ME760060	LINER,AIR COMPRESSOR CYLINDER	1			
		ME760060	LINER,AIR COMPRESSOR CYLINDER	1			

FK74R
11-340 AIR COMPRESSOR

Repl Part	PNC	Part No	Part Name	Qty	Part Spec	Remarks	PREV.1
	15061	ME760060	LINER,AIR COMPRESSOR CYLINDER	1			
		ME760060	LINER,AIR COMPRESSOR CYLINDER	1			
		ME760060	LINER,AIR COMPRESSOR CYLINDER	1			
		ME760060	LINER,AIR COMPRESSOR CYLINDER	1			
		ME760060	LINER,AIR COMPRESSOR CYLINDER	1			
		ME760060	LINER,AIR COMPRESSOR CYLINDER	1			
	15074	ME737202	PIN,AIR COMPRESSOR PISTON	1			
		ME737202	PIN,AIR COMPRESSOR PISTON	1			
		ME737202	PIN,AIR COMPRESSOR PISTON	1			
		ME737202	PIN,AIR COMPRESSOR PISTON	1			
		ME737202	PIN,AIR COMPRESSOR PISTON	1			
		ME737202	PIN,AIR COMPRESSOR PISTON	1			
		ME737202	PIN,AIR COMPRESSOR PISTON	1			
		ME737202	PIN,AIR COMPRESSOR PISTON	1			
		ME737202	PIN,AIR COMPRESSOR PISTON	1			
		ME737202	PIN,AIR COMPRESSOR PISTON	1			
		ME737202	PIN,AIR COMPRESSOR PISTON	1			
		ME737202	PIN,AIR COMPRESSOR PISTON	1			
		ME737202	PIN,AIR COMPRESSOR PISTON	1			
	15075	ME224998	PIPE,AIR COMPRESSOR OUTLET	1			
		ME224998	PIPE,AIR COMPRESSOR OUTLET	1			
		ME224998	PIPE,AIR COMPRESSOR OUTLET	1			
		ME224998	PIPE,AIR COMPRESSOR OUTLET	1			
		ME224998	PIPE,AIR COMPRESSOR OUTLET	1			
		ME225856	PIPE,AIR COMPRESSOR OUTLET	1			
		ME225856	PIPE,AIR COMPRESSOR OUTLET	1			
		ME225856	PIPE,AIR COMPRESSOR OUTLET	1			
		ME225856	PIPE,AIR COMPRESSOR OUTLET	1			

FK74R
11-340 AIR COMPRESSOR

Repl Part	PNC	Part No	Part Name	Qty	Part Spec	Remarks	PREV.1
	15075	ME225856	PIPE,AIR COMPRESSOR OUTLET	1			
		ME225856	PIPE,AIR COMPRESSOR OUTLET	1			
		ME225856	PIPE,AIR COMPRESSOR OUTLET	1			
	15076	ME223093	PIPE,AIR COMPRESSOR WATER OUTLET	1			
		ME223093	PIPE,AIR COMPRESSOR WATER OUTLET	1			
		ME223093	PIPE,AIR COMPRESSOR WATER OUTLET	1			
		ME223093	PIPE,AIR COMPRESSOR WATER OUTLET	1			
		ME223093	PIPE,AIR COMPRESSOR WATER OUTLET	1			
		ME225726	PIPE,AIR COMPRESSOR WATER OUTLET	1			
		ME225726	PIPE,AIR COMPRESSOR WATER OUTLET	1			
		ME225726	PIPE,AIR COMPRESSOR WATER OUTLET	1			
		ME225726	PIPE,AIR COMPRESSOR WATER OUTLET	1			
		ME225726	PIPE,AIR COMPRESSOR WATER OUTLET	1			
		ME225726	PIPE,AIR COMPRESSOR WATER OUTLET	1			
		ME225726	PIPE,AIR COMPRESSOR WATER OUTLET	1			
		ME225726	PIPE,AIR COMPRESSOR WATER OUTLET	1			
	15078	ME241418	PIPE,AIR COMPRESSOR SUCTION	1			
		ME241418	PIPE,AIR COMPRESSOR SUCTION	1			
		ME241418	PIPE,AIR COMPRESSOR SUCTION	1			
		ME241418	PIPE,AIR COMPRESSOR SUCTION	1			
		ME226799	PIPE,AIR COMPRESSOR SUCTION	1			
		ME226799	PIPE,AIR COMPRESSOR SUCTION	1			
		ME226799	PIPE,AIR COMPRESSOR SUCTION	1			
		ME226799	PIPE,AIR COMPRESSOR SUCTION	1			
		ME226799	PIPE,AIR COMPRESSOR SUCTION	1			
		ME226799	PIPE,AIR COMPRESSOR SUCTION	1			
		ME226799	PIPE,AIR COMPRESSOR SUCTION	1			
		ME226799	PIPE,AIR COMPRESSOR SUCTION	1			
		ME226799	PIPE,AIR COMPRESSOR SUCTION	1			

FK74R
11-340 AIR COMPRESSOR

Repl Part	PNC	Part No	Part Name	Qty	Part Spec	Remarks	PREV.1
	15078B	ME224109	PIPE,AIR COMPRESSOR SUCTION	1			
	15081	ME222014	PIPE,AIR COMPRESSOR WATER INLET	1			
		ME222014	PIPE,AIR COMPRESSOR WATER INLET	1			
		ME222014	PIPE,AIR COMPRESSOR WATER INLET	1			
		ME222014	PIPE,AIR COMPRESSOR WATER INLET	1			
		ME222014	PIPE,AIR COMPRESSOR WATER INLET	1			
		ME225724	PIPE,AIR COMPRESSOR WATER INLET	1			
		ME225724	PIPE,AIR COMPRESSOR WATER INLET	1			
		ME225724	PIPE,AIR COMPRESSOR WATER INLET	1			
		ME225724	PIPE,AIR COMPRESSOR WATER INLET	1			
		ME225724	PIPE,AIR COMPRESSOR WATER INLET	1			
		ME225724	PIPE,AIR COMPRESSOR WATER INLET	1			
		ME225724	PIPE,AIR COMPRESSOR WATER INLET	1			
		ME225724	PIPE,AIR COMPRESSOR WATER INLET	1			
		ME225724	PIPE,AIR COMPRESSOR WATER INLET	1			
	15082	ME760059	PISTON,AIR COMPRESSOR CYLINDER	1			
		ME760059	PISTON,AIR COMPRESSOR CYLINDER	1			
		ME760059	PISTON,AIR COMPRESSOR CYLINDER	1			
		ME760059	PISTON,AIR COMPRESSOR CYLINDER	1			
		ME760059	PISTON,AIR COMPRESSOR CYLINDER	1			
		ME760059	PISTON,AIR COMPRESSOR CYLINDER	1			
		ME760059	PISTON,AIR COMPRESSOR CYLINDER	1			
		ME760059	PISTON,AIR COMPRESSOR CYLINDER	1			
		ME760059	PISTON,AIR COMPRESSOR CYLINDER	1			
		ME760059	PISTON,AIR COMPRESSOR CYLINDER	1			
		ME760059	PISTON,AIR COMPRESSOR CYLINDER	1			
		ME760059	PISTON,AIR COMPRESSOR CYLINDER	1			
	15087	ME760064	RING SET,AIR COMPRESSOR PISTON	1			

FK74R
11-340 AIR COMPRESSOR

Repl Part	PNC	Part No	Part Name	Qty	Part Spec	Remarks	PREV.1
	15087	ME760064	RING SET,AIR COMPRESSOR PISTON	1			
		ME760064	RING SET,AIR COMPRESSOR PISTON	1			
		ME760064	RING SET,AIR COMPRESSOR PISTON	1			
		ME760064	RING SET,AIR COMPRESSOR PISTON	1			
		ME760064	RING SET,AIR COMPRESSOR PISTON	1			
		ME760064	RING SET,AIR COMPRESSOR PISTON	1			
		ME760064	RING SET,AIR COMPRESSOR PISTON	1			
		ME760064	RING SET,AIR COMPRESSOR PISTON	1			
		ME760064	RING SET,AIR COMPRESSOR PISTON	1			
		ME760064 ME760064	RING SET,AIR COMPRESSOR PISTON RING SET,AIR COMPRESSOR PISTON	1 1			
	15094A	ME760062	SEAT ASSY,AIR COMPRESSOR VALVE	1			
		ME760062	SEAT ASSY,AIR COMPRESSOR VALVE	1			
		ME760062	SEAT ASSY,AIR COMPRESSOR VALVE	1			
		ME760062	SEAT ASSY,AIR COMPRESSOR VALVE	1			
		ME760062	SEAT ASSY,AIR COMPRESSOR VALVE	1			
		ME760062	SEAT ASSY,AIR COMPRESSOR VALVE	1			
		ME760062	SEAT ASSY,AIR COMPRESSOR VALVE	1			
		ME760062	SEAT ASSY,AIR COMPRESSOR VALVE	1			
		ME760062	SEAT ASSY,AIR COMPRESSOR VALVE	1			
		ME760062 ME760062	SEAT ASSY,AIR COMPRESSOR VALVE SEAT ASSY,AIR COMPRESSOR VALVE	1 1			
RP	15098C	ME713078	SNAP RING,AIR COMPRESSOR INR	2			O
RP		ME713078	SNAP RING,AIR COMPRESSOR INR	2			O

FK74R
11-340 AIR COMPRESSOR

Repl Part	PNC	Part No	Part Name	Qty	Part Spec	Remarks	PREV.1
RP	15098C	ME713078	SNAP RING,AIR COMPRESSOR INR	2			0
RP		ME713078	SNAP RING,AIR COMPRESSOR INR	2			0
RP		ME713078	SNAP RING,AIR COMPRESSOR INR	2			0
RP		ME713078	SNAP RING,AIR COMPRESSOR INR	2			0
RP		ME713078	SNAP RING,AIR COMPRESSOR INR	2			0
RP		ME713078	SNAP RING,AIR COMPRESSOR INR	2			0
RP		ME713078	SNAP RING,AIR COMPRESSOR INR	2			0
RP		ME713078	SNAP RING,AIR COMPRESSOR INR	2			0
RP		ME713078	SNAP RING,AIR COMPRESSOR INR	2			0
RP		ME713078	SNAP RING,AIR COMPRESSOR INR	2			0
	15098D	ME760057	SNAP RING,AIR COMPRESSOR INR	1			
		ME760057	SNAP RING,AIR COMPRESSOR INR	1			
		ME760057	SNAP RING,AIR COMPRESSOR INR	1			
		ME760057	SNAP RING,AIR COMPRESSOR INR	1			
		ME760057	SNAP RING,AIR COMPRESSOR INR	1			
		ME760057	SNAP RING,AIR COMPRESSOR INR	1			
		ME760057	SNAP RING,AIR COMPRESSOR INR	1			
		ME760057	SNAP RING,AIR COMPRESSOR INR	1			
		ME760057	SNAP RING,AIR COMPRESSOR INR	1			
		ME760057	SNAP RING,AIR COMPRESSOR INR	1			
		ME760057	SNAP RING,AIR COMPRESSOR INR	1			
RP	15172E	ME713009	WASHER,AIR COMPRESSOR INR	2			0
RP		ME713009	WASHER,AIR COMPRESSOR INR	2			0
RP		ME713009	WASHER,AIR COMPRESSOR INR	2			0

FK74R
11-340 AIR COMPRESSOR

Repl Part	PNC	Part No	Part Name	Qty	Part Spec	Remarks	PREV.1
RP	15172E	ME713009	WASHER,AIR COMPRESSOR INR	2			0
RP		ME713009	WASHER,AIR COMPRESSOR INR	2			0
RP		ME713009	WASHER,AIR COMPRESSOR INR	2			0
RP		ME713009	WASHER,AIR COMPRESSOR INR	2			0
RP		ME713009	WASHER,AIR COMPRESSOR INR	2			0
RP		ME713009	WASHER,AIR COMPRESSOR INR	2			0
RP		ME713009	WASHER,AIR COMPRESSOR INR	2			0
RP		ME713009	WASHER,AIR COMPRESSOR INR	2			0
RP		ME713009	WASHER,AIR COMPRESSOR INR	2			0
	15172H	ME713246	WASHER,AIR COMPRESSOR INR	1			
		ME713246	WASHER,AIR COMPRESSOR INR	1			
		ME713246	WASHER,AIR COMPRESSOR INR	1			
		ME713246	WASHER,AIR COMPRESSOR INR	1			
		ME713246	WASHER,AIR COMPRESSOR INR	1			
		ME713246	WASHER,AIR COMPRESSOR INR	1			
		ME713246	WASHER,AIR COMPRESSOR INR	1			
		ME713246	WASHER,AIR COMPRESSOR INR	1			
		ME713246	WASHER,AIR COMPRESSOR INR	1			
		ME713246	WASHER,AIR COMPRESSOR INR	1			
		ME713246	WASHER,AIR COMPRESSOR INR	1			
		ME713246	WASHER,AIR COMPRESSOR INR	1			
		ME713246	WASHER,AIR COMPRESSOR INR	1			
		ME713246	WASHER,AIR COMPRESSOR INR	1			
		ME713246	WASHER,AIR COMPRESSOR INR	1			
	15173B	MF450404	WASHER,AIR COMPRESSOR	1	SPRING,6		
		MF450404	WASHER,AIR COMPRESSOR	1	SPRING,6		
		MF450404	WASHER,AIR COMPRESSOR	1	SPRING,6		
		MF450404	WASHER,AIR COMPRESSOR	1	SPRING,6		
		MF450404	WASHER,AIR COMPRESSOR	1	SPRING,6		
		MF450404	WASHER,AIR COMPRESSOR	1	SPRING,6		
		MF450404	WASHER,AIR COMPRESSOR	1	SPRING,6		
		MF450404	WASHER,AIR COMPRESSOR	1	SPRING,6		
		MF450404	WASHER,AIR COMPRESSOR	1	SPRING,6		
		MF450404	WASHER,AIR COMPRESSOR	1	SPRING,6		

FK74R
11-340 AIR COMPRESSOR

Repl Part	PNC	Part No	Part Name	Qty	Part Spec	Remarks	PREV.1
	15174B	ME760063	STUD,AIR COMPRESSOR	3	8X28		
		ME760063	STUD,AIR COMPRESSOR	3	8X28		
		ME760063	STUD,AIR COMPRESSOR	3	8X28		
		ME760063	STUD,AIR COMPRESSOR	3	8X28		
		ME760063	STUD,AIR COMPRESSOR	3	8X28		
		ME760063	STUD,AIR COMPRESSOR	3	8X28		
		ME760063	STUD,AIR COMPRESSOR	3	8X28		
		ME760063	STUD,AIR COMPRESSOR	3	8X28		
		ME760063	STUD,AIR COMPRESSOR	3	8X28		
	15176	ME224452	STAY,AIR COMPRESSOR	1			
		ME224452	STAY,AIR COMPRESSOR	1			
		ME224452	STAY,AIR COMPRESSOR	1			
		ME224452	STAY,AIR COMPRESSOR	1			
		ME224452	STAY,AIR COMPRESSOR	1			
		ME224452	STAY,AIR COMPRESSOR	1			
		ME224452	STAY,AIR COMPRESSOR	1			
		ME224452	STAY,AIR COMPRESSOR	1			
		ME224452	STAY,AIR COMPRESSOR	1			
		ME224452	STAY,AIR COMPRESSOR	1			
		ME224452	STAY,AIR COMPRESSOR	1			
	15177	ME760061	SPACER,AIR COMPRESSOR	1			
		ME760061	SPACER,AIR COMPRESSOR	1			
		ME760061	SPACER,AIR COMPRESSOR	1			

FK74R
11-340 AIR COMPRESSOR

Repl Part	PNC	Part No	Part Name	Qty	Part Spec	Remarks	PREV.1
	15177	ME760061	SPACER,AIR COMPRESSOR	1			
		ME760061	SPACER,AIR COMPRESSOR	1			
		ME760061	SPACER,AIR COMPRESSOR	1			
		ME760061	SPACER,AIR COMPRESSOR	1			
		ME760061	SPACER,AIR COMPRESSOR	1			
		ME760061	SPACER,AIR COMPRESSOR	1			
		ME760061	SPACER,AIR COMPRESSOR	1			
		ME760061	SPACER,AIR COMPRESSOR	1			
		ME760061	SPACER,AIR COMPRESSOR	1			
	15177D	ME920031	SPACER,AIR COMPRESSOR	1			
	15178	ME226802	PROTECTOR,AIR COMPRESSOR	1			
		ME226802	PROTECTOR,AIR COMPRESSOR	1			
		ME226802	PROTECTOR,AIR COMPRESSOR	1			
		ME226802	PROTECTOR,AIR COMPRESSOR	1			
		ME226802	PROTECTOR,AIR COMPRESSOR	1			
		ME226802	PROTECTOR,AIR COMPRESSOR	1			
	15182	ME760105	PIN,AIR COMPRESSOR INR	1			
		ME760105	PIN,AIR COMPRESSOR INR	1			
		ME760105	PIN,AIR COMPRESSOR INR	1			
		ME760105	PIN,AIR COMPRESSOR INR	1			
		ME760105	PIN,AIR COMPRESSOR INR	1			
		ME760105	PIN,AIR COMPRESSOR INR	1			
		ME760105	PIN,AIR COMPRESSOR INR	1			
		ME760105	PIN,AIR COMPRESSOR INR	1			
		ME760105	PIN,AIR COMPRESSOR INR	1			
		ME760105	PIN,AIR COMPRESSOR INR	1			
		ME760105	PIN,AIR COMPRESSOR INR	1			
		ME760105	PIN,AIR COMPRESSOR INR	1			
	15183	MF520424	O-RING,AIR COMPRESSOR	1	D=140		

FK74R
11-340 AIR COMPRESSOR

Repl Part	PNC	Part No	Part Name	Qty	Part Spec	Remarks	PREV.1
	15183	MF520424	O-RING,AIR COMPRESSOR	1	D=140		
		MF520424	O-RING,AIR COMPRESSOR	1	D=140		
		MF520424	O-RING,AIR COMPRESSOR	1	D=140		
		MF520424	O-RING,AIR COMPRESSOR	1	D=140		
		MF520424	O-RING,AIR COMPRESSOR	1	D=140		
		MF520424	O-RING,AIR COMPRESSOR	1	D=140		
		MF520424	O-RING,AIR COMPRESSOR	1	D=140		
		MF520424	O-RING,AIR COMPRESSOR	1	D=140		
		MF520424	O-RING,AIR COMPRESSOR	1	D=140		
		MF520424	O-RING,AIR COMPRESSOR	1	D=140		
		MF520424	O-RING,AIR COMPRESSOR	1	D=140		
		MF520424	O-RING,AIR COMPRESSOR	1	D=140		
		MF520424	O-RING,AIR COMPRESSOR	1	D=140		
	15183D	ME737061	O-RING,AIR COMPRESSOR	1			
		ME737061	O-RING,AIR COMPRESSOR	1			
		ME737061	O-RING,AIR COMPRESSOR	1			
		ME737061	O-RING,AIR COMPRESSOR	1			
		ME737061	O-RING,AIR COMPRESSOR	1			
		ME737061	O-RING,AIR COMPRESSOR	1			
		ME737061	O-RING,AIR COMPRESSOR	1			
		ME737061	O-RING,AIR COMPRESSOR	1			
		ME737061	O-RING,AIR COMPRESSOR	1			
		ME737061	O-RING,AIR COMPRESSOR	1			
		ME737061	O-RING,AIR COMPRESSOR	1			
		ME737061	O-RING,AIR COMPRESSOR	1			
		ME737061	O-RING,AIR COMPRESSOR	1			
		ME737061	O-RING,AIR COMPRESSOR	1			
		ME737061	O-RING,AIR COMPRESSOR	1			
		ME737061	O-RING,AIR COMPRESSOR	1			
		ME737061	O-RING,AIR COMPRESSOR	1			
	15183E	ME737047	O-RING,AIR COMPRESSOR	1			
		ME737047	O-RING,AIR COMPRESSOR	1			

FK74R
11-340 AIR COMPRESSOR

Repl Part	PNC	Part No	Part Name	Qty	Part Spec	Remarks	PREV.1
	15183E	ME737047	O-RING,AIR COMPRESSOR	1			
		ME737047	O-RING,AIR COMPRESSOR	1			
		ME737047	O-RING,AIR COMPRESSOR	1			
		ME737047	O-RING,AIR COMPRESSOR	1			
		ME737047	O-RING,AIR COMPRESSOR	1			
		ME737047	O-RING,AIR COMPRESSOR	1			
		ME737047	O-RING,AIR COMPRESSOR	1			
		ME737047	O-RING,AIR COMPRESSOR	1			
		ME737047	O-RING,AIR COMPRESSOR	1			
		ME737047	O-RING,AIR COMPRESSOR	1			
	15184C	ME713008	NUT,AIR COMPRESSOR INR	2			
		ME713008	NUT,AIR COMPRESSOR INR	2			
		ME713008	NUT,AIR COMPRESSOR INR	2			
		ME713008	NUT,AIR COMPRESSOR INR	2			
		ME713008	NUT,AIR COMPRESSOR INR	2			
		ME713008	NUT,AIR COMPRESSOR INR	2			
		ME713008	NUT,AIR COMPRESSOR INR	2			
		ME713008	NUT,AIR COMPRESSOR INR	2			
		ME713008	NUT,AIR COMPRESSOR INR	2			
		ME713008	NUT,AIR COMPRESSOR INR	2			
		ME713008	NUT,AIR COMPRESSOR INR	2			
		ME713008	NUT,AIR COMPRESSOR INR	2			
		ME713008	NUT,AIR COMPRESSOR INR	2			
		ME713008	NUT,AIR COMPRESSOR INR	2			
		ME713008	NUT,AIR COMPRESSOR INR	2			
		ME713008	NUT,AIR COMPRESSOR INR	2			
		ME713008	NUT,AIR COMPRESSOR INR	2			
	15184D	ME713247	NUT,AIR COMPRESSOR INR	1	22		
		ME713247	NUT,AIR COMPRESSOR INR	1	22		
		ME713247	NUT,AIR COMPRESSOR INR	1	22		

FK74R
11-340 AIR COMPRESSOR

Repl Part	PNC	Part No	Part Name	Qty	Part Spec	Remarks	PREV.1
	15184D	ME713247	NUT,AIR COMPRESSOR INR	1	22		
		ME713247	NUT,AIR COMPRESSOR INR	1	22		
		ME713247	NUT,AIR COMPRESSOR INR	1	22		
		ME713247	NUT,AIR COMPRESSOR INR	1	22		
		ME713247	NUT,AIR COMPRESSOR INR	1	22		
		ME713247	NUT,AIR COMPRESSOR INR	1	22		
		ME713247	NUT,AIR COMPRESSOR INR	1	22		
		ME713247	NUT,AIR COMPRESSOR INR	1	22		
		ME713247	NUT,AIR COMPRESSOR INR	1	22		
		ME713247	NUT,AIR COMPRESSOR INR	1	22		
	15185	MF430004	NUT,AIR COMPRESSOR	1	6		
		MF430004	NUT,AIR COMPRESSOR	1	6		
		MF430004	NUT,AIR COMPRESSOR	1	6		
		MF430004	NUT,AIR COMPRESSOR	1	6		
		MF430004	NUT,AIR COMPRESSOR	1	6		
		MF430004	NUT,AIR COMPRESSOR	1	6		
		MF430004	NUT,AIR COMPRESSOR	1	6		
		MF430004	NUT,AIR COMPRESSOR	1	6		
	15187B	ME222116	HOSE,AIR COMPRESSOR	1			
	15189B	MF660070	GASKET,AIR COMPRESSOR	2	D=24		
		MF660070	GASKET,AIR COMPRESSOR	2	D=24		
		MF660070	GASKET,AIR COMPRESSOR	2	D=24		
		MF660070	GASKET,AIR COMPRESSOR	2	D=24		
		MF660070	GASKET,AIR COMPRESSOR	2	D=24		
		MF660070	GASKET,AIR COMPRESSOR	2	D=24		
		MF660070	GASKET,AIR COMPRESSOR	2	D=24		
		MF660070	GASKET,AIR COMPRESSOR	2	D=24		
		MF660070	GASKET,AIR COMPRESSOR	2	D=24		

FK74R
11-340 AIR COMPRESSOR

Repl Part	PNC	Part No	Part Name	Qty	Part Spec	Remarks	PREV.1
	15189B	MF660070	GASKET,AIR COMPRESSOR	2	D=24		
		MF660070	GASKET,AIR COMPRESSOR	2	D=24		
		MF660070	GASKET,AIR COMPRESSOR	2	D=24		
	15189C	MF660071	GASKET,AIR COMPRESSOR	2	D=27		
		MF660071	GASKET,AIR COMPRESSOR	2	D=27		
		MF660071	GASKET,AIR COMPRESSOR	2	D=27		
		MF660071	GASKET,AIR COMPRESSOR	2	D=27		
		MF660071	GASKET,AIR COMPRESSOR	2	D=27		
		MF660071	GASKET,AIR COMPRESSOR	2	D=27		
		MF660071	GASKET,AIR COMPRESSOR	2	D=27		
		MF660071	GASKET,AIR COMPRESSOR	2	D=27		
		MF660071	GASKET,AIR COMPRESSOR	2	D=27		
		MF660071	GASKET,AIR COMPRESSOR	2	D=27		
		MF660071	GASKET,AIR COMPRESSOR	2	D=27		
		MF660071	GASKET,AIR COMPRESSOR	2	D=27		
		MF660071	GASKET,AIR COMPRESSOR	2	D=27		
		MF660071	GASKET,AIR COMPRESSOR	2	D=27		
		MF660071	GASKET,AIR COMPRESSOR	2	D=27		
		MF660071	GASKET,AIR COMPRESSOR	2	D=27		
		MF660071	GASKET,AIR COMPRESSOR	2	D=27		
	15189D	MF660065	GASKET,AIR COMPRESSOR	8	D=14		
		MF660065	GASKET,AIR COMPRESSOR	8	D=14		
		MF660065	GASKET,AIR COMPRESSOR	8	D=14		
		MF660065	GASKET,AIR COMPRESSOR	8	D=14		
		MF660065	GASKET,AIR COMPRESSOR	8	D=14		
		MF660065	GASKET,AIR COMPRESSOR	8	D=14		
		MF660065	GASKET,AIR COMPRESSOR	8	D=14		
		MF660065	GASKET,AIR COMPRESSOR	8	D=14		
		MF660065	GASKET,AIR COMPRESSOR	8	D=14		
		MF660065	GASKET,AIR COMPRESSOR	8	D=14		
		MF660065	GASKET,AIR COMPRESSOR	8	D=14		
		MF660065	GASKET,AIR COMPRESSOR	8	D=14		
		MF660065	GASKET,AIR COMPRESSOR	8	D=14		
		MF660065	GASKET,AIR COMPRESSOR	8	D=14		
		MF660065	GASKET,AIR COMPRESSOR	8	D=14		
		MF660065	GASKET,AIR COMPRESSOR	8	D=14		
		MF660065	GASKET,AIR COMPRESSOR	8	D=14		
		MF660065	GASKET,AIR COMPRESSOR	8	D=14		
		MF660065	GASKET,AIR COMPRESSOR	8	D=14		
		MF660065	GASKET,AIR COMPRESSOR	8	D=14		
	15194B	MH020376	CLIP,AIR COMPRESSOR	2			

FK74R
11-340 AIR COMPRESSOR

Repl Part	PNC	Part No	Part Name	Qty	Part Spec	Remarks	PREV.1
	15194B	MH020376	CLIP,AIR COMPRESSOR	2			
		MH020376	CLIP,AIR COMPRESSOR	2			
		MH020376	CLIP,AIR COMPRESSOR	2			
		MH020376	CLIP,AIR COMPRESSOR	2			
		MH020376	CLIP,AIR COMPRESSOR	2			
	15195B	MH021452	CLAMP,AIR COMPRESSOR	2	D=9X2		
		MH021452	CLAMP,AIR COMPRESSOR	2	D=9X2		
		MH021452	CLAMP,AIR COMPRESSOR	2	D=9X2		
		MH021452	CLAMP,AIR COMPRESSOR	2	D=9X2		
		MH021452	CLAMP,AIR COMPRESSOR	2	D=9X2		
		MH021452	CLAMP,AIR COMPRESSOR	2	D=9X2		
	15195C	MH021216	CLAMP,AIR COMPRESSOR	1	D=26		
		MH021216	CLAMP,AIR COMPRESSOR	1	D=26		
		MH021216	CLAMP,AIR COMPRESSOR	1	D=26		
		MH021216	CLAMP,AIR COMPRESSOR	1	D=26		
		MH021216	CLAMP,AIR COMPRESSOR	1	D=26		
		MH021216	CLAMP,AIR COMPRESSOR	1	D=26		
	15195D	MS660172	CLAMP,AIR COMPRESSOR	2	D=23		
	15195G	MH020358	CLAMP,AIR COMPRESSOR	6	D=7X2		
	15197B	3097506600	EYEBOLT,AIR COMPRESSOR	1	24X36		
		3097506600	EYEBOLT,AIR COMPRESSOR	1	24X36		
		3097506600	EYEBOLT,AIR COMPRESSOR	1	24X36		
		3097506600	EYEBOLT,AIR COMPRESSOR	1	24X36		
		3097506600	EYEBOLT,AIR COMPRESSOR	1	24X36		
		3097506600	EYEBOLT,AIR COMPRESSOR	1	24X36		
		3097506600	EYEBOLT,AIR COMPRESSOR	1	24X36		
		3097506600	EYEBOLT,AIR COMPRESSOR	1	24X36		

FK74R
11-340 AIR COMPRESSOR

Repl Part	PNC	Part No	Part Name	Qty	Part Spec	Remarks	PREV.1		
15197B	15197B	3097506600	EYEBOLT,AIR COMPRESSOR	1	24X36				
		3097506600	EYEBOLT,AIR COMPRESSOR	1	24X36				
		3097506600	EYEBOLT,AIR COMPRESSOR	1	24X36				
		3097506600	EYEBOLT,AIR COMPRESSOR	1	24X36				
		15197F	15197F	3117512101	EYEBOLT,AIR COMPRESSOR	1	27X39.5		
				3117512101	EYEBOLT,AIR COMPRESSOR	1	27X39.5		
				3117512101	EYEBOLT,AIR COMPRESSOR	1	27X39.5		
				3117512101	EYEBOLT,AIR COMPRESSOR	1	27X39.5		
				3117512101	EYEBOLT,AIR COMPRESSOR	1	27X39.5		
				3117512101	EYEBOLT,AIR COMPRESSOR	1	27X39.5		
				3117512101	EYEBOLT,AIR COMPRESSOR	1	27X39.5		
				3117512101	EYEBOLT,AIR COMPRESSOR	1	27X39.5		
				3117512101	EYEBOLT,AIR COMPRESSOR	1	27X39.5		
				3117512101	EYEBOLT,AIR COMPRESSOR	1	27X39.5		
				3117512101	EYEBOLT,AIR COMPRESSOR	1	27X39.5		
				3117512101	EYEBOLT,AIR COMPRESSOR	1	27X39.5		
		15197G	15197G	MH037087	EYEBOLT,AIR COMPRESSOR	4	14X26		
				MH037087	EYEBOLT,AIR COMPRESSOR	4	14X26		
				MH037087	EYEBOLT,AIR COMPRESSOR	4	14X26		
				MH037087	EYEBOLT,AIR COMPRESSOR	4	14X26		
MH037087	EYEBOLT,AIR COMPRESSOR			4	14X26				
MH037087	EYEBOLT,AIR COMPRESSOR			4	14X26				
MH037087	EYEBOLT,AIR COMPRESSOR			4	14X26				
MH037087	EYEBOLT,AIR COMPRESSOR			4	14X26				
MH037087	EYEBOLT,AIR COMPRESSOR			4	14X26				
MH037087	EYEBOLT,AIR COMPRESSOR			4	14X26				
15198B	15198B	ME713313	BOLT,AIR COMPRESSOR INR	4	10X25				

FK74R
11-340 AIR COMPRESSOR

Repl Part	PNC	Part No	Part Name	Qty	Part Spec	Remarks	PREV.1
	15198B	ME713313	BOLT,AIR COMPRESSOR INR	4	10X25		
		ME713313	BOLT,AIR COMPRESSOR INR	4	10X25		
		ME713313	BOLT,AIR COMPRESSOR INR	4	10X25		
		ME713313	BOLT,AIR COMPRESSOR INR	4	10X25		
		ME713313	BOLT,AIR COMPRESSOR INR	4	10X25		
		ME713313	BOLT,AIR COMPRESSOR INR	4	10X25		
		ME713313	BOLT,AIR COMPRESSOR INR	4	10X25		
		ME713313	BOLT,AIR COMPRESSOR INR	4	10X25		
		ME713313	BOLT,AIR COMPRESSOR INR	4	10X25		
		ME713313	BOLT,AIR COMPRESSOR INR	4	10X25		
		ME713313	BOLT,AIR COMPRESSOR INR	4	10X25		
		ME713313	BOLT,AIR COMPRESSOR INR	4	10X25		
	15198C	ME713093	BOLT,AIR COMPRESSOR INR	2			
		ME713093	BOLT,AIR COMPRESSOR INR	2			
		ME713093	BOLT,AIR COMPRESSOR INR	2			
		ME713093	BOLT,AIR COMPRESSOR INR	2			
		ME713093	BOLT,AIR COMPRESSOR INR	2			
		ME713093	BOLT,AIR COMPRESSOR INR	2			
		ME713093	BOLT,AIR COMPRESSOR INR	2			
		ME713093	BOLT,AIR COMPRESSOR INR	2			
		ME713093	BOLT,AIR COMPRESSOR INR	2			
		ME713093	BOLT,AIR COMPRESSOR INR	2			
		ME713093	BOLT,AIR COMPRESSOR INR	2			
		ME713093	BOLT,AIR COMPRESSOR INR	2			
		ME713093	BOLT,AIR COMPRESSOR INR	2			
		ME713093	BOLT,AIR COMPRESSOR INR	2			
		ME713093	BOLT,AIR COMPRESSOR INR	2			
	15198D	ME713139	BOLT,AIR COMPRESSOR INR	2	8X14		
		ME713139	BOLT,AIR COMPRESSOR INR	2	8X14		

FK74R
11-340 AIR COMPRESSOR

Repl Part	PNC	Part No	Part Name	Qty	Part Spec	Remarks	PREV.1
	15198D	ME713139	BOLT,AIR COMPRESSOR INR	2	8X14		
		ME713139	BOLT,AIR COMPRESSOR INR	2	8X14		
		ME713139	BOLT,AIR COMPRESSOR INR	2	8X14		
		ME713139	BOLT,AIR COMPRESSOR INR	2	8X14		
		ME713139	BOLT,AIR COMPRESSOR INR	2	8X14		
		ME713139	BOLT,AIR COMPRESSOR INR	2	8X14		
		ME713139	BOLT,AIR COMPRESSOR INR	2	8X14		
		ME713139	BOLT,AIR COMPRESSOR INR	2	8X14		
		ME713139	BOLT,AIR COMPRESSOR INR	2	8X14		
		ME713139	BOLT,AIR COMPRESSOR INR	2	8X14		
	15198E	MS146022	BOLT,AIR COMPRESSOR INR	4	FLANGE,10X80	8.8	
		MS146022	BOLT,AIR COMPRESSOR INR	4	FLANGE,10X80	8.8	
		MS146022	BOLT,AIR COMPRESSOR INR	4	FLANGE,10X80	8.8	
		MS146022	BOLT,AIR COMPRESSOR INR	4	FLANGE,10X80	8.8	
		MS146022	BOLT,AIR COMPRESSOR INR	4	FLANGE,10X80	8.8	
		MS146022	BOLT,AIR COMPRESSOR INR	4	FLANGE,10X80	8.8	
		MS146022	BOLT,AIR COMPRESSOR INR	4	FLANGE,10X80	8.8	
		MS146022	BOLT,AIR COMPRESSOR INR	4	FLANGE,10X80	8.8	
		MS146022	BOLT,AIR COMPRESSOR INR	4	FLANGE,10X80	8.8	
		MS146022	BOLT,AIR COMPRESSOR INR	4	FLANGE,10X80	8.8	
		MS146022	BOLT,AIR COMPRESSOR INR	4	FLANGE,10X80	8.8	
		MS146022	BOLT,AIR COMPRESSOR INR	4	FLANGE,10X80	8.8	
		MS146022	BOLT,AIR COMPRESSOR INR	4	FLANGE,10X80	8.8	
		MS146022	BOLT,AIR COMPRESSOR INR	4	FLANGE,10X80	8.8	
	15199B	MF140213	BOLT,AIR COMPRESSOR	3	FLANGE,6X35	7T	
		MF140213	BOLT,AIR COMPRESSOR	3	FLANGE,6X35	7T	
		MF140213	BOLT,AIR COMPRESSOR	3	FLANGE,6X35	7T	
		MF140213	BOLT,AIR COMPRESSOR	3	FLANGE,6X35	7T	
		MF140213	BOLT,AIR COMPRESSOR	3	FLANGE,6X35	7T	

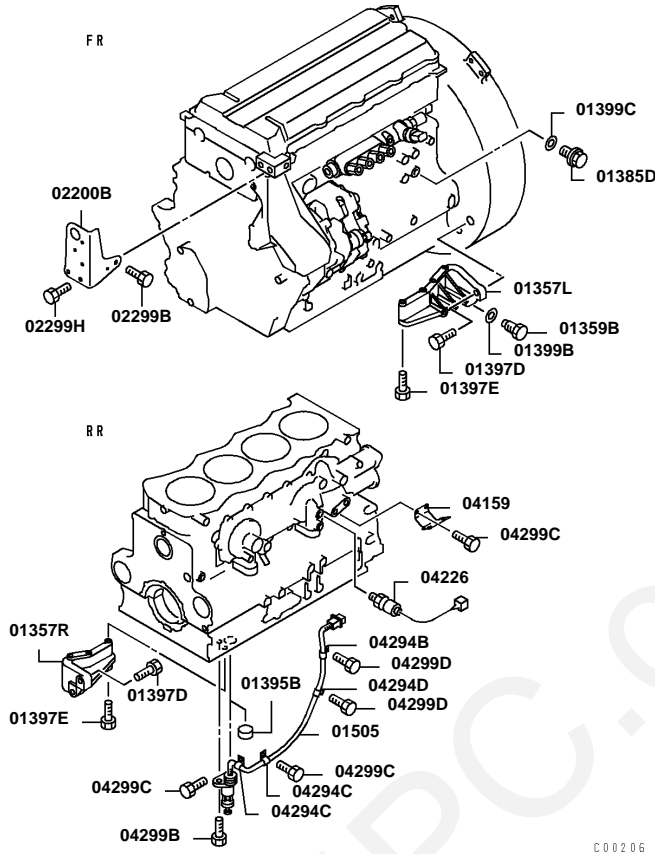
FK74R
11-340 AIR COMPRESSOR

Repl Part	PNC	Part No	Part Name	Qty	Part Spec	Remarks	PREV.1
	15199B	MF140213	BOLT,AIR COMPRESSOR	3	FLANGE,6X35	7T	
		MF244851	BOLT,AIR COMPRESSOR	1	WASHER ASSEMBLED,8X20		
		MF244851	BOLT,AIR COMPRESSOR	1	WASHER ASSEMBLED,8X20		
		MF244851	BOLT,AIR COMPRESSOR	1	WASHER ASSEMBLED,8X20		
		MF244851	BOLT,AIR COMPRESSOR	1	WASHER ASSEMBLED,8X20		
		MF244851	BOLT,AIR COMPRESSOR	1	WASHER ASSEMBLED,8X20		
		MF244851	BOLT,AIR COMPRESSOR	1	WASHER ASSEMBLED,8X20		
	15199C	MF140223	BOLT,AIR COMPRESSOR	3	FLANGE,8X16	7T	
		MF140223	BOLT,AIR COMPRESSOR	3	FLANGE,8X16	7T	
		MF140223	BOLT,AIR COMPRESSOR	3	FLANGE,8X16	7T	
		MF140223	BOLT,AIR COMPRESSOR	3	FLANGE,8X16	7T	
		MF140223	BOLT,AIR COMPRESSOR	3	FLANGE,8X16	7T	
		MF140234	BOLT,AIR COMPRESSOR	1	FLANGE,8X45	7T	
		MF140234	BOLT,AIR COMPRESSOR	1	FLANGE,8X45	7T	
		MF140234	BOLT,AIR COMPRESSOR	1	FLANGE,8X45	7T	
		MF140234	BOLT,AIR COMPRESSOR	1	FLANGE,8X45	7T	
		MF140234	BOLT,AIR COMPRESSOR	1	FLANGE,8X45	7T	
		MF140234	BOLT,AIR COMPRESSOR	1	FLANGE,8X45	7T	
		MF140213	BOLT,AIR COMPRESSOR	1	FLANGE,6X35	7T	
		MF140213	BOLT,AIR COMPRESSOR	1	FLANGE,6X35	7T	
		MF140213	BOLT,AIR COMPRESSOR	1	FLANGE,6X35	7T	

FK74R
11-340 AIR COMPRESSOR

Repl Part	PNC	Part No	Part Name	Qty	Part Spec	Remarks	PREV.1
	15199C	MF140213	BOLT,AIR COMPRESSOR	1	FLANGE,6X35	7T	
		MF140213	BOLT,AIR COMPRESSOR	1	FLANGE,6X35	7T	
		MF140213	BOLT,AIR COMPRESSOR	1	FLANGE,6X35	7T	
		MF140213	BOLT,AIR COMPRESSOR	1	FLANGE,6X35	7T	
	15199D	MF140221	BOLT,AIR COMPRESSOR	2	FLANGE,8X12	7T	
		MF140221	BOLT,AIR COMPRESSOR	2	FLANGE,8X12	7T	
		MF140221	BOLT,AIR COMPRESSOR	2	FLANGE,8X12	7T	
		MF140221	BOLT,AIR COMPRESSOR	2	FLANGE,8X12	7T	
		MF140221	BOLT,AIR COMPRESSOR	2	FLANGE,8X12	7T	
		MF140221	BOLT,AIR COMPRESSOR	2	FLANGE,8X12	7T	
	15199E	MF140223	BOLT,AIR COMPRESSOR	2	FLANGE,8X16	7T	
		MF140223	BOLT,AIR COMPRESSOR	2	FLANGE,8X16	7T	
		MF140223	BOLT,AIR COMPRESSOR	2	FLANGE,8X16	7T	
		MF140223	BOLT,AIR COMPRESSOR	2	FLANGE,8X16	7T	
		MF140223	BOLT,AIR COMPRESSOR	2	FLANGE,8X16	7T	
		MF140223	BOLT,AIR COMPRESSOR	2	FLANGE,8X16	7T	
	15192F	(N.e.c.)	JOINT,AIR COMPRESSOR				
	15187C	(N.e.c.)	HOSE,AIR COMPRESSOR				

**FK74R
No.1**



C00206

Ref. |2011410

Page

**FK74R
11-410 ATTACHING PARTS**

Repl Part	PNC	Part No	Part Name	Qty	Part Spec	Remarks	NEW1
	01357L	ME223858	STIFFENER,CYLINDER BLOCK TO HOUSING,LH	1			
		ME223858	STIFFENER,CYLINDER BLOCK TO HOUSING,LH	1			
		ME223858	STIFFENER,CYLINDER BLOCK TO HOUSING,LH	1			
		ME223858	STIFFENER,CYLINDER BLOCK TO HOUSING,LH	1			
		ME223858	STIFFENER,CYLINDER BLOCK TO HOUSING,LH	1			
		ME223858	STIFFENER,CYLINDER BLOCK TO HOUSING,LH	1			
		ME223858	STIFFENER,CYLINDER BLOCK TO HOUSING,LH	1			
		ME223858	STIFFENER,CYLINDER BLOCK TO HOUSING,LH	1			
		ME223858	STIFFENER,CYLINDER BLOCK TO HOUSING,LH	1			
		ME223858	STIFFENER,CYLINDER BLOCK TO HOUSING,LH	1			
		ME223858	STIFFENER,CYLINDER BLOCK TO HOUSING,LH	1			

Ref. |2011410

Page

FK74R
11-410 ATTACHING PARTS

Repl Part	PNC	Part No	Part Name	Qty	Part Spec	Remarks	NEW1
	01357R	ME223857	STIFFENER,CYLINDER BLOCK TO HOUSING,RH	1			
		ME223857	STIFFENER,CYLINDER BLOCK TO HOUSING,RH	1			
		ME223857	STIFFENER,CYLINDER BLOCK TO HOUSING,RH	1			
		ME223857	STIFFENER,CYLINDER BLOCK TO HOUSING,RH	1			
		ME223857	STIFFENER,CYLINDER BLOCK TO HOUSING,RH	1			
		ME223857	STIFFENER,CYLINDER BLOCK TO HOUSING,RH	1			
		ME223857	STIFFENER,CYLINDER BLOCK TO HOUSING,RH	1			
		ME223857	STIFFENER,CYLINDER BLOCK TO HOUSING,RH	1			
		ME223857	STIFFENER,CYLINDER BLOCK TO HOUSING,RH	1			
		ME223857	STIFFENER,CYLINDER BLOCK TO HOUSING,RH	1			
		ME223857	STIFFENER,CYLINDER BLOCK TO HOUSING,RH	1			
		ME223857	STIFFENER,CYLINDER BLOCK TO HOUSING,RH	1			
	01359B	ME031087	SET SCREW,CYLINDER BLOCK	3	SCREW,10		
		ME031087	SET SCREW,CYLINDER BLOCK	3	SCREW,10		
		ME031087	SET SCREW,CYLINDER BLOCK	3	SCREW,10		
		ME031087	SET SCREW,CYLINDER BLOCK	3	SCREW,10		
		ME031087	SET SCREW,CYLINDER BLOCK	3	SCREW,10		
		ME031087	SET SCREW,CYLINDER BLOCK	3	SCREW,10		
		ME031087	SET SCREW,CYLINDER BLOCK	3	SCREW,10		
		ME031087	SET SCREW,CYLINDER BLOCK	3	SCREW,10		
		ME031087	SET SCREW,CYLINDER BLOCK	3	SCREW,10		
		ME031087	SET SCREW,CYLINDER BLOCK	3	SCREW,10		
		ME031087	SET SCREW,CYLINDER BLOCK	3	SCREW,10		
		ME031087	SET SCREW,CYLINDER BLOCK	3	SCREW,10		
		ME031087	SET SCREW,CYLINDER BLOCK	3	SCREW,10		
		ME031087	SET SCREW,CYLINDER BLOCK	3	SCREW,10		
		ME031087	SET SCREW,CYLINDER BLOCK	3	SCREW,10		
		ME031087	SET SCREW,CYLINDER BLOCK	3	SCREW,10		
		ME031087	SET SCREW,CYLINDER BLOCK	3	SCREW,10		
	01385D	MD050316	PLUG,CYLINDER BLOCK	1			
		MD050316	PLUG,CYLINDER BLOCK	1			

FK74R
11-410 ATTACHING PARTS

Repl Part	PNC	Part No	Part Name	Qty	Part Spec	Remarks	NEW1
	01385D	MD050316	PLUG,CYLINDER BLOCK	1			
		MD050316	PLUG,CYLINDER BLOCK	1			
		MD050316	PLUG,CYLINDER BLOCK	1			
		MD050316	PLUG,CYLINDER BLOCK	1			
		MD050316	PLUG,CYLINDER BLOCK	1			
		MD050316	PLUG,CYLINDER BLOCK	1			
		MD050316	PLUG,CYLINDER BLOCK	1			
		MD050316	PLUG,CYLINDER BLOCK	1			
		MD050316	PLUG,CYLINDER BLOCK	1			
RP	01397D	MH000924	BOLT,CYLINDER BLOCK	4	FLANGE,12X40		O
RP		MH000924	BOLT,CYLINDER BLOCK	4	FLANGE,12X40		O
RP		MH000924	BOLT,CYLINDER BLOCK	4	FLANGE,12X40		O
RP		MH000924	BOLT,CYLINDER BLOCK	4	FLANGE,12X40		O
RP		MH000924	BOLT,CYLINDER BLOCK	4	FLANGE,12X40		O
RP		MH000924	BOLT,CYLINDER BLOCK	4	FLANGE,12X40		O
RP		MH000924	BOLT,CYLINDER BLOCK	4	FLANGE,12X40		O
RP		MH000924	BOLT,CYLINDER BLOCK	4	FLANGE,12X40		O
RP		MH000924	BOLT,CYLINDER BLOCK	4	FLANGE,12X40		O
	01397E	MF140245	BOLT,CYLINDER BLOCK	6	FLANGE,8X100	7T	
		MF140245	BOLT,CYLINDER BLOCK	6	FLANGE,8X100	7T	
		MF140245	BOLT,CYLINDER BLOCK	6	FLANGE,8X100	7T	
		MF140245	BOLT,CYLINDER BLOCK	6	FLANGE,8X100	7T	
		MF140245	BOLT,CYLINDER BLOCK	6	FLANGE,8X100	7T	
		MF140245	BOLT,CYLINDER BLOCK	6	FLANGE,8X100	7T	

FK74R
11-410 ATTACHING PARTS

Repl Part	PNC	Part No	Part Name	Qty	Part Spec	Remarks	NEW1
	01397E	MF140245	BOLT,CYLINDER BLOCK	6	FLANGE,8X100	7T	
		MF140245	BOLT,CYLINDER BLOCK	6	FLANGE,8X100	7T	
		MF140245	BOLT,CYLINDER BLOCK	6	FLANGE,8X100	7T	
	01399B	MF660063	GASKET,CYLINDER BLOCK	3	D=10		
		MF660063	GASKET,CYLINDER BLOCK	3	D=10		
		MF660063	GASKET,CYLINDER BLOCK	3	D=10		
		MF660063	GASKET,CYLINDER BLOCK	3	D=10		
		MF660063	GASKET,CYLINDER BLOCK	3	D=10		
		MF660063	GASKET,CYLINDER BLOCK	3	D=10		
		MF660063	GASKET,CYLINDER BLOCK	3	D=10		
		MF660063	GASKET,CYLINDER BLOCK	3	D=10		
		MF660063	GASKET,CYLINDER BLOCK	3	D=10		
		MF660063	GASKET,CYLINDER BLOCK	3	D=10		
		MF660063	GASKET,CYLINDER BLOCK	3	D=10		
		MF660063	GASKET,CYLINDER BLOCK	3	D=10		
		MF660063	GASKET,CYLINDER BLOCK	3	D=10		
		MF660063	GASKET,CYLINDER BLOCK	3	D=10		
		MF660063	GASKET,CYLINDER BLOCK	3	D=10		
		MF660063	GASKET,CYLINDER BLOCK	3	D=10		
		MF660063	GASKET,CYLINDER BLOCK	3	D=10		
		MF660063	GASKET,CYLINDER BLOCK	3	D=10		
	01399C	MF660065	GASKET,CYLINDER BLOCK	1	D=14		
		MF660065	GASKET,CYLINDER BLOCK	1	D=14		
		MF660065	GASKET,CYLINDER BLOCK	1	D=14		
		MF660065	GASKET,CYLINDER BLOCK	1	D=14		
		MF660065	GASKET,CYLINDER BLOCK	1	D=14		
		MF660065	GASKET,CYLINDER BLOCK	1	D=14		
		MF660065	GASKET,CYLINDER BLOCK	1	D=14		
		MF660065	GASKET,CYLINDER BLOCK	1	D=14		
		MF660065	GASKET,CYLINDER BLOCK	1	D=14		
		MF660065	GASKET,CYLINDER BLOCK	1	D=14		
		MF660065	GASKET,CYLINDER BLOCK	1	D=14		
		MF660065	GASKET,CYLINDER BLOCK	1	D=14		
		MF660065	GASKET,CYLINDER BLOCK	1	D=14		
		MF660065	GASKET,CYLINDER BLOCK	1	D=14		
		MF660065	GASKET,CYLINDER BLOCK	1	D=14		
		MF660065	GASKET,CYLINDER BLOCK	1	D=14		

FK74R
11-410 ATTACHING PARTS

Repl Part	PNC	Part No	Part Name	Qty	Part Spec	Remarks	NEW1
	01399C	MF660065	GASKET,CYLINDER BLOCK	1	D=14		
	01505	ME224240	SENSOR,ENG OIL PAN OIL LEVEL	1			
		ME224240	SENSOR,ENG OIL PAN OIL LEVEL	1			
		ME224240	SENSOR,ENG OIL PAN OIL LEVEL	1			
		ME224240	SENSOR,ENG OIL PAN OIL LEVEL	1			
		ME224240	SENSOR,ENG OIL PAN OIL LEVEL	1			
		ME224240	SENSOR,ENG OIL PAN OIL LEVEL	1			
		MK542324	SENSOR,ENG OIL PAN OIL LEVEL	1			
		MK542324	SENSOR,ENG OIL PAN OIL LEVEL	1			
		MK542324	SENSOR,ENG OIL PAN OIL LEVEL	1			
		MK542324	SENSOR,ENG OIL PAN OIL LEVEL	1			
		MK542324	SENSOR,ENG OIL PAN OIL LEVEL	1			
		MK542324	SENSOR,ENG OIL PAN OIL LEVEL	1			
		MK542324	SENSOR,ENG OIL PAN OIL LEVEL	1			
		MK542324	SENSOR,ENG OIL PAN OIL LEVEL	1			
	02200B	ME223897	ENGINE HANGER	1			
	02299B	MH001402	BOLT,ENG HANGER	1	FLANGE,8X30		
	02299H	MF140434	BOLT,ENG HANGER	2	FLANGE,8X45	8T	
	04159	ME223914	BRACKET,ENG OIL PRESSURE SWITCH HARNESS CONNECTOR	1			
		ME225579	BRACKET,ENG OIL PRESSURE SWITCH HARNESS CONNECTOR	1			
		ME225579	BRACKET,ENG OIL PRESSURE SWITCH HARNESS CONNECTOR	1			
		ME225579	BRACKET,ENG OIL PRESSURE SWITCH HARNESS CONNECTOR	1			
		ME225579	BRACKET,ENG OIL PRESSURE SWITCH HARNESS CONNECTOR	1			

FK74R
11-410 ATTACHING PARTS

Repl Part	PNC	Part No	Part Name	Qty	Part Spec	Remarks	NEW1
	04159	ME225579	BRACKET,ENG OIL PRESSURE SWITCH HARNESS CONNECTOR	1			
		ME225803	BRACKET,ENG OIL PRESSURE SWITCH HARNESS CONNECTOR	1			
		ME225803	BRACKET,ENG OIL PRESSURE SWITCH HARNESS CONNECTOR	1			
		ME225803	BRACKET,ENG OIL PRESSURE SWITCH HARNESS CONNECTOR	1			
		ME225803	BRACKET,ENG OIL PRESSURE SWITCH HARNESS CONNECTOR	1			
		ME225803	BRACKET,ENG OIL PRESSURE SWITCH HARNESS CONNECTOR	1			
		ME225803	BRACKET,ENG OIL PRESSURE SWITCH HARNESS CONNECTOR	1			
	04226	MK370526	SWITCH,ENG OIL PRESSURE	1			
		MK370526	SWITCH,ENG OIL PRESSURE	1			
		MK370526	SWITCH,ENG OIL PRESSURE	1			
		MK370526	SWITCH,ENG OIL PRESSURE	1			
		MK370526	SWITCH,ENG OIL PRESSURE	1			
		MK370526	SWITCH,ENG OIL PRESSURE	1			
		MK542325	SWITCH,ENG OIL PRESSURE	1			
		MK542325	SWITCH,ENG OIL PRESSURE	1			
		MK542325	SWITCH,ENG OIL PRESSURE	1			
		MK542325	SWITCH,ENG OIL PRESSURE	1			
		MK542325	SWITCH,ENG OIL PRESSURE	1			
		MK542325	SWITCH,ENG OIL PRESSURE	1			
		MK542325	SWITCH,ENG OIL PRESSURE	1			
	04294B	MS470058	CLIP,ENG OIL PRESSURE GAUGE	1	L=60		
		MS470058	CLIP,ENG OIL PRESSURE GAUGE	1	L=60		
		MS470058	CLIP,ENG OIL PRESSURE GAUGE	1	L=60		
		MS470058	CLIP,ENG OIL PRESSURE GAUGE	1	L=60		
		MS470058	CLIP,ENG OIL PRESSURE GAUGE	1	L=60		
		MS470058	CLIP,ENG OIL PRESSURE GAUGE	1	L=60		
		MS470058	CLIP,ENG OIL PRESSURE GAUGE	1	L=60		
		MS470058	CLIP,ENG OIL PRESSURE GAUGE	1	L=60		
		MS470058	CLIP,ENG OIL PRESSURE GAUGE	1	L=60		
		MS470058	CLIP,ENG OIL PRESSURE GAUGE	1	L=60		

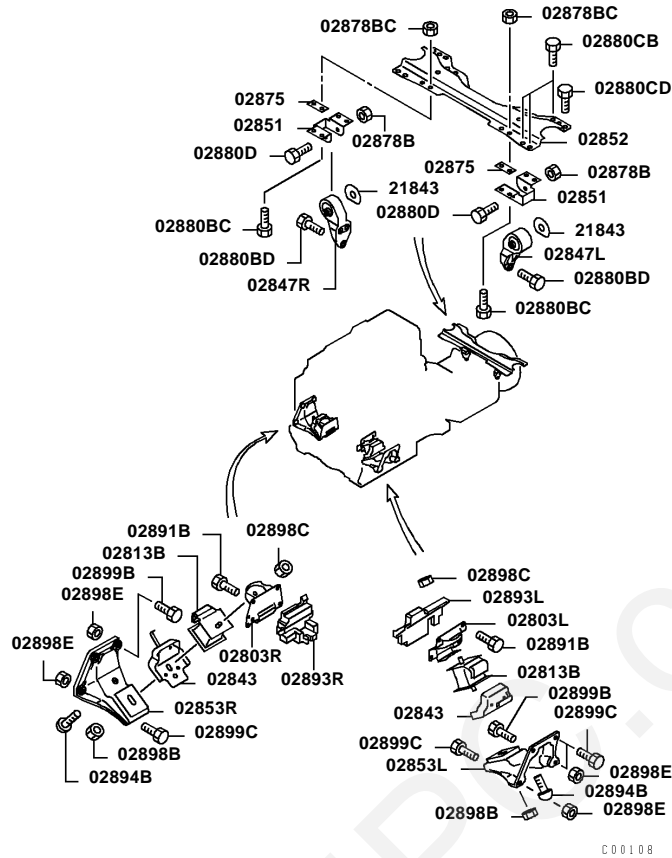
FK74R
11-410 ATTACHING PARTS

Repl Part	PNC	Part No	Part Name	Qty	Part Spec	Remarks	NEW1
	04294B	MS470058	CLIP,ENG OIL PRESSURE GAUGE	1	L=60		
		MS470058	CLIP,ENG OIL PRESSURE GAUGE	1	L=60		
		MS470058	CLIP,ENG OIL PRESSURE GAUGE	1	L=60		
	04294C	MH020802	CLIP,ENG OIL PRESSURE GAUGE	2	D=8		
		MH020802	CLIP,ENG OIL PRESSURE GAUGE	2	D=8		
		MH020802	CLIP,ENG OIL PRESSURE GAUGE	2	D=8		
		MH020802	CLIP,ENG OIL PRESSURE GAUGE	2	D=8		
		MH020802	CLIP,ENG OIL PRESSURE GAUGE	2	D=8		
		MH020802	CLIP,ENG OIL PRESSURE GAUGE	2	D=8		
	04294D	MS470059	CLIP,ENG OIL PRESSURE GAUGE	1	L=80		
		MS470059	CLIP,ENG OIL PRESSURE GAUGE	1	L=80		
		MS470059	CLIP,ENG OIL PRESSURE GAUGE	1	L=80		
		MS470059	CLIP,ENG OIL PRESSURE GAUGE	1	L=80		
		MS470059	CLIP,ENG OIL PRESSURE GAUGE	1	L=80		
		MS470059	CLIP,ENG OIL PRESSURE GAUGE	1	L=80		
	04299B	MF140223	BOLT,ENG OIL PRESSURE GAUGE	2	FLANGE,8X16	7T	
		MF140223	BOLT,ENG OIL PRESSURE GAUGE	2	FLANGE,8X16	7T	
		MF140223	BOLT,ENG OIL PRESSURE GAUGE	2	FLANGE,8X16	7T	
		MF140223	BOLT,ENG OIL PRESSURE GAUGE	2	FLANGE,8X16	7T	
		MF140223	BOLT,ENG OIL PRESSURE GAUGE	2	FLANGE,8X16	7T	
		MF140223	BOLT,ENG OIL PRESSURE GAUGE	2	FLANGE,8X16	7T	
		MF140223	BOLT,ENG OIL PRESSURE GAUGE	2	FLANGE,8X16	7T	
		MF140223	BOLT,ENG OIL PRESSURE GAUGE	2	FLANGE,8X16	7T	
	04299C	MH000999	BOLT,ENG OIL PRESSURE GAUGE	4	FLANGE,6X12		
		MH000999	BOLT,ENG OIL PRESSURE GAUGE	4	FLANGE,6X12		
		MH000999	BOLT,ENG OIL PRESSURE GAUGE	4	FLANGE,6X12		

FK74R
11-410 ATTACHING PARTS

Repl Part	PNC	Part No	Part Name	Qty	Part Spec	Remarks	NEW1
	04299C	MH000999	BOLT,ENG OIL PRESSURE GAUGE	4	FLANGE,6X12		
		MH000999	BOLT,ENG OIL PRESSURE GAUGE	4	FLANGE,6X12		
		MH000999	BOLT,ENG OIL PRESSURE GAUGE	4	FLANGE,6X12		
		MH000999	BOLT,ENG OIL PRESSURE GAUGE	4	FLANGE,6X12		
		MH000999	BOLT,ENG OIL PRESSURE GAUGE	4	FLANGE,6X12		
		MH000999	BOLT,ENG OIL PRESSURE GAUGE	4	FLANGE,6X12		
	04299D	MF100051	BOLT,ENG OIL PRESSURE GAUGE	2	BOLT,8X12	4T	
		MF100051	BOLT,ENG OIL PRESSURE GAUGE	2	BOLT,8X12	4T	
		MF100051	BOLT,ENG OIL PRESSURE GAUGE	2	BOLT,8X12	4T	
		MF100051	BOLT,ENG OIL PRESSURE GAUGE	2	BOLT,8X12	4T	
		MF100051	BOLT,ENG OIL PRESSURE GAUGE	2	BOLT,8X12	4T	
		MF100051	BOLT,ENG OIL PRESSURE GAUGE	2	BOLT,8X12	4T	
	01395B	(N.e.c.)	CAP,CYLINDER BLOCK				

FK74R
No.1



Ref. |2011510

Page

FK74R
11-510 ENGINE MOUNTING & SUPPORT

SPN	Repl Part	PNC	Part No	Part Name	Qty	Part Spec	Remarks	PREV.1	NI
	RP	02803L	ME241614	BRACKET,CYLINDER BLOCK ENG FR MOUNTING,LH	1			O	
	RP		ME241614	BRACKET,CYLINDER BLOCK ENG FR MOUNTING,LH	1			O	
	RP		ME241614	BRACKET,CYLINDER BLOCK ENG FR MOUNTING,LH	1			O	
	RP		ME241614	BRACKET,CYLINDER BLOCK ENG FR MOUNTING,LH	1			O	
	RP		ME241614	BRACKET,CYLINDER BLOCK ENG FR MOUNTING,LH	1			O	
	RP		ME241614	BRACKET,CYLINDER BLOCK ENG FR MOUNTING,LH	1			O	
	RP		ME241614	BRACKET,CYLINDER BLOCK ENG FR MOUNTING,LH	1			O	
	RP		ME241614	BRACKET,CYLINDER BLOCK ENG FR MOUNTING,LH	1			O	
	RP		ME241614	BRACKET,CYLINDER BLOCK ENG FR MOUNTING,LH	1			O	
	RP		ME241614	BRACKET,CYLINDER BLOCK ENG FR MOUNTING,LH	1			O	

Ref. |2011510

Page

FK74R
11-510 ENGINE MOUNTING & SUPPORT

SPN	Repl Part	PNC	Part No	Part Name	Qty	Part Spec	Remarks	PREV.1		
		02803R	ME240775	BRACKET,CYLINDER BLOCK ENG FR MOUNTING,RH	1					
			ME240775	BRACKET,CYLINDER BLOCK ENG FR MOUNTING,RH	1					
			ME240775	BRACKET,CYLINDER BLOCK ENG FR MOUNTING,RH	1					
			ME240775	BRACKET,CYLINDER BLOCK ENG FR MOUNTING,RH	1					
			ME240775	BRACKET,CYLINDER BLOCK ENG FR MOUNTING,RH	1					
			ME240775	BRACKET,CYLINDER BLOCK ENG FR MOUNTING,RH	1					
			ME240775	BRACKET,CYLINDER BLOCK ENG FR MOUNTING,RH	1					
			ME240775	BRACKET,CYLINDER BLOCK ENG FR MOUNTING,RH	1					
			ME240775	BRACKET,CYLINDER BLOCK ENG FR MOUNTING,RH	1					
			ME240775	BRACKET,CYLINDER BLOCK ENG FR MOUNTING,RH	1					
			ME240775	BRACKET,CYLINDER BLOCK ENG FR MOUNTING,RH	1					
			ME240775	BRACKET,CYLINDER BLOCK ENG FR MOUNTING,RH	1					
			02813B	MK466586	CUSHION,ENG MOUNTING	2				
				MK537734	CUSHION,ENG MOUNTING	2				
		MK537734		CUSHION,ENG MOUNTING	2					
		MK537734		CUSHION,ENG MOUNTING	2					
		MK537734		CUSHION,ENG MOUNTING	2					
		MK537734		CUSHION,ENG MOUNTING	2					
		MK537734		CUSHION,ENG MOUNTING	2					
		MK537734		CUSHION,ENG MOUNTING	2					
		MK537734		CUSHION,ENG MOUNTING	2					
		MK537734		CUSHION,ENG MOUNTING	2					
		MK537734		CUSHION,ENG MOUNTING	2					
		MK537734		CUSHION,ENG MOUNTING	2					

FK74R
11-510 ENGINE MOUNTING & SUPPORT

SPN	Repl Part	PNC	Part No	Part Name	Qty	Part Spec	Remarks	PREV.1	N
		02843	MK466284	STOPPER,ENG FR MOUNTING CUSHION	2				
			MK466284	STOPPER,ENG FR MOUNTING CUSHION	2				
			MK466284	STOPPER,ENG FR MOUNTING CUSHION	2				
			MK466284	STOPPER,ENG FR MOUNTING CUSHION	2				
			MK466284	STOPPER,ENG FR MOUNTING CUSHION	2				
			MK466284	STOPPER,ENG FR MOUNTING CUSHION	2				
			MK466284	STOPPER,ENG FR MOUNTING CUSHION	2				
			MK466284	STOPPER,ENG FR MOUNTING CUSHION	2				
			MK466284	STOPPER,ENG FR MOUNTING CUSHION	2				
			MK466284	STOPPER,ENG FR MOUNTING CUSHION	2				
			MK466284	STOPPER,ENG FR MOUNTING CUSHION	2				
			MK466284	STOPPER,ENG FR MOUNTING CUSHION	2				
		02847L	MK464980	SUPPORT,ENG RR MOUNTING,LH	1				
			MK464980	SUPPORT,ENG RR MOUNTING,LH	1				
			MK466223	SUPPORT,ENG RR MOUNTING,LH	1				
			MK466223	SUPPORT,ENG RR MOUNTING,LH	1				
			MK466223	SUPPORT,ENG RR MOUNTING,LH	1				
			MK466223	SUPPORT,ENG RR MOUNTING,LH	1				
			MK466223	SUPPORT,ENG RR MOUNTING,LH	1				
			MK466223	SUPPORT,ENG RR MOUNTING,LH	1				
			MK466223	SUPPORT,ENG RR MOUNTING,LH	1				
			MK466223	SUPPORT,ENG RR MOUNTING,LH	1				
			MK466223	SUPPORT,ENG RR MOUNTING,LH	1				
			MK466223	SUPPORT,ENG RR MOUNTING,LH	1				
			MK466223	SUPPORT,ENG RR MOUNTING,LH	1				
			MK466223	SUPPORT,ENG RR MOUNTING,LH	1				
			MK466223	SUPPORT,ENG RR MOUNTING,LH	1				
			MK466223	SUPPORT,ENG RR MOUNTING,LH	1				

FK74R
11-510 ENGINE MOUNTING & SUPPORT

SPN	Repl Part	PNC	Part No	Part Name	Qty	Part Spec	Remarks	PREV.1	N
		02847L	MK466223	SUPPORT,ENG RR MOUNTING,LH	1				
			MK464980	SUPPORT,ENG RR MOUNTING,LH	1				
			MK464980	SUPPORT,ENG RR MOUNTING,LH	1				
		02847R	MK464981	SUPPORT,ENG RR MOUNTING,RH	1				
			MK464981	SUPPORT,ENG RR MOUNTING,RH	1				
			MK466224	SUPPORT,ENG RR MOUNTING,RH	1				
			MK466224	SUPPORT,ENG RR MOUNTING,RH	1				
			MK466224	SUPPORT,ENG RR MOUNTING,RH	1				
			MK466224	SUPPORT,ENG RR MOUNTING,RH	1				
			MK466224	SUPPORT,ENG RR MOUNTING,RH	1				
			MK466224	SUPPORT,ENG RR MOUNTING,RH	1				
			MK466224	SUPPORT,ENG RR MOUNTING,RH	1				
			MK466224	SUPPORT,ENG RR MOUNTING,RH	1				
			MK466224	SUPPORT,ENG RR MOUNTING,RH	1				
			MK466224	SUPPORT,ENG RR MOUNTING,RH	1				
			MK466224	SUPPORT,ENG RR MOUNTING,RH	1				
			MK466224	SUPPORT,ENG RR MOUNTING,RH	1				
			MK466224	SUPPORT,ENG RR MOUNTING,RH	1				
			MK466224	SUPPORT,ENG RR MOUNTING,RH	1				
			MK466224	SUPPORT,ENG RR MOUNTING,RH	1				
			MK466224	SUPPORT,ENG RR MOUNTING,RH	1				
			MK466224	SUPPORT,ENG RR MOUNTING,RH	1				
			MK466224	SUPPORT,ENG RR MOUNTING,RH	1				
			MK466224	SUPPORT,ENG RR MOUNTING,RH	1				
			MK464981	SUPPORT,ENG RR MOUNTING,RH	1				
			MK464981	SUPPORT,ENG RR MOUNTING,RH	1				
			MK464981	SUPPORT,ENG RR MOUNTING,RH	1				
		02851	MK464974	SUPPORT,ENG RR MOUNTING,LWR	2				
		02852	MK464972	SUPPORT,ENG RR MOUNTING,UPR	1				
		02853L	MK466587	SUPPORT,CHASSIS FRAME ENG FR MOUNTING,LH	1				
		02853R	MK466588	SUPPORT,CHASSIS FRAME ENG FR MOUNTING,RH	1				

FK74R
11-510 ENGINE MOUNTING & SUPPORT

SPN	Repl Part	PNC	Part No	Part Name	Qty	Part Spec	Remarks	PREV.1	
		02880CD	MS146823	BOLT,ENG RR MOUNTING	2	FLANGE,12X30			
		02880D	MF140275	BOLT,ENG RR MOUNTING	2	FLANGE,10X85	7T		
SP		02891B	MH000713	BOLT,ENG MOUNTING	8	FLANGE,10X20			R
SP			MH000713	BOLT,ENG MOUNTING	8	FLANGE,10X20			R
SP			MH000713	BOLT,ENG MOUNTING	8	FLANGE,10X20			R
SP			MH000713	BOLT,ENG MOUNTING	8	FLANGE,10X20			R
SP			MH000713	BOLT,ENG MOUNTING	8	FLANGE,10X20			R
SP			MH000713	BOLT,ENG MOUNTING	8	FLANGE,10X20			R
SP			MH000713	BOLT,ENG MOUNTING	8	FLANGE,10X20			R
SP			MH000713	BOLT,ENG MOUNTING	8	FLANGE,10X20			R
SP			MH000713	BOLT,ENG MOUNTING	8	FLANGE,10X20			R
		02893L	ME222899	SPACER,ENG FR MOUNTING,LH	1				
			ME222899	SPACER,ENG FR MOUNTING,LH	1				
			ME222899	SPACER,ENG FR MOUNTING,LH	1				
			ME222899	SPACER,ENG FR MOUNTING,LH	1				
			ME222899	SPACER,ENG FR MOUNTING,LH	1				
		02893R	ME224333	SPACER,ENG FR MOUNTING,RH	1				
			ME224333	SPACER,ENG FR MOUNTING,RH	1				
			ME224333	SPACER,ENG FR MOUNTING,RH	1				
			ME224333	SPACER,ENG FR MOUNTING,RH	1				
			ME224333	SPACER,ENG FR MOUNTING,RH	1				
		02894B	MF200075	SCREW,ENG FR MOUNTING	2	MACHINE,6X12			
			MF200075	SCREW,ENG FR MOUNTING	2	MACHINE,6X12			

FK74R
11-510 ENGINE MOUNTING & SUPPORT

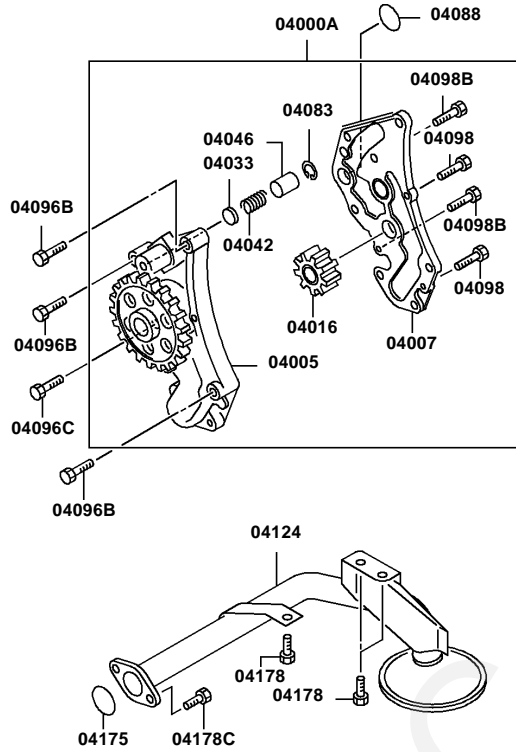
SPN	Repl Part	PNC	Part No	Part Name	Qty	Part Spec	Remarks	PREV.1	N
		02894B	MF200075	SCREW,ENG FR MOUNTING	2	MACHINE,6X12			
			MF200075	SCREW,ENG FR MOUNTING	2	MACHINE,6X12			
			MF200075	SCREW,ENG FR MOUNTING	2	MACHINE,6X12			
			MF200075	SCREW,ENG FR MOUNTING	2	MACHINE,6X12			
			MF200075	SCREW,ENG FR MOUNTING	2	MACHINE,6X12			
			MF200075	SCREW,ENG FR MOUNTING	2	MACHINE,6X12			
		02898B	MH004161	NUT,ENG FR MOUNTING	2	FLANGE,12	6T		
			MH004161	NUT,ENG FR MOUNTING	2	FLANGE,12	6T		
			MH004161	NUT,ENG FR MOUNTING	2	FLANGE,12	6T		
			MH004161	NUT,ENG FR MOUNTING	2	FLANGE,12	6T		
			MH004161	NUT,ENG FR MOUNTING	2	FLANGE,12	6T		
			MH004161	NUT,ENG FR MOUNTING	2	FLANGE,12	6T		
			MH004161	NUT,ENG FR MOUNTING	2	FLANGE,12	6T		
			MH004161	NUT,ENG FR MOUNTING	2	FLANGE,12	6T		
			MH004161	NUT,ENG FR MOUNTING	2	FLANGE,12	6T		
		02898C	MH004161	NUT,ENG FR MOUNTING	2	FLANGE,12	6T		
		02898E	MF434106	NUT,ENG FR MOUNTING	6	FLANGE,12	4T		
		02899B	MF140285	BOLT,ENG FR MOUNTING	4	FLANGE,12X30	7T		

FK74R
11-510 ENGINE MOUNTING & SUPPORT

SPN	Repl Part	PNC	Part No	Part Name	Qty	Part Spec	Remarks	PREV.1	N
		02899C	MF140281	BOLT,ENG FR MOUNTING	2	FLANGE,12X20	7T		
			MF140287	BOLT,ENG FR MOUNTING	2	FLANGE,12X35	7T		
		21843	MB932076	STOPPER,T/M MOUNTING ROLL STOPPER CUSHION	4				
		02875	(N.e.c.)	SPACER,ENG RR MOUNTING					

www.AutoEPC.com

FK74R
No.1



C 0 0 0 2 1

Ref. |2012110

Page

FK74R
12-110 OIL PUMP & STRAINER

SPN	PNC	Part No	Part Name	Qty	Part Spec	Remarks	NEW1	Classification	Option
	04000A	ME222053	OIL PUMP ASSY,ENG	1				K6,K6E,M6E	
		ME222053	OIL PUMP ASSY,ENG	1				G6,G6E,G6V, H6,H6E,H6V, H6VE,J6,J6E, J6V,J6VE,K6, K6E,K6V,K6VE, M6,M6E,M6VE	
		ME222053	OIL PUMP ASSY,ENG	1				G6E,G6V,H6V, H6VE,J6V,J6VE, K6V,K6VE,M6, M6VE	
		ME222053	OIL PUMP ASSY,ENG	1				G6,G6E,G6V, H6,H6E,H6V, H6VE,J6,J6E, J6V,J6VE,K6, K6E,K6V,K6VE, M6,M6E,M6VE	
		ME222053	OIL PUMP ASSY,ENG	1				G6,H6,H6E, J6,J6E	
		ME222053	OIL PUMP ASSY,ENG	1				G6,H6,H6E, J6,J6E,K6, K6E,M6E	14C,1C0,1XS, 1XT,1XX,1XY
		ME222053	OIL PUMP ASSY,ENG	1				G6,H6,H6E, J6,J6E	1SP,1XU,1XZ
		ME222053	OIL PUMP ASSY,ENG	1				G6,H6,H6E, J6,J6E	
		ME222053	OIL PUMP ASSY,ENG	1				G6,H6,H6E, J6,J6E,K6, K6E,M6E	
		ME222053	OIL PUMP ASSY,ENG	1				K6,K6E,M6E	
		ME222053	OIL PUMP ASSY,ENG	1				G6V,H6V,H6VE, J6V,J6VE,K6VE	

Ref. |2012110

Page

FK74R
12-110 OIL PUMP & STRAINER

SPN	PNC	Part No	Part Name	Qty	Part Spec	Remarks	NEW1	Classification	Option		
04005	04005	ME224437	GEAR & CASE KIT,ENG OIL PUMP	1				K6,K6E,M6E			
		ME224437	GEAR & CASE KIT,ENG OIL PUMP	1				G6,G6E,G6V, H6,H6E,H6V, H6VE,J6,J6E, J6V,J6VE,K6, K6E,K6V,K6VE, M6,M6E,M6VE			
		ME224437	GEAR & CASE KIT,ENG OIL PUMP	1				G6E,G6V,H6V, H6VE,J6V,J6VE, K6V,K6VE,M6, M6VE			
		ME224437	GEAR & CASE KIT,ENG OIL PUMP	1				G6,G6E,G6V, H6,H6E,H6V, H6VE,J6,J6E, J6V,J6VE,K6, K6E,K6V,K6VE, M6,M6E,M6VE			
		ME224437	GEAR & CASE KIT,ENG OIL PUMP	1				G6,H6,H6E, J6,J6E			
		ME224437	GEAR & CASE KIT,ENG OIL PUMP	1				G6,H6,H6E, J6,J6E,K6, K6E,M6E	14C,1C0,1XS, 1XT,1XX,1XY		
		ME224437	GEAR & CASE KIT,ENG OIL PUMP	1				G6,H6,H6E, J6,J6E	1SP,1XU,1XZ		
		ME224437	GEAR & CASE KIT,ENG OIL PUMP	1				G6,H6,H6E, J6,J6E			
		ME224437	GEAR & CASE KIT,ENG OIL PUMP	1				G6,H6,H6E, J6,J6E,K6, K6E,M6E			
		ME224437	GEAR & CASE KIT,ENG OIL PUMP	1				K6,K6E,M6E			
		ME224437	GEAR & CASE KIT,ENG OIL PUMP	1				G6V,H6V,H6VE, J6V,J6VE,K6VE			
		04007	04007	ME224439	COVER,ENG OIL PUMP	1				K6,K6E,M6E	
				ME224439	COVER,ENG OIL PUMP	1				G6,G6E,G6V, H6,H6E,H6V, H6VE,J6,J6E, J6V,J6VE,K6, K6E,K6V,K6VE, M6,M6E,M6VE	
				ME224439	COVER,ENG OIL PUMP	1				G6E,G6V,H6V, H6VE,J6V,J6VE, K6V,K6VE,M6, M6VE	
				ME224439	COVER,ENG OIL PUMP	1				G6,G6E,G6V, H6,H6E,H6V, H6VE,J6,J6E, J6V,J6VE,K6, K6E,K6V,K6VE, M6,M6E,M6VE	
				ME224439	COVER,ENG OIL PUMP	1				G6,H6,H6E, J6,J6E	
				ME224439	COVER,ENG OIL PUMP	1				G6,H6,H6E, J6,J6E,K6, K6E,M6E	14C,1C0,1XS, 1XT,1XX,1XY
				ME224439	COVER,ENG OIL PUMP	1				G6,H6,H6E, J6,J6E	1SP,1XU,1XZ
				ME224439	COVER,ENG OIL PUMP	1				G6,H6,H6E, J6,J6E	
ME224439	COVER,ENG OIL PUMP			1				G6,H6,H6E, J6,J6E,K6, K6E,M6E			
ME224439	COVER,ENG OIL PUMP			1				K6,K6E,M6E			
04016	04016	ME224438	GEAR,ENG OIL PUMP DRIVEN	1				G6V,H6V,H6VE, J6V,J6VE,K6VE			
		ME224438	GEAR,ENG OIL PUMP DRIVEN	1				K6,K6E,M6E G6,G6E,G6V, H6,H6E,H6V, H6VE,J6,J6E, J6V,J6VE,K6, K6E,K6V,K6VE, M6,M6E,M6VE			

FK74R
12-110 OIL PUMP & STRAINER

SPN	PNC	Part No	Part Name	Qty	Part Spec	Remarks	NEW1	Classification	Option
	04016	ME224438	GEAR,ENG OIL PUMP DRIVEN	1				G6E,G6V,H6V, H6VE,J6V,J6VE, K6V,K6VE,M6, M6VE	
		ME224438	GEAR,ENG OIL PUMP DRIVEN	1				G6,G6E,G6V, H6,H6E,H6V, H6VE,J6,J6E, J6V,J6VE,K6, K6E,K6V,K6VE, M6,M6E,M6VE	
		ME224438	GEAR,ENG OIL PUMP DRIVEN	1				G6,H6,H6E, J6,J6E	
		ME224438	GEAR,ENG OIL PUMP DRIVEN	1				G6,H6,H6E, J6,J6E,K6, K6E,M6E	14C,1C0,1XS, 1XT,1XX,1XY
		ME224438	GEAR,ENG OIL PUMP DRIVEN	1				G6,H6,H6E, J6,J6E	1SP,1XU,1XZ
		ME224438	GEAR,ENG OIL PUMP DRIVEN	1				G6,H6,H6E, J6,J6E	
		ME224438	GEAR,ENG OIL PUMP DRIVEN	1				G6,H6,H6E, J6,J6E,K6, K6E,M6E	
		ME224438	GEAR,ENG OIL PUMP DRIVEN	1				K6,K6E,M6E	
		ME224438	GEAR,ENG OIL PUMP DRIVEN	1				G6V,H6V,H6VE, J6V,J6VE,K6VE	
	04033	ME013080	SEAT,ENG OIL PUMP RELIEF VALVE	1				K6,K6E,M6E	
		ME013080	SEAT,ENG OIL PUMP RELIEF VALVE	1				G6,G6E,G6V, H6,H6E,H6V, H6VE,J6,J6E, J6V,J6VE,K6, K6E,K6V,K6VE, M6,M6E,M6VE	
		ME013080	SEAT,ENG OIL PUMP RELIEF VALVE	1				G6,G6E,G6V, H6,H6E,H6V, H6VE,J6,J6E, J6V,J6VE,K6, K6E,K6V,K6VE, M6,M6E,M6VE	
		ME013080	SEAT,ENG OIL PUMP RELIEF VALVE	1				G6,H6,H6E, J6,J6E	14C,1C0,1XS, 1XT,1XX,1XY
		ME013080	SEAT,ENG OIL PUMP RELIEF VALVE	1				G6,H6,H6E, J6,J6E	1SP,1XU,1XZ
		ME013080	SEAT,ENG OIL PUMP RELIEF VALVE	1				G6,H6,H6E, J6,J6E	
		ME013080	SEAT,ENG OIL PUMP RELIEF VALVE	1				G6,H6,H6E, J6,J6E,K6, K6E,M6E	
		ME013080	SEAT,ENG OIL PUMP RELIEF VALVE	1				K6,K6E,M6E	
		ME013080	SEAT,ENG OIL PUMP RELIEF VALVE	1				G6V,H6V,H6VE, J6V,J6VE,K6VE	
	04042	ME224400	SPRING,ENG OIL PUMP RELIEF VALVE	1				K6,K6E,M6E	
		ME224400	SPRING,ENG OIL PUMP RELIEF VALVE	1				G6,G6E,G6V, H6,H6E,H6V, H6VE,J6,J6E, J6V,J6VE,K6, K6E,K6V,K6VE, M6,M6E,M6VE	
		ME224400	SPRING,ENG OIL PUMP RELIEF VALVE	1				G6E,G6V,H6V, H6VE,J6V,J6VE, K6V,K6VE,M6, M6VE	

FK74R
12-110 OIL PUMP & STRAINER

SPN	PNC	Part No	Part Name	Qty	Part Spec	Remarks	NEW1	Classification	Option
	04042	ME224400	SPRING,ENG OIL PUMP RELIEF VALVE	1				G6,G6E,G6V, H6,H6E,H6V, H6VE,J6,J6E, J6V,J6VE,K6, K6E,K6V,K6VE, M6,M6E,M6VE	
		ME224400	SPRING,ENG OIL PUMP RELIEF VALVE	1				G6,H6,H6E, J6,J6E	
		ME224400	SPRING,ENG OIL PUMP RELIEF VALVE	1				G6,H6,H6E, J6,J6E,K6, K6E,M6E	14C,1C0,1XS, 1XT,1XX,1XY
		ME224400	SPRING,ENG OIL PUMP RELIEF VALVE	1				G6,H6,H6E, J6,J6E	1SP,1XU,1XZ
		ME224400	SPRING,ENG OIL PUMP RELIEF VALVE	1				G6,H6,H6E, J6,J6E	
		ME224400	SPRING,ENG OIL PUMP RELIEF VALVE	1				G6,H6,H6E, J6,J6E,K6, K6E,M6E	
		ME224400	SPRING,ENG OIL PUMP RELIEF VALVE	1				K6,K6E,M6E	
		ME224400	SPRING,ENG OIL PUMP RELIEF VALVE	1				G6V,H6V,H6VE, J6V,J6VE,K6VE	
	04046	ME014473	VALVE,ENG OIL PUMP RELIEF	1				K6,K6E,M6E	
		ME014473	VALVE,ENG OIL PUMP RELIEF	1				G6,G6E,G6V, H6,H6E,H6V, H6VE,J6,J6E, J6V,J6VE,K6, K6E,K6V,K6VE, M6,M6E,M6VE	
		ME014473	VALVE,ENG OIL PUMP RELIEF	1				G6E,G6V,H6V, H6VE,J6V,J6VE, K6V,K6VE,M6, M6VE	
		ME014473	VALVE,ENG OIL PUMP RELIEF	1				G6,G6E,G6V, H6,H6E,H6V, H6VE,J6,J6E, J6V,J6VE,K6, K6E,K6V,K6VE, M6,M6E,M6VE	
		ME014473	VALVE,ENG OIL PUMP RELIEF	1				G6,H6,H6E, J6,J6E	14C,1C0,1XS, 1XT,1XX,1XY
		ME014473	VALVE,ENG OIL PUMP RELIEF	1				G6,H6,H6E, J6,J6E	1SP,1XU,1XZ
		ME014473	VALVE,ENG OIL PUMP RELIEF	1				G6,H6,H6E, J6,J6E	
		ME014473	VALVE,ENG OIL PUMP RELIEF	1				G6,H6,H6E, J6,J6E,K6, K6E,M6E	
		ME014473	VALVE,ENG OIL PUMP RELIEF	1				K6,K6E,M6E	
		ME014473	VALVE,ENG OIL PUMP RELIEF	1				G6V,H6V,H6VE, J6V,J6VE,K6VE	
	04083	MF522207	SNAP RING,ENG OIL PUMP INR	1				K6,K6E,M6E	
		MF522207	SNAP RING,ENG OIL PUMP INR	1				G6,G6E,G6V, H6,H6E,H6V, H6VE,J6,J6E, J6V,J6VE,K6, K6E,K6V,K6VE, M6,M6E,M6VE	
		MF522207	SNAP RING,ENG OIL PUMP INR	1				G6E,G6V,H6V, H6VE,J6V,J6VE, K6V,K6VE,M6, M6VE	
		MF522207	SNAP RING,ENG OIL PUMP INR	1				G6,G6E,G6V, H6,H6E,H6V, H6VE,J6,J6E, J6V,J6VE,K6, K6E,K6V,K6VE, M6,M6E,M6VE	
		MF522207	SNAP RING,ENG OIL PUMP INR	1				G6,H6,H6E, J6,J6E	

FK74R
12-110 OIL PUMP & STRAINER

SPN	PNC	Part No	Part Name	Qty	Part Spec	Remarks	NEW1	Classification	Option
	04083	MF522207	SNAP RING,ENG OIL PUMP INR	1				G6,H6,H6E, J6,J6E,K6, K6E,M6E	14C,1C0,1XS, 1XT,1XX,1XY
		MF522207	SNAP RING,ENG OIL PUMP INR	1				G6,H6,H6E, J6,J6E	1SP,1XU,1XZ
		MF522207	SNAP RING,ENG OIL PUMP INR	1				G6,H6,H6E, J6,J6E	
		MF522207	SNAP RING,ENG OIL PUMP INR	1				G6,H6,H6E, J6,J6E,K6, K6E,M6E	
		MF522207	SNAP RING,ENG OIL PUMP INR	1				K6,K6E,M6E	
		MF522207	SNAP RING,ENG OIL PUMP INR	1				G6V,H6V,H6VE, J6V,J6VE,K6VE	
	04088	MF520581	O-RING,ENG OIL PUMP	1	D=25			K6,K6E,M6E	
		MF520581	O-RING,ENG OIL PUMP	1	D=25			G6,G6E,G6V, H6,H6E,H6V, H6VE,J6,J6E, J6V,J6VE,K6, K6E,K6V,K6VE, M6,M6E,M6VE	
		MF520581	O-RING,ENG OIL PUMP	1	D=25			G6E,G6V,H6V, H6VE,J6V,J6VE, K6V,K6VE,M6, M6VE	
		MF520581	O-RING,ENG OIL PUMP	1	D=25			G6,G6E,G6V, H6,H6E,H6V, H6VE,J6,J6E, J6V,J6VE,K6, K6E,K6V,K6VE, M6,M6E,M6VE	
		MF520581	O-RING,ENG OIL PUMP	1	D=25			G6,H6,H6E, J6,J6E	14C,1C0,1XS, 1XT,1XX,1XY
		MF520581	O-RING,ENG OIL PUMP	1	D=25			K6E,M6E	
		MF520581	O-RING,ENG OIL PUMP	1	D=25			G6,H6,H6E, J6,J6E	1SP,1XU,1XZ
		MF520581	O-RING,ENG OIL PUMP	1	D=25			G6,H6,H6E, J6,J6E	
		MF520581	O-RING,ENG OIL PUMP	1	D=25			G6,H6,H6E, J6,J6E,K6, K6E,M6E	
		MF520581	O-RING,ENG OIL PUMP	1	D=25			K6,K6E,M6E	
		MF520581	O-RING,ENG OIL PUMP	1	D=25			G6V,H6V,H6VE, J6V,J6VE,K6VE	
SP	04096B	MF140435	BOLT,ENG OIL PUMP	3	FLANGE,8X50	8T	R	G6E,K6V,M6, M6VE	
SP		MF140435	BOLT,ENG OIL PUMP	3	FLANGE,8X50	8T	R	G6,H6,H6E, J6,J6E	
SP		MF140435	BOLT,ENG OIL PUMP	3	FLANGE,8X50	8T	R	G6,G6E,G6V, H6,H6E,H6V, H6VE,J6,J6E, J6V,J6VE,K6, K6E,K6V,K6VE, M6,M6E,M6VE	
SP		MF140435	BOLT,ENG OIL PUMP	3	FLANGE,8X50	8T	R	G6,G6E,G6V, H6,H6E,H6V, H6VE,J6,J6E, J6V,J6VE,K6, K6E,K6V,K6VE, M6,M6E,M6VE	
SP		MF140435	BOLT,ENG OIL PUMP	3	FLANGE,8X50	8T	R	K6,K6E,M6E	
SP		MF140435	BOLT,ENG OIL PUMP	3	FLANGE,8X50	8T	R	G6V,H6V,H6VE, J6V,J6VE,K6VE	
SP		MF140435	BOLT,ENG OIL PUMP	3	FLANGE,8X50	8T	R	G6,G6V,H6, H6E,H6V,H6VE, J6,J6E,J6V, J6VE,K6,K6E, K6VE,M6E	14C,1C0
SP		MF140435	BOLT,ENG OIL PUMP	3	FLANGE,8X50	8T	R	G6,H6,H6E, J6,J6E	1SP,1XU,1XZ

FK74R
12-110 OIL PUMP & STRAINER

SPN SP	PNC	Part No	Part Name	Qty	Part Spec	Remarks	NEW1	Classification	Option
	04096B	MF140435	BOLT,ENG OIL PUMP	3	FLANGE,8X50	8T	R	G6,H6,H6E, J6,J6E,K6, K6E,M6E	1XS,1XT,1XX 1XY
	04096C	MF140427	BOLT,ENG OIL PUMP	1	FLANGE,8X25	8T		G6E,K6V,M6, M6VE	
		MF140427	BOLT,ENG OIL PUMP	1	FLANGE,8X25	8T		G6,H6,H6E, J6,J6E	
		MF140427	BOLT,ENG OIL PUMP	1	FLANGE,8X25	8T		G6,G6E,G6V, H6,H6E,H6V, H6VE,J6,J6E, J6V,J6VE,K6, K6E,K6V,K6VE, M6,M6E,M6VE	
		MF140427	BOLT,ENG OIL PUMP	1	FLANGE,8X25	8T		G6,G6E,G6V, H6,H6E,H6V, H6VE,J6,J6E, J6V,J6VE,K6, K6E,K6V,K6VE, M6,M6E,M6VE	
		MF140427	BOLT,ENG OIL PUMP	1	FLANGE,8X25	8T		K6,K6E,M6E	
		MF140427	BOLT,ENG OIL PUMP	1	FLANGE,8X25	8T		G6V,H6V,H6VE, J6V,J6VE,K6VE	
		MF140427	BOLT,ENG OIL PUMP	1	FLANGE,8X25	8T		G6,G6V,H6, H6E,H6V,H6VE, J6,J6E,J6V, J6VE,K6,K6E, K6VE,M6E	14C,1C0
		MF140427	BOLT,ENG OIL PUMP	1	FLANGE,8X25	8T		G6,H6,H6E, J6,J6E	1SP,1XU,1XZ
		MF140427	BOLT,ENG OIL PUMP	1	FLANGE,8X25	8T		G6,H6,H6E, J6,J6E,K6, K6E,M6E	1XS,1XT,1XX 1XY
	04098	MF140207	BOLT,ENG OIL PUMP INR	2	FLANGE,6X20	7T		G6E,K6V,M6, M6VE	
		MF140207	BOLT,ENG OIL PUMP INR	2	FLANGE,6X20	7T		G6,H6,H6E, J6,J6E	
		MF140207	BOLT,ENG OIL PUMP INR	2	FLANGE,6X20	7T		G6,G6E,G6V, H6,H6E,H6V, H6VE,J6,J6E, J6V,J6VE,K6, K6E,K6V,K6VE, M6,M6E,M6VE	
		MF140207	BOLT,ENG OIL PUMP INR	2	FLANGE,6X20	7T		G6,G6E,G6V, H6,H6E,H6V, H6VE,J6,J6E, J6V,J6VE,K6, K6E,K6V,K6VE, M6,M6E,M6VE	
		MF140207	BOLT,ENG OIL PUMP INR	2	FLANGE,6X20	7T		K6,K6E,M6E	
		MF140207	BOLT,ENG OIL PUMP INR	2	FLANGE,6X20	7T		G6V,H6V,H6VE, J6V,J6VE,K6VE	
		MF140207	BOLT,ENG OIL PUMP INR	2	FLANGE,6X20	7T		G6,G6V,H6, H6E,H6V,H6VE, J6,J6E,J6V, J6VE,K6,K6E, K6VE,M6E	14C,1C0
		MF140207	BOLT,ENG OIL PUMP INR	2	FLANGE,6X20	7T		G6,H6,H6E, J6,J6E	1SP,1XU,1XZ
		MF140207	BOLT,ENG OIL PUMP INR	2	FLANGE,6X20	7T		G6,H6,H6E, J6,J6E,K6, K6E,M6E	1XS,1XT,1XX 1XY
	04098B	MF140209	BOLT,ENG OIL PUMP INR	2	FLANGE,6X25	7T		G6E,K6V,M6, M6VE	
		MF140209	BOLT,ENG OIL PUMP INR	2	FLANGE,6X25	7T		G6,H6,H6E, J6,J6E	
		MF140209	BOLT,ENG OIL PUMP INR	2	FLANGE,6X25	7T		G6,G6E,G6V, H6,H6E,H6V, H6VE,J6,J6E, J6V,J6VE,K6, K6E,K6V,K6VE, M6,M6E,M6VE	

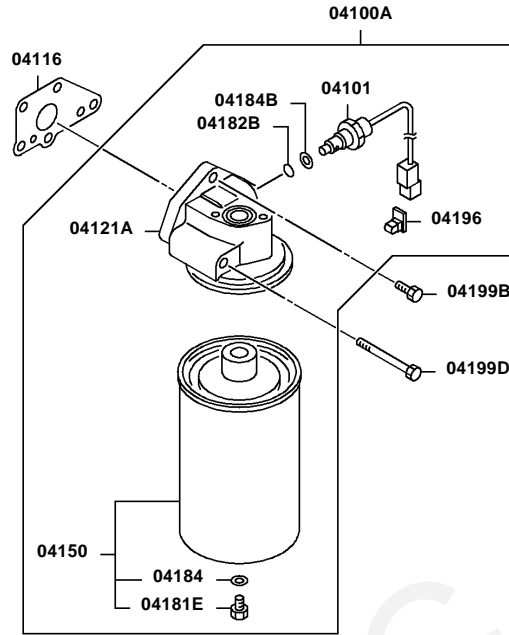
FK74R
12-110 OIL PUMP & STRAINER

SPN	PNC	Part No	Part Name	Qty	Part Spec	Remarks	NEW1	Classification	Option
	04098B	MF140209	BOLT,ENG OIL PUMP INR	2	FLANGE,6X25	7T		G6,G6E,G6V, H6,H6E,H6V, H6VE,J6,J6E, J6V,J6VE,K6, K6E,K6V,K6VE, M6,M6E,M6VE	
		MF140209	BOLT,ENG OIL PUMP INR	2	FLANGE,6X25	7T		K6,K6E,M6E	
		MF140209	BOLT,ENG OIL PUMP INR	2	FLANGE,6X25	7T		G6V,H6V,H6VE, J6V,J6VE,K6VE	
		MF140209	BOLT,ENG OIL PUMP INR	2	FLANGE,6X25	7T		G6,G6V,H6, H6E,H6V,H6VE, J6,J6E,J6V, J6VE,K6,K6E, K6VE,M6E	14C,1C0
		MF140209	BOLT,ENG OIL PUMP INR	2	FLANGE,6X25	7T		G6,H6,H6E, J6,J6E	1SP,1XU,1XZ
		MF140209	BOLT,ENG OIL PUMP INR	2	FLANGE,6X25	7T		G6,H6,H6E, J6,J6E,K6, K6E,M6E	1XS,1XT,1XX, 1XY
	04124	ME224124	STRAINER,ENG OIL PAN	1				K6,K6E,M6E	
		ME224124	STRAINER,ENG OIL PAN	1				G6,G6E,G6V, H6,H6E,H6V, H6VE,J6,J6E, J6V,J6VE,K6, K6E,K6V,K6VE, M6,M6E,M6VE	
		ME224124	STRAINER,ENG OIL PAN	1				G6E,G6V,H6V, H6VE,J6V,J6VE, K6V,K6VE,M6, M6VE	
		ME224124	STRAINER,ENG OIL PAN	1				G6,G6E,G6V, H6,H6E,H6V, H6VE,J6,J6E, J6V,J6VE,K6, K6E,K6V,K6VE, M6,M6E,M6VE	
		ME224124	STRAINER,ENG OIL PAN	1				G6,H6,H6E, J6,J6E	14C,1C0,1XS, 1XT,1XX,1XY
		ME224124	STRAINER,ENG OIL PAN	1				G6,H6,H6E, J6,J6E	1SP,1XU,1XZ
		ME224124	STRAINER,ENG OIL PAN	1				G6,H6,H6E, J6,J6E	
		ME224124	STRAINER,ENG OIL PAN	1				G6,H6,H6E, J6,J6E,K6, K6E,M6E	
		ME224124	STRAINER,ENG OIL PAN	1				K6,K6E,M6E	
		ME224124	STRAINER,ENG OIL PAN	1				G6V,H6V,H6VE, J6V,J6VE,K6VE	
	04175	MH035243	O-RING,OIL STRAINER	1	D=29.7			K6,K6E,M6E	
		MH035243	O-RING,OIL STRAINER	1	D=29.7			G6,G6E,G6V, H6,H6E,H6V, H6VE,J6,J6E, J6V,J6VE,K6, K6E,K6V,K6VE, M6,M6E,M6VE	
		MH035243	O-RING,OIL STRAINER	1	D=29.7			G6E,G6V,H6V, H6VE,J6V,J6VE, K6V,K6VE,M6, M6VE	
		MH035243	O-RING,OIL STRAINER	1	D=29.7			G6,G6E,G6V, H6,H6E,H6V, H6VE,J6,J6E, J6V,J6VE,K6, K6E,K6V,K6VE, M6,M6E,M6VE	
		MH035243	O-RING,OIL STRAINER	1	D=29.7			G6,H6,H6E, J6,J6E	
		MH035243	O-RING,OIL STRAINER	1	D=29.7			G6,H6,H6E, J6,J6E,K6, K6E,M6E	14C,1C0,1XS, 1XT,1XX,1XY

FK74R
12-110 OIL PUMP & STRAINER

SPN	PNC	Part No	Part Name	Qty	Part Spec	Remarks	NEW1	Classification	Option
	04175	MH035243	O-RING,OIL STRAINER	1	D=29.7			G6,H6,H6E, J6,J6E	1SP,1XU,1XZ
		MH035243	O-RING,OIL STRAINER	1	D=29.7			G6,H6,H6E, J6,J6E	
		MH035243	O-RING,OIL STRAINER	1	D=29.7			G6,H6,H6E, J6,J6E,K6, K6E,M6E	
		MH035243	O-RING,OIL STRAINER	1	D=29.7			K6,K6E,M6E	
		MH035243	O-RING,OIL STRAINER	1	D=29.7			G6V,H6V,H6VE, J6V,J6VE,K6VE	
	04178	MF140222	BOLT,OIL STRAINER	3	FLANGE,8X14	7T		G6E,K6V,M6, M6VE	
		MF140222	BOLT,OIL STRAINER	3	FLANGE,8X14	7T		G6,H6,H6E, J6,J6E	
		MF140222	BOLT,OIL STRAINER	3	FLANGE,8X14	7T		G6,G6E,G6V, H6,H6E,H6V, H6VE,J6,J6E, J6V,J6VE,K6, K6E,K6V,K6VE, M6,M6E,M6VE	
		MF140222	BOLT,OIL STRAINER	3	FLANGE,8X14	7T		G6,G6E,G6V, H6,H6E,H6V, H6VE,J6,J6E, J6V,J6VE,K6, K6E,K6V,K6VE, M6,M6E,M6VE	14C,1C0
		MF140222	BOLT,OIL STRAINER	3	FLANGE,8X14	7T		K6,K6E,M6E	
		MF140222	BOLT,OIL STRAINER	3	FLANGE,8X14	7T		G6V,H6V,H6VE, J6V,J6VE,K6VE	
		MF140222	BOLT,OIL STRAINER	3	FLANGE,8X14	7T		G6,G6V,H6, H6E,H6V,H6VE, J6,J6E,J6V, J6VE,K6,K6E, K6VE,M6E	1SP,1XU,1XZ
		MF140222	BOLT,OIL STRAINER	3	FLANGE,8X14	7T		G6,H6,H6E, J6,J6E	1XS,1XT,1XX 1XY
	04178C	MF140229	BOLT,OIL STRAINER	2	FLANGE,8X30	7T		G6,H6,H6E, J6,J6E	
		MF140229	BOLT,OIL STRAINER	2	FLANGE,8X30	7T		G6,G6E,G6V, H6,H6E,H6V, H6VE,J6,J6E, J6V,J6VE,K6, K6E,K6V,K6VE, M6,M6E,M6VE	
		MF140229	BOLT,OIL STRAINER	2	FLANGE,8X30	7T		G6,H6,H6E, J6,J6E	
		MF140229	BOLT,OIL STRAINER	2	FLANGE,8X30	7T		G6,G6E,G6V, H6,H6E,H6V, H6VE,J6,J6E, J6V,J6VE,K6, K6E,K6V,K6VE, M6,M6E,M6VE	14C,1C0
		MF140229	BOLT,OIL STRAINER	2	FLANGE,8X30	7T		K6,K6E,M6E	
		MF140229	BOLT,OIL STRAINER	2	FLANGE,8X30	7T		G6V,H6V,H6VE, J6V,J6VE,K6VE	
		MF140229	BOLT,OIL STRAINER	2	FLANGE,8X30	7T		G6,G6V,H6, H6E,H6V,H6VE, J6,J6E,J6V, J6VE,K6,K6E, K6VE,M6E	1SP,1XU,1XZ
		MF140229	BOLT,OIL STRAINER	2	FLANGE,8X30	7T		G6,H6,H6E, J6,J6E	1XS,1XT,1XX 1XY
		MF140229	BOLT,OIL STRAINER	2	FLANGE,8X30	7T		G6,H6,H6E, J6,J6E,K6, K6E,M6E	

FK74R
No.1



C 0 0 0 0 8

Ref. |2012120

Page

FK74R
12-120 OIL FILTER

Repl Part	PNC	Part No	Part Name	Qty	Part Spec	PREV.2	PREV.1	Classification	Option
	04100A	ME303418	OIL FILTER & HEAD ASSY	1	SPIN ON TYPE			G6,G6E,H6, H6E,J6,J6E, K6,K6E,M6, M6E	
		ME225585	OIL FILTER & HEAD ASSY	1	SPIN ON TYPE			K6,K6E,M6E	
		ME225585	OIL FILTER & HEAD ASSY	1	SPIN ON TYPE			G6,G6V,H6, H6E,H6V,H6VE, J6,J6E,J6V, J6VE,K6,K6E, K6V,K6VE,M6E, M6VE	
		ME225585	OIL FILTER & HEAD ASSY	1	SPIN ON TYPE			G6V,H6V,H6VE, J6V,J6VE,K6V, K6VE,M6VE	
		ME225585	OIL FILTER & HEAD ASSY	1	SPIN ON TYPE			G6,G6V,H6, H6E,H6V,H6VE, J6,J6E,J6V, J6VE,K6,K6E, K6V,K6VE,M6E, M6VE	
		ME225585	OIL FILTER & HEAD ASSY	1	SPIN ON TYPE			G6,H6,H6E, J6,J6E	
		ME226088	OIL FILTER & HEAD ASSY	1	SPIN ON TYPE			G6,H6,H6E, J6,J6E,K6, K6E,M6E	14C,1C0,1XS, 1XT,1XX,1XY
		ME226088	OIL FILTER & HEAD ASSY	1	SPIN ON TYPE			G6,H6,H6E, J6,J6E	1SP,1XU,1XZ
		ME226088	OIL FILTER & HEAD ASSY	1	SPIN ON TYPE			G6,H6,H6E, J6,J6E	
		ME226088	OIL FILTER & HEAD ASSY	1	SPIN ON TYPE			K6,K6E,M6E	

Ref. |2012120

Page

FK74R
12-120 OIL FILTER

Repl Part	PNC	Part No	Part Name	Qty	Part Spec	PREV.2	PREV.1	Classification	Option
	04100A	ME226088	OIL FILTER & HEAD ASSY	1	SPIN ON TYPE			G6,H6,H6E, J6,J6E,K6, K6E,M6E	
		ME226088	OIL FILTER & HEAD ASSY	1	SPIN ON TYPE			G6V,H6V,H6VE, J6V,J6VE,K6VE	
	04101	ME303419	SWITCH,OIL FILTER BY-PASS	1				G6,G6E,H6, H6E,J6,J6E, K6,K6E,M6, M6E	
		ME225586	SWITCH,OIL FILTER BY-PASS	1				K6,K6E,M6E	
		ME225586	SWITCH,OIL FILTER BY-PASS	1				G6,G6V,H6, H6E,H6V,H6VE, J6,J6E,J6V, J6VE,K6,K6E, K6V,K6VE,M6E, M6VE	
		ME225586	SWITCH,OIL FILTER BY-PASS	1				G6V,H6V,H6VE, J6V,J6VE,K6V, K6VE,M6VE	
		ME225586	SWITCH,OIL FILTER BY-PASS	1				G6,G6V,H6, H6E,H6V,H6VE, J6,J6E,J6V, J6VE,K6,K6E, K6V,K6VE,M6E, M6VE	
		ME225586	SWITCH,OIL FILTER BY-PASS	1				G6,H6,H6E, J6,J6E	
		ME225799	SWITCH,OIL FILTER BY-PASS	1				G6,H6,H6E, J6,J6E,K6, K6E,M6E	14C,1C0,1XS, 1XT,1XX,1XY
		ME225799	SWITCH,OIL FILTER BY-PASS	1				G6,H6,H6E, J6,J6E	1SP,1XU,1XZ
		ME225799	SWITCH,OIL FILTER BY-PASS	1				G6,H6,H6E, J6,J6E	
		ME225799	SWITCH,OIL FILTER BY-PASS	1				K6,K6E,M6E	
		ME225799	SWITCH,OIL FILTER BY-PASS	1				G6,H6,H6E, J6,J6E,K6, K6E,M6E	
		ME225799	SWITCH,OIL FILTER BY-PASS	1				G6V,H6V,H6VE, J6V,J6VE,K6VE	
	04116	ME224084	GASKET,OIL FILTER HEAD	1	D=30			K6,K6E,M6E	
		ME224084	GASKET,OIL FILTER HEAD	1	D=30			G6,G6E,G6V, H6,H6E,H6V, H6VE,J6,J6E, J6V,J6VE,K6, K6E,K6V,K6VE, M6,M6E,M6VE	
		ME224084	GASKET,OIL FILTER HEAD	1	D=30			G6E,G6V,H6V, H6VE,J6V,J6VE, K6V,K6VE,M6, M6VE	
		ME224084	GASKET,OIL FILTER HEAD	1	D=30			G6,G6E,G6V, H6,H6E,H6V, H6VE,J6,J6E, J6V,J6VE,K6, K6E,K6V,K6VE, M6,M6E,M6VE	
		ME224084	GASKET,OIL FILTER HEAD	1	D=30			G6,H6,H6E, J6,J6E	
		ME226564	GASKET,OIL FILTER HEAD	1				G6,H6,H6E, J6,J6E,K6, K6E,M6E	14C,1C0,1XS, 1XT,1XX,1XY
		ME226564	GASKET,OIL FILTER HEAD	1				G6,H6,H6E, J6,J6E	1SP,1XU,1XZ
		ME226564	GASKET,OIL FILTER HEAD	1				G6,H6,H6E, J6,J6E	
		ME226564	GASKET,OIL FILTER HEAD	1				G6,H6,H6E, J6,J6E,K6, K6E,M6E	
		ME226564	GASKET,OIL FILTER HEAD	1				K6,K6E,M6E	
		ME226564	GASKET,OIL FILTER HEAD	1				G6V,H6V,H6VE, J6V,J6VE,K6VE	
	04121A	ME223817	HEAD ASSY,OIL FILTER	1				K6,K6E,M6E	

FK74R
12-120 OIL FILTER

Repl Part	PNC	Part No	Part Name	Qty	Part Spec	PREV.2	PREV.1	Classification	Option
	04121A	ME223817	HEAD ASSY,OIL FILTER	1				G6,G6E,G6V, H6,H6E,H6V, H6VE,J6,J6E, J6V,J6VE,K6, K6E,K6V,K6VE, M6,M6E,M6VE	
		ME223817	HEAD ASSY,OIL FILTER	1				G6E,G6V,H6V, H6VE,J6V,J6VE, K6V,K6VE,M6, M6VE	
		ME223817	HEAD ASSY,OIL FILTER	1				G6,G6E,G6V, H6,H6E,H6V, H6VE,J6,J6E, J6V,J6VE,K6, K6E,K6V,K6VE, M6,M6E,M6VE	
		ME223817	HEAD ASSY,OIL FILTER	1				G6,H6,H6E, J6,J6E	
		ME226134	HEAD ASSY,OIL FILTER	1				G6,H6,H6E, J6,J6E,K6, K6E,M6E	14C,1C0,1XS, 1XT,1XX,1XY
		ME226134	HEAD ASSY,OIL FILTER	1				G6,H6,H6E, J6,J6E	1SP,1XU,1XZ
		ME226134	HEAD ASSY,OIL FILTER	1				G6,H6,H6E, J6,J6E	
		ME226134	HEAD ASSY,OIL FILTER	1				G6,H6,H6E, J6,J6E,K6, K6E,M6E	
		ME226134	HEAD ASSY,OIL FILTER	1				K6,K6E,M6E	
		ME226134	HEAD ASSY,OIL FILTER	1				G6V,H6V,H6VE, J6V,J6VE,K6VE	
RP	04150	ME130968	OIL FILTER	1	SPIN ON TYPE	O	O	K6,K6E,M6E	
RP		ME130968	OIL FILTER	1	SPIN ON TYPE	O	O	G6,G6E,G6V, H6,H6E,H6V, H6VE,J6,J6E, J6V,J6VE,K6, K6E,K6V,K6VE, M6,M6E,M6VE	
RP		ME130968	OIL FILTER	1	SPIN ON TYPE	O	O	G6E,G6V,H6V, H6VE,J6V,J6VE, K6V,K6VE,M6, M6VE	
RP		ME130968	OIL FILTER	1	SPIN ON TYPE	O	O	G6,G6E,G6V, H6,H6E,H6V, H6VE,J6,J6E, J6V,J6VE,K6, K6E,K6V,K6VE, M6,M6E,M6VE	
RP		ME130968	OIL FILTER	1	SPIN ON TYPE	O	O	G6,H6,H6E, J6,J6E	
RP		ME130968	OIL FILTER	1	SPIN ON TYPE	O	O	G6,H6,H6E, J6,J6E,K6, K6E,M6E	14C,1C0,1XS, 1XT,1XX,1XY
RP		ME130968	OIL FILTER	1	SPIN ON TYPE	O	O	G6,H6,H6E, J6,J6E	1SP,1XU,1XZ
RP		ME130968	OIL FILTER	1	SPIN ON TYPE	O	O	G6,H6,H6E, J6,J6E	
RP		ME130968	OIL FILTER	1	SPIN ON TYPE	O	O	G6,H6,H6E, J6,J6E,K6, K6E,M6E	
RP		ME130968	OIL FILTER	1	SPIN ON TYPE	O	O	K6,K6E,M6E	
RP		ME130968	OIL FILTER	1	SPIN ON TYPE	O	O	G6V,H6V,H6VE, J6V,J6VE,K6VE	
	04181E	ME301261	PLUG,OIL FILTER INR	1	7			K6,K6E,M6E	
		ME301261	PLUG,OIL FILTER INR	1	7			G6,G6E,G6V, H6,H6E,H6V, H6VE,J6,J6E, J6V,J6VE,K6, K6E,K6V,K6VE, M6,M6E,M6VE	

FK74R
12-120 OIL FILTER

Repl Part	PNC	Part No	Part Name	Qty	Part Spec	PREV.2	PREV.1	Classification	Option
	04181E	ME301261	PLUG,OIL FILTER INR	1	7			G6E,G6V,H6V, H6VE,J6V,J6VE, K6V,K6VE,M6, M6VE	
		ME301261	PLUG,OIL FILTER INR	1	7			G6,G6E,G6V, H6,H6E,H6V, H6VE,J6,J6E, J6V,J6VE,K6, K6E,K6V,K6VE, M6,M6E,M6VE	
		ME301261	PLUG,OIL FILTER INR	1	7			G6,H6,H6E, J6,J6E	
		ME301261	PLUG,OIL FILTER INR	1	7			G6,H6,H6E, J6,J6E,K6, K6E,M6E	14C,1C0,1XS, 1XT,1XX,1XY
		ME301261	PLUG,OIL FILTER INR	1	7			G6,H6,H6E, J6,J6E	1SP,1XU,1XZ
		ME301261	PLUG,OIL FILTER INR	1	7			G6,H6,H6E, J6,J6E	
		ME301261	PLUG,OIL FILTER INR	1	7			G6,H6,H6E, J6,J6E,K6, K6E,M6E	
		ME301261	PLUG,OIL FILTER INR	1	7			K6,K6E,M6E	
		ME301261	PLUG,OIL FILTER INR	1	7			G6V,H6V,H6VE, J6V,J6VE,K6VE	
	04182B	ME034881	O-RING,OIL FILTER INR	1				K6,K6E,M6E	
		ME034881	O-RING,OIL FILTER INR	1				G6,G6E,G6V, H6,H6E,H6V, H6VE,J6,J6E, J6V,J6VE,K6, K6E,K6V,K6VE, M6,M6E,M6VE	
		ME034881	O-RING,OIL FILTER INR	1				G6E,G6V,H6V, H6VE,J6V,J6VE, K6V,K6VE,M6, M6VE	
		ME034881	O-RING,OIL FILTER INR	1				G6,G6E,G6V, H6,H6E,H6V, H6VE,J6,J6E, J6V,J6VE,K6, K6E,K6V,K6VE, M6,M6E,M6VE	
		ME034881	O-RING,OIL FILTER INR	1				G6,H6,H6E, J6,J6E	
		MH034861	O-RING,OIL FILTER INR	1				G6,H6,H6E, J6,J6E,K6, K6E,M6E	14C,1C0,1XS, 1XT,1XX,1XY
		MH034861	O-RING,OIL FILTER INR	1				G6,H6,H6E, J6,J6E	1SP,1XU,1XZ
		MH034861	O-RING,OIL FILTER INR	1				G6,H6,H6E, J6,J6E	
		MH034861	O-RING,OIL FILTER INR	1				G6,H6,H6E, J6,J6E,K6, K6E,M6E	
		MH034861	O-RING,OIL FILTER INR	1				K6,K6E,M6E	
		MH034861	O-RING,OIL FILTER INR	1				G6V,H6V,H6VE, J6V,J6VE,K6VE	
	04184	MH035067	GASKET,OIL FILTER INR	1	D=8			K6,K6E,M6E	
		MH035067	GASKET,OIL FILTER INR	1	D=8			G6,G6E,G6V, H6,H6E,H6V, H6VE,J6,J6E, J6V,J6VE,K6, K6E,K6V,K6VE, M6,M6E,M6VE	
		MH035067	GASKET,OIL FILTER INR	1	D=8			G6E,G6V,H6V, H6VE,J6V,J6VE, K6V,K6VE,M6, M6VE	

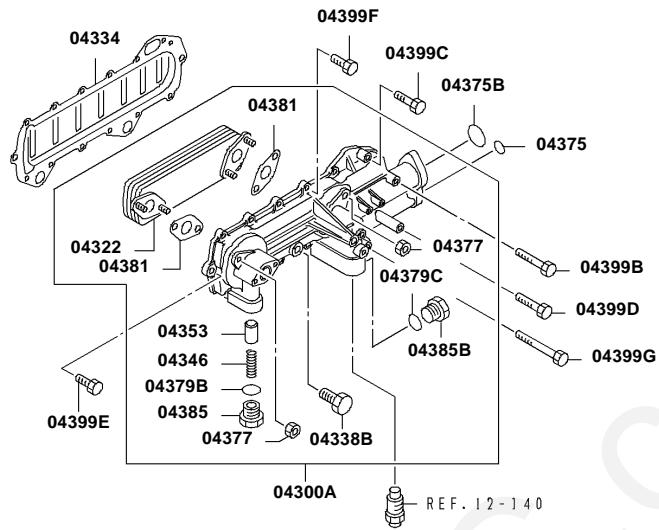
FK74R
12-120 OIL FILTER

Repl Part	PNC	Part No	Part Name	Qty	Part Spec	PREV.2	PREV.1	Classification	Option
	04184	MH035067	GASKET,OIL FILTER INR	1	D=8			G6,G6E,G6V, H6,H6E,H6V, H6VE,J6,J6E, J6V,J6VE,K6, K6E,K6V,K6VE, M6,M6E,M6VE	
		MH035067	GASKET,OIL FILTER INR	1	D=8			G6,H6,H6E, J6,J6E	
		MH035067	GASKET,OIL FILTER INR	1	D=8			G6,H6,H6E, J6,J6E,K6, K6E,M6E	14C,1C0,1XS, 1XT,1XX,1XY
		MH035067	GASKET,OIL FILTER INR	1	D=8			G6,H6,H6E, J6,J6E	1SP,1XU,1XZ
		MH035067	GASKET,OIL FILTER INR	1	D=8			G6,H6,H6E, J6,J6E	
		MH035067	GASKET,OIL FILTER INR	1	D=8			G6,H6,H6E, J6,J6E,K6, K6E,M6E	
		MH035067	GASKET,OIL FILTER INR	1	D=8			K6,K6E,M6E	
		MH035067	GASKET,OIL FILTER INR	1	D=8			G6V,H6V,H6VE, J6V,J6VE,K6VE	
	04184B	MF660068	GASKET,OIL FILTER INR	1	D=20			K6,K6E,M6E	
		MF660068	GASKET,OIL FILTER INR	1	D=20			G6,G6E,G6V, H6,H6E,H6V, H6VE,J6,J6E, J6V,J6VE,K6, K6E,K6V,K6VE, M6,M6E,M6VE	
		MF660068	GASKET,OIL FILTER INR	1	D=20			G6E,G6V,H6V, H6VE,J6V,J6VE, K6V,K6VE,M6, M6VE	
		MF660068	GASKET,OIL FILTER INR	1	D=20			G6,G6E,G6V, H6,H6E,H6V, H6VE,J6,J6E, J6V,J6VE,K6, K6E,K6V,K6VE, M6,M6E,M6VE	
		MF660068	GASKET,OIL FILTER INR	1	D=20			G6,H6,H6E, J6,J6E	
		MF660068	GASKET,OIL FILTER INR	1	D=20			G6,H6,H6E, J6,J6E,K6, K6E,M6E	14C,1C0,1XS, 1XT,1XX,1XY
		MF660068	GASKET,OIL FILTER INR	1	D=20			G6,H6,H6E, J6,J6E	1SP,1XU,1XZ
		MF660068	GASKET,OIL FILTER INR	1	D=20			G6,H6,H6E, J6,J6E	
		MF660068	GASKET,OIL FILTER INR	1	D=20			G6,H6,H6E, J6,J6E,K6, K6E,M6E	
		MF660068	GASKET,OIL FILTER INR	1	D=20			K6,K6E,M6E	
		MF660068	GASKET,OIL FILTER INR	1	D=20			G6V,H6V,H6VE, J6V,J6VE,K6VE	
	04196	MH056347	CLIP,OIL FILTER	1	D=14.8			G6,G6E,H6, H6E,J6,J6E, K6,K6E,M6, M6E	
		MH057302	CLIP,OIL FILTER	1				K6,K6E,M6E	
		MH057302	CLIP,OIL FILTER	1				G6,G6V,H6, H6E,H6V,H6VE, J6,J6E,J6V, J6VE,K6,K6E, K6V,K6VE,M6E, M6VE	
		MH057302	CLIP,OIL FILTER	1				G6V,H6V,H6VE, J6V,J6VE,K6V, K6VE,M6VE	
		MH057302	CLIP,OIL FILTER	1				G6,G6V,H6, H6E,H6V,H6VE, J6,J6E,J6V, J6VE,K6,K6E, K6V,K6VE,M6E, M6VE	

FK74R
12-120 OIL FILTER

Repl Part	PNC	Part No	Part Name	Qty	Part Spec	PREV.2	PREV.1	Classification	Option
	04196	MH057302	CLIP,OIL FILTER	1				G6,H6,H6E, J6,J6E	
		MH056347	CLIP,OIL FILTER	1	D=14.8			G6,H6,H6E, J6,J6E,K6, K6E,M6E	14C,1C0,1XS, 1XT,1XX,1XY
		MH056347	CLIP,OIL FILTER	1	D=14.8			G6,H6,H6E, J6,J6E	1SP,1XU,1XZ
		MH056347	CLIP,OIL FILTER	1	D=14.8			G6,H6,H6E, J6,J6E	
		MH056347	CLIP,OIL FILTER	1	D=14.8			K6,K6E,M6E	
		MH056347	CLIP,OIL FILTER	1	D=14.8			G6,H6,H6E, J6,J6E,K6, K6E,M6E	
		MH056347	CLIP,OIL FILTER	1	D=14.8			G6V,H6V,H6VE, J6V,J6VE,K6VE	
	04199B	MH000707	BOLT,OIL FILTER	2	FLANGE,10X30			G6E,K6V,M6, M6VE	
		MH000707	BOLT,OIL FILTER	2	FLANGE,10X30			G6,H6,H6E, J6,J6E	
		MH000707	BOLT,OIL FILTER	2	FLANGE,10X30			G6,G6E,G6V, H6,H6E,H6V, H6VE,J6,J6E, J6V,J6VE,K6, K6E,K6V,K6VE, M6,M6E,M6VE	
		MH000707	BOLT,OIL FILTER	2	FLANGE,10X30			G6,G6E,G6V, H6,H6E,H6V, H6VE,J6,J6E, J6V,J6VE,K6, K6E,K6V,K6VE, M6,M6E,M6VE	
		MH000707	BOLT,OIL FILTER	2	FLANGE,10X30			K6,K6E,M6E	
		MH000707	BOLT,OIL FILTER	2	FLANGE,10X30			G6V,H6V,H6VE, J6V,J6VE,K6VE	14C,1C0
		MH000707	BOLT,OIL FILTER	2	FLANGE,10X30			G6,G6V,H6, H6E,H6V,H6VE, J6,J6E,J6V, J6VE,K6,K6E, K6VE,M6E	1SP,1XU,1XZ
		MH000707	BOLT,OIL FILTER	2	FLANGE,10X30			G6,H6,H6E, J6,J6E,K6, K6E,M6E	1XS,1XT,1XX, 1XY
	04199D	MH000871	BOLT,OIL FILTER	1	FLANGE,10X100			G6E,K6V,M6, M6VE	
		MH000871	BOLT,OIL FILTER	1	FLANGE,10X100			G6,H6,H6E, J6,J6E	
		MH000871	BOLT,OIL FILTER	1	FLANGE,10X100			G6,G6E,G6V, H6,H6E,H6V, H6VE,J6,J6E, J6V,J6VE,K6, K6E,K6V,K6VE, M6,M6E,M6VE	
		MH000871	BOLT,OIL FILTER	1	FLANGE,10X100			G6,G6E,G6V, H6,H6E,H6V, H6VE,J6,J6E, J6V,J6VE,K6, K6E,K6V,K6VE, M6,M6E,M6VE	
		MH000871	BOLT,OIL FILTER	1	FLANGE,10X100			K6,K6E,M6E	
		MH000871	BOLT,OIL FILTER	1	FLANGE,10X100			G6V,H6V,H6VE, J6V,J6VE,K6VE	14C,1C0
		MH000871	BOLT,OIL FILTER	1	FLANGE,10X100			G6,G6V,H6, H6E,H6V,H6VE, J6,J6E,J6V, J6VE,K6,K6E, K6VE,M6E	1SP,1XU,1XZ
		MH000871	BOLT,OIL FILTER	1	FLANGE,10X100			G6,H6,H6E, J6,J6E	1XS,1XT,1XX, 1XY

FK74R
No.1

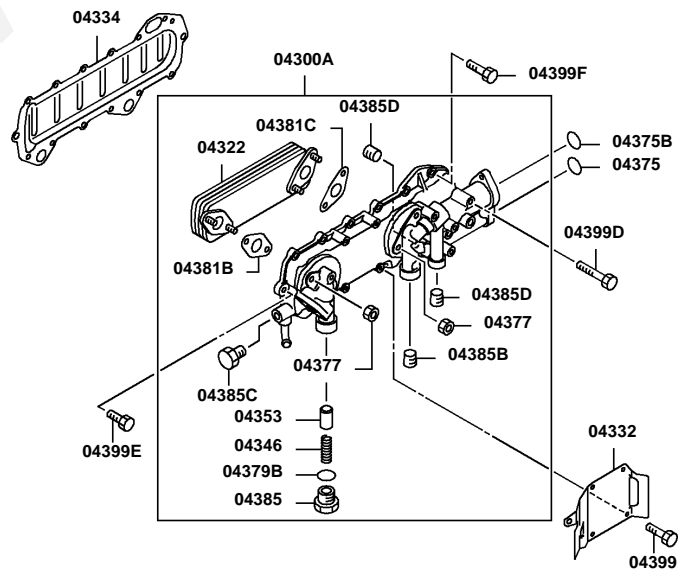


C00040

Ref. |2012130

Page

FK74R
No.2



C00074

Ref. |2012130

Page

FK74R
12-130 OIL COOLER

PNC	Part No	Part Name	Qty	Part Spec	Remarks	Classification	Option	Model	
04300A	ME224389	OIL COOLER ASSY,ENG	1			K6,K6E,M6E			
	ME224389	OIL COOLER ASSY,ENG	1			G6,G6E,G6V, H6,H6E,H6V, H6VE,J6,J6E, J6V,J6VE,K6, K6E,K6V,K6VE, M6,M6E,M6VE			
	ME224389	OIL COOLER ASSY,ENG	1			G6E,G6V,H6V, H6VE,J6V,J6VE, K6V,K6VE,M6, M6VE			
	ME224389	OIL COOLER ASSY,ENG	1			G6,G6E,G6V, H6,H6E,H6V, H6VE,J6,J6E, J6V,J6VE,K6, K6E,K6V,K6VE, M6,M6E,M6VE			
	ME224389	OIL COOLER ASSY,ENG	1			G6,H6,H6E, J6,J6E			
	ME226455	OIL COOLER ASSY,ENG	1			G6,H6,H6E, J6,J6E,K6, K6E,M6E	14C,1C0,1XS, 1XT,1XX,1XY	07	
	ME226455	OIL COOLER ASSY,ENG	1			G6,H6,H6E, J6,J6E	1SP,1XU,1XZ	07	
	ME226455	OIL COOLER ASSY,ENG	1			G6,H6,H6E, J6,J6E			
	ME226455	OIL COOLER ASSY,ENG	1			G6,H6,H6E, J6,J6E,K6, K6E,M6E			
	ME226455	OIL COOLER ASSY,ENG	1			K6,K6E,M6E			
	ME226455	OIL COOLER ASSY,ENG	1			G6V,H6V,H6VE, J6V,J6VE,K6VE			
	04322	ME224354	ELEMENT,ENG OIL COOLER	1			K6,K6E,M6E		
		ME224354	ELEMENT,ENG OIL COOLER	1			G6,G6E,G6V, H6,H6E,H6V, H6VE,J6,J6E, J6V,J6VE,K6, K6E,K6V,K6VE, M6,M6E,M6VE		
		ME224354	ELEMENT,ENG OIL COOLER	1			G6E,G6V,H6V, H6VE,J6V,J6VE, K6V,K6VE,M6, M6VE		
ME224354		ELEMENT,ENG OIL COOLER	1			G6,G6E,G6V, H6,H6E,H6V, H6VE,J6,J6E, J6V,J6VE,K6, K6E,K6V,K6VE, M6,M6E,M6VE			
ME224354		ELEMENT,ENG OIL COOLER	1			G6,H6,H6E, J6,J6E			
ME227515		ELEMENT,ENG OIL COOLER	1			G6,H6,H6E, J6,J6E,K6, K6E,M6E	14C,1C0,1XS, 1XT,1XX,1XY	07	
ME227515		ELEMENT,ENG OIL COOLER	1			G6,H6,H6E, J6,J6E	1SP,1XU,1XZ	07	
ME227515		ELEMENT,ENG OIL COOLER	1			G6,H6,H6E, J6,J6E			
ME227515		ELEMENT,ENG OIL COOLER	1			G6,H6,H6E, J6,J6E,K6, K6E,M6E			
ME227515		ELEMENT,ENG OIL COOLER	1			K6,K6E,M6E			
ME227515		ELEMENT,ENG OIL COOLER	1			G6V,H6V,H6VE, J6V,J6VE,K6VE			
04332		ME225818	INSULATOR,ENG OIL COOLER HEAT	1			G6,H6,H6E, J6,J6E,K6, K6E,M6E	14C,1C0,1XS, 1XT,1XX,1XY	07
		ME225818	INSULATOR,ENG OIL COOLER HEAT	1			G6,H6,H6E, J6,J6E	1SP,1XU,1XZ	07
		ME225818	INSULATOR,ENG OIL COOLER HEAT	1			G6,H6,H6E, J6,J6E		
	ME225818	INSULATOR,ENG OIL COOLER HEAT	1			K6,K6E,M6E			

FK74R
12-130 OIL COOLER

PNC	Part No	Part Name	Qty	Part Spec	Remarks	Classification	Option	Model
04332	ME225818	INSULATOR,ENG OIL COOLER HEAT	1			G6,H6,H6E, J6,J6E,K6, K6E,M6E		
	ME225818	INSULATOR,ENG OIL COOLER HEAT	1			G6V,H6V,H6VE, J6V,J6VE,K6VE		
04334	ME240205	GASKET,ENG OIL COOLER COVER	1			K6,K6E,M6E		
	ME240205	GASKET,ENG OIL COOLER COVER	1			G6,G6E,G6V, H6,H6E,H6V, H6VE,J6,J6E, J6V,J6VE,K6, K6E,K6V,K6VE, M6,M6E,M6VE		
	ME240205	GASKET,ENG OIL COOLER COVER	1			G6E,G6V,H6V, H6VE,J6V,J6VE, K6V,K6VE,M6, M6VE		
	ME240205	GASKET,ENG OIL COOLER COVER	1			G6,G6E,G6V, H6,H6E,H6V, H6VE,J6,J6E, J6V,J6VE,K6, K6E,K6V,K6VE, M6,M6E,M6VE		
	ME240205	GASKET,ENG OIL COOLER COVER	1			G6,H6,H6E, J6,J6E	14C,1C0,1XS, 1XT,1XX,1XY	07
	ME240205	GASKET,ENG OIL COOLER COVER	1			G6,H6,H6E, J6,J6E,K6, K6E,M6E	1SP,1XU,1XZ	07
	ME240205	GASKET,ENG OIL COOLER COVER	1			G6,H6,H6E, J6,J6E		
	ME240205	GASKET,ENG OIL COOLER COVER	1			G6,H6,H6E, J6,J6E,K6, K6E,M6E		
	ME240205	GASKET,ENG OIL COOLER COVER	1			K6,K6E,M6E		
	ME240205	GASKET,ENG OIL COOLER COVER	1			G6V,H6V,H6VE, J6V,J6VE,K6VE		
04338B	ME240457	PLUG,ENG OIL COOLER	1			G6,G6E,G6V, H6,H6E,H6V, H6VE,J6,J6E, J6V,J6VE,K6, K6E,K6V,K6VE, M6,M6E,M6VE		
04346	ME240455	SPRING,ENG OIL COOLER BY-PASS VALVE	1			K6,K6E,M6E		
	ME240455	SPRING,ENG OIL COOLER BY-PASS VALVE	1			G6,G6E,G6V, H6,H6E,H6V, H6VE,J6,J6E, J6V,J6VE,K6, K6E,K6V,K6VE, M6,M6E,M6VE		
	ME240455	SPRING,ENG OIL COOLER BY-PASS VALVE	1			G6E,G6V,H6V, H6VE,J6V,J6VE, K6V,K6VE,M6, M6VE		
	ME240455	SPRING,ENG OIL COOLER BY-PASS VALVE	1			G6,G6E,G6V, H6,H6E,H6V, H6VE,J6,J6E, J6V,J6VE,K6, K6E,K6V,K6VE, M6,M6E,M6VE		
	ME240455	SPRING,ENG OIL COOLER BY-PASS VALVE	1			G6,H6,H6E, J6,J6E	14C,1C0,1XS, 1XT,1XX,1XY	07
	ME240455	SPRING,ENG OIL COOLER BY-PASS VALVE	1			G6,H6,H6E, J6,J6E	1SP,1XU,1XZ	07
	ME240455	SPRING,ENG OIL COOLER BY-PASS VALVE	1			G6,H6,H6E, J6,J6E		
	ME240455	SPRING,ENG OIL COOLER BY-PASS VALVE	1			G6,H6,H6E, J6,J6E,K6, K6E,M6E		
	ME240455	SPRING,ENG OIL COOLER BY-PASS VALVE	1			K6,K6E,M6E		

FK74R
12-130 OIL COOLER

PNC	Part No	Part Name	Qty	Part Spec	Remarks	Classification	Option	Model
04346	ME240455	SPRING,ENG OIL COOLER BY-PASS VALVE	1			G6V,H6V,H6VE, J6V,J6VE,K6VE		
04353	ME240456	VALVE,ENG OIL COOLER BY-PASS	1			K6,K6E,M6E		
	ME240456	VALVE,ENG OIL COOLER BY-PASS	1			G6,G6E,G6V, H6,H6E,H6V, H6VE,J6,J6E, J6V,J6VE,K6, K6E,K6V,K6VE, M6,M6E,M6VE		
	ME240456	VALVE,ENG OIL COOLER BY-PASS	1			G6E,G6V,H6V, H6VE,J6V,J6VE, K6V,K6VE,M6, M6VE		
	ME240456	VALVE,ENG OIL COOLER BY-PASS	1			G6,G6E,G6V, H6,H6E,H6V, H6VE,J6,J6E, J6V,J6VE,K6, K6E,K6V,K6VE, M6,M6E,M6VE		
	ME240456	VALVE,ENG OIL COOLER BY-PASS	1			G6,H6,H6E, J6,J6E	14C,1C0,1XS, 1XT,1XX,1XY	07
	ME240456	VALVE,ENG OIL COOLER BY-PASS	1			G6,H6,H6E, J6,J6E	1SP,1XU,1XZ	07
	ME240456	VALVE,ENG OIL COOLER BY-PASS	1			G6,H6,H6E, J6,J6E		
	ME240456	VALVE,ENG OIL COOLER BY-PASS	1			G6,H6,H6E, J6,J6E,K6, K6E,M6E		
	ME240456	VALVE,ENG OIL COOLER BY-PASS	1			K6,K6E,M6E		
	ME240456	VALVE,ENG OIL COOLER BY-PASS	1			G6V,H6V,H6VE, J6V,J6VE,K6VE		
04375	MH035094	O-RING,ENG OIL COOLER	1	D=17		K6,K6E,M6E		
	MH035094	O-RING,ENG OIL COOLER	1	D=17		G6,G6E,G6V, H6,H6E,H6V, H6VE,J6,J6E, J6V,J6VE,K6, K6E,K6V,K6VE, M6,M6E,M6VE		
	MH035094	O-RING,ENG OIL COOLER	1	D=17		G6E,G6V,H6V, H6VE,J6V,J6VE, K6V,K6VE,M6, M6VE		
	MH035094	O-RING,ENG OIL COOLER	1	D=17		G6,G6E,G6V, H6,H6E,H6V, H6VE,J6,J6E, J6V,J6VE,K6, K6E,K6V,K6VE, M6,M6E,M6VE		
	MH035094	O-RING,ENG OIL COOLER	1	D=17		G6,H6,H6E, J6,J6E	14C,1C0,1XS, 1XT,1XX,1XY	07
	MH035094	O-RING,ENG OIL COOLER	1	D=17		G6,H6,H6E, J6,J6E	1SP,1XU,1XZ	07
	MH035094	O-RING,ENG OIL COOLER	1	D=17		G6,H6,H6E, J6,J6E		
	MH035094	O-RING,ENG OIL COOLER	1	D=17		G6,H6,H6E, J6,J6E,K6, K6E,M6E		
	MH035094	O-RING,ENG OIL COOLER	1	D=17		K6,K6E,M6E		
	MH035094	O-RING,ENG OIL COOLER	1	D=17		G6V,H6V,H6VE, J6V,J6VE,K6VE		
04375B	MH035187	O-RING,ENG OIL COOLER	1	D=47.7		K6,K6E,M6E		
	MH035187	O-RING,ENG OIL COOLER	1	D=47.7		G6,G6E,G6V, H6,H6E,H6V, H6VE,J6,J6E, J6V,J6VE,K6, K6E,K6V,K6VE, M6,M6E,M6VE		

FK74R
12-130 OIL COOLER

PNC	Part No	Part Name	Qty	Part Spec	Remarks	Classification	Option	Model	
04375B	MH035187	O-RING,ENG OIL COOLER	1	D=47.7		G6E,G6V,H6V, H6VE,J6V,J6VE, K6V,K6VE,M6, M6VE			
	MH035187	O-RING,ENG OIL COOLER	1	D=47.7		G6,G6E,G6V, H6,H6E,H6V, H6VE,J6,J6E, J6V,J6VE,K6, K6E,K6V,K6VE, M6,M6E,M6VE			
	MH035187	O-RING,ENG OIL COOLER	1	D=47.7		G6,H6,H6E, J6,J6E			
	MH035187	O-RING,ENG OIL COOLER	1	D=47.7		G6,H6,H6E, J6,J6E,K6, K6E,M6E	14C,1C0,1XS, 1XT,1XX,1XY	07	
	MH035187	O-RING,ENG OIL COOLER	1	D=47.7		G6,H6,H6E, J6,J6E	1SP,1XU,1XZ	07	
	MH035187	O-RING,ENG OIL COOLER	1	D=47.7		G6,H6,H6E, J6,J6E			
	MH035187	O-RING,ENG OIL COOLER	1	D=47.7		G6,H6,H6E, J6,J6E,K6, K6E,M6E			
	MH035187	O-RING,ENG OIL COOLER	1	D=47.7		K6,K6E,M6E			
	MH035187	O-RING,ENG OIL COOLER	1	D=47.7		G6V,H6V,H6VE, J6V,J6VE,K6VE			
	04377	ME013357	NUT,ENG OIL COOLER INR	4			K6,K6E,M6E		
		ME013357	NUT,ENG OIL COOLER INR	4			G6,G6E,G6V, H6,H6E,H6V, H6VE,J6,J6E, J6V,J6VE,K6, K6E,K6V,K6VE, M6,M6E,M6VE		
		ME013357	NUT,ENG OIL COOLER INR	4			G6E,G6V,H6V, H6VE,J6V,J6VE, K6V,K6VE,M6, M6VE		
		ME013357	NUT,ENG OIL COOLER INR	4			G6,G6E,G6V, H6,H6E,H6V, H6VE,J6,J6E, J6V,J6VE,K6, K6E,K6V,K6VE, M6,M6E,M6VE		
		ME013357	NUT,ENG OIL COOLER INR	4			G6,H6,H6E, J6,J6E	14C,1C0,1XS, 1XT,1XX,1XY	07
ME013357		NUT,ENG OIL COOLER INR	4			G6,H6,H6E, J6,J6E	1SP,1XU,1XZ	07	
ME013357		NUT,ENG OIL COOLER INR	4			G6,H6,H6E, J6,J6E			
ME013357		NUT,ENG OIL COOLER INR	4			G6,H6,H6E, J6,J6E,K6, K6E,M6E			
ME013357		NUT,ENG OIL COOLER INR	4			K6,K6E,M6E			
ME013357		NUT,ENG OIL COOLER INR	4			G6V,H6V,H6VE, J6V,J6VE,K6VE			
04379B		MH035095	O-RING,ENG OIL COOLER INR	1	D=20		K6,K6E,M6E		
		MH035095	O-RING,ENG OIL COOLER INR	1	D=20		G6,G6E,G6V, H6,H6E,H6V, H6VE,J6,J6E, J6V,J6VE,K6, K6E,K6V,K6VE, M6,M6E,M6VE		
		MH035095	O-RING,ENG OIL COOLER INR	1	D=20		G6E,G6V,H6V, H6VE,J6V,J6VE, K6V,K6VE,M6, M6VE		

FK74R
12-130 OIL COOLER

PNC	Part No	Part Name	Qty	Part Spec	Remarks	Classification	Option	Model
04379B	MH035095	O-RING,ENG OIL COOLER INR	1	D=20		G6,G6E,G6V, H6,H6E,H6V, H6VE,J6,J6E, J6V,J6VE,K6, K6E,K6V,K6VE, M6,M6E,M6VE		
	MH035095	O-RING,ENG OIL COOLER INR	1	D=20		G6,H6,H6E, J6,J6E		
	MH035095	O-RING,ENG OIL COOLER INR	1	D=20		G6,H6,H6E, J6,J6E,K6, K6E,M6E	14C,1C0,1XS, 1XT,1XX,1XY	07
	MH035095	O-RING,ENG OIL COOLER INR	1	D=20		G6,H6,H6E, J6,J6E	1SP,1XU,1XZ	07
	MH035095	O-RING,ENG OIL COOLER INR	1	D=20		G6,H6,H6E, J6,J6E		
	MH035095	O-RING,ENG OIL COOLER INR	1	D=20		G6,H6,H6E, J6,J6E,K6, K6E,M6E		
	MH035095	O-RING,ENG OIL COOLER INR	1	D=20		K6,K6E,M6E		
	MH035095	O-RING,ENG OIL COOLER INR	1	D=20		G6V,H6V,H6VE, J6V,J6VE,K6VE		
04379C	MH035044	O-RING,ENG OIL COOLER INR	1	D=18		G6,G6E,G6V, H6,H6E,H6V, H6VE,J6,J6E, J6V,J6VE,K6, K6E,K6V,K6VE, M6,M6E,M6VE		
04381	ME220009	GASKET,ENG OIL COOLER	2			G6,G6E,G6V, H6,H6E,H6V, H6VE,J6,J6E, J6V,J6VE,K6, K6E,K6V,K6VE, M6,M6E,M6VE		
04381B	ME220009	GASKET,ENG OIL COOLER	1			G6,H6,H6E, J6,J6E,K6, K6E,M6E	14C,1C0,1XS, 1XT,1XX,1XY	07
	ME220009	GASKET,ENG OIL COOLER	1			G6,H6,H6E, J6,J6E	1SP,1XU,1XZ	07
	ME220009	GASKET,ENG OIL COOLER	1			G6,H6,H6E, J6,J6E		
	ME220009	GASKET,ENG OIL COOLER	1			K6,K6E,M6E		
	ME220009	GASKET,ENG OIL COOLER	1			G6,H6,H6E, J6,J6E,K6, K6E,M6E		
	ME220009	GASKET,ENG OIL COOLER	1			G6V,H6V,H6VE, J6V,J6VE,K6VE		
04381C	ME227507	GASKET,ENG OIL COOLER	1			G6,H6,H6E, J6,J6E,K6, K6E,M6E	14C,1C0,1XS, 1XT,1XX,1XY	07
	ME227507	GASKET,ENG OIL COOLER	1			G6,H6,H6E, J6,J6E	1SP,1XU,1XZ	07
	ME227507	GASKET,ENG OIL COOLER	1			G6,H6,H6E, J6,J6E		
	ME227507	GASKET,ENG OIL COOLER	1			K6,K6E,M6E		
	ME227507	GASKET,ENG OIL COOLER	1			G6,H6,H6E, J6,J6E,K6, K6E,M6E		
	ME227507	GASKET,ENG OIL COOLER	1			G6V,H6V,H6VE, J6V,J6VE,K6VE		
04385	ME240454	PLUG,ENG OIL COOLER INR	1			K6,K6E,M6E		
	ME240454	PLUG,ENG OIL COOLER INR	1			G6,G6E,G6V, H6,H6E,H6V, H6VE,J6,J6E, J6V,J6VE,K6, K6E,K6V,K6VE, M6,M6E,M6VE		
	ME240454	PLUG,ENG OIL COOLER INR	1			G6E,G6V,H6V, H6VE,J6V,J6VE, K6V,K6VE,M6, M6VE		

FK74R
12-130 OIL COOLER

PNC	Part No	Part Name	Qty	Part Spec	Remarks	Classification	Option	Model
04385	ME240454	PLUG,ENG OIL COOLER INR	1			G6,G6E,G6V, H6,H6E,H6V, H6VE,J6,J6E, J6V,J6VE,K6, K6E,K6V,K6VE, M6,M6E,M6VE		
	ME240454	PLUG,ENG OIL COOLER INR	1			G6,H6,H6E, J6,J6E		
	ME240454	PLUG,ENG OIL COOLER INR	1			G6,H6,H6E, J6,J6E,K6, K6E,M6E	14C,1C0,1XS, 1XT,1XX,1XY	07
	ME240454	PLUG,ENG OIL COOLER INR	1			G6,H6,H6E, J6,J6E	1SP,1XU,1XZ	07
	ME240454	PLUG,ENG OIL COOLER INR	1			G6,H6,H6E, J6,J6E		
	ME240454	PLUG,ENG OIL COOLER INR	1			G6,H6,H6E, J6,J6E,K6, K6E,M6E		
	ME240454 ME240454	PLUG,ENG OIL COOLER INR PLUG,ENG OIL COOLER INR	1 1			K6,K6E,M6E G6V,H6V,H6VE, J6V,J6VE,K6VE		
04385B	MH037117	PLUG,ENG OIL COOLER INR	1	D=20		K6,K6E,M6E		
	MH037117	PLUG,ENG OIL COOLER INR	1	D=20		G6,G6E,G6V, H6,H6E,H6V, H6VE,J6,J6E, J6V,J6VE,K6, K6E,K6V,K6VE, M6,M6E,M6VE		
	MH037117	PLUG,ENG OIL COOLER INR	1	D=20		G6E,G6V,H6V, H6VE,J6V,J6VE, K6V,K6VE,M6, M6VE		
	MH037117	PLUG,ENG OIL COOLER INR	1	D=20		G6,G6E,G6V, H6,H6E,H6V, H6VE,J6,J6E, J6V,J6VE,K6, K6E,K6V,K6VE, M6,M6E,M6VE		
	MH037117	PLUG,ENG OIL COOLER INR	1	D=20		G6,H6,H6E, J6,J6E		
	ME227516	PLUG,ENG OIL COOLER INR	1			G6,H6,H6E, J6,J6E,K6, K6E,M6E	14C,1C0,1XS, 1XT,1XX,1XY	07
	ME227516	PLUG,ENG OIL COOLER INR	1			G6,H6,H6E, J6,J6E	1SP,1XU,1XZ	07
	ME227516	PLUG,ENG OIL COOLER INR	1			G6,H6,H6E, J6,J6E		
	ME227516	PLUG,ENG OIL COOLER INR	1			G6,H6,H6E, J6,J6E,K6, K6E,M6E		
	ME227516 ME227516	PLUG,ENG OIL COOLER INR PLUG,ENG OIL COOLER INR	1 1			K6,K6E,M6E G6V,H6V,H6VE, J6V,J6VE,K6VE		
04385C	ME240457	PLUG,ENG OIL COOLER INR	1			G6,H6,H6E, J6,J6E,K6, K6E,M6E	14C,1C0,1XS, 1XT,1XX,1XY	07
	ME240457	PLUG,ENG OIL COOLER INR	1			G6,H6,H6E, J6,J6E	1SP,1XU,1XZ	07
	ME240457	PLUG,ENG OIL COOLER INR	1			G6,H6,H6E, J6,J6E		
	ME240457 ME240457	PLUG,ENG OIL COOLER INR PLUG,ENG OIL COOLER INR	1 1			K6,K6E,M6E G6,H6,H6E, J6,J6E,K6, K6E,M6E		
	ME240457	PLUG,ENG OIL COOLER INR	1			G6V,H6V,H6VE, J6V,J6VE,K6VE		
04385D	MS661124	PLUG,ENG OIL COOLER INR	2	TAPER,3/4		G6,H6,H6E, J6,J6E,K6, K6E,M6E	14C,1C0,1XS, 1XT,1XX,1XY	07
	MS661124	PLUG,ENG OIL COOLER INR	2	TAPER,3/4		G6,H6,H6E, J6,J6E	1SP,1XU,1XZ	07
	MS661124	PLUG,ENG OIL COOLER INR	2	TAPER,3/4		G6,H6,H6E, J6,J6E		

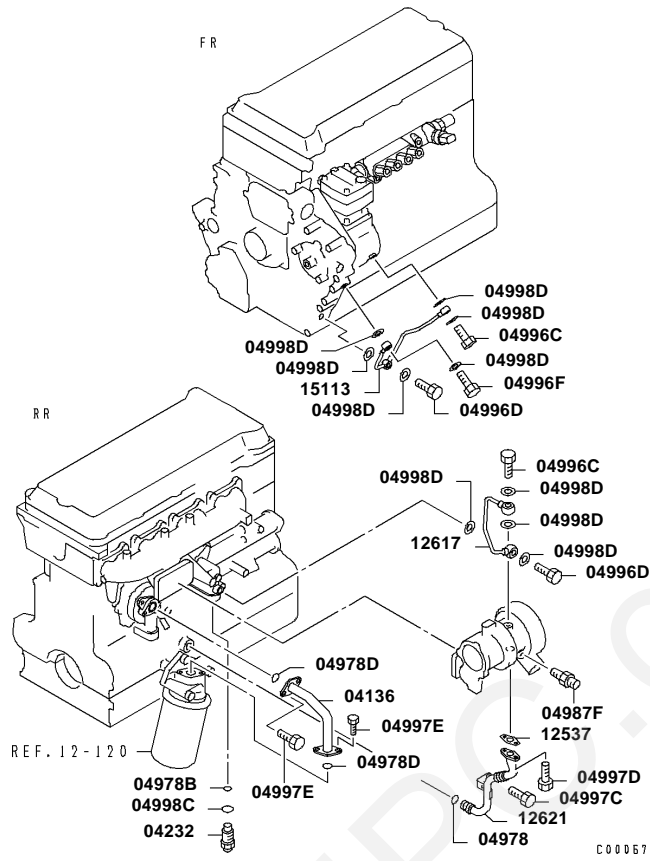
FK74R
12-130 OIL COOLER

PNC	Part No	Part Name	Qty	Part Spec	Remarks	Classification	Option	Model
04385D	MS661124	PLUG,ENG OIL COOLER INR	2	TAPER,3/4		K6,K6E,M6E		
	MS661124	PLUG,ENG OIL COOLER INR	2	TAPER,3/4		G6,H6,H6E, J6,J6E,K6, K6E,M6E		
	MS661124	PLUG,ENG OIL COOLER INR	2	TAPER,3/4		G6V,H6V,H6VE, J6V,J6VE,K6VE		
04399	MH000999	BOLT,ENG OIL COOLER	4	FLANGE,6X12		G6,H6,H6E, J6,J6E,K6, K6E,M6E	14C,1C0,1XS, 1XT,1XX,1XY	07
	MH000999	BOLT,ENG OIL COOLER	4	FLANGE,6X12		G6,H6,H6E, J6,J6E	1SP,1XU,1XZ	07
	MH000999	BOLT,ENG OIL COOLER	4	FLANGE,6X12		G6,H6,H6E, J6,J6E		
	MH000999	BOLT,ENG OIL COOLER	4	FLANGE,6X12		K6,K6E,M6E		
	MH000999	BOLT,ENG OIL COOLER	4	FLANGE,6X12		G6,H6,H6E, J6,J6E,K6, K6E,M6E		
	MH000999	BOLT,ENG OIL COOLER	4	FLANGE,6X12		G6V,H6V,H6VE, J6V,J6VE,K6VE		
04399B	MF140239	BOLT,ENG OIL COOLER	1	FLANGE,8X70	7T	G6,G6E,G6V, H6,H6E,H6V, H6VE,J6,J6E, J6V,J6VE,K6, K6E,K6V,K6VE, M6,M6E,M6VE		
04399C	MF140233	BOLT,ENG OIL COOLER	1	FLANGE,8X40	7T	G6,G6E,G6V, H6,H6E,H6V, H6VE,J6,J6E, J6V,J6VE,K6, K6E,K6V,K6VE, M6,M6E,M6VE		
04399D	MF140235	BOLT,ENG OIL COOLER	1	FLANGE,8X50	7T	K6,K6E,M6E		
	MF140235	BOLT,ENG OIL COOLER	1	FLANGE,8X50	7T	G6,G6E,G6V, H6,H6E,H6V, H6VE,J6,J6E, J6V,J6VE,K6, K6E,K6V,K6VE, M6,M6E,M6VE		
	MF140235	BOLT,ENG OIL COOLER	1	FLANGE,8X50	7T	G6E,G6V,H6V, H6VE,J6V,J6VE, K6V,K6VE,M6, M6VE		
	MF140235	BOLT,ENG OIL COOLER	1	FLANGE,8X50	7T	G6,G6E,G6V, H6,H6E,H6V, H6VE,J6,J6E, J6V,J6VE,K6, K6E,K6V,K6VE, M6,M6E,M6VE		
	MF140235	BOLT,ENG OIL COOLER	1	FLANGE,8X50	7T	G6,H6,H6E, J6,J6E	14C,1C0,1XS, 1XT,1XX,1XY	07
	MF140235	BOLT,ENG OIL COOLER	3	FLANGE,8X50	7T	G6,H6,H6E, J6,J6E,K6, K6E,M6E	1SP,1XU,1XZ	07
	MF140235	BOLT,ENG OIL COOLER	3	FLANGE,8X50	7T	G6,H6,H6E, J6,J6E		
	MF140235	BOLT,ENG OIL COOLER	3	FLANGE,8X50	7T	G6,H6,H6E, J6,J6E		
	MF140235	BOLT,ENG OIL COOLER	3	FLANGE,8X50	7T	G6,H6,H6E, J6,J6E,K6, K6E,M6E		
	MF140235	BOLT,ENG OIL COOLER	3	FLANGE,8X50	7T	K6,K6E,M6E		
	MF140235	BOLT,ENG OIL COOLER	3	FLANGE,8X50	7T	G6V,H6V,H6VE, J6V,J6VE,K6VE		
04399E	MF140229	BOLT,ENG OIL COOLER	1	FLANGE,8X30	7T	K6,K6E,M6E		
	MF140229	BOLT,ENG OIL COOLER	1	FLANGE,8X30	7T	G6,G6E,G6V, H6,H6E,H6V, H6VE,J6,J6E, J6V,J6VE,K6, K6E,K6V,K6VE, M6,M6E,M6VE		

FK74R
12-130 OIL COOLER

PNC	Part No	Part Name	Qty	Part Spec	Remarks	Classification	Option	Model	
04399E	MF140229	BOLT,ENG OIL COOLER	1	FLANGE,8X30	7T	G6E,G6V,H6V, H6VE,J6V,J6VE, K6V,K6VE,M6, M6VE			
	MF140229	BOLT,ENG OIL COOLER	1	FLANGE,8X30	7T	G6,G6E,G6V, H6,H6E,H6V, H6VE,J6,J6E, J6V,J6VE,K6, K6E,K6V,K6VE, M6,M6E,M6VE			
	MF140229	BOLT,ENG OIL COOLER	1	FLANGE,8X30	7T	G6,H6,H6E, J6,J6E			
	MF140229	BOLT,ENG OIL COOLER	1	FLANGE,8X30	7T	G6,H6,H6E, J6,J6E,K6, K6E,M6E	14C,1C0,1XS, 1XT,1XX,1XY	07	
	MF140229	BOLT,ENG OIL COOLER	1	FLANGE,8X30	7T	G6,H6,H6E, J6,J6E	1SP,1XU,1XZ	07	
	MF140229	BOLT,ENG OIL COOLER	1	FLANGE,8X30	7T	G6,H6,H6E, J6,J6E			
	MF140229	BOLT,ENG OIL COOLER	1	FLANGE,8X30	7T	G6,H6,H6E, J6,J6E,K6, K6E,M6E			
	MF140229	BOLT,ENG OIL COOLER	1	FLANGE,8X30	7T	K6,K6E,M6E			
	MF140229	BOLT,ENG OIL COOLER	1	FLANGE,8X30	7T	G6V,H6V,H6VE, J6V,J6VE,K6VE			
	04399F	MF140227	BOLT,ENG OIL COOLER	9	FLANGE,8X25	7T	K6,K6E,M6E		
		MF140227	BOLT,ENG OIL COOLER	9	FLANGE,8X25	7T	G6,G6E,G6V, H6,H6E,H6V, H6VE,J6,J6E, J6V,J6VE,K6, K6E,K6V,K6VE, M6,M6E,M6VE		
		MF140227	BOLT,ENG OIL COOLER	9	FLANGE,8X25	7T	G6E,G6V,H6V, H6VE,J6V,J6VE, K6V,K6VE,M6, M6VE		
		MF140227	BOLT,ENG OIL COOLER	9	FLANGE,8X25	7T	G6,G6E,G6V, H6,H6E,H6V, H6VE,J6,J6E, J6V,J6VE,K6, K6E,K6V,K6VE, M6,M6E,M6VE		
		MF140227	BOLT,ENG OIL COOLER	9	FLANGE,8X25	7T	G6,H6,H6E, J6,J6E	14C,1C0,1XS, 1XT,1XX,1XY	07
MF140227		BOLT,ENG OIL COOLER	10	FLANGE,8X25	7T	G6,H6,H6E, J6,J6E,K6, K6E,M6E	1SP,1XU,1XZ	07	
MF140227		BOLT,ENG OIL COOLER	10	FLANGE,8X25	7T	G6,H6,H6E, J6,J6E			
MF140227		BOLT,ENG OIL COOLER	10	FLANGE,8X25	7T	G6,H6,H6E, J6,J6E			
MF140227		BOLT,ENG OIL COOLER	10	FLANGE,8X25	7T	G6,H6,H6E, J6,J6E,K6, K6E,M6E			
MF140227		BOLT,ENG OIL COOLER	10	FLANGE,8X25	7T	K6,K6E,M6E			
MF140227		BOLT,ENG OIL COOLER	10	FLANGE,8X25	7T	G6V,H6V,H6VE, J6V,J6VE,K6VE			
04399G		MH000820	BOLT,ENG OIL COOLER	1	FLANGE,8X105		G6,G6E,G6V, H6,H6E,H6V, H6VE,J6,J6E, J6V,J6VE,K6, K6E,K6V,K6VE, M6,M6E,M6VE		

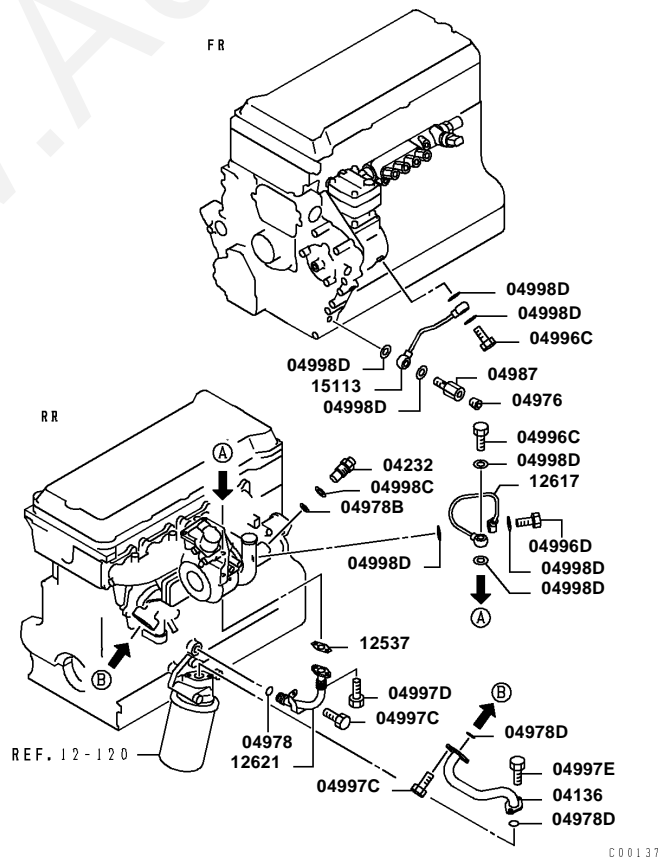
FK74R
No.1



Ref. |2012140

Page

FK74R
No.2



Ref. |2012140

Page

FK74R
12-140 OIL LINE

SPN	Repl Part	PNC	Part No	Part Name	Qty	Part Spec	Remarks	PREV.1	NEW1	Class	
		04136	ME221415	TUBE,BY-PASS OIL FILTER FEED	1					K6,K6	
			ME221415	TUBE,BY-PASS OIL FILTER FEED	1						G6,G6
			ME221415	TUBE,BY-PASS OIL FILTER FEED	1						H6,H6
			ME221415	TUBE,BY-PASS OIL FILTER FEED	1						H6VE,
			ME221415	TUBE,BY-PASS OIL FILTER FEED	1						J6V,J
			ME221415	TUBE,BY-PASS OIL FILTER FEED	1						K6E,K
			ME221415	TUBE,BY-PASS OIL FILTER FEED	1						M6,M6
			ME221415	TUBE,BY-PASS OIL FILTER FEED	1						G6E,G
			ME221415	TUBE,BY-PASS OIL FILTER FEED	1						H6VE,
			ME221415	TUBE,BY-PASS OIL FILTER FEED	1						K6V,K
			ME221415	TUBE,BY-PASS OIL FILTER FEED	1						M6VE
			ME225810	TUBE,BY-PASS OIL FILTER FEED	1	D=22					G6,G6
			ME225810	TUBE,BY-PASS OIL FILTER FEED	1	D=22					H6,H6
			ME225810	TUBE,BY-PASS OIL FILTER FEED	1	D=22					H6VE,
		ME225810	TUBE,BY-PASS OIL FILTER FEED	1	D=22					J6V,J	
		ME225810	TUBE,BY-PASS OIL FILTER FEED	1	D=22					K6E,M	
		ME225810	TUBE,BY-PASS OIL FILTER FEED	1	D=22					G6,H6	
		ME225810	TUBE,BY-PASS OIL FILTER FEED	1	D=22					J6,J6E	
		ME225810	TUBE,BY-PASS OIL FILTER FEED	1	D=22					G6,H6	
		ME225810	TUBE,BY-PASS OIL FILTER FEED	1	D=22					J6,J6E	
		ME225810	TUBE,BY-PASS OIL FILTER FEED	1	D=22					K6E,M	
		ME225810	TUBE,BY-PASS OIL FILTER FEED	1	D=22					K6,K6	
		ME225810	TUBE,BY-PASS OIL FILTER FEED	1	D=22					G6V,H	
	RP	04232	ME074455	VALVE,ENG OIL PRESSURE REGULATING	1			O		J6V,J	
	RP		ME074455	VALVE,ENG OIL PRESSURE REGULATING	1				O		K6,K6
			ME074455	VALVE,ENG OIL PRESSURE REGULATING	1						G6,G6
			ME074455	VALVE,ENG OIL PRESSURE REGULATING	1						H6,H6
			ME074455	VALVE,ENG OIL PRESSURE REGULATING	1						H6VE,
			ME074455	VALVE,ENG OIL PRESSURE REGULATING	1						J6V,J
			ME074455	VALVE,ENG OIL PRESSURE REGULATING	1						K6E,K
			ME074455	VALVE,ENG OIL PRESSURE REGULATING	1						M6,M6
	RP		ME074455	VALVE,ENG OIL PRESSURE REGULATING	1				O		G6E,G
			ME074455	VALVE,ENG OIL PRESSURE REGULATING	1						H6VE,
			ME074455	VALVE,ENG OIL PRESSURE REGULATING	1						K6V,K
	RP		ME074455	VALVE,ENG OIL PRESSURE REGULATING	1				O		M6VE
			ME074455	VALVE,ENG OIL PRESSURE REGULATING	1						G6,G6
			ME074455	VALVE,ENG OIL PRESSURE REGULATING	1						H6,H6
		ME074455	VALVE,ENG OIL PRESSURE REGULATING	1						H6VE,	
		ME074455	VALVE,ENG OIL PRESSURE REGULATING	1						J6V,J	
		ME074455	VALVE,ENG OIL PRESSURE REGULATING	1						K6E,K	
		ME074455	VALVE,ENG OIL PRESSURE REGULATING	1						M6,M6	
	RP	ME074455	VALVE,ENG OIL PRESSURE REGULATING	1				O		G6,H6	
	RP	ME074455	VALVE,ENG OIL PRESSURE REGULATING	1				O		J6,J6E	
		ME074455	VALVE,ENG OIL PRESSURE REGULATING	1						G6,H6	
		ME074455	VALVE,ENG OIL PRESSURE REGULATING	1						J6,J6E	
		ME074455	VALVE,ENG OIL PRESSURE REGULATING	1						K6E,M	
	RP	ME074455	VALVE,ENG OIL PRESSURE REGULATING	1				O		G6,H6	
	RP	ME074455	VALVE,ENG OIL PRESSURE REGULATING	1				O		J6,J6E	
		ME074455	VALVE,ENG OIL PRESSURE REGULATING	1						G6,H6	
		ME074455	VALVE,ENG OIL PRESSURE REGULATING	1						J6,J6E	
		ME074455	VALVE,ENG OIL PRESSURE REGULATING	1						K6E,M	
	RP	ME074455	VALVE,ENG OIL PRESSURE REGULATING	1				O		K6,K6	
	RP	ME074455	VALVE,ENG OIL PRESSURE REGULATING	1				O		G6V,H	
		04976	MH037725	PLUG,ENG OIL LINE	1	TAPER,1/8				J6V,J	
		MH037725	PLUG,ENG OIL LINE	1	TAPER,1/8					K6,K6	
		MH037725	PLUG,ENG OIL LINE	1	TAPER,1/8					G6,G6	
		MH037725	PLUG,ENG OIL LINE	1	TAPER,1/8					H6E,H	
		MH037725	PLUG,ENG OIL LINE	1	TAPER,1/8					J6,J6E	
		MH037725	PLUG,ENG OIL LINE	1	TAPER,1/8					J6VE,	
		MH037725	PLUG,ENG OIL LINE	1	TAPER,1/8					K6VE,	
		MH037725	PLUG,ENG OIL LINE	1	TAPER,1/8					G6,H6	
		MH037725	PLUG,ENG OIL LINE	1	TAPER,1/8					J6,J6E	

FK74R
12-140 OIL LINE

SPN	Repl Part	PNC	Part No	Part Name	Qty	Part Spec	Remarks	PREV.1	NEW1	Class
		04976	MH037725	PLUG,ENG OIL LINE	1	TAPER,1/8				G6V,H
			MH037725	PLUG,ENG OIL LINE	1	TAPER,1/8				J6V,J
			MH037725	PLUG,ENG OIL LINE	1	TAPER,1/8				G6,H6
			MH037788	PLUG,ENG OIL LINE	1	TAPER,1/8				J6,J6E
			MH037788	PLUG,ENG OIL LINE	1	TAPER,1/8				K6E,M
			MH037788	PLUG,ENG OIL LINE	1	TAPER,1/8				G6,H6
			MH037788	PLUG,ENG OIL LINE	1	TAPER,1/8				J6,J6E
			MH037788	PLUG,ENG OIL LINE	1	TAPER,1/8				G6,H6
			MH037788	PLUG,ENG OIL LINE	1	TAPER,1/8				J6,J6E
			MH037788	PLUG,ENG OIL LINE	1	TAPER,1/8				K6E,M
			MH037788	PLUG,ENG OIL LINE	1	TAPER,1/8				G6,H6
			MH037788	PLUG,ENG OIL LINE	1	TAPER,1/8				J6,J6E
			MH037788	PLUG,ENG OIL LINE	1	TAPER,1/8				K6,K6
			MH037788	PLUG,ENG OIL LINE	1	TAPER,1/8				G6,H6
			MH037788	PLUG,ENG OIL LINE	1	TAPER,1/8				J6,J6E
			MH037788	PLUG,ENG OIL LINE	1	TAPER,1/8				G6,H6
			MH037788	PLUG,ENG OIL LINE	1	TAPER,1/8				J6,J6E
			MH037788	PLUG,ENG OIL LINE	1	TAPER,1/8				K6E,M
		04978	MH035015	O-RING,ENG OIL LINE	1	D=17				G6V,H
			MH035015	O-RING,ENG OIL LINE	1	D=17				J6V,J
			MH035015	O-RING,ENG OIL LINE	1	D=17				K6,K6
			MH035015	O-RING,ENG OIL LINE	1	D=17				G6,G6
			MH035015	O-RING,ENG OIL LINE	1	D=17				H6,H6
			MH035015	O-RING,ENG OIL LINE	1	D=17				H6VE,
			MH035015	O-RING,ENG OIL LINE	1	D=17				J6V,J
			MH035015	O-RING,ENG OIL LINE	1	D=17				K6E,K
			MH035015	O-RING,ENG OIL LINE	1	D=17				M6,M6
			MH035015	O-RING,ENG OIL LINE	1	D=17				G6E,G
			MH035015	O-RING,ENG OIL LINE	1	D=17				H6VE,
			MH035015	O-RING,ENG OIL LINE	1	D=17				K6V,K
			MH035015	O-RING,ENG OIL LINE	1	D=17				M6VE
			MH035015	O-RING,ENG OIL LINE	1	D=17				G6,G6
			MH035015	O-RING,ENG OIL LINE	1	D=17				H6,H6
			MH035015	O-RING,ENG OIL LINE	1	D=17				H6VE,
			MH035015	O-RING,ENG OIL LINE	1	D=17				J6V,J
			MH035015	O-RING,ENG OIL LINE	1	D=17				K6E,K
			MH035015	O-RING,ENG OIL LINE	1	D=17				M6,M6
			MH035015	O-RING,ENG OIL LINE	1	D=17				G6,H6
			MH035015	O-RING,ENG OIL LINE	1	D=17				J6,J6E
			MH035015	O-RING,ENG OIL LINE	1	D=17				G6,H6
			MH035015	O-RING,ENG OIL LINE	1	D=17				J6,J6E
			MH035015	O-RING,ENG OIL LINE	1	D=17				K6E,M
			MH035015	O-RING,ENG OIL LINE	1	D=17				K6,K6
			MH035015	O-RING,ENG OIL LINE	1	D=17				G6V,H
			MH035015	O-RING,ENG OIL LINE	1	D=17				J6V,J
		04978B	MH035129	O-RING,ENG OIL LINE	1	D=17.4				K6,K6
			MH035129	O-RING,ENG OIL LINE	1	D=17.4				G6,G6
			MH035129	O-RING,ENG OIL LINE	1	D=17.4				H6,H6
			MH035129	O-RING,ENG OIL LINE	1	D=17.4				H6VE,
			MH035129	O-RING,ENG OIL LINE	1	D=17.4				J6V,J
			MH035129	O-RING,ENG OIL LINE	1	D=17.4				K6E,K
			MH035129	O-RING,ENG OIL LINE	1	D=17.4				M6,M6
			MH035129	O-RING,ENG OIL LINE	1	D=17.4				G6E,G
			MH035129	O-RING,ENG OIL LINE	1	D=17.4				H6VE,
			MH035129	O-RING,ENG OIL LINE	1	D=17.4				K6V,K
			MH035129	O-RING,ENG OIL LINE	1	D=17.4				M6VE
			MH035129	O-RING,ENG OIL LINE	1	D=17.4				G6,G6
			MH035129	O-RING,ENG OIL LINE	1	D=17.4				H6,H6
			MH035129	O-RING,ENG OIL LINE	1	D=17.4				H6VE,
			MH035129	O-RING,ENG OIL LINE	1	D=17.4				J6V,J
			MH035129	O-RING,ENG OIL LINE	1	D=17.4				K6E,K
			MH035129	O-RING,ENG OIL LINE	1	D=17.4				M6,M6
			MH035129	O-RING,ENG OIL LINE	1	D=17.4				G6,H6
			MH035129	O-RING,ENG OIL LINE	1	D=17.4				J6,J6E

FK74R
12-140 OIL LINE

SPN	Repl Part	PNC	Part No	Part Name	Qty	Part Spec	Remarks	PREV.1	NEW1	Class
		04978B	MH035129	O-RING,ENG OIL LINE	1	D=17.4				G6,H6 J6,J6E K6E,M
			MH035129	O-RING,ENG OIL LINE	1	D=17.4				G6,H6 J6,J6E
			MH035129	O-RING,ENG OIL LINE	1	D=17.4				G6,H6 J6,J6E
			MH035129	O-RING,ENG OIL LINE	1	D=17.4				G6,H6 J6,J6E K6E,M
			MH035129	O-RING,ENG OIL LINE	1	D=17.4				K6,K6
			MH035129	O-RING,ENG OIL LINE	1	D=17.4				G6V,H
		04978D	MH035626	O-RING,ENG OIL LINE	2	D=30				J6V,J
			MH035626	O-RING,ENG OIL LINE	2	D=30				K6,K6 G6,G6 H6,H6 H6VE, J6V,J
			MH035626	O-RING,ENG OIL LINE	2	D=30				K6E,K M6,M6 G6E,G H6VE, K6V,K M6VE G6,G6 H6,H6 H6VE, J6V,J
			MH035626	O-RING,ENG OIL LINE	2	D=30				K6E,K M6,M6 G6,H6 J6,J6E G6,H6 J6,J6E K6E,M
			MH035626	O-RING,ENG OIL LINE	2	D=30				G6,H6 J6,J6E G6,H6 J6,J6E G6,H6 J6,J6E K6E,M
			MH035626	O-RING,ENG OIL LINE	2	D=30				K6,K6
			MH035626	O-RING,ENG OIL LINE	2	D=30				G6V,H J6V,J
		04987	ME240933	JOINT,ENG OIL LINE	1	10X27				G6,H6 J6,J6E K6E,M
			ME240933	JOINT,ENG OIL LINE	1	10X27				G6,H6 J6,J6E
			ME240933	JOINT,ENG OIL LINE	1	10X27				G6,H6 J6,J6E
			ME240933	JOINT,ENG OIL LINE	1	10X27				K6,K6
			ME240933	JOINT,ENG OIL LINE	1	10X27				G6,H6 J6,J6E K6E,M
			ME240933	JOINT,ENG OIL LINE	1	10X27				G6V,H J6V,J
		04996C	MF650102	EYEBOLT,ENG OIL LINE	2	10X20				K6,K6
			MF650102	EYEBOLT,ENG OIL LINE	2	10X20				G6,G6 H6,H6 H6VE, J6V,J K6E,K M6,M6 G6E,G H6VE, K6V,K M6VE
			MF650102	EYEBOLT,ENG OIL LINE	2	10X20				

FK74R
12-140 OIL LINE

SPN	Repl Part	PNC	Part No	Part Name	Qty	Part Spec	Remarks	PREV.1	NEW1	Class			
SP		04996C	MF650102	EYEBOLT,ENG OIL LINE	2	10X20				G6,G6 H6,H6 H6VE, J6V,J6 K6E,K6 M6,M6			
			MF650102	EYEBOLT,ENG OIL LINE	2	10X20				G6,H6 J6,J6E			
			MF650102	EYEBOLT,ENG OIL LINE	2	10X20					G6,H6 J6,J6E K6E,M6		
			MF650102	EYEBOLT,ENG OIL LINE	2	10X20					G6,H6 J6,J6E		
			MF650102	EYEBOLT,ENG OIL LINE	2	10X20					G6,H6 J6,J6E		
			MF650102	EYEBOLT,ENG OIL LINE	2	10X20					G6,H6 J6,J6E		
			MF650102	EYEBOLT,ENG OIL LINE	2	10X20					G6,H6 J6,J6E		
			MF650102	EYEBOLT,ENG OIL LINE	2	10X20					G6,H6 J6,J6E		
			MF650102	EYEBOLT,ENG OIL LINE	2	10X20					G6,H6 J6,J6E		
			MF650102	EYEBOLT,ENG OIL LINE	2	10X20					G6,H6 J6,J6E		
			MF650102	EYEBOLT,ENG OIL LINE	2	10X20					G6,H6 J6,J6E		
			MF650102	EYEBOLT,ENG OIL LINE	2	10X20					G6,H6 J6,J6E		
		04996D		MH037816	MH037816	EYEBOLT,ENG OIL LINE	2	10X25				K6,K6 G6V,H6 J6V,J6	
					MH037816	EYEBOLT,ENG OIL LINE	2	10X25				K6,K6 G6,G6 H6,H6 H6VE, J6V,J6	
				MH037816	MH037816	EYEBOLT,ENG OIL LINE	2	10X25					K6E,K6 M6,M6 G6E,G6 H6VE, K6V,K6 M6VE
					MH037816	EYEBOLT,ENG OIL LINE	2	10X25					G6,G6 H6,H6 H6VE, J6V,J6
					MH037816	EYEBOLT,ENG OIL LINE	2	10X25					K6E,K6 M6,M6 G6,H6 J6,J6E
					MH037816	EYEBOLT,ENG OIL LINE	1	10X25					G6,H6 J6,J6E
					MH037816	EYEBOLT,ENG OIL LINE	1	10X25					G6,H6 J6,J6E
					MH037816	EYEBOLT,ENG OIL LINE	1	10X25					G6,H6 J6,J6E
					MH037816	EYEBOLT,ENG OIL LINE	1	10X25					G6,H6 J6,J6E
					MH037816	EYEBOLT,ENG OIL LINE	1	10X25					G6,H6 J6,J6E
					MH037816	EYEBOLT,ENG OIL LINE	1	10X25					G6,H6 J6,J6E
MH037816	EYEBOLT,ENG OIL LINE	1	10X25					G6,H6 J6,J6E					
04996F		3117546100	EYEBOLT,ENG OIL LINE	1	10X20					G6,G6 H6,H6 H6VE, J6V,J6 K6E,K6 M6,M6			
			04997C	MF140223	BOLT,ENG OIL LINE	3	FLANGE,8X16	7T				G6E,K6 M6VE	
				MF140223	BOLT,ENG OIL LINE	3	FLANGE,8X16	7T				G6,H6 J6,J6E	
				MF140223	BOLT,ENG OIL LINE	3	FLANGE,8X16	7T				G6,G6 H6,H6 H6VE, J6V,J6	
												K6E,K6 M6,M6	
												G6,H6 J6,J6E	

FK74R
12-140 OIL LINE

SPN	Repl Part	PNC	Part No	Part Name	Qty	Part Spec	Remarks	PREV.1	NEW1	Class
		04997C	MF140223	BOLT,ENG OIL LINE	3	FLANGE,8X16	7T			G6,G6 H6,H6 H6VE, J6V,J6 K6E,K6 M6,M6
			MF140223	BOLT,ENG OIL LINE	3	FLANGE,8X16	7T			K6,K6
			MF140223	BOLT,ENG OIL LINE	3	FLANGE,8X16	7T			G6V,H6 J6V,J6
			MF140223	BOLT,ENG OIL LINE	3	FLANGE,8X16	7T			G6,G6 H6E,H6 J6,J6E
			MF140223	BOLT,ENG OIL LINE	3	FLANGE,8X16	7T			J6VE, K6VE,
			MF140223	BOLT,ENG OIL LINE	3	FLANGE,8X16	7T			G6,H6 J6,J6E
			MF140223	BOLT,ENG OIL LINE	3	FLANGE,8X16	7T			G6,H6 J6,J6E
		04997D	MF140004	BOLT,ENG OIL LINE	2	FLANGE,6X14	4T			K6E,M6 G6E,K6 M6VE
			MF140004	BOLT,ENG OIL LINE	2	FLANGE,6X14	4T			G6,H6 J6,J6E
			MF140004	BOLT,ENG OIL LINE	2	FLANGE,6X14	4T			G6,G6 H6,H6 H6VE, J6V,J6 K6E,K6 M6,M6
			MF140004	BOLT,ENG OIL LINE	2	FLANGE,6X14	4T			G6,G6 H6,H6 H6VE, J6V,J6 K6E,K6 M6,M6
			MF140004	BOLT,ENG OIL LINE	2	FLANGE,6X14	4T			K6,K6
			MF140004	BOLT,ENG OIL LINE	2	FLANGE,6X14	4T			G6V,H6 J6V,J6
			MF140004	BOLT,ENG OIL LINE	2	FLANGE,6X14	4T			G6,G6 H6E,H6 J6,J6E
			MF140004	BOLT,ENG OIL LINE	2	FLANGE,6X14	4T			J6VE, K6VE,
			MF140004	BOLT,ENG OIL LINE	2	FLANGE,6X14	4T			G6,H6 J6,J6E
			MF140004	BOLT,ENG OIL LINE	2	FLANGE,6X14	4T			G6,H6 J6,J6E
		04997E	MF140225	BOLT,ENG OIL LINE	4	FLANGE,8X20	7T			K6E,M6 G6E,K6 M6VE
			MF140225	BOLT,ENG OIL LINE	4	FLANGE,8X20	7T			G6,H6 J6,J6E
			MF140225	BOLT,ENG OIL LINE	4	FLANGE,8X20	7T			G6,G6 H6,H6 H6VE, J6V,J6 K6E,K6 M6,M6
			MF140225	BOLT,ENG OIL LINE	4	FLANGE,8X20	7T			G6,G6 H6,H6 H6VE, J6V,J6 K6E,K6 M6,M6
			MF140225	BOLT,ENG OIL LINE	4	FLANGE,8X20	7T			K6,K6
			MF140225	BOLT,ENG OIL LINE	4	FLANGE,8X20	7T			G6V,H6 J6V,J6
			MF140225	BOLT,ENG OIL LINE	2	FLANGE,8X20	7T			G6,G6 H6E,H6 J6,J6E
			MF140225	BOLT,ENG OIL LINE	2	FLANGE,8X20	7T			J6VE, K6VE,

FK74R
12-140 OIL LINE

SPN	Repl Part	PNC	Part No	Part Name	Qty	Part Spec	Remarks	PREV.1	NEW1	Class
		04997E	MF140225	BOLT,ENG OIL LINE	2	FLANGE,8X20	7T			G6,H6
			MF140225	BOLT,ENG OIL LINE	2	FLANGE,8X20	7T			J6,J6E
		04998C	MF660071	GASKET,ENG OIL LINE	1	D=27				G6,H6
			MF660071	GASKET,ENG OIL LINE	1	D=27				J6,J6E
			MF660071	GASKET,ENG OIL LINE	1	D=27				K6E,M
			MF660071	GASKET,ENG OIL LINE	1	D=27				G6E,K
			MF660071	GASKET,ENG OIL LINE	1	D=27				M6VE
			MF660071	GASKET,ENG OIL LINE	1	D=27				G6,H6
			MF660071	GASKET,ENG OIL LINE	1	D=27				J6,J6E
			MF660071	GASKET,ENG OIL LINE	1	D=27				G6,G6
			MF660071	GASKET,ENG OIL LINE	1	D=27				H6,H6
			MF660071	GASKET,ENG OIL LINE	1	D=27				H6VE,
			MF660071	GASKET,ENG OIL LINE	1	D=27				J6V,J
			MF660071	GASKET,ENG OIL LINE	1	D=27				K6E,K
			MF660071	GASKET,ENG OIL LINE	1	D=27				M6,M6
			MF660071	GASKET,ENG OIL LINE	1	D=27				G6,G6
			MF660071	GASKET,ENG OIL LINE	1	D=27				H6,H6
			MF660071	GASKET,ENG OIL LINE	1	D=27				H6VE,
			MF660071	GASKET,ENG OIL LINE	1	D=27				J6V,J
			MF660071	GASKET,ENG OIL LINE	1	D=27				K6E,K
			MF660071	GASKET,ENG OIL LINE	1	D=27				M6,M6
			MF660071	GASKET,ENG OIL LINE	1	D=27				G6V,H
			MF660071	GASKET,ENG OIL LINE	1	D=27				J6V,J
			MF660071	GASKET,ENG OIL LINE	1	D=27				G6,G6
			MF660071	GASKET,ENG OIL LINE	1	D=27				H6,H6
			MF660071	GASKET,ENG OIL LINE	1	D=27				H6VE,
			MF660071	GASKET,ENG OIL LINE	1	D=27				J6V,J
			MF660071	GASKET,ENG OIL LINE	1	D=27				K6E,K
			MF660071	GASKET,ENG OIL LINE	1	D=27				M6,M6
		04998D	MF660063	GASKET,ENG OIL LINE	10	D=10				G6E,K
			MF660063	GASKET,ENG OIL LINE	10	D=10				M6VE
			MF660063	GASKET,ENG OIL LINE	10	D=10				G6,H6
			MF660063	GASKET,ENG OIL LINE	10	D=10				J6,J6E
			MF660063	GASKET,ENG OIL LINE	10	D=10				G6,G6
			MF660063	GASKET,ENG OIL LINE	10	D=10				H6,H6
			MF660063	GASKET,ENG OIL LINE	10	D=10				H6VE,
			MF660063	GASKET,ENG OIL LINE	10	D=10				J6V,J
			MF660063	GASKET,ENG OIL LINE	10	D=10				K6E,K
			MF660063	GASKET,ENG OIL LINE	10	D=10				M6,M6
			MF660063	GASKET,ENG OIL LINE	10	D=10				G6,G6
			MF660063	GASKET,ENG OIL LINE	10	D=10				H6,H6
			MF660063	GASKET,ENG OIL LINE	10	D=10				H6VE,
			MF660063	GASKET,ENG OIL LINE	10	D=10				J6V,J
			MF660063	GASKET,ENG OIL LINE	10	D=10				K6E,K
			MF660063	GASKET,ENG OIL LINE	10	D=10				M6,M6
			MF660063	GASKET,ENG OIL LINE	10	D=10				G6V,H
			MF660063	GASKET,ENG OIL LINE	10	D=10				J6V,J
			MF660063	GASKET,ENG OIL LINE	8	D=10				G6,G6
			MF660063	GASKET,ENG OIL LINE	8	D=10				H6,H6
			MF660063	GASKET,ENG OIL LINE	8	D=10				H6VE,
			MF660063	GASKET,ENG OIL LINE	8	D=10				J6V,J
			MF660063	GASKET,ENG OIL LINE	8	D=10				K6E,K
			MF660063	GASKET,ENG OIL LINE	8	D=10				M6,M6
			MF660063	GASKET,ENG OIL LINE	8	D=10				G6,H6
			MF660063	GASKET,ENG OIL LINE	8	D=10				J6,J6E
			MF660063	GASKET,ENG OIL LINE	8	D=10				G6,H6
			MF660063	GASKET,ENG OIL LINE	8	D=10				J6,J6E
			MF660063	GASKET,ENG OIL LINE	8	D=10				K6E,M
			MF660063	GASKET,ENG OIL LINE	8	D=10				K6,K6
			MF660063	GASKET,ENG OIL LINE	8	D=10				G6,G6
			MF660063	GASKET,ENG OIL LINE	8	D=10				H6,H6
			MF660063	GASKET,ENG OIL LINE	8	D=10				H6VE,
			MF660063	GASKET,ENG OIL LINE	8	D=10				J6V,J
			MF660063	GASKET,ENG OIL LINE	8	D=10				K6E,K
			MF660063	GASKET,ENG OIL LINE	8	D=10				M6,M6
	RP	12537	ME012494	GASKET,T/C OIL RETURN TUBE	1				Y	K6,K6
	RP		ME012494	GASKET,T/C OIL RETURN TUBE	1				Y	G6,G6

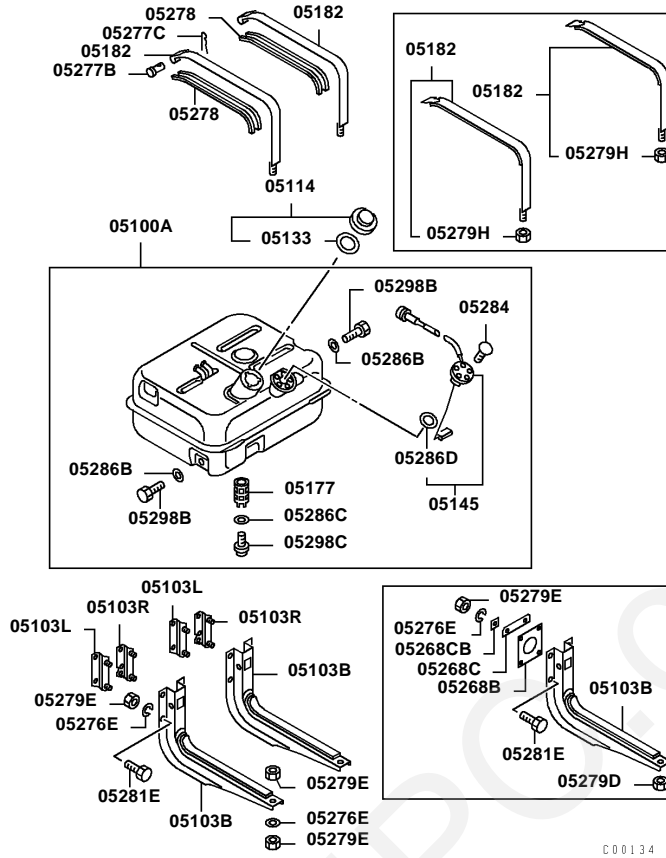
FK74R
12-140 OIL LINE

SPN	Repl Part RP	PNC 12537	Part No ME012494	Part Name GASKET,T/C OIL RETURN TUBE	Qty 1	Part Spec	Remarks	PREV.1	NEW1	Class
	RP		ME012494	GASKET,T/C OIL RETURN TUBE	1				Y	G6E,G H6VE, K6V,K M6VE
	RP		ME012494	GASKET,T/C OIL RETURN TUBE	1				Y	G6,G6 H6,H6 H6VE, J6V,J K6E,K M6,M6
	RP		ME012494	GASKET,T/C OIL RETURN TUBE	1				Y	G6,H6 J6,J6E
	RP		ME012494	GASKET,T/C OIL RETURN TUBE	1				Y	G6,H6 J6,J6E K6E,M
	RP		ME012494	GASKET,T/C OIL RETURN TUBE	1				Y	G6,H6 J6,J6E
	RP		ME012494	GASKET,T/C OIL RETURN TUBE	1				Y	G6,H6 J6,J6E K6E,M
	RP		ME012494	GASKET,T/C OIL RETURN TUBE	1				Y	K6,K6
	RP		ME012494	GASKET,T/C OIL RETURN TUBE	1				Y	G6V,H J6V,J K6,K6
		12617	ME223350	TUBE,T/C OIL FEED	1					G6,G6 H6,H6 H6VE, J6V,J K6E,K M6,M6
			ME223350	TUBE,T/C OIL FEED	1					G6,G6 H6,H6 H6VE, J6V,J K6E,K M6,M6
			ME223350	TUBE,T/C OIL FEED	1					G6,G6 H6,H6 H6VE, J6V,J K6E,K M6,M6
			ME223350	TUBE,T/C OIL FEED	1					G6,H6 J6,J6E
			ME226897	TUBE,T/C OIL FEED	1	D=8				G6,H6 J6,J6E K6E,M
			ME226897	TUBE,T/C OIL FEED	1	D=8				G6,H6 J6,J6E
			ME226897	TUBE,T/C OIL FEED	1	D=8				G6,H6 J6,J6E
			ME226897	TUBE,T/C OIL FEED	1	D=8				G6,H6 J6,J6E K6E,M
			ME226897	TUBE,T/C OIL FEED	1	D=8				K6,K6
			ME226897	TUBE,T/C OIL FEED	1	D=8				G6V,H J6V,J K6,K6
		12621	ME222881	TUBE,T/C OIL RETURN	1					G6,G6 H6,H6 H6VE, J6V,J K6E,K M6,M6
			ME222881	TUBE,T/C OIL RETURN	1					G6,G6 H6,H6 H6VE, J6V,J K6E,K M6,M6
			ME222881	TUBE,T/C OIL RETURN	1					G6E,G H6VE, K6V,K M6VE

FK74R
12-140 OIL LINE

SPN	Repl Part	PNC	Part No	Part Name	Qty	Part Spec	Remarks	PREV.1	NEW1	Class
		12621	ME222881	TUBE,T/C OIL RETURN	1					G6,G6 H6,H6 H6VE, J6V,J K6E,K M6,M6
			ME222881	TUBE,T/C OIL RETURN	1					G6,H6 J6,J6E
			ME227304	TUBE,T/C OIL RETURN	1					G6,H6 J6,J6E K6E,M
			ME227304	TUBE,T/C OIL RETURN	1					G6,H6 J6,J6E
			ME227304	TUBE,T/C OIL RETURN	1					G6,H6 J6,J6E
			ME227304	TUBE,T/C OIL RETURN	1					G6,H6 J6,J6E
			ME227304	TUBE,T/C OIL RETURN	1					G6,H6 J6,J6E
			ME227304	TUBE,T/C OIL RETURN	1					K6,K6 G6V,H J6V,J
			ME227304	TUBE,T/C OIL RETURN	1					K6,K6 G6,G6 H6,H6 H6VE, J6V,J K6E,K
		15113	ME222314	TUBE,AIR COMPRESSOR OIL FEED	1					M6,M6 G6E,G H6VE, K6V,K M6VE
			ME222314	TUBE,AIR COMPRESSOR OIL FEED	1					G6,G6 H6,H6 H6VE, J6V,J K6E,K
			ME222314	TUBE,AIR COMPRESSOR OIL FEED	1					M6,M6 G6,H6 J6,J6E
			ME222314	TUBE,AIR COMPRESSOR OIL FEED	1					G6,H6 J6,J6E K6E,M
			ME222314	TUBE,AIR COMPRESSOR OIL FEED	1					G6,H6 J6,J6E
			ME225710	TUBE,AIR COMPRESSOR OIL FEED	1	6.35				G6,H6 J6,J6E K6E,M
			ME225710	TUBE,AIR COMPRESSOR OIL FEED	1	6.35				G6,H6 J6,J6E
			ME225710	TUBE,AIR COMPRESSOR OIL FEED	1	6.35				G6,H6 J6,J6E
			ME225710	TUBE,AIR COMPRESSOR OIL FEED	1	6.35				G6,H6 J6,J6E
			ME225710	TUBE,AIR COMPRESSOR OIL FEED	1	6.35				G6,H6 J6,J6E K6E,M
			ME225710	TUBE,AIR COMPRESSOR OIL FEED	1	6.35				K6,K6 G6V,H J6V,J
			ME225710	TUBE,AIR COMPRESSOR OIL FEED	1	6.35				J6V,J
		04987F	(N.e.c.)	JOINT,ENG OIL LINE						

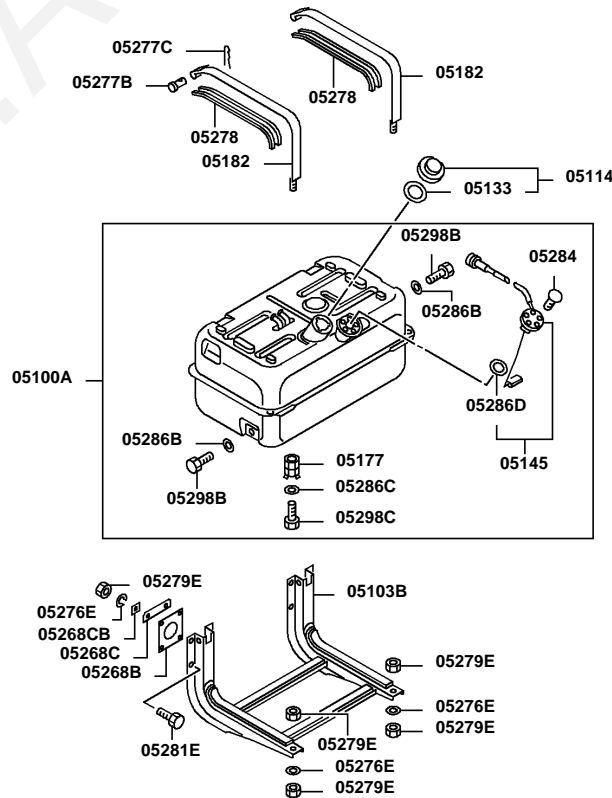
FK74R No.1



Ref. |2013010

Page

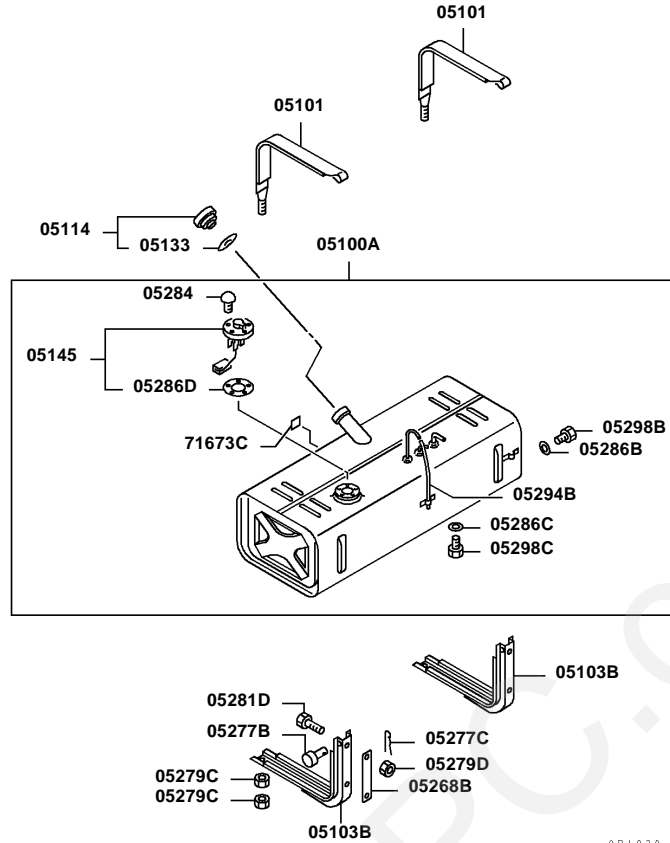
FK74R No.2



Ref. |2013010

Page

FK74R
No.3



Ref. |2013010

Page

FK74R
13-010 FUEL TANK & BRACKET

Repl Part RP	PNC 05100A	Part No	Part Name	Qty	Supply Mode	Part Spec	Remarks	NEW1	NEW2
		MC459383	FUEL TANK ASSY	1		100L,1000X385X280		Y	Y
		MK361134	FUEL TANK ASSY	1		100L,550X710X280			
		MK537110	FUEL TANK ASSY	1		100L,550X710X280			
		MK537110	FUEL TANK ASSY	1		100L,550X710X280			
		MK537110	FUEL TANK ASSY	1		100L,550X710X280			
RP		MK537124	FUEL TANK ASSY	1		100L,1000X385X280		Y	Y
RP		MK537124	FUEL TANK ASSY	1		100L,1000X385X280		Y	Y
RP		MK537124	FUEL TANK ASSY	1		100L,1000X385X280		Y	Y
RP		MK537124	FUEL TANK ASSY	1		100L,1000X385X280		Y	Y
		MK537110	FUEL TANK ASSY	1		100L,550X710X280			
		MK537110	FUEL TANK ASSY	1		100L,550X710X280			

Ref. |2013010

Page

FK74R
13-010 FUEL TANK & BRACKET

Repl Part	PNC	Part No	Part Name	Qty	Supply Mode	Part Spec	Remarks	NEW1	NI
	05100A	MK537110	FUEL TANK ASSY	1		100L,550X710X280			
		MK538619	FUEL TANK ASSY	1		200L,550X950X410			
	05101	MB390541	BAND,FUEL TANK SUPPORT	2		L=635			
		MB390541	BAND,FUEL TANK SUPPORT	2		L=635			
		MB390541	BAND,FUEL TANK SUPPORT	2		L=635			
	05103B	MB125127	BRACKET,FUEL TANK	2					
		MC023413	BRACKET,FUEL TANK	2					
		MB125127	BRACKET,FUEL TANK	2					
		MB125127	BRACKET,FUEL TANK	2					
		MB125127	BRACKET,FUEL TANK	2					
		MB125127	BRACKET,FUEL TANK	2					
		MC023413	BRACKET,FUEL TANK	2					
		MC023413	BRACKET,FUEL TANK	2					
		MC023413	BRACKET,FUEL TANK	2					
		MB125127	BRACKET,FUEL TANK	2					
		MB125127	BRACKET,FUEL TANK	2					
		MB125127	BRACKET,FUEL TANK	2					
		MB125127	BRACKET,FUEL TANK	2					
		MC023413	BRACKET,FUEL TANK	2					
		MC023413	BRACKET,FUEL TANK	2					
		MC023413	BRACKET,FUEL TANK	2					
		MC023413	BRACKET,FUEL TANK	2					
		MC023413	BRACKET,FUEL TANK	2					
		MC023413	BRACKET,FUEL TANK	2					
		MC023413	BRACKET,FUEL TANK	2					
		MC023413	BRACKET,FUEL TANK	2					
		MC023413	BRACKET,FUEL TANK	2					
		MK314204	BRACKET,FUEL TANK	1					
RP	05114	MB125425	CAP,FUEL TANK	1			W/O KEY		
		MC031787	CAP,FUEL TANK	1			W/O KEY	Y	
		MB125425	CAP,FUEL TANK	1			W/O KEY		
RP		MC031787	CAP,FUEL TANK	1			W/O KEY	Y	
		MB125425	CAP,FUEL TANK	1			W/O KEY		
RP		MC031787	CAP,FUEL TANK	1			W/O KEY	Y	
RP		MC031787	CAP,FUEL TANK	1			W/O KEY	Y	
	05133	MB125426	GASKET,FUEL TANK CAP	1					
		MC026160	GASKET,FUEL TANK CAP	1					
		MB125426	GASKET,FUEL TANK CAP	1					

FK74R
13-010 FUEL TANK & BRACKET

Repl Part	PNC	Part No	Part Name	Qty	Supply Mode	Part Spec	Remarks	NEW1	NEW2
	05133	MC026160	GASKET,FUEL TANK CAP	1					
		MB125426	GASKET,FUEL TANK CAP	1					
		MC026160	GASKET,FUEL TANK CAP	1					
		MC026160	GASKET,FUEL TANK CAP	1					
	05145	MC857511	GAUGE UNIT,FUEL TANK	1					
		MK344807	GAUGE UNIT,FUEL TANK	1					
		MC859970	GAUGE UNIT,FUEL TANK	1					
		MC859970	GAUGE UNIT,FUEL TANK	1					
		MC859970	GAUGE UNIT,FUEL TANK	1					
RP		MK541584	GAUGE UNIT,FUEL TANK	1					Y
RP		MK541584	GAUGE UNIT,FUEL TANK	1					Y
RP		MK541584	GAUGE UNIT,FUEL TANK	1					Y
RP		MK541584	GAUGE UNIT,FUEL TANK	1					Y
		MC859970	GAUGE UNIT,FUEL TANK	1					
		MC859970	GAUGE UNIT,FUEL TANK	1					
		MC859970	GAUGE UNIT,FUEL TANK	1					
	05177	MC459393	STRAINER,FUEL TANK	1					
		MC459393	STRAINER,FUEL TANK	1					
		MC459393	STRAINER,FUEL TANK	1					
		MC459393	STRAINER,FUEL TANK	1					
	05182	MC036273	STRAP,FUEL TANK SUPPORT	2					
		MC036273	STRAP,FUEL TANK SUPPORT	2					
		MC036273	STRAP,FUEL TANK SUPPORT	2					
		MC036273	STRAP,FUEL TANK SUPPORT	2					
		MC036273	STRAP,FUEL TANK SUPPORT	2					
		MC036273	STRAP,FUEL TANK SUPPORT	2					
		MC036273	STRAP,FUEL TANK SUPPORT	2					

FK74R
13-010 FUEL TANK & BRACKET

Repl Part	PNC	Part No	Part Name	Qty	Supply Mode	Part Spec	Remarks	NEW1	NEW2
	05182	MC036273	STRAP,FUEL TANK SUPPORT	2					
		MC036273	STRAP,FUEL TANK SUPPORT	2					
		MC036273	STRAP,FUEL TANK SUPPORT	2					
		MK625684	STRAP,FUEL TANK SUPPORT	2					
	05268C	MK626450	SPACER,FUEL TANK SUPPORT	4					
	05276E	MF450007	WASHER,FUEL TANK SUPPORT	2		PLAIN,12			
	05277B	MC000029	PIN,FUEL TANK SUPPORT	2		SNAP,12X67			
		MF472990	PIN,FUEL TANK SUPPORT	2		CLEVIS,8X45			
		MC000029	PIN,FUEL TANK SUPPORT	2		SNAP,12X67			
		MF472990	PIN,FUEL TANK SUPPORT	2		CLEVIS,8X45			
		MC000029	PIN,FUEL TANK SUPPORT	2		SNAP,12X67			
		MF472990	PIN,FUEL TANK SUPPORT	2		CLEVIS,8X45			
		MC000029	PIN,FUEL TANK SUPPORT	2		SNAP,12X67			
	05277C	MF472036	PIN,FUEL TANK SUPPORT	2		SPLIT,2X15			
		MF472039	PIN,FUEL TANK SUPPORT	2		SPLIT,2X22			
		MF472036	PIN,FUEL TANK SUPPORT	2		SPLIT,2X15			
		MF472039	PIN,FUEL TANK SUPPORT	2		SPLIT,2X22			
		MF472036	PIN,FUEL TANK SUPPORT	2		SPLIT,2X15			
		MF472039	PIN,FUEL TANK SUPPORT	2		SPLIT,2X22			
		MF472039	PIN,FUEL TANK SUPPORT	2		SPLIT,2X22			
	05278	MC030197	CUSHION,FUEL TANK SUPPORT	2					
		MC030197	CUSHION,FUEL TANK SUPPORT	2					
		MC030197	CUSHION,FUEL TANK SUPPORT	2					
		MC030197	CUSHION,FUEL TANK SUPPORT	2					
	05279C	MF430005	NUT,FUEL TANK SUPPORT	2		8			
		MF430725	NUT,FUEL TANK SUPPORT	2		JAM,8			
		MF430005	NUT,FUEL TANK SUPPORT	2		8			
		MF430725	NUT,FUEL TANK SUPPORT	2		JAM,8			
		MF430005	NUT,FUEL TANK SUPPORT	2		8			

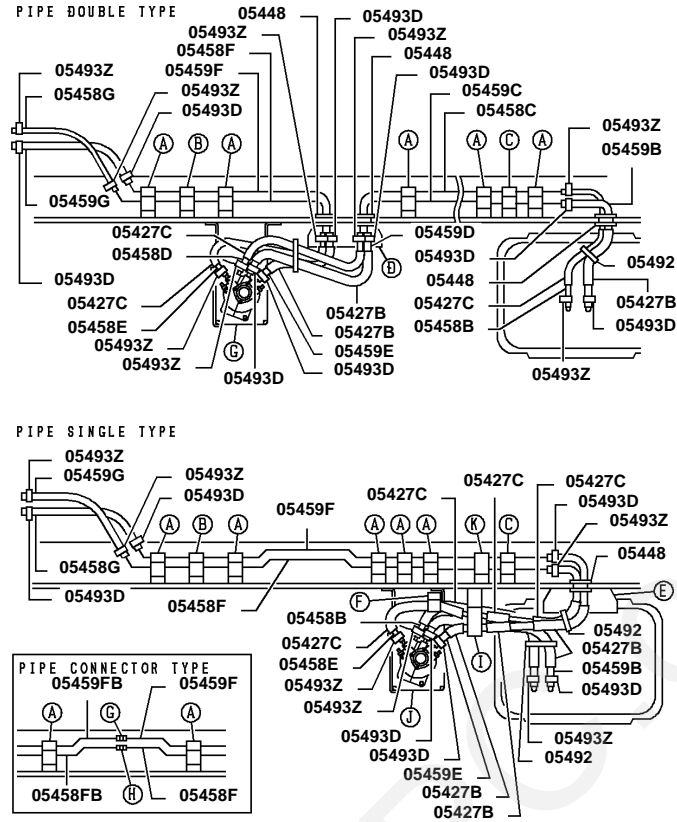
FK74R
13-010 FUEL TANK & BRACKET

Repl Part	PNC	Part No	Part Name	Qty	Supply Mode	Part Spec	Remarks	NEW1	NEW2
	05279C	MF430725	NUT,FUEL TANK SUPPORT	2		JAM,8			
	05279D	MB200979	NUT,FUEL TANK SUPPORT	4		FLANGE,10	6T		
		MB200979	NUT,FUEL TANK SUPPORT	4		FLANGE,10	6T		
		MB200979	NUT,FUEL TANK SUPPORT	4		FLANGE,10	6T		
	05279E	MF430007	NUT,FUEL TANK SUPPORT	4		12			
		MH004161	NUT,FUEL TANK SUPPORT	8		FLANGE,12	6T		
		MF430007	NUT,FUEL TANK SUPPORT	4		12			
		MH004161	NUT,FUEL TANK SUPPORT	8		FLANGE,12	6T		
		MF430007	NUT,FUEL TANK SUPPORT	4		12			
		MH004161	NUT,FUEL TANK SUPPORT	8		FLANGE,12	6T		
		MF430007	NUT,FUEL TANK SUPPORT	4		12			
		MH004161	NUT,FUEL TANK SUPPORT	8		FLANGE,12	6T		
	05281D	MF140460	BOLT,FUEL TANK SUPPORT	4		FLANGE,10X25	8T		
	05281E	MF101312	BOLT,FUEL TANK SUPPORT	8		BOLT,12X30	7T		
		MF101312	BOLT,FUEL TANK SUPPORT	8		BOLT,12X30	7T		
		MF101312	BOLT,FUEL TANK SUPPORT	8		BOLT,12X30	7T		
		MF101312	BOLT,FUEL TANK SUPPORT	8		BOLT,12X30	7T		
		MF101316	BOLT,FUEL TANK SUPPORT	8		BOLT,12X40	7T		
	05284	MF350047	SCREW,FUEL TANK	5		WASHER ASSEMBLED,5X10			
RP	05286B	MK303268	GASKET,FUEL TANK	1		D=16.2			Y
RP		MK601722	GASKET,FUEL TANK	2		D=16,T=1.5			Y
		MK303268	GASKET,FUEL TANK	1		D=16.2			
		MK601722	GASKET,FUEL TANK	2		D=16,T=1.5			
RP		MK303268	GASKET,FUEL TANK	1		D=16.2			Y
		MK601722	GASKET,FUEL TANK	2		D=16,T=1.5			

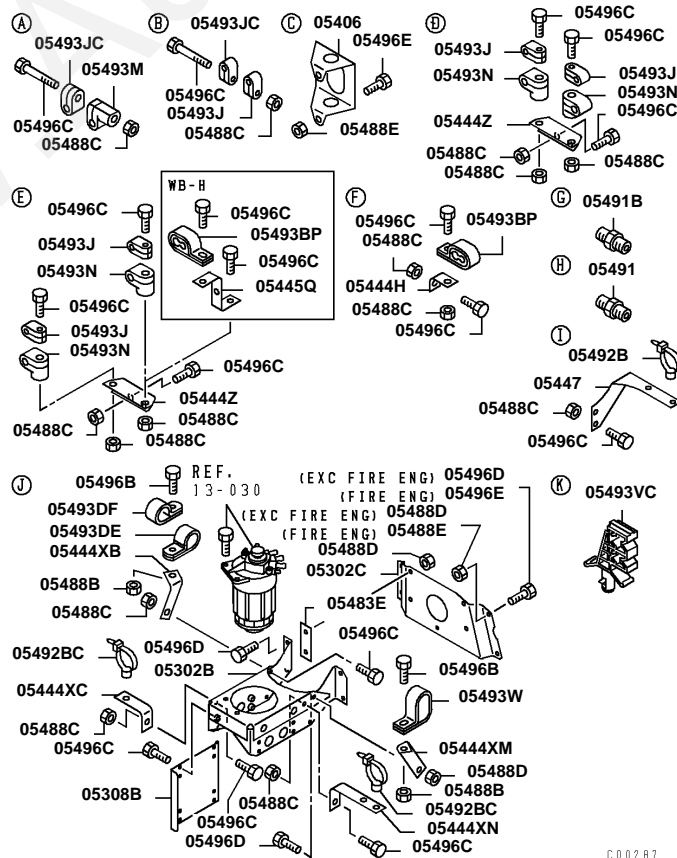
FK74R
13-010 FUEL TANK & BRACKET

Repl Part	PNC	Part No	Part Name	Qty	Supply Mode	Part Spec	Remarks	NEW1
	05286B	MK601722	GASKET,FUEL TANK	2		D=16,T=1.5		
RP	05286C	MF660042	GASKET,FUEL TANK	1		D=30		Y
		MK358169	GASKET,FUEL TANK	1		D=8.2		Y
		MF660042	GASKET,FUEL TANK	1		D=30		
RP		MK358169	GASKET,FUEL TANK	1		D=8.2		Y
		MF660042	GASKET,FUEL TANK	1		D=30		
RP		MK358169	GASKET,FUEL TANK	1		D=8.2		Y
		MF660042	GASKET,FUEL TANK	1		D=30		
	05286D	MC844380	GASKET,FUEL TANK	1		D=44		
		MC898422	GASKET,FUEL TANK	1		D=42		
		MC844380	GASKET,FUEL TANK	1		D=44		
		MC898422	GASKET,FUEL TANK	1		D=42		
		MC844380	GASKET,FUEL TANK	1		D=44		
		MC898422	GASKET,FUEL TANK	1		D=42		
		MC844380	GASKET,FUEL TANK	1		D=44		
	05294B	MS612266	TUBE,FUEL TANK	1	SIR	VINYL,6X350	RED	
		MS612266	TUBE,FUEL TANK	1	SIR	VINYL,6X350	RED	
		MS612266	TUBE,FUEL TANK	1	SIR	VINYL,6X350	RED	
	05298B	M0001300	PLUG,FUEL TANK	1		SCREW,D=16		
		M0001300	PLUG,FUEL TANK	2		SCREW,D=16		
		M0001300	PLUG,FUEL TANK	1		SCREW,D=16		
		M0001300	PLUG,FUEL TANK	2		SCREW,D=16		
		M0001300	PLUG,FUEL TANK	1		SCREW,D=16		
		M0001300	PLUG,FUEL TANK	2		SCREW,D=16		
		M0001300	PLUG,FUEL TANK	2		SCREW,D=16		
	05298C	MC013614	PLUG,FUEL TANK	1		SCREW,D=30		
		MF140221	PLUG,FUEL TANK	1		FLANGE,8X12	7T	
		MC013614	PLUG,FUEL TANK	1		SCREW,D=30		
		MC013614	PLUG,FUEL TANK	1		SCREW,D=30		
		MC013614	PLUG,FUEL TANK	1		SCREW,D=30		
	05103L	(N.e.c.)	BRACKET,FUEL TANK,LH					
	05103R	(N.e.c.)	BRACKET,FUEL TANK,RH					
	05268B	(N.e.c.)	SPACER,FUEL TANK SUPPORT					
	05279H	(N.e.c.)	NUT,FUEL TANK SUPPORT					
	05268CB	(N.e.c.)	SPACER,FUEL TANK SUPPORT					
	71673C	(N.e.c.)	LABEL,FUEL TANK					

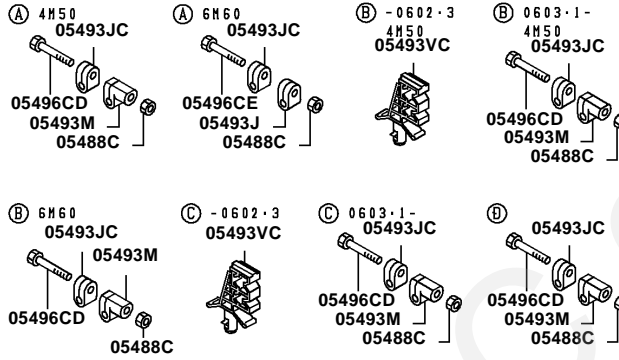
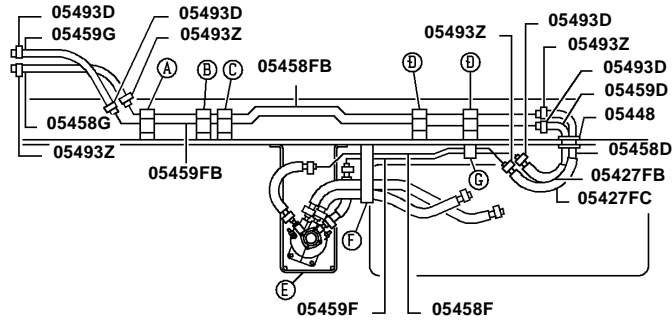
FK74R
No.1



FK74R
No.2

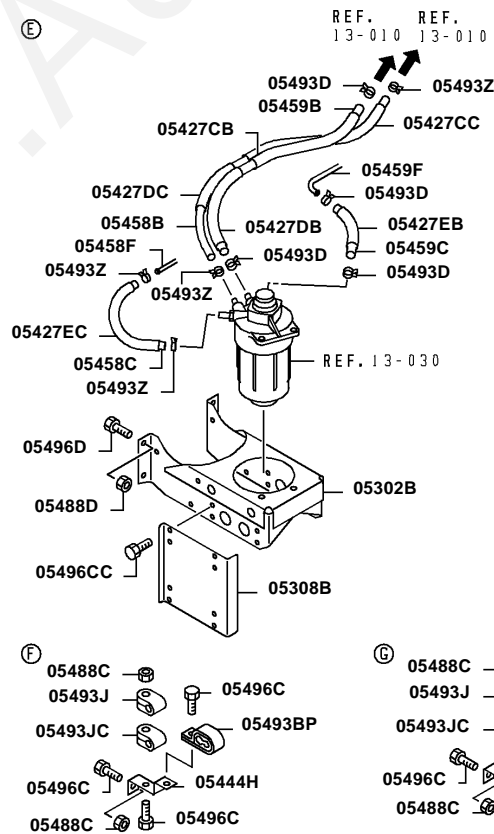


FK74R
No.3



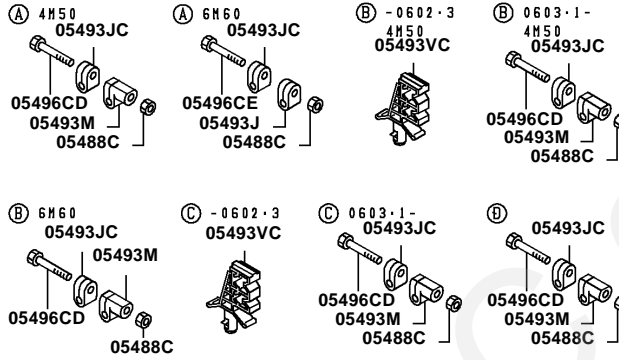
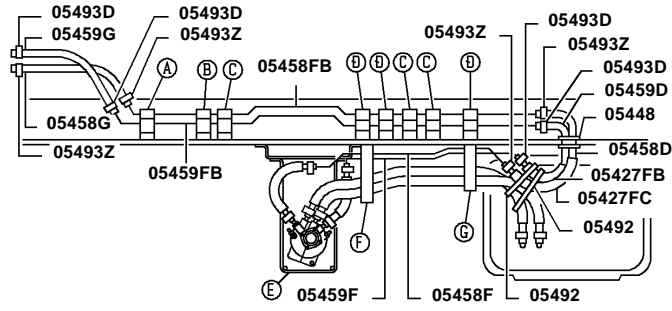
C00483

FK74R
No.4



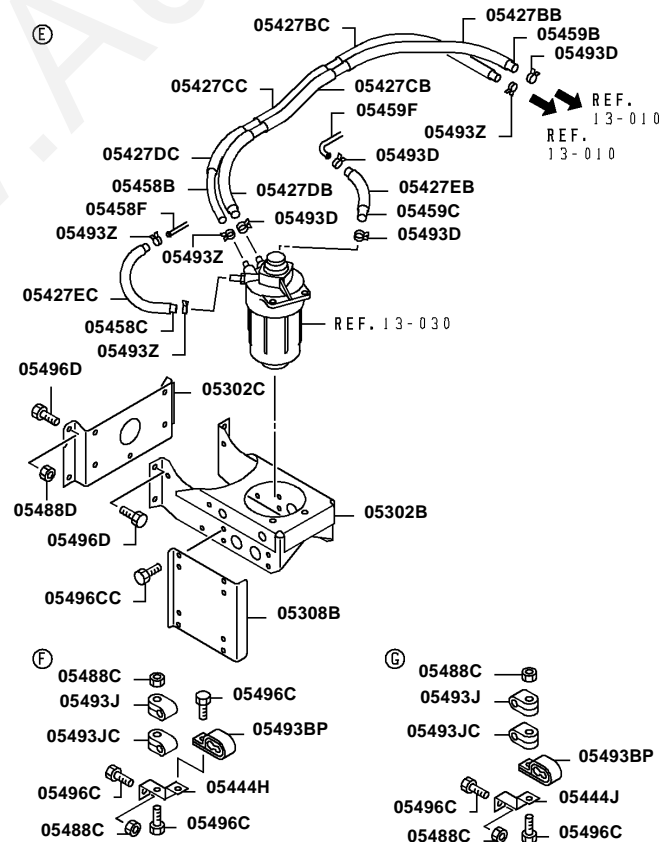
C00484

FK74R
No.5



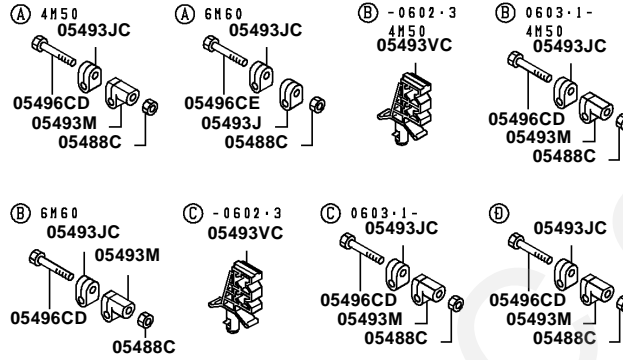
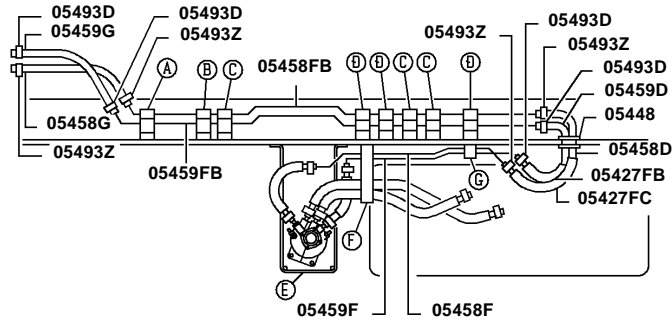
C00485

FK74R
No.6



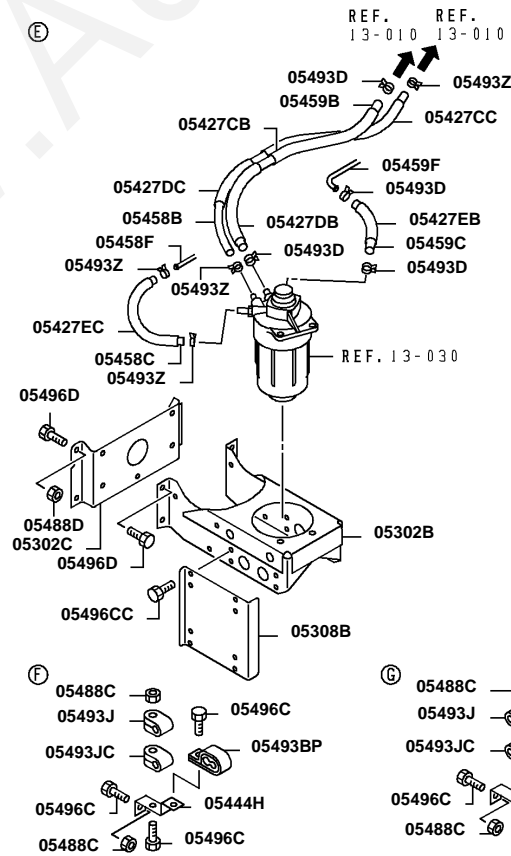
C00486

FK74R
No.7



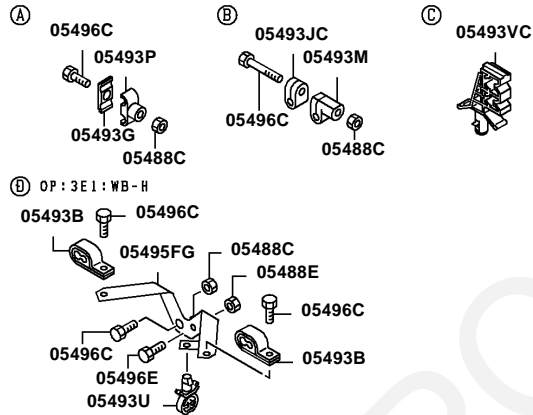
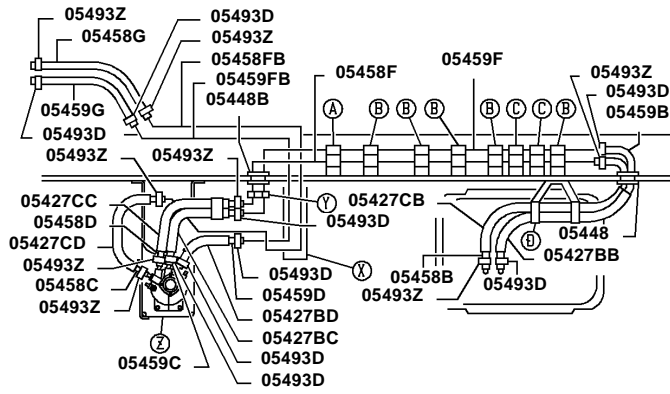
C00487

FK74R
No.8



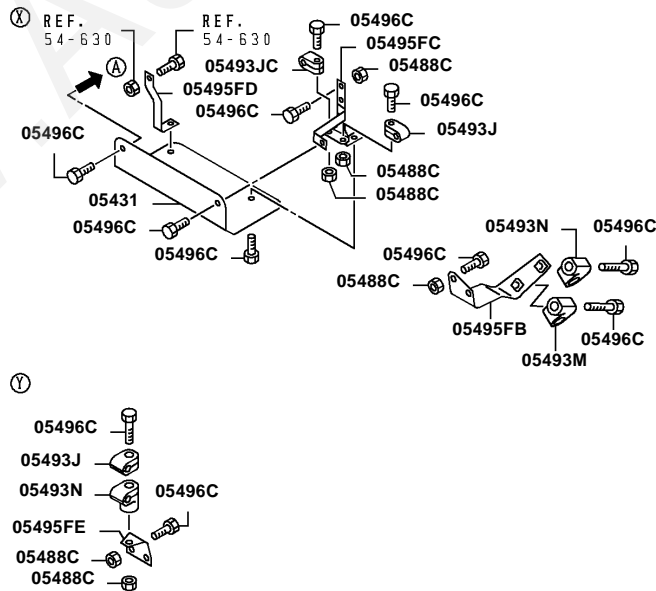
C00488

FK74R
No.9



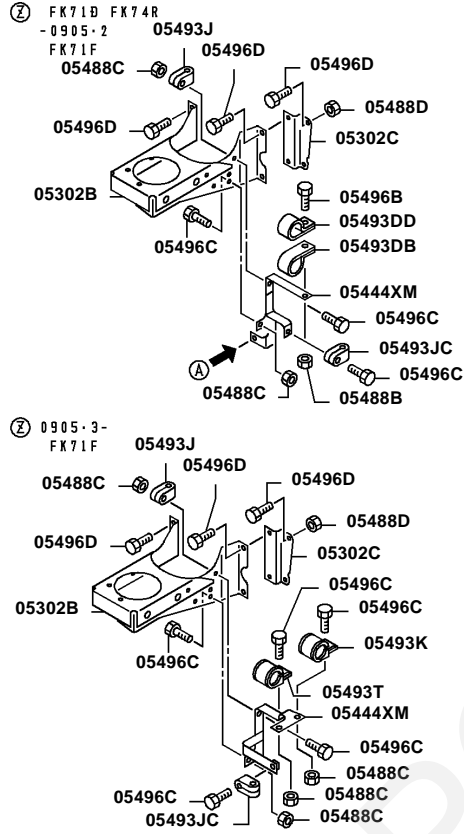
C00583

FK74R
No.10



C00584

FK74R
No.11



C00685

Ref. |2013020

Page

FK74R
13-020 FUEL LINE & WATER SEPARATOR

Repl Part	PNC	Part No	Part Name	Qty	Supply Mode	Part Spec	Remarks	PREV.1	NEW1
RP	05302B	MK537596	BRACKET,FUEL FILTER	1					
		MK537597	BRACKET,FUEL FILTER	1					
		MK539698	BRACKET,FUEL FILTER	1					
		MK635653	BRACKET,FUEL FILTER	1					Y
	05302C	MK537855	BRACKET,FUEL FILTER	1					
		MK538063	BRACKET,FUEL FILTER	1					
		MK538066	BRACKET,FUEL FILTER	1					
		MK539933	BRACKET,FUEL FILTER	1					
	05308B	MK539934	BRACKET,FUEL FILTER	1					
		MK466659	COVER,FUEL FILTER	1					

Ref. |2013020

Page

FK74R
13-020 FUEL LINE & WATER SEPARATOR

Repl Part	PNC	Part No	Part Name	Qty	Supply Mode	Part Spec	Remarks	PREV.1	NEW1
	05406	MC408428	COVER,FUEL HOSE	1					
	05427B	MC408428	COVER,FUEL HOSE	1					
		MH030412	PROTECTOR,FUEL HOSE	1		SOFT VINYL,20X300			
		MH030413	PROTECTOR,FUEL HOSE	1		SOFT VINYL,20X200			
		MH030413	PROTECTOR,FUEL HOSE	2		SOFT VINYL,20X200			
		MH030414	PROTECTOR,FUEL HOSE	1		SOFT VINYL,20X400			
		MH030454	PROTECTOR,FUEL HOSE	1		SOFT VINYL,20X350			
		MH030471	PROTECTOR,FUEL HOSE	1		SOFT VINYL,20X630			
		MH030413	PROTECTOR,FUEL HOSE	1		SOFT VINYL,20X200			
		MH030414	PROTECTOR,FUEL HOSE	1		SOFT VINYL,20X400			
		MH030417	PROTECTOR,FUEL HOSE	1		SOFT VINYL,20X900			
		MH030451	PROTECTOR,FUEL HOSE	1		SOFT VINYL,20X250			
		MH030456	PROTECTOR,FUEL HOSE	1		SOFT VINYL,20X1000			
		MH030459	PROTECTOR,FUEL HOSE	1		SOFT VINYL,20X850			
		MH030470	PROTECTOR,FUEL HOSE	1		SOFT VINYL,20X180			
		MH030413	PROTECTOR,FUEL HOSE	1		SOFT VINYL,20X200			
		MH030413	PROTECTOR,FUEL HOSE	2		SOFT VINYL,20X200			
		MH030417	PROTECTOR,FUEL HOSE	1		SOFT VINYL,20X900			
		MH030451	PROTECTOR,FUEL HOSE	2		SOFT VINYL,20X250			
		MH030456	PROTECTOR,FUEL HOSE	1		SOFT VINYL,20X1000			
		MH030459	PROTECTOR,FUEL HOSE	1		SOFT VINYL,20X850			
		MH030470	PROTECTOR,FUEL HOSE	1		SOFT VINYL,20X180			
		MH030451	PROTECTOR,FUEL HOSE	1		SOFT VINYL,20X250			
		MH030411	PROTECTOR,FUEL HOSE	1		SOFT VINYL,20X150			
		MH030412	PROTECTOR,FUEL HOSE	1		SOFT VINYL,20X300			
		MH030413	PROTECTOR,FUEL HOSE	1		SOFT VINYL,20X200			
		MH030451	PROTECTOR,FUEL HOSE	1		SOFT VINYL,20X250			
		MH030451	PROTECTOR,FUEL HOSE	2		SOFT VINYL,20X250			
	MH030454	PROTECTOR,FUEL HOSE	1		SOFT VINYL,20X350				
	MH030473	PROTECTOR,FUEL HOSE	1		SOFT VINYL,20X480				
	MH030410	PROTECTOR,FUEL HOSE	1		SOFT VINYL,20X100				
	05427BB	MH030633	PROTECTOR,FUEL HOSE	1		SOFT VINYL,20X230			
		MH030633	PROTECTOR,FUEL HOSE	1		SOFT VINYL,20X230			
		MH030633	PROTECTOR,FUEL HOSE	1		SOFT VINYL,20X230			
		MH030412	PROTECTOR,FUEL HOSE	1		SOFT VINYL,20X300			
		MH030418	PROTECTOR,FUEL HOSE	1		SOFT VINYL,20X700			
	MH030630	PROTECTOR,FUEL HOSE	1		SOFT VINYL,20X480				

13-020 FUEL LINE & WATER SEPARATOR

Repl Part	PNC	Part No	Part Name	Qty	Supply Mode	Part Spec	Remarks	PREV.1	NEW1
	05427BC	MH030476	PROTECTOR,FUEL HOSE	1		SOFT VINYL,20X370			
	05427BD	MH030470	PROTECTOR,FUEL HOSE	1		SOFT VINYL,20X180			
	05427C	MH030401	PROTECTOR,FUEL HOSE	1		SOFT VINYL,18X200			
		MH030403	PROTECTOR,FUEL HOSE	1		SOFT VINYL,18X300			
		MH030409	PROTECTOR,FUEL HOSE	2		SOFT VINYL,18X350			
		MH030464	PROTECTOR,FUEL HOSE	1		SOFT VINYL,18X400			
		MH030464	PROTECTOR,FUEL HOSE	2		SOFT VINYL,18X400			
		MH030469	PROTECTOR,FUEL HOSE	1		SOFT VINYL,18X600			
		MH030401	PROTECTOR,FUEL HOSE	1		SOFT VINYL,18X200			
		MH030406	PROTECTOR,FUEL HOSE	1		SOFT VINYL,18X1000			
		MH030408	PROTECTOR,FUEL HOSE	1		SOFT VINYL,18X910			
		MH030463	PROTECTOR,FUEL HOSE	1		SOFT VINYL,18X850			
		MH030464	PROTECTOR,FUEL HOSE	1		SOFT VINYL,18X400			
		MH030464	PROTECTOR,FUEL HOSE	2		SOFT VINYL,18X400			
		MH030409	PROTECTOR,FUEL HOSE	1		SOFT VINYL,18X350			
		MH030467	PROTECTOR,FUEL HOSE	1		SOFT VINYL,18X150			
		MH030401	PROTECTOR,FUEL HOSE	1		SOFT VINYL,18X200			
		MH030401	PROTECTOR,FUEL HOSE	2		SOFT VINYL,18X200			
		MH030404	PROTECTOR,FUEL HOSE	1		SOFT VINYL,18X250			
		MH030406	PROTECTOR,FUEL HOSE	1		SOFT VINYL,18X1000			
		MH030408	PROTECTOR,FUEL HOSE	1		SOFT VINYL,18X910			
		MH030414	PROTECTOR,FUEL HOSE	1		SOFT VINYL,20X400			
		MH030462	PROTECTOR,FUEL HOSE	1		SOFT VINYL,18X1100			
		MH030463	PROTECTOR,FUEL HOSE	1		SOFT VINYL,18X850			
		MH030464	PROTECTOR,FUEL HOSE	2		SOFT VINYL,18X400			
		MH030467	PROTECTOR,FUEL HOSE	1		SOFT VINYL,18X150			
		MH030468	PROTECTOR,FUEL HOSE	1		SOFT VINYL,18X1050			
		MH030404	PROTECTOR,FUEL HOSE	1		SOFT VINYL,18X250			
		MH030409	PROTECTOR,FUEL HOSE	1		SOFT VINYL,18X350			
		MH030464	PROTECTOR,FUEL HOSE	1		SOFT VINYL,18X400			
		MH030464	PROTECTOR,FUEL HOSE	2		SOFT VINYL,18X400			
		MH030467	PROTECTOR,FUEL HOSE	1		SOFT VINYL,18X150			
		MH030401	PROTECTOR,FUEL HOSE	1		SOFT VINYL,18X200			
	05427CB	MH030644	PROTECTOR,FUEL HOSE	1		18X230			
		MH030644	PROTECTOR,FUEL HOSE	1		18X230			

FK74R
13-020 FUEL LINE & WATER SEPARATOR

Repl Part	PNC	Part No	Part Name	Qty	Supply Mode	Part Spec	Remarks	PREV.1	NEW1
	05427CB	MH030644	PROTECTOR,FUEL HOSE	1		18X230			
		MH030403	PROTECTOR,FUEL HOSE	1		SOFT VINYL,18X300			
		MH030645	PROTECTOR,FUEL HOSE	1		SOFT VINYL,18X460			
		MH030646	PROTECTOR,FUEL HOSE	1		SOFT VINYL,18X710			
	05427CC	MH030464	PROTECTOR,FUEL HOSE	1		SOFT VINYL,18X400			
	05427CD	MH030643	PROTECTOR,FUEL HOSE	1		SOFT VINYL,18X220			
	05431	MK650180	PROTECTOR,FUEL PIPE	1					
	05444H	MH023603	BRACKET,FUEL LINE,NO.1	1			L1=27,L2=60		
		MH026280	BRACKET,FUEL LINE,NO.1	1					
		MK540104	BRACKET,FUEL LINE,NO.1	1					
	05444XB	MH026391	BRACKET,FUEL LINE,NO.1	1					
		MH026581	BRACKET,FUEL LINE,NO.1	1					
		MH026581	BRACKET,FUEL LINE,NO.1	1					
		MK540106	BRACKET,FUEL LINE,NO.1	1					
	05444XC	MH026280	BRACKET,FUEL LINE,NO.1	1					
		MH023602	BRACKET,FUEL LINE,NO.1	1					
		MH026280	BRACKET,FUEL LINE,NO.1	1					
	05444XM	MH023357	BRACKET,FUEL LINE,NO.1	1					
		MH023357	BRACKET,FUEL LINE,NO.1	1					
		MH026392	BRACKET,FUEL LINE,NO.1	1					
		MK650459	BRACKET,FUEL LINE,NO.1	1					
	05444XN	MH023604	BRACKET,FUEL LINE,NO.1	1			L1=72,L2=28		
		MH023601	BRACKET,FUEL LINE,NO.1	1			L1=25,L2=45		
		MH023601	BRACKET,FUEL LINE,NO.1	1			L1=25,L2=45		
	05444Z	MK466660	BRACKET,FUEL LINE,NO.1	1					
	05445Q	MH026442	BRACKET,FUEL LINE,NO.2	1					
	05448	MH022581	GROMMET,FUEL LINE	3		D=37 T=8			
		MH022581	GROMMET,FUEL LINE	1		D=37 T=8			
		MH022581	GROMMET,FUEL LINE	1		D=37 T=8			

FK74R
13-020 FUEL LINE & WATER SEPARATOR

Repl Part	PNC	Part No	Part Name	Qty	Supply Mode	Part Spec	Remarks	PREV.1	NEW1
	05448	MH022581	GROMMET,FUEL LINE	1		D=37 T=8			
	05448B	MH022581	GROMMET,FUEL LINE	1		D=37 T=8			
	05458B	MH030373	TUBE,FUEL RETURN LINE	1	SIR	RUBBER,10X450			
		MH030435	TUBE,FUEL RETURN LINE	1		RUBBER,10X520			
		MH030373	TUBE,FUEL RETURN LINE	1	SIR	RUBBER,10X1230			
		MH030600	TUBE,FUEL RETURN LINE	1	SIR	RUBBER,12X1220			
		MH030373	TUBE,FUEL RETURN LINE	1	SIR	RUBBER,10X650			
		MH030435	TUBE,FUEL RETURN LINE	1		RUBBER,10X520			
		MH030373	TUBE,FUEL RETURN LINE	1	SIR	RUBBER,10X600			
		MH030373	TUBE,FUEL RETURN LINE	1	SIR	RUBBER,10X600			
		MH030373	TUBE,FUEL RETURN LINE	1	SIR	RUBBER,10X600			
		MH030373	TUBE,FUEL RETURN LINE	1	SIR	RUBBER,10X700			
		MH030373	TUBE,FUEL RETURN LINE	1	SIR	RUBBER,10X700			
		MH030373	TUBE,FUEL RETURN LINE	1	SIR	RUBBER,10X700			
		MH030373	TUBE,FUEL RETURN LINE	1	SIR	RUBBER,10X700			
		MH030373	TUBE,FUEL RETURN LINE	1	SIR	RUBBER,10X500			
		MH030373	TUBE,FUEL RETURN LINE	1	SIR	RUBBER,10X500			
		MH030373	TUBE,FUEL RETURN LINE	1	SIR	RUBBER,10X500			
		MH030373	TUBE,FUEL RETURN LINE	1	SIR	RUBBER,10X650			
		MH030373	TUBE,FUEL RETURN LINE	1	SIR	RUBBER,10X950			
	05458C	MH030373	TUBE,FUEL RETURN LINE	1	SIR	RUBBER,10X550			
		MK467520	TUBE,FUEL RETURN LINE	1		10			
		MK537663	TUBE,FUEL RETURN LINE	1		10			
		MK537665	TUBE,FUEL RETURN LINE	1		10			
		MK537667	TUBE,FUEL RETURN LINE	1		10			
		MH030373	TUBE,FUEL RETURN LINE	1	SIR	10X280			
	05458D	MH030373	TUBE,FUEL RETURN LINE	1	SIR	RUBBER,10X450			
		MH030373	TUBE,FUEL RETURN LINE	1	SIR	RUBBER,10X1180			
		MH030440	TUBE,FUEL RETURN LINE	1		RUBBER,10X1180			
		MH030441	TUBE,FUEL RETURN LINE	1		RUBBER,10X1310			

FK74R
13-020 FUEL LINE & WATER SEPARATOR

Repl Part	PNC	Part No	Part Name	Qty	Supply Mode	Part Spec	Remarks	PREV.1	NEW1
05458D		MH030480	TUBE,FUEL RETURN LINE	1	SIR	RUBBER,10X1260			
		MH030480	TUBE,FUEL RETURN LINE	2		RUBBER,10X1260			
		MH030485	TUBE,FUEL RETURN LINE	1		RUBBER,10X1230			
		MH030373	TUBE,FUEL RETURN LINE	1		RUBBER,10X450			
05458E		MH030373	TUBE,FUEL RETURN LINE	1	SIR	RUBBER,10X1390			
		MH030373	TUBE,FUEL RETURN LINE	1	SIR	RUBBER,10X900			
		MH030373	TUBE,FUEL RETURN LINE	1	SIR	RUBBER,10X950			
		MH030371	TUBE,FUEL RETURN LINE	1		RUBBER,10X900			
		MH030484	TUBE,FUEL RETURN LINE	1		RUBBER,10X980			
05458F		MK536812	TUBE,FUEL RETURN LINE	1		10			
		MK537383	TUBE,FUEL RETURN LINE	1		10			
		MK537383	TUBE,FUEL RETURN LINE	1		10			
		MK538075	TUBE,FUEL RETURN LINE	1		10			
		MK538076	TUBE,FUEL RETURN LINE	1		10			
		MK538078	TUBE,FUEL RETURN LINE	1		10			
		MK538077	TUBE,FUEL RETURN LINE	1		10			
		MK538077	TUBE,FUEL RETURN LINE	1		10			
		MK538077	TUBE,FUEL RETURN LINE	1		10			
		MK538078	TUBE,FUEL RETURN LINE	1		10			
		MK538078	TUBE,FUEL RETURN LINE	1		10			
		MK538078	TUBE,FUEL RETURN LINE	1		10			
		MK538078	TUBE,FUEL RETURN LINE	1		10			
		MK538078	TUBE,FUEL RETURN LINE	1		10			
		MK538078	TUBE,FUEL RETURN LINE	1		10			
		MK538078	TUBE,FUEL RETURN LINE	1		10			
		MK538078	TUBE,FUEL RETURN LINE	1		10			
		MK538078	TUBE,FUEL RETURN LINE	1		10			
		MK538078	TUBE,FUEL RETURN LINE	1		10			
		MK538078	TUBE,FUEL RETURN LINE	1		10			
		MK538078	TUBE,FUEL RETURN LINE	1		10			
		MK540111	TUBE,FUEL RETURN LINE	1		10			
		MK540111	TUBE,FUEL RETURN LINE	1		10			
		MK540111	TUBE,FUEL RETURN LINE	1		10			
		MK540112	TUBE,FUEL RETURN LINE	1		10			
		MK540122	TUBE,FUEL RETURN LINE	1		10			
		MK540122	TUBE,FUEL RETURN LINE	1		10			
		MK571916	TUBE,FUEL RETURN LINE	1		10			
MK571916	TUBE,FUEL RETURN LINE	1		10					
MK571916	TUBE,FUEL RETURN LINE	1		10					
MK635236	TUBE,FUEL RETURN LINE	1		10					
MK636981	TUBE,FUEL RETURN LINE	1		10					
MK636983	TUBE,FUEL RETURN LINE	1		10					
MK636985	TUBE,FUEL RETURN LINE	1		10					
MK636979	TUBE,FUEL RETURN LINE	1		10					
MK653323	TUBE,FUEL RETURN LINE	1		10					
MK653327	TUBE,FUEL RETURN LINE	1		10					
MK653331	TUBE,FUEL RETURN LINE	1		10					

FK74R
13-020 FUEL LINE & WATER SEPARATOR

Repl Part	PNC	Part No	Part Name	Qty	Supply Mode	Part Spec	Remarks	PREV.1	NEW1
	05458F	MK653379	TUBE,FUEL RETURN LINE	1		10			
	05458FB	MK650485	TUBE,FUEL RETURN LINE	1		10			
	05458G	MH030373	TUBE,FUEL RETURN LINE	1	SIR	RUBBER,10X250			
		MH030485	TUBE,FUEL RETURN LINE	1		RUBBER,10X1230			
		MH030485	TUBE,FUEL RETURN LINE	2		RUBBER,10X1230			
		MH030373	TUBE,FUEL RETURN LINE	1	SIR	RUBBER,10X1100			
		MH030373	TUBE,FUEL RETURN LINE	2	SIR	RUBBER,10X250			
		MH030373	TUBE,FUEL RETURN LINE	1	SIR	10X280			
	05459B	MH030600	TUBE,FUEL FEED	1	SIR	RUBBER,12X650			
		MH030600	TUBE,FUEL FEED	1	SIR	RUBBER,12X550			
		MH030600	TUBE,FUEL FEED	1	SIR	RUBBER,12X1400			
		MH030600	TUBE,FUEL FEED	1	SIR	RUBBER,12X1050			
		MH030600	TUBE,FUEL FEED	1	SIR	RUBBER,12X1200			
		MH030600	TUBE,FUEL FEED	1	SIR	RUBBER,12X1050			
		MH030600	TUBE,FUEL FEED	1	SIR	RUBBER,12X1300			
		MH030600	TUBE,FUEL FEED	1	SIR	RUBBER,12X500			
		MH030600	TUBE,FUEL FEED	1	SIR	RUBBER,12X550			
		MH030600	TUBE,FUEL FEED	1	SIR	RUBBER,12X550			
		MH030600	TUBE,FUEL FEED	1	SIR	RUBBER,12X550			
		MH030600	TUBE,FUEL FEED	2	SIR	RUBBER,12X550			
		MH030600	TUBE,FUEL FEED	2	SIR	RUBBER,12X550			
		MH030600	TUBE,FUEL FEED	2	SIR	RUBBER,12X550			
		MH030600	TUBE,FUEL FEED	2	SIR	RUBBER,12X550			
		MH030600	TUBE,FUEL FEED	1	SIR	RUBBER,12X160			
		MH030600	TUBE,FUEL FEED	1	SIR	RUBBER,12X160			
		MH030600	TUBE,FUEL FEED	1	SIR	RUBBER,12X160			
		MH030600	TUBE,FUEL FEED	1	SIR	RUBBER,12X160			

FK74R
13-020 FUEL LINE & WATER SEPARATOR

Repl Part	PNC	Part No	Part Name	Qty	Supply Mode	Part Spec	Remarks	PREV.1	NEW1
	05459B	MH030600	TUBE,FUEL FEED	1	SIR	RUBBER,12X530			
		MH030600	TUBE,FUEL FEED	1	SIR	RUBBER,12X530			
		MH030600	TUBE,FUEL FEED	1	SIR	RUBBER,12X530			
		MH030600	TUBE,FUEL FEED	1	SIR	RUBBER,12X700			
		MH030600	TUBE,FUEL FEED	1	SIR	RUBBER,12X920			
	05459C	MH030600	TUBE,FUEL FEED	1	SIR	RUBBER,12X570			
		MK467517	TUBE,FUEL FEED	1		12			
		MK537662	TUBE,FUEL FEED	1		12			
		MK537664	TUBE,FUEL FEED	1		12			
		MK537666	TUBE,FUEL FEED	1		12			
		MH030600	TUBE,FUEL FEED	1	SIR	RUBBER,12X420			
	05459D	MH030600	TUBE,FUEL FEED	1	SIR	RUBBER,12X400			
		MH030600	TUBE,FUEL FEED	1	SIR	RUBBER,12X950			
		MH030600	TUBE,FUEL FEED	1	SIR	RUBBER,12X1300			
		MH030600	TUBE,FUEL FEED	1	SIR	RUBBER,12X1100			
		MH030600	TUBE,FUEL FEED	1	SIR	RUBBER,12X1350			
		MH030600	TUBE,FUEL FEED	1	SIR	RUBBER,12X950			
		MH030600	TUBE,FUEL FEED	1	SIR	RUBBER,12X1150			
		MH030600	TUBE,FUEL FEED	1	SIR	RUBBER,12X240			
	05459E	MH030600	TUBE,FUEL FEED	1	SIR	RUBBER,12X260			
		MH030600	TUBE,FUEL FEED	1	SIR	RUBBER,12X1150			
		MH030600	TUBE,FUEL FEED	1	SIR	RUBBER,12X480			
	05459F	MK537724	TUBE,FUEL FEED	1		12			
		MK537707	TUBE,FUEL FEED	1		12			
		MK537707	TUBE,FUEL FEED	1		12			
		MK538071	TUBE,FUEL FEED	1		12			
		MK538072	TUBE,FUEL FEED	1		12			
		MK538074	TUBE,FUEL FEED	1		12			
		MK538073	TUBE,FUEL FEED	1		12			
		MK538073	TUBE,FUEL FEED	1		12			
		MK538073	TUBE,FUEL FEED	1		12			
		MK538073	TUBE,FUEL FEED	1		12			
		MK538073	TUBE,FUEL FEED	1		12			
		MK538073	TUBE,FUEL FEED	1		12			
		MK538073	TUBE,FUEL FEED	1		12			
		MK538073	TUBE,FUEL FEED	1		12			
		MK538073	TUBE,FUEL FEED	1		12			
		MK538074	TUBE,FUEL FEED	1		12			
		MK538074	TUBE,FUEL FEED	1		12			
		MK538074	TUBE,FUEL FEED	1		12			
		MK537707	TUBE,FUEL FEED	1		12			
		MK538073	TUBE,FUEL FEED	1		12			
		MK538073	TUBE,FUEL FEED	1		12			
		MK538073	TUBE,FUEL FEED	1		12			
		MK538073	TUBE,FUEL FEED	1		12			
		MK538073	TUBE,FUEL FEED	1		12			
		MK538074	TUBE,FUEL FEED	1		12			
		MK540109	TUBE,FUEL FEED	1		12			
		MK540109	TUBE,FUEL FEED	1		12			

FK74R
13-020 FUEL LINE & WATER SEPARATOR

Repl Part	PNC	Part No	Part Name	Qty	Supply Mode	Part Spec	Remarks	PREV.1	NEW1
	05459F	MK540109	TUBE,FUEL FEED	1		12			
		MK540109	TUBE,FUEL FEED	1		12			
		MK540110	TUBE,FUEL FEED	1		12			
		MK540121	TUBE,FUEL FEED	1		12			
		MK540121	TUBE,FUEL FEED	1		12			
		MK540121	TUBE,FUEL FEED	1		12			
		MK571915	TUBE,FUEL FEED	1		12			
		MK571915	TUBE,FUEL FEED	1		12			
		MK571915	TUBE,FUEL FEED	1		12			
		MK635235	TUBE,FUEL FEED	1		12			
		MK636982	TUBE,FUEL FEED	1		12			
		MK636984	TUBE,FUEL FEED	1		12			
		MK636986	TUBE,FUEL FEED	1		12			
		MK636980	TUBE,FUEL FEED	1		12			
		MK653324	TUBE,FUEL FEED	1		12			
		MK653328	TUBE,FUEL FEED	1		12			
		MK653332	TUBE,FUEL FEED	1		12			
		MK653380	TUBE,FUEL FEED	1		12			
	05459FB	MK650484	TUBE,FUEL FEED	1		12			
	05459G	MH030600	TUBE,FUEL FEED	1	SIR	RUBBER,12X220			
		MH030600	TUBE,FUEL FEED	1	SIR	RUBBER,12X1100			
		MH030600	TUBE,FUEL FEED	1	SIR	RUBBER,12X260			
	05488B	MF434103	NUT,FUEL LINE	2		FLANGE,6	W/O COATING		
	05488C	MF434104	NUT,FUEL LINE	21		FLANGE,8			
	05488D	MF434105	NUT,FUEL LINE	8		FLANGE,10	4T		
	05488E	MF434106	NUT,FUEL LINE	3		FLANGE,12	4T		

FK74R
13-020 FUEL LINE & WATER SEPARATOR

Repl Part	PNC	Part No	Part Name	Qty	Supply Mode	Part Spec	Remarks	PREV.1	NEW1		
	05488E	MF434106	NUT,FUEL LINE	1		FLANGE,12	4T				
RP	05492	MB249339	BAND,FUEL LINE	1		L=169.5	BLACK	O			
RP		MB249340	BAND,FUEL LINE	3		L=219.5	BLACK	O			
		MB249340	BAND,FUEL LINE	2		L=219.5	BLACK				
		MB249339	BAND,FUEL LINE	3		L=169.5	BLACK				
		MB249340	BAND,FUEL LINE	1		L=219.5	BLACK				
		MB249340	BAND,FUEL LINE	1		L=219.5	BLACK				
		MB249340	BAND,FUEL LINE	2		L=219.5	BLACK				
RP		MB249339	BAND,FUEL LINE	3		L=169.5	BLACK	O			
		MB249340	BAND,FUEL LINE	1		L=219.5	BLACK				
		MB249340	BAND,FUEL LINE	1		L=219.5	BLACK				
		MK537967	BAND,FUEL LINE	1		L=300					
		MB249340	BAND,FUEL LINE	1		L=219.5	BLACK				
		MB249340	BAND,FUEL LINE	3		L=219.5	BLACK				
RP		MB249339	BAND,FUEL LINE	3		L=169.5	BLACK	O			
		05492BC	MH020976	BAND,FUEL LINE	1		L=258.7			BLACK	
			MH020976	BAND,FUEL LINE	1		L=258.7			BLACK	
			MH020976	BAND,FUEL LINE	2		L=258.7			BLACK	
			MH020976	BAND,FUEL LINE	2		L=258.7			BLACK	
			MH020976	BAND,FUEL LINE	3		L=258.7			BLACK	
		05493B	MK571691	CLIP,FUEL LINE	2		D=44				
		05493BP		MH020643	CLIP,FUEL LINE	2				D=18-16X2	
				MH020643	CLIP,FUEL LINE	3				D=18-16X2	
				MH020643	CLIP,FUEL LINE	3				D=18-16X2	
				MH020643	CLIP,FUEL LINE	1				D=18-16X2	
			MH020643	CLIP,FUEL LINE	2		D=18-16X2				
		05493D	MC159619	CLIP,FUEL LINE	8		D=16.3				
05493DB	MH020231	CLIP,FUEL LINE	1		D=23						
RP	05493DD	MS476417	CLIP,FUEL LINE	1		D=20	O				
RP	05493DE	MF477029	CLIP,FUEL LINE	1		D=25			O		
		MF477029	CLIP,FUEL LINE	1		D=25			O		
	05493DF	MS476403	CLIP,FUEL LINE	1		D=22					

FK74R
13-020 FUEL LINE & WATER SEPARATOR

Repl Part	PNC	Part No	Part Name	Qty	Supply Mode	Part Spec	Remarks	PREV.1	NEW1
	05493DF	MS476403	CLIP,FUEL LINE	1		D=22			
		MS476403	CLIP,FUEL LINE	1		D=22			
	05493G	MH020900	CLIP,FUEL LINE	1		D=12,10			
	05493J	MH020903	CLIP,FUEL LINE	3		D=10 H=8			
		MH020903	CLIP,FUEL LINE	1		D=10 H=8			
		MH020903	CLIP,FUEL LINE	1		D=10 H=8			
		MH020903	CLIP,FUEL LINE	3		D=10 H=8			
		MH020903	CLIP,FUEL LINE	4		D=10 H=8			
	05493JC	MH020923	CLIP,FUEL LINE	3		D=12 H=9			
		MH020923	CLIP,FUEL LINE	6		D=12 H=9			
		MH020923	CLIP,FUEL LINE	7		D=12 H=9			
		MH020923	CLIP,FUEL LINE	4		D=12 H=9			
		MH020923	CLIP,FUEL LINE	7		D=12 H=9			
		MH020923	CLIP,FUEL LINE	8		D=12 H=9			
		MH020923	CLIP,FUEL LINE	5		D=12 H=9			
		MH020923	CLIP,FUEL LINE	6		D=12 H=9			
		MH020923	CLIP,FUEL LINE	7		D=12 H=9			
		MH020923	CLIP,FUEL LINE	8		D=12 H=9			
		MK538710	CLIP,FUEL LINE	1					
		MK538710	CLIP,FUEL LINE	3					
		MK538710	CLIP,FUEL LINE	4					
		MH020923	CLIP,FUEL LINE	6		D=12 H=9			
		MH020923	CLIP,FUEL LINE	10		D=12 H=9			
		MH020923	CLIP,FUEL LINE	6		D=12 H=9			
		MH020923	CLIP,FUEL LINE	7		D=12 H=9			
	05493M	MH020907	CLIP,FUEL LINE	3		D=10 H=20			
		MH020907	CLIP,FUEL LINE	5		D=10 H=20			
		MH020907	CLIP,FUEL LINE	6		D=10 H=20			
		MH020907	CLIP,FUEL LINE	3		D=10 H=20			
		MH020907	CLIP,FUEL LINE	6		D=10 H=20			
		MH020907	CLIP,FUEL LINE	7		D=10 H=20			
		MH020907	CLIP,FUEL LINE	2		D=10 H=20			

FK74R
13-020 FUEL LINE & WATER SEPARATOR

Repl Part	PNC	Part No	Part Name	Qty	Supply Mode	Part Spec	Remarks	PREV.1	NEW1
	05493M	MH020907	CLIP,FUEL LINE	3		D=10 H=20			
		MH020907	CLIP,FUEL LINE	4		D=10 H=20			
		MH020907	CLIP,FUEL LINE	5		D=10 H=20			
		MH020907	CLIP,FUEL LINE	3		D=10 H=20			
		MH020907	CLIP,FUEL LINE	7		D=10 H=20			
		MH020907	CLIP,FUEL LINE	4		D=10 H=20			
		MH020907	CLIP,FUEL LINE	5		D=10 H=20			
	05493N	MH020908	CLIP,FUEL LINE	1		D=12 H=20			
		MH020908	CLIP,FUEL LINE	2		D=12 H=20			
		MH020908	CLIP,FUEL LINE	2		D=12 H=20			
	05493P	MH020925	CLIP,FUEL LINE	1		D=12.6,10.6 H=33.4			
	05493U	MH020934	CLIP,FUEL LINE	1		A=17.5 B=14.5			
	05493VC	MK538710	CLIP,FUEL LINE	2					
		MK538710	CLIP,FUEL LINE	1					
		MK538710	CLIP,FUEL LINE	2					
		MK538710	CLIP,FUEL LINE	2					
		MK538710	CLIP,FUEL LINE	2					
	05493W	MH020236	CLIP,FUEL LINE	1		D=23X2			
		MH020236	CLIP,FUEL LINE	1		D=23X2			
	05493Z	MS660165	CLIP,FUEL LINE	8		D=14.8			
	05495FB	MK650398	BRACKET,FUEL LINE	1					
	05495FC	MK650462	BRACKET,FUEL LINE	1					
	05495FD	MK650457	BRACKET,FUEL LINE	1					
	05495FE	MK571690	BRACKET,FUEL LINE	1					
	05495FG	MK653381	BRACKET,FUEL LINE	1					
	05496B	MF140005	BOLT,FUEL LINE	1		FLANGE,6X16	4T		
		MF140005	BOLT,FUEL LINE	2		FLANGE,6X16	4T		
		MF140005	BOLT,FUEL LINE	1		FLANGE,6X16	4T		

FK74R
13-020 FUEL LINE & WATER SEPARATOR

Repl Part	PNC	Part No	Part Name	Qty	Supply Mode	Part Spec	Remarks	PREV.1	NEW1
	05496B	MF140005	BOLT,FUEL LINE	2		FLANGE,6X16	4T		
		MF100027	BOLT,FUEL LINE	1		BOLT,6X16	4T		
	05496C	MF100055	BOLT,FUEL LINE	3		BOLT,8X20	4T		
		MF140023	BOLT,FUEL LINE	4		FLANGE,8X16	4T		
		MF140038	BOLT,FUEL LINE	7		FLANGE,8X65	4T		
		MF140038	BOLT,FUEL LINE	8		FLANGE,8X65	4T		
		MF100055	BOLT,FUEL LINE	3		BOLT,8X20	4T		
		MF100055	BOLT,FUEL LINE	4		BOLT,8X20	4T		
		MF140023	BOLT,FUEL LINE	4		FLANGE,8X16	4T		
		MF140023	BOLT,FUEL LINE	6		FLANGE,8X16	4T		
		MF100055	BOLT,FUEL LINE	3		BOLT,8X20	4T		
		MF100055	BOLT,FUEL LINE	4		BOLT,8X20	4T		
		MF140023	BOLT,FUEL LINE	4		FLANGE,8X16	4T		
		MF140023	BOLT,FUEL LINE	4		FLANGE,8X16	4T		
		MF140023	BOLT,FUEL LINE	6		FLANGE,8X16	4T		
		MF140025	BOLT,FUEL LINE	2		FLANGE,8X20	4T		
		MF140038	BOLT,FUEL LINE	3		FLANGE,8X65	4T		
		MF140038	BOLT,FUEL LINE	5		FLANGE,8X65	4T		
		MF140038	BOLT,FUEL LINE	7		FLANGE,8X65	4T		
		MF140038	BOLT,FUEL LINE	2		FLANGE,8X65	4T		
		MF100053	BOLT,FUEL LINE	2		BOLT,8X16	4T		
		MF140036	BOLT,FUEL LINE	1		FLANGE,8X55	4T		
		MF100055	BOLT,FUEL LINE	4		BOLT,8X20	4T		
		MF140023	BOLT,FUEL LINE	6		FLANGE,8X16	4T		
		MF140025	BOLT,FUEL LINE	2		FLANGE,8X20	4T		
		MF140038	BOLT,FUEL LINE	5		FLANGE,8X65	4T		
		MF140038	BOLT,FUEL LINE	7		FLANGE,8X65	4T		
		MF140258	BOLT,FUEL LINE	4		FLANGE,10X20	7T		
		MF140258	BOLT,FUEL LINE	4		FLANGE,10X20	7T		
		MF100055	BOLT,FUEL LINE	2		BOLT,8X20	4T		
		MF140023	BOLT,FUEL LINE	5		FLANGE,8X16	4T		
		MF140023	BOLT,FUEL LINE	7		FLANGE,8X16	4T		
		MF140038	BOLT,FUEL LINE	2		FLANGE,8X65	4T		
		MF140038	BOLT,FUEL LINE	3		FLANGE,8X65	4T		
		MF140038	BOLT,FUEL LINE	4		FLANGE,8X65	4T		
		MF140258	BOLT,FUEL LINE	4		FLANGE,10X20	7T		
		MF100055	BOLT,FUEL LINE	6		BOLT,8X20	4T		

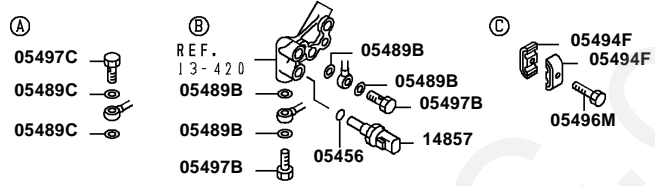
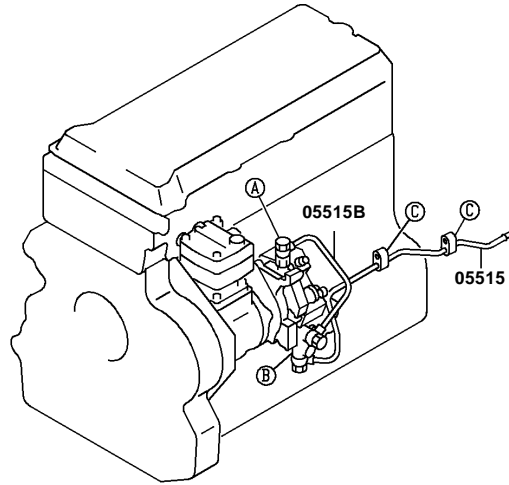
FK74R
13-020 FUEL LINE & WATER SEPARATOR

Repl Part	PNC	Part No	Part Name	Qty	Supply Mode	Part Spec	Remarks	PREV.1	NEW1
	05496C	MF140023	BOLT,FUEL LINE	7		FLANGE,8X16	4T		
		MF140025	BOLT,FUEL LINE	2		FLANGE,8X20	4T		
		MF140035	BOLT,FUEL LINE	2		FLANGE,8X50	4T		
		MF140038	BOLT,FUEL LINE	3		FLANGE,8X65	4T		
		MF140038	BOLT,FUEL LINE	6		FLANGE,8X65	4T		
		MF140038	BOLT,FUEL LINE	7		FLANGE,8X65	4T		
		MF100055	BOLT,FUEL LINE	1		BOLT,8X20	4T		
		MF100057	BOLT,FUEL LINE	6		BOLT,8X25	4T		
		MF100061	BOLT,FUEL LINE	1		BOLT,8X35	4T		
		MF100067	BOLT,FUEL LINE	1		BOLT,8X60	4T		
		MF140023	BOLT,FUEL LINE	4		FLANGE,8X16	4T		
		MF140029	BOLT,FUEL LINE	1		FLANGE,8X30	4T		
		MF140031	BOLT,FUEL LINE	2		FLANGE,8X35	4T		
		MF140034	BOLT,FUEL LINE	2		FLANGE,8X45	4T		
		MF140037	BOLT,FUEL LINE	1		FLANGE,8X60	4T		

FK74R
13-020 FUEL LINE & WATER SEPARATOR

Repl Part	PNC	Part No	Part Name	Qty	Supply Mode	Part Spec	Remarks	PREV.1	NEW1
	05496C	MF140038	BOLT,FUEL LINE	3		FLANGE,8X65	4T		
		MF140038	BOLT,FUEL LINE	4		FLANGE,8X65	4T		
	05496D	MF140060	BOLT,FUEL LINE	2		FLANGE,10X25	4T		
		MF101285	BOLT,FUEL LINE	4		BOLT,10X25			
		MF101285	BOLT,FUEL LINE	4		BOLT,10X25			
		MF140260	BOLT,FUEL LINE	6		FLANGE,10X25	7T		
		MF140260	BOLT,FUEL LINE	6		FLANGE,10X25	7T		
		MF101285	BOLT,FUEL LINE	3		BOLT,10X25			
		MF101285	BOLT,FUEL LINE	8		BOLT,10X25			
		MF140260	BOLT,FUEL LINE	6		FLANGE,10X25	7T		
		MF101285	BOLT,FUEL LINE	2		BOLT,10X25			
		MF140258	BOLT,FUEL LINE	2		FLANGE,10X20	7T		
	05496E	MF101310	BOLT,FUEL LINE	2		12X25	7T		
		MF101310	BOLT,FUEL LINE	2		12X25	7T		
		MF101310	BOLT,FUEL LINE	3		12X25	7T		
		MF101310	BOLT,FUEL LINE	3		12X25	7T		
		MF101310	BOLT,FUEL LINE	1		12X25	7T		
	05491B	(N.e.c.)	JOINT,FUEL LINE						
	05491	(N.e.c.)	JOINT,FUEL LINE						
	05483E	(N.e.c.)	SPACER,FUEL LINE						
	05492B	(N.e.c.)	BAND,FUEL LINE						
	05447	(N.e.c.)	BRACKET,FUEL LINE,NO.4						
	05427FB	(N.e.c.)	PROTECTOR,FUEL HOSE						
	05427FC	(N.e.c.)	PROTECTOR,FUEL HOSE						
	05496CD	(N.e.c.)	BOLT,FUEL LINE						
	05496CE	(N.e.c.)	BOLT,FUEL LINE						
	05496CC	(N.e.c.)	BOLT,FUEL LINE						
	05427EB	(N.e.c.)	PROTECTOR,FUEL HOSE						
	05427EC	(N.e.c.)	PROTECTOR,FUEL HOSE						
	05427DC	(N.e.c.)	PROTECTOR,FUEL HOSE						
	05427DB	(N.e.c.)	PROTECTOR,FUEL HOSE						
	05444J	(N.e.c.)	BRACKET,FUEL LINE,NO.1						
	05493K	(N.e.c.)	CLIP,FUEL LINE						
	05493T	(N.e.c.)	CLIP,FUEL LINE						

FK74R
No.1

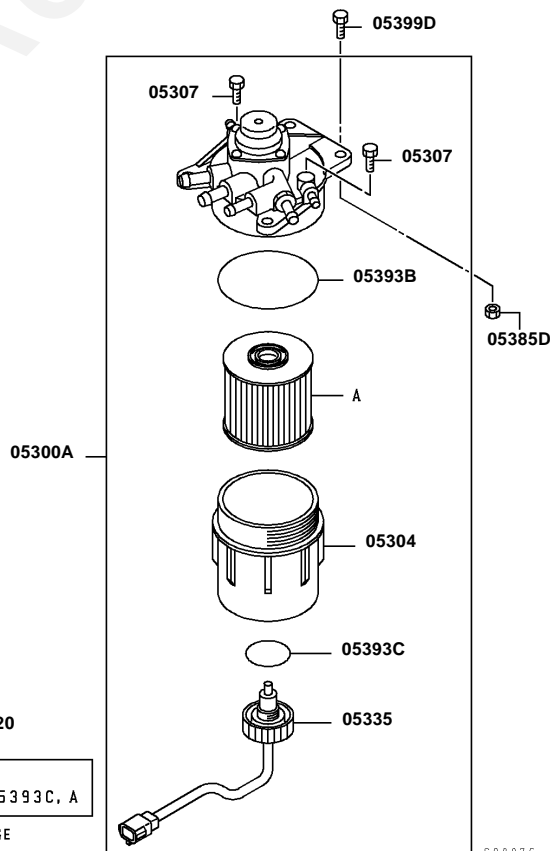


C00080

Ref. |2013030

Page

FK74R
No.2



C00076

Ref. |2013030

Page

FK74R
13-030 FUEL FILTER & HOSE

Repl Part RP	PNC 05300A	Part No ME303149	Part Name FUEL FILTER ASSY	Qty 1	Part Spec	Remarks	NEW1 Y	NEW2 Y	Classification G6,G6E,G6V, H6,H6E,H6V, H6VE,J6,J6E, J6V,J6VE,K6, K6E,K6V,K6VE, M6,M6E,M6VE
RP		ME303999	FUEL FILTER ASSY	1			Y	Y	G6,G6V,H6, H6E,H6V,H6VE, J6,J6E,J6V, J6VE,K6,K6E, K6V,K6VE,M6E, M6VE
RP		ME305541	FUEL FILTER ASSY	1			Y		G6,G6V,H6, H6E,H6V,H6VE, J6,J6E,J6V, J6VE,K6,K6E, K6VE,M6E
		ME306304	FUEL FILTER ASSY	1					G6,G6V,H6, H6E,H6V,H6VE, J6,J6E,J6V, J6VE,K6,K6E, K6VE,M6E
	05304	ME301896	CASE,FUEL FILTER	1					G6,G6E,G6V, H6,H6E,H6V, H6VE,J6,J6E, J6V,J6VE,K6, K6E,K6V,K6VE, M6,M6E,M6VE
		ME305542	CASE,FUEL FILTER	1					G6,G6V,H6, H6E,H6V,H6VE, J6,J6E,J6V, J6VE,K6,K6E, K6VE,M6E
	05307	ME072905	COCK,FUEL FILTER AIR VENTILATOR	2					G6,G6E,G6V, H6,H6E,H6V, H6VE,J6,J6E, J6V,J6VE,K6, K6E,K6V,K6VE, M6,M6E,M6VE
RP	05320	ME301897	ELEMENT KIT,FUEL FILTER	1			Y	Y	G6,G6E,G6V, H6,H6E,H6V, H6VE,J6,J6E, J6V,J6VE,K6, K6E,K6V,K6VE, M6,M6E,M6VE
RP		ME305031	ELEMENT KIT,FUEL FILTER	1			Y		G6,G6V,H6, H6E,H6V,H6VE, J6,J6E,J6V, J6VE,K6,K6E, K6V,K6VE,M6E, M6VE
		ME306306	ELEMENT KIT,FUEL FILTER	1					G6,G6V,H6, H6E,H6V,H6VE, J6,J6E,J6V, J6VE,K6,K6E, K6VE,M6E
	05335	ME220642	SENSOR,FUEL FILTER	1					G6,G6E,G6V, H6,H6E,H6V, H6VE,J6,J6E, J6V,J6VE,K6, K6E,K6V,K6VE, M6,M6E,M6VE
	05385D	MB200979	NUT,FUEL FILTER	2	FLANGE,10	6T			G6,G6E,G6V, H6,H6E,H6V, H6VE,J6,J6E, J6V,J6VE,K6, K6E,K6V,K6VE, M6,M6E,M6VE

FK74R
13-030 FUEL FILTER & HOSE

Repl Part	PNC	Part No	Part Name	Qty	Part Spec	Remarks	NEW1	NEW2	Classification
	05393B	ME164692	O-RING,FUEL FILTER	1					G6,G6E,G6V, H6,H6E,H6V, H6VE,J6,J6E, J6V,J6VE,K6, K6E,K6V,K6VE, M6,M6E,M6VE
		ME305030	O-RING,FUEL FILTER	1					G6,G6V,H6, H6E,H6V,H6VE, J6,J6E,J6V, J6VE,K6,K6E, K6V,K6VE,M6E, M6VE
	05393C	ME215102	O-RING,FUEL FILTER	1					G6,G6E,G6V, H6,H6E,H6V, H6VE,J6,J6E, J6V,J6VE,K6, K6E,K6V,K6VE, M6,M6E,M6VE
	05399D	MF140262	BOLT,FUEL FILTER	2	FLANGE,10X30	7T			G6,G6E,G6V, H6,H6E,H6V, H6VE,J6,J6E, J6V,J6VE,K6, K6E,K6V,K6VE, M6,M6E,M6VE
	05456	MH035653	O-RING,FUEL LINE	1	D=9.8				G6,G6E,G6V, H6,H6E,H6V, H6VE,J6,J6E, J6V,J6VE,K6, K6E,K6V,K6VE, M6,M6E,M6VE
		MH035653	O-RING,FUEL LINE	1	D=9.8				K6,K6E,M6E
		MH035653	O-RING,FUEL LINE	1	D=9.8				G6,G6E,G6V, H6,H6E,H6V, H6VE,J6,J6E, J6V,J6VE,K6, K6E,K6V,K6VE, M6,M6E,M6VE
		MH035653	O-RING,FUEL LINE	1	D=9.8				G6E,G6V,H6V, H6VE,J6V,J6VE, K6V,K6VE,M6, M6VE
		MH035653	O-RING,FUEL LINE	1	D=9.8				G6,G6E,G6V, H6,H6E,H6V, H6VE,J6,J6E, J6V,J6VE,K6, K6E,K6V,K6VE, M6,M6E,M6VE
		MH035653	O-RING,FUEL LINE	1	D=9.8				G6,H6,H6E, J6,J6E
		MH035653	O-RING,FUEL LINE	1	D=9.8				G6,H6,H6E, J6,J6E,K6, K6E,M6E
		MH035653	O-RING,FUEL LINE	1	D=9.8				G6,H6,H6E, J6,J6E
		MH035653	O-RING,FUEL LINE	1	D=9.8				G6,H6,H6E, J6,J6E
		MH035653	O-RING,FUEL LINE	1	D=9.8				G6,H6,H6E, J6,J6E,K6, K6E,M6E
		MH035653	O-RING,FUEL LINE	1	D=9.8				K6,K6E,M6E
		MH035653	O-RING,FUEL LINE	1	D=9.8				G6V,H6V,H6VE, J6V,J6VE,K6VE
	05489B	ME652617	GASKET,FUEL LINE	4	D=14				K6,K6E,M6E
		ME652617	GASKET,FUEL LINE	4	D=14				G6,G6E,G6V, H6,H6E,H6V, H6VE,J6,J6E, J6V,J6VE,K6, K6E,K6V,K6VE, M6,M6E,M6VE
		ME652617	GASKET,FUEL LINE	4	D=14				G6E,G6V,H6V, H6VE,J6V,J6VE, K6V,K6VE,M6, M6VE
		ME652617	GASKET,FUEL LINE	4	D=14				G6,G6E,G6V, H6,H6E,H6V, H6VE,J6,J6E, J6V,J6VE,K6, K6E,K6V,K6VE, M6,M6E,M6VE

FK74R
13-030 FUEL FILTER & HOSE

Repl Part	PNC	Part No	Part Name	Qty	Part Spec	Remarks	NEW1	NEW2	Classification
	05489B	ME652617	GASKET,FUEL LINE	4	D=14				G6,H6,H6E, J6,J6E
		ME652617	GASKET,FUEL LINE	4	D=14				G6,H6,H6E, J6,J6E,K6, K6E,M6E
		ME652617	GASKET,FUEL LINE	4	D=14				G6,H6,H6E, J6,J6E
		ME652617	GASKET,FUEL LINE	4	D=14				G6,H6,H6E, J6,J6E
		ME652617	GASKET,FUEL LINE	4	D=14				G6,H6,H6E, J6,J6E,K6, K6E,M6E
		ME652617	GASKET,FUEL LINE	4	D=14				K6,K6E,M6E
		ME652617	GASKET,FUEL LINE	4	D=14				G6V,H6V,H6VE, J6V,J6VE,K6VE
	05489C	ME193066	GASKET,FUEL LINE	2					K6,K6E,M6E
		ME193066	GASKET,FUEL LINE	2					G6,G6E,G6V, H6,H6E,H6V, H6VE,J6,J6E, J6V,J6VE,K6, K6E,K6V,K6VE, M6,M6E,M6VE
		ME193066	GASKET,FUEL LINE	2					G6E,G6V,H6V, H6VE,J6V,J6VE, K6V,K6VE,M6, M6VE
		ME193066	GASKET,FUEL LINE	2					G6,G6E,G6V, H6,H6E,H6V, H6VE,J6,J6E, J6V,J6VE,K6, K6E,K6V,K6VE, M6,M6E,M6VE
		ME193066	GASKET,FUEL LINE	2					G6,H6,H6E, J6,J6E
		ME193066	GASKET,FUEL LINE	2					G6,H6,H6E, J6,J6E,K6, K6E,M6E
		ME193066	GASKET,FUEL LINE	2					G6,H6,H6E, J6,J6E
		ME193066	GASKET,FUEL LINE	2					G6,H6,H6E, J6,J6E
		ME193066	GASKET,FUEL LINE	2					G6,H6,H6E, J6,J6E,K6, K6E,M6E
		ME193066	GASKET,FUEL LINE	2					K6,K6E,M6E
		ME193066	GASKET,FUEL LINE	2					G6V,H6V,H6VE, J6V,J6VE,K6VE
	05494F	MH020358	CLAMP,FUEL LINE	2	D=7X2				K6,K6E,M6E
		MH020358	CLAMP,FUEL LINE	2	D=7X2				G6,G6E,G6V, H6,H6E,H6V, H6VE,J6,J6E, J6V,J6VE,K6, K6E,K6V,K6VE, M6,M6E,M6VE
		MH020358	CLAMP,FUEL LINE	2	D=7X2				G6E,G6V,H6V, H6VE,J6V,J6VE, K6V,K6VE,M6, M6VE
		MH020358	CLAMP,FUEL LINE	2	D=7X2				G6,G6E,G6V, H6,H6E,H6V, H6VE,J6,J6E, J6V,J6VE,K6, K6E,K6V,K6VE, M6,M6E,M6VE
		MH020358	CLAMP,FUEL LINE	2	D=7X2				G6,H6,H6E, J6,J6E
		MH020358	CLAMP,FUEL LINE	2	D=7X2				G6,H6,H6E, J6,J6E,K6, K6E,M6E
		MH020358	CLAMP,FUEL LINE	2	D=7X2				G6,H6,H6E, J6,J6E
		MH020358	CLAMP,FUEL LINE	2	D=7X2				G6,H6,H6E, J6,J6E

FK74R
13-030 FUEL FILTER & HOSE

Repl Part	PNC	Part No	Part Name	Qty	Part Spec	Remarks	NEW1	NEW2	Classification
	05494F	MH020358	CLAMP,FUEL LINE	2	D=7X2				G6,H6,H6E, J6,J6E,K6, K6E,M6E
		MH020358	CLAMP,FUEL LINE	2	D=7X2				K6,K6E,M6E
		MH020358	CLAMP,FUEL LINE	2	D=7X2				G6V,H6V,H6VE, J6V,J6VE,K6VE
	05496M	MF140213	BOLT,FUEL LINE	1	FLANGE,6X35	7T			K6,K6E,M6E
		MF140213	BOLT,FUEL LINE	1	FLANGE,6X35	7T			G6,G6E,G6V, H6,H6E,H6V, H6VE,J6,J6E, J6V,J6VE,K6, K6E,K6V,K6VE, M6,M6E,M6VE
		MF140213	BOLT,FUEL LINE	1	FLANGE,6X35	7T			G6E,G6V,H6V, H6VE,J6V,J6VE, K6V,K6VE,M6, M6VE
		MF140213	BOLT,FUEL LINE	1	FLANGE,6X35	7T			G6,G6E,G6V, H6,H6E,H6V, H6VE,J6,J6E, J6V,J6VE,K6, K6E,K6V,K6VE, M6,M6E,M6VE
		MF140213	BOLT,FUEL LINE	1	FLANGE,6X35	7T			G6,H6,H6E, J6,J6E
		MF140213	BOLT,FUEL LINE	1	FLANGE,6X35	7T			G6,H6,H6E, J6,J6E,K6, K6E,M6E
		MF140213	BOLT,FUEL LINE	1	FLANGE,6X35	7T			G6,H6,H6E, J6,J6E
		MF140213	BOLT,FUEL LINE	1	FLANGE,6X35	7T			G6,H6,H6E, J6,J6E
		MF140213	BOLT,FUEL LINE	1	FLANGE,6X35	7T			G6,H6,H6E, J6,J6E,K6, K6E,M6E
		MF140213	BOLT,FUEL LINE	1	FLANGE,6X35	7T			K6,K6E,M6E
		MF140213	BOLT,FUEL LINE	1	FLANGE,6X35	7T			G6V,H6V,H6VE, J6V,J6VE,K6VE
	05497B	MF650114	EYEBOLT,FUEL LINE	2	14X27				K6,K6E,M6E
		MF650114	EYEBOLT,FUEL LINE	2	14X27				G6,G6E,G6V, H6,H6E,H6V, H6VE,J6,J6E, J6V,J6VE,K6, K6E,K6V,K6VE, M6,M6E,M6VE
		MF650114	EYEBOLT,FUEL LINE	2	14X27				G6E,G6V,H6V, H6VE,J6V,J6VE, K6V,K6VE,M6, M6VE
		MF650114	EYEBOLT,FUEL LINE	2	14X27				G6,G6E,G6V, H6,H6E,H6V, H6VE,J6,J6E, J6V,J6VE,K6, K6E,K6V,K6VE, M6,M6E,M6VE
		MF650114	EYEBOLT,FUEL LINE	2	14X27				G6,H6,H6E, J6,J6E
		MF650114	EYEBOLT,FUEL LINE	2	14X27				G6,H6,H6E, J6,J6E,K6, K6E,M6E
		MF650114	EYEBOLT,FUEL LINE	2	14X27				G6,H6,H6E, J6,J6E
		MF650114	EYEBOLT,FUEL LINE	2	14X27				G6,H6,H6E, J6,J6E
		MF650114	EYEBOLT,FUEL LINE	2	14X27				G6,H6,H6E, J6,J6E,K6, K6E,M6E
		MF650114	EYEBOLT,FUEL LINE	2	14X27				K6,K6E,M6E
		MF650114	EYEBOLT,FUEL LINE	2	14X27				G6V,H6V,H6VE, J6V,J6VE,K6VE
	05497C	ME224888	EYEBOLT,FUEL LINE	1	12				K6,K6E,M6E

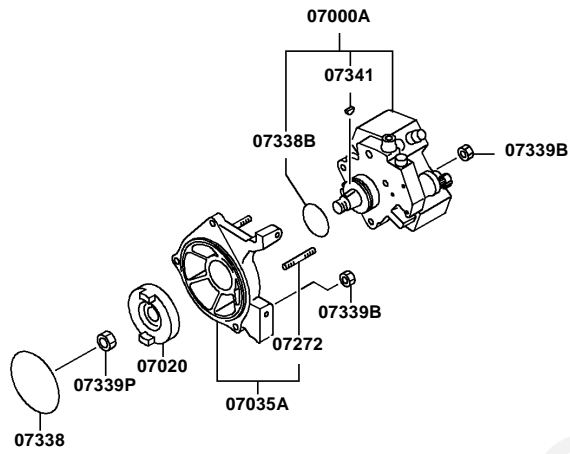
FK74R
13-030 FUEL FILTER & HOSE

Repl Part	PNC	Part No	Part Name	Qty	Part Spec	Remarks	NEW1	NEW2	Classification
	05497C	ME224888	EYEBOLT,FUEL LINE	1	12				G6,G6E,G6V, H6,H6E,H6V, H6VE,J6,J6E, J6V,J6VE,K6, K6E,K6V,K6VE, M6,M6E,M6VE
		ME224888	EYEBOLT,FUEL LINE	1	12				G6E,G6V,H6V, H6VE,J6V,J6VE, K6V,K6VE,M6, M6VE
		ME224888	EYEBOLT,FUEL LINE	1	12				G6,G6E,G6V, H6,H6E,H6V, H6VE,J6,J6E, J6V,J6VE,K6, K6E,K6V,K6VE, M6,M6E,M6VE
		ME224888	EYEBOLT,FUEL LINE	1	12				G6,H6,H6E, J6,J6E
		ME224888	EYEBOLT,FUEL LINE	1	12				G6,H6,H6E, J6,J6E,K6, K6E,M6E
		ME224888	EYEBOLT,FUEL LINE	1	12				G6,H6,H6E, J6,J6E
		ME224888	EYEBOLT,FUEL LINE	1	12				G6,H6,H6E, J6,J6E
		ME224888	EYEBOLT,FUEL LINE	1	12				G6,H6,H6E, J6,J6E,K6, K6E,M6E
		ME224888	EYEBOLT,FUEL LINE	1	12				G6,H6,H6E, J6,J6E,K6, K6E,M6E
		ME224888	EYEBOLT,FUEL LINE	1	12				G6V,H6V,H6VE, J6V,J6VE,K6VE
		ME224888	EYEBOLT,FUEL LINE	1	12				K6,K6E,M6E
	05515	ME224474	TUBE,FUEL PUMP SUCTION	1	12				G6,G6E,G6V, H6,H6E,H6V, H6VE,J6,J6E, J6V,J6VE,K6, K6E,K6V,K6VE, M6,M6E,M6VE
		ME224474	TUBE,FUEL PUMP SUCTION	1	12				G6E,G6V,H6V, H6VE,J6V,J6VE, K6V,K6VE,M6, M6VE
		ME224474	TUBE,FUEL PUMP SUCTION	1	12				G6,G6E,G6V, H6,H6E,H6V, H6VE,J6,J6E, J6V,J6VE,K6, K6E,K6V,K6VE, M6,M6E,M6VE
		ME224474	TUBE,FUEL PUMP SUCTION	1	12				G6,H6,H6E, J6,J6E
		ME224474	TUBE,FUEL PUMP SUCTION	1	12				G6,H6,H6E, J6,J6E,K6, K6E,M6E
		ME224474	TUBE,FUEL PUMP SUCTION	1	12				G6,H6,H6E, J6,J6E
		ME224474	TUBE,FUEL PUMP SUCTION	1	12				G6,H6,H6E, J6,J6E
		ME224474	TUBE,FUEL PUMP SUCTION	1	12				G6,H6,H6E, J6,J6E,K6, K6E,M6E
		ME224474	TUBE,FUEL PUMP SUCTION	1	12				G6,H6,H6E, J6,J6E
		ME224474	TUBE,FUEL PUMP SUCTION	1	12				G6,H6,H6E, J6,J6E,K6, K6E,M6E
		ME224474	TUBE,FUEL PUMP SUCTION	1	12				K6,K6E,M6E
		ME224474	TUBE,FUEL PUMP SUCTION	1	12				G6V,H6V,H6VE, J6V,J6VE,K6VE
	05515B	ME222600	TUBE,FUEL PUMP SUCTION	1	12				K6,K6E,M6E
		ME222600	TUBE,FUEL PUMP SUCTION	1	12				G6,G6E,G6V, H6,H6E,H6V, H6VE,J6,J6E, J6V,J6VE,K6, K6E,K6V,K6VE, M6,M6E,M6VE

FK74R
13-030 FUEL FILTER & HOSE

Repl Part	PNC	Part No	Part Name	Qty	Part Spec	Remarks	NEW1	NEW2	Classification
	05515B	ME222600	TUBE,FUEL PUMP SUCTION	1	12				G6E,G6V,H6V, H6VE,J6V,J6VE, K6V,K6VE,M6, M6VE
		ME222600	TUBE,FUEL PUMP SUCTION	1	12				G6,G6E,G6V, H6,H6E,H6V, H6VE,J6,J6E, J6V,J6VE,K6, K6E,K6V,K6VE, M6,M6E,M6VE
		ME222600	TUBE,FUEL PUMP SUCTION	1	12				G6,H6,H6E, J6,J6E
		ME222600	TUBE,FUEL PUMP SUCTION	1	12				G6,H6,H6E, J6,J6E,K6, K6E,M6E
		ME222600	TUBE,FUEL PUMP SUCTION	1	12				G6,H6,H6E, J6,J6E
		ME222600	TUBE,FUEL PUMP SUCTION	1	12				G6,H6,H6E, J6,J6E
		ME222600	TUBE,FUEL PUMP SUCTION	1	12				G6,H6,H6E, J6,J6E,K6, K6E,M6E
		ME222600	TUBE,FUEL PUMP SUCTION	1	12				K6,K6E,M6E
		ME222600	TUBE,FUEL PUMP SUCTION	1	12				G6V,H6V,H6VE, J6V,J6VE,K6VE
14857		MC885579	SENSOR,FUEL TEMPERATURE	1					G6,K6E,M6E
		MC885579	SENSOR,FUEL TEMPERATURE	1					G6,G6E,G6V, H6,H6E,H6V, H6VE,J6,J6E, J6V,J6VE,K6, K6E,K6V,K6VE, M6,M6E,M6VE
		MC885579	SENSOR,FUEL TEMPERATURE	1					G6E,G6V,H6V, H6VE,J6V,J6VE, K6V,K6VE,M6, M6VE
		MC885579	SENSOR,FUEL TEMPERATURE	1					G6,G6E,G6V, H6,H6E,H6V, H6VE,J6,J6E, J6V,J6VE,K6, K6E,K6V,K6VE, M6,M6E,M6VE
		MC885579	SENSOR,FUEL TEMPERATURE	1					G6,H6,H6E, J6,J6E
		MC885579	SENSOR,FUEL TEMPERATURE	1					G6,H6,H6E, J6,J6E,K6, K6E,M6E
		MC885579	SENSOR,FUEL TEMPERATURE	1					G6,H6,H6E, J6,J6E
		MC885579	SENSOR,FUEL TEMPERATURE	1					G6,H6,H6E, J6,J6E
		MC885579	SENSOR,FUEL TEMPERATURE	1					G6,H6,H6E, J6,J6E,K6, K6E,M6E
		MC885579	SENSOR,FUEL TEMPERATURE	1					K6,K6E,M6E
		MC885579	SENSOR,FUEL TEMPERATURE	1					G6V,H6V,H6VE, J6V,J6VE,K6VE

FK74R
No.1

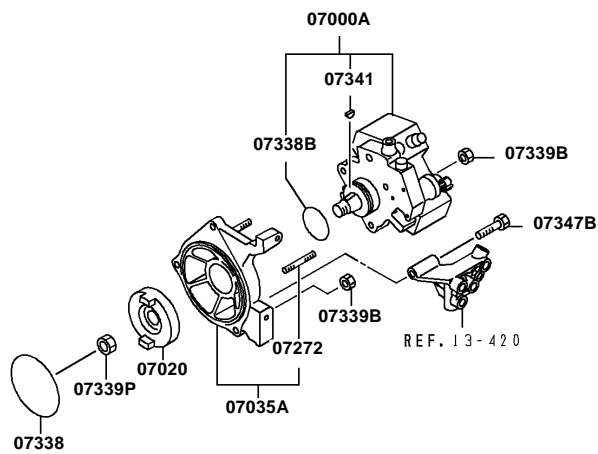


C00083

Ref. |2013110

Page

FK74R
No.2



C00165

Ref. |2013110

Page

FK74R

13-110 FUEL INJECTION PUMP GENERAL

PNC	Part No	Part Name	Qty	Part Spec	Classification	Option	Model Year	Star	
07000A	ME223576	PUMP ASSY,FUEL INJECTION	1		K6,K6E,M6E			0405	
	ME223576	PUMP ASSY,FUEL INJECTION	1		G6,G6E,G6V, H6,H6E,H6V, H6VE,J6,J6E, J6V,J6VE,K6, K6E,K6V,K6VE, M6,M6E,M6VE			0405	
	ME223576	PUMP ASSY,FUEL INJECTION	1		G6E,G6V,H6V, H6VE,J6V,J6VE, K6V,K6VE,M6, M6VE			0405	
	ME223576	PUMP ASSY,FUEL INJECTION	1		G6,G6E,G6V, H6,H6E,H6V, H6VE,J6,J6E, J6V,J6VE,K6, K6E,K6V,K6VE, M6,M6E,M6VE			0405	
	ME223576	PUMP ASSY,FUEL INJECTION	1		G6,H6,H6E, J6,J6E			0405	
	ME223576	PUMP ASSY,FUEL INJECTION	1		G6,H6,H6E, J6,J6E,K6, K6E,M6E	14C,1C0,1XS, 1XT,1XX,1XY	07	0705	
	ME223576	PUMP ASSY,FUEL INJECTION	1		G6,H6,H6E, J6,J6E	1SP,1XU,1XZ	07	0705	
	ME223576	PUMP ASSY,FUEL INJECTION	1		G6,H6,H6E, J6,J6E			0705	
	ME223576	PUMP ASSY,FUEL INJECTION	1		G6,H6,H6E, J6,J6E,K6, K6E,M6E			0705	
	ME223576	PUMP ASSY,FUEL INJECTION	1		K6,K6E,M6E			0705	
	ME223576	PUMP ASSY,FUEL INJECTION	1		G6V,H6V,H6VE, J6V,J6VE,K6VE			0705	
	07020	ME222208	COUPLING,INJECTION PUMP	1		K6,K6E,M6E			0405
		ME222208	COUPLING,INJECTION PUMP	1		G6,G6E,G6V, H6,H6E,H6V, H6VE,J6,J6E, J6V,J6VE,K6, K6E,K6V,K6VE, M6,M6E,M6VE			0405
		ME222208	COUPLING,INJECTION PUMP	1		G6E,G6V,H6V, H6VE,J6V,J6VE, K6V,K6VE,M6, M6VE			0405
ME222208		COUPLING,INJECTION PUMP	1		G6,G6E,G6V, H6,H6E,H6V, H6VE,J6,J6E, J6V,J6VE,K6, K6E,K6V,K6VE, M6,M6E,M6VE			0405	
ME222208		COUPLING,INJECTION PUMP	1		G6,H6,H6E, J6,J6E			0405	
ME222208		COUPLING,INJECTION PUMP	1		G6,H6,H6E, J6,J6E,K6, K6E,M6E	14C,1C0,1XS, 1XT,1XX,1XY	07	0705	
ME222208		COUPLING,INJECTION PUMP	1		G6,H6,H6E, J6,J6E	1SP,1XU,1XZ	07	0705	
ME222208		COUPLING,INJECTION PUMP	1		G6,H6,H6E, J6,J6E			0705	
ME222208		COUPLING,INJECTION PUMP	1		G6,H6,H6E, J6,J6E,K6, K6E,M6E			0705	
ME222208		COUPLING,INJECTION PUMP	1		K6,K6E,M6E			0705	
ME222208		COUPLING,INJECTION PUMP	1		G6V,H6V,H6VE, J6V,J6VE,K6VE			0705	
07035A		ME223843	PLATE ASSY,INJECTION PUMP FLANGE	1		K6,K6E,M6E			0405
		ME223843	PLATE ASSY,INJECTION PUMP FLANGE	1		G6,G6E,G6V, H6,H6E,H6V, H6VE,J6,J6E, J6V,J6VE,K6, K6E,K6V,K6VE, M6,M6E,M6VE			0405

FK74R
13-110 FUEL INJECTION PUMP GENERAL

PNC	Part No	Part Name	Qty	Part Spec	Classification	Option	Model Year	Star	
07035A	ME223843	PLATE ASSY,INJECTION PUMP FLANGE	1		G6E,G6V,H6V, H6VE,J6V,J6VE, K6V,K6VE,M6, M6VE			0405	
	ME223843	PLATE ASSY,INJECTION PUMP FLANGE	1		G6,G6E,G6V, H6,H6E,H6V, H6VE,J6,J6E, J6V,J6VE,K6, K6E,K6V,K6VE, M6,M6E,M6VE			0405	
	ME223843	PLATE ASSY,INJECTION PUMP FLANGE	1		G6,H6,H6E, J6,J6E			0405	
	ME225733	PLATE ASSY,INJECTION PUMP FLANGE	1		G6,H6,H6E, J6,J6E,K6, K6E,M6E	14C,1C0,1XS, 1XT,1XX,1XY	07	0705	
	ME225733	PLATE ASSY,INJECTION PUMP FLANGE	1		G6,H6,H6E, J6,J6E	1SP,1XU,1XZ	07	0705	
	ME225733	PLATE ASSY,INJECTION PUMP FLANGE	1		G6,H6,H6E, J6,J6E			0705	
	ME225733	PLATE ASSY,INJECTION PUMP FLANGE	1		G6,H6,H6E, J6,J6E,K6, K6E,M6E			0705	
	ME225733	PLATE ASSY,INJECTION PUMP FLANGE	1		K6,K6E,M6E			0705	
	ME225733	PLATE ASSY,INJECTION PUMP FLANGE	1		G6V,H6V,H6VE, J6V,J6VE,K6VE			0705	
	07272	MF400682	STUD,INJECTION PUMP GOVERNOR	3	8X40	K6,K6E,M6E			0405
		MF400682	STUD,INJECTION PUMP GOVERNOR	3	8X40	G6,G6E,G6V, H6,H6E,H6V, H6VE,J6,J6E, J6V,J6VE,K6, K6E,K6V,K6VE, M6,M6E,M6VE			0405
		MF400682	STUD,INJECTION PUMP GOVERNOR	3	8X40	G6E,G6V,H6V, H6VE,J6V,J6VE, K6V,K6VE,M6, M6VE			0405
		MF400682	STUD,INJECTION PUMP GOVERNOR	3	8X40	G6,G6E,G6V, H6,H6E,H6V, H6VE,J6,J6E, J6V,J6VE,K6, K6E,K6V,K6VE, M6,M6E,M6VE			0405
		MF400682	STUD,INJECTION PUMP GOVERNOR	3	8X40	G6,H6,H6E, J6,J6E			0405
MF400682		STUD,INJECTION PUMP GOVERNOR	3	8X40	G6,H6,H6E, J6,J6E,K6, K6E,M6E	14C,1C0,1XS, 1XT,1XX,1XY	07	0705	
MF400682		STUD,INJECTION PUMP GOVERNOR	3	8X40	G6,H6,H6E, J6,J6E	1SP,1XU,1XZ	07	0705	
MF400682		STUD,INJECTION PUMP GOVERNOR	3	8X40	G6,H6,H6E, J6,J6E			0705	
MF400682		STUD,INJECTION PUMP GOVERNOR	3	8X40	G6,H6,H6E, J6,J6E,K6, K6E,M6E			0705	
MF400682		STUD,INJECTION PUMP GOVERNOR	3	8X40	K6,K6E,M6E			0705	
MF400682		STUD,INJECTION PUMP GOVERNOR	3	8X40	G6V,H6V,H6VE, J6V,J6VE,K6VE			0705	
07338		MF520419	O-RING,INJECTION PUMP	1		K6,K6E,M6E			0405
		MF520419	O-RING,INJECTION PUMP	1		G6,G6E,G6V, H6,H6E,H6V, H6VE,J6,J6E, J6V,J6VE,K6, K6E,K6V,K6VE, M6,M6E,M6VE			0405
		MF520419	O-RING,INJECTION PUMP	1		G6E,G6V,H6V, H6VE,J6V,J6VE, K6V,K6VE,M6, M6VE			0405
	MF520419	O-RING,INJECTION PUMP	1					0405	

FK74R
13-110 FUEL INJECTION PUMP GENERAL

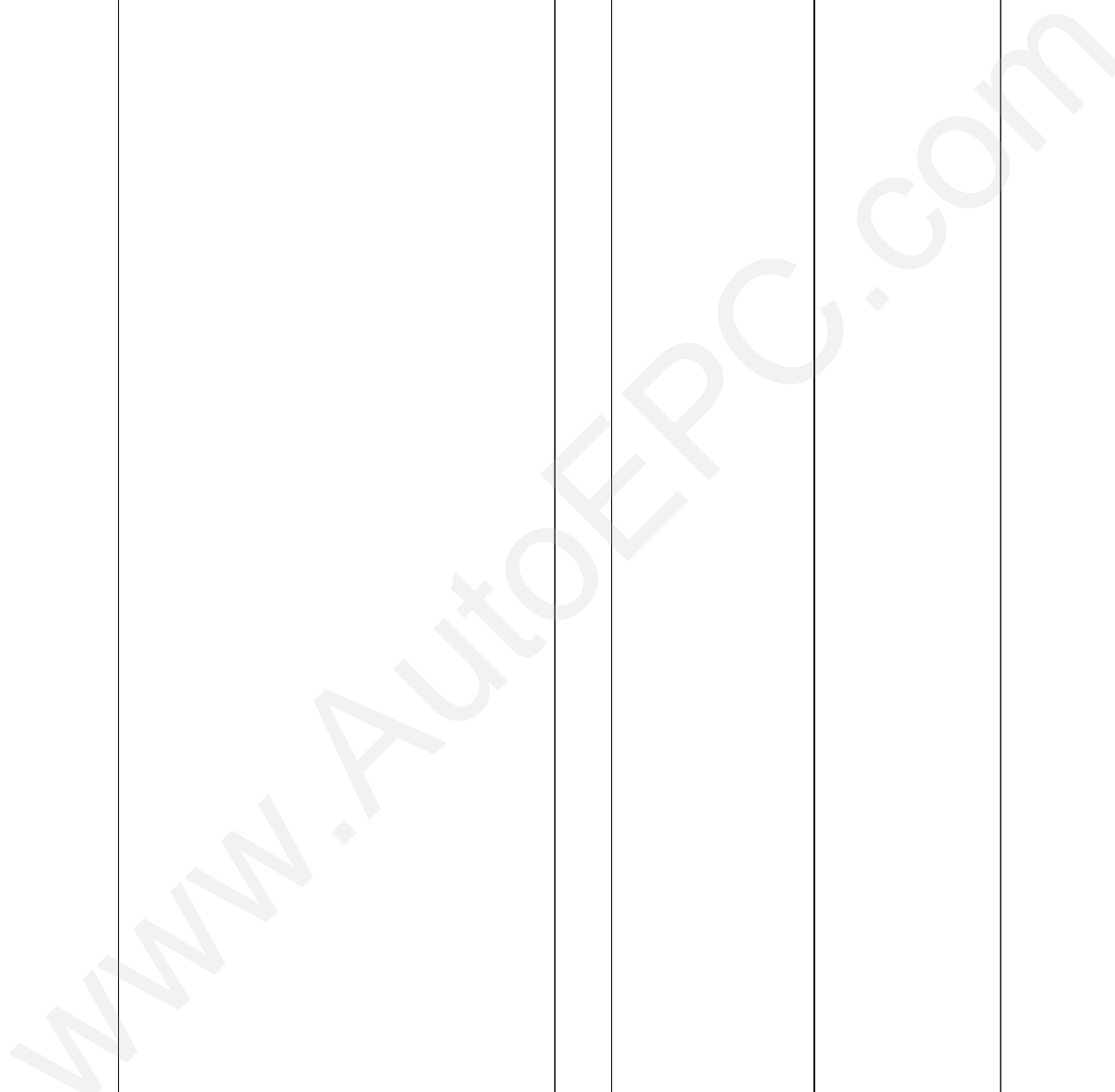
PNC	Part No	Part Name	Qty	Part Spec	Classification	Option	Model Year	Star	
07338	MF520419	O-RING,INJECTION PUMP	1		G6,G6E,G6V, H6,H6E,H6V, H6VE,J6,J6E, J6V,J6VE,K6, K6E,K6V,K6VE, M6,M6E,M6VE			0405	
	MF520419	O-RING,INJECTION PUMP	1		G6,H6,H6E, J6,J6E			0405	
	MF520419	O-RING,INJECTION PUMP	1		G6,H6,H6E, J6,J6E,K6, K6E,M6E	14C,1C0,1XS, 1XT,1XX,1XY	07	0705	
	MF520419	O-RING,INJECTION PUMP	1		G6,H6,H6E, J6,J6E	1SP,1XU,1XZ	07	0705	
	MF520419	O-RING,INJECTION PUMP	1		G6,H6,H6E, J6,J6E			0705	
	MF520419	O-RING,INJECTION PUMP	1		G6,H6,H6E, J6,J6E,K6, K6E,M6E			0705	
	MF520419	O-RING,INJECTION PUMP	1		K6,K6E,M6E G6V,H6V,H6VE, J6V,J6VE,K6VE			0705	
07338B	ME756575	O-RING,INJECTION PUMP	1		K6,K6E,M6E G6,G6E,G6V, H6,H6E,H6V, H6VE,J6,J6E, J6V,J6VE,K6, K6E,K6V,K6VE, M6,M6E,M6VE			0405	
	ME756575	O-RING,INJECTION PUMP	1		G6,G6E,G6V, H6,H6E,H6V, H6VE,J6,J6E, J6V,J6VE,K6, K6E,K6V,K6VE, M6,M6E,M6VE			0405	
	ME756575	O-RING,INJECTION PUMP	1		G6,G6E,G6V, H6,H6E,H6V, H6VE,J6,J6E, J6V,J6VE,K6, K6E,K6V,K6VE, M6,M6E,M6VE			0405	
	ME756575	O-RING,INJECTION PUMP	1		G6,H6,H6E, J6,J6E			0405	
	ME756575	O-RING,INJECTION PUMP	1		G6,H6,H6E, J6,J6E,K6, K6E,M6E	14C,1C0,1XS, 1XT,1XX,1XY	07	0705	
	ME756575	O-RING,INJECTION PUMP	1		G6,H6,H6E, J6,J6E	1SP,1XU,1XZ	07	0705	
	ME756575	O-RING,INJECTION PUMP	1		G6,H6,H6E, J6,J6E			0705	
	ME756575	O-RING,INJECTION PUMP	1		G6,H6,H6E, J6,J6E,K6, K6E,M6E			0705	
	ME756575	O-RING,INJECTION PUMP	1		K6,K6E,M6E G6V,H6V,H6VE, J6V,J6VE,K6VE			0705	
	ME756575	O-RING,INJECTION PUMP	1		G6V,H6V,H6VE, J6V,J6VE,K6VE			0705	
	07339B	MF434104	NUT,INJECTION PUMP	6	FLANGE,8	G6E,K6V,M6, M6VE			0405
		MF434104	NUT,INJECTION PUMP	6	FLANGE,8	G6,H6,H6E, J6,J6E			0405
		MF434104	NUT,INJECTION PUMP	6	FLANGE,8	G6,G6E,G6V, H6,H6E,H6V, H6VE,J6,J6E, J6V,J6VE,K6, K6E,K6V,K6VE, M6,M6E,M6VE			0405
MF434104		NUT,INJECTION PUMP	6	FLANGE,8	G6,G6E,G6V, H6,H6E,H6V, H6VE,J6,J6E, J6V,J6VE,K6, K6E,K6V,K6VE, M6,M6E,M6VE			0405	
MF434104		NUT,INJECTION PUMP	6	FLANGE,8	K6,K6E,M6E G6V,H6V,H6VE, J6V,J6VE,K6VE			0405	
MF434104		NUT,INJECTION PUMP	6	FLANGE,8	G6V,H6V,H6VE, J6V,J6VE,K6VE			0405	
MF434104		NUT,INJECTION PUMP	6	FLANGE,8	G6V,H6V,H6VE, J6V,J6VE,K6VE			0405	

FK74R
13-110 FUEL INJECTION PUMP GENERAL

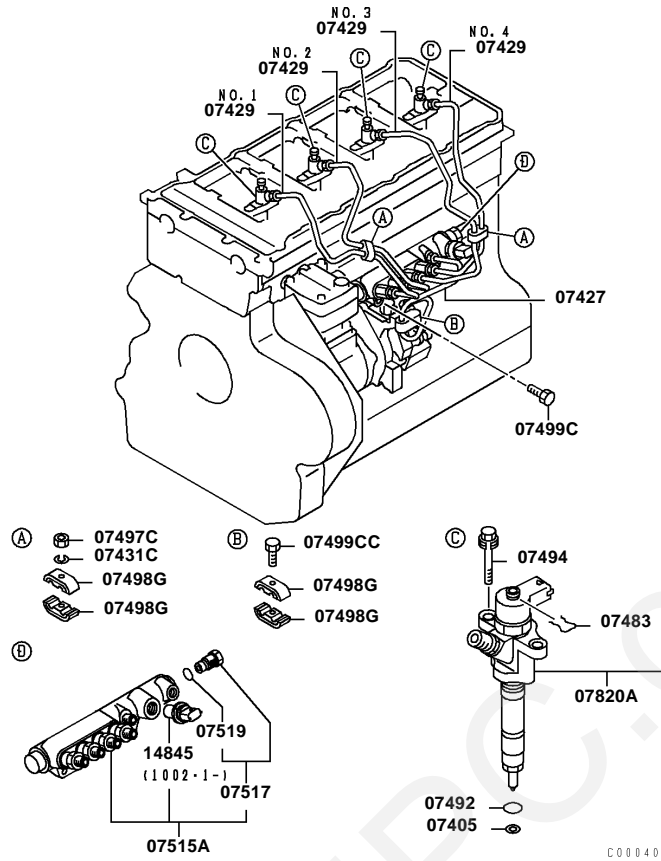
PNC	Part No	Part Name	Qty	Part Spec	Classification	Option	Model Year	Star
07339B	MF434104	NUT,INJECTION PUMP	6	FLANGE,8	G6,G6V,H6, H6E,H6V,H6VE, J6,J6E,J6V, J6VE,K6,K6E, K6VE,M6E	14C,1C0	07	0705
	MF434104	NUT,INJECTION PUMP	6	FLANGE,8	G6,H6,H6E, J6,J6E	1SP,1XU,1XZ	07	0705
	MF434104	NUT,INJECTION PUMP	6	FLANGE,8	G6,H6,H6E, J6,J6E,K6, K6E,M6E	1XS,1XT,1XX, 1XY	07	0705
07339P	MC040487	NUT,INJECTION PUMP	1	FLANGE,18	G6E,K6V,M6, M6VE			0405
	MC040487	NUT,INJECTION PUMP	1	FLANGE,18	G6,H6,H6E, J6,J6E			0405
	MC040487	NUT,INJECTION PUMP	1	FLANGE,18	G6,G6E,G6V, H6,H6E,H6V, H6VE,J6,J6E, J6V,J6VE,K6, K6E,K6V,K6VE, M6,M6E,M6VE			0405
	MC040487	NUT,INJECTION PUMP	1	FLANGE,18	G6,G6E,G6V, H6,H6E,H6V, H6VE,J6,J6E, J6V,J6VE,K6, K6E,K6V,K6VE, M6,M6E,M6VE			0405
	MC040487	NUT,INJECTION PUMP	1	FLANGE,18	K6,K6E,M6E			0405
	MC040487	NUT,INJECTION PUMP	1	FLANGE,18	G6V,H6V,H6VE, J6V,J6VE,K6VE			0405
	MC040487	NUT,INJECTION PUMP	1	FLANGE,18	G6,G6V,H6, H6E,H6V,H6VE, J6,J6E,J6V, J6VE,K6,K6E, K6VE,M6E	14C,1C0	07	0705
	MC040487	NUT,INJECTION PUMP	1	FLANGE,18	G6,H6,H6E, J6,J6E	1SP,1XU,1XZ	07	0705
	MC040487	NUT,INJECTION PUMP	1	FLANGE,18	G6,H6,H6E, J6,J6E,K6, K6E,M6E	1XS,1XT,1XX, 1XY	07	0705
07341	ME705359	KEY,INJECTION PUMP	1	WOODRUFF,4X16	K6,K6E,M6E			0405
	ME705359	KEY,INJECTION PUMP	1	WOODRUFF,4X16	G6,G6E,G6V, H6,H6E,H6V, H6VE,J6,J6E, J6V,J6VE,K6, K6E,K6V,K6VE, M6,M6E,M6VE			0405
	ME705359	KEY,INJECTION PUMP	1	WOODRUFF,4X16	G6E,G6V,H6V, H6VE,J6V,J6VE, K6V,K6VE,M6, M6VE			0405
	ME705359	KEY,INJECTION PUMP	1	WOODRUFF,4X16	G6,G6E,G6V, H6,H6E,H6V, H6VE,J6,J6E, J6V,J6VE,K6, K6E,K6V,K6VE, M6,M6E,M6VE			0405
	ME705359	KEY,INJECTION PUMP	1	WOODRUFF,4X16	G6,H6,H6E, J6,J6E	14C,1C0,1XS, 1XT,1XX,1XY	07	0705
	ME705359	KEY,INJECTION PUMP	1	WOODRUFF,4X16	G6,H6,H6E, J6,J6E	1SP,1XU,1XZ	07	0705
	ME705359	KEY,INJECTION PUMP	1	WOODRUFF,4X16	G6,H6,H6E, J6,J6E			0705
	ME705359	KEY,INJECTION PUMP	1	WOODRUFF,4X16	G6,H6,H6E, J6,J6E,K6, K6E,M6E			0705
	ME705359	KEY,INJECTION PUMP	1	WOODRUFF,4X16	G6,H6,H6E, J6,J6E,K6, K6E,M6E			0705
	ME705359	KEY,INJECTION PUMP	1	WOODRUFF,4X16	K6,K6E,M6E			0705
	ME705359	KEY,INJECTION PUMP	1	WOODRUFF,4X16	G6V,H6V,H6VE, J6V,J6VE,K6VE			0705

FK74R
13-110 FUEL INJECTION PUMP GENERAL

PNC	Part No	Part Name	Qty	Part Spec	Classification	Option	Model Year	Star
07347B	MH000723	BOLT,INJECTION PUMP	1	FLANGE,10X70	G6,H6,H6E, J6,J6E,K6, K6E,M6E	14C,1C0,1XS, 1XT,1XX,1XY	07	0705
	MH000723	BOLT,INJECTION PUMP	1	FLANGE,10X70	G6,H6,H6E, J6,J6E	1SP,1XU,1XZ	07	0705
	MH000723	BOLT,INJECTION PUMP	1	FLANGE,10X70	G6,H6,H6E, J6,J6E			0705
	MH000723	BOLT,INJECTION PUMP	1	FLANGE,10X70	K6,K6E,M6E			0705
	MH000723	BOLT,INJECTION PUMP	1	FLANGE,10X70	G6,H6,H6E, J6,J6E,K6, K6E,M6E			0705
	MH000723	BOLT,INJECTION PUMP	1	FLANGE,10X70	G6V,H6V,H6VE, J6V,J6VE,K6VE			0705



FK74R
No.1



Ref. |2013410

Page

FK74R
13-410 INJECTION PIPE & NOZZLE

SPN	Repl Part	PNC	Part No	Part Name	Qty	Part Spec	Remarks	NEW1	NEW2
		07405	ME222913	GASKET,FUEL INJECTION NOZZLE	4				
			ME222913	GASKET,FUEL INJECTION NOZZLE	4				
			ME222913	GASKET,FUEL INJECTION NOZZLE	4				
			ME222913	GASKET,FUEL INJECTION NOZZLE	4				
			ME225481	GASKET,FUEL INJECTION NOZZLE	4				
			ME225481	GASKET,FUEL INJECTION NOZZLE	4				
			ME225481	GASKET,FUEL INJECTION NOZZLE	4				
			ME225481	GASKET,FUEL INJECTION NOZZLE	4				
			ME225481	GASKET,FUEL INJECTION NOZZLE	4				
			ME225481	GASKET,FUEL INJECTION NOZZLE	4				

Ref. |2013410

Page

FK74R
13-410 INJECTION PIPE & NOZZLE

SPN	Repl Part	PNC	Part No	Part Name	Qty	Part Spec	Remarks	NEW1	NEW2
	RP	07427	ME222022	TUBE,INJECTION PUMP TO RAIL	1	8X3.5X400		Y	Y
	RP		ME225211	TUBE,INJECTION PUMP TO RAIL	1	8.0X3.5X400		Y	
	RP		ME225211	TUBE,INJECTION PUMP TO RAIL	1	8.0X3.5X400		Y	
	RP		ME225211	TUBE,INJECTION PUMP TO RAIL	1	8.0X3.5X400		Y	
	RP		ME225211	TUBE,INJECTION PUMP TO RAIL	1	8.0X3.5X400		Y	
	RP		ME225109	TUBE,INJECTION PUMP TO RAIL	1	8.0X3.5X418		Y	
	RP		ME225109	TUBE,INJECTION PUMP TO RAIL	1	8.0X3.5X418		Y	
	RP		ME225109	TUBE,INJECTION PUMP TO RAIL	1	8.0X3.5X418		Y	
	RP		ME225109	TUBE,INJECTION PUMP TO RAIL	1	8.0X3.5X418		Y	
	RP		ME225109	TUBE,INJECTION PUMP TO RAIL	1	8.0X3.5X418		Y	
	RP		ME225109	TUBE,INJECTION PUMP TO RAIL	1	8.0X3.5X418		Y	
	RP	07429	ME221820	TUBE,FUEL INJECTION	1	8.0X3.5X472 NO.3		Y	Y
	RP		ME221821	TUBE,FUEL INJECTION	1	8.0X3.5X472 NO.4		Y	Y
	RP		ME222020	TUBE,FUEL INJECTION	1	8X3.5X472 NO.1		Y	Y
	RP		ME222021	TUBE,FUEL INJECTION	1	8X3.5X472 NO.2		Y	Y
	RP		ME225214	TUBE,FUEL INJECTION	1	8.0X3.5X472 NO.3		Y	
	RP		ME225214	TUBE,FUEL INJECTION	1	8.0X3.5X472 NO.3		Y	
	RP		ME225214	TUBE,FUEL INJECTION	1	8.0X3.5X472 NO.3		Y	
	RP		ME225214	TUBE,FUEL INJECTION	1	8.0X3.5X472 NO.3		Y	
	RP		ME225214	TUBE,FUEL INJECTION	1	8.0X3.5X472 NO.3		Y	
	RP		ME225215	TUBE,FUEL INJECTION	1	8.0X3.5X472 NO.4		Y	

FK74R
13-410 INJECTION PIPE & NOZZLE

SPN	Repl Part RP	PNC 07429	Part No ME225215	Part Name TUBE,FUEL INJECTION	Qty 1	Part Spec 8.0X3.5X472 NO.4	Remarks	NEW1 Y	NEW2
	RP		ME225215	TUBE,FUEL INJECTION	1	8.0X3.5X472 NO.4		Y	
	RP		ME225215	TUBE,FUEL INJECTION	1	8.0X3.5X472 NO.4		Y	
	RP		ME225215	TUBE,FUEL INJECTION	1	8.0X3.5X472 NO.4		Y	
	RP		ME225215	TUBE,FUEL INJECTION	1	8.0X3.5X472 NO.4		Y	
	RP RP		ME225216 ME225216	TUBE,FUEL INJECTION TUBE,FUEL INJECTION	1 1	8.0X3.5X472 NO.1 8.0X3.5X472 NO.1		Y Y	
	RP		ME225216	TUBE,FUEL INJECTION	1	8.0X3.5X472 NO.1		Y	
	RP		ME225216	TUBE,FUEL INJECTION	1	8.0X3.5X472 NO.1		Y	
	RP		ME225216	TUBE,FUEL INJECTION	1	8.0X3.5X472 NO.1		Y	
	RP RP		ME225217 ME225217	TUBE,FUEL INJECTION TUBE,FUEL INJECTION	1 1	8.0X3.5X472 NO.2 8.0X3.5X472 NO.2		Y Y	
	RP		ME225217	TUBE,FUEL INJECTION	1	8.0X3.5X472 NO.2		Y	
	RP		ME225217	TUBE,FUEL INJECTION	1	8.0X3.5X472 NO.2		Y	
	RP		ME225217	TUBE,FUEL INJECTION	1	8.0X3.5X472 NO.2		Y	
	RP		ME224303	TUBE,FUEL INJECTION	1	8.0X3.5X445 NO.3		Y	
	RP		ME224304	TUBE,FUEL INJECTION	1	8.0X3.5X445 NO.4		Y	
	RP		ME225107	TUBE,FUEL INJECTION	1	8.0X3.5X445 NO.1		Y	
	RP		ME225108	TUBE,FUEL INJECTION	1	8.0X3.5X445 NO.2		Y	
	RP		ME224303	TUBE,FUEL INJECTION	1	8.0X3.5X445 NO.3		Y	
	RP		ME224304	TUBE,FUEL INJECTION	1	8.0X3.5X445 NO.4		Y	

FK74R
13-410 INJECTION PIPE & NOZZLE

SPN	Repl Part	PNC	Part No	Part Name	Qty	Part Spec	Remarks	NEW1	NEW2
	RP	07429	ME225107	TUBE,FUEL INJECTION	1	8.0X3.5X445 NO.1		Y	
	RP		ME225108	TUBE,FUEL INJECTION	1	8.0X3.5X445 NO.2		Y	
	RP		ME224303	TUBE,FUEL INJECTION	1	8.0X3.5X445 NO.3		Y	
	RP		ME224303	TUBE,FUEL INJECTION	1	8.0X3.5X445 NO.3		Y	
	RP		ME224303	TUBE,FUEL INJECTION	1	8.0X3.5X445 NO.3		Y	
	RP		ME224304	TUBE,FUEL INJECTION	1	8.0X3.5X445 NO.4		Y	
	RP		ME224304	TUBE,FUEL INJECTION	1	8.0X3.5X445 NO.4		Y	
	RP		ME224304	TUBE,FUEL INJECTION	1	8.0X3.5X445 NO.4		Y	
	RP		ME224304	TUBE,FUEL INJECTION	1	8.0X3.5X445 NO.4		Y	
	RP		ME225107	TUBE,FUEL INJECTION	1	8.0X3.5X445 NO.1		Y	
	RP		ME225107	TUBE,FUEL INJECTION	1	8.0X3.5X445 NO.1		Y	
	RP		ME225107	TUBE,FUEL INJECTION	1	8.0X3.5X445 NO.1		Y	
	RP		ME225107	TUBE,FUEL INJECTION	1	8.0X3.5X445 NO.1		Y	
	RP		ME225108	TUBE,FUEL INJECTION	1	8.0X3.5X445 NO.2		Y	
	RP		ME225108	TUBE,FUEL INJECTION	1	8.0X3.5X445 NO.2		Y	
	RP		ME225108	TUBE,FUEL INJECTION	1	8.0X3.5X445 NO.2		Y	
	RP		ME224303	TUBE,FUEL INJECTION	1	8.0X3.5X445 NO.3		Y	
	RP		ME224304	TUBE,FUEL INJECTION	1	8.0X3.5X445 NO.4		Y	
	RP		ME225107	TUBE,FUEL INJECTION	1	8.0X3.5X445 NO.1		Y	
	RP		ME225108	TUBE,FUEL INJECTION	1	8.0X3.5X445 NO.2		Y	
		07431C	MF450405	WASHER,FUEL INJECTION TUBE	2	SPRING,8			
			MF450405	WASHER,FUEL INJECTION TUBE	2	SPRING,8			
			MF450405	WASHER,FUEL INJECTION TUBE	2	SPRING,8			
			MF450405	WASHER,FUEL INJECTION TUBE	2	SPRING,8			
			MF450405	WASHER,FUEL INJECTION TUBE	2	SPRING,8			
			MF450405	WASHER,FUEL INJECTION TUBE	2	SPRING,8			
			MF450405	WASHER,FUEL INJECTION TUBE	2	SPRING,8			
			MF450405	WASHER,FUEL INJECTION TUBE	2	SPRING,8			
		07483	ME225444	SNAP RING,FUEL INJECTION NOZZLE	4		ZEXEL		
			ME225444	SNAP RING,FUEL INJECTION NOZZLE	4		ZEXEL		

FK74R
13-410 INJECTION PIPE & NOZZLE

SPN	Repl Part	PNC	Part No	Part Name	Qty	Part Spec	Remarks	NEW1	NEW2
		07483	ME225444	SNAP RING,FUEL INJECTION NOZZLE	4		ZEXEL		
			ME225444	SNAP RING,FUEL INJECTION NOZZLE	4		ZEXEL		
			ME225444	SNAP RING,FUEL INJECTION NOZZLE	4		ZEXEL		
			ME225444	SNAP RING,FUEL INJECTION NOZZLE	4		ZEXEL		
			ME225444	SNAP RING,FUEL INJECTION NOZZLE	4		ZEXEL		
			ME225444	SNAP RING,FUEL INJECTION NOZZLE	4		ZEXEL		
			ME225444	SNAP RING,FUEL INJECTION NOZZLE	4		ZEXEL		
			ME225444	SNAP RING,FUEL INJECTION NOZZLE	4		ZEXEL		
		07492	MH035663	O-RING,FUEL INJECTION NOZZLE	4	D=16.6			
			MH035663	O-RING,FUEL INJECTION NOZZLE	4	D=16.6			
			MH035663	O-RING,FUEL INJECTION NOZZLE	4	D=16.6			
			MH035663	O-RING,FUEL INJECTION NOZZLE	4	D=16.6			
			MH035663	O-RING,FUEL INJECTION NOZZLE	4	D=16.6			
			MH035663	O-RING,FUEL INJECTION NOZZLE	4	D=16.6			
			MH035663	O-RING,FUEL INJECTION NOZZLE	4	D=16.6			
			MH035663	O-RING,FUEL INJECTION NOZZLE	4	D=16.6			
			MH035663	O-RING,FUEL INJECTION NOZZLE	4	D=16.6			
			MH035663	O-RING,FUEL INJECTION NOZZLE	4	D=16.6			
		07494	ME221418	BOLT,FUEL INJECTION NOZZLE	8	8X80			
			ME221418	BOLT,FUEL INJECTION NOZZLE	8	8X80			
			ME221418	BOLT,FUEL INJECTION NOZZLE	8	8X80			
			ME221418	BOLT,FUEL INJECTION NOZZLE	8	8X80			

FK74R
13-410 INJECTION PIPE & NOZZLE

SPN	Repl Part	PNC	Part No	Part Name	Qty	Part Spec	Remarks	NEW1	NEW2
		07494	ME221418	BOLT,FUEL INJECTION NOZZLE	8	8X80			
			ME221418	BOLT,FUEL INJECTION NOZZLE	8	8X80			
			ME221418	BOLT,FUEL INJECTION NOZZLE	8	8X80			
			ME221418	BOLT,FUEL INJECTION NOZZLE	8	8X80			
			ME221418	BOLT,FUEL INJECTION NOZZLE	8	8X80			
		07497C	MF434104	NUT,FUEL INJECTION TUBE	2	FLANGE,8			
			MF430005	NUT,FUEL INJECTION TUBE	2	8			
			MF430005	NUT,FUEL INJECTION TUBE	2	8			
			MF430005	NUT,FUEL INJECTION TUBE	2	8			
			MF430005	NUT,FUEL INJECTION TUBE	2	8			
			MF430005	NUT,FUEL INJECTION TUBE	2	8			
			MF430005	NUT,FUEL INJECTION TUBE	2	8			
			MF430005	NUT,FUEL INJECTION TUBE	2	8			
			MF430005	NUT,FUEL INJECTION TUBE	2	8			
		07498G	ME165239	CLAMP,FUEL INJECTION TUBE	6	6X2			
			ME351951	CLAMP,FUEL INJECTION TUBE	6	D=6X2			
			ME351951	CLAMP,FUEL INJECTION TUBE	6	D=6X2			
			ME351951	CLAMP,FUEL INJECTION TUBE	6	D=6X2			
			ME351951	CLAMP,FUEL INJECTION TUBE	6	D=6X2			
			ME351951	CLAMP,FUEL INJECTION TUBE	6	D=6X2			
			ME351951	CLAMP,FUEL INJECTION TUBE	6	D=6X2			
			ME351951	CLAMP,FUEL INJECTION TUBE	6	D=6X2			

FK74R
13-410 INJECTION PIPE & NOZZLE

SPN	Repl Part	PNC	Part No	Part Name	Qty	Part Spec	Remarks	NEW1	NEW2
		07498G	ME351951	CLAMP,FUEL INJECTION TUBE	6	D=6X2			
			ME351951	CLAMP,FUEL INJECTION TUBE	6	D=6X2			
			ME351951	CLAMP,FUEL INJECTION TUBE	6	D=6X2			
			ME351951	CLAMP,FUEL INJECTION TUBE	6	D=6X2			
		07499C	MF140231	BOLT,FUEL INJECTION TUBE	2	FLANGE,8X35	7T		
			MF140231	BOLT,FUEL INJECTION TUBE	2	FLANGE,8X35	7T		
			MF140231	BOLT,FUEL INJECTION TUBE	2	FLANGE,8X35	7T		
			MF140231	BOLT,FUEL INJECTION TUBE	2	FLANGE,8X35	7T		
			MF140231	BOLT,FUEL INJECTION TUBE	2	FLANGE,8X35	7T		
			MF140231	BOLT,FUEL INJECTION TUBE	2	FLANGE,8X35	7T		
			MF140231	BOLT,FUEL INJECTION TUBE	2	FLANGE,8X35	7T		
			MF140231	BOLT,FUEL INJECTION TUBE	2	FLANGE,8X35	7T		
		07499CC	MF140231	BOLT,FUEL INJECTION TUBE	1	FLANGE,8X35	7T		
			MF241259	BOLT,FUEL INJECTION TUBE	1	WASHER ASSEMBLED,8X35			
			MF241259	BOLT,FUEL INJECTION TUBE	1	WASHER ASSEMBLED,8X35			
			MF241259	BOLT,FUEL INJECTION TUBE	1	WASHER ASSEMBLED,8X35			
			MF241259	BOLT,FUEL INJECTION TUBE	1	WASHER ASSEMBLED,8X35			
			MF241259	BOLT,FUEL INJECTION TUBE	1	WASHER ASSEMBLED,8X35			
			MF241259	BOLT,FUEL INJECTION TUBE	1	WASHER ASSEMBLED,8X35			
			MF241259	BOLT,FUEL INJECTION TUBE	1	WASHER ASSEMBLED,8X35			
			MF241259	BOLT,FUEL INJECTION TUBE	1	WASHER ASSEMBLED,8X35			
			MF241259	BOLT,FUEL INJECTION TUBE	1	WASHER ASSEMBLED,8X35			

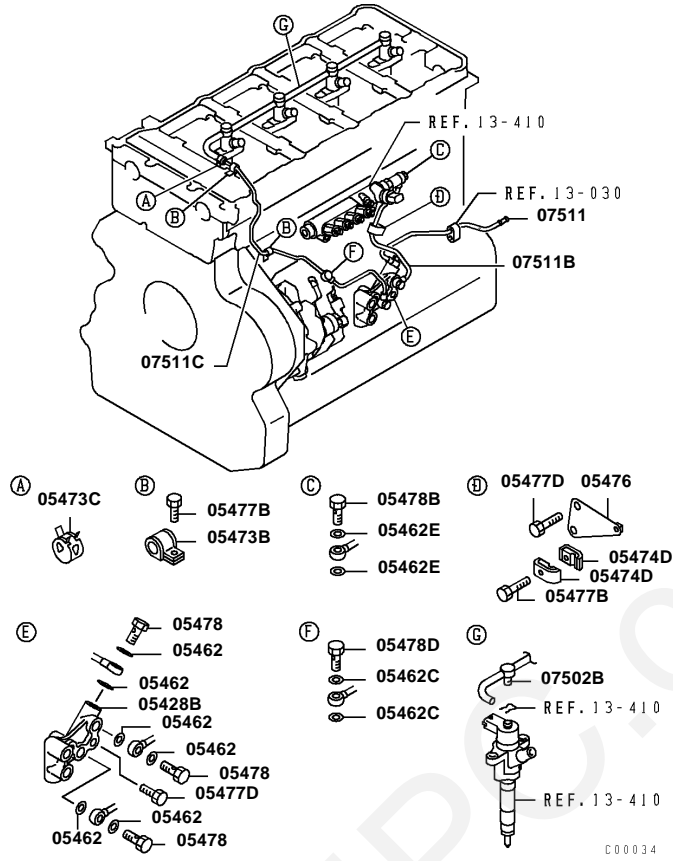
FK74R
13-410 INJECTION PIPE & NOZZLE

SPN	Repl Part	PNC	Part No	Part Name	Qty	Part Spec	Remarks	NEW1	NEW2
		07515A	ME222912	RAIL ASSY,FUEL INJECTION	1		ZEXEL		
			ME222912	RAIL ASSY,FUEL INJECTION	1		ZEXEL		
			ME222912	RAIL ASSY,FUEL INJECTION	1		ZEXEL		
			ME222912	RAIL ASSY,FUEL INJECTION	1		ZEXEL		
SP			ME225302	RAIL ASSY,FUEL INJECTION	1		ZEXEL	R	
SP			ME225302	RAIL ASSY,FUEL INJECTION	1		ZEXEL	R	
SP			ME225302	RAIL ASSY,FUEL INJECTION	1		ZEXEL	R	
SP			ME225302	RAIL ASSY,FUEL INJECTION	1		ZEXEL	R	
	RP		ME228264	RAIL ASSY,FUEL INJECTION	1		ZEXEL	Y	
	RP		ME228264	RAIL ASSY,FUEL INJECTION	1		ZEXEL	Y	
	RP		ME228264	RAIL ASSY,FUEL INJECTION	1		ZEXEL	Y	
	RP		ME228264	RAIL ASSY,FUEL INJECTION	1		ZEXEL	Y	
	RP	07820A	ME223749	INJECTOR ASSY,FUEL	4		ZEXEL	Y	
			ME226718	INJECTOR ASSY,FUEL	4		ZEXEL		
			ME226718	INJECTOR ASSY,FUEL	4		ZEXEL		
			ME226718	INJECTOR ASSY,FUEL	4		ZEXEL		
			ME226718	INJECTOR ASSY,FUEL	4		ZEXEL		
	RP		ME225190	INJECTOR ASSY,FUEL	4		ZEXEL	Y	

FK74R
13-410 INJECTION PIPE & NOZZLE

SPN	Repl Part RP	PNC 07820A	Part No ME225190	Part Name INJECTOR ASSY,FUEL	Qty 4	Part Spec	Remarks ZEXEL	NEW1 Y	NEW2
	RP		ME225190	INJECTOR ASSY,FUEL	4		ZEXEL	Y	
	RP		ME225190	INJECTOR ASSY,FUEL	4		ZEXEL	Y	
	RP		ME225190	INJECTOR ASSY,FUEL	4		ZEXEL	Y	
	RP		ME225190	INJECTOR ASSY,FUEL	4		ZEXEL	Y	
			ME227600	INJECTOR ASSY,FUEL	4		ZEXEL		
			ME227600	INJECTOR ASSY,FUEL	4		ZEXEL		
			ME227600	INJECTOR ASSY,FUEL	4		ZEXEL		
			ME227600	INJECTOR ASSY,FUEL	4		ZEXEL		
			ME227600	INJECTOR ASSY,FUEL	4		ZEXEL		
			ME227600	INJECTOR ASSY,FUEL	4		ZEXEL		
		14845	(N.e.c.)	SENSOR,FUEL PRESSURE					
		07519	(N.e.c.)						
		07517	(N.e.c.)						

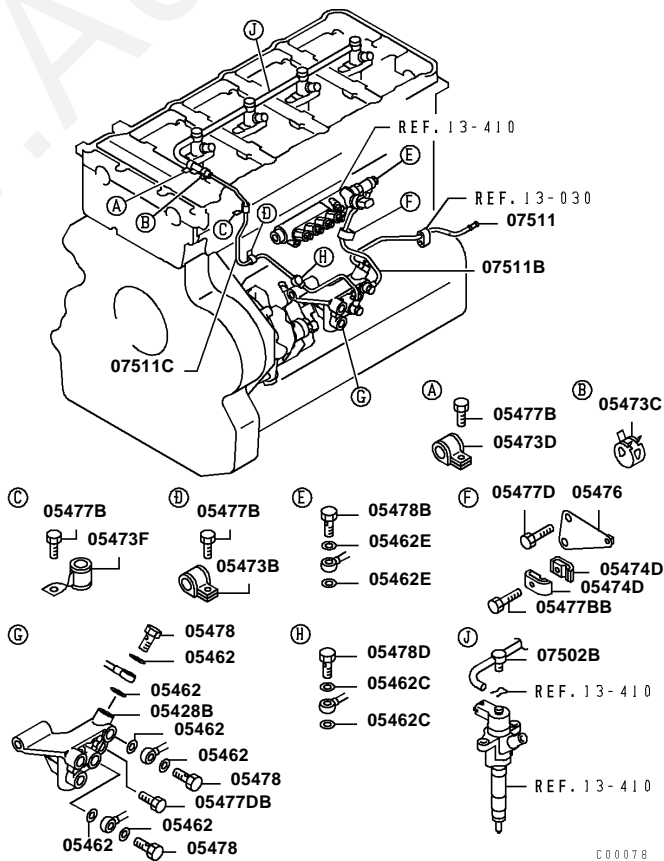
**FK74R
No.1**



Ref. |2013420

Page

**FK74R
No.2**



Ref. |2013420

Page

FK74R
13-420 FUEL RETURN HOSE

Repl Part	PNC	Part No	Part Name	Qty	Part Spec	Remarks	NEW1	Classification		
05428B		ME223478	ADAPTER,FUEL RETURN TUBE	1				K6,K6E,M6E		
		ME223478	ADAPTER,FUEL RETURN TUBE	1				G6,G6E,G6V, H6,H6E,H6V, H6VE,J6,J6E, J6V,J6VE,K6, K6E,K6V,K6VE, M6,M6E,M6VE		
		ME223478	ADAPTER,FUEL RETURN TUBE	1				G6,G6E,G6V, H6,H6E,H6V, H6VE,J6,J6E, J6V,J6VE,K6, K6E,K6V,K6VE, M6,M6E,M6VE		
		ME223478	ADAPTER,FUEL RETURN TUBE	1				G6,G6E,G6V, H6,H6E,H6V, H6VE,J6,J6E, J6V,J6VE,K6, K6E,K6V,K6VE, M6,M6E,M6VE		
		ME225730	ADAPTER,FUEL RETURN TUBE	1				G6,H6,H6E, J6,J6E		
		ME225730	ADAPTER,FUEL RETURN TUBE	1				G6,H6,H6E, J6,J6E,K6, K6E,M6E		
		ME225730	ADAPTER,FUEL RETURN TUBE	1				G6,H6,H6E, J6,J6E		
		ME225730	ADAPTER,FUEL RETURN TUBE	1				G6,H6,H6E, J6,J6E		
		ME225730	ADAPTER,FUEL RETURN TUBE	1				G6,H6,H6E, J6,J6E,K6, K6E,M6E		
		ME225730	ADAPTER,FUEL RETURN TUBE	1				K6,K6E,M6E		
		ME225730	ADAPTER,FUEL RETURN TUBE	1				G6V,H6V,H6VE, J6V,J6VE,K6VE		
		05462		ME652617	GASKET,FUEL RETURN LINE	6	D=14			K6,K6E,M6E
				ME652617	GASKET,FUEL RETURN LINE	6	D=14			G6,G6E,G6V, H6,H6E,H6V, H6VE,J6,J6E, J6V,J6VE,K6, K6E,K6V,K6VE, M6,M6E,M6VE
				ME652617	GASKET,FUEL RETURN LINE	6	D=14			G6,G6E,G6V, H6,H6E,H6V, H6VE,J6,J6E, J6V,J6VE,K6, K6E,K6V,K6VE, M6,M6E,M6VE
				ME652617	GASKET,FUEL RETURN LINE	6	D=14			G6,H6,H6E, J6,J6E
				ME652617	GASKET,FUEL RETURN LINE	6	D=14			G6,H6,H6E, J6,J6E,K6, K6E,M6E
				ME652617	GASKET,FUEL RETURN LINE	6	D=14			G6,H6,H6E, J6,J6E
				ME652617	GASKET,FUEL RETURN LINE	6	D=14			G6,H6,H6E, J6,J6E
				ME652617	GASKET,FUEL RETURN LINE	6	D=14			G6,H6,H6E, J6,J6E,K6, K6E,M6E
ME652617	GASKET,FUEL RETURN LINE			6	D=14			G6,H6,H6E, J6,J6E		
ME652617	GASKET,FUEL RETURN LINE			6	D=14			G6,H6,H6E, J6,J6E		
05462C		ME193066	GASKET,FUEL RETURN LINE	2				K6,K6E,M6E		
		ME193066	GASKET,FUEL RETURN LINE	2				G6,G6E,G6V, H6,H6E,H6V, H6VE,J6,J6E, J6V,J6VE,K6, K6E,K6V,K6VE, M6,M6E,M6VE		

FK74R
13-420 FUEL RETURN HOSE

Repl Part	PNC	Part No	Part Name	Qty	Part Spec	Remarks	NEW1	Classification
	05462C	ME193066	GASKET,FUEL RETURN LINE	2				G6E,G6V,H6V, H6VE,J6V,J6VE K6V,K6VE,M6, M6VE
		ME193066	GASKET,FUEL RETURN LINE	2				G6,G6E,G6V, H6,H6E,H6V, H6VE,J6,J6E, J6V,J6VE,K6, K6E,K6V,K6VE, M6,M6E,M6VE
		ME193066	GASKET,FUEL RETURN LINE	2				G6,H6,H6E, J6,J6E
		ME193066	GASKET,FUEL RETURN LINE	2				G6,H6,H6E, J6,J6E,K6, K6E,M6E
		ME193066	GASKET,FUEL RETURN LINE	2				G6,H6,H6E, J6,J6E
		ME193066	GASKET,FUEL RETURN LINE	2				G6,H6,H6E, J6,J6E
		ME193066	GASKET,FUEL RETURN LINE	2				G6,H6,H6E, J6,J6E,K6, K6E,M6E
		ME193066	GASKET,FUEL RETURN LINE	2				K6,K6E,M6E
		ME193066	GASKET,FUEL RETURN LINE	2				G6V,H6V,H6VE, J6V,J6VE,K6VE
	05462E	MF660066	GASKET,FUEL RETURN LINE	2	D=16			K6,K6E,M6E
		MF660066	GASKET,FUEL RETURN LINE	2	D=16			G6,G6E,G6V, H6,H6E,H6V, H6VE,J6,J6E, J6V,J6VE,K6, K6E,K6V,K6VE, M6,M6E,M6VE
		MF660066	GASKET,FUEL RETURN LINE	2	D=16			G6E,G6V,H6V, H6VE,J6V,J6VE, K6V,K6VE,M6, M6VE
		MF660066	GASKET,FUEL RETURN LINE	2	D=16			G6,G6E,G6V, H6,H6E,H6V, H6VE,J6,J6E, J6V,J6VE,K6, K6E,K6V,K6VE, M6,M6E,M6VE
		MF660066	GASKET,FUEL RETURN LINE	2	D=16			G6,H6,H6E, J6,J6E
		MF660066	GASKET,FUEL RETURN LINE	2	D=16			G6,H6,H6E, J6,J6E,K6, K6E,M6E
		MF660066	GASKET,FUEL RETURN LINE	2	D=16			G6,H6,H6E, J6,J6E
		ME194616	GASKET,FUEL RETURN LINE	2	D=16			G6,H6,H6E, J6,J6E,K6, K6E,M6E
		ME194616	GASKET,FUEL RETURN LINE	2	D=16			G6,H6,H6E, J6,J6E
		ME194616	GASKET,FUEL RETURN LINE	2	D=16			G6,H6,H6E, J6,J6E,K6, K6E,M6E
		ME194616	GASKET,FUEL RETURN LINE	2	D=16			G6,H6,H6E, J6,J6E
		ME194616	GASKET,FUEL RETURN LINE	2	D=16			G6,H6,H6E, J6,J6E,K6, K6E,M6E
		ME194616	GASKET,FUEL RETURN LINE	2	D=16			G6,H6,H6E, J6,J6E
		ME194616	GASKET,FUEL RETURN LINE	2	D=16			G6V,H6V,H6VE, J6V,J6VE,K6VE
	05473B	MH020774	CLIP,FUEL RETURN LINE	2	D=5			K6,K6E,M6E
		MH020774	CLIP,FUEL RETURN LINE	2	D=5			G6,G6E,G6V, H6,H6E,H6V, H6VE,J6,J6E, J6V,J6VE,K6, K6E,K6V,K6VE, M6,M6E,M6VE
		MH020774	CLIP,FUEL RETURN LINE	2	D=5			G6E,G6V,H6V, H6VE,J6V,J6VE, K6V,K6VE,M6, M6VE

FK74R
13-420 FUEL RETURN HOSE

Repl Part	PNC	Part No	Part Name	Qty	Part Spec	Remarks	NEW1	Classification	
	05473B	MH020774	CLIP,FUEL RETURN LINE	2	D=5			G6,G6E,G6V, H6,H6E,H6V, H6VE,J6,J6E, J6V,J6VE,K6, K6E,K6V,K6VE, M6,M6E,M6VE	
		MH020774	CLIP,FUEL RETURN LINE	2	D=5			G6,H6,H6E, J6,J6E	
RP		MH020800	CLIP,FUEL RETURN LINE	1	D=4.8		Y	G6,H6,H6E, J6,J6E,K6, K6E,M6E	
RP		MH020800	CLIP,FUEL RETURN LINE	1	D=4.8		Y	G6,H6,H6E, J6,J6E	
RP		MH020800	CLIP,FUEL RETURN LINE	1	D=4.8		Y	G6,H6,H6E, J6,J6E	
RP		MH020800	CLIP,FUEL RETURN LINE	1	D=4.8		Y	G6,H6,H6E, J6,J6E,K6, K6E,M6E	
RP		MH020800	CLIP,FUEL RETURN LINE	1	D=4.8		Y	K6,K6E,M6E	
RP		MH020800	CLIP,FUEL RETURN LINE	1	D=4.8		Y	G6V,H6V,H6VE, J6V,J6VE,K6VE	
		05473C	MS660158	CLIP,FUEL RETURN LINE	1	D=6.8			K6,K6E,M6E
			MS660158	CLIP,FUEL RETURN LINE	1	D=6.8			G6,G6E,G6V, H6,H6E,H6V, H6VE,J6,J6E, J6V,J6VE,K6, K6E,K6V,K6VE, M6,M6E,M6VE
	MS660158		CLIP,FUEL RETURN LINE	1	D=6.8			G6E,G6V,H6V, H6VE,J6V,J6VE, K6V,K6VE,M6, M6VE	
	MS660158		CLIP,FUEL RETURN LINE	1	D=6.8			G6,G6E,G6V, H6,H6E,H6V, H6VE,J6,J6E, J6V,J6VE,K6, K6E,K6V,K6VE, M6,M6E,M6VE	
	MS660158		CLIP,FUEL RETURN LINE	1	D=6.8			G6,H6,H6E, J6,J6E	
	MS660158		CLIP,FUEL RETURN LINE	1	D=6.8			G6,H6,H6E, J6,J6E,K6, K6E,M6E	
	MS660158		CLIP,FUEL RETURN LINE	1	D=6.8			G6,H6,H6E, J6,J6E	
	MS660158		CLIP,FUEL RETURN LINE	1	D=6.8			G6,H6,H6E, J6,J6E	
	MS660158		CLIP,FUEL RETURN LINE	1	D=6.8			G6,H6,H6E, J6,J6E	
	MS660158		CLIP,FUEL RETURN LINE	1	D=6.8			G6,H6,H6E, J6,J6E,K6, K6E,M6E	
	MS660158		CLIP,FUEL RETURN LINE	1	D=6.8			G6,H6,H6E, J6,J6E	
	MS660158		CLIP,FUEL RETURN LINE	1	D=6.8			G6,H6,H6E, J6,J6E,K6, K6E,M6E	
	MS660158		CLIP,FUEL RETURN LINE	1	D=6.8			G6V,H6V,H6VE, J6V,J6VE,K6VE	
	MS660158		CLIP,FUEL RETURN LINE	1	D=6.8			G6,H6,H6E, J6,J6E,K6, K6E,M6E	
	05473D	MH020885	CLIP,FUEL RETURN LINE	1	D=8			G6,H6,H6E, J6,J6E,K6, K6E,M6E	
		MH020885	CLIP,FUEL RETURN LINE	1	D=8			G6,H6,H6E, J6,J6E	
		MH020885	CLIP,FUEL RETURN LINE	1	D=8			G6,H6,H6E, J6,J6E	
		MH020885	CLIP,FUEL RETURN LINE	1	D=8			K6,K6E,M6E	
		MH020885	CLIP,FUEL RETURN LINE	1	D=8			G6,H6,H6E, J6,J6E,K6, K6E,M6E	
		MH020885	CLIP,FUEL RETURN LINE	1	D=8			G6V,H6V,H6VE, J6V,J6VE,K6VE	
	05473F	MH020886	CLIP,FUEL RETURN LINE	1	D=4.8			G6,H6,H6E, J6,J6E,K6, K6E,M6E	
		MH020886	CLIP,FUEL RETURN LINE	1	D=4.8			G6,H6,H6E, J6,J6E	
		MH020886	CLIP,FUEL RETURN LINE	1	D=4.8			G6,H6,H6E, J6,J6E	

FK74R
13-420 FUEL RETURN HOSE

Repl Part	PNC	Part No	Part Name	Qty	Part Spec	Remarks	NEW1	Classification
	05473F	MH020886	CLIP,FUEL RETURN LINE	1	D=4.8			K6,K6E,M6E
		MH020886	CLIP,FUEL RETURN LINE	1	D=4.8			G6,H6,H6E, J6,J6E,K6, K6E,M6E
		MH020886	CLIP,FUEL RETURN LINE	1	D=4.8			G6V,H6V,H6VE, J6V,J6VE,K6VE
05474D	MH020359	MH020359	CLAMP,FUEL RETURN LINE	2	9X1			K6,K6E,M6E
		MH020359	CLAMP,FUEL RETURN LINE	2	9X1			G6,G6E,G6V, H6,H6E,H6V, H6VE,J6,J6E, J6V,J6VE,K6, K6E,K6V,K6VE, M6,M6E,M6VE
	MH020359	CLAMP,FUEL RETURN LINE	2	9X1			G6E,G6V,H6V, H6VE,J6V,J6VE, K6V,K6VE,M6, M6VE	
	MH020359	CLAMP,FUEL RETURN LINE	2	9X1			G6,G6E,G6V, H6,H6E,H6V, H6VE,J6,J6E, J6V,J6VE,K6, K6E,K6V,K6VE, M6,M6E,M6VE	
	MH020359	CLAMP,FUEL RETURN LINE	2	9X1			G6,H6,H6E, J6,J6E	
	MH020359	CLAMP,FUEL RETURN LINE	2	9X1			G6,H6,H6E, J6,J6E,K6, K6E,M6E	
	MH020359	CLAMP,FUEL RETURN LINE	2	9X1			G6,H6,H6E, J6,J6E	
	MH020359	CLAMP,FUEL RETURN LINE	2	9X1			G6,H6,H6E, J6,J6E	
	MH020359	CLAMP,FUEL RETURN LINE	2	9X1			G6,H6,H6E, J6,J6E,K6, K6E,M6E	
	MH020359	CLAMP,FUEL RETURN LINE	2	9X1			G6,H6,H6E, J6,J6E	
	MH020359	CLAMP,FUEL RETURN LINE	2	9X1			G6,H6,H6E, J6,J6E	
	MH020359	CLAMP,FUEL RETURN LINE	2	9X1			G6,H6,H6E, J6,J6E,K6, K6E,M6E	
	MH020359	CLAMP,FUEL RETURN LINE	2	9X1			G6V,H6V,H6VE, J6V,J6VE,K6VE	
	MH020359	CLAMP,FUEL RETURN LINE	2	9X1			J6V,J6VE,K6VE	
05476	ME223929	ME223929	BRACKET,FUEL RETURN LINE	1				K6,K6E,M6E
		ME223929	BRACKET,FUEL RETURN LINE	1				G6,G6E,G6V, H6,H6E,H6V, H6VE,J6,J6E, J6V,J6VE,K6, K6E,K6V,K6VE, M6,M6E,M6VE
	ME223929	BRACKET,FUEL RETURN LINE	1				G6E,G6V,H6V, H6VE,J6V,J6VE, K6V,K6VE,M6, M6VE	
	ME223929	BRACKET,FUEL RETURN LINE	1				G6,G6E,G6V, H6,H6E,H6V, H6VE,J6,J6E, J6V,J6VE,K6, K6E,K6V,K6VE, M6,M6E,M6VE	
	ME223929	BRACKET,FUEL RETURN LINE	1				G6,H6,H6E, J6,J6E	
	ME225113	BRACKET,FUEL RETURN LINE	1				G6,H6,H6E, J6,J6E,K6, K6E,M6E	
	ME225113	BRACKET,FUEL RETURN LINE	1				G6,H6,H6E, J6,J6E	
	ME225113	BRACKET,FUEL RETURN LINE	1				G6,H6,H6E, J6,J6E	
	ME225113	BRACKET,FUEL RETURN LINE	1				G6,H6,H6E, J6,J6E,K6, K6E,M6E	
	ME225113	BRACKET,FUEL RETURN LINE	1				K6,K6E,M6E	
ME225113	BRACKET,FUEL RETURN LINE	1				G6V,H6V,H6VE, J6V,J6VE,K6VE		

FK74R
13-420 FUEL RETURN HOSE

Repl Part	PNC	Part No	Part Name	Qty	Part Spec	Remarks	NEW1	Classification
	05477B	MF140213	BOLT,FUEL RETURN LINE	1	FLANGE,6X35	7T		G6,G6E,G6V, H6,H6E,H6V, H6VE,J6,J6E, J6V,J6VE,K6, K6E,K6V,K6VE, M6,M6E,M6VE
		MF140213	BOLT,FUEL RETURN LINE	1	FLANGE,6X35	7T		G6E,K6V,M6, M6VE
		MF140213	BOLT,FUEL RETURN LINE	1	FLANGE,6X35	7T		K6,K6E,M6E
		MF140213	BOLT,FUEL RETURN LINE	1	FLANGE,6X35	7T		G6,G6E,G6V, H6,H6E,H6V, H6VE,J6,J6E, J6V,J6VE,K6, K6E,K6V,K6VE, M6,M6E,M6VE
		MF140213	BOLT,FUEL RETURN LINE	1	FLANGE,6X35	7T		G6V,H6V,H6VE, J6V,J6VE,K6VE
		MF140213	BOLT,FUEL RETURN LINE	1	FLANGE,6X35	7T		G6,H6,H6E, J6,J6E
		MF140002	BOLT,FUEL RETURN LINE	3	FLANGE,6X10	4T		K6,K6E,M6E
		MF140002	BOLT,FUEL RETURN LINE	3	FLANGE,6X10	4T		G6,G6E,G6V, H6,H6E,H6V, H6VE,J6,J6E, J6V,J6VE,K6, K6E,K6V,K6VE, M6,M6E,M6VE
		MF140002	BOLT,FUEL RETURN LINE	3	FLANGE,6X10	4T		G6,H6,H6E, J6,J6E
		MF140002	BOLT,FUEL RETURN LINE	3	FLANGE,6X10	4T		G6E,K6V,M6, M6VE
		MF140002	BOLT,FUEL RETURN LINE	3	FLANGE,6X10	4T		G6V,H6V,H6VE, J6V,J6VE,K6VE
		MF140002	BOLT,FUEL RETURN LINE	3	FLANGE,6X10	4T		G6,G6E,G6V, H6,H6E,H6V, H6VE,J6,J6E, J6V,J6VE,K6, K6E,K6V,K6VE, M6,M6E,M6VE
		MF140002	BOLT,FUEL RETURN LINE	3	FLANGE,6X10	4T		G6,G6V,H6, H6E,H6V,H6VE, J6,J6E,J6V, J6VE,K6,K6E, K6VE,M6E
		MF140002	BOLT,FUEL RETURN LINE	3	FLANGE,6X10	4T		G6,H6,H6E, J6,J6E
		MF140002	BOLT,FUEL RETURN LINE	3	FLANGE,6X10	4T		G6,H6,H6E, J6,J6E,K6, K6E,M6E
	05477BB	MF140213	BOLT,FUEL RETURN LINE	1	FLANGE,6X35	7T		G6V,H6V,H6VE, J6V,J6VE,K6VE
		MF140213	BOLT,FUEL RETURN LINE	1	FLANGE,6X35	7T		G6,H6,H6E, J6,J6E
		MF140213	BOLT,FUEL RETURN LINE	1	FLANGE,6X35	7T		G6,G6V,H6, H6E,H6V,H6VE, J6,J6E,J6V, J6VE,K6,K6E, K6VE,M6E
		MF140213	BOLT,FUEL RETURN LINE	1	FLANGE,6X35	7T		K6,K6E,M6E
		MF140213	BOLT,FUEL RETURN LINE	1	FLANGE,6X35	7T		G6,G6V,H6, H6E,H6V,H6VE, J6,J6E,J6V, J6VE,K6,K6E, K6VE,M6E
		MF140213	BOLT,FUEL RETURN LINE	1	FLANGE,6X35	7T		G6,H6,H6E, J6,J6E
		MF140213	BOLT,FUEL RETURN LINE	1	FLANGE,6X35	7T		G6,H6,H6E, J6,J6E,K6, K6E,M6E

FK74R
13-420 FUEL RETURN HOSE

Repl Part	PNC	Part No	Part Name	Qty	Part Spec	Remarks	NEW1	Classification
	05477D	MH000709	BOLT,FUEL RETURN LINE	2	FLANGE,10X50			G6,G6E,G6V, H6,H6E,H6V, H6VE,J6,J6E, J6V,J6VE,K6, K6E,K6V,K6VE, M6,M6E,M6VE
		MH000709	BOLT,FUEL RETURN LINE	2	FLANGE,10X50			G6E,K6V,M6, M6VE
		MH000709	BOLT,FUEL RETURN LINE	2	FLANGE,10X50			K6,K6E,M6E
		MH000709	BOLT,FUEL RETURN LINE	2	FLANGE,10X50			G6,G6E,G6V, H6,H6E,H6V, H6VE,J6,J6E, J6V,J6VE,K6, K6E,K6V,K6VE, M6,M6E,M6VE
		MH000709	BOLT,FUEL RETURN LINE	2	FLANGE,10X50			G6V,H6V,H6VE, J6V,J6VE,K6VE
		MH000709	BOLT,FUEL RETURN LINE	2	FLANGE,10X50			G6,H6,H6E, J6,J6E
		MH000931	BOLT,FUEL RETURN LINE	2	FLANGE,10X18			K6,K6E,M6E
		MH000931	BOLT,FUEL RETURN LINE	2	FLANGE,10X18			G6,G6E,G6V, H6,H6E,H6V, H6VE,J6,J6E, J6V,J6VE,K6, K6E,K6V,K6VE, M6,M6E,M6VE
		MH000931	BOLT,FUEL RETURN LINE	2	FLANGE,10X18			G6,H6,H6E, J6,J6E
		MH000931	BOLT,FUEL RETURN LINE	2	FLANGE,10X18			G6E,K6V,M6, M6VE
		MH000931	BOLT,FUEL RETURN LINE	2	FLANGE,10X18			G6V,H6V,H6VE, J6V,J6VE,K6VE
		MH000931	BOLT,FUEL RETURN LINE	2	FLANGE,10X18			G6,G6E,G6V, H6,H6E,H6V, H6VE,J6,J6E, J6V,J6VE,K6, K6E,K6V,K6VE, M6,M6E,M6VE
		MH000931	BOLT,FUEL RETURN LINE	2	FLANGE,10X18			G6,G6V,H6, H6E,H6V,H6VE, J6,J6E,J6V, J6VE,K6,K6E, K6VE,M6E
		MH000931	BOLT,FUEL RETURN LINE	2	FLANGE,10X18			G6,H6,H6E, J6,J6E
		MH000931	BOLT,FUEL RETURN LINE	2	FLANGE,10X18			G6,H6,H6E, J6,J6E,K6, K6E,M6E
	05477DB	MH000711	BOLT,FUEL RETURN LINE	2	FLANGE,10X40			G6V,H6V,H6VE, J6V,J6VE,K6VE
		MH000711	BOLT,FUEL RETURN LINE	2	FLANGE,10X40			G6,H6,H6E, J6,J6E
		MH000711	BOLT,FUEL RETURN LINE	2	FLANGE,10X40			G6,G6V,H6, H6E,H6V,H6VE, J6,J6E,J6V, J6VE,K6,K6E, K6VE,M6E
		MH000711	BOLT,FUEL RETURN LINE	2	FLANGE,10X40			K6,K6E,M6E
		MH000711	BOLT,FUEL RETURN LINE	2	FLANGE,10X40			G6,G6V,H6, H6E,H6V,H6VE, J6,J6E,J6V, J6VE,K6,K6E, K6VE,M6E
		MH000711	BOLT,FUEL RETURN LINE	2	FLANGE,10X40			G6,H6,H6E, J6,J6E
		MH000711	BOLT,FUEL RETURN LINE	2	FLANGE,10X40			G6,H6,H6E, J6,J6E,K6, K6E,M6E
	05478	MF650114	EYEBOLT,FUEL RETURN LINE	3	14X27			K6,K6E,M6E

FK74R
13-420 FUEL RETURN HOSE

Repl Part	PNC	Part No	Part Name	Qty	Part Spec	Remarks	NEW1	Classification		
05478	PNC	MF650114	EYEBOLT,FUEL RETURN LINE	3	14X27			G6,G6E,G6V, H6,H6E,H6V, H6VE,J6,J6E, J6V,J6VE,K6, K6E,K6V,K6VE, M6,M6E,M6VE		
		MF650114	EYEBOLT,FUEL RETURN LINE	3	14X27			G6E,G6V,H6V, H6VE,J6V,J6VE, K6V,K6VE,M6, M6VE		
		MF650114	EYEBOLT,FUEL RETURN LINE	3	14X27			G6,G6E,G6V, H6,H6E,H6V, H6VE,J6,J6E, J6V,J6VE,K6, K6E,K6V,K6VE, M6,M6E,M6VE		
		MF650114	EYEBOLT,FUEL RETURN LINE	3	14X27			G6,H6,H6E, J6,J6E		
		MF650114	EYEBOLT,FUEL RETURN LINE	3	14X27			G6,H6,H6E, J6,J6E,K6, K6E,M6E		
		MF650114	EYEBOLT,FUEL RETURN LINE	3	14X27			G6,H6,H6E, J6,J6E		
		MF650114	EYEBOLT,FUEL RETURN LINE	3	14X27			G6,H6,H6E, J6,J6E		
		MF650114	EYEBOLT,FUEL RETURN LINE	3	14X27			G6,H6,H6E, J6,J6E,K6, K6E,M6E		
		MF650114	EYEBOLT,FUEL RETURN LINE	3	14X27			G6,H6,H6E, J6,J6E		
		MF650114	EYEBOLT,FUEL RETURN LINE	3	14X27			G6,H6,H6E, J6,J6E,K6, K6E,M6E		
		MF650114	EYEBOLT,FUEL RETURN LINE	3	14X27			G6,H6,H6E, J6,J6E		
		MF650114	EYEBOLT,FUEL RETURN LINE	3	14X27			G6,H6,H6E, J6,J6E,K6, K6E,M6E		
		MF650114	EYEBOLT,FUEL RETURN LINE	3	14X27			G6,H6,H6E, J6,J6E		
		MF650114	EYEBOLT,FUEL RETURN LINE	3	14X27			G6,H6,H6E, J6,J6E,K6, K6E,M6E		
		MF650114	EYEBOLT,FUEL RETURN LINE	3	14X27			G6V,H6V,H6VE, J6V,J6VE,K6VE		
		05478B	ME191507	ME191507	EYEBOLT,FUEL RETURN LINE	1	16X29			K6,K6E,M6E
				ME191507	EYEBOLT,FUEL RETURN LINE	1	16X29			G6,G6E,G6V, H6,H6E,H6V, H6VE,J6,J6E, J6V,J6VE,K6, K6E,K6V,K6VE, M6,M6E,M6VE
				ME191507	EYEBOLT,FUEL RETURN LINE	1	16X29			G6E,G6V,H6V, H6VE,J6V,J6VE, K6V,K6VE,M6, M6VE
				ME191507	EYEBOLT,FUEL RETURN LINE	1	16X29			G6,G6E,G6V, H6,H6E,H6V, H6VE,J6,J6E, J6V,J6VE,K6, K6E,K6V,K6VE, M6,M6E,M6VE
				ME191507	EYEBOLT,FUEL RETURN LINE	1	16X29			G6,H6,H6E, J6,J6E
				ME191507	EYEBOLT,FUEL RETURN LINE	1	16X29			G6,H6,H6E, J6,J6E,K6, K6E,M6E
				ME191507	EYEBOLT,FUEL RETURN LINE	1	16X29			G6,H6,H6E, J6,J6E
ME191507	EYEBOLT,FUEL RETURN LINE			1	16X29			G6,H6,H6E, J6,J6E		
ME191507	EYEBOLT,FUEL RETURN LINE			1	16X29			G6,H6,H6E, J6,J6E,K6, K6E,M6E		
ME191507	EYEBOLT,FUEL RETURN LINE			1	16X29			G6,H6,H6E, J6,J6E		
ME191507	EYEBOLT,FUEL RETURN LINE			1	16X29			G6,H6,H6E, J6,J6E,K6, K6E,M6E		
ME191507	EYEBOLT,FUEL RETURN LINE			1	16X29			G6,H6,H6E, J6,J6E		
05478D	ME193065	ME193065	EYEBOLT,FUEL RETURN LINE	1	12			K6,K6E,M6E		
		ME193065	EYEBOLT,FUEL RETURN LINE	1	12			G6,G6E,G6V, H6,H6E,H6V, H6VE,J6,J6E, J6V,J6VE,K6, K6E,K6V,K6VE, M6,M6E,M6VE		

FK74R
13-420 FUEL RETURN HOSE

Repl Part	PNC	Part No	Part Name	Qty	Part Spec	Remarks	NEW1	Classification	
RP	05478D	ME193065	EYEBOLT,FUEL RETURN LINE	1	12			G6E,G6V,H6V, H6VE,J6V,J6VE, K6V,K6VE,M6, M6VE	
		ME193065	EYEBOLT,FUEL RETURN LINE	1	12			G6,G6E,G6V, H6,H6E,H6V, H6VE,J6,J6E, J6V,J6VE,K6, K6E,K6V,K6VE, M6,M6E,M6VE	
		ME193065	EYEBOLT,FUEL RETURN LINE	1	12			G6,H6,H6E, J6,J6E	
		ME193065	EYEBOLT,FUEL RETURN LINE	1	12			G6,H6,H6E, J6,J6E,K6, K6E,M6E	
		ME193065	EYEBOLT,FUEL RETURN LINE	1	12			G6,H6,H6E, J6,J6E	
		ME193065	EYEBOLT,FUEL RETURN LINE	1	12			G6,H6,H6E, J6,J6E	
		ME193065	EYEBOLT,FUEL RETURN LINE	1	12			G6,H6,H6E, J6,J6E,K6, K6E,M6E	
		ME193065 ME193065	EYEBOLT,FUEL RETURN LINE EYEBOLT,FUEL RETURN LINE	1 1	12 12			K6,K6E,M6E G6V,H6V,H6VE, J6V,J6VE,K6VE	
	07502B	ME221824	HOSE,FUEL INJECTION NOZZLE FUEL RETURN	1			ZEXEL	Y	G6,G6E,G6V, H6,H6E,H6V, H6VE,J6,J6E, J6V,J6VE,K6, K6E,K6V,K6VE, M6,M6E,M6VE
		ME226650 ME226650	HOSE,FUEL INJECTION NOZZLE FUEL RETURN HOSE,FUEL INJECTION NOZZLE FUEL RETURN	1 1			ZEXEL ZEXEL		K6,K6E,M6E G6,G6V,H6, H6E,H6V,H6VE, J6,J6E,J6V, J6VE,K6,K6E, K6V,K6VE,M6E M6VE
		ME226650	HOSE,FUEL INJECTION NOZZLE FUEL RETURN	1			ZEXEL		G6V,H6V,H6VE, J6V,J6VE,K6V, K6VE,M6VE
		ME226650	HOSE,FUEL INJECTION NOZZLE FUEL RETURN	1			ZEXEL		G6,G6V,H6, H6E,H6V,H6VE, J6,J6E,J6V, J6VE,K6,K6E, K6V,K6VE,M6E M6VE
		ME226650	HOSE,FUEL INJECTION NOZZLE FUEL RETURN	1			ZEXEL		G6,H6,H6E, J6,J6E
		ME225908	HOSE,FUEL INJECTION NOZZLE FUEL RETURN	1	3.2		ZEXEL		G6,H6,H6E, J6,J6E,K6, K6E,M6E
		ME225908	HOSE,FUEL INJECTION NOZZLE FUEL RETURN	1	3.2		ZEXEL		G6,H6,H6E, J6,J6E
ME225908		HOSE,FUEL INJECTION NOZZLE FUEL RETURN	1	3.2		ZEXEL		G6,H6,H6E, J6,J6E	
ME225908 ME225908		HOSE,FUEL INJECTION NOZZLE FUEL RETURN HOSE,FUEL INJECTION NOZZLE FUEL RETURN	1 1	3.2 3.2		ZEXEL ZEXEL		K6,K6E,M6E G6,H6,H6E, J6,J6E,K6, K6E,M6E	
ME225908		HOSE,FUEL INJECTION NOZZLE FUEL RETURN	1	3.2		ZEXEL		G6V,H6V,H6VE, J6V,J6VE,K6VE	
07511		ME222604 ME222604	TUBE,INJECTION PUMP FUEL RETURN TUBE,INJECTION PUMP FUEL RETURN	1 1	10 10				K6,K6E,M6E G6,G6E,G6V, H6,H6E,H6V, H6VE,J6,J6E, J6V,J6VE,K6, K6E,K6V,K6VE, M6,M6E,M6VE
		ME222604	TUBE,INJECTION PUMP FUEL RETURN	1	10				G6E,G6V,H6V, H6VE,J6V,J6VE, K6V,K6VE,M6, M6VE

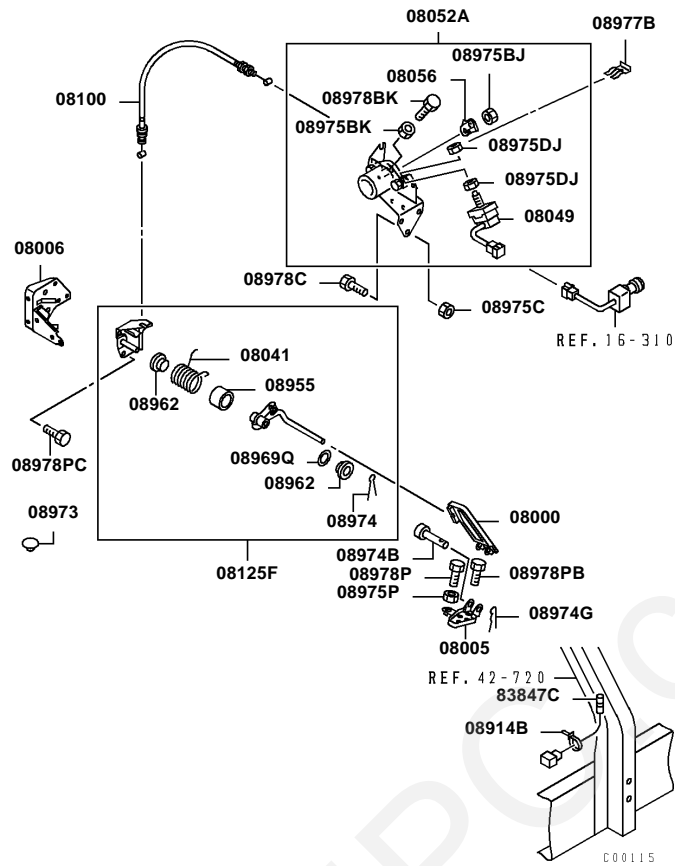
**FK74R
13-420 FUEL RETURN HOSE**

Repl Part	PNC	Part No	Part Name	Qty	Part Spec	Remarks	NEW1	Classification
RP	07511	ME222604	TUBE,INJECTION PUMP FUEL RETURN	1	10			G6,G6E,G6V, H6,H6E,H6V, H6VE,J6,J6E, J6V,J6VE,K6, K6E,K6V,K6VE, M6,M6E,M6VE
		ME222604	TUBE,INJECTION PUMP FUEL RETURN	1	10			G6,H6,H6E, J6,J6E
		ME222604	TUBE,INJECTION PUMP FUEL RETURN	1	10			G6,H6,H6E, J6,J6E,K6, K6E,M6E
		ME222604	TUBE,INJECTION PUMP FUEL RETURN	1	10			G6,H6,H6E, J6,J6E
		ME222604	TUBE,INJECTION PUMP FUEL RETURN	1	10			G6,H6,H6E, J6,J6E
		ME222604	TUBE,INJECTION PUMP FUEL RETURN	1	10			G6,H6,H6E, J6,J6E
		ME222604	TUBE,INJECTION PUMP FUEL RETURN	1	10			G6,H6,H6E, J6,J6E,K6, K6E,M6E
		ME222604	TUBE,INJECTION PUMP FUEL RETURN	1	10			K6,K6E,M6E
		ME222604	TUBE,INJECTION PUMP FUEL RETURN	1	10			G6V,H6V,H6VE, J6V,J6VE,K6VE
		ME222604	TUBE,INJECTION PUMP FUEL RETURN	1	10			K6,K6E,M6E
	07511B	ME223469	TUBE,INJECTION PUMP FUEL RETURN	1	10			G6,G6E,G6V, H6,H6E,H6V, H6VE,J6,J6E, J6V,J6VE,K6, K6E,K6V,K6VE, M6,M6E,M6VE
		ME223469	TUBE,INJECTION PUMP FUEL RETURN	1	10			G6,G6E,G6V, H6,H6E,H6V, H6VE,J6V,J6VE, K6V,K6VE,M6, M6VE
		ME223469	TUBE,INJECTION PUMP FUEL RETURN	1	10			G6,G6E,G6V, H6,H6E,H6V, H6VE,J6,J6E, J6V,J6VE,K6, K6E,K6V,K6VE, M6,M6E,M6VE
		ME223469	TUBE,INJECTION PUMP FUEL RETURN	1	10			G6,H6,H6E, J6,J6E
		ME223469	TUBE,INJECTION PUMP FUEL RETURN	1	10			G6,H6,H6E, J6,J6E,K6, K6E,M6E
		ME223469	TUBE,INJECTION PUMP FUEL RETURN	1	10			G6,H6,H6E, J6,J6E
		ME223469	TUBE,INJECTION PUMP FUEL RETURN	1	10			G6,H6,H6E, J6,J6E
		ME223469	TUBE,INJECTION PUMP FUEL RETURN	1	10			G6,H6,H6E, J6,J6E
		ME223469	TUBE,INJECTION PUMP FUEL RETURN	1	10			G6,H6,H6E, J6,J6E
		ME223469	TUBE,INJECTION PUMP FUEL RETURN	1	10			G6,H6,H6E, J6,J6E,K6, K6E,M6E
07511C	ME223471	TUBE,INJECTION PUMP FUEL RETURN	1	10			G6,G6E,G6V, H6,H6E,H6V, H6VE,J6,J6E, J6V,J6VE,K6, K6E,K6V,K6VE, M6,M6E,M6VE	
	ME226927	TUBE,INJECTION PUMP FUEL RETURN	1	4.76			K6,K6E,M6E	
	ME226927	TUBE,INJECTION PUMP FUEL RETURN	1	4.76			G6,G6V,H6, H6E,H6V,H6VE, J6,J6E,J6V, J6VE,K6,K6E, K6V,K6VE,M6E, M6VE	
	ME226927	TUBE,INJECTION PUMP FUEL RETURN	1	4.76			G6V,H6V,H6VE, J6V,J6VE,K6V, K6VE,M6VE	
	ME226927	TUBE,INJECTION PUMP FUEL RETURN	1	4.76			G6V,H6V,H6VE, J6V,J6VE,K6V, K6VE,M6VE	

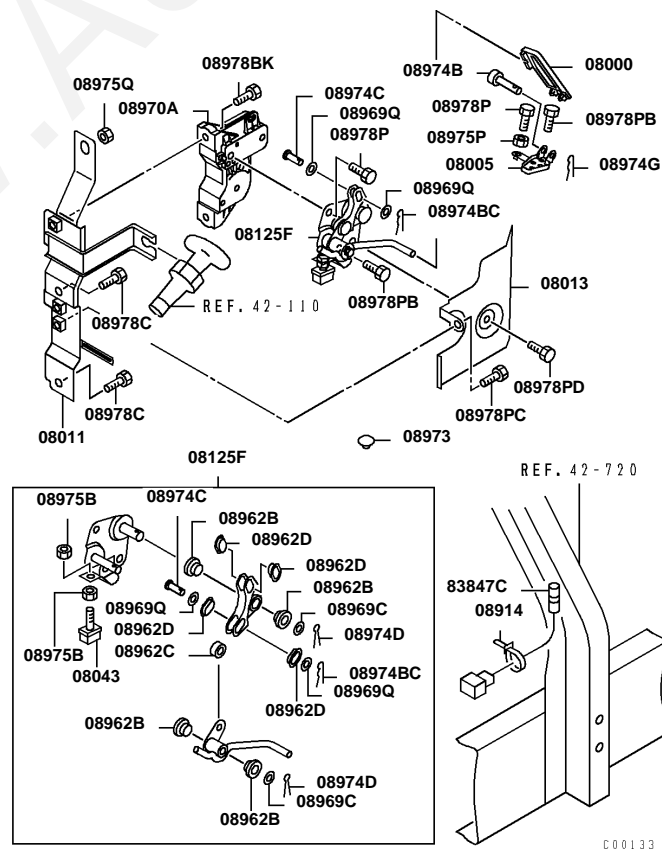
FK74R
13-420 FUEL RETURN HOSE

Repl Part	PNC	Part No	Part Name	Qty	Part Spec	Remarks	NEW1	Classification
	07511C	ME226927	TUBE,INJECTION PUMP FUEL RETURN	1	4.76			G6,G6V,H6, H6E,H6V,H6VE, J6,J6E,J6V, J6VE,K6,K6E, K6V,K6VE,M6E M6VE
		ME226927	TUBE,INJECTION PUMP FUEL RETURN	1	4.76			G6,H6,H6E, J6,J6E
		ME226929	TUBE,INJECTION PUMP FUEL RETURN	1	4.76			G6,H6,H6E, J6,J6E,K6, K6E,M6E
		ME226929	TUBE,INJECTION PUMP FUEL RETURN	1	4.76			G6,H6,H6E, J6,J6E
		ME226929	TUBE,INJECTION PUMP FUEL RETURN	1	4.76			G6,H6,H6E, J6,J6E
		ME226929	TUBE,INJECTION PUMP FUEL RETURN	1	4.76			K6,K6E,M6E
		ME226929	TUBE,INJECTION PUMP FUEL RETURN	1	4.76			G6,H6,H6E, J6,J6E,K6, K6E,M6E
		ME226929	TUBE,INJECTION PUMP FUEL RETURN	1	4.76			G6V,H6V,H6VE, J6V,J6VE,K6VE

FK74R
No.1



FK74R
No.2



FK74R
13-810 ENGINE CONTROL

Repl Part	PNC	Part No	Part Name	Qty	Part Spec	Remarks	PREV.1	NEW1
	08000	MC402815	PEDAL,ACCEL	1				
	08005	MC405541	BRACKET,ACCEL PEDAL	1				
	08011	MK571599	BRACKET,ACCEL SENSOR	1				
	08013	MK538898	COVER,ACCEL SENSOR	1				
	08041	MC064041	SPRING,ACCEL PEDAL RETURN	1				
	08043	MC897653	SWITCH,ACCEL PEDAL	1				
	08049	MC897653	SWITCH,ACCEL SENSOR ACCEL	1				
RP	08052A	MC081820	SENSOR & LINK ASSY,ACCEL POSITION	1				Y
	08056	MC081877	LEVER,ACCEL SENSOR	1				
RP	08100	MC081878	CABLE,ACCEL	1	L=295			Y
	08125F	MC081861	LEVER,ACCEL	1				
		MK570051	LEVER,ACCEL	1				
		MK567100	LEVER,ACCEL	1				
RP	08914	MB249339	BAND,ACCEL CONTROL EQUIP	1	L=169.5	BLACK	O	

FK74R
13-810 ENGINE CONTROL

Repl Part RP	PNC 08914	Part No MB249339	Part Name BAND,ACCEL CONTROL EQUIP	Qty 1	Part Spec L=169.5	Remarks BLACK	PREV.1 O	NEW1
	08914B	MB249340	BAND,ACCEL CONTROL EQUIP	1	L=219.5	BLACK		
RP		MB249339	BAND,ACCEL CONTROL EQUIP	1	L=169.5	BLACK	O	
	08955	MC124062	SPACER,ACCEL CONTROL EQUIP	1	T=17			
	08962	MB390951	BUSHING,ACCEL CONTROL EQUIP	2	10X9			
	08962B	MK538904	BUSHING,ACCEL CONTROL EQUIP	4	D=10			
	08962C	MK537921	BUSHING,ACCEL CONTROL EQUIP	1	D=8			
	08962D	MK570050	BUSHING,ACCEL CONTROL EQUIP	4	D=8.5			
	08969C	MF450066	WASHER,ACCEL CONTROL EQUIP	2	PLAIN,10			
	08969Q	MF450066	WASHER,ACCEL CONTROL EQUIP	1	PLAIN,10			
		MF450065	WASHER,ACCEL CONTROL EQUIP	4	PLAIN,8			
	08970A	MK570917	SENSOR ASSY,ACCEL	1				
	08973	MC980844	PLUG,ACCEL CONTROL EQUIP	1	RUBBER,D=17			
		MC980844	PLUG,ACCEL CONTROL EQUIP	2	RUBBER,D=17			

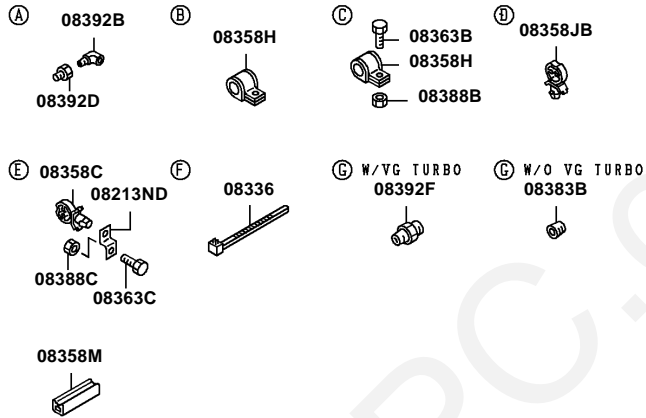
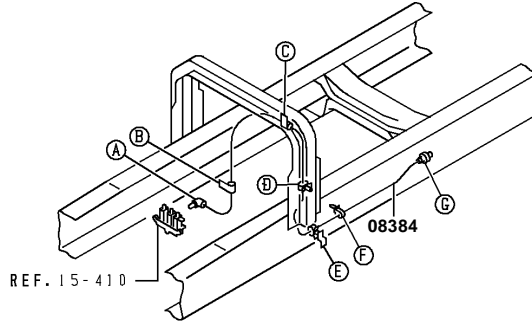
FK74R
13-810 ENGINE CONTROL

Repl Part	PNC	Part No	Part Name	Qty	Part Spec	Remarks	PREV.1	NEW1
	08974	MS470905	PIN,ACCEL CONTROL EQUIP	1	SPLIT,2.5X20			
	08974B	MH012061	PIN,ACCEL CONTROL EQUIP	1	CLEVIS,6X40			
	08974BC	MH007028	PIN,ACCEL CONTROL EQUIP	2	SNAP,6X24			
	08974C	MK538895	PIN,ACCEL CONTROL EQUIP	2	CLEVIS,8X22			
	08974D	MS470905	PIN,ACCEL CONTROL EQUIP	2	SPLIT,2.5X20			
	08974G	MF472035	PIN,ACCEL CONTROL EQUIP	1	SPLIT,2X12			
	08975B	MF430726	NUT,ACCEL CONTROL EQUIP	2	JAM,10			
	08975BJ	MF445083	NUT,ACCEL CONTROL EQUIP	2	6			
	08975BK	MF430724	NUT,ACCEL CONTROL EQUIP	1	JAM,6			
	08975C	MF434104	NUT,ACCEL CONTROL EQUIP	3	FLANGE,8			
	08975DJ	MF430726	NUT,ACCEL CONTROL EQUIP	2	JAM,10			
	08975P	MS446203	NUT,ACCEL CONTROL EQUIP	1	JAM,8			
	08975Q	MF434105	NUT,ACCEL CONTROL EQUIP	1	FLANGE,10	4T		
RP	08977B	MC124058	CLIP,ACCEL CONTROL EQUIP	1				0

FK74R
13-810 ENGINE CONTROL

Repl Part	PNC	Part No	Part Name	Qty	Part Spec	Remarks	PREV.1	NEW1
	08978BK	MF100029	BOLT,ACCEL CONTROL EQUIP	1	BOLT,6X20	4T		
		MS146952	BOLT,ACCEL CONTROL EQUIP	2	F.T,8X20			
	08978C	MF140023	BOLT,ACCEL CONTROL EQUIP	3	FLANGE,8X16	4T		
		MK540242	BOLT,ACCEL CONTROL EQUIP	2	10X1.25			
	08978P	MH000637	BOLT,ACCEL CONTROL EQUIP	1	8X35			
	08978PB	MF240051	BOLT,ACCEL CONTROL EQUIP	4	WASHER ASSEMBLED,8X16			
	08978PC	MF240051	BOLT,ACCEL CONTROL EQUIP	3	WASHER ASSEMBLED,8X16			
		MF140020	BOLT,ACCEL CONTROL EQUIP	1	FLANGE,8X10	4T		
	08978PD	MF140231	BOLT,ACCEL CONTROL EQUIP	1	FLANGE,8X35	7T		
	83847C	MK536549	SUB HARNESS,ACCEL SENSOR	1				
		MK536549	SUB HARNESS,ACCEL SENSOR	1				
		MK536549	SUB HARNESS,ACCEL SENSOR	1				
	08006	(N.e.c.)	BRACKET,ACCEL PEDAL ARM					

FK74R
No.1



C00088

Ref. |2013830

Page

FK74R
13-830 ENGINE SPEED CONTROL

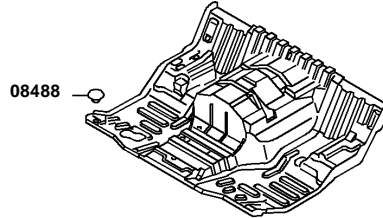
SPN	Repl Part	PNC	Part No	Part Name	Qty	Part Spec	Remarks	PREV.1	NEW1
		08213ND	MH026513	BRACKET,ENG SPEED CONTROL EQUIP	1				
	RP	08336	MB249339	BAND,ENG SPEED CONTROL EQUIP	1	L=169.5	BLACK	O	
SP		08358C	MH020938	CLIP,ENG SPEED CONTROL EQUIP	1	A=23 B=14.5			R
		08358H	MH020270	CLIP,ENG SPEED CONTROL EQUIP	2	D=24			
SP		08358JB	MH020938	CLIP,ENG SPEED CONTROL EQUIP	1	A=23 B=14.5			R

Ref. |2013830

Page

FK74R
13-830 ENGINE SPEED CONTROL

SPN	Repl Part	PNC	Part No	Part Name	Qty	Part Spec	Remarks	PREV.1	NEW1
		08358JB	MH020956	CLIP,ENG SPEED CONTROL EQUIP	1	A=36 B=6			
		08358M	MC000912	CLIP,ENG SPEED CONTROL EQUIP	1				
		08363B	MF140005	BOLT,ENG SPEED CONTROL EQUIP	1	FLANGE,6X16	4T		
		08363C	MF100055	BOLT,ENG SPEED CONTROL EQUIP	1	BOLT,8X20	4T		
		08384	MK466578	TUBE,ENG SPEED CONTROL EQUIP	1				
			MK539931	TUBE,ENG SPEED CONTROL EQUIP	1	31			
		08388B	MF434103	NUT,ENG SPEED CONTROL EQUIP	1	FLANGE,6	W/O COATING		
		08388C	MF434104	NUT,ENG SPEED CONTROL EQUIP	1	FLANGE,8			
		08392B	MH039715	JOINT,ENG SPEED CONTROL EQUIP	1				
		08392D	MH038942	JOINT,ENG SPEED CONTROL EQUIP	1				
		08392F	MH039172	JOINT,ENG SPEED CONTROL EQUIP	1				
	RP		MC072028	JOINT,ENG SPEED CONTROL EQUIP	1			O	
		08383B	(N.e.c.)	PLUG,ENG SPEED CONTROL EQUIP					



2BA063

Ref. |2013840

Page

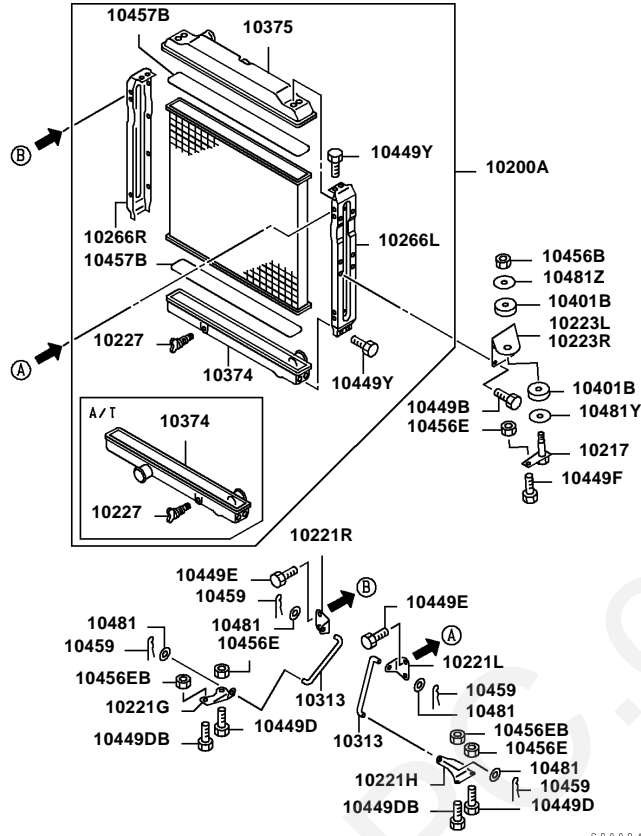
FK74R
13-840 FUEL STOP CABLE

PNC	Part No	Part Name	Qty	Part Spec	Classification	Start	End
08488	MC980844	PLUG,ENG STOP CONTROL LINKAGE	1	RUBBER,D=17	G6,G6E,H6, H6E,J6,J6E, K6,K6E,M6, M6E	04053	05102

Ref. |2013840

Page

**FK74R
No.1**



Ref. |2014010

Page

**FK74R
14-010 RADIATOR**

Repl Part	PNC	Part No	Part Name	Qty	Part Spec	Remarks	NEW1
	10200A	ME407419	RADIATOR ASSY	1		ALUMINUM CORE	
		ME407419	RADIATOR ASSY	1		ALUMINUM CORE	
		ME407368	RADIATOR ASSY	1		ALUMINUM CORE	
		ME407368	RADIATOR ASSY	1		ALUMINUM CORE	
		ME407368	RADIATOR ASSY	1		ALUMINUM CORE	
		ME407368	RADIATOR ASSY	1		ALUMINUM CORE	
		ME407368	RADIATOR ASSY	1		ALUMINUM CORE	
		ME407368	RADIATOR ASSY	1		ALUMINUM CORE	
		ME407368	RADIATOR ASSY	1		ALUMINUM CORE	
		ME407368	RADIATOR ASSY	1		ALUMINUM CORE	
		ME407368	RADIATOR ASSY	1		ALUMINUM CORE	
		ME407368	RADIATOR ASSY	1		ALUMINUM CORE	
		ME407368	RADIATOR ASSY	1		ALUMINUM CORE	
		ME407368	RADIATOR ASSY	1		ALUMINUM CORE	
		ME407368	RADIATOR ASSY	1		ALUMINUM CORE	
		ME407368	RADIATOR ASSY	1		ALUMINUM CORE	
		ME407368	RADIATOR ASSY	1		ALUMINUM CORE	
		ME407368	RADIATOR ASSY	1		ALUMINUM CORE	
		ME407368	RADIATOR ASSY	1		ALUMINUM CORE	

Ref. |2014010

Page

FK74R
14-010 RADIATOR

Repl Part	PNC	Part No	Part Name	Qty	Part Spec	Remarks	NEW1
	10200A	ME407368	RADIATOR ASSY	1		ALUMINUM CORE	
		ME407368	RADIATOR ASSY	1		ALUMINUM CORE	
		ME407419	RADIATOR ASSY	1		ALUMINUM CORE	
		ME407419	RADIATOR ASSY	1		ALUMINUM CORE	
10217		ME408548	BRACKET,RADIATOR SUPPORT	2			
		ME409553	BRACKET,RADIATOR SUPPORT	2			
10221G		MC439676	BRACKET,RADIATOR SUPPORT ROD	1			
		ME413409	BRACKET,RADIATOR SUPPORT ROD	1			
10221H		ME413408	BRACKET,RADIATOR SUPPORT ROD	1			
10221L		ME407313	BRACKET,RADIATOR SUPPORT ROD,LH	1			
10221R		ME407314	BRACKET,RADIATOR SUPPORT ROD,RH	1			
10223L		ME407303	BRACKET,RADIATOR,LWR LH	1			
		ME418179	BRACKET,RADIATOR,LWR LH	1			
10223R		ME407304	BRACKET,RADIATOR,LWR RH	1			
		ME418180	BRACKET,RADIATOR,LWR RH	1			

**FK74R
14-010 RADIATOR**

Repl Part	PNC	Part No	Part Name	Qty	Part Spec	Remarks	NEW1
	10227	MC432744	COCK,RADIATOR WATER DRAIN	1			
	10266L	ME766091	GUARD,RADIATOR,LH	1			
	10266R	ME766092	GUARD,RADIATOR,RH	1			
	10313	ME407332	ROD,RADIATOR SUPPORT	2			
		ME409543	ROD,RADIATOR SUPPORT	2			
	10374	ME766079	TANK,RADIATOR CORE,LWR	1			
		ME766079	TANK,RADIATOR CORE,LWR	1			
		ME766090	TANK,RADIATOR CORE,LWR	1			
		ME766090	TANK,RADIATOR CORE,LWR	1			
		ME766090	TANK,RADIATOR CORE,LWR	1			
		ME766090	TANK,RADIATOR CORE,LWR	1			
		ME766090	TANK,RADIATOR CORE,LWR	1			
		ME766090	TANK,RADIATOR CORE,LWR	1			
		ME766090	TANK,RADIATOR CORE,LWR	1			
		ME766090	TANK,RADIATOR CORE,LWR	1			
		ME766090	TANK,RADIATOR CORE,LWR	1			
		ME766090	TANK,RADIATOR CORE,LWR	1			
		ME766090	TANK,RADIATOR CORE,LWR	1			
		ME766090	TANK,RADIATOR CORE,LWR	1			
		ME766090	TANK,RADIATOR CORE,LWR	1			
		ME766090	TANK,RADIATOR CORE,LWR	1			
		ME766090	TANK,RADIATOR CORE,LWR	1			
		ME766090	TANK,RADIATOR CORE,LWR	1			
		ME766090	TANK,RADIATOR CORE,LWR	1			
		ME766090	TANK,RADIATOR CORE,LWR	1			
		ME766079	TANK,RADIATOR CORE,LWR	1			
		ME766079	TANK,RADIATOR CORE,LWR	1			
		ME766079	TANK,RADIATOR CORE,LWR	1			

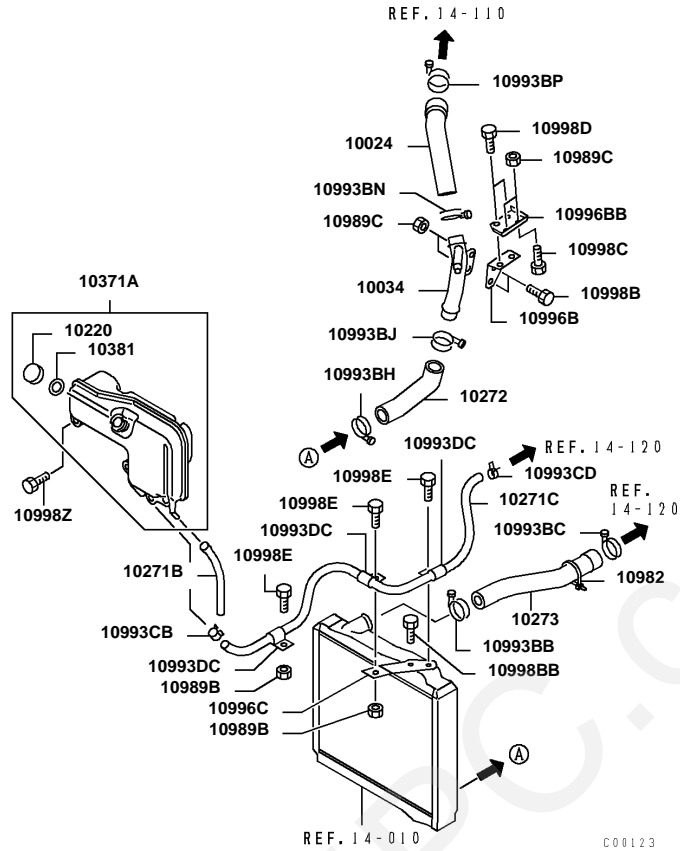
FK74R
14-010 RADIATOR

Repl Part	PNC	Part No	Part Name	Qty	Part Spec	Remarks	NEW1
	10375	ME766089	TANK,RADIATOR CORE,UPR	1			
RP	10401B	MC441251	CUSHION,RADIATOR	4			O
	10449B	MF140023	BOLT,RADIATOR	8	FLANGE,8X16	4T	
	10449D	MF140027	BOLT,RADIATOR	2	FLANGE,8X25	4T	
		MF140027	BOLT,RADIATOR	4	FLANGE,8X25	4T	
	10449DB	MC040479	BOLT,RADIATOR	2	FLANGE,14X30		
	10449E	MF140021	BOLT,RADIATOR	4	FLANGE,8X12	4T	
		MF140021	BOLT,RADIATOR	2	FLANGE,8X12	4T	
		MF140022	BOLT,RADIATOR	2	FLANGE,8X14	4T	
	10449F	MF140025	BOLT,RADIATOR	2	FLANGE,8X20	4T	
	10449Y	MF243651	BOLT,RADIATOR	8	WASHER ASSEMBLED,8X20		
	10456B	MF434106	NUT,RADIATOR	2	FLANGE,12	4T	
	10456E	MF434104	NUT,RADIATOR	4	FLANGE,8		

FK74R
14-010 RADIATOR

Repl Part	PNC	Part No	Part Name	Qty	Part Spec	Remarks	NEW1
	10456EB	MH004177	NUT,RADIATOR	2	FLANGE,14	PLATING	
	10457B	ME766046	O-RING,RADIATOR	2			
	10459	MH007028	PIN,RADIATOR	4	SNAP,6X24		
	10481	MF450005	WASHER,RADIATOR	4	PLAIN,8,18		
	10481Y	MC412936	WASHER,RADIATOR	2	PLAIN,16		
	10481Z	MC006941	WASHER,RADIATOR	2	PLAIN,13		

FK74R
No.1



Ref. |2014030

Page

FK74R
14-030 RADIATOR HOSE & CONDENSER TAN

PNC	Part No	Part Name	Qty	Part Spec	Remarks	Classification	Start
10024	ME407297	HOSE,WATER PUMP INLET	1	RUBBER,45-54		G6,G6E,G6V, H6,H6E,H6V, H6VE,J6,J6E, J6V,J6VE,K6, K6E,K6V,K6VE, M6,M6E,M6VE	04053
	ME415168	HOSE,WATER PUMP INLET	1	RUBBER,45-54		G6,G6V,H6, H6E,H6V,H6VE, J6,J6E,J6V, J6VE,K6,K6E, K6VE,M6E	07053
10034	ME407379	PIPE,WATER PUMP INLET	1			G6,G6E,G6V, H6,H6E,H6V, H6VE,J6,J6E, J6V,J6VE,K6, K6E,K6V,K6VE, M6,M6E,M6VE	04053
	ME417043	PIPE,WATER PUMP INLET	1			G6,G6V,H6, H6E,H6V,H6VE, J6,J6E,J6V, J6VE,K6,K6E, K6VE,M6E	07053
10220	ME294720	CAP,RADIATOR CONDENSER TANK	1			G6,G6E,G6V, H6,H6E,H6V, H6VE,J6,J6E, J6V,J6VE,K6, K6E,K6V,K6VE, M6,M6E,M6VE	04053
10271B	3166108500	HOSE,RADIATOR CONDENSER TANK	1	VINYL,7X270		G6,G6E,H6, H6E,J6,J6E, K6,K6E,M6, M6E	04053

Ref. |2014030

Page

14-030 RADIATOR HOSE & CONDENSER TAN

PNC	Part No	Part Name	Qty	Part Spec	Remarks	Classification	Start
10271B	MS616071	HOSE,RADIATOR CONDENSER TANK	1	7X200		G6,G6V,H6, H6E,H6V,H6VE, J6,J6E,J6V, J6VE,K6,K6E, K6V,K6VE,M6E, M6VE	05103
10271C	ME412012	HOSE,RADIATOR CONDENSER TANK	1	7-9X1277		G6,G6E,H6, H6E,J6,J6E, K6,K6E,M6, M6E	04053
	ME412604	HOSE,RADIATOR CONDENSER TANK	1	7-9X1342		G6,G6V,H6, H6E,H6V,H6VE, J6,J6E,J6V, J6VE,K6,K6E, K6V,K6VE,M6E, M6VE	05103
10272	ME407296	HOSE,RADIATOR,LWR	1	RUBBER,45		G6,G6E,G6V, H6,H6E,H6V, H6VE,J6,J6E, J6V,J6VE,K6, K6E,K6V,K6VE, M6,M6E,M6VE	04053
	ME417044	HOSE,RADIATOR,LWR	1	RUBBER,45		G6,G6V,H6, H6E,H6V,H6VE, J6,J6E,J6V, J6VE,K6,K6E, K6VE,M6E	07053
10273	ME407295	HOSE,RADIATOR,UPR	1	RUBBER,45-49		G6,G6E,G6V, H6,H6E,H6V, H6VE,J6,J6E, J6V,J6VE,K6, K6E,K6V,K6VE, M6,M6E,M6VE	04053
10371A	ME294193	TANK ASSY,RADIATOR CONDENSER	1			G6,G6E,G6V, H6,H6E,H6V, H6VE,J6,J6E, J6V,J6VE,K6, K6E,K6V,K6VE, M6,M6E,M6VE	04053
10381	MC127145	SEAL,RADIATOR CONDENSER TANK	1	RUBBER		G6,G6E,G6V, H6,H6E,H6V, H6VE,J6,J6E, J6V,J6VE,K6, K6E,K6V,K6VE, M6,M6E,M6VE	04053
10982	MB249336	BAND,RADIATOR CONDENSER TANK	1	L=240		G6,G6E,G6V, H6,H6E,H6V, H6VE,J6,J6E, J6V,J6VE,K6, K6E,K6V,K6VE, M6,M6E,M6VE	04053
10989B	MF434103	NUT,RADIATOR PIPING	2	FLANGE,6	W/O COATING	G6,G6E,G6V, H6,H6E,H6V, H6VE,J6,J6E, J6V,J6VE,K6, K6E,K6V,K6VE, M6,M6E,M6VE	04053
10989C	MF434104	NUT,RADIATOR PIPING	4	FLANGE,8		G6,G6E,G6V, H6,H6E,H6V, H6VE,J6,J6E, J6V,J6VE,K6, K6E,K6V,K6VE, M6,M6E,M6VE	04053
10993BB	MH020382	CLIP,RADIATOR PIPING	1	D=55		G6,G6E,G6V, H6,H6E,H6V, H6VE,J6,J6E, J6V,J6VE,K6, K6E,K6V,K6VE, M6,M6E,M6VE	04053

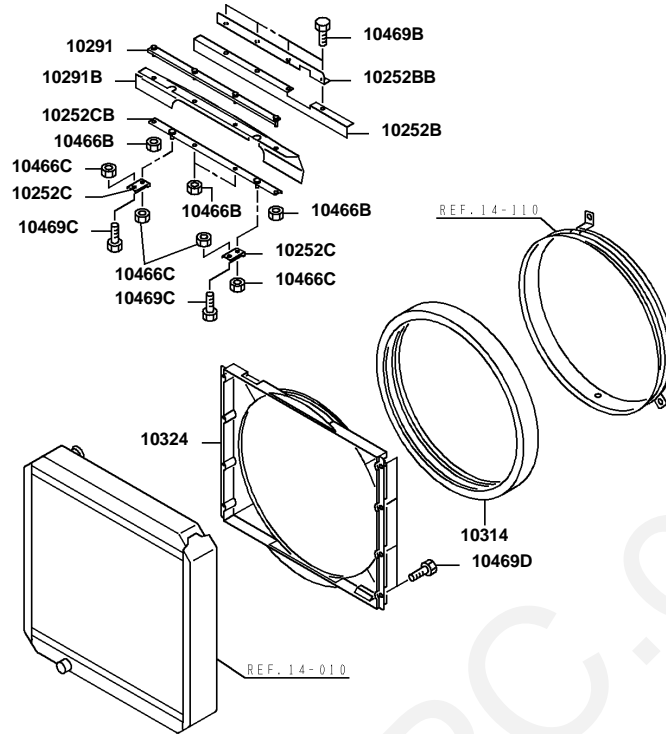
14-030 RADIATOR HOSE & CONDENSER TAN

PNC	Part No	Part Name	Qty	Part Spec	Remarks	Classification	Start
10993BC	MH020383	CLIP,RADIATOR PIPING	1	D=60		G6,G6E,G6V, H6,H6E,H6V, H6VE,J6,J6E, J6V,J6VE,K6, K6E,K6V,K6VE, M6,M6E,M6VE	04053
10993BH	MH020383	CLIP,RADIATOR PIPING	1	D=60		G6,G6E,G6V, H6,H6E,H6V, H6VE,J6,J6E, J6V,J6VE,K6, K6E,K6V,K6VE, M6,M6E,M6VE	04053
10993BJ	MH020383	CLIP,RADIATOR PIPING	1	D=60		G6,G6E,G6V, H6,H6E,H6V, H6VE,J6,J6E, J6V,J6VE,K6, K6E,K6V,K6VE, M6,M6E,M6VE	04053
10993BN	MH020383	CLIP,RADIATOR PIPING	1	D=60		G6,G6E,G6V, H6,H6E,H6V, H6VE,J6,J6E, J6V,J6VE,K6, K6E,K6V,K6VE, M6,M6E,M6VE	04053
10993BP	MH020385	CLIP,RADIATOR PIPING	1	D=70		G6,G6E,H6, H6E,J6,J6E, K6,K6E,M6, M6E	04053
	MH021368	CLIP,RADIATOR PIPING	1	D=69		G6,G6E,G6V, H6,H6E,H6V, H6VE,J6,J6E, J6V,J6VE,K6, K6E,K6V,K6VE, M6,M6E,M6VE	04101
10993CB	MS660164	CLIP,RADIATOR PIPING	1	DIAMETER:13.1		G6,G6E,G6V, H6,H6E,H6V, H6VE,J6,J6E, J6V,J6VE,K6, K6E,K6V,K6VE, M6,M6E,M6VE	04053
10993CD	MS660167	CLIP,RADIATOR PIPING	1	DIAMETER:13.8		G6,G6E,G6V, H6,H6E,H6V, H6VE,J6,J6E, J6V,J6VE,K6, K6E,K6V,K6VE, M6,M6E,M6VE	04053
10993DC	MH020804	CLIP,RADIATOR PIPING	3	D=12		G6,G6E,G6V, H6,H6E,H6V, H6VE,J6,J6E, J6V,J6VE,K6, K6E,K6V,K6VE, M6,M6E,M6VE	04053
10996B	ME407382	BRACKET,RADIATOR PIPING	1			G6,G6E,G6V, H6,H6E,H6V, H6VE,J6,J6E, J6V,J6VE,K6, K6E,K6V,K6VE, M6,M6E,M6VE	04053
10996BB	ME407383	BRACKET,RADIATOR PIPING	1			G6,G6E,G6V, H6,H6E,H6V, H6VE,J6,J6E, J6V,J6VE,K6, K6E,K6V,K6VE, M6,M6E,M6VE	04053
10996C	ME410647	BRACKET,RADIATOR PIPING	1			G6,G6E,G6V, H6,H6E,H6V, H6VE,J6,J6E, J6V,J6VE,K6, K6E,K6V,K6VE, M6,M6E,M6VE	04053

14-030 RADIATOR HOSE & CONDENSER TAN

PNC	Part No	Part Name	Qty	Part Spec	Remarks	Classification	Start
10998B	MF247253	BOLT,RADIATOR PIPING	2	WASHER ASSEMBLED,8X25		G6,G6E,G6V, H6,H6E,H6V, H6VE,J6,J6E, J6V,J6VE,K6, K6E,K6V,K6VE, M6,M6E,M6VE	04053
10998BB	MF140003	BOLT,RADIATOR PIPING	1	FLANGE,6X12	4T	G6,G6E,G6V, H6,H6E,H6V, H6VE,J6,J6E, J6V,J6VE,K6, K6E,K6V,K6VE, M6,M6E,M6VE	04053
10998C	MF140027	BOLT,RADIATOR PIPING	2	FLANGE,8X25	4T	G6,G6E,G6V, H6,H6E,H6V, H6VE,J6,J6E, J6V,J6VE,K6, K6E,K6V,K6VE, M6,M6E,M6VE	04053
10998D	MF140023	BOLT,RADIATOR PIPING	2	FLANGE,8X16	4T	G6,G6E,G6V, H6,H6E,H6V, H6VE,J6,J6E, J6V,J6VE,K6, K6E,K6V,K6VE, M6,M6E,M6VE	04053
10998E	MF140005	BOLT,RADIATOR PIPING	3	FLANGE,6X16	4T	G6,G6E,G6V, H6,H6E,H6V, H6VE,J6,J6E, J6V,J6VE,K6, K6E,K6V,K6VE, M6,M6E,M6VE	04053
10998Z	MF243651	BOLT,RADIATOR PIPING	3	WASHER ASSEMBLED,8X20		G6,G6E,G6V, H6,H6E,H6V, H6VE,J6,J6E, J6V,J6VE,K6, K6E,K6V,K6VE, M6,M6E,M6VE	04053

FK74R
No.1



C00063

Ref. |2014040

Page

FK74R
14-040 RADIATOR SUPPORT & SHROUD

PNC	Part No	Part Name	Qty	Part Spec	Remarks	Classification	Start	End
10252B	ME409172	BRACKET,RADIATOR BAFFLE	1			G6,G6E,G6V, H6,H6E,H6V, H6VE,J6,J6E, J6V,J6VE,K6, K6E,K6V,K6VE, M6,M6E,M6VE	04053	09043
10252BB	ME409174	BRACKET,RADIATOR BAFFLE	1			G6,G6E,G6V, H6,H6E,H6V, H6VE,J6,J6E, J6V,J6VE,K6, K6E,K6V,K6VE, M6,M6E,M6VE	04053	09043
10252C	ME410681	BRACKET,RADIATOR BAFFLE	2			G6,G6E,G6V, H6,H6E,H6V, H6VE,J6,J6E, J6V,J6VE,K6, K6E,K6V,K6VE, M6,M6E,M6VE	04053	09043
10252CB	ME407772	BRACKET,RADIATOR BAFFLE	1			G6,G6E,G6V, H6,H6E,H6V, H6VE,J6,J6E, J6V,J6VE,K6, K6E,K6V,K6VE, M6,M6E,M6VE	04053	09043
10291	ME407504	PLATE,RADIATOR BAFFLE	1			G6,G6E,G6V, H6,H6E,H6V, H6VE,J6,J6E, J6V,J6VE,K6, K6E,K6V,K6VE, M6,M6E,M6VE	04053	09043

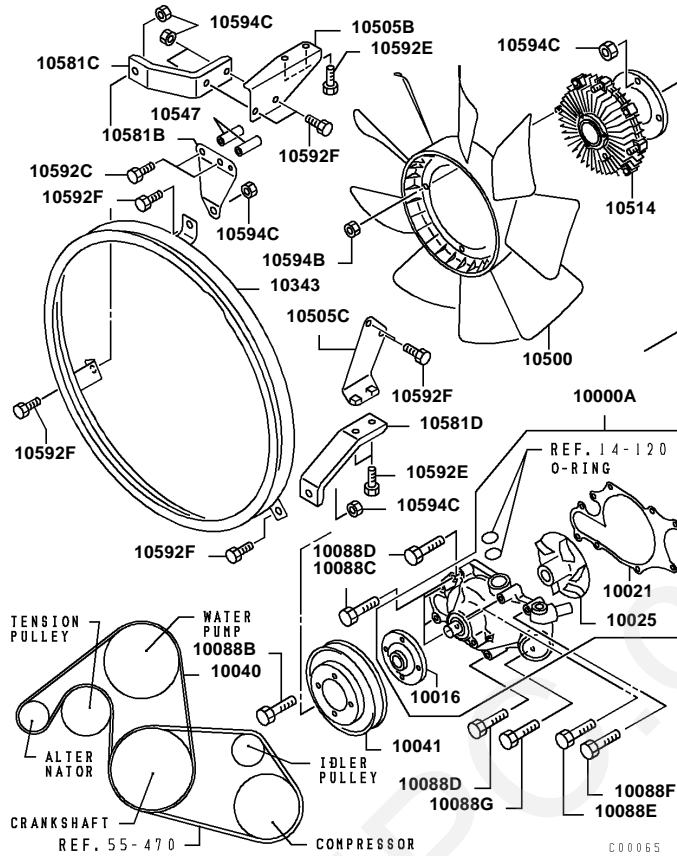
Ref. |2014040

Page

FK74R
14-040 RADIATOR SUPPORT & SHROUD

PNC	Part No	Part Name	Qty	Part Spec	Remarks	Classification	Start	End
10291B	ME412314	PLATE,RADIATOR BAFFLE	1			G6,G6E,G6V, H6,H6E,H6V, H6VE,J6,J6E, J6V,J6VE,K6, K6E,K6V,K6VE, M6,M6E,M6VE	04053	09043
10314	MC430312	SEAL,RADIATOR SHROUD	1			G6,G6E,G6V, H6,H6E,H6V, H6VE,J6,J6E, J6V,J6VE,K6, K6E,K6V,K6VE, M6,M6E,M6VE	04053	09052
10324	ME407339	SHROUD,COOLING FAN	1			G6,G6E,G6V, H6,H6E,H6V, H6VE,J6,J6E, J6V,J6VE,K6, K6E,K6V,K6VE, M6,M6E,M6VE	04053	09052
10466B	MF434103	NUT,RADIATOR SHROUD	4	FLANGE,6	W/O COATING	G6,G6E,G6V, H6,H6E,H6V, H6VE,J6,J6E, J6V,J6VE,K6, K6E,K6V,K6VE, M6,M6E,M6VE	04053	09052
10466C	MF434104	NUT,RADIATOR SHROUD	4	FLANGE,8		G6,G6E,G6V, H6,H6E,H6V, H6VE,J6,J6E, J6V,J6VE,K6, K6E,K6V,K6VE, M6,M6E,M6VE	04053	09043
10469B	MF140003	BOLT,RADIATOR SHROUD	4	FLANGE,6X12	4T	G6,G6E,G6V, H6,H6E,H6V, H6VE,J6,J6E, J6V,J6VE,K6, K6E,K6V,K6VE, M6,M6E,M6VE	04053	09043
10469C	MF140022	BOLT,RADIATOR SHROUD	2	FLANGE,8X14	4T	G6,G6E,G6V, H6,H6E,H6V, H6VE,J6,J6E, J6V,J6VE,K6, K6E,K6V,K6VE, M6,M6E,M6VE	04053	09043
10469D	MF247251	BOLT,RADIATOR SHROUD	8	WASHER ASSEMBLED,8X20		G6,G6E,G6V, H6,H6E,H6V, H6VE,J6,J6E, J6V,J6VE,K6, K6E,K6V,K6VE, M6,M6E,M6VE	04053	09052

FK74R
No.1



Ref. |2014110

Page

FK74R
14-110 WATER PUMP & FAN

SPN	Repl Part	PNC	Part No	Part Name	Qty	Part Spec	Remarks	NEW1	NEW2	Classifica
		10000A	ME993935	WATER PUMP ASSY	1					K6,K6E,M6
			ME993935	WATER PUMP ASSY	1					G6,G6E,G6
			ME993935	WATER PUMP ASSY	1					H6,H6E,H6
			ME993935	WATER PUMP ASSY	1					H6VE,J6,J6
			ME993935	WATER PUMP ASSY	1					J6V,J6VE,K
			ME993935	WATER PUMP ASSY	1					K6E,K6V,K
			ME993935	WATER PUMP ASSY	1					M6,M6E,M6
			ME993935	WATER PUMP ASSY	1					G6,G6V,H
			ME990223	WATER PUMP ASSY	1					H6VE,J6V,
			ME990223	WATER PUMP ASSY	1					K6V,K6VE,
			ME990223	WATER PUMP ASSY	1					M6VE
			ME990223	WATER PUMP ASSY	1					G6,G6E,G6
			ME990223	WATER PUMP ASSY	1					H6,H6E,H6
			ME990223	WATER PUMP ASSY	1					H6VE,J6,J6
			ME990223	WATER PUMP ASSY	1					J6V,J6VE,K
			ME990223	WATER PUMP ASSY	1					K6E,K6V,K
			ME990223	WATER PUMP ASSY	1					M6,M6E,M6
			ME990223	WATER PUMP ASSY	1					G6,H6,H6E
			ME990223	WATER PUMP ASSY	1					J6,J6E
			ME990223	WATER PUMP ASSY	1					G6,H6,H6E
			ME990223	WATER PUMP ASSY	1					J6,J6E
			ME990223	WATER PUMP ASSY	1					G6,H6,H6E
			ME990223	WATER PUMP ASSY	1					J6,J6E,K6,
			ME990223	WATER PUMP ASSY	1					K6E,M6E
			ME990223	WATER PUMP ASSY	1					G6,H6,H6E
			ME990223	WATER PUMP ASSY	1					J6,J6E
			ME990223	WATER PUMP ASSY	1					G6,H6,H6E
			ME990223	WATER PUMP ASSY	1					J6,J6E,K6,
			ME990223	WATER PUMP ASSY	1					K6E,M6E
			ME990223	WATER PUMP ASSY	1					K6,K6E,M6
			ME990223	WATER PUMP ASSY	1					G6V,H6V,H
			ME990223	WATER PUMP ASSY	1					J6V,J6VE,h

Ref. |2014110

Page

FK74R
14-110 WATER PUMP & FAN

SPN	Repl Part	PNC	Part No	Part Name	Qty	Part Spec	Remarks	NEW1	NEW2	Classifica
		10016	ME224355	FLANGE,WATER PUMP PULLEY DRIVE	1					K6,K6E,M6
			ME224355	FLANGE,WATER PUMP PULLEY DRIVE	1					G6,G6E,G6
										H6,H6E,H6
										H6VE,J6,J6
										J6V,J6VE,K
										K6E,K6V,K
			ME224355	FLANGE,WATER PUMP PULLEY DRIVE	1					M6,M6E,M6
										G6E,G6V,H
										H6VE,J6V,
										K6V,K6VE,
										M6VE
			ME224355	FLANGE,WATER PUMP PULLEY DRIVE	1					G6,G6E,G6
										H6,H6E,H6
										H6VE,J6,J6
										J6V,J6VE,K
										K6E,K6V,K
			ME224355	FLANGE,WATER PUMP PULLEY DRIVE	1					M6,M6E,M6
										G6,H6,H6E
			ME227354	FLANGE,WATER PUMP PULLEY DRIVE	1					J6,J6E
										G6,H6,H6E
										J6,J6E,K6,
										K6E,M6E
			ME227354	FLANGE,WATER PUMP PULLEY DRIVE	1					G6,H6,H6E
										J6,J6E
			ME227354	FLANGE,WATER PUMP PULLEY DRIVE	1					G6,H6,H6E
										J6,J6E
			ME227354	FLANGE,WATER PUMP PULLEY DRIVE	1					G6,H6,H6E
										J6,J6E,K6,
										K6E,M6E
			ME227354	FLANGE,WATER PUMP PULLEY DRIVE	1					K6,K6E,M6
			ME227354	FLANGE,WATER PUMP PULLEY DRIVE	1					G6V,H6V,H
										J6V,J6VE,K
										K6,K6E,M6
										G6,G6E,G6
										H6,H6E,H6
										H6VE,J6,J6
										J6V,J6VE,K
										K6E,K6V,K
										M6,M6E,M6
										G6E,G6V,H
										H6VE,J6V,
										K6V,K6VE,
										M6VE
										G6,G6E,G6
										H6,H6E,H6
										H6VE,J6,J6
										J6V,J6VE,K
										K6E,K6V,K
										M6,M6E,M6
										G6,H6,H6E
										J6,J6E
										G6,H6,H6E
										J6,J6E,K6,
										K6E,M6E
										G6,H6,H6E
										J6,J6E
										G6,H6,H6E
										J6,J6E
										G6,H6,H6E
										J6,J6E,K6,
										K6E,M6E
										K6,K6E,M6
										G6V,H6V,H
										J6V,J6VE,K
										K6,K6E,M6
										G6,G6E,G6
										H6,H6E,H6
										H6VE,J6,J6
										J6V,J6VE,K
										K6E,K6V,K
										M6,M6E,M6
		10021	ME222104	GASKET,WATER PUMP	1					K6,K6E,M6
			ME222104	GASKET,WATER PUMP	1					G6,G6E,G6
										H6,H6E,H6
										H6VE,J6,J6
										J6V,J6VE,K
										K6E,K6V,K
										M6,M6E,M6
										G6E,G6V,H
										H6VE,J6V,
										K6V,K6VE,
										M6VE
										G6,G6E,G6
										H6,H6E,H6
										H6VE,J6,J6
										J6V,J6VE,K
										K6E,K6V,K
										M6,M6E,M6
										G6,H6,H6E
										J6,J6E
										G6,H6,H6E
										J6,J6E,K6,
										K6E,M6E
										G6,H6,H6E
										J6,J6E
										G6,H6,H6E
										J6,J6E
										G6,H6,H6E
										J6,J6E,K6,
										K6E,M6E
										K6,K6E,M6
										G6V,H6V,H
										J6V,J6VE,K
										K6,K6E,M6
										G6,G6E,G6
										H6,H6E,H6
										H6VE,J6,J6
										J6V,J6VE,K
										K6E,K6V,K
										M6,M6E,M6
		10025	ME224356	IMPELLER,WATER PUMP	1					K6,K6E,M6
			ME224356	IMPELLER,WATER PUMP	1					G6,G6E,G6
										H6,H6E,H6
										H6VE,J6,J6
										J6V,J6VE,K
										K6E,K6V,K
										M6,M6E,M6

**FK74R
14-110 WATER PUMP & FAN**

SPN	Repl Part	PNC	Part No	Part Name	Qty	Part Spec	Remarks	NEW1	NEW2	Classifica
		10025	ME224356	IMPELLER,WATER PUMP	1					G6E,G6V,H6VE,J6V,K6V,K6VE,M6VE
			ME224356	IMPELLER,WATER PUMP	1					G6,G6E,G6H6,H6E,H6VE,J6,J6V,J6VE,K6E,K6V,K6E,M6E,M6G6,H6,H6EJ6,J6E
			ME224356	IMPELLER,WATER PUMP	1					G6,H6,H6EJ6,J6E
			ME224356	IMPELLER,WATER PUMP	1					G6,H6,H6EJ6,J6E,K6,K6E,M6E
			ME224356	IMPELLER,WATER PUMP	1					G6,H6,H6EJ6,J6E
			ME224356	IMPELLER,WATER PUMP	1					G6,H6,H6EJ6,J6E
			ME224356	IMPELLER,WATER PUMP	1					G6,H6,H6EJ6,J6E,K6,K6E,M6E
			ME224356	IMPELLER,WATER PUMP	1					K6,K6E,M6G6V,H6V,H6VE,J6V,K6E,K6V,K6E,M6E
			ME224356	IMPELLER,WATER PUMP	1					G6V,H6V,H6VE,J6V,K6E,K6V,K6E,M6E
	RP	10040	ME222106	BELT,ALTERNATOR & OTHERS	1	1430X1		Y		K6,K6E,M6G6V,H6V,H6VE,J6V,K6E,K6V,K6E,M6E
	RP		ME222106	BELT,ALTERNATOR & OTHERS	1	1430X1		Y		G6,G6E,G6H6,H6E,H6VE,J6,J6V,J6VE,K6E,K6V,K6E,M6E,M6G6E,G6V,H6VE,J6V,K6V,K6VE,M6VE
	RP		ME222106	BELT,ALTERNATOR & OTHERS	1	1430X1		Y		G6E,G6V,H6VE,J6V,K6V,K6VE,M6VE
	RP		ME222106	BELT,ALTERNATOR & OTHERS	1	1430X1		Y		G6,G6E,G6H6,H6E,H6VE,J6,J6V,J6VE,K6E,K6V,K6E,M6E,M6G6,H6,H6EJ6,J6E
	RP		ME222106	BELT,ALTERNATOR & OTHERS	1	1430X1		Y		G6,H6,H6EJ6,J6E
	RP		ME222106	BELT,ALTERNATOR & OTHERS	1	1430X1		Y		G6,H6,H6EJ6,J6E,K6,J6E,K6,K6E,M6E
	RP		ME222106	BELT,ALTERNATOR & OTHERS	1	1430X1		Y		G6,H6,H6EJ6,J6E
	RP		ME222106	BELT,ALTERNATOR & OTHERS	1	1430X1		Y		G6,H6,H6EJ6,J6E
	RP		ME222106	BELT,ALTERNATOR & OTHERS	1	1430X1		Y		G6,H6,H6EJ6,J6E,K6,J6E,K6,K6E,M6E
	RP		ME222106	BELT,ALTERNATOR & OTHERS	1	1430X1		Y		K6,K6E,M6G6V,H6V,H6VE,J6V,K6E,K6V,K6E,M6E
	RP		ME222106	BELT,ALTERNATOR & OTHERS	1	1430X1		Y		G6V,H6V,H6VE,J6V,K6E,K6V,K6E,M6E
		10041	ME223139	PULLEY,WATER PUMP	1					K6,K6E,M6G6V,H6V,H6VE,J6,J6V,J6VE,K6E,K6V,K6E,M6E,M6G6E,G6V,H6VE,J6V,K6V,K6VE,M6VE
			ME223139	PULLEY,WATER PUMP	1					G6,G6E,G6H6,H6E,H6VE,J6,J6V,J6VE,K6E,K6V,K6E,M6E,M6G6E,G6V,H6VE,J6V,K6V,K6VE,M6VE
			ME223139	PULLEY,WATER PUMP	1					G6E,G6V,H6VE,J6V,K6V,K6VE,M6VE

FK74R
14-110 WATER PUMP & FAN

SPN	Repl Part	PNC	Part No	Part Name	Qty	Part Spec	Remarks	NEW1	NEW2	Classifica
		10041	ME223139	PULLEY,WATER PUMP	1					G6,G6E,G6 H6,H6E,H6 H6VE,J6,J6 J6V,J6VE,K K6E,K6V,K M6,M6E,M6
			ME223139	PULLEY,WATER PUMP	1					G6,H6,H6E J6,J6E
			ME223139	PULLEY,WATER PUMP	1					G6,H6,H6E J6,J6E,K6, K6E,M6E
			ME223139	PULLEY,WATER PUMP	1					G6,H6,H6E J6,J6E
			ME223139	PULLEY,WATER PUMP	1					G6,H6,H6E J6,J6E
			ME223139	PULLEY,WATER PUMP	1					G6,H6,H6E J6,J6E
			ME223139	PULLEY,WATER PUMP	1					G6,H6,H6E J6,J6E,K6, K6E,M6E
			ME223139	PULLEY,WATER PUMP	1					K6,K6E,M6
			ME223139	PULLEY,WATER PUMP	1					G6V,H6V,H J6V,J6VE,K
		10088B	MF140223	BOLT,WATER PUMP	4	FLANGE,8X16	7T			K6,K6E,M6
			MF140223	BOLT,WATER PUMP	4	FLANGE,8X16	7T			G6,G6E,G6 H6,H6E,H6 H6VE,J6,J6 J6V,J6VE,K K6E,K6V,K M6,M6E,M6
			MF140223	BOLT,WATER PUMP	4	FLANGE,8X16	7T			G6E,G6V,H H6VE,J6V, K6V,K6VE, M6VE
			MF140223	BOLT,WATER PUMP	4	FLANGE,8X16	7T			G6,G6E,G6 H6,H6E,H6 H6VE,J6,J6 J6V,J6VE,K K6E,K6V,K M6,M6E,M6
			MF140223	BOLT,WATER PUMP	4	FLANGE,8X16	7T			G6,H6,H6E J6,J6E
			MF140223	BOLT,WATER PUMP	4	FLANGE,8X16	7T			G6,H6,H6E J6,J6E,K6, K6E,M6E
			MF140223	BOLT,WATER PUMP	4	FLANGE,8X16	7T			G6,H6,H6E J6,J6E
			MF140223	BOLT,WATER PUMP	4	FLANGE,8X16	7T			G6,H6,H6E J6,J6E
			MF140223	BOLT,WATER PUMP	4	FLANGE,8X16	7T			G6,H6,H6E J6,J6E
			MF140223	BOLT,WATER PUMP	4	FLANGE,8X16	7T			G6,H6,H6E J6,J6E
			MF140223	BOLT,WATER PUMP	4	FLANGE,8X16	7T			G6,H6,H6E J6,J6E
			MF140223	BOLT,WATER PUMP	4	FLANGE,8X16	7T			G6,H6,H6E J6,J6E
			MF140223	BOLT,WATER PUMP	4	FLANGE,8X16	7T			G6,H6,H6E J6,J6E
			MF140223	BOLT,WATER PUMP	4	FLANGE,8X16	7T			G6,H6,H6E J6,J6E
			MF140223	BOLT,WATER PUMP	4	FLANGE,8X16	7T			G6,H6,H6E J6,J6E
			MF140223	BOLT,WATER PUMP	4	FLANGE,8X16	7T			G6,H6,H6E J6,J6E
			MF140223	BOLT,WATER PUMP	4	FLANGE,8X16	7T			G6,H6,H6E J6,J6E
		10088C	MH001510	BOLT,WATER PUMP	4	FLANGE,8X95				K6,K6E,M6
			MH001510	BOLT,WATER PUMP	4	FLANGE,8X95				G6,G6E,G6 H6,H6E,H6 H6VE,J6,J6 J6V,J6VE,K K6E,K6V,K M6,M6E,M6
			MH001510	BOLT,WATER PUMP	4	FLANGE,8X95				G6E,G6V,H H6VE,J6V, K6V,K6VE, M6VE
			MH001510	BOLT,WATER PUMP	4	FLANGE,8X95				G6,G6E,G6 H6,H6E,H6 H6VE,J6,J6 J6V,J6VE,K K6E,K6V,K M6,M6E,M6
			MH001510	BOLT,WATER PUMP	4	FLANGE,8X95				G6,H6,H6E J6,J6E

FK74R
14-110 WATER PUMP & FAN

SPN	Repl Part	PNC	Part No	Part Name	Qty	Part Spec	Remarks	NEW1	NEW2	Classifica
		10088C	MH001510	BOLT,WATER PUMP	4	FLANGE,8X95				G6,H6,H6E J6,J6E,K6, K6E,M6E
			MH001510	BOLT,WATER PUMP	4	FLANGE,8X95				G6,H6,H6E J6,J6E
			MH001510	BOLT,WATER PUMP	4	FLANGE,8X95				G6,H6,H6E J6,J6E
			MH001510	BOLT,WATER PUMP	4	FLANGE,8X95				G6,H6,H6E J6,J6E,K6, K6E,M6E
			MH001510	BOLT,WATER PUMP	4	FLANGE,8X95				K6,K6E,M6
			MH001510	BOLT,WATER PUMP	4	FLANGE,8X95				G6V,H6V,H J6V,J6VE,k
		10088D	MF140235	BOLT,WATER PUMP	2	FLANGE,8X50	7T			K6,K6E,M6
			MF140235	BOLT,WATER PUMP	2	FLANGE,8X50	7T			G6,G6E,G6 H6,H6E,H6 H6VE,J6,J6 J6V,J6VE,k
			MF140235	BOLT,WATER PUMP	2	FLANGE,8X50	7T			K6E,K6V,K M6,M6E,M6
			MF140235	BOLT,WATER PUMP	2	FLANGE,8X50	7T			G6E,G6V,H H6VE,J6V, K6V,K6VE, M6VE
			MF140235	BOLT,WATER PUMP	2	FLANGE,8X50	7T			G6,G6E,G6 H6,H6E,H6 H6VE,J6,J6 J6V,J6VE,k
			MF140235	BOLT,WATER PUMP	2	FLANGE,8X50	7T			K6E,K6V,K M6,M6E,M6
			MF140236	BOLT,WATER PUMP	1	FLANGE,8X55	7T			G6,H6,H6E J6,J6E
			MF140236	BOLT,WATER PUMP	1	FLANGE,8X55	7T			G6,H6,H6E J6,J6E
			MF140236	BOLT,WATER PUMP	1	FLANGE,8X55	7T			G6,H6,H6E J6,J6E
			MF140236	BOLT,WATER PUMP	1	FLANGE,8X55	7T			G6,H6,H6E J6,J6E
			MF140236	BOLT,WATER PUMP	1	FLANGE,8X55	7T			G6,H6,H6E J6,J6E,K6, K6E,M6E
			MF140236	BOLT,WATER PUMP	1	FLANGE,8X55	7T			K6,K6E,M6
			MF140236	BOLT,WATER PUMP	1	FLANGE,8X55	7T			G6V,H6V,H J6V,J6VE,k
		10088E	MF140236	BOLT,WATER PUMP	1	FLANGE,8X55	7T			K6,K6E,M6
			MF140236	BOLT,WATER PUMP	1	FLANGE,8X55	7T			G6,G6E,G6 H6,H6E,H6 H6VE,J6,J6 J6V,J6VE,k
			MF140236	BOLT,WATER PUMP	1	FLANGE,8X55	7T			K6E,K6V,K M6,M6E,M6
			MF140236	BOLT,WATER PUMP	1	FLANGE,8X55	7T			G6E,G6V,H H6VE,J6V, K6V,K6VE, M6VE
			MF140236	BOLT,WATER PUMP	1	FLANGE,8X55	7T			G6,G6E,G6 H6,H6E,H6 H6VE,J6,J6 J6V,J6VE,k
			MF140236	BOLT,WATER PUMP	1	FLANGE,8X55	7T			K6E,K6V,K M6,M6E,M6
			MF140236	BOLT,WATER PUMP	1	FLANGE,8X55	7T			G6,H6,H6E J6,J6E
			MF140236	BOLT,WATER PUMP	1	FLANGE,8X55	7T			G6,H6,H6E J6,J6E,K6, K6E,M6E
			MF140236	BOLT,WATER PUMP	1	FLANGE,8X55	7T			G6,H6,H6E J6,J6E
			MF140236	BOLT,WATER PUMP	1	FLANGE,8X55	7T			G6,H6,H6E J6,J6E

FK74R
14-110 WATER PUMP & FAN

SPN	Repl Part	PNC	Part No	Part Name	Qty	Part Spec	Remarks	NEW1	NEW2	Classifica
		10088E	MF140236	BOLT,WATER PUMP	1	FLANGE,8X55	7T			G6,H6,H6E J6,J6E,K6, K6E,M6E
			MF140236	BOLT,WATER PUMP	1	FLANGE,8X55	7T			K6,K6E,M6
			MF140236	BOLT,WATER PUMP	1	FLANGE,8X55	7T			G6V,H6V,H J6V,J6VE,K
		10088F	MH000966	BOLT,WATER PUMP	1	FLANGE,8X120				K6,K6E,M6
			MH000966	BOLT,WATER PUMP	1	FLANGE,8X120				G6,G6E,G6 H6,H6E,H6 H6VE,J6,J6 J6V,J6VE,K
			MH000966	BOLT,WATER PUMP	1	FLANGE,8X120				K6E,K6V,K M6,M6E,M6 G6E,G6V,H H6VE,J6V, K6V,K6VE, M6VE
			MH000966	BOLT,WATER PUMP	1	FLANGE,8X120				G6,G6E,G6 H6,H6E,H6 H6VE,J6,J6 J6V,J6VE,K
			MH000966	BOLT,WATER PUMP	1	FLANGE,8X120				K6E,K6V,K M6,M6E,M6 G6,H6,H6E J6,J6E
			MF140236	BOLT,WATER PUMP	1	FLANGE,8X55	7T			G6,H6,H6E J6,J6E,K6, K6E,M6E
			MF140236	BOLT,WATER PUMP	1	FLANGE,8X55	7T			G6,H6,H6E J6,J6E
			MF140236	BOLT,WATER PUMP	1	FLANGE,8X55	7T			G6,H6,H6E J6,J6E
			MF140236	BOLT,WATER PUMP	1	FLANGE,8X55	7T			G6,H6,H6E J6,J6E
			MF140236	BOLT,WATER PUMP	1	FLANGE,8X55	7T			G6,H6,H6E J6,J6E,K6, K6E,M6E
			MF140236	BOLT,WATER PUMP	1	FLANGE,8X55	7T			K6,K6E,M6
			MF140236	BOLT,WATER PUMP	1	FLANGE,8X55	7T			G6V,H6V,H J6V,J6VE,K
		10088G	MH000821	BOLT,WATER PUMP	1	FLANGE,8X130				K6,K6E,M6
			MH000821	BOLT,WATER PUMP	1	FLANGE,8X130				G6,G6E,G6 H6,H6E,H6 H6VE,J6,J6 J6V,J6VE,K
			MH000821	BOLT,WATER PUMP	1	FLANGE,8X130				K6E,K6V,K M6,M6E,M6 G6E,G6V,H H6VE,J6V, K6V,K6VE, M6VE
			MH000821	BOLT,WATER PUMP	1	FLANGE,8X130				G6,G6E,G6 H6,H6E,H6 H6VE,J6,J6 J6V,J6VE,K
			MH000821	BOLT,WATER PUMP	1	FLANGE,8X130				K6E,K6V,K M6,M6E,M6 G6,H6,H6E J6,J6E
			MF140236	BOLT,WATER PUMP	1	FLANGE,8X55	7T			G6,H6,H6E J6,J6E,K6, K6E,M6E
			MF140236	BOLT,WATER PUMP	1	FLANGE,8X55	7T			G6,H6,H6E J6,J6E
			MF140236	BOLT,WATER PUMP	1	FLANGE,8X55	7T			G6,H6,H6E J6,J6E
			MF140236	BOLT,WATER PUMP	1	FLANGE,8X55	7T			G6,H6,H6E J6,J6E
			MF140236	BOLT,WATER PUMP	1	FLANGE,8X55	7T			G6,H6,H6E J6,J6E,K6, K6E,M6E
			MF140236	BOLT,WATER PUMP	1	FLANGE,8X55	7T			K6,K6E,M6
			MF140236	BOLT,WATER PUMP	1	FLANGE,8X55	7T			G6V,H6V,H J6V,J6VE,K
		10343	ME407570	RING,RADIATOR FAN SHROUD	1					K6,K6E,M6

FK74R
14-110 WATER PUMP & FAN

SPN	Repl Part	PNC	Part No	Part Name	Qty	Part Spec	Remarks	NEW1	NEW2	Classifica
		10343	ME407570	RING,RADIATOR FAN SHROUD	1					G6,G6E,G6 H6,H6E,H6 H6VE,J6,J6 J6V,J6VE,K K6E,K6V,K6 M6,M6E,M6
			ME407570	RING,RADIATOR FAN SHROUD	1					G6E,G6V,H H6VE,J6V, K6V,K6VE, M6VE
			ME407570	RING,RADIATOR FAN SHROUD	1					G6,G6E,G6 H6,H6E,H6 H6VE,J6,J6 J6V,J6VE,K K6E,K6V,K6 M6,M6E,M6
			ME407570	RING,RADIATOR FAN SHROUD	1					G6,H6,H6E J6,J6E
			ME407570	RING,RADIATOR FAN SHROUD	1					G6,H6,H6E J6,J6E,K6, K6E,M6E
			ME407570	RING,RADIATOR FAN SHROUD	1					G6,H6,H6E J6,J6E
			ME407570	RING,RADIATOR FAN SHROUD	1					G6,H6,H6E J6,J6E
			ME407570	RING,RADIATOR FAN SHROUD	1					G6,H6,H6E J6,J6E
			ME407570	RING,RADIATOR FAN SHROUD	1					G6,H6,H6E J6,J6E,K6, K6E,M6E
			ME407570	RING,RADIATOR FAN SHROUD	1					K6,K6E,M6
			ME407570	RING,RADIATOR FAN SHROUD	1					G6V,H6V,H J6V,J6VE,K K6E,K6V,K6 M6,M6E,M6
		10500	ME402583	FAN,COOLING	1	D=520				G6,G6E,H6 H6E,J6,J6E K6,K6E,M6 M6E
			ME413940	FAN,COOLING	1	D=520				K6,K6E,M6
			ME413940	FAN,COOLING	1	D=520				G6,G6E,G6 H6,H6E,H6 H6VE,J6,J6 J6V,J6VE,K K6E,K6V,K6 M6,M6E,M6
			ME413940	FAN,COOLING	1	D=520				G6E,G6V,H H6VE,J6V, K6V,K6VE, M6VE
			ME413940	FAN,COOLING	1	D=520				G6,G6E,G6 H6,H6E,H6 H6VE,J6,J6 J6V,J6VE,K K6E,K6V,K6 M6,M6E,M6
			ME413940	FAN,COOLING	1	D=520				G6,H6,H6E J6,J6E
			ME413940	FAN,COOLING	1	D=520				G6,H6,H6E J6,J6E,K6, K6E,M6E
			ME413940	FAN,COOLING	1	D=520				G6,H6,H6E J6,J6E
			ME413940	FAN,COOLING	1	D=520				G6,H6,H6E J6,J6E
			ME413940	FAN,COOLING	1	D=520				G6,H6,H6E J6,J6E
			ME413940	FAN,COOLING	1	D=520				K6,K6E,M6
			ME413940	FAN,COOLING	1	D=520				G6,H6,H6E J6,J6E,K6, K6E,M6E
			ME413940	FAN,COOLING	1	D=520				G6V,H6V,H J6V,J6VE,K K6E,K6V,K6 M6,M6E,M6
		10505B	ME222421	BRACKET,COOLING FAN	1					K6,K6E,M6

FK74R
14-110 WATER PUMP & FAN

SPN	Repl Part	PNC	Part No	Part Name	Qty	Part Spec	Remarks	NEW1	NEW2	Classifica
		10505B	ME222421	BRACKET,COOLING FAN	1					G6,G6E,G6H6,H6E,H6H6VE,J6,J6V,J6VE,K6E,K6V,K6M6,M6E,M6G6E,G6V,H6VE,J6V,K6V,K6VE,M6VE
			ME222421	BRACKET,COOLING FAN	1					G6,G6E,G6H6,H6E,H6H6VE,J6,J6V,J6VE,K6E,K6V,K6M6,M6E,M6G6E,G6V,H6VE,J6V,K6V,K6VE,M6VE
			ME222421	BRACKET,COOLING FAN	1					G6,G6E,G6H6,H6E,H6H6VE,J6,J6V,J6VE,K6E,K6V,K6M6,M6E,M6G6E,G6V,H6VE,J6V,K6V,K6VE,M6VE
			ME222421	BRACKET,COOLING FAN	1					G6,H6,H6E,J6,J6E
			ME222421	BRACKET,COOLING FAN	1					G6,H6,H6E,J6,J6E,K6,K6E,M6E
			ME222421	BRACKET,COOLING FAN	1					G6,H6,H6E,J6,J6E
			ME222421	BRACKET,COOLING FAN	1					G6,H6,H6E,J6,J6E
			ME222421	BRACKET,COOLING FAN	1					G6,H6,H6E,J6,J6E
			ME222421	BRACKET,COOLING FAN	1					G6,H6,H6E,J6,J6E,K6,K6E,M6E
			ME222421	BRACKET,COOLING FAN	1					G6V,H6V,H6VE,J6V,K6V,K6VE,M6VE
			ME222421	BRACKET,COOLING FAN	1					G6V,H6V,H6VE,J6V,K6V,K6VE,M6VE
		10505C	ME223624	BRACKET,COOLING FAN	1					G6,G6E,H6H6E,J6,J6E,K6,K6E,M6M6E
			ME223624	BRACKET,COOLING FAN	1					G6,G6V,H6H6E,H6V,H6VE,J6,J6E,J6V,J6VE,K6,K6V,K6VE,M6VE
	RP	10514	ME402585	CLUTCH,COOLING FAN	1			Y	Y	G6,G6E,G6H6,H6E,H6H6VE,J6,J6V,J6VE,K6E,K6V,K6M6,M6E,M6G6E,G6V,H6VE,J6V,K6V,K6VE,M6VE
	RP		ME417046	CLUTCH,COOLING FAN	1			Y	Y	G6,G6V,H6H6E,H6V,H6VE,J6,J6E,J6V,J6VE,K6,K6V,K6VE,M6VE
	RP		ME417297	CLUTCH,COOLING FAN	1			Y		G6,G6V,H6H6E,H6V,H6VE,J6,J6E,J6V,J6VE,K6,K6V,K6VE,M6VE
			ME417362	CLUTCH,COOLING FAN	1					G6V,H6V,H6VE,J6V,K6VE,M6VE
			ME417362	CLUTCH,COOLING FAN	1					K6,K6E,M6G6E,G6V,H6H6E,H6V,H6VE,J6,J6E,J6V,J6VE,K6,K6V,K6VE,M6VE
			ME417362	CLUTCH,COOLING FAN	1					G6,G6V,H6H6E,H6V,H6VE,J6,J6E,J6V,J6VE,K6,K6V,K6VE,M6VE
			ME417362	CLUTCH,COOLING FAN	1					G6,H6,H6E,J6,J6E

FK74R
14-110 WATER PUMP & FAN

SPN	Repl Part	PNC	Part No	Part Name	Qty	Part Spec	Remarks	NEW1	NEW2	Classifica
		10514	ME417362	CLUTCH,COOLING FAN	1					G6,G6V,H6 H6E,H6V,H J6,J6E,J6V J6VE,K6,K K6V,K6VE, M6VE
			ME417362	CLUTCH,COOLING FAN	1					G6,H6,H6E J6,J6E,K6, K6E,M6E
			ME417362	CLUTCH,COOLING FAN	1					G6,H6,H6E J6,J6E
			ME417362	CLUTCH,COOLING FAN	1					G6,H6,H6E J6,J6E,K6, K6E,M6E
			ME417362	CLUTCH,COOLING FAN	1					G6,H6,H6E J6,J6E
			ME417362	CLUTCH,COOLING FAN	1					K6,K6E,M6
			ME417362	CLUTCH,COOLING FAN	1					G6V,H6V,H J6V,J6VE,K K6,K6E,M6
		10547	MS456778	SPACER,COOLING FAN	2	10X50				G6,G6E,G6 H6,H6E,H6 H6VE,J6,J J6V,J6VE,K K6E,K6V,K M6,M6E,M6
			MS456778	SPACER,COOLING FAN	2	10X50				G6,G6E,G6 H6,H6E,H6 H6VE,J6V, K6V,K6VE, M6VE
			MS456778	SPACER,COOLING FAN	2	10X50				G6,G6E,G6 H6,H6E,H6 H6VE,J6,J J6V,J6VE,K K6E,K6V,K M6,M6E,M6
			MS456778	SPACER,COOLING FAN	2	10X50				G6,H6,H6E J6,J6E
			MS456778	SPACER,COOLING FAN	2	10X50				G6,H6,H6E J6,J6E,K6, K6E,M6E
			MS456778	SPACER,COOLING FAN	2	10X50				G6,H6,H6E J6,J6E
			MS456778	SPACER,COOLING FAN	2	10X50				G6,H6,H6E J6,J6E
			MS456778	SPACER,COOLING FAN	2	10X50				G6,H6,H6E J6,J6E,K6, K6E,M6E
			MS456778	SPACER,COOLING FAN	2	10X50				G6,H6,H6E J6,J6E
			MS456778	SPACER,COOLING FAN	2	10X50				G6,H6,H6E J6,J6E,K6, K6E,M6E
			MS456778	SPACER,COOLING FAN	2	10X50				G6V,H6V,H J6V,J6VE,K K6,K6E,M6
			MS456778	SPACER,COOLING FAN	2	10X50				G6,G6E,G6 H6,H6E,H6 H6VE,J6,J J6V,J6VE,K K6E,K6V,K M6,M6E,M6
		10581B	ME410056	STAY,COOLING FAN	1					G6,G6E,G6 H6,H6E,H6 H6VE,J6,J J6V,J6VE,K K6E,K6V,K M6,M6E,M6
			ME410056	STAY,COOLING FAN	1					G6,G6E,G6 H6,H6E,H6 H6VE,J6,J J6V,J6VE,K K6E,K6V,K M6,M6E,M6
			ME410056	STAY,COOLING FAN	1					G6E,G6V,H H6VE,J6V, K6V,K6VE, M6VE
			ME410056	STAY,COOLING FAN	1					G6,G6E,G6 H6,H6E,H6 H6VE,J6,J J6V,J6VE,K K6E,K6V,K M6,M6E,M6
			ME410056	STAY,COOLING FAN	1					G6,H6,H6E J6,J6E
			ME410056	STAY,COOLING FAN	1					G6,H6,H6E J6,J6E,K6, K6E,M6E

FK74R
14-110 WATER PUMP & FAN

SPN	Repl Part	PNC	Part No	Part Name	Qty	Part Spec	Remarks	NEW1	NEW2	Classifica
		10581B	ME410056	STAY,COOLING FAN	1					G6,H6,H6E J6,J6E
			ME410056	STAY,COOLING FAN	1					G6,H6,H6E J6,J6E
			ME410056	STAY,COOLING FAN	1					G6,H6,H6E J6,J6E,K6, K6E,M6E
			ME410056	STAY,COOLING FAN	1					K6,K6E,M6
			ME410056	STAY,COOLING FAN	1					G6V,H6V,H J6V,J6VE,K
		10581C	ME407574	STAY,COOLING FAN	1					K6,K6E,M6
			ME407574	STAY,COOLING FAN	1					G6,G6E,G6 H6,H6E,H6 H6VE,J6,J6 J6V,J6VE,K
			ME407574	STAY,COOLING FAN	1					K6E,K6V,K M6,M6E,M6
			ME407574	STAY,COOLING FAN	1					G6E,G6V,H H6VE,J6V, K6V,K6VE, M6VE
			ME407574	STAY,COOLING FAN	1					G6,G6E,G6 H6,H6E,H6 H6VE,J6,J6 J6V,J6VE,K
			ME407574	STAY,COOLING FAN	1					K6E,K6V,K M6,M6E,M6
			ME407574	STAY,COOLING FAN	1					G6,H6,H6E J6,J6E
			ME407574	STAY,COOLING FAN	1					G6,H6,H6E J6,J6E,K6, K6E,M6E
			ME407574	STAY,COOLING FAN	1					G6,H6,H6E J6,J6E
			ME407574	STAY,COOLING FAN	1					G6,H6,H6E J6,J6E
			ME407574	STAY,COOLING FAN	1					G6,H6,H6E J6,J6E,K6, K6E,M6E
			ME407574	STAY,COOLING FAN	1					K6,K6E,M6
			ME407574	STAY,COOLING FAN	1					G6V,H6V,H J6V,J6VE,K
		10581D	ME407573	STAY,COOLING FAN	1					K6,K6E,M6
			ME407573	STAY,COOLING FAN	1					G6,G6E,G6 H6,H6E,H6 H6VE,J6,J6 J6V,J6VE,K
			ME407573	STAY,COOLING FAN	1					K6E,K6V,K M6,M6E,M6
			ME407573	STAY,COOLING FAN	1					G6E,G6V,H H6VE,J6V, K6V,K6VE, M6VE
			ME407573	STAY,COOLING FAN	1					G6,G6E,G6 H6,H6E,H6 H6VE,J6,J6 J6V,J6VE,K
			ME407573	STAY,COOLING FAN	1					K6E,K6V,K M6,M6E,M6
			ME407573	STAY,COOLING FAN	1					G6,H6,H6E J6,J6E
			ME407573	STAY,COOLING FAN	1					G6,H6,H6E J6,J6E,K6, K6E,M6E
			ME407573	STAY,COOLING FAN	1					G6,H6,H6E J6,J6E
			ME407573	STAY,COOLING FAN	1					G6,H6,H6E J6,J6E
			ME407573	STAY,COOLING FAN	1					G6,H6,H6E J6,J6E,K6, K6E,M6E
			ME407573	STAY,COOLING FAN	1					G6,H6,H6E J6,J6E
			ME407573	STAY,COOLING FAN	1					G6,H6,H6E J6,J6E
			ME407573	STAY,COOLING FAN	1					G6,H6,H6E J6,J6E,K6, K6E,M6E
			ME407573	STAY,COOLING FAN	1					K6,K6E,M6

FK74R
14-110 WATER PUMP & FAN

SPN	Repl Part	PNC	Part No	Part Name	Qty	Part Spec	Remarks	NEW1	NEW2	Classifica
		10581D	ME407573	STAY,COOLING FAN	1					G6V,H6V,H
		10592C	MH000836	BOLT,COOLING FAN	2	FLANGE,10X75				J6V,J6VE,K
			MH000836	BOLT,COOLING FAN	2	FLANGE,10X75				G6E,K6V,M
			MH000836	BOLT,COOLING FAN	2	FLANGE,10X75				M6VE
			MH000836	BOLT,COOLING FAN	2	FLANGE,10X75				G6,H6,H6E
										J6,J6E
										G6,G6E,G6
										H6,H6E,H6
										H6VE,J6,J6
										J6V,J6VE,K
										K6E,K6V,K
										M6,M6E,M6
			MH000836	BOLT,COOLING FAN	2	FLANGE,10X75				G6,G6E,G6
										H6,H6E,H6
										H6VE,J6,J6
			MH000836	BOLT,COOLING FAN	2	FLANGE,10X75				J6V,J6VE,K
			MH000836	BOLT,COOLING FAN	2	FLANGE,10X75				K6E,K6V,K
										M6,M6E,M6
			MH000836	BOLT,COOLING FAN	2	FLANGE,10X75				K6,K6E,M6
			MH000836	BOLT,COOLING FAN	2	FLANGE,10X75				G6V,H6V,H
										J6V,J6VE,K
			MH000836	BOLT,COOLING FAN	2	FLANGE,10X75				G6,G6V,H6
										H6E,H6V,H
										J6,J6E,J6V
										J6VE,K6,K6
										K6VE,M6E
			MH000836	BOLT,COOLING FAN	2	FLANGE,10X75				G6,H6,H6E
			MH000836	BOLT,COOLING FAN	2	FLANGE,10X75				J6,J6E
										G6,H6,H6E
										J6,J6E,K6,
										K6E,M6E
SP		10592E	MH000713	BOLT,COOLING FAN	4	FLANGE,10X20		R		G6E,K6V,M
SP			MH000713	BOLT,COOLING FAN	4	FLANGE,10X20		R		M6VE
SP			MH000713	BOLT,COOLING FAN	4	FLANGE,10X20		R		G6,H6,H6E
										J6,J6E
										G6,G6E,G6
										H6,H6E,H6
										H6VE,J6,J6
										J6V,J6VE,K
										K6E,K6V,K
										M6,M6E,M6
SP			MH000713	BOLT,COOLING FAN	4	FLANGE,10X20		R		G6,G6E,G6
										H6,H6E,H6
										H6VE,J6,J6
										J6V,J6VE,K
										K6E,K6V,K
										M6,M6E,M6
SP			MH000713	BOLT,COOLING FAN	4	FLANGE,10X20		R		K6,K6E,M6
SP			MH000713	BOLT,COOLING FAN	4	FLANGE,10X20		R		G6V,H6V,H
										J6V,J6VE,K
SP			MH000713	BOLT,COOLING FAN	4	FLANGE,10X20		R		G6,G6V,H6
										H6E,H6V,H
										J6,J6E,J6V
										J6VE,K6,K6
										K6VE,M6E
SP			MH000713	BOLT,COOLING FAN	4	FLANGE,10X20		R		G6,H6,H6E
SP			MH000713	BOLT,COOLING FAN	4	FLANGE,10X20		R		J6,J6E
										G6,H6,H6E
										J6,J6E,K6,
										K6E,M6E
		10592F	MF140260	BOLT,COOLING FAN	5	FLANGE,10X25	7T			G6,G6E,H6
			MF140260	BOLT,COOLING FAN	7	FLANGE,10X25	7T			H6E,J6,J6E
			MF140260	BOLT,COOLING FAN	5	FLANGE,10X25	7T			K6,K6E,M6
			MF140260	BOLT,COOLING FAN	5	FLANGE,10X25	7T			M6E
			MF140260	BOLT,COOLING FAN	5	FLANGE,10X25	7T			G6,G6E,H6
			MF140260	BOLT,COOLING FAN	5	FLANGE,10X25	7T			H6E,J6,J6E
			MF140260	BOLT,COOLING FAN	5	FLANGE,10X25	7T			K6,K6E,M6
			MF140260	BOLT,COOLING FAN	5	FLANGE,10X25	7T			H6

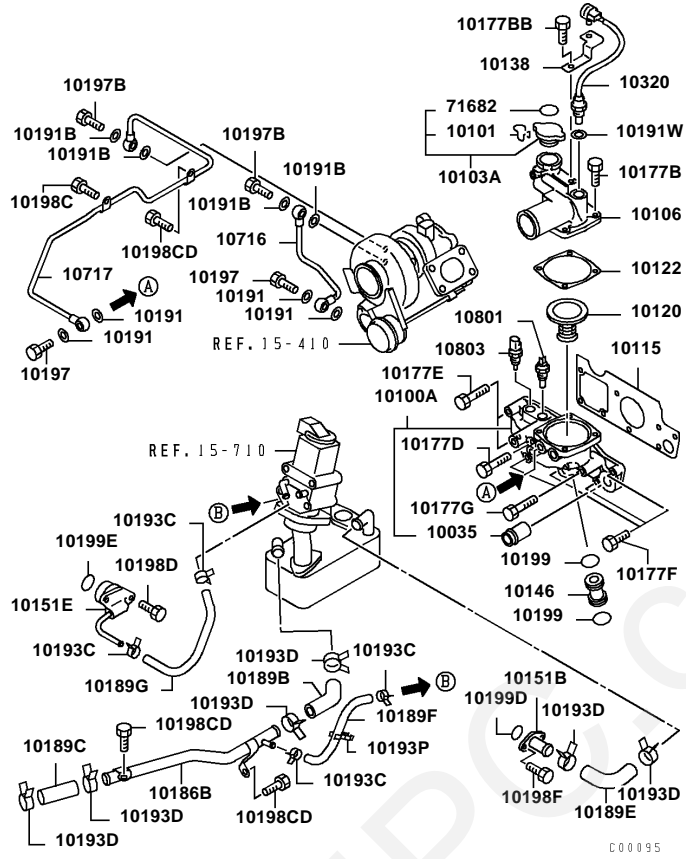
**FK74R
14-110 WATER PUMP & FAN**

SPN	Repl Part	PNC	Part No	Part Name	Qty	Part Spec	Remarks	NEW1	NEW2	Classifica
		10592F	MF140260	BOLT,COOLING FAN	5	FLANGE,10X25	7T			G6,H6,H6E
			MF140260	BOLT,COOLING FAN	5	FLANGE,10X25	7T			J6,J6E
			MF140260	BOLT,COOLING FAN	5	FLANGE,10X25	7T			M6
			MF140260	BOLT,COOLING FAN	5	FLANGE,10X25	7T			G6V,H6V,H
			MF140260	BOLT,COOLING FAN	5	FLANGE,10X25	7T			J6V,J6VE,K
			MF140260	BOLT,COOLING FAN	5	FLANGE,10X25	7T			K6VE,M6VE
			MF140260	BOLT,COOLING FAN	5	FLANGE,10X25	7T			K6,K6E,M6
			MF140260	BOLT,COOLING FAN	5	FLANGE,10X25	7T			M6E
			MF140260	BOLT,COOLING FAN	5	FLANGE,10X25	7T			H6
			MF140260	BOLT,COOLING FAN	5	FLANGE,10X25	7T			G6E
			MF140260	BOLT,COOLING FAN	5	FLANGE,10X25	7T			G6,H6E,J6,
			MF140260	BOLT,COOLING FAN	5	FLANGE,10X25	7T			J6E
			MF140260	BOLT,COOLING FAN	5	FLANGE,10X25	7T			G6E,M6
			MF140260	BOLT,COOLING FAN	5	FLANGE,10X25	7T			G6E,K6V,M
			MF140260	BOLT,COOLING FAN	5	FLANGE,10X25	7T			M6VE
			MF140260	BOLT,COOLING FAN	5	FLANGE,10X25	7T			G6,H6,H6E
			MF140260	BOLT,COOLING FAN	5	FLANGE,10X25	7T			J6,J6E
			MF140260	BOLT,COOLING FAN	5	FLANGE,10X25	7T			K6,K6E,M6
			MF140260	BOLT,COOLING FAN	5	FLANGE,10X25	7T			G6V,H6V,H
			MF140260	BOLT,COOLING FAN	5	FLANGE,10X25	7T			J6V,J6VE,K
			MF140260	BOLT,COOLING FAN	5	FLANGE,10X25	7T			K6V,M6VE
			MF140260	BOLT,COOLING FAN	5	FLANGE,10X25	7T			G6,H6,H6E
			MF140260	BOLT,COOLING FAN	5	FLANGE,10X25	7T			J6,J6E
			MF140260	BOLT,COOLING FAN	5	FLANGE,10X25	7T			K6,K6E,M6
			MF140260	BOLT,COOLING FAN	5	FLANGE,10X25	7T			K6,K6E,M6
			MF140260	BOLT,COOLING FAN	5	FLANGE,10X25	7T			G6V,H6V,H
			MF140260	BOLT,COOLING FAN	5	FLANGE,10X25	7T			J6V,J6VE,K
			MF140260	BOLT,COOLING FAN	5	FLANGE,10X25	7T			K6VE,M6VE
			MF140260	BOLT,COOLING FAN	5	FLANGE,10X25	7T			G6,G6E,G6
			MF140260	BOLT,COOLING FAN	5	FLANGE,10X25	7T			H6,H6E,H6
			MF140260	BOLT,COOLING FAN	5	FLANGE,10X25	7T			H6VE,J6,J6
			MF140260	BOLT,COOLING FAN	5	FLANGE,10X25	7T			J6V,J6VE,K
			MF140260	BOLT,COOLING FAN	5	FLANGE,10X25	7T			K6E,K6V,K
			MF140260	BOLT,COOLING FAN	5	FLANGE,10X25	7T			M6,M6E,M6
			MF140260	BOLT,COOLING FAN	5	FLANGE,10X25	7T			G6,G6E,H6
			MF140260	BOLT,COOLING FAN	5	FLANGE,10X25	7T			J6,J6E
			MF140260	BOLT,COOLING FAN	5	FLANGE,10X25	7T			G6,G6V,H6
			MF140260	BOLT,COOLING FAN	5	FLANGE,10X25	7T			H6E,H6V,H
			MF140260	BOLT,COOLING FAN	5	FLANGE,10X25	7T			J6,J6E,J6V
			MF140260	BOLT,COOLING FAN	5	FLANGE,10X25	7T			J6VE,K6,K
			MF140260	BOLT,COOLING FAN	5	FLANGE,10X25	7T			K6V,K6VE,
			MF140260	BOLT,COOLING FAN	5	FLANGE,10X25	7T			M6VE
			MF140260	BOLT,COOLING FAN	7	FLANGE,10X25	7T			G6,G6V,H6
			MF140260	BOLT,COOLING FAN	7	FLANGE,10X25	7T			H6E,H6V,H
			MF140260	BOLT,COOLING FAN	7	FLANGE,10X25	7T			J6,J6E,J6V
			MF140260	BOLT,COOLING FAN	7	FLANGE,10X25	7T			J6VE,K6,K
			MF140260	BOLT,COOLING FAN	7	FLANGE,10X25	7T			K6V,K6VE,
			MF140260	BOLT,COOLING FAN	7	FLANGE,10X25	7T			M6VE
			MF140260	BOLT,COOLING FAN	7	FLANGE,10X25	7T			G6,G6V,H6
			MF140260	BOLT,COOLING FAN	7	FLANGE,10X25	7T			H6E,H6V,H
			MF140260	BOLT,COOLING FAN	7	FLANGE,10X25	7T			J6,J6E,J6V
			MF140260	BOLT,COOLING FAN	7	FLANGE,10X25	7T			J6VE,K6,K
			MF140260	BOLT,COOLING FAN	7	FLANGE,10X25	7T			K6V,K6VE,
			MF140260	BOLT,COOLING FAN	7	FLANGE,10X25	7T			M6VE
			MF140260	BOLT,COOLING FAN	7	FLANGE,10X25	7T			G6,G6V,H6
			MF140260	BOLT,COOLING FAN	7	FLANGE,10X25	7T			H6E,H6V,H
			MF140260	BOLT,COOLING FAN	7	FLANGE,10X25	7T			J6,J6E,J6V
			MF140260	BOLT,COOLING FAN	7	FLANGE,10X25	7T			J6VE,K6,K
			MF140260	BOLT,COOLING FAN	7	FLANGE,10X25	7T			K6V,K6VE,
			MF140260	BOLT,COOLING FAN	7	FLANGE,10X25	7T			M6VE
			MF140260	BOLT,COOLING FAN	7	FLANGE,10X25	7T			G6,H6,H6E
			MF140260	BOLT,COOLING FAN	7	FLANGE,10X25	7T			J6,J6E,K6,
			MF140260	BOLT,COOLING FAN	7	FLANGE,10X25	7T			K6E,M6E
			MF140260	BOLT,COOLING FAN	7	FLANGE,10X25	7T			G6,H6,H6E
			MF140260	BOLT,COOLING FAN	7	FLANGE,10X25	7T			J6,J6E
			MF140260	BOLT,COOLING FAN	7	FLANGE,10X25	7T			G6,G6V,H6
			MF140260	BOLT,COOLING FAN	7	FLANGE,10X25	7T			H6E,H6V,H
			MF140260	BOLT,COOLING FAN	7	FLANGE,10X25	7T			J6,J6E,J6V
			MF140260	BOLT,COOLING FAN	7	FLANGE,10X25	7T			J6VE,K6,K
			MF140260	BOLT,COOLING FAN	7	FLANGE,10X25	7T			K6VE,M6E
		10594B	MF434104	NUT,COOLING FAN	4	FLANGE,8				G6E,K6V,M
			MF434104	NUT,COOLING FAN	4	FLANGE,8				M6VE
			MF434104	NUT,COOLING FAN	4	FLANGE,8				G6,H6,H6E
			MF434104	NUT,COOLING FAN	4	FLANGE,8				J6,J6E
			MF434104	NUT,COOLING FAN	4	FLANGE,8				G6,G6E,G6
			MF434104	NUT,COOLING FAN	4	FLANGE,8				H6,H6E,H6
			MF434104	NUT,COOLING FAN	4	FLANGE,8				H6VE,J6,J6
			MF434104	NUT,COOLING FAN	4	FLANGE,8				J6V,J6VE,K
			MF434104	NUT,COOLING FAN	4	FLANGE,8				K6E,K6V,K
			MF434104	NUT,COOLING FAN	4	FLANGE,8				M6,M6E,M6

**FK74R
14-110 WATER PUMP & FAN**

SPN	Repl Part	PNC	Part No	Part Name	Qty	Part Spec	Remarks	NEW1	NEW2	Classifica
		10594B	MF434104	NUT,COOLING FAN	4	FLANGE,8				G6,G6E,G6 H6,H6E,H6 H6VE,J6,J6 J6V,J6VE,K K6E,K6V,K M6,M6E,M6
			MF434104	NUT,COOLING FAN	4	FLANGE,8				K6,K6E,M6
			MF434104	NUT,COOLING FAN	4	FLANGE,8				G6V,H6V,H J6V,J6VE,H G6,G6V,H6 H6E,H6V,H J6,J6E,J6V J6VE,K6,K K6VE,M6E
			MF434104	NUT,COOLING FAN	4	FLANGE,8				G6,H6,H6E J6,J6E
			MF434104	NUT,COOLING FAN	4	FLANGE,8				G6,H6,H6E J6,J6E,K6, K6E,M6E
		10594C	MF434105	NUT,COOLING FAN	9	FLANGE,10	4T			G6E,K6V,M M6VE
			MF434105	NUT,COOLING FAN	9	FLANGE,10	4T			G6,H6,H6E J6,J6E
			MF434105	NUT,COOLING FAN	9	FLANGE,10	4T			G6,G6E,G6 H6,H6E,H6 H6VE,J6,J6 J6V,J6VE,H K6E,K6V,K M6,M6E,M6
			MF434105	NUT,COOLING FAN	9	FLANGE,10	4T			G6,G6E,G6 H6,H6E,H6 H6VE,J6,J6 J6V,J6VE,H K6E,K6V,K M6,M6E,M6
			MF434105	NUT,COOLING FAN	9	FLANGE,10	4T			K6,K6E,M6 G6V,H6V,H J6V,J6VE,H G6,G6V,H6 H6E,H6V,H J6,J6E,J6V J6VE,K6,K K6VE,M6E
			MF434105	NUT,COOLING FAN	9	FLANGE,10	4T			G6,H6,H6E J6,J6E
			MF434105	NUT,COOLING FAN	9	FLANGE,10	4T			G6,H6,H6E J6,J6E,K6, K6E,M6E

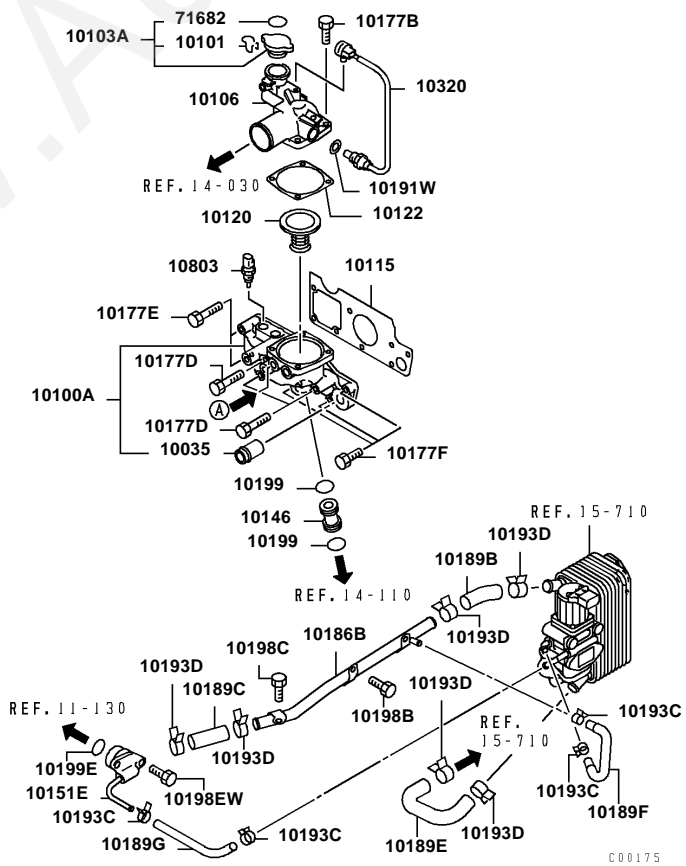
FK74R
No.1



Ref. |2014120

Page

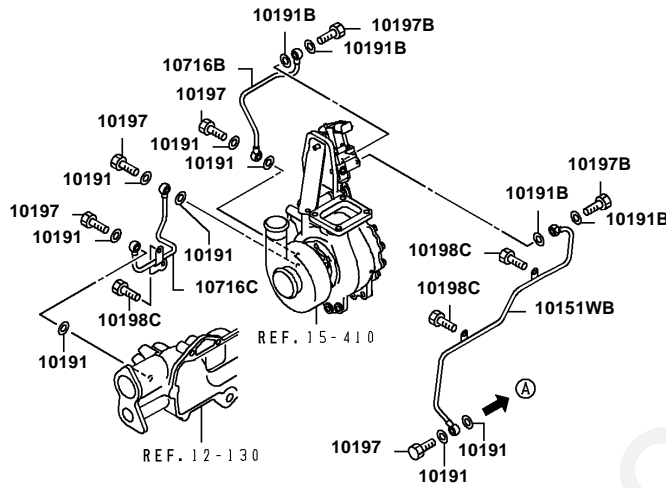
FK74R
No.2



Ref. |2014120

Page

**FK74R
No.3**



C00176

Ref. | 2014120

Page

**FK74R
14-120 WATER PIPE & THERMOSTAT**

Repl Part	PNC	Part No	Part Name	Qty	Part Spec	Remarks	NEW1
	10035	ME223797	PIPE,WATER PUMP TO HEATER	1			
		ME223797	PIPE,WATER PUMP TO HEATER	1			
		ME223797	PIPE,WATER PUMP TO HEATER	1			
		ME223797	PIPE,WATER PUMP TO HEATER	1			
		ME223797	PIPE,WATER PUMP TO HEATER	1			
		ME223797	PIPE,WATER PUMP TO HEATER	1			
		ME223797	PIPE,WATER PUMP TO HEATER	1			
		ME223797	PIPE,WATER PUMP TO HEATER	1			
		ME223797	PIPE,WATER PUMP TO HEATER	1			
		ME223797	PIPE,WATER PUMP TO HEATER	1			
		ME223797	PIPE,WATER PUMP TO HEATER	1			
		ME223797	PIPE,WATER PUMP TO HEATER	1			
		ME223797	PIPE,WATER PUMP TO HEATER	1			
		ME223797	PIPE,WATER PUMP TO HEATER	1			
		ME223797	PIPE,WATER PUMP TO HEATER	1			

Ref. | 2014120

Page

FK74R
14-120 WATER PIPE & THERMOSTAT

Repl Part	PNC	Part No	Part Name	Qty	Part Spec	Remarks	NEW1
	10100A	ME224114	CASE ASSY,THERMOSTAT	1			
		ME225304	CASE ASSY,THERMOSTAT	1			
		ME225304	CASE ASSY,THERMOSTAT	1			
		ME225304	CASE ASSY,THERMOSTAT	1			
		ME225304	CASE ASSY,THERMOSTAT	1			
		ME225304	CASE ASSY,THERMOSTAT	1			
		ME226817	CASE ASSY,THERMOSTAT	1			
		ME226817	CASE ASSY,THERMOSTAT	1			
		ME226817	CASE ASSY,THERMOSTAT	1			
		ME226817	CASE ASSY,THERMOSTAT	1			
		ME226817	CASE ASSY,THERMOSTAT	1			
		ME226817	CASE ASSY,THERMOSTAT	1			
		ME226817	CASE ASSY,THERMOSTAT	1			
	10101	ME293974	FASTENER,COOLING WATER FILLER CAP	1			
RP	10103A	ME401395	CAP ASSY,COOLING WATER FILLER	1			Y
RP		ME401395	CAP ASSY,COOLING WATER FILLER	1			Y
RP		ME401395	CAP ASSY,COOLING WATER FILLER	1			Y
RP		ME401395	CAP ASSY,COOLING WATER FILLER	1			Y
RP		ME401395	CAP ASSY,COOLING WATER FILLER	1			Y
RP		ME401395	CAP ASSY,COOLING WATER FILLER	1			Y
		ME418239	CAP ASSY,COOLING WATER FILLER	1			
		ME418239	CAP ASSY,COOLING WATER FILLER	1			
		ME418239	CAP ASSY,COOLING WATER FILLER	1			

FK74R
14-120 WATER PIPE & THERMOSTAT

Repl Part	PNC	Part No	Part Name	Qty	Part Spec	Remarks	NEW1
	10103A	ME418239	CAP ASSY,COOLING WATER FILLER	1			
		ME418239	CAP ASSY,COOLING WATER FILLER	1			
		ME418239	CAP ASSY,COOLING WATER FILLER	1			
	10106	ME223847	COVER,THERMOSTAT CASE	1			
		ME223847	COVER,THERMOSTAT CASE	1			
		ME223847	COVER,THERMOSTAT CASE	1			
		ME223847	COVER,THERMOSTAT CASE	1			
		ME223847	COVER,THERMOSTAT CASE	1			
		ME226779	COVER,THERMOSTAT CASE	1			
		ME226779	COVER,THERMOSTAT CASE	1			
		ME226779	COVER,THERMOSTAT CASE	1			
		ME226779	COVER,THERMOSTAT CASE	1			
		ME226779	COVER,THERMOSTAT CASE	1			
		ME226779	COVER,THERMOSTAT CASE	1			
		ME226779	COVER,THERMOSTAT CASE	1			
		ME226779	COVER,THERMOSTAT CASE	1			
		ME226779	COVER,THERMOSTAT CASE	1			
			10115	ME221986	GASKET,THERMOSTAT CASE TO CYLINDER HEAD	1	
ME221986	GASKET,THERMOSTAT CASE TO CYLINDER HEAD			1			
ME221986	GASKET,THERMOSTAT CASE TO CYLINDER HEAD			1			
ME221986	GASKET,THERMOSTAT CASE TO CYLINDER HEAD			1			
ME221986	GASKET,THERMOSTAT CASE TO CYLINDER HEAD			1			
ME225731	GASKET,THERMOSTAT CASE TO CYLINDER HEAD			1			
ME225731	GASKET,THERMOSTAT CASE TO CYLINDER HEAD			1			
ME225731	GASKET,THERMOSTAT CASE TO CYLINDER HEAD			1			
ME225731	GASKET,THERMOSTAT CASE TO CYLINDER HEAD			1			
ME225731	GASKET,THERMOSTAT CASE TO CYLINDER HEAD			1			
	10120	ME132896	THERMOSTAT	1			

**FK74R
14-120 WATER PIPE & THERMOSTAT**

Repl Part	PNC	Part No	Part Name	Qty	Part Spec	Remarks	NEW1
	10120	ME132896	THERMOSTAT	1			
		ME132896	THERMOSTAT	1			
		ME132896	THERMOSTAT	1			
		ME132896	THERMOSTAT	1			
		ME132896	THERMOSTAT	1			
		ME132896	THERMOSTAT	1			
		ME132896	THERMOSTAT	1			
		ME132896	THERMOSTAT	1			
		ME132896	THERMOSTAT	1			
		ME132896	THERMOSTAT	1			
		ME132896	THERMOSTAT	1			
	10122	ME075233	GASKET,THERMOSTAT COVER	1			
		ME075233	GASKET,THERMOSTAT COVER	1			
		ME075233	GASKET,THERMOSTAT COVER	1			
		ME075233	GASKET,THERMOSTAT COVER	1			
		ME075233	GASKET,THERMOSTAT COVER	1			
		ME303426	GASKET,THERMOSTAT COVER	1			
		ME303426	GASKET,THERMOSTAT COVER	1			
		ME303426	GASKET,THERMOSTAT COVER	1			
		ME303426	GASKET,THERMOSTAT COVER	1			
		ME303426	GASKET,THERMOSTAT COVER	1			
		ME303426	GASKET,THERMOSTAT COVER	1			
		ME303426	GASKET,THERMOSTAT COVER	1			
		ME303426	GASKET,THERMOSTAT COVER	1			
	10138	ME224387	BRACKET,THERMOSTAT CASE	1			
	10146	ME222105	PIPE,THERMOSTAT WATER BY-PASS	1			

**FK74R
14-120 WATER PIPE & THERMOSTAT**

Repl Part	PNC	Part No	Part Name	Qty	Part Spec	Remarks	NEW1
	10146	ME222105	PIPE,THERMOSTAT WATER BY-PASS	1			
		ME222105	PIPE,THERMOSTAT WATER BY-PASS	1			
		ME222105	PIPE,THERMOSTAT WATER BY-PASS	1			
		ME222105	PIPE,THERMOSTAT WATER BY-PASS	1			
		ME222105	PIPE,THERMOSTAT WATER BY-PASS	1			
		ME222105	PIPE,THERMOSTAT WATER BY-PASS	1			
		ME222105	PIPE,THERMOSTAT WATER BY-PASS	1			
		ME222105	PIPE,THERMOSTAT WATER BY-PASS	1			
		ME222105	PIPE,THERMOSTAT WATER BY-PASS	1			
		ME222105	PIPE,THERMOSTAT WATER BY-PASS	1			
		ME222105	PIPE,THERMOSTAT WATER BY-PASS	1			
		ME222105	PIPE,THERMOSTAT WATER BY-PASS	1			
	10151B	ME222865	PIPE,COOLING WATER OUTLET	1			
	10151E	ME221807	PIPE,COOLING WATER OUTLET	1			
		ME221807	PIPE,COOLING WATER OUTLET	1			
		ME221807	PIPE,COOLING WATER OUTLET	1			
		ME221807	PIPE,COOLING WATER OUTLET	1			
		ME221807	PIPE,COOLING WATER OUTLET	1			
		ME221807	PIPE,COOLING WATER OUTLET	1			
		ME221807	PIPE,COOLING WATER OUTLET	1			
		ME221807	PIPE,COOLING WATER OUTLET	1			
		ME221807	PIPE,COOLING WATER OUTLET	1			
		ME221807	PIPE,COOLING WATER OUTLET	1			
		ME221807	PIPE,COOLING WATER OUTLET	1			
		ME221807	PIPE,COOLING WATER OUTLET	1			
		ME221807	PIPE,COOLING WATER OUTLET	1			
		ME221807	PIPE,COOLING WATER OUTLET	1			
	10151WB	ME226977	PIPE,COOLING WATER OUTLET	1			

FK74R
14-120 WATER PIPE & THERMOSTAT

Repl Part	PNC	Part No	Part Name	Qty	Part Spec	Remarks	NEW1		
10151WB		ME226977	PIPE,COOLING WATER OUTLET	1					
		ME226977	PIPE,COOLING WATER OUTLET	1					
		ME226977	PIPE,COOLING WATER OUTLET	1					
		ME226977	PIPE,COOLING WATER OUTLET	1					
		ME226977	PIPE,COOLING WATER OUTLET	1					
		10177B		MF140227	BOLT,THERMOSTAT	4	FLANGE,8X25	7T	
				MF140227	BOLT,THERMOSTAT	4	FLANGE,8X25	7T	
				MF140227	BOLT,THERMOSTAT	4	FLANGE,8X25	7T	
				MF140227	BOLT,THERMOSTAT	4	FLANGE,8X25	7T	
				MF140227	BOLT,THERMOSTAT	4	FLANGE,8X25	7T	
				MF140227	BOLT,THERMOSTAT	4	FLANGE,8X25	7T	
				MF140227	BOLT,THERMOSTAT	4	FLANGE,8X25	7T	
				MF140227	BOLT,THERMOSTAT	4	FLANGE,8X25	7T	
				MF140227	BOLT,THERMOSTAT	4	FLANGE,8X25	7T	
				MF140227	BOLT,THERMOSTAT	4	FLANGE,8X25	7T	
10177BB		MF140223	BOLT,THERMOSTAT	1	FLANGE,8X16	7T			
10177D		MF140243	BOLT,THERMOSTAT	2	FLANGE,8X85	7T			
		MF140243	BOLT,THERMOSTAT	2	FLANGE,8X85	7T			
		MF140243	BOLT,THERMOSTAT	2	FLANGE,8X85	7T			
		MF140243	BOLT,THERMOSTAT	2	FLANGE,8X85	7T			
		MF140243	BOLT,THERMOSTAT	2	FLANGE,8X85	7T			
		MF140243	BOLT,THERMOSTAT	2	FLANGE,8X85	7T			
		MF140243	BOLT,THERMOSTAT	2	FLANGE,8X85	7T			
		MF140243	BOLT,THERMOSTAT	2	FLANGE,8X85	7T			
		MF140243	BOLT,THERMOSTAT	2	FLANGE,8X85	7T			
		MF140243	BOLT,THERMOSTAT	2	FLANGE,8X85	7T			

FK74R
14-120 WATER PIPE & THERMOSTAT

Repl Part	PNC	Part No	Part Name	Qty	Part Spec	Remarks	NEW1
	10177D	MF140243	BOLT,THERMOSTAT	2	FLANGE,8X85	7T	
	10177E	MF140236	BOLT,THERMOSTAT	1	FLANGE,8X55	7T	
		MF140236	BOLT,THERMOSTAT	1	FLANGE,8X55	7T	
		MF140236	BOLT,THERMOSTAT	1	FLANGE,8X55	7T	
		MF140236	BOLT,THERMOSTAT	1	FLANGE,8X55	7T	
		MF140236	BOLT,THERMOSTAT	1	FLANGE,8X55	7T	
		MF140236	BOLT,THERMOSTAT	1	FLANGE,8X55	7T	
		MF140236	BOLT,THERMOSTAT	1	FLANGE,8X55	7T	
		MF140236	BOLT,THERMOSTAT	1	FLANGE,8X55	7T	
		MF140236	BOLT,THERMOSTAT	1	FLANGE,8X55	7T	
		MF140236	BOLT,THERMOSTAT	1	FLANGE,8X55	7T	
	10177F	MF140229	BOLT,THERMOSTAT	5	FLANGE,8X30	7T	
		MF140229	BOLT,THERMOSTAT	5	FLANGE,8X30	7T	
		MF140229	BOLT,THERMOSTAT	5	FLANGE,8X30	7T	
		MF140229	BOLT,THERMOSTAT	5	FLANGE,8X30	7T	
		MF140229	BOLT,THERMOSTAT	5	FLANGE,8X30	7T	
		MF140229	BOLT,THERMOSTAT	5	FLANGE,8X30	7T	
		MF140229	BOLT,THERMOSTAT	5	FLANGE,8X30	7T	
		MF140229	BOLT,THERMOSTAT	5	FLANGE,8X30	7T	
	10177G	MF140238	BOLT,THERMOSTAT	2	FLANGE,8X65	7T	
	10186B	ME224460	PIPE,COOLING WATER LINE	1			

FK74R
14-120 WATER PIPE & THERMOSTAT

Repl Part	PNC	Part No	Part Name	Qty	Part Spec	Remarks	NEW1
	10186B	ME224460	PIPE,COOLING WATER LINE	1			
		ME224460	PIPE,COOLING WATER LINE	1			
		ME224460	PIPE,COOLING WATER LINE	1			
		ME224460	PIPE,COOLING WATER LINE	1			
		ME225842	PIPE,COOLING WATER LINE	1			
		ME225842	PIPE,COOLING WATER LINE	1			
		ME225842	PIPE,COOLING WATER LINE	1			
		ME225842	PIPE,COOLING WATER LINE	1			
		ME225842	PIPE,COOLING WATER LINE	1			
		ME225842	PIPE,COOLING WATER LINE	1			
		ME225842	PIPE,COOLING WATER LINE	1			
		ME225842	PIPE,COOLING WATER LINE	1			
	10189B	ME223150	HOSE,COOLING WATER LINE	1	18		
		ME223150	HOSE,COOLING WATER LINE	1	18		
		ME223150	HOSE,COOLING WATER LINE	1	18		
		ME223150	HOSE,COOLING WATER LINE	1	18		
		ME223150	HOSE,COOLING WATER LINE	1	18		
		ME224297	HOSE,COOLING WATER LINE	1	25X100		
		ME224297	HOSE,COOLING WATER LINE	1	25X100		
		ME224297	HOSE,COOLING WATER LINE	1	25X100		
		ME224297	HOSE,COOLING WATER LINE	1	25X100		
		ME224297	HOSE,COOLING WATER LINE	1	25X100		
		ME224297	HOSE,COOLING WATER LINE	1	25X100		
		ME224297	HOSE,COOLING WATER LINE	1	25X100		
	10189C	ME223151	HOSE,COOLING WATER LINE	1	18		
		ME223151	HOSE,COOLING WATER LINE	1	18		

FK74R
14-120 WATER PIPE & THERMOSTAT

Repl Part	PNC	Part No	Part Name	Qty	Part Spec	Remarks	NEW1
	10189C	ME223151	HOSE,COOLING WATER LINE	1	18		
		ME223151	HOSE,COOLING WATER LINE	1	18		
		ME223151	HOSE,COOLING WATER LINE	1	18		
		ME223151	HOSE,COOLING WATER LINE	1	18		
		ME223151	HOSE,COOLING WATER LINE	1	18		
		ME223151	HOSE,COOLING WATER LINE	1	18		
		ME223151	HOSE,COOLING WATER LINE	1	18		
		ME223151	HOSE,COOLING WATER LINE	1	18		
		ME223151	HOSE,COOLING WATER LINE	1	18		
		ME223151	HOSE,COOLING WATER LINE	1	18		
		ME223151	HOSE,COOLING WATER LINE	1	18		
		ME223151	HOSE,COOLING WATER LINE	1	18		
		ME223151	HOSE,COOLING WATER LINE	1	18		
	10189E	ME222863	HOSE,COOLING WATER LINE	1	18		
		ME222863	HOSE,COOLING WATER LINE	1	18		
		ME222863	HOSE,COOLING WATER LINE	1	18		
		ME222863	HOSE,COOLING WATER LINE	1	18		
		ME222863	HOSE,COOLING WATER LINE	1	18		
		ME222863	HOSE,COOLING WATER LINE	1	18		
		ME222863	HOSE,COOLING WATER LINE	1	18		
		ME224296	HOSE,COOLING WATER LINE	1	25		
		ME224296	HOSE,COOLING WATER LINE	1	25		
		ME224296	HOSE,COOLING WATER LINE	1	25		
		ME224296	HOSE,COOLING WATER LINE	1	25		
		ME224296	HOSE,COOLING WATER LINE	1	25		
		ME224296	HOSE,COOLING WATER LINE	1	25		
		ME224296	HOSE,COOLING WATER LINE	1	25		
		ME224296	HOSE,COOLING WATER LINE	1	25		
	10189F	ME223152	HOSE,COOLING WATER LINE	1	8		
		ME223152	HOSE,COOLING WATER LINE	1	8		
		ME223152	HOSE,COOLING WATER LINE	1	8		

FK74R
14-120 WATER PIPE & THERMOSTAT

Repl Part	PNC	Part No	Part Name	Qty	Part Spec	Remarks	NEW1
	10189F	ME223152	HOSE,COOLING WATER LINE	1	8		
		ME223152	HOSE,COOLING WATER LINE	1	8		
		ME224294	HOSE,COOLING WATER LINE	1	14X170		
		ME224294	HOSE,COOLING WATER LINE	1	14X170		
		ME224294	HOSE,COOLING WATER LINE	1	14X170		
		ME224294	HOSE,COOLING WATER LINE	1	14X170		
		ME224294	HOSE,COOLING WATER LINE	1	14X170		
		ME224294	HOSE,COOLING WATER LINE	1	14X170		
		ME224294	HOSE,COOLING WATER LINE	1	14X170		
		ME224294	HOSE,COOLING WATER LINE	1	14X170		
	10189G	ME222279	HOSE,COOLING WATER LINE	1	D=8		
		ME222279	HOSE,COOLING WATER LINE	1	D=8		
		ME222279	HOSE,COOLING WATER LINE	1	D=8		
		ME222279	HOSE,COOLING WATER LINE	1	D=8		
		ME222279	HOSE,COOLING WATER LINE	1	D=8		
		ME222279	HOSE,COOLING WATER LINE	1	D=8		
		ME224295	HOSE,COOLING WATER LINE	1	14X110		
		ME224295	HOSE,COOLING WATER LINE	1	14X110		
		ME224295	HOSE,COOLING WATER LINE	1	14X110		
		ME224295	HOSE,COOLING WATER LINE	1	14X110		
		ME224295	HOSE,COOLING WATER LINE	1	14X110		
		ME224295	HOSE,COOLING WATER LINE	1	14X110		
		ME224295	HOSE,COOLING WATER LINE	1	14X110		
		ME224295	HOSE,COOLING WATER LINE	1	14X110		
	10191	MF660064	GASKET,COOLING WATER LINE	4	D=12		
		MF660064	GASKET,COOLING WATER LINE	4	D=12		
		MF660064	GASKET,COOLING WATER LINE	4	D=12		
		MF660064	GASKET,COOLING WATER LINE	4	D=12		
		MF660064	GASKET,COOLING WATER LINE	4	D=12		

FK74R
14-120 WATER PIPE & THERMOSTAT

Repl Part	PNC	Part No	Part Name	Qty	Part Spec	Remarks	NEW1
	10191	MF660064	GASKET,COOLING WATER LINE	8	D=12		
		MF660064	GASKET,COOLING WATER LINE	8	D=12		
		MF660064	GASKET,COOLING WATER LINE	8	D=12		
		MF660064	GASKET,COOLING WATER LINE	8	D=12		
		MF660064	GASKET,COOLING WATER LINE	8	D=12		
		MF660064	GASKET,COOLING WATER LINE	8	D=12		
	10191B	MF660065	GASKET,COOLING WATER LINE	4	D=14		
		MF660065	GASKET,COOLING WATER LINE	4	D=14		
		MF660065	GASKET,COOLING WATER LINE	4	D=14		
		MF660065	GASKET,COOLING WATER LINE	4	D=14		
		MF660065	GASKET,COOLING WATER LINE	4	D=14		
		MF660063	GASKET,COOLING WATER LINE	4	D=10		
		MF660063	GASKET,COOLING WATER LINE	4	D=10		
		MF660063	GASKET,COOLING WATER LINE	4	D=10		
		MF660063	GASKET,COOLING WATER LINE	4	D=10		
		MF660063	GASKET,COOLING WATER LINE	4	D=10		
		MF660063	GASKET,COOLING WATER LINE	4	D=10		
		MF660063	GASKET,COOLING WATER LINE	4	D=10		
	10191W	MF660037	GASKET,COOLING WATER LINE	1	D=18		
		MF660037	GASKET,COOLING WATER LINE	1	D=18		
		MF660037	GASKET,COOLING WATER LINE	1	D=18		
		MF660037	GASKET,COOLING WATER LINE	1	D=18		
		MF660037	GASKET,COOLING WATER LINE	1	D=18		
		MF660037	GASKET,COOLING WATER LINE	1	D=18		
		MF660037	GASKET,COOLING WATER LINE	1	D=18		
		MF660037	GASKET,COOLING WATER LINE	1	D=18		
		MF660037	GASKET,COOLING WATER LINE	1	D=18		

FK74R
14-120 WATER PIPE & THERMOSTAT

Repl Part	PNC	Part No	Part Name	Qty	Part Spec	Remarks	NEW1
	10191W	MF660037	GASKET,COOLING WATER LINE	1	D=18		
		MF660037	GASKET,COOLING WATER LINE	1	D=18		
		MF660037	GASKET,COOLING WATER LINE	1	D=18		
	10193C	MS660164	CLIP,COOLING WATER LINE	4	DIAMETER:13.1		
		MS660164	CLIP,COOLING WATER LINE	4	DIAMETER:13.1		
		MS660164	CLIP,COOLING WATER LINE	4	DIAMETER:13.1		
		MS660164	CLIP,COOLING WATER LINE	4	DIAMETER:13.1		
		MS660164	CLIP,COOLING WATER LINE	4	DIAMETER:13.1		
		MS660164	CLIP,COOLING WATER LINE	4	DIAMETER:13.1		
		MS660175	CLIP,COOLING WATER LINE	4	D=12.5		
		MS660175	CLIP,COOLING WATER LINE	4	D=12.5		
		MS660175	CLIP,COOLING WATER LINE	4	D=12.5		
		MS660175	CLIP,COOLING WATER LINE	4	D=12.5		
		MS660175	CLIP,COOLING WATER LINE	4	D=12.5		
		MS660175	CLIP,COOLING WATER LINE	4	D=12.5		
		MS660175	CLIP,COOLING WATER LINE	4	D=12.5		
		MS660175	CLIP,COOLING WATER LINE	4	D=12.5		
	10193D	MS660172	CLIP,COOLING WATER LINE	6	D=23		
		MS660172	CLIP,COOLING WATER LINE	6	D=23		
		MS660172	CLIP,COOLING WATER LINE	6	D=23		
		MS660172	CLIP,COOLING WATER LINE	6	D=23		
		MS660172	CLIP,COOLING WATER LINE	6	D=23		
		MS660172	CLIP,COOLING WATER LINE	6	D=23		
		MS660172	CLIP,COOLING WATER LINE	6	D=23		
		MS660172	CLIP,COOLING WATER LINE	6	D=23		
		MS660172	CLIP,COOLING WATER LINE	6	D=23		

FK74R
14-120 WATER PIPE & THERMOSTAT

Repl Part	PNC	Part No	Part Name	Qty	Part Spec	Remarks	NEW1
	10193D	MS660172	CLIP,COOLING WATER LINE	6	D=23		
	10193P	ME222175	CLIP,COOLING WATER LINE	1	13.5X2		
RP	10197	MF650113	EYEBOLT,COOLING WATER LINE	2	12X23		Y
RP		MF650113	EYEBOLT,COOLING WATER LINE	2	12X23		Y
RP		MF650113	EYEBOLT,COOLING WATER LINE	2	12X23		Y
RP		MF650113	EYEBOLT,COOLING WATER LINE	2	12X23		Y
RP		MF650113	EYEBOLT,COOLING WATER LINE	2	12X23		Y
RP		MF650113	EYEBOLT,COOLING WATER LINE	4	12X23		Y
RP		MF650113	EYEBOLT,COOLING WATER LINE	4	12X23		Y
RP		MF650113	EYEBOLT,COOLING WATER LINE	4	12X23		Y
RP		MF650113	EYEBOLT,COOLING WATER LINE	4	12X23		Y
RP		MF650113	EYEBOLT,COOLING WATER LINE	4	12X23		Y
RP		MF650113	EYEBOLT,COOLING WATER LINE	4	12X23		Y
RP		MF650113	EYEBOLT,COOLING WATER LINE	4	12X23		Y
RP		MF650113	EYEBOLT,COOLING WATER LINE	4	12X23		Y
RP		MF650113	EYEBOLT,COOLING WATER LINE	4	12X23		Y
RP	10197B	MF650113	EYEBOLT,COOLING WATER LINE	4	12X23		Y
RP		MF650113	EYEBOLT,COOLING WATER LINE	4	12X23		Y
		MH037087	EYEBOLT,COOLING WATER LINE	2	14X26		
		MH037087	EYEBOLT,COOLING WATER LINE	2	14X26		
		MH037087	EYEBOLT,COOLING WATER LINE	2	14X26		
		MH037087	EYEBOLT,COOLING WATER LINE	2	14X26		
		MH037087	EYEBOLT,COOLING WATER LINE	2	14X26		
		MH037087	EYEBOLT,COOLING WATER LINE	2	14X26		
		MF650102	EYEBOLT,COOLING WATER LINE	2	10X20		
		MF650102	EYEBOLT,COOLING WATER LINE	2	10X20		
		MF650102	EYEBOLT,COOLING WATER LINE	2	10X20		
		MF650102	EYEBOLT,COOLING WATER LINE	2	10X20		
		MF650102	EYEBOLT,COOLING WATER LINE	2	10X20		
		MF650102	EYEBOLT,COOLING WATER LINE	2	10X20		
		MF650102	EYEBOLT,COOLING WATER LINE	2	10X20		
		MF650102	EYEBOLT,COOLING WATER LINE	2	10X20		

FK74R
14-120 WATER PIPE & THERMOSTAT

Repl Part	PNC	Part No	Part Name	Qty	Part Spec	Remarks	NEW1
	10198B	MF140221	BOLT,COOLING WATER LINE	2	FLANGE,8X12	7T	
		MF140221	BOLT,COOLING WATER LINE	2	FLANGE,8X12	7T	
		MF140221	BOLT,COOLING WATER LINE	2	FLANGE,8X12	7T	
		MF140221	BOLT,COOLING WATER LINE	2	FLANGE,8X12	7T	
		MF140221	BOLT,COOLING WATER LINE	2	FLANGE,8X12	7T	
		MF140221	BOLT,COOLING WATER LINE	2	FLANGE,8X12	7T	
		MF140221	BOLT,COOLING WATER LINE	2	FLANGE,8X12	7T	
	10198C	MF140224	BOLT,COOLING WATER LINE	1	FLANGE,8X18	7T	
		MF140224	BOLT,COOLING WATER LINE	1	FLANGE,8X18	7T	
		MF140224	BOLT,COOLING WATER LINE	1	FLANGE,8X18	7T	
		MF140224	BOLT,COOLING WATER LINE	1	FLANGE,8X18	7T	
		MF140224	BOLT,COOLING WATER LINE	1	FLANGE,8X18	7T	
		MF140224	BOLT,COOLING WATER LINE	1	FLANGE,8X18	7T	
		MF140224	BOLT,COOLING WATER LINE	1	FLANGE,8X18	7T	
		MF140223	BOLT,COOLING WATER LINE	3	FLANGE,8X16	7T	
		MF140223	BOLT,COOLING WATER LINE	3	FLANGE,8X16	7T	
		MF140223	BOLT,COOLING WATER LINE	3	FLANGE,8X16	7T	
		MF140223	BOLT,COOLING WATER LINE	3	FLANGE,8X16	7T	
		MF140223	BOLT,COOLING WATER LINE	3	FLANGE,8X16	7T	
		MF140223	BOLT,COOLING WATER LINE	3	FLANGE,8X16	7T	
		MF140224	BOLT,COOLING WATER LINE	1	FLANGE,8X18	7T	
		MF140223	BOLT,COOLING WATER LINE	3	FLANGE,8X16	7T	
		MF140224	BOLT,COOLING WATER LINE	1	FLANGE,8X18	7T	
		MF140223	BOLT,COOLING WATER LINE	3	FLANGE,8X16	7T	
		MF140224	BOLT,COOLING WATER LINE	1	FLANGE,8X18	7T	

FK74R
14-120 WATER PIPE & THERMOSTAT

Repl Part	PNC	Part No	Part Name	Qty	Part Spec	Remarks	NEW1
	10198CD	MF140223	BOLT,COOLING WATER LINE	3	FLANGE,8X16	7T	
	10198D	MF140225	BOLT,COOLING WATER LINE	2	FLANGE,8X20	7T	
	10198EW	MF140225	BOLT,COOLING WATER LINE	2	FLANGE,8X20	7T	
		MF140225	BOLT,COOLING WATER LINE	2	FLANGE,8X20	7T	
		MF140225	BOLT,COOLING WATER LINE	2	FLANGE,8X20	7T	
		MF140225	BOLT,COOLING WATER LINE	2	FLANGE,8X20	7T	
		MF140225	BOLT,COOLING WATER LINE	2	FLANGE,8X20	7T	
		MF140225	BOLT,COOLING WATER LINE	2	FLANGE,8X20	7T	
	10198F	MF140005	BOLT,COOLING WATER LINE	2	FLANGE,6X16	4T	
		MF140005	BOLT,COOLING WATER LINE	2	FLANGE,6X16	4T	
	10199	MH035683	O-RING,COOLING WATER LINE	2	D=24.7		
		MH035683	O-RING,COOLING WATER LINE	2	D=24.7		
		MH035683	O-RING,COOLING WATER LINE	2	D=24.7		
		MH035683	O-RING,COOLING WATER LINE	2	D=24.7		
		MH035683	O-RING,COOLING WATER LINE	2	D=24.7		
		MH035683	O-RING,COOLING WATER LINE	2	D=24.7		
		MH035683	O-RING,COOLING WATER LINE	2	D=24.7		
		MH035683	O-RING,COOLING WATER LINE	2	D=24.7		
		MH035683	O-RING,COOLING WATER LINE	2	D=24.7		
		MH035683	O-RING,COOLING WATER LINE	2	D=24.7		
		MH035683	O-RING,COOLING WATER LINE	2	D=24.7		
		MH035683	O-RING,COOLING WATER LINE	2	D=24.7		

FK74R
14-120 WATER PIPE & THERMOSTAT

Repl Part	PNC	Part No	Part Name	Qty	Part Spec	Remarks	NEW1	
	10199D	MH035639	O-RING,COOLING WATER LINE	1	D=25			
	10199E	MH035634	O-RING,COOLING WATER LINE	1	D=35			
		MH035634	O-RING,COOLING WATER LINE	1	D=35			
		MH035634	O-RING,COOLING WATER LINE	1	D=35			
		MH035634	O-RING,COOLING WATER LINE	1	D=35			
		MH035634	O-RING,COOLING WATER LINE	1	D=35			
		MH035634	O-RING,COOLING WATER LINE	1	D=35			
		MH035634	O-RING,COOLING WATER LINE	1	D=35			
		MH035634	O-RING,COOLING WATER LINE	1	D=35			
		MH035634	O-RING,COOLING WATER LINE	1	D=35			
		MH035634	O-RING,COOLING WATER LINE	1	D=35			
		MH035634	O-RING,COOLING WATER LINE	1	D=35			
		MH035634	O-RING,COOLING WATER LINE	1	D=35			
		10320	MK999525	SENSOR KIT,RADIATOR WATER LEVEL	1			
			MK999525	SENSOR KIT,RADIATOR WATER LEVEL	1			
	MK999525		SENSOR KIT,RADIATOR WATER LEVEL	1				
	MK999525		SENSOR KIT,RADIATOR WATER LEVEL	1				
	MK999525		SENSOR KIT,RADIATOR WATER LEVEL	1				
	MK999525		SENSOR KIT,RADIATOR WATER LEVEL	1				
	MK999525		SENSOR KIT,RADIATOR WATER LEVEL	1				
	MK999525		SENSOR KIT,RADIATOR WATER LEVEL	1				
	MK999525		SENSOR KIT,RADIATOR WATER LEVEL	1				
	MK999525		SENSOR KIT,RADIATOR WATER LEVEL	1				

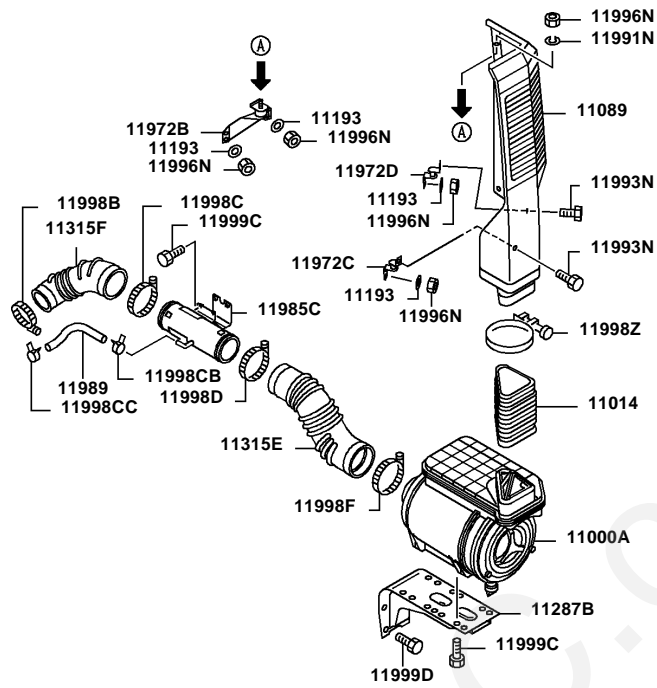
FK74R
14-120 WATER PIPE & THERMOSTAT

Repl Part	PNC	Part No	Part Name	Qty	Part Spec	Remarks	NEW1
	10716	ME223347	PIPE,T/C WATER FEED	1			
	10716B	ME227465	PIPE,T/C WATER FEED	1			
		ME227465	PIPE,T/C WATER FEED	1			
		ME227465	PIPE,T/C WATER FEED	1			
		ME227465	PIPE,T/C WATER FEED	1			
		ME227465	PIPE,T/C WATER FEED	1			
	10716C	ME227458	PIPE,T/C WATER FEED	1			
		ME227458	PIPE,T/C WATER FEED	1			
		ME227458	PIPE,T/C WATER FEED	1			
		ME227458	PIPE,T/C WATER FEED	1			
		ME227458	PIPE,T/C WATER FEED	1			
		ME227458	PIPE,T/C WATER FEED	1			
		ME227458	PIPE,T/C WATER FEED	1			
	10717	ME224488	PIPE,T/C WATER RETURN	1			
	10801	MC844972	GAUGE UNIT,WATER TEMPERATURE	1		T-TYPE TERMINAL	
	10803	ME202053	SENSOR UNIT,WATER TEMPERATURE	1			
		ME202053	SENSOR UNIT,WATER TEMPERATURE	1			
		ME202053	SENSOR UNIT,WATER TEMPERATURE	1			
		ME202053	SENSOR UNIT,WATER TEMPERATURE	1			
		ME202053	SENSOR UNIT,WATER TEMPERATURE	1			
		ME202053	SENSOR UNIT,WATER TEMPERATURE	1			
		ME202053	SENSOR UNIT,WATER TEMPERATURE	1			
		ME202053	SENSOR UNIT,WATER TEMPERATURE	1			
		ME202053	SENSOR UNIT,WATER TEMPERATURE	1			
		ME202053	SENSOR UNIT,WATER TEMPERATURE	1			
		ME202053	SENSOR UNIT,WATER TEMPERATURE	1			
		ME202053	SENSOR UNIT,WATER TEMPERATURE	1			
		ME202053	SENSOR UNIT,WATER TEMPERATURE	1			
		ME202053	SENSOR UNIT,WATER TEMPERATURE	1			
		ME202053	SENSOR UNIT,WATER TEMPERATURE	1			
		ME202053	SENSOR UNIT,WATER TEMPERATURE	1			
		ME202053	SENSOR UNIT,WATER TEMPERATURE	1			
		ME202053	SENSOR UNIT,WATER TEMPERATURE	1			
		ME202053	SENSOR UNIT,WATER TEMPERATURE	1			
		ME202053	SENSOR UNIT,WATER TEMPERATURE	1			
		ME202053	SENSOR UNIT,WATER TEMPERATURE	1			
		ME202053	SENSOR UNIT,WATER TEMPERATURE	1			

FK74R
14-120 WATER PIPE & THERMOSTAT

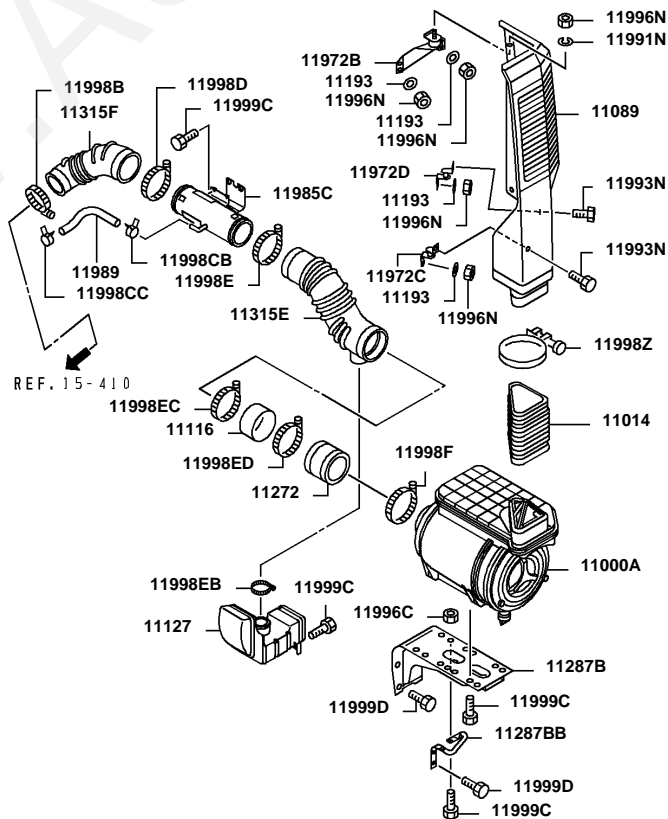
Repl Part	PNC	Part No	Part Name	Qty	Part Spec	Remarks	NEW1
	10803	ME202053	SENSOR UNIT,WATER TEMPERATURE	1			
	71682	ME018999	LABEL,RADIATOR CAUTION	1			
		ME018999	LABEL,RADIATOR CAUTION	1			
		ME018999	LABEL,RADIATOR CAUTION	1			
		ME018999	LABEL,RADIATOR CAUTION	1			
		ME018999	LABEL,RADIATOR CAUTION	1			
		ME018999	LABEL,RADIATOR CAUTION	1			
		ME018999	LABEL,RADIATOR CAUTION	1			
		ME417516	LABEL,RADIATOR CAUTION	1			
		ME417516	LABEL,RADIATOR CAUTION	1			
		ME417516	LABEL,RADIATOR CAUTION	1			
		ME417516	LABEL,RADIATOR CAUTION	1			
		ME417516	LABEL,RADIATOR CAUTION	1			
		ME417516	LABEL,RADIATOR CAUTION	1			
		ME417516	LABEL,RADIATOR CAUTION	1			

FK74R
No.1



C00142

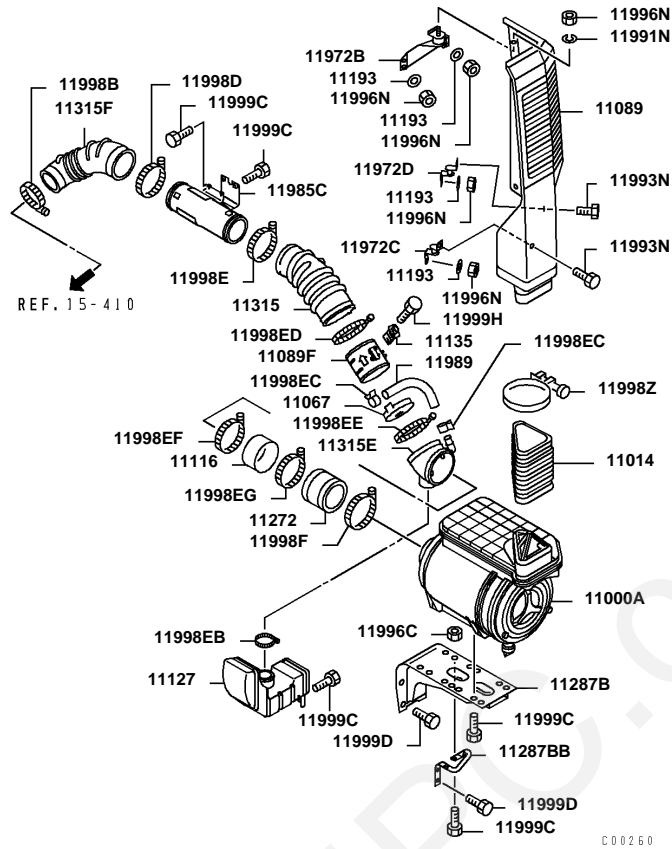
FK74R
No.2



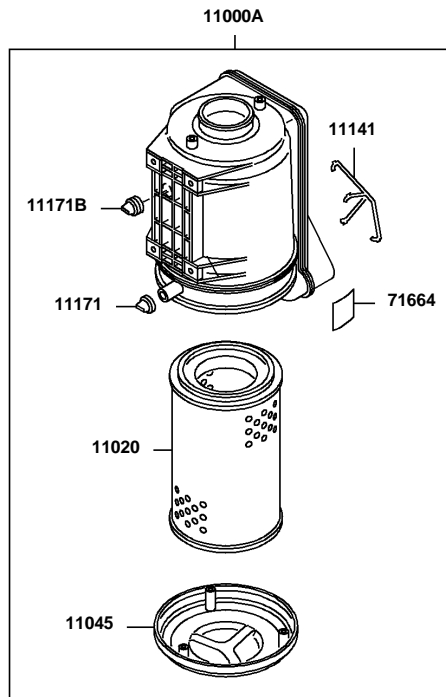
REF. 15-410

C00206

FK74R
No.3



FK74R
No.4



FK74R
15-010 AIR CLEANER & INTAKE

Repl Part	PNC	Part No	Part Name	Qty	Part Spec	Remarks	PREV.1	NEW1	Clas
RP	11000A	ME403754	AIR CLEANER ASSY	1					G6,0 H6E K6,K M6E
		ME414213	AIR CLEANER ASSY	1					G6,0 H6E J6,J J6V K6V M6V
		ME414241	AIR CLEANER ASSY	1					Y G6,0 H6E J6,J J6V K6V M6V
		ME422842	AIR CLEANER ASSY	1					G6,0 H6E J6,J J6V K6V
		11014	ME410879	BOOT,AIR CLEANER DUCT	1				
RP	11020	ME073160	ELEMENT,AIR CLEANER	1					M6,I G6,0 H6,H H6V J6V K6E
		ME413507	ELEMENT,AIR CLEANER	1					M6,I G6,0 H6E J6,J J6V K6V
		ME283090	COVER,AIR CLEANER	1				O	G6,0 H6E K6,K M6E
RP	11045	ME422844	COVER,AIR CLEANER	1					G6,0 H6E J6,J J6V K6V M6V
		ME283090	COVER,AIR CLEANER	1				O	G6,0 H6E J6,J J6V K6V
RP	11067	ME422844	COVER,AIR CLEANER	1					G6,0 H6E J6,J J6V K6V
		ME413494	FILTER,AIR CLEANER SECONDARY	1					G6,0 H6E J6,J J6V K6V
RP	11089	ME403755	DUCT,AIR CLEANER INTAKE	1					G6,0 H6E K6,K M6E
		ME411170	DUCT,AIR CLEANER INTAKE	1					G6,0 H6E J6,J J6V K6V M6V

FK74R
15-010 AIR CLEANER & INTAKE

Repl Part	PNC	Part No	Part Name	Qty	Part Spec	Remarks	PREV.1	NEW1	Clas
	11089F	ME413482	DUCT,AIR CLEANER INTAKE	1					G6,C H6E J6,J J6V K6V
	11116	ME406262	PIPE,AIR CLEANER INTAKE	1					H6E J6V M6E
		ME406262	PIPE,AIR CLEANER INTAKE	1					H6E J6V M6E
	11127	ME412945	RESONATOR,AIR CLEANER	1					G6,C H6E J6,J J6V K6V M6V
	11135	ME226022	SENSOR,AIR CLEANER AIR FLOW	1					G6,C H6E J6,J J6V K6V M6V
	11141	ME295417	GUIDE,AIR CLEANER LWR DUCT	1					G6,C H6,H H6V J6V K6E
	11171	ME033634	VALVE,AIR CLEANER VACUATOR	1					M6,I G6,C H6,H H6V J6V K6E
	11171B	ME295366	VALVE,AIR CLEANER VACUATOR	1					M6,I G6,C H6,H H6V J6V K6E
	11193	MC006382	PLATE,AIR CLEANER INTAKE DUCT	8	PLAIN,8				M6,I G6,C H6,H H6V J6V K6E
	11272	ME406533	HOSE,AIR CLEANER	1	RUBBER,113.3				M6,I H6E J6V M6E
		ME406533	HOSE,AIR CLEANER	1	RUBBER,113.3				H6E J6V M6E
	11287B	ME412182	BRACKET,AIR CLEANER	1					G6,H K6,M G6E K6E
		ME412183	BRACKET,AIR CLEANER	1					G6,C H6V K6,H H6E J6V M6E
		ME412860	BRACKET,AIR CLEANER	1					G6,C H6V K6,H H6E J6V M6E
		ME412861	BRACKET,AIR CLEANER	1					G6,C H6V K6 H6E J6V M6E
		ME412860	BRACKET,AIR CLEANER	1					G6,C H6V K6 H6E J6V M6E
		ME412861	BRACKET,AIR CLEANER	1					G6,C H6V K6 H6E J6V M6E

FK74R
15-010 AIR CLEANER & INTAKE

Repl Part	PNC	Part No	Part Name	Qty	Part Spec	Remarks	PREV.1	NEW1	Clas
	11287BB	ME413585	BRACKET,AIR CLEANER	1					G6, H6E J6,J J6V K6V M6V
	11315	ME413489	HOSE,ENG AIR INTAKE	1	101-113				G6, H6E J6,J J6V K6V M6V
	11315E	ME412867	HOSE,ENG AIR INTAKE	1	101.6-114.3				G6, K6,M G6E K6E
		ME412871	HOSE,ENG AIR INTAKE	1	101.6-113.3				G6, H6E J6,J J6V K6V M6V
		ME412869	HOSE,ENG AIR INTAKE	1	101.6-108.4				G6, H6E J6,J J6V K6V M6V
		ME413472	HOSE,ENG AIR INTAKE	1	113				G6, H6E J6,J J6V K6V M6V
	11315F	ME409407	HOSE,ENG AIR INTAKE	1	RUBBER,82-101				G6, H6,F H6V J6V K6E M6,F
	11972B	ME295352	CUSHION,ENG AIR INTAKE LINE	1					G6, H6,F H6V J6V K6E M6,F
	11972C	ME295353	CUSHION,ENG AIR INTAKE LINE	1					G6, H6E K6,h M6E
		ME411172	CUSHION,ENG AIR INTAKE LINE	1					G6, H6E J6,J J6V K6V M6V
	11972D	ME295354	CUSHION,ENG AIR INTAKE LINE	1					G6, H6E K6,h M6E
		ME411173	CUSHION,ENG AIR INTAKE LINE	1					G6, H6E J6,J J6V K6V M6V
	11985C	ME411768	DUCT,AIR CLEANER,LWR	1					G6, H6,F H6V J6V K6E M6,F
		ME422678	DUCT,AIR CLEANER,LWR	1					G6, H6E J6,J J6V K6V

FK74R
15-010 AIR CLEANER & INTAKE

Repl Part	PNC	Part No	Part Name	Qty	Part Spec	Remarks	PREV.1	NEW1	Cl
	11989	ME411777	HOSE,ENG AIR INTAKE LINE	1					G6,0 H6,F H6V J6V, K6E M6,I
		ME413493	HOSE,ENG AIR INTAKE LINE	1	RUBBER,20				G6,0 H6E J6,J J6V, K6V
	11991N	MF450194	WASHER,ENG AIR INTAKE LINE	1	PLAIN,8				G6,0 H6,F H6V J6V, K6E
	11993N	MS356212	SCREW,ENG AIR INTAKE LINE	2	WASHER ASSEMBLED,8X30				M6,I G6,0 H6,F H6V J6V, K6E
	11996C	MF434104	NUT,ENG AIR INTAKE LINE	1	FLANGE,8				M6,I H6E J6V, M6E
		MF434104	NUT,ENG AIR INTAKE LINE	1	FLANGE,8				H6E J6V, M6E
	11996N	MS440513	NUT,ENG AIR INTAKE LINE	9	WASHER ASSEMBLED,8				G6,0 H6,F H6V J6V, K6E
	11998B	MH021303	CLAMP,ENG AIR INTAKE LINE	1	D=87-112				M6,I G6,0 H6,F H6V J6V, K6E
	11998C	MH021304	CLAMP,ENG AIR INTAKE LINE	1	D=104-138				M6,I G6,0 H6E K6,F M6E
	11998CB	MF661013	CLAMP,ENG AIR INTAKE LINE	1	D=25				G6,0 H6,F H6V J6V, K6E
	11998CC	MF661013	CLAMP,ENG AIR INTAKE LINE	1	D=25				M6,I G6,0 H6,F H6V J6V, K6E
	11998D	MH021304	CLAMP,ENG AIR INTAKE LINE	1	D=104-138				M6,I G6,0 H6,F H6V J6V, K6E
	11998E	MH021304	CLAMP,ENG AIR INTAKE LINE	1	D=104-138				M6,I G6,0 H6E J6,J J6V, K6V M6V

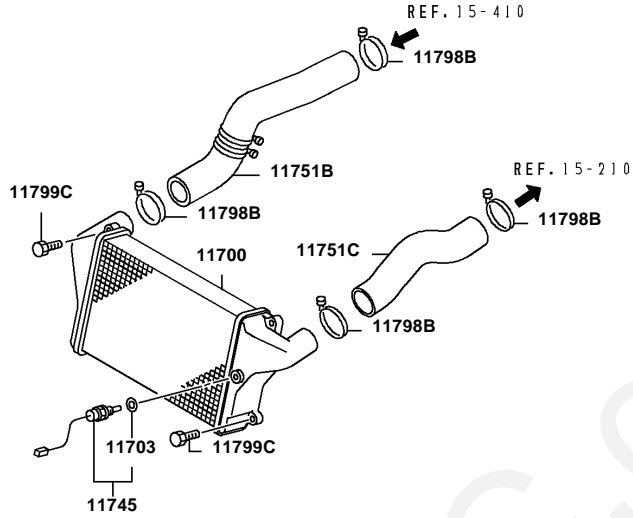
FK74R
15-010 AIR CLEANER & INTAKE

Repl Part	PNC	Part No	Part Name	Qty	Part Spec	Remarks	PREV.1	NEW1	Cl
	11998EB	MF661029	CLAMP,ENG AIR INTAKE LINE	1	D=63				G6, H6E J6,J J6V K6V M6V
	11998EC	MH021304	CLAMP,ENG AIR INTAKE LINE	1	D=104-138				H6E J6V M6E
		MF661016	CLAMP,ENG AIR INTAKE LINE	2	D=30				G6, H6E J6,J J6V K6V
	11998ED	MH021304	CLAMP,ENG AIR INTAKE LINE	1	D=104-138				H6E J6V M6E
		MH021304	CLAMP,ENG AIR INTAKE LINE	1	D=104-138				G6, H6E J6,J J6V K6V
	11998EE	MH021304	CLAMP,ENG AIR INTAKE LINE	1	D=104-138				G6, H6E J6,J J6V K6V
	11998EF	MH021304	CLAMP,ENG AIR INTAKE LINE	1	D=104-138				H6E J6V M6E
	11998EG	MH021304	CLAMP,ENG AIR INTAKE LINE	1	D=104-138				H6E J6V M6E
	11998F	MH021304	CLAMP,ENG AIR INTAKE LINE	1	D=104-138				G6, H6,H H6V J6V K6E
	11998Z	MH021335	CLAMP,ENG AIR INTAKE LINE	1					M6,I G6, H6,H H6V J6V K6E
	11999C	MF140023	BOLT,ENG AIR INTAKE LINE	4	FLANGE,8X16	4T			M6,I G6, H6,H H6V J6V K6E
		MF240055	BOLT,ENG AIR INTAKE LINE	4	WASHER ASSEMBLED,8X25				M6,I G6, H6,H H6V J6V K6E
		MF240057	BOLT,ENG AIR INTAKE LINE	1	WASHER ASSEMBLED,8X30				M6,I G6, H6E J6,J J6V K6V
		MF240059	BOLT,ENG AIR INTAKE LINE	1	WASHER ASSEMBLED,8X35				M6V G6, H6E J6,J J6V K6V M6V

FK74R
15-010 AIR CLEANER & INTAKE

Repl Part	PNC	Part No	Part Name	Qty	Part Spec	Remarks	PREV.1	NEW1	Cl
	11999C	MF247251	BOLT,ENG AIR INTAKE LINE	1	WASHER ASSEMBLED,8X20				G6, H6E J6,J J6V K6V M6V
	11999D	MF140260	BOLT,ENG AIR INTAKE LINE	4	FLANGE,10X25	7T			G6, H6,H H6V J6V, K6E
		MF140262	BOLT,ENG AIR INTAKE LINE	2	FLANGE,10X30	7T			M6,I G6, H6E
	11999H	MH001148	BOLT,ENG AIR INTAKE LINE	2	WASHER ASSEMBLED,4X10				J6,J J6V K6V M6V G6, H6E
	71664	ME073804	LABEL,AIR CLEANER CAUTION	1					J6,J J6V K6V G6, H6,H H6V J6V, K6E
		ME422524	LABEL,AIR CLEANER CAUTION	1					M6,I G6, H6E
		ME422852	LABEL,AIR CLEANER CAUTION	1					J6,J J6V K6V G6, H6E

FK74R
No.1



C00041

Ref. |2015110

Page

FK74R
15-110 INTER COOLER

Repl Part	PNC	Part No	Part Name	Qty	Part Spec	NEW1	Classification
	11700	ME407380	INTER COOLER	1			G6,G6E,G6V, H6,H6E,H6V, H6VE,J6,J6E, J6V,J6VE,K6, K6E,K6V,K6VE, M6,M6E,M6VE
	11703	ME359037	GASKET,INTER COOLER AIR TEMPERATURE	1			G6,G6E,G6V, H6,H6E,H6V, H6VE,J6,J6E, J6V,J6VE,K6, K6E,K6V,K6VE, M6,M6E,M6VE
	11745	ME353881	SENSOR,INTER COOLER AIR TEMPERATURE	1			G6,G6E,G6V, H6,H6E,H6V, H6VE,J6,J6E, J6V,J6VE,K6, K6E,K6V,K6VE, M6,M6E,M6VE
	11751B	ME412397	HOSE,INTER COOLER AIR	1	68		G6,G6E,G6V, H6,H6E,H6V, H6VE,J6,J6E, J6V,J6VE,K6, K6E,K6V,K6VE, M6,M6E,M6VE
RP	11751C	ME412398	HOSE,INTER COOLER AIR	1	68	Y	G6,G6E,H6, H6E,J6,J6E, K6,K6E,M6, M6E

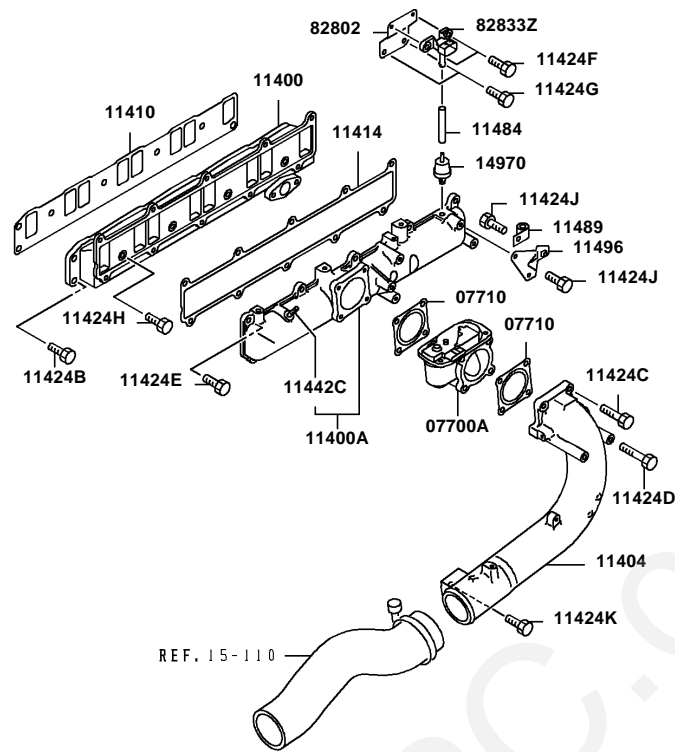
Ref. |2015110

Page

FK74R
15-110 INTER COOLER

Repl Part	PNC	Part No	Part Name	Qty	Part Spec	NEW1	Classification
	11751C	ME412467	HOSE,INTER COOLER AIR	1	68		G6,G6E,G6V, H6,H6E,H6V, H6VE,J6,J6E, J6V,J6VE,K6, K6E,K6V,K6VE, M6,M6E,M6VE
	11798B	MH021395	CLAMP,INTER COOLER	4	D=68-65		G6,G6E,G6V, H6,H6E,H6V, H6VE,J6,J6E, J6V,J6VE,K6, K6E,K6V,K6VE, M6,M6E,M6VE
RP	11799C	MF243659	BOLT,INTER COOLER	4	WASHER ASSEMBLED,8X40	Y	G6,G6E,G6V, H6,H6E,H6V, H6VE,J6,J6E, J6V,J6VE,K6, K6E,K6V,K6VE, M6,M6E,M6VE

FK74R
No.1

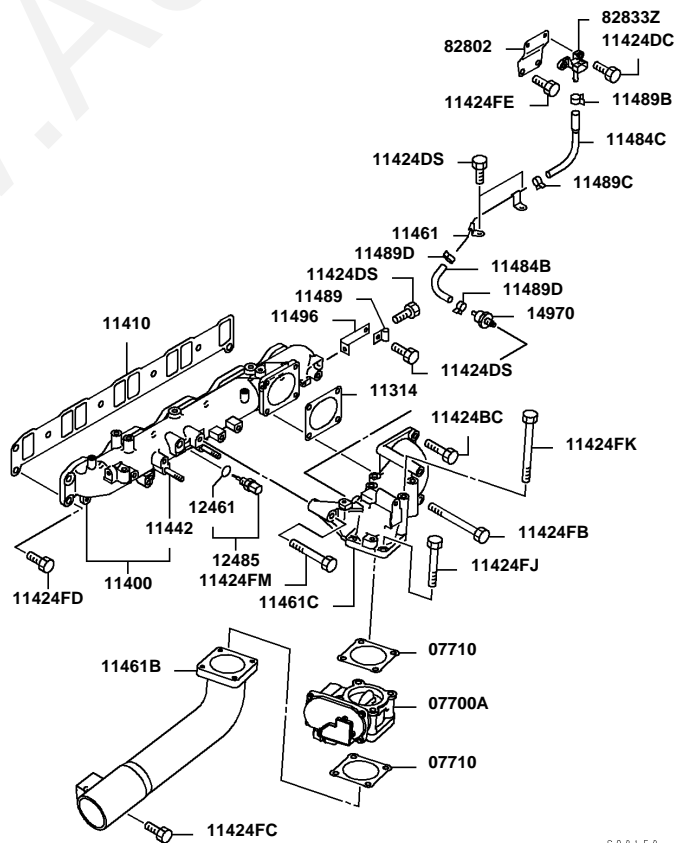


C00089

Ref. |2015210

Page

FK74R
No.2



C00150

Ref. |2015210

Page

FK74R
15-210 INLET MANIFOLD

Repl Part	PNC	Part No	Part Name	Qty	Supply Mode	Part Spec	Rema
	07700A	ME223533	THROTTLE BODY ASSY	1			
		ME223533	THROTTLE BODY ASSY	1			
		ME223533	THROTTLE BODY ASSY	1			
		ME223533	THROTTLE BODY ASSY	1			
		ME223533	THROTTLE BODY ASSY	1			
		ME225090	THROTTLE BODY ASSY	1			24V
		ME225090	THROTTLE BODY ASSY	1			24V
		ME225090	THROTTLE BODY ASSY	1			24V
		ME225090	THROTTLE BODY ASSY	1			24V
		ME225090	THROTTLE BODY ASSY	1			24V
		ME225090	THROTTLE BODY ASSY	1			24V
		ME225090	THROTTLE BODY ASSY	1			24V
		ME225090	THROTTLE BODY ASSY	1			24V
		07710	ME223819	GASKET,THROTTLE BODY	2		
	ME223819		GASKET,THROTTLE BODY	2			
	ME223819		GASKET,THROTTLE BODY	2			
	ME223819		GASKET,THROTTLE BODY	2			
	ME223819		GASKET,THROTTLE BODY	2			
	ME223819		GASKET,THROTTLE BODY	2			
	ME223819		GASKET,THROTTLE BODY	2			
	ME223819		GASKET,THROTTLE BODY	2			
	ME223819		GASKET,THROTTLE BODY	2			
	ME223819		GASKET,THROTTLE BODY	2			
	ME223819		GASKET,THROTTLE BODY	2			
	ME223819		GASKET,THROTTLE BODY	2			
	ME223819		GASKET,THROTTLE BODY	2			
	ME223819		GASKET,THROTTLE BODY	2			
	11314	ME226612	GASKET,ENG AIR INTAKE PIPE	1			
		ME226612	GASKET,ENG AIR INTAKE PIPE	1			
		ME226612	GASKET,ENG AIR INTAKE PIPE	1			
		ME226612	GASKET,ENG AIR INTAKE PIPE	1			

FK74R
15-210 INLET MANIFOLD

Repl Part	PNC	Part No	Part Name	Qty	Supply Mode	Part Spec	Rema
	11314	ME226612	GASKET,ENG AIR INTAKE PIPE	1			
		ME226612	GASKET,ENG AIR INTAKE PIPE	1			
	11400	ME221779	MANIFOLD,INLET	1			
		ME221779	MANIFOLD,INLET	1			
		ME221779	MANIFOLD,INLET	1			
		ME221779	MANIFOLD,INLET	1			
		ME221779	MANIFOLD,INLET	1			
		ME227074	MANIFOLD,INLET	1			
		ME227074	MANIFOLD,INLET	1			
		ME227074	MANIFOLD,INLET	1			
		ME227074	MANIFOLD,INLET	1			
		ME227074	MANIFOLD,INLET	1			
		ME227074	MANIFOLD,INLET	1			
		ME227074	MANIFOLD,INLET	1			
		ME227074	MANIFOLD,INLET	1			
	11400A	ME223991	MANIFOLD ASSY,INLET	1			
	11404	ME223818	COUPLING,INLET MANIFOLD	1			
	11410	ME241140	GASKET,INLET MANIFOLD	1			
		ME241140	GASKET,INLET MANIFOLD	1			
		ME241140	GASKET,INLET MANIFOLD	1			
		ME241140	GASKET,INLET MANIFOLD	1			
		ME241140	GASKET,INLET MANIFOLD	1			
		ME224284	GASKET,INLET MANIFOLD	1			
		ME224284	GASKET,INLET MANIFOLD	1			

FK74R
15-210 INLET MANIFOLD

Repl Part	PNC	Part No	Part Name	Qty	Supply Mode	Part Spec	Rema
	11410	ME224284	GASKET,INLET MANIFOLD	1			
		ME224284	GASKET,INLET MANIFOLD	1			
		ME224284	GASKET,INLET MANIFOLD	1			
		ME224284	GASKET,INLET MANIFOLD	1			
	11414	ME221778	GASKET,INLET MANIFOLD COVER	1			
	11424B	MH000714	BOLT,INLET MANIFOLD,NO.1	3		FLANGE,10X25	7T
	11424BC	MF140229	BOLT,INLET MANIFOLD,NO.1	2		FLANGE,8X30	7T
		MF140229	BOLT,INLET MANIFOLD,NO.1	2		FLANGE,8X30	7T
		MF140229	BOLT,INLET MANIFOLD,NO.1	2		FLANGE,8X30	7T
		MF140229	BOLT,INLET MANIFOLD,NO.1	2		FLANGE,8X30	7T
		MF140229	BOLT,INLET MANIFOLD,NO.1	2		FLANGE,8X30	7T
		MF140229	BOLT,INLET MANIFOLD,NO.1	2		FLANGE,8X30	7T
	11424C	MF140240	BOLT,INLET MANIFOLD,NO.1	2		FLANGE,8X75	7T
	11424D	MH000968	BOLT,INLET MANIFOLD,NO.1	2		FLANGE,8X168	
	11424DC	MF140005	BOLT,INLET MANIFOLD,NO.1	2		FLANGE,6X16	4T
		MF140005	BOLT,INLET MANIFOLD,NO.1	2		FLANGE,6X16	4T
		MF140005	BOLT,INLET MANIFOLD,NO.1	2		FLANGE,6X16	4T
		MF140005	BOLT,INLET MANIFOLD,NO.1	2		FLANGE,6X16	4T
		MF140005	BOLT,INLET MANIFOLD,NO.1	2		FLANGE,6X16	4T
		MF140005	BOLT,INLET MANIFOLD,NO.1	2		FLANGE,6X16	4T
		MF140005	BOLT,INLET MANIFOLD,NO.1	2		FLANGE,6X16	4T

FK74R
15-210 INLET MANIFOLD

Repl Part	PNC	Part No	Part Name	Qty	Supply Mode	Part Spec	Rema
	11424DS	MF140203	BOLT,INLET MANIFOLD,NO.1	4		FLANGE,6X12	7T
		MF140203	BOLT,INLET MANIFOLD,NO.1	4		FLANGE,6X12	7T
		MF140203	BOLT,INLET MANIFOLD,NO.1	4		FLANGE,6X12	7T
		MF140203	BOLT,INLET MANIFOLD,NO.1	4		FLANGE,6X12	7T
		MF140203	BOLT,INLET MANIFOLD,NO.1	4		FLANGE,6X12	7T
		MF140203	BOLT,INLET MANIFOLD,NO.1	4		FLANGE,6X12	7T
	11424E	MF140226	BOLT,INLET MANIFOLD,NO.1	10		FLANGE,8X22	7T
	11424F	MF140005	BOLT,INLET MANIFOLD,NO.1	2		FLANGE,6X16	4T
	11424FB	MF140246	BOLT,INLET MANIFOLD,NO.1	2		FLANGE,8X110	7T
		MF140246	BOLT,INLET MANIFOLD,NO.1	2		FLANGE,8X110	7T
		MF140246	BOLT,INLET MANIFOLD,NO.1	2		FLANGE,8X110	7T
		MF140246	BOLT,INLET MANIFOLD,NO.1	2		FLANGE,8X110	7T
		MF140246	BOLT,INLET MANIFOLD,NO.1	2		FLANGE,8X110	7T
		MF140246	BOLT,INLET MANIFOLD,NO.1	2		FLANGE,8X110	7T
	11424FC	MH000707	BOLT,INLET MANIFOLD,NO.1	1		FLANGE,10X30	
		MH000707	BOLT,INLET MANIFOLD,NO.1	1		FLANGE,10X30	
		MH000707	BOLT,INLET MANIFOLD,NO.1	1		FLANGE,10X30	
		MH000707	BOLT,INLET MANIFOLD,NO.1	1		FLANGE,10X30	
		MH000707	BOLT,INLET MANIFOLD,NO.1	1		FLANGE,10X30	
		MH000707	BOLT,INLET MANIFOLD,NO.1	1		FLANGE,10X30	

FK74R
15-210 INLET MANIFOLD

Repl Part	PNC	Part No	Part Name	Qty	Supply Mode	Part Spec	Rema
	11424FD	MH000714	BOLT,INLET MANIFOLD,NO.1	7		FLANGE,10X25	7T
		MH000714	BOLT,INLET MANIFOLD,NO.1	7		FLANGE,10X25	7T
		MH000714	BOLT,INLET MANIFOLD,NO.1	7		FLANGE,10X25	7T
		MH000714	BOLT,INLET MANIFOLD,NO.1	7		FLANGE,10X25	7T
		MH000714	BOLT,INLET MANIFOLD,NO.1	7		FLANGE,10X25	7T
		MH000714	BOLT,INLET MANIFOLD,NO.1	7		FLANGE,10X25	7T
	11424FE	MF140223	BOLT,INLET MANIFOLD,NO.1	2		FLANGE,8X16	7T
		MF140223	BOLT,INLET MANIFOLD,NO.1	2		FLANGE,8X16	7T
		MF140223	BOLT,INLET MANIFOLD,NO.1	2		FLANGE,8X16	7T
		MF140223	BOLT,INLET MANIFOLD,NO.1	2		FLANGE,8X16	7T
		MF140223	BOLT,INLET MANIFOLD,NO.1	2		FLANGE,8X16	7T
		MF140223	BOLT,INLET MANIFOLD,NO.1	2		FLANGE,8X16	7T
	11424FJ	MF140239	BOLT,INLET MANIFOLD,NO.1	2		FLANGE,8X70	7T
		MF140239	BOLT,INLET MANIFOLD,NO.1	2		FLANGE,8X70	7T
		MF140239	BOLT,INLET MANIFOLD,NO.1	2		FLANGE,8X70	7T
		MF140239	BOLT,INLET MANIFOLD,NO.1	2		FLANGE,8X70	7T
		MF140239	BOLT,INLET MANIFOLD,NO.1	2		FLANGE,8X70	7T
		MF140239	BOLT,INLET MANIFOLD,NO.1	2		FLANGE,8X70	7T
	11424FK	MH001539	BOLT,INLET MANIFOLD,NO.1	2		FLANGE,8X145	
		MH001539	BOLT,INLET MANIFOLD,NO.1	2		FLANGE,8X145	
		MH001539	BOLT,INLET MANIFOLD,NO.1	2		FLANGE,8X145	
		MH001539	BOLT,INLET MANIFOLD,NO.1	2		FLANGE,8X145	

FK74R
15-210 INLET MANIFOLD

Repl Part	PNC	Part No	Part Name	Qty	Supply Mode	Part Spec	Rema
	11424FK	MH001539	BOLT,INLET MANIFOLD,NO.1	2		FLANGE,8X145	
		MH001539	BOLT,INLET MANIFOLD,NO.1	2		FLANGE,8X145	
		MH001539	BOLT,INLET MANIFOLD,NO.1	2		FLANGE,8X145	
	11424FM	MF140237	BOLT,INLET MANIFOLD,NO.1	1		FLANGE,8X60	7T
		MF140237	BOLT,INLET MANIFOLD,NO.1	1		FLANGE,8X60	7T
		MF140237	BOLT,INLET MANIFOLD,NO.1	1		FLANGE,8X60	7T
		MF140237	BOLT,INLET MANIFOLD,NO.1	1		FLANGE,8X60	7T
		MF140237	BOLT,INLET MANIFOLD,NO.1	1		FLANGE,8X60	7T
		MF140237	BOLT,INLET MANIFOLD,NO.1	1		FLANGE,8X60	7T
		MF140237	BOLT,INLET MANIFOLD,NO.1	1		FLANGE,8X60	7T
	11424G	MF140223	BOLT,INLET MANIFOLD,NO.1	2		FLANGE,8X16	7T
	11424H	MH000716	BOLT,INLET MANIFOLD,NO.1	4		FLANGE,10X55	
	11424J	MH000999	BOLT,INLET MANIFOLD,NO.1	3		FLANGE,6X12	
	11424K	MH000707	BOLT,INLET MANIFOLD,NO.1	1		FLANGE,10X30	
	11442	MF402572	STUD,INLET MANIFOLD	2		8X40	
		MF402572	STUD,INLET MANIFOLD	2		8X40	
		MF402572	STUD,INLET MANIFOLD	2		8X40	
		MF402572	STUD,INLET MANIFOLD	2		8X40	
		MF402572	STUD,INLET MANIFOLD	2		8X40	
	11442C	MF402572	STUD,INLET MANIFOLD	2		8X40	

FK74R
15-210 INLET MANIFOLD

Repl Part	PNC	Part No	Part Name	Qty	Supply Mode	Part Spec	Rema
	11461	ME225646	PIPE,INLET MANIFOLD	1			
		ME225646	PIPE,INLET MANIFOLD	1			
		ME225646	PIPE,INLET MANIFOLD	1			
		ME225646	PIPE,INLET MANIFOLD	1			
		ME225646	PIPE,INLET MANIFOLD	1			
	11461B	ME225863	PIPE,INLET MANIFOLD	1			
		ME225863	PIPE,INLET MANIFOLD	1			
		ME225863	PIPE,INLET MANIFOLD	1			
		ME225863	PIPE,INLET MANIFOLD	1			
		ME225863	PIPE,INLET MANIFOLD	1			
	11461C	ME227170	PIPE,INLET MANIFOLD	1			
		ME227170	PIPE,INLET MANIFOLD	1			
		ME227170	PIPE,INLET MANIFOLD	1			
		ME227170	PIPE,INLET MANIFOLD	1			
		ME227170	PIPE,INLET MANIFOLD	1			
	11484	ME221782	HOSE,INLET MANIFOLD	1		L=55	
	11484B	MS632192	HOSE,INLET MANIFOLD	1	SIR	3X70	
		MS632192	HOSE,INLET MANIFOLD	1	SIR	3X70	
		MS632192	HOSE,INLET MANIFOLD	1	SIR	3X70	
		MS632192	HOSE,INLET MANIFOLD	1	SIR	3X70	
		MS632192	HOSE,INLET MANIFOLD	1	SIR	3X70	
	11484C	ME193326	HOSE,INLET MANIFOLD	1			
		ME193326	HOSE,INLET MANIFOLD	1			
		ME193326	HOSE,INLET MANIFOLD	1			
		ME193326	HOSE,INLET MANIFOLD	1			
		ME193326	HOSE,INLET MANIFOLD	1			
RP	11489	MH020800	CLIP,INLET MANIFOLD	1		D=4.8	

FK74R
15-210 INLET MANIFOLD

Repl Part RP	PNC 11489	Part No MH020800	Part Name CLIP,INLET MANIFOLD	Qty 1	Supply Mode	Part Spec D=4.8	Rema
RP		MH020800	CLIP,INLET MANIFOLD	1		D=4.8	
RP		MH020800	CLIP,INLET MANIFOLD	1		D=4.8	
RP		MH020800	CLIP,INLET MANIFOLD	1		D=4.8	
RP		MH020800	CLIP,INLET MANIFOLD	1		D=4.8	
RP		MH020800	CLIP,INLET MANIFOLD	1		D=4.8	
RP		MH020800	CLIP,INLET MANIFOLD	1		D=4.8	
RP		MH020800	CLIP,INLET MANIFOLD	1		D=4.8	
RP		MH020800	CLIP,INLET MANIFOLD	1		D=4.8	
RP		MH020800	CLIP,INLET MANIFOLD	1		D=4.8	
RP		MH020800	CLIP,INLET MANIFOLD	1		D=4.8	
RP		MH020800	CLIP,INLET MANIFOLD	1		D=4.8	
RP	11489B	MS660161	CLIP,INLET MANIFOLD	1		D=9.4	
		MS660161	CLIP,INLET MANIFOLD	1		D=9.4	
		MS660161	CLIP,INLET MANIFOLD	1		D=9.4	
		MS660161	CLIP,INLET MANIFOLD	1		D=9.4	
		MS660161	CLIP,INLET MANIFOLD	1		D=9.4	
		MS660161	CLIP,INLET MANIFOLD	1		D=9.4	
	11489C	MS660159	CLIP,INLET MANIFOLD	1		D=7.8	
		MS660159	CLIP,INLET MANIFOLD	1		D=7.8	
		MS660159	CLIP,INLET MANIFOLD	1		D=7.8	
		MS660159	CLIP,INLET MANIFOLD	1		D=7.8	
		MS660159	CLIP,INLET MANIFOLD	1		D=7.8	
		MS660159	CLIP,INLET MANIFOLD	1		D=7.8	
	11489D	MS660158	CLIP,INLET MANIFOLD	2		D=6.8	
		MS660158	CLIP,INLET MANIFOLD	2		D=6.8	
		MS660158	CLIP,INLET MANIFOLD	2		D=6.8	
		MS660158	CLIP,INLET MANIFOLD	2		D=6.8	
		MS660158	CLIP,INLET MANIFOLD	2		D=6.8	
		MS660158	CLIP,INLET MANIFOLD	2		D=6.8	
	11496	ME223982	BRACKET,INLET MANIFOLD	1			

FK74R
15-210 INLET MANIFOLD

Repl Part	PNC	Part No	Part Name	Qty	Supply Mode	Part Spec	Remarks
	11496	ME223982	BRACKET,INLET MANIFOLD	1			
		ME223982	BRACKET,INLET MANIFOLD	1			
		ME223982	BRACKET,INLET MANIFOLD	1			
		ME223982	BRACKET,INLET MANIFOLD	1			
		MH023737	BRACKET,INLET MANIFOLD	1			L1=75,L
		MH023737	BRACKET,INLET MANIFOLD	1			L1=75,L
		MH023737	BRACKET,INLET MANIFOLD	1			L1=75,L
		MH023737	BRACKET,INLET MANIFOLD	1			L1=75,L
		MH023737	BRACKET,INLET MANIFOLD	1			L1=75,L
		MH023737	BRACKET,INLET MANIFOLD	1			L1=75,L
		MH023737	BRACKET,INLET MANIFOLD	1			L1=75,L
		MH023737	BRACKET,INLET MANIFOLD	1			L1=75,L
		MH023737	BRACKET,INLET MANIFOLD	1			L1=75,L
	12461	ME225954	GASKET,EMISSION CONTROL AIR TEMPERATURE SWITCH	1			
		ME225954	GASKET,EMISSION CONTROL AIR TEMPERATURE SWITCH	1			
		ME225954	GASKET,EMISSION CONTROL AIR TEMPERATURE SWITCH	1			
		ME225954	GASKET,EMISSION CONTROL AIR TEMPERATURE SWITCH	1			
		ME225954	GASKET,EMISSION CONTROL AIR TEMPERATURE SWITCH	1			
	12485	ME224827	SENSOR,EGR AIR TEMPERATURE	1			
		ME224827	SENSOR,EGR AIR TEMPERATURE	1			
		ME224827	SENSOR,EGR AIR TEMPERATURE	1			
		ME224827	SENSOR,EGR AIR TEMPERATURE	1			
		ME224827	SENSOR,EGR AIR TEMPERATURE	1			
	14970	MD176361	FILTER,BOOST SENSOR	1			
		MD176361	FILTER,BOOST SENSOR	1			
		MD176361	FILTER,BOOST SENSOR	1			

FK74R
15-210 INLET MANIFOLD

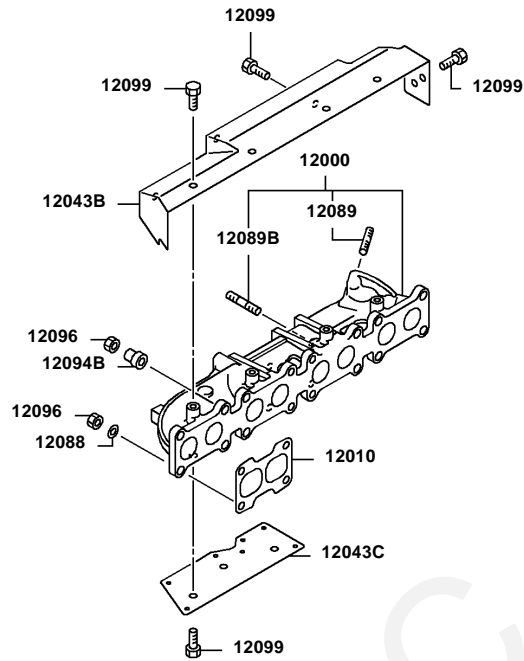
Repl Part	PNC	Part No	Part Name	Qty	Supply Mode	Part Spec	Remarks
	14970	MD176361	FILTER,BOOST SENSOR	1			
		MD176361	FILTER,BOOST SENSOR	1			
		MD176361	FILTER,BOOST SENSOR	1			
		MD176361	FILTER,BOOST SENSOR	1			
		MD176361	FILTER,BOOST SENSOR	1			
		MD176361	FILTER,BOOST SENSOR	1			
		MD176361	FILTER,BOOST SENSOR	1			
		MD176361	FILTER,BOOST SENSOR	1			
		MD176361	FILTER,BOOST SENSOR	1			
		MD176361	FILTER,BOOST SENSOR	1			
RP	82802	ME221781	BRACKET,BOOST SENSOR	1			
RP		ME221781	BRACKET,BOOST SENSOR	1			
RP		ME221781	BRACKET,BOOST SENSOR	1			
RP		ME221781	BRACKET,BOOST SENSOR	1			
RP		ME221781	BRACKET,BOOST SENSOR	1			
RP		ME221781	BRACKET,BOOST SENSOR	1			
RP		ME221781	BRACKET,BOOST SENSOR	1			
RP		ME221781	BRACKET,BOOST SENSOR	1			
RP		ME221781	BRACKET,BOOST SENSOR	1			
RP		ME221781	BRACKET,BOOST SENSOR	1			
RP		ME221781	BRACKET,BOOST SENSOR	1			
RP		ME221781	BRACKET,BOOST SENSOR	1			
RP		ME221781	BRACKET,BOOST SENSOR	1			
RP		ME221781	BRACKET,BOOST SENSOR	1			
RP		ME221781	BRACKET,BOOST SENSOR	1			
RP		ME221781	BRACKET,BOOST SENSOR	1			
RP		ME221781	BRACKET,BOOST SENSOR	1			
	82833Z	MK369081	SENSOR,BOOST PRESSURE	1			
		MK369081	SENSOR,BOOST PRESSURE	1			
		MK369081	SENSOR,BOOST PRESSURE	1			
		MK369081	SENSOR,BOOST PRESSURE	1			
		MK369081	SENSOR,BOOST PRESSURE	1			
		MK369081	SENSOR,BOOST PRESSURE	1			
		MK369081	SENSOR,BOOST PRESSURE	1			
		MK369081	SENSOR,BOOST PRESSURE	1			
		MK369081	SENSOR,BOOST PRESSURE	1			
		MK369081	SENSOR,BOOST PRESSURE	1			

FK74R
15-210 INLET MANIFOLD

Repl Part	PNC	Part No	Part Name	Qty	Supply Mode	Part Spec	Remarks
	82833Z	ME223596	SENSOR,BOOST PRESSURE	1			
		ME223596	SENSOR,BOOST PRESSURE	1			
		ME223596	SENSOR,BOOST PRESSURE	1			
		ME223596	SENSOR,BOOST PRESSURE	1			
		ME223596	SENSOR,BOOST PRESSURE	1			
		ME223596	SENSOR,BOOST PRESSURE	1			

www.AutoEPC.com

FK74R
No.1

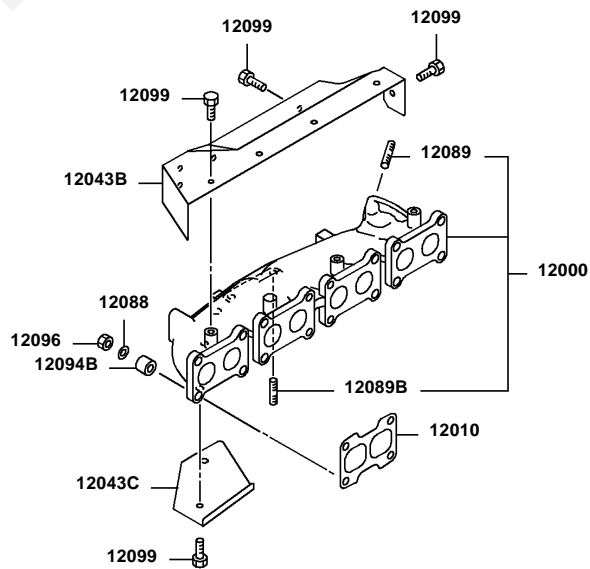


C00056

Ref. |2015310

Page

FK74R
No.2



C00092

Ref. |2015310

Page

FK74R
15-310 EXHAUST MANIFOLD

PNC	Part No	Part Name	Qty	Part Spec	Classification	Option	Model	
12000	ME224788	MANIFOLD,EXHAUST	1		K6,K6E,M6E			
	ME224788	MANIFOLD,EXHAUST	1		G6,G6E,G6V, H6,H6E,H6V, H6VE,J6,J6E, J6V,J6VE,K6, K6E,K6V,K6VE, M6,M6E,M6VE			
	ME224788	MANIFOLD,EXHAUST	1		G6E,G6V,H6V, H6VE,J6V,J6VE, K6V,K6VE,M6, M6VE			
	ME224788	MANIFOLD,EXHAUST	1		G6,G6E,G6V, H6,H6E,H6V, H6VE,J6,J6E, J6V,J6VE,K6, K6E,K6V,K6VE, M6,M6E,M6VE			
	ME224788	MANIFOLD,EXHAUST	1		G6,H6,H6E, J6,J6E			
	ME227282	MANIFOLD,EXHAUST	1		G6,H6,H6E, J6,J6E,K6, K6E,M6E	14C,1C0,1XS, 1XT,1XX,1XY	07	
	ME227282	MANIFOLD,EXHAUST	1		G6,H6,H6E, J6,J6E	1SP,1XU,1XZ	07	
	ME227282	MANIFOLD,EXHAUST	1		G6,H6,H6E, J6,J6E			
	ME227282	MANIFOLD,EXHAUST	1		G6,H6,H6E, J6,J6E,K6, K6E,M6E			
	ME227282	MANIFOLD,EXHAUST	1		K6,K6E,M6E			
	ME227282	MANIFOLD,EXHAUST	1		G6V,H6V,H6VE, J6V,J6VE,K6VE			
	12010	ME240860	GASKET,EXHAUST MANIFOLD	4		K6,K6E,M6E		
		ME240860	GASKET,EXHAUST MANIFOLD	4		G6,G6E,G6V, H6,H6E,H6V, H6VE,J6,J6E, J6V,J6VE,K6, K6E,K6V,K6VE, M6,M6E,M6VE		
		ME240860	GASKET,EXHAUST MANIFOLD	4		G6E,G6V,H6V, H6VE,J6V,J6VE, K6V,K6VE,M6, M6VE		
ME240860		GASKET,EXHAUST MANIFOLD	4		G6,G6E,G6V, H6,H6E,H6V, H6VE,J6,J6E, J6V,J6VE,K6, K6E,K6V,K6VE, M6,M6E,M6VE			
ME240860		GASKET,EXHAUST MANIFOLD	4		G6,H6,H6E, J6,J6E			
ME226533		GASKET,EXHAUST MANIFOLD	4		G6,H6,H6E, J6,J6E,K6, K6E,M6E	14C,1C0,1XS, 1XT,1XX,1XY	07	
ME226533		GASKET,EXHAUST MANIFOLD	4		G6,H6,H6E, J6,J6E	1SP,1XU,1XZ	07	
ME226533		GASKET,EXHAUST MANIFOLD	4		G6,H6,H6E, J6,J6E			
ME226533		GASKET,EXHAUST MANIFOLD	4		G6,H6,H6E, J6,J6E,K6, K6E,M6E			
ME226533		GASKET,EXHAUST MANIFOLD	4		K6,K6E,M6E			
ME226533		GASKET,EXHAUST MANIFOLD	4		G6V,H6V,H6VE, J6V,J6VE,K6VE			
12043B		ME224933	INSULATOR,EXHAUST MANIFOLD HEAT	1		K6,K6E,M6E		
		ME224933	INSULATOR,EXHAUST MANIFOLD HEAT	1		G6,G6E,G6V, H6,H6E,H6V, H6VE,J6,J6E, J6V,J6VE,K6, K6E,K6V,K6VE, M6,M6E,M6VE		

FK74R
15-310 EXHAUST MANIFOLD

PNC	Part No	Part Name	Qty	Part Spec	Classification	Option	Model
12043B	ME224933	INSULATOR,EXHAUST MANIFOLD HEAT	1		G6E,G6V,H6V, H6VE,J6V,J6VE, K6V,K6VE,M6, M6VE		
	ME224933	INSULATOR,EXHAUST MANIFOLD HEAT	1		G6,G6E,G6V, H6,H6E,H6V, H6VE,J6,J6E, J6V,J6VE,K6, K6E,K6V,K6VE, M6,M6E,M6VE		
	ME224933	INSULATOR,EXHAUST MANIFOLD HEAT	1		G6,H6,H6E, J6,J6E		
	ME225764	INSULATOR,EXHAUST MANIFOLD HEAT	1		G6,H6,H6E, J6,J6E,K6, K6E,M6E	14C,1C0,1XS, 1XT,1XX,1XY	07
	ME225764	INSULATOR,EXHAUST MANIFOLD HEAT	1		G6,H6,H6E, J6,J6E	1SP,1XU,1XZ	07
	ME225764	INSULATOR,EXHAUST MANIFOLD HEAT	1		G6,H6,H6E, J6,J6E		
	ME225764	INSULATOR,EXHAUST MANIFOLD HEAT	1		G6,H6,H6E, J6,J6E,K6, K6E,M6E		
	ME225764	INSULATOR,EXHAUST MANIFOLD HEAT	1		K6,K6E,M6E		
	ME225764	INSULATOR,EXHAUST MANIFOLD HEAT	1		G6V,H6V,H6VE, J6V,J6VE,K6VE		
	12043C	ME226099	INSULATOR,EXHAUST MANIFOLD HEAT	1		G6,H6,H6E, J6,J6E,K6, K6E,M6E	14C,1C0,1XS, 1XT,1XX,1XY
	ME226099	INSULATOR,EXHAUST MANIFOLD HEAT	1		G6,H6,H6E, J6,J6E	1SP,1XU,1XZ	07
	ME226099	INSULATOR,EXHAUST MANIFOLD HEAT	1		G6,H6,H6E, J6,J6E		
	ME226099	INSULATOR,EXHAUST MANIFOLD HEAT	1		K6,K6E,M6E		
	ME226099	INSULATOR,EXHAUST MANIFOLD HEAT	1		G6,H6,H6E, J6,J6E,K6, K6E,M6E		
	ME226099	INSULATOR,EXHAUST MANIFOLD HEAT	1		G6V,H6V,H6VE, J6V,J6VE,K6VE		
12088	MH005027	WASHER,EXHAUST MANIFOLD	4	PLAIN,10.5	K6,K6E,M6E		
	MH005027	WASHER,EXHAUST MANIFOLD	4	PLAIN,10.5	G6,G6E,G6V, H6,H6E,H6V, H6VE,J6,J6E, J6V,J6VE,K6, K6E,K6V,K6VE, M6,M6E,M6VE		
	MH005027	WASHER,EXHAUST MANIFOLD	4	PLAIN,10.5	G6E,G6V,H6V, H6VE,J6V,J6VE, K6V,K6VE,M6, M6VE		
	MH005027	WASHER,EXHAUST MANIFOLD	4	PLAIN,10.5	G6,G6E,G6V, H6,H6E,H6V, H6VE,J6,J6E, J6V,J6VE,K6, K6E,K6V,K6VE, M6,M6E,M6VE		
	MH005027	WASHER,EXHAUST MANIFOLD	4	PLAIN,10.5	G6,H6,H6E, J6,J6E		
	MH005027	WASHER,EXHAUST MANIFOLD	4	PLAIN,10.5	G6,H6,H6E, J6,J6E,K6, K6E,M6E	14C,1C0,1XS, 1XT,1XX,1XY	07
	MH005027	WASHER,EXHAUST MANIFOLD	4	PLAIN,10.5	G6,H6,H6E, J6,J6E	1SP,1XU,1XZ	07
	MH005027	WASHER,EXHAUST MANIFOLD	4	PLAIN,10.5	G6,H6,H6E, J6,J6E		
	MH005027	WASHER,EXHAUST MANIFOLD	4	PLAIN,10.5	G6,H6,H6E, J6,J6E,K6, K6E,M6E		
	MH005027	WASHER,EXHAUST MANIFOLD	4	PLAIN,10.5	K6,K6E,M6E		
	MH005027	WASHER,EXHAUST MANIFOLD	4	PLAIN,10.5	G6V,H6V,H6VE, J6V,J6VE,K6VE		
12089	MH002320	STUD,EXHAUST MANIFOLD	3	8X20	K6,K6E,M6E		

FK74R
15-310 EXHAUST MANIFOLD

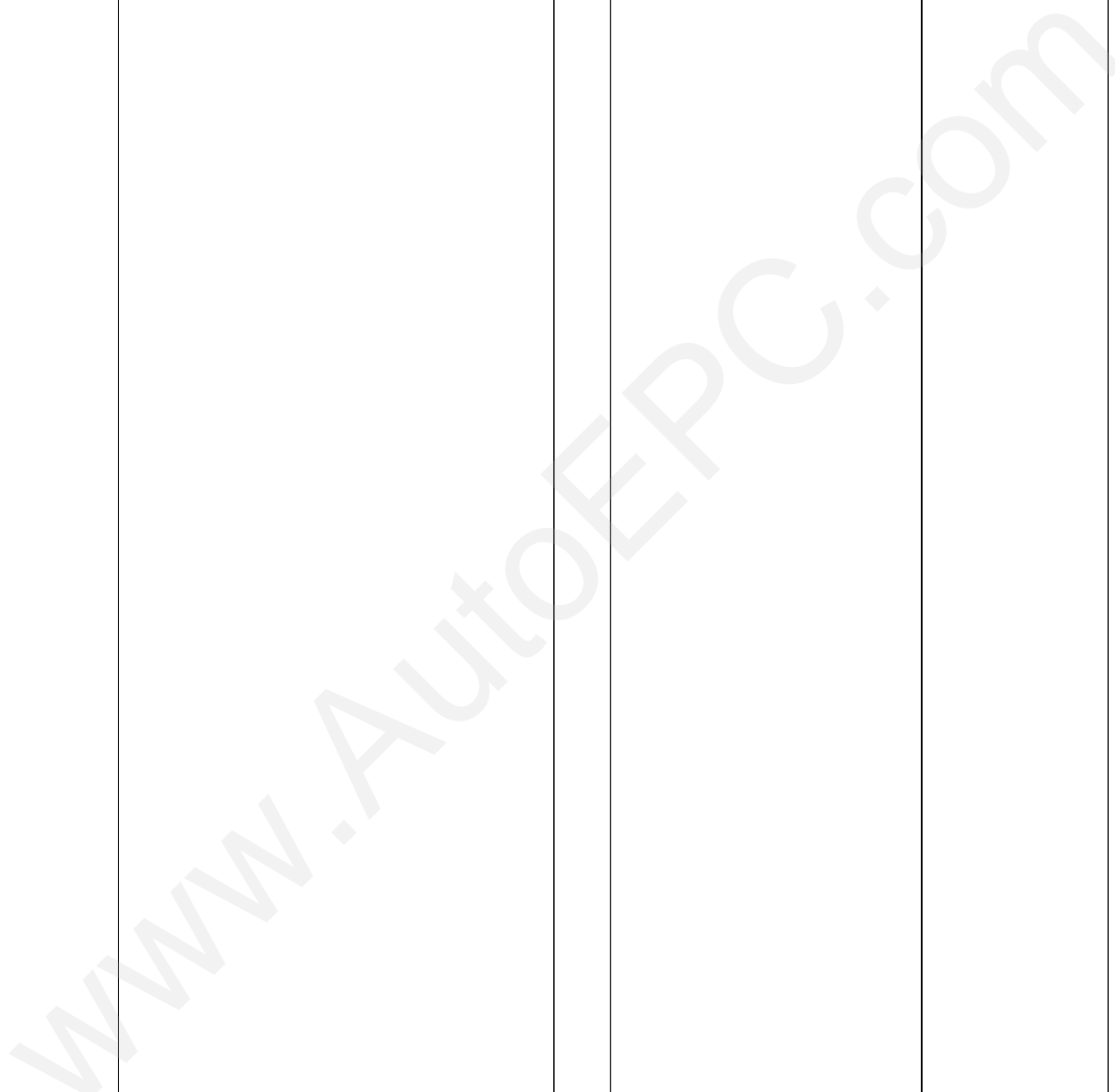
PNC	Part No	Part Name	Qty	Part Spec	Classification	Option	Model Y	
12089	MH002320	STUD,EXHAUST MANIFOLD	3	8X20	G6,G6E,G6V, H6,H6E,H6V, H6VE,J6,J6E, J6V,J6VE,K6, K6E,K6V,K6VE, M6,M6E,M6VE			
	MH002320	STUD,EXHAUST MANIFOLD	3	8X20	G6E,G6V,H6V, H6VE,J6V,J6VE, K6V,K6VE,M6, M6VE			
	MH002320	STUD,EXHAUST MANIFOLD	3	8X20	G6,G6E,G6V, H6,H6E,H6V, H6VE,J6,J6E, J6V,J6VE,K6, K6E,K6V,K6VE, M6,M6E,M6VE			
	MH002320	STUD,EXHAUST MANIFOLD	3	8X20	G6,H6,H6E, J6,J6E			
	MH002320	STUD,EXHAUST MANIFOLD	3	8X20	G6,H6,H6E, J6,J6E,K6, K6E,M6E	14C,1C0,1XS, 1XT,1XX,1XY	07	
	MH002320	STUD,EXHAUST MANIFOLD	3	8X20	G6,H6,H6E, J6,J6E	1SP,1XU,1XZ	07	
	MH002320	STUD,EXHAUST MANIFOLD	3	8X20	G6,H6,H6E, J6,J6E			
	MH002320	STUD,EXHAUST MANIFOLD	3	8X20	G6,H6,H6E, J6,J6E,K6, K6E,M6E			
	MH002320	STUD,EXHAUST MANIFOLD	3	8X20	K6,K6E,M6E			
	MH002320	STUD,EXHAUST MANIFOLD	3	8X20	G6V,H6V,H6VE, J6V,J6VE,K6VE			
	12089B	MH002331	STUD,EXHAUST MANIFOLD	4		K6,K6E,M6E		
		MH002331	STUD,EXHAUST MANIFOLD	4		G6,G6E,G6V, H6,H6E,H6V, H6VE,J6,J6E, J6V,J6VE,K6, K6E,K6V,K6VE, M6,M6E,M6VE		
		MH002331	STUD,EXHAUST MANIFOLD	4		G6E,G6V,H6V, H6VE,J6V,J6VE, K6V,K6VE,M6, M6VE		
		MH002331	STUD,EXHAUST MANIFOLD	4		G6,G6E,G6V, H6,H6E,H6V, H6VE,J6,J6E, J6V,J6VE,K6, K6E,K6V,K6VE, M6,M6E,M6VE		
MH002331		STUD,EXHAUST MANIFOLD	4		G6,H6,H6E, J6,J6E			
MH002331		STUD,EXHAUST MANIFOLD	4		G6,H6,H6E, J6,J6E,K6, K6E,M6E	14C,1C0,1XS, 1XT,1XX,1XY	07	
MH002331		STUD,EXHAUST MANIFOLD	4		G6,H6,H6E, J6,J6E	1SP,1XU,1XZ	07	
MH002331		STUD,EXHAUST MANIFOLD	4		G6,H6,H6E, J6,J6E			
MH002331		STUD,EXHAUST MANIFOLD	4		G6,H6,H6E, J6,J6E,K6, K6E,M6E			
MH002331		STUD,EXHAUST MANIFOLD	4		K6,K6E,M6E			
MH002331		STUD,EXHAUST MANIFOLD	4		G6V,H6V,H6VE, J6V,J6VE,K6VE			
12094B		ME210059	SPACER,EXHAUST MANIFOLD	8	T=21	K6,K6E,M6E		
		ME210059	SPACER,EXHAUST MANIFOLD	8	T=21	G6,G6E,G6V, H6,H6E,H6V, H6VE,J6,J6E, J6V,J6VE,K6, K6E,K6V,K6VE, M6,M6E,M6VE		

FK74R
15-310 EXHAUST MANIFOLD

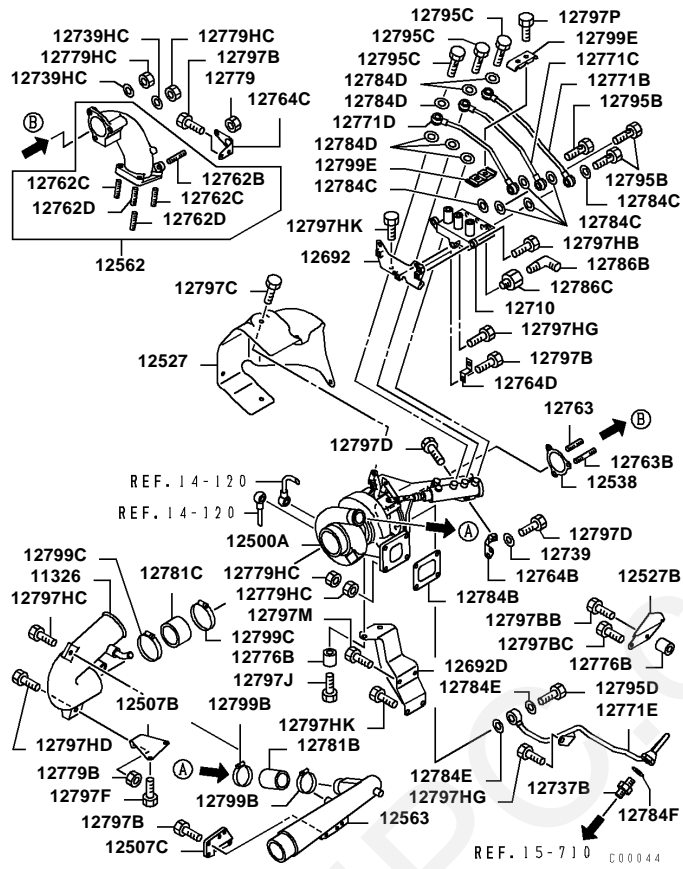
PNC	Part No	Part Name	Qty	Part Spec	Classification	Option	Model	
12094B	ME210059	SPACER,EXHAUST MANIFOLD	8	T=21	G6E,G6V,H6V, H6VE,J6V,J6VE, K6V,K6VE,M6, M6VE			
	ME210059	SPACER,EXHAUST MANIFOLD	8	T=21	G6,G6E,G6V, H6,H6E,H6V, H6VE,J6,J6E, J6V,J6VE,K6, K6E,K6V,K6VE, M6,M6E,M6VE			
	ME210059	SPACER,EXHAUST MANIFOLD	8	T=21	G6,H6,H6E, J6,J6E			
	ME210059	SPACER,EXHAUST MANIFOLD	12	T=21	G6,H6,H6E, J6,J6E,K6, K6E,M6E	14C,1C0,1XS, 1XT,1XX,1XY	07	
	ME210059	SPACER,EXHAUST MANIFOLD	12	T=21	G6,H6,H6E, J6,J6E	1SP,1XU,1XZ	07	
	ME210059	SPACER,EXHAUST MANIFOLD	12	T=21	G6,H6,H6E, J6,J6E			
	ME210059	SPACER,EXHAUST MANIFOLD	12	T=21	G6,H6,H6E, J6,J6E,K6, K6E,M6E			
	ME210059	SPACER,EXHAUST MANIFOLD	12	T=21	K6,K6E,M6E			
	ME210059	SPACER,EXHAUST MANIFOLD	12	T=21	G6V,H6V,H6VE, J6V,J6VE,K6VE			
	12096	MH004054	NUT,EXHAUST MANIFOLD	16	SELF LOCKING,FLANGE,10	K6,K6E,M6E		
MH004054		NUT,EXHAUST MANIFOLD	16	SELF LOCKING,FLANGE,10	G6,G6E,G6V, H6,H6E,H6V, H6VE,J6,J6E, J6V,J6VE,K6, K6E,K6V,K6VE, M6,M6E,M6VE			
MH004054		NUT,EXHAUST MANIFOLD	16	SELF LOCKING,FLANGE,10	G6E,G6V,H6V, H6VE,J6V,J6VE, K6V,K6VE,M6, M6VE			
MH004054		NUT,EXHAUST MANIFOLD	16	SELF LOCKING,FLANGE,10	G6,G6E,G6V, H6,H6E,H6V, H6VE,J6,J6E, J6V,J6VE,K6, K6E,K6V,K6VE, M6,M6E,M6VE			
MH004054		NUT,EXHAUST MANIFOLD	16	SELF LOCKING,FLANGE,10	G6,H6,H6E, J6,J6E	14C,1C0,1XS, 1XT,1XX,1XY	07	
MH004054		NUT,EXHAUST MANIFOLD	16	SELF LOCKING,FLANGE,10	G6,H6,H6E, J6,J6E	1SP,1XU,1XZ	07	
MH004054		NUT,EXHAUST MANIFOLD	16	SELF LOCKING,FLANGE,10	G6,H6,H6E, J6,J6E			
MH004054		NUT,EXHAUST MANIFOLD	16	SELF LOCKING,FLANGE,10	G6,H6,H6E, J6,J6E,K6, K6E,M6E			
MH004054		NUT,EXHAUST MANIFOLD	16	SELF LOCKING,FLANGE,10	K6,K6E,M6E			
MH004054		NUT,EXHAUST MANIFOLD	16	SELF LOCKING,FLANGE,10	G6V,H6V,H6VE, J6V,J6VE,K6VE			
12099		MH000392	BOLT,EXHAUST MANIFOLD	9	WASHER ASSEMBLED,8X12	G6E,K6V,M6, M6VE		
		MH000392	BOLT,EXHAUST MANIFOLD	9	WASHER ASSEMBLED,8X12	G6,H6,H6E, J6,J6E		
		MH000392	BOLT,EXHAUST MANIFOLD	9	WASHER ASSEMBLED,8X12	G6,G6E,G6V, H6,H6E,H6V, H6VE,J6,J6E, J6V,J6VE,K6, K6E,K6V,K6VE, M6,M6E,M6VE		
		MH000392	BOLT,EXHAUST MANIFOLD	9	WASHER ASSEMBLED,8X12	G6,G6E,G6V, H6,H6E,H6V, H6VE,J6,J6E, J6V,J6VE,K6, K6E,K6V,K6VE, M6,M6E,M6VE		
	MH000392	BOLT,EXHAUST MANIFOLD	9	WASHER ASSEMBLED,8X12	G6,H6,H6E, H6VE,J6,J6E, J6V,J6VE,K6, K6E,K6V,K6VE, M6,M6E,M6VE			
	MH000392	BOLT,EXHAUST MANIFOLD	9	WASHER ASSEMBLED,8X12	G6,G6E,G6V, H6,H6E,H6V, H6VE,J6,J6E, J6V,J6VE,K6, K6E,K6V,K6VE, M6,M6E,M6VE			
	MH000392	BOLT,EXHAUST MANIFOLD	9	WASHER ASSEMBLED,8X12	G6,H6,H6E, H6VE,J6,J6E, J6V,J6VE,K6, K6E,K6V,K6VE, M6,M6E,M6VE			

FK74R
15-310 EXHAUST MANIFOLD

PNC	Part No	Part Name	Qty	Part Spec	Classification	Option	Model Y
12099	MH000392	BOLT,EXHAUST MANIFOLD	9	WASHER ASSEMBLED,8X12	K6,K6E,M6E		
	MH000392	BOLT,EXHAUST MANIFOLD	9	WASHER ASSEMBLED,8X12	G6V,H6V,H6VE, J6V,J6VE,K6VE		
	MH000392	BOLT,EXHAUST MANIFOLD	9	WASHER ASSEMBLED,8X12	G6,G6V,H6, H6E,H6V,H6VE, J6,J6E,J6V, J6VE,K6,K6E, K6VE,M6E	14C,1C0	07
	MH000392	BOLT,EXHAUST MANIFOLD	9	WASHER ASSEMBLED,8X12	G6,H6,H6E, J6,J6E	1SP,1XU,1XZ	07
	MH000392	BOLT,EXHAUST MANIFOLD	9	WASHER ASSEMBLED,8X12	G6,H6,H6E, J6,J6E,K6, K6E,M6E	1XS,1XT,1XX, 1XY	07



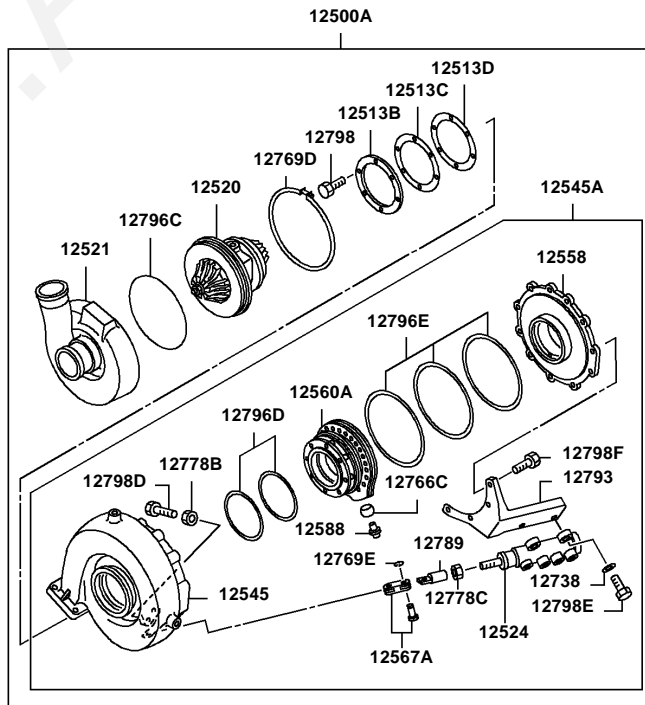
FK74R
No.1



Ref. |2015410

Page

FK74R
No.2

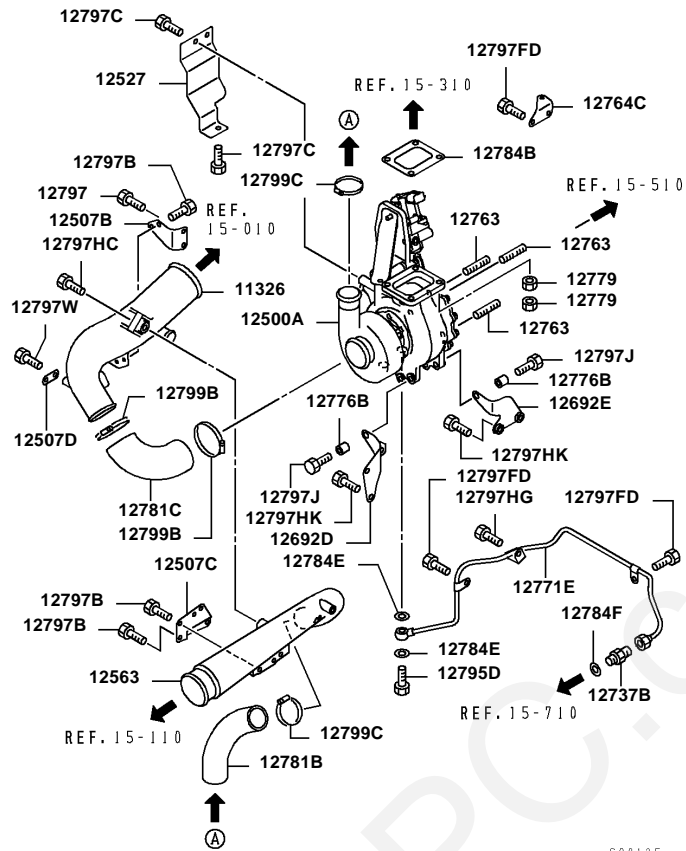


C00065

Ref. |2015410

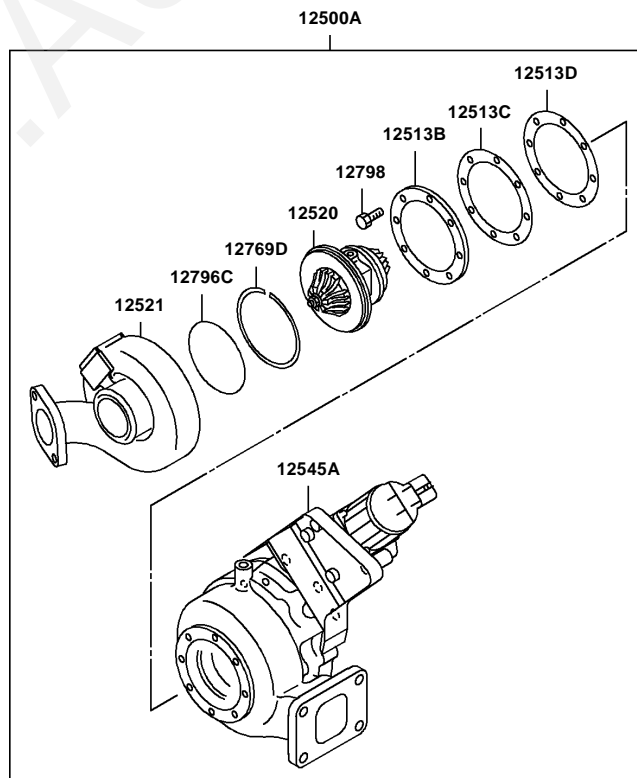
Page

FK74R
No.3



C00125

FK74R
No.4



C00179

FK74R
15-410 TURBOCHARGER

Repl Part	PNC	Part No	Part Name	Qty	Part Spec	Remarks	NE
	11326	ME224269	PIPE,ENG AIR INTAKE	1			
		ME224269	PIPE,ENG AIR INTAKE	1			
		ME224269	PIPE,ENG AIR INTAKE	1			
		ME224269	PIPE,ENG AIR INTAKE	1			
		ME224269	PIPE,ENG AIR INTAKE	1			
		ME225776	PIPE,ENG AIR INTAKE	1			
		ME225776	PIPE,ENG AIR INTAKE	1			
		ME225776	PIPE,ENG AIR INTAKE	1			
		ME225776	PIPE,ENG AIR INTAKE	1			
		ME225776	PIPE,ENG AIR INTAKE	1			
		ME225776	PIPE,ENG AIR INTAKE	1			
		ME225776	PIPE,ENG AIR INTAKE	1			
		ME225776	PIPE,ENG AIR INTAKE	1			
RP	12500A	ME225022	TURBOCHARGER ASSY	1			Y
		ME226161	TURBOCHARGER ASSY	1			
		ME226161	TURBOCHARGER ASSY	1			
		ME226161	TURBOCHARGER ASSY	1			
		ME226161	TURBOCHARGER ASSY	1			
		ME226161	TURBOCHARGER ASSY	1			
		ME226161	TURBOCHARGER ASSY	1			
		ME226266	TURBOCHARGER ASSY	1			
		ME226266	TURBOCHARGER ASSY	1			
		ME226266	TURBOCHARGER ASSY	1			
		ME226266	TURBOCHARGER ASSY	1			
		ME226266	TURBOCHARGER ASSY	1			
		ME226266	TURBOCHARGER ASSY	1			
		ME226266	TURBOCHARGER ASSY	1			
		ME226266	TURBOCHARGER ASSY	1			

FK74R
15-410 TURBOCHARGER

Repl Part	PNC	Part No	Part Name	Qty	Part Spec	Remarks	NE
	12500A	ME226266	TURBOCHARGER ASSY	1			
		ME226266	TURBOCHARGER ASSY	1			
		ME227580	TURBOCHARGER ASSY	1			
		ME227580	TURBOCHARGER ASSY	1			
		ME227580	TURBOCHARGER ASSY	1			
		ME227580	TURBOCHARGER ASSY	1			
		ME227580	TURBOCHARGER ASSY	1			
		ME227580	TURBOCHARGER ASSY	1			
	12507B	ME222822	BRACKET,T/C AIR PIPE	1			
		ME222822	BRACKET,T/C AIR PIPE	1			
		ME222822	BRACKET,T/C AIR PIPE	1			
		ME222822	BRACKET,T/C AIR PIPE	1			
		ME222822	BRACKET,T/C AIR PIPE	1			
		ME225778	BRACKET,T/C AIR PIPE	1			
		ME225778	BRACKET,T/C AIR PIPE	1			
		ME225778	BRACKET,T/C AIR PIPE	1			
		ME225778	BRACKET,T/C AIR PIPE	1			
		ME225778	BRACKET,T/C AIR PIPE	1			
		ME225778	BRACKET,T/C AIR PIPE	1			
		ME225778	BRACKET,T/C AIR PIPE	1			
	12507C	ME223362	BRACKET,T/C AIR PIPE	1			
		ME223362	BRACKET,T/C AIR PIPE	1			
		ME223362	BRACKET,T/C AIR PIPE	1			
		ME223362	BRACKET,T/C AIR PIPE	1			
		ME223362	BRACKET,T/C AIR PIPE	1			
		ME223362	BRACKET,T/C AIR PIPE	1			
		ME223362	BRACKET,T/C AIR PIPE	1			
		ME223362	BRACKET,T/C AIR PIPE	1			

FK74R
15-410 TURBOCHARGER

Repl Part	PNC	Part No	Part Name	Qty	Part Spec	Remarks	NE
	12507C	ME223362	BRACKET,T/C AIR PIPE	1			
		ME223362	BRACKET,T/C AIR PIPE	1			
		ME223362	BRACKET,T/C AIR PIPE	1			
		ME223362	BRACKET,T/C AIR PIPE	1			
	12507D	ME227374	BRACKET,T/C AIR PIPE	1			
		ME227374	BRACKET,T/C AIR PIPE	1			
		ME227374	BRACKET,T/C AIR PIPE	1			
		ME227374	BRACKET,T/C AIR PIPE	1			
		ME227374	BRACKET,T/C AIR PIPE	1			
	12513B	ME745348	PLATE,T/C SUPPORT COUPLING	1			
		ME745348	PLATE,T/C SUPPORT COUPLING	1			
		ME745348	PLATE,T/C SUPPORT COUPLING	1			
		ME745348	PLATE,T/C SUPPORT COUPLING	1			
		ME745348	PLATE,T/C SUPPORT COUPLING	1			
		ME745348	PLATE,T/C SUPPORT COUPLING	1			
		ME745348	PLATE,T/C SUPPORT COUPLING	1			
		ME745348	PLATE,T/C SUPPORT COUPLING	1			
		ME745348	PLATE,T/C SUPPORT COUPLING	1			
		ME745348	PLATE,T/C SUPPORT COUPLING	1			
		ME745348	PLATE,T/C SUPPORT COUPLING	1			
	12513C	ME745349	PLATE,T/C SUPPORT COUPLING	1			
		ME745349	PLATE,T/C SUPPORT COUPLING	1			
		ME745349	PLATE,T/C SUPPORT COUPLING	1			
		ME745349	PLATE,T/C SUPPORT COUPLING	1			
		ME745349	PLATE,T/C SUPPORT COUPLING	1			

FK74R
15-410 TURBOCHARGER

Repl Part	PNC	Part No	Part Name	Qty	Part Spec	Remarks	NE
	12513C	ME745349	PLATE,T/C SUPPORT COUPLING	1			
		ME745349	PLATE,T/C SUPPORT COUPLING	1			
		ME745349	PLATE,T/C SUPPORT COUPLING	1			
		ME745349	PLATE,T/C SUPPORT COUPLING	1			
		ME745349	PLATE,T/C SUPPORT COUPLING	1			
		ME745349	PLATE,T/C SUPPORT COUPLING	1			
	12513D	ME745350	PLATE,T/C SUPPORT COUPLING	1			
		ME745350	PLATE,T/C SUPPORT COUPLING	1			
		ME745350	PLATE,T/C SUPPORT COUPLING	1			
		ME745350	PLATE,T/C SUPPORT COUPLING	1			
		ME745350	PLATE,T/C SUPPORT COUPLING	1			
		ME745350	PLATE,T/C SUPPORT COUPLING	1			
		ME745350	PLATE,T/C SUPPORT COUPLING	1			
		ME745350	PLATE,T/C SUPPORT COUPLING	1			
		ME745350	PLATE,T/C SUPPORT COUPLING	1			
		ME745350	PLATE,T/C SUPPORT COUPLING	1			
		ME745350	PLATE,T/C SUPPORT COUPLING	1			
		ME745350	PLATE,T/C SUPPORT COUPLING	1			
		ME745350	PLATE,T/C SUPPORT COUPLING	1			
		ME745350	PLATE,T/C SUPPORT COUPLING	1			
		ME745350	PLATE,T/C SUPPORT COUPLING	1			
	12520	ME745347	CARTRIDGE,T/C	1			
		ME745347	CARTRIDGE,T/C	1			
		ME745347	CARTRIDGE,T/C	1			
		ME745347	CARTRIDGE,T/C	1			
		ME745347	CARTRIDGE,T/C	1			
		ME745347	CARTRIDGE,T/C	1			
		ME745347	CARTRIDGE,T/C	1			
		ME745574	CARTRIDGE,T/C	1			
		ME745574	CARTRIDGE,T/C	1			
		ME745574	CARTRIDGE,T/C	1			
		ME745574	CARTRIDGE,T/C	1			

FK74R
15-410 TURBOCHARGER

Repl Part	PNC	Part No	Part Name	Qty	Part Spec	Remarks	NE
	12520	ME745574	CARTRIDGE,T/C	1			
		ME745574	CARTRIDGE,T/C	1			
		ME745574	CARTRIDGE,T/C	1			
	12521	ME745424	COVER,T/C COMPRESSOR	1			
		ME745455	COVER,T/C COMPRESSOR	1			
		ME745455	COVER,T/C COMPRESSOR	1			
		ME745455	COVER,T/C COMPRESSOR	1			
		ME745455	COVER,T/C COMPRESSOR	1			
		ME745455	COVER,T/C COMPRESSOR	1			
		ME745455	COVER,T/C COMPRESSOR	1			
		ME745455	COVER,T/C COMPRESSOR	1			
		ME745577	COVER,T/C COMPRESSOR	1			
		ME745577	COVER,T/C COMPRESSOR	1			
		ME745577	COVER,T/C COMPRESSOR	1			
		ME745577	COVER,T/C COMPRESSOR	1			
		ME745577	COVER,T/C COMPRESSOR	1			
		ME745577	COVER,T/C COMPRESSOR	1			
		ME745577	COVER,T/C COMPRESSOR	1			
		ME745577	COVER,T/C COMPRESSOR	1			
		ME745577	COVER,T/C COMPRESSOR	1			
		ME745597	COVER,T/C COMPRESSOR	1			
		ME745597	COVER,T/C COMPRESSOR	1			
		ME745597	COVER,T/C COMPRESSOR	1			
		ME745597	COVER,T/C COMPRESSOR	1			
		ME745597	COVER,T/C COMPRESSOR	1			
		ME745597	COVER,T/C COMPRESSOR	1			
		ME745597	COVER,T/C COMPRESSOR	1			
		ME745597	COVER,T/C COMPRESSOR	1			
	12524	ME350016	CYLINDER,T/C CONTROL	1			
	12527	ME224029	COVER,T/C	1			

**FK74R
15-410 TURBOCHARGER**

Repl Part	PNC	Part No	Part Name	Qty	Part Spec	Remarks	NE
	12527	ME224029	COVER,T/C	1			
		ME224029	COVER,T/C	1			
		ME224029	COVER,T/C	1			
		ME224029	COVER,T/C	1			
		ME225769	COVER,T/C	1			
		ME225769	COVER,T/C	1			
		ME225769	COVER,T/C	1			
		ME225769	COVER,T/C	1			
		ME225769	COVER,T/C	1			
		ME225769	COVER,T/C	1			
		ME225769	COVER,T/C	1			
		ME225769	COVER,T/C	1			
		ME225769	COVER,T/C	1			
		ME225769	COVER,T/C	1			
		ME225769	COVER,T/C	1			
		ME225769	COVER,T/C	1			
	12527B	ME228667	COVER,T/C	1			
	12538	ME130491	GASKET,T/C EXHAUST GAS INLET HOLE	1			
	12545	ME745383	HOUSING,T/C TURBINE	1			
		ME745442	HOUSING,T/C TURBINE	1			
	12545A	ME745422	HOUSING ASSY,T/C TURBINE	1			
		ME745441	HOUSING ASSY,T/C TURBINE	1			
		ME745441	HOUSING ASSY,T/C TURBINE	1			
		ME745441	HOUSING ASSY,T/C TURBINE	1			
		ME745441	HOUSING ASSY,T/C TURBINE	1			
		ME745441	HOUSING ASSY,T/C TURBINE	1			
		ME745441	HOUSING ASSY,T/C TURBINE	1			

FK74R
15-410 TURBOCHARGER

Repl Part	PNC	Part No	Part Name	Qty	Part Spec	Remarks	NE
	12545A	ME745441	HOUSING ASSY,T/C TURBINE	1			
		ME745441	HOUSING ASSY,T/C TURBINE	1			
		ME745572	HOUSING ASSY,T/C TURBINE	1			
		ME745572	HOUSING ASSY,T/C TURBINE	1			
		ME745572	HOUSING ASSY,T/C TURBINE	1			
		ME745572	HOUSING ASSY,T/C TURBINE	1			
		ME745572	HOUSING ASSY,T/C TURBINE	1			
		ME745572	HOUSING ASSY,T/C TURBINE	1			
		ME745572	HOUSING ASSY,T/C TURBINE	1			
		ME745572	HOUSING ASSY,T/C TURBINE	1			
		ME745596	HOUSING ASSY,T/C TURBINE	1			
		ME745596	HOUSING ASSY,T/C TURBINE	1			
		ME745596	HOUSING ASSY,T/C TURBINE	1			
		ME745596	HOUSING ASSY,T/C TURBINE	1			
		ME745596	HOUSING ASSY,T/C TURBINE	1			
		ME745596	HOUSING ASSY,T/C TURBINE	1			
	12558	ME745386	FLANGE,T/C TURBINE HOUSING	1			
		ME745443	FLANGE,T/C TURBINE HOUSING	1			
	12560A	ME745423	NOZZLE ASSY,T/C AIR FLOW CONTROL	1			
		ME745446	NOZZLE ASSY,T/C AIR FLOW CONTROL	1			
	12562	ME224790	PIPE,T/C TO EXHAUST PIPE	1			
	12563	ME224128	PIPE,T/C TO INLET MANIFOLD	1			
		ME224128	PIPE,T/C TO INLET MANIFOLD	1			

FK74R
15-410 TURBOCHARGER

Repl Part	PNC	Part No	Part Name	Qty	Part Spec	Remarks	NE
	12563	ME224128	PIPE,T/C TO INLET MANIFOLD	1			
		ME224128	PIPE,T/C TO INLET MANIFOLD	1			
		ME224128	PIPE,T/C TO INLET MANIFOLD	1			
		ME224131	PIPE,T/C TO INLET MANIFOLD	1			
		ME224131	PIPE,T/C TO INLET MANIFOLD	1			
		ME224131	PIPE,T/C TO INLET MANIFOLD	1			
		ME224131	PIPE,T/C TO INLET MANIFOLD	1			
		ME224131	PIPE,T/C TO INLET MANIFOLD	1			
		ME224131	PIPE,T/C TO INLET MANIFOLD	1			
		ME224131	PIPE,T/C TO INLET MANIFOLD	1			
		ME224131	PIPE,T/C TO INLET MANIFOLD	1			
	12567A	ME719628	LEVER ASSY,T/C CONTROL CYLINDER CONNECTING	1			
	12588	ME745379	RING,T/C ACTUATOR ADJUSTING ROD RETAINING	1			
		ME745444	RING,T/C ACTUATOR ADJUSTING ROD RETAINING	1			
	12692	ME224331	BRACKET,T/C	1			
	12692D	ME224931	BRACKET,T/C	1			
		ME224931	BRACKET,T/C	1			
		ME224931	BRACKET,T/C	1			
		ME224931	BRACKET,T/C	1			
		ME224931	BRACKET,T/C	1			
		ME227562	BRACKET,T/C	1			
		ME227562	BRACKET,T/C	1			
		ME227562	BRACKET,T/C	1			
		ME227562	BRACKET,T/C	1			

FK74R
15-410 TURBOCHARGER

Repl Part	PNC	Part No	Part Name	Qty	Part Spec	Remarks
	12692D	ME227562	BRACKET,T/C	1		
		ME227562	BRACKET,T/C	1		
		ME227562	BRACKET,T/C	1		
	12692E	ME227292	BRACKET,T/C	1		
		ME227292	BRACKET,T/C	1		
		ME227292	BRACKET,T/C	1		
		ME227292	BRACKET,T/C	1		
		ME227292	BRACKET,T/C	1		
	12710	ME181191	VALVE,T/C BOOST CONTROL SOLENOID	1		
	12737B	MS656023	CONNECTOR,T/C	1		
		MS656023	CONNECTOR,T/C	1		
		MS656023	CONNECTOR,T/C	1		
		MS656023	CONNECTOR,T/C	1		
		MS656023	CONNECTOR,T/C	1		
		MS656023	CONNECTOR,T/C	1		
		MS656023	CONNECTOR,T/C	1		
		MS656023	CONNECTOR,T/C	1		
		MS656023	CONNECTOR,T/C	1		
		MS656023	CONNECTOR,T/C	1		
		MS656023	CONNECTOR,T/C	1		
		MS656023	CONNECTOR,T/C	1		
	12738	ME719644	WASHER,T/C INR	2		
	12739	MF450005	WASHER,T/C	2	PLAIN,8,18	

FK74R
15-410 TURBOCHARGER

Repl Part	PNC	Part No	Part Name	Qty	Part Spec	Remarks	NE
	12739	MH005002	WASHER,T/C	2	PLAIN,9		
	12739HC	MD050076	WASHER,T/C	3	PLAIN,10		
	12762B	MH002136	STUD,T/C INR	1	10X20		
	12762C	MH002335	STUD,T/C INR	2			
	12762D	MF407006	STUD,T/C INR	2	10X25		
	12763	MH002342	STUD,T/C	1			
		MH002342	STUD,T/C	1			
		MH002342	STUD,T/C	1			
		MH002342	STUD,T/C	1			
		MH002143	STUD,T/C	3	12X25		
		MH002143	STUD,T/C	3	12X25		
		MH002143	STUD,T/C	3	12X25		
		MH002143	STUD,T/C	3	12X25		
		MH002143	STUD,T/C	3	12X25		
		MH002143	STUD,T/C	3	12X25		
		MH002143	STUD,T/C	3	12X25		
	12763B	MH002332	STUD,T/C	2			

FK74R
15-410 TURBOCHARGER

Repl Part	PNC	Part No	Part Name	Qty	Part Spec	Remarks	NE
	12764B	ME223062	STAY,T/C	1			
	12764C	ME224480	STAY,T/C	1			
		ME224480	STAY,T/C	1			
		ME224480	STAY,T/C	1			
		ME224480	STAY,T/C	1			
		ME224480	STAY,T/C	1			
		ME226691	STAY,T/C	1			
		ME226691	STAY,T/C	1			
		ME226691	STAY,T/C	1			
		ME226691	STAY,T/C	1			
		ME226691	STAY,T/C	1			
		ME226691	STAY,T/C	1			
		ME226691	STAY,T/C	1			
		ME226691	STAY,T/C	1			
		ME226691	STAY,T/C	1			
	12764D	3126154100	STAY,T/C	1			
	12766C	ME745382	SLEEVE,T/C INR	1			
		ME745445	SLEEVE,T/C INR	1			
	12769D	ME719584	SNAP RING,T/C INR	1			
		ME719584	SNAP RING,T/C INR	1			
		ME719584	SNAP RING,T/C INR	1			
		ME719584	SNAP RING,T/C INR	1			
		ME719584	SNAP RING,T/C INR	1			

FK74R
15-410 TURBOCHARGER

Repl Part	PNC	Part No	Part Name	Qty	Part Spec	Remarks	NE
	12769D	ME719584	SNAP RING,T/C INR	1			
		ME719584	SNAP RING,T/C INR	1			
		ME719584	SNAP RING,T/C INR	1			
		ME719584	SNAP RING,T/C INR	1			
		ME719584	SNAP RING,T/C INR	1			
		ME719584	SNAP RING,T/C INR	1			
	12769E	ME719695	SNAP RING,T/C INR	2			
	12771B	ME224534	TUBE,T/C	1			
	12771C	ME224535	TUBE,T/C	1			
	12771D	ME224536	TUBE,T/C	1			
	12771E	ME225153	TUBE,T/C	1			
		ME225153	TUBE,T/C	1			
		ME225153	TUBE,T/C	1			
		ME225153	TUBE,T/C	1			
		ME225153	TUBE,T/C	1			
		ME227075	TUBE,T/C	1			
		ME227075	TUBE,T/C	1			
		ME227075	TUBE,T/C	1			
		ME227075	TUBE,T/C	1			
		ME227075	TUBE,T/C	1			
		ME227075	TUBE,T/C	1			
		ME227075	TUBE,T/C	1			
		ME227075	TUBE,T/C	1			
	12776B	ME920031	SPACER,T/C	2			

FK74R
15-410 TURBOCHARGER

Repl Part	PNC	Part No	Part Name	Qty	Part Spec	Remarks	NE
	12776B	ME920031	SPACER,T/C	2			
		ME920031	SPACER,T/C	2			
		ME920031	SPACER,T/C	2			
		ME920031	SPACER,T/C	2			
		MS456733	SPACER,T/C	3	8X10		
		MS456733	SPACER,T/C	3	8X10		
		MS456733	SPACER,T/C	3	8X10		
		MS456733	SPACER,T/C	3	8X10		
		MS456733	SPACER,T/C	3	8X10		
		MS456733	SPACER,T/C	3	8X10		
		MS456768	SPACER,T/C	2	10X20		
		MS456768	SPACER,T/C	2	10X20		
		MS456768	SPACER,T/C	2	10X20		
		MS456768	SPACER,T/C	2	10X20		
		MS456768	SPACER,T/C	2	10X20		
		MS456768	SPACER,T/C	2	10X20		
		MS456768	SPACER,T/C	2	10X20		
		MS456768	SPACER,T/C	2	10X20		
		MS456768	SPACER,T/C	2	10X20		
	12778B	ME745031	NUT,T/C INR	2			
	12778C	ME719642	NUT,T/C INR	1			
	12779	MH004054	NUT,T/C	1	SELF LOCKING,FLANGE,10		
		MH004054	NUT,T/C	1	SELF LOCKING,FLANGE,10		
		MH004054	NUT,T/C	1	SELF LOCKING,FLANGE,10		

FK74R
15-410 TURBOCHARGER

Repl Part	PNC	Part No	Part Name	Qty	Part Spec	Remarks
	12779	MH004054	NUT,T/C	1	SELF LOCKING,FLANGE,10	
		MH004054	NUT,T/C	1	SELF LOCKING,FLANGE,10	
		MD050073	NUT,T/C	8	JAM,10	
		MD050073	NUT,T/C	8	JAM,10	
		MD050073	NUT,T/C	8	JAM,10	
		MD050073	NUT,T/C	8	JAM,10	
		MD050073	NUT,T/C	8	JAM,10	
		MD050073	NUT,T/C	8	JAM,10	
		MD050073	NUT,T/C	8	JAM,10	
		MD050073	NUT,T/C	8	JAM,10	
12779B		MF434105	NUT,T/C	1	FLANGE,10	4T
12779HC		MD050073	NUT,T/C	11	JAM,10	
12781B		ME222415	HOSE,T/C	1		
		ME222415	HOSE,T/C	1		
		ME222415	HOSE,T/C	1		
		ME222415	HOSE,T/C	1		
		ME222415	HOSE,T/C	1		
		ME225779	HOSE,T/C	1	42	
		ME225779	HOSE,T/C	1	42	
		ME225779	HOSE,T/C	1	42	
		ME225779	HOSE,T/C	1	42	
		ME225779	HOSE,T/C	1	42	
		ME225779	HOSE,T/C	1	42	
		ME225779	HOSE,T/C	1	42	
		ME225779	HOSE,T/C	1	42	
12781C		ME222085	HOSE,T/C	1		
		ME222085	HOSE,T/C	1		

FK74R
15-410 TURBOCHARGER

Repl Part	PNC	Part No	Part Name	Qty	Part Spec	Remarks	NE
	12781C	ME222085	HOSE,T/C	1			
		ME222085	HOSE,T/C	1			
		ME222085	HOSE,T/C	1			
		ME226392	HOSE,T/C	1	59		
		ME226392	HOSE,T/C	1	59		
		ME226392	HOSE,T/C	1	59		
		ME226392	HOSE,T/C	1	59		
		ME226392	HOSE,T/C	1	59		
		ME226392	HOSE,T/C	1	59		
		ME226392	HOSE,T/C	1	59		
		ME226392	HOSE,T/C	1	59		
	12784B	ME224811	GASKET,T/C	1			
		ME224811	GASKET,T/C	1			
		ME224811	GASKET,T/C	1			
		ME224811	GASKET,T/C	1			
		ME224811	GASKET,T/C	1			
		ME224811	GASKET,T/C	1			
		ME224811	GASKET,T/C	1			
		ME224811	GASKET,T/C	1			
		ME224811	GASKET,T/C	1			
		ME224811	GASKET,T/C	1			
		ME224811	GASKET,T/C	1			
		ME224811	GASKET,T/C	1			
		ME224811	GASKET,T/C	1			
		ME224811	GASKET,T/C	1			
		ME224811	GASKET,T/C	1			
		ME224811	GASKET,T/C	1			
		ME224811	GASKET,T/C	1			
	12784C	MF660064	GASKET,T/C	6	D=12		
	12784D	MF660063	GASKET,T/C	6	D=10		
	12784E	MF660065	GASKET,T/C	2	D=14		

FK74R
15-410 TURBOCHARGER

Repl Part	PNC	Part No	Part Name	Qty	Part Spec	Remarks
	12784E	MF660065	GASKET,T/C	2	D=14	
		MF660065	GASKET,T/C	2	D=14	
		MF660065	GASKET,T/C	2	D=14	
		MF660065	GASKET,T/C	2	D=14	
		MF660065	GASKET,T/C	2	D=14	
		MF660065	GASKET,T/C	2	D=14	
		MF660065	GASKET,T/C	2	D=14	
		MF660065	GASKET,T/C	2	D=14	
		MH035282	GASKET,T/C	2	D=14	
		MH035282	GASKET,T/C	2	D=14	
		MH035282	GASKET,T/C	2	D=14	
		MH035282	GASKET,T/C	2	D=14	
		MH035282	GASKET,T/C	2	D=14	
		MH035282	GASKET,T/C	2	D=14	
		MH035282	GASKET,T/C	2	D=14	
		MH035282	GASKET,T/C	2	D=14	
	12784F	MF660066	GASKET,T/C	1	D=16	
		MF660066	GASKET,T/C	1	D=16	
		MF660066	GASKET,T/C	1	D=16	
		MF660066	GASKET,T/C	1	D=16	
		MF660066	GASKET,T/C	1	D=16	
		MF660066	GASKET,T/C	1	D=16	
		MF660066	GASKET,T/C	1	D=16	
		MF660066	GASKET,T/C	1	D=16	
		MF660066	GASKET,T/C	1	D=16	

FK74R
15-410 TURBOCHARGER

Repl Part	PNC	Part No	Part Name	Qty	Part Spec	Remarks
	12784F	MF660066	GASKET,T/C	1	D=16	
		MF660066	GASKET,T/C	1	D=16	
		MF660066	GASKET,T/C	1	D=16	
	12786B	MH038162	JOINT,T/C	1		
	12786C	MH039167	JOINT,T/C	1		
	12789	ME715360	CLEVIS,T/C	1		
		ME745360	CLEVIS,T/C	1		
	12793	ME745375	BRACKET,SUPERCHARGER	1		
RP	12795B	MF650113	EYEBOLT,T/C	3	12X23	
	12795C	MH037279	EYEBOLT,T/C	3	10X20	
	12795D	MF650114	EYEBOLT,T/C	1	14X27	
		MF650114	EYEBOLT,T/C	1	14X27	
		MF650114	EYEBOLT,T/C	1	14X27	
		MF650114	EYEBOLT,T/C	1	14X27	
		MF650114	EYEBOLT,T/C	1	14X27	
		MF650114	EYEBOLT,T/C	1	14X27	
		MF650114	EYEBOLT,T/C	1	14X27	
		MF650114	EYEBOLT,T/C	1	14X27	
		MF650114	EYEBOLT,T/C	1	14X27	

FK74R
15-410 TURBOCHARGER

Repl Part	PNC	Part No	Part Name	Qty	Part Spec	Remarks	NE
	12795D	MF650114	EYEBOLT,T/C	1	14X27		
		MF650114	EYEBOLT,T/C	1	14X27		
		MF650114	EYEBOLT,T/C	1	14X27		
	12796C	ME719627	O-RING,T/C INR	1			
		ME719627	O-RING,T/C INR	1			
		ME719627	O-RING,T/C INR	1			
		ME719627	O-RING,T/C INR	1			
		ME719627	O-RING,T/C INR	1			
		ME719627	O-RING,T/C INR	1			
		ME719627	O-RING,T/C INR	1			
		ME719627	O-RING,T/C INR	1			
		ME719627	O-RING,T/C INR	1			
		ME719627	O-RING,T/C INR	1			
		ME719627	O-RING,T/C INR	1			
		ME719627	O-RING,T/C INR	1			
		ME719627	O-RING,T/C INR	1			
	12796D	ME745361	O-RING,T/C INR	2			
	12796E	ME745362	O-RING,T/C INR	3			
RP	12797	MD075165	BOLT,T/C	2	FLANGE,8X20		Y
RP		MD075165	BOLT,T/C	2	FLANGE,8X20		Y
RP		MD075165	BOLT,T/C	2	FLANGE,8X20		Y
RP		MD075165	BOLT,T/C	2	FLANGE,8X20		Y
RP		MD075165	BOLT,T/C	2	FLANGE,8X20		Y
RP		MD075165	BOLT,T/C	2	FLANGE,8X20		Y
	12797B	MF140224	BOLT,T/C	7	FLANGE,8X18	7T	

FK74R
15-410 TURBOCHARGER

Repl Part	PNC	Part No	Part Name	Qty	Part Spec	Remarks	NE
	12797B	MF140224	BOLT,T/C	7	FLANGE,8X18	7T	
		MF140224	BOLT,T/C	7	FLANGE,8X18	7T	
		MF140224	BOLT,T/C	7	FLANGE,8X18	7T	
		MF140224	BOLT,T/C	7	FLANGE,8X18	7T	
		MF140224	BOLT,T/C	7	FLANGE,8X18	7T	
		MF140224	BOLT,T/C	7	FLANGE,8X18	7T	
		MF140224	BOLT,T/C	6	FLANGE,8X18	7T	
		MF140224	BOLT,T/C	6	FLANGE,8X18	7T	
		MF140224	BOLT,T/C	6	FLANGE,8X18	7T	
	12797BB	MF140227	BOLT,T/C	1	FLANGE,8X25	7T	
	12797BC	MF140223	BOLT,T/C	1	FLANGE,8X16	7T	
	12797C	MH000392	BOLT,T/C	5	WASHER ASSEMBLED,8X12		
		MH000392	BOLT,T/C	5	WASHER ASSEMBLED,8X12		
		MH000392	BOLT,T/C	5	WASHER ASSEMBLED,8X12		
		MH000392	BOLT,T/C	5	WASHER ASSEMBLED,8X12		
		MH000392	BOLT,T/C	5	WASHER ASSEMBLED,8X12		
		MH000392	BOLT,T/C	5	WASHER ASSEMBLED,8X12		
		MH000392	BOLT,T/C	5	WASHER ASSEMBLED,8X12		
		MH000392	BOLT,T/C	3	WASHER ASSEMBLED,8X12		
		MH000392	BOLT,T/C	3	WASHER ASSEMBLED,8X12		
		MH000392	BOLT,T/C	3	WASHER ASSEMBLED,8X12		

FK74R
15-410 TURBOCHARGER

Repl Part	PNC	Part No	Part Name	Qty	Part Spec	Remarks	NE
	12797D	MD040758	BOLT,T/C	3	FLANGE,8X16		
RP	12797F	MD075165	BOLT,T/C	2	FLANGE,8X20		Y
	12797FD	MF140223	BOLT,T/C	4	FLANGE,8X16	7T	
		MF140223	BOLT,T/C	4	FLANGE,8X16	7T	
		MF140223	BOLT,T/C	4	FLANGE,8X16	7T	
		MF140223	BOLT,T/C	4	FLANGE,8X16	7T	
		MF140223	BOLT,T/C	4	FLANGE,8X16	7T	
		MF140223	BOLT,T/C	4	FLANGE,8X16	7T	
	12797HB	MF140260	BOLT,T/C	2	FLANGE,10X25	7T	
	12797HC	MH000708	BOLT,T/C	1	FLANGE,10X45		
		MH000708	BOLT,T/C	1	FLANGE,10X45		
		MH000708	BOLT,T/C	1	FLANGE,10X45		
		MH000708	BOLT,T/C	1	FLANGE,10X45		
		MH000708	BOLT,T/C	1	FLANGE,10X45		
		MH000708	BOLT,T/C	1	FLANGE,10X45		
		MH000708	BOLT,T/C	1	FLANGE,10X45		
		MH000708	BOLT,T/C	1	FLANGE,10X45		
	12797HD	MF140267	BOLT,T/C	1	FLANGE,10X45	7T	

FK74R
15-410 TURBOCHARGER

Repl Part	PNC	Part No	Part Name	Qty	Part Spec	Remarks
	12797HG	MH000931	BOLT,T/C	2	FLANGE,10X18	
		MH000931	BOLT,T/C	2	FLANGE,10X18	
		MH000931	BOLT,T/C	2	FLANGE,10X18	
		MH000931	BOLT,T/C	2	FLANGE,10X18	
		MH000931	BOLT,T/C	2	FLANGE,10X18	
		MH000931	BOLT,T/C	2	FLANGE,10X18	
		MH000931	BOLT,T/C	2	FLANGE,10X18	
		MH000931	BOLT,T/C	1	FLANGE,10X18	
		MH000931	BOLT,T/C	1	FLANGE,10X18	
		MH000931	BOLT,T/C	1	FLANGE,10X18	
	12797HK	MH000726	BOLT,T/C	4	FLANGE,10X22	
		MH000726	BOLT,T/C	4	FLANGE,10X22	
		MH000726	BOLT,T/C	4	FLANGE,10X22	
		MH000726	BOLT,T/C	4	FLANGE,10X22	
		MH000726	BOLT,T/C	4	FLANGE,10X22	
		MH000726	BOLT,T/C	4	FLANGE,10X22	
		MH000726	BOLT,T/C	4	FLANGE,10X22	
		MS146304	BOLT,T/C	4	FLANGE,10X20	10T
		MS146304	BOLT,T/C	4	FLANGE,10X20	10T
		MS146304	BOLT,T/C	4	FLANGE,10X20	10T
		MS146304	BOLT,T/C	4	FLANGE,10X20	10T
		MS146304	BOLT,T/C	4	FLANGE,10X20	10T
		MS146304	BOLT,T/C	4	FLANGE,10X20	10T
		MS146304	BOLT,T/C	4	FLANGE,10X20	10T
	12797J	MH001402	BOLT,T/C	2	FLANGE,8X30	
		MH001402	BOLT,T/C	2	FLANGE,8X30	
		MH001402	BOLT,T/C	2	FLANGE,8X30	

FK74R
15-410 TURBOCHARGER

Repl Part	PNC	Part No	Part Name	Qty	Part Spec	Remarks	NE
	12797J	MH001402	BOLT,T/C	2	FLANGE,8X30		
		MH001402	BOLT,T/C	2	FLANGE,8X30		
		MH001402	BOLT,T/C	2	FLANGE,8X30		
		MS146314	BOLT,T/C	2	FLANGE,10X45	10T	
		MS146314	BOLT,T/C	2	FLANGE,10X45	10T	
		MS146314	BOLT,T/C	2	FLANGE,10X45	10T	
		MS146314	BOLT,T/C	2	FLANGE,10X45	10T	
		MS146314	BOLT,T/C	2	FLANGE,10X45	10T	
		MS146314	BOLT,T/C	2	FLANGE,10X45	10T	
		MS146314	BOLT,T/C	2	FLANGE,10X45	10T	
		MS146314	BOLT,T/C	2	FLANGE,10X45	10T	
	12797M	MS146805	BOLT,T/C	2	FLANGE,8X50		
	12797W	MF140204	BOLT,T/C	1	FLANGE,6X14	7T	
		MF140204	BOLT,T/C	1	FLANGE,6X14	7T	
		MF140204	BOLT,T/C	1	FLANGE,6X14	7T	
		MF140204	BOLT,T/C	1	FLANGE,6X14	7T	
		MF140204	BOLT,T/C	1	FLANGE,6X14	7T	
		MF140204	BOLT,T/C	1	FLANGE,6X14	7T	
	12798	ME745351	BOLT,T/C INR	6			
		ME745351	BOLT,T/C INR	6			
		ME745351	BOLT,T/C INR	6			

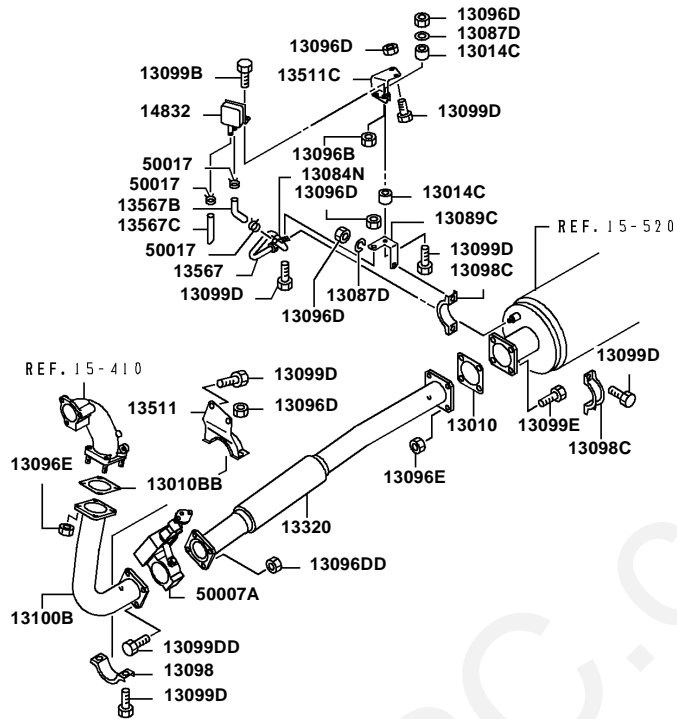
FK74R
15-410 TURBOCHARGER

Repl Part	PNC	Part No	Part Name	Qty	Part Spec	Remarks	NE
	12798	ME745351	BOLT,T/C INR	6			
		ME745351	BOLT,T/C INR	6			
		ME745351	BOLT,T/C INR	6			
		ME745351	BOLT,T/C INR	6			
		ME745351	BOLT,T/C INR	6			
		ME745351	BOLT,T/C INR	6			
		ME745351	BOLT,T/C INR	6			
		ME745351	BOLT,T/C INR	6			
		ME745351	BOLT,T/C INR	6			
		ME745351	BOLT,T/C INR	6			
		ME745351	BOLT,T/C INR	6			
	12798D	ME745030	BOLT,T/C INR	2			
	12798E	ME719643	BOLT,T/C INR	2			
	12798F	ME745037	BOLT,T/C INR	11			
	12799B	MH021374	CLAMP,T/C	2	D=40-60		
		MH021374	CLAMP,T/C	2	D=40-60		
		MH021374	CLAMP,T/C	2	D=40-60		
		MH021374	CLAMP,T/C	2	D=40-60		
		MH021374	CLAMP,T/C	2	D=40-60		
		MH021370	CLAMP,T/C	2	D=60-80		
		MH021370	CLAMP,T/C	2	D=60-80		
		MH021370	CLAMP,T/C	2	D=60-80		
		MH021370	CLAMP,T/C	2	D=60-80		
		MH021370	CLAMP,T/C	2	D=60-80		
		MH021370	CLAMP,T/C	2	D=60-80		
		MH021370	CLAMP,T/C	2	D=60-80		
		MH021370	CLAMP,T/C	2	D=60-80		
		MH021370	CLAMP,T/C	2	D=60-80		
	12799C	MH021371	CLAMP,T/C	2	D=80-100		

**FK74R
15-410 TURBOCHARGER**

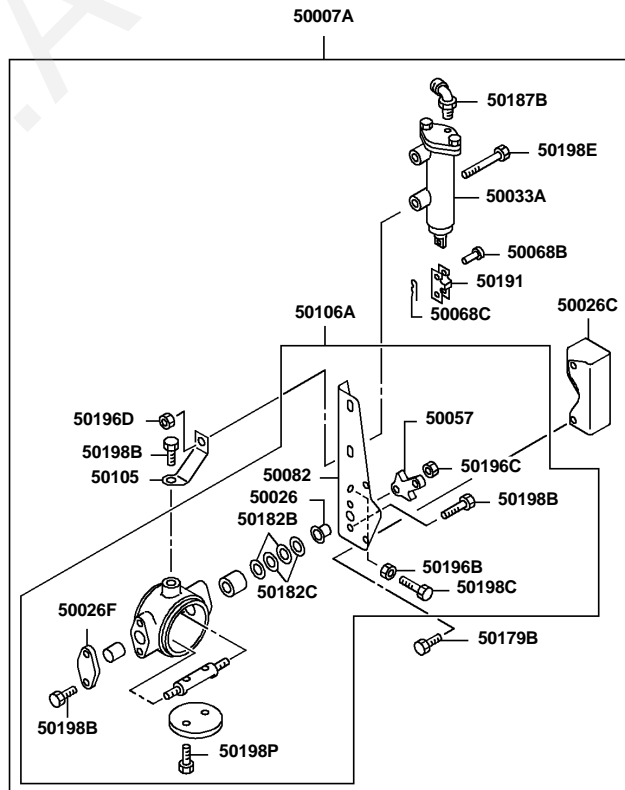
Repl Part	PNC	Part No	Part Name	Qty	Part Spec	Remarks
	12799C	MH021371	CLAMP,T/C	2	D=80-100	
		MH021371	CLAMP,T/C	2	D=80-100	
		MH021371	CLAMP,T/C	2	D=80-100	
		MH021371	CLAMP,T/C	2	D=80-100	
		MH021374	CLAMP,T/C	2	D=40-60	
		MH021374	CLAMP,T/C	2	D=40-60	
		MH021374	CLAMP,T/C	2	D=40-60	
		MH021374	CLAMP,T/C	2	D=40-60	
		MH021374	CLAMP,T/C	2	D=40-60	
		MH021374	CLAMP,T/C	2	D=40-60	
		MH021374	CLAMP,T/C	2	D=40-60	
		MH021374	CLAMP,T/C	2	D=40-60	
	12797P	(N.e.c.)	BOLT,T/C			
	12799E	(N.e.c.)	CLAMP,T/C			

FK74R
No.1



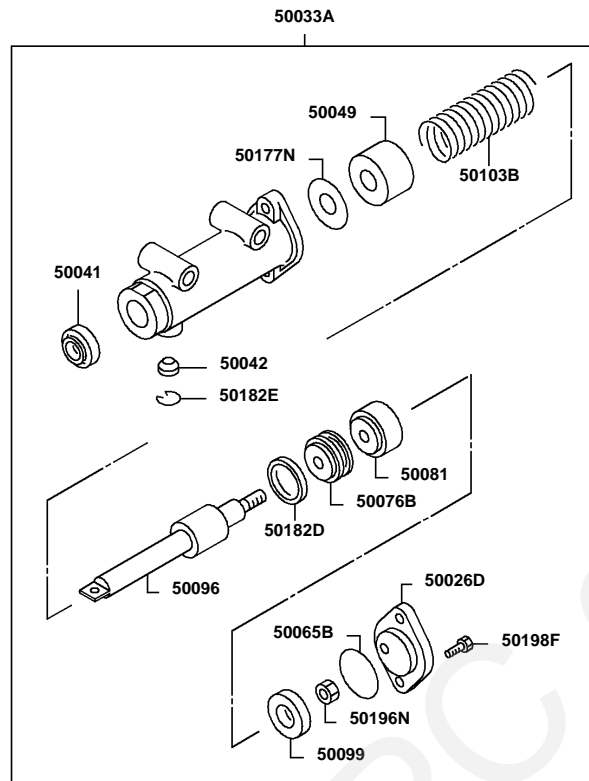
C00256

FK74R
No.2



C00005

FK74R
No.3

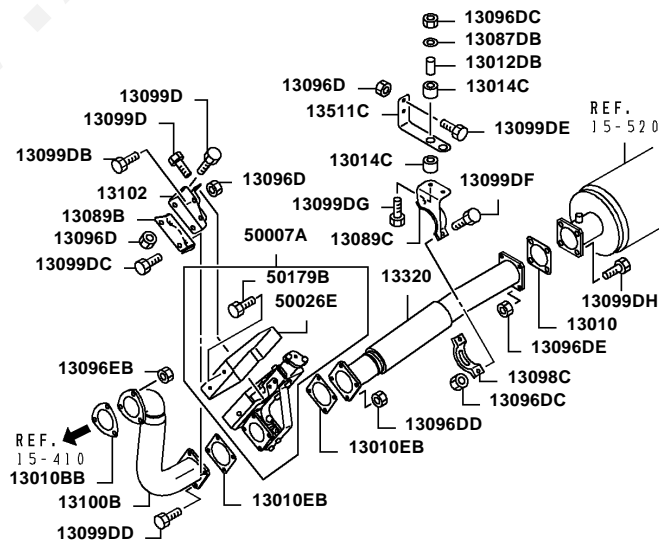


2WB004

Ref. |2015510

Page

FK74R
No.4



C00298

Ref. |2015510

Page

FK74R
15-510 EXHAUST PIPE

Repl Part	PNC	Part No	Part Name	Qty	Part Spec	Remarks
	13010	MC644171	GASKET,EXHAUST PIPE	1		
		ME415957	GASKET,EXHAUST PIPE	1		
	13010BB	ME033570	GASKET,EXHAUST PIPE	1		
		ME415748	GASKET,EXHAUST PIPE	1		
	13010EB	ME415957	GASKET,EXHAUST PIPE	2		
	13012DB	MC025178	COLLAR,EXHAUST PIPE	2		D=12.1
RP	13014C	MC429519	CUSHION,EXHAUST PIPE	2	H=25	
		ME401936	CUSHION,EXHAUST PIPE	4	H=15	
	13084N	MH020592	CLIP,EXHAUST PIPE	1	8	
	13087D	MC000003	WASHER,EXHAUST PIPE	1	PLAIN,10	
		MF450406	WASHER,EXHAUST PIPE	2	SPRING,10	
	13087DB	MC025179	WASHER,EXHAUST PIPE	2		
	13089B	ME554442	STAY,EXHAUST PIPE	1		

FK74R
15-510 EXHAUST PIPE

Repl Part	PNC	Part No	Part Name	Qty	Part Spec	Remarks
	13089C	ME410829	STAY,EXHAUST PIPE	1		
		ME553269	STAY,EXHAUST PIPE	1		
	13096B	MF434103	NUT,EXHAUST PIPE	2	FLANGE,6	W/O COAT
	13096D	MF430006	NUT,EXHAUST PIPE	2	10	
		MF445005	NUT,EXHAUST PIPE	1	SELF LOCKING,10	
		MF434105	NUT,EXHAUST PIPE	6	FLANGE,10	4T
	13096DC	MF434105	NUT,EXHAUST PIPE	4	FLANGE,10	4T
	13096DD	MH004054	NUT,EXHAUST PIPE	4	SELF LOCKING,FLANGE,10	
	13096DE	MH004054	NUT,EXHAUST PIPE	4	SELF LOCKING,FLANGE,10	
	13096E	MH004054	NUT,EXHAUST PIPE	8	SELF LOCKING,FLANGE,10	
	13096EB	MH004073	NUT,EXHAUST PIPE	3	SELF LOCKING,FLANGE,12	
RP	13098	MC428275	CLAMP,EXHAUST PIPE	1	D=74	

FK74R
15-510 EXHAUST PIPE

Repl Part	PNC	Part No	Part Name	Qty	Part Spec	Remarks
	13098C	MC428251	CLAMP,EXHAUST PIPE	2	D=84	
		MC404414	CLAMP,EXHAUST PIPE	1	86	
13099B		MF140005	BOLT,EXHAUST PIPE	2	FLANGE,6X16	4T
13099D		MF101287	BOLT,EXHAUST PIPE	1	BOLT,10X30	7T
		MF101289	BOLT,EXHAUST PIPE	1	BOLT,10X35	7T
		MF140258	BOLT,EXHAUST PIPE	2	FLANGE,10X20	7T
		MF140260	BOLT,EXHAUST PIPE	1	FLANGE,10X25	7T
		MF140262	BOLT,EXHAUST PIPE	2	FLANGE,10X30	7T
		MF140266	BOLT,EXHAUST PIPE	2	FLANGE,10X40	7T
		MF140273	BOLT,EXHAUST PIPE	1	FLANGE,10X75	7T
		MF140262	BOLT,EXHAUST PIPE	3	FLANGE,10X30	7T
13099DB		MF140268	BOLT,EXHAUST PIPE	2	FLANGE,10X50	7T

FK74R
15-510 EXHAUST PIPE

Repl Part	PNC	Part No	Part Name	Qty	Part Spec	Remarks
	13099DC	MF101301	BOLT,EXHAUST PIPE	2	BOLT,10X90	7T
	13099DD	MF106098	BOLT,EXHAUST PIPE	4	BOLT,10X75	8T
		MF101300	BOLT,EXHAUST PIPE	2	BOLT,10X85	7T
	13099DE	MF140262	BOLT,EXHAUST PIPE	2	FLANGE,10X30	7T
	13099DF	MF140262	BOLT,EXHAUST PIPE	2	FLANGE,10X30	7T
	13099DG	MF140268	BOLT,EXHAUST PIPE	2	FLANGE,10X50	7T
	13099DH	MF101289	BOLT,EXHAUST PIPE	4	BOLT,10X35	7T
	13099E	MF101287	BOLT,EXHAUST PIPE	4	BOLT,10X30	7T
	13100B	ME410812	PIPE,EXHAUST,FR	1		
RP		ME554010	PIPE,EXHAUST,FR	1		
		ME555869	PIPE,EXHAUST,FR	1		
	13102	ME554446	BRACKET,EXHAUST FR PIPE	1		
	13320	ME410813	PIPE,EXHAUST,CTR	1		

FK74R
15-510 EXHAUST PIPE

Repl Part RP	PNC 13320	Part No ME553264	Part Name	Qty 1	Part Spec	Remarks
		ME556594	PIPE,EXHAUST,CTR	1		
13511		ME410824	BRACKET,EXHAUST MUFFLER	1		
13511C		ME412331	BRACKET,EXHAUST MUFFLER	1		
		ME553268	BRACKET,EXHAUST MUFFLER	1		
13567		ME412015	HOSE,EXHAUST MUFFLER CONTROL	1	8	
13567B		ME409477	HOSE,EXHAUST MUFFLER CONTROL	1	7.6	
13567C		ME408505	HOSE,EXHAUST MUFFLER CONTROL	1	7.6	
14832		ME353933	SENSOR,EXHAUST HIGH PRESSURE	1		
50007A		ME224204	BRAKE ASSY,EXHAUST	1		
		ME227620	BRAKE ASSY,EXHAUST	1		
50017		MS660164	CLIP,EXHAUST MUFFLER	3	DIAMETER:13.1	

FK74R
15-510 EXHAUST PIPE

Repl Part	PNC	Part No	Part Name	Qty	Part Spec	Remarks
	50026	ME747664	COVER,EXHAUST BRAKE CONTROL CYLINDER	1		
	50026C	ME757085	COVER,EXHAUST BRAKE CONTROL CYLINDER	1		
	50026D	ME706602	COVER,EXHAUST BRAKE CONTROL CYLINDER	1		
	50026E	ME757245	COVER,EXHAUST BRAKE CONTROL CYLINDER	1		
	50026F	ME747709	COVER,EXHAUST BRAKE CONTROL CYLINDER	1		
	50033A	ME747409	CYLINDER ASSY,EXHAUST BRAKE CONTROL	1		
	50041	ME721361	DUST SEAL,EXHAUST BRAKE CONTROL CYLINDER	1		
	50042	0637003075	FILTER,EXHAUST BRAKE CONTROL CYLINDER	1		
	50049	ME747422	GUIDE,EXHAUST BRAKE CONTROL CYLINDER PISTON	1		
	50057	ME747663	LEVER,EXHAUST BRAKE VALVE OPERATING	1		
	50065B	ME033381	O-RING,EXHAUST BRAKE INR	1		
	50068B	ME706605	PIN,EXHAUST BRAKE INR	2		

FK74R
15-510 EXHAUST PIPE

Repl Part	PNC	Part No	Part Name	Qty	Part Spec	Remarks
	50068C	MH012047	PIN,EXHAUST BRAKE INR	2	SNAP,6	
RP	50076B	ME747364	PISTON,EXHAUST BRAKE CONTROL CYLINDER	1		
	50081	ME747421	PLATE,EXHAUST BRAKE CONTROL CYLINDER	1		
	50082	ME747710	PLATE,EXHAUST BRAKE STOPPER	1		
	50096	ME729608	SHAFT,EXHAUST BRAKE CONTROL CYLINDER	1		
	50099	ME739407	SEAL,EXHAUST BRAKE CONTROL CYLINDER SHAFT	1		
	50103B	ME739724	SPRING,EXHAUST BRAKE CONTROL CYLINDER PISTON	1		
	50105	ME747712	STAY,EXHAUST BRAKE INR	1		
	50106A	ME757166	VALVE ASSY,EXHAUST BRAKE	1		
	50177N	ME729610	WASHER,EXHAUST BRAKE INR	1		
	50179B	ME706654	SCREW,EXHAUST BRAKE INR	3		
		ME757247	SCREW,EXHAUST BRAKE INR	5		

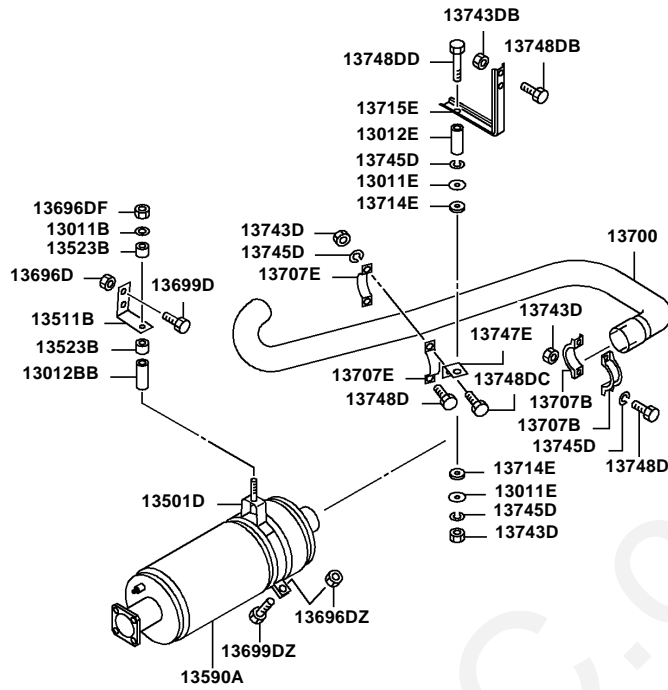
FK74R
15-510 EXHAUST PIPE

Repl Part	PNC	Part No	Part Name	Qty	Part Spec	Remarks
	50182B	ME747660	SEAL RING,EXHAUST BRAKE INR	5		
	50182C	ME747659	SEAL RING,EXHAUST BRAKE INR	4		
	50182D	ME747363	SEAL RING,EXHAUST BRAKE INR	1		
	50182E	3003304119	SEAL RING,EXHAUST BRAKE INR	1		
	50191	ME706604	CLEVIS,EXHAUST BRAKE INR	1		
	50196B	MF430725	NUT,EXHAUST BRAKE INR	2	JAM,8	
	50196C	ME739886	NUT,EXHAUST BRAKE INR	1		
		MF430725	NUT,EXHAUST BRAKE INR	2	JAM,8	
	50196D	ME739885	NUT,EXHAUST BRAKE INR	2		
	50196N	ME739886	NUT,EXHAUST BRAKE INR	1		
		ME739886	NUT,EXHAUST BRAKE INR	2		
	50198B	ME739882	BOLT,EXHAUST BRAKE INR	1		
		ME739882	BOLT,EXHAUST BRAKE INR	5		

FK74R
15-510 EXHAUST PIPE

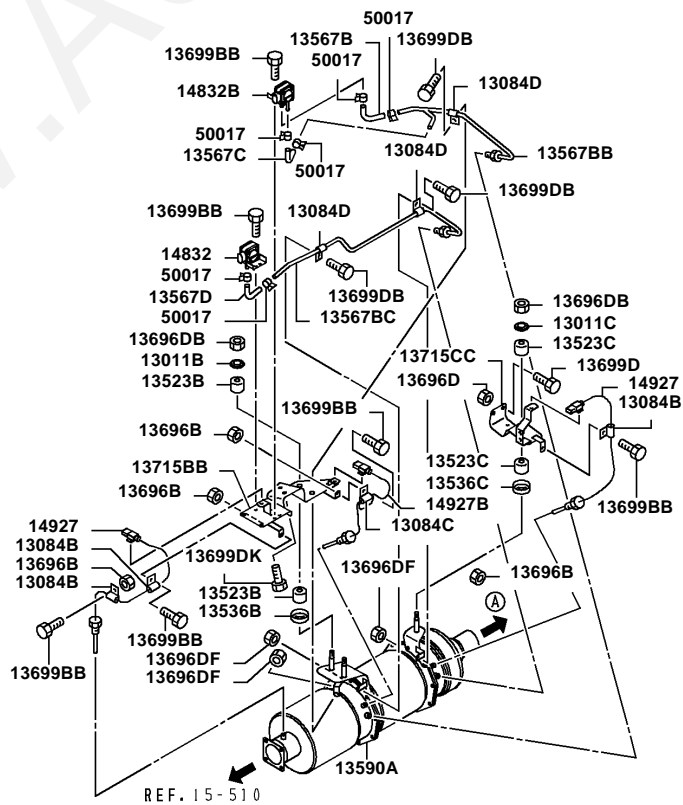
Repl Part	PNC	Part No	Part Name	Qty	Part Spec	Remarks
	50198C	ME739882	BOLT,EXHAUST BRAKE INR	4		
		ME729323	BOLT,EXHAUST BRAKE INR	2		
50198E		ME729323	BOLT,EXHAUST BRAKE INR	2		
		ME729898	BOLT,EXHAUST BRAKE INR	2		
50198F		ME747615	BOLT,EXHAUST BRAKE INR	2		
50198P		ME747666	BOLT,EXHAUST BRAKE INR	2		
50187B		(N.e.c.)	JOINT,EXHAUST BRAKE INR			

FK74R
No.1



C00141

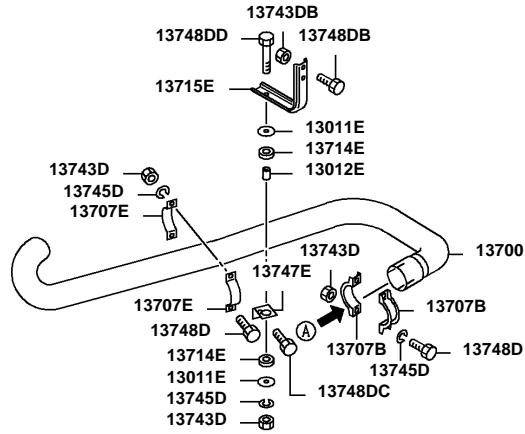
FK74R
No.2



REF. 15-510

C00313

FK74R
No.3

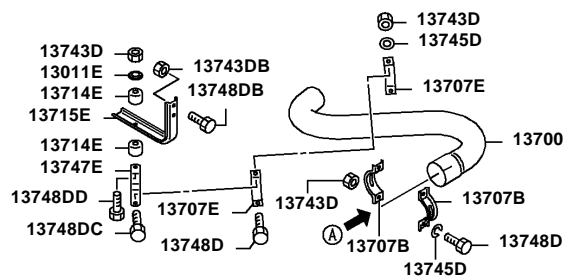


C00315

Ref. |2015520

Page

FK74R
No.4

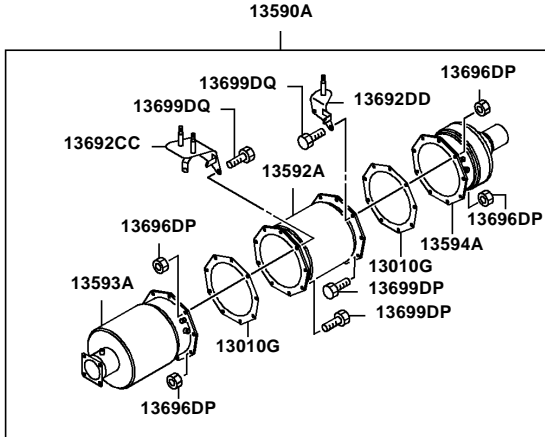


C00334

Ref. |2015520

Page

FK74R
No.5



C00314

Ref. |2015520

Page

FK74R
15-520 TAIL PIPE & MUFFLER

Repl Part	PNC	Part No	Part Name	Qty	Part Spec	Remarks	PREV
	13010G	ME304299	GASKET,EXHAUST PIPE	2			
	13011B	MC025179	CAP,EXHAUST PIPE CLAMP BRACKET COLLAR	1			
		MC025179	CAP,EXHAUST PIPE CLAMP BRACKET COLLAR	2			
	13011C	MC025179	CAP,EXHAUST PIPE CLAMP BRACKET COLLAR	1			
	13011E	MC025179	CAP,EXHAUST PIPE CLAMP BRACKET COLLAR	2			
		MC025179	CAP,EXHAUST PIPE CLAMP BRACKET COLLAR	2			
		MC025179	CAP,EXHAUST PIPE CLAMP BRACKET COLLAR	2			
		MC000003	CAP,EXHAUST PIPE CLAMP BRACKET COLLAR	1	PLAIN,10		
		MC025179	CAP,EXHAUST PIPE CLAMP BRACKET COLLAR	2			

Ref. |2015520

Page

FK74R
15-520 TAIL PIPE & MUFFLER

Repl Part	PNC	Part No	Part Name	Qty	Part Spec	Remarks	PREV
	13012BB	ME407727	COLLAR,EXHAUST PIPE	1			
	13012E	MC025178	COLLAR,EXHAUST PIPE	1		D=12.1	
		MC025178	COLLAR,EXHAUST PIPE	1		D=12.1	
		MC025178	COLLAR,EXHAUST PIPE	1		D=12.1	
		MC025178	COLLAR,EXHAUST PIPE	1		D=12.1	
	13084B	MH020498	CLIP,EXHAUST PIPE	3	D=4.8		
	13084C	ME357433	CLIP,EXHAUST PIPE	1	D=6.4		
	13084D	MH020592	CLIP,EXHAUST PIPE	3	8		
	13501D	ME412423	BAND,EXHAUST MUFFLER	1			
	13511B	ME408988	BRACKET,EXHAUST MUFFLER	1			
		ME411155	BRACKET,EXHAUST MUFFLER	1			
		ME408988	BRACKET,EXHAUST MUFFLER	1			
		ME411155	BRACKET,EXHAUST MUFFLER	1			
		ME408988	BRACKET,EXHAUST MUFFLER	1			
RP	13523B	ME411155	BRACKET,EXHAUST MUFFLER	1			
		ME295266	CUSHION,EXHAUST MUFFLER	2			
		ME402279	CUSHION,EXHAUST MUFFLER	4			
	13523C	ME402279	CUSHION,EXHAUST MUFFLER	2			
	13536B	ME422149	INSULATOR,EXHAUST MUFFLER	2			
	13536C	ME422149	INSULATOR,EXHAUST MUFFLER	1			
RP	13567B	ME415308	HOSE,EXHAUST MUFFLER CONTROL	1	7.6		

FK74R
15-520 TAIL PIPE & MUFFLER

Repl Part	PNC	Part No	Part Name	Qty	Part Spec	Remarks	PREV
	13567B	ME555524	HOSE,EXHAUST MUFFLER CONTROL	1	7.6X115		
	13567BB	ME553218	HOSE,EXHAUST MUFFLER CONTROL	1			
	13567BC	ME553219	HOSE,EXHAUST MUFFLER CONTROL	1	8.0		
RP	13567C	ME415308	HOSE,EXHAUST MUFFLER CONTROL	1	7.6		
		ME555524	HOSE,EXHAUST MUFFLER CONTROL	1	7.6X115		
RP	13567D	ME415308	HOSE,EXHAUST MUFFLER CONTROL	1	7.6		
		ME555524	HOSE,EXHAUST MUFFLER CONTROL	1	7.6X115		
	13590A	ME409162	MUFFLER ASSY,DPF	1			
		ME553222	MUFFLER ASSY,DPF	1			
	13592A	ME304313	FILTER ASSY,DPF MUFFLER	1			
	13593A	ME304312	BODY ASSY,DPF MUFFLER INLET	1			
	13594A	ME304314	BODY ASSY,DPF MUFFLER OUTLET	1			
	13692CC	ME553208	STAY,EXHAUST MUFFLER	1			
	13692DD	ME553210	STAY,EXHAUST MUFFLER	1			

FK74R
15-520 TAIL PIPE & MUFFLER

Repl Part	PNC	Part No	Part Name	Qty	Part Spec	Remarks	PREV
	13696B	MF434103	NUT,EXHAUST MUFFLER	8	FLANGE,6	W/O COATING	
	13696D	MF434105	NUT,EXHAUST MUFFLER	2	FLANGE,10	4T	
	13696DB	MF434105	NUT,EXHAUST MUFFLER	3	FLANGE,10	4T	
	13696DF	MF434105	NUT,EXHAUST MUFFLER	3	FLANGE,10	4T	
	13696DP	MH004054	NUT,EXHAUST MUFFLER	18	SELF LOCKING,FLANGE,10		
	13696DZ	MF445005	NUT,EXHAUST MUFFLER	1	SELF LOCKING,10		
	13699BB	MF140005	BOLT,EXHAUST MUFFLER	8	FLANGE,6X16	4T	
	13699D	MF140266	BOLT,EXHAUST MUFFLER	2	FLANGE,10X40	7T	
		MF140262	BOLT,EXHAUST MUFFLER	2	FLANGE,10X30	7T	
	13699DB	MF140258	BOLT,EXHAUST MUFFLER	3	FLANGE,10X20	7T	
	13699DK	MF140260	BOLT,EXHAUST MUFFLER	2	FLANGE,10X25	7T	
	13699DP	MH001855	BOLT,EXHAUST MUFFLER	14	FLANGE,10X35		
	13699DQ	MH001856	BOLT,EXHAUST MUFFLER	4	FLANGE,10X40		

FK74R
15-520 TAIL PIPE & MUFFLER

Repl Part	PNC	Part No	Part Name	Qty	Part Spec	Remarks	PREV
	13699DZ	MF101287	BOLT,EXHAUST MUFFLER	1	BOLT,10X30	7T	
	13700	ME406947	PIPE,EXHAUST TAIL	1			
		ME407253	PIPE,EXHAUST TAIL	1			
		ME406947	PIPE,EXHAUST TAIL	1			
		ME406947	PIPE,EXHAUST TAIL	1			
RP		ME413846	PIPE,EXHAUST TAIL	1			
		ME553420	PIPE,EXHAUST TAIL	1			
RP	13707B	ME553778	PIPE,EXHAUST TAIL	1			
		MC428597	CLAMP,EXHAUST TAIL PIPE	2	D=89		
		ME411617	CLAMP,EXHAUST TAIL PIPE	2			
RP	13707E	MC410001	CLAMP,EXHAUST TAIL PIPE	2	D=82		
RP		MC410001	CLAMP,EXHAUST TAIL PIPE	2	D=82		
RP	13714E	MC428252	CLAMP,EXHAUST TAIL PIPE	2	D=82		
RP		MC025177	CUSHION,EXHAUST TAIL PIPE	2	H=15		
RP		MC429519	CUSHION,EXHAUST TAIL PIPE	2	H=25		
RP		MC025177	CUSHION,EXHAUST TAIL PIPE	2	H=15		
RP		MC429519	CUSHION,EXHAUST TAIL PIPE	2	H=25		
RP		MC025177	CUSHION,EXHAUST TAIL PIPE	2	H=15		
RP		MC429519	CUSHION,EXHAUST TAIL PIPE	2	H=25		
		ME280766	CUSHION,EXHAUST TAIL PIPE	2			
		ME401936	CUSHION,EXHAUST TAIL PIPE	2	H=15		
	13715BB	ME554265	HANGER,EXHAUST TAIL PIPE	1			
	13715CC	ME553217	HANGER,EXHAUST TAIL PIPE	1			
	13715E	ME553781	HANGER,EXHAUST TAIL PIPE	1			
		ME401439	HANGER,EXHAUST TAIL PIPE	1			
		ME411152	HANGER,EXHAUST TAIL PIPE	1			
		ME401439	HANGER,EXHAUST TAIL PIPE	1			
		ME411152	HANGER,EXHAUST TAIL PIPE	1			

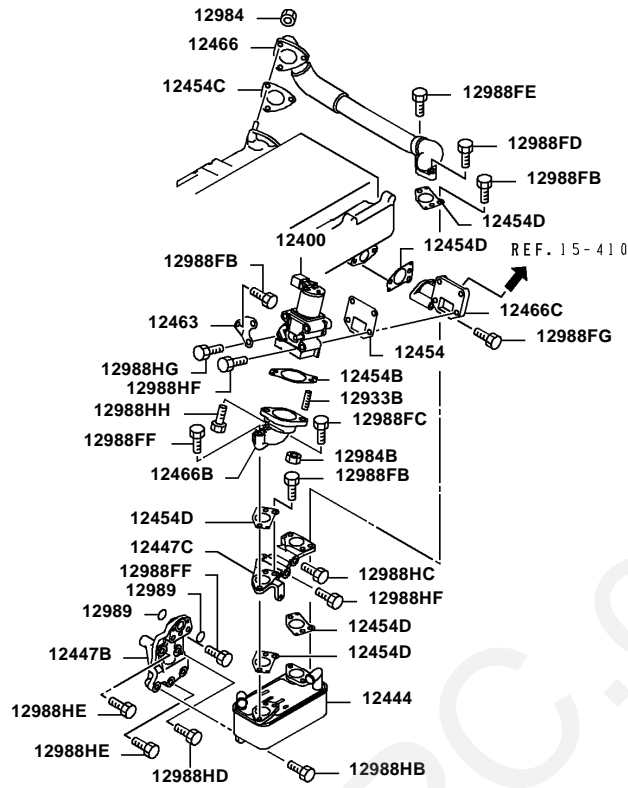
FK74R
15-520 TAIL PIPE & MUFFLER

Repl Part	PNC	Part No	Part Name	Qty	Part Spec	Remarks	PREV
	13715E	ME401439	HANGER,EXHAUST TAIL PIPE	1			
		ME411152	HANGER,EXHAUST TAIL PIPE	1			
		ME413849	HANGER,EXHAUST TAIL PIPE	1			
		ME553048	HANGER,EXHAUST TAIL PIPE	1			
		ME401439	HANGER,EXHAUST TAIL PIPE	1			
	13743D	MF430006	NUT,EXHAUST TAIL PIPE	5	10		
		MF445005	NUT,EXHAUST TAIL PIPE	1	SELF LOCKING,10		
	13743DB	MF434105	NUT,EXHAUST TAIL PIPE	2	FLANGE,10	4T	
	13745D	MC000003	WASHER,EXHAUST TAIL PIPE	1	PLAIN,10		
		MF450406	WASHER,EXHAUST TAIL PIPE	5	SPRING,10		
	13747E	ME409479	STAY,EXHAUST TAIL PIPE	1			
		ME411153	STAY,EXHAUST TAIL PIPE	1			
		ME409479	STAY,EXHAUST TAIL PIPE	1			
		ME411153	STAY,EXHAUST TAIL PIPE	1			
		ME409479	STAY,EXHAUST TAIL PIPE	1			
		ME411153	STAY,EXHAUST TAIL PIPE	1			
		ME411153	STAY,EXHAUST TAIL PIPE	1			
		ME553051	STAY,EXHAUST TAIL PIPE	1			
		ME553052	STAY,EXHAUST TAIL PIPE	1			
	13748D	MF140262	BOLT,EXHAUST TAIL PIPE	2	FLANGE,10X30	7T	
		MF101287	BOLT,EXHAUST TAIL PIPE	3	BOLT,10X30	7T	
		MF140273	BOLT,EXHAUST TAIL PIPE	1	FLANGE,10X75	7T	

FK74R
15-520 TAIL PIPE & MUFFLER

Repl Part	PNC	Part No	Part Name	Qty	Part Spec	Remarks	PREV
	13748DB	MF140262	BOLT,EXHAUST TAIL PIPE	2	FLANGE,10X30	7T	
	13748DC	MF101289	BOLT,EXHAUST TAIL PIPE	1	BOLT,10X35	7T	
	13748DD	MF101293	BOLT,EXHAUST TAIL PIPE	1	BOLT,10X50	7T	
		MF140273	BOLT,EXHAUST TAIL PIPE	1	FLANGE,10X75	7T	
	14832	ME223593	SENSOR,EXHAUST HIGH PRESSURE	1			
	14832B	ME353933	SENSOR,EXHAUST HIGH PRESSURE	1			
	14927	ME226853	SENSOR,EXHAUST HIGH TEMPERATURE	2			
	14927B	ME226854	SENSOR,EXHAUST HIGH TEMPERATURE	1			
	50017	MS660164	CLIP,EXHAUST MUFFLER	6	DIAMETER:13.1		

FK74R
No.1

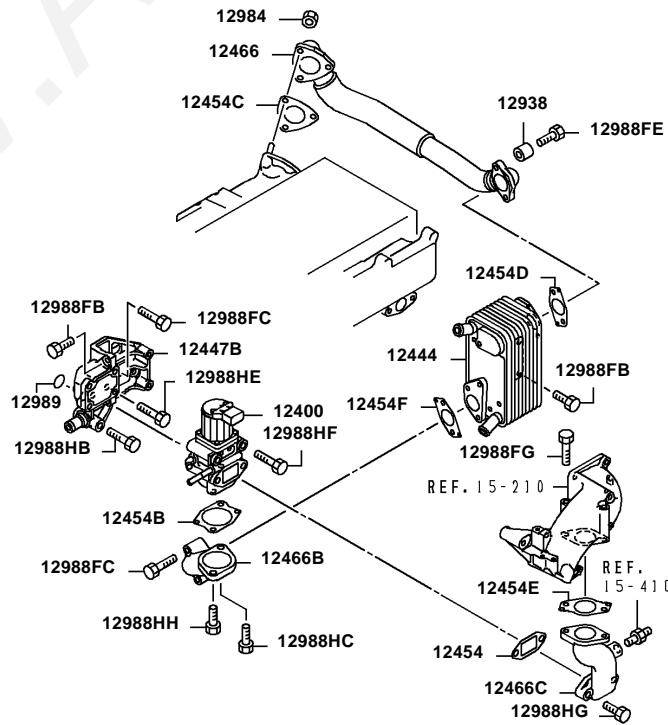


C00094

Ref. |2015710

Page

FK74R
No.2



C00150

Ref. |2015710

Page

FK74R
15-710 EXHAUST RECIRCULATION CONTROL

SPN	Repl Part	PNC	Part No	Part Name	Qty	Part Spec	Remarks	NEW1	NEW2
	RP	12400	ME222697	VALVE,EGR	1			Y	Y
	RP		ME222697	VALVE,EGR	1			Y	Y
	RP		ME222697	VALVE,EGR	1			Y	Y
	RP		ME222697	VALVE,EGR	1			Y	Y
	RP		ME225200	VALVE,EGR	1			Y	Y
	RP		ME225200	VALVE,EGR	1			Y	Y
	RP		ME225200	VALVE,EGR	1			Y	Y
	RP		ME225200	VALVE,EGR	1			Y	Y
	RP		ME225200	VALVE,EGR	1			Y	Y
	RP		ME225200	VALVE,EGR	1			Y	Y
	RP		ME225200	VALVE,EGR	1			Y	Y
	RP	12444	ME223561	COOLER,EGR	1			Y	
			ME225981	COOLER,EGR	1				
			ME225981	COOLER,EGR	1				
			ME225981	COOLER,EGR	1				
			ME225981	COOLER,EGR	1				
			ME225981	COOLER,EGR	1				
			ME226761	COOLER,EGR	1				
			ME226761	COOLER,EGR	1				
			ME226761	COOLER,EGR	1				
			ME226761	COOLER,EGR	1				
			ME226761	COOLER,EGR	1				
			ME226761	COOLER,EGR	1				
			ME226761	COOLER,EGR	1				
			ME226761	COOLER,EGR	1				
		12447B	ME222861	BRACKET,EGR COOLER	1				

FK74R
15-710 EXHAUST RECIRCULATION CONTROL

SPN	Repl Part	PNC	Part No	Part Name	Qty	Part Spec	Remarks	NEW1	NEW2
		12447B	ME222861	BRACKET,EGR COOLER	1				
			ME222861	BRACKET,EGR COOLER	1				
			ME222861	BRACKET,EGR COOLER	1				
			ME222861	BRACKET,EGR COOLER	1				
	RP		ME225193	BRACKET,EGR COOLER	1			Y	R
	RP		ME225193	BRACKET,EGR COOLER	1			Y	R
	RP		ME225193	BRACKET,EGR COOLER	1			Y	R
	RP		ME225193	BRACKET,EGR COOLER	1			Y	R
	RP		ME225193	BRACKET,EGR COOLER	1			Y	R
SP			ME227092	BRACKET,EGR COOLER	1			R	
SP			ME227092	BRACKET,EGR COOLER	1			R	
SP			ME227092	BRACKET,EGR COOLER	1			R	
SP			ME227092	BRACKET,EGR COOLER	1			R	
SP			ME227092	BRACKET,EGR COOLER	1			R	
		12447C	ME222862	BRACKET,EGR COOLER	1				
	RP	12454	ME221576	GASKET,EGR PIPE	1			Y	
	RP		ME221576	GASKET,EGR PIPE	1			Y	
	RP		ME221576	GASKET,EGR PIPE	1			Y	
	RP		ME221576	GASKET,EGR PIPE	1			Y	
	RP		ME221576	GASKET,EGR PIPE	1			Y	
	RP		ME224309	GASKET,EGR PIPE	1			Y	

FK74R
15-710 EXHAUST RECIRCULATION CONTROL

SPN	Repl Part RP	PNC 12454	Part No ME224309	Part Name GASKET,EGR PIPE	Qty 1	Part Spec	Remarks	NEW1 Y	NEW2
	RP		ME224309	GASKET,EGR PIPE	1			Y	
	RP		ME224309	GASKET,EGR PIPE	1			Y	
	RP		ME224309	GASKET,EGR PIPE	1			Y	
	RP		ME224309	GASKET,EGR PIPE	1			Y	
			ME227676	GASKET,EGR PIPE	1				
			ME227676	GASKET,EGR PIPE	1				
			ME227676	GASKET,EGR PIPE	1				
			ME227676	GASKET,EGR PIPE	1				
			ME227676	GASKET,EGR PIPE	1				
	RP	12454B	ME221578	GASKET,EGR PIPE	1			Y	
	RP		ME221578	GASKET,EGR PIPE	1			Y	
	RP		ME221578	GASKET,EGR PIPE	1			Y	
	RP		ME221578	GASKET,EGR PIPE	1			Y	
	RP		ME224376	GASKET,EGR PIPE	1			Y	
	RP		ME224376	GASKET,EGR PIPE	1			Y	
	RP		ME224376	GASKET,EGR PIPE	1			Y	
	RP		ME224376	GASKET,EGR PIPE	1			Y	
	RP		ME224376	GASKET,EGR PIPE	1			Y	
	RP		ME224376	GASKET,EGR PIPE	1			Y	
	RP		ME227675	GASKET,EGR PIPE	1				
			ME227675	GASKET,EGR PIPE	1				
			ME227675	GASKET,EGR PIPE	1				
			ME227675	GASKET,EGR PIPE	1				
			ME227675	GASKET,EGR PIPE	1				
			ME227675	GASKET,EGR PIPE	1				
			ME227675	GASKET,EGR PIPE	1				

FK74R
15-710 EXHAUST RECIRCULATION CONTROL

SPN	Repl Part	PNC	Part No	Part Name	Qty	Part Spec	Remarks	NEW1	NEW2
		12454B	ME227675	GASKET,EGR PIPE	1				
		12454C	ME221927	GASKET,EGR PIPE	1				
			ME221927	GASKET,EGR PIPE	1				
			ME221927	GASKET,EGR PIPE	1				
			ME221927	GASKET,EGR PIPE	1				
			ME221927	GASKET,EGR PIPE	1				
			ME221927	GASKET,EGR PIPE	1				
			ME221927	GASKET,EGR PIPE	1				
			ME221927	GASKET,EGR PIPE	1				
			ME221927	GASKET,EGR PIPE	1				
			ME221927	GASKET,EGR PIPE	1				
			ME221927	GASKET,EGR PIPE	1				
			ME221927	GASKET,EGR PIPE	1				
			ME221927	GASKET,EGR PIPE	1				
			12454D	ME222864	GASKET,EGR PIPE	5			Y
	RP	ME222864		GASKET,EGR PIPE	5			Y	
	RP	ME222864		GASKET,EGR PIPE	5			Y	
	RP	ME222864		GASKET,EGR PIPE	5			Y	
	RP	ME222864		GASKET,EGR PIPE	5			Y	
	RP	ME226212		GASKET,EGR PIPE	1				
	RP	ME226212		GASKET,EGR PIPE	1				
	RP	ME226212		GASKET,EGR PIPE	1				
	RP	ME226212		GASKET,EGR PIPE	1				
	RP	ME226212		GASKET,EGR PIPE	1				
	RP	12454E	ME224989	GASKET,EGR PIPE	1			Y	
	RP		ME224989	GASKET,EGR PIPE	1			Y	

FK74R
15-710 EXHAUST RECIRCULATION CONTROL

SPN	Repl Part	PNC	Part No	Part Name	Qty	Part Spec	Remarks	NEW1	NEW2
	RP	12454E	ME224989	GASKET,EGR PIPE	1			Y	
	RP		ME224989	GASKET,EGR PIPE	1			Y	
	RP		ME224989	GASKET,EGR PIPE	1			Y	
	RP		ME224989	GASKET,EGR PIPE	1			Y	
			ME227674	GASKET,EGR PIPE	1				
			ME227674	GASKET,EGR PIPE	1				
			ME227674	GASKET,EGR PIPE	1				
			ME227674	GASKET,EGR PIPE	1				
			ME227674	GASKET,EGR PIPE	1				
	RP	12454F	ME226762	GASKET,EGR PIPE	1			Y	
	RP		ME226762	GASKET,EGR PIPE	1			Y	
	RP		ME226762	GASKET,EGR PIPE	1			Y	
	RP		ME226762	GASKET,EGR PIPE	1			Y	
	RP		ME226762	GASKET,EGR PIPE	1			Y	
			ME227673	GASKET,EGR PIPE	1				
			ME227673	GASKET,EGR PIPE	1				
			ME227673	GASKET,EGR PIPE	1				
			ME227673	GASKET,EGR PIPE	1				
			ME227673	GASKET,EGR PIPE	1				
		12463	ME221838	BRACKET,EGR VALVE	1				
	RP	12466	ME224369	PIPE,EGR VALVE	1			Y	
			ME225982	PIPE,EGR VALVE	1				
			ME225982	PIPE,EGR VALVE	1				
			ME225982	PIPE,EGR VALVE	1				

FK74R
15-710 EXHAUST RECIRCULATION CONTROL

SPN	Repl Part	PNC	Part No	Part Name	Qty	Part Spec	Remarks	NEW1	NEW2
		12466	ME225982	PIPE,EGR VALVE	1				
			ME225982	PIPE,EGR VALVE	1				
			ME225191	PIPE,EGR VALVE	1				
			ME225191	PIPE,EGR VALVE	1				
			ME225191	PIPE,EGR VALVE	1				
			ME225191	PIPE,EGR VALVE	1				
			ME225191	PIPE,EGR VALVE	1				
			ME225191	PIPE,EGR VALVE	1				
		12466B	ME223937	PIPE,EGR VALVE	1				
			ME223937	PIPE,EGR VALVE	1				
			ME223937	PIPE,EGR VALVE	1				
			ME223937	PIPE,EGR VALVE	1				
			ME223937	PIPE,EGR VALVE	1				
	RP		ME226807	PIPE,EGR VALVE	1			Y	
	RP		ME226807	PIPE,EGR VALVE	1			Y	
	RP		ME226807	PIPE,EGR VALVE	1			Y	
	RP		ME226807	PIPE,EGR VALVE	1			Y	
	RP		ME226807	PIPE,EGR VALVE	1			Y	
	RP		ME226807	PIPE,EGR VALVE	1			Y	
	RP		ME226807	PIPE,EGR VALVE	1			Y	
		12466C	ME225016	PIPE,EGR VALVE	1				
			ME225202	PIPE,EGR VALVE	1				
			ME225202	PIPE,EGR VALVE	1				
			ME225202	PIPE,EGR VALVE	1				

FK74R

15-710 EXHAUST RECIRCULATION CONTROL

SPN	Repl Part	PNC	Part No	Part Name	Qty	Part Spec	Remarks	NEW1	NEW2
		12466C	ME225202	PIPE,EGR VALVE	1				
			ME225202	PIPE,EGR VALVE	1				
	RP		ME225862	PIPE,EGR VALVE	1			Y	
	RP		ME225862	PIPE,EGR VALVE	1			Y	
	RP		ME225862	PIPE,EGR VALVE	1			Y	
	RP		ME225862	PIPE,EGR VALVE	1			Y	
	RP		ME225862	PIPE,EGR VALVE	1			Y	
	RP		ME225862	PIPE,EGR VALVE	1			Y	
		12933B	MH002341	STUD,EGR EQUIP	1				Y
		12938	MS456733	SPACER,EGR EQUIP	2	8X10			
			MS456733	SPACER,EGR EQUIP	2	8X10			
			MS456733	SPACER,EGR EQUIP	2	8X10			
			MS456733	SPACER,EGR EQUIP	2	8X10			
			MS456733	SPACER,EGR EQUIP	2	8X10			
		12984	ME201039	NUT,EGR EQUIP	3	FLANGE,8			
			ME201039	NUT,EGR EQUIP	3	FLANGE,8			
			ME201039	NUT,EGR EQUIP	3	FLANGE,8			
			ME201039	NUT,EGR EQUIP	3	FLANGE,8			
			ME201039	NUT,EGR EQUIP	3	FLANGE,8			
			ME201039	NUT,EGR EQUIP	3	FLANGE,8			
			ME201039	NUT,EGR EQUIP	3	FLANGE,8			
			ME201039	NUT,EGR EQUIP	3	FLANGE,8			
			ME201039	NUT,EGR EQUIP	3	FLANGE,8			
			ME201039	NUT,EGR EQUIP	3	FLANGE,8			

FK74R
15-710 EXHAUST RECIRCULATION CONTROL

SPN	Repl Part	PNC	Part No	Part Name	Qty	Part Spec	Remarks	NEW1	NEW2
		12984B	MF434105	NUT,EGR EQUIP	1	FLANGE,10	4T		
		12988FB	MF140225	BOLT,EGR EQUIP	4	FLANGE,8X20	7T		
			MF140225	BOLT,EGR EQUIP	4	FLANGE,8X20	7T		
			MF140225	BOLT,EGR EQUIP	4	FLANGE,8X20	7T		
			MF140225	BOLT,EGR EQUIP	4	FLANGE,8X20	7T		
			MF140225	BOLT,EGR EQUIP	4	FLANGE,8X20	7T		
			MF140225	BOLT,EGR EQUIP	4	FLANGE,8X20	7T		
			MF140225	BOLT,EGR EQUIP	4	FLANGE,8X20	7T		
			MF140225	BOLT,EGR EQUIP	4	FLANGE,8X20	7T		
		12988FC	MF140229	BOLT,EGR EQUIP	1	FLANGE,8X30	7T		
			MF140229	BOLT,EGR EQUIP	1	FLANGE,8X30	7T		
			MF140229	BOLT,EGR EQUIP	1	FLANGE,8X30	7T		
			MF140229	BOLT,EGR EQUIP	1	FLANGE,8X30	7T		
			MF140229	BOLT,EGR EQUIP	1	FLANGE,8X30	7T		
			MF140229	BOLT,EGR EQUIP	1	FLANGE,8X30	7T		
			MF140234	BOLT,EGR EQUIP	3	FLANGE,8X45	7T		
			MF140234	BOLT,EGR EQUIP	3	FLANGE,8X45	7T		
			MF140234	BOLT,EGR EQUIP	3	FLANGE,8X45	7T		
			MF140234	BOLT,EGR EQUIP	3	FLANGE,8X45	7T		
			MF140236	BOLT,EGR EQUIP	1	FLANGE,8X55	7T		
			MF140236	BOLT,EGR EQUIP	1	FLANGE,8X55	7T		
			MF140236	BOLT,EGR EQUIP	1	FLANGE,8X55	7T		

FK74R
15-710 EXHAUST RECIRCULATION CONTROL

SPN	Repl Part	PNC	Part No	Part Name	Qty	Part Spec	Remarks	NEW1	NEW2
		12988FC	MF140236	BOLT,EGR EQUIP	1	FLANGE,8X55	7T		
			MF140234	BOLT,EGR EQUIP	3	FLANGE,8X45	7T		
			MF140236	BOLT,EGR EQUIP	1	FLANGE,8X55	7T		
			MF140234	BOLT,EGR EQUIP	3	FLANGE,8X45	7T		
			MF140236	BOLT,EGR EQUIP	1	FLANGE,8X55	7T		
			MF140234	BOLT,EGR EQUIP	3	FLANGE,8X45	7T		
			MF140236	BOLT,EGR EQUIP	1	FLANGE,8X55	7T		
		12988FD	MF140233	BOLT,EGR EQUIP	1	FLANGE,8X40	7T		
		12988FE	MF140235	BOLT,EGR EQUIP	1	FLANGE,8X50	7T		
			MF140235	BOLT,EGR EQUIP	1	FLANGE,8X50	7T		
			MF140235	BOLT,EGR EQUIP	1	FLANGE,8X50	7T		
			MF140235	BOLT,EGR EQUIP	1	FLANGE,8X50	7T		
			MF140235	BOLT,EGR EQUIP	1	FLANGE,8X50	7T		
			MF140235	BOLT,EGR EQUIP	1	FLANGE,8X50	7T		
			MH001402	BOLT,EGR EQUIP	2	FLANGE,8X30			
			MH001402	BOLT,EGR EQUIP	2	FLANGE,8X30			
			MH001402	BOLT,EGR EQUIP	2	FLANGE,8X30			
			MH001402	BOLT,EGR EQUIP	2	FLANGE,8X30			
			MH001402	BOLT,EGR EQUIP	2	FLANGE,8X30			
			MH001402	BOLT,EGR EQUIP	2	FLANGE,8X30			
			MH001402	BOLT,EGR EQUIP	2	FLANGE,8X30			
			MH001402	BOLT,EGR EQUIP	2	FLANGE,8X30			
		12988FF	MF140236	BOLT,EGR EQUIP	2	FLANGE,8X55	7T		

FK74R
15-710 EXHAUST RECIRCULATION CONTROL

SPN	Repl Part	PNC	Part No	Part Name	Qty	Part Spec	Remarks	NEW1	NEW2
		12988FG	MF140239	BOLT,EGR EQUIP	2	FLANGE,8X70	7T		
			MF140239	BOLT,EGR EQUIP	2	FLANGE,8X70	7T		
			MF140239	BOLT,EGR EQUIP	2	FLANGE,8X70	7T		
			MF140239	BOLT,EGR EQUIP	2	FLANGE,8X70	7T		
			MF140239	BOLT,EGR EQUIP	2	FLANGE,8X70	7T		
			MF140239	BOLT,EGR EQUIP	2	FLANGE,8X70	7T		
			MF140239	BOLT,EGR EQUIP	2	FLANGE,8X70	7T		
			MF140243	BOLT,EGR EQUIP	2	FLANGE,8X85	7T		
			MF140243	BOLT,EGR EQUIP	2	FLANGE,8X85	7T		
			MF140243	BOLT,EGR EQUIP	2	FLANGE,8X85	7T		
			MF140243	BOLT,EGR EQUIP	2	FLANGE,8X85	7T		
			MF140243	BOLT,EGR EQUIP	2	FLANGE,8X85	7T		
			MF140243	BOLT,EGR EQUIP	2	FLANGE,8X85	7T		
			MF140243	BOLT,EGR EQUIP	2	FLANGE,8X85	7T		
			MF140243	BOLT,EGR EQUIP	2	FLANGE,8X85	7T		
SP		12988HB	MH000713	BOLT,EGR EQUIP	2	FLANGE,10X20		R	
SP			MH000713	BOLT,EGR EQUIP	2	FLANGE,10X20		R	
SP			MH000713	BOLT,EGR EQUIP	2	FLANGE,10X20		R	
SP			MH000713	BOLT,EGR EQUIP	2	FLANGE,10X20		R	
SP			MH000713	BOLT,EGR EQUIP	2	FLANGE,10X20		R	
			MH000713	BOLT,EGR EQUIP	2	FLANGE,10X20		R	
			MH000723	BOLT,EGR EQUIP	1	FLANGE,10X70			
			MH000723	BOLT,EGR EQUIP	1	FLANGE,10X70			
			MH000723	BOLT,EGR EQUIP	1	FLANGE,10X70			
			MH000723	BOLT,EGR EQUIP	1	FLANGE,10X70			
			MH000723	BOLT,EGR EQUIP	1	FLANGE,10X70			

FK74R

15-710 EXHAUST RECIRCULATION CONTROL

SPN	Repl Part	PNC	Part No	Part Name	Qty	Part Spec	Remarks	NEW1	NEW2
		12988HB	MH000723	BOLT,EGR EQUIP	1	FLANGE,10X70			
			MH000723	BOLT,EGR EQUIP	1	FLANGE,10X70			
		12988HC	MH000712	BOLT,EGR EQUIP	1	FLANGE,10X65			
			MH000712	BOLT,EGR EQUIP	1	FLANGE,10X65			
			MH000712	BOLT,EGR EQUIP	1	FLANGE,10X65			
			MH000712	BOLT,EGR EQUIP	1	FLANGE,10X65			
			MH000712	BOLT,EGR EQUIP	1	FLANGE,10X65			
			MH000712	BOLT,EGR EQUIP	1	FLANGE,10X65			
			MH000712	BOLT,EGR EQUIP	1	FLANGE,10X65			
			MH000712	BOLT,EGR EQUIP	1	FLANGE,10X65			
			MF140466	BOLT,EGR EQUIP	1	FLANGE,10X40			
			MF140466	BOLT,EGR EQUIP	1	FLANGE,10X40			
			MF140466	BOLT,EGR EQUIP	1	FLANGE,10X40			
			MF140466	BOLT,EGR EQUIP	1	FLANGE,10X40			
			MF140466	BOLT,EGR EQUIP	1	FLANGE,10X40			
			MF140466	BOLT,EGR EQUIP	1	FLANGE,10X40			
			MF140466	BOLT,EGR EQUIP	1	FLANGE,10X40			
			MF140466	BOLT,EGR EQUIP	1	FLANGE,10X40			
		12988HD	MH000716	BOLT,EGR EQUIP	1	FLANGE,10X55			
		12988HE	MH000723	BOLT,EGR EQUIP	2	FLANGE,10X70			
			MH000723	BOLT,EGR EQUIP	2	FLANGE,10X70			
			MH000723	BOLT,EGR EQUIP	2	FLANGE,10X70			
			MH000723	BOLT,EGR EQUIP	2	FLANGE,10X70			
			MH000723	BOLT,EGR EQUIP	2	FLANGE,10X70			
			MH000723	BOLT,EGR EQUIP	2	FLANGE,10X70			
			MH000723	BOLT,EGR EQUIP	2	FLANGE,10X70			
			MH000723	BOLT,EGR EQUIP	2	FLANGE,10X70			
			MH000709	BOLT,EGR EQUIP	2	FLANGE,10X50			
			MH000709	BOLT,EGR EQUIP	2	FLANGE,10X50			

FK74R
15-710 EXHAUST RECIRCULATION CONTROL

SPN	Repl Part	PNC	Part No	Part Name	Qty	Part Spec	Remarks	NEW1	NEW2
		12988HE	MH000709	BOLT,EGR EQUIP	2	FLANGE,10X50			
			MH000709	BOLT,EGR EQUIP	2	FLANGE,10X50			
			MH000709	BOLT,EGR EQUIP	2	FLANGE,10X50			
			MH000709	BOLT,EGR EQUIP	2	FLANGE,10X50			
			MH000709	BOLT,EGR EQUIP	2	FLANGE,10X50			
		12988HF	MH000724	BOLT,EGR EQUIP	3	FLANGE,10X85			
			MH000724	BOLT,EGR EQUIP	3	FLANGE,10X85			
			MH000724	BOLT,EGR EQUIP	3	FLANGE,10X85			
			MH000724	BOLT,EGR EQUIP	3	FLANGE,10X85			
			MH000724	BOLT,EGR EQUIP	3	FLANGE,10X85			
			MH000724	BOLT,EGR EQUIP	3	FLANGE,10X85			
			MH000834	BOLT,EGR EQUIP	2	FLANGE,10X80			
			MH000834	BOLT,EGR EQUIP	2	FLANGE,10X80			
			MH000834	BOLT,EGR EQUIP	2	FLANGE,10X80			
			MH000834	BOLT,EGR EQUIP	2	FLANGE,10X80			
			MH000834	BOLT,EGR EQUIP	2	FLANGE,10X80			
			MH000834	BOLT,EGR EQUIP	2	FLANGE,10X80			
			MH000834	BOLT,EGR EQUIP	2	FLANGE,10X80			
		12988HG	MH000737	BOLT,EGR EQUIP	2	FLANGE,10X90			
			MH000737	BOLT,EGR EQUIP	2	FLANGE,10X90			
			MH000737	BOLT,EGR EQUIP	2	FLANGE,10X90			
			MH000737	BOLT,EGR EQUIP	2	FLANGE,10X90			

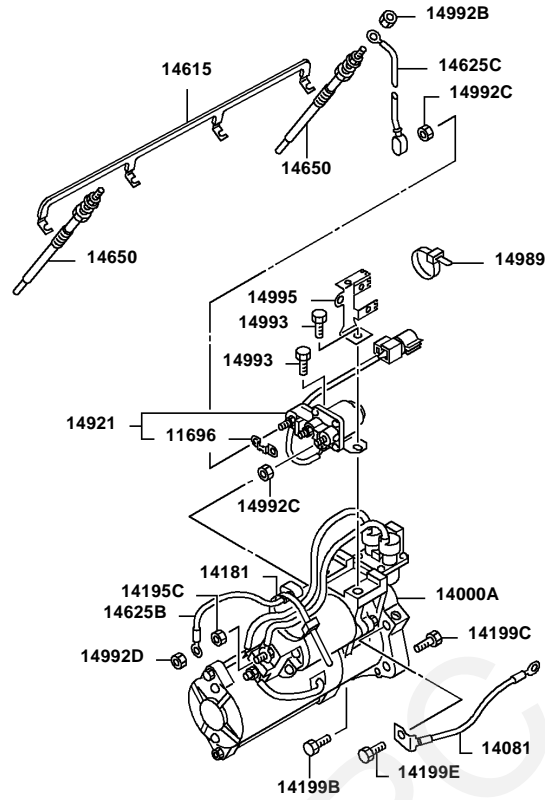
FK74R
15-710 EXHAUST RECIRCULATION CONTROL

SPN	Repl Part	PNC	Part No	Part Name	Qty	Part Spec	Remarks	NEW1	NEW2
		12988HG	MH000737	BOLT,EGR EQUIP	2	FLANGE,10X90			
			MH000832	BOLT,EGR EQUIP	2	FLANGE,10X105			
			MH000832	BOLT,EGR EQUIP	2	FLANGE,10X105			
			MH000832	BOLT,EGR EQUIP	2	FLANGE,10X105			
			MH000832	BOLT,EGR EQUIP	2	FLANGE,10X105			
			MH000832	BOLT,EGR EQUIP	2	FLANGE,10X105			
			MH000832	BOLT,EGR EQUIP	2	FLANGE,10X105			
			MH000832	BOLT,EGR EQUIP	2	FLANGE,10X105			
		12988HH	MF140462	BOLT,EGR EQUIP	1	FLANGE,10X30	8T		
			MF140462	BOLT,EGR EQUIP	1	FLANGE,10X30	8T		
			MF140462	BOLT,EGR EQUIP	1	FLANGE,10X30	8T		
			MF140462	BOLT,EGR EQUIP	1	FLANGE,10X30	8T		
			MF140462	BOLT,EGR EQUIP	1	FLANGE,10X30	8T		
			MF140462	BOLT,EGR EQUIP	1	FLANGE,10X30	8T		
			MF140462	BOLT,EGR EQUIP	1	FLANGE,10X30	8T		
			MF140460	BOLT,EGR EQUIP	1	FLANGE,10X25	8T		
			MF140460	BOLT,EGR EQUIP	1	FLANGE,10X25	8T		
			MF140460	BOLT,EGR EQUIP	1	FLANGE,10X25	8T		
			MF140460	BOLT,EGR EQUIP	1	FLANGE,10X25	8T		
			MF140460	BOLT,EGR EQUIP	1	FLANGE,10X25	8T		
			MF140460	BOLT,EGR EQUIP	1	FLANGE,10X25	8T		
			MF140460	BOLT,EGR EQUIP	1	FLANGE,10X25	8T		
			MF140460	BOLT,EGR EQUIP	1	FLANGE,10X25	8T		
		12989	MH035639	O-RING,EMISSION VACUUM CONTROL EQUIP	2	D=25			
			MH035639	O-RING,EMISSION VACUUM CONTROL EQUIP	1	D=25			

FK74R
15-710 EXHAUST RECIRCULATION CONTROL

SPN	Repl Part	PNC 12989	Part No	Part Name	Qty	Part Spec	Remarks	NEW1	NEW2
			MH035639	O-RING,EMISSION VACUUM CONTROL EQUIP	1	D=25			
			MH035639	O-RING,EMISSION VACUUM CONTROL EQUIP	1	D=25			
			MH035639	O-RING,EMISSION VACUUM CONTROL EQUIP	1	D=25			
			MH035639	O-RING,EMISSION VACUUM CONTROL EQUIP	1	D=25			
			MH035639	O-RING,EMISSION VACUUM CONTROL EQUIP	1	D=25			
			MH035639	O-RING,EMISSION VACUUM CONTROL EQUIP	1	D=25			
			MH035639	O-RING,EMISSION VACUUM CONTROL EQUIP	1	D=25			
			MH035639	O-RING,EMISSION VACUUM CONTROL EQUIP	1	D=25			
			MH035639	O-RING,EMISSION VACUUM CONTROL EQUIP	1	D=25			
			MH035639	O-RING,EMISSION VACUUM CONTROL EQUIP	1	D=25			
			MH035639	O-RING,EMISSION VACUUM CONTROL EQUIP	1	D=25			
			MH035639	O-RING,EMISSION VACUUM CONTROL EQUIP	1	D=25			
			MH035639	O-RING,EMISSION VACUUM CONTROL EQUIP	1	D=25			

FK74R
No.1

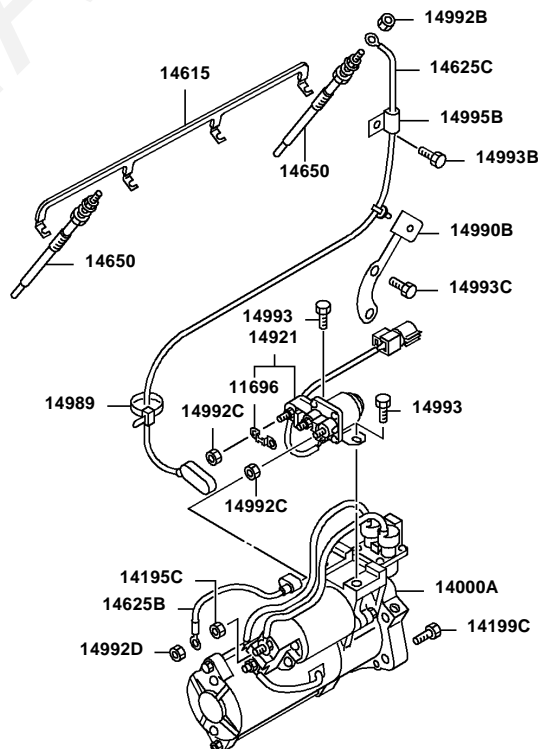


2 K 0 0 0 0

Ref. |2016010

Page

FK74R
No.2



C 0 0 1 8 6

Ref. |2016010

Page

FK74R
16-010 STARTER

Repl Part	PNC	Part No	Part Name	Qty	Part Spec	Remarks	PREV.1	NEW1
	14000A	ME223360	STARTER ASSY	1	24V-5.0KW			
		ME223360	STARTER ASSY	1	24V-5.0KW			
		ME223360	STARTER ASSY	1	24V-5.0KW			
		ME223360	STARTER ASSY	1	24V-5.0KW			
		ME223360	STARTER ASSY	1	24V-5.0KW			
		ME223360	STARTER ASSY	1	24V-5.0KW			
		ME222095	STARTER ASSY	1	24V-5.0KW			
		ME223360	STARTER ASSY	1	24V-5.0KW			
		ME223360	STARTER ASSY	1	24V-5.0KW			
		ME223360	STARTER ASSY	1	24V-5.0KW			
		ME223360	STARTER ASSY	1	24V-5.0KW			
		ME223360	STARTER ASSY	1	24V-5.0KW			
		ME223360	STARTER ASSY	1	24V-5.0KW			
		14001	ME753010	ARMATURE KIT,STARTER	1			
	ME753010		ARMATURE KIT,STARTER	1				
	ME753010		ARMATURE KIT,STARTER	1				
	ME753010		ARMATURE KIT,STARTER	1				
	ME753010		ARMATURE KIT,STARTER	1				
	ME753010		ARMATURE KIT,STARTER	1				
	ME753010		ARMATURE KIT,STARTER	1				
	ME753010		ARMATURE KIT,STARTER	1				
	ME753010		ARMATURE KIT,STARTER	1				
	ME753010		ARMATURE KIT,STARTER	1				
	ME753010		ARMATURE KIT,STARTER	1				
	ME753010		ARMATURE KIT,STARTER	1				
	ME753010		ARMATURE KIT,STARTER	1				
	ME753010		ARMATURE KIT,STARTER	1				
	14003	ME701756	BEARING & SLEEVE KIT,STARTER	1				
		ME701756	BEARING & SLEEVE KIT,STARTER	1				

FK74R
16-010 STARTER

Repl Part	PNC	Part No	Part Name	Qty	Part Spec	Remarks	PREV.1	NEW1
	14003	ME701756	BEARING & SLEEVE KIT,STARTER	1				
		ME701756	BEARING & SLEEVE KIT,STARTER	1				
		ME701756	BEARING & SLEEVE KIT,STARTER	1				
		ME701756	BEARING & SLEEVE KIT,STARTER	1				
		ME701756	BEARING & SLEEVE KIT,STARTER	1				
		ME701756	BEARING & SLEEVE KIT,STARTER	1				
		ME701756	BEARING & SLEEVE KIT,STARTER	1				
		ME701756	BEARING & SLEEVE KIT,STARTER	1				
		ME701756	BEARING & SLEEVE KIT,STARTER	1				
		ME701756	BEARING & SLEEVE KIT,STARTER	1				
		ME701756	BEARING & SLEEVE KIT,STARTER	1				
	14008C	ME753016	BEARING,STARTER ARMATURE	1				
		ME753016	BEARING,STARTER ARMATURE	1				
		ME753016	BEARING,STARTER ARMATURE	1				
		ME753016	BEARING,STARTER ARMATURE	1				
		ME753016	BEARING,STARTER ARMATURE	1				
		ME753016	BEARING,STARTER ARMATURE	1				
		ME753016	BEARING,STARTER ARMATURE	1				
		ME753016	BEARING,STARTER ARMATURE	1				
		ME753016	BEARING,STARTER ARMATURE	1				
		ME753016	BEARING,STARTER ARMATURE	1				
		ME753016	BEARING,STARTER ARMATURE	1				
		ME753016	BEARING,STARTER ARMATURE	1				
		ME753016	BEARING,STARTER ARMATURE	1				
		ME753016	BEARING,STARTER ARMATURE	1				
		ME753016	BEARING,STARTER ARMATURE	1				
		ME753016	BEARING,STARTER ARMATURE	1				
		ME753016	BEARING,STARTER ARMATURE	1				
		ME753016	BEARING,STARTER ARMATURE	1				
	14011	ME700291	BOLT SET,STARTER	1				
		ME700291	BOLT SET,STARTER	1				
		ME700291	BOLT SET,STARTER	1				

FK74R
16-010 STARTER

Repl Part	PNC	Part No	Part Name	Qty	Part Spec	Remarks	PREV.1	NEW1
	14011	ME700291	BOLT SET,STARTER	1				
		ME700291	BOLT SET,STARTER	1				
		ME700291	BOLT SET,STARTER	1				
		ME700291	BOLT SET,STARTER	1				
		ME700291	BOLT SET,STARTER	1				
		ME700291	BOLT SET,STARTER	1				
		ME700291	BOLT SET,STARTER	1				
		ME700291	BOLT SET,STARTER	1				
		ME700291	BOLT SET,STARTER	1				
		ME700291	BOLT SET,STARTER	1				
	14016	ME753356	BRACKET,STARTER,FR	1				
		ME753356	BRACKET,STARTER,FR	1				
		ME753356	BRACKET,STARTER,FR	1				
		ME753356	BRACKET,STARTER,FR	1				
		ME753356	BRACKET,STARTER,FR	1				
		ME753356	BRACKET,STARTER,FR	1				
		ME753356	BRACKET,STARTER,FR	1				
		ME753356	BRACKET,STARTER,FR	1				
		ME753356	BRACKET,STARTER,FR	1				
		ME753356	BRACKET,STARTER,FR	1				
		ME753356	BRACKET,STARTER,FR	1				
		ME753356	BRACKET,STARTER,FR	1				
		ME753356	BRACKET,STARTER,FR	1				
		ME753356	BRACKET,STARTER,FR	1				
		ME753356	BRACKET,STARTER,FR	1				
	14017	ME753137	BRACKET,STARTER,RR	1				
		ME753137	BRACKET,STARTER,RR	1				
		ME753137	BRACKET,STARTER,RR	1				
		ME753137	BRACKET,STARTER,RR	1				
		ME753137	BRACKET,STARTER,RR	1				
		ME753137	BRACKET,STARTER,RR	1				

FK74R
16-010 STARTER

Repl Part	PNC	Part No	Part Name	Qty	Part Spec	Remarks	PREV.1	NEW1
	14017	ME753137	BRACKET,STARTER,RR	1				
		ME753372	BRACKET,STARTER,RR	1				
		ME753137	BRACKET,STARTER,RR	1				
		ME753137	BRACKET,STARTER,RR	1				
		ME753137	BRACKET,STARTER,RR	1				
		ME753137	BRACKET,STARTER,RR	1				
		ME753137	BRACKET,STARTER,RR	1				
	14020	ME701452	BRUSH,STARTER	1				
		ME701452	BRUSH,STARTER	1				
		ME701452	BRUSH,STARTER	1				
		ME701452	BRUSH,STARTER	1				
		ME701452	BRUSH,STARTER	1				
		ME701452	BRUSH,STARTER	1				
		ME701452	BRUSH,STARTER	1				
		ME753035	BRUSH,STARTER	1				
		ME701452	BRUSH,STARTER	1				
		ME701452	BRUSH,STARTER	1				
		ME701452	BRUSH,STARTER	1				
		ME701452	BRUSH,STARTER	1				
		ME701452	BRUSH,STARTER	1				
	14022	ME753261	CAP,STARTER TERMINAL	1				
		ME753261	CAP,STARTER TERMINAL	1				
		ME753261	CAP,STARTER TERMINAL	1				
		ME753261	CAP,STARTER TERMINAL	1				
		ME753261	CAP,STARTER TERMINAL	1				
		ME753261	CAP,STARTER TERMINAL	1				
		ME753261	CAP,STARTER TERMINAL	1				
		ME753261	CAP,STARTER TERMINAL	1				

FK74R
16-010 STARTER

Repl Part	PNC	Part No	Part Name	Qty	Part Spec	Remarks	PREV.1	NEW1
	14022	ME753261	CAP,STARTER TERMINAL	1				
		ME753261	CAP,STARTER TERMINAL	1				
		ME753261	CAP,STARTER TERMINAL	1				
		ME753261	CAP,STARTER TERMINAL	1				
	14024	ME701757	CLUTCH KIT,STARTER PINION & REDUCTION	1				
		ME701757	CLUTCH KIT,STARTER PINION & REDUCTION	1				
		ME701757	CLUTCH KIT,STARTER PINION & REDUCTION	1				
		ME701757	CLUTCH KIT,STARTER PINION & REDUCTION	1				
		ME701757	CLUTCH KIT,STARTER PINION & REDUCTION	1				
		ME701757	CLUTCH KIT,STARTER PINION & REDUCTION	1				
		ME753026	CLUTCH KIT,STARTER PINION & REDUCTION	1				
		ME701757	CLUTCH KIT,STARTER PINION & REDUCTION	1				
		ME701757	CLUTCH KIT,STARTER PINION & REDUCTION	1				
		ME701757	CLUTCH KIT,STARTER PINION & REDUCTION	1				
		ME701757	CLUTCH KIT,STARTER PINION & REDUCTION	1				
		ME701757	CLUTCH KIT,STARTER PINION & REDUCTION	1				
	14025	ME701758	CLUTCH,STARTER OVERRUNNING	1				
		ME701758	CLUTCH,STARTER OVERRUNNING	1				
		ME701758	CLUTCH,STARTER OVERRUNNING	1				
		ME701758	CLUTCH,STARTER OVERRUNNING	1				
		ME701758	CLUTCH,STARTER OVERRUNNING	1				
		ME701758	CLUTCH,STARTER OVERRUNNING	1				
		ME701758	CLUTCH,STARTER OVERRUNNING	1				
		ME701758	CLUTCH,STARTER OVERRUNNING	1				
		ME701758	CLUTCH,STARTER OVERRUNNING	1				
		ME701758	CLUTCH,STARTER OVERRUNNING	1				
		ME701758	CLUTCH,STARTER OVERRUNNING	1				

FK74R
16-010 STARTER

Repl Part	PNC	Part No	Part Name	Qty	Part Spec	Remarks	PREV.1	NEW1
	14025	ME701758	CLUTCH,STARTER OVERRUNNING	1				
	14034B	ME700130	GASKET,STARTER INR	2				
		ME700130	GASKET,STARTER INR	2				
		ME700130	GASKET,STARTER INR	2				
		ME700130	GASKET,STARTER INR	2				
		ME700130	GASKET,STARTER INR	2				
		ME700130	GASKET,STARTER INR	2				
		ME700130	GASKET,STARTER INR	2				
		ME700130	GASKET,STARTER INR	2				
		ME700130	GASKET,STARTER INR	2				
		ME700130	GASKET,STARTER INR	2				
		ME700130	GASKET,STARTER INR	2				
		ME700130	GASKET,STARTER INR	2				
		ME700130	GASKET,STARTER INR	2				
		ME700130	GASKET,STARTER INR	2				
	14037	ME701653	GEAR,STARTER REDUCTION	1				
		ME701653	GEAR,STARTER REDUCTION	1				
		ME701653	GEAR,STARTER REDUCTION	1				
		ME701653	GEAR,STARTER REDUCTION	1				
		ME701653	GEAR,STARTER REDUCTION	1				
		ME701653	GEAR,STARTER REDUCTION	1				
		ME753027	GEAR,STARTER REDUCTION	1				
		ME701653	GEAR,STARTER REDUCTION	1				
		ME701653	GEAR,STARTER REDUCTION	1				
		ME701653	GEAR,STARTER REDUCTION	1				
		ME701653	GEAR,STARTER REDUCTION	1				
		ME701653	GEAR,STARTER REDUCTION	1				
		ME701653	GEAR,STARTER REDUCTION	1				
		ME701653	GEAR,STARTER REDUCTION	1				
	14038	ME701437	GEAR,STARTER REDUCTION INTERNAL	1				

FK74R
16-010 STARTER

Repl Part	PNC	Part No	Part Name	Qty	Part Spec	Remarks	PREV.1	NEW1
	14038	ME701437	GEAR,STARTER REDUCTION INTERNAL	1				
		ME701437	GEAR,STARTER REDUCTION INTERNAL	1				
		ME701437	GEAR,STARTER REDUCTION INTERNAL	1				
		ME701437	GEAR,STARTER REDUCTION INTERNAL	1				
		ME701437	GEAR,STARTER REDUCTION INTERNAL	1				
		ME753029	GEAR,STARTER REDUCTION INTERNAL	1				
		ME701437	GEAR,STARTER REDUCTION INTERNAL	1				
		ME701437	GEAR,STARTER REDUCTION INTERNAL	1				
		ME701437	GEAR,STARTER REDUCTION INTERNAL	1				
		ME701437	GEAR,STARTER REDUCTION INTERNAL	1				
		ME701437	GEAR,STARTER REDUCTION INTERNAL	1				
		ME701437	GEAR,STARTER REDUCTION INTERNAL	1				
		ME701437	GEAR,STARTER REDUCTION INTERNAL	1				
	14039	ME701439	GEAR,STARTER REDUCTION PINION	4				
		ME701439	GEAR,STARTER REDUCTION PINION	4				
		ME701439	GEAR,STARTER REDUCTION PINION	4				
		ME701439	GEAR,STARTER REDUCTION PINION	4				
		ME701439	GEAR,STARTER REDUCTION PINION	4				
		ME701439	GEAR,STARTER REDUCTION PINION	4				
		ME753066	GEAR,STARTER REDUCTION PINION	4				
		ME701439	GEAR,STARTER REDUCTION PINION	4				
		ME701439	GEAR,STARTER REDUCTION PINION	4				
		ME701439	GEAR,STARTER REDUCTION PINION	4				
		ME701439	GEAR,STARTER REDUCTION PINION	4				
		ME701439	GEAR,STARTER REDUCTION PINION	4				
		ME701439	GEAR,STARTER REDUCTION PINION	4				
	14044A	ME701876	HOLDER ASSY,STARTER BRUSH	1				

FK74R
16-010 STARTER

Repl Part	PNC	Part No	Part Name	Qty	Part Spec	Remarks	PREV.1	NEW1
	14044A	ME701876	HOLDER ASSY,STARTER BRUSH	1				
		ME701876	HOLDER ASSY,STARTER BRUSH	1				
		ME701876	HOLDER ASSY,STARTER BRUSH	1				
		ME701876	HOLDER ASSY,STARTER BRUSH	1				
		ME701876	HOLDER ASSY,STARTER BRUSH	1				
		ME753033	HOLDER ASSY,STARTER BRUSH	1				
		ME701876	HOLDER ASSY,STARTER BRUSH	1				
		ME701876	HOLDER ASSY,STARTER BRUSH	1				
		ME701876	HOLDER ASSY,STARTER BRUSH	1				
		ME701876	HOLDER ASSY,STARTER BRUSH	1				
		ME701876	HOLDER ASSY,STARTER BRUSH	1				
		ME701876	HOLDER ASSY,STARTER BRUSH	1				
		ME701876	HOLDER ASSY,STARTER BRUSH	1				
RP	14046	ME701938	LEVER KIT,STARTER PINION SHIFT	1			O	
RP		ME701938	LEVER KIT,STARTER PINION SHIFT	1			O	
RP		ME701938	LEVER KIT,STARTER PINION SHIFT	1			O	
RP		ME701938	LEVER KIT,STARTER PINION SHIFT	1			O	
RP		ME701938	LEVER KIT,STARTER PINION SHIFT	1			O	
RP		ME701938	LEVER KIT,STARTER PINION SHIFT	1			O	
RP		ME753030	LEVER KIT,STARTER PINION SHIFT	1			O	
RP		ME701938	LEVER KIT,STARTER PINION SHIFT	1			O	
RP		ME701938	LEVER KIT,STARTER PINION SHIFT	1			O	
RP		ME701938	LEVER KIT,STARTER PINION SHIFT	1			O	
RP		ME701938	LEVER KIT,STARTER PINION SHIFT	1			O	
RP		ME701938	LEVER KIT,STARTER PINION SHIFT	1			O	
RP		ME701938	LEVER KIT,STARTER PINION SHIFT	1			O	
RP	14054	ME753285	PINION KIT,STARTER	1			O	

FK74R
16-010 STARTER

Repl Part	PNC	Part No	Part Name	Qty	Part Spec	Remarks	PREV.1	NEW1
	14054	ME753285	PINION KIT,STARTER	1				
		ME753285	PINION KIT,STARTER	1				
		ME753285	PINION KIT,STARTER	1				
		ME753285	PINION KIT,STARTER	1				
		ME753285	PINION KIT,STARTER	1				
		ME753285	PINION KIT,STARTER	1				
		ME753285	PINION KIT,STARTER	1				
		ME753285	PINION KIT,STARTER	1				
		ME753285	PINION KIT,STARTER	1				
		ME753285	PINION KIT,STARTER	1				
		ME753285	PINION KIT,STARTER	1				
		ME753285	PINION KIT,STARTER	1				
		ME753285	PINION KIT,STARTER	1				
		ME753285	PINION KIT,STARTER	1				
		ME753285	PINION KIT,STARTER	1				
	14068	ME701445	GASKET SET,STARTER YOKE	1				
		ME701445	GASKET SET,STARTER YOKE	1				
		ME701445	GASKET SET,STARTER YOKE	1				
		ME701445	GASKET SET,STARTER YOKE	1				
		ME701445	GASKET SET,STARTER YOKE	1				
		ME701445	GASKET SET,STARTER YOKE	1				
		ME701445	GASKET SET,STARTER YOKE	1				
		ME701445	GASKET SET,STARTER YOKE	1				
		ME701445	GASKET SET,STARTER YOKE	1				
		ME701445	GASKET SET,STARTER YOKE	1				
		ME701445	GASKET SET,STARTER YOKE	1				
		ME701445	GASKET SET,STARTER YOKE	1				
		ME701445	GASKET SET,STARTER YOKE	1				
		ME701445	GASKET SET,STARTER YOKE	1				
		ME701445	GASKET SET,STARTER YOKE	1				
		ME701445	GASKET SET,STARTER YOKE	1				
		ME701445	GASKET SET,STARTER YOKE	1				
		ME701445	GASKET SET,STARTER YOKE	1				
	14076	ME701449	SPRING,STARTER BRUSH	4				
		ME701449	SPRING,STARTER BRUSH	4				

FK74R
16-010 STARTER

Repl Part	PNC	Part No	Part Name	Qty	Part Spec	Remarks	PREV.1	NEW1
	14076	ME701449	SPRING,STARTER BRUSH	4				
		ME701449	SPRING,STARTER BRUSH	4				
		ME701449	SPRING,STARTER BRUSH	4				
		ME701449	SPRING,STARTER BRUSH	4				
		ME701449	SPRING,STARTER BRUSH	4				
		ME701449	SPRING,STARTER BRUSH	4				
		ME701449	SPRING,STARTER BRUSH	4				
		ME701449	SPRING,STARTER BRUSH	4				
		ME701449	SPRING,STARTER BRUSH	4				
		ME701449	SPRING,STARTER BRUSH	4				
		ME701449	SPRING,STARTER BRUSH	4				
	14077	ME700124	STOPPER KIT,STARTER PINION	1				
		ME700124	STOPPER KIT,STARTER PINION	1				
		ME700124	STOPPER KIT,STARTER PINION	1				
		ME700124	STOPPER KIT,STARTER PINION	1				
		ME700124	STOPPER KIT,STARTER PINION	1				
		ME700124	STOPPER KIT,STARTER PINION	1				
		ME700124	STOPPER KIT,STARTER PINION	1				
		ME700124	STOPPER KIT,STARTER PINION	1				
		ME700124	STOPPER KIT,STARTER PINION	1				
		ME700124	STOPPER KIT,STARTER PINION	1				
		ME700124	STOPPER KIT,STARTER PINION	1				
		ME700124	STOPPER KIT,STARTER PINION	1				
		ME700124	STOPPER KIT,STARTER PINION	1				
		ME700124	STOPPER KIT,STARTER PINION	1				
		ME700124	STOPPER KIT,STARTER PINION	1				
		ME700124	STOPPER KIT,STARTER PINION	1				
	14082B	ME701442	SWITCH KIT,STARTER MAGNETIC	1				
		ME701442	SWITCH KIT,STARTER MAGNETIC	1				
		ME701442	SWITCH KIT,STARTER MAGNETIC	1				

FK74R
16-010 STARTER

Repl Part	PNC	Part No	Part Name	Qty	Part Spec	Remarks	PREV.1	NEW1
	14082B	ME701442	SWITCH KIT,STARTER MAGNETIC	1				
		ME701442	SWITCH KIT,STARTER MAGNETIC	1				
		ME701442	SWITCH KIT,STARTER MAGNETIC	1				
		ME701442	SWITCH KIT,STARTER MAGNETIC	1				
		ME701442	SWITCH KIT,STARTER MAGNETIC	1				
		ME701442	SWITCH KIT,STARTER MAGNETIC	1				
		ME701442	SWITCH KIT,STARTER MAGNETIC	1				
		ME701442	SWITCH KIT,STARTER MAGNETIC	1				
	14082C	ME753358	SWITCH KIT,STARTER MAGNETIC	1				
		ME753358	SWITCH KIT,STARTER MAGNETIC	1				
		ME753358	SWITCH KIT,STARTER MAGNETIC	1				
		ME753358	SWITCH KIT,STARTER MAGNETIC	1				
		ME753358	SWITCH KIT,STARTER MAGNETIC	1				
		ME753358	SWITCH KIT,STARTER MAGNETIC	1				
		ME753358	SWITCH KIT,STARTER MAGNETIC	1				
		ME753358	SWITCH KIT,STARTER MAGNETIC	1				
		ME753358	SWITCH KIT,STARTER MAGNETIC	1				
		ME753358	SWITCH KIT,STARTER MAGNETIC	1				
		ME753358	SWITCH KIT,STARTER MAGNETIC	1				
		ME753358	SWITCH KIT,STARTER MAGNETIC	1				
		ME753358	SWITCH KIT,STARTER MAGNETIC	1				
		ME753358	SWITCH KIT,STARTER MAGNETIC	1				
		ME753358	SWITCH KIT,STARTER MAGNETIC	1				
		ME753358	SWITCH KIT,STARTER MAGNETIC	1				
	14084	ME701436	WASHER SET,STARTER GEAR SHAFT	1				
		ME701436	WASHER SET,STARTER GEAR SHAFT	1				
		ME701436	WASHER SET,STARTER GEAR SHAFT	1				
		ME701436	WASHER SET,STARTER GEAR SHAFT	1				
		ME701436	WASHER SET,STARTER GEAR SHAFT	1				
		ME701436	WASHER SET,STARTER GEAR SHAFT	1				
		ME701436	WASHER SET,STARTER GEAR SHAFT	1				
		ME701436	WASHER SET,STARTER GEAR SHAFT	1				
		ME701436	WASHER SET,STARTER GEAR SHAFT	1				
		ME701436	WASHER SET,STARTER GEAR SHAFT	1				
		ME701436	WASHER SET,STARTER GEAR SHAFT	1				
		ME701436	WASHER SET,STARTER GEAR SHAFT	1				
		ME701436	WASHER SET,STARTER GEAR SHAFT	1				

FK74R
16-010 STARTER

Repl Part	PNC	Part No	Part Name	Qty	Part Spec	Remarks	PREV.1	NEW1
	14084	ME701436	WASHER SET,STARTER GEAR SHAFT	1				
		ME753028	WASHER SET,STARTER GEAR SHAFT	1				
		ME701436	WASHER SET,STARTER GEAR SHAFT	1				
		ME701436	WASHER SET,STARTER GEAR SHAFT	1				
		ME701436	WASHER SET,STARTER GEAR SHAFT	1				
		ME701436	WASHER SET,STARTER GEAR SHAFT	1				
		ME701436	WASHER SET,STARTER GEAR SHAFT	1				
	14086	ME753355	YOKE,STARTER	1				
		ME753355	YOKE,STARTER	1				
		ME753355	YOKE,STARTER	1				
		ME753355	YOKE,STARTER	1				
		ME753355	YOKE,STARTER	1				
		ME753355	YOKE,STARTER	1				
		ME753355	YOKE,STARTER	1				
		ME753355	YOKE,STARTER	1				
		ME753355	YOKE,STARTER	1				
		ME753355	YOKE,STARTER	1				
		ME753355	YOKE,STARTER	1				
		ME753355	YOKE,STARTER	1				
		ME753355	YOKE,STARTER	1				
		ME753355	YOKE,STARTER	1				
		ME753355	YOKE,STARTER	1				
		ME753355	YOKE,STARTER	1				
		ME753355	YOKE,STARTER	1				
	14178	ME753135	GROMMET,STARTER INR	1				
		ME753135	GROMMET,STARTER INR	1				
		ME753135	GROMMET,STARTER INR	1				
		ME753135	GROMMET,STARTER INR	1				
		ME753135	GROMMET,STARTER INR	1				
		ME753135	GROMMET,STARTER INR	1				
		ME753135	GROMMET,STARTER INR	1				
		ME753135	GROMMET,STARTER INR	1				
		ME753135	GROMMET,STARTER INR	1				
		ME753135	GROMMET,STARTER INR	1				

FK74R
16-010 STARTER

Repl Part	PNC	Part No	Part Name	Qty	Part Spec	Remarks	PREV.1	NEW1
	14178	ME753135	GROMMET,STARTER INR	1				
		ME753135	GROMMET,STARTER INR	1				
		ME753135	GROMMET,STARTER INR	1				
		ME753135	GROMMET,STARTER INR	1				
	14185B	ME701443	SCREW,STARTER INR	1				
		ME701443	SCREW,STARTER INR	1				
		ME701443	SCREW,STARTER INR	1				
		ME701443	SCREW,STARTER INR	1				
		ME701443	SCREW,STARTER INR	1				
		ME701443	SCREW,STARTER INR	1				
		ME701443	SCREW,STARTER INR	1				
		ME701443	SCREW,STARTER INR	1				
		ME701443	SCREW,STARTER INR	1				
		ME701443	SCREW,STARTER INR	1				
		ME701443	SCREW,STARTER INR	1				
		ME701443	SCREW,STARTER INR	1				
		ME701443	SCREW,STARTER INR	1				
	14185C	ME701847	SCREW,STARTER INR	1				
		ME701847	SCREW,STARTER INR	1				
		ME701847	SCREW,STARTER INR	1				
		ME701847	SCREW,STARTER INR	1				
		ME701847	SCREW,STARTER INR	1				
		ME701847	SCREW,STARTER INR	1				
		ME701847	SCREW,STARTER INR	1				
		ME701847	SCREW,STARTER INR	1				
		ME701847	SCREW,STARTER INR	1				
		ME701847	SCREW,STARTER INR	1				
		ME701847	SCREW,STARTER INR	1				
		ME701847	SCREW,STARTER INR	1				
		ME701847	SCREW,STARTER INR	1				

FK74R
16-010 STARTER

Repl Part	PNC	Part No	Part Name	Qty	Part Spec	Remarks	PREV.1	NEW1
	14195C	MF430725	NUT,STARTER	1	JAM,8			
		MF430725	NUT,STARTER	1	JAM,8			
		MF430725	NUT,STARTER	1	JAM,8			
		MF430725	NUT,STARTER	1	JAM,8			
		MF430725	NUT,STARTER	1	JAM,8			
		MF430725	NUT,STARTER	1	JAM,8			
		MF430725	NUT,STARTER	1	JAM,8			
		MF430725	NUT,STARTER	1	JAM,8			
		MF430725	NUT,STARTER	1	JAM,8			
		MF430725	NUT,STARTER	1	JAM,8			
	14198	ME701444	BALL,STARTER INR	1				
		ME701444	BALL,STARTER INR	1				
		ME701444	BALL,STARTER INR	1				
		ME701444	BALL,STARTER INR	1				
		ME701444	BALL,STARTER INR	1				
		ME701444	BALL,STARTER INR	1				
		ME701444	BALL,STARTER INR	1				
		ME701444	BALL,STARTER INR	1				
		ME701444	BALL,STARTER INR	1				
		ME701444	BALL,STARTER INR	1				
		ME701444	BALL,STARTER INR	1				
	14199C	MH000727	BOLT,STARTER	3	FLANGE,12X30			
		MH000727	BOLT,STARTER	3	FLANGE,12X30			
		MH000727	BOLT,STARTER	3	FLANGE,12X30			

FK74R
16-010 STARTER

Repl Part	PNC	Part No	Part Name	Qty	Part Spec	Remarks	PREV.1	NEW1
	14199C	MH000727	BOLT,STARTER	3	FLANGE,12X30			
		MH000727	BOLT,STARTER	3	FLANGE,12X30			
		MH000727	BOLT,STARTER	3	FLANGE,12X30			
		MH000727	BOLT,STARTER	3	FLANGE,12X30			
		MH000727	BOLT,STARTER	3	FLANGE,12X30			
RP	14615	ME222136	PLATE,GLOW PLUG CONNECTING	1				Y
RP		ME222136	PLATE,GLOW PLUG CONNECTING	1				Y
RP		ME222136	PLATE,GLOW PLUG CONNECTING	1				Y
RP		ME222136	PLATE,GLOW PLUG CONNECTING	1				Y
RP		ME222136	PLATE,GLOW PLUG CONNECTING	1				Y
RP		ME222136	PLATE,GLOW PLUG CONNECTING	1				Y
RP		ME222136	PLATE,GLOW PLUG CONNECTING	1				Y
RP		ME222136	PLATE,GLOW PLUG CONNECTING	1				Y
RP		ME222136	PLATE,GLOW PLUG CONNECTING	1				Y
RP		ME222136	PLATE,GLOW PLUG CONNECTING	1				Y
RP		ME222136	PLATE,GLOW PLUG CONNECTING	1				Y
RP		ME222136	PLATE,GLOW PLUG CONNECTING	1				Y
RP	14625B	ME014924	HARNESS,GLOW PLUG CONTROL RELAY	1				Y
		ME014924	HARNESS,GLOW PLUG CONTROL RELAY	1				Y
		ME014924	HARNESS,GLOW PLUG CONTROL RELAY	1				Y
		ME014924	HARNESS,GLOW PLUG CONTROL RELAY	1				Y
		ME014924	HARNESS,GLOW PLUG CONTROL RELAY	1				Y
		ME014924	HARNESS,GLOW PLUG CONTROL RELAY	1				Y
		ME014924	HARNESS,GLOW PLUG CONTROL RELAY	1				Y

FK74R
16-010 STARTER

Repl Part	PNC	Part No	Part Name	Qty	Part Spec	Remarks	PREV.1	NEW1
	14625B	ME014924	HARNESS,GLOW PLUG CONTROL RELAY	1				
		ME014924	HARNESS,GLOW PLUG CONTROL RELAY	1				
		ME014924	HARNESS,GLOW PLUG CONTROL RELAY	1				
		ME014924	HARNESS,GLOW PLUG CONTROL RELAY	1				
		ME014924	HARNESS,GLOW PLUG CONTROL RELAY	1				
	14625C	ME224482	HARNESS,GLOW PLUG CONTROL RELAY	1				
		ME224482	HARNESS,GLOW PLUG CONTROL RELAY	1				
		ME224482	HARNESS,GLOW PLUG CONTROL RELAY	1				
		ME224482	HARNESS,GLOW PLUG CONTROL RELAY	1				
		ME224482	HARNESS,GLOW PLUG CONTROL RELAY	1				
		ME226632	HARNESS,GLOW PLUG CONTROL RELAY	1				
		ME226632	HARNESS,GLOW PLUG CONTROL RELAY	1				
		ME226632	HARNESS,GLOW PLUG CONTROL RELAY	1				
		ME226632	HARNESS,GLOW PLUG CONTROL RELAY	1				
		ME226632	HARNESS,GLOW PLUG CONTROL RELAY	1				
		ME226632	HARNESS,GLOW PLUG CONTROL RELAY	1				
		ME226632	HARNESS,GLOW PLUG CONTROL RELAY	1				
	14650	ME240253	GLOW PLUG	4		24V		
		ME240253	GLOW PLUG	4		24V		
		ME240253	GLOW PLUG	4		24V		
		ME240253	GLOW PLUG	4		24V		
		ME240253	GLOW PLUG	4		24V		
		ME240253	GLOW PLUG	4		24V		
		ME240253	GLOW PLUG	4		24V		
		ME240253	GLOW PLUG	4		24V		
		ME240253	GLOW PLUG	4		24V		
		ME240253	GLOW PLUG	4		24V		
		ME240253	GLOW PLUG	4		24V		
		ME240253	GLOW PLUG	4		24V		

FK74R
16-010 STARTER

Repl Part	PNC	Part No	Part Name	Qty	Part Spec	Remarks	PREV.1	NEW1
	14650	ME240253	GLOW PLUG	4		24V		
	14921	ME220473	RELAY,INTAKE AIR HEATER CONTROL	1	24V			
		ME220473	RELAY,INTAKE AIR HEATER CONTROL	1	24V			
		ME220473	RELAY,INTAKE AIR HEATER CONTROL	1	24V			
		ME220473	RELAY,INTAKE AIR HEATER CONTROL	1	24V			
		ME220473	RELAY,INTAKE AIR HEATER CONTROL	1	24V			
		ME220473	RELAY,INTAKE AIR HEATER CONTROL	1	24V			
		ME220473	RELAY,INTAKE AIR HEATER CONTROL	1	24V			
		ME220473	RELAY,INTAKE AIR HEATER CONTROL	1	24V			
		ME220473	RELAY,INTAKE AIR HEATER CONTROL	1	24V			
		ME220473	RELAY,INTAKE AIR HEATER CONTROL	1	24V			
		ME220473	RELAY,INTAKE AIR HEATER CONTROL	1	24V			
		ME220473	RELAY,INTAKE AIR HEATER CONTROL	1	24V			
		ME220473	RELAY,INTAKE AIR HEATER CONTROL	1	24V			
RP	14989	MB249338	BAND,GLOW CONTROL EQUIP	2	L=129.5	BLACK	O	
RP		MB249338	BAND,GLOW CONTROL EQUIP	2	L=129.5	BLACK	O	
RP		MB249338	BAND,GLOW CONTROL EQUIP	2	L=129.5	BLACK	O	
RP		MB249338	BAND,GLOW CONTROL EQUIP	2	L=129.5	BLACK	O	
RP		MB249338	BAND,GLOW CONTROL EQUIP	1	L=129.5	BLACK	O	
RP		MB249338	BAND,GLOW CONTROL EQUIP	1	L=129.5	BLACK	O	
RP		MB249338	BAND,GLOW CONTROL EQUIP	1	L=129.5	BLACK	O	
RP		MB249338	BAND,GLOW CONTROL EQUIP	1	L=129.5	BLACK	O	
RP		MB249338	BAND,GLOW CONTROL EQUIP	1	L=129.5	BLACK	O	
RP		MB249338	BAND,GLOW CONTROL EQUIP	1	L=129.5	BLACK	O	
RP		MB249338	BAND,GLOW CONTROL EQUIP	1	L=129.5	BLACK	O	
RP		MB249338	BAND,GLOW CONTROL EQUIP	1	L=129.5	BLACK	O	
	14990B	ME226629	STAY,GLOW CONTROL EQUIP	1				
		ME226629	STAY,GLOW CONTROL EQUIP	1				
		ME226629	STAY,GLOW CONTROL EQUIP	1				

FK74R
16-010 STARTER

Repl Part	PNC	Part No	Part Name	Qty	Part Spec	Remarks	PREV.1	NEW1
	14990B	ME226629	STAY,GLOW CONTROL EQUIP	1				
		ME226629	STAY,GLOW CONTROL EQUIP	1				
		ME226629	STAY,GLOW CONTROL EQUIP	1				
	14992B	MS446180	NUT,GLOW CONTROL EQUIP	1	FLANGE,4			
		MS446180	NUT,GLOW CONTROL EQUIP	1	FLANGE,4			
		MS446180	NUT,GLOW CONTROL EQUIP	1	FLANGE,4			
		MS446180	NUT,GLOW CONTROL EQUIP	1	FLANGE,4			
		MS446180	NUT,GLOW CONTROL EQUIP	1	FLANGE,4			
		MS446180	NUT,GLOW CONTROL EQUIP	1	FLANGE,4			
		MS446180	NUT,GLOW CONTROL EQUIP	1	FLANGE,4			
		MS446180	NUT,GLOW CONTROL EQUIP	1	FLANGE,4			
		MS446180	NUT,GLOW CONTROL EQUIP	1	FLANGE,4			
	14992C	MF434103	NUT,GLOW CONTROL EQUIP	2	FLANGE,6	W/O COATING		
		MF434103	NUT,GLOW CONTROL EQUIP	2	FLANGE,6	W/O COATING		
		MF434103	NUT,GLOW CONTROL EQUIP	2	FLANGE,6	W/O COATING		
		MF434103	NUT,GLOW CONTROL EQUIP	2	FLANGE,6	W/O COATING		
		MF434103	NUT,GLOW CONTROL EQUIP	2	FLANGE,6	W/O COATING		
		MF434103	NUT,GLOW CONTROL EQUIP	2	FLANGE,6	W/O COATING		
		MF434103	NUT,GLOW CONTROL EQUIP	2	FLANGE,6	W/O COATING		
		MF434103	NUT,GLOW CONTROL EQUIP	2	FLANGE,6	W/O COATING		
		MF434103	NUT,GLOW CONTROL EQUIP	2	FLANGE,6	W/O COATING		
	14992D	MF434104	NUT,GLOW CONTROL EQUIP	1	FLANGE,8			
		MF434104	NUT,GLOW CONTROL EQUIP	1	FLANGE,8			

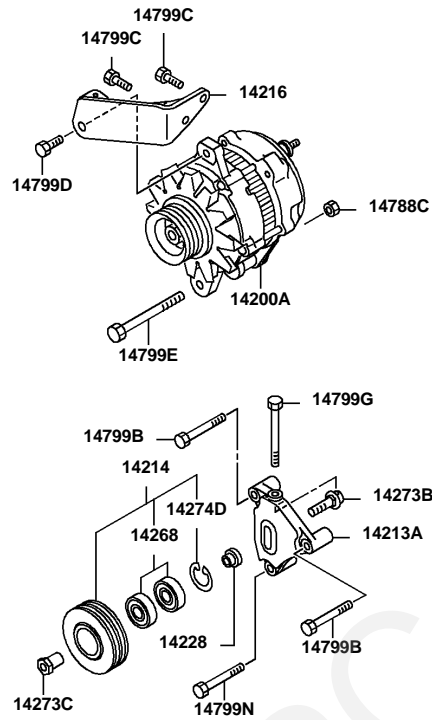
FK74R
16-010 STARTER

Repl Part	PNC	Part No	Part Name	Qty	Part Spec	Remarks	PREV.1	NEW1
	14992D	MF434104	NUT,GLOW CONTROL EQUIP	1	FLANGE,8			
		MF434104	NUT,GLOW CONTROL EQUIP	1	FLANGE,8			
		MF434104	NUT,GLOW CONTROL EQUIP	1	FLANGE,8			
		MF434104	NUT,GLOW CONTROL EQUIP	1	FLANGE,8			
		MF434104	NUT,GLOW CONTROL EQUIP	1	FLANGE,8			
		MF434104	NUT,GLOW CONTROL EQUIP	1	FLANGE,8			
	14993	MH000999	BOLT,GLOW CONTROL EQUIP	2	FLANGE,6X12			
		MH000999	BOLT,GLOW CONTROL EQUIP	2	FLANGE,6X12			
		MH000999	BOLT,GLOW CONTROL EQUIP	2	FLANGE,6X12			
		MH000999	BOLT,GLOW CONTROL EQUIP	2	FLANGE,6X12			
		MH000999	BOLT,GLOW CONTROL EQUIP	2	FLANGE,6X12			
		MH000999	BOLT,GLOW CONTROL EQUIP	2	FLANGE,6X12			
		MH000999	BOLT,GLOW CONTROL EQUIP	2	FLANGE,6X12			
		MH000999	BOLT,GLOW CONTROL EQUIP	2	FLANGE,6X12			
	14993B	MF140221	BOLT,GLOW CONTROL EQUIP	1	FLANGE,8X12	7T		
		MF140221	BOLT,GLOW CONTROL EQUIP	1	FLANGE,8X12	7T		
		MF140221	BOLT,GLOW CONTROL EQUIP	1	FLANGE,8X12	7T		
		MF140221	BOLT,GLOW CONTROL EQUIP	1	FLANGE,8X12	7T		
		MF140221	BOLT,GLOW CONTROL EQUIP	1	FLANGE,8X12	7T		
		MF140221	BOLT,GLOW CONTROL EQUIP	1	FLANGE,8X12	7T		
		MF140221	BOLT,GLOW CONTROL EQUIP	1	FLANGE,8X12	7T		

FK74R
16-010 STARTER

Repl Part	PNC	Part No	Part Name	Qty	Part Spec	Remarks	PREV.1	NEW1
	14993B	MF140221	BOLT,GLOW CONTROL EQUIP	1	FLANGE,8X12	7T		
	14993C	MH000931	BOLT,GLOW CONTROL EQUIP	2	FLANGE,10X18			
		MH000931	BOLT,GLOW CONTROL EQUIP	2	FLANGE,10X18			
		MH000931	BOLT,GLOW CONTROL EQUIP	2	FLANGE,10X18			
		MH000931	BOLT,GLOW CONTROL EQUIP	2	FLANGE,10X18			
		MH000931	BOLT,GLOW CONTROL EQUIP	2	FLANGE,10X18			
		MH000931	BOLT,GLOW CONTROL EQUIP	2	FLANGE,10X18			
	14995B	MH020752	CLIP,GLOW CONTROL EQUIP	1	D=8			
		MH020752	CLIP,GLOW CONTROL EQUIP	1	D=8			
		MH020752	CLIP,GLOW CONTROL EQUIP	1	D=8			
		MH020752	CLIP,GLOW CONTROL EQUIP	1	D=8			
		MH020752	CLIP,GLOW CONTROL EQUIP	1	D=8			
	14995	(N.e.c.)	CLIP,GLOW CONTROL EQUIP					
	14199E	(N.e.c.)	BOLT,STARTER					
	14081	(N.e.c.)	STRAP,STARTER EARTH					
	14199B	(N.e.c.)	BOLT,STARTER					
	14181	(N.e.c.)	BAND,STARTER					

FK74R
No.1

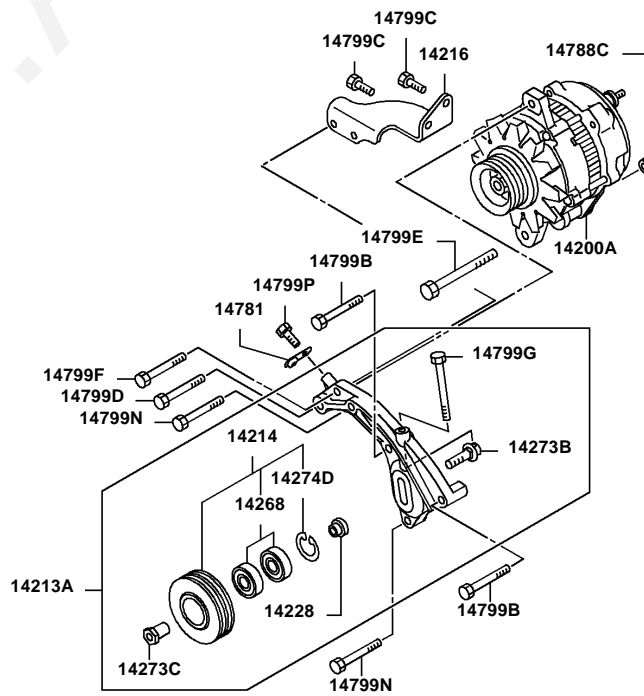


C00084

Ref. |2016110

Page

FK74R
No.2

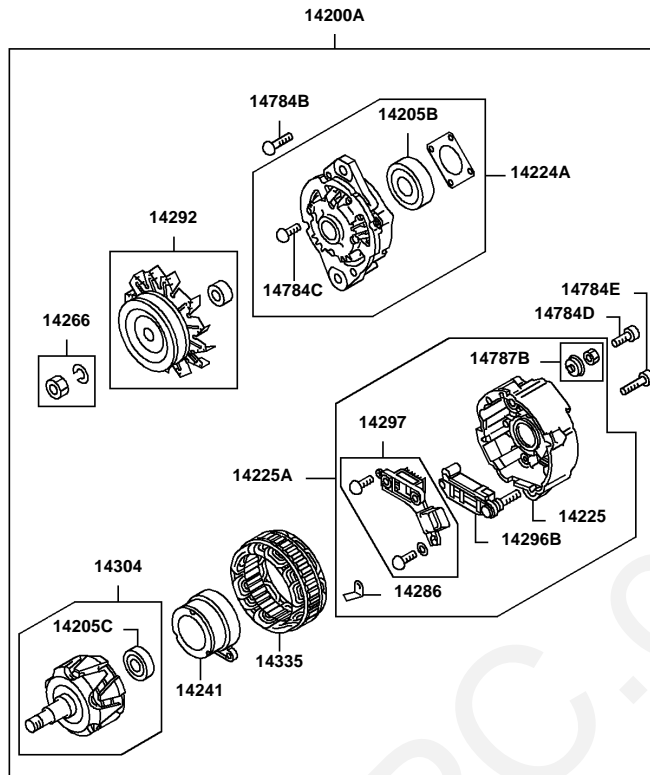


C00195

Ref. |2016110

Page

FK74R
No.3

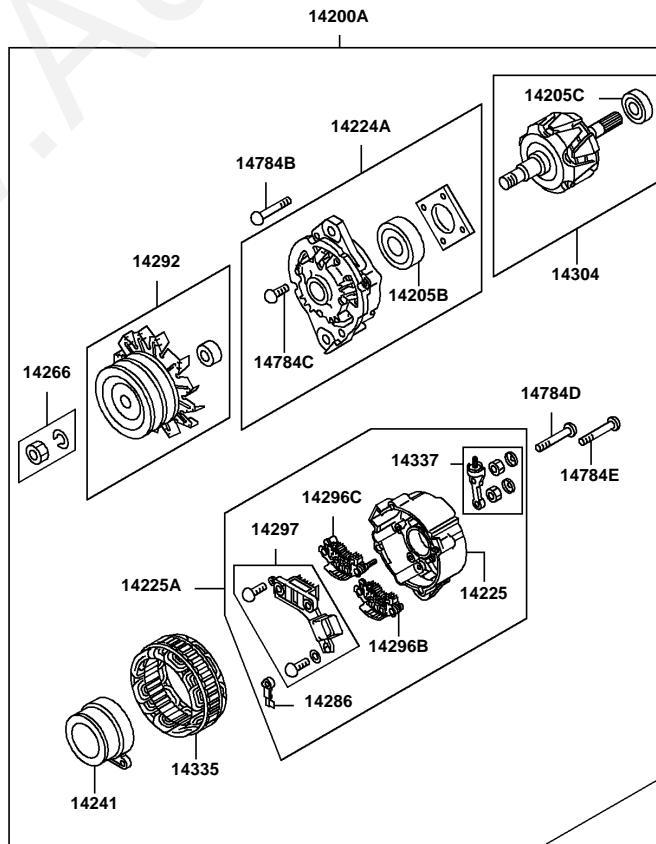


2AA024

Ref. |2016110

Page

FK74R
No.4



2HA002

Ref. |2016110

Page

**FK74R
16-110 ALTERNATOR & REGULATOR**

SPN	Repl Part	PNC	Part No	Part Name	Qty	Part Spec	Remarks	PREV.
		14200A	ME223742	ALTERNATOR ASSY	1	24V-80A		
			ME223741	ALTERNATOR ASSY	1	24V-50A		
			ME223741	ALTERNATOR ASSY	1	24V-50A		
			ME223742	ALTERNATOR ASSY	1	24V-80A		
			ME223741	ALTERNATOR ASSY	1	24V-50A		
			ME223741	ALTERNATOR ASSY	1	24V-50A		
			ME223741	ALTERNATOR ASSY	1	24V-50A		
			ME223741	ALTERNATOR ASSY	1	24V-50A		
			ME223741	ALTERNATOR ASSY	1	24V-50A		
			ME223741	ALTERNATOR ASSY	1	24V-50A		
			ME223741	ALTERNATOR ASSY	1	24V-50A		
			ME223741	ALTERNATOR ASSY	1	24V-50A		
			ME223741	ALTERNATOR ASSY	1	24V-50A		
			ME223741	ALTERNATOR ASSY	1	24V-50A		
			ME223741	ALTERNATOR ASSY	1	24V-50A		
			ME223741	ALTERNATOR ASSY	1	24V-50A		
			ME223741	ALTERNATOR ASSY	1	24V-50A		
			ME223741	ALTERNATOR ASSY	1	24V-50A		
			ME223741	ALTERNATOR ASSY	1	24V-50A		
			ME223741	ALTERNATOR ASSY	1	24V-50A		
			ME223741	ALTERNATOR ASSY	1	24V-50A		
			ME223741	ALTERNATOR ASSY	1	24V-50A		
			ME223742	ALTERNATOR ASSY	1	24V-80A		
			ME223741	ALTERNATOR ASSY	1	24V-50A		
			ME223741	ALTERNATOR ASSY	1	24V-50A		
			ME223741	ALTERNATOR ASSY	1	24V-50A		
			ME223742	ALTERNATOR ASSY	1	24V-80A		
			ME223742	ALTERNATOR ASSY	1	24V-80A		
			ME223741	ALTERNATOR ASSY	1	24V-50A		
			ME223741	ALTERNATOR ASSY	1	24V-50A		
			ME223741	ALTERNATOR ASSY	1	24V-50A		
			ME223741	ALTERNATOR ASSY	1	24V-50A		

FK74R
16-110 ALTERNATOR & REGULATOR

SPN	Repl Part	PNC	Part No	Part Name	Qty	Part Spec	Remarks	PREV.
		14200A	ME223741	ALTERNATOR ASSY	1	24V-50A		
			ME223741	ALTERNATOR ASSY	1	24V-50A		
			ME223741	ALTERNATOR ASSY	1	24V-50A		
			ME223742	ALTERNATOR ASSY	1	24V-80A		
		14205B	ME700535	BEARING,ALTERNATOR ROTOR	1			
			ME700535	BEARING,ALTERNATOR ROTOR	1			
			ME700535	BEARING,ALTERNATOR ROTOR	1			
			ME700535	BEARING,ALTERNATOR ROTOR	1			
			ME700535	BEARING,ALTERNATOR ROTOR	1			
			ME700535	BEARING,ALTERNATOR ROTOR	1			
			ME700535	BEARING,ALTERNATOR ROTOR	1			
			ME700535	BEARING,ALTERNATOR ROTOR	1			
			ME700535	BEARING,ALTERNATOR ROTOR	1			
			ME700535	BEARING,ALTERNATOR ROTOR	1			
			ME700535	BEARING,ALTERNATOR ROTOR	1			
		14205C	ME701331	BEARING,ALTERNATOR ROTOR	1			
			ME701331	BEARING,ALTERNATOR ROTOR	1			
			ME701331	BEARING,ALTERNATOR ROTOR	1			
			ME701331	BEARING,ALTERNATOR ROTOR	1			
			ME701331	BEARING,ALTERNATOR ROTOR	1			
			ME701331	BEARING,ALTERNATOR ROTOR	1			
			ME701331	BEARING,ALTERNATOR ROTOR	1			
			ME701331	BEARING,ALTERNATOR ROTOR	1			
			ME701331	BEARING,ALTERNATOR ROTOR	1			
			ME701331	BEARING,ALTERNATOR ROTOR	1			
			ME701331	BEARING,ALTERNATOR ROTOR	1			

FK74R
16-110 ALTERNATOR & REGULATOR

SPN	Repl Part	PNC	Part No	Part Name	Qty	Part Spec	Remarks	PREV.
		14205C	ME701331	BEARING,ALTERNATOR ROTOR	1			
		14213A	ME223607	PULLEY & BRACKET ASSY,ALTERNATOR BELT TENSION	1			
			ME223607	PULLEY & BRACKET ASSY,ALTERNATOR BELT TENSION	1			
			ME223607	PULLEY & BRACKET ASSY,ALTERNATOR BELT TENSION	1			
			ME223607	PULLEY & BRACKET ASSY,ALTERNATOR BELT TENSION	1			
			ME223607	PULLEY & BRACKET ASSY,ALTERNATOR BELT TENSION	1			
			ME226434	PULLEY & BRACKET ASSY,ALTERNATOR BELT TENSION	1			
			ME226434	PULLEY & BRACKET ASSY,ALTERNATOR BELT TENSION	1			
			ME226434	PULLEY & BRACKET ASSY,ALTERNATOR BELT TENSION	1			
			ME226434	PULLEY & BRACKET ASSY,ALTERNATOR BELT TENSION	1			
			ME226434	PULLEY & BRACKET ASSY,ALTERNATOR BELT TENSION	1			
			ME226434	PULLEY & BRACKET ASSY,ALTERNATOR BELT TENSION	1			
			ME226434	PULLEY & BRACKET ASSY,ALTERNATOR BELT TENSION	1			
		14214	ME222261	PULLEY,ALTERNATOR BELT TENSION	1			
			ME222261	PULLEY,ALTERNATOR BELT TENSION	1			
			ME222261	PULLEY,ALTERNATOR BELT TENSION	1			
			ME222261	PULLEY,ALTERNATOR BELT TENSION	1			
			ME222261	PULLEY,ALTERNATOR BELT TENSION	1			
			ME222261	PULLEY,ALTERNATOR BELT TENSION	1			
			ME222261	PULLEY,ALTERNATOR BELT TENSION	1			
			ME222261	PULLEY,ALTERNATOR BELT TENSION	1			
			ME222261	PULLEY,ALTERNATOR BELT TENSION	1			
			ME222261	PULLEY,ALTERNATOR BELT TENSION	1			
		14216	ME222109	BRACE,ALTERNATOR ADJUSTING	1			
			ME222109	BRACE,ALTERNATOR ADJUSTING	1			

FK74R
16-110 ALTERNATOR & REGULATOR

SPN	Repl Part	PNC	Part No	Part Name	Qty	Part Spec	Remarks	PREV.
		14216	ME222109	BRACE,ALTERNATOR ADJUSTING	1			
			ME222109	BRACE,ALTERNATOR ADJUSTING	1			
			ME222109	BRACE,ALTERNATOR ADJUSTING	1			
			ME222109	BRACE,ALTERNATOR ADJUSTING	1			
			ME222109	BRACE,ALTERNATOR ADJUSTING	1			
			ME222109	BRACE,ALTERNATOR ADJUSTING	1			
			ME222109	BRACE,ALTERNATOR ADJUSTING	1			
			ME222109	BRACE,ALTERNATOR ADJUSTING	1			
			ME222109	BRACE,ALTERNATOR ADJUSTING	1			
			ME222109	BRACE,ALTERNATOR ADJUSTING	1			
			ME222109	BRACE,ALTERNATOR ADJUSTING	1			
			ME222109	BRACE,ALTERNATOR ADJUSTING	1			
			ME222109	BRACE,ALTERNATOR ADJUSTING	1			
			ME222109	BRACE,ALTERNATOR ADJUSTING	1			
			ME222109	BRACE,ALTERNATOR ADJUSTING	1			
			ME222109	BRACE,ALTERNATOR ADJUSTING	1			
			ME222109	BRACE,ALTERNATOR ADJUSTING	1			
			ME222109	BRACE,ALTERNATOR ADJUSTING	1			
			ME222109	BRACE,ALTERNATOR ADJUSTING	1			
			ME222109	BRACE,ALTERNATOR ADJUSTING	1			
			ME222109	BRACE,ALTERNATOR ADJUSTING	1			
			ME226390	BRACE,ALTERNATOR ADJUSTING	1			
			ME226390	BRACE,ALTERNATOR ADJUSTING	1			
			ME226390	BRACE,ALTERNATOR ADJUSTING	1			
			ME226390	BRACE,ALTERNATOR ADJUSTING	1			
			ME226390	BRACE,ALTERNATOR ADJUSTING	1			
			ME226390	BRACE,ALTERNATOR ADJUSTING	1			
			ME226390	BRACE,ALTERNATOR ADJUSTING	1			
			ME226390	BRACE,ALTERNATOR ADJUSTING	1			
			ME226390	BRACE,ALTERNATOR ADJUSTING	1			
			ME226390	BRACE,ALTERNATOR ADJUSTING	1			
			ME226390	BRACE,ALTERNATOR ADJUSTING	1			
			ME226390	BRACE,ALTERNATOR ADJUSTING	1			
			ME226390	BRACE,ALTERNATOR ADJUSTING	1			
			ME226390	BRACE,ALTERNATOR ADJUSTING	1			
		14224A	ME753212	BRACKET ASSY,ALTERNATOR,FR	1			
			ME753212	BRACKET ASSY,ALTERNATOR,FR	1			

**FK74R
16-110 ALTERNATOR & REGULATOR**

SPN	Repl Part	PNC	Part No	Part Name	Qty	Part Spec	Remarks	PREV.
		14224A	ME753212	BRACKET ASSY,ALTERNATOR,FR	1			
			ME753212	BRACKET ASSY,ALTERNATOR,FR	1			
			ME753212	BRACKET ASSY,ALTERNATOR,FR	1			
			ME753212	BRACKET ASSY,ALTERNATOR,FR	1			
			ME753212	BRACKET ASSY,ALTERNATOR,FR	1			
			ME753212	BRACKET ASSY,ALTERNATOR,FR	1			
			ME753212	BRACKET ASSY,ALTERNATOR,FR	1			
			ME753212	BRACKET ASSY,ALTERNATOR,FR	1			
			ME753212	BRACKET ASSY,ALTERNATOR,FR	1			
		14225	ME753205	BRACKET,ALTERNATOR,RR	1			
			ME701521	BRACKET,ALTERNATOR,RR	1			
			ME701521	BRACKET,ALTERNATOR,RR	1			
			ME753205	BRACKET,ALTERNATOR,RR	1			
			ME701521	BRACKET,ALTERNATOR,RR	1			
			ME701521	BRACKET,ALTERNATOR,RR	1			
			ME701521	BRACKET,ALTERNATOR,RR	1			
			ME701521	BRACKET,ALTERNATOR,RR	1			
			ME701521	BRACKET,ALTERNATOR,RR	1			
			ME701521	BRACKET,ALTERNATOR,RR	1			
			ME701521	BRACKET,ALTERNATOR,RR	1			
			ME701521	BRACKET,ALTERNATOR,RR	1			
			ME701521	BRACKET,ALTERNATOR,RR	1			
			ME701521	BRACKET,ALTERNATOR,RR	1			
			ME701521	BRACKET,ALTERNATOR,RR	1			
			ME701521	BRACKET,ALTERNATOR,RR	1			
			ME701521	BRACKET,ALTERNATOR,RR	1			
			ME701521	BRACKET,ALTERNATOR,RR	1			

FK74R
16-110 ALTERNATOR & REGULATOR

SPN	Repl Part	PNC	Part No	Part Name	Qty	Part Spec	Remarks	PREV.
		14225	ME753205	BRACKET,ALTERNATOR,RR	1			
			ME701521	BRACKET,ALTERNATOR,RR	1			
			ME701521	BRACKET,ALTERNATOR,RR	1			
			ME701521	BRACKET,ALTERNATOR,RR	1			
			ME753205	BRACKET,ALTERNATOR,RR	1			
			ME753205	BRACKET,ALTERNATOR,RR	1			
			ME701521	BRACKET,ALTERNATOR,RR	1			
			ME701521	BRACKET,ALTERNATOR,RR	1			
			ME701521	BRACKET,ALTERNATOR,RR	1			
			ME701521	BRACKET,ALTERNATOR,RR	1			
			ME701521	BRACKET,ALTERNATOR,RR	1			
			ME701521	BRACKET,ALTERNATOR,RR	1			
			ME753205	BRACKET,ALTERNATOR,RR	1			
		14225A	ME753204	BRACKET ASSY,ALTERNATOR,RR	1			
			ME701389	BRACKET ASSY,ALTERNATOR,RR	1			
			ME701389	BRACKET ASSY,ALTERNATOR,RR	1			
			ME753204	BRACKET ASSY,ALTERNATOR,RR	1			
			ME701389	BRACKET ASSY,ALTERNATOR,RR	1			
			ME701389	BRACKET ASSY,ALTERNATOR,RR	1			
			ME701389	BRACKET ASSY,ALTERNATOR,RR	1			
			ME701389	BRACKET ASSY,ALTERNATOR,RR	1			
			ME701389	BRACKET ASSY,ALTERNATOR,RR	1			
			ME701389	BRACKET ASSY,ALTERNATOR,RR	1			
			ME701389	BRACKET ASSY,ALTERNATOR,RR	1			
			ME701389	BRACKET ASSY,ALTERNATOR,RR	1			
			ME701389	BRACKET ASSY,ALTERNATOR,RR	1			
			ME701389	BRACKET ASSY,ALTERNATOR,RR	1			
			ME701389	BRACKET ASSY,ALTERNATOR,RR	1			
			ME701389	BRACKET ASSY,ALTERNATOR,RR	1			

FK74R
16-110 ALTERNATOR & REGULATOR

SPN	Repl Part	PNC	Part No	Part Name	Qty	Part Spec	Remarks	PREV.
		14225A	ME701389	BRACKET ASSY,ALTERNATOR,RR	1			
			ME701389	BRACKET ASSY,ALTERNATOR,RR	1			
			ME701389	BRACKET ASSY,ALTERNATOR,RR	1			
			ME701389	BRACKET ASSY,ALTERNATOR,RR	1			
			ME701389	BRACKET ASSY,ALTERNATOR,RR	1			
			ME701389	BRACKET ASSY,ALTERNATOR,RR	1			
			ME753204	BRACKET ASSY,ALTERNATOR,RR	1			
			ME701389	BRACKET ASSY,ALTERNATOR,RR	1			
			ME701389	BRACKET ASSY,ALTERNATOR,RR	1			
			ME701389	BRACKET ASSY,ALTERNATOR,RR	1			
			ME753204	BRACKET ASSY,ALTERNATOR,RR	1			
			ME753204	BRACKET ASSY,ALTERNATOR,RR	1			
			ME701389	BRACKET ASSY,ALTERNATOR,RR	1			
			ME701389	BRACKET ASSY,ALTERNATOR,RR	1			
			ME701389	BRACKET ASSY,ALTERNATOR,RR	1			
			ME701389	BRACKET ASSY,ALTERNATOR,RR	1			
			ME701389	BRACKET ASSY,ALTERNATOR,RR	1			
			ME701389	BRACKET ASSY,ALTERNATOR,RR	1			
			ME701389	BRACKET ASSY,ALTERNATOR,RR	1			
			ME753204	BRACKET ASSY,ALTERNATOR,RR	1			
		14228	MH025005	BUSHING,ALTERNATOR	1	T=7		
			MH025005	BUSHING,ALTERNATOR	1	T=7		
			MH025005	BUSHING,ALTERNATOR	1	T=7		
			MH025005	BUSHING,ALTERNATOR	1	T=7		
			MH025005	BUSHING,ALTERNATOR	1	T=7		
			MH025005	BUSHING,ALTERNATOR	1	T=7		
			MH025005	BUSHING,ALTERNATOR	1	T=7		

FK74R
16-110 ALTERNATOR & REGULATOR

SPN	Repl Part	PNC	Part No	Part Name	Qty	Part Spec	Remarks	PREV.
		14228	MH025005	BUSHING,ALTERNATOR	1	T=7		
			MH025005	BUSHING,ALTERNATOR	1	T=7		
			MH025005	BUSHING,ALTERNATOR	1	T=7		
			MH025005	BUSHING,ALTERNATOR	1	T=7		
		14241	ME753082	COIL,ALTERNATOR ROTOR	1			
			ME701392	COIL,ALTERNATOR ROTOR	1			
			ME701392	COIL,ALTERNATOR ROTOR	1			
			ME753082	COIL,ALTERNATOR ROTOR	1			
			ME701392	COIL,ALTERNATOR ROTOR	1			
			ME701392	COIL,ALTERNATOR ROTOR	1			
			ME701392	COIL,ALTERNATOR ROTOR	1			
			ME701392	COIL,ALTERNATOR ROTOR	1			
			ME701392	COIL,ALTERNATOR ROTOR	1			
			ME701392	COIL,ALTERNATOR ROTOR	1			
			ME701392	COIL,ALTERNATOR ROTOR	1			
			ME701392	COIL,ALTERNATOR ROTOR	1			
			ME701392	COIL,ALTERNATOR ROTOR	1			
			ME701392	COIL,ALTERNATOR ROTOR	1			
			ME701392	COIL,ALTERNATOR ROTOR	1			
			ME701392	COIL,ALTERNATOR ROTOR	1			
			ME701392	COIL,ALTERNATOR ROTOR	1			
			ME701392	COIL,ALTERNATOR ROTOR	1			
			ME701392	COIL,ALTERNATOR ROTOR	1			
			ME753082	COIL,ALTERNATOR ROTOR	1			
			ME701392	COIL,ALTERNATOR ROTOR	1			
			ME701392	COIL,ALTERNATOR ROTOR	1			
			ME701392	COIL,ALTERNATOR ROTOR	1			
			ME753082	COIL,ALTERNATOR ROTOR	1			

FK74R
16-110 ALTERNATOR & REGULATOR

SPN	Repl Part	PNC	Part No	Part Name	Qty	Part Spec	Remarks	PREV.
		14241	ME753082	COIL,ALTERNATOR ROTOR	1			
			ME701392	COIL,ALTERNATOR ROTOR	1			
			ME701392	COIL,ALTERNATOR ROTOR	1			
			ME701392	COIL,ALTERNATOR ROTOR	1			
			ME701392	COIL,ALTERNATOR ROTOR	1			
			ME701392	COIL,ALTERNATOR ROTOR	1			
			ME701392	COIL,ALTERNATOR ROTOR	1			
			ME701392	COIL,ALTERNATOR ROTOR	1			
			ME753082	COIL,ALTERNATOR ROTOR	1			
		14266	ME700588	NUT KIT,ALTERNATOR PULLEY	1			
			ME700588	NUT KIT,ALTERNATOR PULLEY	1			
			ME700588	NUT KIT,ALTERNATOR PULLEY	1			
			ME700588	NUT KIT,ALTERNATOR PULLEY	1			
			ME700588	NUT KIT,ALTERNATOR PULLEY	1			
			ME700588	NUT KIT,ALTERNATOR PULLEY	1			
			ME700588	NUT KIT,ALTERNATOR PULLEY	1			
			ME700588	NUT KIT,ALTERNATOR PULLEY	1			
			ME700588	NUT KIT,ALTERNATOR PULLEY	1			
			ME700588	NUT KIT,ALTERNATOR PULLEY	1			
			ME700588	NUT KIT,ALTERNATOR PULLEY	1			
		14268	MH040120	BEARING,ALTERNATOR BELT TENSION PULLEY	2	BALL		
			MH040120	BEARING,ALTERNATOR BELT TENSION PULLEY	2	BALL		
			MH040120	BEARING,ALTERNATOR BELT TENSION PULLEY	2	BALL		
			MH040120	BEARING,ALTERNATOR BELT TENSION PULLEY	2	BALL		
			MH040120	BEARING,ALTERNATOR BELT TENSION PULLEY	2	BALL		
			MH040120	BEARING,ALTERNATOR BELT TENSION PULLEY	2	BALL		

FK74R
16-110 ALTERNATOR & REGULATOR

SPN	Repl Part	PNC	Part No	Part Name	Qty	Part Spec	Remarks	PREV.
		14273C	ME212143	SHAFT,ALTERNATOR BELT TENSION PULLEY	1			
		14274D	MF522228	SNAP RING,ALTERNATOR BELT TENSION PULLEY	1	D=47		
			MF522228	SNAP RING,ALTERNATOR BELT TENSION PULLEY	1	D=47		
			MF522228	SNAP RING,ALTERNATOR BELT TENSION PULLEY	1	D=47		
			MF522228	SNAP RING,ALTERNATOR BELT TENSION PULLEY	1	D=47		
			MF522228	SNAP RING,ALTERNATOR BELT TENSION PULLEY	1	D=47		
			MF522228	SNAP RING,ALTERNATOR BELT TENSION PULLEY	1	D=47		
			MF522228	SNAP RING,ALTERNATOR BELT TENSION PULLEY	1	D=47		
			MF522228	SNAP RING,ALTERNATOR BELT TENSION PULLEY	1	D=47		
			MF522228	SNAP RING,ALTERNATOR BELT TENSION PULLEY	1	D=47		
			MF522228	SNAP RING,ALTERNATOR BELT TENSION PULLEY	1	D=47		
			MF522228	SNAP RING,ALTERNATOR BELT TENSION PULLEY	1	D=47		
			MF522228	SNAP RING,ALTERNATOR BELT TENSION PULLEY	1	D=47		
			MF522228	SNAP RING,ALTERNATOR BELT TENSION PULLEY	1	D=47		
			14286	ME701949	PLATE,ALTERNATOR RR BRACKET	1		
		ME701854		PLATE,ALTERNATOR RR BRACKET	1			
		ME701854		PLATE,ALTERNATOR RR BRACKET	1			
		ME701949		PLATE,ALTERNATOR RR BRACKET	1			
		ME701854		PLATE,ALTERNATOR RR BRACKET	1			
		ME701854		PLATE,ALTERNATOR RR BRACKET	1			
		ME701854		PLATE,ALTERNATOR RR BRACKET	1			
		ME701854		PLATE,ALTERNATOR RR BRACKET	1			
		ME701854		PLATE,ALTERNATOR RR BRACKET	1			
		ME701854		PLATE,ALTERNATOR RR BRACKET	1			
		ME701854		PLATE,ALTERNATOR RR BRACKET	1			
		ME701854		PLATE,ALTERNATOR RR BRACKET	1			
		ME701854		PLATE,ALTERNATOR RR BRACKET	1			
		ME701854		PLATE,ALTERNATOR RR BRACKET	1			

FK74R
16-110 ALTERNATOR & REGULATOR

SPN	Repl Part	PNC	Part No	Part Name	Qty	Part Spec	Remarks	PREV.
		14286	ME701854	PLATE,ALTERNATOR RR BRACKET	1			
			ME701854	PLATE,ALTERNATOR RR BRACKET	1			
			ME701854	PLATE,ALTERNATOR RR BRACKET	1			
			ME701949	PLATE,ALTERNATOR RR BRACKET	1			
			ME701854	PLATE,ALTERNATOR RR BRACKET	1			
			ME701854	PLATE,ALTERNATOR RR BRACKET	1			
			ME701854	PLATE,ALTERNATOR RR BRACKET	1			
			ME701949	PLATE,ALTERNATOR RR BRACKET	1			
			ME701949	PLATE,ALTERNATOR RR BRACKET	1			
			ME701854	PLATE,ALTERNATOR RR BRACKET	1			
			ME701854	PLATE,ALTERNATOR RR BRACKET	1			
			ME701854	PLATE,ALTERNATOR RR BRACKET	1			
			ME701854	PLATE,ALTERNATOR RR BRACKET	1			
			ME701854	PLATE,ALTERNATOR RR BRACKET	1			
			ME701854	PLATE,ALTERNATOR RR BRACKET	1			
			ME701949	PLATE,ALTERNATOR RR BRACKET	1			
			14292	ME753375	PULLEY & FAN KIT,ALTERNATOR	1		
		ME753375		PULLEY & FAN KIT,ALTERNATOR	1			
		ME753375		PULLEY & FAN KIT,ALTERNATOR	1			
		ME753375		PULLEY & FAN KIT,ALTERNATOR	1			
		ME753375		PULLEY & FAN KIT,ALTERNATOR	1			
		ME753375		PULLEY & FAN KIT,ALTERNATOR	1			
		ME753375		PULLEY & FAN KIT,ALTERNATOR	1			
		ME753375		PULLEY & FAN KIT,ALTERNATOR	1			
		ME753375		PULLEY & FAN KIT,ALTERNATOR	1			
		ME753375		PULLEY & FAN KIT,ALTERNATOR	1			
		ME753375		PULLEY & FAN KIT,ALTERNATOR	1			
		ME753375		PULLEY & FAN KIT,ALTERNATOR	1			

FK74R
16-110 ALTERNATOR & REGULATOR

SPN	Repl Part	PNC	Part No	Part Name	Qty	Part Spec	Remarks	PREV.
		14292	ME753375	PULLEY & FAN KIT,ALTERNATOR	1			
			ME753375	PULLEY & FAN KIT,ALTERNATOR	1			
		14296B	ME701948	RECTIFIER,ALTERNATOR	1			
			ME701378	RECTIFIER,ALTERNATOR	1			
			ME701378	RECTIFIER,ALTERNATOR	1			
			ME701948	RECTIFIER,ALTERNATOR	1			
			ME701378	RECTIFIER,ALTERNATOR	1			
			ME701378	RECTIFIER,ALTERNATOR	1			
			ME701378	RECTIFIER,ALTERNATOR	1			
			ME701378	RECTIFIER,ALTERNATOR	1			
			ME701378	RECTIFIER,ALTERNATOR	1			
			ME701378	RECTIFIER,ALTERNATOR	1			
			ME701378	RECTIFIER,ALTERNATOR	1			
			ME701378	RECTIFIER,ALTERNATOR	1			
			ME701378	RECTIFIER,ALTERNATOR	1			
			ME701378	RECTIFIER,ALTERNATOR	1			
			ME701378	RECTIFIER,ALTERNATOR	1			
			ME701378	RECTIFIER,ALTERNATOR	1			
			ME701378	RECTIFIER,ALTERNATOR	1			
			ME701378	RECTIFIER,ALTERNATOR	1			
			ME701378	RECTIFIER,ALTERNATOR	1			
			ME701378	RECTIFIER,ALTERNATOR	1			
			ME701378	RECTIFIER,ALTERNATOR	1			
			ME701378	RECTIFIER,ALTERNATOR	1			
			ME701378	RECTIFIER,ALTERNATOR	1			
			ME701378	RECTIFIER,ALTERNATOR	1			
			ME701378	RECTIFIER,ALTERNATOR	1			
			ME701378	RECTIFIER,ALTERNATOR	1			
			ME701948	RECTIFIER,ALTERNATOR	1			
			ME701948	RECTIFIER,ALTERNATOR	1			
			ME701378	RECTIFIER,ALTERNATOR	1			
			ME701378	RECTIFIER,ALTERNATOR	1			
			ME701378	RECTIFIER,ALTERNATOR	1			
			ME701948	RECTIFIER,ALTERNATOR	1			
			ME701948	RECTIFIER,ALTERNATOR	1			
			ME701378	RECTIFIER,ALTERNATOR	1			
			ME701378	RECTIFIER,ALTERNATOR	1			
			ME701378	RECTIFIER,ALTERNATOR	1			

**FK74R
16-110 ALTERNATOR & REGULATOR**

SPN	Repl Part	PNC	Part No	Part Name	Qty	Part Spec	Remarks	PREV.
		14296B	ME701378	RECTIFIER,ALTERNATOR	1			
			ME701378	RECTIFIER,ALTERNATOR	1			
			ME701378	RECTIFIER,ALTERNATOR	1			
			ME701378	RECTIFIER,ALTERNATOR	1			
			ME701948	RECTIFIER,ALTERNATOR	1			
		14296C	ME753100	RECTIFIER,ALTERNATOR	1			
			ME753100	RECTIFIER,ALTERNATOR	1			
			ME753100	RECTIFIER,ALTERNATOR	1			
			ME753100	RECTIFIER,ALTERNATOR	1			
			ME753100	RECTIFIER,ALTERNATOR	1			
			ME753100	RECTIFIER,ALTERNATOR	1			
	RP	14297	ME701838	REGULATOR,ALTERNATOR	1			O
	RP		ME701838	REGULATOR,ALTERNATOR	1			O
	RP		ME701838	REGULATOR,ALTERNATOR	1			O
	RP		ME701838	REGULATOR,ALTERNATOR	1			O
	RP		ME701838	REGULATOR,ALTERNATOR	1			O
	RP		ME701838	REGULATOR,ALTERNATOR	1			O
	RP		ME701838	REGULATOR,ALTERNATOR	1			O
	RP		ME701838	REGULATOR,ALTERNATOR	1			O
	RP		ME701838	REGULATOR,ALTERNATOR	1			O
	RP		ME701838	REGULATOR,ALTERNATOR	1			O
	RP		ME701838	REGULATOR,ALTERNATOR	1			O
	RP		ME701838	REGULATOR,ALTERNATOR	1			O
	RP	14304	ME753220	ROTOR KIT,ALTERNATOR	1			
			ME753218	ROTOR KIT,ALTERNATOR	1			
			ME753218	ROTOR KIT,ALTERNATOR	1			

FK74R
16-110 ALTERNATOR & REGULATOR

SPN	Repl Part	PNC	Part No	Part Name	Qty	Part Spec	Remarks	PREV.
		14335	ME753083	STATOR,ALTERNATOR	1			
			ME701481	STATOR,ALTERNATOR	1			
			ME701481	STATOR,ALTERNATOR	1			
			ME753083	STATOR,ALTERNATOR	1			
			ME701481	STATOR,ALTERNATOR	1			
			ME701481	STATOR,ALTERNATOR	1			
			ME701481	STATOR,ALTERNATOR	1			
			ME701481	STATOR,ALTERNATOR	1			
			ME701481	STATOR,ALTERNATOR	1			
			ME701481	STATOR,ALTERNATOR	1			
			ME701481	STATOR,ALTERNATOR	1			
			ME701481	STATOR,ALTERNATOR	1			
			ME701481	STATOR,ALTERNATOR	1			
			ME701481	STATOR,ALTERNATOR	1			
			ME701481	STATOR,ALTERNATOR	1			
			ME701481	STATOR,ALTERNATOR	1			
			ME701481	STATOR,ALTERNATOR	1			
			ME701481	STATOR,ALTERNATOR	1			
			ME701481	STATOR,ALTERNATOR	1			
			ME701481	STATOR,ALTERNATOR	1			
			ME701481	STATOR,ALTERNATOR	1			
			ME753083	STATOR,ALTERNATOR	1			
			ME753083	STATOR,ALTERNATOR	1			
			ME701481	STATOR,ALTERNATOR	1			
			ME701481	STATOR,ALTERNATOR	1			
			ME701481	STATOR,ALTERNATOR	1			
			ME701481	STATOR,ALTERNATOR	1			

FK74R
16-110 ALTERNATOR & REGULATOR

SPN	Repl Part	PNC	Part No	Part Name	Qty	Part Spec	Remarks	PREV.
		14335	ME701481	STATOR,ALTERNATOR	1			
			ME701481	STATOR,ALTERNATOR	1			
			ME701481	STATOR,ALTERNATOR	1			
			ME753083	STATOR,ALTERNATOR	1			
		14337	ME753099	TERMINAL KIT,ALTERNATOR	1			
			ME753099	TERMINAL KIT,ALTERNATOR	1			
			ME753099	TERMINAL KIT,ALTERNATOR	1			
			ME753099	TERMINAL KIT,ALTERNATOR	1			
			ME753099	TERMINAL KIT,ALTERNATOR	1			
			ME753099	TERMINAL KIT,ALTERNATOR	1			
		14781	ME227374	STAY,ALTERNATOR	1			
			ME227374	STAY,ALTERNATOR	1			
			ME227374	STAY,ALTERNATOR	1			
			ME227374	STAY,ALTERNATOR	1			
			ME227374	STAY,ALTERNATOR	1			
		14784B	ME700773	SCREW,ALTERNATOR INR	1			
			ME700773	SCREW,ALTERNATOR INR	1			
			ME700773	SCREW,ALTERNATOR INR	1			
			ME700773	SCREW,ALTERNATOR INR	1			
			ME700773	SCREW,ALTERNATOR INR	1			
			ME700773	SCREW,ALTERNATOR INR	1			
			ME700773	SCREW,ALTERNATOR INR	1			
			ME700773	SCREW,ALTERNATOR INR	1			
			ME700773	SCREW,ALTERNATOR INR	1			
			ME700773	SCREW,ALTERNATOR INR	1			
			ME700773	SCREW,ALTERNATOR INR	1			

FK74R
16-110 ALTERNATOR & REGULATOR

SPN	Repl Part	PNC	Part No	Part Name	Qty	Part Spec	Remarks	PREV.
		14784B	ME700773	SCREW,ALTERNATOR INR	1			
		14784C	ME700775	SCREW,ALTERNATOR INR	1			
			ME700775	SCREW,ALTERNATOR INR	1			
			ME700775	SCREW,ALTERNATOR INR	1			
			ME700775	SCREW,ALTERNATOR INR	1			
			ME700775	SCREW,ALTERNATOR INR	1			
			ME700775	SCREW,ALTERNATOR INR	1			
			ME700775	SCREW,ALTERNATOR INR	1			
			ME700775	SCREW,ALTERNATOR INR	1			
			ME700775	SCREW,ALTERNATOR INR	1			
			ME700775	SCREW,ALTERNATOR INR	1			
			ME700775	SCREW,ALTERNATOR INR	1			
		14784D	ME701031	SCREW,ALTERNATOR INR	1			
			ME701031	SCREW,ALTERNATOR INR	1			
			ME701031	SCREW,ALTERNATOR INR	1			
			ME701031	SCREW,ALTERNATOR INR	1			
			ME701031	SCREW,ALTERNATOR INR	1			
			ME701031	SCREW,ALTERNATOR INR	1			
			ME701031	SCREW,ALTERNATOR INR	1			
			ME701031	SCREW,ALTERNATOR INR	1			
			ME701031	SCREW,ALTERNATOR INR	1			
			ME701031	SCREW,ALTERNATOR INR	1			
			ME701031	SCREW,ALTERNATOR INR	1			
		14784E	ME701303	SCREW,ALTERNATOR INR	1			
			ME701303	SCREW,ALTERNATOR INR	1			

FK74R
16-110 ALTERNATOR & REGULATOR

SPN	Repl Part	PNC	Part No	Part Name	Qty	Part Spec	Remarks	PREV.
		14784E	ME701303	SCREW,ALTERNATOR INR	1			
			ME701303	SCREW,ALTERNATOR INR	1			
			ME701303	SCREW,ALTERNATOR INR	1			
			ME701303	SCREW,ALTERNATOR INR	1			
			ME701303	SCREW,ALTERNATOR INR	1			
			ME701303	SCREW,ALTERNATOR INR	1			
			ME701303	SCREW,ALTERNATOR INR	1			
			ME701303	SCREW,ALTERNATOR INR	1			
			ME701303	SCREW,ALTERNATOR INR	1			
		14787B	ME753235	NUT,ALTERNATOR INR	1			
			ME753235	NUT,ALTERNATOR INR	1			
			ME753235	NUT,ALTERNATOR INR	1			
			ME753235	NUT,ALTERNATOR INR	1			
			ME753235	NUT,ALTERNATOR INR	1			
			ME753235	NUT,ALTERNATOR INR	1			
			ME753235	NUT,ALTERNATOR INR	1			
			ME753235	NUT,ALTERNATOR INR	1			
			ME753235	NUT,ALTERNATOR INR	1			
			ME753235	NUT,ALTERNATOR INR	1			
			ME753235	NUT,ALTERNATOR INR	1			
			ME753235	NUT,ALTERNATOR INR	1			
			ME753235	NUT,ALTERNATOR INR	1			
			ME753235	NUT,ALTERNATOR INR	1			
			ME753235	NUT,ALTERNATOR INR	1			
			ME753235	NUT,ALTERNATOR INR	1			
			ME753235	NUT,ALTERNATOR INR	1			
			ME753235	NUT,ALTERNATOR INR	1			
			ME753235	NUT,ALTERNATOR INR	1			

FK74R
16-110 ALTERNATOR & REGULATOR

SPN	Repl Part	PNC	Part No	Part Name	Qty	Part Spec	Remarks	PREV.
		14787B	ME753235	NUT,ALTERNATOR INR	1			
			ME753235	NUT,ALTERNATOR INR	1			
			ME753235	NUT,ALTERNATOR INR	1			
			ME753235	NUT,ALTERNATOR INR	1			
			ME753235	NUT,ALTERNATOR INR	1			
		14788C	MF434106	NUT,ALTERNATOR	1	FLANGE,12	4T	
			MF434106	NUT,ALTERNATOR	1	FLANGE,12	4T	
			MF434106	NUT,ALTERNATOR	1	FLANGE,12	4T	
			MF434106	NUT,ALTERNATOR	1	FLANGE,12	4T	
			MF434106	NUT,ALTERNATOR	1	FLANGE,12	4T	
			MF434106	NUT,ALTERNATOR	1	FLANGE,12	4T	
			MF434106	NUT,ALTERNATOR	1	FLANGE,12	4T	
			MF434106	NUT,ALTERNATOR	1	FLANGE,12	4T	
		14799B	MH000716	BOLT,ALTERNATOR	2	FLANGE,10X55		
			MH000716	BOLT,ALTERNATOR	2	FLANGE,10X55		
			MH000716	BOLT,ALTERNATOR	2	FLANGE,10X55		
			MH000716	BOLT,ALTERNATOR	2	FLANGE,10X55		
			MH000716	BOLT,ALTERNATOR	2	FLANGE,10X55		
			MH000716	BOLT,ALTERNATOR	2	FLANGE,10X55		
			MH000716	BOLT,ALTERNATOR	2	FLANGE,10X55		
			MH000716	BOLT,ALTERNATOR	2	FLANGE,10X55		
			MH000716	BOLT,ALTERNATOR	2	FLANGE,10X55		
			MH000716	BOLT,ALTERNATOR	2	FLANGE,10X55		
			MH000716	BOLT,ALTERNATOR	2	FLANGE,10X55		
			MH000716	BOLT,ALTERNATOR	2	FLANGE,10X55		
			MH000716	BOLT,ALTERNATOR	2	FLANGE,10X55		
			MH000716	BOLT,ALTERNATOR	2	FLANGE,10X55		

FK74R
16-110 ALTERNATOR & REGULATOR

SPN	Repl Part	PNC 14799C	Part No	Part Name	Qty	Part Spec	Remarks	PREV.
			MH000726	BOLT,ALTERNATOR	2	FLANGE,10X22		
			MH000726	BOLT,ALTERNATOR	2	FLANGE,10X22		
			MH000726	BOLT,ALTERNATOR	2	FLANGE,10X22		
			MH000726	BOLT,ALTERNATOR	2	FLANGE,10X22		
			MH000726	BOLT,ALTERNATOR	2	FLANGE,10X22		
			MH000726	BOLT,ALTERNATOR	2	FLANGE,10X22		
			MH000726	BOLT,ALTERNATOR	2	FLANGE,10X22		
			MH000726	BOLT,ALTERNATOR	2	FLANGE,10X22		
			MH000726	BOLT,ALTERNATOR	2	FLANGE,10X22		
			MH000726	BOLT,ALTERNATOR	2	FLANGE,10X22		
			MH000726	BOLT,ALTERNATOR	2	FLANGE,10X22		
			MH000726	BOLT,ALTERNATOR	2	FLANGE,10X22		
			MH000726	BOLT,ALTERNATOR	2	FLANGE,10X22		
			MH000726	BOLT,ALTERNATOR	2	FLANGE,10X22		
			MH000726	BOLT,ALTERNATOR	2	FLANGE,10X22		
			MH000726	BOLT,ALTERNATOR	2	FLANGE,10X22		
			MH000726	BOLT,ALTERNATOR	2	FLANGE,10X22		
			MH000726	BOLT,ALTERNATOR	2	FLANGE,10X22		
			MH000726	BOLT,ALTERNATOR	2	FLANGE,10X22		
			MH000726	BOLT,ALTERNATOR	2	FLANGE,10X22		
SP			MH000713	BOLT,ALTERNATOR	2	FLANGE,10X20		
SP			MH000713	BOLT,ALTERNATOR	2	FLANGE,10X20		
SP			MH000713	BOLT,ALTERNATOR	2	FLANGE,10X20		
SP			MH000713	BOLT,ALTERNATOR	2	FLANGE,10X20		
SP			MH000713	BOLT,ALTERNATOR	2	FLANGE,10X20		
SP			MH000713	BOLT,ALTERNATOR	2	FLANGE,10X20		
SP			MH000713	BOLT,ALTERNATOR	2	FLANGE,10X20		
SP			MH000713	BOLT,ALTERNATOR	2	FLANGE,10X20		
			MH000713	BOLT,ALTERNATOR	2	FLANGE,10X20		

FK74R
16-110 ALTERNATOR & REGULATOR

SPN	Repl Part	PNC	Part No	Part Name	Qty	Part Spec	Remarks	PREV.
		14799D	MF140287	BOLT,ALTERNATOR	1	FLANGE,12X35	7T	
			MF140283	BOLT,ALTERNATOR	1	FLANGE,12X25	7T	
			MF140283	BOLT,ALTERNATOR	1	FLANGE,12X25	7T	
			MF140287	BOLT,ALTERNATOR	1	FLANGE,12X35	7T	
			MF140283	BOLT,ALTERNATOR	1	FLANGE,12X25	7T	
			MF140283	BOLT,ALTERNATOR	1	FLANGE,12X25	7T	
			MF140283	BOLT,ALTERNATOR	1	FLANGE,12X25	7T	
			MF140283	BOLT,ALTERNATOR	1	FLANGE,12X25	7T	
			MF140283	BOLT,ALTERNATOR	1	FLANGE,12X25	7T	
			MF140283	BOLT,ALTERNATOR	1	FLANGE,12X25	7T	
			MF140283	BOLT,ALTERNATOR	1	FLANGE,12X25	7T	
			MF140283	BOLT,ALTERNATOR	1	FLANGE,12X25	7T	
			MF140283	BOLT,ALTERNATOR	1	FLANGE,12X25	7T	
			MF140283	BOLT,ALTERNATOR	1	FLANGE,12X25	7T	
			MF140283	BOLT,ALTERNATOR	1	FLANGE,12X25	7T	
			MF140283	BOLT,ALTERNATOR	1	FLANGE,12X25	7T	
			MF140283	BOLT,ALTERNATOR	1	FLANGE,12X25	7T	
			MF140283	BOLT,ALTERNATOR	1	FLANGE,12X25	7T	
			MF140287	BOLT,ALTERNATOR	1	FLANGE,12X35	7T	
			MF140283	BOLT,ALTERNATOR	1	FLANGE,12X25	7T	
			MF140283	BOLT,ALTERNATOR	1	FLANGE,12X25	7T	
			MF140283	BOLT,ALTERNATOR	1	FLANGE,12X25	7T	
			MF140291	BOLT,ALTERNATOR	1	FLANGE,12X50	7T	
			MF140291	BOLT,ALTERNATOR	1	FLANGE,12X50	7T	
			MF140291	BOLT,ALTERNATOR	1	FLANGE,12X50	7T	
			MF140291	BOLT,ALTERNATOR	1	FLANGE,12X50	7T	
			MF140291	BOLT,ALTERNATOR	1	FLANGE,12X50	7T	
			MF140291	BOLT,ALTERNATOR	1	FLANGE,12X50	7T	
			MF140291	BOLT,ALTERNATOR	1	FLANGE,12X50	7T	

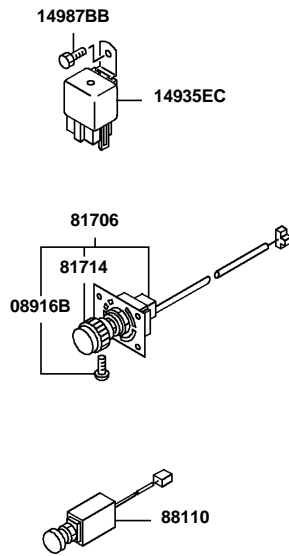
FK74R
16-110 ALTERNATOR & REGULATOR

SPN	Repl Part	PNC	Part No	Part Name	Qty	Part Spec	Remarks	PREV.
		14799D	MF140291	BOLT,ALTERNATOR	1	FLANGE,12X50	7T	
			MF140291	BOLT,ALTERNATOR	1	FLANGE,12X50	7T	
			MF140291	BOLT,ALTERNATOR	1	FLANGE,12X50	7T	
		14799E	MH000703	BOLT,ALTERNATOR	1	FLANGE,12X125		
			MH000703	BOLT,ALTERNATOR	1	FLANGE,12X125		
			MH000703	BOLT,ALTERNATOR	1	FLANGE,12X125		
			MH000703	BOLT,ALTERNATOR	1	FLANGE,12X125		
			MH000703	BOLT,ALTERNATOR	1	FLANGE,12X125		
			MH000703	BOLT,ALTERNATOR	1	FLANGE,12X125		
			MH000703	BOLT,ALTERNATOR	1	FLANGE,12X125		
			MH000703	BOLT,ALTERNATOR	1	FLANGE,12X125		
			MH000703	BOLT,ALTERNATOR	1	FLANGE,12X125		
			MH000703	BOLT,ALTERNATOR	1	FLANGE,12X125		
			MH000703	BOLT,ALTERNATOR	1	FLANGE,12X125		
			MH000703	BOLT,ALTERNATOR	1	FLANGE,12X125		
			MH000703	BOLT,ALTERNATOR	1	FLANGE,12X125		
		14799F	MH000714	BOLT,ALTERNATOR	1	FLANGE,10X25	7T	
			MH000714	BOLT,ALTERNATOR	1	FLANGE,10X25	7T	
			MH000714	BOLT,ALTERNATOR	1	FLANGE,10X25	7T	
			MH000714	BOLT,ALTERNATOR	1	FLANGE,10X25	7T	
			MH000714	BOLT,ALTERNATOR	1	FLANGE,10X25	7T	
			MH000714	BOLT,ALTERNATOR	1	FLANGE,10X25	7T	
			MH000714	BOLT,ALTERNATOR	1	FLANGE,10X25	7T	
		14799G	MH001509	BOLT,ALTERNATOR	1	FLANGE,8X85		
			MH001509	BOLT,ALTERNATOR	1	FLANGE,8X85		
			MH001509	BOLT,ALTERNATOR	1	FLANGE,8X85		
			MH001509	BOLT,ALTERNATOR	1	FLANGE,8X85		

FK74R
16-110 ALTERNATOR & REGULATOR

SPN	Repl Part	PNC	Part No	Part Name	Qty	Part Spec	Remarks	PREV.
		14799G	MH001509	BOLT,ALTERNATOR	1	FLANGE,8X85		
			MH001112	BOLT,ALTERNATOR	1	FLANGE,8X105		
			MH001112	BOLT,ALTERNATOR	1	FLANGE,8X105		
			MH001112	BOLT,ALTERNATOR	1	FLANGE,8X105		
			MH001112	BOLT,ALTERNATOR	1	FLANGE,8X105		
			MH001112	BOLT,ALTERNATOR	1	FLANGE,8X105		
			MH001112	BOLT,ALTERNATOR	1	FLANGE,8X105		
		14799N	MH000714	BOLT,ALTERNATOR	1	FLANGE,10X25	7T	
			MH000714	BOLT,ALTERNATOR	1	FLANGE,10X25	7T	
			MH000714	BOLT,ALTERNATOR	1	FLANGE,10X25	7T	
			MH000714	BOLT,ALTERNATOR	1	FLANGE,10X25	7T	
			MH000714	BOLT,ALTERNATOR	1	FLANGE,10X25	7T	
			MH000714	BOLT,ALTERNATOR	1	FLANGE,10X25	7T	
			MH000714	BOLT,ALTERNATOR	1	FLANGE,10X25	7T	
			MH000711	BOLT,ALTERNATOR	1	FLANGE,10X40		
			MH000711	BOLT,ALTERNATOR	2	FLANGE,10X40		
			MH000711	BOLT,ALTERNATOR	2	FLANGE,10X40		
			MH000711	BOLT,ALTERNATOR	2	FLANGE,10X40		
			MH000711	BOLT,ALTERNATOR	2	FLANGE,10X40		
			MH000711	BOLT,ALTERNATOR	2	FLANGE,10X40		
			MH000711	BOLT,ALTERNATOR	2	FLANGE,10X40		
			MH000711	BOLT,ALTERNATOR	2	FLANGE,10X40		
			MH000711	BOLT,ALTERNATOR	1	FLANGE,10X40		
			MH000711	BOLT,ALTERNATOR	2	FLANGE,10X40		
		14799P	MF140204	BOLT,ALTERNATOR	1	FLANGE,6X14	7T	
			MF140204	BOLT,ALTERNATOR	1	FLANGE,6X14	7T	
			MF140204	BOLT,ALTERNATOR	1	FLANGE,6X14	7T	
			MF140204	BOLT,ALTERNATOR	1	FLANGE,6X14	7T	
			MF140204	BOLT,ALTERNATOR	1	FLANGE,6X14	7T	
			MF140204	BOLT,ALTERNATOR	1	FLANGE,6X14	7T	

**FK74R
No.1**

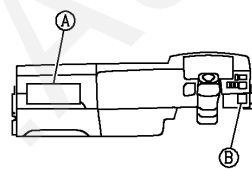


C00048

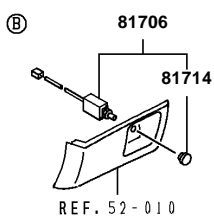
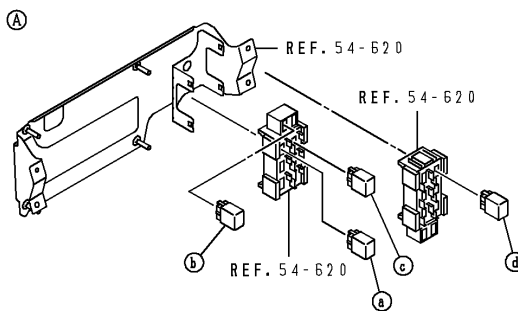
Ref. |2016310

Page

**FK74R
No.2**



PNC	SYH	FOR POWER SUPPLY
14935B	a	GLOW RELAY
		POWERTARD
	b	EDU (4H5)
	c	STARTER
	d	ECU MAIN



C00061

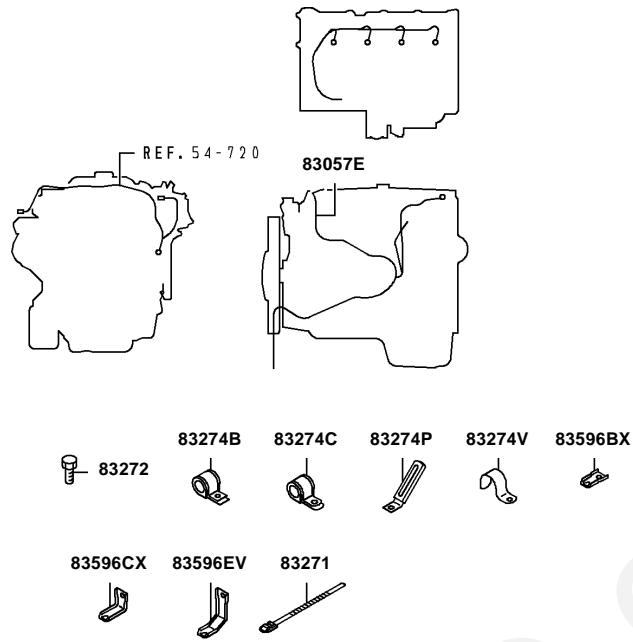
Ref. |2016310

Page

FK74R
16-310 GLOW PLUG & RELAY

SPN	PNC	Part No	Part Name	Qty	Part Spec	Remarks	NEW1	Classification	Start
	08916B	MK369324	SCREW,ENG CONTROL EQUIP	1				G6,G6E,H6, H6E,J6,J6E, K6,K6E,M6, M6E	04053
SP	14935B	MK387785	RELAY,COLD MIXTURE HEATER CONTROL	3	24V		R	G6,G6V,H6, H6E,H6V,H6VE, J6,J6E,J6V, J6VE,K6,K6E, K6V,K6VE,M6E, M6VE	05103
SP		MK387785	RELAY,COLD MIXTURE HEATER CONTROL	4	24V		R	G6,G6V,H6, H6E,H6V,H6VE, J6,J6E,J6V, J6VE,K6,K6E, K6VE,M6E	07053
	14935EC	MK420479	RELAY,COLD MIXTURE HEATER CONTROL	3				G6,G6E,H6, H6E,J6,J6E, K6,K6E,M6, M6E	04053
	14987BB	MF140002	BOLT,RESISTOR	3	FLANGE,6X10	4T		G6,G6E,H6, H6E,J6,J6E, K6,K6E,M6, M6E	04053
	81706	MK344666	RHEOSTAT,ENG IDLE SETTING	1				G6,G6E,H6, H6E,J6,J6E, K6,K6E,M6, M6E	04053
		MK369016	RHEOSTAT,ENG IDLE SETTING	1				G6,G6V,H6, H6E,H6V,H6VE, J6,J6E,J6V, J6VE,K6,K6E, K6V,K6VE,M6E, M6VE	05103
	81714	MK369325	KNOB,ENG IDLE SETTING RHEOSTAT	1				G6,G6E,H6, H6E,J6,J6E, K6,K6E,M6, M6E	04053
		MK369017	KNOB,ENG IDLE SETTING RHEOSTAT	1				G6,G6V,H6, H6E,H6V,H6VE, J6,J6E,J6V, J6VE,K6,K6E, K6V,K6VE,M6E, M6VE	05103
	88110	(N.e.c.)	SWITCH,ENG EMERGENCY STOP						

**FK74R
No.1**

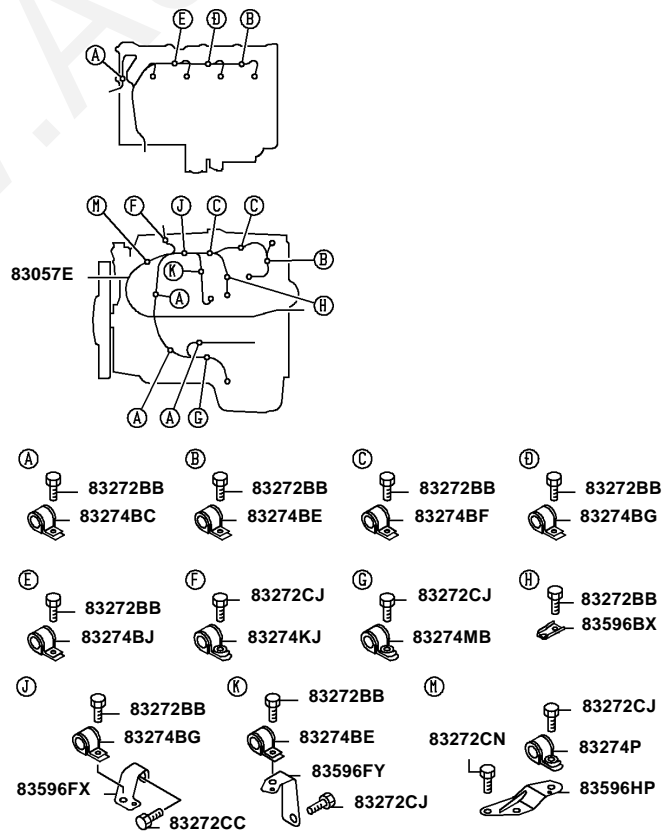


C 00121

Ref. |2016510

Page

**FK74R
No.2**



C 00284

Ref. |2016510

Page

FK74R
16-510 ENGINE HARNESS

Repl Part RP	PNC 83057E	Part No ME224238	Part Name HARNESS,ENG	Qty 1	Part Spec	Remarks	NEW1 Y	NEW2 Y	Classification G6,G6E,H6, H6E,J6,J6E, K6,K6E,M6, M6E	Option	Mo
RP		ME225299	HARNESS,ENG	1			Y	Y	G6,G6V,H6, H6E,H6V,H6VE, J6,J6E,J6V, J6VE,K6,K6E, K6V,K6VE,M6E, M6VE		
RP		ME226366	HARNESS,ENG	1			Y		G6,G6V,H6, H6E,H6V,H6VE, J6,J6E,J6V, J6VE,K6,K6E, K6V,K6VE,M6E, M6VE		
		ME227557	HARNESS,ENG	1					G6,G6V,H6, H6E,H6V,H6VE, J6,J6E,J6V, J6VE,K6,K6E, K6V,K6VE,M6E, M6VE		
		ME227557	HARNESS,ENG	1					K6,K6E,M6E		
		ME227557	HARNESS,ENG	1					G6V,H6V,H6VE, J6V,J6VE,K6V, K6VE,M6VE		
		ME227557	HARNESS,ENG	1					G6,H6,H6E, J6,J6E		
		ME227557	HARNESS,ENG	1					G6,G6V,H6, H6E,H6V,H6VE, J6,J6E,J6V, J6VE,K6,K6E, K6V,K6VE,M6E, M6VE		
RP		ME227622	HARNESS,ENG	1			Y		K6,K6E,M6E		
RP		ME227622	HARNESS,ENG	1			Y		G6,G6V,H6, H6E,H6V,H6VE, J6,J6E,J6V, J6VE,K6,K6E, K6VE,M6E		
RP		ME227622	HARNESS,ENG	1			Y		G6,H6,H6E, J6,J6E		
RP		ME227622	HARNESS,ENG	1			Y		G6V,H6V,H6VE, J6V,J6VE,K6VE	14C,1C0,1XS, 1XT,1XX,1XY	07
RP		ME227622	HARNESS,ENG	1			Y		G6,H6,H6E, J6,J6E	1SP,1XU,1XZ	07
		ME227729	HARNESS,ENG	1					G6,H6,H6E, J6,J6E,K6, K6E,M6E	14C,1C0,1XS, 1XT,1XX,1XY	07
		ME227729	HARNESS,ENG	1					G6,H6,H6E, J6,J6E	1SP,1XU,1XZ	07
		ME227729	HARNESS,ENG	1					K6,K6E,M6E		
		ME227729	HARNESS,ENG	1					G6,H6,H6E, J6,J6E		
		ME227729	HARNESS,ENG	1					G6,H6,H6E, J6,J6E,K6, K6E,M6E		
		ME227729	HARNESS,ENG	1					G6V,H6V,H6VE, J6V,J6VE,K6VE		
	83272	MF140223	BOLT,ENG WIRING	2	FLANGE,8X16	7T			G6,G6E,G6V, H6,H6E,H6V, H6VE,J6,J6E, J6V,J6VE,K6, K6E,K6V,K6VE, M6,M6E,M6VE		

FK74R
16-510 ENGINE HARNESS

Repl Part	PNC	Part No	Part Name	Qty	Part Spec	Remarks	NEW1	NEW2	Classification	Option	Mo
	83272	MH000999	BOLT,ENG WIRING	11	FLANGE,6X12				G6,G6E,G6V, H6,H6E,H6V, H6VE,J6,J6E, J6V,J6VE,K6, K6E,K6V,K6VE, M6,M6E,M6VE		
	83272BB	MH000999	BOLT,ENG WIRING	13	FLANGE,6X12				G6V,H6V,H6VE, J6V,J6VE,K6VE		
		MH000999	BOLT,ENG WIRING	13	FLANGE,6X12				G6,H6,H6E, J6,J6E		
		MH000999	BOLT,ENG WIRING	13	FLANGE,6X12				G6,G6V,H6, H6E,H6V,H6VE, J6,J6E,J6V, J6VE,K6,K6E, K6VE,M6E		
		MH000999	BOLT,ENG WIRING	13	FLANGE,6X12				K6,K6E,M6E	14C,1C0	07
		MH000999	BOLT,ENG WIRING	13	FLANGE,6X12				G6,G6V,H6, H6E,H6V,H6VE, J6,J6E,J6V, J6VE,K6,K6E, K6VE,M6E	14C,1C0	07
		MH000999	BOLT,ENG WIRING	13	FLANGE,6X12				G6,H6,H6E, J6,J6E	1SP,1XU,1XZ	07
		MH000999	BOLT,ENG WIRING	13	FLANGE,6X12				G6,H6,H6E, J6,J6E,K6, K6E,M6E	1XS,1XT,1XX, 1XY	07
	83272CC	MF140223	BOLT,ENG WIRING	1	FLANGE,8X16	7T			G6V,H6V,H6VE, J6V,J6VE,K6VE		
		MF140223	BOLT,ENG WIRING	1	FLANGE,8X16	7T			G6,H6,H6E, J6,J6E		
		MF140223	BOLT,ENG WIRING	1	FLANGE,8X16	7T			G6,G6V,H6, H6E,H6V,H6VE, J6,J6E,J6V, J6VE,K6,K6E, K6VE,M6E		
		MF140223	BOLT,ENG WIRING	1	FLANGE,8X16	7T			K6,K6E,M6E	14C,1C0	07
		MF140223	BOLT,ENG WIRING	1	FLANGE,8X16	7T			G6,G6V,H6, H6E,H6V,H6VE, J6,J6E,J6V, J6VE,K6,K6E, K6VE,M6E	14C,1C0	07
		MF140223	BOLT,ENG WIRING	1	FLANGE,8X16	7T			G6,H6,H6E, J6,J6E	1SP,1XU,1XZ	07
		MF140223	BOLT,ENG WIRING	1	FLANGE,8X16	7T			G6,H6,H6E, J6,J6E,K6, K6E,M6E	1XS,1XT,1XX, 1XY	07
	83272CJ	MF140221	BOLT,ENG WIRING	4	FLANGE,8X12	7T			G6V,H6V,H6VE, J6V,J6VE,K6VE		
		MF140221	BOLT,ENG WIRING	4	FLANGE,8X12	7T			G6,H6,H6E, J6,J6E		
		MF140221	BOLT,ENG WIRING	4	FLANGE,8X12	7T			G6,G6V,H6, H6E,H6V,H6VE, J6,J6E,J6V, J6VE,K6,K6E, K6VE,M6E		
		MF140221	BOLT,ENG WIRING	4	FLANGE,8X12	7T			K6,K6E,M6E	14C,1C0	07
		MF140221	BOLT,ENG WIRING	4	FLANGE,8X12	7T			G6,G6V,H6, H6E,H6V,H6VE, J6,J6E,J6V, J6VE,K6,K6E, K6VE,M6E	14C,1C0	07
		MF140221	BOLT,ENG WIRING	4	FLANGE,8X12	7T			G6,H6,H6E, J6,J6E	1SP,1XU,1XZ	07
		MF140221	BOLT,ENG WIRING	4	FLANGE,8X12	7T			G6,H6,H6E, J6,J6E,K6, K6E,M6E	1XS,1XT,1XX, 1XY	07
	83272CN	MF140225	BOLT,ENG WIRING	2	FLANGE,8X20	7T			G6V,H6V,H6VE, J6V,J6VE,K6VE		
		MF140225	BOLT,ENG WIRING	2	FLANGE,8X20	7T			G6,H6,H6E, J6,J6E		

FK74R
16-510 ENGINE HARNESS

Repl Part	PNC	Part No	Part Name	Qty	Part Spec	Remarks	NEW1	NEW2	Classification	Option	Mo	
RP	83272CN	MF140225	BOLT,ENG WIRING	2	FLANGE,8X20	7T			G6,G6V,H6, H6E,H6V,H6VE, J6,J6E,J6V, J6VE,K6,K6E, K6VE,M6E			
		MF140225	BOLT,ENG WIRING	2	FLANGE,8X20	7T			K6,K6E,M6E	14C,1C0	07	
		MF140225	BOLT,ENG WIRING	2	FLANGE,8X20	7T			G6,G6V,H6, H6E,H6V,H6VE, J6,J6E,J6V, J6VE,K6,K6E, K6VE,M6E	1SP,1XU,1XZ	07	
		MF140225	BOLT,ENG WIRING	2	FLANGE,8X20	7T			G6,H6,H6E, J6,J6E	1XS,1XT,1XX, 1XY	07	
		83274B	MH020270	CLIP,ENG WIRING	1	D=24				G6,G6E,G6V, H6,H6E,H6V, H6VE,J6,J6E, J6V,J6VE,K6, K6E,K6V,K6VE, M6,M6E,M6VE		
			MH020803	CLIP,ENG WIRING	1	D=10 L=17				G6,G6E,G6V, H6,H6E,H6V, H6VE,J6,J6E, J6V,J6VE,K6, K6E,K6V,K6VE, M6,M6E,M6VE		
			MH020805	CLIP,ENG WIRING	1	D=15			Y	G6,G6E,G6V, H6,H6E,H6V, H6VE,J6,J6E, J6V,J6VE,K6, K6E,K6V,K6VE, M6,M6E,M6VE		
			MH020807	CLIP,ENG WIRING	1	D=16				G6,G6E,G6V, H6,H6E,H6V, H6VE,J6,J6E, J6V,J6VE,K6, K6E,K6V,K6VE, M6,M6E,M6VE		
			MS470479	CLIP,ENG WIRING	1	13-10				G6,G6E,G6V, H6,H6E,H6V, H6VE,J6,J6E, J6V,J6VE,K6, K6E,K6V,K6VE, M6,M6E,M6VE		
			83274BC	MH020801	CLIP,ENG WIRING	4	D=6.4				G6,H6,H6E, J6,J6E,K6, K6E,M6E	14C,1C0,1XS, 1XT,1XX,1XY
	MH020801			CLIP,ENG WIRING	4	D=6.4				G6,H6,H6E, J6,J6E	1SP,1XU,1XZ	07
	MH020801			CLIP,ENG WIRING	4	D=6.4				G6,H6,H6E, J6,J6E		
	MH020801			CLIP,ENG WIRING	4	D=6.4				K6,K6E,M6E		
	MH020801			CLIP,ENG WIRING	4	D=6.4				G6,H6,H6E, J6,J6E,K6, K6E,M6E		
	83274BE	MH020801	CLIP,ENG WIRING	4	D=6.4				G6V,H6V,H6VE, J6V,J6VE,K6VE			
		MH020803	CLIP,ENG WIRING	2	D=10 L=17				G6,H6,H6E, J6,J6E,K6, K6E,M6E	14C,1C0,1XS, 1XT,1XX,1XY	07	
		MH020803	CLIP,ENG WIRING	2	D=10 L=17				G6,H6,H6E, J6,J6E	1SP,1XU,1XZ	07	
		MH020803	CLIP,ENG WIRING	2	D=10 L=17				G6,H6,H6E, J6,J6E			
		MH020803	CLIP,ENG WIRING	2	D=10 L=17				K6,K6E,M6E			
		MH020803	CLIP,ENG WIRING	2	D=10 L=17				G6,H6,H6E, J6,J6E,K6, K6E,M6E			
MH020803		CLIP,ENG WIRING	2	D=10 L=17				G6V,H6V,H6VE, J6V,J6VE,K6VE				

FK74R
16-510 ENGINE HARNESS

Repl Part	PNC	Part No	Part Name	Qty	Part Spec	Remarks	NEW1	NEW2	Classification	Option	Mo
	83274BF	MH020804	CLIP,ENG WIRING	2	D=12				G6,H6,H6E, J6,J6E,K6, K6E,M6E	14C,1C0,1XS, 1XT,1XX,1XY	07
		MH020804	CLIP,ENG WIRING	2	D=12				G6,H6,H6E, J6,J6E	1SP,1XU,1XZ	07
		MH020804	CLIP,ENG WIRING	2	D=12				G6,H6,H6E, J6,J6E		
		MH020804	CLIP,ENG WIRING	2	D=12				K6,K6E,M6E		
		MH020804	CLIP,ENG WIRING	2	D=12				G6,H6,H6E, J6,J6E,K6, K6E,M6E		
		MH020804	CLIP,ENG WIRING	2	D=12				G6V,H6V,H6VE, J6V,J6VE,K6VE		
RP	83274BG	MH020805	CLIP,ENG WIRING	2	D=15		Y		G6,H6,H6E, J6,J6E,K6, K6E,M6E	14C,1C0,1XS, 1XT,1XX,1XY	07
RP		MH020805	CLIP,ENG WIRING	2	D=15		Y		G6,H6,H6E, J6,J6E	1SP,1XU,1XZ	07
RP		MH020805	CLIP,ENG WIRING	2	D=15		Y		G6,H6,H6E, J6,J6E		
RP		MH020805	CLIP,ENG WIRING	2	D=15		Y		K6,K6E,M6E		
RP		MH020805	CLIP,ENG WIRING	2	D=15		Y		G6,H6,H6E, J6,J6E,K6, K6E,M6E		
RP		MH020805	CLIP,ENG WIRING	2	D=15		Y		G6V,H6V,H6VE, J6V,J6VE,K6VE		
	83274BJ	MH020807	CLIP,ENG WIRING	1	D=16				G6,H6,H6E, J6,J6E,K6, K6E,M6E	14C,1C0,1XS, 1XT,1XX,1XY	07
		MH020807	CLIP,ENG WIRING	1	D=16				G6,H6,H6E, J6,J6E	1SP,1XU,1XZ	07
		MH020807	CLIP,ENG WIRING	1	D=16				G6,H6,H6E, J6,J6E		
		MH020807	CLIP,ENG WIRING	1	D=16				K6,K6E,M6E		
		MH020807	CLIP,ENG WIRING	1	D=16				G6,H6,H6E, J6,J6E,K6, K6E,M6E		
		MH020807	CLIP,ENG WIRING	1	D=16				G6V,H6V,H6VE, J6V,J6VE,K6VE		
	83274C	MH020424	CLIP,ENG WIRING	1	D=20				G6,G6E,G6V, H6,H6E,H6V, H6VE,J6,J6E, J6V,J6VE,K6, K6E,K6V,K6VE, M6,M6E,M6VE		
	83274KJ	MH020758	CLIP,ENG WIRING	1	D=20				G6,H6,H6E, J6,J6E,K6, K6E,M6E	14C,1C0,1XS, 1XT,1XX,1XY	07
		MH020758	CLIP,ENG WIRING	1	D=20				G6,H6,H6E, J6,J6E	1SP,1XU,1XZ	07
		MH020758	CLIP,ENG WIRING	1	D=20				G6,H6,H6E, J6,J6E		
		MH020758	CLIP,ENG WIRING	1	D=20				K6,K6E,M6E		
		MH020758	CLIP,ENG WIRING	1	D=20				G6,H6,H6E, J6,J6E,K6, K6E,M6E		
		MH020758	CLIP,ENG WIRING	1	D=20				G6V,H6V,H6VE, J6V,J6VE,K6VE		
	83274MB	MH020417	CLIP,ENG WIRING	1	D=6.4 H=11				G6,H6,H6E, J6,J6E,K6, K6E,M6E	14C,1C0,1XS, 1XT,1XX,1XY	07
		MH020417	CLIP,ENG WIRING	1	D=6.4 H=11				G6,H6,H6E, J6,J6E	1SP,1XU,1XZ	07
		MH020417	CLIP,ENG WIRING	1	D=6.4 H=11				G6,H6,H6E, J6,J6E		
		MH020417	CLIP,ENG WIRING	1	D=6.4 H=11				K6,K6E,M6E		
		MH020417	CLIP,ENG WIRING	1	D=6.4 H=11				G6,H6,H6E, J6,J6E,K6, K6E,M6E		
		MH020417	CLIP,ENG WIRING	1	D=6.4 H=11				G6V,H6V,H6VE, J6V,J6VE,K6VE		

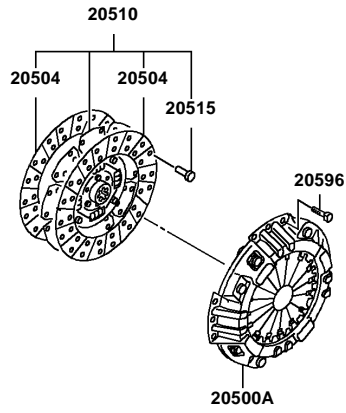
FK74R
16-510 ENGINE HARNESS

Repl Part	PNC	Part No	Part Name	Qty	Part Spec	Remarks	NEW1	NEW2	Classification	Option	Mo
	83274P	MC021037	CLIP,ENG WIRING	1	CLIP,D=25				G6,H6,H6E, J6,J6E,K6, K6E,M6E	14C,1C0,1XS, 1XT,1XX,1XY	07
		MC021037	CLIP,ENG WIRING	1	CLIP,D=25				G6,H6,H6E, J6,J6E	1SP,1XU,1XZ	07
		MC021037	CLIP,ENG WIRING	1	CLIP,D=25				G6,H6,H6E, J6,J6E		
		MC021037	CLIP,ENG WIRING	1	CLIP,D=25				K6,K6E,M6E		
		MC021037	CLIP,ENG WIRING	1	CLIP,D=25				G6,H6,H6E, J6,J6E,K6, K6E,M6E		
		MC021037	CLIP,ENG WIRING	1	CLIP,D=25				G6V,H6V,H6VE, J6V,J6VE,K6VE		
	83274V	ME223829	CLIP,ENG WIRING	1					G6,G6E,G6V, H6,H6E,H6V, H6VE,J6,J6E, J6V,J6VE,K6, K6E,K6V,K6VE, M6,M6E,M6VE		
	83596BX	ME222392	STAY,ENG WIRING	5					K6,K6E,M6E		
		ME222392	STAY,ENG WIRING	5					G6,G6E,G6V, H6,H6E,H6V, H6VE,J6,J6E, J6V,J6VE,K6, K6E,K6V,K6VE, M6,M6E,M6VE		
		ME222392	STAY,ENG WIRING	5					G6E,G6V,H6V, H6VE,J6V,J6VE, K6V,K6VE,M6, M6VE		
		ME222392	STAY,ENG WIRING	5					G6,G6E,G6V, H6,H6E,H6V, H6VE,J6,J6E, J6V,J6VE,K6, K6E,K6V,K6VE, M6,M6E,M6VE		
		ME222392	STAY,ENG WIRING	5					G6,H6,H6E, J6,J6E		
		ME222392	STAY,ENG WIRING	1					G6,H6,H6E, J6,J6E,K6, K6E,M6E	14C,1C0,1XS, 1XT,1XX,1XY	07
		ME222392	STAY,ENG WIRING	1					G6,H6,H6E, J6,J6E	1SP,1XU,1XZ	07
		ME222392	STAY,ENG WIRING	1					G6,H6,H6E, J6,J6E		
		ME222392	STAY,ENG WIRING	1					G6,H6,H6E, J6,J6E,K6, K6E,M6E		
		ME222392	STAY,ENG WIRING	1					K6,K6E,M6E		
		ME222392	STAY,ENG WIRING	1					G6V,H6V,H6VE, J6V,J6VE,K6VE		
	83596CX	ME223432	STAY,ENG WIRING	1					G6,G6E,G6V, H6,H6E,H6V, H6VE,J6,J6E, J6V,J6VE,K6, K6E,K6V,K6VE, M6,M6E,M6VE		
	83596EV	ME223431	STAY,ENG WIRING	1					G6,G6E,G6V, H6,H6E,H6V, H6VE,J6,J6E, J6V,J6VE,K6, K6E,K6V,K6VE, M6,M6E,M6VE		
	83596FX	ME227463	STAY,ENG WIRING	1					G6,H6,H6E, J6,J6E,K6, K6E,M6E	14C,1C0,1XS, 1XT,1XX,1XY	07
		ME227463	STAY,ENG WIRING	1					G6,H6,H6E, J6,J6E	1SP,1XU,1XZ	07
		ME227463	STAY,ENG WIRING	1					G6,H6,H6E, J6,J6E		
		ME227463	STAY,ENG WIRING	1					K6,K6E,M6E		

**FK74R
16-510 ENGINE HARNESS**

Repl Part	PNC	Part No	Part Name	Qty	Part Spec	Remarks	NEW1	NEW2	Classification	Option	Mo
	83596FX	ME227463	STAY,ENG WIRING	1					G6,H6,H6E, J6,J6E,K6, K6E,M6E		
		ME227463	STAY,ENG WIRING	1					G6V,H6V,H6VE, J6V,J6VE,K6VE		
	83596FY	ME226040	STAY,ENG WIRING	1					G6,H6,H6E, J6,J6E,K6, K6E,M6E	14C,1C0,1XS, 1XT,1XX,1XY	07
		ME226040	STAY,ENG WIRING	1					G6,H6,H6E, J6,J6E	1SP,1XU,1XZ	07
		ME226040	STAY,ENG WIRING	1					G6,H6,H6E, J6,J6E		
		ME226040	STAY,ENG WIRING	1					K6,K6E,M6E		
		ME226040	STAY,ENG WIRING	1					G6,H6,H6E, J6,J6E,K6, K6E,M6E		
		ME226040	STAY,ENG WIRING	1					G6V,H6V,H6VE, J6V,J6VE,K6VE		
	83596HP	ME227373	STAY,ENG WIRING	1					G6,H6,H6E, J6,J6E,K6, K6E,M6E	14C,1C0,1XS, 1XT,1XX,1XY	07
		ME227373	STAY,ENG WIRING	1					G6,H6,H6E, J6,J6E	1SP,1XU,1XZ	07
		ME227373	STAY,ENG WIRING	1					G6,H6,H6E, J6,J6E		
		ME227373	STAY,ENG WIRING	1					K6,K6E,M6E		
		ME227373	STAY,ENG WIRING	1					G6,H6,H6E, J6,J6E,K6, K6E,M6E		
		ME227373	STAY,ENG WIRING	1					G6V,H6V,H6VE, J6V,J6VE,K6VE		
	83271	(N.e.c.)	BAND,ENG WIRING								

FK74R
No.1

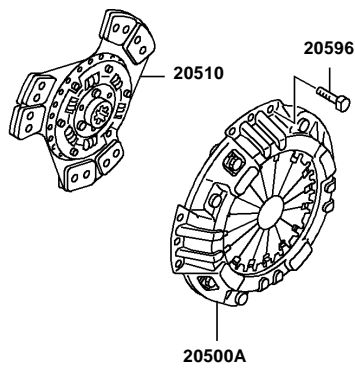


2BW015

Ref. |2021010

Page

FK74R
No.2



2BM005

Ref. |2021010

Page

FK74R
21-010 CLUTCH

Repl Part	PNC	Part No	Part Name	Qty	Part Spec	NEW1	NEW2	Classification	Option	Mo
	20500A	ME516026	COVER ASSY,CLUTCH	1				G6,G6E,H6, H6E,J6,J6E, K6,K6E,M6, M6E	17E	04
		ME516026	COVER ASSY,CLUTCH	1				G6,H6,H6E, J6,J6E,K6, K6E,M6E		
		ME516026	COVER ASSY,CLUTCH	1				G6E,M6		
		ME516026	COVER ASSY,CLUTCH	1				G6E,G6V,H6V, H6VE,J6V,J6VE, K6V,K6VE,M6, M6VE		
		ME516026	COVER ASSY,CLUTCH	1				G6,G6E,G6V, H6,H6E,H6V, H6VE,J6,J6E, J6V,J6VE,K6, K6E,K6V,K6VE, M6,M6E,M6VE		
		ME516026	COVER ASSY,CLUTCH	1				G6,H6,H6E, J6,J6E,K6, K6E,M6E		
		ME516026	COVER ASSY,CLUTCH	1				G6,H6,H6E, J6,J6E,K6, K6E,M6E		
		ME516026	COVER ASSY,CLUTCH	1				G6,G6E,H6, H6E,J6,J6E, K6,K6E,M6, M6E		
		ME516026	COVER ASSY,CLUTCH	1				G6V,H6V,H6VE, J6V,J6VE,K6V, K6VE,M6VE		
		ME516026	COVER ASSY,CLUTCH	1				G6,H6,H6E, J6,J6E,K6, K6E,M6E	17E	05,
		ME516026	COVER ASSY,CLUTCH	1				G6,H6,H6E, J6,J6E,K6, K6E,M6E		
		ME516026	COVER ASSY,CLUTCH	1				G6,H6,H6E, J6,J6E,K6, K6E,M6E		
		ME516026	COVER ASSY,CLUTCH	1				G6,H6,H6E, J6,J6E,K6, K6E,M6E		
		ME516026	COVER ASSY,CLUTCH	1				G6,H6,H6E, J6,J6E,K6, K6E,M6E		
		ME516026	COVER ASSY,CLUTCH	1				G6V,H6V,H6VE, J6V,J6VE,K6VE		
		ME523760	COVER ASSY,CLUTCH	1				G6,H6,H6E, J6,J6E,K6, K6E,M6E		
		ME523760	COVER ASSY,CLUTCH	1				G6,H6,H6E, J6,J6E,K6, K6E,M6E	17E	07
	20504	ME517283	FACING,CLUTCH	2				G6,G6E,G6V, H6,H6E,H6V, H6VE,J6,J6E, J6V,J6VE,K6, K6E,K6V,K6VE, M6,M6E,M6VE		
	20510	ME518003	DISC,CLUTCH	1	CERAMETALLIX,350			G6,G6E,H6, H6E,J6,J6E, K6,K6E,M6, M6E	17E	04
RP		ME516025	DISC,CLUTCH	1	WOVEN,350	Y	Y	G6E,M6		
RP		ME516025	DISC,CLUTCH	1	WOVEN,350	Y	Y	G6,H6,H6E, J6,J6E,K6, K6E,M6E		
RP		ME516025	DISC,CLUTCH	1	WOVEN,350	Y	Y	G6,H6,H6E, J6,J6E,K6, K6E,M6E		

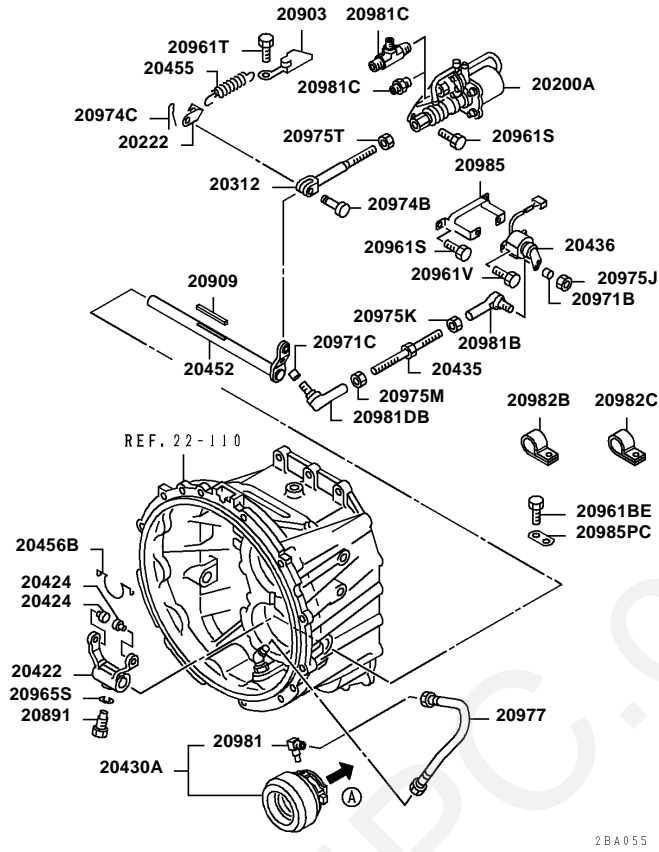
FK74R
21-010 CLUTCH

Repl Part RP	PNC 20510	Part No ME516025	Part Name DISC,CLUTCH	Qty 1	Part Spec WOVEN,350	NEW1 Y	NEW2 Y	Classification G6,G6E,G6V, H6,H6E,H6V, H6VE,J6,J6E, J6V,J6VE,K6, K6E,K6V,K6VE, M6,M6E,M6VE	Option	Mo
RP		ME516025	DISC,CLUTCH	1	WOVEN,350	Y	Y	G6E,G6V,H6V, H6VE,J6V,J6VE, K6V,K6VE,M6, M6VE		
RP		ME516025	DISC,CLUTCH	1	WOVEN,350	Y	Y	G6,G6E,H6, H6E,J6,J6E, K6,K6E,M6, M6E		
RP		ME516025	DISC,CLUTCH	1	WOVEN,350	Y	Y	G6V,H6V,H6VE, J6V,J6VE,K6V, K6VE,M6VE		
		ME518003	DISC,CLUTCH	1	CERAMETALLIX,350			G6,H6,H6E, J6,J6E,K6, K6E,M6E	17E	05,
		ME524282	DISC,CLUTCH	1	WOVEN,350			G6V,H6V,H6VE, J6V,J6VE,K6V, K6VE,M6VE		
		ME524282	DISC,CLUTCH	1	WOVEN,350			G6,G6V,H6, H6E,H6V,H6VE, J6,J6E,J6V, J6VE,K6,K6E, K6V,K6VE,M6E, M6VE		
		ME524282	DISC,CLUTCH	1	WOVEN,350			G6,H6,H6E, J6,J6E,K6, K6E,M6E		
		ME524282	DISC,CLUTCH	1	WOVEN,350			G6,H6,H6E, J6,J6E,K6, K6E,M6E		
		ME524282	DISC,CLUTCH	1	WOVEN,350			G6,H6,H6E, J6,J6E,K6, K6E,M6E		
		ME524282	DISC,CLUTCH	1	WOVEN,350			G6,H6,H6E, J6,J6E,K6, K6E,M6E		
		ME524282	DISC,CLUTCH	1	WOVEN,350			G6V,H6V,H6VE, J6V,J6VE,K6VE		
		ME538547	DISC,CLUTCH	1	WOVEN,350			G6,H6,H6E, J6,J6E,K6, K6E,M6E		
	20515	ME517284	RIVET,CLUTCH	36				G6,G6E,G6V, H6,H6E,H6V, H6VE,J6,J6E, J6V,J6VE,K6, K6E,K6V,K6VE, M6,M6E,M6VE		
	20596	MF300841	BOLT,CLUTCH	12	WASHER ASSEMBLED,10X20			G6,G6E,H6, H6E,J6,J6E, K6,K6E,M6, M6E	17E	04
		MF300841	BOLT,CLUTCH	12	WASHER ASSEMBLED,10X20			G6,H6,H6E, J6,J6E,K6, K6E,M6E		
		MF300841	BOLT,CLUTCH	12	WASHER ASSEMBLED,10X20			G6E,M6		
		MF300841	BOLT,CLUTCH	12	WASHER ASSEMBLED,10X20			G6E,G6V,H6V, H6VE,J6V,J6VE, K6V,K6VE,M6, M6VE		
		MF300841	BOLT,CLUTCH	12	WASHER ASSEMBLED,10X20			G6,G6E,G6V, H6,H6E,H6V, H6VE,J6,J6E, J6V,J6VE,K6, K6E,K6V,K6VE, M6,M6E,M6VE		

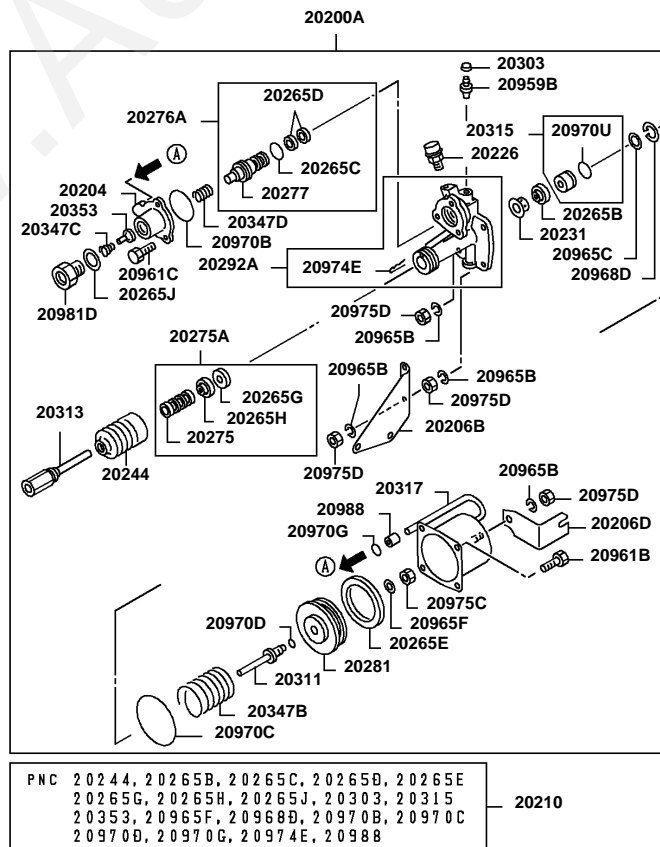
FK74R
21-010 CLUTCH

Repl Part	PNC	Part No	Part Name	Qty	Part Spec	NEW1	NEW2	Classification	Option	Mo
	20596	MF300841	BOLT,CLUTCH	12	WASHER ASSEMBLED,10X20			G6,H6,H6E, J6,J6E,K6, K6E,M6E		
		MF300841	BOLT,CLUTCH	12	WASHER ASSEMBLED,10X20			G6,H6,H6E, J6,J6E,K6, K6E,M6E		
		MF300841	BOLT,CLUTCH	12	WASHER ASSEMBLED,10X20			G6,G6E,H6, H6E,J6,J6E, K6,K6E,M6, M6E		
		MF300841	BOLT,CLUTCH	12	WASHER ASSEMBLED,10X20			G6V,H6V,H6VE, J6V,J6VE,K6V, K6VE,M6VE	17E	05,
		MF300841	BOLT,CLUTCH	12	WASHER ASSEMBLED,10X20			G6,H6,H6E, J6,J6E,K6, K6E,M6E		
		MF300841	BOLT,CLUTCH	12	WASHER ASSEMBLED,10X20			G6,H6,H6E, J6,J6E,K6, K6E,M6E		
		MF300841	BOLT,CLUTCH	12	WASHER ASSEMBLED,10X20			G6,H6,H6E, J6,J6E,K6, K6E,M6E		
		MF300841	BOLT,CLUTCH	12	WASHER ASSEMBLED,10X20			G6V,H6V,H6VE, J6V,J6VE,K6VE		
		MF300841	BOLT,CLUTCH	9	WASHER ASSEMBLED,10X20			G6,H6,H6E, J6,J6E,K6, K6E,M6E		
		MF300841	BOLT,CLUTCH	9	WASHER ASSEMBLED,10X20			G6,H6,H6E, J6,J6E,K6, K6E,M6E	17E	07

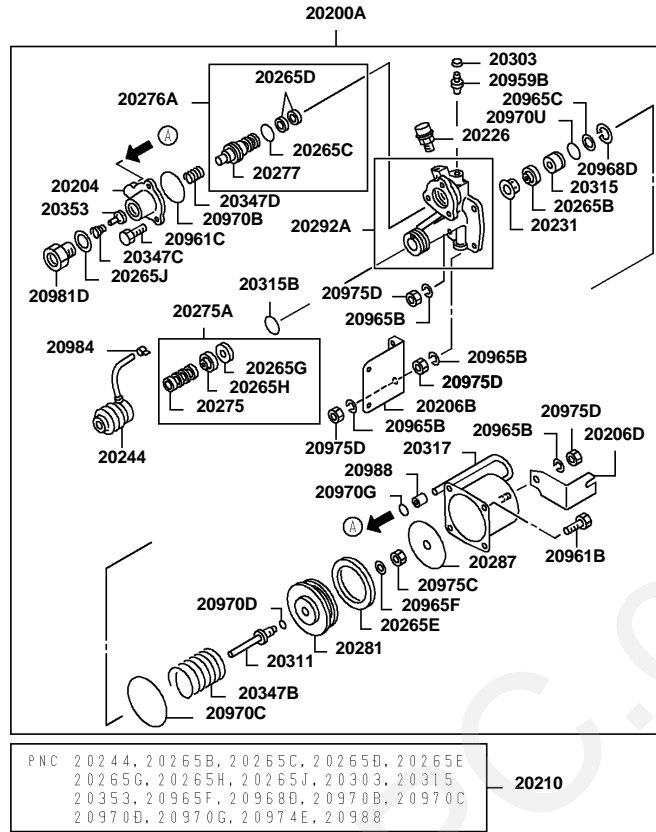
FK74R
No.1



FK74R
No.2



FK74R
No.3



C00040

Ref. |2021210

Page

FK74R
21-210 CLUTCH CONTROL

PNC	Part Name	See Page
20200A	BOOSTER ASSY,CLUTCH	(Please refer to the page 1/2)
20204	BODY,CLUTCH BOOSTER UPR VALVE	(Please refer to the page 1/2)
20206B	BRACKET,CLUTCH BOOSTER	(Please refer to the page 1/2)
20206D	BRACKET,CLUTCH BOOSTER	(Please refer to the page 1/2)
20210	BOOSTER KIT,CLUTCH	(Please refer to the page 1/2)
20222	CLAW,CLUTCH BOOSTER RETURN SPRING	(Please refer to the page 1/2)
20226	COVER,CLUTCH BOOSTER EXHAUST	(Please refer to the page 1/2)
20231	CUP,CLUTCH POWER CYLINDER PISTON	(Please refer to the page 1/2)
20244	GUARD,CLUTCH BOOSTER HYDRAULIC CYLINDER	(Please refer to the page 1/2)
20265B	GASKET,CLUTCH BOOSTER INR	(Please refer to the page 1/2)
20265C	GASKET,CLUTCH BOOSTER INR	(Please refer to the page 1/2)
20265D	GASKET,CLUTCH BOOSTER INR	(Please refer to the page 1/2)
20265E	GASKET,CLUTCH BOOSTER INR	(Please refer to the page 1/2)
20265G	GASKET,CLUTCH BOOSTER INR	(Please refer to the page 1/2)
20265H	GASKET,CLUTCH BOOSTER INR	(Please refer to the page 1/2)
20265J	GASKET,CLUTCH BOOSTER INR	(Please refer to the page 1/2)
20275	PISTON,CLUTCH BOOSTER HYDRAULIC	(Please refer to the page 1/2)
20275A	PISTON ASSY,CLUTCH BOOSTER HYDRAULIC	(Please refer to the page 1/2)
20276A	PISTON ASSY,CLUTCH BOOSTER RELAY VALVE	(Please refer to the page 1/2)
20277	PISTON,CLUTCH BOOSTER CONTROL VALVE	(Please refer to the page 1/2)
20281	PISTON,CLUTCH BOOSTER	(Please refer to the page 1/2)
20287	PLATE,CLUTCH BOOSTER CYLINDER SHELL	(Please refer to the page 1/2)
20292A	PLATE ASSY,CLUTCH BOOSTER END	(Please refer to the page 1/2)
20303	PROTECTOR,CLUTCH BOOSTER END PLATE,UPR	(Please refer to the page 1/2)
20311	PUSH ROD,CLUTCH BOOSTER POWER PISTON	(Please refer to the page 1/2)
20312	PUSH ROD,CLUTCH BOOSTER	(Please refer to the page 1/2)
20313	PUSH ROD,CLUTCH POWER CYLINDER	(Please refer to the page 1/2)
20315	RETAINER,CLUTCH BOOSTER PUSH ROD	(Please refer to the page 1/2)
20315B	RETAINER,CLUTCH BOOSTER PUSH ROD	(Please refer to the page 1/2)
20317	SHELL,CLUTCH BOOSTER CYLINDER	(Please refer to the page 1/2)
20347B	SPRING,CLUTCH POWER CYLINDER PISTON RETURN	(Please refer to the page 1/2)
20347C	SPRING,CLUTCH POWER CYLINDER PISTON RETURN	(Please refer to the page 1/2)

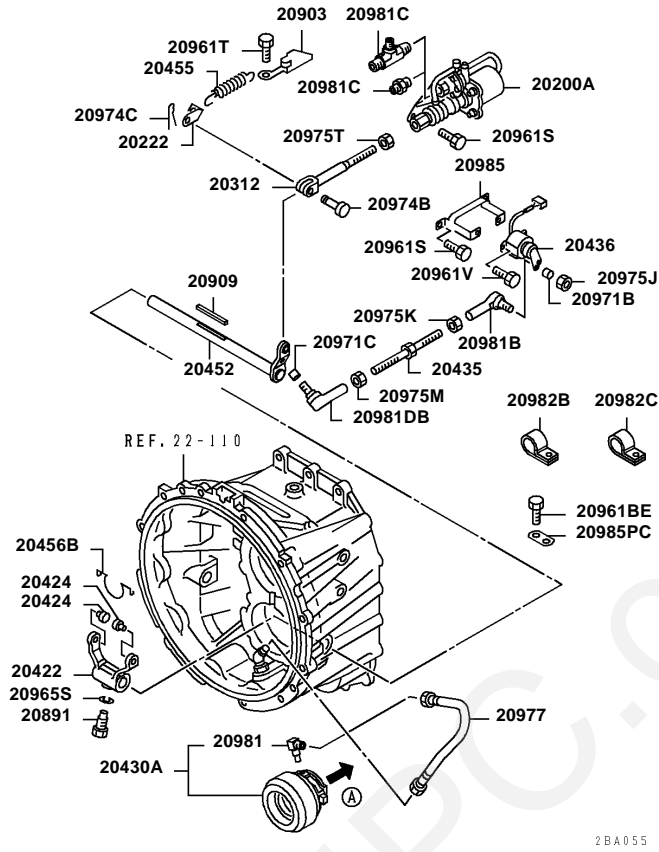
Ref. |2021210

Page

FK74R
21-210 CLUTCH CONTROL

PNC	Part Name	See Page
20347D	SPRING,CLUTCH POWER CYLINDER PISTON RETURN	(Please refer to the page 1/2)
20353	VALVE,CLUTCH BOOSTER UPR POPPET	(Please refer to the page 1/2)
20422	FORK,CLUTCH RELEASE	(Please refer to the page 1/2)
20424	ROLLER,CLUTCH RELEASE FORK	(Please refer to the page 1/2)
20430A	BEARING ASSY,CLUTCH RELEASE	(Please refer to the page 1/2)
20435	ROD,CLUTCH RELEASE SENSOR	(Please refer to the page 1/2)
20436	SENSOR,CLUTCH RELEASE LEVER POSITION	(Please refer to the page 2/2)
20452	SHAFT,CLUTCH RELEASE FORK	(Please refer to the page 2/2)
20455	SPRING,CLUTCH RELEASE FORK SHAFT RETURN	(Please refer to the page 2/2)
20456B	SPRING,CLUTCH RELEASE FORK RETURN	(Please refer to the page 2/2)
20891	SET SCREW,M/T CLUTCH CONTROL EQUIP	(Please refer to the page 2/2)
20903	CLAW,CLUTCH CONTROL RETURN SPRING	(Please refer to the page 2/2)
20909	KEY,M/T CLUTCH CONTROL EQUIP	(Please refer to the page 2/2)
20959B	PLUG,M/T CLUTCH CONTROL EQUIP	(Please refer to the page 2/2)
20961B	BOLT,M/T CLUTCH CONTROL EQUIP	(Please refer to the page 2/2)
20961BE	BOLT,M/T CLUTCH CONTROL EQUIP	(Please refer to the page 2/2)
20961C	BOLT,M/T CLUTCH CONTROL EQUIP	(Please refer to the page 2/2)
20961S	BOLT,M/T CLUTCH CONTROL EQUIP	(Please refer to the page 2/2)
20961T	BOLT,M/T CLUTCH CONTROL EQUIP	(Please refer to the page 2/2)
20961V	BOLT,M/T CLUTCH CONTROL EQUIP	(Please refer to the page 2/2)
20965B	WASHER,M/T CLUTCH CONTROL EQUIP	(Please refer to the page 2/2)
20965C	WASHER,M/T CLUTCH CONTROL EQUIP	(Please refer to the page 2/2)
20965F	WASHER,M/T CLUTCH CONTROL EQUIP	(Please refer to the page 2/2)
20965S	WASHER,M/T CLUTCH CONTROL EQUIP	(Please refer to the page 2/2)
20968D	SNAP RING,M/T CLUTCH CONTROL EQUIP	(Please refer to the page 2/2)
20970B	O-RING,M/T CLUTCH CONTROL EQUIP	(Please refer to the page 2/2)
20970C	O-RING,M/T CLUTCH CONTROL EQUIP	(Please refer to the page 2/2)
20970D	O-RING,M/T CLUTCH CONTROL EQUIP	(Please refer to the page 2/2)
20970G	O-RING,M/T CLUTCH CONTROL EQUIP	(Please refer to the page 2/2)
20970U	O-RING,M/T CLUTCH CONTROL EQUIP	(Please refer to the page 2/2)
20971B	SPACER,M/T CLUTCH CONTROL EQUIP	(Please refer to the page 2/2)
20971C	SPACER,M/T CLUTCH CONTROL EQUIP	(Please refer to the page 2/2)
20974B	PIN,M/T CLUTCH CONTROL EQUIP	(Please refer to the page 2/2)
20974C	PIN,M/T CLUTCH CONTROL EQUIP	(Please refer to the page 2/2)
20974E	PIN,M/T CLUTCH CONTROL EQUIP	(Please refer to the page 2/2)
20975C	NUT,M/T CLUTCH CONTROL EQUIP	(Please refer to the page 2/2)
20975D	NUT,M/T CLUTCH CONTROL EQUIP	(Please refer to the page 2/2)
20975J	NUT,M/T CLUTCH CONTROL EQUIP	(Please refer to the page 2/2)
20975K	NUT,M/T CLUTCH CONTROL EQUIP	(Please refer to the page 2/2)
20975M	NUT,M/T CLUTCH CONTROL EQUIP	(Please refer to the page 2/2)
20975T	NUT,M/T CLUTCH CONTROL EQUIP	(Please refer to the page 2/2)
20977	HOSE,M/T CLUTCH CONTROL EQUIP	(Please refer to the page 2/2)
20981	JOINT,M/T CLUTCH CONTROL EQUIP	(Please refer to the page 2/2)
20981B	JOINT,M/T CLUTCH CONTROL EQUIP	(Please refer to the page 2/2)
20981C	JOINT,M/T CLUTCH CONTROL EQUIP	(Please refer to the page 2/2)
20981D	JOINT,M/T CLUTCH CONTROL EQUIP	(Please refer to the page 2/2)
20981DB	JOINT,M/T CLUTCH CONTROL EQUIP	(Please refer to the page 2/2)
20982B	CLIP,M/T CLUTCH CONTROL EQUIP	(Please refer to the page 2/2)
20982C	CLIP,M/T CLUTCH CONTROL EQUIP	(Please refer to the page 2/2)
20984	CLAMP,M/T CLUTCH CONTROL EQUIP	(Please refer to the page 2/2)
20985	BRACKET,M/T CLUTCH CONTROL EQUIP	(Please refer to the page 2/2)
20985PC	BRACKET,M/T CLUTCH CONTROL EQUIP	(Please refer to the page 2/2)
20988	BUSHING,M/T CLUTCH CONTROL EQUIP	(Please refer to the page 2/2)

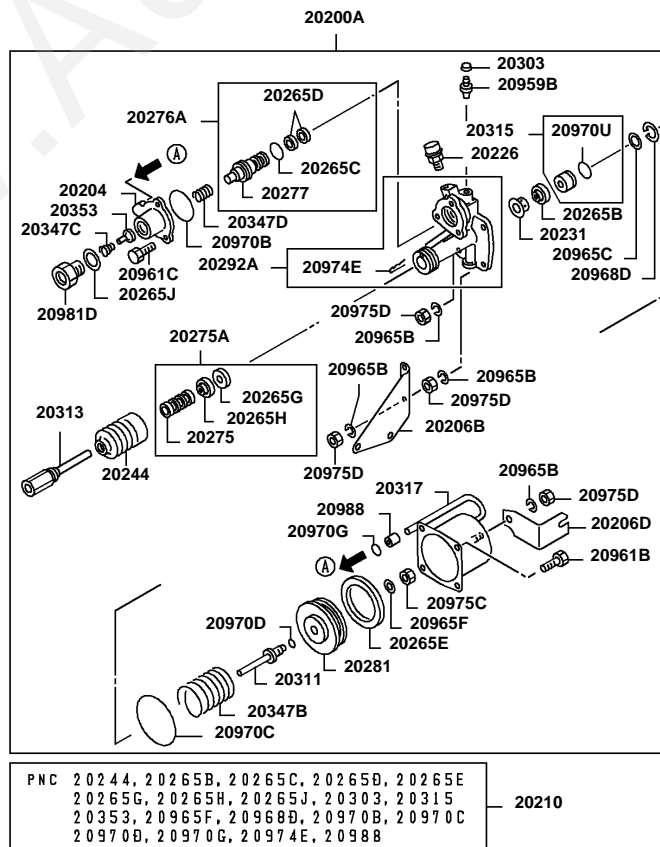
FK74R
No.1



Ref. |2021210-1

Page

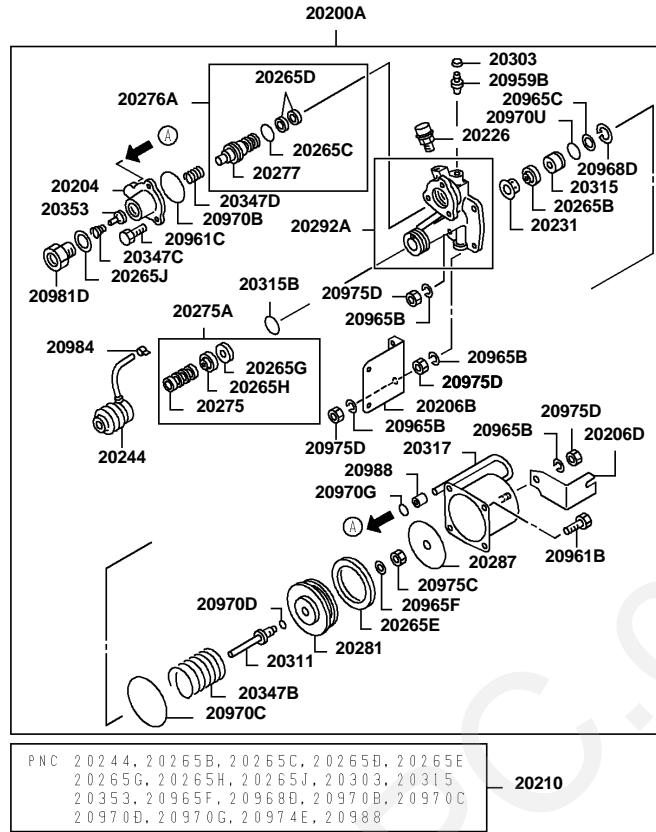
FK74R
No.2



Ref. |2021210-1

Page

FK74R
No.3



Ref. |2021210-1

Page

FK74R
21-210 CLUTCH CONTROL (1/2)

Repl Part	PNC	Part No	Part Name	Qty	Part Spec	NEW1	Class
	20200A	ME510172	BOOSTER ASSY,CLUTCH	1			G6,H6, J6,J6E, K6E,M6E
		ME510172	BOOSTER ASSY,CLUTCH	1			G6,G6E, H6E,J6E, K6,K6E, M6E
		ME510172	BOOSTER ASSY,CLUTCH	1			G6E,M6E
		ME510172	BOOSTER ASSY,CLUTCH	1			G6,G6E, H6E,J6E, K6,K6E, M6E
		ME510172	BOOSTER ASSY,CLUTCH	1			G6,H6, J6,J6E, K6E,M6E
		ME510172	BOOSTER ASSY,CLUTCH	1			G6,H6, J6,J6E, K6E,M6E
		ME510172	BOOSTER ASSY,CLUTCH	1			G6,H6, J6,J6E, K6E,M6E
		ME510172	BOOSTER ASSY,CLUTCH	1			G6,H6, J6,J6E, K6E,M6E
		ME517046	BOOSTER ASSY,CLUTCH	1			G6V,H6V, J6V,J6E, K6VE,L6E

Ref. |2021210-1

Page

FK74R
21-210 CLUTCH CONTROL (1/2)

Repl Part	PNC	Part No	Part Name	Qty	Part Spec	NEW1	Class
	20200A	ME517046	BOOSTER ASSY,CLUTCH	1			G6V,H J6V,J6 K6VE,I
		ME517046	BOOSTER ASSY,CLUTCH	1			G6V,H J6V,J6 K6VE,I
		ME510172	BOOSTER ASSY,CLUTCH	1			G6,H6, J6,J6E
		ME517046	BOOSTER ASSY,CLUTCH	1			K6E,M G6V,H J6V,J6
		ME523961	BOOSTER ASSY,CLUTCH	1			K6VE,I G6,H6, J6,J6E
		ME523961	BOOSTER ASSY,CLUTCH	1			K6E,M G6,H6, J6,J6E
		ME523961	BOOSTER ASSY,CLUTCH	1			K6E,M G6,H6, J6,J6E
		ME517046	BOOSTER ASSY,CLUTCH	1			K6E,M G6V,H J6V,J6
		ME517046	BOOSTER ASSY,CLUTCH	1			G6V,H J6V,J6
		ME517046	BOOSTER ASSY,CLUTCH	1			G6V,H J6V,J6
		ME523961	BOOSTER ASSY,CLUTCH	1			G6,H6, J6,J6E
	20204	ME747675	BODY,CLUTCH BOOSTER UPR VALVE	1			K6E,M G6,G6 H6E,J6
		ME747675	BODY,CLUTCH BOOSTER UPR VALVE	1			K6,K6 M6E
		ME747675	BODY,CLUTCH BOOSTER UPR VALVE	1			G6E,M G6V,H J6V,J6
		ME747675	BODY,CLUTCH BOOSTER UPR VALVE	1			K6VE,I G6,H6, J6,J6E
		ME747675	BODY,CLUTCH BOOSTER UPR VALVE	1			K6E,M G6,G6 H6E,J6
		ME747675	BODY,CLUTCH BOOSTER UPR VALVE	1			K6,K6 M6E
		ME747675	BODY,CLUTCH BOOSTER UPR VALVE	1			G6V,H J6V,J6 K6VE,I
		ME747675	BODY,CLUTCH BOOSTER UPR VALVE	1			G6,H6, J6,J6E
		ME747675	BODY,CLUTCH BOOSTER UPR VALVE	1			K6E,M G6,H6, J6,J6E
		ME747675	BODY,CLUTCH BOOSTER UPR VALVE	1			K6E,M G6E,G H6VE,-
		ME747675	BODY,CLUTCH BOOSTER UPR VALVE	1			K6V,K M6VE
		ME747675	BODY,CLUTCH BOOSTER UPR VALVE	1			G6,H6, J6,J6E
		ME747675	BODY,CLUTCH BOOSTER UPR VALVE	1			K6E,M G6E,M
		ME747675	BODY,CLUTCH BOOSTER UPR VALVE	1			G6V,H J6V,J6 K6VE,I
		ME747675	BODY,CLUTCH BOOSTER UPR VALVE	1			G6,G6 H6,H6 H6VE,-
		ME747675	BODY,CLUTCH BOOSTER UPR VALVE	1			J6V,J6 K6E,K M6,M6

FK74R
21-210 CLUTCH CONTROL (1/2)

Repl Part	PNC	Part No	Part Name	Qty	Part Spec	NEW1	Class
	20204	ME747675	BODY,CLUTCH BOOSTER UPR VALVE	1			G6,G6 H6E,H J6,J6E J6VE,H K6V,K M6VE
		ME747675	BODY,CLUTCH BOOSTER UPR VALVE	1			G6,H6, J6,J6E K6E,M
		ME747675	BODY,CLUTCH BOOSTER UPR VALVE	1			G6V,H J6V,J6 K6VE,I
	20206B	ME510175	BRACKET,CLUTCH BOOSTER	1			G6,H6, J6,J6E K6E,M
		ME510175	BRACKET,CLUTCH BOOSTER	1			G6,G6 H6E,J6 K6,K6E M6E
		ME510175	BRACKET,CLUTCH BOOSTER	1			G6E,M
		ME510175	BRACKET,CLUTCH BOOSTER	1			G6,G6 H6E,J6 K6,K6E M6E
		ME510175	BRACKET,CLUTCH BOOSTER	1			G6,G6 H6E,J6 K6,K6E M6E
		ME510175	BRACKET,CLUTCH BOOSTER	1			G6,H6, J6,J6E K6E,M
		ME510175	BRACKET,CLUTCH BOOSTER	1			G6,H6, J6,J6E K6E,M
		ME510175	BRACKET,CLUTCH BOOSTER	1			G6,H6, J6,J6E K6E,M
		ME510175	BRACKET,CLUTCH BOOSTER	1			G6,H6, J6,J6E K6E,M
		ME510175	BRACKET,CLUTCH BOOSTER	1			G6,H6, J6,J6E K6E,M
		ME758270	BRACKET,CLUTCH BOOSTER	1			G6V,H J6V,J6 K6VE,I
		ME758270	BRACKET,CLUTCH BOOSTER	1			G6V,H J6V,J6 K6VE,I
		ME758270	BRACKET,CLUTCH BOOSTER	1			G6V,H J6V,J6 K6VE,I
		ME510175	BRACKET,CLUTCH BOOSTER	1			G6,H6, J6,J6E K6E,M
		ME758270	BRACKET,CLUTCH BOOSTER	1			G6V,H J6V,J6 K6VE,I
		ME523964	BRACKET,CLUTCH BOOSTER	1			G6,H6, J6,J6E K6E,M
		ME523964	BRACKET,CLUTCH BOOSTER	1			G6,H6, J6,J6E K6E,M
		ME523964	BRACKET,CLUTCH BOOSTER	1			G6,H6, J6,J6E K6E,M
		ME758270	BRACKET,CLUTCH BOOSTER	1			G6V,H J6V,J6 K6E,M
		ME758270	BRACKET,CLUTCH BOOSTER	1			G6V,H J6V,J6 K6E,M
		ME758270	BRACKET,CLUTCH BOOSTER	1			G6V,H J6V,J6 K6E,M
		ME523964	BRACKET,CLUTCH BOOSTER	1			G6,H6, J6,J6E K6E,M

FK74R
21-210 CLUTCH CONTROL (1/2)

Repl Part	PNC	Part No	Part Name	Qty	Part Spec	NEW1	Class
	20206D	ME729574	BRACKET,CLUTCH BOOSTER	1			G6,H6, J6,J6E K6E,M
		ME729574	BRACKET,CLUTCH BOOSTER	1			G6,G6E, H6E,J6 K6,K6E M6E
		ME729574	BRACKET,CLUTCH BOOSTER	1			G6E,M
		ME729574	BRACKET,CLUTCH BOOSTER	1			G6,G6E, H6E,J6 K6,K6E M6E
		ME729574	BRACKET,CLUTCH BOOSTER	1			G6,G6E, H6E,J6 K6,K6E M6E
		ME729574	BRACKET,CLUTCH BOOSTER	1			G6,H6, J6,J6E K6E,M
		ME729574	BRACKET,CLUTCH BOOSTER	1			G6,H6, J6,J6E K6E,M
		ME729574	BRACKET,CLUTCH BOOSTER	1			G6,H6, J6,J6E K6E,M
		ME729574	BRACKET,CLUTCH BOOSTER	1			G6,H6, J6,J6E K6E,M
		ME729574	BRACKET,CLUTCH BOOSTER	1			G6,H6, J6,J6E K6E,M
		ME758271	BRACKET,CLUTCH BOOSTER	1			G6V,H J6V,J6 K6VE,E
		ME758271	BRACKET,CLUTCH BOOSTER	1			G6V,H J6V,J6 K6VE,E
		ME758271	BRACKET,CLUTCH BOOSTER	1			G6V,H J6V,J6 K6VE,E
		ME729574	BRACKET,CLUTCH BOOSTER	1			G6,H6, J6,J6E K6E,M
		ME758271	BRACKET,CLUTCH BOOSTER	1			G6V,H J6V,J6 K6VE,E
		ME729574	BRACKET,CLUTCH BOOSTER	1			G6,H6, J6,J6E K6E,M
		ME729574	BRACKET,CLUTCH BOOSTER	1			G6,H6, J6,J6E K6E,M
		ME729574	BRACKET,CLUTCH BOOSTER	1			G6,H6, J6,J6E K6E,M
		ME758271	BRACKET,CLUTCH BOOSTER	1			G6V,H J6V,J6 K6VE,E
		ME758271	BRACKET,CLUTCH BOOSTER	1			G6V,H J6V,J6 K6VE,E
		ME758271	BRACKET,CLUTCH BOOSTER	1			G6V,H J6V,J6 K6VE,E
	20210	ME642718	BOOSTER KIT,CLUTCH	1			G6,H6, J6,J6E K6E,M
		ME642718	BOOSTER KIT,CLUTCH	1			G6,G6E, H6E,J6 K6,K6E M6E
		ME642718	BOOSTER KIT,CLUTCH	1			G6,G6E, H6E,J6 K6,K6E M6E
		ME642718	BOOSTER KIT,CLUTCH	1			G6E,M

**FK74R
21-210 CLUTCH CONTROL (1/2)**

Repl Part	PNC	Part No	Part Name	Qty	Part Spec	NEW1	Class
	20210	ME642718	BOOSTER KIT,CLUTCH	1			G6,G6 H6E,J6 K6,K6E M6E
		ME518014	BOOSTER KIT,CLUTCH	1			G6V,H6 J6V,J6E K6VE,L6E
		ME518014	BOOSTER KIT,CLUTCH	1			G6V,H6 J6V,J6E K6VE,L6E
		ME518014	BOOSTER KIT,CLUTCH	1			G6V,H6 J6V,J6E K6VE,L6E
		ME642718	BOOSTER KIT,CLUTCH	1			G6,H6 J6,J6E K6E,M6E
		ME642718	BOOSTER KIT,CLUTCH	1			G6,H6 J6,J6E K6E,M6E
		ME642718	BOOSTER KIT,CLUTCH	1			G6,H6 J6,J6E K6E,M6E
		ME642718	BOOSTER KIT,CLUTCH	1			G6,H6 J6,J6E K6E,M6E
		ME518014	BOOSTER KIT,CLUTCH	1			G6V,H6 J6V,J6E K6VE,L6E
		ME642718	BOOSTER KIT,CLUTCH	1			G6,H6 J6,J6E K6E,M6E
		ME642718	BOOSTER KIT,CLUTCH	1			G6,H6 J6,J6E K6E,M6E
		ME642718	BOOSTER KIT,CLUTCH	1			G6,H6 J6,J6E K6E,M6E
		ME642718	BOOSTER KIT,CLUTCH	1			G6,H6 J6,J6E K6E,M6E
		ME642718	BOOSTER KIT,CLUTCH	1			G6,H6 J6,J6E K6E,M6E
		ME518014	BOOSTER KIT,CLUTCH	1			G6V,H6 J6V,J6E K6VE,L6E
		ME518014	BOOSTER KIT,CLUTCH	1			G6V,H6 J6V,J6E K6VE,L6E
		ME518014	BOOSTER KIT,CLUTCH	1			G6V,H6 J6V,J6E K6VE,L6E
	20222	ME636077	CLAW,CLUTCH BOOSTER RETURN SPRING	1			G6E,M6E J6V,J6E
		ME636077	CLAW,CLUTCH BOOSTER RETURN SPRING	1			G6,G6E H6E,J6E K6,K6E M6E
		ME636077	CLAW,CLUTCH BOOSTER RETURN SPRING	1			G6,H6 J6,J6E K6E,M6E
		ME636077	CLAW,CLUTCH BOOSTER RETURN SPRING	1			G6,G6E H6E,J6E K6,K6E M6E
		ME636077	CLAW,CLUTCH BOOSTER RETURN SPRING	1			G6,H6 J6,J6E K6E,M6E
		ME636077	CLAW,CLUTCH BOOSTER RETURN SPRING	1			G6,H6 J6,J6E K6E,M6E
		ME636077	CLAW,CLUTCH BOOSTER RETURN SPRING	1			G6,H6 J6,J6E K6E,M6E
		ME636077	CLAW,CLUTCH BOOSTER RETURN SPRING	1			G6,H6 J6,J6E K6E,M6E

FK74R
21-210 CLUTCH CONTROL (1/2)

Repl Part	PNC	Part No	Part Name	Qty	Part Spec	NEW1	Class
	20222	ME636077	CLAW,CLUTCH BOOSTER RETURN SPRING	1			G6,H6, J6,J6E K6E,M
		ME636077	CLAW,CLUTCH BOOSTER RETURN SPRING	1			G6,H6, J6,J6E K6E,M
		ME636077	CLAW,CLUTCH BOOSTER RETURN SPRING	1			G6,H6, J6,J6E K6E,M
		ME636077	CLAW,CLUTCH BOOSTER RETURN SPRING	1			G6,H6, J6,J6E K6E,M
		ME636077	CLAW,CLUTCH BOOSTER RETURN SPRING	1			G6,H6, J6,J6E K6E,M
	20226	ME758031	COVER,CLUTCH BOOSTER EXHAUST	1			G6,H6, J6,J6E K6E,M
		ME758031	COVER,CLUTCH BOOSTER EXHAUST	1			G6,G6 H6E,J6 K6,K6E M6E
		ME758031	COVER,CLUTCH BOOSTER EXHAUST	1			G6,G6 H6E,J6 K6,K6E M6E
		ME758031	COVER,CLUTCH BOOSTER EXHAUST	1			G6E,M
		ME758031	COVER,CLUTCH BOOSTER EXHAUST	1			G6,G6 H6E,J6 K6,K6E M6E
		ME729713	COVER,CLUTCH BOOSTER EXHAUST	1			G6V,H J6V,J6 K6VE,L
		ME729713	COVER,CLUTCH BOOSTER EXHAUST	1			G6V,H J6V,J6 K6VE,L
		ME729713	COVER,CLUTCH BOOSTER EXHAUST	1			G6V,H J6V,J6 K6VE,L
		ME758031	COVER,CLUTCH BOOSTER EXHAUST	1			G6,H6, J6,J6E K6E,M
		ME758031	COVER,CLUTCH BOOSTER EXHAUST	1			G6,H6, J6,J6E K6E,M
		ME758031	COVER,CLUTCH BOOSTER EXHAUST	1			G6,H6, J6,J6E K6E,M
		ME758031	COVER,CLUTCH BOOSTER EXHAUST	1			G6,H6, J6,J6E K6E,M
		ME758031	COVER,CLUTCH BOOSTER EXHAUST	1			G6,H6, J6,J6E K6E,M
		ME758031	COVER,CLUTCH BOOSTER EXHAUST	1			G6,H6, J6,J6E K6E,M
		ME758031	COVER,CLUTCH BOOSTER EXHAUST	1			G6,H6, J6,J6E K6E,M
		ME758031	COVER,CLUTCH BOOSTER EXHAUST	1			G6,H6, J6,J6E K6E,M
		ME758031	COVER,CLUTCH BOOSTER EXHAUST	1			G6,H6, J6,J6E K6E,M
		ME729713	COVER,CLUTCH BOOSTER EXHAUST	1			G6V,H J6V,J6 K6VE,L
		ME729713	COVER,CLUTCH BOOSTER EXHAUST	1			G6V,H J6V,J6 K6VE,L
		ME729713	COVER,CLUTCH BOOSTER EXHAUST	1			G6V,H J6V,J6 K6VE,L

FK74R
21-210 CLUTCH CONTROL (1/2)

Repl Part	PNC	Part No	Part Name	Qty	Part Spec	NEW1	Class
	20231	ME720953	CUP,CLUTCH POWER CYLINDER PISTON	1			G6,G6 H6E,J6 K6,K6 M6E G6E,M6 G6V,H6 J6V,J6 K6VE,I G6,H6 J6,J6E K6E,M6 G6,G6 H6E,J6 K6,K6 M6E G6V,H6 J6V,J6 K6VE,I G6,H6 J6,J6E K6E,M6 G6,H6 J6,J6E K6E,M6 G6E,G6 H6VE,- K6V,K6 M6VE G6,H6 J6,J6E K6E,M6 G6E,M6 G6V,H6 J6V,J6 K6VE,I G6,G6 H6,H6 H6VE,- J6V,J6 K6E,K6 M6,M6 G6,G6 H6E,H6 J6,J6E J6VE,I K6V,K6 M6VE G6,H6 J6,J6E K6E,M6 G6V,H6 J6V,J6 K6VE,I G6,H6 J6,J6E K6E,M6 G6,G6 H6E,J6 K6,K6 M6E G6,G6 H6E,J6 K6,K6 M6E G6,H6 J6,J6E K6E,M6
		ME720953	CUP,CLUTCH POWER CYLINDER PISTON	1			G6E,M6
		ME720953	CUP,CLUTCH POWER CYLINDER PISTON	1			G6V,H6
		ME720953	CUP,CLUTCH POWER CYLINDER PISTON	1			J6V,J6
		ME720953	CUP,CLUTCH POWER CYLINDER PISTON	1			K6VE,I
		ME720953	CUP,CLUTCH POWER CYLINDER PISTON	1			G6,H6
		ME720953	CUP,CLUTCH POWER CYLINDER PISTON	1			J6,J6E
		ME720953	CUP,CLUTCH POWER CYLINDER PISTON	1			K6E,M6
		ME720953	CUP,CLUTCH POWER CYLINDER PISTON	1			G6,G6
		ME720953	CUP,CLUTCH POWER CYLINDER PISTON	1			H6E,J6
		ME720953	CUP,CLUTCH POWER CYLINDER PISTON	1			K6,K6
		ME720953	CUP,CLUTCH POWER CYLINDER PISTON	1			M6E
		ME720953	CUP,CLUTCH POWER CYLINDER PISTON	1			G6V,H6
		ME720953	CUP,CLUTCH POWER CYLINDER PISTON	1			J6V,J6
		ME720953	CUP,CLUTCH POWER CYLINDER PISTON	1			K6VE,I
		ME720953	CUP,CLUTCH POWER CYLINDER PISTON	1			G6,G6
		ME720953	CUP,CLUTCH POWER CYLINDER PISTON	1			H6,H6
		ME720953	CUP,CLUTCH POWER CYLINDER PISTON	1			H6VE,-
		ME720953	CUP,CLUTCH POWER CYLINDER PISTON	1			J6V,J6
		ME720953	CUP,CLUTCH POWER CYLINDER PISTON	1			K6E,K6
		ME720953	CUP,CLUTCH POWER CYLINDER PISTON	1			M6,M6
		ME720953	CUP,CLUTCH POWER CYLINDER PISTON	1			G6,G6
		ME720953	CUP,CLUTCH POWER CYLINDER PISTON	1			H6E,H6
		ME720953	CUP,CLUTCH POWER CYLINDER PISTON	1			J6,J6E
		ME720953	CUP,CLUTCH POWER CYLINDER PISTON	1			J6VE,I
		ME720953	CUP,CLUTCH POWER CYLINDER PISTON	1			K6V,K6
		ME720953	CUP,CLUTCH POWER CYLINDER PISTON	1			M6VE
		ME720953	CUP,CLUTCH POWER CYLINDER PISTON	1			G6,H6
		ME720953	CUP,CLUTCH POWER CYLINDER PISTON	1			J6,J6E
		ME720953	CUP,CLUTCH POWER CYLINDER PISTON	1			K6E,M6
		ME720953	CUP,CLUTCH POWER CYLINDER PISTON	1			G6V,H6
		ME720953	CUP,CLUTCH POWER CYLINDER PISTON	1			J6V,J6
		ME720953	CUP,CLUTCH POWER CYLINDER PISTON	1			K6VE,I
	20244	ME747676	GUARD,CLUTCH BOOSTER HYDRAULIC CYLINDER	1			G6,H6 J6,J6E K6E,M6
		ME747676	GUARD,CLUTCH BOOSTER HYDRAULIC CYLINDER	1			G6,G6 H6E,J6 K6,K6 M6E
		ME747676	GUARD,CLUTCH BOOSTER HYDRAULIC CYLINDER	1			G6E,M6
		ME747676	GUARD,CLUTCH BOOSTER HYDRAULIC CYLINDER	1			G6,G6
		ME747676	GUARD,CLUTCH BOOSTER HYDRAULIC CYLINDER	1			H6E,J6
		ME747676	GUARD,CLUTCH BOOSTER HYDRAULIC CYLINDER	1			K6,K6
		ME747676	GUARD,CLUTCH BOOSTER HYDRAULIC CYLINDER	1			M6E
		ME747676	GUARD,CLUTCH BOOSTER HYDRAULIC CYLINDER	1			G6,G6
		ME747676	GUARD,CLUTCH BOOSTER HYDRAULIC CYLINDER	1			H6E,J6
		ME747676	GUARD,CLUTCH BOOSTER HYDRAULIC CYLINDER	1			K6,K6
		ME747676	GUARD,CLUTCH BOOSTER HYDRAULIC CYLINDER	1			M6E
		ME747676	GUARD,CLUTCH BOOSTER HYDRAULIC CYLINDER	1			G6,H6
		ME747676	GUARD,CLUTCH BOOSTER HYDRAULIC CYLINDER	1			J6,J6E
		ME747676	GUARD,CLUTCH BOOSTER HYDRAULIC CYLINDER	1			K6E,M6

FK74R
21-210 CLUTCH CONTROL (1/2)

Repl Part	PNC	Part No	Part Name	Qty	Part Spec	NEW1	Class
	20244	ME747676	GUARD,CLUTCH BOOSTER HYDRAULIC CYLINDER	1			G6,H6, J6,J6E K6E,M
		ME747676	GUARD,CLUTCH BOOSTER HYDRAULIC CYLINDER	1			G6,H6, J6,J6E K6E,M
		ME747676	GUARD,CLUTCH BOOSTER HYDRAULIC CYLINDER	1			G6,H6, J6,J6E K6E,M
		ME758269	GUARD,CLUTCH BOOSTER HYDRAULIC CYLINDER	1			G6V,H J6V,J6 K6VE,I
		ME758269	GUARD,CLUTCH BOOSTER HYDRAULIC CYLINDER	1			G6V,H J6V,J6 K6VE,I
		ME758269	GUARD,CLUTCH BOOSTER HYDRAULIC CYLINDER	1			G6V,H J6V,J6 K6VE,I
		ME747676	GUARD,CLUTCH BOOSTER HYDRAULIC CYLINDER	1			G6,H6, J6,J6E K6E,M
		ME758269	GUARD,CLUTCH BOOSTER HYDRAULIC CYLINDER	1			G6V,H J6V,J6 K6VE,I
		ME747676	GUARD,CLUTCH BOOSTER HYDRAULIC CYLINDER	1			G6,H6, J6,J6E K6E,M
		ME758269	GUARD,CLUTCH BOOSTER HYDRAULIC CYLINDER	1			G6V,H J6V,J6 K6VE,I
		ME747676	GUARD,CLUTCH BOOSTER HYDRAULIC CYLINDER	1			G6,H6, J6,J6E K6E,M
		ME758269	GUARD,CLUTCH BOOSTER HYDRAULIC CYLINDER	1			G6V,H J6V,J6 K6VE,I
		ME758269	GUARD,CLUTCH BOOSTER HYDRAULIC CYLINDER	1			G6V,H J6V,J6 K6VE,I
		ME758269	GUARD,CLUTCH BOOSTER HYDRAULIC CYLINDER	1			G6V,H J6V,J6 K6VE,I
	20265B	ME624251	GASKET,CLUTCH BOOSTER INR	1			G6,G6 H6E,J6 K6,K6E M6E
		ME624251	GASKET,CLUTCH BOOSTER INR	1			G6E,M
		ME624251	GASKET,CLUTCH BOOSTER INR	1			G6V,H J6V,J6 K6VE,I
		ME624251	GASKET,CLUTCH BOOSTER INR	1			G6,H6, J6,J6E K6E,M
		ME624251	GASKET,CLUTCH BOOSTER INR	1			G6,G6 H6E,J6 K6,K6E M6E
		ME624251	GASKET,CLUTCH BOOSTER INR	1			G6V,H J6V,J6 K6VE,I
		ME624251	GASKET,CLUTCH BOOSTER INR	1			G6,H6, J6,J6E K6E,M
		ME624251	GASKET,CLUTCH BOOSTER INR	1			G6,H6, J6,J6E K6E,M
		ME624251	GASKET,CLUTCH BOOSTER INR	1			G6E,G H6E, K6V,K M6VE
		ME624251	GASKET,CLUTCH BOOSTER INR	1			G6,H6, J6,J6E K6E,M
		ME624251	GASKET,CLUTCH BOOSTER INR	1			G6E,M

FK74R
21-210 CLUTCH CONTROL (1/2)

Repl Part	PNC	Part No	Part Name	Qty	Part Spec	NEW1	Class
	20265B	ME624251	GASKET,CLUTCH BOOSTER INR	1			G6V,H J6V,J6 K6VE,I G6,G6 H6,H6 H6VE, J6V,J6 K6E,K M6,M6 G6,G6 H6E,H J6,J6E J6VE,I K6V,K M6VE
		ME624251	GASKET,CLUTCH BOOSTER INR	1			G6,H6, J6,J6E K6E,M G6V,H J6V,J6 K6VE,I G6,H6, J6,J6E K6E,M G6,G6 H6E,J6 K6,K6E M6E
		ME624251	GASKET,CLUTCH BOOSTER INR	1			G6,G6 H6E,H J6,J6E J6VE,I K6V,K M6VE
		ME624251	GASKET,CLUTCH BOOSTER INR	1			G6,H6, J6,J6E K6E,M G6V,H J6V,J6 K6VE,I G6,H6, J6,J6E K6E,M G6,G6 H6E,J6 K6,K6E M6E
		ME624251	GASKET,CLUTCH BOOSTER INR	1			G6,H6, J6,J6E K6E,M G6V,H J6V,J6 K6VE,I G6,H6, J6,J6E K6E,M G6,G6 H6E,J6 K6,K6E M6E
	20265C	ME707909	GASKET,CLUTCH BOOSTER INR	1			G6,H6, J6,J6E K6E,M G6,G6 H6E,J6 K6,K6E M6E
		ME707909	GASKET,CLUTCH BOOSTER INR	1			G6,G6 H6E,J6 K6,K6E M6E
		ME707909	GASKET,CLUTCH BOOSTER INR	1			G6E,M G6,G6 H6E,J6 K6,K6E M6E
		ME707909	GASKET,CLUTCH BOOSTER INR	1			G6,G6 H6E,J6 K6,K6E M6E
		ME707909	GASKET,CLUTCH BOOSTER INR	1			G6,H6, J6,J6E K6E,M G6,H6, J6,J6E K6E,M G6,H6, J6,J6E K6E,M G6,H6, J6,J6E K6E,M G6,G6 H6E,J6 K6,K6E M6E
		ME707909	GASKET,CLUTCH BOOSTER INR	1			G6,H6, J6,J6E K6E,M G6,H6, J6,J6E K6E,M G6,H6, J6,J6E K6E,M G6,H6, J6,J6E K6E,M G6,G6 H6E,J6 K6,K6E M6E
		ME747686	GASKET,CLUTCH BOOSTER INR	1			G6V,H J6V,J6 K6VE,I G6V,H J6V,J6 K6VE,I G6V,H J6V,J6 K6VE,I G6,H6, J6,J6E K6E,M G6V,H J6V,J6 K6VE,I G6,H6, J6,J6E K6E,M G6V,H J6V,J6 K6VE,I G6,H6, J6,J6E K6E,M G6,H6, J6,J6E K6E,M
		ME747686	GASKET,CLUTCH BOOSTER INR	1			G6V,H J6V,J6 K6VE,I G6V,H J6V,J6 K6VE,I G6V,H J6V,J6 K6VE,I G6,H6, J6,J6E K6E,M G6V,H J6V,J6 K6VE,I G6,H6, J6,J6E K6E,M G6V,H J6V,J6 K6VE,I G6,H6, J6,J6E K6E,M G6,H6, J6,J6E K6E,M
		ME747686	GASKET,CLUTCH BOOSTER INR	1			G6V,H J6V,J6 K6VE,I G6V,H J6V,J6 K6VE,I G6V,H J6V,J6 K6VE,I G6,H6, J6,J6E K6E,M G6V,H J6V,J6 K6VE,I G6,H6, J6,J6E K6E,M G6V,H J6V,J6 K6VE,I G6,H6, J6,J6E K6E,M G6,H6, J6,J6E K6E,M
		ME707909	GASKET,CLUTCH BOOSTER INR	1			G6,H6, J6,J6E K6E,M G6,H6, J6,J6E K6E,M G6,H6, J6,J6E K6E,M G6,H6, J6,J6E K6E,M G6,G6 H6E,J6 K6,K6E M6E
		ME747686	GASKET,CLUTCH BOOSTER INR	1			G6V,H J6V,J6 K6VE,I G6V,H J6V,J6 K6VE,I G6V,H J6V,J6 K6VE,I G6,H6, J6,J6E K6E,M G6V,H J6V,J6 K6VE,I G6,H6, J6,J6E K6E,M G6V,H J6V,J6 K6VE,I G6,H6, J6,J6E K6E,M G6,H6, J6,J6E K6E,M
		ME707909	GASKET,CLUTCH BOOSTER INR	1			G6,H6, J6,J6E K6E,M G6,H6, J6,J6E K6E,M G6,H6, J6,J6E K6E,M G6,H6, J6,J6E K6E,M G6,G6 H6E,J6 K6,K6E M6E
		ME707909	GASKET,CLUTCH BOOSTER INR	1			G6,H6, J6,J6E K6E,M G6V,H J6V,J6 K6VE,I G6,H6, J6,J6E K6E,M G6,H6, J6,J6E K6E,M G6,H6, J6,J6E K6E,M G6,H6, J6,J6E K6E,M G6,H6, J6,J6E K6E,M
		ME707909	GASKET,CLUTCH BOOSTER INR	1			G6,H6, J6,J6E K6E,M G6,H6, J6,J6E K6E,M G6,H6, J6,J6E K6E,M G6,H6, J6,J6E K6E,M G6,G6 H6E,J6 K6,K6E M6E
		ME707909	GASKET,CLUTCH BOOSTER INR	1			G6,H6, J6,J6E K6E,M G6V,H J6V,J6 K6VE,I G6,H6, J6,J6E K6E,M G6,H6, J6,J6E K6E,M G6,H6, J6,J6E K6E,M G6,H6, J6,J6E K6E,M G6,H6, J6,J6E K6E,M

FK74R
21-210 CLUTCH CONTROL (1/2)

Repl Part	PNC	Part No	Part Name	Qty	Part Spec	NEW1	Class
	20265C	ME747686	GASKET,CLUTCH BOOSTER INR	1			G6V,H J6V,J6
		ME747686	GASKET,CLUTCH BOOSTER INR	1			G6V,H J6V,J6
		ME747686	GASKET,CLUTCH BOOSTER INR	1			G6V,H J6V,J6
	20265D	4450304116	GASKET,CLUTCH BOOSTER INR	2			G6,G6 H6E,J6 K6,K6 M6E
		4450304116	GASKET,CLUTCH BOOSTER INR	2			G6E,M
		4450304116	GASKET,CLUTCH BOOSTER INR	2			G6V,H J6V,J6 K6VE, G6,H6, J6,J6E
		4450304116	GASKET,CLUTCH BOOSTER INR	2			K6E,M
		4450304116	GASKET,CLUTCH BOOSTER INR	2			G6,G6 H6E,J6 K6,K6 M6E
		4450304116	GASKET,CLUTCH BOOSTER INR	2			G6V,H J6V,J6 K6VE, G6,H6, J6,J6E
		4450304116	GASKET,CLUTCH BOOSTER INR	2			K6E,M
		4450304116	GASKET,CLUTCH BOOSTER INR	2			G6,H6, J6,J6E
		4450304116	GASKET,CLUTCH BOOSTER INR	2			K6E,M
		4450304116	GASKET,CLUTCH BOOSTER INR	2			G6E,G H6VE, K6V,K M6VE
		4450304116	GASKET,CLUTCH BOOSTER INR	2			G6,H6, J6,J6E
		4450304116	GASKET,CLUTCH BOOSTER INR	2			K6E,M
		4450304116	GASKET,CLUTCH BOOSTER INR	2			G6E,M
		4450304116	GASKET,CLUTCH BOOSTER INR	2			G6V,H J6V,J6 K6VE, G6,G6 H6,H6 H6VE, J6V,J6 K6E,K M6,M6
		4450304116	GASKET,CLUTCH BOOSTER INR	2			G6,G6 H6E,H J6,J6E J6VE, K6V,K M6VE
		4450304116	GASKET,CLUTCH BOOSTER INR	2			G6,H6, J6,J6E K6E,M
		4450304116	GASKET,CLUTCH BOOSTER INR	2			G6V,H J6V,J6 K6VE, G6,H6, J6,J6E
	20265E	ME747670	GASKET,CLUTCH BOOSTER INR	1			K6E,M
		ME747670	GASKET,CLUTCH BOOSTER INR	1			G6,G6 H6E,J6 K6,K6 M6E
		ME747670	GASKET,CLUTCH BOOSTER INR	1			G6,G6 H6E,J6 K6,K6 M6E
		ME747670	GASKET,CLUTCH BOOSTER INR	1			G6E,M

FK74R
21-210 CLUTCH CONTROL (1/2)

Repl Part	PNC	Part No	Part Name	Qty	Part Spec	NEW1	Class
	20265E	ME747670	GASKET,CLUTCH BOOSTER INR	1			G6,G6 H6E,J6 K6,K6E M6E
		ME706632	GASKET,CLUTCH BOOSTER INR	1			G6V,H6 J6V,J6E K6VE,L6E
		ME706632	GASKET,CLUTCH BOOSTER INR	1			G6V,H6 J6V,J6E K6VE,L6E
		ME706632	GASKET,CLUTCH BOOSTER INR	1			G6V,H6 J6V,J6E K6VE,L6E
		ME747670	GASKET,CLUTCH BOOSTER INR	1			G6,H6 J6,J6E K6E,M6E
		ME747670	GASKET,CLUTCH BOOSTER INR	1			G6,H6 J6,J6E K6E,M6E
		ME747670	GASKET,CLUTCH BOOSTER INR	1			G6,H6 J6,J6E K6E,M6E
		ME747670	GASKET,CLUTCH BOOSTER INR	1			G6,H6 J6,J6E K6E,M6E
		ME747670	GASKET,CLUTCH BOOSTER INR	1			G6,H6 J6,J6E K6E,M6E
		ME706632	GASKET,CLUTCH BOOSTER INR	1			G6V,H6 J6V,J6E K6VE,L6E
		ME747670	GASKET,CLUTCH BOOSTER INR	1			G6,H6 J6,J6E K6E,M6E
		ME747670	GASKET,CLUTCH BOOSTER INR	1			G6,H6 J6,J6E K6E,M6E
		ME747670	GASKET,CLUTCH BOOSTER INR	1			G6,H6 J6,J6E K6E,M6E
		ME747670	GASKET,CLUTCH BOOSTER INR	1			G6,H6 J6,J6E K6E,M6E
		ME747670	GASKET,CLUTCH BOOSTER INR	1			G6,H6 J6,J6E K6E,M6E
		ME747670	GASKET,CLUTCH BOOSTER INR	1			G6,H6 J6,J6E K6E,M6E
		ME706632	GASKET,CLUTCH BOOSTER INR	1			G6V,H6 J6V,J6E K6VE,L6E
		ME706632	GASKET,CLUTCH BOOSTER INR	1			G6V,H6 J6V,J6E K6VE,L6E
		ME706632	GASKET,CLUTCH BOOSTER INR	1			G6V,H6 J6V,J6E K6VE,L6E
		ME706632	GASKET,CLUTCH BOOSTER INR	1			G6V,H6 J6V,J6E K6VE,L6E
	20265G	ME707778	GASKET,CLUTCH BOOSTER INR	1			G6,H6 J6,J6E K6E,M6E
		ME707778	GASKET,CLUTCH BOOSTER INR	1			G6,G6 H6E,J6 K6,K6E M6E
		ME707778	GASKET,CLUTCH BOOSTER INR	1			G6E,M6E G6,G6 H6E,J6 K6,K6E M6E
		ME707778	GASKET,CLUTCH BOOSTER INR	1			G6,G6 H6E,J6 K6,K6E M6E
		ME707778	GASKET,CLUTCH BOOSTER INR	1			G6,H6 J6,J6E K6E,M6E
		ME707778	GASKET,CLUTCH BOOSTER INR	1			G6,H6 J6,J6E K6E,M6E
		ME707778	GASKET,CLUTCH BOOSTER INR	1			G6,H6 J6,J6E K6E,M6E

FK74R
21-210 CLUTCH CONTROL (1/2)

Repl Part	PNC	Part No	Part Name	Qty	Part Spec	NEW1	Class
	20265G	ME707778	GASKET,CLUTCH BOOSTER INR	1			G6,H6, J6,J6E K6E,M
		4450304129	GASKET,CLUTCH BOOSTER INR	1			G6V,H J6V,J6 K6VE,I
		4450304129	GASKET,CLUTCH BOOSTER INR	1			G6V,H J6V,J6 K6VE,I
		4450304129	GASKET,CLUTCH BOOSTER INR	1			G6V,H J6V,J6 K6VE,I
		ME707778	GASKET,CLUTCH BOOSTER INR	1			G6,H6, J6,J6E K6E,M
		4450304129	GASKET,CLUTCH BOOSTER INR	1			G6V,H J6V,J6 K6VE,I
		ME707778	GASKET,CLUTCH BOOSTER INR	1			G6,H6, J6,J6E K6E,M
		ME707778	GASKET,CLUTCH BOOSTER INR	1			G6,H6, J6,J6E K6E,M
		ME707778	GASKET,CLUTCH BOOSTER INR	1			G6,H6, J6,J6E K6E,M
		4450304129	GASKET,CLUTCH BOOSTER INR	1			G6V,H J6V,J6 K6VE,I
		4450304129	GASKET,CLUTCH BOOSTER INR	1			G6V,H J6V,J6 K6VE,I
		4450304129	GASKET,CLUTCH BOOSTER INR	1			G6V,H J6V,J6 K6VE,I
	20265H	ME707779	GASKET,CLUTCH BOOSTER INR	1			G6,H6, J6,J6E K6E,M
		ME707779	GASKET,CLUTCH BOOSTER INR	1			G6,G6 H6E,J6 K6,K6E M6E
		ME707779	GASKET,CLUTCH BOOSTER INR	1			G6E,M G6,G6 H6E,J6 K6,K6E M6E
		ME707779	GASKET,CLUTCH BOOSTER INR	1			G6,G6 H6E,J6 K6,K6E M6E
		ME707779	GASKET,CLUTCH BOOSTER INR	1			G6,H6, J6,J6E K6E,M
		ME707779	GASKET,CLUTCH BOOSTER INR	1			G6,H6, J6,J6E K6E,M
		ME707779	GASKET,CLUTCH BOOSTER INR	1			G6,H6, J6,J6E K6E,M
		4450304138	GASKET,CLUTCH BOOSTER INR	1			G6V,H J6V,J6 K6VE,I
		4450304138	GASKET,CLUTCH BOOSTER INR	1			G6V,H J6V,J6 K6VE,I
		4450304138	GASKET,CLUTCH BOOSTER INR	1			G6V,H J6V,J6 K6VE,I
		ME707779	GASKET,CLUTCH BOOSTER INR	1			G6,H6, J6,J6E K6E,M

FK74R
21-210 CLUTCH CONTROL (1/2)

Repl Part	PNC 20265H	Part No	Part Name	Qty	Part Spec	NEW1	Class
		4450304138	GASKET,CLUTCH BOOSTER INR	1			G6V,H J6V,J6 K6VE,L
		ME707779	GASKET,CLUTCH BOOSTER INR	1			G6,H6, J6,J6E
		ME707779	GASKET,CLUTCH BOOSTER INR	1			K6E,M G6,H6, J6,J6E
		ME707779	GASKET,CLUTCH BOOSTER INR	1			K6E,M G6,H6, J6,J6E
		4450304138	GASKET,CLUTCH BOOSTER INR	1			K6E,M G6V,H J6V,J6
		4450304138	GASKET,CLUTCH BOOSTER INR	1			G6V,H J6V,J6
		4450304138	GASKET,CLUTCH BOOSTER INR	1			G6V,H J6V,J6
	20265J	4450304133	GASKET,CLUTCH BOOSTER INR	1			G6,G6 H6E,J6 K6,K6E
		4450304133	GASKET,CLUTCH BOOSTER INR	1			M6E G6E,M G6V,H J6V,J6
		4450304133	GASKET,CLUTCH BOOSTER INR	1			K6VE,L G6,H6, J6,J6E
		4450304133	GASKET,CLUTCH BOOSTER INR	1			K6E,M G6,G6 H6E,J6 K6,K6E
		4450304133	GASKET,CLUTCH BOOSTER INR	1			M6E G6V,H J6V,J6 K6VE,L
		4450304133	GASKET,CLUTCH BOOSTER INR	1			G6,H6, J6,J6E
		4450304133	GASKET,CLUTCH BOOSTER INR	1			K6E,M G6,H6, J6,J6E
		4450304133	GASKET,CLUTCH BOOSTER INR	1			K6E,M G6E,G H6VE,- K6V,K M6VE
		4450304133	GASKET,CLUTCH BOOSTER INR	1			G6,H6, J6,J6E
		4450304133	GASKET,CLUTCH BOOSTER INR	1			K6E,M G6E,M G6V,H J6V,J6
		4450304133	GASKET,CLUTCH BOOSTER INR	1			K6VE,L G6,G6 H6,H6 H6VE,-
		4450304133	GASKET,CLUTCH BOOSTER INR	1			J6V,J6 K6E,K M6,M6 G6,G6 H6E,H
		4450304133	GASKET,CLUTCH BOOSTER INR	1			J6,J6E J6VE,h K6V,K M6VE G6,H6, J6,J6E
		4450304133	GASKET,CLUTCH BOOSTER INR	1			K6E,M G6V,H J6V,J6 K6VE,L

FK74R
21-210 CLUTCH CONTROL (1/2)

Repl Part	PNC	Part No	Part Name	Qty	Part Spec	NEW1	Class
	20275	ME739577	PISTON,CLUTCH BOOSTER HYDRAULIC	1			G6,H6, J6,J6E K6E,M
		ME739577	PISTON,CLUTCH BOOSTER HYDRAULIC	1			G6,G6 H6E,J6 K6,K6E M6E
		ME739577	PISTON,CLUTCH BOOSTER HYDRAULIC	1			G6E,M
		ME739577	PISTON,CLUTCH BOOSTER HYDRAULIC	1			G6,G6 H6E,J6 K6,K6E M6E
		ME739577	PISTON,CLUTCH BOOSTER HYDRAULIC	1			G6,G6 H6E,J6 K6,K6E M6E
		ME739577	PISTON,CLUTCH BOOSTER HYDRAULIC	1			G6,H6, J6,J6E K6E,M
		ME739577	PISTON,CLUTCH BOOSTER HYDRAULIC	1			G6,H6, J6,J6E K6E,M
		ME739577	PISTON,CLUTCH BOOSTER HYDRAULIC	1			G6,H6, J6,J6E K6E,M
		ME739577	PISTON,CLUTCH BOOSTER HYDRAULIC	1			G6,H6, J6,J6E K6E,M
		ME739577	PISTON,CLUTCH BOOSTER HYDRAULIC	1			G6,H6, J6,J6E K6E,M
		ME758318	PISTON,CLUTCH BOOSTER HYDRAULIC	1			G6V,H J6V,J6 K6VE,E
		ME758318	PISTON,CLUTCH BOOSTER HYDRAULIC	1			G6V,H J6V,J6 K6VE,E
		ME758318	PISTON,CLUTCH BOOSTER HYDRAULIC	1			G6V,H J6V,J6 K6VE,E
		ME739577	PISTON,CLUTCH BOOSTER HYDRAULIC	1			G6,H6, J6,J6E K6E,M
		ME758318	PISTON,CLUTCH BOOSTER HYDRAULIC	1			G6V,H J6V,J6 K6VE,E
		ME739577	PISTON,CLUTCH BOOSTER HYDRAULIC	1			G6,H6, J6,J6E K6E,M
		ME739577	PISTON,CLUTCH BOOSTER HYDRAULIC	1			G6,H6, J6,J6E K6E,M
		ME758318	PISTON,CLUTCH BOOSTER HYDRAULIC	1			G6V,H J6V,J6 K6VE,E
		ME758318	PISTON,CLUTCH BOOSTER HYDRAULIC	1			G6V,H J6V,J6 K6VE,E
		ME758318	PISTON,CLUTCH BOOSTER HYDRAULIC	1			G6V,H J6V,J6 K6VE,E
	20275A	ME729252	PISTON ASSY,CLUTCH BOOSTER HYDRAULIC	1			G6,H6, J6,J6E K6E,M
		ME729252	PISTON ASSY,CLUTCH BOOSTER HYDRAULIC	1			G6,G6 H6E,J6 K6,K6E M6E
		ME729252	PISTON ASSY,CLUTCH BOOSTER HYDRAULIC	1			G6E,M
		ME729252	PISTON ASSY,CLUTCH BOOSTER HYDRAULIC	1			G6,G6 H6E,J6 K6,K6E M6E

FK74R
21-210 CLUTCH CONTROL (1/2)

Repl Part	PNC	Part No	Part Name	Qty	Part Spec	NEW1	Class
	20275A	ME729252	PISTON ASSY,CLUTCH BOOSTER HYDRAULIC	1			G6,G6 H6E,J6 K6,K6E M6E
		ME729252	PISTON ASSY,CLUTCH BOOSTER HYDRAULIC	1			G6,H6, J6,J6E K6E,M
		ME729252	PISTON ASSY,CLUTCH BOOSTER HYDRAULIC	1			G6,H6, J6,J6E K6E,M
		ME729252	PISTON ASSY,CLUTCH BOOSTER HYDRAULIC	1			G6,H6, J6,J6E K6E,M
		ME729252	PISTON ASSY,CLUTCH BOOSTER HYDRAULIC	1			G6,H6, J6,J6E K6E,M
		ME758317	PISTON ASSY,CLUTCH BOOSTER HYDRAULIC	1			G6V,H J6V,J6 K6VE,I
		ME758317	PISTON ASSY,CLUTCH BOOSTER HYDRAULIC	1			G6V,H J6V,J6 K6VE,I
		ME758317	PISTON ASSY,CLUTCH BOOSTER HYDRAULIC	1			G6V,H J6V,J6 K6VE,I
		ME729252	PISTON ASSY,CLUTCH BOOSTER HYDRAULIC	1			G6,H6, J6,J6E K6E,M
		ME758317	PISTON ASSY,CLUTCH BOOSTER HYDRAULIC	1			G6V,H J6V,J6 K6VE,I
		ME729252	PISTON ASSY,CLUTCH BOOSTER HYDRAULIC	1			G6,H6, J6,J6E K6E,M
		ME729252	PISTON ASSY,CLUTCH BOOSTER HYDRAULIC	1			G6,H6, J6,J6E K6E,M
		ME729252	PISTON ASSY,CLUTCH BOOSTER HYDRAULIC	1			G6,H6, J6,J6E K6E,M
		ME758317	PISTON ASSY,CLUTCH BOOSTER HYDRAULIC	1			G6V,H J6V,J6 K6VE,I
		ME758317	PISTON ASSY,CLUTCH BOOSTER HYDRAULIC	1			G6V,H J6V,J6 K6VE,I
		ME758317	PISTON ASSY,CLUTCH BOOSTER HYDRAULIC	1			G6V,H J6V,J6 K6VE,I
	20276A	ME707911	PISTON ASSY,CLUTCH BOOSTER RELAY VALVE	1			G6,H6, J6,J6E K6E,M
		ME707911	PISTON ASSY,CLUTCH BOOSTER RELAY VALVE	1			G6,G6 H6E,J6 K6,K6E M6E
		ME707911	PISTON ASSY,CLUTCH BOOSTER RELAY VALVE	1			G6E,M
		ME707911	PISTON ASSY,CLUTCH BOOSTER RELAY VALVE	1			G6,G6 H6E,J6 K6,K6E M6E
		ME707911	PISTON ASSY,CLUTCH BOOSTER RELAY VALVE	1			G6,G6 H6E,J6 K6,K6E M6E
		ME707911	PISTON ASSY,CLUTCH BOOSTER RELAY VALVE	1			G6,H6, J6,J6E K6E,M
		ME707911	PISTON ASSY,CLUTCH BOOSTER RELAY VALVE	1			G6,H6, J6,J6E K6E,M
		ME707911	PISTON ASSY,CLUTCH BOOSTER RELAY VALVE	1			G6,H6, J6,J6E K6E,M

FK74R
21-210 CLUTCH CONTROL (1/2)

Repl Part	PNC	Part No	Part Name	Qty	Part Spec	NEW1	Class
	20276A	ME707911	PISTON ASSY,CLUTCH BOOSTER RELAY VALVE	1			G6,H6, J6,J6E K6E,M
		ME758265	PISTON ASSY,CLUTCH BOOSTER RELAY VALVE	1			G6V,H J6V,J6 K6VE,I
		ME758265	PISTON ASSY,CLUTCH BOOSTER RELAY VALVE	1			G6V,H J6V,J6 K6VE,I
		ME758265	PISTON ASSY,CLUTCH BOOSTER RELAY VALVE	1			G6V,H J6V,J6 K6VE,I
		ME707911	PISTON ASSY,CLUTCH BOOSTER RELAY VALVE	1			G6,H6, J6,J6E K6E,M
		ME758265	PISTON ASSY,CLUTCH BOOSTER RELAY VALVE	1			G6V,H J6V,J6 K6VE,I
		ME707911	PISTON ASSY,CLUTCH BOOSTER RELAY VALVE	1			G6,H6, J6,J6E K6E,M
		ME707911	PISTON ASSY,CLUTCH BOOSTER RELAY VALVE	1			G6,H6, J6,J6E K6E,M
		ME707911	PISTON ASSY,CLUTCH BOOSTER RELAY VALVE	1			G6,H6, J6,J6E K6E,M
		ME758265	PISTON ASSY,CLUTCH BOOSTER RELAY VALVE	1			G6V,H J6V,J6 K6VE,I
		ME758265	PISTON ASSY,CLUTCH BOOSTER RELAY VALVE	1			G6V,H J6V,J6 K6VE,I
		ME758265	PISTON ASSY,CLUTCH BOOSTER RELAY VALVE	1			G6V,H J6V,J6 K6VE,I
	20277	ME707910	PISTON,CLUTCH BOOSTER CONTROL VALVE	1			G6,H6, J6,J6E K6E,M
		ME707910	PISTON,CLUTCH BOOSTER CONTROL VALVE	1			G6,G6 H6E,J6 K6,K6E M6E
		ME707910	PISTON,CLUTCH BOOSTER CONTROL VALVE	1			G6,G6 H6E,J6 K6,K6E M6E
		ME707910	PISTON,CLUTCH BOOSTER CONTROL VALVE	1			G6,H6, J6,J6E K6E,M
		ME707910	PISTON,CLUTCH BOOSTER CONTROL VALVE	1			G6,H6, J6,J6E K6E,M
		ME707910	PISTON,CLUTCH BOOSTER CONTROL VALVE	1			G6,H6, J6,J6E K6E,M
		ME758266	PISTON,CLUTCH BOOSTER CONTROL VALVE	1			G6V,H J6V,J6 K6VE,I
		ME758266	PISTON,CLUTCH BOOSTER CONTROL VALVE	1			G6V,H J6V,J6 K6VE,I
		ME758266	PISTON,CLUTCH BOOSTER CONTROL VALVE	1			G6V,H J6V,J6 K6VE,I
		ME707910	PISTON,CLUTCH BOOSTER CONTROL VALVE	1			G6,H6, J6,J6E K6E,M

FK74R
21-210 CLUTCH CONTROL (1/2)

Repl Part	PNC	Part No	Part Name	Qty	Part Spec	NEW1	Class
	20277	ME758266	PISTON,CLUTCH BOOSTER CONTROL VALVE	1			G6V,H J6V,J6 K6VE,I G6,H6, J6,J6E K6E,M
		ME707910	PISTON,CLUTCH BOOSTER CONTROL VALVE	1			G6,H6, J6,J6E K6E,M
		ME707910	PISTON,CLUTCH BOOSTER CONTROL VALVE	1			G6,H6, J6,J6E K6E,M
		ME707910	PISTON,CLUTCH BOOSTER CONTROL VALVE	1			G6,H6, J6,J6E K6E,M
		ME758266	PISTON,CLUTCH BOOSTER CONTROL VALVE	1			G6V,H J6V,J6
		ME758266	PISTON,CLUTCH BOOSTER CONTROL VALVE	1			G6V,H J6V,J6
		ME758266	PISTON,CLUTCH BOOSTER CONTROL VALVE	1			G6V,H J6V,J6
	20281	ME747669	PISTON,CLUTCH BOOSTER	1			G6,H6, J6,J6E K6E,M
		ME747669	PISTON,CLUTCH BOOSTER	1			G6,G6 H6E,J6 K6,K6E M6E
		ME747669	PISTON,CLUTCH BOOSTER	1			G6,G6 H6E,J6 K6,K6E M6E
		ME747669	PISTON,CLUTCH BOOSTER	1			G6E,M G6,G6 H6E,J6 K6,K6E M6E
		ME747669	PISTON,CLUTCH BOOSTER	1			G6,G6 H6E,J6 K6,K6E M6E
		ME707059	PISTON,CLUTCH BOOSTER	1			G6V,H J6V,J6
		ME707059	PISTON,CLUTCH BOOSTER	1			K6VE,I G6V,H J6V,J6
		ME707059	PISTON,CLUTCH BOOSTER	1			K6VE,I G6V,H J6V,J6
		ME747669	PISTON,CLUTCH BOOSTER	1			K6VE,I G6,H6, J6,J6E K6E,M
		ME747669	PISTON,CLUTCH BOOSTER	1			G6,H6, J6,J6E K6E,M
		ME747669	PISTON,CLUTCH BOOSTER	1			G6,H6, J6,J6E K6E,M
		ME707059	PISTON,CLUTCH BOOSTER	1			G6V,H J6V,J6 K6VE,I
		ME747669	PISTON,CLUTCH BOOSTER	1			G6,H6, J6,J6E K6E,M
		ME747669	PISTON,CLUTCH BOOSTER	1			G6,H6, J6,J6E K6E,M
		ME747669	PISTON,CLUTCH BOOSTER	1			G6,H6, J6,J6E K6E,M
		ME707059	PISTON,CLUTCH BOOSTER	1			G6V,H J6V,J6 K6VE,I
		ME747669	PISTON,CLUTCH BOOSTER	1			G6,H6, J6,J6E K6E,M
		ME747669	PISTON,CLUTCH BOOSTER	1			G6,H6, J6,J6E K6E,M
		ME747669	PISTON,CLUTCH BOOSTER	1			G6,H6, J6,J6E K6E,M
		ME707059	PISTON,CLUTCH BOOSTER	1			G6V,H J6V,J6 K6VE,I

FK74R
21-210 CLUTCH CONTROL (1/2)

Repl Part	PNC	Part No	Part Name	Qty	Part Spec	NEW1	Class
	20281	ME707059	PISTON,CLUTCH BOOSTER	1			G6V,H J6V,J6
		ME707059	PISTON,CLUTCH BOOSTER	1			G6V,H J6V,J6
	20287	ME758272	PLATE,CLUTCH BOOSTER CYLINDER SHELL	1			G6V,H J6V,J6 K6VE,L
		ME758272	PLATE,CLUTCH BOOSTER CYLINDER SHELL	1			G6V,H J6V,J6 K6VE,L
		ME758272	PLATE,CLUTCH BOOSTER CYLINDER SHELL	1			G6V,H J6V,J6 K6VE,L
		ME758272	PLATE,CLUTCH BOOSTER CYLINDER SHELL	1			G6V,H J6V,J6 K6VE,L
		ME758272	PLATE,CLUTCH BOOSTER CYLINDER SHELL	1			G6V,H J6V,J6 K6VE,L
		ME758272	PLATE,CLUTCH BOOSTER CYLINDER SHELL	1			G6V,H J6V,J6 K6VE,L
		ME758272	PLATE,CLUTCH BOOSTER CYLINDER SHELL	1			G6V,H J6V,J6 K6VE,L
	20292A	ME747672	PLATE ASSY,CLUTCH BOOSTER END	1			G6,H6 J6,J6E K6E,M
		ME747672	PLATE ASSY,CLUTCH BOOSTER END	1			G6,G6 H6E,J6 K6,K6L M6E
		ME747672	PLATE ASSY,CLUTCH BOOSTER END	1			G6E,M G6,G6 H6E,J6 K6,K6L M6E
		ME747672	PLATE ASSY,CLUTCH BOOSTER END	1			G6,G6 H6E,J6 K6,K6L M6E
		ME747672	PLATE ASSY,CLUTCH BOOSTER END	1			G6,G6 H6E,J6 K6,K6L M6E
		ME747672	PLATE ASSY,CLUTCH BOOSTER END	1			G6,H6 J6,J6E K6E,M
		ME747672	PLATE ASSY,CLUTCH BOOSTER END	1			G6,H6 J6,J6E K6E,M
		ME747672	PLATE ASSY,CLUTCH BOOSTER END	1			G6,H6 J6,J6E K6E,M
		ME747672	PLATE ASSY,CLUTCH BOOSTER END	1			G6,H6 J6,J6E K6E,M
		ME747672	PLATE ASSY,CLUTCH BOOSTER END	1			G6,H6 J6,J6E K6E,M
		ME758264	PLATE ASSY,CLUTCH BOOSTER END	1			G6V,H J6V,J6 K6VE,L
		ME758264	PLATE ASSY,CLUTCH BOOSTER END	1			G6V,H J6V,J6 K6VE,L
		ME758264	PLATE ASSY,CLUTCH BOOSTER END	1			G6V,H J6V,J6 K6VE,L
		ME747672	PLATE ASSY,CLUTCH BOOSTER END	1			G6,H6 J6,J6E K6E,M
		ME758264	PLATE ASSY,CLUTCH BOOSTER END	1			G6V,H J6V,J6 K6VE,L
		ME747672	PLATE ASSY,CLUTCH BOOSTER END	1			G6,H6 J6,J6E K6E,M
		ME747672	PLATE ASSY,CLUTCH BOOSTER END	1			G6,H6 J6,J6E K6E,M

FK74R
21-210 CLUTCH CONTROL (1/2)

Repl Part	PNC	Part No	Part Name	Qty	Part Spec	NEW1	Class
	20292A	ME747672	PLATE ASSY,CLUTCH BOOSTER END	1			G6,H6, J6,J6E K6E,M G6V,H J6V,J6 G6V,H J6V,J6 G6V,H J6V,J6
		ME758264	PLATE ASSY,CLUTCH BOOSTER END	1			G6V,H J6V,J6 G6V,H J6V,J6 G6V,H J6V,J6
		ME758264	PLATE ASSY,CLUTCH BOOSTER END	1			G6V,H J6V,J6 G6V,H J6V,J6
		ME758264	PLATE ASSY,CLUTCH BOOSTER END	1			G6V,H J6V,J6 G6V,H J6V,J6
RP	20303	0322121081	PROTECTOR,CLUTCH BOOSTER END PLATE,UPR	1		Y	G6,G6 H6E,J6 K6,K6 M6E G6E,M G6V,H J6V,J6 K6VE,I G6,H6, J6,J6E K6E,M G6,G6 H6E,J6 K6,K6 M6E G6V,H J6V,J6 K6VE,I G6,H6, J6,J6E K6E,M G6,H6, J6,J6E K6E,M G6E,G H6VE, K6V,K M6VE G6,H6, J6,J6E K6E,M G6E,M G6V,H J6V,J6 K6VE,I G6,G6 H6,H6 H6VE, J6V,J6 K6E,K M6,M6 G6,G6 H6E,H J6,J6E J6VE,I K6V,K M6VE G6,H6, J6,J6E K6E,M G6V,H J6V,J6 K6VE,I G6,H6, J6,J6E K6E,M G6,G6 H6E,J6 K6,K6 M6E G6E,M
RP		0322121081	PROTECTOR,CLUTCH BOOSTER END PLATE,UPR	1		Y	G6E,M
RP		0322121081	PROTECTOR,CLUTCH BOOSTER END PLATE,UPR	1		Y	G6V,H
RP		0322121081	PROTECTOR,CLUTCH BOOSTER END PLATE,UPR	1		Y	J6V,J6 K6VE,I G6,H6, J6,J6E K6E,M G6,H6, J6,J6E K6E,M G6E,G H6VE, K6V,K M6VE G6,H6, J6,J6E K6E,M G6E,M G6V,H J6V,J6 K6VE,I G6,G6 H6,H6 H6VE, J6V,J6 K6E,K M6,M6 G6,G6 H6E,H J6,J6E J6VE,I K6V,K M6VE G6,H6, J6,J6E K6E,M G6V,H J6V,J6 K6VE,I G6,H6, J6,J6E K6E,M G6,G6 H6E,J6 K6,K6 M6E G6E,M
RP		0322121081	PROTECTOR,CLUTCH BOOSTER END PLATE,UPR	1		Y	G6,H6, J6,J6E K6E,M G6,H6, J6,J6E K6E,M G6E,G H6VE, K6V,K M6VE G6,H6, J6,J6E K6E,M G6E,M G6V,H J6V,J6 K6VE,I G6,G6 H6,H6 H6VE, J6V,J6 K6E,K M6,M6 G6,G6 H6E,H J6,J6E J6VE,I K6V,K M6VE G6,H6, J6,J6E K6E,M G6V,H J6V,J6 K6VE,I G6,H6, J6,J6E K6E,M G6,G6 H6E,J6 K6,K6 M6E G6E,M
RP		0322121081	PROTECTOR,CLUTCH BOOSTER END PLATE,UPR	1		Y	G6V,H J6V,J6 K6VE,I G6,H6, J6,J6E K6E,M G6,H6, J6,J6E K6E,M G6E,G H6VE, K6V,K M6VE G6,H6, J6,J6E K6E,M G6E,M G6V,H J6V,J6 K6VE,I G6,G6 H6,H6 H6VE, J6V,J6 K6E,K M6,M6 G6,G6 H6E,H J6,J6E J6VE,I K6V,K M6VE G6,H6, J6,J6E K6E,M G6V,H J6V,J6 K6VE,I G6,H6, J6,J6E K6E,M G6,G6 H6E,J6 K6,K6 M6E G6E,M
RP		0322121081	PROTECTOR,CLUTCH BOOSTER END PLATE,UPR	1		Y	G6V,H J6V,J6 K6VE,I G6,H6, J6,J6E K6E,M G6,H6, J6,J6E K6E,M G6E,G H6VE, K6V,K M6VE G6,H6, J6,J6E K6E,M G6E,M G6V,H J6V,J6 K6VE,I G6,G6 H6,H6 H6VE, J6V,J6 K6E,K M6,M6 G6,G6 H6E,H J6,J6E J6VE,I K6V,K M6VE G6,H6, J6,J6E K6E,M G6V,H J6V,J6 K6VE,I G6,H6, J6,J6E K6E,M G6,G6 H6E,J6 K6,K6 M6E G6E,M
RP		0322121081	PROTECTOR,CLUTCH BOOSTER END PLATE,UPR	1		Y	G6V,H J6V,J6 K6VE,I G6,H6, J6,J6E K6E,M G6,H6, J6,J6E K6E,M G6E,G H6VE, K6V,K M6VE G6,H6, J6,J6E K6E,M G6E,M G6V,H J6V,J6 K6VE,I G6,G6 H6,H6 H6VE, J6V,J6 K6E,K M6,M6 G6,G6 H6E,H J6,J6E J6VE,I K6V,K M6VE G6,H6, J6,J6E K6E,M G6V,H J6V,J6 K6VE,I G6,H6, J6,J6E K6E,M G6,G6 H6E,J6 K6,K6 M6E G6E,M
RP		0322121081	PROTECTOR,CLUTCH BOOSTER END PLATE,UPR	1		Y	G6V,H J6V,J6 K6VE,I G6,H6, J6,J6E K6E,M G6,H6, J6,J6E K6E,M G6E,G H6VE, K6V,K M6VE G6,H6, J6,J6E K6E,M G6E,M G6V,H J6V,J6 K6VE,I G6,G6 H6,H6 H6VE, J6V,J6 K6E,K M6,M6 G6,G6 H6E,H J6,J6E J6VE,I K6V,K M6VE G6,H6, J6,J6E K6E,M G6V,H J6V,J6 K6VE,I G6,H6, J6,J6E K6E,M G6,G6 H6E,J6 K6,K6 M6E G6E,M
RP		0322121081	PROTECTOR,CLUTCH BOOSTER END PLATE,UPR	1		Y	G6V,H J6V,J6 K6VE,I G6,H6, J6,J6E K6E,M G6,H6, J6,J6E K6E,M G6E,G H6VE, K6V,K M6VE G6,H6, J6,J6E K6E,M G6E,M G6V,H J6V,J6 K6VE,I G6,G6 H6,H6 H6VE, J6V,J6 K6E,K M6,M6 G6,G6 H6E,H J6,J6E J6VE,I K6V,K M6VE G6,H6, J6,J6E K6E,M G6V,H J6V,J6 K6VE,I G6,H6, J6,J6E K6E,M G6,G6 H6E,J6 K6,K6 M6E G6E,M
RP	20311	ME707563	PUSH ROD,CLUTCH BOOSTER POWER PISTON	1			G6,H6, J6,J6E K6E,M G6,G6 H6E,J6 K6,K6 M6E G6E,M
		ME707563	PUSH ROD,CLUTCH BOOSTER POWER PISTON	1			G6,H6, J6,J6E K6E,M G6,G6 H6E,J6 K6,K6 M6E G6E,M
		ME707563	PUSH ROD,CLUTCH BOOSTER POWER PISTON	1			G6,H6, J6,J6E K6E,M G6,G6 H6E,J6 K6,K6 M6E G6E,M

FK74R
21-210 CLUTCH CONTROL (1/2)

Repl Part	PNC	Part No	Part Name	Qty	Part Spec	NEW1	Class
	20311	ME707563	PUSH ROD,CLUTCH BOOSTER POWER PISTON	1			G6,G6 H6E,J6 K6,K6 M6E
		ME707563	PUSH ROD,CLUTCH BOOSTER POWER PISTON	1			G6,G6 H6E,J6 K6,K6 M6E
		ME707563	PUSH ROD,CLUTCH BOOSTER POWER PISTON	1			G6,H6, J6,J6E K6E,M
		ME707563	PUSH ROD,CLUTCH BOOSTER POWER PISTON	1			G6,H6, J6,J6E K6E,M
		ME707563	PUSH ROD,CLUTCH BOOSTER POWER PISTON	1			G6,H6, J6,J6E K6E,M
		ME707563	PUSH ROD,CLUTCH BOOSTER POWER PISTON	1			G6,H6, J6,J6E K6E,M
		ME707563	PUSH ROD,CLUTCH BOOSTER POWER PISTON	1			G6,H6, J6,J6E K6E,M
		ME758319	PUSH ROD,CLUTCH BOOSTER POWER PISTON	1			G6V,H J6V,J6 K6VE,I
		ME758319	PUSH ROD,CLUTCH BOOSTER POWER PISTON	1			G6V,H J6V,J6 K6VE,I
		ME758319	PUSH ROD,CLUTCH BOOSTER POWER PISTON	1			G6V,H J6V,J6 K6VE,I
		ME707563	PUSH ROD,CLUTCH BOOSTER POWER PISTON	1			G6,H6, J6,J6E K6E,M
		ME758319	PUSH ROD,CLUTCH BOOSTER POWER PISTON	1			G6V,H J6V,J6 K6VE,I
		ME707563	PUSH ROD,CLUTCH BOOSTER POWER PISTON	1			G6,H6, J6,J6E K6E,M
		ME707563	PUSH ROD,CLUTCH BOOSTER POWER PISTON	1			G6,H6, J6,J6E K6E,M
		ME758319	PUSH ROD,CLUTCH BOOSTER POWER PISTON	1			G6V,H J6V,J6 K6VE,I
		ME758319	PUSH ROD,CLUTCH BOOSTER POWER PISTON	1			G6V,H J6V,J6 K6VE,I
		ME758319	PUSH ROD,CLUTCH BOOSTER POWER PISTON	1			G6V,H J6V,J6 K6VE,I
	20312	0302723701	PUSH ROD,CLUTCH BOOSTER	1			G6,H6, J6,J6E K6E,M
		0302723701	PUSH ROD,CLUTCH BOOSTER	1			G6,G6 H6E,J6 K6,K6 M6E
		0302723701	PUSH ROD,CLUTCH BOOSTER	1			G6,G6 H6E,J6 K6,K6 M6E
		0302723701	PUSH ROD,CLUTCH BOOSTER	1			G6E,M G6,G6 H6E,J6 K6,K6 M6E
		0302723701	PUSH ROD,CLUTCH BOOSTER	1			G6,G6 H6E,J6 K6,K6 M6E
		ME515372	PUSH ROD,CLUTCH BOOSTER	1			G6V,H J6V,J6 K6VE,I
		ME515372	PUSH ROD,CLUTCH BOOSTER	1			G6V,H J6V,J6 K6VE,I

FK74R
21-210 CLUTCH CONTROL (1/2)

Repl Part	PNC	Part No	Part Name	Qty	Part Spec	NEW1	Class
	20313	ME721455	PUSH ROD,CLUTCH POWER CYLINDER	1			G6,H6, J6,J6E K6E,M
	20315	ME720954	RETAINER,CLUTCH BOOSTER PUSH ROD	1			G6,G6 H6E,J6 K6,K6E M6E
		ME720954	RETAINER,CLUTCH BOOSTER PUSH ROD	1			G6E,M
		ME720954	RETAINER,CLUTCH BOOSTER PUSH ROD	1			G6V,H J6V,J6 K6VE,I
		ME720954	RETAINER,CLUTCH BOOSTER PUSH ROD	1			G6,H6, J6,J6E K6E,M
		ME720954	RETAINER,CLUTCH BOOSTER PUSH ROD	1			G6,G6 H6E,J6 K6,K6E M6E
		ME720954	RETAINER,CLUTCH BOOSTER PUSH ROD	1			G6V,H J6V,J6 K6VE,I
		ME720954	RETAINER,CLUTCH BOOSTER PUSH ROD	1			G6,H6, J6,J6E K6E,M
		ME720954	RETAINER,CLUTCH BOOSTER PUSH ROD	1			G6,G6 H6E,J6 K6,K6E M6E
		ME720954	RETAINER,CLUTCH BOOSTER PUSH ROD	1			G6V,H J6V,J6 K6VE,I
		ME720954	RETAINER,CLUTCH BOOSTER PUSH ROD	1			G6,H6, J6,J6E K6E,M
		ME720954	RETAINER,CLUTCH BOOSTER PUSH ROD	1			G6,G6 H6E,J6 K6,K6E M6E
		ME720954	RETAINER,CLUTCH BOOSTER PUSH ROD	1			G6,H6, J6,J6E K6E,M
		ME720954	RETAINER,CLUTCH BOOSTER PUSH ROD	1			G6E,G H6VE, K6V,K M6VE
		ME720954	RETAINER,CLUTCH BOOSTER PUSH ROD	1			G6,H6, J6,J6E K6E,M
		ME720954	RETAINER,CLUTCH BOOSTER PUSH ROD	1			G6E,M G6V,H J6V,J6 K6VE,I
		ME720954	RETAINER,CLUTCH BOOSTER PUSH ROD	1			G6,G6 H6,H6E H6VE, J6V,J6 K6E,K M6,M6E
		ME720954	RETAINER,CLUTCH BOOSTER PUSH ROD	1			G6,G6 H6E,H J6,J6E J6VE,I K6V,K M6VE
		ME720954	RETAINER,CLUTCH BOOSTER PUSH ROD	1			G6,H6, J6,J6E K6E,M
		ME720954	RETAINER,CLUTCH BOOSTER PUSH ROD	1			G6V,H J6V,J6 K6VE,I
	20315B	ME758273	RETAINER,CLUTCH BOOSTER PUSH ROD	1			G6V,H J6V,J6 K6VE,I
		ME758273	RETAINER,CLUTCH BOOSTER PUSH ROD	1			G6V,H J6V,J6 K6VE,I
		ME758273	RETAINER,CLUTCH BOOSTER PUSH ROD	1			G6V,H J6V,J6 K6VE,I
		ME758273	RETAINER,CLUTCH BOOSTER PUSH ROD	1			G6V,H J6V,J6 K6VE,I
		ME758273	RETAINER,CLUTCH BOOSTER PUSH ROD	1			G6V,H J6V,J6 K6VE,I
		ME758273	RETAINER,CLUTCH BOOSTER PUSH ROD	1			G6V,H J6V,J6

FK74R
21-210 CLUTCH CONTROL (1/2)

Repl Part	PNC	Part No	Part Name	Qty	Part Spec	NEW1	Class
	20315B	ME758273	RETAINER,CLUTCH BOOSTER PUSH ROD	1			G6V,H J6V,J6
	20317	ME747691	SHELL,CLUTCH BOOSTER CYLINDER	1			G6,H6, J6,J6E
		ME747691	SHELL,CLUTCH BOOSTER CYLINDER	1			K6E,M G6,G6
		ME747691	SHELL,CLUTCH BOOSTER CYLINDER	1			H6E,J6 K6,K6E
		ME747691	SHELL,CLUTCH BOOSTER CYLINDER	1			M6E
		ME747691	SHELL,CLUTCH BOOSTER CYLINDER	1			G6E,M
		ME747691	SHELL,CLUTCH BOOSTER CYLINDER	1			G6,G6
		ME747691	SHELL,CLUTCH BOOSTER CYLINDER	1			H6E,J6
		ME747691	SHELL,CLUTCH BOOSTER CYLINDER	1			K6,K6E
		ME747691	SHELL,CLUTCH BOOSTER CYLINDER	1			M6E
		ME747691	SHELL,CLUTCH BOOSTER CYLINDER	1			G6,G6
		ME747691	SHELL,CLUTCH BOOSTER CYLINDER	1			H6E,J6
		ME747691	SHELL,CLUTCH BOOSTER CYLINDER	1			K6,K6E
		ME747691	SHELL,CLUTCH BOOSTER CYLINDER	1			M6E
		ME747691	SHELL,CLUTCH BOOSTER CYLINDER	1			G6,H6, J6,J6E
		ME747691	SHELL,CLUTCH BOOSTER CYLINDER	1			K6E,M
		ME747691	SHELL,CLUTCH BOOSTER CYLINDER	1			G6,H6, J6,J6E
		ME747691	SHELL,CLUTCH BOOSTER CYLINDER	1			K6E,M
		ME747691	SHELL,CLUTCH BOOSTER CYLINDER	1			G6,H6, J6,J6E
		ME747691	SHELL,CLUTCH BOOSTER CYLINDER	1			K6E,M
		ME758261	SHELL,CLUTCH BOOSTER CYLINDER	1			G6V,H J6V,J6
		ME758261	SHELL,CLUTCH BOOSTER CYLINDER	1			K6VE,I
		ME758261	SHELL,CLUTCH BOOSTER CYLINDER	1			G6V,H J6V,J6
		ME758261	SHELL,CLUTCH BOOSTER CYLINDER	1			K6VE,I
		ME758261	SHELL,CLUTCH BOOSTER CYLINDER	1			G6V,H J6V,J6
		ME758261	SHELL,CLUTCH BOOSTER CYLINDER	1			K6VE,I
		ME747691	SHELL,CLUTCH BOOSTER CYLINDER	1			G6,H6, J6,J6E
		ME758261	SHELL,CLUTCH BOOSTER CYLINDER	1			K6E,M
		ME758261	SHELL,CLUTCH BOOSTER CYLINDER	1			G6V,H J6V,J6
		ME747691	SHELL,CLUTCH BOOSTER CYLINDER	1			K6VE,I
		ME747691	SHELL,CLUTCH BOOSTER CYLINDER	1			G6,H6, J6,J6E
		ME747691	SHELL,CLUTCH BOOSTER CYLINDER	1			K6E,M
		ME747691	SHELL,CLUTCH BOOSTER CYLINDER	1			G6,H6, J6,J6E
		ME747691	SHELL,CLUTCH BOOSTER CYLINDER	1			K6E,M
		ME758261	SHELL,CLUTCH BOOSTER CYLINDER	1			G6V,H J6V,J6
		ME758261	SHELL,CLUTCH BOOSTER CYLINDER	1			G6V,H J6V,J6
		ME758261	SHELL,CLUTCH BOOSTER CYLINDER	1			G6V,H J6V,J6
	20347B	ME747671	SPRING,CLUTCH POWER CYLINDER PISTON RETURN	1			G6,H6, J6,J6E
		ME747671	SPRING,CLUTCH POWER CYLINDER PISTON RETURN	1			K6E,M
		ME747671	SPRING,CLUTCH POWER CYLINDER PISTON RETURN	1			G6,G6
		ME747671	SPRING,CLUTCH POWER CYLINDER PISTON RETURN	1			H6E,J6
		ME747671	SPRING,CLUTCH POWER CYLINDER PISTON RETURN	1			K6,K6E
		ME747671	SPRING,CLUTCH POWER CYLINDER PISTON RETURN	1			M6E
		ME747671	SPRING,CLUTCH POWER CYLINDER PISTON RETURN	1			G6E,M
		ME747671	SPRING,CLUTCH POWER CYLINDER PISTON RETURN	1			G6,G6
		ME747671	SPRING,CLUTCH POWER CYLINDER PISTON RETURN	1			H6E,J6
		ME747671	SPRING,CLUTCH POWER CYLINDER PISTON RETURN	1			K6,K6E
		ME747671	SPRING,CLUTCH POWER CYLINDER PISTON RETURN	1			M6E

FK74R
21-210 CLUTCH CONTROL (1/2)

Repl Part	PNC	Part No	Part Name	Qty	Part Spec	NEW1	Class
	20347B	ME747671	SPRING,CLUTCH POWER CYLINDER PISTON RETURN	1			G6,G6 H6E,J6 K6,K6 M6E
		ME747671	SPRING,CLUTCH POWER CYLINDER PISTON RETURN	1			G6,H6, J6,J6E K6E,M
		ME747671	SPRING,CLUTCH POWER CYLINDER PISTON RETURN	1			G6,H6, J6,J6E K6E,M
		ME747671	SPRING,CLUTCH POWER CYLINDER PISTON RETURN	1			G6,H6, J6,J6E K6E,M
		ME747671	SPRING,CLUTCH POWER CYLINDER PISTON RETURN	1			G6,H6, J6,J6E K6E,M
		ME758263	SPRING,CLUTCH POWER CYLINDER PISTON RETURN	1			G6V,H J6V,J6 K6VE,I
		ME758263	SPRING,CLUTCH POWER CYLINDER PISTON RETURN	1			G6V,H J6V,J6 K6VE,I
		ME758263	SPRING,CLUTCH POWER CYLINDER PISTON RETURN	1			G6V,H J6V,J6 K6VE,I
		ME747671	SPRING,CLUTCH POWER CYLINDER PISTON RETURN	1			G6,H6, J6,J6E K6E,M
		ME758263	SPRING,CLUTCH POWER CYLINDER PISTON RETURN	1			G6V,H J6V,J6 K6VE,I
		ME747671	SPRING,CLUTCH POWER CYLINDER PISTON RETURN	1			G6,H6, J6,J6E K6E,M
		ME747671	SPRING,CLUTCH POWER CYLINDER PISTON RETURN	1			G6,H6, J6,J6E K6E,M
		ME747671	SPRING,CLUTCH POWER CYLINDER PISTON RETURN	1			G6,H6, J6,J6E K6E,M
		ME758263	SPRING,CLUTCH POWER CYLINDER PISTON RETURN	1			G6V,H J6V,J6 K6VE,I
		ME758263	SPRING,CLUTCH POWER CYLINDER PISTON RETURN	1			G6V,H J6V,J6 K6VE,I
		ME758263	SPRING,CLUTCH POWER CYLINDER PISTON RETURN	1			G6V,H J6V,J6 K6VE,I
	20347C	ME747636	SPRING,CLUTCH POWER CYLINDER PISTON RETURN	1			G6,G6 H6E,J6 K6,K6 M6E
		ME747636	SPRING,CLUTCH POWER CYLINDER PISTON RETURN	1			G6E,M
		ME747636	SPRING,CLUTCH POWER CYLINDER PISTON RETURN	1			G6V,H J6V,J6 K6VE,I
		ME747636	SPRING,CLUTCH POWER CYLINDER PISTON RETURN	1			G6,H6, J6,J6E K6E,M
		ME747636	SPRING,CLUTCH POWER CYLINDER PISTON RETURN	1			G6,G6 H6E,J6 K6,K6 M6E
		ME747636	SPRING,CLUTCH POWER CYLINDER PISTON RETURN	1			G6V,H J6V,J6 K6VE,I
		ME747636	SPRING,CLUTCH POWER CYLINDER PISTON RETURN	1			G6,H6, J6,J6E K6E,M
		ME747636	SPRING,CLUTCH POWER CYLINDER PISTON RETURN	1			G6,H6, J6,J6E K6E,M

FK74R
21-210 CLUTCH CONTROL (1/2)

Repl Part	PNC	Part No	Part Name	Qty	Part Spec	NEW1	Class	
20347C	ME747636	ME747636	SPRING,CLUTCH POWER CYLINDER PISTON RETURN	1			G6E,G H6VE, K6V,K M6VE	
		ME747636	SPRING,CLUTCH POWER CYLINDER PISTON RETURN	1			G6,H6, J6,J6E K6E,M	
		ME747636	SPRING,CLUTCH POWER CYLINDER PISTON RETURN	1			G6E,M	
		ME747636	SPRING,CLUTCH POWER CYLINDER PISTON RETURN	1			G6V,H J6V,J6 K6VE,I	
		ME747636	SPRING,CLUTCH POWER CYLINDER PISTON RETURN	1			G6,G6 H6,H6 H6VE, J6V,J6 K6E,K	
		ME747636	SPRING,CLUTCH POWER CYLINDER PISTON RETURN	1			M6,M6 G6,G6 H6E,H J6,J6E J6VE,h	
		ME747636	SPRING,CLUTCH POWER CYLINDER PISTON RETURN	1			K6V,K M6VE G6,H6, J6,J6E K6E,M	
		ME747636	SPRING,CLUTCH POWER CYLINDER PISTON RETURN	1			G6V,H J6V,J6 K6VE,I	
		ME747636	SPRING,CLUTCH POWER CYLINDER PISTON RETURN	1			G6,H6, J6,J6E K6E,M	
	20347D	ME747674	ME747674	SPRING,CLUTCH POWER CYLINDER PISTON RETURN	1			G6,G6 H6E,J6 K6,K6 M6E
			ME747674	SPRING,CLUTCH POWER CYLINDER PISTON RETURN	1			G6E,M
			ME747674	SPRING,CLUTCH POWER CYLINDER PISTON RETURN	1			G6V,H J6V,J6 K6VE,I
			ME747674	SPRING,CLUTCH POWER CYLINDER PISTON RETURN	1			G6,H6, J6,J6E K6E,M
			ME747674	SPRING,CLUTCH POWER CYLINDER PISTON RETURN	1			G6,G6 H6E,J6 K6,K6 M6E
			ME747674	SPRING,CLUTCH POWER CYLINDER PISTON RETURN	1			G6V,H J6V,J6 K6VE,I
			ME747674	SPRING,CLUTCH POWER CYLINDER PISTON RETURN	1			G6,H6, J6,J6E K6E,M
			ME747674	SPRING,CLUTCH POWER CYLINDER PISTON RETURN	1			G6,H6, J6,J6E K6E,M
			ME747674	SPRING,CLUTCH POWER CYLINDER PISTON RETURN	1			G6E,G H6VE, K6V,K M6VE

FK74R
21-210 CLUTCH CONTROL (1/2)

Repl Part	PNC	Part No	Part Name	Qty	Part Spec	NEW1	Class
	20347D	ME747674	SPRING,CLUTCH POWER CYLINDER PISTON RETURN	1			G6,G6 H6E,H J6,J6E J6VE,h K6V,K M6VE
		ME747674	SPRING,CLUTCH POWER CYLINDER PISTON RETURN	1			G6,H6 J6,J6E K6E,M
		ME747674	SPRING,CLUTCH POWER CYLINDER PISTON RETURN	1			G6V,H J6V,J6 K6VE,l
	20353	ME747635	VALVE,CLUTCH BOOSTER UPR POPPET	1			G6,G6 H6E,J6 K6,K6E M6E
		ME747635	VALVE,CLUTCH BOOSTER UPR POPPET	1			G6E,M
		ME747635	VALVE,CLUTCH BOOSTER UPR POPPET	1			G6V,H J6V,J6 K6VE,l
		ME747635	VALVE,CLUTCH BOOSTER UPR POPPET	1			G6,H6 J6,J6E K6E,M
		ME747635	VALVE,CLUTCH BOOSTER UPR POPPET	1			G6,G6 H6E,J6 K6,K6E M6E
		ME747635	VALVE,CLUTCH BOOSTER UPR POPPET	1			G6V,H J6V,J6 K6VE,l
		ME747635	VALVE,CLUTCH BOOSTER UPR POPPET	1			G6,H6 J6,J6E K6E,M
		ME747635	VALVE,CLUTCH BOOSTER UPR POPPET	1			G6E,G H6VE,- K6V,K M6VE
		ME747635	VALVE,CLUTCH BOOSTER UPR POPPET	1			G6,H6 J6,J6E K6E,M
		ME747635	VALVE,CLUTCH BOOSTER UPR POPPET	1			G6E,M
		ME747635	VALVE,CLUTCH BOOSTER UPR POPPET	1			G6V,H J6V,J6 K6VE,l
		ME747635	VALVE,CLUTCH BOOSTER UPR POPPET	1			G6,G6 H6,H6E H6VE,- J6V,J6 K6E,K
		ME747635	VALVE,CLUTCH BOOSTER UPR POPPET	1			M6,M6 G6,G6 H6E,H J6,J6E J6VE,h
		ME747635	VALVE,CLUTCH BOOSTER UPR POPPET	1			K6V,K M6VE
		ME747635	VALVE,CLUTCH BOOSTER UPR POPPET	1			G6,H6 J6,J6E K6E,M
		ME747635	VALVE,CLUTCH BOOSTER UPR POPPET	1			G6V,H J6V,J6 K6VE,l
	20422	ME636948	FORK,CLUTCH RELEASE	1			G6,H6 J6,J6E K6E,M
		ME636948	FORK,CLUTCH RELEASE	1			G6,G6 H6E,J6 K6,K6E M6E
		ME636948	FORK,CLUTCH RELEASE	1			G6E,M

FK74R
21-210 CLUTCH CONTROL (1/2)

Repl Part	PNC	Part No	Part Name	Qty	Part Spec	NEW1	Class
	20422	ME636948	FORK,CLUTCH RELEASE	1			G6,G6 H6E,J6 K6,K6 M6E
		ME636948	FORK,CLUTCH RELEASE	1			G6,G6 H6E,J6 K6,K6 M6E
		ME636948	FORK,CLUTCH RELEASE	1			G6,H6, J6,J6E K6E,M
		ME636948	FORK,CLUTCH RELEASE	1			G6,H6, J6,J6E K6E,M
		ME636948	FORK,CLUTCH RELEASE	1			G6,H6, J6,J6E K6E,M
		ME636948	FORK,CLUTCH RELEASE	1			G6,H6, J6,J6E K6E,M
		ME637982	FORK,CLUTCH RELEASE	1			G6V,H J6V,J6 K6VE,I
		ME637982	FORK,CLUTCH RELEASE	1			G6V,H J6V,J6 K6VE,I
		ME637982	FORK,CLUTCH RELEASE	1			G6V,H J6V,J6 K6VE,I
		ME636948	FORK,CLUTCH RELEASE	1			G6,H6, J6,J6E K6E,M
		ME637982	FORK,CLUTCH RELEASE	1			G6V,H J6V,J6 K6VE,I
		ME636948	FORK,CLUTCH RELEASE	1			G6,H6, J6,J6E K6E,M
		ME636948	FORK,CLUTCH RELEASE	1			G6,H6, J6,J6E K6E,M
		ME637982	FORK,CLUTCH RELEASE	1			G6V,H J6V,J6 K6VE,I
		ME637982	FORK,CLUTCH RELEASE	1			G6V,H J6V,J6 K6VE,I
		ME637982	FORK,CLUTCH RELEASE	1			G6V,H J6V,J6 K6VE,I
	20424	ME638799	ROLLER,CLUTCH RELEASE FORK	2			G6V,H J6V,J6 K6VE,I
		ME638799	ROLLER,CLUTCH RELEASE FORK	2			G6V,H J6V,J6 K6VE,I
		ME638799	ROLLER,CLUTCH RELEASE FORK	2			G6V,H J6V,J6 K6VE,I
		ME638799	ROLLER,CLUTCH RELEASE FORK	2			G6V,H J6V,J6 K6VE,I
		ME638799	ROLLER,CLUTCH RELEASE FORK	2			G6V,H J6V,J6 K6VE,I
		ME638799	ROLLER,CLUTCH RELEASE FORK	2			G6V,H J6V,J6 K6VE,I
		ME638799	ROLLER,CLUTCH RELEASE FORK	2			G6V,H J6V,J6 K6VE,I
	20430A	ME516027	BEARING ASSY,CLUTCH RELEASE	1	BALL		G6,G6 H6E,J6 K6,K6 M6E
		ME516027	BEARING ASSY,CLUTCH RELEASE	1	BALL		G6E,M

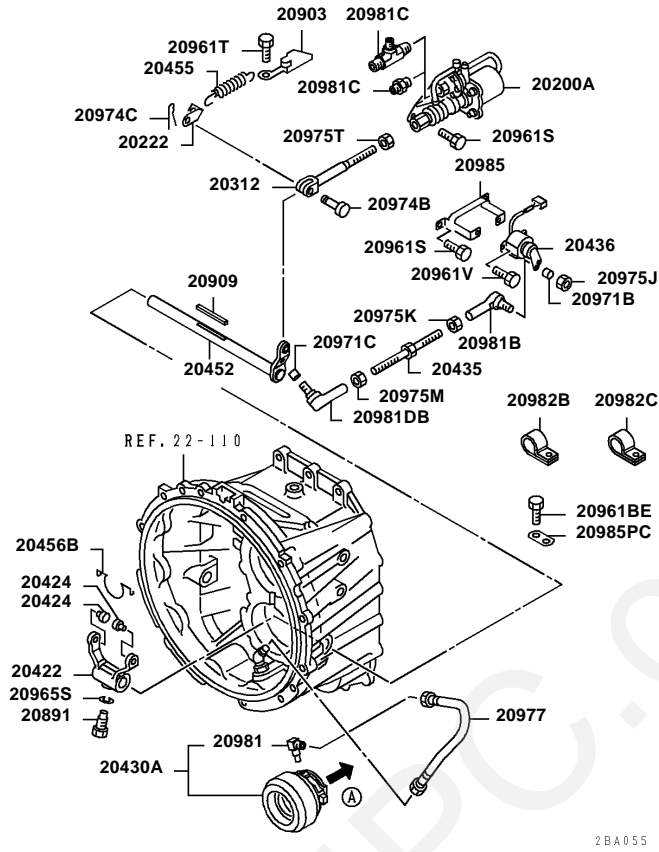
**FK74R
21-210 CLUTCH CONTROL (1/2)**

Repl Part	PNC	Part No	Part Name	Qty	Part Spec	NEW1	Class
	20430A	ME516027	BEARING ASSY,CLUTCH RELEASE	1	BALL		G6V,H J6V,J6 K6VE,I G6,H6 J6,J6E K6E,M G6,G6 H6E,J6 K6,K6 M6E G6V,H J6V,J6 K6VE,I G6,H6 J6,J6E K6E,M G6,H6 J6,J6E K6E,M G6E,G H6VE, K6V,K M6VE G6,H6 J6,J6E K6E,M G6E,M G6V,H J6V,J6 K6VE,I G6,G6 H6,H6 H6VE, J6V,J6 K6E,K M6,M6 G6,G6 H6E,H J6,J6E J6VE,I K6V,K M6VE G6,H6 J6,J6E K6E,M G6V,H J6V,J6 K6VE,I G6V,H J6V,J6 K6VE,I G6V,H J6V,J6 G6V,H J6V,J6 G6V,H J6V,J6
		ME516027	BEARING ASSY,CLUTCH RELEASE	1	BALL		
		ME516027	BEARING ASSY,CLUTCH RELEASE	1	BALL		
		ME516027	BEARING ASSY,CLUTCH RELEASE	1	BALL		
		ME516027	BEARING ASSY,CLUTCH RELEASE	1	BALL		
		ME516027	BEARING ASSY,CLUTCH RELEASE	1	BALL		
		ME516027	BEARING ASSY,CLUTCH RELEASE	1	BALL		
		ME516027	BEARING ASSY,CLUTCH RELEASE	1	BALL		
		ME516027	BEARING ASSY,CLUTCH RELEASE	1	BALL		
		ME516027	BEARING ASSY,CLUTCH RELEASE	1	BALL		
		ME516027	BEARING ASSY,CLUTCH RELEASE	1	BALL		
		ME516027	BEARING ASSY,CLUTCH RELEASE	1	BALL		
		ME516027	BEARING ASSY,CLUTCH RELEASE	1	BALL		
		ME516027	BEARING ASSY,CLUTCH RELEASE	1	BALL		
		ME516027	BEARING ASSY,CLUTCH RELEASE	1	BALL		
		ME516027	BEARING ASSY,CLUTCH RELEASE	1	BALL		
		ME516027	BEARING ASSY,CLUTCH RELEASE	1	BALL		
		ME516027	BEARING ASSY,CLUTCH RELEASE	1	BALL		
		ME516027	BEARING ASSY,CLUTCH RELEASE	1	BALL		
	20435	ME515374	ROD,CLUTCH RELEASE SENSOR	1			
		ME515374	ROD,CLUTCH RELEASE SENSOR	1			
		ME515374	ROD,CLUTCH RELEASE SENSOR	1			
		ME515374	ROD,CLUTCH RELEASE SENSOR	1			
		ME515374	ROD,CLUTCH RELEASE SENSOR	1			
		ME515374	ROD,CLUTCH RELEASE SENSOR	1			
		ME515374	ROD,CLUTCH RELEASE SENSOR	1			
		ME515374	ROD,CLUTCH RELEASE SENSOR	1			
		ME515374	ROD,CLUTCH RELEASE SENSOR	1			
	20436	(Please refer to the page 2/2)	SENSOR,CLUTCH RELEASE LEVER POSITION	1			
	20452	(Please refer to the page 2/2)	SHAFT,CLUTCH RELEASE FORK	1			
	20455	(Please refer to the page 2/2)	SPRING,CLUTCH RELEASE FORK SHAFT RETURN	1			
	20456B	(Please refer to the page 2/2)	SPRING,CLUTCH RELEASE FORK RETURN	1			
	20891	(Please refer to the page 2/2)	SET SCREW,M/T CLUTCH CONTROL EQUIP	1			
	20903	(Please refer to the page 2/2)	CLAW,CLUTCH CONTROL RETURN SPRING	1			
	20909	(Please refer to the page 2/2)	KEY,M/T CLUTCH CONTROL EQUIP	1			

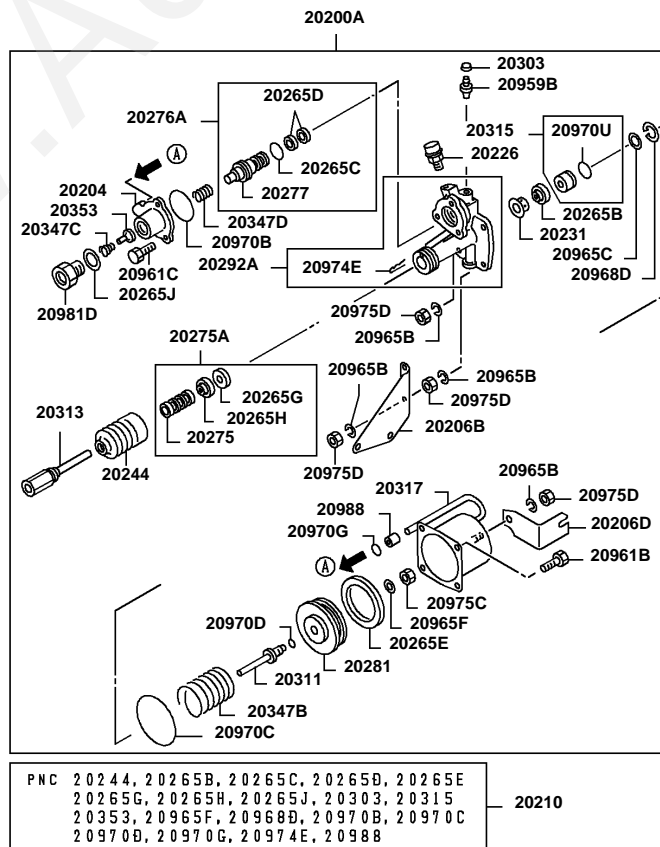
FK74R
21-210 CLUTCH CONTROL (1/2)

Repl Part	PNC	Part No	Part Name	Qty	Part Spec	NEW1	Class
	20959B	(Please refer to the page 2/2)	PLUG,M/T CLUTCH CONTROL EQUIP	1			
	20961B	(Please refer to the page 2/2)	BOLT,M/T CLUTCH CONTROL EQUIP	1			
	20961BE	(Please refer to the page 2/2)	BOLT,M/T CLUTCH CONTROL EQUIP	1			
	20961C	(Please refer to the page 2/2)	BOLT,M/T CLUTCH CONTROL EQUIP	1			
	20961S	(Please refer to the page 2/2)	BOLT,M/T CLUTCH CONTROL EQUIP	1			
	20961T	(Please refer to the page 2/2)	BOLT,M/T CLUTCH CONTROL EQUIP	1			
	20961V	(Please refer to the page 2/2)	BOLT,M/T CLUTCH CONTROL EQUIP	1			
	20965B	(Please refer to the page 2/2)	WASHER,M/T CLUTCH CONTROL EQUIP	1			
	20965C	(Please refer to the page 2/2)	WASHER,M/T CLUTCH CONTROL EQUIP	1			
	20965F	(Please refer to the page 2/2)	WASHER,M/T CLUTCH CONTROL EQUIP	1			
	20965S	(Please refer to the page 2/2)	WASHER,M/T CLUTCH CONTROL EQUIP	1			
	20968D	(Please refer to the page 2/2)	SNAP RING,M/T CLUTCH CONTROL EQUIP	1			
	20970B	(Please refer to the page 2/2)	O-RING,M/T CLUTCH CONTROL EQUIP	1			
	20970C	(Please refer to the page 2/2)	O-RING,M/T CLUTCH CONTROL EQUIP	1			
	20970D	(Please refer to the page 2/2)	O-RING,M/T CLUTCH CONTROL EQUIP	1			
	20970G	(Please refer to the page 2/2)	O-RING,M/T CLUTCH CONTROL EQUIP	1			
	20970U	(Please refer to the page 2/2)	O-RING,M/T CLUTCH CONTROL EQUIP	1			
	20971B	(Please refer to the page 2/2)	SPACER,M/T CLUTCH CONTROL EQUIP	1			
	20971C	(Please refer to the page 2/2)	SPACER,M/T CLUTCH CONTROL EQUIP	1			
	20974B	(Please refer to the page 2/2)	PIN,M/T CLUTCH CONTROL EQUIP	1			
	20974C	(Please refer to the page 2/2)	PIN,M/T CLUTCH CONTROL EQUIP	1			
	20974E	(Please refer to the page 2/2)	PIN,M/T CLUTCH CONTROL EQUIP	1			
	20975C	(Please refer to the page 2/2)	NUT,M/T CLUTCH CONTROL EQUIP	1			
	20975D	(Please refer to the page 2/2)	NUT,M/T CLUTCH CONTROL EQUIP	1			
	20975J	(Please refer to the page 2/2)	NUT,M/T CLUTCH CONTROL EQUIP	1			
	20975K	(Please refer to the page 2/2)	NUT,M/T CLUTCH CONTROL EQUIP	1			
	20975M	(Please refer to the page 2/2)	NUT,M/T CLUTCH CONTROL EQUIP	1			
	20975T	(Please refer to the page 2/2)	NUT,M/T CLUTCH CONTROL EQUIP	1			
	20977	(Please refer to the page 2/2)	HOSE,M/T CLUTCH CONTROL EQUIP	1			
	20981	(Please refer to the page 2/2)	JOINT,M/T CLUTCH CONTROL EQUIP	1			
	20981B	(Please refer to the page 2/2)	JOINT,M/T CLUTCH CONTROL EQUIP	1			
	20981C	(Please refer to the page 2/2)	JOINT,M/T CLUTCH CONTROL EQUIP	1			
	20981D	(Please refer to the page 2/2)	JOINT,M/T CLUTCH CONTROL EQUIP	1			
	20981DB	(Please refer to the page 2/2)	JOINT,M/T CLUTCH CONTROL EQUIP	1			
	20982B	(Please refer to the page 2/2)	CLIP,M/T CLUTCH CONTROL EQUIP	1			
	20982C	(Please refer to the page 2/2)	CLIP,M/T CLUTCH CONTROL EQUIP	1			
	20984	(Please refer to the page 2/2)	CLAMP,M/T CLUTCH CONTROL EQUIP	1			
	20985	(Please refer to the page 2/2)	BRACKET,M/T CLUTCH CONTROL EQUIP	1			
	20985PC	(Please refer to the page 2/2)	BRACKET,M/T CLUTCH CONTROL EQUIP	1			
	20988	(Please refer to the page 2/2)	BUSHING,M/T CLUTCH CONTROL EQUIP	1			

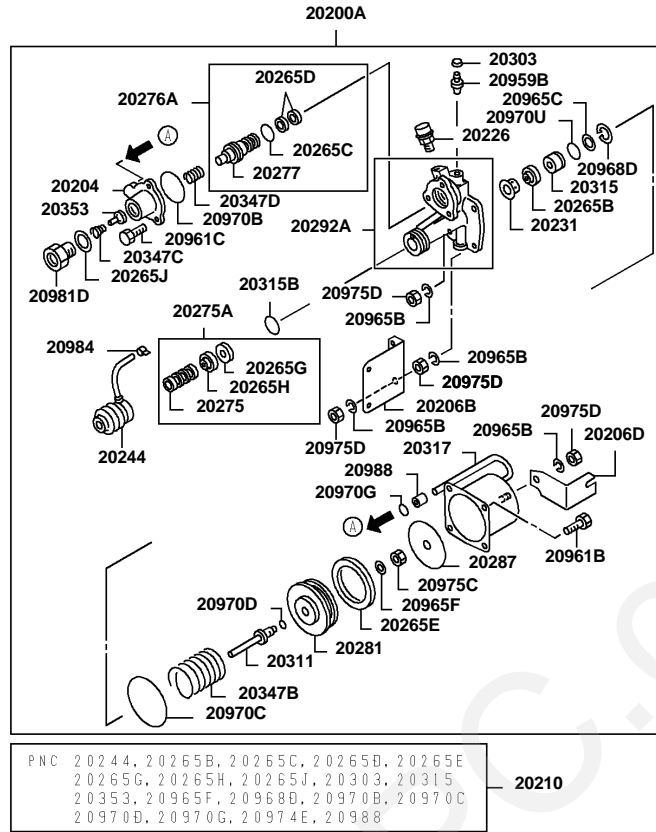
FK74R
No.1



FK74R
No.2



FK74R
No.3



Ref. |2021210-2

Page

FK74R
21-210 CLUTCH CONTROL (2/2)

PNC	Part No	Part Name	Qty	Part Spec	Remarks	C
20436	ME677935	SENSOR,CLUTCH RELEASE LEVER POSITION	1			G6
	ME677935	SENSOR,CLUTCH RELEASE LEVER POSITION	1			J6V
	ME677935	SENSOR,CLUTCH RELEASE LEVER POSITION	1			K6V
	ME677935	SENSOR,CLUTCH RELEASE LEVER POSITION	1			G6
	ME677935	SENSOR,CLUTCH RELEASE LEVER POSITION	1			J6V
	ME677935	SENSOR,CLUTCH RELEASE LEVER POSITION	1			K6V
	ME677935	SENSOR,CLUTCH RELEASE LEVER POSITION	1			G6
	ME677935	SENSOR,CLUTCH RELEASE LEVER POSITION	1			J6V
	ME677935	SENSOR,CLUTCH RELEASE LEVER POSITION	1			K6V
20452	ME512500	SHAFT,CLUTCH RELEASE FORK	1			G6
	ME512500	SHAFT,CLUTCH RELEASE FORK	1			J6,
	ME512500	SHAFT,CLUTCH RELEASE FORK	1			K6V
	ME512500	SHAFT,CLUTCH RELEASE FORK	1			G6
	ME512500	SHAFT,CLUTCH RELEASE FORK	1			H6V
	ME512500	SHAFT,CLUTCH RELEASE FORK	1			K6,
	ME512500	SHAFT,CLUTCH RELEASE FORK	1			M6
	ME512500	SHAFT,CLUTCH RELEASE FORK	1			G6
	ME512500	SHAFT,CLUTCH RELEASE FORK	1			G6
	ME512500	SHAFT,CLUTCH RELEASE FORK	1			H6V
	ME512500	SHAFT,CLUTCH RELEASE FORK	1			K6,
	ME512500	SHAFT,CLUTCH RELEASE FORK	1			M6

Ref. |2021210-2

Page

FK74R
21-210 CLUTCH CONTROL (2/2)

PNC	Part No	Part Name	Qty	Part Spec	Remarks	C
20452	ME512500	SHAFT,CLUTCH RELEASE FORK	1			G6 H6 K6, M6
	ME512500	SHAFT,CLUTCH RELEASE FORK	1			G6, J6, K6
	ME512500	SHAFT,CLUTCH RELEASE FORK	1			G6, J6, K6
	ME512500	SHAFT,CLUTCH RELEASE FORK	1			G6, J6, K6
	ME512500	SHAFT,CLUTCH RELEASE FORK	1			G6, J6, K6
	ME515370	SHAFT,CLUTCH RELEASE FORK	1			G6, J6V, K6V
	ME515370	SHAFT,CLUTCH RELEASE FORK	1			G6, J6V, K6V
	ME515370	SHAFT,CLUTCH RELEASE FORK	1			G6, J6V, K6V
	ME512500	SHAFT,CLUTCH RELEASE FORK	1			G6, J6, K6
	ME515370	SHAFT,CLUTCH RELEASE FORK	1			G6, J6V, K6V
	ME512500	SHAFT,CLUTCH RELEASE FORK	1			G6, J6, K6
	ME512500	SHAFT,CLUTCH RELEASE FORK	1			G6, J6, K6
	ME512500	SHAFT,CLUTCH RELEASE FORK	1			G6, J6, K6
	ME515370	SHAFT,CLUTCH RELEASE FORK	1			G6, J6V, K6V
	ME515370	SHAFT,CLUTCH RELEASE FORK	1			G6, J6V, K6V
	ME515370	SHAFT,CLUTCH RELEASE FORK	1			G6, J6V, K6V
20455	ME512559	SPRING,CLUTCH RELEASE FORK SHAFT RETURN	1			G6, H6
	ME512559	SPRING,CLUTCH RELEASE FORK SHAFT RETURN	1			G6, H6, K6, M6
	ME512559	SPRING,CLUTCH RELEASE FORK SHAFT RETURN	1			G6, J6, K6
	ME512559	SPRING,CLUTCH RELEASE FORK SHAFT RETURN	1			G6, H6, K6, M6
	ME512559	SPRING,CLUTCH RELEASE FORK SHAFT RETURN	1			G6, H6, K6, M6
	ME512559	SPRING,CLUTCH RELEASE FORK SHAFT RETURN	1			G6, J6, K6
	ME512559	SPRING,CLUTCH RELEASE FORK SHAFT RETURN	1			G6, J6, K6
	ME512559	SPRING,CLUTCH RELEASE FORK SHAFT RETURN	1			G6, J6, K6

FK74R
21-210 CLUTCH CONTROL (2/2)

PNC	Part No	Part Name	Qty	Part Spec	Remarks	C
20455	ME512559	SPRING,CLUTCH RELEASE FORK SHAFT RETURN	1			G6
	ME512559	SPRING,CLUTCH RELEASE FORK SHAFT RETURN	1			J6, K6 G6
	ME523962	SPRING,CLUTCH RELEASE FORK SHAFT RETURN	1			J6, K6 G6
	ME523962	SPRING,CLUTCH RELEASE FORK SHAFT RETURN	1			J6, K6 G6
	ME523962	SPRING,CLUTCH RELEASE FORK SHAFT RETURN	1			J6, K6 G6
	ME523962	SPRING,CLUTCH RELEASE FORK SHAFT RETURN	1			J6, K6 G6
20456B	ME627542	SPRING,CLUTCH RELEASE FORK RETURN	1			J6, K6 G6
	ME627542	SPRING,CLUTCH RELEASE FORK RETURN	1			H6 K6, M6 G6
	ME627542	SPRING,CLUTCH RELEASE FORK RETURN	1			G6
	ME627542	SPRING,CLUTCH RELEASE FORK RETURN	1			H6 K6, M6 G6
	ME627542	SPRING,CLUTCH RELEASE FORK RETURN	1			H6 K6, M6 G6
	ME627542	SPRING,CLUTCH RELEASE FORK RETURN	1			J6, K6 G6
	ME627542	SPRING,CLUTCH RELEASE FORK RETURN	1			J6, K6 G6
	ME627542	SPRING,CLUTCH RELEASE FORK RETURN	1			J6, K6 G6
	ME627542	SPRING,CLUTCH RELEASE FORK RETURN	1			J6, K6 G6
	ME627542	SPRING,CLUTCH RELEASE FORK RETURN	1			J6, K6 G6
	ME627542	SPRING,CLUTCH RELEASE FORK RETURN	1			J6, K6 G6
	ME627579	SPRING,CLUTCH RELEASE FORK RETURN	1			J6 K6 G6
	ME627579	SPRING,CLUTCH RELEASE FORK RETURN	1			J6 K6 G6
	ME627579	SPRING,CLUTCH RELEASE FORK RETURN	1			J6 K6 G6
	ME627542	SPRING,CLUTCH RELEASE FORK RETURN	1			J6, K6 G6
	ME627579	SPRING,CLUTCH RELEASE FORK RETURN	1			J6 K6 G6
ME627542	SPRING,CLUTCH RELEASE FORK RETURN	1			J6, K6 G6	
ME627542	SPRING,CLUTCH RELEASE FORK RETURN	1			J6, K6 G6	
ME627542	SPRING,CLUTCH RELEASE FORK RETURN	1			J6, K6 G6	
ME627579	SPRING,CLUTCH RELEASE FORK RETURN	1			J6 K6 G6	

FK74R
21-210 CLUTCH CONTROL (2/2)

PNC	Part No	Part Name	Qty	Part Spec	Remarks	C
20456B	ME627579	SPRING,CLUTCH RELEASE FORK RETURN	1			G6
	ME627579	SPRING,CLUTCH RELEASE FORK RETURN	1			J6V G6
20891	ME620332	SET SCREW,M/T CLUTCH CONTROL EQUIP	1	8X11		J6V G6 H6 K6, M6
	ME620332	SET SCREW,M/T CLUTCH CONTROL EQUIP	1	8X11		G6
	ME620332	SET SCREW,M/T CLUTCH CONTROL EQUIP	1	8X11		G6 J6V K6'
	ME620332	SET SCREW,M/T CLUTCH CONTROL EQUIP	1	8X11		G6 J6, K6
	ME620332	SET SCREW,M/T CLUTCH CONTROL EQUIP	1	8X11		G6 H6 K6, M6
	ME620332	SET SCREW,M/T CLUTCH CONTROL EQUIP	1	8X11		G6 J6V K6'
	ME620332	SET SCREW,M/T CLUTCH CONTROL EQUIP	1	8X11		G6 J6, K6
	ME620332	SET SCREW,M/T CLUTCH CONTROL EQUIP	1	8X11		G6 J6, K6
	ME620332	SET SCREW,M/T CLUTCH CONTROL EQUIP	1	8X11		G6 H6 K6' M6
	ME620332	SET SCREW,M/T CLUTCH CONTROL EQUIP	1	8X11		G6 J6, K6
	ME620332	SET SCREW,M/T CLUTCH CONTROL EQUIP	1	8X11		G6 J6, K6
	ME620332	SET SCREW,M/T CLUTCH CONTROL EQUIP	1	8X11		G6 J6V K6'
	ME620332	SET SCREW,M/T CLUTCH CONTROL EQUIP	1	8X11		G6 H6, H6' J6V K6 M6
	ME620332	SET SCREW,M/T CLUTCH CONTROL EQUIP	1	8X11		G6 H6 J6V K6 M6
	20903	ME630697	CLAW,CLUTCH CONTROL RETURN SPRING	1		
ME630697		CLAW,CLUTCH CONTROL RETURN SPRING	1			G6 H6 K6, M6
ME630697		CLAW,CLUTCH CONTROL RETURN SPRING	1			G6 H6 K6, M6
ME630697		CLAW,CLUTCH CONTROL RETURN SPRING	1			G6 J6, K6
ME630697		CLAW,CLUTCH CONTROL RETURN SPRING	1			G6 J6V K6'
ME630697		CLAW,CLUTCH CONTROL RETURN SPRING	1			G6 H6 K6, M6
ME630697		CLAW,CLUTCH CONTROL RETURN SPRING	1			G6 H6 K6, M6

FK74R
21-210 CLUTCH CONTROL (2/2)

PNC	Part No	Part Name	Qty	Part Spec	Remarks	C	
20903	ME630697	CLAW,CLUTCH CONTROL RETURN SPRING	1			G6	
	ME630697	CLAW,CLUTCH CONTROL RETURN SPRING	1			J6, K6 G6	
	ME630697	CLAW,CLUTCH CONTROL RETURN SPRING	1			J6, K6 G6	
	ME630697	CLAW,CLUTCH CONTROL RETURN SPRING	1			J6, K6 G6	
20909	MS476036	KEY,M/T CLUTCH CONTROL EQUIP	1	SUNK,7X50		K6 G6 H6	
	MS476036	KEY,M/T CLUTCH CONTROL EQUIP	1	SUNK,7X50		K6, M6 G6	
	MS476036	KEY,M/T CLUTCH CONTROL EQUIP	1	SUNK,7X50		J6V K6' G6	
	MS476036	KEY,M/T CLUTCH CONTROL EQUIP	1	SUNK,7X50		J6, K6 G6	
	MS476036	KEY,M/T CLUTCH CONTROL EQUIP	1	SUNK,7X50		J6, K6 G6	
	MS476036	KEY,M/T CLUTCH CONTROL EQUIP	1	SUNK,7X50		J6, K6 G6	
	MS476036	KEY,M/T CLUTCH CONTROL EQUIP	1	SUNK,7X50		J6, K6 G6	
	MS476036	KEY,M/T CLUTCH CONTROL EQUIP	1	SUNK,7X50		J6, K6 G6	
	MS476036	KEY,M/T CLUTCH CONTROL EQUIP	1	SUNK,7X50		J6, K6 G6	
	MS476036	KEY,M/T CLUTCH CONTROL EQUIP	1	SUNK,7X50		J6, K6 G6	
	MS476036	KEY,M/T CLUTCH CONTROL EQUIP	1	SUNK,7X50		J6, K6 G6	
	MS476036	KEY,M/T CLUTCH CONTROL EQUIP	1	SUNK,7X50		J6, K6 G6	
	MS476036	KEY,M/T CLUTCH CONTROL EQUIP	1	SUNK,7X50		J6, K6 G6	
	MS476036	KEY,M/T CLUTCH CONTROL EQUIP	1	SUNK,7X50		J6, K6 G6	
	MS476036	KEY,M/T CLUTCH CONTROL EQUIP	1	SUNK,7X50		J6, K6 G6	
	MS476036	KEY,M/T CLUTCH CONTROL EQUIP	1	SUNK,7X50		J6, K6 G6	
	MS476036	KEY,M/T CLUTCH CONTROL EQUIP	1	SUNK,7X50		J6, K6 G6	
	MS476036	KEY,M/T CLUTCH CONTROL EQUIP	1	SUNK,7X50		J6, K6 G6	
	20959B	MC821416	PLUG,M/T CLUTCH CONTROL EQUIP	1			K6' G6
		MC821416	PLUG,M/T CLUTCH CONTROL EQUIP	1			H6 K6, M6 G6
MC821416		PLUG,M/T CLUTCH CONTROL EQUIP	1			J6V K6' G6	

FK74R
21-210 CLUTCH CONTROL (2/2)

PNC	Part No	Part Name	Qty	Part Spec	Remarks	C
20959B	MC821416	PLUG,M/T CLUTCH CONTROL EQUIP	1			G6
	MC821416	PLUG,M/T CLUTCH CONTROL EQUIP	1			J6, K6
	MC821416	PLUG,M/T CLUTCH CONTROL EQUIP	1			G6, H6
	MC821416	PLUG,M/T CLUTCH CONTROL EQUIP	1			K6, M6
	MC821416	PLUG,M/T CLUTCH CONTROL EQUIP	1			G6, J6
	MC821416	PLUG,M/T CLUTCH CONTROL EQUIP	1			K6, G6
	MC821416	PLUG,M/T CLUTCH CONTROL EQUIP	1			J6, K6
	MC821416	PLUG,M/T CLUTCH CONTROL EQUIP	1			G6, H6
	MC821416	PLUG,M/T CLUTCH CONTROL EQUIP	1			K6, M6
	MC821416	PLUG,M/T CLUTCH CONTROL EQUIP	1			G6, J6
	MC821416	PLUG,M/T CLUTCH CONTROL EQUIP	1			K6, G6
	MC821416	PLUG,M/T CLUTCH CONTROL EQUIP	1			J6, K6
	MC821416	PLUG,M/T CLUTCH CONTROL EQUIP	1			G6, H6
	MC821416	PLUG,M/T CLUTCH CONTROL EQUIP	1			K6, M6
	20961B	ME706637	BOLT,M/T CLUTCH CONTROL EQUIP	4		
ME706637		BOLT,M/T CLUTCH CONTROL EQUIP	4			K6, M6
ME706637		BOLT,M/T CLUTCH CONTROL EQUIP	4			G6, J6
ME706637		BOLT,M/T CLUTCH CONTROL EQUIP	4			K6, G6
ME706637		BOLT,M/T CLUTCH CONTROL EQUIP	4			J6, K6
ME706637		BOLT,M/T CLUTCH CONTROL EQUIP	4			G6, H6
ME706637		BOLT,M/T CLUTCH CONTROL EQUIP	4			H6, J6
ME706637		BOLT,M/T CLUTCH CONTROL EQUIP	4			K6, M6
ME706637		BOLT,M/T CLUTCH CONTROL EQUIP	4			G6, J6

FK74R
21-210 CLUTCH CONTROL (2/2)

PNC	Part No	Part Name	Qty	Part Spec	Remarks	C	
20961B	ME706637	BOLT,M/T CLUTCH CONTROL EQUIP	4			G6	
	ME706637	BOLT,M/T CLUTCH CONTROL EQUIP	4			J6, K6 G6 M6	
	ME706637	BOLT,M/T CLUTCH CONTROL EQUIP	4			G6 J6V	
	ME706637	BOLT,M/T CLUTCH CONTROL EQUIP	4			K6	
	ME706637 ME706637 ME706637	BOLT,M/T CLUTCH CONTROL EQUIP BOLT,M/T CLUTCH CONTROL EQUIP BOLT,M/T CLUTCH CONTROL EQUIP	4 4 4			G6 G6 J6, K6	
	ME706637	BOLT,M/T CLUTCH CONTROL EQUIP	4			G6 J6V	
	ME706637	BOLT,M/T CLUTCH CONTROL EQUIP	4			G6 H6 J6, J6V	
	MF101261	BOLT,M/T CLUTCH CONTROL EQUIP	4	BOLT,8X35	7T	K6 M6 G6 H6 J6, J6V	
	ME706637	BOLT,M/T CLUTCH CONTROL EQUIP	4			K6 M6 G6 J6, K6	
	MF101261	BOLT,M/T CLUTCH CONTROL EQUIP	4	BOLT,8X35	7T	G6 J6V	
	MF101261	BOLT,M/T CLUTCH CONTROL EQUIP	4	BOLT,8X35	7T	G6 J6V	
	MF101261	BOLT,M/T CLUTCH CONTROL EQUIP	4	BOLT,8X35	7T	G6 J6, K6	
	MF101261	BOLT,M/T CLUTCH CONTROL EQUIP	4	BOLT,8X35	7T	G6 J6, K6	
	MF101261 MF101261	BOLT,M/T CLUTCH CONTROL EQUIP BOLT,M/T CLUTCH CONTROL EQUIP	4 4	BOLT,8X35 BOLT,8X35	7T 7T	K6 G6 J6, K6	
	MF101261 MF101261	BOLT,M/T CLUTCH CONTROL EQUIP BOLT,M/T CLUTCH CONTROL EQUIP	4 4	BOLT,8X35 BOLT,8X35	7T 7T	K6 G6 J6, K6	
	MF101261	BOLT,M/T CLUTCH CONTROL EQUIP	4	BOLT,8X35	7T	G6 J6V K6	
	MF101261	BOLT,M/T CLUTCH CONTROL EQUIP	4	BOLT,8X35	7T	G6 H6 J6, J6V K6	
	ME706637	BOLT,M/T CLUTCH CONTROL EQUIP	4			M6 G6 H6 J6, J6V	
	20961BE	MF140002	BOLT,M/T CLUTCH CONTROL EQUIP	1	FLANGE,6X10	4T	K6 G6 H6 J6, J6V
		MF140002	BOLT,M/T CLUTCH CONTROL EQUIP	1	FLANGE,6X10	4T	K6 M6 G6 H6 J6, J6V K6

FK74R
21-210 CLUTCH CONTROL (2/2)

PNC	Part No	Part Name	Qty	Part Spec	Remarks	C
20961BE	MF140002	BOLT,M/T CLUTCH CONTROL EQUIP	1	FLANGE,6X10	4T	G6 H6 J6, J6V K6 M6
	MF140002	BOLT,M/T CLUTCH CONTROL EQUIP	1	FLANGE,6X10	4T	G6 H6 J6, J6V K6 M6
	MF140002	BOLT,M/T CLUTCH CONTROL EQUIP	1	FLANGE,6X10	4T	G6 H6 J6, J6V K6 M6
20961C	ME706023	BOLT,M/T CLUTCH CONTROL EQUIP	3			G6 H6 K6, M6
	ME706023	BOLT,M/T CLUTCH CONTROL EQUIP	3			G6
	ME706023	BOLT,M/T CLUTCH CONTROL EQUIP	3			G6 J6V K6 M6
	ME706023	BOLT,M/T CLUTCH CONTROL EQUIP	3			G6 J6, K6 M6
	ME706023	BOLT,M/T CLUTCH CONTROL EQUIP	3			G6 H6 K6, M6
	ME706023	BOLT,M/T CLUTCH CONTROL EQUIP	3			G6 J6V K6 M6
	ME706023	BOLT,M/T CLUTCH CONTROL EQUIP	3			G6 J6, K6 M6
	ME706023	BOLT,M/T CLUTCH CONTROL EQUIP	3			G6 J6V K6 M6
	ME706023	BOLT,M/T CLUTCH CONTROL EQUIP	3			G6 J6, K6 M6
	ME706023	BOLT,M/T CLUTCH CONTROL EQUIP	3			G6 J6V K6 M6
	ME706023	BOLT,M/T CLUTCH CONTROL EQUIP	3			G6 J6, K6 M6
	ME706023	BOLT,M/T CLUTCH CONTROL EQUIP	3			G6 J6V K6 M6
	ME706023	BOLT,M/T CLUTCH CONTROL EQUIP	3			G6 H6, H6V J6V K6 M6
	ME706023	BOLT,M/T CLUTCH CONTROL EQUIP	3			G6 J6, K6 M6
	ME706023	BOLT,M/T CLUTCH CONTROL EQUIP	3			G6 H6 J6, J6V K6 M6
	ME706023	BOLT,M/T CLUTCH CONTROL EQUIP	3			G6 H6 J6, J6V K6 M6

FK74R
21-210 CLUTCH CONTROL (2/2)

PNC	Part No	Part Name	Qty	Part Spec	Remarks	C	
20961S	MS146004	BOLT,M/T CLUTCH CONTROL EQUIP	3	FLANGE,10X20	8.8	G6 H6 K6, M6	
	MS146004 MS146004	BOLT,M/T CLUTCH CONTROL EQUIP BOLT,M/T CLUTCH CONTROL EQUIP	3 3	FLANGE,10X20 FLANGE,10X20	8.8 8.8	G6 G6 J6V K6V	
	MS146004	BOLT,M/T CLUTCH CONTROL EQUIP	3	FLANGE,10X20	8.8	G6 J6, K6V	
	MS146004	BOLT,M/T CLUTCH CONTROL EQUIP	3	FLANGE,10X20	8.8	G6 K6V	
	MS146004	BOLT,M/T CLUTCH CONTROL EQUIP	3	FLANGE,10X20	8.8	G6 M6	
	MS146004 MS146004	BOLT,M/T CLUTCH CONTROL EQUIP BOLT,M/T CLUTCH CONTROL EQUIP	3 3	FLANGE,10X20 FLANGE,10X20	8.8 8.8	G6 G6 J6V K6V	
	MS146004	BOLT,M/T CLUTCH CONTROL EQUIP	3	FLANGE,10X20	8.8	G6 J6, K6V	
	MS146004	BOLT,M/T CLUTCH CONTROL EQUIP	3	FLANGE,10X20	8.8	G6 M6	
	MS146004	BOLT,M/T CLUTCH CONTROL EQUIP	3	FLANGE,10X20	8.8	G6 J6V K6V	
	MS146004	BOLT,M/T CLUTCH CONTROL EQUIP	3	FLANGE,10X20	8.8	G6 J6, K6V	
	MS146004 MS146004	BOLT,M/T CLUTCH CONTROL EQUIP BOLT,M/T CLUTCH CONTROL EQUIP	3 3	FLANGE,10X20 FLANGE,10X20	8.8 8.8	G6 G6 J6, K6V	
	MS146004	BOLT,M/T CLUTCH CONTROL EQUIP	3	FLANGE,10X20	8.8	G6 J6V K6V	
	MS146004	BOLT,M/T CLUTCH CONTROL EQUIP	3	FLANGE,10X20	8.8	G6 K6V H6, H6V J6V K6V	
	MS146004	BOLT,M/T CLUTCH CONTROL EQUIP	3	FLANGE,10X20	8.8	G6 M6 H6V K6V	
	MS146004	BOLT,M/T CLUTCH CONTROL EQUIP	3	FLANGE,10X20	8.8	G6 J6, K6V	
	MS146004	BOLT,M/T CLUTCH CONTROL EQUIP	3	FLANGE,10X20	8.8	G6 H6V J6V K6V	
	20961T	MF140223	BOLT,M/T CLUTCH CONTROL EQUIP	2	FLANGE,8X16	7T	G6 H6 K6, M6
		MF140223	BOLT,M/T CLUTCH CONTROL EQUIP	2	FLANGE,8X16	7T	G6 J6, K6V
		MF140223 MF140223	BOLT,M/T CLUTCH CONTROL EQUIP BOLT,M/T CLUTCH CONTROL EQUIP	2 2	FLANGE,8X16 FLANGE,8X16	7T 7T	G6 G6 H6 K6, M6
		MF140223	BOLT,M/T CLUTCH CONTROL EQUIP	2	FLANGE,8X16	7T	G6 J6V K6V
MF140223		BOLT,M/T CLUTCH CONTROL EQUIP	2	FLANGE,8X16	7T	G6	

FK74R
21-210 CLUTCH CONTROL (2/2)

PNC	Part No	Part Name	Qty	Part Spec	Remarks	C
20961T	MF140223	BOLT,M/T CLUTCH CONTROL EQUIP	2	FLANGE,8X16	7T	G6, H6, H6, J6, K6, M6
	MF140223	BOLT,M/T CLUTCH CONTROL EQUIP	2	FLANGE,8X16	7T	G6, J6, K6, M6
	MF140223	BOLT,M/T CLUTCH CONTROL EQUIP	2	FLANGE,8X16	7T	G6, J6, K6, M6
	MF140223	BOLT,M/T CLUTCH CONTROL EQUIP	2	FLANGE,8X16	7T	G6, H6, H6, J6, K6, M6
	MF140223	BOLT,M/T CLUTCH CONTROL EQUIP	2	FLANGE,8X16	7T	G6, H6, J6, K6, M6
	MF140223	BOLT,M/T CLUTCH CONTROL EQUIP	2	FLANGE,8X16	7T	G6, H6, J6, K6, M6
20961V	MF140203	BOLT,M/T CLUTCH CONTROL EQUIP	2	FLANGE,6X12	7T	G6, H6, J6, K6, M6
	MF140203	BOLT,M/T CLUTCH CONTROL EQUIP	2	FLANGE,6X12	7T	G6, H6, J6, K6, M6
	MF140203	BOLT,M/T CLUTCH CONTROL EQUIP	2	FLANGE,6X12	7T	G6, H6, J6, K6, M6
	MF140203	BOLT,M/T CLUTCH CONTROL EQUIP	2	FLANGE,6X12	7T	G6, H6, J6, K6, M6
	MF140203	BOLT,M/T CLUTCH CONTROL EQUIP	2	FLANGE,6X12	7T	G6, H6, J6, K6, M6
20965B	MF450405	WASHER,M/T CLUTCH CONTROL EQUIP	7	SPRING,8		G6, H6, K6, M6
	MF450405	WASHER,M/T CLUTCH CONTROL EQUIP	10	SPRING,8		G6, M6
	MF450405	WASHER,M/T CLUTCH CONTROL EQUIP	10	SPRING,8		G6, J6, K6, M6
	MF450405	WASHER,M/T CLUTCH CONTROL EQUIP	10	SPRING,8		G6, J6, K6, M6

FK74R
21-210 CLUTCH CONTROL (2/2)

PNC	Part No	Part Name	Qty	Part Spec	Remarks	C
20965B	MF450405	WASHER,M/T CLUTCH CONTROL EQUIP	10	SPRING,8		G6
	MF450405	WASHER,M/T CLUTCH CONTROL EQUIP	10	SPRING,8		J6V K6V G6
	MF450405	WASHER,M/T CLUTCH CONTROL EQUIP	10	SPRING,8		J6, K6V G6
	MF450405	WASHER,M/T CLUTCH CONTROL EQUIP	10	SPRING,8		J6, K6V G6
	MF450405	WASHER,M/T CLUTCH CONTROL EQUIP	10	SPRING,8		J6, K6V G6
	MF450405	WASHER,M/T CLUTCH CONTROL EQUIP	10	SPRING,8		J6, K6V G6
	MF450405	WASHER,M/T CLUTCH CONTROL EQUIP	10	SPRING,8		J6, K6V G6
	MF450405	WASHER,M/T CLUTCH CONTROL EQUIP	10	SPRING,8		J6, K6V G6
	MF450405	WASHER,M/T CLUTCH CONTROL EQUIP	10	SPRING,8		J6, K6V G6
	MF450405	WASHER,M/T CLUTCH CONTROL EQUIP	10	SPRING,8		J6, K6V G6
	MF450405	WASHER,M/T CLUTCH CONTROL EQUIP	10	SPRING,8		J6, K6V G6
	MF450405	WASHER,M/T CLUTCH CONTROL EQUIP	10	SPRING,8		J6, K6V G6
	MF450405	WASHER,M/T CLUTCH CONTROL EQUIP	10	SPRING,8		J6, K6V G6
	MF450405	WASHER,M/T CLUTCH CONTROL EQUIP	10	SPRING,8		J6, K6V G6
	MF450405	WASHER,M/T CLUTCH CONTROL EQUIP	10	SPRING,8		J6, K6V G6
	MF450405	WASHER,M/T CLUTCH CONTROL EQUIP	7	SPRING,8		J6, K6V G6
	MF450405	WASHER,M/T CLUTCH CONTROL EQUIP	7	SPRING,8		J6, K6V G6
MF450405	WASHER,M/T CLUTCH CONTROL EQUIP	10	SPRING,8		J6, K6V G6	
MF450405	WASHER,M/T CLUTCH CONTROL EQUIP	10	SPRING,8		J6, K6V G6	
20965C	ME720955	WASHER,M/T CLUTCH CONTROL EQUIP	1			J6, K6V G6
	ME720955	WASHER,M/T CLUTCH CONTROL EQUIP	1			J6, K6V G6
	ME720955	WASHER,M/T CLUTCH CONTROL EQUIP	1			J6, K6V G6
	ME720955	WASHER,M/T CLUTCH CONTROL EQUIP	1			J6, K6V G6
	ME720955	WASHER,M/T CLUTCH CONTROL EQUIP	1			J6, K6V G6
	ME720955	WASHER,M/T CLUTCH CONTROL EQUIP	1			J6, K6V G6
	ME720955	WASHER,M/T CLUTCH CONTROL EQUIP	1			J6, K6V G6
	ME720955	WASHER,M/T CLUTCH CONTROL EQUIP	1			J6, K6V G6
	ME720955	WASHER,M/T CLUTCH CONTROL EQUIP	1			J6, K6V G6
	ME720955	WASHER,M/T CLUTCH CONTROL EQUIP	1			J6, K6V G6

FK74R
21-210 CLUTCH CONTROL (2/2)

PNC	Part No	Part Name	Qty	Part Spec	Remarks	C
20965C	ME720955	WASHER,M/T CLUTCH CONTROL EQUIP	1			G6
	ME720955	WASHER,M/T CLUTCH CONTROL EQUIP	1			J6, K6
	ME720955	WASHER,M/T CLUTCH CONTROL EQUIP	1			G6
	ME720955	WASHER,M/T CLUTCH CONTROL EQUIP	1			K6
						G6
						H6, H6
						J6
						K6
						M6
						G6
						H6
						J6, J6
						K6
						M6
20965F	ME707338	WASHER,M/T CLUTCH CONTROL EQUIP	1			G6
	ME707338	WASHER,M/T CLUTCH CONTROL EQUIP	1			H6
	ME707338	WASHER,M/T CLUTCH CONTROL EQUIP	1			K6, M6
	ME707338	WASHER,M/T CLUTCH CONTROL EQUIP	1			G6
	ME707338	WASHER,M/T CLUTCH CONTROL EQUIP	1			G6
	ME707338	WASHER,M/T CLUTCH CONTROL EQUIP	1			J6
	ME707338	WASHER,M/T CLUTCH CONTROL EQUIP	1			K6
	ME707338	WASHER,M/T CLUTCH CONTROL EQUIP	1			G6
	ME707338	WASHER,M/T CLUTCH CONTROL EQUIP	1			H6
	ME707338	WASHER,M/T CLUTCH CONTROL EQUIP	1			K6, M6
	ME707338	WASHER,M/T CLUTCH CONTROL EQUIP	1			G6
	ME707338	WASHER,M/T CLUTCH CONTROL EQUIP	1			J6
	ME707338	WASHER,M/T CLUTCH CONTROL EQUIP	1			K6
	ME707338	WASHER,M/T CLUTCH CONTROL EQUIP	1			G6
ME707338	WASHER,M/T CLUTCH CONTROL EQUIP	1			J6	
ME707338	WASHER,M/T CLUTCH CONTROL EQUIP	1			K6	
ME707338	WASHER,M/T CLUTCH CONTROL EQUIP	1			G6	
ME707338	WASHER,M/T CLUTCH CONTROL EQUIP	1			J6	
ME707338	WASHER,M/T CLUTCH CONTROL EQUIP	1			K6	
ME707338	WASHER,M/T CLUTCH CONTROL EQUIP	1			G6	
ME707338	WASHER,M/T CLUTCH CONTROL EQUIP	1			H6, H6	
ME707338	WASHER,M/T CLUTCH CONTROL EQUIP	1			J6	
ME707338	WASHER,M/T CLUTCH CONTROL EQUIP	1			K6	
ME707338	WASHER,M/T CLUTCH CONTROL EQUIP	1			M6	
ME707338	WASHER,M/T CLUTCH CONTROL EQUIP	1			G6	
ME707338	WASHER,M/T CLUTCH CONTROL EQUIP	1			H6	
ME707338	WASHER,M/T CLUTCH CONTROL EQUIP	1			J6	
ME707338	WASHER,M/T CLUTCH CONTROL EQUIP	1			K6	
ME707338	WASHER,M/T CLUTCH CONTROL EQUIP	1			M6	

FK74R
21-210 CLUTCH CONTROL (2/2)

PNC	Part No	Part Name	Qty	Part Spec	Remarks	C
20965F	ME707338	WASHER,M/T CLUTCH CONTROL EQUIP	1			G6
	ME707338	WASHER,M/T CLUTCH CONTROL EQUIP	1			J6, K6 G6, H6 J6, J6V K6
20965S	MF450405	WASHER,M/T CLUTCH CONTROL EQUIP	1	SPRING,8		G6, H6 K6, M6
	MF450405	WASHER,M/T CLUTCH CONTROL EQUIP	1	SPRING,8		G6
	MF450405	WASHER,M/T CLUTCH CONTROL EQUIP	1	SPRING,8		G6 J6V K6
	MF450405	WASHER,M/T CLUTCH CONTROL EQUIP	1	SPRING,8		G6, J6, K6
	MF450405	WASHER,M/T CLUTCH CONTROL EQUIP	1	SPRING,8		G6, J6, K6
	MF450405	WASHER,M/T CLUTCH CONTROL EQUIP	1	SPRING,8		G6, H6, H6V J6V K6
	MF450405	WASHER,M/T CLUTCH CONTROL EQUIP	1	SPRING,8		M6 G6, H6 K6, M6
	MF450405	WASHER,M/T CLUTCH CONTROL EQUIP	1	SPRING,8		G6 J6V K6
	MF450405	WASHER,M/T CLUTCH CONTROL EQUIP	1	SPRING,8		G6, J6, K6
	MF450405	WASHER,M/T CLUTCH CONTROL EQUIP	1	SPRING,8		G6 M6
	MF450405	WASHER,M/T CLUTCH CONTROL EQUIP	1	SPRING,8		G6 J6V
	MF450405	WASHER,M/T CLUTCH CONTROL EQUIP	1	SPRING,8		K6
	MF450405	WASHER,M/T CLUTCH CONTROL EQUIP	1	SPRING,8		G6
	MF450405	WASHER,M/T CLUTCH CONTROL EQUIP	1	SPRING,8		G6, J6, K6
	MF450405	WASHER,M/T CLUTCH CONTROL EQUIP	1	SPRING,8		G6 J6V
	MF450004	WASHER,M/T CLUTCH CONTROL EQUIP	1	PLAIN,6		G6, H6 J6, J6V K6
	MF450405	WASHER,M/T CLUTCH CONTROL EQUIP	1	SPRING,8		M6 G6, H6 J6, J6V K6
	MF450405	WASHER,M/T CLUTCH CONTROL EQUIP	1	SPRING,8		G6, J6, K6
	MF450004	WASHER,M/T CLUTCH CONTROL EQUIP	1	PLAIN,6		G6 J6V
	MF450004	WASHER,M/T CLUTCH CONTROL EQUIP	1	PLAIN,6		G6 J6V
	MF450004	WASHER,M/T CLUTCH CONTROL EQUIP	1	PLAIN,6		G6, J6, K6

FK74R
21-210 CLUTCH CONTROL (2/2)

PNC	Part No	Part Name	Qty	Part Spec	Remarks	C
20965S	MF450004	WASHER,M/T CLUTCH CONTROL EQUIP	1	PLAIN,6		G6
	MF450004	WASHER,M/T CLUTCH CONTROL EQUIP	1	PLAIN,6		J6,
	MF450004	WASHER,M/T CLUTCH CONTROL EQUIP	1	PLAIN,6		K6
	MF450004	WASHER,M/T CLUTCH CONTROL EQUIP	1	PLAIN,6		G6
	MF450004	WASHER,M/T CLUTCH CONTROL EQUIP	1	PLAIN,6		J6,
	MF450004	WASHER,M/T CLUTCH CONTROL EQUIP	1	PLAIN,6		K6
	MF450004	WASHER,M/T CLUTCH CONTROL EQUIP	1	PLAIN,6		G6
	MF450004	WASHER,M/T CLUTCH CONTROL EQUIP	1	PLAIN,6		J6,
	MF450004	WASHER,M/T CLUTCH CONTROL EQUIP	1	PLAIN,6		K6
	MF450004	WASHER,M/T CLUTCH CONTROL EQUIP	1	PLAIN,6		G6
20968D	MF450405	WASHER,M/T CLUTCH CONTROL EQUIP	1	SPRING,8		J6,
	ME624255	SNAP RING,M/T CLUTCH CONTROL EQUIP	1			J6V
	ME624255	SNAP RING,M/T CLUTCH CONTROL EQUIP	1			K6
	ME624255	SNAP RING,M/T CLUTCH CONTROL EQUIP	1			G6
	ME624255	SNAP RING,M/T CLUTCH CONTROL EQUIP	1			J6V
	ME624255	SNAP RING,M/T CLUTCH CONTROL EQUIP	1			K6
	ME624255	SNAP RING,M/T CLUTCH CONTROL EQUIP	1			G6
	ME624255	SNAP RING,M/T CLUTCH CONTROL EQUIP	1			J6V
	ME624255	SNAP RING,M/T CLUTCH CONTROL EQUIP	1			K6
	ME624255	SNAP RING,M/T CLUTCH CONTROL EQUIP	1			G6
	ME624255	SNAP RING,M/T CLUTCH CONTROL EQUIP	1			J6V
	ME624255	SNAP RING,M/T CLUTCH CONTROL EQUIP	1			K6
	ME624255	SNAP RING,M/T CLUTCH CONTROL EQUIP	1			G6
	ME624255	SNAP RING,M/T CLUTCH CONTROL EQUIP	1			J6,
	ME624255	SNAP RING,M/T CLUTCH CONTROL EQUIP	1			K6
	ME624255	SNAP RING,M/T CLUTCH CONTROL EQUIP	1			G6
	ME624255	SNAP RING,M/T CLUTCH CONTROL EQUIP	1			J6V
	ME624255	SNAP RING,M/T CLUTCH CONTROL EQUIP	1			K6
	ME624255	SNAP RING,M/T CLUTCH CONTROL EQUIP	1			G6
ME624255	SNAP RING,M/T CLUTCH CONTROL EQUIP	1			H6,	
ME624255	SNAP RING,M/T CLUTCH CONTROL EQUIP	1			H6V	
ME624255	SNAP RING,M/T CLUTCH CONTROL EQUIP	1			J6V	
ME624255	SNAP RING,M/T CLUTCH CONTROL EQUIP	1			K6	
ME624255	SNAP RING,M/T CLUTCH CONTROL EQUIP	1			M6	
ME624255	SNAP RING,M/T CLUTCH CONTROL EQUIP	1			G6	
ME624255	SNAP RING,M/T CLUTCH CONTROL EQUIP	1			H6	
ME624255	SNAP RING,M/T CLUTCH CONTROL EQUIP	1			J6V	
ME624255	SNAP RING,M/T CLUTCH CONTROL EQUIP	1			K6	
ME624255	SNAP RING,M/T CLUTCH CONTROL EQUIP	1			M6	

FK74R
21-210 CLUTCH CONTROL (2/2)

PNC	Part No	Part Name	Qty	Part Spec	Remarks	C	
20968D	ME624255	SNAP RING,M/T CLUTCH CONTROL EQUIP	1			G6	
	ME624255	SNAP RING,M/T CLUTCH CONTROL EQUIP	1			J6, K6 G6 J6V K6V	
20970B	ME707907	O-RING,M/T CLUTCH CONTROL EQUIP	1			G6 H6 K6, M6	
	ME707907	O-RING,M/T CLUTCH CONTROL EQUIP	1			G6	
	ME707907	O-RING,M/T CLUTCH CONTROL EQUIP	1			G6 J6V K6V	
	ME707907	O-RING,M/T CLUTCH CONTROL EQUIP	1			G6, J6, K6	
	ME707907	O-RING,M/T CLUTCH CONTROL EQUIP	1			G6 H6 K6, M6	
	ME707907	O-RING,M/T CLUTCH CONTROL EQUIP	1			G6 J6V K6V	
	ME707907	O-RING,M/T CLUTCH CONTROL EQUIP	1			G6, J6, K6	
	ME707907	O-RING,M/T CLUTCH CONTROL EQUIP	1			G6 H6 K6V M6	
	ME707907	O-RING,M/T CLUTCH CONTROL EQUIP	1			G6 J6, K6	
	ME707907	O-RING,M/T CLUTCH CONTROL EQUIP	1			G6 J6V K6V	
	ME707907	O-RING,M/T CLUTCH CONTROL EQUIP	1			G6 H6, H6V J6V K6	
	ME707907	O-RING,M/T CLUTCH CONTROL EQUIP	1			M6 G6 H6 J6, J6V K6V M6	
	ME707907	O-RING,M/T CLUTCH CONTROL EQUIP	1			G6 J6V K6V	
	ME707907	O-RING,M/T CLUTCH CONTROL EQUIP	1			G6 H6, H6V J6V K6 M6	
	20970C	ME706634	O-RING,M/T CLUTCH CONTROL EQUIP	1			G6 H6 K6, M6
		ME706634	O-RING,M/T CLUTCH CONTROL EQUIP	1			G6
ME706634		O-RING,M/T CLUTCH CONTROL EQUIP	1			G6 J6V K6V	
ME706634		O-RING,M/T CLUTCH CONTROL EQUIP	1			G6 J6, K6	
ME706634		O-RING,M/T CLUTCH CONTROL EQUIP	1			G6 J6, K6	

FK74R
21-210 CLUTCH CONTROL (2/2)

PNC	Part No	Part Name	Qty	Part Spec	Remarks	C
20970C	ME706634	O-RING,M/T CLUTCH CONTROL EQUIP	1			G6
	ME706634	O-RING,M/T CLUTCH CONTROL EQUIP	1			H6
	ME706634	O-RING,M/T CLUTCH CONTROL EQUIP	1			K6,
	ME706634	O-RING,M/T CLUTCH CONTROL EQUIP	1			M6
	ME706634	O-RING,M/T CLUTCH CONTROL EQUIP	1			G6
	ME706634	O-RING,M/T CLUTCH CONTROL EQUIP	1			J6,
	ME706634	O-RING,M/T CLUTCH CONTROL EQUIP	1			K6
	ME706634	O-RING,M/T CLUTCH CONTROL EQUIP	1			G6
	ME706634	O-RING,M/T CLUTCH CONTROL EQUIP	1			H6,
	ME706634	O-RING,M/T CLUTCH CONTROL EQUIP	1			M6
	ME706634	O-RING,M/T CLUTCH CONTROL EQUIP	1			G6
	ME706634	O-RING,M/T CLUTCH CONTROL EQUIP	1			J6,
	ME706634	O-RING,M/T CLUTCH CONTROL EQUIP	1			K6
	ME706634	O-RING,M/T CLUTCH CONTROL EQUIP	1			G6
	ME706634	O-RING,M/T CLUTCH CONTROL EQUIP	1			H6
20970D	4450304123	O-RING,M/T CLUTCH CONTROL EQUIP	1			J6,
	4450304123	O-RING,M/T CLUTCH CONTROL EQUIP	1			K6
	4450304123	O-RING,M/T CLUTCH CONTROL EQUIP	1			M6
	4450304123	O-RING,M/T CLUTCH CONTROL EQUIP	1			G6
	4450304123	O-RING,M/T CLUTCH CONTROL EQUIP	1			J6,
	4450304123	O-RING,M/T CLUTCH CONTROL EQUIP	1			K6
	4450304123	O-RING,M/T CLUTCH CONTROL EQUIP	1			G6
	4450304123	O-RING,M/T CLUTCH CONTROL EQUIP	1			H6
	4450304123	O-RING,M/T CLUTCH CONTROL EQUIP	1			K6,
	4450304123	O-RING,M/T CLUTCH CONTROL EQUIP	1			M6

FK74R
21-210 CLUTCH CONTROL (2/2)

PNC	Part No	Part Name	Qty	Part Spec	Remarks	C
20970D	4450304123	O-RING,M/T CLUTCH CONTROL EQUIP	1			G6
	4450304123	O-RING,M/T CLUTCH CONTROL EQUIP	1			G6 J6 K6
	4450304123	O-RING,M/T CLUTCH CONTROL EQUIP	1			G6 H6 H6 J6 K6 M6
	4450304123	O-RING,M/T CLUTCH CONTROL EQUIP	1			G6 H6 J6 J6 K6 M6
	4450304123	O-RING,M/T CLUTCH CONTROL EQUIP	1			G6 H6 J6 K6 M6
	4450304123	O-RING,M/T CLUTCH CONTROL EQUIP	1			G6 J6 K6 M6
20970G	ME747623	O-RING,M/T CLUTCH CONTROL EQUIP	1			G6 H6 K6 M6
	ME747623	O-RING,M/T CLUTCH CONTROL EQUIP	1			G6
	ME747623	O-RING,M/T CLUTCH CONTROL EQUIP	1			G6 J6 K6
	ME747623	O-RING,M/T CLUTCH CONTROL EQUIP	1			G6 J6 K6 M6
	ME747623	O-RING,M/T CLUTCH CONTROL EQUIP	1			G6 H6 K6 M6
	ME747623	O-RING,M/T CLUTCH CONTROL EQUIP	1			G6 J6 K6 M6
	ME747623	O-RING,M/T CLUTCH CONTROL EQUIP	1			G6 J6 K6 M6
	ME747623	O-RING,M/T CLUTCH CONTROL EQUIP	1			G6 J6 K6 M6
	ME747623	O-RING,M/T CLUTCH CONTROL EQUIP	1			G6 H6 K6 M6
	ME747623	O-RING,M/T CLUTCH CONTROL EQUIP	1			G6 H6 K6 M6
	ME747623	O-RING,M/T CLUTCH CONTROL EQUIP	1			G6 H6 K6 M6
	ME747623	O-RING,M/T CLUTCH CONTROL EQUIP	1			G6 H6 K6 M6
	ME747623	O-RING,M/T CLUTCH CONTROL EQUIP	1			G6 H6 K6 M6
	ME747623	O-RING,M/T CLUTCH CONTROL EQUIP	1			G6 H6 K6 M6
	ME747623	O-RING,M/T CLUTCH CONTROL EQUIP	1			G6 H6 K6 M6

FK74R
21-210 CLUTCH CONTROL (2/2)

PNC	Part No	Part Name	Qty	Part Spec	Remarks	C
20970G	ME747623	O-RING,M/T CLUTCH CONTROL EQUIP	1			G6
20970U	ME624254	O-RING,M/T CLUTCH CONTROL EQUIP	1			J6V
	ME624254	O-RING,M/T CLUTCH CONTROL EQUIP	1			K6V
	ME624254	O-RING,M/T CLUTCH CONTROL EQUIP	1			G6V
	ME624254	O-RING,M/T CLUTCH CONTROL EQUIP	1			H6V
	ME624254	O-RING,M/T CLUTCH CONTROL EQUIP	1			K6V
	ME624254	O-RING,M/T CLUTCH CONTROL EQUIP	1			M6V
	ME624254	O-RING,M/T CLUTCH CONTROL EQUIP	1			G6V
	ME624254	O-RING,M/T CLUTCH CONTROL EQUIP	1			J6V
	ME624254	O-RING,M/T CLUTCH CONTROL EQUIP	1			K6V
	ME624254	O-RING,M/T CLUTCH CONTROL EQUIP	1			G6V
	ME624254	O-RING,M/T CLUTCH CONTROL EQUIP	1			J6V
	ME624254	O-RING,M/T CLUTCH CONTROL EQUIP	1			K6V
	ME624254	O-RING,M/T CLUTCH CONTROL EQUIP	1			G6V
	ME624254	O-RING,M/T CLUTCH CONTROL EQUIP	1			J6V
	ME624254	O-RING,M/T CLUTCH CONTROL EQUIP	1			K6V
	ME624254	O-RING,M/T CLUTCH CONTROL EQUIP	1			G6V
	20971B	MS456703	SPACER,M/T CLUTCH CONTROL EQUIP	1	T=10	
MS456703		SPACER,M/T CLUTCH CONTROL EQUIP	1	T=10		K6V
MS456703		SPACER,M/T CLUTCH CONTROL EQUIP	1	T=10		G6V
MS456703		SPACER,M/T CLUTCH CONTROL EQUIP	1	T=10		J6V
MS456703		SPACER,M/T CLUTCH CONTROL EQUIP	1	T=10		K6V
MS456703		SPACER,M/T CLUTCH CONTROL EQUIP	1	T=10		G6V
MS456703		SPACER,M/T CLUTCH CONTROL EQUIP	1	T=10		J6V

FK74R
21-210 CLUTCH CONTROL (2/2)

PNC	Part No	Part Name	Qty	Part Spec	Remarks	C
20971B	MS456703	SPACER,M/T CLUTCH CONTROL EQUIP	1	T=10		G6
20971C	MS456701	SPACER,M/T CLUTCH CONTROL EQUIP	1	6X6		J6V G6
	MS456701	SPACER,M/T CLUTCH CONTROL EQUIP	1	6X6		J6V K6V G6
	MS456701	SPACER,M/T CLUTCH CONTROL EQUIP	1	6X6		J6V K6V G6
	MS456701	SPACER,M/T CLUTCH CONTROL EQUIP	1	6X6		J6V K6V G6
	MS456701	SPACER,M/T CLUTCH CONTROL EQUIP	1	6X6		J6V K6V G6
	MS456701	SPACER,M/T CLUTCH CONTROL EQUIP	1	6X6		J6V K6V G6
	MS456701	SPACER,M/T CLUTCH CONTROL EQUIP	1	6X6		J6V K6V G6
20974B	ME636078	PIN,M/T CLUTCH CONTROL EQUIP	1	CLEVIS		J6V G6 J6, K6V
	ME636078	PIN,M/T CLUTCH CONTROL EQUIP	1	CLEVIS		G6 H6V K6, M6
	ME636078	PIN,M/T CLUTCH CONTROL EQUIP	1	CLEVIS		G6 H6V K6, M6
	ME636078	PIN,M/T CLUTCH CONTROL EQUIP	1	CLEVIS		G6 H6V K6, M6
	ME636078	PIN,M/T CLUTCH CONTROL EQUIP	1	CLEVIS		G6 H6V K6, M6
	ME636078	PIN,M/T CLUTCH CONTROL EQUIP	1	CLEVIS		G6 H6V K6, M6
	ME636078	PIN,M/T CLUTCH CONTROL EQUIP	1	CLEVIS		G6 H6V K6, M6
	ME636078	PIN,M/T CLUTCH CONTROL EQUIP	1	CLEVIS		G6 H6V K6, M6
	ME636078	PIN,M/T CLUTCH CONTROL EQUIP	1	CLEVIS		G6 H6V K6, M6
	ME636078	PIN,M/T CLUTCH CONTROL EQUIP	1	CLEVIS		G6 H6V K6, M6
	ME636078	PIN,M/T CLUTCH CONTROL EQUIP	1	CLEVIS		G6 H6V K6, M6
	ME636078	PIN,M/T CLUTCH CONTROL EQUIP	1	CLEVIS		G6 H6V K6, M6
	MH012074	PIN,M/T CLUTCH CONTROL EQUIP	1	CLEVIS,12X34.5		G6 J6V K6V
	MH012074	PIN,M/T CLUTCH CONTROL EQUIP	1	CLEVIS,12X34.5		G6 J6V K6V
	MH012074	PIN,M/T CLUTCH CONTROL EQUIP	1	CLEVIS,12X34.5		G6 J6V K6V
	ME636078	PIN,M/T CLUTCH CONTROL EQUIP	1	CLEVIS		G6 J6, K6V
	MH012074	PIN,M/T CLUTCH CONTROL EQUIP	1	CLEVIS,12X34.5		G6 J6V K6V
	ME636078	PIN,M/T CLUTCH CONTROL EQUIP	1	CLEVIS		G6 J6, K6V
	ME636078	PIN,M/T CLUTCH CONTROL EQUIP	1	CLEVIS		G6 J6, K6V
	ME636078	PIN,M/T CLUTCH CONTROL EQUIP	1	CLEVIS		G6 J6, K6V

FK74R
21-210 CLUTCH CONTROL (2/2)

PNC	Part No	Part Name	Qty	Part Spec	Remarks	C
20974B	MH012074	PIN,M/T CLUTCH CONTROL EQUIP	1	CLEVIS,12X34.5		G6 J6V
	MH012074	PIN,M/T CLUTCH CONTROL EQUIP	1	CLEVIS,12X34.5		G6 J6V
	MH012074	PIN,M/T CLUTCH CONTROL EQUIP	1	CLEVIS,12X34.5		G6 J6V
20974C	MF472306	PIN,M/T CLUTCH CONTROL EQUIP	1	SNAP,12X35.8		G6 J6V K6V
	MF472306	PIN,M/T CLUTCH CONTROL EQUIP	1	SNAP,12X35.8		G6 J6V K6V
	MF472306	PIN,M/T CLUTCH CONTROL EQUIP	1	SNAP,12X35.8		G6 J6V K6V
	MF472306	PIN,M/T CLUTCH CONTROL EQUIP	1	SNAP,12X35.8		G6 J6V K6V
	MF472306	PIN,M/T CLUTCH CONTROL EQUIP	1	SNAP,12X35.8		G6 J6V K6V
	MF472306	PIN,M/T CLUTCH CONTROL EQUIP	1	SNAP,12X35.8		G6 J6V K6V
	MF472306	PIN,M/T CLUTCH CONTROL EQUIP	1	SNAP,12X35.8		G6 J6V K6V
	MF472306	PIN,M/T CLUTCH CONTROL EQUIP	1	SNAP,12X35.8		G6 J6V K6V
	MF472306	PIN,M/T CLUTCH CONTROL EQUIP	1	SNAP,12X35.8		G6 J6V K6V
20974E	ME707914	PIN,M/T CLUTCH CONTROL EQUIP	1			G6
	ME707914	PIN,M/T CLUTCH CONTROL EQUIP	1			G6 H6V K6V M6V
	ME707914	PIN,M/T CLUTCH CONTROL EQUIP	1			G6 J6V K6V
	ME707914	PIN,M/T CLUTCH CONTROL EQUIP	1			G6 H6V K6V M6V
	ME707914	PIN,M/T CLUTCH CONTROL EQUIP	1			G6 H6V K6V M6V
	ME707914	PIN,M/T CLUTCH CONTROL EQUIP	1			G6 H6V K6V M6V
	ME707914	PIN,M/T CLUTCH CONTROL EQUIP	1			G6 H6V K6V M6V
	ME707914	PIN,M/T CLUTCH CONTROL EQUIP	1			G6 H6V K6V M6V
	ME707914	PIN,M/T CLUTCH CONTROL EQUIP	1			G6 H6V K6V M6V
	ME707914	PIN,M/T CLUTCH CONTROL EQUIP	1			G6 H6V K6V M6V
	ME707914	PIN,M/T CLUTCH CONTROL EQUIP	1			G6 H6V K6V M6V
	ME707914	PIN,M/T CLUTCH CONTROL EQUIP	1			G6 H6V K6V M6V
	ME707914	PIN,M/T CLUTCH CONTROL EQUIP	1			G6 H6V K6V M6V
	ME707914	PIN,M/T CLUTCH CONTROL EQUIP	1			G6 H6V K6V M6V
	ME707914	PIN,M/T CLUTCH CONTROL EQUIP	1			G6 H6V K6V M6V
	ME707914	PIN,M/T CLUTCH CONTROL EQUIP	1			G6 H6V K6V M6V
	20975C	ME706155	NUT,M/T CLUTCH CONTROL EQUIP	1		
ME706155		NUT,M/T CLUTCH CONTROL EQUIP	1			G6 H6V K6V M6V
ME706155		NUT,M/T CLUTCH CONTROL EQUIP	1			G6 H6V K6V M6V

FK74R
21-210 CLUTCH CONTROL (2/2)

PNC	Part No	Part Name	Qty	Part Spec	Remarks	C
20975C	ME706155	NUT,M/T CLUTCH CONTROL EQUIP	1			G6
	ME706155	NUT,M/T CLUTCH CONTROL EQUIP	1			J6, K6
	ME706155	NUT,M/T CLUTCH CONTROL EQUIP	1			G6
	ME706155	NUT,M/T CLUTCH CONTROL EQUIP	1			H6
	ME706155	NUT,M/T CLUTCH CONTROL EQUIP	1			K6, M6
	ME706155 ME706155	NUT,M/T CLUTCH CONTROL EQUIP NUT,M/T CLUTCH CONTROL EQUIP	1 1			G6
	ME706155	NUT,M/T CLUTCH CONTROL EQUIP	1			J6
	ME706155	NUT,M/T CLUTCH CONTROL EQUIP	1			K6
	ME706155	NUT,M/T CLUTCH CONTROL EQUIP	1			G6
	ME706155	NUT,M/T CLUTCH CONTROL EQUIP	1			M6
	ME706155	NUT,M/T CLUTCH CONTROL EQUIP	1			G6
	ME706155	NUT,M/T CLUTCH CONTROL EQUIP	1			J6
	ME706155	NUT,M/T CLUTCH CONTROL EQUIP	1			G6
	ME706155	NUT,M/T CLUTCH CONTROL EQUIP	1			J6, K6
	ME706155	NUT,M/T CLUTCH CONTROL EQUIP	1			G6
	ME706155	NUT,M/T CLUTCH CONTROL EQUIP	1			J6
	20975D	MF430005	NUT,M/T CLUTCH CONTROL EQUIP	7	8	
MF430005		NUT,M/T CLUTCH CONTROL EQUIP	10	8		G6
MF430005		NUT,M/T CLUTCH CONTROL EQUIP	10	8		H6
MF430005		NUT,M/T CLUTCH CONTROL EQUIP	10	8		K6, M6
MF430005		NUT,M/T CLUTCH CONTROL EQUIP	10	8		G6
MF430005		NUT,M/T CLUTCH CONTROL EQUIP	10	8		J6
MF430005		NUT,M/T CLUTCH CONTROL EQUIP	10	8		K6
MF430005		NUT,M/T CLUTCH CONTROL EQUIP	10	8		G6
MF430005		NUT,M/T CLUTCH CONTROL EQUIP	10	8		H6
MF430005		NUT,M/T CLUTCH CONTROL EQUIP	10	8		K6, M6

FK74R
21-210 CLUTCH CONTROL (2/2)

PNC	Part No	Part Name	Qty	Part Spec	Remarks	C
20975D	MF430005	NUT,M/T CLUTCH CONTROL EQUIP	10	8		G6
	MF430005	NUT,M/T CLUTCH CONTROL EQUIP	10	8		M6
	MF430005	NUT,M/T CLUTCH CONTROL EQUIP	10	8		G6
	MF430005	NUT,M/T CLUTCH CONTROL EQUIP	10	8		J6V
	MF430005	NUT,M/T CLUTCH CONTROL EQUIP	10	8		G6
	MF430005	NUT,M/T CLUTCH CONTROL EQUIP	10	8		J6,
	MF430005	NUT,M/T CLUTCH CONTROL EQUIP	10	8		K6I
	MF430005	NUT,M/T CLUTCH CONTROL EQUIP	10	8		G6
	MF430005	NUT,M/T CLUTCH CONTROL EQUIP	10	8		J6V
	MF430005	NUT,M/T CLUTCH CONTROL EQUIP	10	8		K6'
20975J	MF434103	NUT,M/T CLUTCH CONTROL EQUIP	7	8		G6
	MF434103	NUT,M/T CLUTCH CONTROL EQUIP	7	8		H6I
	MF434103	NUT,M/T CLUTCH CONTROL EQUIP	10	8		J6,
	MF434103	NUT,M/T CLUTCH CONTROL EQUIP	10	8		J6V
	MF434103	NUT,M/T CLUTCH CONTROL EQUIP	10	8		K6'
	MF434103	NUT,M/T CLUTCH CONTROL EQUIP	10	8		M6
	MF434103	NUT,M/T CLUTCH CONTROL EQUIP	2	FLANGE,6	W/O COATING	G6
	MF434103	NUT,M/T CLUTCH CONTROL EQUIP	2	FLANGE,6	W/O COATING	H6I
	MF434103	NUT,M/T CLUTCH CONTROL EQUIP	2	FLANGE,6	W/O COATING	J6,
	MF434103	NUT,M/T CLUTCH CONTROL EQUIP	2	FLANGE,6	W/O COATING	J6V
20975K	MS446030	NUT,M/T CLUTCH CONTROL EQUIP	1	LOCK,6	LH-THREAD	K6'

FK74R
21-210 CLUTCH CONTROL (2/2)

PNC	Part No	Part Name	Qty	Part Spec	Remarks	C
20975K	MS446030	NUT,M/T CLUTCH CONTROL EQUIP	1	LOCK,6	LH-THREAD	G6 H6 J6, J6V K6 M6
	MS446030	NUT,M/T CLUTCH CONTROL EQUIP	1	LOCK,6	LH-THREAD	G6 H6 J6, J6V K6 M6
	MS446030	NUT,M/T CLUTCH CONTROL EQUIP	1	LOCK,6	LH-THREAD	G6 H6 J6, J6V K6 M6
	MS446030	NUT,M/T CLUTCH CONTROL EQUIP	1	LOCK,6	LH-THREAD	G6 H6 J6, J6V K6 M6
20975M	MF430724	NUT,M/T CLUTCH CONTROL EQUIP	1	JAM,6		G6 H6 J6, J6V K6 M6
	MF430724	NUT,M/T CLUTCH CONTROL EQUIP	1	JAM,6		G6 H6 J6, J6V K6 M6
	MF430724	NUT,M/T CLUTCH CONTROL EQUIP	1	JAM,6		G6 H6 J6, J6V K6 M6
	MF430724	NUT,M/T CLUTCH CONTROL EQUIP	1	JAM,6		G6 H6 J6, J6V K6 M6
	MF430724	NUT,M/T CLUTCH CONTROL EQUIP	1	JAM,6		G6 H6 J6, J6V K6 M6
20975T	MF430727	NUT,M/T CLUTCH CONTROL EQUIP	1	JAM,12		G6 H6 K6, M6
	MF430727	NUT,M/T CLUTCH CONTROL EQUIP	1	JAM,12		G6 H6 J6V K6 M6
	MF430727	NUT,M/T CLUTCH CONTROL EQUIP	1	JAM,12		G6 H6 J6V K6 M6
	MF430727	NUT,M/T CLUTCH CONTROL EQUIP	1	JAM,12		G6 H6 K6, M6
	MF430727	NUT,M/T CLUTCH CONTROL EQUIP	1	JAM,12		G6 H6 J6V K6 M6

FK74R
21-210 CLUTCH CONTROL (2/2)

PNC	Part No	Part Name	Qty	Part Spec	Remarks	C
20975T	MF430727	NUT,M/T CLUTCH CONTROL EQUIP	1	JAM,12		G6
	MF430727	NUT,M/T CLUTCH CONTROL EQUIP	1	JAM,12		J6,
	MF430727	NUT,M/T CLUTCH CONTROL EQUIP	1	JAM,12		K6
	MF430727	NUT,M/T CLUTCH CONTROL EQUIP	1	JAM,12		G6
	MF430727	NUT,M/T CLUTCH CONTROL EQUIP	1	JAM,12		G6
	MF430727	NUT,M/T CLUTCH CONTROL EQUIP	1	JAM,12		J6,
	MF430727	NUT,M/T CLUTCH CONTROL EQUIP	1	JAM,12		K6
	MF430727	NUT,M/T CLUTCH CONTROL EQUIP	1	JAM,12		G6
	MF430727	NUT,M/T CLUTCH CONTROL EQUIP	1	JAM,12		M6
	MF430727	NUT,M/T CLUTCH CONTROL EQUIP	1	JAM,12		G6
	MF430727	NUT,M/T CLUTCH CONTROL EQUIP	1	JAM,12		J6V
	MF430727	NUT,M/T CLUTCH CONTROL EQUIP	1	JAM,12		G6
	MF430727	NUT,M/T CLUTCH CONTROL EQUIP	1	JAM,12		J6,
	MF430727	NUT,M/T CLUTCH CONTROL EQUIP	1	JAM,12		K6
	20977	MH031773	HOSE,M/T CLUTCH CONTROL EQUIP	1	10.5X280	
MH031773		HOSE,M/T CLUTCH CONTROL EQUIP	1	10.5X280		H6
MH031773		HOSE,M/T CLUTCH CONTROL EQUIP	1	10.5X280		K6,
MH031773		HOSE,M/T CLUTCH CONTROL EQUIP	1	10.5X280		M6
MH031773		HOSE,M/T CLUTCH CONTROL EQUIP	1	10.5X280		G6
MH031773		HOSE,M/T CLUTCH CONTROL EQUIP	1	10.5X280		G6
MH031773		HOSE,M/T CLUTCH CONTROL EQUIP	1	10.5X280		J6V
MH031773		HOSE,M/T CLUTCH CONTROL EQUIP	1	10.5X280		K6V
MH031773		HOSE,M/T CLUTCH CONTROL EQUIP	1	10.5X280		G6
MH031773		HOSE,M/T CLUTCH CONTROL EQUIP	1	10.5X280		J6,
MH031773		HOSE,M/T CLUTCH CONTROL EQUIP	1	10.5X280		K6
MH031773		HOSE,M/T CLUTCH CONTROL EQUIP	1	10.5X280		G6
MH031773		HOSE,M/T CLUTCH CONTROL EQUIP	1	10.5X280		H6
MH031773		HOSE,M/T CLUTCH CONTROL EQUIP	1	10.5X280		K6V
MH031773		HOSE,M/T CLUTCH CONTROL EQUIP	1	10.5X280		M6
MH031773	HOSE,M/T CLUTCH CONTROL EQUIP	1	10.5X280		G6	
MH031773	HOSE,M/T CLUTCH CONTROL EQUIP	1	10.5X280		J6,	
MH031773	HOSE,M/T CLUTCH CONTROL EQUIP	1	10.5X280		K6	
MH031773	HOSE,M/T CLUTCH CONTROL EQUIP	1	10.5X280		G6	
MH031773	HOSE,M/T CLUTCH CONTROL EQUIP	1	10.5X280		J6V	
MH031773	HOSE,M/T CLUTCH CONTROL EQUIP	1	10.5X280		K6V	

FK74R
21-210 CLUTCH CONTROL (2/2)

PNC	Part No	Part Name	Qty	Part Spec	Remarks	C
20977	MH031773	HOSE,M/T CLUTCH CONTROL EQUIP	1	10.5X280		G6 H6 H6 J6 K6 M6
	MH031773	HOSE,M/T CLUTCH CONTROL EQUIP	1	10.5X280		G6 H6 J6 J6 K6 M6
	MH031773	HOSE,M/T CLUTCH CONTROL EQUIP	1	10.5X280		G6 J6 K6
	MH031773	HOSE,M/T CLUTCH CONTROL EQUIP	1	10.5X280		G6 J6 K6
20981	MH039236	JOINT,M/T CLUTCH CONTROL EQUIP	1			G6 H6 K6 M6
	MH039236	JOINT,M/T CLUTCH CONTROL EQUIP	1			G6
	MH039236	JOINT,M/T CLUTCH CONTROL EQUIP	1			G6 J6 K6
	MH039236	JOINT,M/T CLUTCH CONTROL EQUIP	1			G6 J6 K6
	MH039236	JOINT,M/T CLUTCH CONTROL EQUIP	1			G6 H6 K6 M6
	MH039236	JOINT,M/T CLUTCH CONTROL EQUIP	1			G6 J6 K6
	MH039236	JOINT,M/T CLUTCH CONTROL EQUIP	1			G6 K6
	MH039236	JOINT,M/T CLUTCH CONTROL EQUIP	1			G6 J6 K6
	MH039236	JOINT,M/T CLUTCH CONTROL EQUIP	1			G6 H6 K6 M6
	MH039236	JOINT,M/T CLUTCH CONTROL EQUIP	1			G6 J6 K6
	MH039236	JOINT,M/T CLUTCH CONTROL EQUIP	1			G6 H6 H6 J6 K6 M6
	MH039236	JOINT,M/T CLUTCH CONTROL EQUIP	1			G6 H6 J6 K6 M6
	MH039236	JOINT,M/T CLUTCH CONTROL EQUIP	1			G6 J6 K6 M6
	MH039236	JOINT,M/T CLUTCH CONTROL EQUIP	1			G6 J6 K6
	MH039236	JOINT,M/T CLUTCH CONTROL EQUIP	1			G6 J6 K6

FK74R
21-210 CLUTCH CONTROL (2/2)

PNC	Part No	Part Name	Qty	Part Spec	Remarks	Code
20981B	MH013002	JOINT,M/T CLUTCH CONTROL EQUIP	1			G6
	MH013002	JOINT,M/T CLUTCH CONTROL EQUIP	1			J6
	MH013002	JOINT,M/T CLUTCH CONTROL EQUIP	1			K6
	MH013002	JOINT,M/T CLUTCH CONTROL EQUIP	1			G6
	MH013002	JOINT,M/T CLUTCH CONTROL EQUIP	1			J6
	MH013002	JOINT,M/T CLUTCH CONTROL EQUIP	1			K6
	MH013002	JOINT,M/T CLUTCH CONTROL EQUIP	1			G6
	MH013002	JOINT,M/T CLUTCH CONTROL EQUIP	1			J6
	MH013002	JOINT,M/T CLUTCH CONTROL EQUIP	1			K6
20981C	MH039841	JOINT,M/T CLUTCH CONTROL EQUIP	1			G6
	MH039841	JOINT,M/T CLUTCH CONTROL EQUIP	1			J6,
	MH039841	JOINT,M/T CLUTCH CONTROL EQUIP	1			K6
	MH039841	JOINT,M/T CLUTCH CONTROL EQUIP	1			G6
	MH039841	JOINT,M/T CLUTCH CONTROL EQUIP	1			H6
	MH039841	JOINT,M/T CLUTCH CONTROL EQUIP	1			K6,
	MH039841	JOINT,M/T CLUTCH CONTROL EQUIP	1			M6
	MH039841	JOINT,M/T CLUTCH CONTROL EQUIP	1			G6
	MH039841	JOINT,M/T CLUTCH CONTROL EQUIP	1			H6
	MH038153	JOINT,M/T CLUTCH CONTROL EQUIP	1			K6,
	MH038153	JOINT,M/T CLUTCH CONTROL EQUIP	1			M6
	MH038153	JOINT,M/T CLUTCH CONTROL EQUIP	1			G6
	MH038153	JOINT,M/T CLUTCH CONTROL EQUIP	1			J6
	MH038153	JOINT,M/T CLUTCH CONTROL EQUIP	1			K6
	MH038153	JOINT,M/T CLUTCH CONTROL EQUIP	1			G6
	MH038153	JOINT,M/T CLUTCH CONTROL EQUIP	1			J6
	MH038153	JOINT,M/T CLUTCH CONTROL EQUIP	1			K6
	MH039841	JOINT,M/T CLUTCH CONTROL EQUIP	1			G6
	MH039841	JOINT,M/T CLUTCH CONTROL EQUIP	1			J6,
	MH039841	JOINT,M/T CLUTCH CONTROL EQUIP	1			K6
	MH039841	JOINT,M/T CLUTCH CONTROL EQUIP	1			G6
	MH039841	JOINT,M/T CLUTCH CONTROL EQUIP	1			J6,
	MH039841	JOINT,M/T CLUTCH CONTROL EQUIP	1			K6
	MH039841	JOINT,M/T CLUTCH CONTROL EQUIP	1			G6
	MH039841	JOINT,M/T CLUTCH CONTROL EQUIP	1			J6,
	MH039841	JOINT,M/T CLUTCH CONTROL EQUIP	1			K6
	MH039841	JOINT,M/T CLUTCH CONTROL EQUIP	1			G6
	MH039841	JOINT,M/T CLUTCH CONTROL EQUIP	1			J6,
	MH039841	JOINT,M/T CLUTCH CONTROL EQUIP	1			K6
	MH039841	JOINT,M/T CLUTCH CONTROL EQUIP	1			G6
	MH039841	JOINT,M/T CLUTCH CONTROL EQUIP	1			J6,
	MH039841	JOINT,M/T CLUTCH CONTROL EQUIP	1			K6
	MH038153	JOINT,M/T CLUTCH CONTROL EQUIP	1			G6
	MH038153	JOINT,M/T CLUTCH CONTROL EQUIP	1			J6

**FK74R
21-210 CLUTCH CONTROL (2/2)**

PNC	Part No	Part Name	Qty	Part Spec	Remarks	C	
20981C	MH038153	JOINT,M/T CLUTCH CONTROL EQUIP	1			G6	
	MH038153	JOINT,M/T CLUTCH CONTROL EQUIP	1			J6V G6	
20981D	ME729760	JOINT,M/T CLUTCH CONTROL EQUIP	1			J6V G6 H6I K6, M6	
	ME729760	JOINT,M/T CLUTCH CONTROL EQUIP	1			G6	
	ME729760	JOINT,M/T CLUTCH CONTROL EQUIP	1			J6V K6'	
	ME729760	JOINT,M/T CLUTCH CONTROL EQUIP	1			G6 J6, K6I	
	ME729760	JOINT,M/T CLUTCH CONTROL EQUIP	1			G6 H6I K6, M6	
	ME729760	JOINT,M/T CLUTCH CONTROL EQUIP	1			G6 J6V K6'	
	ME729760	JOINT,M/T CLUTCH CONTROL EQUIP	1			G6 J6, K6I	
	ME729760	JOINT,M/T CLUTCH CONTROL EQUIP	1			G6 J6, K6I	
	ME729760	JOINT,M/T CLUTCH CONTROL EQUIP	1			G6 H6I K6' M6	
	ME729760	JOINT,M/T CLUTCH CONTROL EQUIP	1			G6 J6, K6I	
	ME729760	JOINT,M/T CLUTCH CONTROL EQUIP	1			G6 J6V K6'	
	ME729760	JOINT,M/T CLUTCH CONTROL EQUIP	1			G6 J6, K6I	
	ME729760	JOINT,M/T CLUTCH CONTROL EQUIP	1			G6 H6I K6' M6	
	ME729760	JOINT,M/T CLUTCH CONTROL EQUIP	1			G6 J6V K6'	
	ME729760	JOINT,M/T CLUTCH CONTROL EQUIP	1			G6 H6, H6' J6V K6I M6	
	20981DB	MH013003	JOINT,M/T CLUTCH CONTROL EQUIP	1			G6 J6V K6' M6
		MH013003	JOINT,M/T CLUTCH CONTROL EQUIP	1			G6 J6V K6'
MH013003		JOINT,M/T CLUTCH CONTROL EQUIP	1			G6 J6V K6' M6	
MH013003		JOINT,M/T CLUTCH CONTROL EQUIP	1			G6 J6V K6'	
MH013003		JOINT,M/T CLUTCH CONTROL EQUIP	1			G6 J6V K6' M6	
MH013003		JOINT,M/T CLUTCH CONTROL EQUIP	1			G6 J6V K6'	
MH013003		JOINT,M/T CLUTCH CONTROL EQUIP	1			G6 J6V K6'	
MH013003		JOINT,M/T CLUTCH CONTROL EQUIP	1			G6 J6V K6'	

FK74R
21-210 CLUTCH CONTROL (2/2)

PNC	Part No	Part Name	Qty	Part Spec	Remarks	C
20981DB	MH013003	JOINT,M/T CLUTCH CONTROL EQUIP	1			G6
20982B	MH020803	CLIP,M/T CLUTCH CONTROL EQUIP	1	D=10 L=17		J6V
	MH020803	CLIP,M/T CLUTCH CONTROL EQUIP	1	D=10 L=17		G6
	MH020803	CLIP,M/T CLUTCH CONTROL EQUIP	1	D=10 L=17		J6V
	MH020803	CLIP,M/T CLUTCH CONTROL EQUIP	1	D=10 L=17		K6
	MH020803	CLIP,M/T CLUTCH CONTROL EQUIP	1	D=10 L=17		G6
	MH020803	CLIP,M/T CLUTCH CONTROL EQUIP	1	D=10 L=17		J6V
	MH020803	CLIP,M/T CLUTCH CONTROL EQUIP	1	D=10 L=17		K6
	MH020803	CLIP,M/T CLUTCH CONTROL EQUIP	1	D=10 L=17		G6
	MH020803	CLIP,M/T CLUTCH CONTROL EQUIP	1	D=10 L=17		J6V
20982C	MH020431	CLIP,M/T CLUTCH CONTROL EQUIP	1	D=10		G6
	MH020431	CLIP,M/T CLUTCH CONTROL EQUIP	1	D=10		J6V
	MH020431	CLIP,M/T CLUTCH CONTROL EQUIP	1	D=10		K6
	MH020431	CLIP,M/T CLUTCH CONTROL EQUIP	1	D=10		G6
	MH020431	CLIP,M/T CLUTCH CONTROL EQUIP	1	D=10		J6V
	MH020431	CLIP,M/T CLUTCH CONTROL EQUIP	1	D=10		K6
	MH020431	CLIP,M/T CLUTCH CONTROL EQUIP	1	D=10		G6
	MH020431	CLIP,M/T CLUTCH CONTROL EQUIP	1	D=10		J6V
	MH020431	CLIP,M/T CLUTCH CONTROL EQUIP	1	D=10		K6
20984	4450304139	CLAMP,M/T CLUTCH CONTROL EQUIP	1			G6
	4450304139	CLAMP,M/T CLUTCH CONTROL EQUIP	1			J6V
	4450304139	CLAMP,M/T CLUTCH CONTROL EQUIP	1			K6
	4450304139	CLAMP,M/T CLUTCH CONTROL EQUIP	1			G6
	4450304139	CLAMP,M/T CLUTCH CONTROL EQUIP	1			J6V
	4450304139	CLAMP,M/T CLUTCH CONTROL EQUIP	1			K6
	4450304139	CLAMP,M/T CLUTCH CONTROL EQUIP	1			G6
	4450304139	CLAMP,M/T CLUTCH CONTROL EQUIP	1			J6V
	4450304139	CLAMP,M/T CLUTCH CONTROL EQUIP	1			K6
20985	ME519593	BRACKET,M/T CLUTCH CONTROL EQUIP	1			G6
	ME519593	BRACKET,M/T CLUTCH CONTROL EQUIP	1			J6V
	ME519593	BRACKET,M/T CLUTCH CONTROL EQUIP	1			K6
	ME519593	BRACKET,M/T CLUTCH CONTROL EQUIP	1			G6
	ME519593	BRACKET,M/T CLUTCH CONTROL EQUIP	1			J6V
	ME519593	BRACKET,M/T CLUTCH CONTROL EQUIP	1			K6
	ME519593	BRACKET,M/T CLUTCH CONTROL EQUIP	1			G6
	ME519593	BRACKET,M/T CLUTCH CONTROL EQUIP	1			J6V
	ME519593	BRACKET,M/T CLUTCH CONTROL EQUIP	1			G6

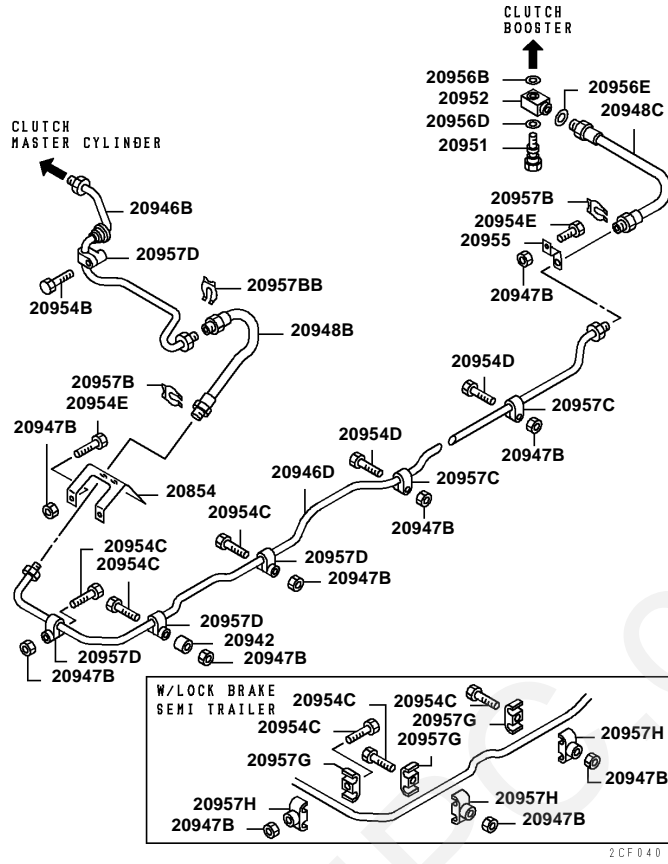
FK74R
21-210 CLUTCH CONTROL (2/2)

PNC	Part No	Part Name	Qty	Part Spec	Remarks	C
20985	ME519593	BRACKET,M/T CLUTCH CONTROL EQUIP	1			G6
20985PC	MH023501	BRACKET,M/T CLUTCH CONTROL EQUIP	1			J6V G6
	MH023501	BRACKET,M/T CLUTCH CONTROL EQUIP	1			J6V K6 G6
	MH023501	BRACKET,M/T CLUTCH CONTROL EQUIP	1			J6V K6 G6
	MH023501	BRACKET,M/T CLUTCH CONTROL EQUIP	1			J6V K6 G6
	MH023501	BRACKET,M/T CLUTCH CONTROL EQUIP	1			J6V K6 G6
	MH023501	BRACKET,M/T CLUTCH CONTROL EQUIP	1			J6V K6 G6
	MH023501	BRACKET,M/T CLUTCH CONTROL EQUIP	1			J6V K6 G6
20988	ME747622	BUSHING,M/T CLUTCH CONTROL EQUIP	1			J6V G6 H6 K6, M6
	ME747622	BUSHING,M/T CLUTCH CONTROL EQUIP	1			G6 G6
	ME747622	BUSHING,M/T CLUTCH CONTROL EQUIP	1			J6V K6 G6
	ME747622	BUSHING,M/T CLUTCH CONTROL EQUIP	1			J6, K6 G6
	ME747622	BUSHING,M/T CLUTCH CONTROL EQUIP	1			H6 K6, M6
	ME747622	BUSHING,M/T CLUTCH CONTROL EQUIP	1			G6 J6V K6
	ME747622	BUSHING,M/T CLUTCH CONTROL EQUIP	1			G6 J6, K6
	ME747622	BUSHING,M/T CLUTCH CONTROL EQUIP	1			G6 J6, K6
	ME747622	BUSHING,M/T CLUTCH CONTROL EQUIP	1			G6 H6 K6
	ME747622	BUSHING,M/T CLUTCH CONTROL EQUIP	1			M6 G6
	ME747622	BUSHING,M/T CLUTCH CONTROL EQUIP	1			J6, K6 G6
	ME747622	BUSHING,M/T CLUTCH CONTROL EQUIP	1			G6 G6
	ME747622	BUSHING,M/T CLUTCH CONTROL EQUIP	1			J6V K6
	ME747622	BUSHING,M/T CLUTCH CONTROL EQUIP	1			G6 H6, H6
	ME747622	BUSHING,M/T CLUTCH CONTROL EQUIP	1			J6V K6 M6
	ME747622	BUSHING,M/T CLUTCH CONTROL EQUIP	1			G6 H6 J6, J6V K6
	ME747622	BUSHING,M/T CLUTCH CONTROL EQUIP	1			M6 G6
	ME747622	BUSHING,M/T CLUTCH CONTROL EQUIP	1			J6, K6 G6
	ME747622	BUSHING,M/T CLUTCH CONTROL EQUIP	1			J6V K6

FK74R
21-210 CLUTCH CONTROL (2/2)

PNC	Part No	Part Name	Qty	Part Spec	Remarks
20200A	(Please refer to the page 1/2)	BOOSTER ASSY,CLUTCH	1		
20204	(Please refer to the page 1/2)	BODY,CLUTCH BOOSTER UPR VALVE	1		
20206B	(Please refer to the page 1/2)	BRACKET,CLUTCH BOOSTER	1		
20206D	(Please refer to the page 1/2)	BRACKET,CLUTCH BOOSTER	1		
20210	(Please refer to the page 1/2)	BOOSTER KIT,CLUTCH	1		
20222	(Please refer to the page 1/2)	CLAW,CLUTCH BOOSTER RETURN SPRING	1		
20226	(Please refer to the page 1/2)	COVER,CLUTCH BOOSTER EXHAUST	1		
20231	(Please refer to the page 1/2)	CUP,CLUTCH POWER CYLINDER PISTON	1		
20244	(Please refer to the page 1/2)	GUARD,CLUTCH BOOSTER HYDRAULIC CYLINDER	1		
20265B	(Please refer to the page 1/2)	GASKET,CLUTCH BOOSTER INR	1		
20265C	(Please refer to the page 1/2)	GASKET,CLUTCH BOOSTER INR	1		
20265D	(Please refer to the page 1/2)	GASKET,CLUTCH BOOSTER INR	1		
20265E	(Please refer to the page 1/2)	GASKET,CLUTCH BOOSTER INR	1		
20265G	(Please refer to the page 1/2)	GASKET,CLUTCH BOOSTER INR	1		
20265H	(Please refer to the page 1/2)	GASKET,CLUTCH BOOSTER INR	1		
20265J	(Please refer to the page 1/2)	GASKET,CLUTCH BOOSTER INR	1		
20275	(Please refer to the page 1/2)	PISTON,CLUTCH BOOSTER HYDRAULIC	1		
20275A	(Please refer to the page 1/2)	PISTON ASSY,CLUTCH BOOSTER HYDRAULIC	1		
20276A	(Please refer to the page 1/2)	PISTON ASSY,CLUTCH BOOSTER RELAY VALVE	1		
20277	(Please refer to the page 1/2)	PISTON,CLUTCH BOOSTER CONTROL VALVE	1		
20281	(Please refer to the page 1/2)	PISTON,CLUTCH BOOSTER	1		
20287	(Please refer to the page 1/2)	PLATE,CLUTCH BOOSTER CYLINDER SHELL	1		
20292A	(Please refer to the page 1/2)	PLATE ASSY,CLUTCH BOOSTER END	1		
20303	(Please refer to the page 1/2)	PROTECTOR,CLUTCH BOOSTER END PLATE,UPR	1		
20311	(Please refer to the page 1/2)	PUSH ROD,CLUTCH BOOSTER POWER PISTON	1		
20312	(Please refer to the page 1/2)	PUSH ROD,CLUTCH BOOSTER	1		
20313	(Please refer to the page 1/2)	PUSH ROD,CLUTCH POWER CYLINDER	1		
20315	(Please refer to the page 1/2)	RETAINER,CLUTCH BOOSTER PUSH ROD	1		
20315B	(Please refer to the page 1/2)	RETAINER,CLUTCH BOOSTER PUSH ROD	1		
20317	(Please refer to the page 1/2)	SHELL,CLUTCH BOOSTER CYLINDER	1		
20347B	(Please refer to the page 1/2)	SPRING,CLUTCH POWER CYLINDER PISTON RETURN	1		
20347C	(Please refer to the page 1/2)	SPRING,CLUTCH POWER CYLINDER PISTON RETURN	1		
20347D	(Please refer to the page 1/2)	SPRING,CLUTCH POWER CYLINDER PISTON RETURN	1		
20353	(Please refer to the page 1/2)	VALVE,CLUTCH BOOSTER UPR POPPET	1		
20422	(Please refer to the page 1/2)	FORK,CLUTCH RELEASE	1		
20424	(Please refer to the page 1/2)	ROLLER,CLUTCH RELEASE FORK	1		
20430A	(Please refer to the page 1/2)	BEARING ASSY,CLUTCH RELEASE	1		
20435	(Please refer to the page 1/2)	ROD,CLUTCH RELEASE SENSOR	1		

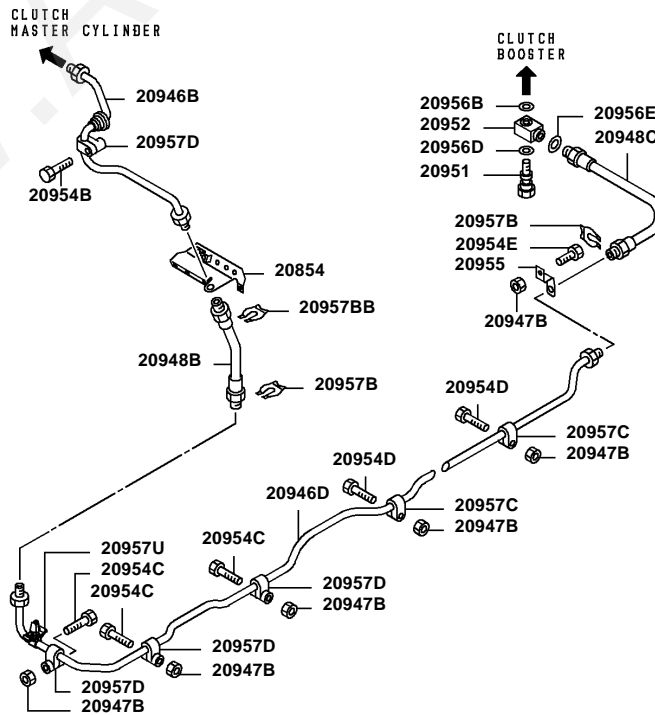
FK74R
No.1



Ref. |2021310

Page

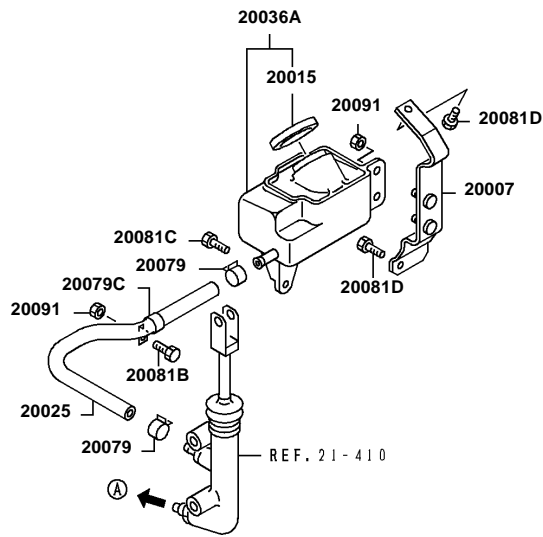
FK74R
No.2



Ref. |2021310

Page

FK74R
No.3

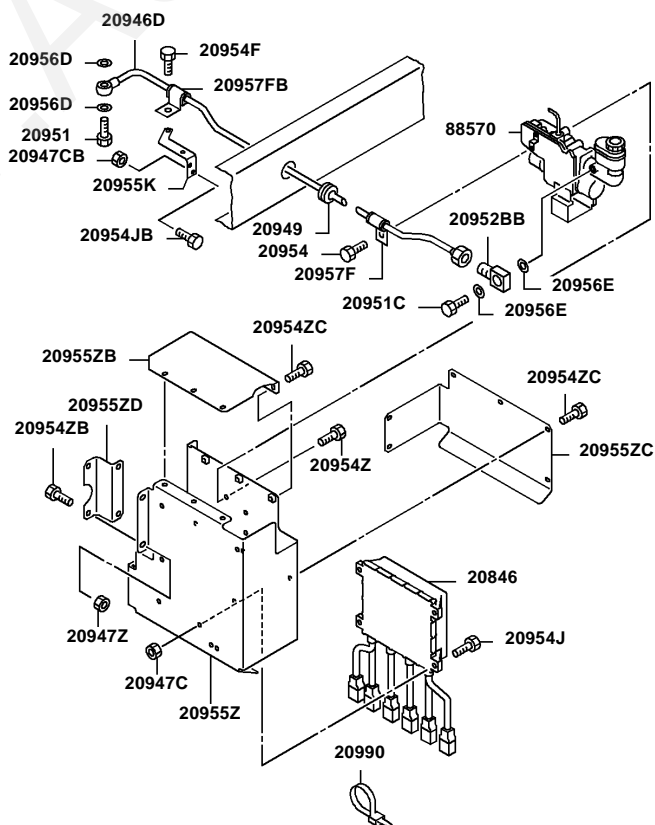


2CT005

Ref. |2021310

Page

FK74R
No.4

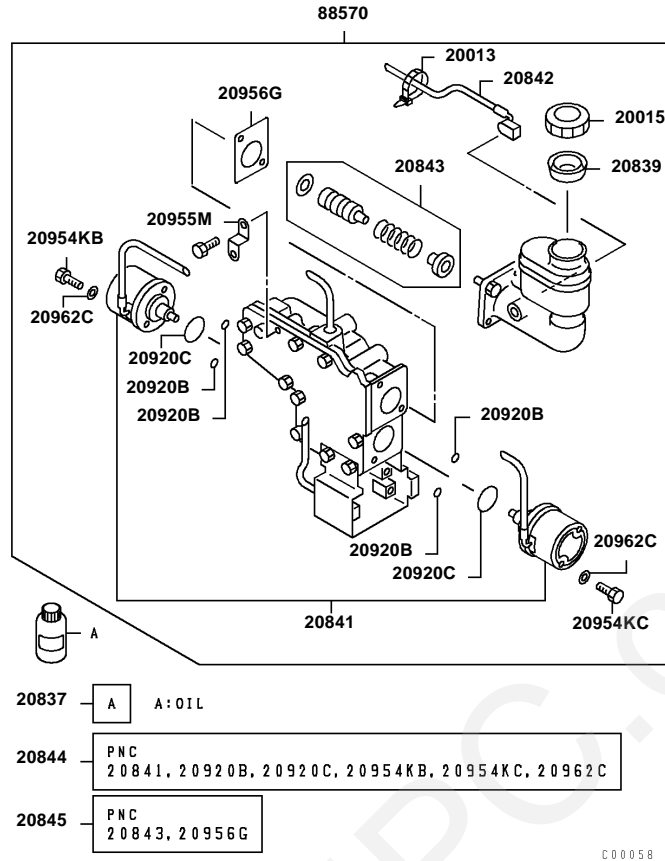


C00078

Ref. |2021310

Page

**FK74R
No.5**



Ref. |2021310

Page

**FK74R
21-310 CLUTCH FLUID LINE**

Repl Part	PNC	Part No	Part Name	Qty	Part Spec	Remarks	PREV.1	NEW1	NEW2
	20007	MC435717	BRACKET,CLUTCH FLUID RESERVOIR	1					
		MC435717	BRACKET,CLUTCH FLUID RESERVOIR	1					
		MC435717	BRACKET,CLUTCH FLUID RESERVOIR	1					
	20013	ME518128	BAND,CLUTCH FLUID RESERVOIR	3					
		ME518128	BAND,CLUTCH FLUID RESERVOIR	3					
	20015	MC441968	CAP,CLUTCH FLUID RESERVOIR	1					
		MC441968	CAP,CLUTCH FLUID RESERVOIR	1					
		ME518124	CAP,CLUTCH FLUID RESERVOIR	1					
		MC441968	CAP,CLUTCH FLUID RESERVOIR	1					
		ME518124	CAP,CLUTCH FLUID RESERVOIR	1					

Ref. |2021310

Page

FK74R
21-310 CLUTCH FLUID LINE

Repl Part	PNC	Part No	Part Name	Qty	Part Spec	Remarks	PREV.1	NEW1	NEW2
	20025	MC433216	HOSE,CLUTCH FLUID RESERVOIR	1					
		MC433216	HOSE,CLUTCH FLUID RESERVOIR	1					
		MC433216	HOSE,CLUTCH FLUID RESERVOIR	1					
	20036A	MC433212	RESERVOIR ASSY,CLUTCH FLUID	1					
		MC433212	RESERVOIR ASSY,CLUTCH FLUID	1					
		MC433212	RESERVOIR ASSY,CLUTCH FLUID	1					
	20079	MS660167	CLIP,CLUTCH FLUID RESERVOIR	2	DIAMETER:13.8				
		MS660167	CLIP,CLUTCH FLUID RESERVOIR	2	DIAMETER:13.8				
		MS660167	CLIP,CLUTCH FLUID RESERVOIR	2	DIAMETER:13.8				
	20079C	MC444789	CLIP,CLUTCH FLUID RESERVOIR	1	D=15				
		MC444789	CLIP,CLUTCH FLUID RESERVOIR	1	D=15				
		MC444789	CLIP,CLUTCH FLUID RESERVOIR	1	D=15				
	20081C	MF140022	BOLT,CLUTCH FLUID RESERVOIR	1	FLANGE,8X14	4T			
	20081D	MF140022	BOLT,CLUTCH FLUID RESERVOIR	2	FLANGE,8X14	4T			
	20091	MF434103	NUT,CLUTCH FLUID RESERVOIR	1	FLANGE,6	W/O COATING			
RP	20837	ME518186	OIL KIT, CLUTCH CONTROL UNIT	1					Y
RP		ME518186	OIL KIT, CLUTCH CONTROL UNIT	1					Y
	20839	ME518125	PLATE,CLUTCH CONTROL UNIT BAFFLE	1					
		ME518125	PLATE,CLUTCH CONTROL UNIT BAFFLE	1					
	20841	ME518118	MOTOR,CLUTCH CONTROL UNIT	1					
		ME518118	MOTOR,CLUTCH CONTROL UNIT	1					

FK74R
21-310 CLUTCH FLUID LINE

Repl Part	PNC	Part No	Part Name	Qty	Part Spec	Remarks	PREV.1	NEW1	NEW2
	20842	ME518126	INDICATOR,CLUTCH CONTROL UNIT	1					
		ME518126	INDICATOR,CLUTCH CONTROL UNIT	1					
	20843	ME518123	PISTON,CLUTCH CONTROL UNIT	1					
		ME518123	PISTON,CLUTCH CONTROL UNIT	1					
	20844	ME518129	MOTOR KIT,CLUTCH CONTROL UNIT	1					
		ME518129	MOTOR KIT,CLUTCH CONTROL UNIT	1					
	20845	ME518130	PISTON KIT,CLUTCH CONTROL UNIT	1					
		ME518130	PISTON KIT,CLUTCH CONTROL UNIT	1					
RP	20846	ME517007	DRIVE UNIT,CLUTCH CONTROL	1				Y	
RP		ME517007	DRIVE UNIT,CLUTCH CONTROL	1				Y	
		ME524765	DRIVE UNIT,CLUTCH CONTROL	1					
	20854	MK405056	BRACKET,CLUTCH FLUID LINE HOSE	1					
		MK571299	BRACKET,CLUTCH FLUID LINE HOSE	1					
		MK571299	BRACKET,CLUTCH FLUID LINE HOSE	1					
		MK571299	BRACKET,CLUTCH FLUID LINE HOSE	1					
		MK571299	BRACKET,CLUTCH FLUID LINE HOSE	1					
		MK571299	BRACKET,CLUTCH FLUID LINE HOSE	1					
		MK571299	BRACKET,CLUTCH FLUID LINE HOSE	1					
		MK572621	BRACKET,CLUTCH FLUID LINE HOSE	1					
	20920B	ME518117	O-RING,CLUTCH FLUID LINE	6					
		ME518117	O-RING,CLUTCH FLUID LINE	6					
	20920C	ME518119	O-RING,CLUTCH FLUID LINE	2					
		ME518119	O-RING,CLUTCH FLUID LINE	2					
	20946B	MC440992	TUBE,CLUTCH FLUID LINE	1	8				
		MC440993	TUBE,CLUTCH FLUID LINE	1	8				
RP		MK571301	TUBE,CLUTCH FLUID LINE	1	8			Y	

FK74R
21-310 CLUTCH FLUID LINE

Repl Part RP	PNC	Part No	Part Name	Qty	Part Spec	Remarks	PREV.1	NEW1	NEW2
	20946B	MK571302	TUBE,CLUTCH FLUID LINE	1	8			Y	
	20946D	MK465233	TUBE,CLUTCH FLUID LINE	1	8				
		MK537449	TUBE,CLUTCH FLUID LINE	1	8				
		MK540789	TUBE,CLUTCH FLUID LINE	1	8				
		ME519473	TUBE,CLUTCH FLUID LINE	1	5X730				
		MK570226	TUBE,CLUTCH FLUID LINE	1	8				
RP		MK650764	TUBE,CLUTCH FLUID LINE	1	8			Y	
		ME525079	TUBE,CLUTCH FLUID LINE	1	5X935				
	20947B	MF434104	NUT,CLUTCH FLUID LINE	6	FLANGE,8				
	20947C	MF434103	NUT,CLUTCH FLUID LINE	4	FLANGE,6	W/O COATING			
	20947CB	MF434104	NUT,CLUTCH FLUID LINE	1	FLANGE,8				
	20947Z	MF434106	NUT,CLUTCH FLUID LINE	6	FLANGE,12	4T			
	20948B	MH030888	HOSE,CLUTCH FLUID LINE	1	5X400				
		MH030680	HOSE,CLUTCH FLUID LINE	1	5X320				
		MH030680	HOSE,CLUTCH FLUID LINE	1	5X320				
	20948C	MH030880	HOSE,CLUTCH FLUID LINE	1	5X320				
		MH030880	HOSE,CLUTCH FLUID LINE	1	5X320				
		MH030880	HOSE,CLUTCH FLUID LINE	1	5X320				
	20949	MH022565	GROMMET,CLUTCH FLUID LINE	1	D=23 T=8				
		MH022565	GROMMET,CLUTCH FLUID LINE	1	D=23 T=8				

FK74R
21-310 CLUTCH FLUID LINE

Repl Part	PNC	Part No	Part Name	Qty	Part Spec	Remarks	PREV.1	NEW1	NEW2
	20951	MH037017	EYEBOLT,CLUTCH FLUID LINE	1	12X32				
		MH037017	EYEBOLT,CLUTCH FLUID LINE	1	12X32				
		MH038119	EYEBOLT,CLUTCH FLUID LINE	1	12X23				
		MH037017	EYEBOLT,CLUTCH FLUID LINE	1	12X32				
		MH038119	EYEBOLT,CLUTCH FLUID LINE	1	12X23				
	20951C	MF650102	EYEBOLT,CLUTCH FLUID LINE	1	10X20				
		MF650102	EYEBOLT,CLUTCH FLUID LINE	1	10X20				
	20952	MH037266	JOINT,CLUTCH FLUID LINE	1					
		MH037266	JOINT,CLUTCH FLUID LINE	1					
		MH037266	JOINT,CLUTCH FLUID LINE	1					
	20952BB	MH037664	JOINT,CLUTCH FLUID LINE	1					
		MH037664	JOINT,CLUTCH FLUID LINE	1					
	20954	MF140002	BOLT,CLUTCH FLUID LINE	1	FLANGE,6X10	4T			
	20954B	MF140033	BOLT,CLUTCH FLUID LINE	1	FLANGE,8X40	4T			
	20954C	MF140034	BOLT,CLUTCH FLUID LINE	3	FLANGE,8X45	4T			
		MF140035	BOLT,CLUTCH FLUID LINE	1	FLANGE,8X50	4T			
	20954D	MF140037	BOLT,CLUTCH FLUID LINE	2	FLANGE,8X60	4T			
	20954E	MF100055	BOLT,CLUTCH FLUID LINE	1	BOLT,8X20	4T			

FK74R
21-310 CLUTCH FLUID LINE

Repl Part	PNC	Part No	Part Name	Qty	Part Spec	Remarks	PREV.1	NEW1	NEW2
	20954J	MF140009	BOLT,CLUTCH FLUID LINE	5	FLANGE,6X25	4T			
	20954JB	MF140029	BOLT,CLUTCH FLUID LINE	2	FLANGE,8X30	4T			
		MF140022	BOLT,CLUTCH FLUID LINE	1	FLANGE,8X14	4T			
	20954KB	ME518120	BOLT,CLUTCH FLUID LINE	2					
	20954KC	ME518121	BOLT,CLUTCH FLUID LINE	2					
	20954Z	MF140058	BOLT,CLUTCH FLUID LINE	4	FLANGE,10X20	4T			
	20954ZB	MF140285	BOLT,CLUTCH FLUID LINE	5	FLANGE,12X30	7T			
	20954ZC	MF140021	BOLT,CLUTCH FLUID LINE	13	FLANGE,8X12	4T			
	20955	MK466665	BRACKET,CLUTCH FLUID LINE	1					
		MK466665	BRACKET,CLUTCH FLUID LINE	1					
	20955K	ME523556	BRACKET,CLUTCH FLUID LINE	1					
		ME525080	BRACKET,CLUTCH FLUID LINE	1					
	20955M	MH023843	BRACKET,CLUTCH FLUID LINE	1					
		MH023843	BRACKET,CLUTCH FLUID LINE	1					
	20955Z	ME526283	BRACKET,CLUTCH FLUID LINE	1					
		ME526283	BRACKET,CLUTCH FLUID LINE	1					
	20955ZB	ME519467	BRACKET,CLUTCH FLUID LINE	1					
		ME519467	BRACKET,CLUTCH FLUID LINE	1					

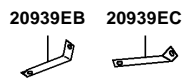
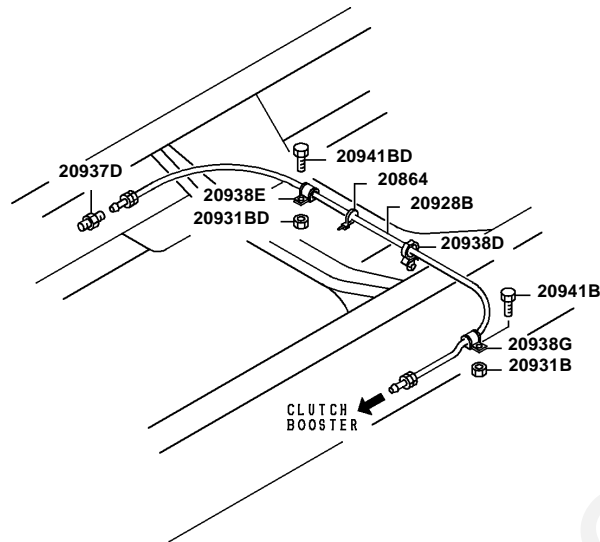
FK74R
21-310 CLUTCH FLUID LINE

Repl Part	PNC	Part No	Part Name	Qty	Part Spec	Remarks	PREV.1	NEW1	NEW2
	20955ZC	ME519468	BRACKET,CLUTCH FLUID LINE	1					
		ME519468	BRACKET,CLUTCH FLUID LINE	1					
	20955ZD	ME526285	BRACKET,CLUTCH FLUID LINE	1					
		ME524106	BRACKET,CLUTCH FLUID LINE	1					
	20956B	MH035007	GASKET,CLUTCH FLUID LINE	1	12				
		MH035007	GASKET,CLUTCH FLUID LINE	1	12				
		MH035007	GASKET,CLUTCH FLUID LINE	1	12				
	20956D	MH035006	GASKET,CLUTCH FLUID LINE	1	15				
		MF660064	GASKET,CLUTCH FLUID LINE	2	D=12				
		MH035006	GASKET,CLUTCH FLUID LINE	1	15				
		MH035006	GASKET,CLUTCH FLUID LINE	1	15				
		MF660064	GASKET,CLUTCH FLUID LINE	2	D=12				
	20956E	MH035000	GASKET,CLUTCH FLUID LINE	1	10				
		MH035000	GASKET,CLUTCH FLUID LINE	1	10				
		MH035000	GASKET,CLUTCH FLUID LINE	2	10				
		MH035000	GASKET,CLUTCH FLUID LINE	1	10				
		MH035000	GASKET,CLUTCH FLUID LINE	2	10				
	20956G	ME518127	GASKET,CLUTCH FLUID LINE	1					
		ME518127	GASKET,CLUTCH FLUID LINE	1					
	20957B	MH020706	CLIP,CLUTCH FLUID LINE	2	D=7				
		MH020706	CLIP,CLUTCH FLUID LINE	2	D=7				
		MH020706	CLIP,CLUTCH FLUID LINE	2	D=7				
	20957BB	MH020706	CLIP,CLUTCH FLUID LINE	1	D=7				
		MH020706	CLIP,CLUTCH FLUID LINE	1	D=7				

FK74R
21-310 CLUTCH FLUID LINE

Repl Part	PNC	Part No	Part Name	Qty	Part Spec	Remarks	PREV.1	NEW1	NEW2
	20957BB	MH020706	CLIP,CLUTCH FLUID LINE	1	D=7				
	20957C	MH020902	CLIP,CLUTCH FLUID LINE	2	D=8 H=7				
		MH020902	CLIP,CLUTCH FLUID LINE	2	D=8 H=7				
		MH020902	CLIP,CLUTCH FLUID LINE	2	D=8 H=7				
	20957D	MH020921	CLIP,CLUTCH FLUID LINE	4	D=8 H=20				
		MH020921	CLIP,CLUTCH FLUID LINE	4	D=8 H=20				
		MH020921	CLIP,CLUTCH FLUID LINE	4	D=8 H=20				
RP	20957F	MH020805	CLIP,CLUTCH FLUID LINE	1	D=15			Y	
RP		MH020805	CLIP,CLUTCH FLUID LINE	1	D=15			Y	
	20957FB	MH020420	CLIP,CLUTCH FLUID LINE	1	D=12				
		MH020420	CLIP,CLUTCH FLUID LINE	2	D=12				
	20962C	ME518122	WASHER,CLUTCH FLUID LINE	4					
RP	20990	MB249338	BAND,CLUTCH CONTROL EQUIP	1	L=129.5	BLACK	O		
RP		MB249338	BAND,CLUTCH CONTROL EQUIP	1	L=129.5	BLACK	O		
RP	88570	ME517006	CONTROL UNIT,CLUTCH	1				Y	Y
RP		ME517006	CONTROL UNIT,CLUTCH	1				Y	Y
RP		ME524775	CONTROL UNIT,CLUTCH	1				Y	Y
	20957G	(N.e.c.)	CLIP,CLUTCH FLUID LINE						
	20957H	(N.e.c.)	CLIP,CLUTCH FLUID LINE						
	20942	(N.e.c.)	SPACER,CLUTCH FLUID LINE						
	20957U	(N.e.c.)	CLIP,CLUTCH FLUID LINE						
	20081B	(N.e.c.)	BOLT,CLUTCH FLUID RESERVOIR						
	20954F	(N.e.c.)	BOLT,CLUTCH FLUID LINE						

FK74R
No.1

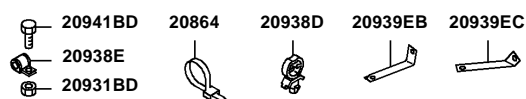
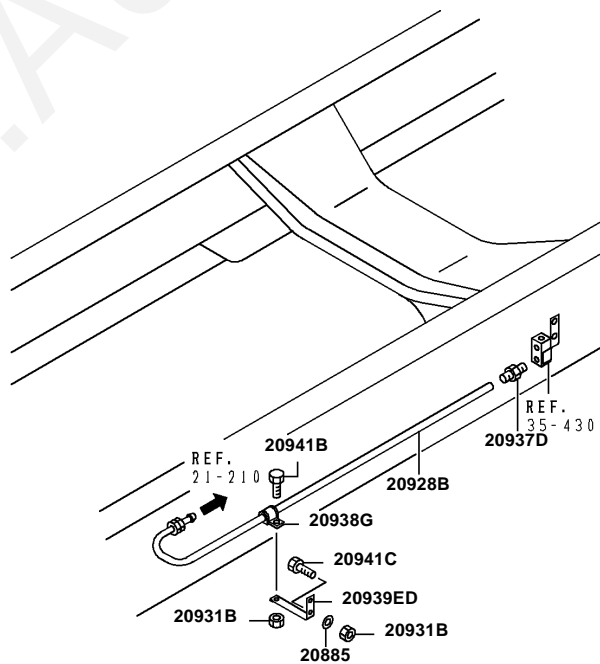


C00122

Ref. |2021320

Page

FK74R
No.2



C00146

Ref. |2021320

Page

FK74R
No.3

20927



2BA025

Ref. |2021320

Page

FK74R
21-320 CLUTCH AIR LINE

PNC	Part No	Part Name	Qty	Part Spec	Remarks	Classification	Option	Model Year
20927	MS661121	PLUG,CLUTCH AIR LINE	1	TAPER,HEXAGON,PT-1/4		G6,G6E,H6, H6E,J6,J6E, K6,K6E,M6, M6E	1XS,1XT,1XX, 1XY	04
	MS661121	PLUG,CLUTCH AIR LINE	1	TAPER,HEXAGON,PT-1/4		G6,G6E,H6, H6E,J6,J6E	1XU,1XZ	04
	MS661121	PLUG,CLUTCH AIR LINE	2	TAPER,HEXAGON,PT-1/4		G6,H6,H6E, J6,J6E,K6, K6E,M6E	1XS,1XT,1XX, 1XY	05,07
	MS661121	PLUG,CLUTCH AIR LINE	2	TAPER,HEXAGON,PT-1/4		G6,H6,H6E, J6,J6E	1XU,1XZ	05,07
20928B	MK537247	TUBE,CLUTCH AIR LINE	1	10		G6,G6E,H6, H6E,J6,J6E, K6,K6E,M6, M6E		
	MK537247	TUBE,CLUTCH AIR LINE	1	10		G6,G6E,H6, H6E,J6,J6E, K6,K6E,M6, M6E	1GP	04
	MK539929	TUBE,CLUTCH AIR LINE	1	10		G6,G6V,H6, H6E,H6V,H6VE, J6,J6E,J6V, J6VE,K6,K6E, K6V,K6VE,M6E, M6VE		
	MK539929	TUBE,CLUTCH AIR LINE	1	10		G6,G6V,H6, H6E,H6V,H6VE, J6,J6E,J6V, J6VE,K6,K6E, K6V,K6VE,M6E, M6VE		

Ref. |2021320

Page

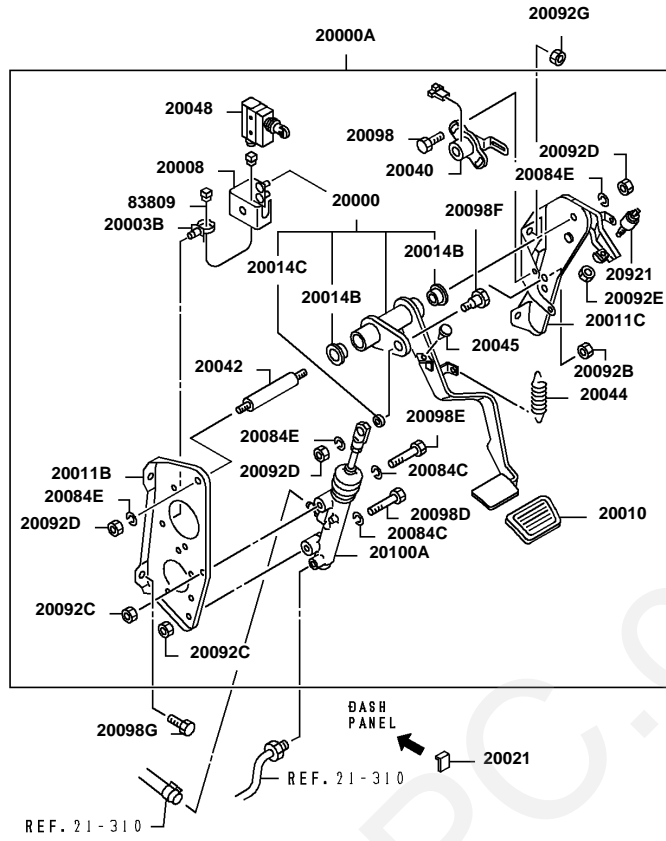
FK74R
21-320 CLUTCH AIR LINE

PNC	Part No	Part Name	Qty	Part Spec	Remarks	Classification	Option	Model Year
20928B	MK539929	TUBE,CLUTCH AIR LINE	1	10		G6,H6,H6E, J6,J6E,K6, K6E,M6E		
	MK539929	TUBE,CLUTCH AIR LINE	1	10		G6V,H6V,H6VE, J6V,J6VE,K6V, K6VE,M6VE		
	MK650513	TUBE,CLUTCH AIR LINE	1	10X2470		G6,G6V,H6, H6E,H6V,H6VE, J6,J6E,J6V, J6VE,K6,K6E, K6VE,M6E		
20931B	MF434104	NUT,CLUTCH AIR LINE	1	FLANGE,8		G6,G6E,H6, H6E,J6,J6E, K6,K6E,M6, M6E	1GP	04
	MF434104	NUT,CLUTCH AIR LINE	6	FLANGE,8		G6,G6E,G6V, H6,H6E,H6V, H6VE,J6,J6E, J6V,J6VE,K6, K6E,K6V,K6VE, M6,M6E,M6VE		
	MF434104	NUT,CLUTCH AIR LINE	6	FLANGE,8		G6,G6E,G6V, H6,H6E,H6V, H6VE,J6,J6E, J6V,J6VE,K6, K6E,K6V,K6VE, M6,M6E,M6VE		
	MF434104	NUT,CLUTCH AIR LINE	6	FLANGE,8		G6,G6E,H6, H6E,J6,J6E, K6,K6E,M6, M6E		
	MF434104	NUT,CLUTCH AIR LINE	6	FLANGE,8		G6V,H6V,H6VE, J6V,J6VE,K6V, K6VE,M6VE		
	MF434104	NUT,CLUTCH AIR LINE	6	FLANGE,8		G6,G6E,H6, H6E,J6,J6E, K6,K6E,M6, M6E		
20937D	MH039172	JOINT,CLUTCH AIR LINE	1			G6,G6E,H6, H6E,J6,J6E, K6,K6E,M6, M6E	1GP	04
	MH039715	JOINT,CLUTCH AIR LINE	1			G6,G6E,G6V, H6,H6E,H6V, H6VE,J6,J6E, J6V,J6VE,K6, K6E,K6V,K6VE, M6,M6E,M6VE		
	MH039715	JOINT,CLUTCH AIR LINE	1			G6,G6E,G6V, H6,H6E,H6V, H6VE,J6,J6E, J6V,J6VE,K6, K6E,K6V,K6VE, M6,M6E,M6VE		
	MH039715	JOINT,CLUTCH AIR LINE	1			G6,G6E,H6, H6E,J6,J6E, K6,K6E,M6, M6E		
	MH039715	JOINT,CLUTCH AIR LINE	1			G6V,H6V,H6VE, J6V,J6VE,K6V, K6VE,M6VE		
	MH039715	JOINT,CLUTCH AIR LINE	1			G6,G6E,H6, H6E,J6,J6E, K6,K6E,M6, M6E		
20938D	MH020956	CLIP,CLUTCH AIR LINE	1	A=36 B=6		G6,G6V,H6, H6E,H6V,H6VE, J6,J6E,J6V, J6VE,K6,K6E, K6V,K6VE,M6E, M6VE		
	MH020957	CLIP,CLUTCH AIR LINE	1	A=36 B=9.5		G6,G6V,H6, H6E,H6V,H6VE, J6,J6E,J6V, J6VE,K6,K6E, K6V,K6VE,M6E, M6VE		
20938E	MH020421	CLIP,CLUTCH AIR LINE	1	D=15		G6,G6E,H6, H6E,J6,J6E, K6,K6E,M6, M6E	1GP	04

FK74R
21-320 CLUTCH AIR LINE

PNC	Part No	Part Name	Qty	Part Spec	Remarks	Classification	Option	Model Year
20938E	MH020421	CLIP,CLUTCH AIR LINE	1	D=15		G6,G6E,G6V, H6,H6E,H6V, H6VE,J6,J6E, J6V,J6VE,K6, K6E,K6V,K6VE, M6,M6E,M6VE		
	MH020421	CLIP,CLUTCH AIR LINE	1	D=15		G6,G6E,G6V, H6,H6E,H6V, H6VE,J6,J6E, J6V,J6VE,K6, K6E,K6V,K6VE, M6,M6E,M6VE		
	MH020421	CLIP,CLUTCH AIR LINE	1	D=15		G6,G6E,H6, H6E,J6,J6E, K6,K6E,M6, M6E		
	MH020421	CLIP,CLUTCH AIR LINE	1	D=15		G6V,H6V,H6VE, J6V,J6VE,K6V, K6VE,M6VE		
20938G	MH020421	CLIP,CLUTCH AIR LINE	2	D=15		G6,G6V,H6, H6E,H6V,H6VE, J6,J6E,J6V, J6VE,K6,K6E, K6VE,M6E		
20939EB	MH026370	BRACKET,CLUTCH AIR LINE	1			G6,G6V,H6, H6E,H6V,H6VE, J6,J6E,J6V, J6VE,K6,K6E, K6VE,M6E		
20939ED	MK651030	BRACKET,CLUTCH AIR LINE	1			G6,G6V,H6, H6E,H6V,H6VE, J6,J6E,J6V, J6VE,K6,K6E, K6VE,M6E		
20941B	MF140023	BOLT,CLUTCH AIR LINE	1	FLANGE,8X16	4T	G6,G6E,H6, H6E,J6,J6E, K6,K6E,M6, M6E	1GP	04
	MF140023	BOLT,CLUTCH AIR LINE	1	FLANGE,8X16	4T	G6,G6E,G6V, H6,H6E,H6V, H6VE,J6,J6E, J6V,J6VE,K6, K6E,K6V,K6VE, M6,M6E,M6VE		
	MF140023	BOLT,CLUTCH AIR LINE	1	FLANGE,8X16	4T	G6,G6E,G6V, H6,H6E,H6V, H6VE,J6,J6E, J6V,J6VE,K6, K6E,K6V,K6VE, M6,M6E,M6VE		
	MF140023	BOLT,CLUTCH AIR LINE	1	FLANGE,8X16	4T	G6,G6E,H6, H6E,J6,J6E, K6,K6E,M6, M6E		
	MF140023	BOLT,CLUTCH AIR LINE	1	FLANGE,8X16	4T	G6V,H6V,H6VE, J6V,J6VE,K6V, K6VE,M6VE		
	MF100055	BOLT,CLUTCH AIR LINE	4	BOLT,8X20	4T	G6,G6V,H6, H6E,H6V,H6VE, J6,J6E,J6V, J6VE,K6,K6E, K6VE,M6E		
20931BD	(N.e.c.)	NUT,CLUTCH AIR LINE						
20941BD	(N.e.c.)	BOLT,CLUTCH AIR LINE						
20864	(N.e.c.)	BAND,CLUTCH AIR LINE						
20939EC	(N.e.c.)	BRACKET,CLUTCH AIR LINE						
20941C	(N.e.c.)	BOLT,CLUTCH AIR LINE						
20885	(N.e.c.)	WASHER,CLUTCH AIR LINE						

**FK74R
No.1**

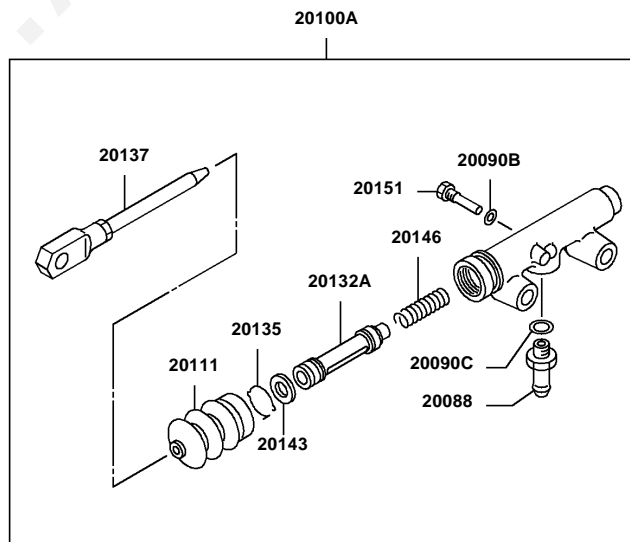


C00038

Ref. |2021410

Page

**FK74R
No.2**



20120

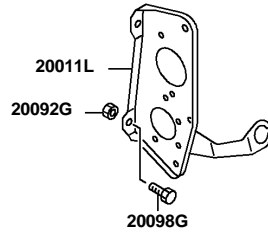
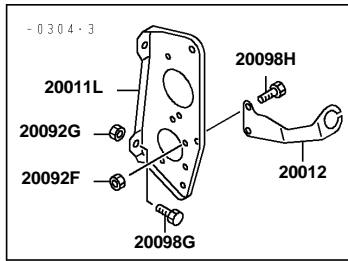
PNC
20090B, 20111, 20132A, 20143

2BP015

Ref. |2021410

Page

FK74R
No.3



C00001

Ref. |2021410

Page

FK74R
21-410 CLUTCH PEDAL

Repl Part	PNC	Part No	Part Name	Qty	Part Spec	Remarks	PREV.1
	20000	MC064179	PEDAL,CLUTCH	1			
		MC064179	PEDAL,CLUTCH	1			
		MC064179	PEDAL,CLUTCH	1			
		MC064179	PEDAL,CLUTCH	1			
		MC064179	PEDAL,CLUTCH	1			
		MK465007	PEDAL,CLUTCH	1			
	20000A	MC064176	PEDAL ASSY,CLUTCH	1			
		MC064176	PEDAL ASSY,CLUTCH	1			
		MC064176	PEDAL ASSY,CLUTCH	1			
		MC064176	PEDAL ASSY,CLUTCH	1			
		MC064176	PEDAL ASSY,CLUTCH	1			
		MK567194	PEDAL ASSY,CLUTCH	1			
	20003B	MH020930	CLIP,CLUTCH PEDAL	1	A=6		

Ref. |2021410

Page

FK74R
21-410 CLUTCH PEDAL

Repl Part	PNC	Part No	Part Name	Qty	Part Spec	Remarks	PREV.1
	20008	MK465010	BRACKET,CLUTCH PEDAL SWITCH	1			
	20010	MC400503	PAD,CLUTCH PEDAL	1			
		MC400503	PAD,CLUTCH PEDAL	1			
		MC400503	PAD,CLUTCH PEDAL	1			
		MC400503	PAD,CLUTCH PEDAL	1			
		MC400503	PAD,CLUTCH PEDAL	1			
		MC400503	PAD,CLUTCH PEDAL	1			
		MC400503	PAD,CLUTCH PEDAL	1			
		MC400503	PAD,CLUTCH PEDAL	1			
	20011B	MC433424	BRACKET,CLUTCH PEDAL	1			
		MC433424	BRACKET,CLUTCH PEDAL	1			
		MC433424	BRACKET,CLUTCH PEDAL	1			
		MC433424	BRACKET,CLUTCH PEDAL	1			
		MC433424	BRACKET,CLUTCH PEDAL	1			
		MC433424	BRACKET,CLUTCH PEDAL	1			
		MC433424	BRACKET,CLUTCH PEDAL	1			
	20011C	MC064177	BRACKET,CLUTCH PEDAL	1			
		MC064177	BRACKET,CLUTCH PEDAL	1			
		MC064177	BRACKET,CLUTCH PEDAL	1			
		MC064177	BRACKET,CLUTCH PEDAL	1			
		MC064177	BRACKET,CLUTCH PEDAL	1			
		MK465009	BRACKET,CLUTCH PEDAL	1			
	20011L	MC433424	BRACKET,CLUTCH PEDAL,LH	1			
		MC433424	BRACKET,CLUTCH PEDAL,LH	1			
	20014B	MC402823	BUSHING,CLUTCH PEDAL	2	20X21.5		
		MC402823	BUSHING,CLUTCH PEDAL	2	20X21.5		

FK74R
21-410 CLUTCH PEDAL

Repl Part	PNC	Part No	Part Name	Qty	Part Spec	Remarks	PREV.1
	20014B	MC402823	BUSHING,CLUTCH PEDAL	2	20X21.5		
		MC402823	BUSHING,CLUTCH PEDAL	2	20X21.5		
		MC402823	BUSHING,CLUTCH PEDAL	2	20X21.5		
		MC402823	BUSHING,CLUTCH PEDAL	2	20X21.5		
		MC402823	BUSHING,CLUTCH PEDAL	2	20X21.5		
		MC402823	BUSHING,CLUTCH PEDAL	2	20X21.5		
	20014C	MC405330	BUSHING,CLUTCH PEDAL	1	18X6		
		MC405330	BUSHING,CLUTCH PEDAL	1	18X6		
		MC405330	BUSHING,CLUTCH PEDAL	1	18X6		
		MC405330	BUSHING,CLUTCH PEDAL	1	18X6		
		MC405330	BUSHING,CLUTCH PEDAL	1	18X6		
		MC405330	BUSHING,CLUTCH PEDAL	1	18X6		
		MC405330	BUSHING,CLUTCH PEDAL	1	18X6		
	20021	MC402879	DAMPER,CLUTCH PEDAL	1			
		MC402879	DAMPER,CLUTCH PEDAL	1			
		MC402879	DAMPER,CLUTCH PEDAL	1			
		MC402879	DAMPER,CLUTCH PEDAL	1			
		MC402879	DAMPER,CLUTCH PEDAL	1			
		MC402879	DAMPER,CLUTCH PEDAL	1			
RP	20040	MK320342	SENSOR,CLUTCH PEDAL STROKE	1			O
RP		MK320342	SENSOR,CLUTCH PEDAL STROKE	1			O
RP		MK320342	SENSOR,CLUTCH PEDAL STROKE	1			O
RP		MK320342	SENSOR,CLUTCH PEDAL STROKE	1			O
RP		MK320342	SENSOR,CLUTCH PEDAL STROKE	1			O
RP		MK320342	SENSOR,CLUTCH PEDAL STROKE	1			O

FK74R
21-410 CLUTCH PEDAL

Repl Part RP	PNC 20040	Part No MK320342	Part Name SENSOR,CLUTCH PEDAL STROKE	Qty 1	Part Spec	Remarks	PREV.1 O
RP		MK320342	SENSOR,CLUTCH PEDAL STROKE	1			O
	20042	MC431648	SHAFT,CLUTCH PEDAL	1			
		MC431648	SHAFT,CLUTCH PEDAL	1			
		MC431648	SHAFT,CLUTCH PEDAL	1			
		MC431648	SHAFT,CLUTCH PEDAL	1			
		MC431648	SHAFT,CLUTCH PEDAL	1			
		MC431648	SHAFT,CLUTCH PEDAL	1			
		MC431648	SHAFT,CLUTCH PEDAL	1			
		MC431648	SHAFT,CLUTCH PEDAL	1			
	20044	MC412817	SPRING,CLUTCH PEDAL RETURN	1			
		MC412817	SPRING,CLUTCH PEDAL RETURN	1			
		MC412817	SPRING,CLUTCH PEDAL RETURN	1			
		MC412817	SPRING,CLUTCH PEDAL RETURN	1			
		MC412817	SPRING,CLUTCH PEDAL RETURN	1			
		MC412817	SPRING,CLUTCH PEDAL RETURN	1			
		MC412817	SPRING,CLUTCH PEDAL RETURN	1			
	20045	MC405158	STOPPER,CLUTCH PEDAL	1			
		MC405158	STOPPER,CLUTCH PEDAL	1			
		MC405158	STOPPER,CLUTCH PEDAL	1			
		MC405158	STOPPER,CLUTCH PEDAL	1			
		MC405158	STOPPER,CLUTCH PEDAL	1			
		MC405158	STOPPER,CLUTCH PEDAL	1			
		MC405158	STOPPER,CLUTCH PEDAL	1			
	20048	MK387887	SWITCH,CLUTCH PTO	1			

FK74R
21-410 CLUTCH PEDAL

Repl Part	PNC	Part No	Part Name	Qty	Part Spec	Remarks	PREV.1
	20084C	MF450406	WASHER,CLUTCH PEDAL	2	SPRING,10		
		MF450406	WASHER,CLUTCH PEDAL	2	SPRING,10		
		MF450406	WASHER,CLUTCH PEDAL	2	SPRING,10		
		MF450406	WASHER,CLUTCH PEDAL	2	SPRING,10		
		MF450406	WASHER,CLUTCH PEDAL	2	SPRING,10		
	20084E	MF450407	WASHER,CLUTCH PEDAL	3	SPRING,12		
		MF450407	WASHER,CLUTCH PEDAL	3	SPRING,12		
		MF450407	WASHER,CLUTCH PEDAL	3	SPRING,12		
		MF450407	WASHER,CLUTCH PEDAL	3	SPRING,12		
		MF450407	WASHER,CLUTCH PEDAL	3	SPRING,12		
	20088	ME620565	NIPPLE,CLUTCH PEDAL	1			
		ME620565	NIPPLE,CLUTCH PEDAL	1			
		ME620565	NIPPLE,CLUTCH PEDAL	1			
		ME620565	NIPPLE,CLUTCH PEDAL	1			
		ME620565	NIPPLE,CLUTCH PEDAL	1			
		ME620565	NIPPLE,CLUTCH PEDAL	1			
		ME620565	NIPPLE,CLUTCH PEDAL	1			
		ME620565	NIPPLE,CLUTCH PEDAL	1			
	20090B	MH035063	GASKET,CLUTCH PEDAL	1			
		MH035063	GASKET,CLUTCH PEDAL	1			
		MH035063	GASKET,CLUTCH PEDAL	1			
		MH035063	GASKET,CLUTCH PEDAL	1			

FK74R
21-410 CLUTCH PEDAL

Repl Part	PNC	Part No	Part Name	Qty	Part Spec	Remarks	PREV.1
	20090B	MH035063	GASKET,CLUTCH PEDAL	1			
		MH035063	GASKET,CLUTCH PEDAL	1			
		MH035063	GASKET,CLUTCH PEDAL	1			
		MH035063	GASKET,CLUTCH PEDAL	1			
	20090C	ME709055	GASKET,CLUTCH PEDAL	1			
		ME709055	GASKET,CLUTCH PEDAL	1			
		ME709055	GASKET,CLUTCH PEDAL	1			
		ME709055	GASKET,CLUTCH PEDAL	1			
		ME709055	GASKET,CLUTCH PEDAL	1			
		ME709055	GASKET,CLUTCH PEDAL	1			
		ME709055	GASKET,CLUTCH PEDAL	1			
		ME709055	GASKET,CLUTCH PEDAL	1			
	20092B	MF434103	NUT,CLUTCH PEDAL	2	FLANGE,6	W/O COATING	
	20092C	MF430006	NUT,CLUTCH PEDAL	2	10		
		MF430006	NUT,CLUTCH PEDAL	2	10		
		MF430006	NUT,CLUTCH PEDAL	2	10		
		MF430006	NUT,CLUTCH PEDAL	2	10		
		MF430006	NUT,CLUTCH PEDAL	2	10		
	20092D	MF430727	NUT,CLUTCH PEDAL	3	JAM,12		
		MF430727	NUT,CLUTCH PEDAL	3	JAM,12		
		MF430727	NUT,CLUTCH PEDAL	3	JAM,12		

FK74R
21-410 CLUTCH PEDAL

Repl Part	PNC	Part No	Part Name	Qty	Part Spec	Remarks	PREV.1
	20092D	MF430727	NUT,CLUTCH PEDAL	3	JAM,12		
		MF430727	NUT,CLUTCH PEDAL	3	JAM,12		
	20092E	MF430726	NUT,CLUTCH PEDAL	1	JAM,10		
		MF430726	NUT,CLUTCH PEDAL	1	JAM,10		
		MF430726	NUT,CLUTCH PEDAL	1	JAM,10		
		MF430726	NUT,CLUTCH PEDAL	1	JAM,10		
		MF430726	NUT,CLUTCH PEDAL	1	JAM,10		
	20092G	MF434105	NUT,CLUTCH PEDAL	2	FLANGE,10	4T	
		MF434105	NUT,CLUTCH PEDAL	2	FLANGE,10	4T	
		MF434105	NUT,CLUTCH PEDAL	2	FLANGE,10	4T	
		MF434105	NUT,CLUTCH PEDAL	2	FLANGE,10	4T	
	20098	MF140005	BOLT,CLUTCH PEDAL	2	FLANGE,6X16	4T	
		MF140005	BOLT,CLUTCH PEDAL	2	FLANGE,6X16	4T	
		MF140005	BOLT,CLUTCH PEDAL	2	FLANGE,6X16	4T	
		MF140005	BOLT,CLUTCH PEDAL	2	FLANGE,6X16	4T	
		MF140005	BOLT,CLUTCH PEDAL	2	FLANGE,6X16	4T	

FK74R
21-410 CLUTCH PEDAL

Repl Part	PNC	Part No	Part Name	Qty	Part Spec	Remarks	PREV.1
	20098D	MF101292	BOLT,CLUTCH PEDAL	1	BOLT,10X45	7T	
		MF101292	BOLT,CLUTCH PEDAL	1	BOLT,10X45	7T	
		MF101292	BOLT,CLUTCH PEDAL	1	BOLT,10X45	7T	
		MF101292	BOLT,CLUTCH PEDAL	1	BOLT,10X45	7T	
		MF101292	BOLT,CLUTCH PEDAL	1	BOLT,10X45	7T	
	20098E	MF101295	BOLT,CLUTCH PEDAL	1	BOLT,10X60	7T	
		MF101295	BOLT,CLUTCH PEDAL	1	BOLT,10X60	7T	
		MF101295	BOLT,CLUTCH PEDAL	1	BOLT,10X60	7T	
		MF101295	BOLT,CLUTCH PEDAL	1	BOLT,10X60	7T	
	20098F	MC411369	BOLT,CLUTCH PEDAL	1	OFFSET,12X29		
		MC411369	BOLT,CLUTCH PEDAL	1	OFFSET,12X29		
		MC411369	BOLT,CLUTCH PEDAL	1	OFFSET,12X29		
		MC411369	BOLT,CLUTCH PEDAL	1	OFFSET,12X29		
	20098G	MH000540	BOLT,CLUTCH PEDAL	2	WASHER ASSEMBLED,10X20		
	20100A	ME636075	CYLINDER ASSY,CLUTCH MASTER	1			

FK74R
21-410 CLUTCH PEDAL

Repl Part	PNC	Part No	Part Name	Qty	Part Spec	Remarks	PREV.1
	20100A	ME636075	CYLINDER ASSY,CLUTCH MASTER	1			
		ME636075	CYLINDER ASSY,CLUTCH MASTER	1			
		ME636075	CYLINDER ASSY,CLUTCH MASTER	1			
		ME636075	CYLINDER ASSY,CLUTCH MASTER	1			
		ME636075	CYLINDER ASSY,CLUTCH MASTER	1			
		ME636075	CYLINDER ASSY,CLUTCH MASTER	1			
		ME636075	CYLINDER ASSY,CLUTCH MASTER	1			
	20111	ME709553	BOOT,CLUTCH M/CYL	1			
		ME709553	BOOT,CLUTCH M/CYL	1			
		ME709553	BOOT,CLUTCH M/CYL	1			
		ME709553	BOOT,CLUTCH M/CYL	1			
		ME709553	BOOT,CLUTCH M/CYL	1			
		ME709553	BOOT,CLUTCH M/CYL	1			
		ME709553	BOOT,CLUTCH M/CYL	1			
		ME709553	BOOT,CLUTCH M/CYL	1			
	20120	ME636074	PISTON & BOOT KIT,CLUTCH M/CYL	1			
		ME636074	PISTON & BOOT KIT,CLUTCH M/CYL	1			
		ME636074	PISTON & BOOT KIT,CLUTCH M/CYL	1			
		ME636074	PISTON & BOOT KIT,CLUTCH M/CYL	1			
		ME636074	PISTON & BOOT KIT,CLUTCH M/CYL	1			
		ME636074	PISTON & BOOT KIT,CLUTCH M/CYL	1			
		ME636074	PISTON & BOOT KIT,CLUTCH M/CYL	1			
		ME636074	PISTON & BOOT KIT,CLUTCH M/CYL	1			
	20132A	ME709549	PISTON ASSY,CLUTCH M/CYL	1			
		ME709549	PISTON ASSY,CLUTCH M/CYL	1			
		ME709549	PISTON ASSY,CLUTCH M/CYL	1			
		ME709549	PISTON ASSY,CLUTCH M/CYL	1			
		ME709549	PISTON ASSY,CLUTCH M/CYL	1			
		ME709549	PISTON ASSY,CLUTCH M/CYL	1			

FK74R
21-410 CLUTCH PEDAL

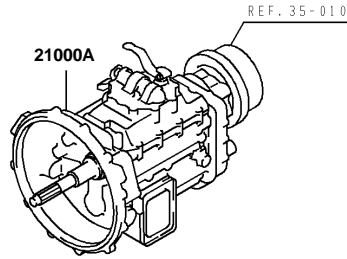
Repl Part	PNC	Part No	Part Name	Qty	Part Spec	Remarks	PREV.1
	20132A	ME709549	PISTON ASSY,CLUTCH M/CYL	1			
		ME709549	PISTON ASSY,CLUTCH M/CYL	1			
		ME709549	PISTON ASSY,CLUTCH M/CYL	1			
	20135	MA181943	PLATE,CLUTCH M/CYL PISTON STOPPER	1			
		MA181943	PLATE,CLUTCH M/CYL PISTON STOPPER	1			
		MA181943	PLATE,CLUTCH M/CYL PISTON STOPPER	1			
		MA181943	PLATE,CLUTCH M/CYL PISTON STOPPER	1			
		MA181943	PLATE,CLUTCH M/CYL PISTON STOPPER	1			
		MA181943	PLATE,CLUTCH M/CYL PISTON STOPPER	1			
		MA181943	PLATE,CLUTCH M/CYL PISTON STOPPER	1			
		MA181943	PLATE,CLUTCH M/CYL PISTON STOPPER	1			
	20137	ME709552	PUSH ROD,CLUTCH M/CYL	1			
		ME709552	PUSH ROD,CLUTCH M/CYL	1			
		ME709552	PUSH ROD,CLUTCH M/CYL	1			
		ME709552	PUSH ROD,CLUTCH M/CYL	1			
		ME709552	PUSH ROD,CLUTCH M/CYL	1			
		ME709552	PUSH ROD,CLUTCH M/CYL	1			
		ME709552	PUSH ROD,CLUTCH M/CYL	1			
		ME709552	PUSH ROD,CLUTCH M/CYL	1			
	20143	ME620563	RING,CLUTCH M/CYL PISTON STOPPER	1			
		ME620563	RING,CLUTCH M/CYL PISTON STOPPER	1			
		ME620563	RING,CLUTCH M/CYL PISTON STOPPER	1			
		ME620563	RING,CLUTCH M/CYL PISTON STOPPER	1			
		ME620563	RING,CLUTCH M/CYL PISTON STOPPER	1			
		ME620563	RING,CLUTCH M/CYL PISTON STOPPER	1			
		ME620563	RING,CLUTCH M/CYL PISTON STOPPER	1			
		ME620563	RING,CLUTCH M/CYL PISTON STOPPER	1			

FK74R
21-410 CLUTCH PEDAL

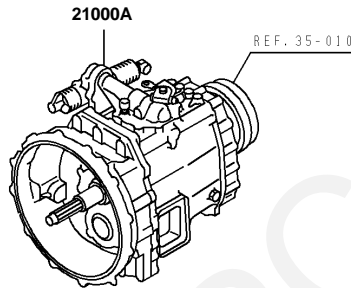
Repl Part	PNC	Part No	Part Name	Qty	Part Spec	Remarks	PREV.1
	20146	ME709550	SPRING,CLUTCH M/CYL PISTON RETURN	1			
		ME709550	SPRING,CLUTCH M/CYL PISTON RETURN	1			
		ME709550	SPRING,CLUTCH M/CYL PISTON RETURN	1			
		ME709550	SPRING,CLUTCH M/CYL PISTON RETURN	1			
		ME709550	SPRING,CLUTCH M/CYL PISTON RETURN	1			
		ME709550	SPRING,CLUTCH M/CYL PISTON RETURN	1			
		ME709550	SPRING,CLUTCH M/CYL PISTON RETURN	1			
	20151	ME620560	STOPPER,CLUTCH M/CYL SUPPLY VALVE	1			
		ME620560	STOPPER,CLUTCH M/CYL SUPPLY VALVE	1			
		ME620560	STOPPER,CLUTCH M/CYL SUPPLY VALVE	1			
		ME620560	STOPPER,CLUTCH M/CYL SUPPLY VALVE	1			
		ME620560	STOPPER,CLUTCH M/CYL SUPPLY VALVE	1			
		ME620560	STOPPER,CLUTCH M/CYL SUPPLY VALVE	1			
		ME620560	STOPPER,CLUTCH M/CYL SUPPLY VALVE	1			
	20921	MC844762	SWITCH,CLUTCH	1		PUSH ROD TYPE	
		MC844762	SWITCH,CLUTCH	1		PUSH ROD TYPE	
		MC844762	SWITCH,CLUTCH	1		PUSH ROD TYPE	
		MC844762	SWITCH,CLUTCH	1		PUSH ROD TYPE	
		MC844762	SWITCH,CLUTCH	1		PUSH ROD TYPE	
		MC844762	SWITCH,CLUTCH	1		PUSH ROD TYPE	
		MC844762	SWITCH,CLUTCH	1		PUSH ROD TYPE	
	83809	MK537297	HARNES,CLUTCH SWITCH	1			
	20098H	(N.e.c.)	BOLT,CLUTCH PEDAL				
	20092F	(N.e.c.)	NUT,CLUTCH PEDAL				
	20012	(N.e.c.)	BRACKET,CLUTCH PEDAL SUPPORT				

**FK74R
No.1**

EXC M050T/M M060T/M M070T/M



M050T/M M060T/M M070T/M



2 AM 002

Ref. |2022010

Page

**FK74R
22-010 MANUAL TRANSMISSION ASSY**

PNC	Part No	Part Name	Qty	Part Spec	Classification	Option	Model Year	Start	End
21000A	ME509337	MANUAL TRANSMISSION ASSY	1	M050S6B173-O/D	G6,G6E,H6, H6E,J6,J6E, K6,K6E,M6, M6E			04053	05102
	ME509337	MANUAL TRANSMISSION ASSY	1	M050S6B173-O/D	G6,G6E,H6, H6E,J6,J6E, K6,K6E,M6, M6E			04053	05102
	ME509337	MANUAL TRANSMISSION ASSY	1	M050S6B173-O/D	G6E,M6			04053	05102
	ME509337	MANUAL TRANSMISSION ASSY	1	M050S6B173-O/D	G6,H6,H6E, J6,J6E,K6, K6E,M6E			04053	05102
	ME509338	MANUAL TRANSMISSION ASSY	1	M050S6B174-O/D	G6,G6E,H6, H6E,J6,J6E, K6,K6E,M6, M6E	1C8,1TH,1UF, 1VJ	04	04053	05102
	ME518808	MANUAL TRANSMISSION ASSY	1	M050S6B188-O/D	G6,G6E,H6, H6E,J6,J6E, K6,K6E,M6, M6E	1TK	04	04053	05102
	ME509339	MANUAL TRANSMISSION ASSY	1	M050S6B175-O/D	G6,G6E,H6, H6E,J6,J6E, K6,K6E,M6, M6E	1X1	04	04053	05102
	ME518843	MANUAL TRANSMISSION ASSY	1	M050S6B223-O/D	G6,G6E,H6, H6E,J6,J6E, K6,K6E,M6, M6E	1YC	04	04053	05102
	ME509337	MANUAL TRANSMISSION ASSY	1	M050S6B173-O/D	G6,H6,H6E, J6,J6E,K6, K6E,M6E			05103	07052

Ref. |2022010

Page

FK74R
22-010 MANUAL TRANSMISSION ASSY

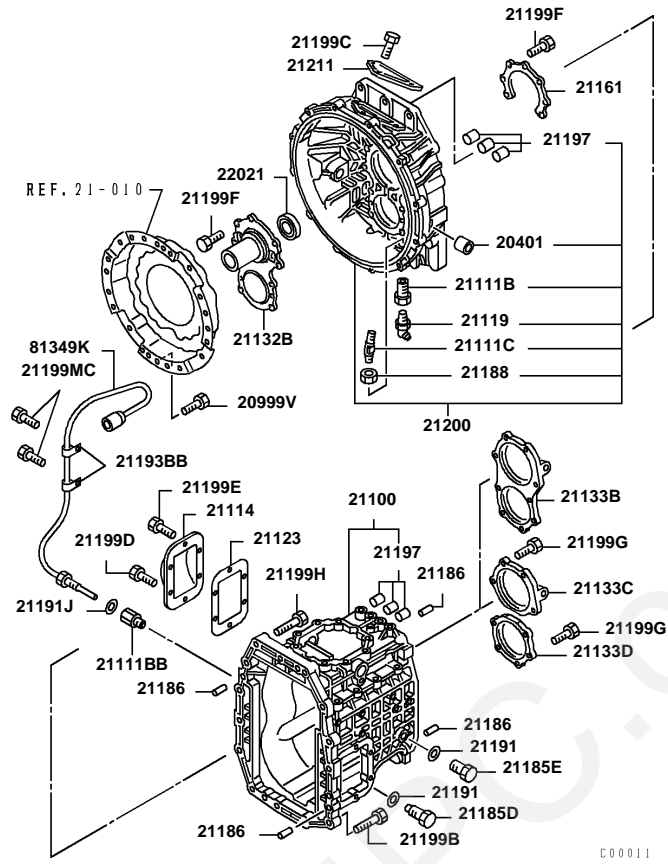
PNC	Part No	Part Name	Qty	Part Spec	Classification	Option	Model Year	Start	End
21000A	ME509337	MANUAL TRANSMISSION ASSY	1	M050S6B173-O/D	G6,H6,H6E, J6,J6E,K6, K6E,M6E			05103	07052
	ME509337	MANUAL TRANSMISSION ASSY	1	M050S6B173-O/D	G6,H6,H6E, J6,J6E,K6, K6E,M6E			05103	07052
	ME509337	MANUAL TRANSMISSION ASSY	1	M050S6B173-O/D	G6,H6,H6E, J6,J6E,K6, K6E,M6E			05103	07052
	ME526265	MANUAL TRANSMISSION ASSY	1	M050S6B800-O/D	G6V,H6V,H6VE, J6V,J6VE,K6V, K6VE,M6VE			05103	07052
	ME526265	MANUAL TRANSMISSION ASSY	1	M050S6B800-O/D	G6V,H6V,H6VE, J6V,J6VE,K6V, K6VE,M6VE			05103	07052
	ME526265	MANUAL TRANSMISSION ASSY	1	M050S6B800-O/D	K6V,M6VE			05103	07052
	ME526265	MANUAL TRANSMISSION ASSY	1	M050S6B800-O/D	G6V,H6V,H6VE, J6V,J6VE,K6VE			05103	07052
	ME526265	MANUAL TRANSMISSION ASSY	1	M050S6B800-O/D	G6V,H6V,H6VE, J6V,J6VE,K6V, K6VE,M6VE			05103	07052
	ME509338	MANUAL TRANSMISSION ASSY	1	M050S6B174-O/D	G6,H6,H6E, J6,J6E,K6, K6E,M6E	1C8,1TH,1UF, 1VJ	05	05103	07052
	ME526440	MANUAL TRANSMISSION ASSY	1	M050S6B801-O/D	G6V,H6V,H6VE, J6V,J6VE,K6V, K6VE,M6VE	1C8,1TH,1UF, 1VJ	05	05103	07052
	ME518808	MANUAL TRANSMISSION ASSY	1	M050S6B188-O/D	G6,H6,H6E, J6,J6E,K6, K6E,M6E	1TK	05	05103	07052
	ME518811	MANUAL TRANSMISSION ASSY	1	M050S6B191-O/D	G6,H6,H6E, J6,J6E,K6, K6E,M6E	1UG	05	05103	07052
	ME509339	MANUAL TRANSMISSION ASSY	1	M050S6B175-O/D	G6,H6,H6E, J6,J6E,K6, K6E,M6E	1X1	05	05103	07052
	ME526442	MANUAL TRANSMISSION ASSY	1	M050S6B802-O/D	G6V,H6V,H6VE, J6V,J6VE,K6V, K6VE,M6VE	1X1	05	05103	07052
	ME518843	MANUAL TRANSMISSION ASSY	1	M050S6B223-O/D	G6,H6,H6E, J6,J6E,K6, K6E,M6E	1YC	05	05103	07052
	ME524259	MANUAL TRANSMISSION ASSY	1	M050S6B807-O/D	G6V,H6V,H6VE, J6V,J6VE,K6V, K6VE,M6VE	1UG	05	06103	07052
	ME524829	MANUAL TRANSMISSION ASSY	1	M050S6B808-O/D	G6V,H6V,H6VE, J6V,J6VE,K6VE			07053	09052
	ME524829	MANUAL TRANSMISSION ASSY	1	M050S6B808-O/D	G6V,H6V,H6VE, J6V,J6VE,K6VE			07053	09052
	ME524829	MANUAL TRANSMISSION ASSY	1	M050S6B808-O/D	G6V,H6V,H6VE, J6V,J6VE,K6VE			07053	09052
	ME526530	MANUAL TRANSMISSION ASSY	1	M050S6B243-O/D	G6,H6,H6E, J6,J6E,K6, K6E,M6E			07053	09052
	ME526530	MANUAL TRANSMISSION ASSY	1	M050S6B243-O/D	G6,H6,H6E, J6,J6E,K6, K6E,M6E			07053	09052
	ME526530	MANUAL TRANSMISSION ASSY	1	M050S6B243-O/D	G6,H6,H6E, J6,J6E,K6, K6E,M6E			07053	09052
	ME524831	MANUAL TRANSMISSION ASSY	1	M050S6B809-O/D	G6V,H6V,H6VE, J6V,J6VE,K6VE	1C8,1TH,1UF, 1VJ	07	07053	09052
	ME526531	MANUAL TRANSMISSION ASSY	1	M050S6B244-O/D	G6,H6,H6E, J6,J6E,K6, K6E,M6E	1C8,1TH,1UF, 1VJ	07	07053	09052
	ME524835	MANUAL TRANSMISSION ASSY	1	M050S6B811-O/D	G6V,H6V,H6VE, J6V,J6VE,K6VE	1TK	07	07053	09052
	ME529325	MANUAL TRANSMISSION ASSY	1	M050S6B293-O/D	G6,H6,H6E, J6,J6E,K6, K6E,M6E	1TK	07	07053	09052
	ME524833	MANUAL TRANSMISSION ASSY	1	M050S6B810-O/D	G6V,H6V,H6VE, J6V,J6VE,K6VE	1UG	07	07053	09052

FK74R
22-010 MANUAL TRANSMISSION ASSY

PNC	Part No	Part Name	Qty	Part Spec	Classification	Option	Model Year	Start	End
21000A	ME529324	MANUAL TRANSMISSION ASSY	1	M050S6B292-O/D	G6,H6,H6E, J6,J6E,K6, K6E,M6E	1UG	07	07053	09052
	ME524837	MANUAL TRANSMISSION ASSY	1	M050S6B812-O/D	G6V,H6V,H6VE, J6V,J6VE,K6VE	1X1	07	07053	09052
	ME526532	MANUAL TRANSMISSION ASSY	1	M050S6B245-O/D	G6,H6,H6E, J6,J6E,K6, K6E,M6E	1X1	07	07053	09052
	ME529528	MANUAL TRANSMISSION ASSY	1	M050S6B346-O/D	G6,H6,H6E, J6,J6E,K6, K6E,M6E	1YC	07	07053	09052

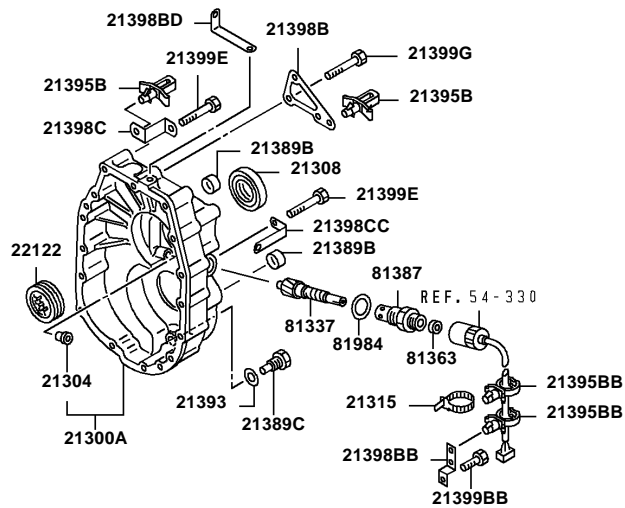
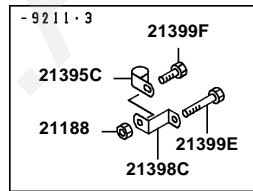
www.AutoEPIC.com

FK74R
No.1



C00011

FK74R
No.2



2FL008

FK74R
22-110 M/T CASE

Repl Part	PNC	Part No	Part Name	Qty	Part Spec	Remarks	PREV.1	NEW1	NEW
	20401	ME630691	BEARING,CLUTCH RELEASE FORK SHAFT	2	NEEDLE ROLLER				
		ME630691	BEARING,CLUTCH RELEASE FORK SHAFT	2	NEEDLE ROLLER				
		ME630691	BEARING,CLUTCH RELEASE FORK SHAFT	2	NEEDLE ROLLER				
		ME630691	BEARING,CLUTCH RELEASE FORK SHAFT	2	NEEDLE ROLLER				
		ME630691	BEARING,CLUTCH RELEASE FORK SHAFT	2	NEEDLE ROLLER				
		ME630691	BEARING,CLUTCH RELEASE FORK SHAFT	2	NEEDLE ROLLER				
		ME630691	BEARING,CLUTCH RELEASE FORK SHAFT	2	NEEDLE ROLLER				
		ME630691	BEARING,CLUTCH RELEASE FORK SHAFT	2	NEEDLE ROLLER				
		ME630691	BEARING,CLUTCH RELEASE FORK SHAFT	2	NEEDLE ROLLER				
		ME630691	BEARING,CLUTCH RELEASE FORK SHAFT	2	NEEDLE ROLLER				
		ME630691	BEARING,CLUTCH RELEASE FORK SHAFT	2	NEEDLE ROLLER				
		ME630691	BEARING,CLUTCH RELEASE FORK SHAFT	2	NEEDLE ROLLER				
		ME630691	BEARING,CLUTCH RELEASE FORK SHAFT	2	NEEDLE ROLLER				
		ME630691	BEARING,CLUTCH RELEASE FORK SHAFT	2	NEEDLE ROLLER				
		ME630691	BEARING,CLUTCH RELEASE FORK SHAFT	2	NEEDLE ROLLER				
		ME630691	BEARING,CLUTCH RELEASE FORK SHAFT	2	NEEDLE ROLLER				
		ME630691	BEARING,CLUTCH RELEASE FORK SHAFT	2	NEEDLE ROLLER				
		ME630691	BEARING,CLUTCH RELEASE FORK SHAFT	2	NEEDLE ROLLER				
		ME630691	BEARING,CLUTCH RELEASE FORK SHAFT	2	NEEDLE ROLLER				
	20999V	MH000709	BOLT,T/M CONNECTING	12	FLANGE,10X50				
RP	21100	ME637865	CASE,M/T	1				Y	Y
RP		ME637865	CASE,M/T	1				Y	Y
RP		ME526621	CASE,M/T	1				Y	

FK74R
22-110 M/T CASE

Repl Part	PNC	Part No	Part Name	Qty	Part Spec	Remarks	PREV.1	NEW1	NEW
RP	21100	ME526621	CASE,M/T	1				Y	
RP		ME526621	CASE,M/T	1				Y	
RP		ME526621	CASE,M/T	1				Y	
RP		ME526621	CASE,M/T	1				Y	
RP		ME526620	CASE,M/T	1				Y	
RP		ME526620	CASE,M/T	1				Y	
RP		ME526620	CASE,M/T	1				Y	
RP		ME526621	CASE,M/T	1				Y	
RP		ME526621	CASE,M/T	1				Y	
RP		ME526621	CASE,M/T	1				Y	
RP		ME526621	CASE,M/T	1				Y	
RP		ME526621	CASE,M/T	1				Y	
RP		ME526620	CASE,M/T	1				Y	
RP		ME526621	CASE,M/T	1				Y	
RP		ME529473	CASE,M/T	1				Y	
RP		ME529473	CASE,M/T	1				Y	
RP		ME529473	CASE,M/T	1				Y	
RP		ME526620	CASE,M/T	1				Y	
RP		ME526620	CASE,M/T	1				Y	
RP		ME526620	CASE,M/T	1				Y	
RP		ME529473	CASE,M/T	1				Y	
	21111B	ME660519	JOINT,M/T CASE	1					
		ME660519	JOINT,M/T CASE	1					
		ME660519	JOINT,M/T CASE	1					
		ME660519	JOINT,M/T CASE	1					

FK74R
22-110 M/T CASE

Repl Part	PNC	Part No	Part Name	Qty	Part Spec	Remarks	PREV.1	NEW1	NEW
	21111B	ME660519	JOINT,M/T CASE	1					
		ME660519	JOINT,M/T CASE	1					
		ME660519	JOINT,M/T CASE	1					
		ME660519	JOINT,M/T CASE	1					
		ME660519	JOINT,M/T CASE	1					
		ME660519	JOINT,M/T CASE	1					
		ME660519	JOINT,M/T CASE	1					
		ME660519	JOINT,M/T CASE	1					
		ME660519	JOINT,M/T CASE	1					
		ME660519	JOINT,M/T CASE	1					
		ME660519	JOINT,M/T CASE	1					
		ME660519	JOINT,M/T CASE	1					
	21111BB	ME515851	JOINT,M/T CASE	1					
		ME515851	JOINT,M/T CASE	1					
		ME515851	JOINT,M/T CASE	1					
		ME515851	JOINT,M/T CASE	1					
		ME515851	JOINT,M/T CASE	1					
		ME515851	JOINT,M/T CASE	1					
		ME515851	JOINT,M/T CASE	1					
		ME515851	JOINT,M/T CASE	1					
	21111C	MH039293	JOINT,M/T CASE	1					
		MH039293	JOINT,M/T CASE	1					
		MH039293	JOINT,M/T CASE	1					
		MH039293	JOINT,M/T CASE	1					
		MH039293	JOINT,M/T CASE	1					

FK74R
22-110 M/T CASE

Repl Part	PNC	Part No	Part Name	Qty	Part Spec	Remarks	PREV.1	NEW1	NEW2
21111C		MH039293	JOINT,M/T CASE	1					
		MH039293	JOINT,M/T CASE	1					
		MH039293	JOINT,M/T CASE	1					
		MH039293	JOINT,M/T CASE	1					
		MH039293	JOINT,M/T CASE	1					
		MH039293	JOINT,M/T CASE	1					
		MH039293	JOINT,M/T CASE	1					
		MH039293	JOINT,M/T CASE	1					
		MH039293	JOINT,M/T CASE	1					
		MH039293	JOINT,M/T CASE	1					
		MH039293	JOINT,M/T CASE	1					
		MH039293	JOINT,M/T CASE	1					
		MH039293	JOINT,M/T CASE	1					
		MH039293	JOINT,M/T CASE	1					
		MH039293	JOINT,M/T CASE	1					
21114		ME625061	COVER,M/T CASE REV GEAR	1					
		ME625061	COVER,M/T CASE REV GEAR	1					
		ME625061	COVER,M/T CASE REV GEAR	1					
		ME625061	COVER,M/T CASE REV GEAR	1					
		ME625061	COVER,M/T CASE REV GEAR	1					
		ME625061	COVER,M/T CASE REV GEAR	1					
		ME625061	COVER,M/T CASE REV GEAR	1					
		ME625061	COVER,M/T CASE REV GEAR	1					
		ME625061	COVER,M/T CASE REV GEAR	1					
		ME625061	COVER,M/T CASE REV GEAR	1					
		ME625061	COVER,M/T CASE REV GEAR	1					
		ME625061	COVER,M/T CASE REV GEAR	1					

FK74R
22-110 M/T CASE

Repl Part	PNC	Part No	Part Name	Qty	Part Spec	Remarks	PREV.1	NEW1	NEW
	21114	ME625061	COVER,M/T CASE REV GEAR	1					
		ME625061	COVER,M/T CASE REV GEAR	1					
		ME625061	COVER,M/T CASE REV GEAR	1					
		ME625061	COVER,M/T CASE REV GEAR	1					
	21119	MF524022	NIPPLE,M/T CASE	1	L-TYPE,D=10				
		MF524022	NIPPLE,M/T CASE	1	L-TYPE,D=10				
		MF524022	NIPPLE,M/T CASE	1	L-TYPE,D=10				
		MF524022	NIPPLE,M/T CASE	1	L-TYPE,D=10				
		MF524022	NIPPLE,M/T CASE	1	L-TYPE,D=10				
		MF524022	NIPPLE,M/T CASE	1	L-TYPE,D=10				
		MF524022	NIPPLE,M/T CASE	1	L-TYPE,D=10				
		MF524022	NIPPLE,M/T CASE	1	L-TYPE,D=10				
		MF524022	NIPPLE,M/T CASE	1	L-TYPE,D=10				
		MF524022	NIPPLE,M/T CASE	1	L-TYPE,D=10				
		MF524022	NIPPLE,M/T CASE	1	L-TYPE,D=10				
		MF524022	NIPPLE,M/T CASE	1	L-TYPE,D=10				
		MF524022	NIPPLE,M/T CASE	1	L-TYPE,D=10				
		MF524022	NIPPLE,M/T CASE	1	L-TYPE,D=10				
		MF524022	NIPPLE,M/T CASE	1	L-TYPE,D=10				
		MF524022	NIPPLE,M/T CASE	1	L-TYPE,D=10				
		MF524022	NIPPLE,M/T CASE	1	L-TYPE,D=10				
		MF524022	NIPPLE,M/T CASE	1	L-TYPE,D=10				
		MF524022	NIPPLE,M/T CASE	1	L-TYPE,D=10				

FK74R
22-110 M/T CASE

Repl Part	PNC	Part No	Part Name	Qty	Part Spec	Remarks	PREV.1	NEW1	NEW
	21132B	ME632991	RETAINER,M/T CASE FR BEARING	1					
		ME632991	RETAINER,M/T CASE FR BEARING	1					
		ME632991	RETAINER,M/T CASE FR BEARING	1					
		ME632991	RETAINER,M/T CASE FR BEARING	1					
		ME632991	RETAINER,M/T CASE FR BEARING	1					
		ME632991	RETAINER,M/T CASE FR BEARING	1					
		ME632991	RETAINER,M/T CASE FR BEARING	1					
		ME632991	RETAINER,M/T CASE FR BEARING	1					
		ME632991	RETAINER,M/T CASE FR BEARING	1					
		ME632991	RETAINER,M/T CASE FR BEARING	1					
		ME632991	RETAINER,M/T CASE FR BEARING	1					
		ME632991	RETAINER,M/T CASE FR BEARING	1					
		ME632991	RETAINER,M/T CASE FR BEARING	1					
		ME632991	RETAINER,M/T CASE FR BEARING	1					
		ME632991	RETAINER,M/T CASE FR BEARING	1					
		ME632991	RETAINER,M/T CASE FR BEARING	1					
		ME632991	RETAINER,M/T CASE FR BEARING	1					
		ME632991	RETAINER,M/T CASE FR BEARING	1					
		ME632991	RETAINER,M/T CASE FR BEARING	1					
		ME632991	RETAINER,M/T CASE FR BEARING	1					
	21133C	ME636681	RETAINER,M/T CASE RR BEARING	1					
		ME636681	RETAINER,M/T CASE RR BEARING	1					
		ME636681	RETAINER,M/T CASE RR BEARING	1					
		ME636681	RETAINER,M/T CASE RR BEARING	1					
		ME636681	RETAINER,M/T CASE RR BEARING	1					
		ME636681	RETAINER,M/T CASE RR BEARING	1					

FK74R
22-110 M/T CASE

Repl Part	PNC	Part No	Part Name	Qty	Part Spec	Remarks	PREV.1	NEW1	NEW
	21133C	ME636681	RETAINER,M/T CASE RR BEARING	1					
		ME636681	RETAINER,M/T CASE RR BEARING	1					
		ME636681	RETAINER,M/T CASE RR BEARING	1					
		ME636681	RETAINER,M/T CASE RR BEARING	1					
		ME636681	RETAINER,M/T CASE RR BEARING	1					
		ME636681	RETAINER,M/T CASE RR BEARING	1					
		ME636681	RETAINER,M/T CASE RR BEARING	1					
		ME636681	RETAINER,M/T CASE RR BEARING	1					
		ME636681	RETAINER,M/T CASE RR BEARING	1					
	21133D	ME636682	RETAINER,M/T CASE RR BEARING	1					
		ME636682	RETAINER,M/T CASE RR BEARING	1					
		ME636682	RETAINER,M/T CASE RR BEARING	1					
		ME636682	RETAINER,M/T CASE RR BEARING	1					
		ME636682	RETAINER,M/T CASE RR BEARING	1					
		ME636682	RETAINER,M/T CASE RR BEARING	1					
		ME636682	RETAINER,M/T CASE RR BEARING	1					
		ME636682	RETAINER,M/T CASE RR BEARING	1					
		ME636682	RETAINER,M/T CASE RR BEARING	1					
		ME636682	RETAINER,M/T CASE RR BEARING	1					
		ME636682	RETAINER,M/T CASE RR BEARING	1					
		ME636682	RETAINER,M/T CASE RR BEARING	1					
		ME636682	RETAINER,M/T CASE RR BEARING	1					
		ME636682	RETAINER,M/T CASE RR BEARING	1					
		ME636682	RETAINER,M/T CASE RR BEARING	1					

FK74R
22-110 M/T CASE

Repl Part	PNC	Part No	Part Name	Qty	Part Spec	Remarks	PREV.1	NEW1	NEW
21161	21133D	ME636682	RETAINER,M/T CASE RR BEARING	1					
		ME636682	RETAINER,M/T CASE RR BEARING	1					
		ME636682	RETAINER,M/T CASE RR BEARING	1					
		ME636682	RETAINER,M/T CASE RR BEARING	1					
	ME631334	RETAINER,M/T CASE DRIVE PINION BEARING	1						
	ME631334	RETAINER,M/T CASE DRIVE PINION BEARING	1						
	ME631334	RETAINER,M/T CASE DRIVE PINION BEARING	1						
	ME631334	RETAINER,M/T CASE DRIVE PINION BEARING	1						
	ME631334	RETAINER,M/T CASE DRIVE PINION BEARING	1						
	ME631334	RETAINER,M/T CASE DRIVE PINION BEARING	1						
	ME631334	RETAINER,M/T CASE DRIVE PINION BEARING	1						
	ME631334	RETAINER,M/T CASE DRIVE PINION BEARING	1						
	ME631334	RETAINER,M/T CASE DRIVE PINION BEARING	1						
	ME631334	RETAINER,M/T CASE DRIVE PINION BEARING	1						
	ME631334	RETAINER,M/T CASE DRIVE PINION BEARING	1						
	ME631334	RETAINER,M/T CASE DRIVE PINION BEARING	1						
	ME631334	RETAINER,M/T CASE DRIVE PINION BEARING	1						
	ME631334	RETAINER,M/T CASE DRIVE PINION BEARING	1						
	ME631334	RETAINER,M/T CASE DRIVE PINION BEARING	1						

FK74R
22-110 M/T CASE

Repl Part	PNC	Part No	Part Name	Qty	Part Spec	Remarks	PREV.1	NEW1	NEW
	21185D	ME602942	PLUG,M/T CASE	1	MAGNET,20				
		ME602942	PLUG,M/T CASE	1	MAGNET,20				
		ME602942	PLUG,M/T CASE	1	MAGNET,20				
		ME602942	PLUG,M/T CASE	1	MAGNET,20				
		ME602942	PLUG,M/T CASE	1	MAGNET,20				
		ME602942	PLUG,M/T CASE	1	MAGNET,20				
		ME602942	PLUG,M/T CASE	1	MAGNET,20				
		ME602942	PLUG,M/T CASE	1	MAGNET,20				
		ME602942	PLUG,M/T CASE	1	MAGNET,20				
		ME602942	PLUG,M/T CASE	1	MAGNET,20				
		ME602942	PLUG,M/T CASE	1	MAGNET,20				
		ME602942	PLUG,M/T CASE	1	MAGNET,20				
		ME602942	PLUG,M/T CASE	1	MAGNET,20				
		ME602942	PLUG,M/T CASE	1	MAGNET,20				
		ME602942	PLUG,M/T CASE	1	MAGNET,20				
		ME602942	PLUG,M/T CASE	1	MAGNET,20				
		ME602942	PLUG,M/T CASE	1	MAGNET,20				
		ME535087	PLUG,M/T CASE	1	MAGNET,20				
		ME535087	PLUG,M/T CASE	1	MAGNET,20				
		ME535087	PLUG,M/T CASE	1	MAGNET,20				
		ME535087	PLUG,M/T CASE	1	MAGNET,20				
		ME535087	PLUG,M/T CASE	1	MAGNET,20				
	21185E	MF665007	PLUG,M/T CASE	1	SCREW,20				
		MF665007	PLUG,M/T CASE	1	SCREW,20				

FK74R
22-110 M/T CASE

Repl Part	PNC	Part No	Part Name	Qty	Part Spec	Remarks	PREV.1	NEW1	NEW
	21185E	MF665007	PLUG,M/T CASE	1	SCREW,20				
		MF665007	PLUG,M/T CASE	1	SCREW,20				
		MF665007	PLUG,M/T CASE	1	SCREW,20				
		MF665007	PLUG,M/T CASE	1	SCREW,20				
		MF665007	PLUG,M/T CASE	1	SCREW,20				
		MF665007	PLUG,M/T CASE	1	SCREW,20				
		MF665007	PLUG,M/T CASE	1	SCREW,20				
		MF665007	PLUG,M/T CASE	1	SCREW,20				
		MF665007	PLUG,M/T CASE	1	SCREW,20				
		MF665007	PLUG,M/T CASE	1	SCREW,20				
		MF665007	PLUG,M/T CASE	1	SCREW,20				
		MF665007	PLUG,M/T CASE	1	SCREW,20				
		MF665007	PLUG,M/T CASE	1	SCREW,20				
		ME535088	PLUG,M/T CASE	1	DRAIN,20				
		ME535088	PLUG,M/T CASE	1	DRAIN,20				
		ME535088	PLUG,M/T CASE	1	DRAIN,20				
		ME535088	PLUG,M/T CASE	1	DRAIN,20				
	21186	MF472406	PIN,M/T CASE	4	DOWEL,12X24				
		MF472406	PIN,M/T CASE	4	DOWEL,12X24				
		MF472406	PIN,M/T CASE	4	DOWEL,12X24				
		MF472406	PIN,M/T CASE	4	DOWEL,12X24				

FK74R
22-110 M/T CASE

Repl Part	PNC	Part No	Part Name	Qty	Part Spec	Remarks	PREV.1	NEW1	NEW
	21186	MF472406	PIN,M/T CASE	4	DOWEL,12X24				
		MF472406	PIN,M/T CASE	4	DOWEL,12X24				
		MF472406	PIN,M/T CASE	4	DOWEL,12X24				
		MF472406	PIN,M/T CASE	4	DOWEL,12X24				
		MF472406	PIN,M/T CASE	4	DOWEL,12X24				
		MF472406	PIN,M/T CASE	4	DOWEL,12X24				
		MF472406	PIN,M/T CASE	4	DOWEL,12X24				
		MF472406	PIN,M/T CASE	4	DOWEL,12X24				
		MF472406	PIN,M/T CASE	4	DOWEL,12X24				
		MF472406	PIN,M/T CASE	4	DOWEL,12X24				
		MF472406	PIN,M/T CASE	4	DOWEL,12X24				
		MF472406	PIN,M/T CASE	4	DOWEL,12X24				
		MF472406	PIN,M/T CASE	4	DOWEL,12X24				
		MF472406	PIN,M/T CASE	4	DOWEL,12X24				
		MF472406	PIN,M/T CASE	4	DOWEL,12X24				
		MF472406	PIN,M/T CASE	4	DOWEL,12X24				
	21188	MF430729	NUT,M/T CASE	1	JAM,16				
		MF430729	NUT,M/T CASE	1	JAM,16				
		MF430729	NUT,M/T CASE	1	JAM,16				
		MF430729	NUT,M/T CASE	1	JAM,16				
		MF430729	NUT,M/T CASE	1	JAM,16				
		MF430729	NUT,M/T CASE	1	JAM,16				
		MF430729	NUT,M/T CASE	1	JAM,16				
		MF430729	NUT,M/T CASE	1	JAM,16				
		MF430729	NUT,M/T CASE	1	JAM,16				
		MF430729	NUT,M/T CASE	1	JAM,16				

FK74R
22-110 M/T CASE

Repl Part	PNC	Part No	Part Name	Qty	Part Spec	Remarks	PREV.1	NEW1	NEW
21188		MF430729	NUT,M/T CASE	1	JAM,16				
		MF430729	NUT,M/T CASE	1	JAM,16				
		MF430729	NUT,M/T CASE	1	JAM,16				
		MF430729	NUT,M/T CASE	1	JAM,16				
		MF430729	NUT,M/T CASE	1	JAM,16				
		MF430729	NUT,M/T CASE	1	JAM,16				
		MF430729	NUT,M/T CASE	1	JAM,16				
		MF430729	NUT,M/T CASE	1	JAM,16				
		MF430729	NUT,M/T CASE	1	JAM,16				
		MF430729	NUT,M/T CASE	1	JAM,16				
21191		MF660038	GASKET,M/T CASE	2	D=20				
		MF660038	GASKET,M/T CASE	2	D=20				
		MF660038	GASKET,M/T CASE	2	D=20				
		MF660038	GASKET,M/T CASE	2	D=20				
		MF660038	GASKET,M/T CASE	2	D=20				
		MF660038	GASKET,M/T CASE	2	D=20				
		MF660038	GASKET,M/T CASE	2	D=20				
		MF660038	GASKET,M/T CASE	2	D=20				
		MF660038	GASKET,M/T CASE	2	D=20				
		MF660038	GASKET,M/T CASE	2	D=20				
		MF660038	GASKET,M/T CASE	2	D=20				
		MF660038	GASKET,M/T CASE	2	D=20				
		MF660038	GASKET,M/T CASE	2	D=20				
		MF660038	GASKET,M/T CASE	2	D=20				
		MF660038	GASKET,M/T CASE	2	D=20				

FK74R
22-110 M/T CASE

Repl Part	PNC	Part No	Part Name	Qty	Part Spec	Remarks	PREV.1	NEW1	NEW
	21191	MF660038	GASKET,M/T CASE	2	D=20				
		MF660038	GASKET,M/T CASE	3	D=20				
		MF660038	GASKET,M/T CASE	3	D=20				
		MF660038	GASKET,M/T CASE	3	D=20				
	21191J	MF660036	GASKET,M/T CASE	1	D=16				
		MF660036	GASKET,M/T CASE	1	D=16				
		MF660036	GASKET,M/T CASE	1	D=16				
		MF660036	GASKET,M/T CASE	1	D=16				
		MF660036	GASKET,M/T CASE	1	D=16				
		MF660036	GASKET,M/T CASE	1	D=16				
	21193BB	MH020431	CLIP,M/T CASE	2	D=10				
		MH020431	CLIP,M/T CASE	2	D=10				
		MH020431	CLIP,M/T CASE	2	D=10				
		MH020431	CLIP,M/T CASE	2	D=10				
		MH020431	CLIP,M/T CASE	2	D=10				
		MH020431	CLIP,M/T CASE	2	D=10				
		MH020431	CLIP,M/T CASE	2	D=10				
	21197	ME637864	BUSHING,M/T CASE	4	22				
		ME637864	BUSHING,M/T CASE	4	22				
		ME637864	BUSHING,M/T CASE	4	22				
		ME637864	BUSHING,M/T CASE	4	22				
		ME637864	BUSHING,M/T CASE	4	22				
		ME637864	BUSHING,M/T CASE	4	22				
		ME637864	BUSHING,M/T CASE	4	22				
		ME637864	BUSHING,M/T CASE	4	22				

FK74R
22-110 M/T CASE

Repl Part	PNC	Part No	Part Name	Qty	Part Spec	Remarks	PREV.1	NEW1	NEW
	21197	ME637864	BUSHING,M/T CASE	4	22				
		ME637864	BUSHING,M/T CASE	4	22				
		ME637864	BUSHING,M/T CASE	4	22				
		ME637864	BUSHING,M/T CASE	4	22				
		ME637864	BUSHING,M/T CASE	4	22				
		ME637864	BUSHING,M/T CASE	4	22				
		ME637864	BUSHING,M/T CASE	4	22				
	21199B	MS146107	BOLT,M/T CASE	11	FLANGE,14X60	8.8			
		MS146107	BOLT,M/T CASE	11	FLANGE,14X60	8.8			
		MS146107	BOLT,M/T CASE	11	FLANGE,14X60	8.8			
		MS146107	BOLT,M/T CASE	11	FLANGE,14X60	8.8			
		MS146107	BOLT,M/T CASE	11	FLANGE,14X60	8.8			
		MS146107	BOLT,M/T CASE	11	FLANGE,14X60	8.8			
		MS146107	BOLT,M/T CASE	11	FLANGE,14X60	8.8			
		MS146107	BOLT,M/T CASE	11	FLANGE,14X60	8.8			
		MS146107	BOLT,M/T CASE	11	FLANGE,14X60	8.8			
		MS146107	BOLT,M/T CASE	11	FLANGE,14X60	8.8			
		MS146107	BOLT,M/T CASE	11	FLANGE,14X60	8.8			
		MS146107	BOLT,M/T CASE	11	FLANGE,14X60	8.8			
		MS146107	BOLT,M/T CASE	11	FLANGE,14X60	8.8			
		MS146107	BOLT,M/T CASE	11	FLANGE,14X60	8.8			
		MS146107	BOLT,M/T CASE	11	FLANGE,14X60	8.8			

**FK74R
22-110 M/T CASE**

Repl Part	PNC	Part No	Part Name	Qty	Part Spec	Remarks	PREV.1	NEW1	NEW
	21199B	MS146107	BOLT,M/T CASE	10	FLANGE,14X60	8.8			
		MS146107	BOLT,M/T CASE	10	FLANGE,14X60	8.8			
		MS146107	BOLT,M/T CASE	10	FLANGE,14X60	8.8			
		MS146107	BOLT,M/T CASE	11	FLANGE,14X60	8.8			
		MS146107	BOLT,M/T CASE	11	FLANGE,14X60	8.8			
		MS146107	BOLT,M/T CASE	11	FLANGE,14X60	8.8			
		MS146107	BOLT,M/T CASE	10	FLANGE,14X60	8.8			
	21199C	MF140021	BOLT,M/T CASE	3	FLANGE,8X12	4T			
		MF140021	BOLT,M/T CASE	3	FLANGE,8X12	4T			
		MF140021	BOLT,M/T CASE	3	FLANGE,8X12	4T			
		MF140021	BOLT,M/T CASE	3	FLANGE,8X12	4T			
		MF140021	BOLT,M/T CASE	3	FLANGE,8X12	4T			
		MF140021	BOLT,M/T CASE	3	FLANGE,8X12	4T			
		MF140021	BOLT,M/T CASE	3	FLANGE,8X12	4T			
		MF140021	BOLT,M/T CASE	3	FLANGE,8X12	4T			
		MF140021	BOLT,M/T CASE	3	FLANGE,8X12	4T			
		MF140021	BOLT,M/T CASE	3	FLANGE,8X12	4T			
		MF140021	BOLT,M/T CASE	3	FLANGE,8X12	4T			
		MF140021	BOLT,M/T CASE	3	FLANGE,8X12	4T			
		MF140021	BOLT,M/T CASE	3	FLANGE,8X12	4T			
		MF140021	BOLT,M/T CASE	3	FLANGE,8X12	4T			
		MF140021	BOLT,M/T CASE	3	FLANGE,8X12	4T			
		MF140021	BOLT,M/T CASE	3	FLANGE,8X12	4T			
		MF140021	BOLT,M/T CASE	3	FLANGE,8X12	4T			
		MF140021	BOLT,M/T CASE	3	FLANGE,8X12	4T			

**FK74R
22-110 M/T CASE**

Repl Part	PNC	Part No	Part Name	Qty	Part Spec	Remarks	PREV.1	NEW1	NEW
	21199E	MS146003	BOLT,M/T CASE	6	FLANGE,10X18	8.8			
		MS146003	BOLT,M/T CASE	6	FLANGE,10X18	8.8			
		MS146003	BOLT,M/T CASE	6	FLANGE,10X18	8.8			
		MS146003	BOLT,M/T CASE	6	FLANGE,10X18	8.8			
		MS146003	BOLT,M/T CASE	6	FLANGE,10X18	8.8			
		MS146003	BOLT,M/T CASE	6	FLANGE,10X18	8.8			
		MS146003	BOLT,M/T CASE	6	FLANGE,10X18	8.8			
		MS146003	BOLT,M/T CASE	6	FLANGE,10X18	8.8			
		MS146003	BOLT,M/T CASE	6	FLANGE,10X18	8.8			
		MS146003	BOLT,M/T CASE	6	FLANGE,10X18	8.8			
		MS146003	BOLT,M/T CASE	6	FLANGE,10X18	8.8			
		MS146003	BOLT,M/T CASE	6	FLANGE,10X18	8.8			
		MS146003	BOLT,M/T CASE	6	FLANGE,10X18	8.8			
		MS146003	BOLT,M/T CASE	6	FLANGE,10X18	8.8			
		MS146003	BOLT,M/T CASE	6	FLANGE,10X18	8.8			
		MS146003	BOLT,M/T CASE	6	FLANGE,10X18	8.8			
		MS146003	BOLT,M/T CASE	6	FLANGE,10X18	8.8			
		MS146003	BOLT,M/T CASE	6	FLANGE,10X18	8.8			
		MS146003	BOLT,M/T CASE	6	FLANGE,10X18	8.8			
		MS146003	BOLT,M/T CASE	6	FLANGE,10X18	8.8			
	21199F	MS146006	BOLT,M/T CASE	16	FLANGE,10X25	8.8			
		MS146006	BOLT,M/T CASE	16	FLANGE,10X25	8.8			
		MS146006	BOLT,M/T CASE	16	FLANGE,10X25	8.8			
		MS146006	BOLT,M/T CASE	16	FLANGE,10X25	8.8			
		MS146006	BOLT,M/T CASE	16	FLANGE,10X25	8.8			
		MS146006	BOLT,M/T CASE	16	FLANGE,10X25	8.8			

FK74R
22-110 M/T CASE

Repl Part	PNC	Part No	Part Name	Qty	Part Spec	Remarks	PREV.1	NEW1	NEW		
21199F		MS146006	BOLT,M/T CASE	16	FLANGE,10X25	8.8					
		MS146006	BOLT,M/T CASE	16	FLANGE,10X25	8.8					
		MS146006	BOLT,M/T CASE	16	FLANGE,10X25	8.8					
		MS146006	BOLT,M/T CASE	16	FLANGE,10X25	8.8					
		MS146006	BOLT,M/T CASE	16	FLANGE,10X25	8.8					
		MS146006	BOLT,M/T CASE	16	FLANGE,10X25	8.8					
		MS146006	BOLT,M/T CASE	16	FLANGE,10X25	8.8					
		MS146006	BOLT,M/T CASE	16	FLANGE,10X25	8.8					
		MS146006	BOLT,M/T CASE	16	FLANGE,10X25	8.8					
		MS146006	BOLT,M/T CASE	16	FLANGE,10X25	8.8					
		MS146006	BOLT,M/T CASE	16	FLANGE,10X25	8.8					
		MS146006	BOLT,M/T CASE	16	FLANGE,10X25	8.8					
		21199G		MH001960	BOLT,M/T CASE	9	10X30				
				MH001960	BOLT,M/T CASE	9	10X30				
MH001960	BOLT,M/T CASE			9	10X30						
MH001960	BOLT,M/T CASE			9	10X30						
MH001960	BOLT,M/T CASE			9	10X30						
MH001960	BOLT,M/T CASE			9	10X30						
MH001960	BOLT,M/T CASE			9	10X30						
MH001960	BOLT,M/T CASE			9	10X30						
MH001960	BOLT,M/T CASE			9	10X30						
MH001960	BOLT,M/T CASE			9	10X30						
MH001960	BOLT,M/T CASE			9	10X30						
MH001960	BOLT,M/T CASE			9	10X30						

FK74R
22-110 M/T CASE

Repl Part	PNC	Part No	Part Name	Qty	Part Spec	Remarks	PREV.1	NEW1	NEW
	21199G	MH001960	BOLT,M/T CASE	9	10X30				
		MH001960	BOLT,M/T CASE	9	10X30				
		MH001960	BOLT,M/T CASE	9	10X30				
		MH001960	BOLT,M/T CASE	9	10X30				
	21199H	MS146105	BOLT,M/T CASE	4	FLANGE,14X50	8.8			
		MS146105	BOLT,M/T CASE	4	FLANGE,14X50	8.8			
		MS146105	BOLT,M/T CASE	4	FLANGE,14X50	8.8			
		MS146105	BOLT,M/T CASE	4	FLANGE,14X50	8.8			
		MS146105	BOLT,M/T CASE	4	FLANGE,14X50	8.8			
		MS146105	BOLT,M/T CASE	4	FLANGE,14X50	8.8			
		MS146105	BOLT,M/T CASE	4	FLANGE,14X50	8.8			
		MS146105	BOLT,M/T CASE	4	FLANGE,14X50	8.8			
		MS146105	BOLT,M/T CASE	4	FLANGE,14X50	8.8			
		MS146105	BOLT,M/T CASE	4	FLANGE,14X50	8.8			
		MS146105	BOLT,M/T CASE	4	FLANGE,14X50	8.8			
		MS146105	BOLT,M/T CASE	4	FLANGE,14X50	8.8			
		MS146106	BOLT,M/T CASE	2	FLANGE,4X55	8.8			
		MS146106	BOLT,M/T CASE	2	FLANGE,4X55	8.8			
		MS146106	BOLT,M/T CASE	2	FLANGE,4X55	8.8			
		MS146105	BOLT,M/T CASE	2	FLANGE,14X50	8.8			
		MS146105	BOLT,M/T CASE	4	FLANGE,14X50	8.8			
		MS146106	BOLT,M/T CASE	2	FLANGE,4X55	8.8			

FK74R
22-110 M/T CASE

Repl Part	PNC	Part No	Part Name	Qty	Part Spec	Remarks	PREV.1	NEW1	NEW
	21199H	MS146105	BOLT,M/T CASE	4	FLANGE,14X50	8.8			
		MS146105	BOLT,M/T CASE	4	FLANGE,14X50	8.8			
		MS146105	BOLT,M/T CASE	4	FLANGE,14X50	8.8			
		MS146106	BOLT,M/T CASE	1	FLANGE,4X55	8.8			
		MS146106	BOLT,M/T CASE	1	FLANGE,4X55	8.8			
		MS146106	BOLT,M/T CASE	1	FLANGE,4X55	8.8			
		MS146105	BOLT,M/T CASE	2	FLANGE,14X50	8.8			
		MS146105	BOLT,M/T CASE	2	FLANGE,14X50	8.8			
		MS146105	BOLT,M/T CASE	2	FLANGE,14X50	8.8			
		MS146106	BOLT,M/T CASE	2	FLANGE,4X55	8.8			
		MS146106	BOLT,M/T CASE	2	FLANGE,4X55	8.8			
		MS146106	BOLT,M/T CASE	2	FLANGE,4X55	8.8			
		MS146106	BOLT,M/T CASE	2	FLANGE,4X55	8.8			
		MS146106	BOLT,M/T CASE	1	FLANGE,4X55	8.8			
	21199MC	MS146002	BOLT,M/T CASE	2	FLANGE,10X16	8.8			
		MS146002	BOLT,M/T CASE	2	FLANGE,10X16	8.8			
		MS146002	BOLT,M/T CASE	2	FLANGE,10X16	8.8			
		MS146002	BOLT,M/T CASE	2	FLANGE,10X16	8.8			
		MS146002	BOLT,M/T CASE	2	FLANGE,10X16	8.8			
		MS146002	BOLT,M/T CASE	2	FLANGE,10X16	8.8			
		MS146002	BOLT,M/T CASE	2	FLANGE,10X16	8.8			
RP	21200	ME516638	HOUSING,CLUTCH	1				Y	
RP		ME516638	HOUSING,CLUTCH	1				Y	
RP		ME516638	HOUSING,CLUTCH	1				Y	
RP		ME516638	HOUSING,CLUTCH	1				Y	
RP		ME516638	HOUSING,CLUTCH	1				Y	
RP		ME516638	HOUSING,CLUTCH	1				Y	

**FK74R
22-110 M/T CASE**

Repl Part	PNC	Part No	Part Name	Qty	Part Spec	Remarks	PREV.1	NEW1	NEW
RP	21200	ME516638	HOUSING,CLUTCH	1				Y	
RP		ME516638	HOUSING,CLUTCH	1				Y	
RP		ME516638	HOUSING,CLUTCH	1				Y	
RP		ME516638	HOUSING,CLUTCH	1				Y	
RP		ME516638	HOUSING,CLUTCH	1				Y	
RP		ME516638	HOUSING,CLUTCH	1				Y	
RP		ME516638	HOUSING,CLUTCH	1				Y	
RP		ME516638	HOUSING,CLUTCH	1				Y	
	21211	ME512285	COVER,CLUTCH HOUSING INSPECTION HOLE	1					
		ME512285	COVER,CLUTCH HOUSING INSPECTION HOLE	1					
		ME512285	COVER,CLUTCH HOUSING INSPECTION HOLE	1					
		ME512285	COVER,CLUTCH HOUSING INSPECTION HOLE	1					
		ME512285	COVER,CLUTCH HOUSING INSPECTION HOLE	1					
		ME512285	COVER,CLUTCH HOUSING INSPECTION HOLE	1					
		ME512285	COVER,CLUTCH HOUSING INSPECTION HOLE	1					
		ME512285	COVER,CLUTCH HOUSING INSPECTION HOLE	1					
		ME512285	COVER,CLUTCH HOUSING INSPECTION HOLE	1					
		ME512285	COVER,CLUTCH HOUSING INSPECTION HOLE	1					
		ME512285	COVER,CLUTCH HOUSING INSPECTION HOLE	1					
		ME512285	COVER,CLUTCH HOUSING INSPECTION HOLE	1					
		ME512285	COVER,CLUTCH HOUSING INSPECTION HOLE	1					
		ME512285	COVER,CLUTCH HOUSING INSPECTION HOLE	1					
		ME512285	COVER,CLUTCH HOUSING INSPECTION HOLE	1					
		ME512285	COVER,CLUTCH HOUSING INSPECTION HOLE	1					

FK74R
22-110 M/T CASE

Repl Part	PNC	Part No	Part Name	Qty	Part Spec	Remarks	PREV.1	NEW1	NEW
	21211	ME512285	COVER,CLUTCH HOUSING INSPECTION HOLE	1					
		ME512285	COVER,CLUTCH HOUSING INSPECTION HOLE	1					
		ME512285	COVER,CLUTCH HOUSING INSPECTION HOLE	1					
	21300A	ME517289	HOUSING ASSY,M/T EXTENSION	1					
		ME517289	HOUSING ASSY,M/T EXTENSION	1					
		ME517289	HOUSING ASSY,M/T EXTENSION	1					
		ME517289	HOUSING ASSY,M/T EXTENSION	1					
		ME517289	HOUSING ASSY,M/T EXTENSION	1					
		ME517289	HOUSING ASSY,M/T EXTENSION	1					
		ME517289	HOUSING ASSY,M/T EXTENSION	1					
		ME517289	HOUSING ASSY,M/T EXTENSION	1					
		ME517289	HOUSING ASSY,M/T EXTENSION	1					
		ME517289	HOUSING ASSY,M/T EXTENSION	1					
		ME517289	HOUSING ASSY,M/T EXTENSION	1					
		ME517289	HOUSING ASSY,M/T EXTENSION	1					
		ME517289	HOUSING ASSY,M/T EXTENSION	1					
		ME517289	HOUSING ASSY,M/T EXTENSION	1					
		ME517289	HOUSING ASSY,M/T EXTENSION	1					
		ME517289	HOUSING ASSY,M/T EXTENSION	1					
		ME517289	HOUSING ASSY,M/T EXTENSION	1					
		ME517289	HOUSING ASSY,M/T EXTENSION	1					
		ME517289	HOUSING ASSY,M/T EXTENSION	1					
		ME517289	HOUSING ASSY,M/T EXTENSION	1					
		ME517289	HOUSING ASSY,M/T EXTENSION	1					
	21304	ME600455	BUSHING,M/T EXTENSION HOUSING	1	6X9				
		ME600455	BUSHING,M/T EXTENSION HOUSING	1	6X9				
		ME600455	BUSHING,M/T EXTENSION HOUSING	1	6X9				

FK74R
22-110 M/T CASE

Repl Part	PNC	Part No	Part Name	Qty	Part Spec	Remarks	PREV.1	NEW1	NEW
	21304	ME600455	BUSHING,M/T EXTENSION HOUSING	1	6X9				
		ME600455	BUSHING,M/T EXTENSION HOUSING	1	6X9				
		ME600455	BUSHING,M/T EXTENSION HOUSING	1	6X9				
		ME600455	BUSHING,M/T EXTENSION HOUSING	1	6X9				
		ME600455	BUSHING,M/T EXTENSION HOUSING	1	6X9				
		ME600455	BUSHING,M/T EXTENSION HOUSING	1	6X9				
		ME600455	BUSHING,M/T EXTENSION HOUSING	1	6X9				
		ME600455	BUSHING,M/T EXTENSION HOUSING	1	6X9				
		ME600455	BUSHING,M/T EXTENSION HOUSING	1	6X9				
		ME600455	BUSHING,M/T EXTENSION HOUSING	1	6X9				
		ME600455	BUSHING,M/T EXTENSION HOUSING	1	6X9				
		ME600455	BUSHING,M/T EXTENSION HOUSING	1	6X9				
		ME600455	BUSHING,M/T EXTENSION HOUSING	1	6X9				
		ME600455	BUSHING,M/T EXTENSION HOUSING	1	6X9				
		ME600455	BUSHING,M/T EXTENSION HOUSING	1	6X9				
		ME600455	BUSHING,M/T EXTENSION HOUSING	1	6X9				
		ME600455	BUSHING,M/T EXTENSION HOUSING	1	6X9				
		ME600455	BUSHING,M/T EXTENSION HOUSING	1	6X9				
		ME600455	BUSHING,M/T EXTENSION HOUSING	1	6X9				
	21308	ME510873	OIL SEAL,M/T CASE EXTENSION HOUSING,RR	1					
		ME510873	OIL SEAL,M/T CASE EXTENSION HOUSING,RR	1					
		ME510873	OIL SEAL,M/T CASE EXTENSION HOUSING,RR	1					
		ME510873	OIL SEAL,M/T CASE EXTENSION HOUSING,RR	1					
		ME510873	OIL SEAL,M/T CASE EXTENSION HOUSING,RR	1					
		ME510873	OIL SEAL,M/T CASE EXTENSION HOUSING,RR	1					
		ME510873	OIL SEAL,M/T CASE EXTENSION HOUSING,RR	1					
		ME510873	OIL SEAL,M/T CASE EXTENSION HOUSING,RR	1					
		ME510873	OIL SEAL,M/T CASE EXTENSION HOUSING,RR	1					
		ME510873	OIL SEAL,M/T CASE EXTENSION HOUSING,RR	1					

**FK74R
22-110 M/T CASE**

Repl Part	PNC	Part No	Part Name	Qty	Part Spec	Remarks	PREV.1	NEW1	NEW
	21308	ME510873	OIL SEAL,M/T CASE EXTENSION HOUSING,RR	1					
		ME510873	OIL SEAL,M/T CASE EXTENSION HOUSING,RR	1					
		ME510873	OIL SEAL,M/T CASE EXTENSION HOUSING,RR	1					
		ME510873	OIL SEAL,M/T CASE EXTENSION HOUSING,RR	1					
		ME510873	OIL SEAL,M/T CASE EXTENSION HOUSING,RR	1					
		ME510873	OIL SEAL,M/T CASE EXTENSION HOUSING,RR	1					
		ME510873	OIL SEAL,M/T CASE EXTENSION HOUSING,RR	1					
	21389B	ME631359	PLUG,M/T EXTENSION HOUSING	1	24				
		ME631359	PLUG,M/T EXTENSION HOUSING	1	24				
		ME631359	PLUG,M/T EXTENSION HOUSING	1	24				
		ME631359	PLUG,M/T EXTENSION HOUSING	1	24				
		ME631359	PLUG,M/T EXTENSION HOUSING	1	24				
		ME631359	PLUG,M/T EXTENSION HOUSING	1	24				
		ME631359	PLUG,M/T EXTENSION HOUSING	1	24				
		ME631359	PLUG,M/T EXTENSION HOUSING	1	24				
		ME631359	PLUG,M/T EXTENSION HOUSING	1	24				
		ME631359	PLUG,M/T EXTENSION HOUSING	1	24				
		ME631359	PLUG,M/T EXTENSION HOUSING	1	24				
		ME631359	PLUG,M/T EXTENSION HOUSING	1	24				
		ME631359	PLUG,M/T EXTENSION HOUSING	1	24				
		ME631359	PLUG,M/T EXTENSION HOUSING	1	24				
		ME631359	PLUG,M/T EXTENSION HOUSING	1	24				
		ME631359	PLUG,M/T EXTENSION HOUSING	1	24				
		ME631359	PLUG,M/T EXTENSION HOUSING	1	24				
		ME631359	PLUG,M/T EXTENSION HOUSING	1	24				
		ME631359	PLUG,M/T EXTENSION HOUSING	1	24				
		ME631359	PLUG,M/T EXTENSION HOUSING	1	24				

FK74R
22-110 M/T CASE

Repl Part	PNC	Part No	Part Name	Qty	Part Spec	Remarks	PREV.1	NEW1	NEW
	21389B	ME631359	PLUG,M/T EXTENSION HOUSING	1	24				
		ME631359	PLUG,M/T EXTENSION HOUSING	1	24				
	21389C	MF665007	PLUG,M/T EXTENSION HOUSING	1	SCREW,20				
		MF665007	PLUG,M/T EXTENSION HOUSING	1	SCREW,20				
		MF665007	PLUG,M/T EXTENSION HOUSING	1	SCREW,20				
		MF665007	PLUG,M/T EXTENSION HOUSING	1	SCREW,20				
		MF665007	PLUG,M/T EXTENSION HOUSING	1	SCREW,20				
		MF665007	PLUG,M/T EXTENSION HOUSING	1	SCREW,20				
		MF665007	PLUG,M/T EXTENSION HOUSING	1	SCREW,20				
		MF665007	PLUG,M/T EXTENSION HOUSING	1	SCREW,20				
		MF665007	PLUG,M/T EXTENSION HOUSING	1	SCREW,20				
		MF665007	PLUG,M/T EXTENSION HOUSING	1	SCREW,20				
		MF665007	PLUG,M/T EXTENSION HOUSING	1	SCREW,20				
		MF665007	PLUG,M/T EXTENSION HOUSING	1	SCREW,20				
		MF665007	PLUG,M/T EXTENSION HOUSING	1	SCREW,20				
		MF665007	PLUG,M/T EXTENSION HOUSING	1	SCREW,20				
		MF665007	PLUG,M/T EXTENSION HOUSING	1	SCREW,20				
		MF665007	PLUG,M/T EXTENSION HOUSING	1	SCREW,20				
		MF665007	PLUG,M/T EXTENSION HOUSING	1	SCREW,20				
		ME535088	PLUG,M/T EXTENSION HOUSING	1	DRAIN,20				
		ME535088	PLUG,M/T EXTENSION HOUSING	1	DRAIN,20				
		ME535088	PLUG,M/T EXTENSION HOUSING	1	DRAIN,20				
		ME535088	PLUG,M/T EXTENSION HOUSING	1	DRAIN,20				

FK74R
22-110 M/T CASE

Repl Part	PNC	Part No	Part Name	Qty	Part Spec	Remarks	PREV.1	NEW1	NEW
	21393	MF660038	GASKET,M/T EXTENSION HOUSING	1	D=20				
		MF660038	GASKET,M/T EXTENSION HOUSING	1	D=20				
		MF660038	GASKET,M/T EXTENSION HOUSING	1	D=20				
		MF660038	GASKET,M/T EXTENSION HOUSING	1	D=20				
		MF660038	GASKET,M/T EXTENSION HOUSING	1	D=20				
		MF660038	GASKET,M/T EXTENSION HOUSING	1	D=20				
		MF660038	GASKET,M/T EXTENSION HOUSING	1	D=20				
		MF660038	GASKET,M/T EXTENSION HOUSING	1	D=20				
		MF660038	GASKET,M/T EXTENSION HOUSING	1	D=20				
		MF660038	GASKET,M/T EXTENSION HOUSING	1	D=20				
		MF660038	GASKET,M/T EXTENSION HOUSING	1	D=20				
		MF660038	GASKET,M/T EXTENSION HOUSING	1	D=20				
		MF660038	GASKET,M/T EXTENSION HOUSING	1	D=20				
		MF660038	GASKET,M/T EXTENSION HOUSING	1	D=20				
		MF660038	GASKET,M/T EXTENSION HOUSING	1	D=20				
		MF660038	GASKET,M/T EXTENSION HOUSING	1	D=20				
		MF660038	GASKET,M/T EXTENSION HOUSING	1	D=20				
		MF660038	GASKET,M/T EXTENSION HOUSING	1	D=20				
		MF660038	GASKET,M/T EXTENSION HOUSING	1	D=20				
		MF660038	GASKET,M/T EXTENSION HOUSING	1	D=20				
		MF660038	GASKET,M/T EXTENSION HOUSING	1	D=20				
	21395B	MH020930	CLIP,M/T EXTENSION HOUSING	4	A=6				
		MH020930	CLIP,M/T EXTENSION HOUSING	4	A=6				
		MH020930	CLIP,M/T EXTENSION HOUSING	4	A=6				
		MH020930	CLIP,M/T EXTENSION HOUSING	4	A=6				
		MH020930	CLIP,M/T EXTENSION HOUSING	4	A=6				
		MH020930	CLIP,M/T EXTENSION HOUSING	4	A=6				

FK74R
22-110 M/T CASE

Repl Part	PNC	Part No	Part Name	Qty	Part Spec	Remarks	PREV.1	NEW1	NEW
	21395B	MH020930	CLIP,M/T EXTENSION HOUSING	4	A=6				
		MH020930	CLIP,M/T EXTENSION HOUSING	4	A=6				
		MH020930	CLIP,M/T EXTENSION HOUSING	4	A=6				
		MH020930	CLIP,M/T EXTENSION HOUSING	4	A=6				
		MH020930	CLIP,M/T EXTENSION HOUSING	4	A=6				
		MH020930	CLIP,M/T EXTENSION HOUSING	4	A=6				
		MH020930	CLIP,M/T EXTENSION HOUSING	4	A=6				
		MH020930	CLIP,M/T EXTENSION HOUSING	4	A=6				
		MH020930	CLIP,M/T EXTENSION HOUSING	4	A=6				
		MH020930	CLIP,M/T EXTENSION HOUSING	4	A=6				
		MH020930	CLIP,M/T EXTENSION HOUSING	4	A=6				
		MH020930	CLIP,M/T EXTENSION HOUSING	4	A=6				
		MH020930	CLIP,M/T EXTENSION HOUSING	4	A=6				
	21398B	ME518588	BRACKET,M/T EXTENSION HOUSING CLIP	1					
		ME518588	BRACKET,M/T EXTENSION HOUSING CLIP	1					
		ME518588	BRACKET,M/T EXTENSION HOUSING CLIP	1					
		ME518588	BRACKET,M/T EXTENSION HOUSING CLIP	1					
		ME518588	BRACKET,M/T EXTENSION HOUSING CLIP	1					
		ME518588	BRACKET,M/T EXTENSION HOUSING CLIP	1					
		ME518588	BRACKET,M/T EXTENSION HOUSING CLIP	1					
		ME518588	BRACKET,M/T EXTENSION HOUSING CLIP	1					
		ME518588	BRACKET,M/T EXTENSION HOUSING CLIP	1					
		ME523596	BRACKET,M/T EXTENSION HOUSING CLIP	1					
		ME523596	BRACKET,M/T EXTENSION HOUSING CLIP	1					
		ME523596	BRACKET,M/T EXTENSION HOUSING CLIP	1					

FK74R
22-110 M/T CASE

Repl Part	PNC	Part No	Part Name	Qty	Part Spec	Remarks	PREV.1	NEW1	NEW
	21398B	ME518588	BRACKET,M/T EXTENSION HOUSING CLIP	1					
		ME523596	BRACKET,M/T EXTENSION HOUSING CLIP	1					
		ME518588	BRACKET,M/T EXTENSION HOUSING CLIP	1					
		ME518588	BRACKET,M/T EXTENSION HOUSING CLIP	1					
		ME518588	BRACKET,M/T EXTENSION HOUSING CLIP	1					
		ME523596	BRACKET,M/T EXTENSION HOUSING CLIP	1					
		ME523596	BRACKET,M/T EXTENSION HOUSING CLIP	1					
		ME523596	BRACKET,M/T EXTENSION HOUSING CLIP	1					
	21398C	MH026474	BRACKET,M/T EXTENSION HOUSING CLIP	1		H=40			
		MH026474	BRACKET,M/T EXTENSION HOUSING CLIP	1		H=40			
		MH026474	BRACKET,M/T EXTENSION HOUSING CLIP	1		H=40			
		MH026474	BRACKET,M/T EXTENSION HOUSING CLIP	1		H=40			
		MH026474	BRACKET,M/T EXTENSION HOUSING CLIP	1		H=40			
		MH026474	BRACKET,M/T EXTENSION HOUSING CLIP	1		H=40			
		MH026474	BRACKET,M/T EXTENSION HOUSING CLIP	1		H=40			
		MH026474	BRACKET,M/T EXTENSION HOUSING CLIP	1		H=40			
		MH026474	BRACKET,M/T EXTENSION HOUSING CLIP	1		H=40			
		MH026474	BRACKET,M/T EXTENSION HOUSING CLIP	1		H=40			
		MH026474	BRACKET,M/T EXTENSION HOUSING CLIP	1		H=40			
		MH026474	BRACKET,M/T EXTENSION HOUSING CLIP	1		H=40			
		MH026474	BRACKET,M/T EXTENSION HOUSING CLIP	1		H=40			
		MH026474	BRACKET,M/T EXTENSION HOUSING CLIP	1		H=40			
		MH026474	BRACKET,M/T EXTENSION HOUSING CLIP	1		H=40			
		MH026474	BRACKET,M/T EXTENSION HOUSING CLIP	1		H=40			
		MH026474	BRACKET,M/T EXTENSION HOUSING CLIP	1		H=40			
		MH026474	BRACKET,M/T EXTENSION HOUSING CLIP	1		H=40			

**FK74R
22-110 M/T CASE**

Repl Part	PNC	Part No	Part Name	Qty	Part Spec	Remarks	PREV.1	NEW1	NEW
	21398C	MH026474	BRACKET,M/T EXTENSION HOUSING CLIP	1		H=40			
	21398CC	MH023631	BRACKET,M/T EXTENSION HOUSING CLIP	1					
		MH023631	BRACKET,M/T EXTENSION HOUSING CLIP	1					
		MH023631	BRACKET,M/T EXTENSION HOUSING CLIP	1					
		MH023631	BRACKET,M/T EXTENSION HOUSING CLIP	1					
		MH023631	BRACKET,M/T EXTENSION HOUSING CLIP	1					
		MH023631	BRACKET,M/T EXTENSION HOUSING CLIP	1					
		MH023631	BRACKET,M/T EXTENSION HOUSING CLIP	1					
		MH023631	BRACKET,M/T EXTENSION HOUSING CLIP	1					
		MH023631	BRACKET,M/T EXTENSION HOUSING CLIP	1					
		MH023631	BRACKET,M/T EXTENSION HOUSING CLIP	1					
		MH023631	BRACKET,M/T EXTENSION HOUSING CLIP	1					
		MH023631	BRACKET,M/T EXTENSION HOUSING CLIP	1					
		MH023631	BRACKET,M/T EXTENSION HOUSING CLIP	1					
		MH023631	BRACKET,M/T EXTENSION HOUSING CLIP	1					
		MH023631	BRACKET,M/T EXTENSION HOUSING CLIP	1					
		MH023631	BRACKET,M/T EXTENSION HOUSING CLIP	1					
		MH023631	BRACKET,M/T EXTENSION HOUSING CLIP	1					
		MH023631	BRACKET,M/T EXTENSION HOUSING CLIP	1					
		MH023631	BRACKET,M/T EXTENSION HOUSING CLIP	1					
		MH023631	BRACKET,M/T EXTENSION HOUSING CLIP	1					
		MH023631	BRACKET,M/T EXTENSION HOUSING CLIP	1					
		MH026147	BRACKET,M/T EXTENSION HOUSING CLIP	1					
		MH026147	BRACKET,M/T EXTENSION HOUSING CLIP	1					
		MH026147	BRACKET,M/T EXTENSION HOUSING CLIP	1					
	21399E	MS146022	BOLT,M/T EXTENSION HOUSING	13	FLANGE,10X80	8.8			
		MS146022	BOLT,M/T EXTENSION HOUSING	13	FLANGE,10X80	8.8			
		MS146022	BOLT,M/T EXTENSION HOUSING	13	FLANGE,10X80	8.8			

FK74R
22-110 M/T CASE

Repl Part	PNC	Part No	Part Name	Qty	Part Spec	Remarks	PREV.1	NEW1	NEW
	21399E	MS146022	BOLT,M/T EXTENSION HOUSING	13	FLANGE,10X80	8.8			
		MS146022	BOLT,M/T EXTENSION HOUSING	13	FLANGE,10X80	8.8			
		MS146022	BOLT,M/T EXTENSION HOUSING	13	FLANGE,10X80	8.8			
		MS146022	BOLT,M/T EXTENSION HOUSING	13	FLANGE,10X80	8.8			
		MS146022	BOLT,M/T EXTENSION HOUSING	13	FLANGE,10X80	8.8			
		MS146022	BOLT,M/T EXTENSION HOUSING	13	FLANGE,10X80	8.8			
		MS146022	BOLT,M/T EXTENSION HOUSING	13	FLANGE,10X80	8.8			
		MS146022	BOLT,M/T EXTENSION HOUSING	13	FLANGE,10X80	8.8			
		MS146022	BOLT,M/T EXTENSION HOUSING	13	FLANGE,10X80	8.8			
		MS146022	BOLT,M/T EXTENSION HOUSING	13	FLANGE,10X80	8.8			
		MS146022	BOLT,M/T EXTENSION HOUSING	13	FLANGE,10X80	8.8			
		MS146022	BOLT,M/T EXTENSION HOUSING	13	FLANGE,10X80	8.8			
		MS146022	BOLT,M/T EXTENSION HOUSING	13	FLANGE,10X80	8.8			
	MS146022	BOLT,M/T EXTENSION HOUSING	13	FLANGE,10X80	8.8				
	MS146022	BOLT,M/T EXTENSION HOUSING	13	FLANGE,10X80	8.8				
	21399G	MS146029	BOLT,M/T EXTENSION HOUSING	2	FLANGE,10X115	8.8			
		MS146029	BOLT,M/T EXTENSION HOUSING	2	FLANGE,10X115	8.8			
		MS146029	BOLT,M/T EXTENSION HOUSING	2	FLANGE,10X115	8.8			
		MS146029	BOLT,M/T EXTENSION HOUSING	2	FLANGE,10X115	8.8			
		MS146029	BOLT,M/T EXTENSION HOUSING	2	FLANGE,10X115	8.8			
MS146029		BOLT,M/T EXTENSION HOUSING	2	FLANGE,10X115	8.8				
MS146029		BOLT,M/T EXTENSION HOUSING	2	FLANGE,10X115	8.8				
MS146029		BOLT,M/T EXTENSION HOUSING	2	FLANGE,10X115	8.8				

**FK74R
22-110 M/T CASE**

Repl Part	PNC	Part No	Part Name	Qty	Part Spec	Remarks	PREV.1	NEW1	NEW
	21399G	MS146029	BOLT,M/T EXTENSION HOUSING	2	FLANGE,10X115	8.8			
		MS146029	BOLT,M/T EXTENSION HOUSING	2	FLANGE,10X115	8.8			
		MS146029	BOLT,M/T EXTENSION HOUSING	2	FLANGE,10X115	8.8			
		MS146029	BOLT,M/T EXTENSION HOUSING	2	FLANGE,10X115	8.8			
		MS146029	BOLT,M/T EXTENSION HOUSING	2	FLANGE,10X115	8.8			
		MS146029	BOLT,M/T EXTENSION HOUSING	2	FLANGE,10X115	8.8			
		MS146029	BOLT,M/T EXTENSION HOUSING	2	FLANGE,10X115	8.8			
		MS146029	BOLT,M/T EXTENSION HOUSING	2	FLANGE,10X115	8.8			
RP	22021	MH034146	OIL SEAL,M/T MAIN DRIVE PINION	1			O		
RP		MH034146	OIL SEAL,M/T MAIN DRIVE PINION	1			O		
RP		MH034146	OIL SEAL,M/T MAIN DRIVE PINION	1			O		
RP		MH034146	OIL SEAL,M/T MAIN DRIVE PINION	1			O		
RP		MH034146	OIL SEAL,M/T MAIN DRIVE PINION	1			O		
RP		MH034146	OIL SEAL,M/T MAIN DRIVE PINION	1			O		
RP		MH034146	OIL SEAL,M/T MAIN DRIVE PINION	1			O		
RP		MH034146	OIL SEAL,M/T MAIN DRIVE PINION	1			O		
RP		MH034146	OIL SEAL,M/T MAIN DRIVE PINION	1			O		
RP		MH034146	OIL SEAL,M/T MAIN DRIVE PINION	1			O		
RP		MH034146	OIL SEAL,M/T MAIN DRIVE PINION	1			O		
RP		MH034146	OIL SEAL,M/T MAIN DRIVE PINION	1			O		
RP		MH034146	OIL SEAL,M/T MAIN DRIVE PINION	1			O		
RP		MH034146	OIL SEAL,M/T MAIN DRIVE PINION	1			O		
RP		MH034146	OIL SEAL,M/T MAIN DRIVE PINION	1			O		
RP		MH034146	OIL SEAL,M/T MAIN DRIVE PINION	1			O		

FK74R
22-110 M/T CASE

Repl Part	PNC	Part No	Part Name	Qty	Part Spec	Remarks	PREV.1	NEW1	NEW
RP	22021	MH034146	OIL SEAL,M/T MAIN DRIVE PINION	1			O		
RP		MH034146	OIL SEAL,M/T MAIN DRIVE PINION	1			O		
RP		MH034146	OIL SEAL,M/T MAIN DRIVE PINION	1			O		
	22122	ME624319	GEAR,M/T MAIN SHAFT SPEEDOMETER DRIVE	1	N=7				
		ME624317	GEAR,M/T MAIN SHAFT SPEEDOMETER DRIVE	1	N=3				
		ME624316	GEAR,M/T MAIN SHAFT SPEEDOMETER DRIVE	1	N=5				
		ME624316	GEAR,M/T MAIN SHAFT SPEEDOMETER DRIVE	1	N=5				
		ME624316	GEAR,M/T MAIN SHAFT SPEEDOMETER DRIVE	1	N=5				
		ME624316	GEAR,M/T MAIN SHAFT SPEEDOMETER DRIVE	1	N=5				
		ME624316	GEAR,M/T MAIN SHAFT SPEEDOMETER DRIVE	1	N=5				
		ME624316	GEAR,M/T MAIN SHAFT SPEEDOMETER DRIVE	1	N=5				
		ME624316	GEAR,M/T MAIN SHAFT SPEEDOMETER DRIVE	1	N=5				
		ME624316	GEAR,M/T MAIN SHAFT SPEEDOMETER DRIVE	1	N=5				
		ME624316	GEAR,M/T MAIN SHAFT SPEEDOMETER DRIVE	1	N=5				
		ME624316	GEAR,M/T MAIN SHAFT SPEEDOMETER DRIVE	1	N=5				
		ME624316	GEAR,M/T MAIN SHAFT SPEEDOMETER DRIVE	1	N=5				
		ME624316	GEAR,M/T MAIN SHAFT SPEEDOMETER DRIVE	1	N=5				
		ME624316	GEAR,M/T MAIN SHAFT SPEEDOMETER DRIVE	1	N=5				
		ME624316	GEAR,M/T MAIN SHAFT SPEEDOMETER DRIVE	1	N=5				
		ME624316	GEAR,M/T MAIN SHAFT SPEEDOMETER DRIVE	1	N=5				
		ME624316	GEAR,M/T MAIN SHAFT SPEEDOMETER DRIVE	1	N=5				
		ME624316	GEAR,M/T MAIN SHAFT SPEEDOMETER DRIVE	1	N=5				
		ME624316	GEAR,M/T MAIN SHAFT SPEEDOMETER DRIVE	1	N=5				
		ME624316	GEAR,M/T MAIN SHAFT SPEEDOMETER DRIVE	1	N=5				
		ME624316	GEAR,M/T MAIN SHAFT SPEEDOMETER DRIVE	1	N=5				
		ME624319	GEAR,M/T MAIN SHAFT SPEEDOMETER DRIVE	1	N=7				
		ME624317	GEAR,M/T MAIN SHAFT SPEEDOMETER DRIVE	1	N=3				

**FK74R
22-110 M/T CASE**

Repl Part	PNC	Part No	Part Name	Qty	Part Spec	Remarks	PREV.1	NEW1	NEW
	22122	ME627713	GEAR,M/T MAIN SHAFT SPEEDOMETER DRIVE	1	N=9				
		ME624316	GEAR,M/T MAIN SHAFT SPEEDOMETER DRIVE	1	N=5				
		ME624316	GEAR,M/T MAIN SHAFT SPEEDOMETER DRIVE	1	N=5				
		ME627713	GEAR,M/T MAIN SHAFT SPEEDOMETER DRIVE	1	N=9				
		ME624319	GEAR,M/T MAIN SHAFT SPEEDOMETER DRIVE	1	N=7				
		ME624317	GEAR,M/T MAIN SHAFT SPEEDOMETER DRIVE	1	N=3				
		ME627713	GEAR,M/T MAIN SHAFT SPEEDOMETER DRIVE	1	N=9				
		ME624316	GEAR,M/T MAIN SHAFT SPEEDOMETER DRIVE	1	N=5				
	81337	ME623364	GEAR,SPEEDOMETER DRIVEN	1	N=20				
		ME623156	GEAR,SPEEDOMETER DRIVEN	1	N=10				
		ME623311	GEAR,SPEEDOMETER DRIVEN	1	N=15				
		ME623311	GEAR,SPEEDOMETER DRIVEN	1	N=15				
		ME623311	GEAR,SPEEDOMETER DRIVEN	1	N=15				
		ME623311	GEAR,SPEEDOMETER DRIVEN	1	N=15				
		ME623311	GEAR,SPEEDOMETER DRIVEN	1	N=15				
		ME623311	GEAR,SPEEDOMETER DRIVEN	1	N=15				
		ME623311	GEAR,SPEEDOMETER DRIVEN	1	N=15				
		ME623311	GEAR,SPEEDOMETER DRIVEN	1	N=15				
		ME623311	GEAR,SPEEDOMETER DRIVEN	1	N=15				
		ME623311	GEAR,SPEEDOMETER DRIVEN	1	N=15				
		ME623311	GEAR,SPEEDOMETER DRIVEN	1	N=15				
		ME623311	GEAR,SPEEDOMETER DRIVEN	1	N=15				
		ME623311	GEAR,SPEEDOMETER DRIVEN	1	N=15				

FK74R
22-110 M/T CASE

Repl Part	PNC	Part No	Part Name	Qty	Part Spec	Remarks	PREV.1	NEW1	NEW
	81337	ME623311	GEAR,SPEEDOMETER DRIVEN	1	N=15				
		ME623311	GEAR,SPEEDOMETER DRIVEN	1	N=15				
		ME623311	GEAR,SPEEDOMETER DRIVEN	1	N=15				
		ME623311	GEAR,SPEEDOMETER DRIVEN	1	N=15				
		ME623364	GEAR,SPEEDOMETER DRIVEN	1	N=20				
		ME623156	GEAR,SPEEDOMETER DRIVEN	1	N=10				
		ME627712	GEAR,SPEEDOMETER DRIVEN	1	N=26				
		ME623311	GEAR,SPEEDOMETER DRIVEN	1	N=15				
		ME623311	GEAR,SPEEDOMETER DRIVEN	1	N=15				
		ME627712	GEAR,SPEEDOMETER DRIVEN	1	N=26				
		ME623364	GEAR,SPEEDOMETER DRIVEN	1	N=20				
		ME623156	GEAR,SPEEDOMETER DRIVEN	1	N=10				
		ME627712	GEAR,SPEEDOMETER DRIVEN	1	N=26				
		ME623311	GEAR,SPEEDOMETER DRIVEN	1	N=15				
	81349K	ME515368	SENSOR,SPEEDOMETER CABLE	1					
		ME515368	SENSOR,SPEEDOMETER CABLE	1					
		ME515368	SENSOR,SPEEDOMETER CABLE	1					
		ME515368	SENSOR,SPEEDOMETER CABLE	1					
		ME515368	SENSOR,SPEEDOMETER CABLE	1					

FK74R
22-110 M/T CASE

Repl Part	PNC	Part No	Part Name	Qty	Part Spec	Remarks	PREV.1	NEW1	NEW
	81349K	ME515368	SENSOR,SPEEDOMETER CABLE	1					
		ME515368	SENSOR,SPEEDOMETER CABLE	1					
	81363	MH034019	OIL SEAL,SPEEDOMETER DRIVEN GEAR	1					
		MH034019	OIL SEAL,SPEEDOMETER DRIVEN GEAR	1					
		MH034019	OIL SEAL,SPEEDOMETER DRIVEN GEAR	1					
		MH034019	OIL SEAL,SPEEDOMETER DRIVEN GEAR	1					
		MH034019	OIL SEAL,SPEEDOMETER DRIVEN GEAR	1					
		MH034019	OIL SEAL,SPEEDOMETER DRIVEN GEAR	1					
		MH034019	OIL SEAL,SPEEDOMETER DRIVEN GEAR	1					
		MH034019	OIL SEAL,SPEEDOMETER DRIVEN GEAR	1					
		MH034019	OIL SEAL,SPEEDOMETER DRIVEN GEAR	1					
		MH034019	OIL SEAL,SPEEDOMETER DRIVEN GEAR	1					
		MH034019	OIL SEAL,SPEEDOMETER DRIVEN GEAR	1					
		MH034019	OIL SEAL,SPEEDOMETER DRIVEN GEAR	1					
		MH034019	OIL SEAL,SPEEDOMETER DRIVEN GEAR	1					
		MH034019	OIL SEAL,SPEEDOMETER DRIVEN GEAR	1					
		MH034019	OIL SEAL,SPEEDOMETER DRIVEN GEAR	1					
		MH034019	OIL SEAL,SPEEDOMETER DRIVEN GEAR	1					
		MH034019	OIL SEAL,SPEEDOMETER DRIVEN GEAR	1					
		MH034019	OIL SEAL,SPEEDOMETER DRIVEN GEAR	1					
		MH034019	OIL SEAL,SPEEDOMETER DRIVEN GEAR	1					
		MH034019	OIL SEAL,SPEEDOMETER DRIVEN GEAR	1					
		MH034019	OIL SEAL,SPEEDOMETER DRIVEN GEAR	1					
		MH034019	OIL SEAL,SPEEDOMETER DRIVEN GEAR	1					
	81387	ME623158	SLEEVE,SPEEDOMETER DRIVEN GEAR	1					
		ME623158	SLEEVE,SPEEDOMETER DRIVEN GEAR	1					
		ME623158	SLEEVE,SPEEDOMETER DRIVEN GEAR	1					
		ME623158	SLEEVE,SPEEDOMETER DRIVEN GEAR	1					
		ME623158	SLEEVE,SPEEDOMETER DRIVEN GEAR	1					

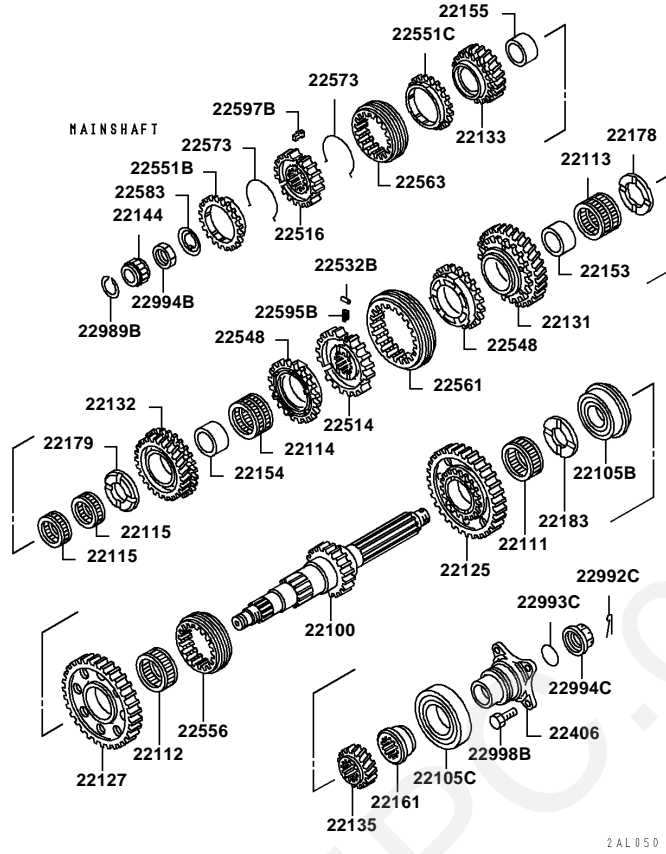
**FK74R
22-110 M/T CASE**

Repl Part	PNC	Part No	Part Name	Qty	Part Spec	Remarks	PREV.1	NEW1	NEW
	81387	ME623158	SLEEVE,SPEEDOMETER DRIVEN GEAR	1					
		ME623158	SLEEVE,SPEEDOMETER DRIVEN GEAR	1					
		ME623158	SLEEVE,SPEEDOMETER DRIVEN GEAR	1					
		ME623158	SLEEVE,SPEEDOMETER DRIVEN GEAR	1					
		ME623158	SLEEVE,SPEEDOMETER DRIVEN GEAR	1					
		ME623158	SLEEVE,SPEEDOMETER DRIVEN GEAR	1					
		ME623158	SLEEVE,SPEEDOMETER DRIVEN GEAR	1					
		ME623158	SLEEVE,SPEEDOMETER DRIVEN GEAR	1					
		ME623158	SLEEVE,SPEEDOMETER DRIVEN GEAR	1					
		ME623158	SLEEVE,SPEEDOMETER DRIVEN GEAR	1					
		ME623158	SLEEVE,SPEEDOMETER DRIVEN GEAR	1					
		ME623158	SLEEVE,SPEEDOMETER DRIVEN GEAR	1					
		ME623158	SLEEVE,SPEEDOMETER DRIVEN GEAR	1					
	81984	MF660041	GASKET,SPEEDOMETER GEAR	1	D=27				
		MF660041	GASKET,SPEEDOMETER GEAR	1	D=27				
		MF660041	GASKET,SPEEDOMETER GEAR	1	D=27				
		MF660041	GASKET,SPEEDOMETER GEAR	1	D=27				
		MF660041	GASKET,SPEEDOMETER GEAR	1	D=27				
		MF660041	GASKET,SPEEDOMETER GEAR	1	D=27				
		MF660041	GASKET,SPEEDOMETER GEAR	1	D=27				
		MF660041	GASKET,SPEEDOMETER GEAR	1	D=27				
		MF660041	GASKET,SPEEDOMETER GEAR	1	D=27				
		MF660041	GASKET,SPEEDOMETER GEAR	1	D=27				
		MF660041	GASKET,SPEEDOMETER GEAR	1	D=27				
		MF660041	GASKET,SPEEDOMETER GEAR	1	D=27				
		MF660041	GASKET,SPEEDOMETER GEAR	1	D=27				
		MF660041	GASKET,SPEEDOMETER GEAR	1	D=27				
		MF660041	GASKET,SPEEDOMETER GEAR	1	D=27				
		MF660041	GASKET,SPEEDOMETER GEAR	1	D=27				

FK74R
22-110 M/T CASE

Repl Part	PNC	Part No	Part Name	Qty	Part Spec	Remarks	PREV.1	NEW1	NEW
	81984	MF660041	GASKET,SPEEDOMETER GEAR	1	D=27				
		MF660041	GASKET,SPEEDOMETER GEAR	1	D=27				
		MF660041	GASKET,SPEEDOMETER GEAR	1	D=27				
		MF660041	GASKET,SPEEDOMETER GEAR	1	D=27				
	21123	(N.e.c.)	GASKET,M/T CASE REV GEAR COVER						
	21199D	(N.e.c.)	BOLT,M/T CASE						
	21133B	(N.e.c.)	RETAINER,M/T CASE RR BEARING						
	21395C	(N.e.c.)	CLIP,M/T EXTENSION HOUSING						
	21399F	(N.e.c.)	BOLT,M/T EXTENSION HOUSING						
	21315	(N.e.c.)	BAND,M/T EXTENSION HOUSING						
	21398BD	(N.e.c.)	BRACKET,M/T EXTENSION HOUSING CLIP						
	21395BB	(N.e.c.)	CLIP,M/T EXTENSION HOUSING						
	21399BB	(N.e.c.)	BOLT,M/T EXTENSION HOUSING						
	21398BB	(N.e.c.)	BRACKET,M/T EXTENSION HOUSING CLIP						

FK74R
No.1

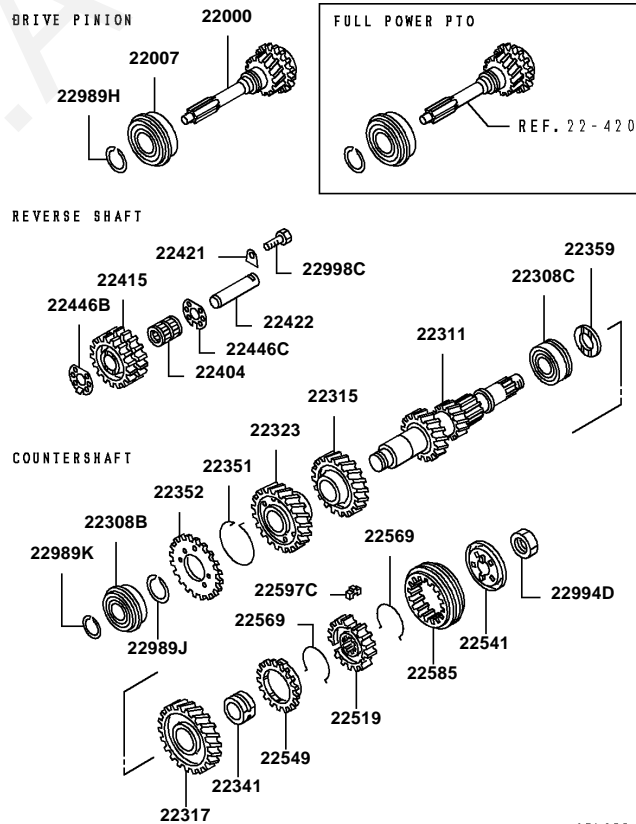


2AL050

Ref. |2022120

Page

FK74R
No.2



2BL053

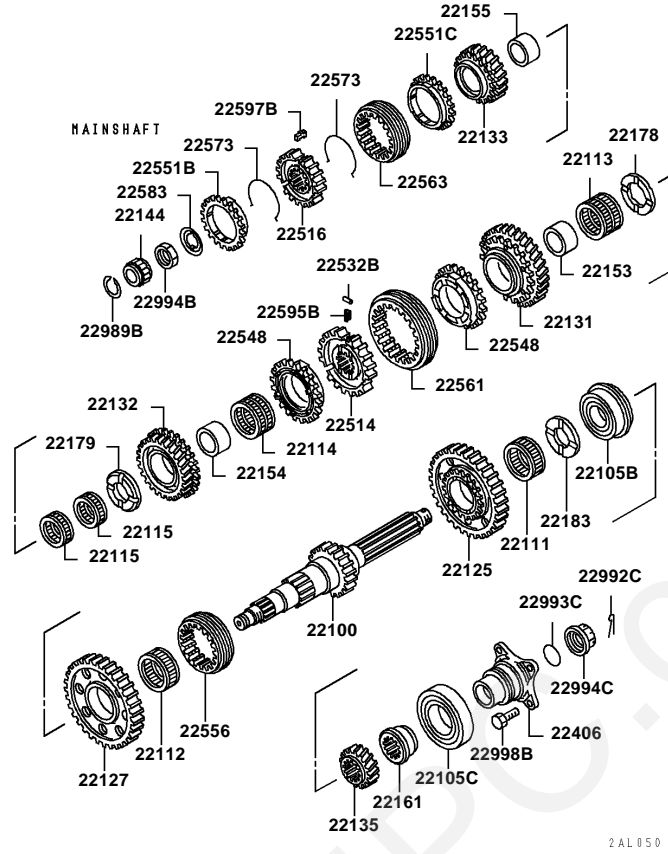
Ref. |2022120

Page

FK74R
22-120 M/T GEAR

PNC	Part Name	See Page
22000	PINION,M/T MAIN DRIVE	(Please refer to the page 1/2)
22007	BEARING,M/T MAIN DRIVE PINION	(Please refer to the page 1/2)
22100	SHAFT,M/T MAIN	(Please refer to the page 1/2)
22105B	BEARING,M/T MAIN SHAFT	(Please refer to the page 1/2)
22105C	BEARING,M/T MAIN SHAFT	(Please refer to the page 1/2)
22111	BEARING,M/T REV GEAR	(Please refer to the page 1/2)
22112	BEARING,M/T 1ST SPEED GEAR	(Please refer to the page 1/2)
22113	BEARING,M/T 2ND SPEED GEAR	(Please refer to the page 1/2)
22114	BEARING,M/T 3RD SPEED GEAR	(Please refer to the page 1/2)
22115	BEARING,M/T 4TH SPEED GEAR	(Please refer to the page 1/2)
22125	GEAR,M/T MAIN SHAFT REV	(Please refer to the page 1/2)
22127	GEAR,M/T MAIN SHAFT 1ST SPEED	(Please refer to the page 1/2)
22131	GEAR,M/T MAIN SHAFT 2ND SPEED	(Please refer to the page 1/2)
22132	GEAR,M/T MAIN SHAFT 3RD SPEED	(Please refer to the page 1/2)
22133	GEAR,M/T MAIN SHAFT 4TH SPEED	(Please refer to the page 1/2)
22135	GEAR,M/T MAIN SHAFT 6TH SPEED	(Please refer to the page 1/2)
22144	BEARING,M/T MAIN SHAFT PILOT	(Please refer to the page 1/2)
22153	SLEEVE,M/T MAIN SHAFT 2ND GEAR BEARING	(Please refer to the page 1/2)
22154	SLEEVE,M/T MAIN SHAFT 3RD GEAR BEARING	(Please refer to the page 1/2)
22155	SLEEVE,M/T MAIN SHAFT 4TH GEAR BEARING	(Please refer to the page 1/2)
22161	SLEEVE,M/T MAIN SHAFT RR BEARING	(Please refer to the page 1/2)
22178	THRUST WASHER,M/T MAIN SHAFT 2ND GEAR	(Please refer to the page 1/2)
22179	THRUST WASHER,M/T MAIN SHAFT 3RD GEAR	(Please refer to the page 1/2)
22183	THRUST WASHER,M/T MAIN SHAFT REV GEAR	(Please refer to the page 1/2)
22308B	BEARING,M/T COUNTERSHAFT	(Please refer to the page 1/2)
22308C	BEARING,M/T COUNTERSHAFT	(Please refer to the page 1/2)
22311	GEAR CLUSTER,M/T COUNTERSHAFT	(Please refer to the page 1/2)
22315	GEAR,M/T COUNTERSHAFT 4TH SPEED	(Please refer to the page 1/2)
22317	GEAR,M/T COUNTERSHAFT 6TH SPEED	(Please refer to the page 1/2)
22323	GEAR,M/T COUNTERSHAFT DRIVEN	(Please refer to the page 1/2)
22341	SLEEVE,M/T COUNTERSHAFT 6TH SPEED GEAR	(Please refer to the page 1/2)
22351	SPRING,M/T COUNTERSHAFT SUB GEAR	(Please refer to the page 1/2)
22352	SUB GEAR,M/T COUNTERSHAFT	(Please refer to the page 1/2)
22359	THRUST WASHER,M/T COUNTERSHAFT O/D GEAR	(Please refer to the page 1/2)
22406	FLANGE,M/T OUTPUT COMPANION	(Please refer to the page 1/2)
22415	GEAR,M/T REV IDLER	(Please refer to the page 1/2)
22421	PIECE,M/T REV IDLER SHAFT LOCK	(Please refer to the page 1/2)
22422	SHAFT,M/T REV IDLER GEAR	(Please refer to the page 2/2)
22446B	THRUST WASHER,M/T REV IDLER GEAR	(Please refer to the page 2/2)
22446C	THRUST WASHER,M/T REV IDLER GEAR	(Please refer to the page 2/2)
22514	HUB,M/T 2ND & 3RD SYNCH	(Please refer to the page 2/2)
22516	HUB,M/T 4TH & 5TH SYNCH	(Please refer to the page 2/2)
22519	HUB,M/T 6TH & 7TH SYNCH	(Please refer to the page 2/2)
22532B	PIN,M/T SYNCH HUB	(Please refer to the page 2/2)
22541	RETAINER,M/T 6TH SYNCH KEY	(Please refer to the page 2/2)
22548	RING,M/T 2ND & 3RD SYNCH	(Please refer to the page 2/2)
22549	RING,M/T 6TH & 7TH SPEED GEAR SYNCH	(Please refer to the page 2/2)
22551B	RING,M/T 4TH SPEED GEAR SYNCH	(Please refer to the page 2/2)
22551C	RING,M/T 4TH SPEED GEAR SYNCH	(Please refer to the page 2/2)
22556	SLEEVE,M/T 1ST & REV SYNCH	(Please refer to the page 2/2)
22561	SLEEVE,M/T 2ND & 3RD SYNCH	(Please refer to the page 2/2)
22563	SLEEVE,M/T 4TH & 5TH SYNCH	(Please refer to the page 2/2)
22569	SPRING,M/T 6TH & 7TH SYNCH KEY	(Please refer to the page 2/2)
22573	SPRING,M/T 4TH & 5TH SYNCH KEY	(Please refer to the page 2/2)
22583	WASHER,M/T 4TH & 5TH SYNCH HUB LOCK	(Please refer to the page 2/2)
22585	SLEEVE,M/T 6TH & 7TH SYNCH	(Please refer to the page 2/2)
22595B	SPRING,M/T SYNCH KEY	(Please refer to the page 2/2)
22597B	KEY,M/T SYNCH	(Please refer to the page 2/2)
22597C	KEY,M/T SYNCH	(Please refer to the page 2/2)
22989B	SNAP RING,M/T POWER TRAIN	(Please refer to the page 2/2)
22989H	SNAP RING,M/T POWER TRAIN	(Please refer to the page 2/2)
22989J	SNAP RING,M/T POWER TRAIN	(Please refer to the page 2/2)
22989K	SNAP RING,M/T POWER TRAIN	(Please refer to the page 2/2)
22992C	PIN,M/T POWER TRAIN	(Please refer to the page 2/2)
22993C	O-RING,M/T POWER TRAIN	(Please refer to the page 2/2)
22994B	NUT,M/T POWER TRAIN	(Please refer to the page 2/2)
22994C	NUT,M/T POWER TRAIN	(Please refer to the page 2/2)
22994D	NUT,M/T POWER TRAIN	(Please refer to the page 2/2)
22998B	BOLT,M/T POWER TRAIN	(Please refer to the page 2/2)
22998C	BOLT,M/T POWER TRAIN	(Please refer to the page 2/2)
22404	BEARING,M/T REV IDLER GEAR	(N.e.c.)

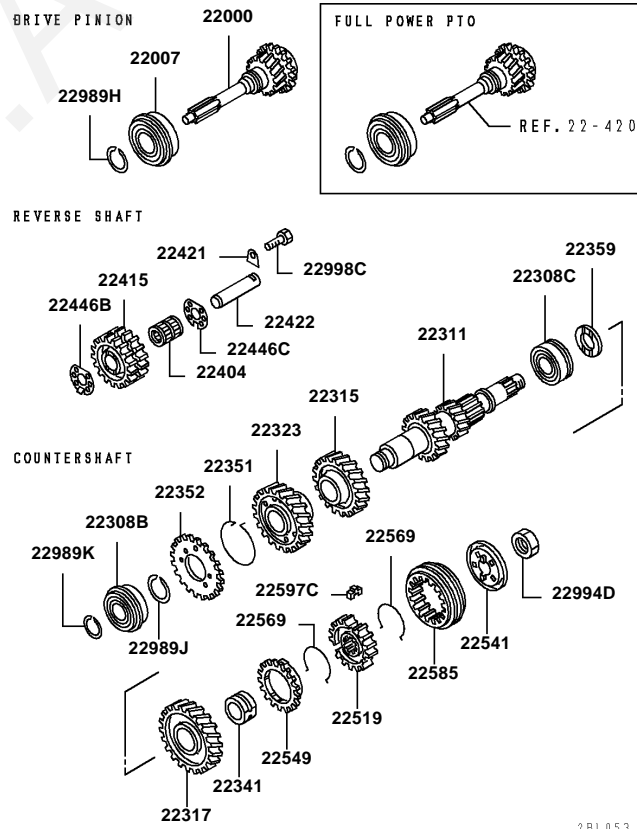
FK74R
No.1



Ref. |2022120-1

Page

FK74R
No.2



Ref. |2022120-1

Page

**FK74R
22-120 M/T GEAR (1/2)**

Repl Part	PNC	Part No	Part Name	Qty	Part Spec	PREV.2
	22000	ME515998	PINION,M/T MAIN DRIVE	1	N=30	
		ME515998	PINION,M/T MAIN DRIVE	1	N=30	
		ME515998	PINION,M/T MAIN DRIVE	1	N=30	
		ME515998	PINION,M/T MAIN DRIVE	1	N=30	
		ME515998	PINION,M/T MAIN DRIVE	1	N=30	
		ME515998	PINION,M/T MAIN DRIVE	1	N=30	
		ME515998	PINION,M/T MAIN DRIVE	1	N=30	
		ME515998	PINION,M/T MAIN DRIVE	1	N=30	
		ME515998	PINION,M/T MAIN DRIVE	1	N=30	
		ME515998	PINION,M/T MAIN DRIVE	1	N=30	
		ME515998	PINION,M/T MAIN DRIVE	1	N=30	
		ME515998	PINION,M/T MAIN DRIVE	1	N=30	
		ME515998	PINION,M/T MAIN DRIVE	1	N=30	
		ME515998	PINION,M/T MAIN DRIVE	1	N=30	
		ME515998	PINION,M/T MAIN DRIVE	1	N=30	
		ME515998	PINION,M/T MAIN DRIVE	1	N=30	
		ME515998	PINION,M/T MAIN DRIVE	1	N=30	
		ME515998	PINION,M/T MAIN DRIVE	1	N=30	
		ME515998	PINION,M/T MAIN DRIVE	1	N=30	
		ME515998	PINION,M/T MAIN DRIVE	1	N=30	
RP	22007	MH042075	BEARING,M/T MAIN DRIVE PINION	1	ROLLER	O
RP		MH042075	BEARING,M/T MAIN DRIVE PINION	1	ROLLER	O
RP		MH042075	BEARING,M/T MAIN DRIVE PINION	1	ROLLER	O
RP		MH042075	BEARING,M/T MAIN DRIVE PINION	1	ROLLER	O
RP		MH042075	BEARING,M/T MAIN DRIVE PINION	1	ROLLER	O
RP		MH042075	BEARING,M/T MAIN DRIVE PINION	1	ROLLER	O

**FK74R
22-120 M/T GEAR (1/2)**

Repl Part	PNC	Part No	Part Name	Qty	Part Spec	PREV.2
RP	22007	MH042075	BEARING,M/T MAIN DRIVE PINION	1	ROLLER	
RP		MH042075	BEARING,M/T MAIN DRIVE PINION	1	ROLLER	
RP		MH042075	BEARING,M/T MAIN DRIVE PINION	1	ROLLER	
RP		MH042075	BEARING,M/T MAIN DRIVE PINION	1	ROLLER	
RP RP		MH042075 MH042075	BEARING,M/T MAIN DRIVE PINION BEARING,M/T MAIN DRIVE PINION	1 1	ROLLER ROLLER	
RP		MH042075	BEARING,M/T MAIN DRIVE PINION	1	ROLLER	
RP		MH042075	BEARING,M/T MAIN DRIVE PINION	1	ROLLER	
RP		MH042075	BEARING,M/T MAIN DRIVE PINION	1	ROLLER	
RP		MH042075	BEARING,M/T MAIN DRIVE PINION	1	ROLLER	
	22100	ME631868	SHAFT,M/T MAIN	1	N=20,18,42,22	
		ME631868 ME631868	SHAFT,M/T MAIN SHAFT,M/T MAIN	1 1	N=20,18,42,22 N=20,18,42,22	
		ME631868	SHAFT,M/T MAIN	1	N=20,18,42,22	
		ME631868	SHAFT,M/T MAIN	1	N=20,18,42,22	
		ME631868	SHAFT,M/T MAIN	1	N=20,18,42,22	
		ME631868	SHAFT,M/T MAIN	1	N=20,18,42,22	
		ME631868	SHAFT,M/T MAIN	1	N=20,18,42,22	
		ME631868 ME631868	SHAFT,M/T MAIN SHAFT,M/T MAIN	1 1	N=20,18,42,22 N=20,18,42,22	

FK74R
22-120 M/T GEAR (1/2)

Repl Part	PNC	Part No	Part Name	Qty	Part Spec	PREV.2	PI
	22100	ME631868	SHAFT,M/T MAIN	1	N=20,18,42,22		
		ME631868	SHAFT,M/T MAIN	1	N=20,18,42,22		
		ME631868	SHAFT,M/T MAIN	1	N=20,18,42,22		
		ME631868	SHAFT,M/T MAIN	1	N=20,18,42,22		
RP	22105B	MH042098	BEARING,M/T MAIN SHAFT	1	ROLLER		O
RP		MH042098	BEARING,M/T MAIN SHAFT	1	ROLLER		O
RP		MH042098	BEARING,M/T MAIN SHAFT	1	ROLLER		O
RP		MH042098	BEARING,M/T MAIN SHAFT	1	ROLLER		O
RP		MH042098	BEARING,M/T MAIN SHAFT	1	ROLLER		O
RP		MH042098	BEARING,M/T MAIN SHAFT	1	ROLLER		O
RP		MH042098	BEARING,M/T MAIN SHAFT	1	ROLLER		O
RP		MH042098	BEARING,M/T MAIN SHAFT	1	ROLLER		O
RP		MH042098	BEARING,M/T MAIN SHAFT	1	ROLLER		O
RP		MH042098	BEARING,M/T MAIN SHAFT	1	ROLLER		O
RP		MH042098	BEARING,M/T MAIN SHAFT	1	ROLLER		O
RP		MH042098	BEARING,M/T MAIN SHAFT	1	ROLLER		O
RP		MH042098	BEARING,M/T MAIN SHAFT	1	ROLLER		O
RP		MH042098	BEARING,M/T MAIN SHAFT	1	ROLLER		O
RP		MH042098	BEARING,M/T MAIN SHAFT	1	ROLLER		O
RP		MH042098	BEARING,M/T MAIN SHAFT	1	ROLLER		O
RP		MH042098	BEARING,M/T MAIN SHAFT	1	ROLLER		O
RP		MH042098	BEARING,M/T MAIN SHAFT	1	ROLLER		O
RP		MH042098	BEARING,M/T MAIN SHAFT	1	ROLLER		O
RP		MH042098	BEARING,M/T MAIN SHAFT	1	ROLLER		O
RP		MH042098	BEARING,M/T MAIN SHAFT	1	ROLLER		O
RP		MH042098	BEARING,M/T MAIN SHAFT	1	ROLLER		O
RP		MH042098	BEARING,M/T MAIN SHAFT	1	ROLLER		O

FK74R
22-120 M/T GEAR (1/2)

Repl Part	PNC	Part No	Part Name	Qty	Part Spec	PREV.2	PI
	22105C	MH040068	BEARING,M/T MAIN SHAFT	1	BALL		
		MH040068	BEARING,M/T MAIN SHAFT	1	BALL		
		MH040068	BEARING,M/T MAIN SHAFT	1	BALL		
		MH040068	BEARING,M/T MAIN SHAFT	1	BALL		
		MH040068	BEARING,M/T MAIN SHAFT	1	BALL		
		MH040068	BEARING,M/T MAIN SHAFT	1	BALL		
		MH040068	BEARING,M/T MAIN SHAFT	1	BALL		
		MH040068	BEARING,M/T MAIN SHAFT	1	BALL		
		MH040068	BEARING,M/T MAIN SHAFT	1	BALL		
		MH040068	BEARING,M/T MAIN SHAFT	1	BALL		
		MH040068	BEARING,M/T MAIN SHAFT	1	BALL		
		MH040068	BEARING,M/T MAIN SHAFT	1	BALL		
		MH040068	BEARING,M/T MAIN SHAFT	1	BALL		
		MH040068	BEARING,M/T MAIN SHAFT	1	BALL		
		MH040068	BEARING,M/T MAIN SHAFT	1	BALL		
		MH040068	BEARING,M/T MAIN SHAFT	1	BALL		
		MH040068	BEARING,M/T MAIN SHAFT	1	BALL		
RP	22111	MH044090	BEARING,M/T REV GEAR	1	NEEDLE ROLLER		O
RP		MH044090	BEARING,M/T REV GEAR	1	NEEDLE ROLLER		O
RP		MH044090	BEARING,M/T REV GEAR	1	NEEDLE ROLLER		O
RP		MH044090	BEARING,M/T REV GEAR	1	NEEDLE ROLLER		O
RP		MH044090	BEARING,M/T REV GEAR	1	NEEDLE ROLLER		O

**FK74R
22-120 M/T GEAR (1/2)**

Repl Part	PNC	Part No	Part Name	Qty	Part Spec	PREV.2	PI
RP	22111	MH044090	BEARING,M/T REV GEAR	1	NEEDLE ROLLER		O
RP		MH044090	BEARING,M/T REV GEAR	1	NEEDLE ROLLER		O
RP		MH044090	BEARING,M/T REV GEAR	1	NEEDLE ROLLER		O
RP		MH044090	BEARING,M/T REV GEAR	1	NEEDLE ROLLER		O
RP RP		MH044090 MH044090	BEARING,M/T REV GEAR BEARING,M/T REV GEAR	1 1	NEEDLE ROLLER NEEDLE ROLLER		O O
RP		MH044090	BEARING,M/T REV GEAR	1	NEEDLE ROLLER		O
RP		MH044090	BEARING,M/T REV GEAR	1	NEEDLE ROLLER		O
RP		MH044090	BEARING,M/T REV GEAR	1	NEEDLE ROLLER		O
RP		MH044090	BEARING,M/T REV GEAR	1	NEEDLE ROLLER		O
RP	22112	MH044090	BEARING,M/T 1ST SPEED GEAR	1	NEEDLE ROLLER		O
RP RP		MH044090 MH044090	BEARING,M/T 1ST SPEED GEAR BEARING,M/T 1ST SPEED GEAR	1 1	NEEDLE ROLLER NEEDLE ROLLER		O O
RP		MH044090	BEARING,M/T 1ST SPEED GEAR	1	NEEDLE ROLLER		O
RP		MH044090	BEARING,M/T 1ST SPEED GEAR	1	NEEDLE ROLLER		O
RP		MH044090	BEARING,M/T 1ST SPEED GEAR	1	NEEDLE ROLLER		O
RP		MH044090	BEARING,M/T 1ST SPEED GEAR	1	NEEDLE ROLLER		O
RP		MH044090	BEARING,M/T 1ST SPEED GEAR	1	NEEDLE ROLLER		O
RP		MH044090	BEARING,M/T 1ST SPEED GEAR	1	NEEDLE ROLLER		O
RP		MH044090	BEARING,M/T 1ST SPEED GEAR	1	NEEDLE ROLLER		O
RP RP		MH044090 MH044090	BEARING,M/T 1ST SPEED GEAR BEARING,M/T 1ST SPEED GEAR	1 1	NEEDLE ROLLER NEEDLE ROLLER		O O

FK74R
22-120 M/T GEAR (1/2)

Repl Part	PNC	Part No	Part Name	Qty	Part Spec	PREV.2	PI
RP	22112	MH044090	BEARING,M/T 1ST SPEED GEAR	1	NEEDLE ROLLER		O
RP		MH044090	BEARING,M/T 1ST SPEED GEAR	1	NEEDLE ROLLER		O
RP		MH044090	BEARING,M/T 1ST SPEED GEAR	1	NEEDLE ROLLER		O
RP		MH044090	BEARING,M/T 1ST SPEED GEAR	1	NEEDLE ROLLER		O
	22113	MH044027	BEARING,M/T 2ND SPEED GEAR	1	NEEDLE ROLLER		
		MH044027	BEARING,M/T 2ND SPEED GEAR	1	NEEDLE ROLLER		
		MH044027	BEARING,M/T 2ND SPEED GEAR	1	NEEDLE ROLLER		
		MH044027	BEARING,M/T 2ND SPEED GEAR	1	NEEDLE ROLLER		
		MH044027	BEARING,M/T 2ND SPEED GEAR	1	NEEDLE ROLLER		
		MH044027	BEARING,M/T 2ND SPEED GEAR	1	NEEDLE ROLLER		
		MH044027	BEARING,M/T 2ND SPEED GEAR	1	NEEDLE ROLLER		
		MH044027	BEARING,M/T 2ND SPEED GEAR	1	NEEDLE ROLLER		
		MH044027	BEARING,M/T 2ND SPEED GEAR	1	NEEDLE ROLLER		
		MH044027	BEARING,M/T 2ND SPEED GEAR	1	NEEDLE ROLLER		
		MH044027	BEARING,M/T 2ND SPEED GEAR	1	NEEDLE ROLLER		
		MH044027	BEARING,M/T 2ND SPEED GEAR	1	NEEDLE ROLLER		
		MH044027	BEARING,M/T 2ND SPEED GEAR	1	NEEDLE ROLLER		
		MH044027	BEARING,M/T 2ND SPEED GEAR	1	NEEDLE ROLLER		
		MH044027	BEARING,M/T 2ND SPEED GEAR	1	NEEDLE ROLLER		
		MH044027	BEARING,M/T 2ND SPEED GEAR	1	NEEDLE ROLLER		
		MH044027	BEARING,M/T 2ND SPEED GEAR	1	NEEDLE ROLLER		
		MH044027	BEARING,M/T 2ND SPEED GEAR	1	NEEDLE ROLLER		
		MH044027	BEARING,M/T 2ND SPEED GEAR	1	NEEDLE ROLLER		
		MH044027	BEARING,M/T 2ND SPEED GEAR	1	NEEDLE ROLLER		
		MH044027	BEARING,M/T 2ND SPEED GEAR	1	NEEDLE ROLLER		
		MH044027	BEARING,M/T 2ND SPEED GEAR	1	NEEDLE ROLLER		

FK74R
22-120 M/T GEAR (1/2)

Repl Part	PNC	Part No	Part Name	Qty	Part Spec	PREV.2	PI
RP	22114	MH044092	BEARING,M/T 3RD SPEED GEAR	1	NEEDLE		O
RP		MH044092	BEARING,M/T 3RD SPEED GEAR	1	NEEDLE		O
RP		MH044028	BEARING,M/T 3RD SPEED GEAR	1	NEEDLE ROLLER		
RP		MH044028	BEARING,M/T 3RD SPEED GEAR	1	NEEDLE ROLLER		
RP		MH044028	BEARING,M/T 3RD SPEED GEAR	1	NEEDLE ROLLER		
RP		MH044028	BEARING,M/T 3RD SPEED GEAR	1	NEEDLE ROLLER		
RP		MH044028	BEARING,M/T 3RD SPEED GEAR	1	NEEDLE ROLLER		
RP		MH044028	BEARING,M/T 3RD SPEED GEAR	1	NEEDLE ROLLER		
RP		MH044028	BEARING,M/T 3RD SPEED GEAR	1	NEEDLE ROLLER		
RP		MH044028	BEARING,M/T 3RD SPEED GEAR	1	NEEDLE ROLLER		
RP		MH044028	BEARING,M/T 3RD SPEED GEAR	1	NEEDLE ROLLER		
RP		MH044028	BEARING,M/T 3RD SPEED GEAR	1	NEEDLE ROLLER		
RP		MH044028	BEARING,M/T 3RD SPEED GEAR	1	NEEDLE ROLLER		
RP		MH044028	BEARING,M/T 3RD SPEED GEAR	1	NEEDLE ROLLER		
RP		MH044028	BEARING,M/T 3RD SPEED GEAR	1	NEEDLE ROLLER		
RP		MH044028	BEARING,M/T 3RD SPEED GEAR	1	NEEDLE ROLLER		
RP		MH044028	BEARING,M/T 3RD SPEED GEAR	1	NEEDLE ROLLER		
RP		MH044028	BEARING,M/T 3RD SPEED GEAR	1	NEEDLE ROLLER		
RP		MH044028	BEARING,M/T 3RD SPEED GEAR	1	NEEDLE ROLLER		
RP		MH044028	BEARING,M/T 3RD SPEED GEAR	1	NEEDLE ROLLER		
RP		MH044028	BEARING,M/T 3RD SPEED GEAR	1	NEEDLE ROLLER		
RP		MH044028	BEARING,M/T 3RD SPEED GEAR	1	NEEDLE ROLLER		
RP		MH044028	BEARING,M/T 3RD SPEED GEAR	1	NEEDLE ROLLER		
RP	22115	MH044093	BEARING,M/T 4TH SPEED GEAR	2	NEEDLE		O
RP		MH044093	BEARING,M/T 4TH SPEED GEAR	2	NEEDLE		O
RP		MH044029	BEARING,M/T 4TH SPEED GEAR	2	NEEDLE ROLLER		

FK74R
22-120 M/T GEAR (1/2)

Repl Part	PNC	Part No	Part Name	Qty	Part Spec	PREV.2	PI
RP	22115	MH044029	BEARING,M/T 4TH SPEED GEAR	2	NEEDLE ROLLER		
RP		MH044029	BEARING,M/T 4TH SPEED GEAR	2	NEEDLE ROLLER		
RP		MH044029	BEARING,M/T 4TH SPEED GEAR	2	NEEDLE ROLLER		
RP		MH044029	BEARING,M/T 4TH SPEED GEAR	2	NEEDLE ROLLER		
RP		MH044029	BEARING,M/T 4TH SPEED GEAR	2	NEEDLE ROLLER		
RP		MH044029	BEARING,M/T 4TH SPEED GEAR	2	NEEDLE ROLLER		
RP		MH044029	BEARING,M/T 4TH SPEED GEAR	2	NEEDLE ROLLER		
RP		MH044029	BEARING,M/T 4TH SPEED GEAR	2	NEEDLE ROLLER		
RP		MH044029	BEARING,M/T 4TH SPEED GEAR	2	NEEDLE ROLLER		
RP		MH044029	BEARING,M/T 4TH SPEED GEAR	2	NEEDLE ROLLER		
RP		MH044029	BEARING,M/T 4TH SPEED GEAR	2	NEEDLE ROLLER		
RP		MH044029	BEARING,M/T 4TH SPEED GEAR	2	NEEDLE ROLLER		
RP		MH044029	BEARING,M/T 4TH SPEED GEAR	2	NEEDLE ROLLER		
RP		MH044029	BEARING,M/T 4TH SPEED GEAR	2	NEEDLE ROLLER		
RP		MH044029	BEARING,M/T 4TH SPEED GEAR	2	NEEDLE ROLLER		
RP		MH044029	BEARING,M/T 4TH SPEED GEAR	2	NEEDLE ROLLER		
RP		MH044029	BEARING,M/T 4TH SPEED GEAR	2	NEEDLE ROLLER		
RP		MH044029	BEARING,M/T 4TH SPEED GEAR	2	NEEDLE ROLLER		
RP		MH044029	BEARING,M/T 4TH SPEED GEAR	2	NEEDLE ROLLER		
RP		MH044029	BEARING,M/T 4TH SPEED GEAR	2	NEEDLE ROLLER		
RP		MH044029	BEARING,M/T 4TH SPEED GEAR	2	NEEDLE ROLLER		
RP		MH044029	BEARING,M/T 4TH SPEED GEAR	2	NEEDLE ROLLER		
RP		MH044029	BEARING,M/T 4TH SPEED GEAR	2	NEEDLE ROLLER		
RP		MH044029	BEARING,M/T 4TH SPEED GEAR	2	NEEDLE ROLLER		
RP		MH044029	BEARING,M/T 4TH SPEED GEAR	2	NEEDLE ROLLER		
RP	22125	ME639255	GEAR,M/T MAIN SHAFT REV	1	N=48		
		ME639255	GEAR,M/T MAIN SHAFT REV	1	N=48		
		ME639255	GEAR,M/T MAIN SHAFT REV	1	N=48		
		ME639255	GEAR,M/T MAIN SHAFT REV	1	N=48		
		ME639255	GEAR,M/T MAIN SHAFT REV	1	N=48		
		ME639255	GEAR,M/T MAIN SHAFT REV	1	N=48		
		ME639255	GEAR,M/T MAIN SHAFT REV	1	N=48		
		ME639255	GEAR,M/T MAIN SHAFT REV	1	N=48		
		ME639255	GEAR,M/T MAIN SHAFT REV	1	N=48		
		ME639255	GEAR,M/T MAIN SHAFT REV	1	N=48		

**FK74R
22-120 M/T GEAR (1/2)**

Repl Part	PNC	Part No	Part Name	Qty	Part Spec	PREV.2
	22125	ME639255	GEAR,M/T MAIN SHAFT REV	1	N=48	
		ME639255	GEAR,M/T MAIN SHAFT REV	1	N=48	
		ME639255	GEAR,M/T MAIN SHAFT REV	1	N=48	
		ME639255	GEAR,M/T MAIN SHAFT REV	1	N=48	
		ME639255	GEAR,M/T MAIN SHAFT REV	1	N=48	
		ME639255	GEAR,M/T MAIN SHAFT REV	1	N=48	
		ME639255	GEAR,M/T MAIN SHAFT REV	1	N=48	
		ME639255	GEAR,M/T MAIN SHAFT REV	1	N=48	
	22127	ME639253	GEAR,M/T MAIN SHAFT 1ST SPEED	1	N=48	
		ME639253	GEAR,M/T MAIN SHAFT 1ST SPEED	1	N=48	
		ME639253	GEAR,M/T MAIN SHAFT 1ST SPEED	1	N=48	
		ME639253	GEAR,M/T MAIN SHAFT 1ST SPEED	1	N=48	
		ME639253	GEAR,M/T MAIN SHAFT 1ST SPEED	1	N=48	
		ME639253	GEAR,M/T MAIN SHAFT 1ST SPEED	1	N=48	
		ME639253	GEAR,M/T MAIN SHAFT 1ST SPEED	1	N=48	
		ME639253	GEAR,M/T MAIN SHAFT 1ST SPEED	1	N=48	
		ME639253	GEAR,M/T MAIN SHAFT 1ST SPEED	1	N=48	
		ME639253	GEAR,M/T MAIN SHAFT 1ST SPEED	1	N=48	
		ME639253	GEAR,M/T MAIN SHAFT 1ST SPEED	1	N=48	
		ME639253	GEAR,M/T MAIN SHAFT 1ST SPEED	1	N=48	
		ME639253	GEAR,M/T MAIN SHAFT 1ST SPEED	1	N=48	
		ME639253	GEAR,M/T MAIN SHAFT 1ST SPEED	1	N=48	
		ME639253	GEAR,M/T MAIN SHAFT 1ST SPEED	1	N=48	

FK74R
22-120 M/T GEAR (1/2)

Repl Part	PNC	Part No	Part Name	Qty	Part Spec	PREV.2	PI
	22127	ME639253	GEAR,M/T MAIN SHAFT 1ST SPEED	1	N=48		
		ME639253	GEAR,M/T MAIN SHAFT 1ST SPEED	1	N=48		
		ME639253	GEAR,M/T MAIN SHAFT 1ST SPEED	1	N=48		
	22131	ME642610	GEAR,M/T MAIN SHAFT 2ND SPEED	1	N=45		
		ME642610	GEAR,M/T MAIN SHAFT 2ND SPEED	1	N=45		
		ME642610	GEAR,M/T MAIN SHAFT 2ND SPEED	1	N=45		
		ME642610	GEAR,M/T MAIN SHAFT 2ND SPEED	1	N=45		
		ME642610	GEAR,M/T MAIN SHAFT 2ND SPEED	1	N=45		
		ME642610	GEAR,M/T MAIN SHAFT 2ND SPEED	1	N=45		
		ME642610	GEAR,M/T MAIN SHAFT 2ND SPEED	1	N=45		
		ME642610	GEAR,M/T MAIN SHAFT 2ND SPEED	1	N=45		
		ME642610	GEAR,M/T MAIN SHAFT 2ND SPEED	1	N=45		
		ME642610	GEAR,M/T MAIN SHAFT 2ND SPEED	1	N=45		
		ME642610	GEAR,M/T MAIN SHAFT 2ND SPEED	1	N=45		
		ME642610	GEAR,M/T MAIN SHAFT 2ND SPEED	1	N=45		
		ME642610	GEAR,M/T MAIN SHAFT 2ND SPEED	1	N=45		
		ME642610	GEAR,M/T MAIN SHAFT 2ND SPEED	1	N=45		
		ME642610	GEAR,M/T MAIN SHAFT 2ND SPEED	1	N=45		
		ME642610	GEAR,M/T MAIN SHAFT 2ND SPEED	1	N=45		
		ME642610	GEAR,M/T MAIN SHAFT 2ND SPEED	1	N=45		
		ME642610	GEAR,M/T MAIN SHAFT 2ND SPEED	1	N=45		
		ME642610	GEAR,M/T MAIN SHAFT 2ND SPEED	1	N=45		
		ME642610	GEAR,M/T MAIN SHAFT 2ND SPEED	1	N=45		
		ME642610	GEAR,M/T MAIN SHAFT 2ND SPEED	1	N=45		
		ME642610	GEAR,M/T MAIN SHAFT 2ND SPEED	1	N=45		
		ME642610	GEAR,M/T MAIN SHAFT 2ND SPEED	1	N=45		
		ME642610	GEAR,M/T MAIN SHAFT 2ND SPEED	1	N=45		
	22132	ME636924	GEAR,M/T MAIN SHAFT 3RD SPEED	1	N=36		
		ME636924	GEAR,M/T MAIN SHAFT 3RD SPEED	1	N=36		
		ME636924	GEAR,M/T MAIN SHAFT 3RD SPEED	1	N=36		

FK74R
22-120 M/T GEAR (1/2)

Repl Part	PNC	Part No	Part Name	Qty	Part Spec	PREV.2	PI
	22132	ME636924	GEAR,M/T MAIN SHAFT 3RD SPEED	1	N=36		
		ME636924	GEAR,M/T MAIN SHAFT 3RD SPEED	1	N=36		
		ME636924	GEAR,M/T MAIN SHAFT 3RD SPEED	1	N=36		
		ME636924	GEAR,M/T MAIN SHAFT 3RD SPEED	1	N=36		
		ME636924	GEAR,M/T MAIN SHAFT 3RD SPEED	1	N=36		
		ME636924	GEAR,M/T MAIN SHAFT 3RD SPEED	1	N=36		
		ME636924	GEAR,M/T MAIN SHAFT 3RD SPEED	1	N=36		
		ME636924	GEAR,M/T MAIN SHAFT 3RD SPEED	1	N=36		
		ME636924	GEAR,M/T MAIN SHAFT 3RD SPEED	1	N=36		
		ME636924	GEAR,M/T MAIN SHAFT 3RD SPEED	1	N=36		
		ME636924	GEAR,M/T MAIN SHAFT 3RD SPEED	1	N=36		
		ME636924	GEAR,M/T MAIN SHAFT 3RD SPEED	1	N=36		
		ME636924	GEAR,M/T MAIN SHAFT 3RD SPEED	1	N=36		
		ME636924	GEAR,M/T MAIN SHAFT 3RD SPEED	1	N=36		
		ME636924	GEAR,M/T MAIN SHAFT 3RD SPEED	1	N=36		
		ME636924	GEAR,M/T MAIN SHAFT 3RD SPEED	1	N=36		
		ME636924	GEAR,M/T MAIN SHAFT 3RD SPEED	1	N=36		
		ME636924	GEAR,M/T MAIN SHAFT 3RD SPEED	1	N=36		
		ME636924	GEAR,M/T MAIN SHAFT 3RD SPEED	1	N=36		
		ME636924	GEAR,M/T MAIN SHAFT 3RD SPEED	1	N=36		
		ME636924	GEAR,M/T MAIN SHAFT 3RD SPEED	1	N=36		
		ME636924	GEAR,M/T MAIN SHAFT 3RD SPEED	1	N=36		
		ME636924	GEAR,M/T MAIN SHAFT 3RD SPEED	1	N=36		
		ME636924	GEAR,M/T MAIN SHAFT 3RD SPEED	1	N=36		
		ME636924	GEAR,M/T MAIN SHAFT 3RD SPEED	1	N=36		
		ME636924	GEAR,M/T MAIN SHAFT 3RD SPEED	1	N=36		
	22133	ME637122	GEAR,M/T MAIN SHAFT 4TH SPEED	1	N=28		
		ME637122	GEAR,M/T MAIN SHAFT 4TH SPEED	1	N=28		
		ME637122	GEAR,M/T MAIN SHAFT 4TH SPEED	1	N=28		
		ME637122	GEAR,M/T MAIN SHAFT 4TH SPEED	1	N=28		
		ME637122	GEAR,M/T MAIN SHAFT 4TH SPEED	1	N=28		
		ME637122	GEAR,M/T MAIN SHAFT 4TH SPEED	1	N=28		
		ME637122	GEAR,M/T MAIN SHAFT 4TH SPEED	1	N=28		
		ME637122	GEAR,M/T MAIN SHAFT 4TH SPEED	1	N=28		
		ME637122	GEAR,M/T MAIN SHAFT 4TH SPEED	1	N=28		
		ME637122	GEAR,M/T MAIN SHAFT 4TH SPEED	1	N=28		
		ME637122	GEAR,M/T MAIN SHAFT 4TH SPEED	1	N=28		
		ME637122	GEAR,M/T MAIN SHAFT 4TH SPEED	1	N=28		
		ME637122	GEAR,M/T MAIN SHAFT 4TH SPEED	1	N=28		
		ME637122	GEAR,M/T MAIN SHAFT 4TH SPEED	1	N=28		
		ME637122	GEAR,M/T MAIN SHAFT 4TH SPEED	1	N=28		
		ME637122	GEAR,M/T MAIN SHAFT 4TH SPEED	1	N=28		
		ME637122	GEAR,M/T MAIN SHAFT 4TH SPEED	1	N=28		
		ME637122	GEAR,M/T MAIN SHAFT 4TH SPEED	1	N=28		

**FK74R
22-120 M/T GEAR (1/2)**

Repl Part	PNC	Part No	Part Name	Qty	Part Spec	PREV.2	PI
	22133	ME637122	GEAR,M/T MAIN SHAFT 4TH SPEED	1	N=28		
		ME637122	GEAR,M/T MAIN SHAFT 4TH SPEED	1	N=28		
		ME637122	GEAR,M/T MAIN SHAFT 4TH SPEED	1	N=28		
		ME637122	GEAR,M/T MAIN SHAFT 4TH SPEED	1	N=28		
		ME637122	GEAR,M/T MAIN SHAFT 4TH SPEED	1	N=28		
		ME637122	GEAR,M/T MAIN SHAFT 4TH SPEED	1	N=28		
		ME637122	GEAR,M/T MAIN SHAFT 4TH SPEED	1	N=28		
	22135	ME642036	GEAR,M/T MAIN SHAFT 6TH SPEED	1	N=19		
		ME642036	GEAR,M/T MAIN SHAFT 6TH SPEED	1	N=19		
		ME642036	GEAR,M/T MAIN SHAFT 6TH SPEED	1	N=19		
		ME642036	GEAR,M/T MAIN SHAFT 6TH SPEED	1	N=19		
		ME642036	GEAR,M/T MAIN SHAFT 6TH SPEED	1	N=19		
		ME642036	GEAR,M/T MAIN SHAFT 6TH SPEED	1	N=19		
		ME642036	GEAR,M/T MAIN SHAFT 6TH SPEED	1	N=19		
		ME642036	GEAR,M/T MAIN SHAFT 6TH SPEED	1	N=19		
		ME642036	GEAR,M/T MAIN SHAFT 6TH SPEED	1	N=19		
		ME642036	GEAR,M/T MAIN SHAFT 6TH SPEED	1	N=19		
		ME642036	GEAR,M/T MAIN SHAFT 6TH SPEED	1	N=19		
		ME642036	GEAR,M/T MAIN SHAFT 6TH SPEED	1	N=19		
		ME642036	GEAR,M/T MAIN SHAFT 6TH SPEED	1	N=19		
		ME642036	GEAR,M/T MAIN SHAFT 6TH SPEED	1	N=19		
		ME642036	GEAR,M/T MAIN SHAFT 6TH SPEED	1	N=19		
		ME642036	GEAR,M/T MAIN SHAFT 6TH SPEED	1	N=19		
		ME642036	GEAR,M/T MAIN SHAFT 6TH SPEED	1	N=19		
		ME642036	GEAR,M/T MAIN SHAFT 6TH SPEED	1	N=19		

**FK74R
22-120 M/T GEAR (1/2)**

Repl Part	PNC	Part No	Part Name	Qty	Part Spec	PREV.2	PI
	22135	ME642036	GEAR,M/T MAIN SHAFT 6TH SPEED	1	N=19		
		ME642036	GEAR,M/T MAIN SHAFT 6TH SPEED	1	N=19		
	22144	MH042121	BEARING,M/T MAIN SHAFT PILOT	1	ROLLER		
		MH042121	BEARING,M/T MAIN SHAFT PILOT	1	ROLLER		
		MH042121	BEARING,M/T MAIN SHAFT PILOT	1	ROLLER		
		MH042121	BEARING,M/T MAIN SHAFT PILOT	1	ROLLER		
		MH042121	BEARING,M/T MAIN SHAFT PILOT	1	ROLLER		
		MH042121	BEARING,M/T MAIN SHAFT PILOT	1	ROLLER		
		MH042121	BEARING,M/T MAIN SHAFT PILOT	1	ROLLER		
		MH042121	BEARING,M/T MAIN SHAFT PILOT	1	ROLLER		
		MH042121	BEARING,M/T MAIN SHAFT PILOT	1	ROLLER		
		MH042121	BEARING,M/T MAIN SHAFT PILOT	1	ROLLER		
		MH042121	BEARING,M/T MAIN SHAFT PILOT	1	ROLLER		
		MH042121	BEARING,M/T MAIN SHAFT PILOT	1	ROLLER		
		MH042121	BEARING,M/T MAIN SHAFT PILOT	1	ROLLER		
		MH042121	BEARING,M/T MAIN SHAFT PILOT	1	ROLLER		
		MH042121	BEARING,M/T MAIN SHAFT PILOT	1	ROLLER		
		MH042121	BEARING,M/T MAIN SHAFT PILOT	1	ROLLER		
		MH042121	BEARING,M/T MAIN SHAFT PILOT	1	ROLLER		
		MH042121	BEARING,M/T MAIN SHAFT PILOT	1	ROLLER		
		MH042121	BEARING,M/T MAIN SHAFT PILOT	1	ROLLER		
		MH042121	BEARING,M/T MAIN SHAFT PILOT	1	ROLLER		
		MH042121	BEARING,M/T MAIN SHAFT PILOT	1	ROLLER		
		MH042121	BEARING,M/T MAIN SHAFT PILOT	1	ROLLER		
		MH042121	BEARING,M/T MAIN SHAFT PILOT	1	ROLLER		
		MH042121	BEARING,M/T MAIN SHAFT PILOT	1	ROLLER		
		MH042121	BEARING,M/T MAIN SHAFT PILOT	1	ROLLER		
		MH042121	BEARING,M/T MAIN SHAFT PILOT	1	ROLLER		
		MH042121	BEARING,M/T MAIN SHAFT PILOT	1	ROLLER		
RP	22153	ME629791	SLEEVE,M/T MAIN SHAFT 2ND GEAR BEARING	1			
RP		ME629791	SLEEVE,M/T MAIN SHAFT 2ND GEAR BEARING	1			
RP		ME629791	SLEEVE,M/T MAIN SHAFT 2ND GEAR BEARING	1			
RP		ME629791	SLEEVE,M/T MAIN SHAFT 2ND GEAR BEARING	1			

**FK74R
22-120 M/T GEAR (1/2)**

Repl Part	PNC	Part No	Part Name	Qty	Part Spec	PREV.2	P
RP	22153	ME629791	SLEEVE,M/T MAIN SHAFT 2ND GEAR BEARING	1			
RP		ME629791	SLEEVE,M/T MAIN SHAFT 2ND GEAR BEARING	1			
RP		ME629791	SLEEVE,M/T MAIN SHAFT 2ND GEAR BEARING	1			
RP		ME629791	SLEEVE,M/T MAIN SHAFT 2ND GEAR BEARING	1			
RP		ME629791	SLEEVE,M/T MAIN SHAFT 2ND GEAR BEARING	1			
RP		ME629791	SLEEVE,M/T MAIN SHAFT 2ND GEAR BEARING	1			
RP		ME629791	SLEEVE,M/T MAIN SHAFT 2ND GEAR BEARING	1			
RP		ME629791	SLEEVE,M/T MAIN SHAFT 2ND GEAR BEARING	1			
RP		ME629791	SLEEVE,M/T MAIN SHAFT 2ND GEAR BEARING	1			
RP		ME629791	SLEEVE,M/T MAIN SHAFT 2ND GEAR BEARING	1			
RP		ME629791	SLEEVE,M/T MAIN SHAFT 2ND GEAR BEARING	1			
RP		ME629791	SLEEVE,M/T MAIN SHAFT 2ND GEAR BEARING	1			
RP	22154	ME629792	SLEEVE,M/T MAIN SHAFT 3RD GEAR BEARING	1			
RP		ME629792	SLEEVE,M/T MAIN SHAFT 3RD GEAR BEARING	1			
RP		ME629792	SLEEVE,M/T MAIN SHAFT 3RD GEAR BEARING	1			
RP		ME629792	SLEEVE,M/T MAIN SHAFT 3RD GEAR BEARING	1			
RP		ME629792	SLEEVE,M/T MAIN SHAFT 3RD GEAR BEARING	1			
RP		ME629792	SLEEVE,M/T MAIN SHAFT 3RD GEAR BEARING	1			
RP		ME629792	SLEEVE,M/T MAIN SHAFT 3RD GEAR BEARING	1			
RP		ME629792	SLEEVE,M/T MAIN SHAFT 3RD GEAR BEARING	1			
RP		ME629792	SLEEVE,M/T MAIN SHAFT 3RD GEAR BEARING	1			
RP		ME629792	SLEEVE,M/T MAIN SHAFT 3RD GEAR BEARING	1			
RP		ME629792	SLEEVE,M/T MAIN SHAFT 3RD GEAR BEARING	1			
RP		ME629792	SLEEVE,M/T MAIN SHAFT 3RD GEAR BEARING	1			
RP		ME629792	SLEEVE,M/T MAIN SHAFT 3RD GEAR BEARING	1			

FK74R
22-120 M/T GEAR (1/2)

Repl Part	PNC	Part No	Part Name	Qty	Part Spec	PREV.2	PI
RP	22154	ME629792	SLEEVE,M/T MAIN SHAFT 3RD GEAR BEARING	1			
RP		ME629792	SLEEVE,M/T MAIN SHAFT 3RD GEAR BEARING	1			
RP		ME629792	SLEEVE,M/T MAIN SHAFT 3RD GEAR BEARING	1			
RP		ME629792	SLEEVE,M/T MAIN SHAFT 3RD GEAR BEARING	1			
RP		ME629792	SLEEVE,M/T MAIN SHAFT 3RD GEAR BEARING	1			
RP		ME629792	SLEEVE,M/T MAIN SHAFT 3RD GEAR BEARING	1			
RP	22155	ME629793	SLEEVE,M/T MAIN SHAFT 4TH GEAR BEARING	1			
RP		ME629793	SLEEVE,M/T MAIN SHAFT 4TH GEAR BEARING	1			
RP		ME629793	SLEEVE,M/T MAIN SHAFT 4TH GEAR BEARING	1			
RP		ME629793	SLEEVE,M/T MAIN SHAFT 4TH GEAR BEARING	1			
RP		ME629793	SLEEVE,M/T MAIN SHAFT 4TH GEAR BEARING	1			
RP		ME629793	SLEEVE,M/T MAIN SHAFT 4TH GEAR BEARING	1			
RP		ME629793	SLEEVE,M/T MAIN SHAFT 4TH GEAR BEARING	1			
RP		ME629793	SLEEVE,M/T MAIN SHAFT 4TH GEAR BEARING	1			
RP		ME629793	SLEEVE,M/T MAIN SHAFT 4TH GEAR BEARING	1			
RP		ME629793	SLEEVE,M/T MAIN SHAFT 4TH GEAR BEARING	1			
RP		ME629793	SLEEVE,M/T MAIN SHAFT 4TH GEAR BEARING	1			
RP		ME629793	SLEEVE,M/T MAIN SHAFT 4TH GEAR BEARING	1			
RP		ME629793	SLEEVE,M/T MAIN SHAFT 4TH GEAR BEARING	1			
RP		ME629793	SLEEVE,M/T MAIN SHAFT 4TH GEAR BEARING	1			
RP	ME629793	SLEEVE,M/T MAIN SHAFT 4TH GEAR BEARING	1				

FK74R
22-120 M/T GEAR (1/2)

Repl Part RP	PNC	Part No	Part Name	Qty	Part Spec	PREV.2	PI
	22155	ME629793	SLEEVE,M/T MAIN SHAFT 4TH GEAR BEARING	1			
	22161	ME631347	SLEEVE,M/T MAIN SHAFT RR BEARING	1			
		ME631347	SLEEVE,M/T MAIN SHAFT RR BEARING	1			
		ME631347	SLEEVE,M/T MAIN SHAFT RR BEARING	1			
		ME631347	SLEEVE,M/T MAIN SHAFT RR BEARING	1			
		ME631347	SLEEVE,M/T MAIN SHAFT RR BEARING	1			
		ME631347	SLEEVE,M/T MAIN SHAFT RR BEARING	1			
		ME631347	SLEEVE,M/T MAIN SHAFT RR BEARING	1			
		ME631347	SLEEVE,M/T MAIN SHAFT RR BEARING	1			
		ME631347	SLEEVE,M/T MAIN SHAFT RR BEARING	1			
		ME631347	SLEEVE,M/T MAIN SHAFT RR BEARING	1			
		ME631347	SLEEVE,M/T MAIN SHAFT RR BEARING	1			
		ME631347	SLEEVE,M/T MAIN SHAFT RR BEARING	1			
		ME631347	SLEEVE,M/T MAIN SHAFT RR BEARING	1			
		ME631347	SLEEVE,M/T MAIN SHAFT RR BEARING	1			
		ME631347	SLEEVE,M/T MAIN SHAFT RR BEARING	1			
		ME631347	SLEEVE,M/T MAIN SHAFT RR BEARING	1			
		ME631347	SLEEVE,M/T MAIN SHAFT RR BEARING	1			
		ME631347	SLEEVE,M/T MAIN SHAFT RR BEARING	1			
		ME631347	SLEEVE,M/T MAIN SHAFT RR BEARING	1			
	22178	ME629789	THRUST WASHER,M/T MAIN SHAFT 2ND GEAR	1	T=7		
		ME629789	THRUST WASHER,M/T MAIN SHAFT 2ND GEAR	1	T=7		
		ME629789	THRUST WASHER,M/T MAIN SHAFT 2ND GEAR	1	T=7		
		ME629789	THRUST WASHER,M/T MAIN SHAFT 2ND GEAR	1	T=7		
		ME629789	THRUST WASHER,M/T MAIN SHAFT 2ND GEAR	1	T=7		

**FK74R
22-120 M/T GEAR (1/2)**

Repl Part	PNC	Part No	Part Name	Qty	Part Spec	PREV.2	PI
	22178	ME629789	THRUST WASHER,M/T MAIN SHAFT 2ND GEAR	1	T=7		
		ME629789	THRUST WASHER,M/T MAIN SHAFT 2ND GEAR	1	T=7		
		ME629789	THRUST WASHER,M/T MAIN SHAFT 2ND GEAR	1	T=7		
		ME629789	THRUST WASHER,M/T MAIN SHAFT 2ND GEAR	1	T=7		
		ME629789	THRUST WASHER,M/T MAIN SHAFT 2ND GEAR	1	T=7		
		ME629789 ME629789	THRUST WASHER,M/T MAIN SHAFT 2ND GEAR THRUST WASHER,M/T MAIN SHAFT 2ND GEAR	1 1	T=7 T=7		
		ME629789	THRUST WASHER,M/T MAIN SHAFT 2ND GEAR	1	T=7		
		ME629789	THRUST WASHER,M/T MAIN SHAFT 2ND GEAR	1	T=7		
		ME629789	THRUST WASHER,M/T MAIN SHAFT 2ND GEAR	1	T=7		
		ME629789	THRUST WASHER,M/T MAIN SHAFT 2ND GEAR	1	T=7		
	22179	ME629788	THRUST WASHER,M/T MAIN SHAFT 3RD GEAR	1	T=6.5		
		ME629788 ME629788	THRUST WASHER,M/T MAIN SHAFT 3RD GEAR THRUST WASHER,M/T MAIN SHAFT 3RD GEAR	1 1	T=6.5 T=6.5		
		ME629788	THRUST WASHER,M/T MAIN SHAFT 3RD GEAR	1	T=6.5		
		ME629788	THRUST WASHER,M/T MAIN SHAFT 3RD GEAR	1	T=6.5		
		ME629788	THRUST WASHER,M/T MAIN SHAFT 3RD GEAR	1	T=6.5		
		ME629788	THRUST WASHER,M/T MAIN SHAFT 3RD GEAR	1	T=6.5		
		ME629788	THRUST WASHER,M/T MAIN SHAFT 3RD GEAR	1	T=6.5		
		ME629788	THRUST WASHER,M/T MAIN SHAFT 3RD GEAR	1	T=6.5		
		ME629788 ME629788	THRUST WASHER,M/T MAIN SHAFT 3RD GEAR THRUST WASHER,M/T MAIN SHAFT 3RD GEAR	1 1	T=6.5 T=6.5		

FK74R
22-120 M/T GEAR (1/2)

Repl Part	PNC 22179	Part No	Part Name	Qty	Part Spec	PREV.2	P
		ME629788	THRUST WASHER,M/T MAIN SHAFT 3RD GEAR	1	T=6.5		
		ME629788	THRUST WASHER,M/T MAIN SHAFT 3RD GEAR	1	T=6.5		
		ME629788	THRUST WASHER,M/T MAIN SHAFT 3RD GEAR	1	T=6.5		
		ME629788	THRUST WASHER,M/T MAIN SHAFT 3RD GEAR	1	T=6.5		
	22183	ME629790	THRUST WASHER,M/T MAIN SHAFT REV GEAR	1	T=7.6		
		ME629790	THRUST WASHER,M/T MAIN SHAFT REV GEAR	1	T=7.6		
		ME629790	THRUST WASHER,M/T MAIN SHAFT REV GEAR	1	T=7.6		
		ME629790	THRUST WASHER,M/T MAIN SHAFT REV GEAR	1	T=7.6		
		ME629790	THRUST WASHER,M/T MAIN SHAFT REV GEAR	1	T=7.6		
		ME629790	THRUST WASHER,M/T MAIN SHAFT REV GEAR	1	T=7.6		
		ME629790	THRUST WASHER,M/T MAIN SHAFT REV GEAR	1	T=7.6		
		ME629790	THRUST WASHER,M/T MAIN SHAFT REV GEAR	1	T=7.6		
		ME629790	THRUST WASHER,M/T MAIN SHAFT REV GEAR	1	T=7.6		
		ME629790	THRUST WASHER,M/T MAIN SHAFT REV GEAR	1	T=7.6		
		ME629790	THRUST WASHER,M/T MAIN SHAFT REV GEAR	1	T=7.6		
		ME629790	THRUST WASHER,M/T MAIN SHAFT REV GEAR	1	T=7.6		
		ME629790	THRUST WASHER,M/T MAIN SHAFT REV GEAR	1	T=7.6		
		ME629790	THRUST WASHER,M/T MAIN SHAFT REV GEAR	1	T=7.6		
		ME629790	THRUST WASHER,M/T MAIN SHAFT REV GEAR	1	T=7.6		
		ME629790	THRUST WASHER,M/T MAIN SHAFT REV GEAR	1	T=7.6		

FK74R
22-120 M/T GEAR (1/2)

Repl Part	PNC	Part No	Part Name	Qty	Part Spec	PREV.2	PI
RP	22308B	MH042076	BEARING,M/T COUNTERSHAFT	1	ROLLER		O
RP		MH042076	BEARING,M/T COUNTERSHAFT	1	ROLLER		O
RP		MH042076	BEARING,M/T COUNTERSHAFT	1	ROLLER		O
RP		MH042076	BEARING,M/T COUNTERSHAFT	1	ROLLER		O
RP		MH042076	BEARING,M/T COUNTERSHAFT	1	ROLLER		O
RP		MH042076	BEARING,M/T COUNTERSHAFT	1	ROLLER		O
RP		MH042076	BEARING,M/T COUNTERSHAFT	1	ROLLER		O
RP		MH042076	BEARING,M/T COUNTERSHAFT	1	ROLLER		O
RP		MH042076	BEARING,M/T COUNTERSHAFT	1	ROLLER		O
RP		MH042076	BEARING,M/T COUNTERSHAFT	1	ROLLER		O
RP		MH042076	BEARING,M/T COUNTERSHAFT	1	ROLLER		O
RP		MH042076	BEARING,M/T COUNTERSHAFT	1	ROLLER		O
RP		MH042076	BEARING,M/T COUNTERSHAFT	1	ROLLER		O
RP		MH042076	BEARING,M/T COUNTERSHAFT	1	ROLLER		O
RP		MH042076	BEARING,M/T COUNTERSHAFT	1	ROLLER		O
RP		MH042076	BEARING,M/T COUNTERSHAFT	1	ROLLER		O
RP		MH042076	BEARING,M/T COUNTERSHAFT	1	ROLLER		O
RP		MH042076	BEARING,M/T COUNTERSHAFT	1	ROLLER		O
RP		MH042076	BEARING,M/T COUNTERSHAFT	1	ROLLER		O
RP		MH042076	BEARING,M/T COUNTERSHAFT	1	ROLLER		O
RP	22308C	MH042077	BEARING,M/T COUNTERSHAFT	1	ROLLER		O
RP		MH042077	BEARING,M/T COUNTERSHAFT	1	ROLLER		O
RP		MH042077	BEARING,M/T COUNTERSHAFT	1	ROLLER		O
RP		MH042077	BEARING,M/T COUNTERSHAFT	1	ROLLER		O
RP		MH042077	BEARING,M/T COUNTERSHAFT	1	ROLLER		O
RP		MH042077	BEARING,M/T COUNTERSHAFT	1	ROLLER		O

**FK74R
22-120 M/T GEAR (1/2)**

Repl Part	PNC	Part No	Part Name	Qty	Part Spec	PREV.2
	22311	ME638726	GEAR CLUSTER,M/T COUNTERSHAFT	1	N=29,20,13	
		ME638726	GEAR CLUSTER,M/T COUNTERSHAFT	1	N=29,20,13	
		ME638726	GEAR CLUSTER,M/T COUNTERSHAFT	1	N=29,20,13	
		ME638726	GEAR CLUSTER,M/T COUNTERSHAFT	1	N=29,20,13	
	22315	ME631829	GEAR,M/T COUNTERSHAFT 4TH SPEED	1	N=37	
		ME631829	GEAR,M/T COUNTERSHAFT 4TH SPEED	1	N=37	
		ME631829	GEAR,M/T COUNTERSHAFT 4TH SPEED	1	N=37	
		ME631829	GEAR,M/T COUNTERSHAFT 4TH SPEED	1	N=37	
		ME631829	GEAR,M/T COUNTERSHAFT 4TH SPEED	1	N=37	
		ME631829	GEAR,M/T COUNTERSHAFT 4TH SPEED	1	N=37	
		ME631829	GEAR,M/T COUNTERSHAFT 4TH SPEED	1	N=37	
		ME631829	GEAR,M/T COUNTERSHAFT 4TH SPEED	1	N=37	
		ME631829	GEAR,M/T COUNTERSHAFT 4TH SPEED	1	N=37	
		ME631829	GEAR,M/T COUNTERSHAFT 4TH SPEED	1	N=37	
		ME631829	GEAR,M/T COUNTERSHAFT 4TH SPEED	1	N=37	
		ME631829	GEAR,M/T COUNTERSHAFT 4TH SPEED	1	N=37	
		ME631829	GEAR,M/T COUNTERSHAFT 4TH SPEED	1	N=37	
		ME631829	GEAR,M/T COUNTERSHAFT 4TH SPEED	1	N=37	
		ME631829	GEAR,M/T COUNTERSHAFT 4TH SPEED	1	N=37	
		ME631829	GEAR,M/T COUNTERSHAFT 4TH SPEED	1	N=37	
		ME631829	GEAR,M/T COUNTERSHAFT 4TH SPEED	1	N=37	

FK74R
22-120 M/T GEAR (1/2)

Repl Part	PNC	Part No	Part Name	Qty	Part Spec	PREV.2	PI
RP	22317	ME642005	GEAR,M/T COUNTERSHAFT 6TH SPEED	1	N=45	O	O
RP		ME642005	GEAR,M/T COUNTERSHAFT 6TH SPEED	1	N=45	O	O
RP		ME642005	GEAR,M/T COUNTERSHAFT 6TH SPEED	1	N=45	O	O
RP		ME642005	GEAR,M/T COUNTERSHAFT 6TH SPEED	1	N=45	O	O
RP		ME642005	GEAR,M/T COUNTERSHAFT 6TH SPEED	1	N=45	O	O
RP		ME642005	GEAR,M/T COUNTERSHAFT 6TH SPEED	1	N=45	O	O
RP		ME642005	GEAR,M/T COUNTERSHAFT 6TH SPEED	1	N=45	O	O
RP		ME642005	GEAR,M/T COUNTERSHAFT 6TH SPEED	1	N=45	O	O
RP		ME642005	GEAR,M/T COUNTERSHAFT 6TH SPEED	1	N=45	O	O
RP		ME642005	GEAR,M/T COUNTERSHAFT 6TH SPEED	1	N=45	O	O
RP		ME642005	GEAR,M/T COUNTERSHAFT 6TH SPEED	1	N=45	O	O
RP		ME642005	GEAR,M/T COUNTERSHAFT 6TH SPEED	1	N=45	O	O
RP		ME642005	GEAR,M/T COUNTERSHAFT 6TH SPEED	1	N=45	O	O
RP		ME642005	GEAR,M/T COUNTERSHAFT 6TH SPEED	1	N=45	O	O
RP		ME642005	GEAR,M/T COUNTERSHAFT 6TH SPEED	1	N=45	O	O
RP		ME642005	GEAR,M/T COUNTERSHAFT 6TH SPEED	1	N=45	O	O
RP		ME642005	GEAR,M/T COUNTERSHAFT 6TH SPEED	1	N=45	O	O
RP		ME642005	GEAR,M/T COUNTERSHAFT 6TH SPEED	1	N=45	O	O
RP		ME642005	GEAR,M/T COUNTERSHAFT 6TH SPEED	1	N=45	O	O
RP		ME642005	GEAR,M/T COUNTERSHAFT 6TH SPEED	1	N=45	O	O
RP		ME642005	GEAR,M/T COUNTERSHAFT 6TH SPEED	1	N=45	O	O
RP		ME642005	GEAR,M/T COUNTERSHAFT 6TH SPEED	1	N=45	O	O
RP	22323	ME636911	GEAR,M/T COUNTERSHAFT DRIVEN	1	N=53		
		ME636911	GEAR,M/T COUNTERSHAFT DRIVEN	1	N=53		
		ME636911	GEAR,M/T COUNTERSHAFT DRIVEN	1	N=53		
		ME636911	GEAR,M/T COUNTERSHAFT DRIVEN	1	N=53		
		ME636911	GEAR,M/T COUNTERSHAFT DRIVEN	1	N=53		

FK74R
22-120 M/T GEAR (1/2)

Repl Part	PNC	Part No	Part Name	Qty	Part Spec	PREV.2	PI
	22323	ME636911	GEAR,M/T COUNTERSHAFT DRIVEN	1	N=53		
		ME636911	GEAR,M/T COUNTERSHAFT DRIVEN	1	N=53		
		ME636911	GEAR,M/T COUNTERSHAFT DRIVEN	1	N=53		
		ME636911	GEAR,M/T COUNTERSHAFT DRIVEN	1	N=53		
		ME636911	GEAR,M/T COUNTERSHAFT DRIVEN	1	N=53		
		ME636911	GEAR,M/T COUNTERSHAFT DRIVEN	1	N=53		
		ME636911	GEAR,M/T COUNTERSHAFT DRIVEN	1	N=53		
		ME636911	GEAR,M/T COUNTERSHAFT DRIVEN	1	N=53		
		ME636911	GEAR,M/T COUNTERSHAFT DRIVEN	1	N=53		
		ME636911	GEAR,M/T COUNTERSHAFT DRIVEN	1	N=53		
		ME636911	GEAR,M/T COUNTERSHAFT DRIVEN	1	N=53		
		ME636911	GEAR,M/T COUNTERSHAFT DRIVEN	1	N=53		
		ME534279	GEAR,M/T COUNTERSHAFT DRIVEN	1	N=53		
		ME534279	GEAR,M/T COUNTERSHAFT DRIVEN	1	N=53		
		ME534279	GEAR,M/T COUNTERSHAFT DRIVEN	1	N=53		
		ME534279	GEAR,M/T COUNTERSHAFT DRIVEN	1	N=53		
		ME534279	GEAR,M/T COUNTERSHAFT DRIVEN	1	N=53		
RP	22341	ME629743	SLEEVE,M/T COUNTERSHAFT 6TH SPEED GEAR	1			
RP		ME629743	SLEEVE,M/T COUNTERSHAFT 6TH SPEED GEAR	1			
RP		ME629743	SLEEVE,M/T COUNTERSHAFT 6TH SPEED GEAR	1			
RP		ME629743	SLEEVE,M/T COUNTERSHAFT 6TH SPEED GEAR	1			
RP		ME629743	SLEEVE,M/T COUNTERSHAFT 6TH SPEED GEAR	1			
RP		ME629743	SLEEVE,M/T COUNTERSHAFT 6TH SPEED GEAR	1			
RP		ME629743	SLEEVE,M/T COUNTERSHAFT 6TH SPEED GEAR	1			
RP		ME629743	SLEEVE,M/T COUNTERSHAFT 6TH SPEED GEAR	1			

FK74R
22-120 M/T GEAR (1/2)

Repl Part	PNC	Part No	Part Name	Qty	Part Spec	PREV.2	PI
RP	22341	ME629743	SLEEVE,M/T COUNTERSHAFT 6TH SPEED GEAR	1			
RP		ME629743	SLEEVE,M/T COUNTERSHAFT 6TH SPEED GEAR	1			
RP		ME629743	SLEEVE,M/T COUNTERSHAFT 6TH SPEED GEAR	1			
RP		ME629743	SLEEVE,M/T COUNTERSHAFT 6TH SPEED GEAR	1			
RP		ME629743	SLEEVE,M/T COUNTERSHAFT 6TH SPEED GEAR	1			
RP		ME629743	SLEEVE,M/T COUNTERSHAFT 6TH SPEED GEAR	1			
RP		ME629743	SLEEVE,M/T COUNTERSHAFT 6TH SPEED GEAR	1			
RP		ME629743	SLEEVE,M/T COUNTERSHAFT 6TH SPEED GEAR	1			
	22351	ME631672	SPRING,M/T COUNTERSHAFT SUB GEAR	1			
		ME631672	SPRING,M/T COUNTERSHAFT SUB GEAR	1			
		ME631672	SPRING,M/T COUNTERSHAFT SUB GEAR	1			
		ME631672	SPRING,M/T COUNTERSHAFT SUB GEAR	1			
		ME631672	SPRING,M/T COUNTERSHAFT SUB GEAR	1			
		ME631672	SPRING,M/T COUNTERSHAFT SUB GEAR	1			
		ME631672	SPRING,M/T COUNTERSHAFT SUB GEAR	1			
		ME631672	SPRING,M/T COUNTERSHAFT SUB GEAR	1			
		ME631672	SPRING,M/T COUNTERSHAFT SUB GEAR	1			
		ME631672	SPRING,M/T COUNTERSHAFT SUB GEAR	1			
		ME631672	SPRING,M/T COUNTERSHAFT SUB GEAR	1			
		ME631672	SPRING,M/T COUNTERSHAFT SUB GEAR	1			
		ME631672	SPRING,M/T COUNTERSHAFT SUB GEAR	1			
		ME631672	SPRING,M/T COUNTERSHAFT SUB GEAR	1			
		ME631672	SPRING,M/T COUNTERSHAFT SUB GEAR	1			
		ME631672	SPRING,M/T COUNTERSHAFT SUB GEAR	1			

FK74R
22-120 M/T GEAR (1/2)

Repl Part	PNC	Part No	Part Name	Qty	Part Spec	PREV.2	PL
	22351	ME631672	SPRING,M/T COUNTERSHAFT SUB GEAR	1			
		ME631672	SPRING,M/T COUNTERSHAFT SUB GEAR	1			
		ME631672	SPRING,M/T COUNTERSHAFT SUB GEAR	1			
RP	22352	ME636961	SUB GEAR,M/T COUNTERSHAFT	1			O
RP		ME636961	SUB GEAR,M/T COUNTERSHAFT	1			O
RP		ME636961	SUB GEAR,M/T COUNTERSHAFT	1			O
RP		ME636961	SUB GEAR,M/T COUNTERSHAFT	1			O
RP		ME636961	SUB GEAR,M/T COUNTERSHAFT	1			O
RP		ME636961	SUB GEAR,M/T COUNTERSHAFT	1			O
RP		ME636961	SUB GEAR,M/T COUNTERSHAFT	1			O
RP		ME636961	SUB GEAR,M/T COUNTERSHAFT	1			O
RP		ME636961	SUB GEAR,M/T COUNTERSHAFT	1			O
RP		ME636961	SUB GEAR,M/T COUNTERSHAFT	1			O
RP		ME636961	SUB GEAR,M/T COUNTERSHAFT	1			O
RP		ME636961	SUB GEAR,M/T COUNTERSHAFT	1			O
RP		ME636961	SUB GEAR,M/T COUNTERSHAFT	1			O
RP		ME636961	SUB GEAR,M/T COUNTERSHAFT	1			O
RP		ME636961	SUB GEAR,M/T COUNTERSHAFT	1			O
RP		ME636961	SUB GEAR,M/T COUNTERSHAFT	1			O
RP		ME636961	SUB GEAR,M/T COUNTERSHAFT	1			O
RP		ME636961	SUB GEAR,M/T COUNTERSHAFT	1			O
RP		ME636961	SUB GEAR,M/T COUNTERSHAFT	1			O
RP		ME636961	SUB GEAR,M/T COUNTERSHAFT	1			O
RP		ME636961	SUB GEAR,M/T COUNTERSHAFT	1			O
RP		ME636961	SUB GEAR,M/T COUNTERSHAFT	1			O
RP		ME636961	SUB GEAR,M/T COUNTERSHAFT	1			O
	22359	ME631353	THRUST WASHER,M/T COUNTERSHAFT O/D GEAR	1	T=8.1		
		ME631353	THRUST WASHER,M/T COUNTERSHAFT O/D GEAR	1	T=8.1		
		ME631353	THRUST WASHER,M/T COUNTERSHAFT O/D GEAR	1	T=8.1		

**FK74R
22-120 M/T GEAR (1/2)**

Repl Part	PNC	Part No	Part Name	Qty	Part Spec	PREV.2	PI
	22359	ME631353	THRUST WASHER,M/T COUNTERSHAFT O/D GEAR	1	T=8.1		
		ME631353	THRUST WASHER,M/T COUNTERSHAFT O/D GEAR	1	T=8.1		
		ME631353	THRUST WASHER,M/T COUNTERSHAFT O/D GEAR	1	T=8.1		
		ME631353	THRUST WASHER,M/T COUNTERSHAFT O/D GEAR	1	T=8.1		
		ME631353	THRUST WASHER,M/T COUNTERSHAFT O/D GEAR	1	T=8.1		
		ME631353	THRUST WASHER,M/T COUNTERSHAFT O/D GEAR	1	T=8.1		
		ME631353	THRUST WASHER,M/T COUNTERSHAFT O/D GEAR	1	T=8.1		
		ME631353	THRUST WASHER,M/T COUNTERSHAFT O/D GEAR	1	T=8.1		
		ME631353	THRUST WASHER,M/T COUNTERSHAFT O/D GEAR	1	T=8.1		
		ME631353	THRUST WASHER,M/T COUNTERSHAFT O/D GEAR	1	T=8.1		
		ME631353	THRUST WASHER,M/T COUNTERSHAFT O/D GEAR	1	T=8.1		
		ME631353	THRUST WASHER,M/T COUNTERSHAFT O/D GEAR	1	T=8.1		
		ME631353	THRUST WASHER,M/T COUNTERSHAFT O/D GEAR	1	T=8.1		
		ME631353	THRUST WASHER,M/T COUNTERSHAFT O/D GEAR	1	T=8.1		
		ME631353	THRUST WASHER,M/T COUNTERSHAFT O/D GEAR	1	T=8.1		
		ME631353	THRUST WASHER,M/T COUNTERSHAFT O/D GEAR	1	T=8.1		
	22406	ME629121	FLANGE,M/T OUTPUT COMPANION	1			
		ME629121	FLANGE,M/T OUTPUT COMPANION	1			
		ME629121	FLANGE,M/T OUTPUT COMPANION	1			
		ME629121	FLANGE,M/T OUTPUT COMPANION	1			
		ME629121	FLANGE,M/T OUTPUT COMPANION	1			
		ME629121	FLANGE,M/T OUTPUT COMPANION	1			
		ME629121	FLANGE,M/T OUTPUT COMPANION	1			
		ME629121	FLANGE,M/T OUTPUT COMPANION	1			
		ME629121	FLANGE,M/T OUTPUT COMPANION	1			
		ME629121	FLANGE,M/T OUTPUT COMPANION	1			
		ME629121	FLANGE,M/T OUTPUT COMPANION	1			
		ME629121	FLANGE,M/T OUTPUT COMPANION	1			

FK74R
22-120 M/T GEAR (1/2)

Repl Part	PNC	Part No	Part Name	Qty	Part Spec	PREV.2	P
	22406	ME629121	FLANGE,M/T OUTPUT COMPANION	1			
		ME629121	FLANGE,M/T OUTPUT COMPANION	1			
		ME629121	FLANGE,M/T OUTPUT COMPANION	1			
		ME629121	FLANGE,M/T OUTPUT COMPANION	1			
		ME629121	FLANGE,M/T OUTPUT COMPANION	1			
		ME629121	FLANGE,M/T OUTPUT COMPANION	1			
		ME629121	FLANGE,M/T OUTPUT COMPANION	1			
	22415	ME638729	GEAR,M/T REV IDLER	1	N=31		
		ME638729	GEAR,M/T REV IDLER	1	N=31		
		ME638729	GEAR,M/T REV IDLER	1	N=31		
		ME638729	GEAR,M/T REV IDLER	1	N=31		
		ME638729	GEAR,M/T REV IDLER	1	N=31		
		ME638729	GEAR,M/T REV IDLER	1	N=31		
		ME638729	GEAR,M/T REV IDLER	1	N=31		
		ME638729	GEAR,M/T REV IDLER	1	N=31		
		ME638729	GEAR,M/T REV IDLER	1	N=31		
		ME638729	GEAR,M/T REV IDLER	1	N=31		
		ME638729	GEAR,M/T REV IDLER	1	N=31		
		ME638729	GEAR,M/T REV IDLER	1	N=31		
		ME638729	GEAR,M/T REV IDLER	1	N=31		
		ME638729	GEAR,M/T REV IDLER	1	N=31		
		ME638729	GEAR,M/T REV IDLER	1	N=31		
		ME638729	GEAR,M/T REV IDLER	1	N=31		
		ME638729	GEAR,M/T REV IDLER	1	N=31		
		ME638729	GEAR,M/T REV IDLER	1	N=31		
		ME638729	GEAR,M/T REV IDLER	1	N=31		
		ME638729	GEAR,M/T REV IDLER	1	N=31		
		ME638729	GEAR,M/T REV IDLER	1	N=31		
		ME638729	GEAR,M/T REV IDLER	1	N=31		
		ME638729	GEAR,M/T REV IDLER	1	N=31		
		ME638729	GEAR,M/T REV IDLER	1	N=31		
		ME638729	GEAR,M/T REV IDLER	1	N=31		
		ME638729	GEAR,M/T REV IDLER	1	N=31		

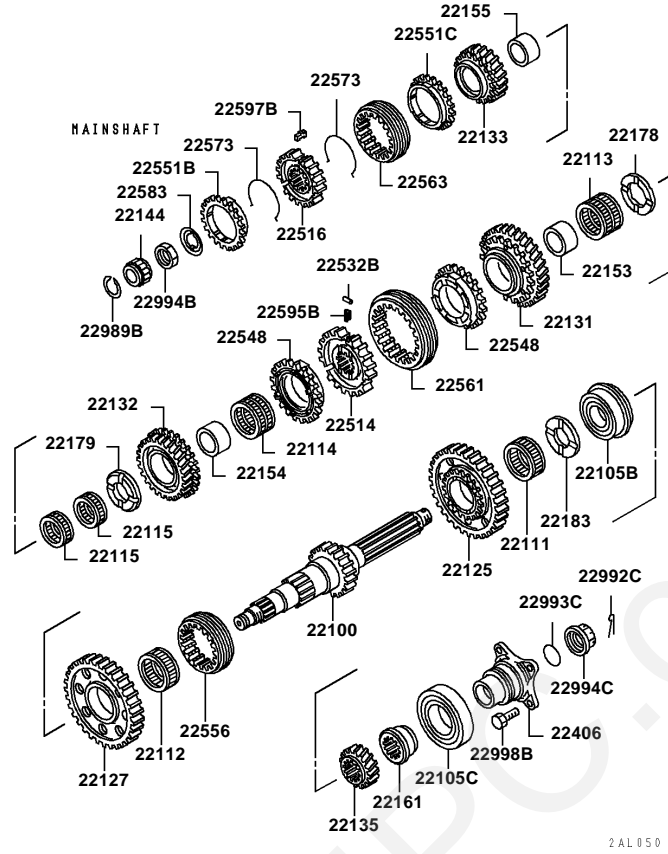
FK74R
22-120 M/T GEAR (1/2)

Repl Part	PNC	Part No	Part Name	Qty	Part Spec	PREV.2	PI
	22415	ME638729	GEAR,M/T REV IDLER	1	N=31		
		ME638729	GEAR,M/T REV IDLER	1	N=31		
	22421	ME632908	PIECE,M/T REV IDLER SHAFT LOCK	1			
		ME632908	PIECE,M/T REV IDLER SHAFT LOCK	1			
		ME632908	PIECE,M/T REV IDLER SHAFT LOCK	1			
		ME632908	PIECE,M/T REV IDLER SHAFT LOCK	1			
		ME632908	PIECE,M/T REV IDLER SHAFT LOCK	1			
		ME632908	PIECE,M/T REV IDLER SHAFT LOCK	1			
		ME632908	PIECE,M/T REV IDLER SHAFT LOCK	1			
		ME632908	PIECE,M/T REV IDLER SHAFT LOCK	1			
		ME632908	PIECE,M/T REV IDLER SHAFT LOCK	1			
		ME632908	PIECE,M/T REV IDLER SHAFT LOCK	1			
		ME632908	PIECE,M/T REV IDLER SHAFT LOCK	1			
		ME632908	PIECE,M/T REV IDLER SHAFT LOCK	1			
		ME632908	PIECE,M/T REV IDLER SHAFT LOCK	1			
		ME632908	PIECE,M/T REV IDLER SHAFT LOCK	1			
		ME632908	PIECE,M/T REV IDLER SHAFT LOCK	1			
		ME632908	PIECE,M/T REV IDLER SHAFT LOCK	1			
		ME632908	PIECE,M/T REV IDLER SHAFT LOCK	1			
		ME632908	PIECE,M/T REV IDLER SHAFT LOCK	1			
		ME632908	PIECE,M/T REV IDLER SHAFT LOCK	1			
		ME632908	PIECE,M/T REV IDLER SHAFT LOCK	1			
		ME632908	PIECE,M/T REV IDLER SHAFT LOCK	1			
		ME632908	PIECE,M/T REV IDLER SHAFT LOCK	1			
		ME632908	PIECE,M/T REV IDLER SHAFT LOCK	1			
		ME632908	PIECE,M/T REV IDLER SHAFT LOCK	1			
		ME632908	PIECE,M/T REV IDLER SHAFT LOCK	1			
	22422	(Please refer to the page 2/2)	SHAFT,M/T REV IDLER GEAR	1			
	22446B	(Please refer to the page 2/2)	THRUST WASHER,M/T REV IDLER GEAR	1			
	22446C	(Please refer to the page 2/2)	THRUST WASHER,M/T REV IDLER GEAR	1			
	22514	(Please refer to the page 2/2)	HUB,M/T 2ND & 3RD SYNCH	1			
	22516	(Please refer to the page 2/2)	HUB,M/T 4TH & 5TH SYNCH	1			
	22519	(Please refer to the page 2/2)	HUB,M/T 6TH & 7TH SYNCH	1			
	22532B	(Please refer to the page 2/2)	PIN,M/T SYNCH HUB	1			
	22541	(Please refer to the page 2/2)	RETAINER,M/T 6TH SYNCH KEY	1			
	22548	(Please refer to the page 2/2)	RING,M/T 2ND & 3RD SYNCH	1			
	22549	(Please refer to the page 2/2)	RING,M/T 6TH & 7TH SPEED GEAR SYNCH	1			
	22551B	(Please refer to the page 2/2)	RING,M/T 4TH SPEED GEAR SYNCH	1			
	22551C	(Please refer to the page 2/2)	RING,M/T 4TH SPEED GEAR SYNCH	1			
	22556	(Please refer to the page 2/2)	SLEEVE,M/T 1ST & REV SYNCH	1			
	22561	(Please refer to the page 2/2)	SLEEVE,M/T 2ND & 3RD SYNCH	1			

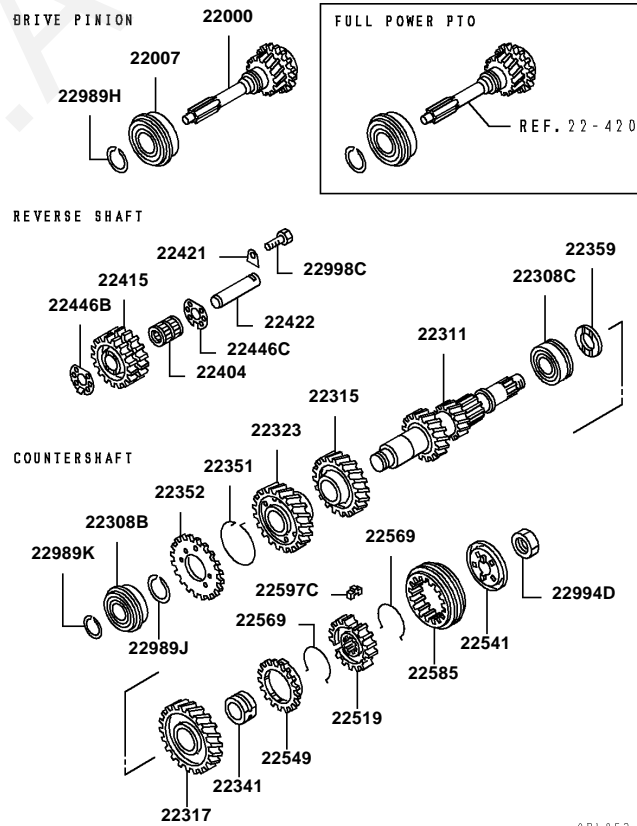
FK74R
22-120 M/T GEAR (1/2)

Repl Part	PNC	Part No	Part Name	Qty	Part Spec	PREV.2	PI
	22563	(Please refer to the page 2/2)	SLEEVE,M/T 4TH & 5TH SYNCH	1			
	22569	(Please refer to the page 2/2)	SPRING,M/T 6TH & 7TH SYNCH KEY	1			
	22573	(Please refer to the page 2/2)	SPRING,M/T 4TH & 5TH SYNCH KEY	1			
	22583	(Please refer to the page 2/2)	WASHER,M/T 4TH & 5TH SYNCH HUB LOCK	1			
	22585	(Please refer to the page 2/2)	SLEEVE,M/T 6TH & 7TH SYNCH	1			
	22595B	(Please refer to the page 2/2)	SPRING,M/T SYNCH KEY	1			
	22597B	(Please refer to the page 2/2)	KEY,M/T SYNCH	1			
	22597C	(Please refer to the page 2/2)	KEY,M/T SYNCH	1			
	22989B	(Please refer to the page 2/2)	SNAP RING,M/T POWER TRAIN	1			
	22989H	(Please refer to the page 2/2)	SNAP RING,M/T POWER TRAIN	1			
	22989J	(Please refer to the page 2/2)	SNAP RING,M/T POWER TRAIN	1			
	22989K	(Please refer to the page 2/2)	SNAP RING,M/T POWER TRAIN	1			
	22992C	(Please refer to the page 2/2)	PIN,M/T POWER TRAIN	1			
	22993C	(Please refer to the page 2/2)	O-RING,M/T POWER TRAIN	1			
	22994B	(Please refer to the page 2/2)	NUT,M/T POWER TRAIN	1			
	22994C	(Please refer to the page 2/2)	NUT,M/T POWER TRAIN	1			
	22994D	(Please refer to the page 2/2)	NUT,M/T POWER TRAIN	1			
	22998B	(Please refer to the page 2/2)	BOLT,M/T POWER TRAIN	1			
	22998C	(Please refer to the page 2/2)	BOLT,M/T POWER TRAIN	1			
	22404	(N.e.c.)	BEARING,M/T REV IDLER GEAR				

FK74R
No.1



FK74R
No.2



**FK74R
22-120 M/T GEAR (2/2)**

SPN	Repl Part	PNC	Part No	Part Name	Qty	Part Spec	Remarks
		22422	ME637139	SHAFT,M/T REV IDLER GEAR	1		
			ME637139	SHAFT,M/T REV IDLER GEAR	1		
			ME637139	SHAFT,M/T REV IDLER GEAR	1		
			ME637139	SHAFT,M/T REV IDLER GEAR	1		
			ME637139	SHAFT,M/T REV IDLER GEAR	1		
			ME637139	SHAFT,M/T REV IDLER GEAR	1		
			ME637139	SHAFT,M/T REV IDLER GEAR	1		
			ME637139	SHAFT,M/T REV IDLER GEAR	1		
			ME637139	SHAFT,M/T REV IDLER GEAR	1		
			ME637139	SHAFT,M/T REV IDLER GEAR	1		
			ME637139	SHAFT,M/T REV IDLER GEAR	1		
			ME637139	SHAFT,M/T REV IDLER GEAR	1		
			ME637139	SHAFT,M/T REV IDLER GEAR	1		
			ME637139	SHAFT,M/T REV IDLER GEAR	1		
			ME637139	SHAFT,M/T REV IDLER GEAR	1		
			ME637139	SHAFT,M/T REV IDLER GEAR	1		
			ME637139	SHAFT,M/T REV IDLER GEAR	1		
			ME637139	SHAFT,M/T REV IDLER GEAR	1		
			ME637139	SHAFT,M/T REV IDLER GEAR	1		
	RP	22446B	ME636630	THRUST WASHER,M/T REV IDLER GEAR	1		
	RP		ME636630	THRUST WASHER,M/T REV IDLER GEAR	1		
	RP		ME636630	THRUST WASHER,M/T REV IDLER GEAR	1		
	RP		ME636630	THRUST WASHER,M/T REV IDLER GEAR	1		
	RP		ME636630	THRUST WASHER,M/T REV IDLER GEAR	1		
	RP		ME636630	THRUST WASHER,M/T REV IDLER GEAR	1		

FK74R
22-120 M/T GEAR (2/2)

SPN	Repl Part RP	PNC 22446C	Part No	Part Name	Qty	Part Spec	Remarks
			ME636630	THRUST WASHER,M/T REV IDLER GEAR	1		
	RP		ME636630	THRUST WASHER,M/T REV IDLER GEAR	1		
	RP		ME636630	THRUST WASHER,M/T REV IDLER GEAR	1		
	RP		ME636630	THRUST WASHER,M/T REV IDLER GEAR	1		
		22514	ME643695	HUB,M/T 2ND & 3RD SYNCH	1		
			ME643695	HUB,M/T 2ND & 3RD SYNCH	1		
			ME643695	HUB,M/T 2ND & 3RD SYNCH	1		
			ME643695	HUB,M/T 2ND & 3RD SYNCH	1		
			ME643695	HUB,M/T 2ND & 3RD SYNCH	1		
			ME643695	HUB,M/T 2ND & 3RD SYNCH	1		
			ME643695	HUB,M/T 2ND & 3RD SYNCH	1		
			ME643695	HUB,M/T 2ND & 3RD SYNCH	1		
			ME643695	HUB,M/T 2ND & 3RD SYNCH	1		
			ME643695	HUB,M/T 2ND & 3RD SYNCH	1		
			ME643695	HUB,M/T 2ND & 3RD SYNCH	1		
			ME643695	HUB,M/T 2ND & 3RD SYNCH	1		
			ME643695	HUB,M/T 2ND & 3RD SYNCH	1		
			ME643695	HUB,M/T 2ND & 3RD SYNCH	1		
			ME643695	HUB,M/T 2ND & 3RD SYNCH	1		
			ME643695	HUB,M/T 2ND & 3RD SYNCH	1		
			ME643695	HUB,M/T 2ND & 3RD SYNCH	1		
			ME643695	HUB,M/T 2ND & 3RD SYNCH	1		

FK74R
22-120 M/T GEAR (2/2)

SPN	Repl Part	PNC	Part No	Part Name	Qty	Part Spec	Remarks
		22514	ME643695	HUB,M/T 2ND & 3RD SYNCH	1		
		22516	ME643697	HUB,M/T 4TH & 5TH SYNCH	1		
			ME643697	HUB,M/T 4TH & 5TH SYNCH	1		
			ME643697	HUB,M/T 4TH & 5TH SYNCH	1		
			ME643697	HUB,M/T 4TH & 5TH SYNCH	1		
			ME643697	HUB,M/T 4TH & 5TH SYNCH	1		
			ME643697	HUB,M/T 4TH & 5TH SYNCH	1		
			ME643697	HUB,M/T 4TH & 5TH SYNCH	1		
			ME643697	HUB,M/T 4TH & 5TH SYNCH	1		
			ME643697	HUB,M/T 4TH & 5TH SYNCH	1		
			ME643697	HUB,M/T 4TH & 5TH SYNCH	1		
			ME643697	HUB,M/T 4TH & 5TH SYNCH	1		
			ME643697	HUB,M/T 4TH & 5TH SYNCH	1		
			ME643697	HUB,M/T 4TH & 5TH SYNCH	1		
			ME643697	HUB,M/T 4TH & 5TH SYNCH	1		
			ME643697	HUB,M/T 4TH & 5TH SYNCH	1		
			ME643697	HUB,M/T 4TH & 5TH SYNCH	1		
			ME643697	HUB,M/T 4TH & 5TH SYNCH	1		
			ME643697	HUB,M/T 4TH & 5TH SYNCH	1		
			ME643697	HUB,M/T 4TH & 5TH SYNCH	1		
			ME643697	HUB,M/T 4TH & 5TH SYNCH	1		
		22519	ME643697	HUB,M/T 6TH & 7TH SYNCH	1		
			ME643697	HUB,M/T 6TH & 7TH SYNCH	1		

FK74R
22-120 M/T GEAR (2/2)

SPN	Repl Part	PNC	Part No	Part Name	Qty	Part Spec	Remarks
		22519	ME643697	HUB,M/T 6TH & 7TH SYNCH	1		
			ME643697	HUB,M/T 6TH & 7TH SYNCH	1		
			ME643697	HUB,M/T 6TH & 7TH SYNCH	1		
			ME643697	HUB,M/T 6TH & 7TH SYNCH	1		
			ME643697	HUB,M/T 6TH & 7TH SYNCH	1		
			ME643697	HUB,M/T 6TH & 7TH SYNCH	1		
			ME643697	HUB,M/T 6TH & 7TH SYNCH	1		
			ME643697	HUB,M/T 6TH & 7TH SYNCH	1		
			ME643697	HUB,M/T 6TH & 7TH SYNCH	1		
			ME643697	HUB,M/T 6TH & 7TH SYNCH	1		
			ME643697	HUB,M/T 6TH & 7TH SYNCH	1		
			ME643697	HUB,M/T 6TH & 7TH SYNCH	1		
			ME643697	HUB,M/T 6TH & 7TH SYNCH	1		
			ME643697	HUB,M/T 6TH & 7TH SYNCH	1		
			ME643697	HUB,M/T 6TH & 7TH SYNCH	1		
		22532B	ME630661	PIN,M/T SYNCH HUB	3		
			ME630661	PIN,M/T SYNCH HUB	3		
			ME630661	PIN,M/T SYNCH HUB	3		
			ME630661	PIN,M/T SYNCH HUB	3		
			ME630661	PIN,M/T SYNCH HUB	3		
			ME630661	PIN,M/T SYNCH HUB	3		
			ME630661	PIN,M/T SYNCH HUB	3		

FK74R
22-120 M/T GEAR (2/2)

SPN	Repl Part	PNC	Part No	Part Name	Qty	Part Spec	Remarks
		22532B	ME630661	PIN,M/T SYNCH HUB	3		
			ME630661	PIN,M/T SYNCH HUB	3		
			ME630661	PIN,M/T SYNCH HUB	3		
			ME630661	PIN,M/T SYNCH HUB	3		
			ME630661	PIN,M/T SYNCH HUB	3		
			ME630661	PIN,M/T SYNCH HUB	3		
			ME630661	PIN,M/T SYNCH HUB	3		
			ME630661	PIN,M/T SYNCH HUB	3		
			ME630661	PIN,M/T SYNCH HUB	3		
			ME630661	PIN,M/T SYNCH HUB	3		
			ME630661	PIN,M/T SYNCH HUB	3		
			ME630661	PIN,M/T SYNCH HUB	3		
			ME630661	PIN,M/T SYNCH HUB	3		
			ME630661	PIN,M/T SYNCH HUB	3		
			ME630661	PIN,M/T SYNCH HUB	3		
			ME630661	PIN,M/T SYNCH HUB	3		
		22541	ME626086	RETAINER,M/T 6TH SYNCH KEY	1		
			ME626086	RETAINER,M/T 6TH SYNCH KEY	1		
			ME626086	RETAINER,M/T 6TH SYNCH KEY	1		
			ME626086	RETAINER,M/T 6TH SYNCH KEY	1		
			ME626086	RETAINER,M/T 6TH SYNCH KEY	1		
			ME626086	RETAINER,M/T 6TH SYNCH KEY	1		
			ME626086	RETAINER,M/T 6TH SYNCH KEY	1		
			ME626086	RETAINER,M/T 6TH SYNCH KEY	1		
			ME626086	RETAINER,M/T 6TH SYNCH KEY	1		

**FK74R
22-120 M/T GEAR (2/2)**

SPN	Repl Part	PNC	Part No	Part Name	Qty	Part Spec	Remarks
		22541	ME626086	RETAINER,M/T 6TH SYNCH KEY	1		
			ME626086	RETAINER,M/T 6TH SYNCH KEY	1		
			ME626086	RETAINER,M/T 6TH SYNCH KEY	1		
			ME626086	RETAINER,M/T 6TH SYNCH KEY	1		
			ME626086	RETAINER,M/T 6TH SYNCH KEY	1		
			ME626086	RETAINER,M/T 6TH SYNCH KEY	1		
			ME626086	RETAINER,M/T 6TH SYNCH KEY	1		
			ME626086	RETAINER,M/T 6TH SYNCH KEY	1		
			ME626086	RETAINER,M/T 6TH SYNCH KEY	1		
		22548	ME514690	RING,M/T 2ND & 3RD SYNCH	2		
			ME514690	RING,M/T 2ND & 3RD SYNCH	2		
			ME514690	RING,M/T 2ND & 3RD SYNCH	2		
			ME514690	RING,M/T 2ND & 3RD SYNCH	2		
			ME514690 ME514690	RING,M/T 2ND & 3RD SYNCH RING,M/T 2ND & 3RD SYNCH	2 2		
			ME514690	RING,M/T 2ND & 3RD SYNCH	2		
			ME514690	RING,M/T 2ND & 3RD SYNCH	2		
			ME514690	RING,M/T 2ND & 3RD SYNCH	2		
			ME514690	RING,M/T 2ND & 3RD SYNCH	2		
			ME514690	RING,M/T 2ND & 3RD SYNCH	2		
			ME514690	RING,M/T 2ND & 3RD SYNCH	2		
			ME514690	RING,M/T 2ND & 3RD SYNCH	2		
			ME514690	RING,M/T 2ND & 3RD SYNCH	2		

**FK74R
22-120 M/T GEAR (2/2)**

SPN	Repl Part	PNC	Part No	Part Name	Qty	Part Spec	Remarks
		22548	ME514690	RING,M/T 2ND & 3RD SYNCH	2		
			ME514690	RING,M/T 2ND & 3RD SYNCH	2		
			ME514690	RING,M/T 2ND & 3RD SYNCH	2		
			ME514690	RING,M/T 2ND & 3RD SYNCH	2		
			ME514690	RING,M/T 2ND & 3RD SYNCH	2		
		22549	ME632077	RING,M/T 6TH & 7TH SPEED GEAR SYNCH	1		
			ME632077	RING,M/T 6TH & 7TH SPEED GEAR SYNCH	1		
			ME632077	RING,M/T 6TH & 7TH SPEED GEAR SYNCH	1		
			ME632077	RING,M/T 6TH & 7TH SPEED GEAR SYNCH	1		
			ME632077	RING,M/T 6TH & 7TH SPEED GEAR SYNCH	1		
			ME632077	RING,M/T 6TH & 7TH SPEED GEAR SYNCH	1		
			ME632077	RING,M/T 6TH & 7TH SPEED GEAR SYNCH	1		
			ME632077	RING,M/T 6TH & 7TH SPEED GEAR SYNCH	1		
			ME632077	RING,M/T 6TH & 7TH SPEED GEAR SYNCH	1		
			ME632077	RING,M/T 6TH & 7TH SPEED GEAR SYNCH	1		
			ME632077	RING,M/T 6TH & 7TH SPEED GEAR SYNCH	1		
			ME632077	RING,M/T 6TH & 7TH SPEED GEAR SYNCH	1		
			ME632077	RING,M/T 6TH & 7TH SPEED GEAR SYNCH	1		
			ME632077	RING,M/T 6TH & 7TH SPEED GEAR SYNCH	1		
			ME632077	RING,M/T 6TH & 7TH SPEED GEAR SYNCH	1		
			ME632077	RING,M/T 6TH & 7TH SPEED GEAR SYNCH	1		
			ME632077	RING,M/T 6TH & 7TH SPEED GEAR SYNCH	1		
			ME632077	RING,M/T 6TH & 7TH SPEED GEAR SYNCH	1		
			ME632077	RING,M/T 6TH & 7TH SPEED GEAR SYNCH	1		
			ME632077	RING,M/T 6TH & 7TH SPEED GEAR SYNCH	1		
			ME632077	RING,M/T 6TH & 7TH SPEED GEAR SYNCH	1		
			ME632077	RING,M/T 6TH & 7TH SPEED GEAR SYNCH	1		

FK74R
22-120 M/T GEAR (2/2)

SPN	Repl Part	PNC	Part No	Part Name	Qty	Part Spec	Remarks
		22549	ME632077	RING,M/T 6TH & 7TH SPEED GEAR SYNCH	1		
		22551B	ME637130	RING,M/T 4TH SPEED GEAR SYNCH	1		
			ME637130	RING,M/T 4TH SPEED GEAR SYNCH	1		
			ME637130	RING,M/T 4TH SPEED GEAR SYNCH	1		
			ME637130	RING,M/T 4TH SPEED GEAR SYNCH	1		
			ME637130	RING,M/T 4TH SPEED GEAR SYNCH	1		
			ME637130	RING,M/T 4TH SPEED GEAR SYNCH	1		
			ME637130	RING,M/T 4TH SPEED GEAR SYNCH	1		
			ME637130	RING,M/T 4TH SPEED GEAR SYNCH	1		
			ME637130	RING,M/T 4TH SPEED GEAR SYNCH	1		
			ME637130	RING,M/T 4TH SPEED GEAR SYNCH	1		
			ME637130	RING,M/T 4TH SPEED GEAR SYNCH	1		
			ME637130	RING,M/T 4TH SPEED GEAR SYNCH	1		
			ME637130	RING,M/T 4TH SPEED GEAR SYNCH	1		
			ME637130	RING,M/T 4TH SPEED GEAR SYNCH	1		
			ME637130	RING,M/T 4TH SPEED GEAR SYNCH	1		
			ME637130	RING,M/T 4TH SPEED GEAR SYNCH	1		
			ME637130	RING,M/T 4TH SPEED GEAR SYNCH	1		
			ME637130	RING,M/T 4TH SPEED GEAR SYNCH	1		
			ME637130	RING,M/T 4TH SPEED GEAR SYNCH	1		
		22551C	ME637130	RING,M/T 4TH SPEED GEAR SYNCH	1		
			ME637130	RING,M/T 4TH SPEED GEAR SYNCH	1		

FK74R
22-120 M/T GEAR (2/2)

SPN	Repl Part	PNC	Part No	Part Name	Qty	Part Spec	Remarks
		22551C	ME637130	RING,M/T 4TH SPEED GEAR SYNCH	1		
			ME637130	RING,M/T 4TH SPEED GEAR SYNCH	1		
			ME637130	RING,M/T 4TH SPEED GEAR SYNCH	1		
			ME637130	RING,M/T 4TH SPEED GEAR SYNCH	1		
			ME637130	RING,M/T 4TH SPEED GEAR SYNCH	1		
			ME637130	RING,M/T 4TH SPEED GEAR SYNCH	1		
			ME637130	RING,M/T 4TH SPEED GEAR SYNCH	1		
			ME637130	RING,M/T 4TH SPEED GEAR SYNCH	1		
			ME637130	RING,M/T 4TH SPEED GEAR SYNCH	1		
			ME637130	RING,M/T 4TH SPEED GEAR SYNCH	1		
			ME637130	RING,M/T 4TH SPEED GEAR SYNCH	1		
			ME637130	RING,M/T 4TH SPEED GEAR SYNCH	1		
			ME637130	RING,M/T 4TH SPEED GEAR SYNCH	1		
			ME637130	RING,M/T 4TH SPEED GEAR SYNCH	1		
			ME637130	RING,M/T 4TH SPEED GEAR SYNCH	1		
			ME637130	RING,M/T 4TH SPEED GEAR SYNCH	1		
SP		22556	ME607404	SLEEVE,M/T 1ST & REV SYNCH	1		
SP			ME607404	SLEEVE,M/T 1ST & REV SYNCH	1		
SP			ME607404	SLEEVE,M/T 1ST & REV SYNCH	1		
SP			ME607404	SLEEVE,M/T 1ST & REV SYNCH	1		
SP			ME607404	SLEEVE,M/T 1ST & REV SYNCH	1		
SP			ME607404	SLEEVE,M/T 1ST & REV SYNCH	1		

FK74R
22-120 M/T GEAR (2/2)

SPN	Repl Part	PNC	Part No	Part Name	Qty	Part Spec	Remarks
SP		22556	ME607404	SLEEVE,M/T 1ST & REV SYNCH	1		
SP			ME607404	SLEEVE,M/T 1ST & REV SYNCH	1		
SP			ME607404	SLEEVE,M/T 1ST & REV SYNCH	1		
SP			ME607404	SLEEVE,M/T 1ST & REV SYNCH	1		
SP			ME607404	SLEEVE,M/T 1ST & REV SYNCH	1		
SP			ME607404	SLEEVE,M/T 1ST & REV SYNCH	1		
SP			ME607404	SLEEVE,M/T 1ST & REV SYNCH	1		
SP			ME607404	SLEEVE,M/T 1ST & REV SYNCH	1		
SP			ME607404	SLEEVE,M/T 1ST & REV SYNCH	1		
SP			ME607404	SLEEVE,M/T 1ST & REV SYNCH	1		
SP			ME607404	SLEEVE,M/T 1ST & REV SYNCH	1		
SP			ME607404	SLEEVE,M/T 1ST & REV SYNCH	1		
SP			ME607404	SLEEVE,M/T 1ST & REV SYNCH	1		
		22561	ME632990	SLEEVE,M/T 2ND & 3RD SYNCH	1		
			ME632990	SLEEVE,M/T 2ND & 3RD SYNCH	1		
			ME632990	SLEEVE,M/T 2ND & 3RD SYNCH	1		
			ME632990	SLEEVE,M/T 2ND & 3RD SYNCH	1		
			ME632990	SLEEVE,M/T 2ND & 3RD SYNCH	1		
			ME632990	SLEEVE,M/T 2ND & 3RD SYNCH	1		
			ME632990	SLEEVE,M/T 2ND & 3RD SYNCH	1		
			ME632990	SLEEVE,M/T 2ND & 3RD SYNCH	1		
			ME632990	SLEEVE,M/T 2ND & 3RD SYNCH	1		

**FK74R
22-120 M/T GEAR (2/2)**

SPN	Repl Part	PNC	Part No	Part Name	Qty	Part Spec	Remarks
		22561	ME632990	SLEEVE,M/T 2ND & 3RD SYNCH	1		
			ME632990	SLEEVE,M/T 2ND & 3RD SYNCH	1		
			ME632990	SLEEVE,M/T 2ND & 3RD SYNCH	1		
			ME632990	SLEEVE,M/T 2ND & 3RD SYNCH	1		
			ME632990	SLEEVE,M/T 2ND & 3RD SYNCH	1		
			ME632990	SLEEVE,M/T 2ND & 3RD SYNCH	1		
			ME632990	SLEEVE,M/T 2ND & 3RD SYNCH	1		
			ME632990	SLEEVE,M/T 2ND & 3RD SYNCH	1		
			ME632990	SLEEVE,M/T 2ND & 3RD SYNCH	1		
		22563	ME639061	SLEEVE,M/T 4TH & 5TH SYNCH	1		
			ME639061	SLEEVE,M/T 4TH & 5TH SYNCH	1		
			ME639061	SLEEVE,M/T 4TH & 5TH SYNCH	1		
			ME639061	SLEEVE,M/T 4TH & 5TH SYNCH	1		
			ME639061 ME639061	SLEEVE,M/T 4TH & 5TH SYNCH SLEEVE,M/T 4TH & 5TH SYNCH	1 1		
			ME639061	SLEEVE,M/T 4TH & 5TH SYNCH	1		
			ME639061	SLEEVE,M/T 4TH & 5TH SYNCH	1		
			ME639061	SLEEVE,M/T 4TH & 5TH SYNCH	1		
			ME639061	SLEEVE,M/T 4TH & 5TH SYNCH	1		
			ME639061	SLEEVE,M/T 4TH & 5TH SYNCH	1		
			ME639061	SLEEVE,M/T 4TH & 5TH SYNCH	1		
			ME639061	SLEEVE,M/T 4TH & 5TH SYNCH	1		
			ME639061	SLEEVE,M/T 4TH & 5TH SYNCH	1		
			ME639061	SLEEVE,M/T 4TH & 5TH SYNCH	1		
			ME639061	SLEEVE,M/T 4TH & 5TH SYNCH	1		

**FK74R
22-120 M/T GEAR (2/2)**

SPN	Repl Part	PNC	Part No	Part Name	Qty	Part Spec	Remarks
		22563	ME639061	SLEEVE,M/T 4TH & 5TH SYNCH	1		
			ME639061	SLEEVE,M/T 4TH & 5TH SYNCH	1		
			ME639061	SLEEVE,M/T 4TH & 5TH SYNCH	1		
			ME639061	SLEEVE,M/T 4TH & 5TH SYNCH	1		
			ME639061	SLEEVE,M/T 4TH & 5TH SYNCH	1		
		22569	ME639042	SPRING,M/T 6TH & 7TH SYNCH KEY	2		
			ME639042	SPRING,M/T 6TH & 7TH SYNCH KEY	2		
			ME639042	SPRING,M/T 6TH & 7TH SYNCH KEY	2		
			ME639042	SPRING,M/T 6TH & 7TH SYNCH KEY	2		
			ME639042	SPRING,M/T 6TH & 7TH SYNCH KEY	2		
			ME639042	SPRING,M/T 6TH & 7TH SYNCH KEY	2		
			ME639042	SPRING,M/T 6TH & 7TH SYNCH KEY	2		
			ME639042	SPRING,M/T 6TH & 7TH SYNCH KEY	2		
			ME639042	SPRING,M/T 6TH & 7TH SYNCH KEY	2		
			ME639042	SPRING,M/T 6TH & 7TH SYNCH KEY	2		
			ME639042	SPRING,M/T 6TH & 7TH SYNCH KEY	2		
			ME639042	SPRING,M/T 6TH & 7TH SYNCH KEY	2		
			ME639042	SPRING,M/T 6TH & 7TH SYNCH KEY	2		
			ME639042	SPRING,M/T 6TH & 7TH SYNCH KEY	2		
			ME639042	SPRING,M/T 6TH & 7TH SYNCH KEY	2		
			ME639042	SPRING,M/T 6TH & 7TH SYNCH KEY	2		
			ME639042	SPRING,M/T 6TH & 7TH SYNCH KEY	2		

FK74R
22-120 M/T GEAR (2/2)

SPN	Repl Part	PNC	Part No	Part Name	Qty	Part Spec	Remarks
		22569	ME639042	SPRING,M/T 6TH & 7TH SYNCH KEY	2		
		22573	ME639042	SPRING,M/T 4TH & 5TH SYNCH KEY	2		
			ME639042	SPRING,M/T 4TH & 5TH SYNCH KEY	2		
			ME639042	SPRING,M/T 4TH & 5TH SYNCH KEY	2		
			ME639042	SPRING,M/T 4TH & 5TH SYNCH KEY	2		
			ME639042	SPRING,M/T 4TH & 5TH SYNCH KEY	2		
			ME639042	SPRING,M/T 4TH & 5TH SYNCH KEY	2		
			ME639042	SPRING,M/T 4TH & 5TH SYNCH KEY	2		
			ME639042	SPRING,M/T 4TH & 5TH SYNCH KEY	2		
			ME639042	SPRING,M/T 4TH & 5TH SYNCH KEY	2		
			ME639042	SPRING,M/T 4TH & 5TH SYNCH KEY	2		
			ME639042	SPRING,M/T 4TH & 5TH SYNCH KEY	2		
			ME639042	SPRING,M/T 4TH & 5TH SYNCH KEY	2		
			ME639042	SPRING,M/T 4TH & 5TH SYNCH KEY	2		
			ME639042	SPRING,M/T 4TH & 5TH SYNCH KEY	2		
			ME639042	SPRING,M/T 4TH & 5TH SYNCH KEY	2		
			ME639042	SPRING,M/T 4TH & 5TH SYNCH KEY	2		
			ME639042	SPRING,M/T 4TH & 5TH SYNCH KEY	2		
			ME639042	SPRING,M/T 4TH & 5TH SYNCH KEY	2		
			ME639042	SPRING,M/T 4TH & 5TH SYNCH KEY	2		
			ME639042	SPRING,M/T 4TH & 5TH SYNCH KEY	2		
			ME639042	SPRING,M/T 4TH & 5TH SYNCH KEY	2		
			ME639042	SPRING,M/T 4TH & 5TH SYNCH KEY	2		
			ME639042	SPRING,M/T 4TH & 5TH SYNCH KEY	2		
		22583	ME624693	WASHER,M/T 4TH & 5TH SYNCH HUB LOCK	1	CLAW,37	
			ME624693	WASHER,M/T 4TH & 5TH SYNCH HUB LOCK	1	CLAW,37	
			ME624693	WASHER,M/T 4TH & 5TH SYNCH HUB LOCK	1	CLAW,37	

**FK74R
22-120 M/T GEAR (2/2)**

SPN	Repl Part	PNC	Part No	Part Name	Qty	Part Spec	Remarks
		22583	ME624693	WASHER,M/T 4TH & 5TH SYNCH HUB LOCK	1	CLAW,37	
			ME624693	WASHER,M/T 4TH & 5TH SYNCH HUB LOCK	1	CLAW,37	
			ME624693	WASHER,M/T 4TH & 5TH SYNCH HUB LOCK	1	CLAW,37	
			ME624693	WASHER,M/T 4TH & 5TH SYNCH HUB LOCK	1	CLAW,37	
			ME624693	WASHER,M/T 4TH & 5TH SYNCH HUB LOCK	1	CLAW,37	
			ME624693	WASHER,M/T 4TH & 5TH SYNCH HUB LOCK	1	CLAW,37	
			ME624693	WASHER,M/T 4TH & 5TH SYNCH HUB LOCK	1	CLAW,37	
			ME624693	WASHER,M/T 4TH & 5TH SYNCH HUB LOCK	1	CLAW,37	
			ME624693	WASHER,M/T 4TH & 5TH SYNCH HUB LOCK	1	CLAW,37	
			ME624693	WASHER,M/T 4TH & 5TH SYNCH HUB LOCK	1	CLAW,37	
			ME624693	WASHER,M/T 4TH & 5TH SYNCH HUB LOCK	1	CLAW,37	
			ME624693	WASHER,M/T 4TH & 5TH SYNCH HUB LOCK	1	CLAW,37	
			ME624693	WASHER,M/T 4TH & 5TH SYNCH HUB LOCK	1	CLAW,37	
			ME624693	WASHER,M/T 4TH & 5TH SYNCH HUB LOCK	1	CLAW,37	
			ME624693	WASHER,M/T 4TH & 5TH SYNCH HUB LOCK	1	CLAW,37	
			ME624693	WASHER,M/T 4TH & 5TH SYNCH HUB LOCK	1	CLAW,37	
			ME624693	WASHER,M/T 4TH & 5TH SYNCH HUB LOCK	1	CLAW,37	
			ME624693	WASHER,M/T 4TH & 5TH SYNCH HUB LOCK	1	CLAW,37	
			ME624693	WASHER,M/T 4TH & 5TH SYNCH HUB LOCK	1	CLAW,37	
SP		22585	ME607404	SLEEVE,M/T 6TH & 7TH SYNCH	1		
SP			ME607404	SLEEVE,M/T 6TH & 7TH SYNCH	1		
SP			ME607404	SLEEVE,M/T 6TH & 7TH SYNCH	1		
SP			ME607404	SLEEVE,M/T 6TH & 7TH SYNCH	1		
SP			ME607404	SLEEVE,M/T 6TH & 7TH SYNCH	1		
SP			ME607404	SLEEVE,M/T 6TH & 7TH SYNCH	1		
SP			ME607404	SLEEVE,M/T 6TH & 7TH SYNCH	1		
SP			ME607404	SLEEVE,M/T 6TH & 7TH SYNCH	1		
SP			ME607404	SLEEVE,M/T 6TH & 7TH SYNCH	1		
SP			ME607404	SLEEVE,M/T 6TH & 7TH SYNCH	1		
SP			ME607404	SLEEVE,M/T 6TH & 7TH SYNCH	1		

FK74R
22-120 M/T GEAR (2/2)

SPN	Repl Part	PNC	Part No	Part Name	Qty	Part Spec	Remarks
SP		22585	ME607404	SLEEVE,M/T 6TH & 7TH SYNCH	1		
SP			ME607404	SLEEVE,M/T 6TH & 7TH SYNCH	1		
SP			ME607404	SLEEVE,M/T 6TH & 7TH SYNCH	1		
SP			ME607404	SLEEVE,M/T 6TH & 7TH SYNCH	1		
			ME518026	SLEEVE,M/T 6TH & 7TH SYNCH	1		
			ME518026	SLEEVE,M/T 6TH & 7TH SYNCH	1		
			ME518026	SLEEVE,M/T 6TH & 7TH SYNCH	1		
SP			ME607404	SLEEVE,M/T 6TH & 7TH SYNCH	1		
SP			ME607404	SLEEVE,M/T 6TH & 7TH SYNCH	1		
SP			ME607404	SLEEVE,M/T 6TH & 7TH SYNCH	1		
			ME518026	SLEEVE,M/T 6TH & 7TH SYNCH	1		
			ME518026	SLEEVE,M/T 6TH & 7TH SYNCH	1		
			ME518026	SLEEVE,M/T 6TH & 7TH SYNCH	1		
			ME518026	SLEEVE,M/T 6TH & 7TH SYNCH	1		
SP			ME607404	SLEEVE,M/T 6TH & 7TH SYNCH	1		
		22595B	ME672848	SPRING,M/T SYNCH KEY	3		
			ME672848	SPRING,M/T SYNCH KEY	3		
			ME672848	SPRING,M/T SYNCH KEY	3		
			ME672848	SPRING,M/T SYNCH KEY	3		
			ME672848	SPRING,M/T SYNCH KEY	3		
			ME672848	SPRING,M/T SYNCH KEY	3		
			ME672848	SPRING,M/T SYNCH KEY	3		
			ME672848	SPRING,M/T SYNCH KEY	3		
			ME672848	SPRING,M/T SYNCH KEY	3		

FK74R
22-120 M/T GEAR (2/2)

SPN	Repl Part	PNC	Part No	Part Name	Qty	Part Spec	Remarks
		22595B	ME672848	SPRING,M/T SYNCH KEY	3		
			ME672848	SPRING,M/T SYNCH KEY	3		
			ME672848	SPRING,M/T SYNCH KEY	3		
			ME672848	SPRING,M/T SYNCH KEY	3		
			ME672848	SPRING,M/T SYNCH KEY	3		
			ME672848	SPRING,M/T SYNCH KEY	3		
			ME672848	SPRING,M/T SYNCH KEY	3		
			ME672848	SPRING,M/T SYNCH KEY	3		
			ME672848	SPRING,M/T SYNCH KEY	3		
			ME672848	SPRING,M/T SYNCH KEY	3		
		22597B	ME607405	KEY,M/T SYNCH	3		
			ME607405	KEY,M/T SYNCH	3		
			ME607405	KEY,M/T SYNCH	3		
			ME607405	KEY,M/T SYNCH	3		
			ME607405	KEY,M/T SYNCH	3		
			ME607405	KEY,M/T SYNCH	3		
			ME607405	KEY,M/T SYNCH	3		
			ME607405	KEY,M/T SYNCH	3		
			ME607405	KEY,M/T SYNCH	3		
			ME607405	KEY,M/T SYNCH	3		
			ME607405	KEY,M/T SYNCH	3		
			ME607405	KEY,M/T SYNCH	3		
			ME607405	KEY,M/T SYNCH	3		

FK74R
22-120 M/T GEAR (2/2)

SPN	Repl Part	PNC	Part No	Part Name	Qty	Part Spec	Remarks
		22597B	ME607405	KEY,M/T SYNCH	3		
			ME607405	KEY,M/T SYNCH	3		
			ME607405	KEY,M/T SYNCH	3		
			ME607405	KEY,M/T SYNCH	3		
			ME607405	KEY,M/T SYNCH	3		
			ME607405	KEY,M/T SYNCH	3		
			ME607405	KEY,M/T SYNCH	3		
		22597C	ME607405	KEY,M/T SYNCH	3		
			ME607405	KEY,M/T SYNCH	3		
			ME607405	KEY,M/T SYNCH	3		
			ME607405	KEY,M/T SYNCH	3		
			ME607405	KEY,M/T SYNCH	3		
			ME607405	KEY,M/T SYNCH	3		
			ME607405	KEY,M/T SYNCH	3		
			ME607405	KEY,M/T SYNCH	3		
			ME607405	KEY,M/T SYNCH	3		
			ME607405	KEY,M/T SYNCH	3		
			ME607405	KEY,M/T SYNCH	3		
			ME607405	KEY,M/T SYNCH	3		
			ME607405	KEY,M/T SYNCH	3		
			ME607405	KEY,M/T SYNCH	3		
			ME607405	KEY,M/T SYNCH	3		
			ME607405	KEY,M/T SYNCH	3		
			ME607405	KEY,M/T SYNCH	3		
			ME607405	KEY,M/T SYNCH	3		
			ME607405	KEY,M/T SYNCH	3		
			ME607405	KEY,M/T SYNCH	3		
			ME607405	KEY,M/T SYNCH	3		
			ME607405	KEY,M/T SYNCH	3		
			ME607405	KEY,M/T SYNCH	3		
			ME607405	KEY,M/T SYNCH	3		

FK74R
22-120 M/T GEAR (2/2)

SPN	Repl Part	PNC	Part No	Part Name	Qty	Part Spec	Remarks
		22597C	ME607405	KEY,M/T SYNCH	3		
			ME607405	KEY,M/T SYNCH	3		
		22989B	ME624276	SNAP RING,M/T POWER TRAIN	1	D=28	
			ME624276	SNAP RING,M/T POWER TRAIN	1	D=28	
			ME624276	SNAP RING,M/T POWER TRAIN	1	D=28	
			ME624276	SNAP RING,M/T POWER TRAIN	1	D=28	
			ME624276	SNAP RING,M/T POWER TRAIN	1	D=28	
			ME624276	SNAP RING,M/T POWER TRAIN	1	D=28	
			ME624276	SNAP RING,M/T POWER TRAIN	1	D=28	
			ME624276	SNAP RING,M/T POWER TRAIN	1	D=28	
			ME624276	SNAP RING,M/T POWER TRAIN	1	D=28	
			ME624276	SNAP RING,M/T POWER TRAIN	1	D=28	
			ME624276	SNAP RING,M/T POWER TRAIN	1	D=28	
			ME624276	SNAP RING,M/T POWER TRAIN	1	D=28	
			ME624276	SNAP RING,M/T POWER TRAIN	1	D=28	
			ME624276	SNAP RING,M/T POWER TRAIN	1	D=28	
			ME624276	SNAP RING,M/T POWER TRAIN	1	D=28	
			ME624276	SNAP RING,M/T POWER TRAIN	1	D=28	
			ME624276	SNAP RING,M/T POWER TRAIN	1	D=28	
			ME624276	SNAP RING,M/T POWER TRAIN	1	D=28	
		22989H	ME623023	SNAP RING,M/T POWER TRAIN	1	D=50.8	
			ME623023	SNAP RING,M/T POWER TRAIN	1	D=50.8	
			ME623023	SNAP RING,M/T POWER TRAIN	1	D=50.8	
			ME623023	SNAP RING,M/T POWER TRAIN	1	D=50.8	

**FK74R
22-120 M/T GEAR (2/2)**

SPN	Repl Part	PNC	Part No	Part Name	Qty	Part Spec	Remarks
		22989H	ME623023	SNAP RING,M/T POWER TRAIN	1	D=50.8	
			ME623023	SNAP RING,M/T POWER TRAIN	1	D=50.8	
			ME623023	SNAP RING,M/T POWER TRAIN	1	D=50.8	
			ME623023	SNAP RING,M/T POWER TRAIN	1	D=50.8	
			ME623023	SNAP RING,M/T POWER TRAIN	1	D=50.8	
			ME623023	SNAP RING,M/T POWER TRAIN	1	D=50.8	
			ME623023	SNAP RING,M/T POWER TRAIN	1	D=50.8	
			ME623023	SNAP RING,M/T POWER TRAIN	1	D=50.8	
			ME623023	SNAP RING,M/T POWER TRAIN	1	D=50.8	
			ME623023	SNAP RING,M/T POWER TRAIN	1	D=50.8	
			ME623023	SNAP RING,M/T POWER TRAIN	1	D=50.8	
			ME623023	SNAP RING,M/T POWER TRAIN	1	D=50.8	
			ME623023	SNAP RING,M/T POWER TRAIN	1	D=50.8	
			ME623023	SNAP RING,M/T POWER TRAIN	1	D=50.8	
			ME623023	SNAP RING,M/T POWER TRAIN	1	D=50.8	
			ME623023	SNAP RING,M/T POWER TRAIN	1	D=50.8	
		22989J	MH006042	SNAP RING,M/T POWER TRAIN	1	D=65	
			MH006042	SNAP RING,M/T POWER TRAIN	1	D=65	
			MH006042	SNAP RING,M/T POWER TRAIN	1	D=65	
			MH006042	SNAP RING,M/T POWER TRAIN	1	D=65	
			MH006042	SNAP RING,M/T POWER TRAIN	1	D=65	
			MH006042	SNAP RING,M/T POWER TRAIN	1	D=65	
			MH006042	SNAP RING,M/T POWER TRAIN	1	D=65	
			MH006042	SNAP RING,M/T POWER TRAIN	1	D=65	
			MH006042	SNAP RING,M/T POWER TRAIN	1	D=65	
			MH006042	SNAP RING,M/T POWER TRAIN	1	D=65	
			MH006042	SNAP RING,M/T POWER TRAIN	1	D=65	
			MH006042	SNAP RING,M/T POWER TRAIN	1	D=65	
			MH006042	SNAP RING,M/T POWER TRAIN	1	D=65	

FK74R
22-120 M/T GEAR (2/2)

SPN	Repl Part	PNC	Part No	Part Name	Qty	Part Spec	Remarks
		22989J	MH006042	SNAP RING,M/T POWER TRAIN	1	D=65	
			MH006042	SNAP RING,M/T POWER TRAIN	1	D=65	
			MH006042	SNAP RING,M/T POWER TRAIN	1	D=65	
			MH006042	SNAP RING,M/T POWER TRAIN	1	D=65	
			MH006042	SNAP RING,M/T POWER TRAIN	1	D=65	
			MH006042	SNAP RING,M/T POWER TRAIN	1	D=65	
		22989K	ME624709	SNAP RING,M/T POWER TRAIN	1	D=42	
			ME624709	SNAP RING,M/T POWER TRAIN	1	D=42	
			ME624709	SNAP RING,M/T POWER TRAIN	1	D=42	
			ME624709	SNAP RING,M/T POWER TRAIN	1	D=42	
			ME624709	SNAP RING,M/T POWER TRAIN	1	D=42	
			ME624709	SNAP RING,M/T POWER TRAIN	1	D=42	
			ME624709	SNAP RING,M/T POWER TRAIN	1	D=42	
			ME624709	SNAP RING,M/T POWER TRAIN	1	D=42	
			ME624709	SNAP RING,M/T POWER TRAIN	1	D=42	
			ME624709	SNAP RING,M/T POWER TRAIN	1	D=42	
			ME624709	SNAP RING,M/T POWER TRAIN	1	D=42	
			ME624709	SNAP RING,M/T POWER TRAIN	1	D=42	
			ME624709	SNAP RING,M/T POWER TRAIN	1	D=42	
			ME624709	SNAP RING,M/T POWER TRAIN	1	D=42	

FK74R
22-120 M/T GEAR (2/2)

SPN	Repl Part	PNC	Part No	Part Name	Qty	Part Spec	Remarks
		22989K	ME624709	SNAP RING,M/T POWER TRAIN	1	D=42	
		22992C	MH012090	PIN,M/T POWER TRAIN	1	SPLIT,5X48	
			MH012090	PIN,M/T POWER TRAIN	1	SPLIT,5X48	
			MH012090	PIN,M/T POWER TRAIN	1	SPLIT,5X48	
			MH012090	PIN,M/T POWER TRAIN	1	SPLIT,5X48	
			MH012090	PIN,M/T POWER TRAIN	1	SPLIT,5X48	
			MH012090	PIN,M/T POWER TRAIN	1	SPLIT,5X48	
			MH012090	PIN,M/T POWER TRAIN	1	SPLIT,5X48	
			MH012090	PIN,M/T POWER TRAIN	1	SPLIT,5X48	
			MH012090	PIN,M/T POWER TRAIN	1	SPLIT,5X48	
			MH012090	PIN,M/T POWER TRAIN	1	SPLIT,5X48	
			MH012090	PIN,M/T POWER TRAIN	1	SPLIT,5X48	
			MH012090	PIN,M/T POWER TRAIN	1	SPLIT,5X48	
			MH012090	PIN,M/T POWER TRAIN	1	SPLIT,5X48	
			MH012090	PIN,M/T POWER TRAIN	1	SPLIT,5X48	
			MH012090	PIN,M/T POWER TRAIN	1	SPLIT,5X48	
			MH012090	PIN,M/T POWER TRAIN	1	SPLIT,5X48	
			MH012090	PIN,M/T POWER TRAIN	1	SPLIT,5X48	
			MH012090	PIN,M/T POWER TRAIN	1	SPLIT,5X48	
			MH012090	PIN,M/T POWER TRAIN	1	SPLIT,5X48	
			MH012090	PIN,M/T POWER TRAIN	1	SPLIT,5X48	
			MH012090	PIN,M/T POWER TRAIN	1	SPLIT,5X48	
			MH012090	PIN,M/T POWER TRAIN	1	SPLIT,5X48	
			MH012090	PIN,M/T POWER TRAIN	1	SPLIT,5X48	
			MH012090	PIN,M/T POWER TRAIN	1	SPLIT,5X48	
		22993C	MF520030	O-RING,M/T POWER TRAIN	1	42	
			MF520030	O-RING,M/T POWER TRAIN	1	42	
			MF520030	O-RING,M/T POWER TRAIN	1	42	
			MF520030	O-RING,M/T POWER TRAIN	1	42	
			MF520030	O-RING,M/T POWER TRAIN	1	42	

**FK74R
22-120 M/T GEAR (2/2)**

SPN	Repl Part	PNC	Part No	Part Name	Qty	Part Spec	Remarks
		22993C	MF520030	O-RING,M/T POWER TRAIN	1	42	
			MF520030	O-RING,M/T POWER TRAIN	1	42	
			MF520030	O-RING,M/T POWER TRAIN	1	42	
			MF520030	O-RING,M/T POWER TRAIN	1	42	
			MF520030	O-RING,M/T POWER TRAIN	1	42	
			MF520030 MF520030	O-RING,M/T POWER TRAIN O-RING,M/T POWER TRAIN	1 1	42 42	
			MF520030	O-RING,M/T POWER TRAIN	1	42	
			MF520030	O-RING,M/T POWER TRAIN	1	42	
			MF520030	O-RING,M/T POWER TRAIN	1	42	
			MF520030	O-RING,M/T POWER TRAIN	1	42	
		22994B	ME640852	NUT,M/T POWER TRAIN	1	JAM,36	
			ME640852 ME640852	NUT,M/T POWER TRAIN NUT,M/T POWER TRAIN	1 1	JAM,36 JAM,36	
			ME640852	NUT,M/T POWER TRAIN	1	JAM,36	
			ME640852	NUT,M/T POWER TRAIN	1	JAM,36	
			ME640852	NUT,M/T POWER TRAIN	1	JAM,36	
			ME640852	NUT,M/T POWER TRAIN	1	JAM,36	
			ME640852	NUT,M/T POWER TRAIN	1	JAM,36	
			ME640852	NUT,M/T POWER TRAIN	1	JAM,36	
			ME640852 ME640852	NUT,M/T POWER TRAIN NUT,M/T POWER TRAIN	1 1	JAM,36 JAM,36	

**FK74R
22-120 M/T GEAR (2/2)**

SPN	Repl Part	PNC	Part No	Part Name	Qty	Part Spec	Remarks
		22994B	ME640852	NUT,M/T POWER TRAIN	1	JAM,36	
			ME640852	NUT,M/T POWER TRAIN	1	JAM,36	
			ME640852	NUT,M/T POWER TRAIN	1	JAM,36	
			ME640852	NUT,M/T POWER TRAIN	1	JAM,36	
		22994C	ME624760	NUT,M/T POWER TRAIN	1	CASTLE,27	
			ME624760	NUT,M/T POWER TRAIN	1	CASTLE,27	
			ME624760	NUT,M/T POWER TRAIN	1	CASTLE,27	
			ME624760	NUT,M/T POWER TRAIN	1	CASTLE,27	
			ME624760	NUT,M/T POWER TRAIN	1	CASTLE,27	
			ME624760	NUT,M/T POWER TRAIN	1	CASTLE,27	
			ME624760	NUT,M/T POWER TRAIN	1	CASTLE,27	
			ME624760	NUT,M/T POWER TRAIN	1	CASTLE,27	
			ME624760	NUT,M/T POWER TRAIN	1	CASTLE,27	
			ME624760	NUT,M/T POWER TRAIN	1	CASTLE,27	
			ME624760	NUT,M/T POWER TRAIN	1	CASTLE,27	
			ME624760	NUT,M/T POWER TRAIN	1	CASTLE,27	
			ME624760	NUT,M/T POWER TRAIN	1	CASTLE,27	
			ME624760	NUT,M/T POWER TRAIN	1	CASTLE,27	
			ME624760	NUT,M/T POWER TRAIN	1	CASTLE,27	
			ME624760	NUT,M/T POWER TRAIN	1	CASTLE,27	
			ME624760	NUT,M/T POWER TRAIN	1	CASTLE,27	

FK74R
22-120 M/T GEAR (2/2)

SPN	Repl Part	PNC	Part No	Part Name	Qty	Part Spec	Remarks
		22994D	ME626095	NUT,M/T POWER TRAIN	1	JAM,36	
			ME626095	NUT,M/T POWER TRAIN	1	JAM,36	
			ME626095	NUT,M/T POWER TRAIN	1	JAM,36	
			ME626095	NUT,M/T POWER TRAIN	1	JAM,36	
			ME626095	NUT,M/T POWER TRAIN	1	JAM,36	
			ME626095	NUT,M/T POWER TRAIN	1	JAM,36	
			ME626095	NUT,M/T POWER TRAIN	1	JAM,36	
			ME626095	NUT,M/T POWER TRAIN	1	JAM,36	
			ME626095	NUT,M/T POWER TRAIN	1	JAM,36	
			ME626095	NUT,M/T POWER TRAIN	1	JAM,36	
			ME626095	NUT,M/T POWER TRAIN	1	JAM,36	
			ME626095	NUT,M/T POWER TRAIN	1	JAM,36	
			ME626095	NUT,M/T POWER TRAIN	1	JAM,36	
			ME626095	NUT,M/T POWER TRAIN	1	JAM,36	
			ME626095	NUT,M/T POWER TRAIN	1	JAM,36	
			ME626095	NUT,M/T POWER TRAIN	1	JAM,36	
			ME626095	NUT,M/T POWER TRAIN	1	JAM,36	
			ME626095	NUT,M/T POWER TRAIN	1	JAM,36	
			ME626095	NUT,M/T POWER TRAIN	1	JAM,36	
		22998B	MH000419	BOLT,M/T POWER TRAIN	4	REAMER,12X40	
			MH000419	BOLT,M/T POWER TRAIN	4	REAMER,12X40	
			MH000419	BOLT,M/T POWER TRAIN	4	REAMER,12X40	
			MH000419	BOLT,M/T POWER TRAIN	4	REAMER,12X40	
			MH000419	BOLT,M/T POWER TRAIN	4	REAMER,12X40	
			MH000419	BOLT,M/T POWER TRAIN	4	REAMER,12X40	

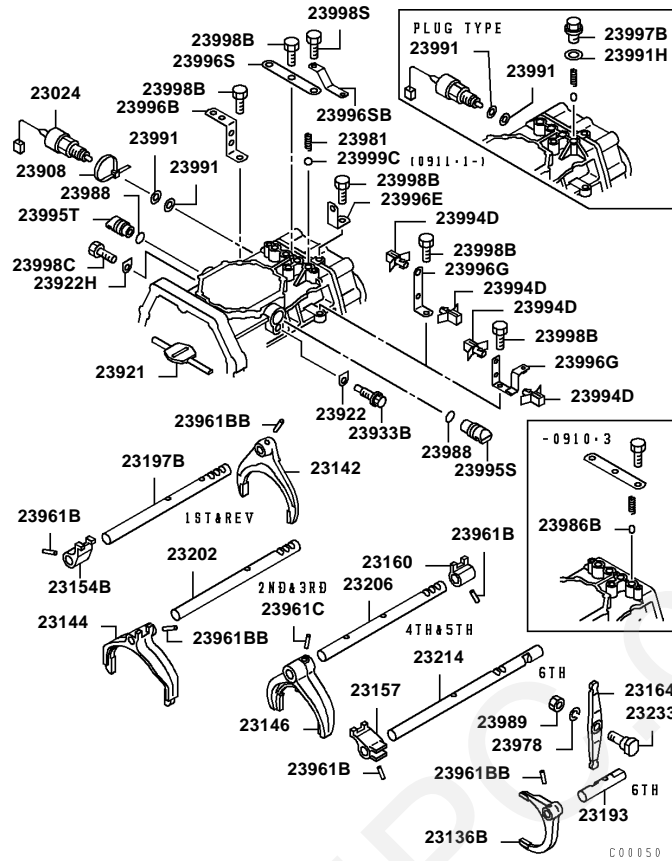
FK74R
22-120 M/T GEAR (2/2)

SPN	Repl Part	PNC	Part No	Part Name	Qty	Part Spec	Remarks
		22998B	MH000419	BOLT,M/T POWER TRAIN	4	REAMER,12X40	
			MH000419	BOLT,M/T POWER TRAIN	4	REAMER,12X40	
			MH000419	BOLT,M/T POWER TRAIN	4	REAMER,12X40	
			MH000419	BOLT,M/T POWER TRAIN	4	REAMER,12X40	
			MH000419	BOLT,M/T POWER TRAIN	4	REAMER,12X40	
			MH000419	BOLT,M/T POWER TRAIN	4	REAMER,12X40	
			MH000419	BOLT,M/T POWER TRAIN	4	REAMER,12X40	
			MH000419	BOLT,M/T POWER TRAIN	4	REAMER,12X40	
			MH000419	BOLT,M/T POWER TRAIN	4	REAMER,12X40	
			MH000419	BOLT,M/T POWER TRAIN	4	REAMER,12X40	
			MH000419	BOLT,M/T POWER TRAIN	4	REAMER,12X40	
			MH000419	BOLT,M/T POWER TRAIN	4	REAMER,12X40	
		22998C	MS146003	BOLT,M/T POWER TRAIN	1	FLANGE,10X18	8.8
			MS146003	BOLT,M/T POWER TRAIN	1	FLANGE,10X18	8.8
			MS146003	BOLT,M/T POWER TRAIN	1	FLANGE,10X18	8.8
			MS146003	BOLT,M/T POWER TRAIN	1	FLANGE,10X18	8.8
			MS146003	BOLT,M/T POWER TRAIN	1	FLANGE,10X18	8.8
			MS146003	BOLT,M/T POWER TRAIN	1	FLANGE,10X18	8.8
			MS146003	BOLT,M/T POWER TRAIN	1	FLANGE,10X18	8.8
			MS146003	BOLT,M/T POWER TRAIN	1	FLANGE,10X18	8.8
			MS146003	BOLT,M/T POWER TRAIN	1	FLANGE,10X18	8.8
			MS146003	BOLT,M/T POWER TRAIN	1	FLANGE,10X18	8.8
			MS146003	BOLT,M/T POWER TRAIN	1	FLANGE,10X18	8.8
			MS146003	BOLT,M/T POWER TRAIN	1	FLANGE,10X18	8.8
			MS146003	BOLT,M/T POWER TRAIN	1	FLANGE,10X18	8.8
			MS146003	BOLT,M/T POWER TRAIN	1	FLANGE,10X18	8.8
			MS146003	BOLT,M/T POWER TRAIN	1	FLANGE,10X18	8.8
			MS146003	BOLT,M/T POWER TRAIN	1	FLANGE,10X18	8.8

FK74R
22-120 M/T GEAR (2/2)

SPN	Repl Part	PNC	Part No	Part Name	Qty	Part Spec	Remarks
		22998C	MS146003	BOLT,M/T POWER TRAIN	1	FLANGE,10X18	8.8
			MS146003	BOLT,M/T POWER TRAIN	1	FLANGE,10X18	8.8
			MS146003	BOLT,M/T POWER TRAIN	1	FLANGE,10X18	8.8
			MS146003	BOLT,M/T POWER TRAIN	1	FLANGE,10X18	8.8
		22000	(Please refer to the page 1/2)	PINION,M/T MAIN DRIVE	1		
		22007	(Please refer to the page 1/2)	BEARING,M/T MAIN DRIVE PINION	1		
		22100	(Please refer to the page 1/2)	SHAFT,M/T MAIN	1		
		22105B	(Please refer to the page 1/2)	BEARING,M/T MAIN SHAFT	1		
		22105C	(Please refer to the page 1/2)	BEARING,M/T MAIN SHAFT	1		
		22111	(Please refer to the page 1/2)	BEARING,M/T REV GEAR	1		
		22112	(Please refer to the page 1/2)	BEARING,M/T 1ST SPEED GEAR	1		
		22113	(Please refer to the page 1/2)	BEARING,M/T 2ND SPEED GEAR	1		
		22114	(Please refer to the page 1/2)	BEARING,M/T 3RD SPEED GEAR	1		
		22115	(Please refer to the page 1/2)	BEARING,M/T 4TH SPEED GEAR	1		
		22125	(Please refer to the page 1/2)	GEAR,M/T MAIN SHAFT REV	1		
		22127	(Please refer to the page 1/2)	GEAR,M/T MAIN SHAFT 1ST SPEED	1		
		22131	(Please refer to the page 1/2)	GEAR,M/T MAIN SHAFT 2ND SPEED	1		
		22132	(Please refer to the page 1/2)	GEAR,M/T MAIN SHAFT 3RD SPEED	1		
		22133	(Please refer to the page 1/2)	GEAR,M/T MAIN SHAFT 4TH SPEED	1		
		22135	(Please refer to the page 1/2)	GEAR,M/T MAIN SHAFT 6TH SPEED	1		
		22144	(Please refer to the page 1/2)	BEARING,M/T MAIN SHAFT PILOT	1		
		22153	(Please refer to the page 1/2)	SLEEVE,M/T MAIN SHAFT 2ND GEAR BEARING	1		
		22154	(Please refer to the page 1/2)	SLEEVE,M/T MAIN SHAFT 3RD GEAR BEARING	1		
		22155	(Please refer to the page 1/2)	SLEEVE,M/T MAIN SHAFT 4TH GEAR BEARING	1		
		22161	(Please refer to the page 1/2)	SLEEVE,M/T MAIN SHAFT RR BEARING	1		
		22178	(Please refer to the page 1/2)	THRUST WASHER,M/T MAIN SHAFT 2ND GEAR	1		
		22179	(Please refer to the page 1/2)	THRUST WASHER,M/T MAIN SHAFT 3RD GEAR	1		
		22183	(Please refer to the page 1/2)	THRUST WASHER,M/T MAIN SHAFT REV GEAR	1		
		22308B	(Please refer to the page 1/2)	BEARING,M/T COUNTERSHAFT	1		
		22308C	(Please refer to the page 1/2)	BEARING,M/T COUNTERSHAFT	1		
		22311	(Please refer to the page 1/2)	GEAR CLUSTER,M/T COUNTERSHAFT	1		
		22315	(Please refer to the page 1/2)	GEAR,M/T COUNTERSHAFT 4TH SPEED	1		
		22317	(Please refer to the page 1/2)	GEAR,M/T COUNTERSHAFT 6TH SPEED	1		
		22323	(Please refer to the page 1/2)	GEAR,M/T COUNTERSHAFT DRIVEN	1		
		22341	(Please refer to the page 1/2)	SLEEVE,M/T COUNTERSHAFT 6TH SPEED GEAR	1		
		22351	(Please refer to the page 1/2)	SPRING,M/T COUNTERSHAFT SUB GEAR	1		
		22352	(Please refer to the page 1/2)	SUB GEAR,M/T COUNTERSHAFT	1		
		22359	(Please refer to the page 1/2)	THRUST WASHER,M/T COUNTERSHAFT O/D GEAR	1		
		22406	(Please refer to the page 1/2)	FLANGE,M/T OUTPUT COMPANION	1		
		22415	(Please refer to the page 1/2)	GEAR,M/T REV IDLER	1		
		22421	(Please refer to the page 1/2)	PIECE,M/T REV IDLER SHAFT LOCK	1		
		22404	(N.e.c.)	BEARING,M/T REV IDLER GEAR			

FK74R
No.1



Ref. |2022130

Page

FK74R
22-130 M/T GEARSHIFT CONTROL

SPN	Repl Part	PNC	Part No	Part Name	Qty	Part Spec	Remarks	PREV.1	NEW1
		23024	MC854710	SWITCH,M/T GEARSHIFT BACKUP LAMP	1				
			MC854710	SWITCH,M/T GEARSHIFT BACKUP LAMP	1				
			MC854710	SWITCH,M/T GEARSHIFT BACKUP LAMP	1				
			MC854710	SWITCH,M/T GEARSHIFT BACKUP LAMP	1				
			MC854710	SWITCH,M/T GEARSHIFT BACKUP LAMP	1				
			MC854710	SWITCH,M/T GEARSHIFT BACKUP LAMP	1				
			MC854710	SWITCH,M/T GEARSHIFT BACKUP LAMP	1				
			MC854710	SWITCH,M/T GEARSHIFT BACKUP LAMP	1				
			MC854710	SWITCH,M/T GEARSHIFT BACKUP LAMP	1				
			MC856358	SWITCH,M/T GEARSHIFT BACKUP LAMP	1				

Ref. |2022130

Page

FK74R
22-130 M/T GEARSHIFT CONTROL

SPN	Repl Part	PNC	Part No	Part Name	Qty	Part Spec	Remarks	PREV.1	NEW1
		23024	MC856358	SWITCH,M/T GEARSHIFT BACKUP LAMP	1				
			MC856358	SWITCH,M/T GEARSHIFT BACKUP LAMP	1				
			MC854710	SWITCH,M/T GEARSHIFT BACKUP LAMP	1				
			MC856358	SWITCH,M/T GEARSHIFT BACKUP LAMP	1				
			MC854710	SWITCH,M/T GEARSHIFT BACKUP LAMP	1				
			MC854710	SWITCH,M/T GEARSHIFT BACKUP LAMP	1				
			MC854710	SWITCH,M/T GEARSHIFT BACKUP LAMP	1				
			MC856358	SWITCH,M/T GEARSHIFT BACKUP LAMP	1				
			MC856358	SWITCH,M/T GEARSHIFT BACKUP LAMP	1				
			MC856358	SWITCH,M/T GEARSHIFT BACKUP LAMP	1				
		23136B	ME631320	FORK,M/T GEARSHIFT O/D	1				
			ME631320	FORK,M/T GEARSHIFT O/D	1				
			ME631320	FORK,M/T GEARSHIFT O/D	1				
			ME631320	FORK,M/T GEARSHIFT O/D	1				
			ME631320	FORK,M/T GEARSHIFT O/D	1				
			ME631320	FORK,M/T GEARSHIFT O/D	1				
			ME631320	FORK,M/T GEARSHIFT O/D	1				
			ME631320	FORK,M/T GEARSHIFT O/D	1				
			ME631320	FORK,M/T GEARSHIFT O/D	1				
			ME631320	FORK,M/T GEARSHIFT O/D	1				
			ME631320	FORK,M/T GEARSHIFT O/D	1				
			ME631320	FORK,M/T GEARSHIFT O/D	1				
			ME631320	FORK,M/T GEARSHIFT O/D	1				
			ME631320	FORK,M/T GEARSHIFT O/D	1				
			ME631320	FORK,M/T GEARSHIFT O/D	1				

FK74R
22-130 M/T GEARSHIFT CONTROL

SPN	Repl Part	PNC	Part No	Part Name	Qty	Part Spec	Remarks	PREV.1	NEW1
		23136B	ME631320	FORK,M/T GEARSHIFT O/D	1				
			ME631320	FORK,M/T GEARSHIFT O/D	1				
			ME631320	FORK,M/T GEARSHIFT O/D	1				
		23142	ME631317	FORK,M/T GEARSHIFT 1ST & REV	1				
			ME631317	FORK,M/T GEARSHIFT 1ST & REV	1				
			ME631317	FORK,M/T GEARSHIFT 1ST & REV	1				
			ME631317	FORK,M/T GEARSHIFT 1ST & REV	1				
			ME631317	FORK,M/T GEARSHIFT 1ST & REV	1				
			ME631317	FORK,M/T GEARSHIFT 1ST & REV	1				
			ME631317	FORK,M/T GEARSHIFT 1ST & REV	1				
			ME631317	FORK,M/T GEARSHIFT 1ST & REV	1				
			ME631317	FORK,M/T GEARSHIFT 1ST & REV	1				
			ME631317	FORK,M/T GEARSHIFT 1ST & REV	1				
			ME631317	FORK,M/T GEARSHIFT 1ST & REV	1				
			ME631317	FORK,M/T GEARSHIFT 1ST & REV	1				
			ME631317	FORK,M/T GEARSHIFT 1ST & REV	1				
			ME631317	FORK,M/T GEARSHIFT 1ST & REV	1				
			ME631317	FORK,M/T GEARSHIFT 1ST & REV	1				
			ME631317	FORK,M/T GEARSHIFT 1ST & REV	1				
		23144	ME639000	FORK,M/T GEARSHIFT 2ND & 3RD	1				
			ME639000	FORK,M/T GEARSHIFT 2ND & 3RD	1				
			ME639000	FORK,M/T GEARSHIFT 2ND & 3RD	1				

FK74R
22-130 M/T GEARSHIFT CONTROL

SPN	Repl Part	PNC	Part No	Part Name	Qty	Part Spec	Remarks	PREV.1	NEW1
		23144	ME639000	FORK,M/T GEARSHIFT 2ND & 3RD	1				
			ME639000	FORK,M/T GEARSHIFT 2ND & 3RD	1				
			ME639000	FORK,M/T GEARSHIFT 2ND & 3RD	1				
			ME639000	FORK,M/T GEARSHIFT 2ND & 3RD	1				
			ME639000	FORK,M/T GEARSHIFT 2ND & 3RD	1				
			ME639000	FORK,M/T GEARSHIFT 2ND & 3RD	1				
			ME639000	FORK,M/T GEARSHIFT 2ND & 3RD	1				
			ME639000	FORK,M/T GEARSHIFT 2ND & 3RD	1				
			ME639000	FORK,M/T GEARSHIFT 2ND & 3RD	1				
			ME639000	FORK,M/T GEARSHIFT 2ND & 3RD	1				
			ME639000	FORK,M/T GEARSHIFT 2ND & 3RD	1				
			ME639000	FORK,M/T GEARSHIFT 2ND & 3RD	1				
			ME639000	FORK,M/T GEARSHIFT 2ND & 3RD	1				
			ME639000	FORK,M/T GEARSHIFT 2ND & 3RD	1				
			ME639000	FORK,M/T GEARSHIFT 2ND & 3RD	1				
			ME639000	FORK,M/T GEARSHIFT 2ND & 3RD	1				
		23146	ME636482	FORK,M/T GEARSHIFT 4TH & O/D	1				
			ME636482	FORK,M/T GEARSHIFT 4TH & O/D	1				
			ME636482	FORK,M/T GEARSHIFT 4TH & O/D	1				
			ME636482	FORK,M/T GEARSHIFT 4TH & O/D	1				
			ME636482	FORK,M/T GEARSHIFT 4TH & O/D	1				
			ME636482	FORK,M/T GEARSHIFT 4TH & O/D	1				
			ME636482	FORK,M/T GEARSHIFT 4TH & O/D	1				
			ME636482	FORK,M/T GEARSHIFT 4TH & O/D	1				
			ME636482	FORK,M/T GEARSHIFT 4TH & O/D	1				
			ME636482	FORK,M/T GEARSHIFT 4TH & O/D	1				

FK74R
22-130 M/T GEARSHIFT CONTROL

SPN	Repl Part	PNC	Part No	Part Name	Qty	Part Spec	Remarks	PREV.1	NEW1
		23146	ME636482	FORK,M/T GEARSHIFT 4TH & O/D	1				
			ME636482	FORK,M/T GEARSHIFT 4TH & O/D	1				
			ME636482	FORK,M/T GEARSHIFT 4TH & O/D	1				
			ME636482	FORK,M/T GEARSHIFT 4TH & O/D	1				
			ME636482	FORK,M/T GEARSHIFT 4TH & O/D	1				
			ME636482	FORK,M/T GEARSHIFT 4TH & O/D	1				
			ME636482	FORK,M/T GEARSHIFT 4TH & O/D	1				
	RP	23154B	ME636469	JAW,M/T GEARSHIFT 1ST & REV RAIL	1				O
	RP		ME636469	JAW,M/T GEARSHIFT 1ST & REV RAIL	1				O
	RP		ME636469	JAW,M/T GEARSHIFT 1ST & REV RAIL	1				O
	RP		ME636469	JAW,M/T GEARSHIFT 1ST & REV RAIL	1				O
	RP		ME636469	JAW,M/T GEARSHIFT 1ST & REV RAIL	1				O
	RP		ME636469	JAW,M/T GEARSHIFT 1ST & REV RAIL	1				O
	RP		ME636469	JAW,M/T GEARSHIFT 1ST & REV RAIL	1				O
	RP		ME636469	JAW,M/T GEARSHIFT 1ST & REV RAIL	1				O
	RP		ME636469	JAW,M/T GEARSHIFT 1ST & REV RAIL	1				O
	RP		ME636469	JAW,M/T GEARSHIFT 1ST & REV RAIL	1				O
	RP		ME636469	JAW,M/T GEARSHIFT 1ST & REV RAIL	1				O
	RP		ME636469	JAW,M/T GEARSHIFT 1ST & REV RAIL	1				O
	RP		ME636469	JAW,M/T GEARSHIFT 1ST & REV RAIL	1				O
	RP		ME636469	JAW,M/T GEARSHIFT 1ST & REV RAIL	1				O
	RP		ME636469	JAW,M/T GEARSHIFT 1ST & REV RAIL	1				O
	RP		ME636469	JAW,M/T GEARSHIFT 1ST & REV RAIL	1				O
	RP		ME636469	JAW,M/T GEARSHIFT 1ST & REV RAIL	1				O

FK74R
22-130 M/T GEARSHIFT CONTROL

SPN	Repl Part	PNC	Part No	Part Name	Qty	Part Spec	Remarks	PREV.1	NEW1
	RP	23154B	ME636469	JAW,M/T GEARSHIFT 1ST & REV RAIL	1			0	
	RP		ME636469	JAW,M/T GEARSHIFT 1ST & REV RAIL	1			0	
	RP	23157	ME636470	JAW,M/T GEARSHIFT 6TH & 7TH RAIL	1			0	
	RP		ME636470	JAW,M/T GEARSHIFT 6TH & 7TH RAIL	1			0	
	RP		ME636470	JAW,M/T GEARSHIFT 6TH & 7TH RAIL	1			0	
	RP		ME636470	JAW,M/T GEARSHIFT 6TH & 7TH RAIL	1			0	
	RP		ME636470	JAW,M/T GEARSHIFT 6TH & 7TH RAIL	1			0	
	RP		ME636470	JAW,M/T GEARSHIFT 6TH & 7TH RAIL	1			0	
	RP		ME636470	JAW,M/T GEARSHIFT 6TH & 7TH RAIL	1			0	
	RP		ME636470	JAW,M/T GEARSHIFT 6TH & 7TH RAIL	1			0	
	RP		ME636470	JAW,M/T GEARSHIFT 6TH & 7TH RAIL	1			0	
	RP		ME636470	JAW,M/T GEARSHIFT 6TH & 7TH RAIL	1			0	
	RP		ME636470	JAW,M/T GEARSHIFT 6TH & 7TH RAIL	1			0	
	RP		ME636470	JAW,M/T GEARSHIFT 6TH & 7TH RAIL	1			0	
	RP		ME636470	JAW,M/T GEARSHIFT 6TH & 7TH RAIL	1			0	
	RP		ME636470	JAW,M/T GEARSHIFT 6TH & 7TH RAIL	1			0	
	RP		ME636470	JAW,M/T GEARSHIFT 6TH & 7TH RAIL	1			0	
	RP		ME636470	JAW,M/T GEARSHIFT 6TH & 7TH RAIL	1			0	
	RP		ME636470	JAW,M/T GEARSHIFT 6TH & 7TH RAIL	1			0	
	RP		ME636470	JAW,M/T GEARSHIFT 6TH & 7TH RAIL	1			0	
	RP		ME636470	JAW,M/T GEARSHIFT 6TH & 7TH RAIL	1			0	
	RP		ME636470	JAW,M/T GEARSHIFT 6TH & 7TH RAIL	1			0	
	RP		ME636470	JAW,M/T GEARSHIFT 6TH & 7TH RAIL	1			0	
	RP		ME636470	JAW,M/T GEARSHIFT 6TH & 7TH RAIL	1			0	
	RP		ME636470	JAW,M/T GEARSHIFT 6TH & 7TH RAIL	1			0	
	RP		ME636470	JAW,M/T GEARSHIFT 6TH & 7TH RAIL	1			0	
	RP		ME636470	JAW,M/T GEARSHIFT 6TH & 7TH RAIL	1			0	
	RP		ME636470	JAW,M/T GEARSHIFT 6TH & 7TH RAIL	1			0	
	RP		ME636470	JAW,M/T GEARSHIFT 6TH & 7TH RAIL	1			0	
	RP	23160	ME639003	JAW,M/T GEARSHIFT 4TH & 5TH RAIL	1			0	
			ME639003	JAW,M/T GEARSHIFT 4TH & 5TH RAIL	1			0	
			ME639003	JAW,M/T GEARSHIFT 4TH & 5TH RAIL	1			0	
			ME639003	JAW,M/T GEARSHIFT 4TH & 5TH RAIL	1			0	

FK74R
22-130 M/T GEARSHIFT CONTROL

SPN	Repl Part	PNC	Part No	Part Name	Qty	Part Spec	Remarks	PREV.1	NEW1
		23160	ME639003	JAW,M/T GEARSHIFT 4TH & 5TH RAIL	1				
			ME639003	JAW,M/T GEARSHIFT 4TH & 5TH RAIL	1				
			ME639003	JAW,M/T GEARSHIFT 4TH & 5TH RAIL	1				
			ME639003	JAW,M/T GEARSHIFT 4TH & 5TH RAIL	1				
			ME639003	JAW,M/T GEARSHIFT 4TH & 5TH RAIL	1				
			ME639003	JAW,M/T GEARSHIFT 4TH & 5TH RAIL	1				
			ME639003	JAW,M/T GEARSHIFT 4TH & 5TH RAIL	1				
			ME639003	JAW,M/T GEARSHIFT 4TH & 5TH RAIL	1				
			ME639003	JAW,M/T GEARSHIFT 4TH & 5TH RAIL	1				
			ME639003	JAW,M/T GEARSHIFT 4TH & 5TH RAIL	1				
			ME639003	JAW,M/T GEARSHIFT 4TH & 5TH RAIL	1				
			ME639003	JAW,M/T GEARSHIFT 4TH & 5TH RAIL	1				
			ME639003	JAW,M/T GEARSHIFT 4TH & 5TH RAIL	1				
		23164	ME636652	LEVER,M/T GEARSHIFT O/D	1				
			ME636652	LEVER,M/T GEARSHIFT O/D	1				
			ME636652	LEVER,M/T GEARSHIFT O/D	1				
			ME636652	LEVER,M/T GEARSHIFT O/D	1				
			ME636652	LEVER,M/T GEARSHIFT O/D	1				
			ME636652	LEVER,M/T GEARSHIFT O/D	1				
			ME636652	LEVER,M/T GEARSHIFT O/D	1				
			ME636652	LEVER,M/T GEARSHIFT O/D	1				
			ME636652	LEVER,M/T GEARSHIFT O/D	1				
			ME636652	LEVER,M/T GEARSHIFT O/D	1				

FK74R
22-130 M/T GEARSHIFT CONTROL

SPN	Repl Part	PNC	Part No	Part Name	Qty	Part Spec	Remarks	PREV.1	NEW1
		23164	ME636652	LEVER,M/T GEARSHIFT O/D	1				
			ME636652	LEVER,M/T GEARSHIFT O/D	1				
			ME636652	LEVER,M/T GEARSHIFT O/D	1				
			ME636652	LEVER,M/T GEARSHIFT O/D	1				
			ME636652	LEVER,M/T GEARSHIFT O/D	1				
			ME636652	LEVER,M/T GEARSHIFT O/D	1				
	RP	23193	ME643635	RAIL,M/T GEARSHIFT O/D	1			O	Y
	RP		ME643635	RAIL,M/T GEARSHIFT O/D	1			O	Y
	RP		ME643635	RAIL,M/T GEARSHIFT O/D	1			O	Y
	RP		ME643635	RAIL,M/T GEARSHIFT O/D	1			O	Y
	RP		ME643635	RAIL,M/T GEARSHIFT O/D	1			O	Y
	RP		ME643635	RAIL,M/T GEARSHIFT O/D	1			O	Y
	RP		ME643635	RAIL,M/T GEARSHIFT O/D	1			O	Y
	RP		ME643635	RAIL,M/T GEARSHIFT O/D	1			O	Y
	RP		ME643635	RAIL,M/T GEARSHIFT O/D	1			O	Y
	RP		ME643635	RAIL,M/T GEARSHIFT O/D	1			O	Y
	RP		ME643635	RAIL,M/T GEARSHIFT O/D	1			O	Y
	RP		ME643635	RAIL,M/T GEARSHIFT O/D	1			O	Y
	RP		ME643635	RAIL,M/T GEARSHIFT O/D	1			O	Y
	RP		ME643635	RAIL,M/T GEARSHIFT O/D	1			O	Y
	RP		ME643635	RAIL,M/T GEARSHIFT O/D	1			O	Y
	RP		ME643635	RAIL,M/T GEARSHIFT O/D	1			O	Y

FK74R
22-130 M/T GEARSHIFT CONTROL

SPN	Repl Part RP	PNC 23193	Part No ME643635	Part Name RAIL,M/T GEARSHIFT O/D	Qty 1	Part Spec	Remarks	PREV.1 O	NEW1 Y
			ME533985	RAIL,M/T GEARSHIFT O/D	1				
			ME533985	RAIL,M/T GEARSHIFT O/D	1				
			ME533985	RAIL,M/T GEARSHIFT O/D	1				
			ME533985	RAIL,M/T GEARSHIFT O/D	1				
			ME533985	RAIL,M/T GEARSHIFT O/D	1				
	RP	23197B	ME643610	RAIL,M/T GEARSHIFT 1ST & REV	1			O	
	RP		ME643610	RAIL,M/T GEARSHIFT 1ST & REV	1			O	
	RP		ME643610	RAIL,M/T GEARSHIFT 1ST & REV	1			O	
	RP		ME643610	RAIL,M/T GEARSHIFT 1ST & REV	1			O	
	RP		ME643610	RAIL,M/T GEARSHIFT 1ST & REV	1			O	
	RP		ME643610	RAIL,M/T GEARSHIFT 1ST & REV	1			O	
	RP		ME643610	RAIL,M/T GEARSHIFT 1ST & REV	1			O	
	RP		ME643610	RAIL,M/T GEARSHIFT 1ST & REV	1			O	
	RP		ME643610	RAIL,M/T GEARSHIFT 1ST & REV	1			O	
	RP		ME643610	RAIL,M/T GEARSHIFT 1ST & REV	1			O	
	RP		ME643610	RAIL,M/T GEARSHIFT 1ST & REV	1			O	
	RP		ME643610	RAIL,M/T GEARSHIFT 1ST & REV	1			O	
	RP		ME643610	RAIL,M/T GEARSHIFT 1ST & REV	1			O	
	RP		ME643610	RAIL,M/T GEARSHIFT 1ST & REV	1			O	
	RP		ME643610	RAIL,M/T GEARSHIFT 1ST & REV	1			O	
	RP	23202	ME643617	RAIL,M/T GEARSHIFT 2ND & 3RD	1			O	

FK74R
22-130 M/T GEARSHIFT CONTROL

SPN	Repl Part	PNC	Part No	Part Name	Qty	Part Spec	Remarks	PREV.1	NEW1
	RP	23202	ME643617	RAIL,M/T GEARSHIFT 2ND & 3RD	1			0	
	RP		ME643617	RAIL,M/T GEARSHIFT 2ND & 3RD	1			0	
	RP		ME643617	RAIL,M/T GEARSHIFT 2ND & 3RD	1			0	
	RP		ME643617	RAIL,M/T GEARSHIFT 2ND & 3RD	1			0	
	RP		ME643617	RAIL,M/T GEARSHIFT 2ND & 3RD	1			0	
	RP		ME643617	RAIL,M/T GEARSHIFT 2ND & 3RD	1			0	
	RP		ME643617	RAIL,M/T GEARSHIFT 2ND & 3RD	1			0	
	RP		ME643617	RAIL,M/T GEARSHIFT 2ND & 3RD	1			0	
	RP		ME643617	RAIL,M/T GEARSHIFT 2ND & 3RD	1			0	
	RP		ME643617	RAIL,M/T GEARSHIFT 2ND & 3RD	1			0	
	RP		ME643617	RAIL,M/T GEARSHIFT 2ND & 3RD	1			0	
	RP		ME643617	RAIL,M/T GEARSHIFT 2ND & 3RD	1			0	
	RP		ME643617	RAIL,M/T GEARSHIFT 2ND & 3RD	1			0	
	RP		ME643617	RAIL,M/T GEARSHIFT 2ND & 3RD	1			0	
	RP	23206	ME643624	RAIL,M/T GEARSHIFT 4TH & 5TH	1			0	
	RP		ME643624	RAIL,M/T GEARSHIFT 4TH & 5TH	1			0	
	RP		ME643624	RAIL,M/T GEARSHIFT 4TH & 5TH	1			0	
	RP		ME643624	RAIL,M/T GEARSHIFT 4TH & 5TH	1			0	
	RP		ME643624	RAIL,M/T GEARSHIFT 4TH & 5TH	1			0	
	RP		ME643624	RAIL,M/T GEARSHIFT 4TH & 5TH	1			0	
	RP		ME643624	RAIL,M/T GEARSHIFT 4TH & 5TH	1			0	
	RP		ME643624	RAIL,M/T GEARSHIFT 4TH & 5TH	1			0	
	RP		ME643624	RAIL,M/T GEARSHIFT 4TH & 5TH	1			0	
	RP		ME643624	RAIL,M/T GEARSHIFT 4TH & 5TH	1			0	

FK74R
22-130 M/T GEARSHIFT CONTROL

SPN	Repl Part RP	PNC 23206	Part No ME643624	Part Name RAIL,M/T GEARSHIFT 4TH & 5TH	Qty 1	Part Spec	Remarks	PREV.1 O	NEW1
	RP		ME643624	RAIL,M/T GEARSHIFT 4TH & 5TH	1			O	
	RP RP		ME643624 ME643624	RAIL,M/T GEARSHIFT 4TH & 5TH RAIL,M/T GEARSHIFT 4TH & 5TH	1 1			O O	
	RP		ME643624	RAIL,M/T GEARSHIFT 4TH & 5TH	1			O	
	RP		ME643624	RAIL,M/T GEARSHIFT 4TH & 5TH	1			O	
	RP		ME643624	RAIL,M/T GEARSHIFT 4TH & 5TH	1			O	
	RP		ME643624	RAIL,M/T GEARSHIFT 4TH & 5TH	1			O	
SP SP	RP RP	23214	ME643631 ME643631	RAIL,M/T GEARSHIFT 6TH RAIL,M/T GEARSHIFT 6TH	1 1			O O	R R
SP	RP		ME643631	RAIL,M/T GEARSHIFT 6TH	1			O	R
SP	RP		ME643631	RAIL,M/T GEARSHIFT 6TH	1			O	R
SP	RP		ME643631	RAIL,M/T GEARSHIFT 6TH	1			O	R
SP	RP		ME643631	RAIL,M/T GEARSHIFT 6TH	1			O	R
SP	RP		ME643631	RAIL,M/T GEARSHIFT 6TH	1			O	R
SP	RP		ME643631	RAIL,M/T GEARSHIFT 6TH	1			O	R
SP	RP		ME643631	RAIL,M/T GEARSHIFT 6TH	1			O	R
SP	RP		ME643631	RAIL,M/T GEARSHIFT 6TH	1			O	R
SP	RP		ME643631	RAIL,M/T GEARSHIFT 6TH	1			O	R
SP	RP		ME643631	RAIL,M/T GEARSHIFT 6TH	1			O	R
SP	RP		ME518057	RAIL,M/T GEARSHIFT 6TH	1			O	R

**FK74R
22-130 M/T GEARSHIFT CONTROL**

SPN	Repl Part	PNC	Part No	Part Name	Qty	Part Spec	Remarks	PREV.1	NEW1
		23214	ME518057	RAIL,M/T GEARSHIFT 6TH	1				
			ME518057	RAIL,M/T GEARSHIFT 6TH	1				
			ME518057	RAIL,M/T GEARSHIFT 6TH	1				
			ME518057	RAIL,M/T GEARSHIFT 6TH	1				
			ME518057	RAIL,M/T GEARSHIFT 6TH	1				
			ME518057	RAIL,M/T GEARSHIFT 6TH	1				
SP	RP		ME643631	RAIL,M/T GEARSHIFT 6TH	1			O	R
SP	RP		ME643631	RAIL,M/T GEARSHIFT 6TH	1			O	R
SP	RP		ME643631	RAIL,M/T GEARSHIFT 6TH	1			O	R
		23233	ME631342	SHAFT,M/T GEARSHIFT O/D LEVER	1				
			ME631342	SHAFT,M/T GEARSHIFT O/D LEVER	1				
			ME631342	SHAFT,M/T GEARSHIFT O/D LEVER	1				
			ME631342	SHAFT,M/T GEARSHIFT O/D LEVER	1				
			ME631342	SHAFT,M/T GEARSHIFT O/D LEVER	1				
			ME631342	SHAFT,M/T GEARSHIFT O/D LEVER	1				
			ME631342	SHAFT,M/T GEARSHIFT O/D LEVER	1				
			ME631342	SHAFT,M/T GEARSHIFT O/D LEVER	1				
			ME631342	SHAFT,M/T GEARSHIFT O/D LEVER	1				
			ME631342	SHAFT,M/T GEARSHIFT O/D LEVER	1				
			ME631342	SHAFT,M/T GEARSHIFT O/D LEVER	1				
			ME631342	SHAFT,M/T GEARSHIFT O/D LEVER	1				
			ME631342	SHAFT,M/T GEARSHIFT O/D LEVER	1				

FK74R
22-130 M/T GEARSHIFT CONTROL

SPN	Repl Part	PNC	Part No	Part Name	Qty	Part Spec	Remarks	PREV.1	NEW1
		23233	ME631342	SHAFT,M/T GEARSHIFT O/D LEVER	1				
			ME631342	SHAFT,M/T GEARSHIFT O/D LEVER	1				
		23908	MH021342	BAND,M/T GEARSHIFT EQUIP	1	150			
			MH021342	BAND,M/T GEARSHIFT EQUIP	1	150			
			MH021342	BAND,M/T GEARSHIFT EQUIP	1	150			
			MH021342	BAND,M/T GEARSHIFT EQUIP	1	150			
			MH021342	BAND,M/T GEARSHIFT EQUIP	1	150			
			MH021342	BAND,M/T GEARSHIFT EQUIP	1	150			
	RP		MB249339	BAND,M/T GEARSHIFT EQUIP	1	L=169.5	BLACK	O	
	RP		MB249339	BAND,M/T GEARSHIFT EQUIP	1	L=169.5	BLACK	O	
	RP		MB249339	BAND,M/T GEARSHIFT EQUIP	1	L=169.5	BLACK	O	
			MH021342	BAND,M/T GEARSHIFT EQUIP	1	150			
			MH021342	BAND,M/T GEARSHIFT EQUIP	1	150			
			MH021342	BAND,M/T GEARSHIFT EQUIP	1	150			
			MH021342	BAND,M/T GEARSHIFT EQUIP	1	150			
	RP		MB249339	BAND,M/T GEARSHIFT EQUIP	1	L=169.5	BLACK	O	
			MH021342	BAND,M/T GEARSHIFT EQUIP	1	150			
			MH021342	BAND,M/T GEARSHIFT EQUIP	1	150			
			MH021342	BAND,M/T GEARSHIFT EQUIP	1	150			
			MH021342	BAND,M/T GEARSHIFT EQUIP	1	150			
	RP		MB249339	BAND,M/T GEARSHIFT EQUIP	1	L=169.5	BLACK	O	
	RP		MB249339	BAND,M/T GEARSHIFT EQUIP	1	L=169.5	BLACK	O	
	RP		MB249339	BAND,M/T GEARSHIFT EQUIP	1	L=169.5	BLACK	O	
	RP	23921	ME636065	PLATE,M/T GEARSHIFT INTERLOCK	1				O
	RP		ME636065	PLATE,M/T GEARSHIFT INTERLOCK	1				O
	RP		ME636065	PLATE,M/T GEARSHIFT INTERLOCK	1				O

FK74R
22-130 M/T GEARSHIFT CONTROL

SPN	Repl Part	PNC	Part No	Part Name	Qty	Part Spec	Remarks	PREV.1	NEW1
	RP	23921	ME636065	PLATE,M/T GEARSHIFT INTERLOCK	1			O	
	RP		ME636065	PLATE,M/T GEARSHIFT INTERLOCK	1			O	
	RP		ME636065	PLATE,M/T GEARSHIFT INTERLOCK	1			O	
	RP		ME636065	PLATE,M/T GEARSHIFT INTERLOCK	1			O	
	RP		ME636065	PLATE,M/T GEARSHIFT INTERLOCK	1			O	
	RP		ME636065	PLATE,M/T GEARSHIFT INTERLOCK	1			O	
	RP		ME636065	PLATE,M/T GEARSHIFT INTERLOCK	1			O	
	RP		ME636065	PLATE,M/T GEARSHIFT INTERLOCK	1			O	
	RP		ME636065	PLATE,M/T GEARSHIFT INTERLOCK	1			O	
	RP		ME636065	PLATE,M/T GEARSHIFT INTERLOCK	1			O	
	RP		ME636065	PLATE,M/T GEARSHIFT INTERLOCK	1			O	
	RP		ME636065	PLATE,M/T GEARSHIFT INTERLOCK	1			O	
	RP		ME636065	PLATE,M/T GEARSHIFT INTERLOCK	1			O	
	RP		ME636065	PLATE,M/T GEARSHIFT INTERLOCK	1			O	
	RP		ME636065	PLATE,M/T GEARSHIFT INTERLOCK	1			O	
	RP		ME636065	PLATE,M/T GEARSHIFT INTERLOCK	1			O	
	RP	23922	ME636622	PLATE,M/T GEARSHIFT JAW SET BOLT	1				
			ME636622	PLATE,M/T GEARSHIFT JAW SET BOLT	1				
			ME636622	PLATE,M/T GEARSHIFT JAW SET BOLT	1				
			ME636622	PLATE,M/T GEARSHIFT JAW SET BOLT	1				
			ME636622	PLATE,M/T GEARSHIFT JAW SET BOLT	1				
			ME636622	PLATE,M/T GEARSHIFT JAW SET BOLT	1				
			ME636622	PLATE,M/T GEARSHIFT JAW SET BOLT	1				
			ME636622	PLATE,M/T GEARSHIFT JAW SET BOLT	1				
			ME636622	PLATE,M/T GEARSHIFT JAW SET BOLT	1				
			ME636622	PLATE,M/T GEARSHIFT JAW SET BOLT	1				

**FK74R
22-130 M/T GEARSHIFT CONTROL**

SPN	Repl Part	PNC	Part No	Part Name	Qty	Part Spec	Remarks	PREV.1	NEW1
		23922	ME636622	PLATE,M/T GEARSHIFT JAW SET BOLT	1				
			ME636622	PLATE,M/T GEARSHIFT JAW SET BOLT	1				
			ME636622	PLATE,M/T GEARSHIFT JAW SET BOLT	1				
			ME636622	PLATE,M/T GEARSHIFT JAW SET BOLT	1				
			ME636622	PLATE,M/T GEARSHIFT JAW SET BOLT	1				
			ME636622	PLATE,M/T GEARSHIFT JAW SET BOLT	1				
			ME636622	PLATE,M/T GEARSHIFT JAW SET BOLT	1				
		23922H	ME636623	PLATE,M/T GEARSHIFT JAW SET BOLT	1				
			ME636623	PLATE,M/T GEARSHIFT JAW SET BOLT	1				
			ME636623	PLATE,M/T GEARSHIFT JAW SET BOLT	1				
			ME636623	PLATE,M/T GEARSHIFT JAW SET BOLT	1				
			ME636623	PLATE,M/T GEARSHIFT JAW SET BOLT	1				
			ME636623	PLATE,M/T GEARSHIFT JAW SET BOLT	1				
			ME636623	PLATE,M/T GEARSHIFT JAW SET BOLT	1				
			ME636623	PLATE,M/T GEARSHIFT JAW SET BOLT	1				
			ME636623	PLATE,M/T GEARSHIFT JAW SET BOLT	1				
			ME636623	PLATE,M/T GEARSHIFT JAW SET BOLT	1				
			ME636623	PLATE,M/T GEARSHIFT JAW SET BOLT	1				
			ME636623	PLATE,M/T GEARSHIFT JAW SET BOLT	1				
			ME636623	PLATE,M/T GEARSHIFT JAW SET BOLT	1				
			ME636623	PLATE,M/T GEARSHIFT JAW SET BOLT	1				
			ME636623	PLATE,M/T GEARSHIFT JAW SET BOLT	1				
			ME636623	PLATE,M/T GEARSHIFT JAW SET BOLT	1				

FK74R
22-130 M/T GEARSHIFT CONTROL

SPN	Repl Part	PNC	Part No	Part Name	Qty	Part Spec	Remarks	PREV.1	NEW1
		23922H	ME636623	PLATE,M/T GEARSHIFT JAW SET BOLT	1				
			ME636623	PLATE,M/T GEARSHIFT JAW SET BOLT	1				
		23933B	MH001680	SET BOLT,M/T GEARSHIFT EQUIP	1	10T,14X48			
			MH001680	SET BOLT,M/T GEARSHIFT EQUIP	1	10T,14X48			
			MH001680	SET BOLT,M/T GEARSHIFT EQUIP	1	10T,14X48			
			MH001680	SET BOLT,M/T GEARSHIFT EQUIP	1	10T,14X48			
			MH001680	SET BOLT,M/T GEARSHIFT EQUIP	1	10T,14X48			
			MH001680	SET BOLT,M/T GEARSHIFT EQUIP	1	10T,14X48			
			MH001680	SET BOLT,M/T GEARSHIFT EQUIP	1	10T,14X48			
			MH001680	SET BOLT,M/T GEARSHIFT EQUIP	1	10T,14X48			
			MH001680	SET BOLT,M/T GEARSHIFT EQUIP	1	10T,14X48			
			MH001680	SET BOLT,M/T GEARSHIFT EQUIP	1	10T,14X48			
			MH001680	SET BOLT,M/T GEARSHIFT EQUIP	1	10T,14X48			
			MH001680	SET BOLT,M/T GEARSHIFT EQUIP	1	10T,14X48			
			MH001680	SET BOLT,M/T GEARSHIFT EQUIP	1	10T,14X48			
			MH001680	SET BOLT,M/T GEARSHIFT EQUIP	1	10T,14X48			
			MH001680	SET BOLT,M/T GEARSHIFT EQUIP	1	10T,14X48			
			MH001680	SET BOLT,M/T GEARSHIFT EQUIP	1	10T,14X48			
			MH001680	SET BOLT,M/T GEARSHIFT EQUIP	1	10T,14X48			
			MH001680	SET BOLT,M/T GEARSHIFT EQUIP	1	10T,14X48			
			MH001680	SET BOLT,M/T GEARSHIFT EQUIP	1	10T,14X48			
			MH001680	SET BOLT,M/T GEARSHIFT EQUIP	1	10T,14X48			
			MH001680	SET BOLT,M/T GEARSHIFT EQUIP	1	10T,14X48			
			MH001680	SET BOLT,M/T GEARSHIFT EQUIP	1	10T,14X48			
			MH001680	SET BOLT,M/T GEARSHIFT EQUIP	1	10T,14X48			
			MH001680	SET BOLT,M/T GEARSHIFT EQUIP	1	10T,14X48			
			MH001680	SET BOLT,M/T GEARSHIFT EQUIP	1	10T,14X48			
		23961B	MF472593	SPRING PIN,M/T GEARSHIFT EQUIP	3	SPRING,6X32			
			MF472593	SPRING PIN,M/T GEARSHIFT EQUIP	3	SPRING,6X32			
			MF472593	SPRING PIN,M/T GEARSHIFT EQUIP	3	SPRING,6X32			
			MF472593	SPRING PIN,M/T GEARSHIFT EQUIP	3	SPRING,6X32			
			MF472593	SPRING PIN,M/T GEARSHIFT EQUIP	3	SPRING,6X32			

FK74R
22-130 M/T GEARSHIFT CONTROL

SPN	Repl Part	PNC	Part No	Part Name	Qty	Part Spec	Remarks	PREV.1	NEW1
		23961B	MF472593	SPRING PIN,M/T GEARSHIFT EQUIP	3	SPRING,6X32			
			MF472593	SPRING PIN,M/T GEARSHIFT EQUIP	3	SPRING,6X32			
			MF472593	SPRING PIN,M/T GEARSHIFT EQUIP	3	SPRING,6X32			
			MF472593	SPRING PIN,M/T GEARSHIFT EQUIP	3	SPRING,6X32			
			MF472593	SPRING PIN,M/T GEARSHIFT EQUIP	3	SPRING,6X32			
			MF472593	SPRING PIN,M/T GEARSHIFT EQUIP	3	SPRING,6X32			
			MF472593	SPRING PIN,M/T GEARSHIFT EQUIP	3	SPRING,6X32			
			MF472593	SPRING PIN,M/T GEARSHIFT EQUIP	3	SPRING,6X32			
			MF472593	SPRING PIN,M/T GEARSHIFT EQUIP	3	SPRING,6X32			
			MF472593	SPRING PIN,M/T GEARSHIFT EQUIP	3	SPRING,6X32			
			MF472593	SPRING PIN,M/T GEARSHIFT EQUIP	3	SPRING,6X32			
			MF472593	SPRING PIN,M/T GEARSHIFT EQUIP	3	SPRING,6X32			
			MF472593	SPRING PIN,M/T GEARSHIFT EQUIP	3	SPRING,6X32			
			MF472593	SPRING PIN,M/T GEARSHIFT EQUIP	3	SPRING,6X32			
		23961BB	MH012050	SPRING PIN,M/T GEARSHIFT EQUIP	3	SPRING,6X3.6X32			
			MH012050	SPRING PIN,M/T GEARSHIFT EQUIP	3	SPRING,6X3.6X32			
			MH012050	SPRING PIN,M/T GEARSHIFT EQUIP	3	SPRING,6X3.6X32			
			MH012050	SPRING PIN,M/T GEARSHIFT EQUIP	3	SPRING,6X3.6X32			
			MH012050	SPRING PIN,M/T GEARSHIFT EQUIP	3	SPRING,6X3.6X32			
			MH012050	SPRING PIN,M/T GEARSHIFT EQUIP	3	SPRING,6X3.6X32			
			MH012050	SPRING PIN,M/T GEARSHIFT EQUIP	3	SPRING,6X3.6X32			
			MH012050	SPRING PIN,M/T GEARSHIFT EQUIP	3	SPRING,6X3.6X32			
			MH012050	SPRING PIN,M/T GEARSHIFT EQUIP	3	SPRING,6X3.6X32			
			MH012050	SPRING PIN,M/T GEARSHIFT EQUIP	3	SPRING,6X3.6X32			
			MH012050	SPRING PIN,M/T GEARSHIFT EQUIP	3	SPRING,6X3.6X32			

FK74R
22-130 M/T GEARSHIFT CONTROL

SPN	Repl Part	PNC	Part No	Part Name	Qty	Part Spec	Remarks	PREV.1	NEW1
		23961BB	MH012050	SPRING PIN,M/T GEARSHIFT EQUIP	3	SPRING,6X3.6X32			
			MH012050	SPRING PIN,M/T GEARSHIFT EQUIP	3	SPRING,6X3.6X32			
			MH012050	SPRING PIN,M/T GEARSHIFT EQUIP	3	SPRING,6X3.6X32			
			MH012050	SPRING PIN,M/T GEARSHIFT EQUIP	3	SPRING,6X3.6X32			
			MH012050	SPRING PIN,M/T GEARSHIFT EQUIP	3	SPRING,6X3.6X32			
			MH012050	SPRING PIN,M/T GEARSHIFT EQUIP	3	SPRING,6X3.6X32			
		23961C	MH012051	SPRING PIN,M/T GEARSHIFT EQUIP	1	SPRING,6X3.6X40			
			MH012051	SPRING PIN,M/T GEARSHIFT EQUIP	1	SPRING,6X3.6X40			
			MH012051	SPRING PIN,M/T GEARSHIFT EQUIP	1	SPRING,6X3.6X40			
			MH012051	SPRING PIN,M/T GEARSHIFT EQUIP	1	SPRING,6X3.6X40			
			MH012051	SPRING PIN,M/T GEARSHIFT EQUIP	1	SPRING,6X3.6X40			
			MH012051	SPRING PIN,M/T GEARSHIFT EQUIP	1	SPRING,6X3.6X40			
			MH012051	SPRING PIN,M/T GEARSHIFT EQUIP	1	SPRING,6X3.6X40			
			MH012051	SPRING PIN,M/T GEARSHIFT EQUIP	1	SPRING,6X3.6X40			
			MH012051	SPRING PIN,M/T GEARSHIFT EQUIP	1	SPRING,6X3.6X40			
			MH012051	SPRING PIN,M/T GEARSHIFT EQUIP	1	SPRING,6X3.6X40			
			MH012051	SPRING PIN,M/T GEARSHIFT EQUIP	1	SPRING,6X3.6X40			
			MH012051	SPRING PIN,M/T GEARSHIFT EQUIP	1	SPRING,6X3.6X40			
			MH012051	SPRING PIN,M/T GEARSHIFT EQUIP	1	SPRING,6X3.6X40			
			MH012051	SPRING PIN,M/T GEARSHIFT EQUIP	1	SPRING,6X3.6X40			
		MH012051	SPRING PIN,M/T GEARSHIFT EQUIP	1	SPRING,6X3.6X40				

FK74R
22-130 M/T GEARSHIFT CONTROL

SPN	Repl Part	PNC	Part No	Part Name	Qty	Part Spec	Remarks	PREV.1	NEW1
		23961C	MH012051	SPRING PIN,M/T GEARSHIFT EQUIP	1	SPRING,6X3.6X40			
		23978	MF450407	WASHER,M/T GEARSHIFT EQUIP	1	SPRING,12			
			MF450407	WASHER,M/T GEARSHIFT EQUIP	1	SPRING,12			
			MF450407	WASHER,M/T GEARSHIFT EQUIP	1	SPRING,12			
			MF450407	WASHER,M/T GEARSHIFT EQUIP	1	SPRING,12			
			MF450407	WASHER,M/T GEARSHIFT EQUIP	1	SPRING,12			
			MF450407	WASHER,M/T GEARSHIFT EQUIP	1	SPRING,12			
			MF450407	WASHER,M/T GEARSHIFT EQUIP	1	SPRING,12			
			MF450407	WASHER,M/T GEARSHIFT EQUIP	1	SPRING,12			
			MF450407	WASHER,M/T GEARSHIFT EQUIP	1	SPRING,12			
			MF450407	WASHER,M/T GEARSHIFT EQUIP	1	SPRING,12			
			MF450407	WASHER,M/T GEARSHIFT EQUIP	1	SPRING,12			
			MF450407	WASHER,M/T GEARSHIFT EQUIP	1	SPRING,12			
			MF450407	WASHER,M/T GEARSHIFT EQUIP	1	SPRING,12			
			MF450407	WASHER,M/T GEARSHIFT EQUIP	1	SPRING,12			
			MF450407	WASHER,M/T GEARSHIFT EQUIP	1	SPRING,12			
			MF450407	WASHER,M/T GEARSHIFT EQUIP	1	SPRING,12			
			MF450407	WASHER,M/T GEARSHIFT EQUIP	1	SPRING,12			
			MF450407	WASHER,M/T GEARSHIFT EQUIP	1	SPRING,12			
			MF450407	WASHER,M/T GEARSHIFT EQUIP	1	SPRING,12			
			MF450407	WASHER,M/T GEARSHIFT EQUIP	1	SPRING,12			
			MF450407	WASHER,M/T GEARSHIFT EQUIP	1	SPRING,12			
			MF450407	WASHER,M/T GEARSHIFT EQUIP	1	SPRING,12			
			MF450407	WASHER,M/T GEARSHIFT EQUIP	1	SPRING,12			
			MF450407	WASHER,M/T GEARSHIFT EQUIP	1	SPRING,12			
			MF450407	WASHER,M/T GEARSHIFT EQUIP	1	SPRING,12			
			MF450407	WASHER,M/T GEARSHIFT EQUIP	1	SPRING,12			
			MF450407	WASHER,M/T GEARSHIFT EQUIP	1	SPRING,12			
		23981	ME636724	SPRING,M/T GEARSHIFT EQUIP	4				
			ME636724	SPRING,M/T GEARSHIFT EQUIP	4				
			ME636724	SPRING,M/T GEARSHIFT EQUIP	4				
			ME636724	SPRING,M/T GEARSHIFT EQUIP	4				
			ME636724	SPRING,M/T GEARSHIFT EQUIP	4				
			ME636724	SPRING,M/T GEARSHIFT EQUIP	4				

FK74R
22-130 M/T GEARSHIFT CONTROL

SPN	Repl Part	PNC	Part No	Part Name	Qty	Part Spec	Remarks	PREV.1	NEW1
		23981	ME636724	SPRING,M/T GEARSHIFT EQUIP	4				
			ME636724	SPRING,M/T GEARSHIFT EQUIP	4				
			ME636724	SPRING,M/T GEARSHIFT EQUIP	4				
			ME636724	SPRING,M/T GEARSHIFT EQUIP	4				
			ME636724	SPRING,M/T GEARSHIFT EQUIP	4				
			ME636724	SPRING,M/T GEARSHIFT EQUIP	4				
			ME636724	SPRING,M/T GEARSHIFT EQUIP	4				
			ME636724	SPRING,M/T GEARSHIFT EQUIP	4				
			ME636724	SPRING,M/T GEARSHIFT EQUIP	4				
			ME636724	SPRING,M/T GEARSHIFT EQUIP	4				
			ME636724	SPRING,M/T GEARSHIFT EQUIP	4				
			ME636724	SPRING,M/T GEARSHIFT EQUIP	4				
		23986B	ME600386	PIN,M/T GEARSHIFT EQUIP	4	DOWEL,10.4X16			
			ME600386	PIN,M/T GEARSHIFT EQUIP	4	DOWEL,10.4X16			
			ME600386	PIN,M/T GEARSHIFT EQUIP	4	DOWEL,10.4X16			
			ME600386	PIN,M/T GEARSHIFT EQUIP	4	DOWEL,10.4X16			
			ME600386	PIN,M/T GEARSHIFT EQUIP	4	DOWEL,10.4X16			
			ME600386	PIN,M/T GEARSHIFT EQUIP	4	DOWEL,10.4X16			
			ME600386	PIN,M/T GEARSHIFT EQUIP	4	DOWEL,10.4X16			
			ME600386	PIN,M/T GEARSHIFT EQUIP	4	DOWEL,10.4X16			
			ME600386	PIN,M/T GEARSHIFT EQUIP	4	DOWEL,10.4X16			
			ME600386	PIN,M/T GEARSHIFT EQUIP	4	DOWEL,10.4X16			
			ME600386	PIN,M/T GEARSHIFT EQUIP	4	DOWEL,10.4X16			
			ME600386	PIN,M/T GEARSHIFT EQUIP	4	DOWEL,10.4X16			
			ME600386	PIN,M/T GEARSHIFT EQUIP	4	DOWEL,10.4X16			
			ME600386	PIN,M/T GEARSHIFT EQUIP	4	DOWEL,10.4X16			
			ME600386	PIN,M/T GEARSHIFT EQUIP	4	DOWEL,10.4X16			
			ME600386	PIN,M/T GEARSHIFT EQUIP	4	DOWEL,10.4X16			
			ME600386	PIN,M/T GEARSHIFT EQUIP	4	DOWEL,10.4X16			
			ME600386	PIN,M/T GEARSHIFT EQUIP	4	DOWEL,10.4X16			
			ME600386	PIN,M/T GEARSHIFT EQUIP	4	DOWEL,10.4X16			
			ME600386	PIN,M/T GEARSHIFT EQUIP	4	DOWEL,10.4X16			
			ME600386	PIN,M/T GEARSHIFT EQUIP	4	DOWEL,10.4X16			
			ME600386	PIN,M/T GEARSHIFT EQUIP	4	DOWEL,10.4X16			

FK74R
22-130 M/T GEARSHIFT CONTROL

SPN	Repl Part	PNC	Part No	Part Name	Qty	Part Spec	Remarks	PREV.1	NEW1
		23986B	ME600386	PIN,M/T GEARSHIFT EQUIP	4	DOWEL,10.4X16			
			ME600386	PIN,M/T GEARSHIFT EQUIP	4	DOWEL,10.4X16			
			ME600386	PIN,M/T GEARSHIFT EQUIP	4	DOWEL,10.4X16			
			ME600386	PIN,M/T GEARSHIFT EQUIP	4	DOWEL,10.4X16			
		23988	MF520401	O-RING,M/T GEARSHIFT EQUIP	2	D=25			
			MF520401	O-RING,M/T GEARSHIFT EQUIP	2	D=25			
			MF520401	O-RING,M/T GEARSHIFT EQUIP	2	D=25			
			MF520401	O-RING,M/T GEARSHIFT EQUIP	2	D=25			
			MF520401	O-RING,M/T GEARSHIFT EQUIP	2	D=25			
			MF520401	O-RING,M/T GEARSHIFT EQUIP	2	D=25			
			MF520401	O-RING,M/T GEARSHIFT EQUIP	2	D=25			
			MF520401	O-RING,M/T GEARSHIFT EQUIP	2	D=25			
			MF520401	O-RING,M/T GEARSHIFT EQUIP	2	D=25			
			MF520401	O-RING,M/T GEARSHIFT EQUIP	2	D=25			
			MF520401	O-RING,M/T GEARSHIFT EQUIP	2	D=25			
			MF520401	O-RING,M/T GEARSHIFT EQUIP	2	D=25			
			MF520401	O-RING,M/T GEARSHIFT EQUIP	2	D=25			
			MF520401	O-RING,M/T GEARSHIFT EQUIP	2	D=25			
			MF520401	O-RING,M/T GEARSHIFT EQUIP	2	D=25			
			MF520401	O-RING,M/T GEARSHIFT EQUIP	2	D=25			
			MF520401	O-RING,M/T GEARSHIFT EQUIP	2	D=25			
			MF520401	O-RING,M/T GEARSHIFT EQUIP	2	D=25			
			MF520401	O-RING,M/T GEARSHIFT EQUIP	2	D=25			

FK74R
22-130 M/T GEARSHIFT CONTROL

SPN	Repl Part	PNC	Part No	Part Name	Qty	Part Spec	Remarks	PREV.1	NEW1
		23989	MF430727	NUT,M/T GEARSHIFT EQUIP	1	JAM,12			
			MF430727	NUT,M/T GEARSHIFT EQUIP	1	JAM,12			
			MF430727	NUT,M/T GEARSHIFT EQUIP	1	JAM,12			
			MF430727	NUT,M/T GEARSHIFT EQUIP	1	JAM,12			
			MF430727	NUT,M/T GEARSHIFT EQUIP	1	JAM,12			
			MF430727	NUT,M/T GEARSHIFT EQUIP	1	JAM,12			
			MF430727	NUT,M/T GEARSHIFT EQUIP	1	JAM,12			
			MF430727	NUT,M/T GEARSHIFT EQUIP	1	JAM,12			
			MF430727	NUT,M/T GEARSHIFT EQUIP	1	JAM,12			
			MF430727	NUT,M/T GEARSHIFT EQUIP	1	JAM,12			
			MF430727	NUT,M/T GEARSHIFT EQUIP	1	JAM,12			
			MF430727	NUT,M/T GEARSHIFT EQUIP	1	JAM,12			
			MF430727	NUT,M/T GEARSHIFT EQUIP	1	JAM,12			
			MF430727	NUT,M/T GEARSHIFT EQUIP	1	JAM,12			
			MF430727	NUT,M/T GEARSHIFT EQUIP	1	JAM,12			
			MF430727	NUT,M/T GEARSHIFT EQUIP	1	JAM,12			
			MF430727	NUT,M/T GEARSHIFT EQUIP	1	JAM,12			
			MF430727	NUT,M/T GEARSHIFT EQUIP	1	JAM,12			
			MF430727	NUT,M/T GEARSHIFT EQUIP	1	JAM,12			
			MF430727	NUT,M/T GEARSHIFT EQUIP	1	JAM,12			
			MF430727	NUT,M/T GEARSHIFT EQUIP	1	JAM,12			
		23994D	MH020930	CLIP,M/T GEARSHIFT EQUIP	2	A=6			
			MH020930	CLIP,M/T GEARSHIFT EQUIP	2	A=6			
			MH020930	CLIP,M/T GEARSHIFT EQUIP	2	A=6			
			MH020930	CLIP,M/T GEARSHIFT EQUIP	2	A=6			
			MH020930	CLIP,M/T GEARSHIFT EQUIP	2	A=6			

FK74R
22-130 M/T GEARSHIFT CONTROL

SPN	Repl Part	PNC	Part No	Part Name	Qty	Part Spec	Remarks	PREV.1	NEW1
		23994D	MH020930	CLIP,M/T GEARSHIFT EQUIP	2	A=6			
			MH020930	CLIP,M/T GEARSHIFT EQUIP	2	A=6			
			MH020930	CLIP,M/T GEARSHIFT EQUIP	2	A=6			
			MH020930	CLIP,M/T GEARSHIFT EQUIP	2	A=6			
			MH020930	CLIP,M/T GEARSHIFT EQUIP	2	A=6			
			MH020930	CLIP,M/T GEARSHIFT EQUIP	2	A=6			
			MH020930	CLIP,M/T GEARSHIFT EQUIP	2	A=6			
			MH020930	CLIP,M/T GEARSHIFT EQUIP	2	A=6			
		23995S	ME636620	BUSHING,M/T GEARSHIFT EQUIP	1				
			ME636620	BUSHING,M/T GEARSHIFT EQUIP	1				
			ME636620	BUSHING,M/T GEARSHIFT EQUIP	1				
			ME636620	BUSHING,M/T GEARSHIFT EQUIP	1				
			ME636620	BUSHING,M/T GEARSHIFT EQUIP	1				
			ME636620	BUSHING,M/T GEARSHIFT EQUIP	1				
			ME636620	BUSHING,M/T GEARSHIFT EQUIP	1				
			ME636620	BUSHING,M/T GEARSHIFT EQUIP	1				
			ME636620	BUSHING,M/T GEARSHIFT EQUIP	1				
			ME636620	BUSHING,M/T GEARSHIFT EQUIP	1				
			ME636620	BUSHING,M/T GEARSHIFT EQUIP	1				
			ME636620	BUSHING,M/T GEARSHIFT EQUIP	1				
			ME636620	BUSHING,M/T GEARSHIFT EQUIP	1				
			ME636620	BUSHING,M/T GEARSHIFT EQUIP	1				
			ME636620	BUSHING,M/T GEARSHIFT EQUIP	1				
			ME636620	BUSHING,M/T GEARSHIFT EQUIP	1				
			ME636620	BUSHING,M/T GEARSHIFT EQUIP	1				
			ME636620	BUSHING,M/T GEARSHIFT EQUIP	1				
			ME636620	BUSHING,M/T GEARSHIFT EQUIP	1				
			ME636620	BUSHING,M/T GEARSHIFT EQUIP	1				

FK74R
22-130 M/T GEARSHIFT CONTROL

SPN	Repl Part	PNC	Part No	Part Name	Qty	Part Spec	Remarks	PREV.1	NEW1
		23995S	ME636620	BUSHING,M/T GEARSHIFT EQUIP	1				
			ME636620	BUSHING,M/T GEARSHIFT EQUIP	1				
		23995T	ME636621	BUSHING,M/T GEARSHIFT EQUIP	1				
			ME636621	BUSHING,M/T GEARSHIFT EQUIP	1				
			ME636621	BUSHING,M/T GEARSHIFT EQUIP	1				
			ME636621	BUSHING,M/T GEARSHIFT EQUIP	1				
			ME636621	BUSHING,M/T GEARSHIFT EQUIP	1				
			ME636621	BUSHING,M/T GEARSHIFT EQUIP	1				
			ME636621	BUSHING,M/T GEARSHIFT EQUIP	1				
			ME636621	BUSHING,M/T GEARSHIFT EQUIP	1				
			ME636621	BUSHING,M/T GEARSHIFT EQUIP	1				
			ME636621	BUSHING,M/T GEARSHIFT EQUIP	1				
			ME636621	BUSHING,M/T GEARSHIFT EQUIP	1				
			ME636621	BUSHING,M/T GEARSHIFT EQUIP	1				
			ME636621	BUSHING,M/T GEARSHIFT EQUIP	1				
			ME636621	BUSHING,M/T GEARSHIFT EQUIP	1				
			ME636621	BUSHING,M/T GEARSHIFT EQUIP	1				
			ME636621	BUSHING,M/T GEARSHIFT EQUIP	1				
			ME636621	BUSHING,M/T GEARSHIFT EQUIP	1				
			ME636621	BUSHING,M/T GEARSHIFT EQUIP	1				
		23996E	MH026154	BRACKET,M/T GEARSHIFT EQUIP	1				
			MH026154	BRACKET,M/T GEARSHIFT EQUIP	1				
			MH026154	BRACKET,M/T GEARSHIFT EQUIP	1				
			MH026154	BRACKET,M/T GEARSHIFT EQUIP	1				

FK74R
22-130 M/T GEARSHIFT CONTROL

SPN	Repl Part	PNC	Part No	Part Name	Qty	Part Spec	Remarks	PREV.1	NEW1
		23996E	MH026154	BRACKET,M/T GEARSHIFT EQUIP	1				
			MH026154	BRACKET,M/T GEARSHIFT EQUIP	1				
			MH026154	BRACKET,M/T GEARSHIFT EQUIP	1				
			MH026154	BRACKET,M/T GEARSHIFT EQUIP	1				
			MH026154	BRACKET,M/T GEARSHIFT EQUIP	1				
			MH026154	BRACKET,M/T GEARSHIFT EQUIP	1				
			MH026154	BRACKET,M/T GEARSHIFT EQUIP	1				
			MH026154	BRACKET,M/T GEARSHIFT EQUIP	1				
		23996G	MH026151	BRACKET,M/T GEARSHIFT EQUIP	1		L1=25,L2=70		
			MH026151	BRACKET,M/T GEARSHIFT EQUIP	1		L1=25,L2=70		
			MH026151	BRACKET,M/T GEARSHIFT EQUIP	1		L1=25,L2=70		
			MH026151	BRACKET,M/T GEARSHIFT EQUIP	1		L1=25,L2=70		
			MH026151	BRACKET,M/T GEARSHIFT EQUIP	1		L1=25,L2=70		
			MH026151	BRACKET,M/T GEARSHIFT EQUIP	1		L1=25,L2=70		
			MH026151	BRACKET,M/T GEARSHIFT EQUIP	1		L1=25,L2=70		
			MH026151	BRACKET,M/T GEARSHIFT EQUIP	1		L1=25,L2=70		
			MH026151	BRACKET,M/T GEARSHIFT EQUIP	1		L1=25,L2=70		
			MH026151	BRACKET,M/T GEARSHIFT EQUIP	1		L1=25,L2=70		
			MH026151	BRACKET,M/T GEARSHIFT EQUIP	1		L1=25,L2=70		
			MH026151	BRACKET,M/T GEARSHIFT EQUIP	1		L1=25,L2=70		
		23996S	ME512713	BRACKET,M/T GEARSHIFT EQUIP	1				
			ME512713	BRACKET,M/T GEARSHIFT EQUIP	1				

FK74R
22-130 M/T GEARSHIFT CONTROL

SPN	Repl Part	PNC	Part No	Part Name	Qty	Part Spec	Remarks	PREV.1	NEW1
		23996S	ME512713	BRACKET,M/T GEARSHIFT EQUIP	1				
			ME512713	BRACKET,M/T GEARSHIFT EQUIP	1				
			ME512713	BRACKET,M/T GEARSHIFT EQUIP	1				
			ME512713	BRACKET,M/T GEARSHIFT EQUIP	1				
			ME512713	BRACKET,M/T GEARSHIFT EQUIP	1				
			ME512713	BRACKET,M/T GEARSHIFT EQUIP	1				
			ME512713	BRACKET,M/T GEARSHIFT EQUIP	1				
			ME512713	BRACKET,M/T GEARSHIFT EQUIP	1				
			ME512713	BRACKET,M/T GEARSHIFT EQUIP	1				
			ME512713	BRACKET,M/T GEARSHIFT EQUIP	1				
			ME512713	BRACKET,M/T GEARSHIFT EQUIP	1				
			ME512713	BRACKET,M/T GEARSHIFT EQUIP	1				
			ME512713	BRACKET,M/T GEARSHIFT EQUIP	1				
			ME512713	BRACKET,M/T GEARSHIFT EQUIP	1				
			ME512713	BRACKET,M/T GEARSHIFT EQUIP	1				
			ME512713	BRACKET,M/T GEARSHIFT EQUIP	1				
			ME512713	BRACKET,M/T GEARSHIFT EQUIP	1				
			ME512713	BRACKET,M/T GEARSHIFT EQUIP	1				
			ME512713	BRACKET,M/T GEARSHIFT EQUIP	1				
		23996SB	MH026570	BRACKET,M/T GEARSHIFT EQUIP	1				
			MH026570	BRACKET,M/T GEARSHIFT EQUIP	1				
			MH026570	BRACKET,M/T GEARSHIFT EQUIP	1				
			MH026570	BRACKET,M/T GEARSHIFT EQUIP	1				
			MH026570	BRACKET,M/T GEARSHIFT EQUIP	1				
			MH026570	BRACKET,M/T GEARSHIFT EQUIP	1				
			MH026570	BRACKET,M/T GEARSHIFT EQUIP	1				
			MH026570	BRACKET,M/T GEARSHIFT EQUIP	1				
			MH026570	BRACKET,M/T GEARSHIFT EQUIP	1				
			MH026570	BRACKET,M/T GEARSHIFT EQUIP	1				

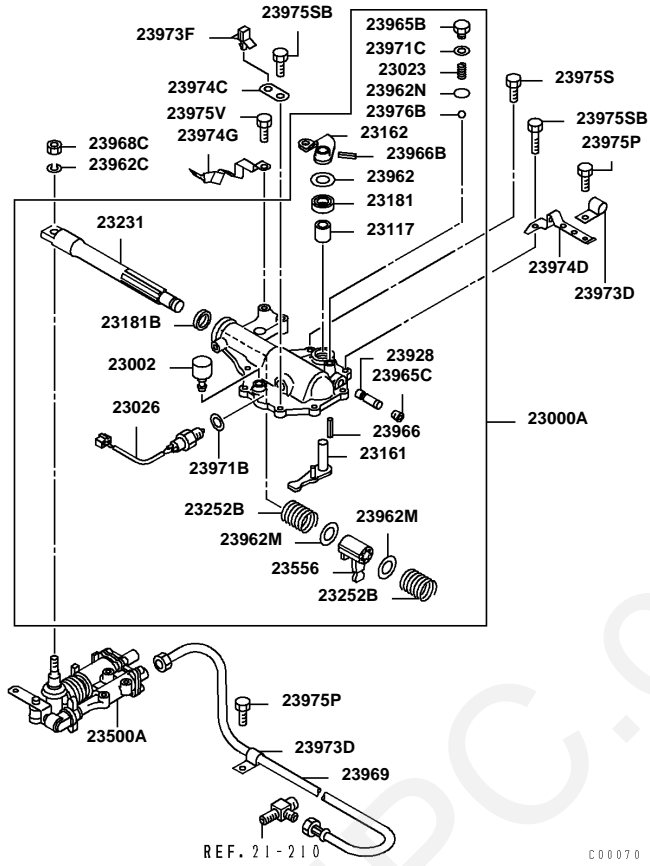
FK74R
22-130 M/T GEARSHIFT CONTROL

SPN	Repl Part	PNC	Part No	Part Name	Qty	Part Spec	Remarks	PREV.1	NEW1
		23998C	MH001592	BOLT,M/T GEARSHIFT EQUIP	1	FLANGE,10X25			
			MH001592	BOLT,M/T GEARSHIFT EQUIP	1	FLANGE,10X25			
			MH001592	BOLT,M/T GEARSHIFT EQUIP	1	FLANGE,10X25			
			MH001592	BOLT,M/T GEARSHIFT EQUIP	1	FLANGE,10X25			
			MH001592	BOLT,M/T GEARSHIFT EQUIP	1	FLANGE,10X25			
			MH001592	BOLT,M/T GEARSHIFT EQUIP	1	FLANGE,10X25			
			MH001592	BOLT,M/T GEARSHIFT EQUIP	1	FLANGE,10X25			
			MH001592	BOLT,M/T GEARSHIFT EQUIP	1	FLANGE,10X25			
			MH001592	BOLT,M/T GEARSHIFT EQUIP	1	FLANGE,10X25			
			MH001592	BOLT,M/T GEARSHIFT EQUIP	1	FLANGE,10X25			
			MH001592	BOLT,M/T GEARSHIFT EQUIP	1	FLANGE,10X25			
			MH001592	BOLT,M/T GEARSHIFT EQUIP	1	FLANGE,10X25			
			MH001592	BOLT,M/T GEARSHIFT EQUIP	1	FLANGE,10X25			
			MH001592	BOLT,M/T GEARSHIFT EQUIP	1	FLANGE,10X25			
			MH001592	BOLT,M/T GEARSHIFT EQUIP	1	FLANGE,10X25			
			MH001592	BOLT,M/T GEARSHIFT EQUIP	1	FLANGE,10X25			
			MH001592	BOLT,M/T GEARSHIFT EQUIP	1	FLANGE,10X25			
			MH001592	BOLT,M/T GEARSHIFT EQUIP	1	FLANGE,10X25			
			MH001592	BOLT,M/T GEARSHIFT EQUIP	1	FLANGE,10X25			
			MH001592	BOLT,M/T GEARSHIFT EQUIP	1	FLANGE,10X25			
		23998S	MF140224	BOLT,M/T GEARSHIFT EQUIP	1	FLANGE,8X18	7T		
			MF140224	BOLT,M/T GEARSHIFT EQUIP	1	FLANGE,8X18	7T		
			MF140224	BOLT,M/T GEARSHIFT EQUIP	1	FLANGE,8X18	7T		
			MF140224	BOLT,M/T GEARSHIFT EQUIP	1	FLANGE,8X18	7T		
			MF140224	BOLT,M/T GEARSHIFT EQUIP	1	FLANGE,8X18	7T		
			MF140224	BOLT,M/T GEARSHIFT EQUIP	1	FLANGE,8X18	7T		

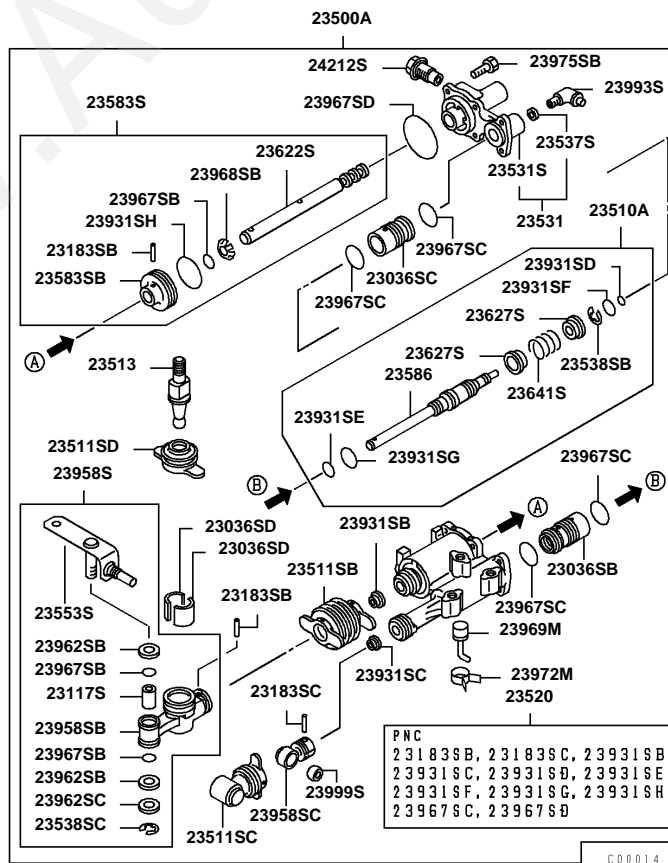
FK74R
22-130 M/T GEARSHIFT CONTROL

SPN	Repl Part	PNC	Part No	Part Name	Qty	Part Spec	Remarks	PREV.1	NEW1
		23998S	MF140224	BOLT,M/T GEARSHIFT EQUIP	1	FLANGE,8X18	7T		
			MF140224	BOLT,M/T GEARSHIFT EQUIP	1	FLANGE,8X18	7T		
			MF140224	BOLT,M/T GEARSHIFT EQUIP	1	FLANGE,8X18	7T		
			MF140224	BOLT,M/T GEARSHIFT EQUIP	1	FLANGE,8X18	7T		
			MF140224	BOLT,M/T GEARSHIFT EQUIP	1	FLANGE,8X18	7T		
			MF140224	BOLT,M/T GEARSHIFT EQUIP	1	FLANGE,8X18	7T		
			MF140224	BOLT,M/T GEARSHIFT EQUIP	1	FLANGE,8X18	7T		
			MF140224	BOLT,M/T GEARSHIFT EQUIP	1	FLANGE,8X18	7T		
			MF140224	BOLT,M/T GEARSHIFT EQUIP	1	FLANGE,8X18	7T		
			MF140224	BOLT,M/T GEARSHIFT EQUIP	1	FLANGE,8X18	7T		
		23999C	(N.e.c.)	BALL,M/T GEARSHIFT EQUIP					
		23991	(N.e.c.)	GASKET,M/T GEARSHIFT EQUIP					
		23996B	(N.e.c.)	BRACKET,M/T GEARSHIFT EQUIP					
		23997B	(N.e.c.)	PLUG,M/T GEARSHIFT EQUIP					
		23991H	(N.e.c.)	GASKET,M/T GEARSHIFT EQUIP					

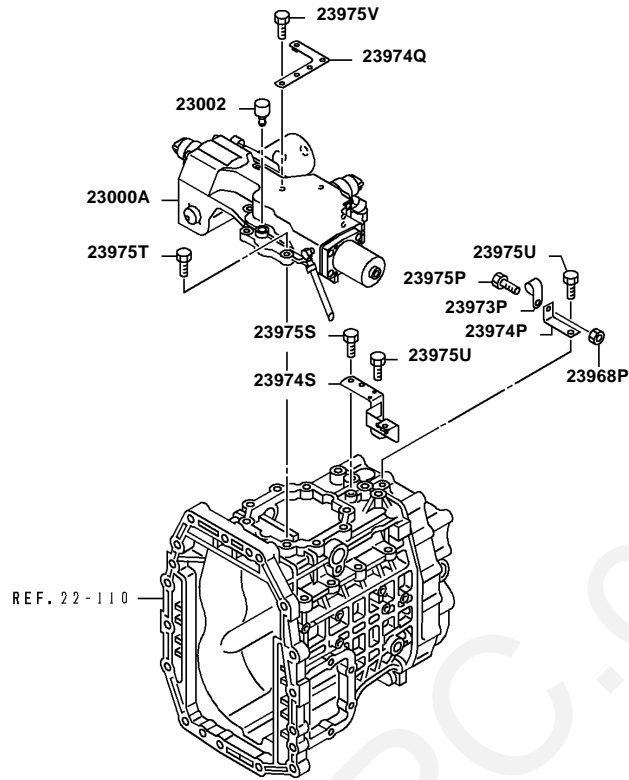
FK74R
No.1



FK74R
No.2

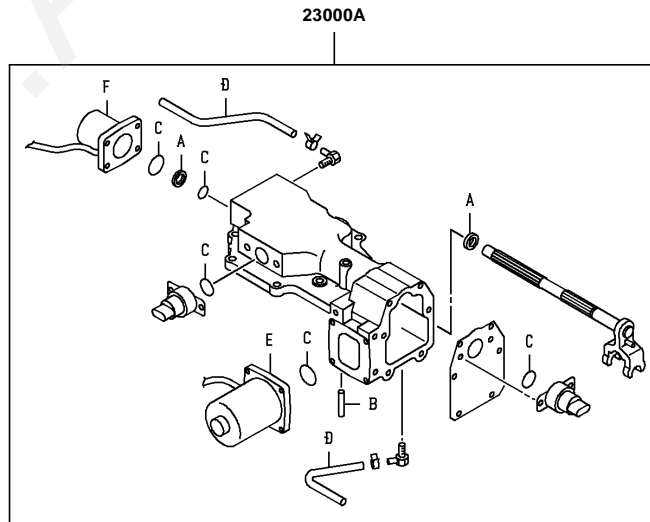


FK74R
No.3



C00065

FK74R
No.4



23035	23049B	23049C
PNC	PNC	PNC
A, B, C, D	E	F

A: OIL SEAL E: SHIFT MOTOR F: SELECT MOTOR
B: PIN
C: O-RING
D: HOSE

C00146

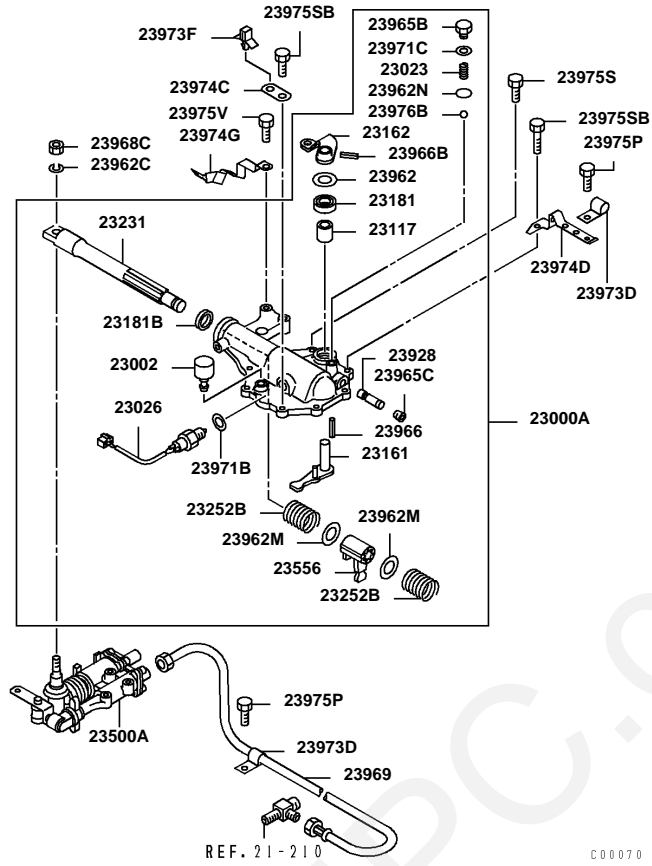
22-150 M/T GEARSHIFT CONTROL UPPER

PNC	Part Name	See Page
23000A	GEARSHIFT ASSY,M/T,UPR	(Please refer to the page 1/2)
23002	BREATHER,M/T UPR GEARSHIFT CASE	(Please refer to the page 1/2)
23023	SPRING,M/T GEARSHIFT CASE POPPET	(Please refer to the page 1/2)
23026	SWITCH,M/T GEARSHIFT INTERLOCK	(Please refer to the page 1/2)
23035	SEAL KIT,M/T UPR GEARSHIFT	(Please refer to the page 1/2)
23036SB	SEAT,M/T UPR GEARSHIFT VALVE CONNECTOR	(Please refer to the page 1/2)
23036SC	SEAT,M/T UPR GEARSHIFT VALVE CONNECTOR	(Please refer to the page 1/2)
23036SD	SEAT,M/T UPR GEARSHIFT VALVE CONNECTOR	(Please refer to the page 1/2)
23049B	MOTOR KIT,M/T GEARSHIFT	(Please refer to the page 1/2)
23049C	MOTOR KIT,M/T GEARSHIFT	(Please refer to the page 1/2)
23117	BUSHING,M/T UPR GEARSHIFT EQUIP	(Please refer to the page 1/2)
23117S	BUSHING,M/T UPR GEARSHIFT EQUIP	(Please refer to the page 1/2)
23161	LEVER,M/T SELECT,LWR	(Please refer to the page 1/2)
23162	LEVER,M/T SELECT,UPR	(Please refer to the page 1/2)
23181	OIL SEAL,M/T SELECT LEVER SHAFT	(Please refer to the page 1/2)
23181B	OIL SEAL,M/T SELECT LEVER SHAFT	(Please refer to the page 1/2)
23183SB	PIN,M/T UPR GEARSHIFT EQUIP	(Please refer to the page 1/2)
23183SC	PIN,M/T UPR GEARSHIFT EQUIP	(Please refer to the page 1/2)
23231	SHAFT,M/T GEARSHIFT	(Please refer to the page 1/2)
23252B	SPRING,M/T GEARSHIFT LEVER RETURN	(Please refer to the page 1/2)
23500A	SERVO ASSY,M/T GEARSHIFT	(Please refer to the page 1/2)
23510A	ROD & VALVE ASSY,M/T GEARSHIFT SERVO	(Please refer to the page 1/2)
23511SB	BOOT,M/T GEARSHIFT SERVO ACTUATING ROD	(Please refer to the page 1/2)
23511SC	BOOT,M/T GEARSHIFT SERVO ACTUATING ROD	(Please refer to the page 1/2)
23511SD	BOOT,M/T GEARSHIFT SERVO ACTUATING ROD	(Please refer to the page 1/2)
23513	BALL STUD,M/T GEARSHIFT SERVO	(Please refer to the page 1/2)
23520	SERVO KIT,M/T GEARSHIFT	(Please refer to the page 1/2)
23531	COVER,M/T GEARSHIFT SERVO HOUSING SIDE	(Please refer to the page 1/2)
23531S	COVER,M/T GEARSHIFT SERVO HOUSING SIDE	(Please refer to the page 1/2)
23537S	FILTER,M/T GEARSHIFT SERVO	(Please refer to the page 1/2)
23538SB	E-RING,M/T GEARSHIFT SERVO	(Please refer to the page 1/2)
23538SC	E-RING,M/T GEARSHIFT SERVO	(Please refer to the page 1/2)
23553S	LEVER,M/T GEARSHIFT SERVO	(Please refer to the page 1/2)
23556	LEVER,M/T GEARSHIFT SERVO SLIDING	(Please refer to the page 1/2)
23583S	PISTON,M/T GEARSHIFT SERVO SHIFT	(Please refer to the page 1/2)
23583SB	PISTON,M/T GEARSHIFT SERVO SHIFT	(Please refer to the page 1/2)
23586	VALVE,M/T GEARSHIFT SERVO	(Please refer to the page 1/2)
23622S	ROD,M/T GEARSHIFT SERVO SHIFT	(Please refer to the page 1/2)
23627S	SEAT,M/T GEARSHIFT SERVO LIFTER	(Please refer to the page 1/2)
23641S	SPRING,M/T GEARSHIFT SERVO LIFTER	(Please refer to the page 1/2)
23928	PLUNGER,M/T GEARSHIFT INTERLOCK,CTR	(Please refer to the page 1/2)
23931SB	SEAL RING,M/T UPR GEARSHIFT EQUIP	(Please refer to the page 1/2)
23931SC	SEAL RING,M/T UPR GEARSHIFT EQUIP	(Please refer to the page 1/2)
23931SD	SEAL RING,M/T UPR GEARSHIFT EQUIP	(Please refer to the page 1/2)
23931SE	SEAL RING,M/T UPR GEARSHIFT EQUIP	(Please refer to the page 1/2)
23931SF	SEAL RING,M/T UPR GEARSHIFT EQUIP	(Please refer to the page 1/2)
23931SG	SEAL RING,M/T UPR GEARSHIFT EQUIP	(Please refer to the page 2/2)
23931SH	SEAL RING,M/T UPR GEARSHIFT EQUIP	(Please refer to the page 2/2)
23958S	JOINT,M/T UPR GEARSHIFT EQUIP	(Please refer to the page 2/2)
23958SB	JOINT,M/T UPR GEARSHIFT EQUIP	(Please refer to the page 2/2)
23958SC	JOINT,M/T UPR GEARSHIFT EQUIP	(Please refer to the page 2/2)
23962	WASHER,M/T UPR GEARSHIFT EQUIP	(Please refer to the page 2/2)
23962C	WASHER,M/T UPR GEARSHIFT EQUIP	(Please refer to the page 2/2)
23962M	WASHER,M/T UPR GEARSHIFT EQUIP	(Please refer to the page 2/2)
23962N	WASHER,M/T UPR GEARSHIFT EQUIP	(Please refer to the page 2/2)
23962SB	WASHER,M/T UPR GEARSHIFT EQUIP	(Please refer to the page 2/2)
23962SC	WASHER,M/T UPR GEARSHIFT EQUIP	(Please refer to the page 2/2)
23965B	PLUG,M/T UPR GEARSHIFT EQUIP	(Please refer to the page 2/2)
23965C	PLUG,M/T UPR GEARSHIFT EQUIP	(Please refer to the page 2/2)
23966	SPRING PIN,M/T UPR GEARSHIFT EQUIP	(Please refer to the page 2/2)
23966B	SPRING PIN,M/T UPR GEARSHIFT EQUIP	(Please refer to the page 2/2)
23967SB	O-RING,M/T UPR GEARSHIFT EQUIP	(Please refer to the page 2/2)
23967SC	O-RING,M/T UPR GEARSHIFT EQUIP	(Please refer to the page 2/2)
23967SD	O-RING,M/T UPR GEARSHIFT EQUIP	(Please refer to the page 2/2)
23968C	NUT,M/T UPR GEARSHIFT EQUIP	(Please refer to the page 2/2)
23968SB	NUT,M/T UPR GEARSHIFT EQUIP	(Please refer to the page 2/2)
23969	HOSE,M/T UPR GEARSHIFT EQUIP	(Please refer to the page 2/2)
23969M	HOSE,M/T UPR GEARSHIFT EQUIP	(Please refer to the page 2/2)
23971B	GASKET,M/T UPR GEARSHIFT EQUIP	(Please refer to the page 2/2)
23971C	GASKET,M/T UPR GEARSHIFT EQUIP	(Please refer to the page 2/2)
23972M	CLAMP,M/T UPR GEARSHIFT EQUIP	(Please refer to the page 2/2)
23973D	CLIP,M/T UPR GEARSHIFT EQUIP	(Please refer to the page 2/2)

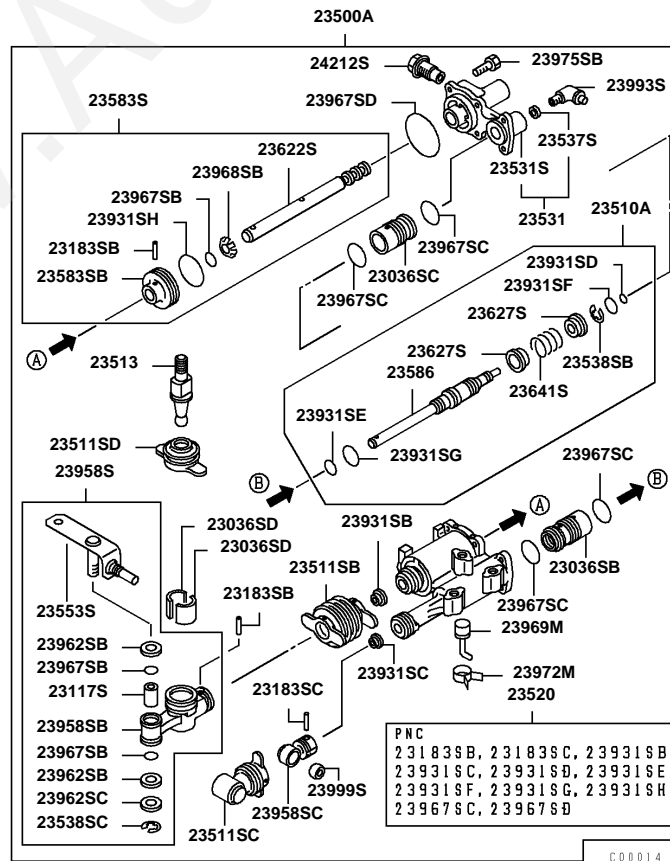
22-150 M/T GEARSHIFT CONTROL UPPER

PNC	Part Name	See Page
23973F	CLIP,M/T UPR GEARSHIFT EQUIP	(Please refer to the page 2/2)
23973P	CLIP,M/T UPR GEARSHIFT EQUIP	(Please refer to the page 2/2)
23974C	BRACKET,M/T UPR GEARSHIFT EQUIP	(Please refer to the page 2/2)
23974D	BRACKET,M/T UPR GEARSHIFT EQUIP	(Please refer to the page 2/2)
23974G	BRACKET,M/T UPR GEARSHIFT EQUIP	(Please refer to the page 2/2)
23974P	BRACKET,M/T UPR GEARSHIFT EQUIP	(Please refer to the page 2/2)
23974Q	BRACKET,M/T UPR GEARSHIFT EQUIP	(Please refer to the page 2/2)
23974S	BRACKET,M/T UPR GEARSHIFT EQUIP	(Please refer to the page 2/2)
23975P	BOLT,M/T UPR GEARSHIFT EQUIP	(Please refer to the page 2/2)
23975S	BOLT,M/T UPR GEARSHIFT EQUIP	(Please refer to the page 2/2)
23975SB	BOLT,M/T UPR GEARSHIFT EQUIP	(Please refer to the page 2/2)
23975T	BOLT,M/T UPR GEARSHIFT EQUIP	(Please refer to the page 2/2)
23975U	BOLT,M/T UPR GEARSHIFT EQUIP	(Please refer to the page 2/2)
23975V	BOLT,M/T UPR GEARSHIFT EQUIP	(Please refer to the page 2/2)
23976B	BALL,M/T UPR GEARSHIFT EQUIP	(Please refer to the page 2/2)
23993S	CONNECTOR,M/T GEARSHIFT EQUIP	(Please refer to the page 2/2)
23999S	BALL,M/T GEARSHIFT EQUIP	(Please refer to the page 2/2)
24212S	DETENT UNIT,GEARSHIFT SELECT	(Please refer to the page 2/2)
23968P	NUT,M/T UPR GEARSHIFT EQUIP	(N.e.c.)

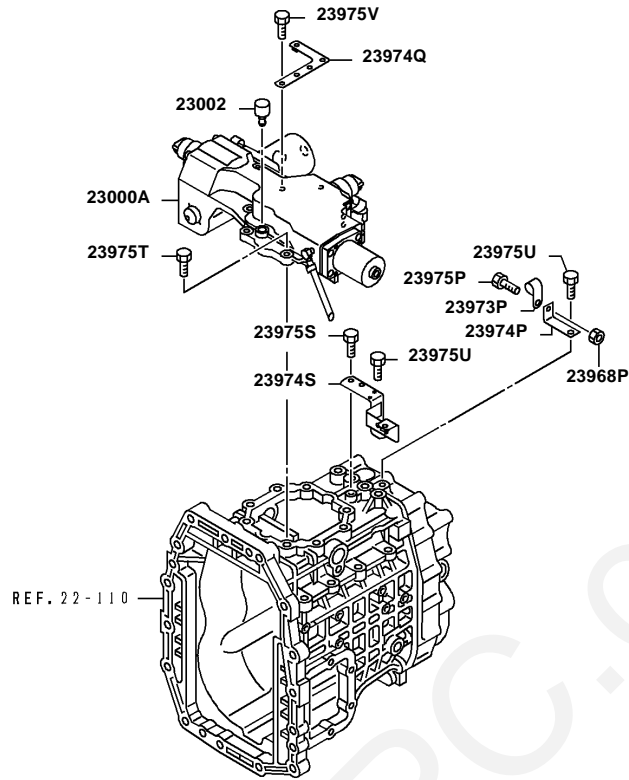
FK74R
No.1



FK74R
No.2

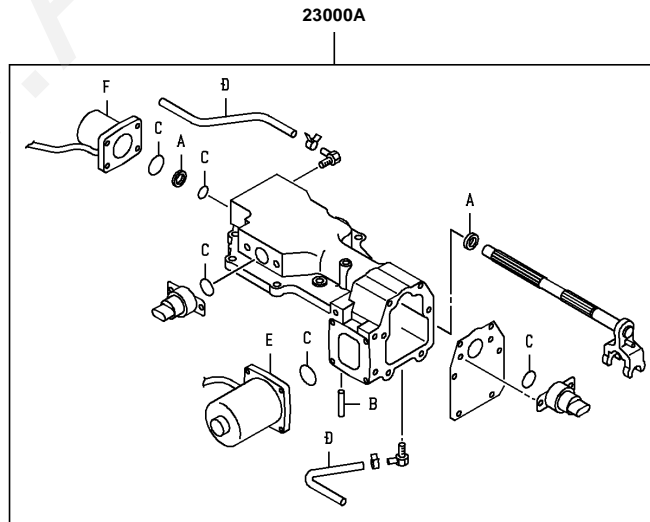


FK74R
No.3



C00065

FK74R
No.4



23035	23049B	23049C
PNC	PNC	PNC
A, B, C, D	E	F

A: OIL SEAL E: SHIFT MOTOR F: SELECT MOTOR
B: PIN
C: O-RING
D: HOSE

C00146

FK74R
22-150 M/T GEARSHIFT CONTROL UPPER (1/2)

Repl Part	PNC	Part No	Part Name	Qty	NEW1	NEW2	Classification
RP	23000A	ME515419	GEARSHIFT ASSY,M/T,UPR	1	Y		G6,G6E,H6, H6E,J6,J6E, K6,K6E,M6, M6E
RP		ME515419	GEARSHIFT ASSY,M/T,UPR	1	Y		G6,G6E,H6, H6E,J6,J6E, K6,K6E,M6, M6E
RP		ME515419	GEARSHIFT ASSY,M/T,UPR	1	Y		G6E,M6
RP		ME515419	GEARSHIFT ASSY,M/T,UPR	1	Y		G6,H6,H6E, J6,J6E,K6, K6E,M6E
RP		ME515419	GEARSHIFT ASSY,M/T,UPR	1	Y		G6,G6E,H6, H6E,J6,J6E, K6,K6E,M6, M6E
RP		ME526310	GEARSHIFT ASSY,M/T,UPR	1	Y	Y	G6V,H6V,H6VE, J6V,J6VE,K6V, K6VE,M6VE
RP		ME526310	GEARSHIFT ASSY,M/T,UPR	1	Y	Y	G6V,H6V,H6VE, J6V,J6VE,K6V, K6VE,M6VE
RP		ME515419	GEARSHIFT ASSY,M/T,UPR	1	Y		G6,H6,H6E, J6,J6E,K6, K6E,M6E
RP		ME515419	GEARSHIFT ASSY,M/T,UPR	1	Y		G6,H6,H6E, J6,J6E,K6, K6E,M6E
RP		ME515419	GEARSHIFT ASSY,M/T,UPR	1	Y		G6,H6,H6E, J6,J6E,K6, K6E,M6E
RP		ME515419	GEARSHIFT ASSY,M/T,UPR	1	Y		G6,H6,H6E, J6,J6E,K6, K6E,M6E
RP		ME515419	GEARSHIFT ASSY,M/T,UPR	1	Y		G6,H6,H6E, J6,J6E,K6, K6E,M6E
RP		ME515419	GEARSHIFT ASSY,M/T,UPR	1	Y		G6,H6,H6E, J6,J6E,K6, K6E,M6E
RP		ME523705	GEARSHIFT ASSY,M/T,UPR	1	Y	Y	G6V,H6V,H6VE, J6V,J6VE,K6V, K6VE,M6VE
RP		ME523705	GEARSHIFT ASSY,M/T,UPR	1	Y	Y	G6V,H6V,H6VE, J6V,J6VE,K6V, K6VE,M6VE
RP		ME523705	GEARSHIFT ASSY,M/T,UPR	1	Y	Y	G6V,H6V,H6VE, J6V,J6VE,K6V, K6VE,M6VE
RP		ME523705	GEARSHIFT ASSY,M/T,UPR	1	Y	Y	G6V,H6V,H6VE, J6V,J6VE,K6V, K6VE,M6VE
RP		ME523705	GEARSHIFT ASSY,M/T,UPR	1	Y	Y	G6V,H6V,H6VE, J6V,J6VE,K6V, K6VE,M6VE
RP		ME515419	GEARSHIFT ASSY,M/T,UPR	1	Y		G6,H6,H6E, J6,J6E,K6, K6E,M6E
RP		ME515419	GEARSHIFT ASSY,M/T,UPR	1	Y		G6,H6,H6E, J6,J6E,K6, K6E,M6E
RP		ME515419	GEARSHIFT ASSY,M/T,UPR	1	Y		G6,H6,H6E, J6,J6E,K6, K6E,M6E
RP		ME538178	GEARSHIFT ASSY,M/T,UPR	1	Y		G6V,H6V,H6VE, J6V,J6VE,K6VE
	23002	ME600127	BREATHER,M/T UPR GEARSHIFT CASE	1			G6,G6E,H6, H6E,J6,J6E, K6,K6E,M6, M6E
		ME600127	BREATHER,M/T UPR GEARSHIFT CASE	1			G6E,M6

FK74R
22-150 M/T GEARSHIFT CONTROL UPPER (1/2)

Repl Part	PNC	Part No	Part Name	Qty	NEW1	NEW2	Classification
	23002	ME600127	BREATHER,M/T UPR GEARSHIFT CASE	1			G6V,H6V,H6VE, J6V,J6VE,K6V, K6VE,M6VE
		ME600127	BREATHER,M/T UPR GEARSHIFT CASE	1			G6,H6,H6E, J6,J6E,K6, K6E,M6E
		ME600127	BREATHER,M/T UPR GEARSHIFT CASE	1			G6,G6E,H6, H6E,J6,J6E, K6,K6E,M6, M6E
		ME600127	BREATHER,M/T UPR GEARSHIFT CASE	1			G6V,H6V,H6VE, J6V,J6VE,K6V, K6VE,M6VE
		ME600127	BREATHER,M/T UPR GEARSHIFT CASE	1			G6,H6,H6E, J6,J6E,K6, K6E,M6E
		ME600127	BREATHER,M/T UPR GEARSHIFT CASE	1			G6,H6,H6E, J6,J6E,K6, K6E,M6E
		ME600127	BREATHER,M/T UPR GEARSHIFT CASE	1			G6E,G6V,H6V, H6VE,J6V,J6VE, K6V,K6VE,M6, M6VE
		ME600127	BREATHER,M/T UPR GEARSHIFT CASE	1			G6,H6,H6E, J6,J6E,K6, K6E,M6E
		ME600127	BREATHER,M/T UPR GEARSHIFT CASE	1			G6E,M6
		ME600127	BREATHER,M/T UPR GEARSHIFT CASE	1			G6V,H6V,H6VE, J6V,J6VE,K6V, K6VE,M6VE
		ME600127	BREATHER,M/T UPR GEARSHIFT CASE	1			G6,G6E,G6V, H6,H6E,H6V, H6VE,J6,J6E, J6V,J6VE,K6, K6E,K6V,K6VE, M6,M6E,M6VE
		ME600127	BREATHER,M/T UPR GEARSHIFT CASE	1			G6,G6V,H6, H6E,H6V,H6VE, J6,J6E,J6V, J6VE,K6,K6E, K6V,K6VE,M6E, M6VE
		ME600127	BREATHER,M/T UPR GEARSHIFT CASE	1			G6,H6,H6E, J6,J6E,K6, K6E,M6E
		ME600127	BREATHER,M/T UPR GEARSHIFT CASE	1			G6V,H6V,H6VE, J6V,J6VE,K6V, K6VE,M6VE
	23023	ME642288	SPRING,M/T GEARSHIFT CASE POPPET	1			G6E,M6
		ME642288	SPRING,M/T GEARSHIFT CASE POPPET	1			G6,G6E,H6, H6E,J6,J6E, K6,K6E,M6, M6E
		ME642288	SPRING,M/T GEARSHIFT CASE POPPET	1			G6,H6,H6E, J6,J6E,K6, K6E,M6E
		ME642288	SPRING,M/T GEARSHIFT CASE POPPET	1			G6,G6E,H6, H6E,J6,J6E, K6,K6E,M6, M6E
		ME642288	SPRING,M/T GEARSHIFT CASE POPPET	1			G6,G6E,H6, H6E,J6,J6E, K6,K6E,M6, M6E
		ME642288	SPRING,M/T GEARSHIFT CASE POPPET	1			G6,H6,H6E, J6,J6E,K6, K6E,M6E
		ME642288	SPRING,M/T GEARSHIFT CASE POPPET	1			G6,H6,H6E, J6,J6E,K6, K6E,M6E
		ME642288	SPRING,M/T GEARSHIFT CASE POPPET	1			G6,H6,H6E, J6,J6E,K6, K6E,M6E

FK74R
22-150 M/T GEARSHIFT CONTROL UPPER (1/2)

Repl Part	PNC	Part No	Part Name	Qty	NEW1	NEW2	Classification
	23023	ME642288	SPRING,M/T GEARSHIFT CASE POPPET	1			G6,H6,H6E, J6,J6E,K6, K6E,M6E
		ME642288	SPRING,M/T GEARSHIFT CASE POPPET	1			G6,H6,H6E, J6,J6E,K6, K6E,M6E
		ME642288	SPRING,M/T GEARSHIFT CASE POPPET	1			G6,H6,H6E, J6,J6E,K6, K6E,M6E
		ME642288	SPRING,M/T GEARSHIFT CASE POPPET	1			G6,H6,H6E, J6,J6E,K6, K6E,M6E
		ME642288	SPRING,M/T GEARSHIFT CASE POPPET	1			G6,H6,H6E, J6,J6E,K6, K6E,M6E
	23026	MK421210	SWITCH,M/T GEARSHIFT INTERLOCK	1			G6E,M6
		MK421210	SWITCH,M/T GEARSHIFT INTERLOCK	1			G6,G6E,H6, H6E,J6,J6E, K6,K6E,M6, M6E
		MK421210	SWITCH,M/T GEARSHIFT INTERLOCK	1			G6,H6,H6E, J6,J6E,K6, K6E,M6E
		MK421210	SWITCH,M/T GEARSHIFT INTERLOCK	1			G6,G6E,H6, H6E,J6,J6E, K6,K6E,M6, M6E
		MK421210	SWITCH,M/T GEARSHIFT INTERLOCK	1			G6,G6E,H6, H6E,J6,J6E, K6,K6E,M6, M6E
		MK421210	SWITCH,M/T GEARSHIFT INTERLOCK	1			G6,H6,H6E, J6,J6E,K6, K6E,M6E
		MK421210	SWITCH,M/T GEARSHIFT INTERLOCK	1			G6,H6,H6E, J6,J6E,K6, K6E,M6E
		MK421210	SWITCH,M/T GEARSHIFT INTERLOCK	1			G6,H6,H6E, J6,J6E,K6, K6E,M6E
		MK421210	SWITCH,M/T GEARSHIFT INTERLOCK	1			G6,H6,H6E, J6,J6E,K6, K6E,M6E
		MK421210	SWITCH,M/T GEARSHIFT INTERLOCK	1			G6,H6,H6E, J6,J6E,K6, K6E,M6E
		MK421210	SWITCH,M/T GEARSHIFT INTERLOCK	1			G6,H6,H6E, J6,J6E,K6, K6E,M6E
		MK421210	SWITCH,M/T GEARSHIFT INTERLOCK	1			G6,H6,H6E, J6,J6E,K6, K6E,M6E
		MK421210	SWITCH,M/T GEARSHIFT INTERLOCK	1			G6,H6,H6E, J6,J6E,K6, K6E,M6E
		MK421210	SWITCH,M/T GEARSHIFT INTERLOCK	1			G6,H6,H6E, J6,J6E,K6, K6E,M6E
		MK421210	SWITCH,M/T GEARSHIFT INTERLOCK	1			G6,H6,H6E, J6,J6E,K6, K6E,M6E
	23035	ME518047	SEAL KIT,M/T UPR GEARSHIFT	1			G6V,H6V,H6VE, J6V,J6VE,K6V, K6VE,M6VE
		ME518047	SEAL KIT,M/T UPR GEARSHIFT	1			G6V,H6V,H6VE, J6V,J6VE,K6V, K6VE,M6VE
		ME518047	SEAL KIT,M/T UPR GEARSHIFT	1			G6V,H6V,H6VE, J6V,J6VE,K6V, K6VE,M6VE
		ME518047	SEAL KIT,M/T UPR GEARSHIFT	1			G6V,H6V,H6VE, J6V,J6VE,K6V, K6VE,M6VE
		ME518047	SEAL KIT,M/T UPR GEARSHIFT	1			G6V,H6V,H6VE, J6V,J6VE,K6VE
		ME518047	SEAL KIT,M/T UPR GEARSHIFT	1			G6V,H6V,H6VE, J6V,J6VE,K6VE
		ME518047	SEAL KIT,M/T UPR GEARSHIFT	1			G6V,H6V,H6VE, J6V,J6VE,K6VE

FK74R
22-150 M/T GEARSHIFT CONTROL UPPER (1/2)

Repl Part	PNC	Part No	Part Name	Qty	NEW1	NEW2	Classification
	23036SB	ME643676	SEAT,M/T UPR GEARSHIFT VALVE CONNECTOR	1			G6E,M6
		ME643676	SEAT,M/T UPR GEARSHIFT VALVE CONNECTOR	1			G6,G6E,H6, H6E,J6,J6E, K6,K6E,M6, M6E
		ME643676	SEAT,M/T UPR GEARSHIFT VALVE CONNECTOR	1			G6,H6,H6E, J6,J6E,K6, K6E,M6E
		ME643676	SEAT,M/T UPR GEARSHIFT VALVE CONNECTOR	1			G6,G6E,H6, H6E,J6,J6E, K6,K6E,M6, M6E
		ME643676	SEAT,M/T UPR GEARSHIFT VALVE CONNECTOR	1			G6,G6E,H6, H6E,J6,J6E, K6,K6E,M6, M6E
		ME643676	SEAT,M/T UPR GEARSHIFT VALVE CONNECTOR	1			G6,H6,H6E, J6,J6E,K6, K6E,M6E
		ME643676	SEAT,M/T UPR GEARSHIFT VALVE CONNECTOR	1			G6,H6,H6E, J6,J6E,K6, K6E,M6E
		ME643676	SEAT,M/T UPR GEARSHIFT VALVE CONNECTOR	1			G6,H6,H6E, J6,J6E,K6, K6E,M6E
		ME643676	SEAT,M/T UPR GEARSHIFT VALVE CONNECTOR	1			G6,H6,H6E, J6,J6E,K6, K6E,M6E
		ME643676	SEAT,M/T UPR GEARSHIFT VALVE CONNECTOR	1			G6,H6,H6E, J6,J6E,K6, K6E,M6E
		ME643676	SEAT,M/T UPR GEARSHIFT VALVE CONNECTOR	1			G6,H6,H6E, J6,J6E,K6, K6E,M6E
		ME643676	SEAT,M/T UPR GEARSHIFT VALVE CONNECTOR	1			G6,H6,H6E, J6,J6E,K6, K6E,M6E
		ME643676	SEAT,M/T UPR GEARSHIFT VALVE CONNECTOR	1			G6,H6,H6E, J6,J6E,K6, K6E,M6E
		ME643676	SEAT,M/T UPR GEARSHIFT VALVE CONNECTOR	1			G6,H6,H6E, J6,J6E,K6, K6E,M6E
	23036SC	ME643677	SEAT,M/T UPR GEARSHIFT VALVE CONNECTOR	1			G6E,M6
		ME643677	SEAT,M/T UPR GEARSHIFT VALVE CONNECTOR	1			G6,G6E,H6, H6E,J6,J6E, K6,K6E,M6, M6E
		ME643677	SEAT,M/T UPR GEARSHIFT VALVE CONNECTOR	1			G6,H6,H6E, J6,J6E,K6, K6E,M6E
		ME643677	SEAT,M/T UPR GEARSHIFT VALVE CONNECTOR	1			G6,G6E,H6, H6E,J6,J6E, K6,K6E,M6, M6E
		ME643677	SEAT,M/T UPR GEARSHIFT VALVE CONNECTOR	1			G6,G6E,H6, H6E,J6,J6E, K6,K6E,M6, M6E
		ME643677	SEAT,M/T UPR GEARSHIFT VALVE CONNECTOR	1			G6,H6,H6E, J6,J6E,K6, K6E,M6E
		ME643677	SEAT,M/T UPR GEARSHIFT VALVE CONNECTOR	1			G6,H6,H6E, J6,J6E,K6, K6E,M6E
		ME643677	SEAT,M/T UPR GEARSHIFT VALVE CONNECTOR	1			G6,H6,H6E, J6,J6E,K6, K6E,M6E
		ME643677	SEAT,M/T UPR GEARSHIFT VALVE CONNECTOR	1			G6,H6,H6E, J6,J6E,K6, K6E,M6E
		ME643677	SEAT,M/T UPR GEARSHIFT VALVE CONNECTOR	1			G6,H6,H6E, J6,J6E,K6, K6E,M6E

FK74R
22-150 M/T GEARSHIFT CONTROL UPPER (1/2)

Repl Part	PNC	Part No	Part Name	Qty	NEW1	NEW2	Classification
	23036SC	ME643677	SEAT,M/T UPR GEARSHIFT VALVE CONNECTOR	1			G6,H6,H6E, J6,J6E,K6, K6E,M6E
		ME643677	SEAT,M/T UPR GEARSHIFT VALVE CONNECTOR	1			G6,H6,H6E, J6,J6E,K6, K6E,M6E
		ME643677	SEAT,M/T UPR GEARSHIFT VALVE CONNECTOR	1			G6,H6,H6E, J6,J6E,K6, K6E,M6E
	23036SD	ME643686	SEAT,M/T UPR GEARSHIFT VALVE CONNECTOR	2			G6E,M6
		ME643686	SEAT,M/T UPR GEARSHIFT VALVE CONNECTOR	2			G6,G6E,H6, H6E,J6,J6E, K6,K6E,M6, M6E
		ME643686	SEAT,M/T UPR GEARSHIFT VALVE CONNECTOR	2			G6,H6,H6E, J6,J6E,K6, K6E,M6E
		ME643686	SEAT,M/T UPR GEARSHIFT VALVE CONNECTOR	2			G6,G6E,H6, H6E,J6,J6E, K6,K6E,M6, M6E
		ME643686	SEAT,M/T UPR GEARSHIFT VALVE CONNECTOR	2			G6,G6E,H6, H6E,J6,J6E, K6,K6E,M6, M6E
		ME643686	SEAT,M/T UPR GEARSHIFT VALVE CONNECTOR	2			G6,H6,H6E, J6,J6E,K6, K6E,M6E
		ME643686	SEAT,M/T UPR GEARSHIFT VALVE CONNECTOR	2			G6,H6,H6E, J6,J6E,K6, K6E,M6E
		ME643686	SEAT,M/T UPR GEARSHIFT VALVE CONNECTOR	2			G6,H6,H6E, J6,J6E,K6, K6E,M6E
		ME643686	SEAT,M/T UPR GEARSHIFT VALVE CONNECTOR	2			G6,H6,H6E, J6,J6E,K6, K6E,M6E
		ME643686	SEAT,M/T UPR GEARSHIFT VALVE CONNECTOR	2			G6,H6,H6E, J6,J6E,K6, K6E,M6E
		ME643686	SEAT,M/T UPR GEARSHIFT VALVE CONNECTOR	2			G6,H6,H6E, J6,J6E,K6, K6E,M6E
		ME643686	SEAT,M/T UPR GEARSHIFT VALVE CONNECTOR	2			G6,H6,H6E, J6,J6E,K6, K6E,M6E
		ME643686	SEAT,M/T UPR GEARSHIFT VALVE CONNECTOR	2			G6,H6,H6E, J6,J6E,K6, K6E,M6E
		ME643686	SEAT,M/T UPR GEARSHIFT VALVE CONNECTOR	2			G6,H6,H6E, J6,J6E,K6, K6E,M6E
		ME643686	SEAT,M/T UPR GEARSHIFT VALVE CONNECTOR	2			G6,H6,H6E, J6,J6E,K6, K6E,M6E
		ME643686	SEAT,M/T UPR GEARSHIFT VALVE CONNECTOR	2			G6,H6,H6E, J6,J6E,K6, K6E,M6E
	23049B	ME518049	MOTOR KIT,M/T GEARSHIFT	1			G6V,H6V,H6VE, J6V,J6VE,K6V, K6VE,M6VE
		ME518049	MOTOR KIT,M/T GEARSHIFT	1			G6V,H6V,H6VE, J6V,J6VE,K6V, K6VE,M6VE
		ME518049	MOTOR KIT,M/T GEARSHIFT	1			G6V,H6V,H6VE, J6V,J6VE,K6V, K6VE,M6VE
		ME518049	MOTOR KIT,M/T GEARSHIFT	1			G6V,H6V,H6VE, J6V,J6VE,K6V, K6VE,M6VE
		ME518049	MOTOR KIT,M/T GEARSHIFT	1			G6V,H6V,H6VE, J6V,J6VE,K6VE
		ME518049	MOTOR KIT,M/T GEARSHIFT	1			G6V,H6V,H6VE, J6V,J6VE,K6VE
		ME518049	MOTOR KIT,M/T GEARSHIFT	1			G6V,H6V,H6VE, J6V,J6VE,K6VE
		ME518049	MOTOR KIT,M/T GEARSHIFT	1			G6V,H6V,H6VE, J6V,J6VE,K6VE
	23049C	ME518048	MOTOR KIT,M/T GEARSHIFT	1			G6V,H6V,H6VE, J6V,J6VE,K6V, K6VE,M6VE
		ME518048	MOTOR KIT,M/T GEARSHIFT	1			G6V,H6V,H6VE, J6V,J6VE,K6V, K6VE,M6VE

FK74R
22-150 M/T GEARSHIFT CONTROL UPPER (1/2)

Repl Part	PNC	Part No	Part Name	Qty	NEW1	NEW2	Classification
	23049C	ME518048	MOTOR KIT,M/T GEARSHIFT	1			G6V,H6V,H6VE, J6V,J6VE,K6V, K6VE,M6VE
		ME518048	MOTOR KIT,M/T GEARSHIFT	1			G6V,H6V,H6VE, J6V,J6VE,K6V, K6VE,M6VE
		ME518048	MOTOR KIT,M/T GEARSHIFT	1			G6V,H6V,H6VE, J6V,J6VE,K6VE
		ME518048	MOTOR KIT,M/T GEARSHIFT	1			G6V,H6V,H6VE, J6V,J6VE,K6VE
		ME518048	MOTOR KIT,M/T GEARSHIFT	1			G6V,H6V,H6VE, J6V,J6VE,K6VE
	23117	ME642274	BUSHING,M/T UPR GEARSHIFT EQUIP	1			G6E,M6
		ME642274	BUSHING,M/T UPR GEARSHIFT EQUIP	1			G6,G6E,H6, H6E,J6,J6E, K6,K6E,M6, M6E
		ME642274	BUSHING,M/T UPR GEARSHIFT EQUIP	1			G6,H6,H6E, J6,J6E,K6, K6E,M6E
		ME642274	BUSHING,M/T UPR GEARSHIFT EQUIP	1			G6,G6E,H6, H6E,J6,J6E, K6,K6E,M6, M6E
		ME642274	BUSHING,M/T UPR GEARSHIFT EQUIP	1			G6,G6E,H6, H6E,J6,J6E, K6,K6E,M6, M6E
		ME642274	BUSHING,M/T UPR GEARSHIFT EQUIP	1			G6,G6E,H6, H6E,J6,J6E, K6,K6E,M6, M6E
		ME642274	BUSHING,M/T UPR GEARSHIFT EQUIP	1			G6,G6E,H6, H6E,J6,J6E, K6,K6E,M6, M6E
		ME642274	BUSHING,M/T UPR GEARSHIFT EQUIP	1			G6,G6E,H6, H6E,J6,J6E, K6,K6E,M6, M6E
		ME642274	BUSHING,M/T UPR GEARSHIFT EQUIP	1			G6,G6E,H6, H6E,J6,J6E, K6,K6E,M6, M6E
		ME642274	BUSHING,M/T UPR GEARSHIFT EQUIP	1			G6,G6E,H6, H6E,J6,J6E, K6,K6E,M6, M6E
		ME642274	BUSHING,M/T UPR GEARSHIFT EQUIP	1			G6,G6E,H6, H6E,J6,J6E, K6,K6E,M6, M6E
		ME642274	BUSHING,M/T UPR GEARSHIFT EQUIP	1			G6,G6E,H6, H6E,J6,J6E, K6,K6E,M6, M6E
		ME642274	BUSHING,M/T UPR GEARSHIFT EQUIP	1			G6,G6E,H6, H6E,J6,J6E, K6,K6E,M6, M6E
		ME642274	BUSHING,M/T UPR GEARSHIFT EQUIP	1			G6,G6E,H6, H6E,J6,J6E, K6,K6E,M6, M6E
		ME642274	BUSHING,M/T UPR GEARSHIFT EQUIP	1			G6,G6E,H6, H6E,J6,J6E, K6,K6E,M6, M6E
		ME642274	BUSHING,M/T UPR GEARSHIFT EQUIP	1			G6,G6E,H6, H6E,J6,J6E, K6,K6E,M6, M6E
	23117S	ME643662	BUSHING,M/T UPR GEARSHIFT EQUIP	1			G6E,M6
		ME643662	BUSHING,M/T UPR GEARSHIFT EQUIP	1			G6,G6E,H6, H6E,J6,J6E, K6,K6E,M6, M6E
		ME643662	BUSHING,M/T UPR GEARSHIFT EQUIP	1			G6,H6,H6E, J6,J6E,K6, K6E,M6E
		ME643662	BUSHING,M/T UPR GEARSHIFT EQUIP	1			G6,G6E,H6, H6E,J6,J6E, K6,K6E,M6, M6E
		ME643662	BUSHING,M/T UPR GEARSHIFT EQUIP	1			G6,G6E,H6, H6E,J6,J6E, K6,K6E,M6, M6E
		ME643662	BUSHING,M/T UPR GEARSHIFT EQUIP	1			G6,H6,H6E, J6,J6E,K6, K6E,M6E

FK74R
22-150 M/T GEARSHIFT CONTROL UPPER (1/2)

Repl Part	PNC	Part No	Part Name	Qty	NEW1	NEW2	Classification
	23117S	ME643662	BUSHING,M/T UPR GEARSHIFT EQUIP	1			G6,H6,H6E, J6,J6E,K6, K6E,M6E
		ME643662	BUSHING,M/T UPR GEARSHIFT EQUIP	1			G6,H6,H6E, J6,J6E,K6, K6E,M6E
		ME643662	BUSHING,M/T UPR GEARSHIFT EQUIP	1			G6,H6,H6E, J6,J6E,K6, K6E,M6E
		ME643662	BUSHING,M/T UPR GEARSHIFT EQUIP	1			G6,H6,H6E, J6,J6E,K6, K6E,M6E
		ME643662	BUSHING,M/T UPR GEARSHIFT EQUIP	1			G6,H6,H6E, J6,J6E,K6, K6E,M6E
		ME643662	BUSHING,M/T UPR GEARSHIFT EQUIP	1			G6,H6,H6E, J6,J6E,K6, K6E,M6E
		ME643662	BUSHING,M/T UPR GEARSHIFT EQUIP	1			G6,H6,H6E, J6,J6E,K6, K6E,M6E
	23161	ME642281	LEVER,M/T SELECT,LWR	1			G6E,M6
		ME642281	LEVER,M/T SELECT,LWR	1			G6,G6E,H6, H6E,J6,J6E, K6,K6E,M6, M6E
		ME642281	LEVER,M/T SELECT,LWR	1			G6,H6,H6E, J6,J6E,K6, K6E,M6E
		ME642281	LEVER,M/T SELECT,LWR	1			G6,G6E,H6, H6E,J6,J6E, K6,K6E,M6, M6E
		ME642281	LEVER,M/T SELECT,LWR	1			G6,G6E,H6, H6E,J6,J6E, K6,K6E,M6, M6E
		ME642281	LEVER,M/T SELECT,LWR	1			G6,H6,H6E, J6,J6E,K6, K6E,M6E
		ME642281	LEVER,M/T SELECT,LWR	1			G6,H6,H6E, J6,J6E,K6, K6E,M6E
		ME642281	LEVER,M/T SELECT,LWR	1			G6,H6,H6E, J6,J6E,K6, K6E,M6E
		ME642281	LEVER,M/T SELECT,LWR	1			G6,H6,H6E, J6,J6E,K6, K6E,M6E
		ME642281	LEVER,M/T SELECT,LWR	1			G6,H6,H6E, J6,J6E,K6, K6E,M6E
		ME642281	LEVER,M/T SELECT,LWR	1			G6,H6,H6E, J6,J6E,K6, K6E,M6E
		ME642281	LEVER,M/T SELECT,LWR	1			G6,H6,H6E, J6,J6E,K6, K6E,M6E
		ME642281	LEVER,M/T SELECT,LWR	1			G6,H6,H6E, J6,J6E,K6, K6E,M6E
	23162	ME642284	LEVER,M/T SELECT,UPR	1			G6E,M6
		ME642284	LEVER,M/T SELECT,UPR	1			G6,G6E,H6, H6E,J6,J6E, K6,K6E,M6, M6E
		ME642284	LEVER,M/T SELECT,UPR	1			G6,H6,H6E, J6,J6E,K6, K6E,M6E
		ME642284	LEVER,M/T SELECT,UPR	1			G6,G6E,H6, H6E,J6,J6E, K6,K6E,M6, M6E

FK74R
22-150 M/T GEARSHIFT CONTROL UPPER (1/2)

Repl Part	PNC	Part No	Part Name	Qty	NEW1	NEW2	Classification
	23162	ME642284	LEVER,M/T SELECT,UPR	1			G6,G6E,H6, H6E,J6,J6E, K6,K6E,M6, M6E
		ME642284	LEVER,M/T SELECT,UPR	1			G6,H6,H6E, J6,J6E,K6, K6E,M6E
		ME642284	LEVER,M/T SELECT,UPR	1			G6,H6,H6E, J6,J6E,K6, K6E,M6E
		ME642284	LEVER,M/T SELECT,UPR	1			G6,H6,H6E, J6,J6E,K6, K6E,M6E
		ME642284	LEVER,M/T SELECT,UPR	1			G6,H6,H6E, J6,J6E,K6, K6E,M6E
		ME642284	LEVER,M/T SELECT,UPR	1			G6,H6,H6E, J6,J6E,K6, K6E,M6E
		ME642284	LEVER,M/T SELECT,UPR	1			G6,H6,H6E, J6,J6E,K6, K6E,M6E
		ME642284	LEVER,M/T SELECT,UPR	1			G6,H6,H6E, J6,J6E,K6, K6E,M6E
		ME642284	LEVER,M/T SELECT,UPR	1			G6,H6,H6E, J6,J6E,K6, K6E,M6E
		ME642284	LEVER,M/T SELECT,UPR	1			G6,H6,H6E, J6,J6E,K6, K6E,M6E
	23181	ME642653	OIL SEAL,M/T SELECT LEVER SHAFT	1			G6E,M6
		ME642653	OIL SEAL,M/T SELECT LEVER SHAFT	1			G6,G6E,H6, H6E,J6,J6E, K6,K6E,M6, M6E
		ME642653	OIL SEAL,M/T SELECT LEVER SHAFT	1			G6,H6,H6E, J6,J6E,K6, K6E,M6E
		ME642653	OIL SEAL,M/T SELECT LEVER SHAFT	1			G6,G6E,H6, H6E,J6,J6E, K6,K6E,M6, M6E
		ME642653	OIL SEAL,M/T SELECT LEVER SHAFT	1			G6,G6E,H6, H6E,J6,J6E, K6,K6E,M6, M6E
		ME642653	OIL SEAL,M/T SELECT LEVER SHAFT	1			G6,H6,H6E, J6,J6E,K6, K6E,M6E
		ME642653	OIL SEAL,M/T SELECT LEVER SHAFT	1			G6,H6,H6E, J6,J6E,K6, K6E,M6E
		ME642653	OIL SEAL,M/T SELECT LEVER SHAFT	1			G6,H6,H6E, J6,J6E,K6, K6E,M6E
		ME642653	OIL SEAL,M/T SELECT LEVER SHAFT	1			G6,H6,H6E, J6,J6E,K6, K6E,M6E
		ME642653	OIL SEAL,M/T SELECT LEVER SHAFT	1			G6,H6,H6E, J6,J6E,K6, K6E,M6E
		ME642653	OIL SEAL,M/T SELECT LEVER SHAFT	1			G6,H6,H6E, J6,J6E,K6, K6E,M6E
		ME642653	OIL SEAL,M/T SELECT LEVER SHAFT	1			G6,H6,H6E, J6,J6E,K6, K6E,M6E
		ME642653	OIL SEAL,M/T SELECT LEVER SHAFT	1			G6,H6,H6E, J6,J6E,K6, K6E,M6E
		ME642653	OIL SEAL,M/T SELECT LEVER SHAFT	1			G6,H6,H6E, J6,J6E,K6, K6E,M6E
		ME642653	OIL SEAL,M/T SELECT LEVER SHAFT	1			G6,H6,H6E, J6,J6E,K6, K6E,M6E
	23181B	ME642652	OIL SEAL,M/T SELECT LEVER SHAFT	1			G6E,M6
		ME642652	OIL SEAL,M/T SELECT LEVER SHAFT	1			G6,G6E,H6, H6E,J6,J6E, K6,K6E,M6, M6E

FK74R
22-150 M/T GEARSHIFT CONTROL UPPER (1/2)

Repl Part	PNC	Part No	Part Name	Qty	NEW1	NEW2	Classification		
23181B		ME642652	OIL SEAL,M/T SELECT LEVER SHAFT	1			G6,H6,H6E, J6,J6E,K6, K6E,M6E		
		ME642652	OIL SEAL,M/T SELECT LEVER SHAFT	1			G6,G6E,H6, H6E,J6,J6E, K6,K6E,M6, M6E		
		ME642652	OIL SEAL,M/T SELECT LEVER SHAFT	1			G6,G6E,H6, H6E,J6,J6E, K6,K6E,M6, M6E		
		ME642652	OIL SEAL,M/T SELECT LEVER SHAFT	1			G6,H6,H6E, J6,J6E,K6, K6E,M6E		
		ME642652	OIL SEAL,M/T SELECT LEVER SHAFT	1			G6,H6,H6E, J6,J6E,K6, K6E,M6E		
		ME642652	OIL SEAL,M/T SELECT LEVER SHAFT	1			G6,H6,H6E, J6,J6E,K6, K6E,M6E		
		ME642652	OIL SEAL,M/T SELECT LEVER SHAFT	1			G6,H6,H6E, J6,J6E,K6, K6E,M6E		
		ME642652	OIL SEAL,M/T SELECT LEVER SHAFT	1			G6,H6,H6E, J6,J6E,K6, K6E,M6E		
		ME642652	OIL SEAL,M/T SELECT LEVER SHAFT	1			G6,H6,H6E, J6,J6E,K6, K6E,M6E		
		ME642652	OIL SEAL,M/T SELECT LEVER SHAFT	1			G6,H6,H6E, J6,J6E,K6, K6E,M6E		
		ME642652	OIL SEAL,M/T SELECT LEVER SHAFT	1			G6,H6,H6E, J6,J6E,K6, K6E,M6E		
		ME642652	OIL SEAL,M/T SELECT LEVER SHAFT	1			G6,H6,H6E, J6,J6E,K6, K6E,M6E		
		ME642652	OIL SEAL,M/T SELECT LEVER SHAFT	1			G6,H6,H6E, J6,J6E,K6, K6E,M6E		
		ME642652	OIL SEAL,M/T SELECT LEVER SHAFT	1			G6,H6,H6E, J6,J6E,K6, K6E,M6E		
		ME642652	OIL SEAL,M/T SELECT LEVER SHAFT	1			G6,H6,H6E, J6,J6E,K6, K6E,M6E		
		ME642652	OIL SEAL,M/T SELECT LEVER SHAFT	1			G6,H6,H6E, J6,J6E,K6, K6E,M6E		
		23183SB		ME643675	PIN,M/T UPR GEARSHIFT EQUIP	2			G6E,M6
				ME643675	PIN,M/T UPR GEARSHIFT EQUIP	2			G6,G6E,H6, H6E,J6,J6E, K6,K6E,M6, M6E
ME643675	PIN,M/T UPR GEARSHIFT EQUIP			2			G6,H6,H6E, J6,J6E,K6, K6E,M6E		
ME643675	PIN,M/T UPR GEARSHIFT EQUIP			2			G6,G6E,H6, H6E,J6,J6E, K6,K6E,M6, M6E		
ME643675	PIN,M/T UPR GEARSHIFT EQUIP			2			G6,G6E,H6, H6E,J6,J6E, K6,K6E,M6, M6E		
ME643675	PIN,M/T UPR GEARSHIFT EQUIP			2			G6,H6,H6E, J6,J6E,K6, K6E,M6E		
ME643675	PIN,M/T UPR GEARSHIFT EQUIP			2			G6,H6,H6E, J6,J6E,K6, K6E,M6E		
ME643675	PIN,M/T UPR GEARSHIFT EQUIP			2			G6,H6,H6E, J6,J6E,K6, K6E,M6E		
ME643675	PIN,M/T UPR GEARSHIFT EQUIP			2			G6,H6,H6E, J6,J6E,K6, K6E,M6E		
ME643675	PIN,M/T UPR GEARSHIFT EQUIP			2			G6,H6,H6E, J6,J6E,K6, K6E,M6E		
ME643675	PIN,M/T UPR GEARSHIFT EQUIP			2			G6,H6,H6E, J6,J6E,K6, K6E,M6E		
ME643675	PIN,M/T UPR GEARSHIFT EQUIP			2			G6,H6,H6E, J6,J6E,K6, K6E,M6E		
ME643675	PIN,M/T UPR GEARSHIFT EQUIP			2			G6,H6,H6E, J6,J6E,K6, K6E,M6E		
ME643675	PIN,M/T UPR GEARSHIFT EQUIP			2			G6,H6,H6E, J6,J6E,K6, K6E,M6E		
ME643675	PIN,M/T UPR GEARSHIFT EQUIP	2			G6,H6,H6E, J6,J6E,K6, K6E,M6E				

FK74R
22-150 M/T GEARSHIFT CONTROL UPPER (1/2)

Repl Part	PNC	Part No	Part Name	Qty	NEW1	NEW2	Classification
	23183SB	ME643675	PIN,M/T UPR GEARSHIFT EQUIP	2			G6,H6,H6E, J6,J6E,K6, K6E,M6E
	23183SC	ME643683	PIN,M/T UPR GEARSHIFT EQUIP	1			G6E,M6
		ME643683	PIN,M/T UPR GEARSHIFT EQUIP	1			G6,G6E,H6, H6E,J6,J6E, K6,K6E,M6, M6E
		ME643683	PIN,M/T UPR GEARSHIFT EQUIP	1			G6,H6,H6E, J6,J6E,K6, K6E,M6E
		ME643683	PIN,M/T UPR GEARSHIFT EQUIP	1			G6,G6E,H6, H6E,J6,J6E, K6,K6E,M6, M6E
		ME643683	PIN,M/T UPR GEARSHIFT EQUIP	1			G6,G6E,H6, H6E,J6,J6E, K6,K6E,M6, M6E
		ME643683	PIN,M/T UPR GEARSHIFT EQUIP	1			G6,H6,H6E, J6,J6E,K6, K6E,M6E
		ME643683	PIN,M/T UPR GEARSHIFT EQUIP	1			G6,H6,H6E, J6,J6E,K6, K6E,M6E
		ME643683	PIN,M/T UPR GEARSHIFT EQUIP	1			G6,H6,H6E, J6,J6E,K6, K6E,M6E
		ME643683	PIN,M/T UPR GEARSHIFT EQUIP	1			G6,H6,H6E, J6,J6E,K6, K6E,M6E
		ME643683	PIN,M/T UPR GEARSHIFT EQUIP	1			G6,H6,H6E, J6,J6E,K6, K6E,M6E
		ME643683	PIN,M/T UPR GEARSHIFT EQUIP	1			G6,H6,H6E, J6,J6E,K6, K6E,M6E
		ME643683	PIN,M/T UPR GEARSHIFT EQUIP	1			G6,H6,H6E, J6,J6E,K6, K6E,M6E
		ME643683	PIN,M/T UPR GEARSHIFT EQUIP	1			G6,H6,H6E, J6,J6E,K6, K6E,M6E
		ME643683	PIN,M/T UPR GEARSHIFT EQUIP	1			G6,H6,H6E, J6,J6E,K6, K6E,M6E
	23231	ME642277	SHAFT,M/T GEARSHIFT	1			G6E,M6
		ME642277	SHAFT,M/T GEARSHIFT	1			G6,G6E,H6, H6E,J6,J6E, K6,K6E,M6, M6E
		ME642277	SHAFT,M/T GEARSHIFT	1			G6,H6,H6E, J6,J6E,K6, K6E,M6E
		ME642277	SHAFT,M/T GEARSHIFT	1			G6,G6E,H6, H6E,J6,J6E, K6,K6E,M6, M6E
		ME642277	SHAFT,M/T GEARSHIFT	1			G6,G6E,H6, H6E,J6,J6E, K6,K6E,M6, M6E
		ME642277	SHAFT,M/T GEARSHIFT	1			G6,H6,H6E, J6,J6E,K6, K6E,M6E
		ME642277	SHAFT,M/T GEARSHIFT	1			G6,H6,H6E, J6,J6E,K6, K6E,M6E
		ME642277	SHAFT,M/T GEARSHIFT	1			G6,H6,H6E, J6,J6E,K6, K6E,M6E

FK74R
22-150 M/T GEARSHIFT CONTROL UPPER (1/2)

Repl Part	PNC	Part No	Part Name	Qty	NEW1	NEW2	Classification
	23231	ME642277	SHAFT,M/T GEARSHIFT	1			G6,H6,H6E, J6,J6E,K6, K6E,M6E
		ME642277	SHAFT,M/T GEARSHIFT	1			G6,H6,H6E, J6,J6E,K6, K6E,M6E
		ME642277	SHAFT,M/T GEARSHIFT	1			G6,H6,H6E, J6,J6E,K6, K6E,M6E
		ME642277	SHAFT,M/T GEARSHIFT	1			G6,H6,H6E, J6,J6E,K6, K6E,M6E
	23252B	ME642278	SPRING,M/T GEARSHIFT LEVER RETURN	2			G6,G6E,H6, H6E,J6,J6E, K6,K6E,M6, M6E
		ME642278	SPRING,M/T GEARSHIFT LEVER RETURN	2			G6,G6E,H6, H6E,J6,J6E, K6,K6E,M6, M6E
		ME642278	SPRING,M/T GEARSHIFT LEVER RETURN	2			G6,G6E,H6, H6E,J6,J6E, K6,K6E,M6, M6E
		ME642278	SPRING,M/T GEARSHIFT LEVER RETURN	2			G6,G6E,H6, H6E,J6,J6E, K6,K6E,M6, M6E
		ME642278	SPRING,M/T GEARSHIFT LEVER RETURN	2			G6,G6E,H6, H6E,J6,J6E, K6,K6E,M6, M6E
		ME642278	SPRING,M/T GEARSHIFT LEVER RETURN	2			G6,G6E,H6, H6E,J6,J6E, K6,K6E,M6, M6E
		ME642278	SPRING,M/T GEARSHIFT LEVER RETURN	2			G6,G6E,H6, H6E,J6,J6E, K6,K6E,M6, M6E
		ME642278	SPRING,M/T GEARSHIFT LEVER RETURN	2			G6,G6E,H6, H6E,J6,J6E, K6,K6E,M6, M6E
		ME642278	SPRING,M/T GEARSHIFT LEVER RETURN	2			G6,G6E,H6, H6E,J6,J6E, K6,K6E,M6, M6E
		ME642278	SPRING,M/T GEARSHIFT LEVER RETURN	2			G6,G6E,H6, H6E,J6,J6E, K6,K6E,M6, M6E
		ME642278	SPRING,M/T GEARSHIFT LEVER RETURN	2			G6,G6E,H6, H6E,J6,J6E, K6,K6E,M6, M6E
		ME642278	SPRING,M/T GEARSHIFT LEVER RETURN	2			G6,G6E,H6, H6E,J6,J6E, K6,K6E,M6, M6E
		ME642278	SPRING,M/T GEARSHIFT LEVER RETURN	2			G6,G6E,H6, H6E,J6,J6E, K6,K6E,M6, M6E
		ME642278	SPRING,M/T GEARSHIFT LEVER RETURN	2			G6,G6E,H6, H6E,J6,J6E, K6,K6E,M6, M6E
		ME642278	SPRING,M/T GEARSHIFT LEVER RETURN	2			G6,G6E,H6, H6E,J6,J6E, K6,K6E,M6, M6E
		ME642278	SPRING,M/T GEARSHIFT LEVER RETURN	2			G6,G6E,H6, H6E,J6,J6E, K6,K6E,M6, M6E
		ME642278	SPRING,M/T GEARSHIFT LEVER RETURN	2			G6,G6E,H6, H6E,J6,J6E, K6,K6E,M6, M6E
	23500A	ME642651	SERVO ASSY,M/T GEARSHIFT	1			G6,G6E,H6, H6E,J6,J6E, K6,K6E,M6, M6E
		ME642651	SERVO ASSY,M/T GEARSHIFT	1			G6,G6E,H6, H6E,J6,J6E, K6,K6E,M6, M6E
		ME642651	SERVO ASSY,M/T GEARSHIFT	1			G6,G6E,H6, H6E,J6,J6E, K6,K6E,M6, M6E
		ME642651	SERVO ASSY,M/T GEARSHIFT	1			G6,G6E,H6, H6E,J6,J6E, K6,K6E,M6, M6E
		ME642651	SERVO ASSY,M/T GEARSHIFT	1			G6,G6E,H6, H6E,J6,J6E, K6,K6E,M6, M6E
		ME642651	SERVO ASSY,M/T GEARSHIFT	1			G6,G6E,H6, H6E,J6,J6E, K6,K6E,M6, M6E

FK74R
22-150 M/T GEARSHIFT CONTROL UPPER (1/2)

Repl Part	PNC	Part No	Part Name	Qty	NEW1	NEW2	Classification
	23500A	ME642651	SERVO ASSY,M/T GEARSHIFT	1			G6,H6,H6E, J6,J6E,K6, K6E,M6E
		ME642651	SERVO ASSY,M/T GEARSHIFT	1			G6,H6,H6E, J6,J6E,K6, K6E,M6E
		ME642651	SERVO ASSY,M/T GEARSHIFT	1			G6,H6,H6E, J6,J6E,K6, K6E,M6E
		ME642651	SERVO ASSY,M/T GEARSHIFT	1			G6,H6,H6E, J6,J6E,K6, K6E,M6E
		ME642651	SERVO ASSY,M/T GEARSHIFT	1			G6,H6,H6E, J6,J6E,K6, K6E,M6E
		ME642651	SERVO ASSY,M/T GEARSHIFT	1			G6,H6,H6E, J6,J6E,K6, K6E,M6E
		ME642651	SERVO ASSY,M/T GEARSHIFT	1			G6,H6,H6E, J6,J6E,K6, K6E,M6E
	23510A	ME643650	ROD & VALVE ASSY,M/T GEARSHIFT SERVO	1			G6E,M6
		ME643650	ROD & VALVE ASSY,M/T GEARSHIFT SERVO	1			G6,G6E,H6, H6E,J6,J6E, K6,K6E,M6, M6E
		ME643650	ROD & VALVE ASSY,M/T GEARSHIFT SERVO	1			G6,H6,H6E, J6,J6E,K6, K6E,M6E
		ME643650	ROD & VALVE ASSY,M/T GEARSHIFT SERVO	1			G6,G6E,H6, H6E,J6,J6E, K6,K6E,M6, M6E
		ME643650	ROD & VALVE ASSY,M/T GEARSHIFT SERVO	1			G6,G6E,H6, H6E,J6,J6E, K6,K6E,M6, M6E
		ME643650	ROD & VALVE ASSY,M/T GEARSHIFT SERVO	1			G6,H6,H6E, J6,J6E,K6, K6E,M6E
		ME643650	ROD & VALVE ASSY,M/T GEARSHIFT SERVO	1			G6,H6,H6E, J6,J6E,K6, K6E,M6E
		ME643650	ROD & VALVE ASSY,M/T GEARSHIFT SERVO	1			G6,H6,H6E, J6,J6E,K6, K6E,M6E
		ME643650	ROD & VALVE ASSY,M/T GEARSHIFT SERVO	1			G6,H6,H6E, J6,J6E,K6, K6E,M6E
		ME643650	ROD & VALVE ASSY,M/T GEARSHIFT SERVO	1			G6,H6,H6E, J6,J6E,K6, K6E,M6E
		ME643650	ROD & VALVE ASSY,M/T GEARSHIFT SERVO	1			G6,H6,H6E, J6,J6E,K6, K6E,M6E
		ME643650	ROD & VALVE ASSY,M/T GEARSHIFT SERVO	1			G6,H6,H6E, J6,J6E,K6, K6E,M6E
		ME643650	ROD & VALVE ASSY,M/T GEARSHIFT SERVO	1			G6,H6,H6E, J6,J6E,K6, K6E,M6E
		ME643650	ROD & VALVE ASSY,M/T GEARSHIFT SERVO	1			G6,H6,H6E, J6,J6E,K6, K6E,M6E
		ME643650	ROD & VALVE ASSY,M/T GEARSHIFT SERVO	1			G6,H6,H6E, J6,J6E,K6, K6E,M6E
	23511SB	ME643682	BOOT,M/T GEARSHIFT SERVO ACTUATING ROD	1			G6E,M6
		ME643682	BOOT,M/T GEARSHIFT SERVO ACTUATING ROD	1			G6,G6E,H6, H6E,J6,J6E, K6,K6E,M6, M6E
		ME643682	BOOT,M/T GEARSHIFT SERVO ACTUATING ROD	1			G6,H6,H6E, J6,J6E,K6, K6E,M6E
		ME643682	BOOT,M/T GEARSHIFT SERVO ACTUATING ROD	1			G6,G6E,H6, H6E,J6,J6E, K6,K6E,M6, M6E

FK74R
22-150 M/T GEARSHIFT CONTROL UPPER (1/2)

Repl Part	PNC	Part No	Part Name	Qty	NEW1	NEW2	Classification
	23511SB	ME643682	BOOT,M/T GEARSHIFT SERVO ACTUATING ROD	1			G6,G6E,H6, H6E,J6,J6E, K6,K6E,M6, M6E
		ME643682	BOOT,M/T GEARSHIFT SERVO ACTUATING ROD	1			G6,H6,H6E, J6,J6E,K6, K6E,M6E
		ME643682	BOOT,M/T GEARSHIFT SERVO ACTUATING ROD	1			G6,H6,H6E, J6,J6E,K6, K6E,M6E
		ME643682	BOOT,M/T GEARSHIFT SERVO ACTUATING ROD	1			G6,H6,H6E, J6,J6E,K6, K6E,M6E
		ME643682	BOOT,M/T GEARSHIFT SERVO ACTUATING ROD	1			G6,H6,H6E, J6,J6E,K6, K6E,M6E
		ME643682	BOOT,M/T GEARSHIFT SERVO ACTUATING ROD	1			G6,H6,H6E, J6,J6E,K6, K6E,M6E
		ME643682	BOOT,M/T GEARSHIFT SERVO ACTUATING ROD	1			G6,H6,H6E, J6,J6E,K6, K6E,M6E
		ME643682	BOOT,M/T GEARSHIFT SERVO ACTUATING ROD	1			G6,H6,H6E, J6,J6E,K6, K6E,M6E
		ME643682	BOOT,M/T GEARSHIFT SERVO ACTUATING ROD	1			G6,H6,H6E, J6,J6E,K6, K6E,M6E
		ME643682	BOOT,M/T GEARSHIFT SERVO ACTUATING ROD	1			G6,H6,H6E, J6,J6E,K6, K6E,M6E
	23511SC	ME643681	BOOT,M/T GEARSHIFT SERVO ACTUATING ROD	1			G6E,M6
		ME643681	BOOT,M/T GEARSHIFT SERVO ACTUATING ROD	1			G6,G6E,H6, H6E,J6,J6E, K6,K6E,M6, M6E
		ME643681	BOOT,M/T GEARSHIFT SERVO ACTUATING ROD	1			G6,H6,H6E, J6,J6E,K6, K6E,M6E
		ME643681	BOOT,M/T GEARSHIFT SERVO ACTUATING ROD	1			G6,G6E,H6, H6E,J6,J6E, K6,K6E,M6, M6E
		ME643681	BOOT,M/T GEARSHIFT SERVO ACTUATING ROD	1			G6,G6E,H6, H6E,J6,J6E, K6,K6E,M6, M6E
		ME643681	BOOT,M/T GEARSHIFT SERVO ACTUATING ROD	1			G6,H6,H6E, J6,J6E,K6, K6E,M6E
		ME643681	BOOT,M/T GEARSHIFT SERVO ACTUATING ROD	1			G6,H6,H6E, J6,J6E,K6, K6E,M6E
		ME643681	BOOT,M/T GEARSHIFT SERVO ACTUATING ROD	1			G6,H6,H6E, J6,J6E,K6, K6E,M6E
		ME643681	BOOT,M/T GEARSHIFT SERVO ACTUATING ROD	1			G6,H6,H6E, J6,J6E,K6, K6E,M6E
		ME643681	BOOT,M/T GEARSHIFT SERVO ACTUATING ROD	1			G6,H6,H6E, J6,J6E,K6, K6E,M6E
	23511SD	ME643685	BOOT,M/T GEARSHIFT SERVO ACTUATING ROD	1			G6E,M6
		ME643685	BOOT,M/T GEARSHIFT SERVO ACTUATING ROD	1			G6,G6E,H6, H6E,J6,J6E, K6,K6E,M6, M6E

FK74R
22-150 M/T GEARSHIFT CONTROL UPPER (1/2)

Repl Part	PNC	Part No	Part Name	Qty	NEW1	NEW2	Classification
	23511SD	ME643685	BOOT,M/T GEARSHIFT SERVO ACTUATING ROD	1			G6,H6,H6E, J6,J6E,K6, K6E,M6E
		ME643685	BOOT,M/T GEARSHIFT SERVO ACTUATING ROD	1			G6,G6E,H6, H6E,J6,J6E, K6,K6E,M6, M6E
		ME643685	BOOT,M/T GEARSHIFT SERVO ACTUATING ROD	1			G6,G6E,H6, H6E,J6,J6E, K6,K6E,M6, M6E
		ME643685	BOOT,M/T GEARSHIFT SERVO ACTUATING ROD	1			G6,H6,H6E, J6,J6E,K6, K6E,M6E
		ME643685	BOOT,M/T GEARSHIFT SERVO ACTUATING ROD	1			G6,H6,H6E, J6,J6E,K6, K6E,M6E
		ME643685	BOOT,M/T GEARSHIFT SERVO ACTUATING ROD	1			G6,H6,H6E, J6,J6E,K6, K6E,M6E
		ME643685	BOOT,M/T GEARSHIFT SERVO ACTUATING ROD	1			G6,H6,H6E, J6,J6E,K6, K6E,M6E
		ME643685	BOOT,M/T GEARSHIFT SERVO ACTUATING ROD	1			G6,H6,H6E, J6,J6E,K6, K6E,M6E
		ME643685	BOOT,M/T GEARSHIFT SERVO ACTUATING ROD	1			G6,H6,H6E, J6,J6E,K6, K6E,M6E
		ME643685	BOOT,M/T GEARSHIFT SERVO ACTUATING ROD	1			G6,H6,H6E, J6,J6E,K6, K6E,M6E
		ME643685	BOOT,M/T GEARSHIFT SERVO ACTUATING ROD	1			G6,H6,H6E, J6,J6E,K6, K6E,M6E
		ME643685	BOOT,M/T GEARSHIFT SERVO ACTUATING ROD	1			G6,H6,H6E, J6,J6E,K6, K6E,M6E
		ME643685	BOOT,M/T GEARSHIFT SERVO ACTUATING ROD	1			G6,H6,H6E, J6,J6E,K6, K6E,M6E
	23513	ME643684	BALL STUD,M/T GEARSHIFT SERVO	1			G6E,M6
		ME643684	BALL STUD,M/T GEARSHIFT SERVO	1			G6,G6E,H6, H6E,J6,J6E, K6,K6E,M6, M6E
		ME643684	BALL STUD,M/T GEARSHIFT SERVO	1			G6,H6,H6E, J6,J6E,K6, K6E,M6E
		ME643684	BALL STUD,M/T GEARSHIFT SERVO	1			G6,G6E,H6, H6E,J6,J6E, K6,K6E,M6, M6E
		ME643684	BALL STUD,M/T GEARSHIFT SERVO	1			G6,G6E,H6, H6E,J6,J6E, K6,K6E,M6, M6E
		ME643684	BALL STUD,M/T GEARSHIFT SERVO	1			G6,H6,H6E, J6,J6E,K6, K6E,M6E
		ME643684	BALL STUD,M/T GEARSHIFT SERVO	1			G6,H6,H6E, J6,J6E,K6, K6E,M6E
		ME643684	BALL STUD,M/T GEARSHIFT SERVO	1			G6,H6,H6E, J6,J6E,K6, K6E,M6E
		ME643684	BALL STUD,M/T GEARSHIFT SERVO	1			G6,H6,H6E, J6,J6E,K6, K6E,M6E
		ME643684	BALL STUD,M/T GEARSHIFT SERVO	1			G6,H6,H6E, J6,J6E,K6, K6E,M6E
		ME643684	BALL STUD,M/T GEARSHIFT SERVO	1			G6,H6,H6E, J6,J6E,K6, K6E,M6E
		ME643684	BALL STUD,M/T GEARSHIFT SERVO	1			G6,H6,H6E, J6,J6E,K6, K6E,M6E
		ME643684	BALL STUD,M/T GEARSHIFT SERVO	1			G6,H6,H6E, J6,J6E,K6, K6E,M6E
		ME643684	BALL STUD,M/T GEARSHIFT SERVO	1			G6,H6,H6E, J6,J6E,K6, K6E,M6E
		ME643684	BALL STUD,M/T GEARSHIFT SERVO	1			G6,H6,H6E, J6,J6E,K6, K6E,M6E

FK74R
22-150 M/T GEARSHIFT CONTROL UPPER (1/2)

Repl Part	PNC	Part No	Part Name	Qty	NEW1	NEW2	Classification
	23513	ME643684	BALL STUD,M/T GEARSHIFT SERVO	1			G6,H6,H6E, J6,J6E,K6, K6E,M6E
	23520	ME643690	SERVO KIT,M/T GEARSHIFT	1			G6E,M6
		ME643690	SERVO KIT,M/T GEARSHIFT	1			G6,G6E,H6, H6E,J6,J6E, K6,K6E,M6, M6E
		ME643690	SERVO KIT,M/T GEARSHIFT	1			G6,H6,H6E, J6,J6E,K6, K6E,M6E
		ME643690	SERVO KIT,M/T GEARSHIFT	1			G6,G6E,H6, H6E,J6,J6E, K6,K6E,M6, M6E
		ME643690	SERVO KIT,M/T GEARSHIFT	1			G6,G6E,H6, H6E,J6,J6E, K6,K6E,M6, M6E
		ME643690	SERVO KIT,M/T GEARSHIFT	1			G6,H6,H6E, J6,J6E,K6, K6E,M6E
		ME643690	SERVO KIT,M/T GEARSHIFT	1			G6,H6,H6E, J6,J6E,K6, K6E,M6E
		ME643690	SERVO KIT,M/T GEARSHIFT	1			G6,H6,H6E, J6,J6E,K6, K6E,M6E
		ME643690	SERVO KIT,M/T GEARSHIFT	1			G6,H6,H6E, J6,J6E,K6, K6E,M6E
		ME643690	SERVO KIT,M/T GEARSHIFT	1			G6,H6,H6E, J6,J6E,K6, K6E,M6E
		ME643690	SERVO KIT,M/T GEARSHIFT	1			G6,H6,H6E, J6,J6E,K6, K6E,M6E
		ME643690	SERVO KIT,M/T GEARSHIFT	1			G6,H6,H6E, J6,J6E,K6, K6E,M6E
		ME643690	SERVO KIT,M/T GEARSHIFT	1			G6,H6,H6E, J6,J6E,K6, K6E,M6E
		ME643690	SERVO KIT,M/T GEARSHIFT	1			G6,H6,H6E, J6,J6E,K6, K6E,M6E
	23531	ME643645	COVER,M/T GEARSHIFT SERVO HOUSING SIDE	1			G6E,M6
		ME643645	COVER,M/T GEARSHIFT SERVO HOUSING SIDE	1			G6,G6E,H6, H6E,J6,J6E, K6,K6E,M6, M6E
		ME643645	COVER,M/T GEARSHIFT SERVO HOUSING SIDE	1			G6,H6,H6E, J6,J6E,K6, K6E,M6E
		ME643645	COVER,M/T GEARSHIFT SERVO HOUSING SIDE	1			G6,G6E,H6, H6E,J6,J6E, K6,K6E,M6, M6E
		ME643645	COVER,M/T GEARSHIFT SERVO HOUSING SIDE	1			G6,G6E,H6, H6E,J6,J6E, K6,K6E,M6, M6E
		ME643645	COVER,M/T GEARSHIFT SERVO HOUSING SIDE	1			G6,H6,H6E, J6,J6E,K6, K6E,M6E
		ME643645	COVER,M/T GEARSHIFT SERVO HOUSING SIDE	1			G6,H6,H6E, J6,J6E,K6, K6E,M6E
		ME643645	COVER,M/T GEARSHIFT SERVO HOUSING SIDE	1			G6,H6,H6E, J6,J6E,K6, K6E,M6E

FK74R
22-150 M/T GEARSHIFT CONTROL UPPER (1/2)

Repl Part	PNC	Part No	Part Name	Qty	NEW1	NEW2	Classification
	23531	ME643645	COVER,M/T GEARSHIFT SERVO HOUSING SIDE	1			G6,H6,H6E, J6,J6E,K6, K6E,M6E
		ME643645	COVER,M/T GEARSHIFT SERVO HOUSING SIDE	1			G6,H6,H6E, J6,J6E,K6, K6E,M6E
		ME643645	COVER,M/T GEARSHIFT SERVO HOUSING SIDE	1			G6,H6,H6E, J6,J6E,K6, K6E,M6E
		ME643645	COVER,M/T GEARSHIFT SERVO HOUSING SIDE	1			G6,H6,H6E, J6,J6E,K6, K6E,M6E
	23531S	ME643646	COVER,M/T GEARSHIFT SERVO HOUSING SIDE	1			G6E,M6
		ME643646	COVER,M/T GEARSHIFT SERVO HOUSING SIDE	1			G6,G6E,H6, H6E,J6,J6E, K6,K6E,M6, M6E
		ME643646	COVER,M/T GEARSHIFT SERVO HOUSING SIDE	1			G6,H6,H6E, J6,J6E,K6, K6E,M6E
		ME643646	COVER,M/T GEARSHIFT SERVO HOUSING SIDE	1			G6,G6E,H6, H6E,J6,J6E, K6,K6E,M6, M6E
		ME643646	COVER,M/T GEARSHIFT SERVO HOUSING SIDE	1			G6,G6E,H6, H6E,J6,J6E, K6,K6E,M6, M6E
		ME643646	COVER,M/T GEARSHIFT SERVO HOUSING SIDE	1			G6,H6,H6E, J6,J6E,K6, K6E,M6E
		ME643646	COVER,M/T GEARSHIFT SERVO HOUSING SIDE	1			G6,H6,H6E, J6,J6E,K6, K6E,M6E
		ME643646	COVER,M/T GEARSHIFT SERVO HOUSING SIDE	1			G6,H6,H6E, J6,J6E,K6, K6E,M6E
		ME643646	COVER,M/T GEARSHIFT SERVO HOUSING SIDE	1			G6,H6,H6E, J6,J6E,K6, K6E,M6E
		ME643646	COVER,M/T GEARSHIFT SERVO HOUSING SIDE	1			G6,H6,H6E, J6,J6E,K6, K6E,M6E
		ME643646	COVER,M/T GEARSHIFT SERVO HOUSING SIDE	1			G6,H6,H6E, J6,J6E,K6, K6E,M6E
		ME643646	COVER,M/T GEARSHIFT SERVO HOUSING SIDE	1			G6,H6,H6E, J6,J6E,K6, K6E,M6E
		ME643646	COVER,M/T GEARSHIFT SERVO HOUSING SIDE	1			G6,H6,H6E, J6,J6E,K6, K6E,M6E
		ME643646	COVER,M/T GEARSHIFT SERVO HOUSING SIDE	1			G6,H6,H6E, J6,J6E,K6, K6E,M6E
		ME643646	COVER,M/T GEARSHIFT SERVO HOUSING SIDE	1			G6,H6,H6E, J6,J6E,K6, K6E,M6E
		ME643646	COVER,M/T GEARSHIFT SERVO HOUSING SIDE	1			G6,H6,H6E, J6,J6E,K6, K6E,M6E
	23537S	ME643649	FILTER,M/T GEARSHIFT SERVO	1			G6E,M6
		ME643649	FILTER,M/T GEARSHIFT SERVO	1			G6,G6E,H6, H6E,J6,J6E, K6,K6E,M6, M6E
		ME643649	FILTER,M/T GEARSHIFT SERVO	1			G6,H6,H6E, J6,J6E,K6, K6E,M6E
		ME643649	FILTER,M/T GEARSHIFT SERVO	1			G6,G6E,H6, H6E,J6,J6E, K6,K6E,M6, M6E
		ME643649	FILTER,M/T GEARSHIFT SERVO	1			G6,G6E,H6, H6E,J6,J6E, K6,K6E,M6, M6E
		ME643649	FILTER,M/T GEARSHIFT SERVO	1			G6,H6,H6E, J6,J6E,K6, K6E,M6E

FK74R
22-150 M/T GEARSHIFT CONTROL UPPER (1/2)

Repl Part	PNC	Part No	Part Name	Qty	NEW1	NEW2	Classification
	23537S	ME643649	FILTER,M/T GEARSHIFT SERVO	1			G6,H6,H6E, J6,J6E,K6, K6E,M6E
		ME643649	FILTER,M/T GEARSHIFT SERVO	1			G6,H6,H6E, J6,J6E,K6, K6E,M6E
		ME643649	FILTER,M/T GEARSHIFT SERVO	1			G6,H6,H6E, J6,J6E,K6, K6E,M6E
		ME643649	FILTER,M/T GEARSHIFT SERVO	1			G6,H6,H6E, J6,J6E,K6, K6E,M6E
		ME643649	FILTER,M/T GEARSHIFT SERVO	1			G6,H6,H6E, J6,J6E,K6, K6E,M6E
		ME643649	FILTER,M/T GEARSHIFT SERVO	1			G6,H6,H6E, J6,J6E,K6, K6E,M6E
		ME643649	FILTER,M/T GEARSHIFT SERVO	1			G6,H6,H6E, J6,J6E,K6, K6E,M6E
	23538SB	ME643658	E-RING,M/T GEARSHIFT SERVO	1			G6,H6,H6E, J6,J6E,K6, K6E,M6E
		ME643658	E-RING,M/T GEARSHIFT SERVO	1			G6,G6E,H6, H6E,J6,J6E, K6,K6E,M6, M6E
		ME643658	E-RING,M/T GEARSHIFT SERVO	1			G6,H6,H6E, J6,J6E,K6, K6E,M6E
		ME643658	E-RING,M/T GEARSHIFT SERVO	1			G6,G6E,H6, H6E,J6,J6E, K6,K6E,M6, M6E
		ME643658	E-RING,M/T GEARSHIFT SERVO	1			G6,G6E,H6, H6E,J6,J6E, K6,K6E,M6, M6E
		ME643658	E-RING,M/T GEARSHIFT SERVO	1			G6,H6,H6E, J6,J6E,K6, K6E,M6E
		ME643658	E-RING,M/T GEARSHIFT SERVO	1			G6,H6,H6E, J6,J6E,K6, K6E,M6E
		ME643658	E-RING,M/T GEARSHIFT SERVO	1			G6,H6,H6E, J6,J6E,K6, K6E,M6E
		ME643658	E-RING,M/T GEARSHIFT SERVO	1			G6,H6,H6E, J6,J6E,K6, K6E,M6E
		ME643658	E-RING,M/T GEARSHIFT SERVO	1			G6,H6,H6E, J6,J6E,K6, K6E,M6E
		ME643658	E-RING,M/T GEARSHIFT SERVO	1			G6,H6,H6E, J6,J6E,K6, K6E,M6E
		ME643658	E-RING,M/T GEARSHIFT SERVO	1			G6,H6,H6E, J6,J6E,K6, K6E,M6E
		ME643658	E-RING,M/T GEARSHIFT SERVO	1			G6,H6,H6E, J6,J6E,K6, K6E,M6E
	23538SC	ME643666	E-RING,M/T GEARSHIFT SERVO	1			G6,H6,H6E, J6,J6E,K6, K6E,M6E
		ME643666	E-RING,M/T GEARSHIFT SERVO	1			G6,G6E,H6, H6E,J6,J6E, K6,K6E,M6, M6E
		ME643666	E-RING,M/T GEARSHIFT SERVO	1			G6,H6,H6E, J6,J6E,K6, K6E,M6E
		ME643666	E-RING,M/T GEARSHIFT SERVO	1			G6,G6E,H6, H6E,J6,J6E, K6,K6E,M6, M6E

FK74R
22-150 M/T GEARSHIFT CONTROL UPPER (1/2)

Repl Part	PNC	Part No	Part Name	Qty	NEW1	NEW2	Classification
	23538SC	ME643666	E-RING,M/T GEARSHIFT SERVO	1			G6,G6E,H6, H6E,J6,J6E, K6,K6E,M6, M6E
		ME643666	E-RING,M/T GEARSHIFT SERVO	1			G6,H6,H6E, J6,J6E,K6, K6E,M6E
		ME643666	E-RING,M/T GEARSHIFT SERVO	1			G6,H6,H6E, J6,J6E,K6, K6E,M6E
		ME643666	E-RING,M/T GEARSHIFT SERVO	1			G6,H6,H6E, J6,J6E,K6, K6E,M6E
		ME643666	E-RING,M/T GEARSHIFT SERVO	1			G6,H6,H6E, J6,J6E,K6, K6E,M6E
		ME643666	E-RING,M/T GEARSHIFT SERVO	1			G6,H6,H6E, J6,J6E,K6, K6E,M6E
		ME643666	E-RING,M/T GEARSHIFT SERVO	1			G6,H6,H6E, J6,J6E,K6, K6E,M6E
		ME643666	E-RING,M/T GEARSHIFT SERVO	1			G6,H6,H6E, J6,J6E,K6, K6E,M6E
		ME643666	E-RING,M/T GEARSHIFT SERVO	1			G6,H6,H6E, J6,J6E,K6, K6E,M6E
		ME643666	E-RING,M/T GEARSHIFT SERVO	1			G6,H6,H6E, J6,J6E,K6, K6E,M6E
	23553S	ME643661	LEVER,M/T GEARSHIFT SERVO	1			G6E,M6
		ME643661	LEVER,M/T GEARSHIFT SERVO	1			G6,G6E,H6, H6E,J6,J6E, K6,K6E,M6, M6E
		ME643661	LEVER,M/T GEARSHIFT SERVO	1			G6,H6,H6E, J6,J6E,K6, K6E,M6E
		ME643661	LEVER,M/T GEARSHIFT SERVO	1			G6,G6E,H6, H6E,J6,J6E, K6,K6E,M6, M6E
		ME643661	LEVER,M/T GEARSHIFT SERVO	1			G6,G6E,H6, H6E,J6,J6E, K6,K6E,M6, M6E
		ME643661	LEVER,M/T GEARSHIFT SERVO	1			G6,H6,H6E, J6,J6E,K6, K6E,M6E
		ME643661	LEVER,M/T GEARSHIFT SERVO	1			G6,H6,H6E, J6,J6E,K6, K6E,M6E
		ME643661	LEVER,M/T GEARSHIFT SERVO	1			G6,H6,H6E, J6,J6E,K6, K6E,M6E
		ME643661	LEVER,M/T GEARSHIFT SERVO	1			G6,H6,H6E, J6,J6E,K6, K6E,M6E
		ME643661	LEVER,M/T GEARSHIFT SERVO	1			G6,H6,H6E, J6,J6E,K6, K6E,M6E
		ME643661	LEVER,M/T GEARSHIFT SERVO	1			G6,H6,H6E, J6,J6E,K6, K6E,M6E
		ME643661	LEVER,M/T GEARSHIFT SERVO	1			G6,H6,H6E, J6,J6E,K6, K6E,M6E
		ME643661	LEVER,M/T GEARSHIFT SERVO	1			G6,H6,H6E, J6,J6E,K6, K6E,M6E
		ME643661	LEVER,M/T GEARSHIFT SERVO	1			G6,H6,H6E, J6,J6E,K6, K6E,M6E
	23556	ME642276	LEVER,M/T GEARSHIFT SERVO SLIDING	1			G6E,M6
		ME642276	LEVER,M/T GEARSHIFT SERVO SLIDING	1			G6,G6E,H6, H6E,J6,J6E, K6,K6E,M6, M6E

**FK74R
22-150 M/T GEARSHIFT CONTROL UPPER (1/2)**

Repl Part	PNC	Part No	Part Name	Qty	NEW1	NEW2	Classification
	23556	ME642276	LEVER,M/T GEARSHIFT SERVO SLIDING	1			G6,H6,H6E, J6,J6E,K6, K6E,M6E
		ME642276	LEVER,M/T GEARSHIFT SERVO SLIDING	1			G6,G6E,H6, H6E,J6,J6E, K6,K6E,M6, M6E
		ME642276	LEVER,M/T GEARSHIFT SERVO SLIDING	1			G6,G6E,H6, H6E,J6,J6E, K6,K6E,M6, M6E
		ME642276	LEVER,M/T GEARSHIFT SERVO SLIDING	1			G6,H6,H6E, J6,J6E,K6, K6E,M6E
		ME642276	LEVER,M/T GEARSHIFT SERVO SLIDING	1			G6,H6,H6E, J6,J6E,K6, K6E,M6E
		ME642276	LEVER,M/T GEARSHIFT SERVO SLIDING	1			G6,H6,H6E, J6,J6E,K6, K6E,M6E
		ME642276	LEVER,M/T GEARSHIFT SERVO SLIDING	1			G6,H6,H6E, J6,J6E,K6, K6E,M6E
		ME642276	LEVER,M/T GEARSHIFT SERVO SLIDING	1			G6,H6,H6E, J6,J6E,K6, K6E,M6E
		ME642276	LEVER,M/T GEARSHIFT SERVO SLIDING	1			G6,H6,H6E, J6,J6E,K6, K6E,M6E
		ME642276	LEVER,M/T GEARSHIFT SERVO SLIDING	1			G6,H6,H6E, J6,J6E,K6, K6E,M6E
		ME642276	LEVER,M/T GEARSHIFT SERVO SLIDING	1			G6,H6,H6E, J6,J6E,K6, K6E,M6E
		ME642276	LEVER,M/T GEARSHIFT SERVO SLIDING	1			G6,H6,H6E, J6,J6E,K6, K6E,M6E
	23583S	ME643670	PISTON,M/T GEARSHIFT SERVO SHIFT	1			G6E,M6
		ME643670	PISTON,M/T GEARSHIFT SERVO SHIFT	1			G6,G6E,H6, H6E,J6,J6E, K6,K6E,M6, M6E
		ME643670	PISTON,M/T GEARSHIFT SERVO SHIFT	1			G6,H6,H6E, J6,J6E,K6, K6E,M6E
		ME643670	PISTON,M/T GEARSHIFT SERVO SHIFT	1			G6,G6E,H6, H6E,J6,J6E, K6,K6E,M6, M6E
		ME643670	PISTON,M/T GEARSHIFT SERVO SHIFT	1			G6,G6E,H6, H6E,J6,J6E, K6,K6E,M6, M6E
		ME643670	PISTON,M/T GEARSHIFT SERVO SHIFT	1			G6,H6,H6E, J6,J6E,K6, K6E,M6E
		ME643670	PISTON,M/T GEARSHIFT SERVO SHIFT	1			G6,H6,H6E, J6,J6E,K6, K6E,M6E
		ME643670	PISTON,M/T GEARSHIFT SERVO SHIFT	1			G6,H6,H6E, J6,J6E,K6, K6E,M6E
		ME643670	PISTON,M/T GEARSHIFT SERVO SHIFT	1			G6,H6,H6E, J6,J6E,K6, K6E,M6E
		ME643670	PISTON,M/T GEARSHIFT SERVO SHIFT	1			G6,H6,H6E, J6,J6E,K6, K6E,M6E
		ME643670	PISTON,M/T GEARSHIFT SERVO SHIFT	1			G6,H6,H6E, J6,J6E,K6, K6E,M6E
		ME643670	PISTON,M/T GEARSHIFT SERVO SHIFT	1			G6,H6,H6E, J6,J6E,K6, K6E,M6E
		ME643670	PISTON,M/T GEARSHIFT SERVO SHIFT	1			G6,H6,H6E, J6,J6E,K6, K6E,M6E

FK74R
22-150 M/T GEARSHIFT CONTROL UPPER (1/2)

Repl Part	PNC	Part No	Part Name	Qty	NEW1	NEW2	Classification
	23583S	ME643670	PISTON,M/T GEARSHIFT SERVO SHIFT	1			G6,H6,H6E, J6,J6E,K6, K6E,M6E
	23583SB	ME643671	PISTON,M/T GEARSHIFT SERVO SHIFT	1			G6E,M6
		ME643671	PISTON,M/T GEARSHIFT SERVO SHIFT	1			G6,G6E,H6, H6E,J6,J6E, K6,K6E,M6, M6E
		ME643671	PISTON,M/T GEARSHIFT SERVO SHIFT	1			G6,H6,H6E, J6,J6E,K6, K6E,M6E
		ME643671	PISTON,M/T GEARSHIFT SERVO SHIFT	1			G6,G6E,H6, H6E,J6,J6E, K6,K6E,M6, M6E
		ME643671	PISTON,M/T GEARSHIFT SERVO SHIFT	1			G6,G6E,H6, H6E,J6,J6E, K6,K6E,M6, M6E
		ME643671	PISTON,M/T GEARSHIFT SERVO SHIFT	1			G6,H6,H6E, J6,J6E,K6, K6E,M6E
		ME643671	PISTON,M/T GEARSHIFT SERVO SHIFT	1			G6,H6,H6E, J6,J6E,K6, K6E,M6E
		ME643671	PISTON,M/T GEARSHIFT SERVO SHIFT	1			G6,H6,H6E, J6,J6E,K6, K6E,M6E
		ME643671	PISTON,M/T GEARSHIFT SERVO SHIFT	1			G6,H6,H6E, J6,J6E,K6, K6E,M6E
		ME643671	PISTON,M/T GEARSHIFT SERVO SHIFT	1			G6,H6,H6E, J6,J6E,K6, K6E,M6E
		ME643671	PISTON,M/T GEARSHIFT SERVO SHIFT	1			G6,H6,H6E, J6,J6E,K6, K6E,M6E
		ME643671	PISTON,M/T GEARSHIFT SERVO SHIFT	1			G6,H6,H6E, J6,J6E,K6, K6E,M6E
		ME643671	PISTON,M/T GEARSHIFT SERVO SHIFT	1			G6,H6,H6E, J6,J6E,K6, K6E,M6E
		ME643671	PISTON,M/T GEARSHIFT SERVO SHIFT	1			G6,H6,H6E, J6,J6E,K6, K6E,M6E
	23586	ME643651	VALVE,M/T GEARSHIFT SERVO	1			G6E,M6
		ME643651	VALVE,M/T GEARSHIFT SERVO	1			G6,G6E,H6, H6E,J6,J6E, K6,K6E,M6, M6E
		ME643651	VALVE,M/T GEARSHIFT SERVO	1			G6,H6,H6E, J6,J6E,K6, K6E,M6E
		ME643651	VALVE,M/T GEARSHIFT SERVO	1			G6,G6E,H6, H6E,J6,J6E, K6,K6E,M6, M6E
		ME643651	VALVE,M/T GEARSHIFT SERVO	1			G6,G6E,H6, H6E,J6,J6E, K6,K6E,M6, M6E
		ME643651	VALVE,M/T GEARSHIFT SERVO	1			G6,H6,H6E, J6,J6E,K6, K6E,M6E
		ME643651	VALVE,M/T GEARSHIFT SERVO	1			G6,H6,H6E, J6,J6E,K6, K6E,M6E
		ME643651	VALVE,M/T GEARSHIFT SERVO	1			G6,H6,H6E, J6,J6E,K6, K6E,M6E

FK74R
22-150 M/T GEARSHIFT CONTROL UPPER (1/2)

Repl Part	PNC	Part No	Part Name	Qty	NEW1	NEW2	Classification
	23586	ME643651	VALVE,M/T GEARSHIFT SERVO	1			G6,H6,H6E, J6,J6E,K6, K6E,M6E
		ME643651	VALVE,M/T GEARSHIFT SERVO	1			G6,H6,H6E, J6,J6E,K6, K6E,M6E
		ME643651	VALVE,M/T GEARSHIFT SERVO	1			G6,H6,H6E, J6,J6E,K6, K6E,M6E
		ME643651	VALVE,M/T GEARSHIFT SERVO	1			G6,H6,H6E, J6,J6E,K6, K6E,M6E
	23622S	ME643674	ROD,M/T GEARSHIFT SERVO SHIFT	1			G6,G6E,H6, H6E,J6,J6E, K6,K6E,M6, M6E
		ME643674	ROD,M/T GEARSHIFT SERVO SHIFT	1			G6,G6E,H6, H6E,J6,J6E, K6,K6E,M6, M6E
		ME643674	ROD,M/T GEARSHIFT SERVO SHIFT	1			G6,G6E,H6, H6E,J6,J6E, K6,K6E,M6, M6E
		ME643674	ROD,M/T GEARSHIFT SERVO SHIFT	1			G6,G6E,H6, H6E,J6,J6E, K6,K6E,M6, M6E
		ME643674	ROD,M/T GEARSHIFT SERVO SHIFT	1			G6,G6E,H6, H6E,J6,J6E, K6,K6E,M6, M6E
		ME643674	ROD,M/T GEARSHIFT SERVO SHIFT	1			G6,G6E,H6, H6E,J6,J6E, K6,K6E,M6, M6E
		ME643674	ROD,M/T GEARSHIFT SERVO SHIFT	1			G6,G6E,H6, H6E,J6,J6E, K6,K6E,M6, M6E
		ME643674	ROD,M/T GEARSHIFT SERVO SHIFT	1			G6,G6E,H6, H6E,J6,J6E, K6,K6E,M6, M6E
		ME643674	ROD,M/T GEARSHIFT SERVO SHIFT	1			G6,G6E,H6, H6E,J6,J6E, K6,K6E,M6, M6E
		ME643674	ROD,M/T GEARSHIFT SERVO SHIFT	1			G6,G6E,H6, H6E,J6,J6E, K6,K6E,M6, M6E
		ME643674	ROD,M/T GEARSHIFT SERVO SHIFT	1			G6,G6E,H6, H6E,J6,J6E, K6,K6E,M6, M6E
		ME643674	ROD,M/T GEARSHIFT SERVO SHIFT	1			G6,G6E,H6, H6E,J6,J6E, K6,K6E,M6, M6E
		ME643674	ROD,M/T GEARSHIFT SERVO SHIFT	1			G6,G6E,H6, H6E,J6,J6E, K6,K6E,M6, M6E
		ME643674	ROD,M/T GEARSHIFT SERVO SHIFT	1			G6,G6E,H6, H6E,J6,J6E, K6,K6E,M6, M6E
		ME643674	ROD,M/T GEARSHIFT SERVO SHIFT	1			G6,G6E,H6, H6E,J6,J6E, K6,K6E,M6, M6E
	23627S	ME643657	SEAT,M/T GEARSHIFT SERVO LIFTER	2			G6,G6E,H6, H6E,J6,J6E, K6,K6E,M6, M6E
		ME643657	SEAT,M/T GEARSHIFT SERVO LIFTER	2			G6,G6E,H6, H6E,J6,J6E, K6,K6E,M6, M6E
		ME643657	SEAT,M/T GEARSHIFT SERVO LIFTER	2			G6,G6E,H6, H6E,J6,J6E, K6,K6E,M6, M6E
		ME643657	SEAT,M/T GEARSHIFT SERVO LIFTER	2			G6,G6E,H6, H6E,J6,J6E, K6,K6E,M6, M6E
		ME643657	SEAT,M/T GEARSHIFT SERVO LIFTER	2			G6,G6E,H6, H6E,J6,J6E, K6,K6E,M6, M6E
		ME643657	SEAT,M/T GEARSHIFT SERVO LIFTER	2			G6,G6E,H6, H6E,J6,J6E, K6,K6E,M6, M6E

FK74R
22-150 M/T GEARSHIFT CONTROL UPPER (1/2)

Repl Part	PNC	Part No	Part Name	Qty	NEW1	NEW2	Classification
	23627S	ME643657	SEAT,M/T GEARSHIFT SERVO LIFTER	2			G6,H6,H6E, J6,J6E,K6, K6E,M6E
		ME643657	SEAT,M/T GEARSHIFT SERVO LIFTER	2			G6,H6,H6E, J6,J6E,K6, K6E,M6E
		ME643657	SEAT,M/T GEARSHIFT SERVO LIFTER	2			G6,H6,H6E, J6,J6E,K6, K6E,M6E
		ME643657	SEAT,M/T GEARSHIFT SERVO LIFTER	2			G6,H6,H6E, J6,J6E,K6, K6E,M6E
		ME643657	SEAT,M/T GEARSHIFT SERVO LIFTER	2			G6,H6,H6E, J6,J6E,K6, K6E,M6E
		ME643657	SEAT,M/T GEARSHIFT SERVO LIFTER	2			G6,H6,H6E, J6,J6E,K6, K6E,M6E
		ME643657	SEAT,M/T GEARSHIFT SERVO LIFTER	2			G6,H6,H6E, J6,J6E,K6, K6E,M6E
	23641S	ME643656	SPRING,M/T GEARSHIFT SERVO LIFTER	1			G6E,M6
		ME643656	SPRING,M/T GEARSHIFT SERVO LIFTER	1			G6,G6E,H6, H6E,J6,J6E, K6,K6E,M6, M6E
		ME643656	SPRING,M/T GEARSHIFT SERVO LIFTER	1			G6,H6,H6E, J6,J6E,K6, K6E,M6E
		ME643656	SPRING,M/T GEARSHIFT SERVO LIFTER	1			G6,G6E,H6, H6E,J6,J6E, K6,K6E,M6, M6E
		ME643656	SPRING,M/T GEARSHIFT SERVO LIFTER	1			G6,G6E,H6, H6E,J6,J6E, K6,K6E,M6, M6E
		ME643656	SPRING,M/T GEARSHIFT SERVO LIFTER	1			G6,H6,H6E, J6,J6E,K6, K6E,M6E
		ME643656	SPRING,M/T GEARSHIFT SERVO LIFTER	1			G6,H6,H6E, J6,J6E,K6, K6E,M6E
		ME643656	SPRING,M/T GEARSHIFT SERVO LIFTER	1			G6,H6,H6E, J6,J6E,K6, K6E,M6E
		ME643656	SPRING,M/T GEARSHIFT SERVO LIFTER	1			G6,H6,H6E, J6,J6E,K6, K6E,M6E
		ME643656	SPRING,M/T GEARSHIFT SERVO LIFTER	1			G6,H6,H6E, J6,J6E,K6, K6E,M6E
		ME643656	SPRING,M/T GEARSHIFT SERVO LIFTER	1			G6,H6,H6E, J6,J6E,K6, K6E,M6E
		ME643656	SPRING,M/T GEARSHIFT SERVO LIFTER	1			G6,H6,H6E, J6,J6E,K6, K6E,M6E
		ME643656	SPRING,M/T GEARSHIFT SERVO LIFTER	1			G6,H6,H6E, J6,J6E,K6, K6E,M6E
		ME643656	SPRING,M/T GEARSHIFT SERVO LIFTER	1			G6,H6,H6E, J6,J6E,K6, K6E,M6E
		ME643656	SPRING,M/T GEARSHIFT SERVO LIFTER	1			G6,H6,H6E, J6,J6E,K6, K6E,M6E
	23928	ME642286	PLUNGER,M/T GEARSHIFT INTERLOCK,CTR	1			G6E,M6
		ME642286	PLUNGER,M/T GEARSHIFT INTERLOCK,CTR	1			G6,G6E,H6, H6E,J6,J6E, K6,K6E,M6, M6E
		ME642286	PLUNGER,M/T GEARSHIFT INTERLOCK,CTR	1			G6,H6,H6E, J6,J6E,K6, K6E,M6E
		ME642286	PLUNGER,M/T GEARSHIFT INTERLOCK,CTR	1			G6,G6E,H6, H6E,J6,J6E, K6,K6E,M6, M6E

FK74R
22-150 M/T GEARSHIFT CONTROL UPPER (1/2)

Repl Part	PNC	Part No	Part Name	Qty	NEW1	NEW2	Classification
	23928	ME642286	PLUNGER,M/T GEARSHIFT INTERLOCK,CTR	1			G6,G6E,H6, H6E,J6,J6E, K6,K6E,M6, M6E
		ME642286	PLUNGER,M/T GEARSHIFT INTERLOCK,CTR	1			G6,H6,H6E, J6,J6E,K6, K6E,M6E
		ME642286	PLUNGER,M/T GEARSHIFT INTERLOCK,CTR	1			G6,H6,H6E, J6,J6E,K6, K6E,M6E
		ME642286	PLUNGER,M/T GEARSHIFT INTERLOCK,CTR	1			G6,H6,H6E, J6,J6E,K6, K6E,M6E
		ME642286	PLUNGER,M/T GEARSHIFT INTERLOCK,CTR	1			G6,H6,H6E, J6,J6E,K6, K6E,M6E
		ME642286	PLUNGER,M/T GEARSHIFT INTERLOCK,CTR	1			G6,H6,H6E, J6,J6E,K6, K6E,M6E
		ME642286	PLUNGER,M/T GEARSHIFT INTERLOCK,CTR	1			G6,H6,H6E, J6,J6E,K6, K6E,M6E
		ME642286	PLUNGER,M/T GEARSHIFT INTERLOCK,CTR	1			G6,H6,H6E, J6,J6E,K6, K6E,M6E
		ME642286	PLUNGER,M/T GEARSHIFT INTERLOCK,CTR	1			G6,H6,H6E, J6,J6E,K6, K6E,M6E
		ME642286	PLUNGER,M/T GEARSHIFT INTERLOCK,CTR	1			G6,H6,H6E, J6,J6E,K6, K6E,M6E
	23931SB	ME643643	SEAL RING,M/T UPR GEARSHIFT EQUIP	1			G6E,M6
		ME643643	SEAL RING,M/T UPR GEARSHIFT EQUIP	1			G6,G6E,H6, H6E,J6,J6E, K6,K6E,M6, M6E
		ME643643	SEAL RING,M/T UPR GEARSHIFT EQUIP	1			G6,H6,H6E, J6,J6E,K6, K6E,M6E
		ME643643	SEAL RING,M/T UPR GEARSHIFT EQUIP	1			G6,G6E,H6, H6E,J6,J6E, K6,K6E,M6, M6E
		ME643643	SEAL RING,M/T UPR GEARSHIFT EQUIP	1			G6,G6E,H6, H6E,J6,J6E, K6,K6E,M6, M6E
		ME643643	SEAL RING,M/T UPR GEARSHIFT EQUIP	1			G6,H6,H6E, J6,J6E,K6, K6E,M6E
		ME643643	SEAL RING,M/T UPR GEARSHIFT EQUIP	1			G6,H6,H6E, J6,J6E,K6, K6E,M6E
		ME643643	SEAL RING,M/T UPR GEARSHIFT EQUIP	1			G6,H6,H6E, J6,J6E,K6, K6E,M6E
		ME643643	SEAL RING,M/T UPR GEARSHIFT EQUIP	1			G6,H6,H6E, J6,J6E,K6, K6E,M6E
		ME643643	SEAL RING,M/T UPR GEARSHIFT EQUIP	1			G6,H6,H6E, J6,J6E,K6, K6E,M6E
		ME643643	SEAL RING,M/T UPR GEARSHIFT EQUIP	1			G6,H6,H6E, J6,J6E,K6, K6E,M6E
		ME643643	SEAL RING,M/T UPR GEARSHIFT EQUIP	1			G6,H6,H6E, J6,J6E,K6, K6E,M6E
		ME643643	SEAL RING,M/T UPR GEARSHIFT EQUIP	1			G6,H6,H6E, J6,J6E,K6, K6E,M6E
	23931SC	ME643642	SEAL RING,M/T UPR GEARSHIFT EQUIP	1			G6E,M6
		ME643642	SEAL RING,M/T UPR GEARSHIFT EQUIP	1			G6,G6E,H6, H6E,J6,J6E, K6,K6E,M6, M6E

FK74R
22-150 M/T GEARSHIFT CONTROL UPPER (1/2)

Repl Part	PNC	Part No	Part Name	Qty	NEW1	NEW2	Classification
	23931SC	ME643642	SEAL RING,M/T UPR GEARSHIFT EQUIP	1			G6,H6,H6E, J6,J6E,K6, K6E,M6E
		ME643642	SEAL RING,M/T UPR GEARSHIFT EQUIP	1			G6,G6E,H6, H6E,J6,J6E, K6,K6E,M6, M6E
		ME643642	SEAL RING,M/T UPR GEARSHIFT EQUIP	1			G6,G6E,H6, H6E,J6,J6E, K6,K6E,M6, M6E
		ME643642	SEAL RING,M/T UPR GEARSHIFT EQUIP	1			G6,H6,H6E, J6,J6E,K6, K6E,M6E
		ME643642	SEAL RING,M/T UPR GEARSHIFT EQUIP	1			G6,H6,H6E, J6,J6E,K6, K6E,M6E
		ME643642	SEAL RING,M/T UPR GEARSHIFT EQUIP	1			G6,H6,H6E, J6,J6E,K6, K6E,M6E
		ME643642	SEAL RING,M/T UPR GEARSHIFT EQUIP	1			G6,H6,H6E, J6,J6E,K6, K6E,M6E
		ME643642	SEAL RING,M/T UPR GEARSHIFT EQUIP	1			G6,H6,H6E, J6,J6E,K6, K6E,M6E
		ME643642	SEAL RING,M/T UPR GEARSHIFT EQUIP	1			G6,H6,H6E, J6,J6E,K6, K6E,M6E
		ME643642	SEAL RING,M/T UPR GEARSHIFT EQUIP	1			G6,H6,H6E, J6,J6E,K6, K6E,M6E
		ME643642	SEAL RING,M/T UPR GEARSHIFT EQUIP	1			G6,H6,H6E, J6,J6E,K6, K6E,M6E
		ME643642	SEAL RING,M/T UPR GEARSHIFT EQUIP	1			G6,H6,H6E, J6,J6E,K6, K6E,M6E
		ME643642	SEAL RING,M/T UPR GEARSHIFT EQUIP	1			G6,H6,H6E, J6,J6E,K6, K6E,M6E
	23931SD	ME643652	SEAL RING,M/T UPR GEARSHIFT EQUIP	1			G6E,M6
		ME643652	SEAL RING,M/T UPR GEARSHIFT EQUIP	1			G6,G6E,H6, H6E,J6,J6E, K6,K6E,M6, M6E
		ME643652	SEAL RING,M/T UPR GEARSHIFT EQUIP	1			G6,H6,H6E, J6,J6E,K6, K6E,M6E
		ME643652	SEAL RING,M/T UPR GEARSHIFT EQUIP	1			G6,G6E,H6, H6E,J6,J6E, K6,K6E,M6, M6E
		ME643652	SEAL RING,M/T UPR GEARSHIFT EQUIP	1			G6,G6E,H6, H6E,J6,J6E, K6,K6E,M6, M6E
		ME643652	SEAL RING,M/T UPR GEARSHIFT EQUIP	1			G6,H6,H6E, J6,J6E,K6, K6E,M6E
		ME643652	SEAL RING,M/T UPR GEARSHIFT EQUIP	1			G6,H6,H6E, J6,J6E,K6, K6E,M6E
		ME643652	SEAL RING,M/T UPR GEARSHIFT EQUIP	1			G6,H6,H6E, J6,J6E,K6, K6E,M6E
		ME643652	SEAL RING,M/T UPR GEARSHIFT EQUIP	1			G6,H6,H6E, J6,J6E,K6, K6E,M6E
		ME643652	SEAL RING,M/T UPR GEARSHIFT EQUIP	1			G6,H6,H6E, J6,J6E,K6, K6E,M6E
		ME643652	SEAL RING,M/T UPR GEARSHIFT EQUIP	1			G6,H6,H6E, J6,J6E,K6, K6E,M6E
		ME643652	SEAL RING,M/T UPR GEARSHIFT EQUIP	1			G6,H6,H6E, J6,J6E,K6, K6E,M6E
		ME643652	SEAL RING,M/T UPR GEARSHIFT EQUIP	1			G6,H6,H6E, J6,J6E,K6, K6E,M6E
		ME643652	SEAL RING,M/T UPR GEARSHIFT EQUIP	1			G6,H6,H6E, J6,J6E,K6, K6E,M6E
		ME643652	SEAL RING,M/T UPR GEARSHIFT EQUIP	1			G6,H6,H6E, J6,J6E,K6, K6E,M6E
		ME643652	SEAL RING,M/T UPR GEARSHIFT EQUIP	1			G6,H6,H6E, J6,J6E,K6, K6E,M6E
		ME643652	SEAL RING,M/T UPR GEARSHIFT EQUIP	1			G6,H6,H6E, J6,J6E,K6, K6E,M6E

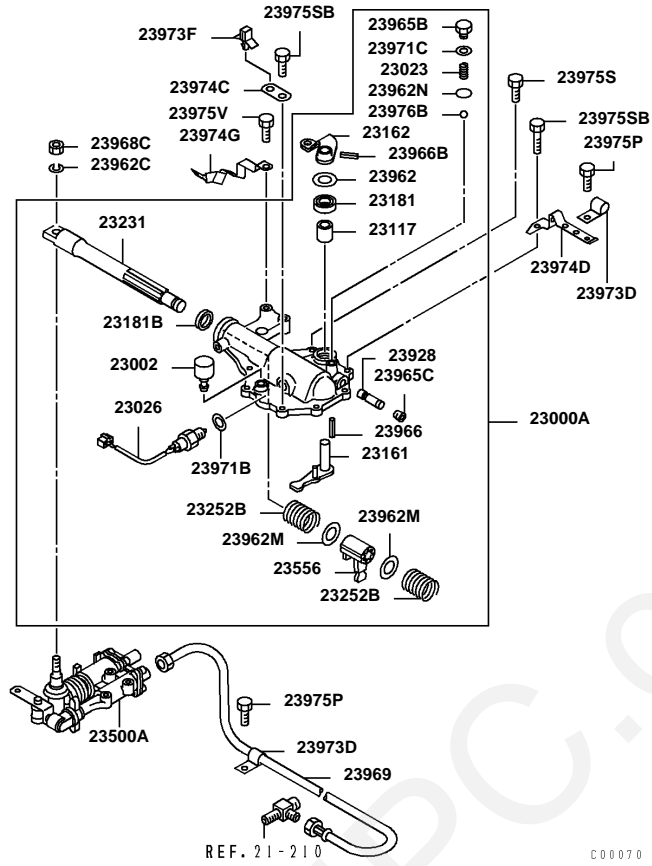
FK74R
22-150 M/T GEARSHIFT CONTROL UPPER (1/2)

Repl Part	PNC	Part No	Part Name	Qty	NEW1	NEW2	Classification
	23931SD	ME643652	SEAL RING,M/T UPR GEARSHIFT EQUIP	1			G6,H6,H6E, J6,J6E,K6, K6E,M6E
	23931SE	ME643653	SEAL RING,M/T UPR GEARSHIFT EQUIP	1			G6E,M6
		ME643653	SEAL RING,M/T UPR GEARSHIFT EQUIP	1			G6,G6E,H6, H6E,J6,J6E, K6,K6E,M6, M6E
		ME643653	SEAL RING,M/T UPR GEARSHIFT EQUIP	1			G6,H6,H6E, J6,J6E,K6, K6E,M6E
		ME643653	SEAL RING,M/T UPR GEARSHIFT EQUIP	1			G6,G6E,H6, H6E,J6,J6E, K6,K6E,M6, M6E
		ME643653	SEAL RING,M/T UPR GEARSHIFT EQUIP	1			G6,G6E,H6, H6E,J6,J6E, K6,K6E,M6, M6E
		ME643653	SEAL RING,M/T UPR GEARSHIFT EQUIP	1			G6,H6,H6E, J6,J6E,K6, K6E,M6E
		ME643653	SEAL RING,M/T UPR GEARSHIFT EQUIP	1			G6,H6,H6E, J6,J6E,K6, K6E,M6E
		ME643653	SEAL RING,M/T UPR GEARSHIFT EQUIP	1			G6,H6,H6E, J6,J6E,K6, K6E,M6E
		ME643653	SEAL RING,M/T UPR GEARSHIFT EQUIP	1			G6,H6,H6E, J6,J6E,K6, K6E,M6E
		ME643653	SEAL RING,M/T UPR GEARSHIFT EQUIP	1			G6,H6,H6E, J6,J6E,K6, K6E,M6E
		ME643653	SEAL RING,M/T UPR GEARSHIFT EQUIP	1			G6,H6,H6E, J6,J6E,K6, K6E,M6E
		ME643653	SEAL RING,M/T UPR GEARSHIFT EQUIP	1			G6,H6,H6E, J6,J6E,K6, K6E,M6E
		ME643653	SEAL RING,M/T UPR GEARSHIFT EQUIP	1			G6,H6,H6E, J6,J6E,K6, K6E,M6E
		ME643653	SEAL RING,M/T UPR GEARSHIFT EQUIP	1			G6,H6,H6E, J6,J6E,K6, K6E,M6E
	23931SF	ME643654	SEAL RING,M/T UPR GEARSHIFT EQUIP	1			G6E,M6
		ME643654	SEAL RING,M/T UPR GEARSHIFT EQUIP	1			G6,G6E,H6, H6E,J6,J6E, K6,K6E,M6, M6E
		ME643654	SEAL RING,M/T UPR GEARSHIFT EQUIP	1			G6,H6,H6E, J6,J6E,K6, K6E,M6E
		ME643654	SEAL RING,M/T UPR GEARSHIFT EQUIP	1			G6,G6E,H6, H6E,J6,J6E, K6,K6E,M6, M6E
		ME643654	SEAL RING,M/T UPR GEARSHIFT EQUIP	1			G6,G6E,H6, H6E,J6,J6E, K6,K6E,M6, M6E
		ME643654	SEAL RING,M/T UPR GEARSHIFT EQUIP	1			G6,H6,H6E, J6,J6E,K6, K6E,M6E
		ME643654	SEAL RING,M/T UPR GEARSHIFT EQUIP	1			G6,H6,H6E, J6,J6E,K6, K6E,M6E
		ME643654	SEAL RING,M/T UPR GEARSHIFT EQUIP	1			G6,H6,H6E, J6,J6E,K6, K6E,M6E

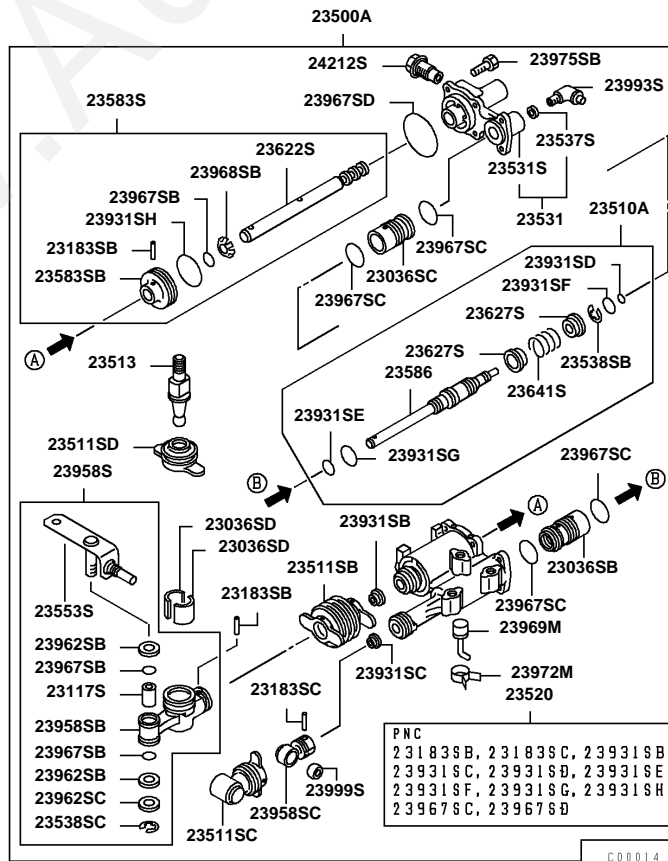
FK74R
22-150 M/T GEARSHIFT CONTROL UPPER (1/2)

Repl Part	PNC	Part No	Part Name	Qty	NEW1	NEW2	Classification
	23931SF	ME643654	SEAL RING,M/T UPR GEARSHIFT EQUIP	1			G6,H6,H6E, J6,J6E,K6, K6E,M6E G6,H6,H6E, J6,J6E,K6, K6E,M6E G6,H6,H6E, J6,J6E,K6, K6E,M6E G6,H6,H6E, J6,J6E,K6, K6E,M6E
		ME643654	SEAL RING,M/T UPR GEARSHIFT EQUIP	1			
		ME643654	SEAL RING,M/T UPR GEARSHIFT EQUIP	1			
		ME643654	SEAL RING,M/T UPR GEARSHIFT EQUIP	1			
	23931SG	(Please refer to the page 2/2)	SEAL RING,M/T UPR GEARSHIFT EQUIP	1			
	23931SH	(Please refer to the page 2/2)	SEAL RING,M/T UPR GEARSHIFT EQUIP	1			
	23958S	(Please refer to the page 2/2)	JOINT,M/T UPR GEARSHIFT EQUIP	1			
	23958SB	(Please refer to the page 2/2)	JOINT,M/T UPR GEARSHIFT EQUIP	1			
	23958SC	(Please refer to the page 2/2)	JOINT,M/T UPR GEARSHIFT EQUIP	1			
	23962	(Please refer to the page 2/2)	WASHER,M/T UPR GEARSHIFT EQUIP	1			
	23962C	(Please refer to the page 2/2)	WASHER,M/T UPR GEARSHIFT EQUIP	1			
	23962M	(Please refer to the page 2/2)	WASHER,M/T UPR GEARSHIFT EQUIP	1			
	23962N	(Please refer to the page 2/2)	WASHER,M/T UPR GEARSHIFT EQUIP	1			
	23962SB	(Please refer to the page 2/2)	WASHER,M/T UPR GEARSHIFT EQUIP	1			
	23962SC	(Please refer to the page 2/2)	WASHER,M/T UPR GEARSHIFT EQUIP	1			
	23965B	(Please refer to the page 2/2)	PLUG,M/T UPR GEARSHIFT EQUIP	1			
	23965C	(Please refer to the page 2/2)	PLUG,M/T UPR GEARSHIFT EQUIP	1			
	23966	(Please refer to the page 2/2)	SPRING PIN,M/T UPR GEARSHIFT EQUIP	1			
	23966B	(Please refer to the page 2/2)	SPRING PIN,M/T UPR GEARSHIFT EQUIP	1			
	23967SB	(Please refer to the page 2/2)	O-RING,M/T UPR GEARSHIFT EQUIP	1			
	23967SC	(Please refer to the page 2/2)	O-RING,M/T UPR GEARSHIFT EQUIP	1			
	23967SD	(Please refer to the page 2/2)	O-RING,M/T UPR GEARSHIFT EQUIP	1			
	23968C	(Please refer to the page 2/2)	NUT,M/T UPR GEARSHIFT EQUIP	1			
	23968SB	(Please refer to the page 2/2)	NUT,M/T UPR GEARSHIFT EQUIP	1			
	23969	(Please refer to the page 2/2)	HOSE,M/T UPR GEARSHIFT EQUIP	1			
	23969M	(Please refer to the page 2/2)	HOSE,M/T UPR GEARSHIFT EQUIP	1			
	23971B	(Please refer to the page 2/2)	GASKET,M/T UPR GEARSHIFT EQUIP	1			
	23971C	(Please refer to the page 2/2)	GASKET,M/T UPR GEARSHIFT EQUIP	1			
	23972M	(Please refer to the page 2/2)	CLAMP,M/T UPR GEARSHIFT EQUIP	1			
	23973D	(Please refer to the page 2/2)	CLIP,M/T UPR GEARSHIFT EQUIP	1			
	23973F	(Please refer to the page 2/2)	CLIP,M/T UPR GEARSHIFT EQUIP	1			
	23973P	(Please refer to the page 2/2)	CLIP,M/T UPR GEARSHIFT EQUIP	1			
	23974C	(Please refer to the page 2/2)	BRACKET,M/T UPR GEARSHIFT EQUIP	1			
	23974D	(Please refer to the page 2/2)	BRACKET,M/T UPR GEARSHIFT EQUIP	1			
	23974G	(Please refer to the page 2/2)	BRACKET,M/T UPR GEARSHIFT EQUIP	1			
	23974P	(Please refer to the page 2/2)	BRACKET,M/T UPR GEARSHIFT EQUIP	1			
	23974Q	(Please refer to the page 2/2)	BRACKET,M/T UPR GEARSHIFT EQUIP	1			
	23974S	(Please refer to the page 2/2)	BRACKET,M/T UPR GEARSHIFT EQUIP	1			
	23975P	(Please refer to the page 2/2)	BOLT,M/T UPR GEARSHIFT EQUIP	1			
	23975S	(Please refer to the page 2/2)	BOLT,M/T UPR GEARSHIFT EQUIP	1			
	23975SB	(Please refer to the page 2/2)	BOLT,M/T UPR GEARSHIFT EQUIP	1			
	23975T	(Please refer to the page 2/2)	BOLT,M/T UPR GEARSHIFT EQUIP	1			
	23975U	(Please refer to the page 2/2)	BOLT,M/T UPR GEARSHIFT EQUIP	1			
	23975V	(Please refer to the page 2/2)	BOLT,M/T UPR GEARSHIFT EQUIP	1			
	23976B	(Please refer to the page 2/2)	BALL,M/T UPR GEARSHIFT EQUIP	1			
	23993S	(Please refer to the page 2/2)	CONNECTOR,M/T GEARSHIFT EQUIP	1			
	23999S	(Please refer to the page 2/2)	BALL,M/T GEARSHIFT EQUIP	1			
	24212S	(Please refer to the page 2/2)	DETENT UNIT,GEARSHIFT SELECT	1			
	23968P	(N.e.c.)	NUT,M/T UPR GEARSHIFT EQUIP	1			

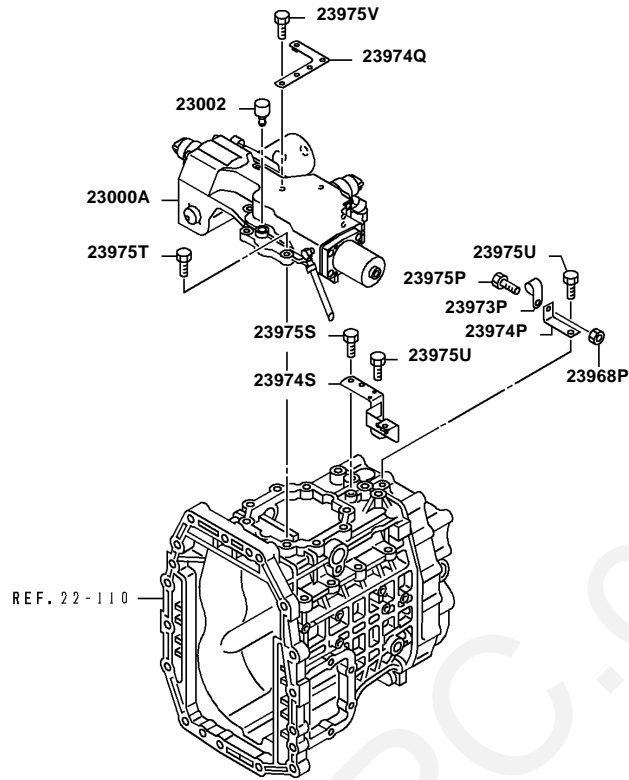
FK74R
No.1



FK74R
No.2

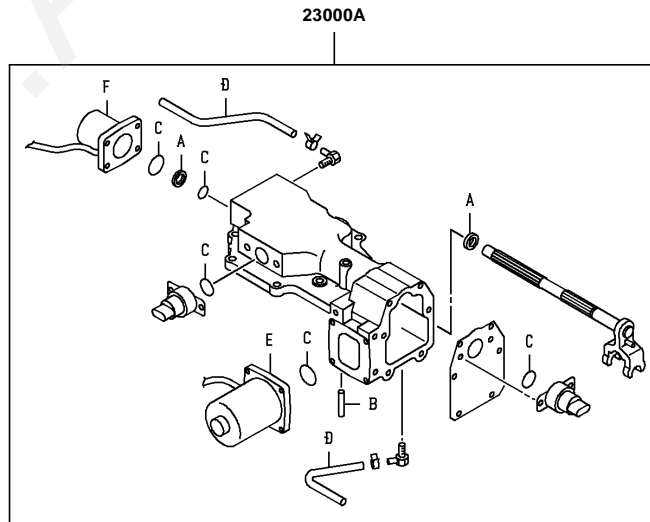


FK74R
No.3



C00065

FK74R
No.4



23035	23049B	23049C
PNC	PNC	PNC
A, B, C, D	E	F

A: OIL SEAL E: SHIFT MOTOR F: SELECT MOTOR
B: PIN
C: O-RING
D: HOSE

C00146

FK74R
22-150 M/T GEARSHIFT CONTROL UPPER (2/2)

PNC	Part No	Part Name	Qty	Part Spec	Remarks	Classification
23931SG	ME643655	SEAL RING,M/T UPR GEARSHIFT EQUIP	1			G6E,M6
	ME643655	SEAL RING,M/T UPR GEARSHIFT EQUIP	1			G6,G6E,H6, H6E,J6,J6E, K6,K6E,M6, M6E
	ME643655	SEAL RING,M/T UPR GEARSHIFT EQUIP	1			G6,H6,H6E, J6,J6E,K6, K6E,M6E
	ME643655	SEAL RING,M/T UPR GEARSHIFT EQUIP	1			G6,G6E,H6, H6E,J6,J6E, K6,K6E,M6, M6E
	ME643655	SEAL RING,M/T UPR GEARSHIFT EQUIP	1			G6,G6E,H6, H6E,J6,J6E, K6,K6E,M6, M6E
	ME643655	SEAL RING,M/T UPR GEARSHIFT EQUIP	1			G6,H6,H6E, J6,J6E,K6, K6E,M6E
	ME643655	SEAL RING,M/T UPR GEARSHIFT EQUIP	1			G6,H6,H6E, J6,J6E,K6, K6E,M6E
	ME643655	SEAL RING,M/T UPR GEARSHIFT EQUIP	1			G6,H6,H6E, J6,J6E,K6, K6E,M6E
	ME643655	SEAL RING,M/T UPR GEARSHIFT EQUIP	1			G6,H6,H6E, J6,J6E,K6, K6E,M6E
	ME643655	SEAL RING,M/T UPR GEARSHIFT EQUIP	1			G6,H6,H6E, J6,J6E,K6, K6E,M6E
	ME643655	SEAL RING,M/T UPR GEARSHIFT EQUIP	1			G6,H6,H6E, J6,J6E,K6, K6E,M6E
	ME643655	SEAL RING,M/T UPR GEARSHIFT EQUIP	1			G6,H6,H6E, J6,J6E,K6, K6E,M6E
	ME643655	SEAL RING,M/T UPR GEARSHIFT EQUIP	1			G6,H6,H6E, J6,J6E,K6, K6E,M6E
	ME643655	SEAL RING,M/T UPR GEARSHIFT EQUIP	1			G6,H6,H6E, J6,J6E,K6, K6E,M6E
23931SH	ME643672	SEAL RING,M/T UPR GEARSHIFT EQUIP	1			G6E,M6
	ME643672	SEAL RING,M/T UPR GEARSHIFT EQUIP	1			G6,G6E,H6, H6E,J6,J6E, K6,K6E,M6, M6E
	ME643672	SEAL RING,M/T UPR GEARSHIFT EQUIP	1			G6,H6,H6E, J6,J6E,K6, K6E,M6E
	ME643672	SEAL RING,M/T UPR GEARSHIFT EQUIP	1			G6,G6E,H6, H6E,J6,J6E, K6,K6E,M6, M6E
	ME643672	SEAL RING,M/T UPR GEARSHIFT EQUIP	1			G6,G6E,H6, H6E,J6,J6E, K6,K6E,M6, M6E
	ME643672	SEAL RING,M/T UPR GEARSHIFT EQUIP	1			G6,H6,H6E, J6,J6E,K6, K6E,M6E
	ME643672	SEAL RING,M/T UPR GEARSHIFT EQUIP	1			G6,H6,H6E, J6,J6E,K6, K6E,M6E
	ME643672	SEAL RING,M/T UPR GEARSHIFT EQUIP	1			G6,H6,H6E, J6,J6E,K6, K6E,M6E
	ME643672	SEAL RING,M/T UPR GEARSHIFT EQUIP	1			G6,H6,H6E, J6,J6E,K6, K6E,M6E
	ME643672	SEAL RING,M/T UPR GEARSHIFT EQUIP	1			G6,H6,H6E, J6,J6E,K6, K6E,M6E
ME643672	SEAL RING,M/T UPR GEARSHIFT EQUIP	1			G6,H6,H6E, J6,J6E,K6, K6E,M6E	

FK74R
22-150 M/T GEARSHIFT CONTROL UPPER (2/2)

PNC	Part No	Part Name	Qty	Part Spec	Remarks	Classification
23931SH	ME643672	SEAL RING,M/T UPR GEARSHIFT EQUIP	1			G6,H6,H6E, J6,J6E,K6, K6E,M6E
	ME643672	SEAL RING,M/T UPR GEARSHIFT EQUIP	1			G6,H6,H6E, J6,J6E,K6, K6E,M6E
	ME643672	SEAL RING,M/T UPR GEARSHIFT EQUIP	1			G6,H6,H6E, J6,J6E,K6, K6E,M6E
23958S	ME643659	JOINT,M/T UPR GEARSHIFT EQUIP	1			G6E,M6
	ME643659	JOINT,M/T UPR GEARSHIFT EQUIP	1			G6,G6E,H6, H6E,J6,J6E, K6,K6E,M6, M6E
	ME643659	JOINT,M/T UPR GEARSHIFT EQUIP	1			G6,H6,H6E, J6,J6E,K6, K6E,M6E
	ME643659	JOINT,M/T UPR GEARSHIFT EQUIP	1			G6,G6E,H6, H6E,J6,J6E, K6,K6E,M6, M6E
	ME643659	JOINT,M/T UPR GEARSHIFT EQUIP	1			G6,G6E,H6, H6E,J6,J6E, K6,K6E,M6, M6E
	ME643659	JOINT,M/T UPR GEARSHIFT EQUIP	1			G6,H6,H6E, J6,J6E,K6, K6E,M6E
	ME643659	JOINT,M/T UPR GEARSHIFT EQUIP	1			G6,H6,H6E, J6,J6E,K6, K6E,M6E
	ME643659	JOINT,M/T UPR GEARSHIFT EQUIP	1			G6,H6,H6E, J6,J6E,K6, K6E,M6E
	ME643659	JOINT,M/T UPR GEARSHIFT EQUIP	1			G6,H6,H6E, J6,J6E,K6, K6E,M6E
	ME643659	JOINT,M/T UPR GEARSHIFT EQUIP	1			G6,H6,H6E, J6,J6E,K6, K6E,M6E
	ME643659	JOINT,M/T UPR GEARSHIFT EQUIP	1			G6,H6,H6E, J6,J6E,K6, K6E,M6E
	ME643659	JOINT,M/T UPR GEARSHIFT EQUIP	1			G6,H6,H6E, J6,J6E,K6, K6E,M6E
	ME643659	JOINT,M/T UPR GEARSHIFT EQUIP	1			G6,H6,H6E, J6,J6E,K6, K6E,M6E
	ME643659	JOINT,M/T UPR GEARSHIFT EQUIP	1			G6,H6,H6E, J6,J6E,K6, K6E,M6E
	ME643659	JOINT,M/T UPR GEARSHIFT EQUIP	1			G6,H6,H6E, J6,J6E,K6, K6E,M6E
23958SB	ME643660	JOINT,M/T UPR GEARSHIFT EQUIP	1			G6E,M6
	ME643660	JOINT,M/T UPR GEARSHIFT EQUIP	1			G6,G6E,H6, H6E,J6,J6E, K6,K6E,M6, M6E
	ME643660	JOINT,M/T UPR GEARSHIFT EQUIP	1			G6,H6,H6E, J6,J6E,K6, K6E,M6E
	ME643660	JOINT,M/T UPR GEARSHIFT EQUIP	1			G6,G6E,H6, H6E,J6,J6E, K6,K6E,M6, M6E
	ME643660	JOINT,M/T UPR GEARSHIFT EQUIP	1			G6,G6E,H6, H6E,J6,J6E, K6,K6E,M6, M6E
	ME643660	JOINT,M/T UPR GEARSHIFT EQUIP	1			G6,H6,H6E, J6,J6E,K6, K6E,M6E
	ME643660	JOINT,M/T UPR GEARSHIFT EQUIP	1			G6,H6,H6E, J6,J6E,K6, K6E,M6E

FK74R
22-150 M/T GEARSHIFT CONTROL UPPER (2/2)

PNC	Part No	Part Name	Qty	Part Spec	Remarks	Classification
23958SB	ME643660	JOINT,M/T UPR GEARSHIFT EQUIP	1			G6,H6,H6E, J6,J6E,K6, K6E,M6E
	ME643660	JOINT,M/T UPR GEARSHIFT EQUIP	1			G6,H6,H6E, J6,J6E,K6, K6E,M6E
	ME643660	JOINT,M/T UPR GEARSHIFT EQUIP	1			G6,H6,H6E, J6,J6E,K6, K6E,M6E
	ME643660	JOINT,M/T UPR GEARSHIFT EQUIP	1			G6,H6,H6E, J6,J6E,K6, K6E,M6E
	ME643660	JOINT,M/T UPR GEARSHIFT EQUIP	1			G6,H6,H6E, J6,J6E,K6, K6E,M6E
	ME643660	JOINT,M/T UPR GEARSHIFT EQUIP	1			G6,H6,H6E, J6,J6E,K6, K6E,M6E
23958SC	ME643668	JOINT,M/T UPR GEARSHIFT EQUIP	1			G6E,M6
	ME643668	JOINT,M/T UPR GEARSHIFT EQUIP	1			G6,G6E,H6, H6E,J6,J6E, K6,K6E,M6, M6E
	ME643668	JOINT,M/T UPR GEARSHIFT EQUIP	1			G6,H6,H6E, J6,J6E,K6, K6E,M6E
	ME643668	JOINT,M/T UPR GEARSHIFT EQUIP	1			G6,G6E,H6, H6E,J6,J6E, K6,K6E,M6, M6E
	ME643668	JOINT,M/T UPR GEARSHIFT EQUIP	1			G6,G6E,H6, H6E,J6,J6E, K6,K6E,M6, M6E
	ME643668	JOINT,M/T UPR GEARSHIFT EQUIP	1			G6,H6,H6E, J6,J6E,K6, K6E,M6E
	ME643668	JOINT,M/T UPR GEARSHIFT EQUIP	1			G6,H6,H6E, J6,J6E,K6, K6E,M6E
	ME643668	JOINT,M/T UPR GEARSHIFT EQUIP	1			G6,H6,H6E, J6,J6E,K6, K6E,M6E
	ME643668	JOINT,M/T UPR GEARSHIFT EQUIP	1			G6,H6,H6E, J6,J6E,K6, K6E,M6E
	ME643668	JOINT,M/T UPR GEARSHIFT EQUIP	1			G6,H6,H6E, J6,J6E,K6, K6E,M6E
	ME643668	JOINT,M/T UPR GEARSHIFT EQUIP	1			G6,H6,H6E, J6,J6E,K6, K6E,M6E
	ME643668	JOINT,M/T UPR GEARSHIFT EQUIP	1			G6,H6,H6E, J6,J6E,K6, K6E,M6E
	ME643668	JOINT,M/T UPR GEARSHIFT EQUIP	1			G6,H6,H6E, J6,J6E,K6, K6E,M6E
	ME643668	JOINT,M/T UPR GEARSHIFT EQUIP	1			G6,H6,H6E, J6,J6E,K6, K6E,M6E
23962	ME642283	WASHER,M/T UPR GEARSHIFT EQUIP	1	17		G6,G6E,H6, H6E,J6,J6E, K6,K6E,M6, M6E
	ME642283	WASHER,M/T UPR GEARSHIFT EQUIP	1	17		G6E,M6
	ME642283	WASHER,M/T UPR GEARSHIFT EQUIP	1	17		G6V,H6V,H6VE, J6V,J6VE,K6V, K6VE,M6VE
	ME642283	WASHER,M/T UPR GEARSHIFT EQUIP	1	17		G6,H6,H6E, J6,J6E,K6, K6E,M6E
	ME642283	WASHER,M/T UPR GEARSHIFT EQUIP	1	17		G6,G6E,H6, H6E,J6,J6E, K6,K6E,M6, M6E

FK74R
22-150 M/T GEARSHIFT CONTROL UPPER (2/2)

PNC	Part No	Part Name	Qty	Part Spec	Remarks	Classification
23962	ME642283	WASHER,M/T UPR GEARSHIFT EQUIP	1	17		G6V,H6V,H6VE J6V,J6VE,K6V, K6VE,M6VE
	ME642283	WASHER,M/T UPR GEARSHIFT EQUIP	1	17		G6,H6,H6E, J6,J6E,K6, K6E,M6E
	ME642283	WASHER,M/T UPR GEARSHIFT EQUIP	1	17		G6E,M6
	ME642283	WASHER,M/T UPR GEARSHIFT EQUIP	1	17		G6,H6,H6E, J6,J6E,K6, K6E,M6E
	ME642283	WASHER,M/T UPR GEARSHIFT EQUIP	1	17		G6E,K6V,M6, M6VE
	ME642283	WASHER,M/T UPR GEARSHIFT EQUIP	1	17		G6V,H6V,H6VE J6V,J6VE,K6VE
	ME642283	WASHER,M/T UPR GEARSHIFT EQUIP	1	17		G6,H6,H6E, J6,J6E,K6, K6E,M6E
	ME642283	WASHER,M/T UPR GEARSHIFT EQUIP	1	17		G6V,H6V,H6VE J6V,J6VE,K6VE
	ME642283	WASHER,M/T UPR GEARSHIFT EQUIP	1	17		K6V,M6VE
	ME642283	WASHER,M/T UPR GEARSHIFT EQUIP	1	17		G6,G6E,G6V, H6,H6E,H6V, H6VE,J6,J6E, J6V,J6VE,K6, K6E,K6V,K6VE M6,M6E,M6VE
	ME642283	WASHER,M/T UPR GEARSHIFT EQUIP	1	17		G6,G6V,H6, H6E,H6V,H6VE J6,J6E,J6V, J6VE,K6,K6E, K6V,K6VE,M6E M6VE
	ME642283	WASHER,M/T UPR GEARSHIFT EQUIP	1	17		G6,H6,H6E, J6,J6E,K6, K6E,M6E
	ME642283	WASHER,M/T UPR GEARSHIFT EQUIP	1	17		G6,G6V,H6, H6E,H6V,H6VE J6,J6E,J6V, J6VE,K6,K6E, K6VE,M6E
23962C	MF450407	WASHER,M/T UPR GEARSHIFT EQUIP	1	SPRING,12		G6,G6E,H6, H6E,J6,J6E, K6,K6E,M6, M6E
	MF450407	WASHER,M/T UPR GEARSHIFT EQUIP	1	SPRING,12		G6E,M6
	MF450407	WASHER,M/T UPR GEARSHIFT EQUIP	1	SPRING,12		G6V,H6V,H6VE J6V,J6VE,K6V, K6VE,M6VE
	MF450407	WASHER,M/T UPR GEARSHIFT EQUIP	1	SPRING,12		G6,H6,H6E, J6,J6E,K6, K6E,M6E
	MF450407	WASHER,M/T UPR GEARSHIFT EQUIP	1	SPRING,12		G6,G6E,H6, H6E,J6,J6E, K6,K6E,M6, M6E
	MF450407	WASHER,M/T UPR GEARSHIFT EQUIP	1	SPRING,12		G6V,H6V,H6VE J6V,J6VE,K6V, K6VE,M6VE
	MF450407	WASHER,M/T UPR GEARSHIFT EQUIP	1	SPRING,12		G6,H6,H6E, J6,J6E,K6, K6E,M6E
	MF450407	WASHER,M/T UPR GEARSHIFT EQUIP	1	SPRING,12		G6E,M6
	MF450407	WASHER,M/T UPR GEARSHIFT EQUIP	1	SPRING,12		G6,H6,H6E, J6,J6E,K6, K6E,M6E
	MF450407	WASHER,M/T UPR GEARSHIFT EQUIP	1	SPRING,12		G6E,K6V,M6, M6VE
	MF450407	WASHER,M/T UPR GEARSHIFT EQUIP	1	SPRING,12		G6V,H6V,H6VE J6V,J6VE,K6VE
	MF450407	WASHER,M/T UPR GEARSHIFT EQUIP	1	SPRING,12		G6,H6,H6E, J6,J6E,K6, K6E,M6E

FK74R
22-150 M/T GEARSHIFT CONTROL UPPER (2/2)

PNC	Part No	Part Name	Qty	Part Spec	Remarks	Classification
23962C	MF450407	WASHER,M/T UPR GEARSHIFT EQUIP	1	SPRING,12		G6V,H6V,H6VE J6V,J6VE,K6VE
	MF450407	WASHER,M/T UPR GEARSHIFT EQUIP	1	SPRING,12		K6V,M6VE
	MF450407	WASHER,M/T UPR GEARSHIFT EQUIP	1	SPRING,12		G6,G6E,G6V, H6,H6E,H6V, H6VE,J6,J6E, J6V,J6VE,K6, K6E,K6V,K6VE
	MF450407	WASHER,M/T UPR GEARSHIFT EQUIP	1	SPRING,12		M6,M6E,M6VE G6,G6V,H6, H6E,H6V,H6VE
	MF450407	WASHER,M/T UPR GEARSHIFT EQUIP	1	SPRING,12		J6,J6E,J6V, J6VE,K6,K6E, K6V,K6VE,M6E
	MF450407	WASHER,M/T UPR GEARSHIFT EQUIP	1	SPRING,12		M6VE G6,H6,H6E, J6,J6E,K6, K6E,M6E
23962M	ME642279	WASHER,M/T UPR GEARSHIFT EQUIP	2	24.2		G6,G6E,H6, H6E,J6,J6E, K6,K6E,M6, M6E
	ME642279	WASHER,M/T UPR GEARSHIFT EQUIP	2	24.2		G6E,M6
	ME642279	WASHER,M/T UPR GEARSHIFT EQUIP	2	24.2		G6V,H6V,H6VE J6V,J6VE,K6V, K6VE,M6VE
	ME642279	WASHER,M/T UPR GEARSHIFT EQUIP	2	24.2		G6,H6,H6E, J6,J6E,K6, K6E,M6E
	ME642279	WASHER,M/T UPR GEARSHIFT EQUIP	2	24.2		G6,G6E,H6, H6E,J6,J6E, K6,K6E,M6, M6E
	ME642279	WASHER,M/T UPR GEARSHIFT EQUIP	2	24.2		G6V,H6V,H6VE J6V,J6VE,K6V, K6VE,M6VE
	ME642279	WASHER,M/T UPR GEARSHIFT EQUIP	2	24.2		G6,H6,H6E, J6,J6E,K6, K6E,M6E
	ME642279	WASHER,M/T UPR GEARSHIFT EQUIP	2	24.2		G6E,M6
	ME642279	WASHER,M/T UPR GEARSHIFT EQUIP	2	24.2		G6,H6,H6E, J6,J6E,K6, K6E,M6E
	ME642279	WASHER,M/T UPR GEARSHIFT EQUIP	2	24.2		G6E,K6V,M6, M6VE
	ME642279	WASHER,M/T UPR GEARSHIFT EQUIP	2	24.2		G6V,H6V,H6VE J6V,J6VE,K6VE
	ME642279	WASHER,M/T UPR GEARSHIFT EQUIP	2	24.2		G6,H6,H6E, J6,J6E,K6, K6E,M6E
	ME642279	WASHER,M/T UPR GEARSHIFT EQUIP	2	24.2		G6V,H6V,H6VE J6V,J6VE,K6VE
	ME642279	WASHER,M/T UPR GEARSHIFT EQUIP	2	24.2		K6V,M6VE
	ME642279	WASHER,M/T UPR GEARSHIFT EQUIP	2	24.2		G6,G6E,G6V, H6,H6E,H6V, H6VE,J6,J6E, J6V,J6VE,K6, K6E,K6V,K6VE
ME642279	WASHER,M/T UPR GEARSHIFT EQUIP	2	24.2		M6,M6E,M6VE G6,G6V,H6, H6E,H6V,H6VE	
ME642279	WASHER,M/T UPR GEARSHIFT EQUIP	2	24.2		J6,J6E,J6V, J6VE,K6,K6E, K6V,K6VE,M6E	
ME642279	WASHER,M/T UPR GEARSHIFT EQUIP	2	24.2		M6VE G6,H6,H6E, J6,J6E,K6, K6E,M6E	

FK74R
22-150 M/T GEARSHIFT CONTROL UPPER (2/2)

PNC	Part No	Part Name	Qty	Part Spec	Remarks	Classification
23962M	ME642279	WASHER,M/T UPR GEARSHIFT EQUIP	2	24.2		G6,G6V,H6, H6E,H6V,H6VE J6,J6E,J6V, J6VE,K6,K6E, K6VE,M6E
23962N	ME642287	WASHER,M/T UPR GEARSHIFT EQUIP	1	8.6		G6,G6E,H6, H6E,J6,J6E, K6,K6E,M6, M6E
	ME642287	WASHER,M/T UPR GEARSHIFT EQUIP	1	8.6		G6E,M6
	ME642287	WASHER,M/T UPR GEARSHIFT EQUIP	1	8.6		G6V,H6V,H6VE J6V,J6VE,K6V, K6VE,M6VE
	ME642287	WASHER,M/T UPR GEARSHIFT EQUIP	1	8.6		G6,H6,H6E, J6,J6E,K6, K6E,M6E
	ME642287	WASHER,M/T UPR GEARSHIFT EQUIP	1	8.6		G6,G6E,H6, H6E,J6,J6E, K6,K6E,M6, M6E
	ME642287	WASHER,M/T UPR GEARSHIFT EQUIP	1	8.6		G6V,H6V,H6VE J6V,J6VE,K6V, K6VE,M6VE
	ME642287	WASHER,M/T UPR GEARSHIFT EQUIP	1	8.6		G6,H6,H6E, J6,J6E,K6, K6E,M6E
	ME642287	WASHER,M/T UPR GEARSHIFT EQUIP	1	8.6		G6E,M6
	ME642287	WASHER,M/T UPR GEARSHIFT EQUIP	1	8.6		G6,H6,H6E, J6,J6E,K6, K6E,M6E
	ME642287	WASHER,M/T UPR GEARSHIFT EQUIP	1	8.6		G6E,K6V,M6, M6VE
	ME642287	WASHER,M/T UPR GEARSHIFT EQUIP	1	8.6		G6V,H6V,H6VE J6V,J6VE,K6VE
	ME642287	WASHER,M/T UPR GEARSHIFT EQUIP	1	8.6		G6,H6,H6E, J6,J6E,K6, K6E,M6E
	ME642287	WASHER,M/T UPR GEARSHIFT EQUIP	1	8.6		G6V,H6V,H6VE J6V,J6VE,K6VE
	ME642287	WASHER,M/T UPR GEARSHIFT EQUIP	1	8.6		K6V,M6VE
	ME642287	WASHER,M/T UPR GEARSHIFT EQUIP	1	8.6		G6,G6E,G6V, H6,H6E,H6V, H6VE,J6,J6E, J6V,J6VE,K6, K6E,K6V,K6VE M6,M6E,M6VE
23962SB	ME642287	WASHER,M/T UPR GEARSHIFT EQUIP	1	8.6		G6,G6V,H6, H6E,H6V,H6VE J6,J6E,J6V, J6VE,K6,K6E, K6V,K6VE,M6E M6VE
	ME642287	WASHER,M/T UPR GEARSHIFT EQUIP	1	8.6		G6,H6,H6E, J6,J6E,K6, K6E,M6E
	ME642287	WASHER,M/T UPR GEARSHIFT EQUIP	1	8.6		G6,G6V,H6, H6E,H6V,H6VE J6,J6E,J6V, J6VE,K6,K6E, K6VE,M6E
	ME643664	WASHER,M/T UPR GEARSHIFT EQUIP	2			G6,G6E,H6, H6E,J6,J6E, K6,K6E,M6, M6E
	ME643664 ME643664	WASHER,M/T UPR GEARSHIFT EQUIP WASHER,M/T UPR GEARSHIFT EQUIP	2 2			G6E,M6 G6V,H6V,H6VE J6V,J6VE,K6V, K6VE,M6VE
ME643664	WASHER,M/T UPR GEARSHIFT EQUIP	2			G6,H6,H6E, J6,J6E,K6, K6E,M6E	

FK74R
22-150 M/T GEARSHIFT CONTROL UPPER (2/2)

PNC	Part No	Part Name	Qty	Part Spec	Remarks	Classification
23962SB	ME643664	WASHER,M/T UPR GEARSHIFT EQUIP	2			G6,G6E,H6, H6E,J6,J6E, K6,K6E,M6, M6E
	ME643664	WASHER,M/T UPR GEARSHIFT EQUIP	2			G6V,H6V,H6VE J6V,J6VE,K6V, K6VE,M6VE
	ME643664	WASHER,M/T UPR GEARSHIFT EQUIP	2			G6,H6,H6E, J6,J6E,K6, K6E,M6E
	ME643664	WASHER,M/T UPR GEARSHIFT EQUIP	2			G6E,M6
	ME643664	WASHER,M/T UPR GEARSHIFT EQUIP	2			G6,H6,H6E, J6,J6E,K6, K6E,M6E
	ME643664	WASHER,M/T UPR GEARSHIFT EQUIP	2			G6E,K6V,M6, M6VE
	ME643664	WASHER,M/T UPR GEARSHIFT EQUIP	2			G6V,H6V,H6VE J6V,J6VE,K6VE
	ME643664	WASHER,M/T UPR GEARSHIFT EQUIP	2			G6,H6,H6E, J6,J6E,K6, K6E,M6E
	ME643664	WASHER,M/T UPR GEARSHIFT EQUIP	2			G6V,H6V,H6VE J6V,J6VE,K6VE
	ME643664	WASHER,M/T UPR GEARSHIFT EQUIP	2			K6V,M6VE
	ME643664	WASHER,M/T UPR GEARSHIFT EQUIP	2			G6,G6E,G6V, H6,H6E,H6V, H6VE,J6,J6E, J6V,J6VE,K6, K6E,K6V,K6VE
	ME643664	WASHER,M/T UPR GEARSHIFT EQUIP	2			M6,M6E,M6VE G6,G6V,H6, H6E,H6V,H6VE
	ME643664	WASHER,M/T UPR GEARSHIFT EQUIP	2			J6,J6E,J6V, J6VE,K6,K6E, K6V,K6VE,M6E
	ME643664	WASHER,M/T UPR GEARSHIFT EQUIP	2			M6VE G6,H6,H6E, J6,J6E,K6, K6E,M6E
	23962SC	ME643665	WASHER,M/T UPR GEARSHIFT EQUIP	1		
ME643665		WASHER,M/T UPR GEARSHIFT EQUIP	1			G6E,M6
ME643665		WASHER,M/T UPR GEARSHIFT EQUIP	1			G6V,H6V,H6VE J6V,J6VE,K6V, K6VE,M6VE
ME643665		WASHER,M/T UPR GEARSHIFT EQUIP	1			G6,H6,H6E, J6,J6E,K6, K6E,M6E
ME643665		WASHER,M/T UPR GEARSHIFT EQUIP	1			G6,G6E,H6, H6E,J6,J6E, K6,K6E,M6, M6E
ME643665		WASHER,M/T UPR GEARSHIFT EQUIP	1			G6V,H6V,H6VE J6V,J6VE,K6V, K6VE,M6VE
ME643665		WASHER,M/T UPR GEARSHIFT EQUIP	1			G6,H6,H6E, J6,J6E,K6, K6E,M6E
ME643665		WASHER,M/T UPR GEARSHIFT EQUIP	1			G6E,M6
ME643665		WASHER,M/T UPR GEARSHIFT EQUIP	1			G6,H6,H6E, J6,J6E,K6, K6E,M6E
ME643665		WASHER,M/T UPR GEARSHIFT EQUIP	1			G6E,K6V,M6, M6VE
ME643665		WASHER,M/T UPR GEARSHIFT EQUIP	1			G6V,H6V,H6VE J6V,J6VE,K6VE
ME643665		WASHER,M/T UPR GEARSHIFT EQUIP	1			J6V,J6VE,K6VE

FK74R
22-150 M/T GEARSHIFT CONTROL UPPER (2/2)

PNC	Part No	Part Name	Qty	Part Spec	Remarks	Classification
23962SC	ME643665	WASHER,M/T UPR GEARSHIFT EQUIP	1			G6,H6,H6E, J6,J6E,K6, K6E,M6E
	ME643665	WASHER,M/T UPR GEARSHIFT EQUIP	1			G6V,H6V,H6VE J6V,J6VE,K6VE
	ME643665	WASHER,M/T UPR GEARSHIFT EQUIP	1			K6V,M6VE
	ME643665	WASHER,M/T UPR GEARSHIFT EQUIP	1			G6,G6E,G6V, H6,H6E,H6V, H6VE,J6,J6E, J6V,J6VE,K6, K6E,K6V,K6VE
	ME643665	WASHER,M/T UPR GEARSHIFT EQUIP	1			M6,M6E,M6VE G6,G6V,H6, H6E,H6V,H6VE J6,J6E,J6V, J6VE,K6,K6E, K6V,K6VE,M6E
	ME643665	WASHER,M/T UPR GEARSHIFT EQUIP	1			M6VE G6,H6,H6E, J6,J6E,K6, K6E,M6E
	ME643665	WASHER,M/T UPR GEARSHIFT EQUIP	1			G6,G6V,H6, H6E,H6V,H6VE J6,J6E,J6V, J6VE,K6,K6E, K6V,K6VE,M6E
	ME643665	WASHER,M/T UPR GEARSHIFT EQUIP	1			M6VE G6,H6,H6E, J6,J6E,K6, K6E,M6E
	ME643665	WASHER,M/T UPR GEARSHIFT EQUIP	1			G6,G6V,H6, H6E,H6V,H6VE J6,J6E,J6V, J6VE,K6,K6E, K6V,K6VE,M6E
	ME643665	WASHER,M/T UPR GEARSHIFT EQUIP	1			M6VE G6,H6,H6E, J6,J6E,K6, K6E,M6E
	ME643665	WASHER,M/T UPR GEARSHIFT EQUIP	1			G6,G6V,H6, H6E,H6V,H6VE J6,J6E,J6V, J6VE,K6,K6E, K6V,K6VE,M6E
	23965B	MF665002	PLUG,M/T UPR GEARSHIFT EQUIP	1	SCREW,10	
MF665002		PLUG,M/T UPR GEARSHIFT EQUIP	1	SCREW,10		G6,G6E,H6, H6E,J6,J6E, K6,K6E,M6, M6E
MF665002		PLUG,M/T UPR GEARSHIFT EQUIP	1	SCREW,10		G6,H6,H6E, J6,J6E,K6, K6E,M6E
MF665002		PLUG,M/T UPR GEARSHIFT EQUIP	1	SCREW,10		G6,G6E,H6, H6E,J6,J6E, K6,K6E,M6, M6E
MF665002		PLUG,M/T UPR GEARSHIFT EQUIP	1	SCREW,10		G6,G6E,H6, H6E,J6,J6E, K6,K6E,M6, M6E
MF665002		PLUG,M/T UPR GEARSHIFT EQUIP	1	SCREW,10		G6,H6,H6E, J6,J6E,K6, K6E,M6E
MF665002		PLUG,M/T UPR GEARSHIFT EQUIP	1	SCREW,10		G6,H6,H6E, J6,J6E,K6, K6E,M6E
MF665002		PLUG,M/T UPR GEARSHIFT EQUIP	1	SCREW,10		G6,H6,H6E, J6,J6E,K6, K6E,M6E
MF665002		PLUG,M/T UPR GEARSHIFT EQUIP	1	SCREW,10		G6,H6,H6E, J6,J6E,K6, K6E,M6E
MF665002		PLUG,M/T UPR GEARSHIFT EQUIP	1	SCREW,10		G6,H6,H6E, J6,J6E,K6, K6E,M6E
MF665002		PLUG,M/T UPR GEARSHIFT EQUIP	1	SCREW,10		G6,H6,H6E, J6,J6E,K6, K6E,M6E
MF665002		PLUG,M/T UPR GEARSHIFT EQUIP	1	SCREW,10		G6,H6,H6E, J6,J6E,K6, K6E,M6E
MF665002		PLUG,M/T UPR GEARSHIFT EQUIP	1	SCREW,10		G6,H6,H6E, J6,J6E,K6, K6E,M6E
MF665002		PLUG,M/T UPR GEARSHIFT EQUIP	1	SCREW,10		G6,H6,H6E, J6,J6E,K6, K6E,M6E
MF665002		PLUG,M/T UPR GEARSHIFT EQUIP	1	SCREW,10		G6,H6,H6E, J6,J6E,K6, K6E,M6E
23965C	MS661162	PLUG,M/T UPR GEARSHIFT EQUIP	1	TAPER,3/8		G6E,M6
	MS661162	PLUG,M/T UPR GEARSHIFT EQUIP	1	TAPER,3/8		G6,G6E,H6, H6E,J6,J6E, K6,K6E,M6, M6E

FK74R
22-150 M/T GEARSHIFT CONTROL UPPER (2/2)

PNC	Part No	Part Name	Qty	Part Spec	Remarks	Classification
23965C	MS661162	PLUG,M/T UPR GEARSHIFT EQUIP	1	TAPER,3/8		G6,H6,H6E, J6,J6E,K6, K6E,M6E
	MS661162	PLUG,M/T UPR GEARSHIFT EQUIP	1	TAPER,3/8		G6,G6E,H6, H6E,J6,J6E, K6,K6E,M6, M6E
	MS661162	PLUG,M/T UPR GEARSHIFT EQUIP	1	TAPER,3/8		G6,G6E,H6, H6E,J6,J6E, K6,K6E,M6, M6E
	MS661162	PLUG,M/T UPR GEARSHIFT EQUIP	1	TAPER,3/8		G6,H6,H6E, J6,J6E,K6, K6E,M6E
	MS661162	PLUG,M/T UPR GEARSHIFT EQUIP	1	TAPER,3/8		G6,H6,H6E, J6,J6E,K6, K6E,M6E
	MS661162	PLUG,M/T UPR GEARSHIFT EQUIP	1	TAPER,3/8		G6,H6,H6E, J6,J6E,K6, K6E,M6E
	MS661162	PLUG,M/T UPR GEARSHIFT EQUIP	1	TAPER,3/8		G6,H6,H6E, J6,J6E,K6, K6E,M6E
	MS661162	PLUG,M/T UPR GEARSHIFT EQUIP	1	TAPER,3/8		G6,H6,H6E, J6,J6E,K6, K6E,M6E
	MS661162	PLUG,M/T UPR GEARSHIFT EQUIP	1	TAPER,3/8		G6,H6,H6E, J6,J6E,K6, K6E,M6E
	MS661162	PLUG,M/T UPR GEARSHIFT EQUIP	1	TAPER,3/8		G6,H6,H6E, J6,J6E,K6, K6E,M6E
	MS661162	PLUG,M/T UPR GEARSHIFT EQUIP	1	TAPER,3/8		G6,H6,H6E, J6,J6E,K6, K6E,M6E
	MS661162	PLUG,M/T UPR GEARSHIFT EQUIP	1	TAPER,3/8		G6,H6,H6E, J6,J6E,K6, K6E,M6E
	MS661162	PLUG,M/T UPR GEARSHIFT EQUIP	1	TAPER,3/8		G6,H6,H6E, J6,J6E,K6, K6E,M6E
	MS661162	PLUG,M/T UPR GEARSHIFT EQUIP	1	TAPER,3/8		G6,H6,H6E, J6,J6E,K6, K6E,M6E
23966	MF472559	SPRING PIN,M/T UPR GEARSHIFT EQUIP	1			G6E,M6
	MF472559	SPRING PIN,M/T UPR GEARSHIFT EQUIP	1			G6,G6E,H6, H6E,J6,J6E, K6,K6E,M6, M6E
	MF472559	SPRING PIN,M/T UPR GEARSHIFT EQUIP	1			G6,H6,H6E, J6,J6E,K6, K6E,M6E
	MF472559	SPRING PIN,M/T UPR GEARSHIFT EQUIP	1			G6,G6E,H6, H6E,J6,J6E, K6,K6E,M6, M6E
	MF472559	SPRING PIN,M/T UPR GEARSHIFT EQUIP	1			G6,H6,H6E, J6,J6E,K6, K6E,M6E
	MF472559	SPRING PIN,M/T UPR GEARSHIFT EQUIP	1			G6,G6E,H6, H6E,J6,J6E, K6,K6E,M6, M6E
	MF472559	SPRING PIN,M/T UPR GEARSHIFT EQUIP	1			G6,H6,H6E, J6,J6E,K6, K6E,M6E
	MF472559	SPRING PIN,M/T UPR GEARSHIFT EQUIP	1			G6,H6,H6E, J6,J6E,K6, K6E,M6E
	MF472559	SPRING PIN,M/T UPR GEARSHIFT EQUIP	1			G6,H6,H6E, J6,J6E,K6, K6E,M6E
	MF472559	SPRING PIN,M/T UPR GEARSHIFT EQUIP	1			G6,H6,H6E, J6,J6E,K6, K6E,M6E
	MF472559	SPRING PIN,M/T UPR GEARSHIFT EQUIP	1			G6,H6,H6E, J6,J6E,K6, K6E,M6E
	MF472559	SPRING PIN,M/T UPR GEARSHIFT EQUIP	1			G6,H6,H6E, J6,J6E,K6, K6E,M6E
	MF472559	SPRING PIN,M/T UPR GEARSHIFT EQUIP	1			G6,H6,H6E, J6,J6E,K6, K6E,M6E
	MF472559	SPRING PIN,M/T UPR GEARSHIFT EQUIP	1			G6,H6,H6E, J6,J6E,K6, K6E,M6E

FK74R
22-150 M/T GEARSHIFT CONTROL UPPER (2/2)

PNC	Part No	Part Name	Qty	Part Spec	Remarks	Classification
23966	MF472559	SPRING PIN,M/T UPR GEARSHIFT EQUIP	1			G6,H6,H6E, J6,J6E,K6, K6E,M6E
23966B	ME642285	SPRING PIN,M/T UPR GEARSHIFT EQUIP	1	5.2X25		G6E,M6
	ME642285	SPRING PIN,M/T UPR GEARSHIFT EQUIP	1	5.2X25		G6,G6E,H6, H6E,J6,J6E, K6,K6E,M6, M6E
	ME642285	SPRING PIN,M/T UPR GEARSHIFT EQUIP	1	5.2X25		G6,H6,H6E, J6,J6E,K6, K6E,M6E
	ME642285	SPRING PIN,M/T UPR GEARSHIFT EQUIP	1	5.2X25		G6,G6E,H6, H6E,J6,J6E, K6,K6E,M6, M6E
	ME642285	SPRING PIN,M/T UPR GEARSHIFT EQUIP	1	5.2X25		G6,G6E,H6, H6E,J6,J6E, K6,K6E,M6, M6E
	ME642285	SPRING PIN,M/T UPR GEARSHIFT EQUIP	1	5.2X25		G6,H6,H6E, J6,J6E,K6, K6E,M6E
	ME642285	SPRING PIN,M/T UPR GEARSHIFT EQUIP	1	5.2X25		G6,H6,H6E, J6,J6E,K6, K6E,M6E
	ME642285	SPRING PIN,M/T UPR GEARSHIFT EQUIP	1	5.2X25		G6,H6,H6E, J6,J6E,K6, K6E,M6E
	ME642285	SPRING PIN,M/T UPR GEARSHIFT EQUIP	1	5.2X25		G6,H6,H6E, J6,J6E,K6, K6E,M6E
	ME642285	SPRING PIN,M/T UPR GEARSHIFT EQUIP	1	5.2X25		G6,H6,H6E, J6,J6E,K6, K6E,M6E
	ME642285	SPRING PIN,M/T UPR GEARSHIFT EQUIP	1	5.2X25		G6,H6,H6E, J6,J6E,K6, K6E,M6E
	ME642285	SPRING PIN,M/T UPR GEARSHIFT EQUIP	1	5.2X25		G6,H6,H6E, J6,J6E,K6, K6E,M6E
	ME642285	SPRING PIN,M/T UPR GEARSHIFT EQUIP	1	5.2X25		G6,H6,H6E, J6,J6E,K6, K6E,M6E
	ME642285	SPRING PIN,M/T UPR GEARSHIFT EQUIP	1	5.2X25		G6,H6,H6E, J6,J6E,K6, K6E,M6E
23967SB	ME643663	O-RING,M/T UPR GEARSHIFT EQUIP	3			G6E,M6
	ME643663	O-RING,M/T UPR GEARSHIFT EQUIP	3			G6,G6E,H6, H6E,J6,J6E, K6,K6E,M6, M6E
	ME643663	O-RING,M/T UPR GEARSHIFT EQUIP	3			G6,H6,H6E, J6,J6E,K6, K6E,M6E
	ME643663	O-RING,M/T UPR GEARSHIFT EQUIP	3			G6,G6E,H6, H6E,J6,J6E, K6,K6E,M6, M6E
	ME643663	O-RING,M/T UPR GEARSHIFT EQUIP	3			G6,G6E,H6, H6E,J6,J6E, K6,K6E,M6, M6E
	ME643663	O-RING,M/T UPR GEARSHIFT EQUIP	3			G6,H6,H6E, J6,J6E,K6, K6E,M6E
	ME643663	O-RING,M/T UPR GEARSHIFT EQUIP	3			G6,H6,H6E, J6,J6E,K6, K6E,M6E
	ME643663	O-RING,M/T UPR GEARSHIFT EQUIP	3			G6,H6,H6E, J6,J6E,K6, K6E,M6E
	ME643663	O-RING,M/T UPR GEARSHIFT EQUIP	3			G6,H6,H6E, J6,J6E,K6, K6E,M6E
	ME643663	O-RING,M/T UPR GEARSHIFT EQUIP	3			G6,H6,H6E, J6,J6E,K6, K6E,M6E

FK74R
22-150 M/T GEARSHIFT CONTROL UPPER (2/2)

PNC	Part No	Part Name	Qty	Part Spec	Remarks	Classification
23967SB	ME643663	O-RING,M/T UPR GEARSHIFT EQUIP	3			G6,H6,H6E, J6,J6E,K6, K6E,M6E
	ME643663	O-RING,M/T UPR GEARSHIFT EQUIP	3			G6,H6,H6E, J6,J6E,K6, K6E,M6E
	ME643663	O-RING,M/T UPR GEARSHIFT EQUIP	3			G6,H6,H6E, J6,J6E,K6, K6E,M6E
	ME643663	O-RING,M/T UPR GEARSHIFT EQUIP	3			G6,H6,H6E, J6,J6E,K6, K6E,M6E
23967SC	ME643678	O-RING,M/T UPR GEARSHIFT EQUIP	4			G6E,M6
	ME643678	O-RING,M/T UPR GEARSHIFT EQUIP	4			G6,G6E,H6, H6E,J6,J6E, K6,K6E,M6, M6E
	ME643678	O-RING,M/T UPR GEARSHIFT EQUIP	4			G6,H6,H6E, J6,J6E,K6, K6E,M6E
	ME643678	O-RING,M/T UPR GEARSHIFT EQUIP	4			G6,G6E,H6, H6E,J6,J6E, K6,K6E,M6, M6E
	ME643678	O-RING,M/T UPR GEARSHIFT EQUIP	4			G6,G6E,H6, H6E,J6,J6E, K6,K6E,M6, M6E
	ME643678	O-RING,M/T UPR GEARSHIFT EQUIP	4			G6,H6,H6E, J6,J6E,K6, K6E,M6E
	ME643678	O-RING,M/T UPR GEARSHIFT EQUIP	4			G6,H6,H6E, J6,J6E,K6, K6E,M6E
	ME643678	O-RING,M/T UPR GEARSHIFT EQUIP	4			G6,H6,H6E, J6,J6E,K6, K6E,M6E
	ME643678	O-RING,M/T UPR GEARSHIFT EQUIP	4			G6,H6,H6E, J6,J6E,K6, K6E,M6E
	ME643678	O-RING,M/T UPR GEARSHIFT EQUIP	4			G6,H6,H6E, J6,J6E,K6, K6E,M6E
	ME643678	O-RING,M/T UPR GEARSHIFT EQUIP	4			G6,H6,H6E, J6,J6E,K6, K6E,M6E
	ME643678	O-RING,M/T UPR GEARSHIFT EQUIP	4			G6,H6,H6E, J6,J6E,K6, K6E,M6E
	ME643678	O-RING,M/T UPR GEARSHIFT EQUIP	4			G6,H6,H6E, J6,J6E,K6, K6E,M6E
	ME643678	O-RING,M/T UPR GEARSHIFT EQUIP	4			G6,H6,H6E, J6,J6E,K6, K6E,M6E
	ME643678	O-RING,M/T UPR GEARSHIFT EQUIP	4			G6,H6,H6E, J6,J6E,K6, K6E,M6E
	23967SD	ME643679	O-RING,M/T UPR GEARSHIFT EQUIP	1		
ME643679		O-RING,M/T UPR GEARSHIFT EQUIP	1			G6,G6E,H6, H6E,J6,J6E, K6,K6E,M6, M6E
ME643679		O-RING,M/T UPR GEARSHIFT EQUIP	1			G6,H6,H6E, J6,J6E,K6, K6E,M6E
ME643679		O-RING,M/T UPR GEARSHIFT EQUIP	1			G6,G6E,H6, H6E,J6,J6E, K6,K6E,M6, M6E
ME643679		O-RING,M/T UPR GEARSHIFT EQUIP	1			G6,G6E,H6, H6E,J6,J6E, K6,K6E,M6, M6E
ME643679		O-RING,M/T UPR GEARSHIFT EQUIP	1			G6,H6,H6E, J6,J6E,K6, K6E,M6E

FK74R
22-150 M/T GEARSHIFT CONTROL UPPER (2/2)

PNC	Part No	Part Name	Qty	Part Spec	Remarks	Classification
23967SD	ME643679	O-RING,M/T UPR GEARSHIFT EQUIP	1			G6,H6,H6E, J6,J6E,K6, K6E,M6E
	ME643679	O-RING,M/T UPR GEARSHIFT EQUIP	1			G6,H6,H6E, J6,J6E,K6, K6E,M6E
	ME643679	O-RING,M/T UPR GEARSHIFT EQUIP	1			G6,H6,H6E, J6,J6E,K6, K6E,M6E
	ME643679	O-RING,M/T UPR GEARSHIFT EQUIP	1			G6,H6,H6E, J6,J6E,K6, K6E,M6E
	ME643679	O-RING,M/T UPR GEARSHIFT EQUIP	1			G6,H6,H6E, J6,J6E,K6, K6E,M6E
	ME643679	O-RING,M/T UPR GEARSHIFT EQUIP	1			G6,H6,H6E, J6,J6E,K6, K6E,M6E
	ME643679	O-RING,M/T UPR GEARSHIFT EQUIP	1			G6,H6,H6E, J6,J6E,K6, K6E,M6E
23968C	MF430123	NUT,M/T UPR GEARSHIFT EQUIP	1	12		G6E,M6
	MF430123	NUT,M/T UPR GEARSHIFT EQUIP	1	12		G6,G6E,H6, H6E,J6,J6E, K6,K6E,M6, M6E
	MF430123	NUT,M/T UPR GEARSHIFT EQUIP	1	12		G6,H6,H6E, J6,J6E,K6, K6E,M6E
	MF430123	NUT,M/T UPR GEARSHIFT EQUIP	1	12		G6,G6E,H6, H6E,J6,J6E, K6,K6E,M6, M6E
	MF430123	NUT,M/T UPR GEARSHIFT EQUIP	1	12		G6,G6E,H6, H6E,J6,J6E, K6,K6E,M6, M6E
	MF430123	NUT,M/T UPR GEARSHIFT EQUIP	1	12		G6,H6,H6E, J6,J6E,K6, K6E,M6E
	MF430123	NUT,M/T UPR GEARSHIFT EQUIP	1	12		G6,H6,H6E, J6,J6E,K6, K6E,M6E
	MF430123	NUT,M/T UPR GEARSHIFT EQUIP	1	12		G6,H6,H6E, J6,J6E,K6, K6E,M6E
	MF430123	NUT,M/T UPR GEARSHIFT EQUIP	1	12		G6,H6,H6E, J6,J6E,K6, K6E,M6E
	MF430123	NUT,M/T UPR GEARSHIFT EQUIP	1	12		G6,H6,H6E, J6,J6E,K6, K6E,M6E
	MF430123	NUT,M/T UPR GEARSHIFT EQUIP	1	12		G6,H6,H6E, J6,J6E,K6, K6E,M6E
	MF430123	NUT,M/T UPR GEARSHIFT EQUIP	1	12		G6,H6,H6E, J6,J6E,K6, K6E,M6E
	MF430123	NUT,M/T UPR GEARSHIFT EQUIP	1	12		G6,H6,H6E, J6,J6E,K6, K6E,M6E
	MF430123	NUT,M/T UPR GEARSHIFT EQUIP	1	12		G6,H6,H6E, J6,J6E,K6, K6E,M6E
	MF430123	NUT,M/T UPR GEARSHIFT EQUIP	1	12		G6,H6,H6E, J6,J6E,K6, K6E,M6E
23968SB	ME643673	NUT,M/T UPR GEARSHIFT EQUIP	1			G6E,M6
	ME643673	NUT,M/T UPR GEARSHIFT EQUIP	1			G6,G6E,H6, H6E,J6,J6E, K6,K6E,M6, M6E
	ME643673	NUT,M/T UPR GEARSHIFT EQUIP	1			G6,H6,H6E, J6,J6E,K6, K6E,M6E
	ME643673	NUT,M/T UPR GEARSHIFT EQUIP	1			G6,G6E,H6, H6E,J6,J6E, K6,K6E,M6, M6E

FK74R
22-150 M/T GEARSHIFT CONTROL UPPER (2/2)

PNC	Part No	Part Name	Qty	Part Spec	Remarks	Classification
23968SB	ME643673	NUT,M/T UPR GEARSHIFT EQUIP	1			G6,G6E,H6, H6E,J6,J6E, K6,K6E,M6, M6E
	ME643673	NUT,M/T UPR GEARSHIFT EQUIP	1			G6,H6,H6E, J6,J6E,K6, K6E,M6E
	ME643673	NUT,M/T UPR GEARSHIFT EQUIP	1			G6,H6,H6E, J6,J6E,K6, K6E,M6E
	ME643673	NUT,M/T UPR GEARSHIFT EQUIP	1			G6,H6,H6E, J6,J6E,K6, K6E,M6E
	ME643673	NUT,M/T UPR GEARSHIFT EQUIP	1			G6,H6,H6E, J6,J6E,K6, K6E,M6E
	ME643673	NUT,M/T UPR GEARSHIFT EQUIP	1			G6,H6,H6E, J6,J6E,K6, K6E,M6E
	ME643673	NUT,M/T UPR GEARSHIFT EQUIP	1			G6,H6,H6E, J6,J6E,K6, K6E,M6E
	ME643673	NUT,M/T UPR GEARSHIFT EQUIP	1			G6,H6,H6E, J6,J6E,K6, K6E,M6E
	ME643673	NUT,M/T UPR GEARSHIFT EQUIP	1			G6,H6,H6E, J6,J6E,K6, K6E,M6E
	ME643673	NUT,M/T UPR GEARSHIFT EQUIP	1			G6,H6,H6E, J6,J6E,K6, K6E,M6E
23969	ME519357	HOSE,M/T UPR GEARSHIFT EQUIP	1			G6E,M6
	ME519357	HOSE,M/T UPR GEARSHIFT EQUIP	1			G6,G6E,H6, H6E,J6,J6E, K6,K6E,M6, M6E
	ME519357	HOSE,M/T UPR GEARSHIFT EQUIP	1			G6,H6,H6E, J6,J6E,K6, K6E,M6E
	ME519357	HOSE,M/T UPR GEARSHIFT EQUIP	1			G6,G6E,H6, H6E,J6,J6E, K6,K6E,M6, M6E
	ME519357	HOSE,M/T UPR GEARSHIFT EQUIP	1			G6,G6E,H6, H6E,J6,J6E, K6,K6E,M6, M6E
	ME519357	HOSE,M/T UPR GEARSHIFT EQUIP	1			G6,H6,H6E, J6,J6E,K6, K6E,M6E
	ME519357	HOSE,M/T UPR GEARSHIFT EQUIP	1			G6,H6,H6E, J6,J6E,K6, K6E,M6E
	ME519357	HOSE,M/T UPR GEARSHIFT EQUIP	1			G6,H6,H6E, J6,J6E,K6, K6E,M6E
	ME519357	HOSE,M/T UPR GEARSHIFT EQUIP	1			G6,H6,H6E, J6,J6E,K6, K6E,M6E
	ME519357	HOSE,M/T UPR GEARSHIFT EQUIP	1			G6,H6,H6E, J6,J6E,K6, K6E,M6E
	ME519357	HOSE,M/T UPR GEARSHIFT EQUIP	1			G6,H6,H6E, J6,J6E,K6, K6E,M6E
	ME519357	HOSE,M/T UPR GEARSHIFT EQUIP	1			G6,H6,H6E, J6,J6E,K6, K6E,M6E
	ME519357	HOSE,M/T UPR GEARSHIFT EQUIP	1			G6,H6,H6E, J6,J6E,K6, K6E,M6E
	ME519357	HOSE,M/T UPR GEARSHIFT EQUIP	1			G6,H6,H6E, J6,J6E,K6, K6E,M6E
	ME519357	HOSE,M/T UPR GEARSHIFT EQUIP	1			G6,H6,H6E, J6,J6E,K6, K6E,M6E
23969M	ME643687	HOSE,M/T UPR GEARSHIFT EQUIP	1			G6E,M6
	ME643687	HOSE,M/T UPR GEARSHIFT EQUIP	1			G6,G6E,H6, H6E,J6,J6E, K6,K6E,M6, M6E

FK74R
22-150 M/T GEARSHIFT CONTROL UPPER (2/2)

PNC	Part No	Part Name	Qty	Part Spec	Remarks	Classification
23969M	ME643687	HOSE,M/T UPR GEARSHIFT EQUIP	1			G6,H6,H6E, J6,J6E,K6, K6E,M6E
	ME643687	HOSE,M/T UPR GEARSHIFT EQUIP	1			G6,G6E,H6, H6E,J6,J6E, K6,K6E,M6, M6E
	ME643687	HOSE,M/T UPR GEARSHIFT EQUIP	1			G6,G6E,H6, H6E,J6,J6E, K6,K6E,M6, M6E
	ME643687	HOSE,M/T UPR GEARSHIFT EQUIP	1			G6,H6,H6E, J6,J6E,K6, K6E,M6E
	ME643687	HOSE,M/T UPR GEARSHIFT EQUIP	1			G6,H6,H6E, J6,J6E,K6, K6E,M6E
	ME643687	HOSE,M/T UPR GEARSHIFT EQUIP	1			G6,H6,H6E, J6,J6E,K6, K6E,M6E
	ME643687	HOSE,M/T UPR GEARSHIFT EQUIP	1			G6,H6,H6E, J6,J6E,K6, K6E,M6E
	ME643687	HOSE,M/T UPR GEARSHIFT EQUIP	1			G6,H6,H6E, J6,J6E,K6, K6E,M6E
	ME643687	HOSE,M/T UPR GEARSHIFT EQUIP	1			G6,H6,H6E, J6,J6E,K6, K6E,M6E
	ME643687	HOSE,M/T UPR GEARSHIFT EQUIP	1			G6,H6,H6E, J6,J6E,K6, K6E,M6E
	ME643687	HOSE,M/T UPR GEARSHIFT EQUIP	1			G6,H6,H6E, J6,J6E,K6, K6E,M6E
	ME643687	HOSE,M/T UPR GEARSHIFT EQUIP	1			G6,H6,H6E, J6,J6E,K6, K6E,M6E
	ME643687	HOSE,M/T UPR GEARSHIFT EQUIP	1			G6,H6,H6E, J6,J6E,K6, K6E,M6E
23971B	MF660037	GASKET,M/T UPR GEARSHIFT EQUIP	1	D=18		G6E,M6
	MF660037	GASKET,M/T UPR GEARSHIFT EQUIP	1	D=18		G6,G6E,H6, H6E,J6,J6E, K6,K6E,M6, M6E
	MF660037	GASKET,M/T UPR GEARSHIFT EQUIP	1	D=18		G6,H6,H6E, J6,J6E,K6, K6E,M6E
	MF660037	GASKET,M/T UPR GEARSHIFT EQUIP	1	D=18		G6,G6E,H6, H6E,J6,J6E, K6,K6E,M6, M6E
	MF660037	GASKET,M/T UPR GEARSHIFT EQUIP	1	D=18		G6,H6,H6E, J6,J6E,K6, K6E,M6E
	MF660037	GASKET,M/T UPR GEARSHIFT EQUIP	1	D=18		G6,H6,H6E, J6,J6E,K6, K6E,M6E
	MF660037	GASKET,M/T UPR GEARSHIFT EQUIP	1	D=18		G6,H6,H6E, J6,J6E,K6, K6E,M6E
	MF660037	GASKET,M/T UPR GEARSHIFT EQUIP	1	D=18		G6,H6,H6E, J6,J6E,K6, K6E,M6E
	MF660037	GASKET,M/T UPR GEARSHIFT EQUIP	1	D=18		G6,H6,H6E, J6,J6E,K6, K6E,M6E
	MF660037	GASKET,M/T UPR GEARSHIFT EQUIP	1	D=18		G6,H6,H6E, J6,J6E,K6, K6E,M6E
	MF660037	GASKET,M/T UPR GEARSHIFT EQUIP	1	D=18		G6,H6,H6E, J6,J6E,K6, K6E,M6E
	MF660037	GASKET,M/T UPR GEARSHIFT EQUIP	1	D=18		G6,H6,H6E, J6,J6E,K6, K6E,M6E
	MF660037	GASKET,M/T UPR GEARSHIFT EQUIP	1	D=18		G6,H6,H6E, J6,J6E,K6, K6E,M6E

FK74R
22-150 M/T GEARSHIFT CONTROL UPPER (2/2)

PNC	Part No	Part Name	Qty	Part Spec	Remarks	Classification
23971B	MF660037	GASKET,M/T UPR GEARSHIFT EQUIP	1	D=18		G6,H6,H6E, J6,J6E,K6, K6E,M6E
23971C	MF660033	GASKET,M/T UPR GEARSHIFT EQUIP	1	D=10		G6E,M6
	MF660033	GASKET,M/T UPR GEARSHIFT EQUIP	1	D=10		G6,G6E,H6, H6E,J6,J6E, K6,K6E,M6, M6E
	MF660033	GASKET,M/T UPR GEARSHIFT EQUIP	1	D=10		G6,H6,H6E, J6,J6E,K6, K6E,M6E
	MF660033	GASKET,M/T UPR GEARSHIFT EQUIP	1	D=10		G6,G6E,H6, H6E,J6,J6E, K6,K6E,M6, M6E
	MF660033	GASKET,M/T UPR GEARSHIFT EQUIP	1	D=10		G6,G6E,H6, H6E,J6,J6E, K6,K6E,M6, M6E
	MF660033	GASKET,M/T UPR GEARSHIFT EQUIP	1	D=10		G6,H6,H6E, J6,J6E,K6, K6E,M6E
	MF660033	GASKET,M/T UPR GEARSHIFT EQUIP	1	D=10		G6,H6,H6E, J6,J6E,K6, K6E,M6E
	MF660033	GASKET,M/T UPR GEARSHIFT EQUIP	1	D=10		G6,H6,H6E, J6,J6E,K6, K6E,M6E
	MF660033	GASKET,M/T UPR GEARSHIFT EQUIP	1	D=10		G6,H6,H6E, J6,J6E,K6, K6E,M6E
	MF660033	GASKET,M/T UPR GEARSHIFT EQUIP	1	D=10		G6,H6,H6E, J6,J6E,K6, K6E,M6E
	MF660033	GASKET,M/T UPR GEARSHIFT EQUIP	1	D=10		G6,H6,H6E, J6,J6E,K6, K6E,M6E
	MF660033	GASKET,M/T UPR GEARSHIFT EQUIP	1	D=10		G6,H6,H6E, J6,J6E,K6, K6E,M6E
	MF660033	GASKET,M/T UPR GEARSHIFT EQUIP	1	D=10		G6,H6,H6E, J6,J6E,K6, K6E,M6E
	MF660033	GASKET,M/T UPR GEARSHIFT EQUIP	1	D=10		G6,H6,H6E, J6,J6E,K6, K6E,M6E
23972M	ME643688	CLAMP,M/T UPR GEARSHIFT EQUIP	1			G6E,M6
	ME643688	CLAMP,M/T UPR GEARSHIFT EQUIP	1			G6,G6E,H6, H6E,J6,J6E, K6,K6E,M6, M6E
	ME643688	CLAMP,M/T UPR GEARSHIFT EQUIP	1			G6,H6,H6E, J6,J6E,K6, K6E,M6E
	ME643688	CLAMP,M/T UPR GEARSHIFT EQUIP	1			G6,G6E,H6, H6E,J6,J6E, K6,K6E,M6, M6E
	ME643688	CLAMP,M/T UPR GEARSHIFT EQUIP	1			G6,G6E,H6, H6E,J6,J6E, K6,K6E,M6, M6E
	ME643688	CLAMP,M/T UPR GEARSHIFT EQUIP	1			G6,H6,H6E, J6,J6E,K6, K6E,M6E
	ME643688	CLAMP,M/T UPR GEARSHIFT EQUIP	1			G6,H6,H6E, J6,J6E,K6, K6E,M6E
	ME643688	CLAMP,M/T UPR GEARSHIFT EQUIP	1			G6,H6,H6E, J6,J6E,K6, K6E,M6E
	ME643688	CLAMP,M/T UPR GEARSHIFT EQUIP	1			G6,H6,H6E, J6,J6E,K6, K6E,M6E
	ME643688	CLAMP,M/T UPR GEARSHIFT EQUIP	1			G6,H6,H6E, J6,J6E,K6, K6E,M6E

FK74R
22-150 M/T GEARSHIFT CONTROL UPPER (2/2)

PNC	Part No	Part Name	Qty	Part Spec	Remarks	Classification
23972M	ME643688	CLAMP,M/T UPR GEARSHIFT EQUIP	1			G6,H6,H6E, J6,J6E,K6, K6E,M6E
	ME643688	CLAMP,M/T UPR GEARSHIFT EQUIP	1			G6,H6,H6E, J6,J6E,K6, K6E,M6E
	ME643688	CLAMP,M/T UPR GEARSHIFT EQUIP	1			G6,H6,H6E, J6,J6E,K6, K6E,M6E
	ME643688	CLAMP,M/T UPR GEARSHIFT EQUIP	1			G6,H6,H6E, J6,J6E,K6, K6E,M6E
23973D	MH020801	CLIP,M/T UPR GEARSHIFT EQUIP	2	D=6.4		G6E,M6
	MH020801	CLIP,M/T UPR GEARSHIFT EQUIP	2	D=6.4		G6,G6E,H6, H6E,J6,J6E, K6,K6E,M6, M6E
	MH020801	CLIP,M/T UPR GEARSHIFT EQUIP	2	D=6.4		G6,H6,H6E, J6,J6E,K6, K6E,M6E
	MH020801	CLIP,M/T UPR GEARSHIFT EQUIP	2	D=6.4		G6,G6E,H6, H6E,J6,J6E, K6,K6E,M6, M6E
	MH020801	CLIP,M/T UPR GEARSHIFT EQUIP	2	D=6.4		G6,G6E,H6, H6E,J6,J6E, K6,K6E,M6, M6E
	MH020801	CLIP,M/T UPR GEARSHIFT EQUIP	2	D=6.4		G6,H6,H6E, J6,J6E,K6, K6E,M6E
	MH020801	CLIP,M/T UPR GEARSHIFT EQUIP	2	D=6.4		G6,G6E,H6, H6E,J6,J6E, K6,K6E,M6, M6E
	MH020801	CLIP,M/T UPR GEARSHIFT EQUIP	2	D=6.4		G6,H6,H6E, J6,J6E,K6, K6E,M6E
	MH020801	CLIP,M/T UPR GEARSHIFT EQUIP	2	D=6.4		G6,H6,H6E, J6,J6E,K6, K6E,M6E
	MH020801	CLIP,M/T UPR GEARSHIFT EQUIP	2	D=6.4		G6,H6,H6E, J6,J6E,K6, K6E,M6E
	MH020801	CLIP,M/T UPR GEARSHIFT EQUIP	2	D=6.4		G6,H6,H6E, J6,J6E,K6, K6E,M6E
	MH020801	CLIP,M/T UPR GEARSHIFT EQUIP	2	D=6.4		G6,H6,H6E, J6,J6E,K6, K6E,M6E
	MH020801	CLIP,M/T UPR GEARSHIFT EQUIP	2	D=6.4		G6,H6,H6E, J6,J6E,K6, K6E,M6E
	MH020801	CLIP,M/T UPR GEARSHIFT EQUIP	2	D=6.4		G6,H6,H6E, J6,J6E,K6, K6E,M6E
	MH020801	CLIP,M/T UPR GEARSHIFT EQUIP	2	D=6.4		G6,H6,H6E, J6,J6E,K6, K6E,M6E
	23973F	MH020930	CLIP,M/T UPR GEARSHIFT EQUIP	2	A=6	
MH020930		CLIP,M/T UPR GEARSHIFT EQUIP	2	A=6		G6,G6E,H6, H6E,J6,J6E, K6,K6E,M6, M6E
MH020930		CLIP,M/T UPR GEARSHIFT EQUIP	2	A=6		G6,H6,H6E, J6,J6E,K6, K6E,M6E
MH020930		CLIP,M/T UPR GEARSHIFT EQUIP	2	A=6		G6,G6E,H6, H6E,J6,J6E, K6,K6E,M6, M6E
MH020930		CLIP,M/T UPR GEARSHIFT EQUIP	2	A=6		G6,G6E,H6, H6E,J6,J6E, K6,K6E,M6, M6E
MH020930		CLIP,M/T UPR GEARSHIFT EQUIP	2	A=6		G6,H6,H6E, J6,J6E,K6, K6E,M6E

FK74R
22-150 M/T GEARSHIFT CONTROL UPPER (2/2)

PNC	Part No	Part Name	Qty	Part Spec	Remarks	Classification
23973F	MH020930	CLIP,M/T UPR GEARSHIFT EQUIP	2	A=6		G6,H6,H6E, J6,J6E,K6, K6E,M6E
	MH020930	CLIP,M/T UPR GEARSHIFT EQUIP	2	A=6		G6,H6,H6E, J6,J6E,K6, K6E,M6E
	MH020930	CLIP,M/T UPR GEARSHIFT EQUIP	2	A=6		G6,H6,H6E, J6,J6E,K6, K6E,M6E
	MH020930	CLIP,M/T UPR GEARSHIFT EQUIP	2	A=6		G6,H6,H6E, J6,J6E,K6, K6E,M6E
	MH020930	CLIP,M/T UPR GEARSHIFT EQUIP	2	A=6		G6,H6,H6E, J6,J6E,K6, K6E,M6E
	MH020930	CLIP,M/T UPR GEARSHIFT EQUIP	2	A=6		G6,H6,H6E, J6,J6E,K6, K6E,M6E
	MH020930	CLIP,M/T UPR GEARSHIFT EQUIP	2	A=6		G6,H6,H6E, J6,J6E,K6, K6E,M6E
23973P	MH020424	CLIP,M/T UPR GEARSHIFT EQUIP	1	D=20		G6V,H6V,H6VE, J6V,J6VE,K6V, K6VE,M6VE
	MH020424	CLIP,M/T UPR GEARSHIFT EQUIP	1	D=20		G6V,H6V,H6VE, J6V,J6VE,K6V, K6VE,M6VE
	MH020424	CLIP,M/T UPR GEARSHIFT EQUIP	1	D=20		G6V,H6V,H6VE, J6V,J6VE,K6V, K6VE,M6VE
	MH020424	CLIP,M/T UPR GEARSHIFT EQUIP	1	D=20		G6V,H6V,H6VE, J6V,J6VE,K6V, K6VE,M6VE
	MH020424	CLIP,M/T UPR GEARSHIFT EQUIP	1	D=20		G6V,H6V,H6VE, J6V,J6VE,K6V, K6VE,M6VE
	MH020424	CLIP,M/T UPR GEARSHIFT EQUIP	1	D=20		G6V,H6V,H6VE, J6V,J6VE,K6V, K6VE,M6VE
	MH020424	CLIP,M/T UPR GEARSHIFT EQUIP	1	D=20		G6V,H6V,H6VE, J6V,J6VE,K6V, K6VE,M6VE
23974C	MH023501	BRACKET,M/T UPR GEARSHIFT EQUIP	2			G6E,M6
	MH023501	BRACKET,M/T UPR GEARSHIFT EQUIP	2			G6,G6E,H6, H6E,J6,J6E, K6,K6E,M6, M6E
	MH023501	BRACKET,M/T UPR GEARSHIFT EQUIP	2			G6,H6,H6E, J6,J6E,K6, K6E,M6E
	MH023501	BRACKET,M/T UPR GEARSHIFT EQUIP	2			G6,G6E,H6, H6E,J6,J6E, K6,K6E,M6, M6E
	MH023501	BRACKET,M/T UPR GEARSHIFT EQUIP	2			G6,G6E,H6, H6E,J6,J6E, K6,K6E,M6, M6E
	MH023501	BRACKET,M/T UPR GEARSHIFT EQUIP	2			G6,H6,H6E, J6,J6E,K6, K6E,M6E
	MH023501	BRACKET,M/T UPR GEARSHIFT EQUIP	2			G6,H6,H6E, J6,J6E,K6, K6E,M6E
	MH023501	BRACKET,M/T UPR GEARSHIFT EQUIP	2			G6,H6,H6E, J6,J6E,K6, K6E,M6E
	MH023501	BRACKET,M/T UPR GEARSHIFT EQUIP	2			G6,H6,H6E, J6,J6E,K6, K6E,M6E
	MH023501	BRACKET,M/T UPR GEARSHIFT EQUIP	2			G6,H6,H6E, J6,J6E,K6, K6E,M6E
	MH023501	BRACKET,M/T UPR GEARSHIFT EQUIP	2			G6,H6,H6E, J6,J6E,K6, K6E,M6E

FK74R
22-150 M/T GEARSHIFT CONTROL UPPER (2/2)

PNC	Part No	Part Name	Qty	Part Spec	Remarks	Classification
23974C	MH023501	BRACKET,M/T UPR GEARSHIFT EQUIP	2			G6,H6,H6E, J6,J6E,K6, K6E,M6E
	MH023501	BRACKET,M/T UPR GEARSHIFT EQUIP	2			G6,H6,H6E, J6,J6E,K6, K6E,M6E
23974D	ME517914	BRACKET,M/T UPR GEARSHIFT EQUIP	1			G6E,M6
	ME517914	BRACKET,M/T UPR GEARSHIFT EQUIP	1			G6,G6E,H6, H6E,J6,J6E, K6,K6E,M6, M6E
	ME517914	BRACKET,M/T UPR GEARSHIFT EQUIP	1			G6,H6,H6E, J6,J6E,K6, K6E,M6E
	ME517914	BRACKET,M/T UPR GEARSHIFT EQUIP	1			G6,G6E,H6, H6E,J6,J6E, K6,K6E,M6, M6E
	ME517914	BRACKET,M/T UPR GEARSHIFT EQUIP	1			G6,H6,H6E, J6,J6E,K6, K6E,M6E
	ME517914	BRACKET,M/T UPR GEARSHIFT EQUIP	1			G6,G6E,H6, H6E,J6,J6E, K6,K6E,M6, M6E
	ME517914	BRACKET,M/T UPR GEARSHIFT EQUIP	1			G6,H6,H6E, J6,J6E,K6, K6E,M6E
	ME517914	BRACKET,M/T UPR GEARSHIFT EQUIP	1			G6,H6,H6E, J6,J6E,K6, K6E,M6E
	ME517914	BRACKET,M/T UPR GEARSHIFT EQUIP	1			G6,H6,H6E, J6,J6E,K6, K6E,M6E
	ME517914	BRACKET,M/T UPR GEARSHIFT EQUIP	1			G6,H6,H6E, J6,J6E,K6, K6E,M6E
	ME517914	BRACKET,M/T UPR GEARSHIFT EQUIP	1			G6,H6,H6E, J6,J6E,K6, K6E,M6E
	ME517914	BRACKET,M/T UPR GEARSHIFT EQUIP	1			G6,H6,H6E, J6,J6E,K6, K6E,M6E
	ME517914	BRACKET,M/T UPR GEARSHIFT EQUIP	1			G6,H6,H6E, J6,J6E,K6, K6E,M6E
	ME517914	BRACKET,M/T UPR GEARSHIFT EQUIP	1			G6,H6,H6E, J6,J6E,K6, K6E,M6E
23974G	ME527448	BRACKET,M/T UPR GEARSHIFT EQUIP	1			G6,G6E,H6, H6E,J6,J6E, K6,K6E,M6, M6E
	ME527448	BRACKET,M/T UPR GEARSHIFT EQUIP	1			G6,H6,H6E, J6,J6E,K6, K6E,M6E
23974P	MH026691	BRACKET,M/T UPR GEARSHIFT EQUIP	1			G6V,H6V,H6VE, J6V,J6VE,K6V, K6VE,M6VE
	MH026691	BRACKET,M/T UPR GEARSHIFT EQUIP	1			G6V,H6V,H6VE, J6V,J6VE,K6V, K6VE,M6VE
	MH026691	BRACKET,M/T UPR GEARSHIFT EQUIP	1			G6V,H6V,H6VE, J6V,J6VE,K6V, K6VE,M6VE
	MH026691	BRACKET,M/T UPR GEARSHIFT EQUIP	1			G6V,H6V,H6VE, J6V,J6VE,K6V, K6VE,M6VE
	MH026691	BRACKET,M/T UPR GEARSHIFT EQUIP	1			G6V,H6V,H6VE, J6V,J6VE,K6V, K6VE,M6VE
	MH026691	BRACKET,M/T UPR GEARSHIFT EQUIP	1			G6V,H6V,H6VE, J6V,J6VE,K6V, K6VE,M6VE
	MH026691	BRACKET,M/T UPR GEARSHIFT EQUIP	1			G6V,H6V,H6VE, J6V,J6VE,K6V, K6VE,M6VE

FK74R
22-150 M/T GEARSHIFT CONTROL UPPER (2/2)

PNC	Part No	Part Name	Qty	Part Spec	Remarks	Classification
23974Q	ME515360	BRACKET,M/T UPR GEARSHIFT EQUIP	1			G6V,H6V,H6VE J6V,J6VE,K6V, K6VE,M6VE
	ME515360	BRACKET,M/T UPR GEARSHIFT EQUIP	1			G6V,H6V,H6VE J6V,J6VE,K6V, K6VE,M6VE
	ME515360	BRACKET,M/T UPR GEARSHIFT EQUIP	1			G6V,H6V,H6VE J6V,J6VE,K6V, K6VE,M6VE
	ME515360	BRACKET,M/T UPR GEARSHIFT EQUIP	1			G6V,H6V,H6VE J6V,J6VE,K6V, K6VE,M6VE
	ME515360	BRACKET,M/T UPR GEARSHIFT EQUIP	1			G6V,H6V,H6VE J6V,J6VE,K6VE
	ME515360	BRACKET,M/T UPR GEARSHIFT EQUIP	1			G6V,H6V,H6VE J6V,J6VE,K6VE
	ME515360	BRACKET,M/T UPR GEARSHIFT EQUIP	1			G6V,H6V,H6VE J6V,J6VE,K6VE
23974S	ME518409	BRACKET,M/T UPR GEARSHIFT EQUIP	1			G6V,H6V,H6VE J6V,J6VE,K6V, K6VE,M6VE
	ME518409	BRACKET,M/T UPR GEARSHIFT EQUIP	1			G6V,H6V,H6VE J6V,J6VE,K6V, K6VE,M6VE
	ME518409	BRACKET,M/T UPR GEARSHIFT EQUIP	1			G6V,H6V,H6VE J6V,J6VE,K6V, K6VE,M6VE
	ME518409	BRACKET,M/T UPR GEARSHIFT EQUIP	1			G6V,H6V,H6VE J6V,J6VE,K6V, K6VE,M6VE
	ME518409	BRACKET,M/T UPR GEARSHIFT EQUIP	1			G6V,H6V,H6VE J6V,J6VE,K6VE
	ME518409	BRACKET,M/T UPR GEARSHIFT EQUIP	1			G6V,H6V,H6VE J6V,J6VE,K6VE
	ME518409	BRACKET,M/T UPR GEARSHIFT EQUIP	1			G6V,H6V,H6VE J6V,J6VE,K6VE
23975P	MF101225	BOLT,M/T UPR GEARSHIFT EQUIP	2	BOLT,6X12	7T	G6,H6,H6E, J6,J6E,K6, K6E,M6E
	MF101225	BOLT,M/T UPR GEARSHIFT EQUIP	2	BOLT,6X12	7T	G6,G6E,H6, H6E,J6,J6E, K6,K6E,M6, M6E
	MF101225	BOLT,M/T UPR GEARSHIFT EQUIP	2	BOLT,6X12	7T	G6E,M6
	MF101225	BOLT,M/T UPR GEARSHIFT EQUIP	2	BOLT,6X12	7T	G6,G6E,H6, H6E,J6,J6E, K6,K6E,M6, M6E
	MF101225	BOLT,M/T UPR GEARSHIFT EQUIP	2	BOLT,6X12	7T	G6,G6E,H6, H6E,J6,J6E, K6,K6E,M6, M6E
	MF101225	BOLT,M/T UPR GEARSHIFT EQUIP	2	BOLT,6X12	7T	G6,H6,H6E, J6,J6E,K6, K6E,M6E
	MF101225	BOLT,M/T UPR GEARSHIFT EQUIP	2	BOLT,6X12	7T	G6,H6,H6E, J6,J6E,K6, K6E,M6E
	MF101225	BOLT,M/T UPR GEARSHIFT EQUIP	2	BOLT,6X12	7T	G6,H6,H6E, J6,J6E,K6, K6E,M6E
	MF101225	BOLT,M/T UPR GEARSHIFT EQUIP	2	BOLT,6X12	7T	G6,H6,H6E, J6,J6E,K6, K6E,M6E
	MF101225	BOLT,M/T UPR GEARSHIFT EQUIP	2	BOLT,6X12	7T	G6,H6,H6E, J6,J6E,K6, K6E,M6E
	MF140223	BOLT,M/T UPR GEARSHIFT EQUIP	1	FLANGE,8X16	7T	G6V,H6V,H6VE J6V,J6VE,K6V, K6VE,M6VE
	MF140223	BOLT,M/T UPR GEARSHIFT EQUIP	1	FLANGE,8X16	7T	G6V,H6V,H6VE J6V,J6VE,K6V, K6VE,M6VE
	MF140223	BOLT,M/T UPR GEARSHIFT EQUIP	1	FLANGE,8X16	7T	G6V,H6V,H6VE J6V,J6VE,K6V, K6VE,M6VE

FK74R
22-150 M/T GEARSHIFT CONTROL UPPER (2/2)

PNC	Part No	Part Name	Qty	Part Spec	Remarks	Classification	
23975P	MF101225	BOLT,M/T UPR GEARSHIFT EQUIP	2	BOLT,6X12	7T	G6,H6,H6E, J6,J6E,K6, K6E,M6E	
	MF140223	BOLT,M/T UPR GEARSHIFT EQUIP	1	FLANGE,8X16	7T	G6V,H6V,H6VE J6V,J6VE,K6V, K6VE,M6VE	
	MF101225	BOLT,M/T UPR GEARSHIFT EQUIP	2	BOLT,6X12	7T	G6,H6,H6E, J6,J6E,K6, K6E,M6E	
	MF101225	BOLT,M/T UPR GEARSHIFT EQUIP	2	BOLT,6X12	7T	G6,H6,H6E, J6,J6E,K6, K6E,M6E	
	MF101225	BOLT,M/T UPR GEARSHIFT EQUIP	2	BOLT,6X12	7T	G6,H6,H6E, J6,J6E,K6, K6E,M6E	
	MF140223	BOLT,M/T UPR GEARSHIFT EQUIP	1	FLANGE,8X16	7T	G6V,H6V,H6VE J6V,J6VE,K6VE	
	MF140223	BOLT,M/T UPR GEARSHIFT EQUIP	1	FLANGE,8X16	7T	G6V,H6V,H6VE J6V,J6VE,K6VE	
	MF140223	BOLT,M/T UPR GEARSHIFT EQUIP	1	FLANGE,8X16	7T	G6V,H6V,H6VE J6V,J6VE,K6VE	
	23975S	MF140225	BOLT,M/T UPR GEARSHIFT EQUIP	5	FLANGE,8X20	7T	G6,H6,H6E, J6,J6E,K6, K6E,M6E
		MF140225	BOLT,M/T UPR GEARSHIFT EQUIP	5	FLANGE,8X20	7T	G6,G6E,H6, H6E,J6,J6E, K6,K6E,M6, M6E
		MF140225	BOLT,M/T UPR GEARSHIFT EQUIP	5	FLANGE,8X20	7T	G6,G6E,H6, H6E,J6,J6E, K6,K6E,M6, M6E
		MF140225	BOLT,M/T UPR GEARSHIFT EQUIP	5	FLANGE,8X20	7T	G6E,M6
		MF140225	BOLT,M/T UPR GEARSHIFT EQUIP	5	FLANGE,8X20	7T	G6,G6E,H6, H6E,J6,J6E, K6,K6E,M6, M6E
		MF140223	BOLT,M/T UPR GEARSHIFT EQUIP	1	FLANGE,8X16	7T	G6V,H6V,H6VE J6V,J6VE,K6V, K6VE,M6VE
MF140223		BOLT,M/T UPR GEARSHIFT EQUIP	1	FLANGE,8X16	7T	G6V,H6V,H6VE J6V,J6VE,K6V, K6VE,M6VE	
MF140223		BOLT,M/T UPR GEARSHIFT EQUIP	1	FLANGE,8X16	7T	G6V,H6V,H6VE J6V,J6VE,K6V, K6VE,M6VE	
MF140225		BOLT,M/T UPR GEARSHIFT EQUIP	5	FLANGE,8X20	7T	G6,H6,H6E, J6,J6E,K6, K6E,M6E	
MF140225		BOLT,M/T UPR GEARSHIFT EQUIP	5	FLANGE,8X20	7T	G6,H6,H6E, J6,J6E,K6, K6E,M6E	
MF140225		BOLT,M/T UPR GEARSHIFT EQUIP	5	FLANGE,8X20	7T	G6,H6,H6E, J6,J6E,K6, K6E,M6E	
MF140223		BOLT,M/T UPR GEARSHIFT EQUIP	1	FLANGE,8X16	7T	G6V,H6V,H6VE J6V,J6VE,K6V, K6VE,M6VE	
MF140225		BOLT,M/T UPR GEARSHIFT EQUIP	5	FLANGE,8X20	7T	G6,H6,H6E, J6,J6E,K6, K6E,M6E	
MF140225		BOLT,M/T UPR GEARSHIFT EQUIP	5	FLANGE,8X20	7T	G6,H6,H6E, J6,J6E,K6, K6E,M6E	
MF140225	BOLT,M/T UPR GEARSHIFT EQUIP	5	FLANGE,8X20	7T	G6,H6,H6E, J6,J6E,K6, K6E,M6E		
MF140225	BOLT,M/T UPR GEARSHIFT EQUIP	5	FLANGE,8X20	7T	G6,H6,H6E, J6,J6E,K6, K6E,M6E		

FK74R
22-150 M/T GEARSHIFT CONTROL UPPER (2/2)

PNC	Part No	Part Name	Qty	Part Spec	Remarks	Classification
23975S	MF140223	BOLT,M/T UPR GEARSHIFT EQUIP	1	FLANGE,8X16	7T	G6V,H6V,H6VE J6V,J6VE,K6VE
	MF140223	BOLT,M/T UPR GEARSHIFT EQUIP	1	FLANGE,8X16	7T	G6V,H6V,H6VE J6V,J6VE,K6VE
	MF140223	BOLT,M/T UPR GEARSHIFT EQUIP	1	FLANGE,8X16	7T	G6V,H6V,H6VE J6V,J6VE,K6VE
23975SB	ME643680	BOLT,M/T UPR GEARSHIFT EQUIP	6			G6E,M6
	ME643680	BOLT,M/T UPR GEARSHIFT EQUIP	6			G6,H6,H6E, J6,J6E,K6, K6E,M6E
	ME643680	BOLT,M/T UPR GEARSHIFT EQUIP	6			G6,G6E,H6, H6E,J6,J6E, K6,K6E,M6, M6E
	ME643680	BOLT,M/T UPR GEARSHIFT EQUIP	6			G6,G6E,H6, H6E,J6,J6E, K6,K6E,M6, M6E
	MF140226	BOLT,M/T UPR GEARSHIFT EQUIP	3	FLANGE,8X22	7T	G6E,M6
	MF140226	BOLT,M/T UPR GEARSHIFT EQUIP	3	FLANGE,8X22	7T	G6,G6E,H6, H6E,J6,J6E, K6,K6E,M6, M6E
	MF140226	BOLT,M/T UPR GEARSHIFT EQUIP	3	FLANGE,8X22	7T	G6,G6E,H6, H6E,J6,J6E, K6,K6E,M6, M6E
	MF140226	BOLT,M/T UPR GEARSHIFT EQUIP	3	FLANGE,8X22	7T	G6,H6,H6E, J6,J6E,K6, K6E,M6E
	ME643680	BOLT,M/T UPR GEARSHIFT EQUIP	6			G6,G6E,H6, H6E,J6,J6E, K6,K6E,M6, M6E
	MF140226	BOLT,M/T UPR GEARSHIFT EQUIP	3	FLANGE,8X22	7T	G6,G6E,H6, H6E,J6,J6E, K6,K6E,M6, M6E
	ME643680	BOLT,M/T UPR GEARSHIFT EQUIP	6			G6,H6,H6E, J6,J6E,K6, K6E,M6E
	ME643680	BOLT,M/T UPR GEARSHIFT EQUIP	6			G6,H6,H6E, J6,J6E,K6, K6E,M6E
	ME643680	BOLT,M/T UPR GEARSHIFT EQUIP	6			G6,H6,H6E, J6,J6E,K6, K6E,M6E
	ME643680	BOLT,M/T UPR GEARSHIFT EQUIP	6			G6,H6,H6E, J6,J6E,K6, K6E,M6E
	MF140226	BOLT,M/T UPR GEARSHIFT EQUIP	3	FLANGE,8X22	7T	G6,H6,H6E, J6,J6E,K6, K6E,M6E
	MF140226	BOLT,M/T UPR GEARSHIFT EQUIP	3	FLANGE,8X22	7T	G6,H6,H6E, J6,J6E,K6, K6E,M6E
	MF140226	BOLT,M/T UPR GEARSHIFT EQUIP	3	FLANGE,8X22	7T	G6,H6,H6E, J6,J6E,K6, K6E,M6E
	MF140226	BOLT,M/T UPR GEARSHIFT EQUIP	3	FLANGE,8X22	7T	G6,H6,H6E, J6,J6E,K6, K6E,M6E
	ME643680	BOLT,M/T UPR GEARSHIFT EQUIP	6			G6,H6,H6E, J6,J6E,K6, K6E,M6E
	MF140226	BOLT,M/T UPR GEARSHIFT EQUIP	3	FLANGE,8X22	7T	G6,H6,H6E, J6,J6E,K6, K6E,M6E
ME643680	BOLT,M/T UPR GEARSHIFT EQUIP	6			G6,H6,H6E, J6,J6E,K6, K6E,M6E	

FK74R
22-150 M/T GEARSHIFT CONTROL UPPER (2/2)

PNC	Part No	Part Name	Qty	Part Spec	Remarks	Classification
23975SB	ME643680	BOLT,M/T UPR GEARSHIFT EQUIP	6			G6,H6,H6E, J6,J6E,K6, K6E,M6E
	ME643680	BOLT,M/T UPR GEARSHIFT EQUIP	6			G6,H6,H6E, J6,J6E,K6, K6E,M6E
	MF140226	BOLT,M/T UPR GEARSHIFT EQUIP	3	FLANGE,8X22	7T	G6,H6,H6E, J6,J6E,K6, K6E,M6E
	MF140226	BOLT,M/T UPR GEARSHIFT EQUIP	3	FLANGE,8X22	7T	G6,H6,H6E, J6,J6E,K6, K6E,M6E
23975T	MF140227	BOLT,M/T UPR GEARSHIFT EQUIP	6	FLANGE,8X25	7T	G6V,H6V,H6VE, J6V,J6VE,K6V, K6VE,M6VE
	MF140227	BOLT,M/T UPR GEARSHIFT EQUIP	6	FLANGE,8X25	7T	G6V,H6V,H6VE, J6V,J6VE,K6V, K6VE,M6VE
	MF140227	BOLT,M/T UPR GEARSHIFT EQUIP	6	FLANGE,8X25	7T	G6V,H6V,H6VE, J6V,J6VE,K6V, K6VE,M6VE
	MF140227	BOLT,M/T UPR GEARSHIFT EQUIP	6	FLANGE,8X25	7T	G6V,H6V,H6VE, J6V,J6VE,K6V, K6VE,M6VE
	MF140227	BOLT,M/T UPR GEARSHIFT EQUIP	6	FLANGE,8X25	7T	G6V,H6V,H6VE, J6V,J6VE,K6V, K6VE,M6VE
	MF140227	BOLT,M/T UPR GEARSHIFT EQUIP	6	FLANGE,8X25	7T	G6V,H6V,H6VE, J6V,J6VE,K6V, K6VE,M6VE
	MF140227	BOLT,M/T UPR GEARSHIFT EQUIP	6	FLANGE,8X25	7T	G6V,H6V,H6VE, J6V,J6VE,K6V, K6VE,M6VE
	MF140227	BOLT,M/T UPR GEARSHIFT EQUIP	6	FLANGE,8X25	7T	G6V,H6V,H6VE, J6V,J6VE,K6V, K6VE,M6VE
	MF140227	BOLT,M/T UPR GEARSHIFT EQUIP	6	FLANGE,8X25	7T	G6V,H6V,H6VE, J6V,J6VE,K6V, K6VE,M6VE
	MF140227	BOLT,M/T UPR GEARSHIFT EQUIP	6	FLANGE,8X25	7T	G6V,H6V,H6VE, J6V,J6VE,K6V, K6VE,M6VE
23975U	MF140223	BOLT,M/T UPR GEARSHIFT EQUIP	2	FLANGE,8X16	7T	G6V,H6V,H6VE, J6V,J6VE,K6V, K6VE,M6VE
	MF140223	BOLT,M/T UPR GEARSHIFT EQUIP	2	FLANGE,8X16	7T	G6V,H6V,H6VE, J6V,J6VE,K6V, K6VE,M6VE
	MF140223	BOLT,M/T UPR GEARSHIFT EQUIP	2	FLANGE,8X16	7T	G6V,H6V,H6VE, J6V,J6VE,K6V, K6VE,M6VE
	MF140223	BOLT,M/T UPR GEARSHIFT EQUIP	2	FLANGE,8X16	7T	G6V,H6V,H6VE, J6V,J6VE,K6V, K6VE,M6VE
	MF140223	BOLT,M/T UPR GEARSHIFT EQUIP	2	FLANGE,8X16	7T	G6V,H6V,H6VE, J6V,J6VE,K6V, K6VE,M6VE
	MF140223	BOLT,M/T UPR GEARSHIFT EQUIP	2	FLANGE,8X16	7T	G6V,H6V,H6VE, J6V,J6VE,K6V, K6VE,M6VE
	MF140223	BOLT,M/T UPR GEARSHIFT EQUIP	2	FLANGE,8X16	7T	G6V,H6V,H6VE, J6V,J6VE,K6V, K6VE,M6VE
	MF140223	BOLT,M/T UPR GEARSHIFT EQUIP	2	FLANGE,8X16	7T	G6V,H6V,H6VE, J6V,J6VE,K6V, K6VE,M6VE
23975V	MH001557	BOLT,M/T UPR GEARSHIFT EQUIP	3	FLANGE,10X30		G6,H6,H6E, J6,J6E,K6, K6E,M6E
	MH001557	BOLT,M/T UPR GEARSHIFT EQUIP	3	FLANGE,10X30		G6,G6E,H6, H6E,J6,J6E, K6,K6E,M6, M6E
	MH001557	BOLT,M/T UPR GEARSHIFT EQUIP	3	FLANGE,10X30		G6,G6E,H6, H6E,J6,J6E, K6,K6E,M6, M6E
	MH001557 MH001557	BOLT,M/T UPR GEARSHIFT EQUIP BOLT,M/T UPR GEARSHIFT EQUIP	3 3	FLANGE,10X30 FLANGE,10X30		G6E,M6 G6,G6E,H6, H6E,J6,J6E, K6,K6E,M6, M6E
	MF140229	BOLT,M/T UPR GEARSHIFT EQUIP	1	FLANGE,8X30	7T	G6V,H6V,H6VE, J6V,J6VE,K6V, K6VE,M6VE
	MF140229	BOLT,M/T UPR GEARSHIFT EQUIP	1	FLANGE,8X30	7T	G6V,H6V,H6VE, J6V,J6VE,K6V, K6VE,M6VE

FK74R
22-150 M/T GEARSHIFT CONTROL UPPER (2/2)

PNC	Part No	Part Name	Qty	Part Spec	Remarks	Classification	
23975V	MF140229	BOLT,M/T UPR GEARSHIFT EQUIP	1	FLANGE,8X30	7T	G6V,H6V,H6VE J6V,J6VE,K6V, K6VE,M6VE	
	MH001557	BOLT,M/T UPR GEARSHIFT EQUIP	3	FLANGE,10X30		G6,H6,H6E, J6,J6E,K6, K6E,M6E	
	MH001557	BOLT,M/T UPR GEARSHIFT EQUIP	3	FLANGE,10X30		G6,H6,H6E, J6,J6E,K6, K6E,M6E	
	MH001557	BOLT,M/T UPR GEARSHIFT EQUIP	3	FLANGE,10X30		G6,H6,H6E, J6,J6E,K6, K6E,M6E	
	MH001557	BOLT,M/T UPR GEARSHIFT EQUIP	3	FLANGE,10X30		G6,H6,H6E, J6,J6E,K6, K6E,M6E	
	MF140229	BOLT,M/T UPR GEARSHIFT EQUIP	1	FLANGE,8X30	7T	G6V,H6V,H6VE J6V,J6VE,K6V, K6VE,M6VE	
	MH001557	BOLT,M/T UPR GEARSHIFT EQUIP	3	FLANGE,10X30		G6,H6,H6E, J6,J6E,K6, K6E,M6E	
	MH001557	BOLT,M/T UPR GEARSHIFT EQUIP	3	FLANGE,10X30		G6,H6,H6E, J6,J6E,K6, K6E,M6E	
	MH001557	BOLT,M/T UPR GEARSHIFT EQUIP	3	FLANGE,10X30		G6,H6,H6E, J6,J6E,K6, K6E,M6E	
	MH001557	BOLT,M/T UPR GEARSHIFT EQUIP	3	FLANGE,10X30		G6,H6,H6E, J6,J6E,K6, K6E,M6E	
	MF140229	BOLT,M/T UPR GEARSHIFT EQUIP	1	FLANGE,8X30	7T	G6V,H6V,H6VE J6V,J6VE,K6VE	
	MF140229	BOLT,M/T UPR GEARSHIFT EQUIP	1	FLANGE,8X30	7T	G6V,H6V,H6VE J6V,J6VE,K6VE	
	MF140229	BOLT,M/T UPR GEARSHIFT EQUIP	1	FLANGE,8X30	7T	G6V,H6V,H6VE J6V,J6VE,K6VE	
	23976B	MF540009	BALL,M/T UPR GEARSHIFT EQUIP	1	9/32		G6E,M6
		MF540009	BALL,M/T UPR GEARSHIFT EQUIP	1	9/32		G6,G6E,H6, H6E,J6,J6E, K6,K6E,M6, M6E
MF540009		BALL,M/T UPR GEARSHIFT EQUIP	1	9/32		G6,H6,H6E, J6,J6E,K6, K6E,M6E	
MF540009		BALL,M/T UPR GEARSHIFT EQUIP	1	9/32		G6,G6E,H6, H6E,J6,J6E, K6,K6E,M6, M6E	
MF540009		BALL,M/T UPR GEARSHIFT EQUIP	1	9/32		G6,G6E,H6, H6E,J6,J6E, K6,K6E,M6, M6E	
MF540009		BALL,M/T UPR GEARSHIFT EQUIP	1	9/32		G6,H6,H6E, J6,J6E,K6, K6E,M6E	
MF540009		BALL,M/T UPR GEARSHIFT EQUIP	1	9/32		G6,H6,H6E, J6,J6E,K6, K6E,M6E	
MF540009		BALL,M/T UPR GEARSHIFT EQUIP	1	9/32		G6,H6,H6E, J6,J6E,K6, K6E,M6E	
MF540009		BALL,M/T UPR GEARSHIFT EQUIP	1	9/32		G6,H6,H6E, J6,J6E,K6, K6E,M6E	
MF540009		BALL,M/T UPR GEARSHIFT EQUIP	1	9/32		G6,H6,H6E, J6,J6E,K6, K6E,M6E	
MF540009		BALL,M/T UPR GEARSHIFT EQUIP	1	9/32		G6,H6,H6E, J6,J6E,K6, K6E,M6E	
MF540009		BALL,M/T UPR GEARSHIFT EQUIP	1	9/32		G6,H6,H6E, J6,J6E,K6, K6E,M6E	
MF540009		BALL,M/T UPR GEARSHIFT EQUIP	1	9/32		G6,H6,H6E, J6,J6E,K6, K6E,M6E	
MF540009		BALL,M/T UPR GEARSHIFT EQUIP	1	9/32		G6,H6,H6E, J6,J6E,K6, K6E,M6E	

FK74R
22-150 M/T GEARSHIFT CONTROL UPPER (2/2)

PNC	Part No	Part Name	Qty	Part Spec	Remarks	Classification
23976B	MF540009	BALL,M/T UPR GEARSHIFT EQUIP	1	9/32		G6,H6,H6E, J6,J6E,K6, K6E,M6E
23993S	MC072034	CONNECTOR,M/T GEARSHIFT EQUIP	1			G6E,M6
	MC072034	CONNECTOR,M/T GEARSHIFT EQUIP	1			G6,G6E,H6, H6E,J6,J6E, K6,K6E,M6, M6E
	MC072034	CONNECTOR,M/T GEARSHIFT EQUIP	1			G6,H6,H6E, J6,J6E,K6, K6E,M6E
	MC072034	CONNECTOR,M/T GEARSHIFT EQUIP	1			G6,G6E,H6, H6E,J6,J6E, K6,K6E,M6, M6E
	MC072034	CONNECTOR,M/T GEARSHIFT EQUIP	1			G6,G6E,H6, H6E,J6,J6E, K6,K6E,M6, M6E
	MC072034	CONNECTOR,M/T GEARSHIFT EQUIP	1			G6,H6,H6E, J6,J6E,K6, K6E,M6E
	MC072034	CONNECTOR,M/T GEARSHIFT EQUIP	1			G6,H6,H6E, J6,J6E,K6, K6E,M6E
	MC072034	CONNECTOR,M/T GEARSHIFT EQUIP	1			G6,H6,H6E, J6,J6E,K6, K6E,M6E
	MC072034	CONNECTOR,M/T GEARSHIFT EQUIP	1			G6,H6,H6E, J6,J6E,K6, K6E,M6E
	MC072034	CONNECTOR,M/T GEARSHIFT EQUIP	1			G6,H6,H6E, J6,J6E,K6, K6E,M6E
	MC072034	CONNECTOR,M/T GEARSHIFT EQUIP	1			G6,H6,H6E, J6,J6E,K6, K6E,M6E
	MC072034	CONNECTOR,M/T GEARSHIFT EQUIP	1			G6,H6,H6E, J6,J6E,K6, K6E,M6E
	MC072034	CONNECTOR,M/T GEARSHIFT EQUIP	1			G6,H6,H6E, J6,J6E,K6, K6E,M6E
	MC072034	CONNECTOR,M/T GEARSHIFT EQUIP	1			G6,H6,H6E, J6,J6E,K6, K6E,M6E
23999S	ME643669	BALL,M/T GEARSHIFT EQUIP	1			G6E,M6
	ME643669	BALL,M/T GEARSHIFT EQUIP	1			G6,G6E,H6, H6E,J6,J6E, K6,K6E,M6, M6E
	ME643669	BALL,M/T GEARSHIFT EQUIP	1			G6,H6,H6E, J6,J6E,K6, K6E,M6E
	ME643669	BALL,M/T GEARSHIFT EQUIP	1			G6,G6E,H6, H6E,J6,J6E, K6,K6E,M6, M6E
	ME643669	BALL,M/T GEARSHIFT EQUIP	1			G6,H6,H6E, J6,J6E,K6, K6E,M6E
	ME643669	BALL,M/T GEARSHIFT EQUIP	1			G6,H6,H6E, J6,J6E,K6, K6E,M6E
	ME643669	BALL,M/T GEARSHIFT EQUIP	1			G6,H6,H6E, J6,J6E,K6, K6E,M6E
	ME643669	BALL,M/T GEARSHIFT EQUIP	1			G6,H6,H6E, J6,J6E,K6, K6E,M6E
	ME643669	BALL,M/T GEARSHIFT EQUIP	1			G6,H6,H6E, J6,J6E,K6, K6E,M6E
	ME643669	BALL,M/T GEARSHIFT EQUIP	1			G6,H6,H6E, J6,J6E,K6, K6E,M6E

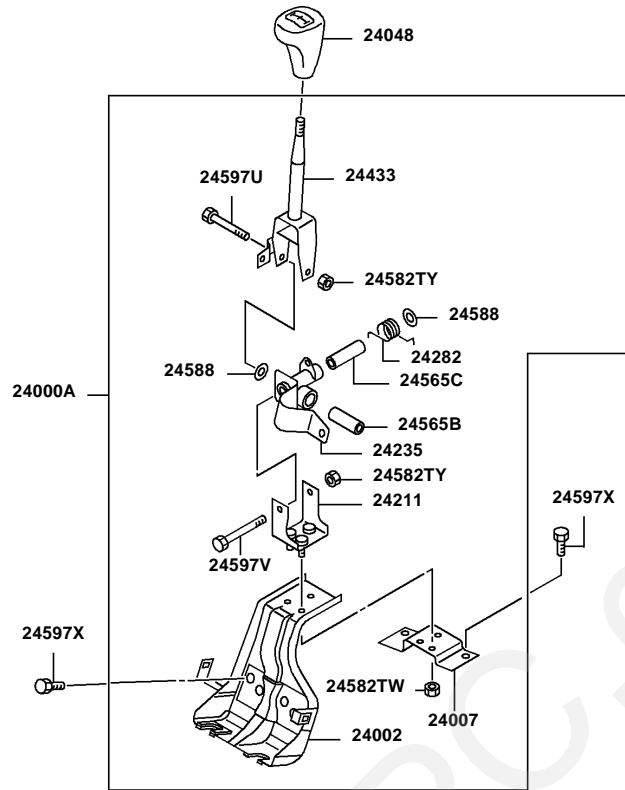
FK74R
22-150 M/T GEARSHIFT CONTROL UPPER (2/2)

PNC	Part No	Part Name	Qty	Part Spec	Remarks	Classification
23999S	ME643669	BALL,M/T GEARSHIFT EQUIP	1			G6,H6,H6E, J6,J6E,K6, K6E,M6E
	ME643669	BALL,M/T GEARSHIFT EQUIP	1			G6,H6,H6E, J6,J6E,K6, K6E,M6E
	ME643669	BALL,M/T GEARSHIFT EQUIP	1			G6,H6,H6E, J6,J6E,K6, K6E,M6E
	ME643669	BALL,M/T GEARSHIFT EQUIP	1			G6,H6,H6E, J6,J6E,K6, K6E,M6E
24212S	ME643689	DETENT UNIT,GEARSHIFT SELECT	1			G6E,M6
	ME643689	DETENT UNIT,GEARSHIFT SELECT	1			G6,G6E,H6, H6E,J6,J6E, K6,K6E,M6, M6E
	ME643689	DETENT UNIT,GEARSHIFT SELECT	1			G6,H6,H6E, J6,J6E,K6, K6E,M6E
	ME643689	DETENT UNIT,GEARSHIFT SELECT	1			G6,G6E,H6, H6E,J6,J6E, K6,K6E,M6, M6E
	ME643689	DETENT UNIT,GEARSHIFT SELECT	1			G6,G6E,H6, H6E,J6,J6E, K6,K6E,M6, M6E
	ME643689	DETENT UNIT,GEARSHIFT SELECT	1			G6,H6,H6E, J6,J6E,K6, K6E,M6E
	ME643689	DETENT UNIT,GEARSHIFT SELECT	1			G6,H6,H6E, J6,J6E,K6, K6E,M6E
	ME643689	DETENT UNIT,GEARSHIFT SELECT	1			G6,H6,H6E, J6,J6E,K6, K6E,M6E
	ME643689	DETENT UNIT,GEARSHIFT SELECT	1			G6,H6,H6E, J6,J6E,K6, K6E,M6E
	ME643689	DETENT UNIT,GEARSHIFT SELECT	1			G6,H6,H6E, J6,J6E,K6, K6E,M6E
	ME643689	DETENT UNIT,GEARSHIFT SELECT	1			G6,H6,H6E, J6,J6E,K6, K6E,M6E
	ME643689	DETENT UNIT,GEARSHIFT SELECT	1			G6,H6,H6E, J6,J6E,K6, K6E,M6E
	ME643689	DETENT UNIT,GEARSHIFT SELECT	1			G6,H6,H6E, J6,J6E,K6, K6E,M6E
	ME643689	DETENT UNIT,GEARSHIFT SELECT	1			G6,H6,H6E, J6,J6E,K6, K6E,M6E
	ME643689	DETENT UNIT,GEARSHIFT SELECT	1			G6,H6,H6E, J6,J6E,K6, K6E,M6E
	23000A	(Please refer to the page 1/2)	GEARSHIFT ASSY,M/T,UPR	1		
23002	(Please refer to the page 1/2)	BREATHER,M/T UPR GEARSHIFT CASE	1			
23023	(Please refer to the page 1/2)	SPRING,M/T GEARSHIFT CASE POPPET	1			
23026	(Please refer to the page 1/2)	SWITCH,M/T GEARSHIFT INTERLOCK	1			
23035	(Please refer to the page 1/2)	SEAL KIT,M/T UPR GEARSHIFT	1			
23036SB	(Please refer to the page 1/2)	SEAT,M/T UPR GEARSHIFT VALVE CONNECTOR	1			
23036SC	(Please refer to the page 1/2)	SEAT,M/T UPR GEARSHIFT VALVE CONNECTOR	1			
23036SD	(Please refer to the page 1/2)	SEAT,M/T UPR GEARSHIFT VALVE CONNECTOR	1			
23049B	(Please refer to the page 1/2)	MOTOR KIT,M/T GEARSHIFT	1			
23049C	(Please refer to the page 1/2)	MOTOR KIT,M/T GEARSHIFT	1			
23117	(Please refer to the page 1/2)	BUSHING,M/T UPR GEARSHIFT EQUIP	1			
23117S	(Please refer to the page 1/2)	BUSHING,M/T UPR GEARSHIFT EQUIP	1			
23161	(Please refer to the page 1/2)	LEVER,M/T SELECT,LWR	1			
23162	(Please refer to the page 1/2)	LEVER,M/T SELECT,UPR	1			
23181	(Please refer to the page 1/2)	OIL SEAL,M/T SELECT LEVER SHAFT	1			
23181B	(Please refer to the page 1/2)	OIL SEAL,M/T SELECT LEVER SHAFT	1			
23183SB	(Please refer to the page 1/2)	PIN,M/T UPR GEARSHIFT EQUIP	1			
23183SC	(Please refer to the page 1/2)	PIN,M/T UPR GEARSHIFT EQUIP	1			
23231	(Please refer to the page 1/2)	SHAFT,M/T GEARSHIFT	1			
23252B	(Please refer to the page 1/2)	SPRING,M/T GEARSHIFT LEVER RETURN	1			
23500A	(Please refer to the page 1/2)	SERVO ASSY,M/T GEARSHIFT	1			

FK74R
22-150 M/T GEARSHIFT CONTROL UPPER (2/2)

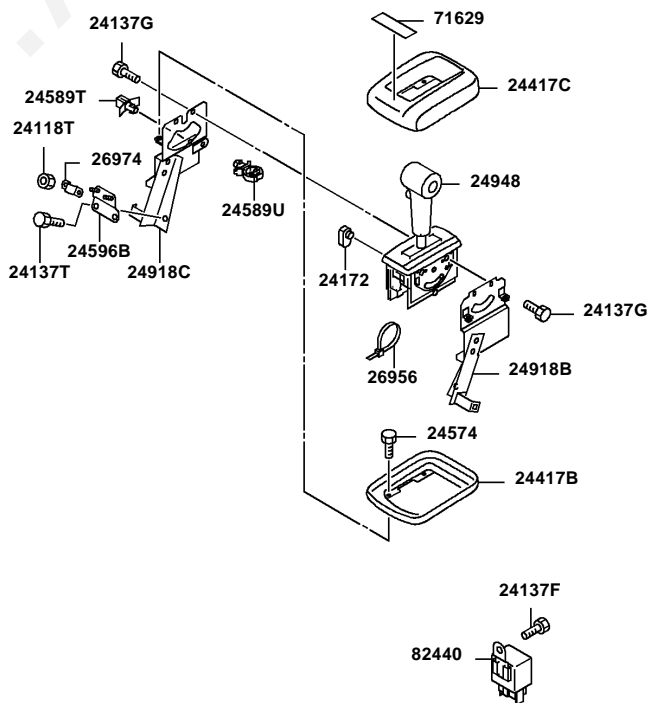
PNC	Part No	Part Name	Qty	Part Spec	Remarks	Classification
23510A	(Please refer to the page 1/2)	ROD & VALVE ASSY,M/T GEARSHIFT SERVO	1			
23511SB	(Please refer to the page 1/2)	BOOT,M/T GEARSHIFT SERVO ACTUATING ROD	1			
23511SC	(Please refer to the page 1/2)	BOOT,M/T GEARSHIFT SERVO ACTUATING ROD	1			
23511SD	(Please refer to the page 1/2)	BOOT,M/T GEARSHIFT SERVO ACTUATING ROD	1			
23513	(Please refer to the page 1/2)	BALL STUD,M/T GEARSHIFT SERVO	1			
23520	(Please refer to the page 1/2)	SERVO KIT,M/T GEARSHIFT	1			
23531	(Please refer to the page 1/2)	COVER,M/T GEARSHIFT SERVO HOUSING SIDE	1			
23531S	(Please refer to the page 1/2)	COVER,M/T GEARSHIFT SERVO HOUSING SIDE	1			
23537S	(Please refer to the page 1/2)	FILTER,M/T GEARSHIFT SERVO	1			
23538SB	(Please refer to the page 1/2)	E-RING,M/T GEARSHIFT SERVO	1			
23538SC	(Please refer to the page 1/2)	E-RING,M/T GEARSHIFT SERVO	1			
23553S	(Please refer to the page 1/2)	LEVER,M/T GEARSHIFT SERVO	1			
23556	(Please refer to the page 1/2)	LEVER,M/T GEARSHIFT SERVO SLIDING	1			
23583S	(Please refer to the page 1/2)	PISTON,M/T GEARSHIFT SERVO SHIFT	1			
23583SB	(Please refer to the page 1/2)	PISTON,M/T GEARSHIFT SERVO SHIFT	1			
23586	(Please refer to the page 1/2)	VALVE,M/T GEARSHIFT SERVO	1			
23622S	(Please refer to the page 1/2)	ROD,M/T GEARSHIFT SERVO SHIFT	1			
23627S	(Please refer to the page 1/2)	SEAT,M/T GEARSHIFT SERVO LIFTER	1			
23641S	(Please refer to the page 1/2)	SPRING,M/T GEARSHIFT SERVO LIFTER	1			
23928	(Please refer to the page 1/2)	PLUNGER,M/T GEARSHIFT INTERLOCK,CTR	1			
23931SB	(Please refer to the page 1/2)	SEAL RING,M/T UPR GEARSHIFT EQUIP	1			
23931SC	(Please refer to the page 1/2)	SEAL RING,M/T UPR GEARSHIFT EQUIP	1			
23931SD	(Please refer to the page 1/2)	SEAL RING,M/T UPR GEARSHIFT EQUIP	1			
23931SE	(Please refer to the page 1/2)	SEAL RING,M/T UPR GEARSHIFT EQUIP	1			
23931SF	(Please refer to the page 1/2)	SEAL RING,M/T UPR GEARSHIFT EQUIP	1			
23968P	(N.e.c.)	NUT,M/T UPR GEARSHIFT EQUIP	1			

FK74R
No.1



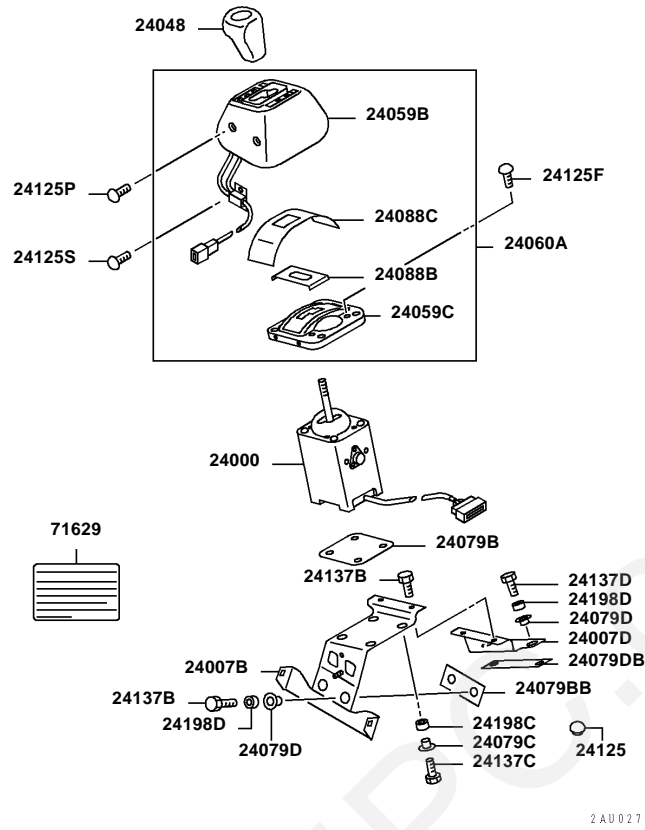
2AK063

FK74R
No.2

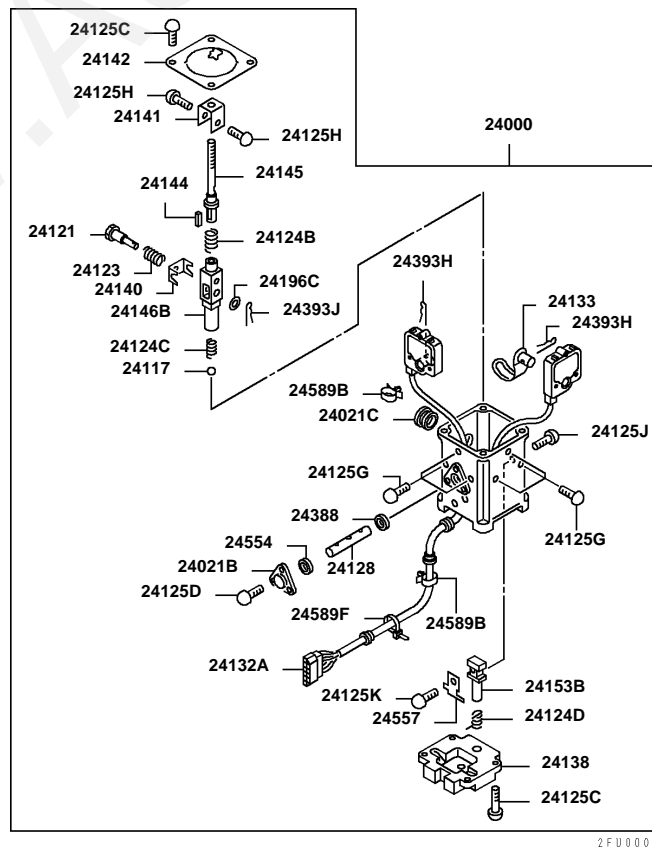


C00041

FK74R
No.3



FK74R
No.4



FK74R
22-230 M/T GEARSHIFT LINKAGE NO.1

SPN	Repl Part	PNC	Part No	Part Name	Qty	Part Spec	Rem
		24000	ME676215	LEVER,GEARSHIFT	1		
			ME676215	LEVER,GEARSHIFT	1		
	24000A		ME693848	LEVER ASSY,GEARSHIFT	1		
			ME693849	LEVER ASSY,GEARSHIFT	1		
			MK526271	LEVER ASSY,GEARSHIFT	1		
			MK526276	LEVER ASSY,GEARSHIFT	1		
	24002		ME693831	BOARD,GEARSHIFT LEVER SETTING	1		
			ME693833	BOARD,GEARSHIFT LEVER SETTING	1		
			MK526272	BOARD,GEARSHIFT LEVER SETTING	1		
			MK526277	BOARD,GEARSHIFT LEVER SETTING	1		
	24007		MC433458	BRACKET,GEARSHIFT LEVER	1		
			ME693146	BRACKET,GEARSHIFT LEVER	1		
			MC433458	BRACKET,GEARSHIFT LEVER	1		
			ME693146	BRACKET,GEARSHIFT LEVER	1		
	24007B		ME518759	BRACKET,GEARSHIFT LEVER	1		
			ME518762	BRACKET,GEARSHIFT LEVER	1		
			ME518759	BRACKET,GEARSHIFT LEVER	1		
			ME518762	BRACKET,GEARSHIFT LEVER	1		
	24007D		ME642424	BRACKET,GEARSHIFT LEVER	1		
			ME642424	BRACKET,GEARSHIFT LEVER	1		
	24021B		ME739496	COVER,GEARSHIFT LEVER	1		
			ME739496	COVER,GEARSHIFT LEVER	1		
	24021C		MC897092	COVER,GEARSHIFT LEVER	1		
			MC897092	COVER,GEARSHIFT LEVER	1		
	24048		ME693620	KNOB,GEARSHIFT LEVER	1		
			ME512561	KNOB,GEARSHIFT LEVER	1		
			MK526629	KNOB,GEARSHIFT LEVER	1		
			MK526629	KNOB,GEARSHIFT LEVER	1		
			ME512561	KNOB,GEARSHIFT LEVER	1		
	24059B		ME644004	PANEL,GEARSHIFT LEVER INDICATOR	1		
			ME644004	PANEL,GEARSHIFT LEVER INDICATOR	1		
	24059C		ME642431	PANEL,GEARSHIFT LEVER INDICATOR	1		
			ME642431	PANEL,GEARSHIFT LEVER INDICATOR	1		

FK74R
22-230 M/T GEARSHIFT LINKAGE NO.1

SPN	Repl Part	PNC	Part No	Part Name	Qty	Part Spec	Rem
		24060A	ME642430	PANEL & INDICATOR ASSY,GEARSHIFT LEVER	1		
			ME642430	PANEL & INDICATOR ASSY,GEARSHIFT LEVER	1		
		24079B	ME673301	SEAT,GEARSHIFT LEVER SETTING	1		
			ME673301	SEAT,GEARSHIFT LEVER SETTING	1		
		24079BB	ME642427	SEAT,GEARSHIFT LEVER SETTING	1		
			ME642427	SEAT,GEARSHIFT LEVER SETTING	1		
		24079C	ME673300	SEAT,GEARSHIFT LEVER SETTING	4		
			ME673300	SEAT,GEARSHIFT LEVER SETTING	4		
		24079D	ME673309	SEAT,GEARSHIFT LEVER SETTING	4		
			ME673309	SEAT,GEARSHIFT LEVER SETTING	4		
		24079DB	ME642426	SEAT,GEARSHIFT LEVER SETTING	1		
			ME642426	SEAT,GEARSHIFT LEVER SETTING	1		
		24088B	ME674863	SLIDER,GEARSHIFT LEVER INDICATOR	1		
			ME674863	SLIDER,GEARSHIFT LEVER INDICATOR	1		
		24088C	ME642432	SLIDER,GEARSHIFT LEVER INDICATOR	1		
			ME642432	SLIDER,GEARSHIFT LEVER INDICATOR	1		
		24117	MC897090	CAM,GEARSHIFT LOCK	1		
			MC897090	CAM,GEARSHIFT LOCK	1		
		24118T	MF434103	NUT,GEARSHIFT LEVER	2	FLANGE,6	W/O C
			MF434103	NUT,GEARSHIFT LEVER	2	FLANGE,6	W/O C
		24121	ME739497	SHAFT,GEARSHIFT LEVER CENTERING CAM	1		
			ME739497	SHAFT,GEARSHIFT LEVER CENTERING CAM	1		
		24123	ME739499	SPRING,GEARSHIFT LEVER CENTERING SHIFT	1		
			ME739499	SPRING,GEARSHIFT LEVER CENTERING SHIFT	1		
	RP	24124B	MC897074	SPRING,GEARSHIFT LEVER CENTERING ROD	1		
	RP		MC897074	SPRING,GEARSHIFT LEVER CENTERING ROD	1		
		24124C	ME739501	SPRING,GEARSHIFT LEVER CENTERING ROD	1		
			ME739501	SPRING,GEARSHIFT LEVER CENTERING ROD	1		
		24124D	ME739507	SPRING,GEARSHIFT LEVER CENTERING ROD	1		

FK74R
22-230 M/T GEARSHIFT LINKAGE NO.1

SPN	Repl Part	PNC	Part No	Part Name	Qty	Part Spec	Rem
		24124D	ME739507	SPRING,GEARSHIFT LEVER CENTERING ROD	1		
		24125	MC980849	SCREW,GEARSHIFT LEVER	2	36	
			MC980849	SCREW,GEARSHIFT LEVER	2	36	
		24125C	MF350050	SCREW,GEARSHIFT LEVER	8		
			MF350050	SCREW,GEARSHIFT LEVER	8		
		24125D	MC897082	SCREW,GEARSHIFT LEVER	3		
			MC897082	SCREW,GEARSHIFT LEVER	3		
		24125F	MF350745	SCREW,GEARSHIFT LEVER	4	WASHER ASSEMBLED,4X12	
			MF350745	SCREW,GEARSHIFT LEVER	4	WASHER ASSEMBLED,4X12	
		24125G	MC897068	SCREW,GEARSHIFT LEVER	6		
			MC897068	SCREW,GEARSHIFT LEVER	6		
		24125H	MC897077	SCREW,GEARSHIFT LEVER	2		
			MC897077	SCREW,GEARSHIFT LEVER	2		
		24125J	MF350025	SCREW,GEARSHIFT LEVER	2	WASHER ASSEMBLED,4X12	
			MF350025	SCREW,GEARSHIFT LEVER	2	WASHER ASSEMBLED,4X12	
		24125K	MF350023	SCREW,GEARSHIFT LEVER	1	WASHER ASSEMBLED,4X8	
			MF350023	SCREW,GEARSHIFT LEVER	1	WASHER ASSEMBLED,4X8	
		24125P	MF453079	SCREW,GEARSHIFT LEVER	2	TAPPING,BLACK,4X16	
			MF453079	SCREW,GEARSHIFT LEVER	2	TAPPING,BLACK,4X16	
		24128	MC897069	SHAFT,GEARSHIFT LEVER SHIFT	1		
			MC897069	SHAFT,GEARSHIFT LEVER SHIFT	1		
		24132A	ME739488	SWITCH ASSY,GEARSHIFT LEVER SHIFT	1		
			ME739488	SWITCH ASSY,GEARSHIFT LEVER SHIFT	1		
		24133	MC897065	ARM,GEARSHIFT LEVER SELECT	1		
			MC897065	ARM,GEARSHIFT LEVER SELECT	1		
		24137B	MF247280	BOLT,GEARSHIFT LEVER	4	WASHER ASSEMBLED,10X25	

FK74R
22-230 M/T GEARSHIFT LINKAGE NO.1

SPN	Repl Part	PNC	Part No	Part Name	Qty	Part Spec	Rem
		24137C	MF247253	BOLT,GEARSHIFT LEVER	4	WASHER ASSEMBLED,8X25	
		24137D	MF243651	BOLT,GEARSHIFT LEVER	2	WASHER ASSEMBLED,8X20	
		24137G	MF140203	BOLT,GEARSHIFT LEVER	4	FLANGE,6X12	7T
			MF140203	BOLT,GEARSHIFT LEVER	4	FLANGE,6X12	7T
		24137T	MS146711	BOLT,GEARSHIFT LEVER	4	FLANGE,10X25	
			MS146711	BOLT,GEARSHIFT LEVER	4	FLANGE,10X25	
		24138	ME739715	BLOCK,GEARSHIFT LEVER ACTION	1		
			ME739715	BLOCK,GEARSHIFT LEVER ACTION	1		
		24140	ME739498	CAM,GEARSHIFT LEVER CENTERING	1		
			ME739498	CAM,GEARSHIFT LEVER CENTERING	1		
	RP	24141	MC897076	CASE,GEARSHIFT LEVER SPRING	1		
	RP		MC897076	CASE,GEARSHIFT LEVER SPRING	1		
		24142	ME739503	COVER,GEARSHIFT LEVER BODY,UPR	1		
			ME739503	COVER,GEARSHIFT LEVER BODY,UPR	1		
		24144	MC897073	KEY,GEARSHIFT LEVER CENTERING	1		
			MC897073	KEY,GEARSHIFT LEVER CENTERING	1		
		24145	ME739494	LEVER,GEARSHIFT LEVER CENTERING	1		
			ME739494	LEVER,GEARSHIFT LEVER CENTERING	1		
		24146B	ME739493	ROD,GEARSHIFT LEVER CENTERING	1		
			ME739493	ROD,GEARSHIFT LEVER CENTERING	1		
		24153B	ME739505	BASE,GEARSHIFT LEVER DUST COVER	1		
			ME739505	BASE,GEARSHIFT LEVER DUST COVER	1		
		24172	MK525497	PIVOT,GEARSHIFT LEVER	1		
			MK525497	PIVOT,GEARSHIFT LEVER	1		
		24196C	MF450004	WASHER,GEARSHIFT LEVER	1	PLAIN,6	
			MF450004	WASHER,GEARSHIFT LEVER	1	PLAIN,6	

FK74R
22-230 M/T GEARSHIFT LINKAGE NO.1

SPN	Repl Part	PNC	Part No	Part Name	Qty	Part Spec	Rem
		24198C	ME673302	SPACER,GEARSHIFT LEVER	4	T=6.7	
			ME673302	SPACER,GEARSHIFT LEVER	4	T=6.7	
		24198D	ME642428	SPACER,GEARSHIFT LEVER	4		
			ME642428	SPACER,GEARSHIFT LEVER	4		
		24211	ME693855	BRACKET,GEARSHIFT SELECT LEVER	1		
			ME693855	BRACKET,GEARSHIFT SELECT LEVER	1		
			ME693855	BRACKET,GEARSHIFT SELECT LEVER	1		
		24235	ME693954	LEVER,GEARSHIFT SELECT LINK SLAVE	1		
			ME693954	LEVER,GEARSHIFT SELECT LINK SLAVE	1		
			ME693954	LEVER,GEARSHIFT SELECT LINK SLAVE	1		
		24282	ME693228	SPRING,GEARSHIFT SELECT LEVER RETURN	1		
			ME693228	SPRING,GEARSHIFT SELECT LEVER RETURN	1		
			ME693228	SPRING,GEARSHIFT SELECT LEVER RETURN	1		
	RP	24388	MC897070	COLLAR,GEARSHIFT SELECT LINK	1		
	RP		MC897070	COLLAR,GEARSHIFT SELECT LINK	1		
		24393H	MC897066	PIN,GEARSHIFT SELECT LINK	2		
			MC897066	PIN,GEARSHIFT SELECT LINK	2		
		24393J	ME739500	PIN,GEARSHIFT SELECT LINK	1		
			ME739500	PIN,GEARSHIFT SELECT LINK	1		
		24417B	MK571160	COVER,GEARSHIFT LINK UNDER	1		
			MK571160	COVER,GEARSHIFT LINK UNDER	1		
		24417C	MK526142	COVER,GEARSHIFT LINK UNDER	1		
			MK526142	COVER,GEARSHIFT LINK UNDER	1		
		24433	ME693953	LEVER,GEARSHIFT LINK	1		
			ME693953	LEVER,GEARSHIFT LINK	1		

FK74R
22-230 M/T GEARSHIFT LINKAGE NO.1

SPN	Repl Part	PNC	Part No	Part Name	Qty	Part Spec	Rem
		24433	ME693953	LEVER,GEARSHIFT LINK	1		
		24554	ME739491	RING,GEARSHIFT LINK	1		
			ME739491	RING,GEARSHIFT LINK	1		
		24557	ME739506	PLATE,GEARSHIFT LINK	1		
			ME739506	PLATE,GEARSHIFT LINK	1		
		24565B	ME693955	COLLAR,GEARSHIFT LINK	1		
			ME693955	COLLAR,GEARSHIFT LINK	1		
			ME693955	COLLAR,GEARSHIFT LINK	1		
		24565C	ME693854	COLLAR,GEARSHIFT LINK	1		
			ME693854	COLLAR,GEARSHIFT LINK	1		
			ME693854	COLLAR,GEARSHIFT LINK	1		
		24574	MF350313	SCREW,GEARSHIFT LINK	4	WASHER ASSEMBLED,BLACK,6X16	
			MF350313	SCREW,GEARSHIFT LINK	4	WASHER ASSEMBLED,BLACK,6X16	
		24582TW	MF434103	NUT,GEARSHIFT LINK	3	FLANGE,6	W/O C
		24582TY	MF434104	NUT,GEARSHIFT LINK	2	FLANGE,8	
		24588	MF451107	WASHER,GEARSHIFT LINK	2	WAVE,14	
		24589B	ME739495	CLIP,GEARSHIFT LINK	2		
			ME739495	CLIP,GEARSHIFT LINK	2		
		24589F	MC897061	CLIP,GEARSHIFT LINK	1		
			MC897061	CLIP,GEARSHIFT LINK	1		
		24589T	MH020930	CLIP,GEARSHIFT LINK	1	A=6	
			MH020930	CLIP,GEARSHIFT LINK	1	A=6	

FK74R
22-230 M/T GEARSHIFT LINKAGE NO.1

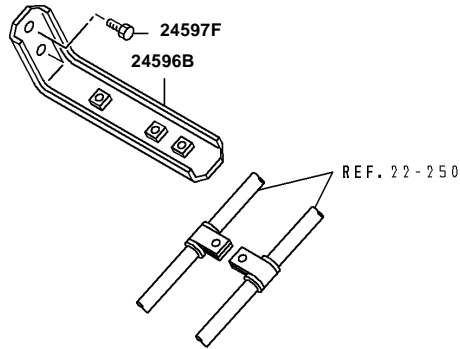
SPN	Repl Part	PNC	Part No	Part Name	Qty	Part Spec	Rem
		24589U	MH020934	CLIP,GEARSHIFT LINK	1	A=17.5 B=14.5	
			MH020934	CLIP,GEARSHIFT LINK	1	A=17.5 B=14.5	
		24596B	MK526294	BRACKET,GEARSHIFT LINK	1		
		24597U	MK526294	BRACKET,GEARSHIFT LINK	1		
			MF104871	BOLT,GEARSHIFT LINK	1	BOLT,8X80	7T
		24597V	MF104872	BOLT,GEARSHIFT LINK	1	BOLT,8X85	7T
		24597X	MF140258	BOLT,GEARSHIFT LINK	4	FLANGE,10X20	7T
		24918B	MK526150	BRACKET,A/T SHIFT RANGE SELECT	1		
			MK526328	BRACKET,A/T SHIFT RANGE SELECT	1		
		24918C	MK526150	BRACKET,A/T SHIFT RANGE SELECT	1		
			MK526328	BRACKET,A/T SHIFT RANGE SELECT	1		
			MK526151	BRACKET,A/T SHIFT RANGE SELECT	1		
			MK526323	BRACKET,A/T SHIFT RANGE SELECT	1		
		24948	MK526151	BRACKET,A/T SHIFT RANGE SELECT	1		
			MK526323	BRACKET,A/T SHIFT RANGE SELECT	1		
			MK572139	SELECTOR,A/T SHIFT RANGE	1		
			MK570901	SELECTOR,A/T SHIFT RANGE	1		
			MK570901	SELECTOR,A/T SHIFT RANGE	1		
	RP	26956	MB249338	BAND,A/T CONTROL EQUIP	1	L=129.5	BLACK
	RP		MB249338	BAND,A/T CONTROL EQUIP	1	L=129.5	BLACK
		26974	ME516988	CLAMP,A/T CONTROL EQUIP	1		
			ME516988	CLAMP,A/T CONTROL EQUIP	1		
		71629	MK540888	LABEL,GEARSHIFT LEVER CAUTION	1		
			MK540888	LABEL,GEARSHIFT LEVER CAUTION	1		
			ME519237	LABEL,GEARSHIFT LEVER CAUTION	1		
			ME519372	LABEL,GEARSHIFT LEVER CAUTION	1		

FK74R
22-230 M/T GEARSHIFT LINKAGE NO.1

SPN	Repl Part	PNC	Part No	Part Name	Qty	Part Spec	Rem
		71629	MK540888	LABEL,GEARSHIFT LEVER CAUTION	1		
			MK540888	LABEL,GEARSHIFT LEVER CAUTION	1		
			ME519237	LABEL,GEARSHIFT LEVER CAUTION	1		
			ME519372	LABEL,GEARSHIFT LEVER CAUTION	1		
SP		82440	MK387785	RELAY,A/T FAIL SAFE CONTROL	1	24V	
SP			MK387785	RELAY,A/T FAIL SAFE CONTROL	1	24V	
		24137F	(N.e.c.)	BOLT,GEARSHIFT LEVER			
		24125S	(N.e.c.)	SCREW,GEARSHIFT LEVER			

www.AutoEPC.com

FK74R
No.1



2FK001

Ref. |2022240

Page

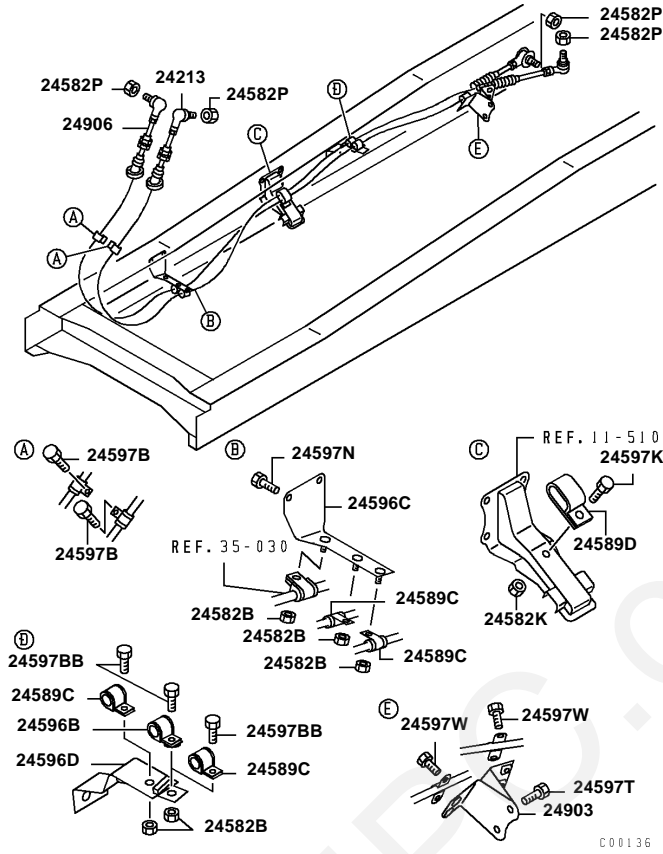
FK74R
22-240 M/T GEARSHIFT LINKAGE NO.2

SPN	PNC	Part No	Part Name	Qty	Part Spec	Remarks	NEW1	Classification	Start	End
	24596B	ME518101	BRACKET,GEARSHIFT LINK	1				G6,G6E,H6, H6E,J6,J6E, K6,K6E,M6, M6E	04053	05052
SP		MK526317	BRACKET,GEARSHIFT LINK	1			R	G6,G6E,H6, H6E,J6,J6E, K6,K6E,M6, M6E	05053	05102
		MK525004	BRACKET,GEARSHIFT LINK	1				G6,G6V,H6, H6E,H6V,H6VE, J6,J6E,J6V, J6VE,K6,K6E, K6V,K6VE,M6E, M6VE	05103	09052
	24597F	MF140023	BOLT,GEARSHIFT LINK	2	FLANGE,8X16	4T		G6,G6E,G6V, H6,H6E,H6V, H6VE,J6,J6E, J6V,J6VE,K6, K6E,K6V,K6VE, M6,M6E,M6VE	04053	09052

Ref. |2022240

Page

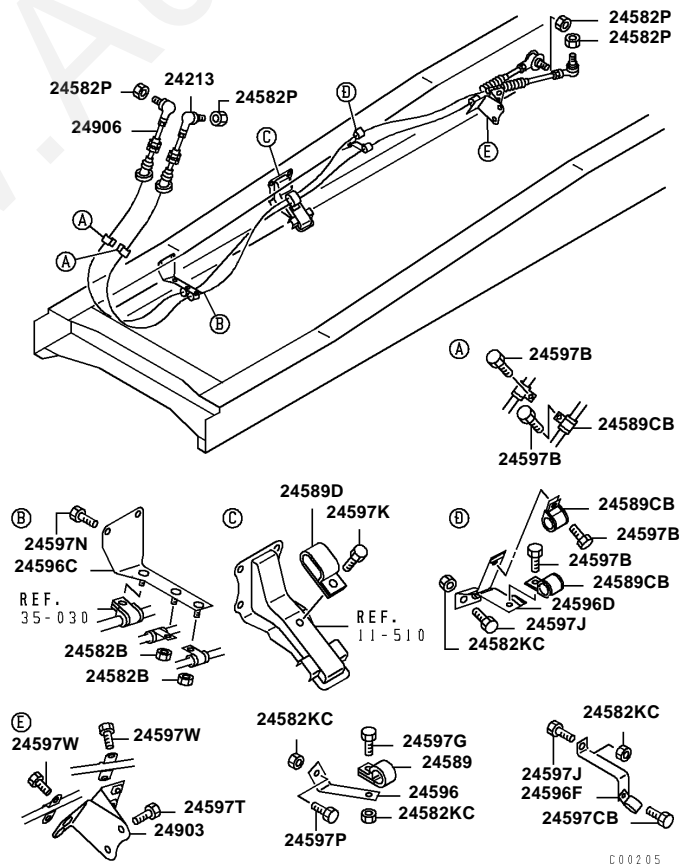
FK74R
No.1



Ref. | 2022250

Page

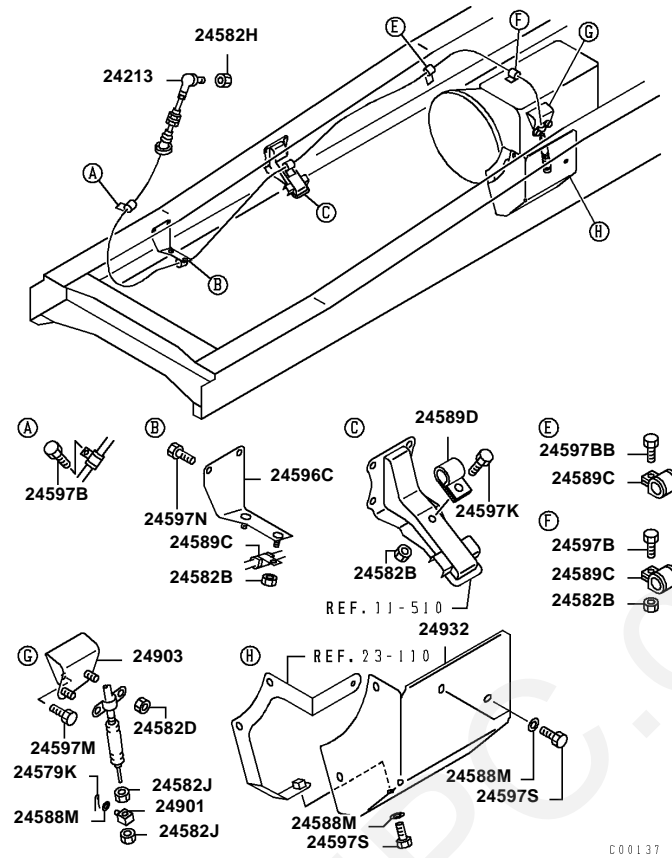
FK74R
No.2



Ref. | 2022250

Page

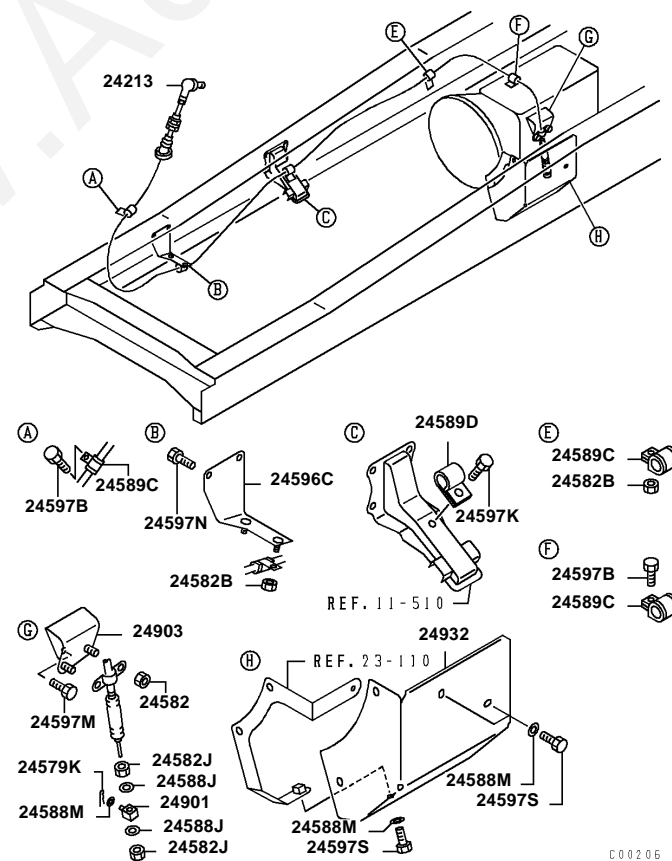
FK74R
No.3



Ref. |2022250

Page

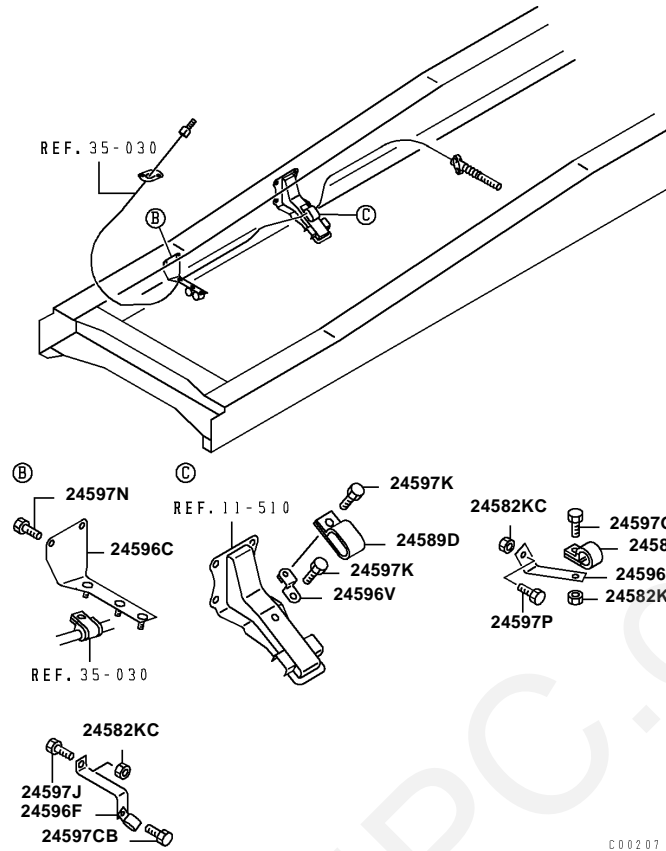
FK74R
No.4



Ref. |2022250

Page

FK74R
No.5



C00207

Ref. |2022250

Page

FK74R
22-250 M/T GEARSHIFT LINKAGE NO.3

SPN	Repl Part	PNC	Part No	Part Name	Qty	Part Spec	Remarks	NEW1	Class
		24213	MK525742	CABLE,GEARSHIFT SELECT	1	L=2538			K6,K
			MK525742	CABLE,GEARSHIFT SELECT	1	L=2538			M6E
			MK525742	CABLE,GEARSHIFT SELECT	1	L=2538			G6,C
			ME518100	CABLE,GEARSHIFT SELECT	1				H6E,
			ME518100	CABLE,GEARSHIFT SELECT	1				G6,C
			MK526319	CABLE,GEARSHIFT SELECT	1	L=2532			H6E,
			MK526319	CABLE,GEARSHIFT SELECT	1	L=2532			M6
			MK526319	CABLE,GEARSHIFT SELECT	1	L=2532			G6,C
			MK526319	CABLE,GEARSHIFT SELECT	1	L=2532			H6E,
			MK526319	CABLE,GEARSHIFT SELECT	1	L=2532			K6,K
			MK526319	CABLE,GEARSHIFT SELECT	1	L=2532			M6E
			MK526319	CABLE,GEARSHIFT SELECT	1	L=2532			K6,K
			MK526319	CABLE,GEARSHIFT SELECT	1	L=2532			M6E
			MK526319	CABLE,GEARSHIFT SELECT	1	L=2532			G6,C
			MK526319	CABLE,GEARSHIFT SELECT	1	L=2532			H6E,
			MK526319	CABLE,GEARSHIFT SELECT	1	L=2532			G6,H
			MK526319	CABLE,GEARSHIFT SELECT	1	L=2532			J6,J
SP			MK526319	CABLE,GEARSHIFT SELECT	1	L=2532			G6E
			MK526321	CABLE,GEARSHIFT SELECT	1	L=3148		R	G6,C
									H6E,
									K6,K
									M6E

Ref. |2022250

Page

FK74R
22-250 M/T GEARSHIFT LINKAGE NO.3

SPN SP	Repl Part	PNC 24213	Part No	Part Name	Qty	Part Spec	Remarks	NEW1	Class
			MK526321	CABLE,GEARSHIFT SELECT	1	L=3148		R	G6,C H6E,
	RP		MK526343	CABLE,GEARSHIFT SELECT	1	L=3151		Y	G6,H J6,J
	RP		MK526343	CABLE,GEARSHIFT SELECT	1	L=3151		Y	K6,K
	RP		MK526343	CABLE,GEARSHIFT SELECT	1	L=3151		Y	G6,H J6,J
	RP		MK526343	CABLE,GEARSHIFT SELECT	1	L=3151		Y	K6E,
	RP		MK526343	CABLE,GEARSHIFT SELECT	1	L=3151		Y	K6,K
	RP		MK526343	CABLE,GEARSHIFT SELECT	1	L=3151		Y	G6,H J6,J
	RP		MK526270	CABLE,GEARSHIFT SELECT	1	L=3332		Y	G6,H J6,J
	RP		MK526270	CABLE,GEARSHIFT SELECT	1	L=3332		Y	K6E,
			MK571180	CABLE,GEARSHIFT SELECT	1	L=3151			G6,H J6,J
			MK571180	CABLE,GEARSHIFT SELECT	1	L=3151			G6,H J6,J
			MK571180	CABLE,GEARSHIFT SELECT	1	L=3151			K6,K
			MK571180	CABLE,GEARSHIFT SELECT	1	L=3151			G6,H J6,J
			MK571180	CABLE,GEARSHIFT SELECT	1	L=3151			G6,H J6,J
			MK571180	CABLE,GEARSHIFT SELECT	1	L=3151			K6E,
			MK571180	CABLE,GEARSHIFT SELECT	1	L=3151			K6,K
			MK537344	CABLE,GEARSHIFT SELECT	1				G6,H J6,J
			MK537344	CABLE,GEARSHIFT SELECT	1				K6E,
			MK537344	CABLE,GEARSHIFT SELECT	1				G6,H J6,J
			MK571180	CABLE,GEARSHIFT SELECT	1	L=3151			K6,K
			MK571180	CABLE,GEARSHIFT SELECT	1	L=3151			G6,H J6,J
			MK571180	CABLE,GEARSHIFT SELECT	1	L=3151			K6,K
			MK571180	CABLE,GEARSHIFT SELECT	1	L=3151			G6,H J6,J
			MK571180	CABLE,GEARSHIFT SELECT	1	L=3151			G6,H J6,J
			MK571180	CABLE,GEARSHIFT SELECT	1	L=3151			K6E,
			MK571180	CABLE,GEARSHIFT SELECT	1	L=3151			G6,H J6,J
			MK571180	CABLE,GEARSHIFT SELECT	1	L=3151			G6,H J6,J
			MK571180	CABLE,GEARSHIFT SELECT	1	L=3151			K6E,
		24579K	MF472304	PIN,GEARSHIFT LINK	1	SNAP,8X22.7			G6,C H6E,
			MF472304	PIN,GEARSHIFT LINK	1	SNAP,8X22.7			K6,K
			MF472304	PIN,GEARSHIFT LINK	1	SNAP,8X22.7			M6E,
			MF472304	PIN,GEARSHIFT LINK	1	SNAP,8X22.7			G6,C H6E,
			MF472304	PIN,GEARSHIFT LINK	1	SNAP,8X22.7			G6,H J6,J
			MF472304	PIN,GEARSHIFT LINK	1	SNAP,8X22.7			K6E,
		24582	MF434105	NUT,GEARSHIFT LINK	2	FLANGE,10	4T		G6,H J6,J
			MF434105	NUT,GEARSHIFT LINK	2	FLANGE,10	4T		K6E,
		24582B	MF434103	NUT,GEARSHIFT LINK	2	FLANGE,6	W/O COATING		G6,H J6,J
			MF434103	NUT,GEARSHIFT LINK	2	FLANGE,6	W/O COATING		G6,C H6E,
			MF434103	NUT,GEARSHIFT LINK	2	FLANGE,6	W/O COATING		M6E,
			MF434103	NUT,GEARSHIFT LINK	3	FLANGE,6	W/O COATING		G6,C H6E,
			MF434103	NUT,GEARSHIFT LINK	3	FLANGE,6	W/O COATING		G6,C H6,H
			MF434103	NUT,GEARSHIFT LINK	3	FLANGE,6	W/O COATING		H6V,
			MF434103	NUT,GEARSHIFT LINK	3	FLANGE,6	W/O COATING		J6V,
			MF434103	NUT,GEARSHIFT LINK	3	FLANGE,6	W/O COATING		K6E,
			MF434103	NUT,GEARSHIFT LINK	3	FLANGE,6	W/O COATING		M6,M
			MF434103	NUT,GEARSHIFT LINK	3	FLANGE,6	W/O COATING		G6,C H6,H
			MF434103	NUT,GEARSHIFT LINK	3	FLANGE,6	W/O COATING		H6V,
			MF434103	NUT,GEARSHIFT LINK	3	FLANGE,6	W/O COATING		J6V,
			MF434103	NUT,GEARSHIFT LINK	3	FLANGE,6	W/O COATING		K6E,
			MF434103	NUT,GEARSHIFT LINK	3	FLANGE,6	W/O COATING		M6,M

FK74R
22-250 M/T GEARSHIFT LINKAGE NO.3

SPN	Repl Part	PNC	Part No	Part Name	Qty	Part Spec	Remarks	NEW1	Class
		24582B	MF434103	NUT,GEARSHIFT LINK	3	FLANGE,6	W/O COATING		K6,K
			MF434103	NUT,GEARSHIFT LINK	3	FLANGE,6	W/O COATING		M6E
			MF434103	NUT,GEARSHIFT LINK	3	FLANGE,6	W/O COATING		G6,C
			MF434103	NUT,GEARSHIFT LINK	3	FLANGE,6	W/O COATING		H6E.
		24582D	MF434105	NUT,GEARSHIFT LINK	2	FLANGE,10	4T		G6V,
			MF434105	NUT,GEARSHIFT LINK	2	FLANGE,10	4T		J6V,
			MF434105	NUT,GEARSHIFT LINK	2	FLANGE,10	4T		K6V,
		24582H	ME691110	NUT,GEARSHIFT LINK	1	FLANGE,8	WITH COATING		G6,C
			ME691110	NUT,GEARSHIFT LINK	1	FLANGE,8	WITH COATING		H6E.
		24582J	MF430724	NUT,GEARSHIFT LINK	2	JAM,6			K6,K
			MF430724	NUT,GEARSHIFT LINK	2	JAM,6			M6E
			MF430724	NUT,GEARSHIFT LINK	2	JAM,6			G6,C
			MF430724	NUT,GEARSHIFT LINK	2	JAM,6			H6E.
		24582K	MF434104	NUT,GEARSHIFT LINK	1	FLANGE,8			G6,H
			MF434104	NUT,GEARSHIFT LINK	1	FLANGE,8			J6,J
		24582KC	MF434104	NUT,GEARSHIFT LINK	1	FLANGE,8			K6E.
			MF434104	NUT,GEARSHIFT LINK	1	FLANGE,8			G6,H
		24582P	ME691110	NUT,GEARSHIFT LINK	4	FLANGE,8	WITH COATING		J6,J
			ME691110	NUT,GEARSHIFT LINK	4	FLANGE,8	WITH COATING		G6,C
		24588J	MF450884	WASHER,GEARSHIFT LINK	2	TOOTH,6			H6E.
			MF450884	WASHER,GEARSHIFT LINK	2	TOOTH,6			H6V
		24588M	MF450005	WASHER,GEARSHIFT LINK	6	PLAIN,8,18			J6V,
			MF450005	WASHER,GEARSHIFT LINK	6	PLAIN,8,18			K6E.
			MF450005	WASHER,GEARSHIFT LINK	5	PLAIN,8,18			M6V
			MF450154	WASHER,GEARSHIFT LINK	1	PLAIN,8,22			G6,C
			MF450005	WASHER,GEARSHIFT LINK	5	PLAIN,8,18			H6,H
			MF450154	WASHER,GEARSHIFT LINK	1	PLAIN,8,22			H6V
		24589C	ME693690	CLIP,GEARSHIFT LINK	3	D=10			J6V,
			ME693690	CLIP,GEARSHIFT LINK	3	D=10			K6E.
			ME693690	CLIP,GEARSHIFT LINK	3	D=10			M6V

FK74R
22-250 M/T GEARSHIFT LINKAGE NO.3

SPN	Repl Part	PNC	Part No	Part Name	Qty	Part Spec	Remarks	NEW1	Class
		24589C	ME693690	CLIP,GEARSHIFT LINK	3	D=10			G6E
			ME693690	CLIP,GEARSHIFT LINK	3	D=10			G6,C
			ME693690	CLIP,GEARSHIFT LINK	3	D=10			H6E
			ME693690	CLIP,GEARSHIFT LINK	3	D=10			K6,K
			ME693690	CLIP,GEARSHIFT LINK	2	D=10			M6E
			ME693690	CLIP,GEARSHIFT LINK	3	D=10			M6
			ME693690	CLIP,GEARSHIFT LINK	3	D=10			K6,K
			ME693690	CLIP,GEARSHIFT LINK	2	D=10			G6,C
			ME693690	CLIP,GEARSHIFT LINK	2	D=10			H6E
			ME693690	CLIP,GEARSHIFT LINK	3	D=10			K6,K
		24589CB	ME693690	CLIP,GEARSHIFT LINK	3	D=10			M6E
			ME693690	CLIP,GEARSHIFT LINK	3	D=10			G6,C
			ME693690	CLIP,GEARSHIFT LINK	3	D=10			H6E
			ME693690	CLIP,GEARSHIFT LINK	3	D=10			K6,K
		24589D	MH020231	CLIP,GEARSHIFT LINK	1	D=23			G6,C
			MH020231	CLIP,GEARSHIFT LINK	1	D=23			H6E
			MH020231	CLIP,GEARSHIFT LINK	1	D=23			K6,K
			MH020231	CLIP,GEARSHIFT LINK	1	D=23			M6E
			MH020231	CLIP,GEARSHIFT LINK	1	D=23			G6,H
			MH020231	CLIP,GEARSHIFT LINK	1	D=23			J6,J
			MH020231	CLIP,GEARSHIFT LINK	1	D=23			K6E
			MH020231	CLIP,GEARSHIFT LINK	1	D=23			G6,H
			MH020231	CLIP,GEARSHIFT LINK	1	D=23			J6,J
			MH020231	CLIP,GEARSHIFT LINK	1	D=23			K6E
	RP		MH020805	CLIP,GEARSHIFT LINK	1	D=15			K6,K
			MH020231	CLIP,GEARSHIFT LINK	1	D=23			G6V
			MH020231	CLIP,GEARSHIFT LINK	1	D=23			J6V,
			MH020231	CLIP,GEARSHIFT LINK	1	D=23			K6V
			MH020231	CLIP,GEARSHIFT LINK	1	D=23			G6,H
			MH020231	CLIP,GEARSHIFT LINK	1	D=23			J6,J
			MH020231	CLIP,GEARSHIFT LINK	1	D=23			K6,K
			MH020231	CLIP,GEARSHIFT LINK	1	D=23			G6,H
			MH020231	CLIP,GEARSHIFT LINK	1	D=23			J6,J
			MH020231	CLIP,GEARSHIFT LINK	1	D=23			K6E
	RP		MH020805	CLIP,GEARSHIFT LINK	1	D=15			G6V
			MH020231	CLIP,GEARSHIFT LINK	1	D=23			J6V,
			MH020231	CLIP,GEARSHIFT LINK	1	D=23			G6,H
			MH020231	CLIP,GEARSHIFT LINK	1	D=23			J6,J
			MH020231	CLIP,GEARSHIFT LINK	1	D=23			K6E
			MH020270	CLIP,GEARSHIFT LINK	1	D=24			G6,H
			MH020270	CLIP,GEARSHIFT LINK	1	D=24			J6,J
			MH020270	CLIP,GEARSHIFT LINK	1	D=24			K6E
			MH020270	CLIP,GEARSHIFT LINK	1	D=24			K6,K
			MH020270	CLIP,GEARSHIFT LINK	1	D=24			G6,H
		24596C	ME518104	BRACKET,GEARSHIFT LINK	1				J6,J
			ME518104	BRACKET,GEARSHIFT LINK	1				K6E
			ME518104	BRACKET,GEARSHIFT LINK	1				G6,C
			ME518106	BRACKET,GEARSHIFT LINK	1				H6E
			ME518106	BRACKET,GEARSHIFT LINK	1				G6,C
			ME518106	BRACKET,GEARSHIFT LINK	1				H6E

FK74R
22-250 M/T GEARSHIFT LINKAGE NO.3

SPN	Repl Part	PNC	Part No	Part Name	Qty	Part Spec	Remarks	NEW1	Class
		24596C	ME518104	BRACKET,GEARSHIFT LINK	1				G6,H
			ME518104	BRACKET,GEARSHIFT LINK	1				J6,J
			ME518104	BRACKET,GEARSHIFT LINK	1				K6E
			ME518104	BRACKET,GEARSHIFT LINK	1				G6,H
			ME518104	BRACKET,GEARSHIFT LINK	1				J6,J
			ME518104	BRACKET,GEARSHIFT LINK	1				K6,K
			MK601932	BRACKET,GEARSHIFT LINK	1				G6V
			ME518104	BRACKET,GEARSHIFT LINK	1				J6V,
			MK601932	BRACKET,GEARSHIFT LINK	1				K6V
		24596D	MK525748	BRACKET,GEARSHIFT LINK	1				G6,H
			MK525748	BRACKET,GEARSHIFT LINK	1				J6,J
			MK525748	BRACKET,GEARSHIFT LINK	1				K6E
		24596V	MH023835	BRACKET,GEARSHIFT LINK	1				G6V
		24597B	MF140005	BOLT,GEARSHIFT LINK	4	FLANGE,6X16	4T		J6V,
			MF140005	BOLT,GEARSHIFT LINK	4	FLANGE,6X16	4T		G6E
			MF140005	BOLT,GEARSHIFT LINK	4	FLANGE,6X16	4T		H6V
			MF140005	BOLT,GEARSHIFT LINK	4	FLANGE,6X16	4T		K6V,
			MF140005	BOLT,GEARSHIFT LINK	4	FLANGE,6X16	4T		M6V
			MF140005	BOLT,GEARSHIFT LINK	4	FLANGE,6X16	4T		K6,K
			MF140005	BOLT,GEARSHIFT LINK	4	FLANGE,6X16	4T		G6,G
			MF140005	BOLT,GEARSHIFT LINK	4	FLANGE,6X16	4T		H6,H
			MF140005	BOLT,GEARSHIFT LINK	4	FLANGE,6X16	4T		H6V
			MF140005	BOLT,GEARSHIFT LINK	4	FLANGE,6X16	4T		J6V,
			MF140005	BOLT,GEARSHIFT LINK	4	FLANGE,6X16	4T		K6E
			MF140005	BOLT,GEARSHIFT LINK	4	FLANGE,6X16	4T		M6,M
			MF140005	BOLT,GEARSHIFT LINK	4	FLANGE,6X16	4T		G6,H
			MF140005	BOLT,GEARSHIFT LINK	4	FLANGE,6X16	4T		J6,J
			MF140005	BOLT,GEARSHIFT LINK	4	FLANGE,6X16	4T		G6,H
			MF140005	BOLT,GEARSHIFT LINK	4	FLANGE,6X16	4T		J6,J
			MF140005	BOLT,GEARSHIFT LINK	4	FLANGE,6X16	4T		K6,K
			MF140005	BOLT,GEARSHIFT LINK	4	FLANGE,6X16	4T		G6,G
			MF140005	BOLT,GEARSHIFT LINK	4	FLANGE,6X16	4T		H6,H
			MF140005	BOLT,GEARSHIFT LINK	4	FLANGE,6X16	4T		H6V
			MF140005	BOLT,GEARSHIFT LINK	4	FLANGE,6X16	4T		J6V,
			MF140005	BOLT,GEARSHIFT LINK	4	FLANGE,6X16	4T		K6E
			MF140005	BOLT,GEARSHIFT LINK	4	FLANGE,6X16	4T		M6,M
			MF140005	BOLT,GEARSHIFT LINK	4	FLANGE,6X16	4T		K6,K
			MF140005	BOLT,GEARSHIFT LINK	4	FLANGE,6X16	4T		G6,H
			MF140005	BOLT,GEARSHIFT LINK	2	FLANGE,6X16	4T		J6,J
			MF140005	BOLT,GEARSHIFT LINK	2	FLANGE,6X16	4T		G6,H
			MF140005	BOLT,GEARSHIFT LINK	2	FLANGE,6X16	4T		J6,J
			MF140005	BOLT,GEARSHIFT LINK	2	FLANGE,6X16	4T		K6E
			MF140005	BOLT,GEARSHIFT LINK	2	FLANGE,6X16	4T		G6,H
			MF140005	BOLT,GEARSHIFT LINK	2	FLANGE,6X16	4T		J6,J
		24597BB	MF140003	BOLT,GEARSHIFT LINK	1	FLANGE,6X12	4T		G6,G
			MF140225	BOLT,GEARSHIFT LINK	1	FLANGE,8X20	7T		H6E
		24597J	MF140225	BOLT,GEARSHIFT LINK	1	FLANGE,8X20	7T		J6,J
			MF140225	BOLT,GEARSHIFT LINK	1	FLANGE,8X20	7T		J6V
			MF140225	BOLT,GEARSHIFT LINK	1	FLANGE,8X20	7T		K6V,
			MF140225	BOLT,GEARSHIFT LINK	1	FLANGE,8X20	7T		M6V
			MF140225	BOLT,GEARSHIFT LINK	1	FLANGE,8X20	7T		K6,K
			MF140225	BOLT,GEARSHIFT LINK	1	FLANGE,8X20	7T		M6E

FK74R
22-250 M/T GEARSHIFT LINKAGE NO.3

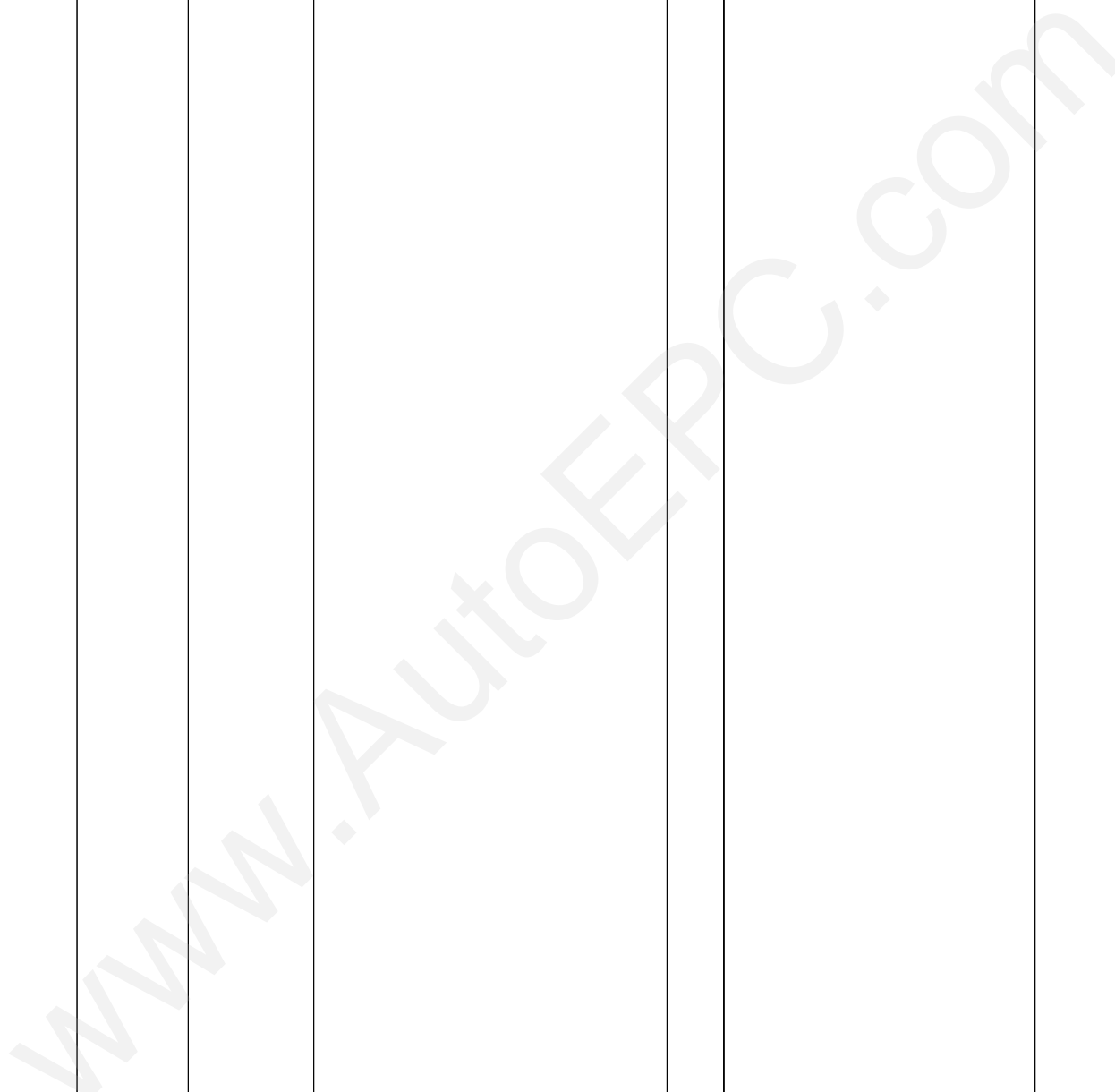
SPN	Repl Part	PNC	Part No	Part Name	Qty	Part Spec	Remarks	NEW1	Class
		24597K	MF140225	BOLT,GEARSHIFT LINK	1	FLANGE,8X20	7T		G6,C H6E, K6,K M6E
			MF140225	BOLT,GEARSHIFT LINK	1	FLANGE,8X20	7T		G6,C H6E, K6,K M6E
			MF140003	BOLT,GEARSHIFT LINK	1	FLANGE,6X12	4T		G6,C H6E, K6,K M6E
			MF140003	BOLT,GEARSHIFT LINK	1	FLANGE,6X12	4T		G6,C H6E, K6,K M6E
			MF140003	BOLT,GEARSHIFT LINK	2	FLANGE,6X12	4T		G6,C H6E, K6,K M6E
			MF140003	BOLT,GEARSHIFT LINK	2	FLANGE,6X12	4T		G6,C H6E, K6,K M6E
			MF140003	BOLT,GEARSHIFT LINK	2	FLANGE,6X12	4T		G6,C H6E, K6,K M6E
			MF140003	BOLT,GEARSHIFT LINK	2	FLANGE,6X12	4T		G6,C H6E, K6,K M6E
			MF140003	BOLT,GEARSHIFT LINK	2	FLANGE,6X12	4T		G6,C H6E, K6,K M6E
			MF140003	BOLT,GEARSHIFT LINK	2	FLANGE,6X12	4T		G6,C H6E, K6,K M6E
		24597M	MF140025	BOLT,GEARSHIFT LINK	2	FLANGE,8X20	4T		G6,C H6E, K6,K M6E
			MF140025	BOLT,GEARSHIFT LINK	2	FLANGE,8X20	4T		G6,C H6E, K6,K M6E
			MF140025	BOLT,GEARSHIFT LINK	2	FLANGE,8X20	4T		G6,C H6E, K6,K M6E
			MF140025	BOLT,GEARSHIFT LINK	2	FLANGE,8X20	4T		G6,C H6E, K6,K M6E
		24597N	MF240051	BOLT,GEARSHIFT LINK	2	WASHER ASSEMBLED,8X16			G6,C H6E, K6,K M6E
		24597S	MF140023	BOLT,GEARSHIFT LINK	5	FLANGE,8X16	4T		G6,C H6E, K6,K M6E
			MF140023	BOLT,GEARSHIFT LINK	5	FLANGE,8X16	4T		G6,C H6E, K6,K M6E
			MF140023	BOLT,GEARSHIFT LINK	5	FLANGE,8X16	4T		G6,C H6E, K6,K M6E
			MF140023	BOLT,GEARSHIFT LINK	5	FLANGE,8X16	4T		G6,C H6E, K6,K M6E
		24597T	MH000707	BOLT,GEARSHIFT LINK	2	FLANGE,10X30			G6,C H6E, K6,K M6E
		24597W	MF140260	BOLT,GEARSHIFT LINK	4	FLANGE,10X25	7T		G6,C H6E, K6,K M6E

FK74R
22-250 M/T GEARSHIFT LINKAGE NO.3

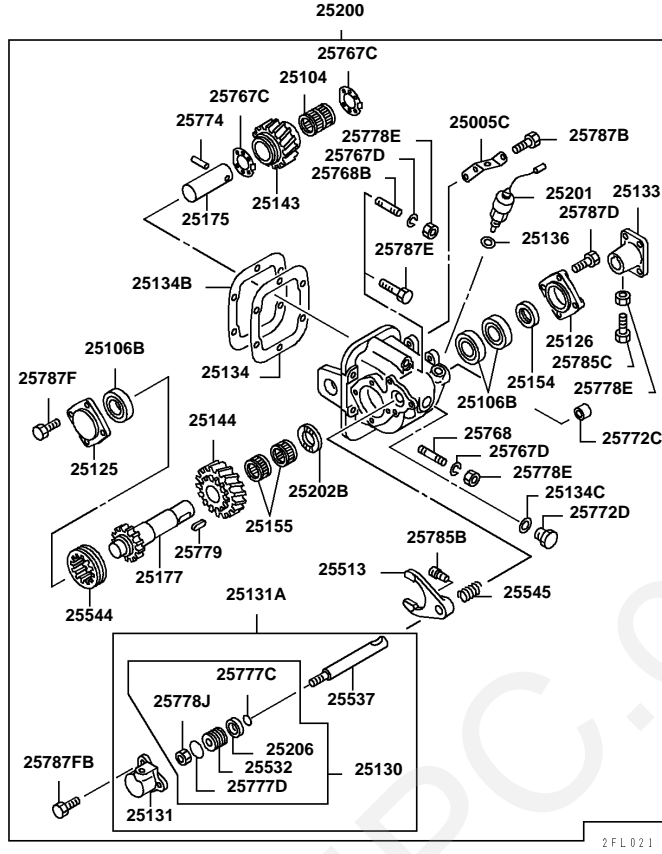
SPN	Repl Part	PNC	Part No	Part Name	Qty	Part Spec	Remarks	NEW1	Class
		24901	ME509299	ADJUSTER,GEARSHIFT CABLE	1				G6,C H6E K6,K M6E
			ME509299	ADJUSTER,GEARSHIFT CABLE	1				G6,C H6E
			MB367752	ADJUSTER,GEARSHIFT CABLE	1				G6,H J6,J K6E
			MB367752	ADJUSTER,GEARSHIFT CABLE	1				G6,H J6,J G6E
		24903	ME518177	BRACKET,GEARSHIFT CABLE	1				G6,H J6,J K6,K M6E
			ME518177	BRACKET,GEARSHIFT CABLE	1				G6,H H6E
			ME518177	BRACKET,GEARSHIFT CABLE	1				G6,C H6E
			ME518177	BRACKET,GEARSHIFT CABLE	1				G6,C H6E
			ME518177	BRACKET,GEARSHIFT CABLE	1				K6,K M6E
			ME518177	BRACKET,GEARSHIFT CABLE	1				M6
			ME513436	BRACKET,GEARSHIFT CABLE	1				G6,C H6E
			ME513436	BRACKET,GEARSHIFT CABLE	1				K6,K M6E
			ME513436	BRACKET,GEARSHIFT CABLE	1				G6,C H6E
			ME518177	BRACKET,GEARSHIFT CABLE	1				K6,K
			ME518177	BRACKET,GEARSHIFT CABLE	1				G6,H J6,J K6E
			ME518177	BRACKET,GEARSHIFT CABLE	1				K6,K
			ME518177	BRACKET,GEARSHIFT CABLE	1				K6,K
			ME518177	BRACKET,GEARSHIFT CABLE	1				G6,H J6,J
			ME518177	BRACKET,GEARSHIFT CABLE	1				G6,H J6,J
			ME518177	BRACKET,GEARSHIFT CABLE	1				G6,H J6,J K6E
			ME513436	BRACKET,GEARSHIFT CABLE	1				G6,H J6,J K6,K
			ME518177	BRACKET,GEARSHIFT CABLE	1				K6,K
			ME518177	BRACKET,GEARSHIFT CABLE	1				G6,H J6,J
			ME518177	BRACKET,GEARSHIFT CABLE	1				G6,H J6,J
		24906	MK526107	CABLE,GEARSHIFT	1	L=2401			G6,C H6E K6,K M6E
	RP		MK526340	CABLE,GEARSHIFT	1	L=2932		Y	G6,H J6,J K6E
			MK571184	CABLE,GEARSHIFT	1	L=2932			G6,H J6,J K6E
			MK571184	CABLE,GEARSHIFT	1	L=2932			G6,H J6,J K6E
		24932	ME518114	INSULATOR,GEARSHIFT CABLE	1				G6,C H6E K6,K M6E

FK74R
22-250 M/T GEARSHIFT LINKAGE NO.3

SPN	Repl Part	PNC	Part No	Part Name	Qty	Part Spec	Remarks	NEW1	Clas
		24932	ME518114	INSULATOR,GEARSHIFT CABLE	1				G6,C
			ME518114	INSULATOR,GEARSHIFT CABLE	1				H6E,
			ME518114	INSULATOR,GEARSHIFT CABLE	1				G6,H
		24596B	(N.e.c.)	BRACKET,GEARSHIFT LINK					J6,J
		24597P	(N.e.c.)	BOLT,GEARSHIFT LINK					K6E,
		24589	(N.e.c.)	CLIP,GEARSHIFT LINK					G6,H
		24597CB	(N.e.c.)	BOLT,GEARSHIFT LINK					J6,J
		24596F	(N.e.c.)	BRACKET,GEARSHIFT LINK					
		24596	(N.e.c.)	BRACKET,GEARSHIFT LINK					
		24597G	(N.e.c.)	BOLT,GEARSHIFT LINK					



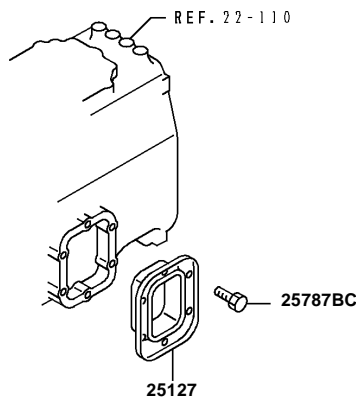
FK74R
No.1



Ref. |2022410

Page

FK74R
No.2



2FL101

Ref. |2022410

Page

FK74R
22-410 M/T PTO

Repl Part	PNC	Part No	Part Name	Qty	Part Spec	Remarks	PREV.1	Class
	25005C	ME627915	BRACKET,T/F PTO CASE	1				G6,G6 H6E,J6 K6,K6 M6E
		ME627915	BRACKET,T/F PTO CASE	1				G6,G6 H6E,H6 J6,J6E J6VE,K6 K6V,K6 M6VE
		ME627915	BRACKET,T/F PTO CASE	1				G6,G6 H6E,H6 J6,J6E J6VE,K6 K6VE,M6 M6VE
	25104	MH044008	BEARING,T/M PTO IDLER GEAR	1	NEEDLE ROLLER			G6,G6 H6E,J6 K6,K6 M6E
		MH044008	BEARING,T/M PTO IDLER GEAR	1	NEEDLE ROLLER			G6,G6 H6E,H6 J6,J6E J6VE,K6 K6V,K6 M6VE
		MH044008	BEARING,T/M PTO IDLER GEAR	1	NEEDLE ROLLER			G6,G6 H6E,H6 J6,J6E J6VE,K6 K6VE,M6 M6VE
	25106B	MS556006	BEARING,T/M PTO INPUT SHAFT	3	BALL			G6,G6 H6E,J6 K6,K6 M6E
		MS556006	BEARING,T/M PTO INPUT SHAFT	3	BALL			G6,G6 H6E,H6 J6,J6E J6VE,K6 K6V,K6 M6VE
		MS556006	BEARING,T/M PTO INPUT SHAFT	3	BALL			G6,G6 H6E,H6 J6,J6E J6VE,K6 K6VE,M6 M6VE
	25125	ME635048	COVER,T/M PTO CASE,FR	1				G6,G6 H6E,J6 K6,K6 M6E
		ME635048	COVER,T/M PTO CASE,FR	1				G6,G6 H6E,H6 J6,J6E J6VE,K6 K6V,K6 M6VE
		ME635048	COVER,T/M PTO CASE,FR	1				G6,G6 H6E,H6 J6,J6E J6VE,K6 K6VE,M6 M6VE
	25126	ME631296	COVER,T/M PTO CASE,RR	1				G6,G6 H6E,J6 K6,K6 M6E
		ME631296	COVER,T/M PTO CASE,RR	1				G6,G6 H6E,H6 J6,J6E J6VE,K6 K6V,K6 M6VE

FK74R
22-410 M/T PTO

Repl Part	PNC	Part No	Part Name	Qty	Part Spec	Remarks	PREV.1	Class
	25126	ME631296	COVER,T/M PTO CASE,RR	1				G6,G6 H6E,H J6,J6E J6VE,K K6VE,I
	25127	ME625062	COVER,T/M PTO HOLE	1				G6,G6 H6E,J6 K6,K6E M6E
		ME625062	COVER,T/M PTO HOLE	1				G6V,H J6V,J6 K6VE,I
		ME625062	COVER,T/M PTO HOLE	1				G6,H6, J6,J6E K6E,M
		ME625062	COVER,T/M PTO HOLE	1				G6E,M
		ME625062	COVER,T/M PTO HOLE	1				G6,G6 H6E,J6 K6,K6E M6E
		ME625062	COVER,T/M PTO HOLE	1				G6V,H J6V,J6 K6VE,I
		ME625062	COVER,T/M PTO HOLE	1				G6,H6, J6,J6E K6E,M
		ME625062	COVER,T/M PTO HOLE	1				G6,H6, J6,J6E K6E,M
		ME625062	COVER,T/M PTO HOLE	1				G6E,K M6VE
		ME625062	COVER,T/M PTO HOLE	1				G6V,H J6V,J6 K6V,M
		ME625062	COVER,T/M PTO HOLE	1				G6V,H J6V,J6 K6VE,I
		ME625062	COVER,T/M PTO HOLE	1				G6,H6, J6,J6E K6E,M
		ME625062	COVER,T/M PTO HOLE	1				G6V,H J6V,J6 K6E,K
		ME625062	COVER,T/M PTO HOLE	1				M6VE G6V,H J6,J6E K6E,M
		ME625062	COVER,T/M PTO HOLE	1				G6V,H J6V,J6 K6VE,I
		ME625062	COVER,T/M PTO HOLE	1				G6,H6, J6,J6E K6E,M
		ME625062	COVER,T/M PTO HOLE	1				G6V,H J6V,J6 K6E,K
		ME625062	COVER,T/M PTO HOLE	1				M6,M6 G6,G6 H6E,H J6,J6E J6VE,K K6V,K M6VE
		ME625062	COVER,T/M PTO HOLE	1				G6,H6, J6,J6E K6E,M
		ME625062	COVER,T/M PTO HOLE	1				G6V,H J6V,J6 K6VE,I
		ME625062	COVER,T/M PTO HOLE	1				G6,G6 H6E,H J6,J6E J6VE,K K6VE,I
	25130	ME654549	PISTON & RING KIT,T/M PTO GEARSHIFT CYLINDER	1				G6,G6 H6E,J6 K6,K6E M6E

FK74R
22-410 M/T PTO

Repl Part	PNC	Part No	Part Name	Qty	Part Spec	Remarks	PREV.1	Class
	25130	ME654549	PISTON & RING KIT,T/M PTO GEARSHIFT CYLINDER	1				G6,G6 H6E,H J6,J6E J6VE,K K6V,K M6VE G6,G6 H6E,H J6,J6E J6VE,K K6VE,I G6,G6 H6E,J K6,K6E M6E G6,G6 H6E,H J6,J6E J6VE,K K6V,K M6VE G6,G6 H6E,H J6,J6E J6VE,K K6VE,I G6,G6 H6E,J K6,K6E M6E G6,G6 H6E,H J6,J6E J6VE,K K6V,K M6VE G6,G6 H6E,H J6,J6E J6VE,K K6VE,I G6,G6 H6E,J K6,K6E M6E G6,G6 H6E,H J6,J6E J6VE,K K6V,K M6VE G6,G6 H6E,H J6,J6E J6VE,K K6VE,I
		ME654549	PISTON & RING KIT,T/M PTO GEARSHIFT CYLINDER	1				
	25131	ME707134	CYLINDER,T/M PTO GEARSHIFT	1				
		ME707134	CYLINDER,T/M PTO GEARSHIFT	1				
		ME707134	CYLINDER,T/M PTO GEARSHIFT	1				
	25131A	ME625233	CYLINDER ASSY,T/M PTO GEARSHIFT	1				
		ME625233	CYLINDER ASSY,T/M PTO GEARSHIFT	1				
		ME625233	CYLINDER ASSY,T/M PTO GEARSHIFT	1				
RP	25133	ME642693	FLANGE,T/M PTO COMPANION	1			O	
RP		ME642693	FLANGE,T/M PTO COMPANION	1			O	
RP		ME642693	FLANGE,T/M PTO COMPANION	1			O	
	25134	ME625069	GASKET,T/M PTO CASE	1				
		ME625069	GASKET,T/M PTO CASE	1				
		ME625069	GASKET,T/M PTO CASE	1				

FK74R
22-410 M/T PTO

Repl Part	PNC	Part No	Part Name	Qty	Part Spec	Remarks	PREV.1	Class
	25134B	ME625070	GASKET,T/M PTO CASE	AR				G6,G6E H6E,J6E K6,K6E M6E
		ME625070	GASKET,T/M PTO CASE	AR				G6,G6E H6E,H6E J6,J6E J6VE,K6VE K6V,K6VE M6VE
		ME625070	GASKET,T/M PTO CASE	AR				G6,G6E H6E,H6E J6,J6E J6VE,K6VE K6V,K6VE M6VE
	25134C	MF660038	GASKET,T/M PTO CASE	1	D=20			G6,G6E H6E,J6E K6,K6E M6E
		MF660038	GASKET,T/M PTO CASE	1	D=20			G6,G6E H6E,H6E J6,J6E J6VE,K6VE K6V,K6VE M6VE
		MF660038	GASKET,T/M PTO CASE	1	D=20			G6,G6E H6E,H6E J6,J6E J6VE,K6VE K6V,K6VE M6VE
	25136	MF660035	GASKET,T/M PTO CASE RETAINER	1	D=14			G6,G6E H6E,J6E K6,K6E M6E
		MF660035	GASKET,T/M PTO CASE RETAINER	1	D=14			G6,G6E H6E,H6E J6,J6E J6VE,K6VE K6V,K6VE M6VE
		MF660035	GASKET,T/M PTO CASE RETAINER	1	D=14			G6,G6E H6E,H6E J6,J6E J6VE,K6VE K6V,K6VE M6VE
	25143	ME635594	GEAR,T/M PTO IDLER	1	N=20			G6,G6E H6E,J6E K6,K6E M6E
		ME635594	GEAR,T/M PTO IDLER	1	N=20			G6,G6E H6E,H6E J6,J6E J6VE,K6VE K6V,K6VE M6VE
		ME635594	GEAR,T/M PTO IDLER	1	N=20			G6,G6E H6E,H6E J6,J6E J6VE,K6VE K6V,K6VE M6VE
	25144	ME635595	GEAR,T/M PTO OUTPUT	1	Z=24			G6,G6E H6E,J6E K6,K6E M6E
		ME635595	GEAR,T/M PTO OUTPUT	1	Z=24			G6,G6E H6E,H6E J6,J6E J6VE,K6VE K6V,K6VE M6VE

FK74R
22-410 M/T PTO

Repl Part	PNC	Part No	Part Name	Qty	Part Spec	Remarks	PREV.1	Class
	25144	ME635595	GEAR,T/M PTO OUTPUT	1	Z=24			G6,G6 H6E,H J6,J6E J6VE,K K6VE,I
	25154	MH034230	OIL SEAL,T/M PTO RR COVER OUTPUT	1				G6,G6 H6E,J K6,K6E M6E
		MH034230	OIL SEAL,T/M PTO RR COVER OUTPUT	1				G6,G6 H6E,H J6,J6E J6VE,K K6V,K M6VE
		MH034230	OIL SEAL,T/M PTO RR COVER OUTPUT	1				G6,G6 H6E,H J6,J6E J6VE,K K6VE,I M6VE
	25155	ME625077	BEARING,T/M PTO OUTPUT SHAFT PILOT	2	NEEDLE ROLLER			G6,G6 H6E,J K6,K6E M6E
		ME625077	BEARING,T/M PTO OUTPUT SHAFT PILOT	2	NEEDLE ROLLER			G6,G6 H6E,H J6,J6E J6VE,K K6V,K M6VE
		ME625077	BEARING,T/M PTO OUTPUT SHAFT PILOT	2	NEEDLE ROLLER			G6,G6 H6E,H J6,J6E J6VE,K K6VE,I M6VE
	25175	ME625071	SHAFT,T/M PTO IDLER	1				G6,G6 H6E,J K6,K6E M6E
		ME625071	SHAFT,T/M PTO IDLER	1				G6,G6 H6E,H J6,J6E J6VE,K K6V,K M6VE
		ME625071	SHAFT,T/M PTO IDLER	1				G6,G6 H6E,H J6,J6E J6VE,K K6VE,I M6VE
	25177	ME625074	SHAFT,T/M PTO OUTPUT	1				G6,G6 H6E,J K6,K6E M6E
		ME625074	SHAFT,T/M PTO OUTPUT	1				G6,G6 H6E,H J6,J6E J6VE,K K6V,K M6VE
		ME625074	SHAFT,T/M PTO OUTPUT	1				G6,G6 H6E,H J6,J6E J6VE,K K6VE,I M6VE
	25200	ME636420	POWER TAKE OFF KIT,T/M	1				G6,G6 H6E,J K6,K6E M6E

FK74R
22-410 M/T PTO

Repl Part	PNC	Part No	Part Name	Qty	Part Spec	Remarks	PREV.1	Class
	25200	ME636420	POWER TAKE OFF KIT,T/M	1				G6,G6 H6E,H J6,J6E J6VE,K K6V,K M6VE
		ME636420	POWER TAKE OFF KIT,T/M	1				G6,G6 H6E,H J6,J6E J6VE,K K6VE,I
	25201	MC859815	SWITCH,T/M PTO INDICATOR LAMP	1				G6,G6 H6E,J K6,K6E M6E
		MC859815	SWITCH,T/M PTO INDICATOR LAMP	1				G6,G6 H6E,H J6,J6E J6VE,K K6V,K
		MC859815	SWITCH,T/M PTO INDICATOR LAMP	1				M6VE G6,G6 H6E,H J6,J6E J6VE,K K6VE,I
	25202B	ME625078	THRUST WASHER,T/M PTO	1	T=6.2			G6,G6 H6E,J K6,K6E M6E
		ME625078	THRUST WASHER,T/M PTO	1	T=6.2			G6,G6 H6E,H J6,J6E J6VE,K K6V,K
		ME625078	THRUST WASHER,T/M PTO	1	T=6.2			M6VE G6,G6 H6E,H J6,J6E J6VE,K K6VE,I
	25206	ME706883	Y-RING,T/M PTO GEARSHIFT CYLINDER	1				G6,G6 H6E,J K6,K6E M6E
		ME706883	Y-RING,T/M PTO GEARSHIFT CYLINDER	1				G6,G6 H6E,H J6,J6E J6VE,K K6V,K
		ME706883	Y-RING,T/M PTO GEARSHIFT CYLINDER	1				M6VE G6,G6 H6E,H J6,J6E J6VE,K K6VE,I
RP	25513	ME635209	FORK,T/M PTO GEARSHIFT	1			O	G6,G6 H6E,J K6,K6E M6E
RP		ME635209	FORK,T/M PTO GEARSHIFT	1			O	G6,G6 H6E,H J6,J6E J6VE,K K6V,K
RP		ME635209	FORK,T/M PTO GEARSHIFT	1			O	M6VE G6,G6 H6E,H J6,J6E J6VE,K K6VE,I

FK74R
22-410 M/T PTO

Repl Part	PNC	Part No	Part Name	Qty	Part Spec	Remarks	PREV.1	Class
	25532	ME706880	PISTON,T/M PTO GEARSHIFT CYLINDER	1				G6,G6 H6E,J6 K6,K6E M6E
		ME706880	PISTON,T/M PTO GEARSHIFT CYLINDER	1				G6,G6 H6E,H6 J6,J6E J6VE,K6 K6V,K6E M6VE
		ME706880	PISTON,T/M PTO GEARSHIFT CYLINDER	1				G6,G6 H6E,H6 J6,J6E J6VE,K6 K6V,K6E M6VE
	25537	ME707135	ROD,T/M PTO GEARSHIFT CYLINDER	1				G6,G6 H6E,J6 K6,K6E M6E
		ME707135	ROD,T/M PTO GEARSHIFT CYLINDER	1				G6,G6 H6E,H6 J6,J6E J6VE,K6 K6V,K6E M6VE
		ME707135	ROD,T/M PTO GEARSHIFT CYLINDER	1				G6,G6 H6E,H6 J6,J6E J6VE,K6 K6V,K6E M6VE
RP	25544	ME631437	SLEEVE,T/M PTO GEARSHIFT	1			O	G6,G6 H6E,J6 K6,K6E M6E
RP		ME631437	SLEEVE,T/M PTO GEARSHIFT	1			O	G6,G6 H6E,H6 J6,J6E J6VE,K6 K6V,K6E M6VE
RP		ME631437	SLEEVE,T/M PTO GEARSHIFT	1			O	G6,G6 H6E,H6 J6,J6E J6VE,K6 K6V,K6E M6VE
	25545	ME625234	SPRING,T/M PTO GEARSHIFT FORK	1				G6,G6 H6E,J6 K6,K6E M6E
		ME625234	SPRING,T/M PTO GEARSHIFT FORK	1				G6,G6 H6E,H6 J6,J6E J6VE,K6 K6V,K6E M6VE
		ME625234	SPRING,T/M PTO GEARSHIFT FORK	1				G6,G6 H6E,H6 J6,J6E J6VE,K6 K6V,K6E M6VE
RP	25767C	ME637859	WASHER,T/M PTO	2			O	G6,G6 H6E,J6 K6,K6E M6E
RP		ME637859	WASHER,T/M PTO	2			O	G6,G6 H6E,H6 J6,J6E J6VE,K6 K6V,K6E M6VE

FK74R
22-410 M/T PTO

Repl Part RP	PNC	Part No	Part Name	Qty	Part Spec	Remarks	PREV.1 O	Class
	25767C	ME637859	WASHER,T/M PTO	2				G6,G6 H6E,H J6,J6E J6VE,K K6VE, G6,G6 H6E,J K6,K6 M6E
	25767D	MF450406	WASHER,T/M PTO	4	SPRING,10			G6,G6 H6E,H K6,K6 M6E
		MF450406	WASHER,T/M PTO	4	SPRING,10			G6,G6 H6E,H J6,J6E J6VE,K K6V,K M6VE
		MF450406	WASHER,T/M PTO	4	SPRING,10			G6,G6 H6E,H J6,J6E J6VE,K K6VE, M6VE
	25768	MF404546	STUD,T/M PTO	4	10X25			G6,G6 H6E,J K6,K6 M6E
		MF404546	STUD,T/M PTO	4	10X25			G6,G6 H6E,H J6,J6E J6VE,K K6V,K M6VE
		MF404546	STUD,T/M PTO	4	10X25			G6,G6 H6E,H J6,J6E J6VE,K K6VE, M6VE
	25772C	ME620348	PLUG,T/M PTO	1	EXPANSION,20			G6,G6 H6E,H J6,J6E J6VE,K K6V,K M6VE
		ME620348	PLUG,T/M PTO	1	EXPANSION,20			G6,G6 H6E,H J6,J6E J6VE,K K6V,K M6VE
		ME620348	PLUG,T/M PTO	1	EXPANSION,20			G6,G6 H6E,H J6,J6E J6VE,K K6VE, M6VE
	25772D	MF665007	PLUG,T/M PTO	1	SCREW,20			G6,G6 H6E,H K6,K6 M6E
		MF665007	PLUG,T/M PTO	1	SCREW,20			G6,G6 H6E,H J6,J6E J6VE,K K6V,K M6VE
		MF665007	PLUG,T/M PTO	1	SCREW,20			G6,G6 H6E,H J6,J6E J6VE,K K6VE, M6VE
	25774	MF472591	SPRING PIN,T/M PTO	1	SPRING,6X25			G6,G6 H6E,H K6,K6 M6E

FK74R
22-410 M/T PTO

Repl Part	PNC	Part No	Part Name	Qty	Part Spec	Remarks	PREV.1	Class
	25774	MF472591	SPRING PIN,T/M PTO	1	SPRING,6X25			G6,G6 H6E,H J6,J6E J6VE,K K6V,K M6VE
		MF472591	SPRING PIN,T/M PTO	1	SPRING,6X25			G6,G6 H6E,H J6,J6E J6VE,K K6VE,I
	25777C	ME624257	O-RING,T/M PTO	1				G6,G6 H6E,J K6,K6E M6E
		ME624257	O-RING,T/M PTO	1				G6,G6 H6E,H J6,J6E J6VE,K K6V,K
		ME624257	O-RING,T/M PTO	1				M6VE G6,G6 H6E,H J6,J6E J6VE,K K6VE,I
	25777D	ME706882	O-RING,T/M PTO	1				G6,G6 H6E,J K6,K6E M6E
		ME706882	O-RING,T/M PTO	1				G6,G6 H6E,H J6,J6E J6VE,K K6V,K
		ME706882	O-RING,T/M PTO	1				M6VE G6,G6 H6E,H J6,J6E J6VE,K K6VE,I
	25778E	MF430006	NUT,T/M PTO	5	10			G6,G6 H6E,J K6,K6E M6E
		MF430006	NUT,T/M PTO	5	10			G6,G6 H6E,H J6,J6E J6VE,K K6V,K
		MF430006	NUT,T/M PTO	5	10			M6VE G6,G6 H6E,H J6,J6E J6VE,K K6VE,I
	25778J	ME706881	NUT,T/M PTO	1				G6,G6 H6E,J K6,K6E M6E
		ME706881	NUT,T/M PTO	1				G6,G6 H6E,H J6,J6E J6VE,K K6V,K
		ME706881	NUT,T/M PTO	1				M6VE G6,G6 H6E,H J6,J6E J6VE,K K6VE,I

FK74R
22-410 M/T PTO

Repl Part	PNC	Part No	Part Name	Qty	Part Spec	Remarks	PREV.1	Class
	25779	MF476049	KEY,T/M PTO	1	SUNK,7X40			G6,G6 H6E,J6 K6,K6 M6E
		MF476049	KEY,T/M PTO	1	SUNK,7X40			G6,G6 H6E,H6 J6,J6E J6VE,K6 K6V,K6 M6VE
		MF476049	KEY,T/M PTO	1	SUNK,7X40			G6,G6 H6E,H6 J6,J6E J6VE,K6 K6VE,I6 M6VE
	25785B	ME600680	SET BOLT,T/M PTO	1	10X11			G6,G6 H6E,J6 K6,K6 M6E
		ME600680	SET BOLT,T/M PTO	1	10X11			G6,G6 H6E,H6 J6,J6E J6VE,K6 K6V,K6 M6VE
		ME600680	SET BOLT,T/M PTO	1	10X11			G6,G6 H6E,H6 J6,J6E J6VE,K6 K6VE,I6 M6VE
	25785C	ME661852	SET BOLT,T/M PTO	1	10X21			G6,G6 H6E,J6 K6,K6 M6E
		ME661852	SET BOLT,T/M PTO	1	10X21			G6,G6 H6E,H6 J6,J6E J6VE,K6 K6V,K6 M6VE
		ME661852	SET BOLT,T/M PTO	1	10X21			G6,G6 H6E,H6 J6,J6E J6VE,K6 K6VE,I6 M6VE
	25787B	MH000706	BOLT,T/M PTO	1	FLANGE,10X16			G6,G6 H6E,J6 K6,K6 M6E
		MH000706	BOLT,T/M PTO	1	FLANGE,10X16			G6,G6 H6E,H6 J6,J6E J6VE,K6 K6V,K6 M6VE
		MH000706	BOLT,T/M PTO	1	FLANGE,10X16			G6,G6 H6E,H6 J6,J6E J6VE,K6 K6VE,I6 M6VE
	25787BC	MS146003	BOLT,T/M PTO	6	FLANGE,10X18	8.8		G6,G6 H6E,J6 K6,K6 M6E
		MS146003	BOLT,T/M PTO	6	FLANGE,10X18	8.8		G6E,M6 G6V,H6 J6V,J6 K6VE,I6
		MS146003	BOLT,T/M PTO	6	FLANGE,10X18	8.8		G6,H6 J6,J6E K6E,M6

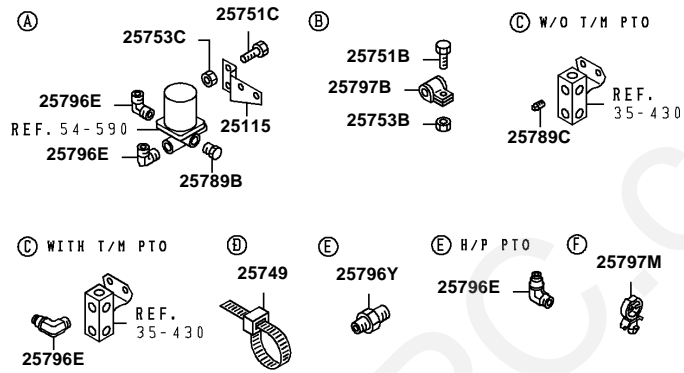
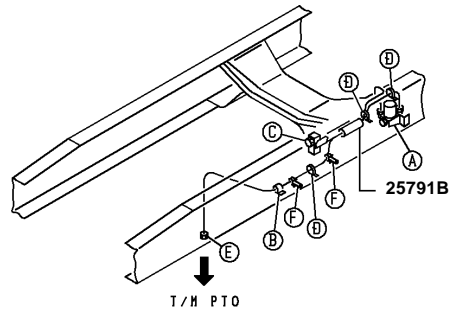
FK74R
22-410 M/T PTO

Repl Part	PNC	Part No	Part Name	Qty	Part Spec	Remarks	PREV.1	Class
	25787BC	MS146003	BOLT,T/M PTO	6	FLANGE,10X18	8.8		G6,G6 H6E,J6 K6,K6E M6E
		MS146003	BOLT,T/M PTO	6	FLANGE,10X18	8.8		G6V,H6 J6V,J6E K6VE,L6
		MS146003	BOLT,T/M PTO	6	FLANGE,10X18	8.8		G6,H6E J6,J6E K6E,M6E
		MS146003	BOLT,T/M PTO	6	FLANGE,10X18	8.8		G6E,M6E
		MS146003	BOLT,T/M PTO	6	FLANGE,10X18	8.8		G6,H6E J6,J6E
		MS146003	BOLT,T/M PTO	6	FLANGE,10X18	8.8		K6E,M6E
		MS146003	BOLT,T/M PTO	6	FLANGE,10X18	8.8		G6E,K6E
		MS146003	BOLT,T/M PTO	6	FLANGE,10X18	8.8		M6VE
		MS146003	BOLT,T/M PTO	6	FLANGE,10X18	8.8		G6V,H6E J6V,J6E
		MS146003	BOLT,T/M PTO	6	FLANGE,10X18	8.8		G6,H6E J6,J6E
		MS146003	BOLT,T/M PTO	6	FLANGE,10X18	8.8		K6E,M6E
		MS146003	BOLT,T/M PTO	6	FLANGE,10X18	8.8		G6V,H6E J6V,J6E
		MS146003	BOLT,T/M PTO	6	FLANGE,10X18	8.8		K6V,M6E
		MS146003	BOLT,T/M PTO	6	FLANGE,10X18	8.8		G6,G6E H6,H6E H6VE,L6
		MS146003	BOLT,T/M PTO	6	FLANGE,10X18	8.8		J6V,J6E K6E,K6E
		MS146003	BOLT,T/M PTO	6	FLANGE,10X18	8.8		M6,M6E G6,G6E H6E,H6E
		MS146003	BOLT,T/M PTO	6	FLANGE,10X18	8.8		J6,J6E J6VE,L6
		MS146003	BOLT,T/M PTO	6	FLANGE,10X18	8.8		K6V,K6E M6VE
		MS146003	BOLT,T/M PTO	6	FLANGE,10X18	8.8		G6,H6E J6,J6E
		MS146003	BOLT,T/M PTO	6	FLANGE,10X18	8.8		K6E,M6E G6,G6E H6E,H6E
		MS146003	BOLT,T/M PTO	6	FLANGE,10X18	8.8		J6,J6E J6VE,L6
	25787D	MF140227	BOLT,T/M PTO	4	FLANGE,8X25	7T		K6VE,L6 G6,G6E H6E,J6E
		MF140227	BOLT,T/M PTO	4	FLANGE,8X25	7T		K6,K6E M6E G6,G6E H6E,H6E
		MF140227	BOLT,T/M PTO	4	FLANGE,8X25	7T		J6,J6E J6VE,L6 K6V,K6E M6VE
		MF140227	BOLT,T/M PTO	4	FLANGE,8X25	7T		G6,G6E H6E,H6E
		MF140227	BOLT,T/M PTO	4	FLANGE,8X25	7T		J6,J6E J6VE,L6
	25787E	MS146010	BOLT,T/M PTO	2	FLANGE,10X35	8.8		K6VE,L6 G6,G6E H6E,J6E
		MS146010	BOLT,T/M PTO	2	FLANGE,10X35	8.8		K6,K6E M6E G6,G6E H6E,H6E
		MS146010	BOLT,T/M PTO	2	FLANGE,10X35	8.8		J6,J6E J6VE,L6 K6V,K6E M6VE

FK74R
22-410 M/T PTO

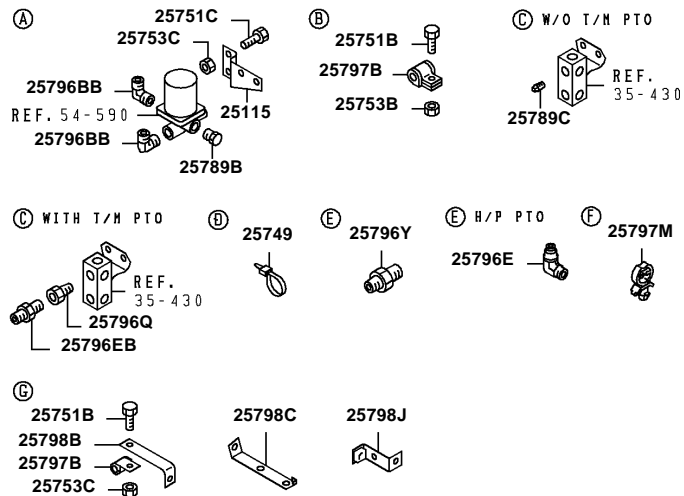
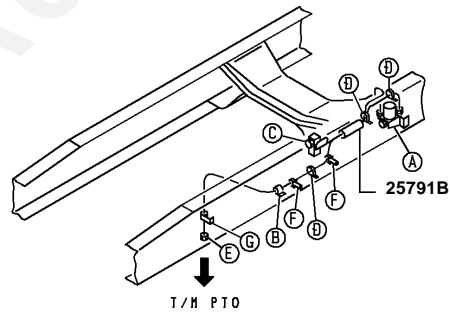
Repl Part	PNC	Part No	Part Name	Qty	Part Spec	Remarks	PREV.1	Class
	25787E	MS146010	BOLT,T/M PTO	2	FLANGE,10X35	8.8		G6,G6 H6E,H J6,J6E J6VE,K K6VE,I
	25787F	MF140223	BOLT,T/M PTO	4	FLANGE,8X16	7T		G6,G6 H6E,J K6,K6E M6E
		MF140223	BOLT,T/M PTO	4	FLANGE,8X16	7T		G6,G6 H6E,H J6,J6E J6VE,K K6V,K M6VE
		MF140223	BOLT,T/M PTO	4	FLANGE,8X16	7T		G6,G6 H6E,H J6,J6E J6VE,K K6VE,I M6VE
	25787FB	MF140226	BOLT,T/M PTO	3	FLANGE,8X22	7T		G6,G6 H6E,J K6,K6E M6E
		MF140226	BOLT,T/M PTO	3	FLANGE,8X22	7T		G6,G6 H6E,H J6,J6E J6VE,K K6V,K M6VE
		MF140226	BOLT,T/M PTO	3	FLANGE,8X22	7T		G6,G6 H6E,H J6,J6E J6VE,K K6VE,I
	25768B	(N.e.c.)	STUD,T/M PTO					

FK74R
No.1



C00063

FK74R
No.2



C00064

FK74R
22-460 PTO AIR LINE

SPN	Repl Part RP	PNC 25749	Part No MB249339	Part Name BAND,PTO CONTROL AIR LINE	Qty 3	Part Spec L=169.5	Remarks BLACK	PREV. O
	RP		MB249339	BAND,PTO CONTROL AIR LINE	3	L=169.5	BLACK	O
	RP		MB249339	BAND,PTO CONTROL AIR LINE	3	L=169.5	BLACK	O
		25751B	MF140023	BOLT,PTO CONTROL AIR LINE	1	FLANGE,8X16	4T	
			MF140023	BOLT,PTO CONTROL AIR LINE	1	FLANGE,8X16	4T	
			MF140023	BOLT,PTO CONTROL AIR LINE	2	FLANGE,8X16	4T	
		25751C	MF100057	BOLT,PTO CONTROL AIR LINE	1	BOLT,8X25	4T	
		25753C	MF434104	NUT,PTO CONTROL AIR LINE	2	FLANGE,8		
		25789B	MH037756	PLUG,PTO CONTROL AIR LINE	1	SCREW,12		
			MH037756	PLUG,PTO CONTROL AIR LINE	1	SCREW,12		
			MH037756	PLUG,PTO CONTROL AIR LINE	1	SCREW,12		
		25789C	MS661121	PLUG,PTO CONTROL AIR LINE	1	TAPER,HEXAGON,PT-1/4		
			MS661121	PLUG,PTO CONTROL AIR LINE	1	TAPER,HEXAGON,PT-1/4		
			MS661121	PLUG,PTO CONTROL AIR LINE	1	TAPER,HEXAGON,PT-1/4		

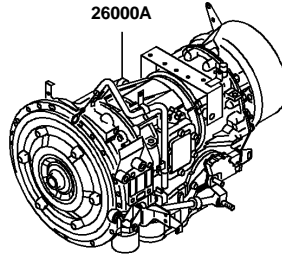
FK74R
22-460 PTO AIR LINE

SPN	Repl Part	PNC	Part No	Part Name	Qty	Part Spec	Remarks	PREV.
		25789C	MS661121	PLUG,PTO CONTROL AIR LINE	1	TAPER,HEXAGON,PT-1/4		
			MS661121	PLUG,PTO CONTROL AIR LINE	1	TAPER,HEXAGON,PT-1/4		
		25791B	MK468972	TUBE,PTO CONTROL AIR LINE	1	6		
			MK539978	TUBE,PTO CONTROL AIR LINE	1			
			MK572317	TUBE,PTO CONTROL AIR LINE	1			
			MK653165	TUBE,PTO CONTROL AIR LINE	1			
			MK653167	TUBE,PTO CONTROL AIR LINE	1			
	RP	25796BB	MC089642	JOINT,PTO CONTROL AIR LINE	2			
			MC071552	JOINT,PTO CONTROL AIR LINE	2			
			MC071552	JOINT,PTO CONTROL AIR LINE	2			
			MC071552	JOINT,PTO CONTROL AIR LINE	2			
		25796E	MH039714	JOINT,PTO CONTROL AIR LINE	3			
	RP	25796EB	MC089622	JOINT,PTO CONTROL AIR LINE	1			
			MC072027	JOINT,PTO CONTROL AIR LINE	1			
			MC072027	JOINT,PTO CONTROL AIR LINE	1			
			MC072027	JOINT,PTO CONTROL AIR LINE	1			
		25796Y	MH039176	JOINT,PTO CONTROL AIR LINE	1		W/O SEALANT	
			MH039176	JOINT,PTO CONTROL AIR LINE	1		W/O SEALANT	

FK74R
22-460 PTO AIR LINE

SPN	Repl Part	PNC	Part No	Part Name	Qty	Part Spec	Remarks	PREV.
		25796Y	MH039176	JOINT,PTO CONTROL AIR LINE	1		W/O SEALANT	
		25797B	MH020425	CLIP,PTO CONTROL AIR LINE	1	D=22		
			MH020425	CLIP,PTO CONTROL AIR LINE	1	D=22		
			MH020419	CLIP,PTO CONTROL AIR LINE	1	D=10		
			MH020425	CLIP,PTO CONTROL AIR LINE	1	D=22		
		25797M	MH020957	CLIP,PTO CONTROL AIR LINE	2	A=36 B=9.5		
SP			MH020946	CLIP,PTO CONTROL AIR LINE	1	A=30 B=18		
			MH020957	CLIP,PTO CONTROL AIR LINE	2	A=36 B=9.5		
			MH020939	CLIP,PTO CONTROL AIR LINE	1	A=23 B=18		
SP			MH020946	CLIP,PTO CONTROL AIR LINE	1	A=30 B=18		
			MH020957	CLIP,PTO CONTROL AIR LINE	2	A=36 B=9.5		
		25798C	MK651854	BRACKET,PTO CONTROL AIR LINE	1			
		25115	(N.e.c.)	BRACKET,PTO CONTROL AIR LINE VALVE				
		25753B	(N.e.c.)	NUT,PTO CONTROL AIR LINE				
		25796Q	(N.e.c.)	JOINT,PTO CONTROL AIR LINE				
		25798J	(N.e.c.)	BRACKET,PTO CONTROL AIR LINE				
		25798B	(N.e.c.)	BRACKET,PTO CONTROL AIR LINE				

FK74R
No.1



C 0 0 0 0 4

Ref. |2023010

Page

FK74R
23-010 AUTO TRANSMISSION ASSY

PNC	Part No	Part Name	Qty	Part Spec	Classification	Option	Model Year	Start	End
26000A	ME518491	AUTOMATIC TRANSMISSION ASSY	1	M065A5A015-O/D	G6,G6E,H6, H6E,J6,J6E, K6,K6E,M6, M6E	1XS,1XT	04	04053	05102
	ME518491	AUTOMATIC TRANSMISSION ASSY	1	M065A5A015-O/D	G6,G6E,H6, H6E,J6,J6E	1XU	04	04053	05102
	ME518492	AUTOMATIC TRANSMISSION ASSY	1	M065A5A022-O/D	G6,G6E,H6, H6E,J6,J6E, K6,K6E,M6, M6E	1XX,1XY	04	04053	05102
	ME518492	AUTOMATIC TRANSMISSION ASSY	1	M065A5A022-O/D	G6,G6E,H6, H6E,J6,J6E	1XZ	04	04053	05102
	ME526191	AUTOMATIC TRANSMISSION ASSY	1	M065A5A029-O/D	G6,H6,H6E, J6,J6E,K6, K6E,M6E	1XS,1XT	05	05103	07052
	ME526191	AUTOMATIC TRANSMISSION ASSY	1	M065A5A029-O/D	G6,H6,H6E, J6,J6E	1XU	05	05103	07052
	ME526192	AUTOMATIC TRANSMISSION ASSY	1	M065A5A030-O/D	G6,H6,H6E, J6,J6E,K6, K6E,M6E	1XX,1XY	05	05103	07052
	ME526192	AUTOMATIC TRANSMISSION ASSY	1	M065A5A030-O/D	G6,H6,H6E, J6,J6E	1XZ	05	05103	07052
	ME528015	AUTOMATIC TRANSMISSION ASSY	1	M065A5A101-O/D	G6,H6,H6E, J6,J6E,K6, K6E,M6E	1XS,1XT	07	07053	07113
	ME528015	AUTOMATIC TRANSMISSION ASSY	1	M065A5A101-O/D	G6,H6,H6E, J6,J6E	1XU	07	07053	07113
	ME528018	AUTOMATIC TRANSMISSION ASSY	1	M065A5A102-O/D	G6,H6,H6E, J6,J6E,K6, K6E,M6E	1XX,1XY	07	07053	07113
	ME528018	AUTOMATIC TRANSMISSION ASSY	1	M065A5A102-O/D	G6,H6,H6E, J6,J6E	1XZ	07	07053	07113

Ref. |2023010

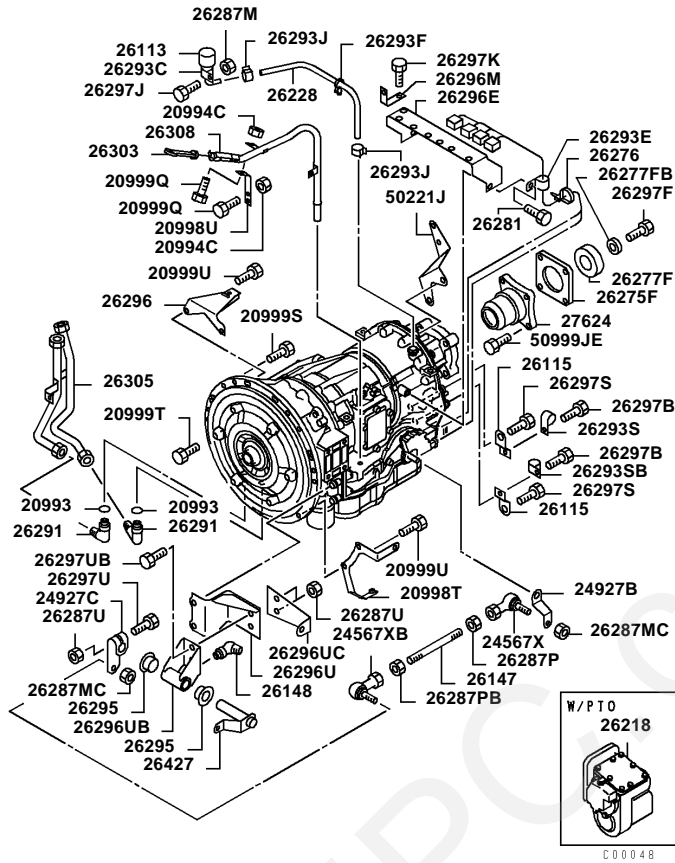
Page

FK74R
23-010 AUTO TRANSMISSION ASSY

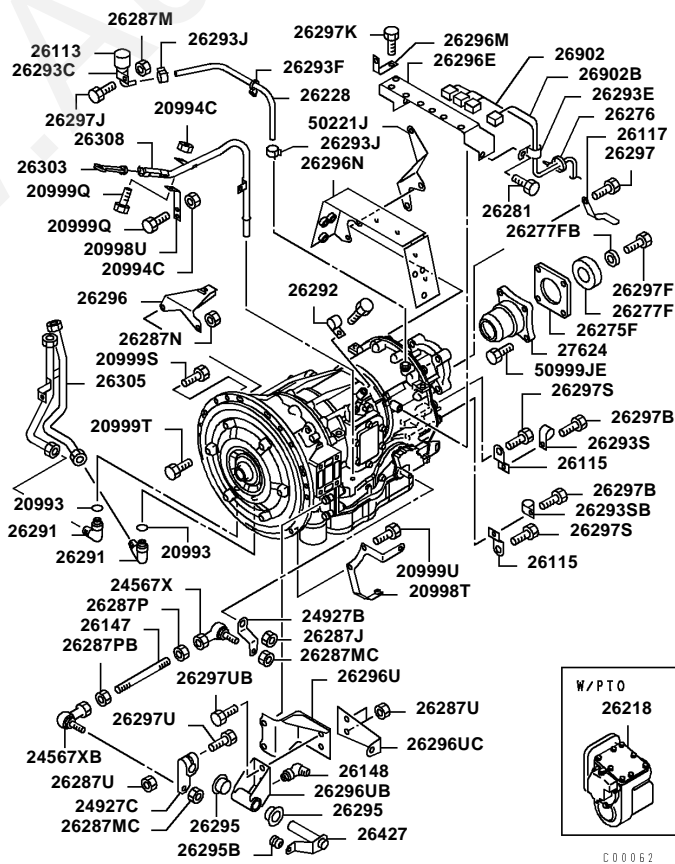
PNC	Part No	Part Name	Qty	Part Spec	Classification	Option	Model Year	Start	End
26000A	ME533234	AUTOMATIC TRANSMISSION ASSY	1	M065A5-O/D	G6,H6,H6E, J6,J6E,K6, K6E,M6E	1XS,1XT,1XX, 1XY	07	07121	09052
	ME533234	AUTOMATIC TRANSMISSION ASSY	1	M065A5-O/D	G6,H6,H6E, J6,J6E	1XU,1XZ	07	07121	09052

www.AutoEPC.com

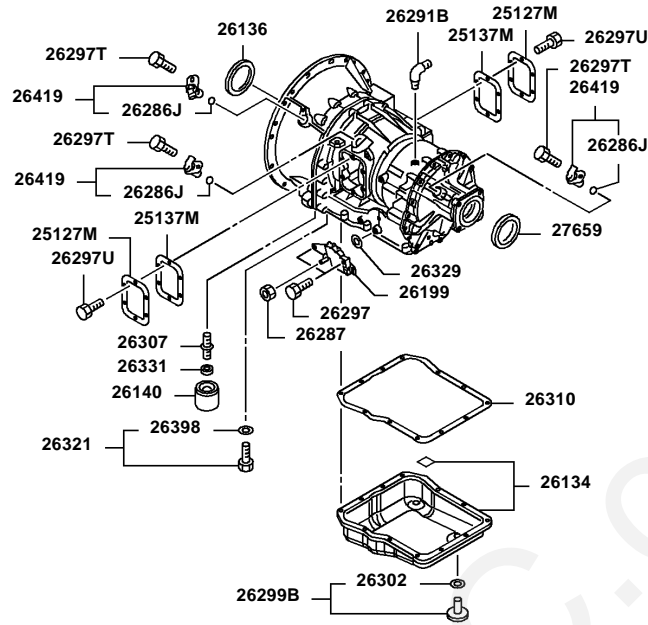
FK74R
No.1



FK74R
No.2

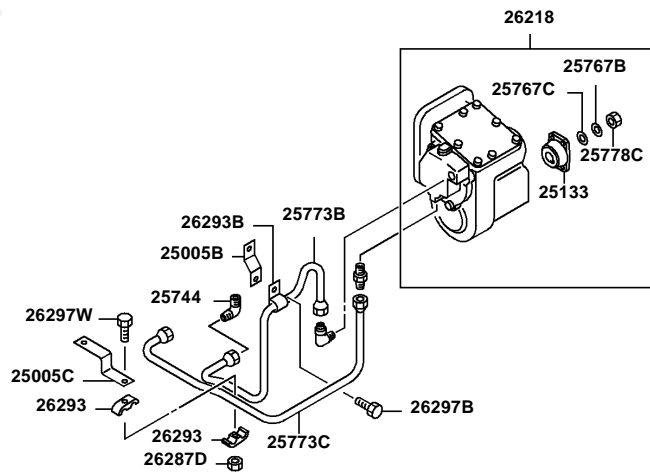


FK74R
No.3



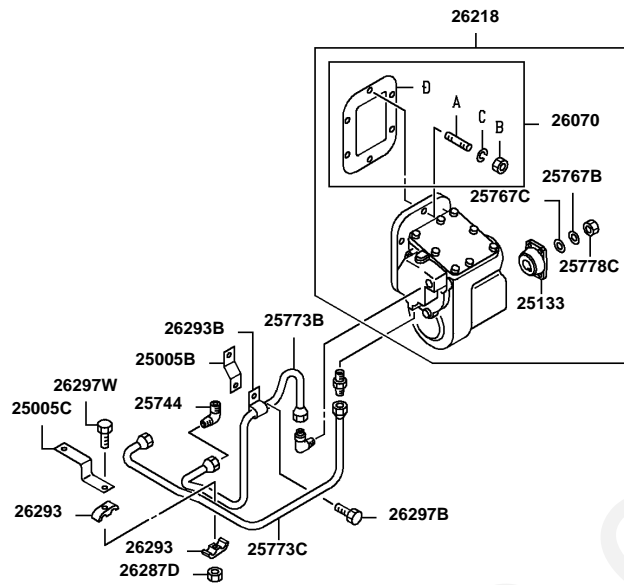
C00054

FK74R
No.4



C00023

FK74R
No.5



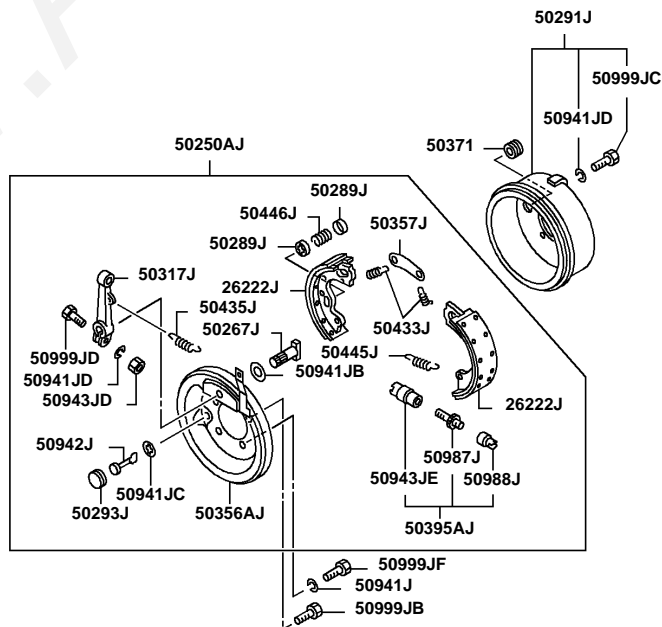
A: BOLT
B: NUT
C: WASHER
D: GASKET

C 0 0 0 8 2

Ref. |2023110

Page

FK74R
No.6



C 0 0 0 2 4

Ref. |2023110

Page

FK74R
23-110 A/T CASE

SPN	Repl Part	PNC	Part No	Part Name	Qty	Supply Mode	Part Spec	
		20993	MH035655	O-RING,T/M CONNECTING	2		23	
			MH035655	O-RING,T/M CONNECTING	2		23	
			MH035655	O-RING,T/M CONNECTING	2		23	
			MH035655	O-RING,T/M CONNECTING	2		23	
		20994C	MF434104	NUT,T/M CONNECTING	3		FLANGE,8	
			MF434104	NUT,T/M CONNECTING	3		FLANGE,8	
			MF434104	NUT,T/M CONNECTING	3		FLANGE,8	
			MF434104	NUT,T/M CONNECTING	3		FLANGE,8	
		20998T	ME518112	BRACKET,T/M CONNECTING	1			
			ME518112	BRACKET,T/M CONNECTING	1			
			ME518112	BRACKET,T/M CONNECTING	1			
			ME518112	BRACKET,T/M CONNECTING	1			
		20998U	ME519375	BRACKET,T/M CONNECTING	1			
			ME519375	BRACKET,T/M CONNECTING	1			
			ME519375	BRACKET,T/M CONNECTING	1			
			ME519375	BRACKET,T/M CONNECTING	1			
		20999Q	MF100055	BOLT,T/M CONNECTING	3		BOLT,8X20	4T
			MF100055	BOLT,T/M CONNECTING	3		BOLT,8X20	4T
			MF100055	BOLT,T/M CONNECTING	3		BOLT,8X20	4T
			MF100055	BOLT,T/M CONNECTING	3		BOLT,8X20	4T
		20999S	MS146008	BOLT,T/M CONNECTING	8		FLANGE,10X30	8.8
			MS146008	BOLT,T/M CONNECTING	8		FLANGE,10X30	8.8
			MS146008	BOLT,T/M CONNECTING	8		FLANGE,10X30	8.8
			MS146008	BOLT,T/M CONNECTING	8		FLANGE,10X30	8.8
		20999T	ME633230	BOLT,T/M CONNECTING	6			
			ME633230	BOLT,T/M CONNECTING	6			

FK74R
23-110 A/T CASE

SPN	Repl Part	PNC	Part No	Part Name	Qty	Supply Mode	Part Spec	
		20999T	ME633230	BOLT,T/M CONNECTING	6			
			ME633230	BOLT,T/M CONNECTING	6			
		20999U	MS146010	BOLT,T/M CONNECTING	4		FLANGE,10X35	8.8
			MS146010	BOLT,T/M CONNECTING	4		FLANGE,10X35	8.8
			MS146010	BOLT,T/M CONNECTING	4		FLANGE,10X35	8.8
			MS146010	BOLT,T/M CONNECTING	4		FLANGE,10X35	8.8
SP		24567X	MC056809	BALL JOINT,GEARSHIFT LINK	1			
SP			MC056809	BALL JOINT,GEARSHIFT LINK	1			
SP			MC056809	BALL JOINT,GEARSHIFT LINK	1			
SP			MC056809	BALL JOINT,GEARSHIFT LINK	1			
SP		24567XB	MC056810	BALL JOINT,GEARSHIFT LINK	1			LH-
SP			MC056810	BALL JOINT,GEARSHIFT LINK	1			LH-
SP			MC056810	BALL JOINT,GEARSHIFT LINK	1			LH-
SP			MC056810	BALL JOINT,GEARSHIFT LINK	1			LH-
		24927B	ME508613	LEVER,A/T SHIFT LINK	1			
			ME508613	LEVER,A/T SHIFT LINK	1			
			ME508613	LEVER,A/T SHIFT LINK	1			
			ME508613	LEVER,A/T SHIFT LINK	1			
		24927C	ME690573	LEVER,A/T SHIFT LINK	1			
			ME690573	LEVER,A/T SHIFT LINK	1			
			ME690573	LEVER,A/T SHIFT LINK	1			
			ME690573	LEVER,A/T SHIFT LINK	1			
		25005C	ME512170	BRACKET,T/F PTO CASE	1			
			ME512170	BRACKET,T/F PTO CASE	1			
			ME512170	BRACKET,T/F PTO CASE	1			
			ME512170	BRACKET,T/F PTO CASE	1			

FK74R
23-110 A/T CASE

SPN	Repl Part	PNC	Part No	Part Name	Qty	Supply Mode	Part Spec
		25127M	ME513697	COVER,T/M PTO HOLE	2		
			ME513697	COVER,T/M PTO HOLE	2		
			ME513697	COVER,T/M PTO HOLE	2		
			ME513697	COVER,T/M PTO HOLE	2		
		25133	ME512753	FLANGE,T/M PTO COMPANION	1		
			ME512753	FLANGE,T/M PTO COMPANION	1		
			ME512753	FLANGE,T/M PTO COMPANION	1		
			ME512753	FLANGE,T/M PTO COMPANION	1		
		25137M	ME513696	GASKET,T/M PTO HOLE COVER	2		
			ME513696	GASKET,T/M PTO HOLE COVER	2		
			ME513696	GASKET,T/M PTO HOLE COVER	2		
			ME513696	GASKET,T/M PTO HOLE COVER	2		
		25744	ME510035	ELBOW,T/M PTO	1		
			ME510035	ELBOW,T/M PTO	1		
			ME510035	ELBOW,T/M PTO	1		
			ME510035	ELBOW,T/M PTO	1		
		25767B	ME512755	WASHER,T/M PTO	1		
			ME512755	WASHER,T/M PTO	1		
			ME512755	WASHER,T/M PTO	1		
			ME512755	WASHER,T/M PTO	1		
		25767C	ME512754	WASHER,T/M PTO	1		
			ME512754	WASHER,T/M PTO	1		
			ME512754	WASHER,T/M PTO	1		
			ME512754	WASHER,T/M PTO	1		
		25773B	ME512171	TUBE,T/M PTO	1		8
			ME512171	TUBE,T/M PTO	1		8

FK74R
23-110 A/T CASE

SPN	Repl Part	PNC	Part No	Part Name	Qty	Supply Mode	Part Spec
		25773B	ME512171	TUBE,T/M PTO	1		8
			ME512171	TUBE,T/M PTO	1		8
		25773C	ME512205	TUBE,T/M PTO	1		8
			ME512205	TUBE,T/M PTO	1		8
			ME512205	TUBE,T/M PTO	1		8
			ME512205	TUBE,T/M PTO	1		8
		25778C	ME512756	NUT,T/M PTO	1		
			ME512756	NUT,T/M PTO	1		
			ME512756	NUT,T/M PTO	1		
			ME512756	NUT,T/M PTO	1		
		26070	ME533294	SEAL KIT,A/T OVERHAUL	1		
			ME533294	SEAL KIT,A/T OVERHAUL	1		
		26113	ME612210	BREATHER,A/T CASE	1		
			ME612210	BREATHER,A/T CASE	1		
			ME612210	BREATHER,A/T CASE	1		
			ME612210	BREATHER,A/T CASE	1		
		26115	ME930001	STAY,A/T CASE	2		
			ME930001	STAY,A/T CASE	2		
			ME930001	STAY,A/T CASE	2		
			ME930001	STAY,A/T CASE	2		
		26117	ME524770	COVER,A/T CASE,RR	1		
			ME524770	COVER,A/T CASE,RR	1		
		26134	ME513708	OIL PAN,A/T CASE	1		
			ME513708	OIL PAN,A/T CASE	1		
			ME513708	OIL PAN,A/T CASE	1		
			ME513708	OIL PAN,A/T CASE	1		

FK74R
23-110 A/T CASE

SPN	Repl Part	PNC	Part No	Part Name	Qty	Supply Mode	Part Spec
		26136	ME513695	OIL SEAL,A/T CONVERTER HOUSING	1		
			ME513695	OIL SEAL,A/T CONVERTER HOUSING	1		
			ME513695	OIL SEAL,A/T CONVERTER HOUSING	1		
			ME513695	OIL SEAL,A/T CONVERTER HOUSING	1		
		26140	ME513707	OIL FILTER,A/T CASE	1		
			ME513707	OIL FILTER,A/T CASE	1		
			ME513707	OIL FILTER,A/T CASE	1		
			ME513707	OIL FILTER,A/T CASE	1		
		26147	ME508620	ROD,A/T CASE ANCHOR	1		
			ME508620	ROD,A/T CASE ANCHOR	1		
			ME508620	ROD,A/T CASE ANCHOR	1		
			ME508620	ROD,A/T CASE ANCHOR	1		
		26148	MH038053	NIPPLE,A/T CASE	1		L-TYPE,6
			MH038053	NIPPLE,A/T CASE	1		L-TYPE,6
			MH038053	NIPPLE,A/T CASE	1		L-TYPE,6
			MH038053	NIPPLE,A/T CASE	1		L-TYPE,6
		26199	ME513714	SWITCH & SHIELD KIT,A/T CASE	1		
			ME513714	SWITCH & SHIELD KIT,A/T CASE	1		
			ME513714	SWITCH & SHIELD KIT,A/T CASE	1		
			ME513714	SWITCH & SHIELD KIT,A/T CASE	1		
		26218	ME512751	POWER TAKE OFF KIT,A/T CASE	1		
			ME512751	POWER TAKE OFF KIT,A/T CASE	1		
			ME512751	POWER TAKE OFF KIT,A/T CASE	1		
			ME512751	POWER TAKE OFF KIT,A/T CASE	1		
			ME533250	POWER TAKE OFF KIT,A/T CASE	1		
			ME533250	POWER TAKE OFF KIT,A/T CASE	1		

FK74R
23-110 A/T CASE

SPN	Repl Part	PNC	Part No	Part Name	Qty	Supply Mode	Part Spec
		26222J	MC865510	SHOE,A/T PARKING BRAKE DRUM	2		
			MC865510	SHOE,A/T PARKING BRAKE DRUM	2		
			MC865510	SHOE,A/T PARKING BRAKE DRUM	2		
			MC865510	SHOE,A/T PARKING BRAKE DRUM	2		
		26228	MS612266	TUBE,A/T CASE	1	SIR	SOFT VINYL,6X320
			MS612266	TUBE,A/T CASE	1	SIR	SOFT VINYL,6X320
			MS612266	TUBE,A/T CASE	1	SIR	SOFT VINYL,6X320
			MS612266	TUBE,A/T CASE	1	SIR	SOFT VINYL,6X320
	RP	26276	MB249338	BAND,A/T CASE	1	OR	L=129.5
			ME527839	BAND,A/T CASE	1		
	RP		MB249338	BAND,A/T CASE	1	OR	L=129.5
			ME527839	BAND,A/T CASE	1		
	RP		MB249338	BAND,A/T CASE	1	OR	L=129.5
			ME527839	BAND,A/T CASE	1		
	RP		MB249338	BAND,A/T CASE	1	OR	L=129.5
			ME527839	BAND,A/T CASE	1		
	RP		MB249338	BAND,A/T CASE	3		L=129.5
	RP		MB249338	BAND,A/T CASE	3		L=129.5
		26277F	ME633102	WASHER,A/T CASE	1		T=10
			ME633102	WASHER,A/T CASE	1		T=10
			ME633102	WASHER,A/T CASE	1		T=10
			ME633102	WASHER,A/T CASE	1		T=10
		26277FB	ME506975	WASHER,A/T CASE	1		
			ME506975	WASHER,A/T CASE	1		
			ME506975	WASHER,A/T CASE	1		
			ME506975	WASHER,A/T CASE	1		

FK74R
23-110 A/T CASE

SPN	Repl Part	PNC	Part No	Part Name	Qty	Supply Mode	Part Spec
		26281	ME527609	SCREW,A/T CASE	3		
			ME527609	SCREW,A/T CASE	3		
			ME527609	SCREW,A/T CASE	4		
			ME527609	SCREW,A/T CASE	4		
			ME527609	SCREW,A/T CASE	3		
			ME527609	SCREW,A/T CASE	3		
			ME527609	SCREW,A/T CASE	4		
			ME527609	SCREW,A/T CASE	4		
		26286J	ME513701	O-RING,A/T CASE	3		
			ME513701	O-RING,A/T CASE	3		
			ME513701	O-RING,A/T CASE	3		
			ME513701	O-RING,A/T CASE	3		
		26287	ME513715	NUT,A/T CASE	1		
			ME513715	NUT,A/T CASE	1		
			ME513715	NUT,A/T CASE	1		
			ME513715	NUT,A/T CASE	1		
		26287D	MF434103	NUT,A/T CASE	1		FLANGE,6
			MF434103	NUT,A/T CASE	1		FLANGE,6
			MF434103	NUT,A/T CASE	1		FLANGE,6
			MF434103	NUT,A/T CASE	1		FLANGE,6
		26287J	ME533254	NUT,A/T CASE	1		FLANGE,10
			ME533254	NUT,A/T CASE	1		FLANGE,10
		26287M	MF434104	NUT,A/T CASE	1		FLANGE,8
			MF434104	NUT,A/T CASE	1		FLANGE,8
			MF434104	NUT,A/T CASE	1		FLANGE,8
			MF434104	NUT,A/T CASE	1		FLANGE,8

FK74R
23-110 A/T CASE

SPN	Repl Part	PNC	Part No	Part Name	Qty	Supply Mode	Part Spec	
		26287MC	ME691111	NUT,A/T CASE	2		FLANGE,10	WIT
			ME691111	NUT,A/T CASE	2		FLANGE,10	WIT
			ME691111	NUT,A/T CASE	2		FLANGE,10	WIT
			ME691111	NUT,A/T CASE	2		FLANGE,10	WIT
		26287N	MH004040	NUT,A/T CASE	2		JAM,10	
			MH004040	NUT,A/T CASE	2		JAM,10	
		26287P	MH004140	NUT,A/T CASE	1		LOCK,10	
			MH004140	NUT,A/T CASE	1		LOCK,10	
			MH004140	NUT,A/T CASE	1		LOCK,10	
		26287PB	MH004141	NUT,A/T CASE	1		LOCK,10	LH-
			MH004141	NUT,A/T CASE	1		LOCK,10	LH-
			MH004141	NUT,A/T CASE	1		LOCK,10	LH-
			MH004141	NUT,A/T CASE	1		LOCK,10	LH-
		26287U	MF434105	NUT,A/T CASE	3		FLANGE,10	4T
			MF434105	NUT,A/T CASE	3		FLANGE,10	4T
			MF434105	NUT,A/T CASE	3		FLANGE,10	4T
			MF434105	NUT,A/T CASE	3		FLANGE,10	4T
		26291	ME508532	JOINT,A/T CASE	2		ELBOW	
			ME508532	JOINT,A/T CASE	2		ELBOW	
			ME508532	JOINT,A/T CASE	1		ELBOW	
			ME510034	JOINT,A/T CASE	1		ELBOW	
			ME508532	JOINT,A/T CASE	1		ELBOW	
			ME510034	JOINT,A/T CASE	1		ELBOW	
			ME508532	JOINT,A/T CASE	2		ELBOW	
			ME508532	JOINT,A/T CASE	2		ELBOW	

FK74R
23-110 A/T CASE

SPN	Repl Part	PNC	Part No	Part Name	Qty	Supply Mode	Part Spec
		26291	ME508532	JOINT,A/T CASE	1		ELBOW
			ME510034	JOINT,A/T CASE	1		ELBOW
			ME508532	JOINT,A/T CASE	1		ELBOW
			ME510034	JOINT,A/T CASE	1		ELBOW
			ME533251	JOINT,A/T CASE	1		
			ME533251	JOINT,A/T CASE	1		
		26291B	ME513713	JOINT,A/T CASE	1		
			ME513713	JOINT,A/T CASE	1		
			ME513713	JOINT,A/T CASE	1		
			ME513713	JOINT,A/T CASE	1		
		26292	ME533314	CLAMP,A/T CASE	1		
			ME533314	CLAMP,A/T CASE	1		
		26293	MH021265	CLIP,A/T CASE	2		8X2
			MH021265	CLIP,A/T CASE	2		8X2
			MH021265	CLIP,A/T CASE	2		8X2
			MH021265	CLIP,A/T CASE	2		8X2
		26293C	MH020417	CLIP,A/T CASE	1		D=6.4 H=11
			MH020417	CLIP,A/T CASE	1		D=6.4 H=11
			MH020417	CLIP,A/T CASE	1		D=6.4 H=11
			MH020417	CLIP,A/T CASE	1		D=6.4 H=11
		26293E	MC033377	CLIP,A/T CASE	1		D=28
	RP		MS476420	CLIP,A/T CASE	1		D=35
			MC033377	CLIP,A/T CASE	1		D=28
	RP		MS476420	CLIP,A/T CASE	1		D=35
			MC033377	CLIP,A/T CASE	1		D=28
			MC033377	CLIP,A/T CASE	1		D=28

FK74R
23-110 A/T CASE

SPN	Repl Part	PNC	Part No	Part Name	Qty	Supply Mode	Part Spec
		26293F	MH020934	CLIP,A/T CASE	1		A=17.5 B=14.5
			MH020934	CLIP,A/T CASE	1		A=17.5 B=14.5
			MH020934	CLIP,A/T CASE	1		A=17.5 B=14.5
			MH020934	CLIP,A/T CASE	1		A=17.5 B=14.5
		26293J	MS660159	CLIP,A/T CASE	2		D=7.8
			MS660159	CLIP,A/T CASE	2		D=7.8
			MS660159	CLIP,A/T CASE	2		D=7.8
			MS660159	CLIP,A/T CASE	2		D=7.8
	RP	26293S	MS476415	CLIP,A/T CASE	1		D=15
	RP		MS476415	CLIP,A/T CASE	1		D=15
	RP		MS476415	CLIP,A/T CASE	1		D=15
	RP		MS476415	CLIP,A/T CASE	1		D=15
	RP		MS476418	CLIP,A/T CASE	1		D=25
	RP		MS476418	CLIP,A/T CASE	1		D=25
	RP		MS476418	CLIP,A/T CASE	2		D=25
	RP		MS476418	CLIP,A/T CASE	2		D=25
	RP	26293SB	MS476418	CLIP,A/T CASE	1		D=25
	RP		MS476418	CLIP,A/T CASE	1		D=25
	RP		MS476418	CLIP,A/T CASE	1		D=25
	RP		MS476418	CLIP,A/T CASE	1		D=25
		26295	ME690138	BUSHING,A/T CASE	2		
			ME690138	BUSHING,A/T CASE	2		
			ME690138	BUSHING,A/T CASE	2		
			ME690138	BUSHING,A/T CASE	2		
		26295B	MA103843	BUSHING,A/T CASE	1		6X11
			MA103843	BUSHING,A/T CASE	1		6X11

FK74R
23-110 A/T CASE

SPN	Repl Part	PNC	Part No	Part Name	Qty	Supply Mode	Part Spec
		26296	ME518110	BRACKET,A/T CASE	1		
			ME518110	BRACKET,A/T CASE	1		
			ME518110	BRACKET,A/T CASE	1		
			ME518110	BRACKET,A/T CASE	1		
		26296E	ME512912	BRACKET,A/T CASE	1		
			ME512912	BRACKET,A/T CASE	1		
			ME512912	BRACKET,A/T CASE	1		
			ME512912	BRACKET,A/T CASE	1		
		26296M	MH026134	BRACKET,A/T CASE	1		
			MH026134	BRACKET,A/T CASE	1		
			MH026134	BRACKET,A/T CASE	1		
			MH026134	BRACKET,A/T CASE	1		
		26296N	MK464949	BRACKET,A/T CASE	1		
			MK464949	BRACKET,A/T CASE	1		
		26296U	ME510390	BRACKET,A/T CASE	1		
			ME510390	BRACKET,A/T CASE	1		
			ME510390	BRACKET,A/T CASE	1		
			ME510390	BRACKET,A/T CASE	1		
		26296UB	ME508644	BRACKET,A/T CASE	1		
			ME508644	BRACKET,A/T CASE	1		
			ME508644	BRACKET,A/T CASE	1		
			ME508644	BRACKET,A/T CASE	1		
		26296UC	ME510391	BRACKET,A/T CASE	1		
			ME510391	BRACKET,A/T CASE	1		
			ME510391	BRACKET,A/T CASE	1		
			ME510391	BRACKET,A/T CASE	1		

FK74R
23-110 A/T CASE

SPN	Repl Part	PNC	Part No	Part Name	Qty	Supply Mode	Part Spec	
		26297	ME513716	BOLT,A/T CASE	1			
			ME513716	BOLT,A/T CASE	1			
			ME513716	BOLT,A/T CASE	1			
			ME513716	BOLT,A/T CASE	1			
			MS146006	BOLT,A/T CASE	1		FLANGE,10X25	8.8
			MS146006	BOLT,A/T CASE	1		FLANGE,10X25	8.8
			ME533252	BOLT,A/T CASE	4		FLANGE,10X45	
			ME533253	BOLT,A/T CASE	2		FLANGE,10X50	
			MS146010	BOLT,A/T CASE	2		FLANGE,10X35	8.8
			ME533252	BOLT,A/T CASE	4		FLANGE,10X45	
			ME533253	BOLT,A/T CASE	2		FLANGE,10X50	
			MS146010	BOLT,A/T CASE	2		FLANGE,10X35	8.8
		26297B	MF140003	BOLT,A/T CASE	2		FLANGE,6X12	4T
			MF140003	BOLT,A/T CASE	2		FLANGE,6X12	4T
			MF140003	BOLT,A/T CASE	2		FLANGE,6X12	4T
			MF140003	BOLT,A/T CASE	2		FLANGE,6X12	4T
		26297F	ME506974	BOLT,A/T CASE	1		FLANGE	
			ME506974	BOLT,A/T CASE	1		FLANGE	
			ME506974	BOLT,A/T CASE	1		FLANGE	
			ME506974	BOLT,A/T CASE	1		FLANGE	
		26297J	MF140023	BOLT,A/T CASE	1		FLANGE,8X16	4T
			MF140023	BOLT,A/T CASE	1		FLANGE,8X16	4T
			MF140023	BOLT,A/T CASE	1		FLANGE,8X16	4T
			MF140023	BOLT,A/T CASE	1		FLANGE,8X16	4T
		26297K	MF140056	BOLT,A/T CASE	1		FLANGE,10X16	4T
			MF140056	BOLT,A/T CASE	1		FLANGE,10X16	4T
			MF140056	BOLT,A/T CASE	1		FLANGE,10X16	4T

FK74R
23-110 A/T CASE

SPN	Repl Part	PNC	Part No	Part Name	Qty	Supply Mode	Part Spec	
		26297K	MF140056	BOLT,A/T CASE	1		FLANGE,10X16	4T
		26297S	MS146002	BOLT,A/T CASE	2		FLANGE,10X16	8.8
			MS146002	BOLT,A/T CASE	2		FLANGE,10X16	8.8
			MS146002	BOLT,A/T CASE	2		FLANGE,10X16	8.8
			MS146002	BOLT,A/T CASE	2		FLANGE,10X16	8.8
		26297T	ME513699	BOLT,A/T CASE	3			
			ME513699	BOLT,A/T CASE	3			
			ME513699	BOLT,A/T CASE	3			
			ME513699	BOLT,A/T CASE	3			
		26297U	ME513698	BOLT,A/T CASE	12			
			MH000833	BOLT,A/T CASE	1		FLANGE,10X45	
			ME513698	BOLT,A/T CASE	12			
			MH000833	BOLT,A/T CASE	1		FLANGE,10X45	
			ME513698	BOLT,A/T CASE	12			
			MH000833	BOLT,A/T CASE	1		FLANGE,10X45	
			ME513698	BOLT,A/T CASE	12			
			MH000833	BOLT,A/T CASE	1		FLANGE,10X45	
		26297UB	MF140062	BOLT,A/T CASE	2		FLANGE,10X30	4T
			MF140062	BOLT,A/T CASE	2		FLANGE,10X30	4T
			MF140062	BOLT,A/T CASE	2		FLANGE,10X30	4T
			MF140062	BOLT,A/T CASE	2		FLANGE,10X30	4T
		26297W	MF140013	BOLT,A/T CASE	1		FLANGE,6X35	4T
			MF140013	BOLT,A/T CASE	1		FLANGE,6X35	4T
			MF140013	BOLT,A/T CASE	1		FLANGE,6X35	4T
			MF140013	BOLT,A/T CASE	1		FLANGE,6X35	4T
		26299B	ME513710	PLUG,A/T CASE	1			

FK74R
23-110 A/T CASE

SPN	Repl Part	PNC	Part No	Part Name	Qty	Supply Mode	Part Spec
		26299B	ME513710	PLUG,A/T CASE	1		
			ME513710	PLUG,A/T CASE	1		
			ME513710	PLUG,A/T CASE	1		
		26302	ME513711	GASKET,A/T OIL PAN DRAIN PLUG	1		
			ME513711	GASKET,A/T OIL PAN DRAIN PLUG	1		
			ME513711	GASKET,A/T OIL PAN DRAIN PLUG	1		
		26303	ME518305	GAUGE,A/T OIL LEVEL	1		
			ME518305	GAUGE,A/T OIL LEVEL	1		
			ME518305	GAUGE,A/T OIL LEVEL	1		
			ME518305	GAUGE,A/T OIL LEVEL	1		
			ME524975	GAUGE,A/T OIL LEVEL	1		
			ME524975	GAUGE,A/T OIL LEVEL	1		
	RP	26305	ME510060	TUBE,A/T OIL COOLER FEED	1		
	RP		ME510060	TUBE,A/T OIL COOLER FEED	1		
	RP		ME510060	TUBE,A/T OIL COOLER FEED	1		
	RP		ME510060	TUBE,A/T OIL COOLER FEED	1		
			ME529419	TUBE,A/T OIL COOLER FEED	1		
			ME529419	TUBE,A/T OIL COOLER FEED	1		
		26307	ME513705	TUBE,A/T OIL FILLER	1		
			ME513705	TUBE,A/T OIL FILLER	1		
			ME513705	TUBE,A/T OIL FILLER	1		
			ME513705	TUBE,A/T OIL FILLER	1		
		26308	ME518155	GUIDE,A/T CASE OIL LEVEL GAUGE	1		
			ME518155	GUIDE,A/T CASE OIL LEVEL GAUGE	1		
			ME518155	GUIDE,A/T CASE OIL LEVEL GAUGE	1		
			ME518155	GUIDE,A/T CASE OIL LEVEL GAUGE	1		

FK74R
23-110 A/T CASE

SPN	Repl Part	PNC	Part No	Part Name	Qty	Supply Mode	Part Spec
		26308	ME524971	GUIDE,A/T CASE OIL LEVEL GAUGE	1		
			ME524971	GUIDE,A/T CASE OIL LEVEL GAUGE	1		
		26310	ME513709	GASKET,A/T OIL PAN	1		
			ME513709	GASKET,A/T OIL PAN	1		
			ME513709	GASKET,A/T OIL PAN	1		
			ME513709	GASKET,A/T OIL PAN	1		
		26321	ME513703	PLUG,A/T OIL FILLER	1		
			ME513703	PLUG,A/T OIL FILLER	1		
			ME513703	PLUG,A/T OIL FILLER	1		
			ME513703	PLUG,A/T OIL FILLER	1		
		26329	ME513702	OIL SEAL,A/T SELECTOR SHAFT	3		
			ME513702	OIL SEAL,A/T SELECTOR SHAFT	3		
			ME513702	OIL SEAL,A/T SELECTOR SHAFT	3		
			ME513702	OIL SEAL,A/T SELECTOR SHAFT	3		
		26331	ME513706	MAGNET,A/T OIL FILTER	1		
			ME513706	MAGNET,A/T OIL FILTER	1		
			ME513706	MAGNET,A/T OIL FILTER	1		
			ME513706	MAGNET,A/T OIL FILTER	1		
		26398	ME513704	O-RING,A/T OIL FILLER	1		
			ME513704	O-RING,A/T OIL FILLER	1		
			ME513704	O-RING,A/T OIL FILLER	1		
			ME513704	O-RING,A/T OIL FILLER	1		
		26419	ME513700	SENSOR,A/T SPEED	3		
			ME513700	SENSOR,A/T SPEED	3		
			ME513700	SENSOR,A/T SPEED	3		
			ME513700	SENSOR,A/T SPEED	3		

FK74R
23-110 A/T CASE

SPN	Repl Part	PNC	Part No	Part Name	Qty	Supply Mode	Part Spec
		26427	ME513439	SHAFT,A/T MANUAL CONTROL LEVER	1		
			ME513439	SHAFT,A/T MANUAL CONTROL LEVER	1		
			MK526346	SHAFT,A/T MANUAL CONTROL LEVER	1		
			MK526346	SHAFT,A/T MANUAL CONTROL LEVER	1		
		26902	ME533248	HARNESS,A/T	1		
			ME533248	HARNESS,A/T	1		
		26902B	ME533249	HARNESS,A/T	1		
			ME533249	HARNESS,A/T	1		
		27624	ME633210	FLANGE,A/T OUTPUT	1		
			ME633210	FLANGE,A/T OUTPUT	1		
			ME633210	FLANGE,A/T OUTPUT	1		
			ME633210	FLANGE,A/T OUTPUT	1		
		27659	ME513712	OIL SEAL,A/T OUTPUT SHAFT	1		
			ME513712	OIL SEAL,A/T OUTPUT SHAFT	1		
			ME513712	OIL SEAL,A/T OUTPUT SHAFT	1		
			ME513712	OIL SEAL,A/T OUTPUT SHAFT	1		
		50221J	ME512911	BRACKET,PARKING BRAKE CABLE	1		
			ME512911	BRACKET,PARKING BRAKE CABLE	1		
			ME512911	BRACKET,PARKING BRAKE CABLE	1		
			ME512911	BRACKET,PARKING BRAKE CABLE	1		
		50250AJ	MK385820	BRAKE SUB ASSY,PARKING	1		
			MK385820	BRAKE SUB ASSY,PARKING	1		
			MK385820	BRAKE SUB ASSY,PARKING	1		
			MK385820	BRAKE SUB ASSY,PARKING	1		
		50267J	ME621222	CAMSHAFT,PARKING BRAKE	1		
			ME621222	CAMSHAFT,PARKING BRAKE	1		

FK74R
23-110 AT CASE

SPN	Repl Part	PNC	Part No	Part Name	Qty	Supply Mode	Part Spec
		50267J	ME621222	CAMSHAFT,PARKING BRAKE	1		
			ME621222	CAMSHAFT,PARKING BRAKE	1		
		50289J	ME621214	CUP,PARKING BRAKE SHOE HOLD-DOWN SPRING	4		
			ME621214	CUP,PARKING BRAKE SHOE HOLD-DOWN SPRING	4		
			ME621214	CUP,PARKING BRAKE SHOE HOLD-DOWN SPRING	4		
			ME621214	CUP,PARKING BRAKE SHOE HOLD-DOWN SPRING	4		
		50291J	MC895130	DRUM,PARKING BRAKE	1		
			MC895130	DRUM,PARKING BRAKE	1		
			MC895130	DRUM,PARKING BRAKE	1		
			MC895130	DRUM,PARKING BRAKE	1		
		50293J	ME621221	COVER,PARKING BRAKE	2		RUBBER,19
			ME621221	COVER,PARKING BRAKE	2		RUBBER,19
			ME621221	COVER,PARKING BRAKE	2		RUBBER,19
			ME621221	COVER,PARKING BRAKE	2		RUBBER,19
		50317J	MC862891	LEVER,PARKING BRAKE CAMSHAFT	1		
			MC862891	LEVER,PARKING BRAKE CAMSHAFT	1		
			MC862891	LEVER,PARKING BRAKE CAMSHAFT	1		
			MC862891	LEVER,PARKING BRAKE CAMSHAFT	1		
		50356AJ	MK429013	PLATE ASSY,PARKING BRAKE SHOE SUPPORT	1		
			MK429013	PLATE ASSY,PARKING BRAKE SHOE SUPPORT	1		
			MK429013	PLATE ASSY,PARKING BRAKE SHOE SUPPORT	1		
			MK429013	PLATE ASSY,PARKING BRAKE SHOE SUPPORT	1		
		50357J	ME621230	PLATE,PARKING BRAKE ANCHOR PIN	1		
			ME621230	PLATE,PARKING BRAKE ANCHOR PIN	1		
			ME621230	PLATE,PARKING BRAKE ANCHOR PIN	1		
			ME621230	PLATE,PARKING BRAKE ANCHOR PIN	1		

FK74R
23-110 AT CASE

SPN	Repl Part	PNC	Part No	Part Name	Qty	Supply Mode	Part Spec
		50371	ME660331	PLUG,PARKING BRAKE	2		RUBBER,25.5
			ME660331	PLUG,PARKING BRAKE	2		RUBBER,25.5
			ME660331	PLUG,PARKING BRAKE	2		RUBBER,25.5
			ME660331	PLUG,PARKING BRAKE	2		RUBBER,25.5
		50395AJ	ME621216	ADJUSTING SCREW & NUT ASSY,PARKING BRAKE	1		
			ME621216	ADJUSTING SCREW & NUT ASSY,PARKING BRAKE	1		
			ME621216	ADJUSTING SCREW & NUT ASSY,PARKING BRAKE	1		
			ME621216	ADJUSTING SCREW & NUT ASSY,PARKING BRAKE	1		
		50433J	ME621211	SPRING,PARKING BRAKE SHOE RETURN	2		
			ME621211	SPRING,PARKING BRAKE SHOE RETURN	2		
			ME621211	SPRING,PARKING BRAKE SHOE RETURN	2		
			ME621211	SPRING,PARKING BRAKE SHOE RETURN	2		
		50435J	ME633126	SPRING,PARKING BRAKE CAMSHAFT LEVER	1		
			ME633126	SPRING,PARKING BRAKE CAMSHAFT LEVER	1		
			ME633126	SPRING,PARKING BRAKE CAMSHAFT LEVER	1		
			ME633126	SPRING,PARKING BRAKE CAMSHAFT LEVER	1		
		50445J	ME621220	SPRING,PARKING BRAKE SHOE ADJUSTER	1		
			ME621220	SPRING,PARKING BRAKE SHOE ADJUSTER	1		
			ME621220	SPRING,PARKING BRAKE SHOE ADJUSTER	1		
			ME621220	SPRING,PARKING BRAKE SHOE ADJUSTER	1		
		50446J	ME621212	SPRING,PARKING BRAKE SHOE HOLD-DOWN	2		
			ME621212	SPRING,PARKING BRAKE SHOE HOLD-DOWN	2		
			ME621212	SPRING,PARKING BRAKE SHOE HOLD-DOWN	2		
			ME621212	SPRING,PARKING BRAKE SHOE HOLD-DOWN	2		
		50941J	MF450409	WASHER,PARKING BRAKE	2		SPRING,16
			MF450409	WASHER,PARKING BRAKE	2		SPRING,16

FK74R
23-110 AT CASE

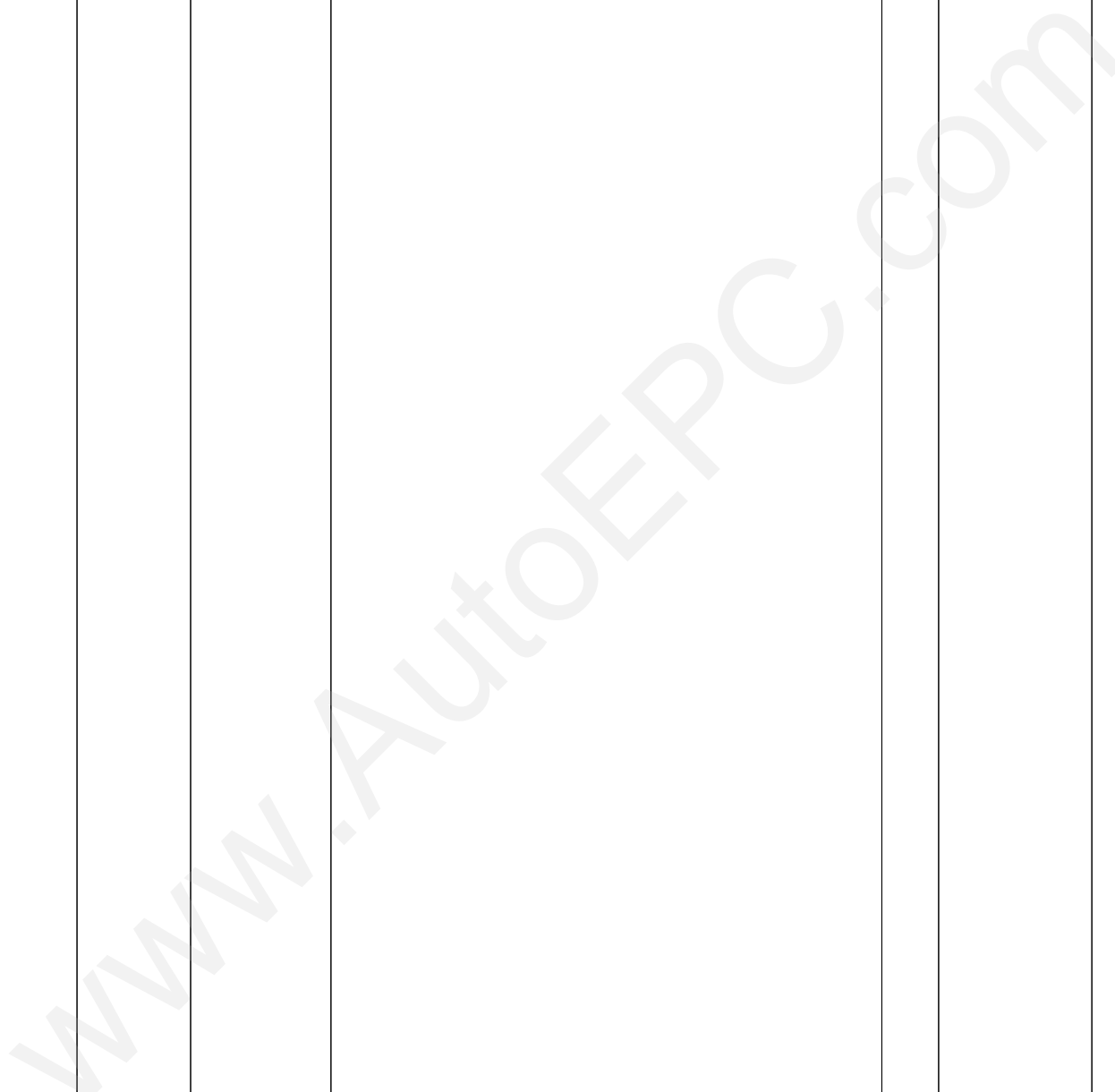
SPN	Repl Part	PNC	Part No	Part Name	Qty	Supply Mode	Part Spec
		50941J	MF450409	WASHER,PARKING BRAKE	2		SPRING,16
			MF450409	WASHER,PARKING BRAKE	2		SPRING,16
		50941JB	ME621224	WASHER,PARKING BRAKE	1		SPRING,22
			ME621224	WASHER,PARKING BRAKE	1		SPRING,22
			ME621224	WASHER,PARKING BRAKE	1		SPRING,22
			ME621224	WASHER,PARKING BRAKE	1		SPRING,22
		50941JC	ME621215	WASHER,PARKING BRAKE	2		PLAIN,7.2
			ME621215	WASHER,PARKING BRAKE	2		PLAIN,7.2
			ME621215	WASHER,PARKING BRAKE	2		PLAIN,7.2
			ME621215	WASHER,PARKING BRAKE	2		PLAIN,7.2
		50941JD	MF450406	WASHER,PARKING BRAKE	2		SPRING,10
			MF450406	WASHER,PARKING BRAKE	2		SPRING,10
			MF450406	WASHER,PARKING BRAKE	2		SPRING,10
			MF450406	WASHER,PARKING BRAKE	2		SPRING,10
		50942J	ME621213	PIN,PARKING BRAKE	2		DOWEL,6X38.5
			ME621213	PIN,PARKING BRAKE	2		DOWEL,6X38.5
			ME621213	PIN,PARKING BRAKE	2		DOWEL,6X38.5
			ME621213	PIN,PARKING BRAKE	2		DOWEL,6X38.5
		50943JD	4442048900	NUT,PARKING BRAKE	1		JAM,10
			4442048900	NUT,PARKING BRAKE	1		JAM,10
			4442048900	NUT,PARKING BRAKE	1		JAM,10
			4442048900	NUT,PARKING BRAKE	1		JAM,10
		50943JE	ME621219	NUT,PARKING BRAKE	1		14
			ME621219	NUT,PARKING BRAKE	1		14
			ME621219	NUT,PARKING BRAKE	1		14
			ME621219	NUT,PARKING BRAKE	1		14

FK74R
23-110 AT CASE

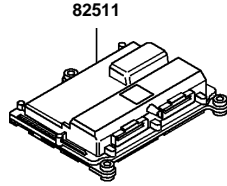
SPN	Repl Part	PNC	Part No	Part Name	Qty	Supply Mode	Part Spec	
		50987J	ME621217	SCREW,PARKING BRAKE	1		14X41	
			ME621217	SCREW,PARKING BRAKE	1		14X41	
			ME621217	SCREW,PARKING BRAKE	1		14X41	
			ME621217	SCREW,PARKING BRAKE	1		14X41	
		50988J	ME621218	SOCKET,PARKING BRAKE	1			
			ME621218	SOCKET,PARKING BRAKE	1			
			ME621218	SOCKET,PARKING BRAKE	1			
			ME621218	SOCKET,PARKING BRAKE	1			
		50999JB	MH001646	BOLT,PARKING BRAKE	2		16X45	
			MH001646	BOLT,PARKING BRAKE	2		16X45	
			MH001646	BOLT,PARKING BRAKE	2		16X45	
			MH001646	BOLT,PARKING BRAKE	2		16X45	
		50999JC	MF100081	BOLT,PARKING BRAKE	1		BOLT,10X16	4T
			MF100081	BOLT,PARKING BRAKE	1		BOLT,10X16	4T
			MF100081	BOLT,PARKING BRAKE	1		BOLT,10X16	4T
			MF100081	BOLT,PARKING BRAKE	1		BOLT,10X16	4T
		50999JD	ME633125	BOLT,PARKING BRAKE	1		10X40	
			ME633125	BOLT,PARKING BRAKE	1		10X40	
			ME633125	BOLT,PARKING BRAKE	1		10X40	
			ME633125	BOLT,PARKING BRAKE	1		10X40	
		50999JE	MH000423	BOLT,PARKING BRAKE	4		FLANGE,12X44	
			MH000423	BOLT,PARKING BRAKE	4		FLANGE,12X44	
			MH000423	BOLT,PARKING BRAKE	4		FLANGE,12X44	
			MH000423	BOLT,PARKING BRAKE	4		FLANGE,12X44	
		50999JF	ME506973	BOLT,PARKING BRAKE	2			
			ME506973	BOLT,PARKING BRAKE	2			

FK74R
23-110 A/T CASE

SPN	Repl Part	PNC	Part No	Part Name	Qty	Supply Mode	Part Spec
		50999JF	ME506973	BOLT,PARKING BRAKE	2		
			ME506973	BOLT,PARKING BRAKE	2		
		26275F	(N.e.c.)	SPACER,A/T CASE			
		26293B	(N.e.c.)	CLIP,A/T CASE			
		25005B	(N.e.c.)	BRACKET,T/F PTO CASE			



**FK74R
No.1**

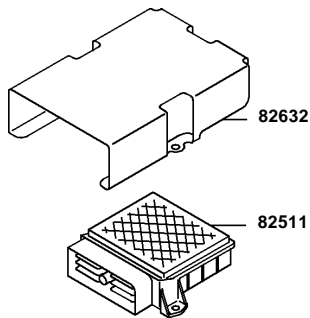


C 0 0 0 0 7

Ref. |2023190

Page

**FK74R
No.2**



C 0 0 0 1 3

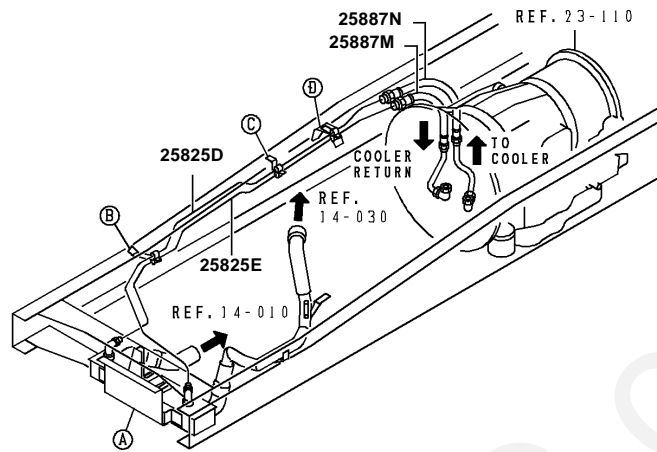
Ref. |2023190

Page

FK74R
23-190 A/T ELECTRONIC CONTROL

PNC	Part No	Part Name	Qty	Classification	Option	Model Year	Start	End
82511	ME513300	CONTROL UNIT,A/T	1	G6,G6E,H6, H6E,J6,J6E, K6,K6E,M6, M6E	1XS,1XT,1XX, 1XY	04	04053	05102
	ME513300	CONTROL UNIT,A/T	1	G6,G6E,H6, H6E,J6,J6E	1XU,1XZ	04	04053	05102
	ME513300	CONTROL UNIT,A/T	1	G6,H6,H6E, J6,J6E,K6, K6E,M6E	1XS,1XT,1XX, 1XY	05	05103	07052
	ME513300	CONTROL UNIT,A/T	1	G6,H6,H6E, J6,J6E	1XU,1XZ	05	05103	07052
	ME527362	CONTROL UNIT,A/T	1	G6,H6,H6E, J6,J6E,K6, K6E,M6E	1XS,1XT,1XX, 1XY	07	07053	08033
	ME527362	CONTROL UNIT,A/T	1	G6,H6,H6E, J6,J6E	1XU,1XZ	07	07053	08033
	ME533420	CONTROL UNIT,A/T	1	G6,H6,H6E, J6,J6E,K6, K6E,M6E	1XS,1XT,1XX, 1XY	07	08041	09052
	ME533420	CONTROL UNIT,A/T	1	G6,H6,H6E, J6,J6E	1XU,1XZ	07	08041	09052
82632	ME533423	COVER,A/T CONTROL UNIT	1	G6,H6,H6E, J6,J6E,K6, K6E,M6E	1XS,1XT,1XX, 1XY	07	08041	09052
	ME533423	COVER,A/T CONTROL UNIT	1	G6,H6,H6E, J6,J6E	1XU,1XZ	07	08041	09052

FK74R
No.1

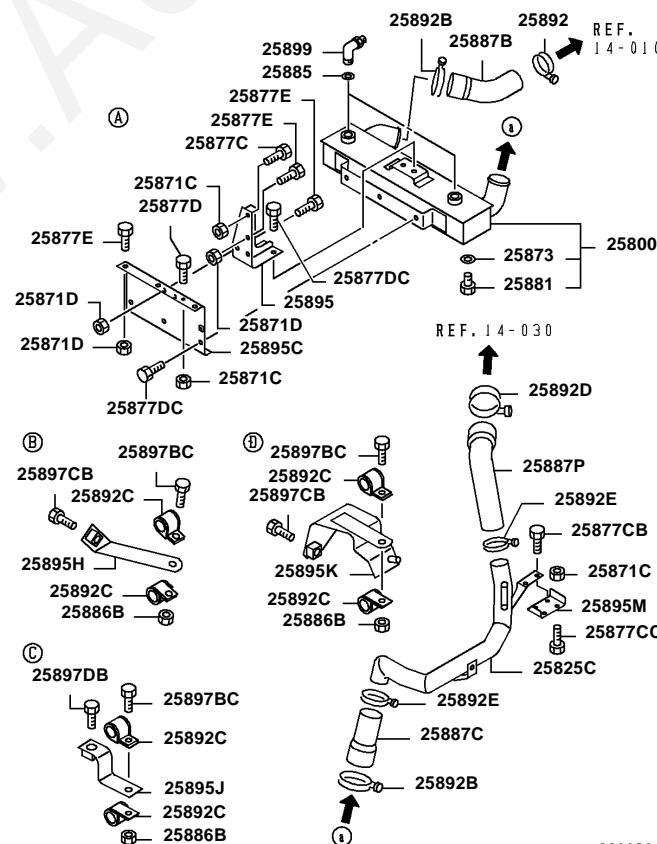


C00058

Ref. |2023310

Page

FK74R
No.2

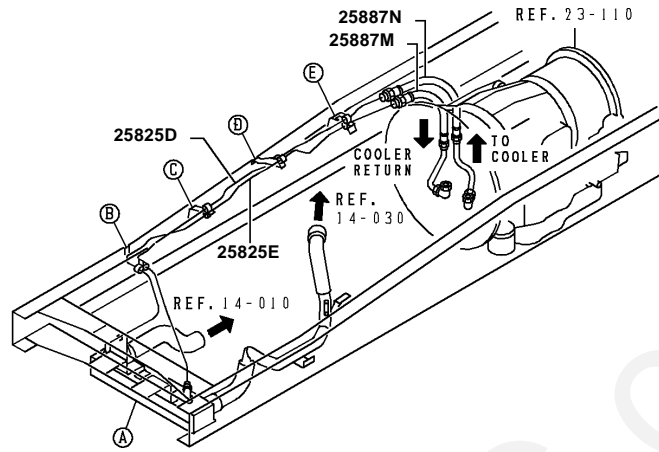


C00059

Ref. |2023310

Page

FK74R
No.3

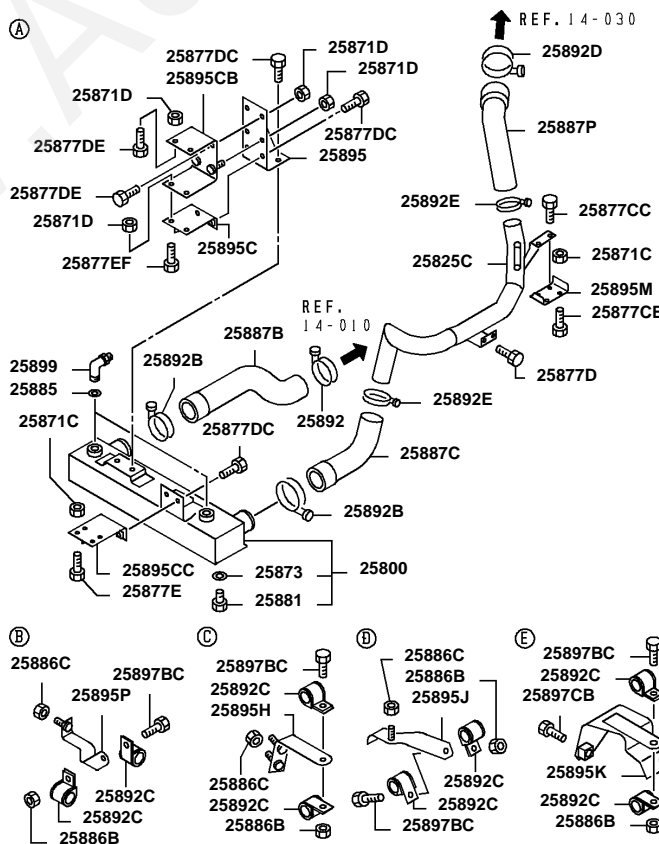


C00080

Ref. |2023310

Page

FK74R
No.4



C00081

Ref. |2023310

Page

FK74R
23-310 A/T OIL COOLER & TUBE

SPN	Repl Part	PNC	Part No	Part Name	Qty	Part Spec	Remarks	PREV.1	NEW1	Class
		25800	ME516285	OIL COOLER,T/M	1					G6,G H6E, K6,K M6E
			ME516285	OIL COOLER,T/M	1					G6,G H6E, G6,H J6,J6
			ME525327	OIL COOLER,T/M	1					K6E, G6,H J6,J6
			ME525327	OIL COOLER,T/M	1					G6,H J6,J6
		25825C	ME519607	PIPE,T/M OIL COOLER	1					G6,G H6E, K6,K M6E
			ME519607	PIPE,T/M OIL COOLER	1					G6,G H6E, G6,H J6,J6
			ME525338	PIPE,T/M OIL COOLER	1					K6E, G6,H J6,J6
			ME525338	PIPE,T/M OIL COOLER	1					G6,H J6,J6
		25825D	ME516275	PIPE,T/M OIL COOLER	1	18				G6,G H6E, K6,K M6E
			ME516275	PIPE,T/M OIL COOLER	1	18				G6,G H6E, G6,H J6,J6
			ME526665	PIPE,T/M OIL COOLER	1	18				K6E, G6,H J6,J6
			ME526665	PIPE,T/M OIL COOLER	1	18				G6,H J6,J6
			ME527775	PIPE,T/M OIL COOLER	1					G6,H J6,J6
			ME527775	PIPE,T/M OIL COOLER	1					K6E, G6,H J6,J6
		25825E	ME516276	PIPE,T/M OIL COOLER	1	18				G6,G H6E, K6,K M6E
			ME516276	PIPE,T/M OIL COOLER	1	18				G6,G H6E, G6,H J6,J6
			ME526666	PIPE,T/M OIL COOLER	1	18				K6E, G6,H J6,J6
			ME526666	PIPE,T/M OIL COOLER	1	18				G6,H J6,J6
			ME527774	PIPE,T/M OIL COOLER	1					G6,H J6,J6
			ME527774	PIPE,T/M OIL COOLER	1					K6E, G6,H J6,J6
		25871C	MF434104	NUT,T/M OIL COOLER	4	FLANGE,8				G6,G H6E, K6,K M6E
			MF434104	NUT,T/M OIL COOLER	4	FLANGE,8				G6,G H6E, G6,H J6,J6
			MF434104	NUT,T/M OIL COOLER	6	FLANGE,8				K6E, G6,H J6,J6
			MF434104	NUT,T/M OIL COOLER	6	FLANGE,8				G6,H J6,J6
		25871D	MF434105	NUT,T/M OIL COOLER	6	FLANGE,10	4T			G6,G H6E, K6,K M6E
			MF434105	NUT,T/M OIL COOLER	6	FLANGE,10	4T			G6,G H6E,

FK74R
23-310 A/T OIL COOLER & TUBE

SPN	Repl Part	PNC	Part No	Part Name	Qty	Part Spec	Remarks	PREV.1	NEW1	Class
		25871D	MF434105	NUT,T/M OIL COOLER	8	FLANGE,10	4T			G6,H
			MF434105	NUT,T/M OIL COOLER	8	FLANGE,10	4T			J6,J6
		25873	MF660065	GASKET,T/M OIL COOLER	1	D=14				K6E,I
			MF660065	GASKET,T/M OIL COOLER	1	D=14				G6,H
			MF660065	GASKET,T/M OIL COOLER	1	D=14				J6,J6
			MF660065	GASKET,T/M OIL COOLER	1	D=14				G6,G
			MF660065	GASKET,T/M OIL COOLER	1	D=14				H6E,-
			MF660065	GASKET,T/M OIL COOLER	1	D=14				K6,K
			MF660065	GASKET,T/M OIL COOLER	1	D=14				M6E
		25877C	MF100055	BOLT,T/M OIL COOLER	1	BOLT,8X20	4T			G6,G
			MF100055	BOLT,T/M OIL COOLER	1	BOLT,8X20	4T			H6E,-
		25877CB	MF140027	BOLT,T/M OIL COOLER	2	FLANGE,8X25	4T			K6,K
			MF140027	BOLT,T/M OIL COOLER	2	FLANGE,8X25	4T			M6E
			MF140027	BOLT,T/M OIL COOLER	2	FLANGE,8X25	4T			G6,G
			MF140027	BOLT,T/M OIL COOLER	2	FLANGE,8X25	4T			H6E,-
			MF140027	BOLT,T/M OIL COOLER	2	FLANGE,8X25	4T			G6,H
			MF140027	BOLT,T/M OIL COOLER	2	FLANGE,8X25	4T			J6,J6
		25877CC	MF140023	BOLT,T/M OIL COOLER	2	FLANGE,8X16	4T			K6E,I
			MF140023	BOLT,T/M OIL COOLER	2	FLANGE,8X16	4T			G6,H
			MF140023	BOLT,T/M OIL COOLER	2	FLANGE,8X16	4T			J6,J6
			MF140023	BOLT,T/M OIL COOLER	2	FLANGE,8X16	4T			G6,G
			MF140023	BOLT,T/M OIL COOLER	2	FLANGE,8X16	4T			H6E,-
			MF140023	BOLT,T/M OIL COOLER	2	FLANGE,8X16	4T			G6,H
		25877D	MF100057	BOLT,T/M OIL COOLER	1	BOLT,8X25	4T			J6,J6
			MF100057	BOLT,T/M OIL COOLER	1	BOLT,8X25	4T			G6,G
			MF140025	BOLT,T/M OIL COOLER	2	FLANGE,8X20	4T			H6E,-
			MF140025	BOLT,T/M OIL COOLER	2	FLANGE,8X20	4T			K6,K
			MF140025	BOLT,T/M OIL COOLER	2	FLANGE,8X20	4T			M6E
		25877DC	MF140058	BOLT,T/M OIL COOLER	5	FLANGE,10X20	4T			G6,G
			MF140058	BOLT,T/M OIL COOLER	5	FLANGE,10X20	4T			H6E,-
			MF140258	BOLT,T/M OIL COOLER	6	FLANGE,10X20	7T			K6,K
			MF140258	BOLT,T/M OIL COOLER	6	FLANGE,10X20	7T			M6E
		25877DE	MF140260	BOLT,T/M OIL COOLER	4	FLANGE,10X25	7T			G6,G
			MF140260	BOLT,T/M OIL COOLER	4	FLANGE,10X25	7T			H6E,-
			MF140260	BOLT,T/M OIL COOLER	4	FLANGE,10X25	7T			G6,H
			MF140260	BOLT,T/M OIL COOLER	4	FLANGE,10X25	7T			J6,J6
			MF140260	BOLT,T/M OIL COOLER	4	FLANGE,10X25	7T			K6E,I
			MF140260	BOLT,T/M OIL COOLER	4	FLANGE,10X25	7T			G6,H
			MF140260	BOLT,T/M OIL COOLER	4	FLANGE,10X25	7T			J6,J6

FK74R
23-310 A/T OIL COOLER & TUBE

SPN	Repl Part	PNC	Part No	Part Name	Qty	Part Spec	Remarks	PREV.1	NEW1	Class
		25877E	MF101285	BOLT,T/M OIL COOLER	6	BOLT,10X25				G6,G H6E, K6,K M6E
			MF101285	BOLT,T/M OIL COOLER	6	BOLT,10X25				G6,G H6E, G6,H J6,J6
			MF140225	BOLT,T/M OIL COOLER	4	FLANGE,8X20	7T			K6E, G6,H J6,J6
			MF140225	BOLT,T/M OIL COOLER	4	FLANGE,8X20	7T			K6E, G6,H J6,J6
		25877EF	MF140262	BOLT,T/M OIL COOLER	2	FLANGE,10X30	7T			G6,H J6,J6 K6E, G6,H
			MF140262	BOLT,T/M OIL COOLER	2	FLANGE,10X30	7T			J6,J6 G6,H G6,G H6E, K6,K M6E
		25881	MF665004	PLUG,T/M OIL COOLER LINE	1	DRAIN,D=14				G6,G H6E, K6,K M6E
			MF665004	PLUG,T/M OIL COOLER LINE	1	DRAIN,D=14				G6,G H6E, G6,H J6,J6
			MF665004	PLUG,T/M OIL COOLER LINE	1	DRAIN,D=14				K6E, G6,H J6,J6
			MF665004	PLUG,T/M OIL COOLER LINE	1	DRAIN,D=14				K6E, G6,H J6,J6
		25885	MH035652	O-RING,T/M OIL COOLER LINE	2	16.36				G6,G H6E, K6,K M6E
			MH035652	O-RING,T/M OIL COOLER LINE	2	16.36				G6,G H6E, G6,H J6,J6
			MH035652	O-RING,T/M OIL COOLER LINE	2	16.36				K6E, G6,H J6,J6
			MH035652	O-RING,T/M OIL COOLER LINE	2	16.36				G6,H J6,J6 G6,G H6E, K6,K M6E
		25886B	MF434103	NUT,T/M OIL COOLER LINE	3	FLANGE,6	W/O COATING			G6,G H6E, K6,K M6E
			MF434103	NUT,T/M OIL COOLER LINE	3	FLANGE,6	W/O COATING			G6,G H6E, G6,H J6,J6
			MF434103	NUT,T/M OIL COOLER LINE	4	FLANGE,6	W/O COATING			K6E, G6,H J6,J6
			MF434103	NUT,T/M OIL COOLER LINE	4	FLANGE,6	W/O COATING			G6,H J6,J6 G6,H J6,J6
		25886C	MF434104	NUT,T/M OIL COOLER LINE	4	FLANGE,8				G6,H J6,J6 K6E, G6,H
			MF434104	NUT,T/M OIL COOLER LINE	4	FLANGE,8				J6,J6 G6,G H6E, K6,K M6E
		25887B	ME516283	HOSE,T/M OIL COOLER LINE	1					G6,G H6E, K6,K M6E
			ME516283	HOSE,T/M OIL COOLER LINE	1					G6,G H6E, G6,H J6,J6
			ME525328	HOSE,T/M OIL COOLER LINE	1					K6E, G6,H J6,J6
			ME525328	HOSE,T/M OIL COOLER LINE	1					K6E, G6,H J6,J6
		25887C	ME519595	HOSE,T/M OIL COOLER LINE	1					G6,G H6E, K6,K M6E
			ME519595	HOSE,T/M OIL COOLER LINE	1					G6,G H6E, G6,G H6E,

FK74R
23-310 A/T OIL COOLER & TUBE

SPN	Repl Part	PNC	Part No	Part Name	Qty	Part Spec	Remarks	PREV.1	NEW1	Class
		25887C	ME525329	HOSE,T/M OIL COOLER LINE	1					G6,H J6,J6 K6E, G6,H J6,J6 G6,G H6E, K6,K M6E
			ME525329	HOSE,T/M OIL COOLER LINE	1					G6,H J6,J6 G6,G H6E, K6,K M6E
		25887M	MC437446	HOSE,T/M OIL COOLER LINE	1	RUBBER,17.5X350				G6,H J6,J6 G6,H J6,J6 K6E, G6,H J6,J6 G6,G H6E, K6,K M6E
			MC437446	HOSE,T/M OIL COOLER LINE	1	RUBBER,17.5X350				G6,G H6E, G6,H J6,J6 K6E, G6,H J6,J6 G6,G H6E, K6,K M6E
			MC437446	HOSE,T/M OIL COOLER LINE	1	RUBBER,17.5X350				G6,H J6,J6 K6E, G6,H J6,J6 G6,G H6E, K6,K M6E
			MC437446	HOSE,T/M OIL COOLER LINE	1	RUBBER,17.5X350				G6,H J6,J6 K6E, G6,H J6,J6 G6,G H6E, K6,K M6E
		25887N	MC414973	HOSE,T/M OIL COOLER LINE	1	RUBBER,17.5X431				G6,G H6E, K6,K M6E
			MC414973	HOSE,T/M OIL COOLER LINE	1	RUBBER,17.5X431				G6,G H6E, G6,H J6,J6 K6E, G6,H J6,J6 G6,G H6E, K6,K M6E
			MC414973	HOSE,T/M OIL COOLER LINE	1	RUBBER,17.5X431				G6,H J6,J6 K6E, G6,H J6,J6 G6,G H6E, K6,K M6E
			MC414973	HOSE,T/M OIL COOLER LINE	1	RUBBER,17.5X431				G6,H J6,J6 K6E, G6,H J6,J6 G6,G H6E, K6,K M6E
		25887P	ME519606	HOSE,T/M OIL COOLER LINE	1					G6,G H6E, K6,K M6E
			ME519606	HOSE,T/M OIL COOLER LINE	1					G6,G H6E, G6,H J6,J6 K6E, G6,H J6,J6 G6,G H6E, K6,K M6E
			ME519606	HOSE,T/M OIL COOLER LINE	1					G6,H J6,J6 K6E, G6,H J6,J6 G6,G H6E, K6,K M6E
			ME519606	HOSE,T/M OIL COOLER LINE	1					G6,H J6,J6 K6E, G6,H J6,J6 G6,G H6E, K6,K M6E
			MK634010	HOSE,T/M OIL COOLER LINE	1					G6,H J6,J6 K6E, G6,H J6,J6 G6,G H6E, K6,K M6E
			MK634010	HOSE,T/M OIL COOLER LINE	1					G6,H J6,J6 K6E, G6,H J6,J6 G6,G H6E, K6,K M6E
		25892	MH020383	CLIP,T/M OIL COOLER LINE	1	D=60				G6,G H6E, K6,K M6E
			MH020383	CLIP,T/M OIL COOLER LINE	1	D=60				G6,G H6E, G6,H J6,J6 K6E, G6,H J6,J6 G6,G H6E, K6,K M6E
			MH020383	CLIP,T/M OIL COOLER LINE	1	D=60				G6,H J6,J6 K6E, G6,H J6,J6 G6,G H6E, K6,K M6E
			MH020383	CLIP,T/M OIL COOLER LINE	1	D=60				G6,H J6,J6 K6E, G6,H J6,J6 G6,G H6E, K6,K M6E
SP	RP	25892B	MH020384	CLIP,T/M OIL COOLER LINE	2	D=65		O	N	G6,G H6E, K6,K M6E
SP	RP		MH020384	CLIP,T/M OIL COOLER LINE	2	D=65		O	N	G6,G H6E, G6,H J6,J6 K6E, G6,H J6,J6 G6,G H6E, K6,K M6E
SP	RP		MH020384	CLIP,T/M OIL COOLER LINE	2	D=65		O	N	G6,H J6,J6 K6E, G6,H J6,J6 G6,G H6E, K6,K M6E
SP	RP		MH020384	CLIP,T/M OIL COOLER LINE	2	D=65		O	N	G6,H J6,J6 K6E, G6,H J6,J6 G6,G H6E, K6,K M6E
		25892C	MH020806	CLIP,T/M OIL COOLER LINE	6	D=18				G6,G H6E, K6,K M6E
			MH020806	CLIP,T/M OIL COOLER LINE	6	D=18				G6,G H6E, G6,H J6,J6 K6E, G6,H J6,J6 G6,G H6E, K6,K M6E

FK74R
23-310 A/T OIL COOLER & TUBE

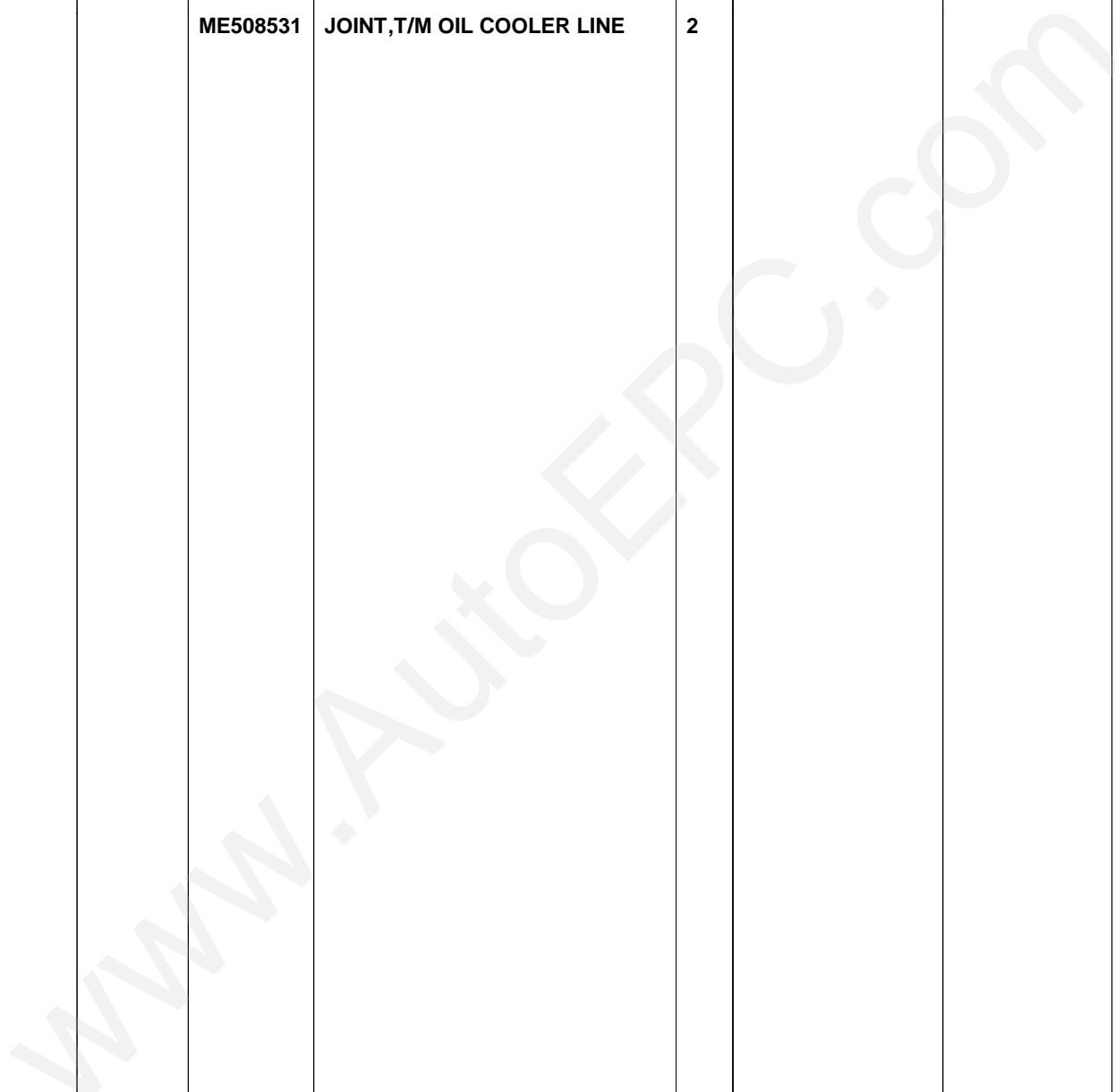
SPN	Repl Part	PNC	Part No	Part Name	Qty	Part Spec	Remarks	PREV.1	NEW1	Class
		25892C	MH020806	CLIP,T/M OIL COOLER LINE	8	D=18				G6,H J6,J6 K6E, G6,H J6,J6 G6,G H6E, K6,K M6E
			MH020806	CLIP,T/M OIL COOLER LINE	8	D=18				G6,H J6,J6 G6,G H6E, K6,K M6E
		25892D	MH020385	CLIP,T/M OIL COOLER LINE	1	D=70				G6,H J6,J6 G6,G H6E, K6,K M6E
			MH020385	CLIP,T/M OIL COOLER LINE	1	D=70				G6,H J6,J6 G6,G H6E, K6,K M6E
			MH021368	CLIP,T/M OIL COOLER LINE	1	D=69				G6,H J6,J6 G6,H J6,J6 K6E, G6,H J6,J6 G6,G H6E, K6,K M6E
			MH021368	CLIP,T/M OIL COOLER LINE	1	D=69				G6,H J6,J6 G6,H J6,J6 K6E, G6,H J6,J6 G6,G H6E, K6,K M6E
		25892E	MH020382	CLIP,T/M OIL COOLER LINE	2	D=55				G6,H J6,J6 G6,G H6E, K6,K M6E
			MH020382	CLIP,T/M OIL COOLER LINE	2	D=55				G6,G H6E, G6,H J6,J6 K6E, G6,H J6,J6 G6,G H6E, K6,K M6E
			MH020382	CLIP,T/M OIL COOLER LINE	2	D=55				G6,H J6,J6 G6,H J6,J6 K6E, G6,H J6,J6 G6,G H6E, K6,K M6E
			MH020382	CLIP,T/M OIL COOLER LINE	2	D=55				G6,H J6,J6 G6,H J6,J6 K6E, G6,H J6,J6 G6,G H6E, K6,K M6E
		25895	ME508526	BRACKET,T/M OIL COOLER LINE	1					G6,G H6E, K6,K M6E
			ME508526	BRACKET,T/M OIL COOLER LINE	1					G6,G H6E, G6,H J6,J6 K6E, G6,H J6,J6 G6,G H6E, K6,K M6E
			ME525332	BRACKET,T/M OIL COOLER LINE	1					G6,G H6E, G6,H J6,J6 K6E, G6,H J6,J6 G6,H J6,J6 K6E, G6,H J6,J6 G6,G H6E, K6,K M6E
			ME525332	BRACKET,T/M OIL COOLER LINE	1					G6,G H6E, G6,H J6,J6 K6E, G6,H J6,J6 G6,H J6,J6 K6E, G6,H J6,J6 G6,G H6E, K6,K M6E
		25895C	ME510113	BRACKET,T/M OIL COOLER LINE	1					G6,G H6E, K6,K M6E
			ME510113	BRACKET,T/M OIL COOLER LINE	1					G6,G H6E, G6,H J6,J6 K6E, G6,H J6,J6 G6,G H6E, K6,K M6E
			ME516941	BRACKET,T/M OIL COOLER LINE	1					G6,H J6,J6 K6E, G6,H J6,J6 G6,H J6,J6 K6E, G6,H J6,J6 G6,G H6E, K6,K M6E
			ME516941	BRACKET,T/M OIL COOLER LINE	1					G6,H J6,J6 K6E, G6,H J6,J6 G6,H J6,J6 K6E, G6,H J6,J6 G6,G H6E, K6,K M6E
		25895CB	ME525330	BRACKET,T/M OIL COOLER LINE	1					G6,H J6,J6 K6E, G6,H J6,J6 G6,H J6,J6 K6E, G6,H J6,J6 G6,G H6E, K6,K M6E
			ME525330	BRACKET,T/M OIL COOLER LINE	1					G6,H J6,J6 K6E, G6,H J6,J6 G6,H J6,J6 K6E, G6,H J6,J6 G6,G H6E, K6,K M6E
		25895CC	ME525335	BRACKET,T/M OIL COOLER LINE	1					G6,H J6,J6 K6E, G6,H J6,J6 G6,H J6,J6 K6E, G6,H J6,J6 G6,G H6E, K6,K M6E
			ME525335	BRACKET,T/M OIL COOLER LINE	1					G6,H J6,J6 K6E, G6,H J6,J6 G6,H J6,J6 K6E, G6,H J6,J6 G6,G H6E, K6,K M6E
		25895H	ME516277	BRACKET,T/M OIL COOLER LINE	1					G6,G H6E, K6,K M6E
			ME516277	BRACKET,T/M OIL COOLER LINE	1					G6,G H6E, G6,H J6,J6 K6E, G6,H J6,J6 G6,G H6E, K6,K M6E
			ME526626	BRACKET,T/M OIL COOLER LINE	1					G6,H J6,J6 K6E, G6,H J6,J6 G6,H J6,J6 K6E, G6,H J6,J6 G6,G H6E, K6,K M6E
			ME526626	BRACKET,T/M OIL COOLER LINE	1					G6,H J6,J6 K6E, G6,H J6,J6 G6,H J6,J6 K6E, G6,H J6,J6 G6,G H6E, K6,K M6E
			ME526626	BRACKET,T/M OIL COOLER LINE	1					G6,H J6,J6 K6E, G6,H J6,J6 G6,H J6,J6 K6E, G6,H J6,J6 G6,G H6E, K6,K M6E
			MK634008	BRACKET,T/M OIL COOLER LINE	1					G6,H J6,J6 K6E, G6,H J6,J6 G6,H J6,J6 K6E, G6,H J6,J6 G6,G H6E, K6,K M6E

FK74R
23-310 A/T OIL COOLER & TUBE

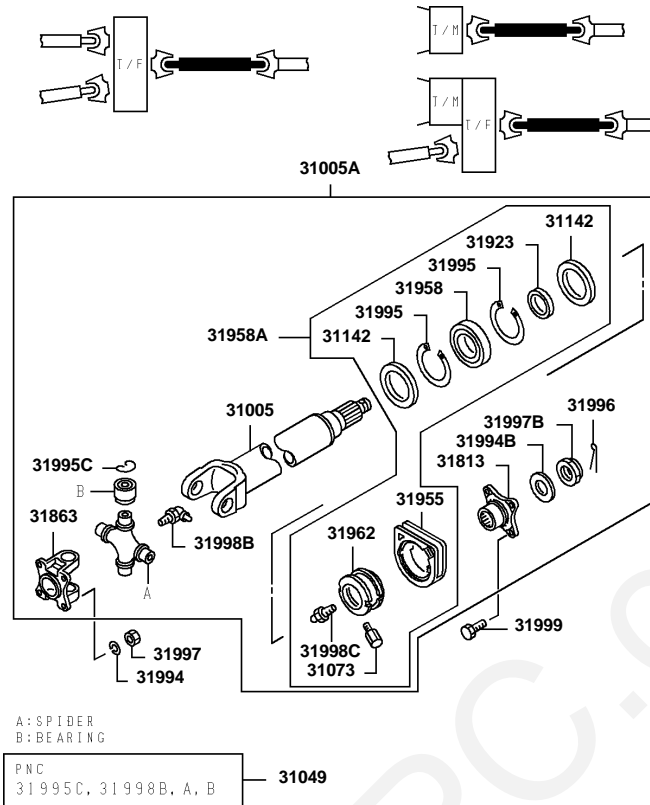
SPN	Repl Part	PNC	Part No	Part Name	Qty	Part Spec	Remarks	PREV.1	NEW1	Class
		25895H	MK634008	BRACKET,T/M OIL COOLER LINE	1					G6,H
		25895J	ME518092	BRACKET,T/M OIL COOLER LINE	1					J6,J6
			ME518092	BRACKET,T/M OIL COOLER LINE	1					G6,G
			ME527371	BRACKET,T/M OIL COOLER LINE	1					H6E,-
			ME527371	BRACKET,T/M OIL COOLER LINE	1					K6,K
			ME527371	BRACKET,T/M OIL COOLER LINE	1					M6E
			ME527772	BRACKET,T/M OIL COOLER LINE	1					G6,G
			ME527772	BRACKET,T/M OIL COOLER LINE	1					H6E,-
			ME527772	BRACKET,T/M OIL COOLER LINE	1					G6,H
			ME527772	BRACKET,T/M OIL COOLER LINE	1					J6,J6
			ME527772	BRACKET,T/M OIL COOLER LINE	1					K6E,I
			ME527772	BRACKET,T/M OIL COOLER LINE	1					G6,H
		25895K	ME519170	BRACKET,T/M OIL COOLER LINE	1					J6,J6
			ME519170	BRACKET,T/M OIL COOLER LINE	1					G6,G
			ME519170	BRACKET,T/M OIL COOLER LINE	1					H6E,-
			ME519170	BRACKET,T/M OIL COOLER LINE	1					K6,K
			ME519170	BRACKET,T/M OIL COOLER LINE	1					M6E
			ME519170	BRACKET,T/M OIL COOLER LINE	1					G6,G
			ME519170	BRACKET,T/M OIL COOLER LINE	1					H6E,-
			ME519170	BRACKET,T/M OIL COOLER LINE	1					G6,H
			ME519170	BRACKET,T/M OIL COOLER LINE	1					J6,J6
			ME519170	BRACKET,T/M OIL COOLER LINE	1					K6E,I
		25895M	ME407383	BRACKET,T/M OIL COOLER LINE	1					G6,H
			ME407383	BRACKET,T/M OIL COOLER LINE	1					J6,J6
			ME407383	BRACKET,T/M OIL COOLER LINE	1					G6,G
			ME407383	BRACKET,T/M OIL COOLER LINE	1					H6E,-
			ME407383	BRACKET,T/M OIL COOLER LINE	1					K6,K
			ME407383	BRACKET,T/M OIL COOLER LINE	1					M6E
			ME407383	BRACKET,T/M OIL COOLER LINE	1					G6,G
			ME407383	BRACKET,T/M OIL COOLER LINE	1					H6E,-
			ME407383	BRACKET,T/M OIL COOLER LINE	1					G6,H
			ME407383	BRACKET,T/M OIL COOLER LINE	1					J6,J6
			ME407383	BRACKET,T/M OIL COOLER LINE	1					K6E,I
		25895P	ME526610	BRACKET,T/M OIL COOLER LINE	1					G6,H
			ME526610	BRACKET,T/M OIL COOLER LINE	1					J6,J6
			ME526610	BRACKET,T/M OIL COOLER LINE	1					G6,H
			MK651989	BRACKET,T/M OIL COOLER LINE	1					J6,J6
			MK651989	BRACKET,T/M OIL COOLER LINE	1					G6,H
			MK651989	BRACKET,T/M OIL COOLER LINE	1					J6,J6
			MK651989	BRACKET,T/M OIL COOLER LINE	1					K6E,I
			MK651989	BRACKET,T/M OIL COOLER LINE	1					G6,H
		25897BC	MF140005	BOLT,T/M OIL COOLER LINE	3	FLANGE,6X16	4T			J6,J6
			MF140005	BOLT,T/M OIL COOLER LINE	3	FLANGE,6X16	4T			G6,G
			MF140005	BOLT,T/M OIL COOLER LINE	4	FLANGE,6X16	4T			H6E,-
			MF140005	BOLT,T/M OIL COOLER LINE	4	FLANGE,6X16	4T			K6,K
			MF140005	BOLT,T/M OIL COOLER LINE	4	FLANGE,6X16	4T			M6E
			MF140005	BOLT,T/M OIL COOLER LINE	4	FLANGE,6X16	4T			G6,G
			MF140005	BOLT,T/M OIL COOLER LINE	4	FLANGE,6X16	4T			H6E,-
			MF140005	BOLT,T/M OIL COOLER LINE	4	FLANGE,6X16	4T			G6,H
			MF140005	BOLT,T/M OIL COOLER LINE	4	FLANGE,6X16	4T			J6,J6
			MF140005	BOLT,T/M OIL COOLER LINE	4	FLANGE,6X16	4T			K6E,I
		25897CB	MF140025	BOLT,T/M OIL COOLER LINE	3	FLANGE,8X20	4T			G6,H
			MF140025	BOLT,T/M OIL COOLER LINE	3	FLANGE,8X20	4T			J6,J6
			MF140025	BOLT,T/M OIL COOLER LINE	3	FLANGE,8X20	4T			G6,G
			MF140025	BOLT,T/M OIL COOLER LINE	3	FLANGE,8X20	4T			H6E,-
			MF140025	BOLT,T/M OIL COOLER LINE	2	FLANGE,8X20	4T			K6,K
			MF140025	BOLT,T/M OIL COOLER LINE	2	FLANGE,8X20	4T			M6E
			MF140025	BOLT,T/M OIL COOLER LINE	2	FLANGE,8X20	4T			G6,G
			MF140025	BOLT,T/M OIL COOLER LINE	2	FLANGE,8X20	4T			H6E,-
			MF140025	BOLT,T/M OIL COOLER LINE	2	FLANGE,8X20	4T			G6,H
			MF140025	BOLT,T/M OIL COOLER LINE	2	FLANGE,8X20	4T			J6,J6
			MF140025	BOLT,T/M OIL COOLER LINE	2	FLANGE,8X20	4T			K6E,I
			MF140025	BOLT,T/M OIL COOLER LINE	2	FLANGE,8X20	4T			G6,H
			MF140025	BOLT,T/M OIL COOLER LINE	2	FLANGE,8X20	4T			J6,J6

FK74R
23-310 A/T OIL COOLER & TUBE

SPN	Repl Part	PNC	Part No	Part Name	Qty	Part Spec	Remarks	PREV.1	NEW1	Class
		25897DB	MF140058	BOLT,T/M OIL COOLER LINE	1	FLANGE,10X20	4T			G6,G H6E, K6,K M6E
			MF140058	BOLT,T/M OIL COOLER LINE	1	FLANGE,10X20	4T			G6,G H6E, G6,G
		25899	ME508531	JOINT,T/M OIL COOLER LINE	2					G6,G H6E, K6,K M6E
			ME508531	JOINT,T/M OIL COOLER LINE	2					G6,G H6E, G6,H
			ME508531	JOINT,T/M OIL COOLER LINE	2					J6,J6 K6E, G6,H
			ME508531	JOINT,T/M OIL COOLER LINE	2					J6,J6



FK74R
No.1



261001

Ref. |2025010

Page

FK74R
25-010 FRONT PROPELLER SHAFT NO.1

Repl Part	PNC	Part No	Part Name	Qty	Supply Mode	Part Spec	PREV.1	NEW
	31005	ME508365	SHAFT,NO.1 FR PROPELLER	1				
		MK448023	SHAFT,NO.1 FR PROPELLER	1				
		MK501676	SHAFT,NO.1 FR PROPELLER	1				
		MK501679	SHAFT,NO.1 FR PROPELLER	1				
		MK501685	SHAFT,NO.1 FR PROPELLER	1				
		MK501676	SHAFT,NO.1 FR PROPELLER	1				
		ME508365	SHAFT,NO.1 FR PROPELLER	1				
		ME508365	SHAFT,NO.1 FR PROPELLER	1				
		ME508365	SHAFT,NO.1 FR PROPELLER	1				
		ME508365	SHAFT,NO.1 FR PROPELLER	1				
		ME508365	SHAFT,NO.1 FR PROPELLER	1				
		ME508365	SHAFT,NO.1 FR PROPELLER	1				
		ME508365	SHAFT,NO.1 FR PROPELLER	1				
		ME508365	SHAFT,NO.1 FR PROPELLER	1				
		ME508365	SHAFT,NO.1 FR PROPELLER	1				
		ME508365	SHAFT,NO.1 FR PROPELLER	1				
		MK448021	SHAFT,NO.1 FR PROPELLER	1				
		MK448021	SHAFT,NO.1 FR PROPELLER	1				
		MK448021	SHAFT,NO.1 FR PROPELLER	1				
		MK448021	SHAFT,NO.1 FR PROPELLER	1				
		MK448021	SHAFT,NO.1 FR PROPELLER	1				
		MK448021	SHAFT,NO.1 FR PROPELLER	1				
		MK448021	SHAFT,NO.1 FR PROPELLER	1				
		MK448023	SHAFT,NO.1 FR PROPELLER	1				
		MK448023	SHAFT,NO.1 FR PROPELLER	1				
		MK448023	SHAFT,NO.1 FR PROPELLER	1				
		MK448023	SHAFT,NO.1 FR PROPELLER	1				

Ref. |2025010

Page

**FK74R
25-010 FRONT PROPELLER SHAFT NO.1**

Repl Part	PNC	Part No	Part Name	Qty	Supply Mode	Part Spec	PREV.1	NEW		
31005	31005	MK448023	SHAFT,NO.1 FR PROPELLER	1						
		MK448023	SHAFT,NO.1 FR PROPELLER	1						
		ME508365	SHAFT,NO.1 FR PROPELLER	1						
		MK448023	SHAFT,NO.1 FR PROPELLER	1						
		MK501676	SHAFT,NO.1 FR PROPELLER	1						
			MK501679	SHAFT,NO.1 FR PROPELLER	1					
			MK501676	SHAFT,NO.1 FR PROPELLER	1					
			ME508365	SHAFT,NO.1 FR PROPELLER	1					
	31005A		MK448021	SHAFT,NO.1 FR PROPELLER	1					
			ME508364	SHAFT ASSY,NO.1 FR PROPELLER	1					
			MK448022	SHAFT ASSY,NO.1 FR PROPELLER	1					
			MK501675	SHAFT ASSY,NO.1 FR PROPELLER	1					
					MK501678	SHAFT ASSY,NO.1 FR PROPELLER	1			
					MK501684	SHAFT ASSY,NO.1 FR PROPELLER	1			
					MK501675	SHAFT ASSY,NO.1 FR PROPELLER	1			
				ME508364	SHAFT ASSY,NO.1 FR PROPELLER	1				
				ME508364	SHAFT ASSY,NO.1 FR PROPELLER	1				
				ME508364	SHAFT ASSY,NO.1 FR PROPELLER	1				
				ME508364	SHAFT ASSY,NO.1 FR PROPELLER	1				
				ME508364	SHAFT ASSY,NO.1 FR PROPELLER	1				
				ME508364	SHAFT ASSY,NO.1 FR PROPELLER	1				
				ME508364	SHAFT ASSY,NO.1 FR PROPELLER	1				
				ME508364	SHAFT ASSY,NO.1 FR PROPELLER	1				
				ME508364	SHAFT ASSY,NO.1 FR PROPELLER	1				
				MK448020	SHAFT ASSY,NO.1 FR PROPELLER	1				
				MK448020	SHAFT ASSY,NO.1 FR PROPELLER	1				
				MK448020	SHAFT ASSY,NO.1 FR PROPELLER	1				
				MK448020	SHAFT ASSY,NO.1 FR PROPELLER	1				
				MK448020	SHAFT ASSY,NO.1 FR PROPELLER	1				
				MK448020	SHAFT ASSY,NO.1 FR PROPELLER	1				
		MK448020	SHAFT ASSY,NO.1 FR PROPELLER	1						
		MK448022	SHAFT ASSY,NO.1 FR PROPELLER	1						
		MK448022	SHAFT ASSY,NO.1 FR PROPELLER	1						
		MK448022	SHAFT ASSY,NO.1 FR PROPELLER	1						
		MK448022	SHAFT ASSY,NO.1 FR PROPELLER	1						
		MK448022	SHAFT ASSY,NO.1 FR PROPELLER	1						
		MK448022	SHAFT ASSY,NO.1 FR PROPELLER	1						
		MK448022	SHAFT ASSY,NO.1 FR PROPELLER	1						
		ME508364	SHAFT ASSY,NO.1 FR PROPELLER	1						
		MK448022	SHAFT ASSY,NO.1 FR PROPELLER	1						
		MK501675	SHAFT ASSY,NO.1 FR PROPELLER	1						
		MK501678	SHAFT ASSY,NO.1 FR PROPELLER	1						
		MK501675	SHAFT ASSY,NO.1 FR PROPELLER	1						
		ME508364	SHAFT ASSY,NO.1 FR PROPELLER	1						
31049		MK448020	SHAFT ASSY,NO.1 FR PROPELLER	1						
		MC994850	SPIDER KIT,NO.1 FR PROPELLER SHAFT	1						
31073		MH038051	VALVE,NO.1 FR PROPELLER SHAFT	1						

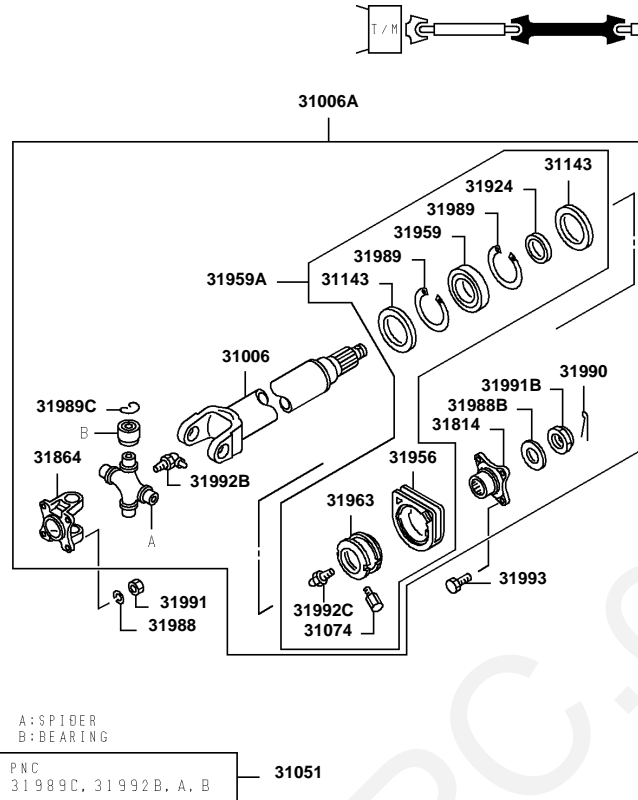
FK74R
25-010 FRONT PROPELLER SHAFT NO.1

Repl Part	PNC	Part No	Part Name	Qty	Supply Mode	Part Spec	PREV.1	NEW
	31142	MH034066	OIL SEAL,NO.1 FR PROPELLER SHAFT	2				
	31813	MC824983	FLANGE,NO.1 FR PROPELLER SHAFT	1				
	31863	MC825612	YOKE,NO.1 FR PROPELLER SHAFT FLANGE	1				
	31955	MC824412	CUSHION,NO.1 FR PROPELLER SHAFT	1				
	31958	MS556009	CENTER BEARING,NO.1 FR PROPELLER SHAFT	1		BALL		
	31958A	MC824410	CENTER BEARING ASSY,NO.1 FR PROPELLER SHAFT	1		BALL		
	31962	MC824414	CASE,NO.1 FR PROPELLER SHAFT	1				
	31994	MF450407	WASHER,NO.1 FR PROPELLER SHAFT	4		SPRING,12		
	31994B	MH005059	WASHER,NO.1 FR PROPELLER SHAFT	1		PLAIN,29		
	31995	MC860258	SNAP RING,NO.1 FR PROPELLER SHAFT	2		T=1.6		
	31995C	MC861506	SNAP RING,NO.1 FR PROPELLER SHAFT	AR		T=2.50		
		MC861507	SNAP RING,NO.1 FR PROPELLER SHAFT	AR		T=2.60		

FK74R
25-010 FRONT PROPELLER SHAFT NO.1

Repl Part	PNC	Part No	Part Name	Qty	Supply Mode	Part Spec	PREV.1	NEW
	31996	MF472102	PIN,NO.1 FR PROPELLER SHAFT	1		SPLIT,5X40		
	31997	MC861530	NUT,NO.1 FR PROPELLER SHAFT	4		FLANGE,12		
	31997B	MH004049	NUT,NO.1 FR PROPELLER SHAFT	1		CASTLE,27		
	31998B	MF524022	NIPPLE,NO.1 FR PROPELLER SHAFT	1		L-TYPE,D=10		
RP	31998C	MS526150	NIPPLE,NO.1 FR PROPELLER SHAFT	1		STRAIGHT,6	O	
	31999	MC802645	BOLT,NO.1 FR PROPELLER SHAFT	4		FLANGE,12X34		
RP		MC861518	BOLT,NO.1 FR PROPELLER SHAFT	4	OR	FLANGE,12X34		Y
	31923	(N.e.c.)						

FK74R
No.1



261001

Ref. |2025020

Page

FK74R
25-020 FRONT PROPELLER SHAFT NO.2

Repl Part	PNC	Part No	Part Name	Qty	Supply Mode	Part Spec	PREV.1	NEW
	31006	ME508378	SHAFT,NO.2 FR PROPELLER	1				
		ME508378	SHAFT,NO.2 FR PROPELLER	1				
		MK501571	SHAFT,NO.2 FR PROPELLER	1				
		MK501576	SHAFT,NO.2 FR PROPELLER	1				
		ME508378	SHAFT,NO.2 FR PROPELLER	1				
		MK501571	SHAFT,NO.2 FR PROPELLER	1				
		MK501576	SHAFT,NO.2 FR PROPELLER	1				
		MK501571	SHAFT,NO.2 FR PROPELLER	1				
		MK501576	SHAFT,NO.2 FR PROPELLER	1				
		MK501571	SHAFT,NO.2 FR PROPELLER	1				
		MK501576	SHAFT,NO.2 FR PROPELLER	1				
		MK501571	SHAFT,NO.2 FR PROPELLER	1				
	31006A	MK501576	SHAFT,NO.2 FR PROPELLER	1				
		ME508378	SHAFT,NO.2 FR PROPELLER	1				
		ME508377	SHAFT ASSY,NO.2 FR PROPELLER	1				
		ME508377	SHAFT ASSY,NO.2 FR PROPELLER	1				
		MK501570	SHAFT ASSY,NO.2 FR PROPELLER	1				
		MK501575	SHAFT ASSY,NO.2 FR PROPELLER	1				
		ME508377	SHAFT ASSY,NO.2 FR PROPELLER	1				
		MK501570	SHAFT ASSY,NO.2 FR PROPELLER	1				
		MK501575	SHAFT ASSY,NO.2 FR PROPELLER	1				
		MK501570	SHAFT ASSY,NO.2 FR PROPELLER	1				
		MK501575	SHAFT ASSY,NO.2 FR PROPELLER	1				
		MK501570	SHAFT ASSY,NO.2 FR PROPELLER	1				
	31051	MK501575	SHAFT ASSY,NO.2 FR PROPELLER	1				
		ME508377	SHAFT ASSY,NO.2 FR PROPELLER	1				
		MC994850	SPIDER KIT,NO.2 FR PROPELLER SHAFT	1				
		MC994850	SPIDER KIT,NO.2 FR PROPELLER SHAFT	1				
		MC994850	SPIDER KIT,NO.2 FR PROPELLER SHAFT	1				
		MC994850	SPIDER KIT,NO.2 FR PROPELLER SHAFT	1				
	31074	MH038051	VALVE,NO.2 FR PROPELLER SHAFT	1				

Ref. |2025020

Page

FK74R
25-020 FRONT PROPELLER SHAFT NO.2

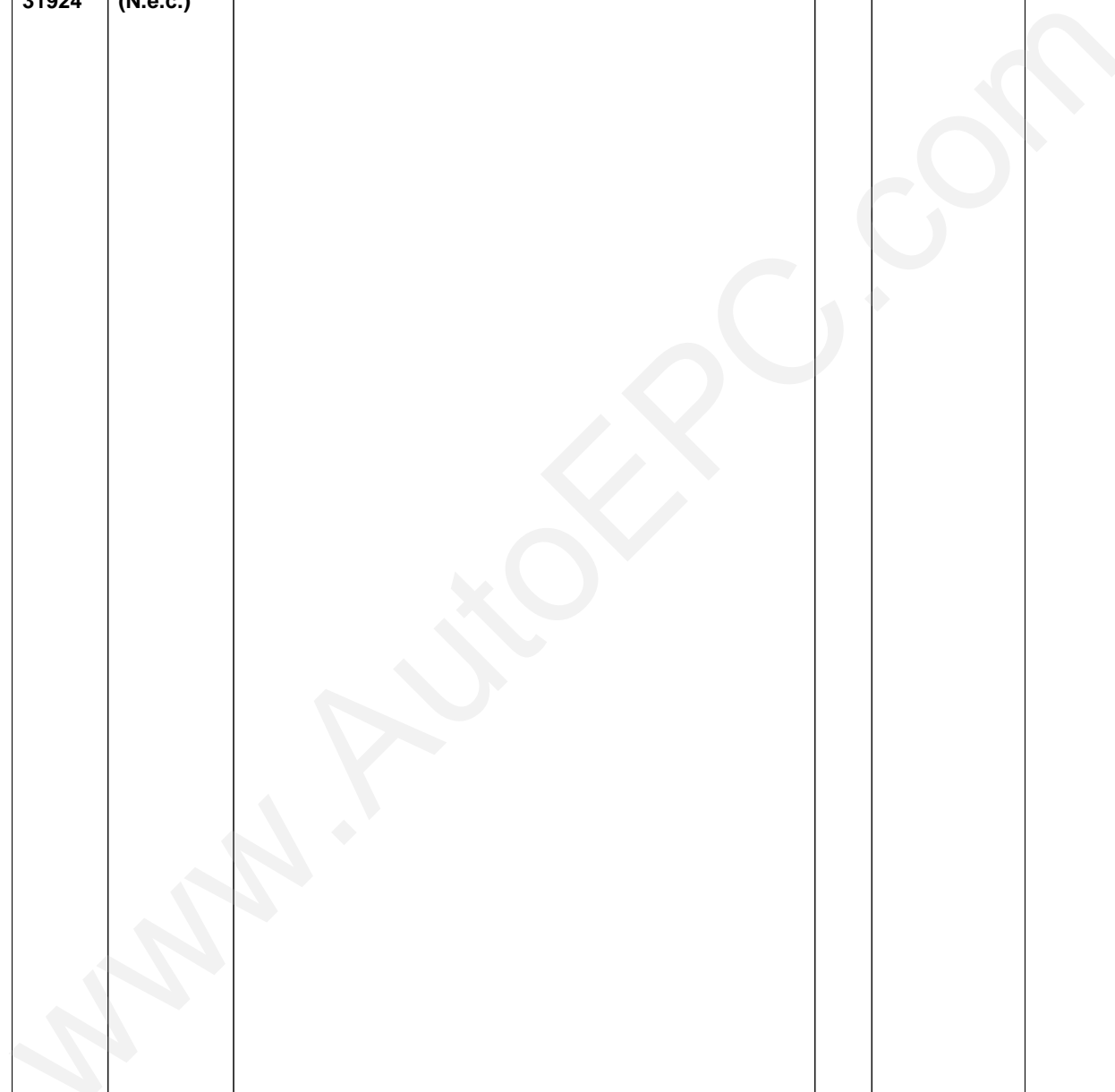
Repl Part	PNC	Part No	Part Name	Qty	Supply Mode	Part Spec	PREV.1	NEW
	31074	MH038051	VALVE,NO.2 FR PROPELLER SHAFT	1				
		MH038051	VALVE,NO.2 FR PROPELLER SHAFT	1				
		MH038051	VALVE,NO.2 FR PROPELLER SHAFT	1				
	31143	MH034066	OIL SEAL,NO.2 FR PROPELLER SHAFT	2				
		MH034066	OIL SEAL,NO.2 FR PROPELLER SHAFT	2				
		MH034066	OIL SEAL,NO.2 FR PROPELLER SHAFT	2				
		MH034066	OIL SEAL,NO.2 FR PROPELLER SHAFT	2				
	31814	MC824983	FLANGE,NO.2 FR PROPELLER SHAFT	1				
		MC824983	FLANGE,NO.2 FR PROPELLER SHAFT	1				
		MC824983	FLANGE,NO.2 FR PROPELLER SHAFT	1				
		MC824983	FLANGE,NO.2 FR PROPELLER SHAFT	1				
	31864	MC825612	YOKE,NO.2 FR PROPELLER SHAFT FLANGE	1				
		MC825612	YOKE,NO.2 FR PROPELLER SHAFT FLANGE	1				
		MC825612	YOKE,NO.2 FR PROPELLER SHAFT FLANGE	1				
		MC825612	YOKE,NO.2 FR PROPELLER SHAFT FLANGE	1				
	31956	MC824412	CUSHION,NO.2 FR PROPELLER SHAFT	1				
		MC824412	CUSHION,NO.2 FR PROPELLER SHAFT	1				
		MC824412	CUSHION,NO.2 FR PROPELLER SHAFT	1				
		MC824412	CUSHION,NO.2 FR PROPELLER SHAFT	1				
	31959	MS556009	CENTER BEARING,NO.2 FR PROPELLER SHAFT	1		BALL		
		MS556009	CENTER BEARING,NO.2 FR PROPELLER SHAFT	1		BALL		
		MS556009	CENTER BEARING,NO.2 FR PROPELLER SHAFT	1		BALL		
		MS556009	CENTER BEARING,NO.2 FR PROPELLER SHAFT	1		BALL		
	31959A	MC824410	CENTER BEARING ASSY,NO.2 FR PROPELLER SHAFT	1		BALL		
		MC824410	CENTER BEARING ASSY,NO.2 FR PROPELLER SHAFT	1		BALL		
		MC824410	CENTER BEARING ASSY,NO.2 FR PROPELLER SHAFT	1		BALL		
		MC824410	CENTER BEARING ASSY,NO.2 FR PROPELLER SHAFT	1		BALL		
	31963	MC824414	CASE,NO.2 FR PROPELLER SHAFT	1				
		MC824414	CASE,NO.2 FR PROPELLER SHAFT	1				
		MC824414	CASE,NO.2 FR PROPELLER SHAFT	1				
		MC824414	CASE,NO.2 FR PROPELLER SHAFT	1				
	31988	MF450407	WASHER,NO.2 FR PROPELLER SHAFT	4		SPRING,12		
		MF450407	WASHER,NO.2 FR PROPELLER SHAFT	4		SPRING,12		
		MF450407	WASHER,NO.2 FR PROPELLER SHAFT	4		SPRING,12		
		MF450407	WASHER,NO.2 FR PROPELLER SHAFT	4		SPRING,12		
	31988B	MH005059	WASHER,NO.2 FR PROPELLER SHAFT	1		PLAIN,29		

FK74R
25-020 FRONT PROPELLER SHAFT NO.2

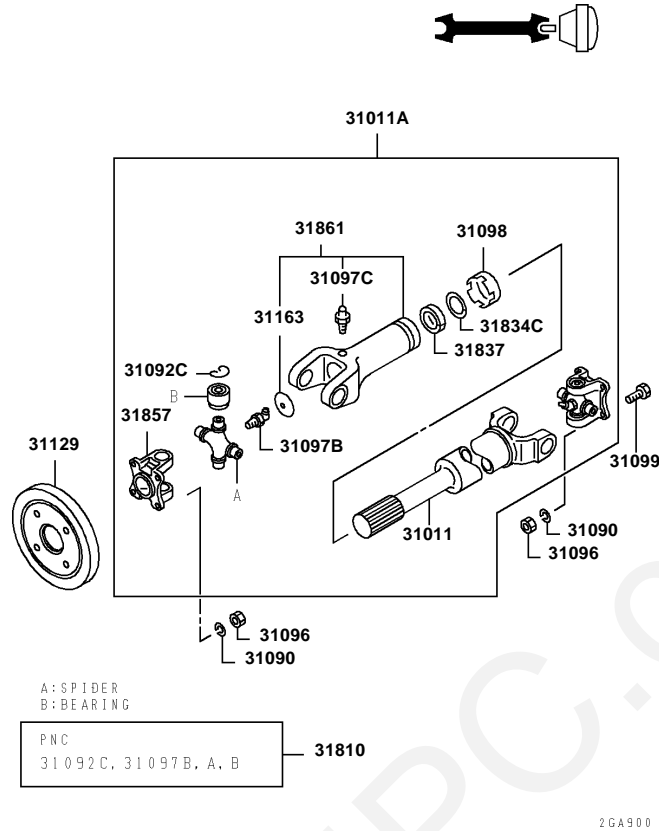
Repl Part	PNC	Part No	Part Name	Qty	Supply Mode	Part Spec	PREV.1	NEW
	31988B	MH005059	WASHER,NO.2 FR PROPELLER SHAFT	1		PLAIN,29		
		MH005059	WASHER,NO.2 FR PROPELLER SHAFT	1		PLAIN,29		
		MH005059	WASHER,NO.2 FR PROPELLER SHAFT	1		PLAIN,29		
	31989	MC860258	SNAP RING,NO.2 FR PROPELLER SHAFT	2		T=1.6		
		MC860258	SNAP RING,NO.2 FR PROPELLER SHAFT	2		T=1.6		
		MC860258	SNAP RING,NO.2 FR PROPELLER SHAFT	2		T=1.6		
		MC860258	SNAP RING,NO.2 FR PROPELLER SHAFT	2		T=1.6		
	31989C	MC861506	SNAP RING,NO.2 FR PROPELLER SHAFT	AR		T=2.50		
		MC861507	SNAP RING,NO.2 FR PROPELLER SHAFT	AR		T=2.60		
		MC861506	SNAP RING,NO.2 FR PROPELLER SHAFT	AR		T=2.50		
		MC861507	SNAP RING,NO.2 FR PROPELLER SHAFT	AR		T=2.60		
		MC861506	SNAP RING,NO.2 FR PROPELLER SHAFT	AR		T=2.50		
		MC861507	SNAP RING,NO.2 FR PROPELLER SHAFT	AR		T=2.60		
		MC861507	SNAP RING,NO.2 FR PROPELLER SHAFT	AR		T=2.60		
		MC861506	SNAP RING,NO.2 FR PROPELLER SHAFT	AR		T=2.50		
		MC861507	SNAP RING,NO.2 FR PROPELLER SHAFT	AR		T=2.60		
	31990	MF472102	PIN,NO.2 FR PROPELLER SHAFT	1		SPLIT,5X40		
		MF472102	PIN,NO.2 FR PROPELLER SHAFT	1		SPLIT,5X40		
		MF472102	PIN,NO.2 FR PROPELLER SHAFT	1		SPLIT,5X40		
		MF472102	PIN,NO.2 FR PROPELLER SHAFT	1		SPLIT,5X40		
	31991	MC861530	NUT,NO.2 FR PROPELLER SHAFT	4		FLANGE,12		
		MC861530	NUT,NO.2 FR PROPELLER SHAFT	4		FLANGE,12		
		MC861530	NUT,NO.2 FR PROPELLER SHAFT	4		FLANGE,12		
		MC861530	NUT,NO.2 FR PROPELLER SHAFT	4		FLANGE,12		
	31991B	MH004049	NUT,NO.2 FR PROPELLER SHAFT	1		CASTLE,27		
		MH004049	NUT,NO.2 FR PROPELLER SHAFT	1		CASTLE,27		
		MH004049	NUT,NO.2 FR PROPELLER SHAFT	1		CASTLE,27		
		MH004049	NUT,NO.2 FR PROPELLER SHAFT	1		CASTLE,27		
	31992B	MF524022	NIPPLE,NO.2 FR PROPELLER SHAFT	1		L-TYPE,D=10		
		MF524022	NIPPLE,NO.2 FR PROPELLER SHAFT	1		L-TYPE,D=10		
		MF524022	NIPPLE,NO.2 FR PROPELLER SHAFT	1		L-TYPE,D=10		
		MF524022	NIPPLE,NO.2 FR PROPELLER SHAFT	1		L-TYPE,D=10		
RP	31992C	MS526150	NIPPLE,NO.2 FR PROPELLER SHAFT	1		STRAIGHT,6	O	
RP		MS526150	NIPPLE,NO.2 FR PROPELLER SHAFT	1		STRAIGHT,6	O	
RP		MS526150	NIPPLE,NO.2 FR PROPELLER SHAFT	1		STRAIGHT,6	O	
RP		MS526150	NIPPLE,NO.2 FR PROPELLER SHAFT	1		STRAIGHT,6	O	
RP	31993	MC802645	BOLT,NO.2 FR PROPELLER SHAFT	4		FLANGE,12X34		
		MC861518	BOLT,NO.2 FR PROPELLER SHAFT	4	OR	FLANGE,12X34		Y

FK74R
25-020 FRONT PROPELLER SHAFT NO.2

Repl Part	PNC	Part No	Part Name	Qty	Supply Mode	Part Spec	PREV.1	NEW
	31993	MC802645	BOLT,NO.2 FR PROPELLER SHAFT	4		FLANGE,12X34		
RP		MC861518	BOLT,NO.2 FR PROPELLER SHAFT	4	OR	FLANGE,12X34		Y
		MC802645	BOLT,NO.2 FR PROPELLER SHAFT	4		FLANGE,12X34		
RP		MC861518	BOLT,NO.2 FR PROPELLER SHAFT	4	OR	FLANGE,12X34		Y
		MC802645	BOLT,NO.2 FR PROPELLER SHAFT	4		FLANGE,12X34		
RP		MC861518	BOLT,NO.2 FR PROPELLER SHAFT	4	OR	FLANGE,12X34		Y
	31924	(N.e.c.)						



FK74R
No.1



2GA900

Ref. |2025110

Page

FK74R
25-110 REAR PROPELLER SHAFT

Repl Part	PNC	Part No	Part Name	Qty	Supply Mode	Part Spec	NEW1	Classi	
	31011	ME508385	SHAFT,PROPELLER,RR	1				G6E	
		ME508387	SHAFT,PROPELLER,RR	1				M6	
		ME508385	SHAFT,PROPELLER,RR	1				G6	
		ME508387	SHAFT,PROPELLER,RR	1				H6,H6E	
		ME508385	SHAFT,PROPELLER,RR	1				J6E,K6,	
		ME508385	SHAFT,PROPELLER,RR	1				M6E	
		ME508385	SHAFT,PROPELLER,RR	1				G6V	
		ME508387	SHAFT,PROPELLER,RR	1				K6V,M6	
		ME508387	SHAFT,PROPELLER,RR	1				H6V,H6	
		ME508387	SHAFT,PROPELLER,RR	1				J6VE,K	
		31011A	ME508385	SHAFT,PROPELLER,RR	1				G6,G6V
			ME508384	SHAFT ASSY,PROPELLER,RR	1				G6E
	ME508386		SHAFT ASSY,PROPELLER,RR	1				M6	
	31090	ME508384	SHAFT ASSY,PROPELLER,RR	1				G6	
		ME508384	SHAFT ASSY,PROPELLER,RR	1				H6,H6E	
ME508386		SHAFT ASSY,PROPELLER,RR	1				J6E,K6,		
ME508386		SHAFT ASSY,PROPELLER,RR	1				M6E		
ME508384		SHAFT ASSY,PROPELLER,RR	1				G6V		
ME508386		SHAFT ASSY,PROPELLER,RR	1				K6V,M6		
		ME508386	SHAFT ASSY,PROPELLER,RR	1			H6V,H6		
		ME508384	SHAFT ASSY,PROPELLER,RR	1			J6VE,K		
		ME508384	SHAFT ASSY,PROPELLER,RR	1			G6,G6V		
		MF450407	WASHER,PROPELLER SHAFT	8		SPRING,12		G6,G6E	

Ref. |2025110

Page

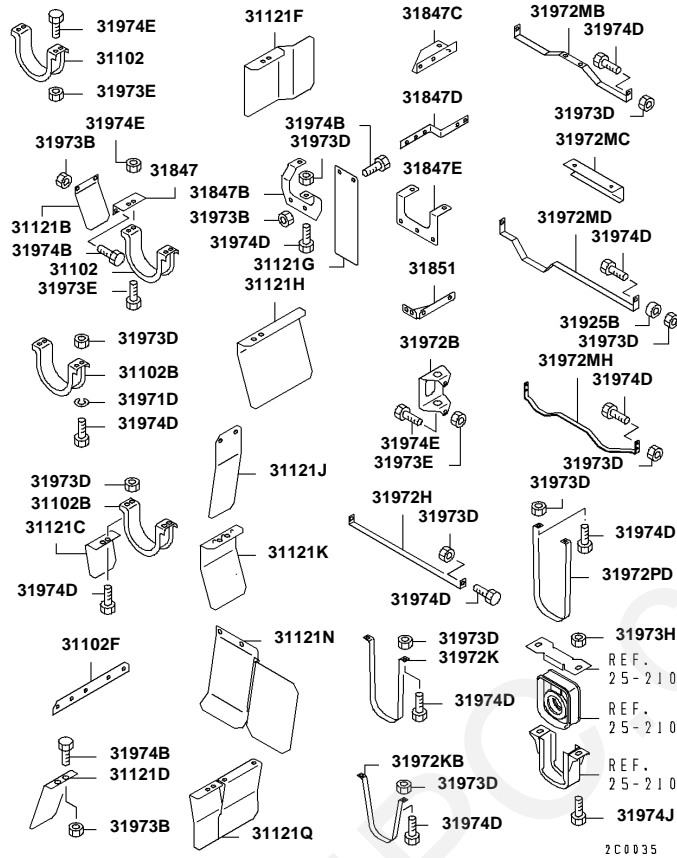
FK74R
25-110 REAR PROPELLER SHAFT

Repl Part	PNC	Part No	Part Name	Qty	Supply Mode	Part Spec	NEW1	Classi
	31092C	MC861506	SNAP RING,PROPELLER SHAFT	AR		T=2.50		G6,G6E H6,H6E H6VE,J J6V,J6V K6E,K6E M6,M6E
		MC861507	SNAP RING,PROPELLER SHAFT	AR		T=2.60		G6,G6E H6,H6E H6VE,J J6V,J6V K6E,K6E M6,M6E
	31096	MC861530	NUT,PROPELLER SHAFT	8		FLANGE,12		G6,G6E H6,H6E H6VE,J J6V,J6V K6E,K6E M6,M6E
	31097B	MF524022	NIPPLE,PROPELLER SHAFT	2		L-TYPE,D=10		G6,G6E H6,H6E H6VE,J J6V,J6V K6E,K6E M6,M6E
	31097C	MF524002	NIPPLE,PROPELLER SHAFT	1		STRAIGHT,D=10		G6,G6E H6,H6E H6VE,J J6V,J6V K6E,K6E M6,M6E
	31098	MC805164	CAP,PROPELLER SHAFT	1		61.5		G6,G6E H6,H6E H6VE,J J6V,J6V K6E,K6E M6,M6E
	31099	MK501617	BOLT,PROPELLER SHAFT	4		FLANGE,12X39		H6,H6E J6E,K6E M6,M6E
		MC802645	BOLT,PROPELLER SHAFT	4		FLANGE,12X34		H6,H6E J6E,K6E M6E
		MC802645	BOLT,PROPELLER SHAFT	4		FLANGE,12X34		G6,G6E H6V,H6V J6VE,K6E M6,M6V
		MC802645	BOLT,PROPELLER SHAFT	4		FLANGE,12X34		H6,H6E J6E,K6E M6E
		MC802645	BOLT,PROPELLER SHAFT	4		FLANGE,12X34		G6,G6E H6,H6E H6VE,J J6V,J6V K6E,K6E M6,M6E
		MC802645	BOLT,PROPELLER SHAFT	4		FLANGE,12X34		H6,H6E J6E,K6E M6E
		MC802645	BOLT,PROPELLER SHAFT	4		FLANGE,12X34		M6 G6,G6E H6V,H6V J6VE,K6E M6VE
		MC802645	BOLT,PROPELLER SHAFT	4		FLANGE,12X34		H6,H6E J6E,K6E M6E
		MC802645	BOLT,PROPELLER SHAFT	4		FLANGE,12X34		H6,H6E J6E,K6E M6E
RP		MC861518	BOLT,PROPELLER SHAFT	4	OR	FLANGE,12X34	Y	H6,H6E J6E,K6E M6E

FK74R
25-110 REAR PROPELLER SHAFT

Repl Part RP	PNC 31099	Part No MC861518	Part Name BOLT,PROPELLER SHAFT	Qty 4	Supply Mode OR	Part Spec FLANGE,12X34	NEW1 Y	Classi G6,G6E H6V,H6 J6VE,K M6,M6V H6,H6E J6E,K6, M6E G6,G6E H6,H6E H6VE,J J6V,J6V K6E,K6 M6,M6E H6,H6E J6E,K6, M6E M6 G6,G6E H6V,H6 J6VE,K M6VE H6,H6E J6E,K6, M6,M6E H6,H6E J6E,K6, M6E H6,H6E J6E,K6, M6E H6,H6E J6E,K6, M6E G6,G6E H6,H6E H6VE,J J6V,J6V K6E,K6 M6,M6E G6,G6E H6,H6E H6VE,J J6V,J6V K6E,K6 M6,M6E G6,G6E H6,H6E H6VE,J J6V,J6V K6E,K6 M6,M6E G6,G6E H6,H6E H6VE,J J6V,J6V K6E,K6 M6,M6E G6,G6E H6,H6E H6VE,J J6V,J6V K6E,K6 M6,M6E
RP		MC861518	BOLT,PROPELLER SHAFT	4	OR	FLANGE,12X34	Y	
RP		MC861518	BOLT,PROPELLER SHAFT	4	OR	FLANGE,12X34	Y	
RP		MC861518	BOLT,PROPELLER SHAFT	4	OR	FLANGE,12X34	Y	
RP		MC861518	BOLT,PROPELLER SHAFT	4	OR	FLANGE,12X34	Y	
RP		MC861518	BOLT,PROPELLER SHAFT	4	OR	FLANGE,12X34	Y	
RP		MC861518	BOLT,PROPELLER SHAFT	4	OR	FLANGE,12X34	Y	
RP		MC861518	BOLT,PROPELLER SHAFT	4	OR	FLANGE,12X34	Y	
RP		MC861518	BOLT,PROPELLER SHAFT	4	OR	FLANGE,12X34	Y	
		MK501617	BOLT,PROPELLER SHAFT	4		FLANGE,12X39		
	31129	MK501614	DAMPER,PROPELLER SHAFT DYNAMIC	1				
		MK501614	DAMPER,PROPELLER SHAFT DYNAMIC	1				
	31163	MC819117	PLUG,PROPELLER SHAFT	1				
	31810	MC994850	SPIDER KIT,PROPELLER SHAFT UNIVERSAL JOINT	2				
	31834C	MC805166	RETAINER,PROPELLER SHAFT SLEEVE YOKE	1				
	31837	MC805165	SEAL,PROPELLER SHAFT SLEEVE YOKE	1		CORK		
	31857	MC825612	YOKE,PROPELLER SHAFT FLANGE	2				
	31861	MC823474	YOKE,PROPELLER SHAFT SLEEVE	1				

**FK74R
No.1**



Ref. |2025510

Page

**FK74R
25-510 PROPELLER SHAFT PROTECTOR**

PNC	Part No	Part Name	Qty	Part Spec	Remarks	Classifi
31102B	MC861515	BRACKET,PROPELLER SHAFT CTR BEARING CASE	1			G6E
	MC861515	BRACKET,PROPELLER SHAFT CTR BEARING CASE	2			M6
	MC861515	BRACKET,PROPELLER SHAFT CTR BEARING CASE	1			G6,H6,H6E
	MC861515	BRACKET,PROPELLER SHAFT CTR BEARING CASE	2			J6,J6E,K6E,M6E
	MC861515	BRACKET,PROPELLER SHAFT CTR BEARING CASE	1			G6V,H6V
	MC861515	BRACKET,PROPELLER SHAFT CTR BEARING CASE	2			J6V,J6VE,K6VE,M6E
	MC861515	BRACKET,PROPELLER SHAFT CTR BEARING CASE	1			G6,G6V,H6E,H6V
	MC861515	BRACKET,PROPELLER SHAFT CTR BEARING CASE	2			J6,J6E,J6VE,K6VE,M6E
	MC411476	INSULATOR,PROPELLER SHAFT CTR BEARING BRACKET	1			G6E,M6
	MC411476	INSULATOR,PROPELLER SHAFT CTR BEARING BRACKET	1			G6,J6,J6E,K6,K6E,M6E
31121C	MC411476	INSULATOR,PROPELLER SHAFT CTR BEARING BRACKET	1			G6V,J6V,J6VE,K6V,K6VE
	MC411476	INSULATOR,PROPELLER SHAFT CTR BEARING BRACKET	1			G6,G6V,J6E,J6VE,K6,K6E,K6VE
31121F	MK609491	INSULATOR,PROPELLER SHAFT CTR BEARING BRACKET	1			J6,J6E,J6VE,K6,K6E,K6VE
31972KB	MC435867	GUARD,PROPELLER SHAFT PROTECTOR	1			G6,G6V,H6E,H6V,J6,J6E,J6VE,K6,K6E,K6VE,M6VE
31972MB	MK411346	GUARD,PROPELLER SHAFT PROTECTOR	1			G6,G6E
	MC057658	GUARD,PROPELLER SHAFT PROTECTOR	1		L=824	K6V,M6V
	MK570437	GUARD,PROPELLER SHAFT PROTECTOR	1		L=820	K6V,M6V
	MC057658	GUARD,PROPELLER SHAFT PROTECTOR	1		L=824	K6,K6E,K6VE,M6E

Ref. |2025510

Page

FK74R
25-510 PROPELLER SHAFT PROTECTOR

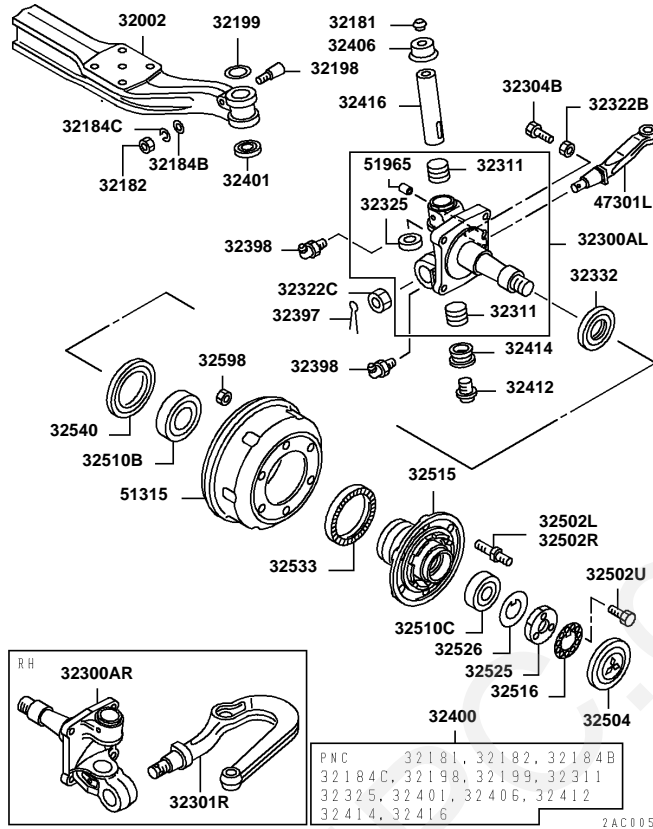
PNC	Part No	Part Name	Qty	Part Spec	Remarks	Classifi
31972MB	MC057658	GUARD,PROPELLER SHAFT PROTECTOR	1		L=824	G6,G6V,K K6E,K6V
	MC057658	GUARD,PROPELLER SHAFT PROTECTOR	1		L=824	G6,G6V
	MC057658	GUARD,PROPELLER SHAFT PROTECTOR	1		L=824	G6,G6V,K K6E,K6V
	MK570437	GUARD,PROPELLER SHAFT PROTECTOR	1		L=820	H6,H6E,H H6VE,J6, J6V,J6VE K6E,K6V
	MK570437	GUARD,PROPELLER SHAFT PROTECTOR	1		L=820	H6,H6E,H H6VE,J6, J6V,J6VE K6E,K6V
	MK570437	GUARD,PROPELLER SHAFT PROTECTOR	1		L=820	H6,H6E,H H6VE,J6, J6V,J6VE K6E,K6V
	MC057658	GUARD,PROPELLER SHAFT PROTECTOR	1		L=824	K6,K6E,K M6E
	MK651784	GUARD,PROPELLER SHAFT PROTECTOR	1			H6,H6E,H H6VE,J6, J6V,J6VE K6E,K6V
	MC057658	GUARD,PROPELLER SHAFT PROTECTOR	1		L=824	H6,H6E,H H6VE,J6, J6V,J6VE K6E,K6V
	MC057658	GUARD,PROPELLER SHAFT PROTECTOR	2		L=824	K6,K6E,K M6E
31973D	MF434105	NUT,PROPELLER SHAFT PROTECTOR	16	FLANGE,10	4T	G6,G6E,C H6,H6E,H H6VE,J6, J6V,J6VE K6E,K6V M6,M6E,M
31974D	MF101285	BOLT,PROPELLER SHAFT PROTECTOR	11	BOLT,10X25		G6,G6E,C H6,H6E,H H6VE,J6, J6V,J6VE K6E,K6V M6,M6E,M
	MF241284	BOLT,PROPELLER SHAFT PROTECTOR	4	WASHER ASSEMBLED,10X30		G6,G6E,C H6,H6E,H H6VE,J6, J6V,J6VE K6E,K6V M6,M6E,M
31974E	(N.e.c.)	BOLT,PROPELLER SHAFT PROTECTOR				
31973E	(N.e.c.)	NUT,PROPELLER SHAFT PROTECTOR				
31102	(N.e.c.)	BRACKET,PROPELLER SHAFT CTR BEARING CASE				
31972K	(N.e.c.)	GUARD,PROPELLER SHAFT PROTECTOR				
31971D	(N.e.c.)	WASHER,PROPELLER SHAFT PROTECTOR				
31972B	(N.e.c.)	GUARD,PROPELLER SHAFT PROTECTOR				
31974B	(N.e.c.)	BOLT,PROPELLER SHAFT PROTECTOR				
31121D	(N.e.c.)	INSULATOR,PROPELLER SHAFT CTR BEARING BRACKET				
31973B	(N.e.c.)	NUT,PROPELLER SHAFT PROTECTOR				
31973H	(N.e.c.)	NUT,PROPELLER SHAFT PROTECTOR				
31974J	(N.e.c.)	BOLT,PROPELLER SHAFT PROTECTOR				
31972PD	(N.e.c.)	GUARD,PROPELLER SHAFT PROTECTOR				
31972H	(N.e.c.)	GUARD,PROPELLER SHAFT PROTECTOR				
31972MC	(N.e.c.)	GUARD,PROPELLER SHAFT PROTECTOR				
31925B	(N.e.c.)	SPACER,PROPELLER SHAFT PROTECTOR				
31972MD	(N.e.c.)	GUARD,PROPELLER SHAFT PROTECTOR				
31121B	(N.e.c.)	INSULATOR,PROPELLER SHAFT CTR BEARING BRACKET				
31847	(N.e.c.)	STAY,PROPELLER SHAFT PROTECTOR				
31121G	(N.e.c.)	INSULATOR,PROPELLER SHAFT CTR BEARING BRACKET				
31121H	(N.e.c.)	INSULATOR,PROPELLER SHAFT CTR BEARING BRACKET				
31121J	(N.e.c.)	INSULATOR,PROPELLER SHAFT CTR BEARING BRACKET				
31121K	(N.e.c.)	INSULATOR,PROPELLER SHAFT CTR BEARING BRACKET				
31121N	(N.e.c.)	INSULATOR,PROPELLER SHAFT CTR BEARING BRACKET				
31121Q	(N.e.c.)	INSULATOR,PROPELLER SHAFT CTR BEARING BRACKET				
31847D	(N.e.c.)	STAY,PROPELLER SHAFT PROTECTOR				
31847B	(N.e.c.)	STAY,PROPELLER SHAFT PROTECTOR				
31847E	(N.e.c.)	STAY,PROPELLER SHAFT PROTECTOR				

FK74R
25-510 PROPELLER SHAFT PROTECTOR

PNC	Part No	Part Name	Qty	Part Spec	Remarks	Classifi
31851	(N.e.c.)					
31847C	(N.e.c.)	STAY,PROPELLER SHAFT PROTECTOR				
31102F	(N.e.c.)	BRACKET,PROPELLER SHAFT CTR BEARING CASE				
31972MH	(N.e.c.)	GUARD,PROPELLER SHAFT PROTECTOR				

www.AutoEPC.com

FK74R
No.1



Ref. |2026150

Page

FK74R
26-150 FRONT AXLE HUB & DRUM

SPN	Repl Part RP	PNC	Part No	Part Name	Qty	Supply Mode	Part Spec	Rem
		32002	MC891931	AXLE,FR	1			
	RP	32181	MB025122	PLUG,FR AXLE	2		RUBBER	
		32182	MF430006	NUT,FR AXLE	2		10	
		32184B	1402700801	WASHER,FR AXLE	2		PLAIN,11	
		32184C	MF450406	WASHER,FR AXLE	2		SPRING,10	

Ref. |2026150

Page

FK74R
26-150 FRONT AXLE HUB & DRUM

SPN	Repl Part	PNC	Part No	Part Name	Qty	Supply Mode	Part Spec	Rem
		32198	MK309829	SET BOLT,FR AXLE	2		10X31	
		32199	MC810264	THRUST WASHER,FR AXLE	AR		T=2.1	
			MC810265	THRUST WASHER,FR AXLE	AR		T=2.2	
			MC810266	THRUST WASHER,FR AXLE	AR		T=2.3	
			MC810267	THRUST WASHER,FR AXLE	AR		T=2.4	
			MC810268	THRUST WASHER,FR AXLE	AR		T=2.5	
			MC810269	THRUST WASHER,FR AXLE	AR		T=2.6	
			MC810270	THRUST WASHER,FR AXLE	AR		T=2.7	
			MC810271	THRUST WASHER,FR AXLE	AR		T=2.8	
		32300AL	MK385630	KNUCKLE ASSY,LH	1			
		32300AR	MK385631	KNUCKLE ASSY,RH	1			
		32301R	MK309083	ARM,KNUCKLE,RH	1			

FK74R
26-150 FRONT AXLE HUB & DRUM

SPN	Repl Part	PNC	Part No	Part Name	Qty	Supply Mode	Part Spec	Rem
		32301R	MK526255	ARM, KNUCKLE, RH	1			
		32304B	MC805520	BOLT, KNUCKLE	2		14X34.5	
		32311	MC828683	BUSHING, KNUCKLE	4		39X51.5	
		32322B	MH004072	NUT, KNUCKLE	2		FLANGE, 14	
	RP	32322C	MC880882	NUT, KNUCKLE	2		CASTLE, 27	
		32325	MH034124	OIL SEAL, KNUCKLE	2			
		32332	MC825092	RETAINER, KNUCKLE BEARING	2			
		32397	MF472103	PIN, KNUCKLE	2		SPLIT, 5X45	
		32398	MF524022	NIPPLE, KNUCKLE	4		L-TYPE, D=10	
		32400	MK996662	KINGPIN KIT	2			
		32401	MH041012	BEARING, KINGPIN	2		BALL	
		32406	MC807487	CAP, KINGPIN DUST	2			

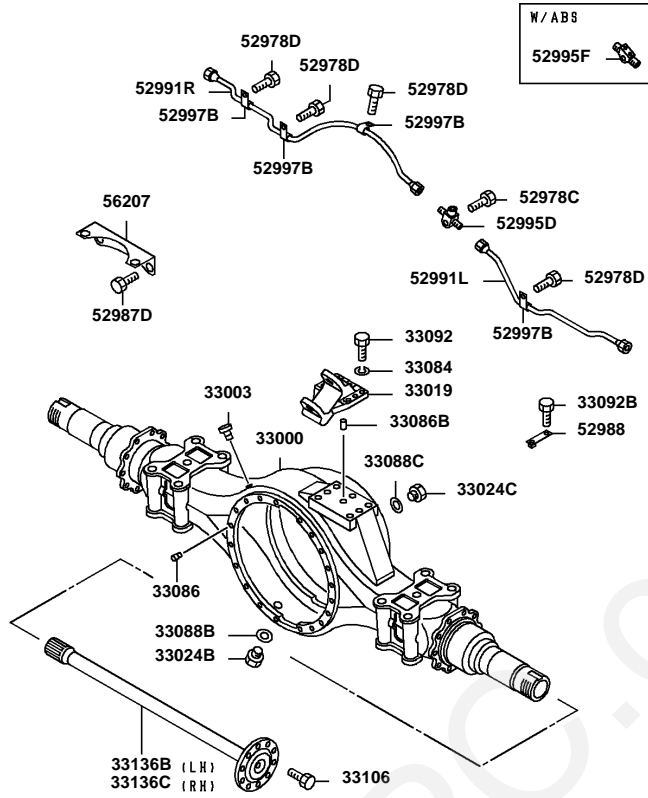
FK74R
26-150 FRONT AXLE HUB & DRUM

SPN	Repl Part	PNC	Part No	Part Name	Qty	Supply Mode	Part Spec	Rem
		32412	MC828931	COVER,KINGPIN,LWR	2			
		32414	MC828932	DUST SEAL,KINGPIN	2			
		32416	MC828684	KINGPIN	2			
SP		32502L	MC809259	BOLT,FR WHEEL HUB,LH	6			LH-TH
			MK525350	BOLT,FR WHEEL HUB,LH	6			LH-TH
SP		32502R	MC809260	BOLT,FR WHEEL HUB,RH	6			
			MK525351	BOLT,FR WHEEL HUB,RH	6			
		32502U	MH000608	BOLT,FR WHEEL HUB	6		WASHER ASSEMBLED,6X16	
	RP	32504	MC832308	CAP,FR WHEEL HUB	2			
			MK309059	CAP,FR WHEEL HUB	2	OR		
		32510B	MH043063	BEARING,FR WHEEL HUB	2		TAPER ROLLER	
		32510C	MH043142	BEARING,FR WHEEL HUB	2		TAPER ROLLER	
		32515	MC828982	HUB,FR WHEEL	2			

FK74R
26-150 FRONT AXLE HUB & DRUM

SPN	Repl Part	PNC	Part No	Part Name	Qty	Supply Mode	Part Spec	Rem
		32515	MK525357	HUB,FR WHEEL	2			
		32516	MC815473	RING,FR WHEEL HUB BEARING LOCK	2			
	RP	32525	MC869357	NUT,FR WHEEL HUB BEARING LOCK	2			
		32526	MC815472	PLATE,FR WHEEL HUB BEARING LOCK	2			
	RP	32533	MK328842	ROTOR,FR WHEEL HUB ABS	2			
	RP	32540	MH034091	OIL SEAL,FR WHEEL HUB	2			
SP		32598	MC814915	NUT,FR WHEEL HUB	12		22	
			MK309179	NUT,FR WHEEL HUB	12		22	
		47301L	MK309067	ARM,TIE ROD,LH	1			
SP		51315	MC837979	DRUM,FR BRAKE	2			
			MK528356	DRUM,FR BRAKE	2			
		51965	MC828896	HOLDER,FR BRAKE PICKUP SENSOR	2			

FK74R
No.1

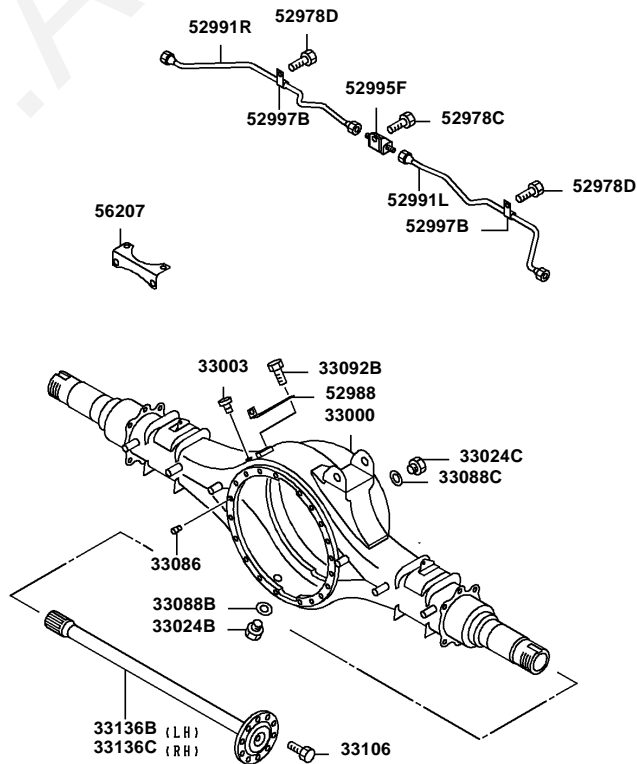


2G0150

Ref. |2027210

Page

FK74R
No.2



C00093

Ref. |2027210

Page

FK74R
27-210 REAR AXLE HOUSING

Repl Part	PNC	Part No	Part Name	Qty	Part Spec	NEW1	Classification
RP	33000	MK348350	HOUSING,RR AXLE	1			G6,G6E,H6, H6E,J6,J6E, K6,K6E,M6, M6E
		MK503224	HOUSING,RR AXLE	1		Y	G6,G6V,H6, H6E,H6V,H6VE, J6,J6E,J6V, J6VE,K6,K6E, K6V,K6VE,M6E, M6VE
		MK610084	HOUSING,RR AXLE	1			G6,G6V,H6, H6E,H6V,H6VE, J6,J6E,J6V, J6VE,K6,K6E, K6VE,M6E
	33003	MC891888	BREATHER,RR AXLE HOUSING	1			G6,G6E,G6V, H6,H6E,H6V, H6VE,J6,J6E, J6V,J6VE,K6, K6E,K6V,K6VE, M6,M6E,M6VE
	33019	MC827720	BRACKET,RR AXLE HOUSING LATERAL ROD	1			G6,G6E,H6, H6E,J6,J6E, K6,K6E,M6, M6E
	33024B	MF665007	PLUG,RR AXLE HOUSING	1	SCREW,20		G6,G6E,G6V, H6,H6E,H6V, H6VE,J6,J6E, J6V,J6VE,K6, K6E,K6V,K6VE, M6,M6E,M6VE
	33024C	MF665007	PLUG,RR AXLE HOUSING	1	SCREW,20		G6,G6E,G6V, H6,H6E,H6V, H6VE,J6,J6E, J6V,J6VE,K6, K6E,K6V,K6VE, M6,M6E,M6VE
	33084	MH005064	WASHER,RR AXLE HOUSING	6	PLAIN,15		G6,G6E,H6, H6E,J6,J6E, K6,K6E,M6, M6E
	33086	MC870039	PIN,RR AXLE HOUSING	2	DOWEL,12X23		G6,G6E,G6V, H6,H6E,H6V, H6VE,J6,J6E, J6V,J6VE,K6, K6E,K6V,K6VE, M6,M6E,M6VE
	33086B	MF472408	PIN,RR AXLE HOUSING	1	DOWEL,16X32		G6,G6E,H6, H6E,J6,J6E, K6,K6E,M6, M6E
	33088B	MF660068	GASKET,RR AXLE HOUSING	1	D=20		G6,G6E,G6V, H6,H6E,H6V, H6VE,J6,J6E, J6V,J6VE,K6, K6E,K6V,K6VE, M6,M6E,M6VE
	33088C	MF660068	GASKET,RR AXLE HOUSING	1	D=20		G6,G6E,G6V, H6,H6E,H6V, H6VE,J6,J6E, J6V,J6VE,K6, K6E,K6V,K6VE, M6,M6E,M6VE
	33092	MK348412	BOLT,RR AXLE HOUSING	6	14X40		G6,G6E,H6, H6E,J6,J6E, K6,K6E,M6, M6E
	33092B	MF241280	BOLT,RR AXLE HOUSING	1	WASHER ASSEMBLED,10X20		G6,G6E,H6, H6E,J6,J6E, K6,K6E,M6, M6E

FK74R
27-210 REAR AXLE HOUSING

Repl Part	PNC	Part No	Part Name	Qty	Part Spec	NEW1	Classification
	33092B	MF241278	BOLT,RR AXLE HOUSING	2	WASHER ASSEMBLED,10X16		G6,G6V,H6, H6E,H6V,H6VE, J6,J6E,J6V, J6VE,K6,K6E, K6V,K6VE,M6E, M6VE
	33106	MH001534	BOLT,RR AXLE SHAFT	20	FLANGE,12X39		G6,G6E,G6V, H6,H6E,H6V, H6VE,J6,J6E, J6V,J6VE,K6, K6E,K6V,K6VE, M6,M6E,M6VE
	33136B	ME506930	SHAFT,RR AXLE	1			G6E,K6V,M6, M6VE
		ME506930	SHAFT,RR AXLE	1			G6,H6,H6E, J6,J6E
		ME506930	SHAFT,RR AXLE	1			G6,G6E,G6V, H6,H6E,H6V, H6VE,J6,J6E, J6V,J6VE,K6, K6E,K6V,K6VE, M6,M6E,M6VE
		ME506930	SHAFT,RR AXLE	1			G6,G6E,G6V, H6,H6E,H6V, H6VE,J6,J6E, J6V,J6VE,K6, K6E,K6V,K6VE, M6,M6E,M6VE
		ME506930	SHAFT,RR AXLE	1			G6,G6E,G6V, H6,H6E,H6V, H6VE,J6,J6E, J6V,J6VE,K6, K6E,K6V,K6VE, M6,M6E,M6VE
		ME506930	SHAFT,RR AXLE	1			K6,K6E,M6E
		ME506930	SHAFT,RR AXLE	1			G6V,H6V,H6VE, J6V,J6VE,K6VE
		ME506930	SHAFT,RR AXLE	1			G6,G6V,H6, H6E,H6V,H6VE, J6,J6E,J6V, J6VE,K6,K6E, K6VE,M6E
		ME506937	SHAFT,RR AXLE	1			G6,G6V,H6, H6E,H6V,H6VE, J6,J6E,J6V, J6VE,K6,K6E, K6VE,M6E
		ME506930	SHAFT,RR AXLE	1			G6,H6,H6E, J6,J6E,K6, K6E,M6E
		ME506930	SHAFT,RR AXLE	1			G6,H6,H6E, J6,J6E
	33136C	ME506930	SHAFT,RR AXLE	1			G6E,K6V,M6, M6VE
		ME506930	SHAFT,RR AXLE	1			G6,H6,H6E, J6,J6E
		ME506930	SHAFT,RR AXLE	1			G6,G6E,G6V, H6,H6E,H6V, H6VE,J6,J6E, J6V,J6VE,K6, K6E,K6V,K6VE, M6,M6E,M6VE
		ME506930	SHAFT,RR AXLE	1			G6,G6E,G6V, H6,H6E,H6V, H6VE,J6,J6E, J6V,J6VE,K6, K6E,K6V,K6VE, M6,M6E,M6VE
		ME506930	SHAFT,RR AXLE	1			K6,K6E,M6E
		ME506930	SHAFT,RR AXLE	1			G6V,H6V,H6VE, J6V,J6VE,K6VE
		ME506930	SHAFT,RR AXLE	1			G6,G6V,H6, H6E,H6V,H6VE, J6,J6E,J6V, J6VE,K6,K6E, K6VE,M6E

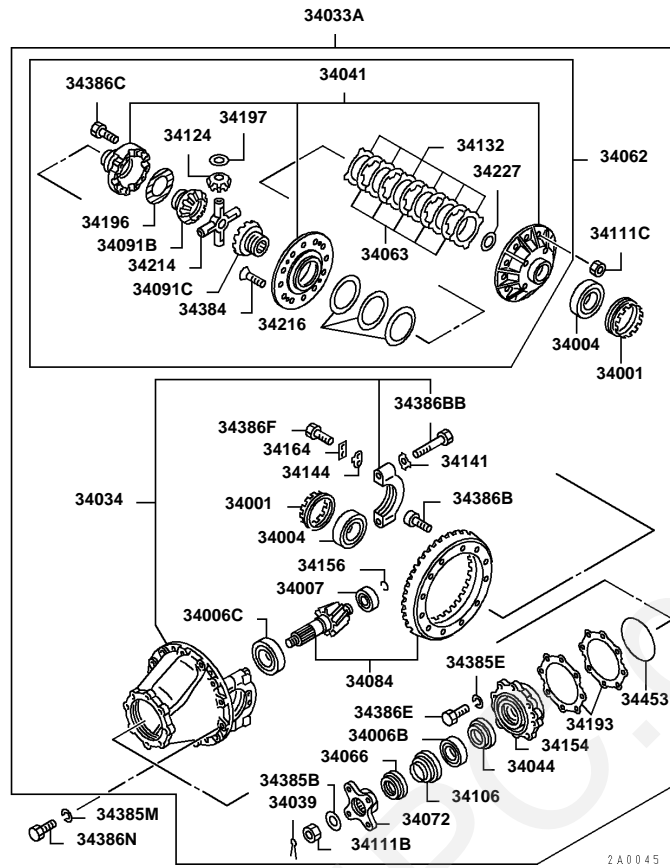
FK74R
27-210 REAR AXLE HOUSING

Repl Part	PNC	Part No	Part Name	Qty	Part Spec	NEW1	Classification
	33136C	ME506937	SHAFT,RR AXLE	1			G6,G6V,H6, H6E,H6V,H6VE, J6,J6E,J6V, J6VE,K6,K6E, K6VE,M6E
		ME506930	SHAFT,RR AXLE	1			G6,H6,H6E, J6,J6E,K6, K6E,M6E
		ME506930	SHAFT,RR AXLE	1			G6,H6,H6E, J6,J6E
	52978C	MF241257	BOLT,RR AXLE BRAKE TUBE	1	WASHER ASSEMBLED,8X30		G6,G6E,H6, H6E,J6,J6E, K6,K6E,M6, M6E
		MF241255	BOLT,RR AXLE BRAKE TUBE	1	WASHER ASSEMBLED,8X25		G6,G6V,H6, H6E,H6V,H6VE, J6,J6E,J6V, J6VE,K6,K6E, K6V,K6VE,M6E, M6VE
	52978D	MH001244	BOLT,RR AXLE BRAKE TUBE	3	WASHER ASSEMBLED,10X16		G6,G6E,H6, H6E,J6,J6E, K6,K6E,M6, M6E
		MH001244	BOLT,RR AXLE BRAKE TUBE	2	WASHER ASSEMBLED,10X16		G6,G6V,H6, H6E,H6V,H6VE, J6,J6E,J6V, J6VE,K6,K6E, K6V,K6VE,M6E, M6VE
	52988	MK325330	STAY,RR AXLE BRAKE TUBE	1			G6,G6E,H6, H6E,J6,J6E, K6,K6E,M6, M6E
		MK448857	STAY,RR AXLE BRAKE TUBE	1			G6,G6V,H6, H6E,H6V,H6VE, J6,J6E,J6V, J6VE,K6,K6E, K6V,K6VE,M6E, M6VE
	52991L	MK348185	TUBE,RR AXLE BRAKE,LH	1	4		G6,G6E,H6, H6E,J6,J6E, K6,K6E,M6, M6E
		MK500511	TUBE,RR AXLE BRAKE,LH	1	4.76		G6,G6V,H6, H6E,H6V,H6VE, J6,J6E,J6V, J6VE,K6,K6E, K6V,K6VE,M6E, M6VE
		MK611131	TUBE,RR AXLE BRAKE,LH	1	4		G6,G6V,H6, H6E,H6V,H6VE, J6,J6E,J6V, J6VE,K6,K6E, K6VE,M6E
	52991R	MK348186	TUBE,RR AXLE BRAKE,RH	1	4		G6,G6E,H6, H6E,J6,J6E, K6,K6E,M6, M6E
		MK500512	TUBE,RR AXLE BRAKE,RH	1	4.76		G6,G6V,H6, H6E,H6V,H6VE, J6,J6E,J6V, J6VE,K6,K6E, K6V,K6VE,M6E, M6VE
		MK611132	TUBE,RR AXLE BRAKE,RH	1	4		G6,G6V,H6, H6E,H6V,H6VE, J6,J6E,J6V, J6VE,K6,K6E, K6VE,M6E

FK74R
27-210 REAR AXLE HOUSING

Repl Part	PNC	Part No	Part Name	Qty	Part Spec	NEW1	Classification
	52995F	MK325400	JOINT,RR AXLE BRAKE TUBE	1			G6,G6E,H6, H6E,J6,J6E, K6,K6E,M6, M6E
		MH039660	JOINT,RR AXLE BRAKE TUBE	1			G6,G6V,H6, H6E,H6V,H6VE, J6,J6E,J6V, J6VE,K6,K6E, K6V,K6VE,M6E, M6VE
	52997B	MH020451	CLIP,RR AXLE BRAKE TUBE	3	D=4.8		G6,G6E,H6, H6E,J6,J6E, K6,K6E,M6, M6E
		MH020451	CLIP,RR AXLE BRAKE TUBE	2	D=4.8		G6,G6V,H6, H6E,H6V,H6VE, J6,J6E,J6V, J6VE,K6,K6E, K6V,K6VE,M6E, M6VE
	56207	MK503588	BRACKET,RR AXLE BRAKE HOSE JOINT	1			G6,G6V,H6, H6E,H6V,H6VE, J6,J6E,J6V, J6VE,K6,K6E, K6V,K6VE,M6E, M6VE
	52995D	(N.e.c.)	JOINT,RR AXLE BRAKE TUBE				
	52987D	(N.e.c.)	WASHER,RR AXLE BRAKE TUBE				

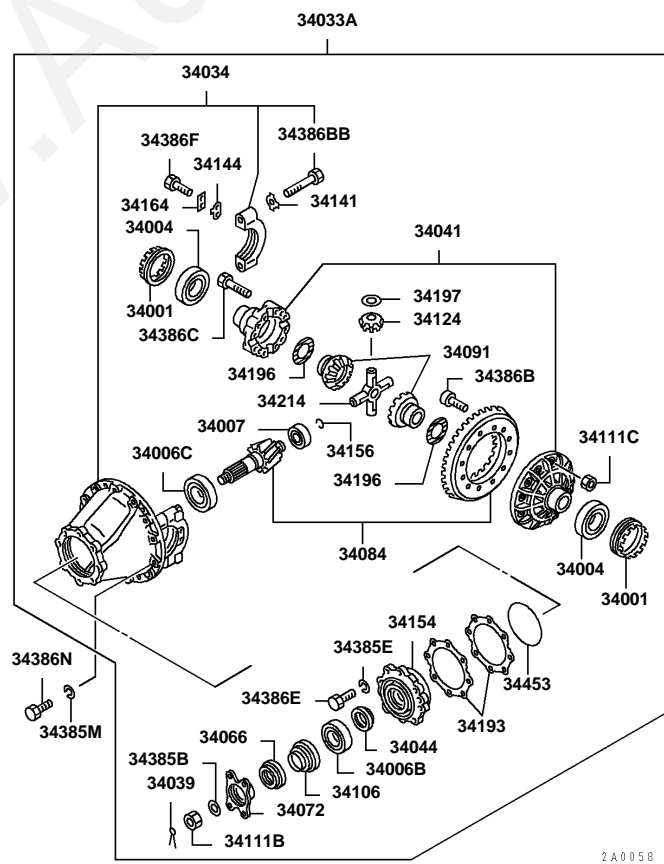
FK74R
No.1



Ref. |2027220

Page

FK74R
No.2



Ref. |2027220

Page

FK74R
27-220 REAR AXLE DIFFERENTIAL

SPN	Repl Part	PNC	Part No	Part Name	Qty	Supply Mode	Part Spec	Re
		34001	MC803398	ADJUSTER,RR DIFF BEARING	2			
		34004	MH043155	BEARING,RR DIFF CASE	2		TAPER ROLLER	
		34006B	MH043006	BEARING,RR DIFF REDUCTION PINION	1		TAPER ROLLER	
			MH043006	BEARING,RR DIFF REDUCTION PINION	1		TAPER ROLLER	
			MH043006	BEARING,RR DIFF REDUCTION PINION	1		TAPER ROLLER	
			MH043006	BEARING,RR DIFF REDUCTION PINION	1		TAPER ROLLER	
			MH043006	BEARING,RR DIFF REDUCTION PINION	1		TAPER ROLLER	
			MH043006	BEARING,RR DIFF REDUCTION PINION	1		TAPER ROLLER	
			MH043006	BEARING,RR DIFF REDUCTION PINION	1		TAPER ROLLER	
SP			MH043007	BEARING,RR DIFF REDUCTION PINION	1		TAPER ROLLER	
			MH043006	BEARING,RR DIFF REDUCTION PINION	1		TAPER ROLLER	
			MH043006	BEARING,RR DIFF REDUCTION PINION	1		TAPER ROLLER	
		34006C	MH043087	BEARING,RR DIFF REDUCTION PINION	1		TAPER ROLLER	
		34007	MH042039	BEARING,RR DIFF REDUCTION PINION PILOT	1		ROLLER	
		34033A	MC864102	CARRIER ASSY,RR DIFF	1		RF=4.875	DC
			MC074811	CARRIER ASSY,RR DIFF	1		RF=4.875	DC
	RP		MC864104	CARRIER ASSY,RR DIFF	1		RF=4.625	DC

FK74R
27-220 REAR AXLE DIFFERENTIAL

SPN	Repl Part	PNC	Part No	Part Name	Qty	Supply Mode	Part Spec	Re
		34033A	MC864103	CARRIER ASSY,RR DIFF	1		RF=5.428	DC
			MC893477	CARRIER ASSY,RR DIFF	1		RF=4.875	DC
			MC864102	CARRIER ASSY,RR DIFF	1		RF=4.875	DC
			MC074811	CARRIER ASSY,RR DIFF	1		RF=4.875	DC
	RP		MC864104	CARRIER ASSY,RR DIFF	1		RF=4.625	DC
			MC836469	CARRIER ASSY,RR DIFF	1		RF=5.428	DC
		34034	MC870617	CARRIER KIT,RR DIFF	1			
			MC870617	CARRIER KIT,RR DIFF	1			
			MC870617	CARRIER KIT,RR DIFF	1			
			MC870617	CARRIER KIT,RR DIFF	1			
			MC870617	CARRIER KIT,RR DIFF	1			
			MC870617	CARRIER KIT,RR DIFF	1			
			MC870617	CARRIER KIT,RR DIFF	1			
			MC870617	CARRIER KIT,RR DIFF	1			
			MC870617	CARRIER KIT,RR DIFF	1			
			MC834671	CARRIER KIT,RR DIFF	1			
			MC870617	CARRIER KIT,RR DIFF	1			
			MC870617	CARRIER KIT,RR DIFF	1			
		34039	MF472102	PIN,RR DIFF	1		SPLIT,5X40	
		34041	MC836476	CASE SET,RR DIFF	1			
			MC868878	CASE SET,RR DIFF	1			

FK74R
27-220 REAR AXLE DIFFERENTIAL

SPN	Repl Part	PNC 34044	Part No	Part Name	Qty	Supply Mode	Part Spec	Re
			MC866625	COLLAR,RR DIFF	AR		T=15.875	
			MC866625	COLLAR,RR DIFF	AR		T=15.875	
			MC866625	COLLAR,RR DIFF	AR		T=15.875	
			MC866626	COLLAR,RR DIFF	AR		T=15.900	
			MC866626	COLLAR,RR DIFF	AR		T=15.900	
			MC866626	COLLAR,RR DIFF	AR		T=15.900	
			MC866626	COLLAR,RR DIFF	AR		T=15.900	
			MC866626	COLLAR,RR DIFF	AR		T=15.900	
			MC866626	COLLAR,RR DIFF	AR		T=15.900	
			MC866626	COLLAR,RR DIFF	AR		T=15.900	
			MC866627	COLLAR,RR DIFF	AR		T=15.925	
			MC866627	COLLAR,RR DIFF	AR		T=15.925	
			MC866627	COLLAR,RR DIFF	AR		T=15.925	
			MC866627	COLLAR,RR DIFF	AR		T=15.925	
			MC866627	COLLAR,RR DIFF	AR		T=15.925	
			MC866628	COLLAR,RR DIFF	AR		T=15.950	
			MC866628	COLLAR,RR DIFF	AR		T=15.950	
			MC866628	COLLAR,RR DIFF	AR		T=15.950	
			MC866628	COLLAR,RR DIFF	AR		T=15.950	
			MC866628	COLLAR,RR DIFF	AR		T=15.950	
			MC866628	COLLAR,RR DIFF	AR		T=15.950	
			MC866629	COLLAR,RR DIFF	AR		T=15.975	

FK74R
27-220 REAR AXLE DIFFERENTIAL

SPN	Repl Part	PNC 34044	Part No	Part Name	Qty	Supply Mode	Part Spec	Re
			MC866629	COLLAR,RR DIFF	AR		T=15.975	
			MC866629	COLLAR,RR DIFF	AR		T=15.975	
			MC866629	COLLAR,RR DIFF	AR		T=15.975	
			MC866629	COLLAR,RR DIFF	AR		T=15.975	
			MC866629	COLLAR,RR DIFF	AR		T=15.975	
			MC866630	COLLAR,RR DIFF	AR		T=16.000	
			MC866630	COLLAR,RR DIFF	AR		T=16.000	
			MC866630	COLLAR,RR DIFF	AR		T=16.000	
			MC866630	COLLAR,RR DIFF	AR		T=16.000	
			MC866630	COLLAR,RR DIFF	AR		T=16.000	
			MC866630	COLLAR,RR DIFF	AR		T=16.000	
			MC866630	COLLAR,RR DIFF	AR		T=16.000	
			MC866631	COLLAR,RR DIFF	AR		T=16.025	
			MC866631	COLLAR,RR DIFF	AR		T=16.025	
			MC866631	COLLAR,RR DIFF	AR		T=16.025	
			MC866631	COLLAR,RR DIFF	AR		T=16.025	
			MC866631	COLLAR,RR DIFF	AR		T=16.025	
			MC866631	COLLAR,RR DIFF	AR		T=16.025	
			MC866632	COLLAR,RR DIFF	AR		T=16.050	
			MC866632	COLLAR,RR DIFF	AR		T=16.050	
			MC866632	COLLAR,RR DIFF	AR		T=16.050	
			MC866632	COLLAR,RR DIFF	AR		T=16.050	
			MC866632	COLLAR,RR DIFF	AR		T=16.050	
			MC866632	COLLAR,RR DIFF	AR		T=16.050	

FK74R
27-220 REAR AXLE DIFFERENTIAL

SPN	Repl Part	PNC	Part No	Part Name	Qty	Supply Mode	Part Spec	Re
		34044	MC866632	COLLAR,RR DIFF	AR		T=16.050	
			MC866633	COLLAR,RR DIFF	AR		T=16.075	
			MC866633	COLLAR,RR DIFF	AR		T=16.075	
			MC866633	COLLAR,RR DIFF	AR		T=16.075	
			MC866633	COLLAR,RR DIFF	AR		T=16.075	
			MC866633	COLLAR,RR DIFF	AR		T=16.075	
			MC866633	COLLAR,RR DIFF	AR		T=16.075	
			MC866633	COLLAR,RR DIFF	AR		T=16.075	
			MC866633	COLLAR,RR DIFF	AR		T=16.075	
			MC866634	COLLAR,RR DIFF	AR		T=16.100	
			MC866634	COLLAR,RR DIFF	AR		T=16.100	
			MC866634	COLLAR,RR DIFF	AR		T=16.100	
			MC866634	COLLAR,RR DIFF	AR		T=16.100	
			MC866634	COLLAR,RR DIFF	AR		T=16.100	
			MC866634	COLLAR,RR DIFF	AR		T=16.100	
			MC866634	COLLAR,RR DIFF	AR		T=16.100	
			MC866634	COLLAR,RR DIFF	AR		T=16.100	
			MC866635	COLLAR,RR DIFF	AR		T=16.125	
			MC866635	COLLAR,RR DIFF	AR		T=16.125	
			MC866635	COLLAR,RR DIFF	AR		T=16.125	
			MC866635	COLLAR,RR DIFF	AR		T=16.125	
			MC866635	COLLAR,RR DIFF	AR		T=16.125	
			MC866635	COLLAR,RR DIFF	AR		T=16.125	
			MC866635	COLLAR,RR DIFF	AR		T=16.125	
			MC866636	COLLAR,RR DIFF	AR		T=16.150	
			MC866636	COLLAR,RR DIFF	AR		T=16.150	
			MC866636	COLLAR,RR DIFF	AR		T=16.150	

FK74R
27-220 REAR AXLE DIFFERENTIAL

SPN	Repl Part	PNC	Part No	Part Name	Qty	Supply Mode	Part Spec	Re
		34044	MC866636	COLLAR,RR DIFF	AR		T=16.150	
			MC866636	COLLAR,RR DIFF	AR		T=16.150	
			MC866636	COLLAR,RR DIFF	AR		T=16.150	
			MC866637	COLLAR,RR DIFF	AR		T=16.175	
			MC866637	COLLAR,RR DIFF	AR		T=16.175	
			MC866637	COLLAR,RR DIFF	AR		T=16.175	
			MC866637	COLLAR,RR DIFF	AR		T=16.175	
			MC866637	COLLAR,RR DIFF	AR		T=16.175	
			MC866637	COLLAR,RR DIFF	AR		T=16.175	
			MC866637	COLLAR,RR DIFF	AR		T=16.175	
			MC866637	COLLAR,RR DIFF	AR		T=16.175	
			MC866638	COLLAR,RR DIFF	AR		T=16.200	
			MC866638	COLLAR,RR DIFF	AR		T=16.200	
			MC866638	COLLAR,RR DIFF	AR		T=16.200	
			MC866638	COLLAR,RR DIFF	AR		T=16.200	
			MC866638	COLLAR,RR DIFF	AR		T=16.200	
			MC866638	COLLAR,RR DIFF	AR		T=16.200	
			MC866638	COLLAR,RR DIFF	AR		T=16.200	
			MC866638	COLLAR,RR DIFF	AR		T=16.200	
			MC866639	COLLAR,RR DIFF	AR		T=16.225	
			MC866639	COLLAR,RR DIFF	AR		T=16.225	
			MC866639	COLLAR,RR DIFF	AR		T=16.225	
			MC866639	COLLAR,RR DIFF	AR		T=16.225	
			MC866639	COLLAR,RR DIFF	AR		T=16.225	
			MC866639	COLLAR,RR DIFF	AR		T=16.225	
			MC866639	COLLAR,RR DIFF	AR		T=16.225	
			MC866640	COLLAR,RR DIFF	AR		T=16.250	
			MC866640	COLLAR,RR DIFF	AR		T=16.250	
			MC866640	COLLAR,RR DIFF	AR		T=16.250	
			MC866640	COLLAR,RR DIFF	AR		T=16.250	

FK74R
27-220 REAR AXLE DIFFERENTIAL

SPN	Repl Part	PNC 34044	Part No	Part Name	Qty	Supply Mode	Part Spec	Re
			MC866640	COLLAR,RR DIFF	AR		T=16.250	
			MC866640	COLLAR,RR DIFF	AR		T=16.250	
			MC866640	COLLAR,RR DIFF	AR		T=16.250	
			MC866641	COLLAR,RR DIFF	AR		T=16.275	
			MC866641	COLLAR,RR DIFF	AR		T=16.275	
			MC866641	COLLAR,RR DIFF	AR		T=16.275	
			MC866641	COLLAR,RR DIFF	AR		T=16.275	
			MC866641	COLLAR,RR DIFF	AR		T=16.275	
			MC866641	COLLAR,RR DIFF	AR		T=16.275	
			MC866642	COLLAR,RR DIFF	AR		T=16.300	
			MC866642	COLLAR,RR DIFF	AR		T=16.300	
			MC866642	COLLAR,RR DIFF	AR		T=16.300	
			MC866642	COLLAR,RR DIFF	AR		T=16.300	
			MC866642	COLLAR,RR DIFF	AR		T=16.300	
			MC866642	COLLAR,RR DIFF	AR		T=16.300	
			MC866643	COLLAR,RR DIFF	AR		T=16.325	
			MC866643	COLLAR,RR DIFF	AR		T=16.325	
			MC866643	COLLAR,RR DIFF	AR		T=16.325	
			MC866643	COLLAR,RR DIFF	AR		T=16.325	
			MC866643	COLLAR,RR DIFF	AR		T=16.325	
			MC866644	COLLAR,RR DIFF	AR		T=16.350	

FK74R
27-220 REAR AXLE DIFFERENTIAL

SPN	Repl Part	PNC 34044	Part No	Part Name	Qty	Supply Mode	Part Spec	Re
			MC866644	COLLAR,RR DIFF	AR		T=16.350	
			MC866644	COLLAR,RR DIFF	AR		T=16.350	
			MC866644	COLLAR,RR DIFF	AR		T=16.350	
			MC866644	COLLAR,RR DIFF	AR		T=16.350	
			MC866644	COLLAR,RR DIFF	AR		T=16.350	
			MC866645	COLLAR,RR DIFF	AR		T=16.375	
			MC866645	COLLAR,RR DIFF	AR		T=16.375	
			MC866645	COLLAR,RR DIFF	AR		T=16.375	
			MC866645	COLLAR,RR DIFF	AR		T=16.375	
			MC866645	COLLAR,RR DIFF	AR		T=16.375	
			MC866645	COLLAR,RR DIFF	AR		T=16.375	
			MC866645	COLLAR,RR DIFF	AR		T=16.375	
			MC866646	COLLAR,RR DIFF	AR		T=16.400	
			MC866646	COLLAR,RR DIFF	AR		T=16.400	
			MC866646	COLLAR,RR DIFF	AR		T=16.400	
			MC866646	COLLAR,RR DIFF	AR		T=16.400	
			MC866646	COLLAR,RR DIFF	AR		T=16.400	
			MC866647	COLLAR,RR DIFF	AR		T=16.425	
			MC866647	COLLAR,RR DIFF	AR		T=16.425	
			MC866647	COLLAR,RR DIFF	AR		T=16.425	
			MC866647	COLLAR,RR DIFF	AR		T=16.425	
			MC866647	COLLAR,RR DIFF	AR		T=16.425	

FK74R
27-220 REAR AXLE DIFFERENTIAL

SPN	Repl Part	PNC 34044	Part No	Part Name	Qty	Supply Mode	Part Spec	Re
			MC866647	COLLAR,RR DIFF	AR		T=16.425	
			MC866648	COLLAR,RR DIFF	AR		T=16.450	
			MC866648	COLLAR,RR DIFF	AR		T=16.450	
			MC866648	COLLAR,RR DIFF	AR		T=16.450	
			MC866648	COLLAR,RR DIFF	AR		T=16.450	
			MC866648	COLLAR,RR DIFF	AR		T=16.450	
			MC866648	COLLAR,RR DIFF	AR		T=16.450	
			MC866649	COLLAR,RR DIFF	AR		T=16.475	
			MC866649	COLLAR,RR DIFF	AR		T=16.475	
			MC866649	COLLAR,RR DIFF	AR		T=16.475	
			MC866649	COLLAR,RR DIFF	AR		T=16.475	
			MC866649	COLLAR,RR DIFF	AR		T=16.475	
			MC866649	COLLAR,RR DIFF	AR		T=16.475	
			MC866649	COLLAR,RR DIFF	AR		T=16.475	
			MC866649	COLLAR,RR DIFF	AR		T=16.475	
			MC866625	COLLAR,RR DIFF	AR		T=15.875	
			MC866626	COLLAR,RR DIFF	AR		T=15.900	
			MC866627	COLLAR,RR DIFF	AR		T=15.925	
			MC866628	COLLAR,RR DIFF	AR		T=15.950	
			MC866629	COLLAR,RR DIFF	AR		T=15.975	
			MC866630	COLLAR,RR DIFF	AR		T=16.000	

FK74R
27-220 REAR AXLE DIFFERENTIAL

SPN	Repl Part	PNC 34044	Part No	Part Name	Qty	Supply Mode	Part Spec	Re
			MC866631	COLLAR,RR DIFF	AR		T=16.025	
			MC866632	COLLAR,RR DIFF	AR		T=16.050	
			MC866633	COLLAR,RR DIFF	AR		T=16.075	
			MC866634	COLLAR,RR DIFF	AR		T=16.100	
			MC866635	COLLAR,RR DIFF	AR		T=16.125	
			MC866636	COLLAR,RR DIFF	AR		T=16.150	
			MC866637	COLLAR,RR DIFF	AR		T=16.175	
			MC866638	COLLAR,RR DIFF	AR		T=16.200	
			MC866639	COLLAR,RR DIFF	AR		T=16.225	
			MC866640	COLLAR,RR DIFF	AR		T=16.250	
			MC866641	COLLAR,RR DIFF	AR		T=16.275	
			MC866642	COLLAR,RR DIFF	AR		T=16.300	
			MC866643	COLLAR,RR DIFF	AR		T=16.325	
			MC866644	COLLAR,RR DIFF	AR		T=16.350	

FK74R
27-220 REAR AXLE DIFFERENTIAL

SPN	Repl Part	PNC 34044	Part No	Part Name	Qty	Supply Mode	Part Spec	Re
			MC866645	COLLAR,RR DIFF	AR		T=16.375	
			MC866646	COLLAR,RR DIFF	AR		T=16.400	
			MC866647	COLLAR,RR DIFF	AR		T=16.425	
			MC866648	COLLAR,RR DIFF	AR		T=16.450	
			MC866649	COLLAR,RR DIFF	AR		T=16.475	
			MK502256	COLLAR,RR DIFF	AR		T=13.875	
			MK502257	COLLAR,RR DIFF	AR		T=13.900	
			MK502258	COLLAR,RR DIFF	AR		T=13.925	
			MK502259	COLLAR,RR DIFF	AR		T=13.950	
			MK502260	COLLAR,RR DIFF	AR		T=13.975	
			MK502261	COLLAR,RR DIFF	AR		T=14.000	
			MK502262	COLLAR,RR DIFF	AR		T=14.025	
			MK502263	COLLAR,RR DIFF	AR		T=14.050	
			MK502264	COLLAR,RR DIFF	AR		T=14.075	

FK74R
27-220 REAR AXLE DIFFERENTIAL

SPN	Repl Part	PNC 34044	Part No	Part Name	Qty	Supply Mode	Part Spec	Re
			MK502265	COLLAR,RR DIFF	AR		T=14.100	
			MK502266	COLLAR,RR DIFF	AR		T=14.125	
			MK502267	COLLAR,RR DIFF	AR		T=14.150	
			MK502268	COLLAR,RR DIFF	AR		T=14.175	
			MK502269	COLLAR,RR DIFF	AR		T=14.200	
			MK502270	COLLAR,RR DIFF	AR		T=14.225	
			MK502271	COLLAR,RR DIFF	AR		T=14.250	
			MK502272	COLLAR,RR DIFF	AR		T=14.275	
			MK502273	COLLAR,RR DIFF	AR		T=14.300	
			MK502274	COLLAR,RR DIFF	AR		T=14.325	
			MK502275	COLLAR,RR DIFF	AR		T=14.350	
			MK502276	COLLAR,RR DIFF	AR		T=14.375	
			MK502277	COLLAR,RR DIFF	AR		T=14.400	
			MK502278	COLLAR,RR DIFF	AR		T=14.425	

FK74R
27-220 REAR AXLE DIFFERENTIAL

SPN	Repl Part	PNC 34044	Part No	Part Name	Qty	Supply Mode	Part Spec	Re
			MK502279	COLLAR,RR DIFF	AR		T=14.450	
			MK502280	COLLAR,RR DIFF	AR		T=14,475	
			MC866625	COLLAR,RR DIFF	AR		T=15.875	
			MC866626	COLLAR,RR DIFF	AR		T=15.900	
			MC866627	COLLAR,RR DIFF	AR		T=15.925	
			MC866628	COLLAR,RR DIFF	AR		T=15.950	
			MC866629	COLLAR,RR DIFF	AR		T=15.975	
			MC866630	COLLAR,RR DIFF	AR		T=16.000	
			MC866631	COLLAR,RR DIFF	AR		T=16.025	
			MC866632	COLLAR,RR DIFF	AR		T=16.050	
			MC866633	COLLAR,RR DIFF	AR		T=16.075	
			MC866634	COLLAR,RR DIFF	AR		T=16.100	
			MC866635	COLLAR,RR DIFF	AR		T=16.125	
			MC866636	COLLAR,RR DIFF	AR		T=16.150	
			MC866637	COLLAR,RR DIFF	AR		T=16.175	
			MC866638	COLLAR,RR DIFF	AR		T=16.200	
			MC866639	COLLAR,RR DIFF	AR		T=16.225	
			MC866640	COLLAR,RR DIFF	AR		T=16.250	
			MC866641	COLLAR,RR DIFF	AR		T=16.275	
			MC866642	COLLAR,RR DIFF	AR		T=16.300	
			MC866643	COLLAR,RR DIFF	AR		T=16.325	
			MC866644	COLLAR,RR DIFF	AR		T=16.350	
			MC866645	COLLAR,RR DIFF	AR		T=16.375	

FK74R
27-220 REAR AXLE DIFFERENTIAL

SPN	Repl Part	PNC	Part No	Part Name	Qty	Supply Mode	Part Spec	Re
		34044	MC866646	COLLAR,RR DIFF	AR		T=16.400	
			MC866647	COLLAR,RR DIFF	AR		T=16.425	
			MC866648	COLLAR,RR DIFF	AR		T=16.450	
			MC866649	COLLAR,RR DIFF	AR		T=16.475	
			MC866625	COLLAR,RR DIFF	AR		T=15.875	
			MC866626	COLLAR,RR DIFF	AR		T=15.900	
			MC866627	COLLAR,RR DIFF	AR		T=15.925	
			MC866628	COLLAR,RR DIFF	AR		T=15.950	
			MC866629	COLLAR,RR DIFF	AR		T=15.975	
			MC866630	COLLAR,RR DIFF	AR		T=16.000	
			MC866631	COLLAR,RR DIFF	AR		T=16.025	
			MC866632	COLLAR,RR DIFF	AR		T=16.050	
			MC866633	COLLAR,RR DIFF	AR		T=16.075	
			MC866634	COLLAR,RR DIFF	AR		T=16.100	
			MC866635	COLLAR,RR DIFF	AR		T=16.125	
			MC866636	COLLAR,RR DIFF	AR		T=16.150	
			MC866637	COLLAR,RR DIFF	AR		T=16.175	
			MC866638	COLLAR,RR DIFF	AR		T=16.200	
			MC866639	COLLAR,RR DIFF	AR		T=16.225	
			MC866640	COLLAR,RR DIFF	AR		T=16.250	
			MC866641	COLLAR,RR DIFF	AR		T=16.275	
			MC866642	COLLAR,RR DIFF	AR		T=16.300	
			MC866643	COLLAR,RR DIFF	AR		T=16.325	
			MC866644	COLLAR,RR DIFF	AR		T=16.350	
			MC866645	COLLAR,RR DIFF	AR		T=16.375	
			MC866646	COLLAR,RR DIFF	AR		T=16.400	
			MC866647	COLLAR,RR DIFF	AR		T=16.425	
			MC866648	COLLAR,RR DIFF	AR		T=16.450	
			MC866649	COLLAR,RR DIFF	AR		T=16.475	
		34062	MC836650	DIFFERENTIAL KIT,RR LIMITED SLIP	1			
			MC836650	DIFFERENTIAL KIT,RR LIMITED SLIP	1			

FK74R
27-220 REAR AXLE DIFFERENTIAL

SPN	Repl Part	PNC	Part No	Part Name	Qty	Supply Mode	Part Spec	Re
		34062	MC836650	DIFFERENTIAL KIT,RR LIMITED SLIP	1			
		34063	MC839417	DISC,RR LSD FRICTION	5			
			MC839417	DISC,RR LSD FRICTION	5			
			MC839417	DISC,RR LSD FRICTION	5			
		34066	MC804183	COVER,RR DIFF COMPANION FLANGE	1			
			MC804183	COVER,RR DIFF COMPANION FLANGE	1			
			MC804183	COVER,RR DIFF COMPANION FLANGE	1			
			MC804183	COVER,RR DIFF COMPANION FLANGE	1			
			MC804183	COVER,RR DIFF COMPANION FLANGE	1			
			MC804183	COVER,RR DIFF COMPANION FLANGE	1			
			MC804183	COVER,RR DIFF COMPANION FLANGE	1			
			MC804183	COVER,RR DIFF COMPANION FLANGE	1			
			MC804183	COVER,RR DIFF COMPANION FLANGE	1			
			MC836475	COVER,RR DIFF COMPANION FLANGE	1			
			MC804183	COVER,RR DIFF COMPANION FLANGE	1			
			MC804183	COVER,RR DIFF COMPANION FLANGE	1			
		34072	MK500262	FLANGE,RR DIFF COMPANION	1			
			MK500262	FLANGE,RR DIFF COMPANION	1			
			MK500262	FLANGE,RR DIFF COMPANION	1			
			MK500262	FLANGE,RR DIFF COMPANION	1			
			MK500262	FLANGE,RR DIFF COMPANION	1			
			MK500262	FLANGE,RR DIFF COMPANION	1			

FK74R
27-220 REAR AXLE DIFFERENTIAL

SPN	Repl Part	PNC 34072	Part No MK500262	Part Name FLANGE,RR DIFF COMPANION	Qty 1	Supply Mode	Part Spec	Re
SP			MK350156	FLANGE,RR DIFF COMPANION	1			
			MK500262	FLANGE,RR DIFF COMPANION	1			
			MK500262	FLANGE,RR DIFF COMPANION	1			
		34084	MC834995	GEAR KIT,RR DIFF FINAL DRIVE	1		RF=4.875(39/8)	
	RP		MC834989	GEAR KIT,RR DIFF FINAL DRIVE	1		RF=4.625(37/8)	
	RP		MC835001	GEAR KIT,RR DIFF FINAL DRIVE	1		RF=5.428(38/7)	
	RP		MC835001	GEAR KIT,RR DIFF FINAL DRIVE	1		RF=5.428(38/7)	
			MC893478	GEAR KIT,RR DIFF FINAL DRIVE	1		RF=4.875(39/8)	
			MC834995	GEAR KIT,RR DIFF FINAL DRIVE	1		RF=4.875(39/8)	
			MC834995	GEAR KIT,RR DIFF FINAL DRIVE	1		RF=4.875(39/8)	
			MC834995	GEAR KIT,RR DIFF FINAL DRIVE	1		RF=4.875(39/8)	
			MC834995	GEAR KIT,RR DIFF FINAL DRIVE	1		RF=4.875(39/8)	
			MC834995	GEAR KIT,RR DIFF FINAL DRIVE	1		RF=4.875(39/8)	
			MC834995	GEAR KIT,RR DIFF FINAL DRIVE	1		RF=4.875(39/8)	
			MC834995	GEAR KIT,RR DIFF FINAL DRIVE	1		RF=4.875(39/8)	
			MC834995	GEAR KIT,RR DIFF FINAL DRIVE	1		RF=4.875(39/8)	
			MC834995	GEAR KIT,RR DIFF FINAL DRIVE	1		RF=4.875(39/8)	
			MC834995	GEAR KIT,RR DIFF FINAL DRIVE	1		RF=4.875(39/8)	
			MC834995	GEAR KIT,RR DIFF FINAL DRIVE	1		RF=4.875(39/8)	
			MC834995	GEAR KIT,RR DIFF FINAL DRIVE	1		RF=4.875(39/8)	
			MC834995	GEAR KIT,RR DIFF FINAL DRIVE	1		RF=4.875(39/8)	
			MC834995	GEAR KIT,RR DIFF FINAL DRIVE	1		RF=4.875(39/8)	
			MC834995	GEAR KIT,RR DIFF FINAL DRIVE	1		RF=4.875(39/8)	
			MC834995	GEAR KIT,RR DIFF FINAL DRIVE	1		RF=4.875(39/8)	
			MC834995	GEAR KIT,RR DIFF FINAL DRIVE	1		RF=4.875(39/8)	
			MC834995	GEAR KIT,RR DIFF FINAL DRIVE	1		RF=4.875(39/8)	

FK74R
27-220 REAR AXLE DIFFERENTIAL

SPN	Repl Part	PNC 34084	Part No MC834995	Part Name GEAR KIT,RR DIFF FINAL DRIVE	Qty 1	Supply Mode	Part Spec RF=4.875(39/8)	Re
	RP		MC834989	GEAR KIT,RR DIFF FINAL DRIVE	1		RF=4.625(37/8)	
	RP		MC835001	GEAR KIT,RR DIFF FINAL DRIVE	1		RF=5.428(38/7)	
	RP		MC834989	GEAR KIT,RR DIFF FINAL DRIVE	1		RF=4.625(37/8)	
	RP		MC835001	GEAR KIT,RR DIFF FINAL DRIVE	1		RF=5.428(38/7)	
			MC893478	GEAR KIT,RR DIFF FINAL DRIVE	1		RF=4.875(39/8)	
			MC834995	GEAR KIT,RR DIFF FINAL DRIVE	1		RF=4.875(39/8)	
	RP		MC834989	GEAR KIT,RR DIFF FINAL DRIVE	1		RF=4.625(37/8)	
			MC834747	GEAR KIT,RR DIFF FINAL DRIVE	1		RF=5.428(38/7)	
	RP	34091	MC814586	GEAR,RR DIFF SIDE	2			
	RP		MC814586	GEAR,RR DIFF SIDE	2			
	RP RP		MC814586 MC814586	GEAR,RR DIFF SIDE GEAR,RR DIFF SIDE	2 2			
	RP		MC814586	GEAR,RR DIFF SIDE	2			
	RP RP RP		MC814586 MC814586 MC814586	GEAR,RR DIFF SIDE GEAR,RR DIFF SIDE GEAR,RR DIFF SIDE	2 2 2			
	RP		MC814586	GEAR,RR DIFF SIDE	2			
	RP		MC814586	GEAR,RR DIFF SIDE	2			
	RP		MC814586	GEAR,RR DIFF SIDE	2			
	RP RP		MC814586 MC814586	GEAR,RR DIFF SIDE GEAR,RR DIFF SIDE	2 2			
	RP		MC814586	GEAR,RR DIFF SIDE	2			
	RP RP		MC814586 MC814586	GEAR,RR DIFF SIDE GEAR,RR DIFF SIDE	2 2			
	RP RP		MC814586 MC814586	GEAR,RR DIFF SIDE GEAR,RR DIFF SIDE	2 2			
	RP		MC814586	GEAR,RR DIFF SIDE	2			

FK74R
27-220 REAR AXLE DIFFERENTIAL

SPN	Repl Part	PNC	Part No	Part Name	Qty	Supply Mode	Part Spec	Re
	RP	34091	MC814586	GEAR,RR DIFF SIDE	2			
	RP		MC814586	GEAR,RR DIFF SIDE	2			
	RP		MC814586	GEAR,RR DIFF SIDE	2			
	RP		MC814586	GEAR,RR DIFF SIDE	2			
	RP		MC814586	GEAR,RR DIFF SIDE	2			
	RP		MC814586	GEAR,RR DIFF SIDE	2			
	RP		MC814586	GEAR,RR DIFF SIDE	2			
			MC834679	GEAR,RR DIFF SIDE	2			
		34091B	MC834679	GEAR,RR DIFF SIDE	1			
			MC834679	GEAR,RR DIFF SIDE	1			
			MC834679	GEAR,RR DIFF SIDE	1			
		34091C	MC839415	GEAR,RR DIFF SIDE	1			
			MC839415	GEAR,RR DIFF SIDE	1			
			MC839415	GEAR,RR DIFF SIDE	1			
		34106	MC827472	OIL SEAL,RR DIFF DRIVE PINION	1			
			MC827472	OIL SEAL,RR DIFF DRIVE PINION	1			
			MC827472	OIL SEAL,RR DIFF DRIVE PINION	1			

**FK74R
27-220 REAR AXLE DIFFERENTIAL**

SPN	Repl Part	PNC	Part No	Part Name	Qty	Supply Mode	Part Spec	
SP		34106	MC827472	OIL SEAL,RR DIFF DRIVE PINION	1			
			MC827472	OIL SEAL,RR DIFF DRIVE PINION	1			
			MC827472	OIL SEAL,RR DIFF DRIVE PINION	1			
			MC827472	OIL SEAL,RR DIFF DRIVE PINION	1			
			MH034172	OIL SEAL,RR DIFF DRIVE PINION	1			
			MC827472	OIL SEAL,RR DIFF DRIVE PINION	1			
			MC827472	OIL SEAL,RR DIFF DRIVE PINION	1			
		34111B	MK500264	NUT,RR DIFF	1		CASTLE,27	
		34111C	MH004171	NUT,RR DIFF	12		FLANGE,16	
		RP	34124	MC814580	PINION,RR DIFF	4		
				MC834678	PINION,RR DIFF	4		
		RP		MC814580	PINION,RR DIFF	4		
		RP		MC814580	PINION,RR DIFF	4		
		RP		MC814580	PINION,RR DIFF	4		
		RP		MC814580	PINION,RR DIFF	4		
		RP		MC814580	PINION,RR DIFF	4		
		RP		MC814580	PINION,RR DIFF	4		
		RP		MC814580	PINION,RR DIFF	4		
		RP		MC814580	PINION,RR DIFF	4		
		RP		MC814580	PINION,RR DIFF	4		
		RP		MC814580	PINION,RR DIFF	4		
		RP		MC814580	PINION,RR DIFF	4		
		RP		MC814580	PINION,RR DIFF	4		

FK74R
27-220 REAR AXLE DIFFERENTIAL

SPN	Repl Part	PNC	Part No	Part Name	Qty	Supply Mode	Part Spec	Re
	RP	34124	MC814580	PINION,RR DIFF	4			
	RP		MC814580	PINION,RR DIFF	4			
	RP		MC814580	PINION,RR DIFF	4			
	RP		MC814580	PINION,RR DIFF	4			
	RP		MC814580	PINION,RR DIFF	4			
	RP		MC814580	PINION,RR DIFF	4			
	RP		MC814580	PINION,RR DIFF	4			
	RP		MC814580	PINION,RR DIFF	4			
	RP		MC814580	PINION,RR DIFF	4			
	RP		MC814580	PINION,RR DIFF	4			
	RP		MC834678	PINION,RR DIFF	4			
	RP		MC814580	PINION,RR DIFF	4			
	RP		MC814580	PINION,RR DIFF	4			
	RP		MC814580	PINION,RR DIFF	4			
	RP		MC834678	PINION,RR DIFF	4			
	RP	34132	MC839416	PLATE,RR LSD FRICTION	6			
	RP		MC839416	PLATE,RR LSD FRICTION	6			
	RP		MC839416	PLATE,RR LSD FRICTION	6			
	RP	34141	MC835180	PLATE,RR DIFF CARRIER BEARING CAP LOCK	4			
	RP	34144	MC866145	PLATE,RR DIFF SIDE BEARING NUT LOCK	2			
	RP	34154	MC834681	RETAINER,RR DIFF REDUCTION PINION BEARING	1			
	RP		MC834681	RETAINER,RR DIFF REDUCTION PINION BEARING	1			

FK74R
27-220 REAR AXLE DIFFERENTIAL

SPN	Repl Part	PNC	Part No	Part Name	Qty	Supply Mode	Part Spec	Re
		34154	MC834681	RETAINER,RR DIFF REDUCTION PINION BEARING	1			
			MC834681	RETAINER,RR DIFF REDUCTION PINION BEARING	1			
			MC834681	RETAINER,RR DIFF REDUCTION PINION BEARING	1			
			MC834681	RETAINER,RR DIFF REDUCTION PINION BEARING	1			
			MC834681	RETAINER,RR DIFF REDUCTION PINION BEARING	1			
			MC834680	RETAINER,RR DIFF REDUCTION PINION BEARING	1			
			MC834681	RETAINER,RR DIFF REDUCTION PINION BEARING	1			
			MC834681	RETAINER,RR DIFF REDUCTION PINION BEARING	1			
		34156	1432000200	RING,RR DIFF REDUCTION PINION BEARING LOCK	1			
		34164	MC866146	SEAT,RR DIFF BEARING ADJUSTING SCREW LOCK	2			
		34193	MC834687	SHIM,RR DIFF REDUCTION PINION BEARING RETAINER	AR		T=0.20	
			MC834687	SHIM,RR DIFF REDUCTION PINION BEARING RETAINER	AR		T=0.20	
			MC834687	SHIM,RR DIFF REDUCTION PINION BEARING RETAINER	AR		T=0.20	
			MC834687	SHIM,RR DIFF REDUCTION PINION BEARING RETAINER	AR		T=0.20	
			MC834687	SHIM,RR DIFF REDUCTION PINION BEARING RETAINER	AR		T=0.20	
			MC834687	SHIM,RR DIFF REDUCTION PINION BEARING RETAINER	AR		T=0.20	
			MC834688	SHIM,RR DIFF REDUCTION PINION BEARING RETAINER	AR		T=0.10	
			MC834688	SHIM,RR DIFF REDUCTION PINION BEARING RETAINER	AR		T=0.10	
			MC834688	SHIM,RR DIFF REDUCTION PINION BEARING RETAINER	AR		T=0.10	
			MC834688	SHIM,RR DIFF REDUCTION PINION BEARING RETAINER	AR		T=0.10	

FK74R
27-220 REAR AXLE DIFFERENTIAL

SPN	Repl Part	PNC	Part No	Part Name	Qty	Supply Mode	Part Spec	Re
		34193	MC834688	SHIM,RR DIFF REDUCTION PINION BEARING RETAINER	AR		T=0.10	
			MC834688	SHIM,RR DIFF REDUCTION PINION BEARING RETAINER	AR		T=0.10	
			MC834687	SHIM,RR DIFF REDUCTION PINION BEARING RETAINER	AR		T=0.20	
			MC834688	SHIM,RR DIFF REDUCTION PINION BEARING RETAINER	AR		T=0.10	
			MC834684	SHIM,RR DIFF REDUCTION PINION BEARING RETAINER	AR		T=0.20	
			MC834685	SHIM,RR DIFF REDUCTION PINION BEARING RETAINER	AR		T=0.10	
			MC834687	SHIM,RR DIFF REDUCTION PINION BEARING RETAINER	AR		T=0.20	
			MC834688	SHIM,RR DIFF REDUCTION PINION BEARING RETAINER	AR		T=0.10	
			MC834687	SHIM,RR DIFF REDUCTION PINION BEARING RETAINER	AR		T=0.20	
			MC834688	SHIM,RR DIFF REDUCTION PINION BEARING RETAINER	AR		T=0.10	
		34196	MC866977	THRUST WASHER,RR DIFF SIDE GEAR	2			
			MC866977	THRUST WASHER,RR DIFF SIDE GEAR	1			
			MC866977	THRUST WASHER,RR DIFF SIDE GEAR	2			
			MC866977	THRUST WASHER,RR DIFF SIDE GEAR	2			
			MC866977	THRUST WASHER,RR DIFF SIDE GEAR	2			
			MC866977	THRUST WASHER,RR DIFF SIDE GEAR	2			
			MC866977	THRUST WASHER,RR DIFF SIDE GEAR	2			
			MC866977	THRUST WASHER,RR DIFF SIDE GEAR	2			
			MC866977	THRUST WASHER,RR DIFF SIDE GEAR	2			
			MC866977	THRUST WASHER,RR DIFF SIDE GEAR	2			
			MC866977	THRUST WASHER,RR DIFF SIDE GEAR	2			
			MC866977	THRUST WASHER,RR DIFF SIDE GEAR	2			
			MC866977	THRUST WASHER,RR DIFF SIDE GEAR	2			
			MC866977	THRUST WASHER,RR DIFF SIDE GEAR	2			
			MC866977	THRUST WASHER,RR DIFF SIDE GEAR	2			
			MC866977	THRUST WASHER,RR DIFF SIDE GEAR	2			
			MC866977	THRUST WASHER,RR DIFF SIDE GEAR	2			
			MC866977	THRUST WASHER,RR DIFF SIDE GEAR	2			
			MC866977	THRUST WASHER,RR DIFF SIDE GEAR	2			

FK74R
27-220 REAR AXLE DIFFERENTIAL

SPN	Repl Part	PNC	Part No	Part Name	Qty	Supply Mode	Part Spec	Re
		34196	MC866977	THRUST WASHER,RR DIFF SIDE GEAR	2			
			MC866977	THRUST WASHER,RR DIFF SIDE GEAR	2			
			MC866977	THRUST WASHER,RR DIFF SIDE GEAR	2			
			MC866977	THRUST WASHER,RR DIFF SIDE GEAR	2			
			MC866977	THRUST WASHER,RR DIFF SIDE GEAR	2			
			MC866977	THRUST WASHER,RR DIFF SIDE GEAR	2			
			MC866977	THRUST WASHER,RR DIFF SIDE GEAR	2			
			MC866977	THRUST WASHER,RR DIFF SIDE GEAR	1			
			MC866977	THRUST WASHER,RR DIFF SIDE GEAR	2			
			MC866977	THRUST WASHER,RR DIFF SIDE GEAR	2			
			MC866977	THRUST WASHER,RR DIFF SIDE GEAR	2			
			MC866977	THRUST WASHER,RR DIFF SIDE GEAR	1			
		34197	MC867093	THRUST WASHER,RR DIFF PINION	4			
		34214	MC802012	SPIDER,RR DIFF GEAR	1	OR		
	RP		MC867094	SPIDER,RR DIFF GEAR	1			
			MC802012	SPIDER,RR DIFF GEAR	1	OR		
			MC802012	SPIDER,RR DIFF GEAR	1	OR		
			MC802012	SPIDER,RR DIFF GEAR	1	OR		
			MC802012	SPIDER,RR DIFF GEAR	1	OR		
			MC802012	SPIDER,RR DIFF GEAR	1	OR		

FK74R
27-220 REAR AXLE DIFFERENTIAL

SPN	Repl Part	PNC	Part No	Part Name	Qty	Supply Mode	Part Spec	Re
		34214	MC802012	SPIDER,RR DIFF GEAR	1	OR		
			MC802012	SPIDER,RR DIFF GEAR	1	OR		
			MC802012	SPIDER,RR DIFF GEAR	1	OR		
			MC802012	SPIDER,RR DIFF GEAR	1	OR		
			MC802012	SPIDER,RR DIFF GEAR	1	OR		
			MC802012	SPIDER,RR DIFF GEAR	1	OR		
	RP		MC867094	SPIDER,RR DIFF GEAR	1			
			MC802012	SPIDER,RR DIFF GEAR	1	OR		
	RP		MC867094	SPIDER,RR DIFF GEAR	1			
		34216	MC839418	SPRING,RR LSD SIDE GEAR THRUST	3			
			MC839418	SPRING,RR LSD SIDE GEAR THRUST	3			
			MC839418	SPRING,RR LSD SIDE GEAR THRUST	3			
		34227	MC839419	THRUST WASHER,RR LSD	1			
			MC839419	THRUST WASHER,RR LSD	1			

FK74R
27-220 REAR AXLE DIFFERENTIAL

SPN	Repl Part	PNC	Part No	Part Name	Qty	Supply Mode	Part Spec	Re
		34227	MC839419	THRUST WASHER,RR LSD	1			
		34384	MF201595	SCREW,RR DIFF	4		MACHINE,8X20	
			MF201595	SCREW,RR DIFF	4		MACHINE,8X20	
			MF201595	SCREW,RR DIFF	4		MACHINE,8X20	
		34385E	MF450407	WASHER,RR DIFF	6		SPRING,12	
			MF450407	WASHER,RR DIFF	6		SPRING,12	
			MF450407	WASHER,RR DIFF	6		SPRING,12	
			MF450407	WASHER,RR DIFF	6		SPRING,12	
			MF450407	WASHER,RR DIFF	6		SPRING,12	
			MF450407	WASHER,RR DIFF	6		SPRING,12	
			MF450407	WASHER,RR DIFF	6		SPRING,12	
			MF450407	WASHER,RR DIFF	6		SPRING,12	
			MF450407	WASHER,RR DIFF	8		SPRING,12	
			MF450407	WASHER,RR DIFF	6		SPRING,12	
			MF450407	WASHER,RR DIFF	6		SPRING,12	
		34385M	MF450407	WASHER,RR DIFF	12		SPRING,12	
		34386B	MH001989	BOLT,RR DIFF	12		16X50	
		34386BB	MH001750	BOLT,RR DIFF	4		18X84	

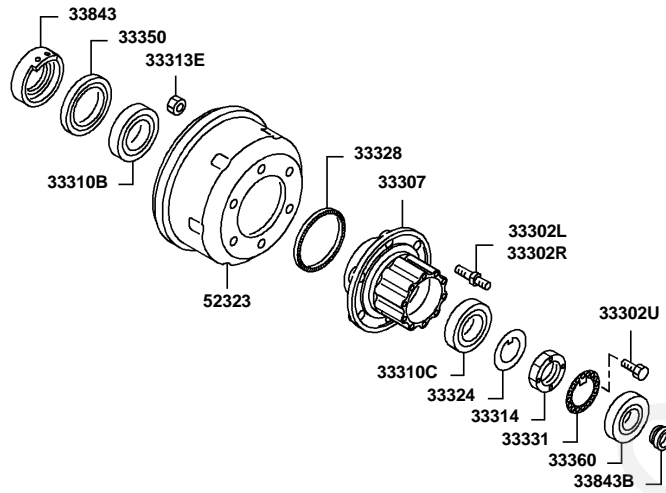
FK74R
27-220 REAR AXLE DIFFERENTIAL

SPN	Repl Part	PNC	Part No	Part Name	Qty	Supply Mode	Part Spec	Re
		34386C	MH001441	BOLT,RR DIFF	12		14X80	
		34386E	MH000342	BOLT,RR DIFF	6		12X35	
			MH000342	BOLT,RR DIFF	6		12X35	
			MH000342	BOLT,RR DIFF	6		12X35	
			MH000342	BOLT,RR DIFF	6		12X35	
			MH000342	BOLT,RR DIFF	6		12X35	
			MH000342	BOLT,RR DIFF	6		12X35	
			MH000342	BOLT,RR DIFF	6		12X35	
			MH000342	BOLT,RR DIFF	6		12X35	
			MH000342	BOLT,RR DIFF	6		12X35	
			MH000342	BOLT,RR DIFF	6		12X35	
		34386F	MF100083	BOLT,RR DIFF	4		BOLT,10X20	4T
			MH000224	BOLT,RR DIFF	12		SEAL,12X35	
			MH000510	BOLT,RR DIFF	12	OR	SEAL,12X35	
			34453	MF520422	O-RING,RR DIFF	1		D=130
			MF520422	O-RING,RR DIFF	1		D=130	
			MF520422	O-RING,RR DIFF	1		D=130	

FK74R
27-220 REAR AXLE DIFFERENTIAL

SPN	Repl Part	PNC	Part No	Part Name	Qty	Supply Mode	Part Spec	Re
		34453	MF520422	O-RING,RR DIFF	1		D=130	
			MF520422	O-RING,RR DIFF	1		D=130	
			MF520422	O-RING,RR DIFF	1		D=130	
			MF520422	O-RING,RR DIFF	1		D=130	
			MH035522	O-RING,RR DIFF	1		D=164	
			MF520422	O-RING,RR DIFF	1		D=130	
			MF520422	O-RING,RR DIFF	1		D=130	
		34385B	(N.e.c.)	WASHER,RR DIFF				

**FK74R
No.1**



2 B 0 1 0 2

Ref. |2027250

Page

**FK74R
27-250 REAR AXLE HUB & DRUM**

SPN	Repl Part	PNC	Part No	Part Name	Qty	Part Spec	Remarks	PREV.1
SP		33302L	MC809259	BOLT,RR WHEEL HUB,LH	6		LH-THREAD	
SP			MC809259	BOLT,RR WHEEL HUB,LH	6		LH-THREAD	
SP			MC809259	BOLT,RR WHEEL HUB,LH	6		LH-THREAD	
SP			MC809259	BOLT,RR WHEEL HUB,LH	6		LH-THREAD	
SP			MC809259	BOLT,RR WHEEL HUB,LH	6		LH-THREAD	
SP			MC809259	BOLT,RR WHEEL HUB,LH	6		LH-THREAD	
SP			MC809259	BOLT,RR WHEEL HUB,LH	6		LH-THREAD	
SP			MC809259	BOLT,RR WHEEL HUB,LH	6		LH-THREAD	
SP			MC814728	BOLT,RR WHEEL HUB,LH	6		LH-THREAD	
SP			MC809259	BOLT,RR WHEEL HUB,LH	6		LH-THREAD	
SP			MC809259	BOLT,RR WHEEL HUB,LH	6		LH-THREAD	
SP			MK525889	BOLT,RR WHEEL HUB,LH	6		LH-THREAD	

Ref. |2027250

Page

FK74R
27-250 REAR AXLE HUB & DRUM

SPN	Repl Part	PNC	Part No	Part Name	Qty	Part Spec	Remarks	PREV.1
		33302L	MK525875	BOLT,RR WHEEL HUB,LH	6		LH-THREAD	
			MK525875	BOLT,RR WHEEL HUB,LH	6		LH-THREAD	
			MK525875	BOLT,RR WHEEL HUB,LH	6		LH-THREAD	
			MK525875	BOLT,RR WHEEL HUB,LH	6		LH-THREAD	
			MK525875	BOLT,RR WHEEL HUB,LH	6		LH-THREAD	
			MK525875	BOLT,RR WHEEL HUB,LH	6		LH-THREAD	
			MK525875	BOLT,RR WHEEL HUB,LH	6		LH-THREAD	
			MK525875	BOLT,RR WHEEL HUB,LH	6		LH-THREAD	
			MK525875	BOLT,RR WHEEL HUB,LH	6		LH-THREAD	
			MK525875	BOLT,RR WHEEL HUB,LH	6		LH-THREAD	
			MK525875	BOLT,RR WHEEL HUB,LH	6		LH-THREAD	
			MK525875	BOLT,RR WHEEL HUB,LH	6		LH-THREAD	
			MK525875	BOLT,RR WHEEL HUB,LH	6		LH-THREAD	
			MK525875	BOLT,RR WHEEL HUB,LH	6		LH-THREAD	
			MK525875	BOLT,RR WHEEL HUB,LH	6		LH-THREAD	
			MK525875	BOLT,RR WHEEL HUB,LH	6		LH-THREAD	
			MK525889	BOLT,RR WHEEL HUB,LH	6		LH-THREAD	
			MK525875	BOLT,RR WHEEL HUB,LH	6		LH-THREAD	
SP		33302R	MC809260	BOLT,RR WHEEL HUB,RH	6			
SP			MC809260	BOLT,RR WHEEL HUB,RH	6			
SP			MC809260	BOLT,RR WHEEL HUB,RH	6			
SP			MC809260	BOLT,RR WHEEL HUB,RH	6			
SP			MC809260	BOLT,RR WHEEL HUB,RH	6			
SP			MC809260	BOLT,RR WHEEL HUB,RH	6			
SP			MC809260	BOLT,RR WHEEL HUB,RH	6			
SP			MC814729	BOLT,RR WHEEL HUB,RH	6			
SP			MC809260	BOLT,RR WHEEL HUB,RH	6			
SP			MC809260	BOLT,RR WHEEL HUB,RH	6			
SP			MC809260	BOLT,RR WHEEL HUB,RH	6			

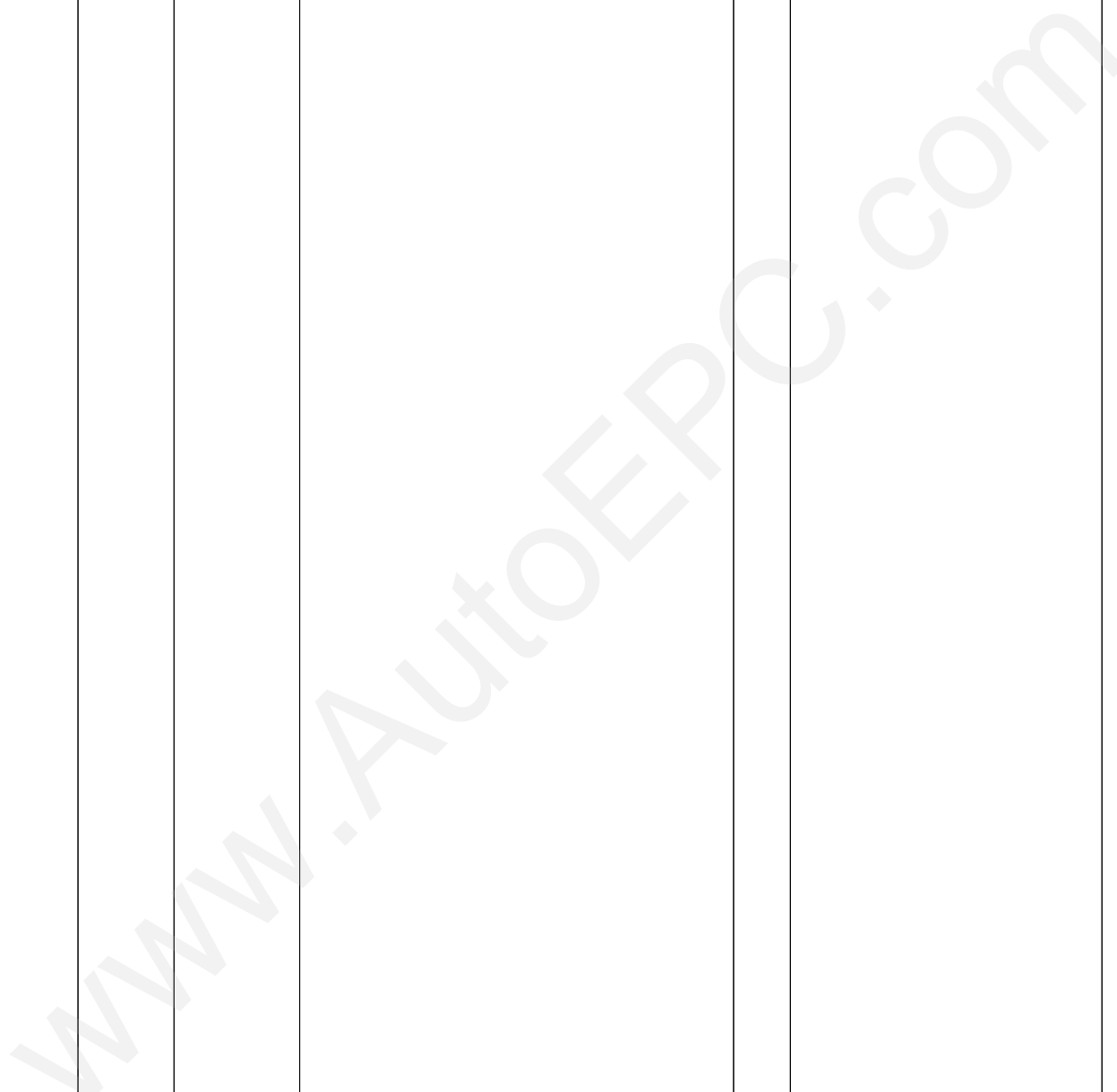
FK74R
27-250 REAR AXLE HUB & DRUM

SPN	Repl Part	PNC	Part No	Part Name	Qty	Part Spec	Remarks	PREV.1
		33302R	MK525890	BOLT,RR WHEEL HUB,RH	6			
			MK525876	BOLT,RR WHEEL HUB,RH	6			
			MK525876	BOLT,RR WHEEL HUB,RH	6			
			MK525876	BOLT,RR WHEEL HUB,RH	6			
			MK525876	BOLT,RR WHEEL HUB,RH	6			
			MK525876	BOLT,RR WHEEL HUB,RH	6			
			MK525876	BOLT,RR WHEEL HUB,RH	6			
			MK525876	BOLT,RR WHEEL HUB,RH	6			
			MK525876	BOLT,RR WHEEL HUB,RH	6			
			MK525876	BOLT,RR WHEEL HUB,RH	6			
			MK525876	BOLT,RR WHEEL HUB,RH	6			
			MK525876	BOLT,RR WHEEL HUB,RH	6			
			MK525876	BOLT,RR WHEEL HUB,RH	6			
			MK525876	BOLT,RR WHEEL HUB,RH	6			
			MK525876	BOLT,RR WHEEL HUB,RH	6			
			MK525876	BOLT,RR WHEEL HUB,RH	6			
			MK525876	BOLT,RR WHEEL HUB,RH	6			
			MK525876	BOLT,RR WHEEL HUB,RH	6			
			MK525876	BOLT,RR WHEEL HUB,RH	6			
			MK525876	BOLT,RR WHEEL HUB,RH	6			
			MK525876	BOLT,RR WHEEL HUB,RH	6			
			MK525890	BOLT,RR WHEEL HUB,RH	6			
			MK525876	BOLT,RR WHEEL HUB,RH	6			
		33302U	MF241225	BOLT,RR WHEEL HUB	8	WASHER ASSEMBLED,6X16		
		33307	MC871054	HUB,RR WHEEL	2			
			MK502227	HUB,RR WHEEL	2			

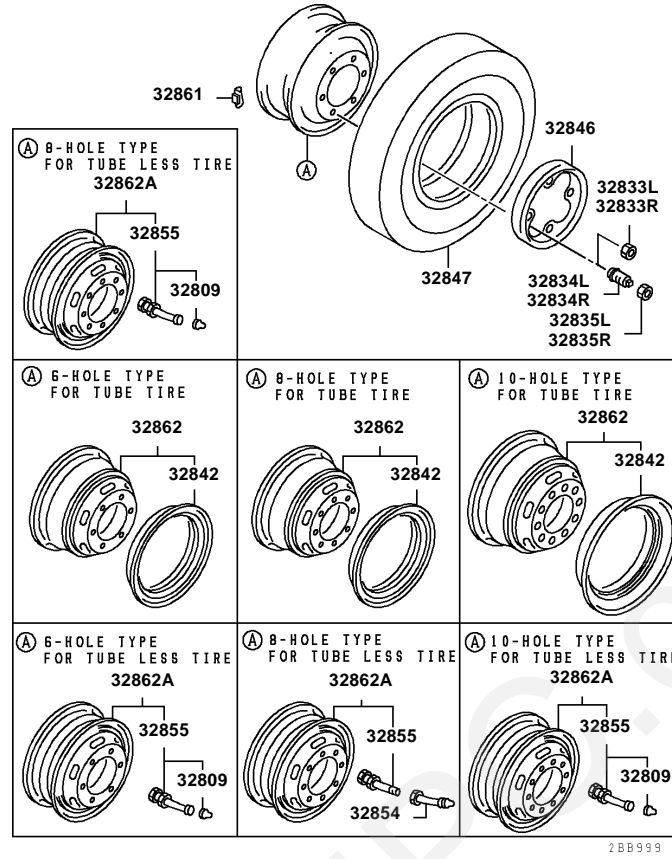
FK74R
27-250 REAR AXLE HUB & DRUM

SPN	Repl Part RP	PNC 33310B	Part No MH043149	Part Name BEARING,RR WHEEL HUB	Qty 2	Part Spec TAPER ROLLER	Remarks	PREV.1
	RP	33310C	MH043154	BEARING,RR WHEEL HUB	2	TAPER ROLLER		
SP		33313E	MC814915	NUT,RR WHEEL HUB	12	22		
	RP	33314	MC870996	NUT,RR WHEEL HUB BEARING LOCK	2	LOCK,65		O
		33324	MC816992	PLATE,RR WHEEL HUB BEARING LOCK	2	PLAIN,65		
		33328	MK328843	ROTOR,RR WHEEL HUB ABS	2			
		33331	MC816991	RING,RR WHEEL HUB BEARING LOCK	2			
		33350	MH034175	OIL SEAL,RR WHEEL HUB,INR	2			
		33360	MH034193	OIL SEAL,RR WHEEL HUB,OTR	2			
		33843	MK449564	RETAINER,RR WHEEL HUB OIL SEAL	2			
		33843B	MH034170	RETAINER,RR WHEEL HUB OIL SEAL	2			
SP		52323	MC837980	DRUM,RR BRAKE	2			

FK74R
27-250 REAR AXLE HUB & DRUM

SPN	Repl Part	PNC 52323	Part No MK528725	Part Name DRUM,RR BRAKE	Qty 2	Part Spec	Remarks	PREV.1
								

**FK74R
No.1**



Ref. |2031010

Page

**FK74R
31-010 WHEEL & TIRE**

SPN	Repl Part RP	PNC	Part No	Part Name	Qty	Supply Mode	Part Spec	Remarks	NE
		32809	MK525654	CAP,TIRE VALVE	7				Y
			MK525658	CAP,TIRE VALVE	7				
	RP		MK525654	CAP,TIRE VALVE	7				Y
	RP		MK525654	CAP,TIRE VALVE	7				Y
	RP		MK525654	CAP,TIRE VALVE	7				Y
	RP		MK525654	CAP,TIRE VALVE	7				Y
	RP		MK525654	CAP,TIRE VALVE	7				Y
	RP		MK525654	CAP,TIRE VALVE	7				Y
	RP		MK525654	CAP,TIRE VALVE	7				Y

Ref. |2031010

Page

FK74R
31-010 WHEEL & TIRE

SPN	Repl Part RP	PNC 32809	Part No MK525654	Part Name CAP,TIRE VALVE	Qty 7	Supply Mode	Part Spec	Remarks	NE Y
	RP		MK525654	CAP,TIRE VALVE	7				Y
	RP		MK525654	CAP,TIRE VALVE	7				Y
			MK526601	CAP,TIRE VALVE	7				
			MK525658	CAP,TIRE VALVE	7				
			MK526601	CAP,TIRE VALVE	7				
			MK526601	CAP,TIRE VALVE	7				
			MK526601	CAP,TIRE VALVE	7				
			MK526601	CAP,TIRE VALVE	7				
			MK526601	CAP,TIRE VALVE	7				
			MK526601	CAP,TIRE VALVE	7				
			MK525658	CAP,TIRE VALVE	7				
			MK526601	CAP,TIRE VALVE	7				
SP		32833L	MC810631	NUT,WHEEL,LH	6		20	LH-THREAD	R
SP			MC810631	NUT,WHEEL,LH	6		20	LH-THREAD	R
SP			MC810631	NUT,WHEEL,LH	6		20	LH-THREAD	R
SP			MC810631	NUT,WHEEL,LH	6		20	LH-THREAD	R
SP			MC804891	NUT,WHEEL,LH	6		CASTLE,20	LH-THREAD	R

FK74R
31-010 WHEEL & TIRE

SPN	Repl Part	PNC	Part No	Part Name	Qty	Supply Mode	Part Spec	Remarks	NE
		32833L	MC891060	NUT,WHEEL,LH	6		24	LH-THREAD	
			MC826192	NUT,WHEEL,LH	6		24	LH-THREAD	
			MC826192	NUT,WHEEL,LH	6		24	LH-THREAD	
			MC826192	NUT,WHEEL,LH	6		24	LH-THREAD	
			MC826192	NUT,WHEEL,LH	6		24	LH-THREAD	
			MC826192	NUT,WHEEL,LH	6		24	LH-THREAD	
			MC826192	NUT,WHEEL,LH	6		24	LH-THREAD	
			MC826192	NUT,WHEEL,LH	6		24	LH-THREAD	
			MC891060	NUT,WHEEL,LH	6		24	LH-THREAD	
SP		32833R	MC810632	NUT,WHEEL,RH	6		20		R
SP			MC810632	NUT,WHEEL,RH	6		20		R
SP			MC810632	NUT,WHEEL,RH	6		20		R
SP			MC810632	NUT,WHEEL,RH	6		20		R
SP			MC804892	NUT,WHEEL,RH	6		CASTLE,20		R
			MC891061	NUT,WHEEL,RH	6		24		
			MC826193	NUT,WHEEL,RH	6		24		

FK74R
31-010 WHEEL & TIRE

SPN	Repl Part	PNC	Part No	Part Name	Qty	Supply Mode	Part Spec	Remarks	NE
		32833R	MC826193	NUT,WHEEL,RH	6		24		
			MC826193	NUT,WHEEL,RH	6		24		
			MC826193	NUT,WHEEL,RH	6		24		
			MC826193	NUT,WHEEL,RH	6		24		
			MC826193	NUT,WHEEL,RH	6		24		
			MC826193	NUT,WHEEL,RH	6		24		
			MC826193	NUT,WHEEL,RH	6		24		
			MC891061	NUT,WHEEL,RH	6		24		
		32834L	MC819030	NUT,WHEEL,INR LH	6		20X30	LH-THREAD	
			MC806005	NUT,WHEEL,INR LH	6		20X30	LH-THREAD	
			MC806005	NUT,WHEEL,INR LH	6		20X30	LH-THREAD	
			MC806005	NUT,WHEEL,INR LH	6		20X30	LH-THREAD	
			MC806005	NUT,WHEEL,INR LH	6		20X30	LH-THREAD	
			MC806005	NUT,WHEEL,INR LH	6		20X30	LH-THREAD	
			MC806005	NUT,WHEEL,INR LH	6		20X30	LH-THREAD	
			MC806005	NUT,WHEEL,INR LH	6		20X30	LH-THREAD	
			MC806005	NUT,WHEEL,INR LH	6		20X30	LH-THREAD	
			MC806005	NUT,WHEEL,INR LH	6		20X30	LH-THREAD	
			MC806005	NUT,WHEEL,INR LH	6		20X30	LH-THREAD	
			MC806005	NUT,WHEEL,INR LH	6		20X30	LH-THREAD	
			MC806005	NUT,WHEEL,INR LH	6		20X30	LH-THREAD	

FK74R
31-010 WHEEL & TIRE

SPN	Repl Part	PNC	Part No	Part Name	Qty	Supply Mode	Part Spec	Remarks	NE
		32834L	MC819030	NUT,WHEEL,INR LH	6		20X30	LH-THREAD	
			MC819030	NUT,WHEEL,INR LH	6		20X30	LH-THREAD	
		32834R	MC819031	NUT,WHEEL,INR RH	6		20X30		
			MC806006	NUT,WHEEL,INR RH	6		20X30		
			MC806006	NUT,WHEEL,INR RH	6		20X30		
			MC806006	NUT,WHEEL,INR RH	6		20X30		
			MC806006	NUT,WHEEL,INR RH	6		20X30		
			MC806006	NUT,WHEEL,INR RH	6		20X30		
			MC806006	NUT,WHEEL,INR RH	6		20X30		
			MC806006	NUT,WHEEL,INR RH	6		20X30		
			MC806006	NUT,WHEEL,INR RH	6		20X30		
			MC806006	NUT,WHEEL,INR RH	6		20X30		
			MC806006	NUT,WHEEL,INR RH	6		20X30		
			MC806006	NUT,WHEEL,INR RH	6		20X30		
			MC806006	NUT,WHEEL,INR RH	6		20X30		
			MC806006	NUT,WHEEL,INR RH	6		20X30		
			MC806006	NUT,WHEEL,INR RH	6		20X30		
			MC806006	NUT,WHEEL,INR RH	6		20X30		
			MC806006	NUT,WHEEL,INR RH	6		20X30		
			MC806006	NUT,WHEEL,INR RH	6		20X30		
			MC819031	NUT,WHEEL,INR RH	6		20X30		
			MC819031	NUT,WHEEL,INR RH	6		20X30		
		32835L	MC810635	NUT,WHEEL,OTR LH	6		30	LH-THREAD	

FK74R
31-010 WHEEL & TIRE

SPN	Repl Part	PNC 32835R	Part No MC810636	Part Name NUT,WHEEL,OTR RH	Qty 6	Supply Mode	Part Spec 30	Remarks	NE
		32847	*	TIRE	7	NS	225/80R17.5 BLOCK		
			*	TIRE	7	NS	225/80R17.5 RIB		
			*	TIRE	7	NS	225/90R17.5 RIB		
			*	TIRE	7	NS	225/80R17.5 BLOCK		
			*	TIRE	7	NS	235/70R17.5,RIB		
			*	TIRE	7	NS	225/80R17.5 BLOCK		
			*	TIRE	7	NS	225/80R17.5,RIB		
			*	TIRE	7	NS	225/80R17.5,RIB		
			*	TIRE	7	NS	225/80R17.5,RIB		
			*	TIRE	7	NS	225/80R17.5,RIB		
			*	TIRE	7	NS	225/80R17.5,RIB		
			*	TIRE	7	NS	225/80R17.5,RIB		
			*	TIRE	7	NS	225/80R17.5,RIB		
			*	TIRE	7	NS	225/80R17.5,RIB		
			*	TIRE	7	NS	225/80R17.5,RIB		
			*	TIRE	7	NS	225/80R17.5,RIB		
			*	TIRE	7	NS	225/80R17.5,RIB		
			*	TIRE	7	NS	225/80R17.5,RIB		

FK74R
31-010 WHEEL & TIRE

SPN	Repl Part	PNC 32847	Part No *	Part Name	Qty	Supply Mode	Part Spec	Remarks	NE
			*	TIRE	7	NS	225/80R17.5,RIB		
			*	TIRE	7	NS	225/80R17.5,RIB		
			*	TIRE	7	NS	225/80R17.5,RIB		
			*	TIRE	7	NS	225/80R17.5,RIB		
			*	TIRE	7	NS	225/80R17.5,RIB		
			*	TIRE	7	NS	225/80R17.5,RIB		
			*	TIRE	7	NS	225/80R17.5,RIB		
			*	TIRE	7	NS	225/80R17.5 RIB		
			*	TIRE	7	NS	225/80R17.5 RIB		
			*	TIRE	7	NS	225/80R17.5 RIB		
			*	TIRE	7	NS	225/80R17.5 RIB		
			*	TIRE	7	NS	225/80R17.5 RIB		
			*	TIRE	7	NS	225/80R17.5 RIB		
			*	TIRE	7	NS	225/80R17.5 RIB		
			*	TIRE	7	NS	225/80R17.5 RIB		
			*	TIRE	7	NS	225/80R17.5 RIB		
			*	TIRE	7	NS	225/80R17.5 RIB		
			*	TIRE	7	NS	225/80R17.5 RIB		
			*	TIRE	7	NS	225/80R17.5 RIB		
			*	TIRE	7	NS	225/80R17.5,RIB		
			*	TIRE	7	NS	225/80R17.5,RIB		
			*	TIRE	7	NS	225/80R17.5,RIB		

FK74R
31-010 WHEEL & TIRE

SPN	Repl Part	PNC 32847	Part No	Part Name	Qty	Supply Mode	Part Spec	Remarks	NE
			*	TIRE	7	NS	225/80R17.5,RIB		
			*	TIRE	7	NS	225/80R17.5,RIB		
			*	TIRE	7	NS	225/80R17.5,RIB		
			*	TIRE	7	NS	225/80R17.5,RIB		
			*	TIRE	7	NS	225/80R17.5,RIB		
			*	TIRE	7	NS	225/80R17.5,RIB		
			*	TIRE	7	NS	225/80R17.5,RIB		
			*	TIRE	7	NS	225/80R17.5,RIB		
			*	TIRE	7	NS	225/80R17.5,RIB		
			*	TIRE	7	NS	225/80R17.5,RIB		
			*	TIRE	7	NS	225/80R17.5,RIB		
			*	TIRE	7	NS	225/80R17.5,123/122L,RIB		
			*	TIRE	7	NS	225/80R17.5,123/122L,RIB		
			*	TIRE	7	NS	225/80R17.5,123/122L,RIB		
			*	TIRE	7	NS	225/80R17.5,123/122L,RIB		
			*	TIRE	7	NS	225/80R17.5,123/122L,RIB		
			*	TIRE	7	NS	225/80R17.5,123/122L,RIB		
			*	TIRE	7	NS	225/80R17.5,123/122L,RIB		
			*	TIRE	7	NS	225/80R17.5,123/122L,RIB		
			*	TIRE	7	NS	225/80R17.5,123/122L,RIB		
			*	TIRE	7	NS	225/80R17.5,123/122L,RIB		
			*	TIRE	7	NS	225/80R17.5,123/122L,RIB		
			*	TIRE	7	NS	225/80R17.5,123/122L,RIB		

FK74R
31-010 WHEEL & TIRE

SPN	Repl Part	PNC 32847	Part No *	Part Name	Qty	Supply Mode	Part Spec	Remarks	NE
			*	TIRE	7	NS	225/80R17.5,123/122L,RIB		
			*	TIRE	7	NS	225/80R17.5 BLOCK		
			*	TIRE	7	NS	225/80R17.5 RIB		
			*	TIRE	7	NS	225/90R17.5 RIB		
			*	TIRE	7	NS	225/80R17.5 BLOCK		
			*	TIRE	7	NS	235/70R17.5,RIB		
			*	TIRE	7	NS	225/80R17.5 BLOCK		
			*	TIRE	7	NS	225/80R17.5,RIB		
			*	TIRE	7	NS	225/80R17.5,RIB		
			*	TIRE	7	NS	225/80R17.5,RIB		
			*	TIRE	7	NS	225/80R17.5,RIB		
			*	TIRE	7	NS	225/80R17.5,RIB		
			*	TIRE	7	NS	225/80R17.5,RIB		
			*	TIRE	7	NS	225/80R17.5 BLOCK		

FK74R
31-010 WHEEL & TIRE

SPN	Repl Part	PNC	Part No	Part Name	Qty	Supply Mode	Part Spec	Remarks	NE
		32847	*	TIRE	7	NS	225/80R17.5 RIB		
			*	TIRE	7	NS	225/90R17.5 RIB		
			*	TIRE	7	NS	225/80R17.5 BLOCK		
			*	TIRE	7	NS	235/70R17.5,RIB		
			*	TIRE	7	NS	225/80R17.5 BLOCK		
		32855	MC366167	VALVE,TIRE	7			TR-543,TOPY	
			MK308075	VALVE,TIRE	7			SUMITOMO	
			MC093199	VALVE,TIRE	7			PVR51,TOPY	
			MC092846	VALVE,TIRE	7			V3-20-4,TOPY	
			MC092846	VALVE,TIRE	7			V3-20-4,TOPY	
			MC092846	VALVE,TIRE	7			V3-20-4,TOPY	
			MC092846	VALVE,TIRE	7			V3-20-4,TOPY	
			MC092846	VALVE,TIRE	7			V3-20-4,TOPY	
			MC092846	VALVE,TIRE	7			V3-20-4,TOPY	
			MC092846	VALVE,TIRE	7			V3-20-4,TOPY	
			MC092846	VALVE,TIRE	7			V3-20-4,TOPY	
			MC092846	VALVE,TIRE	7			V3-20-4,TOPY	
			MC092846	VALVE,TIRE	7			V3-20-4,TOPY	
			MC092846	VALVE,TIRE	7			V3-20-4,TOPY	
			MC092846	VALVE,TIRE	7			V3-20-4,TOPY	
			MC092846	VALVE,TIRE	7			V3-20-4,TOPY	
			MC092846	VALVE,TIRE	7			V3-20-4,TOPY	
			MC092846	VALVE,TIRE	7			V3-20-4,TOPY	
			MC092846	VALVE,TIRE	7			V3-20-4,TOPY	
			MC092846	VALVE,TIRE	7			V3-20-4,TOPY	
			MC092846	VALVE,TIRE	7			V3-20-4,TOPY	
			MC092846	VALVE,TIRE	7			V3-20-4,TOPY	

FK74R
31-010 WHEEL & TIRE

SPN	Repl Part	PNC	Part No	Part Name	Qty	Supply Mode	Part Spec	Remarks	NE
		32855	MC092846	VALVE,TIRE	7			V3-20-4,TOPY	
			MC366167	VALVE,TIRE	7			TR-543,TOPY	
			MK308075	VALVE,TIRE	7			SUMITOMO	
			MC093199	VALVE,TIRE	7			PVR51,TOPY	
			MC366167	VALVE,TIRE	7			TR-543,TOPY	
			MK308075	VALVE,TIRE	7			SUMITOMO	
			MC093199	VALVE,TIRE	7			PVR51,TOPY	
		32861	*	WEIGHT,WHEEL BALANCE	AR	NS	50G		
			*	WEIGHT,WHEEL BALANCE	AR	NS	100G		
			*	WEIGHT,WHEEL BALANCE	AR	NS	150G		
			*	WEIGHT,WHEEL BALANCE	AR	NS	200G		
			*	WEIGHT,WHEEL BALANCE	AR	NS	250G		
			*	WEIGHT,WHEEL BALANCE	AR	NS	50G		
			*	WEIGHT,WHEEL BALANCE	AR	NS	50G		
			*	WEIGHT,WHEEL BALANCE	AR	NS	50G		
			*	WEIGHT,WHEEL BALANCE	AR	NS	50G		

FK74R
31-010 WHEEL & TIRE

SPN	Repl Part	PNC	Part No	Part Name	Qty	Supply Mode	Part Spec	Remarks	NE
		32861	*	WEIGHT,WHEEL BALANCE	AR	NS	50G		
			*	WEIGHT,WHEEL BALANCE	AR	NS	50G		
			*	WEIGHT,WHEEL BALANCE	AR	NS	50G		
			*	WEIGHT,WHEEL BALANCE	AR	NS	50G		
			*	WEIGHT,WHEEL BALANCE	AR	NS	50G		
			*	WEIGHT,WHEEL BALANCE	AR	NS	50G		
			*	WEIGHT,WHEEL BALANCE	AR	NS	50G		
			*	WEIGHT,WHEEL BALANCE	AR	NS	100G		
			*	WEIGHT,WHEEL BALANCE	AR	NS	100G		
			*	WEIGHT,WHEEL BALANCE	AR	NS	100G		
			*	WEIGHT,WHEEL BALANCE	AR	NS	100G		
			*	WEIGHT,WHEEL BALANCE	AR	NS	100G		
			*	WEIGHT,WHEEL BALANCE	AR	NS	100G		
			*	WEIGHT,WHEEL BALANCE	AR	NS	100G		
			*	WEIGHT,WHEEL BALANCE	AR	NS	100G		
			*	WEIGHT,WHEEL BALANCE	AR	NS	100G		
			*	WEIGHT,WHEEL BALANCE	AR	NS	150G		

FK74R
31-010 WHEEL & TIRE

SPN	Repl Part	PNC 32861	Part No	Part Name	Qty	Supply Mode	Part Spec	Remarks	NE
			*	WEIGHT,WHEEL BALANCE	AR	NS	150G		
			*	WEIGHT,WHEEL BALANCE	AR	NS	150G		
			*	WEIGHT,WHEEL BALANCE	AR	NS	150G		
			*	WEIGHT,WHEEL BALANCE	AR	NS	150G		
			*	WEIGHT,WHEEL BALANCE	AR	NS	150G		
			*	WEIGHT,WHEEL BALANCE	AR	NS	150G		
			*	WEIGHT,WHEEL BALANCE	AR	NS	150G		
			*	WEIGHT,WHEEL BALANCE	AR	NS	150G		
			*	WEIGHT,WHEEL BALANCE	AR	NS	150G		
			*	WEIGHT,WHEEL BALANCE	AR	NS	200G		
			*	WEIGHT,WHEEL BALANCE	AR	NS	200G		
			*	WEIGHT,WHEEL BALANCE	AR	NS	200G		
			*	WEIGHT,WHEEL BALANCE	AR	NS	200G		
			*	WEIGHT,WHEEL BALANCE	AR	NS	200G		
			*	WEIGHT,WHEEL BALANCE	AR	NS	200G		
			*	WEIGHT,WHEEL BALANCE	AR	NS	200G		
			*	WEIGHT,WHEEL BALANCE	AR	NS	200G		
			*	WEIGHT,WHEEL BALANCE	AR	NS	200G		
			*	WEIGHT,WHEEL BALANCE	AR	NS	200G		

FK74R
31-010 WHEEL & TIRE

SPN	Repl Part	PNC	Part No	Part Name	Qty	Supply Mode	Part Spec	Remarks	NE
		32861	*	WEIGHT,WHEEL BALANCE	AR	NS	200G		
			*	WEIGHT,WHEEL BALANCE	AR	NS	250G		
			*	WEIGHT,WHEEL BALANCE	AR	NS	250G		
			*	WEIGHT,WHEEL BALANCE	AR	NS	250G		
			*	WEIGHT,WHEEL BALANCE	AR	NS	250G		
			*	WEIGHT,WHEEL BALANCE	AR	NS	250G		
			*	WEIGHT,WHEEL BALANCE	AR	NS	250G		
			*	WEIGHT,WHEEL BALANCE	AR	NS	250G		
			*	WEIGHT,WHEEL BALANCE	AR	NS	250G		
			*	WEIGHT,WHEEL BALANCE	AR	NS	250G		
			*	WEIGHT,WHEEL BALANCE	AR	NS	250G		
			*	WEIGHT,WHEEL BALANCE	AR	NS	250G		
			*	WEIGHT,WHEEL BALANCE	AR	NS	250G		
			*	WEIGHT,WHEEL BALANCE	AR	NS	250G		
			*	WEIGHT,WHEEL BALANCE	AR	NS	250G		
			*	WEIGHT,WHEEL BALANCE	AR	NS	50G		
			*	WEIGHT,WHEEL BALANCE	AR	NS	100G		
			*	WEIGHT,WHEEL BALANCE	AR	NS	150G		
			*	WEIGHT,WHEEL BALANCE	AR	NS	200G		

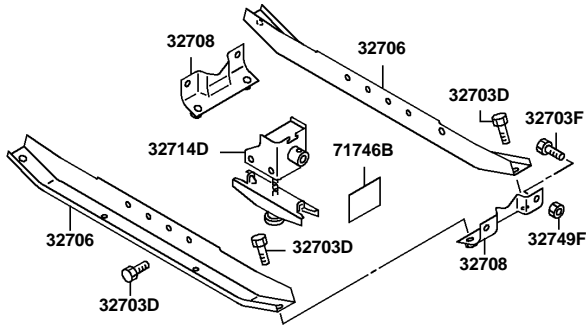
FK74R
31-010 WHEEL & TIRE

SPN	Repl Part	PNC	Part No	Part Name	Qty	Supply Mode	Part Spec	Remarks	NE
		32861	*	WEIGHT,WHEEL BALANCE	AR	NS	250G		
			*	WEIGHT,WHEEL BALANCE	AR	NS	50G		
			*	WEIGHT,WHEEL BALANCE	AR	NS	100G		
			*	WEIGHT,WHEEL BALANCE	AR	NS	150G		
			*	WEIGHT,WHEEL BALANCE	AR	NS	200G		
			*	WEIGHT,WHEEL BALANCE	AR	NS	250G		
	RP	32862A	MK308035	WHEEL ASSY,DISC	7		ALUMI,17.5X6.00-135-17.5	SUMITOMO	Y
			MK429164	WHEEL ASSY,DISC	7		ALUMI,17.5X6.00-135-18.4		
			MC090382	WHEEL ASSY,DISC	7		17.5X6.75-131-10		
	RP		MK384916	WHEEL ASSY,DISC	7		17.5X6.00-135-9TCS	TOPY	Y
	RP		MK384916	WHEEL ASSY,DISC	7		17.5X6.00-135-9TCS	TOPY	Y
	RP		MK384916	WHEEL ASSY,DISC	7		17.5X6.00-135-9TCS	TOPY	Y
	RP		MK384916	WHEEL ASSY,DISC	7		17.5X6.00-135-9TCS	TOPY	Y
	RP		MK384916	WHEEL ASSY,DISC	7		17.5X6.00-135-9TCS	TOPY	Y
	RP		MK384916	WHEEL ASSY,DISC	7		17.5X6.00-135-9TCS	TOPY	Y
	RP		MK384916	WHEEL ASSY,DISC	7		17.5X6.00-135-9TCS	TOPY	Y

FK74R
31-010 WHEEL & TIRE

SPN	Repl Part RP	PNC 32862A	Part No	Part Name	Qty	Supply Mode	Part Spec	Remarks	NE Y
			MK384916	WHEEL ASSY,DISC	7		17.5X6.00-135-9TCS	TOPY	Y
	RP		MK384916	WHEEL ASSY,DISC	7		17.5X6.00-135-9TCS	TOPY	Y
	RP		MK384916	WHEEL ASSY,DISC	7		17.5X6.00-135-9TCS	TOPY	Y
			MK526423	WHEEL ASSY,DISC	7		ALUMI,17.5X6.00-135-17.5	SUMITOMO	
			MK429164	WHEEL ASSY,DISC	7		ALUMI,17.5X6.00-135-18.4		
			MK526423	WHEEL ASSY,DISC	7		ALUMI,17.5X6.00-135-17.5	SUMITOMO	
			MC090382	WHEEL ASSY,DISC	7		17.5X6.75-131-10		
			MK526788	WHEEL ASSY,DISC	7		17.5X6.00-135-9TCS		
			MK526788	WHEEL ASSY,DISC	7		17.5X6.00-135-9TCS		
			MK526788	WHEEL ASSY,DISC	7		17.5X6.00-135-9TCS		
			MK429164	WHEEL ASSY,DISC	7		ALUMI,17.5X6.00-135-18.4		
			MK526423	WHEEL ASSY,DISC	7		ALUMI,17.5X6.00-135-17.5	SUMITOMO	
			MC090382	WHEEL ASSY,DISC	7		17.5X6.75-131-10		
		32846	(N.e.c.)	STEP,FR DISC WHEEL					
		32862	(N.e.c.)	WHEEL,DISC					
		32842	(N.e.c.)	RING,DISC WHEEL SIDE					
		32854	(N.e.c.)	VALVE,RR TIRE EXTENSION AIR					

FK74R
No.1

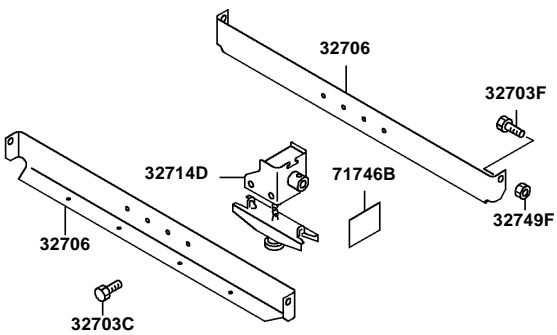


2BC001

Ref. |2031110

Page

FK74R
No.2



C00072

Ref. |2031110

Page

FK74R
31-110 TIRE CARRIER

Repl Part	PNC	Part No	Part Name	Qty	Part Spec	Remarks	PREV.1	NE
	32703C	MF140225	BOLT,SPARE TIRE CARRIER	4	FLANGE,8X20	7T		
	32703D	MF241280	BOLT,SPARE TIRE CARRIER	4	WASHER ASSEMBLED,10X20			
		MF241280	BOLT,SPARE TIRE CARRIER	4	WASHER ASSEMBLED,10X20			
		MF241280	BOLT,SPARE TIRE CARRIER	4	WASHER ASSEMBLED,10X20			
		MF241280	BOLT,SPARE TIRE CARRIER	4	WASHER ASSEMBLED,10X20			
		MF241307	BOLT,SPARE TIRE CARRIER	4	WASHER ASSEMBLED,12X25			
		MF241307	BOLT,SPARE TIRE CARRIER	4	WASHER ASSEMBLED,12X25			
		MF241307	BOLT,SPARE TIRE CARRIER	4	WASHER ASSEMBLED,12X25			
		MF241307	BOLT,SPARE TIRE CARRIER	4	WASHER ASSEMBLED,12X25			
		MF241280	BOLT,SPARE TIRE CARRIER	4	WASHER ASSEMBLED,10X20			
		MF241307	BOLT,SPARE TIRE CARRIER	4	WASHER ASSEMBLED,12X25			
	32703F	MF101310	BOLT,SPARE TIRE CARRIER	4	12X25	7T		
	32706	MC430712	BRACKET,SPARE TIRE CARRIER	2				
		MC430712	BRACKET,SPARE TIRE CARRIER	2				
		MC430712	BRACKET,SPARE TIRE CARRIER	2				

FK74R
31-110 TIRE CARRIER

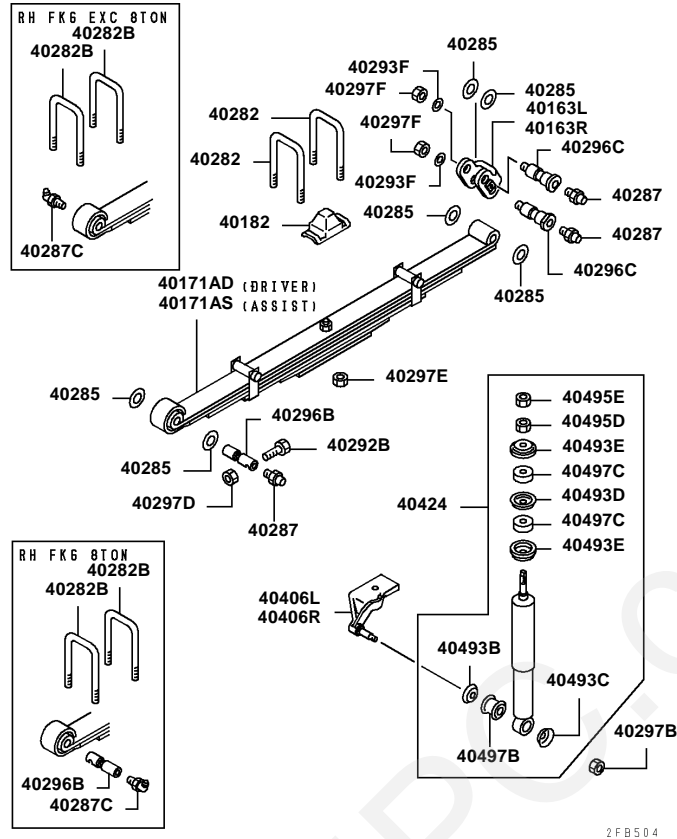
Repl Part	PNC	Part No	Part Name	Qty	Part Spec	Remarks	PREV.1	NE
	32706	MC430712	BRACKET,SPARE TIRE CARRIER	2				
		MC430712	BRACKET,SPARE TIRE CARRIER	2				
		MK627368	BRACKET,SPARE TIRE CARRIER	2				
	32708	MC430714	BRACKET,SPARE TIRE CARRIER FRAME SIDE	2				
		MC430714	BRACKET,SPARE TIRE CARRIER FRAME SIDE	2				
		MC430714	BRACKET,SPARE TIRE CARRIER FRAME SIDE	2				
		MC430714	BRACKET,SPARE TIRE CARRIER FRAME SIDE	2				
		MC430714	BRACKET,SPARE TIRE CARRIER FRAME SIDE	2				
		MC430714	BRACKET,SPARE TIRE CARRIER FRAME SIDE	2				
	32714D	MC445606	CARRIER,SPARE TIRE	1	160,220			
		MC445606	CARRIER,SPARE TIRE	1	160,220			
		MC445606	CARRIER,SPARE TIRE	1	160,220			
		MC445606	CARRIER,SPARE TIRE	1	160,220			
		MC445606	CARRIER,SPARE TIRE	1	160,220			
RP		MK627511	CARRIER,SPARE TIRE	1				Y

FK74R
31-110 TIRE CARRIER

Repl Part	PNC	Part No	Part Name	Qty	Part Spec	Remarks	PREV.1
	32749F	MF434106	NUT,SPARE TIRE CARRIER	4	FLANGE,12	4T	
RP	71746B	MB650501	LABEL,SPARE TIRE CARRIER CAUTION	1			O
		MK627898	LABEL,SPARE TIRE CARRIER CAUTION	1			

www.AutoEPC.com

FK74R
No.1

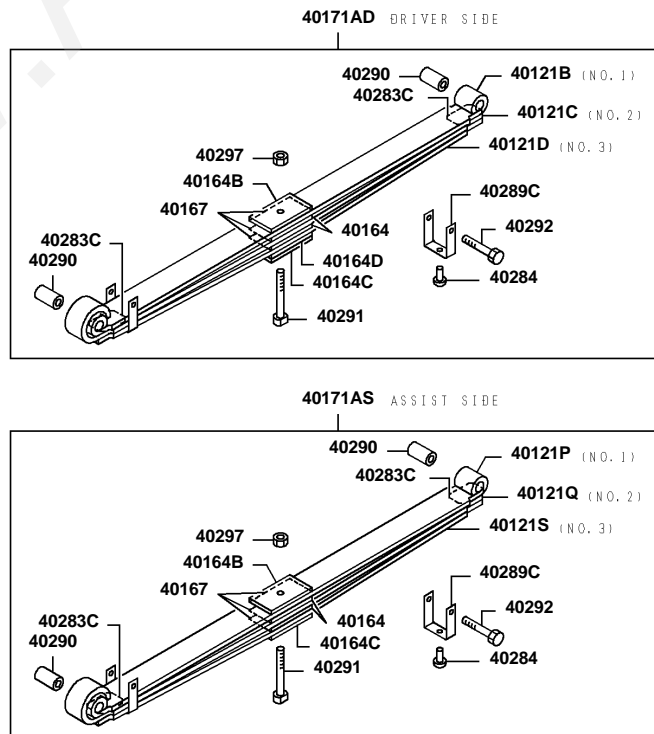


2FB504

Ref. |2033010

Page

FK74R
No.2



C00056

Ref. |2033010

Page

FK74R
33-010 FRONT SUSPENSION

Repl Part	PNC	Part No	Part Name	Qty	Supply Mode	Part Spec	Remarks
	40121B	MK330479	LEAF,FR SUSP SPRING	1		W/BUSH	
		MK330479	LEAF,FR SUSP SPRING	1		W/BUSH	
		MK330479	LEAF,FR SUSP SPRING	1		W/BUSH	
		MK330479	LEAF,FR SUSP SPRING	1		W/BUSH	
		MK330479	LEAF,FR SUSP SPRING	1		W/BUSH	
		MK330479	LEAF,FR SUSP SPRING	1		W/BUSH	
		MK330573	LEAF,FR SUSP SPRING	1		W/BUSH	
		MK330573	LEAF,FR SUSP SPRING	1		W/BUSH	
		MK472236	LEAF,FR SUSP SPRING	1		W/BUSH	
		MK472236	LEAF,FR SUSP SPRING	1		W/BUSH	
		MK471084	LEAF,FR SUSP SPRING	1		W/BUSH	
		MK471084	LEAF,FR SUSP SPRING	1		W/BUSH	
		MK471084	LEAF,FR SUSP SPRING	1		W/BUSH	
		MK471084	LEAF,FR SUSP SPRING	1		W/BUSH	
		MK471084	LEAF,FR SUSP SPRING	1		W/BUSH	
		MK471084	LEAF,FR SUSP SPRING	1		W/BUSH	
		MK471084	LEAF,FR SUSP SPRING	1		W/BUSH	
		MK471084	LEAF,FR SUSP SPRING	1		W/BUSH	
		MK472236	LEAF,FR SUSP SPRING	1		W/BUSH	
			40121C	MK330481	LEAF,FR SUSP SPRING	1	
MK330481	LEAF,FR SUSP SPRING			1		W/CLIP	
MK330481	LEAF,FR SUSP SPRING			1		W/CLIP	
MK330481	LEAF,FR SUSP SPRING			1		W/CLIP	
MK330481	LEAF,FR SUSP SPRING			1		W/CLIP	
MK330481	LEAF,FR SUSP SPRING			1		W/CLIP	

FK74R
33-010 FRONT SUSPENSION

Repl Part	PNC	Part No	Part Name	Qty	Supply Mode	Part Spec	Remarks
	40121C	MK330575	LEAF,FR SUSP SPRING	1			
		MK330575	LEAF,FR SUSP SPRING	1			
		MK472521	LEAF,FR SUSP SPRING	1			
		MK471086	LEAF,FR SUSP SPRING	1		W/CLIP	
		MK471086	LEAF,FR SUSP SPRING	1		W/CLIP	
		MK471086	LEAF,FR SUSP SPRING	1		W/CLIP	
		MK471086	LEAF,FR SUSP SPRING	1		W/CLIP	
		MK471086	LEAF,FR SUSP SPRING	1		W/CLIP	
		MK471086	LEAF,FR SUSP SPRING	1		W/CLIP	
		MK471086	LEAF,FR SUSP SPRING	1		W/CLIP	
		MK471086	LEAF,FR SUSP SPRING	1		W/CLIP	
		MK471086	LEAF,FR SUSP SPRING	1		W/CLIP	
		MK472521	LEAF,FR SUSP SPRING	1			
	40121D	MK330576	LEAF,FR SUSP SPRING	1		W/CLIP	
		MK330576	LEAF,FR SUSP SPRING	1		W/CLIP	
		MK472522	LEAF,FR SUSP SPRING	1		W/CLIP	
		MK472522	LEAF,FR SUSP SPRING	1		W/CLIP	
	40121P	MK330479	LEAF,FR SUSP SPRING	1		W/BUSH	
		MK330479	LEAF,FR SUSP SPRING	1		W/BUSH	
		MK330479	LEAF,FR SUSP SPRING	1		W/BUSH	
		MK330479	LEAF,FR SUSP SPRING	1		W/BUSH	
		MK330479	LEAF,FR SUSP SPRING	1		W/BUSH	

FK74R
33-010 FRONT SUSPENSION

Repl Part	PNC	Part No	Part Name	Qty	Supply Mode	Part Spec	Remarks
	40121P	MK330479	LEAF,FR SUSP SPRING	1		W/BUSH	
		MK330568	LEAF,FR SUSP SPRING	1		W/BUSH	
		MK330568	LEAF,FR SUSP SPRING	1		W/BUSH	
		MK472236	LEAF,FR SUSP SPRING	1		W/BUSH	
		MK471084	LEAF,FR SUSP SPRING	1		W/BUSH	
		MK471084	LEAF,FR SUSP SPRING	1		W/BUSH	
		MK471084	LEAF,FR SUSP SPRING	1		W/BUSH	
		MK471084	LEAF,FR SUSP SPRING	1		W/BUSH	
		MK471084	LEAF,FR SUSP SPRING	1		W/BUSH	
		MK471084	LEAF,FR SUSP SPRING	1		W/BUSH	
		MK471084	LEAF,FR SUSP SPRING	1		W/BUSH	
		MK471084	LEAF,FR SUSP SPRING	1		W/BUSH	
		MK471084	LEAF,FR SUSP SPRING	1		W/BUSH	
		MK472236	LEAF,FR SUSP SPRING	1		W/BUSH	
	40121Q	MK330481	LEAF,FR SUSP SPRING	1		W/CLIP	
		MK330481	LEAF,FR SUSP SPRING	1		W/CLIP	
		MK330481	LEAF,FR SUSP SPRING	1		W/CLIP	
		MK330481	LEAF,FR SUSP SPRING	1		W/CLIP	
		MK330481	LEAF,FR SUSP SPRING	1		W/CLIP	
		MK330570	LEAF,FR SUSP SPRING	1			
		MK330570	LEAF,FR SUSP SPRING	1			

FK74R
33-010 FRONT SUSPENSION

Repl Part	PNC	Part No	Part Name	Qty	Supply Mode	Part Spec	Remarks
	40121Q	MK472521	LEAF,FR SUSP SPRING	1			
		MK471086	LEAF,FR SUSP SPRING	1		W/CLIP	
		MK471086	LEAF,FR SUSP SPRING	1		W/CLIP	
		MK471086	LEAF,FR SUSP SPRING	1		W/CLIP	
		MK471086	LEAF,FR SUSP SPRING	1		W/CLIP	
		MK471086	LEAF,FR SUSP SPRING	1		W/CLIP	
		MK471086	LEAF,FR SUSP SPRING	1		W/CLIP	
		MK471086	LEAF,FR SUSP SPRING	1		W/CLIP	
		MK471086	LEAF,FR SUSP SPRING	1		W/CLIP	
		MK472521	LEAF,FR SUSP SPRING	1			
	40121S	MK330571	LEAF,FR SUSP SPRING	1		W/CLIP	
		MK330571	LEAF,FR SUSP SPRING	1		W/CLIP	
		MK472522	LEAF,FR SUSP SPRING	1		W/CLIP	
		MK472522	LEAF,FR SUSP SPRING	1		W/CLIP	
	40163L	MC092194	SHACKLE,FR SUSP SPRING,LH	1			
	40163R	MC092194	SHACKLE,FR SUSP SPRING,RH	1			
	40164	MC429963	SHEET,FR SUSP SPRING	2			

FK74R
33-010 FRONT SUSPENSION

Repl Part	PNC	Part No	Part Name	Qty	Supply Mode	Part Spec	Remarks
	40164	MC429963	SHEET,FR SUSP SPRING	2			
		MC429963	SHEET,FR SUSP SPRING	2			
		MC429963 MK469482	SHEET,FR SUSP SPRING SHEET,FR SUSP SPRING	2 4		W65XL130XT6	
		MK469482	SHEET,FR SUSP SPRING	2		W65XL130XT6	
		MK469482 MK469482 MK469482	SHEET,FR SUSP SPRING SHEET,FR SUSP SPRING SHEET,FR SUSP SPRING	2 2 2		W65XL130XT6 W65XL130XT6 W65XL130XT6	
		MK469482	SHEET,FR SUSP SPRING	2		W65XL130XT6	
		MK469482	SHEET,FR SUSP SPRING	2		W65XL130XT6	
		MK469482	SHEET,FR SUSP SPRING	4		W65XL130XT6	
	40164B	MC429963	SHEET,FR SUSP SPRING	2			
	40164C	MC429963	SHEET,FR SUSP SPRING	2			
		MC429963	SHEET,FR SUSP SPRING	2			
		MC429963	SHEET,FR SUSP SPRING	2			
		MC429963 MC091092	SHEET,FR SUSP SPRING SHEET,FR SUSP SPRING	2 1			
		MC667972	SHEET,FR SUSP SPRING	2			

FK74R
33-010 FRONT SUSPENSION

Repl Part	PNC	Part No	Part Name	Qty	Supply Mode	Part Spec	Remarks
40164C		MC667972	SHEET,FR SUSP SPRING	2			
		MC667972	SHEET,FR SUSP SPRING	2			
		MC667972	SHEET,FR SUSP SPRING	2			
		MC667972	SHEET,FR SUSP SPRING	2			
		MC667972	SHEET,FR SUSP SPRING	2			
40164D		MC091092	SHEET,FR SUSP SPRING	1			
		MC091092	SHEET,FR SUSP SPRING	1			
40167		MC470144	SPACER,FR SUSP SPRING,CTR	4		W65XL120XT1	
		MC470144	SPACER,FR SUSP SPRING,CTR	4		W65XL120XT1	
		MC470144	SPACER,FR SUSP SPRING,CTR	4		W65XL120XT1	
		MC470144	SPACER,FR SUSP SPRING,CTR	6		W65XL120XT1	
		MC470144	SPACER,FR SUSP SPRING,CTR	6		W65XL120XT1	
		MK471093	SPACER,FR SUSP SPRING,CTR	2			
		MK471093	SPACER,FR SUSP SPRING,CTR	2			
		MK471093	SPACER,FR SUSP SPRING,CTR	2			
		MK471093	SPACER,FR SUSP SPRING,CTR	2			
		MK471093	SPACER,FR SUSP SPRING,CTR	2			
40171AD		MK317446	SPRING ASSY,FR SUSP	1		CAMBER=119.0	
		MK317446	SPRING ASSY,FR SUSP	1		CAMBER=119.0	
		MK317446	SPRING ASSY,FR SUSP	1		CAMBER=119.0	
		MK317446	SPRING ASSY,FR SUSP	1		CAMBER=119.0	
		MK317446	SPRING ASSY,FR SUSP	1		CAMBER=119.0	
		MK317446	SPRING ASSY,FR SUSP	1		CAMBER=119.0	

FK74R
33-010 FRONT SUSPENSION

Repl Part	PNC	Part No	Part Name	Qty	Supply Mode	Part Spec	Remarks
	40171AD	MK317446	SPRING ASSY,FR SUSP	1		CAMBER=119.0	
		MK319484	SPRING ASSY,FR SUSP	1		CAMBER=108.0	
		MK319484	SPRING ASSY,FR SUSP	1		CAMBER=108.0	
		MK472356	SPRING ASSY,FR SUSP	1		CAMBER=107.5	
		MK472354	SPRING ASSY,FR SUSP	1		CAMBER=119.0	
		MK472354	SPRING ASSY,FR SUSP	1		CAMBER=119.0	
		MK472354	SPRING ASSY,FR SUSP	1		CAMBER=119.0	
		MK472354	SPRING ASSY,FR SUSP	1		CAMBER=119.0	
		MK472354	SPRING ASSY,FR SUSP	1		CAMBER=119.0	
		MK472354	SPRING ASSY,FR SUSP	1		CAMBER=119.0	
		MK472354	SPRING ASSY,FR SUSP	1		CAMBER=119.0	
		MK472354	SPRING ASSY,FR SUSP	1		CAMBER=119.0	
		MK472354	SPRING ASSY,FR SUSP	1		CAMBER=119.0	
		MK472356	SPRING ASSY,FR SUSP	1		CAMBER=107.5	
	40171AS	MK317445	SPRING ASSY,FR SUSP	1		CAMBER=119.0	
		MK317445	SPRING ASSY,FR SUSP	1		CAMBER=119.0	
		MK317445	SPRING ASSY,FR SUSP	1		CAMBER=119.0	
		MK317445	SPRING ASSY,FR SUSP	1		CAMBER=119.0	
		MK317445	SPRING ASSY,FR SUSP	1		CAMBER=119.0	
		MK319483	SPRING ASSY,FR SUSP	1		CAMBER=98.0	
		MK319483	SPRING ASSY,FR SUSP	1		CAMBER=98.0	

FK74R
33-010 FRONT SUSPENSION

Repl Part	PNC	Part No	Part Name	Qty	Supply Mode	Part Spec	Remarks
	40171AS	MK472355	SPRING ASSY,FR SUSP	1		CAMBER=107.5	
		MK472353	SPRING ASSY,FR SUSP	1		CAMBER=119.0	
		MK472353	SPRING ASSY,FR SUSP	1		CAMBER=119.0	
		MK472353	SPRING ASSY,FR SUSP	1		CAMBER=119.0	
		MK472353	SPRING ASSY,FR SUSP	1		CAMBER=119.0	
		MK472353	SPRING ASSY,FR SUSP	1		CAMBER=119.0	
		MK472353	SPRING ASSY,FR SUSP	1		CAMBER=119.0	
		MK472353	SPRING ASSY,FR SUSP	1		CAMBER=119.0	
		MK472355	SPRING ASSY,FR SUSP	1		CAMBER=107.5	
	40182	MC428716	STOPPER,FR SUSP SPRING BUMP	2			
	40282	MH002745	U-BOLT,FR SUSP SPRING	2		16X140	
		MH002745	U-BOLT,FR SUSP SPRING	2		16X140	
		MH002745	U-BOLT,FR SUSP SPRING	2		16X140	
		MH002745	U-BOLT,FR SUSP SPRING	2		16X140	
		MH002745	U-BOLT,FR SUSP SPRING	2		16X140	

FK74R
33-010 FRONT SUSPENSION

Repl Part	PNC	Part No	Part Name	Qty	Supply Mode	Part Spec	Remarks
	40282	MH002745	U-BOLT,FR SUSP SPRING	2		16X140	
		MH002745	U-BOLT,FR SUSP SPRING	2		16X140	
		MH002745	U-BOLT,FR SUSP SPRING	2		16X140	
		MH002746	U-BOLT,FR SUSP SPRING	2		16X160	
		MH002746	U-BOLT,FR SUSP SPRING	2		16X160	
	40282B	MH002745	U-BOLT,FR SUSP SPRING	2		16X140	
		MH002746	U-BOLT,FR SUSP SPRING	2		16X160	
	40283C	MC470542	SILENCER,FR SUSP SPRING	4			
		MC470542	SILENCER,FR SUSP SPRING	4			
	40284	MF468086	RIVET,FR SUSP SPRING	2		10X18	
		MF468086	RIVET,FR SUSP SPRING	2		10X18	
		MF468086	RIVET,FR SUSP SPRING	2		10X18	
		MF468086	RIVET,FR SUSP SPRING	2		10X18	
		MF468087	RIVET,FR SUSP SPRING	4		10X20	
		MF468087	RIVET,FR SUSP SPRING	2		10X20	
		MF468087	RIVET,FR SUSP SPRING	2		10X20	

FK74R
33-010 FRONT SUSPENSION

Repl Part	PNC	Part No	Part Name	Qty	Supply Mode	Part Spec	Remarks
	40284	MF468087	RIVET,FR SUSP SPRING	2		10X20	
		MF468087	RIVET,FR SUSP SPRING	2		10X20	
		MF468087	RIVET,FR SUSP SPRING	2		10X20	
		MF468087	RIVET,FR SUSP SPRING	4		10X20	
	40285	MC402933	THRUST WASHER,FR SUSP SPRING SIDE	12		T=2.9	
		MC423006	THRUST WASHER,FR SUSP SPRING SIDE	12		T=3.8	
		MK304910	THRUST WASHER,FR SUSP SPRING SIDE	12		T=3.2	
		MK304911	THRUST WASHER,FR SUSP SPRING SIDE	12		T=3.6	
		MK304912	THRUST WASHER,FR SUSP SPRING SIDE	12		T=4.0	
	40287	MF524002	NIPPLE,FR SUSP SPRING	5		STRAIGHT,D=10	
	40287C	MF524022	NIPPLE,FR SUSP SPRING	1		L-TYPE,D=10	
		MF524042	NIPPLE,FR SUSP SPRING	1		L-TYPE,D=10	
	40289C	MH024514	CLIP,FR SUSP SPRING	2		73X50	
		MH024514	CLIP,FR SUSP SPRING	2		73X50	

FK74R
33-010 FRONT SUSPENSION

Repl Part	PNC	Part No	Part Name	Qty	Supply Mode	Part Spec	Remarks
	40289C	MH024518	CLIP,FR SUSP SPRING	2		73X35	
		MH024518	CLIP,FR SUSP SPRING	2		73X35	
		MH024518	CLIP,FR SUSP SPRING	2		73X35	
		MH024518	CLIP,FR SUSP SPRING	2		73X35	
		MH024518	CLIP,FR SUSP SPRING	2		73X35	
		MH024518	CLIP,FR SUSP SPRING	2		73X35	
		MH024518	CLIP,FR SUSP SPRING	2		73X35	
		MH024518	CLIP,FR SUSP SPRING	2		73X35	
		MH024518	CLIP,FR SUSP SPRING	2		73X35	
		MH024518	CLIP,FR SUSP SPRING	2		73X35	
		MH024518	CLIP,FR SUSP SPRING	2		73X35	
		MH024518	CLIP,FR SUSP SPRING	2		73X35	
		MH024518	CLIP,FR SUSP SPRING	2		73X35	
		MH024518	CLIP,FR SUSP SPRING	2		73X35	
		MH024518	CLIP,FR SUSP SPRING	2		73X35	
		MH024518	CLIP,FR SUSP SPRING	2		73X35	
		MH024510	CLIP,FR SUSP SPRING	4		73X55	
		MH024510	CLIP,FR SUSP SPRING	4		73X55	
	40290	MH024000	BUSHING,FR SUSP SPRING	4		28X68	
	40291	MH024715	CENTER BOLT,FR SUSP SPRING	2		10X85	
		MH024715	CENTER BOLT,FR SUSP SPRING	2		10X85	
		MH024713	CENTER BOLT,FR SUSP SPRING	1		10X70	
		MH024713	CENTER BOLT,FR SUSP SPRING	1		10X70	
		MH024713	CENTER BOLT,FR SUSP SPRING	1		10X70	
		MH024713	CENTER BOLT,FR SUSP SPRING	1		10X70	
		MH024713	CENTER BOLT,FR SUSP SPRING	1		10X70	
		MH024713	CENTER BOLT,FR SUSP SPRING	1		10X70	

FK74R
33-010 FRONT SUSPENSION

Repl Part	PNC	Part No	Part Name	Qty	Supply Mode	Part Spec	Remarks
	40291	MH024713	CENTER BOLT,FR SUSP SPRING	1		10X70	
		MH024714	CENTER BOLT,FR SUSP SPRING	1		10X80	
		MH024714	CENTER BOLT,FR SUSP SPRING	1		10X80	
		MH024714	CENTER BOLT,FR SUSP SPRING	1		10X80	
		MH024714	CENTER BOLT,FR SUSP SPRING	1		10X80	
		MH024714	CENTER BOLT,FR SUSP SPRING	1		10X80	
		MH024714	CENTER BOLT,FR SUSP SPRING	1		10X80	
		MH024714	CENTER BOLT,FR SUSP SPRING	1		10X80	
		MH024714	CENTER BOLT,FR SUSP SPRING	1		10X80	
		MH024714	CENTER BOLT,FR SUSP SPRING	1		10X80	
		MH024714	CENTER BOLT,FR SUSP SPRING	1		10X80	
		MH024714	CENTER BOLT,FR SUSP SPRING	1		10X80	
		MH024714	CENTER BOLT,FR SUSP SPRING	1		10X80	
		MH024714	CENTER BOLT,FR SUSP SPRING	1		10X80	
		MH024714	CENTER BOLT,FR SUSP SPRING	1		10X80	
		MH024714	CENTER BOLT,FR SUSP SPRING	1		10X80	
		MH024714	CENTER BOLT,FR SUSP SPRING	1		10X80	
		MH024714	CENTER BOLT,FR SUSP SPRING	1		10X80	
		MH024714	CENTER BOLT,FR SUSP SPRING	1		10X80	
		MH024714	CENTER BOLT,FR SUSP SPRING	1		10X80	
		MH024714	CENTER BOLT,FR SUSP SPRING	2		10X80	
		MH024714	CENTER BOLT,FR SUSP SPRING	2		10X80	
		MH024714	CENTER BOLT,FR SUSP SPRING	2		10X80	
		MH024177	CENTER BOLT,FR SUSP SPRING	1		10X95	
		MH024715	CENTER BOLT,FR SUSP SPRING	1		10X85	
		MH025718	CENTER BOLT,FR SUSP SPRING	1	OR	10X130	
		MH024796	CENTER BOLT,FR SUSP SPRING	1		10X90	
		MH024796	CENTER BOLT,FR SUSP SPRING	1		10X90	

FK74R
33-010 FRONT SUSPENSION

Repl Part	PNC	Part No	Part Name	Qty	Supply Mode	Part Spec	Remarks		
40291		MH024796	CENTER BOLT,FR SUSP SPRING	1		10X90			
		MH024796	CENTER BOLT,FR SUSP SPRING	1		10X90			
		MH024796	CENTER BOLT,FR SUSP SPRING	1		10X90			
		MH024796	CENTER BOLT,FR SUSP SPRING	1		10X90			
		MH024796	CENTER BOLT,FR SUSP SPRING	1		10X90			
		MH024796	CENTER BOLT,FR SUSP SPRING	1		10X90			
		MH024796	CENTER BOLT,FR SUSP SPRING	1		10X90			
		MH024796	CENTER BOLT,FR SUSP SPRING	1		10X90			
		MH024177	CENTER BOLT,FR SUSP SPRING	1		10X95			
		MH024715	CENTER BOLT,FR SUSP SPRING	1		10X85			
		MH025718	CENTER BOLT,FR SUSP SPRING	1	OR	10X130			
		40292		MH024095	BOLT,FR SUSP SPRING	2		8X86	
				MH024095	BOLT,FR SUSP SPRING	2		8X86	
MH024095	BOLT,FR SUSP SPRING			2		8X86			
MH024095	BOLT,FR SUSP SPRING			2		8X86			
MH024095	BOLT,FR SUSP SPRING			2		8X86			
MH024095	BOLT,FR SUSP SPRING			2		8X86			
MH024095	BOLT,FR SUSP SPRING			2		8X86			
MH024095	BOLT,FR SUSP SPRING			2		8X86			

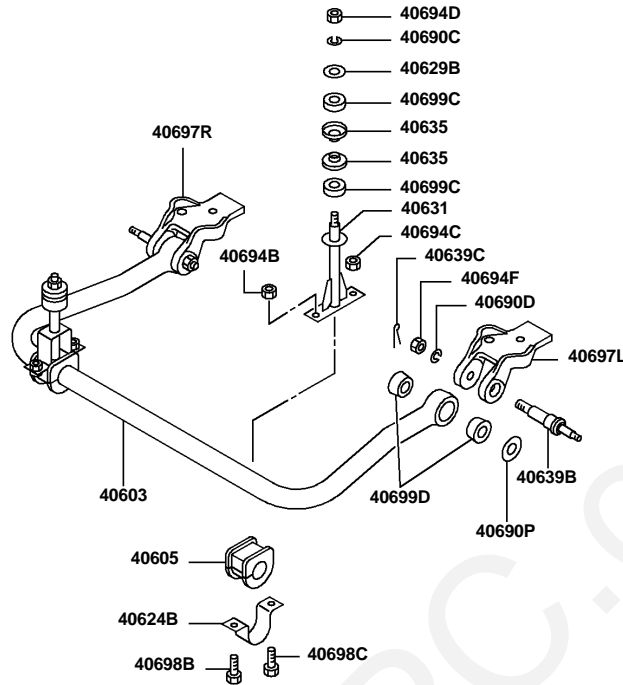
FK74R
33-010 FRONT SUSPENSION

Repl Part	PNC	Part No	Part Name	Qty	Supply Mode	Part Spec	Remarks
	40292	MH024095	BOLT,FR SUSP SPRING	4		8X86	
		MH024095	BOLT,FR SUSP SPRING	4		8X86	
	40292B	MF104921	BOLT,FR SUSP SPRING	2		BOLT,12X65	7T
	40293F	MF450011	WASHER,FR SUSP SPRING	4		PLAIN,20	
	40296B	MC420078	PIN,FR SUSP SPRING	2		SHACKLE,28X116	GREASE HOLE OUTS
	40296C	MC092193	PIN,FR SUSP SPRING	4		SHACKLE,28X116	
	40297	MH024021	NUT,FR SUSP SPRING	2		LARGE,10	
	40297B	MF434106	NUT,FR SUSP SPRING	2		FLANGE,12	4T
	40297D	MF434106	NUT,FR SUSP SPRING	2		FLANGE,12	4T
RP	40297E	MC110291	NUT,FR SUSP SPRING	8		16	
	40297F	MC040464	NUT,FR SUSP SPRING	4		FLANGE,20	
	40406L	MK382133	BRACKET,FR SHOCK ABSORBER,LWR LH	1			

FK74R
33-010 FRONT SUSPENSION

Repl Part	PNC	Part No	Part Name	Qty	Supply Mode	Part Spec	Remarks
	40406R	MK382134	BRACKET,FR SHOCK ABSORBER,LWR RH	1			
	40424	MK329695	SHOCK ABSORBER,FR SUSP	2		C3022S-SE	KAYABA
		MK471523	SHOCK ABSORBER,FR SUSP	2			
	40493B	MC816005	WASHER,FR SHOCK ABSORBER	2			
	40493C	MC816006	WASHER,FR SHOCK ABSORBER	2			
	40493D	MC816102	WASHER,FR SHOCK ABSORBER	2			
	40493E	MC816103	WASHER,FR SHOCK ABSORBER	4			
	40495D	MC816104	NUT,FR SHOCK ABSORBER INR	2			
	40495E	MC816105	NUT,FR SHOCK ABSORBER INR	2			
	40497B	MC816109	BUSHING,FR SHOCK ABSORBER	2			
	40497C	MC816101	BUSHING,FR SHOCK ABSORBER	4			

FK74R
No.1



2F0501

Ref. |2033150

Page

FK74R
33-150 FRONT STABILIZER

Repl Part	PNC	Part No	Part Name	Qty	Part Spec	Remarks	PREV.1	Classification	Option
	40603	MC090095	BAR,FR SUSP STABILIZER	1				G6,G6E,H6, H6E,J6,J6E, K6,K6E,M6, M6E	15T
		MK470836	BAR,FR SUSP STABILIZER	1				G6,G6V,H6, H6E,H6V,H6VE, J6,J6E,J6V, J6VE,K6,K6E, K6V,K6VE,M6E, M6VE	15T
		MK470836	BAR,FR SUSP STABILIZER	1				G6,G6V,H6, H6E,H6V,H6VE, J6,J6E,J6V, J6VE,K6,K6E, K6VE,M6E	15T
RP	40605	MC093019	BUSHING,FR SUSP STABILIZER BAR	2			O	G6,G6E,H6, H6E,J6,J6E, K6,K6E,M6, M6E	15T
		MK470841	BUSHING,FR SUSP STABILIZER BAR	2				G6,G6V,H6, H6E,H6V,H6VE, J6,J6E,J6V, J6VE,K6,K6E, K6V,K6VE,M6E, M6VE	15T
		MK470841	BUSHING,FR SUSP STABILIZER BAR	2				G6,G6V,H6, H6E,H6V,H6VE, J6,J6E,J6V, J6VE,K6,K6E, K6VE,M6E	15T

Ref. |2033150

Page

FK74R
33-150 FRONT STABILIZER

Repl Part	PNC	Part No	Part Name	Qty	Part Spec	Remarks	PREV.1	Classification	Options
	40624B	MC091109	CAP,FR SUSP STABILIZER BAR BUSHING	2				G6,G6E,H6, H6E,J6,J6E, K6,K6E,M6, M6E	15T
		MK470840	CAP,FR SUSP STABILIZER BAR BUSHING	2				G6,G6V,H6, H6E,H6V,H6VE, J6,J6E,J6V, J6VE,K6,K6E, K6V,K6VE,M6E, M6VE	15T
		MK470840	CAP,FR SUSP STABILIZER BAR BUSHING	2				G6,G6V,H6, H6E,H6V,H6VE, J6,J6E,J6V, J6VE,K6,K6E, K6VE,M6E	15T
	40629B	MC405169	SEAT,FR SUSP STABILIZER HANGER	2				G6,G6E,H6, H6E,J6,J6E, K6,K6E,M6, M6E	15T
		MC405169	SEAT,FR SUSP STABILIZER HANGER	2				G6,G6V,H6, H6E,H6V,H6VE, J6,J6E,J6V, J6VE,K6,K6E, K6V,K6VE,M6E, M6VE	15T
		MC405169	SEAT,FR SUSP STABILIZER HANGER	2				G6,G6V,H6, H6E,H6V,H6VE, J6,J6E,J6V, J6VE,K6,K6E, K6VE,M6E	15T
	40631	MK319476	HANGER,FR SUSP STABILIZER	2				G6,G6E,H6, H6E,J6,J6E, K6,K6E,M6, M6E	15T
		MK470838	HANGER,FR SUSP STABILIZER	2				G6,G6V,H6, H6E,H6V,H6VE, J6,J6E,J6V, J6VE,K6,K6E, K6V,K6VE,M6E, M6VE	15T
		MK470838	HANGER,FR SUSP STABILIZER	2				G6,G6V,H6, H6E,H6V,H6VE, J6,J6E,J6V, J6VE,K6,K6E, K6VE,M6E	15T
	40635	MC405171	HOLDER,FR SUSP STABILIZER BUSHING	4				G6,G6E,H6, H6E,J6,J6E, K6,K6E,M6, M6E	15T
		MC405171	HOLDER,FR SUSP STABILIZER BUSHING	4				G6,G6V,H6, H6E,H6V,H6VE, J6,J6E,J6V, J6VE,K6,K6E, K6V,K6VE,M6E, M6VE	15T
		MC405171	HOLDER,FR SUSP STABILIZER BUSHING	4				G6,G6V,H6, H6E,H6V,H6VE, J6,J6E,J6V, J6VE,K6,K6E, K6VE,M6E	15T
RP	40639B	MC095838	PIN,FR SUSP STABILIZER	2			O	G6,G6E,H6, H6E,J6,J6E, K6,K6E,M6, M6E	15T
RP		MC095838	PIN,FR SUSP STABILIZER	2			O	G6,G6V,H6, H6E,H6V,H6VE, J6,J6E,J6V, J6VE,K6,K6E, K6V,K6VE,M6E, M6VE	15T

FK74R
33-150 FRONT STABILIZER

Repl Part RP	PNC	Part No	Part Name	Qty	Part Spec	Remarks	PREV.1	Classification	Options
	40639B	MC095838	PIN,FR SUSP STABILIZER	2			O	G6,G6V,H6, H6E,H6V,H6VE, J6,J6E,J6V, J6VE,K6,K6E, K6VE,M6E	15T
	40639C	MF472086	PIN,FR SUSP STABILIZER	2	SPLIT,4X35			G6,G6E,H6, H6E,J6,J6E, K6,K6E,M6, M6E	15T
		MF472086	PIN,FR SUSP STABILIZER	2	SPLIT,4X35			G6,G6V,H6, H6E,H6V,H6VE, J6,J6E,J6V, J6VE,K6,K6E, K6V,K6VE,M6E, M6VE	15T
		MF472086	PIN,FR SUSP STABILIZER	2	SPLIT,4X35			G6,G6V,H6, H6E,H6V,H6VE, J6,J6E,J6V, J6VE,K6,K6E, K6VE,M6E	15T
	40690C	MF450408	WASHER,FR SUSP STABILIZER	2	SPRING,14			G6,G6E,H6, H6E,J6,J6E, K6,K6E,M6, M6E	15T
		MF450408	WASHER,FR SUSP STABILIZER	2	SPRING,14			G6,G6V,H6, H6E,H6V,H6VE, J6,J6E,J6V, J6VE,K6,K6E, K6V,K6VE,M6E, M6VE	15T
		MF450408	WASHER,FR SUSP STABILIZER	2	SPRING,14			G6,G6V,H6, H6E,H6V,H6VE, J6,J6E,J6V, J6VE,K6,K6E, K6VE,M6E	15T
	40690D	MF450410	WASHER,FR SUSP STABILIZER	2	SPRING,18			G6,G6E,H6, H6E,J6,J6E, K6,K6E,M6, M6E	15T
		MF450410	WASHER,FR SUSP STABILIZER	2	SPRING,18			G6,G6V,H6, H6E,H6V,H6VE, J6,J6E,J6V, J6VE,K6,K6E, K6V,K6VE,M6E, M6VE	15T
		MF450410	WASHER,FR SUSP STABILIZER	2	SPRING,18			G6,G6V,H6, H6E,H6V,H6VE, J6,J6E,J6V, J6VE,K6,K6E, K6VE,M6E	15T
	40690P	MC451540	WASHER,FR SUSP STABILIZER	2	24.5			G6,G6E,H6, H6E,J6,J6E, K6,K6E,M6, M6E	15T
		MC451540	WASHER,FR SUSP STABILIZER	2	24.5			G6,G6V,H6, H6E,H6V,H6VE, J6,J6E,J6V, J6VE,K6,K6E, K6V,K6VE,M6E, M6VE	15T
		MC451540	WASHER,FR SUSP STABILIZER	2	24.5			G6,G6V,H6, H6E,H6V,H6VE, J6,J6E,J6V, J6VE,K6,K6E, K6VE,M6E	15T
	40694B	MF434106	NUT,FR SUSP STABILIZER	2	FLANGE,12	4T		G6,G6E,H6, H6E,J6,J6E, K6,K6E,M6, M6E	15T

FK74R
33-150 FRONT STABILIZER

Repl Part	PNC	Part No	Part Name	Qty	Part Spec	Remarks	PREV.1	Classification	Option
	40694B	MF434106	NUT,FR SUSP STABILIZER	2	FLANGE,12	4T		G6,G6V,H6, H6E,H6V,H6VE, J6,J6E,J6V, J6VE,K6,K6E, K6V,K6VE,M6E, M6VE	15T
		MF434106	NUT,FR SUSP STABILIZER	2	FLANGE,12	4T		G6,G6V,H6, H6E,H6V,H6VE, J6,J6E,J6V, J6VE,K6,K6E, K6VE,M6E	15T
	40694C	MF434106	NUT,FR SUSP STABILIZER	2	FLANGE,12	4T		G6,G6E,H6, H6E,J6,J6E, K6,K6E,M6, M6E	15T
		MF434106	NUT,FR SUSP STABILIZER	2	FLANGE,12	4T		G6,G6V,H6, H6E,H6V,H6VE, J6,J6E,J6V, J6VE,K6,K6E, K6V,K6VE,M6E, M6VE	15T
		MF434106	NUT,FR SUSP STABILIZER	2	FLANGE,12	4T		G6,G6V,H6, H6E,H6V,H6VE, J6,J6E,J6V, J6VE,K6,K6E, K6V,K6VE,M6E, M6VE	15T
	40694D	MF430008	NUT,FR SUSP STABILIZER	2	NUT,14	4T		G6,G6E,H6, H6E,J6,J6E, K6,K6E,M6, M6E	15T
		MF430008	NUT,FR SUSP STABILIZER	2	NUT,14	4T		G6,G6V,H6, H6E,H6V,H6VE, J6,J6E,J6V, J6VE,K6,K6E, K6V,K6VE,M6E, M6VE	15T
		MF430008	NUT,FR SUSP STABILIZER	2	NUT,14	4T		G6,G6V,H6, H6E,H6V,H6VE, J6,J6E,J6V, J6VE,K6,K6E, K6V,K6VE,M6E, M6VE	15T
	40694F	MF431108	NUT,FR SUSP STABILIZER	2	SLOTTED,18			G6,G6E,H6, H6E,J6,J6E, K6,K6E,M6, M6E	15T
		MF431108	NUT,FR SUSP STABILIZER	2	SLOTTED,18			G6,G6V,H6, H6E,H6V,H6VE, J6,J6E,J6V, J6VE,K6,K6E, K6V,K6VE,M6E, M6VE	15T
		MF431108	NUT,FR SUSP STABILIZER	2	SLOTTED,18			G6,G6V,H6, H6E,H6V,H6VE, J6,J6E,J6V, J6VE,K6,K6E, K6V,K6VE,M6E, M6VE	15T
	40697L	MC090093	BRACKET,FR SUSP STABILIZER,LH	1				G6,G6E,H6, H6E,J6,J6E, K6,K6E,M6, M6E	15T
		MC090093	BRACKET,FR SUSP STABILIZER,LH	1				G6,G6V,H6, H6E,H6V,H6VE, J6,J6E,J6V, J6VE,K6,K6E, K6V,K6VE,M6E, M6VE	15T
		MC090093	BRACKET,FR SUSP STABILIZER,LH	1				G6,G6V,H6, H6E,H6V,H6VE, J6,J6E,J6V, J6VE,K6,K6E, K6V,K6VE,M6E, M6VE	15T

FK74R
33-150 FRONT STABILIZER

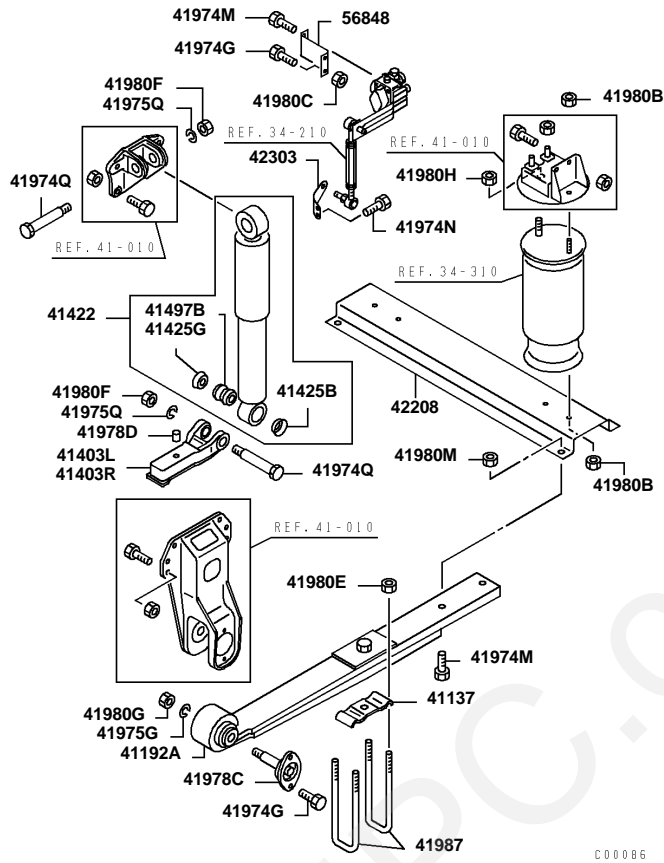
Repl Part	PNC	Part No	Part Name	Qty	Part Spec	Remarks	PREV.1	Classification	Options
	40697R	MC090094	BRACKET,FR SUSP STABILIZER,RH	1				G6,G6E,H6, H6E,J6,J6E, K6,K6E,M6, M6E	15T
		MC090094	BRACKET,FR SUSP STABILIZER,RH	1				G6,G6V,H6, H6E,H6V,H6VE, J6,J6E,J6V, J6VE,K6,K6E, K6V,K6VE,M6E, M6VE	15T
		MC090094	BRACKET,FR SUSP STABILIZER,RH	1				G6,G6V,H6, H6E,H6V,H6VE, J6,J6E,J6V, J6VE,K6,K6E, K6VE,M6E	15T
	40698B	MF101310	BOLT,FR SUSP STABILIZER	2	12X25	7T		G6,G6E,H6, H6E,J6,J6E, K6,K6E,M6, M6E	15T
		MF101312	BOLT,FR SUSP STABILIZER	2	BOLT,12X30	7T		G6,G6V,H6, H6E,H6V,H6VE, J6,J6E,J6V, J6VE,K6,K6E, K6V,K6VE,M6E, M6VE	15T
		MF101312	BOLT,FR SUSP STABILIZER	2	BOLT,12X30	7T		G6,G6V,H6, H6E,H6V,H6VE, J6,J6E,J6V, J6VE,K6,K6E, K6VE,M6E	15T
	40698C	MF101310	BOLT,FR SUSP STABILIZER	2	12X25	7T		G6,G6E,H6, H6E,J6,J6E, K6,K6E,M6, M6E	15T
		MF101312	BOLT,FR SUSP STABILIZER	2	BOLT,12X30	7T		G6,G6V,H6, H6E,H6V,H6VE, J6,J6E,J6V, J6VE,K6,K6E, K6V,K6VE,M6E, M6VE	15T
		MF101312	BOLT,FR SUSP STABILIZER	2	BOLT,12X30	7T		G6,G6V,H6, H6E,H6V,H6VE, J6,J6E,J6V, J6VE,K6,K6E, K6VE,M6E	15T
	40699C	MC405173	BUSHING,FR SUSP STABILIZER	4				G6,G6E,H6, H6E,J6,J6E, K6,K6E,M6, M6E	15T
		MC405173	BUSHING,FR SUSP STABILIZER	4				G6,G6V,H6, H6E,H6V,H6VE, J6,J6E,J6V, J6VE,K6,K6E, K6V,K6VE,M6E, M6VE	15T
		MC405173	BUSHING,FR SUSP STABILIZER	4				G6,G6V,H6, H6E,H6V,H6VE, J6,J6E,J6V, J6VE,K6,K6E, K6VE,M6E	15T
	40699D	MC450834	BUSHING,FR SUSP STABILIZER	4				G6,G6E,H6, H6E,J6,J6E, K6,K6E,M6, M6E	15T
		MC450834	BUSHING,FR SUSP STABILIZER	4				G6,G6V,H6, H6E,H6V,H6VE, J6,J6E,J6V, J6VE,K6,K6E, K6V,K6VE,M6E, M6VE	15T

FK74R
33-150 FRONT STABILIZER

Repl Part	PNC	Part No	Part Name	Qty	Part Spec	Remarks	PREV.1	Classification	Options
	40699D	MC450834	BUSHING,FR SUSP STABILIZER	4				G6,G6V,H6, H6E,H6V,H6VE, J6,J6E,J6V, J6VE,K6,K6E, K6VE,M6E	15T

www.AutoEPC.com

FK74R
No.1

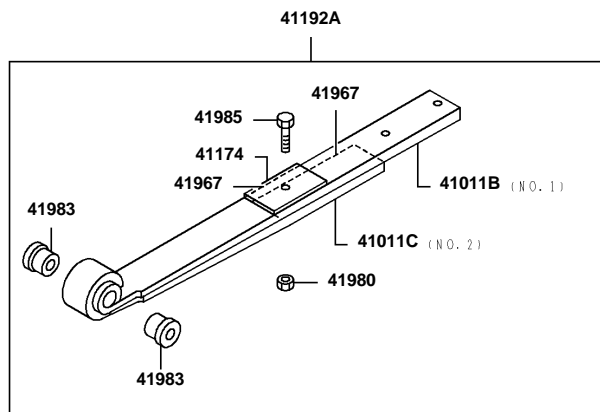


C00086

Ref. |2034010

Page

FK74R
No.2

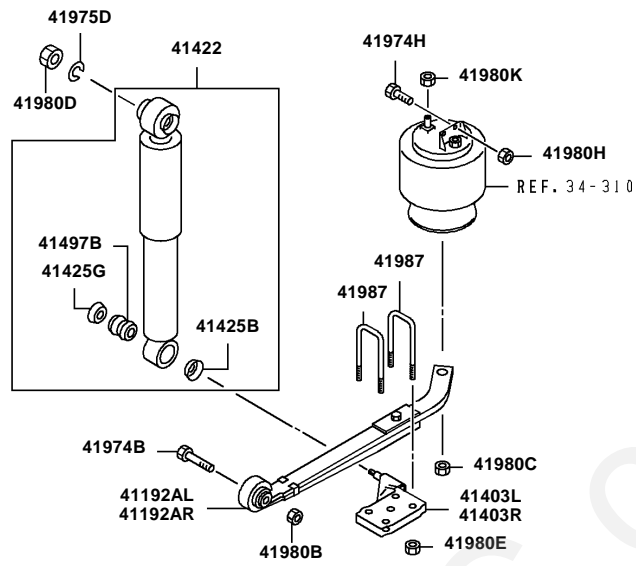


2MA005

Ref. |2034010

Page

FK74R
No.3

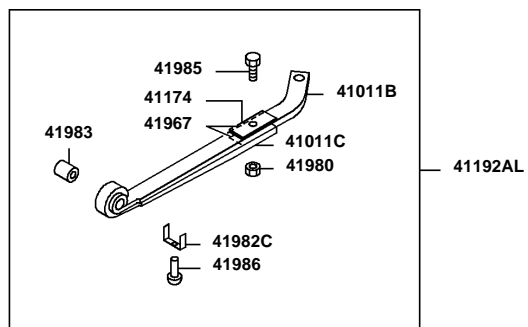


C00155

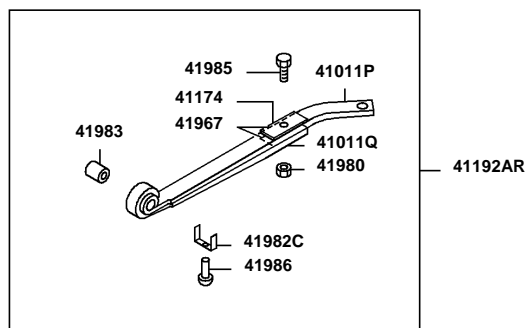
Ref. |2034010

Page

FK74R
No.4



41192AL



41192AR

C00156

Ref. |2034010

Page

FK74R
34-010 REAR SUSPENSION

Repl Part	PNC	Part No	Part Name	Qty	Part Spec	Remarks	PREV.1	Classification
	41011B	MK432825	LEAF,RR SUSP SPRING	2				G6,G6E,H6, H6E,J6,J6E, K6,K6E,M6, M6E
		MK632236	LEAF,RR SUSP SPRING	1				G6,G6V,H6, H6E,H6V,H6V J6,J6E,J6V, J6VE,K6,K6E, K6V,K6VE,M6 M6VE
	41011C	MK432826	LEAF,RR SUSP SPRING	2				G6,G6E,H6, H6E,J6,J6E, K6,K6E,M6, M6E
		MK472199	LEAF,RR SUSP SPRING	1	W/CLIP			G6,G6V,H6, H6E,H6V,H6V J6,J6E,J6V, J6VE,K6,K6E, K6V,K6VE,M6 M6VE
	41011P	MK632237	LEAF,RR SUSP SPRING	1				G6,G6V,H6, H6E,H6V,H6V J6,J6E,J6V, J6VE,K6,K6E, K6V,K6VE,M6 M6VE
	41011Q	MK472199	LEAF,RR SUSP SPRING	1	W/CLIP			G6,G6V,H6, H6E,H6V,H6V J6,J6E,J6V, J6VE,K6,K6E, K6V,K6VE,M6 M6VE
	41137	MK333458	PAD,RR SUSP SPRING,UPR	2				G6,G6E,H6, H6E,J6,J6E, K6,K6E,M6, M6E
	41174	MK333950	SEAT,RR SUSP SPRING SLIDE	2				G6,G6E,H6, H6E,J6,J6E, K6,K6E,M6, M6E
		MK472228	SEAT,RR SUSP SPRING SLIDE	2				G6,G6V,H6, H6E,H6V,H6V J6,J6E,J6V, J6VE,K6,K6E, K6V,K6VE,M6 M6VE
	41192A	MK432824	SPRING ASSY,RR SUSP	2	CAMBER=134.5			G6,G6E,H6, H6E,J6,J6E, K6,K6E,M6, M6E
	41192AL	MK632130	SPRING ASSY,RR SUSP,LH	1	CAMBER=53.5			G6,G6V,H6, H6E,H6V,H6V J6,J6E,J6V, J6VE,K6,K6E, K6V,K6VE,M6 M6VE
	41192AR	MK632131	SPRING ASSY,RR SUSP,RH	1	CAMBER=53.5			G6,G6V,H6, H6E,H6V,H6V J6,J6E,J6V, J6VE,K6,K6E, K6V,K6VE,M6 M6VE
	41403L	MK319456	BRACKET,RR SHOCK ABSORBER,LWR LH	1				G6,G6E,H6, H6E,J6,J6E, K6,K6E,M6, M6E
		MK472110	BRACKET,RR SHOCK ABSORBER,LWR LH	1				G6,G6V,H6, H6E,H6V,H6V J6,J6E,J6V, J6VE,K6,K6E, K6V,K6VE,M6 M6VE

FK74R
34-010 REAR SUSPENSION

Repl Part	PNC	Part No	Part Name	Qty	Part Spec	Remarks	PREV.1	Classification
	41403R	MK319457	BRACKET,RR SHOCK ABSORBER,LWR RH	1				G6,G6E,H6, H6E,J6,J6E, K6,K6E,M6, M6E
		MK472111	BRACKET,RR SHOCK ABSORBER,LWR RH	1				G6,G6V,H6, H6E,H6V,H6V, J6,J6E,J6V, J6VE,K6,K6E, K6V,K6VE,M6 M6VE
	41422	MK433889	SHOCK ABSORBER,RR SUSP	2	C40165D-EE	KAYABA		G6,G6E,H6, H6E,J6,J6E, K6,K6E,M6, M6E
		MK472138	SHOCK ABSORBER,RR SUSP	2				G6,G6V,H6, H6E,H6V,H6V, J6,J6E,J6V, J6VE,K6,K6E, K6V,K6VE,M6 M6VE
	41425B	0326085053	WASHER,RR SHOCK ABSORBER INR	4				G6,G6E,H6, H6E,J6,J6E, K6,K6E,M6, M6E
		MC816029	WASHER,RR SHOCK ABSORBER INR	4	FINISH,26			G6,G6V,H6, H6E,H6V,H6V, J6,J6E,J6V, J6VE,K6,K6E, K6V,K6VE,M6 M6VE
	41425G	0326085054	WASHER,RR SHOCK ABSORBER INR	4				G6,G6E,H6, H6E,J6,J6E, K6,K6E,M6, M6E
		MC816030	WASHER,RR SHOCK ABSORBER INR	4	21			G6,G6V,H6, H6E,H6V,H6V, J6,J6E,J6V, J6VE,K6,K6E, K6V,K6VE,M6 M6VE
	41497B	MK303860	BUSHING,RR SHOCK ABSORBER	4				G6,G6E,H6, H6E,J6,J6E, K6,K6E,M6, M6E
		MC816031	BUSHING,RR SHOCK ABSORBER	4				G6,G6V,H6, H6E,H6V,H6V, J6,J6E,J6V, J6VE,K6,K6E, K6V,K6VE,M6 M6VE
	41967	MK432827	SPACER,RR SUSP SPRING,CTR	2				G6,G6E,H6, H6E,J6,J6E, K6,K6E,M6, M6E
		MK432828	SPACER,RR SUSP SPRING,CTR	2				G6,G6E,H6, H6E,J6,J6E, K6,K6E,M6, M6E
		MK471575	SPACER,RR SUSP SPRING,CTR	4				G6,G6V,H6, H6E,H6V,H6V, J6,J6E,J6V, J6VE,K6,K6E, K6V,K6VE,M6 M6VE
	41974B	MH001675	BOLT,RR SUSP SPRING	2	24X140			G6,G6V,H6, H6E,H6V,H6V, J6,J6E,J6V, J6VE,K6,K6E, K6V,K6VE,M6 M6VE

FK74R
34-010 REAR SUSPENSION

Repl Part	PNC	Part No	Part Name	Qty	Part Spec	Remarks	PREV.1	Classification
	41974G	MF140258	BOLT,RR SUSP SPRING	4	FLANGE,10X20	7T		G6,G6E,H6, H6E,J6,J6E, K6,K6E,M6, M6E
	41974H	MS146824	BOLT,RR SUSP SPRING	4	FLANGE,12X35			G6,G6V,H6, H6E,H6V,H6V J6,J6E,J6V, J6VE,K6,K6E, K6V,K6VE,M6 M6VE
	41974M	MC000293	BOLT,RR SUSP SPRING	2	REAMER,18X59			G6,G6E,H6, H6E,J6,J6E, K6,K6E,M6, M6E
		MC009749	BOLT,RR SUSP SPRING	2	REAMER,18X52			G6,G6E,H6, H6E,J6,J6E, K6,K6E,M6, M6E
	41974Q	MH000476	BOLT,RR SUSP SPRING	4	REAMER,24,L=135			G6,G6E,H6, H6E,J6,J6E, K6,K6E,M6, M6E
	41975D	MF450411	WASHER,RR SUSP SPRING	4	SPRING,20			G6,G6V,H6, H6E,H6V,H6V J6,J6E,J6V, J6VE,K6,K6E, K6V,K6VE,M6 M6VE
	41975G	MF450412	WASHER,RR SUSP SPRING	2	SPRING,22			G6,G6E,H6, H6E,J6,J6E, K6,K6E,M6, M6E
	41975Q	MF450413	WASHER,RR SUSP SPRING	4	SPRING,24			G6,G6E,H6, H6E,J6,J6E, K6,K6E,M6, M6E
	41978C	MC355316	PIN,RR SUSP SPRING	2	SPRING,28X118			G6,G6E,H6, H6E,J6,J6E, K6,K6E,M6, M6E
	41978D	MS476697	PIN,RR SUSP SPRING	2	DOWEL,16X32			G6,G6E,H6, H6E,J6,J6E, K6,K6E,M6, M6E
	41980	MH024020	NUT,RR SUSP SPRING	2	LARGE,12			G6,G6E,H6, H6E,J6,J6E, K6,K6E,M6, M6E
		MF430007	NUT,RR SUSP SPRING	2	12			G6,G6V,H6, H6E,H6V,H6V J6,J6E,J6V, J6VE,K6,K6E, K6V,K6VE,M6 M6VE
	41980B	MF434106	NUT,RR SUSP SPRING	6	FLANGE,12	4T		G6,G6E,H6, H6E,J6,J6E, K6,K6E,M6, M6E
		MH004045	NUT,RR SUSP SPRING	2	FLANGE,24			G6,G6V,H6, H6E,H6V,H6V J6,J6E,J6V, J6VE,K6,K6E, K6V,K6VE,M6 M6VE
	41980C	MK632220	NUT,RR SUSP SPRING	2	FLANGE,16			G6,G6V,H6, H6E,H6V,H6V J6,J6E,J6V, J6VE,K6,K6E, K6V,K6VE,M6 M6VE

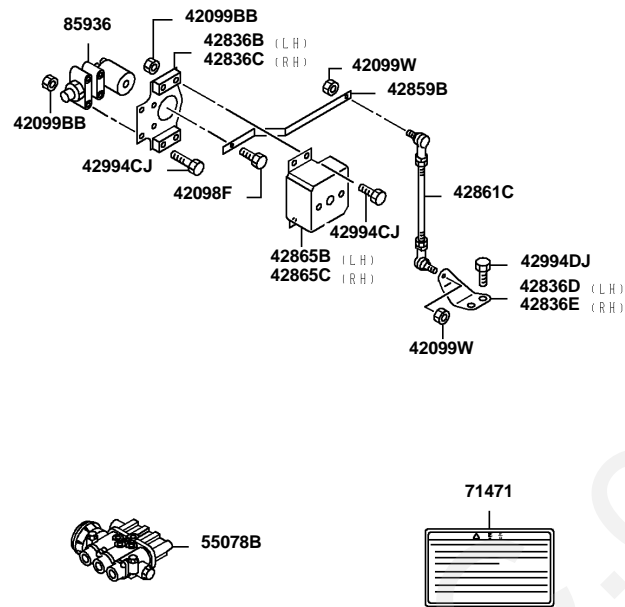
FK74R
34-010 REAR SUSPENSION

Repl Part	PNC	Part No	Part Name	Qty	Part Spec	Remarks	PREV.1	Classification
	41980D	MF430011	NUT,RR SUSP SPRING	4	NUT,4T,20	4T		G6,G6V,H6, H6E,H6V,H6V J6,J6E,J6V, J6VE,K6,K6E, K6V,K6VE,M6 M6VE
RP	41980E	MC091570	NUT,RR SUSP SPRING	8	FLANGE,18		O	G6,G6E,H6, H6E,J6,J6E, K6,K6E,M6, M6E
		MK384832	NUT,RR SUSP SPRING	8	22			G6,G6V,H6, H6E,H6V,H6V J6,J6E,J6V, J6VE,K6,K6E, K6V,K6VE,M6 M6VE
	41980F	MF430013	NUT,RR SUSP SPRING	4	NUT,4T,24	4T		G6,G6E,H6, H6E,J6,J6E, K6,K6E,M6, M6E
	41980G	MF430128	NUT,RR SUSP SPRING	2	NUT,22	6Y		G6,G6E,H6, H6E,J6,J6E, K6,K6E,M6, M6E
	41980H	MC040464	NUT,RR SUSP SPRING	2	FLANGE,20			G6,G6E,H6, H6E,J6,J6E, K6,K6E,M6, M6E
		MH004161	NUT,RR SUSP SPRING	4	FLANGE,12	6T		G6,G6V,H6, H6E,H6V,H6V J6,J6E,J6V, J6VE,K6,K6E, K6V,K6VE,M6 M6VE
	41980K	MC040464	NUT,RR SUSP SPRING	2	FLANGE,20			G6,G6V,H6, H6E,H6V,H6V J6,J6E,J6V, J6VE,K6,K6E, K6V,K6VE,M6 M6VE
	41980M	MC040487	NUT,RR SUSP SPRING	4	FLANGE,18			G6,G6E,H6, H6E,J6,J6E, K6,K6E,M6, M6E
	41982C	MK472497	CLIP,RR SUSP SPRING	2				G6,G6V,H6, H6E,H6V,H6V J6,J6E,J6V, J6VE,K6,K6E, K6V,K6VE,M6 M6VE
	41983	MC363374	BUSHING,RR SUSP SPRING	4	28X89			G6,G6E,H6, H6E,J6,J6E, K6,K6E,M6, M6E
		MK472175	BUSHING,RR SUSP SPRING	2				G6,G6V,H6, H6E,H6V,H6V J6,J6E,J6V, J6VE,K6,K6E, K6V,K6VE,M6 M6VE
	41985	MH024864	CENTER BOLT,RR SUSP SPRING	2	12X95			G6,G6E,H6, H6E,J6,J6E, K6,K6E,M6, M6E
		MH024989	CENTER BOLT,RR SUSP SPRING	2	12X95			G6,G6V,H6, H6E,H6V,H6V J6,J6E,J6V, J6VE,K6,K6E, K6V,K6VE,M6 M6VE

FK74R
34-010 REAR SUSPENSION

Repl Part	PNC	Part No	Part Name	Qty	Part Spec	Remarks	PREV.1	Classification
	41986	MH024919	RIVET,RR SUSP SPRING	2				G6,G6V,H6, H6E,H6V,H6V J6,J6E,J6V, J6VE,K6,K6E, K6V,K6VE,M6 M6VE
	41987	MH002760	U-BOLT,RR SUSP SPRING	4	18X330			G6,G6E,H6, H6E,J6,J6E, K6,K6E,M6, M6E
		MH002551	U-BOLT,RR SUSP SPRING	4	22X310			G6,G6V,H6, H6E,H6V,H6V J6,J6E,J6V, J6VE,K6,K6E, K6V,K6VE,M6 M6VE
	42208	MK319458	BEAM,RR AIR SPRING CROSS	1				G6,G6E,H6, H6E,J6,J6E, K6,K6E,M6, M6E
	42303 56848 41974N	(N.e.c.) (N.e.c.) (N.e.c.)	BRACKET,RR LEVELING VALVE ROD BRACKET,A/SUSP LEVELING VALVE BOLT,RR SUSP SPRING					

FK74R
No.1

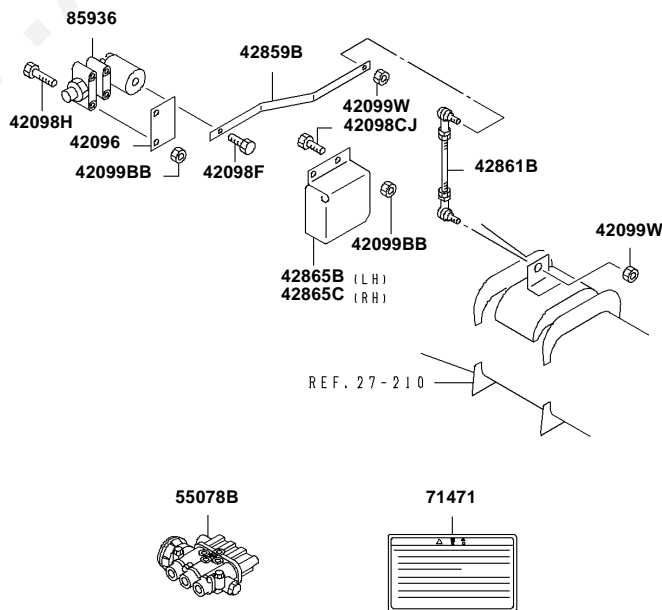


C00018

Ref. |2034210

Page

FK74R
No.2



C00026

Ref. |2034210

Page

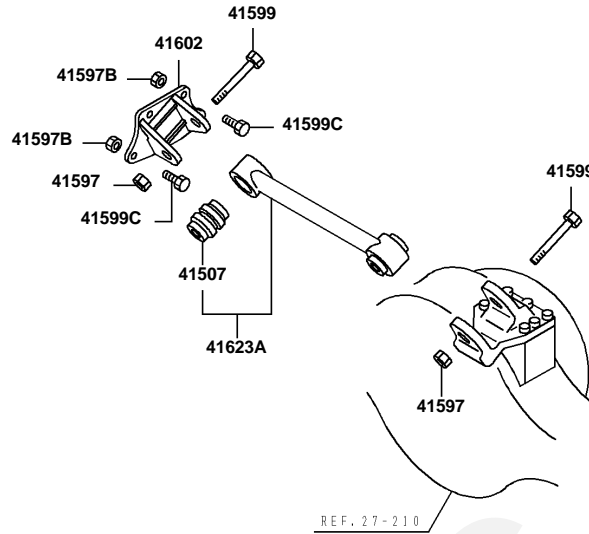
FK74R
34-210 AIR SUSPENSION

PNC	Part No	Part Name	Qty	Part Spec	Remarks	Classification	Start	End
42096	MK470591	SPACER,A/SUSP	2	T=10		G6,G6V,H6, H6E,H6V,H6VE, J6,J6E,J6V, J6VE,K6,K6E, K6V,K6VE,M6E, M6VE	05103	09052
42098CJ	MF140025	BOLT,A/SUSP	4	FLANGE,8X20	4T	G6,G6V,H6, H6E,H6V,H6VE, J6,J6E,J6V, J6VE,K6,K6E, K6V,K6VE,M6E, M6VE	05103	09052
42098F	MF140005	BOLT,A/SUSP	2	FLANGE,6X16	4T	G6,G6E,G6V, H6,H6E,H6V, H6VE,J6,J6E, J6V,J6VE,K6, K6E,K6V,K6VE, M6,M6E,M6VE	04053	09052
42098H	MF140040	BOLT,A/SUSP	4	FLANGE,8X75	4T	G6,G6V,H6, H6E,H6V,H6VE, J6,J6E,J6V, J6VE,K6,K6E, K6V,K6VE,M6E, M6VE	05103	09052
42099BB	MF434104	NUT,A/SUSP	16	FLANGE,8		G6,G6E,H6, H6E,J6,J6E, K6,K6E,M6, M6E	04053	05102
	MF434104	NUT,A/SUSP	8	FLANGE,8		G6,G6V,H6, H6E,H6V,H6VE, J6,J6E,J6V, J6VE,K6,K6E, K6V,K6VE,M6E, M6VE	05103	09052
42099W	MK432529	NUT,A/SUSP	4	6	WITH COATING	G6,G6E,G6V, H6,H6E,H6V, H6VE,J6,J6E, J6V,J6VE,K6, K6E,K6V,K6VE, M6,M6E,M6VE	04053	09052
42836B	MK432464	BRACKET,A/SUSP HEIGHT SENSOR	1			G6,G6E,H6, H6E,J6,J6E, K6,K6E,M6, M6E	04053	05102
42836C	MK432465	BRACKET,A/SUSP HEIGHT SENSOR	1			G6,G6E,H6, H6E,J6,J6E, K6,K6E,M6, M6E	04053	05102
42836D	MK470445	BRACKET,A/SUSP HEIGHT SENSOR	1			G6,G6E,H6, H6E,J6,J6E, K6,K6E,M6, M6E	04053	05102
42836E	MK470446	BRACKET,A/SUSP HEIGHT SENSOR	1			G6,G6E,H6, H6E,J6,J6E, K6,K6E,M6, M6E	04053	05102
42859B	MK432471	LEVER,A/SUSP HEIGHT SENSOR	2			G6,G6E,H6, H6E,J6,J6E, K6,K6E,M6, M6E	04053	05102
	MK433063	LEVER,A/SUSP HEIGHT SENSOR	2			G6,G6V,H6, H6E,H6V,H6VE, J6,J6E,J6V, J6VE,K6,K6E, K6V,K6VE,M6E, M6VE	05103	09052
42861B	MK433223	ROD,A/SUSP HEIGHT SENSOR	2			G6,G6V,H6, H6E,H6V,H6VE, J6,J6E,J6V, J6VE,K6,K6E, K6V,K6VE,M6E, M6VE	05103	09052

FK74R
34-210 AIR SUSPENSION

PNC	Part No	Part Name	Qty	Part Spec	Remarks	Classification	Start	End
42861C	MK433224	ROD,A/SUSP HEIGHT SENSOR	2			G6,G6E,H6, H6E,J6,J6E, K6,K6E,M6, M6E	04053	05102
42865B	MK432473	COVER,A/SUSP HEIGHT SENSOR	1			G6,G6E,H6, H6E,J6,J6E, K6,K6E,M6, M6E	04053	05102
	MK470589	COVER,A/SUSP HEIGHT SENSOR	1			G6,G6V,H6, H6E,H6V,H6VE, J6,J6E,J6V, J6VE,K6,K6E, K6V,K6VE,M6E, M6VE	05103	09052
42865C	MK432474	COVER,A/SUSP HEIGHT SENSOR	1			G6,G6E,H6, H6E,J6,J6E, K6,K6E,M6, M6E	04053	05102
	MK470590	COVER,A/SUSP HEIGHT SENSOR	1			G6,G6V,H6, H6E,H6V,H6VE, J6,J6E,J6V, J6VE,K6,K6E, K6V,K6VE,M6E, M6VE	05103	09052
42994CJ	MF100067	BOLT,A/SUSP AIR LINE	8	BOLT,8X60	4T	G6,G6E,H6, H6E,J6,J6E, K6,K6E,M6, M6E	04053	05102
	MF140033	BOLT,A/SUSP AIR LINE	8	FLANGE,8X40	4T	G6,G6E,H6, H6E,J6,J6E, K6,K6E,M6, M6E	04053	05102
42994DJ	MF140256	BOLT,A/SUSP AIR LINE	4	FLANGE,10X16	7T	G6,G6E,H6, H6E,J6,J6E, K6,K6E,M6, M6E	04053	05102
55078B	MK432443	VALVE,SOLENOID...	1			G6,G6E,G6V, H6,H6E,H6V, H6VE,J6,J6E, J6V,J6VE,K6, K6E,K6V,K6VE, M6,M6E,M6VE	04053	09052
71471	MK432553	LABEL,A/SUSP CAUTION	1			G6,G6E,G6V, H6,H6E,H6V, H6VE,J6,J6E, J6V,J6VE,K6, K6E,K6V,K6VE, M6,M6E,M6VE	04053	09052
85936	MK334679	SENSOR,A/SUSP HEIGHT	2			G6,G6E,G6V, H6,H6E,H6V, H6VE,J6,J6E, J6V,J6VE,K6, K6E,K6V,K6VE, M6,M6E,M6VE	04053	09052

FK74R
No.1



260003

Ref. |2034250

Page

FK74R
34-250 AIR SUSPENSION SUPPORT & ROD

PNC	Part No	Part Name	Qty	Part Spec	Remarks	Classification	Start	End
41507	MC016571	BUSHING,RR SUSP ROD	2	50X92		G6,G6E,H6, H6E,J6,J6E, K6,K6E,M6, M6E	04053	05102
	MK472175	BUSHING,RR SUSP ROD	2			G6,G6V,H6, H6E,H6V,H6VE, J6,J6E,J6V, J6VE,K6,K6E, K6V,K6VE,M6E, M6VE	05103	09052
41597	MH004045	NUT,RR SUSP ROD	2	FLANGE,24		G6,G6E,G6V, H6,H6E,H6V, H6VE,J6,J6E, J6V,J6VE,K6, K6E,K6V,K6VE, M6,M6E,M6VE	04053	09052
41597B	MH004158	NUT,RR SUSP ROD	4	FLANGE,16		G6,G6E,H6, H6E,J6,J6E, K6,K6E,M6, M6E	04053	05102
	MH004161	NUT,RR SUSP ROD	4	FLANGE,12	6T	G6,G6V,H6, H6E,H6V,H6VE, J6,J6E,J6V, J6VE,K6,K6E, K6V,K6VE,M6E, M6VE	05103	09052
41599	MH000797	BOLT,RR SUSP ROD	2	REAMER,24X150		G6,G6E,H6, H6E,J6,J6E, K6,K6E,M6, M6E	04053	05102

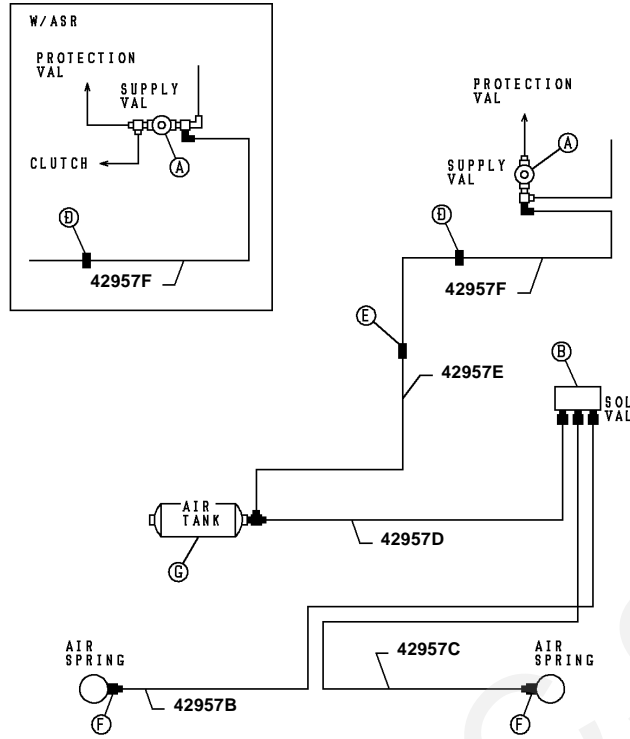
Ref. |2034250

Page

FK74R
34-250 AIR SUSPENSION SUPPORT & ROD

PNC	Part No	Part Name	Qty	Part Spec	Remarks	Classification	Start	End
41599	MH001675	BOLT,RR SUSP ROD	2	24X140		G6,G6V,H6, H6E,H6V,H6VE, J6,J6E,J6V, J6VE,K6,K6E, K6V,K6VE,M6E, M6VE	05103	09052
41599C	MK313298	BOLT,RR SUSP ROD	4	FLANGE,16X45		G6,G6E,H6, H6E,J6,J6E, K6,K6E,M6, M6E	04053	05102
	MS146826	BOLT,RR SUSP ROD	4	FLANGE,12X45		G6,G6V,H6, H6E,H6V,H6VE, J6,J6E,J6V, J6VE,K6,K6E, K6V,K6VE,M6E, M6VE	05103	09052
41602	MK314924	BRACKET,RR SUSP LATERAL ROD	1			G6,G6E,H6, H6E,J6,J6E, K6,K6E,M6, M6E	04053	05102
	MK470582	BRACKET,RR SUSP LATERAL ROD	1			G6,G6V,H6, H6E,H6V,H6VE, J6,J6E,J6V, J6VE,K6,K6E, K6V,K6VE,M6E, M6VE	05103	09052
41623A	MC091076	ROD ASSY,RR SUSP LATERAL	1	540		G6,G6E,H6, H6E,J6,J6E, K6,K6E,M6, M6E	04053	05102
	MK470580	ROD ASSY,RR SUSP LATERAL	1			G6,G6V,H6, H6E,H6V,H6VE, J6,J6E,J6V, J6VE,K6,K6E, K6V,K6VE,M6E, M6VE	05103	09052

FK74R
No.1

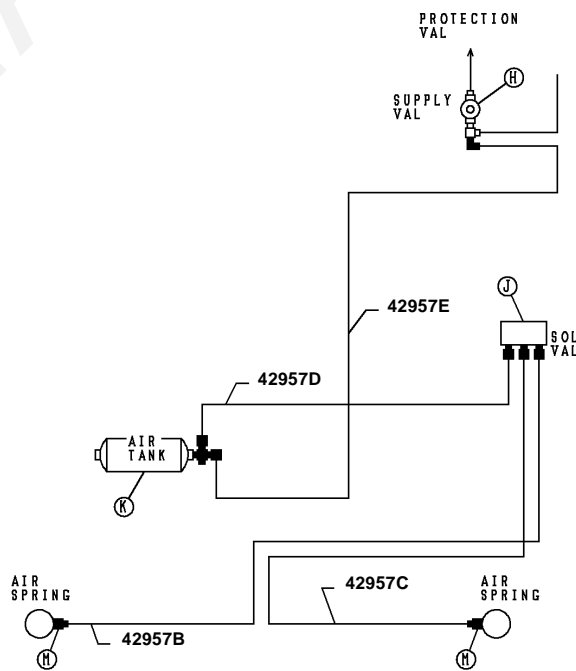


C00184

Ref. |2034280

Page

FK74R
No.2

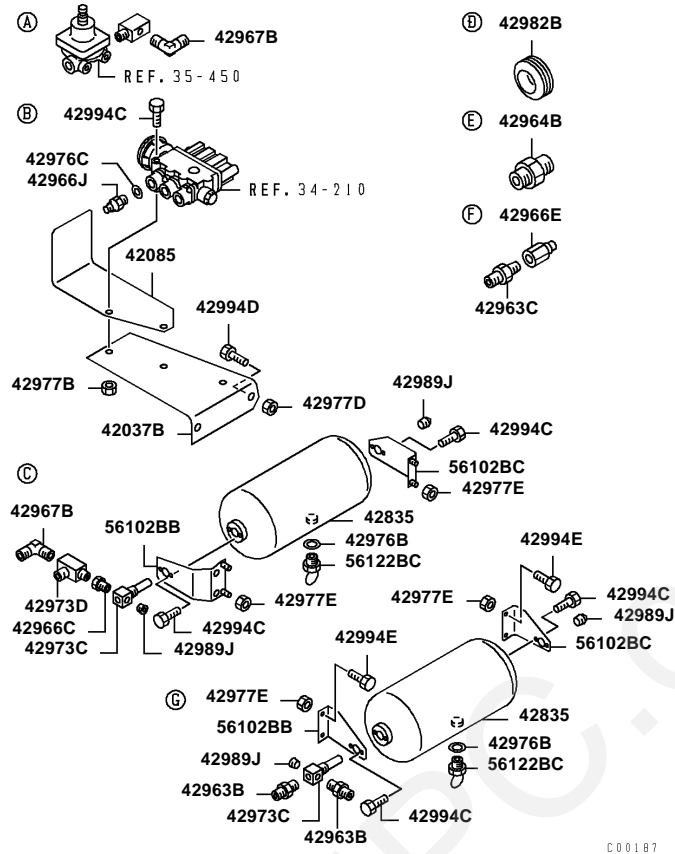


C00275

Ref. |2034280

Page

FK74R
No.3

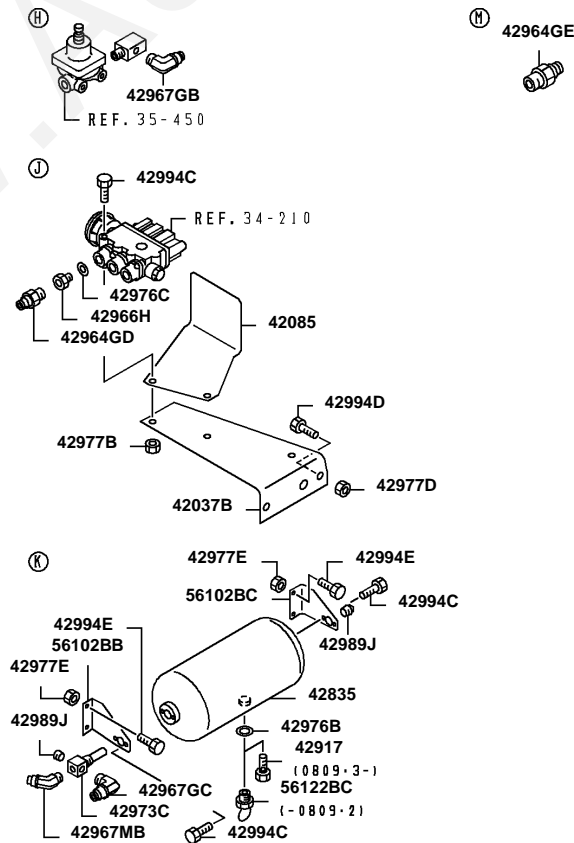


C00187

Ref. |2034280

Page

FK74R
No.4

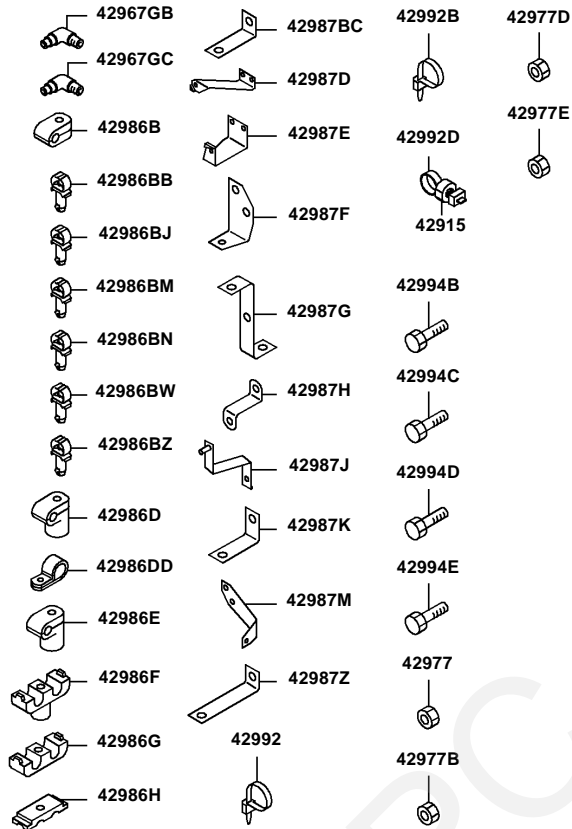


C00276

Ref. |2034280

Page

**FK74R
No.5**



C00336

Ref. |2034280

Page

**FK74R
34-280 AIR SUSPENSION LINE**

Repl Part	PNC	Part No	Part Name	Qty	Part Spec	Remarks	PREV.1	Class
	42037B	MK470820	BRACKET,A/SUSP SOLENOID VALVE	1				G6,G6E, H6,H6E, H6VE,J6 J6V,J6E, K6E,K6E, M6,M6E, G6,G6E, H6,H6E, H6VE,J6 J6V,J6E, K6E,K6E, M6,M6E, G6,G6V, H6E,H6E, J6,J6E, J6VE,K6 K6VE,M6E, K6,K6E, M6E, G6,G6E, H6E,J6E, G6,G6V, H6E,H6E, J6,J6E, J6VE,K6 K6V,K6E, M6VE
	42085	MK432521	COVER,A/SUSP SOLENOID VALVE	1				
	42835	MK321939	TANK,A/SUSP AIR	1		23LITER		
	42917	MK530232	EYEBOLT,A/SUSP AIR LINE	1	14X16	EYEBOLT		
	42957B	MK470465	TUBE,A/SUSP AIR LINE,NO.10	1	10			
		MK471082	TUBE,A/SUSP AIR LINE,NO.10	1	10			
		MK472029	TUBE,A/SUSP AIR LINE,NO.10	1	10			

Ref. |2034280

Page

FK74R
34-280 AIR SUSPENSION LINE

Repl Part	PNC	Part No	Part Name	Qty	Part Spec	Remarks	PREV.1	Class
	42957B	MK573811	TUBE,A/SUSP AIR LINE,NO.10	1	10			G6,G6V H6E,H6 J6,J6E J6VE,K K6VE,M
	42957C	MK471477	TUBE,A/SUSP AIR LINE,NO.10	1	10			G6,G6V H6E,J6
		MK471478	TUBE,A/SUSP AIR LINE,NO.10	1	10			K6,K6B M6E
		MK472028	TUBE,A/SUSP AIR LINE,NO.10	1	10			G6,G6V H6E,H6 J6,J6E J6VE,K K6V,K6 M6VE
		MK573810	TUBE,A/SUSP AIR LINE,NO.10	1	10			G6,G6V H6E,H6 J6,J6E J6VE,K K6VE,M
	42957D	MK433476	TUBE,A/SUSP AIR LINE,NO.10	1	10			G6,G6V H6E,J6 K6,K6B M6E
		MK472027	TUBE,A/SUSP AIR LINE,NO.10	1	10			G6,G6V H6E,H6 J6,J6E J6VE,K K6V,K6 M6VE
		MK573809	TUBE,A/SUSP AIR LINE,NO.10	1	10			G6,G6V H6E,H6 J6,J6E J6VE,K K6VE,M
	42957E	MK331428	TUBE,A/SUSP AIR LINE,NO.10	1	10			J6,J6E
		MK331430	TUBE,A/SUSP AIR LINE,NO.10	1	10			H6,H6E
		MK432744	TUBE,A/SUSP AIR LINE,NO.10	1	10			G6,G6V
		MK433303	TUBE,A/SUSP AIR LINE,NO.10	1	10			K6,K6B M6E
		MK472037	TUBE,A/SUSP AIR LINE,NO.10	1	10			H6,H6E H6VE
		MK472038	TUBE,A/SUSP AIR LINE,NO.10	1	10			J6,J6E J6VE
		MK472039	TUBE,A/SUSP AIR LINE,NO.10	1	10			K6,K6B K6VE
		MK472040	TUBE,A/SUSP AIR LINE,NO.10	1	10			M6E,M
		MK472780	TUBE,A/SUSP AIR LINE,NO.10	1	10			G6,G6V
		MK651470	TUBE,A/SUSP AIR LINE,NO.10	1	10X1440			G6,G6V
		MK651471	TUBE,A/SUSP AIR LINE,NO.10	1	10X1740			H6,H6E H6VE
		MK651472	TUBE,A/SUSP AIR LINE,NO.10	1	10X2040			J6,J6E J6VE
		MK651473	TUBE,A/SUSP AIR LINE,NO.10	1	10X2380			K6,K6B
		MK651474	TUBE,A/SUSP AIR LINE,NO.10	1	10			M6E
	42957F	MK471275	TUBE,A/SUSP AIR LINE,NO.10	1	10			G6,G6V H6E,J6 K6,K6B
		MK471480	TUBE,A/SUSP AIR LINE,NO.10	1	10			M6,M6B
		MK471276	TUBE,A/SUSP AIR LINE,NO.10	1	10			G6,G6V H6E,J6 K6,K6B
	42963B	MK471481	TUBE,A/SUSP AIR LINE,NO.10	1	10			M6,M6B
		MH038316	JOINT,A/SUSP AIR LINE,NO.1	2				G6,G6V H6E,J6 K6,K6B M6E
	42963C	MH038341	JOINT,A/SUSP AIR LINE,NO.1	2				K6,K6B M6E
	42964B	MH038331	JOINT,A/SUSP AIR LINE,NO.2	1				M6E G6,G6V H6E,J6 K6,K6B M6E

FK74R
34-280 AIR SUSPENSION LINE

Repl Part RP	PNC	Part No	Part Name	Qty	Part Spec	Remarks	PREV.1	Class
	42964GD	MC072029	JOINT,A/SUSP AIR LINE,NO.2	3			O	G6,G6V H6E,H6E J6,J6E J6VE,K K6V,K6 M6VE
RP	42964GE	MC072028	JOINT,A/SUSP AIR LINE,NO.2	2			O	G6,G6V H6E,H6E J6,J6E J6VE,K K6V,K6 M6VE
	42966E	MK330068	JOINT,A/SUSP AIR LINE,NO.4	2				G6,G6V H6E,J6 J6VE,K K6V,K6 M6VE
	42966H	MH039113	JOINT,A/SUSP AIR LINE,NO.4	3				G6,G6V H6E,H6E J6,J6E J6VE,K K6V,K6 M6VE
	42966J	MH039690	JOINT,A/SUSP AIR LINE,NO.4	3				G6,G6V H6E,J6 K6,K6E M6E
	42967B	MH038247	JOINT,A/SUSP AIR LINE,NO.5	1		PLATING		G6,G6V H6E,J6 K6,K6E M6E
RP	42967GB	MC071554	JOINT,A/SUSP AIR LINE,NO.5	1			O	G6,G6V H6E,H6E J6,J6E J6VE,K K6V,K6 M6VE
RP	42967GC	MC072035	JOINT,A/SUSP AIR LINE,NO.5	1			O	G6,G6V H6E,H6E J6,J6E J6VE,K K6V,K6 M6VE
	42967MB	MC073531	JOINT,A/SUSP AIR LINE,NO.5	1				G6,G6V H6E,H6E J6,J6E J6VE,K K6V,K6 M6VE
	42973C	MH039570	JOINT,A/SUSP AIR LINE,NO.13	1				G6,G6V H6,H6E H6VE,J J6V,J6 K6E,K6 M6,M6E
	42976B	MK321325	GASKET,A/SUSP AIR LINE	1	14			G6,G6V H6,H6E H6VE,J J6V,J6 K6E,K6 M6,M6E
	42976C	MF660069	GASKET,A/SUSP AIR LINE	3	22			G6,G6V H6,H6E H6VE,J J6V,J6 K6E,K6 M6,M6E
	42977B	MF434104	NUT,A/SUSP AIR LINE	13	FLANGE,8			G6,G6V H6,H6E H6VE,J J6V,J6 K6E,K6 M6,M6E

FK74R
34-280 AIR SUSPENSION LINE

Repl Part	PNC	Part No	Part Name	Qty	Part Spec	Remarks	PREV.1	Class
	42977D	MF434105	NUT,A/SUSP AIR LINE	2	FLANGE,10	4T		G6,G6E H6,H6E H6VE,J6 J6V,J6E K6E,K6E M6,M6E
	42977E	MF434106	NUT,A/SUSP AIR LINE	2	FLANGE,12	4T		G6,G6E H6,H6E H6VE,J6 J6V,J6E K6E,K6E M6,M6E
	42982B	MH022565	GROMMET,A/SUSP AIR LINE	1	D=23 T=8			G6,G6E H6E,J6E K6,K6E M6E
	42986B	MH020903	CLIP,A/SUSP AIR LINE	1	D=10 H=8			G6,G6E H6E,J6E K6,K6E M6E
	42986BJ	MH020903	CLIP,A/SUSP AIR LINE	2	D=10 H=8			M6,M6E
		MH020939	CLIP,A/SUSP AIR LINE	3	A=23 B=18			G6,G6E
		MH020939	CLIP,A/SUSP AIR LINE	4	A=23 B=18			H6,H6E H6VE
		MH020939	CLIP,A/SUSP AIR LINE	5	A=23 B=18			J6,J6E J6VE
		MH020939	CLIP,A/SUSP AIR LINE	6	A=23 B=18			K6,K6E K6VE,M6E
		MH020939	CLIP,A/SUSP AIR LINE	3	A=23 B=18			G6,G6E
		MH020939	CLIP,A/SUSP AIR LINE	4	A=23 B=18			H6,H6E H6VE
		MH020939	CLIP,A/SUSP AIR LINE	5	A=23 B=18			J6,J6E J6VE
		MH020939	CLIP,A/SUSP AIR LINE	6	A=23 B=18			K6,K6E M6E
		42986BM	MH020945	CLIP,A/SUSP AIR LINE	1	A=30 B=14.5		
	42986BW	MH020957	CLIP,A/SUSP AIR LINE	5	A=36 B=9.5			G6,G6E H6E,H6E J6,J6E J6VE,K6E K6V,K6E M6VE
		MH020957	CLIP,A/SUSP AIR LINE	4	A=36 B=9.5			G6,G6E H6E,H6E J6,J6E J6VE,K6E K6VE,M6E
	42986BZ	MH020956	CLIP,A/SUSP AIR LINE	2	A=36 B=6			G6,G6E H6E,H6E J6,J6E J6VE,K6E K6V,K6E M6VE
	42986E	MH020907	CLIP,A/SUSP AIR LINE	4	D=10 H=20			G6,G6E H6E
		MH020907	CLIP,A/SUSP AIR LINE	5	D=10 H=20			J6,J6E
		MH020907	CLIP,A/SUSP AIR LINE	6	D=10 H=20			K6,K6E
		MH020907	CLIP,A/SUSP AIR LINE	7	D=10 H=20			M6,M6E
	42986F	MH020915	CLIP,A/SUSP AIR LINE	1	D=10X2 H=20			G6,G6E H6E,J6E K6,K6E M6E
	42986G	MH020918	CLIP,A/SUSP AIR LINE	2	D=10X2			G6,G6E H6E,J6E K6,K6E M6E

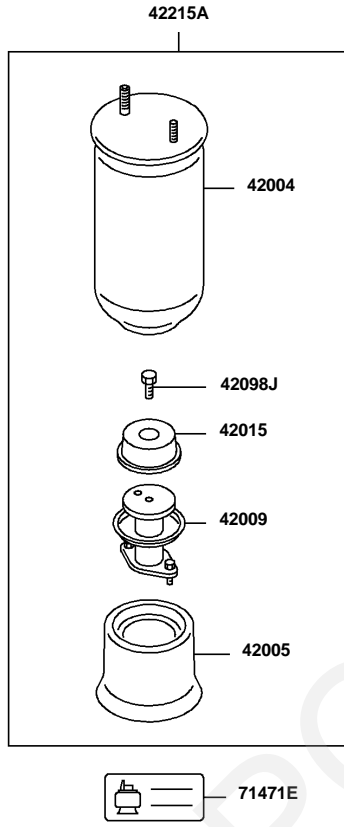
FK74R
34-280 AIR SUSPENSION LINE

Repl Part	PNC	Part No	Part Name	Qty	Part Spec	Remarks	PREV.1	Class
	42986H	MH020914	CLIP,A/SUSP AIR LINE	3	D=10X2			G6,G6E H6E,J6 K6,K6E M6E
	42987H	MH023886	BRACKET,A/SUSP AIR LINE	1		H=16		G6,G6V H6E,H6E J6,J6E J6VE,K6 K6V,K6E M6VE
	42987K	MH026100	BRACKET,A/SUSP AIR LINE	1		L1=85,L2=50		G6,G6V H6E,H6E J6,J6E J6VE,K6 K6V,K6E M6VE
	42987Z	MH023602	BRACKET,A/SUSP AIR LINE	1				G6,G6V H6E,H6E J6,J6E J6VE,K6 K6V,K6E M6VE
	42989J	MS661122	PLUG,A/SUSP AIR LINE	2	TAPER,3/8			G6,G6E H6,H6E H6VE,J6 J6V,J6E K6E,K6E M6,M6E
RP	42992	MB249339	BAND,A/SUSP AIR LINE	2	L=169.5	BLACK	O	G6,G6V H6E,H6E J6,J6E J6VE,K6 K6V,K6E M6VE
		MH020976	BAND,A/SUSP AIR LINE	1	L=258.7	BLACK		G6,G6V H6E,H6E J6,J6E J6VE,K6 K6VE,M6 M6E
	42994C	MF140034	BOLT,A/SUSP AIR LINE	6	FLANGE,8X45	4T		G6,G6E H6E,J6 K6,K6E M6E
		MF140037	BOLT,A/SUSP AIR LINE	2	FLANGE,8X60	4T		G6,G6E H6E,J6 K6,K6E M6E
		MF140039	BOLT,A/SUSP AIR LINE	1	FLANGE,8X70	4T		G6,G6E H6E,J6 K6,K6E M6E
		MF140040	BOLT,A/SUSP AIR LINE	2	FLANGE,8X75	4T		G6,G6E H6E,J6 K6,K6E M6E
		MF100068	BOLT,A/SUSP AIR LINE	2	BOLT,8X65	4T		G6,G6E H6,H6E H6VE,J6 J6V,J6E K6E,K6E M6,M6E
		MF240051	BOLT,A/SUSP AIR LINE	4	WASHER ASSEMBLED,8X16			G6,G6E H6,H6E H6VE,J6 J6V,J6E K6E,K6E M6,M6E
		MF100056	BOLT,A/SUSP AIR LINE	1	BOLT,8X22	4T		G6,G6V H6E,H6E J6,J6E J6VE,K6 K6V,K6E M6VE

FK74R
34-280 AIR SUSPENSION LINE

Repl Part	PNC	Part No	Part Name	Qty	Part Spec	Remarks	PREV.1	Class
	42994C	MF100057	BOLT,A/SUSP AIR LINE	2	BOLT,8X25	4T		G6,G6V H6E,H6E J6,J6E J6VE,K6 K6V,K6V M6VE
		MF100055	BOLT,A/SUSP AIR LINE	1	BOLT,8X20	4T		G6,G6V H6E,H6E J6,J6E J6VE,K6 K6V,K6V M6VE
	42994D	MF140060	BOLT,A/SUSP AIR LINE	2	FLANGE,10X25	4T		G6,G6E H6,H6E H6VE,J6 J6V,J6V K6E,K6E M6,M6E
	42994E	MF140285	BOLT,A/SUSP AIR LINE	4	FLANGE,12X30	7T		G6,G6E H6,H6E H6VE,J6 J6V,J6V K6E,K6E M6,M6E
	56102BB	MC439544	BRACKET,AIR TANK	1				G6,G6E H6E,J6E K6,K6E M6E
		MK470699	BRACKET,AIR TANK	1				G6,G6V H6E,H6E J6,J6E J6VE,K6 K6V,K6V M6VE
	56102BC	MK330069	BRACKET,AIR TANK	1				G6,G6E H6,H6E H6VE,J6 J6V,J6V K6E,K6E M6,M6E
	56122BC	MK328909	COCK,AIR TANK DRAIN	1				G6,G6E H6,H6E H6VE,J6 J6V,J6V K6E,K6E M6,M6E
	42966C	(N.e.c.)	JOINT,A/SUSP AIR LINE,NO.4					
	42973D	(N.e.c.)	JOINT,A/SUSP AIR LINE,NO.13					
	42977	(N.e.c.)	NUT,A/SUSP AIR LINE					
	42986BB	(N.e.c.)	CLIP,A/SUSP AIR LINE					
	42992B	(N.e.c.)	BAND,A/SUSP AIR LINE					
	42994B	(N.e.c.)	BOLT,A/SUSP AIR LINE					
	42987G	(N.e.c.)	BRACKET,A/SUSP AIR LINE					
	42986DD	(N.e.c.)	CLIP,A/SUSP AIR LINE					
	42986BN	(N.e.c.)	CLIP,A/SUSP AIR LINE					
	42987D	(N.e.c.)	BRACKET,A/SUSP AIR LINE					
	42987E	(N.e.c.)	BRACKET,A/SUSP AIR LINE					
	42987J	(N.e.c.)	BRACKET,A/SUSP AIR LINE					
	42987F	(N.e.c.)	BRACKET,A/SUSP AIR LINE					
	42987M	(N.e.c.)	BRACKET,A/SUSP AIR LINE					
	42987BC	(N.e.c.)	BRACKET,A/SUSP AIR LINE					
	42986D	(N.e.c.)	CLIP,A/SUSP AIR LINE					
	42915	(N.e.c.)	SPACER,A/SUSP AIR LINE					
	42992D	(N.e.c.)	BAND,A/SUSP AIR LINE					

**FK74R
No.1**

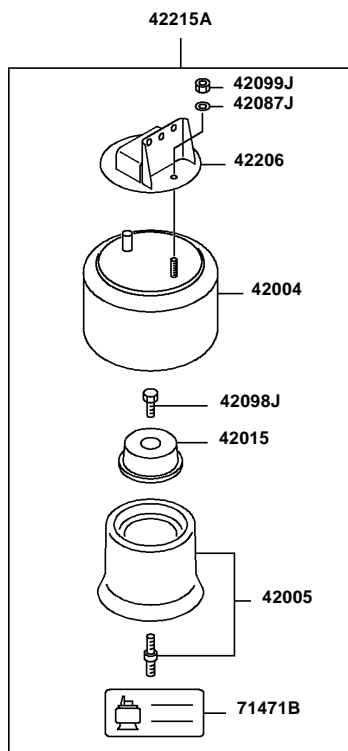


2 G 0 1 0 3

Ref. |2034310

Page

**FK74R
No.2**



C 0 0 0 3 2

Ref. |2034310

Page

FK74R
34-310 HYDRAULIC SUSPENSION

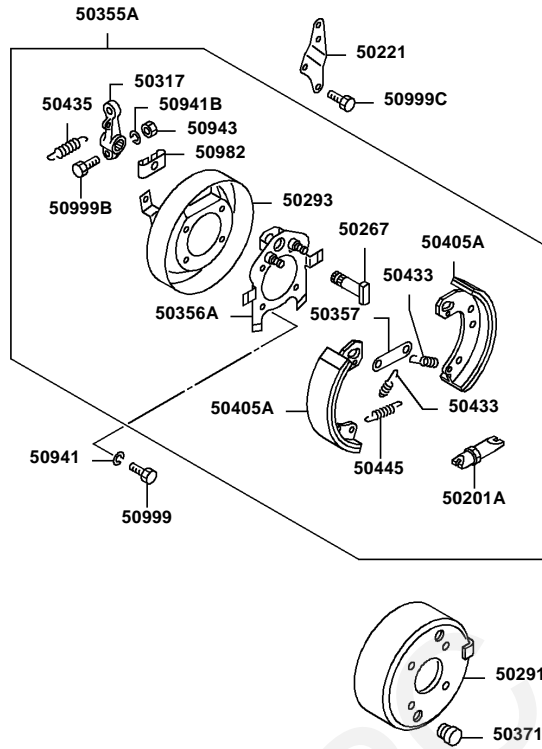
PNC	Part No	Part Name	Qty	Part Spec	Remarks	Classification	Start	End
42004	MK470444	DIAPHRAGM,AIR SPRING	2			G6,G6E,H6, H6E,J6,J6E, K6,K6E,M6, M6E	04053	05102
	MK632239	DIAPHRAGM,AIR SPRING	2			G6,G6V,H6, H6E,H6V,H6VE, J6,J6E,J6V, J6VE,K6,K6E, K6V,K6VE,M6E, M6VE	05103	09052
42005	MK330544	PISTON,AIR SPRING	2			G6,G6E,H6, H6E,J6,J6E, K6,K6E,M6, M6E	04053	05102
	MK633126	PISTON,AIR SPRING	2			G6,G6V,H6, H6E,H6V,H6VE, J6,J6E,J6V, J6VE,K6,K6E, K6V,K6VE,M6E, M6VE	05103	09052
42009	MK330545	BASE,AIR SPRING PISTON	2			G6,G6E,H6, H6E,J6,J6E, K6,K6E,M6, M6E	04053	05102
42015	MK330546	STOPPER,AIR SPRING BUMP	2			G6,G6E,H6, H6E,J6,J6E, K6,K6E,M6, M6E	04053	05102
	MK632241	STOPPER,AIR SPRING BUMP	2			G6,G6V,H6, H6E,H6V,H6VE, J6,J6E,J6V, J6VE,K6,K6E, K6V,K6VE,M6E, M6VE	05103	09052
42087J	MF450407	WASHER,A/SUSP	2	SPRING,12		G6,G6V,H6, H6E,H6V,H6VE, J6,J6E,J6V, J6VE,K6,K6E, K6V,K6VE,M6E, M6VE	05103	09052
42098J	MF240105	BOLT,A/SUSP	2	WASHER ASSEMBLED,12X20		G6,G6E,G6V, H6,H6E,H6V, H6VE,J6,J6E, J6V,J6VE,K6, K6E,K6V,K6VE, M6,M6E,M6VE	04053	09052
42099J	MF430362	NUT,A/SUSP	2	NUT,12	4T	G6,G6V,H6, H6E,H6V,H6VE, J6,J6E,J6V, J6VE,K6,K6E, K6V,K6VE,M6E, M6VE	05103	09052
42206	MK632242	PLATE,AIR SPRING	2			G6,G6V,H6, H6E,H6V,H6VE, J6,J6E,J6V, J6VE	05103	07052
	MK632244	PLATE,AIR SPRING	2			K6,K6E,K6V, K6VE,M6E,M6VE	05103	07052
	MK632242	PLATE,AIR SPRING	2			G6,G6V,H6, H6E,H6V,H6VE, J6,J6E,J6V, J6VE	07053	09052
	MK632244	PLATE,AIR SPRING	2			K6,K6E,K6VE, M6E	07053	09052
42215A	MK470443	SPRING ASSY,RR A/SUSP	2	TRL-210M		G6,G6E,H6, H6E,J6,J6E, K6,K6E,M6, M6E	04053	05102
	MK632134	SPRING ASSY,RR A/SUSP	2	TRS-220SCN		G6,G6V,H6, H6E,H6V,H6VE, J6,J6E,J6V, J6VE	05103	07052

FK74R
34-310 HYDRAULIC SUSPENSION

PNC	Part No	Part Name	Qty	Part Spec	Remarks	Classification	Start	End
42215A	MK632135	SPRING ASSY,RR A/SUSP	2	TRS-220SCN		K6,K6E,K6V, K6VE,M6E,M6VE	05103	07052
	MK632134	SPRING ASSY,RR A/SUSP	2	TRS-220SCN		G6,G6V,H6, H6E,H6V,H6VE, J6,J6E,J6V, J6VE	07053	09052
	MK632135	SPRING ASSY,RR A/SUSP	2	TRS-220SCN		K6,K6E,K6VE, M6E	07053	09052
71471B	MK382252	LABEL,A/SUSP CAUTION	2			G6,G6V,H6, H6E,H6V,H6VE, J6,J6E,J6V, J6VE,K6,K6E, K6V,K6VE,M6E, M6VE	05103	09052
71471E	(N.e.c.)	LABEL,A/SUSP CAUTION						

www.AutoEPC.com

FK74R
No.1



2BA011

Ref. |2035010

Page

FK74R
35-010 PARKING BRAKE

Repl Part	PNC	Part No	Part Name	Qty	Part Spec	Remarks	NEW1	Classification
	50201A	ME625246	ADJUSTER ASSY,PARKING BRAKE SHOE	1				G6,G6E,H6, H6E,J6,J6E, K6,K6E,M6, M6E
		ME625246	ADJUSTER ASSY,PARKING BRAKE SHOE	1				G6E,M6
		ME625246	ADJUSTER ASSY,PARKING BRAKE SHOE	1				G6V,H6V,H6VE, J6V,J6VE,K6V, K6VE,M6VE
		ME625246	ADJUSTER ASSY,PARKING BRAKE SHOE	1				G6,H6,H6E, J6,J6E,K6, K6E,M6E
		ME625246	ADJUSTER ASSY,PARKING BRAKE SHOE	1				G6,G6E,H6, H6E,J6,J6E, K6,K6E,M6, M6E
		ME625246	ADJUSTER ASSY,PARKING BRAKE SHOE	1				G6V,H6V,H6VE, J6V,J6VE,K6V, K6VE,M6VE
		ME625246	ADJUSTER ASSY,PARKING BRAKE SHOE	1				G6,H6,H6E, J6,J6E,K6, K6E,M6E
		ME625246	ADJUSTER ASSY,PARKING BRAKE SHOE	1				G6,H6,H6E, J6,J6E,K6, K6E,M6E
		ME625246	ADJUSTER ASSY,PARKING BRAKE SHOE	1				G6E,G6V,H6V, H6VE,J6V,J6VE K6V,K6VE,M6, M6VE
		ME625246	ADJUSTER ASSY,PARKING BRAKE SHOE	1				G6,H6,H6E, J6,J6E,K6, K6E,M6E
		ME625246	ADJUSTER ASSY,PARKING BRAKE SHOE	1				G6E,M6

Ref. |2035010

Page

FK74R
35-010 PARKING BRAKE

Repl Part	PNC	Part No	Part Name	Qty	Part Spec	Remarks	NEW1	Classification
	50201A	ME625246	ADJUSTER ASSY,PARKING BRAKE SHOE	1				G6V,H6V,H6VE, J6V,J6VE,K6V, K6VE,M6VE
		ME625246	ADJUSTER ASSY,PARKING BRAKE SHOE	1				G6,G6E,G6V, H6,H6E,H6V, H6VE,J6,J6E, J6V,J6VE,K6, K6E,K6V,K6VE, M6,M6E,M6VE
		ME625246	ADJUSTER ASSY,PARKING BRAKE SHOE	1				G6,G6V,H6, H6E,H6V,H6VE, J6,J6E,J6V, J6VE,K6,K6E, K6V,K6VE,M6E, M6VE
		ME625246	ADJUSTER ASSY,PARKING BRAKE SHOE	1				G6,H6,H6E, J6,J6E,K6, K6E,M6E
		ME625246	ADJUSTER ASSY,PARKING BRAKE SHOE	1				G6V,H6V,H6VE, J6V,J6VE,K6V, K6VE,M6VE
RP	50221	ME518786	BRACKET,PARKING BRAKE CABLE	1			Y	G6,G6E,H6, H6E,J6,J6E, K6,K6E,M6, M6E
RP		ME518786	BRACKET,PARKING BRAKE CABLE	1			Y	G6,H6,H6E, J6,J6E,K6, K6E,M6E
RP		ME518786	BRACKET,PARKING BRAKE CABLE	1			Y	G6V,H6V,H6VE, J6V,J6VE,K6V, K6VE,M6VE
RP		ME518786	BRACKET,PARKING BRAKE CABLE	1			Y	G6,H6,H6E, J6,J6E,K6, K6E,M6E
RP		ME518786	BRACKET,PARKING BRAKE CABLE	1			Y	G6,G6E,G6V, H6,H6E,H6V, H6VE,J6,J6E, J6V,J6VE,K6, K6E,K6V,K6VE, M6,M6E,M6VE
RP		ME518786	BRACKET,PARKING BRAKE CABLE	1			Y	G6E,G6V,H6V, H6VE,J6V,J6VE, K6V,K6VE,M6, M6VE
RP		ME518786	BRACKET,PARKING BRAKE CABLE	1			Y	G6E,M6
RP		ME518786	BRACKET,PARKING BRAKE CABLE	1			Y	G6,G6E,H6, H6E,J6,J6E, K6,K6E,M6, M6E
RP		ME518786	BRACKET,PARKING BRAKE CABLE	1			Y	G6V,H6V,H6VE, J6V,J6VE,K6V, K6VE,M6VE
RP		ME518786	BRACKET,PARKING BRAKE CABLE	1			Y	G6E,M6
RP		ME518786	BRACKET,PARKING BRAKE CABLE	1			Y	G6,H6,H6E, J6,J6E,K6, K6E,M6E
RP		ME518786	BRACKET,PARKING BRAKE CABLE	1			Y	G6V,H6V,H6VE, J6V,J6VE,K6V, K6VE,M6VE
RP		ME518786	BRACKET,PARKING BRAKE CABLE	1			Y	G6,H6,H6E, J6,J6E,K6, K6E,M6E
RP		ME518786	BRACKET,PARKING BRAKE CABLE	1			Y	G6,G6V,H6, H6E,H6V,H6VE, J6,J6E,J6V, J6VE,K6,K6E, K6V,K6VE,M6E, M6VE
RP		ME518786	BRACKET,PARKING BRAKE CABLE	1			Y	G6,H6,H6E, J6,J6E,K6, K6E,M6E

FK74R
35-010 PARKING BRAKE

Repl Part RP	PNC	Part No	Part Name	Qty	Part Spec	Remarks	NEW1	Classification
	50221	ME518786	BRACKET,PARKING BRAKE CABLE	1			Y	G6V,H6V,H6VE, J6V,J6VE,K6V, K6VE,M6VE
		ME534831	BRACKET,PARKING BRAKE CABLE	1				G6,H6,H6E, J6,J6E,K6, K6E,M6E
		ME534831	BRACKET,PARKING BRAKE CABLE	1				G6,G6V,H6, H6E,H6V,H6VE, J6,J6E,J6V, J6VE,K6,K6E, K6VE,M6E
		ME534831	BRACKET,PARKING BRAKE CABLE	1				G6V,H6V,H6VE, J6V,J6VE,K6VE
		ME534831	BRACKET,PARKING BRAKE CABLE	1				G6,H6,H6E, J6,J6E,K6, K6E,M6E
	50267	ME626028	CAMSHAFT,PARKING BRAKE	1				G6,G6E,H6, H6E,J6,J6E, K6,K6E,M6, M6E
		ME626028	CAMSHAFT,PARKING BRAKE	1				G6E,M6
		ME626028	CAMSHAFT,PARKING BRAKE	1				G6V,H6V,H6VE, J6V,J6VE,K6V, K6VE,M6VE
		ME626028	CAMSHAFT,PARKING BRAKE	1				G6,H6,H6E, J6,J6E,K6, K6E,M6E
		ME626028	CAMSHAFT,PARKING BRAKE	1				G6,G6E,H6, H6E,J6,J6E, K6,K6E,M6, M6E
		ME626028	CAMSHAFT,PARKING BRAKE	1				G6V,H6V,H6VE, J6V,J6VE,K6V, K6VE,M6VE
		ME626028	CAMSHAFT,PARKING BRAKE	1				G6,H6,H6E, J6,J6E,K6, K6E,M6E
		ME626028	CAMSHAFT,PARKING BRAKE	1				G6,H6,H6E, J6,J6E,K6, K6E,M6E
		ME626028	CAMSHAFT,PARKING BRAKE	1				G6E,G6V,H6V, H6VE,J6V,J6VE
		ME626028	CAMSHAFT,PARKING BRAKE	1				K6V,K6VE,M6, M6VE
		ME626028	CAMSHAFT,PARKING BRAKE	1				G6,H6,H6E, J6,J6E,K6, K6E,M6E
		ME626028	CAMSHAFT,PARKING BRAKE	1				G6E,M6
		ME626028	CAMSHAFT,PARKING BRAKE	1				G6V,H6V,H6VE, J6V,J6VE,K6V, K6VE,M6VE
		ME626028	CAMSHAFT,PARKING BRAKE	1				G6,G6E,G6V, H6,H6E,H6V, H6VE,J6,J6E, J6V,J6VE,K6, K6E,K6V,K6VE, M6,M6E,M6VE
		ME626028	CAMSHAFT,PARKING BRAKE	1				G6,G6V,H6, H6E,H6V,H6VE, J6,J6E,J6V, J6VE,K6,K6E, K6V,K6VE,M6E, M6VE
		ME626028	CAMSHAFT,PARKING BRAKE	1				G6,H6,H6E, J6,J6E,K6, K6E,M6E
		ME626028	CAMSHAFT,PARKING BRAKE	1				G6V,H6V,H6VE, J6V,J6VE,K6V, K6VE,M6VE
	50291	ME623293	DRUM,PARKING BRAKE	1				G6,G6E,H6, H6E,J6,J6E, K6,K6E,M6, M6E

FK74R
35-010 PARKING BRAKE

Repl Part	PNC	Part No	Part Name	Qty	Part Spec	Remarks	NEW1	Classification
	50291	ME623293	DRUM,PARKING BRAKE	1				G6E,M6
		ME623293	DRUM,PARKING BRAKE	1				G6V,H6V,H6VE, J6V,J6VE,K6V, K6VE,M6VE
		ME623293	DRUM,PARKING BRAKE	1				G6,H6,H6E, J6,J6E,K6, K6E,M6E
		ME623293	DRUM,PARKING BRAKE	1				G6,G6E,H6, H6E,J6,J6E, K6,K6E,M6, M6E
		ME623293	DRUM,PARKING BRAKE	1				G6V,H6V,H6VE, J6V,J6VE,K6V, K6VE,M6VE
		ME623293	DRUM,PARKING BRAKE	1				G6,H6,H6E, J6,J6E,K6, K6E,M6E
		ME623293	DRUM,PARKING BRAKE	1				G6,H6,H6E, J6,J6E,K6, K6E,M6E
		ME623293	DRUM,PARKING BRAKE	1				G6E,G6V,H6V, H6VE,J6V,J6VE, K6V,K6VE,M6, M6VE
		ME623293	DRUM,PARKING BRAKE	1				G6,H6,H6E, J6,J6E,K6, K6E,M6E
		ME623293	DRUM,PARKING BRAKE	1				G6E,M6
		ME623293	DRUM,PARKING BRAKE	1				G6V,H6V,H6VE, J6V,J6VE,K6V, K6VE,M6VE
		ME623293	DRUM,PARKING BRAKE	1				G6,G6E,G6V, H6,H6E,H6V, H6VE,J6,J6E, J6V,J6VE,K6, K6E,K6V,K6VE, M6,M6E,M6VE
		ME623293	DRUM,PARKING BRAKE	1				G6,G6V,H6, H6E,H6V,H6VE, J6,J6E,J6V, J6VE,K6,K6E, K6V,K6VE,M6E, M6VE
		ME623293	DRUM,PARKING BRAKE	1				G6,H6,H6E, J6,J6E,K6, K6E,M6E
		ME623293	DRUM,PARKING BRAKE	1				G6V,H6V,H6VE, J6V,J6VE,K6V, K6VE,M6VE
	50293	MC862868	COVER,PARKING BRAKE	1				G6,G6E,H6, H6E,J6,J6E, K6,K6E,M6, M6E
		MC862868	COVER,PARKING BRAKE	1				G6E,M6
		MC862868	COVER,PARKING BRAKE	1				G6V,H6V,H6VE, J6V,J6VE,K6V, K6VE,M6VE
		MC862868	COVER,PARKING BRAKE	1				G6,H6,H6E, J6,J6E,K6, K6E,M6E
		MC862868	COVER,PARKING BRAKE	1				G6,G6E,H6, H6E,J6,J6E, K6,K6E,M6, M6E
		MC862868	COVER,PARKING BRAKE	1				G6V,H6V,H6VE, J6V,J6VE,K6V, K6VE,M6VE
		MC862868	COVER,PARKING BRAKE	1				G6,H6,H6E, J6,J6E,K6, K6E,M6E
		MC862868	COVER,PARKING BRAKE	1				G6,H6,H6E, J6,J6E,K6, K6E,M6E

FK74R
35-010 PARKING BRAKE

Repl Part	PNC	Part No	Part Name	Qty	Part Spec	Remarks	NEW1	Classification
	50293	MC862868	COVER,PARKING BRAKE	1				G6E,G6V,H6V, H6VE,J6V,J6VE K6V,K6VE,M6, M6VE
		MC862868	COVER,PARKING BRAKE	1				G6,H6,H6E, J6,J6E,K6, K6E,M6E
		MC862868	COVER,PARKING BRAKE	1				G6E,M6
		MC862868	COVER,PARKING BRAKE	1				G6V,H6V,H6VE, J6V,J6VE,K6V, K6VE,M6VE
		MC862868	COVER,PARKING BRAKE	1				G6,G6E,G6V, H6,H6E,H6V, H6VE,J6,J6E, J6V,J6VE,K6, K6E,K6V,K6VE, M6,M6E,M6VE
		MC862868	COVER,PARKING BRAKE	1				G6,G6V,H6, H6E,H6V,H6VE, J6,J6E,J6V, J6VE,K6,K6E, K6V,K6VE,M6E, M6VE
		MC862868	COVER,PARKING BRAKE	1				G6,H6,H6E, J6,J6E,K6, K6E,M6E
		MC862868	COVER,PARKING BRAKE	1				G6V,H6V,H6VE, J6V,J6VE,K6V, K6VE,M6VE
	50317	MC862867	LEVER,PARKING BRAKE CAMSHAFT	1				G6,G6E,H6, H6E,J6,J6E, K6,K6E,M6, M6E
		MC862867	LEVER,PARKING BRAKE CAMSHAFT	1				G6E,M6
		MC862867	LEVER,PARKING BRAKE CAMSHAFT	1				G6V,H6V,H6VE, J6V,J6VE,K6V, K6VE,M6VE
		MC862867	LEVER,PARKING BRAKE CAMSHAFT	1				G6,H6,H6E, J6,J6E,K6, K6E,M6E
		MC862867	LEVER,PARKING BRAKE CAMSHAFT	1				G6,G6E,H6, H6E,J6,J6E, K6,K6E,M6, M6E
		MC862867	LEVER,PARKING BRAKE CAMSHAFT	1				G6V,H6V,H6VE, J6V,J6VE,K6V, K6VE,M6VE
		MC862867	LEVER,PARKING BRAKE CAMSHAFT	1				G6,H6,H6E, J6,J6E,K6, K6E,M6E
		MC862867	LEVER,PARKING BRAKE CAMSHAFT	1				G6,H6,H6E, J6,J6E,K6, K6E,M6E
		MC862867	LEVER,PARKING BRAKE CAMSHAFT	1				G6E,G6V,H6V, H6VE,J6V,J6VE K6V,K6VE,M6, M6VE
		MC862867	LEVER,PARKING BRAKE CAMSHAFT	1				G6,H6,H6E, J6,J6E,K6, K6E,M6E
		MC862867	LEVER,PARKING BRAKE CAMSHAFT	1				G6E,M6
		MC862867	LEVER,PARKING BRAKE CAMSHAFT	1				G6V,H6V,H6VE, J6V,J6VE,K6V, K6VE,M6VE
		MC862867	LEVER,PARKING BRAKE CAMSHAFT	1				G6,G6E,G6V, H6,H6E,H6V, H6VE,J6,J6E, J6V,J6VE,K6, K6E,K6V,K6VE, M6,M6E,M6VE

FK74R
35-010 PARKING BRAKE

Repl Part	PNC	Part No	Part Name	Qty	Part Spec	Remarks	NEW1	Classification
	50317	MC862867	LEVER,PARKING BRAKE CAMSHAFT	1				G6,G6V,H6, H6E,H6V,H6VE, J6,J6E,J6V, J6VE,K6,K6E, K6V,K6VE,M6E, M6VE
		MC862867	LEVER,PARKING BRAKE CAMSHAFT	1				G6,H6,H6E, J6,J6E,K6, K6E,M6E
		MC862867	LEVER,PARKING BRAKE CAMSHAFT	1				G6V,H6V,H6VE, J6V,J6VE,K6V, K6VE,M6VE
	50355A	MC832982	PLATE & SHOE ASSY,PARKING BRAKE	1				G6,G6E,H6, H6E,J6,J6E, K6,K6E,M6, M6E
		MC832982	PLATE & SHOE ASSY,PARKING BRAKE	1				G6E,M6
		MC832982	PLATE & SHOE ASSY,PARKING BRAKE	1				G6V,H6V,H6VE, J6V,J6VE,K6V, K6VE,M6VE
		MC832982	PLATE & SHOE ASSY,PARKING BRAKE	1				G6,H6,H6E, J6,J6E,K6, K6E,M6E
		MC832982	PLATE & SHOE ASSY,PARKING BRAKE	1				G6,G6E,H6, H6E,J6,J6E, K6,K6E,M6, M6E
		MC832982	PLATE & SHOE ASSY,PARKING BRAKE	1				G6V,H6V,H6VE, J6V,J6VE,K6V, K6VE,M6VE
		MC832982	PLATE & SHOE ASSY,PARKING BRAKE	1				G6,H6,H6E, J6,J6E,K6, K6E,M6E
		MC832982	PLATE & SHOE ASSY,PARKING BRAKE	1				G6,H6,H6E, J6,J6E,K6, K6E,M6E
		MC832982	PLATE & SHOE ASSY,PARKING BRAKE	1				G6E,G6V,H6V, H6VE,J6V,J6VE, K6V,K6VE,M6, M6VE
		MC832982	PLATE & SHOE ASSY,PARKING BRAKE	1				G6,H6,H6E, J6,J6E,K6, K6E,M6E
		MC832982	PLATE & SHOE ASSY,PARKING BRAKE	1				G6E,M6
		MC832982	PLATE & SHOE ASSY,PARKING BRAKE	1				G6V,H6V,H6VE, J6V,J6VE,K6V, K6VE,M6VE
		MC832982	PLATE & SHOE ASSY,PARKING BRAKE	1				G6,G6E,G6V, H6,H6E,H6V, H6VE,J6,J6E, J6V,J6VE,K6, K6E,K6V,K6VE, M6,M6E,M6VE
		MC832982	PLATE & SHOE ASSY,PARKING BRAKE	1				G6,G6V,H6, H6E,H6V,H6VE, J6,J6E,J6V, J6VE,K6,K6E, K6V,K6VE,M6E, M6VE
		MC832982	PLATE & SHOE ASSY,PARKING BRAKE	1				G6,H6,H6E, J6,J6E,K6, K6E,M6E
		MC832982	PLATE & SHOE ASSY,PARKING BRAKE	1				G6V,H6V,H6VE, J6V,J6VE,K6V, K6VE,M6VE
	50356A	ME625237	PLATE ASSY,PARKING BRAKE SHOE SUPPORT	1				G6,G6E,H6, H6E,J6,J6E, K6,K6E,M6, M6E
		ME625237	PLATE ASSY,PARKING BRAKE SHOE SUPPORT	1				G6E,M6
		ME625237	PLATE ASSY,PARKING BRAKE SHOE SUPPORT	1				G6V,H6V,H6VE, J6V,J6VE,K6V, K6VE,M6VE

FK74R
35-010 PARKING BRAKE

Repl Part	PNC	Part No	Part Name	Qty	Part Spec	Remarks	NEW1	Classification
	50356A	ME625237	PLATE ASSY,PARKING BRAKE SHOE SUPPORT	1				G6,H6,H6E, J6,J6E,K6, K6E,M6E
		ME625237	PLATE ASSY,PARKING BRAKE SHOE SUPPORT	1				G6,G6E,H6, H6E,J6,J6E, K6,K6E,M6, M6E
		ME625237	PLATE ASSY,PARKING BRAKE SHOE SUPPORT	1				G6V,H6V,H6VE, J6V,J6VE,K6V, K6VE,M6VE
		ME625237	PLATE ASSY,PARKING BRAKE SHOE SUPPORT	1				G6,H6,H6E, J6,J6E,K6, K6E,M6E
		ME625237	PLATE ASSY,PARKING BRAKE SHOE SUPPORT	1				G6,H6,H6E, J6,J6E,K6, K6E,M6E
		ME625237	PLATE ASSY,PARKING BRAKE SHOE SUPPORT	1				G6E,G6V,H6V, H6VE,J6V,J6VE K6V,K6VE,M6, M6VE
		ME625237	PLATE ASSY,PARKING BRAKE SHOE SUPPORT	1				G6,H6,H6E, J6,J6E,K6, K6E,M6E
		ME625237	PLATE ASSY,PARKING BRAKE SHOE SUPPORT	1				G6E,M6
		ME625237	PLATE ASSY,PARKING BRAKE SHOE SUPPORT	1				G6V,H6V,H6VE, J6V,J6VE,K6V, K6VE,M6VE
		ME625237	PLATE ASSY,PARKING BRAKE SHOE SUPPORT	1				G6,G6E,G6V, H6,H6E,H6V, H6VE,J6,J6E, J6V,J6VE,K6, K6E,K6V,K6VE, M6,M6E,M6VE
		ME625237	PLATE ASSY,PARKING BRAKE SHOE SUPPORT	1				G6,G6V,H6, H6E,H6V,H6VE, J6,J6E,J6V, J6VE,K6,K6E, K6V,K6VE,M6E, M6VE
		ME625237	PLATE ASSY,PARKING BRAKE SHOE SUPPORT	1				G6,H6,H6E, J6,J6E,K6, K6E,M6E
		ME625237	PLATE ASSY,PARKING BRAKE SHOE SUPPORT	1				G6V,H6V,H6VE, J6V,J6VE,K6V, K6VE,M6VE
	50357	ME625243	PLATE,PARKING BRAKE ANCHOR PIN	1				G6,G6E,H6, H6E,J6,J6E, K6,K6E,M6, M6E
		ME625243	PLATE,PARKING BRAKE ANCHOR PIN	1				G6E,M6
		ME625243	PLATE,PARKING BRAKE ANCHOR PIN	1				G6V,H6V,H6VE, J6V,J6VE,K6V, K6VE,M6VE
		ME625243	PLATE,PARKING BRAKE ANCHOR PIN	1				G6,H6,H6E, J6,J6E,K6, K6E,M6E
		ME625243	PLATE,PARKING BRAKE ANCHOR PIN	1				G6,G6E,H6, H6E,J6,J6E, K6,K6E,M6, M6E
		ME625243	PLATE,PARKING BRAKE ANCHOR PIN	1				G6V,H6V,H6VE, J6V,J6VE,K6V, K6VE,M6VE
		ME625243	PLATE,PARKING BRAKE ANCHOR PIN	1				G6,H6,H6E, J6,J6E,K6, K6E,M6E
		ME625243	PLATE,PARKING BRAKE ANCHOR PIN	1				G6,H6,H6E, J6,J6E,K6, K6E,M6E
		ME625243	PLATE,PARKING BRAKE ANCHOR PIN	1				G6E,G6V,H6V, H6VE,J6V,J6VE K6V,K6VE,M6, M6VE

FK74R
35-010 PARKING BRAKE

Repl Part	PNC	Part No	Part Name	Qty	Part Spec	Remarks	NEW1	Classification
	50357	ME625243	PLATE,PARKING BRAKE ANCHOR PIN	1				G6,H6,H6E, J6,J6E,K6, K6E,M6E
		ME625243	PLATE,PARKING BRAKE ANCHOR PIN	1				G6E,M6
		ME625243	PLATE,PARKING BRAKE ANCHOR PIN	1				G6V,H6V,H6VE, J6V,J6VE,K6V, K6VE,M6VE
		ME625243	PLATE,PARKING BRAKE ANCHOR PIN	1				G6,G6E,G6V, H6,H6E,H6V, H6VE,J6,J6E, J6V,J6VE,K6, K6E,K6V,K6VE, M6,M6E,M6VE
		ME625243	PLATE,PARKING BRAKE ANCHOR PIN	1				G6,G6V,H6, H6E,H6V,H6VE, J6,J6E,J6V, J6VE,K6,K6E, K6V,K6VE,M6E, M6VE
		ME625243	PLATE,PARKING BRAKE ANCHOR PIN	1				G6,H6,H6E, J6,J6E,K6, K6E,M6E
		ME625243	PLATE,PARKING BRAKE ANCHOR PIN	1				G6V,H6V,H6VE, J6V,J6VE,K6V, K6VE,M6VE
	50371B	ME626344	PLUG,PARKING BRAKE	2	RUBBER,20.5			G6,G6E,H6, H6E,J6,J6E, K6,K6E,M6, M6E
		ME626344	PLUG,PARKING BRAKE	2	RUBBER,20.5			G6E,M6
		ME626344	PLUG,PARKING BRAKE	2	RUBBER,20.5			G6V,H6V,H6VE, J6V,J6VE,K6V, K6VE,M6VE
		ME626344	PLUG,PARKING BRAKE	2	RUBBER,20.5			G6,H6,H6E, J6,J6E,K6, K6E,M6E
		ME626344	PLUG,PARKING BRAKE	2	RUBBER,20.5			G6,G6E,H6, H6E,J6,J6E, K6,K6E,M6, M6E
		ME626344	PLUG,PARKING BRAKE	2	RUBBER,20.5			G6V,H6V,H6VE, J6V,J6VE,K6V, K6VE,M6VE
		ME626344	PLUG,PARKING BRAKE	2	RUBBER,20.5			G6,H6,H6E, J6,J6E,K6, K6E,M6E
		ME626344	PLUG,PARKING BRAKE	2	RUBBER,20.5			G6,H6,H6E, J6,J6E,K6, K6E,M6E
		ME626344	PLUG,PARKING BRAKE	2	RUBBER,20.5			G6E,G6V,H6V, H6VE,J6V,J6VE, K6V,K6VE,M6, M6VE
		ME626344	PLUG,PARKING BRAKE	2	RUBBER,20.5			G6,H6,H6E, J6,J6E,K6, K6E,M6E
		ME626344	PLUG,PARKING BRAKE	2	RUBBER,20.5			G6E,M6
		ME626344	PLUG,PARKING BRAKE	2	RUBBER,20.5			G6V,H6V,H6VE, J6V,J6VE,K6V, K6VE,M6VE
		ME626344	PLUG,PARKING BRAKE	2	RUBBER,20.5			G6,G6E,G6V, H6,H6E,H6V, H6VE,J6,J6E, J6V,J6VE,K6, K6E,K6V,K6VE, M6,M6E,M6VE
		ME626344	PLUG,PARKING BRAKE	2	RUBBER,20.5			G6,G6V,H6, H6E,H6V,H6VE, J6,J6E,J6V, J6VE,K6,K6E, K6V,K6VE,M6E, M6VE

FK74R
35-010 PARKING BRAKE

Repl Part	PNC	Part No	Part Name	Qty	Part Spec	Remarks	NEW1	Classification
	50371B	ME626344	PLUG,PARKING BRAKE	2	RUBBER,20.5			G6,H6,H6E, J6,J6E,K6, K6E,M6E
		ME626344	PLUG,PARKING BRAKE	2	RUBBER,20.5			G6V,H6V,H6VE, J6V,J6VE,K6V, K6VE,M6VE
	50405A	MC837658	SHOE ASSY,PARKING BRAKE	2				G6,G6E,H6, H6E,J6,J6E, K6,K6E,M6, M6E
		MC837658	SHOE ASSY,PARKING BRAKE	2				G6E,M6
		MC837658	SHOE ASSY,PARKING BRAKE	2				G6V,H6V,H6VE, J6V,J6VE,K6V, K6VE,M6VE
		MC837658	SHOE ASSY,PARKING BRAKE	2				G6,H6,H6E, J6,J6E,K6, K6E,M6E
		MC837658	SHOE ASSY,PARKING BRAKE	2				G6,G6E,H6, H6E,J6,J6E, K6,K6E,M6, M6E
		MC837658	SHOE ASSY,PARKING BRAKE	2				G6V,H6V,H6VE, J6V,J6VE,K6V, K6VE,M6VE
		MC837658	SHOE ASSY,PARKING BRAKE	2				G6,H6,H6E, J6,J6E,K6, K6E,M6E
		MC837658	SHOE ASSY,PARKING BRAKE	2				G6,G6E,H6, H6E,J6,J6E, K6,K6E,M6, M6E
		MC837658	SHOE ASSY,PARKING BRAKE	2				G6V,H6V,H6VE, J6V,J6VE,K6V, K6VE,M6VE
		MC837658	SHOE ASSY,PARKING BRAKE	2				G6,H6,H6E, J6,J6E,K6, K6E,M6E
		MC837658	SHOE ASSY,PARKING BRAKE	2				G6E,M6
		MC837658	SHOE ASSY,PARKING BRAKE	2				G6V,H6V,H6VE, J6V,J6VE,K6V, K6VE,M6VE
		MC837658	SHOE ASSY,PARKING BRAKE	2				G6,G6E,G6V, H6,H6E,H6V, H6VE,J6,J6E, J6V,J6VE,K6, K6E,K6V,K6VE, M6,M6E,M6VE
		MC837658	SHOE ASSY,PARKING BRAKE	2				G6,G6V,H6, H6E,H6V,H6VE, J6,J6E,J6V, J6VE,K6,K6E, K6V,K6VE,M6E, M6VE
		MC837658	SHOE ASSY,PARKING BRAKE	2				G6,H6,H6E, J6,J6E,K6, K6E,M6E
		MC837658	SHOE ASSY,PARKING BRAKE	2				G6V,H6V,H6VE, J6V,J6VE,K6V, K6VE,M6VE
	50433	ME625244	SPRING,PARKING BRAKE SHOE RETURN	2				G6,G6E,H6, H6E,J6,J6E, K6,K6E,M6, M6E
		ME625244	SPRING,PARKING BRAKE SHOE RETURN	2				G6E,M6
		ME625244	SPRING,PARKING BRAKE SHOE RETURN	2				G6V,H6V,H6VE, J6V,J6VE,K6V, K6VE,M6VE
		ME625244	SPRING,PARKING BRAKE SHOE RETURN	2				G6,H6,H6E, J6,J6E,K6, K6E,M6E

FK74R
35-010 PARKING BRAKE

Repl Part	PNC	Part No	Part Name	Qty	Part Spec	Remarks	NEW1	Classification
	50433	ME625244	SPRING,PARKING BRAKE SHOE RETURN	2				G6,G6E,H6, H6E,J6,J6E, K6,K6E,M6, M6E
		ME625244	SPRING,PARKING BRAKE SHOE RETURN	2				G6V,H6V,H6VE, J6V,J6VE,K6V, K6VE,M6VE
		ME625244	SPRING,PARKING BRAKE SHOE RETURN	2				G6,H6,H6E, J6,J6E,K6, K6E,M6E
		ME625244	SPRING,PARKING BRAKE SHOE RETURN	2				G6,H6,H6E, J6,J6E,K6, K6E,M6E
		ME625244	SPRING,PARKING BRAKE SHOE RETURN	2				G6E,G6V,H6V, H6VE,J6V,J6VE
		ME625244	SPRING,PARKING BRAKE SHOE RETURN	2				K6V,K6VE,M6, M6VE
		ME625244	SPRING,PARKING BRAKE SHOE RETURN	2				G6,H6,H6E, J6,J6E,K6, K6E,M6E
		ME625244	SPRING,PARKING BRAKE SHOE RETURN	2				G6E,M6
		ME625244	SPRING,PARKING BRAKE SHOE RETURN	2				G6V,H6V,H6VE, J6V,J6VE,K6V, K6VE,M6VE
		ME625244	SPRING,PARKING BRAKE SHOE RETURN	2				G6,G6E,G6V, H6,H6E,H6V, H6VE,J6,J6E, J6V,J6VE,K6, K6E,K6V,K6VE, M6,M6E,M6VE
		ME625244	SPRING,PARKING BRAKE SHOE RETURN	2				G6,G6V,H6, H6E,H6V,H6VE, J6,J6E,J6V, J6VE,K6,K6E, K6V,K6VE,M6E, M6VE
		ME625244	SPRING,PARKING BRAKE SHOE RETURN	2				G6,H6,H6E, J6,J6E,K6, K6E,M6E
		ME625244	SPRING,PARKING BRAKE SHOE RETURN	2				G6V,H6V,H6VE, J6V,J6VE,K6V, K6VE,M6VE
	50435	MC862869	SPRING,PARKING BRAKE CAMSHAFT LEVER	1				G6,G6E,H6, H6E,J6,J6E, K6,K6E,M6, M6E
		MC862869	SPRING,PARKING BRAKE CAMSHAFT LEVER	1				G6E,M6
		MC862869	SPRING,PARKING BRAKE CAMSHAFT LEVER	1				G6V,H6V,H6VE, J6V,J6VE,K6V, K6VE,M6VE
		MC862869	SPRING,PARKING BRAKE CAMSHAFT LEVER	1				G6,H6,H6E, J6,J6E,K6, K6E,M6E
		MC862869	SPRING,PARKING BRAKE CAMSHAFT LEVER	1				G6,G6E,H6, H6E,J6,J6E, K6,K6E,M6, M6E
		MC862869	SPRING,PARKING BRAKE CAMSHAFT LEVER	1				G6V,H6V,H6VE, J6V,J6VE,K6V, K6VE,M6VE
		MC862869	SPRING,PARKING BRAKE CAMSHAFT LEVER	1				G6,H6,H6E, J6,J6E,K6, K6E,M6E
		MC862869	SPRING,PARKING BRAKE CAMSHAFT LEVER	1				G6,H6,H6E, J6,J6E,K6, K6E,M6E
		MC862869	SPRING,PARKING BRAKE CAMSHAFT LEVER	1				G6E,G6V,H6V, H6VE,J6V,J6VE
		MC862869	SPRING,PARKING BRAKE CAMSHAFT LEVER	1				K6V,K6VE,M6, M6VE
		MC862869	SPRING,PARKING BRAKE CAMSHAFT LEVER	1				G6,H6,H6E, J6,J6E,K6, K6E,M6E

FK74R
35-010 PARKING BRAKE

Repl Part	PNC	Part No	Part Name	Qty	Part Spec	Remarks	NEW1	Classification
	50435	MC862869	SPRING,PARKING BRAKE CAMSHAFT LEVER	1				G6E,M6
		MC862869	SPRING,PARKING BRAKE CAMSHAFT LEVER	1				G6V,H6V,H6VE, J6V,J6VE,K6V, K6VE,M6VE
		MC862869	SPRING,PARKING BRAKE CAMSHAFT LEVER	1				G6,G6E,G6V, H6,H6E,H6V, H6VE,J6,J6E, J6V,J6VE,K6, K6E,K6V,K6VE, M6,M6E,M6VE
		MC862869	SPRING,PARKING BRAKE CAMSHAFT LEVER	1				G6,G6V,H6, H6E,H6V,H6VE, J6,J6E,J6V, J6VE,K6,K6E, K6V,K6VE,M6E, M6VE
		MC862869	SPRING,PARKING BRAKE CAMSHAFT LEVER	1				G6,H6,H6E, J6,J6E,K6, K6E,M6E
		MC862869	SPRING,PARKING BRAKE CAMSHAFT LEVER	1				G6V,H6V,H6VE, J6V,J6VE,K6V, K6VE,M6VE
	50445	ME625245	SPRING,PARKING BRAKE SHOE ADJUSTER	1				G6,G6E,H6, H6E,J6,J6E, K6,K6E,M6, M6E
		ME625245	SPRING,PARKING BRAKE SHOE ADJUSTER	1				G6E,M6
		ME625245	SPRING,PARKING BRAKE SHOE ADJUSTER	1				G6V,H6V,H6VE, J6V,J6VE,K6V, K6VE,M6VE
		ME625245	SPRING,PARKING BRAKE SHOE ADJUSTER	1				G6,H6,H6E, J6,J6E,K6, K6E,M6E
		ME625245	SPRING,PARKING BRAKE SHOE ADJUSTER	1				G6,G6E,H6, H6E,J6,J6E, K6,K6E,M6, M6E
		ME625245	SPRING,PARKING BRAKE SHOE ADJUSTER	1				G6V,H6V,H6VE, J6V,J6VE,K6V, K6VE,M6VE
		ME625245	SPRING,PARKING BRAKE SHOE ADJUSTER	1				G6,H6,H6E, J6,J6E,K6, K6E,M6E
		ME625245	SPRING,PARKING BRAKE SHOE ADJUSTER	1				G6,H6,H6E, J6,J6E,K6, K6E,M6E
		ME625245	SPRING,PARKING BRAKE SHOE ADJUSTER	1				G6E,M6V,H6V, H6VE,J6V,J6VE, K6V,K6VE,M6, M6VE
		ME625245	SPRING,PARKING BRAKE SHOE ADJUSTER	1				G6,H6,H6E, J6,J6E,K6, K6E,M6E
		ME625245	SPRING,PARKING BRAKE SHOE ADJUSTER	1				G6E,M6
		ME625245	SPRING,PARKING BRAKE SHOE ADJUSTER	1				G6V,H6V,H6VE, J6V,J6VE,K6V, K6VE,M6VE
		ME625245	SPRING,PARKING BRAKE SHOE ADJUSTER	1				G6,G6E,G6V, H6,H6E,H6V, H6VE,J6,J6E, J6V,J6VE,K6, K6E,K6V,K6VE, M6,M6E,M6VE
		ME625245	SPRING,PARKING BRAKE SHOE ADJUSTER	1				G6,G6V,H6, H6E,H6V,H6VE, J6,J6E,J6V, J6VE,K6,K6E, K6V,K6VE,M6E, M6VE
		ME625245	SPRING,PARKING BRAKE SHOE ADJUSTER	1				G6,H6,H6E, J6,J6E,K6, K6E,M6E

FK74R
35-010 PARKING BRAKE

Repl Part	PNC	Part No	Part Name	Qty	Part Spec	Remarks	NEW1	Classification
	50445	ME625245	SPRING,PARKING BRAKE SHOE ADJUSTER	1				G6V,H6V,H6VE, J6V,J6VE,K6V, K6VE,M6VE
	50941	MH005205	WASHER,PARKING BRAKE	4	SPRING,10.5			G6,G6E,H6, H6E,J6,J6E, K6,K6E,M6, M6E
		MH005205	WASHER,PARKING BRAKE	4	SPRING,10.5			G6E,M6
		MH005205	WASHER,PARKING BRAKE	4	SPRING,10.5			G6V,H6V,H6VE, J6V,J6VE,K6V, K6VE,M6VE
		MH005205	WASHER,PARKING BRAKE	4	SPRING,10.5			G6,H6,H6E, J6,J6E,K6, K6E,M6E
		MH005205	WASHER,PARKING BRAKE	4	SPRING,10.5			G6,G6E,H6, H6E,J6,J6E, K6,K6E,M6, M6E
		MH005205	WASHER,PARKING BRAKE	4	SPRING,10.5			G6V,H6V,H6VE, J6V,J6VE,K6V, K6VE,M6VE
		MH005205	WASHER,PARKING BRAKE	4	SPRING,10.5			G6,H6,H6E, J6,J6E,K6, K6E,M6E
		MH005205	WASHER,PARKING BRAKE	4	SPRING,10.5			G6,H6,H6E, J6,J6E,K6, K6E,M6E
		MH005205	WASHER,PARKING BRAKE	4	SPRING,10.5			G6E,G6V,H6V, H6VE,J6V,J6VE, K6V,K6VE,M6, M6VE
		MH005205	WASHER,PARKING BRAKE	4	SPRING,10.5			G6,H6,H6E, J6,J6E,K6, K6E,M6E
		MH005205	WASHER,PARKING BRAKE	4	SPRING,10.5			G6E,M6
		MH005205	WASHER,PARKING BRAKE	4	SPRING,10.5			G6V,H6V,H6VE, J6V,J6VE,K6V, K6VE,M6VE
		MH005205	WASHER,PARKING BRAKE	4	SPRING,10.5			G6,G6E,G6V, H6,H6E,H6V, H6VE,J6,J6E, J6V,J6VE,K6, K6E,K6V,K6VE, M6,M6E,M6VE
		MH005205	WASHER,PARKING BRAKE	4	SPRING,10.5			G6,G6V,H6, H6E,H6V,H6VE, J6,J6E,J6V, J6VE,K6,K6E, K6V,K6VE,M6E, M6VE
		MH005205	WASHER,PARKING BRAKE	4	SPRING,10.5			G6,H6,H6E, J6,J6E,K6, K6E,M6E
		MH005205	WASHER,PARKING BRAKE	4	SPRING,10.5			G6V,H6V,H6VE, J6V,J6VE,K6V, K6VE,M6VE
	50941B	MF450405	WASHER,PARKING BRAKE	1	SPRING,8			G6,G6E,H6, H6E,J6,J6E, K6,K6E,M6, M6E
		MF450405	WASHER,PARKING BRAKE	1	SPRING,8			G6E,M6
		MF450405	WASHER,PARKING BRAKE	1	SPRING,8			G6V,H6V,H6VE, J6V,J6VE,K6V, K6VE,M6VE
		MF450405	WASHER,PARKING BRAKE	1	SPRING,8			G6,H6,H6E, J6,J6E,K6, K6E,M6E
		MF450405	WASHER,PARKING BRAKE	1	SPRING,8			G6,G6E,H6, H6E,J6,J6E, K6,K6E,M6, M6E

FK74R
35-010 PARKING BRAKE

Repl Part	PNC	Part No	Part Name	Qty	Part Spec	Remarks	NEW1	Classification
	50941B	MF450405	WASHER,PARKING BRAKE	1	SPRING,8			G6V,H6V,H6VE, J6V,J6VE,K6V, K6VE,M6VE
		MF450405	WASHER,PARKING BRAKE	1	SPRING,8			G6,H6,H6E, J6,J6E,K6, K6E,M6E
		MF450405	WASHER,PARKING BRAKE	1	SPRING,8			G6,H6,H6E, J6,J6E,K6, K6E,M6E
		MF450405	WASHER,PARKING BRAKE	1	SPRING,8			G6E,G6V,H6V, H6VE,J6V,J6VE K6V,K6VE,M6, M6VE
		MF450405	WASHER,PARKING BRAKE	1	SPRING,8			G6,H6,H6E, J6,J6E,K6, K6E,M6E
		MF450405	WASHER,PARKING BRAKE	1	SPRING,8			G6E,M6
		MF450405	WASHER,PARKING BRAKE	1	SPRING,8			G6V,H6V,H6VE, J6V,J6VE,K6V, K6VE,M6VE
		MF450405	WASHER,PARKING BRAKE	1	SPRING,8			G6,G6E,G6V, H6,H6E,H6V, H6VE,J6,J6E, J6V,J6VE,K6, K6E,K6V,K6VE, M6,M6E,M6VE
		MF450405	WASHER,PARKING BRAKE	1	SPRING,8			G6,G6V,H6, H6E,H6V,H6VE, J6,J6E,J6V, J6VE,K6,K6E, K6V,K6VE,M6E, M6VE
		MF450405	WASHER,PARKING BRAKE	1	SPRING,8			G6,H6,H6E, J6,J6E,K6, K6E,M6E
		MF450405	WASHER,PARKING BRAKE	1	SPRING,8			G6V,H6V,H6VE, J6V,J6VE,K6V, K6VE,M6VE
	50943	MF430035	NUT,PARKING BRAKE	1	8			G6,G6E,H6, H6E,J6,J6E, K6,K6E,M6, M6E
		MF430035	NUT,PARKING BRAKE	1	8			G6E,M6
		MF430035	NUT,PARKING BRAKE	1	8			G6V,H6V,H6VE, J6V,J6VE,K6V, K6VE,M6VE
		MF430035	NUT,PARKING BRAKE	1	8			G6,H6,H6E, J6,J6E,K6, K6E,M6E
		MF430035	NUT,PARKING BRAKE	1	8			G6,G6E,H6, H6E,J6,J6E, K6,K6E,M6, M6E
		MF430035	NUT,PARKING BRAKE	1	8			G6V,H6V,H6VE, J6V,J6VE,K6V, K6VE,M6VE
		MF430035	NUT,PARKING BRAKE	1	8			G6,H6,H6E, J6,J6E,K6, K6E,M6E
		MF430035	NUT,PARKING BRAKE	1	8			G6,H6,H6E, J6,J6E,K6, K6E,M6E
		MF430035	NUT,PARKING BRAKE	1	8			G6E,G6V,H6V, H6VE,J6V,J6VE K6V,K6VE,M6, M6VE
		MF430035	NUT,PARKING BRAKE	1	8			G6,H6,H6E, J6,J6E,K6, K6E,M6E
		MF430035	NUT,PARKING BRAKE	1	8			G6E,M6
		MF430035	NUT,PARKING BRAKE	1	8			G6V,H6V,H6VE, J6V,J6VE,K6V, K6VE,M6VE

FK74R
35-010 PARKING BRAKE

Repl Part	PNC	Part No	Part Name	Qty	Part Spec	Remarks	NEW1	Classification
	50943	MF430035	NUT,PARKING BRAKE	1	8			G6,G6E,G6V, H6,H6E,H6V, H6VE,J6,J6E, J6V,J6VE,K6, K6E,K6V,K6VE, M6,M6E,M6VE
		MF430035	NUT,PARKING BRAKE	1	8			G6,G6V,H6, H6E,H6V,H6VE, J6,J6E,J6V, J6VE,K6,K6E, K6V,K6VE,M6E, M6VE
		MF430035	NUT,PARKING BRAKE	1	8			G6,H6,H6E, J6,J6E,K6, K6E,M6E
		MF430035	NUT,PARKING BRAKE	1	8			G6V,H6V,H6VE, J6V,J6VE,K6V, K6VE,M6VE
	50982	ME625254	SPACER,PARKING BRAKE	1	T=5.5			G6,G6E,H6, H6E,J6,J6E, K6,K6E,M6, M6E
		ME625254	SPACER,PARKING BRAKE	1	T=5.5			G6E,M6
		ME625254	SPACER,PARKING BRAKE	1	T=5.5			G6V,H6V,H6VE, J6V,J6VE,K6V, K6VE,M6VE
		ME625254	SPACER,PARKING BRAKE	1	T=5.5			G6,H6,H6E, J6,J6E,K6, K6E,M6E
		ME625254	SPACER,PARKING BRAKE	1	T=5.5			G6,G6E,H6, H6E,J6,J6E, K6,K6E,M6, M6E
		ME625254	SPACER,PARKING BRAKE	1	T=5.5			G6V,H6V,H6VE, J6V,J6VE,K6V, K6VE,M6VE
		ME625254	SPACER,PARKING BRAKE	1	T=5.5			G6,H6,H6E, J6,J6E,K6, K6E,M6E
		ME625254	SPACER,PARKING BRAKE	1	T=5.5			G6,H6,H6E, J6,J6E,K6, K6E,M6E
		ME625254	SPACER,PARKING BRAKE	1	T=5.5			G6E,G6V,H6V, H6VE,J6V,J6VE, K6V,K6VE,M6, M6VE
		ME625254	SPACER,PARKING BRAKE	1	T=5.5			G6,H6,H6E, J6,J6E,K6, K6E,M6E
		ME625254	SPACER,PARKING BRAKE	1	T=5.5			G6E,M6
		ME625254	SPACER,PARKING BRAKE	1	T=5.5			G6V,H6V,H6VE, J6V,J6VE,K6V, K6VE,M6VE
		ME625254	SPACER,PARKING BRAKE	1	T=5.5			G6,G6E,G6V, H6,H6E,H6V, H6VE,J6,J6E, J6V,J6VE,K6, K6E,K6V,K6VE, M6,M6E,M6VE
		ME625254	SPACER,PARKING BRAKE	1	T=5.5			G6,G6V,H6, H6E,H6V,H6VE, J6,J6E,J6V, J6VE,K6,K6E, K6V,K6VE,M6E, M6VE
		ME625254	SPACER,PARKING BRAKE	1	T=5.5			G6,H6,H6E, J6,J6E,K6, K6E,M6E
		ME625254	SPACER,PARKING BRAKE	1	T=5.5			G6V,H6V,H6VE, J6V,J6VE,K6V, K6VE,M6VE

FK74R
35-010 PARKING BRAKE

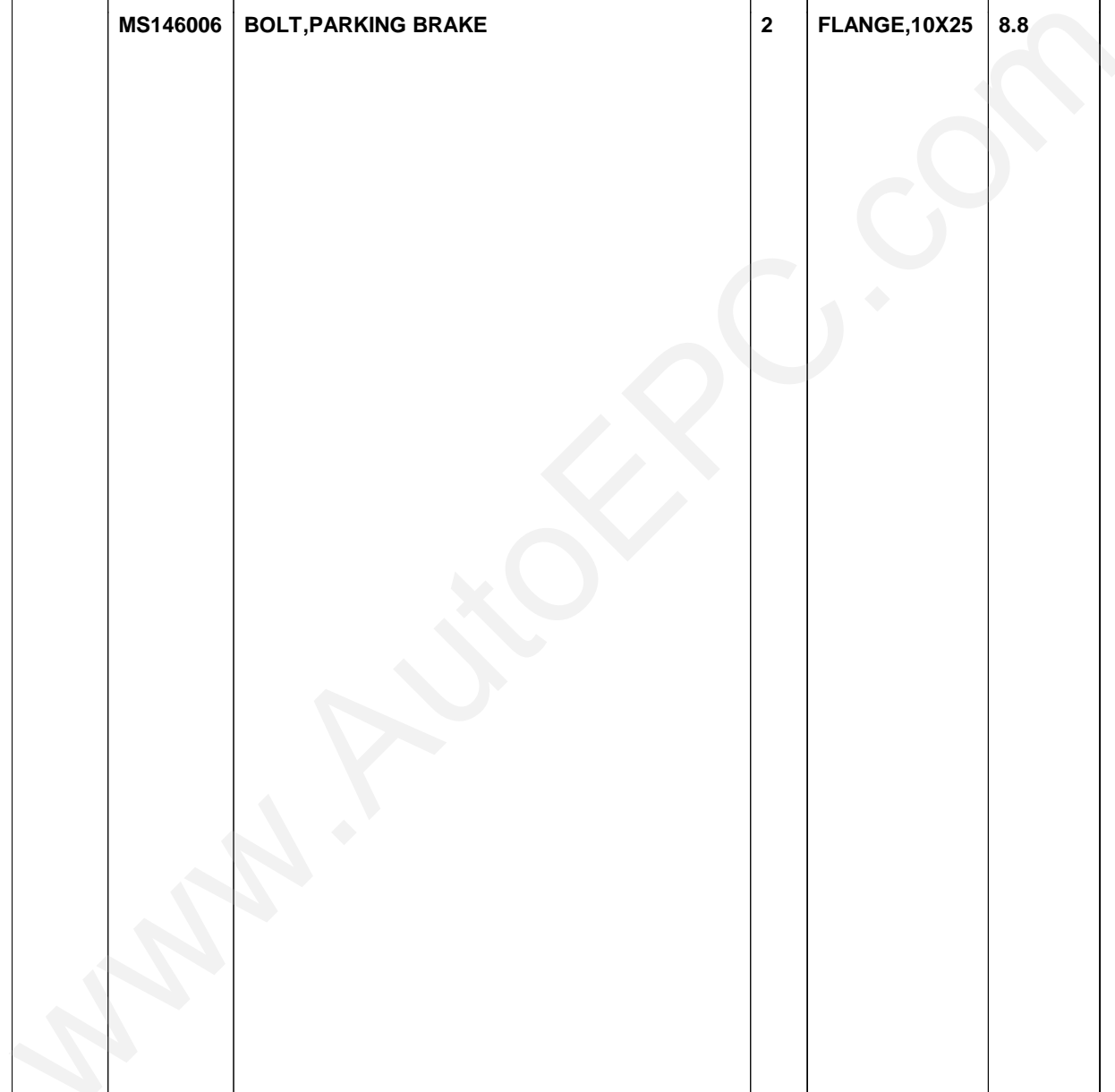
Repl Part	PNC	Part No	Part Name	Qty	Part Spec	Remarks	NEW1	Classification
	50999	MH000151	BOLT,PARKING BRAKE	4	REAMER,10X36			G6,G6E,H6, H6E,J6,J6E, K6,K6E,M6, M6E
		MH000151	BOLT,PARKING BRAKE	4	REAMER,10X36			G6E,M6
		MH000151	BOLT,PARKING BRAKE	4	REAMER,10X36			G6V,H6V,H6VE, J6V,J6VE,K6V, K6VE,M6VE
		MH000151	BOLT,PARKING BRAKE	4	REAMER,10X36			G6,H6,H6E, J6,J6E,K6, K6E,M6E
		MH000151	BOLT,PARKING BRAKE	4	REAMER,10X36			G6,G6E,H6, H6E,J6,J6E, K6,K6E,M6, M6E
		MH000151	BOLT,PARKING BRAKE	4	REAMER,10X36			G6V,H6V,H6VE, J6V,J6VE,K6V, K6VE,M6VE
		MH000151	BOLT,PARKING BRAKE	4	REAMER,10X36			G6,H6,H6E, J6,J6E,K6, K6E,M6E
		MH000151	BOLT,PARKING BRAKE	4	REAMER,10X36			G6,G6E,H6, H6E,J6,J6E, K6,K6E,M6, M6E
		MH000151	BOLT,PARKING BRAKE	4	REAMER,10X36			G6V,H6V,H6VE, J6V,J6VE,K6V, K6VE,M6VE
		MH000151	BOLT,PARKING BRAKE	4	REAMER,10X36			G6,H6,H6E, J6,J6E,K6, K6E,M6E
		MH000151	BOLT,PARKING BRAKE	4	REAMER,10X36			G6,G6E,H6V, H6VE,J6V,J6VE
		MH000151	BOLT,PARKING BRAKE	4	REAMER,10X36			K6V,K6VE,M6, M6VE
		MH000151	BOLT,PARKING BRAKE	4	REAMER,10X36			G6,H6,H6E, J6,J6E,K6, K6E,M6E
		MH000151	BOLT,PARKING BRAKE	4	REAMER,10X36			G6E,M6
		MH000151	BOLT,PARKING BRAKE	4	REAMER,10X36			G6V,H6V,H6VE, J6V,J6VE,K6V, K6VE,M6VE
		MH000151	BOLT,PARKING BRAKE	4	REAMER,10X36			G6,G6E,G6V, H6,H6E,H6V, H6VE,J6,J6E, J6V,J6VE,K6, K6E,K6V,K6VE, M6,M6E,M6VE
		MH000151	BOLT,PARKING BRAKE	4	REAMER,10X36			G6,G6V,H6, H6E,H6V,H6VE, J6,J6E,J6V, J6VE,K6,K6E, K6V,K6VE,M6E, M6VE
		MH000151	BOLT,PARKING BRAKE	4	REAMER,10X36			G6,H6,H6E, J6,J6E,K6, K6E,M6E
		MH000151	BOLT,PARKING BRAKE	4	REAMER,10X36			G6V,H6V,H6VE, J6V,J6VE,K6V, K6VE,M6VE
	50999B	ME626030	BOLT,PARKING BRAKE	1	8X35			G6,G6E,H6, H6E,J6,J6E, K6,K6E,M6, M6E
		ME626030	BOLT,PARKING BRAKE	1	8X35			G6E,M6
		ME626030	BOLT,PARKING BRAKE	1	8X35			G6V,H6V,H6VE, J6V,J6VE,K6V, K6VE,M6VE
		ME626030	BOLT,PARKING BRAKE	1	8X35			G6,H6,H6E, J6,J6E,K6, K6E,M6E
		ME626030	BOLT,PARKING BRAKE	1	8X35			G6,G6E,H6, H6E,J6,J6E, K6,K6E,M6, M6E
		ME626030	BOLT,PARKING BRAKE	1	8X35			G6V,H6V,H6VE, J6V,J6VE,K6V, K6VE,M6VE

FK74R
35-010 PARKING BRAKE

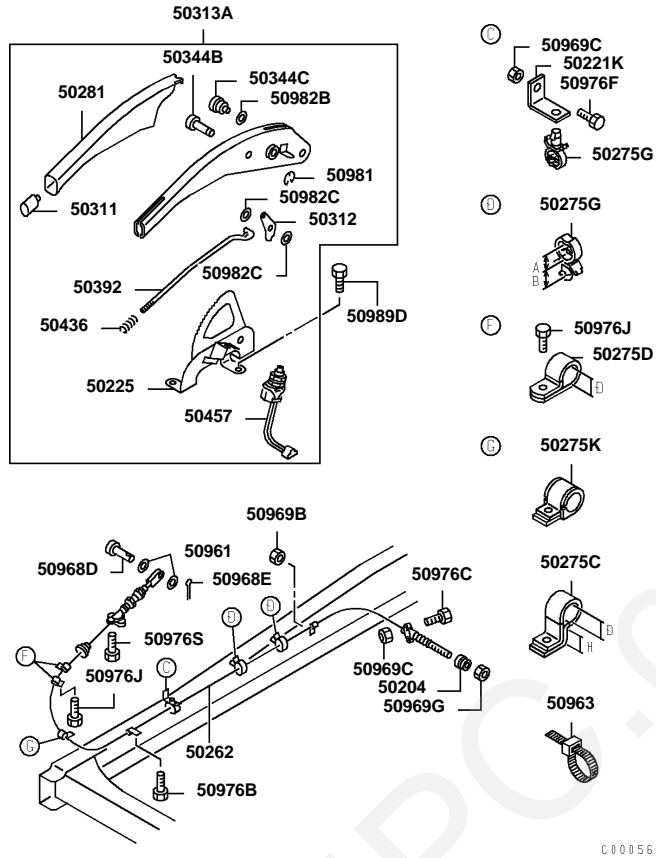
Repl Part	PNC	Part No	Part Name	Qty	Part Spec	Remarks	NEW1	Classification
	50999B	ME626030	BOLT,PARKING BRAKE	1	8X35			G6,H6,H6E, J6,J6E,K6, K6E,M6E
		ME626030	BOLT,PARKING BRAKE	1	8X35			G6,H6,H6E, J6,J6E,K6, K6E,M6E
		ME626030	BOLT,PARKING BRAKE	1	8X35			G6E,G6V,H6V, H6VE,J6V,J6VE K6V,K6VE,M6, M6VE
		ME626030	BOLT,PARKING BRAKE	1	8X35			G6,H6,H6E, J6,J6E,K6, K6E,M6E
		ME626030	BOLT,PARKING BRAKE	1	8X35			G6E,M6
		ME626030	BOLT,PARKING BRAKE	1	8X35			G6V,H6V,H6VE, J6V,J6VE,K6V, K6VE,M6VE
		ME626030	BOLT,PARKING BRAKE	1	8X35			G6,G6E,G6V, H6,H6E,H6V, H6VE,J6,J6E, J6V,J6VE,K6, K6E,K6V,K6VE, M6,M6E,M6VE
		ME626030	BOLT,PARKING BRAKE	1	8X35			G6,G6V,H6, H6E,H6V,H6VE, J6,J6E,J6V, J6VE,K6,K6E, K6V,K6VE,M6E, M6VE
		ME626030	BOLT,PARKING BRAKE	1	8X35			G6,H6,H6E, J6,J6E,K6, K6E,M6E
		ME626030	BOLT,PARKING BRAKE	1	8X35			G6V,H6V,H6VE, J6V,J6VE,K6V, K6VE,M6VE
	50999C	MS146006	BOLT,PARKING BRAKE	2	FLANGE,10X25	8.8		G6,G6E,H6, H6E,J6,J6E, K6,K6E,M6, M6E
		MS146006	BOLT,PARKING BRAKE	2	FLANGE,10X25	8.8		G6E,M6
		MS146006	BOLT,PARKING BRAKE	2	FLANGE,10X25	8.8		G6V,H6V,H6VE, J6V,J6VE,K6V, K6VE,M6VE
		MS146006	BOLT,PARKING BRAKE	2	FLANGE,10X25	8.8		G6,H6,H6E, J6,J6E,K6, K6E,M6E
		MS146006	BOLT,PARKING BRAKE	2	FLANGE,10X25	8.8		G6,G6E,H6, H6E,J6,J6E, K6,K6E,M6, M6E
		MS146006	BOLT,PARKING BRAKE	2	FLANGE,10X25	8.8		G6V,H6V,H6VE, J6V,J6VE,K6V, K6VE,M6VE
		MS146006	BOLT,PARKING BRAKE	2	FLANGE,10X25	8.8		G6,H6,H6E, J6,J6E,K6, K6E,M6E
		MS146006	BOLT,PARKING BRAKE	2	FLANGE,10X25	8.8		G6,H6,H6E, J6,J6E,K6, K6E,M6E
		MS146006	BOLT,PARKING BRAKE	2	FLANGE,10X25	8.8		G6E,G6V,H6V, H6VE,J6V,J6VE K6V,K6VE,M6, M6VE
		MS146006	BOLT,PARKING BRAKE	2	FLANGE,10X25	8.8		G6,H6,H6E, J6,J6E,K6, K6E,M6E
		MS146006	BOLT,PARKING BRAKE	2	FLANGE,10X25	8.8		G6E,M6
		MS146006	BOLT,PARKING BRAKE	2	FLANGE,10X25	8.8		G6V,H6V,H6VE, J6V,J6VE,K6V, K6VE,M6VE

FK74R
35-010 PARKING BRAKE

Repl Part	PNC	Part No	Part Name	Qty	Part Spec	Remarks	NEW1	Classification
	50999C	MS146006	BOLT,PARKING BRAKE	2	FLANGE,10X25	8.8		G6,G6E,G6V, H6,H6E,H6V, H6VE,J6,J6E, J6V,J6VE,K6, K6E,K6V,K6VE, M6,M6E,M6VE
		MS146006	BOLT,PARKING BRAKE	2	FLANGE,10X25	8.8		G6,G6V,H6, H6E,H6V,H6VE, J6,J6E,J6V, J6VE,K6,K6E, K6V,K6VE,M6E, M6VE
		MS146006	BOLT,PARKING BRAKE	2	FLANGE,10X25	8.8		G6,H6,H6E, J6,J6E,K6, K6E,M6E
		MS146006	BOLT,PARKING BRAKE	2	FLANGE,10X25	8.8		G6V,H6V,H6VE, J6V,J6VE,K6V, K6VE,M6VE



FK74R
No.1

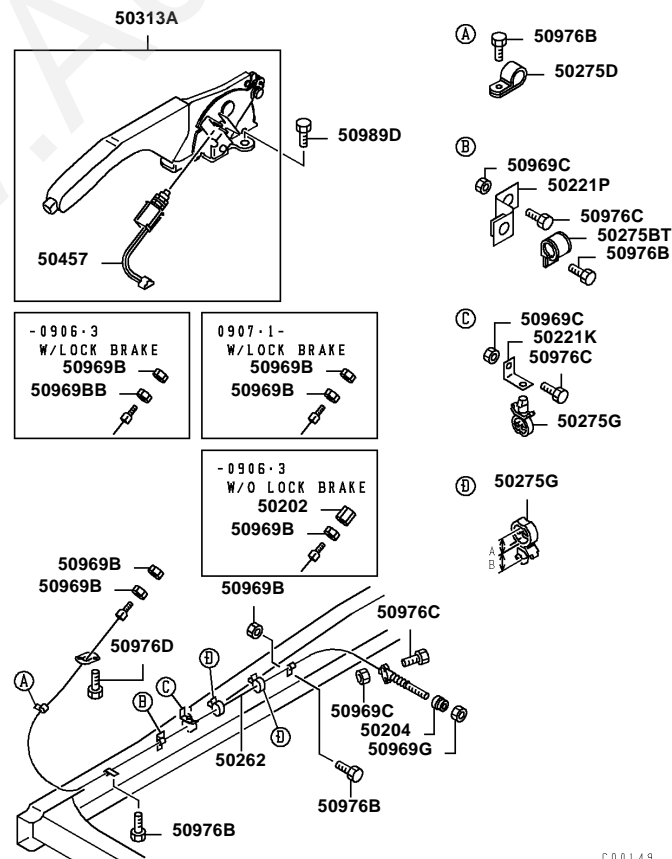


C00056

Ref. |2035030

Page

FK74R
No.2



C00149

Ref. |2035030

Page

FK74R
35-030 PARKING BRAKE CONTROL

SPN	Repl Part	PNC	Part No	Part Name	Qty	Part Spec	Remarks
		50202	MB857445	ADJUSTER,PARKING BRAKE CABLE	1		
			MB857445	ADJUSTER,PARKING BRAKE CABLE	1		
			MB857445	ADJUSTER,PARKING BRAKE CABLE	1		
		50204	MC405523	BALL,PARKING BRAKE CABLE	1	8	
			MC405523	BALL,PARKING BRAKE CABLE	1	8	
			MC405523	BALL,PARKING BRAKE CABLE	1	8	
		50221K	MH023616	BRACKET,PARKING BRAKE CABLE	1		L1=30,L2=40
			MH023617	BRACKET,PARKING BRAKE CABLE	1		
			MH023616	BRACKET,PARKING BRAKE CABLE	1		L1=30,L2=40
			MH023617	BRACKET,PARKING BRAKE CABLE	1		
			MH023616	BRACKET,PARKING BRAKE CABLE	1		L1=30,L2=40
			MH023617	BRACKET,PARKING BRAKE CABLE	1		
		50225	MC433460	BRACKET,PARKING BRAKE LEVER	1		
		50262	MK468213	CABLE,PARKING BRAKE	1	L=3946	
			MK468213	CABLE,PARKING BRAKE	1	L=3946	
			MK468213	CABLE,PARKING BRAKE	1	L=3946	
			MK468213	CABLE,PARKING BRAKE	1	L=3946	
			MK468213	CABLE,PARKING BRAKE	1	L=3946	
			MK468213	CABLE,PARKING BRAKE	1	L=3946	
			MK468215	CABLE,PARKING BRAKE	1	L=4044	
			MK468215	CABLE,PARKING BRAKE	1	L=4044	
			MK572182	CABLE,PARKING BRAKE	1	L=4122	
			MK572182	CABLE,PARKING BRAKE	1	L=4122	

35-030 PARKING BRAKE CONTROL

SPN	Repl Part	PNC	Part No	Part Name	Qty	Part Spec	Remarks
		50262	MK571133	CABLE,PARKING BRAKE	1	L=4079	
			MK571133	CABLE,PARKING BRAKE	1	L=4079	
			MK571133	CABLE,PARKING BRAKE	1	L=4079	
			MK571133	CABLE,PARKING BRAKE	1	L=4079	
			MK571133	CABLE,PARKING BRAKE	1	L=4079	
			MK571133	CABLE,PARKING BRAKE	1	L=4079	
			MK571133	CABLE,PARKING BRAKE	1	L=4079	
			MK571133	CABLE,PARKING BRAKE	1	L=4079	
			MK571133	CABLE,PARKING BRAKE	1	L=4079	
			MK571133	CABLE,PARKING BRAKE	1	L=4079	
			MK571133	CABLE,PARKING BRAKE	1	L=4079	
			MK571133	CABLE,PARKING BRAKE	1	L=4079	
			MK602212	CABLE,PARKING BRAKE	1	L=3914	
			MK602212	CABLE,PARKING BRAKE	1	L=3914	
			MK602212	CABLE,PARKING BRAKE	1	L=3914	
			MK602212	CABLE,PARKING BRAKE	1	L=3914	
			MK602212	CABLE,PARKING BRAKE	1	L=3914	
			MK602215	CABLE,PARKING BRAKE	1	L=3962	
			MK602215	CABLE,PARKING BRAKE	1	L=3962	
		50275D	MS476414	CLIP,PARKING BRAKE CABLE	1	D=12	
			MS476414	CLIP,PARKING BRAKE CABLE	1	D=12	
			MS476414	CLIP,PARKING BRAKE CABLE	1	D=12	
SP		50275G	MH020938	CLIP,PARKING BRAKE CABLE	2	A=23 B=14.5	
SP			MH020938	CLIP,PARKING BRAKE CABLE	2	A=23 B=14.5	
SP			MH020938	CLIP,PARKING BRAKE CABLE	2	A=23 B=14.5	
		50281	MC433462	COVER,PARKING BRAKE LEVER	1		
		50311	MC433464	KNOB,PARKING BRAKE RELEASE	1		
		50312	MC413008	LATCH,PARKING BRAKE ROD LOCK	1		
	RP	50313A	MC430740	LEVER ASSY,PARKING BRAKE	1		

FK74R
35-030 PARKING BRAKE CONTROL

SPN	Repl Part	PNC	Part No	Part Name	Qty	Part Spec	Remarks
	RP	50313A	MC431884	LEVER ASSY,PARKING BRAKE	1		
	RP		MK570076	LEVER ASSY,PARKING BRAKE	1		
	RP		MK570080	LEVER ASSY,PARKING BRAKE	1		
			MK572884	LEVER ASSY,PARKING BRAKE	1		
			MK572886	LEVER ASSY,PARKING BRAKE	1		
			MK572884	LEVER ASSY,PARKING BRAKE	1		
			MK572886	LEVER ASSY,PARKING BRAKE	1		
	RP	50344B	MH012064	PIN,PARKING BRAKE LEVER	1	CLEVIS,10X24	
		50344C	MC011085	PIN,PARKING BRAKE LEVER	1	DOWEL,14X18.7	
		50392	MC435272	ROD,PARKING BRAKE RELEASE	1		
		50436	MC404113	SPRING,PARKING BRAKE LEVER RATCHET	1		
		50457	MC848771	SWITCH,PARKING BRAKE	1		
		50961	3003502802	WASHER,PARKING BRAKE CABLE	2		
	RP	50963	MB249339	BAND,PARKING BRAKE CABLE	1	L=169.5	BLACK
		50968D	MC430729	PIN,PARKING BRAKE CABLE	1	CLEVIS,16X53.5	
		50968E	MF472069	PIN,PARKING BRAKE CABLE	1	SPLIT,3X25	
		50969B	MF434103	NUT,PARKING BRAKE CABLE	3	FLANGE,6	W/O COATING
			MF434103	NUT,PARKING BRAKE CABLE	4	FLANGE,6	W/O COATING
			MF434103	NUT,PARKING BRAKE CABLE	4	FLANGE,6	W/O COATING
			MF434103	NUT,PARKING BRAKE CABLE	4	FLANGE,6	W/O COATING

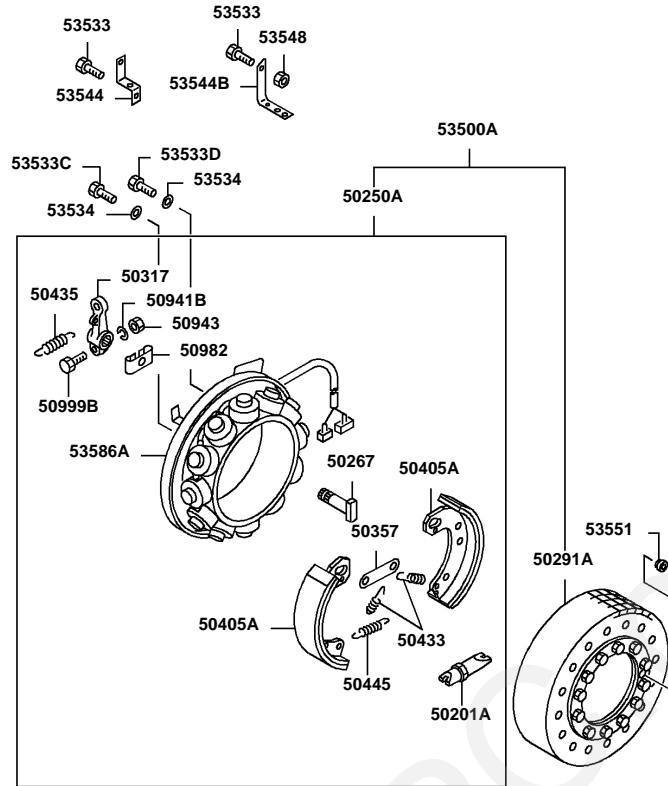
FK74R
35-030 PARKING BRAKE CONTROL

SPN	Repl Part	PNC	Part No	Part Name	Qty	Part Spec	Remarks
		50969C	MF434104	NUT,PARKING BRAKE CABLE	1	FLANGE,8	
			MF434104	NUT,PARKING BRAKE CABLE	1	FLANGE,8	
			MF434104	NUT,PARKING BRAKE CABLE	1	FLANGE,8	
		50969G	MF430725	NUT,PARKING BRAKE CABLE	1	JAM,8	
			MF430725	NUT,PARKING BRAKE CABLE	1	JAM,8	
			MF430725	NUT,PARKING BRAKE CABLE	1	JAM,8	
		50976B	MF140005	BOLT,PARKING BRAKE CABLE	2	FLANGE,6X16	4T
			MF100029	BOLT,PARKING BRAKE CABLE	2	BOLT,6X20	4T
			MF140005	BOLT,PARKING BRAKE CABLE	1	FLANGE,6X16	4T
			MK540608	BOLT,PARKING BRAKE CABLE	1	6X23.2	
			MF100029	BOLT,PARKING BRAKE CABLE	2	BOLT,6X20	4T
			MF140005	BOLT,PARKING BRAKE CABLE	1	FLANGE,6X16	4T
			MK540608	BOLT,PARKING BRAKE CABLE	1	6X23.2	
			MF100029	BOLT,PARKING BRAKE CABLE	2	BOLT,6X20	4T
			MF140005	BOLT,PARKING BRAKE CABLE	1	FLANGE,6X16	4T
			MK540608	BOLT,PARKING BRAKE CABLE	1	6X23.2	
		50976C	MF100059	BOLT,PARKING BRAKE CABLE	2	BOLT,8X30	
			MF100055	BOLT,PARKING BRAKE CABLE	1	BOLT,8X20	4T

FK74R
35-030 PARKING BRAKE CONTROL

SPN	Repl Part	PNC	Part No	Part Name	Qty	Part Spec	Remarks
		50976C	MF100055	BOLT,PARKING BRAKE CABLE	1	BOLT,8X20	4T
			MF100059	BOLT,PARKING BRAKE CABLE	2	BOLT,8X30	
			MF100055	BOLT,PARKING BRAKE CABLE	1	BOLT,8X20	4T
			MF100059	BOLT,PARKING BRAKE CABLE	2	BOLT,8X30	
		50976D	MF241280	BOLT,PARKING BRAKE CABLE	2	WASHER ASSEMBLED,10X20	
			MF140258	BOLT,PARKING BRAKE CABLE	2	FLANGE,10X20	7T
			MF140258	BOLT,PARKING BRAKE CABLE	2	FLANGE,10X20	7T
			MF140258	BOLT,PARKING BRAKE CABLE	2	FLANGE,10X20	7T
		50976F	MF100055	BOLT,PARKING BRAKE CABLE	1	BOLT,8X20	4T
		50981	MF522407	SNAP RING,PARKING BRAKE LEVER	1	9	
		50982B	MC009309	SPACER,PARKING BRAKE	1	T=0.6	
		50982C	MC020810	SPACER,PARKING BRAKE	2	T=3.5	
		50989D	MF241280	BOLT,PARKING BRAKE LEVER	3	WASHER ASSEMBLED,10X20	
		50976S	(N.e.c.)	BOLT,PARKING BRAKE CABLE			
		50976J	(N.e.c.)	BOLT,PARKING BRAKE CABLE			
		50275K	(N.e.c.)	CLIP,PARKING BRAKE CABLE			
		50275C	(N.e.c.)	CLIP,PARKING BRAKE CABLE			
		50969BB	(N.e.c.)	NUT,PARKING BRAKE CABLE			
		50221P	(N.e.c.)	BRACKET,PARKING BRAKE CABLE			
		50275BT	(N.e.c.)	CLIP,PARKING BRAKE CABLE			

FK74R
No.1



2 CA 1 0 0

Ref. |2035070

Page

FK74R
35-070 RETARDER BRAKE

PNC	Part No	Part Name	Qty	Part Spec	Classification	Option	Model Year	Start	End
50201A	ME625246	ADJUSTER ASSY,PARKING BRAKE SHOE	1		G6,G6E,H6, H6E,J6,J6E, K6,K6E,M6, M6E	1YC	04	04053	05103
	ME625246	ADJUSTER ASSY,PARKING BRAKE SHOE	1		G6,H6,H6E, J6,J6E,K6, K6E,M6E	1YC	05,07	05103	09000
50250A	ME518728	BRAKE SUB ASSY,PARKING	1		G6,G6E,H6, H6E,J6,J6E, K6,K6E,M6, M6E	1YC	04	04053	05103
	ME518728	BRAKE SUB ASSY,PARKING	1		G6,H6,H6E, J6,J6E,K6, K6E,M6E	1YC	05,07	05103	09000
50267	ME626028	CAMSHAFT,PARKING BRAKE	1		G6,G6E,H6, H6E,J6,J6E, K6,K6E,M6, M6E	1YC	04	04053	05103
	ME626028	CAMSHAFT,PARKING BRAKE	1		G6,H6,H6E, J6,J6E,K6, K6E,M6E	1YC	05,07	05103	09000
50291A	ME639101	DRUM ASSY,PARKING BRAKE	1		G6,G6E,H6, H6E,J6,J6E, K6,K6E,M6, M6E	1YC	04	04053	05103
	ME639101	DRUM ASSY,PARKING BRAKE	1		G6,H6,H6E, J6,J6E,K6, K6E,M6E	1YC	05,07	05103	09000
50317	MC862867	LEVER,PARKING BRAKE CAMSHAFT	1		G6,G6E,H6, H6E,J6,J6E, K6,K6E,M6, M6E	1YC	04	04053	05103

Ref. |2035070

Page

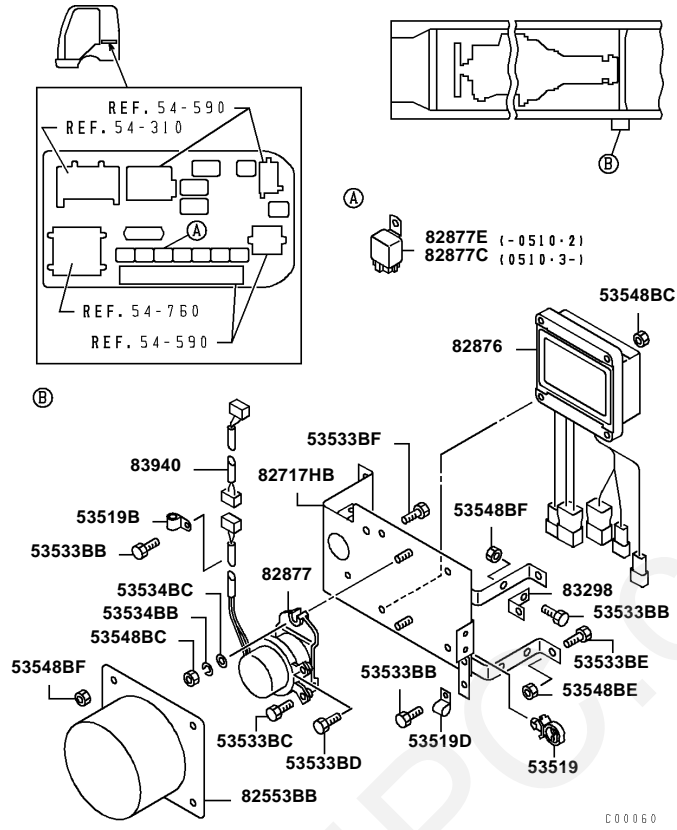
FK74R
35-070 RETARDER BRAKE

PNC	Part No	Part Name	Qty	Part Spec	Classification	Option	Model Year	Start	End
50317	MC862867	LEVER,PARKING BRAKE CAMSHAFT	1		G6,H6,H6E, J6,J6E,K6, K6E,M6E	1YC	05,07	05103	090
50357	ME625243	PLATE,PARKING BRAKE ANCHOR PIN	1		G6,G6E,H6, H6E,J6,J6E, K6,K6E,M6, M6E	1YC	04	04053	051
	ME625243	PLATE,PARKING BRAKE ANCHOR PIN	1		G6,H6,H6E, J6,J6E,K6, K6E,M6E	1YC	05,07	05103	090
50405A	MC837658	SHOE ASSY,PARKING BRAKE	2		G6,G6E,H6, H6E,J6,J6E, K6,K6E,M6, M6E	1YC	04	04053	051
	MC837658	SHOE ASSY,PARKING BRAKE	2		G6,H6,H6E, J6,J6E,K6, K6E,M6E	1YC	05,07	05103	090
50433	ME625244	SPRING,PARKING BRAKE SHOE RETURN	2		G6,G6E,H6, H6E,J6,J6E, K6,K6E,M6, M6E	1YC	04	04053	051
	ME625244	SPRING,PARKING BRAKE SHOE RETURN	2		G6,H6,H6E, J6,J6E,K6, K6E,M6E	1YC	05,07	05103	090
50435	MC862869	SPRING,PARKING BRAKE CAMSHAFT LEVER	1		G6,G6E,H6, H6E,J6,J6E, K6,K6E,M6, M6E	1YC	04	04053	051
	MC862869	SPRING,PARKING BRAKE CAMSHAFT LEVER	1		G6,H6,H6E, J6,J6E,K6, K6E,M6E	1YC	05,07	05103	090
50445	ME625245	SPRING,PARKING BRAKE SHOE ADJUSTER	1		G6,G6E,H6, H6E,J6,J6E, K6,K6E,M6, M6E	1YC	04	04053	051
	ME625245	SPRING,PARKING BRAKE SHOE ADJUSTER	1		G6,H6,H6E, J6,J6E,K6, K6E,M6E	1YC	05,07	05103	090
50941B	MF450405	WASHER,PARKING BRAKE	1	SPRING,8	G6,G6E,H6, H6E,J6,J6E, K6,K6E,M6, M6E	1YC	04	04053	051
	MF450405	WASHER,PARKING BRAKE	1	SPRING,8	G6,H6,H6E, J6,J6E,K6, K6E,M6E	1YC	05,07	05103	090
50943	MF430035	NUT,PARKING BRAKE	1	8	G6,G6E,H6, H6E,J6,J6E, K6,K6E,M6, M6E	1YC	04	04053	051
	MF430035	NUT,PARKING BRAKE	1	8	G6,H6,H6E, J6,J6E,K6, K6E,M6E	1YC	05,07	05103	090
50982	ME625254	SPACER,PARKING BRAKE	1	T=5.5	G6,G6E,H6, H6E,J6,J6E, K6,K6E,M6, M6E	1YC	04	04053	051
	ME625254	SPACER,PARKING BRAKE	1	T=5.5	G6,H6,H6E, J6,J6E,K6, K6E,M6E	1YC	05,07	05103	090
50999B	ME626030	BOLT,PARKING BRAKE	1	8X35	G6,G6E,H6, H6E,J6,J6E, K6,K6E,M6, M6E	1YC	04	04053	051
	ME626030	BOLT,PARKING BRAKE	1	8X35	G6,H6,H6E, J6,J6E,K6, K6E,M6E	1YC	05,07	05103	090
53500A	ME518002	RETARDER ASSY	1		G6,G6E,H6, H6E,J6,J6E, K6,K6E,M6, M6E	1YC	04	04053	051
	ME518002	RETARDER ASSY	1		G6,H6,H6E, J6,J6E,K6, K6E,M6E	1YC	05,07	05103	090

FK74R
35-070 RETARDER BRAKE

PNC	Part No	Part Name	Qty	Part Spec	Classification	Option	Model Year	Start	End
53533C	MH000151	BOLT,RETARDER	4	REAMER,10X36	G6,G6E,H6, H6E,J6,J6E, K6,K6E,M6, M6E	1YC	04	04053	05103
	MH000151	BOLT,RETARDER	4	REAMER,10X36	G6,H6,H6E, J6,J6E,K6, K6E,M6E	1YC	05,07	05103	09000
53534	MH005205	WASHER,RETARDER	4	SPRING,10.5	G6,G6E,H6, H6E,J6,J6E, K6,K6E,M6, M6E	1YC	04	04053	05103
	MH005205	WASHER,RETARDER	4	SPRING,10.5	G6,H6,H6E, J6,J6E,K6, K6E,M6E	1YC	05,07	05103	09000
53551	ME626344	PLUG,RETARDER	2	RUBBER,20.5	G6,G6E,H6, H6E,J6,J6E, K6,K6E,M6, M6E	1YC	04	04053	05103
	ME626344	PLUG,RETARDER	2	RUBBER,20.5	G6,H6,H6E, J6,J6E,K6, K6E,M6E	1YC	05,07	05103	09000
53586A	ME518729	COIL & BRACKET ASSY,RETARDER	1		G6,G6E,H6, H6E,J6,J6E, K6,K6E,M6, M6E	1YC	04	04053	05103
	ME518729	COIL & BRACKET ASSY,RETARDER	1		G6,H6,H6E, J6,J6E,K6, K6E,M6E	1YC	05,07	05103	09000
53544	(N.e.c.)	BRACKET,RETARDER							
53533	(N.e.c.)	BOLT,RETARDER							
53548	(N.e.c.)	NUT,RETARDER							
53544B	(N.e.c.)	BRACKET,RETARDER							
53533D	(N.e.c.)	BOLT,RETARDER							

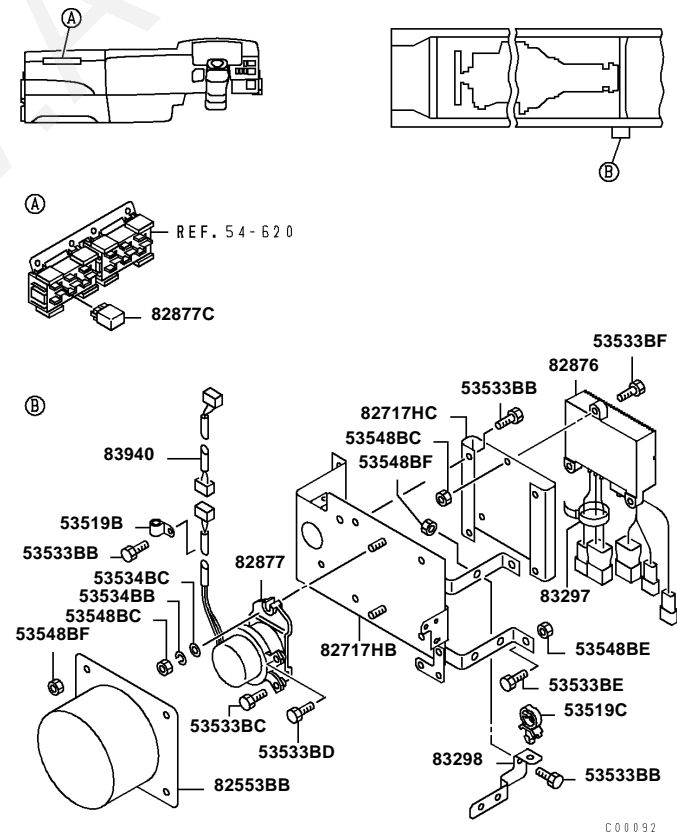
FK74R
No.1



Ref. |2035080

Page

FK74R
No.2



Ref. |2035080

Page

FK74R
35-080 RETARDER BRAKE CONTROL

SPN	Repl Part	PNC	Part No	Part Name	Qty	Part Spec	Remarks	NEW1
		53519B	ME519619	CLIP,RETARDER AIR LINE	1			
			MH020419	CLIP,RETARDER AIR LINE	2	D=10		
			ME519619	CLIP,RETARDER AIR LINE	1			
			MH020419	CLIP,RETARDER AIR LINE	2	D=10		
			MH020419	CLIP,RETARDER AIR LINE	1	D=10		
SP		53519C	MH020938	CLIP,RETARDER AIR LINE	1	A=23 B=14.5		R
	RP	53519D	MF477031	CLIP,RETARDER AIR LINE	1	D=35		O
	RP		MF477031	CLIP,RETARDER AIR LINE	1	D=35		O
		53533BB	MF140025	BOLT,RETARDER	3	FLANGE,8X20	4T	
			MF140025	BOLT,RETARDER	3	FLANGE,8X20	4T	
			MF140025	BOLT,RETARDER	7	FLANGE,8X20	4T	
		53533BC	MF240052	BOLT,RETARDER	1	WASHER ASSEMBLED,8X18		
			MF240052	BOLT,RETARDER	1	WASHER ASSEMBLED,8X18		
		53533BD	MF240079	BOLT,RETARDER	1	WASHER ASSEMBLED,10X18		
			MF240079	BOLT,RETARDER	1	WASHER ASSEMBLED,10X18		
		53533BE	MF140262	BOLT,RETARDER	4	FLANGE,10X30	7T	
			MF140262	BOLT,RETARDER	4	FLANGE,10X30	7T	
		53533BF	MF140033	BOLT,RETARDER	4	FLANGE,8X40	4T	
			MF140033	BOLT,RETARDER	4	FLANGE,8X40	4T	
			MF140029	BOLT,RETARDER	3	FLANGE,8X30	4T	
		53534BB	MF450405	WASHER,RETARDER	2	SPRING,8		

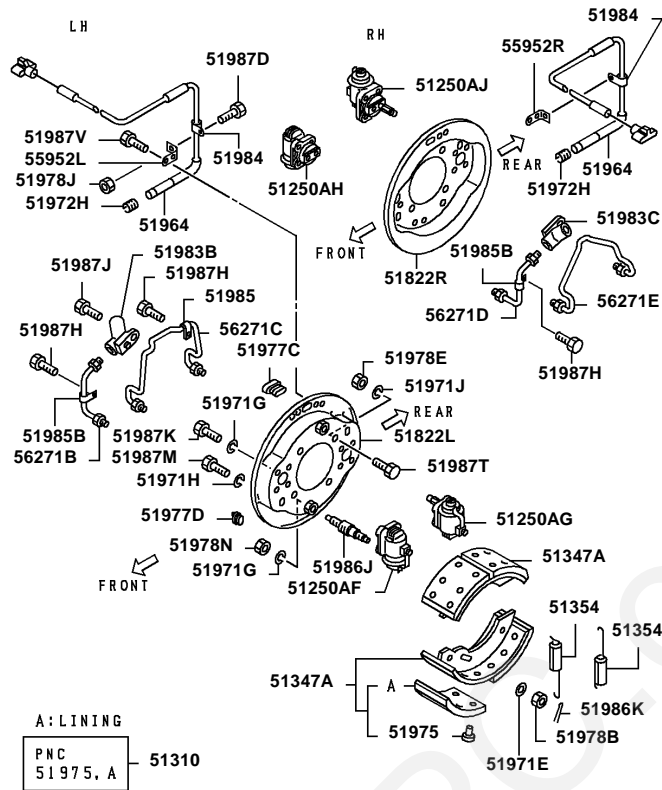
FK74R
35-080 RETARDER BRAKE CONTROL

SPN	Repl Part	PNC	Part No	Part Name	Qty	Part Spec	Remarks	NEW1
		53534BB	MF450405	WASHER,RETARDER	2	SPRING,8		
		53534BC	MF450005	WASHER,RETARDER	2	PLAIN,8,18		
			MF450005	WASHER,RETARDER	2	PLAIN,8,18		
		53548BC	MF430005	NUT,RETARDER	2	8		
			MF430005	NUT,RETARDER	2	8		
		53548BE	MF434105	NUT,RETARDER	4	FLANGE,10	4T	
			MF434105	NUT,RETARDER	4	FLANGE,10	4T	
		53548BF	MF434104	NUT,RETARDER	5	FLANGE,8		
			MF434104	NUT,RETARDER	5	FLANGE,8		
		82553BB	ME639155	COVER,CONTROL UNIT	1			
			ME639155	COVER,CONTROL UNIT	1			
			ME533063	COVER,CONTROL UNIT	1			
		82717HB	ME533064	BRACKET,RELAY	1			
		82717HC	ME527791	BRACKET,RELAY	1			
		82876	ME512248	CONTROL UNIT,RETARDER	1			
			ME512248	CONTROL UNIT,RETARDER	1			
			ME527560	CONTROL UNIT,RETARDER	1			
		82877	MK327439	RELAY,RETARDER CONTROL POWER	1			
			MK327439	RELAY,RETARDER CONTROL POWER	1			
SP		82877C	MK387785	RELAY,RETARDER CONTROL POWER	3	24V		R
SP			MK387785	RELAY,RETARDER CONTROL POWER	4	24V		R

FK74R
35-080 RETARDER BRAKE CONTROL

SPN	Repl Part	PNC	Part No	Part Name	Qty	Part Spec	Remarks	NEW1
		82877E	MK420479	RELAY,RETARDER CONTROL POWER	3			
		83297	MC151009	BAND,RETARDER CONTROL WIRING	2	L=145	BLACK	
		83298	ME516723	BRACKET,RETARDER CONTROL WIRING	1			
			ME516723	BRACKET,RETARDER CONTROL WIRING	1			
			ME527574	BRACKET,RETARDER CONTROL WIRING	1			
		83940	ME507898	HARNESS,RETARDER	1			
			ME507898	HARNESS,RETARDER	1			
			ME533068	HARNESS,RETARDER	1			
		53519	(N.e.c.)	CLIP,RETARDER AIR LINE				

FK74R
No.1

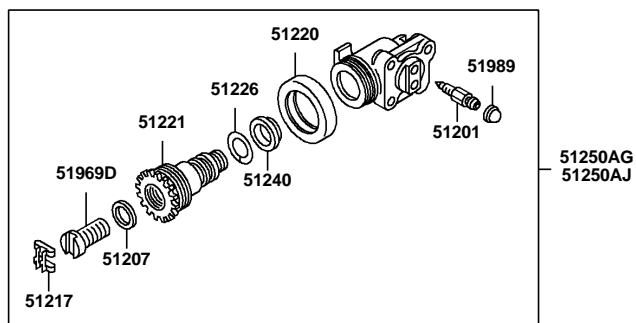
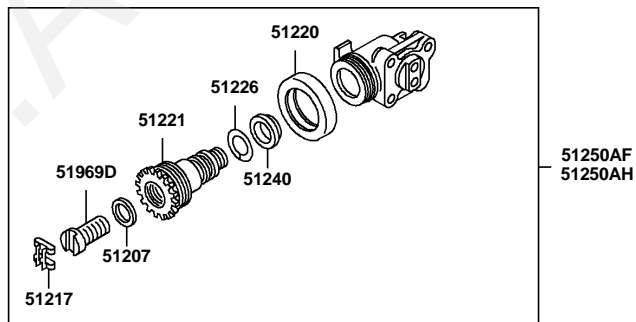


2EA003

Ref. |2035110

Page

FK74R
No.2



PNC
51207, 51220, 51226, 51240 51230

2FA007

Ref. |2035110

Page

FK74R
35-110 FRONT WHEEL BRAKE

Repl Part	PNC	Part No	Part Name	Qty	Supply Mode	Part Spec	Remarks
	51201	MC812796	BLEEDER,FR BRAKE CYLINDER	2			
	51207	MC869497	DUST SEAL,FR BRAKE CYLINDER SCREW	4			
	51217	MC869496	HOLDER,FR BRAKE CYLINDER SCREW	4			
	51220	MC880241	BOOT,FR BRAKE CYLINDER DUST	4			
	51221	ME724174	PISTON,FR BRAKE CYLINDER	4			
	51226	MC869498	RING,FR BRAKE CYLINDER	4			
	51230	MK355554	CUP & BOOT KIT,FR BRAKE CYLINDER	1			
	51240	ME724175	CUP,FR BRAKE CYLINDER PISTON	4			
	51250AF	MK355460	CYLINDER ASSY,FR BRAKE	1			
	51250AG	MK355462	CYLINDER ASSY,FR BRAKE	1			
	51250AH	MK355461	CYLINDER ASSY,FR BRAKE	1			
	51250AJ	MK355463	CYLINDER ASSY,FR BRAKE	1			

FK74R
35-110 FRONT WHEEL BRAKE

Repl Part RP	PNC 51310	Part No MK428816	Part Name LINING KIT,FR BRAKE SHOE	Qty 1	Supply Mode	Part Spec W=120	Remarks
RP		MK501167	LINING KIT,FR BRAKE SHOE	1		W=120	
		MC869312	LINING KIT,FR BRAKE SHOE	1	OR	W=120	
		MK328949	LINING KIT,FR BRAKE SHOE	1	OR	W=120	
		MK585311	LINING KIT,FR BRAKE SHOE	1	OR	W=120	
RP		MK530443	LINING KIT,FR BRAKE SHOE	1		W=120	
		MK530447	LINING KIT,FR BRAKE SHOE	1	OR	W=120	
		MK585311	LINING KIT,FR BRAKE SHOE	1	OR	W=120	
	51347A	MK501160	SHOE ASSY,FR BRAKE	4			
	51354	MC869451	SPRING,FR BRAKE SHOE RETURN	4			
	51822L	MK501309	PLATE,FR BRAKE BACKING,LH	1			
	51822R	MK501310	PLATE,FR BRAKE BACKING,RH	1			
	51964	MK448954	SENSOR,FR BRAKE PICKUP	2			

FK74R
35-110 FRONT WHEEL BRAKE

Repl Part	PNC	Part No	Part Name	Qty	Supply Mode	Part Spec	Remarks
	51964	MK528404	SENSOR,FR BRAKE PICKUP	2			
	51969D	MC869495	SCREW,FR BRAKE	4			
	51971E	MC809899	WASHER,FR BRAKE	4		PLAIN,10	
	51971G	MF450406	WASHER,FR BRAKE	4		SPRING,10	
	51971J	MF450408	WASHER,FR BRAKE	8		SPRING,14	
RP	51972H	MK428129	SPACER,FR BRAKE	2			
	51975	MC821347	RIVET,FR BRAKE	48		6X11.5	
	51977C	MC821454	PLUG,FR BRAKE	4		RUBBER,18	
	51977D	MC821455	PLUG,FR BRAKE	4		RUBBER,20.5	
	51978B	MC821558	NUT,FR BRAKE	4		SLOTTED,10	
	51978E	MF430124	NUT,FR BRAKE	8		NUT,14	6T
	51978J	MF434105	NUT,FR BRAKE	2		FLANGE,10	4T

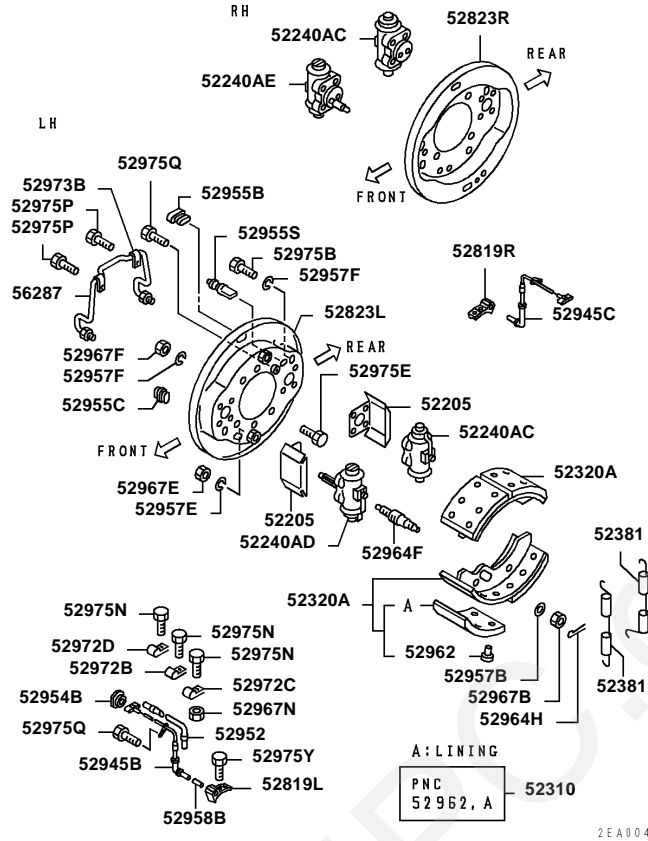
FK74R
35-110 FRONT WHEEL BRAKE

Repl Part	PNC	Part No	Part Name	Qty	Supply Mode	Part Spec	Remarks
	51978N	MF430006	NUT,FR BRAKE	4		10	
	51983B	MC806204	JOINT,FR BRAKE	1			
	51983C	MC806205	JOINT,FR BRAKE	1			
	51984	MH020431	CLIP,FR BRAKE	2		D=10	
	51985	MC821567	CLAMP,FR BRAKE	4		D=5.5	
	51985B	ME759016	CLAMP,FR BRAKE	2			
	51986J	MC828908	PIN,FR BRAKE	4		HOLDER,86	
	51986K	MF472038	PIN,FR BRAKE	4		SPLIT,2X20	
	51987D	MF101281	BOLT,FR BRAKE	2		BOLT,10X16	7T
	51987H	MF240022	BOLT,FR BRAKE	6		WASHER ASSEMBLED,6X10	
	51987J	MF240050	BOLT,FR BRAKE	2		WASHER ASSEMBLED,8X14	4T
	51987K	MF300841	BOLT,FR BRAKE	8		WASHER ASSEMBLED,10X20	

FK74R
35-110 FRONT WHEEL BRAKE

Repl Part	PNC	Part No	Part Name	Qty	Supply Mode	Part Spec	Remarks
	51987M	MF300866	BOLT,FR BRAKE	8		WASHER ASSEMBLED,12X25	
	51987T	MH000202	BOLT,FR BRAKE	8	OR	W/O MAKE,14X35	
		MH000344	BOLT,FR BRAKE	8		W/MAKE,14X35	
	51987V	MF240049	BOLT,FR BRAKE	4		WASHER ASSEMBLED,8X12	
	51989	MC881586	CAP,FR BRAKE	2			
	55952L	MC865453	BRACKET,FR ABS SENSOR WIRING,LH	1			
	55952R	MC865453	BRACKET,FR ABS SENSOR WIRING,RH	1			
	56271B	MC894820	TUBE,FR BRAKE CYLINDER CONNECTING	1		4	
	56271C	MC824612	TUBE,FR BRAKE CYLINDER CONNECTING	1		4	
	56271D	MC894821	TUBE,FR BRAKE CYLINDER CONNECTING	1		4	
	56271E	MC824612	TUBE,FR BRAKE CYLINDER CONNECTING	1		4	
	51971H	(N.e.c.)	WASHER,FR BRAKE				

FK74R
No.1

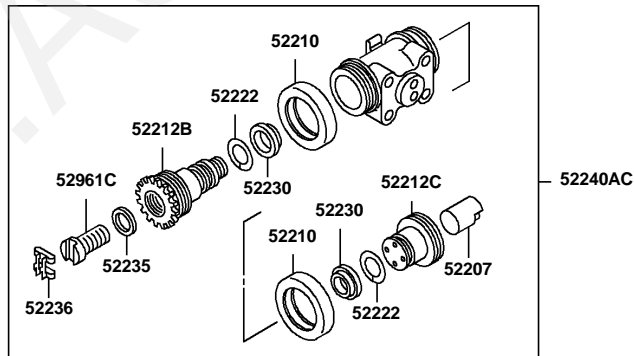


2EA004

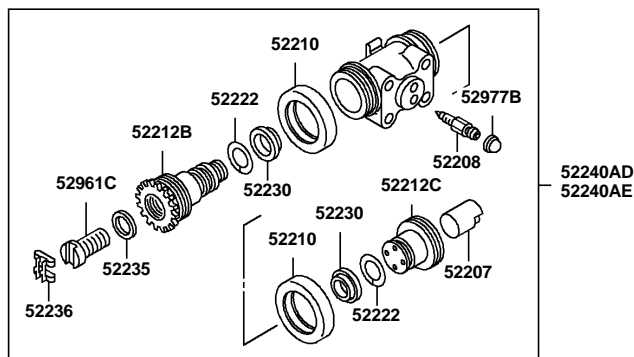
Ref. |2035160

Page

FK74R
No.2



52240AC



52240AD
52240AE

PNC
52210, 52222, 52230, 52235 52220

2BA007

Ref. |2035160

Page

FK74R
35-160 REAR WHEEL BRAKE

Repl Part	PNC	Part No	Part Name	Qty	Supply Mode	Part Spec	Remarks
	52205	MC821566	COVER,RR BRAKE CYLINDER	4			
	52207	MC822387	PIECE,RR BRAKE CYLINDER ANCHOR	4			
	52208	MC812796	BLEEDER,RR BRAKE CYLINDER	2			
	52210	MC880220	BOOT,RR BRAKE CYLINDER DUST	8			
	52212B	ME724182	PISTON,RR BRAKE CYLINDER	4			
	52212C	ME724183	PISTON,RR BRAKE CYLINDER	4			
	52220	MK355555	CUP & BOOT KIT,RR BRAKE CYLINDER	1			
	52222	MK321309	RING,RR BRAKE CYLINDER	8			
	52230	ME724184	CUP,RR BRAKE CYLINDER PISTON	8			
	52235	MC869497	DUST SEAL,RR BRAKE CYLINDER SCREW	4			
	52236	MC869496	HOLDER,RR BRAKE CYLINDER SCREW	4			
	52240AC	MK355469	CYLINDER ASSY,RR BRAKE	2			

FK74R
35-160 REAR WHEEL BRAKE

Repl Part	PNC	Part No	Part Name	Qty	Supply Mode	Part Spec	Remarks
	52240AD	MK355470	CYLINDER ASSY,RR BRAKE	1			
	52240AE	MK355471	CYLINDER ASSY,RR BRAKE	1			
	52310	MC869314	LINING KIT,RR BRAKE SHOE	1	OR	W=140	
		MK328953	LINING KIT,RR BRAKE SHOE	1	OR	W=140	
RP		MK428818	LINING KIT,RR BRAKE SHOE	1		W=140	
RP		MK501169	LINING KIT,RR BRAKE SHOE	1		W=140	
RP		MK530445	LINING KIT,RR BRAKE SHOE	1		W=140	
		MK530449	LINING KIT,RR BRAKE SHOE	1		W=140	
		MK585313	LINING KIT,RR BRAKE SHOE	1	OR	W=140	
	52320A	MK501161	SHOE ASSY,RR BRAKE	4			
	52381	MC869452	SPRING,RR BRAKE SHOE RETURN	4			
RP	52819L	MK326959	HOLDER,RR BRAKE SENSOR,LH	1			
RP	52819R	MK326960	HOLDER,RR BRAKE SENSOR,RH	1			

FK74R
35-160 REAR WHEEL BRAKE

Repl Part	PNC	Part No	Part Name	Qty	Supply Mode	Part Spec	Remarks
	52823L	MC869279	PLATE,RR BRAKE BACKING,LH	1			
	52823R	MC869280	PLATE,RR BRAKE BACKING,RH	1			
	52945B	MK448960	SENSOR,RR BRAKE PICKUP	1			
		MK528405	SENSOR,RR BRAKE PICKUP	1			
	52945C	MK448961	SENSOR,RR BRAKE PICKUP	1			
		MK528409	SENSOR,RR BRAKE PICKUP	1			
	52952	MK356065	TUBE,RR BRAKE CORRUGATE	1			
	52955B	MC821454	PLUG,RR BRAKE	4		RUBBER,18	
	52955C	MC821455	PLUG,RR BRAKE	4		RUBBER,20.5	
	52955S	MC869282	PLUG,RR BRAKE	2		RUBBER	
	52957B	MC809899	WASHER,RR BRAKE	4		PLAIN,10	
	52957E	MF450406	WASHER,RR BRAKE	4		SPRING,10	

FK74R
35-160 REAR WHEEL BRAKE

Repl Part	PNC	Part No	Part Name	Qty	Supply Mode	Part Spec	Remarks
	52957F	MF450407	WASHER,RR BRAKE	12		SPRING,12	
RP	52958B	MK428129	SPACER,RR BRAKE	2			
	52961C	MC869495	SCREW,RR BRAKE	4			
	52962	MC821347	RIVET,RR BRAKE	48		6X11.5	
	52964F	MC828909	PIN,RR BRAKE	4		HOLDER,97	
	52964H	MF472038	PIN,RR BRAKE	4		SPLIT,2X20	
	52967B	MC821558	NUT,RR BRAKE	4		SLOTTED,10	
	52967E	MF430006	NUT,RR BRAKE	4		10	
	52967F	MF430123	NUT,RR BRAKE	12		12	
	52972B	MH020429	CLIP,RR BRAKE	10		D=6.4	
		MH020429	CLIP,RR BRAKE	8		D=6.4	
	52972C	MH020431	CLIP,RR BRAKE	1		D=10	

FK74R
35-160 REAR WHEEL BRAKE

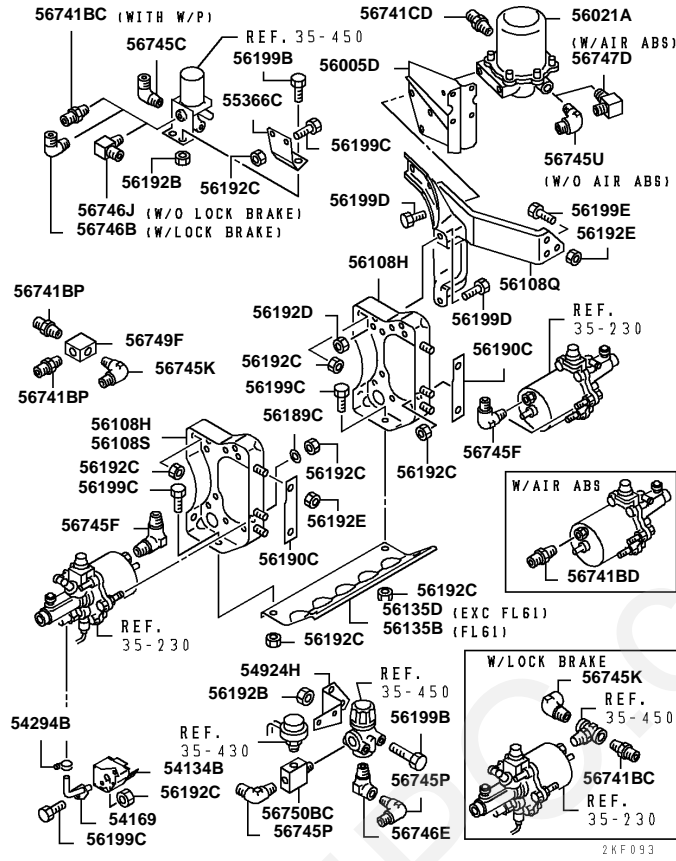
Repl Part	PNC	Part No	Part Name	Qty	Supply Mode	Part Spec	Remarks
	52972C	MH020434	CLIP,RR BRAKE	1		D=16	
	52973B	MC821567	CLAMP,RR BRAKE	4		D=5.5	
	52975B	MF300866	BOLT,RR BRAKE	16		WASHER ASSEMBLED,12X25	
RP	52975E	MH000269	BOLT,RR BRAKE	12	OR	12X30	
		MH000990	BOLT,RR BRAKE	12		12X30	
	52975N	MF241280	BOLT,RR BRAKE	1		WASHER ASSEMBLED,10X20	
		MH001244	BOLT,RR BRAKE	11		WASHER ASSEMBLED,10X16	
		MH001244	BOLT,RR BRAKE	9		WASHER ASSEMBLED,10X16	
	52975P	MF240022	BOLT,RR BRAKE	4		WASHER ASSEMBLED,6X10	
	52975Q	MF140023	BOLT,RR BRAKE	4		FLANGE,8X16	4T
	52975Y	MF240051	BOLT,RR BRAKE	4		WASHER ASSEMBLED,8X16	
	52977B	MC881586	CAP,RR BRAKE	2			

FK74R
35-160 REAR WHEEL BRAKE

Repl Part	PNC	Part No	Part Name	Qty	Supply Mode	Part Spec	Remarks
	56287	MC824612	TUBE,RR BRAKE CYLINDER CONNECTING	2		4	
	52972D	(N.e.c.)	CLIP,RR BRAKE				
	52954B	(N.e.c.)	GROMMET,RR BRAKE				
	52967N	(N.e.c.)	NUT,RR BRAKE				

www.AutoEPC.com

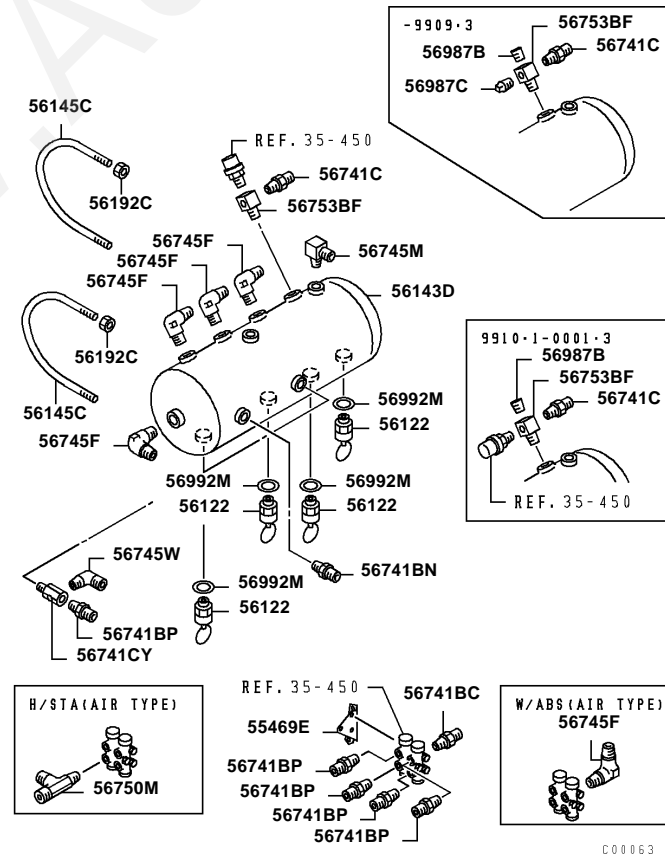
FK74R
No.1



Ref. |2035210

Page

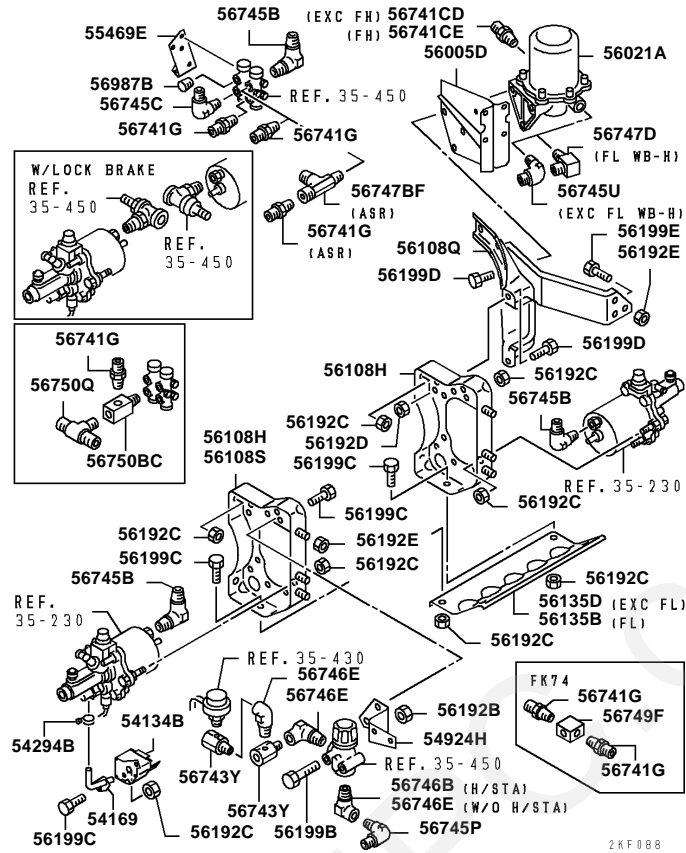
FK74R
No.2



Ref. |2035210

Page

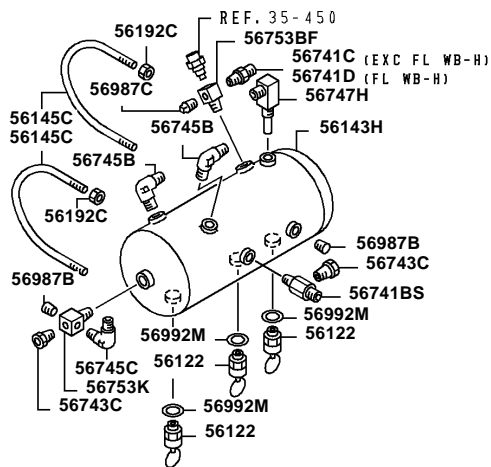
FK74R No.3



Ref. |2035210

Page

FK74R No.4

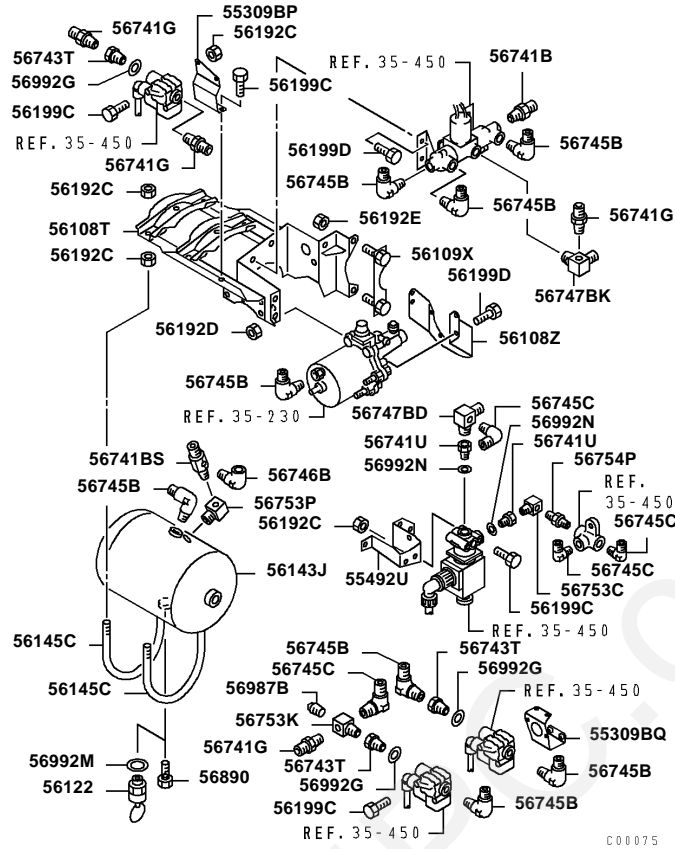


C00325

Ref. |2035210

Page

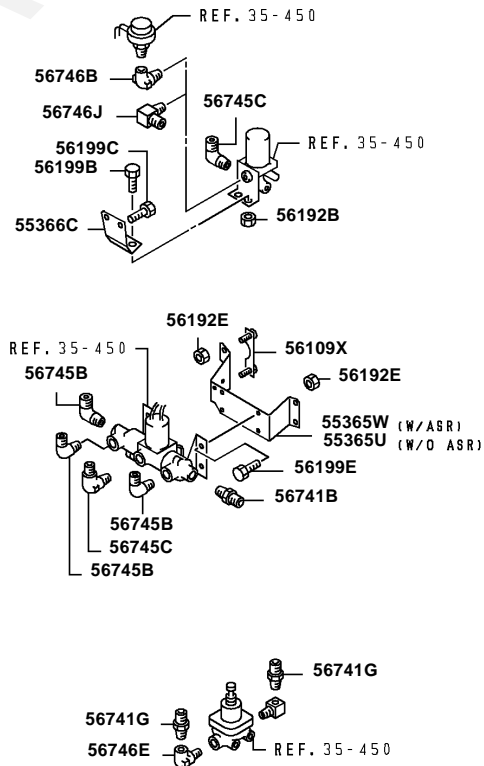
FK74R
No.5



Ref. |2035210

Page

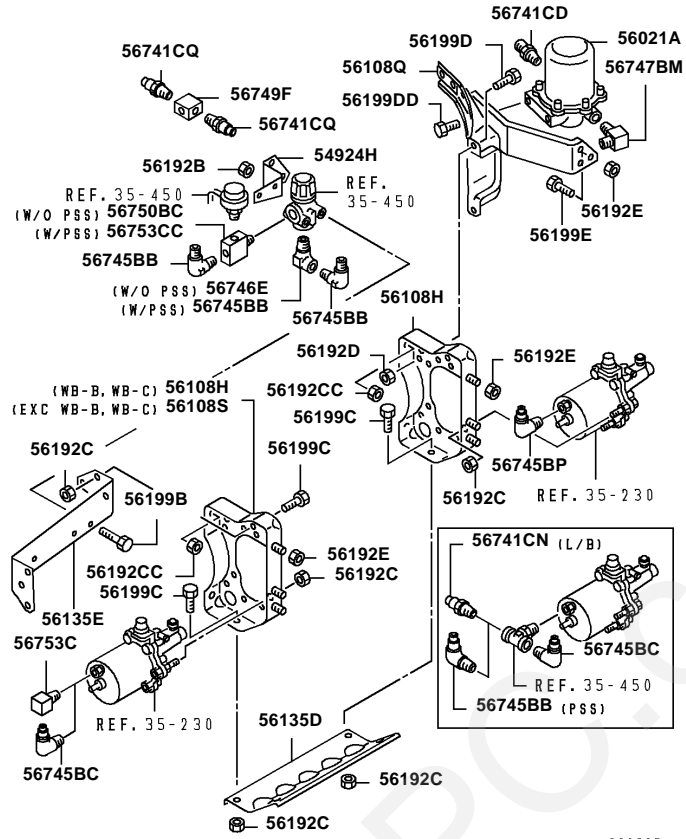
FK74R
No.6



Ref. |2035210

Page

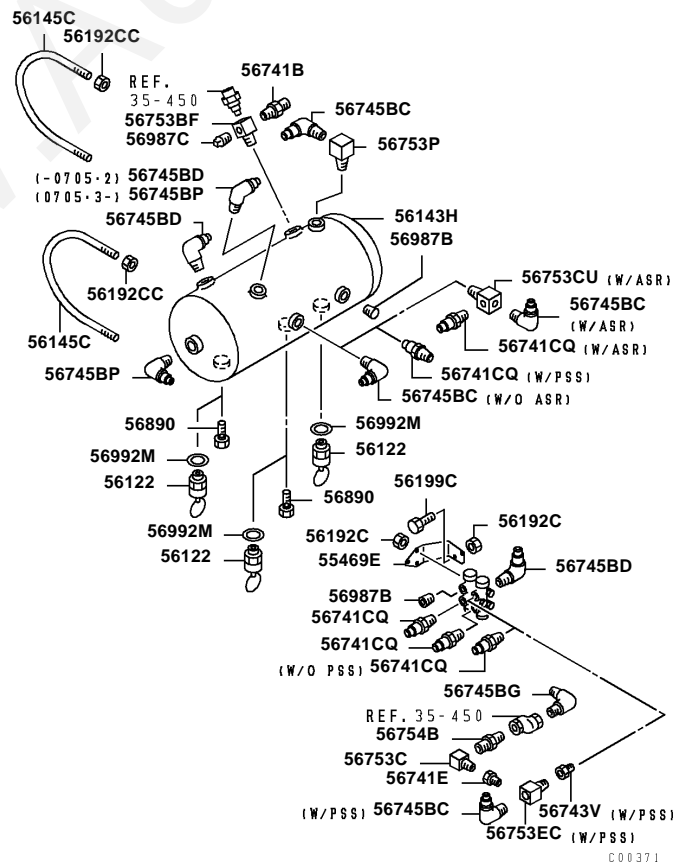
FK74R
No.7



Ref. |2035210

Page

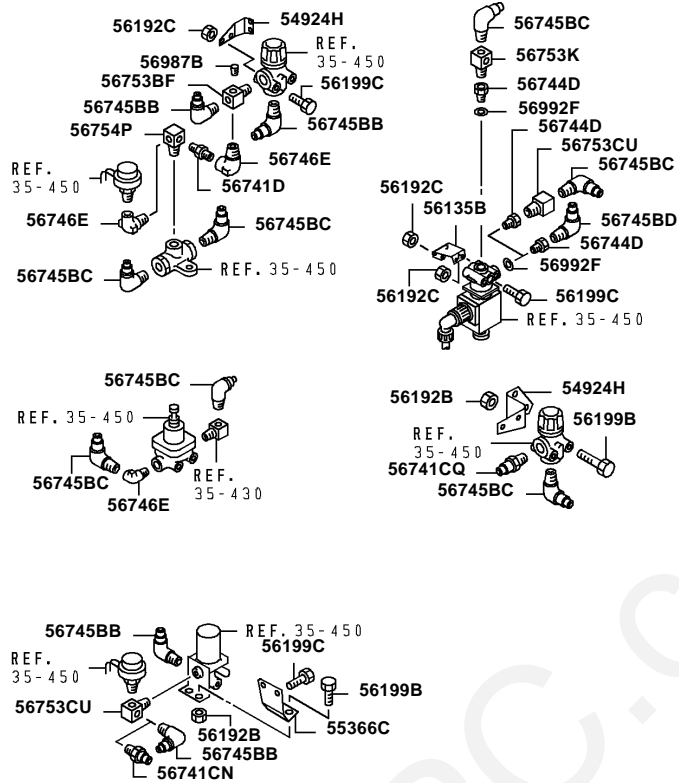
FK74R
No.8



Ref. |2035210

Page

FK74R
No.9

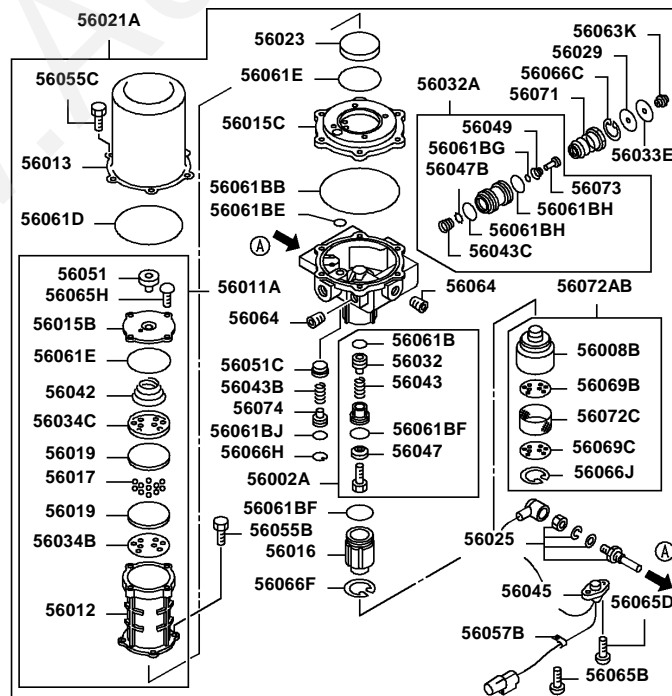


C00426

Ref. |2035210

Page

FK74R
No.10



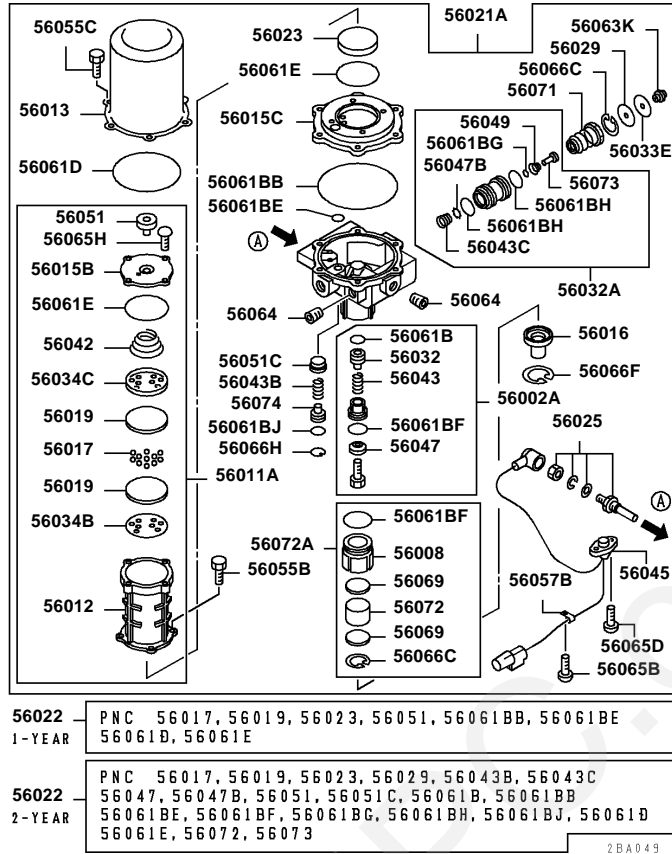
56022	PNC 56017, 56019, 56023, 56029, 56043B, 56043C, 56047B, 56051, 56051C, 56061B, 56061BB, 56061BE
1-YEAR	56061D, 56061E
56022	PNC 56017, 56019, 56023, 56029, 56043B, 56043C, 56047B, 56051, 56051C, 56061B, 56061BB, 56061BE
2-YEAR	56061BF, 56061BG, 56061BH, 56061BJ, 56061D, 56061E, 56072C, 56073

C00494

Ref. |2035210

Page

FK74R
No.11



Ref. |2035210

Page

FK74R
35-210 VACUUM & AIR TANK

Repl Part	PNC	Part No	Part Name	Qty	Part Spec	Remarks
	54134B	MK448339	COVER,BRAKE BOOSTER	1		
	54169	MK448340	PIPE,BRAKE BOOSTER EXHAUST	1		
	54294B	MF661008	CLAMP,BRAKE BOOSTER	1	D=16	
	54924H	MK537259	BRACKET,BRAKE AIR REDUCING VALVE	1		
		MK572493	BRACKET,BRAKE AIR REDUCING VALVE	1		
		MK572493	BRACKET,BRAKE AIR REDUCING VALVE	1		
	55309BP	MC459952	BRACKET,ABS CONTROL VALVE	1		

Ref. |2035210

Page

FK74R
35-210 VACUUM & AIR TANK

Repl Part	PNC	Part No	Part Name	Qty	Part Spec	Remarks
	55309BQ	MK464894	BRACKET,ABS CONTROL VALVE	1		
	55366C	MC448939	BRACKET,BRAKE LINE SOLENOID VALVE	1		
		MK571159	BRACKET,BRAKE LINE SOLENOID VALVE	1		
		MK653497	BRACKET,BRAKE LINE SOLENOID VALVE	1		
	55469E	MC457642	BRACKET,4-WAY PROTECTION VALVE	1		
		MC457652	BRACKET,4-WAY PROTECTION VALVE	1		
		MC457642	BRACKET,4-WAY PROTECTION VALVE	1		
		MK537257	BRACKET,4-WAY PROTECTION VALVE	1		
		MK537257	BRACKET,4-WAY PROTECTION VALVE	1		
		MK537257	BRACKET,4-WAY PROTECTION VALVE	1		
		MK537257	BRACKET,4-WAY PROTECTION VALVE	1		
	55492U	MK361112	BRACKET,ASR CONTROL VALVE	1		
	56002A	ME754091	BODY ASSY,AIR DRYER VALVE	1		
	56005D	MK328435	BRACKET,AIR DRYER	1		
	56008	ME709878	CASE,AIR DRYER SILENCER	1		
		ME709878	CASE,AIR DRYER SILENCER	1		

FK74R
35-210 VACUUM & AIR TANK

Repl Part	PNC	Part No	Part Name	Qty	Part Spec	Remarks
	56008B	ME754266	CASE,AIR DRYER SILENCER	1		
	56011A	ME754164	CARTRIDGE ASSY,AIR DRYER	1		
		ME709912	CARTRIDGE ASSY,AIR DRYER	1		
		ME709912	CARTRIDGE ASSY,AIR DRYER	1		
		ME709912	CARTRIDGE ASSY,AIR DRYER	1		
		ME709912	CARTRIDGE ASSY,AIR DRYER	1		
	56012	ME709928	CASE,AIR DRYER	1		
		ME709913	CASE,AIR DRYER	1		
		ME709913	CASE,AIR DRYER	1		
		ME709913	CASE,AIR DRYER	1		
		ME709913	CASE,AIR DRYER	1		
		ME709913	CASE,AIR DRYER	1		
	56013	ME709922	CHAMBER,AIR DRYER PURGE	1		
		ME709941	CHAMBER,AIR DRYER PURGE	1		
		ME709988	CHAMBER,AIR DRYER PURGE	1		
		ME709988	CHAMBER,AIR DRYER PURGE	1		

FK74R
35-210 VACUUM & AIR TANK

Repl Part	PNC	Part No	Part Name	Qty	Part Spec	Remarks
	56013	ME709988	CHAMBER,AIR DRYER PURGE	1		
		ME709988	CHAMBER,AIR DRYER PURGE	1		
	56015B	ME754165	COVER,AIR DRYER	1		
		ME709917	COVER,AIR DRYER	1		
		ME709917	COVER,AIR DRYER	1		
		ME709917	COVER,AIR DRYER	1		
		ME709917	COVER,AIR DRYER	1		
	56015C	ME709936	COVER,AIR DRYER	1		
		ME709918	COVER,AIR DRYER	1		
		ME709918	COVER,AIR DRYER	1		
		ME709918	COVER,AIR DRYER	1		
		ME709918	COVER,AIR DRYER	1		
	56016	ME709882	COVER,AIR DRYER EXHAUST	1		
		ME754264	COVER,AIR DRYER EXHAUST	1		
		ME709882	COVER,AIR DRYER EXHAUST	1		
	56017	ME709275	DESICCANT,AIR DRYER	1		

FK74R
35-210 VACUUM & AIR TANK

Repl Part	PNC	Part No	Part Name	Qty	Part Spec	Remarks	PP
	56017	ME709161	DESICCANT,AIR DRYER	1			
		ME709161	DESICCANT,AIR DRYER	1			
		ME709161	DESICCANT,AIR DRYER	1			
		ME709161	DESICCANT,AIR DRYER	1			
	56019	ME709930	FILTER,AIR DRYER	2			
RP		ME709425	FILTER,AIR DRYER	2			O
RP		ME709425	FILTER,AIR DRYER	2			O
RP		ME709425	FILTER,AIR DRYER	2			O
RP		ME709425	FILTER,AIR DRYER	2			O
	56021A	MK449950	AIR DRYER ASSY	1		NABCO	
		MK449051	AIR DRYER ASSY	1		NABCO	
		MK449133	AIR DRYER ASSY	1		NABCO	
		MK449133	AIR DRYER ASSY	1		NABCO	
		MK449133	AIR DRYER ASSY	1		NABCO	
		MK449133	AIR DRYER ASSY	1		NABCO	
		MK529014	AIR DRYER ASSY	1		NABCO	

FK74R
35-210 VACUUM & AIR TANK

Repl Part	PNC	Part No	Part Name	Qty	Part Spec	Remarks
	56021A	MK449133	AIR DRYER ASSY	1		NABCO
	56022	MK384619	AIR DRYER KIT,OVERHAUL	1		1-YEAR
		MK448333	AIR DRYER KIT,OVERHAUL	1		2-YEAR
		MK448332	AIR DRYER KIT,OVERHAUL	1		2-YEAR
		MK448332	AIR DRYER KIT,OVERHAUL	1		2-YEAR
		MK448332	AIR DRYER KIT,OVERHAUL	1		2-YEAR
		MK448332	AIR DRYER KIT,OVERHAUL	1		2-YEAR
		MK448332	AIR DRYER KIT,OVERHAUL	1		2-YEAR
		MK384620	AIR DRYER KIT,OVERHAUL	1		1-YEAR
		MK384620	AIR DRYER KIT,OVERHAUL	1		1-YEAR
		MK384620	AIR DRYER KIT,OVERHAUL	1		1-YEAR
		MK384620	AIR DRYER KIT,OVERHAUL	1		1-YEAR
		MK529681	AIR DRYER KIT,OVERHAUL	1		2-YEAR
		MK448332	AIR DRYER KIT,OVERHAUL	1		2-YEAR
	56023	ME709937	OIL FILTER,AIR DRYER	1		
		ME709919	OIL FILTER,AIR DRYER	1		

FK74R
35-210 VACUUM & AIR TANK

Repl Part	PNC	Part No	Part Name	Qty	Part Spec	Remarks
	56023	ME709919	OIL FILTER,AIR DRYER	1		
		ME709919	OIL FILTER,AIR DRYER	1		
		ME709919	OIL FILTER,AIR DRYER	1		
	56025	ME709881	HEATER,AIR DRYER	1		
	56029	ME709893	SEAT,AIR DRYER	1		
	56032	ME709681	PISTON,AIR DRYER VALVE	1		
		ME709681	PISTON,AIR DRYER VALVE	1		
	56032A	ME754067	PISTON ASSY,AIR DRYER VALVE	1		
	56033E	ME709894	PLATE,AIR DRYER	1		
	56034B	ME709929	PLATE,AIR DRYER FILTER	2		
		ME709208	PLATE,AIR DRYER FILTER	1		
		ME709208	PLATE,AIR DRYER FILTER	1		
		ME709208	PLATE,AIR DRYER FILTER	1		
		ME709208	PLATE,AIR DRYER FILTER	1		
		ME709208	PLATE,AIR DRYER FILTER	1		

FK74R
35-210 VACUUM & AIR TANK

Repl Part	PNC	Part No	Part Name	Qty	Part Spec	Remarks
	56034C	ME709931	PLATE,AIR DRYER FILTER	1		
		ME709914	PLATE,AIR DRYER FILTER	1		
		ME709914	PLATE,AIR DRYER FILTER	1		
		ME709914	PLATE,AIR DRYER FILTER	1		
		ME709914	PLATE,AIR DRYER FILTER	1		
	56042	ME709932	SPRING,AIR DRYER FILTER SETTING	1		
		ME709915	SPRING,AIR DRYER FILTER SETTING	1		
		ME709915	SPRING,AIR DRYER FILTER SETTING	1		
		ME709915	SPRING,AIR DRYER FILTER SETTING	1		
		ME709915	SPRING,AIR DRYER FILTER SETTING	1		
	56043	ME709680	SPRING,AIR DRYER VALVE PISTON	1		
		ME709680	SPRING,AIR DRYER VALVE PISTON	1		
	56043B	ME709897	SPRING,AIR DRYER VALVE PISTON	1		
	56043C	ME709888	SPRING,AIR DRYER VALVE PISTON	1		

FK74R
35-210 VACUUM & AIR TANK

Repl Part	PNC	Part No	Part Name	Qty	Part Spec	Remarks
	56043C	ME709888	SPRING,AIR DRYER VALVE PISTON	1		
	56045	ME754104	THERMOSTAT,AIR DRYER	1		
	56047	ME754090	VALVE,AIR DRYER	1		
		ME754090	VALVE,AIR DRYER	1		
	56047B	ME754068	VALVE,AIR DRYER	1		
		ME754068	VALVE,AIR DRYER	1		
	56049	ME709890	SPRING,AIR DRYER EXHAUST STEM	1		
		ME709890	SPRING,AIR DRYER EXHAUST STEM	1		
	56051	ME709904	CHECK VALVE,AIR DRYER	1		
		ME709904	CHECK VALVE,AIR DRYER	1		
	56051C	ME709896	CHECK VALVE,AIR DRYER	1		
	56055B	ME709938	BOLT,AIR DRYER INR	4		
		ME709905	BOLT,AIR DRYER INR	4		

FK74R
35-210 VACUUM & AIR TANK

Repl Part	PNC	Part No	Part Name	Qty	Part Spec	Remarks
	56055B	ME709905	BOLT,AIR DRYER INR	4		
		ME709905	BOLT,AIR DRYER INR	4		
		ME709905	BOLT,AIR DRYER INR	4		
	56055C	ME709909	BOLT,AIR DRYER INR	8		
		ME709909	BOLT,AIR DRYER INR	6		
		ME709909	BOLT,AIR DRYER INR	6		
		ME709909	BOLT,AIR DRYER INR	6		
		ME709909	BOLT,AIR DRYER INR	6		
	56057B	ME709245	CLAMP,AIR DRYER INR	1		
	56061B	ME709874	O-RING,AIR DRYER INR	1		
		ME709874	O-RING,AIR DRYER INR	1		
	56061BB	ME709939	O-RING,AIR DRYER INR	1		
		ME709920	O-RING,AIR DRYER INR	1		
		ME709920	O-RING,AIR DRYER INR	1		
		ME709920	O-RING,AIR DRYER INR	1		

FK74R
35-210 VACUUM & AIR TANK

Repl Part	PNC	Part No	Part Name	Qty	Part Spec	Remarks
	56061BB	ME709920	O-RING,AIR DRYER INR	1		
	56061BE	ME709907	O-RING,AIR DRYER INR	1		
	56061BF	ME709876	O-RING,AIR DRYER INR	2		
		ME709876	O-RING,AIR DRYER INR	1		
		ME709876	O-RING,AIR DRYER INR	1		
		ME709876	O-RING,AIR DRYER INR	2		
	56061BG	ME709886	O-RING,AIR DRYER INR	1		
		ME709886	O-RING,AIR DRYER INR	1		
	56061BH	ME709889	O-RING,AIR DRYER INR	2		
		ME709889	O-RING,AIR DRYER INR	2		
	56061BJ	ME709899	O-RING,AIR DRYER INR	1		
	56061D	ME709940	O-RING,AIR DRYER INR	1		
		ME709921	O-RING,AIR DRYER INR	1		

FK74R
35-210 VACUUM & AIR TANK

Repl Part	PNC	Part No	Part Name	Qty	Part Spec	Remarks
	56061D	ME709921	O-RING,AIR DRYER INR	1		
		ME709921	O-RING,AIR DRYER INR	1		
		ME709921	O-RING,AIR DRYER INR	1		
	56061E	ME709916	O-RING,AIR DRYER INR	1		
		ME709933	O-RING,AIR DRYER INR	1		
		ME709916	O-RING,AIR DRYER INR	2		
		ME709916	O-RING,AIR DRYER INR	2		
		ME709916	O-RING,AIR DRYER INR	2		
		ME709916	O-RING,AIR DRYER INR	2		
	56063K	ME709895	NUT,AIR DRYER INR	1		
	56064	ME709188	PLUG,AIR DRYER INR	2		
	56065B	ME709246	SCREW,AIR DRYER INR	1		
	56065D	MF200002	SCREW,AIR DRYER INR	2	MACHINE,4T,3X6	
	56065H	ME709935	SCREW,AIR DRYER INR	1		
		ME709692	SCREW,AIR DRYER INR	4		

FK74R
35-210 VACUUM & AIR TANK

Repl Part	PNC	Part No	Part Name	Qty	Part Spec	Remarks
	56065H	ME709692	SCREW,AIR DRYER INR	4		
		ME709692	SCREW,AIR DRYER INR	4		
		ME709692	SCREW,AIR DRYER INR	4		
	56066C	ME709269	SNAP RING,AIR DRYER INR	2		
		ME709269	SNAP RING,AIR DRYER INR	1		
		ME709269	SNAP RING,AIR DRYER INR	2		
	56066F	ME709883	SNAP RING,AIR DRYER INR	1		
	56066H	ME709900	SNAP RING,AIR DRYER INR	1		
	56066J	ME709869	SNAP RING,AIR DRYER INR	1		
	56069	ME709880	PLATE,AIR DRYER SILENCER	2		
		ME709880	PLATE,AIR DRYER SILENCER	2		
	56069B	ME754254	PLATE,AIR DRYER SILENCER	1		
	56069C	ME754254	PLATE,AIR DRYER SILENCER	1		
	56071	ME754079	SCREW & SPRING,AIR DRYER	1		

FK74R
35-210 VACUUM & AIR TANK

Repl Part	PNC	Part No	Part Name	Qty	Part Spec	Remarks
	56072	ME709879	SILENCER,AIR DRYER	1		
		ME709879	SILENCER,AIR DRYER	1		
	56072A	ME709877	SILENCER ASSY,AIR DRYER	1		
		ME709877	SILENCER ASSY,AIR DRYER	1		
	56072AB	ME754265	SILENCER ASSY,AIR DRYER	1		
	56072C	ME754211	SILENCER,AIR DRYER	1		
	56073	ME754069	STEM,AIR DRYER EXHAUST	1		
		ME754069	STEM,AIR DRYER EXHAUST	1		
RP	56074	ME709898	STOPPER,AIR DRYER CHECK VALVE	1		
		ME754296	STOPPER,AIR DRYER CHECK VALVE	1		
	56108H	MK355374	BRACKET,AIR TANK,NO.3	1		
		MK355375	BRACKET,AIR TANK,NO.3	1		
		MK355375	BRACKET,AIR TANK,NO.3	1		

FK74R
35-210 VACUUM & AIR TANK

Repl Part	PNC	Part No	Part Name	Qty	Part Spec	Remarks
	56108H	MK355375	BRACKET,AIR TANK,NO.3	1		
		MK355375	BRACKET,AIR TANK,NO.3	1		
		MK355375	BRACKET,AIR TANK,NO.3	1		
	56108Q	MK326706	BRACKET,AIR TANK,NO.3	1		
		MK385979	BRACKET,AIR TANK,NO.3	1		
		MK385980	BRACKET,AIR TANK,NO.3	1		
		MK385980	BRACKET,AIR TANK,NO.3	1		
		MK385980	BRACKET,AIR TANK,NO.3	1		
		MK385980	BRACKET,AIR TANK,NO.3	1		
	56108S	MK466498	BRACKET,AIR TANK,NO.3	1		
		MK536835	BRACKET,AIR TANK,NO.3	1		
		MK536835	BRACKET,AIR TANK,NO.3	1		
		MK536835	BRACKET,AIR TANK,NO.3	1		
		MK536835	BRACKET,AIR TANK,NO.3	1		
		MK536835	BRACKET,AIR TANK,NO.3	1		
	56108T	MK328526	BRACKET,AIR TANK,NO.3	1		

FK74R
35-210 VACUUM & AIR TANK

Repl Part	PNC	Part No	Part Name	Qty	Part Spec	Remarks
	56108Z	MK328525	BRACKET,AIR TANK,NO.3	1		
	56109X	MK464637	BRACKET,AIR TANK,NO.4	1		
	56122	MK321324	COCK,AIR TANK DRAIN	3		
		MK321324	COCK,AIR TANK DRAIN	1		
	56135B	MK537258	STAY,AIR TANK	1		
		MK537258	STAY,AIR TANK	1		
	56135D	MC433163	STAY,AIR TANK	1		
		MC433163	STAY,AIR TANK	1		
		MC433163	STAY,AIR TANK	1		
		MC433163	STAY,AIR TANK	1		
		MC433163	STAY,AIR TANK	1		
	56135E	MK537876	STAY,AIR TANK	1		
		MK650266	STAY,AIR TANK	1		
	56143H	MK321328	TANK,AIR	1		30LITER

FK74R
35-210 VACUUM & AIR TANK

Repl Part	PNC	Part No	Part Name	Qty	Part Spec	Remarks
	56143H	MK321327	TANK,AIR	1		25LITER
		MK321327	TANK,AIR	1		25LITER
		MK321327	TANK,AIR	1		25LITER
		MK321327	TANK,AIR	1		25LITER
	56143J	MK321329	TANK,AIR	1		15LITER
	56145C	MC443452	U-BOLT,AIR TANK	4		
		MC443452	U-BOLT,AIR TANK	2		
		MC443452	U-BOLT,AIR TANK	2		
		MC443452	U-BOLT,AIR TANK	2		
		MC443452	U-BOLT,AIR TANK	2		
	56192B	MF434103	NUT,AIR TANK	2	FLANGE,6	W/O COATING
		MF434103	NUT,AIR TANK	2	FLANGE,6	W/O COATING
		MF434103	NUT,AIR TANK	2	FLANGE,6	W/O COATING
		MF434103	NUT,AIR TANK	2	FLANGE,6	W/O COATING
	56192C	MF430005	NUT,AIR TANK	8	8	
		MF430005	NUT,AIR TANK	16	8	

FK74R
35-210 VACUUM & AIR TANK

Repl Part	PNC	Part No	Part Name	Qty	Part Spec	Remarks
	56192C	MF434104	NUT,AIR TANK	33	FLANGE,8	
		MF434104	NUT,AIR TANK	8	FLANGE,8	
		MF434104	NUT,AIR TANK	22	FLANGE,8	
		MF434104	NUT,AIR TANK	22	FLANGE,8	
		MF434104	NUT,AIR TANK	22	FLANGE,8	
		MF434104	NUT,AIR TANK	22	FLANGE,8	
	56192CC	MF430005	NUT,AIR TANK	8	8	
	56192D	MF434106	NUT,AIR TANK	4	FLANGE,12	4T
		MF434105	NUT,AIR TANK	10	FLANGE,10	4T
		MF434106	NUT,AIR TANK	12	FLANGE,12	4T
		MF434105	NUT,AIR TANK	2	FLANGE,10	4T
		MF434105	NUT,AIR TANK	2	FLANGE,10	4T
		MF434105	NUT,AIR TANK	2	FLANGE,10	4T
		MF434105	NUT,AIR TANK	2	FLANGE,10	4T
	56192E	MF434106	NUT,AIR TANK	4	FLANGE,12	4T
	56199B	MF240023	BOLT,AIR TANK	1	WASHER ASSEMBLED,6X12	

FK74R
35-210 VACUUM & AIR TANK

Repl Part	PNC	Part No	Part Name	Qty	Part Spec	Remarks		
56199B		MF240023	BOLT,AIR TANK	1	WASHER ASSEMBLED,6X12			
		MF240023	BOLT,AIR TANK	1	WASHER ASSEMBLED,6X12			
		MF240023 MF100029	BOLT,AIR TANK BOLT,AIR TANK	1 2	WASHER ASSEMBLED,6X12 BOLT,6X20	4T		
		MF100039	BOLT,AIR TANK	2	BOLT,6X50	4T		
		MF100029	BOLT,AIR TANK	2	BOLT,6X20	4T		
		MF100039	BOLT,AIR TANK	2	BOLT,6X50	4T		
		56199C		MF140023	BOLT,AIR TANK	2	FLANGE,8X16	4T
				MF140023	BOLT,AIR TANK	2	FLANGE,8X16	4T
				MF140023 MF140023	BOLT,AIR TANK BOLT,AIR TANK	2 2	FLANGE,8X16 FLANGE,8X16	4T 4T
				MF100055	BOLT,AIR TANK	14	BOLT,8X20	4T
				MF100057	BOLT,AIR TANK	1	BOLT,8X25	4T
				MF140023	BOLT,AIR TANK	2	FLANGE,8X16	4T
				MF140025	BOLT,AIR TANK	1	FLANGE,8X20	4T
				MF140037	BOLT,AIR TANK	2	FLANGE,8X60	4T
MF140040	BOLT,AIR TANK			2	FLANGE,8X75	4T		
MH000823	BOLT,AIR TANK			2	FLANGE,8X138			
MF100055	BOLT,AIR TANK	5	BOLT,8X20	4T				

FK74R
35-210 VACUUM & AIR TANK

Repl Part	PNC	Part No	Part Name	Qty	Part Spec	Remarks
	56199C	MF100055	BOLT,AIR TANK	10	BOLT,8X20	4T
		MF100055	BOLT,AIR TANK	10	BOLT,8X20	4T
		MF100055	BOLT,AIR TANK	10	BOLT,8X20	4T
		MF100055	BOLT,AIR TANK	10	BOLT,8X20	4T
		MF100055	BOLT,AIR TANK	10	BOLT,8X20	4T
		MF100055	BOLT,AIR TANK	10	BOLT,8X20	4T
		MF100055	BOLT,AIR TANK	10	BOLT,8X20	4T
		MF100055	BOLT,AIR TANK	10	BOLT,8X20	4T
		MF100055	BOLT,AIR TANK	10	BOLT,8X20	4T
		MF100055	BOLT,AIR TANK	10	BOLT,8X20	4T
		MF100055	BOLT,AIR TANK	10	BOLT,8X20	4T
		MF100055	BOLT,AIR TANK	10	BOLT,8X20	4T
		MF100066	BOLT,AIR TANK	2	BOLT,8X55	4T
		MF100066	BOLT,AIR TANK	2	BOLT,8X55	4T
	56199D	MF140285	BOLT,AIR TANK	1	FLANGE,12X30	7T
		MF241282	BOLT,AIR TANK	3	WASHER ASSEMBLED,10X25	
		MF101283	BOLT,AIR TANK	10	BOLT,10X20	7T
		MF140285	BOLT,AIR TANK	1	FLANGE,12X30	7T
		MF101283	BOLT,AIR TANK	2	BOLT,10X20	7T

FK74R
35-210 VACUUM & AIR TANK

Repl Part	PNC	Part No	Part Name	Qty	Part Spec	Remarks
	56199D	MF101283	BOLT,AIR TANK	2	BOLT,10X20	7T
		MF101283	BOLT,AIR TANK	2	BOLT,10X20	7T
		MF101283	BOLT,AIR TANK	2	BOLT,10X20	7T
	56199DD	MF241282	BOLT,AIR TANK	3	WASHER ASSEMBLED,10X25	
	56199E	MF140283	BOLT,AIR TANK	2	FLANGE,12X25	7T
		MF101312	BOLT,AIR TANK	6	BOLT,12X30	7T
		MF140283	BOLT,AIR TANK	2	FLANGE,12X25	7T
		MF241309	BOLT,AIR TANK	3	WASHER ASSEMBLED,12X30	
		MF101312	BOLT,AIR TANK	1	BOLT,12X30	7T
		MF140285	BOLT,AIR TANK	3	FLANGE,12X30	7T
		MF140285	BOLT,AIR TANK	3	FLANGE,12X30	7T
		MF140285	BOLT,AIR TANK	3	FLANGE,12X30	7T
	56741B	MH038316	JOINT,BRAKE AIR LINE,NO.1	1		
		MH038316	JOINT,BRAKE AIR LINE,NO.1	1		

FK74R
35-210 VACUUM & AIR TANK

Repl Part	PNC	Part No	Part Name	Qty	Part Spec	Remarks	PF
	56741B	MH038316	JOINT,BRAKE AIR LINE,NO.1	1			
		MH038316	JOINT,BRAKE AIR LINE,NO.1	1			
		MH038316	JOINT,BRAKE AIR LINE,NO.1	1			
	56741BS	MH038737	JOINT,BRAKE AIR LINE,NO.1	1			
		MH038737	JOINT,BRAKE AIR LINE,NO.1	2			
		MH038737	JOINT,BRAKE AIR LINE,NO.1	1			
	56741CD	MH039160	JOINT,BRAKE AIR LINE,NO.1	1			
	56741CN	MC072027	JOINT,BRAKE AIR LINE,NO.1	1			
RP	56741CQ	MC072028	JOINT,BRAKE AIR LINE,NO.1	6			O
RP		MC072028	JOINT,BRAKE AIR LINE,NO.1	6			O
RP		MC072028	JOINT,BRAKE AIR LINE,NO.1	6			O
RP		MC072028	JOINT,BRAKE AIR LINE,NO.1	6			O
RP		MC072028	JOINT,BRAKE AIR LINE,NO.1	6			O
RP		MC072028	JOINT,BRAKE AIR LINE,NO.1	7			O
RP		MC072028	JOINT,BRAKE AIR LINE,NO.1	6			O
	56741D	MH038321	JOINT,BRAKE AIR LINE,NO.1	1			
	56741E	MH039983	JOINT,BRAKE AIR LINE,NO.1	1			
	56741G	MH038341	JOINT,BRAKE AIR LINE,NO.1	7			

FK74R
35-210 VACUUM & AIR TANK

Repl Part	PNC	Part No	Part Name	Qty	Part Spec	Remarks
	56741G	MH038341	JOINT,BRAKE AIR LINE,NO.1	6		
		MH038341	JOINT,BRAKE AIR LINE,NO.1	7		
	56741U	MH039954	JOINT,BRAKE AIR LINE,NO.1	2		
	56743C	MH038365	JOINT,BRAKE AIR LINE,NO.3	2		
		MH038365	JOINT,BRAKE AIR LINE,NO.3	1		
		MH038365	JOINT,BRAKE AIR LINE,NO.3	2		
	56743T	MH038941	JOINT,BRAKE AIR LINE,NO.3	3		
	56743V	MH038942	JOINT,BRAKE AIR LINE,NO.3	1		
	56744D	MH039094	JOINT,BRAKE AIR LINE,NO.4	1		
		MH039094	JOINT,BRAKE AIR LINE,NO.4	1		
	56745B	MH038812	JOINT,BRAKE AIR LINE,NO.5	5		
		MH038812	JOINT,BRAKE AIR LINE,NO.5	13		
		MH038812	JOINT,BRAKE AIR LINE,NO.5	4		
RP	56745BB	MC089642	JOINT,BRAKE AIR LINE,NO.5	2		
		MC071552	JOINT,BRAKE AIR LINE,NO.5	2		
		MC071552	JOINT,BRAKE AIR LINE,NO.5	1		
RP	56745BC	MC071554	JOINT,BRAKE AIR LINE,NO.5	7		

FK74R
35-210 VACUUM & AIR TANK

Repl Part	PNC	Part No	Part Name	Qty	Part Spec	Remarks	PP
	56745BC	MH038952	JOINT,BRAKE AIR LINE,NO.5	1			
RP		MC071554	JOINT,BRAKE AIR LINE,NO.5	4			O
RP		MC071554	JOINT,BRAKE AIR LINE,NO.5	3			O
RP		MC071554	JOINT,BRAKE AIR LINE,NO.5	3			O
RP		MC071554	JOINT,BRAKE AIR LINE,NO.5	3			O
RP		MC071554	JOINT,BRAKE AIR LINE,NO.5	3			O
RP		MC071554	JOINT,BRAKE AIR LINE,NO.5	3			O
RP		MC071554	JOINT,BRAKE AIR LINE,NO.5	3			O
RP		MC071554	JOINT,BRAKE AIR LINE,NO.5	3			O
RP		MC071554	JOINT,BRAKE AIR LINE,NO.5	3			O
RP		MC071554	JOINT,BRAKE AIR LINE,NO.5	6			O
		MH038952	JOINT,BRAKE AIR LINE,NO.5	1			
RP	56745BD	MC072035	JOINT,BRAKE AIR LINE,NO.5	4			O
RP		MC072035	JOINT,BRAKE AIR LINE,NO.5	4			O
RP		MC072035	JOINT,BRAKE AIR LINE,NO.5	4			O
RP		MC072035	JOINT,BRAKE AIR LINE,NO.5	4			O
RP		MC072035	JOINT,BRAKE AIR LINE,NO.5	4			O
RP		MC072035	JOINT,BRAKE AIR LINE,NO.5	4			O
RP		MC072035	JOINT,BRAKE AIR LINE,NO.5	5			O
RP		MC072035	JOINT,BRAKE AIR LINE,NO.5	4			O
RP		MC072035	JOINT,BRAKE AIR LINE,NO.5	3			O

FK74R
35-210 VACUUM & AIR TANK

Repl Part	PNC	Part No	Part Name	Qty	Part Spec	Remarks
RP	56745BD	MC072035	JOINT,BRAKE AIR LINE,NO.5	3		
RP		MC072035	JOINT,BRAKE AIR LINE,NO.5	3		
RP		MC072035	JOINT,BRAKE AIR LINE,NO.5	3		
RP		MC072035	JOINT,BRAKE AIR LINE,NO.5	3		
RP		MC072035	JOINT,BRAKE AIR LINE,NO.5	4		
RP		MC072035	JOINT,BRAKE AIR LINE,NO.5	3		
RP	56745BG	MC089643	JOINT,BRAKE AIR LINE,NO.5	1		
		MC071553	JOINT,BRAKE AIR LINE,NO.5	1		
	56745BP	MC073531	JOINT,BRAKE AIR LINE,NO.5	2		
		MC073531	JOINT,BRAKE AIR LINE,NO.5	2		
		MC073531	JOINT,BRAKE AIR LINE,NO.5	2		
		MC073531	JOINT,BRAKE AIR LINE,NO.5	2		
		MC073531	JOINT,BRAKE AIR LINE,NO.5	2		
		MC073531	JOINT,BRAKE AIR LINE,NO.5	2		
		MC073531	JOINT,BRAKE AIR LINE,NO.5	1		
		MC073531	JOINT,BRAKE AIR LINE,NO.5	3		
		MC073531	JOINT,BRAKE AIR LINE,NO.5	3		
		MC073531	JOINT,BRAKE AIR LINE,NO.5	3		
		MC073531	JOINT,BRAKE AIR LINE,NO.5	3		
		MC073531	JOINT,BRAKE AIR LINE,NO.5	3		

FK74R
35-210 VACUUM & AIR TANK

Repl Part	PNC	Part No	Part Name	Qty	Part Spec	Remarks
	56745BP	MC073531	JOINT,BRAKE AIR LINE,NO.5	2		
		MC073531	JOINT,BRAKE AIR LINE,NO.5	2		
	56745C	MH038247	JOINT,BRAKE AIR LINE,NO.5	1		PLATING
		MH038247	JOINT,BRAKE AIR LINE,NO.5	7		PLATING
		MH038247	JOINT,BRAKE AIR LINE,NO.5	2		PLATING
	56746B	MH038263	JOINT,BRAKE AIR LINE,NO.6	1		
	56746E	MH039224	JOINT,BRAKE AIR LINE,NO.6	1		
		MH039224	JOINT,BRAKE AIR LINE,NO.6	1		
	56746J	MH038648	JOINT,BRAKE AIR LINE,NO.6	1		
	56747BD	MH037461	JOINT,BRAKE AIR LINE,NO.7	1		
	56747BM	MH039751	JOINT,BRAKE AIR LINE,NO.7	1		
	56747D	MH038888	JOINT,BRAKE AIR LINE,NO.7	1		
	56747H	MH038631	JOINT,BRAKE AIR LINE,NO.7	1		
	56749F	MH038735	JOINT,BRAKE AIR LINE,NO.9	1		
	56750BC	MH038780	JOINT,BRAKE AIR LINE,NO.10	1		
	56753BF	MH039988	JOINT,BRAKE AIR LINE,NO.13	1		H=60

FK74R
35-210 VACUUM & AIR TANK

Repl Part	PNC	Part No	Part Name	Qty	Part Spec	Remarks
	56753C	MH038259	JOINT,BRAKE AIR LINE,NO.13	1		WITH OUT SEALANT
		MH038259	JOINT,BRAKE AIR LINE,NO.13	1		WITH OUT SEALANT
		MH038259	JOINT,BRAKE AIR LINE,NO.13	2		WITH OUT SEALANT
		MH038259	JOINT,BRAKE AIR LINE,NO.13	1		WITH OUT SEALANT
		MH038259	JOINT,BRAKE AIR LINE,NO.13	1		WITH OUT SEALANT
		MH038259	JOINT,BRAKE AIR LINE,NO.13	1		WITH OUT SEALANT
		MH038259	JOINT,BRAKE AIR LINE,NO.13	1		WITH OUT SEALANT
		MH038259	JOINT,BRAKE AIR LINE,NO.13	1		WITH OUT SEALANT
		MH038259	JOINT,BRAKE AIR LINE,NO.13	1		WITH OUT SEALANT
	56753CC	MH039894	JOINT,BRAKE AIR LINE,NO.13	1		
	56753CU	MH039843	JOINT,BRAKE AIR LINE,NO.13	2		
		MH039843	JOINT,BRAKE AIR LINE,NO.13	2		
	56753EC	MH039848	JOINT,BRAKE AIR LINE,NO.13	1		
	56753K	MH039574	JOINT,BRAKE AIR LINE,NO.13	1		
	56753P	MH038216	JOINT,BRAKE AIR LINE,NO.13	1		
		MH038216	JOINT,BRAKE AIR LINE,NO.13	1		
		MH038216	JOINT,BRAKE AIR LINE,NO.13	1		
		MH038216	JOINT,BRAKE AIR LINE,NO.13	1		

FK74R
35-210 VACUUM & AIR TANK

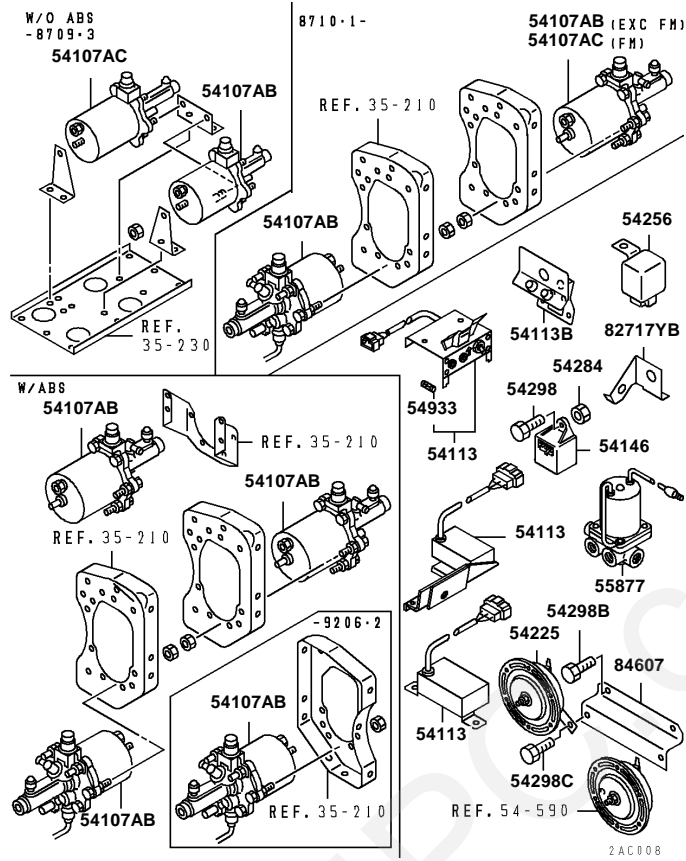
Repl Part	PNC	Part No	Part Name	Qty	Part Spec	Remarks
	56753P	MH038216	JOINT,BRAKE AIR LINE,NO.13	1		
RP	56754B	MH038334	JOINT,BRAKE AIR LINE,NO.14	1		
	56754P	MH038935	JOINT,BRAKE AIR LINE,NO.14	1		
	56890	MK530232	EYEBOLT,BRAKE AIR LINE	2	14X16	EYEBOLT
	56987B	MS661121	PLUG,BRAKE AIR LINE	3	TAPER,HEXAGON,PT-1/4	
		MS661121	PLUG,BRAKE AIR LINE	2	TAPER,HEXAGON,PT-1/4	
	56992F	MF660036	GASKET,BRAKE AIR LINE	2	D=16	
		MF660036	GASKET,BRAKE AIR LINE	2	D=16	
	56992G	MF660039	GASKET,BRAKE AIR LINE	3	D=22	
	56992M	MK321325	GASKET,BRAKE AIR LINE	3	14	
	56992N	MF660034	GASKET,BRAKE AIR LINE	2	D=12	
	56745U	(N.e.c.)	JOINT,BRAKE AIR LINE,NO.5			
	56745F	(N.e.c.)	JOINT,BRAKE AIR LINE,NO.5			
	56741BD	(N.e.c.)	JOINT,BRAKE AIR LINE,NO.1			
	56190C	(N.e.c.)	SPACER,AIR TANK			
	56741BP	(N.e.c.)	JOINT,BRAKE AIR LINE,NO.1			
	56745K	(N.e.c.)	JOINT,BRAKE AIR LINE,NO.5			
	56745P	(N.e.c.)	JOINT,BRAKE AIR LINE,NO.5			
	56741BC	(N.e.c.)	JOINT,BRAKE AIR LINE,NO.1			
	56189C	(N.e.c.)	WASHER,AIR TANK			
	56143D	(N.e.c.)	TANK,AIR			
	56750M	(N.e.c.)	JOINT,BRAKE AIR LINE,NO.10			
	56741C	(N.e.c.)	JOINT,BRAKE AIR LINE,NO.1			
	56745W	(N.e.c.)	JOINT,BRAKE AIR LINE,NO.5			
	56741CY	(N.e.c.)	JOINT,BRAKE AIR LINE,NO.1			
	56745M	(N.e.c.)	JOINT,BRAKE AIR LINE,NO.5			
	56741BN	(N.e.c.)	JOINT,BRAKE AIR LINE,NO.1			
	56987C	(N.e.c.)	PLUG,BRAKE AIR LINE			
	56743Y	(N.e.c.)	JOINT,BRAKE AIR LINE,NO.3			
	56741CE	(N.e.c.)	JOINT,BRAKE AIR LINE,NO.1			
	56750Q	(N.e.c.)	JOINT,BRAKE AIR LINE,NO.10			
	56747BF	(N.e.c.)	JOINT,BRAKE AIR LINE,NO.7			
	56747BK	(N.e.c.)	JOINT,BRAKE AIR LINE,NO.7			
	55365U	(N.e.c.)	BRACKET,BRAKE CONTROL VALVE			

FK74R
35-210 VACUUM & AIR TANK

Repl Part	PNC 55365W	Part No (N.e.c.)	Part Name BRACKET,BRAKE CONTROL VALVE	Qty	Part Spec	Remarks

www.AutoEPC.com

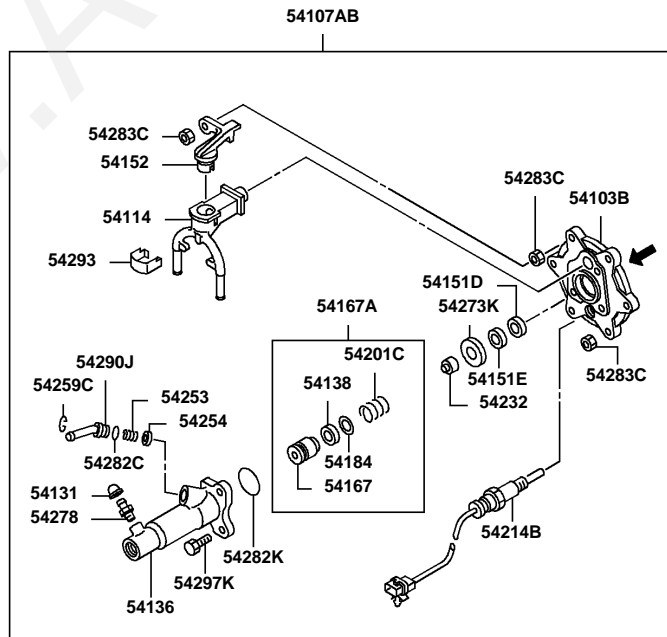
FK74R No.1



Ref. |2035230

Page

FK74R No.2

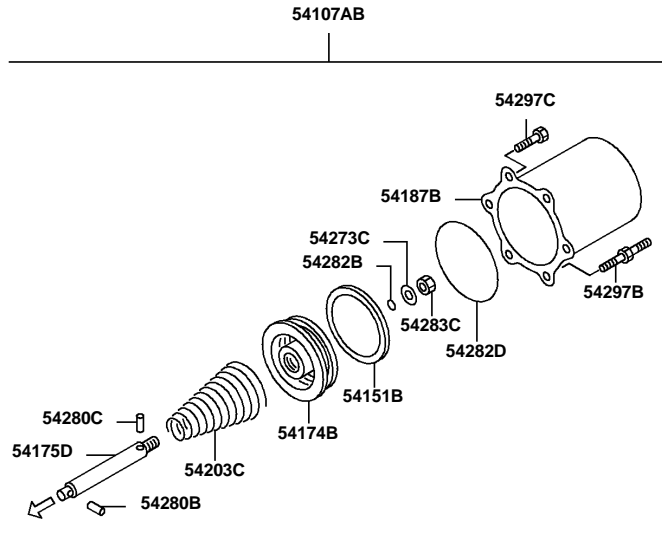


C00001

Ref. |2035230

Page

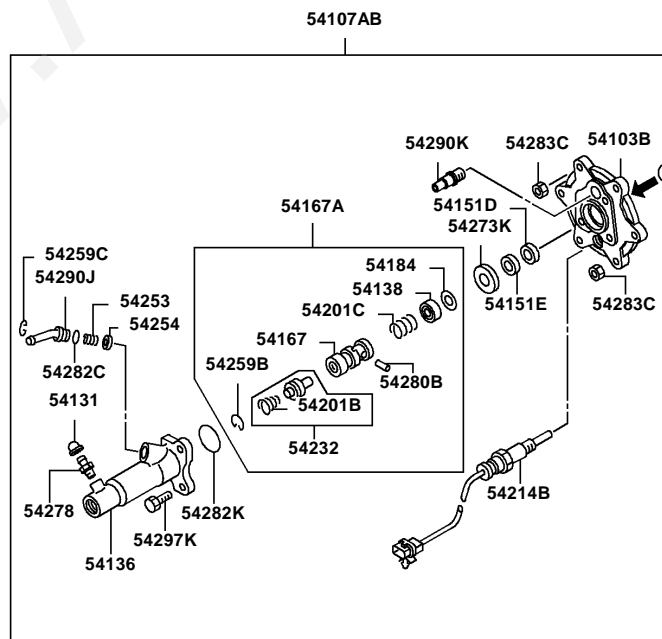
FK74R
No.3



PNC	
54114, 54131, 54151B, 54151D	54111
54151E, 54167A, 54232, 54254	
54259C, 54282B, 54282C	
54282D, 54282K, 54293	

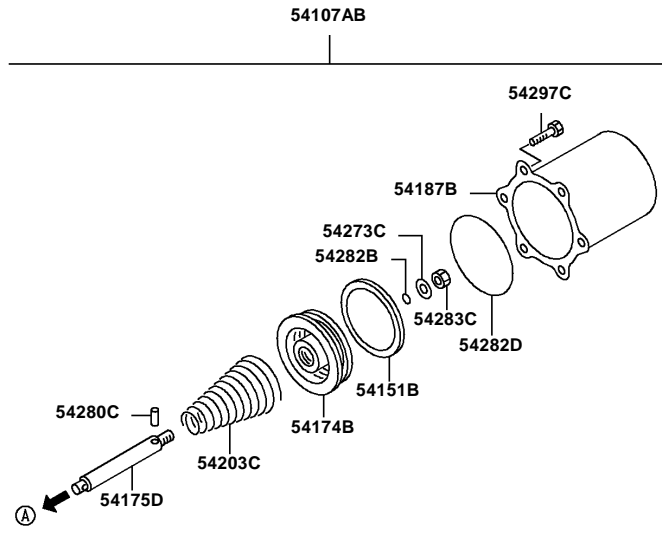
2BC133

FK74R
No.4



C00022

FK74R
No.5



PNC
54114, 54131, 54151B, 54151D
54151E, 54167A, 54232, 54254
54259C, 54282B, 54282C
54282D, 54282K, 54293

C00019

Ref. |2035230

Page

FK74R
35-230 POWER BRAKE BOOSTER

Repl Part	PNC	Part No	Part Name	Qty	Remarks	NEW1	Classification	Op
	54103B	ME747076	BODY,BRAKE BOOSTER	3			G6,G6E,H6, H6E,J6,J6E, K6,K6E,M6, M6E	1G
		ME747076	BODY,BRAKE BOOSTER	2			G6,G6E,G6V, H6,H6E,H6V, H6VE,J6,J6E, J6V,J6VE,K6, K6E,K6V,K6VE, M6,M6E,M6VE	
		ME747076	BODY,BRAKE BOOSTER	2			G6,G6E,G6V, H6,H6E,H6V, H6VE,J6,J6E, J6V,J6VE,K6, K6E,K6V,K6VE, M6,M6E,M6VE	
		ME747076	BODY,BRAKE BOOSTER	2			G6,G6E,H6, H6E,J6,J6E, K6,K6E,M6, M6E	
		ME747076	BODY,BRAKE BOOSTER	2			G6V,H6V,H6VE, J6V,J6VE,K6V, K6VE,M6VE	
		ME757217	BODY,BRAKE BOOSTER	2			G6,G6V,H6, H6E,H6V,H6VE, J6,J6E,J6V, J6VE,K6,K6E, K6VE,M6E	
	54107AB	MK356774	BOOSTER ASSY,BRAKE	2	KNORR-BREMSE		G6,G6E,H6, H6E,J6,J6E, K6,K6E,M6, M6E	

Ref. |2035230

Page

FK74R
35-230 POWER BRAKE BOOSTER

Repl Part	PNC	Part No	Part Name	Qty	Remarks	NEW1	Classification	Op
	54107AB	MK356776	BOOSTER ASSY,BRAKE	3	KNORR-BREMSE		G6,G6E,H6, H6E,J6,J6E, K6,K6E,M6, M6E	1G
		MK528411	BOOSTER ASSY,BRAKE	2	KNORR-BREMSE		G6,G6V,H6, H6E,H6V,H6VE, J6,J6E,J6V, J6VE,K6,K6E, K6V,K6VE,M6E, M6VE	
		MK528411	BOOSTER ASSY,BRAKE	2	KNORR-BREMSE		G6,G6V,H6, H6E,H6V,H6VE, J6,J6E,J6V, J6VE,K6,K6E, K6V,K6VE,M6E, M6VE	
		MK528411	BOOSTER ASSY,BRAKE	2	KNORR-BREMSE		G6,H6,H6E, J6,J6E,K6, K6E,M6E	
		MK528411	BOOSTER ASSY,BRAKE	2	KNORR-BREMSE		G6V,H6V,H6VE, J6V,J6VE,K6V, K6VE,M6VE	
		MK529018	BOOSTER ASSY,BRAKE	2			G6,G6V,H6, H6E,H6V,H6VE, J6,J6E,J6V, J6VE,K6,K6E, K6VE,M6E	
	54111	MK355340	BOOSTER KIT,BRAKE	2			G6,G6E,H6, H6E,J6,J6E, K6,K6E,M6, M6E	
		MK355340	BOOSTER KIT,BRAKE	3			G6,G6E,H6, H6E,J6,J6E, K6,K6E,M6, M6E	1G
		MK528843	BOOSTER KIT,BRAKE	2			G6,G6V,H6, H6E,H6V,H6VE, J6,J6E,J6V, J6VE,K6,K6E, K6V,K6VE,M6E, M6VE	
		MK528843	BOOSTER KIT,BRAKE	2			G6,G6V,H6, H6E,H6V,H6VE, J6,J6E,J6V, J6VE,K6,K6E, K6V,K6VE,M6E, M6VE	
		MK528843	BOOSTER KIT,BRAKE	2			G6,H6,H6E, J6,J6E,K6, K6E,M6E	
		MK528843	BOOSTER KIT,BRAKE	2			G6V,H6V,H6VE, J6V,J6VE,K6V, K6VE,M6VE	
		MK529661	BOOSTER KIT,BRAKE	1			G6,G6V,H6, H6E,H6V,H6VE, J6,J6E,J6V, J6VE,K6,K6E, K6VE,M6E	
	54114	ME757140	BRACKET,BRAKE BOOSTER EXHAUST COVER	3			G6,G6E,H6, H6E,J6,J6E, K6,K6E,M6, M6E	1G
		ME757140	BRACKET,BRAKE BOOSTER EXHAUST COVER	2			G6,G6E,G6V, H6,H6E,H6V, H6VE,J6,J6E, J6V,J6VE,K6, K6E,K6V,K6VE, M6,M6E,M6VE	

FK74R
35-230 POWER BRAKE BOOSTER

Repl Part	PNC	Part No	Part Name	Qty	Remarks	NEW1	Classification	Op
	54114	ME757140	BRACKET,BRAKE BOOSTER EXHAUST COVER	2			G6,G6E,G6V, H6,H6E,H6V, H6VE,J6,J6E, J6V,J6VE,K6, K6E,K6V,K6VE, M6,M6E,M6VE	
		ME757140	BRACKET,BRAKE BOOSTER EXHAUST COVER	2			G6,G6E,H6, H6E,J6,J6E, K6,K6E,M6, M6E	
		ME757140	BRACKET,BRAKE BOOSTER EXHAUST COVER	2			G6V,H6V,H6VE, J6V,J6VE,K6V, K6VE,M6VE	
RP	54131	0322121081	PROTECTOR,BRAKE BOOSTER EDGE	3		Y	G6,G6E,H6, H6E,J6,J6E, K6,K6E,M6, M6E	1G
RP		0322121081	PROTECTOR,BRAKE BOOSTER EDGE	2		Y	G6,G6E,G6V, H6,H6E,H6V, H6VE,J6,J6E, J6V,J6VE,K6, K6E,K6V,K6VE, M6,M6E,M6VE	
RP		0322121081	PROTECTOR,BRAKE BOOSTER EDGE	2		Y	G6,G6E,G6V, H6,H6E,H6V, H6VE,J6,J6E, J6V,J6VE,K6, K6E,K6V,K6VE, M6,M6E,M6VE	
RP		0322121081	PROTECTOR,BRAKE BOOSTER EDGE	2		Y	G6,G6E,H6, H6E,J6,J6E, K6,K6E,M6, M6E	
RP		0322121081	PROTECTOR,BRAKE BOOSTER EDGE	2		Y	G6V,H6V,H6VE, J6V,J6VE,K6V, K6VE,M6VE	
	54136	ME747034	CYLINDER,BRAKE BOOSTER	3			G6,G6E,H6, H6E,J6,J6E, K6,K6E,M6, M6E	1G
		ME747034	CYLINDER,BRAKE BOOSTER	2			G6,G6E,G6V, H6,H6E,H6V, H6VE,J6,J6E, J6V,J6VE,K6, K6E,K6V,K6VE, M6,M6E,M6VE	
		ME747034	CYLINDER,BRAKE BOOSTER	2			G6,G6E,G6V, H6,H6E,H6V, H6VE,J6,J6E, J6V,J6VE,K6, K6E,K6V,K6VE, M6,M6E,M6VE	
		ME747034	CYLINDER,BRAKE BOOSTER	2			G6,G6E,H6, H6E,J6,J6E, K6,K6E,M6, M6E	
		ME747034	CYLINDER,BRAKE BOOSTER	2			G6V,H6V,H6VE, J6V,J6VE,K6V, K6VE,M6VE	
	54138	ME747031	CUP,BRAKE BOOSTER HYDRAULIC PISTON	3			G6,G6E,H6, H6E,J6,J6E, K6,K6E,M6, M6E	1G
		ME747031	CUP,BRAKE BOOSTER HYDRAULIC PISTON	2			G6,G6E,G6V, H6,H6E,H6V, H6VE,J6,J6E, J6V,J6VE,K6, K6E,K6V,K6VE, M6,M6E,M6VE	

FK74R
35-230 POWER BRAKE BOOSTER

Repl Part	PNC	Part No	Part Name	Qty	Remarks	NEW1	Classification	Op
	54138	ME747031	CUP,BRAKE BOOSTER HYDRAULIC PISTON	2			G6,G6E,G6V, H6,H6E,H6V, H6VE,J6,J6E, J6V,J6VE,K6, K6E,K6V,K6VE, M6,M6E,M6VE	
		ME747031	CUP,BRAKE BOOSTER HYDRAULIC PISTON	2			G6,G6E,H6, H6E,J6,J6E, K6,K6E,M6, M6E	
		ME747031	CUP,BRAKE BOOSTER HYDRAULIC PISTON	2			G6V,H6V,H6VE, J6V,J6VE,K6V, K6VE,M6VE	
	54151B	ME747020	GASKET,BRAKE BOOSTER PISTON	3			G6,G6E,H6, H6E,J6,J6E, K6,K6E,M6, M6E	1G
		ME747020	GASKET,BRAKE BOOSTER PISTON	2			G6,G6E,G6V, H6,H6E,H6V, H6VE,J6,J6E, J6V,J6VE,K6, K6E,K6V,K6VE, M6,M6E,M6VE	
		ME747020	GASKET,BRAKE BOOSTER PISTON	2			G6,G6E,H6, H6E,J6,J6E, K6,K6E,M6, M6E	
		ME747020	GASKET,BRAKE BOOSTER PISTON	2			G6V,H6V,H6VE, J6V,J6VE,K6V, K6VE,M6VE	
	54151D	ME747024	GASKET,BRAKE BOOSTER PISTON	3			G6,G6E,H6, H6E,J6,J6E, K6,K6E,M6, M6E	1G
		ME747024	GASKET,BRAKE BOOSTER PISTON	2			G6,G6E,G6V, H6,H6E,H6V, H6VE,J6,J6E, J6V,J6VE,K6, K6E,K6V,K6VE, M6,M6E,M6VE	
		ME747024	GASKET,BRAKE BOOSTER PISTON	2			G6,G6E,H6, H6E,J6,J6E, K6,K6E,M6, M6E	
		ME747024	GASKET,BRAKE BOOSTER PISTON	2			G6V,H6V,H6VE, J6V,J6VE,K6V, K6VE,M6VE	
	54151E	ME747025	GASKET,BRAKE BOOSTER PISTON	3			G6,G6E,H6, H6E,J6,J6E, K6,K6E,M6, M6E	1G
		ME747025	GASKET,BRAKE BOOSTER PISTON	2			G6,G6E,G6V, H6,H6E,H6V, H6VE,J6,J6E, J6V,J6VE,K6, K6E,K6V,K6VE, M6,M6E,M6VE	

FK74R
35-230 POWER BRAKE BOOSTER

Repl Part	PNC	Part No	Part Name	Qty	Remarks	NEW1	Classification	Op
	54151E	ME747025	GASKET,BRAKE BOOSTER PISTON	2			G6,G6E,G6V, H6,H6E,H6V, H6VE,J6,J6E, J6V,J6VE,K6, K6E,K6V,K6VE, M6,M6E,M6VE	
		ME747025	GASKET,BRAKE BOOSTER PISTON	2			G6,G6E,H6, H6E,J6,J6E, K6,K6E,M6, M6E	
		ME747025	GASKET,BRAKE BOOSTER PISTON	2			G6V,H6V,H6VE, J6V,J6VE,K6V, K6VE,M6VE	
	54152	ME747040	HOLDER,BRAKE BOOSTER	3			G6,G6E,H6, H6E,J6,J6E, K6,K6E,M6, M6E	1G
		ME747040	HOLDER,BRAKE BOOSTER	2			G6,G6E,G6V, H6,H6E,H6V, H6VE,J6,J6E, J6V,J6VE,K6, K6E,K6V,K6VE, M6,M6E,M6VE	
		ME747040	HOLDER,BRAKE BOOSTER	2			G6,G6E,G6V, H6,H6E,H6V, H6VE,J6,J6E, J6V,J6VE,K6, K6E,K6V,K6VE, M6,M6E,M6VE	
		ME747040	HOLDER,BRAKE BOOSTER	2			G6,G6E,H6, H6E,J6,J6E, K6,K6E,M6, M6E	
		ME747040	HOLDER,BRAKE BOOSTER	2			G6V,H6V,H6VE, J6V,J6VE,K6V, K6VE,M6VE	
	54167	ME747028	PISTON,BRAKE BOOSTER HYDRAULIC	2			G6,G6E,H6, H6E,J6,J6E, K6,K6E,M6, M6E	
		ME747028	PISTON,BRAKE BOOSTER HYDRAULIC	3			G6,G6E,H6, H6E,J6,J6E, K6,K6E,M6, M6E	1G
		ME757133	PISTON,BRAKE BOOSTER HYDRAULIC	2			G6,G6V,H6, H6E,H6V,H6VE, J6,J6E,J6V, J6VE,K6,K6E, K6V,K6VE,M6E, M6VE	
		ME757133	PISTON,BRAKE BOOSTER HYDRAULIC	2			G6,G6V,H6, H6E,H6V,H6VE, J6,J6E,J6V, J6VE,K6,K6E, K6V,K6VE,M6E, M6VE	
		ME757133	PISTON,BRAKE BOOSTER HYDRAULIC	2			G6,H6,H6E, J6,J6E,K6, K6E,M6E	
		ME757133	PISTON,BRAKE BOOSTER HYDRAULIC	2			G6V,H6V,H6VE, J6V,J6VE,K6V, K6VE,M6VE	
	54167A	ME747027	PISTON ASSY,BRAKE BOOSTER HYDRAULIC	2			G6,G6E,H6, H6E,J6,J6E, K6,K6E,M6, M6E	
		ME747027	PISTON ASSY,BRAKE BOOSTER HYDRAULIC	3			G6,G6E,H6, H6E,J6,J6E, K6,K6E,M6, M6E	1G

FK74R
35-230 POWER BRAKE BOOSTER

Repl Part	PNC	Part No	Part Name	Qty	Remarks	NEW1	Classification	Op
54167A		ME757176	PISTON ASSY,BRAKE BOOSTER HYDRAULIC	2			G6,G6V,H6, H6E,H6V,H6VE, J6,J6E,J6V, J6VE,K6,K6E, K6V,K6VE,M6E, M6VE	
		ME757176	PISTON ASSY,BRAKE BOOSTER HYDRAULIC	2			G6,G6V,H6, H6E,H6V,H6VE, J6,J6E,J6V, J6VE,K6,K6E, K6V,K6VE,M6E, M6VE	
		ME757176	PISTON ASSY,BRAKE BOOSTER HYDRAULIC	2			G6,H6,H6E, J6,J6E,K6, K6E,M6E	
		ME757176	PISTON ASSY,BRAKE BOOSTER HYDRAULIC	2			G6V,H6V,H6VE, J6V,J6VE,K6V, K6VE,M6VE	
54174B		ME747016	PLATE,BRAKE BOOSTER PISTON	3			G6,G6E,H6, H6E,J6,J6E, K6,K6E,M6, M6E	1G
		ME747016	PLATE,BRAKE BOOSTER PISTON	2			G6,G6E,G6V, H6,H6E,H6V, H6VE,J6,J6E, J6V,J6VE,K6, K6E,K6V,K6VE, M6,M6E,M6VE	
		ME747016	PLATE,BRAKE BOOSTER PISTON	2			G6,G6E,G6V, H6,H6E,H6V, H6VE,J6,J6E, J6V,J6VE,K6, K6E,K6V,K6VE, M6,M6E,M6VE	
		ME747016	PLATE,BRAKE BOOSTER PISTON	2			G6,G6E,H6, H6E,J6,J6E, K6,K6E,M6, M6E	
54175D		ME747017	PUSH ROD,BRAKE BOOSTER	3			G6V,H6V,H6VE, J6V,J6VE,K6V, K6VE,M6VE	1G
		ME747017	PUSH ROD,BRAKE BOOSTER	2			G6,G6E,H6, H6E,J6,J6E, K6,K6E,M6, M6E	
		ME747017	PUSH ROD,BRAKE BOOSTER	2			G6,G6E,G6V, H6,H6E,H6V, H6VE,J6,J6E, J6V,J6VE,K6, K6E,K6V,K6VE, M6,M6E,M6VE	
		ME747017	PUSH ROD,BRAKE BOOSTER	2			G6,G6E,H6, H6E,J6,J6E, K6,K6E,M6, M6E	
54184		ME747030	RING,BRAKE BOOSTER HYDRAULIC PISTON	3			G6,G6E,H6, H6E,J6,J6E, K6,K6E,M6, M6E	1G

FK74R
35-230 POWER BRAKE BOOSTER

Repl Part	PNC	Part No	Part Name	Qty	Remarks	NEW1	Classification	Op
	54184	ME747030	RING,BRAKE BOOSTER HYDRAULIC PISTON	2			G6,G6E,G6V, H6,H6E,H6V, H6VE,J6,J6E, J6V,J6VE,K6, K6E,K6V,K6VE, M6,M6E,M6VE	
		ME747030	RING,BRAKE BOOSTER HYDRAULIC PISTON	2			G6,G6E,G6V, H6,H6E,H6V, H6VE,J6,J6E, J6V,J6VE,K6, K6E,K6V,K6VE, M6,M6E,M6VE	
		ME747030	RING,BRAKE BOOSTER HYDRAULIC PISTON	2			G6,G6E,H6, H6E,J6,J6E, K6,K6E,M6, M6E	
		ME747030	RING,BRAKE BOOSTER HYDRAULIC PISTON	2			G6V,H6V,H6VE, J6V,J6VE,K6V, K6VE,M6VE	
	54187B	ME747015	SHELL,BRAKE BOOSTER	3			G6,G6E,H6, H6E,J6,J6E, K6,K6E,M6, M6E	1G
		ME747015	SHELL,BRAKE BOOSTER	2			G6,G6E,G6V, H6,H6E,H6V, H6VE,J6,J6E, J6V,J6VE,K6, K6E,K6V,K6VE, M6,M6E,M6VE	
		ME747015	SHELL,BRAKE BOOSTER	2			G6,G6E,G6V, H6,H6E,H6V, H6VE,J6,J6E, J6V,J6VE,K6, K6E,K6V,K6VE, M6,M6E,M6VE	
		ME747015	SHELL,BRAKE BOOSTER	2			G6,G6E,H6, H6E,J6,J6E, K6,K6E,M6, M6E	
		ME747015	SHELL,BRAKE BOOSTER	2			G6V,H6V,H6VE, J6V,J6VE,K6V, K6VE,M6VE	
	54201B	ME739333	SPRING,BRAKE BOOSTER HYDRAULIC PISTON	2			G6,G6V,H6, H6E,H6V,H6VE, J6,J6E,J6V, J6VE,K6,K6E, K6V,K6VE,M6E, M6VE	
	54201C	ME747029	SPRING,BRAKE BOOSTER HYDRAULIC PISTON	3			G6,G6E,H6, H6E,J6,J6E, K6,K6E,M6, M6E	1G
		ME747029	SPRING,BRAKE BOOSTER HYDRAULIC PISTON	2			G6,G6E,G6V, H6,H6E,H6V, H6VE,J6,J6E, J6V,J6VE,K6, K6E,K6V,K6VE, M6,M6E,M6VE	
		ME747029	SPRING,BRAKE BOOSTER HYDRAULIC PISTON	2			G6,G6E,G6V, H6,H6E,H6V, H6VE,J6,J6E, J6V,J6VE,K6, K6E,K6V,K6VE, M6,M6E,M6VE	
		ME747029	SPRING,BRAKE BOOSTER HYDRAULIC PISTON	2			G6,G6E,H6, H6E,J6,J6E, K6,K6E,M6, M6E	
		ME747029	SPRING,BRAKE BOOSTER HYDRAULIC PISTON	2			G6V,H6V,H6VE, J6V,J6VE,K6V, K6VE,M6VE	

FK74R
35-230 POWER BRAKE BOOSTER

Repl Part	PNC	Part No	Part Name	Qty	Remarks	NEW1	Classification	Op
	54203C	ME747021	SPRING,BRAKE BOOSTER	3			G6,G6E,H6, H6E,J6,J6E, K6,K6E,M6, M6E	1G
		ME747078	SPRING,BRAKE BOOSTER	2			G6,G6E,G6V, H6,H6E,H6V, H6VE,J6,J6E, J6V,J6VE,K6, K6E,K6V,K6VE, M6,M6E,M6VE	
		ME747078	SPRING,BRAKE BOOSTER	2			G6,G6E,G6V, H6,H6E,H6V, H6VE,J6,J6E, J6V,J6VE,K6, K6E,K6V,K6VE, M6,M6E,M6VE	
		ME747078	SPRING,BRAKE BOOSTER	2			G6,G6E,H6, H6E,J6,J6E, K6,K6E,M6, M6E	
		ME747078	SPRING,BRAKE BOOSTER	2			G6V,H6V,H6VE, J6V,J6VE,K6V, K6VE,M6VE	
	54214B	MK356778	SWITCH,BRAKE BOOSTER STROKE	3			G6,G6E,H6, H6E,J6,J6E, K6,K6E,M6, M6E	1G
		MK356778	SWITCH,BRAKE BOOSTER STROKE	2			G6,G6E,G6V, H6,H6E,H6V, H6VE,J6,J6E, J6V,J6VE,K6, K6E,K6V,K6VE, M6,M6E,M6VE	
		MK356778	SWITCH,BRAKE BOOSTER STROKE	2			G6,G6E,G6V, H6,H6E,H6V, H6VE,J6,J6E, J6V,J6VE,K6, K6E,K6V,K6VE, M6,M6E,M6VE	
		MK356778	SWITCH,BRAKE BOOSTER STROKE	2			G6,G6E,H6, H6E,J6,J6E, K6,K6E,M6, M6E	
		MK356778	SWITCH,BRAKE BOOSTER STROKE	2			G6V,H6V,H6VE, J6V,J6VE,K6V, K6VE,M6VE	
	54232	ME747032	SEAL,BRAKE BOOSTER VALVE BODY	2			G6,G6E,H6, H6E,J6,J6E, K6,K6E,M6, M6E	
		ME747032	SEAL,BRAKE BOOSTER VALVE BODY	3			G6,G6E,H6, H6E,J6,J6E, K6,K6E,M6, M6E	1G
		ME757131	SEAL,BRAKE BOOSTER VALVE BODY	2			G6,G6V,H6, H6E,H6V,H6VE, J6,J6E,J6V, J6VE,K6,K6E, K6V,K6VE,M6E, M6VE	
		ME757131	SEAL,BRAKE BOOSTER VALVE BODY	2			G6,G6V,H6, H6E,H6V,H6VE, J6,J6E,J6V, J6VE,K6,K6E, K6V,K6VE,M6E, M6VE	
		ME757131	SEAL,BRAKE BOOSTER VALVE BODY	2			G6,H6,H6E, J6,J6E,K6, K6E,M6E	
		ME757131	SEAL,BRAKE BOOSTER VALVE BODY	2			G6V,H6V,H6VE, J6V,J6VE,K6V, K6VE,M6VE	

FK74R
35-230 POWER BRAKE BOOSTER

Repl Part	PNC	Part No	Part Name	Qty	Remarks	NEW1	Classification	Op	
54253	54253	ME747036	SPRING,BRAKE BOOSTER RESIDUAL PRESSURE	3			G6,G6E,H6, H6E,J6,J6E, K6,K6E,M6, M6E	1G	
		ME747036	SPRING,BRAKE BOOSTER RESIDUAL PRESSURE	2			G6,G6E,G6V, H6,H6E,H6V, H6VE,J6,J6E, J6V,J6VE,K6, K6E,K6V,K6VE, M6,M6E,M6VE		
		ME747036	SPRING,BRAKE BOOSTER RESIDUAL PRESSURE	2			G6,G6E,G6V, H6,H6E,H6V, H6VE,J6,J6E, J6V,J6VE,K6, K6E,K6V,K6VE, M6,M6E,M6VE		
		ME747036	SPRING,BRAKE BOOSTER RESIDUAL PRESSURE	2			G6,G6E,H6, H6E,J6,J6E, K6,K6E,M6, M6E		
		ME747036	SPRING,BRAKE BOOSTER RESIDUAL PRESSURE	2			G6V,H6V,H6VE, J6V,J6VE,K6V, K6VE,M6VE		
	54254	54254	ME747037	VALVE,BRAKE BOOSTER RESIDUAL PRESSURE	3			G6,G6E,H6, H6E,J6,J6E, K6,K6E,M6, M6E	1G
			ME747037	VALVE,BRAKE BOOSTER RESIDUAL PRESSURE	2			G6,G6E,G6V, H6,H6E,H6V, H6VE,J6,J6E, J6V,J6VE,K6, K6E,K6V,K6VE, M6,M6E,M6VE	
			ME747037	VALVE,BRAKE BOOSTER RESIDUAL PRESSURE	2			G6,G6E,G6V, H6,H6E,H6V, H6VE,J6,J6E, J6V,J6VE,K6, K6E,K6V,K6VE, M6,M6E,M6VE	
			ME747037	VALVE,BRAKE BOOSTER RESIDUAL PRESSURE	2			G6,G6E,H6, H6E,J6,J6E, K6,K6E,M6, M6E	
			ME747037	VALVE,BRAKE BOOSTER RESIDUAL PRESSURE	2			G6V,H6V,H6VE, J6V,J6VE,K6V, K6VE,M6VE	
54259B	4440334113	SNAP RING,BRAKE BOOSTER INR	2			G6,G6V,H6, H6E,H6V,H6VE, J6,J6E,J6V, J6VE,K6,K6E, K6V,K6VE,M6E, M6VE			
54259C	54259C	ME706876	SNAP RING,BRAKE BOOSTER INR	3			G6,G6E,H6, H6E,J6,J6E, K6,K6E,M6, M6E	1G	
		ME706876	SNAP RING,BRAKE BOOSTER INR	2			G6,G6E,G6V, H6,H6E,H6V, H6VE,J6,J6E, J6V,J6VE,K6, K6E,K6V,K6VE, M6,M6E,M6VE		
		ME706876	SNAP RING,BRAKE BOOSTER INR	2			G6,G6E,G6V, H6,H6E,H6V, H6VE,J6,J6E, J6V,J6VE,K6, K6E,K6V,K6VE, M6,M6E,M6VE		
		ME706876	SNAP RING,BRAKE BOOSTER INR	2			G6,G6E,H6, H6E,J6,J6E, K6,K6E,M6, M6E		

FK74R
35-230 POWER BRAKE BOOSTER

Repl Part	PNC	Part No	Part Name	Qty	Remarks	NEW1	Classification	Op
	54259C	ME706876	SNAP RING,BRAKE BOOSTER INR	2			G6V,H6V,H6VE, J6V,J6VE,K6V, K6VE,M6VE	
	54273C	ME747018	WASHER,BRAKE BOOSTER INR	3			G6,G6E,H6, H6E,J6,J6E, K6,K6E,M6, M6E	1G
		ME747018	WASHER,BRAKE BOOSTER INR	2			G6,G6E,G6V, H6,H6E,H6V, H6VE,J6,J6E, J6V,J6VE,K6, K6E,K6V,K6VE, M6,M6E,M6VE	
		ME747018	WASHER,BRAKE BOOSTER INR	2			G6,G6E,G6V, H6,H6E,H6V, H6VE,J6,J6E, J6V,J6VE,K6, K6E,K6V,K6VE, M6,M6E,M6VE	
		ME747018	WASHER,BRAKE BOOSTER INR	2			G6,G6E,H6, H6E,J6,J6E, K6,K6E,M6, M6E	
		ME747018	WASHER,BRAKE BOOSTER INR	2			G6V,H6V,H6VE, J6V,J6VE,K6V, K6VE,M6VE	
	54273K	ME747026	WASHER,BRAKE BOOSTER INR	3			G6,G6E,H6, H6E,J6,J6E, K6,K6E,M6, M6E	1G
		ME747026	WASHER,BRAKE BOOSTER INR	2			G6,G6E,G6V, H6,H6E,H6V, H6VE,J6,J6E, J6V,J6VE,K6, K6E,K6V,K6VE, M6,M6E,M6VE	
		ME747026	WASHER,BRAKE BOOSTER INR	2			G6,G6E,G6V, H6,H6E,H6V, H6VE,J6,J6E, J6V,J6VE,K6, K6E,K6V,K6VE, M6,M6E,M6VE	
		ME747026	WASHER,BRAKE BOOSTER INR	2			G6,G6E,H6, H6E,J6,J6E, K6,K6E,M6, M6E	
		ME747026	WASHER,BRAKE BOOSTER INR	2			G6V,H6V,H6VE, J6V,J6VE,K6V, K6VE,M6VE	
	54278	MC821416	PLUG,BRAKE BOOSTER INR	3			G6,G6E,H6, H6E,J6,J6E, K6,K6E,M6, M6E	1G
		MC821416	PLUG,BRAKE BOOSTER INR	2			G6,G6E,G6V, H6,H6E,H6V, H6VE,J6,J6E, J6V,J6VE,K6, K6E,K6V,K6VE, M6,M6E,M6VE	
		MC821416	PLUG,BRAKE BOOSTER INR	2			G6,G6E,G6V, H6,H6E,H6V, H6VE,J6,J6E, J6V,J6VE,K6, K6E,K6V,K6VE, M6,M6E,M6VE	
		MC821416	PLUG,BRAKE BOOSTER INR	2			G6,G6E,H6, H6E,J6,J6E, K6,K6E,M6, M6E	
		MC821416	PLUG,BRAKE BOOSTER INR	2			G6V,H6V,H6VE, J6V,J6VE,K6V, K6VE,M6VE	

FK74R
35-230 POWER BRAKE BOOSTER

Repl Part	PNC	Part No	Part Name	Qty	Remarks	NEW1	Classification	Op
54280B	54280B	ME706871	PIN,BRAKE BOOSTER INR	3			G6,G6E,H6, H6E,J6,J6E, K6,K6E,M6, M6E	1G
		ME706871	PIN,BRAKE BOOSTER INR	2			G6,G6E,G6V, H6,H6E,H6V, H6VE,J6,J6E, J6V,J6VE,K6, K6E,K6V,K6VE, M6,M6E,M6VE	
		ME706871	PIN,BRAKE BOOSTER INR	2			G6,G6E,G6V, H6,H6E,H6V, H6VE,J6,J6E, J6V,J6VE,K6, K6E,K6V,K6VE, M6,M6E,M6VE	
		ME706871	PIN,BRAKE BOOSTER INR	2			G6,G6E,H6, H6E,J6,J6E, K6,K6E,M6, M6E	
		ME706871	PIN,BRAKE BOOSTER INR	2			G6V,H6V,H6VE, J6V,J6VE,K6V, K6VE,M6VE	
	54280C	ME739334	PIN,BRAKE BOOSTER INR	3			G6,G6E,H6, H6E,J6,J6E, K6,K6E,M6, M6E	1G
		ME739334	PIN,BRAKE BOOSTER INR	2			G6,G6E,G6V, H6,H6E,H6V, H6VE,J6,J6E, J6V,J6VE,K6, K6E,K6V,K6VE, M6,M6E,M6VE	
		ME739334	PIN,BRAKE BOOSTER INR	2			G6,G6E,G6V, H6,H6E,H6V, H6VE,J6,J6E, J6V,J6VE,K6, K6E,K6V,K6VE, M6,M6E,M6VE	
		ME739334	PIN,BRAKE BOOSTER INR	2			G6,G6E,H6, H6E,J6,J6E, K6,K6E,M6, M6E	
		ME739334	PIN,BRAKE BOOSTER INR	2			G6V,H6V,H6VE, J6V,J6VE,K6V, K6VE,M6VE	
54282B	54282B	4451741121	O-RING,BRAKE BOOSTER INR	3			G6,G6E,H6, H6E,J6,J6E, K6,K6E,M6, M6E	1G
		4451741121	O-RING,BRAKE BOOSTER INR	2			G6,G6E,G6V, H6,H6E,H6V, H6VE,J6,J6E, J6V,J6VE,K6, K6E,K6V,K6VE, M6,M6E,M6VE	
		4451741121	O-RING,BRAKE BOOSTER INR	2			G6,G6E,G6V, H6,H6E,H6V, H6VE,J6,J6E, J6V,J6VE,K6, K6E,K6V,K6VE, M6,M6E,M6VE	
		4451741121	O-RING,BRAKE BOOSTER INR	2			G6,G6E,H6, H6E,J6,J6E, K6,K6E,M6, M6E	
		4451741121	O-RING,BRAKE BOOSTER INR	2			G6V,H6V,H6VE, J6V,J6VE,K6V, K6VE,M6VE	
54282C	ME706875	O-RING,BRAKE BOOSTER INR	3			G6,G6E,H6, H6E,J6,J6E, K6,K6E,M6, M6E	1G	

FK74R
35-230 POWER BRAKE BOOSTER

Repl Part	PNC	Part No	Part Name	Qty	Remarks	NEW1	Classification	Op	
54282C	ME706875	ME706875	O-RING,BRAKE BOOSTER INR	2			G6,G6E,G6V, H6,H6E,H6V, H6VE,J6,J6E, J6V,J6VE,K6, K6E,K6V,K6VE, M6,M6E,M6VE		
		ME706875	O-RING,BRAKE BOOSTER INR	2			G6,G6E,G6V, H6,H6E,H6V, H6VE,J6,J6E, J6V,J6VE,K6, K6E,K6V,K6VE, M6,M6E,M6VE		
		ME706875	O-RING,BRAKE BOOSTER INR	2			G6,G6E,H6, H6E,J6,J6E, K6,K6E,M6, M6E		
		ME706875	O-RING,BRAKE BOOSTER INR	2			G6V,H6V,H6VE, J6V,J6VE,K6V, K6VE,M6VE		
		MC820909	MC820909	O-RING,BRAKE BOOSTER INR	3			G6,G6E,H6, H6E,J6,J6E, K6,K6E,M6, M6E	1G
			MC820909	O-RING,BRAKE BOOSTER INR	2			G6,G6E,G6V, H6,H6E,H6V, H6VE,J6,J6E, J6V,J6VE,K6, K6E,K6V,K6VE, M6,M6E,M6VE	
	MC820909		O-RING,BRAKE BOOSTER INR	2			G6,G6E,G6V, H6,H6E,H6V, H6VE,J6,J6E, J6V,J6VE,K6, K6E,K6V,K6VE, M6,M6E,M6VE		
	MC820909		O-RING,BRAKE BOOSTER INR	2			G6,G6E,H6, H6E,J6,J6E, K6,K6E,M6, M6E		
	MC820909		O-RING,BRAKE BOOSTER INR	2			G6V,H6V,H6VE, J6V,J6VE,K6V, K6VE,M6VE		
	MC820909		O-RING,BRAKE BOOSTER INR	2			G6,G6E,H6, H6E,J6,J6E, K6,K6E,M6, M6E		
	54282K	ME747033	ME747033	O-RING,BRAKE BOOSTER INR	3			G6,G6E,H6, H6E,J6,J6E, K6,K6E,M6, M6E	1G
			ME747033	O-RING,BRAKE BOOSTER INR	2			G6,G6E,G6V, H6,H6E,H6V, H6VE,J6,J6E, J6V,J6VE,K6, K6E,K6V,K6VE, M6,M6E,M6VE	
ME747033			O-RING,BRAKE BOOSTER INR	2			G6,G6E,G6V, H6,H6E,H6V, H6VE,J6,J6E, J6V,J6VE,K6, K6E,K6V,K6VE, M6,M6E,M6VE		
ME747033		ME747033	O-RING,BRAKE BOOSTER INR	2			G6,G6E,H6, H6E,J6,J6E, K6,K6E,M6, M6E		
		ME747033	O-RING,BRAKE BOOSTER INR	2			G6V,H6V,H6VE, J6V,J6VE,K6V, K6VE,M6VE		
		ME747033	O-RING,BRAKE BOOSTER INR	2			G6,G6E,H6, H6E,J6,J6E, K6,K6E,M6, M6E		
54283C	ME747019	NUT,BRAKE BOOSTER INR	24			G6,G6E,H6, H6E,J6,J6E, K6,K6E,M6, M6E	1G		

FK74R
35-230 POWER BRAKE BOOSTER

Repl Part	PNC	Part No	Part Name	Qty	Remarks	NEW1	Classification	Op
	54283C	ME747019	NUT,BRAKE BOOSTER INR	16			G6,G6E,G6V, H6,H6E,H6V, H6VE,J6,J6E, J6V,J6VE,K6, K6E,K6V,K6VE, M6,M6E,M6VE	
		ME747019	NUT,BRAKE BOOSTER INR	16			G6,G6E,G6V, H6,H6E,H6V, H6VE,J6,J6E, J6V,J6VE,K6, K6E,K6V,K6VE, M6,M6E,M6VE	
		ME747019	NUT,BRAKE BOOSTER INR	16			G6,G6E,H6, H6E,J6,J6E, K6,K6E,M6, M6E	
		ME747019	NUT,BRAKE BOOSTER INR	16			G6V,H6V,H6VE, J6V,J6VE,K6V, K6VE,M6VE	
		ME747019	NUT,BRAKE BOOSTER INR	2			G6,G6V,H6, H6E,H6V,H6VE, J6,J6E,J6V, J6VE,K6,K6E, K6VE,M6E	
	54290J	ME747035	JOINT,BRAKE BOOSTER INR	3			G6,G6E,H6, H6E,J6,J6E, K6,K6E,M6, M6E	1G
		ME747035	JOINT,BRAKE BOOSTER INR	2			G6,G6E,G6V, H6,H6E,H6V, H6VE,J6,J6E, J6V,J6VE,K6, K6E,K6V,K6VE, M6,M6E,M6VE	
		ME747035	JOINT,BRAKE BOOSTER INR	2			G6,G6E,G6V, H6,H6E,H6V, H6VE,J6,J6E, J6V,J6VE,K6, K6E,K6V,K6VE, M6,M6E,M6VE	
		ME747035	JOINT,BRAKE BOOSTER INR	2			G6,G6E,H6, H6E,J6,J6E, K6,K6E,M6, M6E	
		ME747035	JOINT,BRAKE BOOSTER INR	2			G6V,H6V,H6VE, J6V,J6VE,K6V, K6VE,M6VE	
	54290K	ME757216	JOINT,BRAKE BOOSTER INR	2			G6,G6V,H6, H6E,H6V,H6VE, J6,J6E,J6V, J6VE,K6,K6E, K6VE,M6E	
	54293	ME747039	CLAMP,BRAKE BOOSTER INR	3			G6,G6E,H6, H6E,J6,J6E, K6,K6E,M6, M6E	1G
		ME747039	CLAMP,BRAKE BOOSTER INR	2			G6,G6E,G6V, H6,H6E,H6V, H6VE,J6,J6E, J6V,J6VE,K6, K6E,K6V,K6VE, M6,M6E,M6VE	
		ME747039	CLAMP,BRAKE BOOSTER INR	2			G6,G6E,G6V, H6,H6E,H6V, H6VE,J6,J6E, J6V,J6VE,K6, K6E,K6V,K6VE, M6,M6E,M6VE	
		ME747039	CLAMP,BRAKE BOOSTER INR	2			G6,G6E,H6, H6E,J6,J6E, K6,K6E,M6, M6E	

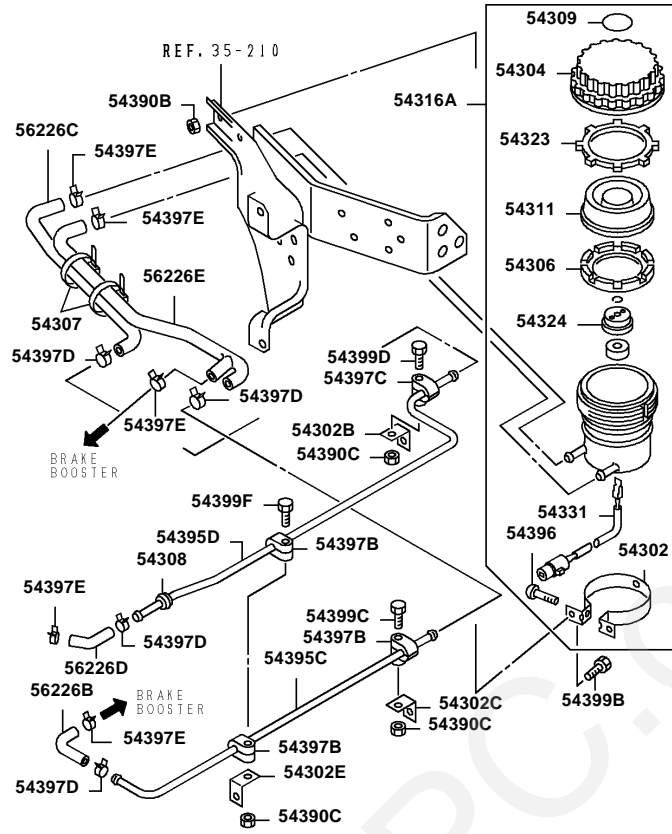
FK74R
35-230 POWER BRAKE BOOSTER

Repl Part	PNC	Part No	Part Name	Qty	Remarks	NEW1	Classification	Op
	54293	ME747039	CLAMP,BRAKE BOOSTER INR	2			G6V,H6V,H6VE, J6V,J6VE,K6V, K6VE,M6VE	
	54297B	ME721367	BOLT,BRAKE BOOSTER INR	8			G6,G6E,H6, H6E,J6,J6E, K6,K6E,M6, M6E	
		ME721367	BOLT,BRAKE BOOSTER INR	12			G6,G6E,H6, H6E,J6,J6E, K6,K6E,M6, M6E	1G
	54297C	ME707041	BOLT,BRAKE BOOSTER INR	4			G6,G6E,H6, H6E,J6,J6E, K6,K6E,M6, M6E	
		ME707041	BOLT,BRAKE BOOSTER INR	6			G6,G6E,H6, H6E,J6,J6E, K6,K6E,M6, M6E	1G
		ME707041	BOLT,BRAKE BOOSTER INR	12			G6,G6V,H6, H6E,H6V,H6VE, J6,J6E,J6V, J6VE,K6,K6E, K6V,K6VE,M6E, M6VE	
		ME707041	BOLT,BRAKE BOOSTER INR	12			G6,G6V,H6, H6E,H6V,H6VE, J6,J6E,J6V, J6VE,K6,K6E, K6V,K6VE,M6E, M6VE	
		ME707041	BOLT,BRAKE BOOSTER INR	12			G6,H6,H6E, J6,J6E,K6, K6E,M6E	
		ME707041	BOLT,BRAKE BOOSTER INR	12			G6V,H6V,H6VE, J6V,J6VE,K6V, K6VE,M6VE	
	54297K	ME720393	BOLT,BRAKE BOOSTER INR	9			G6,G6E,H6, H6E,J6,J6E, K6,K6E,M6, M6E	1G
		ME720393	BOLT,BRAKE BOOSTER INR	6			G6,G6E,G6V, H6,H6E,H6V, H6VE,J6,J6E, J6V,J6VE,K6, K6E,K6V,K6VE, M6,M6E,M6VE	
		ME720393	BOLT,BRAKE BOOSTER INR	6			G6,G6E,G6V, H6,H6E,H6V, H6VE,J6,J6E, J6V,J6VE,K6, K6E,K6V,K6VE, M6,M6E,M6VE	
		ME720393	BOLT,BRAKE BOOSTER INR	6			G6,G6E,H6, H6E,J6,J6E, K6,K6E,M6, M6E	
		ME720393	BOLT,BRAKE BOOSTER INR	6			G6V,H6V,H6VE, J6V,J6VE,K6V, K6VE,M6VE	
	54113	(N.e.c.)	BOX,BRAKE BOOSTER CONTROL					
	54107AC	(N.e.c.)	BOOSTER ASSY,BRAKE					
	54113B	(N.e.c.)	BOX,BRAKE BOOSTER CONTROL					
	54298B	(N.e.c.)	BOLT,BRAKE BOOSTER					
	54225	(N.e.c.)	HORN,BRAKE BOOSTER ELECTRIC					
	54298C	(N.e.c.)	BOLT,BRAKE BOOSTER					
	84607	(N.e.c.)	BRACKET,HORN					
	54256	(N.e.c.)	RELAY,BRAKE FLUID LINE VALVE					
	54284	(N.e.c.)	NUT,BRAKE BOOSTER					
	54298	(N.e.c.)	BOLT,BRAKE BOOSTER					
	55877	(N.e.c.)	VALVE,3-WAY SOLENOID					
	54146	(N.e.c.)						
	54933	(N.e.c.)	FUSE,BRAKE FLUID LINE VALVE					

FK74R
35-230 POWER BRAKE BOOSTER

Repl Part	PNC 82717YB	Part No (N.e.c.)	Part Name BRACKET,RELAY	Qty	Remarks	NEW1	Classification	Op
								

FK74R
No.1

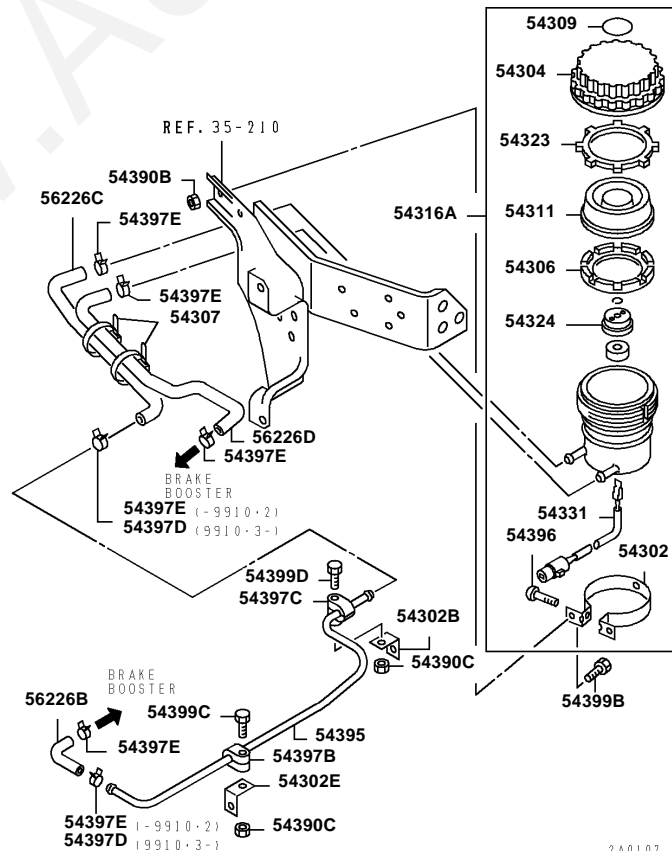


2A0106

Ref. |2035250

Page

FK74R
No.2

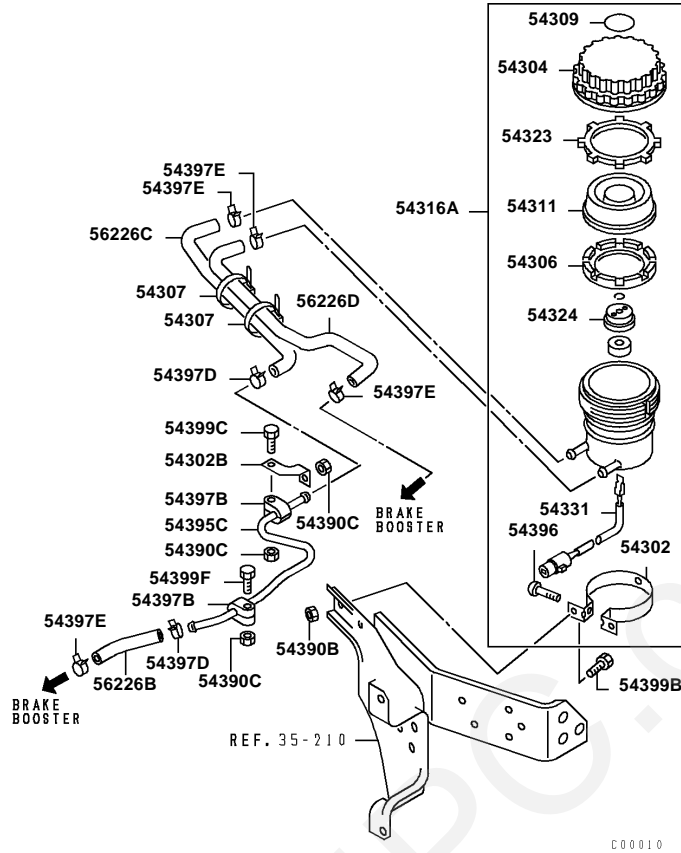


2A0107

Ref. |2035250

Page

FK74R
No.3



Ref. |2035250

Page

FK74R
35-250 BRAKE FLUID TANK

SPN	Repl Part	PNC	Part No	Part Name	Qty	Part Spec	Remarks
		54302	MC047990	BRACKET,BRAKE FLUID RESERVOIR	1		
		54302B	MH023603	BRACKET,BRAKE FLUID RESERVOIR	1		L1=27,L2=60
			MK537260	BRACKET,BRAKE FLUID RESERVOIR	1		
		54302C	MH023607	BRACKET,BRAKE FLUID RESERVOIR	1		
		54302E	MH026580	BRACKET,BRAKE FLUID RESERVOIR	1		
	RP	54304	MC045934	CAP,BRAKE FLUID RESERVOIR	1		

Ref. |2035250

Page

FK74R
35-250 BRAKE FLUID TANK

SPN	Repl Part	PNC	Part No	Part Name	Qty	Part Spec	Remarks	PR
		54306	MC034965	COVER,BRAKE FLUID RESERVOIR RING	1			
	RP	54307	MB249339	BAND,BRAKE FLUID RESERVOIR	2	L=169.5	BLACK	O
		54309	MC048907	PLATE,BRAKE FLUID RESERVOIR CAUTION	1			
		54311	MC012357	DIAPHRAGM,BRAKE FLUID RESERVOIR	1			
	RP	54316A	MK528462	RESERVOIR ASSY,BRAKE FLUID	1			
			MK528787	RESERVOIR ASSY,BRAKE FLUID	1			
		54323	MC034964	RING,BRAKE FLUID RESERVOIR SLIDE	1			
		54324	MB162748	STOPPER,BRAKE FLUID RESERVOIR FLOAT	1			
SP		54331	MK528977	SWITCH,BRAKE FLUID RESERVOIR LEVEL	1			
		54390B	MF434103	NUT,BRAKE FLUID RESERVOIR	3	FLANGE,6	W/O COATING	
			MF434103	NUT,BRAKE FLUID RESERVOIR	2	FLANGE,6	W/O COATING	
			MF434103	NUT,BRAKE FLUID RESERVOIR	2	FLANGE,6	W/O COATING	
			MF434103	NUT,BRAKE FLUID RESERVOIR	2	FLANGE,6	W/O COATING	

FK74R
35-250 BRAKE FLUID TANK

SPN	Repl Part	PNC	Part No	Part Name	Qty	Part Spec	Remarks	PR
		54390B	MF434103	NUT,BRAKE FLUID RESERVOIR	2	FLANGE,6	W/O COATING	
		54390C	MF434104	NUT,BRAKE FLUID RESERVOIR	5	FLANGE,8		
			MF434104	NUT,BRAKE FLUID RESERVOIR	3	FLANGE,8		
			MF434104	NUT,BRAKE FLUID RESERVOIR	3	FLANGE,8		
			MF434104	NUT,BRAKE FLUID RESERVOIR	3	FLANGE,8		
			MF434104	NUT,BRAKE FLUID RESERVOIR	3	FLANGE,8		
		54395	MK326540	TUBE,BRAKE FLUID RESERVOIR	1	12		
		54395C	MK326338	TUBE,BRAKE FLUID RESERVOIR	1	12		
			MK537267	TUBE,BRAKE FLUID RESERVOIR	1	12		
			MK537267	TUBE,BRAKE FLUID RESERVOIR	1	12		
			MK537267	TUBE,BRAKE FLUID RESERVOIR	1	12		
			MK537267	TUBE,BRAKE FLUID RESERVOIR	1	12		
		54395D	MK326337	TUBE,BRAKE FLUID RESERVOIR	1	12		
		54396	MC022372	SCREW,BRAKE FLUID RESERVOIR	1	WASHER ASSEMBLED,7X50		
		54397B	MH020923	CLIP,BRAKE FLUID RESERVOIR	1	D=12 H=9		
			MH020923	CLIP,BRAKE FLUID RESERVOIR	3	D=12 H=9		

FK74R
35-250 BRAKE FLUID TANK

SPN	Repl Part	PNC	Part No	Part Name	Qty	Part Spec	Remarks	PR
		54397B	MH020923	CLIP,BRAKE FLUID RESERVOIR	2	D=12 H=9		
			MH020923	CLIP,BRAKE FLUID RESERVOIR	2	D=12 H=9		
			MH020923	CLIP,BRAKE FLUID RESERVOIR	2	D=12 H=9		
			MH020923	CLIP,BRAKE FLUID RESERVOIR	2	D=12 H=9		
		54397C	MH020908	CLIP,BRAKE FLUID RESERVOIR	1	D=12 H=20		
			MH020908	CLIP,BRAKE FLUID RESERVOIR	2	D=12 H=20		
		54397D	MS660166	CLIP,BRAKE FLUID RESERVOIR	4	D=15.5		
			MS660166	CLIP,BRAKE FLUID RESERVOIR	2	D=15.5		
			MS660166	CLIP,BRAKE FLUID RESERVOIR	2	D=15.5		
			MS660166	CLIP,BRAKE FLUID RESERVOIR	2	D=15.5		
			MS660166	CLIP,BRAKE FLUID RESERVOIR	2	D=15.5		
		54397E	MF661009	CLIP,BRAKE FLUID RESERVOIR	5	D=18		
			MF661009	CLIP,BRAKE FLUID RESERVOIR	4	D=18		
			MF661009	CLIP,BRAKE FLUID RESERVOIR	4	D=18		
			MF661009	CLIP,BRAKE FLUID RESERVOIR	4	D=18		
			MF661009	CLIP,BRAKE FLUID RESERVOIR	4	D=18		

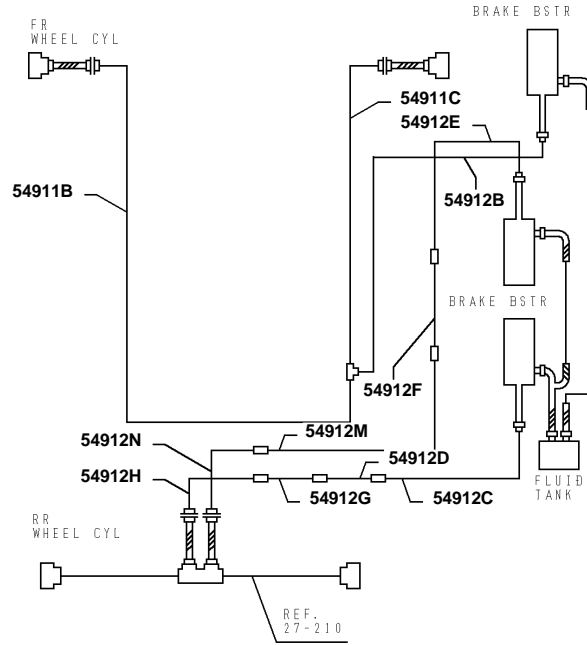
FK74R
35-250 BRAKE FLUID TANK

SPN	Repl Part	PNC	Part No	Part Name	Qty	Part Spec	Remarks	PR
		54399B	MF140005	BOLT,BRAKE FLUID RESERVOIR	2	FLANGE,6X16	4T	
		54399C	MF140023	BOLT,BRAKE FLUID RESERVOIR	1	FLANGE,8X16	4T	
			MF140031	BOLT,BRAKE FLUID RESERVOIR	1	FLANGE,8X35	4T	
			MF140031	BOLT,BRAKE FLUID RESERVOIR	1	FLANGE,8X35	4T	
			MF140031	BOLT,BRAKE FLUID RESERVOIR	1	FLANGE,8X35	4T	
			MF140031	BOLT,BRAKE FLUID RESERVOIR	1	FLANGE,8X35	4T	
			MF140031	BOLT,BRAKE FLUID RESERVOIR	1	FLANGE,8X35	4T	
		54399D	MF140034	BOLT,BRAKE FLUID RESERVOIR	1	FLANGE,8X45	4T	
			MF140034	BOLT,BRAKE FLUID RESERVOIR	2	FLANGE,8X45	4T	
		54399F	MF140038	BOLT,BRAKE FLUID RESERVOIR	1	FLANGE,8X65	4T	
			MF140034	BOLT,BRAKE FLUID RESERVOIR	1	FLANGE,8X45	4T	
			MF140034	BOLT,BRAKE FLUID RESERVOIR	1	FLANGE,8X45	4T	
			MF140034	BOLT,BRAKE FLUID RESERVOIR	1	FLANGE,8X45	4T	
			MF140034	BOLT,BRAKE FLUID RESERVOIR	1	FLANGE,8X45	4T	
		56226B	MK326343	HOSE,BRAKE FLUID RESERVOIR	1	11.5		
			MK466672	HOSE,BRAKE FLUID RESERVOIR	1	11.5		

FK74R
35-250 BRAKE FLUID TANK

SPN	Repl Part	PNC	Part No	Part Name	Qty	Part Spec	Remarks	PR
		56226C	MK326707	HOSE,BRAKE FLUID RESERVOIR	1	11.5		
			MK539853	HOSE,BRAKE FLUID RESERVOIR	1	11.5		
		56226D	MK326539	HOSE,BRAKE FLUID RESERVOIR	1	11.5		
			MK326341	HOSE,BRAKE FLUID RESERVOIR	1	11.5		
			MK539854	HOSE,BRAKE FLUID RESERVOIR	1	11.5		
			MK539854	HOSE,BRAKE FLUID RESERVOIR	1	11.5		
			MK539854	HOSE,BRAKE FLUID RESERVOIR	1	11.5		
			MK539854	HOSE,BRAKE FLUID RESERVOIR	1	11.5		
		56226E	MK326708	HOSE,BRAKE FLUID RESERVOIR	1	12		
		54308	(N.e.c.)	GROMMET,BRAKE FLUID RESERVOIR				

FK74R
No.1

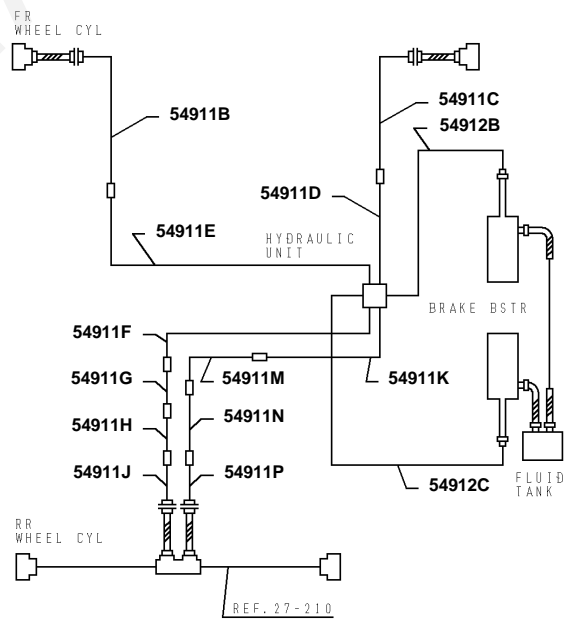


2BK109

Ref. |2035310

Page

FK74R
No.2



2BK200

Ref. |2035310

Page

FK74R
35-310 BRAKE FLUID LINE

PNC	Part No	Part Name	Qty	Part Spec	Classification	Option	Model Year	Start	End
54911B	MK466682	TUBE,FRAME BRAKE FLUID LINE,NO.4	1	4	G6,G6E,H6, H6E,J6,J6E, K6,K6E,M6, M6E			04053	05073
	MK571095	TUBE,FRAME BRAKE FLUID LINE,NO.4	1	4	G6,G6E,H6, H6E,J6,J6E, K6,K6E,M6, M6E	1GP	04	04053	05102
	MK570224	TUBE,FRAME BRAKE FLUID LINE,NO.4	1	4	G6,G6E,H6, H6E,J6,J6E, K6,K6E,M6, M6E			05081	05102
	MK572076	TUBE,FRAME BRAKE FLUID LINE,NO.4	1	4	G6,G6V,H6, H6E,H6V,H6VE, J6,J6E,J6V, J6VE,K6,K6E, K6V,K6VE,M6E, M6VE			05103	07052
	MK572076	TUBE,FRAME BRAKE FLUID LINE,NO.4	1	4	G6,G6V,H6, H6E,H6V,H6VE, J6,J6E,J6V, J6VE,K6,K6E, K6V,K6VE,M6E, M6VE			05103	07052
	MK572076	TUBE,FRAME BRAKE FLUID LINE,NO.4	1	4	G6,H6,H6E, J6,J6E,K6, K6E,M6E			05103	07052
	MK572076	TUBE,FRAME BRAKE FLUID LINE,NO.4	1	4	G6V,H6V,H6VE, J6V,J6VE,K6V, K6VE,M6VE			05103	07052
	MK651306	TUBE,FRAME BRAKE FLUID LINE,NO.4	1	4	G6,G6V,H6, H6E,H6V,H6VE, J6,J6E,J6V, J6VE,K6,K6E, K6VE,M6E			07053	09052
54911C	MK537067	TUBE,FRAME BRAKE FLUID LINE,NO.4	1	4	G6,G6E,H6, H6E,J6,J6E, K6,K6E,M6, M6E			04053	05102
	MK538040	TUBE,FRAME BRAKE FLUID LINE,NO.4	1	4	G6,G6E,H6, H6E,J6,J6E, K6,K6E,M6, M6E	1GP	04	04053	05102
	MK539308	TUBE,FRAME BRAKE FLUID LINE,NO.4	1	4	G6,G6V,H6, H6E,H6V,H6VE, J6,J6E,J6V, J6VE,K6,K6E, K6V,K6VE,M6E, M6VE			05103	07052
	MK539308	TUBE,FRAME BRAKE FLUID LINE,NO.4	1	4	G6,G6V,H6, H6E,H6V,H6VE, J6,J6E,J6V, J6VE,K6,K6E, K6V,K6VE,M6E, M6VE			05103	07052
	MK539308	TUBE,FRAME BRAKE FLUID LINE,NO.4	1	4	G6,H6,H6E, J6,J6E,K6, K6E,M6E			05103	07052
	MK539308	TUBE,FRAME BRAKE FLUID LINE,NO.4	1	4	G6V,H6V,H6VE, J6V,J6VE,K6V, K6VE,M6VE			05103	07052
	MK650079	TUBE,FRAME BRAKE FLUID LINE,NO.4	1	4	G6,G6V,H6, H6E,H6V,H6VE, J6,J6E,J6V, J6VE,K6,K6E, K6VE,M6E			07053	09052
	54911D	MK346448	TUBE,FRAME BRAKE FLUID LINE,NO.4	1	4	G6,H6,H6E, J6,J6E,K6, K6E,M6E			04053
MK346448		TUBE,FRAME BRAKE FLUID LINE,NO.4	1	4	G6E,M6			04053	05102

FK74R
35-310 BRAKE FLUID LINE

PNC	Part No	Part Name	Qty	Part Spec	Classification	Option	Model Year	Start	End	
54911D	MK346448	TUBE,FRAME BRAKE FLUID LINE,NO.4	1	4	G6,G6E,H6, H6E,J6,J6E, K6,K6E,M6, M6E			04053	05102	
	MK346448	TUBE,FRAME BRAKE FLUID LINE,NO.4	1	4	G6,G6E,H6, H6E,J6,J6E, K6,K6E,M6, M6E			04053	05102	
	MK539812	TUBE,FRAME BRAKE FLUID LINE,NO.4	1	4	G6,G6V,H6, H6E,H6V,H6VE, J6,J6E,J6V, J6VE,K6,K6E, K6V,K6VE,M6E, M6VE	1GP	05	05103	07052	
	MK538624	TUBE,FRAME BRAKE FLUID LINE,NO.4	1	4	G6,G6V,H6, H6E,H6V,H6VE, J6,J6E,J6V, J6VE,K6,K6E, K6V,K6VE,M6E, M6VE			05103	09052	
	MK538624	TUBE,FRAME BRAKE FLUID LINE,NO.4	1	4	G6,G6V,H6, H6E,H6V,H6VE, J6,J6E,J6V, J6VE,K6,K6E, K6VE,M6E			05103	09052	
	MK538624	TUBE,FRAME BRAKE FLUID LINE,NO.4	1	4	K6V,M6VE			05103	09052	
	MK538624	TUBE,FRAME BRAKE FLUID LINE,NO.4	1	4	K6V,M6VE			05103	09052	
	MK538624	TUBE,FRAME BRAKE FLUID LINE,NO.4	1	4	G6,G6V,H6, H6E,H6V,H6VE, J6,J6E,J6V, J6VE,K6,K6E, K6V,K6VE,M6E, M6VE			05103	09052	
	MK538624	TUBE,FRAME BRAKE FLUID LINE,NO.4	1	4	G6,G6V,H6, H6E,H6V,H6VE, J6,J6E,J6V, J6VE,K6,K6E, K6VE,M6E			05103	09052	
	MK539812	TUBE,FRAME BRAKE FLUID LINE,NO.4	1	4	G6,G6V,H6, H6E,H6V,H6VE, J6,J6E,J6V, J6VE,K6,K6E, K6VE,M6E	1GP	07	07053	09052	
	54911E	MK346447	TUBE,FRAME BRAKE FLUID LINE,NO.4	1	4	G6,H6,H6E, J6,J6E,K6, K6E,M6E			04053	05102
		MK346447	TUBE,FRAME BRAKE FLUID LINE,NO.4	1	4	G6E,M6			04053	05102
		MK346447	TUBE,FRAME BRAKE FLUID LINE,NO.4	1	4	G6,G6E,H6, H6E,J6,J6E, K6,K6E,M6, M6E			04053	05102
MK346447		TUBE,FRAME BRAKE FLUID LINE,NO.4	1	4	G6,G6E,H6, H6E,J6,J6E, K6,K6E,M6, M6E			04053	05102	
MK539811		TUBE,FRAME BRAKE FLUID LINE,NO.4	1	4	G6,G6V,H6, H6E,H6V,H6VE, J6,J6E,J6V, J6VE,K6,K6E, K6V,K6VE,M6E, M6VE	1GP	05	05103	07052	
MK538623		TUBE,FRAME BRAKE FLUID LINE,NO.4	1	4	G6,G6V,H6, H6E,H6V,H6VE, J6,J6E,J6V, J6VE,K6,K6E, K6V,K6VE,M6E, M6VE			05103	09052	
MK538623		TUBE,FRAME BRAKE FLUID LINE,NO.4	1	4	G6,G6V,H6, H6E,H6V,H6VE, J6,J6E,J6V, J6VE,K6,K6E, K6VE,M6E			05103	09052	
MK538623		TUBE,FRAME BRAKE FLUID LINE,NO.4	1	4	K6V,M6VE			05103	09052	

FK74R
35-310 BRAKE FLUID LINE

PNC	Part No	Part Name	Qty	Part Spec	Classification	Option	Model Year	Start	End
54911E	MK538623	TUBE,FRAME BRAKE FLUID LINE,NO.4	1	4	K6V,M6VE			05103	09052
	MK538623	TUBE,FRAME BRAKE FLUID LINE,NO.4	1	4	G6,G6V,H6, H6E,H6V,H6VE, J6,J6E,J6V, J6VE,K6,K6E, K6V,K6VE,M6E, M6VE			05103	09052
	MK538623	TUBE,FRAME BRAKE FLUID LINE,NO.4	1	4	G6,G6V,H6, H6E,H6V,H6VE, J6,J6E,J6V, J6VE,K6,K6E, K6VE,M6E			05103	09052
	MK539811	TUBE,FRAME BRAKE FLUID LINE,NO.4	1	4	G6,G6V,H6, H6E,H6V,H6VE, J6,J6E,J6V, J6VE,K6,K6E, K6VE,M6E	1GP	07	07053	09052
54911F	MK466552	TUBE,FRAME BRAKE FLUID LINE,NO.4	1	4	G6,H6,H6E, J6,J6E,K6, K6E,M6E			04053	05102
	MK466552	TUBE,FRAME BRAKE FLUID LINE,NO.4	1	4	G6E,M6			04053	05102
	MK466552	TUBE,FRAME BRAKE FLUID LINE,NO.4	1	4	G6,G6E,H6, H6E,J6,J6E, K6,K6E,M6, M6E			04053	05102
	MK466552	TUBE,FRAME BRAKE FLUID LINE,NO.4	1	4	G6,G6E,H6, H6E,J6,J6E, K6,K6E,M6, M6E			04053	05102
	MK539813	TUBE,FRAME BRAKE FLUID LINE,NO.4	1	4	G6,G6V,H6, H6E,H6V,H6VE, J6,J6E,J6V, J6VE,K6,K6E, K6V,K6VE,M6E, M6VE	1GP	05	05103	07052
	MK538625	TUBE,FRAME BRAKE FLUID LINE,NO.4	1	4	G6,G6V,H6, H6E,H6V,H6VE, J6,J6E,J6V, J6VE,K6,K6E, K6V,K6VE,M6E, M6VE			05103	09052
	MK538625	TUBE,FRAME BRAKE FLUID LINE,NO.4	1	4	G6,G6V,H6, H6E,H6V,H6VE, J6,J6E,J6V, J6VE,K6,K6E, K6VE,M6E			05103	09052
	MK538625	TUBE,FRAME BRAKE FLUID LINE,NO.4	1	4	K6V,M6VE			05103	09052
	MK538625	TUBE,FRAME BRAKE FLUID LINE,NO.4	1	4	K6V,M6VE			05103	09052
	MK538625	TUBE,FRAME BRAKE FLUID LINE,NO.4	1	4	G6,G6V,H6, H6E,H6V,H6VE, J6,J6E,J6V, J6VE,K6,K6E, K6V,K6VE,M6E, M6VE			05103	09052
	MK538625	TUBE,FRAME BRAKE FLUID LINE,NO.4	1	4	G6,G6V,H6, H6E,H6V,H6VE, J6,J6E,J6V, J6VE,K6,K6E, K6VE,M6E			05103	09052
	MK539813	TUBE,FRAME BRAKE FLUID LINE,NO.4	1	4	G6,G6V,H6, H6E,H6V,H6VE, J6,J6E,J6V, J6VE,K6,K6E, K6VE,M6E	1GP	07	07053	09052
54911G	MK536087	TUBE,FRAME BRAKE FLUID LINE,NO.4	1	4	G6,G6E			04053	05102
	MK536091	TUBE,FRAME BRAKE FLUID LINE,NO.4	1	4	H6,H6E			04053	05102
	MK536095	TUBE,FRAME BRAKE FLUID LINE,NO.4	1	4	J6,J6E			04053	05102
	MK536099	TUBE,FRAME BRAKE FLUID LINE,NO.4	1	4	K6,K6E			04053	05102
	MK536311	TUBE,FRAME BRAKE FLUID LINE,NO.4	1	4	M6,M6E			04053	05102
	MK538886	TUBE,FRAME BRAKE FLUID LINE,NO.4	1	4	G6,G6V			05103	07052
	MK538888	TUBE,FRAME BRAKE FLUID LINE,NO.4	1	4	H6,H6E,H6V, H6VE			05103	07052

FK74R
35-310 BRAKE FLUID LINE

PNC	Part No	Part Name	Qty	Part Spec	Classification	Option	Model Year	Start	End
54911G	MK538890	TUBE,FRAME BRAKE FLUID LINE,NO.4	1	4	J6,J6E,J6V, J6VE			05103	07052
	MK538892	TUBE,FRAME BRAKE FLUID LINE,NO.4	1	4	K6,K6E,K6V, K6VE			05103	07052
	MK538894	TUBE,FRAME BRAKE FLUID LINE,NO.4	1	4	M6E,M6VE			05103	07052
	MK636849	TUBE,FRAME BRAKE FLUID LINE,NO.4	1	4	G6,G6V			07053	09052
	MK636851	TUBE,FRAME BRAKE FLUID LINE,NO.4	1	4	H6,H6E,H6V, H6VE			07053	09052
	MK636853	TUBE,FRAME BRAKE FLUID LINE,NO.4	1	4	J6,J6E,J6V, J6VE			07053	09052
	MK636855	TUBE,FRAME BRAKE FLUID LINE,NO.4	1	4	K6,K6E,K6VE			07053	09052
54911H	MK636857	TUBE,FRAME BRAKE FLUID LINE,NO.4	1	4	M6E			07053	09052
	MK570073	TUBE,FRAME BRAKE FLUID LINE,NO.4	1	4	G6,G6E,H6, H6E,J6,J6E, K6,K6E,M6, M6E	1GP	04	05071	05102
54911J	MK536083	TUBE,FRAME BRAKE FLUID LINE,NO.4	1	4	G6,G6E,H6, H6E,J6,J6E, K6,K6E,M6, M6E			04053	05063
	MK570072	TUBE,FRAME BRAKE FLUID LINE,NO.4	1	4	G6,G6E,H6, H6E,J6,J6E, K6,K6E,M6, M6E			05071	05102
	MK570087	TUBE,FRAME BRAKE FLUID LINE,NO.4	1	4	G6,G6V,H6, H6E,H6V,H6VE, J6,J6E,J6V, J6VE,K6,K6E, K6V,K6VE,M6E, M6VE			05103	07052
	MK570088	TUBE,FRAME BRAKE FLUID LINE,NO.4	1	4	G6,G6V,H6, H6E,H6V,H6VE, J6,J6E,J6V, J6VE,K6,K6E, K6VE,M6E			07053	09052
54911K	MK537237	TUBE,FRAME BRAKE FLUID LINE,NO.4	1	4	G6E,M6			04053	05102
	MK537237	TUBE,FRAME BRAKE FLUID LINE,NO.4	1	4	G6,G6E,H6, H6E,J6,J6E, K6,K6E,M6, M6E			04053	05102
	MK537237	TUBE,FRAME BRAKE FLUID LINE,NO.4	1	4	G6,G6E,H6, H6E,J6,J6E, K6,K6E,M6, M6E			04053	05102
	MK537237	TUBE,FRAME BRAKE FLUID LINE,NO.4	1	4	G6,H6,H6E, J6,J6E,K6, K6E,M6E			04053	05102
	MK538626	TUBE,FRAME BRAKE FLUID LINE,NO.4	1	4	K6V,M6VE			05103	07052
	MK538626	TUBE,FRAME BRAKE FLUID LINE,NO.4	1	4	G6,G6V,H6, H6E,H6V,H6VE, J6,J6E,J6V, J6VE,K6,K6E, K6VE,M6E			05103	07052
	MK538626	TUBE,FRAME BRAKE FLUID LINE,NO.4	1	4	G6,G6V,H6, H6E,H6V,H6VE, J6,J6E,J6V, J6VE,K6,K6E, K6V,K6VE,M6E, M6VE			05103	07052
	MK538626	TUBE,FRAME BRAKE FLUID LINE,NO.4	1	4	G6,G6V,H6, H6E,H6V,H6VE, J6,J6E,J6V, J6VE,K6,K6E, K6V,K6VE,M6E, M6VE			05103	07052
	MK538626	TUBE,FRAME BRAKE FLUID LINE,NO.4	1	4	G6,G6V,H6, H6E,H6V,H6VE, J6,J6E,J6V, J6VE,K6,K6E, K6V,K6VE,M6E, M6VE			05103	07052
	MK539814	TUBE,FRAME BRAKE FLUID LINE,NO.4	1	4	G6,G6V,H6, H6E,H6V,H6VE, J6,J6E,J6V, J6VE,K6,K6E, K6V,K6VE,M6E, M6VE	1GP	05	05103	07052

FK74R
35-310 BRAKE FLUID LINE

PNC	Part No	Part Name	Qty	Part Spec	Classification	Option	Model Year	Start	End
54911K	MK571776	TUBE,FRAME BRAKE FLUID LINE,NO.4	1	4	G6,G6V,H6, H6E,H6V,H6VE, J6,J6E,J6V, J6VE,K6,K6E, K6VE,M6E			07053	09052
	MK571776	TUBE,FRAME BRAKE FLUID LINE,NO.4	1	4	G6,G6V,H6, H6E,H6V,H6VE, J6,J6E,J6V, J6VE,K6,K6E, K6VE,M6E			07053	09052
	MK571776	TUBE,FRAME BRAKE FLUID LINE,NO.4	1	4	G6,G6V,H6, H6E,H6V,H6VE, J6,J6E,J6V, J6VE,K6,K6E, K6VE,M6E			07053	09052
	MK571789	TUBE,FRAME BRAKE FLUID LINE,NO.4	1	4	G6,G6V,H6, H6E,H6V,H6VE, J6,J6E,J6V, J6VE,K6,K6E, K6VE,M6E	1GP	07	07053	09052
54911M	MK536089	TUBE,FRAME BRAKE FLUID LINE,NO.4	1	4	G6,G6E			04053	05102
	MK536093	TUBE,FRAME BRAKE FLUID LINE,NO.4	1	4	H6,H6E			04053	05102
	MK536097	TUBE,FRAME BRAKE FLUID LINE,NO.4	1	4	J6,J6E			04053	05102
	MK536101	TUBE,FRAME BRAKE FLUID LINE,NO.4	1	4	K6,K6E			04053	05102
	MK536313	TUBE,FRAME BRAKE FLUID LINE,NO.4	1	4	M6,M6E			04053	05102
	MK538885	TUBE,FRAME BRAKE FLUID LINE,NO.4	1	4	G6,G6V			05103	07052
	MK538887	TUBE,FRAME BRAKE FLUID LINE,NO.4	1	4	H6,H6E,H6V, H6VE			05103	07052
	MK538889	TUBE,FRAME BRAKE FLUID LINE,NO.4	1	4	J6,J6E,J6V, J6VE			05103	07052
	MK538891	TUBE,FRAME BRAKE FLUID LINE,NO.4	1	4	K6,K6E,K6V, K6VE			05103	07052
	MK538893	TUBE,FRAME BRAKE FLUID LINE,NO.4	1	4	M6E,M6VE			05103	07052
	MK636848	TUBE,FRAME BRAKE FLUID LINE,NO.4	1	4	G6,G6V			07053	09052
	MK636850	TUBE,FRAME BRAKE FLUID LINE,NO.4	1	4	H6,H6E,H6V, H6VE			07053	09052
	MK636852	TUBE,FRAME BRAKE FLUID LINE,NO.4	1	4	J6,J6E,J6V, J6VE			07053	09052
	MK636854	TUBE,FRAME BRAKE FLUID LINE,NO.4	1	4	K6,K6E,K6VE			07053	09052
54911N	MK636856	TUBE,FRAME BRAKE FLUID LINE,NO.4	1	4	M6E			07053	09052
	MK570075	TUBE,FRAME BRAKE FLUID LINE,NO.4	1	4	G6,G6E,H6, H6E,J6,J6E, K6,K6E,M6, M6E	1GP	04	05071	05102
54911P	MK536085	TUBE,FRAME BRAKE FLUID LINE,NO.4	1	4	G6,G6E,H6, H6E,J6,J6E, K6,K6E,M6, M6E			04053	05063
	MK570074	TUBE,FRAME BRAKE FLUID LINE,NO.4	1	4	G6,G6E,H6, H6E,J6,J6E, K6,K6E,M6, M6E			05071	05102
	MK570088	TUBE,FRAME BRAKE FLUID LINE,NO.4	1	4	G6,G6V,H6, H6E,H6V,H6VE, J6,J6E,J6V, J6VE,K6,K6E, K6V,K6VE,M6E, M6VE			05103	07052
	MK570087	TUBE,FRAME BRAKE FLUID LINE,NO.4	1	4	G6,G6V,H6, H6E,H6V,H6VE, J6,J6E,J6V, J6VE,K6,K6E, K6VE,M6E			07053	09052
54912B	MK346445	TUBE,FRAME BRAKE FLUID LINE,NO.6	1	6	G6E,M6			04053	05102
	MK346445	TUBE,FRAME BRAKE FLUID LINE,NO.6	1	6	G6,G6E,H6, H6E,J6,J6E, K6,K6E,M6, M6E			04053	05102
	MK346445	TUBE,FRAME BRAKE FLUID LINE,NO.6	1	6	G6,H6,H6E, J6,J6E,K6, K6E,M6E			04053	05102

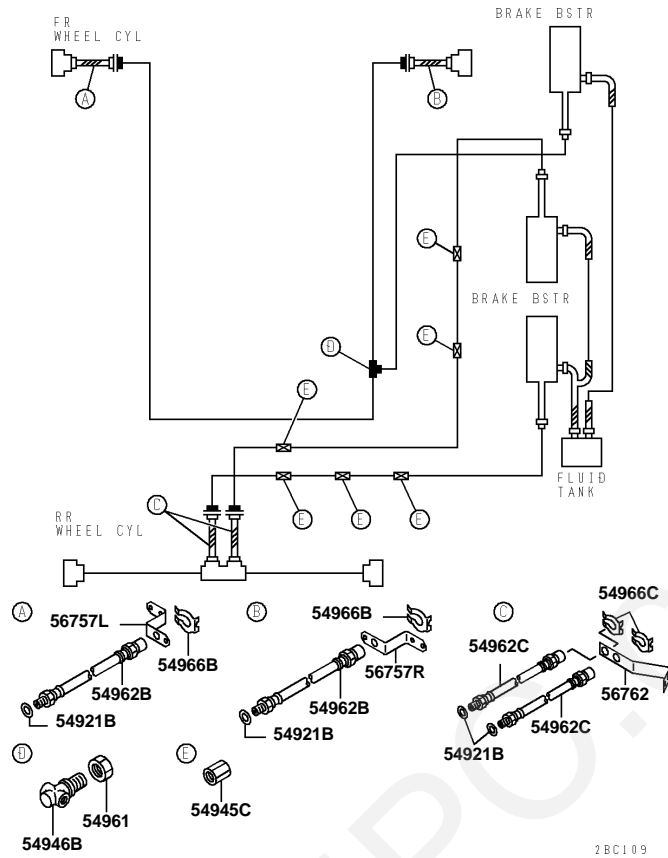
FK74R
35-310 BRAKE FLUID LINE

PNC	Part No	Part Name	Qty	Part Spec	Classification	Option	Model Year	Start	End	
54912B	MK346445	TUBE,FRAME BRAKE FLUID LINE,NO.6	1	6	G6,G6E,H6, H6E,J6,J6E, K6,K6E,M6, M6E			04053	05102	
	MC459060	TUBE,FRAME BRAKE FLUID LINE,NO.6	1	6	G6,G6E,H6, H6E,J6,J6E, K6,K6E,M6, M6E	1GP	04	04053	05102	
	MK539809	TUBE,FRAME BRAKE FLUID LINE,NO.6	1	6	G6,G6V,H6, H6E,H6V,H6VE, J6,J6E,J6V, J6VE,K6,K6E, K6V,K6VE,M6E, M6VE	1GP	05	05103	07052	
	MK538621	TUBE,FRAME BRAKE FLUID LINE,NO.6	1	6	G6,G6V,H6, H6E,H6V,H6VE, J6,J6E,J6V, J6VE,K6,K6E, K6VE,M6E			05103	09052	
	MK538621	TUBE,FRAME BRAKE FLUID LINE,NO.6	1	6	K6V,M6VE			05103	09052	
	MK538621	TUBE,FRAME BRAKE FLUID LINE,NO.6	1	6	G6,G6V,H6, H6E,H6V,H6VE, J6,J6E,J6V, J6VE,K6,K6E, K6V,K6VE,M6E, M6VE			05103	09052	
	MK538621	TUBE,FRAME BRAKE FLUID LINE,NO.6	1	6	K6V,M6VE			05103	09052	
	MK538621	TUBE,FRAME BRAKE FLUID LINE,NO.6	1	6	G6,G6V,H6, H6E,H6V,H6VE, J6,J6E,J6V, J6VE,K6,K6E, K6VE,M6E			05103	09052	
	MK538621	TUBE,FRAME BRAKE FLUID LINE,NO.6	1	6	G6,H6,H6E, J6,J6E,K6, K6E,M6E			05103	09052	
	MK538621	TUBE,FRAME BRAKE FLUID LINE,NO.6	1	6	G6V,H6V,H6VE, J6V,J6VE,K6V, K6VE,M6VE			05103	09052	
	MK538621	TUBE,FRAME BRAKE FLUID LINE,NO.6	1	6	G6,G6V,H6, H6E,H6V,H6VE, J6,J6E,J6V, J6VE,K6,K6E, K6V,K6VE,M6E, M6VE			05103	09052	
	MK539809	TUBE,FRAME BRAKE FLUID LINE,NO.6	1	6	G6,G6V,H6, H6E,H6V,H6VE, J6,J6E,J6V, J6VE,K6,K6E, K6VE,M6E	1GP	07	07053	09052	
	54912C	MK465109	TUBE,FRAME BRAKE FLUID LINE,NO.6	1	6	G6E,M6			04053	05102
		MK465109	TUBE,FRAME BRAKE FLUID LINE,NO.6	1	6	G6,G6E,H6, H6E,J6,J6E, K6,K6E,M6, M6E			04053	05102
		MK465109	TUBE,FRAME BRAKE FLUID LINE,NO.6	1	6	G6,H6,H6E, J6,J6E,K6, K6E,M6E			04053	05102
MK465109		TUBE,FRAME BRAKE FLUID LINE,NO.6	1	6	G6,G6E,H6, H6E,J6,J6E, K6,K6E,M6, M6E			04053	05102	
MC457321		TUBE,FRAME BRAKE FLUID LINE,NO.6	1	6	G6,G6E,H6, H6E,J6,J6E, K6,K6E,M6, M6E	1GP	04	04053	05102	
MK538622		TUBE,FRAME BRAKE FLUID LINE,NO.6	1	6	G6,G6V,H6, H6E,H6V,H6VE, J6,J6E,J6V, J6VE,K6,K6E, K6VE,M6E			05103	07052	

FK74R
35-310 BRAKE FLUID LINE

PNC	Part No	Part Name	Qty	Part Spec	Classification	Option	Model Year	Start	End
54912C	MK538622	TUBE,FRAME BRAKE FLUID LINE,NO.6	1	6	G6,G6V,H6, H6E,H6V,H6VE, J6,J6E,J6V, J6VE,K6,K6E, K6V,K6VE,M6E, M6VE			05103	07052
	MK538622	TUBE,FRAME BRAKE FLUID LINE,NO.6	1	6	K6V,M6VE			05103	07052
	MK538622	TUBE,FRAME BRAKE FLUID LINE,NO.6	1	6	G6,G6V,H6, H6E,H6V,H6VE, J6,J6E,J6V, J6VE,K6,K6E, K6V,K6VE,M6E, M6VE			05103	07052
	MK538622	TUBE,FRAME BRAKE FLUID LINE,NO.6	1	6	G6,H6,H6E, J6,J6E,K6, K6E,M6E			05103	07052
	MK538622	TUBE,FRAME BRAKE FLUID LINE,NO.6	1	6	G6V,H6V,H6VE, J6V,J6VE,K6V, K6VE,M6VE			05103	07052
	MK539810	TUBE,FRAME BRAKE FLUID LINE,NO.6	1	6	G6,G6V,H6, H6E,H6V,H6VE, J6,J6E,J6V, J6VE,K6,K6E, K6V,K6VE,M6E, M6VE	1GP	05	05103	07052
	MK571774	TUBE,FRAME BRAKE FLUID LINE,NO.6	1	6	G6,G6V,H6, H6E,H6V,H6VE, J6,J6E,J6V, J6VE,K6,K6E, K6VE,M6E			07053	09052
	MK571774	TUBE,FRAME BRAKE FLUID LINE,NO.6	1	6	G6,G6V,H6, H6E,H6V,H6VE, J6,J6E,J6V, J6VE,K6,K6E, K6VE,M6E			07053	09052
	MK571774	TUBE,FRAME BRAKE FLUID LINE,NO.6	1	6	G6,G6V,H6, H6E,H6V,H6VE, J6,J6E,J6V, J6VE,K6,K6E, K6VE,M6E			07053	09052
	MK571787	TUBE,FRAME BRAKE FLUID LINE,NO.6	1	6	G6,G6V,H6, H6E,H6V,H6VE, J6,J6E,J6V, J6VE,K6,K6E, K6VE,M6E	1GP	07	07053	09052
54912D	MK536088	TUBE,FRAME BRAKE FLUID LINE,NO.6	1	6	G6,G6E	1GP	04	04053	05102
	MK536092	TUBE,FRAME BRAKE FLUID LINE,NO.6	1	6	H6,H6E	1GP	04	04053	05102
	MK536096	TUBE,FRAME BRAKE FLUID LINE,NO.6	1	6	J6,J6E	1GP	04	04053	05102
	MK536100	TUBE,FRAME BRAKE FLUID LINE,NO.6	1	6	K6,K6E	1GP	04	04053	05102
	MK536312	TUBE,FRAME BRAKE FLUID LINE,NO.6	1	6	M6,M6E	1GP	04	04053	05102
54912E	MK537055	TUBE,FRAME BRAKE FLUID LINE,NO.6	1	6	G6,G6E,H6, H6E,J6,J6E, K6,K6E,M6, M6E	1GP	04	04053	05102
54912H	MK536084	TUBE,FRAME BRAKE FLUID LINE,NO.6	1	6	G6,G6E,H6, H6E,J6,J6E, K6,K6E,M6, M6E	1GP	04	04053	05063
54912M	MK536090	TUBE,FRAME BRAKE FLUID LINE,NO.6	1	6	G6,G6E	1GP	04	04053	05102
	MK536094	TUBE,FRAME BRAKE FLUID LINE,NO.6	1	6	H6,H6E	1GP	04	04053	05102
	MK536098	TUBE,FRAME BRAKE FLUID LINE,NO.6	1	6	J6,J6E	1GP	04	04053	05102
	MK536102	TUBE,FRAME BRAKE FLUID LINE,NO.6	1	6	K6,K6E	1GP	04	04053	05102
	MK536314	TUBE,FRAME BRAKE FLUID LINE,NO.6	1	6	M6,M6E	1GP	04	04053	05102
54912N	MK536086	TUBE,FRAME BRAKE FLUID LINE,NO.6	1	6	G6,G6E,H6, H6E,J6,J6E, K6,K6E,M6, M6E	1GP	04	04053	05063
54912G	(N.e.c.)	TUBE,FRAME BRAKE FLUID LINE,NO.6							
54912F	(N.e.c.)	TUBE,FRAME BRAKE FLUID LINE,NO.6							

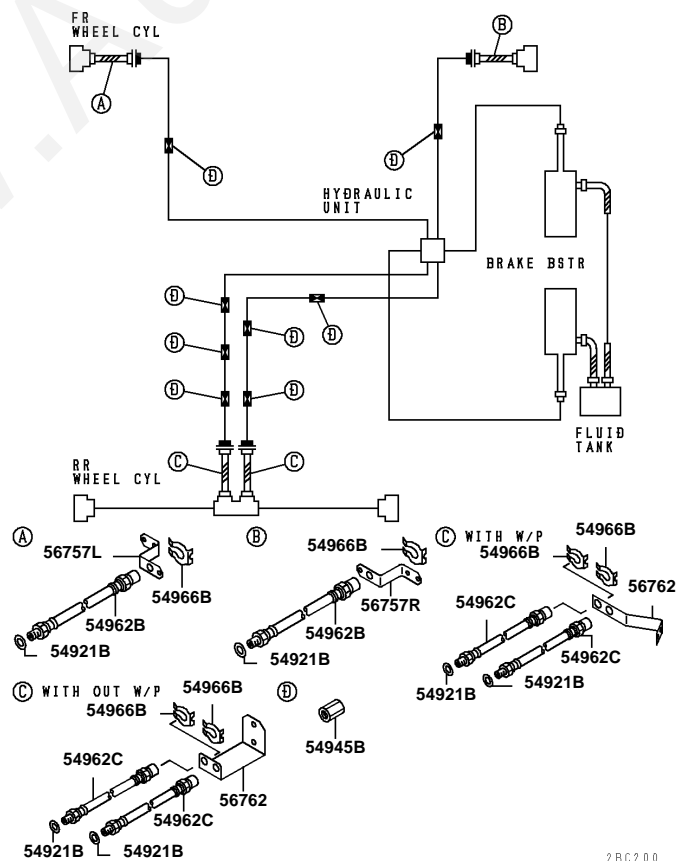
FK74R
No.1



Ref. |2035330

Page

FK74R
No.2



Ref. |2035330

Page

FK74R
35-330 BRAKE FLUID LINE JOINT & HOSE

Repl Part	PNC	Part No	Part Name	Qty	Part Spec	PREV.1	NEW1	Classification	Option	Mod
	54921B	MH035000	GASKET,FRAME BRAKE FLUID LINE	2	10			G6,G6E,H6, H6E,J6,J6E, K6,K6E		
		MH035000	GASKET,FRAME BRAKE FLUID LINE	2	10			G6,G6E,H6, H6E,J6,J6E, K6,K6E		
		MH035000	GASKET,FRAME BRAKE FLUID LINE	4	10			M6,M6E		
		MH035000	GASKET,FRAME BRAKE FLUID LINE	2	10			G6,G6E,H6, H6E,J6,J6E, K6,K6E		
		MH035000	GASKET,FRAME BRAKE FLUID LINE	4	10			G6,G6V,H6, H6E,H6V,H6VE, J6,J6E,J6V, J6VE,K6,K6E, K6V,K6VE,M6E, M6VE		
	54945B	MH038373	JOINT,FRAME BRAKE FLUID LINE,NO.9	7				G6,G6E,H6, H6E,J6,J6E, K6,K6E,M6, M6E		
		MH036851	JOINT,FRAME BRAKE FLUID LINE,NO.9	3				G6,G6E,H6, H6E,J6,J6E, K6,K6E		
		MH036851	JOINT,FRAME BRAKE FLUID LINE,NO.9	4				G6,G6E,H6, H6E,J6,J6E, K6,K6E		
		MH036851	JOINT,FRAME BRAKE FLUID LINE,NO.9	7				M6,M6E		
		MH036851	JOINT,FRAME BRAKE FLUID LINE,NO.9	6				G6,G6V,H6, H6E,H6V,H6VE, J6,J6E,J6V, J6VE,K6,K6E, K6V,K6VE,M6E, M6VE		
	54945C	MH038374	JOINT,FRAME BRAKE FLUID LINE,NO.9	2				G6,G6E,H6, H6E,J6,J6E, K6,K6E	1GP	04
		MH038374	JOINT,FRAME BRAKE FLUID LINE,NO.9	4				M6,M6E	1GP	04
	54946B	MH038475	JOINT,FRAME BRAKE FLUID LINE,NO.10	1				G6,G6E,H6, H6E,J6,J6E, K6,K6E,M6, M6E	1GP	04
	54961	MF430730	NUT,FRAME BRAKE FLUID LINE	1	JAM,18			G6,G6E,H6, H6E,J6,J6E, K6,K6E,M6, M6E	1GP	04
RP	54962B	MH033251	HOSE,FRAME BRAKE FLUID LINE	2	3.4X470		Y	G6,G6E,H6, H6E,J6,J6E, K6,K6E,M6, M6E		
		MH033775	HOSE,FRAME BRAKE FLUID LINE	2	10.5X470			G6,G6E,G6V, H6,H6E,H6V, H6VE,J6,J6E, J6V,J6VE,K6, K6E,K6V,K6VE, M6,M6E,M6VE		
RP	54962C	MH033298	HOSE,FRAME BRAKE FLUID LINE	2	10.5X320		Y	G6,G6E,H6, H6E,J6,J6E, K6,K6E		
RP		MH033263	HOSE,FRAME BRAKE FLUID LINE	2	10.5X320		Y	G6,G6E,H6, H6E,J6,J6E, K6,K6E	1GP	04
		MH033778	HOSE,FRAME BRAKE FLUID LINE	2	10.5X320			M6,M6E		
		MH033788	HOSE,FRAME BRAKE FLUID LINE	2	3.4X320			M6,M6E	1GP	04
		MH033788	HOSE,FRAME BRAKE FLUID LINE	2	3.4X320			G6,G6E,H6, H6E,J6,J6E, K6,K6E	1GP	04
		MH033778	HOSE,FRAME BRAKE FLUID LINE	2	10.5X320			G6,G6E,H6, H6E,J6,J6E, K6,K6E		

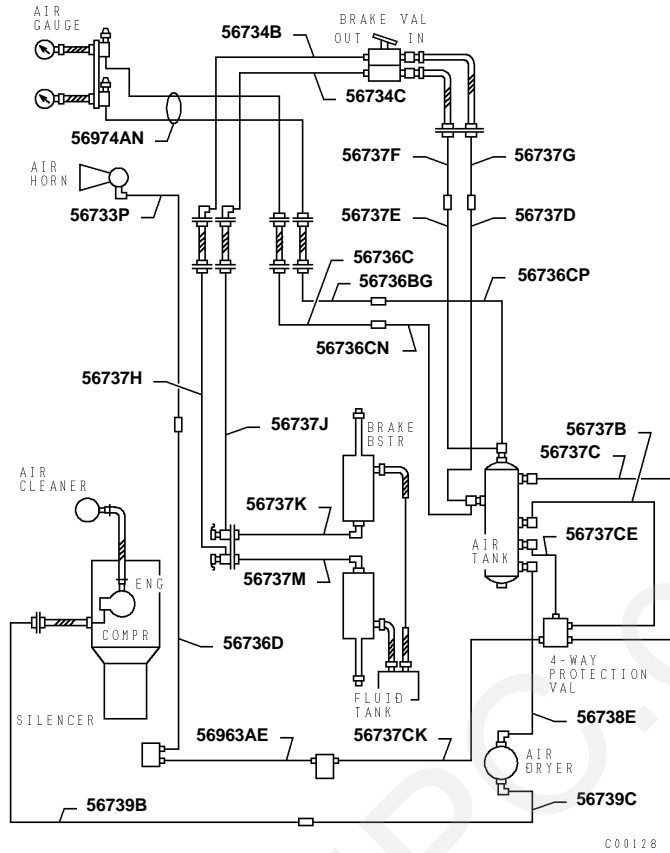
FK74R
35-330 BRAKE FLUID LINE JOINT & HOSE

Repl Part	PNC	Part No	Part Name	Qty	Part Spec	PREV.1	NEW1	Classification	Option	Mod
	54962C	MH033819	HOSE,FRAME BRAKE FLUID LINE	2	10.5X600			G6,G6V,H6, H6E,H6V,H6VE, J6,J6E,J6V, J6VE,K6,K6E, K6V,K6VE,M6E, M6VE		
		MH033819	HOSE,FRAME BRAKE FLUID LINE	2	10.5X600			G6,G6V,H6, H6E,H6V,H6VE, J6,J6E,J6V, J6VE,K6,K6E, K6V,K6VE,M6E, M6VE		
		MH033819	HOSE,FRAME BRAKE FLUID LINE	2	10.5X600			G6,H6,H6E, J6,J6E,K6, K6E,M6E		
		MH033819	HOSE,FRAME BRAKE FLUID LINE	2	10.5X600			G6V,H6V,H6VE, J6V,J6VE,K6V, K6VE,M6VE		
	54966B	MH020705	CLIP,FRAME BRAKE FLUID LINE	2	D=11			G6,G6E,H6, H6E,J6,J6E, K6,K6E		
		MH020705	CLIP,FRAME BRAKE FLUID LINE	2	D=11			G6,G6E,H6, H6E,J6,J6E, K6,K6E		
		MH020705	CLIP,FRAME BRAKE FLUID LINE	4	D=11			M6,M6E		
		MH020705	CLIP,FRAME BRAKE FLUID LINE	2	D=11			M6,M6E	1GP	04
		MH020705	CLIP,FRAME BRAKE FLUID LINE	2	D=11			G6,G6E,H6, H6E,J6,J6E, K6,K6E		
		MH020705	CLIP,FRAME BRAKE FLUID LINE	4	D=11			G6,G6V,H6, H6E,H6V,H6VE, J6,J6E,J6V, J6VE,K6,K6E, K6V,K6VE,M6E, M6VE		
		MH020705	CLIP,FRAME BRAKE FLUID LINE	4	D=11			G6,G6V,H6, H6E,H6V,H6VE, J6,J6E,J6V, J6VE,K6,K6E, K6V,K6VE,M6VE		
		MH020705	CLIP,FRAME BRAKE FLUID LINE	4	D=11			G6,G6V,H6, H6E,H6V,H6VE, J6,J6E,J6V, J6VE,K6,K6E, K6V,K6VE,M6VE		
	54966C	MH020705	CLIP,FRAME BRAKE FLUID LINE	4	D=11			M6E		
		MH020706	CLIP,FRAME BRAKE FLUID LINE	2	D=7			G6,G6E,H6, H6E,J6,J6E, K6,K6E	1GP	04
		MH020706	CLIP,FRAME BRAKE FLUID LINE	2	D=7			M6,M6E	1GP	04
RP	56757L	MC443801	BRACKET,FRAME FR BRAKE HOSE,LH	1			O	G6,G6E,H6, H6E,J6,J6E, K6,K6E,M6, M6E		
		MK540229	BRACKET,FRAME FR BRAKE HOSE,LH	1				G6,G6V,H6, H6E,H6V,H6VE, J6,J6E,J6V, J6VE,K6,K6E, K6V,K6VE,M6E, M6VE		
RP	56757R	MC443801	BRACKET,FRAME FR BRAKE HOSE,RH	1			O	G6,G6E,H6, H6E,J6,J6E, K6,K6E,M6, M6E		
		MK540230	BRACKET,FRAME FR BRAKE HOSE,RH	1				G6,G6V,H6, H6E,H6V,H6VE, J6,J6E,J6V, J6VE,K6,K6E, K6V,K6VE,M6E, M6VE		

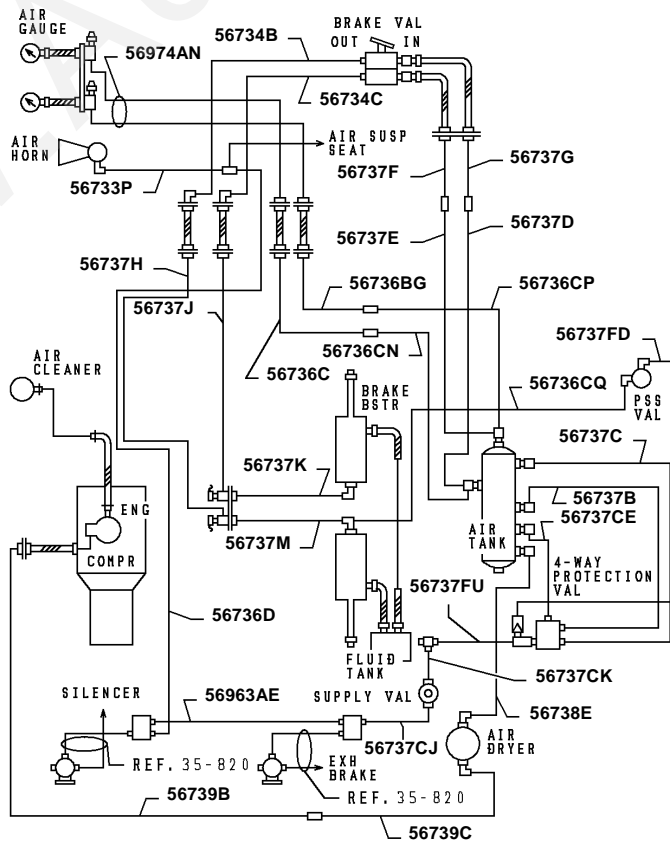
FK74R
35-330 BRAKE FLUID LINE JOINT & HOSE

Repl Part	PNC	Part No	Part Name	Qty	Part Spec	PREV.1	NEW1	Classification	Option	Mod
	56762	MK439628	BRACKET,FRAME RR BRAKE HOSE	1				G6,G6E,H6, H6E,J6,J6E, K6,K6E	1GP	04
		MK439627	BRACKET,FRAME RR BRAKE HOSE	1				G6,G6E,H6, H6E,J6,J6E, K6,K6E,M6, M6E		
		MK439628	BRACKET,FRAME RR BRAKE HOSE	1				M6,M6E	1GP	04
		MK539314	BRACKET,FRAME RR BRAKE HOSE	1				G6,G6V,H6, H6E,H6V,H6VE, J6,J6E,J6V, J6VE,K6,K6E, K6V,K6VE,M6E, M6VE		
		MK539314	BRACKET,FRAME RR BRAKE HOSE	1				G6,G6V,H6, H6E,H6V,H6VE, J6,J6E,J6V, J6VE,K6,K6E, K6V,K6VE,M6E, M6VE		
		MK539314	BRACKET,FRAME RR BRAKE HOSE	1				G6,H6,H6E, J6,J6E,K6, K6E,M6E		
		MK539314	BRACKET,FRAME RR BRAKE HOSE	1				G6V,H6V,H6VE, J6V,J6VE,K6V, K6VE,M6VE		

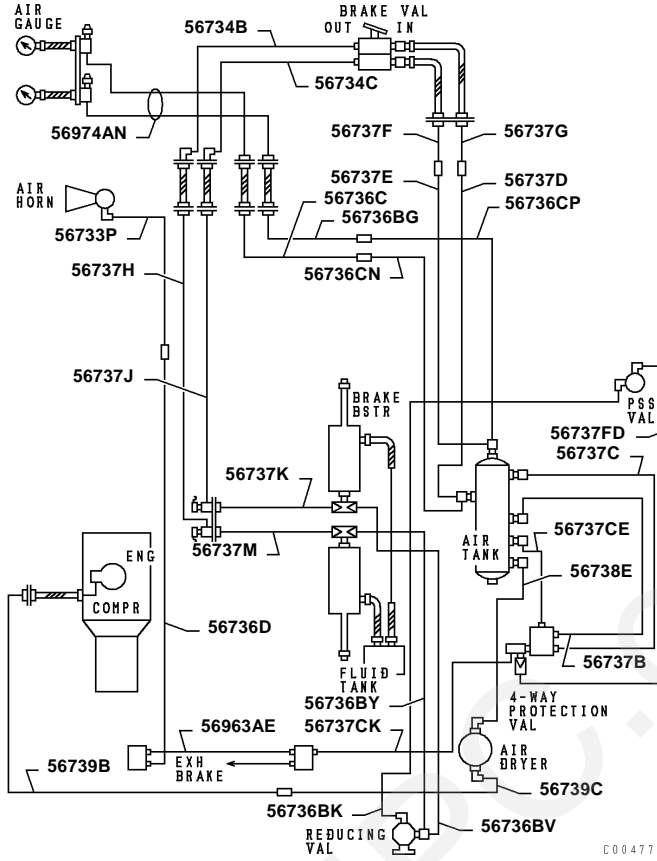
FK74R
No.1



FK74R
No.2



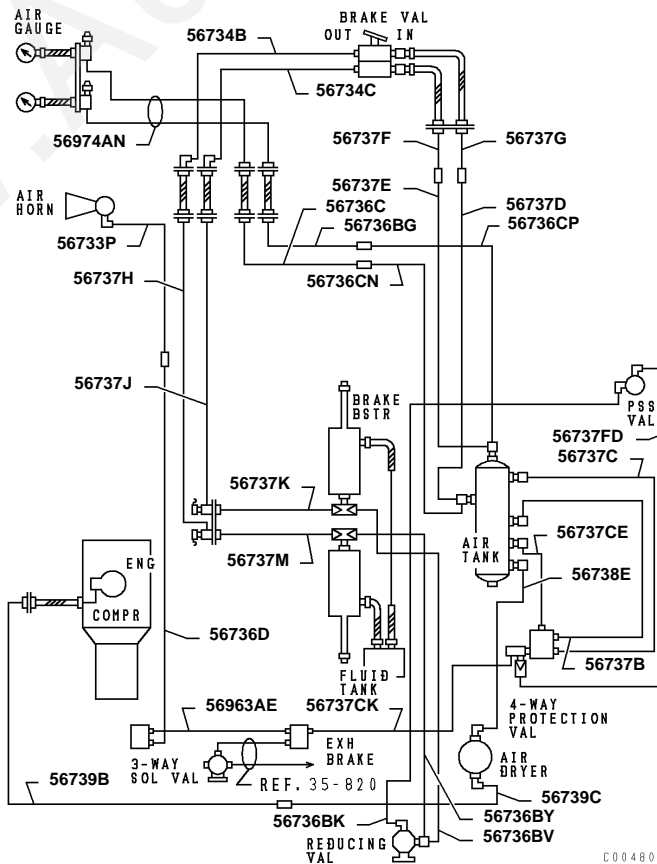
FK74R
No.3



Ref. |2035410

Page

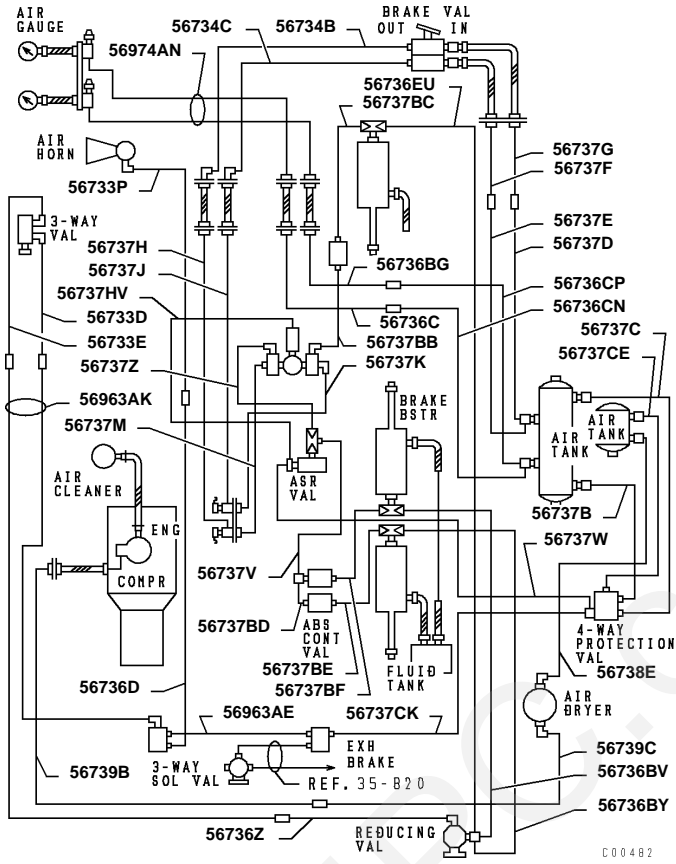
FK74R
No.4



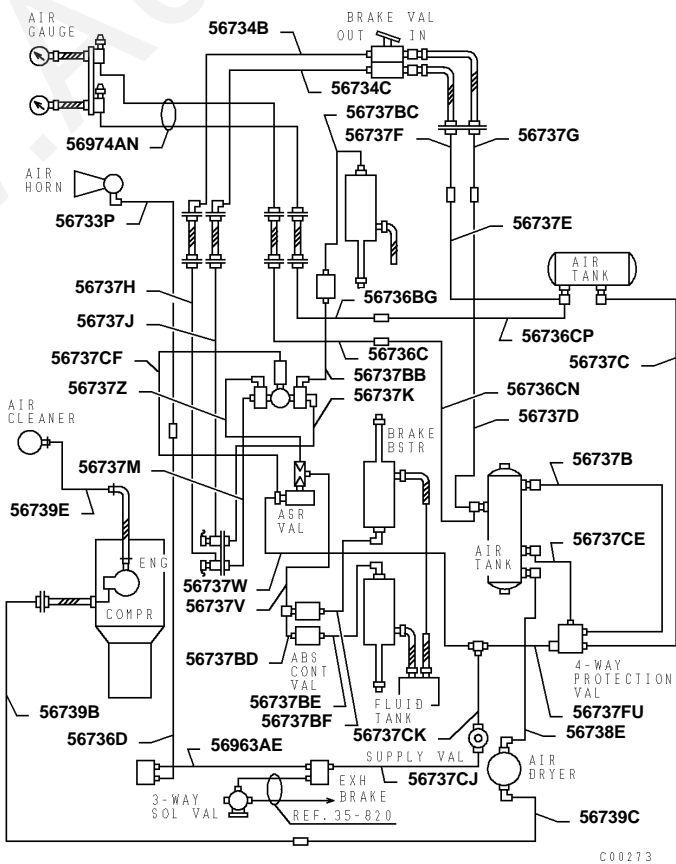
Ref. |2035410

Page

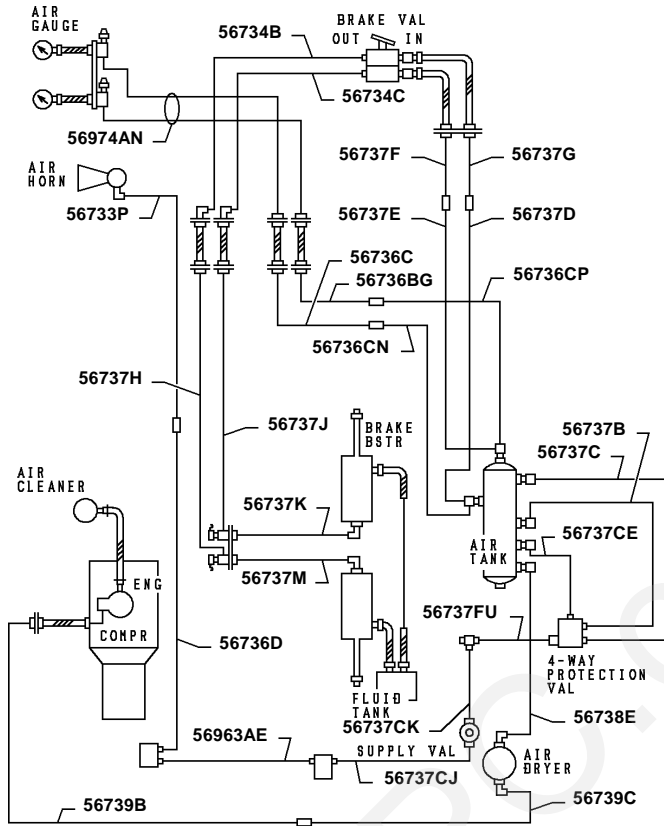
FK74R
No.5



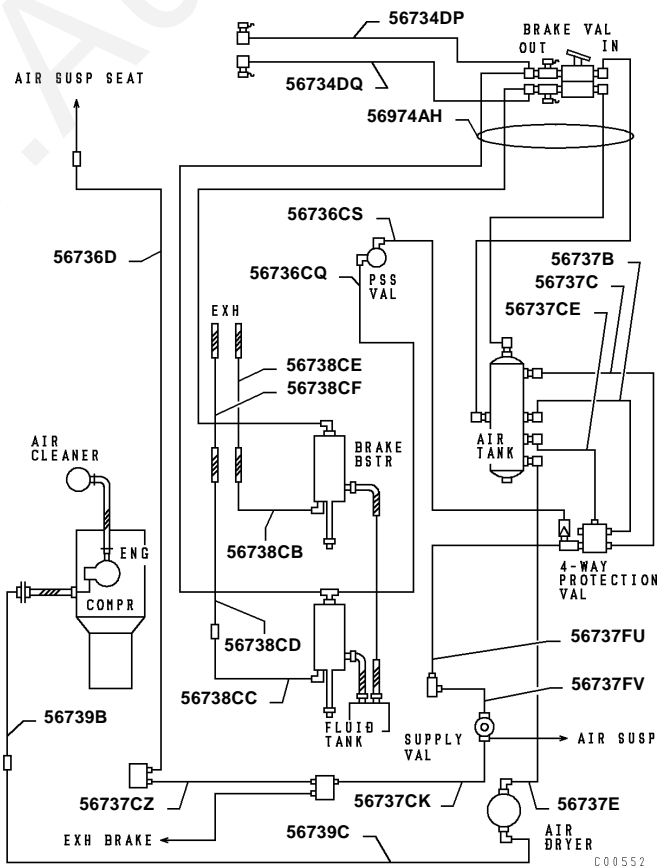
FK74R
No.6



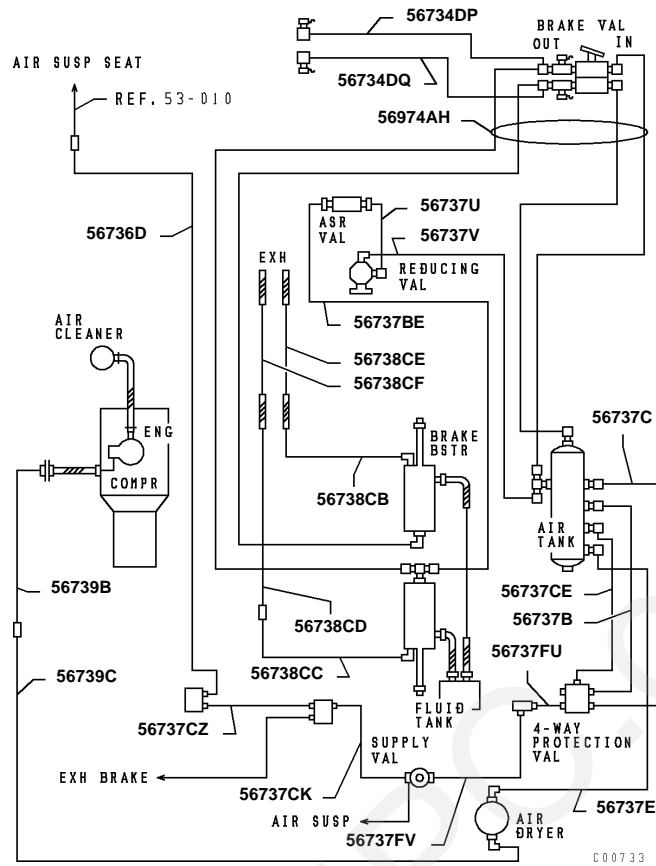
FK74R
No.7



FK74R
No.8



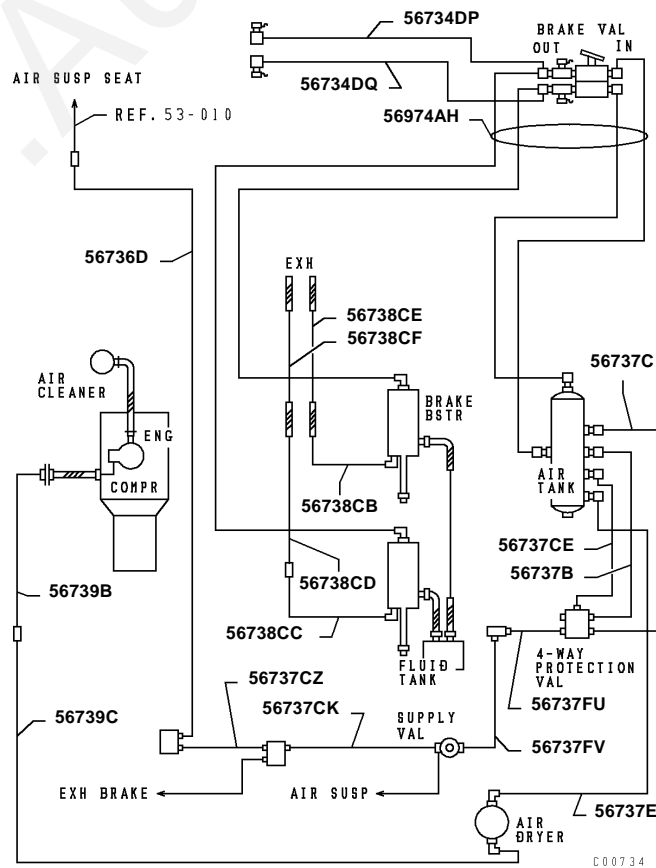
FK74R
No.9



Ref. |2035410

Page

FK74R
No.10



Ref. |2035410

Page

FK74R
35-410 BRAKE AIR LINE

Repl Part	PNC	Part No	Part Name	Qty	Part Spec	PREV.1	Classification	Option	Model Year
	56733P	MK347106	TUBE,BODY BRAKE AIR LINE,NO.6	1	6		G6,H6,J6, K6,M6		
		MK361001	TUBE,BODY BRAKE AIR LINE,NO.6	1	6		G6E,H6E,J6E, K6E,M6E		
	56734B	MK465938	TUBE,BODY BRAKE AIR LINE,NO.10	1	10		G6,H6,J6, K6,M6		
		MK465940	TUBE,BODY BRAKE AIR LINE,NO.10	1	10		G6E,H6E,J6E, K6E,M6E		
	56734C	MK465937	TUBE,BODY BRAKE AIR LINE,NO.10	1	10		G6,H6,J6, K6,M6		
		MK465939	TUBE,BODY BRAKE AIR LINE,NO.10	1	10		G6E,H6E,J6E, K6E,M6E		
	56734DP	MK574076	TUBE,BODY BRAKE AIR LINE,NO.10	1	10		G6V,H6V,H6VE, J6V,J6VE,K6VE		
	56734DQ	MK651650	TUBE,BODY BRAKE AIR LINE,NO.10	1	10X220		G6V,H6V,H6VE, J6V,J6VE,K6VE		
	56736BG	MK465195	TUBE,FRAME BRAKE AIR LINE,NO.6	1	6		G6,G6E,H6, H6E,J6,J6E, K6,K6E,M6, M6E		
	56736C	MK465196	TUBE,FRAME BRAKE AIR LINE,NO.6	1	6		G6,G6E,H6, H6E,J6,J6E, K6,K6E,M6, M6E		
	56736CN	MK465184	TUBE,FRAME BRAKE AIR LINE,NO.6	1	6		G6,G6E,H6, H6E,J6,J6E, K6,K6E,M6, M6E		
	56736CP	MK465181	TUBE,FRAME BRAKE AIR LINE,NO.6	1	6		G6,G6E,H6, H6E,J6,J6E, K6,K6E,M6, M6E		
		MK537871	TUBE,FRAME BRAKE AIR LINE,NO.6	1	6		G6,G6E,H6, H6E,J6,J6E, K6,K6E,M6, M6E	1GP	04
		MK465181	TUBE,FRAME BRAKE AIR LINE,NO.6	1	6		G6,G6E,H6, H6E,J6,J6E, K6,K6E,M6, M6E	1PS	04
	56736CQ	MC459119	TUBE,FRAME BRAKE AIR LINE,NO.6	1	6		G6,G6E,H6, H6E,J6,J6E, K6,K6E,M6, M6E	1PS	04
		MK571188	TUBE,FRAME BRAKE AIR LINE,NO.6	1	6		G6,H6,H6E, J6,J6E,K6, K6E,M6E	1PS	05
		MK653499	TUBE,FRAME BRAKE AIR LINE,NO.6	1	6		G6,H6,H6E, J6,J6E,K6, K6E,M6E	1PS	07
	56736CS	MK571187	TUBE,FRAME BRAKE AIR LINE,NO.6	1	6		G6,H6,H6E, J6,J6E,K6, K6E,M6E	1PS	05
		MK653498	TUBE,FRAME BRAKE AIR LINE,NO.6	1	6		G6,H6,H6E, J6,J6E,K6, K6E,M6E	1PS	07
	56736D	MK347097	TUBE,FRAME BRAKE AIR LINE,NO.6	1	6		G6,H6,H6E, J6,J6E,K6, K6E,M6E		
		MK347097	TUBE,FRAME BRAKE AIR LINE,NO.6	1	6		G6E,M6		
		MK347097	TUBE,FRAME BRAKE AIR LINE,NO.6	1	6		G6,G6E,H6, H6E,J6,J6E, K6,K6E,M6, M6E		
		MK347097	TUBE,FRAME BRAKE AIR LINE,NO.6	1	6		G6,G6E,H6, H6E,J6,J6E, K6,K6E,M6, M6E		

FK74R
35-410 BRAKE AIR LINE

Repl Part	PNC	Part No	Part Name	Qty	Part Spec	PREV.1	Classification	Option	Model Year
	56736D	MK540998	TUBE,FRAME BRAKE AIR LINE,NO.6	1	6		G6,G6V,H6, H6E,H6V,H6VE, J6,J6E,J6V, J6VE,K6,K6E, K6V,K6VE,M6E, M6VE	13G	05
		MK573683	TUBE,FRAME BRAKE AIR LINE,NO.6	1	6		G6,G6V,H6, H6E,H6V,H6VE, J6,J6E,J6V, J6VE,K6,K6E, K6VE,M6E	13G	07
	56737B	MC457611	TUBE,FRAME BRAKE AIR LINE,NO.10	1	10		G6,G6E,H6, H6E,J6,J6E, K6,K6E,M6, M6E		
		MC459041	TUBE,FRAME BRAKE AIR LINE,NO.10	1	10		G6,G6E,H6, H6E,J6,J6E, K6,K6E,M6, M6E	1GP	04
		MC457611	TUBE,FRAME BRAKE AIR LINE,NO.10	1	10		G6,G6E,H6, H6E,J6,J6E, K6,K6E,M6, M6E	1PS	04
		MK571109	TUBE,FRAME BRAKE AIR LINE,NO.10	1	10		G6,G6V,H6, H6E,H6V,H6VE, J6,J6E,J6V, J6VE,K6,K6E, K6V,K6VE,M6E, M6VE		
		MK571109	TUBE,FRAME BRAKE AIR LINE,NO.10	1	10		G6,G6V,H6, H6E,H6V,H6VE, J6,J6E,J6V, J6VE,K6,K6E, K6V,K6VE,M6E, M6VE		
		MK571109	TUBE,FRAME BRAKE AIR LINE,NO.10	1	10		G6,H6,H6E, J6,J6E,K6, K6E,M6E		
		MK571109	TUBE,FRAME BRAKE AIR LINE,NO.10	1	10		G6V,H6V,H6VE, J6V,J6VE,K6V, K6VE,M6VE		
		MK573665	TUBE,FRAME BRAKE AIR LINE,NO.10	1	10		G6,G6V,H6, H6E,H6V,H6VE, J6,J6E,J6V, J6VE,K6,K6E, K6VE,M6E		
	56737BB	MK361010	TUBE,FRAME BRAKE AIR LINE,NO.10	1	10		G6,G6E,H6, H6E,J6,J6E, K6,K6E,M6, M6E	1GP	04
	56737BC	MK361011	TUBE,FRAME BRAKE AIR LINE,NO.10	1	10		G6,G6E,H6, H6E,J6,J6E, K6,K6E,M6, M6E	1GP	04
	56737BD	MK465203	TUBE,FRAME BRAKE AIR LINE,NO.10	1	10		G6,G6E,H6, H6E,J6,J6E, K6,K6E,M6, M6E	1GP	04
	56737BE	MK465204	TUBE,FRAME BRAKE AIR LINE,NO.10	1	10		G6,G6E,H6, H6E,J6,J6E, K6,K6E,M6, M6E	1GP	04
		MK539815	TUBE,FRAME BRAKE AIR LINE,NO.10	1	10		G6,G6V,H6, H6E,H6V,H6VE, J6,J6E,J6V, J6VE,K6,K6E, K6V,K6VE,M6E, M6VE	1GP	05
		MK573659	TUBE,FRAME BRAKE AIR LINE,NO.10	1	10		G6,G6V,H6, H6E,H6V,H6VE, J6,J6E,J6V, J6VE,K6,K6E, K6VE,M6E	1GP	07

FK74R
35-410 BRAKE AIR LINE

Repl Part	PNC	Part No	Part Name	Qty	Part Spec	PREV.1	Classification	Option	Model Year	
	56737BF	MK465205	TUBE,FRAME BRAKE AIR LINE,NO.10	1	10		G6,G6E,H6, H6E,J6,J6E, K6,K6E,M6, M6E	1GP	04	
	56737C	MC457610	TUBE,FRAME BRAKE AIR LINE,NO.10	1	10		G6,G6E,H6, H6E,J6,J6E, K6,K6E,M6, M6E			
		MK347950	TUBE,FRAME BRAKE AIR LINE,NO.10	1	10		G6,G6E,H6, H6E,J6,J6E, K6,K6E,M6, M6E	1GP	04	
		MC457610	TUBE,FRAME BRAKE AIR LINE,NO.10	1	10		G6,G6E,H6, H6E,J6,J6E, K6,K6E,M6, M6E	1PS	04	
		MK539368	TUBE,FRAME BRAKE AIR LINE,NO.10	1	10		G6,G6V,H6, H6E,H6V,H6VE, J6,J6E,J6V, J6VE,K6,K6E, K6V,K6VE,M6E, M6VE			
		MK539368	TUBE,FRAME BRAKE AIR LINE,NO.10	1	10		G6,G6V,H6, H6E,H6V,H6VE, J6,J6E,J6V, J6VE,K6,K6E, K6V,K6VE,M6E, M6VE			
		MK539368	TUBE,FRAME BRAKE AIR LINE,NO.10	1	10		G6,H6,H6E, J6,J6E,K6, K6E,M6E			
		MK539368	TUBE,FRAME BRAKE AIR LINE,NO.10	1	10		G6V,H6V,H6VE, J6V,J6VE,K6V, K6VE,M6VE			
		MK573644	TUBE,FRAME BRAKE AIR LINE,NO.10	1	10		G6,G6V,H6, H6E,H6V,H6VE, J6,J6E,J6V, J6VE,K6,K6E, K6VE,M6E			
		56737CE	MC457609	TUBE,FRAME BRAKE AIR LINE,NO.10	1	10		G6,G6E,H6, H6E,J6,J6E, K6,K6E,M6, M6E		
			MC459040	TUBE,FRAME BRAKE AIR LINE,NO.10	1	10		G6,G6E,H6, H6E,J6,J6E, K6,K6E,M6, M6E	1GP	04
	MC457609		TUBE,FRAME BRAKE AIR LINE,NO.10	1	10		G6,G6E,H6, H6E,J6,J6E, K6,K6E,M6, M6E	1PS	04	
	MK539381		TUBE,FRAME BRAKE AIR LINE,NO.10	1	10		G6,G6V,H6, H6E,H6V,H6VE, J6,J6E,J6V, J6VE,K6,K6E, K6V,K6VE,M6E, M6VE			
	MK539381		TUBE,FRAME BRAKE AIR LINE,NO.10	1	10		G6,G6V,H6, H6E,H6V,H6VE, J6,J6E,J6V, J6VE,K6,K6E, K6V,K6VE,M6E, M6VE			
	MK539381		TUBE,FRAME BRAKE AIR LINE,NO.10	1	10		G6,H6,H6E, J6,J6E,K6, K6E,M6E			
	MK539381		TUBE,FRAME BRAKE AIR LINE,NO.10	1	10		G6V,H6V,H6VE, J6V,J6VE,K6V, K6VE,M6VE			

FK74R
35-410 BRAKE AIR LINE

Repl Part	PNC	Part No	Part Name	Qty	Part Spec	PREV.1	Classification	Option	Model Year
	56737CE	MK573657	TUBE,FRAME BRAKE AIR LINE,NO.10	1	10		G6,G6V,H6, H6E,H6V,H6VE, J6,J6E,J6V, J6VE,K6,K6E, K6VE,M6E		
	56737CF	MK361013	TUBE,FRAME BRAKE AIR LINE,NO.10	1	10		G6,G6E,H6, H6E,J6,J6E, K6,K6E,M6, M6E	1GP	04
	56737CJ	MK466554	TUBE,FRAME BRAKE AIR LINE,NO.10	1	10		G6,G6E,H6, H6E,J6,J6E, K6,K6E,M6, M6E		
		MK538277	TUBE,FRAME BRAKE AIR LINE,NO.10	1	10		G6,G6E,H6, H6E,J6,J6E, K6,K6E,M6, M6E	1GP	04
	56737CK	MK438365	TUBE,FRAME BRAKE AIR LINE,NO.10	1	10		G6,G6E,H6, H6E,J6,J6E, K6,K6E,M6, M6E		
		MK439406	TUBE,FRAME BRAKE AIR LINE,NO.10	1	10		G6,G6E,H6, H6E,J6,J6E, K6,K6E,M6, M6E	1GP	04
		MK539371	TUBE,FRAME BRAKE AIR LINE,NO.10	1	10		G6,G6V,H6, H6E,H6V,H6VE, J6,J6E,J6V, J6VE,K6,K6E, K6V,K6VE,M6E, M6VE		
		MK539371	TUBE,FRAME BRAKE AIR LINE,NO.10	1	10		G6,G6V,H6, H6E,H6V,H6VE, J6,J6E,J6V, J6VE,K6,K6E, K6V,K6VE,M6E, M6VE		
		MK539371	TUBE,FRAME BRAKE AIR LINE,NO.10	1	10		G6,H6,H6E, J6,J6E,K6, K6E,M6E		
		MK539371	TUBE,FRAME BRAKE AIR LINE,NO.10	1	10		G6V,H6V,H6VE, J6V,J6VE,K6V, K6VE,M6VE		
		MK573647	TUBE,FRAME BRAKE AIR LINE,NO.10	1	10		G6,G6V,H6, H6E,H6V,H6VE, J6,J6E,J6V, J6VE,K6,K6E, K6VE,M6E		
	56737CZ	MK539364	TUBE,FRAME BRAKE AIR LINE,NO.10	1	10		G6,G6V,H6, H6E,H6V,H6VE, J6,J6E,J6V, J6VE,K6,K6E, K6V,K6VE,M6E, M6VE		
		MK652259	TUBE,FRAME BRAKE AIR LINE,NO.10	1	10		G6,G6V,H6, H6E,H6V,H6VE, J6,J6E,J6V, J6VE,K6,K6E, K6VE,M6E		
	56737D	MK537253	TUBE,FRAME BRAKE AIR LINE,NO.10	1	10		G6,G6E,H6, H6E,J6,J6E, K6,K6E,M6, M6E		
	56737E	MK537252	TUBE,FRAME BRAKE AIR LINE,NO.10	1	10		G6,G6E,H6, H6E,J6,J6E, K6,K6E,M6, M6E		
		MK537875	TUBE,FRAME BRAKE AIR LINE,NO.10	1	10		G6,G6E,H6, H6E,J6,J6E, K6,K6E,M6, M6E	1GP	04

FK74R
35-410 BRAKE AIR LINE

Repl Part	PNC	Part No	Part Name	Qty	Part Spec	PREV.1	Classification	Option	Model Year
	56737E	MK537269	TUBE,FRAME BRAKE AIR LINE,NO.10	1	10		G6,G6V,H6, H6E,H6V,H6VE, J6,J6E,J6V, J6VE,K6,K6E, K6V,K6VE,M6E, M6VE		
		MK537269	TUBE,FRAME BRAKE AIR LINE,NO.10	1	10		G6,G6V,H6, H6E,H6V,H6VE, J6,J6E,J6V, J6VE,K6,K6E, K6V,K6VE,M6E, M6VE		
		MK537269	TUBE,FRAME BRAKE AIR LINE,NO.10	1	10		G6,H6,H6E, J6,J6E,K6, K6E,M6E		
		MK537269	TUBE,FRAME BRAKE AIR LINE,NO.10	1	10		G6V,H6V,H6VE, J6V,J6VE,K6V, K6VE,M6VE		
RP	56737F	MC456876	TUBE,FRAME BRAKE AIR LINE,NO.10	1	10	O	G6,H6,J6, K6,M6		
RP		MC456877	TUBE,FRAME BRAKE AIR LINE,NO.10	1	10	O	G6E,H6E,J6E, K6E,M6E		
	56737FD	MC457613	TUBE,FRAME BRAKE AIR LINE,NO.10	1	10		G6,G6E,H6, H6E,J6,J6E, K6,K6E,M6, M6E	1PS	04
	56737FU	MC459058	TUBE,FRAME BRAKE AIR LINE,NO.10	1	10		G6,H6,H6E, J6,J6E,K6, K6E,M6E		
		MC459058	TUBE,FRAME BRAKE AIR LINE,NO.10	1	10		G6,G6E,H6, H6E,J6,J6E, K6,K6E,M6, M6E		
		MC459058	TUBE,FRAME BRAKE AIR LINE,NO.10	1	10		G6E,M6		
		MC459058	TUBE,FRAME BRAKE AIR LINE,NO.10	1	10		G6,G6E,H6, H6E,J6,J6E, K6,K6E,M6, M6E		
		MK439405	TUBE,FRAME BRAKE AIR LINE,NO.10	1	10		G6,G6E,H6, H6E,J6,J6E, K6,K6E,M6, M6E	1GP	04
		MK347099	TUBE,FRAME BRAKE AIR LINE,NO.10	1	10		G6,G6E,H6, H6E,J6,J6E, K6,K6E,M6, M6E	1PS	04
		MK539369	TUBE,FRAME BRAKE AIR LINE,NO.10	1	10		G6,H6,H6E, J6,J6E,K6, K6E,M6E		
		MK539369	TUBE,FRAME BRAKE AIR LINE,NO.10	1	10		G6,H6,H6E, J6,J6E,K6, K6E,M6E		
		MK539369	TUBE,FRAME BRAKE AIR LINE,NO.10	1	10		G6,G6V,H6, H6E,H6V,H6VE, J6,J6E,J6V, J6VE,K6,K6E, K6V,K6VE,M6E, M6VE		
		MK539369	TUBE,FRAME BRAKE AIR LINE,NO.10	1	10		G6,H6,H6E, J6,J6E,K6, K6E,M6E		
		MK539369	TUBE,FRAME BRAKE AIR LINE,NO.10	1	10		G6V,H6V,H6VE, J6V,J6VE,K6V, K6VE,M6VE		
		MK539369	TUBE,FRAME BRAKE AIR LINE,NO.10	1	10		G6,H6,H6E, J6,J6E,K6, K6E,M6E	1GP	05
		MK539371	TUBE,FRAME BRAKE AIR LINE,NO.10	1	10		G6,H6,H6E, J6,J6E,K6, K6E,M6E	1PS	05
		MK573645	TUBE,FRAME BRAKE AIR LINE,NO.10	1	10		G6,H6,H6E, J6,J6E,K6, K6E,M6E		

FK74R
35-410 BRAKE AIR LINE

Repl Part	PNC	Part No	Part Name	Qty	Part Spec	PREV.1	Classification	Option	Model Year
	56737FU	MK573645	TUBE,FRAME BRAKE AIR LINE,NO.10	1	10		G6V,H6V,H6VE, J6V,J6VE,K6VE		
		MK573645	TUBE,FRAME BRAKE AIR LINE,NO.10	1	10		G6,H6,H6E, J6,J6E,K6, K6E,M6E		
		MK573645	TUBE,FRAME BRAKE AIR LINE,NO.10	1	10		G6,G6V,H6, H6E,H6V,H6VE, J6,J6E,J6V, J6VE,K6,K6E, K6VE,M6E		
		MK573645	TUBE,FRAME BRAKE AIR LINE,NO.10	1	10		G6,H6,H6E, J6,J6E,K6, K6E,M6E	1GP	07
		MK573647	TUBE,FRAME BRAKE AIR LINE,NO.10	1	10		G6,H6,H6E, J6,J6E,K6, K6E,M6E	1PS	07
	56737FV	MK539370	TUBE,FRAME BRAKE AIR LINE,NO.10	1	10		G6,G6V,H6, H6E,H6V,H6VE, J6,J6E,J6V, J6VE,K6,K6E, K6V,K6VE,M6E, M6VE		
		MK573646	TUBE,FRAME BRAKE AIR LINE,NO.10	1	10		G6,G6V,H6, H6E,H6V,H6VE, J6,J6E,J6V, J6VE,K6,K6E, K6VE,M6E		
RP	56737G	MC456878	TUBE,FRAME BRAKE AIR LINE,NO.10	1	10	O	G6,H6,J6, K6,M6		
RP		MC456879	TUBE,FRAME BRAKE AIR LINE,NO.10	1	10	O	G6E,H6E,J6E, K6E,M6E		
	56737H	MK537251	TUBE,FRAME BRAKE AIR LINE,NO.10	1	10		G6,G6E,H6, H6E,J6,J6E, K6,K6E,M6, M6E		
	56737J	MK465191	TUBE,FRAME BRAKE AIR LINE,NO.10	1	10		G6,G6E,H6, H6E,J6,J6E, K6,K6E,M6, M6E		
	56737K	MK465182	TUBE,FRAME BRAKE AIR LINE,NO.10	1	10		G6,G6E,H6, H6E,J6,J6E, K6,K6E,M6, M6E		
		MK537873	TUBE,FRAME BRAKE AIR LINE,NO.10	1	10		G6,G6E,H6, H6E,J6,J6E, K6,K6E,M6, M6E	1GP	04
		MK465182	TUBE,FRAME BRAKE AIR LINE,NO.10	1	10		G6,G6E,H6, H6E,J6,J6E, K6,K6E,M6, M6E	1PS	04
	56737M	MK465183	TUBE,FRAME BRAKE AIR LINE,NO.10	1	10		G6,G6E,H6, H6E,J6,J6E, K6,K6E,M6, M6E		
		MK465201	TUBE,FRAME BRAKE AIR LINE,NO.10	1	10		G6,G6E,H6, H6E,J6,J6E, K6,K6E,M6, M6E	1GP	04
		MK465187	TUBE,FRAME BRAKE AIR LINE,NO.10	1	10		G6,G6E,H6, H6E,J6,J6E, K6,K6E,M6, M6E	1PS	04
	56737U	MK539817	TUBE,FRAME BRAKE AIR LINE,NO.10	1	10		G6,G6V,H6, H6E,H6V,H6VE, J6,J6E,J6V, J6VE,K6,K6E, K6V,K6VE,M6E, M6VE	1GP	05

FK74R
35-410 BRAKE AIR LINE

Repl Part	PNC	Part No	Part Name	Qty	Part Spec	PREV.1	Classification	Option	Model Year
	56737U	MK573670	TUBE,FRAME BRAKE AIR LINE,NO.10	1	10		G6,G6V,H6, H6E,H6V,H6VE, J6,J6E,J6V, J6VE,K6,K6E, K6VE,M6E	1GP	07
	56737V	MK465206	TUBE,FRAME BRAKE AIR LINE,NO.10	1	10		G6,G6E,H6, H6E,J6,J6E, K6,K6E,M6, M6E	1GP	04
		MK539816	TUBE,FRAME BRAKE AIR LINE,NO.10	1	10		G6,G6V,H6, H6E,H6V,H6VE, J6,J6E,J6V, J6VE,K6,K6E, K6V,K6VE,M6E, M6VE	1GP	05
		MK650005	TUBE,FRAME BRAKE AIR LINE,NO.10	1	10		G6,G6V,H6, H6E,H6V,H6VE, J6,J6E,J6V, J6VE,K6,K6E, K6VE,M6E	1GP	07
	56737W	MK464773	TUBE,FRAME BRAKE AIR LINE,NO.10	1	10		G6,G6E,H6, H6E,J6,J6E, K6,K6E,M6, M6E	1GP	04
	56737Z	MK361008	TUBE,FRAME BRAKE AIR LINE,NO.10	1	10		G6,G6E,H6, H6E,J6,J6E, K6,K6E,M6, M6E	1GP	04
	56738CB	MK650319	TUBE,FRAME BRAKE AIR LINE,NO.12	1	12		G6,G6V,H6, H6E,H6V,H6VE, J6,J6E,J6V, J6VE,K6,K6E, K6VE,M6E		
	56738CC	MK650264	TUBE,FRAME BRAKE AIR LINE,NO.12	1	12		G6,G6V,H6, H6E,H6V,H6VE, J6,J6E,J6V, J6VE,K6,K6E, K6VE,M6E		
	56738CD	MK651646	TUBE,FRAME BRAKE AIR LINE,NO.12	1	12		G6,G6V,H6, H6E,H6V,H6VE, J6,J6E,J6V, J6VE,K6,K6E, K6VE,M6E		
	56738CE	MK651647	TUBE,FRAME BRAKE AIR LINE,NO.12	1	12		G6,G6V,H6, H6E,H6V,H6VE, J6,J6E,J6V, J6VE,K6,K6E, K6VE,M6E		
	56738CF	MK651648	TUBE,FRAME BRAKE AIR LINE,NO.12	1	12		G6,G6V,H6, H6E,H6V,H6VE, J6,J6E,J6V, J6VE,K6,K6E, K6VE,M6E		
	56738E	MC458042	TUBE,FRAME BRAKE AIR LINE,NO.12	1	15		G6,G6E,H6, H6E,J6,J6E, K6,K6E,M6, M6E		
		MC459480	TUBE,FRAME BRAKE AIR LINE,NO.12	1	15		G6,G6E,H6, H6E,J6,J6E, K6,K6E,M6, M6E	1GP	04
		MC458042	TUBE,FRAME BRAKE AIR LINE,NO.12	1	15		G6,G6E,H6, H6E,J6,J6E, K6,K6E,M6, M6E	1PS	04
	56739B	MK465257	TUBE,FRAME BRAKE AIR LINE,NO.15	1	15		G6,G6E,H6, H6E,J6,J6E, K6,K6E,M6, M6E		
		MK537854	TUBE,FRAME BRAKE AIR LINE,NO.15	1	15		G6,G6E,H6, H6E,J6,J6E, K6,K6E,M6, M6E		

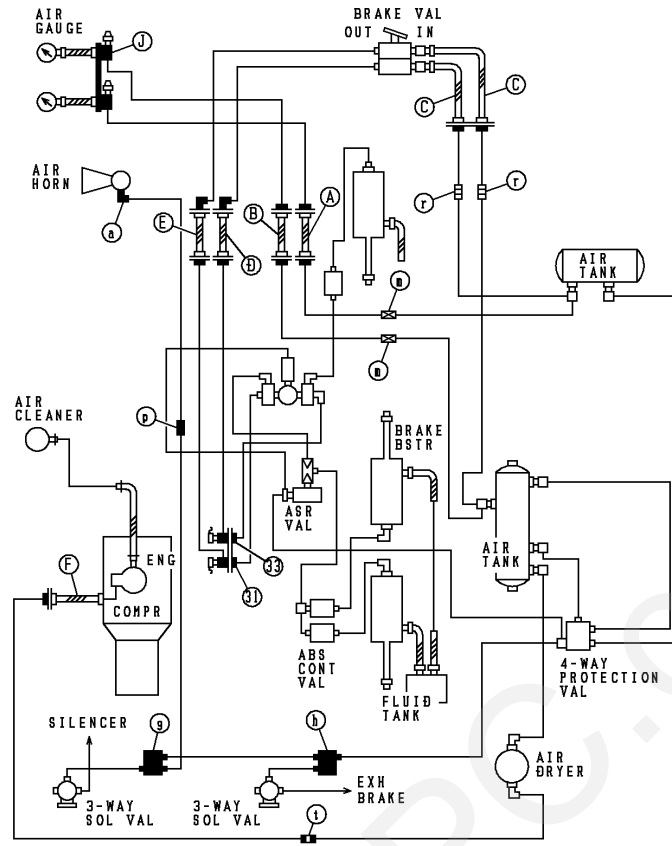
FK74R
35-410 BRAKE AIR LINE

Repl Part	PNC	Part No	Part Name	Qty	Part Spec	PREV.1	Classification	Option	Model Year
	56739B	MK572061	TUBE,FRAME BRAKE AIR LINE,NO.15	1	15		G6,H6,H6E, J6,J6E,K6, K6E,M6E		
		MK572062	TUBE,FRAME BRAKE AIR LINE,NO.15	1	15		G6V,H6V,H6VE, J6V,J6VE,K6V, K6VE,M6VE		
		MK651149	TUBE,FRAME BRAKE AIR LINE,NO.15	1	15		G6,G6V,H6, H6E,H6V,H6VE, J6,J6E,J6V, J6VE,K6,K6E, K6VE,M6E		
	56739C	MC459481	TUBE,FRAME BRAKE AIR LINE,NO.15	1	15		G6,G6E,H6, H6E,J6,J6E, K6,K6E,M6, M6E	1GP	04
		MC458041	TUBE,FRAME BRAKE AIR LINE,NO.15	1	15		G6,G6E,H6, H6E,J6,J6E, K6,K6E,M6, M6E	1PS	04
		MC458041	TUBE,FRAME BRAKE AIR LINE,NO.15	1	15		G6,G6E,G6V, H6,H6E,H6V, H6VE,J6,J6E, J6V,J6VE,K6, K6E,K6V,K6VE, M6,M6E,M6VE		
		MC458041	TUBE,FRAME BRAKE AIR LINE,NO.15	1	15		G6,G6E,G6V, H6,H6E,H6V, H6VE,J6,J6E, J6V,J6VE,K6, K6E,K6V,K6VE, M6,M6E,M6VE		
		MC458041	TUBE,FRAME BRAKE AIR LINE,NO.15	1	15		G6,G6E,H6, H6E,J6,J6E, K6,K6E,M6, M6E		
		MC458041	TUBE,FRAME BRAKE AIR LINE,NO.15	1	15		G6V,H6V,H6VE, J6V,J6VE,K6V, K6VE,M6VE		
	56963AE	MK468977	TUBE ASSY,FRAME BRAKE AIR LINE	1			G6,G6E,H6, H6E,J6,J6E, K6,K6E,M6, M6E		
	56974AH	MK571528	TUBE ASSY,BODY BRAKE AIR LINE	1			G6,H6,J6, K6		
		MK571528	TUBE ASSY,BODY BRAKE AIR LINE	1			G6,G6V,H6, H6V,J6,J6V, K6,K6V		
		MK571528	TUBE ASSY,BODY BRAKE AIR LINE	1			K6V		
		MK571528	TUBE ASSY,BODY BRAKE AIR LINE	1			G6V,H6V,J6V		
		MK571528	TUBE ASSY,BODY BRAKE AIR LINE	1			G6,G6V,H6, H6V,J6,J6V, K6,K6V		
		MK571529	TUBE ASSY,BODY BRAKE AIR LINE	1			H6E,H6VE,J6E, J6VE,K6E,K6VE, M6E,M6VE		
		MK571529	TUBE ASSY,BODY BRAKE AIR LINE	1			H6E,H6VE,J6E, J6VE,K6E,K6VE, M6E,M6VE		
		MK571529	TUBE ASSY,BODY BRAKE AIR LINE	1			H6VE,J6VE,K6VE		
		MK571529	TUBE ASSY,BODY BRAKE AIR LINE	1			H6E,J6E,K6E, M6E		
		MK571529	TUBE ASSY,BODY BRAKE AIR LINE	1			M6VE		
		MK573945	TUBE ASSY,BODY BRAKE AIR LINE	1			G6V,H6V,J6V		
		MK573945	TUBE ASSY,BODY BRAKE AIR LINE	1			G6,H6,J6, K6		
		MK573945	TUBE ASSY,BODY BRAKE AIR LINE	1			G6,G6V,H6, H6V,J6,J6V, K6		
		MK573946	TUBE ASSY,BODY BRAKE AIR LINE	1			H6VE,J6VE,K6VE		
		MK573946	TUBE ASSY,BODY BRAKE AIR LINE	1			H6E,J6E,K6E, M6E		

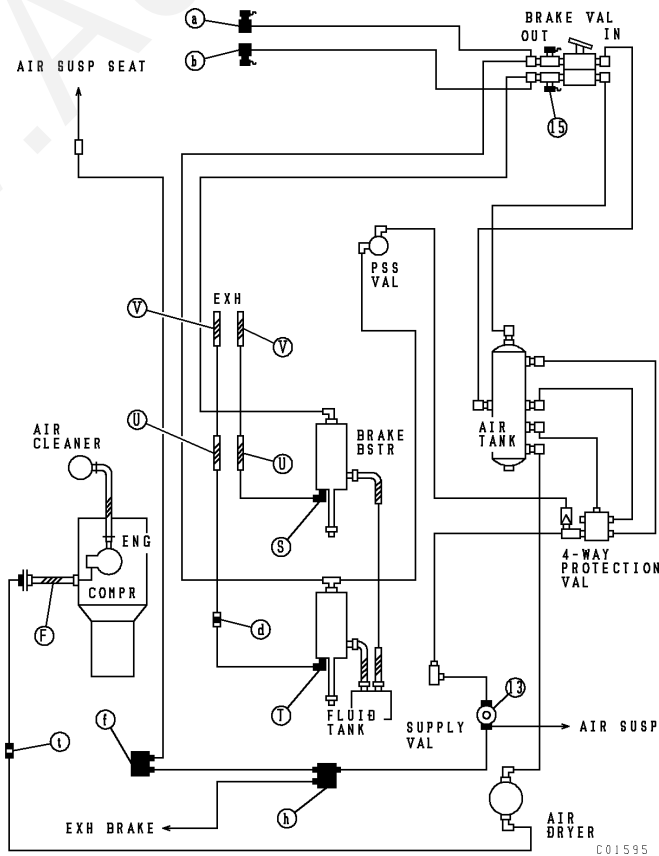
FK74R
35-410 BRAKE AIR LINE

Repl Part	PNC	Part No	Part Name	Qty	Part Spec	PREV.1	Classification	Option	Model Year
	56974AH	MK573946	TUBE ASSY,BODY BRAKE AIR LINE	1			H6E,H6VE,J6E, J6VE,K6E,K6VE, M6E		
		MK573945	TUBE ASSY,BODY BRAKE AIR LINE	1			G6,G6V,H6, H6V,J6,J6V, K6	13G	07
		MK573946	TUBE ASSY,BODY BRAKE AIR LINE	1			H6E,H6VE,J6E, J6VE,K6E,K6VE, M6E	13G	07
		MK653487	TUBE ASSY,BODY BRAKE AIR LINE	1			G6,G6V,H6, H6V,J6,J6V, K6	1GP	07
		MK653488	TUBE ASSY,BODY BRAKE AIR LINE	1			H6E,H6VE,J6E, J6VE,K6E,K6VE, M6E	1GP	07
		MK653489	TUBE ASSY,BODY BRAKE AIR LINE	1			G6,H6,J6, K6	1PS	07
		MK653490	TUBE ASSY,BODY BRAKE AIR LINE	1			H6E,J6E,K6E, M6E	1PS	07
	56974AN	MK347223	TUBE ASSY,BODY BRAKE AIR LINE	1			G6,H6,J6, K6,M6		
		MK347234	TUBE ASSY,BODY BRAKE AIR LINE	1	6		G6E,H6E,J6E, K6E,M6E		
	56736BV	(N.e.c.)	TUBE,FRAME BRAKE AIR LINE,NO.6						
	56736BK	(N.e.c.)	TUBE,FRAME BRAKE AIR LINE,NO.6						
	56736BY	(N.e.c.)	TUBE,FRAME BRAKE AIR LINE,NO.6						
	56737HV	(N.e.c.)	TUBE,FRAME BRAKE AIR LINE,NO.10						
	56736EU	(N.e.c.)	TUBE,FRAME BRAKE AIR LINE,NO.6						
	56733D	(N.e.c.)	TUBE,BODY BRAKE AIR LINE,NO.6						
	56733E	(N.e.c.)	TUBE,BODY BRAKE AIR LINE,NO.6						
	56963AK	(N.e.c.)	TUBE ASSY,FRAME BRAKE AIR LINE						
	56736Z	(N.e.c.)	TUBE,FRAME BRAKE AIR LINE,NO.6						
	56739E	(N.e.c.)	TUBE,FRAME BRAKE AIR LINE,NO.15						

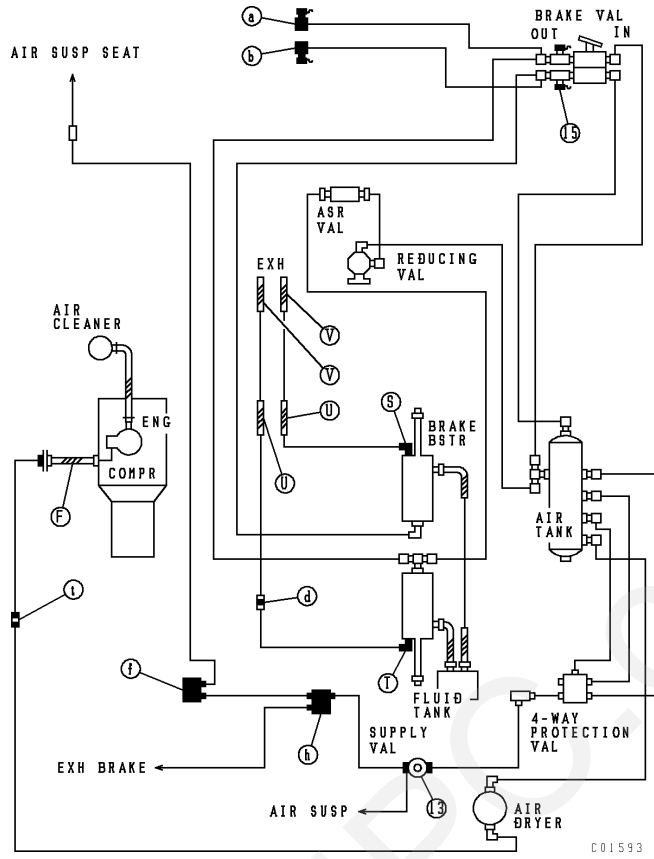
FK74R
No.1



FK74R
No.2

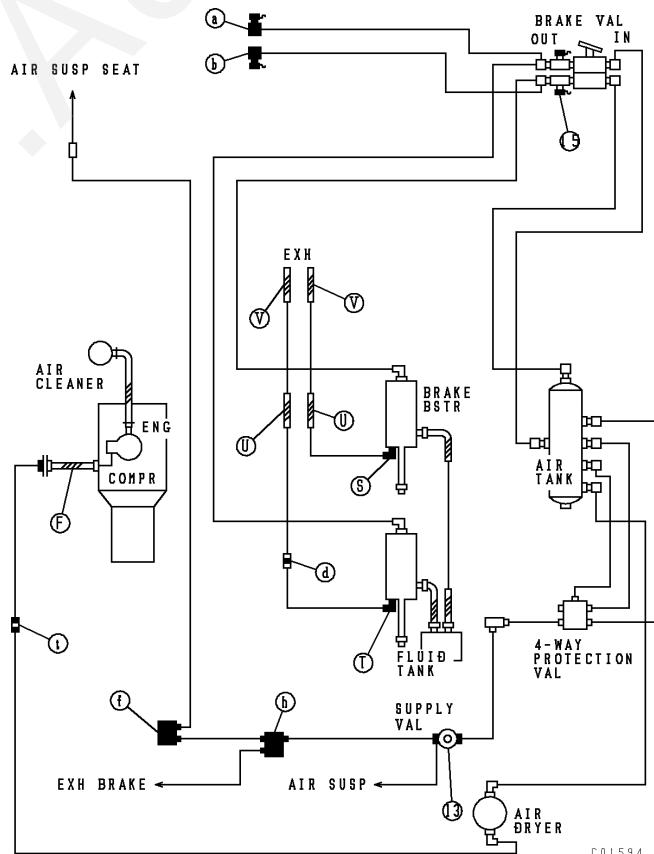


FK74R
No.3



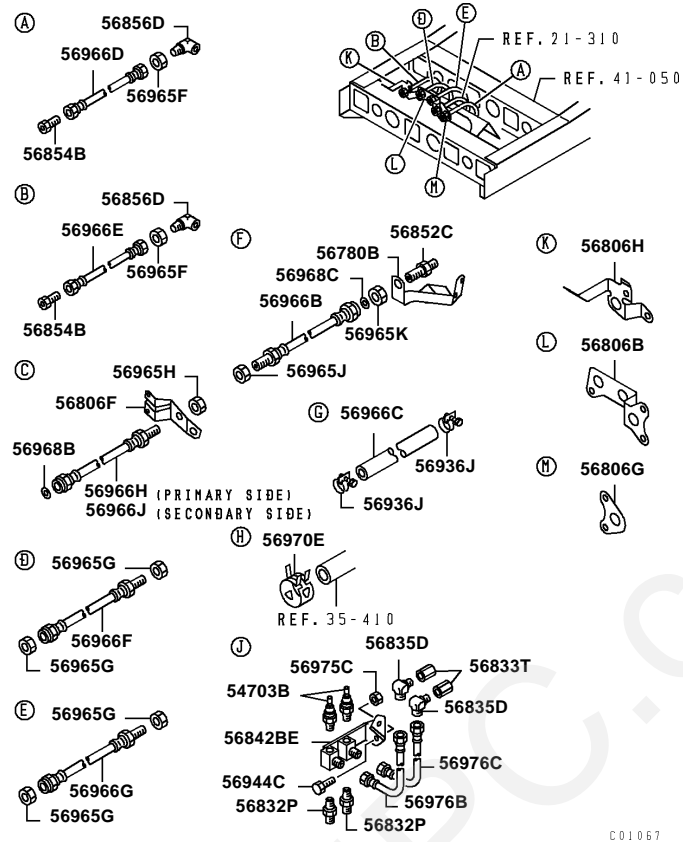
C01593

FK74R
No.4



C01594

FK74R
No.5

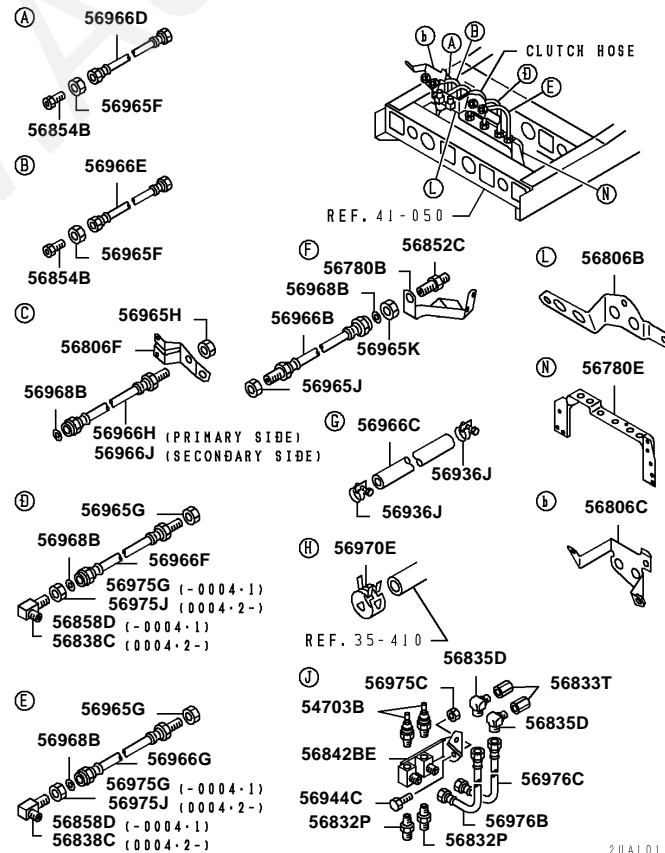


C01067

Ref. |2035430

Page

FK74R
No.6

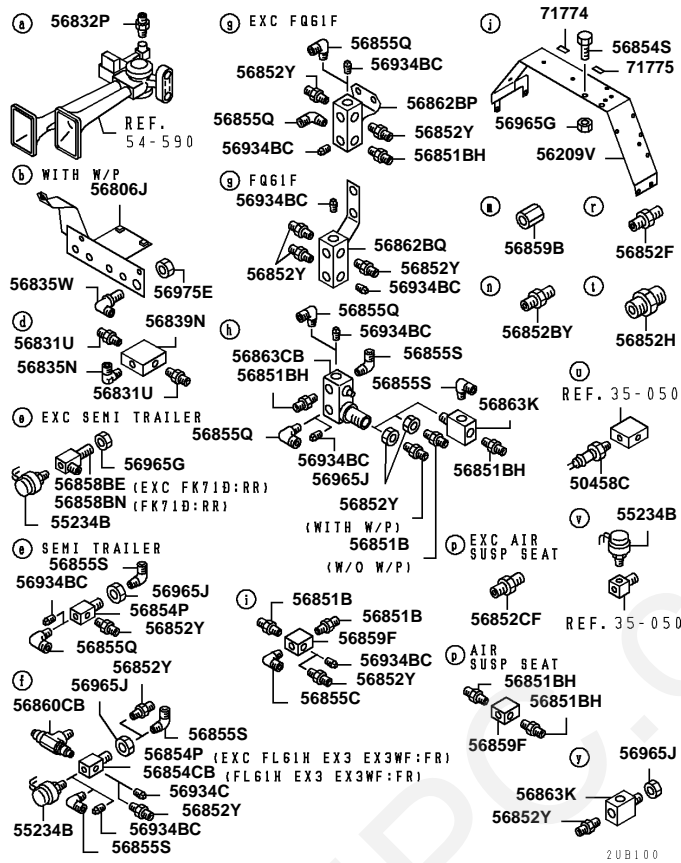


20A101

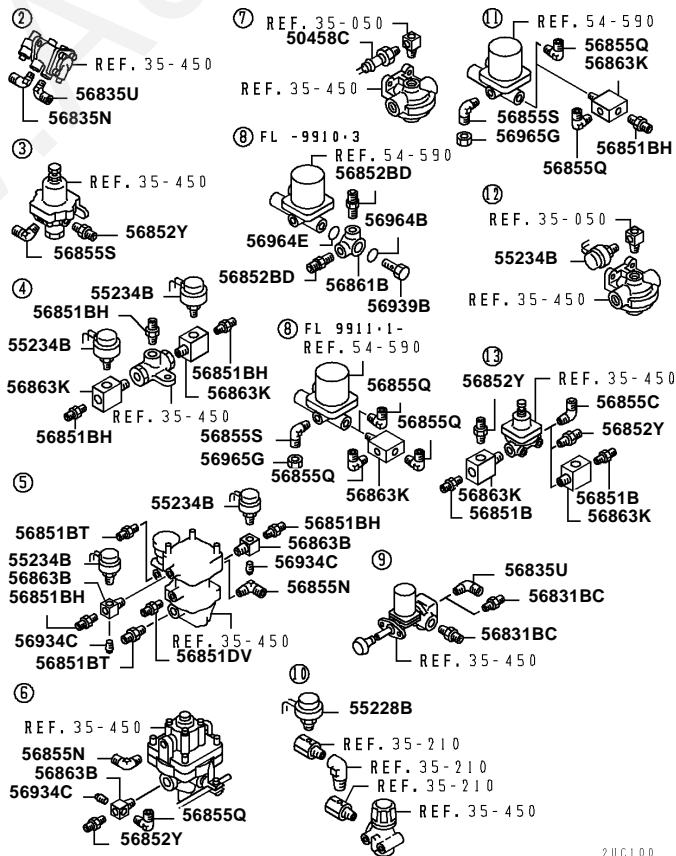
Ref. |2035430

Page

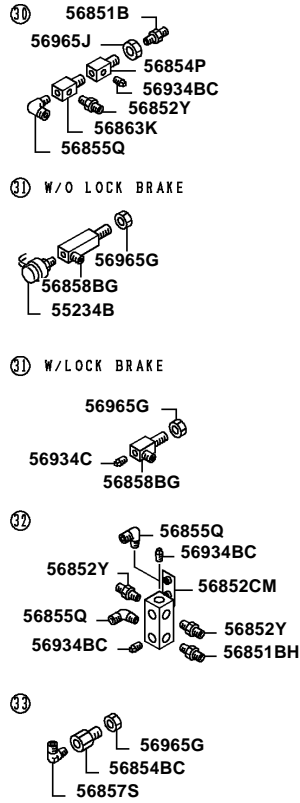
FK74R
No.7



FK74R
No.8



FK74R
No.9

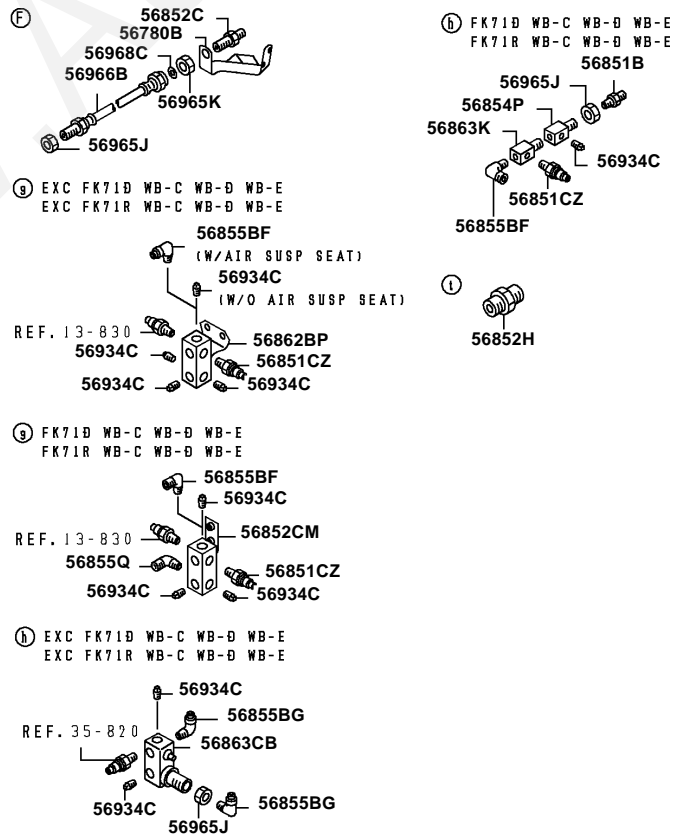


C01068

Ref. |2035430

Page

FK74R
No.10

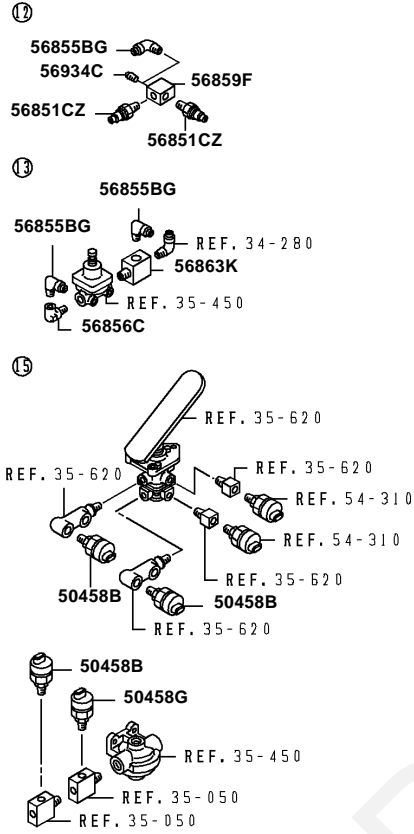


C01327

Ref. |2035430

Page

**FK74R
No.11**

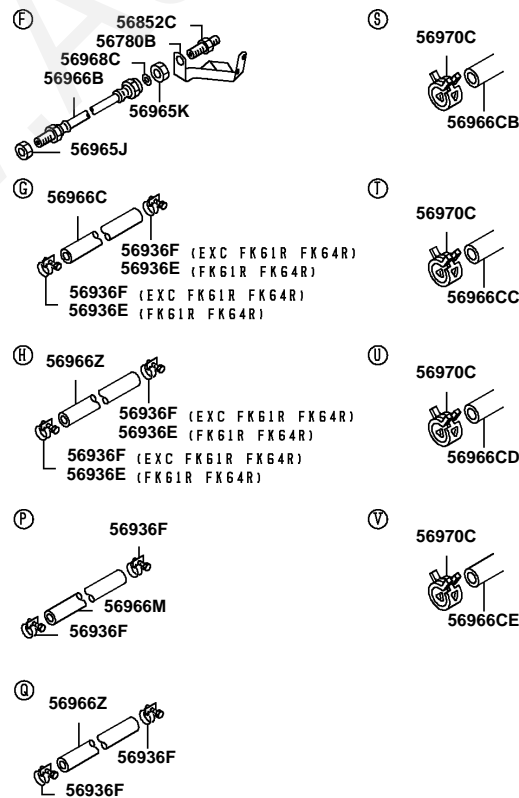


C01328

Ref. |2035430

Page

**FK74R
No.12**

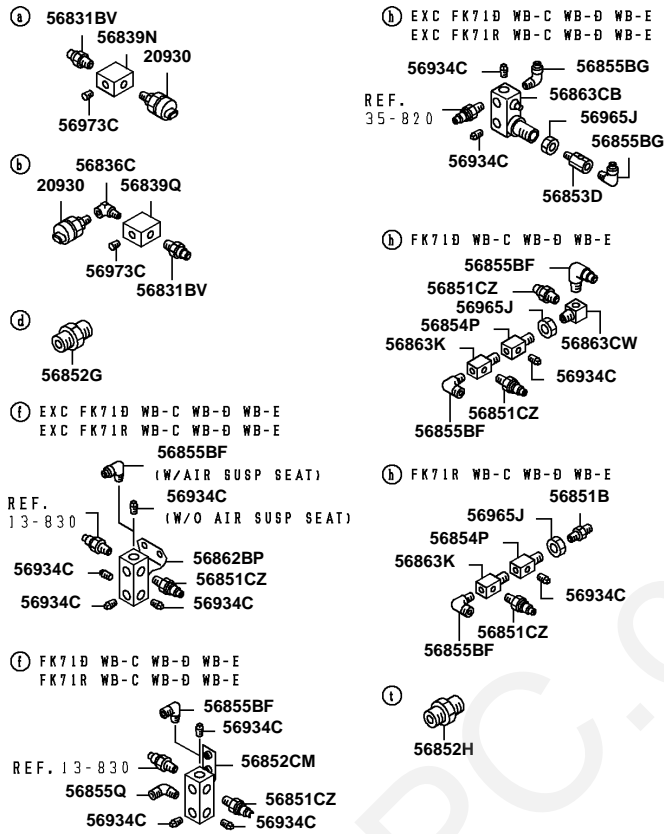


C01565

Ref. |2035430

Page

FK74R No.13

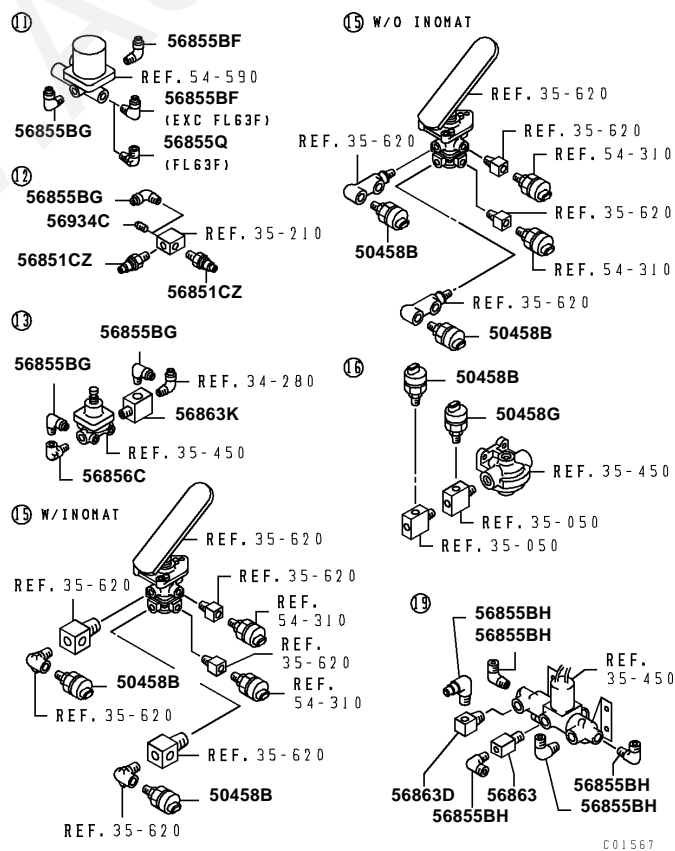


C01566

Ref. |2035430

Page

FK74R No.14

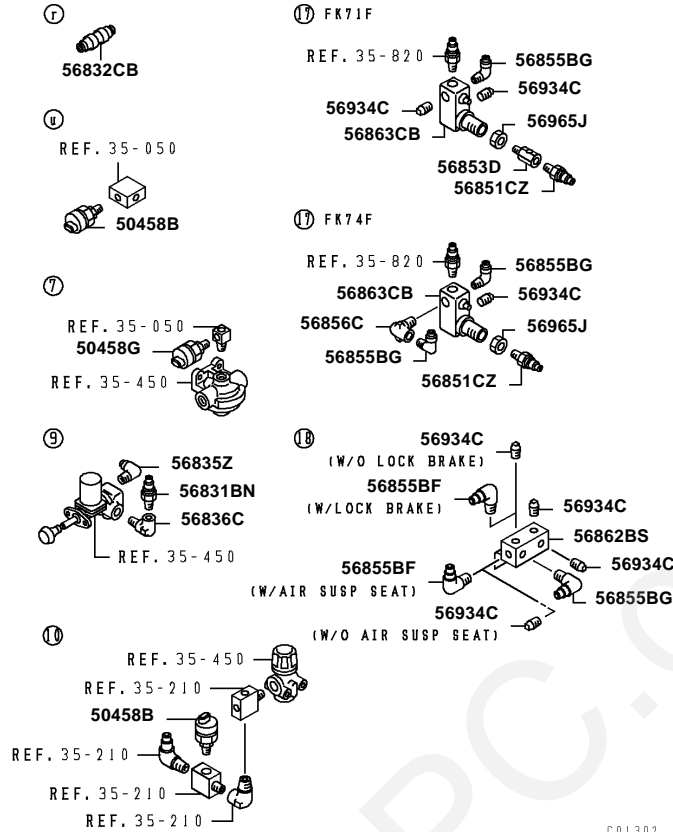


C01567

Ref. |2035430

Page

**FK74R
No.15**



C01302

Ref. |2035430

Page

**FK74R
35-430 BRAKE AIR LINE JOINT & HOSE**

Repl Part	PNC	Part No	Part Name	Qty	Part Spec	Remarks	PREV.1
	20930	MK420506	SWITCH,CLUTCH FLUID LINE PRESSURE	2			
	50458B	MK420505	SWITCH,BRAKE AIR LINE PARKING	2			
	54703B	MK327604	SWITCH,BRAKE LOW PRESSURE	2			
	55234B	MC898585	SWITCH,BRAKE AIR PRESSURE	2			
	56780B	MK466683	BRACKET,FRAME BRAKE LINE HOSE,NO.10	1			
		MK537170	BRACKET,FRAME BRAKE LINE HOSE,NO.10	1			
		MK466683	BRACKET,FRAME BRAKE LINE HOSE,NO.10	1			
		MK537170	BRACKET,FRAME BRAKE LINE HOSE,NO.10	1			

Ref. |2035430

Page

FK74R
35-430 BRAKE AIR LINE JOINT & HOSE

Repl Part	PNC	Part No	Part Name	Qty	Part Spec	Remarks	PREV.1
	56780B	MK537170	BRACKET,FRAME BRAKE LINE HOSE,NO.10	1			
	56806B	MC440754	BRACKET,BODY BRAKE LINE HOSE,NO.6	1			
	56806F	MC443447	BRACKET,BODY BRAKE LINE HOSE,NO.6	1			
	56806G	MC440755	BRACKET,BODY BRAKE LINE HOSE,NO.6	1			
	56806H	MK347102	BRACKET,BODY BRAKE LINE HOSE,NO.6	1			
RP	56831BV	MC072028	JOINT,BODY BRAKE AIR LINE,NO.1	2			O
	56832P	MH038151	JOINT,BODY BRAKE AIR LINE,NO.2	3			
	56833T	MH039962	JOINT,BODY BRAKE AIR LINE,NO.3	2			
	56835D	MH038825	JOINT,BODY BRAKE AIR LINE,NO.5	2			
	56836C	MH038257	JOINT,BODY BRAKE AIR LINE,NO.6	1			
	56839N	MH038735	JOINT,BODY BRAKE AIR LINE,NO.9	1			
	56839Q	MH039856	JOINT,BODY BRAKE AIR LINE,NO.9	1			
	56842BE	MH039863	JOINT,BODY BRAKE AIR LINE,NO.12	1			
	56851B	MH038341	JOINT,FRAME BRAKE AIR LINE,NO.1	1			
	56851BH	MH039176	JOINT,FRAME BRAKE AIR LINE,NO.1	2		W/O SEALANT	
		MH039176	JOINT,FRAME BRAKE AIR LINE,NO.1	4		W/O SEALANT	
		MH039176	JOINT,FRAME BRAKE AIR LINE,NO.1	2		W/O SEALANT	
RP	56851CZ	MC072028	JOINT,FRAME BRAKE AIR LINE,NO.1	2			O
	56852C	MH038932	JOINT,FRAME BRAKE AIR LINE,NO.2	1			

FK74R
35-430 BRAKE AIR LINE JOINT & HOSE

Repl Part	PNC	Part No	Part Name	Qty	Part Spec	Remarks	PREV.1
	56852CF	MH038148	JOINT,FRAME BRAKE AIR LINE,NO.2	1			
	56852F	MH038331	JOINT,FRAME BRAKE AIR LINE,NO.2	2			
RP	56852G	MH038314	JOINT,FRAME BRAKE AIR LINE,NO.2	1	20		
RP	56852H	MH038313	JOINT,FRAME BRAKE AIR LINE,NO.2	1	22		
	56852Y	MH039172	JOINT,FRAME BRAKE AIR LINE,NO.2	3			
	56854B	MH038367	JOINT,FRAME BRAKE AIR LINE,NO.4	2			
	56854BC	MK536823	JOINT,FRAME BRAKE AIR LINE,NO.4	1			
RP	56855BF	MC089642	JOINT,FRAME BRAKE AIR LINE,NO.5	1			
		MC071552	JOINT,FRAME BRAKE AIR LINE,NO.5	1			
		MC071552	JOINT,FRAME BRAKE AIR LINE,NO.5	1			
RP	56855BG	MC071554	JOINT,FRAME BRAKE AIR LINE,NO.5	3			O
	56855Q	MH039714	JOINT,FRAME BRAKE AIR LINE,NO.5	1			
	56855S	MH039715	JOINT,FRAME BRAKE AIR LINE,NO.5	1			
	56856C	MH038257	JOINT,FRAME BRAKE AIR LINE,NO.6	1			
	56856D	MH038264	JOINT,FRAME BRAKE AIR LINE,NO.6	2	SILVER		

FK74R
35-430 BRAKE AIR LINE JOINT & HOSE

Repl Part	PNC	Part No	Part Name	Qty	Part Spec	Remarks	PREV.1
	56857S	MH038208	JOINT,FRAME BRAKE AIR LINE,NO.7	1			
	56858BG	MH039705	JOINT,FRAME BRAKE AIR LINE,NO.8	1			
	56859B	MH038374	JOINT,FRAME BRAKE AIR LINE,NO.9	2			
	56859F	MH038735	JOINT,FRAME BRAKE AIR LINE,NO.9	1			
		MH038735	JOINT,FRAME BRAKE AIR LINE,NO.9	1			
		MH038735	JOINT,FRAME BRAKE AIR LINE,NO.9	1			
		MH038735	JOINT,FRAME BRAKE AIR LINE,NO.9	1			
	56862BP	MC459275	JOINT,FRAME BRAKE AIR LINE,NO.12	1			
	56863CB	MH039662	JOINT,FRAME BRAKE AIR LINE,NO.13	1			
	56863K	MH039853	JOINT,FRAME BRAKE AIR LINE,NO.13	1			
	56934BC	MS661121	PLUG,FRAME BRAKE AIR LINE	4	TAPER,HEXAGON,PT-1/4		
	56934C	MS661121	PLUG,FRAME BRAKE AIR LINE	6	TAPER,HEXAGON,PT-1/4		
		MS661121	PLUG,FRAME BRAKE AIR LINE	7	TAPER,HEXAGON,PT-1/4		
		MS661121	PLUG,FRAME BRAKE AIR LINE	7	TAPER,HEXAGON,PT-1/4		
		MS661121	PLUG,FRAME BRAKE AIR LINE	7	TAPER,HEXAGON,PT-1/4		
		MS661121	PLUG,FRAME BRAKE AIR LINE	7	TAPER,HEXAGON,PT-1/4		
		MS661121	PLUG,FRAME BRAKE AIR LINE	7	TAPER,HEXAGON,PT-1/4		

FK74R
35-430 BRAKE AIR LINE JOINT & HOSE

Repl Part	PNC	Part No	Part Name	Qty	Part Spec	Remarks	PREV.1
	56934C	MS661121	PLUG,FRAME BRAKE AIR LINE	7	TAPER,HEXAGON,PT-1/4		
		MS661121	PLUG,FRAME BRAKE AIR LINE	6	TAPER,HEXAGON,PT-1/4		
	56944C	MF100055	BOLT,BODY BRAKE AIR LINE	2	BOLT,8X20	4T	
	56965F	MF430728	NUT,FRAME BRAKE AIR LINE	2	JAM,14		
	56965G	MF430729	NUT,FRAME BRAKE AIR LINE	6	JAM,16		
	56965H	MS446202	NUT,FRAME BRAKE AIR LINE	2	JAM,16	BRACK	
	56965J	MF430731	NUT,FRAME BRAKE AIR LINE	2	JAM,20		
	56965K	MF430732	NUT,FRAME BRAKE AIR LINE	1	JAM,22		
	56966B	MH031253	HOSE,FRAME BRAKE AIR LINE	1	12X360		
		MH031982	HOSE,FRAME BRAKE AIR LINE	1	12X340		
		MH031253	HOSE,FRAME BRAKE AIR LINE	1	12X360		
		MH031982	HOSE,FRAME BRAKE AIR LINE	1	12X340		
		MH030873	HOSE,FRAME BRAKE AIR LINE	1	12X340		
	56966CB	MK650272	HOSE,FRAME BRAKE AIR LINE	1	11		
	56966CC	MK650271	HOSE,FRAME BRAKE AIR LINE	1	11		
	56966CD	MK650334	HOSE,FRAME BRAKE AIR LINE	2	11		

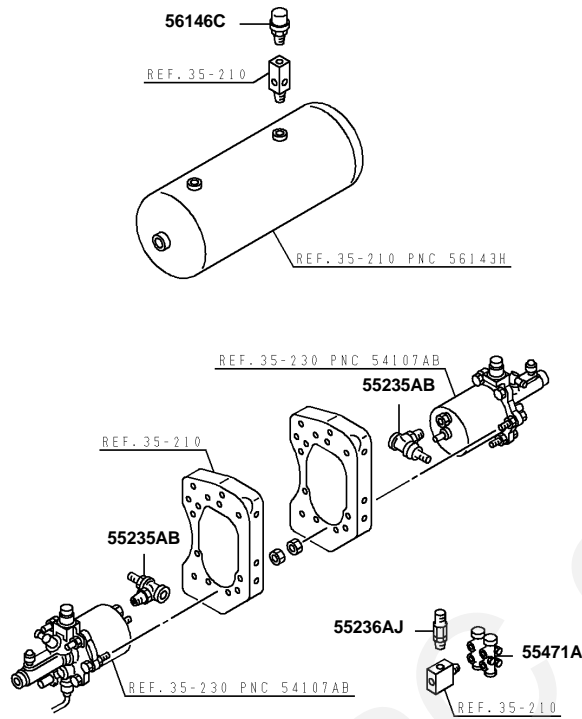
FK74R
35-430 BRAKE AIR LINE JOINT & HOSE

Repl Part	PNC	Part No	Part Name	Qty	Part Spec	Remarks	PREV.1
	56966CE	MK650335	HOSE,FRAME BRAKE AIR LINE	2	11		
	56966D	MH030826	HOSE,FRAME BRAKE AIR LINE	1	6X460		
	56966E	MH030826	HOSE,FRAME BRAKE AIR LINE	1	6X460		
RP	56966F	MH030802	HOSE,FRAME BRAKE AIR LINE	1	10X580		O
RP	56966G	MH030802	HOSE,FRAME BRAKE AIR LINE	1	10X580		O
RP	56966H	MH030800	HOSE,FRAME BRAKE AIR LINE	1	10X490		O
RP	56966J	MH030801	HOSE,FRAME BRAKE AIR LINE	1	10X450		O
	56968B	MH035195	GASKET,FRAME BRAKE AIR LINE	5	D=9		
	56968C	MH035194	GASKET,FRAME BRAKE AIR LINE	1	D=10.5		
	56970C	MC159619	CLIP,FRAME BRAKE AIR LINE	9	D=16.3		
		MC159619	CLIP,FRAME BRAKE AIR LINE	9	D=16.3		
		MC159619	CLIP,FRAME BRAKE AIR LINE	9	D=16.3		
		MC159619	CLIP,FRAME BRAKE AIR LINE	6	D=16.3		
		MC159619	CLIP,FRAME BRAKE AIR LINE	3	D=16.3		
		MC159619	CLIP,FRAME BRAKE AIR LINE	3	D=16.3		
	56973C	MS661121	PLUG,BODY BRAKE AIR LINE	2	TAPER,HEXAGON,PT-1/4		
	56975C	MF434104	NUT,BODY BRAKE AIR LINE	2	FLANGE,8		
	56976B	MK347018	HOSE,BODY BRAKE AIR LINE	1	6X580		

FK74R
35-430 BRAKE AIR LINE JOINT & HOSE

Repl Part	PNC	Part No	Part Name	Qty	Part Spec	Remarks	PREV.1
	56976C	MK347019	HOSE,BODY BRAKE AIR LINE	1	6X580		
	56936J	(N.e.c.)	CLAMP,FRAME BRAKE AIR LINE				
	56966C	(N.e.c.)	HOSE,FRAME BRAKE AIR LINE				
	56970E	(N.e.c.)	CLIP,FRAME BRAKE AIR LINE				
	56780E	(N.e.c.)	BRACKET,FRAME BRAKE LINE HOSE,NO.10				
	56858D	(N.e.c.)	JOINT,FRAME BRAKE AIR LINE,NO.8				
	56838C	(N.e.c.)	JOINT,BODY BRAKE AIR LINE,NO.8				
	56975G	(N.e.c.)	NUT,BODY BRAKE AIR LINE				
	56975J	(N.e.c.)	NUT,BODY BRAKE AIR LINE				
	56806C	(N.e.c.)	BRACKET,BODY BRAKE LINE HOSE,NO.6				
	56835N	(N.e.c.)	JOINT,BODY BRAKE AIR LINE,NO.5				
	56831U	(N.e.c.)	JOINT,BODY BRAKE AIR LINE,NO.1				
	56858BE	(N.e.c.)	JOINT,FRAME BRAKE AIR LINE,NO.8				
	56852BY	(N.e.c.)	JOINT,FRAME BRAKE AIR LINE,NO.2				
	56854P	(N.e.c.)	JOINT,FRAME BRAKE AIR LINE,NO.4				
	56854CB	(N.e.c.)	JOINT,FRAME BRAKE AIR LINE,NO.4				
	56854S	(N.e.c.)	JOINT,FRAME BRAKE AIR LINE,NO.4				
	50458C	(N.e.c.)	SWITCH,BRAKE AIR LINE PARKING				
	56855C	(N.e.c.)	JOINT,FRAME BRAKE AIR LINE,NO.5				
	71775	(N.e.c.)	NAME PLATE,TRAILER BRAKE SERVICE				
	71774	(N.e.c.)	NAME PLATE,TRAILER BRAKE EMERGENCY				
	56209V	(N.e.c.)					
	56862BQ	(N.e.c.)	JOINT,FRAME BRAKE AIR LINE,NO.12				
	56858BN	(N.e.c.)	JOINT,FRAME BRAKE AIR LINE,NO.8				
	56860CB	(N.e.c.)	JOINT,FRAME BRAKE AIR LINE,NO.10				
	56975E	(N.e.c.)	NUT,BODY BRAKE AIR LINE				
	56835W	(N.e.c.)	JOINT,BODY BRAKE AIR LINE,NO.5				
	56806J	(N.e.c.)	BRACKET,BODY BRAKE LINE HOSE,NO.6				
	56863B	(N.e.c.)	JOINT,FRAME BRAKE AIR LINE,NO.13				
	56835U	(N.e.c.)	JOINT,BODY BRAKE AIR LINE,NO.5				
	56855N	(N.e.c.)	JOINT,FRAME BRAKE AIR LINE,NO.5				
	56851BT	(N.e.c.)	JOINT,FRAME BRAKE AIR LINE,NO.1				
	56851DV	(N.e.c.)	JOINT,FRAME BRAKE AIR LINE,NO.1				
	56861B	(N.e.c.)	JOINT,FRAME BRAKE AIR LINE,NO.11				
	56964E	(N.e.c.)	O-RING,FRAME BRAKE AIR LINE				
	56964B	(N.e.c.)	O-RING,FRAME BRAKE AIR LINE				
	56939B	(N.e.c.)	EYEBOLT,FRAME BRAKE AIR LINE				
	56852BD	(N.e.c.)	JOINT,FRAME BRAKE AIR LINE,NO.2				
	56831BC	(N.e.c.)	JOINT,BODY BRAKE AIR LINE,NO.1				
	55228B	(N.e.c.)	SWITCH,LOCK BRAKE AIR LINE PRESSURE				
	56852CM	(N.e.c.)	JOINT,FRAME BRAKE AIR LINE,NO.2				
	50458G	(N.e.c.)	SWITCH,BRAKE AIR LINE PARKING				
	56936F	(N.e.c.)	CLAMP,FRAME BRAKE AIR LINE				
	56966Z	(N.e.c.)	HOSE,FRAME BRAKE AIR LINE				
	56966M	(N.e.c.)	HOSE,FRAME BRAKE AIR LINE				
	56936E	(N.e.c.)	CLAMP,FRAME BRAKE AIR LINE				
	56863CW	(N.e.c.)	JOINT,FRAME BRAKE AIR LINE,NO.13				
	56853D	(N.e.c.)	JOINT,FRAME BRAKE AIR LINE,NO.3				
	56855BH	(N.e.c.)	JOINT,FRAME BRAKE AIR LINE,NO.5				
	56863	(N.e.c.)	JOINT,FRAME BRAKE AIR LINE,NO.13				
	56863D	(N.e.c.)	JOINT,FRAME BRAKE AIR LINE,NO.13				
	56835Z	(N.e.c.)	JOINT,BODY BRAKE AIR LINE,NO.5				
	56831BN	(N.e.c.)	JOINT,BODY BRAKE AIR LINE,NO.1				
	56832CB	(N.e.c.)	JOINT,BODY BRAKE AIR LINE,NO.2				
	56862BS	(N.e.c.)	JOINT,FRAME BRAKE AIR LINE,NO.12				

**FK74R
No.1**

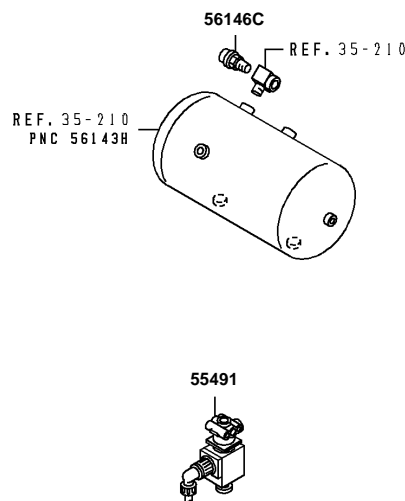


2 AA253

Ref. |2035450

Page

**FK74R
No.2**

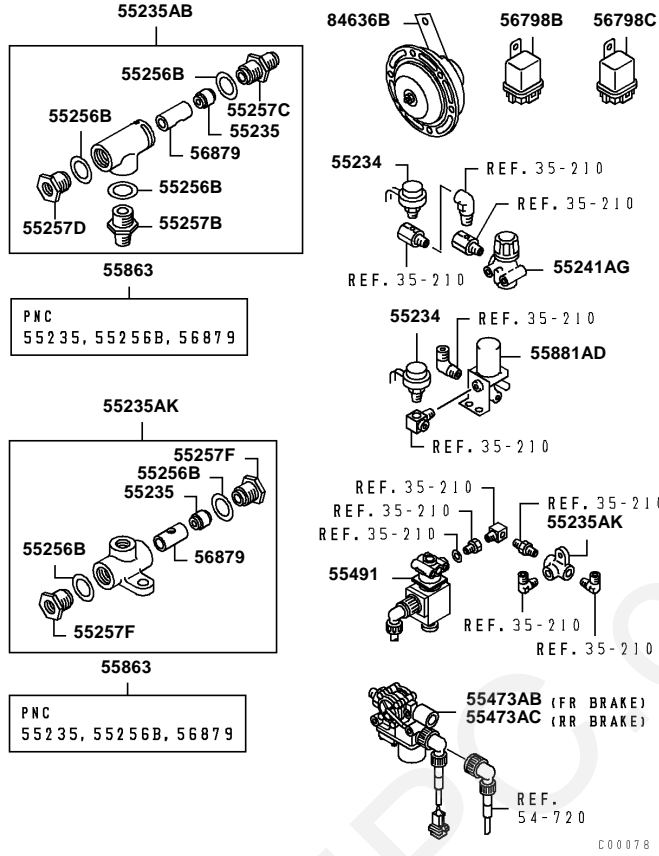


C00244

Ref. |2035450

Page

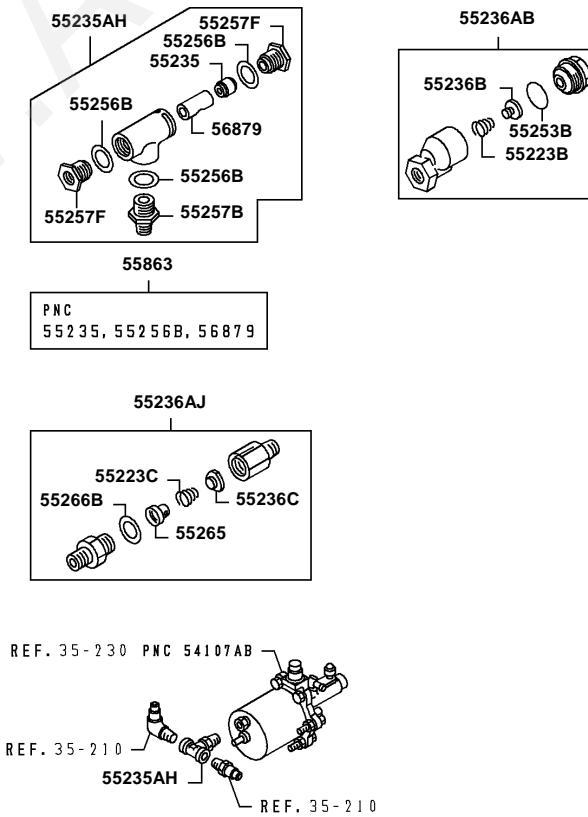
**FK74R
No.3**



Ref. |2035450

Page

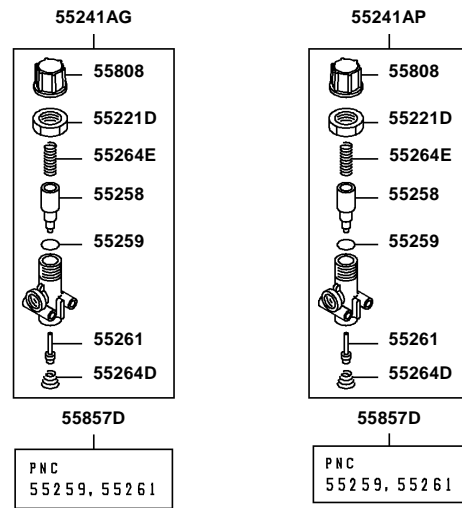
**FK74R
No.4**



Ref. |2035450

Page

FK74R
No.5

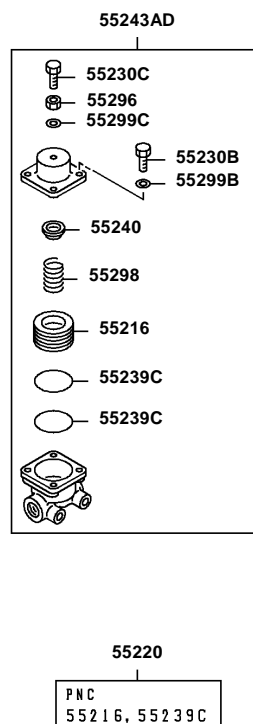


C00246

Ref. |2035450

Page

FK74R
No.6

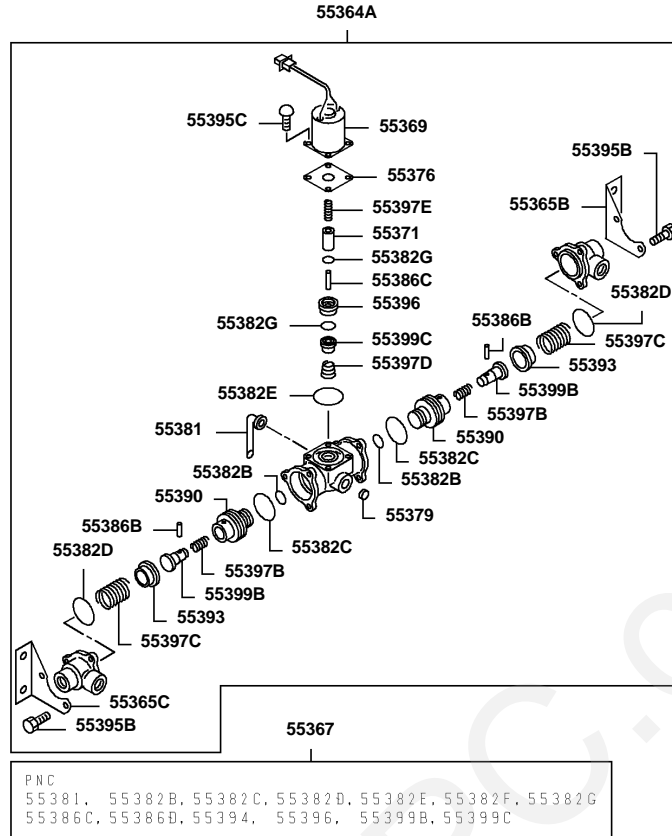


C00174

Ref. |2035450

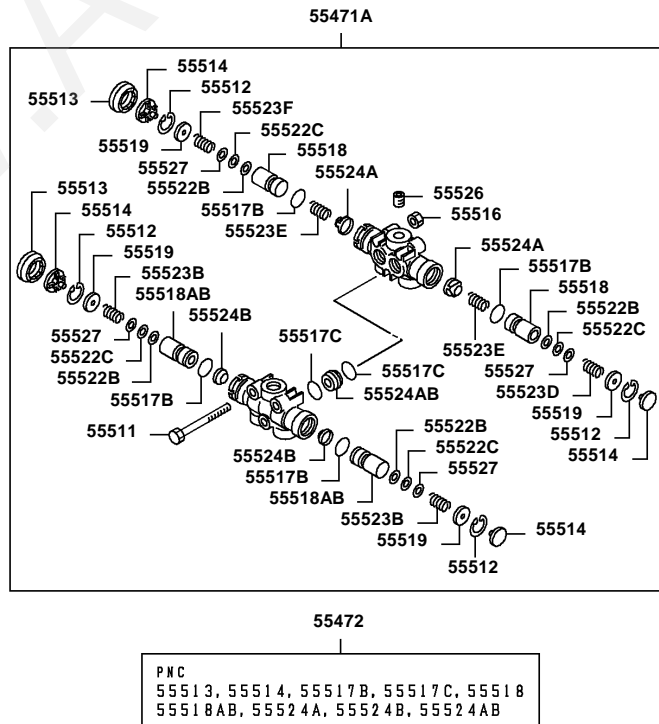
Page

**FK74R
No.7**



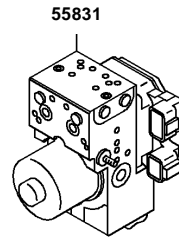
2BA113

**FK74R
No.8**



2BA141

FK74R
No.9

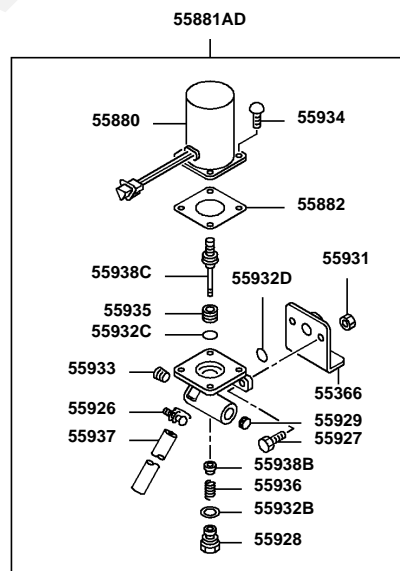


C00196

Ref. |2035450

Page

FK74R
No.10



55883D

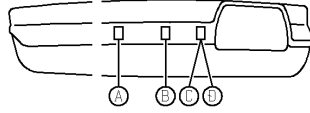
PNC
55882, 55932B, 55932C, 55932D
55936, 55938B, 55938C

2BA106

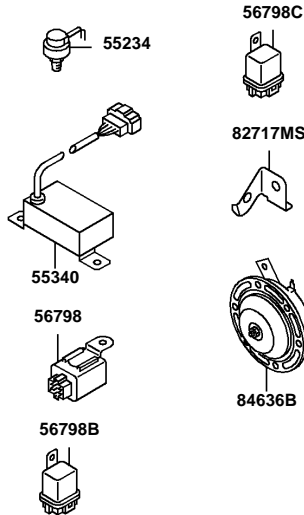
Ref. |2035450

Page

**FK74R
No.11**



PNC	SYM	
56798	A	LOCK BRAKE LAMP
	B	LOCK BRAKE HORN
	C	LOCK BRAKE PARK ACTIVATION
	D	LOCK BRAKE PARK RELEASE



C00216

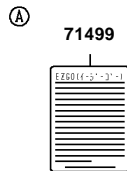
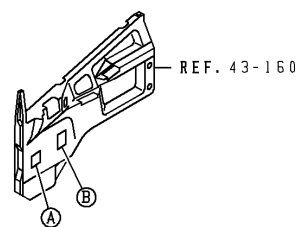
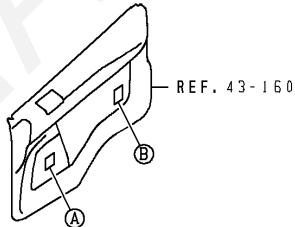
Ref. |2035450

Page

**FK74R
No.12**

EXC FH SERIES

FH SERIES



2C1000

Ref. |2035450

Page

FK74R
35-450 BRAKE LINE VALVE

SPN	Repl Part	PNC	Part No	Part Name	Qty	Part Spec
		55216	ME768005	PISTON,BRAKE AIR SUPPLY VALVE	1	
		55220	MK499609	VALVE KIT,BRAKE AIR SUPPLY	1	
		55221D	ME709337	NUT,BRAKE AIR REDUCING VALVE INR	1	
			ME709337	NUT,BRAKE AIR REDUCING VALVE INR	1	
		55223B	MC801897	SPRING,BRAKE AIR CHECK VALVE	1	
		55223C	MC821231	SPRING,BRAKE AIR CHECK VALVE	1	
SP		55230B	MF100025	BOLT,BRAKE AIR SUPPLY VALVE INR	4	BOLT,6X12
			MF240023	BOLT,BRAKE AIR SUPPLY VALVE INR	4	WASHER ASSEMBLED,6X12
		55230C	ME768017	BOLT,BRAKE AIR SUPPLY VALVE INR	1	6X30
		55234	MK420505	SWITCH,BRAKE AIR PRESSURE	1	
			MK420506	SWITCH,BRAKE AIR PRESSURE	1	
			MK420505	SWITCH,BRAKE AIR PRESSURE	1	
			MK420506	SWITCH,BRAKE AIR PRESSURE	1	
		55235	MC820092	CHECK VALVE,BRAKE AIR DOUBLE	1	

FK74R
35-450 BRAKE LINE VALVE

SPN	Repl Part	PNC	Part No	Part Name	Qty	Part Spec
		55235	MC820092	CHECK VALVE,BRAKE AIR DOUBLE	1	
			MC820092	CHECK VALVE,BRAKE AIR DOUBLE	1	
			MC820092	CHECK VALVE,BRAKE AIR DOUBLE	1	
		55235AB	MC806028	CHECK VALVE ASSY,BRAKE AIR DOUBLE	1	
		55235AH	MC838113	CHECK VALVE ASSY,BRAKE AIR DOUBLE	1	
			MC838113	CHECK VALVE ASSY,BRAKE AIR DOUBLE	1	
			MC838113	CHECK VALVE ASSY,BRAKE AIR DOUBLE	1	
	RP	55235AK	MC832660	CHECK VALVE ASSY,BRAKE AIR DOUBLE	1	
		55236AB	MC821448	CHECK VALVE ASSY,BRAKE AIR	1	
		55236AJ	MC807216	CHECK VALVE ASSY,BRAKE AIR	1	
		55236B	MC801898	CHECK VALVE,BRAKE AIR	1	
		55236C	MC821234	CHECK VALVE,BRAKE AIR	1	
		55239C	MC881826	O-RING,BRAKE AIR SUPPLY VALVE INR	2	
		55240	ME768003	RETAINER,BRAKE AIR SUPPLY VALVE SPRING	1	
		55241AP	MC869254	VALVE ASSY,BRAKE AIR REDUCING	1	
			MC869254	VALVE ASSY,BRAKE AIR REDUCING	1	

FK74R
35-450 BRAKE LINE VALVE

SPN	Repl Part	PNC	Part No	Part Name	Qty	Part Spec	AM
		55243AD	MK356638	VALVE ASSY,BRAKE AIR SUPPLY	1		
		55253B	MC801899	O-RING,BRAKE AIR CHECK VALVE INR	1		
		55256B	MC822860	GASKET,BRAKE AIR DOUBLE CHECK VALVE INR	2		
			MC822860	GASKET,BRAKE AIR DOUBLE CHECK VALVE INR	3		
			MC822860	GASKET,BRAKE AIR DOUBLE CHECK VALVE INR	3		
			MC822860	GASKET,BRAKE AIR DOUBLE CHECK VALVE INR	3		
			MC822860	GASKET,BRAKE AIR DOUBLE CHECK VALVE INR	3		
		55257B	ME713614	JOINT,BRAKE AIR DOUBLE CHECK VALVE INR	1		
			ME713614	JOINT,BRAKE AIR DOUBLE CHECK VALVE INR	1		
			ME713614	JOINT,BRAKE AIR DOUBLE CHECK VALVE INR	1		
			ME713614	JOINT,BRAKE AIR DOUBLE CHECK VALVE INR	1		
		55257C	ME713615	JOINT,BRAKE AIR DOUBLE CHECK VALVE INR	1		
		55257D	ME713565	JOINT,BRAKE AIR DOUBLE CHECK VALVE INR	1		
		55257F	ME713668	JOINT,BRAKE AIR DOUBLE CHECK VALVE INR	2		
			ME713668	JOINT,BRAKE AIR DOUBLE CHECK VALVE INR	2		
			ME713668	JOINT,BRAKE AIR DOUBLE CHECK VALVE INR	2		

FK74R
35-450 BRAKE LINE VALVE

SPN	Repl Part	PNC	Part No	Part Name	Qty	Part Spec
		55257F	ME713668	JOINT,BRAKE AIR DOUBLE CHECK VALVE INR	2	
		55258	ME709332	PISTON,BRAKE AIR REDUCING VALVE	1	
			ME709332	PISTON,BRAKE AIR REDUCING VALVE	1	
		55259	ME709333	PAD,BRAKE AIR REDUCING VALVE CHECK VALVE	1	
			ME709333	PAD,BRAKE AIR REDUCING VALVE CHECK VALVE	1	
		55261	ME709334	VALVE,BRAKE AIR REDUCING VALVE INLET & EXHAUST	1	
			ME709334	VALVE,BRAKE AIR REDUCING VALVE INLET & EXHAUST	1	
		55264D	ME709335	SPRING,BRAKE AIR REDUCING VALVE	1	
			ME709335	SPRING,BRAKE AIR REDUCING VALVE	1	
		55264E	ME709336	SPRING,BRAKE AIR REDUCING VALVE	1	
			ME709336	SPRING,BRAKE AIR REDUCING VALVE	1	
		55265	MC821233	STOPPER,BRAKE AIR CHECK VALVE INR	1	
		55266B	MC821232	GASKET,BRAKE AIR CHECK VALVE INR	1	

FK74R
35-450 BRAKE LINE VALVE

SPN	Repl Part	PNC	Part No	Part Name	Qty	Part Spec
		55296	MF430004	NUT,BRAKE AIR SUPPLY VALVE INR	1	6
		55298	ME768004	SPRING,BRAKE AIR SUPPLY VALVE	1	
SP		55299B	ME768008	WASHER,BRAKE AIR SUPPLY VALVE INR	4	
		55299C	MF451321	WASHER,BRAKE AIR SUPPLY VALVE INR	1	6
		55364A	MK449967	VALVE ASSY,BRAKE CONTROL	1	
		55365B	ME739424	BRACKET,BRAKE CONTROL VALVE	1	
		55365C	ME739425	BRACKET,BRAKE CONTROL VALVE	1	
		55366	ME709639	BRACKET,BRAKE LINE SOLENOID VALVE	1	
			ME709639	BRACKET,BRAKE LINE SOLENOID VALVE	1	
		55367	MK321924	VALVE KIT,BRAKE CONTROL	2	
		55369	ME757129	SOLENOID,BRAKE CONTROL VALVE	1	
		55371	ME739868	PLUNGER,BRAKE CONTROL VALVE	1	
		55376	ME739867	COVER,BRAKE CONTROL VALVE	1	
		55379	ME739646	FILTER,BRAKE CONTROL VALVE	2	
		55381	ME739876	HOSE,BRAKE CONTROL VALVE	1	
		55382B	ME739874	O-RING,BRAKE CONTROL VALVE INR	2	
		55382C	ME739372	O-RING,BRAKE CONTROL VALVE INR	2	

FK74R
35-450 BRAKE LINE VALVE

SPN	Repl Part	PNC	Part No	Part Name	Qty	Part Spec
		55382D	ME739374	O-RING,BRAKE CONTROL VALVE INR	2	
		55382E	ME739866	O-RING,BRAKE CONTROL VALVE INR	1	
		55382G	ME739865	O-RING,BRAKE CONTROL VALVE INR	2	
		55386B	ME739417	PIN,BRAKE CONTROL VALVE INR	2	
		55386C	ME739863	PIN,BRAKE CONTROL VALVE INR	1	
		55390	ME739873	PISTON,BRAKE CONTROL VALVE	2	
		55393	ME739418	RETAINER,BRAKE CONTROL VALVE	2	
		55395B	ME739422	SCREW,BRAKE CONTROL VALVE INR	6	
		55395C	ME739870	SCREW,BRAKE CONTROL VALVE INR	4	
		55396	ME739864	SEAT,BRAKE CONTROL VALVE	1	
		55397B	ME739416	SPRING,BRAKE CONTROL VALVE	2	
		55397C	ME739419	SPRING,BRAKE CONTROL VALVE	2	
		55397D	ME739861	SPRING,BRAKE CONTROL VALVE	1	
		55397E	ME739869	SPRING,BRAKE CONTROL VALVE	1	
		55399B	ME739875	VALVE,BRAKE CONTROL VALVE INR	2	
		55399C	ME739862	VALVE,BRAKE CONTROL VALVE INR	1	
	RP	55471A	MK355487	VALVE ASSY,4-WAY PROTECTION	1	

FK74R
35-450 BRAKE LINE VALVE

SPN	Repl Part	PNC	Part No	Part Name	Qty	Part Spec
		55472	MK356397	VALVE KIT,4-WAY PROTECTION	1	
		55473AB	MK449969	VALVE ASSY,ABS CONTROL	3	
		55491	MK449968	VALVE,ASR CONTROL	1	
			MK429408	VALVE,ASR CONTROL	1	
			MK429408	VALVE,ASR CONTROL	1	
		55511	ME737802	BOLT,4-WAY PROTECTION VALVE INR	3	
		55512	ME737661	C-RING,4-WAY PROTECTION VALVE	4	
		55513	ME737663	COVER,4-WAY PROTECTION VALVE	2	
		55514	ME737662	DUST SEAL,4-WAY PROTECTION VALVE	4	
		55516	ME737821	NUT,4-WAY PROTECTION VALVE INR	3	
		55517B	ME737656	O-RING,4-WAY PROTECTION VALVE INR	4	
		55517C	ME713731	O-RING,4-WAY PROTECTION VALVE INR	4	22
		55518	ME737744	PISTON,4-WAY PROTECTION VALVE	2	

FK74R
35-450 BRAKE LINE VALVE

SPN	Repl Part	PNC	Part No	Part Name	Qty	Part Spec
		55518AB	ME737732	PISTON ASSY,4-WAY PROTECTION VALVE	2	
		55519	ME737660	PLATE,4-WAY PROTECTION VALVE	4	
		55522B	ME737738	SHIM,4-WAY PROTECTION VALVE	8	
		55522C	ME737739	SHIM,4-WAY PROTECTION VALVE	8	
		55523B	ME737745	SPRING,4-WAY PROTECTION VALVE	2	
		55523D	ME737746	SPRING,4-WAY PROTECTION VALVE	1	
		55523E	ME737748	SPRING,4-WAY PROTECTION VALVE	2	
		55523F	ME737735	SPRING,4-WAY PROTECTION VALVE	1	
		55524A	ME737749	VALVE ASSY,4-WAY PROTECTION VALVE INR	2	
		55524AB	ME737803	VALVE ASSY,4-WAY PROTECTION VALVE INR	2	
		55524B	ME737734	VALVE,4-WAY PROTECTION VALVE INR	2	
		55526	ME737682	PLUG,4-WAY PROTECTION VALVE INR	1	

FK74R
35-450 BRAKE LINE VALVE

SPN	Repl Part	PNC	Part No	Part Name	Qty	Part Spec
		55527	ME737737	SPACER,4-WAY PROTECTION VALVE INR	12	
		55808	ME754078	CAP,BRAKE AIR REDUCING VALVE LOCK	1	
			ME754078	CAP,BRAKE AIR REDUCING VALVE LOCK	1	
		55831	MK355089	HYDRAULIC UNIT,BRAKE MODULATOR	1	DEN
			MK355089	HYDRAULIC UNIT,BRAKE MODULATOR	1	DEN
			MK326586	HYDRAULIC UNIT,BRAKE MODULATOR	1	DEN
			MK326586	HYDRAULIC UNIT,BRAKE MODULATOR	1	DEN
			MK326586	HYDRAULIC UNIT,BRAKE MODULATOR	1	DEN
			MK326586	HYDRAULIC UNIT,BRAKE MODULATOR	1	DEN
			MK326586	HYDRAULIC UNIT,BRAKE MODULATOR	1	DEN
			MK326586	HYDRAULIC UNIT,BRAKE MODULATOR	1	DEN
			MK326586	HYDRAULIC UNIT,BRAKE MODULATOR	1	DEN
			MK326586	HYDRAULIC UNIT,BRAKE MODULATOR	1	DEN
			MK326586	HYDRAULIC UNIT,BRAKE MODULATOR	1	DEN
			MK326586	HYDRAULIC UNIT,BRAKE MODULATOR	1	DEN
			MK326586	HYDRAULIC UNIT,BRAKE MODULATOR	1	DEN
			MK326586	HYDRAULIC UNIT,BRAKE MODULATOR	1	DEN
			MK326586	HYDRAULIC UNIT,BRAKE MODULATOR	1	DEN
			MK326586	HYDRAULIC UNIT,BRAKE MODULATOR	1	DEN
			MK326586	HYDRAULIC UNIT,BRAKE MODULATOR	1	DEN
			MK326586	HYDRAULIC UNIT,BRAKE MODULATOR	1	DEN
			MK326586	HYDRAULIC UNIT,BRAKE MODULATOR	1	DEN
			MK326586	HYDRAULIC UNIT,BRAKE MODULATOR	1	DEN
			MK326586	HYDRAULIC UNIT,BRAKE MODULATOR	1	DEN
			MK448803	HYDRAULIC UNIT,BRAKE MODULATOR	1	DEN
			MK355089	HYDRAULIC UNIT,BRAKE MODULATOR	1	DEN
			MK355089	HYDRAULIC UNIT,BRAKE MODULATOR	1	DEN

FK74R
35-450 BRAKE LINE VALVE

SPN	Repl Part	PNC	Part No	Part Name	Qty	Part Spec	DEM
		55831	MK448803	HYDRAULIC UNIT,BRAKE MODULATOR	1		
		55857D	MC826876	VALVE KIT,BRAKE AIR REDUCING	1		
			MC826876	VALVE KIT,BRAKE AIR REDUCING	1		
		55863	MC820091	CHECK VALVE KIT,BRAKE AIR DOUBLE	1		
			MC820091	CHECK VALVE KIT,BRAKE AIR DOUBLE	1		
			MC820091	CHECK VALVE KIT,BRAKE AIR DOUBLE	1		
			MC820091	CHECK VALVE KIT,BRAKE AIR DOUBLE	1		
		55880	ME754169	SOLENOID,BRAKE LINE SOLENOID VALVE	1		
			ME754169	SOLENOID,BRAKE LINE SOLENOID VALVE	1		
		55881AD	MK499159	VALVE ASSY,BRAKE LINE SOLENOID	1		
			MK499159	VALVE ASSY,BRAKE LINE SOLENOID	1		
		55882	ME709865	GASKET,BRAKE LINE SOLENOID VALVE	1		
			ME709865	GASKET,BRAKE LINE SOLENOID VALVE	1		
		55883D	MK356148	VALVE KIT,BRAKE LINE SOLENOID	1		
			MK356148	VALVE KIT,BRAKE LINE SOLENOID	1		
		55926	ME709642	BAND,BRAKE LINE SOLENOID VALVE INR	1		
			ME709642	BAND,BRAKE LINE SOLENOID VALVE INR	1		
		55927	ME709640	BOLT,BRAKE LINE SOLENOID VALVE INR	2		

FK74R
35-450 BRAKE LINE VALVE

SPN	Repl Part	PNC	Part No	Part Name	Qty	Part Spec
		55927	ME709640	BOLT,BRAKE LINE SOLENOID VALVE INR	2	
		55928	ME709631	CAP,BRAKE LINE SOLENOID VALVE	1	
			ME709631	CAP,BRAKE LINE SOLENOID VALVE	1	
		55929	ME709121	FILTER,BRAKE LINE SOLENOID VALVE	1	
			ME709121	FILTER,BRAKE LINE SOLENOID VALVE	1	
		55931	ME709017	NUT,BRAKE LINE SOLENOID VALVE INR	2	
			ME709017	NUT,BRAKE LINE SOLENOID VALVE INR	2	
		55932B	0336524033	O-RING,BRAKE LINE SOLENOID VALVE INR	1	
			0336524033	O-RING,BRAKE LINE SOLENOID VALVE INR	1	
		55932C	ME709632	O-RING,BRAKE LINE SOLENOID VALVE INR	1	
			ME709632	O-RING,BRAKE LINE SOLENOID VALVE INR	1	
		55932D	ME709638	O-RING,BRAKE LINE SOLENOID VALVE INR	1	
			ME709638	O-RING,BRAKE LINE SOLENOID VALVE INR	1	
		55933	ME709188	PLUG,BRAKE LINE SOLENOID VALVE INR	1	
			ME709188	PLUG,BRAKE LINE SOLENOID VALVE INR	1	
		55934	ME709637	SCREW,BRAKE LINE SOLENOID VALVE INR	4	
			ME709637	SCREW,BRAKE LINE SOLENOID VALVE INR	4	
		55935	ME709633	SEAT,BRAKE LINE SOLENOID VALVE	1	
			ME709633	SEAT,BRAKE LINE SOLENOID VALVE	1	
		55936	ME709630	SPRING,BRAKE LINE SOLENOID VALVE	1	
			ME709630	SPRING,BRAKE LINE SOLENOID VALVE	1	

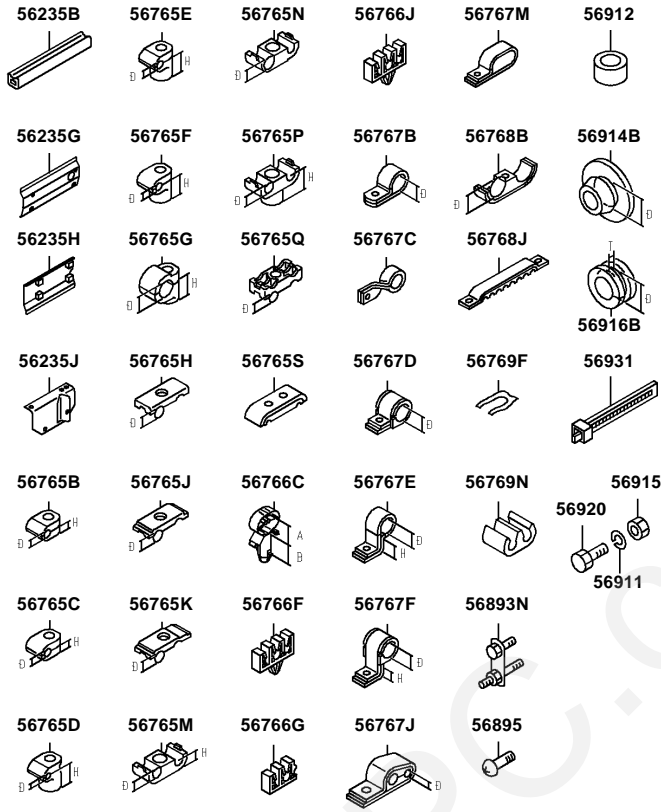
FK74R
35-450 BRAKE LINE VALVE

SPN	Repl Part	PNC	Part No	Part Name	Qty	Part Spec
		55937	ME709641	TUBE,BRAKE LINE SOLENOID VALVE	1	
			ME709641	TUBE,BRAKE LINE SOLENOID VALVE	1	
		55938B	ME709629	VALVE,BRAKE LINE SOLENOID VALVE INR	1	
			ME709629	VALVE,BRAKE LINE SOLENOID VALVE INR	1	
		55938C	ME709863	VALVE,BRAKE LINE SOLENOID VALVE INR	1	
			ME709863	VALVE,BRAKE LINE SOLENOID VALVE INR	1	
		56146C	MC826288	VALVE,AIR TANK SAFETY	1	
		56879	MC820093	SLEEVE,BRAKE AIR DOUBLE CHECK VALVE	1	
			MC820093	SLEEVE,BRAKE AIR DOUBLE CHECK VALVE	1	
			MC820093	SLEEVE,BRAKE AIR DOUBLE CHECK VALVE	1	
			MC820093	SLEEVE,BRAKE AIR DOUBLE CHECK VALVE	1	
		71499	MK326525	LABEL,HILL START CAUTION	1	
			MK326525	LABEL,HILL START CAUTION	1	
			MK326525	LABEL,HILL START CAUTION	1	
			MK326525	LABEL,HILL START CAUTION	1	
			MK326525	LABEL,HILL START CAUTION	1	
			MK355256	LABEL,HILL START CAUTION	1	
			MK528110	LABEL,HILL START CAUTION	1	
			MK326525	LABEL,HILL START CAUTION	1	

FK74R
35-450 BRAKE LINE VALVE

SPN	Repl Part	PNC	Part No	Part Name	Qty	Part Spec
		71499	MK355256	LABEL,HILL START CAUTION	1	
			MK326525	LABEL,HILL START CAUTION	1	
			MK326525	LABEL,HILL START CAUTION	1	
			MK326525	LABEL,HILL START CAUTION	1	
			MK326525	LABEL,HILL START CAUTION	1	
			MK326525	LABEL,HILL START CAUTION	1	
			MK528110	LABEL,HILL START CAUTION	1	
		84636B	(N.e.c.)	HORN,ELECTRIC HIGH		
		55473AC	(N.e.c.)	VALVE ASSY,ABS CONTROL		
		55241AG	(N.e.c.)	VALVE ASSY,BRAKE AIR REDUCING		
		56798B	(N.e.c.)	RELAY,BRAKE AIR LINE VALVE		
		56798C	(N.e.c.)	RELAY,BRAKE AIR LINE VALVE		
		56798	(N.e.c.)	RELAY,BRAKE AIR LINE VALVE		
		55340	(N.e.c.)	BOX,LOCK BRAKE CONTROL		
		82717MS	(N.e.c.)	BRACKET,RELAY		
		71731	(N.e.c.)	LABEL,LOCK BRAKE CAUTION		
		71731ZZ	(N.e.c.)	LABEL,LOCK BRAKE CAUTION		

**FK74R
No.1**

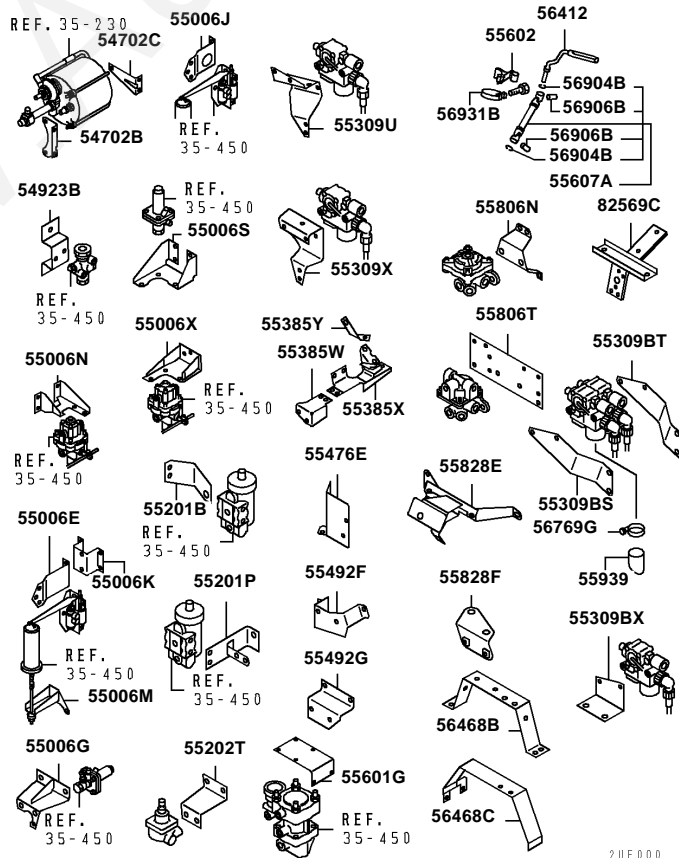


20C000

Ref. |2035550

Page

**FK74R
No.2**

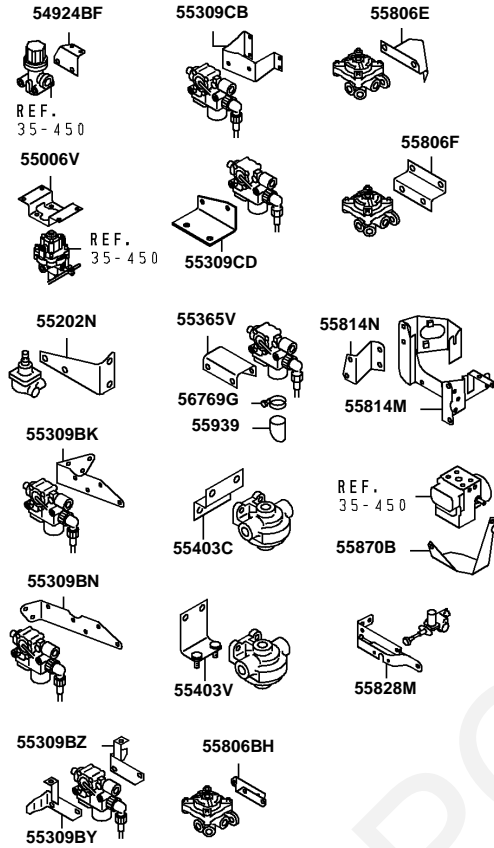


20E000

Ref. |2035550

Page

**FK74R
No.3**

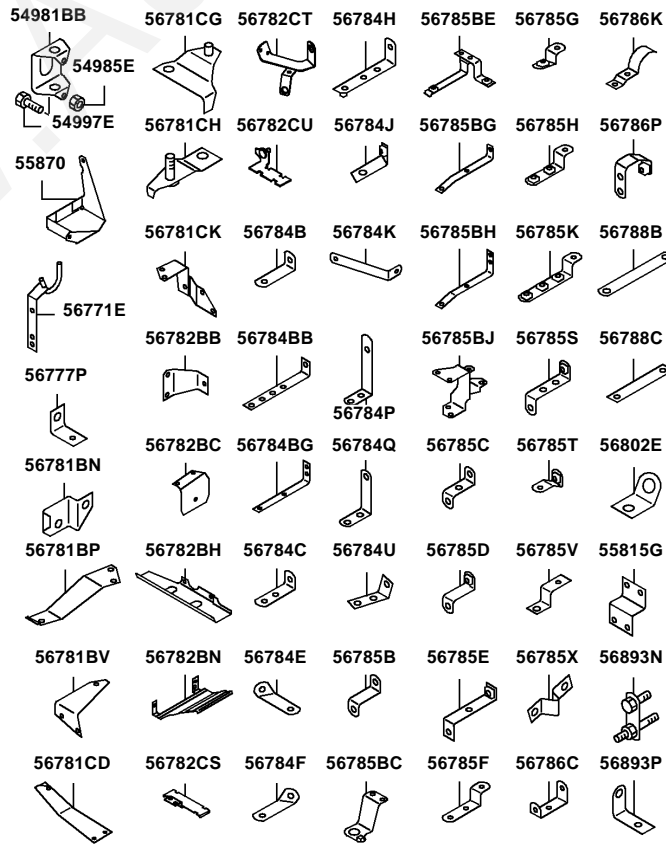


2UE001

Ref. |2035550

Page

**FK74R
No.4**

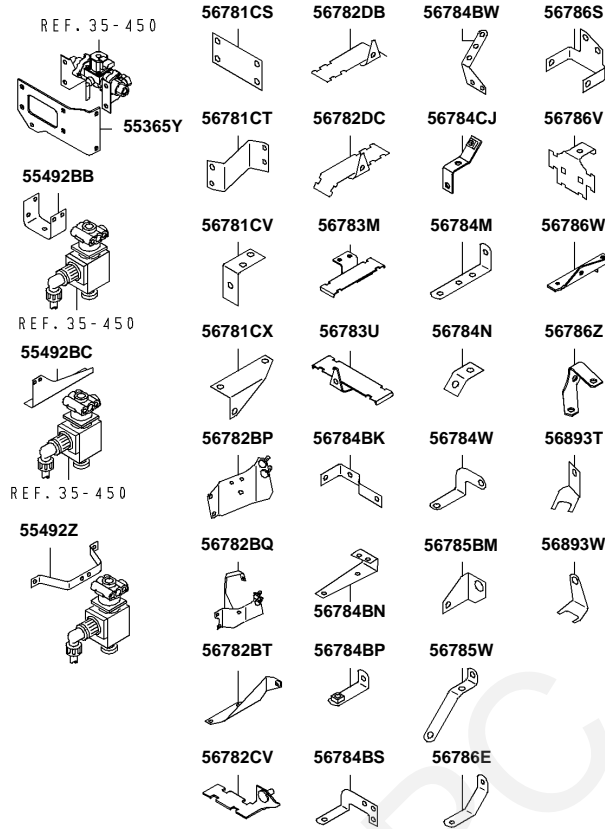


2UF006

Ref. |2035550

Page

FK74R No.5



C 002 04

Ref. |2035550

Page

FK74R 35-550 BRAKE LINE ATTACHING PARTS

PNC	Part Name	See Page
54981BB	PROTECTOR,BRAKE FLUID LINE	(Please refer to the page 1/2)
54985E	NUT,BRAKE FLUID LINE	(Please refer to the page 1/2)
54997E	BOLT,BRAKE FLUID LINE	(Please refer to the page 1/2)
55202N	BRACKET,BRAKE AIR SUPPLY VALVE	(Please refer to the page 1/2)
55202T	BRACKET,BRAKE AIR SUPPLY VALVE	(Please refer to the page 1/2)
55476E	COVER,ABS CONTROL VALVE	(Please refer to the page 1/2)
55814M	BRACKET,BRAKE HYDRAULIC UNIT	(Please refer to the page 1/2)
55814N	BRACKET,BRAKE HYDRAULIC UNIT	(Please refer to the page 1/2)
55870	COVER,BRAKE HYDRAULIC UNIT INSULATOR	(Please refer to the page 1/2)
56235B	PROTECTOR,FRAME BRAKE LINE	(Please refer to the page 1/2)
56765B	CLIP,BRAKE LINE,NO.1	(Please refer to the page 1/2)
56765C	CLIP,BRAKE LINE,NO.1	(Please refer to the page 1/2)
56765D	CLIP,BRAKE LINE,NO.1	(Please refer to the page 1/2)
56765E	CLIP,BRAKE LINE,NO.1	(Please refer to the page 1/2)
56765F	CLIP,BRAKE LINE,NO.1	(Please refer to the page 1/2)
56765G	CLIP,BRAKE LINE,NO.1	(Please refer to the page 1/2)
56765H	CLIP,BRAKE LINE,NO.1	(Please refer to the page 1/2)
56765J	CLIP,BRAKE LINE,NO.1	(Please refer to the page 1/2)
56765M	CLIP,BRAKE LINE,NO.1	(Please refer to the page 1/2)
56765P	CLIP,BRAKE LINE,NO.1	(Please refer to the page 1/2)
56766C	CLIP,BRAKE LINE,NO.2	(Please refer to the page 1/2)
56766F	CLIP,BRAKE LINE,NO.2	(Please refer to the page 1/2)
56767B	CLIP,BRAKE LINE,NO.3	(Please refer to the page 1/2)
56767D	CLIP,BRAKE LINE,NO.3	(Please refer to the page 1/2)
56767F	CLIP,BRAKE LINE,NO.3	(Please refer to the page 1/2)
56767M	CLIP,BRAKE LINE,NO.3	(Please refer to the page 1/2)
56768B	CLIP,BRAKE LINE,NO.4	(Please refer to the page 1/2)
56768J	CLIP,BRAKE LINE,NO.4	(Please refer to the page 1/2)
56769F	CLIP,BRAKE LINE,NO.5	(Please refer to the page 1/2)
56769N	CLIP,BRAKE LINE,NO.5	(Please refer to the page 1/2)
56781CG	BRACKET,BRAKE LINE,NO.1	(Please refer to the page 1/2)
56781CH	BRACKET,BRAKE LINE,NO.1	(Please refer to the page 1/2)

Ref. |2035550

Page

FK74R
35-550 BRAKE LINE ATTACHING PARTS

PNC	Part Name	See Page
56781CK	BRACKET,BRAKE LINE,NO.1	(Please refer to the page 1/2)
56781CV	BRACKET,BRAKE LINE,NO.1	(Please refer to the page 1/2)
56781CX	BRACKET,BRAKE LINE,NO.1	(Please refer to the page 1/2)
56782BC	BRACKET,BRAKE LINE,NO.2	(Please refer to the page 1/2)
56782BP	BRACKET,BRAKE LINE,NO.2	(Please refer to the page 1/2)
56782BT	BRACKET,BRAKE LINE,NO.2	(Please refer to the page 1/2)
56784B	BRACKET,BRAKE LINE,NO.4	(Please refer to the page 1/2)
56784BN	BRACKET,BRAKE LINE,NO.4	(Please refer to the page 1/2)
56784BS	BRACKET,BRAKE LINE,NO.4	(Please refer to the page 1/2)
56784C	BRACKET,BRAKE LINE,NO.4	(Please refer to the page 1/2)
56784M	BRACKET,BRAKE LINE,NO.4	(Please refer to the page 1/2)
56784U	BRACKET,BRAKE LINE,NO.4	(Please refer to the page 1/2)
56784W	BRACKET,BRAKE LINE,NO.4	(Please refer to the page 1/2)
56785B	BRACKET,BRAKE LINE,NO.5	(Please refer to the page 1/2)
56785C	BRACKET,BRAKE LINE,NO.5	(Please refer to the page 1/2)
56785D	BRACKET,BRAKE LINE,NO.5	(Please refer to the page 1/2)
56785E	BRACKET,BRAKE LINE,NO.5	(Please refer to the page 1/2)
56785F	BRACKET,BRAKE LINE,NO.5	(Please refer to the page 1/2)
56785G	BRACKET,BRAKE LINE,NO.5	(Please refer to the page 1/2)
56785S	BRACKET,BRAKE LINE,NO.5	(Please refer to the page 1/2)
56785W	BRACKET,BRAKE LINE,NO.5	(Please refer to the page 1/2)
56786C	BRACKET,BRAKE LINE,NO.6	(Please refer to the page 1/2)
56786E	BRACKET,BRAKE LINE,NO.6	(Please refer to the page 1/2)
56893N	STAY,FRAME BRAKE LINE	(Please refer to the page 1/2)
56911	WASHER,FRAME BRAKE LINE	(Please refer to the page 1/2)
56915	NUT,FRAME BRAKE LINE	(Please refer to the page 1/2)
56916B	GROMMET,FRAME BRAKE LINE	(Please refer to the page 1/2)
56931	BAND,BODY BRAKE LINE	(Please refer to the page 1/2)
56920	BOLT,FRAME BRAKE LINE	(Please refer to the page 2/2)
56912	SPACER,FRAME BRAKE LINE	(N.e.c.)
56765S	CLIP,BRAKE LINE,NO.1	(N.e.c.)
56765N	CLIP,BRAKE LINE,NO.1	(N.e.c.)
56765K	CLIP,BRAKE LINE,NO.1	(N.e.c.)
56767J	CLIP,BRAKE LINE,NO.3	(N.e.c.)
56914B	PLUG,FRAME BRAKE LINE	(N.e.c.)
56895	SCREW,FRAME BRAKE LINE	(N.e.c.)
56767E	CLIP,BRAKE LINE,NO.3	(N.e.c.)
56766G	CLIP,BRAKE LINE,NO.2	(N.e.c.)
56765Q	CLIP,BRAKE LINE,NO.1	(N.e.c.)
56767C	CLIP,BRAKE LINE,NO.3	(N.e.c.)
56235G	PROTECTOR,FRAME BRAKE LINE	(N.e.c.)
56235H	PROTECTOR,FRAME BRAKE LINE	(N.e.c.)
56235J	PROTECTOR,FRAME BRAKE LINE	(N.e.c.)
56766J	CLIP,BRAKE LINE,NO.2	(N.e.c.)
54702B	BRACKET,BRAKE BOOSTER	(N.e.c.)
54702C	BRACKET,BRAKE BOOSTER	(N.e.c.)
54923B	BRACKET,BRAKE SYNCH VALVE	(N.e.c.)
55006N	BRACKET,LOAD SENSING VALVE	(N.e.c.)
55006E	BRACKET,LOAD SENSING VALVE	(N.e.c.)
55006M	BRACKET,LOAD SENSING VALVE	(N.e.c.)
55006K	BRACKET,LOAD SENSING VALVE	(N.e.c.)
55006G	BRACKET,LOAD SENSING VALVE	(N.e.c.)
55006J	BRACKET,LOAD SENSING VALVE	(N.e.c.)
55201B	BRACKET,BRAKE AIR PRESSURE GOVERNOR	(N.e.c.)
55201P	BRACKET,BRAKE AIR PRESSURE GOVERNOR	(N.e.c.)
55385Y	BRACKET,BRAKE HAND CONTROL VALVE	(N.e.c.)
55385X	BRACKET,BRAKE HAND CONTROL VALVE	(N.e.c.)
55385W	BRACKET,BRAKE HAND CONTROL VALVE	(N.e.c.)
55492F	BRACKET,ASR CONTROL VALVE	(N.e.c.)
55492G	BRACKET,ASR CONTROL VALVE	(N.e.c.)
55806N	BRACKET,BRAKE RELAY VALVE	(N.e.c.)
55828F	BRACKET,3-WAY VALVE	(N.e.c.)
56468C	CRADLE,TRAILER BRAKE AIR LINE	(N.e.c.)
55006S	BRACKET,LOAD SENSING VALVE	(N.e.c.)
55006X	BRACKET,LOAD SENSING VALVE	(N.e.c.)
55309BX	BRACKET,ABS CONTROL VALVE	(N.e.c.)
56769G	CLIP,BRAKE LINE,NO.5	(N.e.c.)
55939	TUBE,ABS CONTROL VALVE DRAIN	(N.e.c.)
55309BT	BRACKET,ABS CONTROL VALVE	(N.e.c.)
55309BS	BRACKET,ABS CONTROL VALVE	(N.e.c.)
55309U	BRACKET,ABS CONTROL VALVE	(N.e.c.)
55602	BRACKET,TRAILER BRAKE LEVER	(N.e.c.)

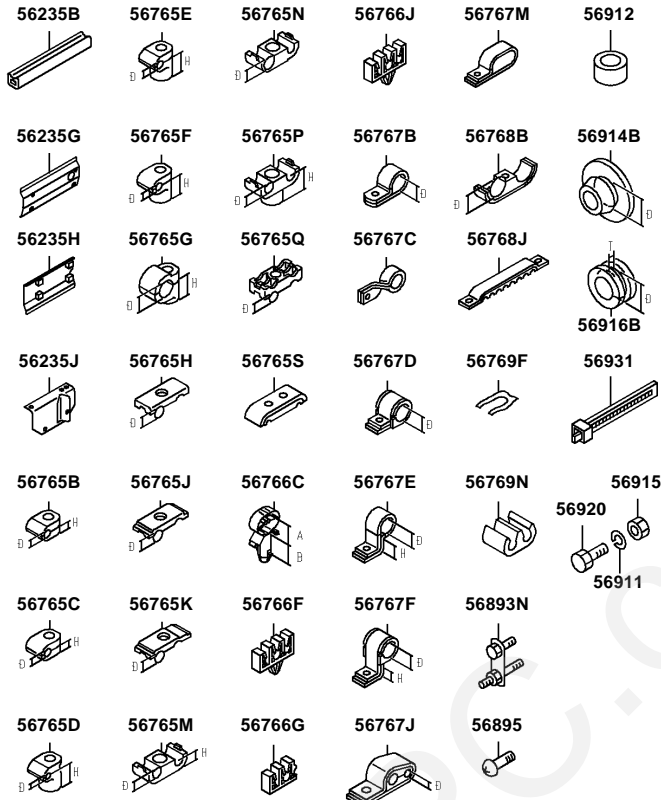
FK74R
35-550 BRAKE LINE ATTACHING PARTS

PNC	Part Name	See Page
56904B	SNAP RING,BODY BRAKE LINE	(N.e.c.)
56906B	PIN,BODY BRAKE LINE	(N.e.c.)
55607A	SHAFT ASSY,TRAILER BRAKE LEVER	(N.e.c.)
56412	LEVER,TRAILER BRAKE	(N.e.c.)
56931B	BAND,BODY BRAKE LINE	(N.e.c.)
56468B	CRADLE,TRAILER BRAKE AIR LINE	(N.e.c.)
55309X	BRACKET,ABS CONTROL VALVE	(N.e.c.)
55601G	BRACKET,TRAILER BRAKE AIR VALVE	(N.e.c.)
55828E	BRACKET,3-WAY VALVE	(N.e.c.)
55806T	BRACKET,BRAKE RELAY VALVE	(N.e.c.)
82569C	BRACKET,CONTROL BOX	(N.e.c.)
55870B	COVER,BRAKE HYDRAULIC UNIT INSULATOR	(N.e.c.)
55309CD	BRACKET,ABS CONTROL VALVE	(N.e.c.)
55006V	BRACKET,LOAD SENSING VALVE	(N.e.c.)
55309BK	BRACKET,ABS CONTROL VALVE	(N.e.c.)
55309BN	BRACKET,ABS CONTROL VALVE	(N.e.c.)
54924BF	BRACKET,BRAKE AIR REDUCING VALVE	(N.e.c.)
55403C	BRACKET,BRAKE QUICK RELEASE VALVE	(N.e.c.)
55403V	BRACKET,BRAKE QUICK RELEASE VALVE	(N.e.c.)
55806E	BRACKET,BRAKE RELAY VALVE	(N.e.c.)
55806F	BRACKET,BRAKE RELAY VALVE	(N.e.c.)
55806BH	BRACKET,BRAKE RELAY VALVE	(N.e.c.)
55828M	BRACKET,3-WAY VALVE	(N.e.c.)
55365V	BRACKET,BRAKE CONTROL VALVE	(N.e.c.)
55309BY	BRACKET,ABS CONTROL VALVE	(N.e.c.)
55309BZ	BRACKET,ABS CONTROL VALVE	(N.e.c.)
55309CB	BRACKET,ABS CONTROL VALVE	(N.e.c.)
56782CS	BRACKET,BRAKE LINE,NO.2	(N.e.c.)
56782CT	BRACKET,BRAKE LINE,NO.2	(N.e.c.)
56782CU	BRACKET,BRAKE LINE,NO.2	(N.e.c.)
56893P	STAY,FRAME BRAKE LINE	(N.e.c.)
56788B	BRACKET,BRAKE LINE,NO.8	(N.e.c.)
56785BC	BRACKET,BRAKE LINE,NO.5	(N.e.c.)
56784Q	BRACKET,BRAKE LINE,NO.4	(N.e.c.)
56784J	BRACKET,BRAKE LINE,NO.4	(N.e.c.)
56785X	BRACKET,BRAKE LINE,NO.5	(N.e.c.)
56784P	BRACKET,BRAKE LINE,NO.4	(N.e.c.)
56781BN	BRACKET,BRAKE LINE,NO.1	(N.e.c.)
56784K	BRACKET,BRAKE LINE,NO.4	(N.e.c.)
56781CD	BRACKET,BRAKE LINE,NO.1	(N.e.c.)
56784H	BRACKET,BRAKE LINE,NO.4	(N.e.c.)
56782BH	BRACKET,BRAKE LINE,NO.2	(N.e.c.)
56781BV	BRACKET,BRAKE LINE,NO.1	(N.e.c.)
56784F	BRACKET,BRAKE LINE,NO.4	(N.e.c.)
55815G	BRACKET,3-WAY SOLENOID VALVE	(N.e.c.)
56802E	BRACKET,BODY BRAKE LINE HOSE,NO.2	(N.e.c.)
56788C	BRACKET,BRAKE LINE,NO.8	(N.e.c.)
56786K	BRACKET,BRAKE LINE,NO.6	(N.e.c.)
56785V	BRACKET,BRAKE LINE,NO.5	(N.e.c.)
56785T	BRACKET,BRAKE LINE,NO.5	(N.e.c.)
56784E	BRACKET,BRAKE LINE,NO.4	(N.e.c.)
56782BB	BRACKET,BRAKE LINE,NO.2	(N.e.c.)
56781BP	BRACKET,BRAKE LINE,NO.1	(N.e.c.)
56786P	BRACKET,BRAKE LINE,NO.6	(N.e.c.)
56784BB	BRACKET,BRAKE LINE,NO.4	(N.e.c.)
56785BE	BRACKET,BRAKE LINE,NO.5	(N.e.c.)
56785H	BRACKET,BRAKE LINE,NO.5	(N.e.c.)
56777P	BRACKET,FRAME BRAKE LINE HOSE,NO.7	(N.e.c.)
56785K	BRACKET,BRAKE LINE,NO.5	(N.e.c.)
56782BN	BRACKET,BRAKE LINE,NO.2	(N.e.c.)
56771E	BRACKET,FRAME BRAKE LINE HOSE,NO.1	(N.e.c.)
56785BJ	BRACKET,BRAKE LINE,NO.5	(N.e.c.)
56784BG	BRACKET,BRAKE LINE,NO.4	(N.e.c.)
56785BG	BRACKET,BRAKE LINE,NO.5	(N.e.c.)
56785BH	BRACKET,BRAKE LINE,NO.5	(N.e.c.)
56782BQ	BRACKET,BRAKE LINE,NO.2	(N.e.c.)
56784BK	BRACKET,BRAKE LINE,NO.4	(N.e.c.)
56784BP	BRACKET,BRAKE LINE,NO.4	(N.e.c.)
56786S	BRACKET,BRAKE LINE,NO.6	(N.e.c.)
56785BM	BRACKET,BRAKE LINE,NO.5	(N.e.c.)
55492BB	BRACKET,ASR CONTROL VALVE	(N.e.c.)
55492BC	BRACKET,ASR CONTROL VALVE	(N.e.c.)

FK74R
35-550 BRAKE LINE ATTACHING PARTS

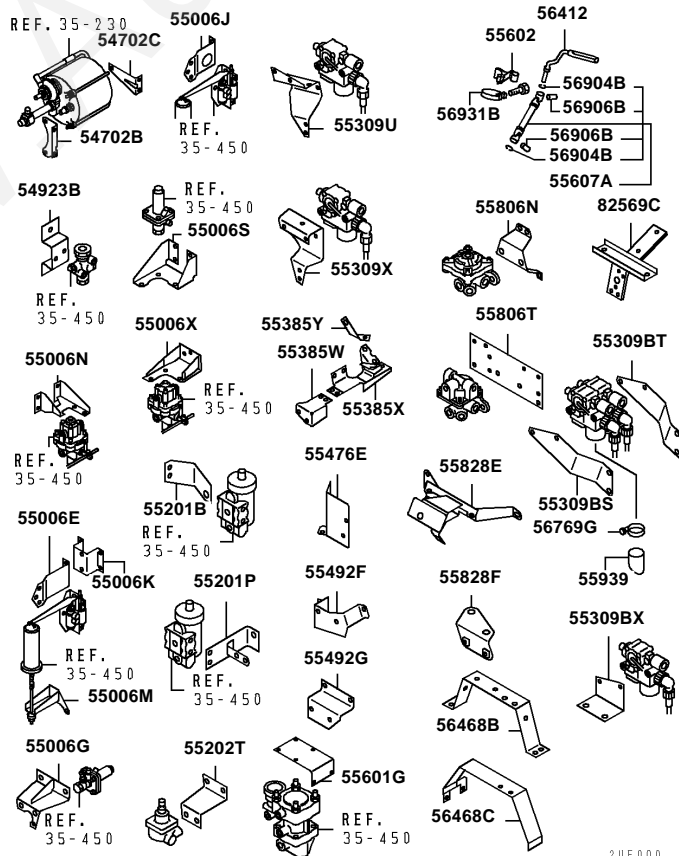
PNC	Part Name	See Page
55492Z	BRACKET,ASR CONTROL VALVE	(N.e.c.)
56782CV	BRACKET,BRAKE LINE,NO.2	(N.e.c.)
56786W	BRACKET,BRAKE LINE,NO.6	(N.e.c.)
56786Z	BRACKET,BRAKE LINE,NO.6	(N.e.c.)
56786V	BRACKET,BRAKE LINE,NO.6	(N.e.c.)
56781CS	BRACKET,BRAKE LINE,NO.1	(N.e.c.)
56781CT	BRACKET,BRAKE LINE,NO.1	(N.e.c.)
56784BW	BRACKET,BRAKE LINE,NO.4	(N.e.c.)
56784N	BRACKET,BRAKE LINE,NO.4	(N.e.c.)
56783M	BRACKET,BRAKE LINE,NO.3	(N.e.c.)
55365Y	BRACKET,BRAKE CONTROL VALVE	(N.e.c.)
56784CJ	BRACKET,BRAKE LINE,NO.4	(N.e.c.)
56783U	BRACKET,BRAKE LINE,NO.3	(N.e.c.)
56782DB	BRACKET,BRAKE LINE,NO.2	(N.e.c.)
56782DC	BRACKET,BRAKE LINE,NO.2	(N.e.c.)
56893W	STAY,FRAME BRAKE LINE	(N.e.c.)
56893T	STAY,FRAME BRAKE LINE	(N.e.c.)

**FK74R
No.1**



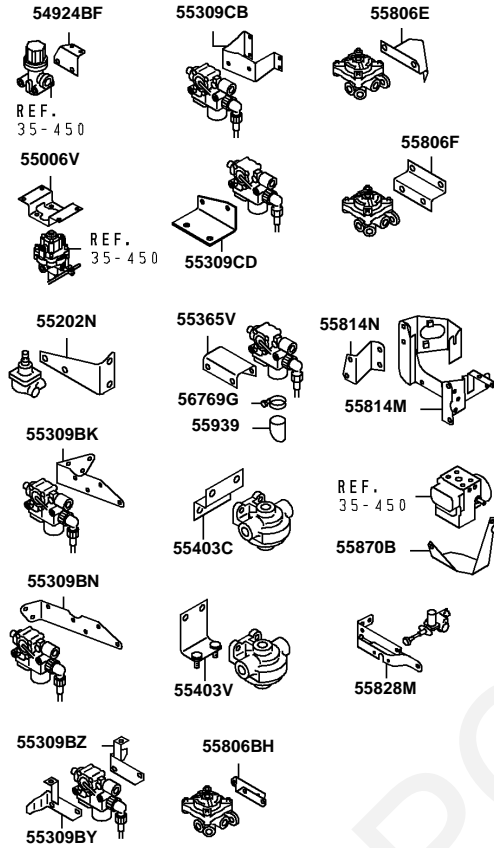
20C000

**FK74R
No.2**



20E000

**FK74R
No.3**

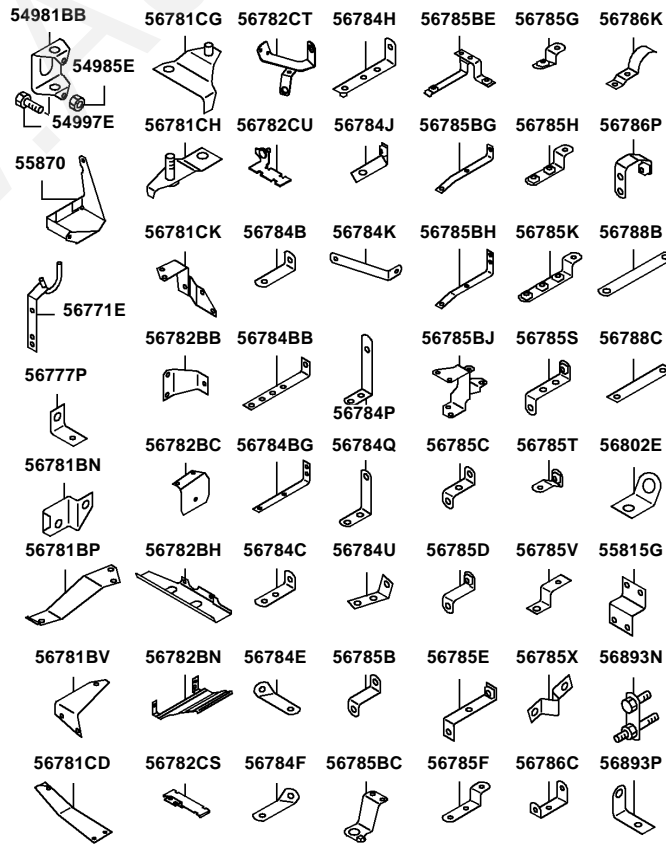


2UE001

Ref. |2035550-1

Page

**FK74R
No.4**

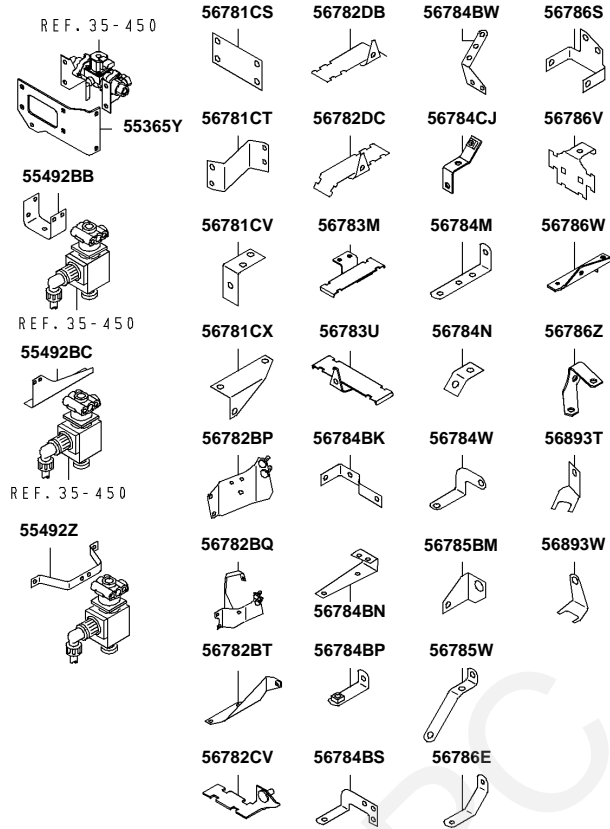


2UF006

Ref. |2035550-1

Page

**FK74R
No.5**



C 002 04

Ref. |2035550-1

Page

**FK74R
35-550 BRAKE LINE ATTACHING PARTS (1/2)**

SPN	Repl Part	PNC	Part No	Part Name	Qty	Part Spec	Remark
		54981BB	MC408428	PROTECTOR,BRAKE FLUID LINE	1		
		54985E	MF434106	NUT,BRAKE FLUID LINE	2	FLANGE,12	4T
		54997E	MF101310	BOLT,BRAKE FLUID LINE	2	12X25	7T
		55202N	MK466715	BRACKET,BRAKE AIR SUPPLY VALVE	1		
		55202T	MK438364	BRACKET,BRAKE AIR SUPPLY VALVE	1		
		55476E	MK346440	COVER,ABS CONTROL VALVE	1		
		55814M	MK346438	BRACKET,BRAKE HYDRAULIC UNIT	1		

Ref. |2035550-1

Page

FK74R
35-550 BRAKE LINE ATTACHING PARTS (1/2)

SPN	Repl Part	PNC	Part No	Part Name	Qty	Part Spec	Remark
		55814M	MK466699	BRACKET,BRAKE HYDRAULIC UNIT	1		
			MK650342	BRACKET,BRAKE HYDRAULIC UNIT	1		
		55814N	MK466716	BRACKET,BRAKE HYDRAULIC UNIT	1		
		55870	MK438592	COVER,BRAKE HYDRAULIC UNIT INSULATOR	1		
			MK438592	COVER,BRAKE HYDRAULIC UNIT INSULATOR	1		
			MK438592	COVER,BRAKE HYDRAULIC UNIT INSULATOR	1		
			MK438592	COVER,BRAKE HYDRAULIC UNIT INSULATOR	1		
			MK438592	COVER,BRAKE HYDRAULIC UNIT INSULATOR	1		
			MK438592	COVER,BRAKE HYDRAULIC UNIT INSULATOR	1		
			MK438592	COVER,BRAKE HYDRAULIC UNIT INSULATOR	1		
			MK438592	COVER,BRAKE HYDRAULIC UNIT INSULATOR	1		
			MK438592	COVER,BRAKE HYDRAULIC UNIT INSULATOR	1		
			MK537896	COVER,BRAKE HYDRAULIC UNIT INSULATOR	1		
			MK537896	COVER,BRAKE HYDRAULIC UNIT INSULATOR	1		
		56235B	MC000912	PROTECTOR,FRAME BRAKE LINE	2		
		56765B	MH020901	CLIP,BRAKE LINE,NO.1	10	D=6 H=7	
			MH020901	CLIP,BRAKE LINE,NO.1	11	D=6 H=7	
			MH020901	CLIP,BRAKE LINE,NO.1	21	D=6 H=7	

FK74R
35-550 BRAKE LINE ATTACHING PARTS (1/2)

SPN	Repl Part	PNC	Part No	Part Name	Qty	Part Spec	Remark
		56765B	MH020920	CLIP,BRAKE LINE,NO.1	9	D=4 H=7	
			MH020920	CLIP,BRAKE LINE,NO.1	10	D=4 H=7	
			MH020920 MH020901	CLIP,BRAKE LINE,NO.1 CLIP,BRAKE LINE,NO.1	19 3	D=4 H=7 D=6 H=7	
			MH020901	CLIP,BRAKE LINE,NO.1	3	D=6 H=7	
			MH020901	CLIP,BRAKE LINE,NO.1	3	D=6 H=7	
			MH020901	CLIP,BRAKE LINE,NO.1	3	D=6 H=7	
			MH020920	CLIP,BRAKE LINE,NO.1	20	D=4 H=7	
			MH020920	CLIP,BRAKE LINE,NO.1	20	D=4 H=7	
			MH020920	CLIP,BRAKE LINE,NO.1	20	D=4 H=7	
			MH020920	CLIP,BRAKE LINE,NO.1	20	D=4 H=7	
			MH020901	CLIP,BRAKE LINE,NO.1	2	D=6 H=7	
			MH020920	CLIP,BRAKE LINE,NO.1	21	D=4 H=7	
		56765C	MH020903	CLIP,BRAKE LINE,NO.1	3	D=10 H=8	
			MH020903	CLIP,BRAKE LINE,NO.1	3	D=10 H=8	
			MH020903	CLIP,BRAKE LINE,NO.1	3	D=10 H=8	
			MH020923	CLIP,BRAKE LINE,NO.1	1	D=12 H=9	
			MH020923	CLIP,BRAKE LINE,NO.1	1	D=12 H=9	
			MH020923	CLIP,BRAKE LINE,NO.1	1	D=12 H=9	
			MH020903	CLIP,BRAKE LINE,NO.1	3	D=10 H=8	

FK74R
35-550 BRAKE LINE ATTACHING PARTS (1/2)

SPN	Repl Part	PNC	Part No	Part Name	Qty	Part Spec	Remark
		56765C	MH020903	CLIP,BRAKE LINE,NO.1	3	D=10 H=8	
			MH020923	CLIP,BRAKE LINE,NO.1	10	D=12 H=9	
		56765D	MH020904	CLIP,BRAKE LINE,NO.1	6	D=4 H=20	CM020907
			MH020904	CLIP,BRAKE LINE,NO.1	8	D=4 H=20	CM020907
			MH020904	CLIP,BRAKE LINE,NO.1	14	D=4 H=20	CM020907
			MH020904	CLIP,BRAKE LINE,NO.1	16	D=4 H=20	CM020907
		56765E	MH020905	CLIP,BRAKE LINE,NO.1	6	D=6 H=20	
			MH020905	CLIP,BRAKE LINE,NO.1	6	D=6 H=20	
			MH020905	CLIP,BRAKE LINE,NO.1	2	D=6 H=20	
			MH020905	CLIP,BRAKE LINE,NO.1	8	D=6 H=20	
			MH020905	CLIP,BRAKE LINE,NO.1	1	D=6 H=20	
			MH020905	CLIP,BRAKE LINE,NO.1	1	D=6 H=20	
			MH020905	CLIP,BRAKE LINE,NO.1	1	D=6 H=20	
			MH020905	CLIP,BRAKE LINE,NO.1	2	D=6 H=20	
		56765F	MH020907	CLIP,BRAKE LINE,NO.1	1	D=10 H=20	
			MH020908	CLIP,BRAKE LINE,NO.1	1	D=12 H=20	
			MH020908	CLIP,BRAKE LINE,NO.1	1	D=12 H=20	

FK74R
35-550 BRAKE LINE ATTACHING PARTS (1/2)

SPN	Repl Part	PNC	Part No	Part Name	Qty	Part Spec	Remark
		56765G	MH020909	CLIP,BRAKE LINE,NO.1	5	D=15 H=20	
			MH020909	CLIP,BRAKE LINE,NO.1	3	D=15 H=20	
			MH020909	CLIP,BRAKE LINE,NO.1	4	D=15 H=20	
			MH020909	CLIP,BRAKE LINE,NO.1	4	D=15 H=20	
			MH020909	CLIP,BRAKE LINE,NO.1	4	D=15 H=20	
			MH020909	CLIP,BRAKE LINE,NO.1	4	D=15 H=20	
			MH020909	CLIP,BRAKE LINE,NO.1	4	D=15 H=20	
			MH020909	CLIP,BRAKE LINE,NO.1	4	D=15 H=20	
			MH020909	CLIP,BRAKE LINE,NO.1	4	D=15 H=20	
			MH020909	CLIP,BRAKE LINE,NO.1	2	D=15 H=20	
		56765H	MH020910	CLIP,BRAKE LINE,NO.1	5	D=6X2	
			MH020910	CLIP,BRAKE LINE,NO.1	6	D=6X2	
			MH020910	CLIP,BRAKE LINE,NO.1	7	D=6X2	
			MH020910	CLIP,BRAKE LINE,NO.1	1	D=6X2	
			MH020910	CLIP,BRAKE LINE,NO.1	9	D=6X2	
			MH020910	CLIP,BRAKE LINE,NO.1	1	D=6X2	
			MH020910	CLIP,BRAKE LINE,NO.1	1	D=6X2	
			MH020910	CLIP,BRAKE LINE,NO.1	1	D=6X2	
			MH020910	CLIP,BRAKE LINE,NO.1	1	D=6X2	
			MH020910	CLIP,BRAKE LINE,NO.1	1	D=6X2	
		56765J	MH020975	CLIP,BRAKE LINE,NO.1	1	D=5	
			MH020975	CLIP,BRAKE LINE,NO.1	3	D=5	
			MH020975	CLIP,BRAKE LINE,NO.1	4	D=5	
			MH020975	CLIP,BRAKE LINE,NO.1	5	D=5	
			MH020975	CLIP,BRAKE LINE,NO.1	7	D=5	
			MH020914	CLIP,BRAKE LINE,NO.1	6	D=10X2	

FK74R
35-550 BRAKE LINE ATTACHING PARTS (1/2)

SPN	Repl Part	PNC	Part No	Part Name	Qty	Part Spec	Remark
		56765J	MH020975	CLIP,BRAKE LINE,NO.1	6	D=5	
			MH020975	CLIP,BRAKE LINE,NO.1	7	D=5	
			MH020975	CLIP,BRAKE LINE,NO.1	8	D=5	
			MH020975	CLIP,BRAKE LINE,NO.1	9	D=5	
			MH020975	CLIP,BRAKE LINE,NO.1	2	D=5	
		56765M	MH020918	CLIP,BRAKE LINE,NO.1	6	D=10X2	
		56765P	MH020911	CLIP,BRAKE LINE,NO.1	5	D=6X2 H=20	
			MH020911	CLIP,BRAKE LINE,NO.1	6	D=6X2 H=20	
			MH020911	CLIP,BRAKE LINE,NO.1	7	D=6X2 H=20	
			MH020974	CLIP,BRAKE LINE,NO.1	1	D=5 H=21.7	
			MH020974	CLIP,BRAKE LINE,NO.1	1	D=5 H=21.7	
			MH020974	CLIP,BRAKE LINE,NO.1	3	D=5 H=21.7	
			MH020974	CLIP,BRAKE LINE,NO.1	4	D=5 H=21.7	
			MH020974	CLIP,BRAKE LINE,NO.1	5	D=5 H=21.7	
			MH020974	CLIP,BRAKE LINE,NO.1	7	D=5 H=21.7	
			MH020916	CLIP,BRAKE LINE,NO.1	1	D=6X2 H=7	
			MH020911	CLIP,BRAKE LINE,NO.1	8	D=6X2 H=20	
			MH020916	CLIP,BRAKE LINE,NO.1	1	D=6X2 H=7	
			MH020916	CLIP,BRAKE LINE,NO.1	1	D=6X2 H=7	
			MH020916	CLIP,BRAKE LINE,NO.1	1	D=6X2 H=7	
			MH020916	CLIP,BRAKE LINE,NO.1	1	D=6X2 H=7	
			MH020916	CLIP,BRAKE LINE,NO.1	1	D=6X2 H=7	
			MH020916	CLIP,BRAKE LINE,NO.1	1	D=6X2 H=7	
			MH020974	CLIP,BRAKE LINE,NO.1	6	D=5 H=21.7	
			MH020974	CLIP,BRAKE LINE,NO.1	6	D=5 H=21.7	
			MH020974	CLIP,BRAKE LINE,NO.1	6	D=5 H=21.7	
			MH020974	CLIP,BRAKE LINE,NO.1	6	D=5 H=21.7	
			MH020974	CLIP,BRAKE LINE,NO.1	7	D=5 H=21.7	
			MH020974	CLIP,BRAKE LINE,NO.1	7	D=5 H=21.7	
			MH020974	CLIP,BRAKE LINE,NO.1	7	D=5 H=21.7	
			MH020974	CLIP,BRAKE LINE,NO.1	7	D=5 H=21.7	
			MH020974	CLIP,BRAKE LINE,NO.1	7	D=5 H=21.7	
			MH020974	CLIP,BRAKE LINE,NO.1	8	D=5 H=21.7	
			MH020974	CLIP,BRAKE LINE,NO.1	8	D=5 H=21.7	

FK74R
35-550 BRAKE LINE ATTACHING PARTS (1/2)

SPN	Repl Part	PNC	Part No	Part Name	Qty	Part Spec	Remark
		56765P	MH020974	CLIP,BRAKE LINE,NO.1	8	D=5 H=21.7	
			MH020974	CLIP,BRAKE LINE,NO.1	8	D=5 H=21.7	
			MH020974	CLIP,BRAKE LINE,NO.1	9	D=5 H=21.7	
			MH020974	CLIP,BRAKE LINE,NO.1	9	D=5 H=21.7	
			MH020974	CLIP,BRAKE LINE,NO.1	9	D=5 H=21.7	
			MH020974	CLIP,BRAKE LINE,NO.1	9	D=5 H=21.7	
			MH020974	CLIP,BRAKE LINE,NO.1	6	D=5 H=21.7	
			MH020974	CLIP,BRAKE LINE,NO.1	7	D=5 H=21.7	
			MH020974	CLIP,BRAKE LINE,NO.1	8	D=5 H=21.7	
		56766C	MH020974	CLIP,BRAKE LINE,NO.1	9	D=5 H=21.7	
			MH020934	CLIP,BRAKE LINE,NO.2	2	A=17.5 B=14.5	
			MH020934	CLIP,BRAKE LINE,NO.2	2	A=17.5 B=14.5	
			MH020934	CLIP,BRAKE LINE,NO.2	2	A=17.5 B=14.5	
SP			MH020938	CLIP,BRAKE LINE,NO.2	2	A=23 B=14.5	
SP			MH020938	CLIP,BRAKE LINE,NO.2	2	A=23 B=14.5	
SP			MH020938	CLIP,BRAKE LINE,NO.2	2	A=23 B=14.5	
			MH020939	CLIP,BRAKE LINE,NO.2	1	A=23 B=18	
			MH020939	CLIP,BRAKE LINE,NO.2	1	A=23 B=18	
			MH020939	CLIP,BRAKE LINE,NO.2	1	A=23 B=18	
SP			MH020946	CLIP,BRAKE LINE,NO.2	1	A=30 B=18	
SP			MH020946	CLIP,BRAKE LINE,NO.2	1	A=30 B=18	
SP			MH020946	CLIP,BRAKE LINE,NO.2	1	A=30 B=18	
			MH020934	CLIP,BRAKE LINE,NO.2	2	A=17.5 B=14.5	
SP			MH020946	CLIP,BRAKE LINE,NO.2	1	A=30 B=18	
			MH020956	CLIP,BRAKE LINE,NO.2	1	A=36 B=6	
SP			MH020938	CLIP,BRAKE LINE,NO.2	2	A=23 B=14.5	
SP			MH020938	CLIP,BRAKE LINE,NO.2	1	A=23 B=14.5	
			MH020956	CLIP,BRAKE LINE,NO.2	3	A=36 B=6	
			MH020957	CLIP,BRAKE LINE,NO.2	1	A=36 B=9.5	

FK74R
35-550 BRAKE LINE ATTACHING PARTS (1/2)

SPN	Repl Part	PNC	Part No	Part Name	Qty	Part Spec	Remark
		56766C	MH020934	CLIP,BRAKE LINE,NO.2	2	A=17.5 B=14.5	
SP			MH020938	CLIP,BRAKE LINE,NO.2	1	A=23 B=14.5	
SP			MH020946	CLIP,BRAKE LINE,NO.2	1	A=30 B=18	
			MH020956	CLIP,BRAKE LINE,NO.2	3	A=36 B=6	
			MH020957	CLIP,BRAKE LINE,NO.2	1	A=36 B=9.5	
			MH020956	CLIP,BRAKE LINE,NO.2	3	A=36 B=6	
			MH020956	CLIP,BRAKE LINE,NO.2	3	A=36 B=6	
			MH020956	CLIP,BRAKE LINE,NO.2	3	A=36 B=6	
			MH020956	CLIP,BRAKE LINE,NO.2	3	A=36 B=6	
			MH020956	CLIP,BRAKE LINE,NO.2	3	A=36 B=6	
			MH020956	CLIP,BRAKE LINE,NO.2	3	A=36 B=6	
			MH020956	CLIP,BRAKE LINE,NO.2	3	A=36 B=6	
			MH020957	CLIP,BRAKE LINE,NO.2	1	A=36 B=9.5	
			MH020957	CLIP,BRAKE LINE,NO.2	1	A=36 B=9.5	
			MH020957	CLIP,BRAKE LINE,NO.2	1	A=36 B=9.5	
			MH020957	CLIP,BRAKE LINE,NO.2	1	A=36 B=9.5	
			MH020957	CLIP,BRAKE LINE,NO.2	1	A=36 B=9.5	
			MH020957	CLIP,BRAKE LINE,NO.2	1	A=36 B=9.5	
			MH020957	CLIP,BRAKE LINE,NO.2	1	A=36 B=9.5	
			MH020945	CLIP,BRAKE LINE,NO.2	3	A=30 B=14.5	
			MH020945	CLIP,BRAKE LINE,NO.2	3	A=30 B=14.5	
			MH020945	CLIP,BRAKE LINE,NO.2	3	A=30 B=14.5	

FK74R
35-550 BRAKE LINE ATTACHING PARTS (1/2)

SPN	Repl Part	PNC 56766C	Part No	Part Name	Qty	Part Spec A=30 B=14.5	Remark
			MH020945	CLIP,BRAKE LINE,NO.2	3	A=30 B=14.5	
			MH020945	CLIP,BRAKE LINE,NO.2	3	A=30 B=14.5	
			MH020945	CLIP,BRAKE LINE,NO.2	3	A=30 B=14.5	
			MH020945	CLIP,BRAKE LINE,NO.2	3	A=30 B=14.5	
SP			MH020945	CLIP,BRAKE LINE,NO.2	3	A=30 B=14.5	
SP			MH020938	CLIP,BRAKE LINE,NO.2	1	A=23 B=14.5	
SP			MH020938	CLIP,BRAKE LINE,NO.2	1	A=23 B=14.5	
SP			MH020938	CLIP,BRAKE LINE,NO.2	1	A=23 B=14.5	
SP			MH020938	CLIP,BRAKE LINE,NO.2	1	A=23 B=14.5	
SP			MH020938	CLIP,BRAKE LINE,NO.2	1	A=23 B=14.5	
SP			MH020938	CLIP,BRAKE LINE,NO.2	1	A=23 B=14.5	
SP			MH020938	CLIP,BRAKE LINE,NO.2	1	A=23 B=14.5	
SP			MH020938	CLIP,BRAKE LINE,NO.2	1	A=23 B=14.5	
			MH020945	CLIP,BRAKE LINE,NO.2	4	A=30 B=14.5	
			MH020945	CLIP,BRAKE LINE,NO.2	4	A=30 B=14.5	
			MH020945	CLIP,BRAKE LINE,NO.2	4	A=30 B=14.5	
			MH020956	CLIP,BRAKE LINE,NO.2	1	A=36 B=6	
			MH020956	CLIP,BRAKE LINE,NO.2	1	A=36 B=6	
			MH020956	CLIP,BRAKE LINE,NO.2	1	A=36 B=6	
			MH020934	CLIP,BRAKE LINE,NO.2	1	A=17.5 B=14.5	
SP			MH020938	CLIP,BRAKE LINE,NO.2	1	A=23 B=14.5	

FK74R
35-550 BRAKE LINE ATTACHING PARTS (1/2)

SPN	Repl Part	PNC	Part No	Part Name	Qty	Part Spec	Remark
		56766C	MH020945	CLIP,BRAKE LINE,NO.2	4	A=30 B=14.5	
			MH020956	CLIP,BRAKE LINE,NO.2	1	A=36 B=6	
			MH020957	CLIP,BRAKE LINE,NO.2	1	A=36 B=9.5	
			MH020934	CLIP,BRAKE LINE,NO.2	1	A=17.5 B=14.5	
SP			MH020938	CLIP,BRAKE LINE,NO.2	1	A=23 B=14.5	
			MH020945	CLIP,BRAKE LINE,NO.2	3	A=30 B=14.5	
			MH020956	CLIP,BRAKE LINE,NO.2	1	A=36 B=6	
		56766F	MC441445	CLIP,BRAKE LINE,NO.2	2	3X6.35	
		56767B	MS476401	CLIP,BRAKE LINE,NO.3	1	D=28	
			MH020231	CLIP,BRAKE LINE,NO.3	1	D=23	
	RP		MS476415	CLIP,BRAKE LINE,NO.3	2	D=15	
			MH020231	CLIP,BRAKE LINE,NO.3	1	D=23	
	RP		MS476415	CLIP,BRAKE LINE,NO.3	2	D=15	
			MH020231	CLIP,BRAKE LINE,NO.3	1	D=23	
			MH020231	CLIP,BRAKE LINE,NO.3	1	D=23	
			MH020231	CLIP,BRAKE LINE,NO.3	1	D=23	
			MH020231	CLIP,BRAKE LINE,NO.3	1	D=23	
			MH020231	CLIP,BRAKE LINE,NO.3	1	D=23	
			MS476401	CLIP,BRAKE LINE,NO.3	2	D=28	

FK74R
35-550 BRAKE LINE ATTACHING PARTS (1/2)

SPN	Repl Part	PNC	Part No	Part Name	Qty	Part Spec	Remark
		56767B	MS476401	CLIP,BRAKE LINE,NO.3	2	D=28	
			MS476401	CLIP,BRAKE LINE,NO.3	2	D=28	
			MS476401	CLIP,BRAKE LINE,NO.3	2	D=28	
			MS476401	CLIP,BRAKE LINE,NO.3	2	D=28	
	RP		MS476415	CLIP,BRAKE LINE,NO.3	2	D=15	
	RP		MS476415	CLIP,BRAKE LINE,NO.3	2	D=15	
	RP		MS476415	CLIP,BRAKE LINE,NO.3	2	D=15	
	RP		MS476415	CLIP,BRAKE LINE,NO.3	2	D=15	
	RP		MS476415	CLIP,BRAKE LINE,NO.3	2	D=15	
			MK537235	CLIP,BRAKE LINE,NO.3	2	D=23	
			MK537235	CLIP,BRAKE LINE,NO.3	2	D=23	
			MK537235	CLIP,BRAKE LINE,NO.3	2	D=23	
			MK537235	CLIP,BRAKE LINE,NO.3	2	D=23	
	RP		MS476420	CLIP,BRAKE LINE,NO.3	2	D=35	
	RP		MS476420	CLIP,BRAKE LINE,NO.3	2	D=35	
	RP		MS476420	CLIP,BRAKE LINE,NO.3	2	D=35	
	RP		MS476420	CLIP,BRAKE LINE,NO.3	2	D=35	
			MS476413	CLIP,BRAKE LINE,NO.3	1	D=10 L=15.5	
		56767D	MH020419	CLIP,BRAKE LINE,NO.3	2	D=10	

FK74R
35-550 BRAKE LINE ATTACHING PARTS (1/2)

SPN	Repl Part	PNC 56767D	Part No	Part Name	Qty	Part Spec	Remark
			MH020419	CLIP,BRAKE LINE,NO.3	2	D=10	
			MH020419	CLIP,BRAKE LINE,NO.3	2	D=10	
			MH020419	CLIP,BRAKE LINE,NO.3	2	D=10	
			MH020803	CLIP,BRAKE LINE,NO.3	1	D=10 L=17	
			MH020803	CLIP,BRAKE LINE,NO.3	1	D=10 L=17	
			MH020803	CLIP,BRAKE LINE,NO.3	1	D=10 L=17	
	RP		MH020803	CLIP,BRAKE LINE,NO.3	1	D=10 L=17	
	RP		MH020805	CLIP,BRAKE LINE,NO.3	1	D=15	
	RP		MH020805	CLIP,BRAKE LINE,NO.3	1	D=15	
	RP		MH020805 MH020417	CLIP,BRAKE LINE,NO.3 CLIP,BRAKE LINE,NO.3	1 2	D=15 D=6.4 H=11	
			MH020423	CLIP,BRAKE LINE,NO.3	2	D=18	
			MH020423	CLIP,BRAKE LINE,NO.3	2	D=18	
			MH020423	CLIP,BRAKE LINE,NO.3	2	D=18	
	RP		MH020805	CLIP,BRAKE LINE,NO.3	1	D=15	
	RP		MH020805	CLIP,BRAKE LINE,NO.3	1	D=15	
	RP		MH020805	CLIP,BRAKE LINE,NO.3	1	D=15	

FK74R
35-550 BRAKE LINE ATTACHING PARTS (1/2)

SPN	Repl Part	PNC	Part No	Part Name	Qty	Part Spec	Remark
		56767D	MH020417	CLIP,BRAKE LINE,NO.3	2	D=6.4 H=11	
			MH020423	CLIP,BRAKE LINE,NO.3	2	D=18	
	RP		MH020805	CLIP,BRAKE LINE,NO.3	1	D=15	
		56767F	MH020836	CLIP,BRAKE LINE,NO.3	1	D=18 H=13	
		56767M	MC457758	CLIP,BRAKE LINE,NO.3	1		
			MC457906	CLIP,BRAKE LINE,NO.3	2		
			MC457907	CLIP,BRAKE LINE,NO.3	1		
			MC457908	CLIP,BRAKE LINE,NO.3	1	D=6.4	
		56768B	MH020336	CLIP,BRAKE LINE,NO.4	2	2X10	
			MH020336	CLIP,BRAKE LINE,NO.4	2	2X10	
		56768J	MH020975	CLIP,BRAKE LINE,NO.4	4	D=5	
			MH020975	CLIP,BRAKE LINE,NO.4	5	D=5	
			MH020975	CLIP,BRAKE LINE,NO.4	6	D=5	
			MH020975	CLIP,BRAKE LINE,NO.4	7	D=5	
		56769F	MH020706	CLIP,BRAKE LINE,NO.5	2	D=7	
		56769N	MB082164	CLIP,BRAKE LINE,NO.5	1	4.6	
		56781CG	MK438132	BRACKET,BRAKE LINE,NO.1	1		
		56781CH	MK465481	BRACKET,BRAKE LINE,NO.1	1		

FK74R
35-550 BRAKE LINE ATTACHING PARTS (1/2)

SPN	Repl Part	PNC	Part No	Part Name	Qty	Part Spec	Remark
		56781CK	MK464783	BRACKET,BRAKE LINE,NO.1	1		
		56781CV	MK650323	BRACKET,BRAKE LINE,NO.1	1		
		56781CX	MK650326	BRACKET,BRAKE LINE,NO.1	1		
		56782BC	MK465165	BRACKET,BRAKE LINE,NO.2	1		
			MK635457	BRACKET,BRAKE LINE,NO.2	1		
		56782BP	MK537188	BRACKET,BRAKE LINE,NO.2	1		
		56782BT	MK650309	BRACKET,BRAKE LINE,NO.2	1		
		56784B	MH023603	BRACKET,BRAKE LINE,NO.4	3		L1=27,L2=6
			MH023604	BRACKET,BRAKE LINE,NO.4	2		L1=72,L2=2
			MH023616	BRACKET,BRAKE LINE,NO.4	1		L1=30,L2=4
			MH026107	BRACKET,BRAKE LINE,NO.4	2		L1=54,L2=3
			MH026130	BRACKET,BRAKE LINE,NO.4	4		L1=50,L2=2
			MH023603	BRACKET,BRAKE LINE,NO.4	3		L1=27,L2=6
			MH023604	BRACKET,BRAKE LINE,NO.4	2		L1=72,L2=2
			MH023616	BRACKET,BRAKE LINE,NO.4	1		L1=30,L2=4
			MH026107	BRACKET,BRAKE LINE,NO.4	2		L1=54,L2=3

FK74R
35-550 BRAKE LINE ATTACHING PARTS (1/2)

SPN	Repl Part	PNC	Part No	Part Name	Qty	Part Spec	Remark
		56784B	MH026130	BRACKET,BRAKE LINE,NO.4	3		L1=50,L2=2
			MH023616	BRACKET,BRAKE LINE,NO.4	2		L1=30,L2=4
			MH023616	BRACKET,BRAKE LINE,NO.4	2		L1=30,L2=4
			MH023616	BRACKET,BRAKE LINE,NO.4	2		L1=30,L2=4
			MH023616	BRACKET,BRAKE LINE,NO.4	2		L1=30,L2=4
			MH023616	BRACKET,BRAKE LINE,NO.4	2		L1=30,L2=4
			MH023616	BRACKET,BRAKE LINE,NO.4	2		L1=30,L2=4
			MH026130	BRACKET,BRAKE LINE,NO.4	1		L1=50,L2=2
			MH026130	BRACKET,BRAKE LINE,NO.4	1		L1=50,L2=2
			MH026130	BRACKET,BRAKE LINE,NO.4	1		L1=50,L2=2
			MH026130	BRACKET,BRAKE LINE,NO.4	1		L1=50,L2=2
			MH026130	BRACKET,BRAKE LINE,NO.4	1		L1=50,L2=2
			MH026130	BRACKET,BRAKE LINE,NO.4	1		L1=50,L2=2
			MH023600	BRACKET,BRAKE LINE,NO.4	3		L1=35,L2=2
			MH023600	BRACKET,BRAKE LINE,NO.4	3		L1=35,L2=2
			MH023600	BRACKET,BRAKE LINE,NO.4	3		L1=35,L2=2
			MH023603	BRACKET,BRAKE LINE,NO.4	2		L1=27,L2=6
			MH023603	BRACKET,BRAKE LINE,NO.4	2		L1=27,L2=6
			MH023603	BRACKET,BRAKE LINE,NO.4	2		L1=27,L2=6

FK74R
35-550 BRAKE LINE ATTACHING PARTS (1/2)

SPN	Repl Part	PNC	Part No	Part Name	Qty	Part Spec	Remark
		56784B	MH023601	BRACKET,BRAKE LINE,NO.4	1		L1=25,L2=4
			MH026130	BRACKET,BRAKE LINE,NO.4	1		L1=50,L2=2
			MH023600	BRACKET,BRAKE LINE,NO.4	4		L1=35,L2=2
			MH023603	BRACKET,BRAKE LINE,NO.4	2		L1=27,L2=6
			MH023600	BRACKET,BRAKE LINE,NO.4	3		L1=35,L2=2
		56784BN	MK537175	BRACKET,BRAKE LINE,NO.4	1		
		56784BS	MK572662	BRACKET,BRAKE LINE,NO.4	1		
		56784C	MH023606	BRACKET,BRAKE LINE,NO.4	3		
			MH023700	BRACKET,BRAKE LINE,NO.4	2		
			MH023602	BRACKET,BRAKE LINE,NO.4	1		
			MH026153	BRACKET,BRAKE LINE,NO.4	1		L1=90,L2=4
			MH023700	BRACKET,BRAKE LINE,NO.4	1		
			MH023987	BRACKET,BRAKE LINE,NO.4	1		
			MH026138	BRACKET,BRAKE LINE,NO.4	1		
			MK466669	BRACKET,BRAKE LINE,NO.4	1		
			MH023701	BRACKET,BRAKE LINE,NO.4	1		

FK74R
35-550 BRAKE LINE ATTACHING PARTS (1/2)

SPN	Repl Part	PNC	Part No	Part Name	Qty	Part Spec	Remark
		56784C	MH026170	BRACKET,BRAKE LINE,NO.4	1		
		56784M	MK650054	BRACKET,BRAKE LINE,NO.4	1		
		56784U	MH023214	BRACKET,BRAKE LINE,NO.4	1		
		56784W	MK570197	BRACKET,BRAKE LINE,NO.4	1		
		56785B	MH023805	BRACKET,BRAKE LINE,NO.5	1		H=55
			MH023839	BRACKET,BRAKE LINE,NO.5	1		
			MH026286	BRACKET,BRAKE LINE,NO.5	1		
			MH023805	BRACKET,BRAKE LINE,NO.5	1		H=55
			MH023840	BRACKET,BRAKE LINE,NO.5	1		
		56785C	MC444723	BRACKET,BRAKE LINE,NO.5	1		
			MH023802	BRACKET,BRAKE LINE,NO.5	1	H=45	W/O PAINT
			MH023801	BRACKET,BRAKE LINE,NO.5	1		
		56785D	MH023807	BRACKET,BRAKE LINE,NO.5	1		
		56785E	MK465167	BRACKET,BRAKE LINE,NO.5	1		
			MK635460	BRACKET,BRAKE LINE,NO.5	1		

FK74R
35-550 BRAKE LINE ATTACHING PARTS (1/2)

SPN	Repl Part	PNC	Part No	Part Name	Qty	Part Spec	Remark
		56785F	MK466691	BRACKET,BRAKE LINE,NO.5	1		
		56785G	MC438851	BRACKET,BRAKE LINE,NO.5	1		
			MC454521	BRACKET,BRAKE LINE,NO.5	3		
			MK650324	BRACKET,BRAKE LINE,NO.5	1		
		56785S	MK465167	BRACKET,BRAKE LINE,NO.5	1		
		56785W	MK466693	BRACKET,BRAKE LINE,NO.5	1		
		56786C	MH023901	BRACKET,BRAKE LINE,NO.6	1		
			MK537723	BRACKET,BRAKE LINE,NO.6	1		
		56786E	MH026580	BRACKET,BRAKE LINE,NO.6	1		
			MK571778	BRACKET,BRAKE LINE,NO.6	1		
		56893N	MK360915	STAY,FRAME BRAKE LINE	1		
			MK571254	STAY,FRAME BRAKE LINE	1		
			MK571255	STAY,FRAME BRAKE LINE	1		
		56911	MF450004	WASHER,FRAME BRAKE LINE	3	PLAIN,6	

FK74R
35-550 BRAKE LINE ATTACHING PARTS (1/2)

SPN	Repl Part	PNC	Part No	Part Name	Qty	Part Spec	Remark
		56915	MF434103	NUT,FRAME BRAKE LINE	7	FLANGE,6	W/O COAT
			MF434103	NUT,FRAME BRAKE LINE	7	FLANGE,6	W/O COAT
			MF434103	NUT,FRAME BRAKE LINE	7	FLANGE,6	W/O COAT
			MF434103	NUT,FRAME BRAKE LINE	7	FLANGE,6	W/O COAT
			MF434103	NUT,FRAME BRAKE LINE	7	FLANGE,6	W/O COAT
			MF434103	NUT,FRAME BRAKE LINE	7	FLANGE,6	W/O COAT
			MF434103	NUT,FRAME BRAKE LINE	7	FLANGE,6	W/O COAT
			MF434103	NUT,FRAME BRAKE LINE	7	FLANGE,6	W/O COAT
			MF434103	NUT,FRAME BRAKE LINE	7	FLANGE,6	W/O COAT
			MF434103	NUT,FRAME BRAKE LINE	7	FLANGE,6	W/O COAT
			MF434103	NUT,FRAME BRAKE LINE	7	FLANGE,6	W/O COAT
			MF434103	NUT,FRAME BRAKE LINE	7	FLANGE,6	W/O COAT
			MF434103	NUT,FRAME BRAKE LINE	7	FLANGE,6	W/O COAT
			MF434103	NUT,FRAME BRAKE LINE	7	FLANGE,6	W/O COAT
			MF434103	NUT,FRAME BRAKE LINE	7	FLANGE,6	W/O COAT
			MF434103	NUT,FRAME BRAKE LINE	7	FLANGE,6	W/O COAT
			MF434104	NUT,FRAME BRAKE LINE	82	FLANGE,8	
			MF434104	NUT,FRAME BRAKE LINE	82	FLANGE,8	
			MF434104	NUT,FRAME BRAKE LINE	82	FLANGE,8	
			MF434104	NUT,FRAME BRAKE LINE	82	FLANGE,8	
			MF434104	NUT,FRAME BRAKE LINE	82	FLANGE,8	
			MF434104	NUT,FRAME BRAKE LINE	82	FLANGE,8	
			MF434104	NUT,FRAME BRAKE LINE	82	FLANGE,8	
			MF434104	NUT,FRAME BRAKE LINE	82	FLANGE,8	
			MF434104	NUT,FRAME BRAKE LINE	82	FLANGE,8	
			MF434104	NUT,FRAME BRAKE LINE	82	FLANGE,8	
			MF434104	NUT,FRAME BRAKE LINE	82	FLANGE,8	
			MF434104	NUT,FRAME BRAKE LINE	82	FLANGE,8	
			MF434104	NUT,FRAME BRAKE LINE	82	FLANGE,8	

FK74R
35-550 BRAKE LINE ATTACHING PARTS (1/2)

SPN	Repl Part	PNC	Part No	Part Name	Qty	Part Spec	Remark
		56915	MF434104	NUT,FRAME BRAKE LINE	82	FLANGE,8	
			MF434104	NUT,FRAME BRAKE LINE	82	FLANGE,8	
			MF434104	NUT,FRAME BRAKE LINE	82	FLANGE,8	
			MF434104	NUT,FRAME BRAKE LINE	82	FLANGE,8	
			MF434106	NUT,FRAME BRAKE LINE	4	FLANGE,12	4T
			MF434106	NUT,FRAME BRAKE LINE	4	FLANGE,12	4T
			MF434106	NUT,FRAME BRAKE LINE	4	FLANGE,12	4T
			MF434106	NUT,FRAME BRAKE LINE	4	FLANGE,12	4T
			MF434106	NUT,FRAME BRAKE LINE	4	FLANGE,12	4T
			MF434106	NUT,FRAME BRAKE LINE	4	FLANGE,12	4T
			MF434106	NUT,FRAME BRAKE LINE	4	FLANGE,12	4T
			MF434106	NUT,FRAME BRAKE LINE	4	FLANGE,12	4T
			MF434106	NUT,FRAME BRAKE LINE	4	FLANGE,12	4T
			MF434106	NUT,FRAME BRAKE LINE	4	FLANGE,12	4T
			MF434106	NUT,FRAME BRAKE LINE	4	FLANGE,12	4T
			MF434106	NUT,FRAME BRAKE LINE	4	FLANGE,12	4T
			MF434106	NUT,FRAME BRAKE LINE	4	FLANGE,12	4T
			MF434106	NUT,FRAME BRAKE LINE	4	FLANGE,12	4T
			MF434106	NUT,FRAME BRAKE LINE	4	FLANGE,12	4T
			MF434103	NUT,FRAME BRAKE LINE	3	FLANGE,6	W/O COAT
			MF430004	NUT,FRAME BRAKE LINE	3	6	
			MF434103	NUT,FRAME BRAKE LINE	1	FLANGE,6	W/O COAT

FK74R
35-550 BRAKE LINE ATTACHING PARTS (1/2)

SPN	Repl Part	PNC	Part No	Part Name	Qty	Part Spec	Remark
		56915	MF434105	NUT,FRAME BRAKE LINE	6	FLANGE,10	4T
			MF434105	NUT,FRAME BRAKE LINE	6	FLANGE,10	4T
			MF434105	NUT,FRAME BRAKE LINE	6	FLANGE,10	4T
			MF434105	NUT,FRAME BRAKE LINE	6	FLANGE,10	4T
			MF434105	NUT,FRAME BRAKE LINE	6	FLANGE,10	4T
			MF434105	NUT,FRAME BRAKE LINE	6	FLANGE,10	4T
			MF434105	NUT,FRAME BRAKE LINE	6	FLANGE,10	4T
			MF434105	NUT,FRAME BRAKE LINE	6	FLANGE,10	4T
			MF434105	NUT,FRAME BRAKE LINE	6	FLANGE,10	4T
			MF434105	NUT,FRAME BRAKE LINE	6	FLANGE,10	4T
			MF434105	NUT,FRAME BRAKE LINE	6	FLANGE,10	4T
			MF434105	NUT,FRAME BRAKE LINE	6	FLANGE,10	4T
			MF434105	NUT,FRAME BRAKE LINE	6	FLANGE,10	4T
			MF434105	NUT,FRAME BRAKE LINE	6	FLANGE,10	4T
			MF434105	NUT,FRAME BRAKE LINE	6	FLANGE,10	4T
			MF434103	NUT,FRAME BRAKE LINE	4	FLANGE,6	W/O COAT
			MF430004	NUT,FRAME BRAKE LINE	3	6	
			MF434103	NUT,FRAME BRAKE LINE	1	FLANGE,6	W/O COAT
			MF434105	NUT,FRAME BRAKE LINE	6	FLANGE,10	4T
			MF434103	NUT,FRAME BRAKE LINE	2	FLANGE,6	W/O COAT
			MF434106	NUT,FRAME BRAKE LINE	1	FLANGE,12	4T
		56916B	MH022556	GROMMET,FRAME BRAKE LINE	2	D=13 T=8	
			MH022556	GROMMET,FRAME BRAKE LINE	5	D=13 T=8	
			MH022556	GROMMET,FRAME BRAKE LINE	7	D=13 T=8	
			MH022560	GROMMET,FRAME BRAKE LINE	1	D=19 T=8	

FK74R
35-550 BRAKE LINE ATTACHING PARTS (1/2)

SPN	Repl Part	PNC	Part No	Part Name	Qty	Part Spec	Remark
		56916B	MH022565	GROMMET,FRAME BRAKE LINE	1	D=23 T=8	
			MH022575	GROMMET,FRAME BRAKE LINE	1	D=32 T=8	
			MH022556	GROMMET,FRAME BRAKE LINE	6	D=13 T=8	
		56931	MB249340	BAND,BODY BRAKE LINE	7	L=219.5	BLACK
			MB249340	BAND,BODY BRAKE LINE	7	L=219.5	BLACK
			MB249340	BAND,BODY BRAKE LINE	7	L=219.5	BLACK
			MB249340	BAND,BODY BRAKE LINE	7	L=219.5	BLACK
			MB249340	BAND,BODY BRAKE LINE	8	L=219.5	BLACK
			MB249340	BAND,BODY BRAKE LINE	8	L=219.5	BLACK
			MB249340	BAND,BODY BRAKE LINE	8	L=219.5	BLACK
			MB249340	BAND,BODY BRAKE LINE	8	L=219.5	BLACK
	RP		MB249338	BAND,BODY BRAKE LINE	2	L=129.5	BLACK
	RP		MB249339	BAND,BODY BRAKE LINE	10	L=169.5	BLACK
			MB249340	BAND,BODY BRAKE LINE	16	L=219.5	BLACK
			MH020976	BAND,BODY BRAKE LINE	3	L=258.7	BLACK

FK74R
35-550 BRAKE LINE ATTACHING PARTS (1/2)

SPN	Repl Part	PNC	Part No	Part Name	Qty	Part Spec	Remark
	RP	56931	MB249338	BAND,BODY BRAKE LINE	2	L=129.5	BLACK
	RP		MB249338	BAND,BODY BRAKE LINE	2	L=129.5	BLACK
	RP RP		MB249338 MB249338	BAND,BODY BRAKE LINE BAND,BODY BRAKE LINE	2 2	L=129.5 L=129.5	BLACK BLACK
	RP		MB249338	BAND,BODY BRAKE LINE	2	L=129.5	BLACK
	RP RP		MB249338 MB249338	BAND,BODY BRAKE LINE BAND,BODY BRAKE LINE	2 2	L=129.5 L=129.5	BLACK BLACK
	RP		MB249338	BAND,BODY BRAKE LINE	2	L=129.5	BLACK
	RP		MB249339	BAND,BODY BRAKE LINE	10	L=169.5	BLACK
	RP		MB249339	BAND,BODY BRAKE LINE	10	L=169.5	BLACK
	RP		MB249339	BAND,BODY BRAKE LINE	10	L=169.5	BLACK
	RP RP		MB249339 MB249339	BAND,BODY BRAKE LINE BAND,BODY BRAKE LINE	10 10	L=169.5 L=169.5	BLACK BLACK
	RP		MB249339	BAND,BODY BRAKE LINE	10	L=169.5	BLACK
	RP		MB249339	BAND,BODY BRAKE LINE	10	L=169.5	BLACK
	RP		MB249339	BAND,BODY BRAKE LINE	10	L=169.5	BLACK
			MH020976	BAND,BODY BRAKE LINE	3	L=258.7	BLACK
			MH020976	BAND,BODY BRAKE LINE	3	L=258.7	BLACK
			MH020976	BAND,BODY BRAKE LINE	3	L=258.7	BLACK
			MH020976	BAND,BODY BRAKE LINE	3	L=258.7	BLACK
			MH020976	BAND,BODY BRAKE LINE	3	L=258.7	BLACK
			MH020976	BAND,BODY BRAKE LINE	3	L=258.7	BLACK
			MH020976	BAND,BODY BRAKE LINE	3	L=258.7	BLACK
			MH020976	BAND,BODY BRAKE LINE	3	L=258.7	BLACK
			MH020976	BAND,BODY BRAKE LINE	3	L=258.7	BLACK
			MH020976	BAND,BODY BRAKE LINE	3	L=258.7	BLACK
			MH020976	BAND,BODY BRAKE LINE	3	L=258.7	BLACK
			MH020976	BAND,BODY BRAKE LINE	3	L=258.7	BLACK
			MH020976	BAND,BODY BRAKE LINE	3	L=258.7	BLACK
			MH020976	BAND,BODY BRAKE LINE	3	L=258.7	BLACK

FK74R
35-550 BRAKE LINE ATTACHING PARTS (1/2)

SPN	Repl Part	PNC	Part No	Part Name	Qty	Part Spec	Remark
		56931	MB249340	BAND,BODY BRAKE LINE	9	L=219.5	BLACK
			MB249340	BAND,BODY BRAKE LINE	9	L=219.5	BLACK
			MB249340	BAND,BODY BRAKE LINE	9	L=219.5	BLACK
			MB249340	BAND,BODY BRAKE LINE	9	L=219.5	BLACK
			MB249340	BAND,BODY BRAKE LINE	9	L=219.5	BLACK
	RP		MB249338	BAND,BODY BRAKE LINE	2	L=129.5	BLACK
	RP		MB249339	BAND,BODY BRAKE LINE	10	L=169.5	BLACK
			MB249340	BAND,BODY BRAKE LINE	17	L=219.5	BLACK
			MH020976	BAND,BODY BRAKE LINE	3	L=258.7	BLACK
	RP		MB249338	BAND,BODY BRAKE LINE	2	L=129.5	BLACK
	RP		MB249339	BAND,BODY BRAKE LINE	10	L=169.5	BLACK
			MB249340	BAND,BODY BRAKE LINE	2	L=219.5	BLACK
			MH020976	BAND,BODY BRAKE LINE	3	L=258.7	BLACK
		56920	(Please refer to the page 2/2)	BOLT,FRAME BRAKE LINE	1		
		56912	(N.e.c.)	SPACER,FRAME BRAKE LINE			
		56765S	(N.e.c.)	CLIP,BRAKE LINE,NO.1			
		56765N	(N.e.c.)	CLIP,BRAKE LINE,NO.1			
		56765K	(N.e.c.)	CLIP,BRAKE LINE,NO.1			
		56767J	(N.e.c.)	CLIP,BRAKE LINE,NO.3			
		56914B	(N.e.c.)	PLUG,FRAME BRAKE LINE			
		56895	(N.e.c.)	SCREW,FRAME BRAKE LINE			
		56767E	(N.e.c.)	CLIP,BRAKE LINE,NO.3			
		56766G	(N.e.c.)	CLIP,BRAKE LINE,NO.2			
		56765Q	(N.e.c.)	CLIP,BRAKE LINE,NO.1			
		56767C	(N.e.c.)	CLIP,BRAKE LINE,NO.3			
		56235G	(N.e.c.)	PROTECTOR,FRAME BRAKE LINE			
		56235H	(N.e.c.)	PROTECTOR,FRAME BRAKE LINE			
		56235J	(N.e.c.)	PROTECTOR,FRAME BRAKE LINE			
		56766J	(N.e.c.)	CLIP,BRAKE LINE,NO.2			
		54702B	(N.e.c.)	BRACKET,BRAKE BOOSTER			
		54702C	(N.e.c.)	BRACKET,BRAKE BOOSTER			
		54923B	(N.e.c.)	BRACKET,BRAKE SYNCH VALVE			
		55006N	(N.e.c.)	BRACKET,LOAD SENSING VALVE			
		55006E	(N.e.c.)	BRACKET,LOAD SENSING VALVE			
		55006M	(N.e.c.)	BRACKET,LOAD SENSING VALVE			
		55006K	(N.e.c.)	BRACKET,LOAD SENSING VALVE			
		55006G	(N.e.c.)	BRACKET,LOAD SENSING VALVE			
		55006J	(N.e.c.)	BRACKET,LOAD SENSING VALVE			
		55201B	(N.e.c.)	BRACKET,BRAKE AIR PRESSURE GOVERNOR			

FK74R

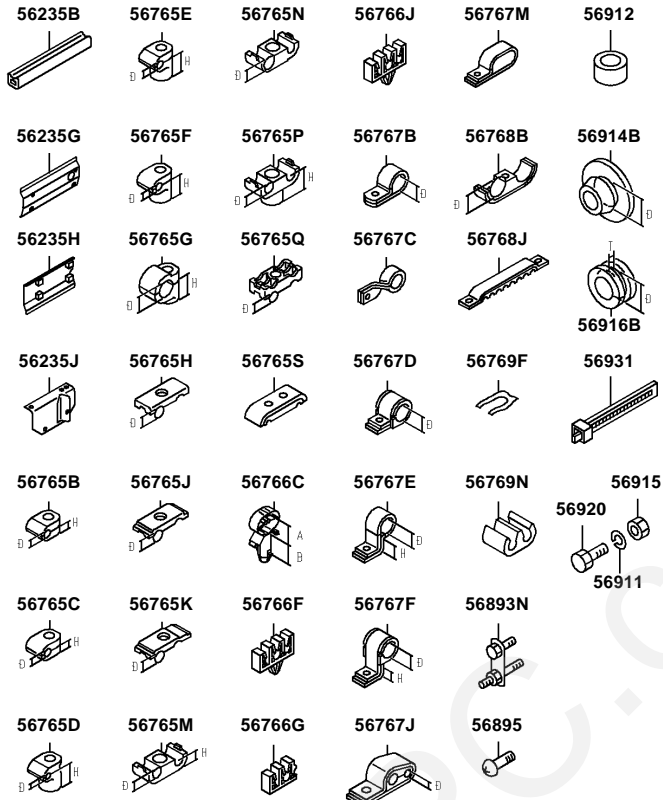
35-550 BRAKE LINE ATTACHING PARTS (1/2)

SPN	Repl Part	PNC	Part No	Part Name	Qty	Part Spec	Remark
		55201P	(N.e.c.)	BRACKET,BRAKE AIR PRESSURE GOVERNOR			
		55385Y	(N.e.c.)	BRACKET,BRAKE HAND CONTROL VALVE			
		55385X	(N.e.c.)	BRACKET,BRAKE HAND CONTROL VALVE			
		55385W	(N.e.c.)	BRACKET,BRAKE HAND CONTROL VALVE			
		55492F	(N.e.c.)	BRACKET,ASR CONTROL VALVE			
		55492G	(N.e.c.)	BRACKET,ASR CONTROL VALVE			
		55806N	(N.e.c.)	BRACKET,BRAKE RELAY VALVE			
		55828F	(N.e.c.)	BRACKET,3-WAY VALVE			
		56468C	(N.e.c.)	CRADLE,TRAILER BRAKE AIR LINE			
		55006S	(N.e.c.)	BRACKET,LOAD SENSING VALVE			
		55006X	(N.e.c.)	BRACKET,LOAD SENSING VALVE			
		55309BX	(N.e.c.)	BRACKET,ABS CONTROL VALVE			
		56769G	(N.e.c.)	CLIP,BRAKE LINE,NO.5			
		55939	(N.e.c.)	TUBE,ABS CONTROL VALVE DRAIN			
		55309BT	(N.e.c.)	BRACKET,ABS CONTROL VALVE			
		55309BS	(N.e.c.)	BRACKET,ABS CONTROL VALVE			
		55309U	(N.e.c.)	BRACKET,ABS CONTROL VALVE			
		55602	(N.e.c.)	BRACKET,TRAILER BRAKE LEVER			
		56904B	(N.e.c.)	SNAP RING,BODY BRAKE LINE			
		56906B	(N.e.c.)	PIN,BODY BRAKE LINE			
		55607A	(N.e.c.)	SHAFT ASSY,TRAILER BRAKE LEVER			
		56412	(N.e.c.)	LEVER,TRAILER BRAKE			
		56931B	(N.e.c.)	BAND,BODY BRAKE LINE			
		56468B	(N.e.c.)	CRADLE,TRAILER BRAKE AIR LINE			
		55309X	(N.e.c.)	BRACKET,ABS CONTROL VALVE			
		55601G	(N.e.c.)	BRACKET,TRAILER BRAKE AIR VALVE			
		55828E	(N.e.c.)	BRACKET,3-WAY VALVE			
		55806T	(N.e.c.)	BRACKET,BRAKE RELAY VALVE			
		82569C	(N.e.c.)	BRACKET,CONTROL BOX			
		55870B	(N.e.c.)	COVER,BRAKE HYDRAULIC UNIT INSULATOR			
		55309CD	(N.e.c.)	BRACKET,ABS CONTROL VALVE			
		55006V	(N.e.c.)	BRACKET,LOAD SENSING VALVE			
		55309BK	(N.e.c.)	BRACKET,ABS CONTROL VALVE			
		55309BN	(N.e.c.)	BRACKET,ABS CONTROL VALVE			
		54924BF	(N.e.c.)	BRACKET,BRAKE AIR REDUCING VALVE			
		55403C	(N.e.c.)	BRACKET,BRAKE QUICK RELEASE VALVE			
		55403V	(N.e.c.)	BRACKET,BRAKE QUICK RELEASE VALVE			
		55806E	(N.e.c.)	BRACKET,BRAKE RELAY VALVE			
		55806F	(N.e.c.)	BRACKET,BRAKE RELAY VALVE			
		55806BH	(N.e.c.)	BRACKET,BRAKE RELAY VALVE			
		55828M	(N.e.c.)	BRACKET,3-WAY VALVE			
		55365V	(N.e.c.)	BRACKET,BRAKE CONTROL VALVE			
		55309BY	(N.e.c.)	BRACKET,ABS CONTROL VALVE			
		55309BZ	(N.e.c.)	BRACKET,ABS CONTROL VALVE			
		55309CB	(N.e.c.)	BRACKET,ABS CONTROL VALVE			
		56782CS	(N.e.c.)	BRACKET,BRAKE LINE,NO.2			
		56782CT	(N.e.c.)	BRACKET,BRAKE LINE,NO.2			
		56782CU	(N.e.c.)	BRACKET,BRAKE LINE,NO.2			
		56893P	(N.e.c.)	STAY,FRAME BRAKE LINE			
		56788B	(N.e.c.)	BRACKET,BRAKE LINE,NO.8			
		56785BC	(N.e.c.)	BRACKET,BRAKE LINE,NO.5			
		56784Q	(N.e.c.)	BRACKET,BRAKE LINE,NO.4			
		56784J	(N.e.c.)	BRACKET,BRAKE LINE,NO.4			
		56785X	(N.e.c.)	BRACKET,BRAKE LINE,NO.5			
		56784P	(N.e.c.)	BRACKET,BRAKE LINE,NO.4			
		56781BN	(N.e.c.)	BRACKET,BRAKE LINE,NO.1			
		56784K	(N.e.c.)	BRACKET,BRAKE LINE,NO.4			
		56781CD	(N.e.c.)	BRACKET,BRAKE LINE,NO.1			
		56784H	(N.e.c.)	BRACKET,BRAKE LINE,NO.4			
		56782BH	(N.e.c.)	BRACKET,BRAKE LINE,NO.2			
		56781BV	(N.e.c.)	BRACKET,BRAKE LINE,NO.1			
		56784F	(N.e.c.)	BRACKET,BRAKE LINE,NO.4			
		55815G	(N.e.c.)	BRACKET,3-WAY SOLENOID VALVE			
		56802E	(N.e.c.)	BRACKET,BODY BRAKE LINE HOSE,NO.2			
		56788C	(N.e.c.)	BRACKET,BRAKE LINE,NO.8			
		56786K	(N.e.c.)	BRACKET,BRAKE LINE,NO.6			
		56785V	(N.e.c.)	BRACKET,BRAKE LINE,NO.5			
		56785T	(N.e.c.)	BRACKET,BRAKE LINE,NO.5			
		56784E	(N.e.c.)	BRACKET,BRAKE LINE,NO.4			
		56782BB	(N.e.c.)	BRACKET,BRAKE LINE,NO.2			
		56781BP	(N.e.c.)	BRACKET,BRAKE LINE,NO.1			
		56786P	(N.e.c.)	BRACKET,BRAKE LINE,NO.6			

FK74R
35-550 BRAKE LINE ATTACHING PARTS (1/2)

SPN	Repl Part	PNC	Part No	Part Name	Qty	Part Spec	Remark
		56784BB	(N.e.c.)	BRACKET,BRAKE LINE,NO.4			
		56785BE	(N.e.c.)	BRACKET,BRAKE LINE,NO.5			
		56785H	(N.e.c.)	BRACKET,BRAKE LINE,NO.5			
		56777P	(N.e.c.)	BRACKET,FRAME BRAKE LINE HOSE,NO.7			
		56785K	(N.e.c.)	BRACKET,BRAKE LINE,NO.5			
		56782BN	(N.e.c.)	BRACKET,BRAKE LINE,NO.2			
		56771E	(N.e.c.)	BRACKET,FRAME BRAKE LINE HOSE,NO.1			
		56785BJ	(N.e.c.)	BRACKET,BRAKE LINE,NO.5			
		56784BG	(N.e.c.)	BRACKET,BRAKE LINE,NO.4			
		56785BG	(N.e.c.)	BRACKET,BRAKE LINE,NO.5			
		56785BH	(N.e.c.)	BRACKET,BRAKE LINE,NO.5			
		56782BQ	(N.e.c.)	BRACKET,BRAKE LINE,NO.2			
		56784BK	(N.e.c.)	BRACKET,BRAKE LINE,NO.4			
		56784BP	(N.e.c.)	BRACKET,BRAKE LINE,NO.4			
		56786S	(N.e.c.)	BRACKET,BRAKE LINE,NO.6			
		56785BM	(N.e.c.)	BRACKET,BRAKE LINE,NO.5			
		55492BB	(N.e.c.)	BRACKET,ASR CONTROL VALVE			
		55492BC	(N.e.c.)	BRACKET,ASR CONTROL VALVE			
		55492Z	(N.e.c.)	BRACKET,ASR CONTROL VALVE			
		56782CV	(N.e.c.)	BRACKET,BRAKE LINE,NO.2			
		56786W	(N.e.c.)	BRACKET,BRAKE LINE,NO.6			
		56786Z	(N.e.c.)	BRACKET,BRAKE LINE,NO.6			
		56786V	(N.e.c.)	BRACKET,BRAKE LINE,NO.6			
		56781CS	(N.e.c.)	BRACKET,BRAKE LINE,NO.1			
		56781CT	(N.e.c.)	BRACKET,BRAKE LINE,NO.1			
		56784BW	(N.e.c.)	BRACKET,BRAKE LINE,NO.4			
		56784N	(N.e.c.)	BRACKET,BRAKE LINE,NO.4			
		56783M	(N.e.c.)	BRACKET,BRAKE LINE,NO.3			
		55365Y	(N.e.c.)	BRACKET,BRAKE CONTROL VALVE			
		56784CJ	(N.e.c.)	BRACKET,BRAKE LINE,NO.4			
		56783U	(N.e.c.)	BRACKET,BRAKE LINE,NO.3			
		56782DB	(N.e.c.)	BRACKET,BRAKE LINE,NO.2			
		56782DC	(N.e.c.)	BRACKET,BRAKE LINE,NO.2			
		56893W	(N.e.c.)	STAY,FRAME BRAKE LINE			
		56893T	(N.e.c.)	STAY,FRAME BRAKE LINE			

**FK74R
No.1**

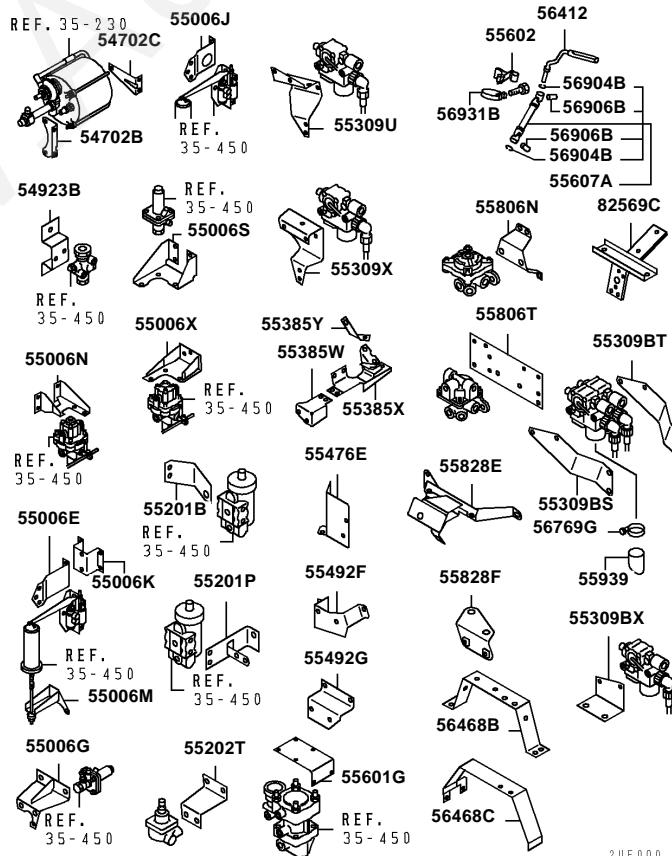


20C000

Ref. |2035550-2

Page

**FK74R
No.2**

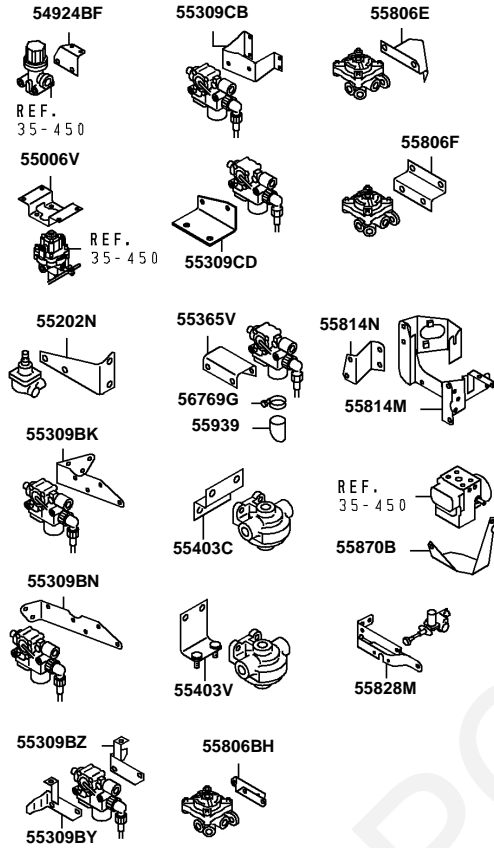


20E000

Ref. |2035550-2

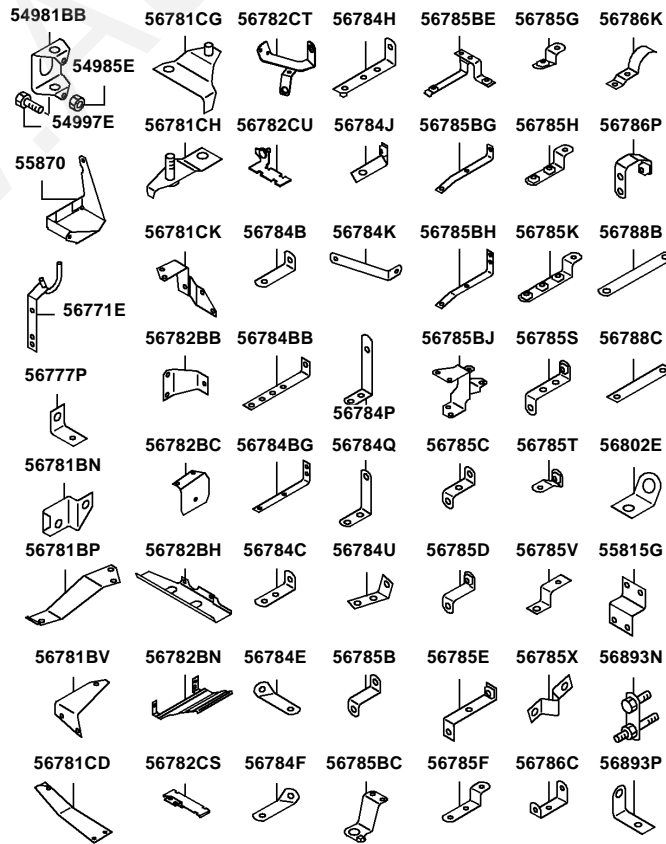
Page

**FK74R
No.3**



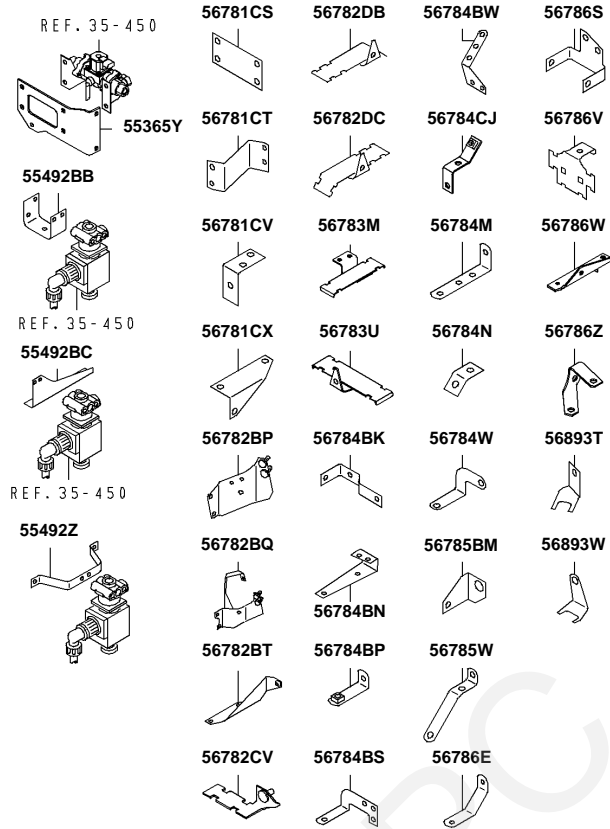
2UE001

**FK74R
No.4**



2UF006

**FK74R
No.5**



C 002 04

Ref. |2035550-2

Page

**FK74R
35-550 BRAKE LINE ATTACHING PARTS (2/2)**

PNC	Part No	Part Name	Qty	Part Spec	Remarks	CI
56920	MF101310	BOLT,FRAME BRAKE LINE	1	12X25	7T	G6, H6E, K6, M6I
	MF100059	BOLT,FRAME BRAKE LINE	1	BOLT,8X30		K6, M6I
	MF100059	BOLT,FRAME BRAKE LINE	1	BOLT,8X30		M6I
	MF100059	BOLT,FRAME BRAKE LINE	1	BOLT,8X30		G6, H6E, K6, M6I
	MF100059	BOLT,FRAME BRAKE LINE	1	BOLT,8X30		G6I
	MF100059	BOLT,FRAME BRAKE LINE	1	BOLT,8X30		G6, H6E, K6, M6I
	MF100059	BOLT,FRAME BRAKE LINE	1	BOLT,8X30		G6, H6E, K6, M6I
	MF100064	BOLT,FRAME BRAKE LINE	4	BOLT,8X45	4T	K6, M6I
	MF100064	BOLT,FRAME BRAKE LINE	4	BOLT,8X45	4T	M6I
	MF100064	BOLT,FRAME BRAKE LINE	4	BOLT,8X45	4T	G6, H6E, K6, M6I
	MF100064	BOLT,FRAME BRAKE LINE	4	BOLT,8X45	4T	G6I
	MF100064	BOLT,FRAME BRAKE LINE	4	BOLT,8X45	4T	G6, H6E, K6, M6I
	MF100064	BOLT,FRAME BRAKE LINE	4	BOLT,8X45	4T	G6, H6E, K6, M6I
	MF100064	BOLT,FRAME BRAKE LINE	4	BOLT,8X45	4T	G6, H6E, K6, M6I
	MF140038	BOLT,FRAME BRAKE LINE	1	FLANGE,8X65	4T	J6, K6, M6I
	MF140038	BOLT,FRAME BRAKE LINE	1	FLANGE,8X65	4T	G6, J6, K6, M6I

Ref. |2035550-2

Page

FK74R
35-550 BRAKE LINE ATTACHING PARTS (2/2)

PNC	Part No	Part Name	Qty	Part Spec	Remarks	Cl
56920	MF140038	BOLT,FRAME BRAKE LINE	1	FLANGE,8X65	4T	G6, H6E
	MF140038	BOLT,FRAME BRAKE LINE	1	FLANGE,8X65	4T	K6, M6
	MF140038	BOLT,FRAME BRAKE LINE	1	FLANGE,8X65	4T	G6, H6E
	MF140038	BOLT,FRAME BRAKE LINE	1	FLANGE,8X65	4T	K6, M6
	MF140038	BOLT,FRAME BRAKE LINE	1	FLANGE,8X65	4T	G6, H6E
	MF140058	BOLT,FRAME BRAKE LINE	1	FLANGE,10X20	4T	J6, K6,
	MF140058	BOLT,FRAME BRAKE LINE	1	FLANGE,10X20	4T	M6
	MF140058	BOLT,FRAME BRAKE LINE	1	FLANGE,10X20	4T	G6, H6E
	MF140058	BOLT,FRAME BRAKE LINE	1	FLANGE,10X20	4T	K6, M6
	MF140058	BOLT,FRAME BRAKE LINE	1	FLANGE,10X20	4T	G6, H6E
	MF140058	BOLT,FRAME BRAKE LINE	1	FLANGE,10X20	4T	K6, M6
	MF140058	BOLT,FRAME BRAKE LINE	1	FLANGE,10X20	4T	G6, H6E
	MF240051	BOLT,FRAME BRAKE LINE	1	WASHER ASSEMBLED,8X16		J6, M6
	MF240051	BOLT,FRAME BRAKE LINE	1	WASHER ASSEMBLED,8X16		G6, H6E
	MF240051	BOLT,FRAME BRAKE LINE	1	WASHER ASSEMBLED,8X16		K6, M6
	MF240051	BOLT,FRAME BRAKE LINE	1	WASHER ASSEMBLED,8X16		G6, H6E
	MF240051	BOLT,FRAME BRAKE LINE	1	WASHER ASSEMBLED,8X16		K6, M6
	MF240051	BOLT,FRAME BRAKE LINE	1	WASHER ASSEMBLED,8X16		G6, H6E
	MF240051	BOLT,FRAME BRAKE LINE	1	WASHER ASSEMBLED,8X16		K6, M6
	MF240053	BOLT,FRAME BRAKE LINE	3	WASHER ASSEMBLED,8X20		G6, H6E
	MF240053	BOLT,FRAME BRAKE LINE	3	WASHER ASSEMBLED,8X20		K6, M6
	MF240053	BOLT,FRAME BRAKE LINE	3	WASHER ASSEMBLED,8X20		G6, H6E
	MF240053	BOLT,FRAME BRAKE LINE	3	WASHER ASSEMBLED,8X20		K6, M6
	MF240053	BOLT,FRAME BRAKE LINE	3	WASHER ASSEMBLED,8X20		G6, H6E
	MF240053	BOLT,FRAME BRAKE LINE	3	WASHER ASSEMBLED,8X20		K6, M6
	MF240054	BOLT,FRAME BRAKE LINE	2	WASHER ASSEMBLED,8X22		G6, H6E
	MF240054	BOLT,FRAME BRAKE LINE	2	WASHER ASSEMBLED,8X22		K6, M6
	MF240054	BOLT,FRAME BRAKE LINE	2	WASHER ASSEMBLED,8X22		G6, H6E
	MF240054	BOLT,FRAME BRAKE LINE	2	WASHER ASSEMBLED,8X22		K6, M6
	MF240054	BOLT,FRAME BRAKE LINE	2	WASHER ASSEMBLED,8X22		G6, H6E
	MF240054	BOLT,FRAME BRAKE LINE	2	WASHER ASSEMBLED,8X22		K6, M6
	MF240054	BOLT,FRAME BRAKE LINE	2	WASHER ASSEMBLED,8X22		G6, H6E
	MF240054	BOLT,FRAME BRAKE LINE	2	WASHER ASSEMBLED,8X22		K6, M6
	MS146952	BOLT,FRAME BRAKE LINE	1	F.T,8X20		G6, H6E
	MS146952	BOLT,FRAME BRAKE LINE	1	F.T,8X20		K6, M6
	MS146952	BOLT,FRAME BRAKE LINE	1	F.T,8X20		G6, H6E
	MS146952	BOLT,FRAME BRAKE LINE	1	F.T,8X20		K6, M6
	MS146952	BOLT,FRAME BRAKE LINE	1	F.T,8X20		G6, H6E
	MS146952	BOLT,FRAME BRAKE LINE	1	F.T,8X20		K6, M6

FK74R
35-550 BRAKE LINE ATTACHING PARTS (2/2)

PNC	Part No	Part Name	Qty	Part Spec	Remarks	Cl
56920	MS146952	BOLT,FRAME BRAKE LINE	1	F.T,8X20		G6, H6E K6, M6
	MS146952	BOLT,FRAME BRAKE LINE	1	F.T,8X20		K6, G6, H6E K6, M6
	MF100027	BOLT,FRAME BRAKE LINE	2	BOLT,6X16	4T	G6, H6E K6, M6
	MF100055	BOLT,FRAME BRAKE LINE	4	BOLT,8X20	4T	G6, H6E K6, M6
	MF100059	BOLT,FRAME BRAKE LINE	1	BOLT,8X30		G6, H6E K6, M6
	MF100064	BOLT,FRAME BRAKE LINE	4	BOLT,8X45	4T	G6, H6E K6, M6
	MF140005	BOLT,FRAME BRAKE LINE	2	FLANGE,6X16	4T	G6, H6E K6, M6
	MF140029	BOLT,FRAME BRAKE LINE	2	FLANGE,8X30	4T	G6, H6E K6, M6
	MF140034	BOLT,FRAME BRAKE LINE	2	FLANGE,8X45	4T	G6, H6E K6, M6
	MF140037	BOLT,FRAME BRAKE LINE	2	FLANGE,8X60	4T	G6, H6E K6, M6
	MF140038	BOLT,FRAME BRAKE LINE	1	FLANGE,8X65	4T	G6, H6E K6, M6
	MF240023	BOLT,FRAME BRAKE LINE	1	WASHER ASSEMBLED,6X12		G6, H6E K6, M6
	MF240054	BOLT,FRAME BRAKE LINE	2	WASHER ASSEMBLED,8X22		G6, H6E K6, M6
	MF100055	BOLT,FRAME BRAKE LINE	22	BOLT,8X20	4T	G6, H6E K6, M6
	MF100057	BOLT,FRAME BRAKE LINE	1	BOLT,8X25	4T	G6, H6E K6, M6
	MF140011	BOLT,FRAME BRAKE LINE	1	FLANGE,6X30	4T	G6, H6E K6, M6
	MF140025	BOLT,FRAME BRAKE LINE	6	FLANGE,8X20	4T	G6, H6E K6, M6
	MF140029	BOLT,FRAME BRAKE LINE	5	FLANGE,8X30	4T	G6, H6E K6, M6
	MF140034	BOLT,FRAME BRAKE LINE	9	FLANGE,8X45	4T	G6, H6E K6, M6

FK74R
35-550 BRAKE LINE ATTACHING PARTS (2/2)

PNC	Part No	Part Name	Qty	Part Spec	Remarks	Cl
56920	MF140037	BOLT,FRAME BRAKE LINE	7	FLANGE,8X60	4T	G6, H6E K6, M6
	MF243653	BOLT,FRAME BRAKE LINE	2	WASHER ASSEMBLED,8X25		G6, H6E K6, M6
	MF140037	BOLT,FRAME BRAKE LINE	3	FLANGE,8X60	4T	G6, H6E K6, M6
	MF100027	BOLT,FRAME BRAKE LINE	2	BOLT,6X16	4T	G6, H6E
	MF100055	BOLT,FRAME BRAKE LINE	4	BOLT,8X20	4T	G6, H6E
	MF100059	BOLT,FRAME BRAKE LINE	1	BOLT,8X30		G6, H6E
	MF100064	BOLT,FRAME BRAKE LINE	4	BOLT,8X45	4T	G6, H6E
	MF140005	BOLT,FRAME BRAKE LINE	2	FLANGE,6X16	4T	G6, H6E
	MF140029	BOLT,FRAME BRAKE LINE	2	FLANGE,8X30	4T	G6, H6E
	MF140034	BOLT,FRAME BRAKE LINE	2	FLANGE,8X45	4T	G6, H6E
	MF140037	BOLT,FRAME BRAKE LINE	3	FLANGE,8X60	4T	G6, H6E
	MF140038	BOLT,FRAME BRAKE LINE	1	FLANGE,8X65	4T	G6, H6E
	MF101312	BOLT,FRAME BRAKE LINE	2	BOLT,12X30	7T	G6, J6V K6V
	MF101312	BOLT,FRAME BRAKE LINE	2	BOLT,12X30	7T	K6, M6
	MF101312	BOLT,FRAME BRAKE LINE	2	BOLT,12X30	7T	G6, H6E
	MF101312	BOLT,FRAME BRAKE LINE	2	BOLT,12X30	7T	J6, J6V K6V
	MF101312	BOLT,FRAME BRAKE LINE	2	BOLT,12X30	7T	M6, G6V
	MF101312	BOLT,FRAME BRAKE LINE	2	BOLT,12X30	7T	J6V K6V
	MF101312	BOLT,FRAME BRAKE LINE	2	BOLT,12X30	7T	K6, M6
	MF101312	BOLT,FRAME BRAKE LINE	2	BOLT,12X30	7T	G6, J6, K6E
	MF101312	BOLT,FRAME BRAKE LINE	2	BOLT,12X30	7T	G6V K6V
	MF101312	BOLT,FRAME BRAKE LINE	2	BOLT,12X30	7T	G6, H6, H6V
	MF101312	BOLT,FRAME BRAKE LINE	2	BOLT,12X30	7T	J6V K6E
	MF101312	BOLT,FRAME BRAKE LINE	2	BOLT,12X30	7T	M6, G6, H6E
	MF101312	BOLT,FRAME BRAKE LINE	2	BOLT,12X30	7T	G6V
	MF101312	BOLT,FRAME BRAKE LINE	2	BOLT,12X30	7T	G6, J6, K6E
	MF101312	BOLT,FRAME BRAKE LINE	2	BOLT,12X30	7T	G6V J6V
	MF140029	BOLT,FRAME BRAKE LINE	3	FLANGE,8X30	4T	G6, H6E
	MF140029	BOLT,FRAME BRAKE LINE	3	FLANGE,8X30	4T	G6V J6V
	MF140029	BOLT,FRAME BRAKE LINE	3	FLANGE,8X30	4T	G6, J6, K6E
	MF140029	BOLT,FRAME BRAKE LINE	3	FLANGE,8X30	4T	G6V

FK74R
35-550 BRAKE LINE ATTACHING PARTS (2/2)

PNC	Part No	Part Name	Qty	Part Spec	Remarks	Cl
56920	MF140029	BOLT,FRAME BRAKE LINE	3	FLANGE,8X30	4T	G6V
	MF140029	BOLT,FRAME BRAKE LINE	3	FLANGE,8X30	4T	J6V
	MF140029	BOLT,FRAME BRAKE LINE	3	FLANGE,8X30	4T	K6V
	MF140029	BOLT,FRAME BRAKE LINE	3	FLANGE,8X30	4T	G6,
	MF140029	BOLT,FRAME BRAKE LINE	3	FLANGE,8X30	4T	H6V
	MF140029	BOLT,FRAME BRAKE LINE	3	FLANGE,8X30	4T	J6V
	MF140029	BOLT,FRAME BRAKE LINE	3	FLANGE,8X30	4T	K6E
	MF140029	BOLT,FRAME BRAKE LINE	3	FLANGE,8X30	4T	M6,
	MF140029	BOLT,FRAME BRAKE LINE	3	FLANGE,8X30	4T	K6V
	MF140029	BOLT,FRAME BRAKE LINE	3	FLANGE,8X30	4T	G6,
	MF140029	BOLT,FRAME BRAKE LINE	3	FLANGE,8X30	4T	H6E
	MF140029	BOLT,FRAME BRAKE LINE	3	FLANGE,8X30	4T	J6,-
	MF140029	BOLT,FRAME BRAKE LINE	3	FLANGE,8X30	4T	J6V
	MF140029	BOLT,FRAME BRAKE LINE	3	FLANGE,8X30	4T	K6V
	MF140029	BOLT,FRAME BRAKE LINE	3	FLANGE,8X30	4T	M6V
	MF140029	BOLT,FRAME BRAKE LINE	3	FLANGE,8X30	4T	G6V
	MF100027	BOLT,FRAME BRAKE LINE	4	BOLT,6X16	4T	J6V
	MF100027	BOLT,FRAME BRAKE LINE	4	BOLT,6X16	4T	G6V
	MF100027	BOLT,FRAME BRAKE LINE	4	BOLT,6X16	4T	J6V
	MF100027	BOLT,FRAME BRAKE LINE	4	BOLT,6X16	4T	G6,
	MF100027	BOLT,FRAME BRAKE LINE	4	BOLT,6X16	4T	J6,-
	MF100027	BOLT,FRAME BRAKE LINE	4	BOLT,6X16	4T	K6E
	MF100027	BOLT,FRAME BRAKE LINE	4	BOLT,6X16	4T	G6,
	MF100027	BOLT,FRAME BRAKE LINE	4	BOLT,6X16	4T	J6,-
	MF100027	BOLT,FRAME BRAKE LINE	4	BOLT,6X16	4T	K6E
	MF100027	BOLT,FRAME BRAKE LINE	4	BOLT,6X16	4T	G6,
	MF100027	BOLT,FRAME BRAKE LINE	4	BOLT,6X16	4T	H6,
	MF100027	BOLT,FRAME BRAKE LINE	4	BOLT,6X16	4T	H6V
	MF100027	BOLT,FRAME BRAKE LINE	4	BOLT,6X16	4T	J6V
	MF100027	BOLT,FRAME BRAKE LINE	4	BOLT,6X16	4T	K6E
	MF100027	BOLT,FRAME BRAKE LINE	4	BOLT,6X16	4T	M6,
	MF100027	BOLT,FRAME BRAKE LINE	4	BOLT,6X16	4T	K6V
	MF100027	BOLT,FRAME BRAKE LINE	4	BOLT,6X16	4T	G6V
	MF100027	BOLT,FRAME BRAKE LINE	4	BOLT,6X16	4T	M6V
	MF100027	BOLT,FRAME BRAKE LINE	4	BOLT,6X16	4T	G6V
	MF100027	BOLT,FRAME BRAKE LINE	4	BOLT,6X16	4T	J6V
	MF100027	BOLT,FRAME BRAKE LINE	4	BOLT,6X16	4T	K6,
	MF100027	BOLT,FRAME BRAKE LINE	4	BOLT,6X16	4T	M6V
	MF100027	BOLT,FRAME BRAKE LINE	4	BOLT,6X16	4T	G6,
	MF100027	BOLT,FRAME BRAKE LINE	4	BOLT,6X16	4T	H6E
	MF100027	BOLT,FRAME BRAKE LINE	4	BOLT,6X16	4T	G6V
	MF100027	BOLT,FRAME BRAKE LINE	4	BOLT,6X16	4T	J6V
	MF100027	BOLT,FRAME BRAKE LINE	4	BOLT,6X16	4T	K6V
	MF100027	BOLT,FRAME BRAKE LINE	4	BOLT,6X16	4T	G6V
	MF100027	BOLT,FRAME BRAKE LINE	4	BOLT,6X16	4T	M6
	MF100027	BOLT,FRAME BRAKE LINE	4	BOLT,6X16	4T	G6,
	MF100027	BOLT,FRAME BRAKE LINE	4	BOLT,6X16	4T	H6E
	MF100027	BOLT,FRAME BRAKE LINE	4	BOLT,6X16	4T	J6,-
	MF100027	BOLT,FRAME BRAKE LINE	4	BOLT,6X16	4T	J6V
	MF100027	BOLT,FRAME BRAKE LINE	4	BOLT,6X16	4T	K6V
	MF100027	BOLT,FRAME BRAKE LINE	4	BOLT,6X16	4T	M6V
	MF100027	BOLT,FRAME BRAKE LINE	4	BOLT,6X16	4T	G6V
	MF100027	BOLT,FRAME BRAKE LINE	4	BOLT,6X16	4T	J6V
	MF100027	BOLT,FRAME BRAKE LINE	4	BOLT,6X16	4T	K6,
	MF100053	BOLT,FRAME BRAKE LINE	4	BOLT,8X16	4T	G6,
	MF100053	BOLT,FRAME BRAKE LINE	4	BOLT,8X16	4T	H6E
	MF100053	BOLT,FRAME BRAKE LINE	4	BOLT,8X16	4T	J6,-
	MF100053	BOLT,FRAME BRAKE LINE	4	BOLT,8X16	4T	J6V
	MF100053	BOLT,FRAME BRAKE LINE	4	BOLT,8X16	4T	K6V
	MF100053	BOLT,FRAME BRAKE LINE	4	BOLT,8X16	4T	M6V

FK74R
35-550 BRAKE LINE ATTACHING PARTS (2/2)

PNC	Part No	Part Name	Qty	Part Spec	Remarks	Cl
56920	MF100053	BOLT,FRAME BRAKE LINE	4	BOLT,8X16	4T	M6
	MF100053	BOLT,FRAME BRAKE LINE	4	BOLT,8X16	4T	G6
	MF100053	BOLT,FRAME BRAKE LINE	4	BOLT,8X16	4T	G6, J6V, K6V
	MF100053	BOLT,FRAME BRAKE LINE	4	BOLT,8X16	4T	G6, J6, K6E
	MF100053	BOLT,FRAME BRAKE LINE	4	BOLT,8X16	4T	K6,
	MF100053	BOLT,FRAME BRAKE LINE	4	BOLT,8X16	4T	K6, M6
	MF100053	BOLT,FRAME BRAKE LINE	4	BOLT,8X16	4T	G6, H6E
	MF100053	BOLT,FRAME BRAKE LINE	4	BOLT,8X16	4T	G6, J6, G6V
	MF100053	BOLT,FRAME BRAKE LINE	4	BOLT,8X16	4T	J6V, K6V
	MF100053	BOLT,FRAME BRAKE LINE	4	BOLT,8X16	4T	G6
	MF100053	BOLT,FRAME BRAKE LINE	4	BOLT,8X16	4T	G6
	MF100053	BOLT,FRAME BRAKE LINE	4	BOLT,8X16	4T	M6
	MF100053	BOLT,FRAME BRAKE LINE	4	BOLT,8X16	4T	G6
	MF100053	BOLT,FRAME BRAKE LINE	4	BOLT,8X16	4T	J6V
	MF100053	BOLT,FRAME BRAKE LINE	4	BOLT,8X16	4T	G6, H6, H6V
	MF100053	BOLT,FRAME BRAKE LINE	4	BOLT,8X16	4T	J6V, K6E
	MF100053	BOLT,FRAME BRAKE LINE	4	BOLT,8X16	4T	M6, G6
	MF100053	BOLT,FRAME BRAKE LINE	4	BOLT,8X16	4T	J6V, K6V
	MF100053	BOLT,FRAME BRAKE LINE	4	BOLT,8X16	4T	K6V
	MF100053	BOLT,FRAME BRAKE LINE	4	BOLT,8X16	4T	G6, J6, K6E
	MF100055	BOLT,FRAME BRAKE LINE	29	BOLT,8X20	4T	G6V
	MF100055	BOLT,FRAME BRAKE LINE	29	BOLT,8X20	4T	J6V
	MF100055	BOLT,FRAME BRAKE LINE	29	BOLT,8X20	4T	K6V
	MF100055	BOLT,FRAME BRAKE LINE	29	BOLT,8X20	4T	G6, J6, K6E
	MF100055	BOLT,FRAME BRAKE LINE	29	BOLT,8X20	4T	G6V
	MF100055	BOLT,FRAME BRAKE LINE	29	BOLT,8X20	4T	J6V
	MF100055	BOLT,FRAME BRAKE LINE	29	BOLT,8X20	4T	G6, H6, H6V
	MF100055	BOLT,FRAME BRAKE LINE	29	BOLT,8X20	4T	J6V, K6E
	MF100055	BOLT,FRAME BRAKE LINE	29	BOLT,8X20	4T	M6, G6, J6, K6E
	MF100055	BOLT,FRAME BRAKE LINE	29	BOLT,8X20	4T	G6
	MF100055	BOLT,FRAME BRAKE LINE	29	BOLT,8X20	4T	M6
MF100055	BOLT,FRAME BRAKE LINE	29	BOLT,8X20	4T	G6, H6E	
MF100055	BOLT,FRAME BRAKE LINE	29	BOLT,8X20	4T	J6, J6V	
MF100055	BOLT,FRAME BRAKE LINE	29	BOLT,8X20	4T	K6V	
MF100055	BOLT,FRAME BRAKE LINE	29	BOLT,8X20	4T	M6	
MF100055	BOLT,FRAME BRAKE LINE	29	BOLT,8X20	4T	K6, M6	
MF100055	BOLT,FRAME BRAKE LINE	29	BOLT,8X20	4T	G6, J6, G6	
MF100055	BOLT,FRAME BRAKE LINE	29	BOLT,8X20	4T	H6E	
MF100055	BOLT,FRAME BRAKE LINE	29	BOLT,8X20	4T	G6V	
MF100055	BOLT,FRAME BRAKE LINE	29	BOLT,8X20	4T	J6V	
MF100055	BOLT,FRAME BRAKE LINE	29	BOLT,8X20	4T	K6V	
MF100055	BOLT,FRAME BRAKE LINE	29	BOLT,8X20	4T	K6,	
MF100055	BOLT,FRAME BRAKE LINE	29	BOLT,8X20	4T	M6	
MF100055	BOLT,FRAME BRAKE LINE	29	BOLT,8X20	4T	G6	

FK74R

35-550 BRAKE LINE ATTACHING PARTS (2/2)

PNC	Part No	Part Name	Qty	Part Spec	Remarks	Cl
56920	MF100055	BOLT,FRAME BRAKE LINE	29	BOLT,8X20	4T	G6V J6V K6V
	MF100057	BOLT,FRAME BRAKE LINE	5	BOLT,8X25	4T	G6V J6V K6V
	MF100057	BOLT,FRAME BRAKE LINE	5	BOLT,8X25	4T	G6V
	MF100057	BOLT,FRAME BRAKE LINE	5	BOLT,8X25	4T	G6V
	MF100057	BOLT,FRAME BRAKE LINE	5	BOLT,8X25	4T	G6V J6V K6V
	MF100057	BOLT,FRAME BRAKE LINE	5	BOLT,8X25	4T	G6V J6V K6V
	MF100057	BOLT,FRAME BRAKE LINE	5	BOLT,8X25	4T	G6V H6V J6V K6V
	MF100057	BOLT,FRAME BRAKE LINE	5	BOLT,8X25	4T	G6V H6V J6V K6V M6V
	MF100057	BOLT,FRAME BRAKE LINE	5	BOLT,8X25	4T	G6V J6V K6V
	MF100057	BOLT,FRAME BRAKE LINE	5	BOLT,8X25	4T	G6V J6V K6V
	MF100057	BOLT,FRAME BRAKE LINE	5	BOLT,8X25	4T	G6V J6V K6V
	MF100057	BOLT,FRAME BRAKE LINE	5	BOLT,8X25	4T	G6V H6V J6V K6V
	MF100057	BOLT,FRAME BRAKE LINE	5	BOLT,8X25	4T	G6V H6V J6V K6V
	MF100057	BOLT,FRAME BRAKE LINE	5	BOLT,8X25	4T	G6V H6V J6V K6V
	MF100057	BOLT,FRAME BRAKE LINE	5	BOLT,8X25	4T	G6V H6V J6V K6V
	MF100057	BOLT,FRAME BRAKE LINE	5	BOLT,8X25	4T	G6V H6V J6V K6V
	MF100057	BOLT,FRAME BRAKE LINE	5	BOLT,8X25	4T	G6V H6V J6V K6V
	MF100057	BOLT,FRAME BRAKE LINE	5	BOLT,8X25	4T	G6V H6V J6V K6V
	MF100057	BOLT,FRAME BRAKE LINE	5	BOLT,8X25	4T	G6V H6V J6V K6V
	MF100057	BOLT,FRAME BRAKE LINE	5	BOLT,8X25	4T	G6V H6V J6V K6V
	MF100057	BOLT,FRAME BRAKE LINE	5	BOLT,8X25	4T	G6V H6V J6V K6V
	MF100057	BOLT,FRAME BRAKE LINE	5	BOLT,8X25	4T	G6V H6V J6V K6V
	MF100057	BOLT,FRAME BRAKE LINE	5	BOLT,8X25	4T	G6V H6V J6V K6V
	MF101310	BOLT,FRAME BRAKE LINE	1	12X25	7T	G6V J6V K6V
	MF101310	BOLT,FRAME BRAKE LINE	1	12X25	7T	G6V J6V K6V
	MF101310	BOLT,FRAME BRAKE LINE	1	12X25	7T	G6V H6V J6V K6V
	MF101310	BOLT,FRAME BRAKE LINE	1	12X25	7T	G6V H6V J6V K6V
	MF101310	BOLT,FRAME BRAKE LINE	1	12X25	7T	G6V H6V J6V K6V
	MF101310	BOLT,FRAME BRAKE LINE	1	12X25	7T	G6V H6V J6V K6V
	MF101310	BOLT,FRAME BRAKE LINE	1	12X25	7T	G6V H6V J6V K6V
	MF101310	BOLT,FRAME BRAKE LINE	1	12X25	7T	G6V H6V J6V K6V
	MF101310	BOLT,FRAME BRAKE LINE	1	12X25	7T	G6V H6V J6V K6V
	MF101310	BOLT,FRAME BRAKE LINE	1	12X25	7T	G6V H6V J6V K6V
	MF101310	BOLT,FRAME BRAKE LINE	1	12X25	7T	G6V H6V J6V K6V
	MF101310	BOLT,FRAME BRAKE LINE	1	12X25	7T	G6V H6V J6V K6V
	MF101310	BOLT,FRAME BRAKE LINE	1	12X25	7T	G6V H6V J6V K6V
	MF101310	BOLT,FRAME BRAKE LINE	1	12X25	7T	G6V H6V J6V K6V
	MF101310	BOLT,FRAME BRAKE LINE	1	12X25	7T	G6V H6V J6V K6V

FK74R
35-550 BRAKE LINE ATTACHING PARTS (2/2)

PNC	Part No	Part Name	Qty	Part Spec	Remarks	Cl
56920	MF101310	BOLT,FRAME BRAKE LINE	1	12X25	7T	K6, M6
	MF101310	BOLT,FRAME BRAKE LINE	1	12X25	7T	M6
	MF101310	BOLT,FRAME BRAKE LINE	1	12X25	7T	K6, G6
	MF101310	BOLT,FRAME BRAKE LINE	1	12X25	7T	J6V K6V
	MF140005	BOLT,FRAME BRAKE LINE	2	FLANGE,6X16	4T	K6, M6
	MF140005	BOLT,FRAME BRAKE LINE	2	FLANGE,6X16	4T	G6, H6E
	MF140005	BOLT,FRAME BRAKE LINE	2	FLANGE,6X16	4T	G6, J6,
	MF140005	BOLT,FRAME BRAKE LINE	2	FLANGE,6X16	4T	G6V J6V K6V
	MF140005	BOLT,FRAME BRAKE LINE	2	FLANGE,6X16	4T	G6, J6, K6E
	MF140005	BOLT,FRAME BRAKE LINE	2	FLANGE,6X16	4T	K6V
	MF140005	BOLT,FRAME BRAKE LINE	2	FLANGE,6X16	4T	G6V
	MF140005	BOLT,FRAME BRAKE LINE	2	FLANGE,6X16	4T	J6V G6, H6, H6V J6V K6E
	MF140005	BOLT,FRAME BRAKE LINE	2	FLANGE,6X16	4T	M6, G6V J6V
	MF140005	BOLT,FRAME BRAKE LINE	2	FLANGE,6X16	4T	G6V M6V
	MF140005	BOLT,FRAME BRAKE LINE	2	FLANGE,6X16	4T	G6, J6, K6E
	MF140005	BOLT,FRAME BRAKE LINE	2	FLANGE,6X16	4T	K6, G6V J6V
	MF140005	BOLT,FRAME BRAKE LINE	2	FLANGE,6X16	4T	K6V
	MF140005	BOLT,FRAME BRAKE LINE	2	FLANGE,6X16	4T	G6V
	MF140005	BOLT,FRAME BRAKE LINE	2	FLANGE,6X16	4T	G6, H6E J6, J6V K6V M6V
	MF140005	BOLT,FRAME BRAKE LINE	2	FLANGE,6X16	4T	M6
	MF140023	BOLT,FRAME BRAKE LINE	7	FLANGE,8X16	4T	G6V J6V K6V
	MF140023	BOLT,FRAME BRAKE LINE	7	FLANGE,8X16	4T	K6, M6
	MF140023	BOLT,FRAME BRAKE LINE	7	FLANGE,8X16	4T	G6, J6, G6V J6V K6V
	MF140023	BOLT,FRAME BRAKE LINE	7	FLANGE,8X16	4T	G6V
	MF140023	BOLT,FRAME BRAKE LINE	7	FLANGE,8X16	4T	G6V
	MF140023	BOLT,FRAME BRAKE LINE	7	FLANGE,8X16	4T	G6, H6E
	MF140023	BOLT,FRAME BRAKE LINE	7	FLANGE,8X16	4T	K6, G6, J6, K6E
	MF140023	BOLT,FRAME BRAKE LINE	7	FLANGE,8X16	4T	K6V
	MF140023	BOLT,FRAME BRAKE LINE	7	FLANGE,8X16	4T	G6V M6V
	MF140023	BOLT,FRAME BRAKE LINE	7	FLANGE,8X16	4T	G6, H6, H6V J6V K6E
	MF140023	BOLT,FRAME BRAKE LINE	7	FLANGE,8X16	4T	M6,

FK74R
35-550 BRAKE LINE ATTACHING PARTS (2/2)

PNC	Part No	Part Name	Qty	Part Spec	Remarks	Cl
56920	MF140031	BOLT,FRAME BRAKE LINE	8	FLANGE,8X35	4T	K6,
	MF140031	BOLT,FRAME BRAKE LINE	8	FLANGE,8X35	4T	M6
	MF140031	BOLT,FRAME BRAKE LINE	8	FLANGE,8X35	4T	G6
	MF140031	BOLT,FRAME BRAKE LINE	8	FLANGE,8X35	4T	J6,-
	MF140031	BOLT,FRAME BRAKE LINE	8	FLANGE,8X35	4T	G6
	MF140031	BOLT,FRAME BRAKE LINE	8	FLANGE,8X35	4T	M6
	MF140031	BOLT,FRAME BRAKE LINE	8	FLANGE,8X35	4T	G6
	MF140031	BOLT,FRAME BRAKE LINE	8	FLANGE,8X35	4T	J6V
	MF140031	BOLT,FRAME BRAKE LINE	8	FLANGE,8X35	4T	G6,
	MF140031	BOLT,FRAME BRAKE LINE	8	FLANGE,8X35	4T	H6,
	MF140031	BOLT,FRAME BRAKE LINE	8	FLANGE,8X35	4T	H6V
	MF140031	BOLT,FRAME BRAKE LINE	8	FLANGE,8X35	4T	J6V
	MF140031	BOLT,FRAME BRAKE LINE	8	FLANGE,8X35	4T	K6E
	MF140031	BOLT,FRAME BRAKE LINE	8	FLANGE,8X35	4T	M6,
	MF140031	BOLT,FRAME BRAKE LINE	8	FLANGE,8X35	4T	G6,
	MF140031	BOLT,FRAME BRAKE LINE	8	FLANGE,8X35	4T	J6,
	MF140031	BOLT,FRAME BRAKE LINE	8	FLANGE,8X35	4T	K6E
	MF140031	BOLT,FRAME BRAKE LINE	8	FLANGE,8X35	4T	G6,
	MF140031	BOLT,FRAME BRAKE LINE	8	FLANGE,8X35	4T	J6,
	MF140031	BOLT,FRAME BRAKE LINE	8	FLANGE,8X35	4T	K6E
	MF140031	BOLT,FRAME BRAKE LINE	8	FLANGE,8X35	4T	G6V
	MF140031	BOLT,FRAME BRAKE LINE	8	FLANGE,8X35	4T	J6V
	MF140031	BOLT,FRAME BRAKE LINE	8	FLANGE,8X35	4T	K6V
	MF140033	BOLT,FRAME BRAKE LINE	3	FLANGE,8X40	4T	G6V
	MF140033	BOLT,FRAME BRAKE LINE	3	FLANGE,8X40	4T	J6V
	MF140033	BOLT,FRAME BRAKE LINE	3	FLANGE,8X40	4T	K6V
	MF140033	BOLT,FRAME BRAKE LINE	3	FLANGE,8X40	4T	G6
	MF140033	BOLT,FRAME BRAKE LINE	3	FLANGE,8X40	4T	J6,-
	MF140033	BOLT,FRAME BRAKE LINE	3	FLANGE,8X40	4T	K6E
	MF140033	BOLT,FRAME BRAKE LINE	3	FLANGE,8X40	4T	G6,
	MF140033	BOLT,FRAME BRAKE LINE	3	FLANGE,8X40	4T	J6,
	MF140033	BOLT,FRAME BRAKE LINE	3	FLANGE,8X40	4T	K6E
	MF140033	BOLT,FRAME BRAKE LINE	3	FLANGE,8X40	4T	G6,
	MF140033	BOLT,FRAME BRAKE LINE	3	FLANGE,8X40	4T	J6,
	MF140033	BOLT,FRAME BRAKE LINE	3	FLANGE,8X40	4T	K6E
	MF140033	BOLT,FRAME BRAKE LINE	3	FLANGE,8X40	4T	G6,
	MF140033	BOLT,FRAME BRAKE LINE	3	FLANGE,8X40	4T	H6,
	MF140033	BOLT,FRAME BRAKE LINE	3	FLANGE,8X40	4T	H6V
	MF140033	BOLT,FRAME BRAKE LINE	3	FLANGE,8X40	4T	J6V
	MF140033	BOLT,FRAME BRAKE LINE	3	FLANGE,8X40	4T	K6E
	MF140033	BOLT,FRAME BRAKE LINE	3	FLANGE,8X40	4T	M6,
	MF140033	BOLT,FRAME BRAKE LINE	3	FLANGE,8X40	4T	G6,
	MF140033	BOLT,FRAME BRAKE LINE	3	FLANGE,8X40	4T	H6E
	MF140033	BOLT,FRAME BRAKE LINE	3	FLANGE,8X40	4T	J6,
	MF140033	BOLT,FRAME BRAKE LINE	3	FLANGE,8X40	4T	J6V
	MF140033	BOLT,FRAME BRAKE LINE	3	FLANGE,8X40	4T	K6V
	MF140033	BOLT,FRAME BRAKE LINE	3	FLANGE,8X40	4T	M6
	MF140033	BOLT,FRAME BRAKE LINE	3	FLANGE,8X40	4T	G6
	MF140033	BOLT,FRAME BRAKE LINE	3	FLANGE,8X40	4T	H6E
	MF140033	BOLT,FRAME BRAKE LINE	3	FLANGE,8X40	4T	G6V
	MF140033	BOLT,FRAME BRAKE LINE	3	FLANGE,8X40	4T	J6V
	MF140033	BOLT,FRAME BRAKE LINE	3	FLANGE,8X40	4T	K6V
	MF140033	BOLT,FRAME BRAKE LINE	3	FLANGE,8X40	4T	K6,
	MF140034	BOLT,FRAME BRAKE LINE	21	FLANGE,8X45	4T	K6V
	MF140034	BOLT,FRAME BRAKE LINE	21	FLANGE,8X45	4T	G6,
	MF140034	BOLT,FRAME BRAKE LINE	21	FLANGE,8X45	4T	J6,-
	MF140034	BOLT,FRAME BRAKE LINE	21	FLANGE,8X45	4T	K6E
	MF140034	BOLT,FRAME BRAKE LINE	21	FLANGE,8X45	4T	G6,
	MF140034	BOLT,FRAME BRAKE LINE	21	FLANGE,8X45	4T	J6,-
	MF140034	BOLT,FRAME BRAKE LINE	21	FLANGE,8X45	4T	K6E

FK74R
35-550 BRAKE LINE ATTACHING PARTS (2/2)

PNC	Part No	Part Name	Qty	Part Spec	Remarks	Cl
56920	MF140034	BOLT,FRAME BRAKE LINE	21	FLANGE,8X45	4T	G6V
	MF140034	BOLT,FRAME BRAKE LINE	21	FLANGE,8X45	4T	J6V
						G6,
						H6,
	MF140034	BOLT,FRAME BRAKE LINE	21	FLANGE,8X45	4T	H6V
						J6V
	MF140034	BOLT,FRAME BRAKE LINE	21	FLANGE,8X45	4T	K6E
						M6,
	MF140034	BOLT,FRAME BRAKE LINE	21	FLANGE,8X45	4T	G6V
						J6V
	MF140034	BOLT,FRAME BRAKE LINE	21	FLANGE,8X45	4T	K6V
						G6V
	MF140034	BOLT,FRAME BRAKE LINE	21	FLANGE,8X45	4T	M6V
						G6V
	MF140034	BOLT,FRAME BRAKE LINE	21	FLANGE,8X45	4T	J6V
	MF140034	BOLT,FRAME BRAKE LINE	21	FLANGE,8X45	4T	G6V
						K6,
	MF140034	BOLT,FRAME BRAKE LINE	21	FLANGE,8X45	4T	M6V
						G6,
	MF140034	BOLT,FRAME BRAKE LINE	21	FLANGE,8X45	4T	J6,-
						G6,
	MF140034	BOLT,FRAME BRAKE LINE	21	FLANGE,8X45	4T	H6E
						G6V
	MF140034	BOLT,FRAME BRAKE LINE	21	FLANGE,8X45	4T	J6V
						K6V
	MF140034	BOLT,FRAME BRAKE LINE	21	FLANGE,8X45	4T	M6
	MF140034	BOLT,FRAME BRAKE LINE	21	FLANGE,8X45	4T	G6,
						H6E
						J6,-
						J6V
						K6V
						M6V
	MF140034	BOLT,FRAME BRAKE LINE	21	FLANGE,8X45	4T	G6V
	MF140034	BOLT,FRAME BRAKE LINE	21	FLANGE,8X45	4T	K6,
	MF140035	BOLT,FRAME BRAKE LINE	2	FLANGE,8X50	4T	G6,
						H6E
	MF140035	BOLT,FRAME BRAKE LINE	2	FLANGE,8X50	4T	G6V
						J6V
	MF140035	BOLT,FRAME BRAKE LINE	2	FLANGE,8X50	4T	K6,
						M6V
	MF140035	BOLT,FRAME BRAKE LINE	2	FLANGE,8X50	4T	G6V
						J6V
	MF140035	BOLT,FRAME BRAKE LINE	2	FLANGE,8X50	4T	G6,
						H6,
						H6V
						J6V
						K6E
	MF140035	BOLT,FRAME BRAKE LINE	2	FLANGE,8X50	4T	M6V
						G6V
	MF140035	BOLT,FRAME BRAKE LINE	2	FLANGE,8X50	4T	J6V
						G6,
						J6,-
	MF140035	BOLT,FRAME BRAKE LINE	2	FLANGE,8X50	4T	K6E
						G6,
	MF140035	BOLT,FRAME BRAKE LINE	2	FLANGE,8X50	4T	J6,-
						G6,
						H6E
						J6,-
						J6V
						K6V
	MF140035	BOLT,FRAME BRAKE LINE	2	FLANGE,8X50	4T	G6V
	MF140035	BOLT,FRAME BRAKE LINE	2	FLANGE,8X50	4T	G6,
						J6,-
						K6E
	MF140035	BOLT,FRAME BRAKE LINE	2	FLANGE,8X50	4T	M6
	MF140035	BOLT,FRAME BRAKE LINE	2	FLANGE,8X50	4T	G6V
	MF140035	BOLT,FRAME BRAKE LINE	2	FLANGE,8X50	4T	G6V
						J6V
	MF140035	BOLT,FRAME BRAKE LINE	2	FLANGE,8X50	4T	K6,
	MF140037	BOLT,FRAME BRAKE LINE	13	FLANGE,8X60	4T	K6,
	MF140037	BOLT,FRAME BRAKE LINE	13	FLANGE,8X60	4T	G6V
						J6V
						K6V

FK74R
35-550 BRAKE LINE ATTACHING PARTS (2/2)

PNC	Part No	Part Name	Qty	Part Spec	Remarks	Cl
56920	MF140037	BOLT,FRAME BRAKE LINE	13	FLANGE,8X60	4T	M6
	MF140037	BOLT,FRAME BRAKE LINE	13	FLANGE,8X60	4T	G6
	MF140037	BOLT,FRAME BRAKE LINE	13	FLANGE,8X60	4T	G6, H6E, J6,-, J6V, K6V, M6V
	MF140037	BOLT,FRAME BRAKE LINE	13	FLANGE,8X60	4T	G6V, J6V, K6V
	MF140037	BOLT,FRAME BRAKE LINE	13	FLANGE,8X60	4T	G6, H6E, K6, M6
	MF140037	BOLT,FRAME BRAKE LINE	13	FLANGE,8X60	4T	G6E
	MF140037	BOLT,FRAME BRAKE LINE	13	FLANGE,8X60	4T	G6, J6,-, G6, J6,-, K6E
	MF140037	BOLT,FRAME BRAKE LINE	13	FLANGE,8X60	4T	G6E
	MF140037	BOLT,FRAME BRAKE LINE	13	FLANGE,8X60	4T	M6V, G6V, J6V
	MF140037	BOLT,FRAME BRAKE LINE	13	FLANGE,8X60	4T	G6, H6, H6V, J6V, K6E
	MF140037	BOLT,FRAME BRAKE LINE	13	FLANGE,8X60	4T	M6, G6V, J6V
	MF140037	BOLT,FRAME BRAKE LINE	13	FLANGE,8X60	4T	K6V
	MF140037	BOLT,FRAME BRAKE LINE	13	FLANGE,8X60	4T	G6, J6,-, K6E
	MS146950	BOLT,FRAME BRAKE LINE	2	F.T,8X16	4T	G6V, J6V
	MS146950	BOLT,FRAME BRAKE LINE	2	F.T,8X16	4T	K6V
	MS146950	BOLT,FRAME BRAKE LINE	2	F.T,8X16	4T	G6E
	MS146950	BOLT,FRAME BRAKE LINE	2	F.T,8X16	4T	G6, J6,-, K6E
	MS146950	BOLT,FRAME BRAKE LINE	2	F.T,8X16	4T	G6, J6,-, K6E
	MS146950	BOLT,FRAME BRAKE LINE	2	F.T,8X16	4T	G6, H6, H6V, J6V, K6E
	MS146950	BOLT,FRAME BRAKE LINE	2	F.T,8X16	4T	M6, G6, H6E
	MS146950	BOLT,FRAME BRAKE LINE	2	F.T,8X16	4T	G6E
	MS146950	BOLT,FRAME BRAKE LINE	2	F.T,8X16	4T	M6V, G6V, J6V
	MS146950	BOLT,FRAME BRAKE LINE	2	F.T,8X16	4T	G6, J6,-, K6E
	MS146950	BOLT,FRAME BRAKE LINE	2	F.T,8X16	4T	G6E
	MS146950	BOLT,FRAME BRAKE LINE	2	F.T,8X16	4T	G6V, J6V
	MS146950	BOLT,FRAME BRAKE LINE	2	F.T,8X16	4T	K6V
	MS146950	BOLT,FRAME BRAKE LINE	2	F.T,8X16	4T	G6V, J6V
	MS146950	BOLT,FRAME BRAKE LINE	2	F.T,8X16	4T	K6V
	MS146950	BOLT,FRAME BRAKE LINE	2	F.T,8X16	4T	K6V

FK74R
35-550 BRAKE LINE ATTACHING PARTS (2/2)

PNC	Part No	Part Name	Qty	Part Spec	Remarks	Cl
56920	MS146950	BOLT,FRAME BRAKE LINE	2	F.T,8X16	4T	G6, H6E, J6,- J6V, K6V, M6V
	MS146950	BOLT,FRAME BRAKE LINE	2	F.T,8X16	4T	K6, M6
	MS146950	BOLT,FRAME BRAKE LINE	2	F.T,8X16	4T	G6, H6E, K6, M6
	MF140025	BOLT,FRAME BRAKE LINE	3	FLANGE,8X20	4T	G6, H6E, K6, M6
	MF140025	BOLT,FRAME BRAKE LINE	3	FLANGE,8X20	4T	G6, H6E, K6, M6
	MF140045	BOLT,FRAME BRAKE LINE	1	FLANGE,8X100	4T	G6, H6E, K6, M6
	MF140045	BOLT,FRAME BRAKE LINE	1	FLANGE,8X100	4T	G6, H6E, K6, M6
	MF140045	BOLT,FRAME BRAKE LINE	1	FLANGE,8X100	4T	G6, H6E, K6, M6
	MF140045	BOLT,FRAME BRAKE LINE	1	FLANGE,8X100	4T	G6, H6E, K6, M6
	MF140045	BOLT,FRAME BRAKE LINE	1	FLANGE,8X100	4T	G6, H6E, K6, M6
	MF140045	BOLT,FRAME BRAKE LINE	1	FLANGE,8X100	4T	G6, H6E, K6, M6
	MF140045	BOLT,FRAME BRAKE LINE	1	FLANGE,8X100	4T	G6, H6E, K6, M6
	MF140045	BOLT,FRAME BRAKE LINE	1	FLANGE,8X100	4T	G6, H6E, K6, M6
	MF140045	BOLT,FRAME BRAKE LINE	1	FLANGE,8X100	4T	G6, H6E, K6, M6
	MF140022	BOLT,FRAME BRAKE LINE	1	FLANGE,8X14	4T	G6, H6E, J6,- J6V, K6V, M6V
	MF140022	BOLT,FRAME BRAKE LINE	1	FLANGE,8X14	4T	K6V, G6, J6,- K6E
	MF140022	BOLT,FRAME BRAKE LINE	1	FLANGE,8X14	4T	K6, G6, H6E, J6,- J6V, K6V, M6V
	MF140022	BOLT,FRAME BRAKE LINE	1	FLANGE,8X14	4T	K6, G6, H6E, J6,- J6V, K6V, M6V
	MF140022	BOLT,FRAME BRAKE LINE	1	FLANGE,8X14	4T	K6, G6, H6E, J6,- J6V, K6V, M6V
	MF140022	BOLT,FRAME BRAKE LINE	1	FLANGE,8X14	4T	K6, G6, H6E, J6,- J6V, K6V, M6V
	MF140022	BOLT,FRAME BRAKE LINE	1	FLANGE,8X14	4T	K6, G6, H6E, J6,- J6V, K6V, M6V
	MF100027	BOLT,FRAME BRAKE LINE	3	BOLT,6X16	4T	G6, H6E, J6,- J6V, K6V, M6V
	MF100027	BOLT,FRAME BRAKE LINE	1	BOLT,6X16	4T	G6, H6E, J6,- J6V, K6V, M6V
	MF100053	BOLT,FRAME BRAKE LINE	1	BOLT,8X16	4T	G6, H6E, J6,- J6V, K6V, M6V

FK74R
35-550 BRAKE LINE ATTACHING PARTS (2/2)

PNC 56920	Part No	Part Name	Qty	Part Spec	Remarks	Cl
	MF101287	BOLT,FRAME BRAKE LINE	2	BOLT,10X30	7T	G6, H6E J6, J6V K6V M6V
	MF140005	BOLT,FRAME BRAKE LINE	1	FLANGE,6X16	4T	G6, H6E J6, J6V K6V M6V
	MF101287	BOLT,FRAME BRAKE LINE	2	BOLT,10X30	7T	G6, J6V K6V M6V
	MF101287	BOLT,FRAME BRAKE LINE	2	BOLT,10X30	7T	G6, J6, K6E
	MF101287	BOLT,FRAME BRAKE LINE	2	BOLT,10X30	7T	K6V
	MF101287 MF101287 MF101287	BOLT,FRAME BRAKE LINE BOLT,FRAME BRAKE LINE BOLT,FRAME BRAKE LINE	2 2 2	BOLT,10X30 BOLT,10X30 BOLT,10X30	7T 7T 7T	K6, G6, H6E
	MF101287	BOLT,FRAME BRAKE LINE	2	BOLT,10X30	7T	J6, J6V K6V M6V
	MF101287	BOLT,FRAME BRAKE LINE	2	BOLT,10X30	7T	G6, J6, K6E
	MF101287	BOLT,FRAME BRAKE LINE	2	BOLT,10X30	7T	G6V J6V K6V M6V
	MF101287 MF101287	BOLT,FRAME BRAKE LINE BOLT,FRAME BRAKE LINE	2 2	BOLT,10X30 BOLT,10X30	7T 7T	G6, J6, J6V K6V
	MF101287	BOLT,FRAME BRAKE LINE	2	BOLT,10X30	7T	G6, H6E J6, J6V K6V M6V
	MF140021 MF140021	BOLT,FRAME BRAKE LINE BOLT,FRAME BRAKE LINE	2 2	FLANGE,8X12 FLANGE,8X12	4T 4T	K6, G6, H6E J6, J6V K6V M6V
	MF140021	BOLT,FRAME BRAKE LINE	2	FLANGE,8X12	4T	G6, J6, G6V J6V K6V M6V
	MF140021	BOLT,FRAME BRAKE LINE	2	FLANGE,8X12	4T	G6, J6, G6V J6V K6V M6V
	MF140021 MF140021	BOLT,FRAME BRAKE LINE BOLT,FRAME BRAKE LINE	2 2	FLANGE,8X12 FLANGE,8X12	4T 4T	K6V G6V J6V G6, H6E J6, J6V K6V M6V
	MF140021	BOLT,FRAME BRAKE LINE	2	FLANGE,8X12	4T	G6, J6, J6V K6V M6V
	MF140021	BOLT,FRAME BRAKE LINE	2	FLANGE,8X12	4T	G6, J6, K6E
	MF140021 MF140021	BOLT,FRAME BRAKE LINE BOLT,FRAME BRAKE LINE	2 2	FLANGE,8X12 FLANGE,8X12	4T 4T	G6, J6, K6E
	MF140021	BOLT,FRAME BRAKE LINE	2	FLANGE,8X12	4T	K6V
	MF140036	BOLT,FRAME BRAKE LINE	1	FLANGE,8X55	4T	G6V J6V K6, K6,

FK74R
35-550 BRAKE LINE ATTACHING PARTS (2/2)

PNC	Part No	Part Name	Qty	Part Spec	Remarks	Cl
56920	MF140036	BOLT,FRAME BRAKE LINE	1	FLANGE,8X55	4T	G6, H6E J6, J6V K6V M6V
	MF140036	BOLT,FRAME BRAKE LINE	1	FLANGE,8X55	4T	G6, J6, K6E
	MF140036	BOLT,FRAME BRAKE LINE	1	FLANGE,8X55	4T	G6, H6E J6, J6V K6V M6V
	MF140036	BOLT,FRAME BRAKE LINE	1	FLANGE,8X55	4T	G6, J6, K6E
	MF140036	BOLT,FRAME BRAKE LINE	1	FLANGE,8X55	4T	G6V J6V K6V
	MF140036	BOLT,FRAME BRAKE LINE	1	FLANGE,8X55	4T	G6, J6, K6E
	MF140036	BOLT,FRAME BRAKE LINE	1	FLANGE,8X55	4T	K6V
	MF140036	BOLT,FRAME BRAKE LINE	1	FLANGE,8X55	4T	G6V
	MF140036	BOLT,FRAME BRAKE LINE	1	FLANGE,8X55	4T	J6V
	MF140036	BOLT,FRAME BRAKE LINE	1	FLANGE,8X55	4T	K6V
	MF140036	BOLT,FRAME BRAKE LINE	1	FLANGE,8X55	4T	G6V
	MF140262	BOLT,FRAME BRAKE LINE	1	FLANGE,10X30	7T	J6V K6V
	MF140262	BOLT,FRAME BRAKE LINE	1	FLANGE,10X30	7T	G6, J6, G6, J6, K6E
	MF140262	BOLT,FRAME BRAKE LINE	1	FLANGE,10X30	7T	G6, J6, K6E
	MF140262	BOLT,FRAME BRAKE LINE	1	FLANGE,10X30	7T	G6, J6, K6E
	MF140262	BOLT,FRAME BRAKE LINE	1	FLANGE,10X30	7T	G6V J6V K6E
	MF140262	BOLT,FRAME BRAKE LINE	1	FLANGE,10X30	7T	G6, H6E J6, J6V K6V M6V
	MF140262	BOLT,FRAME BRAKE LINE	1	FLANGE,10X30	7T	G6V J6V K6V
	MF140262	BOLT,FRAME BRAKE LINE	1	FLANGE,10X30	7T	G6, H6E J6, J6V K6V M6V
	MF140262	BOLT,FRAME BRAKE LINE	1	FLANGE,10X30	7T	G6V J6V K6V
	MF140262	BOLT,FRAME BRAKE LINE	1	FLANGE,10X30	7T	G6, H6E J6, J6V K6V M6V
	MF140262	BOLT,FRAME BRAKE LINE	1	FLANGE,10X30	7T	G6V J6V K6V
	MF240023	BOLT,FRAME BRAKE LINE	1	WASHER ASSEMBLED,6X12		G6, J6, K6E
	MF240023	BOLT,FRAME BRAKE LINE	1	WASHER ASSEMBLED,6X12		G6V J6V K6E
	MF240023	BOLT,FRAME BRAKE LINE	1	WASHER ASSEMBLED,6X12		G6V J6V K6E
	MF240023	BOLT,FRAME BRAKE LINE	1	WASHER ASSEMBLED,6X12		G6, H6E J6, J6V K6V M6V
	MF240023	BOLT,FRAME BRAKE LINE	1	WASHER ASSEMBLED,6X12		G6V J6V K6V

FK74R
35-550 BRAKE LINE ATTACHING PARTS (2/2)

PNC	Part No	Part Name	Qty	Part Spec	Remarks	Cl
56920	MF240023	BOLT,FRAME BRAKE LINE	1	WASHER ASSEMBLED,6X12		K6V
	MF240023	BOLT,FRAME BRAKE LINE	1	WASHER ASSEMBLED,6X12		G6V
						J6V
						K6V
	MF240023	BOLT,FRAME BRAKE LINE	1	WASHER ASSEMBLED,6X12		G6,
						J6,
	MF240023	BOLT,FRAME BRAKE LINE	1	WASHER ASSEMBLED,6X12		K6,
	MF240023	BOLT,FRAME BRAKE LINE	1	WASHER ASSEMBLED,6X12		G6,
						J6,
						K6E
	MF240023	BOLT,FRAME BRAKE LINE	1	WASHER ASSEMBLED,6X12		G6,
						H6E
						J6,
						J6V
						K6V
	MF100061	BOLT,FRAME BRAKE LINE	1	BOLT,8X35	4T	M6V
						G6,
						H6E
						J6,
						J6V
						K6V
	MF100061	BOLT,FRAME BRAKE LINE	1	BOLT,8X35	4T	G6V
						J6V
	MF100061	BOLT,FRAME BRAKE LINE	1	BOLT,8X35	4T	G6,
						J6,
						K6E
	MF100061	BOLT,FRAME BRAKE LINE	1	BOLT,8X35	4T	G6V
					J6V	
MF100061	BOLT,FRAME BRAKE LINE	1	BOLT,8X35	4T	G6,	
					J6,	
					K6E	
MF140002	BOLT,FRAME BRAKE LINE	1	FLANGE,6X10	4T	G6V	
					J6V	
MF140002	BOLT,FRAME BRAKE LINE	1	FLANGE,6X10	4T	G6,	
					H6E	
					J6,	
					J6V	
					K6V	
MF140002	BOLT,FRAME BRAKE LINE	1	FLANGE,6X10	4T	G6,	
					J6,	
					K6E	
MF140002	BOLT,FRAME BRAKE LINE	1	FLANGE,6X10	4T	G6V	
					J6V	
MF140003	BOLT,FRAME BRAKE LINE	1	FLANGE,6X12	4T	G6,	
					J6,	
					K6E	
MF140003	BOLT,FRAME BRAKE LINE	1	FLANGE,6X12	4T	G6V	
					J6V	
MF140003	BOLT,FRAME BRAKE LINE	1	FLANGE,6X12	4T	G6,	
					J6,	
					K6E	
MF140003	BOLT,FRAME BRAKE LINE	1	FLANGE,6X12	4T	G6V	
					J6V	
MF140003	BOLT,FRAME BRAKE LINE	1	FLANGE,6X12	4T	G6,	
					H6E	
					J6,	
					J6V	
					K6V	
MF100027	BOLT,FRAME BRAKE LINE	3	BOLT,6X16	4T	G6,	
					H6E	
					J6,	
					J6V	
					K6V	
MF100055	BOLT,FRAME BRAKE LINE	7	BOLT,8X20	4T	G6,	
					H6E	
					J6,	
					J6V	
					K6V	

FK74R
35-550 BRAKE LINE ATTACHING PARTS (2/2)

PNC	Part No	Part Name	Qty	Part Spec	Remarks	Cl
56920	MF140003	BOLT,FRAME BRAKE LINE	1	FLANGE,6X12	4T	G6, H6E, J6, J6V, K6V
	MF140025	BOLT,FRAME BRAKE LINE	4	FLANGE,8X20	4T	G6, H6E, J6, J6V, K6V
	MF140035	BOLT,FRAME BRAKE LINE	2	FLANGE,8X50	4T	G6, H6E, J6, J6V, K6V
	MF140025	BOLT,FRAME BRAKE LINE	1	FLANGE,8X20	4T	G6, H6E, J6, J6V, K6V
	MF100027	BOLT,FRAME BRAKE LINE	1	BOLT,6X16	4T	G6, H6E, J6, J6V, K6V
	MF100053	BOLT,FRAME BRAKE LINE	1	BOLT,8X16	4T	G6, H6E, J6, J6V, K6V
	MF100055	BOLT,FRAME BRAKE LINE	2	BOLT,8X20	4T	G6, H6E, J6, J6V, K6V
	MF100057	BOLT,FRAME BRAKE LINE	4	BOLT,8X25	4T	G6, H6E, J6, J6V, K6V
	MF101287	BOLT,FRAME BRAKE LINE	2	BOLT,10X30	7T	G6, H6E, J6, J6V, K6V
	MF140005	BOLT,FRAME BRAKE LINE	1	FLANGE,6X16	4T	G6, H6E, J6, J6V, K6V
	MF100027	BOLT,FRAME BRAKE LINE	2	BOLT,6X16	4T	G6, J6, K6E
	MF100055	BOLT,FRAME BRAKE LINE	27	BOLT,8X20	4T	G6, J6, K6E
	MF101310	BOLT,FRAME BRAKE LINE	1	12X25	7T	G6, J6, K6E
	MF140021	BOLT,FRAME BRAKE LINE	2	FLANGE,8X12	4T	G6, J6, K6E
	MF140025	BOLT,FRAME BRAKE LINE	7	FLANGE,8X20	4T	G6, J6, K6E
	MF140035	BOLT,FRAME BRAKE LINE	2	FLANGE,8X50	4T	G6, J6, K6E
	MF240023	BOLT,FRAME BRAKE LINE	1	WASHER ASSEMBLED,6X12		G6, J6, K6E

FK74R
35-550 BRAKE LINE ATTACHING PARTS (2/2)

PNC	Part No	Part Name	Qty	Part Spec	Remarks	Cl
56920	MS146950	BOLT,FRAME BRAKE LINE	2	F.T,8X16	4T	G6, J6, K6E
	MF100053	BOLT,FRAME BRAKE LINE	2	BOLT,8X16	4T	G6, H6E J6, J6V K6V
	MF100055	BOLT,FRAME BRAKE LINE	23	BOLT,8X20	4T	G6, H6E J6, J6V K6V
	MF101310	BOLT,FRAME BRAKE LINE	1	12X25	7T	G6, H6E J6, J6V K6V
	MF140021	BOLT,FRAME BRAKE LINE	2	FLANGE,8X12	4T	G6, H6E J6, J6V K6V
	MF140025	BOLT,FRAME BRAKE LINE	5	FLANGE,8X20	4T	G6, H6E J6, J6V K6V
	MF240023	BOLT,FRAME BRAKE LINE	1	WASHER ASSEMBLED,6X12		G6, H6E J6, J6V K6V
	MS146950	BOLT,FRAME BRAKE LINE	2	F.T,8X16	4T	G6, H6E J6, J6V K6V
54981BB	(Please refer to the page 1/2)	PROTECTOR,BRAKE FLUID LINE	1			
54985E	(Please refer to the page 1/2)	NUT,BRAKE FLUID LINE	1			
54997E	(Please refer to the page 1/2)	BOLT,BRAKE FLUID LINE	1			
55202N	(Please refer to the page 1/2)	BRACKET,BRAKE AIR SUPPLY VALVE	1			
55202T	(Please refer to the page 1/2)	BRACKET,BRAKE AIR SUPPLY VALVE	1			
55476E	(Please refer to the page 1/2)	COVER,ABS CONTROL VALVE	1			
55814M	(Please refer to the page 1/2)	BRACKET,BRAKE HYDRAULIC UNIT	1			
55814N	(Please refer to the page 1/2)	BRACKET,BRAKE HYDRAULIC UNIT	1			
55870	(Please refer to the page 1/2)	COVER,BRAKE HYDRAULIC UNIT INSULATOR	1			
56235B	(Please refer to the page 1/2)	PROTECTOR,FRAME BRAKE LINE	1			
56765B	(Please refer to the page 1/2)	CLIP,BRAKE LINE,NO.1	1			
56765C	(Please refer to the page 1/2)	CLIP,BRAKE LINE,NO.1	1			
56765D	(Please refer to the page 1/2)	CLIP,BRAKE LINE,NO.1	1			
56765E	(Please refer to the page 1/2)	CLIP,BRAKE LINE,NO.1	1			
56765F	(Please refer to the page 1/2)	CLIP,BRAKE LINE,NO.1	1			
56765G	(Please refer to the page 1/2)	CLIP,BRAKE LINE,NO.1	1			
56765H	(Please refer to the page 1/2)	CLIP,BRAKE LINE,NO.1	1			
56765J	(Please refer to the page 1/2)	CLIP,BRAKE LINE,NO.1	1			
56765M	(Please refer to the page 1/2)	CLIP,BRAKE LINE,NO.1	1			
56765P	(Please refer to the page 1/2)	CLIP,BRAKE LINE,NO.1	1			
56766C	(Please refer to the page 1/2)	CLIP,BRAKE LINE,NO.2	1			
56766F	(Please refer to the page 1/2)	CLIP,BRAKE LINE,NO.2	1			
56767B	(Please refer to the page 1/2)	CLIP,BRAKE LINE,NO.3	1			
56767D	(Please refer to the page 1/2)	CLIP,BRAKE LINE,NO.3	1			
56767F	(Please refer to the page 1/2)	CLIP,BRAKE LINE,NO.3	1			
56767M	(Please refer to the page 1/2)	CLIP,BRAKE LINE,NO.3	1			
56768B	(Please refer to the page 1/2)	CLIP,BRAKE LINE,NO.4	1			
56768J	(Please refer to the page 1/2)	CLIP,BRAKE LINE,NO.4	1			
56769F	(Please refer to the page 1/2)	CLIP,BRAKE LINE,NO.5	1			
56769N	(Please refer to the page 1/2)	CLIP,BRAKE LINE,NO.5	1			
56781CG	(Please refer to the page 1/2)	BRACKET,BRAKE LINE,NO.1	1			
56781CH	(Please refer to the page 1/2)	BRACKET,BRAKE LINE,NO.1	1			
56781CK	(Please refer to the page 1/2)	BRACKET,BRAKE LINE,NO.1	1			
56781CV	(Please refer to the page 1/2)	BRACKET,BRAKE LINE,NO.1	1			
56781CX	(Please refer to the page 1/2)	BRACKET,BRAKE LINE,NO.1	1			

35-550 BRAKE LINE ATTACHING PARTS (2/2)

PNC	Part No	Part Name	Qty	Part Spec	Remarks	Cl
56782BC	(Please refer to the page 1/2)	BRACKET,BRAKE LINE,NO.2	1			
56782BP	(Please refer to the page 1/2)	BRACKET,BRAKE LINE,NO.2	1			
56782BT	(Please refer to the page 1/2)	BRACKET,BRAKE LINE,NO.2	1			
56784B	(Please refer to the page 1/2)	BRACKET,BRAKE LINE,NO.4	1			
56784BN	(Please refer to the page 1/2)	BRACKET,BRAKE LINE,NO.4	1			
56784BS	(Please refer to the page 1/2)	BRACKET,BRAKE LINE,NO.4	1			
56784C	(Please refer to the page 1/2)	BRACKET,BRAKE LINE,NO.4	1			
56784M	(Please refer to the page 1/2)	BRACKET,BRAKE LINE,NO.4	1			
56784U	(Please refer to the page 1/2)	BRACKET,BRAKE LINE,NO.4	1			
56784W	(Please refer to the page 1/2)	BRACKET,BRAKE LINE,NO.4	1			
56785B	(Please refer to the page 1/2)	BRACKET,BRAKE LINE,NO.5	1			
56785C	(Please refer to the page 1/2)	BRACKET,BRAKE LINE,NO.5	1			
56785D	(Please refer to the page 1/2)	BRACKET,BRAKE LINE,NO.5	1			
56785E	(Please refer to the page 1/2)	BRACKET,BRAKE LINE,NO.5	1			
56785F	(Please refer to the page 1/2)	BRACKET,BRAKE LINE,NO.5	1			
56785G	(Please refer to the page 1/2)	BRACKET,BRAKE LINE,NO.5	1			
56785S	(Please refer to the page 1/2)	BRACKET,BRAKE LINE,NO.5	1			
56785W	(Please refer to the page 1/2)	BRACKET,BRAKE LINE,NO.5	1			
56786C	(Please refer to the page 1/2)	BRACKET,BRAKE LINE,NO.6	1			
56786E	(Please refer to the page 1/2)	BRACKET,BRAKE LINE,NO.6	1			
56893N	(Please refer to the page 1/2)	STAY,FRAME BRAKE LINE	1			
56911	(Please refer to the page 1/2)	WASHER,FRAME BRAKE LINE	1			
56915	(Please refer to the page 1/2)	NUT,FRAME BRAKE LINE	1			
56916B	(Please refer to the page 1/2)	GROMMET,FRAME BRAKE LINE	1			
56931	(Please refer to the page 1/2)	BAND,BODY BRAKE LINE	1			
56912	(N.e.c.)	SPACER,FRAME BRAKE LINE				
56765S	(N.e.c.)	CLIP,BRAKE LINE,NO.1				
56765N	(N.e.c.)	CLIP,BRAKE LINE,NO.1				
56765K	(N.e.c.)	CLIP,BRAKE LINE,NO.1				
56767J	(N.e.c.)	CLIP,BRAKE LINE,NO.3				
56914B	(N.e.c.)	PLUG,FRAME BRAKE LINE				
56895	(N.e.c.)	SCREW,FRAME BRAKE LINE				
56767E	(N.e.c.)	CLIP,BRAKE LINE,NO.3				
56766G	(N.e.c.)	CLIP,BRAKE LINE,NO.2				
56765Q	(N.e.c.)	CLIP,BRAKE LINE,NO.1				
56767C	(N.e.c.)	CLIP,BRAKE LINE,NO.3				
56235G	(N.e.c.)	PROTECTOR,FRAME BRAKE LINE				
56235H	(N.e.c.)	PROTECTOR,FRAME BRAKE LINE				
56235J	(N.e.c.)	PROTECTOR,FRAME BRAKE LINE				
56766J	(N.e.c.)	CLIP,BRAKE LINE,NO.2				
54702B	(N.e.c.)	BRACKET,BRAKE BOOSTER				
54702C	(N.e.c.)	BRACKET,BRAKE BOOSTER				
54923B	(N.e.c.)	BRACKET,BRAKE SYNCH VALVE				
55006N	(N.e.c.)	BRACKET,LOAD SENSING VALVE				
55006E	(N.e.c.)	BRACKET,LOAD SENSING VALVE				
55006M	(N.e.c.)	BRACKET,LOAD SENSING VALVE				
55006K	(N.e.c.)	BRACKET,LOAD SENSING VALVE				
55006G	(N.e.c.)	BRACKET,LOAD SENSING VALVE				
55006J	(N.e.c.)	BRACKET,LOAD SENSING VALVE				
55201B	(N.e.c.)	BRACKET,BRAKE AIR PRESSURE GOVERNOR				
55201P	(N.e.c.)	BRACKET,BRAKE AIR PRESSURE GOVERNOR				
55385Y	(N.e.c.)	BRACKET,BRAKE HAND CONTROL VALVE				
55385X	(N.e.c.)	BRACKET,BRAKE HAND CONTROL VALVE				
55385W	(N.e.c.)	BRACKET,BRAKE HAND CONTROL VALVE				
55492F	(N.e.c.)	BRACKET,ASR CONTROL VALVE				
55492G	(N.e.c.)	BRACKET,ASR CONTROL VALVE				
55806N	(N.e.c.)	BRACKET,BRAKE RELAY VALVE				
55828F	(N.e.c.)	BRACKET,3-WAY VALVE				
56468C	(N.e.c.)	CRADLE,TRAILER BRAKE AIR LINE				
55006S	(N.e.c.)	BRACKET,LOAD SENSING VALVE				
55006X	(N.e.c.)	BRACKET,LOAD SENSING VALVE				
55309BX	(N.e.c.)	BRACKET,ABS CONTROL VALVE				
56769G	(N.e.c.)	CLIP,BRAKE LINE,NO.5				
55939	(N.e.c.)	TUBE,ABS CONTROL VALVE DRAIN				
55309BT	(N.e.c.)	BRACKET,ABS CONTROL VALVE				
55309BS	(N.e.c.)	BRACKET,ABS CONTROL VALVE				
55309U	(N.e.c.)	BRACKET,ABS CONTROL VALVE				
55602	(N.e.c.)	BRACKET,TRAILER BRAKE LEVER				
56904B	(N.e.c.)	SNAP RING,BODY BRAKE LINE				
56906B	(N.e.c.)	PIN,BODY BRAKE LINE				
55607A	(N.e.c.)	SHAFT ASSY,TRAILER BRAKE LEVER				
56412	(N.e.c.)	LEVER,TRAILER BRAKE				

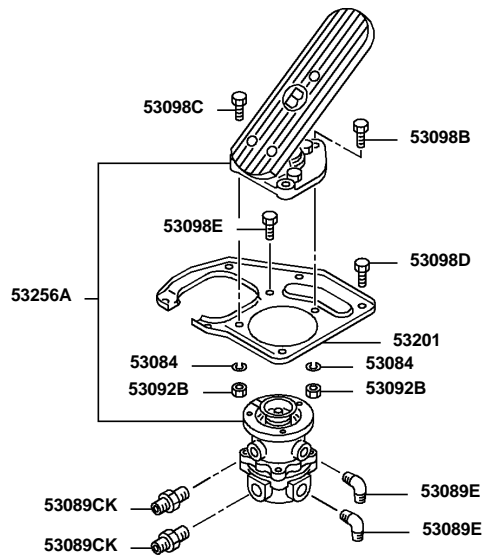
FK74R
35-550 BRAKE LINE ATTACHING PARTS (2/2)

PNC	Part No	Part Name	Qty	Part Spec	Remarks	Cl
56931B	(N.e.c.)	BAND,BODY BRAKE LINE				
56468B	(N.e.c.)	CRADLE,TRAILER BRAKE AIR LINE				
55309X	(N.e.c.)	BRACKET,ABS CONTROL VALVE				
55601G	(N.e.c.)	BRACKET,TRAILER BRAKE AIR VALVE				
55828E	(N.e.c.)	BRACKET,3-WAY VALVE				
55806T	(N.e.c.)	BRACKET,BRAKE RELAY VALVE				
82569C	(N.e.c.)	BRACKET,CONTROL BOX				
55870B	(N.e.c.)	COVER,BRAKE HYDRAULIC UNIT INSULATOR				
55309CD	(N.e.c.)	BRACKET,ABS CONTROL VALVE				
55006V	(N.e.c.)	BRACKET,LOAD SENSING VALVE				
55309BK	(N.e.c.)	BRACKET,ABS CONTROL VALVE				
55309BN	(N.e.c.)	BRACKET,ABS CONTROL VALVE				
54924BF	(N.e.c.)	BRACKET,BRAKE AIR REDUCING VALVE				
55403C	(N.e.c.)	BRACKET,BRAKE QUICK RELEASE VALVE				
55403V	(N.e.c.)	BRACKET,BRAKE QUICK RELEASE VALVE				
55806E	(N.e.c.)	BRACKET,BRAKE RELAY VALVE				
55806F	(N.e.c.)	BRACKET,BRAKE RELAY VALVE				
55806BH	(N.e.c.)	BRACKET,BRAKE RELAY VALVE				
55828M	(N.e.c.)	BRACKET,3-WAY VALVE				
55365V	(N.e.c.)	BRACKET,BRAKE CONTROL VALVE				
55309BY	(N.e.c.)	BRACKET,ABS CONTROL VALVE				
55309BZ	(N.e.c.)	BRACKET,ABS CONTROL VALVE				
55309CB	(N.e.c.)	BRACKET,ABS CONTROL VALVE				
56782CS	(N.e.c.)	BRACKET,BRAKE LINE,NO.2				
56782CT	(N.e.c.)	BRACKET,BRAKE LINE,NO.2				
56782CU	(N.e.c.)	BRACKET,BRAKE LINE,NO.2				
56893P	(N.e.c.)	STAY,FRAME BRAKE LINE				
56788B	(N.e.c.)	BRACKET,BRAKE LINE,NO.8				
56785BC	(N.e.c.)	BRACKET,BRAKE LINE,NO.5				
56784Q	(N.e.c.)	BRACKET,BRAKE LINE,NO.4				
56784J	(N.e.c.)	BRACKET,BRAKE LINE,NO.4				
56785X	(N.e.c.)	BRACKET,BRAKE LINE,NO.5				
56784P	(N.e.c.)	BRACKET,BRAKE LINE,NO.4				
56781BN	(N.e.c.)	BRACKET,BRAKE LINE,NO.1				
56784K	(N.e.c.)	BRACKET,BRAKE LINE,NO.4				
56781CD	(N.e.c.)	BRACKET,BRAKE LINE,NO.1				
56784H	(N.e.c.)	BRACKET,BRAKE LINE,NO.4				
56782BH	(N.e.c.)	BRACKET,BRAKE LINE,NO.2				
56781BV	(N.e.c.)	BRACKET,BRAKE LINE,NO.1				
56784F	(N.e.c.)	BRACKET,BRAKE LINE,NO.4				
55815G	(N.e.c.)	BRACKET,3-WAY SOLENOID VALVE				
56802E	(N.e.c.)	BRACKET,BODY BRAKE LINE HOSE,NO.2				
56788C	(N.e.c.)	BRACKET,BRAKE LINE,NO.8				
56786K	(N.e.c.)	BRACKET,BRAKE LINE,NO.6				
56785V	(N.e.c.)	BRACKET,BRAKE LINE,NO.5				
56785T	(N.e.c.)	BRACKET,BRAKE LINE,NO.5				
56784E	(N.e.c.)	BRACKET,BRAKE LINE,NO.4				
56782BB	(N.e.c.)	BRACKET,BRAKE LINE,NO.2				
56781BP	(N.e.c.)	BRACKET,BRAKE LINE,NO.1				
56786P	(N.e.c.)	BRACKET,BRAKE LINE,NO.6				
56784BB	(N.e.c.)	BRACKET,BRAKE LINE,NO.4				
56785BE	(N.e.c.)	BRACKET,BRAKE LINE,NO.5				
56785H	(N.e.c.)	BRACKET,BRAKE LINE,NO.5				
56777P	(N.e.c.)	BRACKET,FRAME BRAKE LINE HOSE,NO.7				
56785K	(N.e.c.)	BRACKET,BRAKE LINE,NO.5				
56782BN	(N.e.c.)	BRACKET,BRAKE LINE,NO.2				
56771E	(N.e.c.)	BRACKET,FRAME BRAKE LINE HOSE,NO.1				
56785BJ	(N.e.c.)	BRACKET,BRAKE LINE,NO.5				
56784BG	(N.e.c.)	BRACKET,BRAKE LINE,NO.4				
56785BG	(N.e.c.)	BRACKET,BRAKE LINE,NO.5				
56785BH	(N.e.c.)	BRACKET,BRAKE LINE,NO.5				
56782BQ	(N.e.c.)	BRACKET,BRAKE LINE,NO.2				
56784BK	(N.e.c.)	BRACKET,BRAKE LINE,NO.4				
56784BP	(N.e.c.)	BRACKET,BRAKE LINE,NO.4				
56786S	(N.e.c.)	BRACKET,BRAKE LINE,NO.6				
56785BM	(N.e.c.)	BRACKET,BRAKE LINE,NO.5				
55492BB	(N.e.c.)	BRACKET,ASR CONTROL VALVE				
55492BC	(N.e.c.)	BRACKET,ASR CONTROL VALVE				
55492Z	(N.e.c.)	BRACKET,ASR CONTROL VALVE				
56782CV	(N.e.c.)	BRACKET,BRAKE LINE,NO.2				
56786W	(N.e.c.)	BRACKET,BRAKE LINE,NO.6				
56786Z	(N.e.c.)	BRACKET,BRAKE LINE,NO.6				

FK74R
35-550 BRAKE LINE ATTACHING PARTS (2/2)

PNC	Part No	Part Name	Qty	Part Spec	Remarks	Cl
56786V	(N.e.c.)	BRACKET,BRAKE LINE,NO.6				
56781CS	(N.e.c.)	BRACKET,BRAKE LINE,NO.1				
56781CT	(N.e.c.)	BRACKET,BRAKE LINE,NO.1				
56784BW	(N.e.c.)	BRACKET,BRAKE LINE,NO.4				
56784N	(N.e.c.)	BRACKET,BRAKE LINE,NO.4				
56783M	(N.e.c.)	BRACKET,BRAKE LINE,NO.3				
55365Y	(N.e.c.)	BRACKET,BRAKE CONTROL VALVE				
56784CJ	(N.e.c.)	BRACKET,BRAKE LINE,NO.4				
56783U	(N.e.c.)	BRACKET,BRAKE LINE,NO.3				
56782DB	(N.e.c.)	BRACKET,BRAKE LINE,NO.2				
56782DC	(N.e.c.)	BRACKET,BRAKE LINE,NO.2				
56893W	(N.e.c.)	STAY,FRAME BRAKE LINE				
56893T	(N.e.c.)	STAY,FRAME BRAKE LINE				

FK74R
No.1

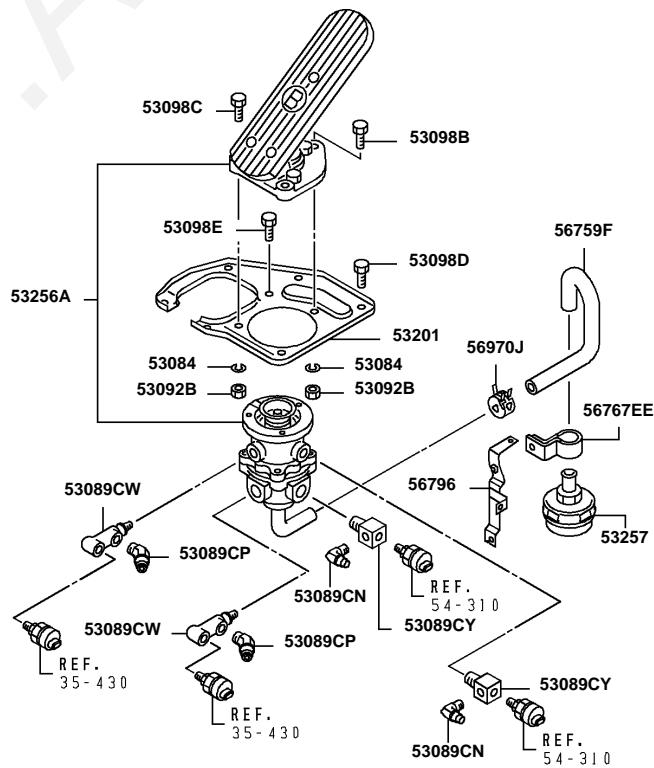


C00015

Ref. |2035620

Page

FK74R
No.2

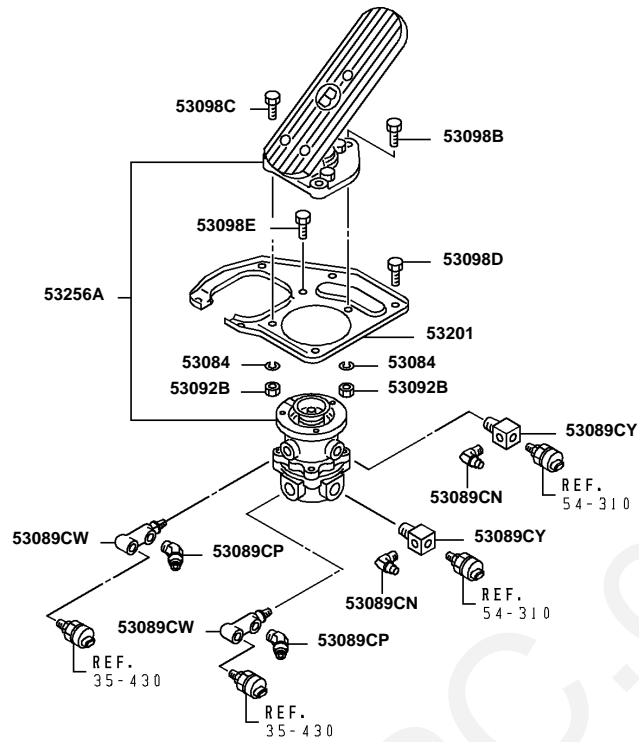


C00028

Ref. |2035620

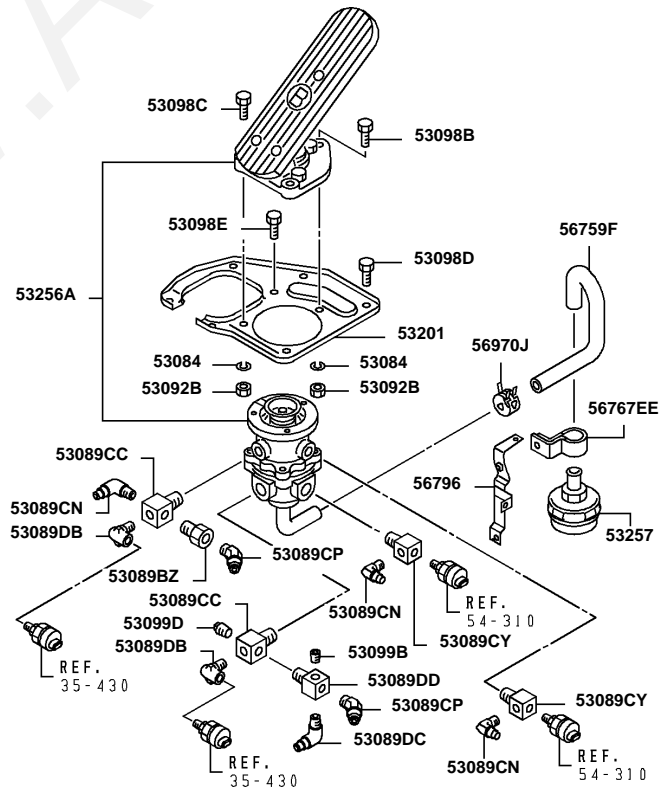
Page

FK74R
No.3



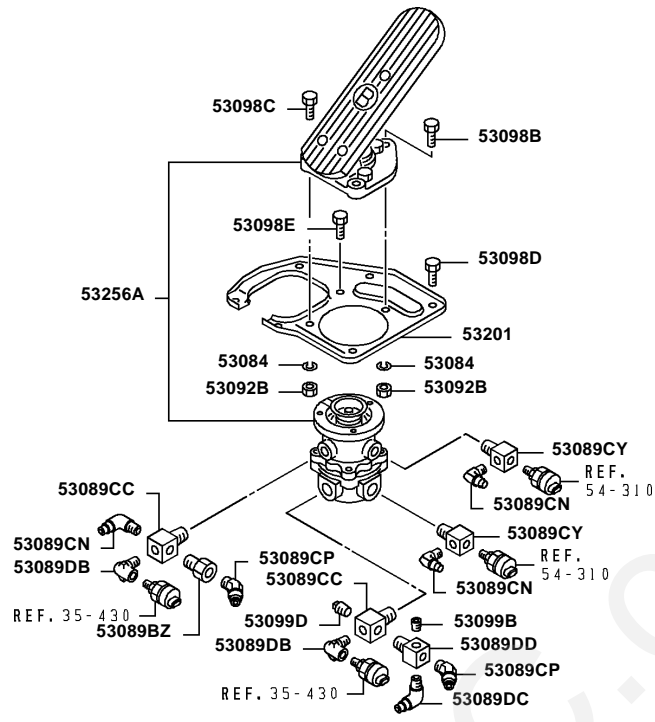
C00021

FK74R
No.4



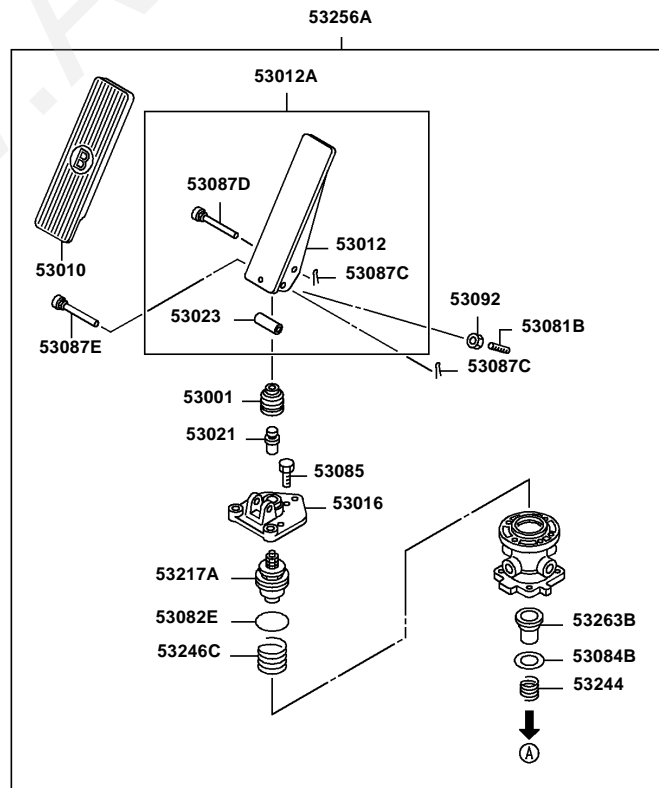
C00029

FK74R
No.5



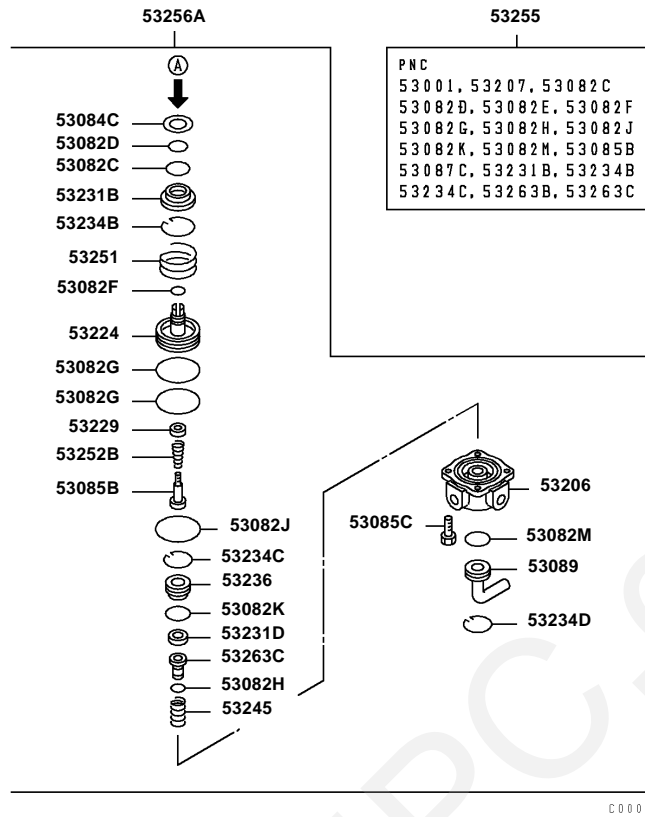
C00033

FK74R
No.6

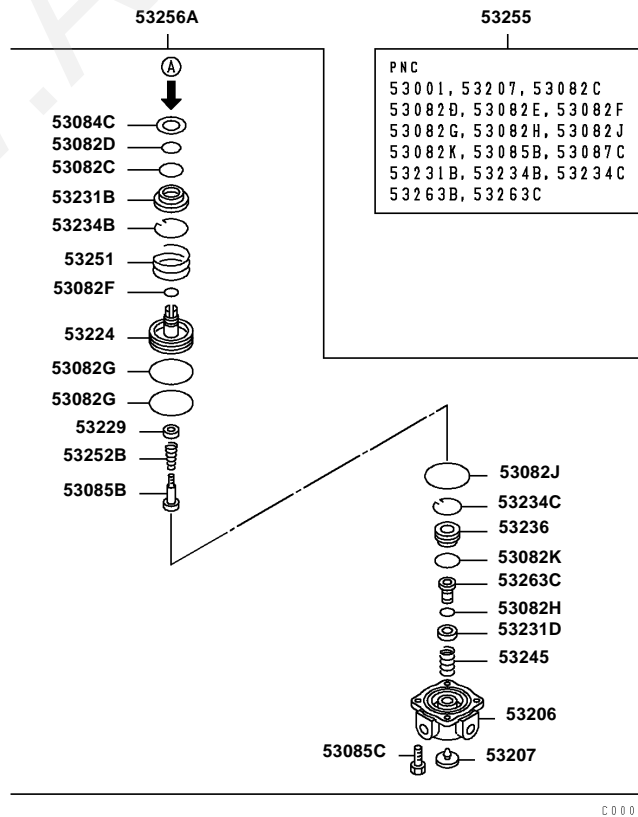


C00010

FK74R
No.7



FK74R
No.8



FK74R
35-620 BRAKE PEDAL

SPN	Repl Part	PNC	Part No	Part Name	Qty	Part Spec	Remarks	PR
		53001	ME747072	BOOT,BRAKE PEDAL PLUNGER	1			
		53010	ME747069	PAD,BRAKE PEDAL	1			
		53012	ME757142	PEDAL,BRAKE	1			
		53012A	ME757141	PEDAL ASSY,BRAKE	1			
		53016	ME757144	PLATE,BRAKE PEDAL PLUNGER	1			
		53021	ME747089	PLUNGER,BRAKE PEDAL	1			
		53023	ME747066	ROLLER,BRAKE PEDAL	1			
		53081B	ME706823	SET SCREW,BRAKE PEDAL	1			
		53082C	0336527017	O-RING,BRAKE PEDAL	1			
		53082D	ME706854	O-RING,BRAKE PEDAL	1			
		53082E	0334350019	O-RING,BRAKE PEDAL	1			
		53082F	ME747050	O-RING,BRAKE PEDAL	1			

FK74R
35-620 BRAKE PEDAL

SPN	Repl Part	PNC	Part No	Part Name	Qty	Part Spec	Remarks	PR
		53082G	ME706798	O-RING,BRAKE PEDAL	2			
		53082H	ME747060	O-RING,BRAKE PEDAL	1			
		53082J	0322259017	O-RING,BRAKE PEDAL	1			
		53082K	ME747062	O-RING,BRAKE PEDAL	1			
		53082M	0334350017	O-RING,BRAKE PEDAL	1			
		53084	MF450406	WASHER,BRAKE PEDAL	2	SPRING,10		
		53084B	ME747044	WASHER,BRAKE PEDAL	1			
		53084C	ME747046	WASHER,BRAKE PEDAL	1			
		53085	0334282075	SCREW,BRAKE PEDAL	3			
		53085B	ME747053	SCREW,BRAKE PEDAL	1			
		53085C	ME706809	SCREW,BRAKE PEDAL	4			
		53087C	MF472038	PIN,BRAKE PEDAL	1	SPLIT,2X20		

FK74R
35-620 BRAKE PEDAL

SPN	Repl Part	PNC	Part No	Part Name	Qty	Part Spec	Remarks	PR
		53087C	MF472038	PIN,BRAKE PEDAL	2	SPLIT,2X20		
		53087D	ME747067	PIN,BRAKE PEDAL	1			
		53087E	ME757143	PIN,BRAKE PEDAL	1			
		53089	ME757256	JOINT,BRAKE PEDAL	1			
		53089BZ	MH039983	JOINT,BRAKE PEDAL	1			
		53089CC	MH039571	JOINT,BRAKE PEDAL	2		H=44	
		53089CK	MH039927	JOINT,BRAKE PEDAL	2			
	RP	53089CN	MC072035	JOINT,BRAKE PEDAL	2			O
	RP		MC072035	JOINT,BRAKE PEDAL	2			O
	RP		MC072035	JOINT,BRAKE PEDAL	3			O
		53089CP	MC073531	JOINT,BRAKE PEDAL	2			
		53089CW	MH036806	JOINT,BRAKE PEDAL	2			
			MH036806	JOINT,BRAKE PEDAL	2			
		53089CY	MH036954	JOINT,BRAKE PEDAL	2			
		53089DB	MH038257	JOINT,BRAKE PEDAL	2			
	RP	53089DC	MC071554	JOINT,BRAKE PEDAL	1			O
		53089DD	MH039880	JOINT,BRAKE PEDAL	1			
		53089E	MH039776	JOINT,BRAKE PEDAL	2			

FK74R
35-620 BRAKE PEDAL

SPN	Repl Part	PNC	Part No	Part Name	Qty	Part Spec	Remarks	PR
		53092	MF430004	NUT,BRAKE PEDAL	1	6		
		53092B	MF430006	NUT,BRAKE PEDAL	2	10		
		53098B	MF101285	BOLT,BRAKE PEDAL	1	BOLT,10X25		
		53098C	MF101289	BOLT,BRAKE PEDAL	1	BOLT,10X35	7T	
		53098D	MF240051	BOLT,BRAKE PEDAL	3	WASHER ASSEMBLED,8X16		
		53098E	MF241286	BOLT,BRAKE PEDAL	1	WASHER ASSEMBLED,10X35		
		53099B	MS661121	PLUG,BRAKE PEDAL	1	TAPER,HEXAGON,PT-1/4		
		53099D	MS661122	PLUG,BRAKE PEDAL	1	TAPER,3/8		
SP	RP	53201	MC081118	BOARD,DUAL BRAKE VALVE SETTING	1			O
			MK537080	BOARD,DUAL BRAKE VALVE SETTING	1			
			MK465679	BOARD,DUAL BRAKE VALVE SETTING	1			
		53206	ME757075	COVER,DUAL BRAKE VALVE	1			
			ME757194	COVER,DUAL BRAKE VALVE	1			
			ME757255	COVER,DUAL BRAKE VALVE	1			

FK74R
35-620 BRAKE PEDAL

SPN	Repl Part	PNC	Part No	Part Name	Qty	Part Spec	Remarks	PR
		53206	ME757194	COVER,DUAL BRAKE VALVE	1			
		53207	ME747063	COVER,DUAL BRAKE VALVE EXHAUST	1			
			ME747063	COVER,DUAL BRAKE VALVE EXHAUST	1			
		53217A	ME747087	PISTON ASSY,DUAL BRAKE VALVE	1			
		53224	ME747049	PISTON,DUAL BRAKE VALVE RELAY	1			
		53229	ME747055	GUIDE,DUAL BRAKE VALVE INR	1			
		53231B	ME747047	RETAINER,DUAL BRAKE INLET VALVE	1			
		53231D	ME747058	RETAINER,DUAL BRAKE INLET VALVE	1			
		53234B	0334282027	RING,DUAL BRAKE VALVE RETAINING	1			
		53234C	MC881515	RING,DUAL BRAKE VALVE RETAINING	1			
		53234D	ME706876	RING,DUAL BRAKE VALVE RETAINING	1			
		53236	ME747061	SEAT,DUAL BRAKE VALVE	1			

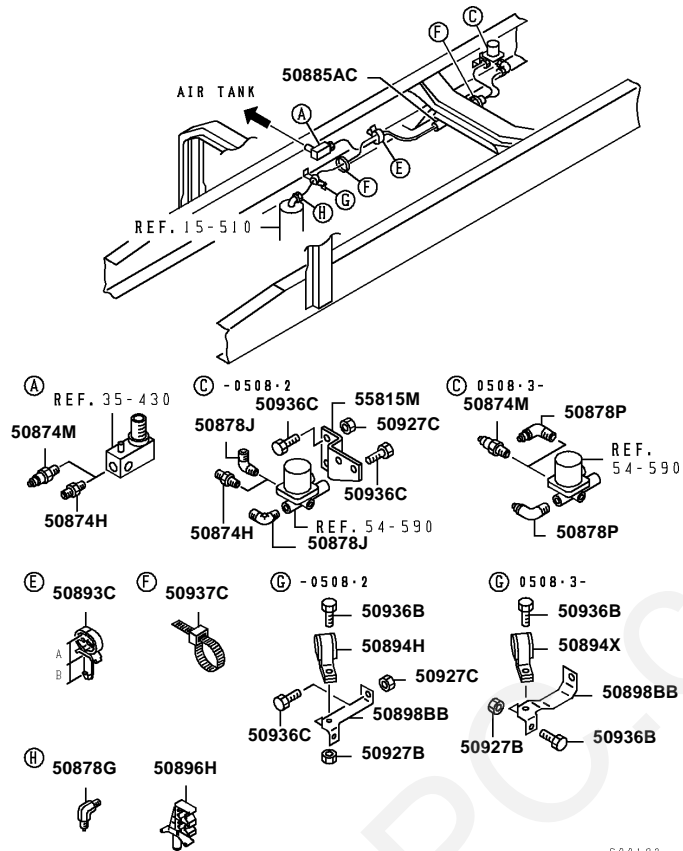
FK74R
35-620 BRAKE PEDAL

SPN	Repl Part	PNC	Part No	Part Name	Qty	Part Spec	Remarks	PR
		53244	ME747045	SPRING,DUAL BRAKE INLET VALVE	1			
		53245	ME747059	SPRING,DUAL BRAKE VALVE RETAINER	1			
		53246C	ME747048	SPRING,DUAL BRAKE VALVE PISTON	1			
		53251	ME747052	SPRING,DUAL BRAKE VALVE RELAY PISTON	1			
		53252B	ME747054	SPRING,DUAL BRAKE VALVE SLEEVE	1			
		53255	MK355573	VALVE & O-RING KIT,DUAL BRAKE	1			
			MK529665	VALVE & O-RING KIT,DUAL BRAKE	1			
			MK355573	VALVE & O-RING KIT,DUAL BRAKE	1			
		53256A	MK500121	VALVE ASSY,DUAL BRAKE	1			
			MK500588	VALVE ASSY,DUAL BRAKE	1			
			MK529011	VALVE ASSY,DUAL BRAKE	1			
			MK500588	VALVE ASSY,DUAL BRAKE	1			
		53257	MK529012	SILENCER,DUAL BRAKE VALVE	1			

FK74R
35-620 BRAKE PEDAL

SPN	Repl Part	PNC	Part No	Part Name	Qty	Part Spec	Remarks	PR
		53263B	ME747043	VALVE,DUAL BRAKE INLET	1			
			ME747043	VALVE,DUAL BRAKE INLET	1			
		53263C	ME747057	VALVE,DUAL BRAKE INLET	1			
			ME747057	VALVE,DUAL BRAKE INLET	1			
		56759F	MK573574	HOSE,BRAKE AIR LINE VALVE	1			
		56767EE	MH020509	CLIP,BRAKE LINE,NO.3	1	D=25 H=9		
		56796	MK635778	BRACKET,BRAKE LINE SILENCER	1			
		56970J	MS660172	CLIP,FRAME BRAKE AIR LINE	1	D=23		

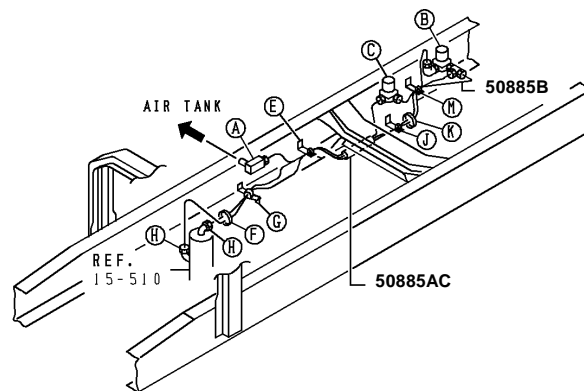
FK74R
No.1



Ref. |2035820

Page

FK74R
No.2

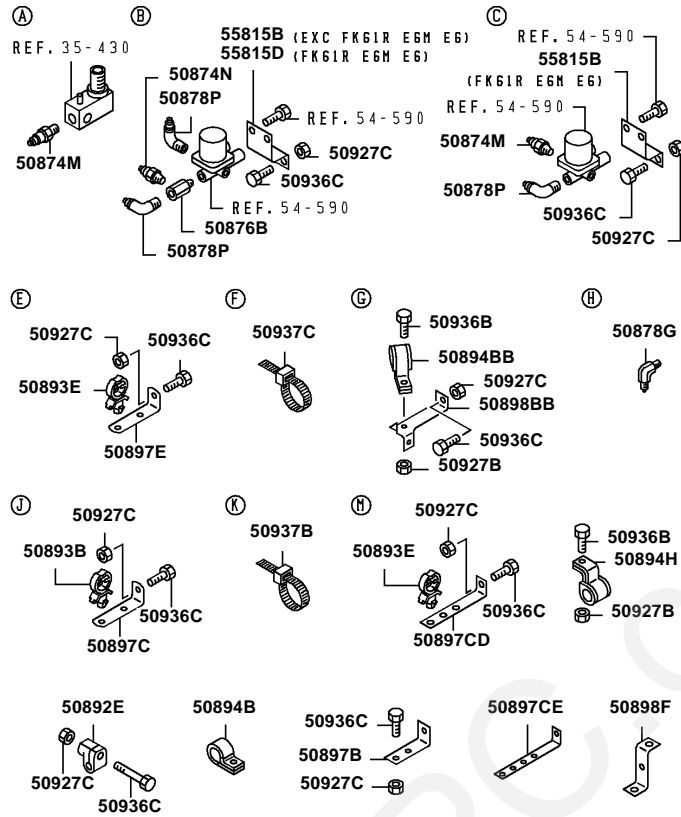


C00240

Ref. |2035820

Page

**FK74R
No.3**



C 0 0 2 4 1

**FK74R
35-820 EXHAUST BRAKE CONTROL**

SPN	Repl Part	PNC	Part No	Part Name	Qty	Part Spec	Remarks	PREV.1
		50874H	MH039176	JOINT,EXHAUST BRAKE CONTROL LINE,NO.1	2		W/O SEALANT	
	RP	50874M	MC089622	JOINT,EXHAUST BRAKE CONTROL LINE,NO.1	2			
			MC072027	JOINT,EXHAUST BRAKE CONTROL LINE,NO.1	2			
SP	RP	50874N	MC072026	JOINT,EXHAUST BRAKE CONTROL LINE,NO.1	1			
		50876B	MH038942	JOINT,EXHAUST BRAKE CONTROL LINE,NO.3	1			
			MH039418	JOINT,EXHAUST BRAKE CONTROL LINE,NO.3	1			

FK74R
35-820 EXHAUST BRAKE CONTROL

SPN	Repl Part	PNC	Part No	Part Name	Qty	Part Spec	Remarks	PREV.1
		50878G	MH039713	JOINT,EXHAUST BRAKE CONTROL LINE,NO.5	1			
			MH039713	JOINT,EXHAUST BRAKE CONTROL LINE,NO.5	2			
		50878J	MH039714	JOINT,EXHAUST BRAKE CONTROL LINE,NO.5	1			
	RP	50878P	MC089642	JOINT,EXHAUST BRAKE CONTROL LINE,NO.5	1			
			MC071552	JOINT,EXHAUST BRAKE CONTROL LINE,NO.5	1			
			MC071552	JOINT,EXHAUST BRAKE CONTROL LINE,NO.5	3			
		50885AC	MK438604	TUBE ASSY,EXHAUST BRAKE CONTROL LINE,NO.6	1			
			MK438917	TUBE ASSY,EXHAUST BRAKE CONTROL LINE,NO.6	1			
			MK539203	TUBE ASSY,EXHAUST BRAKE CONTROL LINE,NO.6	1			
			MK539203	TUBE ASSY,EXHAUST BRAKE CONTROL LINE,NO.6	1			
			MK539203	TUBE ASSY,EXHAUST BRAKE CONTROL LINE,NO.6	1			
			MK539203	TUBE ASSY,EXHAUST BRAKE CONTROL LINE,NO.6	1			
			MK539203	TUBE ASSY,EXHAUST BRAKE CONTROL LINE,NO.6	1			
			MK539203	TUBE ASSY,EXHAUST BRAKE CONTROL LINE,NO.6	1			
			MK539203	TUBE ASSY,EXHAUST BRAKE CONTROL LINE,NO.6	1			
			MK651787	TUBE ASSY,EXHAUST BRAKE CONTROL LINE,NO.6	1			
			MK651787	TUBE ASSY,EXHAUST BRAKE CONTROL LINE,NO.6	1			
			MK651787	TUBE ASSY,EXHAUST BRAKE CONTROL LINE,NO.6	1			
			MK651788	TUBE ASSY,EXHAUST BRAKE CONTROL LINE,NO.6	1			

FK74R
35-820 EXHAUST BRAKE CONTROL

SPN	Repl Part	PNC	Part No	Part Name	Qty	Part Spec	Remarks	PREV.1
SP		50885AC	MK651788	TUBE ASSY,EXHAUST BRAKE CONTROL LINE,NO.6	1			
			MK651788	TUBE ASSY,EXHAUST BRAKE CONTROL LINE,NO.6	1			
		50885B	MK574538	TUBE,EXHAUST BRAKE CONTROL LINE,NO.6	1	6		
		50893B	MH020938	CLIP,EXHAUST BRAKE CONTROL LINE,NO.2	1	A=23 B=14.5		
		50893C	MH020934	CLIP,EXHAUST BRAKE CONTROL LINE,NO.2	2	A=17.5 B=14.5		
			MH020934	CLIP,EXHAUST BRAKE CONTROL LINE,NO.2	1	A=17.5 B=14.5		
		50893E	MH020945	CLIP,EXHAUST BRAKE CONTROL LINE,NO.2	1	A=30 B=14.5		
			MH020956	CLIP,EXHAUST BRAKE CONTROL LINE,NO.2	1	A=36 B=6		
		50894BB	MH020835	CLIP,EXHAUST BRAKE CONTROL LINE,NO.3	1	D=15 H=13		
		50894H	MH020833	CLIP,EXHAUST BRAKE CONTROL LINE,NO.3	1	D=10 H=13		
		50896H	MC443250	CLIP,EXHAUST BRAKE CONTROL LINE,NO.5	1			
		50898BB	MK438599	BRACKET,EXHAUST BRAKE CONTROL LINE,NO.2	1			
			MK539999	BRACKET,EXHAUST BRAKE CONTROL LINE,NO.2	1			
		50927B	MF434103	NUT,EXHAUST BRAKE CONTROL LINE	1	FLANGE,6	W/O COATING	
		50927C	MF434104	NUT,EXHAUST BRAKE CONTROL LINE	3	FLANGE,8		

FK74R
35-820 EXHAUST BRAKE CONTROL

SPN	Repl Part	PNC	Part No	Part Name	Qty	Part Spec	Remarks	PREV.1
		50927C	MF434104	NUT,EXHAUST BRAKE CONTROL LINE	6	FLANGE,8		
			MF434104	NUT,EXHAUST BRAKE CONTROL LINE	6	FLANGE,8		
			MF434104	NUT,EXHAUST BRAKE CONTROL LINE	6	FLANGE,8		
			MF434104	NUT,EXHAUST BRAKE CONTROL LINE	6	FLANGE,8		
		50936B	MF140003	BOLT,EXHAUST BRAKE CONTROL LINE	1	FLANGE,6X12	4T	
			MF140007	BOLT,EXHAUST BRAKE CONTROL LINE	1	FLANGE,6X20	4T	
		50936C	MF100055	BOLT,EXHAUST BRAKE CONTROL LINE	3	BOLT,8X20	4T	
			MF100055	BOLT,EXHAUST BRAKE CONTROL LINE	4	BOLT,8X20	4T	
			MF100055	BOLT,EXHAUST BRAKE CONTROL LINE	4	BOLT,8X20	4T	
			MF100055	BOLT,EXHAUST BRAKE CONTROL LINE	4	BOLT,8X20	4T	
			MF100055	BOLT,EXHAUST BRAKE CONTROL LINE	4	BOLT,8X20	4T	
			MF100057	BOLT,EXHAUST BRAKE CONTROL LINE	2	BOLT,8X25	4T	
	RP	50937B	MB249338	BAND,EXHAUST BRAKE CONTROL LINE	4	L=129.5	BLACK	O
	RP	50937C	MB249339	BAND,EXHAUST BRAKE CONTROL LINE	2	L=169.5	BLACK	O
	RP		MB249339	BAND,EXHAUST BRAKE CONTROL LINE	1	L=169.5	BLACK	O

FK74R
35-820 EXHAUST BRAKE CONTROL

SPN	Repl Part	PNC	Part No	Part Name	Qty	Part Spec	Remarks	PREV.1
		55815B	MK571470	BRACKET,3-WAY SOLENOID VALVE	1			
			MK651600	BRACKET,3-WAY SOLENOID VALVE	1			
		55815M	MK439399	BRACKET,3-WAY SOLENOID VALVE	1			
		50894X	(N.e.c.)	CLIP,EXHAUST BRAKE CONTROL LINE,NO.3				
		50897E	(N.e.c.)	BRACKET,EXHAUST BRAKE CONTROL LINE,NO.1				
		50894B	(N.e.c.)	CLIP,EXHAUST BRAKE CONTROL LINE,NO.3				
		50897C	(N.e.c.)	BRACKET,EXHAUST BRAKE CONTROL LINE,NO.1				
		50897CD	(N.e.c.)	BRACKET,EXHAUST BRAKE CONTROL LINE,NO.1				
		50892E	(N.e.c.)	CLIP,EXHAUST BRAKE CONTROL LINE,NO.1				
		50898F	(N.e.c.)	BRACKET,EXHAUST BRAKE CONTROL LINE,NO.2				
		50897B	(N.e.c.)	BRACKET,EXHAUST BRAKE CONTROL LINE,NO.1				
		50897CE	(N.e.c.)	BRACKET,EXHAUST BRAKE CONTROL LINE,NO.1				
		55815D	(N.e.c.)	BRACKET,3-WAY SOLENOID VALVE				

**FK74R
No.1**

56200 車-ス キット, フレ-キ

ク-ノ-NO	PNC	名 称
35-330	54921B	車-スキット, フレ-キ フロント' ライト
35-330	54962B	車-ス, フレ-キ フロント' ライト
35-330	54962C	車-ス, フレ-キ フロント' ライト

99949 オイル シ-ル キット, 前イ-ル

ク-ノ-NO	PNC	名 称
26-150	32540	オイル シ-ル, フロント 前イ-ル 用'
27-250	33350	オイル シ-ル, リヤ 前イ-ル 用' イナ'
27-250	33360	オイル シ-ル, リヤ 前イ-ル 用' フラ'
35-110	51986K	ヒ'コ, フロント フレ-キ
35-160	52964H	ヒ'コ, リヤ フレ-キ

99950 ヒ-ビ'キット

ク-ノ-NO	PNC	名 称
26-150	32540	オイル シ-ル, フロント 前イ-ル 用'
27-250	33350	オイル シ-ル, リヤ 前イ-ル 用' イナ'
27-250	33360	オイル シ-ル, リヤ 前イ-ル 用' フラ'
35-110	51230	前フ' & フ'-ウ キット, フロント フレ-キ 用' フラ'
35-110	51986K	ヒ'コ, フロント フレ-キ
35-160	52220	前フ' & フ'-ウ キット, リヤ フレ-キ 用' フラ'
35-160	52964H	ヒ'コ, リヤ フレ-キ

2TA000

Ref. |2035910

Page

**FK74R
35-910 SEIBI & HOSE KIT**

SPN	Repl Part RP	PNC 56200	Part No	Part Name	Qty	NEW1	Classification	Option	Model Year	Start	End
			MK999991	HOSE KIT, BRAKE	1	Y	G6, G6E, H6, H6E, J6, J6E, K6, K6E, M6, M6E			04053	04063
	RP		MK996394	HOSE KIT, BRAKE	1	Y	G6, G6E, H6, H6E, J6, J6E, K6, K6E, M6, M6E	1GP	04	04053	04063
			MK702533	HOSE KIT, BRAKE	1		G6, G6E, H6, H6E, J6, J6E, K6, K6E, M6, M6E			04071	05102
			MK702540	HOSE KIT, BRAKE	1		G6, G6E, H6, H6E, J6, J6E, K6, K6E, M6, M6E	1GP	04	04071	05102
			MK703294	HOSE KIT, BRAKE	1		G6, G6V, H6, H6E, H6V, H6VE, J6, J6E, J6V, J6VE, K6, K6E, K6V, K6VE, M6E, M6VE			05103	09052
			MK703294	HOSE KIT, BRAKE	1		G6, G6V, H6, H6E, H6V, H6VE, J6, J6E, J6V, J6VE, K6, K6E, K6V, K6VE, M6E, M6VE			05103	09052
			MK703294	HOSE KIT, BRAKE	1		G6, H6, H6E, J6, J6E, K6, K6E, M6E			05103	09052

Ref. |2035910

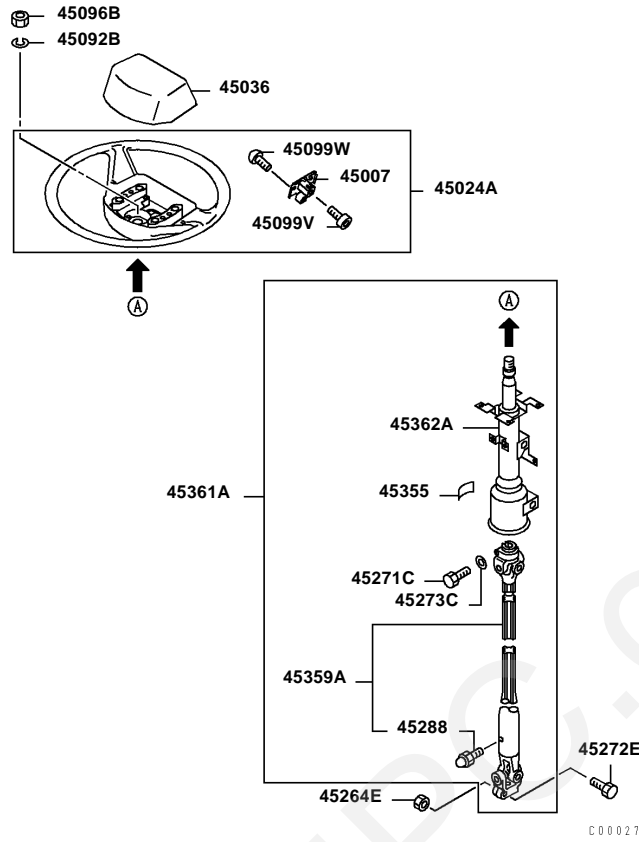
Page

FK74R
35-910 SEIBI & HOSE KIT

SPN	Repl Part	PNC	Part No	Part Name	Qty	NEW1	Classification	Option	Model Year	Start	End
		56200	MK703294	HOSE KIT,BRAKE	1		G6V,H6V,H6VE, J6V,J6VE,K6V, K6VE,M6VE			05103	09052
		99949	MK998536	OIL SEAL KIT,WHEEL	1		G6,G6E,G6V, H6,H6E,H6V, H6VE,J6,J6E, J6V,J6VE,K6, K6E,K6V,K6VE, M6,M6E,M6VE			04053	09052
SP		99950	MK999985	SEIBI KIT	1	R	G6,G6E,G6V, H6,H6E,H6V, H6VE,J6,J6E, J6V,J6VE,K6, K6E,K6V,K6VE, M6,M6E,M6VE			04053	09052

www.AutoEPC.com

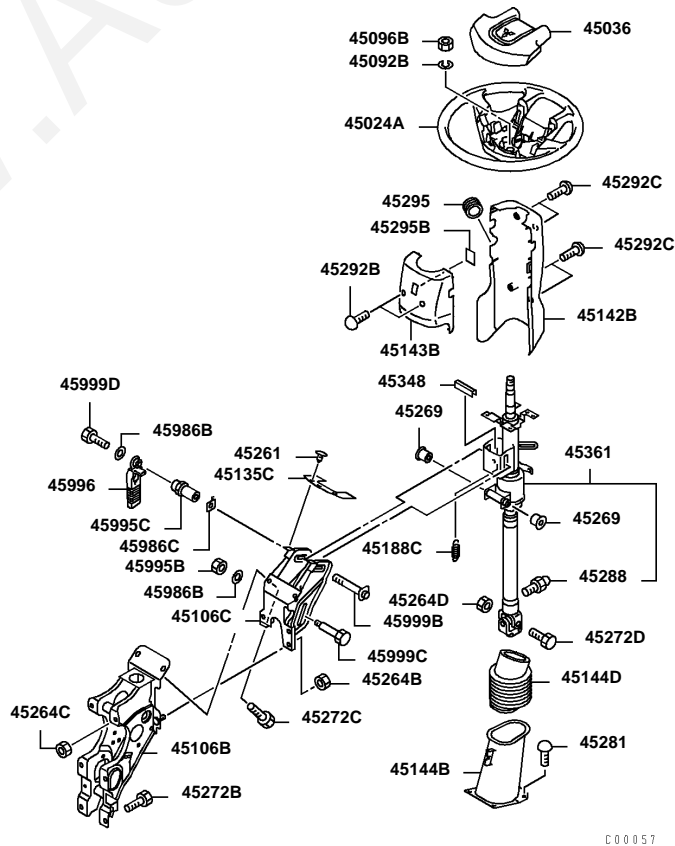
FK74R
No.1



Ref. |2037010

Page

FK74R
No.2



Ref. |2037010

Page

FK74R
37-010 STEERING WHEEL & COLUMN

SPN	Repl Part	PNC	Part No	Part Name	Qty	Part Spec	Rem
		45007	MK471789	HOLDER,STEERING WHEEL PAD	2		
		45024A	MK363024	WHEEL ASSY,STEERING	1		
	RP		MK471403	WHEEL ASSY,STEERING	1		
	RP		MK567002	WHEEL ASSY,STEERING	1		
			MK567008	WHEEL ASSY,STEERING	1		
		45036	MK384280	MODULE,AIR BAG	1		
	RP		MK471404	MODULE,AIR BAG	1		
			MK567003	MODULE,AIR BAG	1		
		45092B	MF450891	WASHER,STEERING WHEEL	1	TOOTH,20	
		45096B	MH004136	NUT,STEERING WHEEL	1	JAM,20	
		45099V	MK471788	SCREW,STEERING WHEEL	2		
		45099W	MK471790	SCREW,STEERING WHEEL	2		
		45106B	MK470617	BRACKET,STEERING COLUMN	1		

FK74R
37-010 STEERING WHEEL & COLUMN

SPN	Repl Part	PNC	Part No	Part Name	Qty	Part Spec	Rem
		45106C	MK471984	BRACKET,STEERING COLUMN	1		
		45135C	MK363039	COVER,STEERING COLUMN	1		
			MK363039	COVER,STEERING COLUMN	1		
SP		45142B	MK470620	COVER,STEERING COLUMN,LWR	1		
			MK472393	COVER,STEERING COLUMN,LWR	1		
SP		45143B	MK470619	COVER,STEERING COLUMN,UPR	1		
SP			MK470619	COVER,STEERING COLUMN,UPR	1		
SP			MK470619	COVER,STEERING COLUMN,UPR	1		
SP			MK470619	COVER,STEERING COLUMN,UPR	1		
SP			MK471553	COVER,STEERING COLUMN,UPR	1		
SP			MK471553	COVER,STEERING COLUMN,UPR	1		
			MK472395	COVER,STEERING COLUMN,UPR	1		
			MK472395	COVER,STEERING COLUMN,UPR	1		
			MK472392	COVER,STEERING COLUMN,UPR	1		
			MK472392	COVER,STEERING COLUMN,UPR	1		
			MK472392	COVER,STEERING COLUMN,UPR	1		
			MK472392	COVER,STEERING COLUMN,UPR	1		
			MK472392	COVER,STEERING COLUMN,UPR	1		
			MK472392	COVER,STEERING COLUMN,UPR	1		
			MK472392	COVER,STEERING COLUMN,UPR	1		
			MK472392	COVER,STEERING COLUMN,UPR	1		
			MK472392	COVER,STEERING COLUMN,UPR	1		
			MK472392	COVER,STEERING COLUMN,UPR	1		

FK74R
37-010 STEERING WHEEL & COLUMN

SPN	Repl Part	PNC	Part No	Part Name	Qty	Part Spec	Rem
		45144B	MK471534	COVER,STEERING COLUMN DUST	1		
		45144D	MK363408	COVER,STEERING COLUMN DUST	1		
		45188C	MC057479	SPRING,STEERING COLUMN ADJUSTER PLATE RETURN	1		
		45261	MC437720	CLIP,STEERING COLUMN	4		
			MC437720	CLIP,STEERING COLUMN	4		
		45264B	MF434104	NUT,STEERING COLUMN	2	FLANGE,8	
		45264C	MF434105	NUT,STEERING COLUMN	2	FLANGE,10	4T
		45264D	MF445085	NUT,STEERING COLUMN	1	SELF LOCKING,10	
		45264E	MF445085	NUT,STEERING COLUMN	1	SELF LOCKING,10	
		45269	MC057481	BUSHING,STEERING COLUMN INR	2		
		45271C	MC808192	BOLT,STEERING COLUMN INR	1		
		45272B	MH000540	BOLT,STEERING COLUMN	4	WASHER ASSEMBLED,10X20	
		45272C	MF140225	BOLT,STEERING COLUMN	2	FLANGE,8X20	7T

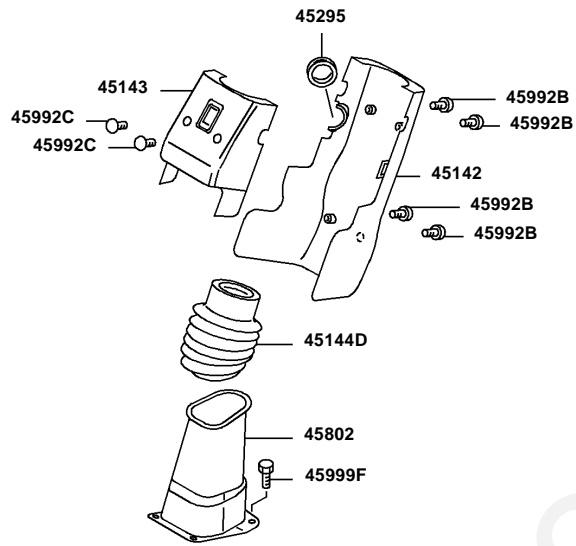
FK74R
37-010 STEERING WHEEL & COLUMN

SPN	Repl Part	PNC	Part No	Part Name	Qty	Part Spec	Rem
		45272D	MS106205	BOLT,STEERING COLUMN	1	10X45	
		45272E	MS106205	BOLT,STEERING COLUMN	1	10X45	
		45273C	MC808193	WASHER,STEERING COLUMN INR	1	TOOTH,10.5	
	RP	45281	MS246221	SCREW,STEERING COLUMN	4	WASHER ASSEMBLED,8X25	
		45288	MC081737	NIPPLE,STEERING COLUMN INR	1		
	RP		MS526150	NIPPLE,STEERING COLUMN INR	1	STRAIGHT,6	
		45292B	MF350770	SCREW,STEERING COLUMN COVER	2	WASHER ASSEMBLED,5X16	
		45292C	MS356165	SCREW,STEERING COLUMN COVER	4	5X16	
		45295	MC081618	GROMMET,STEERING COLUMN COVER	1	32	
			MC081618	GROMMET,STEERING COLUMN COVER	1	32	
		45295B	MK470621	GROMMET,STEERING COLUMN COVER	1		
			MK470621	GROMMET,STEERING COLUMN COVER	1		
		45348	MC000911	PROTECTOR,STEERING SHAFT	1	L=60	

FK74R
37-010 STEERING WHEEL & COLUMN

SPN	Repl Part	PNC	Part No	Part Name	Qty	Part Spec	Rem
		45355	MC809661	SEAL,STEERING SHAFT BEARING CASE	2	RUBBER	
		45359A	MK469568	SHAFT ASSY,STEERING,LWR	1		
	RP	45361	MK470616	SHAFT,STEERING	1		
		45361A	MC081529	SHAFT ASSY,STEERING	1		
		45362A	MC081531	SHAFT ASSY,STEERING,UPR	1		
		45986B	MF450272	WASHER,STEERING COLUMN ADJUSTER	2	PLAIN,8	
		45986C	MC433429	WASHER,STEERING COLUMN ADJUSTER	1	14	
		45995B	MF445004	NUT,STEERING COLUMN ADJUSTER	1	SELF LOCKING,8	
		45995C	MC080774	NUT,STEERING COLUMN ADJUSTER	1		
		45996	MC080766	LEVER,STEERING COLUMN ADJUSTER	1		
		45999B	MC082169	BOLT,STEERING COLUMN ADJUSTER	1	13X111	
		45999C	MC057480	BOLT,STEERING COLUMN ADJUSTER	1	12X99	
		45999D	MF240049	BOLT,STEERING COLUMN ADJUSTER	1	WASHER ASSEMBLED,8X12	

FK74R
No.1

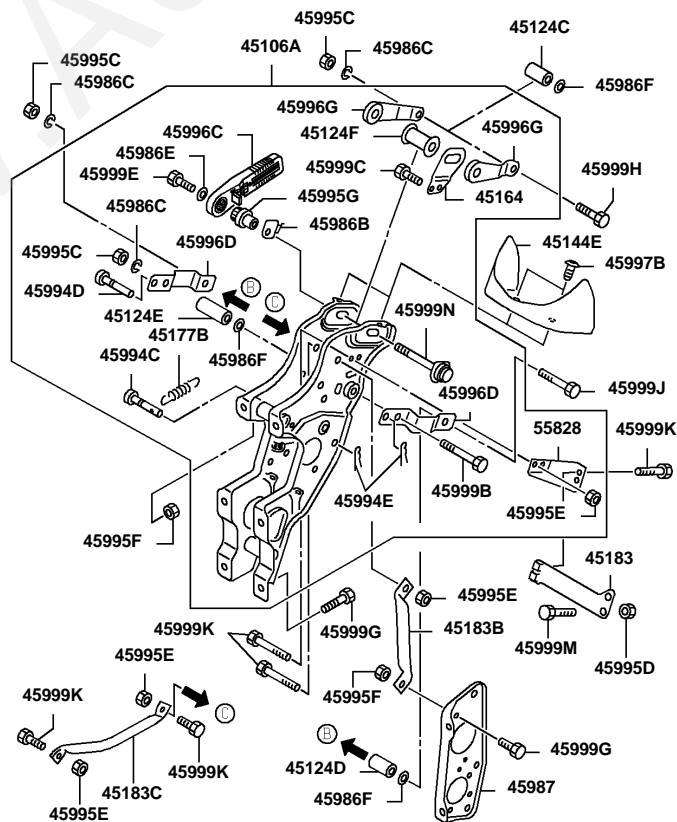


2CA012

Ref. |2037030

Page

FK74R
No.2



C00006

Ref. |2037030

Page

FK74R
37-030 STEERING COLUMN ADJUSTER

Repl Part	PNC	Part No	Part Name	Qty	Part Spec	Remarks	PREV.1	NEW1
	45106A	MC081534	BRACKET ASSY,STEERING COLUMN	1				
	45124C	MC012523	COLLAR,STEERING COLUMN ADJUSTER	1				
	45124D	MC012525	COLLAR,STEERING COLUMN ADJUSTER	1				
	45124E	MC012524	COLLAR,STEERING COLUMN ADJUSTER	1				
	45124F	MC441710	COLLAR,STEERING COLUMN ADJUSTER	1				
	45142	MC081780	COVER,STEERING COLUMN,LWR	1				
	45143	MC081778	COVER,STEERING COLUMN,UPR	1				
	45144D	MC430764	COVER,STEERING COLUMN DUST	1				
	45144E	MC081580	COVER,STEERING COLUMN DUST	1				
	45164	MC081579	PLATE,STEERING COLUMN DUST COVER	1				
	45177B	MC017418	SPRING,STEERING COLUMN TILT LEVER	1				
	45183C	MC441170	STAY,STEERING COLUMN ADJUSTER	1				
	45295	MC081618	GROMMET,STEERING COLUMN COVER	1	32			
	45802	MC081115	COVER,STEERING COLUMN UNDER	1				
	45986B	MC081834	WASHER,STEERING COLUMN ADJUSTER	1				
	45986C	MF450407	WASHER,STEERING COLUMN ADJUSTER	3	SPRING,12			
	45986E	MF450272	WASHER,STEERING COLUMN ADJUSTER	1	PLAIN,8			
	45986F	MC023442	WASHER,STEERING COLUMN ADJUSTER	3	WAVE,12			

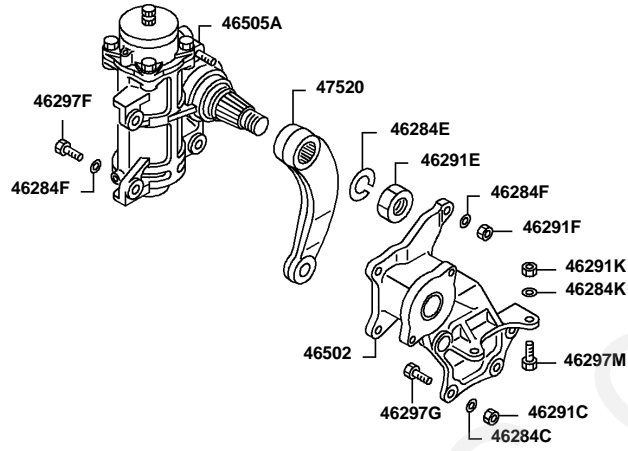
FK74R
37-030 STEERING COLUMN ADJUSTER

Repl Part	PNC	Part No	Part Name	Qty	Part Spec	Remarks	PREV.1	NEW1
	45992B	MS356165	SCREW,STEERING COLUMN ADJUSTER	4	5X16			
	45992C	MF351010	SCREW,STEERING COLUMN ADJUSTER	2	WASHER ASSEMBLED,5X16			
		MF350770	SCREW,STEERING COLUMN ADJUSTER	2	WASHER ASSEMBLED,5X16			
	45994C	MC022748	PIN,STEERING COLUMN ADJUSTER	2	CLEVIS,10X79.2			
	45994D	MC022748	PIN,STEERING COLUMN ADJUSTER	2	CLEVIS,10X79.2			
	45994E	MF472305	PIN,STEERING COLUMN ADJUSTER	2	SNAP,10X32.6			
	45995C	MF430727	NUT,STEERING COLUMN ADJUSTER	3	JAM,12			
	45995E	MF434104	NUT,STEERING COLUMN ADJUSTER	4	FLANGE,8			
	45995F	MF434105	NUT,STEERING COLUMN ADJUSTER	2	FLANGE,10	4T		
	45995G	MC080774	NUT,STEERING COLUMN ADJUSTER	1				
	45996C	MC080766	LEVER,STEERING COLUMN ADJUSTER	1				
	45996D	MC057454	LEVER,STEERING COLUMN ADJUSTER	2				
		MC022745	LEVER,STEERING COLUMN ADJUSTER	2				
	45996G	MC445922	LEVER,STEERING COLUMN ADJUSTER	2				
	45997B	MC437720	CLIP,STEERING COLUMN ADJUSTER	2				
	45999B	MC022749	BOLT,STEERING COLUMN ADJUSTER	1	12X90			
	45999C	MF140023	BOLT,STEERING COLUMN ADJUSTER	2	FLANGE,8X16	4T		
	45999E	MF240049	BOLT,STEERING COLUMN ADJUSTER	1	WASHER ASSEMBLED,8X12			

FK74R
37-030 STEERING COLUMN ADJUSTER

Repl Part RP	PNC 45999F	Part No MS246221	Part Name BOLT,STEERING COLUMN ADJUSTER	Qty 4	Part Spec WASHER ASSEMBLED,8X25	Remarks	PREV.1 O	NEW1 Y
	45999G	MH000540	BOLT,STEERING COLUMN ADJUSTER	4	WASHER ASSEMBLED,10X20			
	45999H	MF101320	BOLT,STEERING COLUMN ADJUSTER	1	BOLT,12X60	7T		
	45999J	MF101327	BOLT,STEERING COLUMN ADJUSTER	1	BOLT,12X100	7T		
	45999K	MF140025	BOLT,STEERING COLUMN ADJUSTER	2	FLANGE,8X20	4T		
RP	45999N	MK363097	BOLT,STEERING COLUMN ADJUSTER	1	14X106		O	
	45999M	(N.e.c.)	BOLT,STEERING COLUMN ADJUSTER					
	55828	(N.e.c.)	BRACKET,3-WAY VALVE					
	45995D	(N.e.c.)	NUT,STEERING COLUMN ADJUSTER					
	45183B	(N.e.c.)	STAY,STEERING COLUMN ADJUSTER					
	45987	(N.e.c.)	BRACKET,STEERING COLUMN STAY					
	45183	(N.e.c.)	STAY,STEERING COLUMN ADJUSTER					

FK74R
No.1

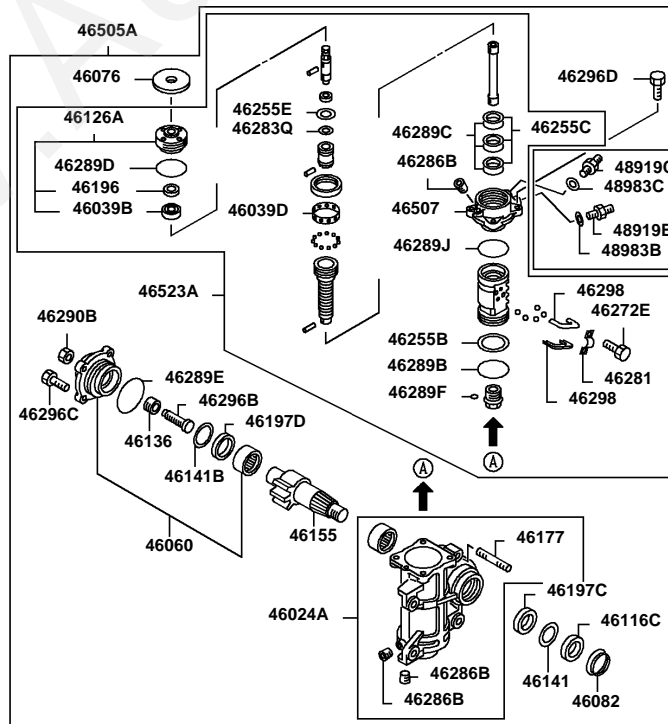


2 A M 2 0 3

Ref. |2037050

Page

FK74R
No.2



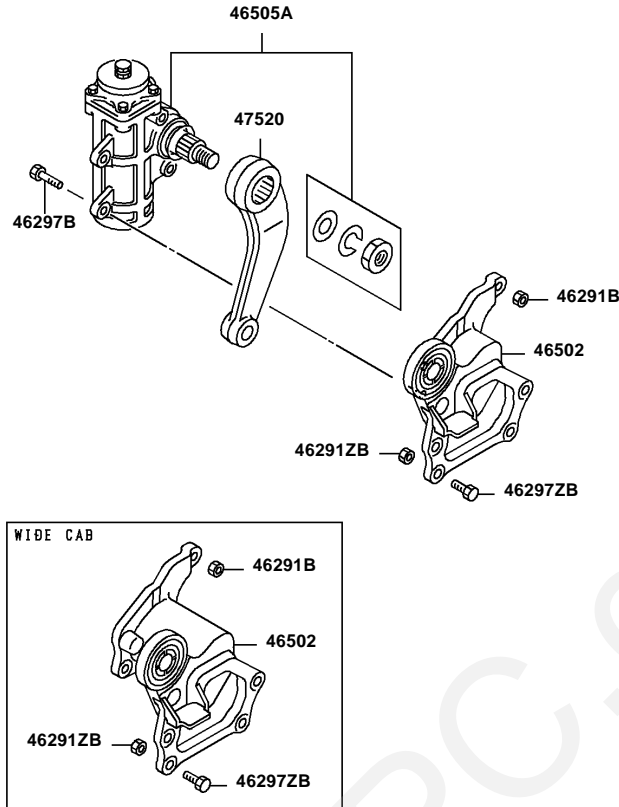
46113B	PNC
	46076, 46082, 46116C, 46141, 46141B
	46196, 46197C, 46197D, 46255B, 46255C
	46255E, 46272E, 46283Q, 46289B, 46289C
	46289D, 46289E, 46289F, 46289J

C 0 0 0 5 3

Ref. |2037050

Page

FK74R
No.3

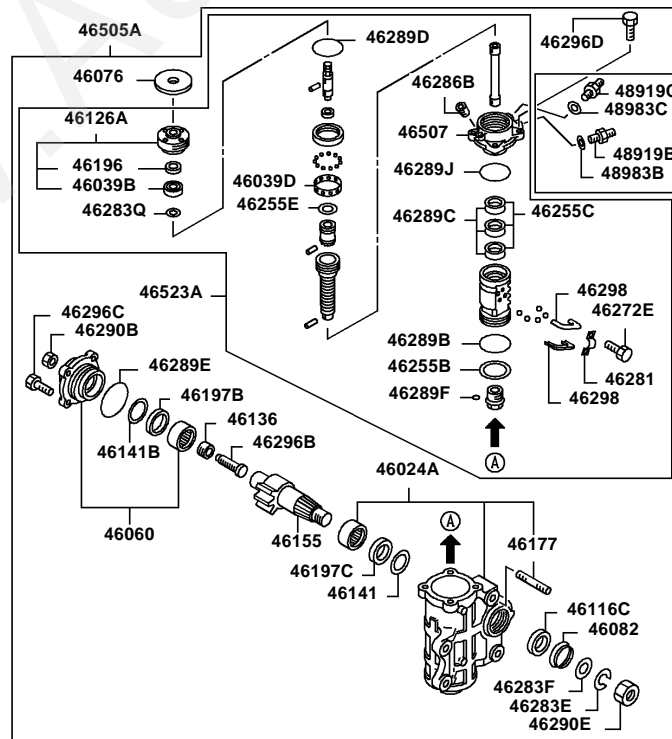


C00086

Ref. |2037050

Page

FK74R
No.4



46113B — PNC
46076, 46082, 46116C, 46141, 46141B
46196, 46197C, 46197B, 46255B, 46255C
46255E, 46272E, 46283Q, 46289B, 46289C
46289D, 46289E, 46289F, 46289J

C00087

Ref. |2037050

Page

FK74R
37-050 STEERING GEAR

SPN	Repl Part	PNC	Part No	Part Name	Qty	Part Spec	Rem
		46024A	ME720326	BODY ASSY,STEERING GEAR	1		
	RP		ME778003	BODY ASSY,STEERING GEAR	1		
			ME778163	BODY ASSY,STEERING GEAR	1		
		46039B	ME720346	BEARING,STEERING GEAR PINION	1	BALL	
		46039D	ME720348	BEARING,STEERING GEAR PINION	1	BALL	
		46060	ME720352	COVER,STEERING GEAR SIDE	1		
		46076	ME720354	COVER,STEERING GEAR BALL SCREW	1		
		46082	MC881348	COVER,STEERING GEAR SECTOR SHAFT	1		
		46113B	MC090619	O-RING & GASKET KIT,STEERING GEAR OVERHAUL	1		
			ME739161	O-RING & GASKET KIT,STEERING GEAR OVERHAUL	1		
		46116C	ME720338	OIL SEAL,STEERING GEAR SECTOR SHAFT	1		
			ME739102	OIL SEAL,STEERING GEAR SECTOR SHAFT	1		
		46126A	ME720344	PLUG & SEAL ASSY,STEERING GEAR	1		

FK74R
37-050 STEERING GEAR

SPN	Repl Part	PNC	Part No	Part Name	Qty	Part Spec	Rem
		46136	ME720158	RETAINER,STEERING GEAR SECTOR SHAFT ADJUSTING BOLT	1		
		46141	ME720337	RING,STEERING GEAR SIDE COVER BACKUP	1		
			ME739148	RING,STEERING GEAR SIDE COVER BACKUP	1		
		46141B	ME720134	RING,STEERING GEAR SIDE COVER BACKUP	1		
			ME739158	RING,STEERING GEAR SIDE COVER BACKUP	1		
		46155	ME720334	SHAFT,STEERING GEAR SECTOR GEAR	1		
			ME720351	SHAFT,STEERING GEAR SECTOR GEAR	1		
			ME739155	SHAFT,STEERING GEAR SECTOR GEAR	1		
			ME739157	SHAFT,STEERING GEAR SECTOR GEAR	1		
			ME739155	SHAFT,STEERING GEAR SECTOR GEAR	1		
		46177	ME739157	SHAFT,STEERING GEAR SECTOR GEAR	1		
			ME720327	STUD,STEERING GEAR	1		
		46196	ME720347	Y-RING,STEERING GEAR SCREW SHAFT	1		
		46197B	ME739159	Y-RING,STEERING GEAR SECTOR SHAFT	1		
		46197C	ME720336	Y-RING,STEERING GEAR SECTOR SHAFT	1		
			ME739147	Y-RING,STEERING GEAR SECTOR SHAFT	1		
		46197D	ME720133	Y-RING,STEERING GEAR SECTOR SHAFT	1		

FK74R
37-050 STEERING GEAR

SPN	Repl Part	PNC	Part No	Part Name	Qty	Part Spec	Rem
		46255B	ME720332	SEAL RING,STEERING GEAR	1		
		46255C	ME720340	SEAL RING,STEERING GEAR	3		
			ME739151	SEAL RING,STEERING GEAR	3		
		46255E	ME720343	SEAL RING,STEERING GEAR	1		
		46272E	ME720488	SCREW,STEERING GEAR INR	2		
		46281	ME720152	CLIP,STEERING GEAR INR	1		
		46283E	ME706325	WASHER,STEERING GEAR INR	1	SPRING	
		46283F	ME706326	WASHER,STEERING GEAR INR	1		
		46283Q	ME739027	WASHER,STEERING GEAR INR	1		
		46284C	MF450408	WASHER,STEERING GEAR	3	SPRING,14	
		46284E	MC803599	WASHER,STEERING GEAR	1	SPRING,30.5	
		46284F	MF450408	WASHER,STEERING GEAR	4	SPRING,14	
		46284K	MF450408	WASHER,STEERING GEAR	2	SPRING,14	
		46286B	MC801301	PLUG,STEERING GEAR INR	3		

FK74R
37-050 STEERING GEAR

SPN	Repl Part	PNC	Part No	Part Name	Qty	Part Spec	Rem
		46286B	MC801301	PLUG,STEERING GEAR INR	1		
		46289B	ME720203	O-RING,STEERING GEAR INR	1		
		46289C	ME720339	O-RING,STEERING GEAR INR	3		
		46289D	ME720341	O-RING,STEERING GEAR INR	1		
			ME739152	O-RING,STEERING GEAR INR	1		
		46289E	ME720353	O-RING,STEERING GEAR INR	1		
			ME739160	O-RING,STEERING GEAR INR	1		
	RP	46289F	ME706306	O-RING,STEERING GEAR INR	1		
		46289J	ME720342	O-RING,STEERING GEAR INR	1		
			ME739153	O-RING,STEERING GEAR INR	1		
		46290B	ME720166	NUT,STEERING GEAR INR	1	6	
		46290E	ME706327	NUT,STEERING GEAR INR	1		
		46291B	MH004177	NUT,STEERING GEAR	1	FLANGE,14	PLA

FK74R
37-050 STEERING GEAR

SPN	Repl Part	PNC	Part No	Part Name	Qty	Part Spec	Rem
		46291C	MH004072	NUT,STEERING GEAR	3	FLANGE,14	
		46291E	MC037694	NUT,STEERING GEAR	1		
		46291F	MH004072	NUT,STEERING GEAR	1	FLANGE,14	
		46291K	MH004072	NUT,STEERING GEAR	2	FLANGE,14	
		46291ZB	MH004158	NUT,STEERING GEAR	3	FLANGE,16	
		46296B	ME720157	BOLT,STEERING GEAR INR	1		
		46296C	MC881268	BOLT,STEERING GEAR INR	4	WASHER ASSEMBLED	
		46296D	ME706321	BOLT,STEERING GEAR INR	4	WASHER ASSEMBLED	
		46297B	MC040480	BOLT,STEERING GEAR	3	FLANGE,14X35	
		46297F	MH000344	BOLT,STEERING GEAR	3	W/MAKE,14X35	
		46297G	MH000787	BOLT,STEERING GEAR	3	14X45	
		46297M	MH000345	BOLT,STEERING GEAR	2	14X40	
		46297ZB	MK313298	BOLT,STEERING GEAR	4	FLANGE,16X45	
		46298	ME720349	BALL,STEERING GEAR INR	2		
		46502	MC080495	BRACKET,P/S GEAR	1		

FK74R
37-050 STEERING GEAR

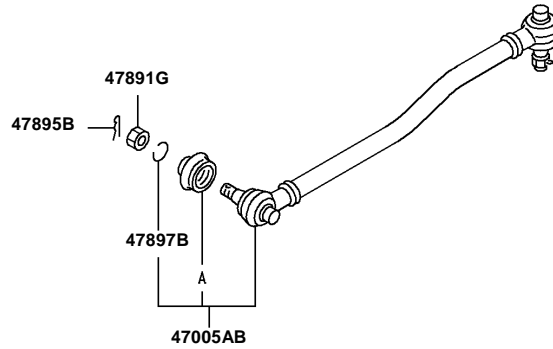
SPN	Repl Part	PNC	Part No	Part Name	Qty	Part Spec	Rem
		46502	MC080496	BRACKET,P/S GEAR	1		
SP			MK590038	BRACKET,P/S GEAR	1		
SP			MK590039	BRACKET,P/S GEAR	1		
			MK590061	BRACKET,P/S GEAR	1		
			MK590062	BRACKET,P/S GEAR	1		
			MK590061	BRACKET,P/S GEAR	1		
			MK590062	BRACKET,P/S GEAR	1		
	RP		MK590158	BRACKET,P/S GEAR	1		
	RP		MK590159	BRACKET,P/S GEAR	1		
		46505A	MC082237	GEAR ASSY,P/S	1		
			MC082238	GEAR ASSY,P/S	1		
			MK471968	GEAR ASSY,P/S	1		
			MK471969	GEAR ASSY,P/S	1		
			MK471969	GEAR ASSY,P/S	1		
		46507	MK471968	GEAR ASSY,P/S	1		
			ME720331	HOUSING,P/S GEAR VALVE	1		
		46523A	ME720480	SCREW & HOUSING ASSY,P/S GEAR	1		
			ME739136	SCREW & HOUSING ASSY,P/S GEAR	1		
			ME739149	SCREW & HOUSING ASSY,P/S GEAR	1		
			ME739150	SCREW & HOUSING ASSY,P/S GEAR	1		
			ME739149	SCREW & HOUSING ASSY,P/S GEAR	1		
		47520	ME739150	SCREW & HOUSING ASSY,P/S GEAR	1		
			MC080302	ARM,PITMAN	1		
			MC080303	ARM,PITMAN	1		
			MK469984	ARM,PITMAN	1		
			MK470433	ARM,PITMAN	1		
			MK469984	ARM,PITMAN	1		
			MK470433	ARM,PITMAN	1		

FK74R
37-050 STEERING GEAR

SPN	Repl Part	PNC	Part No	Part Name	Qty	Part Spec	Rem
		48919B	MH038903	JOINT,P/S OIL LINE	1		
		48919C	MH038903	JOINT,P/S OIL LINE	1		
		48983B	MF660067	GASKET,P/S OIL LINE	1	18	
		48983C	MF660067	GASKET,P/S OIL LINE	1	18	

www.AutoEPC.com

FK74R
No.1



47011
47897B, A, B A: COVER DUST
B: GREASE

C00007

Ref. |2037070

Page

FK74R
37-070 STEERING LINKAGE

Repl Part RP	PNC	Part No	Part Name	Qty	Part Spec	PREV.1	NEW1	Classification	Start	End
	47005AB	MC064247	DRAGLINK ASSY,STEERING	1			Y	G6,G6E,H6, H6E,J6,J6E, K6,K6E,M6, M6E	04053	05102
RP		MK471675	DRAGLINK ASSY,STEERING	1			Y	G6,G6V,H6, H6E,H6V,H6VE, J6,J6E,J6V, J6VE,K6,K6E, K6V,K6VE,M6E, M6VE	05103	09052
	47011	MC081901	DRAGLINK KIT,STEERING	2				G6,G6E,G6V, H6,H6E,H6V, H6VE,J6,J6E, J6V,J6VE,K6, K6E,K6V,K6VE, M6,M6E,M6VE	04053	09052
	47891G	MC090026	NUT,STEERING LINKAGE	2	CASTLE,18			G6,G6E,G6V, H6,H6E,H6V, H6VE,J6,J6E, J6V,J6VE,K6, K6E,K6V,K6VE, M6,M6E,M6VE	04053	09052
	47895B	MF472087	PIN,STEERING LINKAGE	2	SPLIT,4X40			G6,G6E,G6V, H6,H6E,H6V, H6VE,J6,J6E, J6V,J6VE,K6, K6E,K6V,K6VE, M6,M6E,M6VE	04053	09052

Ref. |2037070

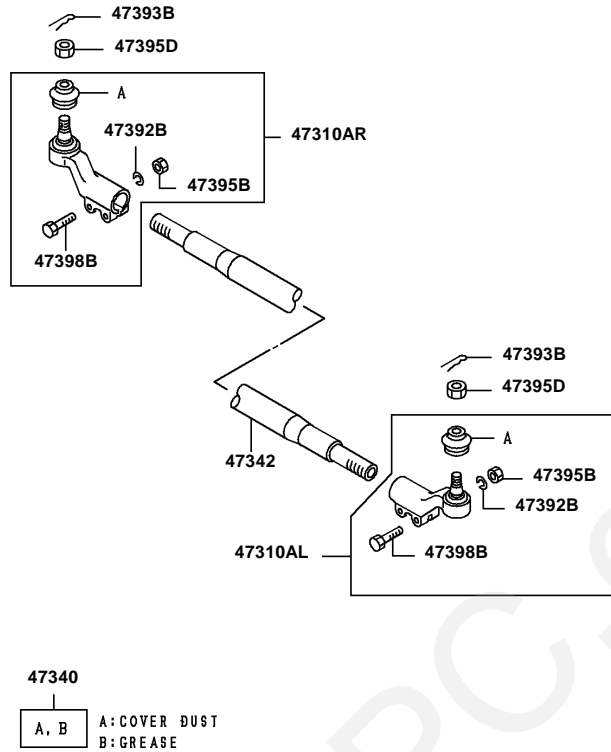
Page

FK74R
37-070 STEERING LINKAGE

Repl Part RP	PNC 47897B	Part No MC090815	Part Name CLIP,STEERING LINKAGE	Qty 2	Part Spec D=40	PREV.1 O	NEW1	Classification G6,G6E,G6V, H6,H6E,H6V, H6VE,J6,J6E, J6V,J6VE,K6, K6E,K6V,K6VE, M6,M6E,M6VE	Start 04053	End 09052

www.AutoEPC.com

FK74R
No.1



Ref. |2037080

Page

FK74R
37-080 TIEROD

PNC	Part No	Part Name	Qty	Part Spec	Classification	Start	End
47310AL	MK428082	END ASSY,TIE ROD,LH	1		G6,G6E,H6, H6E,J6,J6E, K6,K6E,M6, M6E	04053	05102
	MK526257	END ASSY,TIE ROD,LH	1		G6,G6V,H6, H6E,H6V,H6VE, J6,J6E,J6V, J6VE,K6,K6E, K6V,K6VE,M6E, M6VE	05103	09052
47310AR	MK428083	END ASSY,TIE ROD,RH	1		G6,G6E,H6, H6E,J6,J6E, K6,K6E,M6, M6E	04053	05102
	MK526258	END ASSY,TIE ROD,RH	1		G6,G6V,H6, H6E,H6V,H6VE, J6,J6E,J6V, J6VE,K6,K6E, K6V,K6VE,M6E, M6VE	05103	09052
47340	MK448621	END KIT,TIE ROD	2		G6,G6E,G6V, H6,H6E,H6V, H6VE,J6,J6E, J6V,J6VE,K6, K6E,K6V,K6VE, M6,M6E,M6VE	04053	09052
47342	MC838661	TIE ROD,STEERING	1		G6,G6E,H6, H6E,J6,J6E, K6,K6E,M6, M6E	04053	05102

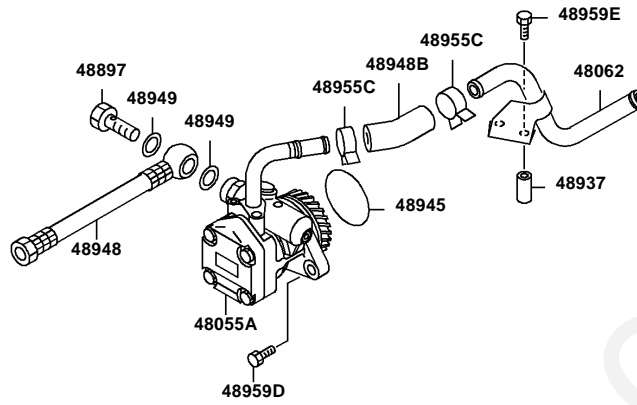
Ref. |2037080

Page

FK74R
37-080 TIEROD

PNC	Part No	Part Name	Qty	Part Spec	Classification	Start	End
47342	MK526261	TIE ROD,STEERING	1		G6,G6V,H6, H6E,H6V,H6VE, J6,J6E,J6V, J6VE,K6,K6E, K6V,K6VE,M6E, M6VE	05103	09052
47392B	MF450407	WASHER,TIE ROD	4	SPRING,12	G6,G6E,G6V, H6,H6E,H6V, H6VE,J6,J6E, J6V,J6VE,K6, K6E,K6V,K6VE, M6,M6E,M6VE	04053	09052
47393B	MF472084	PIN,TIE ROD	2	SPLIT,4X28	G6,G6E,G6V, H6,H6E,H6V, H6VE,J6,J6E, J6V,J6VE,K6, K6E,K6V,K6VE, M6,M6E,M6VE	04053	09052
47395B	MH004303	NUT,TIE ROD	4	12	G6,G6E,H6, H6E,J6,J6E, K6,K6E,M6, M6E	04053	05102
	MC861530	NUT,TIE ROD	4	FLANGE,12	G6,G6V,H6, H6E,H6V,H6VE, J6,J6E,J6V, J6VE,K6,K6E, K6V,K6VE,M6E, M6VE	05103	09052
47395D	MC090026	NUT,TIE ROD	2	CASTLE,18	G6,G6E,G6V, H6,H6E,H6V, H6VE,J6,J6E, J6V,J6VE,K6, K6E,K6V,K6VE, M6,M6E,M6VE	04053	09052
47398B	MS106228	BOLT,TIE ROD	4	12X50	G6,G6E,H6, H6E,J6,J6E, K6,K6E,M6, M6E	04053	05102
	MS106328	BOLT,TIE ROD	4	FLANGE,12X50	G6,G6V,H6, H6E,H6V,H6VE, J6,J6E,J6V, J6VE,K6,K6E, K6V,K6VE,M6E, M6VE	05103	09052

FK74R
No.1

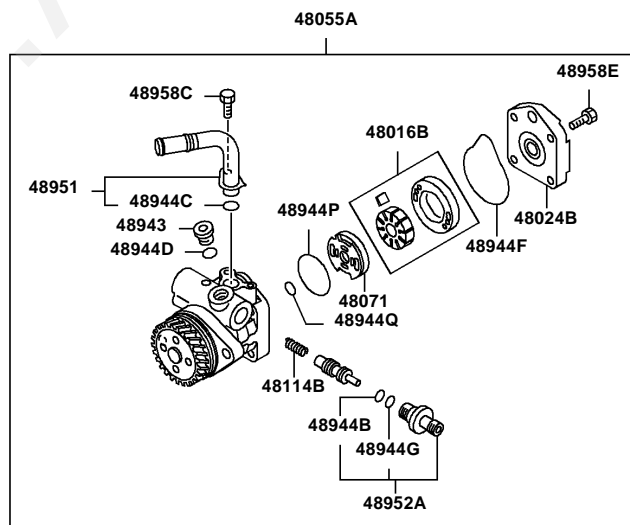


C00052

Ref. |2037110

Page

FK74R
No.2



48096 — PNC
48944B, 48944C, 48944F
48944G, 48944P, 48944Q

C00053

Ref. |2037110

Page

FK74R
37-110 POWER STEERING OIL PUMP

Repl Part	PNC	Part No	Part Name	Qty	Part Spec	Remarks	PREV.1	Classification	Opt
	48016B	ME725305	CARTRIDGE,P/S OIL PUMP	1				G6,G6E,H6, H6E,J6,J6E, K6,K6E,M6, M6E	
		ME725334	CARTRIDGE,P/S OIL PUMP	1				K6,K6E,M6E	
		ME725334	CARTRIDGE,P/S OIL PUMP	1				G6,G6E,G6V, H6,H6E,H6V, H6VE,J6,J6E, J6V,J6VE,K6, K6E,K6V,K6VE, M6,M6E,M6VE	
		ME725334	CARTRIDGE,P/S OIL PUMP	1				G6E,G6V,H6V, H6VE,J6V,J6VE, K6V,K6VE,M6, M6VE	
		ME725334	CARTRIDGE,P/S OIL PUMP	1				G6,G6E,G6V, H6,H6E,H6V, H6VE,J6,J6E, J6V,J6VE,K6, K6E,K6V,K6VE, M6,M6E,M6VE	
		ME725334	CARTRIDGE,P/S OIL PUMP	1				G6,H6,H6E, J6,J6E	
		ME725339	CARTRIDGE,P/S OIL PUMP	1				G6,H6,H6E, J6,J6E,K6, K6E,M6E	14C,1C 1XT,1X
		ME725339	CARTRIDGE,P/S OIL PUMP	1				G6,H6,H6E, J6,J6E	1SP,1X
		ME725339	CARTRIDGE,P/S OIL PUMP	1				G6,H6,H6E, J6,J6E	
		ME725339	CARTRIDGE,P/S OIL PUMP	1				K6,K6E,M6E	
		ME725339	CARTRIDGE,P/S OIL PUMP	1				G6,H6,H6E, J6,J6E,K6, K6E,M6E	
		ME725339	CARTRIDGE,P/S OIL PUMP	1				G6V,H6V,H6VE, J6V,J6VE,K6VE	
	48024B	ME725313	COVER,P/S OIL PUMP	1				K6,K6E,M6E	
		ME725313	COVER,P/S OIL PUMP	1				G6,G6E,G6V, H6,H6E,H6V, H6VE,J6,J6E, J6V,J6VE,K6, K6E,K6V,K6VE, M6,M6E,M6VE	
		ME725313	COVER,P/S OIL PUMP	1				G6E,G6V,H6V, H6VE,J6V,J6VE, K6V,K6VE,M6, M6VE	
		ME725313	COVER,P/S OIL PUMP	1				G6,G6E,G6V, H6,H6E,H6V, H6VE,J6,J6E, J6V,J6VE,K6, K6E,K6V,K6VE, M6,M6E,M6VE	
		ME725313	COVER,P/S OIL PUMP	1				G6,H6,H6E, J6,J6E	
		ME725340	COVER,P/S OIL PUMP	1				G6,H6,H6E, J6,J6E,K6, K6E,M6E	14C,1C 1XT,1X
		ME725340	COVER,P/S OIL PUMP	1				G6,H6,H6E, J6,J6E	1SP,1X
		ME725340	COVER,P/S OIL PUMP	1				G6,H6,H6E, J6,J6E	
		ME725340	COVER,P/S OIL PUMP	1				G6,H6,H6E, J6,J6E,K6, K6E,M6E	
		ME725340	COVER,P/S OIL PUMP	1				K6,K6E,M6E	
		ME725340	COVER,P/S OIL PUMP	1				G6V,H6V,H6VE, J6V,J6VE,K6VE	
	48055A	MK470474	OIL PUMP ASSY,P/S	1				K6,K6E,M6E	

FK74R
37-110 POWER STEERING OIL PUMP

Repl Part	PNC	Part No	Part Name	Qty	Part Spec	Remarks	PREV.1	Classification	Opt
	48055A	MK470474	OIL PUMP ASSY,P/S	1				G6,G6E,G6V, H6,H6E,H6V, H6VE,J6,J6E, J6V,J6VE,K6, K6E,K6V,K6VE, M6,M6E,M6VE	
		MK470474	OIL PUMP ASSY,P/S	1				G6E,G6V,H6V, H6VE,J6V,J6VE, K6V,K6VE,M6, M6VE	
		MK470474	OIL PUMP ASSY,P/S	1				G6,G6E,G6V, H6,H6E,H6V, H6VE,J6,J6E, J6V,J6VE,K6, K6E,K6V,K6VE, M6,M6E,M6VE	
		MK470474	OIL PUMP ASSY,P/S	1				G6,H6,H6E, J6,J6E	
		MK590044	OIL PUMP ASSY,P/S	1				G6,H6,H6E, J6,J6E,K6, K6E,M6E	14C,1C 1XT,1X
		MK590044	OIL PUMP ASSY,P/S	1				G6,H6,H6E, J6,J6E	1SP,1X
		MK590044	OIL PUMP ASSY,P/S	1				G6,H6,H6E, J6,J6E	
		MK590044	OIL PUMP ASSY,P/S	1				G6,H6,H6E, J6,J6E,K6, K6E,M6E	
		MK590044	OIL PUMP ASSY,P/S	1				K6,K6E,M6E	
		MK590044	OIL PUMP ASSY,P/S	1				G6V,H6V,H6VE, J6V,J6VE,K6VE	
	48062	MK465215	TUBE,P/S OIL PUMP INLET	1				G6,G6E,H6, H6E,J6,J6E, K6,K6E,M6, M6E	
		MK537917	TUBE,P/S OIL PUMP INLET	1				K6,K6E,M6E	
		MK537917	TUBE,P/S OIL PUMP INLET	1				G6,G6E,G6V, H6,H6E,H6V, H6VE,J6,J6E, J6V,J6VE,K6, K6E,K6V,K6VE, M6,M6E,M6VE	
		MK537917	TUBE,P/S OIL PUMP INLET	1				G6E,G6V,H6V, H6VE,J6V,J6VE, K6V,K6VE,M6, M6VE	
		MK537917	TUBE,P/S OIL PUMP INLET	1				G6,G6E,G6V, H6,H6E,H6V, H6VE,J6,J6E, J6V,J6VE,K6, K6E,K6V,K6VE, M6,M6E,M6VE	
		MK537917	TUBE,P/S OIL PUMP INLET	1				G6,H6,H6E, J6,J6E	
		MK650492	TUBE,P/S OIL PUMP INLET	1	18			G6,H6,H6E, J6,J6E,K6, K6E,M6E	14C,1C 1XT,1X
		MK650492	TUBE,P/S OIL PUMP INLET	1	18			G6,H6,H6E, J6,J6E	1SP,1X
		MK650492	TUBE,P/S OIL PUMP INLET	1	18			G6,H6,H6E, J6,J6E	
		MK650492	TUBE,P/S OIL PUMP INLET	1	18			K6,K6E,M6E	
		MK650492	TUBE,P/S OIL PUMP INLET	1	18			G6,H6,H6E, J6,J6E,K6, K6E,M6E	
		MK650492	TUBE,P/S OIL PUMP INLET	1	18			G6V,H6V,H6VE, J6V,J6VE,K6VE	
	48071	ME725311	PLATE,P/S OIL PUMP FR SIDE	1				K6,K6E,M6E	

FK74R
37-110 POWER STEERING OIL PUMP

Repl Part	PNC	Part No	Part Name	Qty	Part Spec	Remarks	PREV.1	Classification	Opt
	48071	ME725311	PLATE,P/S OIL PUMP FR SIDE	1				G6,G6E,G6V, H6,H6E,H6V, H6VE,J6,J6E, J6V,J6VE,K6, K6E,K6V,K6VE, M6,M6E,M6VE	
		ME725311	PLATE,P/S OIL PUMP FR SIDE	1				G6E,G6V,H6V, H6VE,J6V,J6VE, K6V,K6VE,M6, M6VE	
		ME725311	PLATE,P/S OIL PUMP FR SIDE	1				G6,G6E,G6V, H6,H6E,H6V, H6VE,J6,J6E, J6V,J6VE,K6, K6E,K6V,K6VE, M6,M6E,M6VE	
		ME725311	PLATE,P/S OIL PUMP FR SIDE	1				G6,H6,H6E, J6,J6E	
		ME725311	PLATE,P/S OIL PUMP FR SIDE	1				G6,H6,H6E, J6,J6E,K6, K6E,M6E	14C,10 1XT,1X
		ME725311	PLATE,P/S OIL PUMP FR SIDE	1				G6,H6,H6E, J6,J6E	1SP,1X
		ME725311	PLATE,P/S OIL PUMP FR SIDE	1				G6,H6,H6E, J6,J6E	
		ME725311	PLATE,P/S OIL PUMP FR SIDE	1				G6,H6,H6E, J6,J6E,K6, K6E,M6E	
		ME725311	PLATE,P/S OIL PUMP FR SIDE	1				G6,H6,H6E, J6,J6E,K6, K6E,M6E	
		ME725311	PLATE,P/S OIL PUMP FR SIDE	1				G6V,H6V,H6VE, J6V,J6VE,K6VE	
		ME725311	PLATE,P/S OIL PUMP FR SIDE	1				K6,K6E,M6E	
	48096	ME725304	SEAL KIT,P/S OIL PUMP	1				G6,G6E,G6V, H6,H6E,H6V, H6VE,J6,J6E, J6V,J6VE,K6, K6E,K6V,K6VE, M6,M6E,M6VE	
		ME725304	SEAL KIT,P/S OIL PUMP	1				G6,G6E,G6V, H6,H6E,H6V, H6VE,J6,J6E, J6V,J6VE,K6, K6E,K6V,K6VE, M6,M6E,M6VE	
		ME725304	SEAL KIT,P/S OIL PUMP	1				G6E,G6V,H6V, H6VE,J6V,J6VE, K6V,K6VE,M6, M6VE	
		ME725304	SEAL KIT,P/S OIL PUMP	1				G6,G6E,G6V, H6,H6E,H6V, H6VE,J6,J6E, J6V,J6VE,K6, K6E,K6V,K6VE, M6,M6E,M6VE	
		ME725304	SEAL KIT,P/S OIL PUMP	1				G6,H6,H6E, J6,J6E	14C,10 1XT,1X
		ME725304	SEAL KIT,P/S OIL PUMP	1				G6,H6,H6E, J6,J6E	1SP,1X
		ME725304	SEAL KIT,P/S OIL PUMP	1				G6,H6,H6E, J6,J6E	
		ME725304	SEAL KIT,P/S OIL PUMP	1				G6,H6,H6E, J6,J6E,K6, K6E,M6E	
		ME725304	SEAL KIT,P/S OIL PUMP	1				G6,H6,H6E, J6,J6E	
		ME725304	SEAL KIT,P/S OIL PUMP	1				G6,H6,H6E, J6,J6E,K6, K6E,M6E	
		ME725304	SEAL KIT,P/S OIL PUMP	1				K6,K6E,M6E	
		ME725304	SEAL KIT,P/S OIL PUMP	1				G6V,H6V,H6VE, J6V,J6VE,K6VE	
		ME725304	SEAL KIT,P/S OIL PUMP	1				K6,K6E,M6E	
	48114B	ME725308	SPRING,P/S OIL PUMP RELIEF VALVE	1				G6,G6E,G6V, H6,H6E,H6V, H6VE,J6,J6E, J6V,J6VE,K6, K6E,K6V,K6VE, M6,M6E,M6VE	
		ME725308	SPRING,P/S OIL PUMP RELIEF VALVE	1				G6,G6E,G6V, H6,H6E,H6V, H6VE,J6,J6E, J6V,J6VE,K6, K6E,K6V,K6VE, M6,M6E,M6VE	

FK74R
37-110 POWER STEERING OIL PUMP

Repl Part	PNC	Part No	Part Name	Qty	Part Spec	Remarks	PREV.1	Classification	Opt
	48114B	ME725308	SPRING,P/S OIL PUMP RELIEF VALVE	1				G6E,G6V,H6V, H6VE,J6V,J6VE, K6V,K6VE,M6, M6VE	
		ME725308	SPRING,P/S OIL PUMP RELIEF VALVE	1				G6,G6E,G6V, H6,H6E,H6V, H6VE,J6,J6E, J6V,J6VE,K6, K6E,K6V,K6VE, M6,M6E,M6VE	
		ME725308	SPRING,P/S OIL PUMP RELIEF VALVE	1				G6,H6,H6E, J6,J6E	
		ME725308	SPRING,P/S OIL PUMP RELIEF VALVE	1				G6,H6,H6E, J6,J6E,K6, K6E,M6E	14C,1C 1XT,1X
		ME725308	SPRING,P/S OIL PUMP RELIEF VALVE	1				G6,H6,H6E, J6,J6E	1SP,1X
		ME725308	SPRING,P/S OIL PUMP RELIEF VALVE	1				G6,H6,H6E, J6,J6E	
		ME725308	SPRING,P/S OIL PUMP RELIEF VALVE	1				G6,H6,H6E, J6,J6E,K6, K6E,M6E	
		ME725308	SPRING,P/S OIL PUMP RELIEF VALVE	1				K6,K6E,M6E	
		ME725308	SPRING,P/S OIL PUMP RELIEF VALVE	1				G6V,H6V,H6VE, J6V,J6VE,K6VE	
48897		MH037803	EYEBOLT,P/S OIL PUMP	1	18X37			K6,K6E,M6E	
		MH037803	EYEBOLT,P/S OIL PUMP	1	18X37			G6,G6E,G6V, H6,H6E,H6V, H6VE,J6,J6E, J6V,J6VE,K6, K6E,K6V,K6VE, M6,M6E,M6VE	
		MH037803	EYEBOLT,P/S OIL PUMP	1	18X37			G6E,G6V,H6V, H6VE,J6V,J6VE, K6V,K6VE,M6, M6VE	
		MH037803	EYEBOLT,P/S OIL PUMP	1	18X37			G6,G6E,G6V, H6,H6E,H6V, H6VE,J6,J6E, J6V,J6VE,K6, K6E,K6V,K6VE, M6,M6E,M6VE	
		MH037803	EYEBOLT,P/S OIL PUMP	1	18X37			G6,H6,H6E, J6,J6E	
		MH037803	EYEBOLT,P/S OIL PUMP	1	18X37			G6,H6,H6E, J6,J6E,K6, K6E,M6E	14C,1C 1XT,1X
		MH037803	EYEBOLT,P/S OIL PUMP	1	18X37			G6,H6,H6E, J6,J6E	1SP,1X
		MH037803	EYEBOLT,P/S OIL PUMP	1	18X37			G6,H6,H6E, J6,J6E	
		MH037803	EYEBOLT,P/S OIL PUMP	1	18X37			G6,H6,H6E, J6,J6E,K6, K6E,M6E	
		MH037803	EYEBOLT,P/S OIL PUMP	1	18X37			K6,K6E,M6E	
		MH037803	EYEBOLT,P/S OIL PUMP	1	18X37			G6V,H6V,H6VE, J6V,J6VE,K6VE	
48937		MS456739	SPACER,P/S OIL PUMP	2	L=22			K6,K6E,M6E	
		MS456739	SPACER,P/S OIL PUMP	2	L=22			G6,G6E,G6V, H6,H6E,H6V, H6VE,J6,J6E, J6V,J6VE,K6, K6E,K6V,K6VE, M6,M6E,M6VE	
		MS456739	SPACER,P/S OIL PUMP	2	L=22			G6E,G6V,H6V, H6VE,J6V,J6VE, K6V,K6VE,M6, M6VE	

FK74R
37-110 POWER STEERING OIL PUMP

Repl Part	PNC	Part No	Part Name	Qty	Part Spec	Remarks	PREV.1	Classification	Opt
	48937	MS456739	SPACER,P/S OIL PUMP	2	L=22			G6,G6E,G6V, H6,H6E,H6V, H6VE,J6,J6E, J6V,J6VE,K6, K6E,K6V,K6VE, M6,M6E,M6VE	
		MS456739	SPACER,P/S OIL PUMP	2	L=22			G6,H6,H6E, J6,J6E	
		MS456739	SPACER,P/S OIL PUMP	2	L=22			G6,H6,H6E, J6,J6E,K6, K6E,M6E	14C,10 1XT,1X
		MS456739	SPACER,P/S OIL PUMP	2	L=22			G6,H6,H6E, J6,J6E	1SP,1X
		MS456739	SPACER,P/S OIL PUMP	2	L=22			G6,H6,H6E, J6,J6E	
		MS456739	SPACER,P/S OIL PUMP	2	L=22			G6,H6,H6E, J6,J6E,K6, K6E,M6E	
		MS456739	SPACER,P/S OIL PUMP	2	L=22			K6,K6E,M6E	
		MS456739	SPACER,P/S OIL PUMP	2	L=22			G6V,H6V,H6VE, J6V,J6VE,K6VE	
	48943	ME725316	PLUG,P/S OIL PUMP INR	1				K6,K6E,M6E	
		ME725316	PLUG,P/S OIL PUMP INR	1				G6,G6E,G6V, H6,H6E,H6V, H6VE,J6,J6E, J6V,J6VE,K6, K6E,K6V,K6VE, M6,M6E,M6VE	
		ME725316	PLUG,P/S OIL PUMP INR	1				G6E,G6V,H6V, H6VE,J6V,J6VE, K6V,K6VE,M6, M6VE	
		ME725316	PLUG,P/S OIL PUMP INR	1				G6,G6E,G6V, H6,H6E,H6V, H6VE,J6,J6E, J6V,J6VE,K6, K6E,K6V,K6VE, M6,M6E,M6VE	
		ME725316	PLUG,P/S OIL PUMP INR	1				G6,H6,H6E, J6,J6E	14C,10 1XT,1X
		ME725316	PLUG,P/S OIL PUMP INR	1				G6,H6,H6E, J6,J6E,K6, K6E,M6E	1SP,1X
		ME725316	PLUG,P/S OIL PUMP INR	1				G6,H6,H6E, J6,J6E	
		ME725316	PLUG,P/S OIL PUMP INR	1				G6,H6,H6E, J6,J6E,K6, K6E,M6E	
		ME725316	PLUG,P/S OIL PUMP INR	1				K6,K6E,M6E	
		ME725316	PLUG,P/S OIL PUMP INR	1				G6V,H6V,H6VE, J6V,J6VE,K6VE	
	48944B	ME725315	O-RING,P/S OIL PUMP INR	1				K6,K6E,M6E	
		ME725315	O-RING,P/S OIL PUMP INR	1				G6,G6E,G6V, H6,H6E,H6V, H6VE,J6,J6E, J6V,J6VE,K6, K6E,K6V,K6VE, M6,M6E,M6VE	
		ME725315	O-RING,P/S OIL PUMP INR	1				G6E,G6V,H6V, H6VE,J6V,J6VE, K6V,K6VE,M6, M6VE	
		ME725315	O-RING,P/S OIL PUMP INR	1				G6,G6E,G6V, H6,H6E,H6V, H6VE,J6,J6E, J6V,J6VE,K6, K6E,K6V,K6VE, M6,M6E,M6VE	
		ME725315	O-RING,P/S OIL PUMP INR	1				G6,H6,H6E, J6,J6E	

FK74R
37-110 POWER STEERING OIL PUMP

Repl Part	PNC	Part No	Part Name	Qty	Part Spec	Remarks	PREV.1	Classification	Opt	
48944B		ME725315	O-RING,P/S OIL PUMP INR	1				G6,H6,H6E, J6,J6E,K6, K6E,M6E	14C,1C 1XT,1X	
		ME725315	O-RING,P/S OIL PUMP INR	1				G6,H6,H6E, J6,J6E	1SP,1X	
		ME725315	O-RING,P/S OIL PUMP INR	1				G6,H6,H6E, J6,J6E		
		ME725315	O-RING,P/S OIL PUMP INR	1				G6,H6,H6E, J6,J6E,K6, K6E,M6E		
		ME725315	O-RING,P/S OIL PUMP INR	1				K6,K6E,M6E		
		ME725315	O-RING,P/S OIL PUMP INR	1				G6V,H6V,H6VE, J6V,J6VE,K6VE		
		48944C		ME725080	O-RING,P/S OIL PUMP INR	1			K6,K6E,M6E	
				ME725080	O-RING,P/S OIL PUMP INR	1			G6,G6E,G6V, H6,H6E,H6V, H6VE,J6,J6E, J6V,J6VE,K6, K6E,K6V,K6VE, M6,M6E,M6VE	
				ME725080	O-RING,P/S OIL PUMP INR	1			G6E,G6V,H6V, H6VE,J6V,J6VE, K6V,K6VE,M6, M6VE	
				ME725080	O-RING,P/S OIL PUMP INR	1			G6,G6E,G6V, H6,H6E,H6V, H6VE,J6,J6E, J6V,J6VE,K6, K6E,K6V,K6VE, M6,M6E,M6VE	
ME725080	O-RING,P/S OIL PUMP INR			1			G6,H6,H6E, J6,J6E			
ME725080	O-RING,P/S OIL PUMP INR			1			G6,H6,H6E, J6,J6E,K6, K6E,M6E	14C,1C 1XT,1X		
ME725080	O-RING,P/S OIL PUMP INR			1			G6,H6,H6E, J6,J6E	1SP,1X		
ME725080	O-RING,P/S OIL PUMP INR			1			G6,H6,H6E, J6,J6E			
ME725080	O-RING,P/S OIL PUMP INR			1			G6,H6,H6E, J6,J6E,K6, K6E,M6E			
ME725080	O-RING,P/S OIL PUMP INR			1			K6,K6E,M6E			
48944D		MB266692	O-RING,P/S OIL PUMP INR	1			G6V,H6V,H6VE, J6V,J6VE,K6VE			
		MB266692	O-RING,P/S OIL PUMP INR	1			K6,K6E,M6E			
		MB266692	O-RING,P/S OIL PUMP INR	1			G6,G6E,G6V, H6,H6E,H6V, H6VE,J6,J6E, J6V,J6VE,K6, K6E,K6V,K6VE, M6,M6E,M6VE			
		MB266692	O-RING,P/S OIL PUMP INR	1			G6E,G6V,H6V, H6VE,J6V,J6VE, K6V,K6VE,M6, M6VE			
		MB266692	O-RING,P/S OIL PUMP INR	1			G6,G6E,G6V, H6,H6E,H6V, H6VE,J6,J6E, J6V,J6VE,K6, K6E,K6V,K6VE, M6,M6E,M6VE			
		MB266692	O-RING,P/S OIL PUMP INR	1			G6,H6,H6E, J6,J6E			
		MB266692	O-RING,P/S OIL PUMP INR	1			G6,H6,H6E, J6,J6E,K6, K6E,M6E	14C,1C 1XT,1X		
		MB266692	O-RING,P/S OIL PUMP INR	1			G6,H6,H6E, J6,J6E	1SP,1X		
		MB266692	O-RING,P/S OIL PUMP INR	1			G6,H6,H6E, J6,J6E			
		MB266692	O-RING,P/S OIL PUMP INR	1			G6,H6,H6E, J6,J6E			

FK74R
37-110 POWER STEERING OIL PUMP

Repl Part	PNC	Part No	Part Name	Qty	Part Spec	Remarks	PREV.1	Classification	Opt
	48944D	MB266692	O-RING,P/S OIL PUMP INR	1				G6,H6,H6E, J6,J6E,K6, K6E,M6E	
		MB266692	O-RING,P/S OIL PUMP INR	1				K6,K6E,M6E	
		MB266692	O-RING,P/S OIL PUMP INR	1				G6V,H6V,H6VE, J6V,J6VE,K6VE	
	48944F	ME725312	O-RING,P/S OIL PUMP INR	1				K6,K6E,M6E	
		ME725312	O-RING,P/S OIL PUMP INR	1				G6,G6E,G6V, H6,H6E,H6V, H6VE,J6,J6E, J6V,J6VE,K6, K6E,K6V,K6VE, M6,M6E,M6VE	
		ME725312	O-RING,P/S OIL PUMP INR	1				G6E,G6V,H6V, H6VE,J6V,J6VE, K6V,K6VE,M6, M6VE	
		ME725312	O-RING,P/S OIL PUMP INR	1				G6,G6E,G6V, H6,H6E,H6V, H6VE,J6,J6E, J6V,J6VE,K6, K6E,K6V,K6VE, M6,M6E,M6VE	
		ME725312	O-RING,P/S OIL PUMP INR	1				G6,H6,H6E, J6,J6E	
		ME725312	O-RING,P/S OIL PUMP INR	1				G6,H6,H6E, J6,J6E,K6, K6E,M6E	14C,1C 1XT,1X
		ME725312	O-RING,P/S OIL PUMP INR	1				G6,H6,H6E, J6,J6E	1SP,1X
		ME725312	O-RING,P/S OIL PUMP INR	1				G6,H6,H6E, J6,J6E	
		ME725312	O-RING,P/S OIL PUMP INR	1				G6,H6,H6E, J6,J6E,K6, K6E,M6E	
		ME725312	O-RING,P/S OIL PUMP INR	1				K6,K6E,M6E	
		ME725312	O-RING,P/S OIL PUMP INR	1				G6V,H6V,H6VE, J6V,J6VE,K6VE	
	48944G	ME725157	O-RING,P/S OIL PUMP INR	1				K6,K6E,M6E	
		ME725157	O-RING,P/S OIL PUMP INR	1				G6,G6E,G6V, H6,H6E,H6V, H6VE,J6,J6E, J6V,J6VE,K6, K6E,K6V,K6VE, M6,M6E,M6VE	
		ME725157	O-RING,P/S OIL PUMP INR	1				G6E,G6V,H6V, H6VE,J6V,J6VE, K6V,K6VE,M6, M6VE	
		ME725157	O-RING,P/S OIL PUMP INR	1				G6,G6E,G6V, H6,H6E,H6V, H6VE,J6,J6E, J6V,J6VE,K6, K6E,K6V,K6VE, M6,M6E,M6VE	
		ME725157	O-RING,P/S OIL PUMP INR	1				G6,H6,H6E, J6,J6E	
		ME725157	O-RING,P/S OIL PUMP INR	1				G6,H6,H6E, J6,J6E,K6, K6E,M6E	14C,1C 1XT,1X
		ME725157	O-RING,P/S OIL PUMP INR	1				G6,H6,H6E, J6,J6E	1SP,1X
		ME725157	O-RING,P/S OIL PUMP INR	1				G6,H6,H6E, J6,J6E	
		ME725157	O-RING,P/S OIL PUMP INR	1				G6,H6,H6E, J6,J6E,K6, K6E,M6E	
		ME725157	O-RING,P/S OIL PUMP INR	1				K6,K6E,M6E	
		ME725157	O-RING,P/S OIL PUMP INR	1				G6V,H6V,H6VE, J6V,J6VE,K6VE	
	48944P	ME725309	O-RING,P/S OIL PUMP INR	1				K6,K6E,M6E	

FK74R
37-110 POWER STEERING OIL PUMP

Repl Part	PNC	Part No	Part Name	Qty	Part Spec	Remarks	PREV.1	Classification	Opt
	48944P	ME725309	O-RING,P/S OIL PUMP INR	1				G6,G6E,G6V, H6,H6E,H6V, H6VE,J6,J6E, J6V,J6VE,K6, K6E,K6V,K6VE, M6,M6E,M6VE	
		ME725309	O-RING,P/S OIL PUMP INR	1				G6E,G6V,H6V, H6VE,J6V,J6VE, K6V,K6VE,M6, M6VE	
		ME725309	O-RING,P/S OIL PUMP INR	1				G6,G6E,G6V, H6,H6E,H6V, H6VE,J6,J6E, J6V,J6VE,K6, K6E,K6V,K6VE, M6,M6E,M6VE	
		ME725309	O-RING,P/S OIL PUMP INR	1				G6,H6,H6E, J6,J6E	
		ME725309	O-RING,P/S OIL PUMP INR	1				G6,H6,H6E, J6,J6E,K6, K6E,M6E	14C,10 1XT,1X
		ME725309	O-RING,P/S OIL PUMP INR	1				G6,H6,H6E, J6,J6E	1SP,1X
		ME725309	O-RING,P/S OIL PUMP INR	1				G6,H6,H6E, J6,J6E	
		ME725309	O-RING,P/S OIL PUMP INR	1				G6,H6,H6E, J6,J6E,K6, K6E,M6E	
		ME725309	O-RING,P/S OIL PUMP INR	1				G6V,H6V,H6VE, J6V,J6VE,K6VE	
	48944Q	ME725310	O-RING,P/S OIL PUMP INR	1				K6,K6E,M6E	
		ME725310	O-RING,P/S OIL PUMP INR	1				G6,G6E,G6V, H6,H6E,H6V, H6VE,J6,J6E, J6V,J6VE,K6, K6E,K6V,K6VE, M6,M6E,M6VE	
		ME725310	O-RING,P/S OIL PUMP INR	1				G6E,G6V,H6V, H6VE,J6V,J6VE, K6V,K6VE,M6, M6VE	
		ME725310	O-RING,P/S OIL PUMP INR	1				G6,G6E,G6V, H6,H6E,H6V, H6VE,J6,J6E, J6V,J6VE,K6, K6E,K6V,K6VE, M6,M6E,M6VE	14C,10 1XT,1X
		ME725310	O-RING,P/S OIL PUMP INR	1				G6,H6,H6E, J6,J6E	1SP,1X
		ME725310	O-RING,P/S OIL PUMP INR	1				G6,H6,H6E, J6,J6E	
		ME725310	O-RING,P/S OIL PUMP INR	1				G6,H6,H6E, J6,J6E,K6, K6E,M6E	
		ME725310	O-RING,P/S OIL PUMP INR	1				G6,H6,H6E, J6,J6E	
		ME725310	O-RING,P/S OIL PUMP INR	1				G6,H6,H6E, J6,J6E,K6, K6E,M6E	
		ME725310	O-RING,P/S OIL PUMP INR	1				K6,K6E,M6E	
		ME725310	O-RING,P/S OIL PUMP INR	1				G6V,H6V,H6VE, J6V,J6VE,K6VE	
	48945	MH035640	O-RING,P/S OIL PUMP	1	67.4			K6,K6E,M6E	
		MH035640	O-RING,P/S OIL PUMP	1	67.4			G6,G6E,G6V, H6,H6E,H6V, H6VE,J6,J6E, J6V,J6VE,K6, K6E,K6V,K6VE, M6,M6E,M6VE	

FK74R
37-110 POWER STEERING OIL PUMP

Repl Part	PNC	Part No	Part Name	Qty	Part Spec	Remarks	PREV.1	Classification	Opt
	48945	MH035640	O-RING,P/S OIL PUMP	1	67.4			G6E,G6V,H6V, H6VE,J6V,J6VE, K6V,K6VE,M6, M6VE	
		MH035640	O-RING,P/S OIL PUMP	1	67.4			G6,G6E,G6V, H6,H6E,H6V, H6VE,J6,J6E, J6V,J6VE,K6, K6E,K6V,K6VE, M6,M6E,M6VE	
		MH035640	O-RING,P/S OIL PUMP	1	67.4			G6,H6,H6E, J6,J6E	
		MH035640	O-RING,P/S OIL PUMP	1	67.4			G6,H6,H6E, J6,J6E,K6, K6E,M6E	14C,1C 1XT,1X
		MH035640	O-RING,P/S OIL PUMP	1	67.4			G6,H6,H6E, J6,J6E	1SP,1X
		MH035640	O-RING,P/S OIL PUMP	1	67.4			G6,H6,H6E, J6,J6E	
		MH035640	O-RING,P/S OIL PUMP	1	67.4			G6,H6,H6E, J6,J6E,K6, K6E,M6E	
		MH035640	O-RING,P/S OIL PUMP	1	67.4			K6,K6E,M6E	
		MH035640	O-RING,P/S OIL PUMP	1	67.4			G6V,H6V,H6VE, J6V,J6VE,K6VE	
	48948	MH030983	HOSE,P/S OIL PUMP	1				K6,K6E,M6E	
		MH030983	HOSE,P/S OIL PUMP	1				G6,G6E,G6V, H6,H6E,H6V, H6VE,J6,J6E, J6V,J6VE,K6, K6E,K6V,K6VE, M6,M6E,M6VE	
		MH030983	HOSE,P/S OIL PUMP	1				G6E,G6V,H6V, H6VE,J6V,J6VE, K6V,K6VE,M6, M6VE	
		MH030983	HOSE,P/S OIL PUMP	1				G6,G6E,G6V, H6,H6E,H6V, H6VE,J6,J6E, J6V,J6VE,K6, K6E,K6V,K6VE, M6,M6E,M6VE	
		MH030983	HOSE,P/S OIL PUMP	1				G6,H6,H6E, J6,J6E	14C,1C 1XT,1X
		MH030983	HOSE,P/S OIL PUMP	1				G6,H6,H6E, J6,J6E	1SP,1X
		MH030983	HOSE,P/S OIL PUMP	1				G6,H6,H6E, J6,J6E	
		MH030983	HOSE,P/S OIL PUMP	1				G6,H6,H6E, J6,J6E,K6, K6E,M6E	
		MH030983	HOSE,P/S OIL PUMP	1				K6,K6E,M6E	
		MH030983	HOSE,P/S OIL PUMP	1				G6V,H6V,H6VE, J6V,J6VE,K6VE	
	48948B	MK465218	HOSE,P/S OIL PUMP	1	RUBBER			K6,K6E,M6E	
		MK465218	HOSE,P/S OIL PUMP	1	RUBBER			G6,G6E,G6V, H6,H6E,H6V, H6VE,J6,J6E, J6V,J6VE,K6, K6E,K6V,K6VE, M6,M6E,M6VE	
		MK465218	HOSE,P/S OIL PUMP	1	RUBBER			G6E,G6V,H6V, H6VE,J6V,J6VE, K6V,K6VE,M6, M6VE	

FK74R
37-110 POWER STEERING OIL PUMP

Repl Part	PNC	Part No	Part Name	Qty	Part Spec	Remarks	PREV.1	Classification	Opt
	48948B	MK465218	HOSE,P/S OIL PUMP	1	RUBBER			G6,G6E,G6V, H6,H6E,H6V, H6VE,J6,J6E, J6V,J6VE,K6, K6E,K6V,K6VE, M6,M6E,M6VE	
		MK465218	HOSE,P/S OIL PUMP	1	RUBBER			G6,H6,H6E, J6,J6E	
		MK465218	HOSE,P/S OIL PUMP	1	RUBBER			G6,H6,H6E, J6,J6E,K6, K6E,M6E	14C,1O 1XT,1X
		MK465218	HOSE,P/S OIL PUMP	1	RUBBER			G6,H6,H6E, J6,J6E	1SP,1X
		MK465218	HOSE,P/S OIL PUMP	1	RUBBER			G6,H6,H6E, J6,J6E	
		MK465218	HOSE,P/S OIL PUMP	1	RUBBER			G6,H6,H6E, J6,J6E,K6, K6E,M6E	
		MK465218	HOSE,P/S OIL PUMP	1	RUBBER			K6,K6E,M6E	
		MK465218	HOSE,P/S OIL PUMP	1	RUBBER			G6V,H6V,H6VE, J6V,J6VE,K6VE	
	48949	MF660067	GASKET,P/S OIL PUMP	2	18			K6,K6E,M6E	
		MF660067	GASKET,P/S OIL PUMP	2	18			G6,G6E,G6V, H6,H6E,H6V, H6VE,J6,J6E, J6V,J6VE,K6, K6E,K6V,K6VE, M6,M6E,M6VE	
		MF660067	GASKET,P/S OIL PUMP	2	18			G6E,G6V,H6V, H6VE,J6V,J6VE, K6V,K6VE,M6, M6VE	
		MF660067	GASKET,P/S OIL PUMP	2	18			G6,G6E,G6V, H6,H6E,H6V, H6VE,J6,J6E, J6V,J6VE,K6, K6E,K6V,K6VE, M6,M6E,M6VE	
		MF660067	GASKET,P/S OIL PUMP	2	18			G6,H6,H6E, J6,J6E	14C,1O 1XT,1X
		MF660067	GASKET,P/S OIL PUMP	2	18			G6,H6,H6E, J6,J6E,K6, K6E,M6E	1SP,1X
		MF660067	GASKET,P/S OIL PUMP	2	18			G6,H6,H6E, J6,J6E	
		MF660067	GASKET,P/S OIL PUMP	2	18			G6,H6,H6E, J6,J6E,K6, K6E,M6E	
		MF660067	GASKET,P/S OIL PUMP	2	18			K6,K6E,M6E	
		MF660067	GASKET,P/S OIL PUMP	2	18			G6V,H6V,H6VE, J6V,J6VE,K6VE	
	48951	ME725302	JOINT,P/S OIL PUMP INR	1				K6,K6E,M6E	
		ME725302	JOINT,P/S OIL PUMP INR	1				G6,G6E,G6V, H6,H6E,H6V, H6VE,J6,J6E, J6V,J6VE,K6, K6E,K6V,K6VE, M6,M6E,M6VE	
		ME725302	JOINT,P/S OIL PUMP INR	1				G6E,G6V,H6V, H6VE,J6V,J6VE, K6V,K6VE,M6, M6VE	
		ME725302	JOINT,P/S OIL PUMP INR	1				G6,G6E,G6V, H6,H6E,H6V, H6VE,J6,J6E, J6V,J6VE,K6, K6E,K6V,K6VE, M6,M6E,M6VE	
		ME725302	JOINT,P/S OIL PUMP INR	1				G6,H6,H6E, J6,J6E	

FK74R
37-110 POWER STEERING OIL PUMP

Repl Part	PNC	Part No	Part Name	Qty	Part Spec	Remarks	PREV.1	Classification	Opt
	48951	ME725302	JOINT,P/S OIL PUMP INR	1				G6,H6,H6E, J6,J6E,K6, K6E,M6E	14C,1C 1XT,1X
		ME725302	JOINT,P/S OIL PUMP INR	1				G6,H6,H6E, J6,J6E	1SP,1X
		ME725302	JOINT,P/S OIL PUMP INR	1				G6,H6,H6E, J6,J6E	
		ME725302	JOINT,P/S OIL PUMP INR	1				G6,H6,H6E, J6,J6E,K6, K6E,M6E	
		ME725302	JOINT,P/S OIL PUMP INR	1				K6,K6E,M6E	
		ME725302	JOINT,P/S OIL PUMP INR	1				G6V,H6V,H6VE, J6V,J6VE,K6VE	
	48952A	ME725303	JOINT ASSY,P/S OIL PUMP	1				K6,K6E,M6E	
		ME725303	JOINT ASSY,P/S OIL PUMP	1				G6,G6E,G6V, H6,H6E,H6V, H6VE,J6,J6E, J6V,J6VE,K6, K6E,K6V,K6VE, M6,M6E,M6VE	
		ME725303	JOINT ASSY,P/S OIL PUMP	1				G6E,G6V,H6V, H6VE,J6V,J6VE, K6V,K6VE,M6, M6VE	
		ME725303	JOINT ASSY,P/S OIL PUMP	1				G6,G6E,G6V, H6,H6E,H6V, H6VE,J6,J6E, J6V,J6VE,K6, K6E,K6V,K6VE, M6,M6E,M6VE	
		ME725303	JOINT ASSY,P/S OIL PUMP	1				G6,H6,H6E, J6,J6E	14C,1C 1XT,1X
		ME725303	JOINT ASSY,P/S OIL PUMP	1				G6,H6,H6E, J6,J6E	1SP,1X
		ME725303	JOINT ASSY,P/S OIL PUMP	1				G6,H6,H6E, J6,J6E	
		ME725303	JOINT ASSY,P/S OIL PUMP	1				G6,H6,H6E, J6,J6E,K6, K6E,M6E	
		ME725303	JOINT ASSY,P/S OIL PUMP	1				K6,K6E,M6E	
		ME725303	JOINT ASSY,P/S OIL PUMP	1				G6V,H6V,H6VE, J6V,J6VE,K6VE	
	48955C	MS660170	CLAMP,P/S OIL PUMP	2	D=26			K6,K6E,M6E	
		MS660170	CLAMP,P/S OIL PUMP	2	D=26			G6,G6E,G6V, H6,H6E,H6V, H6VE,J6,J6E, J6V,J6VE,K6, K6E,K6V,K6VE, M6,M6E,M6VE	
		MS660170	CLAMP,P/S OIL PUMP	2	D=26			G6E,G6V,H6V, H6VE,J6V,J6VE, K6V,K6VE,M6, M6VE	
		MS660170	CLAMP,P/S OIL PUMP	2	D=26			G6,G6E,G6V, H6,H6E,H6V, H6VE,J6,J6E, J6V,J6VE,K6, K6E,K6V,K6VE, M6,M6E,M6VE	
		MS660170	CLAMP,P/S OIL PUMP	2	D=26			G6,H6,H6E, J6,J6E	14C,1C 1XT,1X
		MS660170	CLAMP,P/S OIL PUMP	2	D=26			G6,H6,H6E, J6,J6E	1SP,1X
		MS660170	CLAMP,P/S OIL PUMP	2	D=26			G6,H6,H6E, J6,J6E	

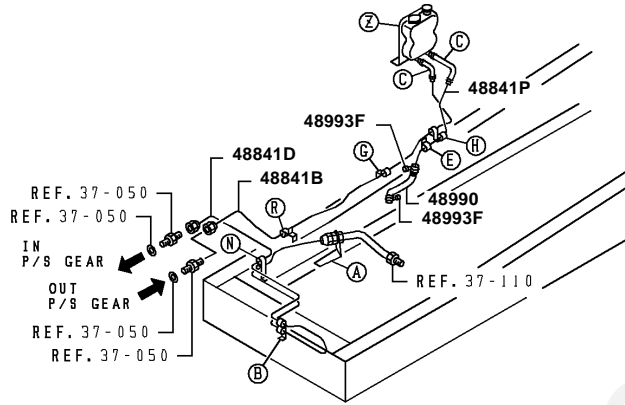
FK74R
37-110 POWER STEERING OIL PUMP

Repl Part	PNC	Part No	Part Name	Qty	Part Spec	Remarks	PREV.1	Classification	Opt
	48955C	MS660170	CLAMP,P/S OIL PUMP	2	D=26			G6,H6,H6E, J6,J6E,K6, K6E,M6E	
		MS660170	CLAMP,P/S OIL PUMP	2	D=26			K6,K6E,M6E	
		MS660170	CLAMP,P/S OIL PUMP	2	D=26			G6V,H6V,H6VE, J6V,J6VE,K6VE	
RP	48958C	MR272306	BOLT,P/S OIL PUMP INR	1			O	K6,K6E,M6E	
RP		MR272306	BOLT,P/S OIL PUMP INR	1			O	G6,G6E,G6V, H6,H6E,H6V, H6VE,J6,J6E, J6V,J6VE,K6, K6E,K6V,K6VE, M6,M6E,M6VE	
RP		MR272306	BOLT,P/S OIL PUMP INR	1			O	G6E,G6V,H6V, H6VE,J6V,J6VE, K6V,K6VE,M6, M6VE	
RP		MR272306	BOLT,P/S OIL PUMP INR	1			O	G6,G6E,G6V, H6,H6E,H6V, H6VE,J6,J6E, J6V,J6VE,K6, K6E,K6V,K6VE, M6,M6E,M6VE	
RP		MR272306	BOLT,P/S OIL PUMP INR	1			O	G6,H6,H6E, J6,J6E	
RP		MR272306	BOLT,P/S OIL PUMP INR	1			O	G6,H6,H6E, J6,J6E,K6, K6E,M6E	14C,1C 1XT,1X
RP		MR272306	BOLT,P/S OIL PUMP INR	1			O	G6,H6,H6E, J6,J6E	1SP,1X
RP		MR272306	BOLT,P/S OIL PUMP INR	1			O	G6,H6,H6E, J6,J6E	
RP		MR272306	BOLT,P/S OIL PUMP INR	1			O	G6,H6,H6E, J6,J6E,K6, K6E,M6E	
RP		MR272306	BOLT,P/S OIL PUMP INR	1			O	K6,K6E,M6E	
RP		MR272306	BOLT,P/S OIL PUMP INR	1			O	G6V,H6V,H6VE, J6V,J6VE,K6VE	
	48958E	MR272307	BOLT,P/S OIL PUMP INR	4				K6,K6E,M6E	
		MR272307	BOLT,P/S OIL PUMP INR	4				G6,G6E,G6V, H6,H6E,H6V, H6VE,J6,J6E, J6V,J6VE,K6, K6E,K6V,K6VE, M6,M6E,M6VE	
		MR272307	BOLT,P/S OIL PUMP INR	4				G6E,G6V,H6V, H6VE,J6V,J6VE, K6V,K6VE,M6, M6VE	
		MR272307	BOLT,P/S OIL PUMP INR	4				G6,G6E,G6V, H6,H6E,H6V, H6VE,J6,J6E, J6V,J6VE,K6, K6E,K6V,K6VE, M6,M6E,M6VE	
		MR272307	BOLT,P/S OIL PUMP INR	4				G6,H6,H6E, J6,J6E	
		MR272307	BOLT,P/S OIL PUMP INR	4				G6,H6,H6E, J6,J6E,K6, K6E,M6E	14C,1C 1XT,1X
		MR272307	BOLT,P/S OIL PUMP INR	4				G6,H6,H6E, J6,J6E	1SP,1X
		MR272307	BOLT,P/S OIL PUMP INR	4				G6,H6,H6E, J6,J6E	
		MR272307	BOLT,P/S OIL PUMP INR	4				G6,H6,H6E, J6,J6E,K6, K6E,M6E	
		MR272307	BOLT,P/S OIL PUMP INR	4				K6,K6E,M6E	
		MR272307	BOLT,P/S OIL PUMP INR	4				G6V,H6V,H6VE, J6V,J6VE,K6VE	
	48959D	MH000707	BOLT,P/S OIL PUMP	2	FLANGE,10X30			K6,K6E,M6E	

FK74R
37-110 POWER STEERING OIL PUMP

Repl Part	PNC	Part No	Part Name	Qty	Part Spec	Remarks	PREV.1	Classification	Opt
	48959D	MH000707	BOLT,P/S OIL PUMP	2	FLANGE,10X30			G6,G6E,G6V, H6,H6E,H6V, H6VE,J6,J6E, J6V,J6VE,K6, K6E,K6V,K6VE, M6,M6E,M6VE	
		MH000707	BOLT,P/S OIL PUMP	2	FLANGE,10X30			G6,G6V,H6V, H6VE,J6V,J6VE, K6V,K6VE,M6, M6VE	
		MH000707	BOLT,P/S OIL PUMP	2	FLANGE,10X30			G6,G6E,G6V, H6,H6E,H6V, H6VE,J6,J6E, J6V,J6VE,K6, K6E,K6V,K6VE, M6,M6E,M6VE	
		MH000707	BOLT,P/S OIL PUMP	2	FLANGE,10X30			G6,H6,H6E, J6,J6E	
		MH000707	BOLT,P/S OIL PUMP	2	FLANGE,10X30			G6,H6,H6E, J6,J6E,K6, K6E,M6E	14C,1C 1XT,1X
		MH000707	BOLT,P/S OIL PUMP	2	FLANGE,10X30			G6,H6,H6E, J6,J6E	1SP,1X
		MH000707	BOLT,P/S OIL PUMP	2	FLANGE,10X30			G6,H6,H6E, J6,J6E	
		MH000707	BOLT,P/S OIL PUMP	2	FLANGE,10X30			G6,H6,H6E, J6,J6E,K6, K6E,M6E	
		MH000707	BOLT,P/S OIL PUMP	2	FLANGE,10X30			K6,K6E,M6E	
		MH000707	BOLT,P/S OIL PUMP	2	FLANGE,10X30			G6V,H6V,H6VE, J6V,J6VE,K6VE	
	48959E	MF140231	BOLT,P/S OIL PUMP	2	FLANGE,8X35	7T		K6,K6E,M6E	
		MF140231	BOLT,P/S OIL PUMP	2	FLANGE,8X35	7T		G6,G6E,G6V, H6,H6E,H6V, H6VE,J6,J6E, J6V,J6VE,K6, K6E,K6V,K6VE, M6,M6E,M6VE	
		MF140231	BOLT,P/S OIL PUMP	2	FLANGE,8X35	7T		G6E,G6V,H6V, H6VE,J6V,J6VE, K6V,K6VE,M6, M6VE	
		MF140231	BOLT,P/S OIL PUMP	2	FLANGE,8X35	7T		G6,G6E,G6V, H6,H6E,H6V, H6VE,J6,J6E, J6V,J6VE,K6, K6E,K6V,K6VE, M6,M6E,M6VE	
		MF140231	BOLT,P/S OIL PUMP	2	FLANGE,8X35	7T		G6,H6,H6E, J6,J6E	14C,1C 1XT,1X
		MF140231	BOLT,P/S OIL PUMP	2	FLANGE,8X35	7T		G6,H6,H6E, J6,J6E,K6, K6E,M6E	1SP,1X
		MF140231	BOLT,P/S OIL PUMP	2	FLANGE,8X35	7T		G6,H6,H6E, J6,J6E	
		MF140231	BOLT,P/S OIL PUMP	2	FLANGE,8X35	7T		G6,H6,H6E, J6,J6E,K6, K6E,M6E	
		MF140231	BOLT,P/S OIL PUMP	2	FLANGE,8X35	7T		K6,K6E,M6E	
		MF140231	BOLT,P/S OIL PUMP	2	FLANGE,8X35	7T		G6V,H6V,H6VE, J6V,J6VE,K6VE	

FK74R
No.1

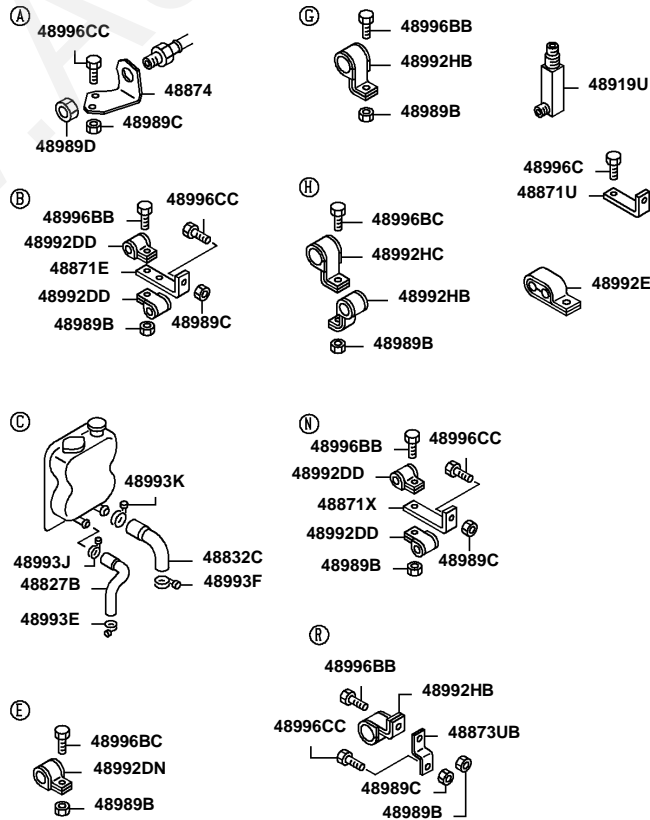


C 002 48

Ref. |2037130

Page

FK74R
No.2

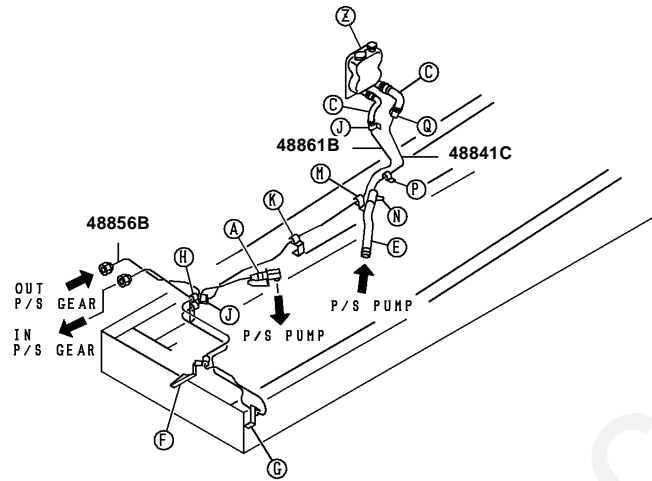


C 002 49

Ref. |2037130

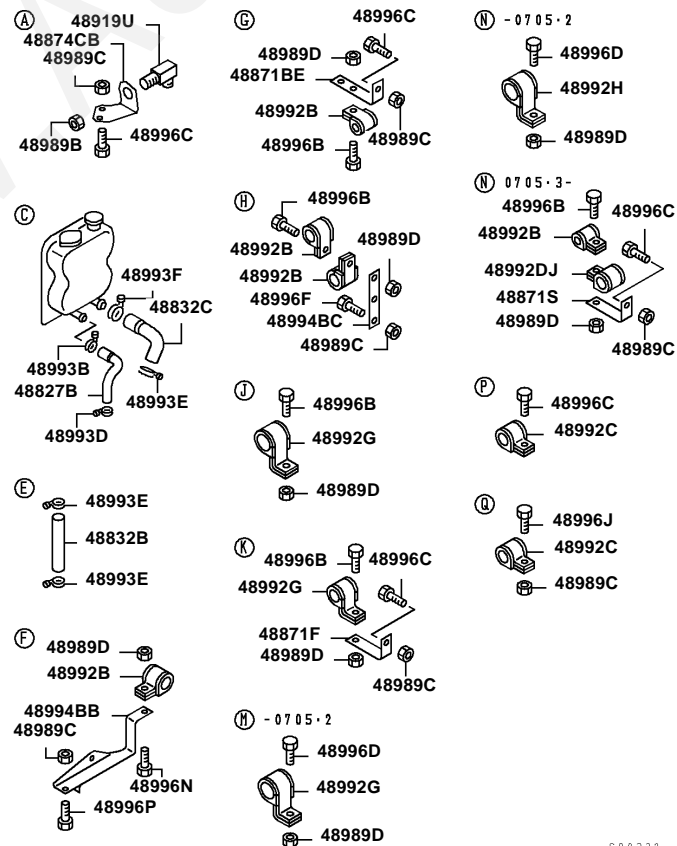
Page

FK74R
No.3



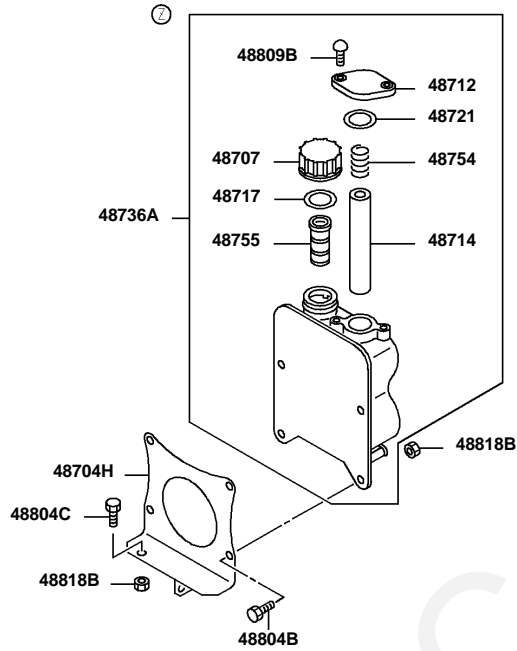
C00331

FK74R
No.4



C00332

FK74R
No.5



2 BA 2 2 4

Ref. |2037130

Page

FK74R
37-130 POWER STEERING OIL LINE

Repl Part	PNC	Part No	Part Name	Qty	Part Spec	Remarks
	48704H	MC081800	BRACKET,P/S OIL RESERVOIR	1		
RP	48707	MK363065	CAP,P/S OIL RESERVOIR	1		
	48712	MK363063	COVER,P/S OIL RESERVOIR FILTER	1		
	48714	MC090385	FILTER,P/S OIL RESERVOIR	1		
	48717	MC082384	GASKET,P/S OIL RESERVOIR CAP	1		

Ref. |2037130

Page

FK74R
37-130 POWER STEERING OIL LINE

Repl Part	PNC	Part No	Part Name	Qty	Part Spec	Remarks
	48721	MK363064	GASKET,P/S OIL RESERVOIR FILTER COVER	1		
RP	48736A	MC082826	RESERVOIR ASSY,P/S OIL	1		
	48754	MC090386	SPRING,P/S OIL RESERVOIR FILTER RETAINER	1		
	48755	MC090390	STRAINER,P/S OIL RESERVOIR	1		
	48804B	MF101289	BOLT,P/S OIL RESERVOIR	4	BOLT,10X35	7T
		MF140264	BOLT,P/S OIL RESERVOIR	4	FLANGE,10X35	7T
	48804C	MF241280	BOLT,P/S OIL RESERVOIR	2	WASHER ASSEMBLED,10X20	
		MF140260	BOLT,P/S OIL RESERVOIR	2	FLANGE,10X25	7T
	48809B	MC090389	SCREW,P/S OIL RESERVOIR	2		
	48818B	MF434105	NUT,P/S OIL RESERVOIR	4	FLANGE,10	4T
	48827B	MK465243	HOSE,P/S OIL RETURN	1	14.6,11.6	
	48832B	MK465246	HOSE,P/S OIL SUCTION	1	17X240	

FK74R
37-130 POWER STEERING OIL LINE

Repl Part	PNC	Part No	Part Name	Qty	Part Spec	Remarks
	48832B	MK634903	HOSE,P/S OIL SUCTION	1	RUBBER,17X230	
	48832C	MK465244	HOSE,P/S OIL SUCTION	1	17,21	
	48841B	MK466519	TUBE,P/S OIL	1	12	
		MK466520	TUBE,P/S OIL	1	12	
		MK537214	TUBE,P/S OIL	1	12	
		MK537215	TUBE,P/S OIL	1	12	
	48841C	MK465245	TUBE,P/S OIL	1	18	
		MK571931	TUBE,P/S OIL	1	18	
	48841D	MK466522	TUBE,P/S OIL	1	12	
		MK466523	TUBE,P/S OIL	1	12	
		MK537212	TUBE,P/S OIL	1	12	
		MK537213	TUBE,P/S OIL	1	12	
	48841P	MK465245	TUBE,P/S OIL	1	18	
	48856B	MK537885	TUBE,P/S OIL FEED	1	12	
		MK539924	TUBE,P/S OIL FEED	1	12	
		MK537885	TUBE,P/S OIL FEED	1	12	
		MK539924	TUBE,P/S OIL FEED	1	12	
	48861B	MK537887	TUBE,P/S OIL RETURN	1	12	
		MK539923	TUBE,P/S OIL RETURN	1	12	
		MK571934	TUBE,P/S OIL RETURN	1	12	
		MK571935	TUBE,P/S OIL RETURN	1	12	
	48871BE	MH026135	BRACKET ,P/S OIL LINE,NO.1	1		L1=75,L2=35

FK74R
37-130 POWER STEERING OIL LINE

Repl Part	PNC	Part No	Part Name	Qty	Part Spec	Remarks
	48871E	MH023600	BRACKET,P/S OIL LINE,NO.1	1		L1=35,L2=25
	48871F	MH023600	BRACKET,P/S OIL LINE,NO.1	1		L1=35,L2=25
	48871S	MH023601	BRACKET,P/S OIL LINE,NO.1	1		L1=25,L2=45
	48871U	MH023603	BRACKET,P/S OIL LINE,NO.1	1		L1=27,L2=60
	48871X	1864100300	BRACKET,P/S OIL LINE,NO.1	1		
	48873UB	MH023886	BRACKET,P/S OIL LINE,NO.3	1		H=16
		MH026685	BRACKET,P/S OIL LINE,NO.3	1		
	48874	MK466518	BRACKET,P/S OIL LINE,NO.4	1		
	48874CB	MK466518	BRACKET,P/S OIL LINE,NO.4	1		
	48919U	MK465231	JOINT,P/S OIL LINE	1		
	48989B	MF434103	NUT,P/S OIL LINE	6	FLANGE,6	W/O COATING
		MF430731	NUT,P/S OIL LINE	1	JAM,20	
	48989C	MF434104	NUT,P/S OIL LINE	9	FLANGE,8	
	48989D	MF430731	NUT,P/S OIL LINE	1	JAM,20	
		MF434103	NUT,P/S OIL LINE	7	FLANGE,6	W/O COATING

FK74R
37-130 POWER STEERING OIL LINE

Repl Part	PNC	Part No	Part Name	Qty	Part Spec	Remarks
	48990	MK465246	HOSE,P/S OIL LINE	1	17X240	
	48992B	MH020804	CLIP,P/S OIL LINE	4	D=12	
		MH020804	CLIP,P/S OIL LINE	5	D=12	
	48992C	MH020423	CLIP,P/S OIL LINE	2	D=18	
		MH020423	CLIP,P/S OIL LINE	3	D=18	
	48992DD	MH020804	CLIP,P/S OIL LINE	4	D=12	
	48992DJ	MH020806	CLIP,P/S OIL LINE	1	D=18	
	48992DN	MH020423	CLIP,P/S OIL LINE	2	D=18	
	48992E	MH020626	CLIP,P/S OIL LINE	1	D=17X2	
	48992G	MH020834	CLIP,P/S OIL LINE	4	D=12 H=13	
		MH020834	CLIP,P/S OIL LINE	3	D=12 H=13	
	48992H	MH020836	CLIP,P/S OIL LINE	1	D=18 H=13	
	48992HB	MH020834	CLIP,P/S OIL LINE	3	D=12 H=13	
	48992HC	MH020836	CLIP,P/S OIL LINE	1	D=18 H=13	

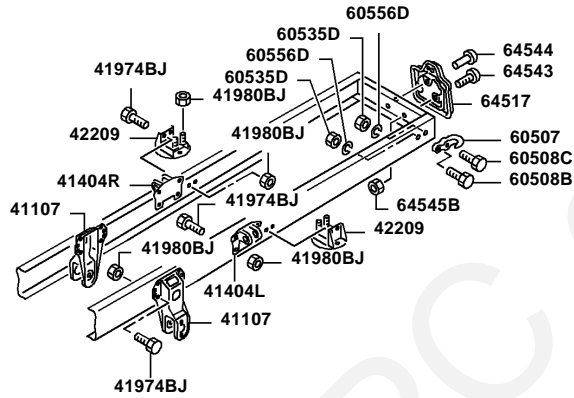
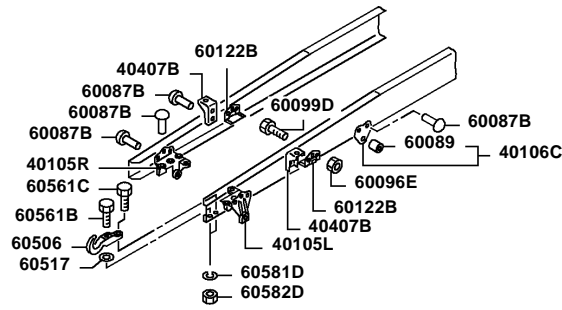
FK74R
37-130 POWER STEERING OIL LINE

Repl Part	PNC	Part No	Part Name	Qty	Part Spec	Remarks
	48993B	MF661012	CLAMP,P/S OIL LINE	1	D=24	
	48993D	MF661011	CLAMP,P/S OIL LINE	1	D=22	
	48993E	MF661011	CLAMP,P/S OIL LINE	1	D=22	
		MF661016	CLAMP,P/S OIL LINE	3	D=30	
	48993F	MF661016	CLAMP,P/S OIL LINE	3	D=30	
		MF661017	CLAMP,P/S OIL LINE	1	D=33	
	48993J	MF661012	CLAMP,P/S OIL LINE	1	D=24	
	48993K	MF661017	CLAMP,P/S OIL LINE	1	D=33	
	48994BB	MK537138	BRACKET,P/S OIL LINE	1		
	48994BC	MH023582	BRACKET,P/S OIL LINE	1		
	48996B	MF100027	BOLT,P/S OIL LINE	6	BOLT,6X16	4T
	48996BB	MF100027	BOLT,P/S OIL LINE	5	BOLT,6X16	4T
	48996BC	MF100029	BOLT,P/S OIL LINE	2	BOLT,6X20	4T
	48996C	MF100053	BOLT,P/S OIL LINE	1	BOLT,8X16	4T

FK74R
37-130 POWER STEERING OIL LINE

Repl Part	PNC	Part No	Part Name	Qty	Part Spec	Remarks
	48996C	MF140005	BOLT,P/S OIL LINE	1	FLANGE,6X16	4T
		MF100055	BOLT,P/S OIL LINE	6	BOLT,8X20	4T
	48996CC	MF100055	BOLT,P/S OIL LINE	7	BOLT,8X20	4T
	48996D	MF100029	BOLT,P/S OIL LINE	2	BOLT,6X20	4T
	48996F	MF100057	BOLT,P/S OIL LINE	1	BOLT,8X25	4T
	48996J	MF100053	BOLT,P/S OIL LINE	1	BOLT,8X16	4T
	48996N	MF140005	BOLT,P/S OIL LINE	1	FLANGE,6X16	4T
	48996P	MF140025	BOLT,P/S OIL LINE	1	FLANGE,8X20	4T

FK74R
No.1

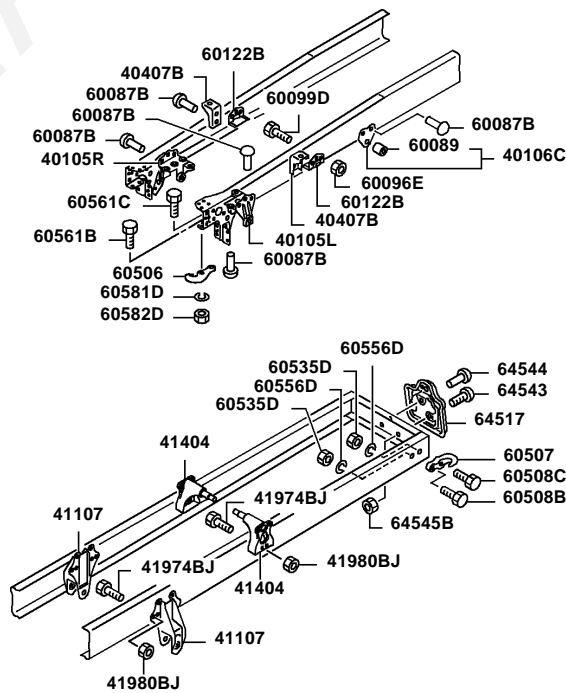


C 002 02

Ref. |2041010

Page

FK74R
No.2



C 002 48

Ref. |2041010

Page

FK74R
41-010 SIDEMEBER & RELAYTED PARTS

PNC	Part No	Part Name	Qty	Part Spec	Remarks	Classification	Option	Model Ye
40105L	MC090827	BRACKET,FR SUSP SPRING,FR LH	1			G6,G6E,H6, H6E,J6,J6E, K6,K6E,M6, M6E		
	MK470829	BRACKET,FR SUSP SPRING,FR LH	1			G6,G6V,H6, H6E,H6V,H6VE, J6,J6E,J6V, J6VE,K6,K6E, K6V,K6VE,M6E, M6VE		
40105R	MC090828	BRACKET,FR SUSP SPRING,FR RH	1			G6,G6E,H6, H6E,J6,J6E, K6,K6E,M6, M6E		
	MK470830	BRACKET,FR SUSP SPRING,FR RH	1			G6,G6V,H6, H6E,H6V,H6VE, J6,J6E,J6V, J6VE,K6,K6E, K6V,K6VE,M6E, M6VE		
40106C	MK303917	BRACKET,FR SUSP SPRING,RR	2			G6,G6E,G6V, H6,H6E,H6V, H6VE,J6,J6E, J6V,J6VE,K6, K6E,K6V,K6VE, M6,M6E,M6VE		
40407B	MC423804	BRACKET,FR SHOCK ABSORBER,UPR	2			G6,G6E,G6V, H6,H6E,H6V, H6VE,J6,J6E, J6V,J6VE,K6, K6E,K6V,K6VE, M6,M6E,M6VE		
41107	MK319453	BRACKET,RR SUSP SPRING	2			G6,G6E,H6, H6E,J6,J6E, K6,K6E,M6, M6E		
	MK472109	BRACKET,RR SUSP SPRING	2			G6,G6V,H6, H6E,H6V,H6VE, J6,J6E,J6V, J6VE,K6,K6E, K6V,K6VE,M6E, M6VE		
41404	MK470587	BRACKET,RR SHOCK ABSORBER,UPR	2			G6,G6V,H6, H6E,H6V,H6VE, J6,J6E,J6V, J6VE,K6,K6E, K6V,K6VE,M6E, M6VE		
41404L	MK319454	BRACKET,RR SHOCK ABSORBER,UPR LH	1			G6,G6E,H6, H6E,J6,J6E, K6,K6E,M6, M6E		
41404R	MK319455	BRACKET,RR SHOCK ABSORBER,UPR RH	1			G6,G6E,H6, H6E,J6,J6E, K6,K6E,M6, M6E		
41974BJ	MC040482	BOLT,RR SUSP SPRING	8	FLANGE,14X45		G6,G6E,H6, H6E,J6,J6E		
	MC040484	BOLT,RR SUSP SPRING	8	FLANGE,14X55		K6,K6E,M6, M6E		
	MC040481	BOLT,RR SUSP SPRING	8	FLANGE,14X40		G6,G6E,H6, H6E,J6,J6E, K6,K6E,M6, M6E		
	MC040483	BOLT,RR SUSP SPRING	8	FLANGE,14X50		G6,G6E,H6, H6E,J6,J6E, K6,K6E,M6, M6E		
	MF140487	BOLT,RR SUSP SPRING	4	FLANGE,12X35	8T	G6,G6E,H6, H6E,J6,J6E, K6,K6E,M6, M6E		

FK74R
41-010 SIDEMEBER & RELAYED PARTS

PNC	Part No	Part Name	Qty	Part Spec	Remarks	Classification	Option	Model Year
41974BJ	MH001748	BOLT,RR SUSP SPRING	16	REAMER,14X56		G6,G6V,H6, H6E,H6V,H6VE, J6,J6E,J6V, J6VE,K6,K6E, K6V,K6VE,M6E, M6VE		
	MS146825	BOLT,RR SUSP SPRING	8	FLANGE,12X40	10T	G6,G6V,H6, H6E,H6V,H6VE, J6,J6E,J6V, J6VE,K6,K6E, K6V,K6VE,M6E, M6VE		
41980BJ	MF434106	NUT,RR SUSP SPRING	4	FLANGE,12	4T	G6,G6E,H6, H6E,J6,J6E, K6,K6E,M6, M6E		
	MH004177	NUT,RR SUSP SPRING	28	FLANGE,14	PLATING	G6,G6E,H6, H6E,J6,J6E, K6,K6E,M6, M6E		
	MH004161	NUT,RR SUSP SPRING	8	FLANGE,12	6T	G6,G6V,H6, H6E,H6V,H6VE, J6,J6E,J6V, J6VE,K6,K6E, K6V,K6VE,M6E, M6VE		
	MH004177	NUT,RR SUSP SPRING	16	FLANGE,14	PLATING	G6,G6V,H6, H6E,H6V,H6VE, J6,J6E,J6V, J6VE,K6,K6E, K6V,K6VE,M6E, M6VE		
42209	MK319461	BRACKET,RR AIR SPRING	2			G6,G6E,H6, H6E,J6,J6E		
	MK469548	BRACKET,RR AIR SPRING	2			K6,K6E,M6, M6E		
60087B	MF468271	RIVET,CHASSIS FRAME	8	11X32		G6,G6E,H6, H6E,J6,J6E, K6,K6E,M6, M6E		
	MF468273	RIVET,CHASSIS FRAME	4	11X36		G6,G6E,H6, H6E,J6,J6E, K6,K6E,M6, M6E		
	MF468247	RIVET,CHASSIS FRAME	12	10X28		G6,G6E,G6V, H6,H6E,H6V, H6VE,J6,J6E, J6V,J6VE,K6, K6E,K6V,K6VE, M6,M6E,M6VE		
	MF468245	RIVET,CHASSIS FRAME	8	10X24		G6,G6V,H6, H6E,H6V,H6VE, J6,J6E,J6V, J6VE,K6,K6E, K6V,K6VE,M6E, M6VE		
	MF468275	RIVET,CHASSIS FRAME	8	11X40		G6,G6V,H6, H6E,H6V,H6VE, J6,J6E,J6V, J6VE,K6,K6E, K6V,K6VE,M6E, M6VE		
	MF468277	RIVET,CHASSIS FRAME	4	11X44		G6,G6V,H6, H6E,H6V,H6VE, J6,J6E,J6V, J6VE,K6,K6E, K6V,K6VE,M6E, M6VE		

FK74R
41-010 SIDEMEBER & RELAYED PARTS

PNC	Part No	Part Name	Qty	Part Spec	Remarks	Classification	Option	Model Ye
60087B	MF468278	RIVET,CHASSIS FRAME	4	11X46		G6,G6V,H6, H6E,H6V,H6VE, J6,J6E,J6V, J6VE,K6,K6E, K6V,K6VE,M6E, M6VE		
60089	MH024000	BUSHING,CHASSIS FRAME	2	28X68		G6,G6E,G6V, H6,H6E,H6V, H6VE,J6,J6E, J6V,J6VE,K6, K6E,K6V,K6VE, M6,M6E,M6VE		
60096E	MF434106	NUT,CHASSIS FRAME	4	FLANGE,12	4T	G6,G6E,G6V, H6,H6E,H6V, H6VE,J6,J6E, J6V,J6VE,K6, K6E,K6V,K6VE, M6,M6E,M6VE		
60099D	MF140285	BOLT,CHASSIS FRAME	4	FLANGE,12X30	7T	G6,G6E,G6V, H6,H6E,H6V, H6VE,J6,J6E, J6V,J6VE,K6, K6E,K6V,K6VE, M6,M6E,M6VE		
60122B	MK317699	STIFFENER,CHASSIS FRAME CROSSMEMBER	2			G6,G6E,G6V, H6,H6E,H6V, H6VE,J6,J6E, J6V,J6VE,K6, K6E,K6V,K6VE, M6,M6E,M6VE		
60506	MC430269	HOOK,TRACTION,FR	1			G6,G6E,H6, H6E,J6,J6E, K6,K6E,M6, M6E		
	MK466215	HOOK,TRACTION,FR	1			G6,G6V,H6, H6E,H6V,H6VE, J6,J6E,J6V, J6VE,K6,K6E, K6V,K6VE,M6E, M6VE		
60507	MC429858	HOOK,TRACTION,RR	1			G6,G6E,H6, H6E,J6,J6E, K6,K6E,M6, M6E	1RF	04
	MC429858	HOOK,TRACTION,RR	1			G6,G6V,H6, H6E,H6V,H6VE, J6,J6E,J6V, J6VE,K6,K6E, K6V,K6VE,M6E, M6VE	1RF	05
	MC429858	HOOK,TRACTION,RR	1			G6,G6V,H6, H6E,H6V,H6VE, J6,J6E,J6V, J6VE,K6,K6E, K6VE,M6E	1RF	07
60508B	MF101345	BOLT,RR TRACTION HOOK	1	BOLT,14X45	7T	G6,G6E,H6, H6E,J6,J6E, K6,K6E,M6, M6E	1RF	04
	MF101345	BOLT,RR TRACTION HOOK	1	BOLT,14X45	7T	G6,G6V,H6, H6E,H6V,H6VE, J6,J6E,J6V, J6VE,K6,K6E, K6V,K6VE,M6E, M6VE	1RF	05
	MF101345	BOLT,RR TRACTION HOOK	1	BOLT,14X45	7T	G6,G6V,H6, H6E,H6V,H6VE, J6,J6E,J6V, J6VE,K6,K6E, K6VE,M6E	1RF	07

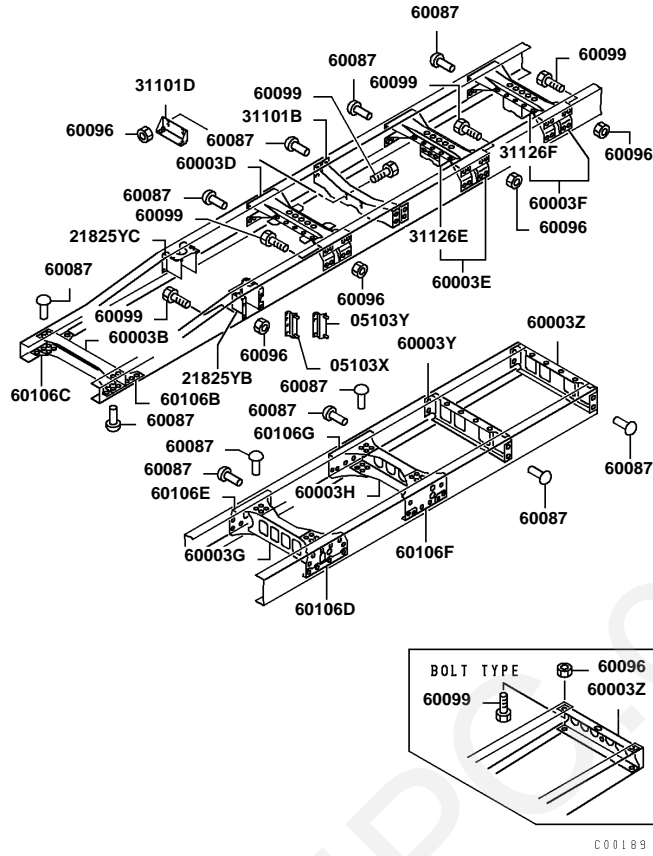
FK74R
41-010 SIDEMEBER & RELAYED PARTS

PNC	Part No	Part Name	Qty	Part Spec	Remarks	Classification	Option	Model Ye
60508C	MF101347	BOLT,RR TRACTION HOOK	1	BOLT,14X55	7T	G6,G6E,H6, H6E,J6,J6E, K6,K6E,M6, M6E	1RF	04
	MF101347	BOLT,RR TRACTION HOOK	1	BOLT,14X55	7T	G6,G6V,H6, H6E,H6V,H6VE, J6,J6E,J6V, J6VE,K6,K6E, K6V,K6VE,M6E, M6VE	1RF	05
	MF101347	BOLT,RR TRACTION HOOK	1	BOLT,14X55	7T	G6,G6V,H6, H6E,H6V,H6VE, J6,J6E,J6V, J6VE,K6,K6E, K6VE,M6E	1RF	07
60517	MC430860	SPACER,TRACTION HOOK	1	T=4		G6,G6E,H6, H6E,J6,J6E, K6,K6E,M6, M6E		
60535D	MF430008	NUT,RR TRACTION HOOK	2	NUT,14	4T	G6,G6E,H6, H6E,J6,J6E, K6,K6E,M6, M6E	1RF	04
	MF430008	NUT,RR TRACTION HOOK	2	NUT,14	4T	G6,G6V,H6, H6E,H6V,H6VE, J6,J6E,J6V, J6VE,K6,K6E, K6V,K6VE,M6E, M6VE	1RF	05
	MF430008	NUT,RR TRACTION HOOK	2	NUT,14	4T	G6,G6V,H6, H6E,H6V,H6VE, J6,J6E,J6V, J6VE,K6,K6E, K6VE,M6E	1RF	07
60556D	MF450408	WASHER,RR TRACTION HOOK	2	SPRING,14		G6,G6E,H6, H6E,J6,J6E, K6,K6E,M6, M6E	1RF	04
	MF450408	WASHER,RR TRACTION HOOK	2	SPRING,14		G6,G6V,H6, H6E,H6V,H6VE, J6,J6E,J6V, J6VE,K6,K6E, K6V,K6VE,M6E, M6VE	1RF	05
	MF450408	WASHER,RR TRACTION HOOK	2	SPRING,14		G6,G6V,H6, H6E,H6V,H6VE, J6,J6E,J6V, J6VE,K6,K6E, K6VE,M6E	1RF	07
60561B	MF101347	BOLT,FR TRACTION HOOK	1	BOLT,14X55	7T	G6,G6E,H6, H6E,J6,J6E, K6,K6E,M6, M6E		
	MS106246	BOLT,FR TRACTION HOOK	1	14X60		G6,G6V,H6, H6E,H6V,H6VE, J6,J6E,J6V, J6VE,K6,K6E, K6V,K6VE,M6E, M6VE		
60561C	MF101345	BOLT,FR TRACTION HOOK	1	BOLT,14X45	7T	G6,G6E,H6, H6E,J6,J6E, K6,K6E,M6, M6E		
	MS106243	BOLT,FR TRACTION HOOK	1	14X45		G6,G6V,H6, H6E,H6V,H6VE, J6,J6E,J6V, J6VE,K6,K6E, K6V,K6VE,M6E, M6VE		

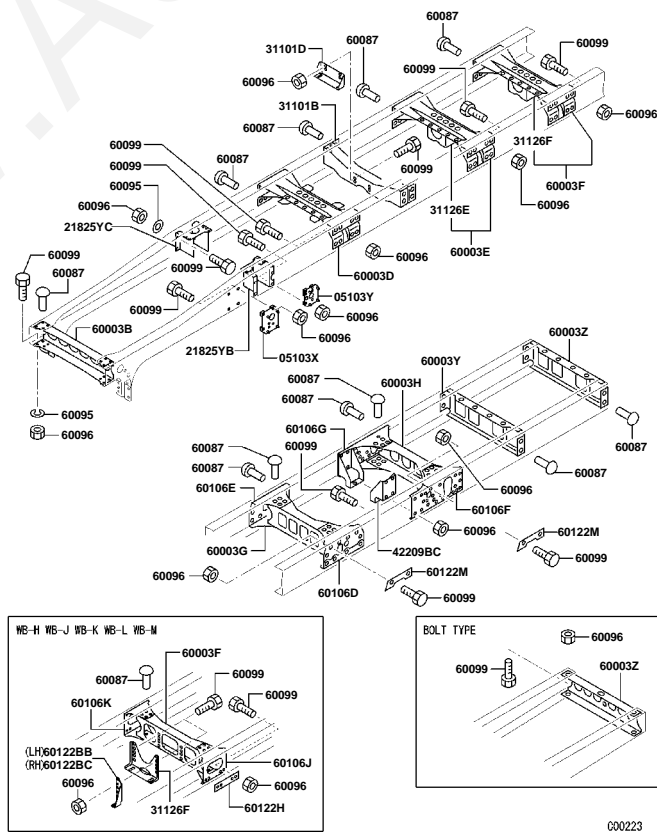
41-010 SIDEMEBER & RELAYTED PARTS

PNC	Part No	Part Name	Qty	Part Spec	Remarks	Classification	Option	Model Ye
60581D	MF450408	WASHER,FR TRACTION HOOK	2	SPRING,14		G6,G6E,G6V, H6,H6E,H6V, H6VE,J6,J6E, J6V,J6VE,K6, K6E,K6V,K6VE, M6,M6E,M6VE		
60582D	MF430008	NUT,FR TRACTION HOOK	2	NUT,14	4T	G6,G6E,H6, H6E,J6,J6E, K6,K6E,M6, M6E		
	MF430124	NUT,FR TRACTION HOOK	2	NUT,14	6T	G6,G6V,H6, H6E,H6V,H6VE, J6,J6E,J6V, J6VE,K6,K6E, K6V,K6VE,M6E, M6VE		
64517	MC417264	HOLDER,RR LICENSE PLATE	1			G6,G6E,G6V, H6,H6E,H6V, H6VE,J6,J6E, J6V,J6VE,K6, K6E,K6V,K6VE, M6,M6E,M6VE		
64543	MF200053	SCREW,LICENSE PLATE	2	MACHINE,5X16		G6,G6E,G6V, H6,H6E,H6V, H6VE,J6,J6E, J6V,J6VE,K6, K6E,K6V,K6VE, M6,M6E,M6VE		
64544	MH003032	RIVET,LICENSE PLATE	1	4.8X9.3		G6,G6E,G6V, H6,H6E,H6V, H6VE,J6,J6E, J6V,J6VE,K6, K6E,K6V,K6VE, M6,M6E,M6VE		
64545B	MS446191	NUT,LICENSE PLATE	2	FLANGE,5		G6,G6E,G6V, H6,H6E,H6V, H6VE,J6,J6E, J6V,J6VE,K6, K6E,K6V,K6VE, M6,M6E,M6VE		

FK74R
No.1



FK74R
No.2



FK74R
41-050 CROSSMEMBER

Repl Part	PNC	Part No	Part Name	Qty	Part Spec	Remarks	NEW1	Classification
	21825YB	MK537479	SUPPORT,T/M MOUNTING	1				G6,G6E,H6, H6E,J6,J6E, K6,K6E,M6, M6E
		MK539525	SUPPORT,T/M MOUNTING	1				G6,G6V,H6, H6E,H6V,H6VE, J6,J6E,J6V, J6VE,K6,K6E, K6V,K6VE,M6E, M6VE
	21825YC	MK537480	SUPPORT,T/M MOUNTING	1				G6,G6E,H6, H6E,J6,J6E, K6,K6E,M6, M6E
		MK539526	SUPPORT,T/M MOUNTING	1				G6,G6V,H6, H6E,H6V,H6VE, J6,J6E,J6V, J6VE,K6,K6E, K6V,K6VE,M6E, M6VE
	31101B	MC420103	BRACKET,PROPELLER SHAFT CTR BEARING	1				G6E,M6
		MC420103	BRACKET,PROPELLER SHAFT CTR BEARING	1				G6,J6,J6E, K6,K6E,M6E
		MC420103	BRACKET,PROPELLER SHAFT CTR BEARING	1				K6V,M6VE
		MC420103	BRACKET,PROPELLER SHAFT CTR BEARING	1				G6V,J6V,J6VE, K6VE
	31126F	MK303519	REST,PROPELLER SHAFT CTR BEARING	1				J6,J6E
		MK311514	REST,PROPELLER SHAFT CTR BEARING	1				M6
		MK303519	REST,PROPELLER SHAFT CTR BEARING	1				H6,H6E,K6, K6E
		MK311514	REST,PROPELLER SHAFT CTR BEARING	1				M6E
		MK303519	REST,PROPELLER SHAFT CTR BEARING	1				H6V,H6VE,K6V, K6VE
		MK311514	REST,PROPELLER SHAFT CTR BEARING	1				M6VE
		MK466171	REST,PROPELLER SHAFT CTR BEARING	1				J6,J6E,J6V, J6VE
		MK466171	REST,PROPELLER SHAFT CTR BEARING	1				H6,H6E,H6V, H6VE,J6,J6E, J6V,J6VE,K6, K6E,K6VE
		MK311514	REST,PROPELLER SHAFT CTR BEARING	1				M6E
	42209BC	MK466350	BRACKET,RR AIR SPRING	2				G6,G6V,H6, H6E,H6V,H6VE, J6,J6E,J6V, J6VE
		MK466353	BRACKET,RR AIR SPRING	2				K6,K6E,K6V, K6VE,M6E,M6VE
		MK466350	BRACKET,RR AIR SPRING	2				G6,G6V,H6, H6E,H6V,H6VE, J6,J6E,J6V, J6VE
		MK466353	BRACKET,RR AIR SPRING	2				K6,K6E,K6VE, M6E
	60003B	MK466335	CROSSMEMBER,CHASSIS FRAME	1				G6,G6E,H6, H6E,J6,J6E, K6,K6E,M6, M6E
		MK466360	CROSSMEMBER,CHASSIS FRAME	1				G6,G6V,H6, H6E,H6V,H6VE, J6,J6E,J6V, J6VE,K6,K6E, K6V,K6VE,M6E, M6VE
RP		MK574074	CROSSMEMBER,CHASSIS FRAME	1			Y	G6,G6V,H6, H6E,H6V,H6VE, J6,J6E,J6V, J6VE,K6,K6E, K6V,K6VE,M6E, M6VE

FK74R
41-050 CROSSMEMBER

Repl Part	PNC	Part No	Part Name	Qty	Part Spec	Remarks	NEW1	Classification	
RP	60003D	MC433403	CROSSMEMBER,CHASSIS FRAME	1				G6,G6E,G6V, H6,H6E,H6V, H6VE,J6,J6E, J6V,J6VE,K6, K6E,K6V,K6VE, M6,M6E,M6VE	
		MK655027	CROSSMEMBER,CHASSIS FRAME	1				G6,G6V,H6, H6E,H6V,H6VE, J6,J6E,J6V, J6VE,K6,K6E, K6VE,M6E	
	60003F	MK303520	CROSSMEMBER,CHASSIS FRAME	1				J6,J6E	
		MK311515	CROSSMEMBER,CHASSIS FRAME	1				M6	
		MK303520	CROSSMEMBER,CHASSIS FRAME	1				H6,H6E,K6, K6E	
		MK311515	CROSSMEMBER,CHASSIS FRAME	1				M6E	
		MK303520	CROSSMEMBER,CHASSIS FRAME	1				H6V,H6VE,K6V, K6VE	
		MK311515 MK466164	CROSSMEMBER,CHASSIS FRAME CROSSMEMBER,CHASSIS FRAME	1 1				M6VE	
	RP	60003G	MK598594	CROSSMEMBER,CHASSIS FRAME	1			Y	J6,J6E,J6V, J6VE
			MK598595 MK466164	CROSSMEMBER,CHASSIS FRAME CROSSMEMBER,CHASSIS FRAME	1 1				H6,H6E,H6V, H6VE,K6,K6E, K6V,K6VE M6E,M6VE
RP	60003H	MK598595	CROSSMEMBER,CHASSIS FRAME	1			Y	H6,H6E,H6V, H6VE,J6,J6E, J6V,J6VE,K6, K6E,K6VE	
		MK329798	CROSSMEMBER,CHASSIS FRAME	1				M6E	
		MK467495	CROSSMEMBER,CHASSIS FRAME	1				G6,G6E,H6, H6E,J6,J6E	
		MK467495	CROSSMEMBER,CHASSIS FRAME	1				K6,K6E,M6, M6E	
	60003Y	60003Z	MK598595	CROSSMEMBER,CHASSIS FRAME	1				G6,G6V,H6, H6E,H6V,H6VE, J6,J6E,J6V, J6VE,K6,K6E, K6V,K6VE,M6E, M6VE
			MK329798	CROSSMEMBER,CHASSIS FRAME	1				G6,G6E,H6, H6E,J6,J6E
			MK467495	CROSSMEMBER,CHASSIS FRAME	1				K6,K6E,M6, M6E
			MC439855	CROSSMEMBER,CHASSIS FRAME	1				K6,K6E,K6V, K6VE,M6E,M6VE
			MK537970	CROSSMEMBER,CHASSIS FRAME	1				G6,G6V,H6, H6E,H6V,H6VE, J6,J6E,J6V, J6VE
			MK537970	CROSSMEMBER,CHASSIS FRAME	1				G6,G6V,H6, H6E,H6V,H6VE, J6,J6E,J6V, J6VE
60003Z	60003Z	MC439855	CROSSMEMBER,CHASSIS FRAME	1				K6,K6E,K6VE, M6E	
		MC093105	CROSSMEMBER,CHASSIS FRAME	1				M6	
		MC093105	CROSSMEMBER,CHASSIS FRAME	1				M6E	
		MC093105	CROSSMEMBER,CHASSIS FRAME	1				M6VE	
60003Z	60003Z	MC439907	CROSSMEMBER,CHASSIS FRAME	1				M6E	
		MC439908	CROSSMEMBER,CHASSIS FRAME	1				M6	
		MC439907	CROSSMEMBER,CHASSIS FRAME	1				G6E	
		MC439907	CROSSMEMBER,CHASSIS FRAME	1				K6,K6E,M6E	
		MC439908	CROSSMEMBER,CHASSIS FRAME	1				G6,H6,H6E, J6,J6E	
		MC439907 MC439908	CROSSMEMBER,CHASSIS FRAME CROSSMEMBER,CHASSIS FRAME	1 1				K6V,K6VE,M6VE G6V,H6V,H6VE, J6V,J6VE	
60003Z	60003Z	MC439908	CROSSMEMBER,CHASSIS FRAME	1				G6,G6V,H6, H6E,H6V,H6VE, J6,J6E,J6V, J6VE	

FK74R
41-050 CROSSMEMBER

Repl Part	PNC	Part No	Part Name	Qty	Part Spec	Remarks	NEW1	Classification
	60003Z	MC439907	CROSSMEMBER,CHASSIS FRAME	1				K6,K6E,K6VE, M6E
	60087	MF468277	RIVET,CHASSIS FRAME	10	11X44			G6,G6E,H6, H6E,J6,J6E, K6,K6E,M6, M6E
		MF468247	RIVET,CHASSIS FRAME	8	10X28			G6,G6E,G6V, H6,H6E,H6V, H6VE,J6,J6E, J6V,J6VE,K6, K6E,K6V,K6VE, M6,M6E,M6VE
		MF468269	RIVET,CHASSIS FRAME	46	11X28			G6,G6E,G6V, H6,H6E,H6V, H6VE,J6,J6E, J6V,J6VE,K6, K6E,K6V,K6VE, M6,M6E,M6VE
		MF468271	RIVET,CHASSIS FRAME	23	11X32			G6,G6E,G6V, H6,H6E,H6V, H6VE,J6,J6E, J6V,J6VE,K6, K6E,K6V,K6VE, M6,M6E,M6VE
		MF468273	RIVET,CHASSIS FRAME	8	11X36			G6,G6E,G6V, H6,H6E,H6V, H6VE,J6,J6E, J6V,J6VE,K6, K6E,K6V,K6VE, M6,M6E,M6VE
		MF468275	RIVET,CHASSIS FRAME	24	11X40			G6,G6E,G6V, H6,H6E,H6V, H6VE,J6,J6E, J6V,J6VE,K6, K6E,K6V,K6VE, M6,M6E,M6VE
		MF468295	RIVET,CHASSIS FRAME	32	13X32			G6,G6E,G6V, H6,H6E,H6V, H6VE,J6,J6E, J6V,J6VE,K6, K6E,K6V,K6VE, M6,M6E,M6VE
		MF468293	RIVET,CHASSIS FRAME	32	13X28			G6,G6V,H6, H6E,H6V,H6VE, J6,J6E,J6V, J6VE,K6,K6E, K6V,K6VE,M6E, M6VE
	60095	MF450156	WASHER,CHASSIS FRAME	4	PLAIN,12			G6,G6V,H6, H6E,H6V,H6VE, J6,J6E,J6V, J6VE,K6,K6E, K6V,K6VE,M6E, M6VE
		MF450408	WASHER,CHASSIS FRAME	2	SPRING,14			G6,G6V,H6, H6E,H6V,H6VE, J6,J6E,J6V, J6VE,K6,K6E, K6V,K6VE,M6E, M6VE
	60096	MH004161	NUT,CHASSIS FRAME	44	FLANGE,12	6T		G6,G6E,G6V, H6,H6E,H6V, H6VE,J6,J6E, J6V,J6VE,K6, K6E,K6V,K6VE, M6,M6E,M6VE
		MF430124	NUT,CHASSIS FRAME	2	NUT,14	6T		G6,G6V,H6, H6E,H6V,H6VE, J6,J6E,J6V, J6VE,K6,K6E, K6V,K6VE,M6E, M6VE

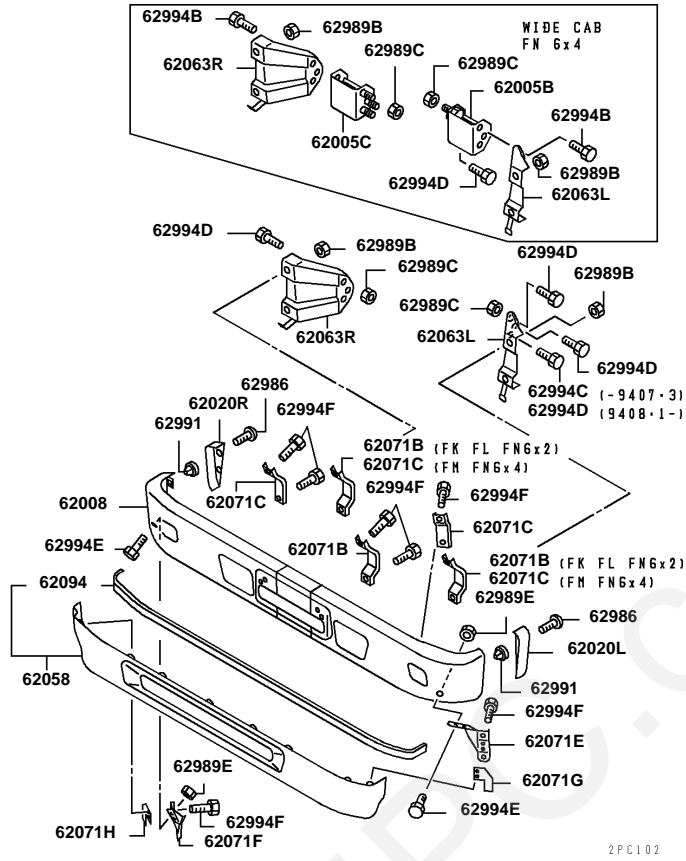
FK74R
41-050 CROSSMEMBER

Repl Part	PNC	Part No	Part Name	Qty	Part Spec	Remarks	NEW1	Classification
	60099	MS146723	BOLT,CHASSIS FRAME	36	FLANGE,12X30			G6,G6E,G6V, H6,H6E,H6V, H6VE,J6,J6E, J6V,J6VE,K6, K6E,K6V,K6VE, M6,M6E,M6VE
		MS146724	BOLT,CHASSIS FRAME	8	FLANGE,12X35			G6,G6E,G6V, H6,H6E,H6V, H6VE,J6,J6E, J6V,J6VE,K6, K6E,K6V,K6VE, M6,M6E,M6VE
		MS106241	BOLT,CHASSIS FRAME	2	14X35			G6,G6V,H6, H6E,H6V,H6VE, J6,J6E,J6V, J6VE,K6,K6E, K6V,K6VE,M6E, M6VE
		MS146722	BOLT,CHASSIS FRAME	4	FLANGE,12X25			G6,G6V,H6, H6E,H6V,H6VE, J6,J6E,J6V, J6VE,K6,K6E, K6V,K6VE,M6E, M6VE
60106B		MC439905	GUSSET,CHASSIS FRAME CROSSMEMBER	1				G6,G6E,H6, H6E,J6,J6E, K6,K6E,M6, M6E
60106C		MC439906	GUSSET,CHASSIS FRAME CROSSMEMBER	1				G6,G6E,H6, H6E,J6,J6E, K6,K6E,M6, M6E
60106D		MK536059	GUSSET,CHASSIS FRAME CROSSMEMBER	1				G6,G6E,H6, H6E,J6,J6E, K6,K6E,M6, M6E
		MK538387	GUSSET,CHASSIS FRAME CROSSMEMBER	1				G6,G6V,H6, H6E,H6V,H6VE, J6,J6E,J6V, J6VE,K6,K6E, K6V,K6VE,M6E, M6VE
60106E		MK329800	GUSSET,CHASSIS FRAME CROSSMEMBER	1				G6,G6E,H6, H6E,J6,J6E, K6,K6E,M6, M6E
		MK538388	GUSSET,CHASSIS FRAME CROSSMEMBER	1				G6,G6V,H6, H6E,H6V,H6VE, J6,J6E,J6V, J6VE,K6,K6E, K6V,K6VE,M6E, M6VE
60106F		MK329805	GUSSET,CHASSIS FRAME CROSSMEMBER	1				G6,G6E,H6, H6E,J6,J6E, K6,K6E,M6, M6E
		MK464735	GUSSET,CHASSIS FRAME CROSSMEMBER	1				K6,K6E,K6V, K6VE,M6E,M6VE
		MK466346	GUSSET,CHASSIS FRAME CROSSMEMBER	1				G6,G6V,H6, H6E,H6V,H6VE, J6,J6E,J6V, J6VE
		MK466348	GUSSET,CHASSIS FRAME CROSSMEMBER	1				G6,G6V,H6, H6E,H6V,H6VE, J6,J6E,J6V, J6VE
		MK466348	GUSSET,CHASSIS FRAME CROSSMEMBER	1				G6,G6V,H6, H6E,H6V,H6VE, J6,J6E,J6V, J6VE
		MK466346	GUSSET,CHASSIS FRAME CROSSMEMBER	1				K6,K6E,K6VE, M6E
60106G		MK329806	GUSSET,CHASSIS FRAME CROSSMEMBER	1				G6,G6E,H6, H6E,J6,J6E, K6,K6E,M6, M6E
		MK464736	GUSSET,CHASSIS FRAME CROSSMEMBER	1				G6,G6E,H6, H6E,J6,J6E, K6,K6E,M6, M6E

FK74R
41-050 CROSSMEMBER

Repl Part	PNC	Part No	Part Name	Qty	Part Spec	Remarks	NEW1	Classification
	60106G	MK466347	GUSSET,CHASSIS FRAME CROSSMEMBER	1				K6,K6E,K6V, K6VE,M6E,M6VE
		MK466349	GUSSET,CHASSIS FRAME CROSSMEMBER	1				G6,G6V,H6, H6E,H6V,H6VE, J6,J6E,J6V, J6VE
		MK466349	GUSSET,CHASSIS FRAME CROSSMEMBER	1				G6,G6V,H6, H6E,H6V,H6VE, J6,J6E,J6V, J6VE
		MK466347	GUSSET,CHASSIS FRAME CROSSMEMBER	1				K6,K6E,K6VE, M6E
	60106J	MK538430	GUSSET,CHASSIS FRAME CROSSMEMBER	1				J6,J6E,J6V, J6VE
		MK538430	GUSSET,CHASSIS FRAME CROSSMEMBER	1				H6,H6E,H6V, H6VE,J6,J6E, J6V,J6VE,K6, K6E,K6VE
	60106K	MK538431	GUSSET,CHASSIS FRAME CROSSMEMBER	1				J6,J6E,J6V, J6VE
		MK538431	GUSSET,CHASSIS FRAME CROSSMEMBER	1				H6,H6E,H6V, H6VE,J6,J6E, J6V,J6VE,K6, K6E,K6VE
	60122H	MK538434	STIFFENER,CHASSIS FRAME CROSSMEMBER	2				J6,J6E,J6V, J6VE
		MK598129	STIFFENER,CHASSIS FRAME CROSSMEMBER	2				H6,H6E,H6V, H6VE,J6,J6E, J6V,J6VE,K6, K6E,K6VE
	31126E	(N.e.c.)	REST,PROPELLER SHAFT CTR BEARING					
	60003E	(N.e.c.)	CROSSMEMBER,CHASSIS FRAME					
	05103Y	(N.e.c.)	BRACKET,FUEL TANK					
	05103X	(N.e.c.)	BRACKET,FUEL TANK					
	31101D	(N.e.c.)	BRACKET,PROPELLER SHAFT CTR BEARING					
	60122M	(N.e.c.)	STIFFENER,CHASSIS FRAME CROSSMEMBER					
	60122BC	(N.e.c.)	STIFFENER,CHASSIS FRAME CROSSMEMBER					
	60122BB	(N.e.c.)	STIFFENER,CHASSIS FRAME CROSSMEMBER					

FK74R
No.1

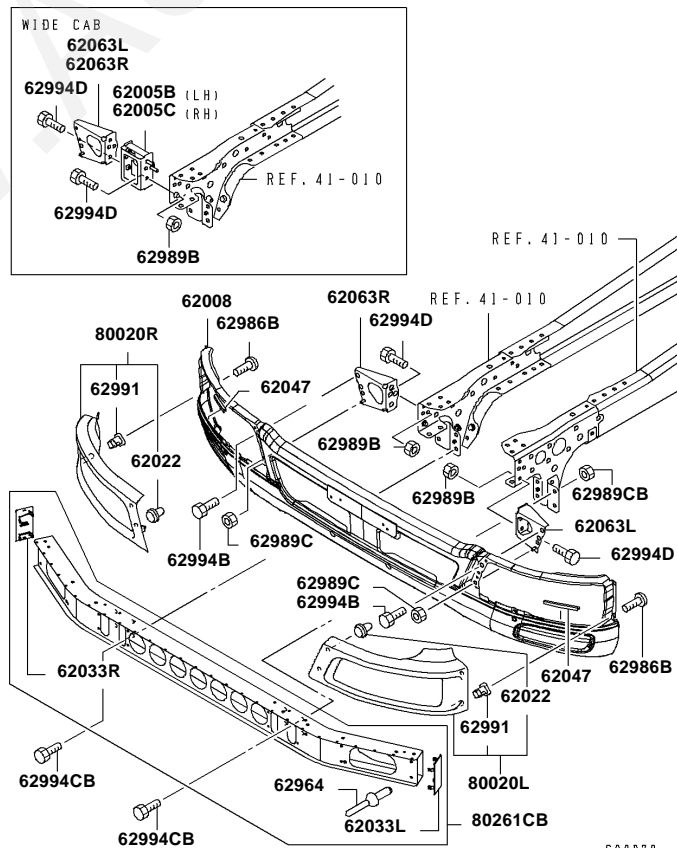


2PC102

Ref. |2041310

Page

FK74R
No.2

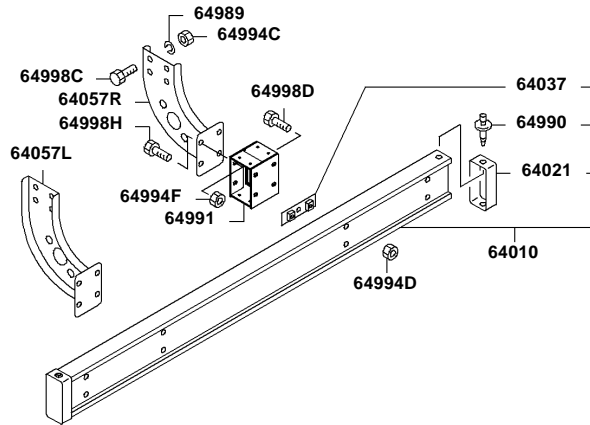


C00072

Ref. |2041310

Page

FK74R
No.3



C00050

Ref. |2041310

Page

FK74R
41-310 BUMPER

PNC	Part Name	See Page
62005B	BRACKET,FR BUMPER STAY	(Please refer to the page 1/2)
62005C	BRACKET,FR BUMPER STAY	(Please refer to the page 1/2)
62020L	BUMPER,FR CORNER,LH	(Please refer to the page 1/2)
62020R	BUMPER,FR CORNER,RH	(Please refer to the page 1/2)
62022	CLIP,FR BUMPER	(Please refer to the page 1/2)
62058	SKIRT,FR BUMPER	(Please refer to the page 1/2)
62063L	STAY,FR BUMPER,LH	(Please refer to the page 1/2)
62063R	STAY,FR BUMPER,RH	(Please refer to the page 1/2)
62071B	STAY,FR BUMPER SKIRT	(Please refer to the page 1/2)
62071C	STAY,FR BUMPER SKIRT	(Please refer to the page 1/2)
62071E	STAY,FR BUMPER SKIRT	(Please refer to the page 1/2)
62071F	STAY,FR BUMPER SKIRT	(Please refer to the page 1/2)
62071G	STAY,FR BUMPER SKIRT	(Please refer to the page 1/2)
62071H	STAY,FR BUMPER SKIRT	(Please refer to the page 1/2)
62094	SEAL,FR BUMPER SKIRT	(Please refer to the page 1/2)
62986	SCREW,FR BUMPER	(Please refer to the page 1/2)
62986B	SCREW,FR BUMPER	(Please refer to the page 1/2)
62989B	NUT,FR BUMPER	(Please refer to the page 1/2)
62989C	NUT,FR BUMPER	(Please refer to the page 1/2)
62989CB	NUT,FR BUMPER	(Please refer to the page 1/2)
62989E	NUT,FR BUMPER	(Please refer to the page 1/2)
62991	GROMMET,FR BUMPER	(Please refer to the page 1/2)
62994B	BOLT,FR BUMPER	(Please refer to the page 1/2)
62994CB	BOLT,FR BUMPER	(Please refer to the page 1/2)
62994D	BOLT,FR BUMPER	(Please refer to the page 1/2)
62994E	BOLT,FR BUMPER	(Please refer to the page 1/2)
62994F	BOLT,FR BUMPER	(Please refer to the page 1/2)
64010	BUMPER,RR	(Please refer to the page 1/2)
64021	COVER,RR BUMPER	(Please refer to the page 1/2)
64037	PLATE,RR BUMPER GUIDE	(Please refer to the page 1/2)
64057L	STAY,RR BUMPER,LH	(Please refer to the page 1/2)
64057R	STAY,RR BUMPER,RH	(Please refer to the page 1/2)

Ref. |2041310

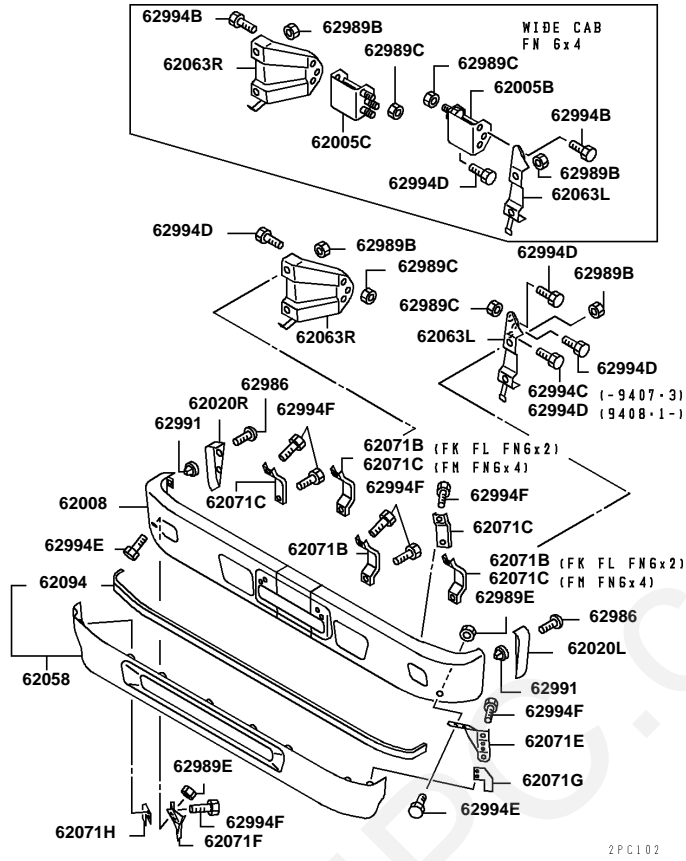
Page

FK74R
41-310 BUMPER

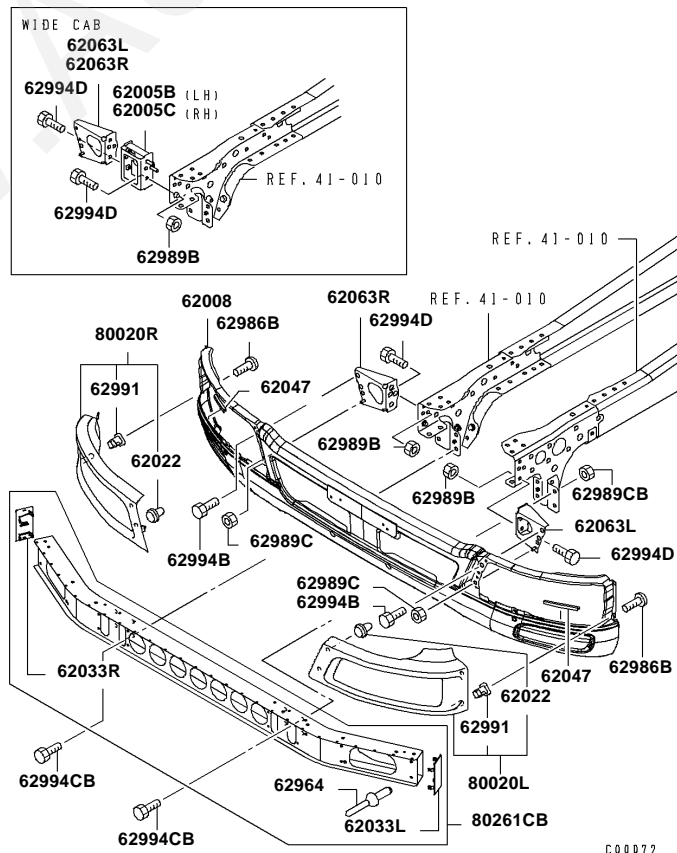
PNC	Part Name	See Page
64989	WASHER,RR BUMPER	(Please refer to the page 1/2)
64990	PUSH RIVET,RR BUMPER	(Please refer to the page 1/2)
64994C	NUT,RR BUMPER	(Please refer to the page 1/2)
64998C	BOLT,RR BUMPER	(Please refer to the page 1/2)
64998D	BOLT,RR BUMPER	(Please refer to the page 1/2)
80020L	BEZEL,HEADLAMP,LH	(Please refer to the page 1/2)
80020R	BEZEL,HEADLAMP,RH	(Please refer to the page 1/2)
80261CB	STAY,FR LAMP	(Please refer to the page 1/2)
62008	BUMPER,FR	(Please refer to the page 2/2)
62994C	BOLT,FR BUMPER	(N.e.c.)
62047	PROTECTOR,FR BUMPER	(N.e.c.)
62033L	COVER,FR BUMPER GUARD BAR,LWR OTR LH	(N.e.c.)
62964	RIVET,FR BUMPER	(N.e.c.)
62033R	COVER,FR BUMPER GUARD BAR,LWR OTR RH	(N.e.c.)
64994D	NUT,RR BUMPER	(N.e.c.)
64998H	BOLT,RR BUMPER	(N.e.c.)
64994F	NUT,RR BUMPER	(N.e.c.)
64991	SPACER,RR BUMPER	(N.e.c.)

www.AutoEPC.com

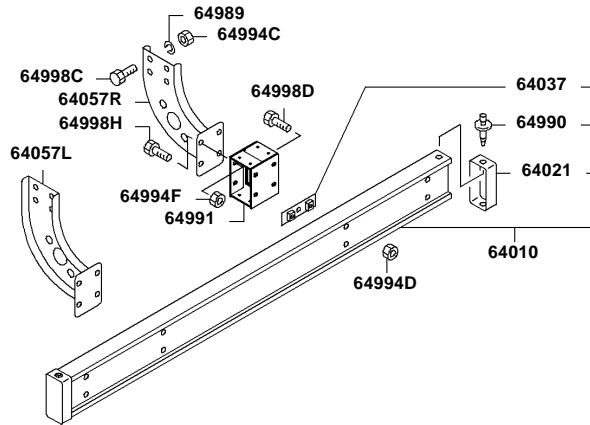
FK74R
No.1



FK74R
No.2



FK74R
No.3



C00050

Ref. |2041310-1

Page

FK74R
41-310 BUMPER (1/2)

SPN	PNC	Part No	Part Name	Qty	Part Spec	Rem
	62005B	MC919748	BRACKET,FR BUMPER STAY	1		
		MK545553	BRACKET,FR BUMPER STAY	1		
		MK545553	BRACKET,FR BUMPER STAY	1		
	62005C	MC927902	BRACKET,FR BUMPER STAY	1		
		MK545554	BRACKET,FR BUMPER STAY	1		
		MK545554	BRACKET,FR BUMPER STAY	1		
	62020L	MC924676	BUMPER,FR CORNER,LH	1	GRAY	
	62020R	MC924677	BUMPER,FR CORNER,RH	1	GRAY	
	62022	MR532894	CLIP,FR BUMPER	6	YELLOW	W/O P

Ref. |2041310-1

Page

FK74R
41-310 BUMPER (1/2)

SPN	PNC	Part No	Part Name	Qty	Part Spec	Rem
	62022	MR532894	CLIP,FR BUMPER	4	YELLOW	W/O PA
		MR532894	CLIP,FR BUMPER	4	YELLOW	W/O PA
		MR532894	CLIP,FR BUMPER	4	YELLOW	W/O PA
		MR532894	CLIP,FR BUMPER	4	YELLOW	W/O PA
		MR532894	CLIP,FR BUMPER	4	YELLOW	W/O PA
		MR532894	CLIP,FR BUMPER	4	YELLOW	W/O PA
		MR532894	CLIP,FR BUMPER	4	YELLOW	W/O PA
		MR532894	CLIP,FR BUMPER	6	YELLOW	W/O PA
		MR532894	CLIP,FR BUMPER	4	YELLOW	W/O PA
	62058	MC930433	SKIRT,FR BUMPER	1	DARK GRAY	
		MC930435	SKIRT,FR BUMPER	1	DARK GRAY	
		MC934109	SKIRT,FR BUMPER	1	NATURAL WHITE	
		MC934110	SKIRT,FR BUMPER	1	WAVY BLUE	
		MC934111	SKIRT,FR BUMPER	1	NATURAL WHITE	
		MC934112	SKIRT,FR BUMPER	1	WAVY BLUE	
		MC965263	SKIRT,FR BUMPER	1	LIGHT BLUE	
		MC965264	SKIRT,FR BUMPER	1	WARM SILVER METALIC	
		MC965265	SKIRT,FR BUMPER	1	LIGHT BLUE	
		MC965266	SKIRT,FR BUMPER	1	WARM SILVER METALIC	
		MK434560	SKIRT,FR BUMPER	1	VENUS YELLOW	
		MK434561	SKIRT,FR BUMPER	1	MEXICAN YELLOW	
		MK434562	SKIRT,FR BUMPER	1	URANUS BLUE	
		MK434563	SKIRT,FR BUMPER	1	SHANNON BLUE	
		MK434564	SKIRT,FR BUMPER	1	JUPITER GREEN	
		MK434565	SKIRT,FR BUMPER	1	BRIGHT ORANGE	

FK74R
41-310 BUMPER (1/2)

SPN	PNC	Part No	Part Name	Qty	Part Spec	Rem
	62058	MK434566	SKIRT,FR BUMPER	1	MARS RED	
		MK434567	SKIRT,FR BUMPER	1	FIJI GREEN	
		MK434568	SKIRT,FR BUMPER	1	LEAF GREEN	
		MK434569	SKIRT,FR BUMPER	1	VENUS YELLOW	
		MK434570	SKIRT,FR BUMPER	1	MEXICAN YELLOW	
		MK434571	SKIRT,FR BUMPER	1	URANUS BLUE	
		MK434572	SKIRT,FR BUMPER	1	SHANNON BLUE	
		MK434573	SKIRT,FR BUMPER	1	JUPITER GREEN	
		MK434574	SKIRT,FR BUMPER	1	BRIGHT ORANGE	
		MK434575	SKIRT,FR BUMPER	1	MARS RED	
		MK434576	SKIRT,FR BUMPER	1	FIJI GREEN	
		MK434577	SKIRT,FR BUMPER	1	LEAF GREEN	
		MK461898	SKIRT,FR BUMPER	1	NITTUU YELLOW	
		MK461899	SKIRT,FR BUMPER	1	NITTUU YELLOW	
		MK484733	SKIRT,FR BUMPER	1	ASAHI WHITE	
		MK484734	SKIRT,FR BUMPER	1	ASAHI WHITE	
		MK485368	SKIRT,FR BUMPER	1	SAGAWA SILVER	
		MK485369	SKIRT,FR BUMPER	1	SAGAWA SILVER	
		MK487747	SKIRT,FR BUMPER	1	ARCADIA SILVER	
		MC930434	SKIRT,FR BUMPER	1		
		MC930436	SKIRT,FR BUMPER	1		
	62063L	MC927509	STAY,FR BUMPER,LH	1		
		MK488971	STAY,FR BUMPER,LH	1		
	62063R	MC927510	STAY,FR BUMPER,RH	1		
		MK488972	STAY,FR BUMPER,RH	1		
	62071B	MC925310	STAY,FR BUMPER SKIRT	3		
	62071C	MC925311	STAY,FR BUMPER SKIRT	2		

FK74R
41-310 BUMPER (1/2)

SPN	PNC	Part No	Part Name	Qty	Part Spec	Rem
	62071E	MK545155	STAY,FR BUMPER SKIRT	1		
	62071F	MK488955	STAY,FR BUMPER SKIRT	1		
	62071G	MK545156	STAY,FR BUMPER SKIRT	1		
	62071H	MK488902	STAY,FR BUMPER SKIRT	1		
	62094	MC938781	SEAL,FR BUMPER SKIRT	1		
	62986	MH001077	SCREW,FR BUMPER	4	TAPPING,5X16	
		MH001077	SCREW,FR BUMPER	1	TAPPING,5X16	
		MH001077	SCREW,FR BUMPER	4	TAPPING,5X16	
	62986B	MH001085	SCREW,FR BUMPER	4	TAPPING,4X16	
	62989B	MF434105	NUT,FR BUMPER	4	FLANGE,10	4T
	62989C	MF434105	NUT,FR BUMPER	5	FLANGE,10	4T
		MH004157	NUT,FR BUMPER	2	FLANGE,8	
	62989CB	MH004161	NUT,FR BUMPER	2	FLANGE,12	6T
	62989E	MF434103	NUT,FR BUMPER	4	FLANGE,6	W/O C
	62991	MS480012	GROMMET,FR BUMPER	4	5	
		MS480012	GROMMET,FR BUMPER	4	5	
		MS480012	GROMMET,FR BUMPER	4	5	

FK74R
41-310 BUMPER (1/2)

SPN	PNC	Part No	Part Name	Qty	Part Spec	Rem
	62991	MS480012	GROMMET,FR BUMPER	4	5	
		MH021509	GROMMET,FR BUMPER	4		
		MH021509	GROMMET,FR BUMPER	5		
		MH021509	GROMMET,FR BUMPER	4		
		MH021509	GROMMET,FR BUMPER	4		
		MH021509	GROMMET,FR BUMPER	4		
		MH021509	GROMMET,FR BUMPER	4		
		MH021509 MH021509	GROMMET,FR BUMPER GROMMET,FR BUMPER	4 4		
		MH021509	GROMMET,FR BUMPER	4		
		MH021509	GROMMET,FR BUMPER	4		
		MH021509	GROMMET,FR BUMPER	5		
62994B		MF241280	BOLT,FR BUMPER	6	WASHER ASSEMBLED,10X20	
		MH001156	BOLT,FR BUMPER	4	WASHER ASSEMBLED,8X20	
62994CB		MS146823	BOLT,FR BUMPER	8	FLANGE,12X30	
62994D		MF241283	BOLT,FR BUMPER	10	WASHER ASSEMBLED,10X28	
		MF241283	BOLT,FR BUMPER	10	WASHER ASSEMBLED,10X28	
		MF241283	BOLT,FR BUMPER	10	WASHER ASSEMBLED,10X28	
		MF241283	BOLT,FR BUMPER	10	WASHER ASSEMBLED,10X28	

FK74R
41-310 BUMPER (1/2)

SPN	PNC	Part No	Part Name	Qty	Part Spec	Rem
	62994D	MF241283	BOLT,FR BUMPER	10	WASHER ASSEMBLED,10X28	
		MF241283	BOLT,FR BUMPER	10	WASHER ASSEMBLED,10X28	
	62994E	MF140005	BOLT,FR BUMPER	4	FLANGE,6X16	4T
		MF247224	BOLT,FR BUMPER	4	WASHER ASSEMBLED,6X16	
	62994F	MF140205	BOLT,FR BUMPER	4	FLANGE,6X16	7T
		MF243649	BOLT,FR BUMPER	16	WASHER ASSEMBLED,8X16	
	64010	MK304944	BUMPER,RR	1		
		MK514157	BUMPER,RR	1		
	64021	MK306537	COVER,RR BUMPER	2		
		MK536472	COVER,RR BUMPER	2		
	64037	MC435965	PLATE,RR BUMPER GUIDE	4		
	64057L	MK316271	STAY,RR BUMPER,LH	1		
SP		MK537757	STAY,RR BUMPER,LH	1		
	64057R	MK316272	STAY,RR BUMPER,RH	1		

FK74R
41-310 BUMPER (1/2)

SPN SP	PNC 64057R	Part No MK537758	Part Name STAY,RR BUMPER,RH	Qty 1	Part Spec	Rem
	64989	MF450408	WASHER,RR BUMPER	8	SPRING,14	
	64990	MC047761	PUSH RIVET,RR BUMPER	4		
	64994C	MF430008	NUT,RR BUMPER	8	NUT,14	4T
		MF430124	NUT,RR BUMPER	8	NUT,14	6T
	64998C	MF101340	BOLT,RR BUMPER	8	BOLT,14X30	7T
		MS106240	BOLT,RR BUMPER	8	14X30	
	64998D	MF140283	BOLT,RR BUMPER	8	FLANGE,12X25	7T
	80020L	MC976714	BEZEL,HEADLAMP,LH	1	AUS ORANGE	
		MC979581	BEZEL,HEADLAMP,LH	1	NATURAL WHITE	
		MC979582	BEZEL,HEADLAMP,LH	1	LIGHT BLUE	
		MC979583	BEZEL,HEADLAMP,LH	1	SONIC BLUE	

FK74R
41-310 BUMPER (1/2)

SPN	PNC 80020L	Part No	Part Name	Qty	Part Spec	Rem
		MC979584	BEZEL,HEADLAMP,LH	1	SIRIUS SILVER	
		MC979585	BEZEL,HEADLAMP,LH	1	ARCADIA SILVER	
		MC979586	BEZEL,HEADLAMP,LH	1	JUPITER GREEN	
		MC979587	BEZEL,HEADLAMP,LH	1	FIJI GREEN	
		MC979588	BEZEL,HEADLAMP,LH	1	FOREST GREEN	
		MC979589	BEZEL,HEADLAMP,LH	1	BRIGHT ORANGE	
		MC979590	BEZEL,HEADLAMP,LH	1	MARS RED	
		MC979591	BEZEL,HEADLAMP,LH	1	SHANNON BLUE	
		MC979592	BEZEL,HEADLAMP,LH	1	ACTIVE YELLOW	
		MC979671	BEZEL,HEADLAMP,LH	1	SAGAWA SILVER	
		MC979882	BEZEL,HEADLAMP,LH	1	ASAHI WHITE	
		MC979923	BEZEL,HEADLAMP,LH	1	SHIN FUKUTSU GREEN	

FK74R
41-310 BUMPER (1/2)

SPN	PNC	Part No	Part Name	Qty	Part Spec	Rem
	80020L	MK615057	BEZEL,HEADLAMP,LH	1	FUTABA BEIGE	
		MK548773	BEZEL,HEADLAMP,LH	1		
		MC976655	BEZEL,HEADLAMP,LH	1	AUS ORANGE	
		MC976655	BEZEL,HEADLAMP,LH	1	AUS ORANGE	
		MC976655	BEZEL,HEADLAMP,LH	1	AUS ORANGE	
		MC976655	BEZEL,HEADLAMP,LH	1	AUS ORANGE	
		MC976655	BEZEL,HEADLAMP,LH	1	AUS ORANGE	
		MC976655	BEZEL,HEADLAMP,LH	1	AUS ORANGE	
		MC979533	BEZEL,HEADLAMP,LH	1	NATURAL WHITE	
		MC979533	BEZEL,HEADLAMP,LH	1	NATURAL WHITE	
		MC979533	BEZEL,HEADLAMP,LH	1	NATURAL WHITE	
		MC979533	BEZEL,HEADLAMP,LH	1	NATURAL WHITE	
		MC979533	BEZEL,HEADLAMP,LH	1	NATURAL WHITE	
		MC979533	BEZEL,HEADLAMP,LH	1	NATURAL WHITE	
		MC979533	BEZEL,HEADLAMP,LH	1	NATURAL WHITE	
		MC979534	BEZEL,HEADLAMP,LH	1	LIGHT BLUE	
		MC979534	BEZEL,HEADLAMP,LH	1	LIGHT BLUE	
		MC979534	BEZEL,HEADLAMP,LH	1	LIGHT BLUE	

FK74R
41-310 BUMPER (1/2)

SPN	PNC	Part No	Part Name	Qty	Part Spec	Rem
	80020L	MC979534	BEZEL,HEADLAMP,LH	1	LIGHT BLUE	
		MC979534	BEZEL,HEADLAMP,LH	1	LIGHT BLUE	
		MC979534	BEZEL,HEADLAMP,LH	1	LIGHT BLUE	
		MC979535	BEZEL,HEADLAMP,LH	1	SONIC BLUE	
		MC979535	BEZEL,HEADLAMP,LH	1	SONIC BLUE	
		MC979535	BEZEL,HEADLAMP,LH	1	SONIC BLUE	
		MC979535	BEZEL,HEADLAMP,LH	1	SONIC BLUE	
		MC979535	BEZEL,HEADLAMP,LH	1	SONIC BLUE	
		MC979535	BEZEL,HEADLAMP,LH	1	SONIC BLUE	
		MC979535	BEZEL,HEADLAMP,LH	1	SONIC BLUE	
		MC979536	BEZEL,HEADLAMP,LH	1	SIRIUS SILVER	
		MC979536	BEZEL,HEADLAMP,LH	1	SIRIUS SILVER	
		MC979536	BEZEL,HEADLAMP,LH	1	SIRIUS SILVER	
		MC979536	BEZEL,HEADLAMP,LH	1	SIRIUS SILVER	
		MC979536	BEZEL,HEADLAMP,LH	1	SIRIUS SILVER	
		MC979536	BEZEL,HEADLAMP,LH	1	SIRIUS SILVER	
		MC979537	BEZEL,HEADLAMP,LH	1	ARCADIA SILVER	
		MC979537	BEZEL,HEADLAMP,LH	1	ARCADIA SILVER	

FK74R
41-310 BUMPER (1/2)

SPN	PNC	Part No	Part Name	Qty	Part Spec	Rem
	80020L	MC979537	BEZEL,HEADLAMP,LH	1	ARCADIA SILVER	
		MC979537	BEZEL,HEADLAMP,LH	1	ARCADIA SILVER	
		MC979537	BEZEL,HEADLAMP,LH	1	ARCADIA SILVER	
		MC979538	BEZEL,HEADLAMP,LH	1	JUPITER GREEN	
		MC979538	BEZEL,HEADLAMP,LH	1	JUPITER GREEN	
		MC979538	BEZEL,HEADLAMP,LH	1	JUPITER GREEN	
		MC979538	BEZEL,HEADLAMP,LH	1	JUPITER GREEN	
		MC979538	BEZEL,HEADLAMP,LH	1	JUPITER GREEN	
		MC979538	BEZEL,HEADLAMP,LH	1	JUPITER GREEN	
		MC979538	BEZEL,HEADLAMP,LH	1	JUPITER GREEN	
		MC979538	BEZEL,HEADLAMP,LH	1	JUPITER GREEN	
		MC979538	BEZEL,HEADLAMP,LH	1	JUPITER GREEN	
		MC979538	BEZEL,HEADLAMP,LH	1	FIJI GREEN	
		MC979538	BEZEL,HEADLAMP,LH	1	FIJI GREEN	
		MC979539	BEZEL,HEADLAMP,LH	1	FIJI GREEN	
		MC979539	BEZEL,HEADLAMP,LH	1	FIJI GREEN	
		MC979539	BEZEL,HEADLAMP,LH	1	FIJI GREEN	
		MC979539	BEZEL,HEADLAMP,LH	1	FIJI GREEN	
		MC979539	BEZEL,HEADLAMP,LH	1	FIJI GREEN	
		MC979539	BEZEL,HEADLAMP,LH	1	FIJI GREEN	
		MC979540	BEZEL,HEADLAMP,LH	1	FOREST GREEN	

FK74R
41-310 BUMPER (1/2)

SPN	PNC	Part No	Part Name	Qty	Part Spec	Rem
	80020L	MC979540	BEZEL,HEADLAMP,LH	1	FOREST GREEN	
		MC979540	BEZEL,HEADLAMP,LH	1	FOREST GREEN	
		MC979540 MC979540	BEZEL,HEADLAMP,LH BEZEL,HEADLAMP,LH	1 1	FOREST GREEN FOREST GREEN	
		MC979540 MC979541	BEZEL,HEADLAMP,LH BEZEL,HEADLAMP,LH	1 1	FOREST GREEN BRIGHT ORANGE	
		MC979541	BEZEL,HEADLAMP,LH	1	BRIGHT ORANGE	
		MC979541 MC979541	BEZEL,HEADLAMP,LH BEZEL,HEADLAMP,LH	1 1	BRIGHT ORANGE BRIGHT ORANGE	
		MC979541 MC979541	BEZEL,HEADLAMP,LH BEZEL,HEADLAMP,LH	1 1	BRIGHT ORANGE BRIGHT ORANGE	
		MC979542	BEZEL,HEADLAMP,LH	1	MARS RED	
		MC979542	BEZEL,HEADLAMP,LH	1	MARS RED	
		MC979542	BEZEL,HEADLAMP,LH	1	MARS RED	
		MC979542 MC979542	BEZEL,HEADLAMP,LH BEZEL,HEADLAMP,LH	1 1	MARS RED MARS RED	
		MC979542 MC979543	BEZEL,HEADLAMP,LH BEZEL,HEADLAMP,LH	1 1	MARS RED SHANNON BLUE	

FK74R
41-310 BUMPER (1/2)

SPN	PNC	Part No	Part Name	Qty	Part Spec	Rem
	80020L	MC979543	BEZEL,HEADLAMP,LH	1	SHANNON BLUE	
		MC979543	BEZEL,HEADLAMP,LH	1	SHANNON BLUE	
		MC979543	BEZEL,HEADLAMP,LH	1	SHANNON BLUE	
		MC979543	BEZEL,HEADLAMP,LH	1	SHANNON BLUE	
		MC979544	BEZEL,HEADLAMP,LH	1	ACTIVE YELLOW	
		MC979544	BEZEL,HEADLAMP,LH	1	ACTIVE YELLOW	
		MC979544	BEZEL,HEADLAMP,LH	1	ACTIVE YELLOW	
		MC979544	BEZEL,HEADLAMP,LH	1	ACTIVE YELLOW	
		MC979544	BEZEL,HEADLAMP,LH	1	ACTIVE YELLOW	
		MC979544	BEZEL,HEADLAMP,LH	1	ACTIVE YELLOW	
		MC979667	BEZEL,HEADLAMP,LH	1	SAGAWA SILVER	
		MC979667	BEZEL,HEADLAMP,LH	1	SAGAWA SILVER	
		MC979667	BEZEL,HEADLAMP,LH	1	SAGAWA SILVER	
		MC979667	BEZEL,HEADLAMP,LH	1	SAGAWA SILVER	
		MC979667	BEZEL,HEADLAMP,LH	1	SAGAWA SILVER	
		MC979667	BEZEL,HEADLAMP,LH	1	SAGAWA SILVER	
		MC979839	BEZEL,HEADLAMP,LH	1	SHIN FUKUTSU GREEN	
		MC979839	BEZEL,HEADLAMP,LH	1	SHIN FUKUTSU GREEN	

FK74R
41-310 BUMPER (1/2)

SPN	PNC	Part No	Part Name	Qty	Part Spec	Rem
	80020L	MC979839	BEZEL,HEADLAMP,LH	1	SHIN FUKUTSU GREEN	
		MC979839	BEZEL,HEADLAMP,LH	1	SHIN FUKUTSU GREEN	
		MC979839	BEZEL,HEADLAMP,LH	1	SHIN FUKUTSU GREEN	
		MC979839	BEZEL,HEADLAMP,LH	1	SHIN FUKUTSU GREEN	
		MC979884	BEZEL,HEADLAMP,LH	1	ASAHI WHITE	
		MC979884	BEZEL,HEADLAMP,LH	1	ASAHI WHITE	
		MC979884	BEZEL,HEADLAMP,LH	1	ASAHI WHITE	
		MC979884	BEZEL,HEADLAMP,LH	1	ASAHI WHITE	
		MC979884	BEZEL,HEADLAMP,LH	1	ASAHI WHITE	
		MC979884	BEZEL,HEADLAMP,LH	1	ASAHI WHITE	
		MC979884	BEZEL,HEADLAMP,LH	1	ASAHI WHITE	
		MK615055	BEZEL,HEADLAMP,LH	1	FUTABA BEIGE	
		MK615055	BEZEL,HEADLAMP,LH	1	FUTABA BEIGE	
		MK615055	BEZEL,HEADLAMP,LH	1	FUTABA BEIGE	
		MK615055	BEZEL,HEADLAMP,LH	1	FUTABA BEIGE	
		MK615055	BEZEL,HEADLAMP,LH	1	FUTABA BEIGE	
		MK615055	BEZEL,HEADLAMP,LH	1	FUTABA BEIGE	
		MK615055	BEZEL,HEADLAMP,LH	1	FUTABA BEIGE	
		MC976714	BEZEL,HEADLAMP,LH	1	AUS ORANGE	

FK74R
41-310 BUMPER (1/2)

SPN	PNC	Part No	Part Name	Qty	Part Spec	Rem
	80020L	MC979581	BEZEL,HEADLAMP,LH	1	NATURAL WHITE	
		MC979582	BEZEL,HEADLAMP,LH	1	LIGHT BLUE	
		MC979583	BEZEL,HEADLAMP,LH	1	SONIC BLUE	
		MC979584	BEZEL,HEADLAMP,LH	1	SIRIUS SILVER	
		MC979585	BEZEL,HEADLAMP,LH	1	ARCADIA SILVER	
		MC979586	BEZEL,HEADLAMP,LH	1	JUPITER GREEN	
		MC979587	BEZEL,HEADLAMP,LH	1	FIJI GREEN	
		MC979588	BEZEL,HEADLAMP,LH	1	FOREST GREEN	
		MC979589	BEZEL,HEADLAMP,LH	1	BRIGHT ORANGE	
		MC979590	BEZEL,HEADLAMP,LH	1	MARS RED	
		MC979591	BEZEL,HEADLAMP,LH	1	SHANNON BLUE	
		MC979592	BEZEL,HEADLAMP,LH	1	ACTIVE YELLOW	
		MC979671	BEZEL,HEADLAMP,LH	1	SAGAWA SILVER	
		MC979882	BEZEL,HEADLAMP,LH	1	ASAHI WHITE	

FK74R
41-310 BUMPER (1/2)

SPN	PNC	Part No	Part Name	Qty	Part Spec	Rem
	80020L	MC979923	BEZEL,HEADLAMP,LH	1	SHIN FUKUTSU GREEN	
		MK615057	BEZEL,HEADLAMP,LH	1	FUTABA BEIGE	
		MK548773	BEZEL,HEADLAMP,LH	1		
	80020R	MC976715	BEZEL,HEADLAMP,RH	1	AUS ORANGE	
		MC979593	BEZEL,HEADLAMP,RH	1	NATURAL WHITE	
		MC979594	BEZEL,HEADLAMP,RH	1	LIGHT BLUE	
		MC979595	BEZEL,HEADLAMP,RH	1	SONIC BLUE	
		MC979596	BEZEL,HEADLAMP,RH	1	SIRIUS SILVER	
		MC979597	BEZEL,HEADLAMP,RH	1	ARCADIA SILVER	
		MC979598	BEZEL,HEADLAMP,RH	1	JUPITER GREEN	
		MC979599	BEZEL,HEADLAMP,RH	1	FIJI GREEN	
		MC979600	BEZEL,HEADLAMP,RH	1	FOREST GREEN	

FK74R
41-310 BUMPER (1/2)

SPN	PNC 80020R	Part No	Part Name	Qty	Part Spec	Rem
		MC979601	BEZEL,HEADLAMP,RH	1	BRIGHT ORANGE	
		MC979602	BEZEL,HEADLAMP,RH	1	MARS RED	
		MC979603	BEZEL,HEADLAMP,RH	1	SHANNON BLUE	
		MC979604	BEZEL,HEADLAMP,RH	1	ACTIVE YELLOW	
		MC979672	BEZEL,HEADLAMP,RH	1	SAGAWA SILVER	
		MC979883	BEZEL,HEADLAMP,RH	1	ASAHI WHITE	
		MC979924	BEZEL,HEADLAMP,RH	1	SHIN FUKUTSU GREEN	
		MK615058	BEZEL,HEADLAMP,RH	1	FUTABA BEIGE	
		MK548774	BEZEL,HEADLAMP,RH	1		
		MC976656	BEZEL,HEADLAMP,RH	1	AUS ORANGE	
		MC976656	BEZEL,HEADLAMP,RH	1	AUS ORANGE	
		MC976656	BEZEL,HEADLAMP,RH	1	AUS ORANGE	
		MC976656	BEZEL,HEADLAMP,RH	1	AUS ORANGE	
		MC976656	BEZEL,HEADLAMP,RH	1	AUS ORANGE	
		MC976656	BEZEL,HEADLAMP,RH	1	AUS ORANGE	

FK74R
41-310 BUMPER (1/2)

SPN	PNC	Part No	Part Name	Qty	Part Spec	Rem
	80020R	MC976656	BEZEL,HEADLAMP,RH	1	AUS ORANGE	
		MC979545	BEZEL,HEADLAMP,RH	1	NATURAL WHITE	
		MC979545	BEZEL,HEADLAMP,RH	1	NATURAL WHITE	
		MC979545	BEZEL,HEADLAMP,RH	1	NATURAL WHITE	
		MC979545	BEZEL,HEADLAMP,RH	1	NATURAL WHITE	
		MC979545	BEZEL,HEADLAMP,RH	1	NATURAL WHITE	
		MC979545	BEZEL,HEADLAMP,RH	1	NATURAL WHITE	
		MC979546	BEZEL,HEADLAMP,RH	1	LIGHT BLUE	
		MC979546	BEZEL,HEADLAMP,RH	1	LIGHT BLUE	
		MC979546	BEZEL,HEADLAMP,RH	1	LIGHT BLUE	
		MC979546	BEZEL,HEADLAMP,RH	1	LIGHT BLUE	
		MC979546	BEZEL,HEADLAMP,RH	1	LIGHT BLUE	
		MC979546	BEZEL,HEADLAMP,RH	1	LIGHT BLUE	
		MC979547	BEZEL,HEADLAMP,RH	1	SONIC BLUE	
		MC979547	BEZEL,HEADLAMP,RH	1	SONIC BLUE	
		MC979547	BEZEL,HEADLAMP,RH	1	SONIC BLUE	
		MC979547	BEZEL,HEADLAMP,RH	1	SONIC BLUE	
		MC979547	BEZEL,HEADLAMP,RH	1	SONIC BLUE	
		MC979547	BEZEL,HEADLAMP,RH	1	SONIC BLUE	

FK74R
41-310 BUMPER (1/2)

SPN	PNC	Part No	Part Name	Qty	Part Spec	Rem
	80020R	MC979547	BEZEL,HEADLAMP,RH	1	SONIC BLUE	
		MC979548	BEZEL,HEADLAMP,RH	1	SIRIUS SILVER	
		MC979548	BEZEL,HEADLAMP,RH	1	SIRIUS SILVER	
		MC979548	BEZEL,HEADLAMP,RH	1	SIRIUS SILVER	
		MC979548	BEZEL,HEADLAMP,RH	1	SIRIUS SILVER	
		MC979548	BEZEL,HEADLAMP,RH	1	SIRIUS SILVER	
		MC979548	BEZEL,HEADLAMP,RH	1	SIRIUS SILVER	
		MC979549	BEZEL,HEADLAMP,RH	1	ARCADIA SILVER	
		MC979549	BEZEL,HEADLAMP,RH	1	ARCADIA SILVER	
		MC979549	BEZEL,HEADLAMP,RH	1	ARCADIA SILVER	
		MC979549	BEZEL,HEADLAMP,RH	1	ARCADIA SILVER	
		MC979549	BEZEL,HEADLAMP,RH	1	ARCADIA SILVER	
		MC979550	BEZEL,HEADLAMP,RH	1	JUPITER GREEN	
		MC979550	BEZEL,HEADLAMP,RH	1	JUPITER GREEN	
		MC979550	BEZEL,HEADLAMP,RH	1	JUPITER GREEN	
		MC979550	BEZEL,HEADLAMP,RH	1	JUPITER GREEN	

FK74R
41-310 BUMPER (1/2)

SPN	PNC	Part No	Part Name	Qty	Part Spec	Rem
	80020R	MC979550	BEZEL,HEADLAMP,RH	1	JUPITER GREEN	
		MC979550	BEZEL,HEADLAMP,RH	1	JUPITER GREEN	
		MC979551	BEZEL,HEADLAMP,RH	1	FIJI GREEN	
		MC979551	BEZEL,HEADLAMP,RH	1	FIJI GREEN	
		MC979551	BEZEL,HEADLAMP,RH	1	FIJI GREEN	
		MC979551	BEZEL,HEADLAMP,RH	1	FIJI GREEN	
		MC979551	BEZEL,HEADLAMP,RH	1	FIJI GREEN	
		MC979551	BEZEL,HEADLAMP,RH	1	FIJI GREEN	
		MC979552	BEZEL,HEADLAMP,RH	1	FOREST GREEN	
		MC979552	BEZEL,HEADLAMP,RH	1	FOREST GREEN	
		MC979552	BEZEL,HEADLAMP,RH	1	FOREST GREEN	
		MC979552	BEZEL,HEADLAMP,RH	1	FOREST GREEN	
		MC979552	BEZEL,HEADLAMP,RH	1	FOREST GREEN	
		MC979552	BEZEL,HEADLAMP,RH	1	FOREST GREEN	
		MC979552	BEZEL,HEADLAMP,RH	1	FOREST GREEN	
		MC979552	BEZEL,HEADLAMP,RH	1	FOREST GREEN	
		MC979553	BEZEL,HEADLAMP,RH	1	BRIGHT ORANGE	
		MC979553	BEZEL,HEADLAMP,RH	1	BRIGHT ORANGE	
		MC979553	BEZEL,HEADLAMP,RH	1	BRIGHT ORANGE	
		MC979553	BEZEL,HEADLAMP,RH	1	BRIGHT ORANGE	

FK74R
41-310 BUMPER (1/2)

SPN	PNC	Part No	Part Name	Qty	Part Spec	Rem
	80020R	MC979553	BEZEL,HEADLAMP,RH	1	BRIGHT ORANGE	
		MC979553	BEZEL,HEADLAMP,RH	1	BRIGHT ORANGE	
		MC979554	BEZEL,HEADLAMP,RH	1	MARS RED	
		MC979554	BEZEL,HEADLAMP,RH	1	MARS RED	
		MC979554	BEZEL,HEADLAMP,RH	1	MARS RED	
		MC979554	BEZEL,HEADLAMP,RH	1	MARS RED	
		MC979554	BEZEL,HEADLAMP,RH	1	MARS RED	
		MC979554	BEZEL,HEADLAMP,RH	1	MARS RED	
		MC979554	BEZEL,HEADLAMP,RH	1	MARS RED	
		MC979555	BEZEL,HEADLAMP,RH	1	SHANNON BLUE	
		MC979555	BEZEL,HEADLAMP,RH	1	SHANNON BLUE	
		MC979555	BEZEL,HEADLAMP,RH	1	SHANNON BLUE	
		MC979555	BEZEL,HEADLAMP,RH	1	SHANNON BLUE	
		MC979556	BEZEL,HEADLAMP,RH	1	ACTIVE YELLOW	
		MC979556	BEZEL,HEADLAMP,RH	1	ACTIVE YELLOW	
		MC979556	BEZEL,HEADLAMP,RH	1	ACTIVE YELLOW	
		MC979556	BEZEL,HEADLAMP,RH	1	ACTIVE YELLOW	
		MC979556	BEZEL,HEADLAMP,RH	1	ACTIVE YELLOW	
		MC979556	BEZEL,HEADLAMP,RH	1	ACTIVE YELLOW	

FK74R
41-310 BUMPER (1/2)

SPN	PNC	Part No	Part Name	Qty	Part Spec	Rem
	80020R	MC979556	BEZEL,HEADLAMP,RH	1	ACTIVE YELLOW	
		MC979668	BEZEL,HEADLAMP,RH	1	SAGAWA SILVER	
		MC979668	BEZEL,HEADLAMP,RH	1	SAGAWA SILVER	
		MC979668	BEZEL,HEADLAMP,RH	1	SAGAWA SILVER	
		MC979668	BEZEL,HEADLAMP,RH	1	SAGAWA SILVER	
		MC979668	BEZEL,HEADLAMP,RH	1	SAGAWA SILVER	
		MC979668	BEZEL,HEADLAMP,RH	1	SAGAWA SILVER	
		MC979864	BEZEL,HEADLAMP,RH	1	SHIN FUKUTSU GREEN	
		MC979864	BEZEL,HEADLAMP,RH	1	SHIN FUKUTSU GREEN	
		MC979864	BEZEL,HEADLAMP,RH	1	SHIN FUKUTSU GREEN	
		MC979864	BEZEL,HEADLAMP,RH	1	SHIN FUKUTSU GREEN	
		MC979864	BEZEL,HEADLAMP,RH	1	SHIN FUKUTSU GREEN	
		MC979864	BEZEL,HEADLAMP,RH	1	SHIN FUKUTSU GREEN	
		MC979864	BEZEL,HEADLAMP,RH	1	SHIN FUKUTSU GREEN	
		MC979864	BEZEL,HEADLAMP,RH	1	SHIN FUKUTSU GREEN	
		MC979885	BEZEL,HEADLAMP,RH	1	ASAHI WHITE	
		MC979885	BEZEL,HEADLAMP,RH	1	ASAHI WHITE	
		MC979885	BEZEL,HEADLAMP,RH	1	ASAHI WHITE	
		MC979885	BEZEL,HEADLAMP,RH	1	ASAHI WHITE	
		MC979885	BEZEL,HEADLAMP,RH	1	ASAHI WHITE	

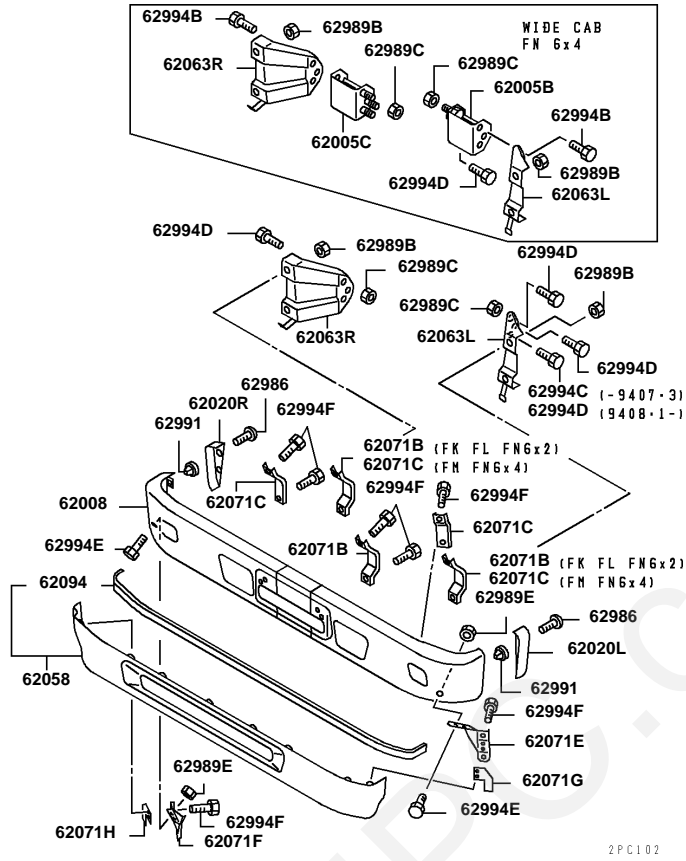
FK74R
41-310 BUMPER (1/2)

SPN	PNC	Part No	Part Name	Qty	Part Spec	Rem
	80020R	MC979885	BEZEL,HEADLAMP,RH	1	ASAHI WHITE	
		MK615056	BEZEL,HEADLAMP,RH	1	FUTABA BEIGE	
		MK615056	BEZEL,HEADLAMP,RH	1	FUTABA BEIGE	
		MK615056	BEZEL,HEADLAMP,RH	1	FUTABA BEIGE	
		MK615056	BEZEL,HEADLAMP,RH	1	FUTABA BEIGE	
		MK615056	BEZEL,HEADLAMP,RH	1	FUTABA BEIGE	
		MK615056	BEZEL,HEADLAMP,RH	1	FUTABA BEIGE	
		MK615056	BEZEL,HEADLAMP,RH	1	FUTABA BEIGE	
		MK615056	BEZEL,HEADLAMP,RH	1	FUTABA BEIGE	
		MK615056	BEZEL,HEADLAMP,RH	1	FUTABA BEIGE	
		MC976715	BEZEL,HEADLAMP,RH	1	AUS ORANGE	
		MC979593	BEZEL,HEADLAMP,RH	1	NATURAL WHITE	
		MC979594	BEZEL,HEADLAMP,RH	1	LIGHT BLUE	
		MC979595	BEZEL,HEADLAMP,RH	1	SONIC BLUE	
		MC979596	BEZEL,HEADLAMP,RH	1	SIRIUS SILVER	
		MC979597	BEZEL,HEADLAMP,RH	1	ARCADIA SILVER	
		MC979598	BEZEL,HEADLAMP,RH	1	JUPITER GREEN	
		MC979599	BEZEL,HEADLAMP,RH	1	FIJI GREEN	

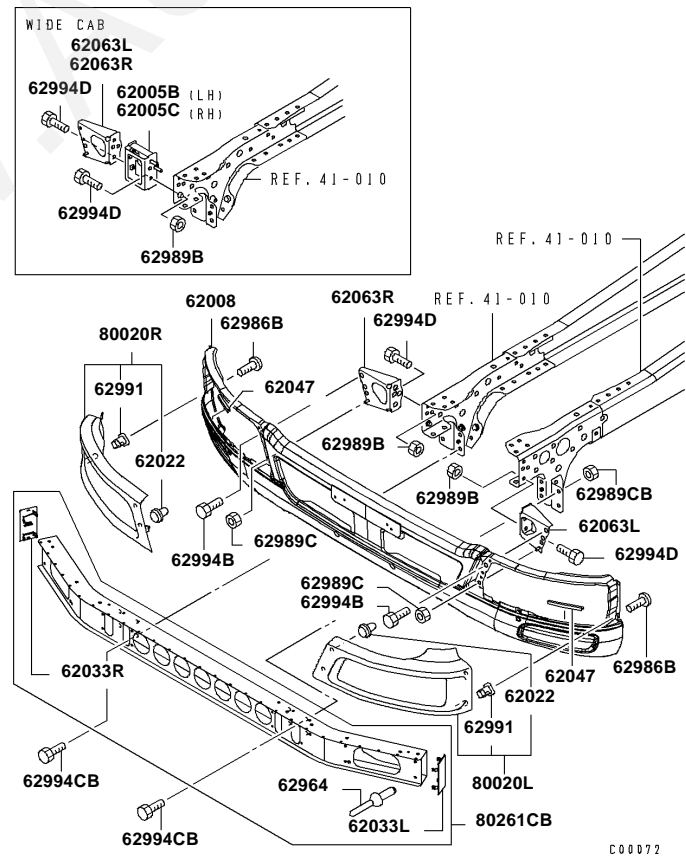
FK74R
41-310 BUMPER (1/2)

SPN	PNC	Part No	Part Name	Qty	Part Spec	Rem
	80020R	MC979600	BEZEL,HEADLAMP,RH	1	FOREST GREEN	
		MC979601	BEZEL,HEADLAMP,RH	1	BRIGHT ORANGE	
		MC979602	BEZEL,HEADLAMP,RH	1	MARS RED	
		MC979603	BEZEL,HEADLAMP,RH	1	SHANNON BLUE	
		MC979604	BEZEL,HEADLAMP,RH	1	ACTIVE YELLOW	
		MC979672	BEZEL,HEADLAMP,RH	1	SAGAWA SILVER	
		MC979883	BEZEL,HEADLAMP,RH	1	ASAHI WHITE	
		MC979924	BEZEL,HEADLAMP,RH	1	SHIN FUKUTSU GREEN	
		MK615058	BEZEL,HEADLAMP,RH	1	FUTABA BEIGE	
		MK548774	BEZEL,HEADLAMP,RH	1		
	80261CB	MK571986	STAY,FR LAMP	1		
		MK571987	STAY,FR LAMP	1		
		MK571986	STAY,FR LAMP	1		
		MK571987	STAY,FR LAMP	1		
	62008 62994C 62047 62033L 62964 62033R 64994D 64998H 64994F 64991	(Please refer to the page 2/2) (N.e.c.) (N.e.c.) (N.e.c.) (N.e.c.) (N.e.c.) (N.e.c.) (N.e.c.) (N.e.c.) (N.e.c.) (N.e.c.)	BUMPER,FR BOLT,FR BUMPER PROTECTOR,FR BUMPER COVER,FR BUMPER GUARD BAR,LWR OTR LH RIVET,FR BUMPER COVER,FR BUMPER GUARD BAR,LWR OTR RH NUT,RR BUMPER BOLT,RR BUMPER NUT,RR BUMPER SPACER,RR BUMPER	1		

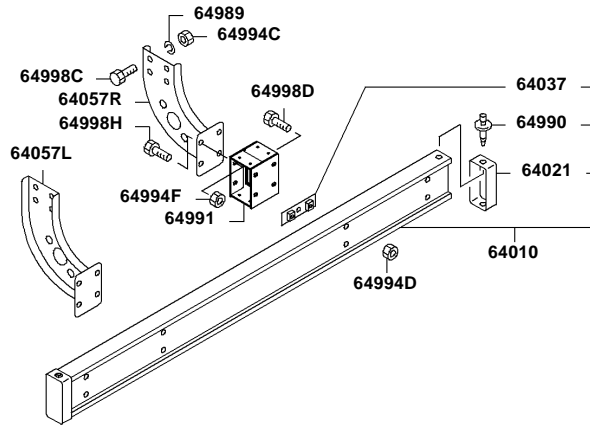
FK74R
No.1



FK74R
No.2



FK74R
No.3



C00050

Ref. |2041310-2

Page

FK74R
41-310 BUMPER (2/2)

Repl Part	PNC	Part No	Part Name	Qty	Part Spec	NEW1
	62008	MC924630	BUMPER,FR	1	DARK GRAY	
		MC924630	BUMPER,FR	1	DARK GRAY	
		MC924630	BUMPER,FR	1	DARK GRAY	
		MC924630	BUMPER,FR	1	DARK GRAY	
		MC924632	BUMPER,FR	1	DARK GRAY	
		MC924632	BUMPER,FR	1	DARK GRAY	
		MC924632	BUMPER,FR	1	DARK GRAY	
		MC924632	BUMPER,FR	1	DARK GRAY	
		MC934084	BUMPER,FR	1	NATURAL WHITE	
		MC934084	BUMPER,FR	1	NATURAL WHITE	
		MC934084	BUMPER,FR	1	NATURAL WHITE	
		MC934084	BUMPER,FR	1	NATURAL WHITE	
		MC934085	BUMPER,FR	1	WAVY BLUE	
		MC934085	BUMPER,FR	1	WAVY BLUE	
		MC934085	BUMPER,FR	1	WAVY BLUE	
		MC934085	BUMPER,FR	1	WAVY BLUE	
		MC934086	BUMPER,FR	1	NATURAL WHITE	
		MC934086	BUMPER,FR	1	NATURAL WHITE	

Ref. |2041310-2

Page

FK74R
41-310 BUMPER (2/2)

Repl Part	PNC	Part No	Part Name	Qty	Part Spec	NEW1
	62008	MC934086	BUMPER,FR	1	NATURAL WHITE	
		MC934086	BUMPER,FR	1	NATURAL WHITE	
		MC934087	BUMPER,FR	1	WAVY BLUE	
		MC934087	BUMPER,FR	1	WAVY BLUE	
		MC934087	BUMPER,FR	1	WAVY BLUE	
		MC934087	BUMPER,FR	1	WAVY BLUE	
		MC934087	BUMPER,FR	1	WAVY BLUE	
		MC934088	BUMPER,FR	1	SHIN FUKUTSU GREEN	
		MC934088	BUMPER,FR	1	SHIN FUKUTSU GREEN	
		MC934088	BUMPER,FR	1	SHIN FUKUTSU GREEN	
		MC934088	BUMPER,FR	1	SHIN FUKUTSU GREEN	
		MC934089	BUMPER,FR	1	NIKKEN GREEN	
		MC934089	BUMPER,FR	1	NIKKEN GREEN	
		MC934089	BUMPER,FR	1	NIKKEN GREEN	
		MC938530	BUMPER,FR	1	NEW NIKKEN GREEN	
		MC938530	BUMPER,FR	1	NEW NIKKEN GREEN	
		MC938530	BUMPER,FR	1	NEW NIKKEN GREEN	
		MC939410	BUMPER,FR	1	YUUTEI RED	
		MC939410	BUMPER,FR	1	YUUTEI RED	
		MC939410	BUMPER,FR	1	YUUTEI RED	
		MC966824	BUMPER,FR	1	LIGHT BLUE	
		MC966824	BUMPER,FR	1	LIGHT BLUE	
		MC966824	BUMPER,FR	1	LIGHT BLUE	
		MC967220	BUMPER,FR	1	WARM SILVER METALIC	
		MC967220	BUMPER,FR	1	WARM SILVER METALIC	
		MC967220	BUMPER,FR	1	WARM SILVER METALIC	
		MC967220	BUMPER,FR	1	WARM SILVER METALIC	
		MK323347	BUMPER,FR	1	LIGHT BLUE	
		MK323347	BUMPER,FR	1	LIGHT BLUE	
		MK323347	BUMPER,FR	1	LIGHT BLUE	
		MK323348	BUMPER,FR	1	WARM SILVER METALIC	
		MK323348	BUMPER,FR	1	WARM SILVER METALIC	
		MK323348	BUMPER,FR	1	WARM SILVER METALIC	
		MK323348	BUMPER,FR	1	WARM SILVER METALIC	
		MK434515	BUMPER,FR	1	VENUS YELLOW	
		MK434515	BUMPER,FR	1	VENUS YELLOW	
		MK434515	BUMPER,FR	1	VENUS YELLOW	
		MK434515	BUMPER,FR	1	VENUS YELLOW	

FK74R
41-310 BUMPER (2/2)

Repl Part	PNC	Part No	Part Name	Qty	Part Spec	NEW1
	62008	MK434516	BUMPER,FR	1		
		MK434516	BUMPER,FR	1		
		MK434516	BUMPER,FR	1		
		MK434516	BUMPER,FR	1		
		MK434517	BUMPER,FR	1	URANUS BLUE	
		MK434517	BUMPER,FR	1	URANUS BLUE	
		MK434517	BUMPER,FR	1	URANUS BLUE	
		MK434517	BUMPER,FR	1	URANUS BLUE	
		MK434518	BUMPER,FR	1	SHANNON BLUE	
		MK434518	BUMPER,FR	1	SHANNON BLUE	
		MK434518	BUMPER,FR	1	SHANNON BLUE	
		MK434518	BUMPER,FR	1	SHANNON BLUE	
		MK434519	BUMPER,FR	1	JUPITER GREEN	
		MK434519	BUMPER,FR	1	JUPITER GREEN	
		MK434519	BUMPER,FR	1	JUPITER GREEN	
		MK434519	BUMPER,FR	1	JUPITER GREEN	
		MK434520	BUMPER,FR	1	BRIGHT ORANGE	
		MK434520	BUMPER,FR	1	BRIGHT ORANGE	
		MK434520	BUMPER,FR	1	BRIGHT ORANGE	
		MK434520	BUMPER,FR	1	BRIGHT ORANGE	
		MK434521	BUMPER,FR	1	MARS RED	
		MK434521	BUMPER,FR	1	MARS RED	
		MK434521	BUMPER,FR	1	MARS RED	
		MK434521	BUMPER,FR	1	MARS RED	
		MK434522	BUMPER,FR	1	FIJI GREEN	
		MK434522	BUMPER,FR	1	FIJI GREEN	
		MK434522	BUMPER,FR	1	FIJI GREEN	
		MK434522	BUMPER,FR	1	FIJI GREEN	
		MK434523	BUMPER,FR	1	LEAF GREEN	
		MK434523	BUMPER,FR	1	LEAF GREEN	
		MK434523	BUMPER,FR	1	LEAF GREEN	
		MK434523	BUMPER,FR	1	LEAF GREEN	
		MK434524	BUMPER,FR	1	VENUS YELLOW	
		MK434524	BUMPER,FR	1	VENUS YELLOW	
		MK434524	BUMPER,FR	1	VENUS YELLOW	
		MK434524	BUMPER,FR	1	VENUS YELLOW	
		MK434524	BUMPER,FR	1	MEXICAN YELLOW	
		MK434525	BUMPER,FR	1	MEXICAN YELLOW	
		MK434525	BUMPER,FR	1	MEXICAN YELLOW	
		MK434525	BUMPER,FR	1	MEXICAN YELLOW	
		MK434525	BUMPER,FR	1	MEXICAN YELLOW	
		MK434525	BUMPER,FR	1	URANUS BLUE	
		MK434526	BUMPER,FR	1	URANUS BLUE	

FK74R
41-310 BUMPER (2/2)

Repl Part	PNC	Part No	Part Name	Qty	Part Spec	NEW1
	62008	MK434526	BUMPER,FR	1	URANUS BLUE	
		MK434526	BUMPER,FR	1	URANUS BLUE	
		MK434526	BUMPER,FR	1	URANUS BLUE	
		MK434527	BUMPER,FR	1	SHANNON BLUE	
		MK434527	BUMPER,FR	1	SHANNON BLUE	
		MK434527	BUMPER,FR	1	SHANNON BLUE	
		MK434528	BUMPER,FR	1	JUPITER GREEN	
		MK434528	BUMPER,FR	1	JUPITER GREEN	
		MK434528	BUMPER,FR	1	JUPITER GREEN	
		MK434529	BUMPER,FR	1	BRIGHT ORANGE	
		MK434529	BUMPER,FR	1	BRIGHT ORANGE	
		MK434529	BUMPER,FR	1	BRIGHT ORANGE	
		MK434529	BUMPER,FR	1	BRIGHT ORANGE	
		MK434530	BUMPER,FR	1	MARS RED	
		MK434530	BUMPER,FR	1	MARS RED	
		MK434530	BUMPER,FR	1	MARS RED	
		MK434531	BUMPER,FR	1	FIJI GREEN	
		MK434531	BUMPER,FR	1	FIJI GREEN	
		MK434531	BUMPER,FR	1	FIJI GREEN	
		MK434531	BUMPER,FR	1	FIJI GREEN	
		MK434532	BUMPER,FR	1	LEAF GREEN	
		MK434532	BUMPER,FR	1	LEAF GREEN	
		MK434532	BUMPER,FR	1	LEAF GREEN	
		MK461889	BUMPER,FR	1	NITTUU YELLOW	
		MK461889	BUMPER,FR	1	NITTUU YELLOW	
		MK461889	BUMPER,FR	1	NITTUU YELLOW	
		MK461890	BUMPER,FR	1	NITTUU YELLOW	
		MK461890	BUMPER,FR	1	NITTUU YELLOW	
		MK461890	BUMPER,FR	1	NITTUU YELLOW	
		MK461890	BUMPER,FR	1	NITTUU YELLOW	
		MK484724	BUMPER,FR	1	ASAHI WHITE	
		MK484724	BUMPER,FR	1	ASAHI WHITE	
		MK484724	BUMPER,FR	1	ASAHI WHITE	
		MK484725	BUMPER,FR	1	ASAHI WHITE	
		MK484725	BUMPER,FR	1	ASAHI WHITE	

FK74R
41-310 BUMPER (2/2)

Repl Part	PNC	Part No	Part Name	Qty	Part Spec	NEW1
	62008	MK484725	BUMPER,FR	1	ASAHI WHITE	
		MK484725	BUMPER,FR	1	ASAHI WHITE	
		MK485359	BUMPER,FR	1	SAGAWA SILVER	
		MK485359	BUMPER,FR	1	SAGAWA SILVER	
		MK485359	BUMPER,FR	1	SAGAWA SILVER	
		MK485359	BUMPER,FR	1	SAGAWA SILVER	
		MK485360	BUMPER,FR	1	SAGAWA SILVER	
		MK485360	BUMPER,FR	1	SAGAWA SILVER	
		MK485360	BUMPER,FR	1	SAGAWA SILVER	
		MK485360	BUMPER,FR	1	SAGAWA SILVER	
		MK485360	BUMPER,FR	1	SAGAWA SILVER	
		MK615096	BUMPER,FR	1	ACTIVE YELLOW	
		MK615096	BUMPER,FR	1	ACTIVE YELLOW	
		MK615096	BUMPER,FR	1	ACTIVE YELLOW	
		MK615096	BUMPER,FR	1	ACTIVE YELLOW	
		MC930439	BUMPER,FR	1	DARK GRAY	
		MC930441	BUMPER,FR	1	DARK GRAY	
		MC934096	BUMPER,FR	1	NATURAL WHITE	
		MC934097	BUMPER,FR	1	WAVY BLUE	
		MC934098	BUMPER,FR	1	NATURAL WHITE	
		MC934099	BUMPER,FR	1	WAVY BLUE	
		MC966827	BUMPER,FR	1	LIGHT BLUE	
		MC966828	BUMPER,FR	1	LIGHT BLUE	
		MC967223	BUMPER,FR	1	WARM SILVER METALIC	
		MC967224	BUMPER,FR	1	WARM SILVER METALIC	
		MK434533	BUMPER,FR	2	VENUS YELLOW	
		MK434534	BUMPER,FR	2	MEXICAN YELLOW	
		MK434535	BUMPER,FR	2	URANUS BLUE	
		MK434536	BUMPER,FR	2	SHANNON BLUE	
		MK434537	BUMPER,FR	2	JUPITER GREEN	
		MK434538	BUMPER,FR	2	BRIGHT ORANGE	
		MK434539	BUMPER,FR	2	MARS RED	
		MK434540	BUMPER,FR	2	FIJI GREEN	
		MK434541	BUMPER,FR	2	LEAF GREEN	
		MK434542	BUMPER,FR	2	VENUS YELLOW	
		MK434543	BUMPER,FR	2	MEXICAN YELLOW	
		MK434544	BUMPER,FR	2	URANUS BLUE	
		MK434545	BUMPER,FR	2	SHANNON BLUE	
		MK434546	BUMPER,FR	2	JUPITER GREEN	

FK74R
41-310 BUMPER (2/2)

Repl Part	PNC	Part No	Part Name	Qty	Part Spec	NEW1
	62008	MK434547	BUMPER,FR	2	BRIGHT ORANGE	
		MK434548	BUMPER,FR	2	MARS RED	
		MK434549	BUMPER,FR	2	FIJI GREEN	
		MK434550	BUMPER,FR	2	LEAF GREEN	
		MK461893	BUMPER,FR	1	NITTUU YELLOW	
		MK461894	BUMPER,FR	1	NITTUU YELLOW	
		MK484728	BUMPER,FR	1	ASAHI WHITE	
		MK484729	BUMPER,FR	1	ASAHI WHITE	
		MK485363	BUMPER,FR	1	SAGAWA SILVER	
		MK485364	BUMPER,FR	1	SAGAWA SILVER	
		MC924631	BUMPER,FR	1		
		MC924633	BUMPER,FR	1		
		MC930440	BUMPER,FR	1		
		MC930442	BUMPER,FR	1		
RP		MC979056	BUMPER,FR	1	LIGHT BLUE	Y
RP		MC979057	BUMPER,FR	1	SONIC BLUE	Y
RP		MC979058	BUMPER,FR	1	SIRIUS SILVER	Y
RP		MC979059	BUMPER,FR	1	ARCADIA SILVER	Y
RP		MC979060	BUMPER,FR	1	JUPITER GREEN	Y
RP		MC979061	BUMPER,FR	1	FIJI GREEN	Y
RP		MC979062	BUMPER,FR	1	FOREST GREEN	Y
RP		MC979063	BUMPER,FR	1	BRIGHT ORANGE	Y
RP		MC979064	BUMPER,FR	1	MARS RED	Y
RP		MC979065	BUMPER,FR	1	SHANNON BLUE	Y
RP		MC979066	BUMPER,FR	1	ACTIVE YELLOW	Y
RP		MC979100	BUMPER,FR	1	LIGHT BLUE	Y
RP		MC979101	BUMPER,FR	1	SONIC BLUE	Y
RP		MC979102	BUMPER,FR	1	SIRIUS SILVER	Y
RP		MC979103	BUMPER,FR	1	ARCADIA SILVER	Y
RP		MC979104	BUMPER,FR	1	JUPITER GREEN	Y
RP		MC979105	BUMPER,FR	1	FIJI GREEN	Y
RP		MC979106	BUMPER,FR	1	FOREST GREEN	Y
RP		MC979107	BUMPER,FR	1	BRIGHT ORANGE	Y
RP		MC979108	BUMPER,FR	1	MARS RED	Y
RP		MC979109	BUMPER,FR	1	SHANNON BLUE	Y
RP		MC979110	BUMPER,FR	1	ACTIVE YELLOW	Y
RP		MC979687	BUMPER,FR	1	SAGAWA SILVER	Y
RP		MC979691	BUMPER,FR	1	SAGAWA SILVER	Y
RP		MC979872	BUMPER,FR	1	SHIN FUKUTSU GREEN	Y
RP		MC979888	BUMPER,FR	1	ASAHI WHITE	Y
RP		MC979890	BUMPER,FR	1	ASAHI WHITE	Y
RP		MC979905	BUMPER,FR	1	SHIN FUKUTSU GREEN	Y
RP		MK486319	BUMPER,FR	1	NATURAL WHITE	Y
RP		MK488892	BUMPER,FR	1	NATURAL WHITE	Y
RP		MK615048	BUMPER,FR	1	FUTABA BEIGE	Y
RP		MK615050	BUMPER,FR	1	FUTABA BEIGE	Y
RP		MC979028	BUMPER,FR	1	NATURAL WHITE	Y
RP		MC979122	BUMPER,FR	1	LIGHT BLUE	Y
RP		MC979123	BUMPER,FR	1	SONIC BLUE	Y
RP		MC979124	BUMPER,FR	1	SIRIUS SILVER	Y

FK74R
41-310 BUMPER (2/2)

Repl Part	PNC	Part No	Part Name	Qty	Part Spec	NEW1
RP	62008	MC979125	BUMPER,FR	1	ARCADIA SILVER	Y
RP		MC979126	BUMPER,FR	1	JUPITER GREEN	Y
RP		MC979127	BUMPER,FR	1	FIJI GREEN	Y
RP		MC979128	BUMPER,FR	1	FOREST GREEN	Y
RP		MC979129	BUMPER,FR	1	BRIGHT ORANGE	Y
RP		MC979130	BUMPER,FR	1	MARS RED	Y
RP		MC979131	BUMPER,FR	1	SHANNON BLUE	Y
RP		MC979132	BUMPER,FR	1	ACTIVE YELLOW	Y
RP		MC979146	BUMPER,FR	1	NATURAL WHITE	Y
RP		MC979147	BUMPER,FR	1	LIGHT BLUE	Y
RP		MC979148	BUMPER,FR	1	SONIC BLUE	Y
RP		MC979149	BUMPER,FR	1	SIRIUS SILVER	Y
RP		MC979150	BUMPER,FR	1	ARCADIA SILVER	Y
RP		MC979151	BUMPER,FR	1	JUPITER GREEN	Y
RP		MC979152	BUMPER,FR	1	FIJI GREEN	Y
RP		MC979153	BUMPER,FR	1	FOREST GREEN	Y
RP		MC979154	BUMPER,FR	1	BRIGHT ORANGE	Y
RP		MC979155	BUMPER,FR	1	MARS RED	Y
RP		MC979156	BUMPER,FR	1	SHANNON BLUE	Y
RP		MC979157	BUMPER,FR	1	ACTIVE YELLOW	Y
RP		MC979693	BUMPER,FR	1	SAGAWA SILVER	Y
RP		MC979695	BUMPER,FR	1	SAGAWA SILVER	Y
RP		MC979889	BUMPER,FR	1	ASAHI WHITE	Y
RP		MC979891	BUMPER,FR	1	ASAHI WHITE	Y

FK74R
41-310 BUMPER (2/2)

Repl Part	PNC	Part No	Part Name	Qty	Part Spec	NEW1
RP	62008	MC979910	BUMPER,FR	1	SHIN FUKUTSU GREEN	Y
RP		MC979912	BUMPER,FR	1	SHIN FUKUTSU GREEN	Y
RP		MK615051	BUMPER,FR	1	FUTABA BEIGE	Y
RP		MK615052	BUMPER,FR	1	FUTABA BEIGE	Y
RP		MC979078	BUMPER,FR	1	LIGHT BLUE	Y
RP		MC979079	BUMPER,FR	1	SONIC BLUE	Y
RP		MC979080	BUMPER,FR	1	SIRIUS SILVER	Y
RP		MC979081	BUMPER,FR	1	ARCADIA SILVER	Y
RP		MC979082	BUMPER,FR	1	JUPITER GREEN	Y
RP		MC979083	BUMPER,FR	1	FIJI GREEN	Y
RP		MC979084	BUMPER,FR	1	FOREST GREEN	Y
RP		MC979085	BUMPER,FR	1	BRIGHT ORANGE	Y
RP		MC979086	BUMPER,FR	1	MARS RED	Y
RP		MC979087	BUMPER,FR	1	SHANNON BLUE	Y
RP		MC979088	BUMPER,FR	1	ACTIVE YELLOW	Y
RP		MC979518	BUMPER,FR	1	NATURAL WHITE	Y
RP		MC979519	BUMPER,FR	1	LIGHT BLUE	Y
RP		MC979520	BUMPER,FR	1	SONIC BLUE	Y
RP		MC979521	BUMPER,FR	1	SIRIUS SILVER	Y
RP		MC979522	BUMPER,FR	1	ARCADIA SILVER	Y
RP		MC979523	BUMPER,FR	1	JUPITER GREEN	Y
RP		MC979524	BUMPER,FR	1	FIJI GREEN	Y
RP		MC979525	BUMPER,FR	1	FOREST GREEN	Y
RP		MC979526	BUMPER,FR	1	BRIGHT ORANGE	Y

FK74R
41-310 BUMPER (2/2)

Repl Part	PNC	Part No	Part Name	Qty	Part Spec	NEW1
RP	62008	MC979527	BUMPER,FR	1	MARS RED	Y
RP		MC979528	BUMPER,FR	1	SHANNON BLUE	Y
RP		MC979529	BUMPER,FR	1	ACTIVE YELLOW	Y
RP		MC979689	BUMPER,FR	1	SAGAWA SILVER	Y
RP		MC979701	BUMPER,FR	1	SAGAWA SILVER	Y
RP		MC979892	BUMPER,FR	1	ASAHI WHITE	Y
RP		MC979893	BUMPER,FR	1	ASAHI WHITE	Y
RP		MC979907	BUMPER,FR	1	SHIN FUKUTSU GREEN	Y
RP		MC979918	BUMPER,FR	1	SHIN FUKUTSU GREEN	Y
RP		MK486321	BUMPER,FR	1	NATURAL WHITE	Y
RP		MK615049	BUMPER,FR	1	FUTABA BEIGE	Y
RP		MK615053	BUMPER,FR	1	FUTABA BEIGE	Y
		MK546605	BUMPER,FR	1	CHROME PLATING	
		MK546609	BUMPER,FR	1	CHROME PLATING	
RP		MC979056	BUMPER,FR	1	LIGHT BLUE	Y
RP		MC979056	BUMPER,FR	1	LIGHT BLUE	Y
RP		MC979056	BUMPER,FR	1	LIGHT BLUE	Y
RP		MC979056	BUMPER,FR	1	LIGHT BLUE	Y
RP		MC979056	BUMPER,FR	1	LIGHT BLUE	Y
RP		MC979056	BUMPER,FR	1	LIGHT BLUE	Y
RP		MC979056	BUMPER,FR	1	LIGHT BLUE	Y
RP		MC979056	BUMPER,FR	1	LIGHT BLUE	Y
RP		MC979056	BUMPER,FR	1	LIGHT BLUE	Y
RP		MC979057	BUMPER,FR	1	SONIC BLUE	Y
RP		MC979057	BUMPER,FR	1	SONIC BLUE	Y
RP		MC979057	BUMPER,FR	1	SONIC BLUE	Y
RP		MC979057	BUMPER,FR	1	SONIC BLUE	Y
RP		MC979057	BUMPER,FR	1	SONIC BLUE	Y
RP		MC979057	BUMPER,FR	1	SONIC BLUE	Y
RP		MC979057	BUMPER,FR	1	SONIC BLUE	Y
RP		MC979057	BUMPER,FR	1	SONIC BLUE	Y
RP		MC979057	BUMPER,FR	1	SONIC BLUE	Y
RP		MC979057	BUMPER,FR	1	SONIC BLUE	Y

FK74R
41-310 BUMPER (2/2)

Repl Part	PNC	Part No	Part Name	Qty	Part Spec	NEW1
RP	62008	MC979058	BUMPER,FR	1	SIRIUS SILVER	Y
RP		MC979058	BUMPER,FR	1	SIRIUS SILVER	Y
RP		MC979058	BUMPER,FR	1	SIRIUS SILVER	Y
RP		MC979058	BUMPER,FR	1	SIRIUS SILVER	Y
RP		MC979058	BUMPER,FR	1	SIRIUS SILVER	Y
RP		MC979058	BUMPER,FR	1	SIRIUS SILVER	Y
RP		MC979058	BUMPER,FR	1	SIRIUS SILVER	Y
RP		MC979059	BUMPER,FR	1	ARCADIA SILVER	Y
RP		MC979059	BUMPER,FR	1	ARCADIA SILVER	Y
RP		MC979059	BUMPER,FR	1	ARCADIA SILVER	Y
RP		MC979059	BUMPER,FR	1	ARCADIA SILVER	Y
RP		MC979059	BUMPER,FR	1	ARCADIA SILVER	Y
RP		MC979059	BUMPER,FR	1	ARCADIA SILVER	Y
RP		MC979059	BUMPER,FR	1	ARCADIA SILVER	Y
RP		MC979060	BUMPER,FR	1	JUPITER GREEN	Y
RP		MC979060	BUMPER,FR	1	JUPITER GREEN	Y
RP		MC979060	BUMPER,FR	1	JUPITER GREEN	Y
RP		MC979060	BUMPER,FR	1	JUPITER GREEN	Y
RP		MC979060	BUMPER,FR	1	JUPITER GREEN	Y
RP		MC979060	BUMPER,FR	1	JUPITER GREEN	Y
RP		MC979060	BUMPER,FR	1	JUPITER GREEN	Y
RP		MC979060	BUMPER,FR	1	JUPITER GREEN	Y
RP		MC979060	BUMPER,FR	1	JUPITER GREEN	Y
RP		MC979061	BUMPER,FR	1	FIJI GREEN	Y
RP		MC979061	BUMPER,FR	1	FIJI GREEN	Y
RP		MC979061	BUMPER,FR	1	FIJI GREEN	Y
RP		MC979061	BUMPER,FR	1	FIJI GREEN	Y
RP		MC979061	BUMPER,FR	1	FIJI GREEN	Y
RP		MC979061	BUMPER,FR	1	FIJI GREEN	Y
RP		MC979061	BUMPER,FR	1	FIJI GREEN	Y
RP		MC979061	BUMPER,FR	1	FIJI GREEN	Y
RP		MC979062	BUMPER,FR	1	FOREST GREEN	Y
RP		MC979062	BUMPER,FR	1	FOREST GREEN	Y
RP		MC979062	BUMPER,FR	1	FOREST GREEN	Y

FK74R
41-310 BUMPER (2/2)

Repl Part	PNC	Part No	Part Name	Qty	Part Spec	NEW1
RP	62008	MC979062	BUMPER,FR	1	FOREST GREEN	Y
RP		MC979062	BUMPER,FR	1	FOREST GREEN	Y
RP		MC979063	BUMPER,FR	1	BRIGHT ORANGE	Y
RP		MC979063	BUMPER,FR	1	BRIGHT ORANGE	Y
RP		MC979063	BUMPER,FR	1	BRIGHT ORANGE	Y
RP		MC979063	BUMPER,FR	1	BRIGHT ORANGE	Y
RP		MC979063	BUMPER,FR	1	BRIGHT ORANGE	Y
RP		MC979063	BUMPER,FR	1	BRIGHT ORANGE	Y
RP		MC979063	BUMPER,FR	1	BRIGHT ORANGE	Y
RP		MC979064	BUMPER,FR	1	MARS RED	Y
RP		MC979064	BUMPER,FR	1	MARS RED	Y
RP		MC979064	BUMPER,FR	1	MARS RED	Y
RP		MC979064	BUMPER,FR	1	MARS RED	Y
RP		MC979064	BUMPER,FR	1	MARS RED	Y
RP		MC979064	BUMPER,FR	1	MARS RED	Y
RP		MC979064	BUMPER,FR	1	MARS RED	Y
RP		MC979064	BUMPER,FR	1	MARS RED	Y
RP		MC979065	BUMPER,FR	1	SHANNON BLUE	Y
RP		MC979065	BUMPER,FR	1	SHANNON BLUE	Y
RP		MC979065	BUMPER,FR	1	SHANNON BLUE	Y
RP		MC979065	BUMPER,FR	1	SHANNON BLUE	Y
RP		MC979065	BUMPER,FR	1	SHANNON BLUE	Y
RP		MC979065	BUMPER,FR	1	SHANNON BLUE	Y
RP		MC979065	BUMPER,FR	1	SHANNON BLUE	Y
RP		MC979066	BUMPER,FR	1	ACTIVE YELLOW	Y
RP		MC979066	BUMPER,FR	1	ACTIVE YELLOW	Y
RP		MC979066	BUMPER,FR	1	ACTIVE YELLOW	Y
RP		MC979066	BUMPER,FR	1	ACTIVE YELLOW	Y
RP		MC979066	BUMPER,FR	1	ACTIVE YELLOW	Y
RP		MC979100	BUMPER,FR	1	LIGHT BLUE	Y
RP		MC979100	BUMPER,FR	1	LIGHT BLUE	Y
RP		MC979100	BUMPER,FR	1	LIGHT BLUE	Y

FK74R
41-310 BUMPER (2/2)

Repl Part	PNC	Part No	Part Name	Qty	Part Spec	NEW1
RP	62008	MC979100	BUMPER,FR	1	LIGHT BLUE	Y
RP		MC979100	BUMPER,FR	1	LIGHT BLUE	Y
RP		MC979100	BUMPER,FR	1	LIGHT BLUE	Y
RP		MC979101	BUMPER,FR	1	SONIC BLUE	Y
RP		MC979101	BUMPER,FR	1	SONIC BLUE	Y
RP		MC979101	BUMPER,FR	1	SONIC BLUE	Y
RP		MC979101	BUMPER,FR	1	SONIC BLUE	Y
RP		MC979101	BUMPER,FR	1	SONIC BLUE	Y
RP		MC979101	BUMPER,FR	1	SONIC BLUE	Y
RP		MC979101	BUMPER,FR	1	SONIC BLUE	Y
RP		MC979101	BUMPER,FR	1	SONIC BLUE	Y
RP		MC979101	BUMPER,FR	1	SONIC BLUE	Y
RP		MC979102	BUMPER,FR	1	SIRIUS SILVER	Y
RP		MC979102	BUMPER,FR	1	SIRIUS SILVER	Y
RP		MC979102	BUMPER,FR	1	SIRIUS SILVER	Y
RP		MC979102	BUMPER,FR	1	SIRIUS SILVER	Y
RP		MC979102	BUMPER,FR	1	SIRIUS SILVER	Y
RP		MC979102	BUMPER,FR	1	SIRIUS SILVER	Y
RP		MC979103	BUMPER,FR	1	ARCADIA SILVER	Y
RP		MC979103	BUMPER,FR	1	ARCADIA SILVER	Y
RP		MC979103	BUMPER,FR	1	ARCADIA SILVER	Y
RP		MC979103	BUMPER,FR	1	ARCADIA SILVER	Y
RP		MC979103	BUMPER,FR	1	ARCADIA SILVER	Y
RP		MC979103	BUMPER,FR	1	ARCADIA SILVER	Y
RP		MC979103	BUMPER,FR	1	ARCADIA SILVER	Y
RP		MC979104	BUMPER,FR	1	JUPITER GREEN	Y
RP		MC979104	BUMPER,FR	1	JUPITER GREEN	Y
RP		MC979104	BUMPER,FR	1	JUPITER GREEN	Y
RP		MC979104	BUMPER,FR	1	JUPITER GREEN	Y
RP		MC979104	BUMPER,FR	1	JUPITER GREEN	Y
RP		MC979104	BUMPER,FR	1	JUPITER GREEN	Y
RP		MC979105	BUMPER,FR	1	FIJI GREEN	Y
RP		MC979105	BUMPER,FR	1	FIJI GREEN	Y

FK74R
41-310 BUMPER (2/2)

Repl Part	PNC	Part No	Part Name	Qty	Part Spec	NEW1
RP	62008	MC979105	BUMPER,FR	1	FIJI GREEN	Y
RP		MC979105	BUMPER,FR	1	FIJI GREEN	Y
RP		MC979105	BUMPER,FR	1	FIJI GREEN	Y
RP		MC979105	BUMPER,FR	1	FIJI GREEN	Y
RP		MC979106	BUMPER,FR	1	FOREST GREEN	Y
RP		MC979106	BUMPER,FR	1	FOREST GREEN	Y
RP		MC979106	BUMPER,FR	1	FOREST GREEN	Y
RP		MC979106	BUMPER,FR	1	FOREST GREEN	Y
RP		MC979106	BUMPER,FR	1	FOREST GREEN	Y
RP		MC979106	BUMPER,FR	1	FOREST GREEN	Y
RP		MC979107	BUMPER,FR	1	BRIGHT ORANGE	Y
RP		MC979107	BUMPER,FR	1	BRIGHT ORANGE	Y
RP		MC979107	BUMPER,FR	1	BRIGHT ORANGE	Y
RP		MC979107	BUMPER,FR	1	BRIGHT ORANGE	Y
RP		MC979107	BUMPER,FR	1	BRIGHT ORANGE	Y
RP		MC979107	BUMPER,FR	1	BRIGHT ORANGE	Y
RP		MC979107	BUMPER,FR	1	BRIGHT ORANGE	Y
RP		MC979108	BUMPER,FR	1	MARS RED	Y
RP		MC979108	BUMPER,FR	1	MARS RED	Y
RP		MC979108	BUMPER,FR	1	MARS RED	Y
RP		MC979108	BUMPER,FR	1	MARS RED	Y
RP		MC979108	BUMPER,FR	1	MARS RED	Y
RP		MC979108	BUMPER,FR	1	MARS RED	Y
RP		MC979109	BUMPER,FR	1	SHANNON BLUE	Y
RP		MC979109	BUMPER,FR	1	SHANNON BLUE	Y
RP		MC979109	BUMPER,FR	1	SHANNON BLUE	Y
RP		MC979109	BUMPER,FR	1	SHANNON BLUE	Y
RP		MC979109	BUMPER,FR	1	SHANNON BLUE	Y
RP		MC979110	BUMPER,FR	1	ACTIVE YELLOW	Y

FK74R
41-310 BUMPER (2/2)

Repl Part	PNC	Part No	Part Name	Qty	Part Spec	NEW1
RP	62008	MC979110	BUMPER,FR	1	ACTIVE YELLOW	Y
RP		MC979110	BUMPER,FR	1	ACTIVE YELLOW	Y
RP		MC979110	BUMPER,FR	1	ACTIVE YELLOW	Y
RP		MC979110	BUMPER,FR	1	ACTIVE YELLOW	Y
RP		MC979110	BUMPER,FR	1	ACTIVE YELLOW	Y
RP		MC979687	BUMPER,FR	1	SAGAWA SILVER	Y
RP		MC979687	BUMPER,FR	1	SAGAWA SILVER	Y
RP		MC979687	BUMPER,FR	1	SAGAWA SILVER	Y
RP		MC979687	BUMPER,FR	1	SAGAWA SILVER	Y
RP		MC979687	BUMPER,FR	1	SAGAWA SILVER	Y
RP		MC979691	BUMPER,FR	1	SAGAWA SILVER	Y
RP		MC979691	BUMPER,FR	1	SAGAWA SILVER	Y
RP		MC979691	BUMPER,FR	1	SAGAWA SILVER	Y
RP		MC979691	BUMPER,FR	1	SAGAWA SILVER	Y
RP		MC979691	BUMPER,FR	1	SAGAWA SILVER	Y
RP		MC979691	BUMPER,FR	1	SAGAWA SILVER	Y
RP		MC979691	BUMPER,FR	1	SAGAWA SILVER	Y
RP		MC979872	BUMPER,FR	1	SHIN FUKUTSU GREEN	Y
RP		MC979872	BUMPER,FR	1	SHIN FUKUTSU GREEN	Y
RP		MC979872	BUMPER,FR	1	SHIN FUKUTSU GREEN	Y
RP		MC979872	BUMPER,FR	1	SHIN FUKUTSU GREEN	Y
RP		MC979872	BUMPER,FR	1	SHIN FUKUTSU GREEN	Y
RP		MC979888	BUMPER,FR	1	ASAHI WHITE	Y
RP		MC979888	BUMPER,FR	1	ASAHI WHITE	Y
RP		MC979888	BUMPER,FR	1	ASAHI WHITE	Y
RP		MC979888	BUMPER,FR	1	ASAHI WHITE	Y
RP		MC979888	BUMPER,FR	1	ASAHI WHITE	Y
RP		MC979888	BUMPER,FR	1	ASAHI WHITE	Y

FK74R
41-310 BUMPER (2/2)

Repl Part	PNC	Part No	Part Name	Qty	Part Spec	NEW1
RP	62008	MC979890	BUMPER,FR	1	ASAHI WHITE	Y
RP		MC979890	BUMPER,FR	1	ASAHI WHITE	Y
RP		MC979890	BUMPER,FR	1	ASAHI WHITE	Y
RP		MC979890	BUMPER,FR	1	ASAHI WHITE	Y
RP		MC979890	BUMPER,FR	1	ASAHI WHITE	Y
RP		MC979890	BUMPER,FR	1	ASAHI WHITE	Y
RP		MC979905	BUMPER,FR	1	SHIN FUKUTSU GREEN	Y
RP		MC979905	BUMPER,FR	1	SHIN FUKUTSU GREEN	Y
RP		MC979905	BUMPER,FR	1	SHIN FUKUTSU GREEN	Y
RP		MC979905	BUMPER,FR	1	SHIN FUKUTSU GREEN	Y
RP		MC979905	BUMPER,FR	1	SHIN FUKUTSU GREEN	Y
RP		MC979905	BUMPER,FR	1	SHIN FUKUTSU GREEN	Y
RP		MK486319	BUMPER,FR	1	NATURAL WHITE	Y
RP		MK486319	BUMPER,FR	1	NATURAL WHITE	Y
RP		MK486319	BUMPER,FR	1	NATURAL WHITE	Y
RP		MK486319	BUMPER,FR	1	NATURAL WHITE	Y
RP		MK486319	BUMPER,FR	1	NATURAL WHITE	Y
RP		MK486319	BUMPER,FR	1	NATURAL WHITE	Y
RP		MK488892	BUMPER,FR	1	NATURAL WHITE	Y
RP		MK488892	BUMPER,FR	1	NATURAL WHITE	Y
RP		MK488892	BUMPER,FR	1	NATURAL WHITE	Y
RP		MK488892	BUMPER,FR	1	NATURAL WHITE	Y
RP		MK488892	BUMPER,FR	1	NATURAL WHITE	Y
RP		MK488892	BUMPER,FR	1	NATURAL WHITE	Y
RP		MK615048	BUMPER,FR	1	FUTABA BEIGE	Y
RP		MK615048	BUMPER,FR	1	FUTABA BEIGE	Y
RP		MK615048	BUMPER,FR	1	FUTABA BEIGE	Y
RP		MK615048	BUMPER,FR	1	FUTABA BEIGE	Y

FK74R
41-310 BUMPER (2/2)

Repl Part	PNC	Part No	Part Name	Qty	Part Spec	NEW1
RP	62008	MK615048	BUMPER,FR	1	FUTABA BEIGE	Y
RP		MK615050	BUMPER,FR	1	FUTABA BEIGE	Y
RP		MK615050	BUMPER,FR	1	FUTABA BEIGE	Y
RP		MK615050	BUMPER,FR	1	FUTABA BEIGE	Y
RP		MK615050	BUMPER,FR	1	FUTABA BEIGE	Y
RP		MK615050	BUMPER,FR	1	FUTABA BEIGE	Y
RP		MK615050	BUMPER,FR	1	FUTABA BEIGE	Y
RP		MC979028	BUMPER,FR	1	NATURAL WHITE	Y
RP		MC979122	BUMPER,FR	1	LIGHT BLUE	Y
RP		MC979123	BUMPER,FR	1	SONIC BLUE	Y
RP		MC979124	BUMPER,FR	1	SIRIUS SILVER	Y
RP		MC979125	BUMPER,FR	1	ARCADIA SILVER	Y
RP		MC979126	BUMPER,FR	1	JUPITER GREEN	Y
RP		MC979127	BUMPER,FR	1	FIJI GREEN	Y
RP		MC979128	BUMPER,FR	1	FOREST GREEN	Y
RP		MC979129	BUMPER,FR	1	BRIGHT ORANGE	Y
RP		MC979130	BUMPER,FR	1	MARS RED	Y
RP		MC979131	BUMPER,FR	1	SHANNON BLUE	Y
RP		MC979132	BUMPER,FR	1	ACTIVE YELLOW	Y
RP		MC979146	BUMPER,FR	1	NATURAL WHITE	Y
RP		MC979147	BUMPER,FR	1	LIGHT BLUE	Y
RP		MC979148	BUMPER,FR	1	SONIC BLUE	Y
RP		MC979149	BUMPER,FR	1	SIRIUS SILVER	Y
RP		MC979150	BUMPER,FR	1	ARCADIA SILVER	Y
RP		MC979151	BUMPER,FR	1	JUPITER GREEN	Y

FK74R
41-310 BUMPER (2/2)

Repl Part	PNC	Part No	Part Name	Qty	Part Spec	NEW1
RP	62008	MC979152	BUMPER,FR	1	FIJI GREEN	Y
RP		MC979153	BUMPER,FR	1	FOREST GREEN	Y
RP		MC979154	BUMPER,FR	1	BRIGHT ORANGE	Y
RP		MC979155	BUMPER,FR	1	MARS RED	Y
RP		MC979156	BUMPER,FR	1	SHANNON BLUE	Y
RP		MC979157	BUMPER,FR	1	ACTIVE YELLOW	Y
RP		MC979693	BUMPER,FR	1	SAGAWA SILVER	Y
RP		MC979695	BUMPER,FR	1	SAGAWA SILVER	Y
RP		MC979889	BUMPER,FR	1	ASAHI WHITE	Y
RP		MC979891	BUMPER,FR	1	ASAHI WHITE	Y
RP		MC979910	BUMPER,FR	1	SHIN FUKUTSU GREEN	Y
RP		MC979912	BUMPER,FR	1	SHIN FUKUTSU GREEN	Y
RP		MK615051	BUMPER,FR	1	FUTABA BEIGE	Y
RP		MK615052	BUMPER,FR	1	FUTABA BEIGE	Y
RP		MC979078	BUMPER,FR	1	LIGHT BLUE	Y
RP		MC979079	BUMPER,FR	1	SONIC BLUE	Y
RP		MC979080	BUMPER,FR	1	SIRIUS SILVER	Y
RP		MC979081	BUMPER,FR	1	ARCADIA SILVER	Y
RP		MC979082	BUMPER,FR	1	JUPITER GREEN	Y
RP		MC979083	BUMPER,FR	1	FIJI GREEN	Y
RP		MC979084	BUMPER,FR	1	FOREST GREEN	Y
RP		MC979085	BUMPER,FR	1	BRIGHT ORANGE	Y
RP		MC979086	BUMPER,FR	1	MARS RED	Y
RP		MC979087	BUMPER,FR	1	SHANNON BLUE	Y

FK74R
41-310 BUMPER (2/2)

Repl Part	PNC	Part No	Part Name	Qty	Part Spec	NEW1
RP	62008	MC979088	BUMPER,FR	1	ACTIVE YELLOW	Y
RP		MC979518	BUMPER,FR	1	NATURAL WHITE	Y
RP		MC979519	BUMPER,FR	1	LIGHT BLUE	Y
RP		MC979520	BUMPER,FR	1	SONIC BLUE	Y
RP		MC979521	BUMPER,FR	1	SIRIUS SILVER	Y
RP		MC979522	BUMPER,FR	1	ARCADIA SILVER	Y
RP		MC979523	BUMPER,FR	1	JUPITER GREEN	Y
RP		MC979524	BUMPER,FR	1	FIJI GREEN	Y
RP		MC979525	BUMPER,FR	1	FOREST GREEN	Y
RP		MC979526	BUMPER,FR	1	BRIGHT ORANGE	Y
RP		MC979527	BUMPER,FR	1	MARS RED	Y
RP		MC979528	BUMPER,FR	1	SHANNON BLUE	Y
RP		MC979529	BUMPER,FR	1	ACTIVE YELLOW	Y
RP		MC979689	BUMPER,FR	1	SAGAWA SILVER	Y
RP		MC979701	BUMPER,FR	1	SAGAWA SILVER	Y
RP		MC979892	BUMPER,FR	1	ASAHI WHITE	Y
RP		MC979893	BUMPER,FR	1	ASAHI WHITE	Y
RP		MC979907	BUMPER,FR	1	SHIN FUKUTSU GREEN	Y
RP		MC979918	BUMPER,FR	1	SHIN FUKUTSU GREEN	Y
RP		MK486321	BUMPER,FR	1	NATURAL WHITE	Y
RP		MK615049	BUMPER,FR	1	FUTABA BEIGE	Y
RP		MK615053	BUMPER,FR	1	FUTABA BEIGE	Y
		MK546605	BUMPER,FR	1	CHROME PLATING	
		MK546609	BUMPER,FR	1	CHROME PLATING	

FK74R
41-310 BUMPER (2/2)

Repl Part	PNC	Part No	Part Name	Qty	Part Spec	NEW1
	62008	MC977782	BUMPER,FR	1	LIGHT BLUE	
		MC977783	BUMPER,FR	1	SONIC BLUE	
		MC977784	BUMPER,FR	1	SIRIUS SILVER	
		MC977785	BUMPER,FR	1	ARCADIA SILVER	
		MC977786	BUMPER,FR	1	JUPITER GREEN	
		MC977787	BUMPER,FR	1	FIJI GREEN	
		MC977788	BUMPER,FR	1	FOREST GREEN	
		MC977789	BUMPER,FR	1	BRIGHT ORANGE	
		MC977790	BUMPER,FR	1	MARS RED	
		MC977791	BUMPER,FR	1	SHANNON BLUE	
		MC977792	BUMPER,FR	1	ACTIVE YELLOW	
		MC977793	BUMPER,FR	1	SAGAWA SILVER	
		MC977794	BUMPER,FR	1	ASAHI WHITE	
		MC977795	BUMPER,FR	1	SHIN FUKUTSU GREEN	
		MC977796	BUMPER,FR	1	NATURAL WHITE	
		MC977812	BUMPER,FR	1	FUTABA BEIGE	
		MC977859	BUMPER,FR	1	LIGHT BLUE	
		MC977860	BUMPER,FR	1	SONIC BLUE	
		MC977861	BUMPER,FR	1	SIRIUS SILVER	
		MC977862	BUMPER,FR	1	ARCADIA SILVER	
		MC977863	BUMPER,FR	1	JUPITER GREEN	
		MC977864	BUMPER,FR	1	FIJI GREEN	
		MC977865	BUMPER,FR	1	FOREST GREEN	
		MC977866	BUMPER,FR	1	BRIGHT ORANGE	

FK74R
41-310 BUMPER (2/2)

Repl Part	PNC	Part No	Part Name	Qty	Part Spec	NEW1
	62008	MC977867	BUMPER,FR	1	MARS RED	
		MC977868	BUMPER,FR	1	SHANNON BLUE	
		MC977869	BUMPER,FR	1	ACTIVE YELLOW	
		MC977870	BUMPER,FR	1	SAGAWA SILVER	
		MC977871	BUMPER,FR	1	SHIN FUKUTSU GREEN	
		MC977872	BUMPER,FR	1	ASAHI WHITE	
		MC977873	BUMPER,FR	1	NATURAL WHITE	
		MC977874	BUMPER,FR	1	FUTABA BEIGE	
		MC977890	BUMPER,FR	1	NATURAL WHITE	
		MC977891	BUMPER,FR	1	LIGHT BLUE	
		MC977892	BUMPER,FR	1	SONIC BLUE	
		MC977893	BUMPER,FR	1	SIRIUS SILVER	
		MC977894	BUMPER,FR	1	ARCADIA SILVER	
		MC977895	BUMPER,FR	1	JUPITER GREEN	
		MC977896	BUMPER,FR	1	FIJI GREEN	
		MC977897	BUMPER,FR	1	FOREST GREEN	
		MC977898	BUMPER,FR	1	BRIGHT ORANGE	
		MC977899	BUMPER,FR	1	MARS RED	
		MC977900	BUMPER,FR	1	SHANNON BLUE	
		MC977901	BUMPER,FR	1	ACTIVE YELLOW	
		MC977902	BUMPER,FR	1	SAGAWA SILVER	
		MC977903	BUMPER,FR	1	ASAHI WHITE	
		MC977904	BUMPER,FR	1	SHIN FUKUTSU GREEN	
		MC977905	BUMPER,FR	1	FUTABA BEIGE	

FK74R
41-310 BUMPER (2/2)

Repl Part	PNC	Part No	Part Name	Qty	Part Spec	NEW1
	62008	MC977921	BUMPER,FR	1	NATURAL WHITE	
		MC977922	BUMPER,FR	1	LIGHT BLUE	
		MC977923	BUMPER,FR	1	SONIC BLUE	
		MC977924	BUMPER,FR	1	SIRIUS SILVER	
		MC977925	BUMPER,FR	1	ARCADIA SILVER	
		MC977926	BUMPER,FR	1	JUPITER GREEN	
		MC977927	BUMPER,FR	1	FIJI GREEN	
		MC977928	BUMPER,FR	1	FOREST GREEN	
		MC977929	BUMPER,FR	1	BRIGHT ORANGE	
		MC977930	BUMPER,FR	1	MARS RED	
		MC977931	BUMPER,FR	1	SHANNON BLUE	
		MC977932	BUMPER,FR	1	ACTIVE YELLOW	
		MC977933	BUMPER,FR	1	SAGAWA SILVER	
		MC977934	BUMPER,FR	1	ASAHI WHITE	
		MC977935	BUMPER,FR	1	SHIN FUKUTSU GREEN	
		MC977936	BUMPER,FR	1	FUTABA BEIGE	
		MC977828	BUMPER,FR	1	LIGHT BLUE	
		MC977829	BUMPER,FR	1	SONIC BLUE	
		MC977830	BUMPER,FR	1	SIRIUS SILVER	
		MC977831	BUMPER,FR	1	ARCADIA SILVER	
		MC977832	BUMPER,FR	1	JUPITER GREEN	
		MC977833	BUMPER,FR	1	FIJI GREEN	
		MC977834	BUMPER,FR	1	FOREST GREEN	
		MC977835	BUMPER,FR	1	BRIGHT ORANGE	

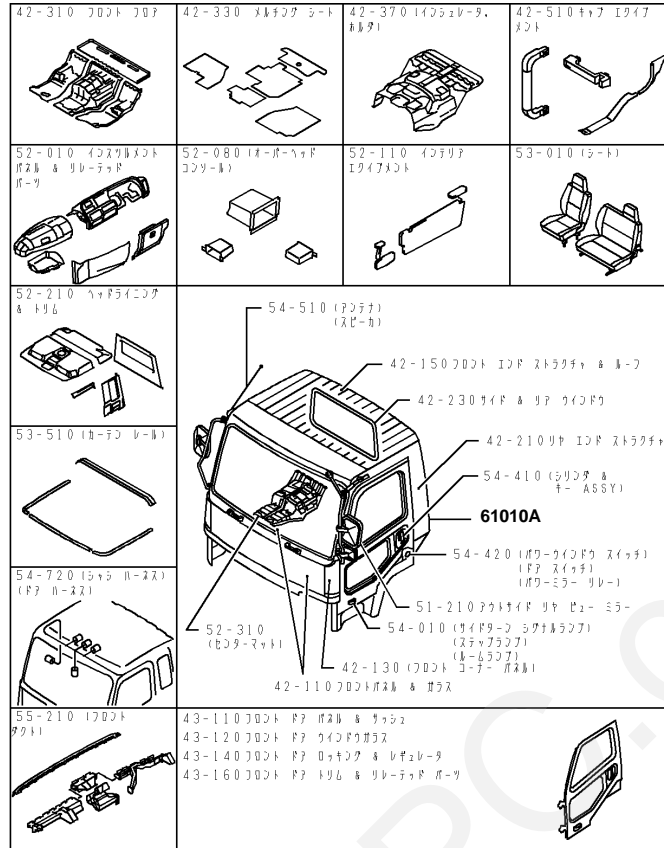
FK74R
41-310 BUMPER (2/2)

Repl Part	PNC	Part No	Part Name	Qty	Part Spec	NEW1
	62008	MC977836	BUMPER,FR	1	MARS RED	
		MC977837	BUMPER,FR	1	SHANNON BLUE	
		MC977838	BUMPER,FR	1	ACTIVE YELLOW	
		MC977839	BUMPER,FR	1	SAGAWA SILVER	
		MC977840	BUMPER,FR	1	ASAHI WHITE	
		MC977841	BUMPER,FR	1	SHIN FUKUTSU GREEN	
		MC977842	BUMPER,FR	1	NATURAL WHITE	
		MC977843	BUMPER,FR	1	FUTABA BEIGE	
		MC978012	BUMPER,FR	1	NATURAL WHITE	
		MC978013	BUMPER,FR	1	LIGHT BLUE	
		MC978014	BUMPER,FR	1	SONIC BLUE	
		MC978015	BUMPER,FR	1	SIRIUS SILVER	
		MC978016	BUMPER,FR	1	ARCADIA SILVER	
		MC978017	BUMPER,FR	1	JUPITER GREEN	
		MC978018	BUMPER,FR	1	FIJI GREEN	
		MC978019	BUMPER,FR	1	FOREST GREEN	
		MC978020	BUMPER,FR	1	BRIGHT ORANGE	
		MC978021	BUMPER,FR	1	MARS RED	
		MC978022	BUMPER,FR	1	SHANNON BLUE	
		MC978023	BUMPER,FR	1	ACTIVE YELLOW	
		MC978024	BUMPER,FR	1	SAGAWA SILVER	
		MC978025	BUMPER,FR	1	ASAHI WHITE	
		MC978026	BUMPER,FR	1	SHIN FUKUTSU GREEN	
		MC978027	BUMPER,FR	1	FUTABA BEIGE	
	62005B	(Please refer to the page 1/2)	BRACKET,FR BUMPER STAY	1		

FK74R
41-310 BUMPER (2/2)

Repl Part	PNC	Part No	Part Name	Qty	Part Spec	NEW1
	62005C	(Please refer to the page 1/2)	BRACKET,FR BUMPER STAY	1		
	62020L	(Please refer to the page 1/2)	BUMPER,FR CORNER,LH	1		
	62020R	(Please refer to the page 1/2)	BUMPER,FR CORNER,RH	1		
	62022	(Please refer to the page 1/2)	CLIP,FR BUMPER	1		
	62058	(Please refer to the page 1/2)	SKIRT,FR BUMPER	1		
	62063L	(Please refer to the page 1/2)	STAY,FR BUMPER,LH	1		
	62063R	(Please refer to the page 1/2)	STAY,FR BUMPER,RH	1		
	62071B	(Please refer to the page 1/2)	STAY,FR BUMPER SKIRT	1		
	62071C	(Please refer to the page 1/2)	STAY,FR BUMPER SKIRT	1		
	62071E	(Please refer to the page 1/2)	STAY,FR BUMPER SKIRT	1		
	62071F	(Please refer to the page 1/2)	STAY,FR BUMPER SKIRT	1		
	62071G	(Please refer to the page 1/2)	STAY,FR BUMPER SKIRT	1		
	62071H	(Please refer to the page 1/2)	STAY,FR BUMPER SKIRT	1		
	62094	(Please refer to the page 1/2)	SEAL,FR BUMPER SKIRT	1		
	62986	(Please refer to the page 1/2)	SCREW,FR BUMPER	1		
	62986B	(Please refer to the page 1/2)	SCREW,FR BUMPER	1		
	62989B	(Please refer to the page 1/2)	NUT,FR BUMPER	1		
	62989C	(Please refer to the page 1/2)	NUT,FR BUMPER	1		
	62989CB	(Please refer to the page 1/2)	NUT,FR BUMPER	1		
	62989E	(Please refer to the page 1/2)	NUT,FR BUMPER	1		
	62991	(Please refer to the page 1/2)	GROMMET,FR BUMPER	1		
	62994B	(Please refer to the page 1/2)	BOLT,FR BUMPER	1		
	62994CB	(Please refer to the page 1/2)	BOLT,FR BUMPER	1		
	62994D	(Please refer to the page 1/2)	BOLT,FR BUMPER	1		
	62994E	(Please refer to the page 1/2)	BOLT,FR BUMPER	1		
	62994F	(Please refer to the page 1/2)	BOLT,FR BUMPER	1		
	64010	(Please refer to the page 1/2)	BUMPER,RR	1		
	64021	(Please refer to the page 1/2)	COVER,RR BUMPER	1		
	64037	(Please refer to the page 1/2)	PLATE,RR BUMPER GUIDE	1		
	64057L	(Please refer to the page 1/2)	STAY,RR BUMPER,LH	1		
	64057R	(Please refer to the page 1/2)	STAY,RR BUMPER,RH	1		
	64989	(Please refer to the page 1/2)	WASHER,RR BUMPER	1		
	64990	(Please refer to the page 1/2)	PUSH RIVET,RR BUMPER	1		
	64994C	(Please refer to the page 1/2)	NUT,RR BUMPER	1		
	64998C	(Please refer to the page 1/2)	BOLT,RR BUMPER	1		
	64998D	(Please refer to the page 1/2)	BOLT,RR BUMPER	1		
	80020L	(Please refer to the page 1/2)	BEZEL,HEADLAMP,LH	1		
	80020R	(Please refer to the page 1/2)	BEZEL,HEADLAMP,RH	1		
	80261CB	(Please refer to the page 1/2)	STAY,FR LAMP	1		
	62994C	(N.e.c.)	BOLT,FR BUMPER			
	62047	(N.e.c.)	PROTECTOR,FR BUMPER			
	62033L	(N.e.c.)	COVER,FR BUMPER GUARD BAR,LWR OTR LH			
	62964	(N.e.c.)	RIVET,FR BUMPER			
	62033R	(N.e.c.)	COVER,FR BUMPER GUARD BAR,LWR OTR RH			
	64994D	(N.e.c.)	NUT,RR BUMPER			
	64998H	(N.e.c.)	BOLT,RR BUMPER			
	64994F	(N.e.c.)	NUT,RR BUMPER			
	64991	(N.e.c.)	SPACER,RR BUMPER			

**FK74R
No.1**



2PA091

Ref. |2042010

Page

**FK74R
42-010 SERVICE CAB ASSY**

SPN	PNC	Part No	Part Name	Qty	Part Spec	NEW1	Classification	Option	Model Year	Start
SP	61010A	MK702086	CAB ASSY,SERVICE	1	NATURAL WHITE	R	G6,H6,J6, K6			04053
SP		MK702086	CAB ASSY,SERVICE	1	NATURAL WHITE	R	M6			04053
SP		MK702086	CAB ASSY,SERVICE	1	NATURAL WHITE	R	G6,H6,J6, K6,M6			04053
SP		MK702086	CAB ASSY,SERVICE	1	NATURAL WHITE	R	G6,H6,J6, K6,M6			04053
SP		MK702091	CAB ASSY,SERVICE	1	NATURAL WHITE	R	G6E,H6E,J6E, K6E,M6E			04053
SP		MK702091	CAB ASSY,SERVICE	1	NATURAL WHITE	R	G6E,H6E,J6E, K6E,M6E			04053
SP		MK702091	CAB ASSY,SERVICE	1	NATURAL WHITE	R	G6E			04053
SP		MK702091	CAB ASSY,SERVICE	1	NATURAL WHITE	R	H6E,J6E,K6E, M6E			04053
		**	CAB ASSY,SERVICE	1			G6,G6E,H6, H6E,J6,J6E, K6,K6E,M6, M6E	13G,1A3,1HP, 1JH,1ST,1SZ, 1VA,1WL,1WY, 1XK,1ZJ	04	04053
		MK703504	CAB ASSY,SERVICE	1	NATURAL WHITE		G6,H6,J6, K6			05103
		MK703504	CAB ASSY,SERVICE	1	NATURAL WHITE		G6,G6V,H6, H6V,J6,J6V, K6,K6V			05103
		MK703504	CAB ASSY,SERVICE	1	NATURAL WHITE		G6V,H6V,J6V, K6V			05103
		MK703504	CAB ASSY,SERVICE	1	NATURAL WHITE		G6,H6,J6			05103
		MK703504	CAB ASSY,SERVICE	1	NATURAL WHITE		G6V,H6V,J6V, K6			05103
		MK703504	CAB ASSY,SERVICE	1	NATURAL WHITE		K6V			05103
		MK703504	CAB ASSY,SERVICE	1	NATURAL WHITE		G6,G6V,H6, H6V,J6,J6V, K6,K6V			05103

Ref. |2042010

Page

FK74R
42-010 SERVICE CAB ASSY

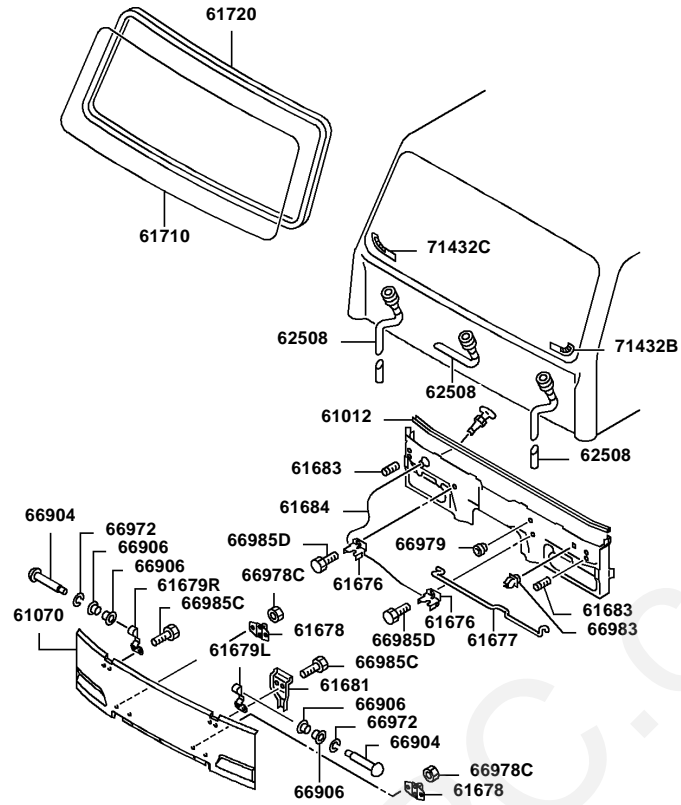
SPN	PNC	Part No	Part Name	Qty	Part Spec	NEW1	Classification	Option	Model Year	Start
	61010A	MK703514	CAB ASSY,SERVICE	1	NATURAL WHITE		M6VE			05103
		MK703514	CAB ASSY,SERVICE	1	NATURAL WHITE		H6VE,J6VE,K6E, K6VE,M6E			05103
		MK703514	CAB ASSY,SERVICE	1	NATURAL WHITE		H6E,J6E,K6E, M6E			05103
		MK703514	CAB ASSY,SERVICE	1	NATURAL WHITE		H6VE,J6VE,K6VE, M6VE			05103
		MK703514	CAB ASSY,SERVICE	1	NATURAL WHITE		H6E,H6VE,J6E, J6VE,K6E,K6VE, M6E,M6VE			05103
		MK703514	CAB ASSY,SERVICE	1	NATURAL WHITE		H6E,J6E			05103
		MK703514	CAB ASSY,SERVICE	1	NATURAL WHITE		H6E,H6VE,J6E, J6VE,K6E,K6VE, M6E,M6VE			05103
		**	CAB ASSY,SERVICE	1			G6,G6V,H6, H6E,H6V,H6VE, J6,J6E,J6V, J6VE,K6,K6E, K6V,K6VE,M6E, M6VE	12P,12R,13G, 13R,1A3,1CU, 1GP,1HA,1HD, 1JH,1KQ,1KS, 1VA,1WL,1XK, 1YW,1ZJ	05	05103
		MK703989	CAB ASSY,SERVICE	1	NATURAL WHITE		G6,G6V,H6, H6V,J6,J6V, K6,K6V	1QP	05	05103
		MK703999	CAB ASSY,SERVICE	1	NATURAL WHITE		H6E,H6VE,J6E, J6VE,K6E,K6VE, M6E,M6VE	1QP	05	05103
		MK704907	CAB ASSY,SERVICE	1	NATURAL WHITE		G6V,H6V,J6V, K6			07053
		MK704907	CAB ASSY,SERVICE	1	NATURAL WHITE		G6,H6,J6			07053
		MK704907	CAB ASSY,SERVICE	1	NATURAL WHITE		G6,H6,J6			07053
		MK704907	CAB ASSY,SERVICE	1	NATURAL WHITE		G6,G6V,H6, H6V,J6,J6V, K6			07053
		MK704907	CAB ASSY,SERVICE	1	NATURAL WHITE		G6V,H6V,J6V, K6			07053
		MK704916	CAB ASSY,SERVICE	1	NATURAL WHITE		H6E,H6VE,J6E, J6VE,K6E,K6VE, M6E			07053
		MK704916	CAB ASSY,SERVICE	1	NATURAL WHITE		H6VE,J6VE,K6E, K6VE,M6E			07053
		MK704916	CAB ASSY,SERVICE	1	NATURAL WHITE		H6VE,J6VE,K6E, K6VE,M6E			07053
		MK704916	CAB ASSY,SERVICE	1	NATURAL WHITE		H6E,J6E			07053
		MK704916	CAB ASSY,SERVICE	1	NATURAL WHITE		H6E,J6E			07053
		MK705179	CAB ASSY,SERVICE	1	NATURAL WHITE		G6,G6V,H6, H6V,J6,J6V, K6	1QP	07	07053
		MK705187	CAB ASSY,SERVICE	1	NATURAL WHITE		H6E,H6VE,J6E, J6VE,K6E,K6VE, M6E	1QP	07	07053
		**	CAB ASSY,SERVICE	1			G6,G6V,H6, H6E,H6V,H6VE, J6,J6E,J6V, J6VE,K6,K6E, K6VE,M6E	12P,12R,13G, 13R,1A3,1CU, 1GP,1HA,1HD, 1JH,1KQ,1KS, 1NT,1NU,1V6, 1VA,1WL,1XJ, 1YW,1ZJ	07	07053
		**	CAB ASSY,SERVICE	1			G6,H6,H6E, J6,J6E	1SP	07	07053
		MK706076	CAB ASSY,SERVICE	1	NATURAL WHITE		G6,H6,J6			08101
		MK706076	CAB ASSY,SERVICE	1	NATURAL WHITE		G6V,H6V,J6V, K6			08101
		MK706076	CAB ASSY,SERVICE	1	NATURAL WHITE		G6,G6V,H6, H6V,J6,J6V, K6			08101
		MK706093	CAB ASSY,SERVICE	1	NATURAL WHITE		H6E,J6E			08101
		MK706093	CAB ASSY,SERVICE	1	NATURAL WHITE		H6VE,J6VE,K6E, K6VE,M6E			08101
		MK706093	CAB ASSY,SERVICE	1	NATURAL WHITE		H6E,H6VE,J6E, J6VE,K6E,K6VE, M6E			08101

FK74R
42-010 SERVICE CAB ASSY

SPN	PNC	Part No	Part Name	Qty	Part Spec	NEW1	Classification	Option	Model Year	Start
	61010A	MK706101	CAB ASSY,SERVICE	1	NATURAL WHITE		G6,G6V,H6, H6V,J6,J6V, K6	1QP	07	08101
		MK706109	CAB ASSY,SERVICE	1	NATURAL WHITE		H6E,H6VE,J6E, J6VE,K6E,K6VE, M6E	1QP	07	08101

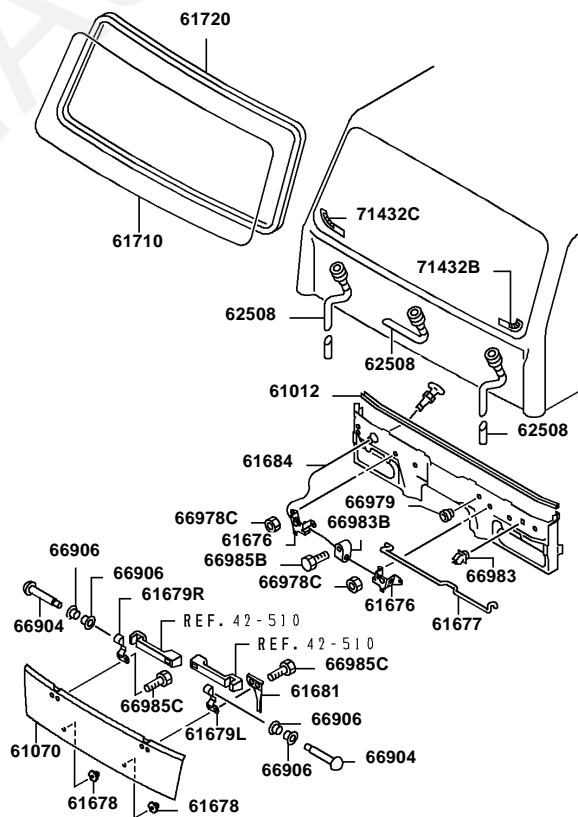
www.AutoEPC.com

FK74R
No.1



2PA004

FK74R
No.2



C00011

FK74R
42-110 FRONT PANEL & GLASS

Repl Part	PNC	Part No	Part Name	Qty	Part Spec	Remarks	NEW1	NEW2	Classification		
61012		MC968059	WEATHERSTRIP,CAB FR PANEL	1					G6,H6,J6, K6,M6		
		MC968060	WEATHERSTRIP,CAB FR PANEL	1					G6E,H6E, K6E,M6E		
		MK545227	WEATHERSTRIP,CAB FR PANEL	1					G6,H6,J6, K6,M6		
		MK545228	WEATHERSTRIP,CAB FR PANEL	1					G6E,H6E, K6E,M6E		
		MK486153	WEATHERSTRIP,CAB FR PANEL	1					G6,G6V,H6 H6V,J6,J6 K6,K6V		
		MK486154	WEATHERSTRIP,CAB FR PANEL	1					H6E,H6VE J6VE,K6E, M6E,M6VE		
		MK486153	WEATHERSTRIP,CAB FR PANEL	1					G6,G6V,H6 H6V,J6,J6 K6		
		MK486154	WEATHERSTRIP,CAB FR PANEL	1					H6E,H6VE J6VE,K6E, M6E		
		61070		MK998521	PANEL,CAB,FR	1					G6,H6,J6, K6,M6
				MK998522	PANEL,CAB,FR	1					G6E,H6E, K6E,M6E
				MK703312	PANEL,CAB,FR	1					G6,G6V,H6 H6V,J6,J6 K6,K6V
				MK703313	PANEL,CAB,FR	1					H6E,H6VE J6VE,K6E, M6E,M6VE
				MK703312	PANEL,CAB,FR	1					G6,G6V,H6 H6V,J6,J6 K6
				MK703313	PANEL,CAB,FR	1					H6E,H6VE J6VE,K6E, M6E
61676		MC963509	LATCH,FR PANEL OPENER	2					G6,G6E,H6 H6E,J6,J6 K6,K6E,M6 M6E		
		MK485949	LATCH,FR PANEL OPENER	2					G6,G6V,H6 H6E,H6V,H6 J6,J6E,J6V J6VE,K6,K6 K6V,K6VE M6VE		
61677		MC964949	ROD,FR PANEL SUPPORT	1					G6,G6E,H6 H6E,J6,J6 K6,K6E,M6 M6E		
		MK485064	ROD,FR PANEL SUPPORT	1					G6,G6V,H6 H6E,H6V,H6 J6,J6E,J6V J6VE,K6,K6 K6V,K6VE M6VE		
61678		MC963540	STRIKER,FR PANEL LATCH	2					G6,G6E,H6 H6E,J6,J6 K6,K6E,M6 M6E		
		MK460576	STRIKER,FR PANEL LATCH	2					G6,G6V,H6 H6E,H6V,H6 J6,J6E,J6V J6VE,K6,K6 K6V,K6VE M6VE		
61679L		MK435482	HINGE,FR PANEL,LH	1	NATURAL WHITE				G6,G6E,G6 H6,H6E,H6 H6VE,J6,J6 J6V,J6VE, K6E,K6V,K6 M6,M6E,M6		

FK74R
42-110 FRONT PANEL & GLASS

Repl Part	PNC	Part No	Part Name	Qty	Part Spec	Remarks	NEW1	NEW2	Classification
	61679L	MK435483	HINGE,FR PANEL,LH	1	BLACK				G6,G6E,G6 H6,H6E,H6 H6VE,J6,J J6V,J6VE, K6E,K6V,k M6,M6E,M
		MK435484	HINGE,FR PANEL,LH	1	SHIN FUKUTSU GREEN				G6,G6E,G6 H6,H6E,H6 H6VE,J6,J J6V,J6VE, K6E,K6V,k M6,M6E,M
		MK435485	HINGE,FR PANEL,LH	1	KENSETU ORANGE				G6,G6E,G6 H6,H6E,H6 H6VE,J6,J J6V,J6VE, K6E,K6V,k M6,M6E,M
		MK460748	HINGE,FR PANEL,LH	1	WARM SILVER				G6,G6E,G6 H6,H6E,H6 H6VE,J6,J J6V,J6VE, K6E,K6V,k M6,M6E,M
		MK460750	HINGE,FR PANEL,LH	1	LIGHT BLUE				G6,G6E,G6 H6,H6E,H6 H6VE,J6,J J6V,J6VE, K6E,K6V,k M6,M6E,M
		MK461296	HINGE,FR PANEL,LH	1	JUPITER GREEN				G6,G6E,G6 H6,H6E,H6 H6VE,J6,J J6V,J6VE, K6E,K6V,k M6,M6E,M
		MK461298	HINGE,FR PANEL,LH	1	SHANNON BLUE				G6,G6E,G6 H6,H6E,H6 H6VE,J6,J J6V,J6VE, K6E,K6V,k M6,M6E,M
		MK461300	HINGE,FR PANEL,LH	1	FIJI GREEN				G6,G6E,G6 H6,H6E,H6 H6VE,J6,J J6V,J6VE, K6E,K6V,k M6,M6E,M
		MK461489	HINGE,FR PANEL,LH	1	BRIGHT ORANGE				G6,G6E,G6 H6,H6E,H6 H6VE,J6,J J6V,J6VE, K6E,K6V,k M6,M6E,M
		MK461491	HINGE,FR PANEL,LH	1	MARS RED				G6,G6E,G6 H6,H6E,H6 H6VE,J6,J J6V,J6VE, K6E,K6V,k M6,M6E,M
		MK461493	HINGE,FR PANEL,LH	1	VENUS YELLOW				G6,G6E,G6 H6,H6E,H6 H6VE,J6,J J6V,J6VE, K6E,K6V,k M6,M6E,M
		MK461918	HINGE,FR PANEL,LH	1	NITTUU YELLOW				G6,G6E,G6 H6,H6E,H6 H6VE,J6,J J6V,J6VE, K6E,K6V,k M6,M6E,M

FK74R
42-110 FRONT PANEL & GLASS

Repl Part	PNC	Part No	Part Name	Qty	Part Spec	Remarks	NEW1	NEW2	Classification
	61679L	MK484471	HINGE,FR PANEL,LH	1	BLACK(HALF GROSS)				G6,G6E,G6 H6,H6E,H6 H6VE,J6,J J6V,J6VE, K6E,K6V,k M6,M6E,M
		MK484711	HINGE,FR PANEL,LH	1	ASAHI WHITE				G6,G6E,G6 H6,H6E,H6 H6VE,J6,J J6V,J6VE, K6E,K6V,k M6,M6E,M
		MK485385	HINGE,FR PANEL,LH	1	SAGAWA SILVER				G6,G6E,G6 H6,H6E,H6 H6VE,J6,J J6V,J6VE, K6E,K6V,k M6,M6E,M
		MK548604	HINGE,FR PANEL,LH	1	1/3 GLOSS BLACK				G6,G6E,G6 H6,H6E,H6 H6VE,J6,J J6V,J6VE, K6E,K6V,k M6,M6E,M
	61679R	MK435486	HINGE,FR PANEL,RH	1	NATURAL WHITE				G6,G6E,G6 H6,H6E,H6 H6VE,J6,J J6V,J6VE, K6E,K6V,k M6,M6E,M
		MK435487	HINGE,FR PANEL,RH	1	BLACK				G6,G6E,G6 H6,H6E,H6 H6VE,J6,J J6V,J6VE, K6E,K6V,k M6,M6E,M
		MK435488	HINGE,FR PANEL,RH	1	SHIN FUKUTSU GREEN				G6,G6E,G6 H6,H6E,H6 H6VE,J6,J J6V,J6VE, K6E,K6V,k M6,M6E,M
		MK435489	HINGE,FR PANEL,RH	1	KENSETU ORANGE				G6,G6E,G6 H6,H6E,H6 H6VE,J6,J J6V,J6VE, K6E,K6V,k M6,M6E,M
		MK460749	HINGE,FR PANEL,RH	1	WARM SILVER				G6,G6E,G6 H6,H6E,H6 H6VE,J6,J J6V,J6VE, K6E,K6V,k M6,M6E,M
		MK460751	HINGE,FR PANEL,RH	1	LIGHT BLUE				G6,G6E,G6 H6,H6E,H6 H6VE,J6,J J6V,J6VE, K6E,K6V,k M6,M6E,M
		MK461297	HINGE,FR PANEL,RH	1	JUPITER GREEN				G6,G6E,G6 H6,H6E,H6 H6VE,J6,J J6V,J6VE, K6E,K6V,k M6,M6E,M
		MK461299	HINGE,FR PANEL,RH	1	SHANNON BLUE				G6,G6E,G6 H6,H6E,H6 H6VE,J6,J J6V,J6VE, K6E,K6V,k M6,M6E,M

FK74R
42-110 FRONT PANEL & GLASS

Repl Part	PNC	Part No	Part Name	Qty	Part Spec	Remarks	NEW1	NEW2	Classification
	61679R	MK461301	HINGE,FR PANEL,RH	1	FIJI GREEN				G6,G6E,G6V,H6,H6E,H6V,J6,J6E,J6V,J6VE,K6E,K6V,K6VE,M6,M6E,M6V,M6VE
		MK461490	HINGE,FR PANEL,RH	1	BRIGHT ORANGE				G6,G6E,G6V,H6,H6E,H6V,J6,J6E,J6V,J6VE,K6E,K6V,K6VE,M6,M6E,M6V,M6VE
		MK461492	HINGE,FR PANEL,RH	1	MARS RED				G6,G6E,G6V,H6,H6E,H6V,J6,J6E,J6V,J6VE,K6E,K6V,K6VE,M6,M6E,M6V,M6VE
		MK461494	HINGE,FR PANEL,RH	1	VENUS YELLOW				G6,G6E,G6V,H6,H6E,H6V,J6,J6E,J6V,J6VE,K6E,K6V,K6VE,M6,M6E,M6V,M6VE
		MK461919	HINGE,FR PANEL,RH	1	NITTUU YELLOW				G6,G6E,G6V,H6,H6E,H6V,J6,J6E,J6V,J6VE,K6E,K6V,K6VE,M6,M6E,M6V,M6VE
		MK484472	HINGE,FR PANEL,RH	1	BLACK(HALF GROSS)				G6,G6E,G6V,H6,H6E,H6V,J6,J6E,J6V,J6VE,K6E,K6V,K6VE,M6,M6E,M6V,M6VE
		MK484712	HINGE,FR PANEL,RH	1	ASAHI WHITE				G6,G6E,G6V,H6,H6E,H6V,J6,J6E,J6V,J6VE,K6E,K6V,K6VE,M6,M6E,M6V,M6VE
		MK485386	HINGE,FR PANEL,RH	1	SAGAWA SILVER				G6,G6E,G6V,H6,H6E,H6V,J6,J6E,J6V,J6VE,K6E,K6V,K6VE,M6,M6E,M6V,M6VE
		MK548605	HINGE,FR PANEL,RH	1	1/3 GLOSS BLACK				G6,G6E,G6V,H6,H6E,H6V,J6,J6E,J6V,J6VE,K6E,K6V,K6VE,M6,M6E,M6V,M6VE
	61681	MC964956	BRACKET,FR PANEL OPENER	1					G6,G6E,H6E,J6,J6E,K6,K6E,M6,M6E
		MK546614	BRACKET,FR PANEL OPENER	1					G6,G6V,H6E,H6V,J6,J6E,J6V,J6VE,K6,K6V,K6VE,M6,M6E
RP	61683	MB021320	DAMPER,FR PANEL	2			Y	Y	G6,G6E,H6E,J6,J6E,K6,K6E,M6,M6E
	61684	MC924205	CABLE,FR PANEL OPENER	1					G6,H6,J6,K6,M6
		MC924206	CABLE,FR PANEL OPENER	1					G6E,H6E,J6E,K6E,M6E

FK74R
42-110 FRONT PANEL & GLASS

Repl Part	PNC	Part No	Part Name	Qty	Part Spec	Remarks	NEW1	NEW2	Classification
	61684	MK486159	CABLE,FR PANEL OPENER	1					G6,G6V,H6V,J6,J6K6,K6V H6E,H6VE J6VE,K6E,M6E,M6VE
		MK486160	CABLE,FR PANEL OPENER	1					G6,G6V,H6V,J6,J6K6 H6E,H6VE J6VE,K6E,M6E
		MK486159	CABLE,FR PANEL OPENER	1					G6,G6V,H6V,J6,J6K6 H6E,H6VE J6VE,K6E,M6E
		MK486160	CABLE,FR PANEL OPENER	1					G6,G6V,H6V,J6,J6K6 H6E,H6VE J6VE,K6E,M6E
	61710	MC938629	GLASS,WINDSHIELD	1	GREEN				M6 G6E G6,H6,J6,K6 G6,H6,J6,K6 G6,H6,J6,K6 G6,H6,J6,K6 G6,H6,J6,K6
		MC938631	GLASS,WINDSHIELD	1					H6E,J6E,K6E M6E H6E,J6E,K6E M6E H6E,J6E,K6E M6E H6E,J6E,K6E M6E
		MC938629	GLASS,WINDSHIELD	1	GREEN				H6E,J6E,K6E M6E H6E,J6E,K6E M6E H6E,J6E,K6E M6E H6E,J6E,K6E M6E
		MC938629	GLASS,WINDSHIELD	1	GREEN				H6E,J6E,K6E M6E H6E,J6E,K6E M6E H6E,J6E,K6E M6E H6E,J6E,K6E M6E
		MC938629	GLASS,WINDSHIELD	1	GREEN				H6E,J6E,K6E M6E H6E,J6E,K6E M6E H6E,J6E,K6E M6E H6E,J6E,K6E M6E
		MC938629	GLASS,WINDSHIELD	1	GREEN				H6E,J6E,K6E M6E H6E,J6E,K6E M6E H6E,J6E,K6E M6E H6E,J6E,K6E M6E
		MC938629	GLASS,WINDSHIELD	1	GREEN				H6E,J6E,K6E M6E H6E,J6E,K6E M6E H6E,J6E,K6E M6E H6E,J6E,K6E M6E
		MC938631	GLASS,WINDSHIELD	1					H6E,J6E,K6E M6E H6E,J6E,K6E M6E H6E,J6E,K6E M6E H6E,J6E,K6E M6E
		MC938631	GLASS,WINDSHIELD	1					H6E,J6E,K6E M6E H6E,J6E,K6E M6E H6E,J6E,K6E M6E H6E,J6E,K6E M6E
		MC938631	GLASS,WINDSHIELD	1					H6E,J6E,K6E M6E H6E,J6E,K6E M6E H6E,J6E,K6E M6E H6E,J6E,K6E M6E
		MC938631	GLASS,WINDSHIELD	1					H6E,J6E,K6E M6E H6E,J6E,K6E M6E H6E,J6E,K6E M6E H6E,J6E,K6E M6E
		MC938631	GLASS,WINDSHIELD	1					H6E,J6E,K6E M6E H6E,J6E,K6E M6E H6E,J6E,K6E M6E H6E,J6E,K6E M6E
		MC938631	GLASS,WINDSHIELD	1					H6E,J6E,K6E M6E H6E,J6E,K6E M6E H6E,J6E,K6E M6E H6E,J6E,K6E M6E
		MC938631	GLASS,WINDSHIELD	1					H6E,J6E,K6E M6E H6E,J6E,K6E M6E H6E,J6E,K6E M6E H6E,J6E,K6E M6E
RP		MC938630	GLASS,WINDSHIELD	1			Y		G6,G6V,H6V,J6,J6K6,K6V H6E,H6VE J6VE,K6E,M6E,M6VE
RP		MC938632	GLASS,WINDSHIELD	1			Y		K6V M6VE G6V,H6V,J6V,H6VE,J6VE H6VE,J6VE H6VE,J6VE H6VE,J6VE
		MC938629	GLASS,WINDSHIELD	1	GREEN				G6,H6,J6,K6 G6,H6,J6,K6 G6,H6,J6,K6 G6,H6,J6,K6
		MC938631	GLASS,WINDSHIELD	1					H6E,J6E,K6E M6E H6E,J6E,K6E M6E H6E,J6E,K6E M6E H6E,J6E,K6E M6E
		MC938629	GLASS,WINDSHIELD	1	GREEN				G6,H6,J6,K6 G6,H6,J6,K6 G6,H6,J6,K6 G6,H6,J6,K6
		MC938629	GLASS,WINDSHIELD	1	GREEN				G6,H6,J6,K6 G6,H6,J6,K6 G6,H6,J6,K6 G6,H6,J6,K6
		MC938629	GLASS,WINDSHIELD	1	GREEN				G6,H6,J6,K6 G6,H6,J6,K6 G6,H6,J6,K6 G6,H6,J6,K6
		MC938629	GLASS,WINDSHIELD	1	GREEN				G6,H6,J6,K6 G6,H6,J6,K6 G6,H6,J6,K6 G6,H6,J6,K6
		MC938631	GLASS,WINDSHIELD	1					H6E,J6E,K6E M6E H6E,J6E,K6E M6E H6E,J6E,K6E M6E H6E,J6E,K6E M6E
		MC938631	GLASS,WINDSHIELD	1					H6E,J6E,K6E M6E H6E,J6E,K6E M6E H6E,J6E,K6E M6E H6E,J6E,K6E M6E
		MC938631	GLASS,WINDSHIELD	1					H6E,J6E,K6E M6E H6E,J6E,K6E M6E H6E,J6E,K6E M6E H6E,J6E,K6E M6E
		MC938631	GLASS,WINDSHIELD	1					H6E,J6E,K6E M6E H6E,J6E,K6E M6E H6E,J6E,K6E M6E H6E,J6E,K6E M6E
RP		MC938630	GLASS,WINDSHIELD	1			Y		G6,G6V,H6V,J6,J6K6,H6VE,J6VE H6VE,J6VE H6VE,J6VE H6VE,J6VE
RP		MC938632	GLASS,WINDSHIELD	1			Y		K6 H6E,H6VE J6VE,K6E,M6E M6E G6,G6V,H6V,J6,J6K6 H6E,H6VE J6VE,K6E,M6E
		MK617566	GLASS,WINDSHIELD	1	GREEN				G6,G6V,H6V,J6,J6K6 H6E,H6VE J6VE,K6E,M6E M6E G6,G6V,H6V,J6,J6K6 H6E,H6VE J6VE,K6E,M6E
		MK617568	GLASS,WINDSHIELD	1	GREEN				H6E,H6VE J6VE,K6E,M6E M6E G6,G6V,H6V,J6,J6K6 H6E,H6VE J6VE,K6E,M6E
		MK617567	GLASS,WINDSHIELD	1	GREEN				G6,G6V,H6V,J6,J6K6 H6E,H6VE J6VE,K6E,M6E M6E G6,G6V,H6V,J6,J6K6 H6E,H6VE J6VE,K6E,M6E
		MK617569	GLASS,WINDSHIELD	1	GREEN				H6E,H6VE J6VE,K6E,M6E M6E G6,G6V,H6V,J6,J6K6 H6E,H6VE J6VE,K6E,M6E
RP	61720	MC964087	WEATHERSTRIP,WINDSHIELD	1			Y		G6,H6,J6,K6 M6 G6E,H6E,J6VE,K6E,M6E
RP		MC964088	WEATHERSTRIP,WINDSHIELD	1			Y		G6,H6,J6,K6 M6 G6E,H6E,J6VE,K6E,M6E

FK74R
42-110 FRONT PANEL & GLASS

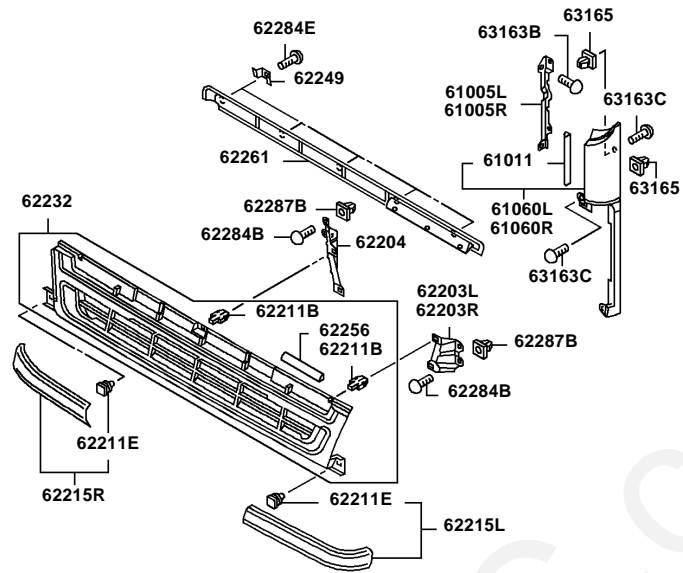
Repl Part	PNC	Part No	Part Name	Qty	Part Spec	Remarks	NEW1	NEW2	Classification
	61720	MK546341	WEATHERSTRIP,WINDSHIELD	1	L=5232				G6,G6V,H6 H6V,J6,J6E K6,K6V H6E,H6VE J6VE,K6E, M6E,M6VE
		MK546342	WEATHERSTRIP,WINDSHIELD	1	L=5648				G6,G6V,H6 H6V,J6,J6E K6 H6E,H6VE J6VE,K6E, M6E
		MK546341	WEATHERSTRIP,WINDSHIELD	1	L=5232				G6,G6V,H6 H6V,J6,J6E K6 H6E,H6VE J6VE,K6E, M6E
		MK546342	WEATHERSTRIP,WINDSHIELD	1	L=5648				G6,G6V,H6 H6V,J6,J6E K6 H6E,H6VE J6VE,K6E, M6E
	62508	MC926416	HOSE,DASH PANEL DRAIN	3					G6,G6E,G6V H6,H6E,H6V H6VE,J6,J6E J6V,J6VE, K6E,K6V,K6VE M6,M6E,M6VE
	66904	MC919946	PIN,BODY LOOSE PANEL	2	6X6				G6,G6E,G6V H6,H6E,H6V H6VE,J6,J6E J6V,J6VE, K6E,K6V,K6VE M6,M6E,M6VE
	66906	MC404953	BUSHING,BODY LOOSE PANEL	4					G6,G6E,G6V H6,H6E,H6V H6VE,J6,J6E J6V,J6VE, K6E,K6V,K6VE M6,M6E,M6VE
	66972	MH005200	WASHER,BODY LOOSE PANEL	2	SPRING,8				G6,G6E,H6 H6E,J6,J6E K6,K6E,M6 M6E
	66978C	MF434104	NUT,BODY LOOSE PANEL	4	FLANGE,8				G6,G6E,G6V H6,H6E,H6V H6VE,J6,J6E J6V,J6VE, K6E,K6V,K6VE M6,M6E,M6VE
		MF434124	NUT,BODY LOOSE PANEL	4	FLANGE,8				G6,G6V,H6 H6E,H6V,H6VE J6,J6E,J6VE J6VE,K6,K6E K6V,K6VE M6VE
	66979	MC964959	GROMMET,BODY LOOSE PANEL	1	7				G6,G6E,G6V H6,H6E,H6V H6VE,J6,J6E J6V,J6VE, K6E,K6V,K6VE M6,M6E,M6VE
	66983	MA155254	CLIP,BODY LOOSE PANEL	1	7				G6,G6E,G6V H6,H6E,H6V H6VE,J6,J6E J6V,J6VE, K6E,K6V,K6VE M6,M6E,M6VE
	66983B	MH020901	CLIP,BODY LOOSE PANEL	1	D=6 H=7				G6,G6V,H6 H6E,H6V,H6VE J6,J6E,J6VE J6VE,K6,K6E K6V,K6VE M6VE
	66985B	MF140029	BOLT,BODY LOOSE PANEL	1	FLANGE,8X30	4T			G6,G6V,H6 H6E,H6V,H6VE J6,J6E,J6VE J6VE,K6,K6E K6V,K6VE M6VE

FK74R
42-110 FRONT PANEL & GLASS

Repl Part	PNC	Part No	Part Name	Qty	Part Spec	Remarks	NEW1	NEW2	Classific
	66985C	MF247253	BOLT,BODY LOOSE PANEL	4	WASHER ASSEMBLED,8X25				G6,G6E,G H6,H6E,H6 H6VE,J6,J J6V,J6VE, K6E,K6V,K M6,M6E,M
	66985D	MF243649	BOLT,BODY LOOSE PANEL	2	WASHER ASSEMBLED,8X16				G6,G6E,H6 H6E,J6,J6 K6,K6E,M6 M6E
	71432B	MC927644	TAPE,SEAL	1					G6,G6E,G H6,H6E,H6 H6VE,J6,J J6V,J6VE, K6E,K6V,K M6,M6E,M
	71432C	MC927645	TAPE,SEAL	1					G6,G6E,G H6,H6E,H6 H6VE,J6,J J6V,J6VE, K6E,K6V,K M6,M6E,M

www.AutoEPC.com

FK74R
No.1

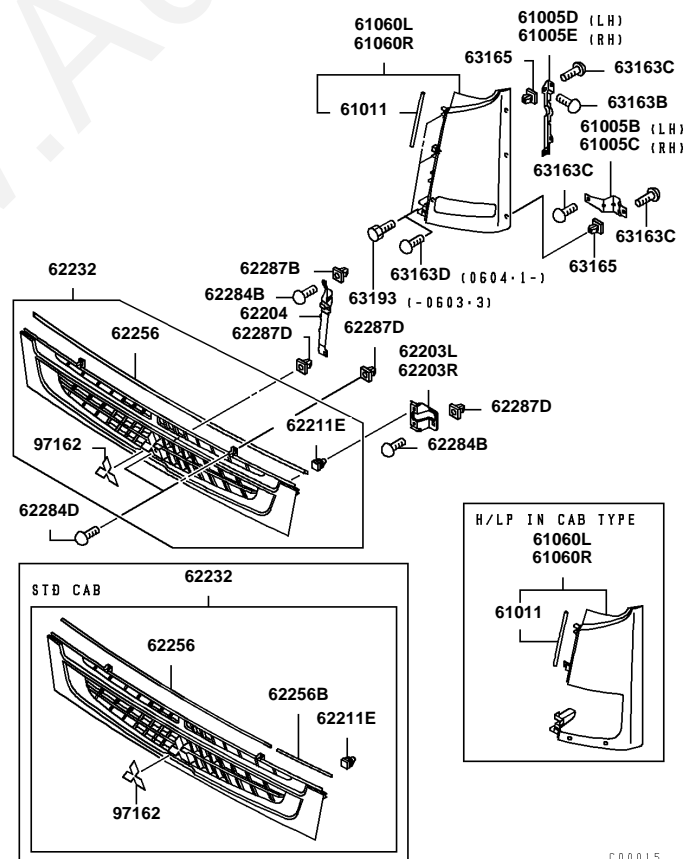


2PA901

Ref. |2042130

Page

FK74R
No.2



C00015

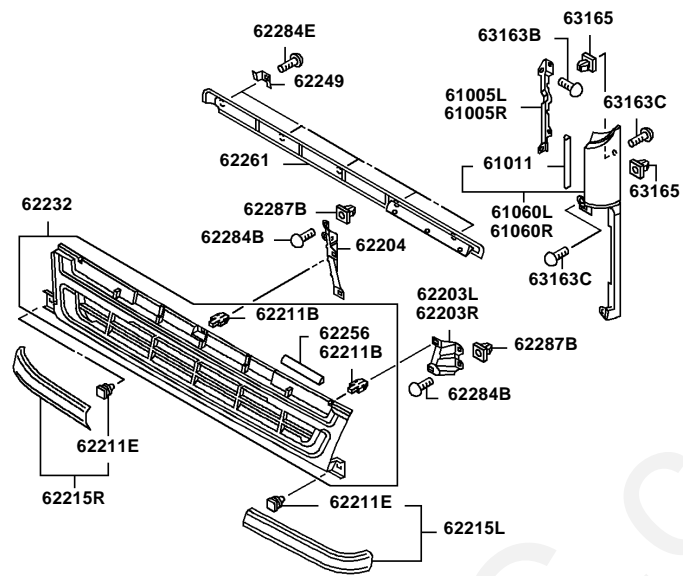
Ref. |2042130

Page

FK74R
42-130 FRONT GRILLE

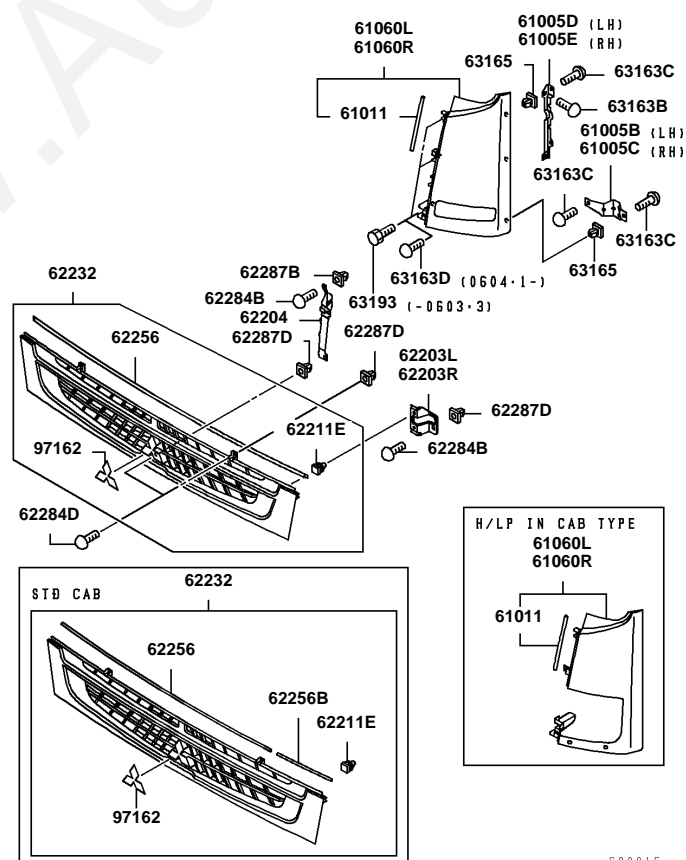
PNC	Part Name	See Page
61005B	BRACKET,CAB FR CORNER PANEL	(Please refer to the page 1/2)
61005C	BRACKET,CAB FR CORNER PANEL	(Please refer to the page 1/2)
61005D	BRACKET,CAB FR CORNER PANEL	(Please refer to the page 1/2)
61005E	BRACKET,CAB FR CORNER PANEL	(Please refer to the page 1/2)
61005L	BRACKET,CAB FR CORNER PANEL,LH	(Please refer to the page 1/2)
61005R	BRACKET,CAB FR CORNER PANEL,RH	(Please refer to the page 1/2)
61011	WEATHERSTRIP,CAB FR CORNER PANEL	(Please refer to the page 1/2)
61060L	PANEL,CAB FR CORNER,LH	(Please refer to the page 1/2)
61060R	PANEL,CAB FR CORNER,RH	(Please refer to the page 1/2)
62203L	BRACKET,RADIATOR GRILLE,LH	(Please refer to the page 2/2)
62203R	BRACKET,RADIATOR GRILLE,RH	(Please refer to the page 2/2)
62204	BRACKET,RADIATOR GRILLE,CTR	(Please refer to the page 2/2)
62211B	CLIP,RADIATOR GRILLE	(Please refer to the page 2/2)
62211E	CLIP,RADIATOR GRILLE	(Please refer to the page 2/2)
62215L	GARNISH,RADIATOR GRILLE,LH	(Please refer to the page 2/2)
62215R	GARNISH,RADIATOR GRILLE,RH	(Please refer to the page 2/2)
62232	GRILLE,RADIATOR	(Please refer to the page 2/2)
62249	RETAINER,RADIATOR LWR GRILLE	(Please refer to the page 2/2)
62256	WEATHERSTRIP,RADIATOR GRILLE	(Please refer to the page 2/2)
62256B	WEATHERSTRIP,RADIATOR GRILLE	(Please refer to the page 2/2)
62261	GRILLE,RADIATOR,UPR	(Please refer to the page 2/2)
62284B	SCREW,RADIATOR GRILLE	(Please refer to the page 2/2)
62284D	SCREW,RADIATOR GRILLE	(Please refer to the page 2/2)
62284E	SCREW,RADIATOR GRILLE	(Please refer to the page 2/2)
62287B	GROMMET,RADIATOR GRILLE	(Please refer to the page 2/2)
62287D	GROMMET,RADIATOR GRILLE	(Please refer to the page 2/2)
63163B	SCREW,FR PILLAR GARNISH	(Please refer to the page 2/2)
63163C	SCREW,FR PILLAR GARNISH	(Please refer to the page 2/2)
63163D	SCREW,FR PILLAR GARNISH	(Please refer to the page 2/2)
63165	GROMMET,FR PILLAR GARNISH	(Please refer to the page 2/2)
63193	BOLT,FR PILLAR GARNISH	(Please refer to the page 2/2)
97162	MARK,THREE-DIA	(Please refer to the page 2/2)

FK74R
No.1



2PA901

FK74R
No.2



C00015

FK74R
42-130 FRONT GRILLE (1/2)

PNC	Part No	Part Name	Qty	Part Spec	Remarks
61005B	MK486023	BRACKET,CAB FR CORNER PANEL	1		
61005C	MK486024	BRACKET,CAB FR CORNER PANEL	1		
61005D	MC964957	BRACKET,CAB FR CORNER PANEL	1		
61005E	MC964958	BRACKET,CAB FR CORNER PANEL	1		
61005L	MC964957	BRACKET,CAB FR CORNER PANEL,LH	1		
61005R	MC964958	BRACKET,CAB FR CORNER PANEL,RH	1		
61011	MC965017	WEATHERSTRIP,CAB FR CORNER PANEL	2		
	MC965017	WEATHERSTRIP,CAB FR CORNER PANEL	2		
	MC965017	WEATHERSTRIP,CAB FR CORNER PANEL	2		
	MC965017	WEATHERSTRIP,CAB FR CORNER PANEL	2		
	MK486156	WEATHERSTRIP,CAB FR CORNER PANEL	2		
	MK486155	WEATHERSTRIP,CAB FR CORNER PANEL	2		
	MK486155	WEATHERSTRIP,CAB FR CORNER PANEL	2		
	MK486155	WEATHERSTRIP,CAB FR CORNER PANEL	2		
	MK486155	WEATHERSTRIP,CAB FR CORNER PANEL	2		
	MK486155	WEATHERSTRIP,CAB FR CORNER PANEL	2		

FK74R
42-130 FRONT GRILLE (1/2)

PNC	Part No	Part Name	Qty	Part Spec	Remarks
61011	MK486155	WEATHERSTRIP,CAB FR CORNER PANEL	2		
	MK486155	WEATHERSTRIP,CAB FR CORNER PANEL	2		
	MK486156	WEATHERSTRIP,CAB FR CORNER PANEL	2		
	MK486155	WEATHERSTRIP,CAB FR CORNER PANEL	2		
61060L	MC965270	PANEL,CAB FR CORNER,LH	1	LIGHTBLUE & BLACK	FOR BLACK OUT
	MC965270	PANEL,CAB FR CORNER,LH	1	LIGHTBLUE & BLACK	FOR BLACK OUT
	MC965270	PANEL,CAB FR CORNER,LH	1	LIGHTBLUE & BLACK	FOR BLACK OUT
	MC965270	PANEL,CAB FR CORNER,LH	1	LIGHTBLUE & BLACK	FOR BLACK OUT
	MC965271	PANEL,CAB FR CORNER,LH	1	WARM SILVER & BLACK	FOR BLACK OUT
	MC965271	PANEL,CAB FR CORNER,LH	1	WARM SILVER & BLACK	FOR BLACK OUT
	MC965271	PANEL,CAB FR CORNER,LH	1	WARM SILVER & BLACK	FOR BLACK OUT
	MC965271	PANEL,CAB FR CORNER,LH	1	WARM SILVER & BLACK	FOR BLACK OUT
	MC967805	PANEL,CAB FR CORNER,LH	1	YUUTEI RED	
	MC967805	PANEL,CAB FR CORNER,LH	1	YUUTEI RED	
	MC967805	PANEL,CAB FR CORNER,LH	1	YUUTEI RED	
	MC967805	PANEL,CAB FR CORNER,LH	1	YUUTEI RED	
	MC967806	PANEL,CAB FR CORNER,LH	1	KENSETU ORANGE	
	MC967806	PANEL,CAB FR CORNER,LH	1	KENSETU ORANGE	
	MC967806	PANEL,CAB FR CORNER,LH	1	KENSETU ORANGE	
	MC967806	PANEL,CAB FR CORNER,LH	1	KENSETU ORANGE	
	MC967807	PANEL,CAB FR CORNER,LH	1	KOUDAN YELLOW	

FK74R
42-130 FRONT GRILLE (1/2)

PNC	Part No	Part Name	Qty	Part Spec	Remarks
61060L	MC967807	PANEL,CAB FR CORNER,LH	1	KOUDAN YELLOW	
	MC967807	PANEL,CAB FR CORNER,LH	1	KOUDAN YELLOW	
	MC967807	PANEL,CAB FR CORNER,LH	1	KOUDAN YELLOW	
	MC967950	PANEL,CAB FR CORNER,LH	1	FUKUTSU GREEN	
	MC967950	PANEL,CAB FR CORNER,LH	1	FUKUTSU GREEN	
	MC967950	PANEL,CAB FR CORNER,LH	1	FUKUTSU GREEN	
	MC967950 MC968007	PANEL,CAB FR CORNER,LH PANEL,CAB FR CORNER,LH	1 1	FUKUTSU GREEN WARM SILVER	
	MC968007 MC968007	PANEL,CAB FR CORNER,LH PANEL,CAB FR CORNER,LH	1 1	WARM SILVER WARM SILVER	
	MC968007	PANEL,CAB FR CORNER,LH	1	WARM SILVER	
	MC968008	PANEL,CAB FR CORNER,LH	1	LIGHT BLUE	
	MC968008 MC968008	PANEL,CAB FR CORNER,LH PANEL,CAB FR CORNER,LH	1 1	LIGHT BLUE LIGHT BLUE	
	MC968008	PANEL,CAB FR CORNER,LH	1	LIGHT BLUE	
	MC968009 MC968009	PANEL,CAB FR CORNER,LH PANEL,CAB FR CORNER,LH	1 1	NEW NIKKEN GREEN NEW NIKKEN GREEN	
	MC968009	PANEL,CAB FR CORNER,LH	1	NEW NIKKEN GREEN	
	MC968009	PANEL,CAB FR CORNER,LH	1	NEW NIKKEN GREEN	
	MK402405 MK402405	PANEL,CAB FR CORNER,LH PANEL,CAB FR CORNER,LH	1 1	URANUS BLUE & BLACK URANUS BLUE & BLACK	FOR BLACK OUT FOR BLACK OUT
	MK402405	PANEL,CAB FR CORNER,LH	1	URANUS BLUE & BLACK	FOR BLACK OUT
	MK402405	PANEL,CAB FR CORNER,LH	1	URANUS BLUE & BLACK	FOR BLACK OUT

FK74R
42-130 FRONT GRILLE (1/2)

PNC	Part No	Part Name	Qty	Part Spec	Remarks
61060L	MK402406	PANEL,CAB FR CORNER,LH	1	SHANNON BLUE & BLACK	FOR BLACK OUT
	MK402406	PANEL,CAB FR CORNER,LH	1	SHANNON BLUE & BLACK	FOR BLACK OUT
	MK402406	PANEL,CAB FR CORNER,LH	1	SHANNON BLUE & BLACK	FOR BLACK OUT
	MK402406	PANEL,CAB FR CORNER,LH	1	SHANNON BLUE & BLACK	FOR BLACK OUT
	MK402407	PANEL,CAB FR CORNER,LH	1	JUPITER GREEN & BLACK	FOR BLACK OUT
	MK402407	PANEL,CAB FR CORNER,LH	1	JUPITER GREEN & BLACK	FOR BLACK OUT
	MK402407	PANEL,CAB FR CORNER,LH	1	JUPITER GREEN & BLACK	FOR BLACK OUT
	MK402407	PANEL,CAB FR CORNER,LH	1	JUPITER GREEN & BLACK	FOR BLACK OUT
	MK402408	PANEL,CAB FR CORNER,LH	1	BRIGHTO RANGE & BLACK	FOR BLACK OUT
	MK402408	PANEL,CAB FR CORNER,LH	1	BRIGHTO RANGE & BLACK	FOR BLACK OUT
	MK402408	PANEL,CAB FR CORNER,LH	1	BRIGHTO RANGE & BLACK	FOR BLACK OUT
	MK402408	PANEL,CAB FR CORNER,LH	1	BRIGHTO RANGE & BLACK	FOR BLACK OUT
	MK402409	PANEL,CAB FR CORNER,LH	1	MARS RED & BLACK	FOR BLACK OUT
	MK402409	PANEL,CAB FR CORNER,LH	1	MARS RED & BLACK	FOR BLACK OUT
	MK402409	PANEL,CAB FR CORNER,LH	1	MARS RED & BLACK	FOR BLACK OUT
	MK402409	PANEL,CAB FR CORNER,LH	1	MARS RED & BLACK	FOR BLACK OUT
	MK402410	PANEL,CAB FR CORNER,LH	1	VENUS YELLOW & BLACK	FOR BLACK OUT
	MK402410	PANEL,CAB FR CORNER,LH	1	VENUS YELLOW & BLACK	FOR BLACK OUT
	MK402410	PANEL,CAB FR CORNER,LH	1	VENUS YELLOW & BLACK	FOR BLACK OUT
	MK402410	PANEL,CAB FR CORNER,LH	1	VENUS YELLOW & BLACK	FOR BLACK OUT
	MK402411	PANEL,CAB FR CORNER,LH	1	MEXICAN YELLOW & BLACK	FOR BLACK OUT
	MK402411	PANEL,CAB FR CORNER,LH	1	MEXICAN YELLOW & BLACK	FOR BLACK OUT
	MK402411	PANEL,CAB FR CORNER,LH	1	MEXICAN YELLOW & BLACK	FOR BLACK OUT
	MK402411	PANEL,CAB FR CORNER,LH	1	MEXICAN YELLOW & BLACK	FOR BLACK OUT

FK74R
42-130 FRONT GRILLE (1/2)

PNC	Part No	Part Name	Qty	Part Spec	Remarks
61060L	MK402412	PANEL,CAB FR CORNER,LH	1	URANUS BLUE	
	MK402412	PANEL,CAB FR CORNER,LH	1	URANUS BLUE	
	MK402412	PANEL,CAB FR CORNER,LH	1	URANUS BLUE	
	MK402412	PANEL,CAB FR CORNER,LH	1	URANUS BLUE	
	MK402413	PANEL,CAB FR CORNER,LH	1	SHANNON BLUE	
	MK402413	PANEL,CAB FR CORNER,LH	1	SHANNON BLUE	
	MK402413	PANEL,CAB FR CORNER,LH	1	SHANNON BLUE	
	MK402414	PANEL,CAB FR CORNER,LH	1	JUPITER GREEN	
	MK402414	PANEL,CAB FR CORNER,LH	1	JUPITER GREEN	
	MK402414	PANEL,CAB FR CORNER,LH	1	JUPITER GREEN	
	MK402414	PANEL,CAB FR CORNER,LH	1	JUPITER GREEN	
	MK402415	PANEL,CAB FR CORNER,LH	1	BRIGHT ORANGE	
	MK402415	PANEL,CAB FR CORNER,LH	1	BRIGHT ORANGE	
	MK402415	PANEL,CAB FR CORNER,LH	1	BRIGHT ORANGE	
	MK402415	PANEL,CAB FR CORNER,LH	1	BRIGHT ORANGE	
	MK402416	PANEL,CAB FR CORNER,LH	1	MARS RED	
	MK402416	PANEL,CAB FR CORNER,LH	1	MARS RED	
	MK402416	PANEL,CAB FR CORNER,LH	1	MARS RED	
	MK402416	PANEL,CAB FR CORNER,LH	1	MARS RED	
	MK402417	PANEL,CAB FR CORNER,LH	1	VENUS YELLOW	
	MK402417	PANEL,CAB FR CORNER,LH	1	VENUS YELLOW	
	MK402417	PANEL,CAB FR CORNER,LH	1	VENUS YELLOW	
	MK402417	PANEL,CAB FR CORNER,LH	1	VENUS YELLOW	
	MK402418	PANEL,CAB FR CORNER,LH	1	MEXICAN YELLOW	

FK74R
42-130 FRONT GRILLE (1/2)

PNC	Part No	Part Name	Qty	Part Spec	Remarks
61060L	MK402418	PANEL,CAB FR CORNER,LH	1	MEXICAN YELLOW	
	MK402418	PANEL,CAB FR CORNER,LH	1	MEXICAN YELLOW	
	MK402418	PANEL,CAB FR CORNER,LH	1	MEXICAN YELLOW	
	MK460898	PANEL,CAB FR CORNER,LH	1	FIJI GREEN	
	MK460898	PANEL,CAB FR CORNER,LH	1	FIJI GREEN	
	MK460898	PANEL,CAB FR CORNER,LH	1	FIJI GREEN	
	MK460898	PANEL,CAB FR CORNER,LH	1	FIJI GREEN	
	MK460899	PANEL,CAB FR CORNER,LH	1	LEAF GREEN	
	MK460899	PANEL,CAB FR CORNER,LH	1	LEAF GREEN	
	MK460899	PANEL,CAB FR CORNER,LH	1	LEAF GREEN	
	MK460899	PANEL,CAB FR CORNER,LH	1	LEAF GREEN	
	MK461915	PANEL,CAB FR CORNER,LH	1	NITTUU YELLOW	
	MK461915	PANEL,CAB FR CORNER,LH	1	NITTUU YELLOW	
	MK461915	PANEL,CAB FR CORNER,LH	1	NITTUU YELLOW	
	MK461915	PANEL,CAB FR CORNER,LH	1	NITTUU YELLOW	
	MK484708	PANEL,CAB FR CORNER,LH	1	ASAHI WHITE	
	MK484708	PANEL,CAB FR CORNER,LH	1	ASAHI WHITE	
	MK484708	PANEL,CAB FR CORNER,LH	1	ASAHI WHITE	
	MK484708	PANEL,CAB FR CORNER,LH	1	ASAHI WHITE	
	MK485123	PANEL,CAB FR CORNER,LH	1	NATURAL WHITE	
	MK485123	PANEL,CAB FR CORNER,LH	1	NATURAL WHITE	
	MK485123	PANEL,CAB FR CORNER,LH	1	NATURAL WHITE	
	MK485123	PANEL,CAB FR CORNER,LH	1	NATURAL WHITE	
	MK485126	PANEL,CAB FR CORNER,LH	1	NATURAL WHITE & BLACK	FOR BLACK OUT

FK74R
42-130 FRONT GRILLE (1/2)

PNC	Part No	Part Name	Qty	Part Spec	Remarks
61060L	MK485126	PANEL,CAB FR CORNER,LH	1	NATURAL WHITE & BLACK	FOR BLACK OUT
	MK485126	PANEL,CAB FR CORNER,LH	1	NATURAL WHITE & BLACK	FOR BLACK OUT
	MK485126	PANEL,CAB FR CORNER,LH	1	NATURAL WHITE & BLACK	FOR BLACK OUT
	MK485382	PANEL,CAB FR CORNER,LH	1	SAGAWA SILVER	
	MK485382	PANEL,CAB FR CORNER,LH	1	SAGAWA SILVER	
	MK485382	PANEL,CAB FR CORNER,LH	1	SAGAWA SILVER	
	MK485382	PANEL,CAB FR CORNER,LH	1	SAGAWA SILVER	
	MK487762	PANEL,CAB FR CORNER,LH	1	SILVER(M)	
	MK487762	PANEL,CAB FR CORNER,LH	1	SILVER(M)	
	MK487762	PANEL,CAB FR CORNER,LH	1	SILVER(M)	
	MK487762	PANEL,CAB FR CORNER,LH	1	SILVER(M)	
	MK615093	PANEL,CAB FR CORNER,LH	1	ACTIVE YELLOW	
	MK615093	PANEL,CAB FR CORNER,LH	1	ACTIVE YELLOW	
	MK615093	PANEL,CAB FR CORNER,LH	1	ACTIVE YELLOW	
	MK615093	PANEL,CAB FR CORNER,LH	1	ACTIVE YELLOW	
	MC965276	PANEL,CAB FR CORNER,LH	1	LIGHTBLUE & BLACK	FOR BLACK OUT
	MC965277	PANEL,CAB FR CORNER,LH	1	WARM SILVER & BLACK	FOR BLACK OUT
	MC967811	PANEL,CAB FR CORNER,LH	1	YUUTEI RED	
	MC967812	PANEL,CAB FR CORNER,LH	1	KENSETU ORANGE	
	MC967813	PANEL,CAB FR CORNER,LH	1	KOUDAN YELLOW	
	MC967952	PANEL,CAB FR CORNER,LH	1	FUKUTSU GREEN	

FK74R
42-130 FRONT GRILLE (1/2)

PNC	Part No	Part Name	Qty	Part Spec	Remarks
61060L	MC968015	PANEL,CAB FR CORNER,LH	1	WARM SILVER	
	MC968016	PANEL,CAB FR CORNER,LH	1	LIGHT BLUE	
	MC968017	PANEL,CAB FR CORNER,LH	1	NEW NIKKEN GREEN	
	MK402433	PANEL,CAB FR CORNER,LH	1	URANUS BLUE & BLACK	FOR BLACK OUT
	MK402434	PANEL,CAB FR CORNER,LH	1	SHANNON BLUE & BLACK	FOR BLACK OUT
	MK402435	PANEL,CAB FR CORNER,LH	1	JUPITER GREEN & BLACK	FOR BLACK OUT
	MK402436	PANEL,CAB FR CORNER,LH	1	BRIGHTO RANGE & BLACK	FOR BLACK OUT
	MK402437	PANEL,CAB FR CORNER,LH	1	MARS RED & BLACK	FOR BLACK OUT
	MK402438	PANEL,CAB FR CORNER,LH	1	VENUS YELLOW & BLACK	FOR BLACK OUT
	MK402439	PANEL,CAB FR CORNER,LH	1	MEXICAN YELLOW & BLACK	FOR BLACK OUT
	MK402440	PANEL,CAB FR CORNER,LH	1	URANUS BLUE	
	MK402441	PANEL,CAB FR CORNER,LH	1	SHANNON BLUE	
	MK402442	PANEL,CAB FR CORNER,LH	1	JUPITER GREEN	
	MK402443	PANEL,CAB FR CORNER,LH	1	BRIGHT ORANGE	
	MK402444	PANEL,CAB FR CORNER,LH	1	MARS RED	
	MK402445	PANEL,CAB FR CORNER,LH	1	VENUS YELLOW	
	MK402446	PANEL,CAB FR CORNER,LH	1	MEXICAN YELLOW	
	MK460902	PANEL,CAB FR CORNER,LH	1	FIJI GREEN	

FK74R
42-130 FRONT GRILLE (1/2)

PNC	Part No	Part Name	Qty	Part Spec	Remarks
61060L	MK460903	PANEL,CAB FR CORNER,LH	1	LEAF GREEN	
	MK461917	PANEL,CAB FR CORNER,LH	1	NITTUU YELLOW	
	MK484710	PANEL,CAB FR CORNER,LH	1	ASAHI WHITE	
	MK485125	PANEL,CAB FR CORNER,LH	1	NATURAL WHITE	
	MK485128	PANEL,CAB FR CORNER,LH	1	NATURAL WHITE & BLACK	FOR BLACK OUT
	MK485384	PANEL,CAB FR CORNER,LH	1	SAGAWA SILVER	
	MC965270	PANEL,CAB FR CORNER,LH	1	LIGHTBLUE & BLACK	FOR BLACK OUT
	MC965271	PANEL,CAB FR CORNER,LH	1	WARM SILVER & BLACK	FOR BLACK OUT
	MC967805	PANEL,CAB FR CORNER,LH	1	YUUTEI RED	
	MC967806	PANEL,CAB FR CORNER,LH	1	KENSETU ORANGE	
	MC967807	PANEL,CAB FR CORNER,LH	1	KOUDAN YELLOW	
	MC967950	PANEL,CAB FR CORNER,LH	1	FUKUTSU GREEN	
	MC968007	PANEL,CAB FR CORNER,LH	1	WARM SILVER	
	MC968008	PANEL,CAB FR CORNER,LH	1	LIGHT BLUE	
	MC968009	PANEL,CAB FR CORNER,LH	1	NEW NIKKEN GREEN	
	MK402405	PANEL,CAB FR CORNER,LH	1	URANUS BLUE & BLACK	FOR BLACK OUT
	MK402406	PANEL,CAB FR CORNER,LH	1	SHANNON BLUE & BLACK	FOR BLACK OUT
	MK402407	PANEL,CAB FR CORNER,LH	1	JUPITER GREEN & BLACK	FOR BLACK OUT

FK74R
42-130 FRONT GRILLE (1/2)

PNC	Part No	Part Name	Qty	Part Spec	Remarks
61060L	MK402408	PANEL,CAB FR CORNER,LH	1	BRIGHTO RANGE & BLACK	FOR BLACK OUT
	MK402409	PANEL,CAB FR CORNER,LH	1	MARS RED & BLACK	FOR BLACK OUT
	MK402410	PANEL,CAB FR CORNER,LH	1	VENUS YELLOW & BLACK	FOR BLACK OUT
	MK402411	PANEL,CAB FR CORNER,LH	1	MEXICAN YELLOW & BLACK	FOR BLACK OUT
	MK402412	PANEL,CAB FR CORNER,LH	1	URANUS BLUE	
	MK402413	PANEL,CAB FR CORNER,LH	1	SHANNON BLUE	
	MK402414	PANEL,CAB FR CORNER,LH	1	JUPITER GREEN	
	MK402415	PANEL,CAB FR CORNER,LH	1	BRIGHT ORANGE	
	MK402416	PANEL,CAB FR CORNER,LH	1	MARS RED	
	MK402417	PANEL,CAB FR CORNER,LH	1	VENUS YELLOW	
	MK402418	PANEL,CAB FR CORNER,LH	1	MEXICAN YELLOW	
	MK460898	PANEL,CAB FR CORNER,LH	1	FIJI GREEN	
	MK460899	PANEL,CAB FR CORNER,LH	1	LEAF GREEN	
	MK461915	PANEL,CAB FR CORNER,LH	1	NITTUU YELLOW	
	MK484708	PANEL,CAB FR CORNER,LH	1	ASAHI WHITE	
	MK485123	PANEL,CAB FR CORNER,LH	1	NATURAL WHITE	
	MK485126	PANEL,CAB FR CORNER,LH	1	NATURAL WHITE & BLACK	FOR BLACK OUT
	MK485382	PANEL,CAB FR CORNER,LH	1	SAGAWA SILVER	

FK74R
42-130 FRONT GRILLE (1/2)

PNC 61060L	Part No	Part Name	Qty	Part Spec	Remarks
	MK487762	PANEL,CAB FR CORNER,LH	1	SILVER(M)	
	MK615093	PANEL,CAB FR CORNER,LH	1	ACTIVE YELLOW	
	MK547455	PANEL,CAB FR CORNER,LH	1	NATURAL WHITE	
	MK547457	PANEL,CAB FR CORNER,LH	1	LIGHT BLUE	
	MK547459	PANEL,CAB FR CORNER,LH	1	SONIC BLUE	
	MK547461	PANEL,CAB FR CORNER,LH	1	SIRIUS SILVER	
	MK547463	PANEL,CAB FR CORNER,LH	1	ARCADIA SILVER	
	MK547465	PANEL,CAB FR CORNER,LH	1	JUPITER GREEN	
	MK547467	PANEL,CAB FR CORNER,LH	1	FIJI GREEN	
	MK547469	PANEL,CAB FR CORNER,LH	1	FOREST GREEN	
	MK547471	PANEL,CAB FR CORNER,LH	1	BRIGHT ORANGE	
	MK547473	PANEL,CAB FR CORNER,LH	1	MARS RED	

FK74R
42-130 FRONT GRILLE (1/2)

PNC 61060L	Part No	Part Name	Qty	Part Spec	Remarks
	MK547475	PANEL,CAB FR CORNER,LH	1	SHANNON BLUE	
	MK547477	PANEL,CAB FR CORNER,LH	1	ACTIVE YELLOW	
	MK548999	PANEL,CAB FR CORNER,LH	1	SAGAWA SILVER	
	MK549781	PANEL,CAB FR CORNER,LH	1	ASAHI WHITE	
	MK615063	PANEL,CAB FR CORNER,LH	1	FUTABA BEIGE	
	MK547479	PANEL,CAB FR CORNER,LH	1	NATURAL WHITE	
	MK547480	PANEL,CAB FR CORNER,LH	1	LIGHT BLUE	
	MK547481	PANEL,CAB FR CORNER,LH	1	SONIC BLUE	
	MK547482	PANEL,CAB FR CORNER,LH	1	SIRIUS SILVER	
	MK547483	PANEL,CAB FR CORNER,LH	1	ARCADIA SILVER	
	MK547484	PANEL,CAB FR CORNER,LH	1	JUPITER GREEN	
	MK547485	PANEL,CAB FR CORNER,LH	1	FIJI GREEN	

FK74R
42-130 FRONT GRILLE (1/2)

PNC	Part No	Part Name	Qty	Part Spec	Remarks
61060L	MK547486	PANEL,CAB FR CORNER,LH	1	FOREST GREEN	
	MK547487	PANEL,CAB FR CORNER,LH	1	BRIGHT ORANGE	
	MK547488	PANEL,CAB FR CORNER,LH	1	MARS RED	
	MK547489	PANEL,CAB FR CORNER,LH	1	SHANNON BLUE	
	MK547490	PANEL,CAB FR CORNER,LH	1	ACTIVE YELLOW	
	MK548979	PANEL,CAB FR CORNER,LH	1	SAGAWA SILVER	
	MK549783	PANEL,CAB FR CORNER,LH	1	ASAHI WHITE	
	MK615070	PANEL,CAB FR CORNER,LH	1	FUTABA BEIGE	
	MK547431	PANEL,CAB FR CORNER,LH	1	NATURAL WHITE	
	MK547431	PANEL,CAB FR CORNER,LH	1	NATURAL WHITE	
	MK547431	PANEL,CAB FR CORNER,LH	1	NATURAL WHITE	
	MK547431	PANEL,CAB FR CORNER,LH	1	NATURAL WHITE	
	MK547431	PANEL,CAB FR CORNER,LH	1	NATURAL WHITE	
	MK547431	PANEL,CAB FR CORNER,LH	1	NATURAL WHITE	
	MK547431	PANEL,CAB FR CORNER,LH	1	NATURAL WHITE	

FK74R
42-130 FRONT GRILLE (1/2)

PNC	Part No	Part Name	Qty	Part Spec	Remarks
61060L	MK547431	PANEL,CAB FR CORNER,LH	1	NATURAL WHITE	
	MK547431	PANEL,CAB FR CORNER,LH	1	NATURAL WHITE	
	MK547433	PANEL,CAB FR CORNER,LH	1	LIGHT BLUE	
	MK547433	PANEL,CAB FR CORNER,LH	1	LIGHT BLUE	
	MK547433	PANEL,CAB FR CORNER,LH	1	LIGHT BLUE	
	MK547433	PANEL,CAB FR CORNER,LH	1	LIGHT BLUE	
	MK547433	PANEL,CAB FR CORNER,LH	1	LIGHT BLUE	
	MK547433	PANEL,CAB FR CORNER,LH	1	LIGHT BLUE	
	MK547433	PANEL,CAB FR CORNER,LH	1	LIGHT BLUE	
	MK547435	PANEL,CAB FR CORNER,LH	1	SONIC BLUE	
	MK547435	PANEL,CAB FR CORNER,LH	1	SONIC BLUE	
	MK547435	PANEL,CAB FR CORNER,LH	1	SONIC BLUE	
	MK547435	PANEL,CAB FR CORNER,LH	1	SONIC BLUE	
	MK547435	PANEL,CAB FR CORNER,LH	1	SONIC BLUE	
	MK547435	PANEL,CAB FR CORNER,LH	1	SONIC BLUE	
	MK547437	PANEL,CAB FR CORNER,LH	1	SIRIUS SILVER	
	MK547437	PANEL,CAB FR CORNER,LH	1	SIRIUS SILVER	

FK74R
42-130 FRONT GRILLE (1/2)

PNC	Part No	Part Name	Qty	Part Spec	Remarks
61060L	MK547437	PANEL,CAB FR CORNER,LH	1	SIRIUS SILVER	
	MK547437	PANEL,CAB FR CORNER,LH	1	SIRIUS SILVER	
	MK547437	PANEL,CAB FR CORNER,LH	1	SIRIUS SILVER	
	MK547437	PANEL,CAB FR CORNER,LH	1	SIRIUS SILVER	
	MK547437	PANEL,CAB FR CORNER,LH	1	SIRIUS SILVER	
	MK547439	PANEL,CAB FR CORNER,LH	1	ARCADIA SILVER	
	MK547439	PANEL,CAB FR CORNER,LH	1	ARCADIA SILVER	
	MK547439	PANEL,CAB FR CORNER,LH	1	ARCADIA SILVER	
	MK547439	PANEL,CAB FR CORNER,LH	1	ARCADIA SILVER	
	MK547439	PANEL,CAB FR CORNER,LH	1	ARCADIA SILVER	
	MK547439	PANEL,CAB FR CORNER,LH	1	ARCADIA SILVER	
	MK547439	PANEL,CAB FR CORNER,LH	1	ARCADIA SILVER	
	MK547441	PANEL,CAB FR CORNER,LH	1	JUPITER GREEN	
	MK547441	PANEL,CAB FR CORNER,LH	1	JUPITER GREEN	
	MK547441	PANEL,CAB FR CORNER,LH	1	JUPITER GREEN	
	MK547441	PANEL,CAB FR CORNER,LH	1	JUPITER GREEN	

FK74R
42-130 FRONT GRILLE (1/2)

PNC	Part No	Part Name	Qty	Part Spec	Remarks
61060L	MK547441	PANEL,CAB FR CORNER,LH	1	JUPITER GREEN	
	MK547441	PANEL,CAB FR CORNER,LH	1	JUPITER GREEN	
	MK547441	PANEL,CAB FR CORNER,LH	1	JUPITER GREEN	
	MK547443	PANEL,CAB FR CORNER,LH	1	FIJI GREEN	
	MK547443	PANEL,CAB FR CORNER,LH	1	FIJI GREEN	
	MK547443	PANEL,CAB FR CORNER,LH	1	FIJI GREEN	
	MK547443	PANEL,CAB FR CORNER,LH	1	FIJI GREEN	
	MK547443	PANEL,CAB FR CORNER,LH	1	FIJI GREEN	
	MK547443	PANEL,CAB FR CORNER,LH	1	FIJI GREEN	
	MK547443	PANEL,CAB FR CORNER,LH	1	FIJI GREEN	
	MK547443	PANEL,CAB FR CORNER,LH	1	FIJI GREEN	
	MK547443	PANEL,CAB FR CORNER,LH	1	FIJI GREEN	
	MK547445	PANEL,CAB FR CORNER,LH	1	FOREST GREEN	
	MK547445	PANEL,CAB FR CORNER,LH	1	FOREST GREEN	
	MK547445	PANEL,CAB FR CORNER,LH	1	FOREST GREEN	
	MK547445	PANEL,CAB FR CORNER,LH	1	FOREST GREEN	
	MK547445	PANEL,CAB FR CORNER,LH	1	FOREST GREEN	
	MK547445	PANEL,CAB FR CORNER,LH	1	FOREST GREEN	
	MK547445	PANEL,CAB FR CORNER,LH	1	FOREST GREEN	
	MK547445	PANEL,CAB FR CORNER,LH	1	FOREST GREEN	

FK74R
42-130 FRONT GRILLE (1/2)

PNC	Part No	Part Name	Qty	Part Spec	Remarks
61060L	MK547447	PANEL,CAB FR CORNER,LH	1	BRIGHT ORANGE	
	MK547447 MK547447	PANEL,CAB FR CORNER,LH PANEL,CAB FR CORNER,LH	1 1	BRIGHT ORANGE BRIGHT ORANGE	
	MK547447	PANEL,CAB FR CORNER,LH	1	BRIGHT ORANGE	
	MK547447	PANEL,CAB FR CORNER,LH	1	BRIGHT ORANGE	
	MK547447	PANEL,CAB FR CORNER,LH	1	BRIGHT ORANGE	
	MK547447 MK547447	PANEL,CAB FR CORNER,LH PANEL,CAB FR CORNER,LH	1 1	BRIGHT ORANGE BRIGHT ORANGE	
	MK547449	PANEL,CAB FR CORNER,LH	1	MARS RED	
	MK547449	PANEL,CAB FR CORNER,LH	1	MARS RED	
	MK547449 MK547449	PANEL,CAB FR CORNER,LH PANEL,CAB FR CORNER,LH	1 1	MARS RED MARS RED	
	MK547449	PANEL,CAB FR CORNER,LH	1	MARS RED	
	MK547449 MK547449	PANEL,CAB FR CORNER,LH PANEL,CAB FR CORNER,LH	1 1	MARS RED MARS RED	
	MK547449	PANEL,CAB FR CORNER,LH	1	MARS RED	
	MK547451 MK547451	PANEL,CAB FR CORNER,LH PANEL,CAB FR CORNER,LH	1 1	SHANNON BLUE SHANNON BLUE	
	MK547451	PANEL,CAB FR CORNER,LH	1	SHANNON BLUE	

FK74R
42-130 FRONT GRILLE (1/2)

PNC	Part No	Part Name	Qty	Part Spec	Remarks
61060L	MK547451	PANEL,CAB FR CORNER,LH	1	SHANNON BLUE	
	MK547451	PANEL,CAB FR CORNER,LH	1	SHANNON BLUE	
	MK547451	PANEL,CAB FR CORNER,LH	1	SHANNON BLUE	
	MK547451 MK547451	PANEL,CAB FR CORNER,LH PANEL,CAB FR CORNER,LH	1 1	SHANNON BLUE SHANNON BLUE	
	MK547453 MK547453	PANEL,CAB FR CORNER,LH PANEL,CAB FR CORNER,LH	1 1	ACTIVE YELLOW ACTIVE YELLOW	
	MK547453	PANEL,CAB FR CORNER,LH	1	ACTIVE YELLOW	
	MK547453	PANEL,CAB FR CORNER,LH	1	ACTIVE YELLOW	
	MK547453	PANEL,CAB FR CORNER,LH	1	ACTIVE YELLOW	
	MK547453 MK547453	PANEL,CAB FR CORNER,LH PANEL,CAB FR CORNER,LH	1 1	ACTIVE YELLOW ACTIVE YELLOW	
	MK548997	PANEL,CAB FR CORNER,LH	1	SAGAWA SILVER	
	MK548997 MK548997	PANEL,CAB FR CORNER,LH PANEL,CAB FR CORNER,LH	1 1	SAGAWA SILVER SAGAWA SILVER	
	MK548997 MK548997	PANEL,CAB FR CORNER,LH PANEL,CAB FR CORNER,LH	1 1	SAGAWA SILVER SAGAWA SILVER	
	MK548997	PANEL,CAB FR CORNER,LH	1	SAGAWA SILVER	

FK74R
42-130 FRONT GRILLE (1/2)

PNC	Part No	Part Name	Qty	Part Spec	Remarks
61060L	MK548997	PANEL,CAB FR CORNER,LH	1	SAGAWA SILVER	
	MK548997	PANEL,CAB FR CORNER,LH	1	SAGAWA SILVER	
	MK549611	PANEL,CAB FR CORNER,LH	1	FUKUTSU GREEN	
	MK549611	PANEL,CAB FR CORNER,LH	1	FUKUTSU GREEN	
	MK549611	PANEL,CAB FR CORNER,LH	1	FUKUTSU GREEN	
	MK549611	PANEL,CAB FR CORNER,LH	1	FUKUTSU GREEN	
	MK549611	PANEL,CAB FR CORNER,LH	1	FUKUTSU GREEN	
	MK549611	PANEL,CAB FR CORNER,LH	1	FUKUTSU GREEN	
	MK549611	PANEL,CAB FR CORNER,LH	1	FUKUTSU GREEN	
	MK549611	PANEL,CAB FR CORNER,LH	1	FUKUTSU GREEN	
	MK549779	PANEL,CAB FR CORNER,LH	1	ASAHI WHITE	
	MK549779	PANEL,CAB FR CORNER,LH	1	ASAHI WHITE	
	MK549779	PANEL,CAB FR CORNER,LH	1	ASAHI WHITE	
	MK549779	PANEL,CAB FR CORNER,LH	1	ASAHI WHITE	
	MK549779	PANEL,CAB FR CORNER,LH	1	ASAHI WHITE	
	MK549779	PANEL,CAB FR CORNER,LH	1	ASAHI WHITE	
	MK549779	PANEL,CAB FR CORNER,LH	1	ASAHI WHITE	
	MK549779	PANEL,CAB FR CORNER,LH	1	ASAHI WHITE	

FK74R
42-130 FRONT GRILLE (1/2)

PNC 61060L	Part No	Part Name	Qty	Part Spec	Remarks
	MK615061	PANEL,CAB FR CORNER,LH	1	FUTABA BEIGE	
	MK615061	PANEL,CAB FR CORNER,LH	1	FUTABA BEIGE	
	MK615061	PANEL,CAB FR CORNER,LH	1	FUTABA BEIGE	
	MK615061	PANEL,CAB FR CORNER,LH	1	FUTABA BEIGE	
	MK615061	PANEL,CAB FR CORNER,LH	1	FUTABA BEIGE	
	MK615061	PANEL,CAB FR CORNER,LH	1	FUTABA BEIGE	
	MK615061	PANEL,CAB FR CORNER,LH	1	FUTABA BEIGE	
	MK547455	PANEL,CAB FR CORNER,LH	1	NATURAL WHITE	
	MK547457	PANEL,CAB FR CORNER,LH	1	LIGHT BLUE	
	MK547459	PANEL,CAB FR CORNER,LH	1	SONIC BLUE	
	MK547461	PANEL,CAB FR CORNER,LH	1	SIRIUS SILVER	
	MK547463	PANEL,CAB FR CORNER,LH	1	ARCADIA SILVER	
	MK547465	PANEL,CAB FR CORNER,LH	1	JUPITER GREEN	
	MK547467	PANEL,CAB FR CORNER,LH	1	FIJI GREEN	
	MK547469	PANEL,CAB FR CORNER,LH	1	FOREST GREEN	

FK74R
42-130 FRONT GRILLE (1/2)

PNC 61060L	Part No	Part Name	Qty	Part Spec	Remarks
	MK547471	PANEL,CAB FR CORNER,LH	1	BRIGHT ORANGE	
	MK547473	PANEL,CAB FR CORNER,LH	1	MARS RED	
	MK547475	PANEL,CAB FR CORNER,LH	1	SHANNON BLUE	
	MK547477	PANEL,CAB FR CORNER,LH	1	ACTIVE YELLOW	
	MK548999	PANEL,CAB FR CORNER,LH	1	SAGAWA SILVER	
	MK549781	PANEL,CAB FR CORNER,LH	1	ASAHI WHITE	
	MK615063	PANEL,CAB FR CORNER,LH	1	FUTABA BEIGE	
	MK547479	PANEL,CAB FR CORNER,LH	1	NATURAL WHITE	
	MK547480	PANEL,CAB FR CORNER,LH	1	LIGHT BLUE	
	MK547481	PANEL,CAB FR CORNER,LH	1	SONIC BLUE	
	MK547482	PANEL,CAB FR CORNER,LH	1	SIRIUS SILVER	
	MK547483	PANEL,CAB FR CORNER,LH	1	ARCADIA SILVER	
	MK547484	PANEL,CAB FR CORNER,LH	1	JUPITER GREEN	
	MK547485	PANEL,CAB FR CORNER,LH	1	FIJI GREEN	

FK74R
42-130 FRONT GRILLE (1/2)

PNC	Part No	Part Name	Qty	Part Spec	Remarks
61060L	MK547486	PANEL,CAB FR CORNER,LH	1	FOREST GREEN	
	MK547487	PANEL,CAB FR CORNER,LH	1	BRIGHT ORANGE	
	MK547488	PANEL,CAB FR CORNER,LH	1	MARS RED	
	MK547489	PANEL,CAB FR CORNER,LH	1	SHANNON BLUE	
	MK547490	PANEL,CAB FR CORNER,LH	1	ACTIVE YELLOW	
	MK548979	PANEL,CAB FR CORNER,LH	1	SAGAWA SILVER	
	MK549783	PANEL,CAB FR CORNER,LH	1	ASAHI WHITE	
	MK615070	PANEL,CAB FR CORNER,LH	1	FUTABA BEIGE	
	61060R	MC965273	PANEL,CAB FR CORNER,RH	1	LIGHTBLUE & BLACK
MC965273		PANEL,CAB FR CORNER,RH	1	LIGHTBLUE & BLACK	FOR BLACK OUT
MC965273 MC965273		PANEL,CAB FR CORNER,RH PANEL,CAB FR CORNER,RH	1 1	LIGHTBLUE & BLACK LIGHTBLUE & BLACK	FOR BLACK OUT FOR BLACK OUT
MC965274 MC965274		PANEL,CAB FR CORNER,RH PANEL,CAB FR CORNER,RH	1 1	WARM SILVER & BLACK WARM SILVER & BLACK	FOR BLACK OUT FOR BLACK OUT
MC965274		PANEL,CAB FR CORNER,RH	1	WARM SILVER & BLACK	FOR BLACK OUT
MC965274		PANEL,CAB FR CORNER,RH	1	WARM SILVER & BLACK	FOR BLACK OUT
MC967808 MC967808		PANEL,CAB FR CORNER,RH PANEL,CAB FR CORNER,RH	1 1	YUUTEI RED YUUTEI RED	
MC967808		PANEL,CAB FR CORNER,RH	1	YUUTEI RED	

FK74R
42-130 FRONT GRILLE (1/2)

PNC	Part No	Part Name	Qty	Part Spec	Remarks
61060R	MC967808	PANEL,CAB FR CORNER,RH	1	YUUTEI RED	
	MC967809	PANEL,CAB FR CORNER,RH	1	KENSETU ORANGE	
	MC967809	PANEL,CAB FR CORNER,RH	1	KENSETU ORANGE	
	MC967809	PANEL,CAB FR CORNER,RH	1	KENSETU ORANGE	
	MC967809	PANEL,CAB FR CORNER,RH	1	KENSETU ORANGE	
	MC967810	PANEL,CAB FR CORNER,RH	1	KOUDAN YELLOW	
	MC967810	PANEL,CAB FR CORNER,RH	1	KOUDAN YELLOW	
	MC967810	PANEL,CAB FR CORNER,RH	1	KOUDAN YELLOW	
	MC967810	PANEL,CAB FR CORNER,RH	1	KOUDAN YELLOW	
	MC967810	PANEL,CAB FR CORNER,RH	1	KOUDAN YELLOW	
	MC967951	PANEL,CAB FR CORNER,RH	1	FUKUTSU GREEN	
	MC967951	PANEL,CAB FR CORNER,RH	1	FUKUTSU GREEN	
	MC967951	PANEL,CAB FR CORNER,RH	1	FUKUTSU GREEN	
	MC967951	PANEL,CAB FR CORNER,RH	1	FUKUTSU GREEN	
	MC968011	PANEL,CAB FR CORNER,RH	1	WARM SILVER	
	MC968011	PANEL,CAB FR CORNER,RH	1	WARM SILVER	
	MC968011	PANEL,CAB FR CORNER,RH	1	WARM SILVER	
	MC968011	PANEL,CAB FR CORNER,RH	1	WARM SILVER	
	MC968012	PANEL,CAB FR CORNER,RH	1	LIGHT BLUE	
	MC968012	PANEL,CAB FR CORNER,RH	1	LIGHT BLUE	
	MC968012	PANEL,CAB FR CORNER,RH	1	LIGHT BLUE	
	MC968012	PANEL,CAB FR CORNER,RH	1	LIGHT BLUE	
	MC968013	PANEL,CAB FR CORNER,RH	1	NEW NIKKEN GREEN	
	MC968013	PANEL,CAB FR CORNER,RH	1	NEW NIKKEN GREEN	
	MC968013	PANEL,CAB FR CORNER,RH	1	NEW NIKKEN GREEN	

FK74R
42-130 FRONT GRILLE (1/2)

PNC	Part No	Part Name	Qty	Part Spec	Remarks
61060R	MC968013	PANEL,CAB FR CORNER,RH	1	NEW NIKKEN GREEN	
	MK402419	PANEL,CAB FR CORNER,RH	1	URANUS BLUE & BLACK	FOR BLACK OUT
	MK402419	PANEL,CAB FR CORNER,RH	1	URANUS BLUE & BLACK	FOR BLACK OUT
	MK402419	PANEL,CAB FR CORNER,RH	1	URANUS BLUE & BLACK	FOR BLACK OUT
	MK402419	PANEL,CAB FR CORNER,RH	1	URANUS BLUE & BLACK	FOR BLACK OUT
	MK402420	PANEL,CAB FR CORNER,RH	1	SHANNON BLUE & BLACK	
	MK402420	PANEL,CAB FR CORNER,RH	1	SHANNON BLUE & BLACK	
	MK402420	PANEL,CAB FR CORNER,RH	1	SHANNON BLUE & BLACK	
	MK402420	PANEL,CAB FR CORNER,RH	1	SHANNON BLUE & BLACK	
	MK402421	PANEL,CAB FR CORNER,RH	1	JUPITER GREEN & BLACK	
	MK402421	PANEL,CAB FR CORNER,RH	1	JUPITER GREEN & BLACK	
	MK402421	PANEL,CAB FR CORNER,RH	1	JUPITER GREEN & BLACK	
	MK402421	PANEL,CAB FR CORNER,RH	1	JUPITER GREEN & BLACK	
	MK402422	PANEL,CAB FR CORNER,RH	1	BRIGHTO RANGE & BLACK	
	MK402422	PANEL,CAB FR CORNER,RH	1	BRIGHTO RANGE & BLACK	
	MK402422	PANEL,CAB FR CORNER,RH	1	BRIGHTO RANGE & BLACK	
	MK402422	PANEL,CAB FR CORNER,RH	1	BRIGHTO RANGE & BLACK	
	MK402422	PANEL,CAB FR CORNER,RH	1	BRIGHTO RANGE & BLACK	
	MK402423	PANEL,CAB FR CORNER,RH	1	MARS RED & BLACK	FOR BLACK OUT
	MK402423	PANEL,CAB FR CORNER,RH	1	MARS RED & BLACK	FOR BLACK OUT
	MK402423	PANEL,CAB FR CORNER,RH	1	MARS RED & BLACK	FOR BLACK OUT
	MK402424	PANEL,CAB FR CORNER,RH	1	VENUS YELLOW & BLACK	FOR BLACK OUT
	MK402424	PANEL,CAB FR CORNER,RH	1	VENUS YELLOW & BLACK	FOR BLACK OUT
	MK402424	PANEL,CAB FR CORNER,RH	1	VENUS YELLOW & BLACK	FOR BLACK OUT

FK74R
42-130 FRONT GRILLE (1/2)

PNC	Part No	Part Name	Qty	Part Spec	Remarks
61060R	MK402424	PANEL,CAB FR CORNER,RH	1	VENUS YELLOW & BLACK	FOR BLACK OUT
	MK402425	PANEL,CAB FR CORNER,RH	1	MEXICAN YELLOW & BLACK	FOR BLACK OUT
	MK402425	PANEL,CAB FR CORNER,RH	1	MEXICAN YELLOW & BLACK	FOR BLACK OUT
	MK402425	PANEL,CAB FR CORNER,RH	1	MEXICAN YELLOW & BLACK	FOR BLACK OUT
	MK402425	PANEL,CAB FR CORNER,RH	1	MEXICAN YELLOW & BLACK	FOR BLACK OUT
	MK402426	PANEL,CAB FR CORNER,RH	1	URANUS BLUE	
	MK402426	PANEL,CAB FR CORNER,RH	1	URANUS BLUE	
	MK402426	PANEL,CAB FR CORNER,RH	1	URANUS BLUE	
	MK402426	PANEL,CAB FR CORNER,RH	1	URANUS BLUE	
	MK402427	PANEL,CAB FR CORNER,RH	1	SHANNON BLUE	
	MK402427	PANEL,CAB FR CORNER,RH	1	SHANNON BLUE	
	MK402427	PANEL,CAB FR CORNER,RH	1	SHANNON BLUE	
	MK402427	PANEL,CAB FR CORNER,RH	1	SHANNON BLUE	
	MK402428	PANEL,CAB FR CORNER,RH	1	JUPITER GREEN	
	MK402428	PANEL,CAB FR CORNER,RH	1	JUPITER GREEN	
	MK402428	PANEL,CAB FR CORNER,RH	1	JUPITER GREEN	
	MK402428	PANEL,CAB FR CORNER,RH	1	JUPITER GREEN	
	MK402429	PANEL,CAB FR CORNER,RH	1	BRIGHT ORANGE	
	MK402429	PANEL,CAB FR CORNER,RH	1	BRIGHT ORANGE	
	MK402429	PANEL,CAB FR CORNER,RH	1	BRIGHT ORANGE	
	MK402429	PANEL,CAB FR CORNER,RH	1	BRIGHT ORANGE	
	MK402429	PANEL,CAB FR CORNER,RH	1	BRIGHT ORANGE	
	MK402430	PANEL,CAB FR CORNER,RH	1	MARS RED	
	MK402430	PANEL,CAB FR CORNER,RH	1	MARS RED	
	MK402430	PANEL,CAB FR CORNER,RH	1	MARS RED	

FK74R
42-130 FRONT GRILLE (1/2)

PNC	Part No	Part Name	Qty	Part Spec	Remarks
61060R	MK402430	PANEL,CAB FR CORNER,RH	1	MARS RED	
	MK402431	PANEL,CAB FR CORNER,RH	1	VENUS YELLOW	
	MK402431	PANEL,CAB FR CORNER,RH	1	VENUS YELLOW	
	MK402431	PANEL,CAB FR CORNER,RH	1	VENUS YELLOW	
	MK402431	PANEL,CAB FR CORNER,RH	1	VENUS YELLOW	
	MK402432	PANEL,CAB FR CORNER,RH	1	MEXICAN YELLOW	
	MK402432	PANEL,CAB FR CORNER,RH	1	MEXICAN YELLOW	
	MK402432	PANEL,CAB FR CORNER,RH	1	MEXICAN YELLOW	
	MK402432	PANEL,CAB FR CORNER,RH	1	MEXICAN YELLOW	
	MK460900	PANEL,CAB FR CORNER,RH	1	FIJI GREEN	
	MK460900	PANEL,CAB FR CORNER,RH	1	FIJI GREEN	
	MK460900	PANEL,CAB FR CORNER,RH	1	FIJI GREEN	
	MK460900	PANEL,CAB FR CORNER,RH	1	FIJI GREEN	
	MK460901	PANEL,CAB FR CORNER,RH	1	LEAF GREEN	
	MK460901	PANEL,CAB FR CORNER,RH	1	LEAF GREEN	
	MK460901	PANEL,CAB FR CORNER,RH	1	LEAF GREEN	
	MK460901	PANEL,CAB FR CORNER,RH	1	LEAF GREEN	
	MK461916	PANEL,CAB FR CORNER,RH	1	NITTUU YELLOW	
	MK461916	PANEL,CAB FR CORNER,RH	1	NITTUU YELLOW	
	MK461916	PANEL,CAB FR CORNER,RH	1	NITTUU YELLOW	
	MK461916	PANEL,CAB FR CORNER,RH	1	NITTUU YELLOW	
	MK484709	PANEL,CAB FR CORNER,RH	1	ASAHI WHITE	
	MK484709	PANEL,CAB FR CORNER,RH	1	ASAHI WHITE	
	MK484709	PANEL,CAB FR CORNER,RH	1	ASAHI WHITE	

FK74R
42-130 FRONT GRILLE (1/2)

PNC	Part No	Part Name	Qty	Part Spec	Remarks
61060R	MK484709	PANEL,CAB FR CORNER,RH	1	ASAHI WHITE	
	MK485124	PANEL,CAB FR CORNER,RH	1	NATURAL WHITE	
	MK485124	PANEL,CAB FR CORNER,RH	1	NATURAL WHITE	
	MK485124	PANEL,CAB FR CORNER,RH	1	NATURAL WHITE	
	MK485124	PANEL,CAB FR CORNER,RH	1	NATURAL WHITE	
	MK485127	PANEL,CAB FR CORNER,RH	1	NATURAL WHITE & BLACK	FOR BLACK OUT
	MK485127	PANEL,CAB FR CORNER,RH	1	NATURAL WHITE & BLACK	FOR BLACK OUT
	MK485127	PANEL,CAB FR CORNER,RH	1	NATURAL WHITE & BLACK	FOR BLACK OUT
	MK485127	PANEL,CAB FR CORNER,RH	1	NATURAL WHITE & BLACK	FOR BLACK OUT
	MK485383	PANEL,CAB FR CORNER,RH	1	SAGAWA SILVER	
	MK485383	PANEL,CAB FR CORNER,RH	1	SAGAWA SILVER	
	MK485383	PANEL,CAB FR CORNER,RH	1	SAGAWA SILVER	
	MK485383	PANEL,CAB FR CORNER,RH	1	SAGAWA SILVER	
	MK487763	PANEL,CAB FR CORNER,RH	1	SILVER(M)	
	MK487763	PANEL,CAB FR CORNER,RH	1	SILVER(M)	
	MK487763	PANEL,CAB FR CORNER,RH	1	SILVER(M)	
	MK487763	PANEL,CAB FR CORNER,RH	1	SILVER(M)	
	MK615094	PANEL,CAB FR CORNER,RH	1	ACTIVE YELLOW	
	MK615094	PANEL,CAB FR CORNER,RH	1	ACTIVE YELLOW	
	MK615094	PANEL,CAB FR CORNER,RH	1	ACTIVE YELLOW	
	MK615094	PANEL,CAB FR CORNER,RH	1	ACTIVE YELLOW	
	MK547456	PANEL,CAB FR CORNER,RH	1	NATURAL WHITE	

FK74R
42-130 FRONT GRILLE (1/2)

PNC 61060R	Part No	Part Name	Qty	Part Spec	Remarks
	MK547458	PANEL,CAB FR CORNER,RH	1	LIGHT BLUE	
	MK547460	PANEL,CAB FR CORNER,RH	1	SONIC BLUE	
	MK547462	PANEL,CAB FR CORNER,RH	1	SIRIUS SILVER	
	MK547464	PANEL,CAB FR CORNER,RH	1	ARCADIA SILVER	
	MK547466	PANEL,CAB FR CORNER,RH	1	JUPITER GREEN	
	MK547468	PANEL,CAB FR CORNER,RH	1	FIJI GREEN	
	MK547470	PANEL,CAB FR CORNER,RH	1	FOREST GREEN	
	MK547472	PANEL,CAB FR CORNER,RH	1	BRIGHT ORANGE	
	MK547474	PANEL,CAB FR CORNER,RH	1	MARS RED	
	MK547476	PANEL,CAB FR CORNER,RH	1	SHANNON BLUE	
	MK547478	PANEL,CAB FR CORNER,RH	1	ACTIVE YELLOW	
	MK549000	PANEL,CAB FR CORNER,RH	1	SAGAWA SILVER	

FK74R
42-130 FRONT GRILLE (1/2)

PNC 61060R	Part No	Part Name	Qty	Part Spec	Remarks
	MK549782	PANEL,CAB FR CORNER,RH	1	ASAHI WHITE	
	MK615064	PANEL,CAB FR CORNER,RH	1	FUTABA BEIGE	
	MK547432	PANEL,CAB FR CORNER,RH	1	NATURAL WHITE	
	MK547434	PANEL,CAB FR CORNER,RH	1	LIGHT BLUE	
	MK547436	PANEL,CAB FR CORNER,RH	1	SONIC BLUE	
	MK547438	PANEL,CAB FR CORNER,RH	1	SIRIUS SILVER	
	MK547440	PANEL,CAB FR CORNER,RH	1	ARCADIA SILVER	
	MK547442	PANEL,CAB FR CORNER,RH	1	JUPITER GREEN	
	MK547444	PANEL,CAB FR CORNER,RH	1	FIJI GREEN	
	MK547446	PANEL,CAB FR CORNER,RH	1	FOREST GREEN	
	MK547448	PANEL,CAB FR CORNER,RH	1	BRIGHT ORANGE	
	MK547450	PANEL,CAB FR CORNER,RH	1	MARS RED	

FK74R
42-130 FRONT GRILLE (1/2)

PNC 61060R	Part No	Part Name	Qty	Part Spec	Remarks
	MK547452	PANEL,CAB FR CORNER,RH	1	SHANNON BLUE	
	MK547454	PANEL,CAB FR CORNER,RH	1	ACTIVE YELLOW	
	MK548998	PANEL,CAB FR CORNER,RH	1	SAGAWA SILVER	
	MK549612	PANEL,CAB FR CORNER,RH	1	FUKUTSU GREEN	
	MK549780	PANEL,CAB FR CORNER,RH	1	ASAHI WHITE	
	MK615062	PANEL,CAB FR CORNER,RH	1	FUTABA BEIGE	
	MK547432	PANEL,CAB FR CORNER,RH	1	NATURAL WHITE	
	MK547432	PANEL,CAB FR CORNER,RH	1	NATURAL WHITE	
	MK547432 MK547432	PANEL,CAB FR CORNER,RH PANEL,CAB FR CORNER,RH	1 1	NATURAL WHITE NATURAL WHITE	
	MK547432 MK547432	PANEL,CAB FR CORNER,RH PANEL,CAB FR CORNER,RH	1 1	NATURAL WHITE NATURAL WHITE	
	MK547434	PANEL,CAB FR CORNER,RH	1	LIGHT BLUE	
	MK547434	PANEL,CAB FR CORNER,RH	1	LIGHT BLUE	
	MK547434	PANEL,CAB FR CORNER,RH	1	LIGHT BLUE	

FK74R
42-130 FRONT GRILLE (1/2)

PNC 61060R	Part No	Part Name	Qty	Part Spec	Remarks
	MK547434	PANEL,CAB FR CORNER,RH	1	LIGHT BLUE	
	MK547434 MK547434	PANEL,CAB FR CORNER,RH PANEL,CAB FR CORNER,RH	1 1	LIGHT BLUE LIGHT BLUE	
	MK547436 MK547436	PANEL,CAB FR CORNER,RH PANEL,CAB FR CORNER,RH	1 1	SONIC BLUE SONIC BLUE	
	MK547436	PANEL,CAB FR CORNER,RH	1	SONIC BLUE	
	MK547436 MK547436	PANEL,CAB FR CORNER,RH PANEL,CAB FR CORNER,RH	1 1	SONIC BLUE SONIC BLUE	
	MK547436	PANEL,CAB FR CORNER,RH	1	SONIC BLUE	
	MK547438	PANEL,CAB FR CORNER,RH	1	SIRIUS SILVER	
	MK547438	PANEL,CAB FR CORNER,RH	1	SIRIUS SILVER	
	MK547438 MK547438	PANEL,CAB FR CORNER,RH PANEL,CAB FR CORNER,RH	1 1	SIRIUS SILVER SIRIUS SILVER	
	MK547438	PANEL,CAB FR CORNER,RH	1	SIRIUS SILVER	
	MK547438 MK547440	PANEL,CAB FR CORNER,RH PANEL,CAB FR CORNER,RH	1 1	SIRIUS SILVER ARCADIA SILVER	
	MK547440 MK547440	PANEL,CAB FR CORNER,RH PANEL,CAB FR CORNER,RH	1 1	ARCADIA SILVER ARCADIA SILVER	

FK74R
42-130 FRONT GRILLE (1/2)

PNC	Part No	Part Name	Qty	Part Spec	Remarks
61060R	MK547440	PANEL,CAB FR CORNER,RH	1	ARCADIA SILVER	
	MK547440	PANEL,CAB FR CORNER,RH	1	ARCADIA SILVER	
	MK547440	PANEL,CAB FR CORNER,RH	1	ARCADIA SILVER	
	MK547442	PANEL,CAB FR CORNER,RH	1	JUPITER GREEN	
	MK547442	PANEL,CAB FR CORNER,RH	1	JUPITER GREEN	
	MK547442	PANEL,CAB FR CORNER,RH	1	JUPITER GREEN	
	MK547442	PANEL,CAB FR CORNER,RH	1	JUPITER GREEN	
	MK547442	PANEL,CAB FR CORNER,RH	1	JUPITER GREEN	
	MK547442	PANEL,CAB FR CORNER,RH	1	JUPITER GREEN	
	MK547444	PANEL,CAB FR CORNER,RH	1	FIJI GREEN	
	MK547444	PANEL,CAB FR CORNER,RH	1	FIJI GREEN	
	MK547444	PANEL,CAB FR CORNER,RH	1	FIJI GREEN	
	MK547444	PANEL,CAB FR CORNER,RH	1	FIJI GREEN	
	MK547444	PANEL,CAB FR CORNER,RH	1	FIJI GREEN	
	MK547444	PANEL,CAB FR CORNER,RH	1	FIJI GREEN	
	MK547444	PANEL,CAB FR CORNER,RH	1	FIJI GREEN	
	MK547446	PANEL,CAB FR CORNER,RH	1	FOREST GREEN	
	MK547446	PANEL,CAB FR CORNER,RH	1	FOREST GREEN	
	MK547446	PANEL,CAB FR CORNER,RH	1	FOREST GREEN	

FK74R
42-130 FRONT GRILLE (1/2)

PNC 61060R	Part No	Part Name	Qty	Part Spec	Remarks
	MK547446	PANEL,CAB FR CORNER,RH	1	FOREST GREEN	
	MK547446	PANEL,CAB FR CORNER,RH	1	FOREST GREEN	
	MK547446	PANEL,CAB FR CORNER,RH	1	FOREST GREEN	
	MK547448	PANEL,CAB FR CORNER,RH	1	BRIGHT ORANGE	
	MK547448	PANEL,CAB FR CORNER,RH	1	BRIGHT ORANGE	
	MK547448	PANEL,CAB FR CORNER,RH	1	BRIGHT ORANGE	
	MK547448	PANEL,CAB FR CORNER,RH	1	BRIGHT ORANGE	
	MK547448	PANEL,CAB FR CORNER,RH	1	BRIGHT ORANGE	
	MK547450	PANEL,CAB FR CORNER,RH	1	MARS RED	
	MK547450	PANEL,CAB FR CORNER,RH	1	MARS RED	
	MK547450	PANEL,CAB FR CORNER,RH	1	MARS RED	
	MK547450	PANEL,CAB FR CORNER,RH	1	MARS RED	
	MK547450	PANEL,CAB FR CORNER,RH	1	MARS RED	
	MK547450	PANEL,CAB FR CORNER,RH	1	MARS RED	
	MK547452	PANEL,CAB FR CORNER,RH	1	SHANNON BLUE	
	MK547452	PANEL,CAB FR CORNER,RH	1	SHANNON BLUE	
	MK547452	PANEL,CAB FR CORNER,RH	1	SHANNON BLUE	

FK74R
42-130 FRONT GRILLE (1/2)

PNC 61060R	Part No	Part Name	Qty	Part Spec	Remarks
	MK547452	PANEL,CAB FR CORNER,RH	1	SHANNON BLUE	
	MK547452	PANEL,CAB FR CORNER,RH	1	SHANNON BLUE	
	MK547452	PANEL,CAB FR CORNER,RH	1	SHANNON BLUE	
	MK547454	PANEL,CAB FR CORNER,RH	1	ACTIVE YELLOW	
	MK547454	PANEL,CAB FR CORNER,RH	1	ACTIVE YELLOW	
	MK547454	PANEL,CAB FR CORNER,RH	1	ACTIVE YELLOW	
	MK547454	PANEL,CAB FR CORNER,RH	1	ACTIVE YELLOW	
	MK547454	PANEL,CAB FR CORNER,RH	1	ACTIVE YELLOW	
	MK547454	PANEL,CAB FR CORNER,RH	1	ACTIVE YELLOW	
	MK548998	PANEL,CAB FR CORNER,RH	1	SAGAWA SILVER	
	MK548998	PANEL,CAB FR CORNER,RH	1	SAGAWA SILVER	
	MK548998	PANEL,CAB FR CORNER,RH	1	SAGAWA SILVER	
	MK548998	PANEL,CAB FR CORNER,RH	1	SAGAWA SILVER	
	MK548998	PANEL,CAB FR CORNER,RH	1	SAGAWA SILVER	
	MK548998	PANEL,CAB FR CORNER,RH	1	SAGAWA SILVER	
	MK549612	PANEL,CAB FR CORNER,RH	1	FUKUTSU GREEN	
	MK549612	PANEL,CAB FR CORNER,RH	1	FUKUTSU GREEN	
	MK549612	PANEL,CAB FR CORNER,RH	1	FUKUTSU GREEN	

FK74R
42-130 FRONT GRILLE (1/2)

PNC 61060R	Part No	Part Name	Qty	Part Spec	Remarks
	MK549612	PANEL,CAB FR CORNER,RH	1	FUKUTSU GREEN	
	MK549612	PANEL,CAB FR CORNER,RH	1	FUKUTSU GREEN	
	MK549612 MK549780	PANEL,CAB FR CORNER,RH PANEL,CAB FR CORNER,RH	1 1	FUKUTSU GREEN ASAHI WHITE	
	MK549780 MK549780	PANEL,CAB FR CORNER,RH PANEL,CAB FR CORNER,RH	1 1	ASAHI WHITE ASAHI WHITE	
	MK549780	PANEL,CAB FR CORNER,RH	1	ASAHI WHITE	
	MK549780 MK549780	PANEL,CAB FR CORNER,RH PANEL,CAB FR CORNER,RH	1 1	ASAHI WHITE ASAHI WHITE	
	MK615062	PANEL,CAB FR CORNER,RH	1	FUTABA BEIGE	
	MK615062	PANEL,CAB FR CORNER,RH	1	FUTABA BEIGE	
	MK615062 MK615062 MK615062	PANEL,CAB FR CORNER,RH PANEL,CAB FR CORNER,RH PANEL,CAB FR CORNER,RH	1 1 1	FUTABA BEIGE FUTABA BEIGE FUTABA BEIGE	
	MK615062	PANEL,CAB FR CORNER,RH	1	FUTABA BEIGE	
	MK547456	PANEL,CAB FR CORNER,RH	1	NATURAL WHITE	
	MK547458	PANEL,CAB FR CORNER,RH	1	LIGHT BLUE	

FK74R
42-130 FRONT GRILLE (1/2)

PNC 61060R	Part No	Part Name	Qty	Part Spec	Remarks
	MK547460	PANEL,CAB FR CORNER,RH	1	SONIC BLUE	
	MK547462	PANEL,CAB FR CORNER,RH	1	SIRIUS SILVER	
	MK547464	PANEL,CAB FR CORNER,RH	1	ARCADIA SILVER	
	MK547466	PANEL,CAB FR CORNER,RH	1	JUPITER GREEN	
	MK547468	PANEL,CAB FR CORNER,RH	1	FIJI GREEN	
	MK547470	PANEL,CAB FR CORNER,RH	1	FOREST GREEN	
	MK547472	PANEL,CAB FR CORNER,RH	1	BRIGHT ORANGE	
	MK547474	PANEL,CAB FR CORNER,RH	1	MARS RED	
	MK547476	PANEL,CAB FR CORNER,RH	1	SHANNON BLUE	
	MK547478	PANEL,CAB FR CORNER,RH	1	ACTIVE YELLOW	
	MK549000	PANEL,CAB FR CORNER,RH	1	SAGAWA SILVER	
	MK549782	PANEL,CAB FR CORNER,RH	1	ASAHI WHITE	
	MK615064	PANEL,CAB FR CORNER,RH	1	FUTABA BEIGE	
	MK547432	PANEL,CAB FR CORNER,RH	1	NATURAL WHITE	

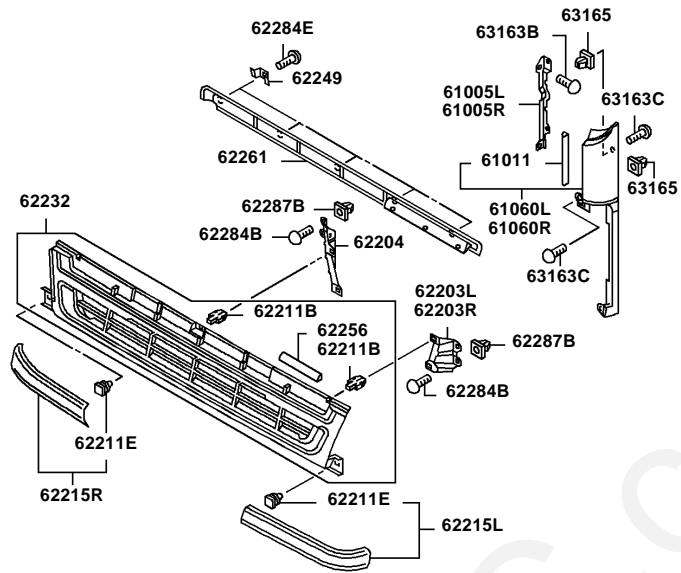
FK74R
42-130 FRONT GRILLE (1/2)

PNC 61060R	Part No	Part Name	Qty	Part Spec	Remarks
	MK547434	PANEL,CAB FR CORNER,RH	1	LIGHT BLUE	
	MK547436	PANEL,CAB FR CORNER,RH	1	SONIC BLUE	
	MK547438	PANEL,CAB FR CORNER,RH	1	SIRIUS SILVER	
	MK547440	PANEL,CAB FR CORNER,RH	1	ARCADIA SILVER	
	MK547442	PANEL,CAB FR CORNER,RH	1	JUPITER GREEN	
	MK547444	PANEL,CAB FR CORNER,RH	1	FIJI GREEN	
	MK547446	PANEL,CAB FR CORNER,RH	1	FOREST GREEN	
	MK547448	PANEL,CAB FR CORNER,RH	1	BRIGHT ORANGE	
	MK547450	PANEL,CAB FR CORNER,RH	1	MARS RED	
	MK547452	PANEL,CAB FR CORNER,RH	1	SHANNON BLUE	
	MK547454	PANEL,CAB FR CORNER,RH	1	ACTIVE YELLOW	
	MK548998	PANEL,CAB FR CORNER,RH	1	SAGAWA SILVER	
	MK549612	PANEL,CAB FR CORNER,RH	1	FUKUTSU GREEN	
	MK549780	PANEL,CAB FR CORNER,RH	1	ASAHI WHITE	

FK74R
42-130 FRONT GRILLE (1/2)

PNC	Part No	Part Name	Qty	Part Spec	Remarks
61060R	MK615062	PANEL,CAB FR CORNER,RH	1	FUTABA BEIGE	
62203L	(Please refer to the page 2/2)	BRACKET,RADIATOR GRILLE,LH	1		
62203R	(Please refer to the page 2/2)	BRACKET,RADIATOR GRILLE,RH	1		
62204	(Please refer to the page 2/2)	BRACKET,RADIATOR GRILLE,CTR	1		
62211B	(Please refer to the page 2/2)	CLIP,RADIATOR GRILLE	1		
62211E	(Please refer to the page 2/2)	CLIP,RADIATOR GRILLE	1		
62215L	(Please refer to the page 2/2)	GARNISH,RADIATOR GRILLE,LH	1		
62215R	(Please refer to the page 2/2)	GARNISH,RADIATOR GRILLE,RH	1		
62232	(Please refer to the page 2/2)	GRILLE,RADIATOR	1		
62249	(Please refer to the page 2/2)	RETAINER,RADIATOR LWR GRILLE	1		
62256	(Please refer to the page 2/2)	WEATHERSTRIP,RADIATOR GRILLE	1		
62256B	(Please refer to the page 2/2)	WEATHERSTRIP,RADIATOR GRILLE	1		
62261	(Please refer to the page 2/2)	GRILLE,RADIATOR,UPR	1		
62284B	(Please refer to the page 2/2)	SCREW,RADIATOR GRILLE	1		
62284D	(Please refer to the page 2/2)	SCREW,RADIATOR GRILLE	1		
62284E	(Please refer to the page 2/2)	SCREW,RADIATOR GRILLE	1		
62287B	(Please refer to the page 2/2)	GROMMET,RADIATOR GRILLE	1		
62287D	(Please refer to the page 2/2)	GROMMET,RADIATOR GRILLE	1		
63163B	(Please refer to the page 2/2)	SCREW,FR PILLAR GARNISH	1		
63163C	(Please refer to the page 2/2)	SCREW,FR PILLAR GARNISH	1		
63163D	(Please refer to the page 2/2)	SCREW,FR PILLAR GARNISH	1		
63165	(Please refer to the page 2/2)	GROMMET,FR PILLAR GARNISH	1		
63193	(Please refer to the page 2/2)	BOLT,FR PILLAR GARNISH	1		
97162	(Please refer to the page 2/2)	MARK,THREE-DIA	1		

FK74R
No.1

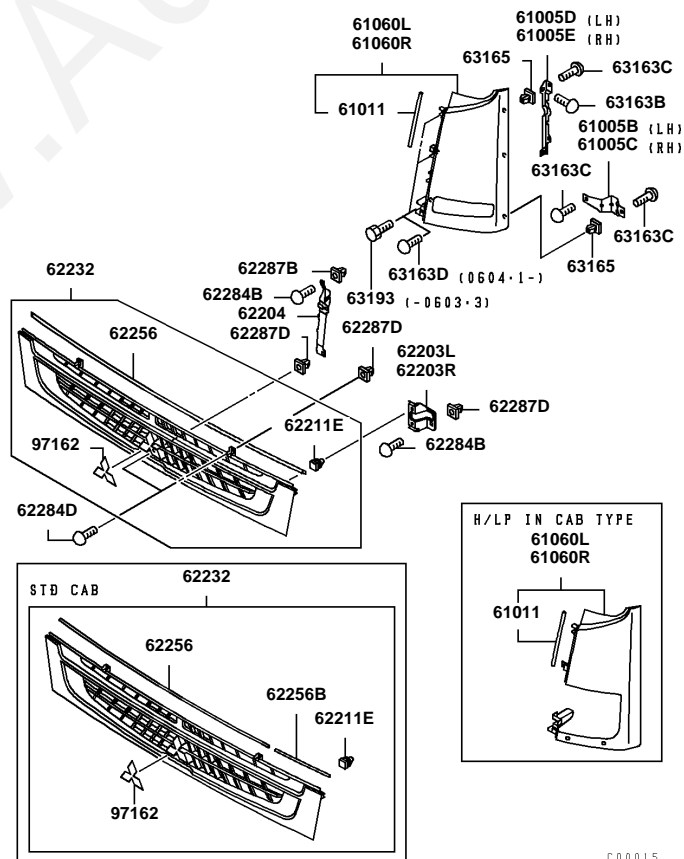


2PA901

Ref. |2042130-2

Page

FK74R
No.2



C00015

Ref. |2042130-2

Page

FK74R
42-130 FRONT GRILLE (2/2)

Repl Part	PNC	Part No	Part Name	Qty	Part Spec	Remarks
	62203L	MC964985	BRACKET,RADIATOR GRILLE,LH	1		
		MK487081	BRACKET,RADIATOR GRILLE,LH	1		
		MK487081	BRACKET,RADIATOR GRILLE,LH	1		
	62203R	MC964986	BRACKET,RADIATOR GRILLE,RH	1		
		MK487082	BRACKET,RADIATOR GRILLE,RH	1		
		MK487082	BRACKET,RADIATOR GRILLE,RH	1		
	62204	MC964984	BRACKET,RADIATOR GRILLE,CTR	1		
		MK486242	BRACKET,RADIATOR GRILLE,CTR	1		
	62211B	MB153825	CLIP,RADIATOR GRILLE	6		
	62211E	MC939286	CLIP,RADIATOR GRILLE	6	BLACK,8.5	
		MC939286	CLIP,RADIATOR GRILLE	4	BLACK,8.5	
		MC939286	CLIP,RADIATOR GRILLE	6	BLACK,8.5	
		MC939286	CLIP,RADIATOR GRILLE	4	BLACK,8.5	
		MC939286	CLIP,RADIATOR GRILLE	6	BLACK,8.5	
	62215L	MC967874	GARNISH,RADIATOR GRILLE,LH	1	SHIN FUKUTSU GREEN	
		MC967875	GARNISH,RADIATOR GRILLE,LH	1	YUUTEI RED	
		MC967876	GARNISH,RADIATOR GRILLE,LH	1	NEW NIKKEN GREEN	
		MC967877	GARNISH,RADIATOR GRILLE,LH	1	NIKKEN GREEN	
		MC967878	GARNISH,RADIATOR GRILLE,LH	1	VENUS YELLOW	

FK74R
42-130 FRONT GRILLE (2/2)

Repl Part	PNC	Part No	Part Name	Qty	Part Spec	Remarks
	62215L	MC967879	GARNISH,RADIATOR GRILLE,LH	1	MEXICAN YELLOW	
		MC967880	GARNISH,RADIATOR GRILLE,LH	1	URANUS BLUE	
		MC967881	GARNISH,RADIATOR GRILLE,LH	1	SHANNON BLUE	
		MC967882	GARNISH,RADIATOR GRILLE,LH	1	JUPITER GREEN	
		MC967883	GARNISH,RADIATOR GRILLE,LH	1	BRIGHT ORANGE	
		MC967884	GARNISH,RADIATOR GRILLE,LH	1	MARS RED	
		MC967885	GARNISH,RADIATOR GRILLE,LH	1	FIJI GREEN	
		MC967886	GARNISH,RADIATOR GRILLE,LH	1	LEAF GREEN	
		MC967887	GARNISH,RADIATOR GRILLE,LH	1	KENSETU ORANGE	
		MC967888	GARNISH,RADIATOR GRILLE,LH	1	KOUDAN YELLOW	
		MK323357	GARNISH,RADIATOR GRILLE,LH	1	LIGHT BLUE	
		MK323358	GARNISH,RADIATOR GRILLE,LH	1	WARM SILVER	
		MK461887	GARNISH,RADIATOR GRILLE,LH	1	NITTUU YELLOW	
		MK484722	GARNISH,RADIATOR GRILLE,LH	1	ASAHI WHITE	
		MK485121	GARNISH,RADIATOR GRILLE,LH	1	NATURAL WHITE	
		MK485379	GARNISH,RADIATOR GRILLE,LH	1	SAGAWA SILVER	
		MK615087	GARNISH,RADIATOR GRILLE,LH	1	ACTIVE YELLOW	
		MC964873	GARNISH,RADIATOR GRILLE,LH	1	CHROMIUM PLATING	

FK74R
42-130 FRONT GRILLE (2/2)

Repl Part	PNC	Part No	Part Name	Qty	Part Spec	Remarks
	62215R	MC967889	GARNISH,RADIATOR GRILLE,RH	1	SHIN FUKUTSU GREEN	
		MC967890	GARNISH,RADIATOR GRILLE,RH	1	YUUTEI RED	
		MC967891	GARNISH,RADIATOR GRILLE,RH	1	NEW NIKKEN GREEN	
		MC967892	GARNISH,RADIATOR GRILLE,RH	1	NIKKEN GREEN	
		MC967893	GARNISH,RADIATOR GRILLE,RH	1	VENUS YELLOW	
		MC967894	GARNISH,RADIATOR GRILLE,RH	1	MEXICAN YELLOW	
		MC967895	GARNISH,RADIATOR GRILLE,RH	1	URANUS BLUE	
		MC967896	GARNISH,RADIATOR GRILLE,RH	1	SHANNON BLUE	
		MC967897	GARNISH,RADIATOR GRILLE,RH	1	JUPITER GREEN	
		MC967898	GARNISH,RADIATOR GRILLE,RH	1	BRIGHT ORANGE	
		MC967899	GARNISH,RADIATOR GRILLE,RH	1	MARS RED	
		MC967900	GARNISH,RADIATOR GRILLE,RH	1	FIJI GREEN	
		MC967901	GARNISH,RADIATOR GRILLE,RH	1	LEAF GREEN	
		MC967902	GARNISH,RADIATOR GRILLE,RH	1	KENSETU ORANGE	
		MC967903	GARNISH,RADIATOR GRILLE,RH	1	KOUDAN YELLOW	
		MK323360	GARNISH,RADIATOR GRILLE,RH	1	LIGHT BLUE	
		MK323361	GARNISH,RADIATOR GRILLE,RH	1	WARM SILVER	
		MK461888	GARNISH,RADIATOR GRILLE,RH	1	NITTUU YELLOW	

FK74R
42-130 FRONT GRILLE (2/2)

Repl Part	PNC	Part No	Part Name	Qty	Part Spec	Remarks
	62215R	MK484723	GARNISH,RADIATOR GRILLE,RH	1	ASAHI WHITE	
		MK485122	GARNISH,RADIATOR GRILLE,RH	1	NATURAL WHITE	
		MK485380	GARNISH,RADIATOR GRILLE,RH	1	SAGAWA SILVER	
		MK615088	GARNISH,RADIATOR GRILLE,RH	1	ACTIVE YELLOW	
		MC964874	GARNISH,RADIATOR GRILLE,RH	1	CHROMIUM PLATING	
	62232	MC965257	GRILLE,RADIATOR	1	NATURAL WHITE	
		MC965257	GRILLE,RADIATOR	1	NATURAL WHITE	
		MC965257	GRILLE,RADIATOR	1	NATURAL WHITE	
		MC965257	GRILLE,RADIATOR	1	NATURAL WHITE	
		MC965258	GRILLE,RADIATOR	1	LIGHT BLUE	
		MC965258	GRILLE,RADIATOR	1	LIGHT BLUE	
		MC965258	GRILLE,RADIATOR	1	LIGHT BLUE	
		MC965258	GRILLE,RADIATOR	1	LIGHT BLUE	
		MC965259	GRILLE,RADIATOR	1	WARM SILVER	
		MC965259	GRILLE,RADIATOR	1	WARM SILVER	
		MC965259	GRILLE,RADIATOR	1	WARM SILVER	
		MC967814	GRILLE,RADIATOR	1	SHIN FUKUTSU GREEN	
		MC967814	GRILLE,RADIATOR	1	SHIN FUKUTSU GREEN	
		MC967814	GRILLE,RADIATOR	1	SHIN FUKUTSU GREEN	
		MC967814	GRILLE,RADIATOR	1	SHIN FUKUTSU GREEN	
		MC967815	GRILLE,RADIATOR	1	YUUTEI RED	
		MC967815	GRILLE,RADIATOR	1	YUUTEI RED	
		MC967815	GRILLE,RADIATOR	1	YUUTEI RED	
		MC967815	GRILLE,RADIATOR	1	YUUTEI RED	
		MC967816	GRILLE,RADIATOR	1	NEW NIKKEN GREEN	
		MC967816	GRILLE,RADIATOR	1	NEW NIKKEN GREEN	
		MC967816	GRILLE,RADIATOR	1	NEW NIKKEN GREEN	
		MC967816	GRILLE,RADIATOR	1	NEW NIKKEN GREEN	
		MC967817	GRILLE,RADIATOR	1	NIKKEN GREEN	
		MC967817	GRILLE,RADIATOR	1	NIKKEN GREEN	
		MC967817	GRILLE,RADIATOR	1	NIKKEN GREEN	
		MC967817	GRILLE,RADIATOR	1	NIKKEN GREEN	
		MC967818	GRILLE,RADIATOR	1	VENUS YELLOW	
		MC967818	GRILLE,RADIATOR	1	VENUS YELLOW	

FK74R
42-130 FRONT GRILLE (2/2)

Repl Part	PNC	Part No	Part Name	Qty	Part Spec	Remarks
	62232	MC967818	GRILLE,RADIATOR	1	VENUS YELLOW	
		MC967818	GRILLE,RADIATOR	1	VENUS YELLOW	
		MC967819	GRILLE,RADIATOR	1	MEXICAN YELLOW	
		MC967819	GRILLE,RADIATOR	1	MEXICAN YELLOW	
		MC967819	GRILLE,RADIATOR	1	MEXICAN YELLOW	
		MC967819	GRILLE,RADIATOR	1	MEXICAN YELLOW	
		MC967820	GRILLE,RADIATOR	1	URANUS BLUE	
		MC967820	GRILLE,RADIATOR	1	URANUS BLUE	
		MC967820	GRILLE,RADIATOR	1	URANUS BLUE	
		MC967820	GRILLE,RADIATOR	1	URANUS BLUE	
		MC967821	GRILLE,RADIATOR	1	SHANNON BLUE	
		MC967821	GRILLE,RADIATOR	1	SHANNON BLUE	
		MC967821	GRILLE,RADIATOR	1	SHANNON BLUE	
		MC967821	GRILLE,RADIATOR	1	SHANNON BLUE	
		MC967822	GRILLE,RADIATOR	1	JUPITER GREEN	
		MC967822	GRILLE,RADIATOR	1	JUPITER GREEN	
		MC967822	GRILLE,RADIATOR	1	JUPITER GREEN	
		MC967822	GRILLE,RADIATOR	1	JUPITER GREEN	
		MC967823	GRILLE,RADIATOR	1	BRIGHT ORANGE	
		MC967823	GRILLE,RADIATOR	1	BRIGHT ORANGE	
		MC967823	GRILLE,RADIATOR	1	BRIGHT ORANGE	
		MC967823	GRILLE,RADIATOR	1	BRIGHT ORANGE	
		MC967824	GRILLE,RADIATOR	1	MARS RED	
		MC967824	GRILLE,RADIATOR	1	MARS RED	
		MC967824	GRILLE,RADIATOR	1	MARS RED	
		MC967824	GRILLE,RADIATOR	1	MARS RED	
		MC967825	GRILLE,RADIATOR	1	FIJI GREEN	
		MC967825	GRILLE,RADIATOR	1	FIJI GREEN	
		MC967825	GRILLE,RADIATOR	1	FIJI GREEN	
		MC967825	GRILLE,RADIATOR	1	FIJI GREEN	
		MC967826	GRILLE,RADIATOR	1	LEAF GREEN	
		MC967826	GRILLE,RADIATOR	1	LEAF GREEN	
		MC967826	GRILLE,RADIATOR	1	LEAF GREEN	
		MC967826	GRILLE,RADIATOR	1	LEAF GREEN	
		MC967827	GRILLE,RADIATOR	1	KENSETU ORANGE	
		MC967827	GRILLE,RADIATOR	1	KENSETU ORANGE	
		MC967827	GRILLE,RADIATOR	1	KENSETU ORANGE	
		MC967827	GRILLE,RADIATOR	1	KENSETU ORANGE	
		MC967828	GRILLE,RADIATOR	1	KOUDAN YELLOW	
		MC967828	GRILLE,RADIATOR	1	KOUDAN YELLOW	
		MC967828	GRILLE,RADIATOR	1	KOUDAN YELLOW	

FK74R
42-130 FRONT GRILLE (2/2)

Repl Part	PNC	Part No	Part Name	Qty	Part Spec	Remarks
	62232	MC967828	GRILLE,RADIATOR	1	KOUDAN YELLOW	
		MC967844	GRILLE,RADIATOR	1	SHIN FUKUTSU GREEN	
		MC967844	GRILLE,RADIATOR	1	SHIN FUKUTSU GREEN	
		MC967844	GRILLE,RADIATOR	1	SHIN FUKUTSU GREEN	
		MC967844	GRILLE,RADIATOR	1	SHIN FUKUTSU GREEN	
		MC967845	GRILLE,RADIATOR	1	YUUTEI RED	
		MC967845	GRILLE,RADIATOR	1	YUUTEI RED	
		MC967845	GRILLE,RADIATOR	1	YUUTEI RED	
		MC967846	GRILLE,RADIATOR	1	NEW NIKKEN GREEN	
		MC967846	GRILLE,RADIATOR	1	NEW NIKKEN GREEN	
		MC967846	GRILLE,RADIATOR	1	NEW NIKKEN GREEN	
		MC967847	GRILLE,RADIATOR	1	NIKKEN GREEN	
		MC967847	GRILLE,RADIATOR	1	NIKKEN GREEN	
		MC967847	GRILLE,RADIATOR	1	NIKKEN GREEN	
		MC967848	GRILLE,RADIATOR	1	VENUS YELLOW	
		MC967848	GRILLE,RADIATOR	1	VENUS YELLOW	
		MC967848	GRILLE,RADIATOR	1	VENUS YELLOW	
		MC967848	GRILLE,RADIATOR	1	VENUS YELLOW	
		MC967849	GRILLE,RADIATOR	1	MEXICAN YELLOW	
		MC967849	GRILLE,RADIATOR	1	MEXICAN YELLOW	
		MC967849	GRILLE,RADIATOR	1	MEXICAN YELLOW	
		MC967849	GRILLE,RADIATOR	1	MEXICAN YELLOW	
		MC967850	GRILLE,RADIATOR	1	URANUS BLUE	
		MC967850	GRILLE,RADIATOR	1	URANUS BLUE	
		MC967851	GRILLE,RADIATOR	1	SHANNON BLUE	
		MC967851	GRILLE,RADIATOR	1	SHANNON BLUE	
		MC967851	GRILLE,RADIATOR	1	SHANNON BLUE	
		MC967852	GRILLE,RADIATOR	1	JUPITER GREEN	
		MC967852	GRILLE,RADIATOR	1	JUPITER GREEN	
		MC967852	GRILLE,RADIATOR	1	JUPITER GREEN	
		MC967853	GRILLE,RADIATOR	1	BRIGHT ORANGE	
		MC967853	GRILLE,RADIATOR	1	BRIGHT ORANGE	
		MC967853	GRILLE,RADIATOR	1	BRIGHT ORANGE	

FK74R
42-130 FRONT GRILLE (2/2)

Repl Part	PNC	Part No	Part Name	Qty	Part Spec	Remarks
	62232	MC967854	GRILLE,RADIATOR	1	MARS RED	
		MC967854	GRILLE,RADIATOR	1	MARS RED	
		MC967854	GRILLE,RADIATOR	1	MARS RED	
		MC967854	GRILLE,RADIATOR	1	MARS RED	
		MC967855	GRILLE,RADIATOR	1	FIJI GREEN	
		MC967855	GRILLE,RADIATOR	1	FIJI GREEN	
		MC967855	GRILLE,RADIATOR	1	FIJI GREEN	
		MC967855	GRILLE,RADIATOR	1	FIJI GREEN	
		MC967856	GRILLE,RADIATOR	1	LEAF GREEN	
		MC967856	GRILLE,RADIATOR	1	LEAF GREEN	
		MC967856	GRILLE,RADIATOR	1	LEAF GREEN	
		MC967857	GRILLE,RADIATOR	1	KENSETU ORANGE	
		MC967857	GRILLE,RADIATOR	1	KENSETU ORANGE	
		MC967857	GRILLE,RADIATOR	1	KENSETU ORANGE	
		MC967857	GRILLE,RADIATOR	1	KENSETU ORANGE	
		MC967858	GRILLE,RADIATOR	1	KOUDAN YELLOW	
		MC967858	GRILLE,RADIATOR	1	KOUDAN YELLOW	
		MC967858	GRILLE,RADIATOR	1	KOUDAN YELLOW	
		MC967858	GRILLE,RADIATOR	1	KOUDAN YELLOW	
		MK323353	GRILLE,RADIATOR	1	NATURAL WHITE	
		MK323353	GRILLE,RADIATOR	1	NATURAL WHITE	
		MK323354	GRILLE,RADIATOR	1	LIGHT BLUE	
		MK323354	GRILLE,RADIATOR	1	LIGHT BLUE	
		MK323354	GRILLE,RADIATOR	1	LIGHT BLUE	
		MK323354	GRILLE,RADIATOR	1	LIGHT BLUE	
		MK323355	GRILLE,RADIATOR	1	WARM SILVER	
		MK323355	GRILLE,RADIATOR	1	WARM SILVER	
		MK323355	GRILLE,RADIATOR	1	WARM SILVER	
		MK323355	GRILLE,RADIATOR	1	WARM SILVER	
		MK461883	GRILLE,RADIATOR	1	NITTUU YELLOW	
		MK461883	GRILLE,RADIATOR	1	NITTUU YELLOW	
		MK461883	GRILLE,RADIATOR	1	NITTUU YELLOW	
		MK461883	GRILLE,RADIATOR	1	NITTUU YELLOW	
		MK461885	GRILLE,RADIATOR	1	NITTUU YELLOW	
		MK461885	GRILLE,RADIATOR	1	NITTUU YELLOW	
		MK461885	GRILLE,RADIATOR	1	NITTUU YELLOW	
		MK461885	GRILLE,RADIATOR	1	NITTUU YELLOW	
		MK484718	GRILLE,RADIATOR	1	ASAHI WHITE	
		MK484718	GRILLE,RADIATOR	1	ASAHI WHITE	
		MK484718	GRILLE,RADIATOR	1	ASAHI WHITE	

FK74R
42-130 FRONT GRILLE (2/2)

Repl Part	PNC	Part No	Part Name	Qty	Part Spec	Remarks
	62232	MK484718	GRILLE,RADIATOR	1	ASAHI WHITE	
		MK484718	GRILLE,RADIATOR	1	ASAHI WHITE	
		MK484720	GRILLE,RADIATOR	1	ASAHI WHITE	
		MK484720	GRILLE,RADIATOR	1	ASAHI WHITE	
		MK484720	GRILLE,RADIATOR	1	ASAHI WHITE	
		MK484720	GRILLE,RADIATOR	1	ASAHI WHITE	
		MK484720	GRILLE,RADIATOR	1	ASAHI WHITE	
		MK485375	GRILLE,RADIATOR	1	SAGAWA SILVER	
		MK485375	GRILLE,RADIATOR	1	SAGAWA SILVER	
		MK485375	GRILLE,RADIATOR	1	SAGAWA SILVER	
		MK485377	GRILLE,RADIATOR	1	SAGAWA SILVER	
		MK485377	GRILLE,RADIATOR	1	SAGAWA SILVER	
		MK485377	GRILLE,RADIATOR	1	SAGAWA SILVER	
		MK485377	GRILLE,RADIATOR	1	SAGAWA SILVER	
		MK487746	GRILLE,RADIATOR	1	ARCADIA SILVER	
		MK487746	GRILLE,RADIATOR	1	ARCADIA SILVER	
		MK487746	GRILLE,RADIATOR	1	ARCADIA SILVER	
		MK549754	GRILLE,RADIATOR	1	ACTIVE YELLOW	
		MK549754	GRILLE,RADIATOR	1	ACTIVE YELLOW	
		MK549754	GRILLE,RADIATOR	1	ACTIVE YELLOW	
		MK549754	GRILLE,RADIATOR	1	ACTIVE YELLOW	
		MK615086	GRILLE,RADIATOR	1	ACTIVE YELLOW	
		MK615086	GRILLE,RADIATOR	1	ACTIVE YELLOW	
		MK615086	GRILLE,RADIATOR	1	ACTIVE YELLOW	
		MC965260	GRILLE,RADIATOR	1	NATURAL WHITE	
		MC965261	GRILLE,RADIATOR	1	LIGHT BLUE	
		MC965262	GRILLE,RADIATOR	1	WARM SILVER	
		MC967829	GRILLE,RADIATOR	1	SHIN FUKUTSU GREEN	
		MC967830	GRILLE,RADIATOR	1	YUUTEI RED	
		MC967831	GRILLE,RADIATOR	1	NEW NIKKEN GREEN	
		MC967832	GRILLE,RADIATOR	1	NIKKEN GREEN	
		MC967833	GRILLE,RADIATOR	1	VENUS YELLOW	
		MC967834	GRILLE,RADIATOR	1	MEXICAN YELLOW	
		MC967835	GRILLE,RADIATOR	1	URANUS BLUE	
		MC967836	GRILLE,RADIATOR	1	SHANNON BLUE	
		MC967837	GRILLE,RADIATOR	1	JUPITER GREEN	
		MC967838	GRILLE,RADIATOR	1	BRIGHT ORANGE	

FK74R
42-130 FRONT GRILLE (2/2)

Repl Part	PNC	Part No	Part Name	Qty	Part Spec	Remarks
	62232	MC967839	GRILLE,RADIATOR	1	MARS RED	
		MC967840	GRILLE,RADIATOR	1	FIJI GREEN	
		MC967841	GRILLE,RADIATOR	1	LEAF GREEN	
		MC967842	GRILLE,RADIATOR	1	KENSETU ORANGE	
		MC967843	GRILLE,RADIATOR	1	KOUDAN YELLOW	
		MC967859	GRILLE,RADIATOR	1	SHIN FUKUTSU GREEN	
		MC967860	GRILLE,RADIATOR	1	YUUTEI RED	
		MC967861	GRILLE,RADIATOR	1	NEW NIKKEN GREEN	
		MC967862	GRILLE,RADIATOR	1	NIKKEN GREEN	
		MC967863	GRILLE,RADIATOR	1	VENUS YELLOW	
		MC967864	GRILLE,RADIATOR	1	MEXICAN YELLOW	
		MC967865	GRILLE,RADIATOR	1	URANUS BLUE	
		MC967866	GRILLE,RADIATOR	1	SHANNON BLUE	
		MC967867	GRILLE,RADIATOR	1	JUPITER GREEN	
		MC967868	GRILLE,RADIATOR	1	BRIGHT ORANGE	
		MC967869	GRILLE,RADIATOR	1	MARS RED	
		MC967870	GRILLE,RADIATOR	1	FIJI GREEN	
		MC967871	GRILLE,RADIATOR	1	LEAF GREEN	
		MC967872	GRILLE,RADIATOR	1	KENSETU ORANGE	
		MC967873	GRILLE,RADIATOR	1	KOUDAN YELLOW	
		MK323362	GRILLE,RADIATOR	1	NATURAL WHITE	
		MK323363	GRILLE,RADIATOR	1	LIGHT BLUE	
		MK323364	GRILLE,RADIATOR	1	WARM SILVER	
		MK461884	GRILLE,RADIATOR	1	NITUU YELLOW	
		MK461886	GRILLE,RADIATOR	1	NITUU YELLOW	
		MK484719	GRILLE,RADIATOR	1	ASAHI WHITE	
		MK484721	GRILLE,RADIATOR	1	ASAHI WHITE	
		MK485376	GRILLE,RADIATOR	1	SAGAWA SILVER	
		MK485378	GRILLE,RADIATOR	1	SAGAWA SILVER	
		MK547359	GRILLE,RADIATOR	1	NATURAL WHITE	
		MK547360	GRILLE,RADIATOR	1	LIGHT BLUE	
		MK547361	GRILLE,RADIATOR	1	SONIC BLUE	
		MK547362	GRILLE,RADIATOR	1	SIRIUS SILVER	
		MK547363	GRILLE,RADIATOR	1	ARCADIA SILVER	
		MK547364	GRILLE,RADIATOR	1	JUPITER GREEN	
		MK547365	GRILLE,RADIATOR	1	FIJI GREEN	
		MK547366	GRILLE,RADIATOR	1	FOREST GREEN	
		MK547367	GRILLE,RADIATOR	1	BRIGHT ORANGE	
		MK547368	GRILLE,RADIATOR	1	MARS RED	
		MK547369	GRILLE,RADIATOR	1	SHANNON BLUE	
		MK547370	GRILLE,RADIATOR	1	ACTIVE YELLOW	
		MK547383	GRILLE,RADIATOR	1	NATURAL WHITE	
		MK547384	GRILLE,RADIATOR	1	LIGHT BLUE	
		MK547385	GRILLE,RADIATOR	1	SONIC BLUE	

FK74R
42-130 FRONT GRILLE (2/2)

Repl Part	PNC	Part No	Part Name	Qty	Part Spec	Remarks
	62232	MK547386	GRILLE,RADIATOR	1	SIRIUS SILVER	
		MK547387	GRILLE,RADIATOR	1	ARCADIA SILVER	
		MK547388	GRILLE,RADIATOR	1	JUPITER GREEN	
		MK547389	GRILLE,RADIATOR	1	FIJI GREEN	
		MK547390	GRILLE,RADIATOR	1	FOREST GREEN	
		MK547391	GRILLE,RADIATOR	1	BRIGHT ORANGE	
		MK547392	GRILLE,RADIATOR	1	MARS RED	
		MK547393	GRILLE,RADIATOR	1	SHANNON BLUE	
		MK547394	GRILLE,RADIATOR	1	ACTIVE YELLOW	
		MK548993	GRILLE,RADIATOR	1	SAGAWA SILVER	
		MK548995	GRILLE,RADIATOR	1	SAGAWA SILVER	
		MK549022	GRILLE,RADIATOR	1	FUKUTSU GREEN	
		MK549774	GRILLE,RADIATOR	1	ASAHI WHITE	
		MK549776	GRILLE,RADIATOR	1	ASAHI WHITE	
		MK615059	GRILLE,RADIATOR	1	FUTABA BEIGE	
		MK615060	GRILLE,RADIATOR	1	FUTABA BEIGE	
		MK547371	GRILLE,RADIATOR	1	NATURAL WHITE	
		MK547372	GRILLE,RADIATOR	1	LIGHT BLUE	
		MK547373	GRILLE,RADIATOR	1	SONIC BLUE	
		MK547374	GRILLE,RADIATOR	1	SIRIUS SILVER	
		MK547375	GRILLE,RADIATOR	1	ARCADIA SILVER	
		MK547376	GRILLE,RADIATOR	1	JUPITER GREEN	
		MK547377	GRILLE,RADIATOR	1	FIJI GREEN	
		MK547378	GRILLE,RADIATOR	1	FOREST GREEN	
		MK547379	GRILLE,RADIATOR	1	BRIGHT ORANGE	
		MK547380	GRILLE,RADIATOR	1	MARS RED	
		MK547381	GRILLE,RADIATOR	1	SHANNON BLUE	
		MK547382	GRILLE,RADIATOR	1	ACTIVE YELLOW	
		MK547395	GRILLE,RADIATOR	1	NATURAL WHITE	
		MK547396	GRILLE,RADIATOR	1	LIGHT BLUE	
		MK547397	GRILLE,RADIATOR	1	SONIC BLUE	
		MK547398	GRILLE,RADIATOR	1	SIRIUS SILVER	
		MK547399	GRILLE,RADIATOR	1	ARCADIA SILVER	
		MK547400	GRILLE,RADIATOR	1	JUPITER GREEN	
		MK547401	GRILLE,RADIATOR	1	FIJI GREEN	

FK74R
42-130 FRONT GRILLE (2/2)

Repl Part	PNC	Part No	Part Name	Qty	Part Spec	Remarks
	62232	MK547402	GRILLE,RADIATOR	1	FOREST GREEN	
		MK547403	GRILLE,RADIATOR	1	BRIGHT ORANGE	
		MK547404	GRILLE,RADIATOR	1	MARS RED	
		MK547405	GRILLE,RADIATOR	1	SHANNON BLUE	
		MK547406	GRILLE,RADIATOR	1	ACTIVE YELLOW	
		MK548994	GRILLE,RADIATOR	1	SAGAWA SILVER	
		MK548996	GRILLE,RADIATOR	1	SAGAWA SILVER	
		MK549775	GRILLE,RADIATOR	1	ASAHI WHITE	
		MK549777	GRILLE,RADIATOR	1	ASAHI WHITE	
		MK615068	GRILLE,RADIATOR	1	FUTABA BEIGE	
		MK615069	GRILLE,RADIATOR	1	FUTABA BEIGE	
		MK547359	GRILLE,RADIATOR	1	NATURAL WHITE	
		MK547359	GRILLE,RADIATOR	1	NATURAL WHITE	
		MK547359	GRILLE,RADIATOR	1	NATURAL WHITE	
		MK547359	GRILLE,RADIATOR	1	NATURAL WHITE	
		MK547359	GRILLE,RADIATOR	1	NATURAL WHITE	
		MK547359	GRILLE,RADIATOR	1	NATURAL WHITE	
		MK547359	GRILLE,RADIATOR	1	NATURAL WHITE	
		MK547359	GRILLE,RADIATOR	1	NATURAL WHITE	
		MK547360	GRILLE,RADIATOR	1	LIGHT BLUE	
		MK547360	GRILLE,RADIATOR	1	LIGHT BLUE	
		MK547360	GRILLE,RADIATOR	1	LIGHT BLUE	
		MK547360	GRILLE,RADIATOR	1	LIGHT BLUE	
		MK547360	GRILLE,RADIATOR	1	LIGHT BLUE	
		MK547360	GRILLE,RADIATOR	1	LIGHT BLUE	
		MK547360	GRILLE,RADIATOR	1	LIGHT BLUE	
		MK547360	GRILLE,RADIATOR	1	LIGHT BLUE	
		MK547361	GRILLE,RADIATOR	1	SONIC BLUE	
		MK547361	GRILLE,RADIATOR	1	SONIC BLUE	
		MK547361	GRILLE,RADIATOR	1	SONIC BLUE	

FK74R
42-130 FRONT GRILLE (2/2)

Repl Part	PNC	Part No	Part Name	Qty	Part Spec	Remarks
	62232	MK547361	GRILLE,RADIATOR	1	SONIC BLUE	
		MK547361	GRILLE,RADIATOR	1	SONIC BLUE	
		MK547361	GRILLE,RADIATOR	1	SONIC BLUE	
		MK547362	GRILLE,RADIATOR	1	SIRIUS SILVER	
		MK547362	GRILLE,RADIATOR	1	SIRIUS SILVER	
		MK547362	GRILLE,RADIATOR	1	SIRIUS SILVER	
		MK547362	GRILLE,RADIATOR	1	SIRIUS SILVER	
		MK547362	GRILLE,RADIATOR	1	SIRIUS SILVER	
		MK547362	GRILLE,RADIATOR	1	SIRIUS SILVER	
		MK547363	GRILLE,RADIATOR	1	ARCADIA SILVER	
		MK547363	GRILLE,RADIATOR	1	ARCADIA SILVER	
		MK547363	GRILLE,RADIATOR	1	ARCADIA SILVER	
		MK547363	GRILLE,RADIATOR	1	ARCADIA SILVER	
		MK547363	GRILLE,RADIATOR	1	ARCADIA SILVER	
		MK547363	GRILLE,RADIATOR	1	ARCADIA SILVER	
		MK547364	GRILLE,RADIATOR	1	JUPITER GREEN	
		MK547364	GRILLE,RADIATOR	1	JUPITER GREEN	
		MK547364	GRILLE,RADIATOR	1	JUPITER GREEN	
		MK547364	GRILLE,RADIATOR	1	JUPITER GREEN	
		MK547364	GRILLE,RADIATOR	1	JUPITER GREEN	
		MK547364	GRILLE,RADIATOR	1	JUPITER GREEN	
		MK547365	GRILLE,RADIATOR	1	FIJI GREEN	
		MK547365	GRILLE,RADIATOR	1	FIJI GREEN	
		MK547365	GRILLE,RADIATOR	1	FIJI GREEN	
		MK547365	GRILLE,RADIATOR	1	FIJI GREEN	
		MK547365	GRILLE,RADIATOR	1	FIJI GREEN	
		MK547365	GRILLE,RADIATOR	1	FIJI GREEN	
		MK547365	GRILLE,RADIATOR	1	FIJI GREEN	
		MK547366	GRILLE,RADIATOR	1	FOREST GREEN	
		MK547366	GRILLE,RADIATOR	1	FOREST GREEN	
		MK547366	GRILLE,RADIATOR	1	FOREST GREEN	

**FK74R
42-130 FRONT GRILLE (2/2)**

Repl Part	PNC	Part No	Part Name	Qty	Part Spec	Remarks
	62232	MK547366	GRILLE,RADIATOR	1	FOREST GREEN	
		MK547366	GRILLE,RADIATOR	1	FOREST GREEN	
		MK547366	GRILLE,RADIATOR	1	FOREST GREEN	
		MK547366	GRILLE,RADIATOR	1	FOREST GREEN	
		MK547367	GRILLE,RADIATOR	1	BRIGHT ORANGE	
		MK547367	GRILLE,RADIATOR	1	BRIGHT ORANGE	
		MK547367	GRILLE,RADIATOR	1	BRIGHT ORANGE	
		MK547367	GRILLE,RADIATOR	1	BRIGHT ORANGE	
		MK547367	GRILLE,RADIATOR	1	BRIGHT ORANGE	
		MK547367	GRILLE,RADIATOR	1	BRIGHT ORANGE	
		MK547367	GRILLE,RADIATOR	1	BRIGHT ORANGE	
		MK547367	GRILLE,RADIATOR	1	BRIGHT ORANGE	
		MK547367	GRILLE,RADIATOR	1	BRIGHT ORANGE	
		MK547367	GRILLE,RADIATOR	1	BRIGHT ORANGE	
		MK547367	GRILLE,RADIATOR	1	BRIGHT ORANGE	
		MK547368	GRILLE,RADIATOR	1	MARS RED	
		MK547368	GRILLE,RADIATOR	1	MARS RED	
		MK547368	GRILLE,RADIATOR	1	MARS RED	
		MK547368	GRILLE,RADIATOR	1	MARS RED	
		MK547368	GRILLE,RADIATOR	1	MARS RED	
		MK547368	GRILLE,RADIATOR	1	MARS RED	
		MK547368	GRILLE,RADIATOR	1	MARS RED	
		MK547368	GRILLE,RADIATOR	1	MARS RED	
		MK547368	GRILLE,RADIATOR	1	MARS RED	
		MK547369	GRILLE,RADIATOR	1	SHANNON BLUE	
		MK547369	GRILLE,RADIATOR	1	SHANNON BLUE	
		MK547369	GRILLE,RADIATOR	1	SHANNON BLUE	
		MK547369	GRILLE,RADIATOR	1	SHANNON BLUE	
		MK547369	GRILLE,RADIATOR	1	SHANNON BLUE	
		MK547369	GRILLE,RADIATOR	1	SHANNON BLUE	
		MK547370	GRILLE,RADIATOR	1	ACTIVE YELLOW	
		MK547370	GRILLE,RADIATOR	1	ACTIVE YELLOW	
		MK547370	GRILLE,RADIATOR	1	ACTIVE YELLOW	
		MK547370	GRILLE,RADIATOR	1	ACTIVE YELLOW	
		MK547370	GRILLE,RADIATOR	1	ACTIVE YELLOW	
		MK547370	GRILLE,RADIATOR	1	ACTIVE YELLOW	
		MK547370	GRILLE,RADIATOR	1	ACTIVE YELLOW	
		MK547370	GRILLE,RADIATOR	1	ACTIVE YELLOW	
		MK547370	GRILLE,RADIATOR	1	ACTIVE YELLOW	
		MK547370	GRILLE,RADIATOR	1	ACTIVE YELLOW	
		MK547383	GRILLE,RADIATOR	1	NATURAL WHITE	
		MK547383	GRILLE,RADIATOR	1	NATURAL WHITE	

FK74R
42-130 FRONT GRILLE (2/2)

Repl Part	PNC	Part No	Part Name	Qty	Part Spec	Remarks
	62232	MK547383	GRILLE,RADIATOR	1	NATURAL WHITE	
		MK547383	GRILLE,RADIATOR	1	NATURAL WHITE	
		MK547383	GRILLE,RADIATOR	1	NATURAL WHITE	
		MK547383	GRILLE,RADIATOR	1	NATURAL WHITE	
		MK547383	GRILLE,RADIATOR	1	NATURAL WHITE	
		MK547384	GRILLE,RADIATOR	1	LIGHT BLUE	
		MK547384	GRILLE,RADIATOR	1	LIGHT BLUE	
		MK547384	GRILLE,RADIATOR	1	LIGHT BLUE	
		MK547384	GRILLE,RADIATOR	1	LIGHT BLUE	
		MK547384	GRILLE,RADIATOR	1	LIGHT BLUE	
		MK547384	GRILLE,RADIATOR	1	LIGHT BLUE	
		MK547384	GRILLE,RADIATOR	1	LIGHT BLUE	
		MK547384	GRILLE,RADIATOR	1	LIGHT BLUE	
		MK547384	GRILLE,RADIATOR	1	SONIC BLUE	
		MK547385	GRILLE,RADIATOR	1	SONIC BLUE	
		MK547385	GRILLE,RADIATOR	1	SONIC BLUE	
		MK547385	GRILLE,RADIATOR	1	SONIC BLUE	
		MK547385	GRILLE,RADIATOR	1	SONIC BLUE	
		MK547385	GRILLE,RADIATOR	1	SONIC BLUE	
		MK547385	GRILLE,RADIATOR	1	SONIC BLUE	
		MK547385	GRILLE,RADIATOR	1	SONIC BLUE	
		MK547385	GRILLE,RADIATOR	1	SONIC BLUE	
		MK547385	GRILLE,RADIATOR	1	SONIC BLUE	
		MK547386	GRILLE,RADIATOR	1	SIRIUS SILVER	
		MK547386	GRILLE,RADIATOR	1	SIRIUS SILVER	
		MK547386	GRILLE,RADIATOR	1	SIRIUS SILVER	
		MK547386	GRILLE,RADIATOR	1	SIRIUS SILVER	
		MK547386	GRILLE,RADIATOR	1	SIRIUS SILVER	
		MK547386	GRILLE,RADIATOR	1	SIRIUS SILVER	
		MK547386	GRILLE,RADIATOR	1	SIRIUS SILVER	
		MK547387	GRILLE,RADIATOR	1	ARCADIA SILVER	
		MK547387	GRILLE,RADIATOR	1	ARCADIA SILVER	
		MK547387	GRILLE,RADIATOR	1	ARCADIA SILVER	
		MK547387	GRILLE,RADIATOR	1	ARCADIA SILVER	
		MK547387	GRILLE,RADIATOR	1	ARCADIA SILVER	
		MK547387	GRILLE,RADIATOR	1	ARCADIA SILVER	

FK74R
42-130 FRONT GRILLE (2/2)

Repl Part	PNC	Part No	Part Name	Qty	Part Spec	Remarks
	62232	MK547388	GRILLE,RADIATOR	1	JUPITER GREEN	
		MK547388	GRILLE,RADIATOR	1	JUPITER GREEN	
		MK547388	GRILLE,RADIATOR	1	JUPITER GREEN	
		MK547388	GRILLE,RADIATOR	1	JUPITER GREEN	
		MK547388	GRILLE,RADIATOR	1	JUPITER GREEN	
		MK547389	GRILLE,RADIATOR	1	FIJI GREEN	
		MK547389	GRILLE,RADIATOR	1	FIJI GREEN	
		MK547389	GRILLE,RADIATOR	1	FIJI GREEN	
		MK547389	GRILLE,RADIATOR	1	FIJI GREEN	
		MK547389	GRILLE,RADIATOR	1	FIJI GREEN	
		MK547390	GRILLE,RADIATOR	1	FOREST GREEN	
		MK547390	GRILLE,RADIATOR	1	FOREST GREEN	
		MK547390	GRILLE,RADIATOR	1	FOREST GREEN	
		MK547390	GRILLE,RADIATOR	1	FOREST GREEN	
		MK547390	GRILLE,RADIATOR	1	FOREST GREEN	
		MK547391	GRILLE,RADIATOR	1	BRIGHT ORANGE	
		MK547391	GRILLE,RADIATOR	1	BRIGHT ORANGE	
		MK547391	GRILLE,RADIATOR	1	BRIGHT ORANGE	
		MK547391	GRILLE,RADIATOR	1	BRIGHT ORANGE	
		MK547391	GRILLE,RADIATOR	1	BRIGHT ORANGE	
		MK547391	GRILLE,RADIATOR	1	BRIGHT ORANGE	
		MK547391	GRILLE,RADIATOR	1	BRIGHT ORANGE	
		MK547392	GRILLE,RADIATOR	1	MARS RED	
		MK547392	GRILLE,RADIATOR	1	MARS RED	
		MK547392	GRILLE,RADIATOR	1	MARS RED	
		MK547392	GRILLE,RADIATOR	1	MARS RED	

FK74R
42-130 FRONT GRILLE (2/2)

Repl Part	PNC	Part No	Part Name	Qty	Part Spec	Remarks
	62232	MK547392	GRILLE,RADIATOR	1	MARS RED	
		MK547393	GRILLE,RADIATOR	1	SHANNON BLUE	
		MK547393	GRILLE,RADIATOR	1	SHANNON BLUE	
		MK547393	GRILLE,RADIATOR	1	SHANNON BLUE	
		MK547393	GRILLE,RADIATOR	1	SHANNON BLUE	
		MK547393	GRILLE,RADIATOR	1	SHANNON BLUE	
		MK547393	GRILLE,RADIATOR	1	SHANNON BLUE	
		MK547393 MK547394	GRILLE,RADIATOR GRILLE,RADIATOR	1 1	SHANNON BLUE ACTIVE YELLOW	
		MK547394	GRILLE,RADIATOR	1	ACTIVE YELLOW	
		MK547394	GRILLE,RADIATOR	1	ACTIVE YELLOW	
		MK547394	GRILLE,RADIATOR	1	ACTIVE YELLOW	
		MK547394	GRILLE,RADIATOR	1	ACTIVE YELLOW	
		MK547394 MK548993	GRILLE,RADIATOR GRILLE,RADIATOR	1 1	ACTIVE YELLOW SAGAWA SILVER	
		MK548993	GRILLE,RADIATOR	1	SAGAWA SILVER	
		MK548993	GRILLE,RADIATOR	1	SAGAWA SILVER	
		MK548993	GRILLE,RADIATOR	1	SAGAWA SILVER	
		MK548993	GRILLE,RADIATOR	1	SAGAWA SILVER	
		MK548993 MK548995	GRILLE,RADIATOR GRILLE,RADIATOR	1 1	SAGAWA SILVER SAGAWA SILVER	
		MK548995 MK548995	GRILLE,RADIATOR GRILLE,RADIATOR	1 1	SAGAWA SILVER SAGAWA SILVER	
		MK548995	GRILLE,RADIATOR	1	SAGAWA SILVER	
		MK548995	GRILLE,RADIATOR	1	SAGAWA SILVER	
		MK548995	GRILLE,RADIATOR	1	SAGAWA SILVER	
		MK549022	GRILLE,RADIATOR	1	FUKUTSU GREEN	
		MK549022	GRILLE,RADIATOR	1	FUKUTSU GREEN	
		MK549022	GRILLE,RADIATOR	1	FUKUTSU GREEN	
		MK549022	GRILLE,RADIATOR	1	FUKUTSU GREEN	

FK74R
42-130 FRONT GRILLE (2/2)

Repl Part	PNC	Part No	Part Name	Qty	Part Spec	Remarks
	62232	MK549022	GRILLE,RADIATOR	1	FUKUTSU GREEN	
		MK549022	GRILLE,RADIATOR	1	FUKUTSU GREEN	
		MK549774	GRILLE,RADIATOR	1	ASAHI WHITE	
		MK549774	GRILLE,RADIATOR	1	ASAHI WHITE	
		MK549774	GRILLE,RADIATOR	1	ASAHI WHITE	
		MK549774	GRILLE,RADIATOR	1	ASAHI WHITE	
		MK549774	GRILLE,RADIATOR	1	ASAHI WHITE	
		MK549774	GRILLE,RADIATOR	1	ASAHI WHITE	
		MK549776	GRILLE,RADIATOR	1	ASAHI WHITE	
		MK549776	GRILLE,RADIATOR	1	ASAHI WHITE	
		MK549776	GRILLE,RADIATOR	1	ASAHI WHITE	
		MK549776	GRILLE,RADIATOR	1	ASAHI WHITE	
		MK549776	GRILLE,RADIATOR	1	ASAHI WHITE	
		MK549776	GRILLE,RADIATOR	1	ASAHI WHITE	
		MK549776	GRILLE,RADIATOR	1	ASAHI WHITE	
		MK549776	GRILLE,RADIATOR	1	ASAHI WHITE	
		MK549776	GRILLE,RADIATOR	1	ASAHI WHITE	
		MK615059	GRILLE,RADIATOR	1	FUTABA BEIGE	
		MK615059	GRILLE,RADIATOR	1	FUTABA BEIGE	
		MK615059	GRILLE,RADIATOR	1	FUTABA BEIGE	
		MK615059	GRILLE,RADIATOR	1	FUTABA BEIGE	
		MK615059	GRILLE,RADIATOR	1	FUTABA BEIGE	
		MK615059	GRILLE,RADIATOR	1	FUTABA BEIGE	
		MK615059	GRILLE,RADIATOR	1	FUTABA BEIGE	
		MK615060	GRILLE,RADIATOR	1	FUTABA BEIGE	
		MK615060	GRILLE,RADIATOR	1	FUTABA BEIGE	
		MK615060	GRILLE,RADIATOR	1	FUTABA BEIGE	
		MK615060	GRILLE,RADIATOR	1	FUTABA BEIGE	
		MK615060	GRILLE,RADIATOR	1	FUTABA BEIGE	
		MK615060	GRILLE,RADIATOR	1	FUTABA BEIGE	
		MK615060	GRILLE,RADIATOR	1	FUTABA BEIGE	
		MK615060	GRILLE,RADIATOR	1	FUTABA BEIGE	
		MK547371	GRILLE,RADIATOR	1	NATURAL WHITE	
		MK547372	GRILLE,RADIATOR	1	LIGHT BLUE	

FK74R
42-130 FRONT GRILLE (2/2)

Repl Part	PNC	Part No	Part Name	Qty	Part Spec	Remarks
	62232	MK547373	GRILLE,RADIATOR	1	SONIC BLUE	
		MK547374	GRILLE,RADIATOR	1	SIRIUS SILVER	
		MK547375	GRILLE,RADIATOR	1	ARCADIA SILVER	
		MK547376	GRILLE,RADIATOR	1	JUPITER GREEN	
		MK547377	GRILLE,RADIATOR	1	FIJI GREEN	
		MK547378	GRILLE,RADIATOR	1	FOREST GREEN	
		MK547379	GRILLE,RADIATOR	1	BRIGHT ORANGE	
		MK547380	GRILLE,RADIATOR	1	MARS RED	
		MK547381	GRILLE,RADIATOR	1	SHANNON BLUE	
		MK547382	GRILLE,RADIATOR	1	ACTIVE YELLOW	
		MK547395	GRILLE,RADIATOR	1	NATURAL WHITE	
		MK547396	GRILLE,RADIATOR	1	LIGHT BLUE	
		MK547397	GRILLE,RADIATOR	1	SONIC BLUE	
		MK547398	GRILLE,RADIATOR	1	SIRIUS SILVER	
		MK547399	GRILLE,RADIATOR	1	ARCADIA SILVER	
		MK547400	GRILLE,RADIATOR	1	JUPITER GREEN	
		MK547401	GRILLE,RADIATOR	1	FIJI GREEN	
		MK547402	GRILLE,RADIATOR	1	FOREST GREEN	
		MK547403	GRILLE,RADIATOR	1	BRIGHT ORANGE	
		MK547404	GRILLE,RADIATOR	1	MARS RED	
		MK547405	GRILLE,RADIATOR	1	SHANNON BLUE	
		MK547406	GRILLE,RADIATOR	1	ACTIVE YELLOW	
		MK548994	GRILLE,RADIATOR	1	SAGAWA SILVER	
		MK548996	GRILLE,RADIATOR	1	SAGAWA SILVER	

FK74R
42-130 FRONT GRILLE (2/2)

Repl Part	PNC	Part No	Part Name	Qty	Part Spec	Remarks
	62232	MK549775	GRILLE,RADIATOR	1	ASAHI WHITE	
		MK549777	GRILLE,RADIATOR	1	ASAHI WHITE	
		MK615068	GRILLE,RADIATOR	1	FUTABA BEIGE	
		MK615069	GRILLE,RADIATOR	1	FUTABA BEIGE	
		MC977376	GRILLE,RADIATOR	1	NATURAL WHITE	
		MC977377	GRILLE,RADIATOR	1	LIGHT BLUE	
		MC977378	GRILLE,RADIATOR	1	SONIC BLUE	
		MC977379	GRILLE,RADIATOR	1	SIRIUS SILVER	
		MC977380	GRILLE,RADIATOR	1	ARCADIA SILVER	
		MC977381	GRILLE,RADIATOR	1	JUPITER GREEN	
		MC977382	GRILLE,RADIATOR	1	FIJI GREEN	
		MC977383	GRILLE,RADIATOR	1	FOREST GREEN	
		MC977384	GRILLE,RADIATOR	1	BRIGHT ORANGE	
		MC977385	GRILLE,RADIATOR	1	MARS RED	
		MC977386	GRILLE,RADIATOR	1	SHANNON BLUE	
		MC977387	GRILLE,RADIATOR	1	ACTIVE YELLOW	
		MC977388	GRILLE,RADIATOR	1	SAGAWA SILVER	
		MC977389	GRILLE,RADIATOR	1	ASAHI WHITE	
		MC977390	GRILLE,RADIATOR	1	FUTABA BEIGE	
		MC977406	GRILLE,RADIATOR	1	NATURAL WHITE	
		MC977407	GRILLE,RADIATOR	1	LIGHT BLUE	
		MC977408	GRILLE,RADIATOR	1	SONIC BLUE	
		MC977409	GRILLE,RADIATOR	1	SIRIUS SILVER	
		MC977410	GRILLE,RADIATOR	1	ARCADIA SILVER	

FK74R
42-130 FRONT GRILLE (2/2)

Repl Part	PNC	Part No	Part Name	Qty	Part Spec	Remarks
	62232	MC977411	GRILLE,RADIATOR	1	JUPITER GREEN	
		MC977412	GRILLE,RADIATOR	1	FIJI GREEN	
		MC977413	GRILLE,RADIATOR	1	FOREST GREEN	
		MC977414	GRILLE,RADIATOR	1	BRIGHT ORANGE	
		MC977415	GRILLE,RADIATOR	1	MARS RED	
		MC977416	GRILLE,RADIATOR	1	SHANNON BLUE	
		MC977417	GRILLE,RADIATOR	1	ACTIVE YELLOW	
		MC977418	GRILLE,RADIATOR	1	SAGAWA SILVER	
		MC977419	GRILLE,RADIATOR	1	ASAHI WHITE	
		MC977420	GRILLE,RADIATOR	1	FUTABA BEIGE	
		MC977421	GRILLE,RADIATOR	1	FUKUTSU GREEN	
	62249	MC966207	RETAINER,RADIATOR LWR GRILLE	5		
	62256	MC966623	WEATHERSTRIP,RADIATOR GRILLE	1		
		MC966624	WEATHERSTRIP,RADIATOR GRILLE	1		
		MK486157	WEATHERSTRIP,RADIATOR GRILLE	1		
		MK486158	WEATHERSTRIP,RADIATOR GRILLE	1		
		MK486157	WEATHERSTRIP,RADIATOR GRILLE	1		
		MK486158	WEATHERSTRIP,RADIATOR GRILLE	1		
	62256B	MK486156	WEATHERSTRIP,RADIATOR GRILLE	1		
		MK486156	WEATHERSTRIP,RADIATOR GRILLE	2		
		MK486156	WEATHERSTRIP,RADIATOR GRILLE	2		
	62261	MC964863	GRILLE,RADIATOR,UPR	1		
		MC964865	GRILLE,RADIATOR,UPR	1		
		MC964864	GRILLE,RADIATOR,UPR	1		
		MC964866	GRILLE,RADIATOR,UPR	1		

FK74R
42-130 FRONT GRILLE (2/2)

Repl Part	PNC	Part No	Part Name	Qty	Part Spec	Remarks
	62284B	MF453047	SCREW,RADIATOR GRILLE	6	TAPPING,6X16	
		MF453108	SCREW,RADIATOR GRILLE	6	TAPPING,6X20	
	62284D	MF453094	SCREW,RADIATOR GRILLE	3	TAPPING,BLACK,5X20	
		MH008061	SCREW,RADIATOR GRILLE	3	TAPPING,BLACK,5X20	
	62284E	MF453017	SCREW,RADIATOR GRILLE	5	TAPPING,4X12	
	62287B	MS480003	GROMMET,RADIATOR GRILLE	6	SCREW,6,HOLE=8.5X8.5	
		MS480003	GROMMET,RADIATOR GRILLE	2	SCREW,6,HOLE=8.5X8.5	
		MS480003	GROMMET,RADIATOR GRILLE	6	SCREW,6,HOLE=8.5X8.5	
		MS480003	GROMMET,RADIATOR GRILLE	2	SCREW,6,HOLE=8.5X8.5	
		MS480003	GROMMET,RADIATOR GRILLE	6	SCREW,6,HOLE=8.5X8.5	
RP	62287D	MB196738	GROMMET,RADIATOR GRILLE	3	5	
	63163B	MF350095	SCREW,FR PILLAR GARNISH	4	WASHER ASSEMBLED,8X16	
	63163C	MH001065	SCREW,FR PILLAR GARNISH	8	TAPPING,BLACK,6X25	
		MH001065	SCREW,FR PILLAR GARNISH	8	TAPPING,BLACK,6X25	
		MH001065	SCREW,FR PILLAR GARNISH	8	TAPPING,BLACK,6X25	
		MH001065	SCREW,FR PILLAR GARNISH	8	TAPPING,BLACK,6X25	
		MF453108	SCREW,FR PILLAR GARNISH	12	TAPPING,6X20	

FK74R
42-130 FRONT GRILLE (2/2)

Repl Part	PNC	Part No	Part Name	Qty	Part Spec	Remarks
	63163C	MF453108	SCREW,FR PILLAR GARNISH	10	TAPPING,6X20	
		MF453108	SCREW,FR PILLAR GARNISH	10	TAPPING,6X20	
		MF453108	SCREW,FR PILLAR GARNISH	10	TAPPING,6X20	
		MF453108	SCREW,FR PILLAR GARNISH	10	TAPPING,6X20	
		MF453108	SCREW,FR PILLAR GARNISH	10	TAPPING,6X20	
		MF453108	SCREW,FR PILLAR GARNISH	10	TAPPING,6X20	
		MF453108	SCREW,FR PILLAR GARNISH	12	TAPPING,6X20	
		MF453108	SCREW,FR PILLAR GARNISH	10	TAPPING,6X20	
	63163D	MH008028	SCREW,FR PILLAR GARNISH	4	WASHER ASSEMBLED,8X20	
		MH008028	SCREW,FR PILLAR GARNISH	6	WASHER ASSEMBLED,8X20	
		MH008028	SCREW,FR PILLAR GARNISH	6	WASHER ASSEMBLED,8X20	
		MH008028	SCREW,FR PILLAR GARNISH	6	WASHER ASSEMBLED,8X20	
		MH008028	SCREW,FR PILLAR GARNISH	6	WASHER ASSEMBLED,8X20	
		MH008028	SCREW,FR PILLAR GARNISH	6	WASHER ASSEMBLED,8X20	

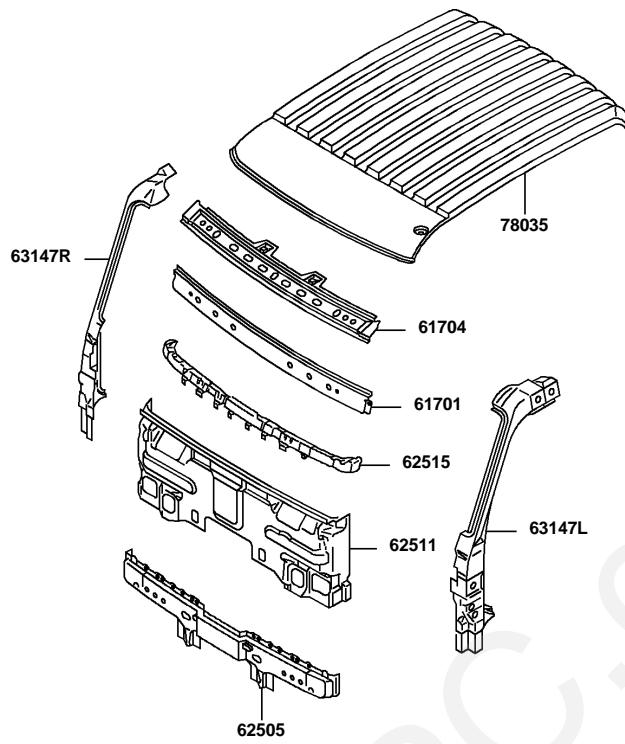
FK74R
42-130 FRONT GRILLE (2/2)

Repl Part	PNC	Part No	Part Name	Qty	Part Spec	Remarks
	63163D	MH008028	SCREW,FR PILLAR GARNISH	6	WASHER ASSEMBLED,8X20	
		MH008028	SCREW,FR PILLAR GARNISH	4	WASHER ASSEMBLED,8X20	
		MH008028	SCREW,FR PILLAR GARNISH	6	WASHER ASSEMBLED,8X20	
	63165	MS480003	GROMMET,FR PILLAR GARNISH	6	SCREW,6,HOLE=8.5X8.5	
		MS480003	GROMMET,FR PILLAR GARNISH	6	SCREW,6,HOLE=8.5X8.5	
		MS480003	GROMMET,FR PILLAR GARNISH	6	SCREW,6,HOLE=8.5X8.5	
		MS480003	GROMMET,FR PILLAR GARNISH	6	SCREW,6,HOLE=8.5X8.5	
		MS480003	GROMMET,FR PILLAR GARNISH	12	SCREW,6,HOLE=8.5X8.5	
		MS480003	GROMMET,FR PILLAR GARNISH	10	SCREW,6,HOLE=8.5X8.5	
		MS480003	GROMMET,FR PILLAR GARNISH	10	SCREW,6,HOLE=8.5X8.5	
		MS480003	GROMMET,FR PILLAR GARNISH	10	SCREW,6,HOLE=8.5X8.5	
		MS480003	GROMMET,FR PILLAR GARNISH	10	SCREW,6,HOLE=8.5X8.5	
		MS480003	GROMMET,FR PILLAR GARNISH	10	SCREW,6,HOLE=8.5X8.5	
		MS480003	GROMMET,FR PILLAR GARNISH	10	SCREW,6,HOLE=8.5X8.5	
		MS480003	GROMMET,FR PILLAR GARNISH	12	SCREW,6,HOLE=8.5X8.5	

FK74R
42-130 FRONT GRILLE (2/2)

Repl Part	PNC	Part No	Part Name	Qty	Part Spec	Remarks
	63165	MS480003	GROMMET,FR PILLAR GARNISH	10	SCREW,6,HOLE=8.5X8.5	
	63193	MF140021	BOLT,FR PILLAR GARNISH	6	FLANGE,8X12	4T
		MF140021	BOLT,FR PILLAR GARNISH	4	FLANGE,8X12	4T
		MF140021	BOLT,FR PILLAR GARNISH	6	FLANGE,8X12	4T
	97162	MN117248	MARK,THREE-DIA	1	CHROME PLATING	
	61005B	(Please refer to the page 1/2)	BRACKET,CAB FR CORNER PANEL	1		
	61005C	(Please refer to the page 1/2)	BRACKET,CAB FR CORNER PANEL	1		
	61005D	(Please refer to the page 1/2)	BRACKET,CAB FR CORNER PANEL	1		
	61005E	(Please refer to the page 1/2)	BRACKET,CAB FR CORNER PANEL	1		
	61005L	(Please refer to the page 1/2)	BRACKET,CAB FR CORNER PANEL,LH	1		
	61005R	(Please refer to the page 1/2)	BRACKET,CAB FR CORNER PANEL,RH	1		
	61011	(Please refer to the page 1/2)	WEATHERSTRIP,CAB FR CORNER PANEL	1		
	61060L	(Please refer to the page 1/2)	PANEL,CAB FR CORNER,LH	1		
	61060R	(Please refer to the page 1/2)	PANEL,CAB FR CORNER,RH	1		

FK74R
No.1

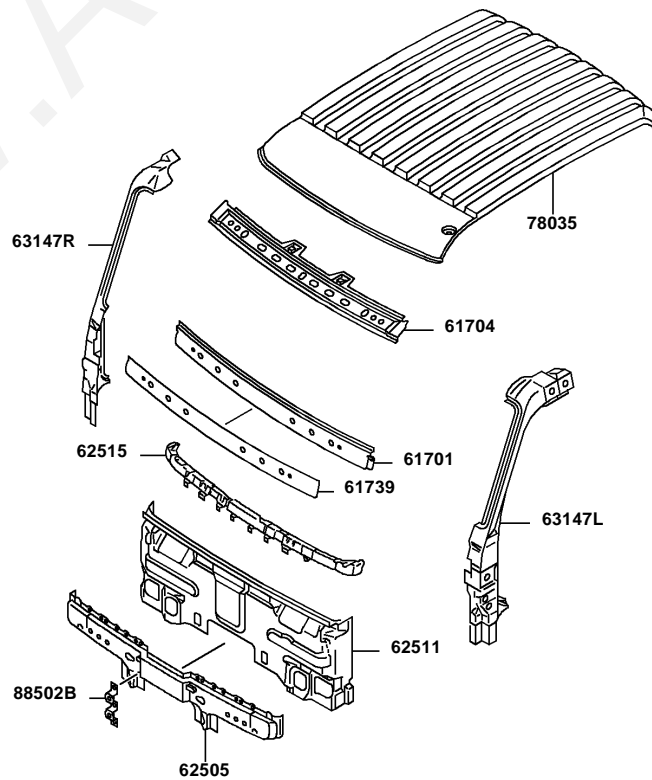


2PA500

Ref. |2042150

Page

FK74R
No.2



C00018

Ref. |2042150

Page

FK74R
42-150 FRONT END STRUCTURE & ROOF

Repl Part RP	PNC	Part No	Part Name	Qty	NEW1	Classification	Option	Model Year	Start	End
	61701	MC996901	PANEL,WINDSHIELD,LWR	1	Y	G6,H6,J6, K6,M6			04053	04053
RP		MC996902	PANEL,WINDSHIELD,LWR	1	Y	G6E,H6E,J6E, K6E,M6E			04053	04053
		MK702513	PANEL,WINDSHIELD,LWR	1		M6			04101	05101
		MK702514	PANEL,WINDSHIELD,LWR	1		G6E			04101	05101
		MK702513	PANEL,WINDSHIELD,LWR	1		G6,H6,J6, K6			04101	07053
		MK702514	PANEL,WINDSHIELD,LWR	1		H6E,J6E,K6E, M6E			04101	07053
		MK702513	PANEL,WINDSHIELD,LWR	1		G6V,H6V,J6V, K6V			05103	07053
		MK702514	PANEL,WINDSHIELD,LWR	1		H6VE,J6VE,K6VE, M6VE			05103	07053
		MK702513	PANEL,WINDSHIELD,LWR	1		G6,G6V,H6, H6V,J6,J6V, K6			07053	09053
		MK702514	PANEL,WINDSHIELD,LWR	1		H6E,H6VE,J6E, J6VE,K6E,K6VE, M6E			07053	09053
	61704	MC996649	PANEL,WINDSHIELD,UPR	1		M6			04053	05103
		MC996650	PANEL,WINDSHIELD,UPR	1		G6E			04053	05103
		MC996649	PANEL,WINDSHIELD,UPR	1		G6,H6,J6, K6			04053	07053
		MC996650	PANEL,WINDSHIELD,UPR	1		H6E,J6E,K6E, M6E			04053	07053
		MC996649	PANEL,WINDSHIELD,UPR	1		G6V,H6V,J6V, K6V			05103	07053
		MC996650	PANEL,WINDSHIELD,UPR	1		H6VE,J6VE,K6VE, M6VE			05103	07053
		MC996649	PANEL,WINDSHIELD,UPR	1		G6,G6V,H6, H6V,J6,J6V, K6			07053	09053
		MC996650	PANEL,WINDSHIELD,UPR	1		H6E,H6VE,J6E, J6VE,K6E,K6VE, M6E			07053	09053
	61739	MK488997	TAPE,WINDSHIELD PANEL BLACKOUT	1		G6,G6V,H6, H6V,J6,J6V, K6,K6V			05103	07053
		MK488998	TAPE,WINDSHIELD PANEL BLACKOUT	1		H6E,H6VE,J6E, J6VE,K6E,K6VE, M6E,M6VE			05103	07053
		MK488997	TAPE,WINDSHIELD PANEL BLACKOUT	1		G6,G6V,H6, H6V,J6,J6V, K6			07053	09053
		MK488998	TAPE,WINDSHIELD PANEL BLACKOUT	1		H6E,H6VE,J6E, J6VE,K6E,K6VE, M6E			07053	09053
	62505	MC996653	MEMBER,DASH PANEL	1		G6,H6,J6, K6,M6			04053	05103
		MC996654	MEMBER,DASH PANEL	1		G6E,H6E,J6E, K6E,M6E			04053	05103
		MK703430	MEMBER,DASH PANEL	1		G6,G6V,H6, H6V,J6,J6V, K6,K6V			05103	07053
		MK703431	MEMBER,DASH PANEL	1		H6E,H6VE,J6E, J6VE,K6E,K6VE, M6E,M6VE			05103	07053
		MK703430	MEMBER,DASH PANEL	1		G6,G6V,H6, H6V,J6,J6V, K6			07053	09053
		MK703431	MEMBER,DASH PANEL	1		H6E,H6VE,J6E, J6VE,K6E,K6VE, M6E			07053	09053
	62511	MK701928	DASH PANEL	1		G6,H6,J6, K6,M6			04053	05103
		MK701929	DASH PANEL	1		G6E,H6E,J6E, K6E,M6E			04053	05103
		MK703318	DASH PANEL	1		G6,G6V,H6, H6V,J6,J6V, K6,K6V			05103	07053

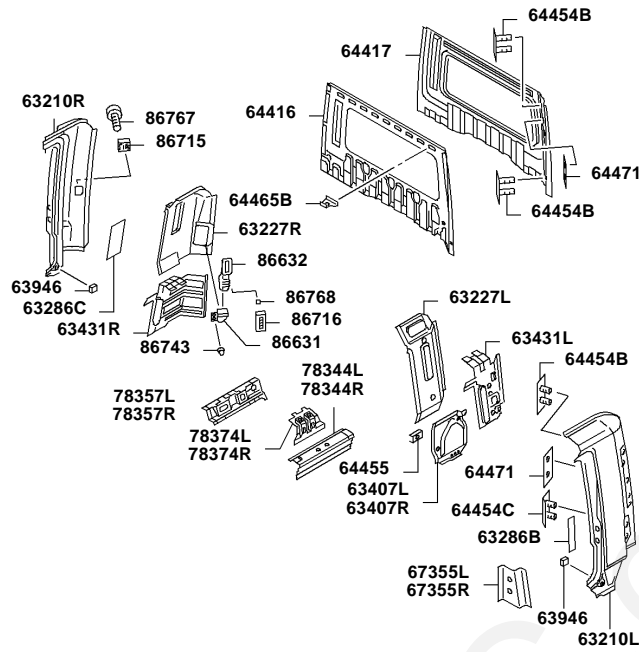
FK74R
42-150 FRONT END STRUCTURE & ROOF

Repl Part	PNC	Part No	Part Name	Qty	NEW1	Classification	Option	Model Year	Start	End
	62511	MK703319	DASH PANEL	1		H6E,H6VE,J6E, J6VE,K6E,K6VE, M6E,M6VE			05103	07053
		MK703318	DASH PANEL	1		G6,G6V,H6, H6V,J6,J6V, K6			07053	09053
		MK703319	DASH PANEL	1		H6E,H6VE,J6E, J6VE,K6E,K6VE, M6E			07053	09053
	62515	MK701925	REINFORCEMENT,DASH PANEL	1		G6,H6,J6, K6,M6			04053	05103
		MK701927	REINFORCEMENT,DASH PANEL	1		G6E,H6E,J6E, K6E,M6E			04053	05103
		MK703320	REINFORCEMENT,DASH PANEL	1		G6,G6V,H6, H6V,J6,J6V, K6,K6V			05103	07053
		MK703321	REINFORCEMENT,DASH PANEL	1		H6E,H6VE,J6E, J6VE,K6E,K6VE, M6E,M6VE			05103	07053
		MK703320	REINFORCEMENT,DASH PANEL	1		G6,G6V,H6, H6V,J6,J6V, K6			07053	09053
		MK703321	REINFORCEMENT,DASH PANEL	1		H6E,H6VE,J6E, J6VE,K6E,K6VE, M6E			07053	09053
	63147L	MK701919	PILLAR,FR LH	1		G6,G6E,H6, H6E,J6,J6E, K6,K6E,M6, M6E			04053	05103
		MK703322	PILLAR,FR LH	1		G6,G6V,H6, H6E,H6V,H6VE, J6,J6E,J6V, J6VE,K6,K6E, K6V,K6VE,M6E, M6VE			05103	09053
	63147R	MK701920	PILLAR,FR RH	1		G6,G6E,H6, H6E,J6,J6E, K6,K6E,M6, M6E			04053	05103
		MK703323	PILLAR,FR RH	1		G6,G6V,H6, H6E,H6V,H6VE, J6,J6E,J6V, J6VE,K6,K6E, K6V,K6VE,M6E, M6VE			05103	09053
	78035	MK999207	PANEL,ROOF	1		G6,H6,J6, K6,M6			04053	05103
		MK999207	PANEL,ROOF	1		G6,H6,J6, K6,M6			04053	05103
		MK999207	PANEL,ROOF	1		G6,H6,J6, K6			04053	05103
		MK999207	PANEL,ROOF	1		M6			04053	05103
		MK999208	PANEL,ROOF	1		G6E,H6E,J6E, K6E,M6E			04053	05103
		MK999208	PANEL,ROOF	1		H6E,J6E,K6E, M6E			04053	05103
		MK999208	PANEL,ROOF	1		G6E			04053	05103
		MK999208	PANEL,ROOF	1		G6E,H6E,J6E, K6E,M6E			04053	05103
		MK999358	PANEL,ROOF	1		G6,H6,J6, K6,M6	1WL	04	04053	05103
		MK999418	PANEL,ROOF	1		G6E,H6E,J6E, K6E,M6E	1WL	04	04053	05103
		MK703334	PANEL,ROOF	1		K6V			05103	07053
		MK703336	PANEL,ROOF	1		M6VE			05103	07053
		MK703335	PANEL,ROOF	1		G6,G6V,H6, H6V,J6,J6V, K6,K6V	1WL	05	05103	07053
		MK703337	PANEL,ROOF	1		H6E,H6VE,J6E, J6VE,K6E,K6VE, M6E,M6VE	1WL	05	05103	07053

FK74R
42-150 FRONT END STRUCTURE & ROOF

Repl Part	PNC	Part No	Part Name	Qty	NEW1	Classification	Option	Model Year	Start	End
	78035	MK703334	PANEL,ROOF	1		G6,G6V,H6, H6V,J6,J6V, K6			05103	0900
		MK703334	PANEL,ROOF	1		G6,G6V,H6, H6V,J6,J6V, K6			05103	0900
		MK703334	PANEL,ROOF	1		G6,G6V,H6, H6V,J6,J6V, K6			05103	0900
		MK703334	PANEL,ROOF	1		G6V,H6V,J6V			05103	0900
		MK703334	PANEL,ROOF	1		G6,H6,J6, K6			05103	0900
		MK703334	PANEL,ROOF	1		G6,G6V,H6, H6V,J6,J6V, K6			05103	0900
		MK703336	PANEL,ROOF	1		H6E,H6VE,J6E, J6VE,K6E,K6VE, M6E			05103	0900
		MK703336	PANEL,ROOF	1		H6E,H6VE,J6E, J6VE,K6E,K6VE, M6E			05103	0900
		MK703336	PANEL,ROOF	1		H6E,H6VE,J6E, J6VE,K6E,K6VE, M6E			05103	0900
		MK703336	PANEL,ROOF	1		H6VE,J6VE,K6VE			05103	0900
		MK703336	PANEL,ROOF	1		H6E,H6VE,J6E, J6VE,K6E,K6VE, M6E			05103	0900
		MK703336	PANEL,ROOF	1		H6E,J6E,K6E, M6E			05103	0900
		MK703335	PANEL,ROOF	1		G6,G6V,H6, H6V,J6,J6V, K6	1WL	07	07053	0900
		MK703337	PANEL,ROOF	1		H6E,H6VE,J6E, J6VE,K6E,K6VE, M6E	1WL	07	07053	0900
	88502B	MK704695	BRACKET,FWD DISTANCE WARNING	1		G6,G6V,H6, H6E,H6V,H6VE, J6,J6E,J6V, J6VE,K6,K6E, K6VE,M6E	1XJ	07	07053	0900

FK74R
No.1



2PA500

Ref. |2042210

Page

FK74R
42-210 REAR END STRUCTURE

PNC	Part No	Part Name	Qty	Part Spec	Classification	Start	End
63210L	MK999193	PANEL,QTR,OTR LH	1		G6,G6E,G6V, H6,H6E,H6V, H6VE,J6,J6E, J6V,J6VE,K6, K6E,K6V,K6VE, M6,M6E,M6VE	04053	09052
63210R	MK999194	PANEL,QTR,OTR RH	1		G6,G6E,G6V, H6,H6E,H6V, H6VE,J6,J6E, J6V,J6VE,K6, K6E,K6V,K6VE, M6,M6E,M6VE	04053	09052
63227L	MK999195	PANEL,QTR,INR LH	1		G6,G6E,G6V, H6,H6E,H6V, H6VE,J6,J6E, J6V,J6VE,K6, K6E,K6V,K6VE, M6,M6E,M6VE	04053	09052
63227R	MK999196	PANEL,QTR,INR RH	1		G6,G6E,G6V, H6,H6E,H6V, H6VE,J6,J6E, J6V,J6VE,K6, K6E,K6V,K6VE, M6,M6E,M6VE	04053	09052
63286B	MC964964	SILENCER,QTR PANEL	1		G6,G6E,G6V, H6,H6E,H6V, H6VE,J6,J6E, J6V,J6VE,K6, K6E,K6V,K6VE, M6,M6E,M6VE	04053	09052

Ref. |2042210

Page

FK74R
42-210 REAR END STRUCTURE

PNC	Part No	Part Name	Qty	Part Spec	Classification	Start	End
63286C	MC964965	SILENCER,QTR PANEL	1		G6,G6E,G6V, H6,H6E,H6V, H6VE,J6,J6E, J6V,J6VE,K6, K6E,K6V,K6VE, M6,M6E,M6VE	04053	09052
63407L	MK999197	PANEL,RR PILLAR,INR LH	1		G6,G6E,G6V, H6,H6E,H6V, H6VE,J6,J6E, J6V,J6VE,K6, K6E,K6V,K6VE, M6,M6E,M6VE	04053	09052
63407R	MK999198	PANEL,RR PILLAR,INR RH	1		G6,G6E,G6V, H6,H6E,H6V, H6VE,J6,J6E, J6V,J6VE,K6, K6E,K6V,K6VE, M6,M6E,M6VE	04053	09052
63431L	MK999199	STIFFENER,RR PILLAR,LH	1		G6,G6E,G6V, H6,H6E,H6V, H6VE,J6,J6E, J6V,J6VE,K6, K6E,K6V,K6VE, M6,M6E,M6VE	04053	09052
63431R	MK999200	STIFFENER,RR PILLAR,RH	1		G6,G6E,G6V, H6,H6E,H6V, H6VE,J6,J6E, J6V,J6VE,K6, K6E,K6V,K6VE, M6,M6E,M6VE	04053	09052
63946	MS440015	NUT,RR SIDE STRUCTURE	2	WELD,10	G6,G6E,G6V, H6,H6E,H6V, H6VE,J6,J6E, J6V,J6VE,K6, K6E,K6V,K6VE, M6,M6E,M6VE	04053	09052
64416	MK702269	PANEL,RR END,INR	1		M6	04053	05102
	MK702270	PANEL,RR END,INR	1		G6E	04053	05102
	MK702269	PANEL,RR END,INR	1		G6,H6,J6, K6	04053	07052
	MK702270	PANEL,RR END,INR	1		H6E,J6E,K6E, M6E	04053	07052
	MK702269	PANEL,RR END,INR	1		G6V,H6V,J6V, K6V	05103	07052
	MK702270	PANEL,RR END,INR	1		H6VE,J6VE,K6VE, M6VE	05103	07052
	MK702269	PANEL,RR END,INR	1		G6,G6V,H6, H6V,J6,J6V, K6	07053	09052
	MK702270	PANEL,RR END,INR	1		H6E,H6VE,J6E, J6VE,K6E,K6VE, M6E	07053	09052
64417	MK999203	PANEL,RR END,OTR	1		M6	04053	05102
	MK999204	PANEL,RR END,OTR	1		G6E	04053	05102
	MK999203	PANEL,RR END,OTR	1		G6,H6,J6, K6	04053	07052
	MK999204	PANEL,RR END,OTR	1		H6E,J6E,K6E, M6E	04053	07052
	MK999203	PANEL,RR END,OTR	1		G6V,H6V,J6V, K6V	05103	07052
	MK999204	PANEL,RR END,OTR	1		H6VE,J6VE,K6VE, M6VE	05103	07052
	MK999203	PANEL,RR END,OTR	1		G6,G6V,H6, H6V,J6,J6V, K6	07053	09052
	MK999204	PANEL,RR END,OTR	1		H6E,H6VE,J6E, J6VE,K6E,K6VE, M6E	07053	09052

FK74R
42-210 REAR END STRUCTURE

PNC	Part No	Part Name	Qty	Part Spec	Classification	Start	End
64454B	MK999205	STIFFENER,RR END STRUCTURE SNORKEL	3		G6,G6E,G6V, H6,H6E,H6V, H6VE,J6,J6E, J6V,J6VE,K6, K6E,K6V,K6VE, M6,M6E,M6VE	04053	09052
64454C	MK999206	STIFFENER,RR END STRUCTURE SNORKEL	1		G6,G6E,G6V, H6,H6E,H6V, H6VE,J6,J6E, J6V,J6VE,K6, K6E,K6V,K6VE, M6,M6E,M6VE	04053	09052
64455	MC994860	STIFFENER,RR PANEL STRUCTURE GRIP	2		G6,G6E,G6V, H6,H6E,H6V, H6VE,J6,J6E, J6V,J6VE,K6, K6E,K6V,K6VE, M6,M6E,M6VE	04053	09052
64465B	MC996923	BRACKET,RR END PANEL CURTAIN RAIL	3		G6,G6E,G6V, H6,H6E,H6V, H6VE,J6,J6E, J6V,J6VE,K6, K6E,K6V,K6VE, M6,M6E,M6VE	04053	09052
64471	MC963424	SILENCER,RR END PANEL	2		G6,G6E,G6V, H6,H6E,H6V, H6VE,J6,J6E, J6V,J6VE,K6, K6E,K6V,K6VE, M6,M6E,M6VE	04053	09052
67355L	MC919815	STIFFENER,FR DOOR STRIKER,LH	1		G6,G6E,G6V, H6,H6E,H6V, H6VE,J6,J6E, J6V,J6VE,K6, K6E,K6V,K6VE, M6,M6E,M6VE	04053	09052
67355R	MC919816	STIFFENER,FR DOOR STRIKER,RH	1		G6,G6E,G6V, H6,H6E,H6V, H6VE,J6,J6E, J6V,J6VE,K6, K6E,K6V,K6VE, M6,M6E,M6VE	04053	09052
78344L	MK701366	RAIL,ROOF SIDE,OTR LH	1		G6,G6E,G6V, H6,H6E,H6V, H6VE,J6,J6E, J6V,J6VE,K6, K6E,K6V,K6VE, M6,M6E,M6VE	04053	09052
78344R	MK701367	RAIL,ROOF SIDE,OTR RH	1		G6,G6E,G6V, H6,H6E,H6V, H6VE,J6,J6E, J6V,J6VE,K6, K6E,K6V,K6VE, M6,M6E,M6VE	04053	09052
78357L	MC996917	RAIL,ROOF SIDE,INR LH	1		G6,G6E,G6V, H6,H6E,H6V, H6VE,J6,J6E, J6V,J6VE,K6, K6E,K6V,K6VE, M6,M6E,M6VE	04053	09052
78357R	MC996918	RAIL,ROOF SIDE,INR RH	1		G6,G6E,G6V, H6,H6E,H6V, H6VE,J6,J6E, J6V,J6VE,K6, K6E,K6V,K6VE, M6,M6E,M6VE	04053	09052
78374L	MC996919	STIFFENER,DRIP RAIL,LH	1		G6,G6E,G6V, H6,H6E,H6V, H6VE,J6,J6E, J6V,J6VE,K6, K6E,K6V,K6VE, M6,M6E,M6VE	04053	09052

FK74R
42-210 REAR END STRUCTURE

PNC	Part No	Part Name	Qty	Part Spec	Classification	Start	End
78374R	MC996920	STIFFENER,DRIP RAIL,RH	1		G6,G6E,G6V, H6,H6E,H6V, H6VE,J6,J6E, J6V,J6VE,K6, K6E,K6V,K6VE, M6,M6E,M6VE	04053	09052
86631	MC966251	DUCT,RR VENTILATOR,LWR	1		G6,G6E,H6, H6E,J6,J6E, K6,K6E,M6, M6E	04053	05102
	MK513724	DUCT,RR VENTILATOR,LWR	1		G6,G6V,H6, H6E,H6V,H6VE, J6,J6E,J6V, J6VE,K6,K6E, K6V,K6VE,M6E, M6VE	05103	09052
86632	MC963234	DUCT,RR VENTILATOR,UPR	1		G6,G6E,H6, H6E,J6,J6E, K6,K6E,M6, M6E	04053	05102
	MK513723	DUCT,RR VENTILATOR,UPR	1		G6,G6V,H6, H6E,H6V,H6VE, J6,J6E,J6V, J6VE,K6,K6E, K6V,K6VE,M6E, M6VE	05103	09052
86715	MC966982	GARNISH,RR VENTILATOR OUTLET,OTR	1	LIGHT BLUE	G6,G6E,H6, H6E,J6,J6E, K6,K6E,M6, M6E	04053	05013
	MC963952	GARNISH,RR VENTILATOR OUTLET,OTR	1	SHANNON BLUE	G6,G6E,G6V, H6,H6E,H6V, H6VE,J6,J6E, J6V,J6VE,K6, K6E,K6V,K6VE, M6,M6E,M6VE	04053	09052
	MC963953	GARNISH,RR VENTILATOR OUTLET,OTR	1	VENUS YELLOW	G6,G6E,G6V, H6,H6E,H6V, H6VE,J6,J6E, J6V,J6VE,K6, K6E,K6V,K6VE, M6,M6E,M6VE	04053	09052
	MC963954	GARNISH,RR VENTILATOR OUTLET,OTR	1	MEXICAN YELLOW	G6,G6E,G6V, H6,H6E,H6V, H6VE,J6,J6E, J6V,J6VE,K6, K6E,K6V,K6VE, M6,M6E,M6VE	04053	09052
	MC963955	GARNISH,RR VENTILATOR OUTLET,OTR	1	JUPITER GREEN	G6,G6E,G6V, H6,H6E,H6V, H6VE,J6,J6E, J6V,J6VE,K6, K6E,K6V,K6VE, M6,M6E,M6VE	04053	09052
	MC963956	GARNISH,RR VENTILATOR OUTLET,OTR	1	URANUS BLUE	G6,G6E,G6V, H6,H6E,H6V, H6VE,J6,J6E, J6V,J6VE,K6, K6E,K6V,K6VE, M6,M6E,M6VE	04053	09052
	MC963957	GARNISH,RR VENTILATOR OUTLET,OTR	1	BRIGHT ORANGE	G6,G6E,G6V, H6,H6E,H6V, H6VE,J6,J6E, J6V,J6VE,K6, K6E,K6V,K6VE, M6,M6E,M6VE	04053	09052
	MC963958	GARNISH,RR VENTILATOR OUTLET,OTR	1	MARS RED	G6,G6E,G6V, H6,H6E,H6V, H6VE,J6,J6E, J6V,J6VE,K6, K6E,K6V,K6VE, M6,M6E,M6VE	04053	09052

FK74R
42-210 REAR END STRUCTURE

PNC	Part No	Part Name	Qty	Part Spec	Classification	Start	End
86715	MC963959	GARNISH,RR VENTILATOR OUTLET,OTR	1	NATURAL WHITE	G6,G6E,G6V, H6,H6E,H6V, H6VE,J6,J6E, J6V,J6VE,K6, K6E,K6V,K6VE, M6,M6E,M6VE	04053	09052
	MC963960	GARNISH,RR VENTILATOR OUTLET,OTR	1	WAVY BLUE	G6,G6E,G6V, H6,H6E,H6V, H6VE,J6,J6E, J6V,J6VE,K6, K6E,K6V,K6VE, M6,M6E,M6VE	04053	09052
	MC963961	GARNISH,RR VENTILATOR OUTLET,OTR	1	SHIN FUKUTSU GREEN	G6,G6E,G6V, H6,H6E,H6V, H6VE,J6,J6E, J6V,J6VE,K6, K6E,K6V,K6VE, M6,M6E,M6VE	04053	09052
	MC963962	GARNISH,RR VENTILATOR OUTLET,OTR	1	NIKKEN GREEN	G6,G6E,G6V, H6,H6E,H6V, H6VE,J6,J6E, J6V,J6VE,K6, K6E,K6V,K6VE, M6,M6E,M6VE	04053	09052
	MC963963	GARNISH,RR VENTILATOR OUTLET,OTR	1	GRACE SILVER	G6,G6E,G6V, H6,H6E,H6V, H6VE,J6,J6E, J6V,J6VE,K6, K6E,K6V,K6VE, M6,M6E,M6VE	04053	09052
	MC963964	GARNISH,RR VENTILATOR OUTLET,OTR	1	YUUTEI RED	G6,G6E,G6V, H6,H6E,H6V, H6VE,J6,J6E, J6V,J6VE,K6, K6E,K6V,K6VE, M6,M6E,M6VE	04053	09052
	MC963965	GARNISH,RR VENTILATOR OUTLET,OTR	1	NEW NIKKEN GREEN	G6,G6E,G6V, H6,H6E,H6V, H6VE,J6,J6E, J6V,J6VE,K6, K6E,K6V,K6VE, M6,M6E,M6VE	04053	09052
	MC963966	GARNISH,RR VENTILATOR OUTLET,OTR	1	FIJI GREEN	G6,G6E,G6V, H6,H6E,H6V, H6VE,J6,J6E, J6V,J6VE,K6, K6E,K6V,K6VE, M6,M6E,M6VE	04053	09052
	MC966983	GARNISH,RR VENTILATOR OUTLET,OTR	1	WARM SILVER	G6,G6E,G6V, H6,H6E,H6V, H6VE,J6,J6E, J6V,J6VE,K6, K6E,K6V,K6VE, M6,M6E,M6VE	04053	09052
	MK447507	GARNISH,RR VENTILATOR OUTLET,OTR	1	NITTUU YELLOW	G6,G6E,G6V, H6,H6E,H6V, H6VE,J6,J6E, J6V,J6VE,K6, K6E,K6V,K6VE, M6,M6E,M6VE	04053	09052
	MK509226	GARNISH,RR VENTILATOR OUTLET,OTR	1	ASAHI WHITE	G6,G6E,G6V, H6,H6E,H6V, H6VE,J6,J6E, J6V,J6VE,K6, K6E,K6V,K6VE, M6,M6E,M6VE	04053	09052
	MK509726	GARNISH,RR VENTILATOR OUTLET,OTR	1	SAGAWA SILVER	G6,G6E,G6V, H6,H6E,H6V, H6VE,J6,J6E, J6V,J6VE,K6, K6E,K6V,K6VE, M6,M6E,M6VE	04053	09052

FK74R
42-210 REAR END STRUCTURE

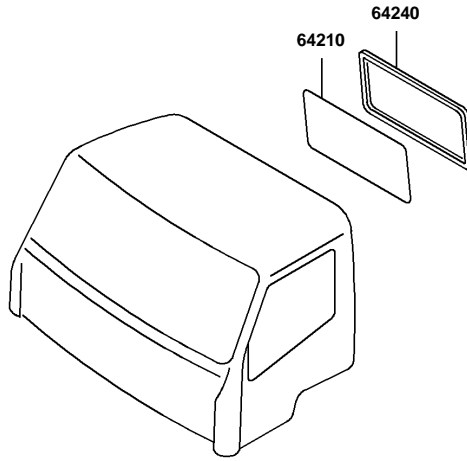
PNC	Part No	Part Name	Qty	Part Spec	Classification	Start	End
86715	MK512722	GARNISH,RR VENTILATOR OUTLET,OTR	1	SIRIUS SILVER	G6,G6E,G6V, H6,H6E,H6V, H6VE,J6,J6E, J6V,J6VE,K6, K6E,K6V,K6VE, M6,M6E,M6VE	04053	09052
	MK513547	GARNISH,RR VENTILATOR OUTLET,OTR	1	SONIC BLUE	G6,G6E,G6V, H6,H6E,H6V, H6VE,J6,J6E, J6V,J6VE,K6, K6E,K6V,K6VE, M6,M6E,M6VE	04053	09052
	MK513548	GARNISH,RR VENTILATOR OUTLET,OTR	1	FOREST GREEN	G6,G6E,G6V, H6,H6E,H6V, H6VE,J6,J6E, J6V,J6VE,K6, K6E,K6V,K6VE, M6,M6E,M6VE	04053	09052
	MK513549	GARNISH,RR VENTILATOR OUTLET,OTR	1	ACTIVE YELLOW	G6,G6E,G6V, H6,H6E,H6V, H6VE,J6,J6E, J6V,J6VE,K6, K6E,K6V,K6VE, M6,M6E,M6VE	04053	09052
	MK513550	GARNISH,RR VENTILATOR OUTLET,OTR	1	ARCADIA SILVER	G6,G6E,G6V, H6,H6E,H6V, H6VE,J6,J6E, J6V,J6VE,K6, K6E,K6V,K6VE, M6,M6E,M6VE	04053	09052
	MK582306	GARNISH,RR VENTILATOR OUTLET,OTR	1	FUTABA BEIGE	G6,G6E,G6V, H6,H6E,H6V, H6VE,J6,J6E, J6V,J6VE,K6, K6E,K6V,K6VE, M6,M6E,M6VE	04053	09052
	MK513546	GARNISH,RR VENTILATOR OUTLET,OTR	1	LIGHT BLUE	G6,G6E,G6V, H6,H6E,H6V, H6VE,J6,J6E, J6V,J6VE,K6, K6E,K6V,K6VE, M6,M6E,M6VE	05021	09052
86716	MC966252	GARNISH,RR VENTILATOR OUTLET,INR	1		G6,G6E,H6, H6E,J6,J6E, K6,K6E,M6, M6E	04053	05102
	MK512448	GARNISH,RR VENTILATOR OUTLET,INR	1		G6,G6V,H6, H6E,H6V,H6VE, J6,J6E,J6V, J6VE,K6,K6E, K6V,K6VE,M6E, M6VE	05103	07113
	MK512449	GARNISH,RR VENTILATOR OUTLET,INR	1		G6,G6V,H6, H6E,H6V,H6VE, J6,J6E,J6V, J6VE,K6,K6E, K6V,K6VE,M6E, M6VE	07121	09052
86743	MB132008	GROMMET,VENTILATION AIR OUTLET	4	4	G6,G6E,G6V, H6,H6E,H6V, H6VE,J6,J6E, J6V,J6VE,K6, K6E,K6V,K6VE, M6,M6E,M6VE	04053	09052
86767	MH001076	SCREW,VENTILATION AIR OUTLET	4	TAPPING,4X16	G6,G6E,G6V, H6,H6E,H6V, H6VE,J6,J6E, J6V,J6VE,K6, K6E,K6V,K6VE, M6,M6E,M6VE	04053	09052

FK74R
42-210 REAR END STRUCTURE

PNC	Part No	Part Name	Qty	Part Spec	Classification	Start	End
86768	MF445802	NUT,VENTILATION AIR OUTLET	4	SPRING,3	G6,G6E,G6V, H6,H6E,H6V, H6VE,J6,J6E, J6V,J6VE,K6, K6E,K6V,K6VE, M6,M6E,M6VE	04053	09052

www.AutoEPC.com

FK74R
No.1



2PA500

Ref. |2042230

Page

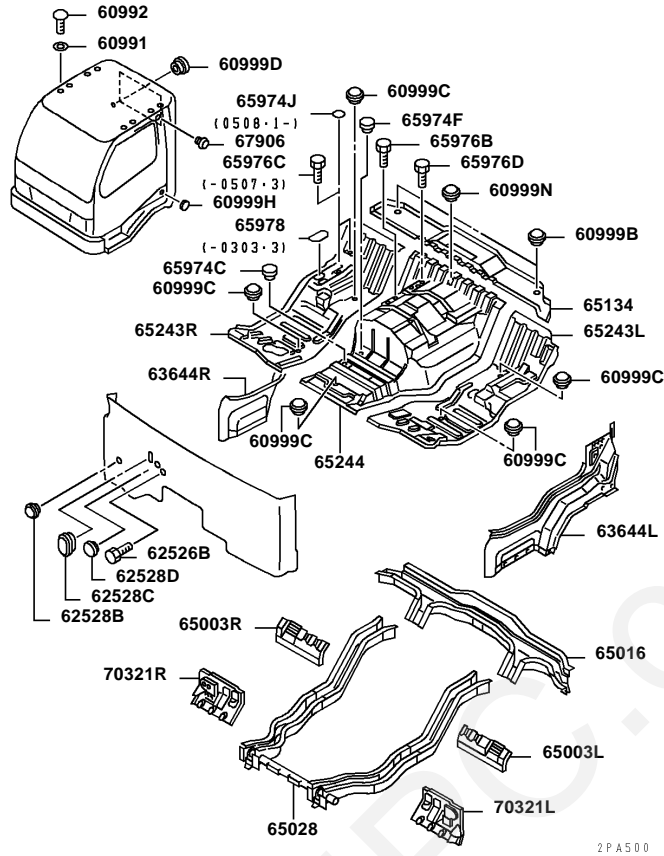
FK74R
42-230 SIDE & REAR WINDOW

PNC	Part No	Part Name	Qty	Classification	Start	End
64210	MC938633	GLASS,RR WINDOW	1	G6,G6E,G6V, H6,H6E,H6V, H6VE,J6,J6E, J6V,J6VE,K6, K6E,K6V,K6VE, M6,M6E,M6VE	04053	09052
64240	MC919771	WEATHERSTRIP,RR WINDOW	1	G6,G6E,G6V, H6,H6E,H6V, H6VE,J6,J6E, J6V,J6VE,K6, K6E,K6V,K6VE, M6,M6E,M6VE	04053	09052

Ref. |2042230

Page

FK74R
No.1



Ref. |2042310

Page

FK74R
42-310 FRONT FLOOR

SPN	Repl Part	PNC	Part No	Part Name	Qty	Part Spec	Remarks	NEW1	Clas
		60991	MC145700	WASHER,BODY	8	8.5			G6,G H6,H6 H6VE J6V,J K6E,k M6,M G6,G H6,H6 H6VE J6V,J K6E,k M6,M G6,G H6,H6 H6VE J6V,J K6E,k M6,M G6,G H6,H6 H6VE J6V,J K6E,k M6,M
		60992	MH001049	SCREW,BODY	8	MACHINE,8X12			
	RP	60999B	MS660182	PLUG,BODY	2	BLACK,RUBBER,D=16		O	
	RP	60999C	MS660183	PLUG,BODY	5	BLACK,RUBBER,D=20		O	
	RP	60999D	MS660186	PLUG,BODY	1	RUBBER,35		O	

Ref. |2042310

Page

FK74R
42-310 FRONT FLOOR

SPN	Repl Part RP	PNC	Part No	Part Name	Qty	Part Spec	Remarks	NEW1	Clas
		60999N	MS660185	PLUG,BODY	1	RUBBER,30		Y	G6,G H6,H6 H6VE J6V,J K6E,K M6,M
		62526B	MH000540	BOLT,DASH PANEL	3	WASHER ASSEMBLED,10X20			G6,G H6,H6 H6VE J6V,J K6E,K M6,M
		62528B	MC980844	PLUG,DASH PANEL	1	RUBBER,D=17			G6E G6,H6 J6,J6
			MC980844	PLUG,DASH PANEL	1	RUBBER,D=17			G6,G H6E,J K6,K6 M6E
			MC980844	PLUG,DASH PANEL	1	RUBBER,D=17			G6,G H6E,J K6,K6 M6E
			MC980844	PLUG,DASH PANEL	1	RUBBER,D=17			G6,G H6E,J K6,K6 M6E
			MC980844	PLUG,DASH PANEL	1	RUBBER,D=17			G6,G H6E,J K6,K6 M6E
			MC980844	PLUG,DASH PANEL	1	RUBBER,D=17			G6,G H6E,J K6,K6 M6E
			MC980844	PLUG,DASH PANEL	1	RUBBER,D=17			G6,G H6E,J K6,K6 M6E
			MC980844	PLUG,DASH PANEL	1	RUBBER,D=17			G6,G H6E,J K6,K6 M6E
			MC980844	PLUG,DASH PANEL	2	RUBBER,D=17			G6,G H6E,J K6,K6 M6E
			MC980844	PLUG,DASH PANEL	2	RUBBER,D=17			G6,G H6E,J K6,K6 M6E
			MC980844	PLUG,DASH PANEL	1	RUBBER,D=17			G6,G H6E,J K6,K6 M6E
			MC980844	PLUG,DASH PANEL	1	RUBBER,D=17			G6,G H6E,J K6,K6 M6E
			MC980844	PLUG,DASH PANEL	1	RUBBER,D=17			G6,G H6E,J K6,K6 M6E
			MC980844	PLUG,DASH PANEL	1	RUBBER,D=17			G6,G H6E,J K6,K6 M6E
			MC980844	PLUG,DASH PANEL	1	RUBBER,D=17			G6,G H6E,J K6,K6 M6E
			MC980844	PLUG,DASH PANEL	1	RUBBER,D=17			G6,G H6E,J K6,K6 M6E
			MC980844	PLUG,DASH PANEL	1	RUBBER,D=17			G6,G H6E,J K6,K6 M6E
			MC980844	PLUG,DASH PANEL	1	RUBBER,D=17			G6,G H6E,J K6,K6 M6E
			MC980844	PLUG,DASH PANEL	1	RUBBER,D=17			G6,G H6E,J K6,K6 M6E
			MC980844	PLUG,DASH PANEL	1	RUBBER,D=17			G6,G H6E,J K6,K6 M6E
			MC980844	PLUG,DASH PANEL	1	RUBBER,D=17			G6,G H6E,J K6,K6 M6E
			MC980844	PLUG,DASH PANEL	1	RUBBER,D=17			G6,G H6E,J K6,K6 M6E
			62528C	MC435277	PLUG,DASH PANEL	1			
		62528D	MC433449	PLUG,DASH PANEL	1	RUBBER			G6,G H6E,J K6,K6 M6E

FK74R
42-310 FRONT FLOOR

SPN	Repl Part	PNC	Part No	Part Name	Qty	Part Spec	Remarks	NEW1	Clas
		62528D	MC433449	PLUG,DASH PANEL	1	RUBBER			G6,G
			MC433449	PLUG,DASH PANEL	1	RUBBER			H6E,J
			MC433449	PLUG,DASH PANEL	1	RUBBER			G6,H6
			MC433449	PLUG,DASH PANEL	1	RUBBER			J6,J6
			MC433449	PLUG,DASH PANEL	1	RUBBER			K6,K6
			MC433449	PLUG,DASH PANEL	1	RUBBER			G6,H6
			MC433449	PLUG,DASH PANEL	1	RUBBER			J6,J6
			MC433449	PLUG,DASH PANEL	1	RUBBER			K6,K6
			MC433449	PLUG,DASH PANEL	1	RUBBER			G6,H6
			MC433449	PLUG,DASH PANEL	1	RUBBER			J6,J6
			MC433449	PLUG,DASH PANEL	1	RUBBER			K6E,M
			MC433449	PLUG,DASH PANEL	2	RUBBER			G6V,H
			MC433449	PLUG,DASH PANEL	2	RUBBER			J6V,J
			MC433449	PLUG,DASH PANEL	2	RUBBER			K6VE
			MC433449	PLUG,DASH PANEL	2	RUBBER			G6,H6
			MC433449	PLUG,DASH PANEL	1	RUBBER			J6,J6
			MC433449	PLUG,DASH PANEL	1	RUBBER			K6E,M
			MC433449	PLUG,DASH PANEL	1	RUBBER			K6,K6
			MC433449	PLUG,DASH PANEL	1	RUBBER			G6,H6
			MC433449	PLUG,DASH PANEL	1	RUBBER			J6,J6
			MC433449	PLUG,DASH PANEL	2	RUBBER			G6V,H
			MC433449	PLUG,DASH PANEL	2	RUBBER			J6V,J
		63644L	MK999182	SIDE SILL,FR FLOOR,LH	1				G6,G
									H6,H6
									H6VE
									J6V,J
									K6E,K
									M6,M
		63644R	MK999183	SIDE SILL,FR FLOOR,RH	1				G6,G
									H6,H6
									H6VE
									J6V,J
									K6E,K
									M6,M
		65003L	MK999009	BRACKET,FR FLOOR MUD GUARD,LH	1				G6E
			MK999010	BRACKET,FR FLOOR MUD GUARD,LH	1				M6
			MK999009	BRACKET,FR FLOOR MUD GUARD,LH	1				H6E,J
			MK999010	BRACKET,FR FLOOR MUD GUARD,LH	1				M6E
			MK999009	BRACKET,FR FLOOR MUD GUARD,LH	1				G6,H6
			MK999009	BRACKET,FR FLOOR MUD GUARD,LH	1				K6
			MK999010	BRACKET,FR FLOOR MUD GUARD,LH	1				H6VE
			MK999010	BRACKET,FR FLOOR MUD GUARD,LH	1				M6VE
			MK999010	BRACKET,FR FLOOR MUD GUARD,LH	1				G6V,H
			MK999010	BRACKET,FR FLOOR MUD GUARD,LH	1				K6V
			MK999010	BRACKET,FR FLOOR MUD GUARD,LH	1				G6,G
			MK999010	BRACKET,FR FLOOR MUD GUARD,LH	1				H6V,J
			MK999009	BRACKET,FR FLOOR MUD GUARD,LH	1				K6
			MK999009	BRACKET,FR FLOOR MUD GUARD,LH	1				H6E,H
			MK999009	BRACKET,FR FLOOR MUD GUARD,LH	1				J6VE
			MK999011	BRACKET,FR FLOOR MUD GUARD,RH	1				M6E
			MK999012	BRACKET,FR FLOOR MUD GUARD,RH	1				G6E
			MK999011	BRACKET,FR FLOOR MUD GUARD,RH	1				M6
			MK999012	BRACKET,FR FLOOR MUD GUARD,RH	1				H6E,J
			MK999012	BRACKET,FR FLOOR MUD GUARD,RH	1				M6E
			MK999011	BRACKET,FR FLOOR MUD GUARD,RH	1				G6,H6
			MK999011	BRACKET,FR FLOOR MUD GUARD,RH	1				K6
			MK999012	BRACKET,FR FLOOR MUD GUARD,RH	1				H6VE
			MK999012	BRACKET,FR FLOOR MUD GUARD,RH	1				M6VE
			MK999012	BRACKET,FR FLOOR MUD GUARD,RH	1				G6V,H
			MK999012	BRACKET,FR FLOOR MUD GUARD,RH	1				K6V

FK74R
42-310 FRONT FLOOR

SPN	Repl Part	PNC	Part No	Part Name	Qty	Part Spec	Remarks	NEW1	Class
		65003R	MK999012	BRACKET,FR FLOOR MUD GUARD,RH	1				G6,G6 H6V,J K6 H6E,H J6VE, M6E
			MK999011	BRACKET,FR FLOOR MUD GUARD,RH	1				G6,H6 K6,M6 G6E,H K6E,M G6,G6 H6V,J K6,K6 H6E,H J6VE, M6E,I
		65016	MK999190	CROSSMEMBER,FR FLOOR,RR	1				G6,G6 H6V,J K6 H6E,H J6VE, M6E,I
			MK999191	CROSSMEMBER,FR FLOOR,RR	1				G6,G6 H6V,J K6 H6E,H J6VE, M6E,I
			MK703368	CROSSMEMBER,FR FLOOR,RR	1				G6,G6 H6V,J K6 H6E,H J6VE, M6E,I
			MK703369	CROSSMEMBER,FR FLOOR,RR	1				G6,G6 H6V,J K6 H6E,H J6VE, M6E,I
			MK703368	CROSSMEMBER,FR FLOOR,RR	1				G6,G6 H6V,J K6 H6E,H J6VE, M6E,I
			MK703369	CROSSMEMBER,FR FLOOR,RR	1				G6,G6 H6V,J K6 H6E,H J6VE, M6E,I
		65028	MK999601	FRAME,FR FLOOR,FR	1				G6,G6 H6V,J K6 H6E,H J6VE, M6E,I
			MK703370	FRAME,FR FLOOR,FR	1				G6,G6 H6V,J K6 H6E,H J6VE, M6E,I
		65134	MK999184	FLOOR,RR	1				G6,H6 K6,M6 G6E,H K6E,M G6,G6 H6V,J K6,K6 H6E,H J6VE, M6E,I
			MK999185	FLOOR,RR	1				G6,H6 K6,M6 G6E,H K6E,M G6,G6 H6V,J K6,K6 H6E,H J6VE, M6E,I
			MK703363	FLOOR,RR	1				G6,H6 K6,M6 G6E,H K6E,M G6,G6 H6V,J K6,K6 H6E,H J6VE, M6E,I
			MK703364	FLOOR,RR	1				G6,H6 K6,M6 G6E,H K6E,M G6,G6 H6V,J K6,K6 H6E,H J6VE, M6E,I
			MK703363	FLOOR,RR	1				G6,H6 K6,M6 G6E,H K6E,M G6,G6 H6V,J K6,K6 H6E,H J6VE, M6E,I
			MK703364	FLOOR,RR	1				G6,H6 K6,M6 G6E,H K6E,M G6,G6 H6V,J K6,K6 H6E,H J6VE, M6E,I
		65243L	MK702283	FLOOR,FR SIDE,LH	1				G6,H6 K6,M6 G6E,H K6E,M G6,G6 H6V,J K6,K6 H6E,H J6VE, M6E,I
			MK702284	FLOOR,FR SIDE,LH	1				G6,H6 K6,M6 G6E,H K6E,M G6,G6 H6V,J K6,K6 H6E,H J6VE, M6E,I
			MK703359	FLOOR,FR SIDE,LH	1				G6,H6 K6,M6 G6E,H K6E,M G6,G6 H6V,J K6,K6 H6E,H J6VE, M6E,I
			MK703361	FLOOR,FR SIDE,LH	1				G6,H6 K6,M6 G6E,H K6E,M G6,G6 H6V,J K6,K6 H6E,H J6VE, M6E,I
			MK703359	FLOOR,FR SIDE,LH	1				G6,H6 K6,M6 G6E,H K6E,M G6,G6 H6V,J K6,K6 H6E,H J6VE, M6E,I
			MK703361	FLOOR,FR SIDE,LH	1				G6,H6 K6,M6 G6E,H K6E,M G6,G6 H6V,J K6,K6 H6E,H J6VE, M6E,I
SP		65243R	MK702291	FLOOR,FR SIDE,RH	1			R	G6,H6 K6,M6 G6E,H K6E,M G6,G6 H6V,J K6,K6 H6E,H J6VE, M6E,I
SP			MK702292	FLOOR,FR SIDE,RH	1			R	G6,H6 K6,M6 G6E,H K6E,M G6,G6 H6V,J K6,K6 H6E,H J6VE, M6E,I
			MK703255	FLOOR,FR SIDE,RH	1				G6,H6 K6,M6 G6E,H K6E,M G6,G6 H6V,J K6,K6 H6E,H J6VE, M6E,I
			MK703256	FLOOR,FR SIDE,RH	1				G6,H6 K6,M6 G6E,H K6E,M G6,G6 H6V,J K6,K6 H6E,H J6VE, M6E,I

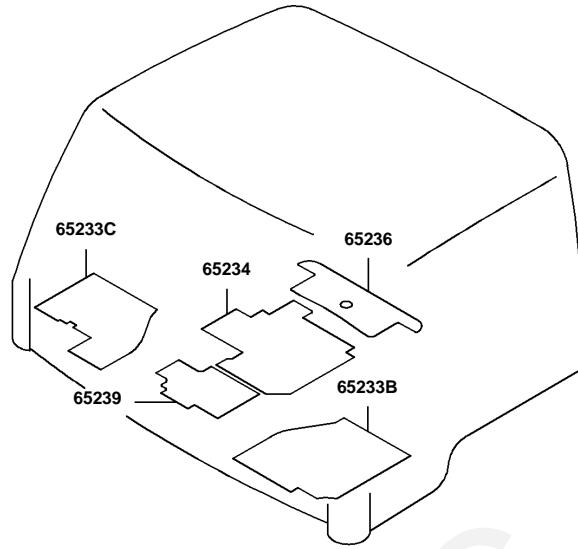
FK74R
42-310 FRONT FLOOR

SPN	Repl Part	PNC	Part No	Part Name	Qty	Part Spec	Remarks	NEW1	Class
		65243R	MK703360	FLOOR,FR SIDE,RH	1				G6,G H6V,J K6,K6 H6E,H J6VE, M6E,M G6,G H6V,J K6, H6E,H J6VE, M6E, G6,H6 K6,M G6E,H K6E,M G6,G H6E,J K6,K6 M6E G6E,M G6,H6 J6,J6 K6E,M G6,G H6E,J K6,K6 M6E G6,G H6E,H J6,J6 J6VE, K6V,K M6VE G6,G H6E,H J6,J6 J6VE, K6V,K M6VE G6,G H6E,H J6,J6 J6VE, K6V,K M6VE G6,G H6E,H J6,J6 J6VE, K6V,K M6VE G6,G H6E,H J6,J6 J6VE, K6V,K M6VE G6,G H6E,H J6,J6 J6VE, K6V,K M6VE
			MK703362	FLOOR,FR SIDE,RH	1				
			MK703360	FLOOR,FR SIDE,RH	1				
			MK703362	FLOOR,FR SIDE,RH	1				
		65244	MK701667	FLOOR,FR CTR	1				
			MK701668	FLOOR,FR CTR	1				
			MK702955	FLOOR,FR CTR	1				
			MK702955	FLOOR,FR CTR	1				
			MK702955	FLOOR,FR CTR	1				
			MK703352	FLOOR,FR CTR	1				
			MK703351	FLOOR,FR CTR	1				
			MK703351	FLOOR,FR CTR	1				
			MK703351	FLOOR,FR CTR	1				
		65974C	MC980847	PLUG,FLOOR	1	RUBBER,D=29			
		65974F	MC980849	PLUG,FLOOR	1	36			
			MC980849	PLUG,FLOOR	1	36			
			MC980849	PLUG,FLOOR	1	36			
			MC980849	PLUG,FLOOR	1	36			
			MC980849	PLUG,FLOOR	1	36			
			MC980849	PLUG,FLOOR	2	36			

FK74R
42-310 FRONT FLOOR

SPN	Repl Part	PNC	Part No	Part Name	Qty	Part Spec	Remarks	NEW1	Class	
		65974J	MC147388	PLUG,FLOOR	3				G6,G H6,H H6VE J6V,J K6E,K M6,M	
		65976C	MF140021	BOLT,FLOOR	3	FLANGE,8X12	4T		G6,G H6E,J K6,K M6E	
		67906	MC927484	DAMPER,FR DOOR	2				G6,G H6,H H6VE J6V,J K6E,K M6,M	
		70321L	MK999017	SHIELD,FR FLOOR SPLASH,LH	1				M6	
			MK999018	SHIELD,FR FLOOR SPLASH,LH	1				G6E	
			MK999017	SHIELD,FR FLOOR SPLASH,LH	1				G6,H K6	
			MK999018	SHIELD,FR FLOOR SPLASH,LH	1				H6E,J M6E	
			MK999017	SHIELD,FR FLOOR SPLASH,LH	1				G6V,H K6V	
			MK999018	SHIELD,FR FLOOR SPLASH,LH	1				H6VE M6VE	
			MK999017	SHIELD,FR FLOOR SPLASH,LH	1				G6,G H6V,J K6	
			MK999018	SHIELD,FR FLOOR SPLASH,LH	1				H6E,H J6VE M6E	
			70321R	MK999021	SHIELD,FR FLOOR SPLASH,RH	1				M6
				MK999022	SHIELD,FR FLOOR SPLASH,RH	1				G6E
		MK999021		SHIELD,FR FLOOR SPLASH,RH	1				G6,H K6	
		MK999022		SHIELD,FR FLOOR SPLASH,RH	1				H6E,J M6E	
		MK999021		SHIELD,FR FLOOR SPLASH,RH	1				G6V,H K6V	
		MK999022		SHIELD,FR FLOOR SPLASH,RH	1				H6VE M6VE	
		65976D	(N.e.c.)	BOLT,FLOOR					G6,G H6V,J K6	
		65976B	(N.e.c.)	BOLT,FLOOR					H6E,H J6VE M6E	
		65978	(N.e.c.)	TAPE,FLOOR BOARD						
		60999H	(N.e.c.)	PLUG,BODY						

FK74R
No.1



2 P A 5 0 0

Ref. |2042330

Page

FK74R
42-330 MELTING SHEET

Repl Part	PNC	Part No	Part Name	Qty	NEW1	Classification	Start	End
RP	65233B	MC922197	SILENCER,CAB FR FLOOR	1		M6	04053	05102
		MC922198	SILENCER,CAB FR FLOOR	1	Y	G6E	04053	05102
		MC922197	SILENCER,CAB FR FLOOR	1		G6,H6,J6, K6	04053	07052
RP		MC922198	SILENCER,CAB FR FLOOR	1	Y	H6E,J6E,K6E, M6E	04053	07052
		MC922197	SILENCER,CAB FR FLOOR	1		G6V,H6V,J6V, K6V	05103	07052
RP		MC922198	SILENCER,CAB FR FLOOR	1	Y	H6VE,J6VE,K6VE, M6VE	05103	07052
		MC922197	SILENCER,CAB FR FLOOR	1		G6,G6V,H6, H6V,J6,J6V, K6	07053	09052
RP	65233C	MC922198	SILENCER,CAB FR FLOOR	1	Y	H6E,H6VE,J6E, J6VE,K6E,K6VE, M6E	07053	09052
		MC922200	SILENCER,CAB FR FLOOR	1		M6	04053	05102
		MC922201	SILENCER,CAB FR FLOOR	1		G6E	04053	05102
		MC922200	SILENCER,CAB FR FLOOR	1		G6,H6,J6, K6	04053	07052
		MC922201	SILENCER,CAB FR FLOOR	1		H6E,J6E,K6E, M6E	04053	07052
		MC922200	SILENCER,CAB FR FLOOR	1		G6V,H6V,J6V, K6V	05103	07052
		MC922201	SILENCER,CAB FR FLOOR	1		H6VE,J6VE,K6VE, M6VE	05103	07052
		MC922200	SILENCER,CAB FR FLOOR	1		G6,G6V,H6, H6V,J6,J6V, K6	07053	09052
		MC922201	SILENCER,CAB FR FLOOR	1		H6E,H6VE,J6E, J6VE,K6E,K6VE, M6E	07053	09052

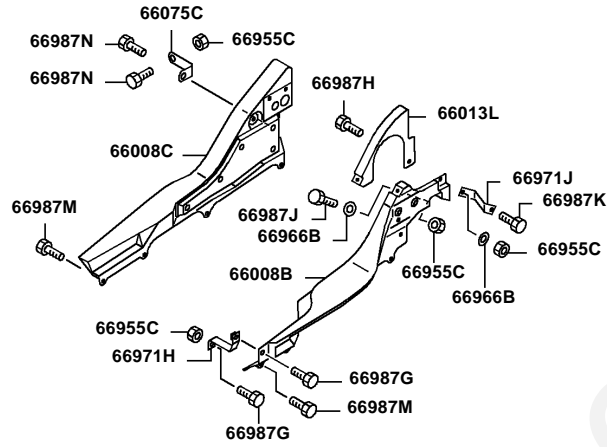
Ref. |2042330

Page

FK74R
42-330 MELTING SHEET

Repl Part RP	PNC	Part No	Part Name	Qty	NEW1	Classification	Start	End
	65234	MC927732	SILENCER,CAB FR FLOOR,CTR	1	Y	G6,G6E,G6V, H6,H6E,H6V, H6VE,J6,J6E, J6V,J6VE,K6, K6E,K6V,K6VE, M6,M6E,M6VE	04053	08092
		MK674506	SILENCER,CAB FR FLOOR,CTR	1		G6,G6V,H6, H6E,H6V,H6VE, J6,J6E,J6V, J6VE,K6,K6E, K6VE,M6E	08093	09052
	65236	MC963549	SILENCER,CAB RR FLOOR,CTR	1		G6,G6E,G6V, H6,H6E,H6V, H6VE,J6,J6E, J6V,J6VE,K6, K6E,K6V,K6VE, M6,M6E,M6VE	04053	09052
	65239	MC924339	SILENCER,CAB FR FLOOR,FR	1		G6,G6E,G6V, H6,H6E,H6V, H6VE,J6,J6E, J6V,J6VE,K6, K6E,K6V,K6VE, M6,M6E,M6VE	04053	09052

FK74R
No.1

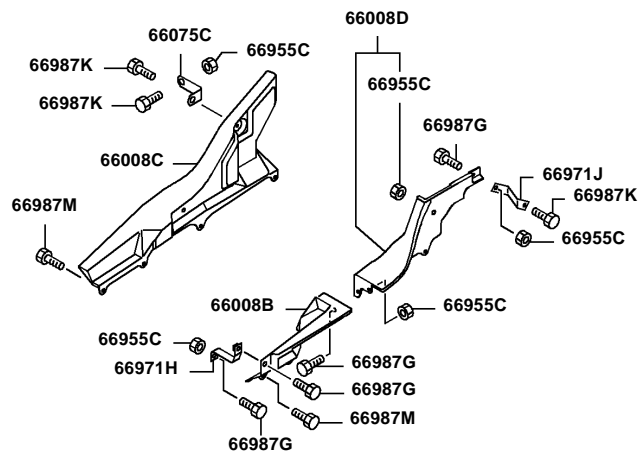


C00046

Ref. |2042350

Page

FK74R
No.2



C00152

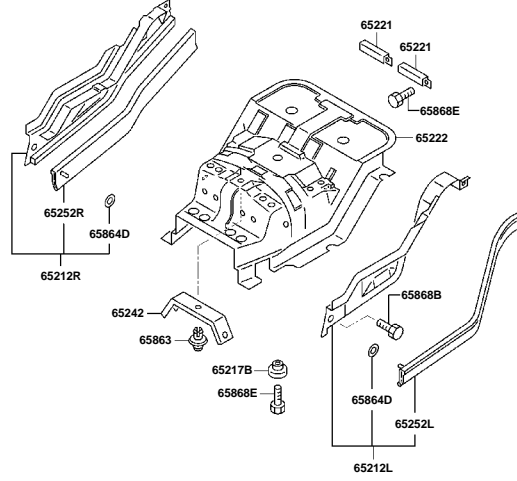
Ref. |2042350

Page

FK74R
42-350 ENCLOSURE

PNC	Part No	Part Name	Qty	Part Spec	Remarks	Classification	Start	End
66008B	MK317692	COVER,ENG ROOM SIDE,UPR	1			G6,G6E,H6, H6E,J6,J6E, K6,K6E,M6, M6E	04053	05102
	MK467290	COVER,ENG ROOM SIDE,UPR	1			G6,G6V,H6, H6E,H6V,H6VE, J6,J6E,J6V, J6VE,K6,K6E, K6V,K6VE,M6E, M6VE	05103	09052
66008C	MK466244	COVER,ENG ROOM SIDE,UPR	1			G6,G6E,G6V, H6,H6E,H6V, H6VE,J6,J6E, J6V,J6VE,K6, K6E,K6V,K6VE, M6,M6E,M6VE	04053	09052
66008D	MK467291	COVER,ENG ROOM SIDE,UPR	1			G6,G6V,H6, H6E,H6V,H6VE, J6,J6E,J6V, J6VE,K6,K6E, K6V,K6VE,M6E, M6VE	05103	09052
66075C	MH026118	STAY,ENG ROOM COVER	1			G6,G6E,H6, H6E,J6,J6E, K6,K6E,M6, M6E	04053	05032
66955C	MF434104	NUT,ENG ROOM COVER	5	FLANGE,8		G6,G6E,G6V, H6,H6E,H6V, H6VE,J6,J6E, J6V,J6VE,K6, K6E,K6V,K6VE, M6,M6E,M6VE	04053	09052
66971H	MK438611	BRACKET,ENG ROOM COVER	1			G6,G6E,G6V, H6,H6E,H6V, H6VE,J6,J6E, J6V,J6VE,K6, K6E,K6V,K6VE, M6,M6E,M6VE	04053	09052
66971J	MC459547	BRACKET,ENG ROOM COVER	1			G6,G6E,G6V, H6,H6E,H6V, H6VE,J6,J6E, J6V,J6VE,K6, K6E,K6V,K6VE, M6,M6E,M6VE	04053	09052
66987G	MF140025	BOLT,ENG ROOM COVER	5	FLANGE,8X20	4T	G6,G6E,G6V, H6,H6E,H6V, H6VE,J6,J6E, J6V,J6VE,K6, K6E,K6V,K6VE, M6,M6E,M6VE	04053	09052
66987H	MF140025	BOLT,ENG ROOM COVER	1	FLANGE,8X20	4T	G6,G6E,H6, H6E,J6,J6E, K6,K6E,M6, M6E	04053	05102
66987K	MH001281	BOLT,ENG ROOM COVER	1	WASHER ASSEMBLED,8X20		G6,G6E,G6V, H6,H6E,H6V, H6VE,J6,J6E, J6V,J6VE,K6, K6E,K6V,K6VE, M6,M6E,M6VE	04053	09052
66987M	MH001282	BOLT,ENG ROOM COVER	8	WASHER ASSEMBLED,8X25		G6,G6E,G6V, H6,H6E,H6V, H6VE,J6,J6E, J6V,J6VE,K6, K6E,K6V,K6VE, M6,M6E,M6VE	04053	09052
66987J	(N.e.c.)	BOLT,ENG ROOM COVER						
66987N	(N.e.c.)	BOLT,ENG ROOM COVER						
66013L	(N.e.c.)	COVER,ENG ROOM SIDE,RR LH						
66966B	(N.e.c.)	WASHER,ENG ROOM COVER						

FK74R
No.1

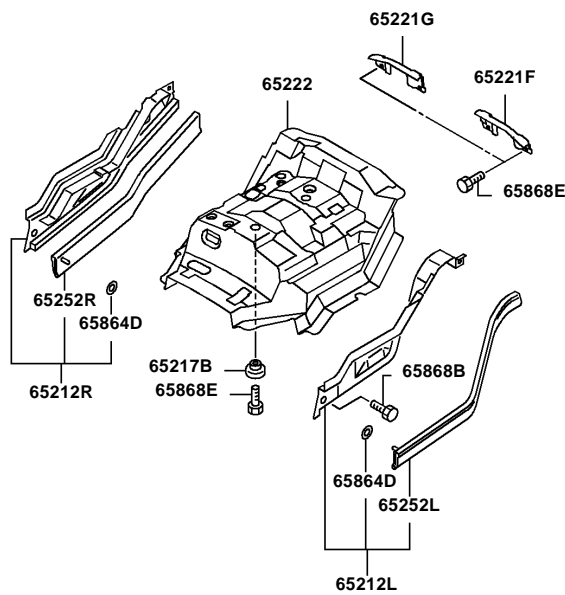


2PA500

Ref. |2042370

Page

FK74R
No.2



C00037

Ref. |2042370

Page

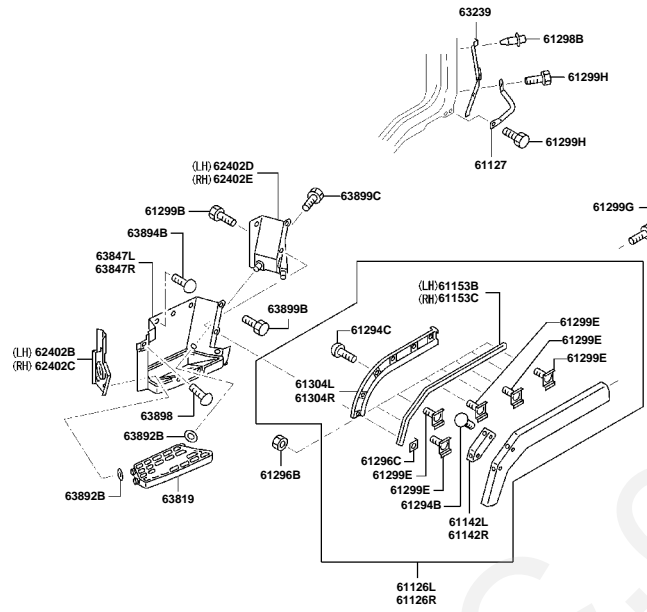
FK74R
42-370 SILENCER

Repl Part	PNC	Part No	Part Name	Qty	Part Spec	NEW1	NEW2	Classificati
	65212L	MC962795	COVER,CAB FLOOR SIDE,LH	1				G6,G6E,H6, H6E,J6,J6E, K6,K6E,M6, M6E
		MK488845	COVER,CAB FLOOR SIDE,LH	1				G6,G6V,H6, H6E,H6V,H6 J6,J6E,J6V, J6VE,K6,K6 K6V,K6VE,M M6VE
	65212R	MC962796	COVER,CAB FLOOR SIDE,RH	1				G6,G6E,G6V, H6,H6E,H6V, H6VE,J6,J6 J6V,J6VE,K K6E,K6V,K6 M6,M6E,M6V
RP	65217B	MC908005	HOLDER,CAB FLOOR INSULATOR,FR	1		Y		G6,G6E,H6, H6E,J6,J6E, K6,K6E,M6, M6E
RP		MC908005	HOLDER,CAB FLOOR INSULATOR,FR	2		Y		G6,G6V,H6, H6E,H6V,H6 J6,J6E,J6V, J6VE,K6,K6 K6V,K6VE,M M6VE
	65221	MC922142	HOLDER,CAB FLOOR INSULATOR,RR	2				G6,G6E,H6, H6E,J6,J6E, K6,K6E,M6, M6E
	65221F	MK486343	HOLDER,CAB FLOOR INSULATOR,RR	1				G6,G6V,H6, H6E,H6V,H6 J6,J6E,J6V, J6VE,K6,K6 K6V,K6VE,M M6VE
	65221G	MK486344	HOLDER,CAB FLOOR INSULATOR,RR	1				G6,G6V,H6, H6E,H6V,H6 J6,J6E,J6V, J6VE,K6,K6 K6V,K6VE,M M6VE
	65222	MC962991	INSULATOR,CAB FLOOR	1				G6,G6E,H6, H6E,J6,J6E, K6,K6E,M6, M6E
RP		MK488402	INSULATOR,CAB FLOOR	1		Y	Y	G6,G6V,H6, H6E,H6V,H6 J6,J6E,J6V, J6VE,K6,K6 K6V,K6VE,M M6VE
RP		MK549792	INSULATOR,CAB FLOOR	1		Y		G6,G6V,H6, H6E,H6V,H6 J6,J6E,J6V, J6VE,K6,K6 K6V,K6VE,M M6VE
		MK675590	INSULATOR,CAB FLOOR	1				G6,G6V,H6, H6E,H6V,H6 J6,J6E,J6V, J6VE,K6,K6 K6VE,M6E
RP	65242	MC924238	PLATE,CAB FLOOR INSULATOR SETTING	1		Y		G6,G6E,H6, H6E,J6,J6E, K6,K6E,M6, M6E
		MK545919	PLATE,CAB FLOOR INSULATOR SETTING	1				G6,G6E,H6, H6E,J6,J6E, K6,K6E,M6, M6E

FK74R
42-370 SILENCER

Repl Part	PNC	Part No	Part Name	Qty	Part Spec	NEW1	NEW2	Classificati
	65252L	MC962793	SEAL,CAB FLOOR SIDE COVER,LH	1				G6,G6E,H6, H6E,J6,J6E, K6,K6E,M6, M6E
		MK488847	SEAL,CAB FLOOR SIDE COVER,LH	1				G6,G6V,H6, H6E,H6V,H6 J6,J6E,J6V, J6VE,K6,K6 K6V,K6VE,M M6VE
	65252R	MC962794	SEAL,CAB FLOOR SIDE COVER,RH	1				G6,G6E,G6V, H6,H6E,H6V H6VE,J6,J6 J6V,J6VE,K K6E,K6V,K6 M6,M6E,M6V
	65863	MC937580	CLIP,SILENCER	5				G6,G6E,H6, H6E,J6,J6E, K6,K6E,M6, M6E
		MC937580	CLIP,SILENCER	4				G6,G6E,H6, H6E,J6,J6E, K6,K6E,M6, M6E
	65864D	MC148847	WASHER,SILENCER	24	PLAIN,5.2			G6,G6E,G6V, H6,H6E,H6V H6VE,J6,J6 J6V,J6VE,K K6E,K6V,K6 M6,M6E,M6V
	65868B	MC437343	BOLT,SILENCER	6	WASHER ASSEMBLED,8X20			G6,G6E,G6V, H6,H6E,H6V H6VE,J6,J6 J6V,J6VE,K K6E,K6V,K6 M6,M6E,M6V
	65868E	MF243649	BOLT,SILENCER	6	WASHER ASSEMBLED,8X16			G6,G6E,G6V, H6,H6E,H6V H6VE,J6,J6 J6V,J6VE,K K6E,K6V,K6 M6,M6E,M6V

FK74R
No.1

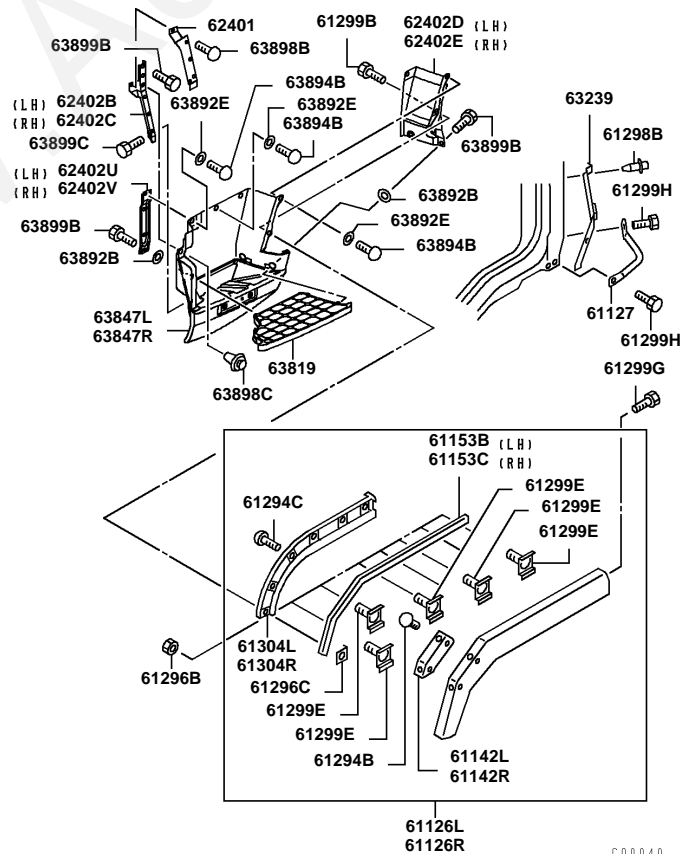


2PA500

Ref. |2042430

Page

FK74R
No.2



C00040

Ref. |2042430

Page

FK74R
42-430 FRONT FENDER & LID

SPN	Repl Part	PNC 61126L	Part No	Part Name	Qty	Part Spec	PREV.1	NEW1	Classifica
			MC962721	FENDER,SIDE,FR UPR LH	1				G6,G6E,H6 H6E,J6,J6E K6,K6E,M6 M6E
			MC979043	FENDER,SIDE,FR UPR LH	1	NATURAL WHITE			G6,G6V,H6 H6E,H6V,H J6,J6E,J6V J6VE,K6,K K6V,K6VE, M6VE
			MC979291	FENDER,SIDE,FR UPR LH	1	LIGHT BLUE			G6,G6V,H6 H6E,H6V,H J6,J6E,J6V J6VE,K6,K K6V,K6VE, M6VE
			MC979292	FENDER,SIDE,FR UPR LH	1	SONIC BLUE			G6,G6V,H6 H6E,H6V,H J6,J6E,J6V J6VE,K6,K K6V,K6VE, M6VE
			MC979293	FENDER,SIDE,FR UPR LH	1	SIRIUS SILVER			G6,G6V,H6 H6E,H6V,H J6,J6E,J6V J6VE,K6,K K6V,K6VE, M6VE
			MC979294	FENDER,SIDE,FR UPR LH	1	ARCADIA SILVER			G6,G6V,H6 H6E,H6V,H J6,J6E,J6V J6VE,K6,K K6V,K6VE, M6VE
			MC979295	FENDER,SIDE,FR UPR LH	1	JUPITER GREEN			G6,G6V,H6 H6E,H6V,H J6,J6E,J6V J6VE,K6,K K6V,K6VE, M6VE
			MC979296	FENDER,SIDE,FR UPR LH	1	FIJI GREEN			G6,G6V,H6 H6E,H6V,H J6,J6E,J6V J6VE,K6,K K6V,K6VE, M6VE
			MC979297	FENDER,SIDE,FR UPR LH	1	FOREST GREEN			G6,G6V,H6 H6E,H6V,H J6,J6E,J6V J6VE,K6,K K6V,K6VE, M6VE
			MC979298	FENDER,SIDE,FR UPR LH	1	BRIGHT ORANGE			G6,G6V,H6 H6E,H6V,H J6,J6E,J6V J6VE,K6,K K6V,K6VE, M6VE
			MC979299	FENDER,SIDE,FR UPR LH	1	MARS RED			G6,G6V,H6 H6E,H6V,H J6,J6E,J6V J6VE,K6,K K6V,K6VE, M6VE
			MC979300	FENDER,SIDE,FR UPR LH	1	SHANNON BLUE			G6,G6V,H6 H6E,H6V,H J6,J6E,J6V J6VE,K6,K K6V,K6VE, M6VE

FK74R
42-430 FRONT FENDER & LID

SPN	Repl Part	PNC 61126L	Part No	Part Name	Qty	Part Spec	PREV.1	NEW1	Classifica
			MC979301	FENDER,SIDE,FR UPR LH	1	ACTIVE YELLOW			G6,G6V,H6 H6E,H6V,H J6,J6E,J6V J6VE,K6,K K6V,K6VE, M6VE
			MC979703	FENDER,SIDE,FR UPR LH	1	SAGAWA SILVER			G6,G6V,H6 H6E,H6V,H J6,J6E,J6V J6VE,K6,K K6V,K6VE, M6VE
			MC979865	FENDER,SIDE,FR UPR LH	1	SHIN FUKUTSU GREEN			G6,G6V,H6 H6E,H6V,H J6,J6E,J6V J6VE,K6,K K6V,K6VE, M6VE
			MC979931	FENDER,SIDE,FR UPR LH	1	ASAHI WHITE			G6,G6V,H6 H6E,H6V,H J6,J6E,J6V J6VE,K6,K K6V,K6VE, M6VE
			MK615045	FENDER,SIDE,FR UPR LH	1	FUTABA BEIGE			G6,G6V,H6 H6E,H6V,H J6,J6E,J6V J6VE,K6,K K6V,K6VE, M6VE
			MC978427	FENDER,SIDE,FR UPR LH	1	NATURAL WHITE			G6,G6V,H6 H6E,H6V,H J6,J6E,J6V J6VE,K6,K K6VE,M6E
			MC978428	FENDER,SIDE,FR UPR LH	1	LIGHT BLUE			G6,G6V,H6 H6E,H6V,H J6,J6E,J6V J6VE,K6,K K6VE,M6E
			MC978429	FENDER,SIDE,FR UPR LH	1	SONIC BLUE			G6,G6V,H6 H6E,H6V,H J6,J6E,J6V J6VE,K6,K K6VE,M6E
			MC978430	FENDER,SIDE,FR UPR LH	1	SIRIUS SILVER			G6,G6V,H6 H6E,H6V,H J6,J6E,J6V J6VE,K6,K K6VE,M6E
			MC978431	FENDER,SIDE,FR UPR LH	1	ARCADIA SILVER			G6,G6V,H6 H6E,H6V,H J6,J6E,J6V J6VE,K6,K K6VE,M6E
			MC978432	FENDER,SIDE,FR UPR LH	1	JUPITER GREEN			G6,G6V,H6 H6E,H6V,H J6,J6E,J6V J6VE,K6,K K6VE,M6E
			MC978433	FENDER,SIDE,FR UPR LH	1	FIJI GREEN			G6,G6V,H6 H6E,H6V,H J6,J6E,J6V J6VE,K6,K K6VE,M6E
			MC978434	FENDER,SIDE,FR UPR LH	1	FOREST GREEN			G6,G6V,H6 H6E,H6V,H J6,J6E,J6V J6VE,K6,K K6VE,M6E

FK74R
42-430 FRONT FENDER & LID

SPN	Repl Part	PNC	Part No	Part Name	Qty	Part Spec	PREV.1	NEW1	Classifica
		61126L	MC978435	FENDER,SIDE,FR UPR LH	1	BRIGHT ORANGE			G6,G6V,H6 H6E,H6V,H J6,J6E,J6V J6VE,K6,K K6VE,M6E
			MC978436	FENDER,SIDE,FR UPR LH	1	MARS RED			G6,G6V,H6 H6E,H6V,H J6,J6E,J6V J6VE,K6,K K6VE,M6E
			MC978437	FENDER,SIDE,FR UPR LH	1	SHANNON BLUE			G6,G6V,H6 H6E,H6V,H J6,J6E,J6V J6VE,K6,K K6VE,M6E
			MC978438	FENDER,SIDE,FR UPR LH	1	ACTIVE YELLOW			G6,G6V,H6 H6E,H6V,H J6,J6E,J6V J6VE,K6,K K6VE,M6E
			MC978439	FENDER,SIDE,FR UPR LH	1	SAGAWA SILVER			G6,G6V,H6 H6E,H6V,H J6,J6E,J6V J6VE,K6,K K6VE,M6E
			MC978440	FENDER,SIDE,FR UPR LH	1	SHIN FUKUTSU GREEN			G6,G6V,H6 H6E,H6V,H J6,J6E,J6V J6VE,K6,K K6VE,M6E
			MC978441	FENDER,SIDE,FR UPR LH	1	ASAHI WHITE			G6,G6V,H6 H6E,H6V,H J6,J6E,J6V J6VE,K6,K K6VE,M6E
			MC978442	FENDER,SIDE,FR UPR LH	1	FUTABA BEIGE			G6,G6V,H6 H6E,H6V,H J6,J6E,J6V J6VE,K6,K K6VE,M6E
		61126R	MK484995	FENDER,SIDE,FR UPR RH	1				G6,G6E,H6 H6E,J6,J6E K6,K6E,M6 M6E
			MC979044	FENDER,SIDE,FR UPR RH	1	NATURAL WHITE			G6,G6V,H6 H6E,H6V,H J6,J6E,J6V J6VE,K6,K K6V,K6VE, M6VE
			MC979302	FENDER,SIDE,FR UPR RH	1	LIGHT BLUE			G6,G6V,H6 H6E,H6V,H J6,J6E,J6V J6VE,K6,K K6V,K6VE, M6VE
			MC979303	FENDER,SIDE,FR UPR RH	1	SONIC BLUE			G6,G6V,H6 H6E,H6V,H J6,J6E,J6V J6VE,K6,K K6V,K6VE, M6VE
			MC979304	FENDER,SIDE,FR UPR RH	1	SIRIUS SILVER			G6,G6V,H6 H6E,H6V,H J6,J6E,J6V J6VE,K6,K K6V,K6VE, M6VE

**FK74R
42-430 FRONT FENDER & LID**

SPN	Repl Part	PNC 61126R	Part No	Part Name	Qty	Part Spec	PREV.1	NEW1	Classifica
			MC979305	FENDER,SIDE,FR UPR RH	1	ARCADIA SILVER			G6,G6V,H6 H6E,H6V,H J6,J6E,J6V J6VE,K6,K K6V,K6VE, M6VE
			MC979306	FENDER,SIDE,FR UPR RH	1	JUPITER GREEN			G6,G6V,H6 H6E,H6V,H J6,J6E,J6V J6VE,K6,K K6V,K6VE, M6VE
			MC979307	FENDER,SIDE,FR UPR RH	1	FIJI GREEN			G6,G6V,H6 H6E,H6V,H J6,J6E,J6V J6VE,K6,K K6V,K6VE, M6VE
			MC979308	FENDER,SIDE,FR UPR RH	1	FOREST GREEN			G6,G6V,H6 H6E,H6V,H J6,J6E,J6V J6VE,K6,K K6V,K6VE, M6VE
			MC979309	FENDER,SIDE,FR UPR RH	1	BRIGHT ORANGE			G6,G6V,H6 H6E,H6V,H J6,J6E,J6V J6VE,K6,K K6V,K6VE, M6VE
			MC979310	FENDER,SIDE,FR UPR RH	1	MARS RED			G6,G6V,H6 H6E,H6V,H J6,J6E,J6V J6VE,K6,K K6V,K6VE, M6VE
			MC979311	FENDER,SIDE,FR UPR RH	1	SHANNON BLUE			G6,G6V,H6 H6E,H6V,H J6,J6E,J6V J6VE,K6,K K6V,K6VE, M6VE
			MC979312	FENDER,SIDE,FR UPR RH	1	ACTIVE YELLOW			G6,G6V,H6 H6E,H6V,H J6,J6E,J6V J6VE,K6,K K6V,K6VE, M6VE
			MC979704	FENDER,SIDE,FR UPR RH	1	SAGAWA SILVER			G6,G6V,H6 H6E,H6V,H J6,J6E,J6V J6VE,K6,K K6V,K6VE, M6VE
			MC979866	FENDER,SIDE,FR UPR RH	1	SHIN FUKUTSU GREEN			G6,G6V,H6 H6E,H6V,H J6,J6E,J6V J6VE,K6,K K6V,K6VE, M6VE
			MC979932	FENDER,SIDE,FR UPR RH	1	ASAHI WHITE			G6,G6V,H6 H6E,H6V,H J6,J6E,J6V J6VE,K6,K K6V,K6VE, M6VE
			MK615046	FENDER,SIDE,FR UPR RH	1	FUTABA BEIGE			G6,G6V,H6 H6E,H6V,H J6,J6E,J6V J6VE,K6,K K6V,K6VE, M6VE

FK74R
42-430 FRONT FENDER & LID

SPN	Repl Part	PNC	Part No	Part Name	Qty	Part Spec	PREV.1	NEW1	Classifica
		61127	MC963451	GRIP,FR FENDER	1				G6,G6E,G6 H6,H6E,H6 H6VE,J6,J6 J6V,J6VE,K K6E,K6V,K M6,M6E,M6
		61142L	MC929813	PROTECTOR,FR FENDER,FR LH	1				G6,G6E,G6 H6,H6E,H6 H6VE,J6,J6 J6V,J6VE,K K6E,K6V,K M6,M6E,M6
		61142R	MC929814	PROTECTOR,FR FENDER,FR RH	1				G6,G6E,G6 H6,H6E,H6 H6VE,J6,J6 J6V,J6VE,K K6E,K6V,K M6,M6E,M6
		61153B	MC962726	SEAL,FR UPR FENDER	1				G6,G6E,G6 H6,H6E,H6 H6VE,J6,J6 J6V,J6VE,K K6E,K6V,K M6,M6E,M6
		61153C	MC962727	SEAL,FR UPR FENDER	1				G6,G6E,G6 H6,H6E,H6 H6VE,J6,J6 J6V,J6VE,K K6E,K6V,K M6,M6E,M6
		61294B	MH008054	SCREW,FR FENDER	8	TAPPING,4X10			G6,G6E,G6 H6,H6E,H6 H6VE,J6,J6 J6V,J6VE,K K6E,K6V,K M6,M6E,M6
		61294C	MS450156	SCREW,FR FENDER	14	TAPPING(FLANGE HEAD),5X12			G6,G6E,G6 H6,H6E,H6 H6VE,J6,J6 J6V,J6VE,K K6E,K6V,K M6,M6E,M6
		61296B	MS440503	NUT,FR FENDER	10	WASHER ASSEMBLED,8			G6,G6E,G6 H6,H6E,H6 H6VE,J6,J6 J6V,J6VE,K K6E,K6V,K M6,M6E,M6
		61296C	MC924720	NUT,FR FENDER	2	PLATE,8			G6,G6E,G6 H6,H6E,H6 H6VE,J6,J6 J6V,J6VE,K K6E,K6V,K M6,M6E,M6
		61298B	MC963917	CLIP,FR FENDER	2				G6,G6E,G6 H6,H6E,H6 H6VE,J6,J6 J6V,J6VE,K K6E,K6V,K M6,M6E,M6
		61299B	MF243653	BOLT,FR FENDER	2	WASHER ASSEMBLED,8X25			G6,G6E,G6 H6,H6E,H6 H6VE,J6,J6 J6V,J6VE,K K6E,K6V,K M6,M6E,M6
		61299E	MC965010	BOLT,FR FENDER	9	8X10			G6,G6E,G6 H6,H6E,H6 H6VE,J6,J6 J6V,J6VE,K K6E,K6V,K M6,M6E,M6

FK74R
42-430 FRONT FENDER & LID

SPN	Repl Part	PNC	Part No	Part Name	Qty	Part Spec	PREV.1	NEW1	Classifica
		61299G	MH001156	BOLT,FR FENDER	1	WASHER ASSEMBLED,8X20			G6,G6E,G6 H6,H6E,H6 H6VE,J6,J6 J6V,J6VE,K K6E,K6V,K M6,M6E,M6
		61299H	MS100991	BOLT,FR FENDER	2	FLANGE,8X16			G6,G6E,G6 H6,H6E,H6 H6VE,J6,J6 J6V,J6VE,K K6E,K6V,K M6,M6E,M6
		61304L	MC962725	FENDER SHIELD,FR INR LH	1				G6,G6E,G6 H6,H6E,H6 H6VE,J6,J6 J6V,J6VE,K K6E,K6V,K M6,M6E,M6
		61304R	MC924590	FENDER SHIELD,FR INR RH	1				G6,G6E,G6 H6,H6E,H6 H6VE,J6,J6 J6V,J6VE,K K6E,K6V,K M6,M6E,M6
SP		62401	MK546350	APRON,FR STEP SPLASH	2			R	G6,G6V,H6 H6E,H6V,H J6,J6E,J6V J6VE,K6,K K6V,K6VE, M6VE
	RP	62402B	MC927625	BRACKET,FR STEP	1			Y	G6,G6E,H6 H6E,J6,J6E K6,K6E,M6 M6E
			MK545015	BRACKET,FR STEP	1				G6,G6E,H6 H6E,J6,J6E K6,K6E,M6 M6E
SP			MK486302	BRACKET,FR STEP	1			N	G6,G6V,H6 H6E,H6V,H J6,J6E,J6V J6VE,K6,K K6V,K6VE, M6VE
			MK548866	BRACKET,FR STEP	1				G6,G6V,H6 H6E,H6V,H J6,J6E,J6V J6VE,K6,K K6V,K6VE, M6VE
	RP	62402C	MC927626	BRACKET,FR STEP	1			Y	G6,G6E,H6 H6E,J6,J6E K6,K6E,M6 M6E
			MK545016	BRACKET,FR STEP	1				G6,G6E,H6 H6E,J6,J6E K6,K6E,M6 M6E
SP			MK486303	BRACKET,FR STEP	1			N	G6,G6V,H6 H6E,H6V,H J6,J6E,J6V J6VE,K6,K K6V,K6VE, M6VE
			MK548867	BRACKET,FR STEP	1				G6,G6V,H6 H6E,H6V,H J6,J6E,J6V J6VE,K6,K K6V,K6VE, M6VE

FK74R
42-430 FRONT FENDER & LID

SPN	Repl Part	PNC	Part No	Part Name	Qty	Part Spec	PREV.1	NEW1	Classifica
		62402D	MC924969	BRACKET,FR STEP	1				G6,G6E,H6 H6E,J6,J6E K6,K6E,M6 M6E
			MK486308	BRACKET,FR STEP	1				G6,G6V,H6 H6E,H6V,H J6,J6E,J6V J6VE,K6,K K6V,K6VE, M6VE
		62402E	MC924970	BRACKET,FR STEP	1				G6,G6E,H6 H6E,J6,J6E K6,K6E,M6 M6E
			MK486309	BRACKET,FR STEP	1				G6,G6V,H6 H6E,H6V,H J6,J6E,J6V J6VE,K6,K K6V,K6VE, M6VE
		62402U	MK548655	BRACKET,FR STEP	1				G6,G6V,H6 H6E,H6V,H J6,J6E,J6V J6VE,K6,K K6V,K6VE, M6VE
		62402V	MK486306	BRACKET,FR STEP	1				G6,G6V,H6 H6E,H6V,H J6,J6E,J6V J6VE,K6,K K6V,K6VE, M6VE
		63239	MC963452	PROTECTOR,QTR PANEL,RR	1				G6,G6E,G6 H6,H6E,H6 H6VE,J6,J6 J6V,J6VE,K K6E,K6V,K M6,M6E,M6
	RP	63819	MC939495	STEP,FR SIDE	2			O	G6,G6E,H6 H6E,J6,J6E K6,K6E,M6 M6E
			MK486301	STEP,FR SIDE	2				G6,G6V,H6 H6E,H6V,H J6,J6E,J6V J6VE,K6,K K6V,K6VE, M6VE
		63847L	MC936555	GARNISH,FR STEP,LH	1				G6,G6E,H6 H6E,J6,J6E K6,K6E,M6 M6E
			MC979660	GARNISH,FR STEP,LH	1	SAGAWA SILVER			G6,G6V,H6 H6E,H6V,H J6,J6E,J6V J6VE,K6,K K6V,K6VE, M6VE
			MC979879	GARNISH,FR STEP,LH	1	SHIN FUKUTSU GREEN			G6,G6V,H6 H6E,H6V,H J6,J6E,J6V J6VE,K6,K K6V,K6VE, M6VE
			MC979925	GARNISH,FR STEP,LH	1	ASAHI WHITE			G6,G6V,H6 H6E,H6V,H J6,J6E,J6V J6VE,K6,K K6V,K6VE, M6VE

FK74R
42-430 FRONT FENDER & LID

SPN	Repl Part	PNC 63847L	Part No	Part Name	Qty	Part Spec	PREV.1	NEW1	Classifica
			MK486295	GARNISH,FR STEP,LH	1	NATURAL WHITE			G6,G6V,H6 H6E,H6V,H J6,J6E,J6V J6VE,K6,K K6V,K6VE, M6VE
			MK547211	GARNISH,FR STEP,LH	1	LIGHT BLUE			G6,G6V,H6 H6E,H6V,H J6,J6E,J6V J6VE,K6,K K6V,K6VE, M6VE
			MK547213	GARNISH,FR STEP,LH	1	SONIC BLUE			G6,G6V,H6 H6E,H6V,H J6,J6E,J6V J6VE,K6,K K6V,K6VE, M6VE
			MK547215	GARNISH,FR STEP,LH	1	ARCADIA SILVER			G6,G6V,H6 H6E,H6V,H J6,J6E,J6V J6VE,K6,K K6V,K6VE, M6VE
			MK547217	GARNISH,FR STEP,LH	1	JUPITER GREEN			G6,G6V,H6 H6E,H6V,H J6,J6E,J6V J6VE,K6,K K6V,K6VE, M6VE
			MK547219	GARNISH,FR STEP,LH	1	FIJI GREEN			G6,G6V,H6 H6E,H6V,H J6,J6E,J6V J6VE,K6,K K6V,K6VE, M6VE
			MK547221	GARNISH,FR STEP,LH	1	FOREST GREEN			G6,G6V,H6 H6E,H6V,H J6,J6E,J6V J6VE,K6,K K6V,K6VE, M6VE
			MK547223	GARNISH,FR STEP,LH	1	BRIGHT ORANGE			G6,G6V,H6 H6E,H6V,H J6,J6E,J6V J6VE,K6,K K6V,K6VE, M6VE
			MK547225	GARNISH,FR STEP,LH	1	MARS RED			G6,G6V,H6 H6E,H6V,H J6,J6E,J6V J6VE,K6,K K6V,K6VE, M6VE
			MK547227	GARNISH,FR STEP,LH	1	SHANNON BLUE			G6,G6V,H6 H6E,H6V,H J6,J6E,J6V J6VE,K6,K K6V,K6VE, M6VE
			MK547229	GARNISH,FR STEP,LH	1	ACTIVE YELLOW			G6,G6V,H6 H6E,H6V,H J6,J6E,J6V J6VE,K6,K K6V,K6VE, M6VE
			MK547231	GARNISH,FR STEP,LH	1	SIRIUS SILVER			G6,G6V,H6 H6E,H6V,H J6,J6E,J6V J6VE,K6,K K6V,K6VE, M6VE

FK74R
42-430 FRONT FENDER & LID

SPN	Repl Part	PNC	Part No	Part Name	Qty	Part Spec	PREV.1	NEW1	Classifica
		63847L	MK615065	GARNISH,FR STEP,LH	1	FUTABA BEIGE			G6,G6V,H6 H6E,H6V,H J6,J6E,J6V J6VE,K6,K K6V,K6VE, M6VE
		63847R	MC936556	GARNISH,FR STEP,RH	1				G6,G6E,H6 H6E,J6,J6E K6,K6E,M6 M6E
			MC979661	GARNISH,FR STEP,RH	1	SAGAWA SILVER			G6,G6V,H6 H6E,H6V,H J6,J6E,J6V J6VE,K6,K K6V,K6VE, M6VE
			MC979880	GARNISH,FR STEP,RH	1	SHIN FUKUTSU GREEN			G6,G6V,H6 H6E,H6V,H J6,J6E,J6V J6VE,K6,K K6V,K6VE, M6VE
			MC979926	GARNISH,FR STEP,RH	1	ASAHI WHITE			G6,G6V,H6 H6E,H6V,H J6,J6E,J6V J6VE,K6,K K6V,K6VE, M6VE
			MK486296	GARNISH,FR STEP,RH	1	NATURAL WHITE			G6,G6V,H6 H6E,H6V,H J6,J6E,J6V J6VE,K6,K K6V,K6VE, M6VE
			MK547212	GARNISH,FR STEP,RH	1	LIGHT BLUE			G6,G6V,H6 H6E,H6V,H J6,J6E,J6V J6VE,K6,K K6V,K6VE, M6VE
			MK547214	GARNISH,FR STEP,RH	1	SONIC BLUE			G6,G6V,H6 H6E,H6V,H J6,J6E,J6V J6VE,K6,K K6V,K6VE, M6VE
			MK547216	GARNISH,FR STEP,RH	1	ARCADIA SILVER			G6,G6V,H6 H6E,H6V,H J6,J6E,J6V J6VE,K6,K K6V,K6VE, M6VE
			MK547218	GARNISH,FR STEP,RH	1	JUPITER GREEN			G6,G6V,H6 H6E,H6V,H J6,J6E,J6V J6VE,K6,K K6V,K6VE, M6VE
			MK547220	GARNISH,FR STEP,RH	1	FIJI GREEN			G6,G6V,H6 H6E,H6V,H J6,J6E,J6V J6VE,K6,K K6V,K6VE, M6VE
			MK547222	GARNISH,FR STEP,RH	1	FOREST GREEN			G6,G6V,H6 H6E,H6V,H J6,J6E,J6V J6VE,K6,K K6V,K6VE, M6VE

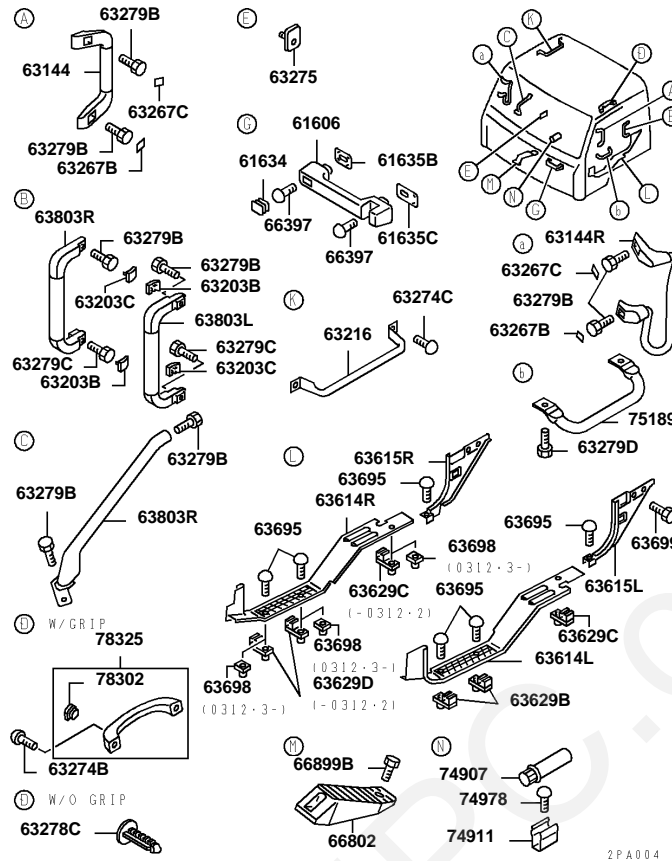
FK74R
42-430 FRONT FENDER & LID

SPN	Repl Part	PNC	Part No	Part Name	Qty	Part Spec	PREV.1	NEW1	Classifica
		63847R	MK547224	GARNISH,FR STEP,RH	1	BRIGHT ORANGE			G6,G6V,H6 H6E,H6V,H J6,J6E,J6V J6VE,K6,K K6V,K6VE, M6VE
			MK547226	GARNISH,FR STEP,RH	1	MARS RED			G6,G6V,H6 H6E,H6V,H J6,J6E,J6V J6VE,K6,K K6V,K6VE, M6VE
			MK547228	GARNISH,FR STEP,RH	1	SHANNON BLUE			G6,G6V,H6 H6E,H6V,H J6,J6E,J6V J6VE,K6,K K6V,K6VE, M6VE
			MK547230	GARNISH,FR STEP,RH	1	ACTIVE YELLOW			G6,G6V,H6 H6E,H6V,H J6,J6E,J6V J6VE,K6,K K6V,K6VE, M6VE
			MK547232	GARNISH,FR STEP,RH	1	SIRIUS SILVER			G6,G6V,H6 H6E,H6V,H J6,J6E,J6V J6VE,K6,K K6V,K6VE, M6VE
			MK615066	GARNISH,FR STEP,RH	1	FUTABA BEIGE			G6,G6V,H6 H6E,H6V,H J6,J6E,J6V J6VE,K6,K K6V,K6VE, M6VE
		63892B	MC917901	WASHER,STEP	8	9			G6,G6E,G6 H6,H6E,H6 H6VE,J6,J6 J6V,J6VE,K K6E,K6V,K M6,M6E,M6
		63892E	MC145700	WASHER,STEP	8	8.5			G6,G6V,H6 H6E,H6V,H J6,J6E,J6V J6VE,K6,K K6VE,M6E
		63894B	MH008028	SCREW,STEP	6	WASHER ASSEMBLED,8X20			G6,G6E,H6 H6E,J6,J6E K6,K6E,M6 M6E
			MH008028	SCREW,STEP	8	WASHER ASSEMBLED,8X20			G6,G6V,H6 H6E,H6V,H J6,J6E,J6V J6VE,K6,K K6V,K6VE, M6VE
			MH001062	SCREW,STEP	8	MACHINE,8X20			G6,G6V,H6 H6E,H6V,H J6,J6E,J6V J6VE,K6,K K6VE,M6E
		63898	MC928534	CLIP,STEP	2				G6,G6E,H6 H6E,J6,J6E K6,K6E,M6 M6E
		63898B	MC963917	CLIP,STEP	8				G6,G6V,H6 H6E,H6V,H J6,J6E,J6V J6VE,K6,K K6V,K6VE, M6VE

FK74R
42-430 FRONT FENDER & LID

SPN	Repl Part	PNC	Part No	Part Name	Qty	Part Spec	PREV.1	NEW1	Classifica
		63898B	MC963917	CLIP,STEP	10				G6,G6V,H6 H6E,H6V,H J6,J6E,J6V J6VE,K6,K K6V,K6VE, M6VE
			MC136126	CLIP,STEP	10	5.8X9.5			G6,G6V,H6 H6E,H6V,H J6,J6E,J6V J6VE,K6,K K6V,K6VE, M6VE
		63898C	MH021510	CLIP,STEP	2				G6,G6V,H6 H6E,H6V,H J6,J6E,J6V J6VE,K6,K K6V,K6VE, M6VE
		63899B	MC437343	BOLT,STEP	10	WASHER ASSEMBLED,8X20			G6,G6E,G6 H6,H6E,H6 H6VE,J6,J J6V,J6VE,K K6E,K6V,K M6,M6E,M6
		63899C	MH001147	BOLT,STEP	4	WASHER ASSEMBLED,8X30			G6,G6E,H6 H6E,J6,J6E K6,K6E,M6 M6E
			MH001147	BOLT,STEP	2	WASHER ASSEMBLED,8X30			G6,G6V,H6 H6E,H6V,H J6,J6E,J6V J6VE,K6,K K6V,K6VE, M6VE

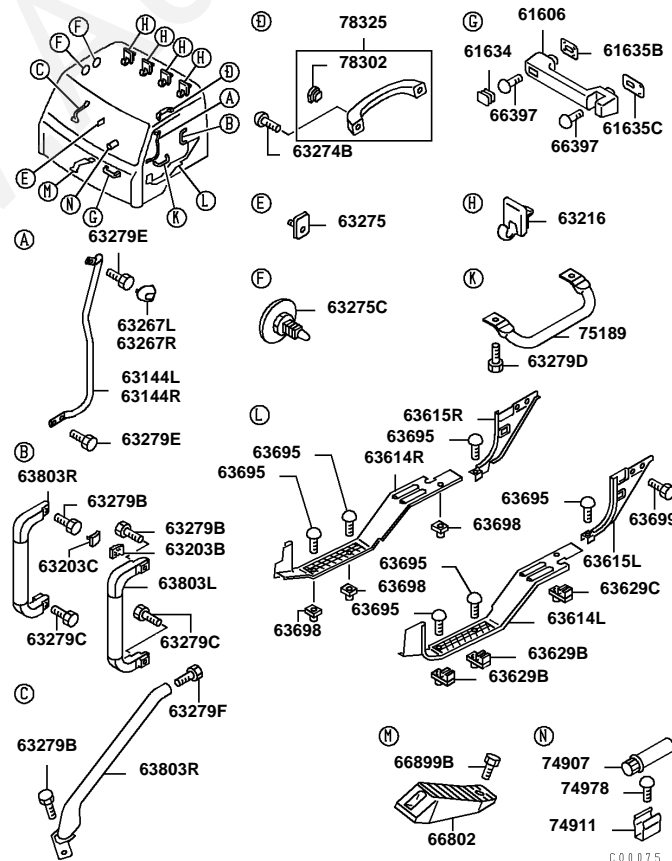
FK74R
No.1



Ref. |2042510

Page

FK74R
No.2



Ref. |2042510

Page

FK74R
42-510 CAB EQUIPMENT

Repl Part	PNC	Part No	Part Name	Qty	Part Spec	Remarks	PREV.1	Classification
	61606	MK435436	GRIP,FR PANEL	2	NATURAL WHITE			G6,G6E,H6, H6E,J6,J6E, K6,K6E,M6, M6E
		MK435437	GRIP,FR PANEL	2	WAVY BLUE			G6,G6E,H6, H6E,J6,J6E, K6,K6E,M6, M6E
		MK435438	GRIP,FR PANEL	2	BLACK(HALF GROSS)			G6,G6E,H6, H6E,J6,J6E, K6,K6E,M6, M6E
		MK435439	GRIP,FR PANEL	2	GRACE SILVER			G6,G6E,H6, H6E,J6,J6E, K6,K6E,M6, M6E
		MK435440	GRIP,FR PANEL	2	SHIN FUKUTSU GREEN			G6,G6E,H6, H6E,J6,J6E, K6,K6E,M6, M6E
		MK435441	GRIP,FR PANEL	2	KENSETU ORANGE			G6,G6E,H6, H6E,J6,J6E, K6,K6E,M6, M6E
		MK435442	GRIP,FR PANEL	2	KOUDAN YELLOW			G6,G6E,H6, H6E,J6,J6E, K6,K6E,M6, M6E
		MK435443	GRIP,FR PANEL	2	BLACK			G6,G6E,H6, H6E,J6,J6E, K6,K6E,M6, M6E
		MK460746	GRIP,FR PANEL	2	WARM SILVER			G6,G6E,H6, H6E,J6,J6E, K6,K6E,M6, M6E
		MK460747	GRIP,FR PANEL	2	LIGHT BLUE			G6,G6E,H6, H6E,J6,J6E, K6,K6E,M6, M6E
		MK461308	GRIP,FR PANEL	2	JUPITER GREEN			G6,G6E,H6, H6E,J6,J6E, K6,K6E,M6, M6E
		MK461309	GRIP,FR PANEL	2	SHANNON BLUE			G6,G6E,H6, H6E,J6,J6E, K6,K6E,M6, M6E
		MK461310	GRIP,FR PANEL	2	FIJI GREEN			G6,G6E,H6, H6E,J6,J6E, K6,K6E,M6, M6E
		MK461498	GRIP,FR PANEL	2	BRIGHT ORANGE			G6,G6E,H6, H6E,J6,J6E, K6,K6E,M6, M6E
		MK461499	GRIP,FR PANEL	2	MARS RED			G6,G6E,H6, H6E,J6,J6E, K6,K6E,M6, M6E
		MK461500	GRIP,FR PANEL	2	VENUS YELLOW			G6,G6E,H6, H6E,J6,J6E, K6,K6E,M6, M6E
		MK461882	GRIP,FR PANEL	2	NITTUU YELLOW			G6,G6E,H6, H6E,J6,J6E, K6,K6E,M6, M6E
		MK485373	GRIP,FR PANEL	2	SAGAWA SILVER			G6,G6E,H6, H6E,J6,J6E, K6,K6E,M6, M6E

FK74R
42-510 CAB EQUIPMENT

Repl Part	PNC	Part No	Part Name	Qty	Part Spec	Remarks	PREV.1	Classification
	61606	MK548606	GRIP,FR PANEL	2	1/3 GLOSS BLACK			G6,G6E,H6, H6E,J6,J6E, K6,K6E,M6, M6E
		MC979022	GRIP,FR PANEL	2	BLACK			G6,G6V,H6, H6E,H6V,H6VE, J6,J6E,J6V, J6VE,K6,K6E, K6V,K6VE,M6E, M6VE
	61634	MC919945	CAP,FR PANEL GRIP	2	NATURAL WHITE			G6,G6E,H6, H6E,J6,J6E, K6,K6E,M6, M6E
		MC927404	CAP,FR PANEL GRIP	2	WAVY BLUE			G6,G6E,H6, H6E,J6,J6E, K6,K6E,M6, M6E
		MC929537	CAP,FR PANEL GRIP	2	BLACK			G6,G6E,H6, H6E,J6,J6E, K6,K6E,M6, M6E
		MC935878	CAP,FR PANEL GRIP	2	GRAY			G6,G6E,H6, H6E,J6,J6E, K6,K6E,M6, M6E
		MC967995	CAP,FR PANEL GRIP	2	SHIN FUKUTSU GREEN			G6,G6E,H6, H6E,J6,J6E, K6,K6E,M6, M6E
		MK323295	CAP,FR PANEL GRIP	2	KENSETU ORANGE			G6,G6E,H6, H6E,J6,J6E, K6,K6E,M6, M6E
		MK323338	CAP,FR PANEL GRIP	2	KOUDAN YELLOW			G6,G6E,H6, H6E,J6,J6E, K6,K6E,M6, M6E
		MK460740	CAP,FR PANEL GRIP	2	WARM SILVER			G6,G6E,H6, H6E,J6,J6E, K6,K6E,M6, M6E
		MK460741	CAP,FR PANEL GRIP	2	LIGHT BLUE			G6,G6E,H6, H6E,J6,J6E, K6,K6E,M6, M6E
		MK461311	CAP,FR PANEL GRIP	2	JUPITER GREEN			G6,G6E,H6, H6E,J6,J6E, K6,K6E,M6, M6E
		MK461312	CAP,FR PANEL GRIP	2	SHANNON BLUE			G6,G6E,H6, H6E,J6,J6E, K6,K6E,M6, M6E
		MK461313	CAP,FR PANEL GRIP	2	FIJI GREEN			G6,G6E,H6, H6E,J6,J6E, K6,K6E,M6, M6E
		MK461495	CAP,FR PANEL GRIP	2	BRIGHT ORANGE			G6,G6E,H6, H6E,J6,J6E, K6,K6E,M6, M6E
		MK461496	CAP,FR PANEL GRIP	2	MARS RED			G6,G6E,H6, H6E,J6,J6E, K6,K6E,M6, M6E
		MK461497	CAP,FR PANEL GRIP	2	VENUS YELLOW			G6,G6E,H6, H6E,J6,J6E, K6,K6E,M6, M6E

FK74R
42-510 CAB EQUIPMENT

Repl Part	PNC	Part No	Part Name	Qty	Part Spec	Remarks	PREV.1	Classification
	61634	MK461880	CAP,FR PANEL GRIP	2	NITUU YELLOW			G6,G6E,H6, H6E,J6,J6E, K6,K6E,M6, M6E
		MK485374	CAP,FR PANEL GRIP	2	SAGAWA SILVER			G6,G6E,H6, H6E,J6,J6E, K6,K6E,M6, M6E
		MC979023	CAP,FR PANEL GRIP	2	BLACK			G6,G6V,H6, H6E,H6V,H6VE, J6,J6E,J6V, J6VE,K6,K6E, K6V,K6VE,M6E, M6VE
	61635B	MC924079	GASKET,FR PANEL GRIP	2				G6,G6E,G6V, H6,H6E,H6V, H6VE,J6,J6E, J6V,J6VE,K6, K6E,K6V,K6VE, M6,M6E,M6VE
	61635C	MC924080	GASKET,FR PANEL GRIP	2				G6,G6E,G6V, H6,H6E,H6V, H6VE,J6,J6E, J6V,J6VE,K6, K6E,K6V,K6VE, M6,M6E,M6VE
	63144	MC928937	GRIP,FR PILLAR	1				G6,G6E,H6, H6E,J6,J6E, K6,K6E,M6, M6E
	63144L	MK510554	GRIP,FR PILLAR,LH	1				G6,G6V,H6, H6E,H6V,H6VE, J6,J6E,J6V, J6VE,K6,K6E, K6V,K6VE,M6E, M6VE
	63144R	MC966139	GRIP,FR PILLAR,RH	1				G6,G6E,H6, H6E,J6,J6E, K6,K6E,M6, M6E
		MK510555	GRIP,FR PILLAR,RH	1				G6,G6V,H6, H6E,H6V,H6VE, J6,J6E,J6V, J6VE,K6,K6E, K6V,K6VE,M6E, M6VE
	63203C	MC926573	CAP,SIDE GRIP	1				G6,G6E,H6, H6E,J6,J6E, K6,K6E,M6, M6E
		MK512637	CAP,SIDE GRIP	1				G6,G6V,H6, H6E,H6V,H6VE, J6,J6E,J6V, J6VE,K6,K6E, K6V,K6VE,M6E, M6VE
		MK512637	CAP,SIDE GRIP	1				G6,G6V,H6, H6E,H6V,H6VE, J6,J6E,J6V, J6VE,K6,K6E, K6V,K6VE,M6E, M6VE
		MK512637	CAP,SIDE GRIP	1				K6V,M6VE
		MK512637	CAP,SIDE GRIP	1				G6,G6V,H6, H6E,H6V,H6VE, J6,J6E,J6V, J6VE,K6,K6E, K6V,K6VE,M6E, M6VE
		MK512637	CAP,SIDE GRIP	1				G6,G6V,H6, H6E,H6V,H6VE, J6,J6E,J6V, J6VE,K6,K6E, K6V,K6VE,M6E, M6VE

FK74R
42-510 CAB EQUIPMENT

Repl Part	PNC	Part No	Part Name	Qty	Part Spec	Remarks	PREV.1	Classification
	63216	MK510310	HANGER,COAT	4				G6,G6V,H6, H6E,H6V,H6VE, J6,J6E,J6V, J6VE,K6,K6E, K6V,K6VE,M6E, M6VE
	63267B	MC926564	CAP,FR PILLAR GRIP	2				G6,G6E,H6, H6E,J6,J6E, K6,K6E,M6, M6E
	63267C	MC926565	CAP,FR PILLAR GRIP	2				G6,G6E,H6, H6E,J6,J6E, K6,K6E,M6, M6E
	63267L	MK510343	CAP,FR PILLAR GRIP,LH	1				G6,G6V,H6, H6E,H6V,H6VE, J6,J6E,J6V, J6VE,K6,K6E, K6V,K6VE,M6E, M6VE
	63267R	MK510344	CAP,FR PILLAR GRIP,RH	1				G6,G6V,H6, H6E,H6V,H6VE, J6,J6E,J6V, J6VE,K6,K6E, K6V,K6VE,M6E, M6VE
	63274B	MF350077	SCREW,ASSIST GRIP	2				G6,G6V,H6, H6E,H6V,H6VE, J6,J6E,J6V, J6VE,K6,K6E, K6VE,M6E
		MF350077	SCREW,ASSIST GRIP	2				G6E,K6V,M6, M6VE
		MF350077	SCREW,ASSIST GRIP	2				G6,G6E,G6V, H6,H6E,H6V, H6VE,J6,J6E, J6V,J6VE,K6, K6E,K6V,K6VE, M6,M6E,M6VE
		MF350077	SCREW,ASSIST GRIP	2				G6,G6E,G6V, H6,H6E,H6V, H6VE,J6,J6E, J6V,J6VE,K6, K6E,K6V,K6VE, M6,M6E,M6VE
		MF350077	SCREW,ASSIST GRIP	2				G6,G6V,H6, H6E,H6V,H6VE, J6,J6E,J6V, J6VE,K6,K6E, K6VE,M6E
	63275	MC925121	PLUG,ASSIST GRIP	2				G6,G6E,H6, H6E,J6,J6E, K6,K6E,M6, M6E
		MK512629	PLUG,ASSIST GRIP	2				K6V,M6VE
		MK512629	PLUG,ASSIST GRIP	2				G6,G6V,H6, H6E,H6V,H6VE, J6,J6E,J6V, J6VE,K6,K6E, K6VE,M6E
		MK512629	PLUG,ASSIST GRIP	2				G6,G6V,H6, H6E,H6V,H6VE, J6,J6E,J6V, J6VE,K6,K6E, K6V,K6VE,M6E, M6VE
		MK512629	PLUG,ASSIST GRIP	2				G6,G6V,H6, H6E,H6V,H6VE, J6,J6E,J6V, J6VE,K6,K6E, K6V,K6VE,M6E, M6VE

FK74R
42-510 CAB EQUIPMENT

Repl Part	PNC	Part No	Part Name	Qty	Part Spec	Remarks	PREV.1	Classification
	63275	MK512629	PLUG,ASSIST GRIP	2				G6,G6V,H6, H6E,H6V,H6VE, J6,J6E,J6V, J6VE,K6,K6E, K6VE,M6E
		MK512629	PLUG,ASSIST GRIP	4				G6,G6V,H6, H6E,H6V,H6VE, J6,J6E,J6V, J6VE,K6,K6E, K6VE,M6E
		MK512629	PLUG,ASSIST GRIP	4				G6,G6V,H6, H6E,H6V,H6VE, J6,J6E,J6V, J6VE,K6,K6E, K6VE,M6E
	63275C	MK510312	PLUG,ASSIST GRIP	2				K6V,M6VE
		MK510312	PLUG,ASSIST GRIP	2				G6,G6V,H6, H6E,H6V,H6VE, J6,J6E,J6V, J6VE,K6,K6E, K6V,K6VE,M6E, M6VE
		MK510312	PLUG,ASSIST GRIP	2				G6,G6V,H6, H6E,H6V,H6VE, J6,J6E,J6V, J6VE,K6,K6E, K6V,K6VE,M6E, M6VE
		MK510312	PLUG,ASSIST GRIP	2				G6,G6V,H6, H6E,H6V,H6VE, J6,J6E,J6V, J6VE,K6,K6E, K6VE,M6E
		MK510312	PLUG,ASSIST GRIP	2				G6,G6V,H6, H6E,H6V,H6VE, J6,J6E,J6V, J6VE,K6,K6E, K6VE,M6E
		MK510312	PLUG,ASSIST GRIP	4				G6,G6V,H6, H6E,H6V,H6VE, J6,J6E,J6V, J6VE,K6,K6E, K6VE,M6E
		MK510312	PLUG,ASSIST GRIP	4				G6,G6V,H6, H6E,H6V,H6VE, J6,J6E,J6V, J6VE,K6,K6E, K6VE,M6E
	63279B	MF243653	BOLT,ASSIST GRIP	5	WASHER ASSEMBLED,8X25			G6,G6V,H6, H6E,H6V,H6VE, J6,J6E,J6V, J6VE,K6,K6E, K6VE,M6E
		MF243653	BOLT,ASSIST GRIP	5	WASHER ASSEMBLED,8X25			G6E,K6V,M6, M6VE
		MF243653	BOLT,ASSIST GRIP	5	WASHER ASSEMBLED,8X25			G6,G6E,G6V, H6,H6E,H6V, H6VE,J6,J6E, J6V,J6VE,K6, K6E,K6V,K6VE, M6,M6E,M6VE
		MF243653	BOLT,ASSIST GRIP	5	WASHER ASSEMBLED,8X25			G6,G6E,G6V, H6,H6E,H6V, H6VE,J6,J6E, J6V,J6VE,K6, K6E,K6V,K6VE, M6,M6E,M6VE
		MF243653	BOLT,ASSIST GRIP	1	WASHER ASSEMBLED,8X25			G6,G6V,H6, H6E,H6V,H6VE, J6,J6E,J6V, J6VE,K6,K6E, K6VE,M6E

FK74R
42-510 CAB EQUIPMENT

Repl Part RP	PNC 63279C	Part No MF243655	Part Name BOLT,ASSIST GRIP	Qty 1	Part Spec WASHER ASSEMBLED,8X30	Remarks	PREV.1 O	Classification G6,G6V,H6, H6E,H6V,H6VE, J6,J6E,J6V, J6VE,K6,K6E, K6VE,M6E
RP		MF243655	BOLT,ASSIST GRIP	1	WASHER ASSEMBLED,8X30		O	G6E,K6V,M6, M6VE
RP		MF243655	BOLT,ASSIST GRIP	1	WASHER ASSEMBLED,8X30		O	G6,G6E,G6V, H6,H6E,H6V, H6VE,J6,J6E, J6V,J6VE,K6, K6E,K6V,K6VE, M6,M6E,M6VE
RP		MF243655	BOLT,ASSIST GRIP	1	WASHER ASSEMBLED,8X30		O	G6,G6E,G6V, H6,H6E,H6V, H6VE,J6,J6E, J6V,J6VE,K6, K6E,K6V,K6VE, M6,M6E,M6VE
RP		MF243655	BOLT,ASSIST GRIP	1	WASHER ASSEMBLED,8X30		O	G6,G6V,H6, H6E,H6V,H6VE, J6,J6E,J6V, J6VE,K6,K6E, K6VE,M6E
	63279E	MF140027	BOLT,ASSIST GRIP	6	FLANGE,8X25	4T		G6,G6V,H6, H6E,H6V,H6VE, J6,J6E,J6V, J6VE,K6,K6E, K6V,K6VE,M6E, M6VE
	63614L	MC924772	SCUFF PLATE,FR LH	1				G6,G6E,H6, H6E,J6,J6E, K6,K6E,M6, M6E
		MK510353	SCUFF PLATE,FR LH	1				G6,G6V,H6, H6E,H6V,H6VE, J6,J6E,J6V, J6VE,K6,K6E, K6V,K6VE,M6E, M6VE
	63614R	MC924774	SCUFF PLATE,FR RH	1				G6,G6E,H6, H6E,J6,J6E, K6,K6E,M6, M6E
		MK510354	SCUFF PLATE,FR RH	1				G6,G6V,H6, H6E,H6V,H6VE, J6,J6E,J6V, J6VE,K6,K6E, K6V,K6VE,M6E, M6VE
	63615L	MC962886	SCUFF PLATE,RR LH	1				G6,G6E,H6, H6E,J6,J6E, K6,K6E,M6, M6E
		MK510359	SCUFF PLATE,RR LH	1				G6,G6V,H6, H6E,H6V,H6VE, J6,J6E,J6V, J6VE,K6,K6E, K6V,K6VE,M6E, M6VE
	63615R	MC962887	SCUFF PLATE,RR RH	1				G6,G6E,H6, H6E,J6,J6E, K6,K6E,M6, M6E
		MK510360	SCUFF PLATE,RR RH	1				G6,G6V,H6, H6E,H6V,H6VE, J6,J6E,J6V, J6VE,K6,K6E, K6V,K6VE,M6E, M6VE

FK74R
42-510 CAB EQUIPMENT

Repl Part	PNC	Part No	Part Name	Qty	Part Spec	Remarks	PREV.1	Classification
	63629B	MC927508	CLIP,SCUFF PLATE	2				G6,G6E,G6V, H6,H6E,H6V, H6VE,J6,J6E, J6V,J6VE,K6, K6E,K6V,K6VE, M6,M6E,M6VE
	63629C	MC927743	CLIP,SCUFF PLATE	1				G6,G6E,G6V, H6,H6E,H6V, H6VE,J6,J6E, J6V,J6VE,K6, K6E,K6V,K6VE, M6,M6E,M6VE
	63695	MF455171	SCREW,SCUFF PLATE	6	TAPPING,6X35			G6,G6E,G6V, H6,H6E,H6V, H6VE,J6,J6E, J6V,J6VE,K6, K6E,K6V,K6VE, M6,M6E,M6VE
	63698	MC140658	GROMMET,SCUFF PLATE	3	6			G6,G6E,G6V, H6,H6E,H6V, H6VE,J6,J6E, J6V,J6VE,K6, K6E,K6V,K6VE, M6,M6E,M6VE
	63699	MF243653	BOLT,SCUFF PLATE	4	WASHER ASSEMBLED,8X25			G6,G6E,G6V, H6,H6E,H6V, H6VE,J6,J6E, J6V,J6VE,K6, K6E,K6V,K6VE, M6,M6E,M6VE
	63803R	MC926569	GRIP,CAB SIDE,RH	1				G6,G6E,H6, H6E,J6,J6E, K6,K6E,M6, M6E
		MK512635	GRIP,CAB SIDE,RH	1				G6,G6V,H6, H6E,H6V,H6VE, J6,J6E,J6V, J6VE,K6,K6E, K6V,K6VE,M6E, M6VE
		MK512635	GRIP,CAB SIDE,RH	1				G6,G6V,H6, H6E,H6V,H6VE, J6,J6E,J6V, J6VE,K6,K6E, K6VE,M6E
		MK512635	GRIP,CAB SIDE,RH	1				K6V,M6VE
		MK512635	GRIP,CAB SIDE,RH	1				G6,G6V,H6, H6E,H6V,H6VE, J6,J6E,J6V, J6VE,K6,K6E, K6V,K6VE,M6E, M6VE
		MK512635	GRIP,CAB SIDE,RH	1				G6,G6V,H6, H6E,H6V,H6VE, J6,J6E,J6V, J6VE,K6,K6E, K6VE,M6E
	66397	MF350100	SCREW,OUTSIDE GRIP	4	WASHER ASSEMBLED,8X28			G6,G6E,G6V, H6,H6E,H6V, H6VE,J6,J6E, J6V,J6VE,K6, K6E,K6V,K6VE, M6,M6E,M6VE
	66802	MC915798	FOOTREST	1				G6,G6E,G6V, H6,H6E,H6V, H6VE,J6,J6E, J6V,J6VE,K6, K6E,K6V,K6VE, M6,M6E,M6VE

**FK74R
42-510 CAB EQUIPMENT**

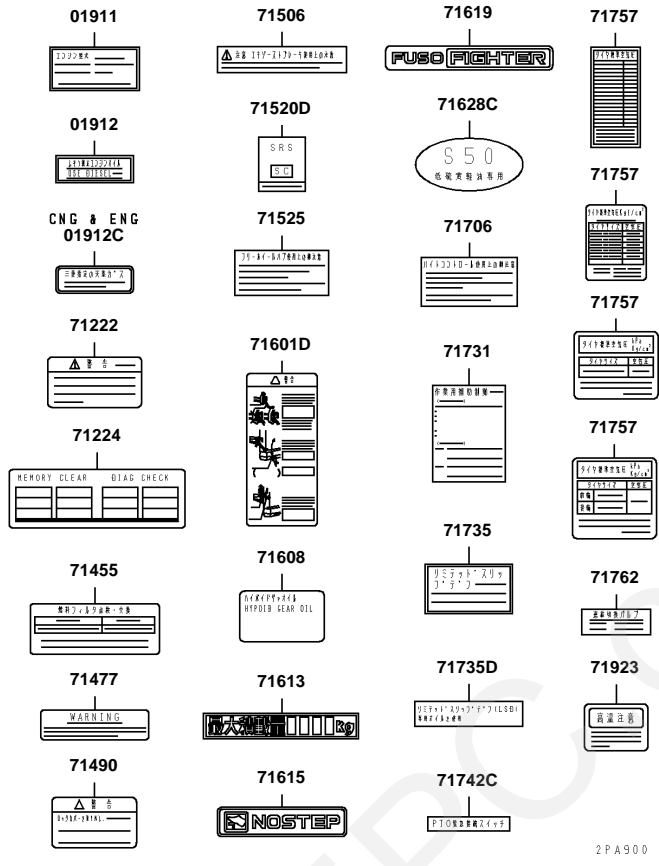
Repl Part	PNC	Part No	Part Name	Qty	Part Spec	Remarks	PREV.1	Classification
	66899B	MS240910	BOLT,FOOTREST	2	WASHER ASSEMBLED,8X20			G6,G6E,G6V, H6,H6E,H6V, H6VE,J6,J6E, J6V,J6VE,K6, K6E,K6V,K6VE, M6,M6E,M6VE
	74907	MA604897	FLARE,EMERGENCY	1				G6,G6E,G6V, H6,H6E,H6V, H6VE,J6,J6E, J6V,J6VE,K6, K6E,K6V,K6VE, M6,M6E,M6VE
	74911	MC985349	HOLDER,EMERGENCY FLARE	1				G6,G6E,G6V, H6,H6E,H6V, H6VE,J6,J6E, J6V,J6VE,K6, K6E,K6V,K6VE, M6,M6E,M6VE
	74978	MF453015	SCREW,EMERGENCY FLARE	1	TAPPING,4X8			G6,G6E,G6V, H6,H6E,H6V, H6VE,J6,J6E, J6V,J6VE,K6, K6E,K6V,K6VE, M6,M6E,M6VE
	78302	MC928085	CAP,ROOF SIDE ASSIST GRIP	2				G6,G6E,H6, H6E,J6,J6E, K6,K6E,M6, M6E
		MK512624	CAP,ROOF SIDE ASSIST GRIP	2				G6,G6V,H6, H6E,H6V,H6VE, J6,J6E,J6V, J6VE,K6,K6E, K6V,K6VE,M6E, M6VE
		MK512624	CAP,ROOF SIDE ASSIST GRIP	2				G6,G6V,H6, H6E,H6V,H6VE, J6,J6E,J6V, J6VE,K6,K6E, K6VE,M6E
		MK512624	CAP,ROOF SIDE ASSIST GRIP	2				K6V,M6VE
		MK512624	CAP,ROOF SIDE ASSIST GRIP	2				G6,G6V,H6, H6E,H6V,H6VE, J6,J6E,J6V, J6VE,K6,K6E, K6V,K6VE,M6E, M6VE
	78325	MC928082	GRIP,ROOF INSIDE ASSIST	1				G6,G6E,H6, H6E,J6,J6E, K6,K6E,M6, M6E
		MK510311	GRIP,ROOF INSIDE ASSIST	1				G6,G6V,H6, H6E,H6V,H6VE, J6,J6E,J6V, J6VE,K6,K6E, K6V,K6VE,M6E, M6VE
		MK510311	GRIP,ROOF INSIDE ASSIST	1				G6,G6V,H6, H6E,H6V,H6VE, J6,J6E,J6V, J6VE,K6,K6E, K6VE,M6E
		MK510311	GRIP,ROOF INSIDE ASSIST	1				K6V,M6VE
		MK510311	GRIP,ROOF INSIDE ASSIST	1				G6,G6V,H6, H6E,H6V,H6VE, J6,J6E,J6V, J6VE,K6,K6E, K6V,K6VE,M6E, M6VE

FK74R
42-510 CAB EQUIPMENT

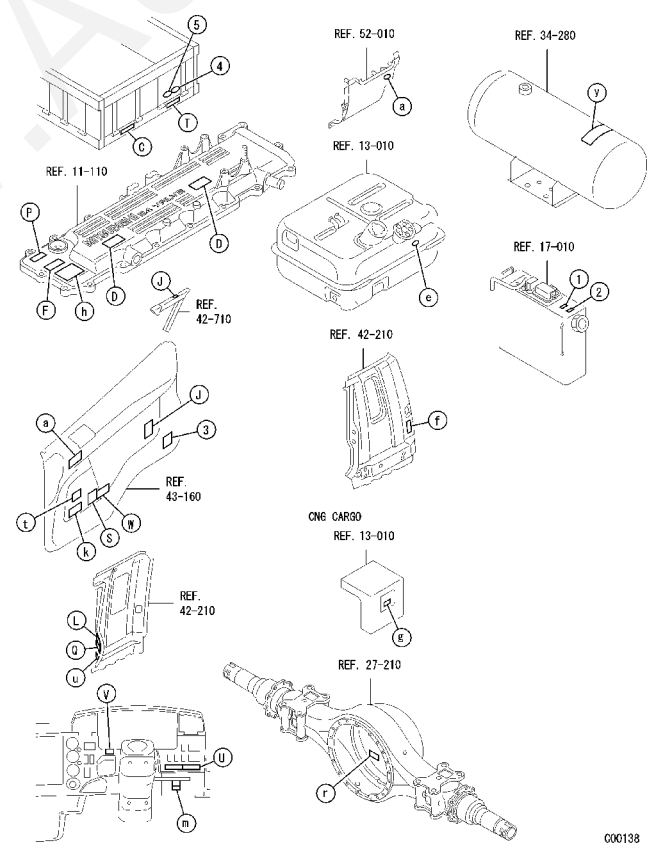
Repl Part	PNC	Part No	Part Name	Qty	Part Spec	Remarks	PREV.1	Classification
	78325	MK510311	GRIP,ROOF INSIDE ASSIST	1				G6,G6V,H6, H6E,H6V,H6VE, J6,J6E,J6V, J6VE,K6,K6E, K6VE,M6E
	63274C	(N.e.c.)	SCREW,ASSIST GRIP					
	63803L	(N.e.c.)	GRIP,CAB SIDE,LH					
	63203B	(N.e.c.)	CAP,SIDE GRIP					
	75189	(N.e.c.)	GRIP,FR SEAT SIDE					
	63279D	(N.e.c.)	BOLT,ASSIST GRIP					
	63278C	(N.e.c.)	CLIP,ASSIST GRIP					
	63629D	(N.e.c.)	CLIP,SCUFF PLATE					
	63279F	(N.e.c.)	BOLT,ASSIST GRIP					

www.AutoEPC.com

FK74R
No.1



FK74R
No.2



FK74R
42-550 PLATE & LABEL

Repl Part	PNC	Part No	Part Name	Qty	Remarks	NEW1	Classification	Option	
	01911	ME223090	NAME PLATE,ENG	1			K6,K6E,M6E		
		ME223090	NAME PLATE,ENG	1			G6,G6E,G6V, H6,H6E,H6V, H6VE,J6,J6E, J6V,J6VE,K6, K6E,K6V,K6VE, M6,M6E,M6VE		
		ME223090	NAME PLATE,ENG	1			G6E,G6V,H6V, H6VE,J6V,J6VE, K6V,K6VE,M6, M6VE		
		ME223090	NAME PLATE,ENG	1			G6,G6E,G6V, H6,H6E,H6V, H6VE,J6,J6E, J6V,J6VE,K6, K6E,K6V,K6VE, M6,M6E,M6VE		
		ME223090	NAME PLATE,ENG	1			G6,H6,H6E, J6,J6E		
		ME226514	NAME PLATE,ENG	1			G6,H6,H6E, J6,J6E,K6, K6E,M6E	14C,1C0,1XS, 1XT,1XX,1XY	
		ME226514	NAME PLATE,ENG	1			G6,H6,H6E, J6,J6E	1SP,1XU,1XZ	
		ME226514	NAME PLATE,ENG	1			G6,H6,H6E, J6,J6E		
		ME226514	NAME PLATE,ENG	1			G6,H6,H6E, J6,J6E,K6, K6E,M6E		
		ME226514	NAME PLATE,ENG	1			K6,K6E,M6E		
		ME226514	NAME PLATE,ENG	1			G6V,H6V,H6VE, J6V,J6VE,K6VE		
		01912	ME057422	PLATE,ENG OIL CAUTION	1			K6,K6E,M6E	
			ME057422	PLATE,ENG OIL CAUTION	1			G6,G6E,G6V, H6,H6E,H6V, H6VE,J6,J6E, J6V,J6VE,K6, K6E,K6V,K6VE, M6,M6E,M6VE	
			ME057422	PLATE,ENG OIL CAUTION	1			G6E,G6V,H6V, H6VE,J6V,J6VE, K6V,K6VE,M6, M6VE	
	ME057422		PLATE,ENG OIL CAUTION	1			G6,G6E,G6V, H6,H6E,H6V, H6VE,J6,J6E, J6V,J6VE,K6, K6E,K6V,K6VE, M6,M6E,M6VE		
	ME057422		PLATE,ENG OIL CAUTION	1			G6,H6,H6E, J6,J6E		
	ME193515		PLATE,ENG OIL CAUTION	1			G6,H6,H6E, J6,J6E,K6, K6E,M6E	14C,1C0,1XS, 1XT,1XX,1XY	
	ME193515		PLATE,ENG OIL CAUTION	1			G6,H6,H6E, J6,J6E	1SP,1XU,1XZ	
	ME193515		PLATE,ENG OIL CAUTION	1			G6,H6,H6E, J6,J6E		
	ME193515		PLATE,ENG OIL CAUTION	1			G6,H6,H6E, J6,J6E,K6, K6E,M6E		
	ME193515		PLATE,ENG OIL CAUTION	1			K6,K6E,M6E		
	ME193515		PLATE,ENG OIL CAUTION	1			G6V,H6V,H6VE, J6V,J6VE,K6VE		
	01912D		ME194473	PLATE,ENG OIL CAUTION	1			G6,H6,H6E, J6,J6E,K6, K6E,M6E	14C,1C0,1XS, 1XT,1XX,1XY
			ME194473	PLATE,ENG OIL CAUTION	1			G6,H6,H6E, J6,J6E	1SP,1XU,1XZ
			ME194473	PLATE,ENG OIL CAUTION	1			G6,H6,H6E, J6,J6E	
		ME194473	PLATE,ENG OIL CAUTION	1			K6,K6E,M6E		

FK74R
42-550 PLATE & LABEL

Repl Part	PNC	Part No	Part Name	Qty	Remarks	NEW1	Classification	Option
	01912D	ME194473	PLATE,ENG OIL CAUTION	1			G6,H6,H6E, J6,J6E,K6, K6E,M6E	
		ME194473	PLATE,ENG OIL CAUTION	1			G6V,H6V,H6VE, J6V,J6VE,K6VE	
	71216	ME305143	LABEL,DPF INDICATOR CAUTION	1			G6,G6V,H6, H6E,H6V,H6VE, J6,J6E,J6V, J6VE,K6,K6E, K6VE,M6E	
	71216B	ME228170	LABEL,DPF INDICATOR CAUTION	1			G6,G6V,H6, H6E,H6V,H6VE, J6,J6E,J6V, J6VE,K6,K6E, K6VE,M6E	
	71222	MK402729	LABEL,TAIL LAMP CAUTION	1			G6,G6V,H6, H6E,H6V,H6VE, J6,J6E,J6V, J6VE,K6,K6E, K6V,K6VE,M6E, M6VE	
		MK402729	LABEL,TAIL LAMP CAUTION	1			G6,G6V,H6, H6E,H6V,H6VE, J6,J6E,J6V, J6VE,K6,K6E, K6VE,M6E	
	71224	MK540189	LABEL,DIAGNOSIS CHECK	1			G6,G6V,H6, H6E,H6V,H6VE, J6,J6E,J6V, J6VE,K6,K6E, K6V,K6VE,M6E, M6VE	
		MK638590	LABEL,DIAGNOSIS CHECK	1			G6,G6V,H6, H6E,H6V,H6VE, J6,J6E,J6V, J6VE,K6,K6E, K6VE,M6E	
	71444C	ME194589	LABEL,LOW EMISSION	1			G6,G6V,H6, H6E,H6V,H6VE, J6,J6E,J6V, J6VE,K6,K6E, K6VE,M6E	
	71477	MK570150	LABEL,PARKING BRAKE CAUTION	1			G6,G6V,H6, H6E,H6V,H6VE, J6,J6E,J6V, J6VE,K6,K6E, K6V,K6VE,M6E, M6VE	
	71520D	MC082718	LABEL,AIR BAG CAUTION	1			G6,G6E,G6V, H6,H6E,H6V, H6VE,J6,J6E, J6V,J6VE,K6, K6E,K6V,K6VE, M6,M6E,M6VE	
	71601	MK622163	LABEL,CAB TILT CAUTION	1			G6,G6V,H6, H6E,H6V,H6VE, J6,J6E,J6V, J6VE,K6,K6E, K6VE,M6E	
RP	71601D	MK580012	LABEL,CAB TILT CAUTION	1		Y	G6,G6E,G6V, H6,H6E,H6V, H6VE,J6,J6E, J6V,J6VE,K6, K6E,K6V,K6VE, M6,M6E,M6VE	
	71613	MC938069	LABEL,LOAD CAPACITY	1	3950KG		K6E	G85
		MC938070	LABEL,LOAD CAPACITY	1	4050KG		J6E	G85
		MC938071	LABEL,LOAD CAPACITY	1	4100KG		J6	G85
		MC938072	LABEL,LOAD CAPACITY	1	4150KG		H6E	G85
		MC938073	LABEL,LOAD CAPACITY	1	4200KG		G6E,H6	G85
		MC982594	LABEL,LOAD CAPACITY	1	4000KG		K6	G85
		MC982595	LABEL,LOAD CAPACITY	1	4250KG		G6	G85
		MC938068	LABEL,LOAD CAPACITY	1	3900KG		K6E	G85

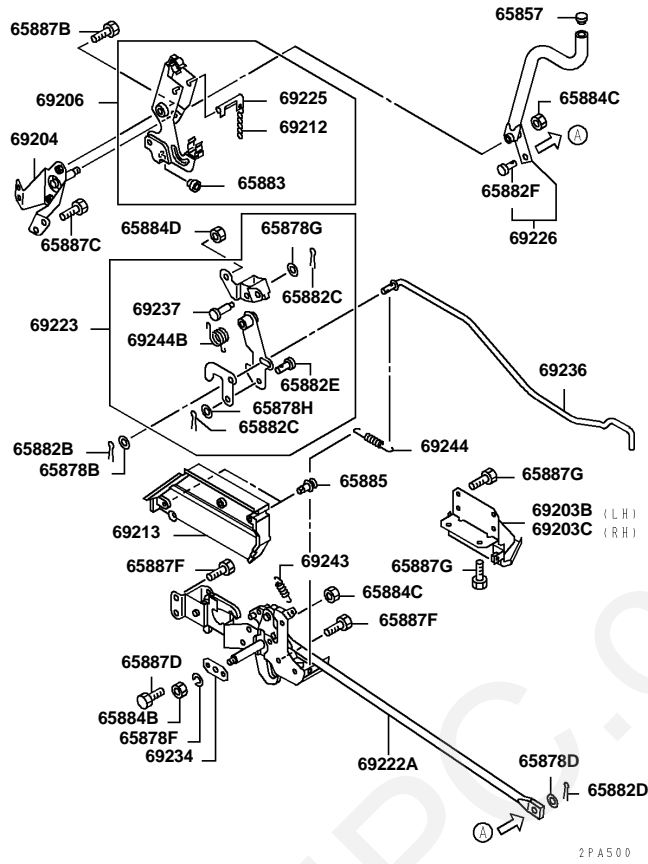
FK74R
42-550 PLATE & LABEL

Repl Part	PNC	Part No	Part Name	Qty	Remarks	NEW1	Classification	Option
	71613	MC938069	LABEL,LOAD CAPACITY	1	3950KG		K6	G85
		MC938071	LABEL,LOAD CAPACITY	1	4100KG		H6E,J6	G85
		MC938072	LABEL,LOAD CAPACITY	1	4150KG		H6	G85
		MC982594	LABEL,LOAD CAPACITY	1	4000KG		J6E	G85
		MC938070	LABEL,LOAD CAPACITY	1	4050KG		H6E,J6	G85
		MC938073	LABEL,LOAD CAPACITY	1	4200KG		G6	G85
		MC938066	LABEL,LOAD CAPACITY	1	3800KG		J6E	GVB
		MC938067	LABEL,LOAD CAPACITY	1	3850KG		J6	GVB
		MC938068	LABEL,LOAD CAPACITY	1	3900KG		H6E	GVB
		MC938069	LABEL,LOAD CAPACITY	1	3950KG		H6	GVB
		MC938065	LABEL,LOAD CAPACITY	1	3700KG		J6E	GVC
		MC938066	LABEL,LOAD CAPACITY	1	3800KG		H6E	GVC
		MC938067	LABEL,LOAD CAPACITY	1	3850KG		H6	GVC
		MC982593	LABEL,LOAD CAPACITY	1	3750KG		J6	GVC
		MC938060	LABEL,LOAD CAPACITY	1	3400KG		J6E	GWB
		MC938062	LABEL,LOAD CAPACITY	1	3550KG		H6	GWB
		MC982592	LABEL,LOAD CAPACITY	1	3500KG		H6E,J6	GWB
		MC938058	LABEL,LOAD CAPACITY	1	3300KG		J6	GWC
		MC938059	LABEL,LOAD CAPACITY	1	3350KG		H6E	GWC
		MC938060	LABEL,LOAD CAPACITY	1	3400KG		H6	GWC
		MC982591	LABEL,LOAD CAPACITY	1	3250KG		J6E	GWC
	71619	MC928175	LABEL,FIGHTER	1			G6,G6E,H6, H6E,J6,J6E, K6,K6E,M6, M6E	
		MC928175	LABEL,FIGHTER	1			G6,G6V,H6, H6E,H6V,H6VE, J6,J6E,J6V, J6VE,K6,K6E, K6V,K6VE,M6E, M6VE	
		MC928175	LABEL,FIGHTER	1			G6,G6V,H6, H6E,H6V,H6VE, J6,J6E,J6V, J6VE,K6,K6E, K6VE,M6E	
	71628C	ME354485	LABEL,FUEL	2			G6,G6E,H6, H6E,J6,J6E, K6,K6E,M6, M6E	
	71700B	ME304846	LABEL,ENG IDLE STOP START CAUTION	1			G6,H6,H6E, J6,J6E	1SP
	71700C	ME304848	LABEL,ENG IDLE STOP START CAUTION	1			G6,H6,H6E, J6,J6E	1SP
	71735	MB001191	LABEL,LSO	1			G6,G6E,H6, H6E,J6,J6E, K6,K6E,M6, M6E	1FJ
		MB001191	LABEL,LSO	1			G6,G6V,H6, H6E,H6V,H6VE, J6,J6E,J6V, J6VE,K6,K6E, K6V,K6VE,M6E, M6VE	1FJ
		MB001191	LABEL,LSO	1			G6,G6V,H6, H6E,H6V,H6VE, J6,J6E,J6V, J6VE,K6,K6E, K6VE,M6E	1FJ
	71735D	MC836172	LABEL,LSO	1			G6,G6E,H6, H6E,J6,J6E, K6,K6E,M6, M6E	1FJ
		MC836172	LABEL,LSO	1			G6,G6V,H6, H6E,H6V,H6VE, J6,J6E,J6V, J6VE,K6,K6E, K6V,K6VE,M6E, M6VE	1FJ

FK74R
42-550 PLATE & LABEL

Repl Part	PNC	Part No	Part Name	Qty	Remarks	NEW1	Classification	Option
	71735D	MC836172	LABEL, LSD	1			G6, G6V, H6, H6E, H6V, H6VE, J6, J6E, J6V, J6VE, K6, K6E, K6VE, M6E	1FJ
	71757	MK308355	LABEL, TIRE PRESSURE	1			G6, G6E, H6, H6E, J6, J6E, K6, K6E, M6, M6E	
		MK525432	LABEL, TIRE PRESSURE	1			G6, G6V, H6, H6E, H6V, H6VE, J6, J6E, J6V, J6VE, K6, K6E, K6V, K6VE, M6E, M6VE	
	71794	MK526922	LABEL, WHEEL NUT TORQUE CAUTION	1			G6, G6V, H6, H6E, H6V, H6VE, J6, J6E, J6V, J6VE, K6, K6E, K6V, K6VE, M6E, M6VE	
	71731	(N.e.c.)	LABEL, LOCK BRAKE CAUTION					
	71608	(N.e.c.)	LABEL, HYPOID GEAR OIL					
	71706	(N.e.c.)	LABEL, CLUTCH PEDAL CAUTION					
	71762	(N.e.c.)	LABEL, TRAILER CONNECTOR CAUTION					
	71742C	(N.e.c.)	LABEL, PTO CAUTION					
	71490	(N.e.c.)	LABEL, ROCKER COVER CAUTION					
	71525	(N.e.c.)	LABEL, FREEWHEEL HUB CAUTION					
	01912C	(N.e.c.)	PLATE, ENG OIL CAUTION					
	71506	(N.e.c.)	LABEL, EXHAUST BRAKE SWITCH CAUTION					
	71455	(N.e.c.)	LABEL, FUEL FILTER CAUTION					
	71615	(N.e.c.)	LABEL, NO STEP					
	71923	(N.e.c.)	LABEL, T/M OIL COOLER HEAT CAUTION					
	71215B	(N.e.c.)	LABEL, FUEL CONSUMPTION STD ACHIEVEMENT					
	71444B	(N.e.c.)	LABEL, LOW EMISSION					
	71254	(N.e.c.)	LABEL, UREA TANK CAUTION					
	71794B	(N.e.c.)	LABEL, WHEEL NUT TORQUE CAUTION					
	71254S	(N.e.c.)	LABEL, UREA TANK CAUTION					

FK74R
No.1



Ref. |2042650

Page

FK74R
42-650 BODY HOLD DOWN

Repl Part	PNC	Part No	Part Name	Qty	Part Spec	Remarks	NEW1	CI
	65857	MC908220	PLUG,BODY MOUNTING	1	RUBBER,20			G6, H6, H6V J6V K6E M6, G6, H6, H6V J6V K6E M6, G6, H6, H6V J6V K6E M6, G6, H6, H6V J6V K6E M6,
	65878B	MF450005	WASHER,BODY MOUNTING	1	PLAIN,8,18			
	65878D	MF450008	WASHER,BODY MOUNTING	1	PLAIN,14			
	65878F	MF450407	WASHER,BODY MOUNTING	1	SPRING,12			
	65878G	MF450005	WASHER,BODY MOUNTING	1	PLAIN,8,18			

Ref. |2042650

Page

FK74R
42-650 BODY HOLD DOWN

Repl Part	PNC	Part No	Part Name	Qty	Part Spec	Remarks	NEW1	Cl
	65878H	MH005006	WASHER,BODY MOUNTING	1	PLAIN,8			G6, H6,I H6V J6V K6E M6,
	65882B	MF472037	PIN,BODY MOUNTING	1	SPLIT,2X18			G6, H6,I H6V J6V K6E M6,
	65882C	MF472052	PIN,BODY MOUNTING	1	SPLIT,2.5X20			G6, H6E K6,I M6E
		MF472052	PIN,BODY MOUNTING	2	SPLIT,2.5X20			G6, H6E J6,J J6V K6V M6V
	65882D	MF472069	PIN,BODY MOUNTING	1	SPLIT,3X25			G6, H6,I H6V J6V K6E M6,
	65882E	MF472974	PIN,BODY MOUNTING	1	CLEVIS,8X16			G6, H6,I H6V J6V K6E M6,
	65882F	MC908192	PIN,BODY MOUNTING	1	CLEVIS,14X23			G6, H6,I H6V J6V K6E M6,
	65883	MB561167	GROMMET,BODY MOUNTING	1				G6, H6,I H6V J6V K6E M6,
	65884B	MF430727	NUT,BODY MOUNTING	1	JAM,12			G6, H6,I H6V J6V K6E M6,
	65884C	MF434105	NUT,BODY MOUNTING	2	FLANGE,10	4T		G6, H6,I H6V J6V K6E M6,
	65884D	MF434104	NUT,BODY MOUNTING	2	FLANGE,8			G6, H6,I H6V J6V K6E M6,
	65885	MC133670	CLIP,BODY MOUNTING	2				G6, H6,I H6V J6V K6E M6,

**FK74R
42-650 BODY HOLD DOWN**

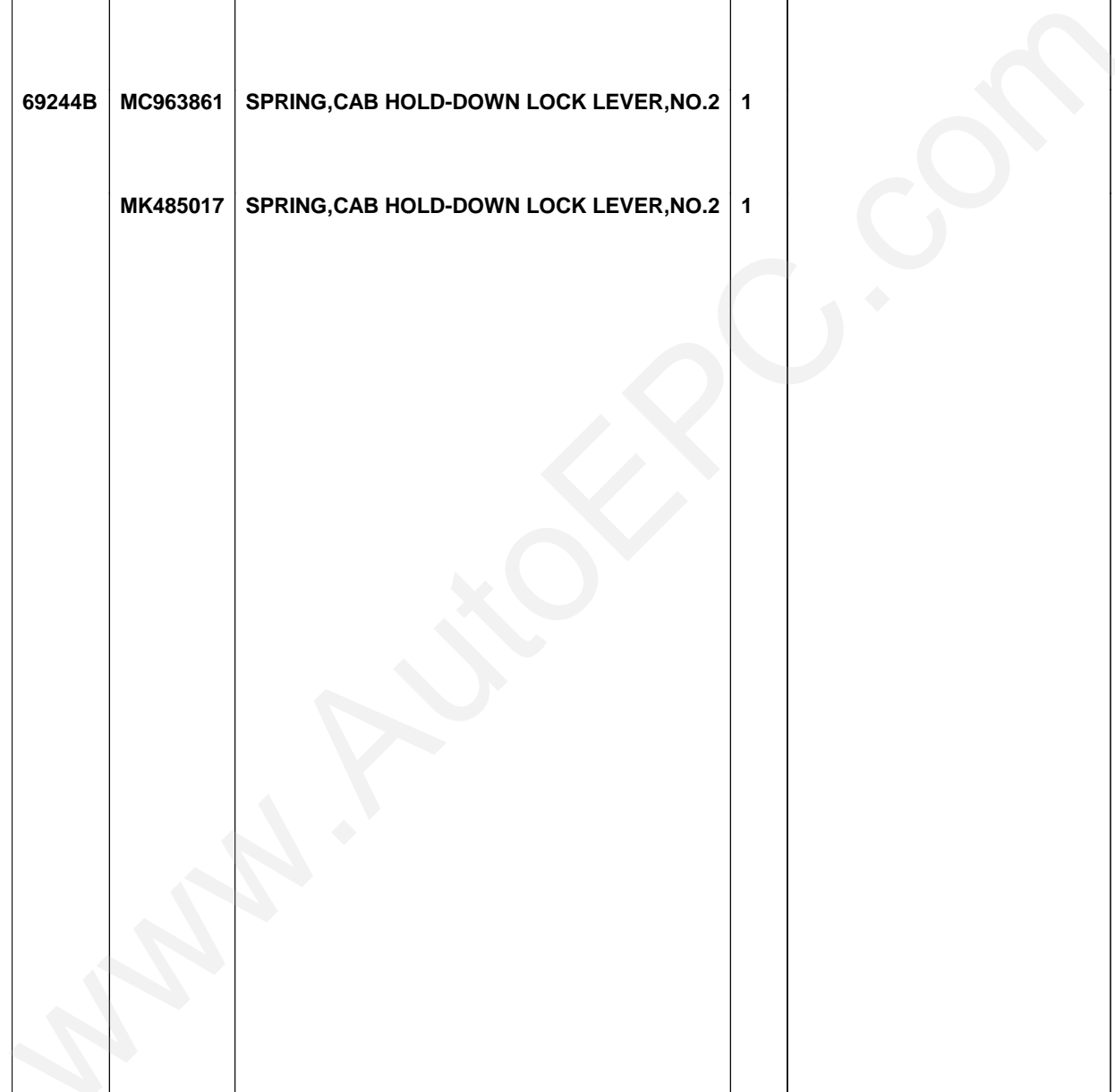
Repl Part	PNC	Part No	Part Name	Qty	Part Spec	Remarks	NEW1	Cl
	65887B	MF140025	BOLT,BODY MOUNTING	2	FLANGE,8X20	4T		G6, H6, H6V J6V K6E M6, G6, H6E K6, M6E G6, H6E J6,J J6V K6V M6V
	65887C	MF240051	BOLT,BODY MOUNTING	4	WASHER ASSEMBLED,8X16			G6, H6E K6, M6E G6, H6E J6,J J6V K6V M6V
		MH000541	BOLT,BODY MOUNTING	4	WASHER ASSEMBLED,8X20			G6, H6E J6,J J6V K6V M6V
	65887D	MF240053	BOLT,BODY MOUNTING	2	WASHER ASSEMBLED,8X20			G6, H6, H6V J6V K6E M6, G6, H6, H6V J6V K6E M6, G6, H6, H6V J6V K6E M6, G6, H6, H6V J6V K6E M6, G6, H6, H6V J6V K6E M6, G6, H6, H6V J6V K6E M6, G6, H6, H6V J6V K6E M6, G6, H6, H6V J6V K6E M6, G6, H6, H6V J6V K6E M6,
	65887F	MF241282	BOLT,BODY MOUNTING	7	WASHER ASSEMBLED,10X25			G6, H6, H6V J6V K6E M6, G6, H6, H6V J6V K6E M6, G6, H6, H6V J6V K6E M6, G6, H6, H6V J6V K6E M6, G6, H6, H6V J6V K6E M6, G6, H6, H6V J6V K6E M6, G6, H6, H6V J6V K6E M6, G6, H6, H6V J6V K6E M6,
	65887G	MF244878	BOLT,BODY MOUNTING	12	WASHER ASSEMBLED,10X20			G6, H6, H6V J6V K6E M6, G6, H6, H6V J6V K6E M6, G6, H6, H6V J6V K6E M6, G6, H6, H6V J6V K6E M6, G6, H6, H6V J6V K6E M6, G6, H6, H6V J6V K6E M6, G6, H6, H6V J6V K6E M6, G6, H6, H6V J6V K6E M6, G6, H6, H6V J6V K6E M6,
	69203B	MC963283	BRACKET,CAB HOLD-DOWN BOTTOM	1				G6, H6, H6V J6V K6E M6, G6, H6, H6V J6V K6E M6, G6, H6, H6V J6V K6E M6, G6, H6, H6V J6V K6E M6, G6, H6, H6V J6V K6E M6, G6, H6, H6V J6V K6E M6, G6, H6, H6V J6V K6E M6, G6, H6, H6V J6V K6E M6, G6, H6, H6V J6V K6E M6, G6, H6, H6V J6V K6E M6, G6, H6, H6V J6V K6E M6, G6, H6, H6V J6V K6E M6,
	69203C	MC963507	BRACKET,CAB HOLD-DOWN BOTTOM	1				G6, H6, H6V J6V K6E M6, G6, H6, H6V J6V K6E M6, G6, H6, H6V J6V K6E M6, G6, H6, H6V J6V K6E M6, G6, H6, H6V J6V K6E M6, G6, H6, H6V J6V K6E M6, G6, H6, H6V J6V K6E M6, G6, H6, H6V J6V K6E M6, G6, H6, H6V J6V K6E M6, G6, H6, H6V J6V K6E M6, G6, H6, H6V J6V K6E M6,
	69204	MC963270	BRACKET,CAB HOLD-DOWN HINGE	1				G6, H6E K6, M6E G6, H6E J6,J J6V K6V M6V
		MK484967	BRACKET,CAB HOLD-DOWN HINGE	1				G6, H6E J6,J J6V K6V M6V
	69206	MC964852	BRACKET,CAB HOLD-DOWN HOOK LEVER	1				G6, H6, H6V J6V K6E M6, G6, H6, H6V J6V K6E M6, G6, H6, H6V J6V K6E M6, G6, H6, H6V J6V K6E M6, G6, H6, H6V J6V K6E M6, G6, H6, H6V J6V K6E M6, G6, H6, H6V J6V K6E M6, G6, H6, H6V J6V K6E M6, G6, H6, H6V J6V K6E M6,
	69212	MC902941	CHAIN,CAB HOLD-DOWN LEVER KEY	1				G6, H6, H6V J6V K6E M6, G6, H6, H6V J6V K6E M6, G6, H6, H6V J6V K6E M6, G6, H6, H6V J6V K6E M6, G6, H6, H6V J6V K6E M6, G6, H6, H6V J6V K6E M6, G6, H6, H6V J6V K6E M6, G6, H6, H6V J6V K6E M6, G6, H6, H6V J6V K6E M6,

FK74R
42-650 BODY HOLD DOWN

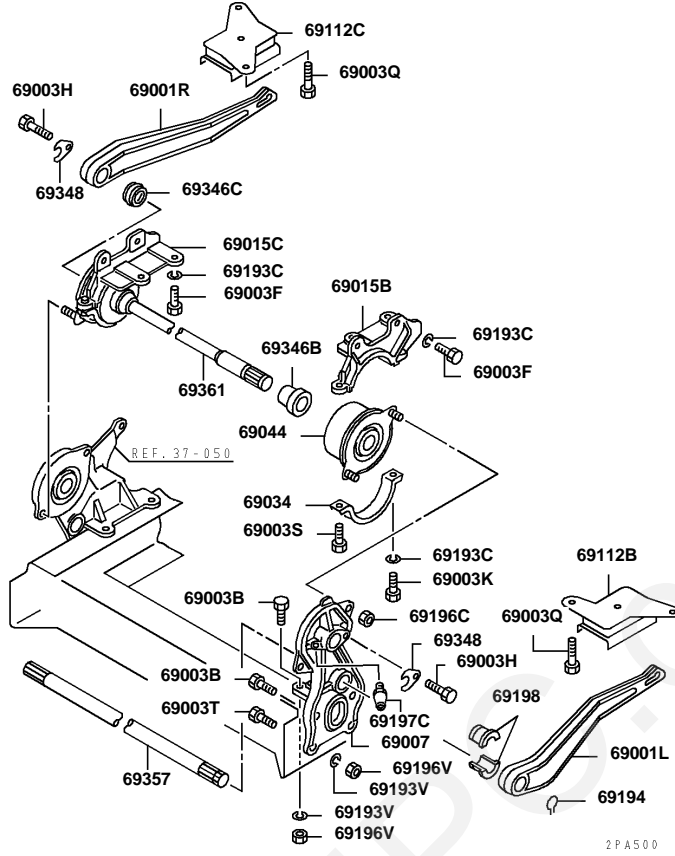
Repl Part	PNC	Part No	Part Name	Qty	Part Spec	Remarks	NEW1	CI
	69213	MC963289	COVER,CAB HOLD-DOWN MAIN HOOK	1				G6, H6, H6V J6V K6E M6,
RP	69222A	MC963250	HOOK ASSY,CAB HOLD-DOWN MAIN	1			Y	G6, K6, G6E
RP		MC963251	HOOK ASSY,CAB HOLD-DOWN MAIN	1			Y	K6E G6, H6V K6, H6E J6V M6E
		MK546628	HOOK ASSY,CAB HOLD-DOWN MAIN	1				G6, H6V K6, H6E J6V M6E
		MK546629	HOOK ASSY,CAB HOLD-DOWN MAIN	1				G6, H6V K6 H6E J6V M6E
		MK546628	HOOK ASSY,CAB HOLD-DOWN MAIN	1				G6, H6V K6 H6E J6V M6E
		MK546629	HOOK ASSY,CAB HOLD-DOWN MAIN	1				G6, H6V K6, H6E J6V M6E
RP	69223	MC963707	HOOK,CAB HOLD-DOWN SAFETY	1			Y	G6, H6E K6, M6E
		MK484969	HOOK,CAB HOLD-DOWN SAFETY	1				G6, H6E J6, J6V K6V M6V
	69225	MC963288	KEY,CAB HOLD-DOWN HOOK LEVER	1				G6, H6, H6V J6V K6E M6,
	69226	MC963262	LEVER,CAB HOLD-DOWN HOOK CONTROL	1				G6, H6E K6, M6E
		MK484968	LEVER,CAB HOLD-DOWN HOOK CONTROL	1				G6, H6E J6, J6V K6V M6V
	69234	MC907589	PLATE,CAB HOLD-DOWN HOOK	1				G6, H6, H6V J6V K6E M6,
	69236	MC963819	PULL ROD,CAB HOLD-DOWN SAFETY HOOK	1				G6, K6, G6E K6E
		MC963820	PULL ROD,CAB HOLD-DOWN SAFETY HOOK	1				G6, H6V K6, H6E J6V M6E
		MK484970	PULL ROD,CAB HOLD-DOWN SAFETY HOOK	1				G6, H6V K6, H6E J6V M6E
		MK486088	PULL ROD,CAB HOLD-DOWN SAFETY HOOK	1				G6, H6V K6 H6E J6V M6E
		MK484970	PULL ROD,CAB HOLD-DOWN SAFETY HOOK	1				G6, H6V K6 H6E J6V M6E
		MK486088	PULL ROD,CAB HOLD-DOWN SAFETY HOOK	1				G6, H6V K6 H6E J6V M6E

FK74R
42-650 BODY HOLD DOWN

Repl Part	PNC	Part No	Part Name	Qty	Part Spec	Remarks	NEW1	CI
	69237	MC963711	ROD,CAB HOLD-DOWN LOCK HANDLE	1				G6, H6, H6V J6V K6E
	69243	MC908218	SPRING,CAB HOLD-DOWN LOCK LEVER,NO.1	1				M6, G6, H6, H6V J6V K6E
	69244	MC963716	SPRING,CAB HOLD-DOWN LOCK LEVER,NO.2	1				M6, G6, H6, H6V J6V K6E
	69244B	MC963861	SPRING,CAB HOLD-DOWN LOCK LEVER,NO.2	1				M6, G6, H6E K6, M6E
		MK485017	SPRING,CAB HOLD-DOWN LOCK LEVER,NO.2	1				G6, H6E J6, J6V K6V M6V



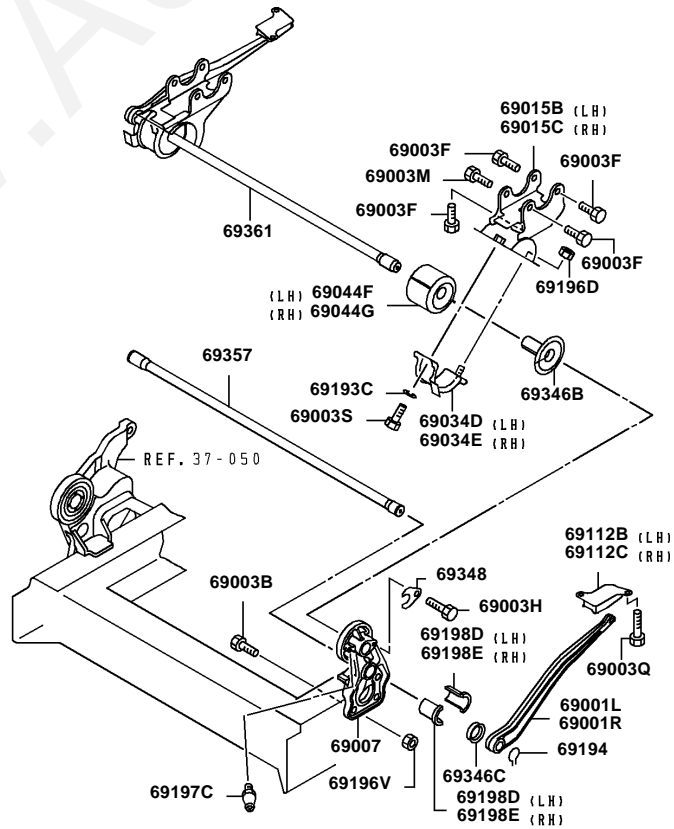
FK74R
No.1



Ref. |2042710

Page

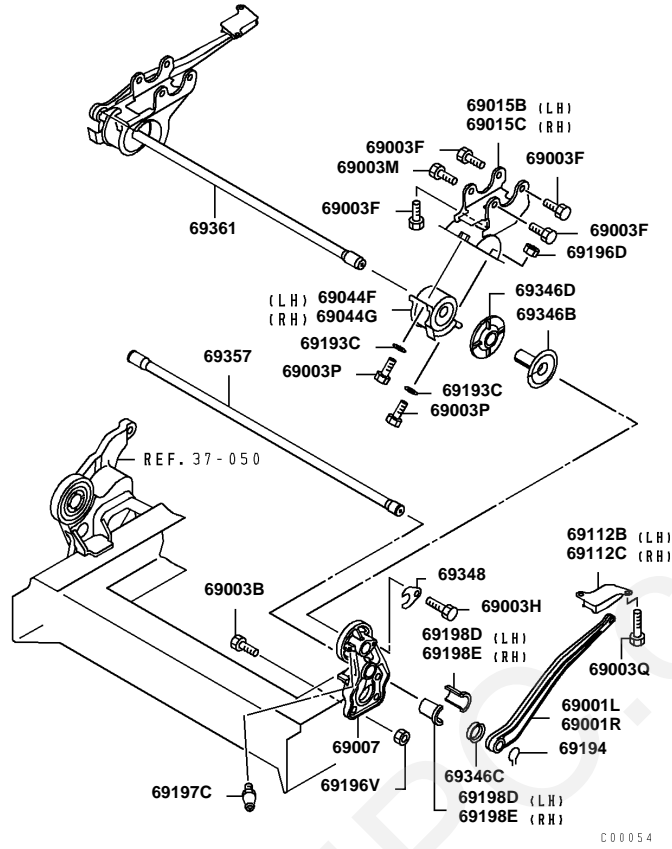
FK74R
No.2



Ref. |2042710

Page

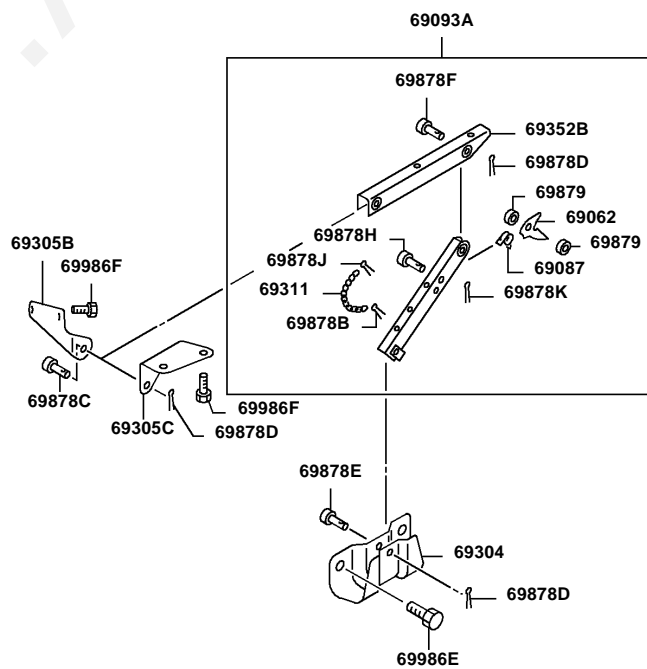
FK74R
No.3



Ref. |2042710

Page

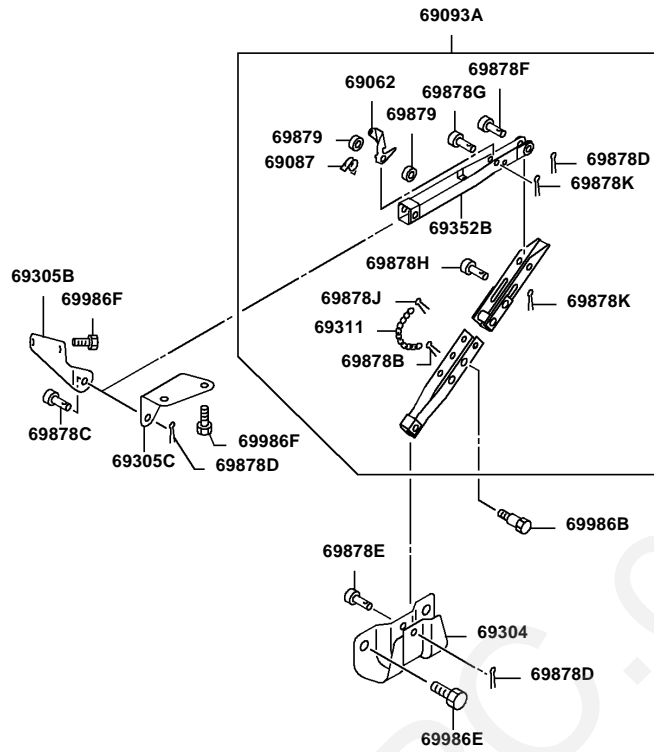
FK74R
No.4



Ref. |2042710

Page

FK74R
No.5



C 0 0 0 3 0

Ref. |2042710

Page

FK74R
42-710 FRONT CAB MOUNTING

SPN	Repl Part	PNC	Part No	Part Name	Qty	Part Spec	Remarks	PREV.
		69001L	MK318396	ARM,CAB FR MOUNTING TORSION BAR,LH	1			
			MK466376	ARM,CAB FR MOUNTING TORSION BAR,LH	1			
		69001R	MK318397	ARM,CAB FR MOUNTING TORSION BAR,RH	1			
			MK536622	ARM,CAB FR MOUNTING TORSION BAR,RH	1			
		69003B	MH000345	BOLT,CAB FR MOUNTING	4	14X40		
			MK313298	BOLT,CAB FR MOUNTING	4	FLANGE,16X45		

Ref. |2042710

Page

FK74R
42-710 FRONT CAB MOUNTING

SPN	Repl Part	PNC	Part No	Part Name	Qty	Part Spec	Remarks	PREV.
		69003F	MF101342	BOLT,CAB FR MOUNTING	8	BOLT,14X35	7T	
			MC040480	BOLT,CAB FR MOUNTING	6	FLANGE,14X35		
		69003H	MF140221	BOLT,CAB FR MOUNTING	2	FLANGE,8X12	7T	
		69003K	MH001221	BOLT,CAB FR MOUNTING	2	WASHER ASSEMBLED,14X30		
		69003M	MC040476	BOLT,CAB FR MOUNTING	2	FLANGE,16X33		
		69003P	MK622036	BOLT,CAB FR MOUNTING	4	14X32		
		69003Q	MF241280	BOLT,CAB FR MOUNTING	4	WASHER ASSEMBLED,10X20		
			MF140258	BOLT,CAB FR MOUNTING	4	FLANGE,10X20	7T	
		69003S	MH001221	BOLT,CAB FR MOUNTING	2	WASHER ASSEMBLED,14X30		
			MH000344	BOLT,CAB FR MOUNTING	4	W/MAKE,14X35		
		69003T	MH000345	BOLT,CAB FR MOUNTING	2	14X40		
		69007	MK313143	BRACKET,CAB FR MOUNTING HINGE	1			
SP			MK571626	BRACKET,CAB FR MOUNTING HINGE	1			
			MK571910	BRACKET,CAB FR MOUNTING HINGE	1			

FK74R
42-710 FRONT CAB MOUNTING

SPN	Repl Part	PNC	Part No	Part Name	Qty	Part Spec	Remarks	PREV.
		69015B	MC444717	BRACKET,CAB HINGE,UPR	1			
			MK538918	BRACKET,CAB HINGE,UPR	1			
		69015C	MC444718	BRACKET,CAB HINGE,UPR	1			
			MK538919	BRACKET,CAB HINGE,UPR	1			
		69034	MC439074	CAP,CAB FR MOUNTING HINGE CUSHION	2			
		69034D	MK538841	CAP,CAB FR MOUNTING HINGE CUSHION	1			
		69034E	MK538842	CAP,CAB FR MOUNTING HINGE CUSHION	1			
		69044	MK317539	CUSHION,CAB FR MOUNTING	2			
		69044F	MK538855	CUSHION,CAB FR MOUNTING	1			
			MK571641	CUSHION,CAB FR MOUNTING	1			
			MK622113	CUSHION,CAB FR MOUNTING	1			
		69044G	MK538856	CUSHION,CAB FR MOUNTING	1			
			MK571642	CUSHION,CAB FR MOUNTING	1			
			MK622114	CUSHION,CAB FR MOUNTING	1			
		69062	MC410179	LATCH,CAB FR MOUNTING TILT STAY LOCK	1			
			MK319216	LATCH,CAB FR MOUNTING TILT STAY LOCK	1			

FK74R
42-710 FRONT CAB MOUNTING

SPN	Repl Part	PNC	Part No	Part Name	Qty	Part Spec	Remarks	PREV.
		69087	MC408175	SPRING,CAB FR MOUNTING STAY RETURN	1			
		69093A	MC095820	LINK ASSY,CAB TILT STAY	1			
			MK538719	LINK ASSY,CAB TILT STAY	1			
		69112B	MC441215	SUPPORT,CAB FR MOUNTING TORSION BAR	1			
			MK466402	SUPPORT,CAB FR MOUNTING TORSION BAR	1			
	RP	69112C	MC441216	SUPPORT,CAB FR MOUNTING TORSION BAR	1			
			MK466403	SUPPORT,CAB FR MOUNTING TORSION BAR	1			
		69193C	MF450408	WASHER,CAB FR MOUNTING	14	SPRING,14		
			MK622120	WASHER,CAB FR MOUNTING	4	14.5		
		69193V	MF450408	WASHER,CAB FR MOUNTING	6	SPRING,14		
		69194	MF522018	SNAP RING,CAB FR MOUNTING	2	29		
		69196C	MB200979	NUT,CAB FR MOUNTING	4	FLANGE,10	6T	
		69196D	MS446196	NUT,CAB FR MOUNTING	2	FLANGE,14		
		69196V	MH004072	NUT,CAB FR MOUNTING	6	FLANGE,14		

FK74R
42-710 FRONT CAB MOUNTING

SPN	Repl Part	PNC	Part No	Part Name	Qty	Part Spec	Remarks	PREV.
		69196V	MH004101	NUT,CAB FR MOUNTING	4	16		
	RP	69197C	MS526150	NIPPLE,CAB FR MOUNTING	2	STRAIGHT,6		O
		69198	MK464179	BUSHING,CAB FR MOUNTING	2			
			MK464181	BUSHING,CAB FR MOUNTING	2			
		69198D	MK464179	BUSHING,CAB FR MOUNTING	2			
			MK464181	BUSHING,CAB FR MOUNTING	2			
			MK464181	BUSHING,CAB FR MOUNTING	2			
			MK464179	BUSHING,CAB FR MOUNTING	2			
		69198E	MK536935	BUSHING,CAB FR MOUNTING	2			
		69304	MC430276	BRACKET,CAB TILT STAY,LWR	1			
	RP	69305B	MC445161	BRACKET,CAB TILT STAY,UPR	1			O
			MK466303	BRACKET,CAB TILT STAY,UPR	1			
	RP	69305C	MC442573	BRACKET,CAB TILT STAY,UPR	1			O
		69311	MC417088	CHAIN,CAB TILT SAFETY	1			
		69346B	MC439680	COVER,CAB TILT TORSION BAR DUST	2			
			MK571567	COVER,CAB TILT TORSION BAR DUST	2			

FK74R
42-710 FRONT CAB MOUNTING

SPN SP	Repl Part	PNC	Part No	Part Name	Qty	Part Spec	Remarks	PREV.
		69346B	MK570433	COVER,CAB TILT TORSION BAR DUST	2			
		69346C	MC439681	COVER,CAB TILT TORSION BAR DUST	1			
			MK466380	COVER,CAB TILT TORSION BAR DUST	2			
	RP	69348	MK300814	STOPPER,CAB TILT TORSION BAR	2			O
		69352B	MC406082	STAY,CAB TILT	1			
			MK539039	STAY,CAB TILT	1			
		69357	MK438015	TORSION BAR,CAB TILT,LWR	1			
			MK438019	TORSION BAR,CAB TILT,LWR	1			
			MK438015	TORSION BAR,CAB TILT,LWR	1			
			MK438019	TORSION BAR,CAB TILT,LWR	1			
			MK438015	TORSION BAR,CAB TILT,LWR	1			
			MK438019	TORSION BAR,CAB TILT,LWR	1			
			MK438019	TORSION BAR,CAB TILT,LWR	1			
			MK438015	TORSION BAR,CAB TILT,LWR	1			
		69361	MK438013	TORSION BAR,CAB TILT,UPR	1			
			MK537120	TORSION BAR,CAB TILT,UPR	1			
		69878B	MF472120	PIN,CAB TILT STAY	1	SPLIT,6X40		
		69878C	MF473052	PIN,CAB TILT STAY	1	CLEVIS,14X50		

FK74R
42-710 FRONT CAB MOUNTING

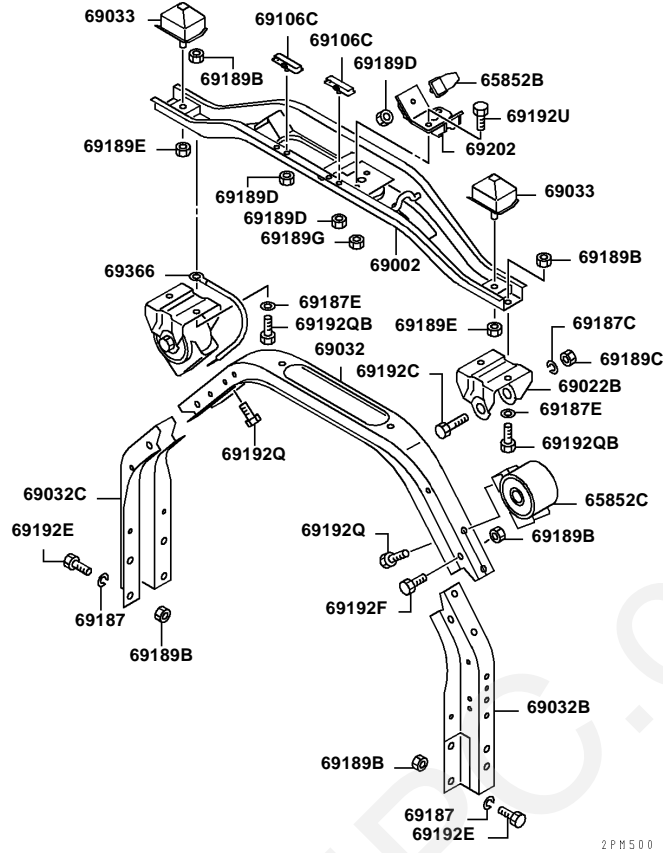
SPN	Repl Part	PNC	Part No	Part Name	Qty	Part Spec	Remarks	PREV.
		69878D	MF472069	PIN,CAB TILT STAY	3	SPLIT,3X25		
		69878E	MF473048	PIN,CAB TILT STAY	1	CLEVIS,14X39		
		69878F	MF473051	PIN,CAB TILT STAY	1	CLEVIS,14X45		
		69878G	MK538873	PIN,CAB TILT STAY	1	CLEVIS,12X44		
		69878H	MS476673	PIN,CAB TILT STAY	1	CLEVIS,10X28		
		69878J	MF472038	PIN,CAB TILT STAY	1	SPLIT,2X20		
		69878K	MF472067	PIN,CAB TILT STAY	1	SPLIT,3X20		
			MF472067	PIN,CAB TILT STAY	2	SPLIT,3X20		
		69879	MC406172	SPACER,CAB TILT STAY	2	6.4		
		69986B	MK538874	BOLT,CAB TILT STAY	1	FLANGE,12X49		
		69986E	MF140283	BOLT,CAB TILT STAY	2	FLANGE,12X25	7T	
		69986F	MF241280	BOLT,CAB TILT STAY	4	WASHER ASSEMBLED,10X20		

FK74R
42-710 FRONT CAB MOUNTING

SPN	Repl Part	PNC	Part No	Part Name	Qty	Part Spec	Remarks	PREV.
		69986F	MF140258	BOLT,CAB TILT STAY	4	FLANGE,10X20	7T	
		69346D	(N.e.c.)	COVER,CAB TILT TORSION BAR DUST				

www.AutoEPC.com

**FK74R
No.1**



Ref. |2042720

Page

**FK74R
42-720 REAR CAB MOUNTING**

SPN SP	Repl Part	PNC	Part No	Part Name	Qty	Part Spec	Remarks	NEW1 R	Classi
		65852B	MC966985	CUSHION,BODY MOUNTING	2				G6,G6E, H6,H6E, H6VE,J6 J6V,J6V K6E,K6V M6,M6E, M6
		65852C	MK317532	CUSHION,BODY MOUNTING	2				G6E
			MK330148	CUSHION,BODY MOUNTING	2				G6,H6,J6 K6
			MK317532	CUSHION,BODY MOUNTING	2				H6E,J6E M6E
			MK330148	CUSHION,BODY MOUNTING	2				G6V,H6V K6V
			MK317532	CUSHION,BODY MOUNTING	2				H6VE,J6 M6VE
			MK330148	CUSHION,BODY MOUNTING	2				G6,G6V, H6E,H6V J6,J6E,J J6VE,K6
			MK572833	CUSHION,BODY MOUNTING	2				K6VE,M6 G6,G6V, H6E,H6V
			MK657334	CUSHION,BODY MOUNTING	2				J6,J6E,J J6VE,K6 K6VE,M6 G6,G6V, H6E,H6V
		69002	MK317520	BAR,CAB RR MOUNTING	1				J6,J6E,J J6VE,K6 K6VE,M6 G6,G6E, H6E,J6, K6,K6E, M6E

Ref. |2042720

Page

FK74R
42-720 REAR CAB MOUNTING

SPN	Repl Part	PNC	Part No	Part Name	Qty	Part Spec	Remarks	NEW1	Classi
		69002	MK540161	BAR,CAB RR MOUNTING	1				G6,G6V, H6E,H6V, J6,J6E,J J6VE,K6 K6V,K6V M6VE
		69022B	MK317528	BRACKET,CAB RR MOUNTING	2				G6,G6E, H6E,J6, K6,K6E, M6E
			MK540167	BRACKET,CAB RR MOUNTING	2				G6,G6V, H6E,H6V, J6,J6E,J J6VE,K6 K6V,K6V M6VE
			MK657333	BRACKET,CAB RR MOUNTING	2				G6,G6V, H6E,H6V, J6,J6E,J J6VE,K6 K6VE,M6 M6VE
		69032	MK330843	BRIDGE,CAB RR MOUNTING	1				G6,G6E, H6,H6E, H6VE,J6 J6V,J6V K6E,K6V M6,M6E, M6VE
		69032B	MK317515	BRIDGE,CAB RR MOUNTING	1				G6,G6E, H6,H6E, H6VE,J6 J6V,J6V K6E,K6V M6,M6E, M6VE
		69032C	MK468976	BRIDGE,CAB RR MOUNTING	1				G6,G6E, H6,H6E, H6VE,J6 J6V,J6V K6E,K6V M6,M6E, M6VE
	RP	69033	MK317534	DAMPER,CAB RR MOUNTING	2			Y	G6,G6E, H6,H6E, H6VE,J6 J6V,J6V K6E,K6V M6,M6E, M6VE
			MK573092	DAMPER,CAB RR MOUNTING	2				G6,G6V, H6E,H6V, J6,J6E,J J6VE,K6 K6V,K6V M6VE
		69106C	MK546344	STOPPER,CAB RR MOUNTING	2				G6,G6V, H6E,H6V, J6,J6E,J J6VE,K6 K6V,K6V M6VE
		69187C	MF450412	WASHER,CAB RR MOUNTING	2	SPRING,22			G6,G6E, H6,H6E, H6VE,J6 J6V,J6V K6E,K6V M6,M6E, M6VE
		69187E	MF450156	WASHER,CAB RR MOUNTING	4	PLAIN,12			G6,G6V, H6E,H6V, J6,J6E,J J6VE,K6 K6V,K6V M6VE

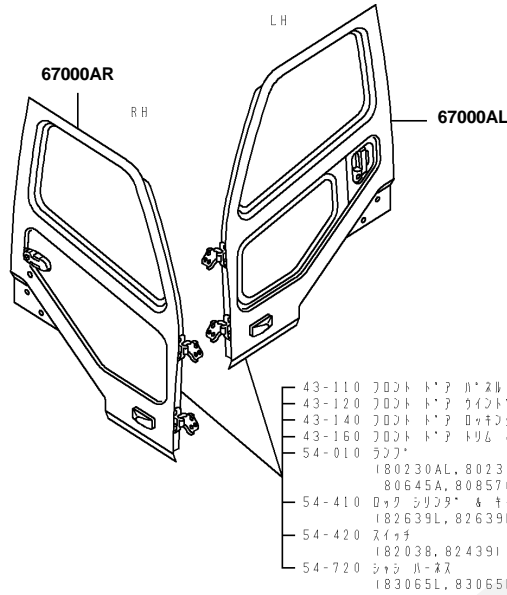
FK74R
42-720 REAR CAB MOUNTING

SPN	Repl Part	PNC	Part No	Part Name	Qty	Part Spec	Remarks	NEW1	Classi
		69189B	MF434106	NUT,CAB RR MOUNTING	10	FLANGE,12	4T		G6,G6E, H6,H6E, H6VE,J6 J6V,J6V K6E,K6V M6,M6E,
		69189C	MF430128	NUT,CAB RR MOUNTING	2	NUT,22	6Y		G6,G6E, H6E,J6, K6,K6E, M6E
			MK536548	NUT,CAB RR MOUNTING	2	22			G6,G6E, H6,H6E, H6VE,J6 J6V,J6V K6E,K6V M6,M6E,
			MC040487	NUT,CAB RR MOUNTING	2	FLANGE,18			G6,G6V, H6E,H6V J6,J6E,J J6VE,K6 K6VE,M6 M6,M6E,
		69189D	MF434104	NUT,CAB RR MOUNTING	4	FLANGE,8			G6,G6E, H6,H6E, H6VE,J6 J6V,J6V K6E,K6V M6,M6E,
		69189E	MF434105	NUT,CAB RR MOUNTING	2	FLANGE,10	4T		G6,G6E, H6,H6E, H6VE,J6 J6V,J6V K6E,K6V M6,M6E,
		69192C	MK317538	BOLT,CAB RR MOUNTING	2	22X110			G6,G6E, H6,H6E, H6VE,J6 J6V,J6V K6E,K6V M6,M6E,
			MK632073	BOLT,CAB RR MOUNTING	2	FLANGE,18X105			G6,G6V, H6E,H6V J6,J6E,J J6VE,K6 K6VE,M6 M6,M6E,
		69192E	MF241311	BOLT,CAB RR MOUNTING	8	WASHER ASSEMBLED,12X35			G6,G6E, H6,H6E, H6VE,J6 J6V,J6V K6E,K6V M6,M6E,
		69192F	MF104921	BOLT,CAB RR MOUNTING	2	BOLT,12X65	7T		G6,G6E, H6,H6E, H6VE,J6 J6V,J6V K6E,K6V M6,M6E,
		69192Q	MF140283	BOLT,CAB RR MOUNTING	4	FLANGE,12X25	7T		G6,G6E, H6,H6E, H6VE,J6 J6V,J6V K6E,K6V M6,M6E,
		69192QB	MF140283	BOLT,CAB RR MOUNTING	4	FLANGE,12X25	7T		G6,G6E, H6E,J6, K6,K6E, M6E
			MF140285	BOLT,CAB RR MOUNTING	4	FLANGE,12X30	7T		G6,G6V, H6E,H6V J6,J6E,J J6VE,K6 K6V,K6V M6VE

FK74R
42-720 REAR CAB MOUNTING

SPN	Repl Part	PNC	Part No	Part Name	Qty	Part Spec	Remarks	NEW1	Classi
		69192U	MF241282	BOLT,CAB RR MOUNTING	2	WASHER ASSEMBLED,10X25			G6,G6E, H6,H6E, H6VE,J6 J6V,J6V K6E,K6V M6,M6E, G6,G6V, H6E,H6V J6,J6E,J J6VE,K6 K6VE,M6
			MF140258	BOLT,CAB RR MOUNTING	2	FLANGE,10X20	7T		M6,M6E, G6,G6V, H6E,H6V J6,J6E,J J6VE,K6 K6VE,M6
SP		69202	MC963534	BRACKET,CAB HOLD-DOWN	1			R	G6,G6E, H6E,J6, K6,K6E, M6E G6,G6V, H6E,H6V J6,J6E,J J6VE,K6 K6V,K6V M6VE
			MK546343	BRACKET,CAB HOLD-DOWN	1				G6,G6E, H6E,H6V J6,J6E,J J6VE,K6 K6V,K6V M6VE
		69366	MC459341	STRAP,CAB TILT SWITCH EARTH	1				G6,G6E, H6,H6E, H6VE,J6 J6V,J6V K6E,K6V M6,M6E,
		69187 69189G	(N.e.c.) (N.e.c.)	WASHER,CAB RR MOUNTING NUT,CAB RR MOUNTING					

FK74R
No.1



2HA901

Ref. |2043010

Page

FK74R
43-010 SERVICE DOOR ASSY

PNC	Part No	Part Name	Qty	Classification	Option	Model Year	Start	End
67000AL	MK702099	DOOR ASSY,SERVICE,FR LH	1	G6E,M6			04053	05102
	MK702099	DOOR ASSY,SERVICE,FR LH	1	G6,H6,H6E, J6,J6E,K6, K6E,M6E			04053	05102
	MK702099	DOOR ASSY,SERVICE,FR LH	1	G6,G6E,H6, H6E,J6,J6E, K6,K6E,M6, M6E			04053	05102
	MK702099	DOOR ASSY,SERVICE,FR LH	1	G6,G6E,H6, H6E,J6,J6E, K6,K6E,M6, M6E			04053	05102
	**	DOOR ASSY,SERVICE,FR LH	1	G6,G6E,H6, H6E,J6,J6E, K6,K6E,M6, M6E	1JH,1VA,1ZJ	04	04053	05102
	MK703434	DOOR ASSY,SERVICE,FR LH	1	G6V,H6V,H6VE, J6V,J6VE,K6V, K6VE,M6VE			05103	07052
	MK703434	DOOR ASSY,SERVICE,FR LH	1	G6,H6,H6E, J6,J6E,K6, K6E,M6E			05103	07052
	MK703434	DOOR ASSY,SERVICE,FR LH	1	G6,G6V,H6, H6E,H6V,H6VE, J6,J6E,J6V, J6VE,K6,K6E, K6V,K6VE,M6E, M6VE			05103	07052

Ref. |2043010

Page

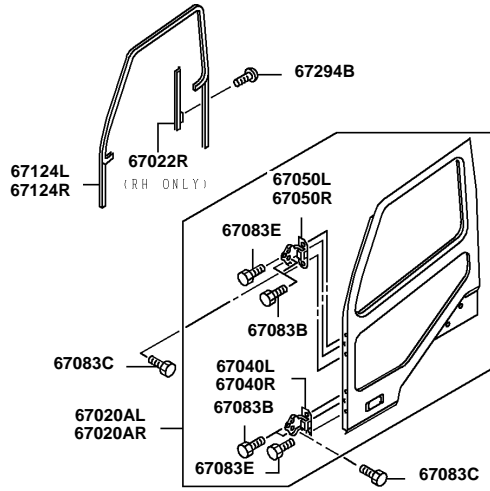
FK74R
43-010 SERVICE DOOR ASSY

PNC	Part No	Part Name	Qty	Classification	Option	Model Year	Start	End
67000AL	MK703434	DOOR ASSY,SERVICE,FR LH	1	G6,G6V,H6, H6E,H6V,H6VE, J6,J6E,J6V, J6VE,K6,K6E, K6V,K6VE,M6E, M6VE			05103	07052
	MK703434	DOOR ASSY,SERVICE,FR LH	1	K6V,M6VE			05103	07052
	MK703434	DOOR ASSY,SERVICE,FR LH	1	G6,G6V,H6, H6E,H6V,H6VE, J6,J6E,J6V, J6VE,K6,K6E, K6VE,M6E			05103	07052
	**	DOOR ASSY,SERVICE,FR LH	1	G6,G6V,H6, H6E,H6V,H6VE, J6,J6E,J6V, J6VE,K6,K6E, K6V,K6VE,M6E, M6VE	1JH,1QP,1VA, 1ZJ	05	05103	07052
	MK704835	DOOR ASSY,SERVICE,FR LH	1	G6,G6V,H6, H6E,H6V,H6VE, J6,J6E,J6V, J6VE,K6,K6E, K6VE,M6E			07053	08093
	MK704835	DOOR ASSY,SERVICE,FR LH	1	G6,G6V,H6, H6E,H6V,H6VE, J6,J6E,J6V, J6VE,K6,K6E, K6VE,M6E			07053	08093
	MK704835	DOOR ASSY,SERVICE,FR LH	1	G6,G6V,H6, H6E,H6V,H6VE, J6,J6E,J6V, J6VE,K6,K6E, K6VE,M6E			07053	08093
	MK704835	DOOR ASSY,SERVICE,FR LH	1	G6,G6V,H6, H6E,H6V,H6VE, J6,J6E,J6V, J6VE,K6,K6E, K6VE,M6E			07053	08093
	**	DOOR ASSY,SERVICE,FR LH	1	G6,G6V,H6, H6E,H6V,H6VE, J6,J6E,J6V, J6VE,K6,K6E, K6VE,M6E	1A3,1JH,1NU, 1QP,1VA,1ZJ	07	07053	09052
	MK705907	DOOR ASSY,SERVICE,FR LH	1	G6,G6V,H6, H6E,H6V,H6VE, J6,J6E,J6V, J6VE,K6,K6E, K6VE,M6E			08101	09052
67000AR	MK702094	DOOR ASSY,SERVICE,FR RH	1	G6E,M6			04053	05102
	MK702094	DOOR ASSY,SERVICE,FR RH	1	G6,G6E,H6, H6E,J6,J6E, K6,K6E,M6, M6E			04053	05102
	MK702094	DOOR ASSY,SERVICE,FR RH	1	G6,H6,H6E, J6,J6E,K6, K6E,M6E			04053	05102
	MK702094	DOOR ASSY,SERVICE,FR RH	1	G6,G6E,H6, H6E,J6,J6E, K6,K6E,M6, M6E			04053	05102
	**	DOOR ASSY,SERVICE,FR RH	1	G6,G6E,H6, H6E,J6,J6E, K6,K6E,M6, M6E	1JH,1VA	04	04053	05102
	MK703433	DOOR ASSY,SERVICE,FR RH	1	G6,G6V,H6, H6E,H6V,H6VE, J6,J6E,J6V, J6VE,K6,K6E, K6V,K6VE,M6E, M6VE			05103	07052
	MK703433	DOOR ASSY,SERVICE,FR RH	1	G6V,H6V,H6VE, J6V,J6VE,K6V, K6VE,M6VE			05103	07052
	MK703433	DOOR ASSY,SERVICE,FR RH	1	G6,G6V,H6, H6E,H6V,H6VE, J6,J6E,J6V, J6VE,K6,K6E, K6VE,M6E			05103	07052

FK74R
43-010 SERVICE DOOR ASSY

PNC	Part No	Part Name	Qty	Classification	Option	Model Year	Start	End
67000AR	MK703433	DOOR ASSY,SERVICE,FR RH	1	G6,H6,H6E, J6,J6E,K6, K6E,M6E			05103	07052
	MK703433	DOOR ASSY,SERVICE,FR RH	1	G6,G6V,H6, H6E,H6V,H6VE, J6,J6E,J6V, J6VE,K6,K6E, K6V,K6VE,M6E, M6VE			05103	07052
	MK703433 **	DOOR ASSY,SERVICE,FR RH DOOR ASSY,SERVICE,FR RH	1 1	K6V,M6VE G6,G6V,H6, H6E,H6V,H6VE, J6,J6E,J6V, J6VE,K6,K6E, K6V,K6VE,M6E, M6VE	1JH,1KS,1QP, 1VA	05	05103 05103	07052 07052
	MK704834	DOOR ASSY,SERVICE,FR RH	1	G6,G6V,H6, H6E,H6V,H6VE, J6,J6E,J6V, J6VE,K6,K6E, K6VE,M6E			07053	08093
	MK704834	DOOR ASSY,SERVICE,FR RH	1	G6,G6V,H6, H6E,H6V,H6VE, J6,J6E,J6V, J6VE,K6,K6E, K6VE,M6E			07053	08093
	MK704834	DOOR ASSY,SERVICE,FR RH	1	G6,G6V,H6, H6E,H6V,H6VE, J6,J6E,J6V, J6VE,K6,K6E, K6VE,M6E			07053	08093
	**	DOOR ASSY,SERVICE,FR RH	1	G6,G6V,H6, H6E,H6V,H6VE, J6,J6E,J6V, J6VE,K6,K6E, K6VE,M6E	1JH,1KS,1QP, 1VA	07	07053	09052
	MK705897	DOOR ASSY,SERVICE,FR RH	1	G6,G6V,H6, H6E,H6V,H6VE, J6,J6E,J6V, J6VE,K6,K6E, K6VE,M6E			08101	09052

FK74R
No.1



2HA200

Ref. |2043110

Page

FK74R
43-110 FRONT DOOR PANEL & SASH

Repl Part	PNC	Part No	Part Name	Qty	Supply Mode	Part Spec	NEW1
RP	67020AL	MK700495	PANEL ASSY,FR DOOR,LH	1			Y
RP		MK700495	PANEL ASSY,FR DOOR,LH	1			Y
RP		MK700495	PANEL ASSY,FR DOOR,LH	1			Y
RP		MK700495	PANEL ASSY,FR DOOR,LH	1			Y
RP		MK701328	PANEL ASSY,FR DOOR,LH	1			Y
		MK703311	PANEL ASSY,FR DOOR,LH	1			
		MK703308	PANEL ASSY,FR DOOR,LH	1			
		MK703308	PANEL ASSY,FR DOOR,LH	1			

Ref. |2043110

Page

FK74R
43-110 FRONT DOOR PANEL & SASH

Repl Part	PNC	Part No	Part Name	Qty	Supply Mode	Part Spec	NEW1
	67020AL	MK703308	PANEL ASSY,FR DOOR,LH	1			
		MK703308	PANEL ASSY,FR DOOR,LH	1			
		MK703308	PANEL ASSY,FR DOOR,LH	1			
		MK703308	PANEL ASSY,FR DOOR,LH	1			
		MK703308	PANEL ASSY,FR DOOR,LH	1			
		MK703311	PANEL ASSY,FR DOOR,LH	1			
RP	67020AR	MK700496	PANEL ASSY,FR DOOR,RH	1			Y
RP		MK700496	PANEL ASSY,FR DOOR,RH	1			Y
RP		MK700496	PANEL ASSY,FR DOOR,RH	1			Y
RP		MK700496	PANEL ASSY,FR DOOR,RH	1			Y
RP		MK700497	PANEL ASSY,FR DOOR,RH	1			Y
		MK703310	PANEL ASSY,FR DOOR,RH	1			
		MK703309	PANEL ASSY,FR DOOR,RH	1			
		MK703309	PANEL ASSY,FR DOOR,RH	1			
		MK703309	PANEL ASSY,FR DOOR,RH	1			
		MK703309	PANEL ASSY,FR DOOR,RH	1			
		MK703309	PANEL ASSY,FR DOOR,RH	1			

FK74R
43-110 FRONT DOOR PANEL & SASH

Repl Part	PNC	Part No	Part Name	Qty	Supply Mode	Part Spec	NEW1
	67020AR	MK703309	PANEL ASSY,FR DOOR,RH	1			
		MK703309	PANEL ASSY,FR DOOR,RH	1			
		MK703310	PANEL ASSY,FR DOOR,RH	1			
	67022R	MC939683	SASH,FR DOOR WINDOW,RH	1			
	67040L	MC992143	HINGE,FR DOOR,LWR LH	1			
		MK486073	HINGE,FR DOOR,LWR LH	1			
	67040R	MC992144	HINGE,FR DOOR,LWR RH	1			
		MK486072	HINGE,FR DOOR,LWR RH	1			
	67050L	MC992144	HINGE,FR DOOR,UPR LH	1			
		MK486072	HINGE,FR DOOR,UPR LH	1			
	67050R	MC992143	HINGE,FR DOOR,UPR RH	1			
		MK486073	HINGE,FR DOOR,UPR RH	1			
	67083B	MB142761	BOLT,FR DOOR PANEL	4		WASHER ASSEMBLED,8X25	
		MB142761	BOLT,FR DOOR PANEL	8		WASHER ASSEMBLED,8X25	
		MB142761	BOLT,FR DOOR PANEL	8		WASHER ASSEMBLED,8X25	
		MB142761	BOLT,FR DOOR PANEL	8		WASHER ASSEMBLED,8X25	

FK74R
43-110 FRONT DOOR PANEL & SASH

Repl Part	PNC	Part No	Part Name	Qty	Supply Mode	Part Spec	NEW1
	67083B	MB142761	BOLT,FR DOOR PANEL	8		WASHER ASSEMBLED,8X25	
		MB142761	BOLT,FR DOOR PANEL	8		WASHER ASSEMBLED,8X25	
		MB142761	BOLT,FR DOOR PANEL	8		WASHER ASSEMBLED,8X25	
		MB142761	BOLT,FR DOOR PANEL	8		WASHER ASSEMBLED,8X25	
		MB142761	BOLT,FR DOOR PANEL	8		WASHER ASSEMBLED,8X25	
		MB142761	BOLT,FR DOOR PANEL	8		WASHER ASSEMBLED,8X25	
		MB142761	BOLT,FR DOOR PANEL	8		WASHER ASSEMBLED,8X25	
		MB142761	BOLT,FR DOOR PANEL	8		WASHER ASSEMBLED,8X25	
		MB142761	BOLT,FR DOOR PANEL	8		WASHER ASSEMBLED,8X25	
		MB142761	BOLT,FR DOOR PANEL	8		WASHER ASSEMBLED,8X25	
		MB142761	BOLT,FR DOOR PANEL	8		WASHER ASSEMBLED,8X25	
		MB142761	BOLT,FR DOOR PANEL	4		WASHER ASSEMBLED,8X25	
		MB142761	BOLT,FR DOOR PANEL	4		WASHER ASSEMBLED,8X25	
	67083C	MF244853	BOLT,FR DOOR PANEL	6		WASHER ASSEMBLED,8X25	
		MH001479	BOLT,FR DOOR PANEL	6	OR	FLANGE,8X30	
		MS246030	BOLT,FR DOOR PANEL	6	OR	WASHER ASSEMBLED,8X30	
		MF244853	BOLT,FR DOOR PANEL	12		WASHER ASSEMBLED,8X25	
		MF244853	BOLT,FR DOOR PANEL	12		WASHER ASSEMBLED,8X25	
		MF244853	BOLT,FR DOOR PANEL	12		WASHER ASSEMBLED,8X25	
		MF244853	BOLT,FR DOOR PANEL	12		WASHER ASSEMBLED,8X25	
		MF244853	BOLT,FR DOOR PANEL	12		WASHER ASSEMBLED,8X25	
		MF244853	BOLT,FR DOOR PANEL	12		WASHER ASSEMBLED,8X25	

FK74R
43-110 FRONT DOOR PANEL & SASH

Repl Part	PNC	Part No	Part Name	Qty	Supply Mode	Part Spec	NEW1
	67083C	MF244853	BOLT,FR DOOR PANEL	12		WASHER ASSEMBLED,8X25	
		MF244853	BOLT,FR DOOR PANEL	12		WASHER ASSEMBLED,8X25	
		MF244853	BOLT,FR DOOR PANEL	12		WASHER ASSEMBLED,8X25	
		MF244853	BOLT,FR DOOR PANEL	12		WASHER ASSEMBLED,8X25	
		MF244853 MF244853	BOLT,FR DOOR PANEL BOLT,FR DOOR PANEL	12 12		WASHER ASSEMBLED,8X25 WASHER ASSEMBLED,8X25	
		MF244853 MH001479	BOLT,FR DOOR PANEL BOLT,FR DOOR PANEL	12 12	OR	WASHER ASSEMBLED,8X25 FLANGE,8X30	
		MH001479 MH001479	BOLT,FR DOOR PANEL BOLT,FR DOOR PANEL	12 12	OR OR	FLANGE,8X30 FLANGE,8X30	
		MH001479	BOLT,FR DOOR PANEL	12	OR	FLANGE,8X30	
		MH001479	BOLT,FR DOOR PANEL	12	OR	FLANGE,8X30	
		MH001479	BOLT,FR DOOR PANEL	12	OR	FLANGE,8X30	
		MH001479	BOLT,FR DOOR PANEL	12	OR	FLANGE,8X30	
		MH001479 MH001479	BOLT,FR DOOR PANEL BOLT,FR DOOR PANEL	12 12	OR OR	FLANGE,8X30 FLANGE,8X30	
		MH001479 MH001479	BOLT,FR DOOR PANEL BOLT,FR DOOR PANEL	12 12	OR OR	FLANGE,8X30 FLANGE,8X30	
		MH001479	BOLT,FR DOOR PANEL	12	OR	FLANGE,8X30	
		MS246030 MS246030	BOLT,FR DOOR PANEL BOLT,FR DOOR PANEL	12 12	OR OR	WASHER ASSEMBLED,8X30 WASHER ASSEMBLED,8X30	

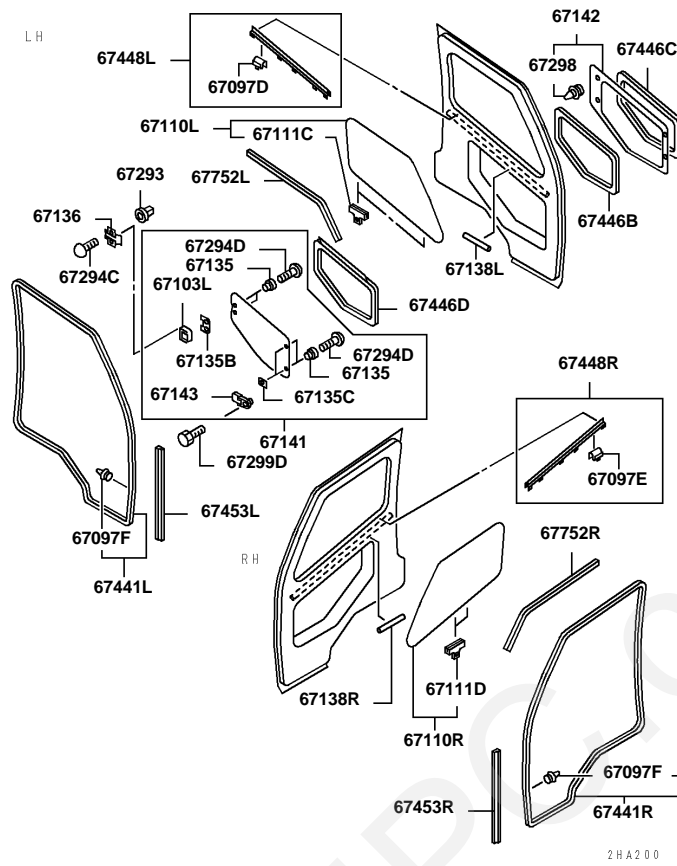
FK74R
43-110 FRONT DOOR PANEL & SASH

Repl Part	PNC	Part No	Part Name	Qty	Supply Mode	Part Spec	NEW1
	67083C	MS246030	BOLT,FR DOOR PANEL	12	OR	WASHER ASSEMBLED,8X30	
		MS246030	BOLT,FR DOOR PANEL	12	OR	WASHER ASSEMBLED,8X30	
		MS246030	BOLT,FR DOOR PANEL	12	OR	WASHER ASSEMBLED,8X30	
		MS246030	BOLT,FR DOOR PANEL	12	OR	WASHER ASSEMBLED,8X30	
		MS246030	BOLT,FR DOOR PANEL	12	OR	WASHER ASSEMBLED,8X30	
		MS246030	BOLT,FR DOOR PANEL	12	OR	WASHER ASSEMBLED,8X30	
		MS246030	BOLT,FR DOOR PANEL	12	OR	WASHER ASSEMBLED,8X30	
		MS246030	BOLT,FR DOOR PANEL	12	OR	WASHER ASSEMBLED,8X30	
		MS246030	BOLT,FR DOOR PANEL	12	OR	WASHER ASSEMBLED,8X30	
		MS246030	BOLT,FR DOOR PANEL	12	OR	WASHER ASSEMBLED,8X30	
		MS246030	BOLT,FR DOOR PANEL	12	OR	WASHER ASSEMBLED,8X30	
		MS246030	BOLT,FR DOOR PANEL	12	OR	WASHER ASSEMBLED,8X30	
		MF244853	BOLT,FR DOOR PANEL	6		WASHER ASSEMBLED,8X25	
		MH001479	BOLT,FR DOOR PANEL	6	OR	FLANGE,8X30	
		MS246030	BOLT,FR DOOR PANEL	6	OR	WASHER ASSEMBLED,8X30	
		MF244853	BOLT,FR DOOR PANEL	6		WASHER ASSEMBLED,8X25	
		MH001479	BOLT,FR DOOR PANEL	6	OR	FLANGE,8X30	
		MS246030	BOLT,FR DOOR PANEL	6	OR	WASHER ASSEMBLED,8X30	
	67083E	MB142761	BOLT,FR DOOR PANEL	2		WASHER ASSEMBLED,8X25	

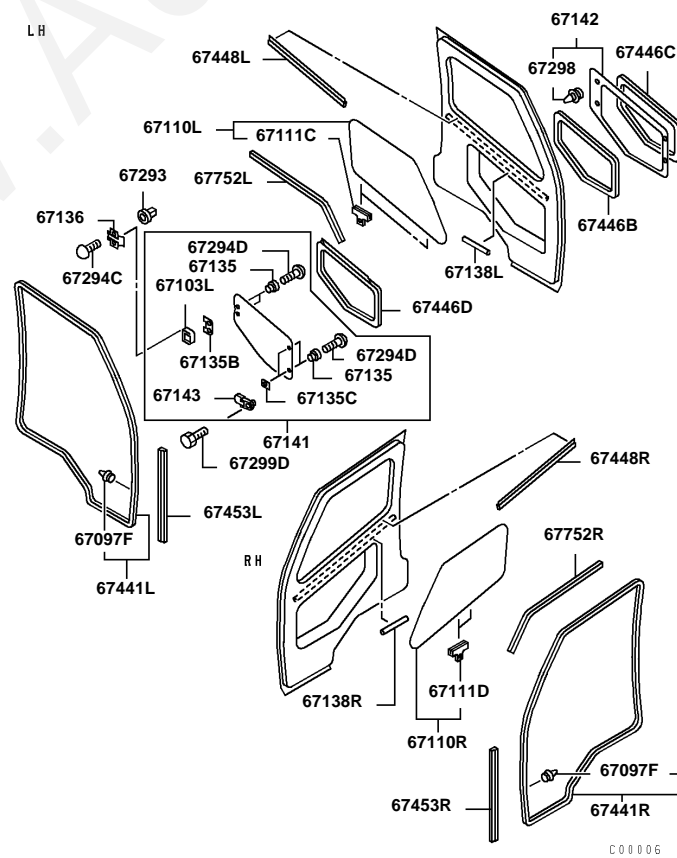
FK74R
43-110 FRONT DOOR PANEL & SASH

Repl Part	PNC	Part No	Part Name	Qty	Supply Mode	Part Spec	NEW1
	67083E	MB142761	BOLT,FR DOOR PANEL	4		WASHER ASSEMBLED,8X25	
		MB142761	BOLT,FR DOOR PANEL	4		WASHER ASSEMBLED,8X25	
		MB142761	BOLT,FR DOOR PANEL	4		WASHER ASSEMBLED,8X25	
		MB142761	BOLT,FR DOOR PANEL	4		WASHER ASSEMBLED,8X25	
		MB142761	BOLT,FR DOOR PANEL	4		WASHER ASSEMBLED,8X25	
		MB142761	BOLT,FR DOOR PANEL	4		WASHER ASSEMBLED,8X25	
		MB142761	BOLT,FR DOOR PANEL	4		WASHER ASSEMBLED,8X25	
		MB142761	BOLT,FR DOOR PANEL	4		WASHER ASSEMBLED,8X25	
		MB142761	BOLT,FR DOOR PANEL	4		WASHER ASSEMBLED,8X25	
		MB142761	BOLT,FR DOOR PANEL	4		WASHER ASSEMBLED,8X25	
		MB142761	BOLT,FR DOOR PANEL	4		WASHER ASSEMBLED,8X25	
		MB142761	BOLT,FR DOOR PANEL	2		WASHER ASSEMBLED,8X25	
		MB142761	BOLT,FR DOOR PANEL	2		WASHER ASSEMBLED,8X25	
	67124L	MK485424	RUNCHANNEL,FR DOOR WINDOW GLASS,LH	1			
	67124R	MK484099	RUNCHANNEL,FR DOOR WINDOW GLASS,RH	1			
	67294B	MF351490	SCREW,FR DOOR WINDOW	2		WASHER ASSEMBLED,6X16	

FK74R
No.1



FK74R
No.2



FK74R
43-120 FRONT DOOR WINDOW GLASS

SPN	Repl Part	PNC	Part No	Part Name	Qty	Part Spec	Remarks	PREV.1
		67097D	MC964083	CLIP,FR DOOR	6			
		67097E	MC927504	CLIP,FR DOOR	6			
		67097F	MC146853	CLIP,FR DOOR	44	5		
		67103L	MC935114	CATCH,FR DOOR WINDOW GLASS,LH	1			
		67110L	MC938474	GLASS,FR DOOR WINDOW,LH	1			
		67110R	MC938477	GLASS,FR DOOR WINDOW,RH	1			
		67111C	MC938476	HOLDER,FR DOOR WINDOW GLASS	2			
		67111D	MC938476	HOLDER,FR DOOR WINDOW GLASS	2			
		67135	MC935104	PAD,FR DOOR UNDER WINDOW GLASS	4			
		67135B	MC937953	PAD,FR DOOR UNDER WINDOW GLASS	1			
		67135C	MC938997	PAD,FR DOOR UNDER WINDOW GLASS	2			
		67136	MC935177	STRIKER,FR DOOR UNDER WINDOW GLASS	1			

FK74R
43-120 FRONT DOOR WINDOW GLASS

SPN	Repl Part	PNC	Part No	Part Name	Qty	Part Spec	Remarks	PREV.1
		67138L	MC963539	CUSHION,FR DOOR BEAM,LH	1			
		67138R	MC963539	CUSHION,FR DOOR BEAM,RH	1			
		67141	MC938472	GLASS,FR DOOR UNDER WINDOW,INR	1			
		67142	MC938467	GLASS,FR DOOR UNDER WINDOW,OTR	1			
			MK545843	GLASS,FR DOOR UNDER WINDOW,OTR	1			
		67143	MC938996	HINGE,FR DOOR UNDER WINDOW	2			
		67293	MC938304	GROMMET,FR DOOR WINDOW	2			
		67294C	MF453033	SCREW,FR DOOR WINDOW	2	TAPPING,5X16		
		67294D	MF351688	SCREW,FR DOOR WINDOW	4	WASHER ASSEMBLED,6X12		
		67298	MC926415	CLIP,FR DOOR WINDOW	7	8		
		67299D	MS146930	BOLT,FR DOOR WINDOW	2	F.T,6X20	4T	
		67441L	MC919863	WEATHERSTRIP,FR DOOR OPENING,LH	1			

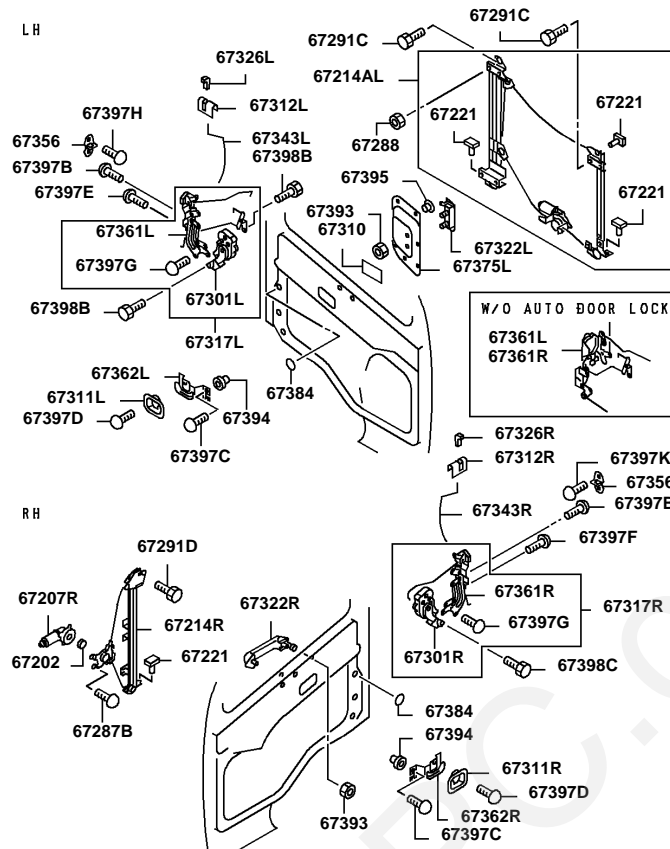
FK74R
43-120 FRONT DOOR WINDOW GLASS

SPN	Repl Part	PNC	Part No	Part Name	Qty	Part Spec	Remarks	PREV.1
		67441R	MC919864	WEATHERSTRIP,FR DOOR OPENING,RH	1			
	RP	67446B	MC938469	WEATHERSTRIP,FR DOOR UNDER WINDOW	1			
SP		67446C	MK403394	WEATHERSTRIP,FR DOOR UNDER WINDOW	1			
			MK580495	WEATHERSTRIP,FR DOOR UNDER WINDOW	1			
	RP	67446D	MC938458	WEATHERSTRIP,FR DOOR UNDER WINDOW	1			
		67448L	MC964891	WEATHERSTRIP,FR DOOR BELT,OTR LH	1			
		67448R	MC924044	WEATHERSTRIP,FR DOOR BELT,OTR RH	1			
			MK486071	WEATHERSTRIP,FR DOOR BELT,OTR RH	1			
		67453L	MC963694	WEATHERSTRIP,FR DOOR WINDOW,OTR LH	1			
			MK488897	WEATHERSTRIP,FR DOOR WINDOW,OTR LH	1			
		67453R	MC963695	WEATHERSTRIP,FR DOOR WINDOW,OTR RH	1			
			MK488898	WEATHERSTRIP,FR DOOR WINDOW,OTR RH	1			
	RP	67752L	MC963792	WEATHERSTRIP,FR DOOR,UPR LH	1			O

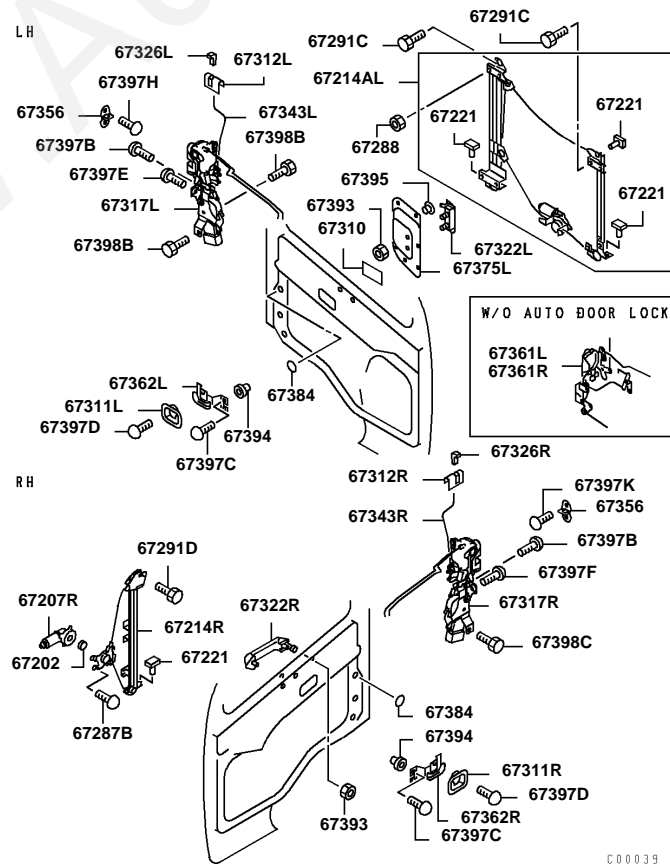
FK74R
43-120 FRONT DOOR WINDOW GLASS

SPN	Repl Part RP	PNC 67752R	Part No MC963792	Part Name WEATHERSTRIP,FR DOOR,UPR RH	Qty 1	Part Spec	Remarks	PREV.1 O
www.AutoEPC.com								

FK74R
No.1



FK74R
No.2



FK74R
43-140 FRONT DOOR LOCKING & REGULATO

Repl Part	PNC	Part No	Part Name	Qty	Part Spec	Remarks
	67202	MB842702	DAMPER,FR DOOR WINDOW REGULATOR	1		
	67207R	MK487309	MOTOR,FR DOOR POWER WINDOW REGULATOR,RH	1		
	67214AL	MK484229	REGULATOR ASSY,FR DOOR WINDOW,LH	1		
	67214R	MK487320	REGULATOR,FR DOOR WINDOW,RH	1		
	67221	MC935775	STOPPER,FR DOOR WINDOW REGULATOR UP	2		
		MC935775	STOPPER,FR DOOR WINDOW REGULATOR UP	1		
		MC935775	STOPPER,FR DOOR WINDOW REGULATOR UP	3		
		MC935775	STOPPER,FR DOOR WINDOW REGULATOR UP	4		
	67287B	MF350071	SCREW,FR DOOR WINDOW REGULATOR	3	WASHER ASSEMBLED,6X12	
	67288	MF434103	NUT,FR DOOR WINDOW REGULATOR	2	FLANGE,6	W/O COATING
	67291C	MF140002	BOLT,FR DOOR WINDOW REGULATOR	11	FLANGE,6X10	4T
	67291D	MF140201	BOLT,FR DOOR WINDOW REGULATOR	9	FLANGE,6X8	7T
	67310	MC939925	FILM,FR DOOR OUTSIDE HANDLE WATERPROOF	1		

FK74R
43-140 FRONT DOOR LOCKING & REGULATO

Repl Part	PNC	Part No	Part Name	Qty	Part Spec	Remarks
	67311L	MC927453	COVER,FR DOOR INSIDE HANDLE,LH	1	DARK GREEN GRAY	
		MC927453	COVER,FR DOOR INSIDE HANDLE,LH	1	DARK GREEN GRAY	
		MC927453	COVER,FR DOOR INSIDE HANDLE,LH	1	DARK GREEN GRAY	
		MC927453	COVER,FR DOOR INSIDE HANDLE,LH	1	DARK GREEN GRAY	
		MK547306	COVER,FR DOOR INSIDE HANDLE,LH	1	METALLIC SILVER	
		MK486077	COVER,FR DOOR INSIDE HANDLE,LH	1	MEDIUM GRAY	
		MK486077	COVER,FR DOOR INSIDE HANDLE,LH	1	MEDIUM GRAY	
		MK486077	COVER,FR DOOR INSIDE HANDLE,LH	1	MEDIUM GRAY	
		MK486077	COVER,FR DOOR INSIDE HANDLE,LH	1	MEDIUM GRAY	
		MK486077	COVER,FR DOOR INSIDE HANDLE,LH	1	MEDIUM GRAY	
		MK486077	COVER,FR DOOR INSIDE HANDLE,LH	1	MEDIUM GRAY	
		MK486077	COVER,FR DOOR INSIDE HANDLE,LH	1	MEDIUM GRAY	
		MK547306	COVER,FR DOOR INSIDE HANDLE,LH	1	METALLIC SILVER	
	67311R	MC927454	COVER,FR DOOR INSIDE HANDLE,RH	1	DARK GREEN GRAY	
		MC927454	COVER,FR DOOR INSIDE HANDLE,RH	1	DARK GREEN GRAY	
		MC927454	COVER,FR DOOR INSIDE HANDLE,RH	1	DARK GREEN GRAY	
		MC927454	COVER,FR DOOR INSIDE HANDLE,RH	1	DARK GREEN GRAY	
		MK486078	COVER,FR DOOR INSIDE HANDLE,RH	1	MEDIUM GRAY	
		MK547307	COVER,FR DOOR INSIDE HANDLE,RH	1	METALLIC SILVER	
		MK486078	COVER,FR DOOR INSIDE HANDLE,RH	1	MEDIUM GRAY	
		MK486078	COVER,FR DOOR INSIDE HANDLE,RH	1	MEDIUM GRAY	

FK74R
43-140 FRONT DOOR LOCKING & REGULATO

Repl Part	PNC	Part No	Part Name	Qty	Part Spec	Remarks
	67311R	MK486078	COVER,FR DOOR INSIDE HANDLE,RH	1	MEDIUM GRAY	
		MK486078	COVER,FR DOOR INSIDE HANDLE,RH	1	MEDIUM GRAY	
		MK486078	COVER,FR DOOR INSIDE HANDLE,RH	1	MEDIUM GRAY	
		MK486078	COVER,FR DOOR INSIDE HANDLE,RH	1	MEDIUM GRAY	
		MK486078	COVER,FR DOOR INSIDE HANDLE,RH	1	MEDIUM GRAY	
		MK547307	COVER,FR DOOR INSIDE HANDLE,RH	1	METALLIC SILVER	
67312L		MC938454	COVER,FR DOOR INSIDE LOCK KNOB,LH	1		
		MK486081	COVER,FR DOOR INSIDE LOCK KNOB,LH	1	MEDIUM GRAY	
67312R		MC924035	COVER,FR DOOR INSIDE LOCK KNOB,RH	1		
		MK486082	COVER,FR DOOR INSIDE LOCK KNOB,RH	1	MEDIUM GRAY	
67317L		MK484148	LATCH & ACTUATOR,FR DOOR,LH	1		
67317R		MK485684	LATCH & ACTUATOR,FR DOOR,RH	1		
		MK485684	LATCH & ACTUATOR,FR DOOR,RH	1		
		MK485684	LATCH & ACTUATOR,FR DOOR,RH	1		
		MK485684	LATCH & ACTUATOR,FR DOOR,RH	1		

FK74R
43-140 FRONT DOOR LOCKING & REGULATO

Repl Part	PNC	Part No	Part Name	Qty	Part Spec	Remarks
	67317R	MK485684	LATCH & ACTUATOR,FR DOOR,RH	1		
		MK485684	LATCH & ACTUATOR,FR DOOR,RH	1		
		MK485684	LATCH & ACTUATOR,FR DOOR,RH	1		
		MK484149	LATCH & ACTUATOR,FR DOOR,RH	1		
		MK485684	LATCH & ACTUATOR,FR DOOR,RH	1		
		MK484149	LATCH & ACTUATOR,FR DOOR,RH	1		
		MK485684	LATCH & ACTUATOR,FR DOOR,RH	1		
	67322L	MC961502	HANDLE,FR DOOR OUTSIDE,LH	1		
RP	67322R	MC964651	HANDLE,FR DOOR OUTSIDE,RH	1		
		MK486074	HANDLE,FR DOOR OUTSIDE,RH	1	BLACK(HALF GROSS)	
	67326L	MC938492	KNOB,FR DOOR INSIDE LOCK,LH	1		
		MK486079	KNOB,FR DOOR INSIDE LOCK,LH	1	MEDIUM GRAY	
	67326R	MC924039	KNOB,FR DOOR INSIDE LOCK,RH	1		

FK74R
43-140 FRONT DOOR LOCKING & REGULATO

Repl Part	PNC	Part No	Part Name	Qty	Part Spec	Remarks
	67326R	MK486080	KNOB,FR DOOR INSIDE LOCK,RH	1	MEDIUM GRAY	
	67343L	MC938494	ROD,FR DOOR INSIDE LOCK,LH	1		
	67343R	MC939636	ROD,FR DOOR INSIDE LOCK,RH	1		
	67356	MC919850	STRIKER,FR DOOR LATCH	2		
		MC919850	STRIKER,FR DOOR LATCH	2		
		MC919850	STRIKER,FR DOOR LATCH	2		
		MC919850	STRIKER,FR DOOR LATCH	2		
		MC919850	STRIKER,FR DOOR LATCH	2		
		MC919850	STRIKER,FR DOOR LATCH	2		
		MC919850	STRIKER,FR DOOR LATCH	2		
		MC919850	STRIKER,FR DOOR LATCH	2		
		MC919850	STRIKER,FR DOOR LATCH	2		
		MC919850	STRIKER,FR DOOR LATCH	1		
		MC919850	STRIKER,FR DOOR LATCH	1		
	67362L	MC927749	HANDLE,FR DOOR INSIDE,LH	1		
		MC927749	HANDLE,FR DOOR INSIDE,LH	1		
		MC927749	HANDLE,FR DOOR INSIDE,LH	1		
		MC927749	HANDLE,FR DOOR INSIDE,LH	1		

FK74R
43-140 FRONT DOOR LOCKING & REGULATO

Repl Part	PNC	Part No	Part Name	Qty	Part Spec	Remarks
	67362L	MC924261	HANDLE,FR DOOR INSIDE,LH	1		
		MK487887	HANDLE,FR DOOR INSIDE,LH	1	MEDIUM GRAY	
		MK487887	HANDLE,FR DOOR INSIDE,LH	1	MEDIUM GRAY	
		MK487887	HANDLE,FR DOOR INSIDE,LH	1	MEDIUM GRAY	
		MK487887	HANDLE,FR DOOR INSIDE,LH	1	MEDIUM GRAY	
		MK487887	HANDLE,FR DOOR INSIDE,LH	1	MEDIUM GRAY	
		MK487887	HANDLE,FR DOOR INSIDE,LH	1	MEDIUM GRAY	
		MK487887	HANDLE,FR DOOR INSIDE,LH	1	MEDIUM GRAY	
	67362R	MC927748	HANDLE,FR DOOR INSIDE,RH	1		
		MC927748	HANDLE,FR DOOR INSIDE,RH	1		
		MC927748	HANDLE,FR DOOR INSIDE,RH	1		
		MC927748	HANDLE,FR DOOR INSIDE,RH	1		
		MK486076	HANDLE,FR DOOR INSIDE,RH	1	MEDIUM GRAY	
		MC924258	HANDLE,FR DOOR INSIDE,RH	1		
		MK486076	HANDLE,FR DOOR INSIDE,RH	1	MEDIUM GRAY	
		MK486076	HANDLE,FR DOOR INSIDE,RH	1	MEDIUM GRAY	
		MK486076	HANDLE,FR DOOR INSIDE,RH	1	MEDIUM GRAY	
		MK486076	HANDLE,FR DOOR INSIDE,RH	1	MEDIUM GRAY	

FK74R
43-140 FRONT DOOR LOCKING & REGULATO

Repl Part	PNC	Part No	Part Name	Qty	Part Spec	Remarks
	67362R	MK486076	HANDLE,FR DOOR INSIDE,RH	1	MEDIUM GRAY	
		MK486076	HANDLE,FR DOOR INSIDE,RH	1	MEDIUM GRAY	
		MK486076	HANDLE,FR DOOR INSIDE,RH	1	MEDIUM GRAY	
		MC924258	HANDLE,FR DOOR INSIDE,RH	1		
	67375L	MC938461	ESCUTCHEON,FR DOOR OUTSIDE HANDLE,LH	1		
	67384	MT365854	PLUG,FR DOOR LOCKING	2		
		MT365854	PLUG,FR DOOR LOCKING	2		
		MT365854	PLUG,FR DOOR LOCKING	2		
		MT365854	PLUG,FR DOOR LOCKING	2		
		MT365854	PLUG,FR DOOR LOCKING	2		
		MT365854	PLUG,FR DOOR LOCKING	2		
		MT365854	PLUG,FR DOOR LOCKING	2		
		MT365854	PLUG,FR DOOR LOCKING	2		
		MT365854	PLUG,FR DOOR LOCKING	1		
		MT365854	PLUG,FR DOOR LOCKING	1		
	67393	MF434103	NUT,FR DOOR LOCKING	4	FLANGE,6	W/O COATING

FK74R
43-140 FRONT DOOR LOCKING & REGULATO

Repl Part	PNC	Part No	Part Name	Qty	Part Spec	Remarks
67393		MF434103	NUT,FR DOOR LOCKING	4	FLANGE,6	W/O COATING
		MF434103	NUT,FR DOOR LOCKING	4	FLANGE,6	W/O COATING
		MF434103	NUT,FR DOOR LOCKING	4	FLANGE,6	W/O COATING
		MF434103	NUT,FR DOOR LOCKING	4	FLANGE,6	W/O COATING
		MF434103	NUT,FR DOOR LOCKING	4	FLANGE,6	W/O COATING
		MF434103	NUT,FR DOOR LOCKING	4	FLANGE,6	W/O COATING
		MF434103	NUT,FR DOOR LOCKING	4	FLANGE,6	W/O COATING
		MF434103	NUT,FR DOOR LOCKING	4	FLANGE,6	W/O COATING
		MF434103	NUT,FR DOOR LOCKING	4	FLANGE,6	W/O COATING
		MF434103	NUT,FR DOOR LOCKING	4	FLANGE,6	W/O COATING
		MF434103	NUT,FR DOOR LOCKING	4	FLANGE,6	W/O COATING
		MF434103	NUT,FR DOOR LOCKING	2	FLANGE,6	W/O COATING
		MF434103	NUT,FR DOOR LOCKING	2	FLANGE,6	W/O COATING
		67394		MS480003	GROMMET,FR DOOR LOCKING	6
MS480003	GROMMET,FR DOOR LOCKING			6	SCREW,6,HOLE=8.5X8.5	
MS480003	GROMMET,FR DOOR LOCKING			6	SCREW,6,HOLE=8.5X8.5	
MS480003	GROMMET,FR DOOR LOCKING			6	SCREW,6,HOLE=8.5X8.5	
MS480003	GROMMET,FR DOOR LOCKING			6	SCREW,6,HOLE=8.5X8.5	
MS480003	GROMMET,FR DOOR LOCKING			6	SCREW,6,HOLE=8.5X8.5	
MS480003	GROMMET,FR DOOR LOCKING			6	SCREW,6,HOLE=8.5X8.5	
MS480003	GROMMET,FR DOOR LOCKING			6	SCREW,6,HOLE=8.5X8.5	

FK74R
43-140 FRONT DOOR LOCKING & REGULATO

Repl Part	PNC	Part No	Part Name	Qty	Part Spec	Remarks
	67394	MS480003	GROMMET,FR DOOR LOCKING	6	SCREW,6,HOLE=8.5X8.5	
		MS480003	GROMMET,FR DOOR LOCKING	3	SCREW,6,HOLE=8.5X8.5	
		MS480003	GROMMET,FR DOOR LOCKING	3	SCREW,6,HOLE=8.5X8.5	
	67395	MB344706	CLIP,FR DOOR LOCKING	3	5	
	67397B	MF360074	SCREW,FR DOOR LOCKING	6	WASHER ASSEMBLED,6X20	
		MF360074	SCREW,FR DOOR LOCKING	6	WASHER ASSEMBLED,6X20	
		MF360074	SCREW,FR DOOR LOCKING	6	WASHER ASSEMBLED,6X20	
		MF360074	SCREW,FR DOOR LOCKING	6	WASHER ASSEMBLED,6X20	
		MF360074	SCREW,FR DOOR LOCKING	6	WASHER ASSEMBLED,6X20	
		MF360074	SCREW,FR DOOR LOCKING	6	WASHER ASSEMBLED,6X20	
		MF360074	SCREW,FR DOOR LOCKING	6	WASHER ASSEMBLED,6X20	
		MF360074	SCREW,FR DOOR LOCKING	6	WASHER ASSEMBLED,6X20	
		MF360074	SCREW,FR DOOR LOCKING	6	WASHER ASSEMBLED,6X20	
		MF360074	SCREW,FR DOOR LOCKING	6	WASHER ASSEMBLED,6X20	
		MF360074	SCREW,FR DOOR LOCKING	6	WASHER ASSEMBLED,6X20	
		MF360074	SCREW,FR DOOR LOCKING	6	WASHER ASSEMBLED,6X20	
		MF360074	SCREW,FR DOOR LOCKING	6	WASHER ASSEMBLED,6X20	
		MF360074	SCREW,FR DOOR LOCKING	6	WASHER ASSEMBLED,6X20	
		MF360074	SCREW,FR DOOR LOCKING	6	WASHER ASSEMBLED,6X20	
		MF360074	SCREW,FR DOOR LOCKING	6	WASHER ASSEMBLED,6X20	
		MF360074	SCREW,FR DOOR LOCKING	6	WASHER ASSEMBLED,6X20	
	67397C	MF453047	SCREW,FR DOOR LOCKING	6	TAPPING,6X16	
		MF453047	SCREW,FR DOOR LOCKING	6	TAPPING,6X16	

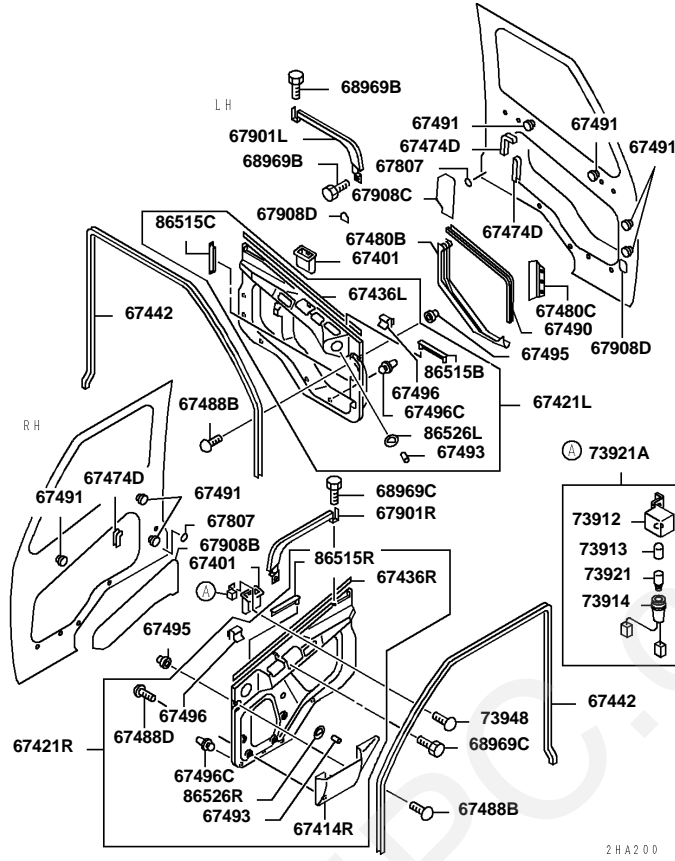
43-140 FRONT DOOR LOCKING & REGULATO

Repl Part	PNC	Part No	Part Name	Qty	Part Spec	Remarks
67397C		MF453047	SCREW,FR DOOR LOCKING	6	TAPPING,6X16	
		MF453047	SCREW,FR DOOR LOCKING	6	TAPPING,6X16	
		MF453047	SCREW,FR DOOR LOCKING	6	TAPPING,6X16	
		MF453047	SCREW,FR DOOR LOCKING	6	TAPPING,6X16	
		MF453047	SCREW,FR DOOR LOCKING	6	TAPPING,6X16	
		MF453047	SCREW,FR DOOR LOCKING	6	TAPPING,6X16	
		MF453047	SCREW,FR DOOR LOCKING	6	TAPPING,6X16	
		MF453047	SCREW,FR DOOR LOCKING	6	TAPPING,6X16	
		MF453047	SCREW,FR DOOR LOCKING	6	TAPPING,6X16	
		MF453047	SCREW,FR DOOR LOCKING	6	TAPPING,6X16	
		MF453047	SCREW,FR DOOR LOCKING	6	TAPPING,6X16	
		MF453047	SCREW,FR DOOR LOCKING	6	TAPPING,6X16	
		MF453047	SCREW,FR DOOR LOCKING	6	TAPPING,6X16	
		MF453047	SCREW,FR DOOR LOCKING	6	TAPPING,6X16	
67397D		MF457292	SCREW,FR DOOR LOCKING	2	TAPPING,4X10	
		MF457292	SCREW,FR DOOR LOCKING	2	TAPPING,4X10	
		MF457292	SCREW,FR DOOR LOCKING	2	TAPPING,4X10	
		MF457292	SCREW,FR DOOR LOCKING	2	TAPPING,4X10	
		MF457292	SCREW,FR DOOR LOCKING	2	TAPPING,4X10	
		MF457292	SCREW,FR DOOR LOCKING	2	TAPPING,4X10	
		MF457292	SCREW,FR DOOR LOCKING	2	TAPPING,4X10	
		MF457292	SCREW,FR DOOR LOCKING	2	TAPPING,4X10	
		MF457292	SCREW,FR DOOR LOCKING	2	TAPPING,4X10	
		MF457292	SCREW,FR DOOR LOCKING	2	TAPPING,4X10	

FK74R
43-140 FRONT DOOR LOCKING & REGULATO

Repl Part	PNC	Part No	Part Name	Qty	Part Spec	Remarks
	67397D	MF457292	SCREW,FR DOOR LOCKING	1	TAPPING,4X10	
		MF457292	SCREW,FR DOOR LOCKING	1	TAPPING,4X10	
	67397E	MF351488	SCREW,FR DOOR LOCKING	2	WASHER ASSEMBLED,6X12	
	67397F	MS366900	SCREW,FR DOOR LOCKING	2	WASHER ASSEMBLED,6X10	
RP	67397H	MB069727	SCREW,FR DOOR LOCKING	2	WASHER ASSEMBLED,8X22.5	
RP	67397K	MB069727	SCREW,FR DOOR LOCKING	2	WASHER ASSEMBLED,8X22.5	
	67398B	MF140002	BOLT,FR DOOR LOCKING	3	FLANGE,6X10	4T
	67398C	MF140201	BOLT,FR DOOR LOCKING	1	FLANGE,6X8	7T
	67361L	(N.e.c.)	LATCH,FR DOOR,LH			
	67397G	(N.e.c.)	SCREW,FR DOOR LOCKING			
	67361R	(N.e.c.)	LATCH,FR DOOR,RH			
	67301L	(N.e.c.)	ACTUATOR,FR DOOR LOCK,LH			
	67301R	(N.e.c.)	ACTUATOR,FR DOOR LOCK,RH			

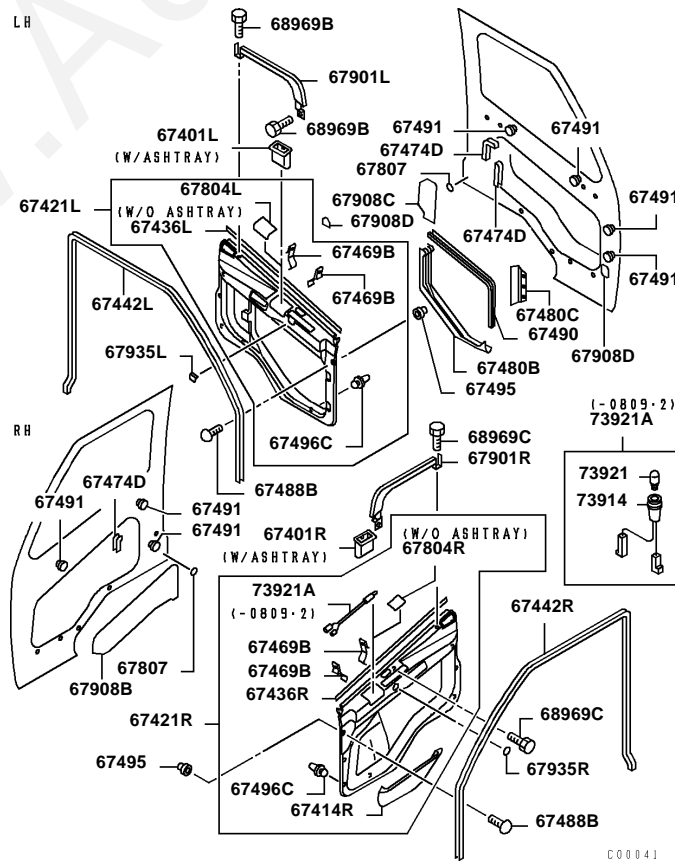
FK74R
No.1



Ref. |2043160

Page

FK74R
No.2



Ref. |2043160

Page

FK74R
43-160 FR DOOR TRIM & RELATED PARTS

Repl Part RP	PNC 67401	Part No MK435885	Part Name ASHTRAY,DOOR TRIM	Qty 2	Part Spec MEDIUM GREEN GRAY	Remarks	NEW1 Y	Classificati G6,G6E,H6, H6E,J6,J6E, K6,K6E,M6, M6E
RP	67401L	MK486066	ASHTRAY,DOOR TRIM,LH	1	MEDIUM GRAY		Y	G6,G6V,H6, H6E,H6V,H6 J6,J6E,J6V, J6VE,K6,K6 K6VE,M6E
RP		MK486066	ASHTRAY,DOOR TRIM,LH	1	MEDIUM GRAY		Y	G6,G6V,H6, H6E,H6V,H6 J6,J6E,J6V, J6VE,K6,K6 K6V,K6VE,M M6VE
RP		MK486066	ASHTRAY,DOOR TRIM,LH	1	MEDIUM GRAY		Y	G6,G6V,H6, H6E,H6V,H6 J6,J6E,J6V, J6VE,K6,K6 K6V,K6VE,M M6VE
RP		MK486066	ASHTRAY,DOOR TRIM,LH	1	MEDIUM GRAY		Y	K6V,M6VE
RP		MK486066	ASHTRAY,DOOR TRIM,LH	1	MEDIUM GRAY		Y	G6,G6V,H6, H6E,H6V,H6 J6,J6E,J6V, J6VE,K6,K6 K6VE,M6E
RP		MK580637	ASHTRAY,DOOR TRIM,LH	1	BLACK		Y	G6,G6V,H6, H6E,H6V,H6 J6,J6E,J6V, J6VE,K6,K6 K6VE,M6E
RP	67401R	MK486067	ASHTRAY,DOOR TRIM,RH	1	MEDIUM GRAY		Y	G6,G6V,H6, H6E,H6V,H6 J6,J6E,J6V, J6VE,K6,K6 K6V,K6VE,M M6VE
RP		MK580637	ASHTRAY,DOOR TRIM,RH	1	BLACK		Y	G6,G6V,H6, H6E,H6V,H6 J6,J6E,J6V, J6VE,K6,K6 K6VE,M6E
	67414R	MC930843	POCKET,FR DOOR,RH	1	MEDIUM GREEN GRAY			G6,G6E,H6, H6E,J6,J6E, K6,K6E,M6, M6E
		MK580293	POCKET,FR DOOR,RH	1	MEDIUM DARK GRAY			G6,G6V,H6, H6E,H6V,H6 J6,J6E,J6V, J6VE,K6,K6 K6V,K6VE,M M6VE
	67421L	MC938450	TRIM,FR DOOR,LH	1				G6,G6E,H6, H6E,J6,J6E, K6,K6E,M6, M6E
		MK486061	TRIM,FR DOOR,LH	1	MEDIUM GRAY			G6,G6V,H6, H6E,H6V,H6 J6,J6E,J6V, J6VE,K6,K6 K6VE,M6E
		MK486061	TRIM,FR DOOR,LH	1	MEDIUM GRAY			G6,G6V,H6, H6E,H6V,H6 J6,J6E,J6V, J6VE,K6,K6 K6V,K6VE,M M6VE

FK74R
43-160 FR DOOR TRIM & RELATED PARTS

Repl Part	PNC	Part No	Part Name	Qty	Part Spec	Remarks	NEW1	Classificati
	67421L	MK486061	TRIM,FR DOOR,LH	1	MEDIUM GRAY			G6,G6V,H6, H6E,H6V,H6 J6,J6E,J6V, J6VE,K6,K6 K6V,K6VE,M M6VE
		MK486061	TRIM,FR DOOR,LH	1	MEDIUM GRAY			K6V,M6VE
		MK486061	TRIM,FR DOOR,LH	1	MEDIUM GRAY			G6,G6V,H6, H6E,H6V,H6 J6,J6E,J6V, J6VE,K6,K6 K6VE,M6E
		MK580639	TRIM,FR DOOR,LH	1	MEDIUM GRAY			G6,G6V,H6, H6E,H6V,H6 J6,J6E,J6V, J6VE,K6,K6 K6VE,M6E
	67421R	MC924421	TRIM,FR DOOR,RH	1				G6,G6E,H6, H6E,J6,J6E, K6,K6E,M6, M6E
		MK486062	TRIM,FR DOOR,RH	1	MEDIUM GRAY			G6,G6V,H6, H6E,H6V,H6 J6,J6E,J6V, J6VE,K6,K6 K6V,K6VE,M M6VE
		MK580478	TRIM,FR DOOR,RH	1	MEDIUM GRAY			G6,G6V,H6, H6E,H6V,H6 J6,J6E,J6V, J6VE,K6,K6 K6VE,M6E
	67436L	MC933594	WEATHERSTRIP,FR DOOR BELT,INR LH	1				G6,G6E,H6, H6E,J6,J6E, K6,K6E,M6, M6E
		MK487435	WEATHERSTRIP,FR DOOR BELT,INR LH	1	BLACK			G6,G6V,H6, H6E,H6V,H6 J6,J6E,J6V, J6VE,K6,K6 K6V,K6VE,M M6VE
	67436R	MC933595	WEATHERSTRIP,FR DOOR BELT,INR RH	1				G6,G6E,H6, H6E,J6,J6E, K6,K6E,M6, M6E
		MK487436	WEATHERSTRIP,FR DOOR BELT,INR RH	1	BLACK			G6,G6V,H6, H6E,H6V,H6 J6,J6E,J6V, J6VE,K6,K6 K6V,K6VE,M M6VE
	67442	MC919865	WEATHERSTRIP,FR DOOR OPENING,INR	2				G6,G6E,H6, H6E,J6,J6E, K6,K6E,M6, M6E
	67442L	MK486068	WEATHERSTRIP,FR DOOR OPENING,INR LH	1	BLACK			G6,G6V,H6, H6E,H6V,H6 J6,J6E,J6V, J6VE,K6,K6 K6V,K6VE,M M6VE
	67442R	MK486069	WEATHERSTRIP,FR DOOR OPENING,INR RH	1	BLACK			G6,G6V,H6, H6E,H6V,H6 J6,J6E,J6V, J6VE,K6,K6 K6V,K6VE,M M6VE

FK74R
43-160 FR DOOR TRIM & RELATED PARTS

Repl Part	PNC	Part No	Part Name	Qty	Part Spec	Remarks	NEW1	Classificati
	67469B	MK403929	SPRING,FR DOOR TRIM ASHTRAY HOLD	4				G6,G6V,H6, H6E,H6V,H6 J6,J6E,J6V, J6VE,K6,K6 K6V,K6VE,M M6VE
	67474D	MH022010	PROTECTOR,FR DOOR TRIM	3				G6,G6E,H6, H6E,J6,J6E, K6,K6E,M6, M6E
		MH022010	PROTECTOR,FR DOOR TRIM	1				G6,G6V,H6, H6E,H6V,H6 J6,J6E,J6V, J6VE,K6,K6 K6V,K6VE,M M6VE
		MH022010	PROTECTOR,FR DOOR TRIM	2				G6,G6V,H6, H6E,H6V,H6 J6,J6E,J6V, J6VE,K6,K6 K6V,K6VE,M M6VE
		MH022010	PROTECTOR,FR DOOR TRIM	2				G6,G6V,H6, H6E,H6V,H6 J6,J6E,J6V, J6VE,K6,K6 K6V,K6VE,M M6VE
		MH022010	PROTECTOR,FR DOOR TRIM	4				G6,G6V,H6, H6E,H6V,H6 J6,J6E,J6V, J6VE,K6,K6 K6V,K6VE,M M6VE
	67480B	MC938457	COVER,FR DOOR UNDER WINDOW	1				G6,G6E,G6V, H6,H6E,H6V H6VE,J6,J6 J6V,J6VE,K K6E,K6V,K6 M6,M6E,M6V
	67480C	MC939597	COVER,FR DOOR UNDER WINDOW	1				G6,G6E,G6V, H6,H6E,H6V H6VE,J6,J6 J6V,J6VE,K K6E,K6V,K6 M6,M6E,M6V
	67488B	MS450174	SCREW,FR DOOR TRIM	2	TAPPING,BLACK,4X16			G6,G6E,G6V, H6,H6E,H6V H6VE,J6,J6 J6V,J6VE,K K6E,K6V,K6 M6,M6E,M6V
	67488D	MS450154	SCREW,FR DOOR TRIM	4	TAPPING,4X16			G6,G6E,H6, H6E,J6,J6E, K6,K6E,M6, M6E
	67490	MC938456	RAIL,FR DOOR UNDER WINDOW	1				G6,G6E,G6V, H6,H6E,H6V H6VE,J6,J6 J6V,J6VE,K K6E,K6V,K6 M6,M6E,M6V
	67491	MT365854	PLUG,FR DOOR TRIM	9				G6,G6E,H6, H6E,J6,J6E, K6,K6E,M6, M6E
		MT365854	PLUG,FR DOOR TRIM	7				G6,G6V,H6, H6E,H6V,H6 J6,J6E,J6V, J6VE,K6,K6 K6V,K6VE,M M6VE

FK74R
43-160 FR DOOR TRIM & RELATED PARTS

Repl Part	PNC	Part No	Part Name	Qty	Part Spec	Remarks	NEW1	Classificati
	67493	MF445802	NUT,FR DOOR TRIM	8	SPRING,3			G6,G6E,H6, H6E,J6,J6E, K6,K6E,M6, M6E
	67495	MB132008	GROMMET,FR DOOR TRIM	2	4			G6,G6E,G6V, H6,H6E,H6V, H6VE,J6,J6E, J6V,J6VE,K6, K6E,K6V,K6E, M6,M6E,M6VE
	67496	MB479766	CLIP,FR DOOR TRIM	8	8.5			G6,G6E,H6, H6E,J6,J6E, K6,K6E,M6, M6E
	67496C	MB608410	CLIP,FR DOOR TRIM	13				G6,G6E,H6, H6E,J6,J6E, K6,K6E,M6, M6E
		MK548379	CLIP,FR DOOR TRIM	14	8.5			G6,G6V,H6, H6E,H6V,H6VE, J6,J6E,J6V, J6VE,K6,K6E, K6V,K6VE,M6VE
	67804L	MK580600	COVER,FR DOOR TRIM ASHTRAY,LH	1				G6,G6V,H6, H6E,H6V,H6VE, J6,J6E,J6V, J6VE,K6,K6E, K6VE,M6E
	67807	MC967621	SEAL,FR DOOR TRIM	2	CIRCLE,FILM,28			G6,G6E,G6V, H6,H6E,H6V, H6VE,J6,J6E, J6V,J6VE,K6, K6E,K6V,K6E, M6,M6E,M6VE
	67901L	MC938452	BAR,FR DOOR WAIST,LH	1				G6,G6E,H6, H6E,J6,J6E, K6,K6E,M6, M6E
		MK486083	BAR,FR DOOR WAIST,LH	1				G6,G6V,H6, H6E,H6V,H6VE, J6,J6E,J6V, J6VE,K6,K6E, K6V,K6VE,M6VE
	67901R	MC939792	BAR,FR DOOR WAIST,RH	1				G6,G6E,H6, H6E,J6,J6E, K6,K6E,M6, M6E
		MK486084	BAR,FR DOOR WAIST,RH	1				G6,G6V,H6, H6E,H6V,H6VE, J6,J6E,J6V, J6VE,K6,K6E, K6V,K6VE,M6VE
	67908B	MC924027	FILM,FR DOOR WATERPROOF	1				G6,G6E,G6V, H6,H6E,H6V, H6VE,J6,J6E, J6V,J6VE,K6, K6E,K6V,K6E, M6,M6E,M6VE
	67908C	MC938459	FILM,FR DOOR WATERPROOF	1				G6,G6E,G6V, H6,H6E,H6V, H6VE,J6,J6E, J6V,J6VE,K6, K6E,K6V,K6E, M6,M6E,M6VE
	67908D	MB274190	FILM,FR DOOR WATERPROOF	2		55X45		G6,G6E,G6V, H6,H6E,H6V, H6VE,J6,J6E, J6V,J6VE,K6, K6E,K6V,K6E, M6,M6E,M6VE

FK74R
43-160 FR DOOR TRIM & RELATED PARTS

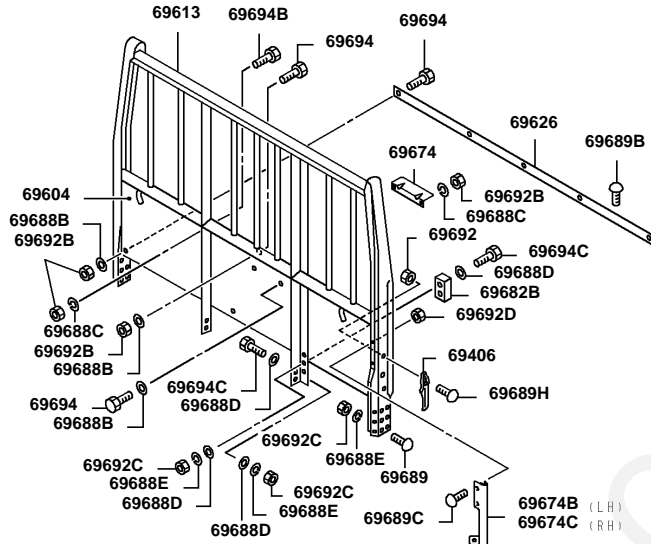
Repl Part	PNC	Part No	Part Name	Qty	Part Spec	Remarks	NEW1	Classificati
	67935L	MK486064	COVER,FR DOOR WAIST BAR,LH	1				G6,G6V,H6, H6E,H6V,H6 J6,J6E,J6V, J6VE,K6,K6 K6V,K6VE,M M6VE
	67935R	MK486065	COVER,FR DOOR WAIST BAR,RH	1				G6,G6V,H6, H6E,H6V,H6 J6,J6E,J6V, J6VE,K6,K6 K6V,K6VE,M M6VE
	68969B	MF140025	BOLT,DOOR GLASS GUARD BAR	2	FLANGE,8X20	4T		G6,G6E,G6V, H6,H6E,H6V, H6VE,J6,J6E, J6V,J6VE,K K6E,K6V,K6 M6,M6E,M6V
	68969C	MF140023	BOLT,DOOR GLASS GUARD BAR	2	FLANGE,8X16	4T		G6,G6E,G6V, H6,H6E,H6V, H6VE,J6,J6E, J6V,J6VE,K K6E,K6V,K6 M6,M6E,M6V
	73912	MK434923	BRACKET,ASHTRAY BULB	1				G6,G6E,H6, H6E,J6,J6E, K6,K6E,M6, M6E
	73913	MC938562	CAP,ASHTRAY BULB	1				G6,G6E,H6, H6E,J6,J6E, K6,K6E,M6, M6E
	73914	MK434925	SOCKET,ASHTRAY BULB	1				G6,G6E,H6, H6E,J6,J6E, K6,K6E,M6, M6E
		MK434922	SOCKET,ASHTRAY BULB	1				G6,G6V,H6, H6E,H6V,H6 J6,J6E,J6V, J6VE,K6,K6 K6V,K6VE,M M6VE
	73921	MC938561	BULB,ASHTRAY	1	24V-1.4W			G6,G6E,H6, H6E,J6,J6E, K6,K6E,M6, M6E
		MK434920	BULB,ASHTRAY	1	24V-1.4W			G6,G6V,H6, H6E,H6V,H6 J6,J6E,J6V, J6VE,K6,K6 K6V,K6VE,M M6VE
	73921A	MC967561	BULB ASSY,ASHTRAY	1	24V-1.4W			G6,G6E,H6, H6E,J6,J6E, K6,K6E,M6, M6E
		MK353462	BULB ASSY,ASHTRAY	1	24V			G6,G6V,H6, H6E,H6V,H6 J6,J6E,J6V, J6VE,K6,K6 K6V,K6VE,M M6VE
	73948	MF455017	SCREW,ASHTRAY	1	TAPPING,4X12			G6,G6E,H6, H6E,J6,J6E, K6,K6E,M6, M6E
	86515B	MK461323	GARNISH,DEFROSTER	1				G6,G6E,H6, H6E,J6,J6E, K6,K6E,M6, M6E

FK74R
43-160 FR DOOR TRIM & RELATED PARTS

Repl Part	PNC	Part No	Part Name	Qty	Part Spec	Remarks	NEW1	Classificati
	86515C	MK461325	GARNISH,DEFROSTER	1				G6,G6E,H6, H6E,J6,J6E, K6,K6E,M6, M6E
	86515R	MK461318	GARNISH,DEFROSTER,RH	1				G6,G6E,H6, H6E,J6,J6E, K6,K6E,M6, M6E
	86526L	MK402594	JOINT,DEFROSTER DUCT,LH	1				G6,G6E,H6, H6E,J6,J6E, K6,K6E,M6, M6E
	86526R	MK402595	JOINT,DEFROSTER DUCT,RH	1				G6,G6E,H6, H6E,J6,J6E, K6,K6E,M6, M6E
	67804R	(N.e.c.)	COVER,FR DOOR TRIM ASHTRAY,RH					

www.AutoEPC.com

**FK74R
No.1**



2PA003

Ref. |2044120

Page

**FK74R
44-120 REAR BODY GUARD FRAME**

PNC	Part No	Part Name	Qty	Part Spec	Remarks	Classification	Option	Model Year
69406	MC138611	CATCH,RR BODY SIDE GATE,FR	2			G6,G6E,H6, H6E,J6,J6E, K6,K6E	G85	04
	MC138611	CATCH,RR BODY SIDE GATE,FR	2			G6,H6,H6E, J6,J6E,K6, K6E	G85	05,07
69604	MK488785	BOARD,RR BODY GUARD FRAME HEADER	1			G6,H6,J6, K6	G85	04,05,07
	MK488786	BOARD,RR BODY GUARD FRAME HEADER	1			G6E,H6E,J6E, K6E	G85	04
69613	MK488786	BOARD,RR BODY GUARD FRAME HEADER	1			H6E,J6E,K6E	G85	05,07
	MK435657	FRAME,RR BODY GUARD	1			G6,H6,J6, K6	G85	04,05,07
	MK435658	FRAME,RR BODY GUARD	1			G6E,H6E,J6E, K6E	G85	04
69626	MK435658	FRAME,RR BODY GUARD	1			H6E,J6E,K6E	G85	05,07
	MC924618	RAIL,RR BODY FLOOR,FR	1			G6,H6,J6, K6	G85	04,05,07
	MC924619	RAIL,RR BODY FLOOR,FR	1			G6E,H6E,J6E, K6E	G85	04
69674	MC924619	RAIL,RR BODY FLOOR,FR	1			H6E,J6E,K6E	G85	05,07
	MK488584	PROTECTOR,RR BODY GUARD FRAME,UPR	1			G6,G6E,H6, H6E,J6,J6E, K6,K6E	G85	04
	MK488584	PROTECTOR,RR BODY GUARD FRAME,UPR	1			G6,H6,H6E, J6,J6E,K6, K6E	G85	05,07
69682B	MC938861	SPACER,RR BODY GUARD FRAME	2			G6,G6E,H6, H6E,J6,J6E, K6,K6E	G85	04

Ref. |2044120

Page

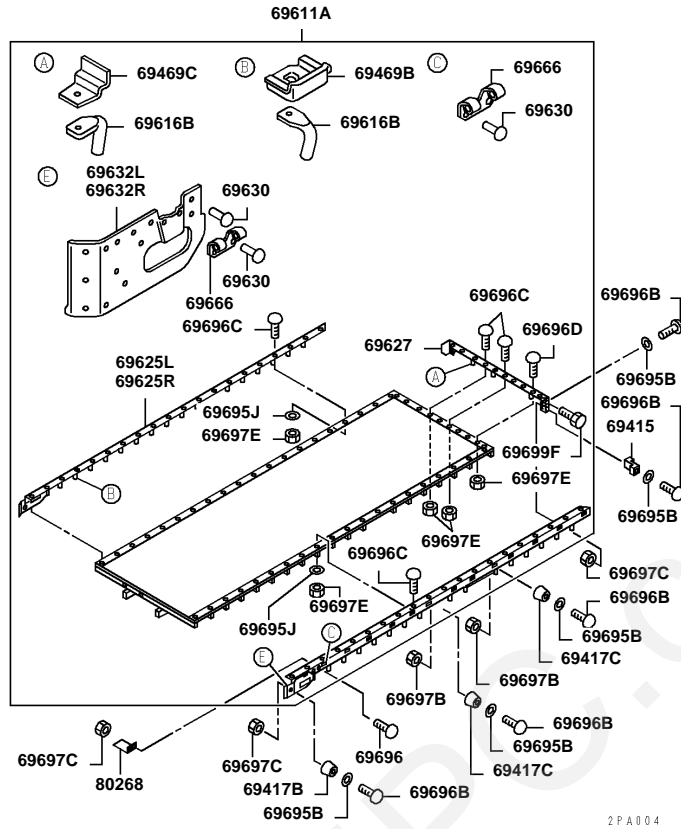
FK74R
44-120 REAR BODY GUARD FRAME

PNC	Part No	Part Name	Qty	Part Spec	Remarks	Classification	Option	Model Year
69682B	MC938861	SPACER,RR BODY GUARD FRAME	2			G6,H6,H6E, J6,J6E,K6, K6E	G85	05,07
69688B	MF450154	WASHER,RR BODY GUARD FRAME	14	PLAIN,8,22		G6,G6E,H6, H6E,J6,J6E, K6,K6E	G85	04
	MF450154	WASHER,RR BODY GUARD FRAME	14	PLAIN,8,22		G6,H6,H6E, J6,J6E,K6, K6E	G85	05,07
69688C	MF450405	WASHER,RR BODY GUARD FRAME	4	SPRING,8		G6,G6E,H6, H6E,J6,J6E, K6,K6E	G85	04
	MF450405	WASHER,RR BODY GUARD FRAME	4	SPRING,8		G6,H6,H6E, J6,J6E,K6, K6E	G85	05,07
69688D	MF450006	WASHER,RR BODY GUARD FRAME	6	PLAIN,10		G6,G6E,H6, H6E,J6,J6E, K6,K6E	G85	04
	MF450155	WASHER,RR BODY GUARD FRAME	6	PLAIN,10		G6,G6E,H6, H6E,J6,J6E, K6,K6E	G85	04
	MF450006	WASHER,RR BODY GUARD FRAME	6	PLAIN,10		G6,H6,H6E, J6,J6E,K6, K6E	G85	05,07
	MF450155	WASHER,RR BODY GUARD FRAME	6	PLAIN,10		G6,H6,H6E, J6,J6E,K6, K6E	G85	05,07
69688E	MF450406	WASHER,RR BODY GUARD FRAME	6	SPRING,10		G6,G6E,H6, H6E,J6,J6E, K6,K6E	G85	04
	MF450406	WASHER,RR BODY GUARD FRAME	6	SPRING,10		G6,H6,H6E, J6,J6E,K6, K6E	G85	05,07
69689	MC919153	SCREW,RR BODY GUARD FRAME	12	10X20		G6,G6E,H6, H6E,J6,J6E, K6,K6E	G85	04
	MC919153	SCREW,RR BODY GUARD FRAME	12	10X20		G6,H6,H6E, J6,J6E,K6, K6E	G85	05,07
69689B	MF465038	SCREW,RR BODY GUARD FRAME	7	WOOD,3.8X25		G6,G6E,H6, H6E,J6,J6E, K6,K6E	G85	04
	MF465038	SCREW,RR BODY GUARD FRAME	7	WOOD,3.8X25		G6,H6,H6E, J6,J6E,K6, K6E	G85	05,07
69689H	MC138928	SCREW,RR BODY GUARD FRAME	4	MACHINE,8X13		G6,G6E,H6, H6E,J6,J6E, K6,K6E	G85	04
	MC138928	SCREW,RR BODY GUARD FRAME	4	MACHINE,8X13		G6,H6,H6E, J6,J6E,K6, K6E	G85	05,07
69692B	MF430005	NUT,RR BODY GUARD FRAME	16	8		G6,G6E,H6, H6E,J6,J6E, K6,K6E	G85	04
	MF430005	NUT,RR BODY GUARD FRAME	16	8		G6,H6,H6E, J6,J6E,K6, K6E	G85	05,07
69692C	MF430006	NUT,RR BODY GUARD FRAME	6	10		G6,G6E,H6, H6E,J6,J6E, K6,K6E	G85	04
	MF434105	NUT,RR BODY GUARD FRAME	12	FLANGE,10	4T	G6,G6E,H6, H6E,J6,J6E, K6,K6E	G85	04
	MF430006	NUT,RR BODY GUARD FRAME	6	10		G6,H6,H6E, J6,J6E,K6, K6E	G85	05,07
	MF434105	NUT,RR BODY GUARD FRAME	12	FLANGE,10	4T	G6,H6,H6E, J6,J6E,K6, K6E	G85	05,07
69694	MC938883	BOLT,RR BODY GUARD FRAME	14	ROUND HEAD,8X28		G6,G6E,H6, H6E,J6,J6E, K6,K6E	G85	04

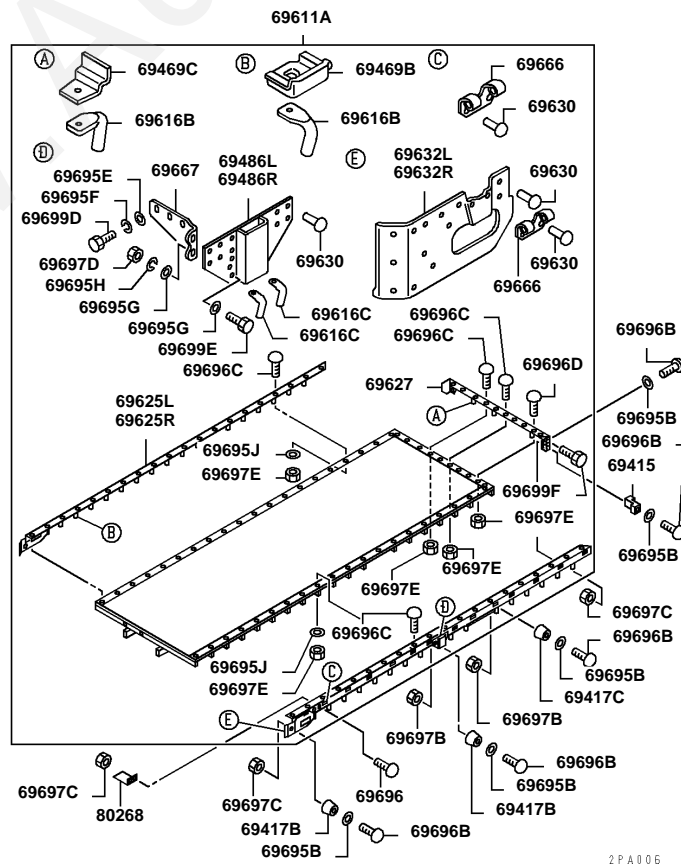
FK74R
44-120 REAR BODY GUARD FRAME

PNC	Part No	Part Name	Qty	Part Spec	Remarks	Classification	Option	Model Year
69694	MC938883	BOLT,RR BODY GUARD FRAME	14	ROUND HEAD,8X28		G6,H6,H6E, J6,J6E,K6, K6E	G85	05,07
69694B	MC938897	BOLT,RR BODY GUARD FRAME	2	ROUND HEAD,8X30		G6,G6E,H6, H6E,J6,J6E, K6,K6E	G85	04
	MC938897	BOLT,RR BODY GUARD FRAME	2	ROUND HEAD,8X30		G6,H6,H6E, J6,J6E,K6, K6E	G85	05,07
69694C	MF100097	BOLT,RR BODY GUARD FRAME	2	BOLT,10X70	4T	G6,G6E,H6, H6E,J6,J6E, K6,K6E	G85	04
	MF100099	BOLT,RR BODY GUARD FRAME	4	BOLT,10X80	4T	G6,G6E,H6, H6E,J6,J6E, K6,K6E	G85	04
	MF100097	BOLT,RR BODY GUARD FRAME	2	BOLT,10X70	4T	G6,H6,H6E, J6,J6E,K6, K6E	G85	05,07
	MF100099	BOLT,RR BODY GUARD FRAME	4	BOLT,10X80	4T	G6,H6,H6E, J6,J6E,K6, K6E	G85	05,07
69689C	(N.e.c.)	SCREW,RR BODY GUARD FRAME						
69692	(N.e.c.)	NUT,RR BODY GUARD FRAME						
69692D	(N.e.c.)	NUT,RR BODY GUARD FRAME						
69674C	(N.e.c.)	PROTECTOR,RR BODY GUARD FRAME,UPR						
69674B	(N.e.c.)	PROTECTOR,RR BODY GUARD FRAME,UPR						

FK74R
No.1



FK74R
No.2



FK74R
44-130 REAR BODY FLOOR

PNC	Part No	Part Name	Qty	Part Spec	Remarks	Classification	Option	M
69415	MC905530	CUSHION,RR BODY GATE	2			G6,G6E,H6, H6E,J6,J6E, K6,K6E	G85	04
	MC905530	CUSHION,RR BODY GATE	2			H6E,J6E	G85	05
	MC905530	CUSHION,RR BODY GATE	2			G6,H6,J6, K6,K6E	G85	05
	MC905530	CUSHION,RR BODY GATE	2			G6,H6,H6E, J6,J6E,K6, K6E	G85	07
69417B	MC907399	CUSHION,RR BODY SIDE GATE	2			G6,G6E,H6, H6E,J6,J6E	G85	04
	MC907399	CUSHION,RR BODY SIDE GATE	6			K6,K6E	G85	04
	MC907399	CUSHION,RR BODY SIDE GATE	2			H6E,J6E	G85	05
	MC907399	CUSHION,RR BODY SIDE GATE	2			G6,H6,J6	G85	05
	MC907399	CUSHION,RR BODY SIDE GATE	2			G6,H6,H6E, J6,J6E	G85	07
69417C	MC946176	CUSHION,RR BODY SIDE GATE	4			G6E,H6E,J6E	G85	04
	MC946176	CUSHION,RR BODY SIDE GATE	8			K6E	G85	04
	MC946176	CUSHION,RR BODY SIDE GATE	4			H6E,J6E	G85	05
69469B	MC909065	STIFFENER,RR BODY ROPE HOOK	22			G6,G6E	G85	04
	MC909065	STIFFENER,RR BODY ROPE HOOK	26			H6,H6E	G85	04
	MC909065	STIFFENER,RR BODY ROPE HOOK	28			J6,J6E	G85	04
	MC909065	STIFFENER,RR BODY ROPE HOOK	32			K6,K6E	G85	04
	MC909065	STIFFENER,RR BODY ROPE HOOK	26			H6E	G85	05
	MC909065	STIFFENER,RR BODY ROPE HOOK	28			J6E	G85	05
	MC909065	STIFFENER,RR BODY ROPE HOOK	22			G6	G85	05
	MC909065	STIFFENER,RR BODY ROPE HOOK	26			H6	G85	05
	MC909065	STIFFENER,RR BODY ROPE HOOK	28			J6	G85	05
	MC909065	STIFFENER,RR BODY ROPE HOOK	26			H6,H6E	G85	07
	MC909065	STIFFENER,RR BODY ROPE HOOK	28			J6,J6E	G85	07
69469C	MC905556	STIFFENER,RR BODY ROPE HOOK	3			G6,G6E,H6, H6E,J6,J6E, K6,K6E	G85	04
	MC905556	STIFFENER,RR BODY ROPE HOOK	3			H6E,J6E	G85	05
	MC905556	STIFFENER,RR BODY ROPE HOOK	3			G6,H6,J6, K6,K6E	G85	05
	MC905556	STIFFENER,RR BODY ROPE HOOK	3			G6,H6,H6E, J6,J6E,K6, K6E	G85	07
69486L	MC909808	HOLDER,RR BODY SIDE PILLAR,LH	1			K6,K6E	G85	04
69486R	MC909808	HOLDER,RR BODY SIDE PILLAR,RH	1			K6,K6E	G85	04
69611A	MK488066	FLOOR ASSY,RR BODY	1			G6	G85	04
	MK488067	FLOOR ASSY,RR BODY	1			H6	G85	04
	MK488068	FLOOR ASSY,RR BODY	1			J6	G85	04
	MK488069	FLOOR ASSY,RR BODY	1			K6	G85	04
	MK488088	FLOOR ASSY,RR BODY	1			G6E	G85	04
	MK488089	FLOOR ASSY,RR BODY	1			H6E	G85	04
	MK488090	FLOOR ASSY,RR BODY	1			J6E	G85	04
	MK488091	FLOOR ASSY,RR BODY	1			K6E	G85	04
	MK546560	FLOOR ASSY,RR BODY	1			H6E	G85	05
	MK546561	FLOOR ASSY,RR BODY	1			J6E	G85	05
	MK546540	FLOOR ASSY,RR BODY	1			G6	G85	05
	MK546541	FLOOR ASSY,RR BODY	1			H6	G85	05
	MK546542	FLOOR ASSY,RR BODY	1			J6	G85	05
	MK546543	FLOOR ASSY,RR BODY	1			K6	G85	05
	MK546562	FLOOR ASSY,RR BODY	1			K6E	G85	05
	MK614438	FLOOR ASSY,RR BODY	1			H6E	G85	05
	MK614439	FLOOR ASSY,RR BODY	1			J6E	G85	05
	MK617144	FLOOR ASSY,RR BODY	1			G6	G85	07
	MK617145	FLOOR ASSY,RR BODY	1			H6	G85	07
	MK617146	FLOOR ASSY,RR BODY	1			J6	G85	07
	MK617147	FLOOR ASSY,RR BODY	1			K6	G85	07
	MK617164	FLOOR ASSY,RR BODY	1			H6E	G85	07
	MK617165	FLOOR ASSY,RR BODY	1			J6E	G85	07
	MK617166	FLOOR ASSY,RR BODY	1			K6E	G85	07
69616B	MC917425	HOOK,RR BODY FLOOR SIDE ROPE	25			G6,G6E	G85	04
	MC917425	HOOK,RR BODY FLOOR SIDE ROPE	29			H6,H6E	G85	04
	MC917425	HOOK,RR BODY FLOOR SIDE ROPE	31			J6,J6E,K6, K6E	G85	04
	MC917425	HOOK,RR BODY FLOOR SIDE ROPE	29			H6E	G85	05
	MC917425	HOOK,RR BODY FLOOR SIDE ROPE	31			J6E	G85	05
	MC917425	HOOK,RR BODY FLOOR SIDE ROPE	25			G6	G85	05
	MC917425	HOOK,RR BODY FLOOR SIDE ROPE	29			H6	G85	05

FK74R
44-130 REAR BODY FLOOR

PNC	Part No	Part Name	Qty	Part Spec	Remarks	Classification	Option	M	
69616B	MC917425	HOOK,RR BODY FLOOR SIDE ROPE	31			J6,K6,K6E	G85	05	
	MC917425	HOOK,RR BODY FLOOR SIDE ROPE	29			H6,H6E	G85	07	
	MC917425	HOOK,RR BODY FLOOR SIDE ROPE	31			J6,J6E,K6, K6E	G85	07	
69616C	MC918407	HOOK,RR BODY FLOOR SIDE ROPE	4			K6,K6E	G85	04	
69625L	MK488101	RAIL,RR BODY FLOOR SIDE,LH	1			G6	G85	04	
	MK488103	RAIL,RR BODY FLOOR SIDE,LH	1			H6	G85	04	
	MK488105	RAIL,RR BODY FLOOR SIDE,LH	1			J6	G85	04	
	MK488107	RAIL,RR BODY FLOOR SIDE,LH	1			K6	G85	04	
	MK488117	RAIL,RR BODY FLOOR SIDE,LH	1			G6E	G85	04	
	MK488119	RAIL,RR BODY FLOOR SIDE,LH	1			H6E	G85	04	
	MK488121	RAIL,RR BODY FLOOR SIDE,LH	1			J6E	G85	04	
	MK488123	RAIL,RR BODY FLOOR SIDE,LH	1			K6E	G85	04	
	MK546751	RAIL,RR BODY FLOOR SIDE,LH	1			H6E	G85	05	
	MK546753	RAIL,RR BODY FLOOR SIDE,LH	1			J6E	G85	05	
	MK546733	RAIL,RR BODY FLOOR SIDE,LH	1			G6	G85	05	
	MK546735	RAIL,RR BODY FLOOR SIDE,LH	1			H6	G85	05	
	MK546737	RAIL,RR BODY FLOOR SIDE,LH	1			J6	G85	05	
	MK546739	RAIL,RR BODY FLOOR SIDE,LH	1			K6	G85	05	
	MK546755	RAIL,RR BODY FLOOR SIDE,LH	1			K6E	G85	05	
	MK488101	RAIL,RR BODY FLOOR SIDE,LH	1			G6	G85	07	
	MK488103	RAIL,RR BODY FLOOR SIDE,LH	1			H6	G85	07	
	MK488105	RAIL,RR BODY FLOOR SIDE,LH	1			J6	G85	07	
	MK488119	RAIL,RR BODY FLOOR SIDE,LH	1			H6E	G85	07	
	MK488121	RAIL,RR BODY FLOOR SIDE,LH	1			J6E	G85	07	
	69625R	MK488102	RAIL,RR BODY FLOOR SIDE,RH	1			G6	G85	04
		MK488104	RAIL,RR BODY FLOOR SIDE,RH	1			H6	G85	04
		MK488106	RAIL,RR BODY FLOOR SIDE,RH	1			J6	G85	04
		MK488108	RAIL,RR BODY FLOOR SIDE,RH	1			K6	G85	04
		MK488118	RAIL,RR BODY FLOOR SIDE,RH	1			G6E	G85	04
MK488120		RAIL,RR BODY FLOOR SIDE,RH	1			H6E	G85	04	
MK488122		RAIL,RR BODY FLOOR SIDE,RH	1			J6E	G85	04	
MK488124		RAIL,RR BODY FLOOR SIDE,RH	1			K6E	G85	04	
MK546752		RAIL,RR BODY FLOOR SIDE,RH	1			H6E	G85	05	
MK546754		RAIL,RR BODY FLOOR SIDE,RH	1			J6E	G85	05	
MK546734		RAIL,RR BODY FLOOR SIDE,RH	1			G6	G85	05	
MK546736		RAIL,RR BODY FLOOR SIDE,RH	1			H6	G85	05	
MK546738		RAIL,RR BODY FLOOR SIDE,RH	1			J6	G85	05	
MK546740		RAIL,RR BODY FLOOR SIDE,RH	1			K6	G85	05	
MK546756		RAIL,RR BODY FLOOR SIDE,RH	1			K6E	G85	05	
MK488102		RAIL,RR BODY FLOOR SIDE,RH	1			G6	G85	07	
MK488104		RAIL,RR BODY FLOOR SIDE,RH	1			H6	G85	07	
MK488106		RAIL,RR BODY FLOOR SIDE,RH	1			J6	G85	07	
MK488120		RAIL,RR BODY FLOOR SIDE,RH	1			H6E	G85	07	
MK488122		RAIL,RR BODY FLOOR SIDE,RH	1			J6E	G85	07	
69627		MC965667	RAIL,RR BODY FLOOR,RR	1			G6,H6,J6, K6	G85	04
		MC965668	RAIL,RR BODY FLOOR,RR	1			G6E,H6E,J6E, K6E	G85	04
		MK546722	RAIL,RR BODY FLOOR,RR	1			H6E,J6E	G85	05
		MK546721	RAIL,RR BODY FLOOR,RR	1			G6,H6,J6, K6	G85	05
		MK546722	RAIL,RR BODY FLOOR,RR	1			K6E	G85	05
69630	MK546722	RAIL,RR BODY FLOOR,RR	1			H6E,J6E,K6E	G85	07	
	MF468224	RIVET,RR BODY FLOOR	10	8X18		G6,G6E,H6, H6E,J6,J6E, K6,K6E	G85	04	
	MF468227	RIVET,RR BODY FLOOR	72	8X24		G6,G6E,H6, H6E,J6,J6E, K6,K6E	G85	04	
	MF468224	RIVET,RR BODY FLOOR	10	8X18		G6,H6,H6E, J6,J6E,K6, K6E	G85	05	
	MF468227	RIVET,RR BODY FLOOR	72	8X24		G6,H6,H6E, J6,J6E,K6, K6E	G85	05	
69630B	MF468224	RIVET,RR BODY FLOOR	10	8X18		G6,H6,H6E, J6,J6E,K6, K6E	G85	07	
69630C	MF468227	RIVET,RR BODY FLOOR	72	8X24		G6,H6,H6E, J6,J6E,K6, K6E	G85	07	

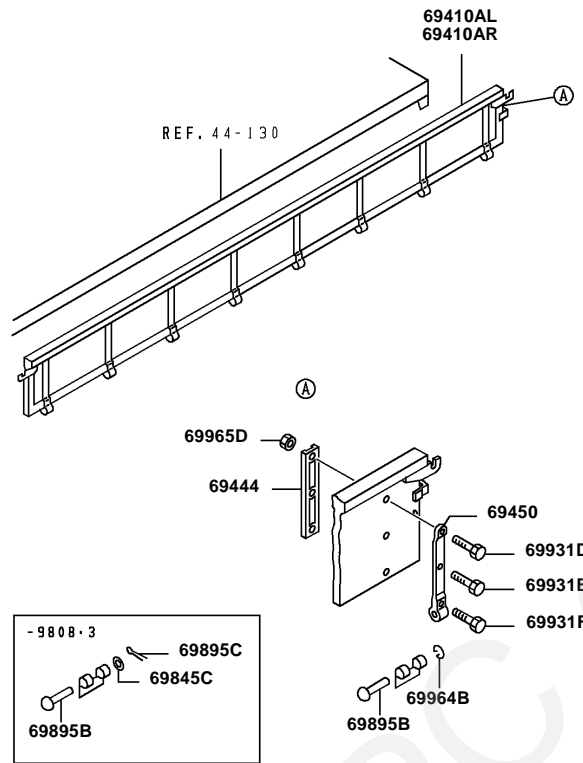
FK74R
44-130 REAR BODY FLOOR

PNC	Part No	Part Name	Qty	Part Spec	Remarks	Classification	Option	M
69632L	MC965922	REINFORCEMENT,RR BODY FLOOR SIDE RAIL,LH	1			G6,G6E,H6, H6E,J6,J6E, K6,K6E	G85	04
	MC965922	REINFORCEMENT,RR BODY FLOOR SIDE RAIL,LH	1			H6E,J6E	G85	05
	MC965922	REINFORCEMENT,RR BODY FLOOR SIDE RAIL,LH	1			G6,H6,J6, K6,K6E	G85	05
	MC965922	REINFORCEMENT,RR BODY FLOOR SIDE RAIL,LH	1			G6,H6,H6E, J6,J6E,K6, K6E	G85	07
69632R	MC965923	REINFORCEMENT,RR BODY FLOOR SIDE RAIL,RH	1			G6,G6E,H6, H6E,J6,J6E, K6,K6E	G85	04
	MC965923	REINFORCEMENT,RR BODY FLOOR SIDE RAIL,RH	1			H6E,J6E	G85	05
	MC965923	REINFORCEMENT,RR BODY FLOOR SIDE RAIL,RH	1			G6,H6,J6, K6,K6E	G85	05
	MC965923	REINFORCEMENT,RR BODY FLOOR SIDE RAIL,RH	1			G6,H6,H6E, J6,J6E,K6, K6E	G85	07
69666	MC927465	HINGE,RR BODY FLOOR RAIL	22			G6,G6E,H6, H6E	G85	04
	MC927465	HINGE,RR BODY FLOOR RAIL	24			J6,J6E	G85	04
	MC927465	HINGE,RR BODY FLOOR RAIL	28			K6,K6E	G85	04
	MC927465	HINGE,RR BODY FLOOR RAIL	22			H6E	G85	05
	MC927465	HINGE,RR BODY FLOOR RAIL	24			J6E	G85	05
	MC927465	HINGE,RR BODY FLOOR RAIL	22			G6,H6	G85	05
	MC927465	HINGE,RR BODY FLOOR RAIL	24			J6	G85	05
	MC927465	HINGE,RR BODY FLOOR RAIL	22			G6,H6,H6E	G85	07
	MC927465	HINGE,RR BODY FLOOR RAIL	24			J6,J6E	G85	07
69667	MC902991	STAY,RR BODY CTR HOLDER	2		LH	K6,K6E	G85	04
	MC902992	STAY,RR BODY CTR HOLDER	2		RH	K6,K6E	G85	04
69695B	MF450004	WASHER,RR BODY FLOOR	4	PLAIN,6		G6E,H6E,J6E	G85	04
	MF450004	WASHER,RR BODY FLOOR	8	PLAIN,6		K6E	G85	04
	MF450005	WASHER,RR BODY FLOOR	6	PLAIN,8,18		G6,G6E,H6, H6E,J6,J6E	G85	04
	MF450005	WASHER,RR BODY FLOOR	10	PLAIN,8,18		K6,K6E	G85	04
	MF450004	WASHER,RR BODY FLOOR	4	PLAIN,6		H6E,J6E	G85	05
	MF450005	WASHER,RR BODY FLOOR	6	PLAIN,8,18		H6E,J6E	G85	05
	MF450005	WASHER,RR BODY FLOOR	6	PLAIN,8,18		G6,H6,J6	G85	05
	MF450005	WASHER,RR BODY FLOOR	6	PLAIN,8,18		G6,H6,H6E, J6,J6E	G85	07
69695C	MF450004	WASHER,RR BODY FLOOR	4	PLAIN,6		H6E,J6E	G85	07
	MF450004	WASHER,RR BODY FLOOR	8	PLAIN,6		K6E	G85	07
69695E	MF450155	WASHER,RR BODY FLOOR	12	PLAIN,10		K6,K6E	G85	04
69695F	MF450406	WASHER,RR BODY FLOOR	12	SPRING,10		K6,K6E	G85	04
69695G	MF450007	WASHER,RR BODY FLOOR	16	PLAIN,12		K6,K6E	G85	04
69695H	MF450407	WASHER,RR BODY FLOOR	8	SPRING,12		K6,K6E	G85	04
69695J	MF450272	WASHER,RR BODY FLOOR	6	PLAIN,8		G6,G6E,H6, H6E,J6,J6E, K6,K6E	G85	04
	MF450272	WASHER,RR BODY FLOOR	6	PLAIN,8		H6E,J6E	G85	05
	MF450272	WASHER,RR BODY FLOOR	6	PLAIN,8		G6,H6,J6, K6,K6E	G85	05
	MF450272	WASHER,RR BODY FLOOR	6	PLAIN,8		G6,H6,H6E, J6,J6E,K6, K6E	G85	07
69696B	MF200079	SCREW,RR BODY FLOOR	4	MACHINE,6X20		G6E,H6E,J6E	G85	04
	MF200079	SCREW,RR BODY FLOOR	8	MACHINE,6X20		K6E	G85	04
	MF200106	SCREW,RR BODY FLOOR	6	MACHINE,8X30		G6,G6E,H6, H6E,J6,J6E	G85	04
	MF200106	SCREW,RR BODY FLOOR	10	MACHINE,8X30		K6,K6E	G85	04
	MF200079	SCREW,RR BODY FLOOR	4	MACHINE,6X20		H6E,J6E	G85	05
	MF200106	SCREW,RR BODY FLOOR	6	MACHINE,8X30		H6E,J6E	G85	05
	MF200106	SCREW,RR BODY FLOOR	6	MACHINE,8X30		G6,H6,J6	G85	05
	MF200106	SCREW,RR BODY FLOOR	6	MACHINE,8X30		G6,H6,H6E, J6,J6E	G85	07
69696C	MF201601	SCREW,RR BODY FLOOR	2	MACHINE,8X35		G6,G6E,H6, H6E,J6,J6E, K6,K6E	G85	04
	MH000064	SCREW,RR BODY FLOOR	26	MACHINE,8X135		G6,G6E	G85	04
	MH000064	SCREW,RR BODY FLOOR	30	MACHINE,8X135		H6,H6E	G85	04
	MH000064	SCREW,RR BODY FLOOR	32	MACHINE,8X135		J6,J6E	G85	04
	MH000064	SCREW,RR BODY FLOOR	36	MACHINE,8X135		K6,K6E	G85	04
	MF201601	SCREW,RR BODY FLOOR	2	MACHINE,8X35		H6E,J6E	G85	05

FK74R
44-130 REAR BODY FLOOR

PNC	Part No	Part Name	Qty	Part Spec	Remarks	Classification	Option	M		
69696C	MH000064	SCREW,RR BODY FLOOR	30	MACHINE,8X135		H6E	G85	05		
	MH000064	SCREW,RR BODY FLOOR	32	MACHINE,8X135		J6E	G85	05		
	MF201601	SCREW,RR BODY FLOOR	2	MACHINE,8X35		G6,H6,J6, K6,K6E	G85	05		
	MH000064	SCREW,RR BODY FLOOR	26	MACHINE,8X135		G6	G85	05		
	MH000064	SCREW,RR BODY FLOOR	30	MACHINE,8X135		H6	G85	05		
	MH000064	SCREW,RR BODY FLOOR	32	MACHINE,8X135		J6	G85	05		
	MH000064	SCREW,RR BODY FLOOR	30	MACHINE,8X135		H6,H6E	G85	07		
	MH000064	SCREW,RR BODY FLOOR	32	MACHINE,8X135		J6,J6E	G85	07		
	69696D	MH000036	SCREW,RR BODY FLOOR	3	MACHINE,8X145		G6,G6E,H6, H6E,J6,J6E, K6,K6E	G85	04	
		MH000036	SCREW,RR BODY FLOOR	3	MACHINE,8X145		H6E,J6E	G85	05	
MH000036		SCREW,RR BODY FLOOR	3	MACHINE,8X145		G6,H6,J6, K6,K6E	G85	05		
MF200079		SCREW,RR BODY FLOOR	4	MACHINE,6X20		H6E,J6E	G85	07		
MF200079		SCREW,RR BODY FLOOR	8	MACHINE,6X20		K6E	G85	07		
MH000036		SCREW,RR BODY FLOOR	3	MACHINE,8X145		G6,H6,H6E, J6,J6E,K6, K6E	G85	07		
69696E		MF201601	SCREW,RR BODY FLOOR	2	MACHINE,8X35		G6,H6,H6E, J6,J6E,K6, K6E	G85	07	
		69697B	MF434103	NUT,RR BODY FLOOR	4	FLANGE,6	W/O COATING	G6E,H6E,J6E	G85	04
			MF434103	NUT,RR BODY FLOOR	8	FLANGE,6	W/O COATING	K6E	G85	04
			MF434103	NUT,RR BODY FLOOR	4	FLANGE,6	W/O COATING	H6E,J6E	G85	05
	69697C	MF434104	NUT,RR BODY FLOOR	6	FLANGE,8		G6,G6E,H6, H6E,J6,J6E	G85	04	
		MF434104	NUT,RR BODY FLOOR	10	FLANGE,8		K6,K6E	G85	04	
		MF434104	NUT,RR BODY FLOOR	6	FLANGE,8		H6E,J6E	G85	05	
		MF434104	NUT,RR BODY FLOOR	6	FLANGE,8		G6,H6,J6	G85	05	
		MF434104	NUT,RR BODY FLOOR	6	FLANGE,8		G6,H6,H6E, J6,J6E	G85	07	
		69697D	MF430007	NUT,RR BODY FLOOR	8	12		K6,K6E	G85	04
69697E			MK427463	NUT,RR BODY FLOOR	31	SELF LOKING,8		G6,G6E	G85	04
	MK427463		NUT,RR BODY FLOOR	35	SELF LOKING,8		H6,H6E	G85	04	
	MK427463		NUT,RR BODY FLOOR	37	SELF LOKING,8		J6,J6E	G85	04	
	MK427463		NUT,RR BODY FLOOR	41	SELF LOKING,8		K6,K6E	G85	04	
	MK427463		NUT,RR BODY FLOOR	35	SELF LOKING,8		H6E	G85	05	
	MK427463		NUT,RR BODY FLOOR	37	SELF LOKING,8		J6E	G85	05	
	MK427463		NUT,RR BODY FLOOR	31	SELF LOKING,8		G6	G85	05	
	MK427463		NUT,RR BODY FLOOR	35	SELF LOKING,8		H6	G85	05	
	MK427463		NUT,RR BODY FLOOR	37	SELF LOKING,8		J6	G85	05	
	MK427463	NUT,RR BODY FLOOR	35	SELF LOKING,8		H6,H6E	G85	07		
69699D	MK427463	NUT,RR BODY FLOOR	37	SELF LOKING,8		J6,J6E	G85	07		
	69699D	MF101285	BOLT,RR BODY FLOOR	12	BOLT,10X25		K6,K6E	G85	04	
		69699E	MF100114	BOLT,RR BODY FLOOR	8	BOLT,12X35	4T	K6,K6E	G85	04
	69699F	MH001528	BOLT,RR BODY FLOOR	6	FLANGE,8X16		G6,G6E,H6, H6E,J6,J6E, K6,K6E	G85	04	
		MH001528	BOLT,RR BODY FLOOR	6	FLANGE,8X16		H6E,J6E	G85	05	
		MH001528	BOLT,RR BODY FLOOR	6	FLANGE,8X16		G6,H6,J6, K6,K6E	G85	05	
	80268	(N.e.c.)	BRACKET,SIDE TURN SIGNAL LAMP				G6,H6,H6E, J6,J6E,K6, K6E	G85	07	
		69696	(N.e.c.)	SCREW,RR BODY FLOOR						

FK74R
No.1

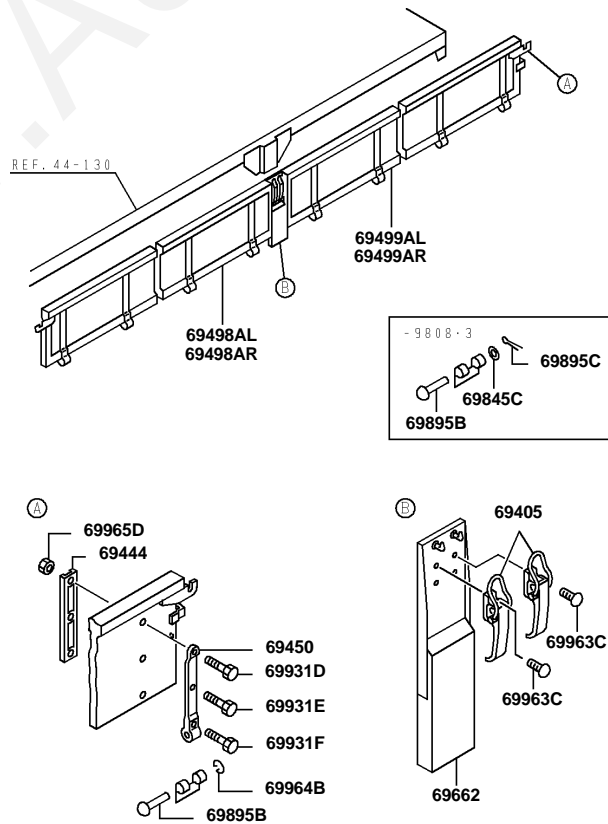


2PB004

Ref. |2044140

Page

FK74R
No.2

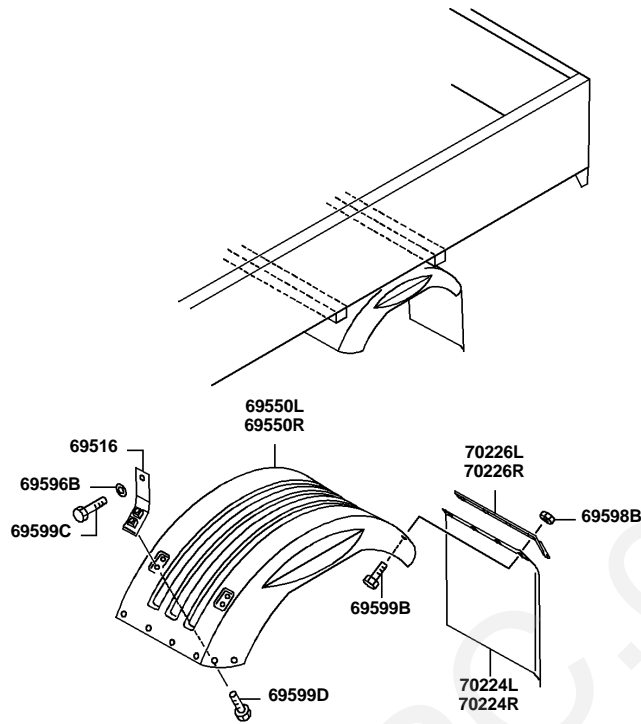


2PB003

Ref. |2044140

Page

FK74R
No.3



2PC001

Ref. |2044140

Page

FK74R
44-140 REAR BODY SIDE GATE & FENDER

SPN	Repl Part	PNC	Part No	Part Name	Qty	Part Spec	NEW1	Classification	Opt
		69405	MC138611	CATCH,RR BODY SIDE GATE	4			K6,K6E	G85
	RP	69410AL	MK487657	GATE ASSY,RR BODY SIDE,LH	1		Y	G6,G6E	G85
	RP		MK487659	GATE ASSY,RR BODY SIDE,LH	1		Y	H6,H6E	G85
	RP		MK487661	GATE ASSY,RR BODY SIDE,LH	1		Y	J6,J6E	G85
	RP		MK487657	GATE ASSY,RR BODY SIDE,LH	1		Y	G6	G85
			MK674921	GATE ASSY,RR BODY SIDE,LH	1			G6	G85
			MK674923	GATE ASSY,RR BODY SIDE,LH	1			H6,H6E	G85
			MK674925	GATE ASSY,RR BODY SIDE,LH	1			J6,J6E	G85
	RP	69410AR	MK487658	GATE ASSY,RR BODY SIDE,RH	1		Y	G6,G6E	G85
	RP		MK487660	GATE ASSY,RR BODY SIDE,RH	1		Y	H6,H6E	G85
	RP		MK487662	GATE ASSY,RR BODY SIDE,RH	1		Y	J6,J6E	G85
	RP		MK487658	GATE ASSY,RR BODY SIDE,RH	1		Y	G6	G85
			MK674922	GATE ASSY,RR BODY SIDE,RH	1			G6	G85
			MK674924	GATE ASSY,RR BODY SIDE,RH	1			H6,H6E	G85
			MK674926	GATE ASSY,RR BODY SIDE,RH	1			J6,J6E	G85
		69444	MC922839	STRIP,RR BODY SIDE GATE HINGE	18			G6,G6E,H6, H6E	G85
			MC922839	STRIP,RR BODY SIDE GATE HINGE	20			J6,J6E	G85
			MC922839	STRIP,RR BODY SIDE GATE HINGE	24			K6,K6E	G85
			MC922839	STRIP,RR BODY SIDE GATE HINGE	18			G6,H6,H6E	G85
		69450	MC927447	HINGE,RR BODY SIDE GATE	18			G6,G6E,H6, H6E	G85
			MC927447	HINGE,RR BODY SIDE GATE	20			J6,J6E	G85
			MC927447	HINGE,RR BODY SIDE GATE	24			K6,K6E	G85
			MC927447	HINGE,RR BODY SIDE GATE	18			G6,H6,H6E	G85
	RP	69498AL	MK487663	GATE ASSY,RR BODY SIDE,FR LH	1		Y	K6,K6E	G85
			MK674927	GATE ASSY,RR BODY SIDE,FR LH	1			K6,K6E	G85
	RP	69498AR	MK487664	GATE ASSY,RR BODY SIDE,FR RH	1		Y	K6,K6E	G85
			MK674928	GATE ASSY,RR BODY SIDE,FR RH	1			K6,K6E	G85
	RP	69499AL	MK487665	GATE ASSY,RR BODY SIDE,RR LH	1		Y	K6,K6E	G85
			MK674929	GATE ASSY,RR BODY SIDE,RR LH	1			K6,K6E	G85
	RP	69499AR	MK487666	GATE ASSY,RR BODY SIDE,RR RH	1		Y	K6,K6E	G85

Ref. |2044140

Page

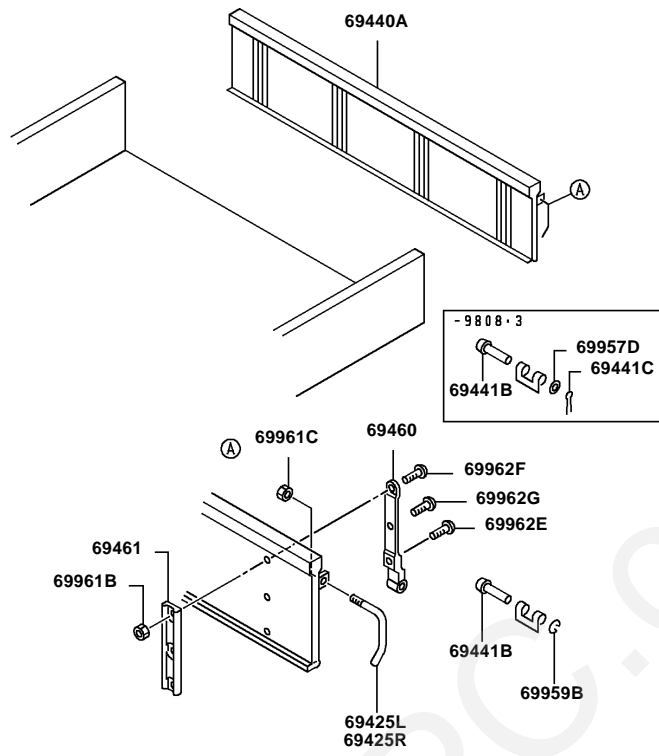
FK74R
44-140 REAR BODY SIDE GATE & FENDER

SPN	Repl Part	PNC	Part No	Part Name	Qty	Part Spec	NEW1	Classification	Opt
		69499AR	MK674930	GATE ASSY,RR BODY SIDE,RR RH	1			K6,K6E	G85
SP		69516	MC924362	STAY,RR BODY FENDER	8		R	G6,G6E,H6, H6E,J6,J6E, K6,K6E	G85
SP			MC924362	STAY,RR BODY FENDER	8		R	G6,H6,H6E, J6,J6E,K6, K6E	G85
SP		69550L	MC924360	FENDER,RR BODY,LH	1		R	G6,G6E,H6, H6E,J6,J6E, K6,K6E	G85
SP			MC924360	FENDER,RR BODY,LH	1		R	G6,H6,H6E, J6,J6E,K6, K6E	G85
SP		69550R	MC924361	FENDER,RR BODY,RH	1		R	G6,G6E,H6, H6E,J6,J6E, K6,K6E	G85
SP			MC924361	FENDER,RR BODY,RH	1		R	G6,H6,H6E, J6,J6E,K6, K6E	G85
		69598B	MH004165	NUT,RR BODY FENDER	12	FLANGE,6		G6,G6E,H6, H6E,J6,J6E, K6,K6E	G85
			MH004165	NUT,RR BODY FENDER	12	FLANGE,6		G6,H6,H6E, J6,J6E,K6, K6E	G85
		69599B	MH001491	BOLT,RR BODY FENDER	12	FLANGE,6X16		G6,G6E,H6, H6E,J6,J6E, K6,K6E	G85
			MH001491	BOLT,RR BODY FENDER	12	FLANGE,6X16		G6,H6,H6E, J6,J6E,K6, K6E	G85
		69599C	MF243649	BOLT,RR BODY FENDER	16	WASHER ASSEMBLED,8X16		G6,G6E,H6, H6E,J6,J6E, K6,K6E	G85
			MH001246	BOLT,RR BODY FENDER	8	WASHER ASSEMBLED,8X60		G6,G6E,H6, H6E,J6,J6E, K6,K6E	G85
			MH001246	BOLT,RR BODY FENDER	8	WASHER ASSEMBLED,8X60		G6,H6,H6E, J6,J6E,K6, K6E	G85
		69599D	MF243649	BOLT,RR BODY FENDER	16	WASHER ASSEMBLED,8X16		G6,H6,H6E, J6,J6E,K6, K6E	G85
		69662	MC925852	POST,RR BODY SIDE GATE,CTR	2			K6,K6E	G85
		69895B	MC911660	PIN,RR BODY SIDE GATE	18			G6,G6E,H6, H6E	G85
			MC911660	PIN,RR BODY SIDE GATE	20			J6,J6E	G85
			MC911660	PIN,RR BODY SIDE GATE	24			K6,K6E	G85
			MC911660	PIN,RR BODY SIDE GATE	18			G6,H6,H6E	G85
		69931D	MC919003	BOLT,RR BODY SIDE GATE	18	SCREW,8X37		G6,G6E,H6, H6E	G85
			MC919003	BOLT,RR BODY SIDE GATE	20	SCREW,8X37		J6,J6E	G85
			MC919003	BOLT,RR BODY SIDE GATE	24	SCREW,8X37		K6,K6E	G85
			MC919003	BOLT,RR BODY SIDE GATE	18	SCREW,8X37		G6,H6,H6E	G85
		69931E	MC919004	BOLT,RR BODY SIDE GATE	18	SCREW,8X34		G6,G6E,H6, H6E	G85
			MC919004	BOLT,RR BODY SIDE GATE	20	SCREW,8X34		J6,J6E	G85
			MC919004	BOLT,RR BODY SIDE GATE	24	SCREW,8X34		K6,K6E	G85
			MC919004	BOLT,RR BODY SIDE GATE	18	SCREW,8X34		G6,H6,H6E	G85
		69931F	MC919003	BOLT,RR BODY SIDE GATE	18	SCREW,8X37		G6,G6E,H6, H6E	G85
			MC919003	BOLT,RR BODY SIDE GATE	20	SCREW,8X37		J6,J6E	G85
			MC919003	BOLT,RR BODY SIDE GATE	24	SCREW,8X37		K6,K6E	G85
			MC919003	BOLT,RR BODY SIDE GATE	18	SCREW,8X37		G6,H6,H6E	G85
		69963C	MB099494	SCREW,RR BODY SIDE GATE	8	MACHINE,8X15		K6,K6E	G85
		69964B	MF522408	SNAP RING,RR BODY SIDE GATE	18	10		G6,G6E,H6, H6E	G85
			MF522408	SNAP RING,RR BODY SIDE GATE	20	10		J6,J6E	G85
			MF522408	SNAP RING,RR BODY SIDE GATE	24	10		K6,K6E	G85
			MF522408	SNAP RING,RR BODY SIDE GATE	18	10		G6,H6,H6E	G85
		69965D	MC919140	NUT,RR BODY SIDE GATE	54	11		G6,G6E,H6, H6E	G85
			MC919140	NUT,RR BODY SIDE GATE	60	11		J6,J6E	G85

FK74R
44-140 REAR BODY SIDE GATE & FENDER

SPN	Repl Part	PNC	Part No	Part Name	Qty	Part Spec	NEW1	Classification	Opt
		69965D	MC919140	NUT,RR BODY SIDE GATE	72	11		K6,K6E	G85
			MC919140	NUT,RR BODY SIDE GATE	54	11		G6,H6,H6E	G85
		70224L	MC924363	MUD GUARD,RR WHEEL,LH	1			G6,G6E,H6, H6E,J6,J6E, K6,K6E	G85
SP			MK547094	MUD GUARD,RR WHEEL,LH	1		R	G6,H6,H6E, J6,J6E,K6, K6E	G85
		70224R	MC924364	MUD GUARD,RR WHEEL,RH	1			G6,G6E,H6, H6E,J6,J6E, K6,K6E	G85
SP			MK547095	MUD GUARD,RR WHEEL,RH	1		R	G6,H6,H6E, J6,J6E,K6, K6E	G85
SP		70226L	MC927308	PLATE,RR BODY MUD GUARD,LH	1		R	G6,G6E,H6, H6E,J6,J6E, K6,K6E	G85
SP			MC927308	PLATE,RR BODY MUD GUARD,LH	1		R	G6,H6,H6E, J6,J6E,K6, K6E	G85
SP		70226R	MC927309	PLATE,RR BODY MUD GUARD,RH	1		R	G6,G6E,H6, H6E,J6,J6E, K6,K6E	G85
SP			MC927309	PLATE,RR BODY MUD GUARD,RH	1		R	G6,H6,H6E, J6,J6E,K6, K6E	G85
		69845C	(N.e.c.)	WASHER,RR BODY SIDE GATE					
		69895C	(N.e.c.)	PIN,RR BODY SIDE GATE					
		69596B	(N.e.c.)	WASHER,RR BODY FENDER					

FK74R
No.1

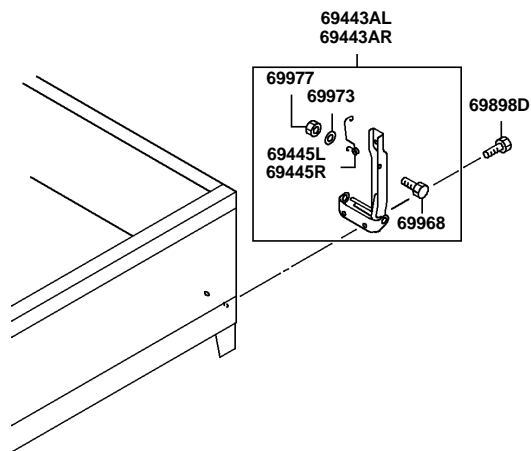


2PA001

Ref. |2044150

Page

FK74R
No.2



C00011

Ref. |2044150

Page

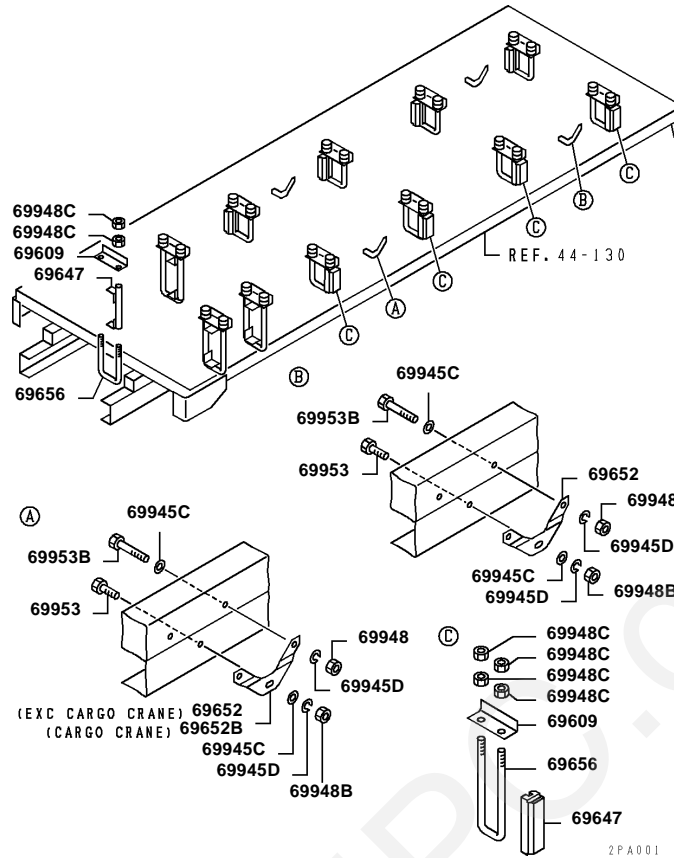
FK74R
44-150 REAR BODY REAR GATE

Repl Part	PNC	Part No	Part Name	Qty	Part Spec	NEW1	Classification
	69425L	MC912531	HANDLE,RR BODY RR GATE HOOK,LH	1			G6,G6E,H6E,J6,J6E,K6,K6E
		MC912531	HANDLE,RR BODY RR GATE HOOK,LH	1			G6,H6,H6E,J6,J6E,K6,K6E
	69425R	MC912532	HANDLE,RR BODY RR GATE HOOK,RH	1			G6,G6E,H6E,J6,J6E,K6,K6E
		MC912532	HANDLE,RR BODY RR GATE HOOK,RH	1			G6,H6,H6E,J6,J6E,K6,K6E
RP	69440A	MK485469	GATE ASSY,RR BODY,RR	1		Y	G6,H6,J6,K6
RP		MK485470	GATE ASSY,RR BODY,RR	1		Y	G6E,H6E,J6E,K6E
RP		MK485470	GATE ASSY,RR BODY,RR	1		Y	H6E,J6E,K6E
		MK674960	GATE ASSY,RR BODY,RR	1			G6,H6,J6,K6
	69441B	MK674961	GATE ASSY,RR BODY,RR	1			H6E,J6E,K6E
		MC911660	PIN,RR BODY RR GATE	4			G6,G6E,H6E,J6,J6E,K6,K6E
		MC911660	PIN,RR BODY RR GATE	4			G6,H6,H6E,J6,J6E,K6,K6E
	69443AL	MK487437	SUPPORT ASSY,RR BODY RR GATE,LH	1			G6,G6E,H6E,J6,J6E,K6,K6E
		MK487437	SUPPORT ASSY,RR BODY RR GATE,LH	1			G6,H6,H6E,J6,J6E,K6,K6E
	69443AR	MK487438	SUPPORT ASSY,RR BODY RR GATE,RH	1			G6,G6E,H6E,J6,J6E,K6,K6E
		MK487438	SUPPORT ASSY,RR BODY RR GATE,RH	1			G6,H6,H6E,J6,J6E,K6,K6E
	69445L	MC143085	SPRING,RR BODY RR GATE SUPPORT HOOK,LH	1			G6,G6E,H6E,J6,J6E,K6,K6E
		MC143085	SPRING,RR BODY RR GATE SUPPORT HOOK,LH	1			G6,H6,H6E,J6,J6E,K6,K6E
	69445R	MC143086	SPRING,RR BODY RR GATE SUPPORT HOOK,RH	1			G6,G6E,H6E,J6,J6E,K6,K6E
		MC143086	SPRING,RR BODY RR GATE SUPPORT HOOK,RH	1			G6,H6,H6E,J6,J6E,K6,K6E
	69460	MC925189	HINGE,RR BODY RR GATE	4			G6,G6E,H6E,J6,J6E,K6,K6E
		MC925189	HINGE,RR BODY RR GATE	4			G6,H6,H6E,J6,J6E,K6,K6E
	69461	MC922839	STRIP,RR BODY RR GATE	4			G6,G6E,H6E,J6,J6E,K6,K6E
		MC922839	STRIP,RR BODY RR GATE	4			G6,H6,H6E,J6,J6E,K6,K6E
	69898D	MC919155	BOLT,RR BODY	4	WASHER ASSEMBLDE,10X25		G6,G6E,H6E,J6,J6E,K6,K6E
		MC919155	BOLT,RR BODY	4	WASHER ASSEMBLDE,10X25		G6,H6,H6E,J6,J6E,K6,K6E
	69959B	MF522408	SNAP RING,RR BODY RR GATE	4	10		G6,G6E,H6E,J6,J6E,K6,K6E

FK74R
44-150 REAR BODY REAR GATE

Repl Part	PNC	Part No	Part Name	Qty	Part Spec	NEW1	Classification
	69959B	MF522408	SNAP RING,RR BODY RR GATE	4	10		G6,H6,H6E J6,J6E,K6, K6E
	69961B	MC919140	NUT,RR BODY RR GATE	12	11		G6,G6E,H6 H6E,J6,J6E, K6,K6E
		MC919140	NUT,RR BODY RR GATE	12	11		G6,H6,H6E J6,J6E,K6, K6E
	69961C	MC912529	NUT,RR BODY RR GATE	2	SELF LOKING,16		G6,G6E,H6 H6E,J6,J6E, K6,K6E
		MC912529	NUT,RR BODY RR GATE	2	SELF LOKING,16		G6,H6,H6E J6,J6E,K6, K6E
	69962E	MC919002	BOLT,RR BODY RR GATE	4	SCREW,8X42		G6,G6E,H6 H6E,J6,J6E, K6,K6E
		MC919002	BOLT,RR BODY RR GATE	4	SCREW,8X42		G6,H6,H6E J6,J6E,K6, K6E
	69962F	MC919003	BOLT,RR BODY RR GATE	4	SCREW,8X37		G6,G6E,H6 H6E,J6,J6E, K6,K6E
		MC919003	BOLT,RR BODY RR GATE	4	SCREW,8X37		G6,H6,H6E J6,J6E,K6, K6E
	69962G	MC919004	BOLT,RR BODY RR GATE	4	SCREW,8X34		G6,G6E,H6 H6E,J6,J6E, K6,K6E
		MC919004	BOLT,RR BODY RR GATE	4	SCREW,8X34		G6,H6,H6E J6,J6E,K6, K6E
	69968	MF201552	SCREW,RR BODY	2	MACHINE,5X20		G6,G6E,H6 H6E,J6,J6E, K6,K6E
		MF201552	SCREW,RR BODY	2	MACHINE,5X20		G6,H6,H6E J6,J6E,K6, K6E
	69973	MF450152	WASHER,RR BODY	4	PLAIN,5		G6,G6E,H6 H6E,J6,J6E, K6,K6E
		MF450152	WASHER,RR BODY	4	PLAIN,5		G6,H6,H6E J6,J6E,K6, K6E
	69977	MC143446	NUT,RR BODY	2	6		G6,G6E,H6 H6E,J6,J6E, K6,K6E
		MC143446	NUT,RR BODY	2	6		G6,H6,H6E J6,J6E,K6, K6E
	69441C	(N.e.c.)	PIN,RR BODY RR GATE				
	69957D	(N.e.c.)	WASHER,RR BODY RR GATE				

FK74R
No.1



Ref. |2044170

Page

FK74R
44-170 REAR BODY MOUNTING

PNC	Part No	Part Name	Qty	Part Spec	Remarks	Classification	Option	Model Year	Start	End
69609	MC902651	PLATE,RR BODY MOUNTING U-BOLT	8		L=134	G6,G6E,H6, H6E,J6,J6E, K6,K6E	G85	04	04053	0510
	MC902651	PLATE,RR BODY MOUNTING U-BOLT	8		L=134	G6,H6,H6E, J6,J6E,K6, K6E	G85	05,07	05103	0900
69647	MC915538	STIFFENER,RR BODY MOUNTING	2	L=227	H=35	G6,G6E,H6, H6E,J6,J6E	G85	04	04053	0510
	MC915538	STIFFENER,RR BODY MOUNTING	4	L=227	H=35	K6,K6E	G85	04	04053	0510
	MC925931	STIFFENER,RR BODY MOUNTING	2	L=136	H=35	J6,J6E	G85	04	04053	0510
	MC926930	STIFFENER,RR BODY MOUNTING	2	L=227	H=44	K6,K6E	G85	04,05,07	04053	0900
	MC963195	STIFFENER,RR BODY MOUNTING	2	L=214		G6,G6E,H6, H6E,J6,J6E, K6,K6E	G85	04	04053	0510
	MC964447	STIFFENER,RR BODY MOUNTING	2	L=196	H=35	G6,G6E,H6, H6E,J6,J6E	G85	04	04053	0510
	MC964449	STIFFENER,RR BODY MOUNTING	2	L=139	H=35	G6,G6E,H6, H6E	G85	04	04053	0510
	MC925931	STIFFENER,RR BODY MOUNTING	2	L=136	H=35	J6	G85	05	05103	0610
	MC915538	STIFFENER,RR BODY MOUNTING	2	L=227	H=35	G6,H6,H6E, J6,J6E	G85	05,07	05103	0900
	MC915538	STIFFENER,RR BODY MOUNTING	3	L=227	H=35	K6,K6E	G85	05,07	05103	0900
	MC963195	STIFFENER,RR BODY MOUNTING	2	L=214		G6,H6,H6E, J6,J6E,K6, K6E	G85	05,07	05103	0900
	MC964449	STIFFENER,RR BODY MOUNTING	2	L=139	H=35	G6,H6,H6E	G85	05,07	05103	0900
	MK405590	STIFFENER,RR BODY MOUNTING	1	L=193	H=35	G6,H6,H6E, J6,J6E	G85	05,07	05103	0900
	MK548623	STIFFENER,RR BODY MOUNTING	1	L=214	H=35	K6,K6E	G85	05,07	05103	0900
	MK548624	STIFFENER,RR BODY MOUNTING	1	L=179	H=35	G6,H6,H6E, J6,J6E	G85	05,07	05103	0900
	MK549597	STIFFENER,RR BODY MOUNTING	2	L=133	H=35	J6E	G85	05	05103	0700

Ref. |2044170

Page

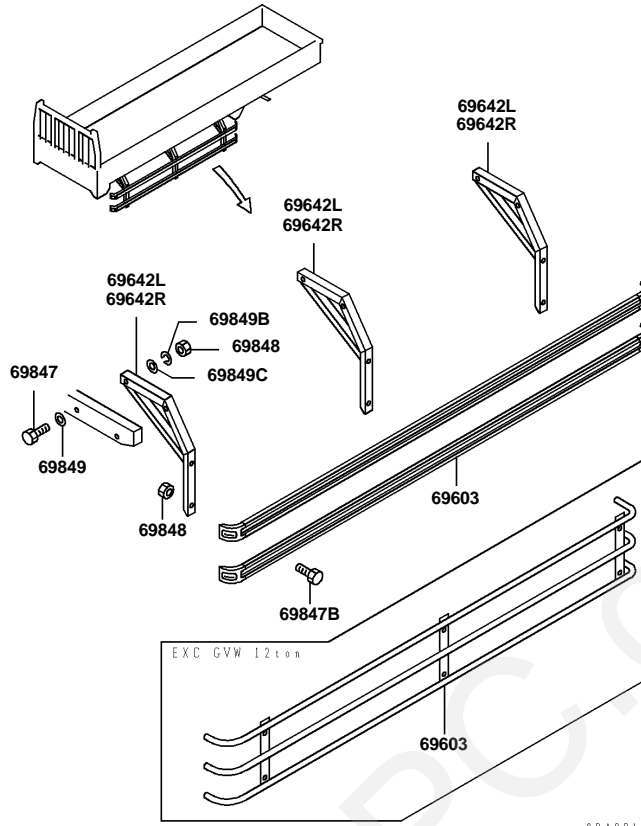
FK74R
44-170 REAR BODY MOUNTING

PNC	Part No	Part Name	Qty	Part Spec	Remarks	Classification	Option	Model Year	Start	End
69647	MK549597	STIFFENER,RR BODY MOUNTING	2	L=133	H=35	J6	G85	05	06111	07053
	MK549597	STIFFENER,RR BODY MOUNTING	2	L=133	H=35	J6,J6E	G85	07	07053	09053
69652	MC915995	STOPPER,RR BODY SLIDE	2	14.5		G6,G6E,H6, H6E,J6,J6E	G85	04	04053	05103
	MC915995	STOPPER,RR BODY SLIDE	4	14.5		K6,K6E	G85	04,05	04053	07053
	MK435734	STOPPER,RR BODY SLIDE	2			G6,G6E,H6, H6E,J6,J6E	G85	04	04053	05103
	MC915995	STOPPER,RR BODY SLIDE	2	14.5		G6,H6,H6E, J6,J6E	G85	05	05103	07053
	MK435734	STOPPER,RR BODY SLIDE	2			G6,H6,H6E, J6,J6E	G85	05	05103	07053
	MC915995	STOPPER,RR BODY SLIDE	4	14.5		H6E,J6E,K6E	G85	07	07053	09053
	MK614272	STOPPER,RR BODY SLIDE	4			G6,H6,J6, K6	G85	07	07053	09053
69656	MC902153	U-BOLT,RR BODY MOUNTING	2	285		G6,G6E,H6, H6E,J6,J6E	G85	04	04053	05103
	MC902557	U-BOLT,RR BODY MOUNTING	2	375		G6,G6E,H6, H6E	G85	04	04053	05103
	MC961113	U-BOLT,RR BODY MOUNTING	2	380		G6,G6E,H6, H6E	G85	04	04053	05103
	MC961113	U-BOLT,RR BODY MOUNTING	4	380		J6,J6E	G85	04,05	04053	07053
	MC961113	U-BOLT,RR BODY MOUNTING	8	380		K6,K6E	G85	04,05	04053	07053
	MK405593	U-BOLT,RR BODY MOUNTING	2	345		G6,G6E,H6, H6E,J6,J6E	G85	04	04053	05103
	MC900980	U-BOLT,RR BODY MOUNTING	2	295		H6E	G85	05,07	05103	09053
	MC902153	U-BOLT,RR BODY MOUNTING	2	285		G6,H6,J6, J6E	G85	05	05103	07053
	MC902557	U-BOLT,RR BODY MOUNTING	2	375		G6,H6,H6E	G85	05	05103	07053
	MC961113	U-BOLT,RR BODY MOUNTING	2	380		G6,H6,H6E	G85	05	05103	07053
	MK405593	U-BOLT,RR BODY MOUNTING	2	345		G6,H6,H6E, J6,J6E	G85	05	05103	07053
	MC902153	U-BOLT,RR BODY MOUNTING	2	285		J6E	G85	07	07053	09053
	MC902557	U-BOLT,RR BODY MOUNTING	2	375		G6,H6,H6E, J6	G85	07	07053	09053
	MC936212	U-BOLT,RR BODY MOUNTING	2	315		G6,H6,J6	G85	07	07053	09053
	MC961113	U-BOLT,RR BODY MOUNTING	2	380		H6E	G85	07	07053	09053
	MC961113	U-BOLT,RR BODY MOUNTING	4	380		J6E	G85	07	07053	09053
	MC961113	U-BOLT,RR BODY MOUNTING	8	380		K6E	G85	07	07053	09053
	MK405593	U-BOLT,RR BODY MOUNTING	2	345		H6E,J6E	G85	07	07053	09053
	MK549614	U-BOLT,RR BODY MOUNTING	4			G6,H6,J6	G85	07	07053	09053
	MK549614	U-BOLT,RR BODY MOUNTING	8			K6	G85	07	07053	09053
69945C	MF450156	WASHER,RR BODY MOUNTING	12	PLAIN,12		G6,G6E,H6, H6E,J6,J6E, K6,K6E	G85	04	04053	05103
	MF450156	WASHER,RR BODY MOUNTING	12	PLAIN,12		G6,H6,H6E, J6,J6E,K6, K6E	G85	05,07	05103	09053
69945D	MF450407	WASHER,RR BODY MOUNTING	12	SPRING,12		G6,G6E,H6, H6E,J6,J6E, K6,K6E	G85	04	04053	05103
	MF450407	WASHER,RR BODY MOUNTING	12	SPRING,12		G6,H6,H6E, J6,J6E,K6, K6E	G85	05,07	05103	09053
69948	MF430007	NUT,RR BODY MOUNTING	8	12		G6,G6E,H6, H6E,J6,J6E, K6,K6E	G85	04	04053	05103
	MF430007	NUT,RR BODY MOUNTING	8	12		G6,H6,H6E, J6,J6E,K6, K6E	G85	05,07	05103	09053
69948B	MF430123	NUT,RR BODY MOUNTING	4	12		G6,G6E,H6, H6E,J6,J6E, K6,K6E	G85	04	04053	05103
	MF430123	NUT,RR BODY MOUNTING	4	12		G6,H6,H6E, J6,J6E,K6, K6E	G85	05,07	05103	09053
69948C	MF430008	NUT,RR BODY MOUNTING	32	NUT,14	4T	G6,G6E,H6, H6E,J6,J6E, K6,K6E	G85	04	04053	05103
	MF430008	NUT,RR BODY MOUNTING	32	NUT,14	4T	G6,H6,H6E, J6,J6E,K6, K6E	G85	05,07	05103	09053
69953	MF101312	BOLT,RR BODY MOUNTING	2	BOLT,12X30	7T	G6,G6E,H6, H6E,J6,J6E	G85	04	04053	05103

FK74R
44-170 REAR BODY MOUNTING

PNC	Part No	Part Name	Qty	Part Spec	Remarks	Classification	Option	Model Year	Start	End
69953	MF101312	BOLT,RR BODY MOUNTING	4	BOLT,12X30	7T	K6,K6E	G85	04,05	04053	07053
	MF101316	BOLT,RR BODY MOUNTING	2	BOLT,12X40	7T	G6,G6E,H6, H6E,J6,J6E	G85	04	04053	05103
	MF101312	BOLT,RR BODY MOUNTING	2	BOLT,12X30	7T	G6,H6,H6E, J6,J6E	G85	05	05103	07053
	MF101316	BOLT,RR BODY MOUNTING	2	BOLT,12X40	7T	G6,H6,H6E, J6,J6E	G85	05	05103	07053
	MF101312	BOLT,RR BODY MOUNTING	4	BOLT,12X30	7T	G6,H6,H6E, J6,J6E,K6, K6E	G85	07	07053	09053
69953B	MF100123	BOLT,RR BODY MOUNTING	4	BOLT,12X75	4T	G6,G6E,H6, H6E,J6,J6E	G85	04	04053	05103
	MF100123	BOLT,RR BODY MOUNTING	8	BOLT,12X75	4T	K6,K6E	G85	04,05	04053	07053
	MF100125	BOLT,RR BODY MOUNTING	4	BOLT,12X85	4T	G6,G6E,H6, H6E,J6,J6E	G85	04	04053	05103
	MF100123	BOLT,RR BODY MOUNTING	4	BOLT,12X75	4T	G6,H6,H6E, J6,J6E	G85	05	05103	07053
	MF100125	BOLT,RR BODY MOUNTING	4	BOLT,12X85	4T	G6,H6,H6E, J6,J6E	G85	05	05103	07053
69652B	MF100123	BOLT,RR BODY MOUNTING	8	BOLT,12X75	4T	G6,H6,H6E, J6,J6E,K6, K6E	G85	07	07053	09053
	(N.e.c.)	STOPPER,RR BODY SLIDE								

FK74R
No.1



Ref. |2044210

Page

FK74R
44-210 SIDE GUARD

Repl Part	PNC	Part No	Part Name	Qty	Part Spec	Remarks	NEW1	Classification	Option	Model Y
	69603	MC964442	BAR,SIDE GUARD	2				G6,G6E	G85	04
		MC964443	BAR,SIDE GUARD	2				H6,H6E	G85	04,05
		MC964444	BAR,SIDE GUARD	2				J6,J6E	G85	04,05
		MC964445	BAR,SIDE GUARD	2				K6,K6E	G85	04,05
		MC964442	BAR,SIDE GUARD	2				G6	G85	05
		MK616512	BAR,SIDE GUARD	2				G6	G85	07
		MK616513	BAR,SIDE GUARD	2				H6,H6E	G85	07
		MK616514	BAR,SIDE GUARD	2				J6,J6E	G85	07
		MK616573	BAR,SIDE GUARD	2				K6,K6E	G85	07
RP	69642L	MC925898	STAY,RR BODY SIDE GUARD,LH	3			Y	G6,G6E,H6, H6E,J6,J6E, K6,K6E	G85	04
RP		MC925898	STAY,RR BODY SIDE GUARD,LH	3			Y	G6,H6,H6E, J6,J6E,K6, K6E	G85	05,07
RP	69642R	MC925899	STAY,RR BODY SIDE GUARD,RH	3			Y	G6,G6E,H6, H6E,J6,J6E, K6,K6E	G85	04
RP		MC925899	STAY,RR BODY SIDE GUARD,RH	3			Y	G6,H6,H6E, J6,J6E,K6, K6E	G85	05,07
	69847	MF100067	BOLT,SIDE GUARD	12	BOLT,8X60	4T		G6,G6E,H6, H6E,J6,J6E, K6,K6E	G85	04
		MF100067	BOLT,SIDE GUARD	12	BOLT,8X60	4T		G6,H6,H6E, J6,J6E,K6, K6E	G85	05,07
	69847B	MF140003	BOLT,SIDE GUARD	18	FLANGE,6X12	4T		G6,G6E,H6, H6E,J6,J6E, K6,K6E	G85	04

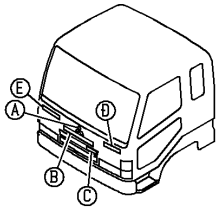
Ref. |2044210

Page

FK74R
44-210 SIDE GUARD

Repl Part	PNC	Part No	Part Name	Qty	Part Spec	Remarks	NEW1	Classification	Option	Model Yr
	69847B	MF140003	BOLT,SIDE GUARD	18	FLANGE,6X12	4T		G6,H6,H6E, J6,J6E,K6, K6E	G85	05,07
	69848	MF430005	NUT,SIDE GUARD	12	8			G6,G6E,H6, H6E,J6,J6E, K6,K6E	G85	04
		MF430005	NUT,SIDE GUARD	12	8			G6,H6,H6E, J6,J6E,K6, K6E	G85	05,07
	69849	MF450272	WASHER,SIDE GUARD	24	PLAIN,8			G6,G6E,H6, H6E,J6,J6E, K6,K6E	G85	04
		MF450272	WASHER,SIDE GUARD	24	PLAIN,8			G6,H6,H6E, J6,J6E,K6, K6E	G85	05,07
	69849B	MF450405	WASHER,SIDE GUARD	12	SPRING,8			G6,G6E,H6, H6E,J6,J6E, K6,K6E	G85	04
		MF450405	WASHER,SIDE GUARD	12	SPRING,8			G6,H6,H6E, J6,J6E,K6, K6E	G85	05,07
	69849C	(N.e.c.)	WASHER,SIDE GUARD							

FK74R
No.1



A 97162



E 97364

INOMAT

B 71867

FUSO

E 97464

INOMAT-III

C 71864 71992

FIGHTER

D 71862

CUSTOM

E 97203

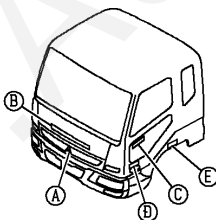
4WD

C00060

Ref. |2051110

Page

FK74R
No.2



A REF. 42-130



B 71867

FUSO

C 71864

FIGHTER

D 71862

CUSTOM

E 97464

INOMAT-III

C00037

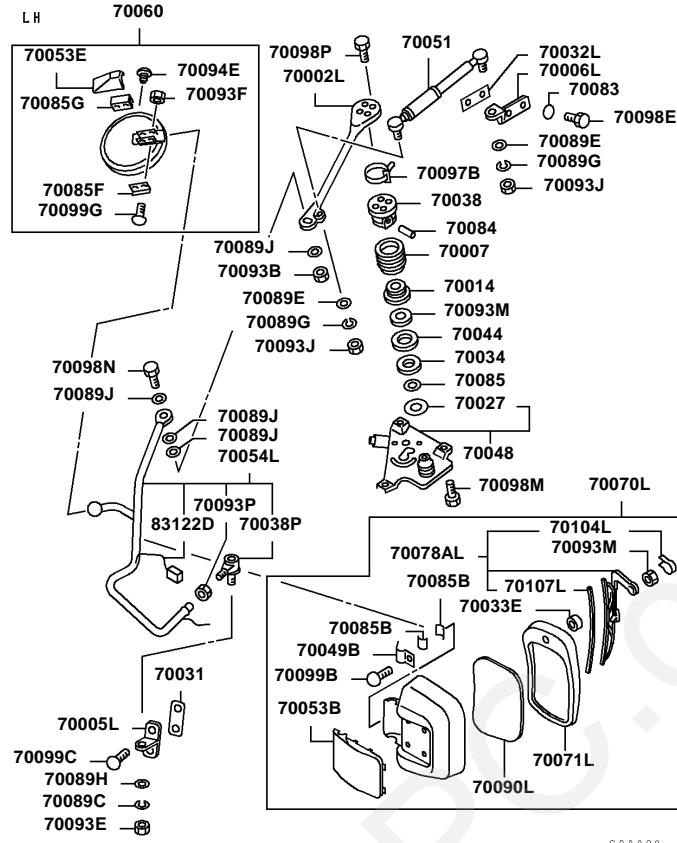
Ref. |2051110

Page

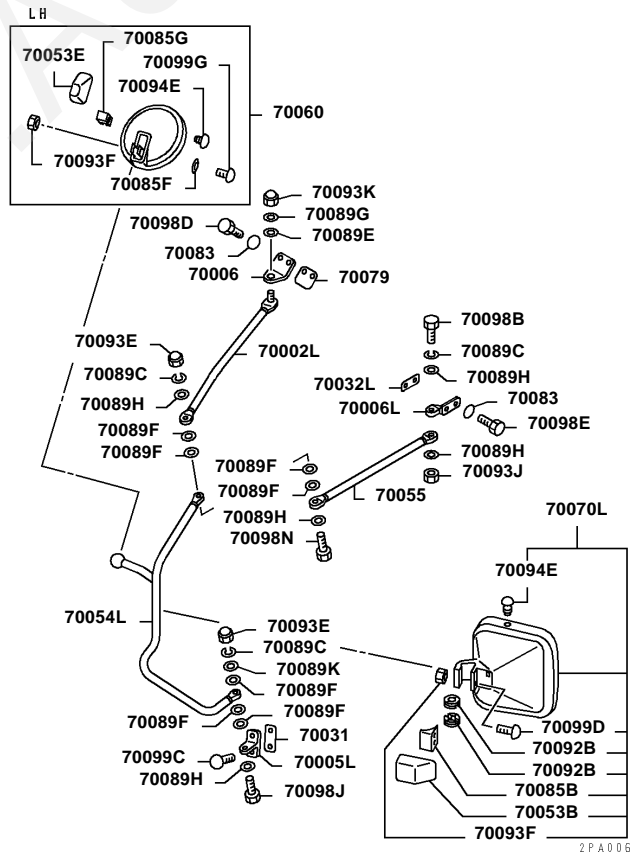
FK74R
51-110 ORNAMENT, MARK & EMBLEM

PNC	Part No	Part Name	Qty	Part Spec	Classification	Start	End
71864	MC964851	MARK,FIGHTER	1		G6,G6E,H6, H6E,J6,J6E, K6,K6E,M6, M6E	04053	05102
	MK545149	MARK,FIGHTER	1		G6,G6V,H6, H6E,H6V,H6VE, J6,J6E,J6V, J6VE,K6,K6E, K6V,K6VE,M6E, M6VE	05103	09052
71867	MC964850	MARK,FUSO	1		G6,G6E,H6, H6E,J6,J6E, K6,K6E,M6, M6E	04053	05102
	MK545197	MARK,FUSO	1		G6,G6V,H6, H6E,H6V,H6VE, J6,J6E,J6V, J6VE,K6,K6E, K6V,K6VE,M6E, M6VE	05103	09052
71992	MF453017	SCREW,EXTERIOR MARK	3	TAPPING,4X12	G6,G6E,H6, H6E,J6,J6E, K6,K6E,M6, M6E	04053	05102
97162	MC922558	MARK,THREE-DIA	1		G6,G6E,H6, H6E,J6,J6E, K6,K6E,M6, M6E	04053	05102
97464	MK545915	MARK,INOMAT-2	2		G6V,H6V,H6VE, J6V,J6VE,K6V, K6VE,M6VE	05103	07052
	MK545915	MARK,INOMAT-2	2		G6V,H6V,H6VE, J6V,J6VE,K6VE	07053	09052
97203	(N.e.c.)	MARK,4WD					
71862	(N.e.c.)	MARK,CUSTOM					
97364	(N.e.c.)	MARK,INOMAT					

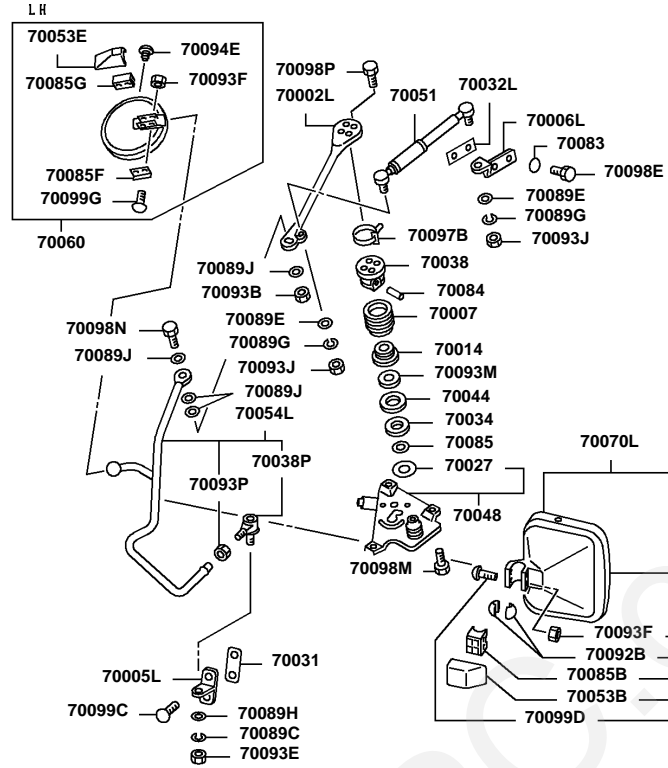
FK74R
No.1



FK74R
No.2

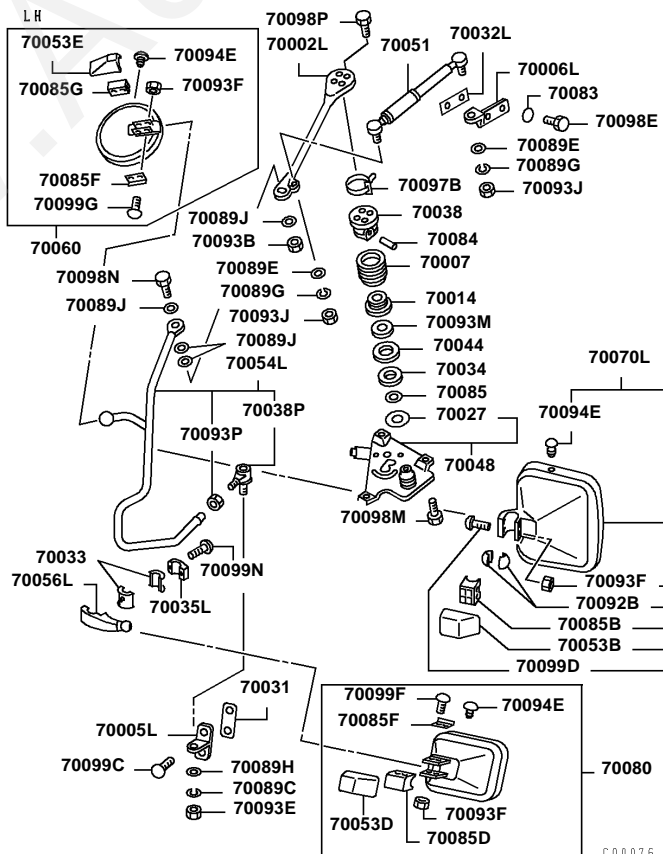


FK74R
No.3



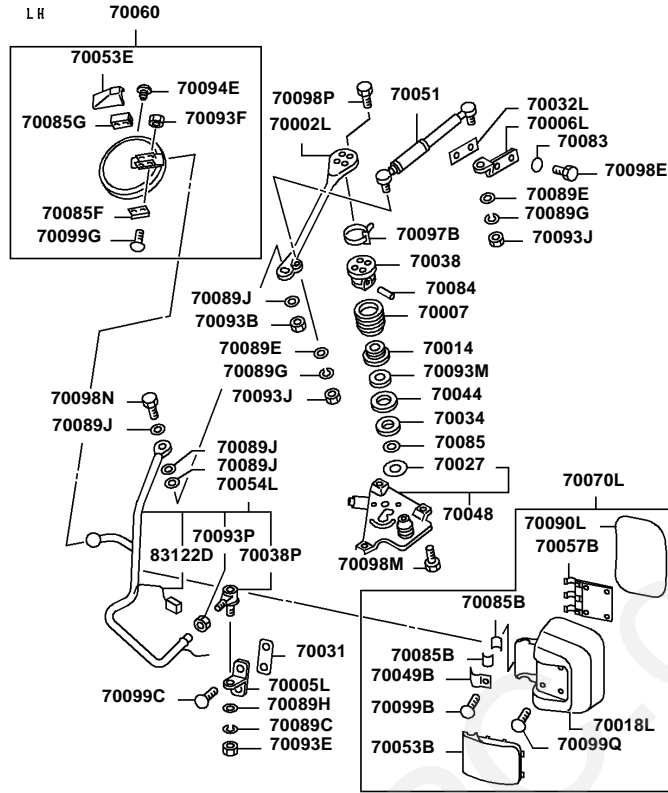
C00073

FK74R
No.4



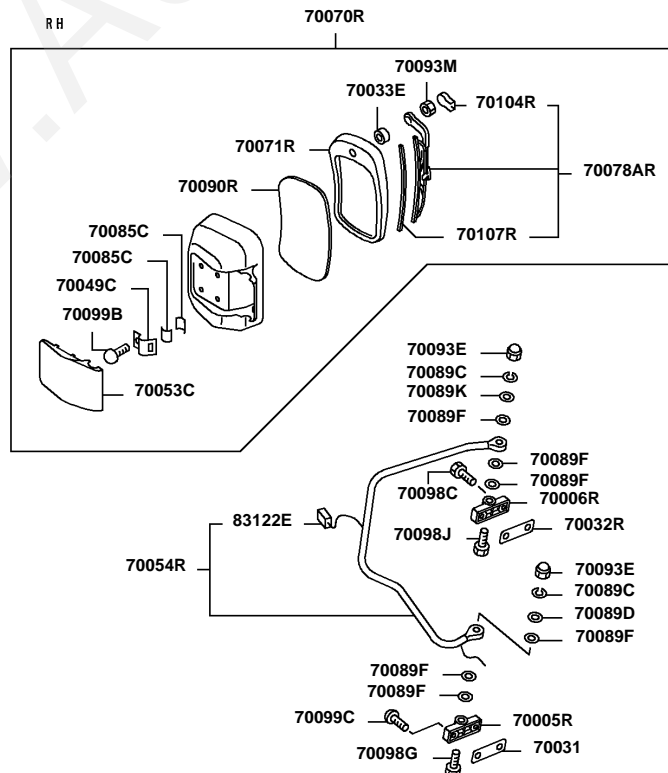
C00076

FK74R
No.5



C00074

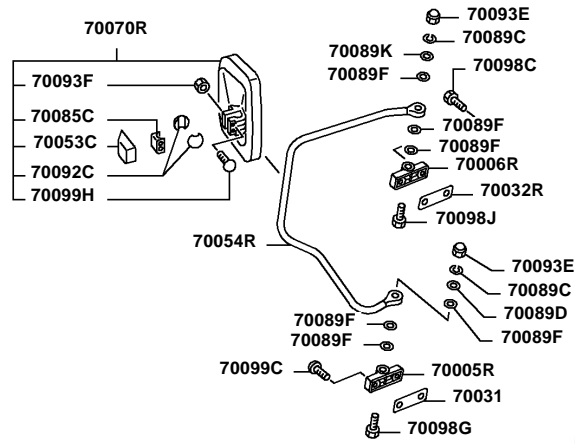
FK74R
No.6



C00081

FK74R
No.7

RH



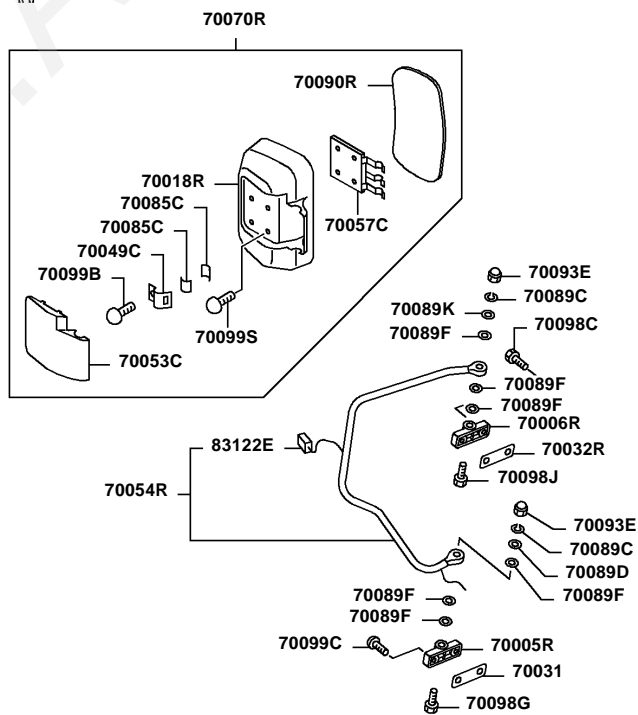
C00071

Ref. |2051210

Page

FK74R
No.8

RH



C00072

Ref. |2051210

Page

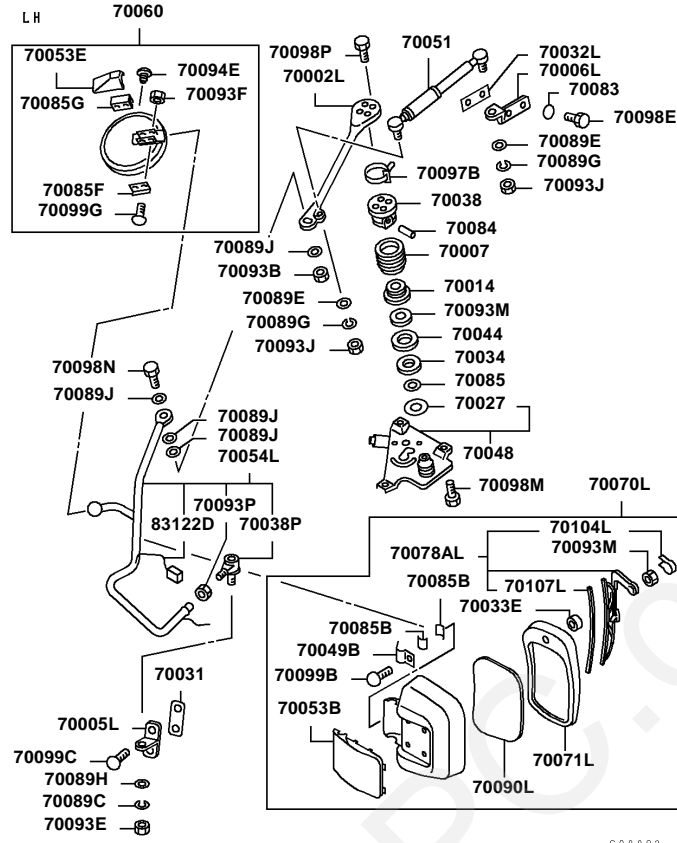
51-210 OUTSIDE REAR VIEW MIRROR

PNC	Part Name	See Page
70002L	BAR,RR VIEW MIRROR STAY PROP,LH	(Please refer to the page 1/2)
70005L	BRACKET,RR VIEW MIRROR STAY,LWR LH	(Please refer to the page 1/2)
70005R	BRACKET,RR VIEW MIRROR STAY,LWR RH	(Please refer to the page 1/2)
70006	BRACKET,RR VIEW MIRROR STAY,UPR	(Please refer to the page 1/2)
70006L	BRACKET,RR VIEW MIRROR STAY,UPR LH	(Please refer to the page 1/2)
70006R	BRACKET,RR VIEW MIRROR STAY,UPR RH	(Please refer to the page 1/2)
70007	BOOT,RR VIEW MIRROR STAY	(Please refer to the page 1/2)
70014	CAP,RR VIEW MIRROR RETRACTOR MOTOR	(Please refer to the page 1/2)
70018L	HOUSING,RR VIEW MIRROR,LH	(Please refer to the page 1/2)
70018R	HOUSING,RR VIEW MIRROR,RH	(Please refer to the page 1/2)
70027	GASKET,RR VIEW MIRROR RETRACTOR MOTOR,LWR	(Please refer to the page 1/2)
70031	GASKET,RR VIEW MIRROR STAY,LWR	(Please refer to the page 1/2)
70032L	GASKET,RR VIEW MIRROR STAY,UPR LH	(Please refer to the page 1/2)
70032R	GASKET,RR VIEW MIRROR STAY,UPR RH	(Please refer to the page 1/2)
70033	GASKET,RR VIEW MIRROR STAY	(Please refer to the page 1/2)
70033E	GASKET,RR VIEW MIRROR STAY	(Please refer to the page 1/2)
70034	GASKET,RR VIEW MIRROR RETRACTOR MOTOR,UPR	(Please refer to the page 1/2)
70035L	HOLDER,RR VIEW MIRROR,LH	(Please refer to the page 1/2)
70038	JOINT,RR VIEW MIRROR STAY	(Please refer to the page 1/2)
70038P	JOINT,RR VIEW MIRROR STAY	(Please refer to the page 1/2)
70044	PLATE,RR VIEW MIRROR RETRACTOR MOTOR	(Please refer to the page 1/2)
70048	MOTOR,RR VIEW MIRROR RETRACTOR	(Please refer to the page 1/2)
70049B	BRACKET,RR VIEW MIRROR	(Please refer to the page 1/2)
70049C	BRACKET,RR VIEW MIRROR	(Please refer to the page 1/2)
70051	GAS SPRING,RR VIEW MIRROR RETRACTOR	(Please refer to the page 1/2)
70053B	COVER,RR VIEW MIRROR	(Please refer to the page 1/2)
70053C	COVER,RR VIEW MIRROR	(Please refer to the page 1/2)
70053D	COVER,RR VIEW MIRROR	(Please refer to the page 1/2)
70053E	COVER,RR VIEW MIRROR	(Please refer to the page 1/2)
70054L	STAY,RR VIEW MIRROR,LH	(Please refer to the page 1/2)
70054R	STAY,RR VIEW MIRROR,RH	(Please refer to the page 1/2)
70055	STAY,RR VIEW MIRROR,UPR	(Please refer to the page 1/2)
70056L	STAY,RR VIEW MIRROR,LWR LH	(Please refer to the page 1/2)
70057B	BRACKET,RR VIEW MIRROR HOUSING	(Please refer to the page 1/2)
70057C	BRACKET,RR VIEW MIRROR HOUSING	(Please refer to the page 1/2)
70060	MIRROR,FR UNDER VIEW	(Please refer to the page 1/2)
70070L	MIRROR,RR VIEW,LH	(Please refer to the page 1/2)
70070R	MIRROR,RR VIEW,RH	(Please refer to the page 1/2)
70071L	RING,RR VIEW MIRROR,LH	(Please refer to the page 1/2)
70071R	RING,RR VIEW MIRROR,RH	(Please refer to the page 1/2)
70078AL	ARM & BLADE ASSY,RR VIEW MIRROR WIPER,LH	(Please refer to the page 1/2)
70078AR	ARM & BLADE ASSY,RR VIEW MIRROR WIPER,RH	(Please refer to the page 1/2)
70079	GASKET,RR VIEW MIRROR STAY PROP	(Please refer to the page 1/2)
70080	MIRROR,SIDE UNDER VIEW	(Please refer to the page 1/2)
70083	O-RING,RR VIEW MIRROR	(Please refer to the page 1/2)
70084	PIN,RR VIEW MIRROR	(Please refer to the page 1/2)
70085	SPACER,RR VIEW MIRROR	(Please refer to the page 1/2)
70085B	SPACER,RR VIEW MIRROR	(Please refer to the page 1/2)
70085C	SPACER,RR VIEW MIRROR	(Please refer to the page 2/2)
70085D	SPACER,RR VIEW MIRROR	(Please refer to the page 2/2)
70085F	SPACER,RR VIEW MIRROR	(Please refer to the page 2/2)
70085G	SPACER,RR VIEW MIRROR	(Please refer to the page 2/2)
70089C	WASHER,RR VIEW MIRROR	(Please refer to the page 2/2)
70089D	WASHER,RR VIEW MIRROR	(Please refer to the page 2/2)
70089E	WASHER,RR VIEW MIRROR	(Please refer to the page 2/2)
70089F	WASHER,RR VIEW MIRROR	(Please refer to the page 2/2)
70089G	WASHER,RR VIEW MIRROR	(Please refer to the page 2/2)
70089H	WASHER,RR VIEW MIRROR	(Please refer to the page 2/2)
70089J	WASHER,RR VIEW MIRROR	(Please refer to the page 2/2)
70089K	WASHER,RR VIEW MIRROR	(Please refer to the page 2/2)
70090L	MIRROR & HOLDER,RR VIEW,LH	(Please refer to the page 2/2)
70090R	MIRROR & HOLDER,RR VIEW,RH	(Please refer to the page 2/2)
70092B	PIVOT,RR VIEW MIRROR HOUSING	(Please refer to the page 2/2)
70092C	PIVOT,RR VIEW MIRROR HOUSING	(Please refer to the page 2/2)
70093B	NUT,RR VIEW MIRROR	(Please refer to the page 2/2)
70093E	NUT,RR VIEW MIRROR	(Please refer to the page 2/2)
70093F	NUT,RR VIEW MIRROR	(Please refer to the page 2/2)
70093J	NUT,RR VIEW MIRROR	(Please refer to the page 2/2)
70093K	NUT,RR VIEW MIRROR	(Please refer to the page 2/2)
70093M	NUT,RR VIEW MIRROR	(Please refer to the page 2/2)
70093P	NUT,RR VIEW MIRROR	(Please refer to the page 2/2)
70094E	GROMMET,RR VIEW MIRROR	(Please refer to the page 2/2)

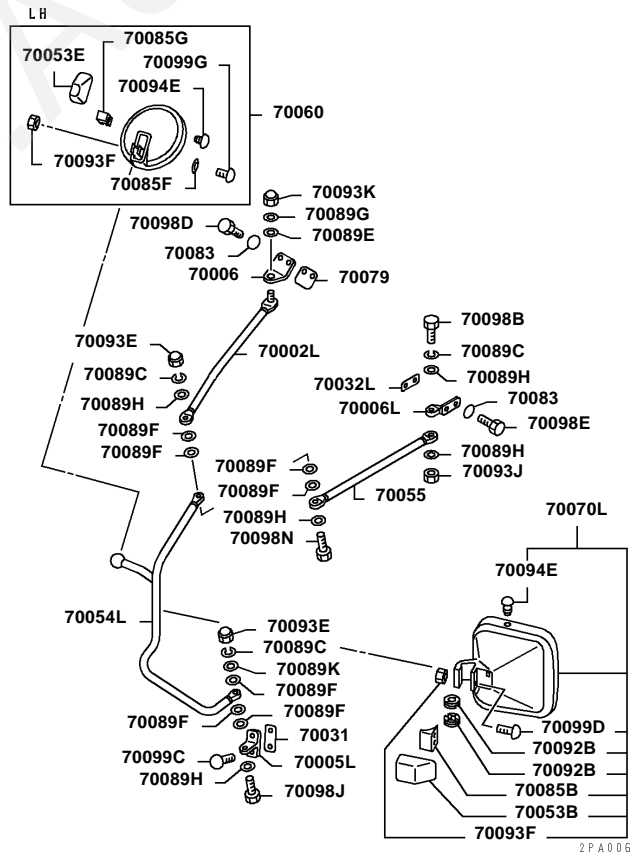
51-210 OUTSIDE REAR VIEW MIRROR

PNC	Part Name	See Page
70097B	BAND,RR VIEW MIRROR	(Please refer to the page 2/2)
70098B	BOLT,RR VIEW MIRROR	(Please refer to the page 2/2)
70098C	BOLT,RR VIEW MIRROR	(Please refer to the page 2/2)
70098D	BOLT,RR VIEW MIRROR	(Please refer to the page 2/2)
70098E	BOLT,RR VIEW MIRROR	(Please refer to the page 2/2)
70098G	BOLT,RR VIEW MIRROR	(Please refer to the page 2/2)
70098J	BOLT,RR VIEW MIRROR	(Please refer to the page 2/2)
70098M	BOLT,RR VIEW MIRROR	(Please refer to the page 2/2)
70098N	BOLT,RR VIEW MIRROR	(Please refer to the page 2/2)
70098P	BOLT,RR VIEW MIRROR	(Please refer to the page 2/2)
70099B	SCREW,RR VIEW MIRROR	(Please refer to the page 2/2)
70099C	SCREW,RR VIEW MIRROR	(Please refer to the page 2/2)
70099D	SCREW,RR VIEW MIRROR	(Please refer to the page 2/2)
70099F	SCREW,RR VIEW MIRROR	(Please refer to the page 2/2)
70099G	SCREW,RR VIEW MIRROR	(Please refer to the page 2/2)
70099H	SCREW,RR VIEW MIRROR	(Please refer to the page 2/2)
70099N	SCREW,RR VIEW MIRROR	(Please refer to the page 2/2)
70099Q	SCREW,RR VIEW MIRROR	(Please refer to the page 2/2)
70099S	SCREW,RR VIEW MIRROR	(Please refer to the page 2/2)
70104L	COVER,RR VIEW MIRROR WIPER ARM HEAD,LH	(Please refer to the page 2/2)
70104R	COVER,RR VIEW MIRROR WIPER ARM HEAD,RH	(Please refer to the page 2/2)
70107L	BLADE,RR VIEW MIRROR WIPER,LH	(Please refer to the page 2/2)
70107R	BLADE,RR VIEW MIRROR WIPER,RH	(Please refer to the page 2/2)
83122D	HARNESS,REMOTE CONTROL MIRROR	(Please refer to the page 2/2)
83122E	HARNESS,REMOTE CONTROL MIRROR	(Please refer to the page 2/2)

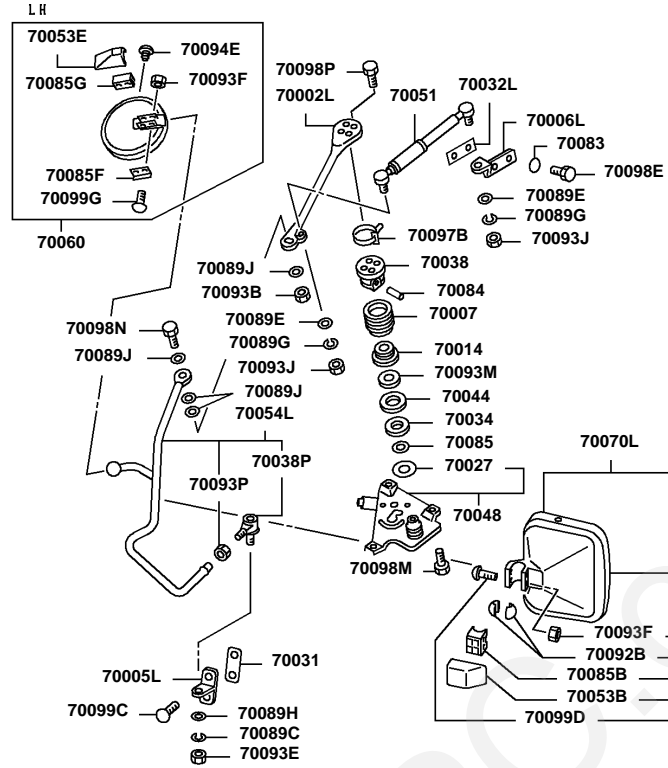
FK74R
No.1



FK74R
No.2

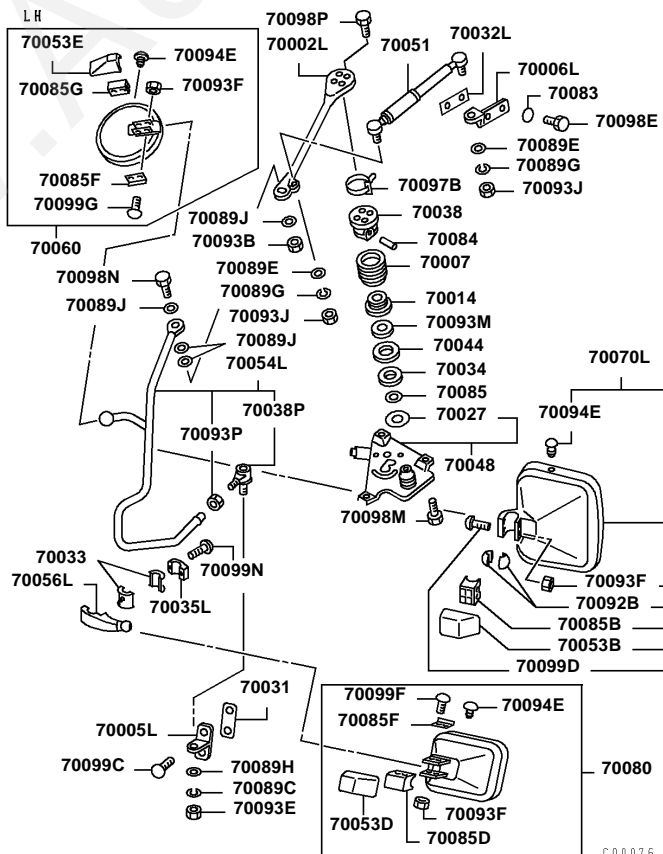


FK74R
No.3



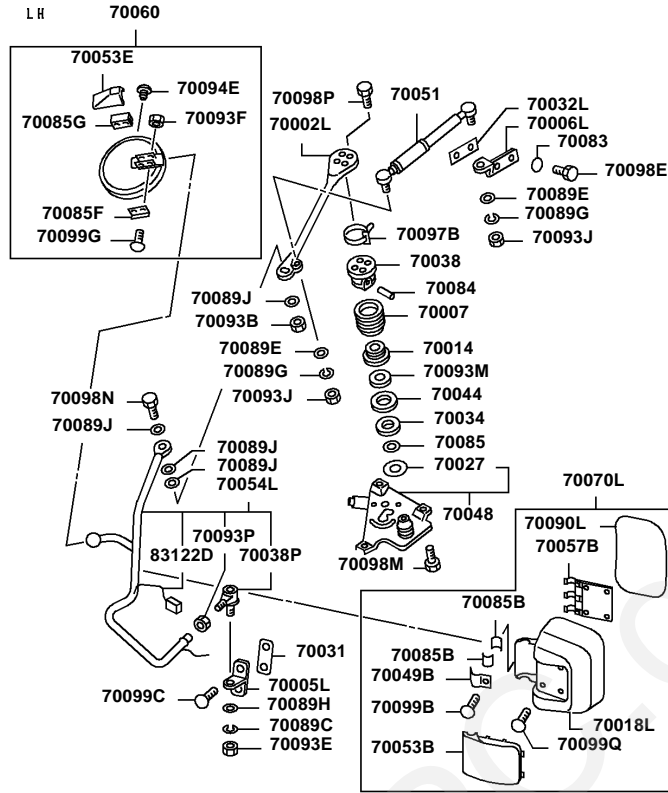
C00073

FK74R
No.4



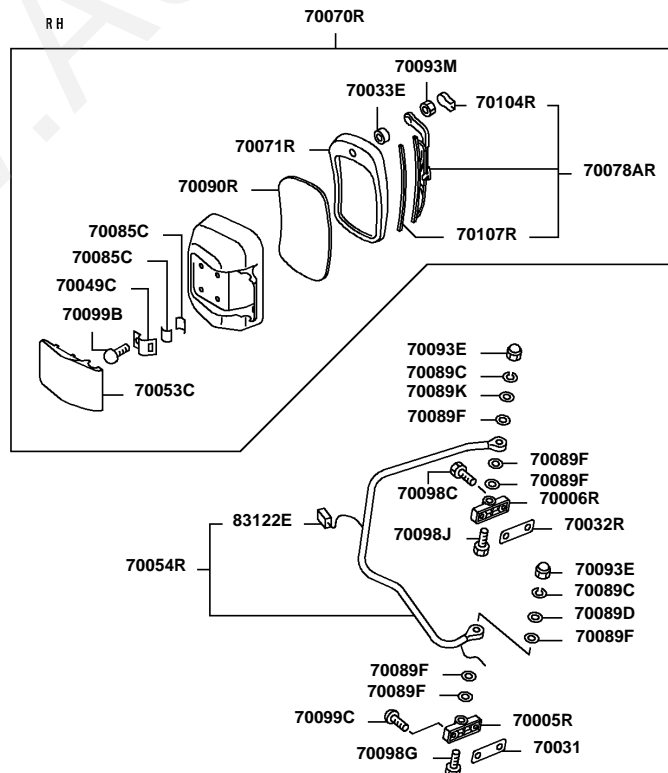
C00076

FK74R
No.5



C00074

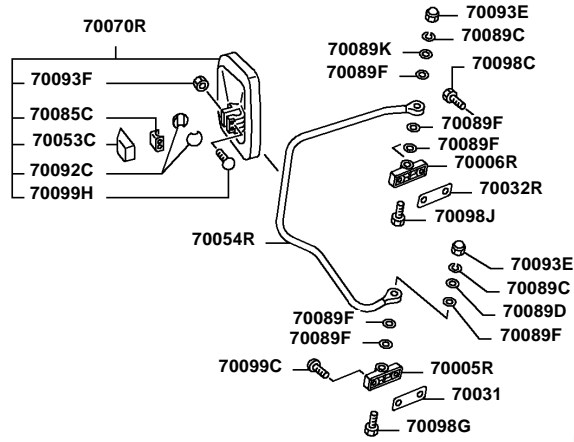
FK74R
No.6



C00081

FK74R
No.7

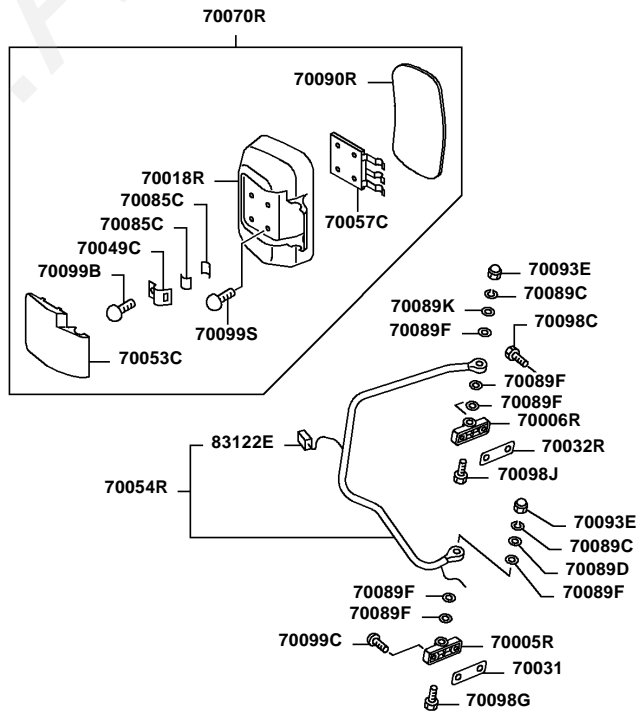
RH



C00071

FK74R
No.8

RH



C00072

FK74R
51-210 OUTSIDE REAR VIEW MIRROR (1/2)

Repl Part	PNC	Part No	Part Name	Qty	Part Spec	NEW1	Class
	70002L	MK435591	BAR,RR VIEW MIRROR STAY PROP,LH	1			G6E,M
		MK435591	BAR,RR VIEW MIRROR STAY PROP,LH	1			G6,H6 J6,J6E K6E,M
		MK435591	BAR,RR VIEW MIRROR STAY PROP,LH	1			G6,G6 H6E,J K6,K6E M6E
		MK435591	BAR,RR VIEW MIRROR STAY PROP,LH	1			G6,G6 H6E,J K6,K6E M6E
		MK435591	BAR,RR VIEW MIRROR STAY PROP,LH	1			G6,G6 H6E,J K6,K6E M6E
		MC963567	BAR,RR VIEW MIRROR STAY PROP,LH	1			G6,G6 H6E,J K6,K6E M6E
		MK545721	BAR,RR VIEW MIRROR STAY PROP,LH	1			G6,G6 H6E,H J6,J6E J6VE,I K6V,K
		MC963567	BAR,RR VIEW MIRROR STAY PROP,LH	1			M6VE G6,G6 H6E,H J6,J6E J6VE,I K6V,K
		MK545721	BAR,RR VIEW MIRROR STAY PROP,LH	1			M6VE G6,G6 H6E,H J6,J6E J6VE,I K6VE,I
		MK545721	BAR,RR VIEW MIRROR STAY PROP,LH	1			G6,G6 H6E,H J6,J6E J6VE,I K6V,K
		MK545721	BAR,RR VIEW MIRROR STAY PROP,LH	1			M6VE K6V,M
		MK545721	BAR,RR VIEW MIRROR STAY PROP,LH	1			K6V,M
		MK545721	BAR,RR VIEW MIRROR STAY PROP,LH	1			G6,G6 H6E,H J6,J6E J6VE,I K6VE,I
		MK545721	BAR,RR VIEW MIRROR STAY PROP,LH	1			G6,G6 H6E,H J6,J6E J6VE,I K6V,K
		MK545721	BAR,RR VIEW MIRROR STAY PROP,LH	1			M6VE G6V,H J6V,J6
		MK545721	BAR,RR VIEW MIRROR STAY PROP,LH	1			K6VE, G6,H6 J6,J6E K6E,M
		MK545721	BAR,RR VIEW MIRROR STAY PROP,LH	1			G6,G6 H6E,H J6,J6E J6VE,I K6VE,I
		MC963567	BAR,RR VIEW MIRROR STAY PROP,LH	1			G6,G6 H6E,H J6,J6E J6VE,I K6VE,I
RP	70005L	MK435592	BRACKET,RR VIEW MIRROR STAY,LWR LH	1		Y	G6E,M

FK74R
51-210 OUTSIDE REAR VIEW MIRROR (1/2)

Repl Part RP	PNC 70005L	Part No	Part Name	Qty	Part Spec	NEW1	Class
		MK435592	BRACKET,RR VIEW MIRROR STAY,LWR LH	1		Y	G6,H6 J6,J6E K6E,M6E
RP		MK435592	BRACKET,RR VIEW MIRROR STAY,LWR LH	1		Y	G6,G6 H6E,J6E K6,K6E M6E
RP		MK435592	BRACKET,RR VIEW MIRROR STAY,LWR LH	1		Y	G6,G6 H6E,J6E K6,K6E M6E
RP		MK435592	BRACKET,RR VIEW MIRROR STAY,LWR LH	1		Y	G6,G6 H6E,J6E K6,K6E M6E
		MK435594	BRACKET,RR VIEW MIRROR STAY,LWR LH	1			G6,G6 H6E,J6E K6,K6E M6E
		MK546349	BRACKET,RR VIEW MIRROR STAY,LWR LH	1			G6,G6 H6E,H6E J6,J6E J6VE,I6VE K6V,K6VE M6VE
		MK435594	BRACKET,RR VIEW MIRROR STAY,LWR LH	1			G6,G6 H6E,H6E J6,J6E J6VE,I6VE K6V,K6VE M6VE
		MK546349	BRACKET,RR VIEW MIRROR STAY,LWR LH	1			G6,G6 H6E,H6E J6,J6E J6VE,I6VE K6VE,I6VE M6VE
		MK546349	BRACKET,RR VIEW MIRROR STAY,LWR LH	1			G6,G6 H6E,H6E J6,J6E J6VE,I6VE K6V,K6VE M6VE
		MK546349	BRACKET,RR VIEW MIRROR STAY,LWR LH	1			K6V,M6VE
		MK546349	BRACKET,RR VIEW MIRROR STAY,LWR LH	1			K6V,M6VE
		MK546349	BRACKET,RR VIEW MIRROR STAY,LWR LH	1			G6,G6 H6E,H6E J6,J6E J6VE,I6VE K6V,K6VE M6VE
		MK546349	BRACKET,RR VIEW MIRROR STAY,LWR LH	1			G6,G6 H6E,H6E J6,J6E J6VE,I6VE K6VE,I6VE M6VE
		MK546349	BRACKET,RR VIEW MIRROR STAY,LWR LH	1			G6V,H6E J6V,J6E K6VE,I6VE M6VE
		MK546349	BRACKET,RR VIEW MIRROR STAY,LWR LH	1			G6,H6E J6,J6E K6E,M6E
		MK546349	BRACKET,RR VIEW MIRROR STAY,LWR LH	1			G6,G6 H6E,H6E J6,J6E J6VE,I6VE K6VE,I6VE
		MK435594	BRACKET,RR VIEW MIRROR STAY,LWR LH	1			G6,G6 H6E,H6E J6,J6E J6VE,I6VE K6VE,I6VE

FK74R
51-210 OUTSIDE REAR VIEW MIRROR (1/2)

Repl Part	PNC	Part No	Part Name	Qty	Part Spec	NEW1	Class
	70005R	MK435589	BRACKET,RR VIEW MIRROR STAY,LWR RH	1			G6,G6 H6,H6 H6VE, J6V,J6 K6E,K M6,M6
	70006	MK435618	BRACKET,RR VIEW MIRROR STAY,UPR	1			G6,G6 H6E,J K6,K6 M6E
		MK435618	BRACKET,RR VIEW MIRROR STAY,UPR	1			G6,G6 H6E,H J6,J6E J6VE,I K6V,K M6VE
		MK435618	BRACKET,RR VIEW MIRROR STAY,UPR	1			G6,G6 H6E,H J6,J6E J6VE,I K6VE, M6E
RP	70006L	MK435593	BRACKET,RR VIEW MIRROR STAY,UPR LH	1		Y	G6E,M
RP		MK435593	BRACKET,RR VIEW MIRROR STAY,UPR LH	1		Y	G6,H6 J6,J6E K6E,M
RP		MK435593	BRACKET,RR VIEW MIRROR STAY,UPR LH	1		Y	G6,G6 H6E,J K6,K6 M6E
RP		MK435593	BRACKET,RR VIEW MIRROR STAY,UPR LH	1		Y	G6,G6 H6E,J K6,K6 M6E
RP		MK435593	BRACKET,RR VIEW MIRROR STAY,UPR LH	1		Y	G6,G6 H6E,J K6,K6 M6E
		MK435598	BRACKET,RR VIEW MIRROR STAY,UPR LH	1			G6,G6 H6E,J K6,K6 M6E
		MK546337	BRACKET,RR VIEW MIRROR STAY,UPR LH	1			G6,G6 H6E,H J6,J6E J6VE,I K6V,K M6VE
		MK435598	BRACKET,RR VIEW MIRROR STAY,UPR LH	1			G6,G6 H6E,H J6,J6E J6VE,I K6V,K M6VE
		MK546337	BRACKET,RR VIEW MIRROR STAY,UPR LH	1			G6,G6 H6E,H J6,J6E J6VE,I K6VE, M6VE
		MK546337	BRACKET,RR VIEW MIRROR STAY,UPR LH	1			G6,G6 H6E,H J6,J6E J6VE,I K6V,K M6VE
		MK546337	BRACKET,RR VIEW MIRROR STAY,UPR LH	1			K6V,M
		MK546337	BRACKET,RR VIEW MIRROR STAY,UPR LH	1			K6V,M
		MK546337	BRACKET,RR VIEW MIRROR STAY,UPR LH	1			G6,G6 H6E,H J6,J6E J6VE,I K6VE,

FK74R
51-210 OUTSIDE REAR VIEW MIRROR (1/2)

Repl Part	PNC	Part No	Part Name	Qty	Part Spec	NEW1	Class
	70006L	MK546337	BRACKET,RR VIEW MIRROR STAY,UPR LH	1			G6,G6 H6E,H J6,J6E J6VE,I K6V,K M6VE
		MK546337	BRACKET,RR VIEW MIRROR STAY,UPR LH	1			G6V,H J6V,J6 K6VE, G6,H6 J6,J6E K6E,M
		MK546337	BRACKET,RR VIEW MIRROR STAY,UPR LH	1			G6,G6 H6E,H J6,J6E J6VE,I K6VE, G6,G6 H6E,H J6,J6E J6VE,I K6VE, G6,G6 H6,H6 H6VE, J6V,J6 K6E,K M6,M6
		MK546337	BRACKET,RR VIEW MIRROR STAY,UPR LH	1			G6,G6 H6E,H J6,J6E J6VE,I K6VE, G6,G6 H6E,H J6,J6E J6VE,I K6VE, G6,G6 H6E,H J6,J6E J6VE,I K6VE, G6,G6 H6,H6 H6VE, J6V,J6 K6E,K M6,M6
		MK435598	BRACKET,RR VIEW MIRROR STAY,UPR LH	1			G6,G6 H6E,H J6,J6E J6VE,I K6VE, G6,G6 H6E,H J6,J6E J6VE,I K6VE, G6,G6 H6,H6 H6VE, J6V,J6 K6E,K M6,M6
	70006R	MK435590	BRACKET,RR VIEW MIRROR STAY,UPR RH	1			G6,G6 H6,H6 H6VE, J6V,J6 K6E,K M6,M6
	70007	MC928059	BOOT,RR VIEW MIRROR STAY	1			G6,G6 H6E,J K6,K6 M6E
		MC928059	BOOT,RR VIEW MIRROR STAY	1			G6E,M G6,G6 H6E,H J6,J6E J6VE,I K6VE, G6V,H J6V,J6 K6VE, G6,G6 H6E,H J6,J6E J6VE,I K6V,K M6VE
		MC928059	BOOT,RR VIEW MIRROR STAY	1			G6E,K M6VE
		MC928059	BOOT,RR VIEW MIRROR STAY	1			G6,G6 H6,H6 H6VE, J6V,J6 K6E,K M6,M6
		MC928059	BOOT,RR VIEW MIRROR STAY	1			K6V,M G6,G6 H6E,H J6,J6E J6VE,I K6VE, G6E,M G6,G6 H6E,J K6,K6 M6E
		MC928059	BOOT,RR VIEW MIRROR STAY	1			G6V,H J6V,J6 K6VE, G6,H6 J6,J6E J6VE,I K6VE, G6E,M G6,G6 H6E,J K6,K6 M6E
		MC928059	BOOT,RR VIEW MIRROR STAY	1			G6V,H J6V,J6 K6VE, G6,H6 J6,J6E J6VE,I K6VE, G6E,M G6,G6 H6E,J K6,K6 M6E
		MC928059	BOOT,RR VIEW MIRROR STAY	1			G6V,H J6V,J6 K6VE, G6,H6 J6,J6E J6VE,I K6VE, G6E,M G6,G6 H6E,J K6,K6 M6E
		MC928059	BOOT,RR VIEW MIRROR STAY	1			G6V,H J6V,J6 K6VE, G6,H6 J6,J6E J6VE,I K6VE, G6E,M G6,G6 H6E,J K6,K6 M6E
		MC928059	BOOT,RR VIEW MIRROR STAY	1			G6V,H J6V,J6 K6VE, G6,H6 J6,J6E J6VE,I K6VE, G6E,M G6,G6 H6E,J K6,K6 M6E

FK74R
51-210 OUTSIDE REAR VIEW MIRROR (1/2)

Repl Part	PNC	Part No	Part Name	Qty	Part Spec	NEW1	Class
	70007	MC928059	BOOT,RR VIEW MIRROR STAY	1			G6,G6 H6E,H J6,J6E J6VE,I K6V,K M6VE
		MC928059	BOOT,RR VIEW MIRROR STAY	1			G6,G6 H6E,H J6,J6E J6VE,I K6VE, M6VE
	70014	MC926487	CAP,RR VIEW MIRROR RETRACTOR MOTOR	1			G6,G6 H6E,J K6,K6 M6E
		MC926487	CAP,RR VIEW MIRROR RETRACTOR MOTOR	1			G6E,M G6,G6 H6E,H J6,J6E J6VE,I K6VE, M6VE
		MC926487	CAP,RR VIEW MIRROR RETRACTOR MOTOR	1			G6,G6 H6E,H J6,J6E J6VE,I K6VE, M6VE
		MC926487	CAP,RR VIEW MIRROR RETRACTOR MOTOR	1			G6,G6 H6E,H J6,J6E J6VE,I K6V,K M6VE
		MC926487	CAP,RR VIEW MIRROR RETRACTOR MOTOR	1			G6E,K M6VE
		MC926487	CAP,RR VIEW MIRROR RETRACTOR MOTOR	1			G6,G6 H6,H6 H6VE, J6V,J6 K6E,K M6,M6
		MC926487	CAP,RR VIEW MIRROR RETRACTOR MOTOR	1			K6V,M G6,G6 H6E,H J6,J6E J6VE,I K6VE, M6VE
		MC926487	CAP,RR VIEW MIRROR RETRACTOR MOTOR	1			G6E,M G6,G6 H6E,J K6,K6 M6E
		MC926487	CAP,RR VIEW MIRROR RETRACTOR MOTOR	1			G6V,H J6V,J6 K6VE, M6VE
		MC926487	CAP,RR VIEW MIRROR RETRACTOR MOTOR	1			G6,H6 J6,J6E K6E,M M6VE
		MC926487	CAP,RR VIEW MIRROR RETRACTOR MOTOR	1			G6,G6 H6E,H J6,J6E J6VE,I K6V,K M6VE
		MC926487	CAP,RR VIEW MIRROR RETRACTOR MOTOR	1			G6,G6 H6E,H J6,J6E J6VE,I K6VE, M6VE
	70018L	MC965515	HOUSING,RR VIEW MIRROR,LH	1			G6,G6 H6E,J K6,K6 M6E

FK74R
51-210 OUTSIDE REAR VIEW MIRROR (1/2)

Repl Part	PNC	Part No	Part Name	Qty	Part Spec	NEW1	Class
	70018L	MC965515	HOUSING,RR VIEW MIRROR,LH	1			G6,G6 H6E,H J6,J6E J6VE,I K6V,K M6VE
		MC965515	HOUSING,RR VIEW MIRROR,LH	1			G6,G6 H6E,H J6,J6E J6VE,I K6VE, M6VE
	70018R	MC965519	HOUSING,RR VIEW MIRROR,RH	1			G6,G6 H6E,J K6,K6 M6E
		MC965519	HOUSING,RR VIEW MIRROR,RH	1			G6,G6 H6E,H J6,J6E J6VE,I K6V,K M6VE
		MC965519	HOUSING,RR VIEW MIRROR,RH	1			G6,G6 H6E,H J6,J6E J6VE,I K6VE, M6VE
	70027	MC928064	GASKET,RR VIEW MIRROR RETRACTOR MOTOR,LWR	1			G6,G6 H6E,J K6,K6 M6E
		MC928064	GASKET,RR VIEW MIRROR RETRACTOR MOTOR,LWR	1			G6E,M G6,G6 H6E,H J6,J6E J6VE,I K6VE, M6VE
		MC928064	GASKET,RR VIEW MIRROR RETRACTOR MOTOR,LWR	1			G6,G6 H6E,H J6,J6E J6VE,I K6V,K M6VE
		MC928064	GASKET,RR VIEW MIRROR RETRACTOR MOTOR,LWR	1			G6,G6 H6E,H J6,J6E J6VE,I K6V,K M6VE
		MC928064	GASKET,RR VIEW MIRROR RETRACTOR MOTOR,LWR	1			G6,G6 H6E,H J6,J6E J6VE,I K6VE, M6VE
		MC928064	GASKET,RR VIEW MIRROR RETRACTOR MOTOR,LWR	1			G6,G6 H6,H6 H6VE, J6V,J6 K6E,K M6,M6
		MC928064	GASKET,RR VIEW MIRROR RETRACTOR MOTOR,LWR	1			K6V,M G6,G6 H6E,H J6,J6E J6VE,I K6VE, M6VE
		MC928064	GASKET,RR VIEW MIRROR RETRACTOR MOTOR,LWR	1			G6,G6 H6E,J K6,K6 M6E
		MC928064	GASKET,RR VIEW MIRROR RETRACTOR MOTOR,LWR	1			G6V,H J6V,J6 K6VE, M6VE
		MC928064	GASKET,RR VIEW MIRROR RETRACTOR MOTOR,LWR	1			G6,H6 J6,J6E K6E,M

FK74R
51-210 OUTSIDE REAR VIEW MIRROR (1/2)

Repl Part	PNC	Part No	Part Name	Qty	Part Spec	NEW1	Class
	70027	MC928064	GASKET,RR VIEW MIRROR RETRACTOR MOTOR,LWR	1			G6,G6 H6E,H J6,J6E J6VE,I K6V,K M6VE
		MC928064	GASKET,RR VIEW MIRROR RETRACTOR MOTOR,LWR	1			G6,G6 H6E,H J6,J6E J6VE,I K6VE, M6VE
	70031	MC924305	GASKET,RR VIEW MIRROR STAY,LWR	1			G6,G6 H6E,J K6,K6 M6E
		MC924305	GASKET,RR VIEW MIRROR STAY,LWR	2			G6,G6 H6E,H J6,J6E J6VE,I K6VE, M6E
		MC924305 MC924305	GASKET,RR VIEW MIRROR STAY,LWR GASKET,RR VIEW MIRROR STAY,LWR	2 2			G6E,M G6,G6 H6E,H J6,J6E J6VE,I K6V,K M6VE
		MC924305 MC924305	GASKET,RR VIEW MIRROR STAY,LWR GASKET,RR VIEW MIRROR STAY,LWR	2 2			K6V,M G6,G6 H6,H6 H6VE, J6V,J K6E,K M6,M6
		MC924305	GASKET,RR VIEW MIRROR STAY,LWR	2			G6E,K M6VE
		MC924305	GASKET,RR VIEW MIRROR STAY,LWR	2			G6,G6 H6E,H J6,J6E J6VE,I K6VE, M6VE
		MC924305	GASKET,RR VIEW MIRROR STAY,LWR	2			G6V,H J6V,J K6VE, M6VE
		MC924305	GASKET,RR VIEW MIRROR STAY,LWR	2			G6V,H J6V,J K6VE, M6VE
		MC924305	GASKET,RR VIEW MIRROR STAY,LWR	2			G6,G6 H6E,J K6,K6 M6E
		MC924305 MC924305	GASKET,RR VIEW MIRROR STAY,LWR GASKET,RR VIEW MIRROR STAY,LWR	2 2			G6E,M G6,H6 J6,J6E K6E,M
		MC924305	GASKET,RR VIEW MIRROR STAY,LWR	1			G6,G6 H6E,H J6,J6E J6VE,I K6V,K M6VE
		MC924305	GASKET,RR VIEW MIRROR STAY,LWR	1			G6,G6 H6E,H J6,J6E J6VE,I K6VE, M6VE
	70032L	MC924280	GASKET,RR VIEW MIRROR STAY,UPR LH	1			G6,G6 H6,H6 H6VE, J6V,J K6E,K M6,M6

FK74R
51-210 OUTSIDE REAR VIEW MIRROR (1/2)

Repl Part	PNC	Part No	Part Name	Qty	Part Spec	NEW1	Class
	70032R	MC924305	GASKET,RR VIEW MIRROR STAY,UPR RH	1			G6,G6 H6,H6 H6VE, J6V,J6 K6E,K M6,M6
	70033	MC962799	GASKET,RR VIEW MIRROR STAY	2			G6,G6 H6E,H J6,J6E J6VE,I K6VE, M6E
	70033E	MC939513	GASKET,RR VIEW MIRROR STAY	2			G6,G6 H6E,J K6,K6 M6E
		MC939513	GASKET,RR VIEW MIRROR STAY	2			G6,G6 H6E,H J6,J6E J6VE,I K6V,K M6VE
		MC939513	GASKET,RR VIEW MIRROR STAY	2			G6,G6 H6E,H J6,J6E J6VE,I K6VE, M6VE
	70034	MC928063	GASKET,RR VIEW MIRROR RETRACTOR MOTOR,UPR	1			G6,G6 H6E,J K6,K6 M6E
		MC928063	GASKET,RR VIEW MIRROR RETRACTOR MOTOR,UPR	1			G6E,M G6,G6 H6E,H J6,J6E J6VE,I K6VE, M6E
		MC928063	GASKET,RR VIEW MIRROR RETRACTOR MOTOR,UPR	1			G6,G6 H6E,H J6,J6E J6VE,I K6V,K M6VE
		MC928063	GASKET,RR VIEW MIRROR RETRACTOR MOTOR,UPR	1			G6,G6 H6E,H J6,J6E J6VE,I K6V,K M6VE
		MC928063	GASKET,RR VIEW MIRROR RETRACTOR MOTOR,UPR	1			G6,G6 H6,H6 H6VE, J6V,J6 K6E,K M6,M6
		MC928063	GASKET,RR VIEW MIRROR RETRACTOR MOTOR,UPR	1			K6V,M G6,G6 H6E,H J6,J6E J6VE,I K6VE, M6VE
		MC928063	GASKET,RR VIEW MIRROR RETRACTOR MOTOR,UPR	1			G6,G6 H6E,J K6,K6 M6E
		MC928063	GASKET,RR VIEW MIRROR RETRACTOR MOTOR,UPR	1			G6V,H J6V,J6 K6VE, M6E
		MC928063	GASKET,RR VIEW MIRROR RETRACTOR MOTOR,UPR	1			G6,H6 J6,J6E J6VE,I K6VE, M6E

FK74R
51-210 OUTSIDE REAR VIEW MIRROR (1/2)

Repl Part	PNC	Part No	Part Name	Qty	Part Spec	NEW1	Class
	70034	MC928063	GASKET,RR VIEW MIRROR RETRACTOR MOTOR,UPR	1			G6,G6 H6E,H J6,J6E J6VE,I K6V,K M6VE
		MC928063	GASKET,RR VIEW MIRROR RETRACTOR MOTOR,UPR	1			G6,G6 H6E,H J6,J6E J6VE,I K6VE, M6VE
	70035L	MK435617	HOLDER,RR VIEW MIRROR,LH	1			G6,G6 H6E,H J6,J6E J6VE,I K6VE, M6VE
	70038	MC928060	JOINT,RR VIEW MIRROR STAY	1			G6,G6 H6E,J K6,K6 M6E
		MC928060	JOINT,RR VIEW MIRROR STAY	1			G6,H6 J6,J6E K6E,M
		MC928060	JOINT,RR VIEW MIRROR STAY	1			G6E,M G6,G6 H6E,J K6,K6 M6E
		MC928060	JOINT,RR VIEW MIRROR STAY	1			G6,G6 H6E,J K6,K6 M6E
		MK545714	JOINT,RR VIEW MIRROR STAY	1			G6,G6 H6E,H J6,J6E J6VE,I K6V,K M6VE
		MK545714	JOINT,RR VIEW MIRROR STAY	1			G6,G6 H6E,H J6,J6E J6VE,I K6VE, M6VE
		MK545714	JOINT,RR VIEW MIRROR STAY	1			G6,G6 H6E,H J6,J6E J6VE,I K6V,K M6VE
		MK545714	JOINT,RR VIEW MIRROR STAY	1			G6,G6 H6E,H J6,J6E J6VE,I K6VE, M6VE
		MK545714	JOINT,RR VIEW MIRROR STAY	1			G6,G6 H6E,H J6,J6E J6VE,I K6V,K M6VE
		MK545714	JOINT,RR VIEW MIRROR STAY	1			G6,G6 H6E,H J6,J6E J6VE,I K6V,K M6VE
		MK545714	JOINT,RR VIEW MIRROR STAY	1			G6,G6 H6E,H J6,J6E J6VE,I K6V,K M6VE
		MK545714	JOINT,RR VIEW MIRROR STAY	1			G6,G6 H6E,H J6,J6E J6VE,I K6V,K M6VE
		MK545714	JOINT,RR VIEW MIRROR STAY	1			G6,G6 H6E,H J6,J6E J6VE,I K6V,K M6VE
		MK545714	JOINT,RR VIEW MIRROR STAY	1			G6,G6 H6E,H J6,J6E J6VE,I K6V,K M6VE
		MK545714	JOINT,RR VIEW MIRROR STAY	1			G6,G6 H6E,H J6,J6E J6VE,I K6V,K M6VE
		MK545714	JOINT,RR VIEW MIRROR STAY	1			G6,G6 H6E,H J6,J6E J6VE,I K6V,K M6VE
		MK545714	JOINT,RR VIEW MIRROR STAY	1			G6,G6 H6E,H J6,J6E J6VE,I K6V,K M6VE
		MK545714	JOINT,RR VIEW MIRROR STAY	1			G6,G6 H6E,H J6,J6E J6VE,I K6V,K M6VE
		MK545714	JOINT,RR VIEW MIRROR STAY	1			G6,G6 H6E,H J6,J6E J6VE,I K6V,K M6VE
		MK545714	JOINT,RR VIEW MIRROR STAY	1			G6,G6 H6E,H J6,J6E J6VE,I K6V,K M6VE
		MK545714	JOINT,RR VIEW MIRROR STAY	1			G6,G6 H6E,H J6,J6E J6VE,I K6V,K M6VE
		MK545714	JOINT,RR VIEW MIRROR STAY	1			G6,G6 H6E,H J6,J6E J6VE,I K6V,K M6VE
		MK545714	JOINT,RR VIEW MIRROR STAY	1			G6,G6 H6E,H J6,J6E J6VE,I K6V,K M6VE
		MK545714	JOINT,RR VIEW MIRROR STAY	1			G6,G6 H6E,H J6,J6E J6VE,I K6V,K M6VE

FK74R
51-210 OUTSIDE REAR VIEW MIRROR (1/2)

Repl Part	PNC	Part No	Part Name	Qty	Part Spec	NEW1	Class		
70038P		MC922718	JOINT,RR VIEW MIRROR STAY	1			G6,G6 H6E,J K6,K6 M6E		
		MC922718	JOINT,RR VIEW MIRROR STAY	1			G6,H6 J6,J6E K6E,M		
		MC922718	JOINT,RR VIEW MIRROR STAY	1			G6E,M		
		MC922718	JOINT,RR VIEW MIRROR STAY	1			G6,G6 H6E,J K6,K6 M6E		
		MK426573	JOINT,RR VIEW MIRROR STAY	1			G6,G6 H6E,J K6,K6 M6E		
		MK426573	JOINT,RR VIEW MIRROR STAY	1			G6,G6 H6E,H J6,J6E J6VE,I K6V,K M6VE		
		MK426573	JOINT,RR VIEW MIRROR STAY	1			G6,G6 H6E,H J6,J6E J6VE,I K6VE,		
		MK426573	JOINT,RR VIEW MIRROR STAY	1			G6,G6 H6E,H J6,J6E J6VE,I K6V,K M6VE		
		MK426573	JOINT,RR VIEW MIRROR STAY	1			G6,G6 H6E,H J6,J6E J6VE,I K6VE,		
		MK426573	JOINT,RR VIEW MIRROR STAY	1			G6,G6 H6E,H J6,J6E J6VE,I K6VE,		
		MK426573	JOINT,RR VIEW MIRROR STAY	1			G6,G6 H6E,H J6,J6E J6VE,I K6VE,		
		MK426573	JOINT,RR VIEW MIRROR STAY	1			G6,G6 H6E,H J6,J6E J6VE,I K6VE,		
		MK426573	JOINT,RR VIEW MIRROR STAY	1			G6,G6 H6E,H J6,J6E J6VE,I K6VE,		
		MK426573	JOINT,RR VIEW MIRROR STAY	1			G6,G6 H6E,H J6,J6E J6VE,I K6VE,		
		MK426573	JOINT,RR VIEW MIRROR STAY	1			G6,G6 H6E,H J6,J6E J6VE,I K6VE,		
		MK426573	JOINT,RR VIEW MIRROR STAY	1			G6,G6 H6E,H J6,J6E J6VE,I K6VE,		
		MK426573	JOINT,RR VIEW MIRROR STAY	1			G6,G6 H6E,H J6,J6E J6VE,I K6VE,		
		MK426573	JOINT,RR VIEW MIRROR STAY	1			G6,G6 H6E,H J6,J6E J6VE,I K6VE,		
		70044		MC926486	PLATE,RR VIEW MIRROR RETRACTOR MOTOR	1			G6,G6 H6E,J K6,K6 M6E
				MC926486	PLATE,RR VIEW MIRROR RETRACTOR MOTOR	1			G6E,M
MC926486	PLATE,RR VIEW MIRROR RETRACTOR MOTOR			1			G6,G6 H6E,H J6,J6E J6VE,I K6VE,		
MC926486	PLATE,RR VIEW MIRROR RETRACTOR MOTOR			1			G6V,H J6V,J6 K6VE,		

FK74R
51-210 OUTSIDE REAR VIEW MIRROR (1/2)

Repl Part	PNC	Part No	Part Name	Qty	Part Spec	NEW1	Class
	70044	MC926486	PLATE,RR VIEW MIRROR RETRACTOR MOTOR	1			G6,G6 H6E,H J6,J6E J6VE,I K6V,K M6VE
		MC926486	PLATE,RR VIEW MIRROR RETRACTOR MOTOR	1			G6E,K M6VE
		MC926486	PLATE,RR VIEW MIRROR RETRACTOR MOTOR	1			G6,G6 H6,H6E H6VE, J6V,J6 K6E,K M6,M6
		MC926486	PLATE,RR VIEW MIRROR RETRACTOR MOTOR	1			K6V,M
		MC926486	PLATE,RR VIEW MIRROR RETRACTOR MOTOR	1			G6,G6 H6E,H J6,J6E J6VE,I K6VE, G6E,M
		MC926486	PLATE,RR VIEW MIRROR RETRACTOR MOTOR	1			G6,G6 H6E,J K6,K6E M6E
		MC926486	PLATE,RR VIEW MIRROR RETRACTOR MOTOR	1			G6V,H J6V,J6 K6VE, G6,H6 J6,J6E K6E,M
		MC926486	PLATE,RR VIEW MIRROR RETRACTOR MOTOR	1			G6,G6 H6E,H J6,J6E J6VE,I K6V,K M6VE
		MC926486	PLATE,RR VIEW MIRROR RETRACTOR MOTOR	1			G6,G6 H6E,H J6,J6E J6VE,I K6VE, G6,G6 H6E,J K6,K6E M6E
		MC926486	PLATE,RR VIEW MIRROR RETRACTOR MOTOR	1			G6,G6 H6E,H J6,J6E J6VE,I K6VE, G6,G6 H6E,J K6,K6E M6E
		MC926486	PLATE,RR VIEW MIRROR RETRACTOR MOTOR	1			G6,G6 H6E,H J6,J6E J6VE,I K6VE, G6,G6 H6E,J K6,K6E M6E
	70048	MC961745	MOTOR,RR VIEW MIRROR RETRACTOR	1			G6,G6 H6E,J K6,K6E M6E
		MC961745	MOTOR,RR VIEW MIRROR RETRACTOR	1			G6,H6 J6,J6E K6E,M
		MC961745	MOTOR,RR VIEW MIRROR RETRACTOR	1			G6E,M
		MC961745	MOTOR,RR VIEW MIRROR RETRACTOR	1			G6,G6 H6E,J K6,K6E M6E
		MC961745	MOTOR,RR VIEW MIRROR RETRACTOR	1			G6,G6 H6E,J K6,K6E M6E
		MK547503	MOTOR,RR VIEW MIRROR RETRACTOR	1			G6,G6 H6E,H J6,J6E J6VE,I K6V,K M6VE
		MK547503	MOTOR,RR VIEW MIRROR RETRACTOR	1			G6,G6 H6E,H J6,J6E J6VE,I K6VE, M6VE

FK74R
51-210 OUTSIDE REAR VIEW MIRROR (1/2)

Repl Part	PNC	Part No	Part Name	Qty	Part Spec	NEW1	Class
	70048	MK547503	MOTOR,RR VIEW MIRROR RETRACTOR	1			G6,G6 H6E,H J6,J6E J6VE,I K6V,K M6VE
		MK547503	MOTOR,RR VIEW MIRROR RETRACTOR	1			G6,G6 H6E,H J6,J6E J6VE,I K6VE, M6VE
		MK547503	MOTOR,RR VIEW MIRROR RETRACTOR	1			K6V,M
		MK547503	MOTOR,RR VIEW MIRROR RETRACTOR	1			K6V,M
		MK547503	MOTOR,RR VIEW MIRROR RETRACTOR	1			G6,H6 J6,J6E K6E,M
		MK547503	MOTOR,RR VIEW MIRROR RETRACTOR	1			G6,G6 H6E,H J6,J6E J6VE,I K6V,K M6VE
		MK547503	MOTOR,RR VIEW MIRROR RETRACTOR	1			G6V,H J6V,J6 K6VE, M6VE
		MK547503	MOTOR,RR VIEW MIRROR RETRACTOR	1			G6,G6 H6E,H J6,J6E J6VE,I K6VE, M6VE
	70049B	MC939516	BRACKET,RR VIEW MIRROR	2			G6,G6 H6E,J K6,K6 M6E
		MC939516	BRACKET,RR VIEW MIRROR	2			G6,G6 H6E,H J6,J6E J6VE,I K6V,K M6VE
		MC939516	BRACKET,RR VIEW MIRROR	2			G6,G6 H6E,H J6,J6E J6VE,I K6VE, M6VE
	70049C	MC939516	BRACKET,RR VIEW MIRROR	2			G6,G6 H6E,J K6,K6 M6E
		MC939516	BRACKET,RR VIEW MIRROR	2			G6,G6 H6E,H J6,J6E J6VE,I K6V,K M6VE
		MC939516	BRACKET,RR VIEW MIRROR	2			G6,G6 H6E,H J6,J6E J6VE,I K6VE, M6VE
	70051	MC926918	GAS SPRING,RR VIEW MIRROR RETRACTOR	1			G6,G6 H6E,J K6,K6 M6E
		MC926918	GAS SPRING,RR VIEW MIRROR RETRACTOR	1			G6E,M
		MC926918	GAS SPRING,RR VIEW MIRROR RETRACTOR	1			G6,G6 H6E,H J6,J6E J6VE,I K6VE, M6VE
		MC926918	GAS SPRING,RR VIEW MIRROR RETRACTOR	1			G6V,H J6V,J6 K6VE,

FK74R
51-210 OUTSIDE REAR VIEW MIRROR (1/2)

Repl Part	PNC	Part No	Part Name	Qty	Part Spec	NEW1	Class
	70051	MC926918	GAS SPRING,RR VIEW MIRROR RETRACTOR	1			G6,G6 H6E,H J6,J6E J6VE,I K6V,K M6VE
		MC926918	GAS SPRING,RR VIEW MIRROR RETRACTOR	1			G6E,K M6VE
		MC926918	GAS SPRING,RR VIEW MIRROR RETRACTOR	1			G6,G6 H6,H6E H6VE, J6V,J6 K6E,K M6,M6
		MC926918	GAS SPRING,RR VIEW MIRROR RETRACTOR	1			K6V,M
		MC926918	GAS SPRING,RR VIEW MIRROR RETRACTOR	1			G6,G6 H6E,H J6,J6E J6VE,I K6VE, G6E,M
		MC926918	GAS SPRING,RR VIEW MIRROR RETRACTOR	1			G6,G6 H6E,J K6,K6E M6E
		MC926918	GAS SPRING,RR VIEW MIRROR RETRACTOR	1			G6V,H J6V,J6 K6VE, G6,H6 J6,J6E K6E,M
		MC926918	GAS SPRING,RR VIEW MIRROR RETRACTOR	1			G6,G6 H6E,H J6,J6E J6VE,I K6V,K M6VE
		MC926918	GAS SPRING,RR VIEW MIRROR RETRACTOR	1			G6,G6 H6E,H J6,J6E J6VE,I K6VE, G6,G6 H6E,J K6,K6E M6E
		MC926918	GAS SPRING,RR VIEW MIRROR RETRACTOR	1			G6,G6 H6E,H J6,J6E J6VE,I K6V,K M6VE
	70053B	MC939522	COVER,RR VIEW MIRROR	1			G6,G6 H6E,J K6,K6E M6E
		MC939524	COVER,RR VIEW MIRROR	1			G6,G6 H6E,J K6,K6E M6E
		MC926533	COVER,RR VIEW MIRROR	1			G6,G6 H6E,J K6,K6E M6E
		MC926533	COVER,RR VIEW MIRROR	1			G6,G6 H6E,H J6,J6E J6VE,I K6V,K M6VE
		MC926533	COVER,RR VIEW MIRROR	1			G6E,M
		MC926533	COVER,RR VIEW MIRROR	1			G6E,M
		MC926533	COVER,RR VIEW MIRROR	1			G6V,H J6V,J6 K6VE, G6,G6 H6E,H J6,J6E J6VE,I K6VE, G6E,K M6VE
		MC926533	COVER,RR VIEW MIRROR	1			G6E,K M6VE

FK74R
51-210 OUTSIDE REAR VIEW MIRROR (1/2)

Repl Part	PNC	Part No	Part Name	Qty	Part Spec	NEW1	Class
	70053B	MC926533	COVER,RR VIEW MIRROR	1			G6,G6 H6,H6 H6VE, J6V,J6 K6E,K M6,M6
		MC926533	COVER,RR VIEW MIRROR	1			K6V,M
		MC926533	COVER,RR VIEW MIRROR	1			G6,G6 H6E,H J6,J6E J6VE,I K6VE,
		MC926533	COVER,RR VIEW MIRROR	1			G6,H6 J6,J6E K6E,M
		MC926533	COVER,RR VIEW MIRROR	1			G6,G6 H6E,J K6,K6 M6E
		MC926533	COVER,RR VIEW MIRROR	1			G6V,H J6V,J6 K6VE,
		MC939522	COVER,RR VIEW MIRROR	1			G6,G6 H6E,H J6,J6E J6VE,I K6V,K M6VE
		MC939524	COVER,RR VIEW MIRROR	1			G6,G6 H6E,H J6,J6E J6VE,I K6V,K M6VE
		MC926533	COVER,RR VIEW MIRROR	1			G6,G6 H6E,H J6,J6E J6VE,I K6V,K M6VE
		MC939522	COVER,RR VIEW MIRROR	1			G6,G6 H6E,H J6,J6E J6VE,I K6VE,
		MC926533	COVER,RR VIEW MIRROR	1			G6,G6 H6E,H J6,J6E J6VE,I K6V,K M6VE
		MC939524	COVER,RR VIEW MIRROR	1			G6,G6 H6E,H J6,J6E J6VE,I K6VE,
	70053C	MC939518	COVER,RR VIEW MIRROR	1			G6,G6 H6E,J K6,K6 M6E
		MC965520	COVER,RR VIEW MIRROR	1			G6,G6 H6E,J K6,K6 M6E
		MC926533	COVER,RR VIEW MIRROR	1			G6E,M
		MC926533	COVER,RR VIEW MIRROR	1			G6,G6 H6E,H J6,J6E J6VE,I K6VE,
		MC926533	COVER,RR VIEW MIRROR	1			G6V,H J6V,J6 K6VE,

FK74R
51-210 OUTSIDE REAR VIEW MIRROR (1/2)

Repl Part	PNC	Part No	Part Name	Qty	Part Spec	NEW1	Class	
70053C		MC926533	COVER,RR VIEW MIRROR	1			G6,G6 H6E,H J6,J6E J6VE,I K6V,K M6VE	
		MC926533	COVER,RR VIEW MIRROR	1			G6E,K M6VE	
		MC926533	COVER,RR VIEW MIRROR	1			G6,G6 H6,H6E H6VE, J6V,J6 K6E,K M6,M6E K6V,M	
		MC926533 MC926533	COVER,RR VIEW MIRROR COVER,RR VIEW MIRROR	1 1			G6,G6 H6E,H J6,J6E J6VE,I K6VE, G6V,H J6V,J6 K6VE, G6,G6 H6E,J K6,K6E M6E	
		MC926533	COVER,RR VIEW MIRROR	1			G6E,M G6,H6 J6,J6E K6E,M	
		MC926533	COVER,RR VIEW MIRROR	1			G6,G6 H6E,H J6,J6E J6VE,I K6V,K M6VE	
		MC926533 MC926533	COVER,RR VIEW MIRROR COVER,RR VIEW MIRROR	1 1			G6,G6 H6E,H J6,J6E J6VE,I K6V,K M6VE	
		MC939518	COVER,RR VIEW MIRROR	1			G6,G6 H6E,H J6,J6E J6VE,I K6V,K M6VE	
		MC965520	COVER,RR VIEW MIRROR	1			G6,G6 H6E,H J6,J6E J6VE,I K6V,K M6VE	
		MC939518	COVER,RR VIEW MIRROR	1			G6,G6 H6E,H J6,J6E J6VE,I K6VE, G6,G6 H6E,H J6,J6E J6VE,I K6VE, G6,G6 H6E,H J6,J6E J6VE,I K6VE, G6,G6 H6E,H J6,J6E J6VE,I K6V,K M6VE	
		MC965520	COVER,RR VIEW MIRROR	1			G6,G6 H6E,H J6,J6E J6VE,I K6VE, G6,G6 H6E,H J6,J6E J6VE,I K6VE, G6,G6 H6E,H J6,J6E J6VE,I K6V,K M6VE	
		70053D	MC926532	COVER,RR VIEW MIRROR	1			G6,G6 H6E,H J6,J6E J6VE,I K6VE, G6,G6 H6E,H J6,J6E J6VE,I K6VE, G6,G6 H6E,H J6,J6E J6VE,I K6V,K M6VE
		70053E	MC926531	COVER,RR VIEW MIRROR	1			G6,G6 H6,H6E H6VE, J6V,J6 K6E,K M6,M6E G6E,M G6,H6 J6,J6E K6E,M
		70054L		MC965155	STAY,RR VIEW MIRROR,LH	1		
MC965155	STAY,RR VIEW MIRROR,LH			1				
MC965155	STAY,RR VIEW MIRROR,LH			1				

FK74R
51-210 OUTSIDE REAR VIEW MIRROR (1/2)

Repl Part	PNC	Part No	Part Name	Qty	Part Spec	NEW1	Class
	70054L	MC965155	STAY,RR VIEW MIRROR,LH	1			G6,G6 H6E,J K6,K6 M6E
		MK426576	STAY,RR VIEW MIRROR,LH	1			G6,G6 H6E,J K6,K6 M6E
		MK426574	STAY,RR VIEW MIRROR,LH	1			G6,G6 H6E,J K6,K6 M6E
		MC965145	STAY,RR VIEW MIRROR,LH	1			G6,G6 H6E,J K6,K6 M6E
		MK548065	STAY,RR VIEW MIRROR,LH	1			G6,G6 H6E,H J6,J6E J6VE,I K6V,K M6VE
		MK546994	STAY,RR VIEW MIRROR,LH	1			G6,G6 H6E,H J6,J6E J6VE,I K6V,K M6VE
		MK547004	STAY,RR VIEW MIRROR,LH	1			G6,G6 H6E,H J6,J6E J6VE,I K6V,K M6VE
		MK546993	STAY,RR VIEW MIRROR,LH	1			G6,G6 H6E,H J6,J6E J6VE,I K6VE, M6VE
		MK546993	STAY,RR VIEW MIRROR,LH	1			G6,G6 H6E,H J6,J6E J6VE,I K6V,K M6VE
		MK546993	STAY,RR VIEW MIRROR,LH	1			K6V,M M6VE
		MK546993	STAY,RR VIEW MIRROR,LH	1			K6V,M M6VE
		MK546993	STAY,RR VIEW MIRROR,LH	1			G6,G6 H6E,H J6,J6E J6VE,I K6VE, M6VE
		MK546993	STAY,RR VIEW MIRROR,LH	1			G6,G6 H6E,H J6,J6E J6VE,I K6V,K M6VE
		MK546993	STAY,RR VIEW MIRROR,LH	1			G6V,H J6V,J6 K6VE, M6VE
		MK546993	STAY,RR VIEW MIRROR,LH	1			G6,H6 J6,J6E K6E,M M6VE
		MK548065	STAY,RR VIEW MIRROR,LH	1			G6,G6 H6E,H J6,J6E J6VE,I K6VE,

FK74R
51-210 OUTSIDE REAR VIEW MIRROR (1/2)

Repl Part	PNC	Part No	Part Name	Qty	Part Spec	NEW1	Class
	70054L	MK546997	STAY,RR VIEW MIRROR,LH	1			G6,G6 H6E,H J6,J6E J6VE,I K6VE,
		MK546994	STAY,RR VIEW MIRROR,LH	1			G6,G6 H6E,H J6,J6E J6VE,I K6VE,
		MK547004	STAY,RR VIEW MIRROR,LH	1			G6,G6 H6E,H J6,J6E J6VE,I K6VE,
	70054R	MC966837	STAY,RR VIEW MIRROR,RH	1			G6,G6 H6E,J K6,K6 M6E
		MC965121	STAY,RR VIEW MIRROR,RH	1			G6,G6 H6E,J K6,K6 M6E
		MC939279	STAY,RR VIEW MIRROR,RH	1			G6E,M G6,G6 H6E,H J6,J6E J6VE,I K6VE,
		MC939279	STAY,RR VIEW MIRROR,RH	1			G6,G6 H6E,H J6,J6E J6VE,I K6VE,
		MC939279	STAY,RR VIEW MIRROR,RH	1			G6,G6 H6E,H J6,J6E J6VE,I K6VE,
		MC939279	STAY,RR VIEW MIRROR,RH	1			G6,G6 H6E,H J6,J6E J6VE,I K6VE,
		MC939279	STAY,RR VIEW MIRROR,RH	1			G6,G6 H6E,H J6,J6E J6VE,I K6VE,
		MC939279	STAY,RR VIEW MIRROR,RH	1			G6,G6 H6E,H J6,J6E J6VE,I K6VE,
		MC939279	STAY,RR VIEW MIRROR,RH	1			G6,G6 H6E,H J6,J6E J6VE,I K6VE,
		MC939279	STAY,RR VIEW MIRROR,RH	1			G6,G6 H6E,H J6,J6E J6VE,I K6VE,
		MC939279	STAY,RR VIEW MIRROR,RH	1			G6,G6 H6E,H J6,J6E J6VE,I K6VE,
		MC939279	STAY,RR VIEW MIRROR,RH	1			G6,G6 H6E,H J6,J6E J6VE,I K6VE,
		MC939279	STAY,RR VIEW MIRROR,RH	1			G6,G6 H6E,H J6,J6E J6VE,I K6VE,
		MC939279	STAY,RR VIEW MIRROR,RH	1			G6,G6 H6E,H J6,J6E J6VE,I K6VE,
		MC939279	STAY,RR VIEW MIRROR,RH	1			G6,G6 H6E,H J6,J6E J6VE,I K6VE,
		MC939279	STAY,RR VIEW MIRROR,RH	1			G6,G6 H6E,H J6,J6E J6VE,I K6VE,
		MC939279	STAY,RR VIEW MIRROR,RH	1			G6,G6 H6E,H J6,J6E J6VE,I K6VE,
		MC939279	STAY,RR VIEW MIRROR,RH	1			G6,G6 H6E,H J6,J6E J6VE,I K6VE,
		MC966837	STAY,RR VIEW MIRROR,RH	1			G6,G6 H6E,H J6,J6E J6VE,I K6VE,

FK74R
51-210 OUTSIDE REAR VIEW MIRROR (1/2)

Repl Part	PNC	Part No	Part Name	Qty	Part Spec	NEW1	Class
	70054R	MC965121	STAY,RR VIEW MIRROR,RH	1			G6,G6 H6E,H J6,J6E J6VE,I K6V,K M6VE
		MC966837	STAY,RR VIEW MIRROR,RH	1			G6,G6 H6E,H J6,J6E J6VE,I K6VE,
		MC965121	STAY,RR VIEW MIRROR,RH	1			G6,G6 H6E,H J6,J6E J6VE,I K6VE,
	70055	MC929591	STAY,RR VIEW MIRROR,UPR	1			G6,G6 H6E,J K6,K6 M6E
		MC929591	STAY,RR VIEW MIRROR,UPR	1			G6,G6 H6E,H J6,J6E J6VE,I K6V,K M6VE
		MC929591	STAY,RR VIEW MIRROR,UPR	1			G6,G6 H6E,H J6,J6E J6VE,I K6VE,
	70056L	MK435616	STAY,RR VIEW MIRROR,LWR LH	1			G6,G6 H6E,H J6,J6E J6VE,I K6VE,
	70057B	MC965512	BRACKET,RR VIEW MIRROR HOUSING	1			G6,G6 H6E,J K6,K6 M6E
		MC965512	BRACKET,RR VIEW MIRROR HOUSING	1			G6,G6 H6E,H J6,J6E J6VE,I K6V,K M6VE
		MC965512	BRACKET,RR VIEW MIRROR HOUSING	1			G6,G6 H6E,H J6,J6E J6VE,I K6VE,
	70057C	MC965516	BRACKET,RR VIEW MIRROR HOUSING	1			G6,G6 H6E,J K6,K6 M6E
		MC965516	BRACKET,RR VIEW MIRROR HOUSING	1			G6,G6 H6E,H J6,J6E J6VE,I K6V,K M6VE
		MC965516	BRACKET,RR VIEW MIRROR HOUSING	1			G6,G6 H6E,H J6,J6E J6VE,I K6VE,
	70060	MC922759	MIRROR,FR UNDER VIEW	1			G6,G6 H6,H6 H6VE, J6V,J6 K6E,K
	70070L	MC964461	MIRROR,RR VIEW,LH	1			M6,M6 G6E,M

FK74R
51-210 OUTSIDE REAR VIEW MIRROR (1/2)

Repl Part	PNC	Part No	Part Name	Qty	Part Spec	NEW1	Class
	70070L	MC964461	MIRROR,RR VIEW,LH	1			G6,H6 J6,J6E K6E,M
		MC964461	MIRROR,RR VIEW,LH	1			G6,G6 H6E,J K6,K6E M6E
		MC964461	MIRROR,RR VIEW,LH	1			G6,G6 H6E,J K6,K6E M6E
		MC938609	MIRROR,RR VIEW,LH	1			G6,G6 H6E,J K6,K6E M6E
		MC965000	MIRROR,RR VIEW,LH	1			G6,G6 H6E,J K6,K6E M6E
		MC964461	MIRROR,RR VIEW,LH	1			G6,G6 H6E,J K6,K6E M6E
		MC938609	MIRROR,RR VIEW,LH	1			G6,G6 H6E,H J6,J6E J6VE,I K6V,K M6VE
		MC965000	MIRROR,RR VIEW,LH	1			G6,G6 H6E,H J6,J6E J6VE,I K6V,K M6VE
		MK546987	MIRROR,RR VIEW,LH	1			G6,G6 H6E,H J6,J6E J6VE,I K6V,K M6VE
		MK546987	MIRROR,RR VIEW,LH	1			G6,G6 H6E,H J6,J6E J6VE,I K6VE, M6VE
		MK546987	MIRROR,RR VIEW,LH	1			G6,G6 H6E,H J6,J6E J6VE,I K6V,K M6VE
		MK546987	MIRROR,RR VIEW,LH	1			G6,G6 H6E,H J6,J6E J6VE,I K6VE, M6VE
		MK546987	MIRROR,RR VIEW,LH	1			G6,G6 H6E,H J6,J6E J6VE,I K6VE, M6VE
		MK546987	MIRROR,RR VIEW,LH	1			G6,G6 H6E,H J6,J6E J6VE,I K6V,K M6VE
		MK546987	MIRROR,RR VIEW,LH	1			G6,G6 H6E,H J6,J6E J6VE,I K6VE, M6VE
		MK546987	MIRROR,RR VIEW,LH	1			G6,G6 H6E,H J6,J6E J6VE,I K6VE, M6VE
		MK546987	MIRROR,RR VIEW,LH	1			G6,H6 J6,J6E K6E,M

FK74R
51-210 OUTSIDE REAR VIEW MIRROR (1/2)

Repl Part	PNC	Part No	Part Name	Qty	Part Spec	NEW1	Class
	70070L	MC938609	MIRROR,RR VIEW,LH	1			G6,G6 H6E,H J6,J6E J6VE,I K6VE,
		MC937795	MIRROR,RR VIEW,LH	1			G6,G6 H6E,H J6,J6E J6VE,I K6VE,
		MC965000	MIRROR,RR VIEW,LH	1			G6,G6 H6E,H J6,J6E J6VE,I K6VE,
		MK546987	MIRROR,RR VIEW,LH	1			G6,G6 H6E,H J6,J6E J6VE,I K6VE,
	70070R	MC937842	MIRROR,RR VIEW,RH	1			G6,G6 H6E,J K6,K6 M6E
		MC965001	MIRROR,RR VIEW,RH	1			G6,G6 H6E,J K6,K6 M6E
		MC964462	MIRROR,RR VIEW,RH	1			G6E,M G6,G6 H6E,H J6,J6E J6VE,I K6VE,
		MC964462	MIRROR,RR VIEW,RH	1			G6V,H J6V,J6 K6VE,
		MC964462	MIRROR,RR VIEW,RH	1			G6,G6 H6E,H J6,J6E J6VE,I K6V,K M6VE
		MC964462	MIRROR,RR VIEW,RH	1			G6E,K M6VE
		MC964462	MIRROR,RR VIEW,RH	1			G6,G6 H6,H6 H6VE, J6V,J6 K6E,K M6,M6
		MC964462	MIRROR,RR VIEW,RH	1			K6V,M G6,G6 H6E,H J6,J6E J6VE,I K6VE,
		MC964462	MIRROR,RR VIEW,RH	1			G6V,H J6V,J6 K6VE,
		MC964462	MIRROR,RR VIEW,RH	1			G6,G6 H6E,J K6,K6 M6E
		MC964462	MIRROR,RR VIEW,RH	1			G6E,M G6,H6 J6,J6E K6E,M
		MC964462	MIRROR,RR VIEW,RH	1			

FK74R
51-210 OUTSIDE REAR VIEW MIRROR (1/2)

Repl Part	PNC	Part No	Part Name	Qty	Part Spec	NEW1	Class
	70070R	MC937842	MIRROR,RR VIEW,RH	1			G6,G6 H6E,H J6,J6E J6VE,I K6V,K M6VE
		MC965001	MIRROR,RR VIEW,RH	1			G6,G6 H6E,H J6,J6E J6VE,I K6V,K M6VE
		MC937842	MIRROR,RR VIEW,RH	1			G6,G6 H6E,H J6,J6E J6VE,I K6V,K M6VE
		MC965001	MIRROR,RR VIEW,RH	1			G6,G6 H6E,H J6,J6E J6VE,I K6V,K M6VE
	70071L	MC963333	RING,RR VIEW MIRROR,LH	1			G6,G6 H6E,J K6,K6E M6E
		MC963333	RING,RR VIEW MIRROR,LH	1			G6,G6 H6E,H J6,J6E J6VE,I K6V,K M6VE
		MC963333	RING,RR VIEW MIRROR,LH	1			G6,G6 H6E,H J6,J6E J6VE,I K6V,K M6VE
	70071R	MC962470	RING,RR VIEW MIRROR,RH	1			G6,G6 H6E,J K6,K6E M6E
		MC962470	RING,RR VIEW MIRROR,RH	1			G6,G6 H6E,H J6,J6E J6VE,I K6V,K M6VE
		MC962470	RING,RR VIEW MIRROR,RH	1			G6,G6 H6E,H J6,J6E J6VE,I K6V,K M6VE
	70078AL	MC939521	ARM & BLADE ASSY,RR VIEW MIRROR WIPER,LH	1			G6,G6 H6E,J K6,K6E M6E
		MC939521	ARM & BLADE ASSY,RR VIEW MIRROR WIPER,LH	1			G6,G6 H6E,H J6,J6E J6VE,I K6V,K M6VE
		MC939521	ARM & BLADE ASSY,RR VIEW MIRROR WIPER,LH	1			G6,G6 H6E,H J6,J6E J6VE,I K6V,K M6VE
	70078AR	MC939514	ARM & BLADE ASSY,RR VIEW MIRROR WIPER,RH	1			G6,G6 H6E,J K6,K6E M6E

FK74R
51-210 OUTSIDE REAR VIEW MIRROR (1/2)

Repl Part	PNC	Part No	Part Name	Qty	Part Spec	NEW1	Class
	70078AR	MC939514	ARM & BLADE ASSY,RR VIEW MIRROR WIPER,RH	1			G6,G6 H6E,H J6,J6E J6VE,I K6V,K M6VE
		MC939514	ARM & BLADE ASSY,RR VIEW MIRROR WIPER,RH	1			G6,G6 H6E,H J6,J6E J6VE,I K6VE, M6VE
	70079	MC963566	GASKET,RR VIEW MIRROR STAY PROP	1			G6,G6 H6E,J K6,K6 M6E
		MC963566	GASKET,RR VIEW MIRROR STAY PROP	1			G6,G6 H6E,H J6,J6E J6VE,I K6V,K M6VE
		MC963566	GASKET,RR VIEW MIRROR STAY PROP	1			G6,G6 H6E,H J6,J6E J6VE,I K6VE, M6VE
	70080	MC922840	MIRROR,SIDE UNDER VIEW	1			G6,G6 H6E,H J6,J6E J6VE,I K6VE, M6VE
	70083	MH035520	O-RING,RR VIEW MIRROR	2	D=6.8		G6,G6 H6E,J K6,K6 M6E
		MH035520	O-RING,RR VIEW MIRROR	4	D=6.8		G6,G6 H6E,J K6,K6 M6E
		MH035520	O-RING,RR VIEW MIRROR	2	D=6.8		G6,G6 H6E,H J6,J6E J6VE,I K6V,K M6VE
		MH035520	O-RING,RR VIEW MIRROR	2	D=6.8		G6E,M G6E,M
		MH035520	O-RING,RR VIEW MIRROR	2	D=6.8		G6V,H J6V,J K6VE, M6VE
		MH035520	O-RING,RR VIEW MIRROR	2	D=6.8		G6,G6 H6E,H J6,J6E J6VE,I K6VE, M6VE
		MH035520	O-RING,RR VIEW MIRROR	2	D=6.8		G6E,K M6VE
		MH035520	O-RING,RR VIEW MIRROR	2	D=6.8		G6,G6 H6,H6 H6VE, J6V,J K6E,K M6,M6
		MH035520	O-RING,RR VIEW MIRROR	2	D=6.8		K6V,M G6,G6 H6E,H J6,J6E J6VE,I K6VE, M6VE
		MH035520	O-RING,RR VIEW MIRROR	2	D=6.8		G6,G6 H6,H6 H6VE, J6V,J K6E,K M6,M6
		MH035520	O-RING,RR VIEW MIRROR	2	D=6.8		K6V,M G6,G6 H6E,H J6,J6E J6VE,I K6VE, M6VE
		MH035520	O-RING,RR VIEW MIRROR	2	D=6.8		G6,H6 H6VE, J6V,J K6E,K M6,M6

FK74R
51-210 OUTSIDE REAR VIEW MIRROR (1/2)

Repl Part	PNC	Part No	Part Name	Qty	Part Spec	NEW1	Class	
70083	70083	MH035520	O-RING,RR VIEW MIRROR	2	D=6.8		G6,G6 H6E,J K6,K6 M6E	
		MH035520	O-RING,RR VIEW MIRROR	2	D=6.8		G6V,H J6V,J6 K6VE, G6,G6 H6E,H J6,J6E J6VE,I K6V,K M6VE	
		MH035520	O-RING,RR VIEW MIRROR	2	D=6.8		G6,G6 H6E,H J6,J6E J6VE,I K6V,K M6VE	
		MH035520	O-RING,RR VIEW MIRROR	4	D=6.8		G6,G6 H6E,H J6,J6E J6VE,I K6V,K M6VE	
		MH035520	O-RING,RR VIEW MIRROR	2	D=6.8		G6,G6 H6E,H J6,J6E J6VE,I K6VE, G6,G6 H6E,H J6,J6E J6VE,I K6V,K M6VE	
		MH035520	O-RING,RR VIEW MIRROR	4	D=6.8		G6,G6 H6E,H J6,J6E J6VE,I K6VE, G6,G6 H6E,H J6,J6E J6VE,I K6V,K M6VE	
	70084		MC925929	PIN,RR VIEW MIRROR	1	4X28		G6,G6 H6E,J K6,K6 M6E
			MC925929	PIN,RR VIEW MIRROR	1	4X28		G6E,M G6,G6 H6E,H J6,J6E J6VE,I K6VE, G6V,H J6V,J6 K6VE, G6,G6 H6E,H J6,J6E J6VE,I K6V,K M6VE
			MC925929	PIN,RR VIEW MIRROR	1	4X28		G6E,M G6,G6 H6E,H J6,J6E J6VE,I K6VE, G6V,H J6V,J6 K6VE, G6,G6 H6E,H J6,J6E J6VE,I K6V,K M6VE
			MC925929	PIN,RR VIEW MIRROR	1	4X28		G6E,M G6,G6 H6E,H J6,J6E J6VE,I K6VE, G6V,H J6V,J6 K6VE, G6,G6 H6E,H J6,J6E J6VE,I K6V,K M6VE
			MC925929	PIN,RR VIEW MIRROR	1	4X28		G6E,M G6,G6 H6E,H J6,J6E J6VE,I K6VE, G6V,H J6V,J6 K6VE, G6,G6 H6E,H J6,J6E J6VE,I K6V,K M6VE
			MC925929	PIN,RR VIEW MIRROR	1	4X28		G6E,M G6,G6 H6E,H J6,J6E J6VE,I K6VE, G6V,H J6V,J6 K6VE, G6,G6 H6E,H J6,J6E J6VE,I K6V,K M6VE
			MC925929	PIN,RR VIEW MIRROR	1	4X28		G6E,M G6,G6 H6E,H J6,J6E J6VE,I K6VE, G6V,H J6V,J6 K6VE, G6,G6 H6E,H J6,J6E J6VE,I K6V,K M6VE
			MC925929	PIN,RR VIEW MIRROR	1	4X28		G6E,M G6,G6 H6E,H J6,J6E J6VE,I K6VE, G6V,H J6V,J6 K6VE, G6,G6 H6E,H J6,J6E J6VE,I K6V,K M6VE
MC925929	PIN,RR VIEW MIRROR	1	4X28		G6E,M G6,G6 H6E,H J6,J6E J6VE,I K6VE, G6V,H J6V,J6 K6VE, G6,G6 H6E,H J6,J6E J6VE,I K6V,K M6VE			
MC925929	PIN,RR VIEW MIRROR	1	4X28		G6E,M G6,G6 H6E,H J6,J6E J6VE,I K6VE, G6V,H J6V,J6 K6VE, G6,G6 H6E,H J6,J6E J6VE,I K6V,K M6VE			
MC925929	PIN,RR VIEW MIRROR	1	4X28		G6E,M G6,G6 H6E,H J6,J6E J6VE,I K6VE, G6V,H J6V,J6 K6VE, G6,G6 H6E,H J6,J6E J6VE,I K6V,K M6VE			
MC925929	PIN,RR VIEW MIRROR	1	4X28		G6E,M G6,G6 H6E,H J6,J6E J6VE,I K6VE, G6V,H J6V,J6 K6VE, G6,G6 H6E,H J6,J6E J6VE,I K6V,K M6VE			
MC925929	PIN,RR VIEW MIRROR	1	4X28		G6E,M G6,G6 H6E,H J6,J6E J6VE,I K6VE, G6V,H J6V,J6 K6VE, G6,G6 H6E,H J6,J6E J6VE,I K6V,K M6VE			

FK74R
51-210 OUTSIDE REAR VIEW MIRROR (1/2)

Repl Part	PNC	Part No	Part Name	Qty	Part Spec	NEW1	Class	
70084	70084	MC925929	PIN,RR VIEW MIRROR	1	4X28		G6,G6 H6E,H J6,J6E J6VE,I K6V,K M6VE	
		MC925929	PIN,RR VIEW MIRROR	1	4X28		G6,G6 H6E,H J6,J6E J6VE,I K6VE, M6VE	
	70085	MC928062	SPACER,RR VIEW MIRROR	1			G6,G6 H6E,J K6,K6 M6E	
		MC928062	SPACER,RR VIEW MIRROR	1			G6E,M G6,G6 H6E,H J6,J6E J6VE,I K6VE, M6VE	
		MC928062	SPACER,RR VIEW MIRROR	1			G6,G6 H6E,H J6,J6E J6VE,I K6VE, M6VE	
		MC928062	SPACER,RR VIEW MIRROR	1			G6,G6 H6E,H J6,J6E J6VE,I K6V,K M6VE	
		MC928062	SPACER,RR VIEW MIRROR	1			G6E,K M6VE G6,G6 H6,H6 H6VE, J6V,J6 K6E,K M6,M6	
		MC928062	SPACER,RR VIEW MIRROR	1			K6V,M G6,G6 H6E,H J6,J6E J6VE,I K6VE, M6VE	
		MC928062	SPACER,RR VIEW MIRROR	1			G6,G6 H6,H6 H6VE, J6V,J6 K6E,K M6,M6	
		MC928062	SPACER,RR VIEW MIRROR	1			K6V,M G6,G6 H6E,H J6,J6E J6VE,I K6VE, M6VE	
		MC928062	SPACER,RR VIEW MIRROR	1			G6,G6 H6E,H J6,J6E J6VE,I K6VE, M6VE	
		MC928062	SPACER,RR VIEW MIRROR	1			G6,G6 H6E,H J6,J6E J6VE,I K6VE, M6VE	
		MC928062	SPACER,RR VIEW MIRROR	1			G6,G6 H6E,H J6,J6E J6VE,I K6VE, M6VE	
		MC928062	SPACER,RR VIEW MIRROR	1			G6,G6 H6E,H J6,J6E J6VE,I K6VE, M6VE	
		MC928062	SPACER,RR VIEW MIRROR	1			G6,G6 H6E,H J6,J6E J6VE,I K6VE, M6VE	
		MC928062	SPACER,RR VIEW MIRROR	1			G6,G6 H6E,H J6,J6E J6VE,I K6VE, M6VE	
		70085B	MC939515	SPACER,RR VIEW MIRROR	4			G6,G6 H6E,J K6,K6 M6E

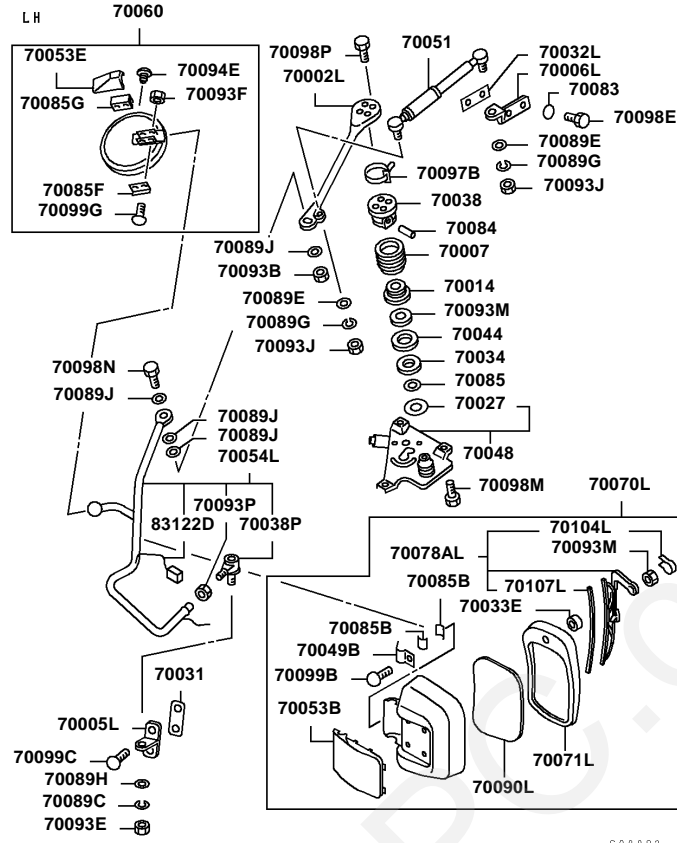
FK74R
51-210 OUTSIDE REAR VIEW MIRROR (1/2)

Repl Part	PNC	Part No	Part Name	Qty	Part Spec	NEW1	Class
	70085B	MC965228	SPACER,RR VIEW MIRROR	1			G6,G6 H6E,J K6,K6 M6E
		MC965228	SPACER,RR VIEW MIRROR	1			G6,G6 H6E,H J6,J6E J6VE,I K6V,K M6VE
		MC965228	SPACER,RR VIEW MIRROR	1			G6E,M
		MC965228	SPACER,RR VIEW MIRROR	1			G6E,M
		MC965228	SPACER,RR VIEW MIRROR	1			G6V,H J6V,J6 K6VE, G6,G6
		MC965228	SPACER,RR VIEW MIRROR	1			H6E,H J6,J6E J6VE,I K6VE, G6E,K M6VE
		MC965228	SPACER,RR VIEW MIRROR	1			G6,G6 H6,H6 H6VE, J6V,J6 K6E,K M6,M6
		MC965228	SPACER,RR VIEW MIRROR	1			K6V,M G6,G6 H6E,H J6,J6E J6VE,I K6VE, G6,H6 J6,J6E K6E,M
		MC965228	SPACER,RR VIEW MIRROR	1			G6,G6 H6E,J K6,K6 M6E
		MC965228	SPACER,RR VIEW MIRROR	1			G6V,H J6V,J6 K6VE, G6,G6 H6E,H J6,J6E J6VE,I K6V,K M6VE
		MC965228	SPACER,RR VIEW MIRROR	1			G6,G6 H6E,H J6,J6E J6VE,I K6V,K M6VE
		MC965228	SPACER,RR VIEW MIRROR	1			G6,G6 H6E,H J6,J6E J6VE,I K6V,K M6VE
		MC939515	SPACER,RR VIEW MIRROR	4			G6,G6 H6E,H J6,J6E J6VE,I K6V,K M6VE
		MC965228	SPACER,RR VIEW MIRROR	1			G6,G6 H6E,H J6,J6E J6VE,I K6V,K M6VE
		MC939515	SPACER,RR VIEW MIRROR	4			G6,G6 H6E,H J6,J6E J6VE,I K6V,K M6VE
		MC965228	SPACER,RR VIEW MIRROR	1			G6,G6 H6E,H J6,J6E J6VE,I K6V,K M6VE
	70085C	(Please refer to the page 2/2)	SPACER,RR VIEW MIRROR	1			
	70085D	(Please refer to the page 2/2)	SPACER,RR VIEW MIRROR	1			
	70085F	(Please refer to the page 2/2)	SPACER,RR VIEW MIRROR	1			
	70085G	(Please refer to the page 2/2)	SPACER,RR VIEW MIRROR	1			
	70089C	(Please refer to the page 2/2)	WASHER,RR VIEW MIRROR	1			
	70089D	(Please refer to the page 2/2)	WASHER,RR VIEW MIRROR	1			
	70089E	(Please refer to the page 2/2)	WASHER,RR VIEW MIRROR	1			

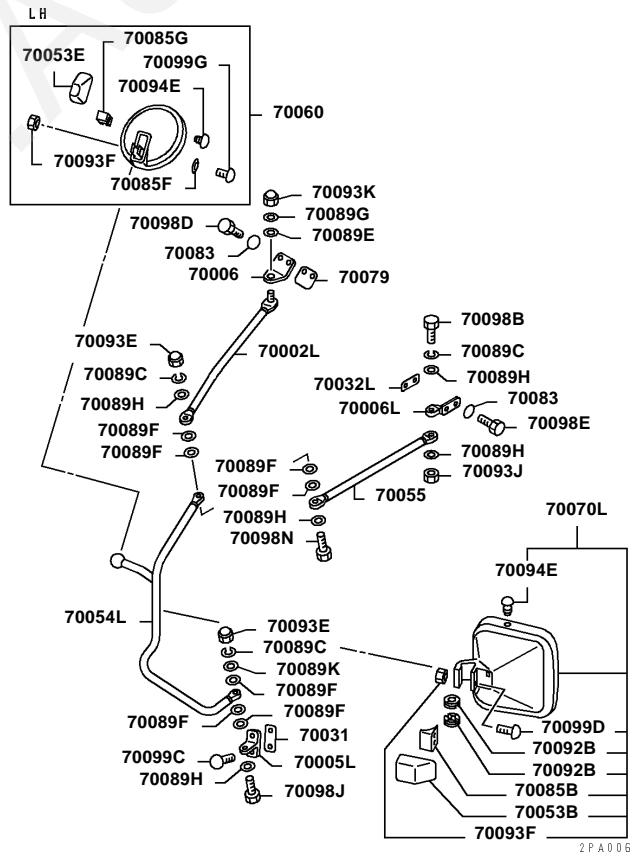
FK74R
51-210 OUTSIDE REAR VIEW MIRROR (1/2)

Repl Part	PNC	Part No	Part Name	Qty	Part Spec	NEW1	Class
	70089F	(Please refer to the page 2/2)	WASHER,RR VIEW MIRROR	1			
	70089G	(Please refer to the page 2/2)	WASHER,RR VIEW MIRROR	1			
	70089H	(Please refer to the page 2/2)	WASHER,RR VIEW MIRROR	1			
	70089J	(Please refer to the page 2/2)	WASHER,RR VIEW MIRROR	1			
	70089K	(Please refer to the page 2/2)	WASHER,RR VIEW MIRROR	1			
	70090L	(Please refer to the page 2/2)	MIRROR & HOLDER,RR VIEW,LH	1			
	70090R	(Please refer to the page 2/2)	MIRROR & HOLDER,RR VIEW,RH	1			
	70092B	(Please refer to the page 2/2)	PIVOT,RR VIEW MIRROR HOUSING	1			
	70092C	(Please refer to the page 2/2)	PIVOT,RR VIEW MIRROR HOUSING	1			
	70093B	(Please refer to the page 2/2)	NUT,RR VIEW MIRROR	1			
	70093E	(Please refer to the page 2/2)	NUT,RR VIEW MIRROR	1			
	70093F	(Please refer to the page 2/2)	NUT,RR VIEW MIRROR	1			
	70093J	(Please refer to the page 2/2)	NUT,RR VIEW MIRROR	1			
	70093K	(Please refer to the page 2/2)	NUT,RR VIEW MIRROR	1			
	70093M	(Please refer to the page 2/2)	NUT,RR VIEW MIRROR	1			
	70093P	(Please refer to the page 2/2)	NUT,RR VIEW MIRROR	1			
	70094E	(Please refer to the page 2/2)	GROMMET,RR VIEW MIRROR	1			
	70097B	(Please refer to the page 2/2)	BAND,RR VIEW MIRROR	1			
	70098B	(Please refer to the page 2/2)	BOLT,RR VIEW MIRROR	1			
	70098C	(Please refer to the page 2/2)	BOLT,RR VIEW MIRROR	1			
	70098D	(Please refer to the page 2/2)	BOLT,RR VIEW MIRROR	1			
	70098E	(Please refer to the page 2/2)	BOLT,RR VIEW MIRROR	1			
	70098G	(Please refer to the page 2/2)	BOLT,RR VIEW MIRROR	1			
	70098J	(Please refer to the page 2/2)	BOLT,RR VIEW MIRROR	1			
	70098M	(Please refer to the page 2/2)	BOLT,RR VIEW MIRROR	1			
	70098N	(Please refer to the page 2/2)	BOLT,RR VIEW MIRROR	1			
	70098P	(Please refer to the page 2/2)	BOLT,RR VIEW MIRROR	1			
	70099B	(Please refer to the page 2/2)	SCREW,RR VIEW MIRROR	1			
	70099C	(Please refer to the page 2/2)	SCREW,RR VIEW MIRROR	1			
	70099D	(Please refer to the page 2/2)	SCREW,RR VIEW MIRROR	1			
	70099F	(Please refer to the page 2/2)	SCREW,RR VIEW MIRROR	1			
	70099G	(Please refer to the page 2/2)	SCREW,RR VIEW MIRROR	1			
	70099H	(Please refer to the page 2/2)	SCREW,RR VIEW MIRROR	1			
	70099N	(Please refer to the page 2/2)	SCREW,RR VIEW MIRROR	1			
	70099Q	(Please refer to the page 2/2)	SCREW,RR VIEW MIRROR	1			
	70099S	(Please refer to the page 2/2)	SCREW,RR VIEW MIRROR	1			
	70104L	(Please refer to the page 2/2)	COVER,RR VIEW MIRROR WIPER ARM HEAD,LH	1			
	70104R	(Please refer to the page 2/2)	COVER,RR VIEW MIRROR WIPER ARM HEAD,RH	1			
	70107L	(Please refer to the page 2/2)	BLADE,RR VIEW MIRROR WIPER,LH	1			
	70107R	(Please refer to the page 2/2)	BLADE,RR VIEW MIRROR WIPER,RH	1			
	83122D	(Please refer to the page 2/2)	HARNES,REMOTE CONTROL MIRROR	1			
	83122E	(Please refer to the page 2/2)	HARNES,REMOTE CONTROL MIRROR	1			

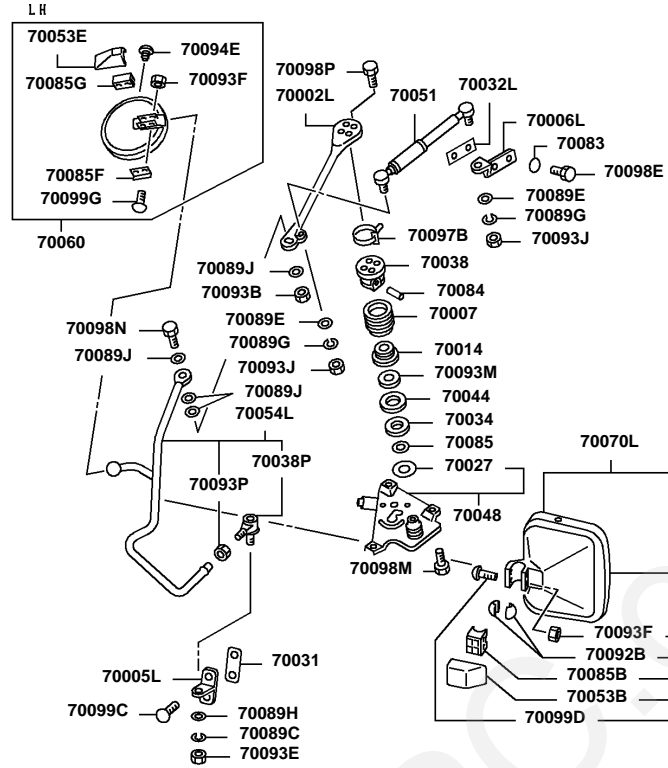
FK74R
No.1



FK74R
No.2

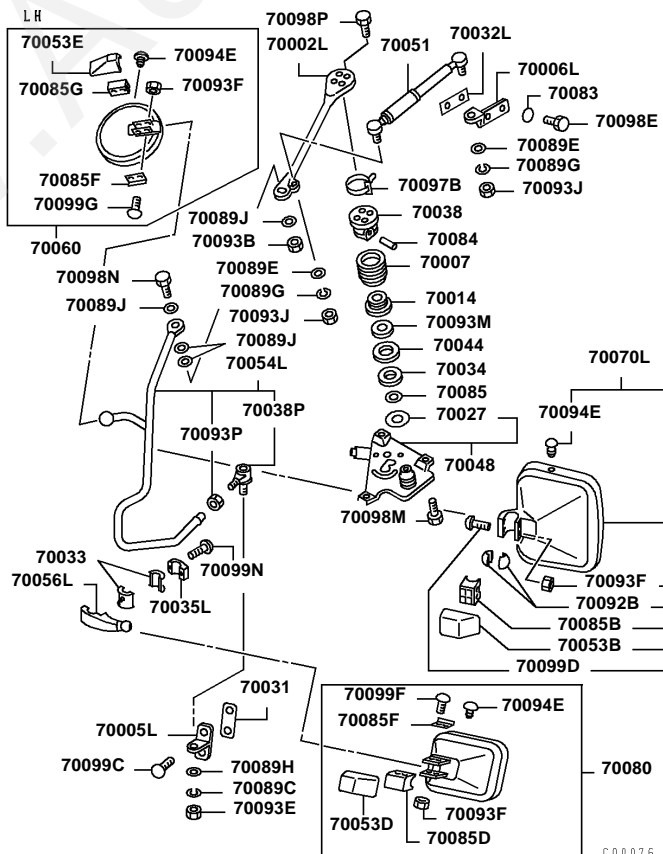


FK74R
No.3



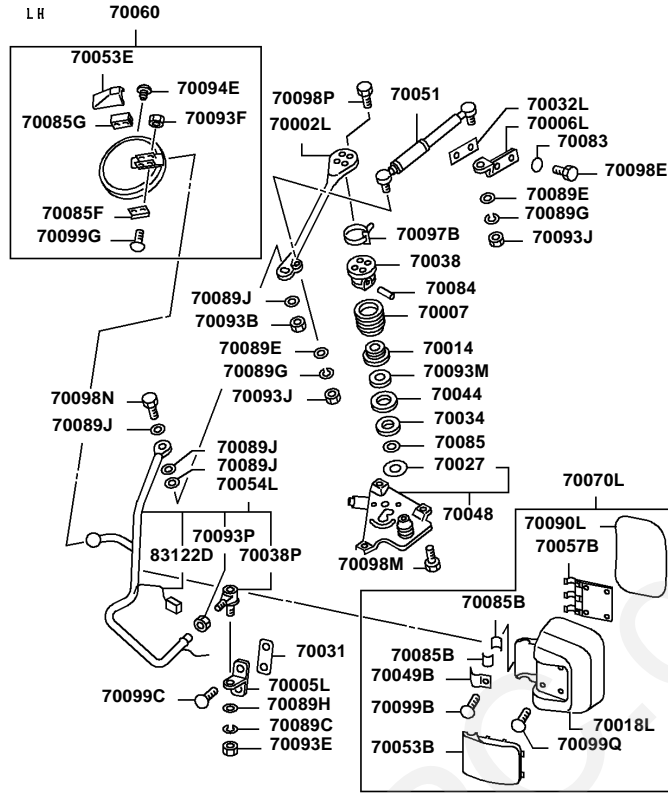
C00073

FK74R
No.4



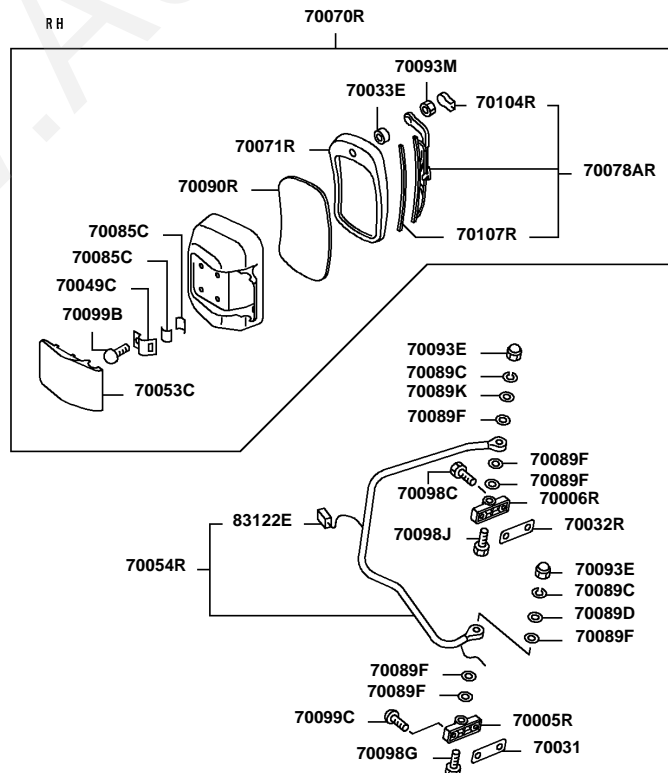
C00076

FK74R
No.5



C00074

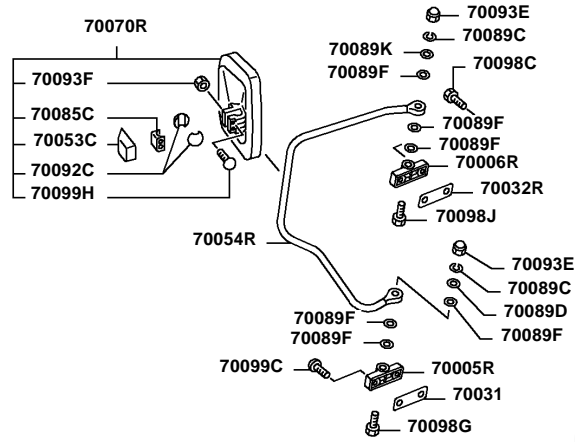
FK74R
No.6



C00081

FK74R
No.7

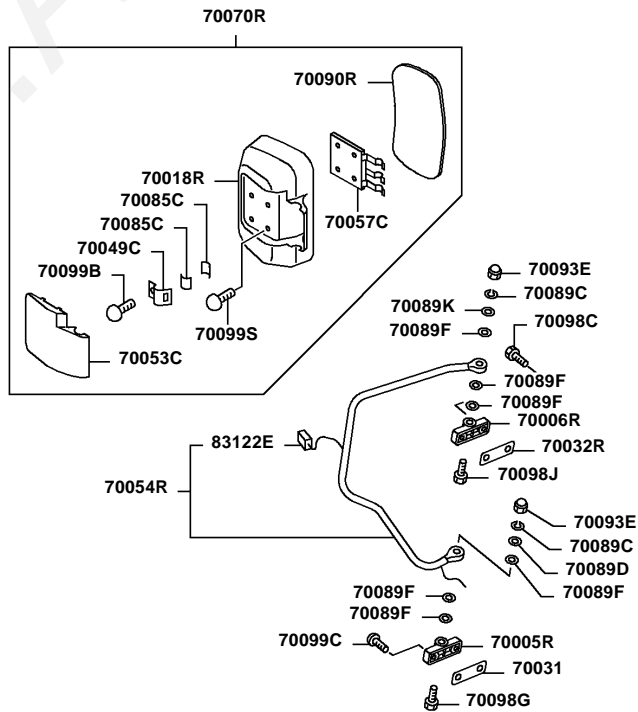
RH



C00071

FK74R
No.8

RH



C00072

FK74R
51-210 OUTSIDE REAR VIEW MIRROR (2/2)

Repl Part	PNC	Part No	Part Name	Qty	Part Spec
	70085C	MC939515	SPACER,RR VIEW MIRROR	4	
		MC965228	SPACER,RR VIEW MIRROR	1	
		MC965228	SPACER,RR VIEW MIRROR	1	
		MC965228	SPACER,RR VIEW MIRROR	1	
		MC965228	SPACER,RR VIEW MIRROR	1	
		MC965228	SPACER,RR VIEW MIRROR	1	
		MC965228	SPACER,RR VIEW MIRROR	1	
		MC965228	SPACER,RR VIEW MIRROR	1	
		MC965228	SPACER,RR VIEW MIRROR	1	
		MC965228	SPACER,RR VIEW MIRROR	1	
		MC965228	SPACER,RR VIEW MIRROR	1	
		MC965228	SPACER,RR VIEW MIRROR	1	
		MC965228	SPACER,RR VIEW MIRROR	1	
		MC965228	SPACER,RR VIEW MIRROR	1	
		MC965228	SPACER,RR VIEW MIRROR	1	
		MC965228	SPACER,RR VIEW MIRROR	1	
		MC965228	SPACER,RR VIEW MIRROR	1	
		MC965228	SPACER,RR VIEW MIRROR	1	
		MC939515	SPACER,RR VIEW MIRROR	4	
		MC939515	SPACER,RR VIEW MIRROR	4	
	70085D	MC926524	SPACER,RR VIEW MIRROR	1	
	70085F	MC926526	SPACER,RR VIEW MIRROR	1	T=0.9
		MC926526	SPACER,RR VIEW MIRROR	1	T=0.9

FK74R
51-210 OUTSIDE REAR VIEW MIRROR (2/2)

Repl Part	PNC	Part No	Part Name	Qty	Part Spec
	70085F	MC926526	SPACER,RR VIEW MIRROR	1	T=0.9
		MC926526	SPACER,RR VIEW MIRROR	1	T=0.9
		MC926526	SPACER,RR VIEW MIRROR	1	T=0.9
		MC926526	SPACER,RR VIEW MIRROR	2	T=0.9
	70085G	MC926527	SPACER,RR VIEW MIRROR	1	
	70089C	MH005201	WASHER,RR VIEW MIRROR	3	SPRING,10
		MH005201	WASHER,RR VIEW MIRROR	3	SPRING,10
		MH005201	WASHER,RR VIEW MIRROR	3	SPRING,10
		MH005201	WASHER,RR VIEW MIRROR	3	SPRING,10
		MH005201	WASHER,RR VIEW MIRROR	1	SPRING,10
	70089D	MC928227	WASHER,RR VIEW MIRROR	1	STOPPER,10
	70089E	MC980113	WASHER,RR VIEW MIRROR	2	PLAIN,8.5
		MC980113	WASHER,RR VIEW MIRROR	1	PLAIN,8.5
		MC980113	WASHER,RR VIEW MIRROR	2	PLAIN,8.5
		MC980113	WASHER,RR VIEW MIRROR	2	PLAIN,8.5
		MC980113	WASHER,RR VIEW MIRROR	2	PLAIN,8.5
		MC980113	WASHER,RR VIEW MIRROR	2	PLAIN,8.5

FK74R
51-210 OUTSIDE REAR VIEW MIRROR (2/2)

Repl Part	PNC	Part No	Part Name	Qty	Part Spec
	70089E	MC980113	WASHER,RR VIEW MIRROR	2	PLAIN,8.5
		MC980113	WASHER,RR VIEW MIRROR	2	PLAIN,8.5
		MC980113	WASHER,RR VIEW MIRROR	2	PLAIN,8.5
		MC980113	WASHER,RR VIEW MIRROR	2	PLAIN,8.5
		MC980113	WASHER,RR VIEW MIRROR	2	PLAIN,8.5
		MC980113	WASHER,RR VIEW MIRROR	2	PLAIN,8.5
		MC980113	WASHER,RR VIEW MIRROR	2	PLAIN,8.5
		MC980113	WASHER,RR VIEW MIRROR	2	PLAIN,8.5
		MC980113	WASHER,RR VIEW MIRROR	2	PLAIN,8.5
		MC980113	WASHER,RR VIEW MIRROR	2	PLAIN,8.5
		MC980113	WASHER,RR VIEW MIRROR	2	PLAIN,8.5
		MC980113	WASHER,RR VIEW MIRROR	2	PLAIN,8.5
		MC980113	WASHER,RR VIEW MIRROR	2	PLAIN,8.5
		MC980113	WASHER,RR VIEW MIRROR	1	PLAIN,8.5
		MC980113	WASHER,RR VIEW MIRROR	2	PLAIN,8.5
		MC980113	WASHER,RR VIEW MIRROR	1	PLAIN,8.5
	70089F	MH005083	WASHER,RR VIEW MIRROR	7	11
		MH005083	WASHER,RR VIEW MIRROR	6	11
		MH005083	WASHER,RR VIEW MIRROR	6	11
		MH005083	WASHER,RR VIEW MIRROR	6	11
		MH005083	WASHER,RR VIEW MIRROR	6	11

FK74R
51-210 OUTSIDE REAR VIEW MIRROR (2/2)

Repl Part	PNC	Part No	Part Name	Qty	Part Spec
	70089F	MH005083	WASHER,RR VIEW MIRROR	6	11
		MH005083	WASHER,RR VIEW MIRROR	6	11
		MH005083	WASHER,RR VIEW MIRROR	6	11
		MH005083	WASHER,RR VIEW MIRROR	6	11
		MH005083	WASHER,RR VIEW MIRROR	6	11
		MH005083	WASHER,RR VIEW MIRROR	6	11
		MH005083	WASHER,RR VIEW MIRROR	6	11
		MH005083 MH005083	WASHER,RR VIEW MIRROR WASHER,RR VIEW MIRROR	6 7	11 11
		MH005083	WASHER,RR VIEW MIRROR	7	11
	70089G	MH005200	WASHER,RR VIEW MIRROR	2	SPRING,8
		MH005200	WASHER,RR VIEW MIRROR	1	SPRING,8
		MH005200	WASHER,RR VIEW MIRROR	2	SPRING,8
		MH005200 MH005200 MH005200	WASHER,RR VIEW MIRROR WASHER,RR VIEW MIRROR WASHER,RR VIEW MIRROR	2 2 2	SPRING,8 SPRING,8 SPRING,8
		MH005200	WASHER,RR VIEW MIRROR	2	SPRING,8
		MH005200	WASHER,RR VIEW MIRROR	2	SPRING,8
		MH005200	WASHER,RR VIEW MIRROR	2	SPRING,8
		MH005200	WASHER,RR VIEW MIRROR	2	SPRING,8

FK74R
51-210 OUTSIDE REAR VIEW MIRROR (2/2)

Repl Part	PNC	Part No	Part Name	Qty	Part Spec
	70089G	MH005200	WASHER,RR VIEW MIRROR	2	SPRING,8
		MH005200	WASHER,RR VIEW MIRROR	2	SPRING,8
		MH005200	WASHER,RR VIEW MIRROR	2	SPRING,8
		MH005200	WASHER,RR VIEW MIRROR	2	SPRING,8
		MH005200	WASHER,RR VIEW MIRROR	2	SPRING,8
		MH005200	WASHER,RR VIEW MIRROR	1	SPRING,8
		MH005200	WASHER,RR VIEW MIRROR	2	SPRING,8
		MH005200	WASHER,RR VIEW MIRROR	1	SPRING,8
	70089H	MC905590	WASHER,RR VIEW MIRROR	1	PLAIN,10.5
		MC905590	WASHER,RR VIEW MIRROR	5	PLAIN,10.5
		MC905590	WASHER,RR VIEW MIRROR	1	PLAIN,10.5
		MC905590	WASHER,RR VIEW MIRROR	1	PLAIN,10.5
		MC905590	WASHER,RR VIEW MIRROR	1	PLAIN,10.5
		MC905590	WASHER,RR VIEW MIRROR	1	PLAIN,10.5
		MC905590	WASHER,RR VIEW MIRROR	1	PLAIN,10.5
		MC905590	WASHER,RR VIEW MIRROR	1	PLAIN,10.5
		MC905590	WASHER,RR VIEW MIRROR	1	PLAIN,10.5

FK74R
51-210 OUTSIDE REAR VIEW MIRROR (2/2)

Repl Part	PNC	Part No	Part Name	Qty	Part Spec
	70089H	MC905590	WASHER,RR VIEW MIRROR	1	PLAIN,10.5
		MC905590	WASHER,RR VIEW MIRROR	1	PLAIN,10.5
		MC905590	WASHER,RR VIEW MIRROR	1	PLAIN,10.5
		MC905590	WASHER,RR VIEW MIRROR	1	PLAIN,10.5
		MC905590	WASHER,RR VIEW MIRROR	1	PLAIN,10.5
		MC905590	WASHER,RR VIEW MIRROR	5	PLAIN,10.5
		MC905590	WASHER,RR VIEW MIRROR	1	PLAIN,10.5
		MC905590	WASHER,RR VIEW MIRROR	5	PLAIN,10.5
	70089J	MC924895	WASHER,RR VIEW MIRROR	4	PLAIN,12.5
		MC924895	WASHER,RR VIEW MIRROR	4	PLAIN,12.5
		MC924895 MC924895	WASHER,RR VIEW MIRROR WASHER,RR VIEW MIRROR	4 4	PLAIN,12.5 PLAIN,12.5
		MC924895	WASHER,RR VIEW MIRROR	4	PLAIN,12.5
		MH005091	WASHER,RR VIEW MIRROR	4	PLAIN,14
		MH005091	WASHER,RR VIEW MIRROR	4	PLAIN,14
		MH005091	WASHER,RR VIEW MIRROR	4	PLAIN,14

FK74R
51-210 OUTSIDE REAR VIEW MIRROR (2/2)

Repl Part	PNC	Part No	Part Name	Qty	Part Spec
	70089J	MH005091	WASHER,RR VIEW MIRROR	4	PLAIN,14
		MH005091	WASHER,RR VIEW MIRROR	4	PLAIN,14
		MH005091	WASHER,RR VIEW MIRROR	4	PLAIN,14
		MH005091	WASHER,RR VIEW MIRROR	4	PLAIN,14
		MH005091	WASHER,RR VIEW MIRROR	4	PLAIN,14
		MH005091	WASHER,RR VIEW MIRROR	4	PLAIN,14
		MH005091	WASHER,RR VIEW MIRROR	4	PLAIN,14
	70089K	MH005125	WASHER,RR VIEW MIRROR	1	PLAIN,10
	70090L	MC963331	MIRROR & HOLDER,RR VIEW,LH	1	
		MC965514	MIRROR & HOLDER,RR VIEW,LH	1	
		MC963331	MIRROR & HOLDER,RR VIEW,LH	1	
		MC965514	MIRROR & HOLDER,RR VIEW,LH	1	
		MC963331	MIRROR & HOLDER,RR VIEW,LH	1	
		MC965514	MIRROR & HOLDER,RR VIEW,LH	1	
	70090R	MC962469	MIRROR & HOLDER,RR VIEW,RH	1	
		MC965518	MIRROR & HOLDER,RR VIEW,RH	1	

FK74R
51-210 OUTSIDE REAR VIEW MIRROR (2/2)

Repl Part	PNC	Part No	Part Name	Qty	Part Spec
	70090R	MC962469	MIRROR & HOLDER,RR VIEW,RH	1	
		MC965518	MIRROR & HOLDER,RR VIEW,RH	1	
		MC962469	MIRROR & HOLDER,RR VIEW,RH	1	
		MC965518	MIRROR & HOLDER,RR VIEW,RH	1	
	70092B	MC926522	PIVOT,RR VIEW MIRROR HOUSING	2	
		MC926522	PIVOT,RR VIEW MIRROR HOUSING	2	
		MC926522	PIVOT,RR VIEW MIRROR HOUSING	2	
		MC926522	PIVOT,RR VIEW MIRROR HOUSING	2	
		MC938388	PIVOT,RR VIEW MIRROR HOUSING	2	
		MC938388	PIVOT,RR VIEW MIRROR HOUSING	2	
		MC938388	PIVOT,RR VIEW MIRROR HOUSING	2	
		MC938388	PIVOT,RR VIEW MIRROR HOUSING	2	
		MC938388	PIVOT,RR VIEW MIRROR HOUSING	2	
		MC938388	PIVOT,RR VIEW MIRROR HOUSING	2	
		MC938388	PIVOT,RR VIEW MIRROR HOUSING	2	
		MC938388	PIVOT,RR VIEW MIRROR HOUSING	2	
		MC938388	PIVOT,RR VIEW MIRROR HOUSING	2	

FK74R
51-210 OUTSIDE REAR VIEW MIRROR (2/2)

Repl Part	PNC	Part No	Part Name	Qty	Part Spec
	70092B	MC938388	PIVOT,RR VIEW MIRROR HOUSING	2	
		MC938388	PIVOT,RR VIEW MIRROR HOUSING	2	
	70092C	MC926522	PIVOT,RR VIEW MIRROR HOUSING	2	
	70093B	MC914063	NUT,RR VIEW MIRROR	1	SELF LOCKING,12
		MC914063	NUT,RR VIEW MIRROR	1	SELF LOCKING,12
		MC914063	NUT,RR VIEW MIRROR	1	SELF LOCKING,12
		MC914063	NUT,RR VIEW MIRROR	1	SELF LOCKING,12
		MH004132	NUT,RR VIEW MIRROR	1	14
		MH004132	NUT,RR VIEW MIRROR	1	14
		MH004132	NUT,RR VIEW MIRROR	1	14
		MH004132	NUT,RR VIEW MIRROR	1	14
		MH004132	NUT,RR VIEW MIRROR	1	14
		MH004132	NUT,RR VIEW MIRROR	1	14
		MH004132	NUT,RR VIEW MIRROR	1	14
		MH004132	NUT,RR VIEW MIRROR	1	14
		MH004132	NUT,RR VIEW MIRROR	1	14
		MH004132	NUT,RR VIEW MIRROR	1	14
		MH004132	NUT,RR VIEW MIRROR	1	14

FK74R
51-210 OUTSIDE REAR VIEW MIRROR (2/2)

Repl Part	PNC	Part No	Part Name	Qty	Part Spec
	70093E	MH004207	NUT,RR VIEW MIRROR	2	CAP,10
		MH004207	NUT,RR VIEW MIRROR	3	CAP,10
		MH004207 MH004207	NUT,RR VIEW MIRROR NUT,RR VIEW MIRROR	3 3	CAP,10 CAP,10
		MH004207 MH004207	NUT,RR VIEW MIRROR NUT,RR VIEW MIRROR	3 3	CAP,10 CAP,10
		MH004207	NUT,RR VIEW MIRROR	3	CAP,10
		MH004207	NUT,RR VIEW MIRROR	3	CAP,10
		MH004207	NUT,RR VIEW MIRROR	3	CAP,10
		MH004207	NUT,RR VIEW MIRROR	3	CAP,10
		MH004207	NUT,RR VIEW MIRROR	3	CAP,10
		MH004207 MH004207	NUT,RR VIEW MIRROR NUT,RR VIEW MIRROR	3 3	CAP,10 CAP,10
		MH004207	NUT,RR VIEW MIRROR	2	CAP,10
		MH004207	NUT,RR VIEW MIRROR	1	CAP,10
		MH004207	NUT,RR VIEW MIRROR	2	CAP,10
	70093F	MC926523	NUT,RR VIEW MIRROR	2	5
		MC926523	NUT,RR VIEW MIRROR	4	5

FK74R
51-210 OUTSIDE REAR VIEW MIRROR (2/2)

Repl Part	PNC	Part No	Part Name	Qty	Part Spec
	70093F	MC926523	NUT,RR VIEW MIRROR	6	5
		MC926523	NUT,RR VIEW MIRROR	6	5
		MC926523	NUT,RR VIEW MIRROR	6	5
		MC926523	NUT,RR VIEW MIRROR	6	5
		MC926523	NUT,RR VIEW MIRROR	6	5
		MC926523	NUT,RR VIEW MIRROR	6	5
		MC926523	NUT,RR VIEW MIRROR	6	5
		MC926523	NUT,RR VIEW MIRROR	6	5
		MC926523	NUT,RR VIEW MIRROR	6	5
		MC926523	NUT,RR VIEW MIRROR	6	5
		MC926523	NUT,RR VIEW MIRROR	6	5
		MC926523	NUT,RR VIEW MIRROR	6	5
		MC926523	NUT,RR VIEW MIRROR	6	5
		MC926523	NUT,RR VIEW MIRROR	6	5
		MC926523	NUT,RR VIEW MIRROR	2	5
		MC926523	NUT,RR VIEW MIRROR	4	5
		MC926523	NUT,RR VIEW MIRROR	2	5
		MC926523	NUT,RR VIEW MIRROR	6	5
		MC926523	NUT,RR VIEW MIRROR	4	5
	70093J	MH004118	NUT,RR VIEW MIRROR	2	8

FK74R
51-210 OUTSIDE REAR VIEW MIRROR (2/2)

Repl Part	PNC	Part No	Part Name	Qty	Part Spec
	70093J	MH004119	NUT,RR VIEW MIRROR	1	10
		MH004118	NUT,RR VIEW MIRROR	2	8
		MH004118	NUT,RR VIEW MIRROR	2	8
		MH004118	NUT,RR VIEW MIRROR	2	8
		MH004118	NUT,RR VIEW MIRROR	2	8
		MH004118	NUT,RR VIEW MIRROR	2	8
		MH004118	NUT,RR VIEW MIRROR	2	8
		MH004118	NUT,RR VIEW MIRROR	2	8
		MH004118	NUT,RR VIEW MIRROR	2	8
		MH004118	NUT,RR VIEW MIRROR	2	8
		MH004118	NUT,RR VIEW MIRROR	2	8
		MH004118	NUT,RR VIEW MIRROR	2	8
		MH004118	NUT,RR VIEW MIRROR	2	8
		MH004118	NUT,RR VIEW MIRROR	2	8
		MH004118	NUT,RR VIEW MIRROR	2	8
		MH004119	NUT,RR VIEW MIRROR	1	10
		MH004118	NUT,RR VIEW MIRROR	2	8
		MH004119	NUT,RR VIEW MIRROR	1	10
	70093K	MH004209	NUT,RR VIEW MIRROR	1	CAP,8

FK74R
51-210 OUTSIDE REAR VIEW MIRROR (2/2)

Repl Part	PNC	Part No	Part Name	Qty	Part Spec
	70093M	MC924603	NUT,RR VIEW MIRROR	1	30
		MC934348	NUT,RR VIEW MIRROR	2	FLANGE,5
	70093P	MH004119	NUT,RR VIEW MIRROR	1	10
		MH004119	NUT,RR VIEW MIRROR	1	10
		MH004119 MH004119	NUT,RR VIEW MIRROR NUT,RR VIEW MIRROR	1 1	10 10
		MH004137	NUT,RR VIEW MIRROR	1	12
		MH004137	NUT,RR VIEW MIRROR	1	12
		MH004137	NUT,RR VIEW MIRROR	1	12
		MH004137	NUT,RR VIEW MIRROR	1	12
		MH004137	NUT,RR VIEW MIRROR	1	12
		MH004137 MH004137 MH004137	NUT,RR VIEW MIRROR NUT,RR VIEW MIRROR NUT,RR VIEW MIRROR	1 1 1	12 12 12
		MH004137	NUT,RR VIEW MIRROR	1	12
		MH004137	NUT,RR VIEW MIRROR	1	12
		MH004137	NUT,RR VIEW MIRROR	1	12
	70094E	MC926521	GROMMET,RR VIEW MIRROR	1	5

FK74R
51-210 OUTSIDE REAR VIEW MIRROR (2/2)

Repl Part	PNC	Part No	Part Name	Qty	Part Spec
	70094E	MC926521	GROMMET,RR VIEW MIRROR	1 5	
		MC926521	GROMMET,RR VIEW MIRROR	1 5	
		MC926521	GROMMET,RR VIEW MIRROR	1 5	
		MC926521	GROMMET,RR VIEW MIRROR	1 5	
		MC926521	GROMMET,RR VIEW MIRROR	3 5	
	70097B	MC926929	BAND,RR VIEW MIRROR	1 234	
		MC926929 MC926929	BAND,RR VIEW MIRROR BAND,RR VIEW MIRROR	1 234 1 234	
		MC926929	BAND,RR VIEW MIRROR	1 234	
		MC926929	BAND,RR VIEW MIRROR	1 234	
		MC926929	BAND,RR VIEW MIRROR	1 234	
		MC926929	BAND,RR VIEW MIRROR	1 234	
		MC926929 MC926929	BAND,RR VIEW MIRROR BAND,RR VIEW MIRROR	1 234 1 234	
		MC926929 MC926929	BAND,RR VIEW MIRROR BAND,RR VIEW MIRROR	1 234 1 234	
		MC926929	BAND,RR VIEW MIRROR	1 234	
		MC926929	BAND,RR VIEW MIRROR	1 234	

FK74R
51-210 OUTSIDE REAR VIEW MIRROR (2/2)

Repl Part	PNC	Part No	Part Name	Qty	Part Spec
	70097B	MC926929	BAND,RR VIEW MIRROR	1	234
		MC926929	BAND,RR VIEW MIRROR	1	234
	70098B	MH001152	BOLT,RR VIEW MIRROR	1	10X45
		MH001152	BOLT,RR VIEW MIRROR	1	10X45
		MH001152	BOLT,RR VIEW MIRROR	1	10X45
	70098C	MH001156	BOLT,RR VIEW MIRROR	2	WASHER ASSEMBLED,8X
RP	70098D	MH001158	BOLT,RR VIEW MIRROR	2	WASHER ASSEMBLED,8X
		MH001161	BOLT,RR VIEW MIRROR	2	WASHER ASSEMBLED,8X
		MH001161	BOLT,RR VIEW MIRROR	2	WASHER ASSEMBLED,8X
		MH001161	BOLT,RR VIEW MIRROR	2	WASHER ASSEMBLED,8X
RP	70098E	MH001158	BOLT,RR VIEW MIRROR	2	WASHER ASSEMBLED,8X
		MH001161	BOLT,RR VIEW MIRROR	2	WASHER ASSEMBLED,8X
		MH001161	BOLT,RR VIEW MIRROR	2	WASHER ASSEMBLED,8X
		MH001161	BOLT,RR VIEW MIRROR	2	WASHER ASSEMBLED,8X

FK74R
51-210 OUTSIDE REAR VIEW MIRROR (2/2)

Repl Part	PNC	Part No	Part Name	Qty	Part Spec
	70098E	MH001161	BOLT,RR VIEW MIRROR	2	WASHER ASSEMBLED,8X
		MH001161	BOLT,RR VIEW MIRROR	2	WASHER ASSEMBLED,8X
	70098G	MH001973	BOLT,RR VIEW MIRROR	1	10X50
		MH001153	BOLT,RR VIEW MIRROR	1	10X45
		MH001153	BOLT,RR VIEW MIRROR	1	10X45
		MH001153	BOLT,RR VIEW MIRROR	1	10X45
		MH001153	BOLT,RR VIEW MIRROR	1	10X45
		MH001153	BOLT,RR VIEW MIRROR	1	10X45
		MH001153	BOLT,RR VIEW MIRROR	1	10X45
		MH001153	BOLT,RR VIEW MIRROR	1	10X45
		MH001153	BOLT,RR VIEW MIRROR	1	10X45
		MH001153	BOLT,RR VIEW MIRROR	1	10X45
		MH001153	BOLT,RR VIEW MIRROR	1	10X45
		MH001153	BOLT,RR VIEW MIRROR	1	10X45
		MH001153	BOLT,RR VIEW MIRROR	1	10X45
		MH001153	BOLT,RR VIEW MIRROR	1	10X45
		MH001153	BOLT,RR VIEW MIRROR	1	10X45
		MH001153	BOLT,RR VIEW MIRROR	1	10X45
		MH001973	BOLT,RR VIEW MIRROR	1	10X50
		MH001973	BOLT,RR VIEW MIRROR	1	10X50
	70098J	MH001973	BOLT,RR VIEW MIRROR	1	10X50
		MH001153	BOLT,RR VIEW MIRROR	1	10X45

FK74R
51-210 OUTSIDE REAR VIEW MIRROR (2/2)

Repl Part	PNC	Part No	Part Name	Qty	Part Spec
	70098J	MH001153	BOLT,RR VIEW MIRROR	1	10X45
		MH001153	BOLT,RR VIEW MIRROR	1	10X45
		MH001153	BOLT,RR VIEW MIRROR	1	10X45
		MH001153	BOLT,RR VIEW MIRROR	1	10X45
		MH001153	BOLT,RR VIEW MIRROR	1	10X45
		MH001153	BOLT,RR VIEW MIRROR	1	10X45
		MH001153	BOLT,RR VIEW MIRROR	1	10X45
		MH001153	BOLT,RR VIEW MIRROR	1	10X45
		MH001153	BOLT,RR VIEW MIRROR	1	10X45
		MH001153	BOLT,RR VIEW MIRROR	1	10X45
		MH001153	BOLT,RR VIEW MIRROR	1	10X45
		MH001153	BOLT,RR VIEW MIRROR	1	10X45
		MH001153	BOLT,RR VIEW MIRROR	1	10X45
		MH001973	BOLT,RR VIEW MIRROR	1	10X50
		MH001153	BOLT,RR VIEW MIRROR	1	10X45
		MH001973	BOLT,RR VIEW MIRROR	1	10X50
		MH001153	BOLT,RR VIEW MIRROR	1	10X45
	70098M	MS146921	BOLT,RR VIEW MIRROR	3	F.T,6X12
		MS146921	BOLT,RR VIEW MIRROR	3	F.T,6X12
		MS146921	BOLT,RR VIEW MIRROR	3	F.T,6X12

FK74R
51-210 OUTSIDE REAR VIEW MIRROR (2/2)

Repl Part	PNC	Part No	Part Name	Qty	Part Spec
	70098M	MS146921	BOLT,RR VIEW MIRROR	3	F.T,6X12
		MS146921	BOLT,RR VIEW MIRROR	3	F.T,6X12
		MS146921	BOLT,RR VIEW MIRROR	3	F.T,6X12
		MS146921	BOLT,RR VIEW MIRROR	3	F.T,6X12
		MS146921	BOLT,RR VIEW MIRROR	3	F.T,6X12
		MS146921	BOLT,RR VIEW MIRROR	3	F.T,6X12
		MS146921	BOLT,RR VIEW MIRROR	3	F.T,6X12
		MS146921	BOLT,RR VIEW MIRROR	3	F.T,6X12
		MS146921	BOLT,RR VIEW MIRROR	3	F.T,6X12
		MS146921	BOLT,RR VIEW MIRROR	3	F.T,6X12
		MS146921	BOLT,RR VIEW MIRROR	3	F.T,6X12
		MS146921	BOLT,RR VIEW MIRROR	3	F.T,6X12
		MS146921	BOLT,RR VIEW MIRROR	3	F.T,6X12
		MS146921	BOLT,RR VIEW MIRROR	3	F.T,6X12
		MS146921	BOLT,RR VIEW MIRROR	3	F.T,6X12
		MS146921	BOLT,RR VIEW MIRROR	3	F.T,6X12
		MS146921	BOLT,RR VIEW MIRROR	3	F.T,6X12
		MS146921	BOLT,RR VIEW MIRROR	3	F.T,6X12
	70098N	MH001979	BOLT,RR VIEW MIRROR	1	12X50
		MH001979	BOLT,RR VIEW MIRROR	1	12X50
		MH001979	BOLT,RR VIEW MIRROR	1	12X50
		MH001979	BOLT,RR VIEW MIRROR	1	12X50
		MH001972	BOLT,RR VIEW MIRROR	1	12X55
		MC914061	BOLT,RR VIEW MIRROR	1	10X55
		MH001910	BOLT,RR VIEW MIRROR	1	14X60

FK74R
51-210 OUTSIDE REAR VIEW MIRROR (2/2)

Repl Part	PNC	Part No	Part Name	Qty	Part Spec
	70098P	MH000594	BOLT,RR VIEW MIRROR	4	WASHER ASSEMBLED,6X
		MH000594	BOLT,RR VIEW MIRROR	4	WASHER ASSEMBLED,6X
		MH000594	BOLT,RR VIEW MIRROR	4	WASHER ASSEMBLED,6X
		MH000594	BOLT,RR VIEW MIRROR	4	WASHER ASSEMBLED,6X
		MH000594	BOLT,RR VIEW MIRROR	4	WASHER ASSEMBLED,6X
		MH000594	BOLT,RR VIEW MIRROR	4	WASHER ASSEMBLED,6X
	70099B	MC939517	SCREW,RR VIEW MIRROR	4	
		MC939517	SCREW,RR VIEW MIRROR	4	
		MC939517	SCREW,RR VIEW MIRROR	4	
	70099C	MH008040	SCREW,RR VIEW MIRROR	2	WASHER ASSEMBLED & T
		MH008040	SCREW,RR VIEW MIRROR	4	WASHER ASSEMBLED & T
		MH008040	SCREW,RR VIEW MIRROR	4	WASHER ASSEMBLED & T
		MH008040	SCREW,RR VIEW MIRROR	4	WASHER ASSEMBLED & T
		MH008040	SCREW,RR VIEW MIRROR	4	WASHER ASSEMBLED & T
		MH008040	SCREW,RR VIEW MIRROR	4	WASHER ASSEMBLED & T
		MH008040	SCREW,RR VIEW MIRROR	4	WASHER ASSEMBLED & T

FK74R
51-210 OUTSIDE REAR VIEW MIRROR (2/2)

Repl Part	PNC	Part No	Part Name	Qty	Part Spec	
70099C	MH008040		SCREW,RR VIEW MIRROR	4	WASHER ASSEMBLED & T	
			SCREW,RR VIEW MIRROR	4	WASHER ASSEMBLED & T	
			SCREW,RR VIEW MIRROR	4	WASHER ASSEMBLED & T	
			SCREW,RR VIEW MIRROR SCREW,RR VIEW MIRROR	4 4	WASHER ASSEMBLED & T WASHER ASSEMBLED & T	
			SCREW,RR VIEW MIRROR	2	WASHER ASSEMBLED & T	
			SCREW,RR VIEW MIRROR	2	WASHER ASSEMBLED & T	
	70099D	MC965229		SCREW,RR VIEW MIRROR	2	WASHER ASSEMBLED,5X
				SCREW,RR VIEW MIRROR	2	WASHER ASSEMBLED,5X
		MC965229 MC965229		SCREW,RR VIEW MIRROR SCREW,RR VIEW MIRROR	2 2	WASHER ASSEMBLED,5X WASHER ASSEMBLED,5X
				SCREW,RR VIEW MIRROR SCREW,RR VIEW MIRROR	2 2	WASHER ASSEMBLED,5X WASHER ASSEMBLED,5X
		MC965229		SCREW,RR VIEW MIRROR	2	WASHER ASSEMBLED,5X
		MC965229		SCREW,RR VIEW MIRROR	2	WASHER ASSEMBLED,5X

FK74R
51-210 OUTSIDE REAR VIEW MIRROR (2/2)

Repl Part	PNC	Part No	Part Name	Qty	Part Spec
	70099D	MC965229	SCREW,RR VIEW MIRROR	2	WASHER ASSEMBLED,5X
		MC965229	SCREW,RR VIEW MIRROR	2	WASHER ASSEMBLED,5X
	70099F	MC926529	SCREW,RR VIEW MIRROR	2	5X40
	70099G	MC926529	SCREW,RR VIEW MIRROR	2	5X40
	70099H	MC965229	SCREW,RR VIEW MIRROR	2	WASHER ASSEMBLED,5X
	70099N	MU340004	SCREW,RR VIEW MIRROR	2	WASHER ASSEMBLED,6X
	70099Q	MC147643	SCREW,RR VIEW MIRROR	4	5X20
		MC147643	SCREW,RR VIEW MIRROR	4	5X20
		MC147643	SCREW,RR VIEW MIRROR	4	5X20
	70099S	MC147643	SCREW,RR VIEW MIRROR	4	5X20
		MC147643	SCREW,RR VIEW MIRROR	4	5X20
		MC147643	SCREW,RR VIEW MIRROR	4	5X20
	70104L	MC966132	COVER,RR VIEW MIRROR WIPER ARM HEAD,LH	1	
		MC966132	COVER,RR VIEW MIRROR WIPER ARM HEAD,LH	1	

FK74R
51-210 OUTSIDE REAR VIEW MIRROR (2/2)

Repl Part	PNC	Part No	Part Name	Qty	Part Spec
	70104L	MC966132	COVER,RR VIEW MIRROR WIPER ARM HEAD,LH	1	
	70104R	MC966132	COVER,RR VIEW MIRROR WIPER ARM HEAD,RH	1	
		MC966132	COVER,RR VIEW MIRROR WIPER ARM HEAD,RH	1	
		MC966132	COVER,RR VIEW MIRROR WIPER ARM HEAD,RH	1	
	70107L	MC939884	BLADE,RR VIEW MIRROR WIPER,LH	1	
		MC939884	BLADE,RR VIEW MIRROR WIPER,LH	1	
		MC939884	BLADE,RR VIEW MIRROR WIPER,LH	1	
	70107R	MC939885	BLADE,RR VIEW MIRROR WIPER,RH	1	
		MC939885	BLADE,RR VIEW MIRROR WIPER,RH	1	
		MC939885	BLADE,RR VIEW MIRROR WIPER,RH	1	
	83122D	MC968124	HARNESS,REMOTE CONTROL MIRROR	1	
		MC968122	HARNESS,REMOTE CONTROL MIRROR	1	
		MC968124	HARNESS,REMOTE CONTROL MIRROR	1	
		MC968122	HARNESS,REMOTE CONTROL MIRROR	1	

FK74R
51-210 OUTSIDE REAR VIEW MIRROR (2/2)

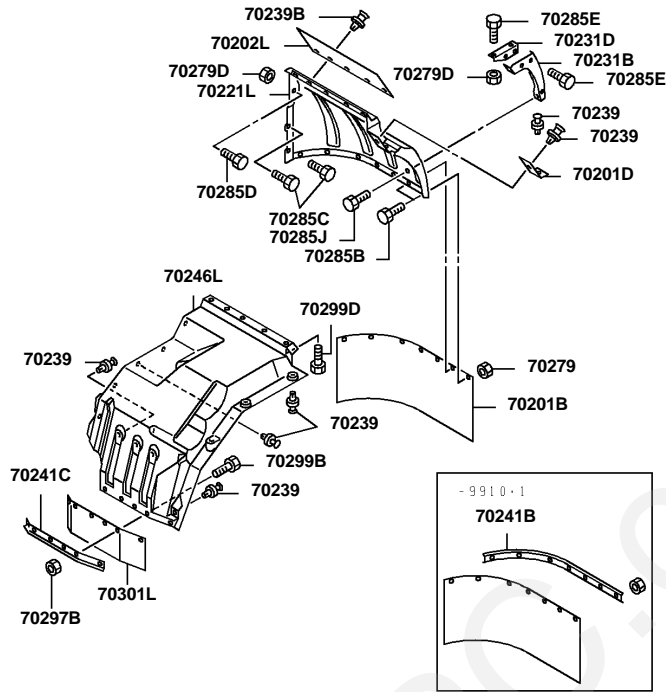
Repl Part	PNC	Part No	Part Name	Qty	Part Spec
	83122D	MC968124	HARNESS,REMOTE CONTROL MIRROR	1	
		MC968122	HARNESS,REMOTE CONTROL MIRROR	1	
	83122E	MC966838	HARNESS,REMOTE CONTROL MIRROR	1	
		MC965125	HARNESS,REMOTE CONTROL MIRROR	1	
		MC966838	HARNESS,REMOTE CONTROL MIRROR	1	
		MC965125	HARNESS,REMOTE CONTROL MIRROR	1	
		MC966838	HARNESS,REMOTE CONTROL MIRROR	1	
		MC965125	HARNESS,REMOTE CONTROL MIRROR	1	
	70002L	(Please refer to the page 1/2)	BAR,RR VIEW MIRROR STAY PROP,LH	1	
	70005L	(Please refer to the page 1/2)	BRACKET,RR VIEW MIRROR STAY,LWR LH	1	
	70005R	(Please refer to the page 1/2)	BRACKET,RR VIEW MIRROR STAY,LWR RH	1	
	70006	(Please refer to the page 1/2)	BRACKET,RR VIEW MIRROR STAY,UPR	1	
	70006L	(Please refer to the page 1/2)	BRACKET,RR VIEW MIRROR STAY,UPR LH	1	
	70006R	(Please refer to the page 1/2)	BRACKET,RR VIEW MIRROR STAY,UPR RH	1	
	70007	(Please refer to the page 1/2)	BOOT,RR VIEW MIRROR STAY	1	
	70014	(Please refer to the page 1/2)	CAP,RR VIEW MIRROR RETRACTOR MOTOR	1	
	70018L	(Please refer to the page 1/2)	HOUSING,RR VIEW MIRROR,LH	1	
	70018R	(Please refer to the page 1/2)	HOUSING,RR VIEW MIRROR,RH	1	
	70027	(Please refer to the page 1/2)	GASKET,RR VIEW MIRROR RETRACTOR MOTOR,LWR	1	
	70031	(Please refer to the page 1/2)	GASKET,RR VIEW MIRROR STAY,LWR	1	
	70032L	(Please refer to the page 1/2)	GASKET,RR VIEW MIRROR STAY,UPR LH	1	
	70032R	(Please refer to the page 1/2)	GASKET,RR VIEW MIRROR STAY,UPR RH	1	
	70033	(Please refer to the page 1/2)	GASKET,RR VIEW MIRROR STAY	1	
	70033E	(Please refer to the page 1/2)	GASKET,RR VIEW MIRROR STAY	1	
	70034	(Please refer to the page 1/2)	GASKET,RR VIEW MIRROR RETRACTOR MOTOR,UPR	1	
	70035L	(Please refer to the page 1/2)	HOLDER,RR VIEW MIRROR,LH	1	
	70038	(Please refer to the page 1/2)	JOINT,RR VIEW MIRROR STAY	1	
	70038P	(Please refer to the page 1/2)	JOINT,RR VIEW MIRROR STAY	1	
	70044	(Please refer to the page 1/2)	PLATE,RR VIEW MIRROR RETRACTOR MOTOR	1	
	70048	(Please refer to the page 1/2)	MOTOR,RR VIEW MIRROR RETRACTOR	1	
	70049B	(Please refer to the page 1/2)	BRACKET,RR VIEW MIRROR	1	
	70049C	(Please refer to the page 1/2)	BRACKET,RR VIEW MIRROR	1	
	70051	(Please refer to the page 1/2)	GAS SPRING,RR VIEW MIRROR RETRACTOR	1	
	70053B	(Please refer to the page 1/2)	COVER,RR VIEW MIRROR	1	
	70053C	(Please refer to the page 1/2)	COVER,RR VIEW MIRROR	1	
	70053D	(Please refer to the page 1/2)	COVER,RR VIEW MIRROR	1	
	70053E	(Please refer to the page 1/2)	COVER,RR VIEW MIRROR	1	
	70054L	(Please refer to the page 1/2)	STAY,RR VIEW MIRROR,LH	1	
	70054R	(Please refer to the page 1/2)	STAY,RR VIEW MIRROR,RH	1	
	70055	(Please refer to the page 1/2)	STAY,RR VIEW MIRROR,UPR	1	
	70056L	(Please refer to the page 1/2)	STAY,RR VIEW MIRROR,LWR LH	1	

FK74R
51-210 OUTSIDE REAR VIEW MIRROR (2/2)

Repl Part	PNC	Part No	Part Name	Qty	Part Spec
	70057B	(Please refer to the page 1/2)	BRACKET,RR VIEW MIRROR HOUSING	1	
	70057C	(Please refer to the page 1/2)	BRACKET,RR VIEW MIRROR HOUSING	1	
	70060	(Please refer to the page 1/2)	MIRROR,FR UNDER VIEW	1	
	70070L	(Please refer to the page 1/2)	MIRROR,RR VIEW,LH	1	
	70070R	(Please refer to the page 1/2)	MIRROR,RR VIEW,RH	1	
	70071L	(Please refer to the page 1/2)	RING,RR VIEW MIRROR,LH	1	
	70071R	(Please refer to the page 1/2)	RING,RR VIEW MIRROR,RH	1	
	70078AL	(Please refer to the page 1/2)	ARM & BLADE ASSY,RR VIEW MIRROR WIPER,LH	1	
	70078AR	(Please refer to the page 1/2)	ARM & BLADE ASSY,RR VIEW MIRROR WIPER,RH	1	
	70079	(Please refer to the page 1/2)	GASKET,RR VIEW MIRROR STAY PROP	1	
	70080	(Please refer to the page 1/2)	MIRROR,SIDE UNDER VIEW	1	
	70083	(Please refer to the page 1/2)	O-RING,RR VIEW MIRROR	1	
	70084	(Please refer to the page 1/2)	PIN,RR VIEW MIRROR	1	
	70085	(Please refer to the page 1/2)	SPACER,RR VIEW MIRROR	1	
	70085B	(Please refer to the page 1/2)	SPACER,RR VIEW MIRROR	1	

FK74R
No.1

LH



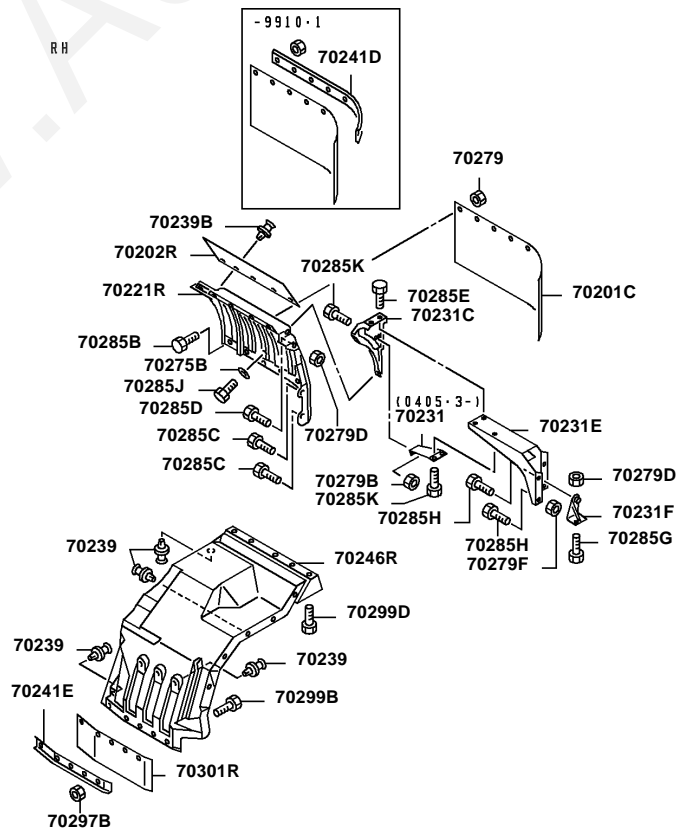
2PA006

Ref. |2051310

Page

FK74R
No.2

RH



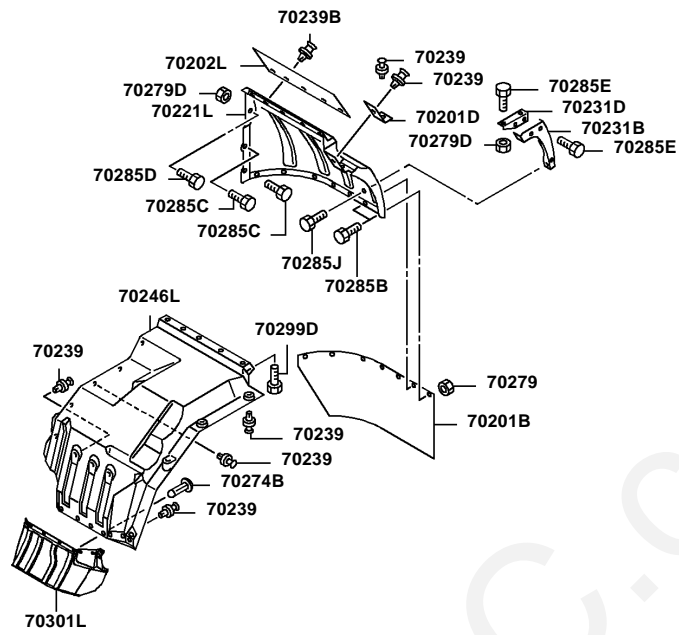
2PA217

Ref. |2051310

Page

FK74R
No.3

LH



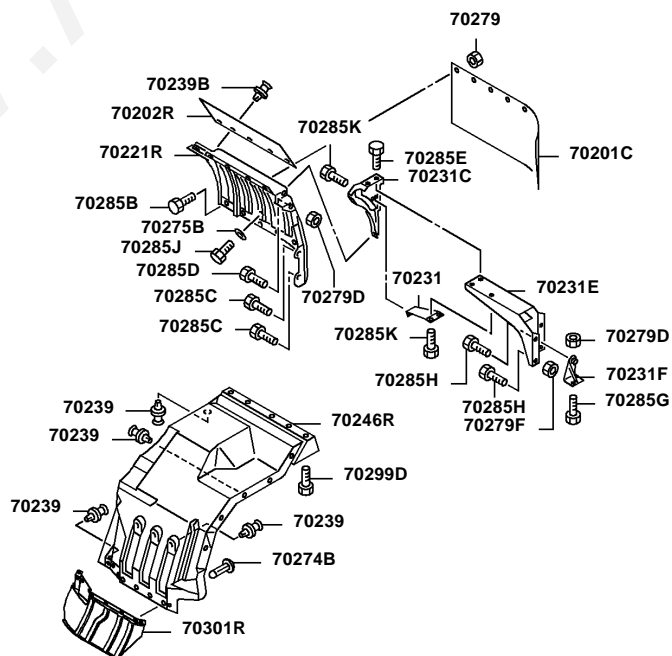
C00096

Ref. |2051310

Page

FK74R
No.4

RH



C00097

Ref. |2051310

Page

FK74R
51-310 MUD GUARD

Repl Part	PNC	Part No	Part Name	Qty	Part Spec	Remarks	PREV.1
	70201B	MK317777	APRON,FR FENDER MUD GUARD	1			
		MK468203	APRON,FR FENDER MUD GUARD	1			
		MK317777	APRON,FR FENDER MUD GUARD	1			
		MK468203	APRON,FR FENDER MUD GUARD	1			
		MK317777	APRON,FR FENDER MUD GUARD	1			
		MK468203	APRON,FR FENDER MUD GUARD	1			
		MK468203	APRON,FR FENDER MUD GUARD	1			
		MK317777	APRON,FR FENDER MUD GUARD	1			
RP	70201C	MC443517	APRON,FR FENDER MUD GUARD	1			O
RP		MC443619	APRON,FR FENDER MUD GUARD	1			O
RP		MC443517	APRON,FR FENDER MUD GUARD	1			O
RP		MC443619	APRON,FR FENDER MUD GUARD	1			O
RP		MC443517	APRON,FR FENDER MUD GUARD	1			O
RP		MC443619	APRON,FR FENDER MUD GUARD	1			O
RP		MC443517	APRON,FR FENDER MUD GUARD	1			O
RP		MC443619	APRON,FR FENDER MUD GUARD	1			O
	70201D	MK317709	APRON,FR FENDER MUD GUARD	1			
	70202L	MK317710	APRON,FR FENDER MUD GUARD,UPR LH	1			
		MK317711	APRON,FR FENDER MUD GUARD,UPR LH	1			
		MK317710	APRON,FR FENDER MUD GUARD,UPR LH	1			
		MK317711	APRON,FR FENDER MUD GUARD,UPR LH	1			
		MK317710	APRON,FR FENDER MUD GUARD,UPR LH	1			
		MK317711	APRON,FR FENDER MUD GUARD,UPR LH	1			
		MK625456	APRON,FR FENDER MUD GUARD,UPR LH	1			
		MK625457	APRON,FR FENDER MUD GUARD,UPR LH	1			
	70202R	MC084967	APRON,FR FENDER MUD GUARD,UPR RH	1			
		MC084968	APRON,FR FENDER MUD GUARD,UPR RH	1			
		MC084967	APRON,FR FENDER MUD GUARD,UPR RH	1			
		MC084968	APRON,FR FENDER MUD GUARD,UPR RH	1			
		MC084967	APRON,FR FENDER MUD GUARD,UPR RH	1			
		MC084968	APRON,FR FENDER MUD GUARD,UPR RH	1			
		MC084967	APRON,FR FENDER MUD GUARD,UPR RH	1			
		MC084968	APRON,FR FENDER MUD GUARD,UPR RH	1			
	70221L	MK317687	MUD GUARD,FR LH	1			
		MK317688	MUD GUARD,FR LH	1			

FK74R
51-310 MUD GUARD

Repl Part	PNC	Part No	Part Name	Qty	Part Spec	Remarks	PREV.1
	70221L	MK317687	MUD GUARD,FR LH	1			
		MK317688	MUD GUARD,FR LH	1			
		MK317687	MUD GUARD,FR LH	1			
		MK317688	MUD GUARD,FR LH	1			
		MK317687	MUD GUARD,FR LH	1			
		MK317688	MUD GUARD,FR LH	1			
		MK627785	MUD GUARD,FR LH	1			
		MK627786	MUD GUARD,FR LH	1			
	70221R	MK466216	MUD GUARD,FR RH	1			
		MK466217	MUD GUARD,FR RH	1			
		MK466216	MUD GUARD,FR RH	1			
		MK466217	MUD GUARD,FR RH	1			
		MK466216	MUD GUARD,FR RH	1			
		MK466217	MUD GUARD,FR RH	1			
		MK466216	MUD GUARD,FR RH	1			
		MK466217	MUD GUARD,FR RH	1			
		MK627787	MUD GUARD,FR RH	1			
		MK627788	MUD GUARD,FR RH	1			
	70231	MK537064	STAY,FR MUD GUARD	1			
		MK540518	STAY,FR MUD GUARD	1			
	70231B	MK317702	STAY,FR MUD GUARD	1			
	70231C	MK537062	STAY,FR MUD GUARD	1			
	70231D	MK317704	STAY,FR MUD GUARD	1			

FK74R
51-310 MUD GUARD

Repl Part	PNC	Part No	Part Name	Qty	Part Spec	Remarks	PREV.1
	70231E	MK537063	STAY,FR MUD GUARD	1			
	70239	MC937580	CLIP,FR MUD GUARD	24			
	70239B	MC149589	CLIP,FR MUD GUARD	9			
		MC149589	CLIP,FR MUD GUARD	11			
		MC149589	CLIP,FR MUD GUARD	9			
		MC149589	CLIP,FR MUD GUARD	11			
		MC149589	CLIP,FR MUD GUARD	9			
		MC149589	CLIP,FR MUD GUARD	11			
		MC149589	CLIP,FR MUD GUARD	9			
		MC149589	CLIP,FR MUD GUARD	11			
		MC149589	CLIP,FR MUD GUARD	9			
		MC149589	CLIP,FR MUD GUARD	11			
	70241C	MC933124	SUPPORT,FR FENDER MUD GUARD	1			
		MC933125	SUPPORT,FR FENDER MUD GUARD	1			
	70241E	MC933124	SUPPORT,FR FENDER MUD GUARD	1			
		MC933125	SUPPORT,FR FENDER MUD GUARD	1			
	70246L	MK488386	COVER,FR WHEELHOUSE,LH	1			
		MK488798	COVER,FR WHEELHOUSE,LH	1			
		MK486840	COVER,FR WHEELHOUSE,LH	1			
		MK486848	COVER,FR WHEELHOUSE,LH	1			
		MK486840	COVER,FR WHEELHOUSE,LH	1			
		MK486848	COVER,FR WHEELHOUSE,LH	1			
	70246R	MK488364	COVER,FR WHEELHOUSE,RH	1			
		MK488366	COVER,FR WHEELHOUSE,RH	1			
		MK486839	COVER,FR WHEELHOUSE,RH	1			
		MK486847	COVER,FR WHEELHOUSE,RH	1			
		MK486839	COVER,FR WHEELHOUSE,RH	1			
		MK486847	COVER,FR WHEELHOUSE,RH	1			
	70274B	MH003072	RIVET,FR MUD GUARD	14	4X21		

FK74R
51-310 MUD GUARD

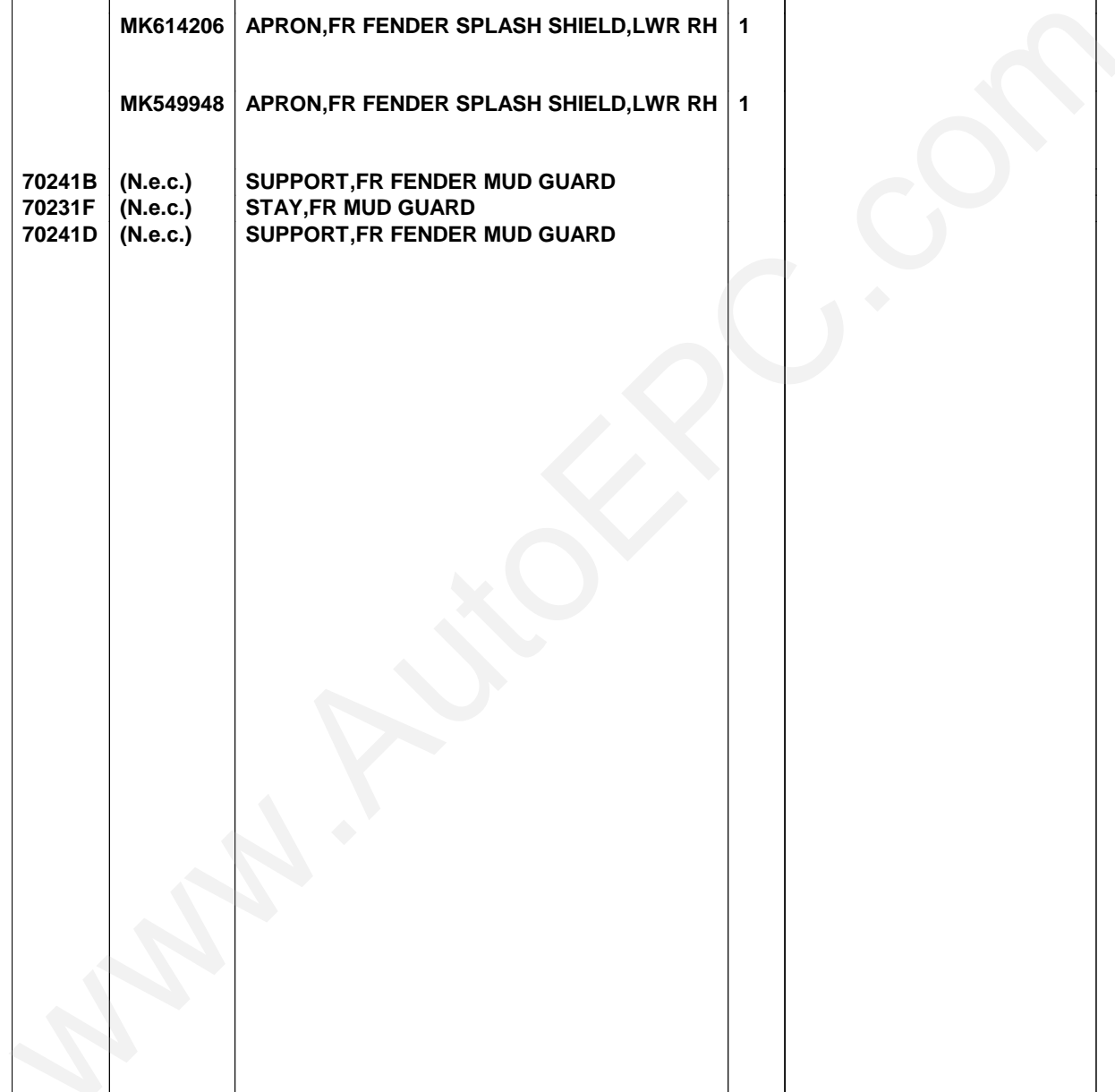
Repl Part	PNC	Part No	Part Name	Qty	Part Spec	Remarks	PREV.1
	70274B	MH003072	RIVET,FR MUD GUARD	16	4X21		
		MH003072	RIVET,FR MUD GUARD	14	4X21		
		MH003072	RIVET,FR MUD GUARD	16	4X21		
	70275B	MF450193	WASHER,MUD GUARD	1	PLAIN,6		
	70279	MH004250	NUT,MUD GUARD	15	WASHER ASSEMBLED,6		
	70279B	MF434103	NUT,MUD GUARD	2	FLANGE,6	W/O COATING	
	70279D	MF434104	NUT,MUD GUARD	6	FLANGE,8		
	70279F	MF434105	NUT,MUD GUARD	3	FLANGE,10	4T	
	70285B	MH001499	BOLT,MUD GUARD	15	FLANGE,6X14		
	70285C	MH001282	BOLT,MUD GUARD	4	WASHER ASSEMBLED,8X25		
	70285D	MF243653	BOLT,MUD GUARD	2	WASHER ASSEMBLED,8X25		
		MF243649	BOLT,MUD GUARD	1	WASHER ASSEMBLED,8X16		
	70285E	MF140023	BOLT,MUD GUARD	6	FLANGE,8X16	4T	
		MF140025	BOLT,MUD GUARD	2	FLANGE,8X20	4T	

FK74R
51-310 MUD GUARD

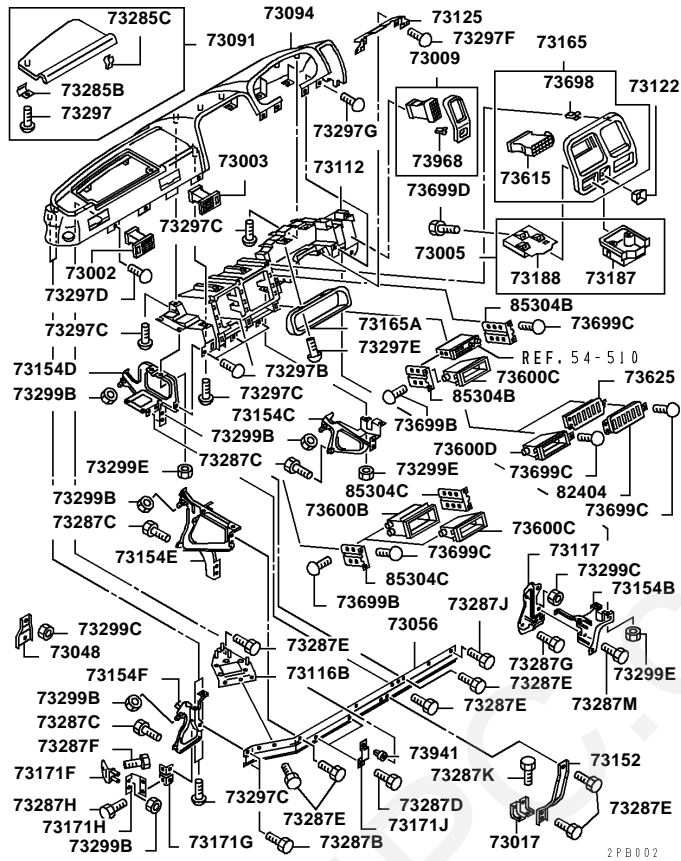
Repl Part	PNC	Part No	Part Name	Qty	Part Spec	Remarks	PREV.1
	70285G	MF140025	BOLT,MUD GUARD	2	FLANGE,8X20	4T	
	70285H	MF140060	BOLT,MUD GUARD	4	FLANGE,10X25	4T	
	70285J	MH001501	BOLT,MUD GUARD	4	FLANGE,6X14		
		MH001499	BOLT,MUD GUARD	4	FLANGE,6X14		
		MH001498	BOLT,MUD GUARD	4	FLANGE,6X16		
	70285K	MF140003	BOLT,MUD GUARD	4	FLANGE,6X12	4T	
	70297B	MH004250	NUT,FR MUD GUARD	14	WASHER ASSEMBLED,6		
	70299B	MH001499	BOLT,FR MUD GUARD	14	FLANGE,6X14		
	70299D	MH001165	BOLT,FR MUD GUARD	10	WASHER ASSEMBLED,8X16		
	70301L	MC928264	APRON,FR FENDER SPLASH SHIELD,LWR LH	1			
		MC928266	APRON,FR FENDER SPLASH SHIELD,LWR LH	1			
RP		MK488207	APRON,FR FENDER SPLASH SHIELD,LWR LH	1			
RP		MK488209	APRON,FR FENDER SPLASH SHIELD,LWR LH	1			
RP		MK549945	APRON,FR FENDER SPLASH SHIELD,LWR LH	1			
		MK549947	APRON,FR FENDER SPLASH SHIELD,LWR LH	1			
		MK614205	APRON,FR FENDER SPLASH SHIELD,LWR LH	1			
		MK614205	APRON,FR FENDER SPLASH SHIELD,LWR LH	1			
		MK549947	APRON,FR FENDER SPLASH SHIELD,LWR LH	1			
	70301R	MC928265	APRON,FR FENDER SPLASH SHIELD,LWR RH	1			
		MC928267	APRON,FR FENDER SPLASH SHIELD,LWR RH	1			

FK74R
51-310 MUD GUARD

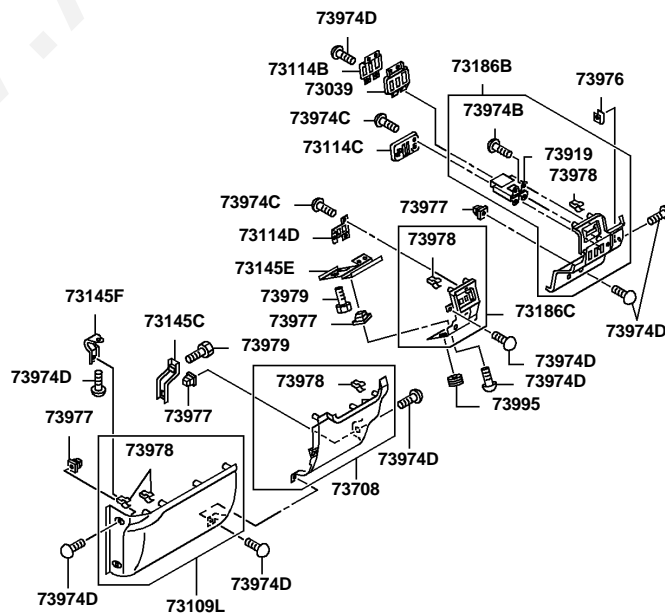
Repl Part	PNC	Part No	Part Name	Qty	Part Spec	Remarks	PREV.1
RP	70301R	MK488208	APRON,FR FENDER SPLASH SHIELD,LWR RH	1			
RP		MK488210	APRON,FR FENDER SPLASH SHIELD,LWR RH	1			
RP		MK549946	APRON,FR FENDER SPLASH SHIELD,LWR RH	1			
		MK549948	APRON,FR FENDER SPLASH SHIELD,LWR RH	1			
		MK614206	APRON,FR FENDER SPLASH SHIELD,LWR RH	1			
		MK614206	APRON,FR FENDER SPLASH SHIELD,LWR RH	1			
		MK549948	APRON,FR FENDER SPLASH SHIELD,LWR RH	1			
	70241B	(N.e.c.)	SUPPORT,FR FENDER MUD GUARD				
	70231F	(N.e.c.)	STAY,FR MUD GUARD				
	70241D	(N.e.c.)	SUPPORT,FR FENDER MUD GUARD				



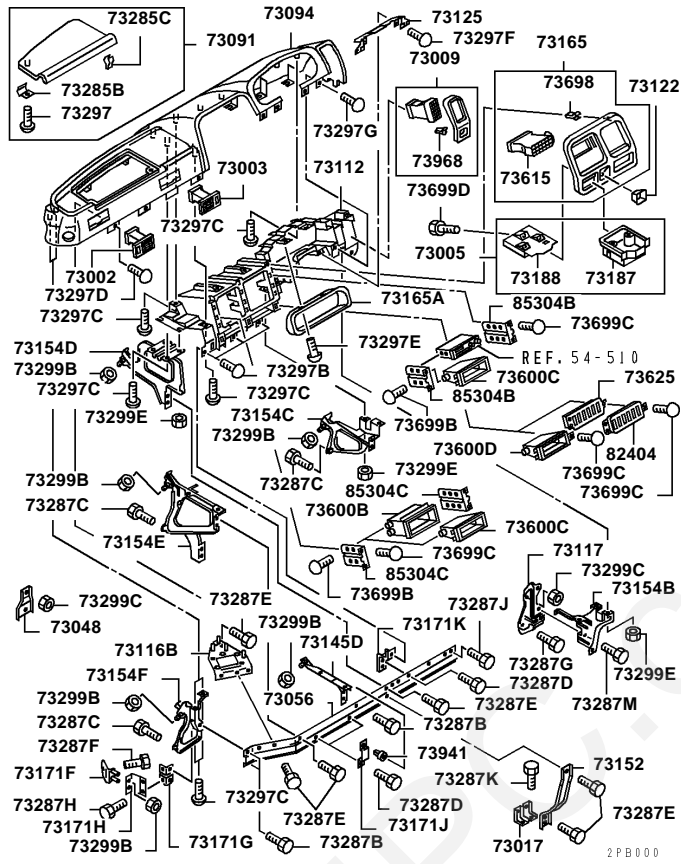
FK74R
No.1



FK74R
No.2



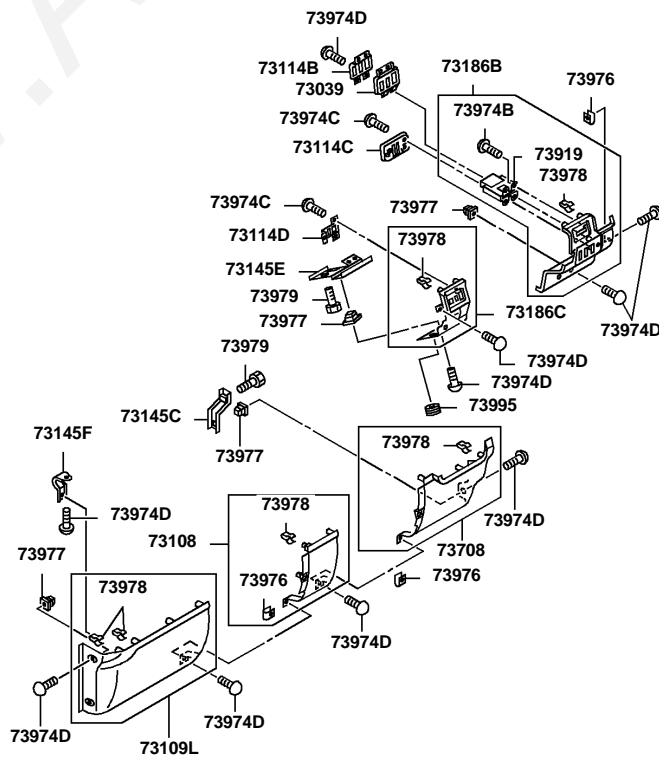
FK74R
No.3



Ref. |2052010

Page

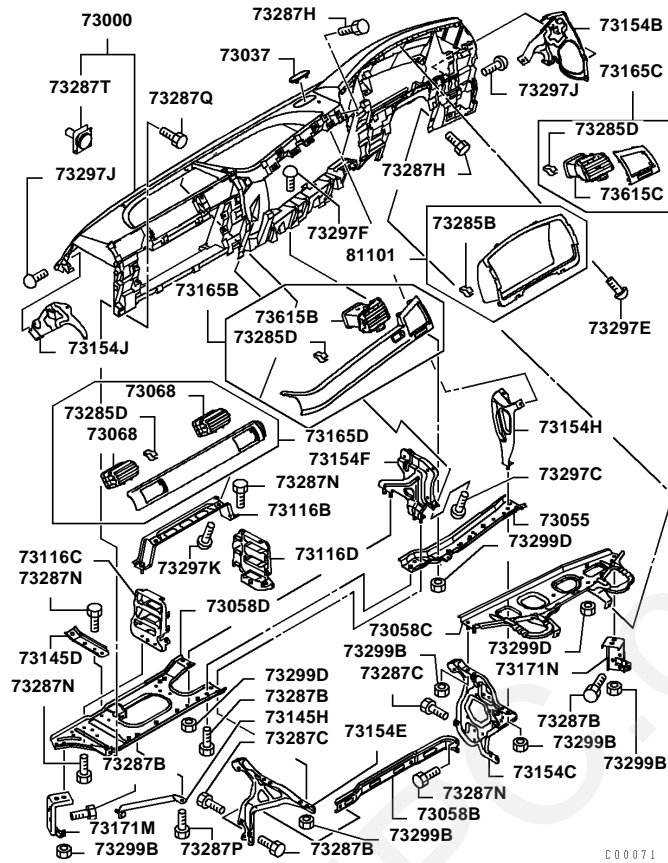
FK74R
No.4



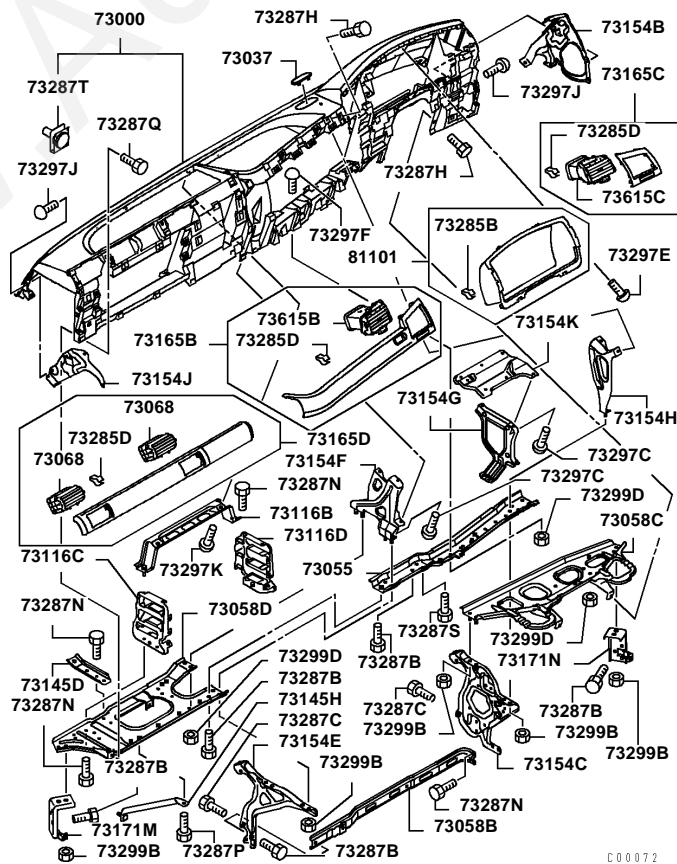
Ref. |2052010

Page

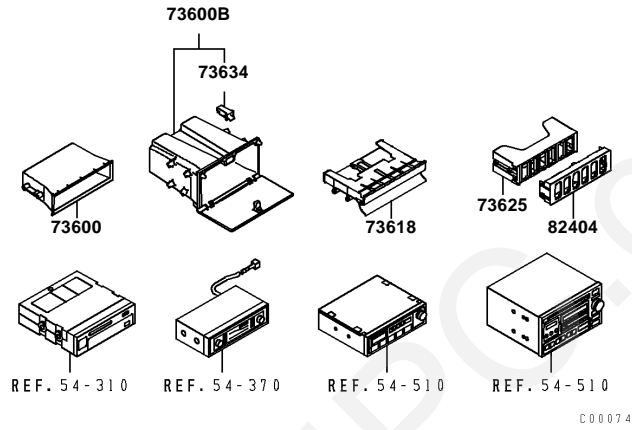
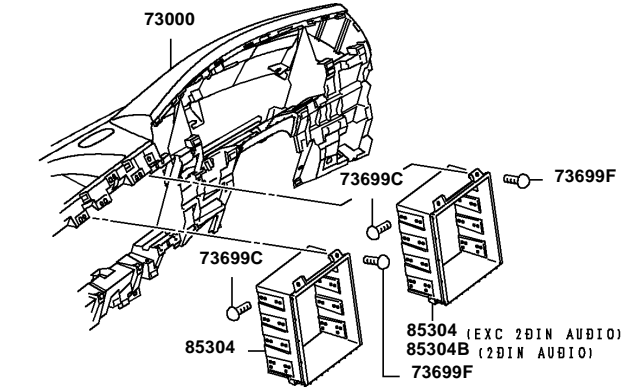
FK74R
No.5



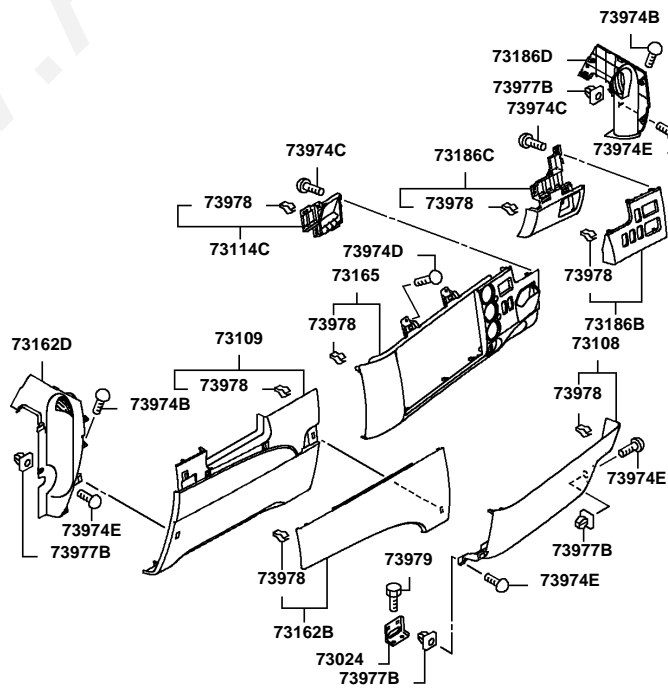
FK74R
No.6



FK74R
No.7



FK74R
No.8



FK74R
52-010 I/PANEL & RELATED PARTS

Repl Part	PNC	Part No	Part Name	Qty	Part Spec	Remarks	NEW
	73000	MK565930	PANEL,INSTRUMENT	1			
		MK565932	PANEL,INSTRUMENT	1			
		MK565930	PANEL,INSTRUMENT	1			
		MK565932	PANEL,INSTRUMENT	1			
	73002	MC964633	AIR OUTLET,INSTRUMENT PANEL SIDE	1			
	73003	MC964633	AIR OUTLET,INSTRUMENT PANEL,CTR	1			
	73005	MC964635	ASHTRAY,INSTRUMENT PANEL	1			
	73009	MC964545	BEZEL,INSTRUMENT PANEL AIR OUTLET	1			
	73017	MC920892	BRACKET,INSTRUMENT PANEL,CTR LWR	1			
	73024	MK510871	BRACKET,INSTRUMENT PANEL	1			
	73037	MK509658	COVER,INSTRUMENT PANEL,CTR	1			
	73039	MC964603	COVER,INSTRUMENT PANEL,LWR	1			
	73048	MC924234	BRACKET,INSTRUMENT PANEL SIDE,UPR	1			
	73055	MK510723	FRAME,INSTRUMENT PANEL,CTR	1			
		MK510724	FRAME,INSTRUMENT PANEL,CTR	1			
		MK510723	FRAME,INSTRUMENT PANEL,CTR	1			
		MK510724	FRAME,INSTRUMENT PANEL,CTR	1			
	73056	MC964549	FRAME,INSTRUMENT PANEL,UPR	1			
		MC964550	FRAME,INSTRUMENT PANEL,UPR	1			
	73058B	MK510727	FRAME,INSTRUMENT PANEL,LWR	1			

FK74R
52-010 I/PANEL & RELATED PARTS

Repl Part	PNC	Part No	Part Name	Qty	Part Spec	Remarks	NEW
	73058B	MK510728	FRAME,INSTRUMENT PANEL,LWR	1			
		MK510727	FRAME,INSTRUMENT PANEL,LWR	1			
		MK510728	FRAME,INSTRUMENT PANEL,LWR	1			
	73058C	MK513120	FRAME,INSTRUMENT PANEL,LWR	1			
	73058D	MK510731	FRAME,INSTRUMENT PANEL,LWR	1			
		MK511982	FRAME,INSTRUMENT PANEL,LWR	1			
		MK566650	FRAME,INSTRUMENT PANEL,LWR	1			
		MK566651	FRAME,INSTRUMENT PANEL,LWR	1			
	73068	MK509662	GRILLE,INSTRUMENT PANEL SIDE AIR OUTLET	2			
	73091	MC964543	LID,INSTRUMENT PANEL UPR SIDE	1			
	73094	MC964536	PAD,INSTRUMENT PANEL	1			
		MC964538	PAD,INSTRUMENT PANEL	1			
	73108	MC964593	PANEL,INSTRUMENT,LWR CTR	1			
		MK509644	PANEL,INSTRUMENT,LWR CTR	1			
	73109	MK509647	PANEL,INSTRUMENT,LWR	1			
		MK509650	PANEL,INSTRUMENT,LWR	1			
		MK509647	PANEL,INSTRUMENT,LWR	1			
		MK509650	PANEL,INSTRUMENT,LWR	1			
	73109L	MC964591	PANEL,INSTRUMENT,LWR LH	1			
	73112	MK404793	CORE,INSTRUMENT PANEL	1			
	73114B	MC964601	PLATE,INSTRUMENT PANEL	1			

FK74R
52-010 I/PANEL & RELATED PARTS

Repl Part	PNC	Part No	Part Name	Qty	Part Spec	Remarks	NEW
	73114C	MC964602	PLATE,INSTRUMENT PANEL	1			
		MK486200	PLATE,INSTRUMENT PANEL	1			
	73114D	MC964600	PLATE,INSTRUMENT PANEL	1			
	73116B	MC931157	BRACKET,INSTRUMENT PANEL CONTROL UNIT	1			
		MK510879	BRACKET,INSTRUMENT PANEL CONTROL UNIT	1			
		MK510879	BRACKET,INSTRUMENT PANEL CONTROL UNIT	1			
		MK510879	BRACKET,INSTRUMENT PANEL CONTROL UNIT	1			
		MK510879	BRACKET,INSTRUMENT PANEL CONTROL UNIT	1			
		MK565670	BRACKET,INSTRUMENT PANEL CONTROL UNIT	1			
	73116C	MK566134	BRACKET,INSTRUMENT PANEL CONTROL UNIT	1			
	73116D	MK566133	BRACKET,INSTRUMENT PANEL CONTROL UNIT	1			
	73117	MC923950	BRACKET,INSTRUMENT PANEL DRIVER SIDE	1			
	73122	MC964634	PROTECTOR,INSTRUMENT PANEL	1			
	73125	MK404442	REINFORCEMENT,INSTRUMENT PANEL	1			
	73145C	MC964597	STAY,INSTRUMENT PANEL	1			
	73145D	MC923964	STAY,INSTRUMENT PANEL	1			

FK74R
52-010 I/PANEL & RELATED PARTS

Repl Part	PNC	Part No	Part Name	Qty	Part Spec	Remarks	NEW
	73145D	MK510734	STAY,INSTRUMENT PANEL	1			
	73145E	MC964595	STAY,INSTRUMENT PANEL	1			
	73145F	MC964599	STAY,INSTRUMENT PANEL	1			
	73145H	MK511878	STAY,INSTRUMENT PANEL	1			
	73152	MC931467	SUPPORT,INSTRUMENT PANEL FRAME,CTR	1			
	73154B	MC964553	SUPPORT,INSTRUMENT PANEL SIDE	1			
		MK513097	SUPPORT,INSTRUMENT PANEL SIDE	1			
	73154C	MC964556	SUPPORT,INSTRUMENT PANEL SIDE	1			
		MK510736	SUPPORT,INSTRUMENT PANEL SIDE	1			
		MK566092	SUPPORT,INSTRUMENT PANEL SIDE	1			
	73154D	MC964557	SUPPORT,INSTRUMENT PANEL SIDE	1			
		MC964558	SUPPORT,INSTRUMENT PANEL SIDE	1			
	73154E	MC966345	SUPPORT,INSTRUMENT PANEL SIDE	1			
		MK510740	SUPPORT,INSTRUMENT PANEL SIDE	1			
	73154F	MC964564	SUPPORT,INSTRUMENT PANEL SIDE	1			
		MK512319	SUPPORT,INSTRUMENT PANEL SIDE	1			
		MK512347	SUPPORT,INSTRUMENT PANEL SIDE	1			

FK74R
52-010 I/PANEL & RELATED PARTS

Repl Part	PNC	Part No	Part Name	Qty	Part Spec	Remarks	NEW
	73154F	MK512319	SUPPORT,INSTRUMENT PANEL SIDE	1			
		MK512347	SUPPORT,INSTRUMENT PANEL SIDE	1			
	73154G	MK512351	SUPPORT,INSTRUMENT PANEL SIDE	1			
		MK512351	SUPPORT,INSTRUMENT PANEL SIDE	1			
	73154H	MK513226	SUPPORT,INSTRUMENT PANEL SIDE	1			
	73154J	MK512317	SUPPORT,INSTRUMENT PANEL SIDE	1			
	73154K	MK512751	SUPPORT,INSTRUMENT PANEL SIDE	1			
		MK512751	SUPPORT,INSTRUMENT PANEL SIDE	1			
	73162B	MK509646	PANEL,INSTRUMENT ASSISTANT SIDE	1			
		MK509649	PANEL,INSTRUMENT ASSISTANT SIDE	1			
		MK512037	PANEL,INSTRUMENT ASSISTANT SIDE	1			
		MK512039	PANEL,INSTRUMENT ASSISTANT SIDE	1			
		MK509646	PANEL,INSTRUMENT ASSISTANT SIDE	1			
		MK509646	PANEL,INSTRUMENT ASSISTANT SIDE	1			
		MK509646	PANEL,INSTRUMENT ASSISTANT SIDE	1			
		MK509646	PANEL,INSTRUMENT ASSISTANT SIDE	1			
		MK509646	PANEL,INSTRUMENT ASSISTANT SIDE	1			
		MK509649	PANEL,INSTRUMENT ASSISTANT SIDE	1			
		MK509649	PANEL,INSTRUMENT ASSISTANT SIDE	1			
		MK509649	PANEL,INSTRUMENT ASSISTANT SIDE	1			
		MK509649	PANEL,INSTRUMENT ASSISTANT SIDE	1			
		MK512037	PANEL,INSTRUMENT ASSISTANT SIDE	1			
		MK512039	PANEL,INSTRUMENT ASSISTANT SIDE	1			

FK74R
52-010 I/PANEL & RELATED PARTS

Repl Part	PNC	Part No	Part Name	Qty	Part Spec	Remarks	NEW
	73162D	MK509652	PANEL,INSTRUMENT ASSISTANT SIDE	1			
	73165	MC964570	PANEL,INSTRUMENT,CTR	1			
		MC964570	PANEL,INSTRUMENT,CTR	1			
		MC964570	PANEL,INSTRUMENT,CTR	1			
		MC964570	PANEL,INSTRUMENT,CTR	1			
		MK513596	PANEL,INSTRUMENT,CTR	1			
		MK513592	PANEL,INSTRUMENT,CTR	1			
		MK513592	PANEL,INSTRUMENT,CTR	1			
		MK513592	PANEL,INSTRUMENT,CTR	1			
		MK513592	PANEL,INSTRUMENT,CTR	1			
		MK513592	PANEL,INSTRUMENT,CTR	1			
		MK513592	PANEL,INSTRUMENT,CTR	1			
		MK513592	PANEL,INSTRUMENT,CTR	1			
		MK513592	PANEL,INSTRUMENT,CTR	1			
		MK513592	PANEL,INSTRUMENT,CTR	1			
		MK513596	PANEL,INSTRUMENT,CTR	1			
	73165A	MC964548	PANEL ASSY,INSTRUMENT,CTR	1			
	73165B	MK565937	PANEL,INSTRUMENT,CTR	1			
		MK565936	PANEL,INSTRUMENT,CTR	1			
		MK565936	PANEL,INSTRUMENT,CTR	1			

FK74R
52-010 I/PANEL & RELATED PARTS

Repl Part	PNC	Part No	Part Name	Qty	Part Spec	Remarks	NEW
	73165B	MK565936	PANEL,INSTRUMENT,CTR	1			
		MK565936	PANEL,INSTRUMENT,CTR	1			
		MK565936	PANEL,INSTRUMENT,CTR	1			
		MK565936	PANEL,INSTRUMENT,CTR	1			
		MK565937	PANEL,INSTRUMENT,CTR	1			
	73165C	MK510458	PANEL,INSTRUMENT,CTR	1			
		MK509633	PANEL,INSTRUMENT,CTR	1			
		MK509633	PANEL,INSTRUMENT,CTR	1			
		MK509633	PANEL,INSTRUMENT,CTR	1			
		MK509633	PANEL,INSTRUMENT,CTR	1			
		MK509633	PANEL,INSTRUMENT,CTR	1			
		MK509633	PANEL,INSTRUMENT,CTR	1			
		MK510458	PANEL,INSTRUMENT,CTR	1			
	73165D	MK509639	PANEL,INSTRUMENT,CTR	1			
		MK510467	PANEL,INSTRUMENT,CTR	1			
		MK510464	PANEL,INSTRUMENT,CTR	1			
		MK510468	PANEL,INSTRUMENT,CTR	1			
		MK509639	PANEL,INSTRUMENT,CTR	1			
		MK509639	PANEL,INSTRUMENT,CTR	1			

FK74R
52-010 I/PANEL & RELATED PARTS

Repl Part	PNC	Part No	Part Name	Qty	Part Spec	Remarks	NEW
	73165D	MK509639	PANEL,INSTRUMENT,CTR	1			
		MK509639	PANEL,INSTRUMENT,CTR	1			
		MK510467	PANEL,INSTRUMENT,CTR	1			
		MK510467	PANEL,INSTRUMENT,CTR	1			
		MK510467	PANEL,INSTRUMENT,CTR	1			
		MK510467	PANEL,INSTRUMENT,CTR	1			
		MK510464	PANEL,INSTRUMENT,CTR	1			
		MK510468	PANEL,INSTRUMENT,CTR	1			
	73171F	MC962600	BRACKET,INSTRUMENT PANEL SUPPORT	1			
	73171G	MC961030	BRACKET,INSTRUMENT PANEL SUPPORT	1			
	73171H	MC962602	BRACKET,INSTRUMENT PANEL SUPPORT	1			
	73171J	MC964569	BRACKET,INSTRUMENT PANEL SUPPORT	2			
	73171K	MC964567	BRACKET,INSTRUMENT PANEL SUPPORT	1			
	73171M	MK510866	BRACKET,INSTRUMENT PANEL SUPPORT	1			
	73171N	MK510865	BRACKET,INSTRUMENT PANEL SUPPORT	1			
	73186B	MC964587	PANEL,INSTRUMENT DRIVER SIDE	1			
		MC964587	PANEL,INSTRUMENT DRIVER SIDE	1			
		MC964587	PANEL,INSTRUMENT DRIVER SIDE	1			
		MC964587	PANEL,INSTRUMENT DRIVER SIDE	1			
		MC964584	PANEL,INSTRUMENT DRIVER SIDE	1			

FK74R
52-010 I/PANEL & RELATED PARTS

Repl Part	PNC	Part No	Part Name	Qty	Part Spec	Remarks	NEW
	73186B	MK512031	PANEL,INSTRUMENT DRIVER SIDE	1			
		MK509640	PANEL,INSTRUMENT DRIVER SIDE	1			
		MK509640	PANEL,INSTRUMENT DRIVER SIDE	1			
		MK509640	PANEL,INSTRUMENT DRIVER SIDE	1			
		MK509640	PANEL,INSTRUMENT DRIVER SIDE	1			
		MK509640	PANEL,INSTRUMENT DRIVER SIDE	1			
		MK509640	PANEL,INSTRUMENT DRIVER SIDE	1			
		MK509640	PANEL,INSTRUMENT DRIVER SIDE	1			
		MK509640	PANEL,INSTRUMENT DRIVER SIDE	1			
		MK512031	PANEL,INSTRUMENT DRIVER SIDE	1			
	73186C	MC964577	PANEL,INSTRUMENT DRIVER SIDE	1			
		MK565944	PANEL,INSTRUMENT DRIVER SIDE	1			
	73186D	MK565946	PANEL,INSTRUMENT DRIVER SIDE	1			
	73187	MC967584	CASE,INSTRUMENT PANEL ASHTRAY,INR	1			
	73188	MC967585	CASE,INSTRUMENT PANEL ASHTRAY,OTR	1			
	73285B	MC967586	CLIP,INSTRUMENT PANEL	4			

FK74R
52-010 I/PANEL & RELATED PARTS

Repl Part	PNC	Part No	Part Name	Qty	Part Spec	Remarks	NEW
	73285B	MR402859	CLIP,INSTRUMENT PANEL	2			
	73285C	MB652510	CLIP,INSTRUMENT PANEL	2			
	73285D	MR402859	CLIP,INSTRUMENT PANEL	14			
		MR402859	CLIP,INSTRUMENT PANEL	17			
		MR402859	CLIP,INSTRUMENT PANEL	14			
		MR402859	CLIP,INSTRUMENT PANEL	17			
	73287B	MF140005	BOLT,INSTRUMENT PANEL	4	FLANGE,6X16	4T	
		MF140021	BOLT,INSTRUMENT PANEL	8	FLANGE,8X12	4T	
	73287C	MS146952	BOLT,INSTRUMENT PANEL	3	F.T,8X20		
	73287D	MF140005	BOLT,INSTRUMENT PANEL	4	FLANGE,6X16	4T	
	73287E	MF240023	BOLT,INSTRUMENT PANEL	12	WASHER ASSEMBLED,6X12		
	73287F	MF240051	BOLT,INSTRUMENT PANEL	3	WASHER ASSEMBLED,8X16		
	73287G	MH000540	BOLT,INSTRUMENT PANEL	1	WASHER ASSEMBLED,10X20		
	73287H	MF243649	BOLT,INSTRUMENT PANEL	2	WASHER ASSEMBLED,8X16		
		MF243624	BOLT,INSTRUMENT PANEL	3	WASHER ASSEMBLED,6X16		
	73287J	MF140005	BOLT,INSTRUMENT PANEL	2	FLANGE,6X16	4T	
	73287K	MF243651	BOLT,INSTRUMENT PANEL	2	WASHER ASSEMBLED,8X20		

FK74R
52-010 I/PANEL & RELATED PARTS

Repl Part	PNC	Part No	Part Name	Qty	Part Spec	Remarks	NEW
	73287M	MS146950	BOLT,INSTRUMENT PANEL	2	F.T,8X16	4T	
	73287N	MF140002	BOLT,INSTRUMENT PANEL	12	FLANGE,6X10	4T	
	73287P	MF140022	BOLT,INSTRUMENT PANEL	1	FLANGE,8X14	4T	
	73287Q	MF247224	BOLT,INSTRUMENT PANEL	1	WASHER ASSEMBLED,6X16		
	73287S	MF140021	BOLT,INSTRUMENT PANEL	2	FLANGE,8X12	4T	
		MF140022	BOLT,INSTRUMENT PANEL	2	FLANGE,8X14	4T	
	73287T	MK510916	BOLT,INSTRUMENT PANEL	5	PLATE,8X16		
	73297	MF453031	SCREW,INSTRUMENT PANEL	8	TAPPING,5X12		
	73297B	MF350792	SCREW,INSTRUMENT PANEL	3	WASHER ASSEMBLED,6X16		
	73297C	MF453033	SCREW,INSTRUMENT PANEL	13	TAPPING,5X16		
	73297D	MF453094	SCREW,INSTRUMENT PANEL	3	TAPPING,BLACK,5X20		
	73297E	MF453688	SCREW,INSTRUMENT PANEL	2	TAPPING,BLACK,5X20		
	73297F	MF453033	SCREW,INSTRUMENT PANEL	2	TAPPING,5X16		
		MF350770	SCREW,INSTRUMENT PANEL	2	WASHER ASSEMBLED,5X16		

FK74R
52-010 I/PANEL & RELATED PARTS

Repl Part	PNC	Part No	Part Name	Qty	Part Spec	Remarks	NEW
	73297G	MF453095	SCREW,INSTRUMENT PANEL	4	TAPPING,5X25		
	73297J	MF201068	SCREW,INSTRUMENT PANEL	4	MACHINE,5X12		
	73297K	MF453031	SCREW,INSTRUMENT PANEL	2	TAPPING,5X12		
	73299B	MF434104	NUT,INSTRUMENT PANEL	21	FLANGE,8		
	73299C	MF434105	NUT,INSTRUMENT PANEL	2	FLANGE,10	4T	
	73299D	MF434103	NUT,INSTRUMENT PANEL	8	FLANGE,6	W/O COATING	
	73299E	MF434103	NUT,INSTRUMENT PANEL	6	FLANGE,6	W/O COATING	
	73600	MB877180	BOX,INSTRUMENT PANEL CONSOLE	2		W/O LID	
		MB877180	BOX,INSTRUMENT PANEL CONSOLE	3		W/O LID	
		MB877180	BOX,INSTRUMENT PANEL CONSOLE	3		W/O LID	
		MB877180	BOX,INSTRUMENT PANEL CONSOLE	3		W/O LID	
		MB877180	BOX,INSTRUMENT PANEL CONSOLE	3		W/O LID	
		MB877180	BOX,INSTRUMENT PANEL CONSOLE	3		W/O LID	
		MB877180	BOX,INSTRUMENT PANEL CONSOLE	3		W/O LID	
		MB877180	BOX,INSTRUMENT PANEL CONSOLE	3		W/O LID	
		MB877180	BOX,INSTRUMENT PANEL CONSOLE	2		W/O LID	
		MB877180	BOX,INSTRUMENT PANEL CONSOLE	2		W/O LID	

FK74R
52-010 I/PANEL & RELATED PARTS

Repl Part	PNC	Part No	Part Name	Qty	Part Spec	Remarks	NEW
	73600B	MC964573	BOX,INSTRUMENT PANEL CONSOLE	1			
		MK509656	BOX,INSTRUMENT PANEL CONSOLE	1			
		MK566868	BOX,INSTRUMENT PANEL CONSOLE	1			
	73600C	MB562478	BOX,INSTRUMENT PANEL CONSOLE	1			
	73615	MC964547	GRILLE,INSTRUMENT PANEL CONSOLE,CTR	1			
	73615B	MK509660	GRILLE,INSTRUMENT PANEL CONSOLE,CTR	1			
	73615C	MK509661	GRILLE,INSTRUMENT PANEL CONSOLE,CTR	1			
	73618	MK509657	HOLDER,INSTRUMENT PANEL CONSOLE CUP	1			
	73625	MC964574	PLATE,INSTRUMENT PANEL CONSOLE	1			
		MC964574	PLATE,INSTRUMENT PANEL CONSOLE	1			
		MC964574	PLATE,INSTRUMENT PANEL CONSOLE	1			
		MC964574	PLATE,INSTRUMENT PANEL CONSOLE	1			
		MK509653	PLATE,INSTRUMENT PANEL CONSOLE	1			
		MK509653	PLATE,INSTRUMENT PANEL CONSOLE	2			
		MK509653	PLATE,INSTRUMENT PANEL CONSOLE	1			

FK74R
52-010 I/PANEL & RELATED PARTS

Repl Part	PNC	Part No	Part Name	Qty	Part Spec	Remarks	NEW
	73625	MK509653	PLATE,INSTRUMENT PANEL CONSOLE	1			
		MK509653	PLATE,INSTRUMENT PANEL CONSOLE	1			
		MK509653	PLATE,INSTRUMENT PANEL CONSOLE	1			
		MK509653	PLATE,INSTRUMENT PANEL CONSOLE	1			
		MK509653	PLATE,INSTRUMENT PANEL CONSOLE	1			
		MK509653	PLATE,INSTRUMENT PANEL CONSOLE	1			
		MK509653	PLATE,INSTRUMENT PANEL CONSOLE	1			
		MK509653	PLATE,INSTRUMENT PANEL CONSOLE	2			
		MK509653	PLATE,INSTRUMENT PANEL CONSOLE	2			
73634		MK567187	LOCK,INSTRUMENT PANEL CONSOLE BOX LID	1			
73698		MB652510	CLIP,INSTRUMENT PANEL CONSOLE	6			
73699B		MF453091	SCREW,INSTRUMENT PANEL CONSOLE	6	TAPPING,BLACK,5X12		
73699C		MF453093	SCREW,INSTRUMENT PANEL CONSOLE	12	TAPPING,BLACK,5X16		
		MF453093	SCREW,INSTRUMENT PANEL CONSOLE	12	TAPPING,BLACK,5X16		
		MF453093	SCREW,INSTRUMENT PANEL CONSOLE	12	TAPPING,BLACK,5X16		
		MF453093	SCREW,INSTRUMENT PANEL CONSOLE	12	TAPPING,BLACK,5X16		
		MF453093	SCREW,INSTRUMENT PANEL CONSOLE	12	TAPPING,BLACK,5X16		
		MB409437	SCREW,INSTRUMENT PANEL CONSOLE	24	TAPPING,5X12		
		MB409437	SCREW,INSTRUMENT PANEL CONSOLE	28	TAPPING,5X12		

FK74R
52-010 I/PANEL & RELATED PARTS

Repl Part	PNC	Part No	Part Name	Qty	Part Spec	Remarks	NEW
	73699C	MB409437	SCREW,INSTRUMENT PANEL CONSOLE	28	TAPPING,5X12		
		MB409437	SCREW,INSTRUMENT PANEL CONSOLE	28	TAPPING,5X12		
		MB409437	SCREW,INSTRUMENT PANEL CONSOLE	28	TAPPING,5X12		
		MB409437	SCREW,INSTRUMENT PANEL CONSOLE	28	TAPPING,5X12		
		MB409437	SCREW,INSTRUMENT PANEL CONSOLE	28	TAPPING,5X12		
		MB409437	SCREW,INSTRUMENT PANEL CONSOLE	28	TAPPING,5X12		
		MB409437	SCREW,INSTRUMENT PANEL CONSOLE	28	TAPPING,5X12		
		MB409437	SCREW,INSTRUMENT PANEL CONSOLE	28	TAPPING,5X12		
		MB409437	SCREW,INSTRUMENT PANEL CONSOLE	24	TAPPING,5X12		
		MB409437	SCREW,INSTRUMENT PANEL CONSOLE	28	TAPPING,5X12		
		MB409437	SCREW,INSTRUMENT PANEL CONSOLE	28	TAPPING,5X12		
	73699D	MF453030	SCREW,INSTRUMENT PANEL CONSOLE	3	TAPPING,5X10		
	73699F	MF453034	SCREW,INSTRUMENT PANEL CONSOLE	8	TAPPING,5X20		
	73708	MC964589	BOX & COVER,INSTRUMENT PANEL PARCEL	1			
	73919	MC964605	HOLDER,CARD	1			
	73941	MC903617	GROMMET,INSTRUMENT PANEL PAD	2	7.5		
	73968	MB652510	CLIP,INSTRUMENT PANEL AIR OUTLET	2			
	73974B	MF453017	SCREW,INSTRUMENT PANEL UNDER TRIM	4	TAPPING,4X12		
		MB409437	SCREW,INSTRUMENT PANEL UNDER TRIM	4	TAPPING,5X12		

FK74R
52-010 I/PANEL & RELATED PARTS

Repl Part	PNC	Part No	Part Name	Qty	Part Spec	Remarks	NEW
	73974C	MF453091	SCREW,INSTRUMENT PANEL UNDER TRIM	6	TAPPING,BLACK,5X12		
		MB409435	SCREW,INSTRUMENT PANEL UNDER TRIM	10	TAPPING,4X10		
	73974D	MF453093	SCREW,INSTRUMENT PANEL UNDER TRIM	12	TAPPING,BLACK,5X16		
		MF453093	SCREW,INSTRUMENT PANEL UNDER TRIM	16	TAPPING,BLACK,5X16		
		MF453033	SCREW,INSTRUMENT PANEL UNDER TRIM	2	TAPPING,5X16		
		MF453033	SCREW,INSTRUMENT PANEL UNDER TRIM	2	TAPPING,5X16		
		MF453033	SCREW,INSTRUMENT PANEL UNDER TRIM	2	TAPPING,5X16		
		MF453033	SCREW,INSTRUMENT PANEL UNDER TRIM	2	TAPPING,5X16		
	73974E	MF453093	SCREW,INSTRUMENT PANEL UNDER TRIM	4	TAPPING,BLACK,5X16		
	73976	MB135995	NUT,INSTRUMENT PANEL UNDER TRIM	3	SPRING,5		
RP	73977	MB196738	GROMMET,INSTRUMENT PANEL UNDER TRIM	6	5		Y
	73977B	MS480002	GROMMET,INSTRUMENT PANEL UNDER TRIM	4	SCREW,5,HOLE=9X9		
	73978	MB652510	CLIP,INSTRUMENT PANEL UNDER TRIM	12			
		MB652510	CLIP,INSTRUMENT PANEL UNDER TRIM	15			
		MR402859	CLIP,INSTRUMENT PANEL UNDER TRIM	39			
		MR402859	CLIP,INSTRUMENT PANEL UNDER TRIM	43			
		MR402859	CLIP,INSTRUMENT PANEL UNDER TRIM	39			
		MR402859	CLIP,INSTRUMENT PANEL UNDER TRIM	43			

FK74R
52-010 I/PANEL & RELATED PARTS

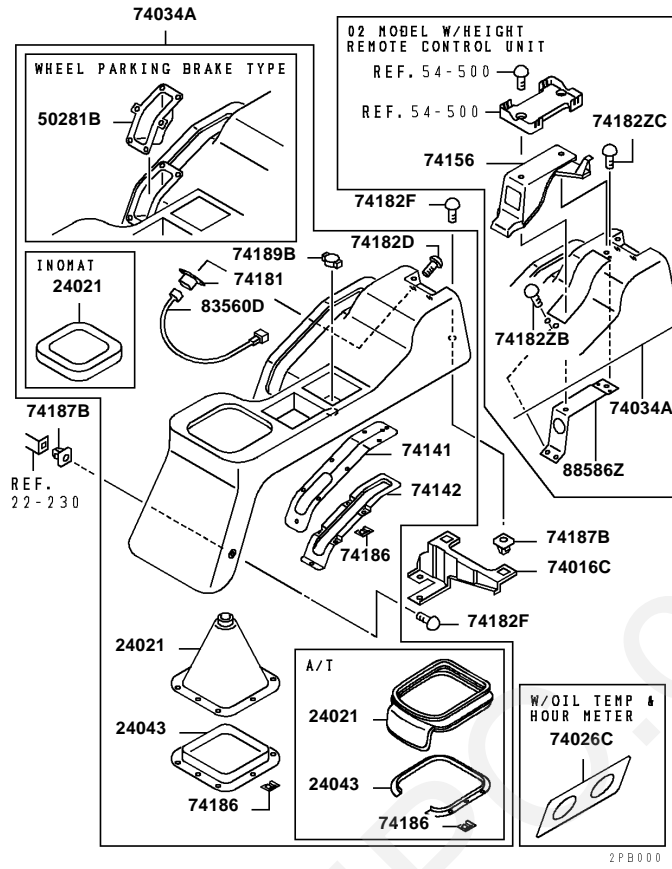
Repl Part	PNC	Part No	Part Name	Qty	Part Spec	Remarks	NEV
	73979	MF243624	BOLT,INSTRUMENT PANEL UNDER TRIM	3	WASHER ASSEMBLED,6X16		
		MF140021	BOLT,INSTRUMENT PANEL UNDER TRIM	2	FLANGE,8X12	4T	
	73995	MC152053	GROMMET,INSTRUMENT PANEL TRIM PLATE	1	D=25		
	81101	MK509632	BEZEL,COMBINATION METER	1			
	82404	MC964575	COVER,INSTRUMENT PANEL SWITCH	1			
		MC964575	COVER,INSTRUMENT PANEL SWITCH	1			
		MC964575	COVER,INSTRUMENT PANEL SWITCH	1			
		MC964575	COVER,INSTRUMENT PANEL SWITCH	1			
		MK486201	COVER,INSTRUMENT PANEL SWITCH	1			
		MK486201	COVER,INSTRUMENT PANEL SWITCH	2			
		MK486201	COVER,INSTRUMENT PANEL SWITCH	1			
		MK486201	COVER,INSTRUMENT PANEL SWITCH	1			
		MK486201	COVER,INSTRUMENT PANEL SWITCH	1			
		MK486201	COVER,INSTRUMENT PANEL SWITCH	1			
		MK486201	COVER,INSTRUMENT PANEL SWITCH	1			
		MK486201	COVER,INSTRUMENT PANEL SWITCH	1			
		MK486201	COVER,INSTRUMENT PANEL SWITCH	1			
		MK486201	COVER,INSTRUMENT PANEL SWITCH	1			
		MK486201	COVER,INSTRUMENT PANEL SWITCH	1			
		MK486201	COVER,INSTRUMENT PANEL SWITCH	1			
		MK486201	COVER,INSTRUMENT PANEL SWITCH	1			

FK74R
52-010 I/PANEL & RELATED PARTS

Repl Part	PNC	Part No	Part Name	Qty	Part Spec	Remarks	NEW
	82404	MK486201	COVER,INSTRUMENT PANEL SWITCH	2			
		MK486201	COVER,INSTRUMENT PANEL SWITCH	2			
	85304	MK509655	BRACKET,INSTRUMENT PANEL RADIO	2			
	85304B	MC964576	BRACKET,INSTRUMENT PANEL RADIO	2			
	85304C	MC964576	BRACKET,INSTRUMENT PANEL RADIO	2			
	73600D	(N.e.c.)	BOX,INSTRUMENT PANEL CONSOLE				

www.AutoEPC.com

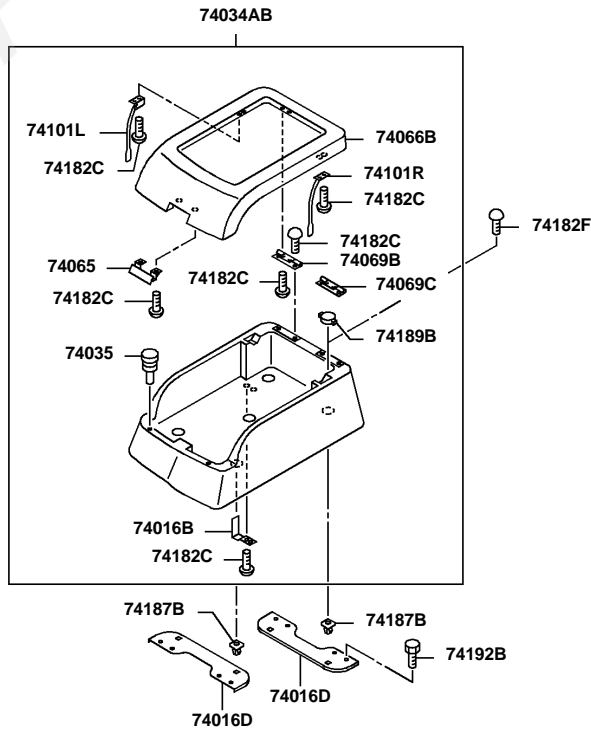
FK74R
No.1



Ref. |2052080

Page

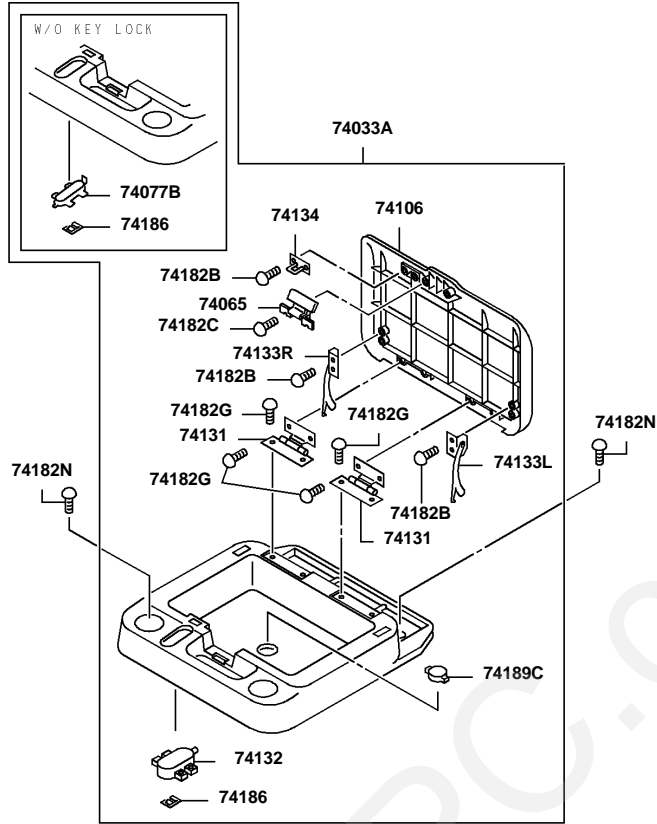
FK74R
No.2



Ref. |2052080

Page

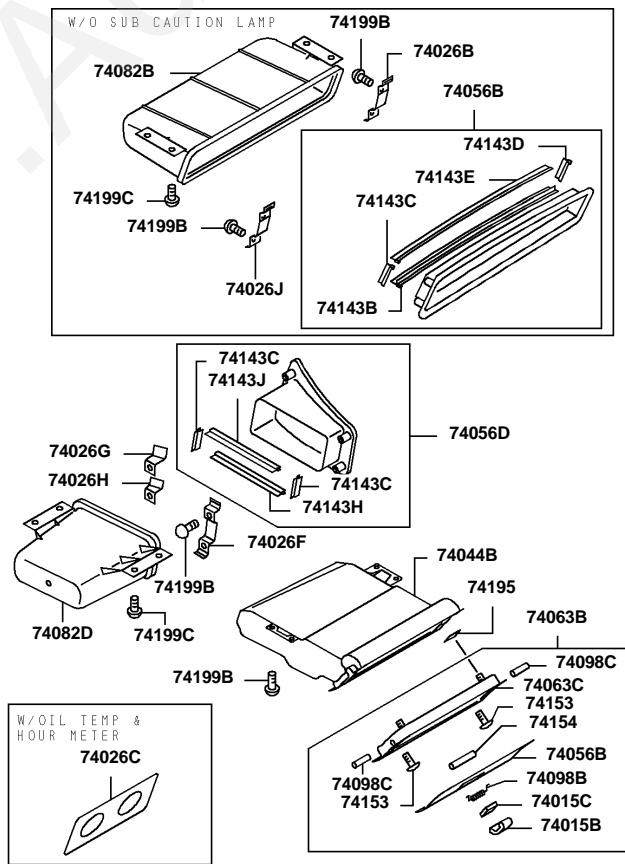
FK74R
No.3



Ref. |2052080

Page

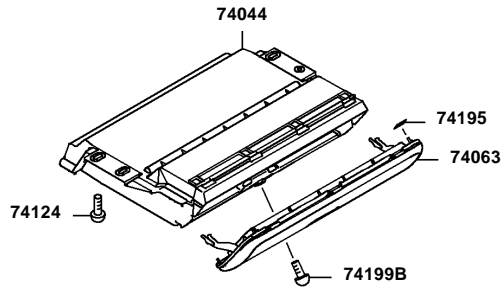
FK74R
No.4



Ref. |2052080

Page

FK74R
No.5



C00058

Ref. |2052080

Page

FK74R
52-080 CONSOLE

Repl Part	PNC	Part No	Part Name	Qty	Part Spec
	24021	MC924927	COVER,GEARSHIFT LEVER	1	
		MC924927	COVER,GEARSHIFT LEVER	1	
		MC924927	COVER,GEARSHIFT LEVER	1	
		MC924927	COVER,GEARSHIFT LEVER	1	
		MC924927	COVER,GEARSHIFT LEVER	1	
		MC924927	COVER,GEARSHIFT LEVER	1	
		MC924927	COVER,GEARSHIFT LEVER	1	
		MC924927	COVER,GEARSHIFT LEVER	1	
		MC924927	COVER,GEARSHIFT LEVER	1	
		MC924927	COVER,GEARSHIFT LEVER	1	
		MK565911	COVER,GEARSHIFT LEVER	1	
		MK565911	COVER,GEARSHIFT LEVER	1	
		MK512529	COVER,GEARSHIFT LEVER	1	
		MK512529	COVER,GEARSHIFT LEVER	1	
		MK512529	COVER,GEARSHIFT LEVER	1	

Ref. |2052080

Page

FK74R
52-080 CONSOLE

Repl Part	PNC	Part No	Part Name	Qty	Part Spec		
24021	24021	MK512529	COVER,GEARSHIFT LEVER	1			
		MK512529	COVER,GEARSHIFT LEVER	1			
		MK512529	COVER,GEARSHIFT LEVER	1			
		MK512532	COVER,GEARSHIFT LEVER	1			
		MK512529	COVER,GEARSHIFT LEVER	1			
		MK565911	COVER,GEARSHIFT LEVER	1			
		MK565911	COVER,GEARSHIFT LEVER	1			
		MK512529	COVER,GEARSHIFT LEVER	1			
		MK512529	COVER,GEARSHIFT LEVER	1			
		MK512529	COVER,GEARSHIFT LEVER	1			
		MK512529	COVER,GEARSHIFT LEVER	1			
		MK512529	COVER,GEARSHIFT LEVER	1			
		MK512529	COVER,GEARSHIFT LEVER	1			
		MK512529	COVER,GEARSHIFT LEVER	1			
		MK512529	COVER,GEARSHIFT LEVER	1			
		MK512529	COVER,GEARSHIFT LEVER	1			
		MK512532	COVER,GEARSHIFT LEVER	1			
		MK512529	COVER,GEARSHIFT LEVER	1			
		MK512532	COVER,GEARSHIFT LEVER	1			
		24043	24043	MC922732	HOLDER,GEARSHIFT LEVER COVER	1	
				MK512772	HOLDER,GEARSHIFT LEVER COVER	1	
				MK512772	HOLDER,GEARSHIFT LEVER COVER	1	
				MC922732	HOLDER,GEARSHIFT LEVER COVER	1	
				MC922732	HOLDER,GEARSHIFT LEVER COVER	1	
MC922732	HOLDER,GEARSHIFT LEVER COVER			1			
MC922732	HOLDER,GEARSHIFT LEVER COVER			1			
MC922732	HOLDER,GEARSHIFT LEVER COVER			1			
MC922732	HOLDER,GEARSHIFT LEVER COVER			1			
MC922732	HOLDER,GEARSHIFT LEVER COVER			1			
MC922732	HOLDER,GEARSHIFT LEVER COVER			1			
MC922732	HOLDER,GEARSHIFT LEVER COVER			1			
MC922732	HOLDER,GEARSHIFT LEVER COVER			1			
MC922732	HOLDER,GEARSHIFT LEVER COVER			1			
MC922732	HOLDER,GEARSHIFT LEVER COVER			1			
MC922732	HOLDER,GEARSHIFT LEVER COVER	1					
24043	24043	MC922732	HOLDER,GEARSHIFT LEVER COVER	1			
		MC922732	HOLDER,GEARSHIFT LEVER COVER	1			
		MC922732	HOLDER,GEARSHIFT LEVER COVER	1			
		MC922732	HOLDER,GEARSHIFT LEVER COVER	1			
		MC922732	HOLDER,GEARSHIFT LEVER COVER	1			
		MC922732	HOLDER,GEARSHIFT LEVER COVER	1			
24043	24043	MK512772	HOLDER,GEARSHIFT LEVER COVER	1			

FK74R
52-080 CONSOLE

Repl Part	PNC	Part No	Part Name	Qty	Part Spec
	24043	MK512772	HOLDER,GEARSHIFT LEVER COVER	1	
	74015B	MC963733	LOCK,OVERHEAD SHELF LID	1	
	74015C	MC963735	LOCK,OVERHEAD SHELF LID	1	
	74016B	MC967451	BRACKET,FLOOR CONSOLE	1	
		MC967451	BRACKET,FLOOR CONSOLE	1	
		MC967451	BRACKET,FLOOR CONSOLE	1	
		MC967451	BRACKET,FLOOR CONSOLE	1	
		MC967451	BRACKET,FLOOR CONSOLE	1	
		MC967451	BRACKET,FLOOR CONSOLE	1	
		MC967451	BRACKET,FLOOR CONSOLE	1	
		MC967451	BRACKET,FLOOR CONSOLE	1	
		MC967451	BRACKET,FLOOR CONSOLE	1	
		MC967451	BRACKET,FLOOR CONSOLE	1	
		MC967451	BRACKET,FLOOR CONSOLE	1	
		MC967451	BRACKET,FLOOR CONSOLE	1	
		MC967451	BRACKET,FLOOR CONSOLE	1	
		MC967451	BRACKET,FLOOR CONSOLE	1	
		MC967451	BRACKET,FLOOR CONSOLE	1	
		MC967451	BRACKET,FLOOR CONSOLE	1	
		MC967451	BRACKET,FLOOR CONSOLE	1	
		MC967451	BRACKET,FLOOR CONSOLE	1	
		MC967451	BRACKET,FLOOR CONSOLE	1	
		MC967451	BRACKET,FLOOR CONSOLE	1	
		MC967451	BRACKET,FLOOR CONSOLE	1	
		MC967451	BRACKET,FLOOR CONSOLE	1	
	74016C	MC964628	BRACKET,FLOOR CONSOLE	1	
		MK512773	BRACKET,FLOOR CONSOLE	1	
RP	74016D	MC964630	BRACKET,FLOOR CONSOLE	2	
RP		MC964630	BRACKET,FLOOR CONSOLE	2	
RP		MC964630	BRACKET,FLOOR CONSOLE	2	
RP		MC964630	BRACKET,FLOOR CONSOLE	2	

FK74R
52-080 CONSOLE

Repl Part	PNC	Part No	Part Name	Qty	Part Spec
RP	74016D	MC964630	BRACKET,FLOOR CONSOLE	2	
RP		MC964630	BRACKET,FLOOR CONSOLE	2	
RP		MC964630	BRACKET,FLOOR CONSOLE	2	
RP		MC964630	BRACKET,FLOOR CONSOLE	2	
RP		MC964630	BRACKET,FLOOR CONSOLE	2	
RP		MC964630	BRACKET,FLOOR CONSOLE	2	
RP		MC964630	BRACKET,FLOOR CONSOLE	2	
RP		MC964630	BRACKET,FLOOR CONSOLE	2	
RP		MC964630	BRACKET,FLOOR CONSOLE	2	
RP		MC964630	BRACKET,FLOOR CONSOLE	2	
RP		MC964630	BRACKET,FLOOR CONSOLE	2	
RP		MC964630	BRACKET,FLOOR CONSOLE	2	
RP		MC964630	BRACKET,FLOOR CONSOLE	2	
RP		MC964630	BRACKET,FLOOR CONSOLE	2	
RP		MC964630	BRACKET,FLOOR CONSOLE	2	
	74033A	MC928818	CONSOLE ASSY,FR CTR SEAT	1	
		MK512513	CONSOLE ASSY,FR CTR SEAT	1	
		MK512513	CONSOLE ASSY,FR CTR SEAT	1	
	74034A	MK427388	CONSOLE ASSY,FLOOR	1	
		MK427388	CONSOLE ASSY,FLOOR	1	
		MK427388	CONSOLE ASSY,FLOOR	1	
		MK427388	CONSOLE ASSY,FLOOR	1	
		MK427388	CONSOLE ASSY,FLOOR	1	
		MK427388	CONSOLE ASSY,FLOOR	1	
		MK427390	CONSOLE ASSY,FLOOR	1	
		MK427390	CONSOLE ASSY,FLOOR	1	
		MK427390	CONSOLE ASSY,FLOOR	1	
		MK427388	CONSOLE ASSY,FLOOR	1	
		MK427390	CONSOLE ASSY,FLOOR	1	
		MK427390	CONSOLE ASSY,FLOOR	1	
		MK427390	CONSOLE ASSY,FLOOR	1	
		MK427388	CONSOLE ASSY,FLOOR	1	
		MK427390	CONSOLE ASSY,FLOOR	1	
		MK566293	CONSOLE ASSY,FLOOR	1	
		MK566297	CONSOLE ASSY,FLOOR	1	
		MK566293	CONSOLE ASSY,FLOOR	1	
		MK566297	CONSOLE ASSY,FLOOR	1	
		MK512507	CONSOLE ASSY,FLOOR	1	

FK74R
52-080 CONSOLE

Repl Part	PNC	Part No	Part Name	Qty	Part Spec
	74034A	MK512509	CONSOLE ASSY,FLOOR	1	
		MK512502	CONSOLE ASSY,FLOOR	1	
		MK512504	CONSOLE ASSY,FLOOR	1	
		MK565916	CONSOLE ASSY,FLOOR	1	
		MK565917	CONSOLE ASSY,FLOOR	1	
		MK565916	CONSOLE ASSY,FLOOR	1	
		MK565917	CONSOLE ASSY,FLOOR	1	
		MK512502	CONSOLE ASSY,FLOOR	1	
		MK512502	CONSOLE ASSY,FLOOR	1	
		MK512502	CONSOLE ASSY,FLOOR	1	
		MK512502	CONSOLE ASSY,FLOOR	1	
		MK512502	CONSOLE ASSY,FLOOR	1	
		MK512502	CONSOLE ASSY,FLOOR	1	
		MK512502	CONSOLE ASSY,FLOOR	1	
		MK512502	CONSOLE ASSY,FLOOR	1	
		MK512502	CONSOLE ASSY,FLOOR	1	
		MK512504	CONSOLE ASSY,FLOOR	1	
		MK512504	CONSOLE ASSY,FLOOR	1	
		MK512504	CONSOLE ASSY,FLOOR	1	
		MK512504	CONSOLE ASSY,FLOOR	1	
		MK512504	CONSOLE ASSY,FLOOR	1	
		MK512504	CONSOLE ASSY,FLOOR	1	
		MK512504	CONSOLE ASSY,FLOOR	1	
		MK512504	CONSOLE ASSY,FLOOR	1	
		MK512504	CONSOLE ASSY,FLOOR	1	
		MK512504	CONSOLE ASSY,FLOOR	1	
		MK512504	CONSOLE ASSY,FLOOR	1	
		MK512504	CONSOLE ASSY,FLOOR	1	
		MK512504	CONSOLE ASSY,FLOOR	1	
		MK512507	CONSOLE ASSY,FLOOR	1	
		MK512509	CONSOLE ASSY,FLOOR	1	
	74034AB	MC964620	CONSOLE ASSY,FLOOR	1	
		MC964620	CONSOLE ASSY,FLOOR	1	
		MC964620	CONSOLE ASSY,FLOOR	1	
		MC964620	CONSOLE ASSY,FLOOR	1	
		MC964620	CONSOLE ASSY,FLOOR	1	
		MC964620	CONSOLE ASSY,FLOOR	1	
		MC964620	CONSOLE ASSY,FLOOR	1	
		MC964620	CONSOLE ASSY,FLOOR	1	
		MC964620	CONSOLE ASSY,FLOOR	1	
		MK512514	CONSOLE ASSY,FLOOR	1	
		MK512514	CONSOLE ASSY,FLOOR	1	
		MK512514	CONSOLE ASSY,FLOOR	1	
		MK512514	CONSOLE ASSY,FLOOR	1	
		MK512514	CONSOLE ASSY,FLOOR	1	
		MK512514	CONSOLE ASSY,FLOOR	1	
		MK512514	CONSOLE ASSY,FLOOR	1	
		MK512514	CONSOLE ASSY,FLOOR	1	
		MK512514	CONSOLE ASSY,FLOOR	1	
		MK512514	CONSOLE ASSY,FLOOR	1	
		MK512514	CONSOLE ASSY,FLOOR	1	

FK74R
52-080 CONSOLE

Repl Part	PNC	Part No	Part Name	Qty	Part Spec
	74034AB	MK512514	CONSOLE ASSY,FLOOR	1	
		MK512514	CONSOLE ASSY,FLOOR	1	
	74035	MB522017	CUSHION,FLOOR CONSOLE BOX LID	2	
		MB522017	CUSHION,FLOOR CONSOLE BOX LID	2	
		MB522017	CUSHION,FLOOR CONSOLE BOX LID	2	
		MB522017	CUSHION,FLOOR CONSOLE BOX LID	2	
		MB522017	CUSHION,FLOOR CONSOLE BOX LID	2	
		MB522017	CUSHION,FLOOR CONSOLE BOX LID	2	
		MB522017	CUSHION,FLOOR CONSOLE BOX LID	2	
		MB522017	CUSHION,FLOOR CONSOLE BOX LID	2	
		MB522017	CUSHION,FLOOR CONSOLE BOX LID	2	
		MB522017	CUSHION,FLOOR CONSOLE BOX LID	2	
		MB522017	CUSHION,FLOOR CONSOLE BOX LID	2	
		MB522017	CUSHION,FLOOR CONSOLE BOX LID	2	
		MB522017	CUSHION,FLOOR CONSOLE BOX LID	2	
		MB522017	CUSHION,FLOOR CONSOLE BOX LID	2	
		MB522017	CUSHION,FLOOR CONSOLE BOX LID	2	
		MB522017	CUSHION,FLOOR CONSOLE BOX LID	2	
		MB522017	CUSHION,FLOOR CONSOLE BOX LID	2	
		MB522017	CUSHION,FLOOR CONSOLE BOX LID	2	
		MB522017	CUSHION,FLOOR CONSOLE BOX LID	2	
	74044	MK510336	CONSOLE,OVERHEAD	1	
	74044B	MC964529	CONSOLE,OVERHEAD	1	
	74056B	MC963731	COVER,OVERHEAD CONSOLE POCKET	1	
	74063	MK510337	FACING,OVERHEAD CONSOLE POCKET	1	

FK74R
52-080 CONSOLE

Repl Part	PNC	Part No	Part Name	Qty	Part Spec
	74063B	MC963727	FACING,OVERHEAD CONSOLE POCKET	1	
	74063C	MC963729	FACING,OVERHEAD CONSOLE POCKET	1	
	74065	MC964626	LEVER,FLOOR CONSOLE LID LOCK	1	
		MC964626	LEVER,FLOOR CONSOLE LID LOCK	1	
		MC964626	LEVER,FLOOR CONSOLE LID LOCK	1	
		MC964626	LEVER,FLOOR CONSOLE LID LOCK	1	
		MC964626	LEVER,FLOOR CONSOLE LID LOCK	1	
		MC964626	LEVER,FLOOR CONSOLE LID LOCK	1	
		MC926449	LEVER,FLOOR CONSOLE LID LOCK	1	
		MC964626	LEVER,FLOOR CONSOLE LID LOCK	1	
		MC964626	LEVER,FLOOR CONSOLE LID LOCK	1	
		MC926449	LEVER,FLOOR CONSOLE LID LOCK	1	
		MK512613	LEVER,FLOOR CONSOLE LID LOCK	1	
		MK512613	LEVER,FLOOR CONSOLE LID LOCK	1	
		MK512613	LEVER,FLOOR CONSOLE LID LOCK	1	
		MK512613	LEVER,FLOOR CONSOLE LID LOCK	1	
		MK512613	LEVER,FLOOR CONSOLE LID LOCK	1	
		MK512613	LEVER,FLOOR CONSOLE LID LOCK	1	
		MK512613	LEVER,FLOOR CONSOLE LID LOCK	1	
		MK512613	LEVER,FLOOR CONSOLE LID LOCK	1	
		MK512613	LEVER,FLOOR CONSOLE LID LOCK	1	
		MK512613	LEVER,FLOOR CONSOLE LID LOCK	1	
		MK512613	LEVER,FLOOR CONSOLE LID LOCK	1	
		MK512613	LEVER,FLOOR CONSOLE LID LOCK	1	
		MK512613	LEVER,FLOOR CONSOLE LID LOCK	1	
		MK512613	LEVER,FLOOR CONSOLE LID LOCK	1	
		MK512613	LEVER,FLOOR CONSOLE LID LOCK	1	
		MK512613	LEVER,FLOOR CONSOLE LID LOCK	1	
		MK512613	LEVER,FLOOR CONSOLE LID LOCK	1	
		MK512613	LEVER,FLOOR CONSOLE LID LOCK	1	
		MK512613	LEVER,FLOOR CONSOLE LID LOCK	1	
		MK512613	LEVER,FLOOR CONSOLE LID LOCK	1	
		MK512613	LEVER,FLOOR CONSOLE LID LOCK	1	
		MK512613	LEVER,FLOOR CONSOLE LID LOCK	1	
		MK512613	LEVER,FLOOR CONSOLE LID LOCK	1	

FK74R
52-080 CONSOLE

Repl Part	PNC	Part No	Part Name	Qty	Part Spec
	74065	MC926449	LEVER,FLOOR CONSOLE LID LOCK	1	
	74066B	MC964624	LID,FLOOR CONSOLE	1	
		MC964624	LID,FLOOR CONSOLE	1	
		MC964624	LID,FLOOR CONSOLE	1	
		MC964624	LID,FLOOR CONSOLE	1	
		MC964624	LID,FLOOR CONSOLE	1	
		MC964624	LID,FLOOR CONSOLE	1	
		MC964624	LID,FLOOR CONSOLE	1	
		MC964624	LID,FLOOR CONSOLE	1	
		MC964624	LID,FLOOR CONSOLE	1	
		MC964624	LID,FLOOR CONSOLE	1	
		MC964624	LID,FLOOR CONSOLE	1	
		MK512610	LID,FLOOR CONSOLE	1	
		MK512610	LID,FLOOR CONSOLE	1	
		MK512610	LID,FLOOR CONSOLE	1	
		MK512610	LID,FLOOR CONSOLE	1	
		MK512610	LID,FLOOR CONSOLE	1	
		MK512610	LID,FLOOR CONSOLE	1	
		MK512610	LID,FLOOR CONSOLE	1	
		MK512610	LID,FLOOR CONSOLE	1	
		MK512610	LID,FLOOR CONSOLE	1	
		MK512610	LID,FLOOR CONSOLE	1	
		MK512610	LID,FLOOR CONSOLE	1	
		MK512610	LID,FLOOR CONSOLE	1	
		MK512610	LID,FLOOR CONSOLE	1	
		MK512610	LID,FLOOR CONSOLE	1	
	74069B	MC926447	HINGE,FLOOR CONSOLE BOX LID	1	
		MC926447	HINGE,FLOOR CONSOLE BOX LID	1	
		MC926447	HINGE,FLOOR CONSOLE BOX LID	1	
		MC926447	HINGE,FLOOR CONSOLE BOX LID	1	
		MC926447	HINGE,FLOOR CONSOLE BOX LID	1	
		MC926447	HINGE,FLOOR CONSOLE BOX LID	1	
		MC926447	HINGE,FLOOR CONSOLE BOX LID	1	
		MC926447	HINGE,FLOOR CONSOLE BOX LID	1	
		MC926447	HINGE,FLOOR CONSOLE BOX LID	1	
		MC926447	HINGE,FLOOR CONSOLE BOX LID	1	
		MC926447	HINGE,FLOOR CONSOLE BOX LID	1	
		MC926447	HINGE,FLOOR CONSOLE BOX LID	1	
		MC926447	HINGE,FLOOR CONSOLE BOX LID	1	
		MC926447	HINGE,FLOOR CONSOLE BOX LID	1	

FK74R
52-080 CONSOLE

Repl Part	PNC	Part No	Part Name	Qty	Part Spec
	74069B	MC926447	HINGE,FLOOR CONSOLE BOX LID	1	
		MC926447	HINGE,FLOOR CONSOLE BOX LID	1	
		MC926447	HINGE,FLOOR CONSOLE BOX LID	1	
		MC926447	HINGE,FLOOR CONSOLE BOX LID	1	
		MC926447	HINGE,FLOOR CONSOLE BOX LID	1	
		MC926447	HINGE,FLOOR CONSOLE BOX LID	1	
	74069C	MC926447	HINGE,FLOOR CONSOLE BOX LID	1	
		MC926447	HINGE,FLOOR CONSOLE BOX LID	1	
		MC926447	HINGE,FLOOR CONSOLE BOX LID	1	
		MC926447	HINGE,FLOOR CONSOLE BOX LID	1	
		MC926447	HINGE,FLOOR CONSOLE BOX LID	1	
		MC926447	HINGE,FLOOR CONSOLE BOX LID	1	
		MC926447	HINGE,FLOOR CONSOLE BOX LID	1	
		MC926447	HINGE,FLOOR CONSOLE BOX LID	1	
		MC926447	HINGE,FLOOR CONSOLE BOX LID	1	
		MC926447	HINGE,FLOOR CONSOLE BOX LID	1	
		MC926447	HINGE,FLOOR CONSOLE BOX LID	1	
		MC926447	HINGE,FLOOR CONSOLE BOX LID	1	
		MC926447	HINGE,FLOOR CONSOLE BOX LID	1	
		MC926447	HINGE,FLOOR CONSOLE BOX LID	1	
		MC926447	HINGE,FLOOR CONSOLE BOX LID	1	
		MC926447	HINGE,FLOOR CONSOLE BOX LID	1	
	74077B	MC928819	PLUG,FLOOR CONSOLE	1	PLASTICS
		MK512614	PLUG,FLOOR CONSOLE	1	PLASTICS

FK74R
52-080 CONSOLE

Repl Part	PNC	Part No	Part Name	Qty	Part Spec
	74077B	MK512614	PLUG,FLOOR CONSOLE	1	PLASTICS
	74098B	MC963737	SPRING,OVERHEAD CONSOLE	1	
	74098C	MF472536	SPRING,OVERHEAD CONSOLE	2	3X16
	74101L	MC937641	STOPPER,FLOOR CONSOLE LID,LH	1	
		MC937641	STOPPER,FLOOR CONSOLE LID,LH	1	
		MC937641	STOPPER,FLOOR CONSOLE LID,LH	1	
		MC937641	STOPPER,FLOOR CONSOLE LID,LH	1	
		MC937641	STOPPER,FLOOR CONSOLE LID,LH	1	
		MC937641	STOPPER,FLOOR CONSOLE LID,LH	1	
		MC937641	STOPPER,FLOOR CONSOLE LID,LH	1	
		MC937641	STOPPER,FLOOR CONSOLE LID,LH	1	
		MC937641	STOPPER,FLOOR CONSOLE LID,LH	1	
		MC937641	STOPPER,FLOOR CONSOLE LID,LH	1	
		MC937641	STOPPER,FLOOR CONSOLE LID,LH	1	
		MC937641	STOPPER,FLOOR CONSOLE LID,LH	1	
		MC937641	STOPPER,FLOOR CONSOLE LID,LH	1	
		MC937641	STOPPER,FLOOR CONSOLE LID,LH	1	
		MC937641	STOPPER,FLOOR CONSOLE LID,LH	1	
		MC937641	STOPPER,FLOOR CONSOLE LID,LH	1	
		MC937641	STOPPER,FLOOR CONSOLE LID,LH	1	
		MC937641	STOPPER,FLOOR CONSOLE LID,LH	1	
	74101R	MC964636	STOPPER,FLOOR CONSOLE LID,RH	1	
		MC964636	STOPPER,FLOOR CONSOLE LID,RH	1	
		MC964636	STOPPER,FLOOR CONSOLE LID,RH	1	
		MC964636	STOPPER,FLOOR CONSOLE LID,RH	1	
		MC964636	STOPPER,FLOOR CONSOLE LID,RH	1	
		MC964636	STOPPER,FLOOR CONSOLE LID,RH	1	
		MC964636	STOPPER,FLOOR CONSOLE LID,RH	1	
		MC964636	STOPPER,FLOOR CONSOLE LID,RH	1	
		MC964636	STOPPER,FLOOR CONSOLE LID,RH	1	
		MC964636	STOPPER,FLOOR CONSOLE LID,RH	1	

FK74R
52-080 CONSOLE

Repl Part	PNC	Part No	Part Name	Qty	Part Spec
	74101R	MC964636	STOPPER,FLOOR CONSOLE LID,RH	1	
		MC964636	STOPPER,FLOOR CONSOLE LID,RH	1	
		MC964636	STOPPER,FLOOR CONSOLE LID,RH	1	
		MC964636	STOPPER,FLOOR CONSOLE LID,RH	1	
		MC964636	STOPPER,FLOOR CONSOLE LID,RH	1	
		MC964636	STOPPER,FLOOR CONSOLE LID,RH	1	
		MC964636	STOPPER,FLOOR CONSOLE LID,RH	1	
		MC964636	STOPPER,FLOOR CONSOLE LID,RH	1	
		MC964636	STOPPER,FLOOR CONSOLE LID,RH	1	
		MC964636	STOPPER,FLOOR CONSOLE LID,RH	1	
		MC964636	STOPPER,FLOOR CONSOLE LID,RH	1	
	74106	MC926455	LID,CTR SEAT CONSOLE	1	
		MK512612	LID,CTR SEAT CONSOLE	1	
		MK512612	LID,CTR SEAT CONSOLE	1	
	74124	MF140003	BOLT,OVERHEAD CONSOLE	4	FLANGE,6X12
	74131	MC926447	HINGE,CTR SEAT CONSOLE LID	2	
		MC926447	HINGE,CTR SEAT CONSOLE LID	2	
		MC926447	HINGE,CTR SEAT CONSOLE LID	2	
	74133L	MC917903	STOPPER,CTR SEAT CONSOLE LID,LH	1	
		MC917903	STOPPER,CTR SEAT CONSOLE LID,LH	1	

FK74R
52-080 CONSOLE

Repl Part	PNC	Part No	Part Name	Qty	Part Spec
	74133L	MC917903	STOPPER,CTR SEAT CONSOLE LID,LH	1	
	74133R	MC917904	STOPPER,CTR SEAT CONSOLE LID,RH	1	
		MC917904	STOPPER,CTR SEAT CONSOLE LID,RH	1	
		MC917904	STOPPER,CTR SEAT CONSOLE LID,RH	1	
	74141	MC964618	COVER,FLOOR CONSOLE PARKING BRAKE LEVER	1	
	74142	MC964619	RETAINER,FLOOR CONSOLE PARKING BRAKE LEVER COVER	1	
	74153	MB327757	CUSHION,OVERHEAD CONSOLE LID	2	
	74154	MC963736	SHAFT,OVERHEAD CONSOLE LID	1	
	74156	MK427387	COVER,FLOOR CONSOLE CONTROL UNIT	1	
RP	74181	MC856576	SOCKET,FLOOR CONSOLE	1	
	74182B	MF453662	SCREW,FLOOR CONSOLE	4	TAPPING,BLACK,3X10
		MF453662	SCREW,FLOOR CONSOLE	4	TAPPING,BLACK,3X10
		MF453662	SCREW,FLOOR CONSOLE	4	TAPPING,BLACK,3X10
	74182C	MF453077	SCREW,FLOOR CONSOLE	2	TAPPING,BLACK,4X12

FK74R
52-080 CONSOLE

Repl Part	PNC	Part No	Part Name	Qty	Part Spec
	74182C	MF453076	SCREW,FLOOR CONSOLE	14	TAPPING,BLACK,4X10
		MF453076	SCREW,FLOOR CONSOLE	14	TAPPING,BLACK,4X10
		MF453076	SCREW,FLOOR CONSOLE	14	TAPPING,BLACK,4X10
		MF453076	SCREW,FLOOR CONSOLE	14	TAPPING,BLACK,4X10
		MF453076	SCREW,FLOOR CONSOLE	14	TAPPING,BLACK,4X10
		MF453076	SCREW,FLOOR CONSOLE	14	TAPPING,BLACK,4X10
		MF453076	SCREW,FLOOR CONSOLE	14	TAPPING,BLACK,4X10
		MF453076	SCREW,FLOOR CONSOLE	14	TAPPING,BLACK,4X10
		MF453076	SCREW,FLOOR CONSOLE	14	TAPPING,BLACK,4X10
		MF453076	SCREW,FLOOR CONSOLE	14	TAPPING,BLACK,4X10
		MF453076	SCREW,FLOOR CONSOLE	14	TAPPING,BLACK,4X10
		MF453076	SCREW,FLOOR CONSOLE	14	TAPPING,BLACK,4X10
		MF453076	SCREW,FLOOR CONSOLE	14	TAPPING,BLACK,4X10
		MF453076	SCREW,FLOOR CONSOLE	14	TAPPING,BLACK,4X10
		MF453076	SCREW,FLOOR CONSOLE	14	TAPPING,BLACK,4X10
		MF453076	SCREW,FLOOR CONSOLE	14	TAPPING,BLACK,4X10
		MF453076	SCREW,FLOOR CONSOLE	14	TAPPING,BLACK,4X10
		MF453076	SCREW,FLOOR CONSOLE	14	TAPPING,BLACK,4X10
		MF453077	SCREW,FLOOR CONSOLE	2	TAPPING,BLACK,4X12
		MF453076	SCREW,FLOOR CONSOLE	14	TAPPING,BLACK,4X10
		MF453076	SCREW,FLOOR CONSOLE	14	TAPPING,BLACK,4X10
		MF453077	SCREW,FLOOR CONSOLE	2	TAPPING,BLACK,4X12
	74182D	MF351008	SCREW,FLOOR CONSOLE	2	WASHER ASSEMBLED,BLACK,5X12
	74182F	MF453093	SCREW,FLOOR CONSOLE	4	TAPPING,BLACK,5X16

FK74R
52-080 CONSOLE

Repl Part	PNC	Part No	Part Name	Qty	Part Spec
	74182F	MF453093	SCREW,FLOOR CONSOLE	8	TAPPING,BLACK,5X16
		MF453093	SCREW,FLOOR CONSOLE	8	TAPPING,BLACK,5X16
		MF453093	SCREW,FLOOR CONSOLE	8	TAPPING,BLACK,5X16
		MF453093	SCREW,FLOOR CONSOLE	8	TAPPING,BLACK,5X16
		MF453093	SCREW,FLOOR CONSOLE	8	TAPPING,BLACK,5X16
		MF453093	SCREW,FLOOR CONSOLE	8	TAPPING,BLACK,5X16
		MF453093	SCREW,FLOOR CONSOLE	8	TAPPING,BLACK,5X16
		MF453093	SCREW,FLOOR CONSOLE	8	TAPPING,BLACK,5X16
		MF453093	SCREW,FLOOR CONSOLE	8	TAPPING,BLACK,5X16
		MF453093	SCREW,FLOOR CONSOLE	8	TAPPING,BLACK,5X16
		MF453093	SCREW,FLOOR CONSOLE	8	TAPPING,BLACK,5X16
		MF453093	SCREW,FLOOR CONSOLE	8	TAPPING,BLACK,5X16
		MF453093	SCREW,FLOOR CONSOLE	8	TAPPING,BLACK,5X16
		MF453093	SCREW,FLOOR CONSOLE	8	TAPPING,BLACK,5X16
		MF453093	SCREW,FLOOR CONSOLE	8	TAPPING,BLACK,5X16
		MF453093	SCREW,FLOOR CONSOLE	8	TAPPING,BLACK,5X16
		MF453093	SCREW,FLOOR CONSOLE	8	TAPPING,BLACK,5X16
		MF453093	SCREW,FLOOR CONSOLE	8	TAPPING,BLACK,5X16
		MF453093	SCREW,FLOOR CONSOLE	8	TAPPING,BLACK,5X16
		MF453093	SCREW,FLOOR CONSOLE	8	TAPPING,BLACK,5X16
		MF453093	SCREW,FLOOR CONSOLE	4	TAPPING,BLACK,5X16
		MF453093	SCREW,FLOOR CONSOLE	8	TAPPING,BLACK,5X16
		MF453093	SCREW,FLOOR CONSOLE	8	TAPPING,BLACK,5X16
		MF453093	SCREW,FLOOR CONSOLE	4	TAPPING,BLACK,5X16
	74182G	MF453076	SCREW,FLOOR CONSOLE	8	TAPPING,BLACK,4X10
		MF453076	SCREW,FLOOR CONSOLE	8	TAPPING,BLACK,4X10

**FK74R
52-080 CONSOLE**

Repl Part	PNC	Part No	Part Name	Qty	Part Spec
	74182G	MF453076	SCREW,FLOOR CONSOLE	8	TAPPING,BLACK,4X10
	74182N	MF351032	SCREW,FLOOR CONSOLE	4	WASHER ASSEMBLED,BLACK,6X16
		MF351032	SCREW,FLOOR CONSOLE	4	WASHER ASSEMBLED,BLACK,6X16
		MF351032	SCREW,FLOOR CONSOLE	4	WASHER ASSEMBLED,BLACK,6X16
	74182ZB	MF200339	SCREW,FLOOR CONSOLE	2	MACHINE,BLACK,6X20
	74182ZC	MF453017	SCREW,FLOOR CONSOLE	1	TAPPING,4X12
	74186	MC928609	NUT,FLOOR CONSOLE	20	PUSH ON SPRING
		MC928609	NUT,FLOOR CONSOLE	15	PUSH ON SPRING
		MC928609	NUT,FLOOR CONSOLE	15	PUSH ON SPRING
		MC928609	NUT,FLOOR CONSOLE	16	PUSH ON SPRING
		MC928609	NUT,FLOOR CONSOLE	16	PUSH ON SPRING
		MC928609	NUT,FLOOR CONSOLE	16	PUSH ON SPRING
		MC928609	NUT,FLOOR CONSOLE	16	PUSH ON SPRING
		MC928609	NUT,FLOOR CONSOLE	16	PUSH ON SPRING
		MC928609	NUT,FLOOR CONSOLE	16	PUSH ON SPRING
		MC928609	NUT,FLOOR CONSOLE	16	PUSH ON SPRING
		MC928609	NUT,FLOOR CONSOLE	16	PUSH ON SPRING
		MC928609	NUT,FLOOR CONSOLE	16	PUSH ON SPRING
		MC928609	NUT,FLOOR CONSOLE	16	PUSH ON SPRING
		MC928609	NUT,FLOOR CONSOLE	16	PUSH ON SPRING
		MC928609	NUT,FLOOR CONSOLE	16	PUSH ON SPRING
		MC928609	NUT,FLOOR CONSOLE	16	PUSH ON SPRING
		MC928609	NUT,FLOOR CONSOLE	16	PUSH ON SPRING
		MC928609	NUT,FLOOR CONSOLE	16	PUSH ON SPRING
		MC928609	NUT,FLOOR CONSOLE	16	PUSH ON SPRING
		MC928609	NUT,FLOOR CONSOLE	16	PUSH ON SPRING
		MC928609	NUT,FLOOR CONSOLE	16	PUSH ON SPRING
		MC928609	NUT,FLOOR CONSOLE	16	PUSH ON SPRING
		MC928609	NUT,FLOOR CONSOLE	16	PUSH ON SPRING
		MC928609	NUT,FLOOR CONSOLE	16	PUSH ON SPRING

FK74R
52-080 CONSOLE

Repl Part	PNC	Part No	Part Name	Qty	Part Spec
	74186	MC928609	NUT,FLOOR CONSOLE	16	PUSH ON SPRING
		MC928609	NUT,FLOOR CONSOLE	16	PUSH ON SPRING
		MC928609	NUT,FLOOR CONSOLE	16	PUSH ON SPRING
		MC928609	NUT,FLOOR CONSOLE	20	PUSH ON SPRING
		MC928609	NUT,FLOOR CONSOLE	15	PUSH ON SPRING
		MC928609	NUT,FLOOR CONSOLE	15	PUSH ON SPRING
		MC928609	NUT,FLOOR CONSOLE	20	PUSH ON SPRING
RP	74187B	MB196738	GROMMET,FLOOR CONSOLE	4	5
RP		MB196738	GROMMET,FLOOR CONSOLE	8	5
RP		MB196738	GROMMET,FLOOR CONSOLE	8	5
RP		MB196738	GROMMET,FLOOR CONSOLE	8	5
RP		MB196738	GROMMET,FLOOR CONSOLE	8	5
RP		MB196738	GROMMET,FLOOR CONSOLE	8	5
RP		MB196738	GROMMET,FLOOR CONSOLE	8	5
RP		MB196738	GROMMET,FLOOR CONSOLE	8	5
RP		MB196738	GROMMET,FLOOR CONSOLE	8	5
RP		MB196738	GROMMET,FLOOR CONSOLE	8	5
RP		MB196738	GROMMET,FLOOR CONSOLE	8	5
RP		MB196738	GROMMET,FLOOR CONSOLE	8	5
RP		MB196738	GROMMET,FLOOR CONSOLE	8	5
RP		MB196738	GROMMET,FLOOR CONSOLE	8	5
RP		MB196738	GROMMET,FLOOR CONSOLE	8	5
RP		MB196738	GROMMET,FLOOR CONSOLE	8	5
RP		MB196738	GROMMET,FLOOR CONSOLE	8	5
RP		MB196738	GROMMET,FLOOR CONSOLE	8	5
RP		MB196738	GROMMET,FLOOR CONSOLE	8	5
RP		MB196738	GROMMET,FLOOR CONSOLE	8	5
RP		MB196738	GROMMET,FLOOR CONSOLE	8	5
RP		MB196738	GROMMET,FLOOR CONSOLE	8	5
RP		MB196738	GROMMET,FLOOR CONSOLE	8	5
RP		MB196738	GROMMET,FLOOR CONSOLE	8	5
RP		MB196738	GROMMET,FLOOR CONSOLE	8	5
RP		MB196738	GROMMET,FLOOR CONSOLE	8	5

**FK74R
52-080 CONSOLE**

Repl Part	PNC	Part No	Part Name	Qty	Part Spec
RP	74187B	MB196738	GROMMET,FLOOR CONSOLE	8	5
RP		MB196738	GROMMET,FLOOR CONSOLE	4	5
RP		MB196738	GROMMET,FLOOR CONSOLE	8	5
RP		MB196738	GROMMET,FLOOR CONSOLE	8	5
RP		MB196738	GROMMET,FLOOR CONSOLE	4	5
RP	74189B	MC926445	CAP,FLOOR CONSOLE	6	
RP		MC926445	CAP,FLOOR CONSOLE	6	
RP		MC926445	CAP,FLOOR CONSOLE	6	
RP		MC926445	CAP,FLOOR CONSOLE	6	
RP		MC926445	CAP,FLOOR CONSOLE	6	
RP		MC926445	CAP,FLOOR CONSOLE	6	
RP		MC926445	CAP,FLOOR CONSOLE	1	
RP		MC926445	CAP,FLOOR CONSOLE	6	
RP		MC926445	CAP,FLOOR CONSOLE	6	
		MK512530	CAP,FLOOR CONSOLE	1	
		MK512530	CAP,FLOOR CONSOLE	6	
		MK512530	CAP,FLOOR CONSOLE	6	
		MK512530	CAP,FLOOR CONSOLE	6	
		MK512530	CAP,FLOOR CONSOLE	6	
		MK512530	CAP,FLOOR CONSOLE	6	
		MK512530	CAP,FLOOR CONSOLE	6	
		MK512530	CAP,FLOOR CONSOLE	6	
		MK512530	CAP,FLOOR CONSOLE	6	
		MK512530	CAP,FLOOR CONSOLE	6	
		MK512530	CAP,FLOOR CONSOLE	6	
		MK512530	CAP,FLOOR CONSOLE	6	
		MK512530	CAP,FLOOR CONSOLE	6	
		MK512530	CAP,FLOOR CONSOLE	6	
		MK512530	CAP,FLOOR CONSOLE	6	
		MK512530	CAP,FLOOR CONSOLE	6	

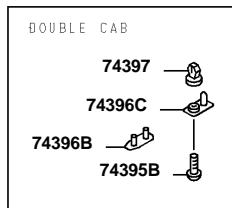
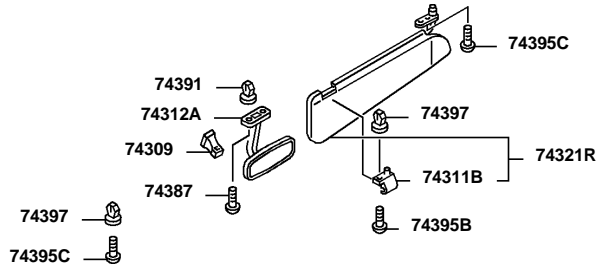
**FK74R
52-080 CONSOLE**

Repl Part	PNC	Part No	Part Name	Qty	Part Spec
	74189B	MK512530	CAP,FLOOR CONSOLE	6	
		MK512530	CAP,FLOOR CONSOLE	6	
		MK512530	CAP,FLOOR CONSOLE	6	
	74189C	MK512530	CAP,FLOOR CONSOLE	1	
		MK512530	CAP,FLOOR CONSOLE	1	
		MK512530	CAP,FLOOR CONSOLE	1	
RP	74192B	MC926445	CAP,FLOOR CONSOLE	1	
		MS240126	BOLT,FLOOR CONSOLE	4	WASHER ASSEMBLED,8X25
		MS240126	BOLT,FLOOR CONSOLE	4	WASHER ASSEMBLED,8X25
		MS240126	BOLT,FLOOR CONSOLE	4	WASHER ASSEMBLED,8X25
		MS240126	BOLT,FLOOR CONSOLE	4	WASHER ASSEMBLED,8X25
		MS240126	BOLT,FLOOR CONSOLE	4	WASHER ASSEMBLED,8X25
		MS240126	BOLT,FLOOR CONSOLE	4	WASHER ASSEMBLED,8X25
		MS240126	BOLT,FLOOR CONSOLE	4	WASHER ASSEMBLED,8X25
		MS240126	BOLT,FLOOR CONSOLE	4	WASHER ASSEMBLED,8X25
		MS240126	BOLT,FLOOR CONSOLE	4	WASHER ASSEMBLED,8X25
		MS240126	BOLT,FLOOR CONSOLE	4	WASHER ASSEMBLED,8X25
		MS240126	BOLT,FLOOR CONSOLE	4	WASHER ASSEMBLED,8X25
		MS240126	BOLT,FLOOR CONSOLE	4	WASHER ASSEMBLED,8X25
		MS240126	BOLT,FLOOR CONSOLE	4	WASHER ASSEMBLED,8X25
		MS240126	BOLT,FLOOR CONSOLE	4	WASHER ASSEMBLED,8X25
		MS240126	BOLT,FLOOR CONSOLE	4	WASHER ASSEMBLED,8X25
		MS240126	BOLT,FLOOR CONSOLE	4	WASHER ASSEMBLED,8X25
		MS240126	BOLT,FLOOR CONSOLE	4	WASHER ASSEMBLED,8X25

FK74R
52-080 CONSOLE

Repl Part	PNC	Part No	Part Name	Qty	Part Spec
	74195	MF445802	NUT,OVERHEAD CONSOLE	12	SPRING,3
	74199B	MF350792	SCREW,OVERHEAD CONSOLE	4	WASHER ASSEMBLED,6X16
		MF453017	SCREW,OVERHEAD CONSOLE	1	TAPPING,4X12
	83560D	MK399877	CORD,CHASSIS HARNESS TO ADDITION SOCKET	1	
	88586Z	MK427406	BRACKET,HEIGHT REMOTE CONTROL UNIT	1	
	50281B	(N.e.c.)	COVER,PARKING BRAKE LEVER		
	74026C	(N.e.c.)	BRACKET,OVERHEAD CONSOLE		
	74134	(N.e.c.)	STRIKER,CTR SEAT CONSOLE LID DIAL LOCK		
	74132	(N.e.c.)	LOCK,CTR SEAT CONSOLE LID DIAL		
	74026G	(N.e.c.)	BRACKET,OVERHEAD CONSOLE		
	74026H	(N.e.c.)	BRACKET,OVERHEAD CONSOLE		
	74199C	(N.e.c.)	SCREW,OVERHEAD CONSOLE		
	74026F	(N.e.c.)	BRACKET,OVERHEAD CONSOLE		
	74143C	(N.e.c.)	PROTECTOR,OVERHEAD CONSOLE COVER EDGE		
	74143H	(N.e.c.)	PROTECTOR,OVERHEAD CONSOLE COVER EDGE		
	74143J	(N.e.c.)	PROTECTOR,OVERHEAD CONSOLE COVER EDGE		
	74056D	(N.e.c.)	COVER,OVERHEAD CONSOLE POCKET		
	74082D	(N.e.c.)	POCKET,OVERHEAD CONSOLE		
	74026B	(N.e.c.)	BRACKET,OVERHEAD CONSOLE		
	74143D	(N.e.c.)	PROTECTOR,OVERHEAD CONSOLE COVER EDGE		
	74026J	(N.e.c.)	BRACKET,OVERHEAD CONSOLE		
	74082B	(N.e.c.)	POCKET,OVERHEAD CONSOLE		
	74143B	(N.e.c.)	PROTECTOR,OVERHEAD CONSOLE COVER EDGE		
	74143E	(N.e.c.)	PROTECTOR,OVERHEAD CONSOLE COVER EDGE		

FK74R
No.1



2PB000

Ref. |2052110

Page

FK74R
52-110 INTERIOR EQUIPMENT

PNC	Part No	Part Name	Qty	Part Spec	Classification	Start	End
74309	MC929698	DAMPER,ROOM MIRROR	1		G6,G6E,G6V, H6,H6E,H6V, H6VE,J6,J6E, J6V,J6VE,K6, K6E,K6V,K6VE, M6,M6E,M6VE	04053	09052
74311B	MC927330	HOLDER,SUNVISOR	1		G6,G6E,H6, H6E,J6,J6E, K6,K6E,M6, M6E	04053	05102
	MK512581	HOLDER,SUNVISOR	1		G6,G6V,H6, H6E,H6V,H6VE, J6,J6E,J6V, J6VE,K6,K6E, K6V,K6VE,M6E, M6VE	05103	09052
74312A	MC924769	MIRROR ASSY,ROOM	1		G6,G6E,H6, H6E,J6,J6E, K6,K6E,M6, M6E	04053	05102
	MK510347	MIRROR ASSY,ROOM	1		G6,G6V,H6, H6E,H6V,H6VE, J6,J6E,J6V, J6VE,K6,K6E, K6V,K6VE,M6E, M6VE	05103	09052
74321R	MC963921	SUNVISOR,RH	1		G6,G6E,H6, H6E,J6,J6E, K6,K6E,M6, M6E	04053	05102

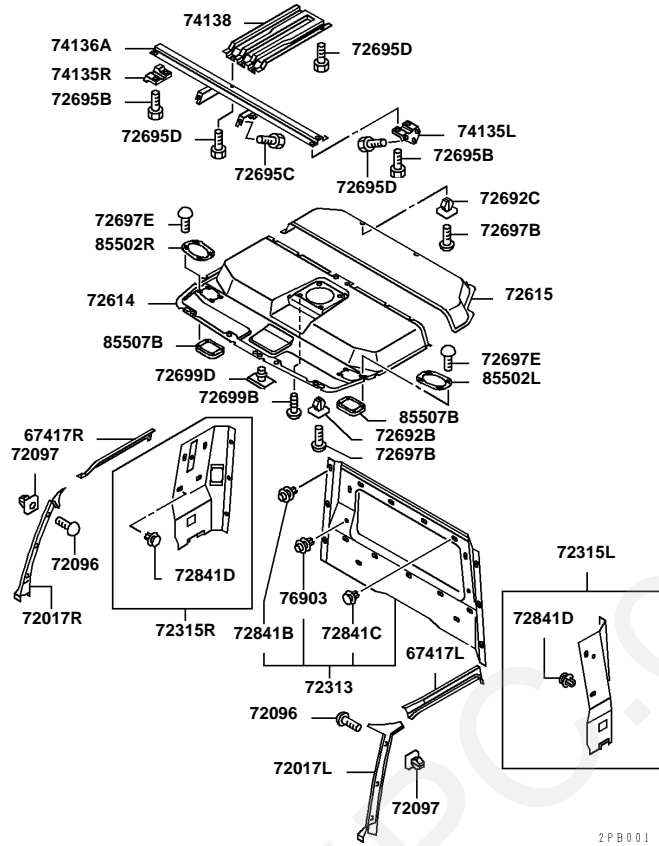
Ref. |2052110

Page

FK74R
52-110 INTERIOR EQUIPMENT

PNC	Part No	Part Name	Qty	Part Spec	Classification	Start	End
74321R	MK510348	SUNVISOR,RH	1		G6,G6V,H6, H6E,H6V,H6VE, J6,J6E,J6V, J6VE,K6,K6E, K6V,K6VE,M6E, M6VE	05103	09052
74387	MF453048	SCREW,ROOM MIRROR	2	TAPPING,6X20	G6,G6E,G6V, H6,H6E,H6V, H6VE,J6,J6E, J6V,J6VE,K6, K6E,K6V,K6VE, M6,M6E,M6VE	04053	09052
74391	MS480003	GROMMET,ROOM MIRROR	2	SCREW,6,HOLE=8.5X8.5	G6,G6E,G6V, H6,H6E,H6V, H6VE,J6,J6E, J6V,J6VE,K6, K6E,K6V,K6VE, M6,M6E,M6VE	04053	09052
74395B	MF453048	SCREW,SUNVISOR	2	TAPPING,6X20	G6,G6E,G6V, H6,H6E,H6V, H6VE,J6,J6E, J6V,J6VE,K6, K6E,K6V,K6VE, M6,M6E,M6VE	04053	09052
74395C	MF205049	SCREW,SUNVISOR	4	MACHINE CONE POINT,6X20	G6,G6E,G6V, H6,H6E,H6V, H6VE,J6,J6E, J6V,J6VE,K6, K6E,K6V,K6VE, M6,M6E,M6VE	04053	09052
74396B	MK510350	PLUG,SUNVISOR	1		G6,G6V,H6, H6E,H6V,H6VE, J6,J6E,J6V, J6VE,K6,K6E, K6V,K6VE,M6E, M6VE	05103	09052
74396C	MK510349	PLUG,SUNVISOR	1		G6,G6V,H6, H6E,H6V,H6VE, J6,J6E,J6V, J6VE,K6,K6E, K6V,K6VE,M6E, M6VE	05103	09052
74397	MS480003	GROMMET,SUNVISOR	2	SCREW,6,HOLE=8.5X8.5	G6,G6E,G6V, H6,H6E,H6V, H6VE,J6,J6E, J6V,J6VE,K6, K6E,K6V,K6VE, M6,M6E,M6VE	04053	09052

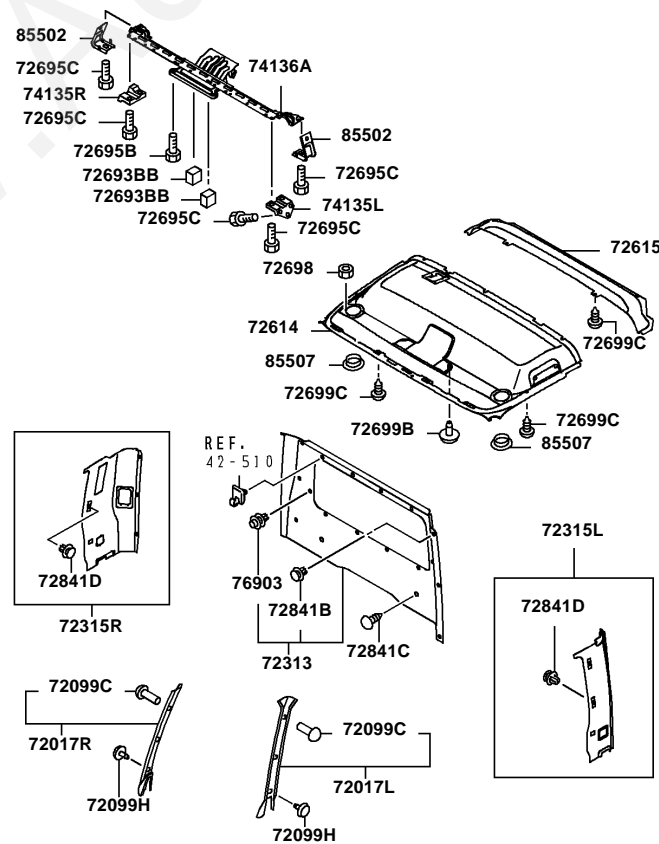
FK74R
No.1



Ref. |2052210

Page

FK74R
No.2



Ref. |2052210

Page

FK74R
52-210 HEADLINING & TRIM

SPN	Repl Part	PNC	Part No	Part Name	Qty	Part Spec	Remarks
		67417L	MC925115	TRIM,FR DOOR HEADER,LH	1		
		67417R	MC925116	TRIM,FR DOOR HEADER,RH	1		
		72017L	MC928929	TRIM,FR PILLAR,LH	1		
			MK565919	TRIM,FR PILLAR,LH	1		
		72017R	MC928930	TRIM,FR PILLAR,RH	1		
			MK565920	TRIM,FR PILLAR,RH	1		
		72096	MF453079	SCREW,FR PILLAR TRIM	2	TAPPING,BLACK,4X16	
		72097	MC903343	GROMMET,FR PILLAR TRIM	2	6.7	
		72099C	MU000504	CLIP,FR PILLAR TRIM	2	WHITE,8.5	W/O PACK
		72099H	MK512644	CLIP,FR PILLAR TRIM	2		
		72313	MC963315	TRIM,CAB RR END	1		
			MC963436	TRIM,CAB RR END	1		
	RP		MK509928	TRIM,CAB RR END	1		
	RP		MK509930	TRIM,CAB RR END	1		
	RP		MK509930	TRIM,CAB RR END	1		
	RP		MK509928	TRIM,CAB RR END	1		
			MK565727	TRIM,CAB RR END	1		
			MK565728	TRIM,CAB RR END	1		
		72315L	MC963317	TRIM,CAB SIDE,LH	1		

FK74R
52-210 HEADLINING & TRIM

SPN	Repl Part	PNC	Part No	Part Name	Qty	Part Spec	Remarks
		72315L	MC963317	TRIM,CAB SIDE,LH	1		
			MC963317	TRIM,CAB SIDE,LH	1		
			MC963317	TRIM,CAB SIDE,LH	1		
			MK513997	TRIM,CAB SIDE,LH	1		
			MK510021	TRIM,CAB SIDE,LH	1		
			MK510021	TRIM,CAB SIDE,LH	1		
			MK510021	TRIM,CAB SIDE,LH	1		
			MK510021	TRIM,CAB SIDE,LH	1		
			MK510021	TRIM,CAB SIDE,LH	1		
			MK510021	TRIM,CAB SIDE,LH	1		
			MK513997	TRIM,CAB SIDE,LH	1		
		72315R	MC963319	TRIM,CAB SIDE,RH	1		
			MK510017	TRIM,CAB SIDE,RH	1		
		72614	MC964926	HEADLINING,FR	1		
			MC964932	HEADLINING,FR	1		
SP			MK509891	HEADLINING,FR	1		
SP			MK509909	HEADLINING,FR	1		
SP			MK509891	HEADLINING,FR	1		
SP			MK509909	HEADLINING,FR	1		
SP			MK567203	HEADLINING,FR	1		

FK74R
52-210 HEADLINING & TRIM

SPN SP	Repl Part	PNC	Part No	Part Name	Qty	Part Spec	Remarks
		72614	MK567223	HEADLINING,FR	1		
		72615	MC963321	HEADLINING,RR	1		
			MC963432	HEADLINING,RR	1		
			MK509915	HEADLINING,RR	1		
			MK509918	HEADLINING,RR	1		
			MK509918	HEADLINING,RR	1		
			MK509915	HEADLINING,RR	1		
		72692B	MC924695	GROMMET,HEADLINING	2	9	
		72692C	MC903343	GROMMET,HEADLINING	6	6.7	
		72693BB	MK566081	SPACER,HEADLINING	2		
		72695B	MF243622	BOLT,HEADLINING	4	WASHER ASSEMBLED,6X12	
			MS146950	BOLT,HEADLINING	4	F.T,8X16	4T
		72695C	MS146950	BOLT,HEADLINING	4	F.T,8X16	4T
			MS146921	BOLT,HEADLINING	14	F.T,6X12	4T
		72695D	MS146921	BOLT,HEADLINING	10	F.T,6X12	4T
		72697B	MF456220	SCREW,HEADLINING	8	TAPPING,4X20	
		72697E	MF453030	SCREW,HEADLINING	8	TAPPING,5X10	
		72698	MF445802	NUT,HEADLINING	6	SPRING,3	

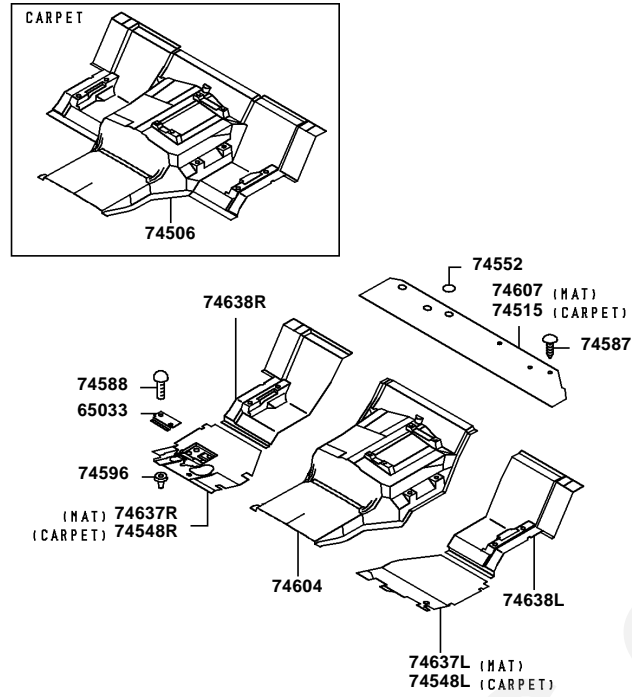
FK74R
52-210 HEADLINING & TRIM

SPN	Repl Part	PNC	Part No	Part Name	Qty	Part Spec	Remarks
		72699B	MC931223	CLIP,HEADLINING	2	6	
			MK446817	CLIP,HEADLINING	2		
		72699C	MK510757	CLIP,HEADLINING	5		
			MK567191	CLIP,HEADLINING	5		
		72699D	MC963894	CLIP,HEADLINING	1		
		72841B	MC924253	CLIP,BACK PANEL TRIM	8		
			MC924253	CLIP,BACK PANEL TRIM	6		
		72841C	MC924252	CLIP,BACK PANEL TRIM	11		
			MK512775	CLIP,BACK PANEL TRIM	2		
		72841D	MC924252	CLIP,BACK PANEL TRIM	6		
	RP	74135L	MC930459	BRACKET,OVERHEAD CROSS FRAME SUPPORT,LH	1		
	RP	74135R	MC930460	BRACKET,OVERHEAD CROSS FRAME SUPPORT,RH	1		
		74136A	MC963855	FRAME ASSY,OVERHEAD CONSOLE MOUNTING	1		
	RP		MC963856	FRAME ASSY,OVERHEAD CONSOLE MOUNTING	1		
			MK510327	FRAME ASSY,OVERHEAD CONSOLE MOUNTING	1		
			MK510329	FRAME ASSY,OVERHEAD CONSOLE MOUNTING	1		

FK74R
52-210 HEADLINING & TRIM

SPN	Repl Part	PNC	Part No	Part Name	Qty	Part Spec	Remarks
		74136A	MK510327	FRAME ASSY,OVERHEAD CONSOLE MOUNTING	1		
			MK510329	FRAME ASSY,OVERHEAD CONSOLE MOUNTING	1		
	RP	74138	MC963800	FRAME,OVERHEAD CONSOLE MOUNTING,CTR	1		
		76903	MC924254	HOOK,CURTAIN	2		
			MK510307	HOOK,CURTAIN	5		
		85502	MK510339	BRACKET,FR SPEAKER	2		
		85502L	MK327057	BRACKET,FR SPEAKER,LH	1		
		85502R	MK327057	BRACKET,FR SPEAKER,RH	1		
		85507	MK510338	GARNISH,FR SPEAKER	2		
		85507B	MK327058	GARNISH,FR SPEAKER	2		

FK74R
No.1

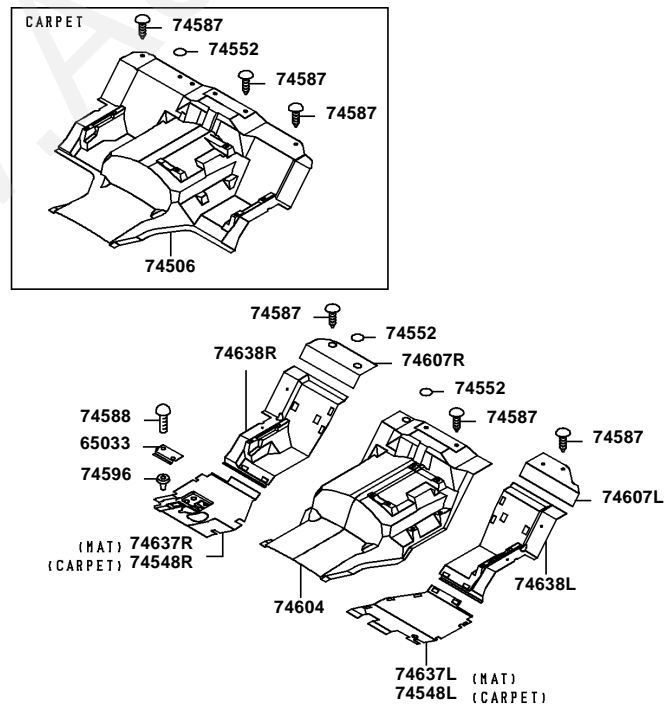


C00024

Ref. |2052310

Page

FK74R
No.2



C00034

Ref. |2052310

Page

FK74R
52-310 FLOOR MAT

SPN	PNC	Part No	Part Name	Qty	Part Spec	NEW1	Classification	Option	Model Year	Start
	65033	MK510026	PAD,HEEL	1			G6,G6E,G6V, H6,H6E,H6V, H6VE,J6,J6E, J6V,J6VE,K6, K6E,K6V,K6VE, M6,M6E,M6VE			04053
	74506	MK511955	CARPET,CAB FLOOR,CTR	1			G6,H6,J6, K6,M6			04053
		MK511955	CARPET,CAB FLOOR,CTR	1			M6			04053
		MK511955	CARPET,CAB FLOOR,CTR	1			G6,H6,J6, K6			04053
		MK511955	CARPET,CAB FLOOR,CTR	1			G6,H6,J6, K6,M6			04053
		MK511981	CARPET,CAB FLOOR,CTR	1			G6E,H6E,J6E, K6E,M6E			04053
		MK511981	CARPET,CAB FLOOR,CTR	1			G6E			04053
		MK511981	CARPET,CAB FLOOR,CTR	1			G6E,H6E,J6E, K6E,M6E			04053
		MK511981	CARPET,CAB FLOOR,CTR	1			H6E,J6E,K6E, M6E			04053
		MK510106	CARPET,CAB FLOOR,CTR	1			K6V			05103
		MK565906	CARPET,CAB FLOOR,CTR	1			M6VE			05103
		MK565013	CARPET,CAB FLOOR,CTR	1			G6,G6V,H6, H6V,J6,J6V, K6,K6V	1QP	05	05103
		MK565907	CARPET,CAB FLOOR,CTR	1			H6E,H6VE,J6E, J6VE,K6E,K6VE, M6E,M6VE	1QP	05	05103
		MK510106	CARPET,CAB FLOOR,CTR	1			G6,G6V,H6, H6V,J6,J6V, K6			05103
		MK510106	CARPET,CAB FLOOR,CTR	1			G6,G6V,H6, H6V,J6,J6V, K6			05103
		MK510106	CARPET,CAB FLOOR,CTR	1			G6,G6V,H6, H6V,J6,J6V, K6			05103
		MK510106	CARPET,CAB FLOOR,CTR	1			G6,G6V,H6, H6V,J6,J6V, K6			05103
		MK565906	CARPET,CAB FLOOR,CTR	1			H6E,H6VE,J6E, J6VE,K6E,K6VE, M6E			05103
		MK565906	CARPET,CAB FLOOR,CTR	1			H6E,H6VE,J6E, J6VE,K6E,K6VE, M6E			05103
		MK565906	CARPET,CAB FLOOR,CTR	1			H6E,H6VE,J6E, J6VE,K6E,K6VE, M6E			05103
		MK565906	CARPET,CAB FLOOR,CTR	1			H6E,H6VE,J6E, J6VE,K6E,K6VE, M6E			05103
		MK565906	CARPET,CAB FLOOR,CTR	1			H6E,H6VE,J6E, J6VE,K6E,K6VE, M6E			05103
		MK565906	CARPET,CAB FLOOR,CTR	1			H6E,H6VE,J6E, J6VE,K6E,K6VE, M6E			05103
		MK565013	CARPET,CAB FLOOR,CTR	1			G6,G6V,H6, H6V,J6,J6V, K6	1QP	07	07053
		MK565907	CARPET,CAB FLOOR,CTR	1			H6E,H6VE,J6E, J6VE,K6E,K6VE, M6E	1QP	07	07053
	74515	MK510498	CARPET,RR FLOOR	1			G6,H6,J6, K6,M6			04053
		MK510499	CARPET,RR FLOOR	1			G6E,H6E,J6E, K6E,M6E			04053
	74548L	MK511950	CARPET,CAB FLOOR SIDE,FR LH	1			G6,H6,J6, K6,M6			04053
		MK511950	CARPET,CAB FLOOR SIDE,FR LH	1			M6			04053
		MK511950	CARPET,CAB FLOOR SIDE,FR LH	1			G6,H6,J6, K6			04053
		MK511950	CARPET,CAB FLOOR SIDE,FR LH	1			G6,H6,J6, K6,M6			04053
		MK511974	CARPET,CAB FLOOR SIDE,FR LH	1			G6E,H6E,J6E, K6E,M6E			04053
		MK511974	CARPET,CAB FLOOR SIDE,FR LH	1			G6E			04053

FK74R
52-310 FLOOR MAT

SPN	PNC	Part No	Part Name	Qty	Part Spec	NEW1	Classification	Option	Model Year	Start		
SPN	74548L	MK511974	CARPET,CAB FLOOR SIDE,FR LH	1			G6E,H6E,J6E, K6E,M6E			04053		
		MK511974	CARPET,CAB FLOOR SIDE,FR LH	1			H6E,J6E,K6E, M6E			04053		
		MK510367	CARPET,CAB FLOOR SIDE,FR LH	1			K6V				05103	
		MK510384	CARPET,CAB FLOOR SIDE,FR LH	1			M6VE				05103	
		MK510368	CARPET,CAB FLOOR SIDE,FR LH	1			G6,G6V,H6, H6V,J6,J6V, K6,K6V	1QP	05		05103	
		MK510385	CARPET,CAB FLOOR SIDE,FR LH	1			H6E,H6VE,J6E, J6VE,K6E,K6VE, M6E,M6VE	1QP	05		05103	
		MK510367	CARPET,CAB FLOOR SIDE,FR LH	1			G6,G6V,H6, H6V,J6,J6V, K6				05103	
		MK510367	CARPET,CAB FLOOR SIDE,FR LH	1			G6,G6V,H6, H6V,J6,J6V, K6				05103	
		MK510367	CARPET,CAB FLOOR SIDE,FR LH	1			G6,G6V,H6, H6V,J6,J6V, K6				05103	
		MK510367	CARPET,CAB FLOOR SIDE,FR LH	1			G6,G6V,H6, H6V,J6,J6V, K6				05103	
		MK510367	CARPET,CAB FLOOR SIDE,FR LH	1			G6,G6V,H6, H6V,J6,J6V, K6				05103	
		MK510384	CARPET,CAB FLOOR SIDE,FR LH	1			H6E,H6VE,J6E, J6VE,K6E,K6VE, M6E				05103	
		MK510384	CARPET,CAB FLOOR SIDE,FR LH	1			H6E,H6VE,J6E, J6VE,K6E,K6VE, M6E				05103	
		MK510384	CARPET,CAB FLOOR SIDE,FR LH	1			H6E,H6VE,J6E, J6VE,K6E,K6VE, M6E				05103	
		MK510384	CARPET,CAB FLOOR SIDE,FR LH	1			H6E,H6VE,J6E, J6VE,K6E,K6VE, M6E				05103	
		MK510368	CARPET,CAB FLOOR SIDE,FR LH	1			G6,G6V,H6, H6V,J6,J6V, K6	1QP	07		07053	
		MK510385	CARPET,CAB FLOOR SIDE,FR LH	1			H6E,H6VE,J6E, J6VE,K6E,K6VE, M6E	1QP	07		07053	
		SP	74548R	MK511943	CARPET,CAB FLOOR SIDE,FR RH	1		R	G6,H6,J6, K6,M6			04053
				MK511970	CARPET,CAB FLOOR SIDE,FR RH	1			G6E,H6E,J6E, K6E,M6E			04053
				MK513789	CARPET,CAB FLOOR SIDE,FR RH	1			G6,H6,J6, K6,M6			05043
MK513789	CARPET,CAB FLOOR SIDE,FR RH			1			M6			05043		
MK513789	CARPET,CAB FLOOR SIDE,FR RH			1			G6,H6,J6, K6			05043		
MK513789	CARPET,CAB FLOOR SIDE,FR RH			1			G6,H6,J6, K6,M6			05043		
MK513791	CARPET,CAB FLOOR SIDE,FR RH			1			H6E,J6E,K6E, M6E			05043		
MK513791	CARPET,CAB FLOOR SIDE,FR RH			1			G6E,H6E,J6E, K6E,M6E			05043		
MK513791	CARPET,CAB FLOOR SIDE,FR RH			1			G6E,H6E,J6E, K6E,M6E			05043		
MK513791	CARPET,CAB FLOOR SIDE,FR RH			1			G6E			05043		
MK513202	CARPET,CAB FLOOR SIDE,FR RH			1			K6V			05103		
MK513204	CARPET,CAB FLOOR SIDE,FR RH			1			M6VE			05103		
MK513203	CARPET,CAB FLOOR SIDE,FR RH			1			G6,G6V,H6, H6V,J6,J6V, K6,K6V	1QP	05		05103	
MK513205	CARPET,CAB FLOOR SIDE,FR RH			1			H6E,H6VE,J6E, J6VE,K6E,K6VE, M6E,M6VE	1QP	05		05103	
MK513202	CARPET,CAB FLOOR SIDE,FR RH			1			G6,G6V,H6, H6V,J6,J6V, K6				05103	

**FK74R
52-310 FLOOR MAT**

SPN	PNC	Part No	Part Name	Qty	Part Spec	NEW1	Classification	Option	Model Year	Start
	74548R	MK513202	CARPET,CAB FLOOR SIDE,FR RH	1			G6,G6V,H6, H6V,J6,J6V, K6			05103
		MK513202	CARPET,CAB FLOOR SIDE,FR RH	1			G6,G6V,H6, H6V,J6,J6V, K6			05103
		MK513202	CARPET,CAB FLOOR SIDE,FR RH	1			G6,G6V,H6, H6V,J6,J6V, K6			05103
		MK513204	CARPET,CAB FLOOR SIDE,FR RH	1			H6E,H6VE,J6E, J6VE,K6E,K6VE, M6E			05103
		MK513204	CARPET,CAB FLOOR SIDE,FR RH	1			H6E,H6VE,J6E, J6VE,K6E,K6VE, M6E			05103
		MK513204	CARPET,CAB FLOOR SIDE,FR RH	1			H6E,H6VE,J6E, J6VE,K6E,K6VE, M6E			05103
		MK513204	CARPET,CAB FLOOR SIDE,FR RH	1			H6E,H6VE,J6E, J6VE,K6E,K6VE, M6E			05103
		MK513204	CARPET,CAB FLOOR SIDE,FR RH	1			H6E,H6VE,J6E, J6VE,K6E,K6VE, M6E			05103
		MK513203	CARPET,CAB FLOOR SIDE,FR RH	1			G6,G6V,H6, H6V,J6,J6V, K6	1QP	07	07053
		MK513205	CARPET,CAB FLOOR SIDE,FR RH	1			H6E,H6VE,J6E, J6VE,K6E,K6VE, M6E	1QP	07	07053
	74552	MC147388	SEAL,RR FLOOR CARPET	2			G6,G6E,G6V, H6,H6E,H6V, H6VE,J6,J6E, J6V,J6VE,K6, K6E,K6V,K6VE, M6,M6E,M6VE			04053
	74587	MK511601	CLIP,RR FLOOR CARPET	1	D=24X7		G6,G6E,H6, H6E,J6,J6E, K6,K6E,M6, M6E			04053
		MC931172	CLIP,RR FLOOR CARPET	3	8		G6,G6V,H6, H6E,H6V,H6VE, J6,J6E,J6V, J6VE,K6,K6E, K6V,K6VE,M6E, M6VE			05103
	74588	MF453110	SCREW,FR FLOOR CARPET	2	TAPPING,6X30		G6,G6E,G6V, H6,H6E,H6V, H6VE,J6,J6E, J6V,J6VE,K6, K6E,K6V,K6VE, M6,M6E,M6VE			04053
	74596	MS480013	GROMMET,FR FLOOR CARPET	2	SCREW,6		G6,G6E,G6V, H6,H6E,H6V, H6VE,J6,J6E, J6V,J6VE,K6, K6E,K6V,K6VE, M6,M6E,M6VE			04053
	74604	MK510568	MAT,CAB FLOOR,CTR	1			G6,G6V,H6, H6V,J6,J6V, K6,K6V	1KQ	05	05103
		MK566043	MAT,CAB FLOOR,CTR	1			H6E,H6VE,J6E, J6VE,K6E,K6VE, M6E,M6VE	1KQ	05	05103
		MK566554	MAT,CAB FLOOR,CTR	1			G6,G6V,H6, H6V,J6,J6V, K6,K6V	1KQ	05	06033
		MK566555	MAT,CAB FLOOR,CTR	1			H6E,H6VE,J6E, J6VE,K6E,K6VE, M6E,M6VE	1KQ	05	06033
		MK566554	MAT,CAB FLOOR,CTR	1			G6,G6V,H6, H6V,J6,J6V, K6	1KQ	07	07053
		MK566555	MAT,CAB FLOOR,CTR	1			H6E,H6VE,J6E, J6VE,K6E,K6VE, M6E	1KQ	07	07053

FK74R
52-310 FLOOR MAT

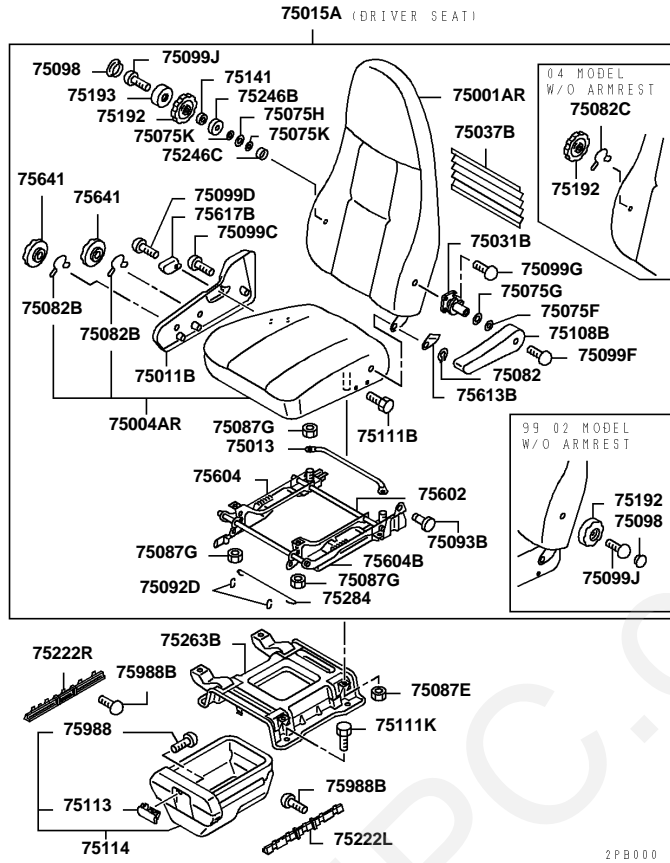
SPN	PNC	Part No	Part Name	Qty	Part Spec	NEW1	Classification	Option	Model Year	Start
	74607L	MK511011	MAT,CAB FLOOR,RR LH	1			G6,G6V,H6, H6V,J6,J6V, K6,K6V	1KQ	05	05103
		MK565144	MAT,CAB FLOOR,RR LH	1			H6E,H6VE,J6E, J6VE,K6E,K6VE, M6E,M6VE	1KQ	05	05103
		MK511011	MAT,CAB FLOOR,RR LH	1			G6,G6V,H6, H6V,J6,J6V, K6	1KQ	07	07053
		MK565144	MAT,CAB FLOOR,RR LH	1			H6E,H6VE,J6E, J6VE,K6E,K6VE, M6E	1KQ	07	07053
	74607R	MK511012	MAT,CAB FLOOR,RR RH	1			G6,G6V,H6, H6V,J6,J6V, K6,K6V	1KQ	05	05103
		MK565148	MAT,CAB FLOOR,RR RH	1			H6E,H6VE,J6E, J6VE,K6E,K6VE, M6E,M6VE	1KQ	05	05103
		MK511012	MAT,CAB FLOOR,RR RH	1			G6,G6V,H6, H6V,J6,J6V, K6	1KQ	07	07053
		MK565148	MAT,CAB FLOOR,RR RH	1			H6E,H6VE,J6E, J6VE,K6E,K6VE, M6E	1KQ	07	07053
	74637L	MK510366	MAT,CAB FLOOR SIDE,FR LH	1			G6,G6V,H6, H6V,J6,J6V, K6,K6V	1KQ	05	05103
		MK512539	MAT,CAB FLOOR SIDE,FR LH	1			H6E,H6VE,J6E, J6VE,K6E,K6VE, M6E,M6VE	1KQ	05	05103
		MK510366	MAT,CAB FLOOR SIDE,FR LH	1			G6,G6V,H6, H6V,J6,J6V, K6	1KQ	07	07053
		MK512539	MAT,CAB FLOOR SIDE,FR LH	1			H6E,H6VE,J6E, J6VE,K6E,K6VE, M6E	1KQ	07	07053
	74637R	MK513206	MAT,CAB FLOOR SIDE,FR RH	1			G6,G6V,H6, H6V,J6,J6V, K6,K6V	1KQ	05	05103
		MK513207	MAT,CAB FLOOR SIDE,FR RH	1			H6E,H6VE,J6E, J6VE,K6E,K6VE, M6E,M6VE	1KQ	05	05103
		MK513206	MAT,CAB FLOOR SIDE,FR RH	1			G6,G6V,H6, H6V,J6,J6V, K6	1KQ	07	07053
		MK513207	MAT,CAB FLOOR SIDE,FR RH	1			H6E,H6VE,J6E, J6VE,K6E,K6VE, M6E	1KQ	07	07053
	74638L	MK510383	MAT,CAB FLOOR SIDE,RR LH	1			G6,G6V,H6, H6V,J6,J6V, K6,K6V	1KQ	05	05103
		MK565146	MAT,CAB FLOOR SIDE,RR LH	1			H6E,H6VE,J6E, J6VE,K6E,K6VE, M6E,M6VE	1KQ	05	05103
		MK510383	MAT,CAB FLOOR SIDE,RR LH	1			G6,G6V,H6, H6V,J6,J6V, K6	1KQ	07	07053
		MK565146	MAT,CAB FLOOR SIDE,RR LH	1			H6E,H6VE,J6E, J6VE,K6E,K6VE, M6E	1KQ	07	07053
	74638R	MK510377	MAT,CAB FLOOR SIDE,RR RH	1			G6,G6V,H6, H6V,J6,J6V, K6,K6V	1KQ	05	05103
		MK512542	MAT,CAB FLOOR SIDE,RR RH	1			H6E,H6VE,J6E, J6VE,K6E,K6VE, M6E,M6VE	1KQ	05	05103
		MK566976	MAT,CAB FLOOR SIDE,RR RH	1			G6,G6V,H6, H6V,J6,J6V, K6,K6V	1KQ	05	07023
		MK566978	MAT,CAB FLOOR SIDE,RR RH	1			H6E,H6VE,J6E, J6VE,K6E,K6VE, M6E,M6VE	1KQ	05	07023

FK74R
52-310 FLOOR MAT

SPN	PNC	Part No	Part Name	Qty	Part Spec	NEW1	Classification	Option	Model Year	Start
	74638R	MK566976	MAT,CAB FLOOR SIDE,RR RH	1			G6,G6V,H6, H6V,J6,J6V, K6	1KQ	07	07053
		MK566978	MAT,CAB FLOOR SIDE,RR RH	1			H6E,H6VE,J6E, J6VE,K6E,K6VE, M6E	1KQ	07	07053
	74607	(N.e.c.)	MAT,CAB FLOOR,RR							

www.AutoEPC.com

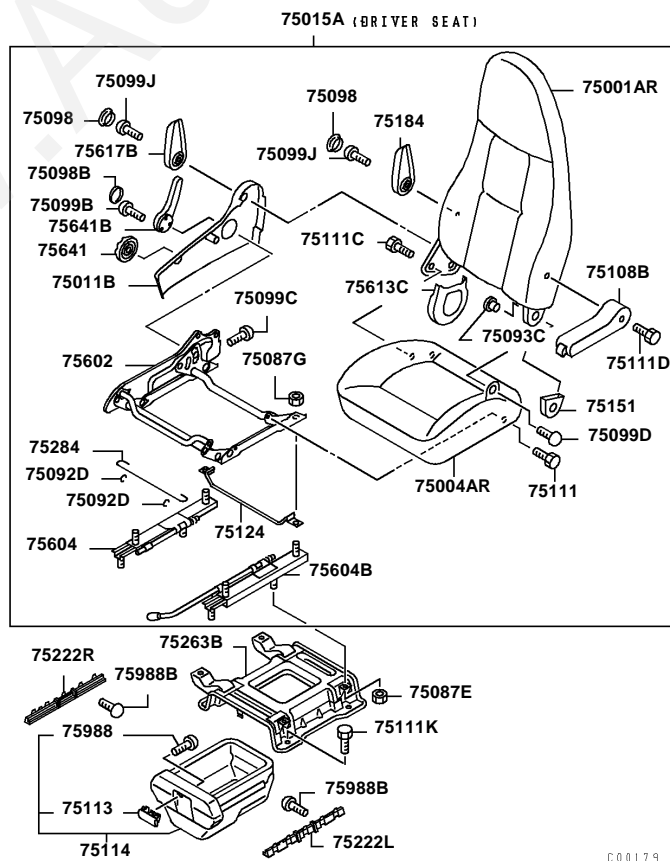
FK74R
No.1



Ref. |2053010

Page

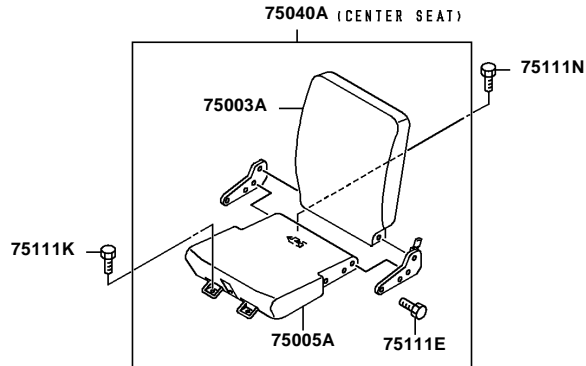
FK74R
No.2



Ref. |2053010

Page

FK74R
No.3

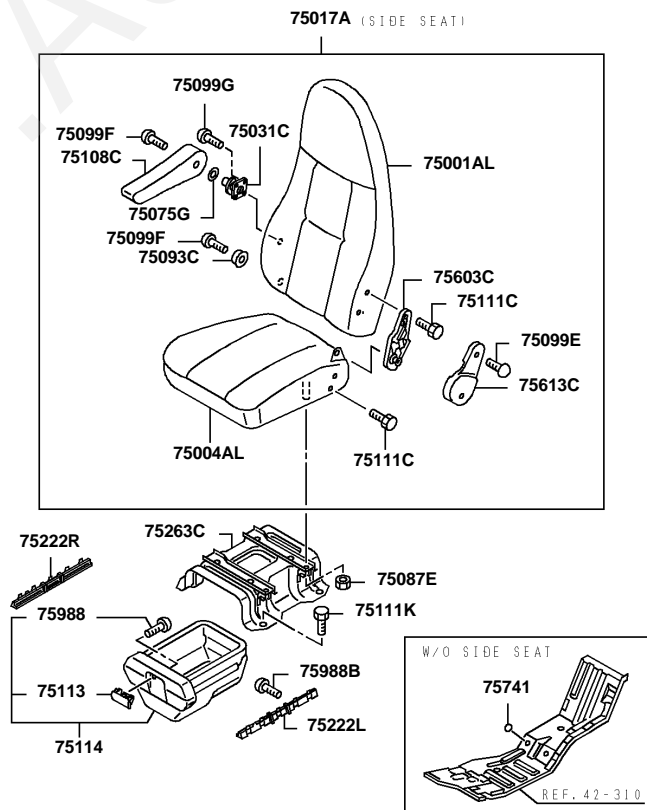


2PB100

Ref. |2053010

Page

FK74R
No.4

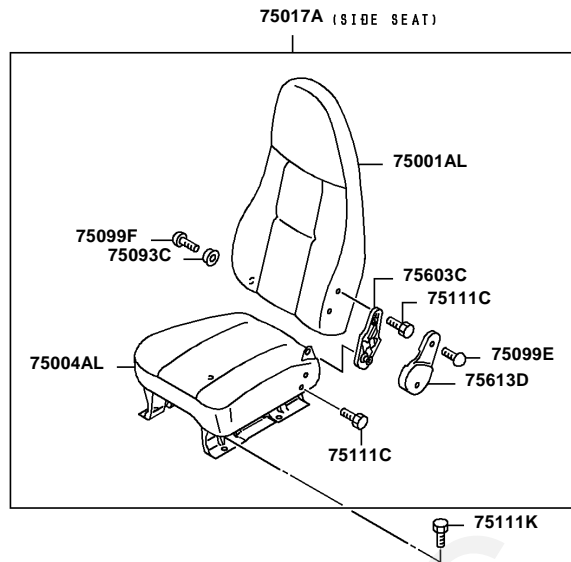


2PB200

Ref. |2053010

Page

FK74R
No.5

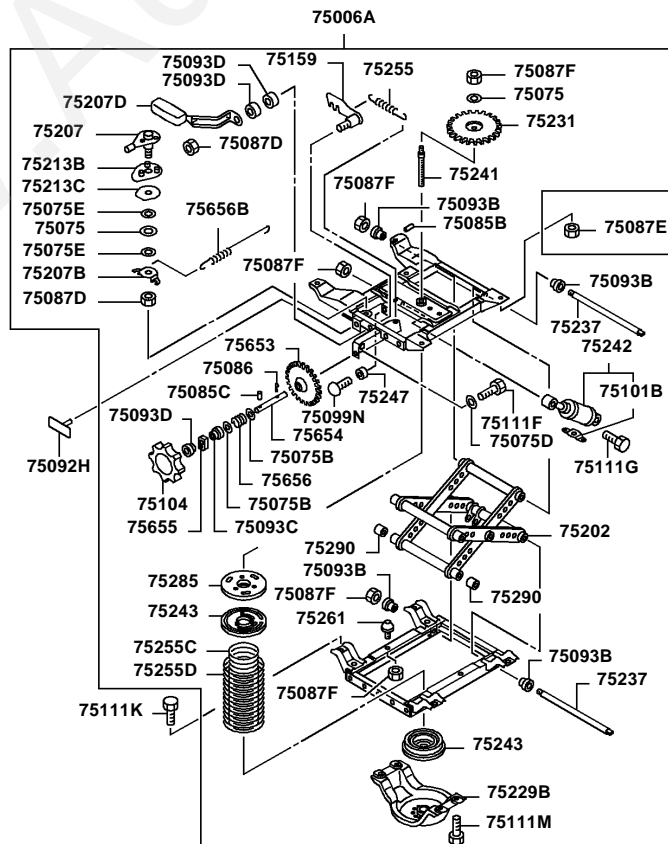


C00180

Ref. |2053010

Page

FK74R
No.6

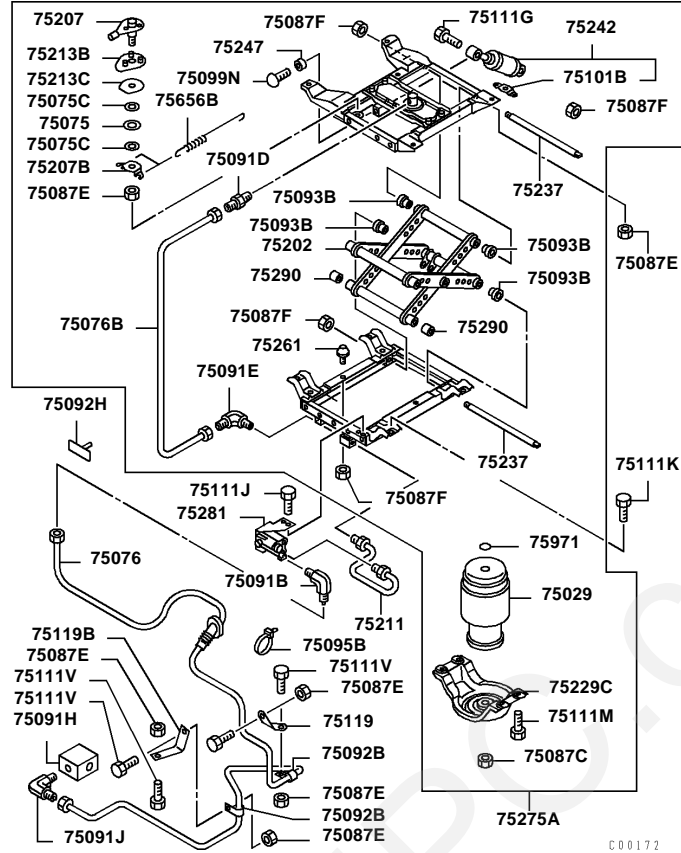


2PA305

Ref. |2053010

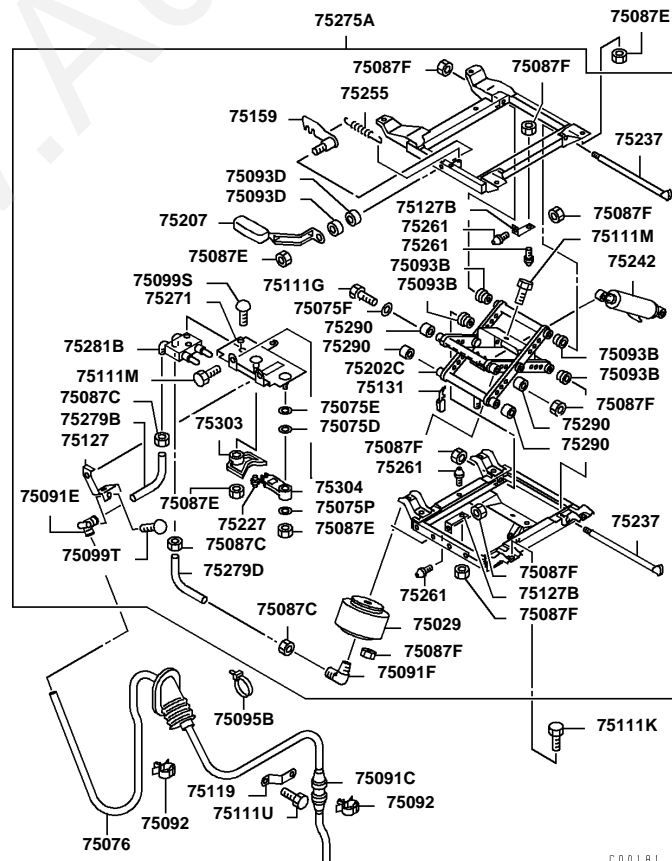
Page

FK74R
No.7



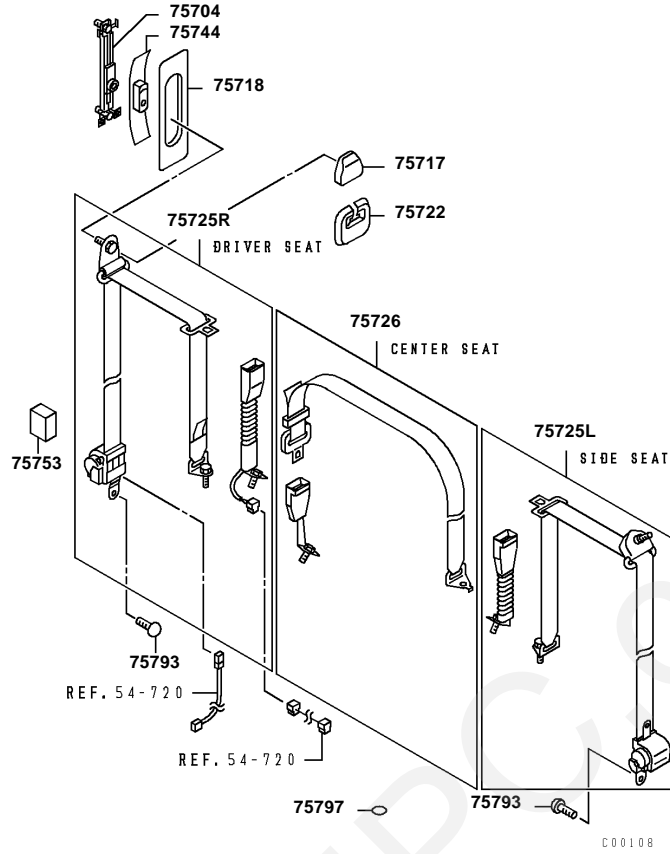
C00172

FK74R
No.8



C00181

FK74R
No.9



Ref. |2053010

Page

FK74R
53-010 FRONT SEAT

SPN	Repl Part	PNC	Part No	Part Name	Qty	Part Spec	Rema
		75001AL	MK510197	BACK ASSY,FR SEAT,LH	1		
			MK510197	BACK ASSY,FR SEAT,LH	1		
			MK510197	BACK ASSY,FR SEAT,LH	1		
			MK510197	BACK ASSY,FR SEAT,LH	1		
			MK512860	BACK ASSY,FR SEAT,LH	1		
			MK512861	BACK ASSY,FR SEAT,LH	1		
			MK512862	BACK ASSY,FR SEAT,LH	1		

Ref. |2053010

Page

FK74R
53-010 FRONT SEAT

SPN	Repl Part	PNC	Part No	Part Name	Qty	Part Spec	Rema
		75001AL	MK512860	BACK ASSY,FR SEAT,LH	1		
			MK512860	BACK ASSY,FR SEAT,LH	1		
			MK512860	BACK ASSY,FR SEAT,LH	1		
			MK512860	BACK ASSY,FR SEAT,LH	1		
			MK512860	BACK ASSY,FR SEAT,LH	1		
			MK512860	BACK ASSY,FR SEAT,LH	1		
			MK512861	BACK ASSY,FR SEAT,LH	1		
			MK512862	BACK ASSY,FR SEAT,LH	1		
		75001AR	MK510190	BACK ASSY,FR SEAT,RH	1		
			MK510190	BACK ASSY,FR SEAT,RH	1		
			MK510190	BACK ASSY,FR SEAT,RH	1		
			MK510190	BACK ASSY,FR SEAT,RH	1		
			MK565476	BACK ASSY,FR SEAT,RH	1		
			MK565478	BACK ASSY,FR SEAT,RH	1		
			MK565477	BACK ASSY,FR SEAT,RH	1		

FK74R
53-010 FRONT SEAT

SPN	Repl Part	PNC	Part No	Part Name	Qty	Part Spec	Rema
		75001AR	MK565475	BACK ASSY,FR SEAT,RH	1		
			MK565476	BACK ASSY,FR SEAT,RH	1		
			MK565476	BACK ASSY,FR SEAT,RH	1		
			MK565476	BACK ASSY,FR SEAT,RH	1		
			MK565476	BACK ASSY,FR SEAT,RH	1		
			MK565476	BACK ASSY,FR SEAT,RH	1		
			MK565476	BACK ASSY,FR SEAT,RH	1		
			MK565478	BACK ASSY,FR SEAT,RH	1		
			MK565477	BACK ASSY,FR SEAT,RH	1		
			MK565475	BACK ASSY,FR SEAT,RH	1		
		75003A	MK510200	BACK ASSY,FR SEAT,CTR	1		
			MK565501	BACK ASSY,FR SEAT,CTR	1		
			MK565501	BACK ASSY,FR SEAT,CTR	1		
		75004AL	MK510195	CUSHION ASSY,FR SEAT,LH	1		
			MK510195	CUSHION ASSY,FR SEAT,LH	1		

FK74R
53-010 FRONT SEAT

SPN	Repl Part	PNC	Part No	Part Name	Qty	Part Spec	Remarks
		75004AL	MK510195	CUSHION ASSY,FR SEAT,LH	1		
			MK510195	CUSHION ASSY,FR SEAT,LH	1		
			MK512857	CUSHION ASSY,FR SEAT,LH	1		
			MK512859	CUSHION ASSY,FR SEAT,LH	1		
			MK512858	CUSHION ASSY,FR SEAT,LH	1		
			MK512857	CUSHION ASSY,FR SEAT,LH	1		
			MK512857	CUSHION ASSY,FR SEAT,LH	1		
			MK512857	CUSHION ASSY,FR SEAT,LH	1		
			MK512857	CUSHION ASSY,FR SEAT,LH	1		
			MK512857	CUSHION ASSY,FR SEAT,LH	1		
			MK512857	CUSHION ASSY,FR SEAT,LH	1		
			MK512857	CUSHION ASSY,FR SEAT,LH	1		
			MK512859	CUSHION ASSY,FR SEAT,LH	1		
			MK512858	CUSHION ASSY,FR SEAT,LH	1		
		75004AR	MK510188	CUSHION ASSY,FR SEAT,RH	1		
			MK510188	CUSHION ASSY,FR SEAT,RH	1		
			MK510188	CUSHION ASSY,FR SEAT,RH	1		

FK74R
53-010 FRONT SEAT

SPN	Repl Part	PNC	Part No	Part Name	Qty	Part Spec	Remarks
		75004AR	MK510188	CUSHION ASSY,FR SEAT,RH	1		
			MK565469	CUSHION ASSY,FR SEAT,RH	1		
			MK566284	CUSHION ASSY,FR SEAT,RH	1		
			MK565471	CUSHION ASSY,FR SEAT,RH	1		
			MK565469	CUSHION ASSY,FR SEAT,RH	1		
			MK565469	CUSHION ASSY,FR SEAT,RH	1		
			MK565469	CUSHION ASSY,FR SEAT,RH	1		
			MK565469	CUSHION ASSY,FR SEAT,RH	1		
			MK565469	CUSHION ASSY,FR SEAT,RH	1		
			MK565469	CUSHION ASSY,FR SEAT,RH	1		
			MK565469	CUSHION ASSY,FR SEAT,RH	1		
			MK565469	CUSHION ASSY,FR SEAT,RH	1		
			MK565469	CUSHION ASSY,FR SEAT,RH	1		
			MK566284	CUSHION ASSY,FR SEAT,RH	1		
			MK565471	CUSHION ASSY,FR SEAT,RH	1		
		75005A	MK510198	CUSHION ASSY,FR SEAT,CTR	1		
			MK565498	CUSHION ASSY,FR SEAT,CTR	1		
			MK565498	CUSHION ASSY,FR SEAT,CTR	1		

FK74R
53-010 FRONT SEAT

SPN	Repl Part RP	PNC	Part No	Part Name	Qty	Part Spec	Remarks
		75006A	MK510813	SUSPENSION ASSY,FR SEAT	1		
		75011B	MC928580	SHIELD,FR SEAT CUSHION	1		
			MK565484	SHIELD,FR SEAT CUSHION	1		
		75013	MC935314	FRAME,FR SEAT	1		
		75015A	MK510070	SEAT ASSY,DRIVER	1		
			MK510070	SEAT ASSY,DRIVER	1		
			MK510070	SEAT ASSY,DRIVER	1		
			MK510070	SEAT ASSY,DRIVER	1		
			MK512482	SEAT ASSY,DRIVER	1		
			MK513517	SEAT ASSY,DRIVER	1		
			MK566141	SEAT ASSY,DRIVER	1		
			MK512485	SEAT ASSY,DRIVER	1		
			MK512482	SEAT ASSY,DRIVER	1		
			MK512482	SEAT ASSY,DRIVER	1		
			MK512482	SEAT ASSY,DRIVER	1		
			MK512482	SEAT ASSY,DRIVER	1		
			MK512482	SEAT ASSY,DRIVER	1		
			MK512482	SEAT ASSY,DRIVER	1		

FK74R
53-010 FRONT SEAT

SPN	Repl Part	PNC	Part No	Part Name	Qty	Part Spec	Remarks
		75015A	MK512482	SEAT ASSY,DRIVER	1		
			MK512482	SEAT ASSY,DRIVER	1		
			MK513517	SEAT ASSY,DRIVER	1		
			MK566141	SEAT ASSY,DRIVER	1		
			MK512485	SEAT ASSY,DRIVER	1		
		75017A	MK510075	SEAT ASSY,FR SIDE	1		
			MK510075	SEAT ASSY,FR SIDE	1		
			MK510075	SEAT ASSY,FR SIDE	1		
			MK510075	SEAT ASSY,FR SIDE	1		
			MK510356	SEAT ASSY,FR SIDE	1		
			MK510759	SEAT ASSY,FR SIDE	1		
			MK512486	SEAT ASSY,FR SIDE	1		
			MK510356	SEAT ASSY,FR SIDE	1		
			MK510356	SEAT ASSY,FR SIDE	1		
			MK510356	SEAT ASSY,FR SIDE	1		
			MK510356	SEAT ASSY,FR SIDE	1		

FK74R
53-010 FRONT SEAT

SPN	Repl Part	PNC	Part No	Part Name	Qty	Part Spec	Remarks
		75017A	MK510356	SEAT ASSY,FR SIDE	1		
			MK510356	SEAT ASSY,FR SIDE	1		
			MK510356	SEAT ASSY,FR SIDE	1		
			MK510759	SEAT ASSY,FR SIDE	1		
			MK512486	SEAT ASSY,FR SIDE	1		
		75029	MC928557	SPRING,FR SEAT A/SUSP	1		
			MK513910	SPRING,FR SEAT A/SUSP	1		
			MK513910	SPRING,FR SEAT A/SUSP	1		
		75040A	MK510076	SEAT ASSY,FR CTR	1		
			MK512487	SEAT ASSY,FR CTR	1		
			MK512487	SEAT ASSY,FR CTR	1		
		75075	MF450194	WASHER,FR SEAT	1	PLAIN,8	
		75075B	MF450067	WASHER,FR SEAT	3	PLAIN,12	
		75075C	MF451104	WASHER,FR SEAT	2	WAVE,8	
		75075D	MF450153	WASHER,FR SEAT	1	PLAIN,6	

FK74R
53-010 FRONT SEAT

SPN	Repl Part	PNC	Part No	Part Name	Qty	Part Spec	Remarks
		75075D	MF450006	WASHER,FR SEAT	1	PLAIN,10	
			MF450006	WASHER,FR SEAT	1	PLAIN,10	
		75075E	MF451105	WASHER,FR SEAT	3	WAVE,10	
			MF451105	WASHER,FR SEAT	3	WAVE,10	
		75075F	MC148304	WASHER,FR SEAT	2		
			MC148304	WASHER,FR SEAT	2		
		75075P	MF450153	WASHER,FR SEAT	1	PLAIN,6	
			MF450153	WASHER,FR SEAT	1	PLAIN,6	
		75076	MC965467	TUBE,FR SEAT	1	NYLON,6X2950	
			MK512720	TUBE,FR SEAT	1	NYLON,6X1720	
			MK512720	TUBE,FR SEAT	1	NYLON,6X1720	
		75076B	MC928559	TUBE,FR SEAT	1	NYLON,11	
		75082	MF522408	SNAP RING,FR SEAT	1	10	
		75082B	MB916447	SNAP RING,FR SEAT	2		

FK74R
53-010 FRONT SEAT

SPN	Repl Part	PNC	Part No	Part Name	Qty	Part Spec	Remarks
		75085B	MF472538	SPRING PIN,FR SEAT	1	SPRING,3X20	
		75085C	MF472554	SPRING PIN,FR SEAT	1	SPRING,4X20	
		75086	MF472304	PIN,FR SEAT	1	SNAP,8X22.7	
		75087C	MS440133	NUT,FR SEAT	2	FLANGE,6	
			MK509567	NUT,FR SEAT	3		
			MK509567	NUT,FR SEAT	3		
		75087D	MS440133	NUT,FR SEAT	1	FLANGE,6	
		75087E	MF434104	NUT,FR SEAT	12	FLANGE,8	
			MF434104	NUT,FR SEAT	8	FLANGE,8	
			MF434104	NUT,FR SEAT	8	FLANGE,8	
			MF434104	NUT,FR SEAT	8	FLANGE,8	
			MF434104	NUT,FR SEAT	8	FLANGE,8	
			MF434104	NUT,FR SEAT	8	FLANGE,8	
			MF434104	NUT,FR SEAT	8	FLANGE,8	
			MF434104	NUT,FR SEAT	8	FLANGE,8	
			MF434104	NUT,FR SEAT	8	FLANGE,8	
			MF434104	NUT,FR SEAT	8	FLANGE,8	
			MF434104	NUT,FR SEAT	8	FLANGE,8	
			MF434104	NUT,FR SEAT	8	FLANGE,8	
			MF434104	NUT,FR SEAT	8	FLANGE,8	
			MF434104	NUT,FR SEAT	8	FLANGE,8	

FK74R
53-010 FRONT SEAT

SPN	Repl Part	PNC	Part No	Part Name	Qty	Part Spec	Rema
		75087E	MF434104	NUT,FR SEAT	8	FLANGE,8	
			MF434104	NUT,FR SEAT	8	FLANGE,8	
			MF434104	NUT,FR SEAT	8	FLANGE,8	
			MF434104	NUT,FR SEAT	4	FLANGE,8	
			MS440133	NUT,FR SEAT	3	FLANGE,6	
			MF434104	NUT,FR SEAT	4	FLANGE,8	
			MS440133	NUT,FR SEAT	3	FLANGE,6	
		75087F	MS440513	NUT,FR SEAT	6	WASHER ASSEMBLED,8	
			MS440513	NUT,FR SEAT	7	WASHER ASSEMBLED,8	
			MS440513	NUT,FR SEAT	9	WASHER ASSEMBLED,8	
			MS440513	NUT,FR SEAT	9	WASHER ASSEMBLED,8	
		75087G	MS440513	NUT,FR SEAT	8	WASHER ASSEMBLED,8	
		75091B	MH039713	JOINT,FR SEAT	1		
		75091C	MC072033	JOINT,FR SEAT	1		
			MC072033	JOINT,FR SEAT	1		

FK74R
53-010 FRONT SEAT

SPN	Repl Part	PNC	Part No	Part Name	Qty	Part Spec	Remarks
		75091D	MH038150	JOINT,FR SEAT	1		
		75091E	MH038158	JOINT,FR SEAT	1		
			MK509572	JOINT,FR SEAT	1		
			MK509572	JOINT,FR SEAT	1		
		75091F	MK509566	JOINT,FR SEAT	1		
			MK509566	JOINT,FR SEAT	1		
		75091H	MH038735	JOINT,FR SEAT	1		
		75091J	MH039714	JOINT,FR SEAT	1		
		75092	MH020934	CLIP,FR SEAT	1	A=17.5 B=14.5	
			MH020934	CLIP,FR SEAT	1	A=17.5 B=14.5	
		75092B	MH020419	CLIP,FR SEAT	2	D=10	
		75092D	MC912780	CLIP,FR SEAT	2		
		75092H	MC961010	CLIP,FR SEAT	1		
		75093B	MC911570	BUSHING,FR SEAT	1		
			MC911570	BUSHING,FR SEAT	1		

FK74R
53-010 FRONT SEAT

SPN	Repl Part	PNC	Part No	Part Name	Qty	Part Spec	Remarks
		75093B	MC911570	BUSHING,FR SEAT	1		
			MC911570	BUSHING,FR SEAT	1		
			MC911570	BUSHING,FR SEAT	1		
			MC922019	BUSHING,FR SEAT	4		
			MC922019	BUSHING,FR SEAT	4		
			MC922019	BUSHING,FR SEAT	4		
		75093C	MB158706	BUSHING,FR SEAT	1	12X6	
			MB158706	BUSHING,FR SEAT	1	12X6	
			MC922020	BUSHING,FR SEAT	1		
			MB158706	BUSHING,FR SEAT	2	12X6	
			MB158706	BUSHING,FR SEAT	2	12X6	
			MB158706	BUSHING,FR SEAT	2	12X6	
			MB158706	BUSHING,FR SEAT	2	12X6	
	RP	75093D	MC922029	BUSHING,FR SEAT	3		
	RP		MC922029	BUSHING,FR SEAT	2		
	RP		MC922029	BUSHING,FR SEAT	2		

FK74R
53-010 FRONT SEAT

SPN	Repl Part	PNC	Part No	Part Name	Qty	Part Spec	Remarks
		75095B	MB249340	BAND,FR SEAT	1	L=219.5	BLAC
			MB249340	BAND,FR SEAT	1	L=219.5	BLAC
		75098	MK565487	CAP,FR SEAT	1		
			MK565487	CAP,FR SEAT	2		
			MK565487	CAP,FR SEAT	1		
			MK565487	CAP,FR SEAT	1		
			MK565487	CAP,FR SEAT	1		
			MK565487	CAP,FR SEAT	1		
			MK565487	CAP,FR SEAT	1		
			MK565487	CAP,FR SEAT	1		
			MK565487	CAP,FR SEAT	1		
			MK565487	CAP,FR SEAT	1		
			MK565487	CAP,FR SEAT	1		
			MK565487	CAP,FR SEAT	1		
			MK565487	CAP,FR SEAT	1		
			MK565487	CAP,FR SEAT	1		
			MK565487	CAP,FR SEAT	1		
			MK565487	CAP,FR SEAT	1		
		75098B	MK565492	CAP,FR SEAT	1		
		75099B	MF456471	SCREW,FR SEAT	3	TAPPING,5X12	
		75099C	MF455497	SCREW,FR SEAT	3	TAPPING,4X12	

FK74R
53-010 FRONT SEAT

SPN	Repl Part	PNC	Part No	Part Name	Qty	Part Spec	Remarks
		75099C	MF455497	SCREW,FR SEAT	2	TAPPING,4X12	
		75099D	MC928590	SCREW,FR SEAT	1	MACHINE,4X6	
			MB902325	SCREW,FR SEAT	1	WASHER ASSEMBLED,6X12	
		75099E	MF455497	SCREW,FR SEAT	1	TAPPING,4X12	
		75099F	MB902325	SCREW,FR SEAT	1	WASHER ASSEMBLED,6X12	
		75099J	MF351007	SCREW,FR SEAT	1	WASHER ASSEMBLED,5X10	
			MF351007	SCREW,FR SEAT	2	WASHER ASSEMBLED,5X10	
			MF351007	SCREW,FR SEAT	1	WASHER ASSEMBLED,5X10	
			MF351007	SCREW,FR SEAT	1	WASHER ASSEMBLED,5X10	
			MF351007	SCREW,FR SEAT	1	WASHER ASSEMBLED,5X10	
			MF351007	SCREW,FR SEAT	1	WASHER ASSEMBLED,5X10	
			MF351007	SCREW,FR SEAT	1	WASHER ASSEMBLED,5X10	
			MF351007	SCREW,FR SEAT	1	WASHER ASSEMBLED,5X10	
			MF351007	SCREW,FR SEAT	1	WASHER ASSEMBLED,5X10	
			MF351007	SCREW,FR SEAT	1	WASHER ASSEMBLED,5X10	

FK74R
53-010 FRONT SEAT

SPN	Repl Part	PNC	Part No	Part Name	Qty	Part Spec	Remarks
		75099J	MF351007	SCREW,FR SEAT	2	WASHER ASSEMBLED,5X10	
		75099N	MF455509	SCREW,FR SEAT	1	TAPPING,5X8	
		75099S	MF350075	SCREW,FR SEAT	2	WASHER ASSEMBLED,6X20	
			MF350075	SCREW,FR SEAT	2	WASHER ASSEMBLED,6X20	
		75099T	MF456460	SCREW,FR SEAT	1	TAPPING,4X20	
			MF456460	SCREW,FR SEAT	1	TAPPING,4X20	
		75101B	MK566818	ARM,FR SEAT SUSP CUSHION	1		
		75104	MC922025	KNOB,FR SEAT SUSP WEIGHT ADJUSTER	1		
		75108B	MK565494	ARMREST,FR SEAT	1		
			MK565493	ARMREST,FR SEAT	1		
			MK565494	ARMREST,FR SEAT	1		
			MK565493	ARMREST,FR SEAT	1		
		75111	MK565490	BOLT,FR SEAT	4		
		75111B	MS246040	BOLT,FR SEAT	2	WASHER ASSEMBLED,10X20	

FK74R
53-010 FRONT SEAT

SPN	Repl Part	PNC	Part No	Part Name	Qty	Part Spec	Remarks
		75111C	MK404878	BOLT,FR SEAT	4	10X16	
			MF241279	BOLT,FR SEAT	2	WASHER ASSEMBLED,10X18	
		75111D	MF241268	BOLT,FR SEAT	1	WASHER ASSEMBLED,8X75	
			MF241268	BOLT,FR SEAT	1	WASHER ASSEMBLED,8X75	
		75111E	MC930190	BOLT,FR SEAT	4	10X20	
			MC930190	BOLT,FR SEAT	4	10X20	
			MC930190	BOLT,FR SEAT	4	10X20	
		75111F	MF240023	BOLT,FR SEAT	1	WASHER ASSEMBLED,6X12	
		75111G	MC911597	BOLT,FR SEAT	2	8X40	
			MC911597	BOLT,FR SEAT	2	8X40	
			MC911597	BOLT,FR SEAT	2	8X40	
		75111J	MS246006	BOLT,FR SEAT	2	WASHER ASSEMBLED,6X16	
		75111K	MS240175	BOLT,FR SEAT	8	WASHER ASSEMBLED,BLACK,8X25	
			MS240175	BOLT,FR SEAT	10	WASHER ASSEMBLED,BLACK,8X25	
			MS240175	BOLT,FR SEAT	8	WASHER ASSEMBLED,BLACK,8X25	

FK74R
53-010 FRONT SEAT

SPN	Repl Part	PNC	Part No	Part Name	Qty	Part Spec	Remarks
		75111K	MS240175	BOLT,FR SEAT	8	WASHER ASSEMBLED,BLACK,8X25	
			MS240175	BOLT,FR SEAT	8	WASHER ASSEMBLED,BLACK,8X25	
			MS240175	BOLT,FR SEAT	8	WASHER ASSEMBLED,BLACK,8X25	
			MS240175	BOLT,FR SEAT	8	WASHER ASSEMBLED,BLACK,8X25	
			MS240175	BOLT,FR SEAT	8	WASHER ASSEMBLED,BLACK,8X25	
			MS240175	BOLT,FR SEAT	8	WASHER ASSEMBLED,BLACK,8X25	
			MS240175	BOLT,FR SEAT	8	WASHER ASSEMBLED,BLACK,8X25	
			MS240175	BOLT,FR SEAT	8	WASHER ASSEMBLED,BLACK,8X25	
			MS240175	BOLT,FR SEAT	8	WASHER ASSEMBLED,BLACK,8X25	
			MS240175	BOLT,FR SEAT	8	WASHER ASSEMBLED,BLACK,8X25	
			MS240175	BOLT,FR SEAT	8	WASHER ASSEMBLED,BLACK,8X25	
			MS240175	BOLT,FR SEAT	8	WASHER ASSEMBLED,BLACK,8X25	
			MS240175	BOLT,FR SEAT	8	WASHER ASSEMBLED,BLACK,8X25	
			MS240175	BOLT,FR SEAT	2	WASHER ASSEMBLED,BLACK,8X25	
			MS240175	BOLT,FR SEAT	8	WASHER ASSEMBLED,BLACK,8X25	
			MS240175	BOLT,FR SEAT	2	WASHER ASSEMBLED,BLACK,8X25	
		75111M	MS240909	BOLT,FR SEAT	8	WASHER ASSEMBLED,8X16	
			MS240909	BOLT,FR SEAT	4	WASHER ASSEMBLED,8X16	
			MC147164	BOLT,FR SEAT	4	8X16	

FK74R
53-010 FRONT SEAT

SPN	Repl Part	PNC	Part No	Part Name	Qty	Part Spec	Rema
		75111M	MC147164	BOLT,FR SEAT	4	8X16	
		75111N	MS240175	BOLT,FR SEAT	2	WASHER ASSEMBLED,BLACK,8X25	
		75111U	MF240051	BOLT,FR SEAT	1	WASHER ASSEMBLED,8X16	
			MF240051	BOLT,FR SEAT	1	WASHER ASSEMBLED,8X16	
		75111V	MF100053	BOLT,FR SEAT	3	BOLT,8X16	4T
		75113	MB187696	LOCK,FR SEAT UNDER BOX	1	BLACK	
			MB187696	LOCK,FR SEAT UNDER BOX	1	BLACK	
			MB187696	LOCK,FR SEAT UNDER BOX	1	BLACK	
			MB187696	LOCK,FR SEAT UNDER BOX	1	BLACK	
			MB187696	LOCK,FR SEAT UNDER BOX	1	BLACK	
		75114	MC933698	BOX,FR SEAT UNDER	1		
			MC933698	BOX,FR SEAT UNDER	1		
			MC933698	BOX,FR SEAT UNDER	1		
			MC933698	BOX,FR SEAT UNDER	1		
			MC933698	BOX,FR SEAT UNDER	1		

FK74R
53-010 FRONT SEAT

SPN	Repl Part	PNC	Part No	Part Name	Qty	Part Spec	Remarks
		75119	MH026330	BRACKET,FR SEAT	1		
			MH026462	BRACKET,FR SEAT	1		
			MH026462	BRACKET,FR SEAT	1		
		75119B	MH023752	BRACKET,FR SEAT	1		
		75127	MK565066	BRACKET,FR SEAT SUSP,LWR	1		
			MK565066	BRACKET,FR SEAT SUSP,LWR	1		
		75127B	MK513913	BRACKET,FR SEAT SUSP,LWR	2		
			MK513913	BRACKET,FR SEAT SUSP,LWR	2		
		75131	MK513662	KNOB,FR SEAT SUSP LOCK	1		
			MK513662	KNOB,FR SEAT SUSP LOCK	1		
		75151	MK565489	COVER,FR SEAT HINGE	1		
		75159	MC968128	PLATE,FR SEAT SUSP LOCK	1		
			MK513915	PLATE,FR SEAT SUSP LOCK	1		
			MK513915	PLATE,FR SEAT SUSP LOCK	1		

FK74R
53-010 FRONT SEAT

SPN	Repl Part	PNC	Part No	Part Name	Qty	Part Spec	Remarks
		75184	MK565486	KNOB,FR SEAT LUMBAR SUPPORT	1		
			MK565486	KNOB,FR SEAT LUMBAR SUPPORT	1		
		75202	MK447070	LINK,FR SEAT SUSP PISTON	1		
		75202C	MK513908	LINK,FR SEAT SUSP PISTON	1		
			MK513908	LINK,FR SEAT SUSP PISTON	1		
		75207	MC962431	LEVER,FR SEAT	1		
			MC968129	LEVER,FR SEAT	1		
			MC968129	LEVER,FR SEAT	1		
		75207B	MC962432	LEVER,FR SEAT	1		
		75207D	MC968129	LEVER,FR SEAT	1		
		75211	MC927521	PIPE,FR SEAT CONTROL VALVE AIR	1	6	
		75213B	MC962428	PLATE,FR SEAT LOCK	1		
		75213C	MC962429	PLATE,FR SEAT LOCK	1		
		75222L	MC930416	RAIL,FR SEAT UNDER BOX SLIDE,LH	1		
			MC930416	RAIL,FR SEAT UNDER BOX SLIDE,LH	1		

FK74R
53-010 FRONT SEAT

SPN	Repl Part	PNC	Part No	Part Name	Qty	Part Spec	Remarks
		75222L	MC930416	RAIL,FR SEAT UNDER BOX SLIDE,LH	1		
			MC930416	RAIL,FR SEAT UNDER BOX SLIDE,LH	1		
			MC930416	RAIL,FR SEAT UNDER BOX SLIDE,LH	1		
		75222R	MC930417	RAIL,FR SEAT UNDER BOX SLIDE,RH	1		
			MC930417	RAIL,FR SEAT UNDER BOX SLIDE,RH	1		
			MC930417	RAIL,FR SEAT UNDER BOX SLIDE,RH	1		
			MC930417	RAIL,FR SEAT UNDER BOX SLIDE,RH	1		
			MC930417	RAIL,FR SEAT UNDER BOX SLIDE,RH	1		
		75227	MK509565	ROLLER,FR SEAT SUSP	1		
			MK509565	ROLLER,FR SEAT SUSP	1		
		75229B	MC922011	REINFORCEMENT,FR SEAT SUSP SPRING TRAY	1		
		75229C	MC962452	REINFORCEMENT,FR SEAT SUSP SPRING TRAY	1		
		75231	MC922014	GEAR,FR SEAT SUSP SPRING SHAFT	1		
		75237	MC922017	SHAFT,FR SEAT SUSP	2		

FK74R
53-010 FRONT SEAT

SPN	Repl Part	PNC	Part No	Part Name	Qty	Part Spec	Rema
		75237	MK513912	SHAFT,FR SEAT SUSP	2		
			MK513912	SHAFT,FR SEAT SUSP	2		
		75241	MC922012	SHAFT,FR SEAT SUSP SPRING	1		
		75242	MC962430	SHOCK ABSORBER,FR SEAT SUSP	1		
			MC968127	SHOCK ABSORBER,FR SEAT SUSP	1		
			MC147157	SHOCK ABSORBER,FR SEAT SUSP	1		
			MC147157	SHOCK ABSORBER,FR SEAT SUSP	1		
		75243	MC935252	TRAY,FR SEAT SUSP SPRING SUPPORT	2		
		75247	MC922027	DAMPER,FR SEAT SUSP UPR FRAME	1		
		75255	MC968130	SPRING,FR SEAT SUSP	1		
			MK513916	SPRING,FR SEAT SUSP	1		
			MK513916	SPRING,FR SEAT SUSP	1		
		75255C	MC935251	SPRING,FR SEAT SUSP	1		
		75255D	MC935250	SPRING,FR SEAT SUSP	1		
		75261	MC922026	STOPPER,FR SEAT SUSP ARM BUMPER	2		

FK74R
53-010 FRONT SEAT

SPN	Repl Part	PNC	Part No	Part Name	Qty	Part Spec	Remarks
		75261	MC922026	STOPPER,FR SEAT SUSP ARM BUMPER	4		
			MC922026	STOPPER,FR SEAT SUSP ARM BUMPER	4		
		75263B	MC930317	SUPPORT,FR SEAT SIDE	1		
			MC930317	SUPPORT,FR SEAT SIDE	1		
			MC930317	SUPPORT,FR SEAT SIDE	1		
			MC930317	SUPPORT,FR SEAT SIDE	1		
			MC930317	SUPPORT,FR SEAT SIDE	1		
			MC930317	SUPPORT,FR SEAT SIDE	1		
			MC930317	SUPPORT,FR SEAT SIDE	1		
			MC930317	SUPPORT,FR SEAT SIDE	1		
			MC930317	SUPPORT,FR SEAT SIDE	1		
			MC930317	SUPPORT,FR SEAT SIDE	1		
			MC930317	SUPPORT,FR SEAT SIDE	1		
			MC930317	SUPPORT,FR SEAT SIDE	1		
			MC930317	SUPPORT,FR SEAT SIDE	1		
			MC930317	SUPPORT,FR SEAT SIDE	1		
			MC930317	SUPPORT,FR SEAT SIDE	1		
		75263C	MK509371	SUPPORT,FR SEAT SIDE	1		

FK74R
53-010 FRONT SEAT

SPN	Repl Part	PNC	Part No	Part Name	Qty	Part Spec	Remarks
		75271	MK513909	SUPPORT,FR SEAT SUSP,LWR	1		
			MK513909	SUPPORT,FR SEAT SUSP,LWR	1		
	RP	75275A	MK447088	SUSPENSION ASSY,FR SEAT AIR	1		
	RP		MK512368	SUSPENSION ASSY,FR SEAT AIR	1		
	RP		MK512368	SUSPENSION ASSY,FR SEAT AIR	1		
		75279B	MK511268	TUBE,FR SEAT SUSP SPRING	1		
			MK511268	TUBE,FR SEAT SUSP SPRING	1		
		75279D	MK513914	TUBE,FR SEAT SUSP SPRING	1		
			MK513914	TUBE,FR SEAT SUSP SPRING	1		
		75281	MC929982	VALVE,FR SEAT CONTROL	1		
		75281B	MK509416	VALVE,FR SEAT CONTROL	1		
			MK509416	VALVE,FR SEAT CONTROL	1		
		75284	MC928589	WIRE,FR SEAT	1		
			MC131908	WIRE,FR SEAT	1		

FK74R
53-010 FRONT SEAT

SPN	Repl Part	PNC	Part No	Part Name	Qty	Part Spec	Remarks
		75285	MC922013	BRACKET,FR SEAT SUSP SPRING,UPR	1		
		75290	MK447071	CAP,FR SEAT SUSP LINK	4		
			MK447071	CAP,FR SEAT SUSP LINK	4		
			MK447071	CAP,FR SEAT SUSP LINK	4		
		75303	MK509563	CAM,FR SEAT CONTROL VALVE	1		
			MK509563	CAM,FR SEAT CONTROL VALVE	1		
		75304	MK509564	ARM,FR SEAT CONTROL VALVE	1		
			MK509564	ARM,FR SEAT CONTROL VALVE	1		
		75602	MC938026	ADJUSTER,FR SEAT HEIGHT	1		
			MK565480	ADJUSTER,FR SEAT HEIGHT	1		
		75603C	MC964279	ADJUSTER,FR SEAT RECLINING	1		
			MC939470	ADJUSTER,FR SEAT RECLINING	1		
		75604	MC938038	ADJUSTER,FR SEAT SLIDE	1		
			MK565482	ADJUSTER,FR SEAT SLIDE	1		

FK74R
53-010 FRONT SEAT

SPN	Repl Part	PNC	Part No	Part Name	Qty	Part Spec	Rema
		75604B	MC935312	ADJUSTER,FR SEAT SLIDE	1		
			MK565481	ADJUSTER,FR SEAT SLIDE	1		
		75613B	MC938029	COVER,FR SEAT RECLINING ADJUSTER	1		
		75613C	MC963245	COVER,FR SEAT RECLINING ADJUSTER	1		
			MK405986	COVER,FR SEAT RECLINING ADJUSTER	1		RH SI
		75613D	MK512863	COVER,FR SEAT RECLINING ADJUSTER	1		
		75617B	MC928572	KNOB,FR SEAT RECLINING ADJUSTER	1		
			MK565486	KNOB,FR SEAT RECLINING ADJUSTER	1		
		75641	MC938028	KNOB,FR SEAT HEIGHT ADJUSTER	2		
			MC938028	KNOB,FR SEAT HEIGHT ADJUSTER	2		
			MC938028	KNOB,FR SEAT HEIGHT ADJUSTER	2		
			MC938028	KNOB,FR SEAT HEIGHT ADJUSTER	2		
			MK565483	KNOB,FR SEAT HEIGHT ADJUSTER	1		
			MK566042	KNOB,FR SEAT HEIGHT ADJUSTER	1		
			MK565483	KNOB,FR SEAT HEIGHT ADJUSTER	1		
			MK565483	KNOB,FR SEAT HEIGHT ADJUSTER	1		
			MK565483	KNOB,FR SEAT HEIGHT ADJUSTER	1		

FK74R
53-010 FRONT SEAT

SPN	Repl Part	PNC	Part No	Part Name	Qty	Part Spec	Remarks
		75641	MK565483	KNOB,FR SEAT HEIGHT ADJUSTER	1		
			MK565483	KNOB,FR SEAT HEIGHT ADJUSTER	1		
			MK565483	KNOB,FR SEAT HEIGHT ADJUSTER	1		
			MK565483	KNOB,FR SEAT HEIGHT ADJUSTER	1		
			MK566042	KNOB,FR SEAT HEIGHT ADJUSTER	1		
		75641B	MK565488	KNOB,FR SEAT HEIGHT ADJUSTER	1		
		75653	MC922015	GEAR,FR SEAT WEIGHT ADJUSTER SHAFT	1		
		75654	MC922016	SHAFT,FR SEAT WEIGHT ADJUSTER	1		
		75655	MC922024	POINTER,FR SEAT WEIGHT ADJUSTER	1		
		75656	MC922028	SPRING,FR SEAT WEIGHT ADJUSTER SHAFT	1		
		75656B	MC962426	SPRING,FR SEAT WEIGHT ADJUSTER SHAFT	2		
		75704	MK510852	ADJUSTER,FR SEAT BELT SLIDE	1		
			MK510852	ADJUSTER,FR SEAT BELT SLIDE	1		
			MK510852	ADJUSTER,FR SEAT BELT SLIDE	1		
			MK510852	ADJUSTER,FR SEAT BELT SLIDE	1		
			MK512475	ADJUSTER,FR SEAT BELT SLIDE	1		

FK74R
53-010 FRONT SEAT

SPN	Repl Part	PNC	Part No	Part Name	Qty	Part Spec	Rema
		75704	MK512475	ADJUSTER,FR SEAT BELT SLIDE	2		
			MK512475	ADJUSTER,FR SEAT BELT SLIDE	1		
			MK512475	ADJUSTER,FR SEAT BELT SLIDE	1		
			MK512475	ADJUSTER,FR SEAT BELT SLIDE	1		
			MK512475	ADJUSTER,FR SEAT BELT SLIDE	1		
			MK512475	ADJUSTER,FR SEAT BELT SLIDE	1		
			MK512475	ADJUSTER,FR SEAT BELT SLIDE	1		
			MK512475	ADJUSTER,FR SEAT BELT SLIDE	1		
			MK512475	ADJUSTER,FR SEAT BELT SLIDE	2		
		75717	MK510068	COVER,FR SEAT BELT SASH GUIDE	1		
			MK510068	COVER,FR SEAT BELT SASH GUIDE	1		
			MK510068	COVER,FR SEAT BELT SASH GUIDE	1		
			MK510068	COVER,FR SEAT BELT SASH GUIDE	1		
			MK512478	COVER,FR SEAT BELT SASH GUIDE	1		
			MK512478	COVER,FR SEAT BELT SASH GUIDE	2		
			MK512478	COVER,FR SEAT BELT SASH GUIDE	1		
			MK512478	COVER,FR SEAT BELT SASH GUIDE	1		
			MK512478	COVER,FR SEAT BELT SASH GUIDE	1		

FK74R
53-010 FRONT SEAT

SPN	Repl Part	PNC	Part No	Part Name	Qty	Part Spec	Remarks
		75717	MK512478	COVER,FR SEAT BELT SASH GUIDE	1		
			MK512478	COVER,FR SEAT BELT SASH GUIDE	1		
			MK512478	COVER,FR SEAT BELT SASH GUIDE	1		
			MK512478	COVER,FR SEAT BELT SASH GUIDE	1		
			MK512478	COVER,FR SEAT BELT SASH GUIDE	2		
		75718	MC924950	COVER,FR SEAT BELT,UPR	1		
			MC924950	COVER,FR SEAT BELT,UPR	1		
			MC924950	COVER,FR SEAT BELT,UPR	1		
			MC924950	COVER,FR SEAT BELT,UPR	1		
			MK512474	COVER,FR SEAT BELT,UPR	1		
			MK512474	COVER,FR SEAT BELT,UPR	2		
			MK512474	COVER,FR SEAT BELT,UPR	1		
			MK512474	COVER,FR SEAT BELT,UPR	1		
			MK512474	COVER,FR SEAT BELT,UPR	1		
			MK512474	COVER,FR SEAT BELT,UPR	1		
			MK512474	COVER,FR SEAT BELT,UPR	1		

FK74R
53-010 FRONT SEAT

SPN	Repl Part	PNC	Part No	Part Name	Qty	Part Spec	Remarks
		75718	MK512474	COVER,FR SEAT BELT,UPR	1		
			MK512474	COVER,FR SEAT BELT,UPR	1		
			MK512474	COVER,FR SEAT BELT,UPR	2		
		75722	MC924733	GUIDE,FR SEAT BELT	2		
			MK512477	GUIDE,FR SEAT BELT	2		
		75725L	MK511509	SEAT BELT,FR SEAT,LH	1		
			MK511509	SEAT BELT,FR SEAT,LH	1		
			MK511509	SEAT BELT,FR SEAT,LH	1		
			MK511509	SEAT BELT,FR SEAT,LH	1		
SP			MK512472	SEAT BELT,FR SEAT,LH	1		
SP			MK513859	SEAT BELT,FR SEAT,LH	1		
SP			MK512472	SEAT BELT,FR SEAT,LH	1		
SP			MK513859	SEAT BELT,FR SEAT,LH	1		
SP			MK513901	SEAT BELT,FR SEAT,LH	1		
SP			MK513902	SEAT BELT,FR SEAT,LH	1		
SP			MK512472	SEAT BELT,FR SEAT,LH	1		
SP			MK512472	SEAT BELT,FR SEAT,LH	1		
SP			MK512472	SEAT BELT,FR SEAT,LH	1		
SP			MK512472	SEAT BELT,FR SEAT,LH	1		
SP			MK513859	SEAT BELT,FR SEAT,LH	1		
SP			MK513859	SEAT BELT,FR SEAT,LH	1		
SP			MK513859	SEAT BELT,FR SEAT,LH	1		

FK74R
53-010 FRONT SEAT

SPN	Repl Part	PNC	Part No	Part Name	Qty	Part Spec	Rema
SP		75725L	MK513859	SEAT BELT,FR SEAT,LH	1		
SP			MK512472	SEAT BELT,FR SEAT,LH	1		
SP			MK513859	SEAT BELT,FR SEAT,LH	1		
SP			MK513901	SEAT BELT,FR SEAT,LH	1		
SP			MK513902	SEAT BELT,FR SEAT,LH	1		
		75725R	MK566477	SEAT BELT,FR SEAT,RH	1		
			MK566479	SEAT BELT,FR SEAT,RH	1		
SP			MK566486	SEAT BELT,FR SEAT,RH	1		
SP			MK566487	SEAT BELT,FR SEAT,RH	1		
SP			MK566486	SEAT BELT,FR SEAT,RH	1		
SP			MK566487	SEAT BELT,FR SEAT,RH	1		
		75726	MK511199	SEAT BELT,FR SEAT,CTR	1		
SP			MK512473	SEAT BELT,FR SEAT,CTR	1		
SP			MK512473	SEAT BELT,FR SEAT,CTR	1		
		75744	MC924948	COVER,FR SEAT BELT SLIDE ADJUSTER	1		
			MC924948	COVER,FR SEAT BELT SLIDE ADJUSTER	1		
			MC924948	COVER,FR SEAT BELT SLIDE ADJUSTER	1		
			MC924948	COVER,FR SEAT BELT SLIDE ADJUSTER	1		
			MK512476	COVER,FR SEAT BELT SLIDE ADJUSTER	1		
			MK512476	COVER,FR SEAT BELT SLIDE ADJUSTER	2		
			MK512476	COVER,FR SEAT BELT SLIDE ADJUSTER	1		
			MK512476	COVER,FR SEAT BELT SLIDE ADJUSTER	1		

FK74R
53-010 FRONT SEAT

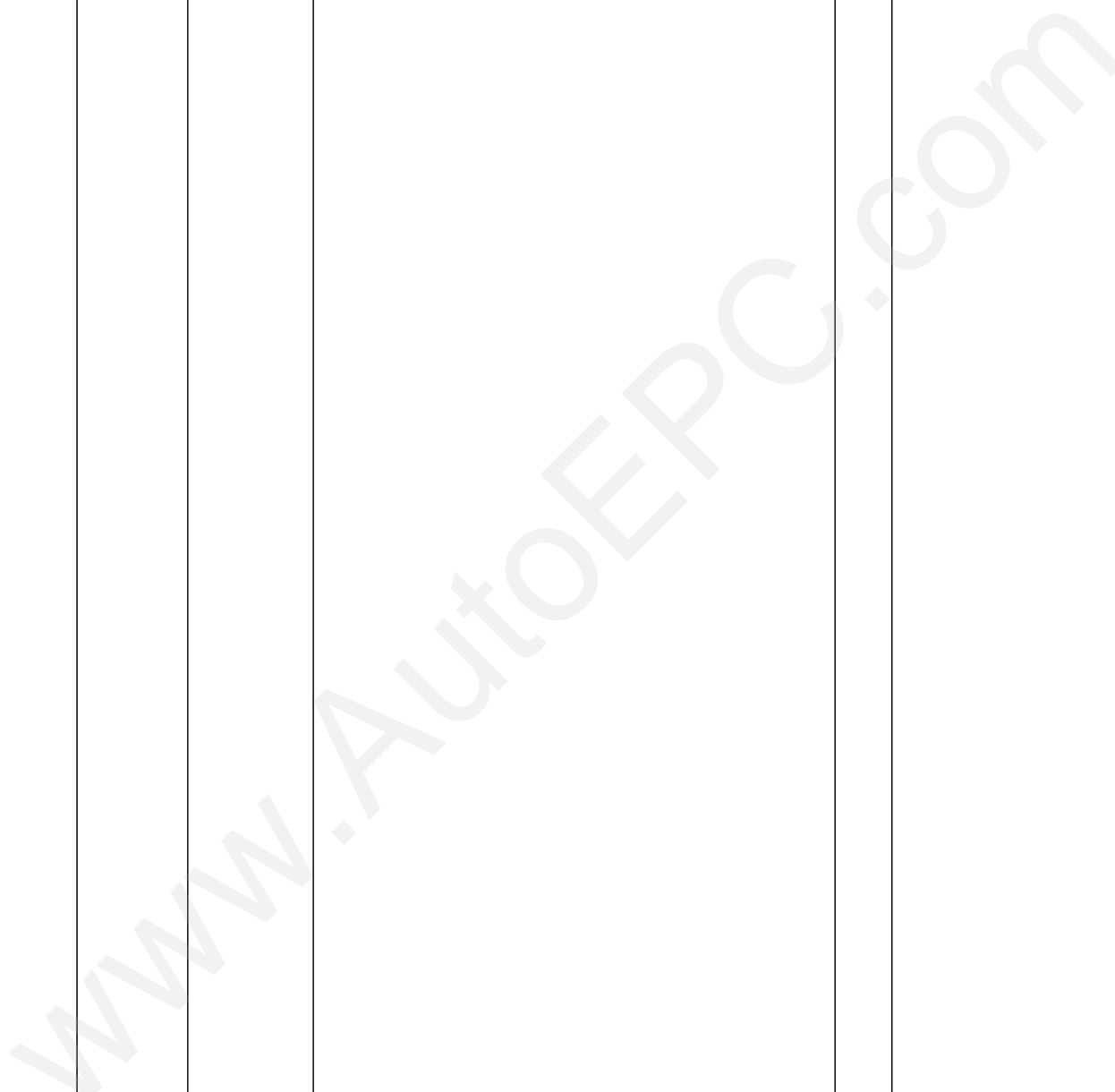
SPN	Repl Part	PNC	Part No	Part Name	Qty	Part Spec	Remarks
		75744	MK512476	COVER,FR SEAT BELT SLIDE ADJUSTER	1		
			MK512476	COVER,FR SEAT BELT SLIDE ADJUSTER	1		
			MK512476	COVER,FR SEAT BELT SLIDE ADJUSTER	1		
			MK512476	COVER,FR SEAT BELT SLIDE ADJUSTER	1		
			MK512476	COVER,FR SEAT BELT SLIDE ADJUSTER	1		
			MK512476	COVER,FR SEAT BELT SLIDE ADJUSTER	2		
		75753	MK513182	DAMPER,FR SEAT BELT	1		
		75793	MF453033	SCREW,FR SEAT BELT	2	TAPPING,5X16	
		75797	MC147388	SEAL,FR SEAT BELT	2		
			MC147388	SEAL,FR SEAT BELT	2		
			MC147388	SEAL,FR SEAT BELT	2		
			MC147388	SEAL,FR SEAT BELT	2		
			MC147388	SEAL,FR SEAT BELT	2		
			MC147388	SEAL,FR SEAT BELT	2		
			MC147388	SEAL,FR SEAT BELT	2		

FK74R
53-010 FRONT SEAT

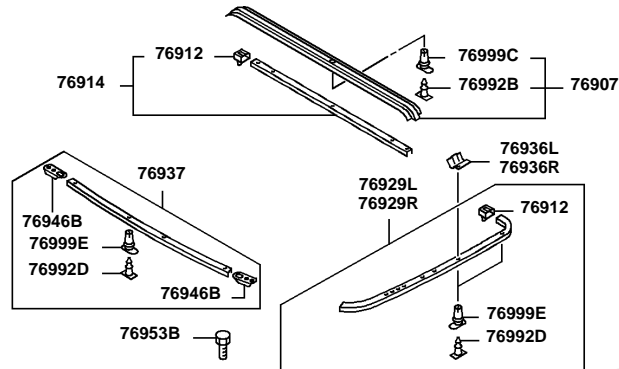
SPN	Repl Part	PNC	Part No	Part Name	Qty	Part Spec	Remarks
		75797	MC147388	SEAL,FR SEAT BELT	2		
			MC147388	SEAL,FR SEAT BELT	2		
			MC147388	SEAL,FR SEAT BELT	2		
		75971	MC928558	O-RING,FR SEAT	1		
		75988	MF351008	SCREW,FR SEAT UNDER TRAY	2	WASHER ASSEMBLED,BLACK,5X12	
			MF351008	SCREW,FR SEAT UNDER TRAY	2	WASHER ASSEMBLED,BLACK,5X12	
			MF351008	SCREW,FR SEAT UNDER TRAY	2	WASHER ASSEMBLED,BLACK,5X12	
			MF351008	SCREW,FR SEAT UNDER TRAY	2	WASHER ASSEMBLED,BLACK,5X12	
			MF351008	SCREW,FR SEAT UNDER TRAY	2	WASHER ASSEMBLED,BLACK,5X12	
		75988B	MF455496	SCREW,FR SEAT UNDER TRAY	4	TAPPING,4X10	
			MF455496	SCREW,FR SEAT UNDER TRAY	4	TAPPING,4X10	
			MF455496	SCREW,FR SEAT UNDER TRAY	4	TAPPING,4X10	
			MF455496	SCREW,FR SEAT UNDER TRAY	4	TAPPING,4X10	
			MF455496	SCREW,FR SEAT UNDER TRAY	4	TAPPING,4X10	
		75075G	(N.e.c.)	WASHER,FR SEAT			
		75099G	(N.e.c.)	SCREW,FR SEAT			
		75031B	(N.e.c.)	GEAR,FR SEAT ARMREST			
		75193	(N.e.c.)	LEVER,FR SEAT SIDE SUPPORT			

FK74R
53-010 FRONT SEAT

SPN	Repl Part	PNC	Part No	Part Name	Qty	Part Spec	Remarks
		75192	(N.e.c.)	LEVER,FR SEAT LUMBAR SUPPORT			
		75141	(N.e.c.)	COLLAR,FR SEAT			
		75246B	(N.e.c.)	SLEEVE,FR SEAT ADJUSTER			
		75075K	(N.e.c.)	WASHER,FR SEAT			
		75246C	(N.e.c.)	SLEEVE,FR SEAT ADJUSTER			
		75037B	(N.e.c.)	COVER,FR SEAT BACK FRAME			
		75075H	(N.e.c.)	WASHER,FR SEAT			
		75082C	(N.e.c.)	SNAP RING,FR SEAT			
		75124	(N.e.c.)	BRACKET,FR SEAT SUPPORT			
		75108C	(N.e.c.)	ARMREST,FR SEAT			
		75031C	(N.e.c.)	GEAR,FR SEAT ARMREST			
		75741	(N.e.c.)	PLUG,FR SEAT BELT			



FK74R
No.1

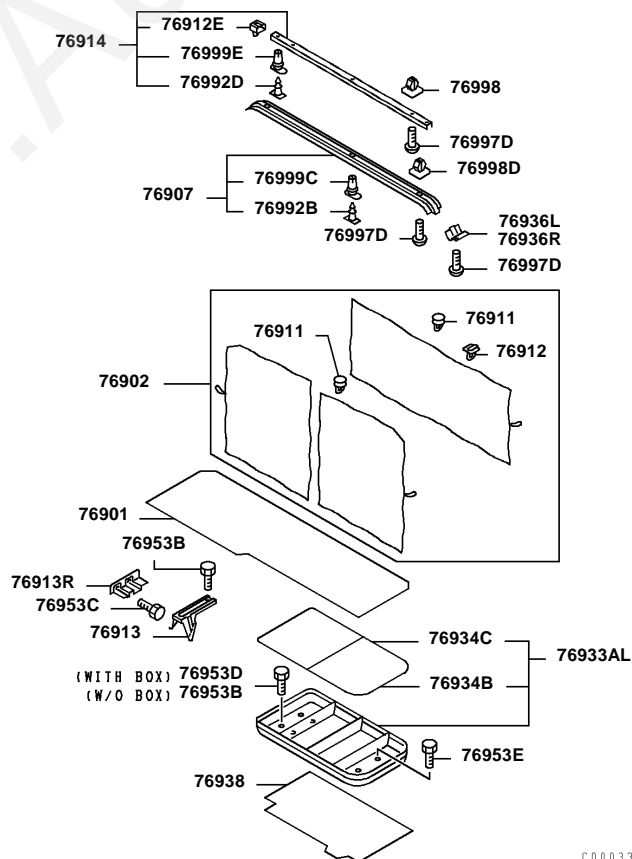


2PB001

Ref. |2053510

Page

FK74R
No.2



C00033

Ref. |2053510

Page

FK74R
53-510 BED & CURTAIN

PNC	Part No	Part Name	Qty	Part Spec	Classification	Option	Model Year	Start	End
76902	MK565724	CURTAIN SET,BED ROOM	1		G6,G6V,H6, H6E,H6V,H6VE, J6,J6E,J6V, J6VE,K6,K6E, K6V,K6VE,M6E, M6VE	1QP	05	05103	07052
	MK565724	CURTAIN SET,BED ROOM	1		G6,G6V,H6, H6E,H6V,H6VE, J6,J6E,J6V, J6VE,K6,K6E, K6VE,M6E	1QP	07	07053	09052
76907	MC963348	RAIL,CAB CURTAIN	1		G6,H6,J6, K6,M6			04053	05102
	MC963350	RAIL,CAB CURTAIN	1		G6E,H6E,J6E, K6E,M6E			04053	05102
	MK512365	RAIL,CAB CURTAIN	1		G6,G6V,H6, H6V,J6,J6V, K6,K6V			05103	07052
	MK512366	RAIL,CAB CURTAIN	1		H6E,H6VE,J6E, J6VE,K6E,K6VE, M6E,M6VE			05103	07052
	MK512365	RAIL,CAB CURTAIN	1		G6,G6V,H6, H6V,J6,J6V, K6			07053	09052
	MK512366	RAIL,CAB CURTAIN	1		H6E,H6VE,J6E, J6VE,K6E,K6VE, M6E			07053	09052
76911	MK565725	RUNNER,CURTAIN RAIL	8		G6,G6V,H6, H6E,H6V,H6VE, J6,J6E,J6V, J6VE,K6,K6E, K6V,K6VE,M6E, M6VE	1QP	05	05103	07052
	MK565725	RUNNER,CURTAIN RAIL	8		G6,G6V,H6, H6E,H6V,H6VE, J6,J6E,J6V, J6VE,K6,K6E, K6VE,M6E	1QP	07	07053	09052
76912	MC963219	STOPPER,CURTAIN RAIL	4		G6,H6,H6E, J6,J6E,K6, K6E,M6E			04053	05102
	MC963219	STOPPER,CURTAIN RAIL	4		G6E,M6			04053	05102
	MC963219	STOPPER,CURTAIN RAIL	4		G6,G6E,H6, H6E,J6,J6E, K6,K6E,M6, M6E			04053	05102
	MK565726	STOPPER,CURTAIN RAIL	1		G6,G6V,H6, H6E,H6V,H6VE, J6,J6E,J6V, J6VE,K6,K6E, K6V,K6VE,M6E, M6VE	1QP	05	05103	07052
	MK565726	STOPPER,CURTAIN RAIL	1		G6,G6V,H6, H6E,H6V,H6VE, J6,J6E,J6V, J6VE,K6,K6E, K6VE,M6E	1QP	07	07053	09052
76912E	MK512367	STOPPER,CURTAIN RAIL	2		G6,G6V,H6, H6E,H6V,H6VE, J6,J6E,J6V, J6VE,K6,K6E, K6V,K6VE,M6E, M6VE			05103	09052
76914	MC963218	RAIL,RR WINDOW CURTAIN	1		G6,G6E,H6, H6E,J6,J6E, K6,K6E,M6, M6E			04053	05102

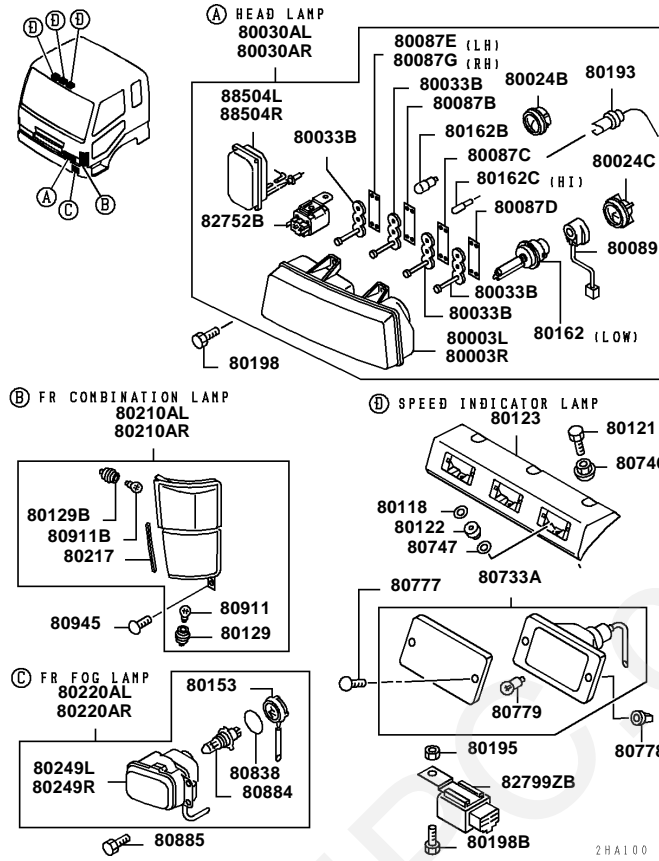
FK74R
53-510 BED & CURTAIN

PNC	Part No	Part Name	Qty	Part Spec	Classification	Option	Model Year	Start	End
76914	MK512355	RAIL,RR WINDOW CURTAIN	1		G6,G6V,H6, H6E,H6V,H6VE, J6,J6E,J6V, J6VE,K6,K6E, K6V,K6VE,M6E, M6VE			05103	09052
76929L	MC965330	RAIL,ROOF SIDE CURTAIN,LH	1		G6,G6E,H6, H6E,J6,J6E, K6,K6E,M6, M6E			04053	05102
76929R	MC965331	RAIL,ROOF SIDE CURTAIN,RH	1		G6,G6E,H6, H6E,J6,J6E, K6,K6E,M6, M6E			04053	05102
76936L	MC963890	COVER,CAB CURTAIN RAIL END,LH	1		G6,G6E,H6, H6E,J6,J6E, K6,K6E,M6, M6E			04053	05102
	MK512619	COVER,CAB CURTAIN RAIL END,LH	1		G6,G6V,H6, H6E,H6V,H6VE, J6,J6E,J6V, J6VE,K6,K6E, K6V,K6VE,M6E, M6VE			05103	09052
76936R	MC963891	COVER,CAB CURTAIN RAIL END,RH	1		G6,G6E,H6, H6E,J6,J6E, K6,K6E,M6, M6E			04053	05102
	MK512620	COVER,CAB CURTAIN RAIL END,RH	1		G6,G6V,H6, H6E,H6V,H6VE, J6,J6E,J6V, J6VE,K6,K6E, K6V,K6VE,M6E, M6VE			05103	09052
76937	MC963874	RAIL,FR CURTAIN	1		G6,H6,J6, K6,M6			04053	05102
	MC963876	RAIL,FR CURTAIN	1		G6E,H6E,J6E, K6E,M6E			04053	05102
76946B	MC964192	JOINT,CURTAIN RAIL	2		G6,G6E,H6, H6E,J6,J6E, K6,K6E,M6, M6E			04053	05102
76992B	MC936646	PIN,CURTAIN	1		G6,G6E,H6, H6E,J6,J6E, K6,K6E,M6, M6E			04053	05102
	MC936645	PIN,CURTAIN	1		G6,G6V,H6, H6E,H6V,H6VE, J6,J6E,J6V, J6VE,K6,K6E, K6V,K6VE,M6E, M6VE			05103	09052
76992D	MC936645	PIN,CURTAIN	7		G6,G6E,H6, H6E,J6,J6E, K6,K6E,M6, M6E			04053	05102
76997D	MF456100	SCREW,CURTAIN	7	TAPPING,4X20	G6,G6V,H6, H6E,H6V,H6VE, J6,J6E,J6V, J6VE,K6,K6E, K6V,K6VE,M6E, M6VE			05103	09052
76998	MC903343	GROMMET,CURTAIN	3	6.7	G6,G6V,H6, H6E,H6V,H6VE, J6,J6E,J6V, J6VE,K6,K6E, K6V,K6VE,M6E, M6VE			05103	09052

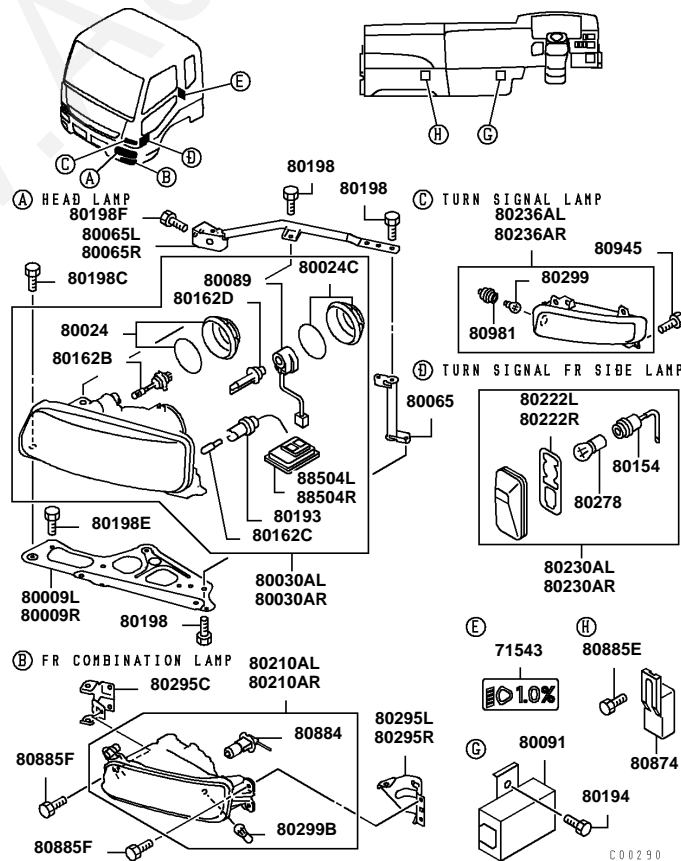
FK74R
53-510 BED & CURTAIN

PNC	Part No	Part Name	Qty	Part Spec	Classification	Option	Model Year	Start	End
76998D	MC924695	GROMMET,CURTAIN	2	9	G6,G6V,H6, H6E,H6V,H6VE, J6,J6E,J6V, J6VE,K6,K6E, K6V,K6VE,M6E, M6VE			05103	09052
76999C	MC963220	CLIP,CURTAIN	1		G6,G6E,H6, H6E,J6,J6E, K6,K6E,M6, M6E			04053	05102
	MC963889	CLIP,CURTAIN	1		G6,G6V,H6, H6E,H6V,H6VE, J6,J6E,J6V, J6VE,K6,K6E, K6V,K6VE,M6E, M6VE			05103	09052
76999E	MC963889	CLIP,CURTAIN	7		G6,G6E,H6, H6E,J6,J6E, K6,K6E,M6, M6E			04053	05102
76953B	(N.e.c.)	BOLT,SLEEPING BED							
76901	(N.e.c.)	BED,SLEEPING							
76913R	(N.e.c.)	SUPPORT,SLEEPING BED,RH							
76953C	(N.e.c.)	BOLT,SLEEPING BED							
76913	(N.e.c.)	SUPPORT,SLEEPING BED							
76933AL	(N.e.c.)	BOX ASSY,SLEEPING BED UNDER,LH							
76934C	(N.e.c.)	LID,BED UNDER BOX							
76934B	(N.e.c.)	LID,BED UNDER BOX							
76938	(N.e.c.)	SILENCER,SLEEPING BED							
76953E	(N.e.c.)	BOLT,SLEEPING BED							
76953D	(N.e.c.)	BOLT,SLEEPING BED							

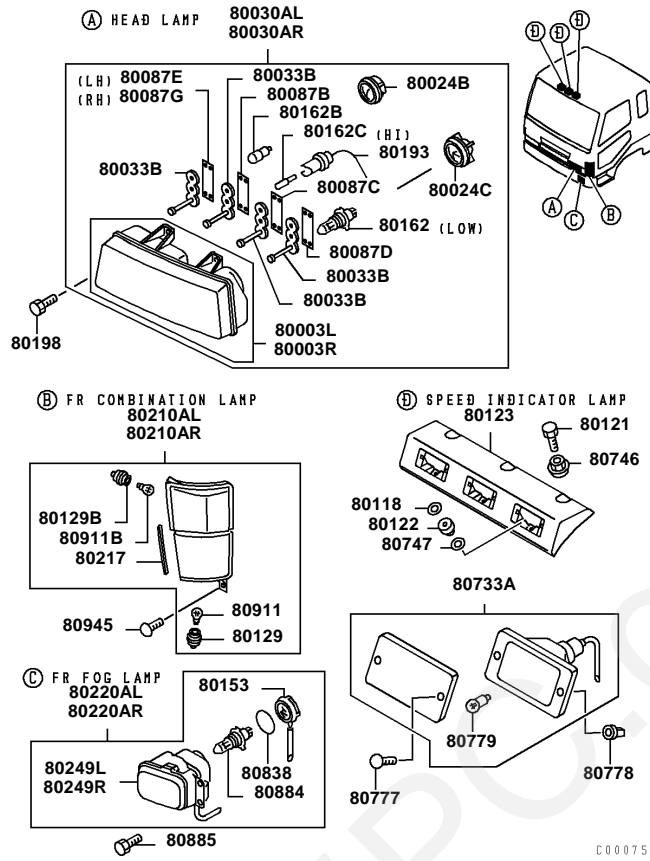
**FK74R
No.1**



**FK74R
No.2**



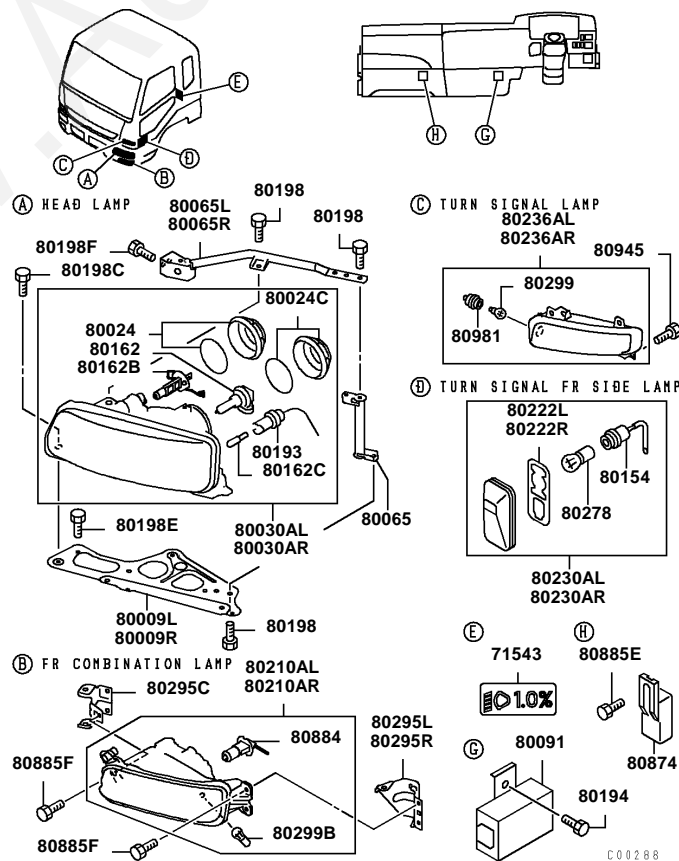
FK74R
No.3



Ref. |2054010

Page

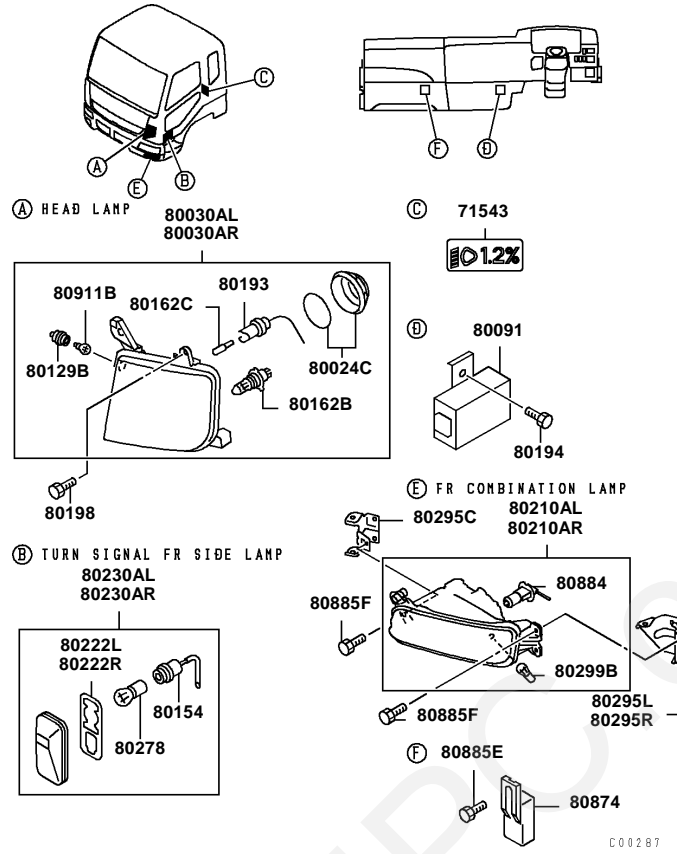
FK74R
No.4



Ref. |2054010

Page

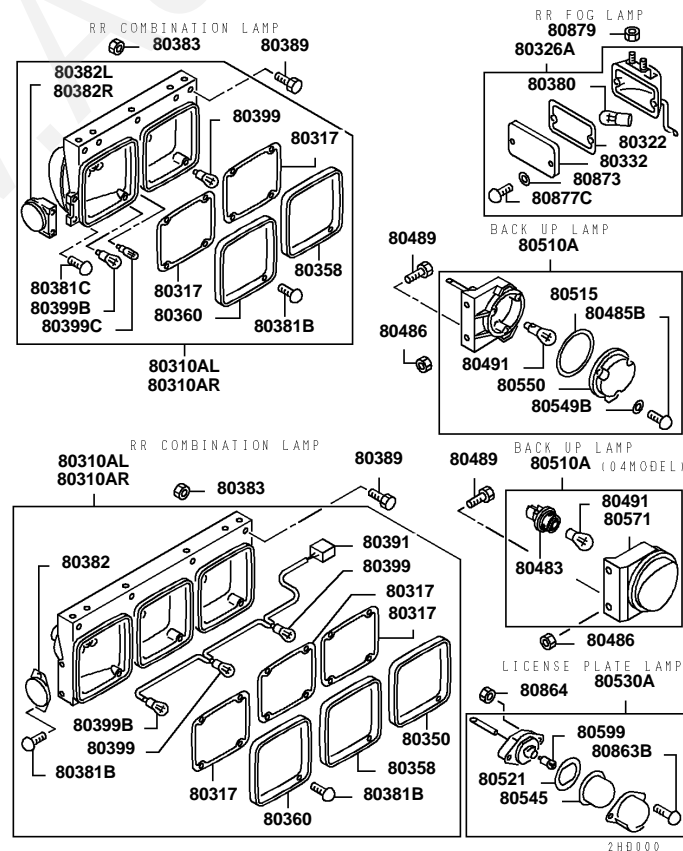
FK74R
No.5



Ref. |2054010

Page

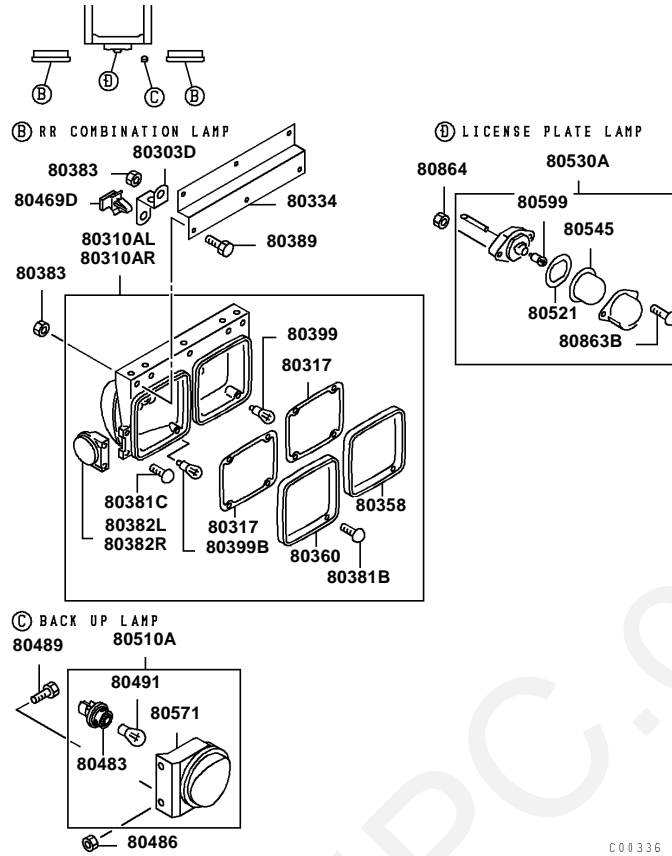
FK74R
No.6



Ref. |2054010

Page

FK74R
No.7

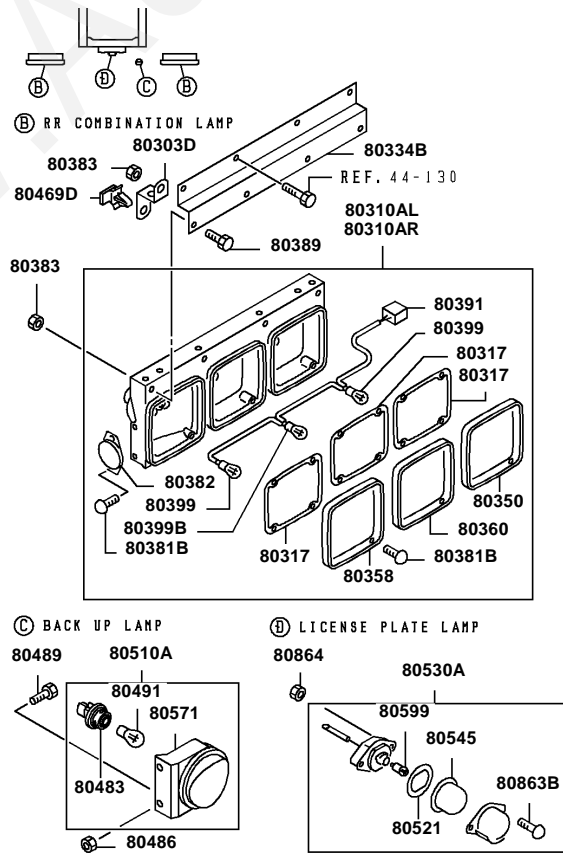


C00336

Ref. |2054010

Page

FK74R
No.8

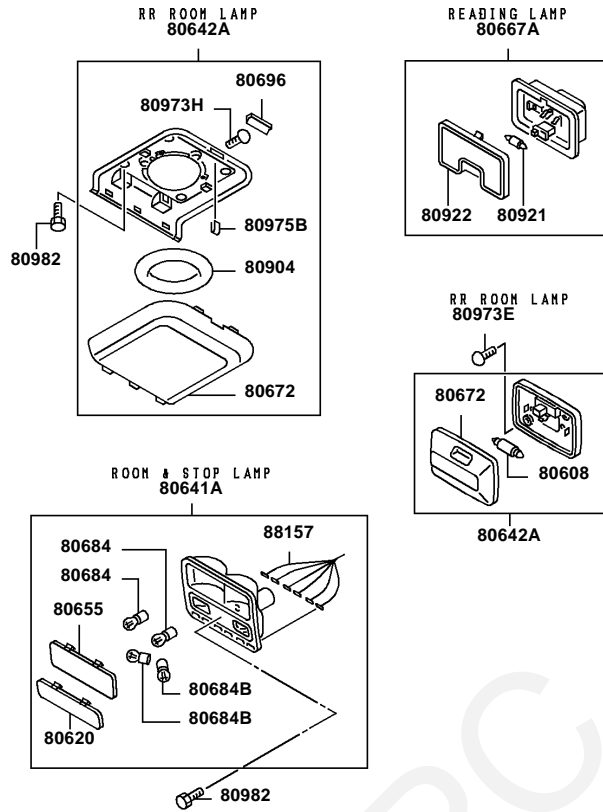


C00337

Ref. |2054010

Page

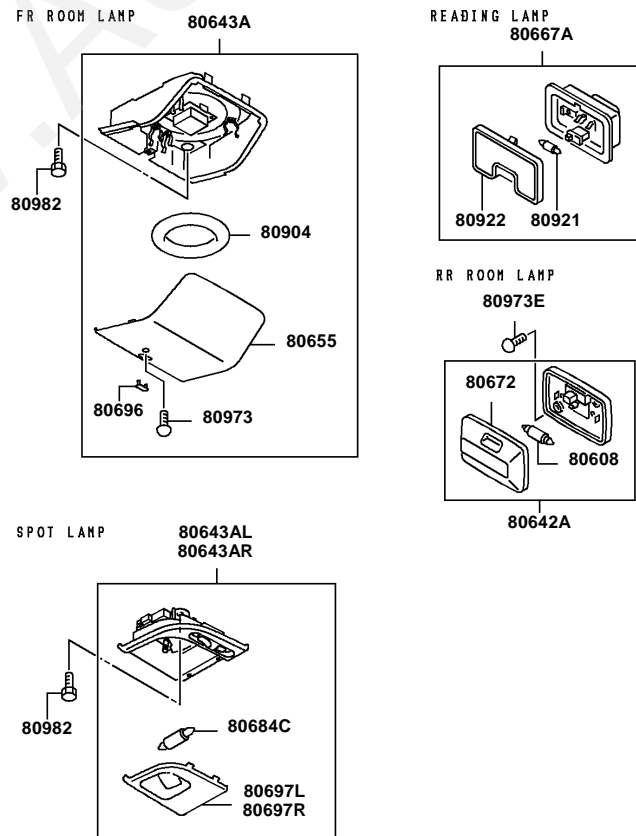
FK74R
No.9



Ref. |2054010

Page

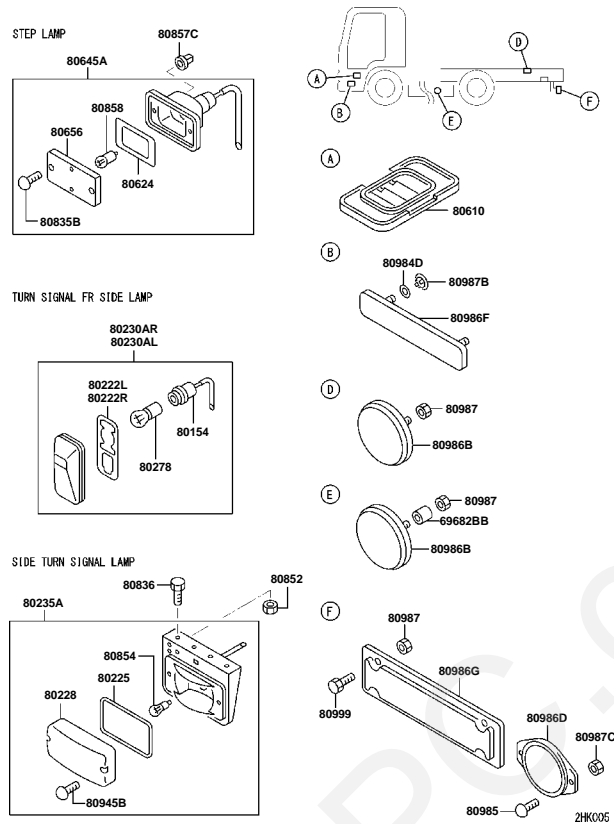
FK74R
No.10



Ref. |2054010

Page

FK74R
No.11



Ref. |2054010

Page

FK74R
54-010 LAMP

SPN	Repl Part	PNC	Part No	Part Name	Qty	Supply Mode	Part Spec
		69682BB	MK488988	SPACER,RR BODY GUARD FRAME	2		
			MK488988	SPACER,RR BODY GUARD FRAME	4		
		71543	MK486148	LABEL,HEADLAMP LEVELING	1		
			MK486148	LABEL,HEADLAMP LEVELING	1		
			MK486148	LABEL,HEADLAMP LEVELING	1		
			MK486148	LABEL,HEADLAMP LEVELING	1		
			MK486148	LABEL,HEADLAMP LEVELING	1		

Ref. |2054010

Page

**FK74R
54-010 LAMP**

SPN	Repl Part	PNC	Part No	Part Name	Qty	Supply Mode	Part Spec
		71543	MB683709	LABEL,HEADLAMP LEVELING	1		
		80003L	MC966783	BODY,HEADLAMP,LH	1		
			MK405541	BODY,HEADLAMP,LH	1		
			MK405539	BODY,HEADLAMP,LH	1		
		80003R	MC966784	BODY,HEADLAMP,RH	1		
			MK405542	BODY,HEADLAMP,RH	1		
			MK405540	BODY,HEADLAMP,RH	1		
		80009L	MK488575	BRACKET,HEADLAMP,LH	1		
		80009R	MK488576	BRACKET,HEADLAMP,RH	1		
		80024	MK580397	COVER,HEADLAMP BULB BACK	2		
			MK580397	COVER,HEADLAMP BULB BACK	2		
			MK580397	COVER,HEADLAMP BULB BACK	2		
			MK580397	COVER,HEADLAMP BULB BACK	2		
			MK580397	COVER,HEADLAMP BULB BACK	2		
			MK461207	COVER,HEADLAMP BULB BACK	2		

FK74R
54-010 LAMP

SPN	Repl Part	PNC	Part No	Part Name	Qty	Supply Mode	Part Spec
		80024	MK461207	COVER,HEADLAMP BULB BACK	2		
			MK461207	COVER,HEADLAMP BULB BACK	2		
			MK461207	COVER,HEADLAMP BULB BACK	2		
		80024B	MK545006	COVER,HEADLAMP BULB BACK	2		
		80024C	MK545007	COVER,HEADLAMP BULB BACK	2		
			MK545005	COVER,HEADLAMP BULB BACK	2		
			MK580398	COVER,HEADLAMP BULB BACK	2		
			MK580398	COVER,HEADLAMP BULB BACK	2		
			MK580398	COVER,HEADLAMP BULB BACK	2		
			MK580398	COVER,HEADLAMP BULB BACK	2		
			MK580398	COVER,HEADLAMP BULB BACK	2		
			MK580398	COVER,HEADLAMP BULB BACK	2		
			MK580398	COVER,HEADLAMP BULB BACK	2		
			MK580398	COVER,HEADLAMP BULB BACK	2		
			MK580398	COVER,HEADLAMP BULB BACK	2		
			MK461206	COVER,HEADLAMP BULB BACK	2		
			MK580398	COVER,HEADLAMP BULB BACK	2		
			MK461206	COVER,HEADLAMP BULB BACK	2		
		80030AL	MC964081	HEADLAMP ASSY,LH	1		24V-70W,70W,5W HALOGEN
			MC964081	HEADLAMP ASSY,LH	1		24V-70W,70W,5W HALOGEN

FK74R
54-010 LAMP

SPN	Repl Part	PNC	Part No	Part Name	Qty	Supply Mode	Part Spec
		80030AL	MC964081	HEADLAMP ASSY,LH	1		24V-70W,70W,5W HALOGEN
			MC964081	HEADLAMP ASSY,LH	1		24V-70W,70W,5W HALOGEN
			MK405537	HEADLAMP ASSY,LH	1		85V-35W/24V-70/5W DISCHARGE
			MK405535	HEADLAMP ASSY,LH	1		85V-35W/24V-70/5W DISCHARGE
			MK488569	HEADLAMP ASSY,LH	1		24V-70W,70W,5W,HALOGEN
			MK488569	HEADLAMP ASSY,LH	1		24V-70W,70W,5W,HALOGEN
			MK488569	HEADLAMP ASSY,LH	1		24V-70W,70W,5W,HALOGEN
			MK488569	HEADLAMP ASSY,LH	1		24V-70W,70W,5W,HALOGEN
			MK488569	HEADLAMP ASSY,LH	1		24V-70W,70W,5W,HALOGEN
			MK488569	HEADLAMP ASSY,LH	1		24V-70W,70W,5W,HALOGEN
			MK488569	HEADLAMP ASSY,LH	1		24V-70W,70W,5W,HALOGEN
			MK486315	HEADLAMP ASSY,LH	1		24V-75/70W,21W,5W,HALOGEN
			MK547504	HEADLAMP ASSY,LH	1		85V-35W/24V-70/5W DISCHARGE
			MK548617	HEADLAMP ASSY,LH	1		24V-70W,70W,5W,HALOGEN
			MK548617	HEADLAMP ASSY,LH	1		24V-70W,70W,5W,HALOGEN
			MK548617	HEADLAMP ASSY,LH	1		24V-70W,70W,5W,HALOGEN
			MK486315	HEADLAMP ASSY,LH	1		24V-75/70W,21W,5W,HALOGEN

FK74R
54-010 LAMP

SPN	Repl Part RP	PNC	Part No	Part Name	Qty	Supply Mode	Part Spec
		80030AL	MK548621	HEADLAMP ASSY,LH	1		85V-35W/24V-70/5W DISCHARGE
		80030AR	MC964082	HEADLAMP ASSY,RH	1		24V-70W,70W,5W HALOGEN
			MC964082	HEADLAMP ASSY,RH	1		24V-70W,70W,5W HALOGEN
			MC964082	HEADLAMP ASSY,RH	1		24V-70W,70W,5W HALOGEN
			MC964082	HEADLAMP ASSY,RH	1		24V-70W,70W,5W HALOGEN
			MK405538	HEADLAMP ASSY,RH	1		85V-35W/24V-70/5W DISCHARGE
			MK405536	HEADLAMP ASSY,RH	1		85V-35W/24V-70/5W DISCHARGE
			MK488570	HEADLAMP ASSY,RH	1		24V-70W,70W,5W,HALOGEN
			MK488570	HEADLAMP ASSY,RH	1		24V-70W,70W,5W,HALOGEN
			MK488570	HEADLAMP ASSY,RH	1		24V-70W,70W,5W,HALOGEN
			MK488570	HEADLAMP ASSY,RH	1		24V-70W,70W,5W,HALOGEN
			MK488570	HEADLAMP ASSY,RH	1		24V-70W,70W,5W,HALOGEN
			MK488570	HEADLAMP ASSY,RH	1		24V-70W,70W,5W,HALOGEN
			MK488570	HEADLAMP ASSY,RH	1		24V-70W,70W,5W,HALOGEN
			MK488570	HEADLAMP ASSY,RH	1		24V-70W,70W,5W,HALOGEN
			MK486316	HEADLAMP ASSY,RH	1		24V-75/70W,21W,5W,HALOGEN
			MK547505	HEADLAMP ASSY,RH	1		85V-35W/24V-70/5W DISCHARGE
			MK548618	HEADLAMP ASSY,RH	1		24V-70W,70W,5W,HALOGEN
			MK548618	HEADLAMP ASSY,RH	1		24V-70W,70W,5W,HALOGEN

**FK74R
54-010 LAMP**

SPN	Repl Part	PNC	Part No	Part Name	Qty	Supply Mode	Part Spec
		80030AR	MK548618	HEADLAMP ASSY,RH	1		24V-70W,70W,5W,HALOGEN
			MK486316	HEADLAMP ASSY,RH	1		24V-75/70W,21W,5W,HALOGEN
	RP		MK548622	HEADLAMP ASSY,RH	1		85V-35W/24V-70/5W DISCHARGE
		80033B	MC968502	GEARBOX,HEADLAMP LEVELING	8		
		80065	MK488583	STAY,HEADLAMP	2		
		80065L	MK488577	STAY,HEADLAMP,LH	1		
		80065R	MK488578	STAY,HEADLAMP,RH	1		
		80087B	MC968504	PLATE,HEADLAMP LEVELING GEARBOX	2		
		80087C	MC968507	PLATE,HEADLAMP LEVELING GEARBOX	2		
		80087D	MC968508	PLATE,HEADLAMP LEVELING GEARBOX	2		
		80087E	MC968505	PLATE,HEADLAMP LEVELING GEARBOX	1		
		80087G	MC968506	PLATE,HEADLAMP LEVELING GEARBOX	1		
		80089	MK353626	IGNITER,HEADLAMP	2		
			MK353626	IGNITER,HEADLAMP	2		

**FK74R
54-010 LAMP**

SPN	Repl Part	PNC	Part No	Part Name	Qty	Supply Mode	Part Spec
		80091	MK488842	CONVERTER,HEADLAMP DC-DC	1		
		80129	MH053020	SOCKET,FR COMBINATION LAMP	2		
		80129B	MH053014	SOCKET,FR COMBINATION LAMP	2		
			MH053014	SOCKET,FR COMBINATION LAMP	2		
			MH053014	SOCKET,FR COMBINATION LAMP	2		
			MH053014	SOCKET,FR COMBINATION LAMP	2		
			MH053022	SOCKET,FR COMBINATION LAMP	2		
		80153	MC925697	CORD,FR FOG LAMP	2		
		80154	MU805813	CORD,FR SIDE TURN SIGNAL LAMP	2		
		80162	MH056063	BULB,HEADLAMP	2		24V-70W HALOGEN
	RP		MH056111	BULB,HEADLAMP	2		85V-35W DISCHARGE
			MH056221	BULB,HEADLAMP	2		24V-70W
			MH056221	BULB,HEADLAMP	2		24V-70W
			MH056221	BULB,HEADLAMP	2		24V-70W
			MH056221	BULB,HEADLAMP	2		24V-70W
		80162B	MH056029	BULB,HEADLAMP	2		24V-5W

**FK74R
54-010 LAMP**

SPN	Repl Part	PNC	Part No	Part Name	Qty	Supply Mode	Part Spec
		80162B	MH056029	BULB,HEADLAMP	2		24V-5W
			MH056029	BULB,HEADLAMP	2		24V-5W
			MH056029	BULB,HEADLAMP	2		24V-5W
			MH056061	BULB,HEADLAMP	2		24V-75/70W HALOGEN
			MH056054	BULB,HEADLAMP	2		24V-70W HALOGEN
			MH056054	BULB,HEADLAMP	2		24V-70W HALOGEN
			MH056054	BULB,HEADLAMP	2		24V-70W HALOGEN
			MH056054	BULB,HEADLAMP	2		24V-70W HALOGEN
			MH056054	BULB,HEADLAMP	2		24V-70W HALOGEN
			MH056054	BULB,HEADLAMP	2		24V-70W HALOGEN
			MH056054	BULB,HEADLAMP	2		24V-70W HALOGEN
			MH056054	BULB,HEADLAMP	2		24V-70W HALOGEN
			MH056054	BULB,HEADLAMP	2		24V-70W HALOGEN
			MH056054	BULB,HEADLAMP	2		24V-70W HALOGEN
			MH056054	BULB,HEADLAMP	2		24V-70W HALOGEN
			MH056061	BULB,HEADLAMP	2		24V-75/70W HALOGEN
			MH056054	BULB,HEADLAMP	2		24V-70W HALOGEN
		80162C	MH056054	BULB,HEADLAMP	2		24V-70W HALOGEN
			MS820076	BULB,HEADLAMP	2		24V-5W
	RP	80162D	MH056111	BULB,HEADLAMP	2		85V-35W DISCHARGE

**FK74R
54-010 LAMP**

SPN	Repl Part	PNC	Part No	Part Name	Qty	Supply Mode	Part Spec
		80162D	MH056112	BULB,HEADLAMP	2		85V-35W(DR2)DISCHARGE
	80193		MH063016	SOCKET,HEADLAMP	2		24V-5W
			MH063016	SOCKET,HEADLAMP	2		24V-5W
			MH063016	SOCKET,HEADLAMP	2		24V-5W
			MH063016	SOCKET,HEADLAMP	2		24V-5W
			MH053015	SOCKET,HEADLAMP	2		24V-5W
			MH063016	SOCKET,HEADLAMP	2		24V-5W
			MK580521	SOCKET,HEADLAMP	2		
			MK580521	SOCKET,HEADLAMP	2		
			MK580521	SOCKET,HEADLAMP	2		
			MH053015	SOCKET,HEADLAMP	2		24V-5W
			MK580521	SOCKET,HEADLAMP	2		
	80194		MF453031	SCREW,HEADLAMP	1		TAPPING,5X12
	80198		MF243651	BOLT,HEADLAMP	8		WASHER ASSEMBLED,8X20
			MF243651	BOLT,HEADLAMP	8		WASHER ASSEMBLED,8X20

**FK74R
54-010 LAMP**

SPN	Repl Part	PNC	Part No	Part Name	Qty	Supply Mode	Part Spec
		80198	MF243651	BOLT,HEADLAMP	8		WASHER ASSEMBLED,8X20
			MF243651	BOLT,HEADLAMP	8		WASHER ASSEMBLED,8X20
			MF243651	BOLT,HEADLAMP	6		WASHER ASSEMBLED,8X20
			MF247224	BOLT,HEADLAMP	16		WASHER ASSEMBLED,6X16
			MF247224	BOLT,HEADLAMP	16		WASHER ASSEMBLED,6X16
			MF247224	BOLT,HEADLAMP	16		WASHER ASSEMBLED,6X16
			MF247224	BOLT,HEADLAMP	16		WASHER ASSEMBLED,6X16
			MF247224	BOLT,HEADLAMP	16		WASHER ASSEMBLED,6X16
			MF243651	BOLT,HEADLAMP	6		WASHER ASSEMBLED,8X20
		80198C	MF247224	BOLT,HEADLAMP	6		WASHER ASSEMBLED,6X16
			MF247224	BOLT,HEADLAMP	6		WASHER ASSEMBLED,6X16
			MF247224	BOLT,HEADLAMP	6		WASHER ASSEMBLED,6X16
			MF247224	BOLT,HEADLAMP	6		WASHER ASSEMBLED,6X16
			MF247224	BOLT,HEADLAMP	6		WASHER ASSEMBLED,6X16
			MF247224	BOLT,HEADLAMP	6		WASHER ASSEMBLED,6X16
			MF247224	BOLT,HEADLAMP	6		WASHER ASSEMBLED,6X16

FK74R
54-010 LAMP

SPN	Repl Part	PNC	Part No	Part Name	Qty	Supply Mode	Part Spec
		80198C	MF247224	BOLT,HEADLAMP	6		WASHER ASSEMBLED,6X16
		80198E	MF247251	BOLT,HEADLAMP	4		WASHER ASSEMBLED,8X20
		80198F	MF241283	BOLT,HEADLAMP	4		WASHER ASSEMBLED,10X28
		80210AL	MK426705	LAMP ASSY,COMBINATION,FR LH	1		24V-25/10W,21W
			MK488573	LAMP ASSY,COMBINATION,FR LH	1		24V-21W(P21W),70W(H3)
		80210AR	MK426706	LAMP ASSY,COMBINATION,FR RH	1		24V-25/10W,21W
			MK488574	LAMP ASSY,COMBINATION,FR RH	1		24V-21W(P21W),70W(H3)
		80217	MC936972	GASKET,FR COMBINATION LAMP	2		
		80220AL	MC930814	LAMP ASSY,FOG,FR LH	1		24V-55W
		80220AR	MC930815	LAMP ASSY,FOG,FR RH	1		24V-55W
		80222L	MC925688	GASKET,FR SIDE TURN SIGNAL LAMP,LH	1		
		80222R	MC925688	GASKET,FR SIDE TURN SIGNAL LAMP,RH	1		
		80230AL	MK484253	LAMP ASSY,SIDE TURN SIGNAL,FR LH	1		24V-10W
		80230AR	MK484254	LAMP ASSY,SIDE TURN SIGNAL,FR RH	1		24V-10W

**FK74R
54-010 LAMP**

SPN	Repl Part	PNC	Part No	Part Name	Qty	Supply Mode	Part Spec
		80236AL	MK486317	LAMP ASSY,TURN SIGNAL,FR LH	1		24V-21W
		80236AR	MK486318	LAMP ASSY,TURN SIGNAL,FR RH	1		24V-21W
		80249L	MC967149	LAMP UNIT,FOG,FR LH	1		
		80249R	MC967150	LAMP UNIT,FOG,FR RH	1		
		80278	MH056216	BULB,FR SIDE TURN SIGNAL LAMP	2		24V-10W
		80295C	MK545162	BRACKET,FR COMBINATION LAMP	2		
		80295L	MK488581	BRACKET,FR COMBINATION LAMP,LH	1		
		80295R	MK488582	BRACKET,FR COMBINATION LAMP,RH	1		
		80299	MH056214	BULB,FR TURN SIGNAL LAMP	2		24V-21W
		80299B	MH056215	BULB,FR TURN SIGNAL LAMP	2		24V-21W
		80303D	MH026535	BRACKET,RR COMBINATION LAMP	2		
		80310AL	MC935216	LAMP ASSY,COMBINATION,RR LH	1		24V-25/10W,25W
	MC935216		LAMP ASSY,COMBINATION,RR LH	1		24V-25/10W,25W	
	MC935216		LAMP ASSY,COMBINATION,RR LH	1		24V-25/10W,25W	
	MC935216		LAMP ASSY,COMBINATION,RR LH	1		24V-25/10W,25W	
	MC935216		LAMP ASSY,COMBINATION,RR LH	1		24V-25/10W,25W	
		MC935216	LAMP ASSY,COMBINATION,RR LH	1		24V-25/10W,25W	
		MC935216	LAMP ASSY,COMBINATION,RR LH	1		24V-25/10W,25W	

FK74R
54-010 LAMP

SPN	Repl Part	PNC	Part No	Part Name	Qty	Supply Mode	Part Spec
		80310AL	MC938682	LAMP ASSY,COMBINATION,RR LH	1		24V-25/10W,25W
			MC935216	LAMP ASSY,COMBINATION,RR LH	1		24V-25/10W,25W
			MK486043	LAMP ASSY,COMBINATION,RR LH	1		24V-21/5W,21W
			MK486043	LAMP ASSY,COMBINATION,RR LH	1		24V-21/5W,21W
			MK486043	LAMP ASSY,COMBINATION,RR LH	1		24V-21/5W,21W
			MK486043	LAMP ASSY,COMBINATION,RR LH	1		24V-21/5W,21W
			MK486043	LAMP ASSY,COMBINATION,RR LH	1		24V-21/5W,21W
			MK486043	LAMP ASSY,COMBINATION,RR LH	1		24V-21/5W,21W
			MK486041	LAMP ASSY,COMBINATION,RR LH	1		24V-21/5W,21W
			MK486043	LAMP ASSY,COMBINATION,RR LH	1		24V-21/5W,21W
			MK486043	LAMP ASSY,COMBINATION,RR LH	1		24V-21/5W,21W
			MK486043	LAMP ASSY,COMBINATION,RR LH	1		24V-21/5W,21W
			MK486043	LAMP ASSY,COMBINATION,RR LH	1		24V-21/5W,21W
			MK486043	LAMP ASSY,COMBINATION,RR LH	1		24V-21/5W,21W
			MK486043	LAMP ASSY,COMBINATION,RR LH	1		24V-21/5W,21W
		80310AR	MC935217	LAMP ASSY,COMBINATION,RR RH	1		24V-25/10W,25W
			MC935217	LAMP ASSY,COMBINATION,RR RH	1		24V-25/10W,25W
			MC935217	LAMP ASSY,COMBINATION,RR RH	1		24V-25/10W,25W
			MC935217	LAMP ASSY,COMBINATION,RR RH	1		24V-25/10W,25W
			MC935217	LAMP ASSY,COMBINATION,RR RH	1		24V-25/10W,25W
			MC935217	LAMP ASSY,COMBINATION,RR RH	1		24V-25/10W,25W
			MC935217	LAMP ASSY,COMBINATION,RR RH	1		24V-25/10W,25W
			MC938683	LAMP ASSY,COMBINATION,RR RH	1		24V-25/10W,25W
			MC935217	LAMP ASSY,COMBINATION,RR RH	1		24V-25/10W,25W
			MK486044	LAMP ASSY,COMBINATION,RR RH	1		24V-21/5W,21W

FK74R
54-010 LAMP

SPN	Repl Part	PNC	Part No	Part Name	Qty	Supply Mode	Part Spec
		80310AR	MK486044	LAMP ASSY,COMBINATION,RR RH	1		24V-21/5W,21W
			MK486044	LAMP ASSY,COMBINATION,RR RH	1		24V-21/5W,21W
			MK486044	LAMP ASSY,COMBINATION,RR RH	1		24V-21/5W,21W
			MK486044	LAMP ASSY,COMBINATION,RR RH	1		24V-21/5W,21W
			MK486044	LAMP ASSY,COMBINATION,RR RH	1		24V-21/5W,21W
			MK486042	LAMP ASSY,COMBINATION,RR RH	1		24V-21/5W,21W
			MK486044	LAMP ASSY,COMBINATION,RR RH	1		24V-21/5W,21W
			MK486044	LAMP ASSY,COMBINATION,RR RH	1		24V-21/5W,21W
			MK486044	LAMP ASSY,COMBINATION,RR RH	1		24V-21/5W,21W
			MK486044	LAMP ASSY,COMBINATION,RR RH	1		24V-21/5W,21W
			MK486044	LAMP ASSY,COMBINATION,RR RH	1		24V-21/5W,21W
		80317	MC841724	GASKET,RR COMBINATION LAMP	6		
			MC841724	GASKET,RR COMBINATION LAMP	4		
			MC841724	GASKET,RR COMBINATION LAMP	4		
			MC841724	GASKET,RR COMBINATION LAMP	4		
			MC841724	GASKET,RR COMBINATION LAMP	4		
			MC841724	GASKET,RR COMBINATION LAMP	4		
			MC841724	GASKET,RR COMBINATION LAMP	4		
			MC841724	GASKET,RR COMBINATION LAMP	4		
			MC841724	GASKET,RR COMBINATION LAMP	4		

FK74R
54-010 LAMP

SPN	Repl Part	PNC	Part No	Part Name	Qty	Supply Mode	Part Spec
		80317	MC841724	GASKET,RR COMBINATION LAMP	4		
			MC841724	GASKET,RR COMBINATION LAMP	4		
			MC841724	GASKET,RR COMBINATION LAMP	4		
			MC841724	GASKET,RR COMBINATION LAMP	4		
			MC841724	GASKET,RR COMBINATION LAMP	6		
			MC841724	GASKET,RR COMBINATION LAMP	4		
			MC841724	GASKET,RR COMBINATION LAMP	4		
			MC841724	GASKET,RR COMBINATION LAMP	4		
			MC841724	GASKET,RR COMBINATION LAMP	4		
			MC841724	GASKET,RR COMBINATION LAMP	4		
			MC841724	GASKET,RR COMBINATION LAMP	4		
		80334	MK488904	SUPPORT,RR COMBINATION LAMP	2		
		80350	MC931304	LENS,STOP LAMP	2		
			MK486106	LENS,STOP LAMP	2		
		80358	MC841722	LENS,RR TURN SIGNAL LAMP	2		
			MC841722	LENS,RR TURN SIGNAL LAMP	2		
			MC841722	LENS,RR TURN SIGNAL LAMP	2		
			MC841722	LENS,RR TURN SIGNAL LAMP	2		
			MC841722	LENS,RR TURN SIGNAL LAMP	2		
			MC841722	LENS,RR TURN SIGNAL LAMP	2		
			MC841722	LENS,RR TURN SIGNAL LAMP	2		
			MC931303	LENS,RR TURN SIGNAL LAMP	2		
			MC841722	LENS,RR TURN SIGNAL LAMP	2		
			MK486107	LENS,RR TURN SIGNAL LAMP	2		
			MK486107	LENS,RR TURN SIGNAL LAMP	2		

FK74R
54-010 LAMP

SPN	Repl Part	PNC	Part No	Part Name	Qty	Supply Mode	Part Spec
		80358	MK486107	LENS,RR TURN SIGNAL LAMP	2		
			MK486107	LENS,RR TURN SIGNAL LAMP	2		
			MK486107	LENS,RR TURN SIGNAL LAMP	2		
			MK486107	LENS,RR TURN SIGNAL LAMP	2		
			MK486104	LENS,RR TURN SIGNAL LAMP	2		
			MK486107	LENS,RR TURN SIGNAL LAMP	2		
			MK486107	LENS,RR TURN SIGNAL LAMP	2		
			MK486107	LENS,RR TURN SIGNAL LAMP	2		
			MK486107	LENS,RR TURN SIGNAL LAMP	2		
			MK486107	LENS,RR TURN SIGNAL LAMP	2		
			MK486107	LENS,RR TURN SIGNAL LAMP	2		
		80360	MC841723	LENS,STOP & TAIL LAMP	2		
			MC841723	LENS,STOP & TAIL LAMP	2		
			MC841723	LENS,STOP & TAIL LAMP	2		
			MC841723	LENS,STOP & TAIL LAMP	2		
			MC841723	LENS,STOP & TAIL LAMP	2		
			MC841723	LENS,STOP & TAIL LAMP	2		
			MC841723	LENS,STOP & TAIL LAMP	2		
			MC841723	LENS,STOP & TAIL LAMP	2		
			MC931302	LENS,STOP & TAIL LAMP	2		
			MC841723	LENS,STOP & TAIL LAMP	2		
			MK486108	LENS,STOP & TAIL LAMP	2		
			MK486108	LENS,STOP & TAIL LAMP	2		
			MK486108	LENS,STOP & TAIL LAMP	2		

FK74R
54-010 LAMP

SPN	Repl Part	PNC	Part No	Part Name	Qty	Supply Mode	Part Spec
		80360	MK486108	LENS,STOP & TAIL LAMP	2		
			MK486108	LENS,STOP & TAIL LAMP	2		
			MK486108	LENS,STOP & TAIL LAMP	2		
			MK486105	LENS,STOP & TAIL LAMP	2		
			MK486108	LENS,STOP & TAIL LAMP	2		
			MK486108	LENS,STOP & TAIL LAMP	2		
			MK486108	LENS,STOP & TAIL LAMP	2		
			MK486108	LENS,STOP & TAIL LAMP	2		
			MK486108	LENS,STOP & TAIL LAMP	2		
		80381B	MC841820	SCREW,TAIL LAMP	36		TAPPING,4X16
			MC841820	SCREW,TAIL LAMP	16		TAPPING,4X16
			MC841820	SCREW,TAIL LAMP	16		TAPPING,4X16
			MC841820	SCREW,TAIL LAMP	16		TAPPING,4X16
			MC841820	SCREW,TAIL LAMP	16		TAPPING,4X16
			MC841820	SCREW,TAIL LAMP	16		TAPPING,4X16
			MC841820	SCREW,TAIL LAMP	16		TAPPING,4X16
			MC841820	SCREW,TAIL LAMP	16		TAPPING,4X16
			MC841820	SCREW,TAIL LAMP	16		TAPPING,4X16
			MC841820	SCREW,TAIL LAMP	16		TAPPING,4X16
			MC841820	SCREW,TAIL LAMP	16		TAPPING,4X16
			MC841820	SCREW,TAIL LAMP	16		TAPPING,4X16
			MC841820	SCREW,TAIL LAMP	16		TAPPING,4X16
			MC841820	SCREW,TAIL LAMP	16		TAPPING,4X16
			MC841820	SCREW,TAIL LAMP	16		TAPPING,4X16

FK74R
54-010 LAMP

SPN	Repl Part	PNC	Part No	Part Name	Qty	Supply Mode	Part Spec
		80381B	MC841820	SCREW, TAIL LAMP	36		TAPPING, 4X16
			MC841820	SCREW, TAIL LAMP	16		TAPPING, 4X16
			MC841820	SCREW, TAIL LAMP	16		TAPPING, 4X16
			MC841820	SCREW, TAIL LAMP	16		TAPPING, 4X16
			MC841820	SCREW, TAIL LAMP	16		TAPPING, 4X16
			MC841820	SCREW, TAIL LAMP	16		TAPPING, 4X16
		80381C	MC841726	SCREW, TAIL LAMP	4		4X12
			MC841726	SCREW, TAIL LAMP	4		4X12
			MC841726	SCREW, TAIL LAMP	4		4X12
			MC841726	SCREW, TAIL LAMP	4		4X12
			MC841726	SCREW, TAIL LAMP	4		4X12
			MC841726	SCREW, TAIL LAMP	4		4X12
			MC841726	SCREW, TAIL LAMP	4		4X12
			MC841726	SCREW, TAIL LAMP	4		4X12
			MC841726	SCREW, TAIL LAMP	4		4X12
			MC841726	SCREW, TAIL LAMP	4		4X12
			MC841726	SCREW, TAIL LAMP	4		4X12
			MC841726	SCREW, TAIL LAMP	4		4X12
			MC841726	SCREW, TAIL LAMP	4		4X12
			MC841726	SCREW, TAIL LAMP	4		4X12
			MC841726	SCREW, TAIL LAMP	4		4X12
			MC841726	SCREW, TAIL LAMP	4		4X12

FK74R
54-010 LAMP

SPN	Repl Part	PNC	Part No	Part Name	Qty	Supply Mode	Part Spec
		80382	MC931311	REFLECTOR,TAIL LAMP	2		
			MK486125	REFLECTOR,TAIL LAMP	2		
		80382L	MC841725	REFLECTOR,TAIL LAMP,LH	1		
			MC841725	REFLECTOR,TAIL LAMP,LH	1		
			MC841725	REFLECTOR,TAIL LAMP,LH	1		
			MC841725	REFLECTOR,TAIL LAMP,LH	1		
			MC841725	REFLECTOR,TAIL LAMP,LH	1		
			MK580565	REFLECTOR,TAIL LAMP,LH	1		
			MK580565	REFLECTOR,TAIL LAMP,LH	1		
			MK580565	REFLECTOR,TAIL LAMP,LH	1		
			MK580565	REFLECTOR,TAIL LAMP,LH	1		
			MK580565	REFLECTOR,TAIL LAMP,LH	1		
			MK580565	REFLECTOR,TAIL LAMP,LH	1		
			MK580565	REFLECTOR,TAIL LAMP,LH	1		
			MK580565	REFLECTOR,TAIL LAMP,LH	1		
			MK580565	REFLECTOR,TAIL LAMP,LH	1		
			MK580565	REFLECTOR,TAIL LAMP,LH	1		
		80382R	MC841732	REFLECTOR,TAIL LAMP,RH	1		
			MC841732	REFLECTOR,TAIL LAMP,RH	1		
			MC841732	REFLECTOR,TAIL LAMP,RH	1		
			MC841732	REFLECTOR,TAIL LAMP,RH	1		
			MC841732	REFLECTOR,TAIL LAMP,RH	1		
			MC841732	REFLECTOR,TAIL LAMP,RH	1		

FK74R
54-010 LAMP

SPN	Repl Part	PNC	Part No	Part Name	Qty	Supply Mode	Part Spec
		80382R	MC841732	REFLECTOR,TAIL LAMP,RH	1		
			MK580566	REFLECTOR,TAIL LAMP,RH	1		
			MK580566	REFLECTOR,TAIL LAMP,RH	1		
			MK580566	REFLECTOR,TAIL LAMP,RH	1		
			MK580566	REFLECTOR,TAIL LAMP,RH	1		
			MK580566	REFLECTOR,TAIL LAMP,RH	1		
			MK580566	REFLECTOR,TAIL LAMP,RH	1		
			MK580566	REFLECTOR,TAIL LAMP,RH	1		
			MK580566	REFLECTOR,TAIL LAMP,RH	1		
		80383	MF434104	NUT,TAIL LAMP	6		FLANGE,8
			MF434104	NUT,TAIL LAMP	12		FLANGE,8
		80389	MF140025	BOLT,TAIL LAMP	6		FLANGE,8X20
		80391	MC962512	SOCKET,TAIL LAMP	2		
			MK486124	SOCKET,TAIL LAMP	2		24V
		80399	MH056201	BULB,TAIL LAMP	2		24V-25W
			MH056201	BULB,TAIL LAMP	2		24V-25W
			MH056201	BULB,TAIL LAMP	2		24V-25W
			MH056201	BULB,TAIL LAMP	2		24V-25W
			MH056201	BULB,TAIL LAMP	2		24V-25W
			MH056201	BULB,TAIL LAMP	2		24V-25W

**FK74R
54-010 LAMP**

SPN	Repl Part	PNC	Part No	Part Name	Qty	Supply Mode	Part Spec
		80399	MH056211	BULB,TAIL LAMP	4		24V-25W
			MH056201	BULB,TAIL LAMP	2		24V-25W
			MH056219	BULB,TAIL LAMP	2		24V-21W
			MH056219	BULB,TAIL LAMP	2		24V-21W
			MH056219	BULB,TAIL LAMP	2		24V-21W
			MH056219	BULB,TAIL LAMP	2		24V-21W
			MH056219	BULB,TAIL LAMP	2		24V-21W
			MH056219	BULB,TAIL LAMP	4		24V-21W
			MH056219	BULB,TAIL LAMP	2		24V-21W
			MH056219	BULB,TAIL LAMP	2		24V-21W
			MH056219	BULB,TAIL LAMP	2		24V-21W
			MH056219	BULB,TAIL LAMP	2		24V-21W
			MH056219	BULB,TAIL LAMP	2		24V-21W
		80399B	MH056210	BULB,TAIL LAMP	2		24V-25/10W
			MH056218	BULB,TAIL LAMP	2		24V-21/5W
			MH056218	BULB,TAIL LAMP	2		24V-21/5W
		80469D	MH056347	CLIP,RR LAMP	2		D=14.8

FK74R
54-010 LAMP

SPN	Repl Part	PNC	Part No	Part Name	Qty	Supply Mode	Part Spec
		80483	MH063012	SOCKET,BACKUP LAMP	1		
		80486	MF434105	NUT,BACKUP LAMP	2		FLANGE,10
		80489	MF140062	BOLT,BACKUP LAMP	2		FLANGE,10X30
			MF140060	BOLT,BACKUP LAMP	2		FLANGE,10X25
		80491	MH056215	BULB,BACKUP LAMP	1		24V-21W
		80510A	MK435523	LAMP ASSY,BACKUP	1		24V-21W
		80521	MC846803	GASKET,LICENSE PLATE LAMP LENS	1		
		80530A	MC849505	LAMP ASSY,LICENSE PLATE	1		24V-12W
			MK547312	LAMP ASSY,LICENSE PLATE	1		24V-10W
		80545	MC846801	LENS,LICENSE PLATE LAMP	1		
		80571	MK485024	BODY,BACKUP LAMP	1		
		80599	MH056202	BULB,LICENSE PLATE LAMP	1		24V-12W
			MH056216	BULB,LICENSE PLATE LAMP	1		24V-10W

FK74R
54-010 LAMP

SPN	Repl Part	PNC	Part No	Part Name	Qty	Supply Mode	Part Spec
		80610	MC926940	GARNISH,STEP LAMP	1		
		80620	MC857787	LENS,SPOT LAMP	1		
		80624	MC845276	GASKET,STEP LAMP	1		
		80641A	MC858395	LAMP ASSY,ROOM & SPOT	1		24V-12W,8W
		80642A	MC857420	LAMP ASSY,ROOM,RR	1		
SP		80643A	MK509685	LAMP ASSY,ROOM,FR	1		24V
		80643AL	MK510556	LAMP ASSY,ROOM,FR LH	1		24V-10W
		80643AR	MK510557	LAMP ASSY,ROOM,FR RH	1		24V-10W
		80645A	MC934224	LAMP ASSY,STEP	1		24V-12W
			MK488591	LAMP ASSY,STEP	1		24V-12W
		80655	MC857786	LENS,ROOM LAMP	1		
			MK512603	LENS,ROOM LAMP	1		
		80656	MC845275	LENS,STEP LAMP	1		
		80672	MC857421	LENS,RR ROOM LAMP	1		

FK74R
54-010 LAMP

SPN	Repl Part	PNC	Part No	Part Name	Qty	Supply Mode	Part Spec
		80684	MH056006	BULB,ROOM LAMP	2		24V-12W
		80684B	MH056028	BULB,ROOM LAMP	2		24V-8W
		80684C	MH056026	BULB,ROOM LAMP	2		24V-10W
		80696	MC857423	LOCK,ROOM LAMP LENS	1		
			MK512604	LOCK,ROOM LAMP LENS	1		
		80697L	MK512607	LENS,FR ROOM LAMP,LH	1		
		80697R	MK512608	LENS,FR ROOM LAMP,RH	1		
		80835B	MC854895	SCREW,STEP LAMP	2		TAPPING,4X18
		80838	MC925696	O-RING,FOG LAMP	2		
		80857C	MS480001	GROMMET,STEP LAMP	2		SCREW,4,HOLE=6.7X6.7
		80858	MH056202	BULB,STEP LAMP	1		24V-12W
			MH056216	BULB,STEP LAMP	1		24V-10W
		80863B	MC847119	SCREW,LICENSE PLATE LAMP	2		5X45

FK74R
54-010 LAMP

SPN	Repl Part	PNC	Part No	Part Name	Qty	Supply Mode	Part Spec
		80864	MH004160	NUT,LICENSE PLATE LAMP	2		FLANGE,5
		80874	MC847081	DIODE,FOG LAMP	1		
	RP	80884	MH056096	BULB,FR FOG LAMP	2		24V-55W
			MH056097	BULB,FR FOG LAMP	2		24V-70W,HALOGEN
		80885	MF140005	BOLT,FOG LAMP	6		FLANGE,6X16
		80885E	MF140003	BOLT,FOG LAMP	1		FLANGE,6X12
		80885F	MF247224	BOLT,FOG LAMP	14		WASHER ASSEMBLED,6X16
		80904	MC857426	TUBE,FLUORESCENT LAMP	1		
			MC885830	TUBE,FLUORESCENT LAMP	1		
		80911	MH056209	BULB,FR COMBINATION LAMP	2		24V-25/10W
		80911B	MH056214	BULB,FR COMBINATION LAMP	2		24V-21W
			MH056214	BULB,FR COMBINATION LAMP	2		24V-21W
			MH056214	BULB,FR COMBINATION LAMP	2		24V-21W
			MH056214	BULB,FR COMBINATION LAMP	2		24V-21W
			MH056214	BULB,FR COMBINATION LAMP	2		24V-21W
			MH056215	BULB,FR COMBINATION LAMP	2		24V-21W

FK74R
54-010 LAMP

SPN	Repl Part	PNC	Part No	Part Name	Qty	Supply Mode	Part Spec
		80911B	MH056215	BULB,FR COMBINATION LAMP	2		24V-21W
		80945	MS450290	SCREW,FR TURN SIGNAL LAMP	6		TAPPING,5X12
			MS452028	SCREW,FR TURN SIGNAL LAMP	8		WASHER ASSEMBLED,5X16
		80973	MF453033	SCREW,ROOM LAMP	1		TAPPING,5X16
		80973H	MC857427	SCREW,ROOM LAMP	1		
		80975B	MC857428	NUT,ROOM LAMP	1		
		80981	MH056078	SOCKET,FR TURN SIGNAL LAMP	2		
		80982	MS240303	BOLT,ROOM LAMP	6		WASHER ASSEMBLED,6X25
		80984D	MK545847	WASHER,REFLECTOR	4		RUBBER,4.5
			MK545847	WASHER,REFLECTOR	4		RUBBER,4.5
		80986B	MC841868	REFLECTOR	2		
			MC841868	REFLECTOR	4		
			MC841868	REFLECTOR	4		
			MC841868	REFLECTOR	4		
			MC841868	REFLECTOR	4		
			MC841868	REFLECTOR	6		
			MC841868	REFLECTOR	4		
			MC841868	REFLECTOR	6		
			MC841868	REFLECTOR	4		
			MC841868	REFLECTOR	4		
			MC841868	REFLECTOR	4		
			MC841868	REFLECTOR	6		

FK74R
54-010 LAMP

SPN	Repl Part	PNC	Part No	Part Name	Qty	Supply Mode	Part Spec
		80986F	MC855877	REFLECTOR	2		
			MC855877	REFLECTOR	2		
			MC855877	REFLECTOR	2		
	RP	80986G	MC055304	REFLECTOR	2	OR	
	RP		MC055304	REFLECTOR	2	OR	
	RP		MC047073	REFLECTOR	2		
	RP		MC047073	REFLECTOR	2		
	RP		MC047073	REFLECTOR	2		
	RP		MC047073	REFLECTOR	2		
		80987	MS446191	NUT,REFLECTOR	2		FLANGE,5
			MS446191	NUT,REFLECTOR	2		FLANGE,5
			MS446191	NUT,REFLECTOR	2		FLANGE,5
			MS446191	NUT,REFLECTOR	2		FLANGE,5
			MC396076	NUT,REFLECTOR	8		6
			MC396076	NUT,REFLECTOR	8		6
			MS446191	NUT,REFLECTOR	4		FLANGE,5
			MS446191	NUT,REFLECTOR	4		FLANGE,5
			MS446191	NUT,REFLECTOR	4		FLANGE,5
			MS446191	NUT,REFLECTOR	4		FLANGE,5
			MS446191	NUT,REFLECTOR	4		FLANGE,5
			MS446191	NUT,REFLECTOR	4		FLANGE,5
			MS446191	NUT,REFLECTOR	6		FLANGE,5
			MC396076	NUT,REFLECTOR	8		6
			MC396076	NUT,REFLECTOR	8		6

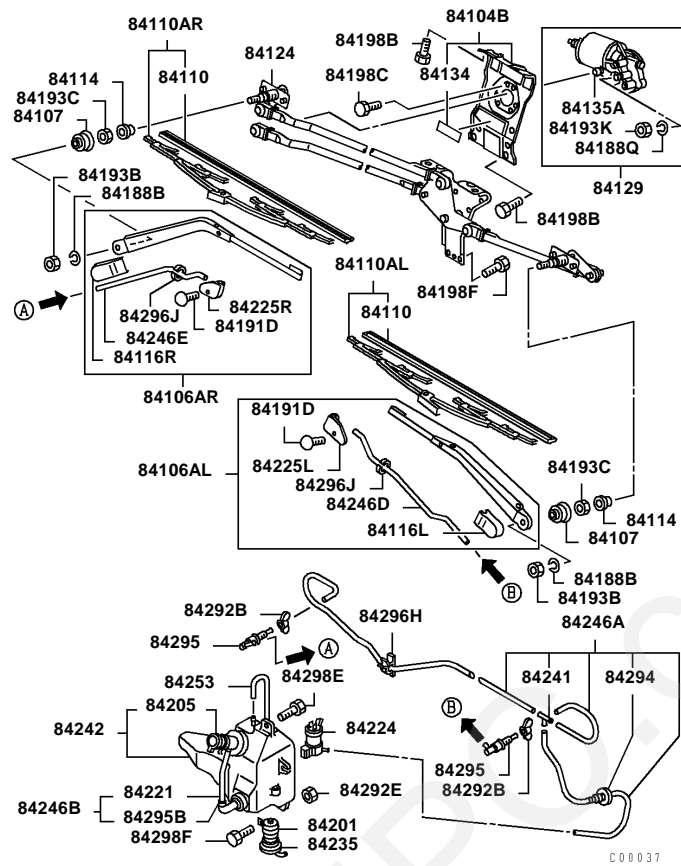
FK74R
54-010 LAMP

SPN	Repl Part	PNC	Part No	Part Name	Qty	Supply Mode	Part Spec
		80987	MS446191	NUT,REFLECTOR	4		FLANGE,5
			MS446191	NUT,REFLECTOR	4		FLANGE,5
			MS446191	NUT,REFLECTOR	4		FLANGE,5
			MS446191	NUT,REFLECTOR	6		FLANGE,5
			MS446191	NUT,REFLECTOR	6		FLANGE,5
			MS446191	NUT,REFLECTOR	6		FLANGE,5
			MS446191	NUT,REFLECTOR	6		FLANGE,5
			MS446191	NUT,REFLECTOR	4		FLANGE,5
			MS446191	NUT,REFLECTOR	4		FLANGE,5
			MS446191	NUT,REFLECTOR	4		FLANGE,5
		80987B	MS446191	NUT,REFLECTOR	6		FLANGE,5
			MC857068	NUT,REFLECTOR	4		PUSH,4
			MC857068	NUT,REFLECTOR	4		PUSH,4
			MC857068	NUT,REFLECTOR	4		PUSH,4
		80999	MF140007	BOLT,REFLECTOR	8		FLANGE,6X20
			MF140007	BOLT,REFLECTOR	8		FLANGE,6X20
			MF140007	BOLT,REFLECTOR	8		FLANGE,6X20
			MF140007	BOLT,REFLECTOR	8		FLANGE,6X20
		82752B	MR232801	RELAY,HEADLAMP WASHER	2		
		88157	MK370649	SWITCH & HARNESS,ROOM LAMP	1		
		88504L	MK405002	CONTROL UNIT,HEADLAMP,LH	1		
			MK405001	CONTROL UNIT,HEADLAMP,LH	1		
			MK353624	CONTROL UNIT,HEADLAMP,LH	1		

FK74R
54-010 LAMP

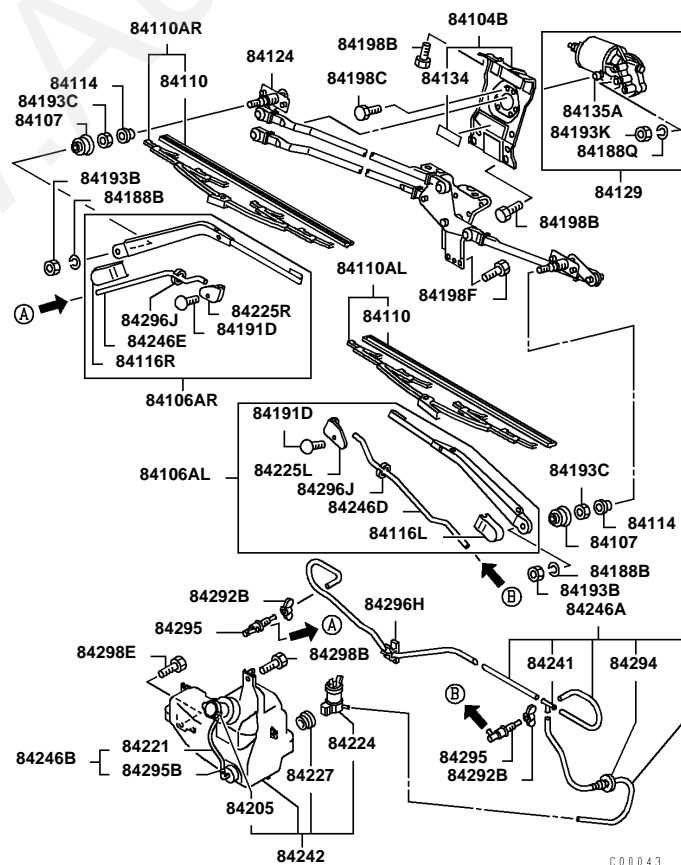
SPN	Repl Part	PNC	Part No	Part Name	Qty	Supply Mode	Part Spec
		88504L	MK353624	CONTROL UNIT,HEADLAMP,LH	1		
		88504R	MK405002	CONTROL UNIT,HEADLAMP,RH	1		
			MK405001	CONTROL UNIT,HEADLAMP,RH	1		
			MK353624	CONTROL UNIT,HEADLAMP,RH	1		
			MK353624	CONTROL UNIT,HEADLAMP,RH	1		
		80779	(N.e.c.)	BULB,SPEED INDICATOR LAMP			
		80122	(N.e.c.)	COLLAR,SPEED INDICATOR LAMP			
		80121	(N.e.c.)	BOLT,SPEED INDICATOR LAMP			
		80123	(N.e.c.)	COVER,SPEED INDICATOR LAMP			
		80747	(N.e.c.)	WASHER,SPEED INDICATOR LAMP			
		80777	(N.e.c.)	SCREW,SPEED INDICATOR LAMP			
		80746	(N.e.c.)	NUT,SPEED INDICATOR LAMP			
		80118	(N.e.c.)	O-RING,SPEED INDICATOR LAMP			
		82799ZB	(N.e.c.)	RELAY			
		80195	(N.e.c.)	NUT,HEADLAMP			
		80198B	(N.e.c.)	BOLT,HEADLAMP			
		80733A	(N.e.c.)	LAMP ASSY,SPEED INDICATOR			
		80778	(N.e.c.)	GROMMET,SPEED INDICATOR LAMP			
		80515	(N.e.c.)	GASKET,BACKUP LAMP			
		80549B	(N.e.c.)	GASKET,BACKUP LAMP LENS			
		80550	(N.e.c.)	LENS,BACKUP LAMP			
		80485B	(N.e.c.)	SCREW,BACKUP LAMP			
		80326A	(N.e.c.)	LAMP ASSY,FOG,RR			
		80322	(N.e.c.)	GASKET,RR FOG LAMP LENS			
		80877C	(N.e.c.)	SCREW,FOG LAMP			
		80873	(N.e.c.)	WASHER,FOG LAMP			
		80332	(N.e.c.)	LENS,RR FOG LAMP			
		80380	(N.e.c.)	BULB,RR FOG LAMP			
		80879	(N.e.c.)	NUT,FOG LAMP			
		80399C	(N.e.c.)	BULB,TAIL LAMP			
		80334B	(N.e.c.)	SUPPORT,RR COMBINATION LAMP			
		80922	(N.e.c.)	LENS,READING LAMP			
		80667A	(N.e.c.)	LAMP ASSY,READING			
		80921	(N.e.c.)	BULB,READING LAMP			
		80608	(N.e.c.)	BULB,ROOM LAMP,RR			
		80973E	(N.e.c.)	SCREW,ROOM LAMP			
		80987C	(N.e.c.)	NUT,REFLECTOR			
		80986D	(N.e.c.)	REFLECTOR			
		80985	(N.e.c.)	SCREW,REFLECTOR			
		80228	(N.e.c.)	LENS,SIDE TURN SIGNAL LAMP			
		80852	(N.e.c.)	NUT,SIDE TURN SIGNAL LAMP			
		80836	(N.e.c.)	BOLT,SIDE TURN SIGNAL LAMP			
		80854	(N.e.c.)	BULB,SIDE TURN SIGNAL LAMP			
		80225	(N.e.c.)	GASKET,SIDE TURN SIGNAL LAMP LENS			
		80235A	(N.e.c.)	LAMP ASSY,SIDE TURN SIGNAL			
		80945B	(N.e.c.)	SCREW,FR TURN SIGNAL LAMP			

FK74R
No.1



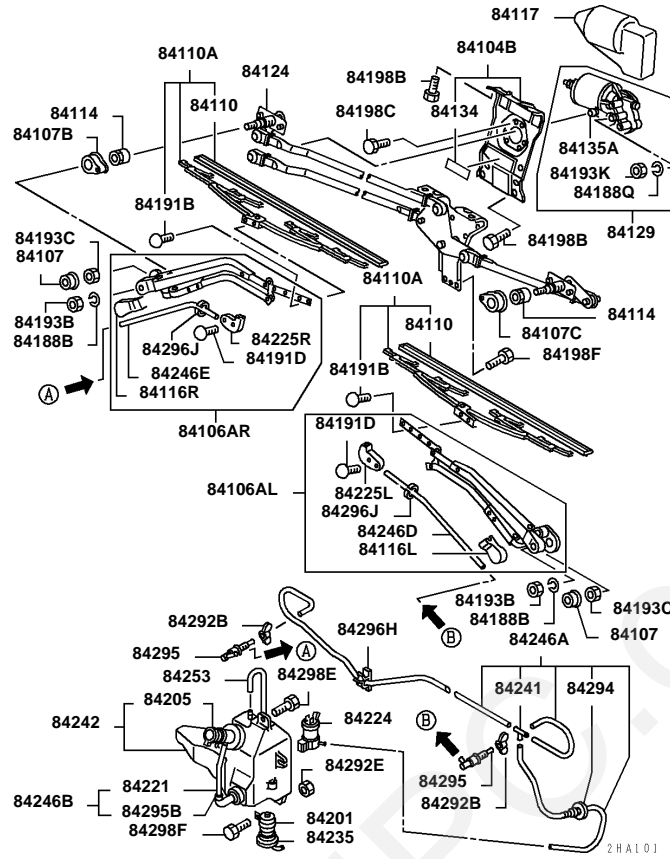
C00037

FK74R
No.2



C00043

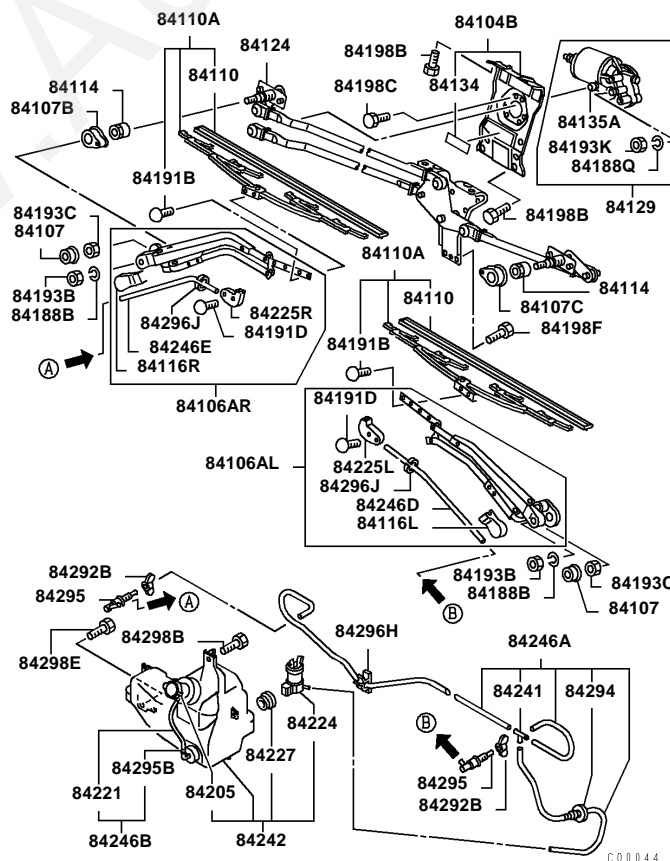
FK74R
No.3



Ref. |2054230

Page

FK74R
No.4



Ref. |2054230

Page

FK74R
54-230 WIPER & WASHER

Repl Part	PNC	Part No	Part Name	Qty	Part Spec	Remarks	PRE
	84104B	MK484938	BRACKET,WINDSHIELD WIPER MOTOR	1			
	84106AL	MC967100	ARM ASSY,WINDSHIELD WIPER,LH	1	L=522		
		MK487220	ARM ASSY,WINDSHIELD WIPER,LH	1	L=549		
		MC967100	ARM ASSY,WINDSHIELD WIPER,LH	1	L=522		
		MK487220	ARM ASSY,WINDSHIELD WIPER,LH	1	L=549		
		MC967100	ARM ASSY,WINDSHIELD WIPER,LH	1	L=522		
		MK487220	ARM ASSY,WINDSHIELD WIPER,LH	1	L=549		
		MK487220	ARM ASSY,WINDSHIELD WIPER,LH	1	L=549		
		MC967100	ARM ASSY,WINDSHIELD WIPER,LH	1	L=522		
	84106AR	MC967101	ARM ASSY,WINDSHIELD WIPER,RH	1	L=507		
		MK487218	ARM ASSY,WINDSHIELD WIPER,RH	1	L=557		
		MC967101	ARM ASSY,WINDSHIELD WIPER,RH	1	L=507		
		MK487218	ARM ASSY,WINDSHIELD WIPER,RH	1	L=557		
		MC967101	ARM ASSY,WINDSHIELD WIPER,RH	1	L=507		
		MK487218	ARM ASSY,WINDSHIELD WIPER,RH	1	L=557		
		MK487218	ARM ASSY,WINDSHIELD WIPER,RH	1	L=557		
		MC967101	ARM ASSY,WINDSHIELD WIPER,RH	1	L=507		
	84107	MC858955	CAP,WINDSHIELD WIPER ARM PIVOT	2			
		MC858980	CAP,WINDSHIELD WIPER ARM PIVOT	2			
		MC858955	CAP,WINDSHIELD WIPER ARM PIVOT	2			
		MC858980	CAP,WINDSHIELD WIPER ARM PIVOT	2			
		MC858955	CAP,WINDSHIELD WIPER ARM PIVOT	2			
		MC858980	CAP,WINDSHIELD WIPER ARM PIVOT	2			
		MC858955	CAP,WINDSHIELD WIPER ARM PIVOT	2			
		MC858980	CAP,WINDSHIELD WIPER ARM PIVOT	2			
	84107B	MC858979	CAP,WINDSHIELD WIPER ARM PIVOT	1			
		MC858979	CAP,WINDSHIELD WIPER ARM PIVOT	1			
		MC858979	CAP,WINDSHIELD WIPER ARM PIVOT	1			
		MC858979	CAP,WINDSHIELD WIPER ARM PIVOT	1			
	84107C	MC858978	CAP,WINDSHIELD WIPER ARM PIVOT	1			
		MC858978	CAP,WINDSHIELD WIPER ARM PIVOT	1			
		MC858978	CAP,WINDSHIELD WIPER ARM PIVOT	1			
		MC858978	CAP,WINDSHIELD WIPER ARM PIVOT	1			
RP	84110	MC967535	BLADE,WINDSHIELD WIPER	2	L=650		
		MK487576	BLADE,WINDSHIELD WIPER	2	L=650		

FK74R
54-230 WIPER & WASHER

Repl Part	PNC	Part No	Part Name	Qty	Part Spec	Remarks	PRE
RP	84110	MC967535	BLADE,WINDSHIELD WIPER	2	L=650		O
		MK487576	BLADE,WINDSHIELD WIPER	2	L=650		
RP		MC967535	BLADE,WINDSHIELD WIPER	2	L=650		O
		MK487576	BLADE,WINDSHIELD WIPER	2	L=650		
		MK487576	BLADE,WINDSHIELD WIPER	2	L=650		
RP		MC967535	BLADE,WINDSHIELD WIPER	2	L=650		O
RP	84110A	MC967534	BLADE ASSY,WINDSHIELD WIPER	2	L=650		
RP		MC967534	BLADE ASSY,WINDSHIELD WIPER	2	L=650		
RP		MC967534	BLADE ASSY,WINDSHIELD WIPER	2	L=650		
RP		MC967534	BLADE ASSY,WINDSHIELD WIPER	2	L=650		
	84110AL	MK487223	BLADE ASSY,WINDSHIELD WIPER,LH	1	L=650		
		MK487223	BLADE ASSY,WINDSHIELD WIPER,LH	1	L=650		
		MK487223	BLADE ASSY,WINDSHIELD WIPER,LH	1	L=650		
		MK487223	BLADE ASSY,WINDSHIELD WIPER,LH	1	L=650		
	84110AR	MK487222	BLADE ASSY,WINDSHIELD WIPER,RH	1	L=650		
		MK487222	BLADE ASSY,WINDSHIELD WIPER,RH	1	L=650		
		MK487222	BLADE ASSY,WINDSHIELD WIPER,RH	1	L=650		
		MK487222	BLADE ASSY,WINDSHIELD WIPER,RH	1	L=650		
	84114	MC858953	COLLAR,WINDSHIELD WIPER	2			
		MC858981	COLLAR,WINDSHIELD WIPER	2			
		MC858953	COLLAR,WINDSHIELD WIPER	2			
		MC858981	COLLAR,WINDSHIELD WIPER	2			
		MC858953	COLLAR,WINDSHIELD WIPER	2			
		MC858981	COLLAR,WINDSHIELD WIPER	2			
		MC858953	COLLAR,WINDSHIELD WIPER	2			
		MC858981	COLLAR,WINDSHIELD WIPER	2			
	84116L	MC858968	COVER,WINDSHIELD WIPER ARM HEAD,LH	1			
	84116R	MC858967	COVER,WINDSHIELD WIPER ARM HEAD,RH	1			
	84124	MC859387	LINK,WINDSHIELD WIPER	1			
		MC859391	LINK,WINDSHIELD WIPER	1			
		MK545058	LINK,WINDSHIELD WIPER	1			

FK74R
54-230 WIPER & WASHER

Repl Part	PNC	Part No	Part Name	Qty	Part Spec	Remarks	PRE
	84124	MK545650	LINK,WINDSHIELD WIPER	1			
		MK545058	LINK,WINDSHIELD WIPER	1			
		MK545650	LINK,WINDSHIELD WIPER	1			
	84129	MK484934	MOTOR,WINDSHIELD WIPER	1			
		MK484935	MOTOR,WINDSHIELD WIPER	1			
		MK484934	MOTOR,WINDSHIELD WIPER	1			
		MK484935	MOTOR,WINDSHIELD WIPER	1			
		MK484934	MOTOR,WINDSHIELD WIPER	1			
		MK484935	MOTOR,WINDSHIELD WIPER	1			
		MK484934	MOTOR,WINDSHIELD WIPER	1			
		MK484935	MOTOR,WINDSHIELD WIPER	1			
	84134	MK485437	PLATE,WINDSHIELD WIPER LINK CAUTION	1			
	84135A	MC899266	CRANK ASSY,WINDSHIELD WIPER MOTOR	1			
		MC899267	CRANK ASSY,WINDSHIELD WIPER MOTOR	1			
		MC899266	CRANK ASSY,WINDSHIELD WIPER MOTOR	1			
		MC899267	CRANK ASSY,WINDSHIELD WIPER MOTOR	1			
		MC899266	CRANK ASSY,WINDSHIELD WIPER MOTOR	1			
		MC899267	CRANK ASSY,WINDSHIELD WIPER MOTOR	1			
		MC899267	CRANK ASSY,WINDSHIELD WIPER MOTOR	1			
		MC899266	CRANK ASSY,WINDSHIELD WIPER MOTOR	1			
	84188B	MF450406	WASHER,WINDSHIELD WIPER	2	SPRING,10		
	84188Q	MC855375	WASHER,WINDSHIELD WIPER	1	8		
	84191B	MB083726	SCREW,WINDSHIELD WIPER	4	WASHER ASSEMBLED,3.5X6		
	84191D	MB083726	SCREW,WINDSHIELD WIPER	2	WASHER ASSEMBLED,3.5X6		

FK74R
54-230 WIPER & WASHER

Repl Part	PNC	Part No	Part Name	Qty	Part Spec	Remarks	PRE
	84191D	MB229481	SCREW,WINDSHIELD WIPER	4			
	84193B	MF430726	NUT,WINDSHIELD WIPER	2	JAM,10		
	84193C	MC858954	NUT,WINDSHIELD WIPER	2			
	84193K	MC855374	NUT,WINDSHIELD WIPER	1	8		
	84198B	MF240049	BOLT,WINDSHIELD WIPER	4	WASHER ASSEMBLED,8X12		
	84198C	MF240023	BOLT,WINDSHIELD WIPER	3	WASHER ASSEMBLED,6X12		
	84198F	MS146950	BOLT,WINDSHIELD WIPER	4	F.T,8X16	4T	
	84205	MC859046	CAP,WINDSHIELD WASHER TANK	1			
	84221	MC883162	HOSE,WINDSHIELD WASHER TANK FILLER	1			
RP	84224	MC327848	MOTOR,WINDSHIELD WASHER	1			O
		MK545121	MOTOR,WINDSHIELD WASHER	1			
	84225L	MC859816	NOZZLE,WINDSHIELD WASHER,LH	1			
		MK487979	NOZZLE,WINDSHIELD WASHER,LH	1			
		MC859816	NOZZLE,WINDSHIELD WASHER,LH	1			
		MK487979	NOZZLE,WINDSHIELD WASHER,LH	1			
		MC859816	NOZZLE,WINDSHIELD WASHER,LH	1			

FK74R
54-230 WIPER & WASHER

Repl Part	PNC	Part No	Part Name	Qty	Part Spec	Remarks	PRE	
RP	84225L	MK487979	NOZZLE,WINDSHIELD WASHER,LH	1				
		MK487979	NOZZLE,WINDSHIELD WASHER,LH	1				
		MC859816	NOZZLE,WINDSHIELD WASHER,LH	1				
	84225R	MC859818	NOZZLE,WINDSHIELD WASHER,RH	1				
		MK487978	NOZZLE,WINDSHIELD WASHER,RH	1				
		MC859818	NOZZLE,WINDSHIELD WASHER,RH	1				
		MK487978	NOZZLE,WINDSHIELD WASHER,RH	1				
		MC859818	NOZZLE,WINDSHIELD WASHER,RH	1				
		MK487978	NOZZLE,WINDSHIELD WASHER,RH	1				
		MK487978	NOZZLE,WINDSHIELD WASHER,RH	1				
		MC859818	NOZZLE,WINDSHIELD WASHER,RH	1				
	RP	84227	MB617937	GASKET,WINDSHIELD WASHER MOTOR	1			
		84241	MC239529	T-JOINT,WINDSHIELD WASHER TUBE	1			
		84242	MC883151	TANK,WINDSHIELD WASHER	1			
MK488821			TANK,WINDSHIELD WASHER	1				
84246A		MC856676	TUBE ASSY,WINDSHIELD WASHER	1				
		MC856677	TUBE ASSY,WINDSHIELD WASHER	1				
		MC856676	TUBE ASSY,WINDSHIELD WASHER	1				
		MC856677	TUBE ASSY,WINDSHIELD WASHER	1				
		MC856676	TUBE ASSY,WINDSHIELD WASHER	1				
		MC856677	TUBE ASSY,WINDSHIELD WASHER	1				
		MC856676	TUBE ASSY,WINDSHIELD WASHER	1				
		MC856677	TUBE ASSY,WINDSHIELD WASHER	1				
84246B		MC883143	TUBE,WINDSHIELD WASHER	1				
84246D		MC859819	TUBE,WINDSHIELD WASHER	1				
	MK487586	TUBE,WINDSHIELD WASHER	1					
	MC859819	TUBE,WINDSHIELD WASHER	1					

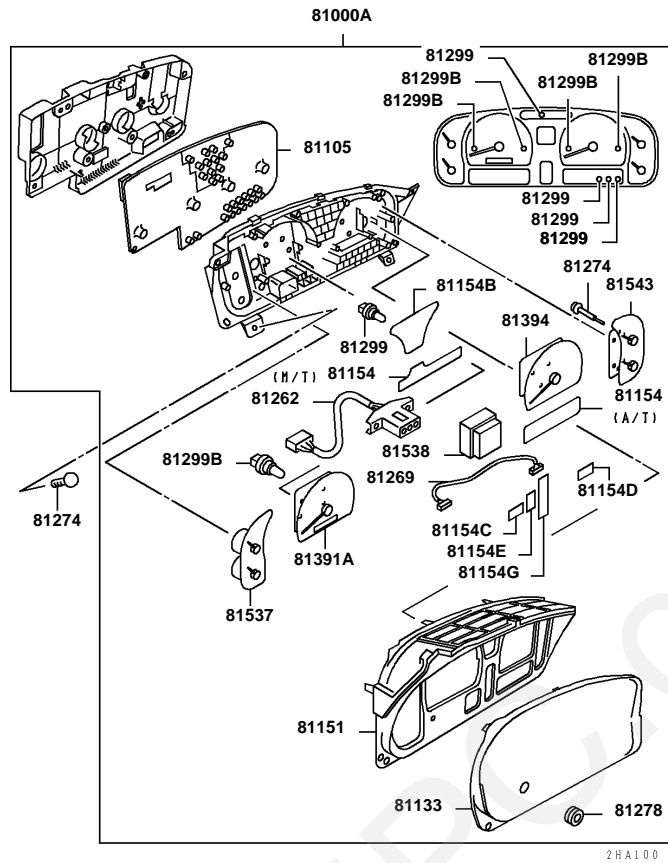
FK74R
54-230 WIPER & WASHER

Repl Part	PNC	Part No	Part Name	Qty	Part Spec	Remarks	PRE
	84246D	MK487586	TUBE,WINDSHIELD WASHER	1			
		MC859819	TUBE,WINDSHIELD WASHER	1			
		MK487586	TUBE,WINDSHIELD WASHER	1			
		MK487586	TUBE,WINDSHIELD WASHER	1			
		MC859819	TUBE,WINDSHIELD WASHER	1			
	84246E	MC858965	TUBE,WINDSHIELD WASHER	1			
		MC859817	TUBE,WINDSHIELD WASHER	1			
		MC858965	TUBE,WINDSHIELD WASHER	1			
		MC859817	TUBE,WINDSHIELD WASHER	1			
		MC858965	TUBE,WINDSHIELD WASHER	1			
		MC859817	TUBE,WINDSHIELD WASHER	1			
		MC859817	TUBE,WINDSHIELD WASHER	1			
		MC858965	TUBE,WINDSHIELD WASHER	1			
	84253	MC858698	TUBE,WINDSHIELD WASHER TANK BREATHER	1			
	84292B	MF445705	NUT,WINDSHIELD WASHER	2	WING,10		
	84294	MC857462	GROMMET,WINDSHIELD WASHER	1			
	84295	MC856072	JOINT,WINDSHIELD WASHER	2			
	84295B	MC883163	JOINT,WINDSHIELD WASHER	1			
	84296H	MB108529	CLIP,WINDSHIELD WASHER	1	BLACK,8.8		
	84296J	MC858961	CLIP,WINDSHIELD WASHER	2			
		MC896056	CLIP,WINDSHIELD WASHER	2			
		MC858961	CLIP,WINDSHIELD WASHER	2			
		MC896056	CLIP,WINDSHIELD WASHER	2			
		MC858961	CLIP,WINDSHIELD WASHER	2			
		MC896056	CLIP,WINDSHIELD WASHER	2			

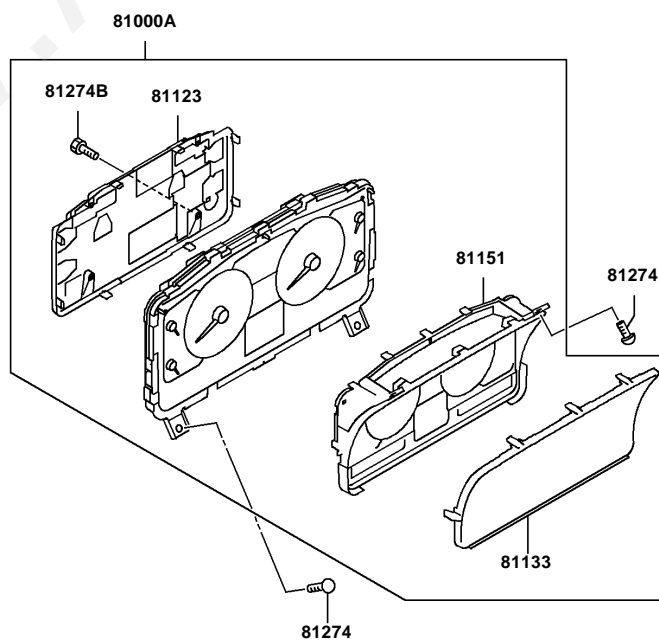
FK74R
54-230 WIPER & WASHER

Repl Part	PNC	Part No	Part Name	Qty	Part Spec	Remarks	PRE
	84296J	MC896056	CLIP,WINDSHIELD WASHER	2			
		MC858961	CLIP,WINDSHIELD WASHER	2			
	84298B	MF244880	BOLT,WINDSHIELD WASHER	1	WASHER ASSEMBLED,10X25		
	84298E	MF243651	BOLT,WINDSHIELD WASHER	3	WASHER ASSEMBLED,8X20		
	84235	(N.e.c.)	SENSOR,WINDSHIELD WASHER TANK FLUID LEVEL				
	84298F	(N.e.c.)	BOLT,WINDSHIELD WASHER				
	84292E	(N.e.c.)	NUT,WINDSHIELD WASHER				
	84201	(N.e.c.)	BRACKET,WINDSHIELD WASHER MOTOR				
	84117	(N.e.c.)	COVER,WINDSHIELD WIPER MOTOR				

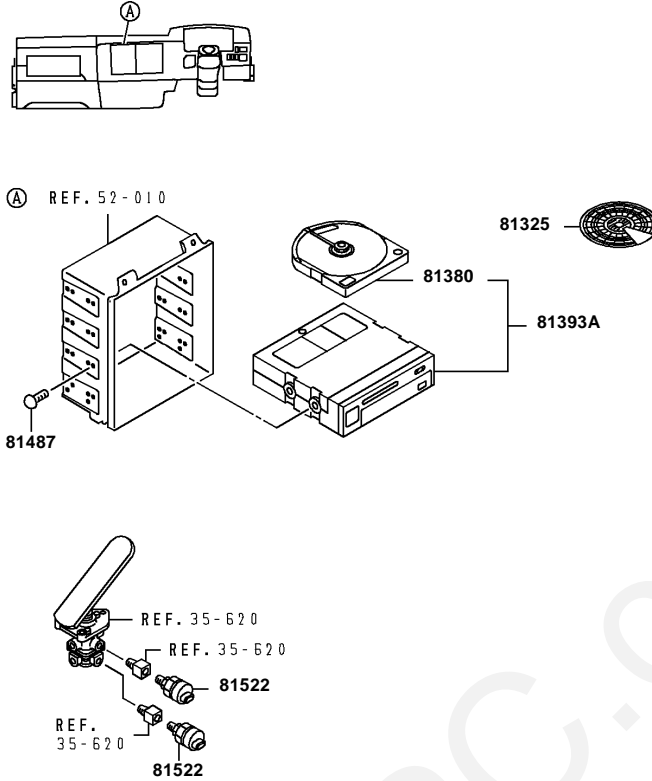
FK74R
No.1



FK74R
No.2



FK74R
No.3



C00181

Ref. |2054310

Page

FK74R
54-310 METER & GAUGE

Repl Part	PNC	Part No	Part Name	Qty	Part Spec	NEW1	Classification
	81000A	MK421527	METER ASSY,COMBINATION	1			K6,K6E,M6, M6E
		MK421527	METER ASSY,COMBINATION	1			G6,G6E,H6, H6E,J6,J6E, K6,K6E,M6, M6E
		MK421527	METER ASSY,COMBINATION	1			G6,G6E,H6, H6E,J6,J6E
		MK421216	METER ASSY,COMBINATION	1			G6,G6E,H6, H6E,J6,J6E, K6,K6E,M6, M6E
		MK421217	METER ASSY,COMBINATION	1			G6,G6E,H6, H6E,J6,J6E, K6,K6E,M6, M6E
		MK421217	METER ASSY,COMBINATION	1			G6,G6E,H6, H6E,J6,J6E
RP		MK542321	METER ASSY,COMBINATION	1		Y	G6,G6V,H6, H6E,H6V,H6V, J6,J6E,J6V, J6VE,K6,K6E, K6V,K6VE,M6, M6VE
RP		MK542321	METER ASSY,COMBINATION	1		Y	G6,G6V,H6, H6E,H6V,H6V, J6,J6E,J6V, J6VE,K6,K6E, K6V,K6VE,M6, M6VE
RP		MK542321	METER ASSY,COMBINATION	1		Y	K6,K6E,M6E

Ref. |2054310

Page

FK74R
54-310 METER & GAUGE

Repl Part RP	PNC 81000A	Part No MK542321	Part Name METER ASSY,COMBINATION	Qty 1	Part Spec	NEW1 Y	Classification G6,H6,H6E, J6,J6E
RP		MK542321	METER ASSY,COMBINATION	1		Y	G6V,H6V,H6V, J6V,J6VE,K6V, K6VE,M6VE
RP		MK542868	METER ASSY,COMBINATION	1		Y	G6,G6V,H6, H6E,H6V,H6V, J6,J6E,J6V, J6VE,K6,K6E, K6VE,M6E
	81105	MK421530	BOARD,INSTRUMENT PANEL PRINTED CIRCUIT	1			G6,G6E,H6, H6E,J6,J6E
		MK421530	BOARD,INSTRUMENT PANEL PRINTED CIRCUIT	1			K6,K6E,M6, M6E
		MK421530	BOARD,INSTRUMENT PANEL PRINTED CIRCUIT	1			G6,G6E,H6, H6E,J6,J6E, K6,K6E,M6, M6E
		MK421292	BOARD,INSTRUMENT PANEL PRINTED CIRCUIT	1			G6,G6E,H6, H6E,J6,J6E, K6,K6E,M6, M6E
		MK421293	BOARD,INSTRUMENT PANEL PRINTED CIRCUIT	1			G6,G6E,H6, H6E,J6,J6E, K6,K6E,M6, M6E
		MK421293	BOARD,INSTRUMENT PANEL PRINTED CIRCUIT	1			G6,G6E,H6, H6E,J6,J6E
	81123	MK541740	COVER,COMBINATION METER,LWR	1			G6,G6V,H6, H6E,H6V,H6V, J6,J6E,J6V, J6VE,K6,K6E, K6V,K6VE,M6 M6VE
	81133	MK345742	GLASS,COMBINATION METER	1			G6,G6E,H6, H6E,J6,J6E, K6,K6E,M6, M6E
		MK541738	GLASS,COMBINATION METER	1			G6,G6V,H6, H6E,H6V,H6V, J6,J6E,J6V, J6VE,K6,K6E, K6V,K6VE,M6 M6VE
	81151	MK345737	PANEL,COMBINATION METER	1			G6,G6E,H6, H6E,J6,J6E, K6,K6E,M6, M6E
		MK345737	PANEL,COMBINATION METER	1			G6,G6E,H6, H6E,J6,J6E
		MK345737	PANEL,COMBINATION METER	1			K6,K6E,M6, M6E
		MK345737	PANEL,COMBINATION METER	1			G6,G6E,H6, H6E,J6,J6E, K6,K6E,M6, M6E
		MK345740	PANEL,COMBINATION METER	1			G6,G6E,H6, H6E,J6,J6E, K6,K6E,M6, M6E
		MK345740	PANEL,COMBINATION METER	1			G6,G6E,H6, H6E,J6,J6E
		MK541739	PANEL,COMBINATION METER	1			G6,G6V,H6, H6E,H6V,H6V, J6,J6E,J6V, J6VE,K6,K6E, K6V,K6VE,M6 M6VE

FK74R
54-310 METER & GAUGE

Repl Part	PNC	Part No	Part Name	Qty	Part Spec	NEW1	Classification
	81151	MK541739	PANEL,COMBINATION METER	1			G6,G6V,H6, H6E,H6V,H6V J6,J6E,J6V, J6VE,K6,K6E, K6V,K6VE,M6 M6VE
		MK541739	PANEL,COMBINATION METER	1			K6,K6E,M6E
		MK541739	PANEL,COMBINATION METER	1			G6,H6,H6E, J6,J6E
		MK541739	PANEL,COMBINATION METER	1			G6V,H6V,H6V J6V,J6VE,K6V K6VE,M6VE
	81154	MK421289	PLATE,COMBINATION METER INDICATOR	1			G6,G6E,H6, H6E,J6,J6E, K6,K6E,M6, M6E
		MK421289	PLATE,COMBINATION METER INDICATOR	1			G6,G6E,H6, H6E,J6,J6E, K6,K6E,M6, M6E
	81154B	MK421286	PLATE,COMBINATION METER INDICATOR	1			G6,G6E,H6, H6E,J6,J6E
		MK421286	PLATE,COMBINATION METER INDICATOR	1			K6,K6E,M6, M6E
		MK421286	PLATE,COMBINATION METER INDICATOR	1			G6,G6E,H6, H6E,J6,J6E, K6,K6E,M6, M6E
		MK421286	PLATE,COMBINATION METER INDICATOR	1			G6,G6E,H6, H6E,J6,J6E, K6,K6E,M6, M6E
		MK421287	PLATE,COMBINATION METER INDICATOR	1			G6,G6E,H6, H6E,J6,J6E, K6,K6E,M6, M6E
		MK421287	PLATE,COMBINATION METER INDICATOR	1			G6,G6E,H6, H6E,J6,J6E
	81154C	MK421290	PLATE,COMBINATION METER INDICATOR	1			G6,G6E,H6, H6E,J6,J6E, K6,K6E,M6, M6E
		MK421290	PLATE,COMBINATION METER INDICATOR	1			G6,G6E,H6, H6E,J6,J6E
	81154D	MK421291	PLATE,COMBINATION METER INDICATOR	1			G6,G6E,H6, H6E,J6,J6E, K6,K6E,M6, M6E
		MK421291	PLATE,COMBINATION METER INDICATOR	1			G6,G6E,H6, H6E,J6,J6E
	81154G	MK387643	PLATE,COMBINATION METER INDICATOR	1			G6,G6E,H6, H6E,J6,J6E, K6,K6E,M6, M6E
		MK387643	PLATE,COMBINATION METER INDICATOR	1			G6,G6E,H6, H6E,J6,J6E
	81262	MK421219	INDICATOR UNIT,VEHICLE SPEED	1			G6,G6E,H6, H6E,J6,J6E, K6,K6E,M6, M6E
		MK421219	INDICATOR UNIT,VEHICLE SPEED	1			G6,G6E,H6, H6E,J6,J6E
	81274	MF350772	SCREW,INSTRUMENT PANEL METER	4	WASHER ASSEMBLED,5X20		G6,G6E,H6, H6E,J6,J6E, K6,K6E,M6, M6E
		MK345786	SCREW,INSTRUMENT PANEL METER	6	TAPPING,3		G6,G6E,H6, H6E,J6,J6E, K6,K6E,M6, M6E

FK74R
54-310 METER & GAUGE

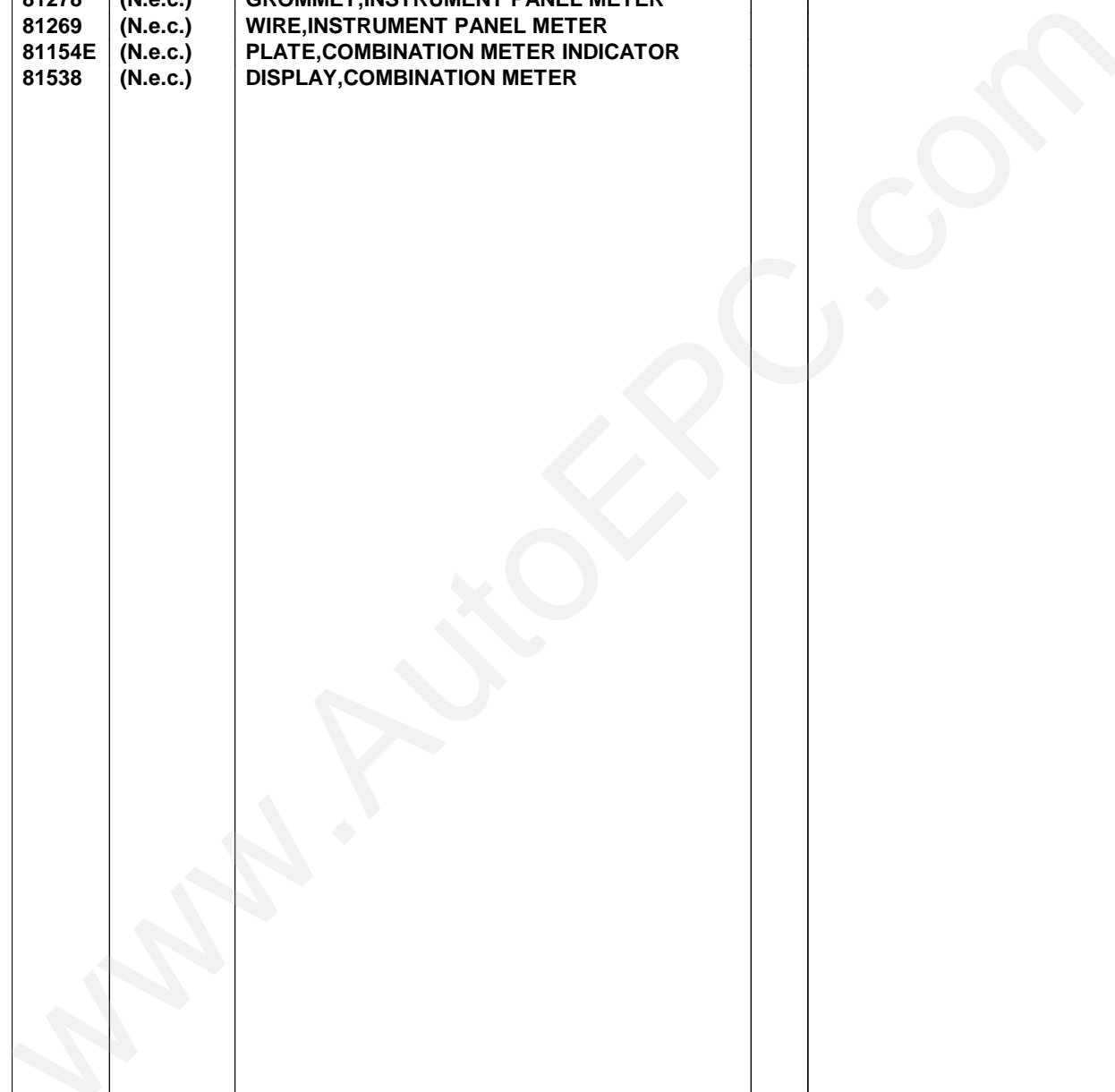
Repl Part	PNC	Part No	Part Name	Qty	Part Spec	NEW1	Classification
	81274	MF453033	SCREW,INSTRUMENT PANEL METER	4	TAPPING,5X16		G6,G6V,H6, H6E,H6V,H6V J6,J6E,J6V, J6VE,K6,K6E, K6V,K6VE,M6 M6VE
	81274B	MK541741	SCREW,INSTRUMENT PANEL METER	4			G6,G6V,H6, H6E,H6V,H6V J6,J6E,J6V, J6VE,K6,K6E, K6V,K6VE,M6 M6VE
	81299	MC849346	BULB,INSTRUMENT PANEL METER	4	24V-1.8W		G6,G6E,H6, H6E,J6,J6E, K6,K6E,M6, M6E
	81299B	MB302864	BULB,INSTRUMENT PANEL METER	4	24V-3W		G6,G6E,H6, H6E,J6,J6E, K6,K6E,M6, M6E
	81325	MK344620	CHART,TACHOGRAPH	1	120KM/H-7DAY		G6,G6V,H6, H6E,H6V,H6V J6,J6E,J6V, J6VE,K6,K6E, K6V,K6VE,M6 M6VE
		MK344626	CHART,TACHOGRAPH	1			G6,G6V,H6, H6E,H6V,H6V J6,J6E,J6V, J6VE,K6,K6E, K6V,K6VE,M6 M6VE
		MK344625	CHART,TACHOGRAPH	1			G6,G6V,H6, H6E,H6V,H6V J6,J6E,J6V, J6VE,K6,K6E, K6V,K6VE,M6 M6VE
		MK344621	CHART,TACHOGRAPH	1	140KM/H-7DAY		G6,G6V,H6, H6E,H6V,H6V J6,J6E,J6V, J6VE,K6,K6E, K6V,K6VE,M6 M6VE
		MK344620	CHART,TACHOGRAPH	1	120KM/H-7DAY		G6,G6V,H6, H6E,H6V,H6V J6,J6E,J6V, J6VE,K6,K6E, K6V,K6VE,M6 M6VE
		MK344626	CHART,TACHOGRAPH	1			G6,G6V,H6, H6E,H6V,H6V J6,J6E,J6V, J6VE,K6,K6E, K6V,K6VE,M6 M6VE
		MK344625	CHART,TACHOGRAPH	1			G6,G6V,H6, H6E,H6V,H6V J6,J6E,J6V, J6VE,K6,K6E, K6V,K6VE,M6 M6VE
		MK344621	CHART,TACHOGRAPH	1	140KM/H-7DAY		G6,G6V,H6, H6E,H6V,H6V J6,J6E,J6V, J6VE,K6,K6E, K6V,K6VE,M6 M6VE
	81380	MK327996	CARTRIDGE,TACHOGRAPH	1			G6,G6V,H6, H6E,H6V,H6V J6,J6E,J6V, J6VE,K6,K6E, K6V,K6VE,M6 M6VE

FK74R
54-310 METER & GAUGE

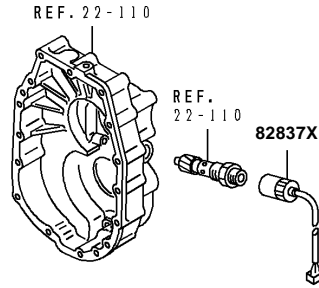
Repl Part	PNC	Part No	Part Name	Qty	Part Spec	NEW1	Classification
	81380	MK327996	CARTRIDGE,TACHOGRAPH	1			G6,G6V,H6, H6E,H6V,H6V, J6,J6E,J6V, J6VE,K6,K6E, K6VE,M6E
	81391A	MK345746	SPEEDOMETER ASSY	1			G6,G6E,H6, H6E,J6,J6E, K6,K6E,M6, M6E
	81393A	MK421809	TACHOGRAPH ASSY	1			G6,G6V,H6, H6E,H6V,H6V, J6,J6E,J6V, J6VE,K6,K6E, K6V,K6VE,M6, M6VE
		MK421812	TACHOGRAPH ASSY	1			G6,G6V,H6, H6E,H6V,H6V, J6,J6E,J6V, J6VE,K6,K6E, K6V,K6VE,M6, M6VE
		MK421811	TACHOGRAPH ASSY	1			G6,G6V,H6, H6E,H6V,H6V, J6,J6E,J6V, J6VE,K6,K6E, K6V,K6VE,M6, M6VE
		MK421810	TACHOGRAPH ASSY	1			G6,G6V,H6, H6E,H6V,H6V, J6,J6E,J6V, J6VE,K6,K6E, K6V,K6VE,M6, M6VE
		MK421809	TACHOGRAPH ASSY	1			G6,G6V,H6, H6E,H6V,H6V, J6,J6E,J6V, J6VE,K6,K6E, K6VE,M6E
		MK421812	TACHOGRAPH ASSY	1			G6,G6V,H6, H6E,H6V,H6V, J6,J6E,J6V, J6VE,K6,K6E, K6VE,M6E
		MK421811	TACHOGRAPH ASSY	1			G6,G6V,H6, H6E,H6V,H6V, J6,J6E,J6V, J6VE,K6,K6E, K6VE,M6E
		MK421810	TACHOGRAPH ASSY	1			G6,G6V,H6, H6E,H6V,H6V, J6,J6E,J6V, J6VE,K6,K6E, K6VE,M6E
	81394	MK421285	TACHOMETER	1			G6,G6E,H6, H6E,J6,J6E, K6,K6E,M6, M6E
	81487	MF350767	SCREW,TACHOGRAPH	4	WASHER ASSEMBLED,5X10		G6,G6V,H6, H6E,H6V,H6V, J6,J6E,J6V, J6VE,K6,K6E, K6V,K6VE,M6, M6VE
		MF350767	SCREW,TACHOGRAPH	4	WASHER ASSEMBLED,5X10		G6,G6V,H6, H6E,H6V,H6V, J6,J6E,J6V, J6VE,K6,K6E, K6VE,M6E

FK74R
54-310 METER & GAUGE

Repl Part	PNC	Part No	Part Name	Qty	Part Spec	NEW1	Classification
	81522	MK421278	SENSOR,AIR PRESSURE GAUGE	2			G6,G6V,H6, H6E,H6V,H6V J6,J6E,J6V, J6VE,K6,K6E, K6V,K6VE,M6 M6VE
	81537	MK370528	GAUGE,AIR PRESSURE	1			G6,G6E,H6, H6E,J6,J6E, K6,K6E,M6, M6E
	81543	MK345750	GAUGE,FUEL & WATER TEMPERATURE	1			G6,G6E,H6, H6E,J6,J6E, K6,K6E,M6, M6E
	81278	(N.e.c.)	GROMMET,INSTRUMENT PANEL METER				
	81269	(N.e.c.)	WIRE,INSTRUMENT PANEL METER				
	81154E	(N.e.c.)	PLATE,COMBINATION METER INDICATOR				
	81538	(N.e.c.)	DISPLAY,COMBINATION METER				



FK74R
No.1



C 0 0 0 9 8

Ref. |2054330

Page

FK74R
54-330 SPEEDOMETER CABLE & SENSOR

Repl Part	PNC	Part No	Part Name	Qty	NEW1	Classification	Option	Model Year	Start	End
RP	82837X	MK421543	SENSOR,GEARSHIFT SPEED	1	Y	G6,H6,H6E, J6,J6E,K6, K6E,M6E			04053	05102
RP		MK421543	SENSOR,GEARSHIFT SPEED	1	Y	G6,G6E,H6, H6E,J6,J6E, K6,K6E,M6, M6E			04053	05102
RP		MK421543	SENSOR,GEARSHIFT SPEED	1	Y	G6,G6E,H6, H6E,J6,J6E, K6,K6E,M6, M6E			04053	05102
RP		MK421543	SENSOR,GEARSHIFT SPEED	1	Y	G6E,M6			04053	05102
RP		MK421543	SENSOR,GEARSHIFT SPEED	1	Y	G6,G6E,H6, H6E,J6,J6E, K6,K6E,M6, M6E	1C8,1TH,1TK, 1UF,1VJ,1X1, 1YC	04	04053	05102
RP		MK345796	SENSOR,GEARSHIFT SPEED	1	Y	G6V,H6V,H6VE, J6V,J6VE,K6V, K6VE,M6VE			05103	07052
RP		MK345796	SENSOR,GEARSHIFT SPEED	1	Y	G6V,H6V,H6VE, J6V,J6VE,K6V, K6VE,M6VE			05103	07052
RP		MK345796	SENSOR,GEARSHIFT SPEED	1	Y	G6V,H6V,H6VE, J6V,J6VE,K6V, K6VE,M6VE			05103	07052
RP		MK421543	SENSOR,GEARSHIFT SPEED	1	Y	G6,H6,H6E, J6,J6E,K6, K6E,M6E			05103	07052
RP		MK421543	SENSOR,GEARSHIFT SPEED	1	Y	G6,H6,H6E, J6,J6E,K6, K6E,M6E			05103	07052

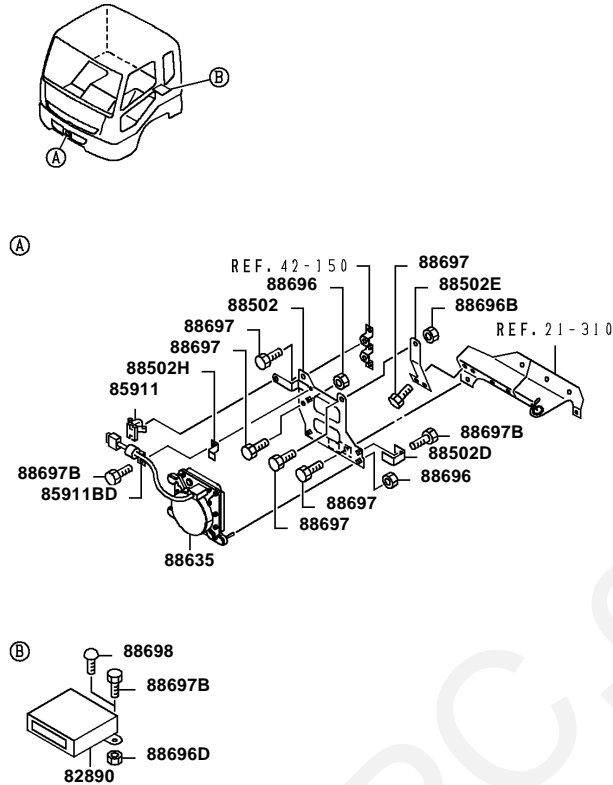
Ref. |2054330

Page

FK74R
54-330 SPEEDOMETER CABLE & SENSOR

Repl Part	PNC	Part No	Part Name	Qty	NEW1	Classification	Option	Model Year	Start	End
RP	82837X	MK421543	SENSOR,GEARSHIFT SPEED	1	Y	G6,H6,H6E, J6,J6E,K6, K6E,M6E			05103	07052
RP		MK421543	SENSOR,GEARSHIFT SPEED	1	Y	G6,H6,H6E, J6,J6E,K6, K6E,M6E			05103	07052
RP		MK345796	SENSOR,GEARSHIFT SPEED	1	Y	G6V,H6V,H6VE, J6V,J6VE,K6V, K6VE,M6VE	1C8,1TH,1UF, 1VJ,1X1,1UG	05	05103	07052
RP		MK421543	SENSOR,GEARSHIFT SPEED	1	Y	G6,H6,H6E, J6,J6E,K6, K6E,M6E	1C8,1TH,1TK, 1UF,1UG,1VJ, 1X1,1YC	05,07	05103	09052
RP		MK421543	SENSOR,GEARSHIFT SPEED	1	Y	G6,H6,H6E, J6,J6E,K6, K6E,M6E			07053	09052
RP		MK421543	SENSOR,GEARSHIFT SPEED	1	Y	G6,H6,H6E, J6,J6E,K6, K6E,M6E			07053	09052
RP		MK421543	SENSOR,GEARSHIFT SPEED	1	Y	G6,H6,H6E, J6,J6E,K6, K6E,M6E			07053	09052
RP		MK345796	SENSOR,GEARSHIFT SPEED	1	Y	G6V,H6V,H6VE, J6V,J6VE,K6VE			07053	09052
RP		MK345796	SENSOR,GEARSHIFT SPEED	1	Y	G6V,H6V,H6VE, J6V,J6VE,K6VE			07053	09052
RP		MK345796	SENSOR,GEARSHIFT SPEED	1	Y	G6V,H6V,H6VE, J6V,J6VE,K6VE			07053	09052

FK74R
No.1



C00009

Ref. |2054370

Page

FK74R
54-370 MDAS CONTROL UNIT

PNC	Part No	Part Name	Qty	Part Spec	Remarks	Classification	Option
82890	MK542907	CONTROL UNIT,FWD DISTANCE WARNING SENSOR	1			G6,G6V,H6, H6E,H6V,H6VE, J6,J6E,J6V, J6VE,K6,K6E, K6VE,M6E	1XJ
85911	MH050210	CLIP,CHASSIS ELECTRICALS	1			G6,G6V,H6, H6E,H6V,H6VE, J6,J6E,J6V, J6VE,K6,K6E, K6VE,M6E	1XJ
85911BD	MH020516	CLIP,CHASSIS ELECTRICALS	1	D=4.8 H=15		G6,G6V,H6, H6E,H6V,H6VE, J6,J6E,J6V, J6VE,K6,K6E, K6VE,M6E	1XJ
88502	MK542627	BRACKET,FWD DISTANCE WARNING	1			G6,G6V,H6, H6E,H6V,H6VE, J6,J6E,J6V, J6VE,K6,K6E, K6VE,M6E	1XJ
88502D	MK542630	BRACKET,FWD DISTANCE WARNING	1			G6,G6V,H6, H6E,H6V,H6VE, J6,J6E,J6V, J6VE,K6,K6E, K6VE,M6E	1XJ
88502E	MK542628	BRACKET,FWD DISTANCE WARNING	1			G6,G6V,H6, H6E,H6V,H6VE, J6,J6E,J6V, J6VE,K6,K6E, K6VE,M6E	1XJ

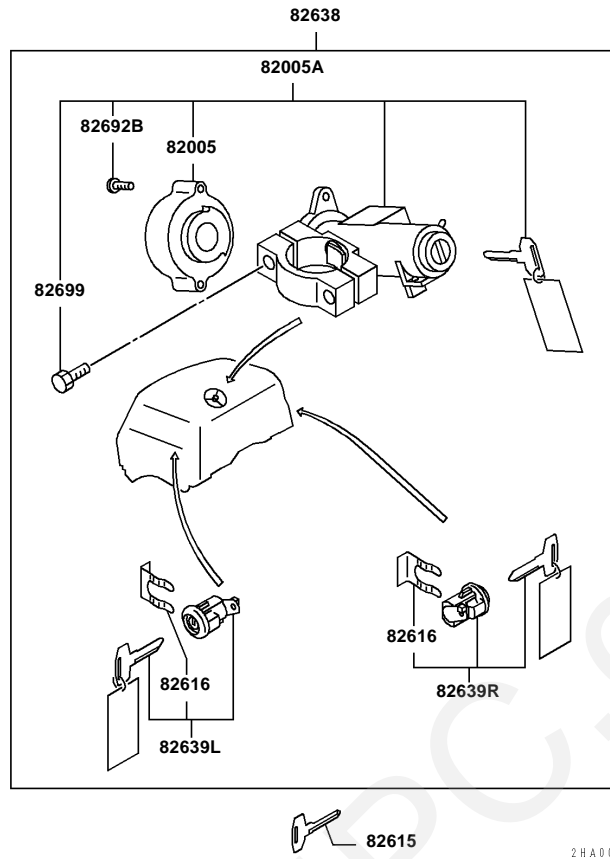
Ref. |2054370

Page

FK74R
54-370 MDAS CONTROL UNIT

PNC	Part No	Part Name	Qty	Part Spec	Remarks	Classification	Option
88502H	MK542629	BRACKET,FWD DISTANCE WARNING	1			G6,G6V,H6, H6E,H6V,H6VE, J6,J6E,J6V, J6VE,K6,K6E, K6VE,M6E	1XJ
88635	MK542820	RADAR,MICROWAVE	1			G6,G6V,H6, H6E,H6V,H6VE, J6,J6E,J6V, J6VE,K6,K6E, K6VE,M6E	1XJ
88696	MS446191	NUT,MDAS CONTROL EQUIP	3	FLANGE,5		G6,G6V,H6, H6E,H6V,H6VE, J6,J6E,J6V, J6VE,K6,K6E, K6VE,M6E	1XJ
88696B	MF434104	NUT,MDAS CONTROL EQUIP	1	FLANGE,8		G6,G6V,H6, H6E,H6V,H6VE, J6,J6E,J6V, J6VE,K6,K6E, K6VE,M6E	1XJ
88696D	MF434103	NUT,MDAS CONTROL EQUIP	2	FLANGE,6	W/O COATING	G6,G6V,H6, H6E,H6V,H6VE, J6,J6E,J6V, J6VE,K6,K6E, K6VE,M6E	1XJ
88697	MF140023	BOLT,MDAS CONTROL EQUIP	6	FLANGE,8X16	4T	G6,G6V,H6, H6E,H6V,H6VE, J6,J6E,J6V, J6VE,K6,K6E, K6VE,M6E	1XJ
88697B	MF140003	BOLT,MDAS CONTROL EQUIP	4	FLANGE,6X12	4T	G6,G6V,H6, H6E,H6V,H6VE, J6,J6E,J6V, J6VE,K6,K6E, K6VE,M6E	1XJ
88698	(N.e.c.)	SCREW,MDAS CONTROL EQUIP					

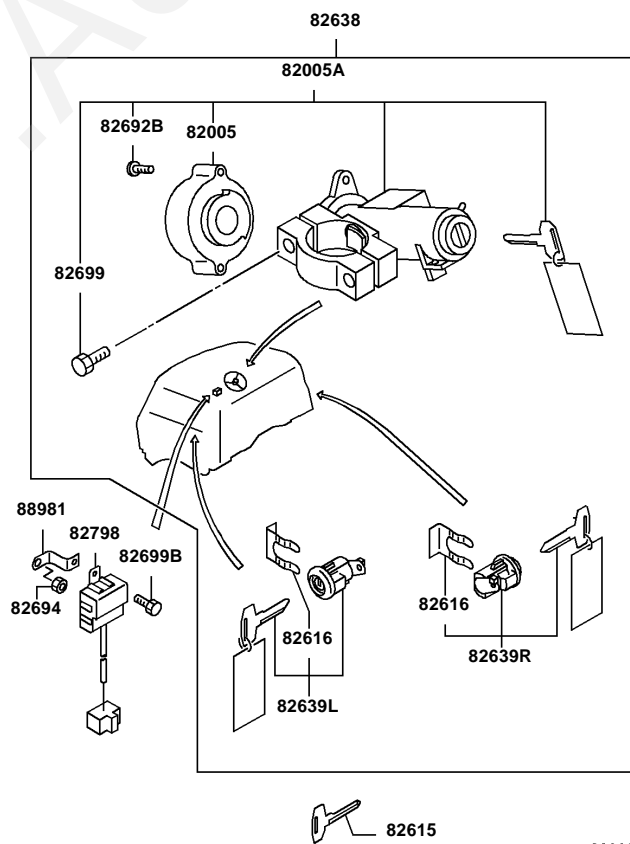
FK74R
No.1



Ref. |2054410

Page

FK74R
No.2



Ref. |2054410

Page

FK74R
54-410 LOCK CYLINDER & KEY

PNC	Part No	Part Name	Qty	Part Spec	Remarks	Classif
82005	MC858634	SWITCH,ENG STARTING	1			G6,G6E, H6E,J6, K6,K6E, M6E
	MK541692	SWITCH,ENG STARTING	1			G6,G6V, H6E,H6V, J6,J6E, J6VE,K6 K6V,K6V M6VE
82005A	MC996867	SWITCH ASSY,ENG STARTING	1			G6E,M6
	MC996867	SWITCH ASSY,ENG STARTING	1			G6,H6,H J6,J6E
	MC996867	SWITCH ASSY,ENG STARTING	1			K6,K6E, G6,G6E, H6E,J6, K6,K6E, M6E
	MC996867	SWITCH ASSY,ENG STARTING	1			G6,G6E, H6E,J6, K6,K6E, M6E
	MK702970	SWITCH ASSY,ENG STARTING	1			G6,H6,H J6,J6E, K6E,M6E
	MK702970	SWITCH ASSY,ENG STARTING	1			G6,H6,H J6,J6E
	MK702968	SWITCH ASSY,ENG STARTING	1			G6V,H6V J6V,J6V K6VE,M
	MK702968	SWITCH ASSY,ENG STARTING	1			K6,K6E, G6,H6,H J6,J6E
	MK702968	SWITCH ASSY,ENG STARTING	1			K6,K6E, G6,H6,H J6,J6E
	MK702968	SWITCH ASSY,ENG STARTING	1			K6,K6E, G6,H6,H J6,J6E
	MK702968	SWITCH ASSY,ENG STARTING	1			K6,K6E, G6,H6,H J6,J6E
	MK702968	SWITCH ASSY,ENG STARTING	1			G6,G6V, H6E,H6V J6,J6E, J6VE,K6 K6V,K6V M6VE
82615	MC859643	KEY,BLANK	1		MOLD KEY	G6,G6E, H6,H6E, H6VE,J6 J6V,J6V K6E,K6V M6,M6E
	MC896147	KEY,BLANK	1		PLATE KEY	G6,G6E, H6,H6E, H6VE,J6 J6V,J6V K6E,K6V M6,M6E
82616	MB321058	RETAINER,DOOR LOCK CYLINDER	2			G6,G6E, H6,H6E, H6VE,J6 J6V,J6V K6E,K6V M6,M6E
82638	MC991085	CYLINDER & KEY KIT,LOCK	1			G6E,M6
	MC991085	CYLINDER & KEY KIT,LOCK	1			G6,H6,H J6,J6E
	MC991085	CYLINDER & KEY KIT,LOCK	1			K6,K6E, G6,G6E, H6E,J6, K6,K6E, M6E
	MC991085	CYLINDER & KEY KIT,LOCK	1			

FK74R
54-410 LOCK CYLINDER & KEY

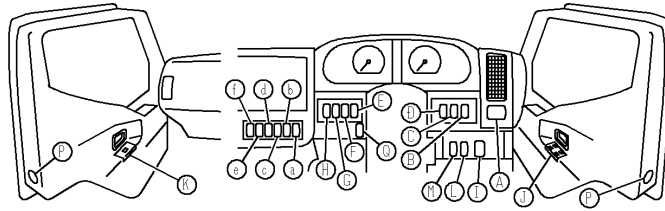
PNC	Part No	Part Name	Qty	Part Spec	Remarks	Classif
82638	MC991085	CYLINDER & KEY KIT,LOCK	1			G6,G6E, H6E,J6, K6,K6E, M6E
	MK702966	CYLINDER & KEY KIT,LOCK	1			G6,H6,H J6,J6E,K K6E,M6E
	MK702966	CYLINDER & KEY KIT,LOCK	1			G6,H6,H J6,J6E
	MK702964	CYLINDER & KEY KIT,LOCK	1			G6V,H6V J6V,J6V K6VE,M6E
	MK702964	CYLINDER & KEY KIT,LOCK	1			K6,K6E, G6,H6,H J6,J6E
	MK702964	CYLINDER & KEY KIT,LOCK	1			K6,K6E, G6,H6,H J6,J6E
	MK702964	CYLINDER & KEY KIT,LOCK	1			K6,K6E, G6,H6,H J6,J6E
	MK702964	CYLINDER & KEY KIT,LOCK	1			G6,G6V, H6E,H6V J6,J6E,J J6VE,K6E
	MK702964	CYLINDER & KEY KIT,LOCK	1			K6V,K6V M6VE
82639L	MC992119	CYLINDER KIT,DOOR LOCK,LH	1			G6,G6E, H6,H6E, H6VE,J6 J6V,J6V K6E,K6V M6,M6E
82639R	MC991086	CYLINDER KIT,DOOR LOCK,RH	1			G6,G6E, H6E,J6, K6,K6E, M6E
	MC996619	CYLINDER KIT,DOOR LOCK,RH	1			G6,G6V, H6E,H6V J6,J6E,J J6VE,K6E K6V,K6V M6VE
82692B	MF350025	SCREW,LOCK CYLINDER	2	WASHER ASSEMBLED,4X12		G6,G6E, H6E,J6, K6,K6E, M6E
	MF200007	SCREW,LOCK CYLINDER	2	MACHINE,3X16		G6,G6V, H6E,H6V J6,J6E,J J6VE,K6E K6V,K6V M6VE
82694	MF434105	NUT,LOCK CYLINDER	1	FLANGE,10	4T	G6,H6,H J6,J6E,K K6E,M6E
	MF434105	NUT,LOCK CYLINDER	1	FLANGE,10	4T	G6,H6,H J6,J6E
82699	MC858644	BOLT,LOCK CYLINDER	2			G6,G6E, H6,H6E, H6VE,J6 J6V,J6V K6E,K6V M6,M6E
82699B	MF140002	BOLT,LOCK CYLINDER	1	FLANGE,6X10	4T	G6,H6,H J6,J6E,K K6E,M6E
	MF140002	BOLT,LOCK CYLINDER	1	FLANGE,6X10	4T	G6,H6,H J6,J6E
82798	MK541753	CONTROLLER,STARTER SWITCH SOLENOID PROTECTION	1			G6,H6,H J6,J6E,K K6E,M6E

FK74R
54-410 LOCK CYLINDER & KEY

PNC	Part No	Part Name	Qty	Part Spec	Remarks	Classif
82798	MK541753	CONTROLLER,STARTER SWITCH SOLENOID PROTECTION	1			G6,H6,H J6,J6E
88981	ME930048	STAY,LOCK CYLINDER	1			G6,H6,H J6,J6E,H K6E,M6E
	ME930048	STAY,LOCK CYLINDER	1			G6,H6,H J6,J6E

www.AutoEPC.com

FK74R No.1



	82199		82441A
	82243E		82046
	82243B		82243J
	88111		81707
	82243G		82038E
	82039B		82227
	82052		82226B
	88105		82114

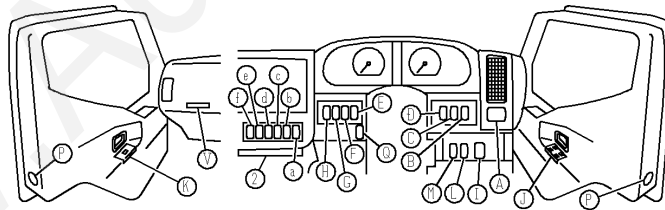
	82114	
	88101	
	82043	
	82438	
	88103	
	82310	
	82118	ALLISON
	82373	PATM-1
	88104	
	82114	T/M PTO
	82124	
	82135	
	82350	

2 HA 3 0 0

Ref. |2054420

Page

FK74R No.2



	83287		82243J
	82640		82114A
	82540		82279D
	82690		82297B
	82425		82362
	82762		82236
	82248		82640B
	82717BK		82283
	82248		82277
	82248		82299
	82248		82799BB
	82248		82236
	82248		82799BE
	82248		82283

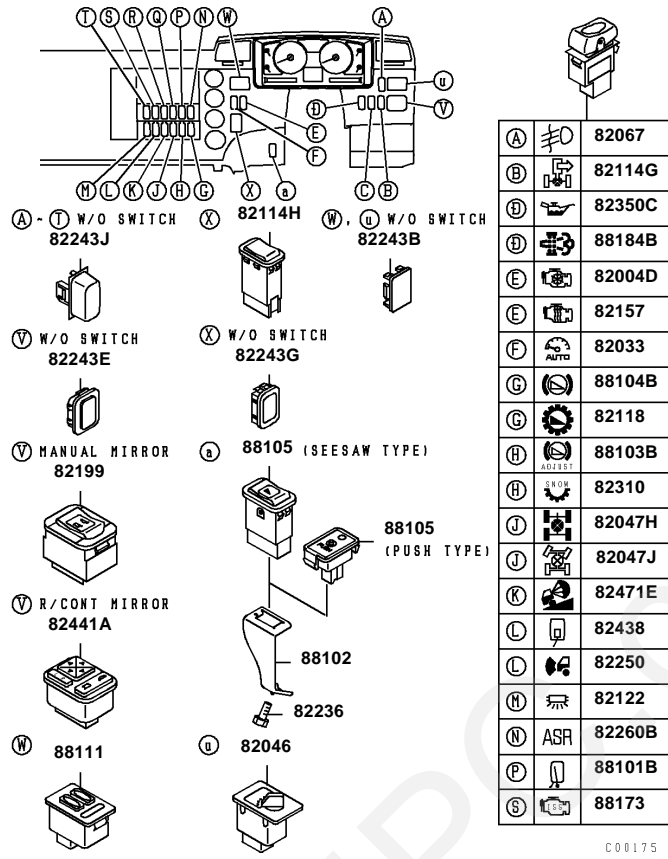
	82033	
	82072	
	82047	4WD
	82047	EXC 4WD
	82270	
	82004	
	82157	
	88117	
	82260	
	82471	

2 HA 3 0 1

Ref. |2054420

Page

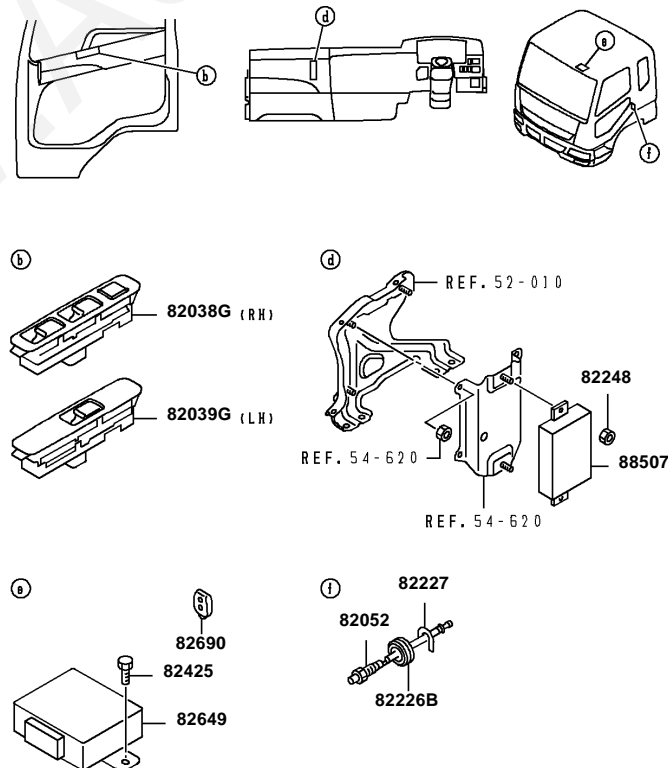
FK74R No.3



Ref. |2054420

Page

FK74R No.4



Ref. |2054420

Page

FK74R
54-420 SWITCH

Repl Part	PNC	Part No	Part Name	Qty	Part Spec	Remarks
	82038E	MK327606	SWITCH,FR DOOR POWER WINDOW DRIVER SIDE	1		
	82038G	MK421323	SWITCH,FR DOOR POWER WINDOW DRIVER SIDE	1		
		MK541710	SWITCH,FR DOOR POWER WINDOW DRIVER SIDE	1		
		MK421323	SWITCH,FR DOOR POWER WINDOW DRIVER SIDE	1		
		MK421323	SWITCH,FR DOOR POWER WINDOW DRIVER SIDE	1		
		MK421323	SWITCH,FR DOOR POWER WINDOW DRIVER SIDE	1		
		MK421323	SWITCH,FR DOOR POWER WINDOW DRIVER SIDE	1		
		MK421323	SWITCH,FR DOOR POWER WINDOW DRIVER SIDE	1		
		MK421323	SWITCH,FR DOOR POWER WINDOW DRIVER SIDE	1		
		MK421323	SWITCH,FR DOOR POWER WINDOW DRIVER SIDE	1		
		MK421323	SWITCH,FR DOOR POWER WINDOW DRIVER SIDE	1		
		MK541710	SWITCH,FR DOOR POWER WINDOW DRIVER SIDE	1		
	82039B	MK327608	SWITCH,FR DOOR POWER WINDOW ASSISTANT SIDE	1		
	82039G	MK421324	SWITCH,FR DOOR POWER WINDOW ASSISTANT SIDE	1		
		MK541711	SWITCH,FR DOOR POWER WINDOW ASSISTANT SIDE	1		
		MK421324	SWITCH,FR DOOR POWER WINDOW ASSISTANT SIDE	1		
		MK421324	SWITCH,FR DOOR POWER WINDOW ASSISTANT SIDE	1		
		MK421324	SWITCH,FR DOOR POWER WINDOW ASSISTANT SIDE	1		

FK74R
54-420 SWITCH

Repl Part	PNC	Part No	Part Name	Qty	Part Spec	Remarks
	82039G	MK421324	SWITCH,FR DOOR POWER WINDOW ASSISTANT SIDE	1		
		MK421324	SWITCH,FR DOOR POWER WINDOW ASSISTANT SIDE	1		
		MK421324	SWITCH,FR DOOR POWER WINDOW ASSISTANT SIDE	1		
		MK421324	SWITCH,FR DOOR POWER WINDOW ASSISTANT SIDE	1		
		MK541711	SWITCH,FR DOOR POWER WINDOW ASSISTANT SIDE	1		
	82046	MC897881	SWITCH,HEADLAMP LEVELING	1		
		MK541882	SWITCH,HEADLAMP LEVELING	1		
		MK541882	SWITCH,HEADLAMP LEVELING	1		
		MK541882	SWITCH,HEADLAMP LEVELING	1		
		MK541882	SWITCH,HEADLAMP LEVELING	1		
	82052	MC842820	SWITCH,DOOR LAMP	2		
	82067	MK541596	SWITCH,FOG LAMP	1		
	82114	MK322963	SWITCH,PTO	1		
		MK322993	SWITCH,PTO	1		
		MK322993	SWITCH,PTO	1		

FK74R
54-420 SWITCH

Repl Part	PNC	Part No	Part Name	Qty	Part Spec	Remarks
	82114G	MK322963	SWITCH,PTO	1		
		MK322993	SWITCH,PTO	1		
		MK322993	SWITCH,PTO	1		
		MK322963	SWITCH,PTO	1		
	82118	MK387677	SWITCH,A/T SHIFT MODE POWER	1		
		MK387677	SWITCH,A/T SHIFT MODE POWER	1		
		MK387677	SWITCH,A/T SHIFT MODE POWER	1		
		MK387677	SWITCH,A/T SHIFT MODE POWER	1		
	82122	MK541597	SWITCH,ROOM LAMP	1		
	82157	MK322987	SWITCH,WARMING	1		
	82199	MC857150	SWITCH,RR VIEW MIRROR RETRACT	1		
		MC857150	SWITCH,RR VIEW MIRROR RETRACT	1		
		MC857150	SWITCH,RR VIEW MIRROR RETRACT	1		
		MC857150	SWITCH,RR VIEW MIRROR RETRACT	1		
		MC857150	SWITCH,RR VIEW MIRROR RETRACT	1		
		MC857150	SWITCH,RR VIEW MIRROR RETRACT	1		
		MC857150	SWITCH,RR VIEW MIRROR RETRACT	1		
		MC857150	SWITCH,RR VIEW MIRROR RETRACT	1		
		MC857150	SWITCH,RR VIEW MIRROR RETRACT	1		

FK74R
54-420 SWITCH

Repl Part	PNC	Part No	Part Name	Qty	Part Spec	Remarks
	82199	MC857150	SWITCH,RR VIEW MIRROR RETRACT	1		
		MC857150	SWITCH,RR VIEW MIRROR RETRACT	1		
		MC857150	SWITCH,RR VIEW MIRROR RETRACT	1		
		MC857150	SWITCH,RR VIEW MIRROR RETRACT	1		
		MC857150	SWITCH,RR VIEW MIRROR RETRACT	1		
		MC857150	SWITCH,RR VIEW MIRROR RETRACT	1		
	82226B	MC846451	COVER,DOOR LAMP SWITCH	2		
	82227	MC844975	SHIM,DOOR LAMP SWITCH	AR	T=0.6	
	82236	MF140002	BOLT,SWITCH	1	FLANGE,6X10	4T
	82243B	MC915342	PLUG,SWITCH	1	PLASTICS	
		MC915342	PLUG,SWITCH	1	PLASTICS	
		MC915342	PLUG,SWITCH	1	PLASTICS	
		MC915342	PLUG,SWITCH	1	PLASTICS	
		MC915342	PLUG,SWITCH	2	PLASTICS	
		MC915342	PLUG,SWITCH	1	PLASTICS	
		MC915342	PLUG,SWITCH	1	PLASTICS	
		MC915342	PLUG,SWITCH	1	PLASTICS	

FK74R
54-420 SWITCH

Repl Part	PNC	Part No	Part Name	Qty	Part Spec	Remarks
	82243E	MC925275	PLUG,SWITCH	1		
		MC925275	PLUG,SWITCH	1		
		MC925275	PLUG,SWITCH	1		
	82243G	MC924900	PLUG,SWITCH	1	BLACK	
	82243J	MC935437	PLUG,SWITCH	7		
		MC935437	PLUG,SWITCH	7		
		MC935437	PLUG,SWITCH	7		
		MC935437	PLUG,SWITCH	7		
		MC935437	PLUG,SWITCH	7		
		MC935437	PLUG,SWITCH	7		
		MC935437	PLUG,SWITCH	7		
		MC935437	PLUG,SWITCH	4		
		MC935437	PLUG,SWITCH	3		
		MC935437	PLUG,SWITCH	1		
		MC935437	PLUG,SWITCH	3		
		MC935437	PLUG,SWITCH	7		
		MC935437	PLUG,SWITCH	5		
		MC935437	PLUG,SWITCH	7		
		MC935437	PLUG,SWITCH	8		
		MC935437	PLUG,SWITCH	4		
		MC935437	PLUG,SWITCH	5		
		MC935437	PLUG,SWITCH	6		
		MC935437	PLUG,SWITCH	7		

FK74R
54-420 SWITCH

Repl Part	PNC	Part No	Part Name	Qty	Part Spec	Remarks
	82243J	MC935437	PLUG,SWITCH	6		
		MC935437	PLUG,SWITCH	6		
		MC935437	PLUG,SWITCH	6		
		MC935437	PLUG,SWITCH	6		
		MC935437	PLUG,SWITCH	6		
		MC935437	PLUG,SWITCH	6		
		MC935437	PLUG,SWITCH	6		
		MC935437	PLUG,SWITCH	7		
		MC935437	PLUG,SWITCH	7		
		MC935437	PLUG,SWITCH	7		
		MC935437	PLUG,SWITCH	7		
		MC935437	PLUG,SWITCH	5		
		MC935437	PLUG,SWITCH	8		
		MC935437	PLUG,SWITCH	4		
		MC935437	PLUG,SWITCH	5		
		MC935437	PLUG,SWITCH	6		
	82248	MS440122	NUT,POWER WINDOW SWITCH	2	FLANGE,5	
		MF434103	NUT,POWER WINDOW SWITCH	2	FLANGE,6	W/O COATING
	82250	MK541961	SWITCH,FWD DISTANCE WARNING SENSOR	1		
	82260	MK322961	SWITCH,ASR	1		
	82260B	MK370661	SWITCH,ASR	1		
		MK370661	SWITCH,ASR	1		
	82350	MK322983	SWITCH,ENG OIL LEVEL CHECK	1		

FK74R
54-420 SWITCH

Repl Part	PNC	Part No	Part Name	Qty	Part Spec	Remarks
	82350C	MK322983	SWITCH,ENG OIL LEVEL CHECK	1		
	82425	MF140003	BOLT,POWER WINDOW SWITCH	2	FLANGE,6X12	4T
		MF140003	BOLT,POWER WINDOW SWITCH	2	FLANGE,6X12	4T
	82438	MK322951	SWITCH,HEATER MIRROR	1		
		MK322951	SWITCH,HEATER MIRROR	1		
		MK322951	SWITCH,HEATER MIRROR	1		
	82441A	MK327988	SWITCH ASSY,MIRROR RETRACT & REMOTE CONTROL	1		
		MK327988	SWITCH ASSY,MIRROR RETRACT & REMOTE CONTROL	1		
		MK327988	SWITCH ASSY,MIRROR RETRACT & REMOTE CONTROL	1		
	82471	MK322968	SWITCH,RETARDER	1		
	82471E	MK322968	SWITCH,RETARDER	1		
	82640	MK320626	RELAY,REMOTE CONTROL MIRROR	1		
		MK320626	RELAY,REMOTE CONTROL MIRROR	1		
RP	82649	MK421327	RECEIVER,KEYLESS ENTRY	1		
RP		MK421327	RECEIVER,KEYLESS ENTRY	1		

FK74R
54-420 SWITCH

Repl Part	PNC	Part No	Part Name	Qty	Part Spec	Remarks
	82649	MK542872	RECEIVER,KEYLESS ENTRY	1		
RP	82690	MK421328	TRANSMITTER,KEYLESS ENTRY	1		
RP		MK421328	TRANSMITTER,KEYLESS ENTRY	1		
	82762	MK421078	RELAY,POWER WINDOW	1		
	83287	MF350790	SCREW,REMOTE CONTROL MIRROR WIRING	2	WASHER ASSEMBLED,6X12	
		MF350790	SCREW,REMOTE CONTROL MIRROR WIRING	2	WASHER ASSEMBLED,6X12	
	88101	MK322952	SWITCH,MIRROR WIPER	1		
	88101B	MK322952	SWITCH,MIRROR WIPER	1		
		MK322952	SWITCH,MIRROR WIPER	1		
	88102	MK510444	BRACKET,HILL START RESET SWITCH	1		
	88103	MK322965	SWITCH,HILL START ADJUSTER	1		
	88103B	MK322965	SWITCH,HILL START ADJUSTER	1		
		MK322965	SWITCH,HILL START ADJUSTER	1		
	88104	MK322964	SWITCH,HILL START MAIN	1		
	88104B	MK322964	SWITCH,HILL START MAIN	1		

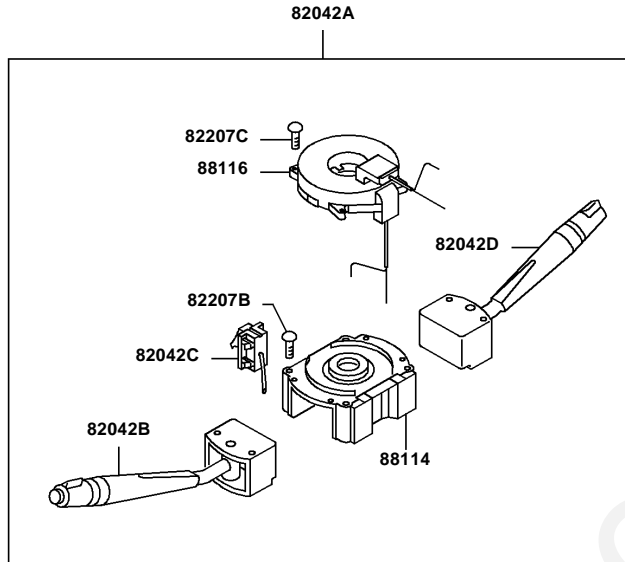
FK74R
54-420 SWITCH

Repl Part	PNC	Part No	Part Name	Qty	Part Spec	Remarks
	88105	MC898146	SWITCH,HILL START RESET	1		
		MK541927	SWITCH,HILL START RESET	1		
	88111	MK421466	SWITCH,MULTIPLE DISPLAY	1		
	88173	MK542106	SWITCH,ISS	1		
	88184B	MK542056	SWITCH,DPF CLEANER	1		
	88507	MK541598	CONTROL UNIT,DOOR & MIRROR	1		
		MK541154	CONTROL UNIT,DOOR & MIRROR	1		
		MK541598	CONTROL UNIT,DOOR & MIRROR	1		
		MK541598	CONTROL UNIT,DOOR & MIRROR	1		
		MK541598	CONTROL UNIT,DOOR & MIRROR	1		
		MK541598	CONTROL UNIT,DOOR & MIRROR	1		
		MK541598	CONTROL UNIT,DOOR & MIRROR	1		
		MK541598	CONTROL UNIT,DOOR & MIRROR	1		
		MK541154	CONTROL UNIT,DOOR & MIRROR	1		
	81707	(N.e.c.)	RHEOSTAT,INSTRUMENT PANEL			
	82124	(N.e.c.)	SWITCH,RR FOG LAMP			
	82135	(N.e.c.)	SWITCH,SPEED INDICATOR LAMP			

FK74R
54-420 SWITCH

Repl Part	PNC	Part No	Part Name	Qty	Part Spec	Remarks
	82373	(N.e.c.)	SWITCH,A/T SHIFT MODE POWER & HILL			
	82310	(N.e.c.)	SWITCH,A/T SHIFT MODE SNOW			
	82043	(N.e.c.)				
	82072	(N.e.c.)	SWITCH,FR DRIVE			
	82004	(N.e.c.)	SWITCH,COLD STARTING			
	82270	(N.e.c.)	SWITCH,FR DRIVE H-L			
	88117	(N.e.c.)	SWITCH,LOCK BRAKE			
	82033	(N.e.c.)	SWITCH,CRUISE CONTROL MAIN			
	82047	(N.e.c.)	SWITCH,DIFF LOCK			
	82540	(N.e.c.)	CONTROL UNIT,KEYLESS ENTRY			
	82640B	(N.e.c.)	RELAY,REMOTE CONTROL MIRROR			
	82283	(N.e.c.)	NUT,SWITCH			
	82799BB	(N.e.c.)	RELAY			
	82277	(N.e.c.)	BOLT,INSTRUMENT PANEL SWITCH			
	82299	(N.e.c.)				
	82799BE	(N.e.c.)	RELAY			
	82717BK	(N.e.c.)	BRACKET,RELAY			
	82362	(N.e.c.)	KNOB,PTO SWITCH			
	82279D	(N.e.c.)	BULB,INSTRUMENT PANEL SWITCH			
	82297B	(N.e.c.)	SCREW,INSTRUMENT PANEL SWITCH			
	82114A	(N.e.c.)	SWITCH ASSY,PTO			
	82114H	(N.e.c.)	SWITCH,PTO			
	82047H	(N.e.c.)	SWITCH,DIFF LOCK			
	82004D	(N.e.c.)	SWITCH,COLD STARTING			
	82047J	(N.e.c.)	SWITCH,DIFF LOCK			

**FK74R
No.1**



2AA300

Ref. |2054450

Page

**FK74R
54-450 COMBINATION SWITCH**

PNC	Part No	Part Name	Qty	Part Spec	Remarks	Classification	Option
82042A	MK420308	SWITCH ASSY,COMBINATION	1			G6,H6,H6E, J6,J6E,K6, K6E,M6E	
	MK420308	SWITCH ASSY,COMBINATION	1			G6,G6E,H6, H6E,J6,J6E, K6,K6E,M6, M6E	
	MK420308	SWITCH ASSY,COMBINATION	1			G6E,M6	
	MK420308	SWITCH ASSY,COMBINATION	1			G6,G6E,H6, H6E,J6,J6E, K6,K6E,M6, M6E	
	MK420707	SWITCH ASSY,COMBINATION	1			G6,G6E,H6, H6E,J6,J6E, K6,K6E,M6, M6E	1YC
	MK541604	SWITCH ASSY,COMBINATION	1			G6V,H6V,H6VE, J6V,J6VE,K6V, K6VE,M6VE	
	MK541604	SWITCH ASSY,COMBINATION	1			G6,H6,H6E, J6,J6E,K6, K6E,M6E	
	MK541604	SWITCH ASSY,COMBINATION	1			G6,G6V,H6, H6E,H6V,H6VE, J6,J6E,J6V, J6VE,K6,K6E, K6V,K6VE,M6E, M6VE	
	MK541604	SWITCH ASSY,COMBINATION	1			K6V,M6VE	
	MK541604	SWITCH ASSY,COMBINATION	1			G6V,H6V,H6VE, J6V,J6VE,K6VE	

Ref. |2054450

Page

FK74R
54-450 COMBINATION SWITCH

PNC	Part No	Part Name	Qty	Part Spec	Remarks	Classification	Option	
82042A	MK541604	SWITCH ASSY,COMBINATION	1			G6,H6,H6E, J6,J6E,K6, K6E,M6E		
	MK541604	SWITCH ASSY,COMBINATION	1			G6,H6,H6E, J6,J6E,K6, K6E,M6E		
	MK541608	SWITCH ASSY,COMBINATION	1			G6,G6V,H6, H6E,H6V,H6VE, J6,J6E,J6V, J6VE,K6,K6E, K6V,K6VE,M6E, M6VE	1HA,1HD	
	MK541754	SWITCH ASSY,COMBINATION	1			G6,H6,H6E, J6,J6E,K6, K6E,M6E	1YC	
	MK542166	SWITCH ASSY,COMBINATION	1			G6,H6,H6E, J6,J6E,K6, K6E,M6E		
	MK542166	SWITCH ASSY,COMBINATION	1			G6V,H6V,H6VE, J6V,J6VE,K6VE		
	MK542166	SWITCH ASSY,COMBINATION	1			G6V,H6V,H6VE, J6V,J6VE,K6VE		
	MK542166	SWITCH ASSY,COMBINATION	1			G6,H6,H6E, J6,J6E,K6, K6E,M6E		
	MK542166	SWITCH ASSY,COMBINATION	1			G6,G6V,H6, H6E,H6V,H6VE, J6,J6E,J6V, J6VE,K6,K6E, K6VE,M6E	1HA,1HD	
	MK542169	SWITCH ASSY,COMBINATION	1			G6,G6V,H6, H6E,H6V,H6VE, J6,J6E,J6V, J6VE,K6,K6E, K6VE,M6E	1HA,1HD	
	MK542498	SWITCH ASSY,COMBINATION	1			G6,G6V,H6, H6E,H6V,H6VE, J6,J6E,J6V, J6VE,K6,K6E, K6VE,M6E	1XJ	
	MK542491	SWITCH ASSY,COMBINATION	1			G6,H6,H6E, J6,J6E,K6, K6E,M6E	1YC	
	82042B	MK327629	SWITCH,COMBINATION	1		WIPER & EXH BRAKE	G6,G6E,H6, H6E,J6,J6E, K6,K6E,M6, M6E	
		MK327629	SWITCH,COMBINATION	1		WIPER & EXH BRAKE	G6,H6,H6E, J6,J6E,K6, K6E,M6E	
MK327629		SWITCH,COMBINATION	1		WIPER & EXH BRAKE	G6E,M6		
MK327629		SWITCH,COMBINATION	1		WIPER & EXH BRAKE	G6,G6E,H6, H6E,J6,J6E, K6,K6E,M6, M6E		
MK345231		SWITCH,COMBINATION	1		WIPER,EXH BRAKE & HAZAR	G6,G6E,H6, H6E,J6,J6E, K6,K6E,M6, M6E	1YC	
MK541187		SWITCH,COMBINATION	1		WIPER,HAZARD & EXH BRAKE	G6,G6V,H6, H6E,H6V,H6VE, J6,J6E,J6V, J6VE,K6,K6E, K6V,K6VE,M6E, M6VE		
MK541187		SWITCH,COMBINATION	1		WIPER,HAZARD & EXH BRAKE	G6,H6,H6E, J6,J6E,K6, K6E,M6E		
MK541187		SWITCH,COMBINATION	1		WIPER,HAZARD & EXH BRAKE	G6,H6,H6E, J6,J6E,K6, K6E,M6E		

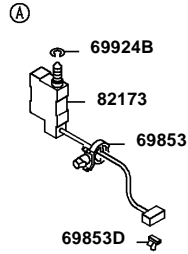
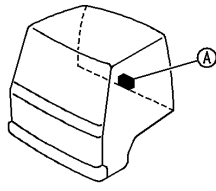
FK74R
54-450 COMBINATION SWITCH

PNC	Part No	Part Name	Qty	Part Spec	Remarks	Classification	Option
82042B	MK541187	SWITCH,COMBINATION	1		WIPER,HAZARD & EXH BRAKE	G6V,H6V,H6VE, J6V,J6VE,K6V, K6VE,M6VE	
	MK541187	SWITCH,COMBINATION	1		WIPER,HAZARD & EXH BRAKE	G6,H6,H6E, J6,J6E,K6, K6E,M6E	
	MK541187	SWITCH,COMBINATION	1		WIPER,HAZARD & EXH BRAKE	G6,H6,H6E, J6,J6E,K6, K6E,M6E	1HA,1HD
	MK541758	SWITCH,COMBINATION	1		WIPER,HAZARD & EXH BRAKE	G6,H6,H6E, J6,J6E,K6, K6E,M6E	1YC
	MK542175	SWITCH,COMBINATION	1		WIPER,HAZARD,EXH BRAKE	G6V,H6V,H6VE, J6V,J6VE,K6VE	
	MK542175	SWITCH,COMBINATION	1		WIPER,HAZARD,EXH BRAKE	G6,H6,H6E, J6,J6E,K6, K6E,M6E	
	MK542175	SWITCH,COMBINATION	1		WIPER,HAZARD,EXH BRAKE	G6,H6,H6E, J6,J6E,K6, K6E,M6E	
	MK542175	SWITCH,COMBINATION	1		WIPER,HAZARD,EXH BRAKE	G6,G6V,H6, H6E,H6V,H6VE, J6,J6E,J6V, J6VE,K6,K6E, K6VE,M6E	
	MK542175	SWITCH,COMBINATION	1		WIPER,HAZARD,EXH BRAKE	G6,H6,H6E, J6,J6E,K6, K6E,M6E	1HA,1HD,1X
	MK542174	SWITCH,COMBINATION	1		WIPER,HAZARD,EXH,P/TD,RTD	G6,H6,H6E, J6,J6E,K6, K6E,M6E	1YC
82042C	MK387835	SWITCH,COMBINATION	1		FOG LAMP	G6,G6E,H6, H6E,J6,J6E, K6,K6E,M6, M6E	
82042D	MK387824	SWITCH,COMBINATION	1		TURN SIGNAL & LIGHTING	G6,G6E,H6, H6E,J6,J6E, K6,K6E,M6, M6E	
	MK387824	SWITCH,COMBINATION	1		TURN SIGNAL & LIGHTING	G6,H6,H6E, J6,J6E,K6, K6E,M6E	
	MK387824	SWITCH,COMBINATION	1		TURN SIGNAL & LIGHTING	G6E,M6	
	MK387824	SWITCH,COMBINATION	1		TURN SIGNAL & LIGHTING	G6,G6E,H6, H6E,J6,J6E, K6,K6E,M6, M6E	
	MK421485	SWITCH,COMBINATION	1		TURN SIGNAL & LIGHTING	G6,G6V,H6, H6E,H6V,H6VE, J6,J6E,J6V, J6VE,K6,K6E, K6V,K6VE,M6E, M6VE	1HA,1HD
	MK421373	SWITCH,COMBINATION	1		TURN SIGNAL & LIGHTING	G6,H6,H6E, J6,J6E,K6, K6E,M6E	1YC
	MK421373	SWITCH,COMBINATION	1		TURN SIGNAL & LIGHTING	G6,H6,H6E, J6,J6E,K6, K6E,M6E	
	MK421373	SWITCH,COMBINATION	1		TURN SIGNAL & LIGHTING	G6V,H6V,H6VE, J6V,J6VE,K6VE	
	MK421373	SWITCH,COMBINATION	1		TURN SIGNAL & LIGHTING	G6V,H6V,H6VE, J6V,J6VE,K6VE	
	MK421373	SWITCH,COMBINATION	1		TURN SIGNAL & LIGHTING	K6V,M6VE	
	MK421373	SWITCH,COMBINATION	1		TURN SIGNAL & LIGHTING	K6V,M6VE	
	MK421373	SWITCH,COMBINATION	1		TURN SIGNAL & LIGHTING	G6,H6,H6E, J6,J6E,K6, K6E,M6E	
	MK421373	SWITCH,COMBINATION	1		TURN SIGNAL & LIGHTING	G6V,H6V,H6VE, J6V,J6VE,K6V, K6VE,M6VE	

FK74R
54-450 COMBINATION SWITCH

PNC	Part No	Part Name	Qty	Part Spec	Remarks	Classification	Option
82042D	MK421373	SWITCH,COMBINATION	1		TURN SIGNAL & LIGHTING	G6,H6,H6E, J6,J6E,K6, K6E,M6E	
	MK421373	SWITCH,COMBINATION	1		TURN SIGNAL & LIGHTING	G6,G6V,H6, H6E,H6V,H6VE, J6,J6E,J6V, J6VE,K6,K6E, K6V,K6VE,M6E, M6VE	
	MK421485	SWITCH,COMBINATION	1		TURN SIGNAL & LIGHTING	G6,G6V,H6, H6E,H6V,H6VE, J6,J6E,J6V, J6VE,K6,K6E, K6VE,M6E	1HA,1HD
	MK421373	SWITCH,COMBINATION	1		TURN SIGNAL & LIGHTING	G6,G6V,H6, H6E,H6V,H6VE, J6,J6E,J6V, J6VE,K6,K6E, K6VE,M6E	1XJ
82207B	MC896030	SCREW,STEERING COLUMN SWITCH	4	5X25		G6,G6E,G6V, H6,H6E,H6V, H6VE,J6,J6E, J6V,J6VE,K6, K6E,K6V,K6VE, M6,M6E,M6VE	
82207C	MC887385	SCREW,STEERING COLUMN SWITCH	4			G6,G6E,G6V, H6,H6E,H6V, H6VE,J6,J6E, J6V,J6VE,K6, K6E,K6V,K6VE, M6,M6E,M6VE	
88114	MK327626	HOUSING,COMBINATION SWITCH	1			G6,H6,H6E, J6,J6E,K6, K6E,M6E	
	MK327626	HOUSING,COMBINATION SWITCH	1			G6,G6E,G6V, H6,H6E,H6V, H6VE,J6,J6E, J6V,J6VE,K6, K6E,K6V,K6VE, M6,M6E,M6VE	
	MK327626	HOUSING,COMBINATION SWITCH	1			G6V,H6V,H6VE, J6V,J6VE,K6VE	
	MK327626	HOUSING,COMBINATION SWITCH	1			G6E,K6V,M6, M6VE	
	MK327626	HOUSING,COMBINATION SWITCH	1			G6,G6E,G6V, H6,H6E,H6V, H6VE,J6,J6E, J6V,J6VE,K6, K6E,K6V,K6VE, M6,M6E,M6VE	1HA,1HD
	MK327626	HOUSING,COMBINATION SWITCH	1			G6,G6V,H6, H6E,H6V,H6VE, J6,J6E,J6V, J6VE,K6,K6E, K6VE,M6E	1XJ
	MK327626	HOUSING,COMBINATION SWITCH	1			G6,H6,H6E, J6,J6E,K6, K6E,M6E	1YC
	MK345716	HOUSING,COMBINATION SWITCH	1			G6,G6E,H6, H6E,J6,J6E, K6,K6E,M6, M6E	
	MK327626	HOUSING,COMBINATION SWITCH	1			G6,G6V,H6, H6E,H6V,H6VE, J6,J6E,J6V, J6VE,K6,K6E, K6VE,M6E	1XJ
	MK327626	HOUSING,COMBINATION SWITCH	1			G6,H6,H6E, J6,J6E,K6, K6E,M6E	1YC
88116	MK345495	SPRING,COMBINATION SWITCH	1			G6,G6E,H6, H6E,J6,J6E, K6,K6E,M6, M6E	
	MK541611	SPRING,COMBINATION SWITCH	1			G6,G6V,H6, H6E,H6V,H6VE, J6,J6E,J6V, J6VE,K6,K6E, K6V,K6VE,M6E, M6VE	

FK74R
No.1



C00025

Ref. |2054470

Page

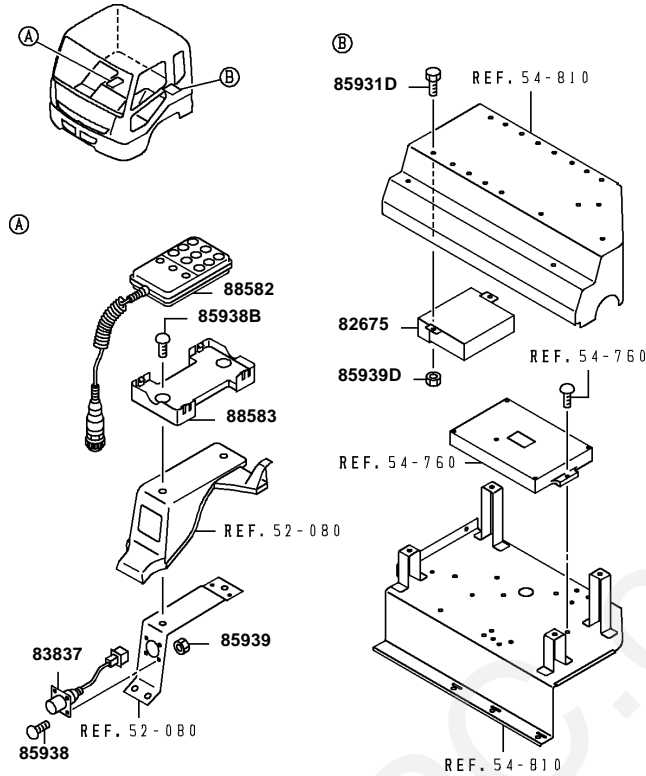
FK74R
54-470 POWER TILT SWITCH

PNC	Part No	Part Name	Qty	Part Spec	Classification	Start	End
69853	MH020934	CLIP,CAB TILT ELECTRICALS	1	A=17.5 B=14.5	G6,G6E,G6V, H6,H6E,H6V, H6VE,J6,J6E, J6V,J6VE,K6, K6E,K6V,K6VE, M6,M6E,M6VE	04053	09052
69853D	MH056347	CLIP,CAB TILT ELECTRICALS	1	D=14.8	G6,G6E,G6V, H6,H6E,H6V, H6VE,J6,J6E, J6V,J6VE,K6, K6E,K6V,K6VE, M6,M6E,M6VE	04053	09052
69924B	MF450008	WASHER,CAB TILT ELECTRICALS	1	PLAIN,14	G6,G6E,G6V, H6,H6E,H6V, H6VE,J6,J6E, J6V,J6VE,K6, K6E,K6V,K6VE, M6,M6E,M6VE	04053	09052
82173	MK330120	SWITCH,CAB TILT POSITION DETECT	1		G6,G6E,G6V, H6,H6E,H6V, H6VE,J6,J6E, J6V,J6VE,K6, K6E,K6V,K6VE, M6,M6E,M6VE	04053	09052

Ref. |2054470

Page

FK74R
No.1



C00012

Ref. |2054500

Page

FK74R
54-500 HIGHT CONTROL UNIT

PNC	Part No	Part Name	Qty	Part Spec	Remarks	Classification
82675	MK420992	CONTROL UNIT,HEIGHT	1			G6,G6E,G6V, H6,H6E,H6V, H6VE,J6,J6E, J6V,J6VE,K6, K6E,K6V,K6VE, M6,M6E,M6VE
83837	MK386782	SUB HARNESS,A/SUSP	2			G6,G6E,H6, H6E,J6,J6E, K6,K6E,M6, M6E
	MK386782	SUB HARNESS,A/SUSP	1			G6,G6V,H6, H6E,H6V,H6VE, J6,J6E,J6V, J6VE,K6,K6E, K6V,K6VE,M6E, M6VE
85931D	MF140005	BOLT,HEIGHT CONTROL ELECTRICALS	2	FLANGE,6X16	4T	G6,G6V,H6, H6E,H6V,H6VE, J6,J6E,J6V, J6VE,K6,K6E, K6V,K6VE,M6E, M6VE
85938	MF350723	SCREW,HEIGHT CONTROL ELECTRICALS	8	WASHER ASSEMBLED,4T,3X10		G6,G6E,G6V, H6,H6E,H6V, H6VE,J6,J6E, J6V,J6VE,K6, K6E,K6V,K6VE, M6,M6E,M6VE

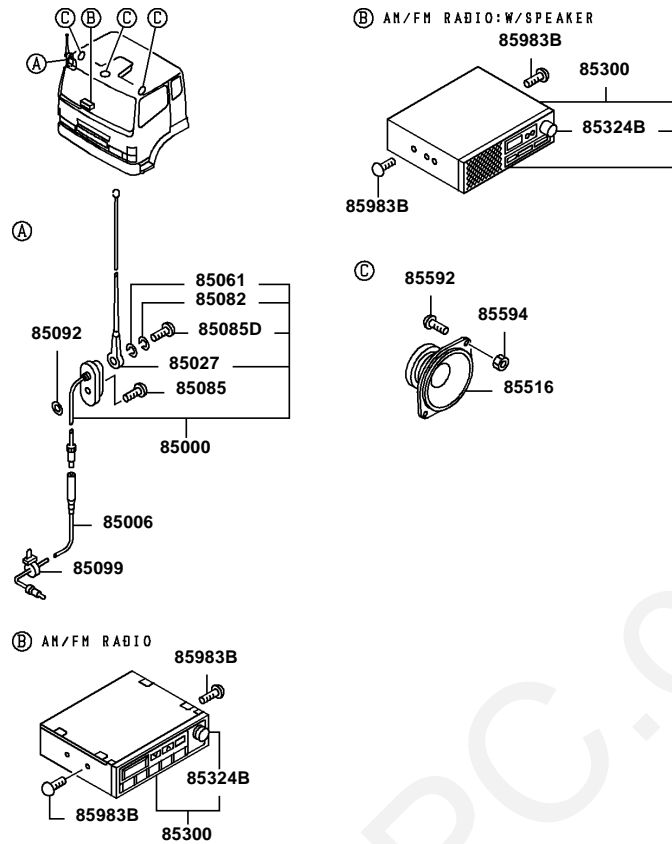
Ref. |2054500

Page

FK74R
54-500 HIGHT CONTROL UNIT

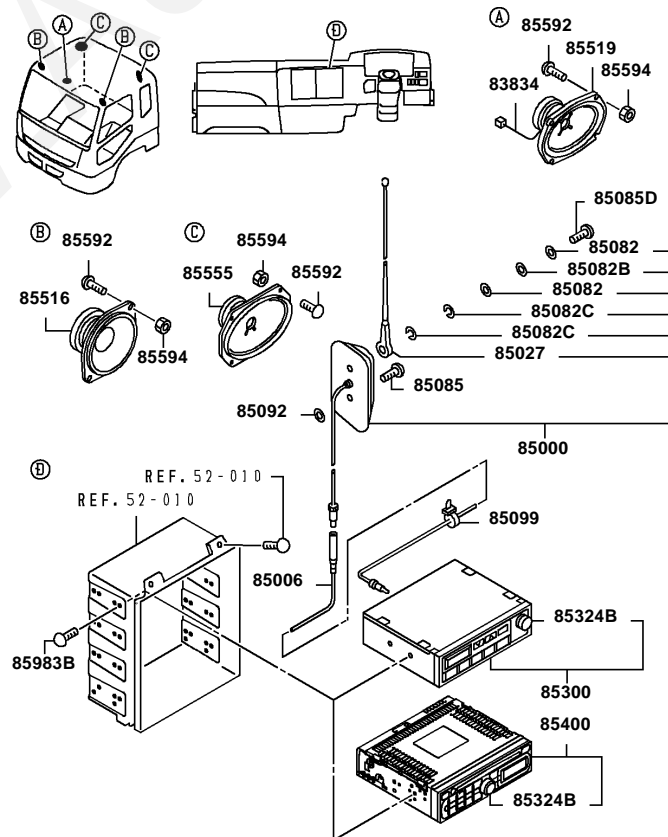
PNC	Part No	Part Name	Qty	Part Spec	Remarks	Classification
85938B	MS200972	SCREW,HEIGHT CONTROL ELECTRICALS	2	MACHINE,6X20		G6,G6E,G6V, H6,H6E,H6V, H6VE,J6,J6E, J6V,J6VE,K6, K6E,K6V,K6VE, M6,M6E,M6VE
85939	MF430001	NUT,HEIGHT CONTROL ELECTRICALS	8	NUT,3	4T	G6,G6E,G6V, H6,H6E,H6V, H6VE,J6,J6E, J6V,J6VE,K6, K6E,K6V,K6VE, M6,M6E,M6VE
85939D	MF434103	NUT,HEIGHT CONTROL ELECTRICALS	2	FLANGE,6	W/O COATING	G6,G6E,G6V, H6,H6E,H6V, H6VE,J6,J6E, J6V,J6VE,K6, K6E,K6V,K6VE, M6,M6E,M6VE
88582	MK421098	CONTROL UNIT,HEIGHT REMOTE	1			G6,G6E,G6V, H6,H6E,H6V, H6VE,J6,J6E, J6V,J6VE,K6, K6E,K6V,K6VE, M6,M6E,M6VE
88583	MK344642	SUPPORT,HEIGHT REMOTE CONTROL UNIT	1			G6,G6E,G6V, H6,H6E,H6V, H6VE,J6,J6E, J6V,J6VE,K6, K6E,K6V,K6VE, M6,M6E,M6VE

FK74R
No.1



C00135

FK74R
No.2



C00099

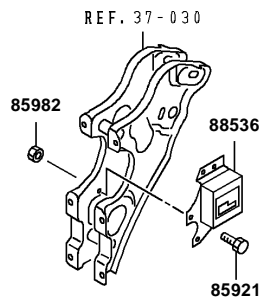
FK74R
54-510 RADIO & STEREO

Repl Part RP	PNC 85000	Part No MK344359	Part Name ANTENNA	Qty 1	Part Spec	Remarks	PREV.1 O	NEW1	C
	85006	MC858449	CABLE,ANTENNA	1					G6 H6 H6 J6 K6 M6
		MK543047	CABLE,ANTENNA	1					G6 H6 H6 J6 K6 M6
	85027	MK543033	ROD,ANTENNA	1					G6 H6 H6 J6 K6 M6
	85082	MC859102	WASHER,ANTENNA	2	T=0.3				G6 H6 H6 J6 K6 M6
	85082B	MC859103	WASHER,ANTENNA	1	T=0.8				G6 H6 H6 J6 K6 M6
	85082C	MC859101	WASHER,ANTENNA	2	SPRING,T=0.8				G6 H6 H6 J6 K6 M6
	85085	MH001033	SCREW,ANTENNA	1	6X28				G6 H6 H6 J6 K6 M6
	85085D	MC848740	SCREW,ANTENNA	1					G6 H6 H6 J6 K6 M6
	85092	MH035171	GASKET,ANTENNA	1					G6 H6 H6 J6 K6 M6
RP	85099	MB084082	BAND,ANTENNA	3	L=219.5				G6 H6 H6 J6 K6 M6
		MB249340	BAND,ANTENNA	3	L=219.5	BLACK			G6 H6 H6 J6 K6 M6
		MB249340	BAND,ANTENNA	1	L=219.5	BLACK			G6 H6 H6 J6 J6 K6 M6

**FK74R
54-510 RADIO & STEREO**

Repl Part	PNC	Part No	Part Name	Qty	Part Spec	Remarks	PREV.1	NEW1	C
	85300	MK344895	RADIO	1	AM/FM				G6
		MK541191	RADIO	1	AM/FM				H6
		MK421639	RADIO	1	AM/FM,1DIN				K6
	85324B	MK344899	KNOB,AUDIO EQUIP	1	VOL				M6
		MK421656	KNOB,AUDIO EQUIP	1	VOL				G6
	85516	MC856148	SPEAKER,FR	2					H6
		MK541192	SPEAKER,FR	2					J6,
	85592	MF350075	SCREW,SPEAKER	8	WASHER ASSEMBLED,6X20				K6
		MF453031	SCREW,SPEAKER	4	TAPPING,5X12				G6
	85594	MF434103	NUT,SPEAKER	8	FLANGE,6	W/O COATING			H6
	85983B	MH001078	SCREW,AUDIO EQUIP	4	WASHER ASSEMBLED,BLACK,5X10				K6
		MF350767	SCREW,AUDIO EQUIP	4	WASHER ASSEMBLED,5X10				M6
	85061	(N.e.c.)							G6
	85519	(N.e.c.)	SPEAKER,FR CTR						H6
	85555	(N.e.c.)	SPEAKER,RR						K6
	83834	(N.e.c.)	SUB HARNESS,SPEAKER						M6
	85400	(N.e.c.)	STEREO						G6

**FK74R
No.1**

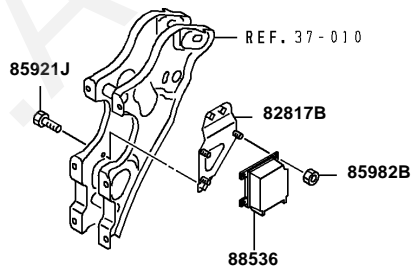


2 AA2 00

Ref. |2054540

Page

**FK74R
No.2**



C00010

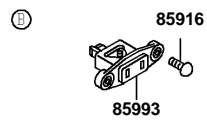
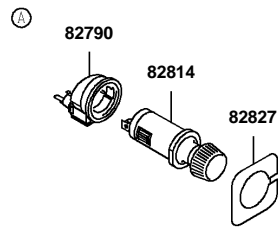
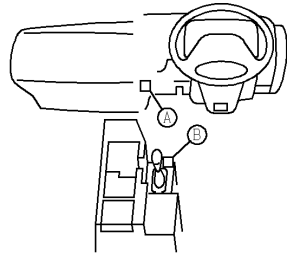
Ref. |2054540

Page

FK74R
54-540 AIR BAG SENSOR & CONTROL

PNC	Part No	Part Name	Qty	Part Spec	Remarks	Classification	Start	End
82817B	MK510912	BRACKET,AIR BAG CONTROL UNIT	1			G6,G6V,H6, H6E,H6V,H6VE, J6,J6E,J6V, J6VE,K6,K6E, K6V,K6VE,M6E, M6VE	05103	0900
85921	MF243651	BOLT,AIR BAG CONTROL EQUIP	4	WASHER ASSEMBLED,8X20		G6,G6E,H6, H6E,J6,J6E, K6,K6E,M6, M6E	04053	0510
85921J	MF243649	BOLT,AIR BAG CONTROL EQUIP	3	WASHER ASSEMBLED,8X16		G6,G6V,H6, H6E,H6V,H6VE, J6,J6E,J6V, J6VE,K6,K6E, K6V,K6VE,M6E, M6VE	05103	0900
85982	MF434104	NUT,AIR BAG CONTROL EQUIP	4	FLANGE,8		G6,G6E,H6, H6E,J6,J6E, K6,K6E,M6, M6E	04053	0510
85982B	MF434103	NUT,AIR BAG CONTROL EQUIP	3	FLANGE,6	W/O COATING	G6,G6V,H6, H6E,H6V,H6VE, J6,J6E,J6V, J6VE,K6,K6E, K6V,K6VE,M6E, M6VE	05103	0900
88536	MK344559	CONTROL UNIT,AIR BAG	1			G6,G6E,H6, H6E,J6,J6E, K6,K6E,M6, M6E	04053	0510
	MK541774	CONTROL UNIT,AIR BAG	1			G6,G6V,H6, H6E,H6V,H6VE, J6,J6E,J6V, J6VE,K6,K6E, K6V,K6VE,M6E, M6VE	05103	0700
	MK542045	CONTROL UNIT,AIR BAG	1			G6,G6V,H6, H6E,H6V,H6VE, J6,J6E,J6V, J6VE,K6,K6E, K6VE,M6E	07053	0900

FK74R
No.1

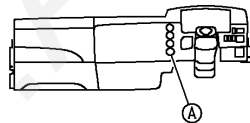


2AA100

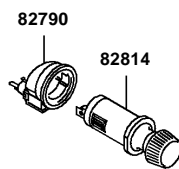
Ref. |2054570

Page

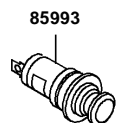
FK74R
No.2



Ⓐ CIGAR LIGHTER



Ⓐ POWER SOCKET



C00025

Ref. |2054570

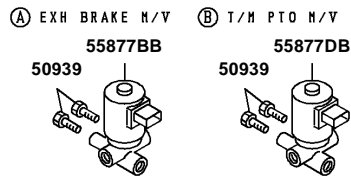
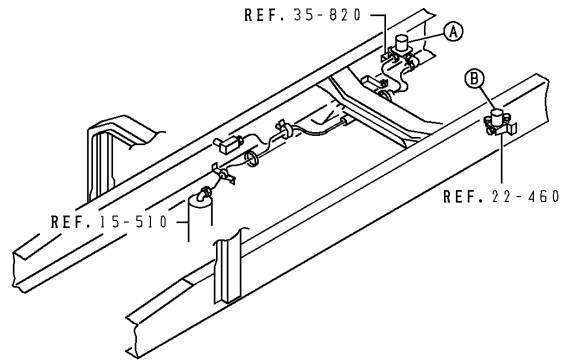
Page

FK74R
54-570 CIGAR LIGHTER & ACCESSORY

PNC	Part No	Part Name	Qty	Classification	Start	End
82790	MC858594	RING,CIGAR LIGHTER	1	G6,G6E,G6V, H6,H6E,H6V, H6VE,J6,J6E, J6V,J6VE,K6, K6E,K6V,K6VE, M6,M6E,M6VE	04053	09052
82814	MC858595	CIGAR LIGHTER,INSTRUMENT PANEL	1	G6,G6E,G6V, H6,H6E,H6V, H6VE,J6,J6E, J6V,J6VE,K6, K6E,K6V,K6VE, M6,M6E,M6VE	04053	09052
85916	(N.e.c.)	SCREW,CHASSIS ELECTRICALS				
85993	(N.e.c.)	SOCKET,CHASSIS ELECTRICALS				
82827	(N.e.c.)	PROTECTOR,CIGAR LIGHTER				

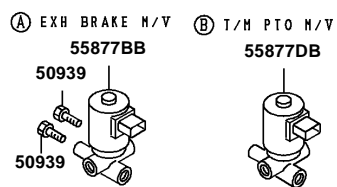
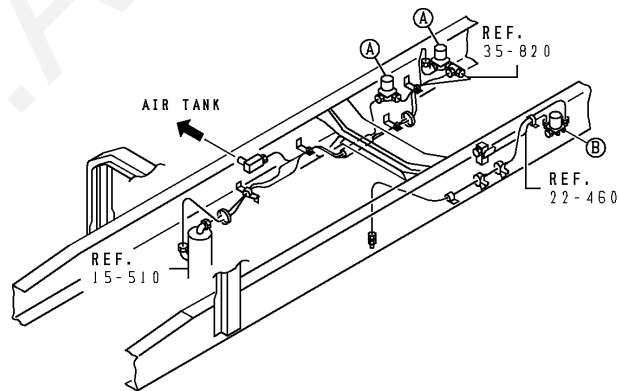
www.AutoEPC.com

**FK74R
No.1**



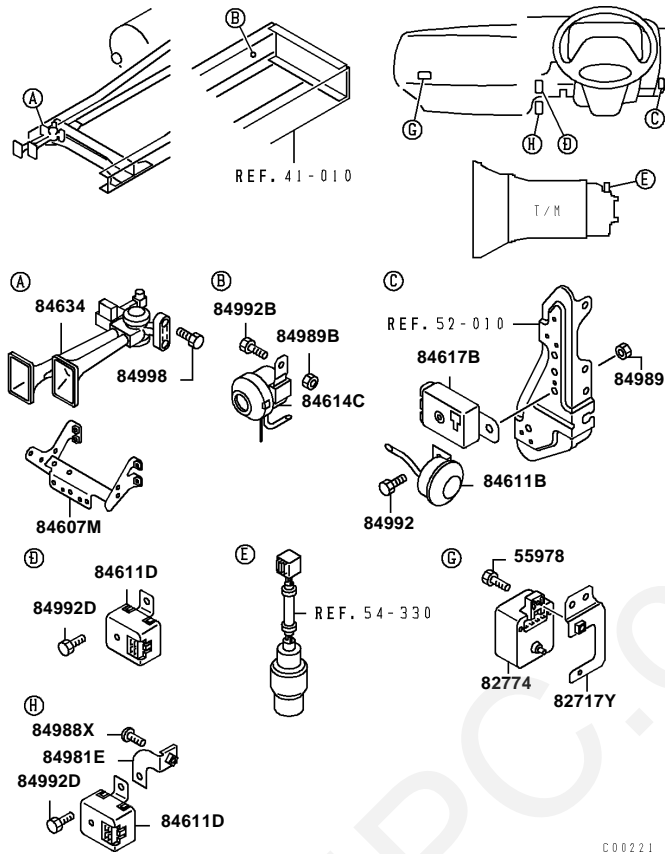
C00060

**FK74R
No.2**



C00367

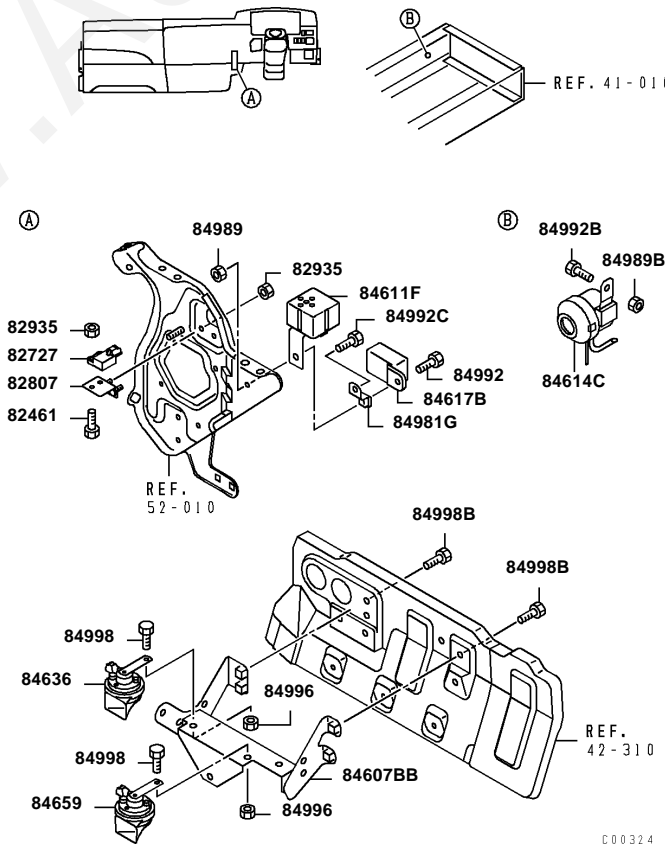
FK74R
No.3



Ref. |2054590

Page

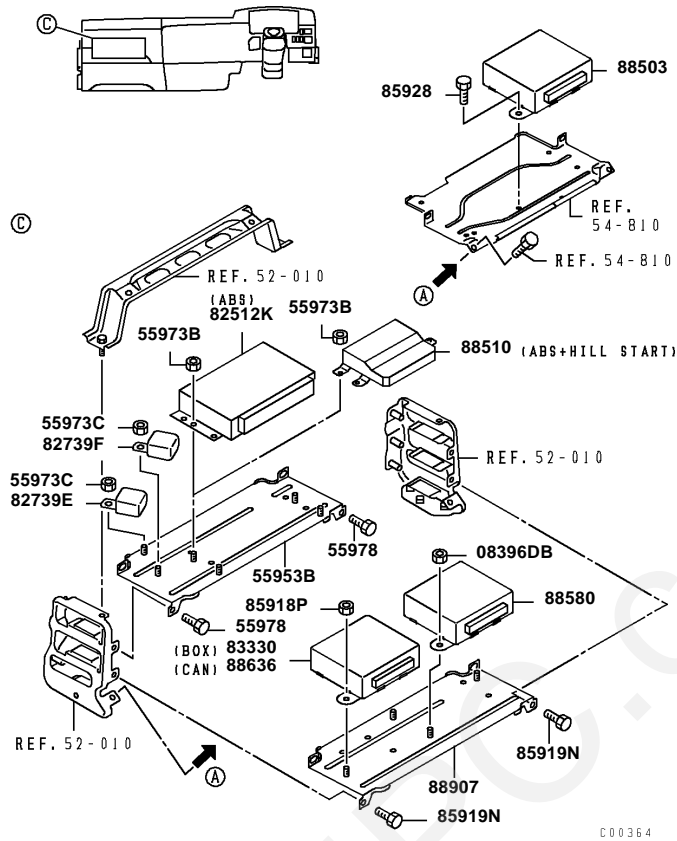
FK74R
No.4



Ref. |2054590

Page

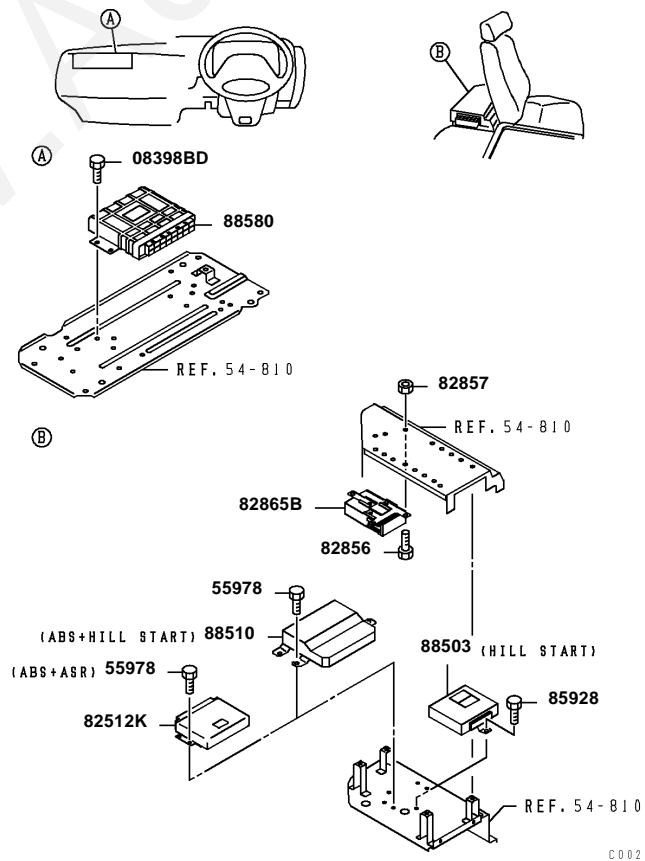
FK74R
No.5



Ref. |2054590

Page

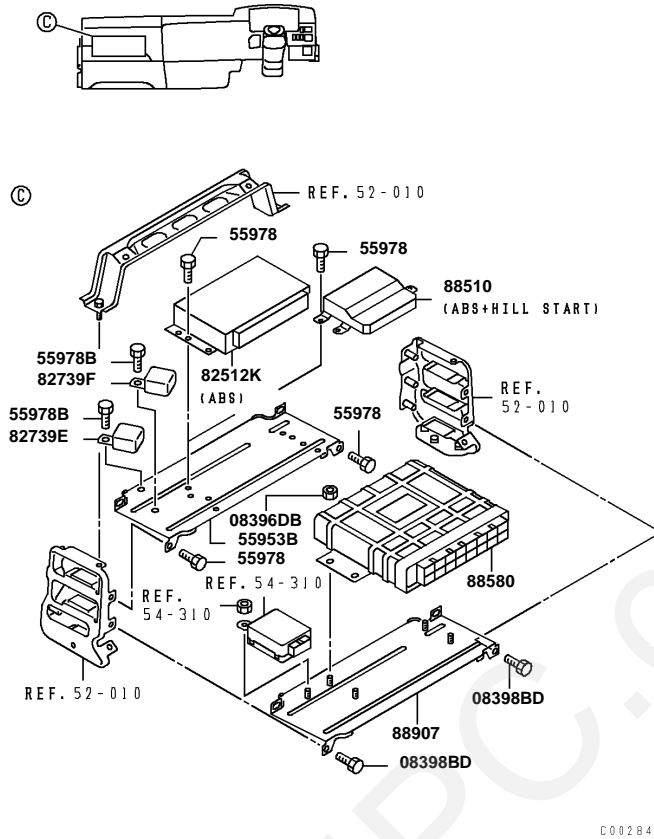
FK74R
No.6



Ref. |2054590

Page

FK74R
No.7



Ref. |2054590

Page

FK74R
54-590 HORN, BUZZER & SENSOR

Repl Part	PNC	Part No	Part Name	Qty	Part Spec	Remarks	NEW1
	08396DB	MF434103	NUT, CRUISE CONTROL ELECTRICALS	4	FLANGE,6	W/O COATING	
		MF434103	NUT, CRUISE CONTROL ELECTRICALS	2	FLANGE,6	W/O COATING	
		MF434103	NUT, CRUISE CONTROL ELECTRICALS	2	FLANGE,6	W/O COATING	
	08398BD	MF140002	BOLT, CRUISE CONTROL ELECTRICALS	4	FLANGE,6X10	4T	
		MF140002	BOLT, CRUISE CONTROL ELECTRICALS	2	FLANGE,6X10	4T	
	50939	MF240051	BOLT, 3-WAY SOLENOID VALVE	4	WASHER ASSEMBLED,8X16		
	55877BB	MK344609	VALVE, 3-WAY SOLENOID	1			
		MK327279	VALVE, 3-WAY SOLENOID	1			

Ref. |2054590

Page

FK74R
54-590 HORN,BUZZER & SENSOR

Repl Part	PNC	Part No	Part Name	Qty	Part Spec	Remarks	NEW1
	55877BB	MK344609	VALVE,3-WAY SOLENOID	1			
		MK344609	VALVE,3-WAY SOLENOID	2			
		MK327279	VALVE,3-WAY SOLENOID	2			
	55877DB	MK344609	VALVE,3-WAY SOLENOID	1			
		MK344609	VALVE,3-WAY SOLENOID	1			
		MK344609	VALVE,3-WAY SOLENOID	1			
	55953B	MK510885	BRACKET,ABS CONTROL UNIT	1			
		MK565665	BRACKET,ABS CONTROL UNIT	1			
	55973B	MF434103	NUT,ABS CONTROL EQUIP	4	FLANGE,6	W/O COATING	
	55973C	MF434104	NUT,ABS CONTROL EQUIP	2	FLANGE,8		
	55978	MF140003	BOLT,ABS CONTROL EQUIP	7	FLANGE,6X12	4T	
		MF140003	BOLT,ABS CONTROL EQUIP	7	FLANGE,6X12	4T	
		MF140003	BOLT,ABS CONTROL EQUIP	7	FLANGE,6X12	4T	
		MF243622	BOLT,ABS CONTROL EQUIP	1	WASHER ASSEMBLED,6X12		
		MF243622	BOLT,ABS CONTROL EQUIP	1	WASHER ASSEMBLED,6X12		
		MF243622	BOLT,ABS CONTROL EQUIP	1	WASHER ASSEMBLED,6X12		
		MF140003	BOLT,ABS CONTROL EQUIP	5	FLANGE,6X12	4T	
		MF140003	BOLT,ABS CONTROL EQUIP	7	FLANGE,6X12	4T	
		MF140003	BOLT,ABS CONTROL EQUIP	7	FLANGE,6X12	4T	

FK74R
54-590 HORN,BUZZER & SENSOR

Repl Part	PNC	Part No	Part Name	Qty	Part Spec	Remarks	NEW1
	55978	MF140020	BOLT,ABS CONTROL EQUIP	2	FLANGE,8X10	4T	
		MF140020	BOLT,ABS CONTROL EQUIP	2	FLANGE,8X10	4T	
		MF140020	BOLT,ABS CONTROL EQUIP	2	FLANGE,8X10	4T	
		MF140020	BOLT,ABS CONTROL EQUIP	2	FLANGE,8X10	4T	
		MF140002	BOLT,ABS CONTROL EQUIP	6	FLANGE,6X10	4T	
		MF140002	BOLT,ABS CONTROL EQUIP	6	FLANGE,6X10	4T	
		MF140002	BOLT,ABS CONTROL EQUIP	6	FLANGE,6X10	4T	
		MF140002	BOLT,ABS CONTROL EQUIP	6	FLANGE,6X10	4T	
		MF140002	BOLT,ABS CONTROL EQUIP	6	FLANGE,6X10	4T	
	82512K	MK344447	CONTROL UNIT,ABS	1			
		MK541536	CONTROL UNIT,ABS	1			
		MK542793	CONTROL UNIT,ABS	1			
	82739E	MK327069	RELAY,ABS	1			
	82739F	MK327070	RELAY,ABS	1			
	82856	MF140003	BOLT,GEARSHIFT EQUIP	3	FLANGE,6X12	4T	
	82857	MF434103	NUT,GEARSHIFT EQUIP	3	FLANGE,6	W/O COATING	

FK74R
54-590 HORN,BUZZER & SENSOR

Repl Part	PNC	Part No	Part Name	Qty	Part Spec	Remarks	NEW1
	82865B	MK345839	DIVIDER,GEARSHIFT SENSOR PULSE	1			
	83330	MK543183	JUNCTION,CHASSIS HARNESS	1			
	84607BB	MK468548	BRACKET,HORN	1			
		MK572172	BRACKET,HORN	1			
	84607M	MC455782	BRACKET,HORN	1			
	84611B	MC840182	BUZZER,WARNING	1			
	84611D	MC855625	BUZZER,WARNING	1			
		MC855625	BUZZER,WARNING	1			
	84611F	MK421275	BUZZER,WARNING	1	24V 90DB		
RP	84614C	MC897395	BUZZER,BACK	1			Y
	84634	MK414752	AIR HORN	1			
	84636	MK492960	HORN,ELECTRIC HIGH	1			
	84659	MK492959	HORN,ELECTRIC LOW	1			
	84989	MF434103	NUT,BUZZER	1	FLANGE,6	W/O COATING	

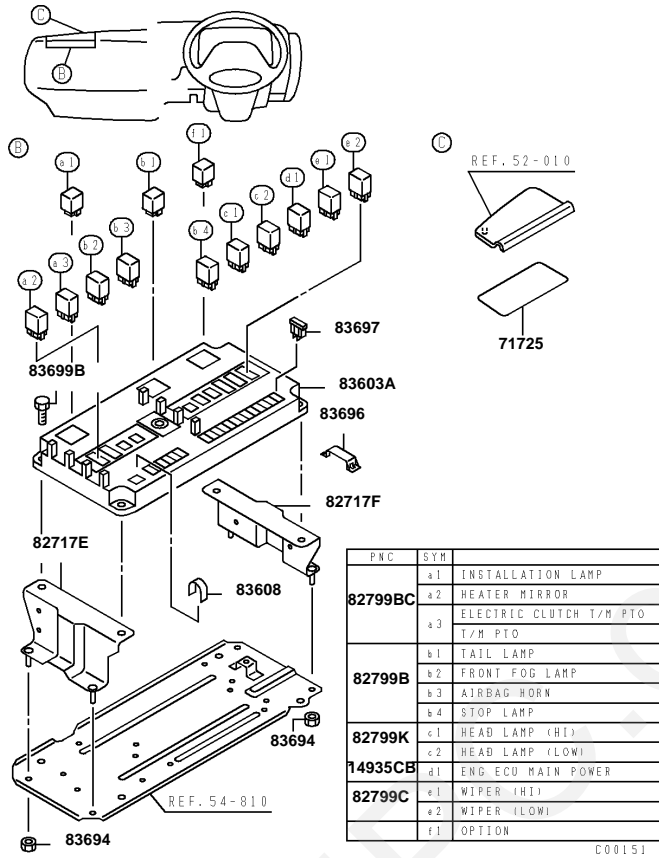
FK74R
54-590 HORN,BUZZER & SENSOR

Repl Part	PNC	Part No	Part Name	Qty	Part Spec	Remarks	NEW1
	84989B	MF434104	NUT,BUZZER	1	FLANGE,8		
	84992	MF240023	BOLT,BUZZER	1	WASHER ASSEMBLED,6X12		
	84992B	MF140025	BOLT,BUZZER	1	FLANGE,8X20	4T	
	84992C	MF140003	BOLT,BUZZER	1	FLANGE,6X12	4T	
	84992D	MF243622	BOLT,BUZZER	1	WASHER ASSEMBLED,6X12		
	84996	MF434104	NUT,HORN	2	FLANGE,8		
	84998	MF247249	BOLT,HORN	4	WASHER ASSEMBLED,8X16		
		MF140025	BOLT,HORN	2	FLANGE,8X20	4T	
	84998B	MF247249	BOLT,HORN	4	WASHER ASSEMBLED,8X16		
	85918P	MF434103	NUT,CHASSIS ELECTRICALS	2	FLANGE,6	W/O COATING	
	85919N	MF140002	BOLT,CHASSIS ELECTRICALS	2	FLANGE,6X10	4T	
	88510	MK344936	CONTROL UNIT,ABS & HILL START	1			
		MK344936	CONTROL UNIT,ABS & HILL START	1			
		MK344936	CONTROL UNIT,ABS & HILL START	1			

FK74R
54-590 HORN,BUZZER & SENSOR

Repl Part	PNC	Part No	Part Name	Qty	Part Spec	Remarks	NEW1	
RP	88510	MK344936	CONTROL UNIT,ABS & HILL START	1				
		MK344936	CONTROL UNIT,ABS & HILL START	1				
		MK344936	CONTROL UNIT,ABS & HILL START	1				
		MK344936	CONTROL UNIT,ABS & HILL START	1				
		88580	MK421134	CONTROL UNIT,MULTIFUNCTION VEHICLE	1			
			MK541016	CONTROL UNIT,MULTIFUNCTION VEHICLE	1			Y
			MK543060	CONTROL UNIT,MULTIFUNCTION VEHICLE	1			
			MK543138	CONTROL UNIT,MULTIFUNCTION VEHICLE	1			
			MK543138	CONTROL UNIT,MULTIFUNCTION VEHICLE	1			
		88636	MK543136	CONTROL UNIT,CAN CONVERTER	1			
			MK543136	CONTROL UNIT,CAN CONVERTER	1			
		88907	MK510886	PLATE,MULTIFUNCTION CONTROL UNIT	1			
			MK565667	PLATE,MULTIFUNCTION CONTROL UNIT	1			
			MK565667	PLATE,MULTIFUNCTION CONTROL UNIT	1			
			MK565667	PLATE,MULTIFUNCTION CONTROL UNIT	1			
			MK565667	PLATE,MULTIFUNCTION CONTROL UNIT	1			
		84617B	(N.e.c.)	BUZZER,SPEED				
		84981E	(N.e.c.)	BRACKET,BUZZER				
		82774	(N.e.c.)	RELAY,VEHICLE SPEED INDICATOR				
		82717Y	(N.e.c.)	BRACKET,RELAY				
		84988X	(N.e.c.)	SCREW,BUZZER				
	84981G	(N.e.c.)	BRACKET,BUZZER					
	82807	(N.e.c.)	BRACKET,G-SENSOR					
	82935	(N.e.c.)	NUT,EPS CONTROL EQUIP					
	82727	(N.e.c.)	G-SENSOR					
	82461	(N.e.c.)	BOLT,G-SENSOR					
	88503	(N.e.c.)	CONTROL UNIT,HILL START					
	85928	(N.e.c.)	BOLT,HILL START CONTROL EQUIP					
	55978B	(N.e.c.)	BOLT,ABS CONTROL EQUIP					

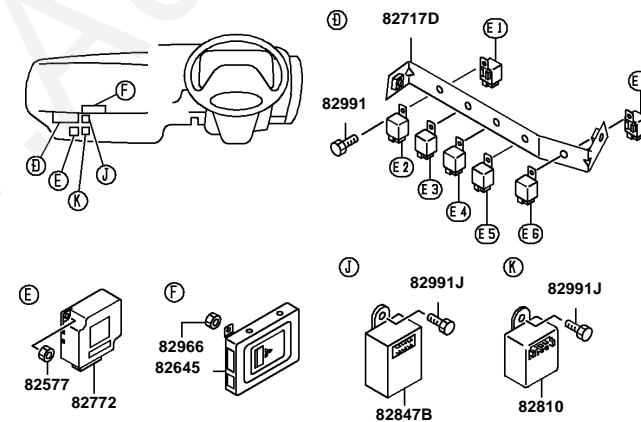
FK74R No.1



Ref. |2054620

Page

FK74R No.2



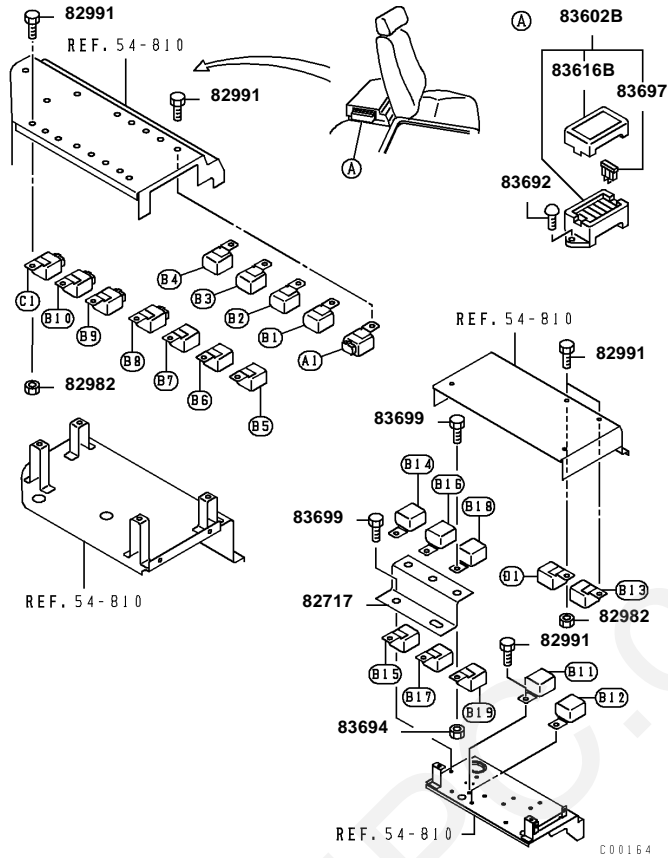
PNC	SYM	PNC	SYM		
82739Y	A1	ABS MOTOR	B16	ISS ALARM CUT	
	B1	A/T L INDICATOR	B17	ISS FOG LAMP CUT	
		RETARDER MAIN SW	B18	ISS MAGNET CLUTCH CUT	
	B2	A/T BRAKE CUT	B19	ISS HEAD LAMP (LOW)	
		RETARDER	C1	ABS SOLENOID	
	B3	A/T ABS SIGNAL	D1	A/T R-N SHIFTS	
	B4	A/T BACK LAMP			
	B5	A/T D INDICATOR	82751P	E1	CAB TILT LAMP
	B6	A/T GEAR SIGNAL		E1	REAR FOG LAMP
		RETARDER SW		E2	FLY WHEEL PTO
	B7	A/T N/P SIGNAL		E2	3-STOP LAMP
	B8	A/T NEUTRAL START		E3	AIR SUS FOOT BRAKE
	B9				FLY WHEEL PTO (FIRE ENCL)
	B10	ABS EXH BRAKE CUT		E4	BLOWER MOTOR
	B11	A/T PTO 1	E5	SIDE CONDENSER FAN	
B12	A/T PTO 2	E6	TACHOGRAPH IDDL STOP		
B13	A/T ABS INDICATOR	E6	MIRROR WIPER (RH)		
B14	ISS STARTER	E7	MIRROR WIPER (LH)		
B15	ISS BLOWER FAN CUT				

C00165

Ref. |2054620

Page

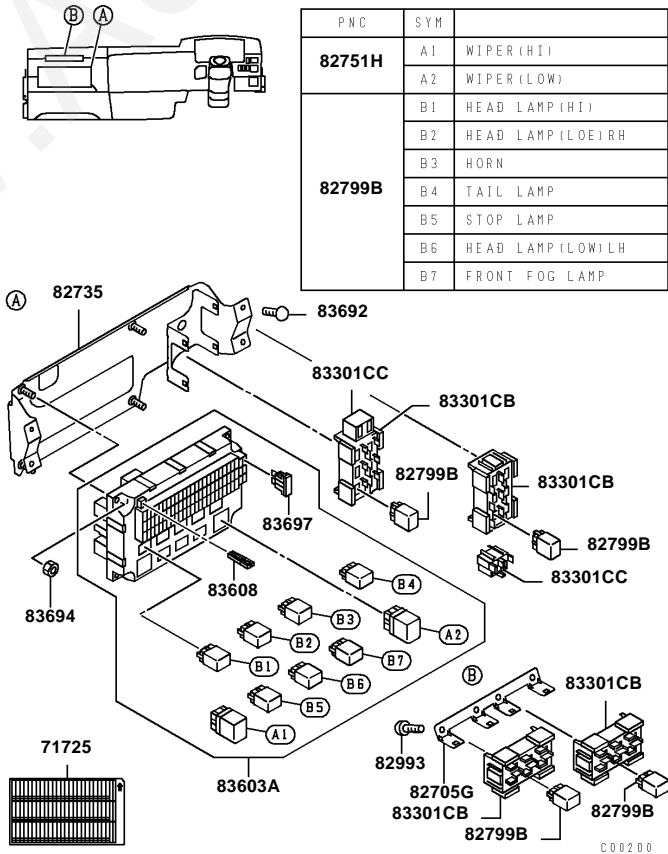
FK74R No.3



Ref. |2054620

Page

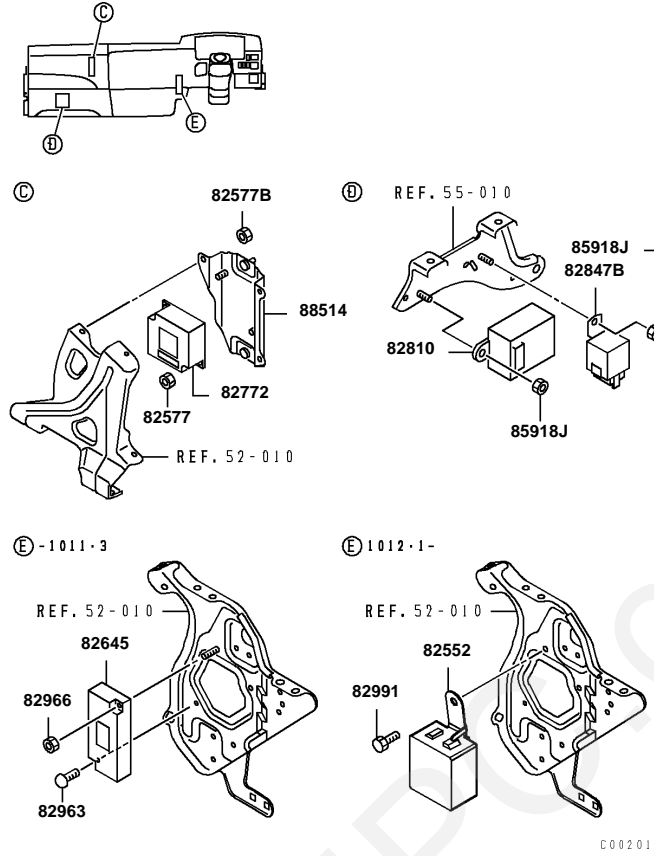
FK74R No.4



Ref. |2054620

Page

FK74R
No.5



Ref. |2054620

Page

FK74R
54-620 FUSE & RELAY BOX

SPN	Repl Part	PNC	Part No	Part Name	Qty	Part Spec
		71725	MK421240	LABEL,FUSE BOX	1	
			MK541747	LABEL,FUSE BOX	1	
			MK542747	LABEL,FUSE BOX	1	
	82577		MS440122	NUT,FLASHER UNIT	2	FLANGE,5
			MF430003	NUT,FLASHER UNIT	2	NUT,5
	82577B		MF434103	NUT,FLASHER UNIT	3	FLANGE,6

Ref. |2054620

Page

FK74R
54-620 FUSE & RELAY BOX

SPN	Repl Part	PNC	Part No	Part Name	Qty	Part Spec
		82645	MK369004	CONTROL UNIT,MULTIPURPOSE TIMING CONTROLLER	1	
			MK541591	CONTROL UNIT,MULTIPURPOSE TIMING CONTROLLER	1	
		82705G	MK510905	BRACKET,RELAY BOX	1	
			MK510905	BRACKET,RELAY BOX	1	
			MK510905	BRACKET,RELAY BOX	1	
			MK510905	BRACKET,RELAY BOX	1	
			MK510905	BRACKET,RELAY BOX	1	
			MK510905	BRACKET,RELAY BOX	1	
		82717D	MK447285	BRACKET,RELAY	1	
		82717E	MK510097	BRACKET,RELAY	1	
		82717F	MK510099	BRACKET,RELAY	1	
		82735	MK510902	PLATE,RELAY	1	
		82739Y	MK327069	RELAY,ABS	1	
			MK327069	RELAY,ABS	1	
			MK327069	RELAY,ABS	1	
			MK327069	RELAY,ABS	1	
			MK327069	RELAY,ABS	1	
		82751DY	MK327070	RELAY,POWER	1	
			MK327070	RELAY,POWER	1	
			MK327070	RELAY,POWER	1	
			MK327070	RELAY,POWER	1	
			MK327070	RELAY,POWER	1	
			MK327070	RELAY,POWER	1	

FK74R
54-620 FUSE & RELAY BOX

SPN	Repl Part	PNC	Part No	Part Name	Qty	Part Spec
		82751H	MK387269	RELAY,POWER	2	24V
		82751P	MK420479	RELAY,POWER	13	
		82751WE	MC134287	RELAY,POWER	1	0.12A
			MC134287	RELAY,POWER	1	0.12A
		82772	MC855840	RELAY,TURN SIGNAL LAMP FLASHER	1	
			MC855840	RELAY,TURN SIGNAL LAMP FLASHER	1	
			MC855840	RELAY,TURN SIGNAL LAMP FLASHER	1	
			MC855840	RELAY,TURN SIGNAL LAMP FLASHER	1	
			MC855840	RELAY,TURN SIGNAL LAMP FLASHER	1	
			MC855840	RELAY,TURN SIGNAL LAMP FLASHER	1	
			MC855840	RELAY,TURN SIGNAL LAMP FLASHER	1	
			MC855840	RELAY,TURN SIGNAL LAMP FLASHER	1	
			MC855840	RELAY,TURN SIGNAL LAMP FLASHER	1	
			MC855842	RELAY,TURN SIGNAL LAMP FLASHER	1	
			MC855842	RELAY,TURN SIGNAL LAMP FLASHER	1	
		82799B	MC854954	RELAY	4	24V
SP			MK387785	RELAY	14	24V
SP			MK387785	RELAY	17	24V
SP			MK387785	RELAY	19	24V

FK74R
54-620 FUSE & RELAY BOX

SPN SP	Repl Part	PNC	Part No	Part Name	Qty	Part Spec
		82799B	MK387785	RELAY	15	24V
		82799BC	MC843788	RELAY	1	24V
		82799C	MC846765	RELAY	2	24V
	RP	82799K	MC856360	RELAY	2	24V
		82810	MC855819	SENSOR,STOP & TAIL LAMP FAILURE	1	
		82847B	MC856166	SENSOR,STOP LAMP	1	
			MC857546	SENSOR,STOP LAMP	1	
		82963	MF350774	SCREW,TIMER RELAY	1	
		82966	MS440122	NUT,TIMER RELAY	2	FLANGE,5
			MF430003	NUT,TIMER RELAY	1	NUT,5
		82982	MF434103	NUT,RELAY	3	FLANGE,6
			MF434103	NUT,RELAY	3	FLANGE,6
			MF434103	NUT,RELAY	3	FLANGE,6
			MF434103	NUT,RELAY	1	FLANGE,6
			MF434103	NUT,RELAY	13	FLANGE,6
			MF434103	NUT,RELAY	13	FLANGE,6
		82991	MF140003	BOLT,RELAY	1	FLANGE,6X12
			MF140003	BOLT,RELAY	11	FLANGE,6X12

FK74R
54-620 FUSE & RELAY BOX

SPN	Repl Part	PNC	Part No	Part Name	Qty	Part Spec
		82991	MF140003	BOLT,RELAY	11	FLANGE,6X12
			MF140003	BOLT,RELAY	12	FLANGE,6X12
			MF140003	BOLT,RELAY	12	FLANGE,6X12
		82991J	MF243624	BOLT,RELAY	1	WASHER ASSEMBLED,6X16
			MF243624	BOLT,RELAY	2	WASHER ASSEMBLED,6X16
		82993	MF453031	SCREW,RELAY	4	TAPPING,5X12
			MF453031	SCREW,RELAY	4	TAPPING,5X12
			MF453031	SCREW,RELAY	4	TAPPING,5X12
			MF453031	SCREW,RELAY	4	TAPPING,5X12
			MF453031	SCREW,RELAY	4	TAPPING,5X12
			MF453031	SCREW,RELAY	4	TAPPING,5X12
			MF453031	SCREW,RELAY	4	TAPPING,5X12
			MF453031	SCREW,RELAY	4	TAPPING,5X12
			MF453031	SCREW,RELAY	4	TAPPING,5X12
			MF453031	SCREW,RELAY	4	TAPPING,5X12
			MF453031	SCREW,RELAY	4	TAPPING,5X12
		83301CB	MK387308	BLOCK,CHASSIS HARNESS JUNCTION	4	
			MK387308	BLOCK,CHASSIS HARNESS JUNCTION	4	
			MK387308	BLOCK,CHASSIS HARNESS JUNCTION	4	
			MK387308	BLOCK,CHASSIS HARNESS JUNCTION	2	
			MK387308	BLOCK,CHASSIS HARNESS JUNCTION	2	
			MK387308	BLOCK,CHASSIS HARNESS JUNCTION	2	
			MK387308	BLOCK,CHASSIS HARNESS JUNCTION	2	
			MK387308	BLOCK,CHASSIS HARNESS JUNCTION	4	
			MK387308	BLOCK,CHASSIS HARNESS JUNCTION	4	
			MK387308	BLOCK,CHASSIS HARNESS JUNCTION	4	

FK74R
54-620 FUSE & RELAY BOX

SPN	Repl Part	PNC	Part No	Part Name	Qty	Part Spec
		83301CC	MK387301	BLOCK,CHASSIS HARNESS JUNCTION	2	
			MK387301	BLOCK,CHASSIS HARNESS JUNCTION	2	
			MK387301	BLOCK,CHASSIS HARNESS JUNCTION	2	
			MK387301	BLOCK,CHASSIS HARNESS JUNCTION	2	
			MK387301	BLOCK,CHASSIS HARNESS JUNCTION	2	
			MK387301	BLOCK,CHASSIS HARNESS JUNCTION	2	
			MK387301	BLOCK,CHASSIS HARNESS JUNCTION	2	
			MK387301	BLOCK,CHASSIS HARNESS JUNCTION	2	
		83602B	MK421242	BOX,FUSE	1	
		83603A	MK421239	BOX ASSY,FUSE & RELAY	1	
			MK541742	BOX ASSY,FUSE & RELAY	1	
			MK542744	BOX ASSY,FUSE & RELAY	1	
		83608	MC857158	PULLER,FUSE	1	
			MK387306	PULLER,FUSE	1	
		83616B	MK421243	COVER,FUSE BOX	1	
		83692	MF350075	SCREW,FUSE BOX	2	WASHER ASSEMBLED,6X20
			MF453031	SCREW,FUSE BOX	4	TAPPING,5X12

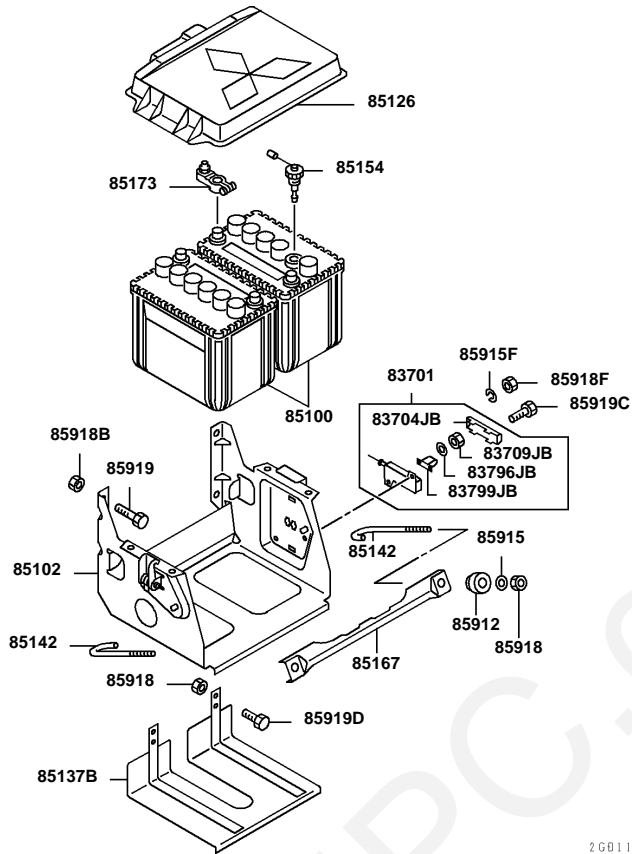
FK74R
54-620 FUSE & RELAY BOX

SPN	Repl Part	PNC	Part No	Part Name	Qty	Part Spec
		83694	MF434103	NUT,FUSE BOX	4	FLANGE,6
		83696	MC844385	BAND,FUSE BOX	4	
		83697	MS810963	FUSE,FUSE BOX	7	BLADE TYPE,TAN,5A
			MS810965	FUSE,FUSE BOX	35	BLADE TYPE,RED,10A
			MS810966	FUSE,FUSE BOX	11	BLADE TYPE,BLUE,15A
			MS810967	FUSE,FUSE BOX	6	BLADE TYPE,YELLOW,20A
			MS810876	FUSE,FUSE BOX	38	BLADE(MINI) TYPE,RED,10A
			MS810890	FUSE,FUSE BOX	2	BLADE(MINI) TYPE,GREEN,30A
			MS810874	FUSE,FUSE BOX	6	BLADE(MINI) TYPE,TAN,5A
			MS810877	FUSE,FUSE BOX	10	BLADE(MINI) TYPE,BLUE,15A
	RP		MS810878	FUSE,FUSE BOX	7	BLADE(MINI) TYPE,YELLOW,20A
			MS810879	FUSE,FUSE BOX	2	BLADE(MINI) TYPE,CLEAR,25A
			MS810876	FUSE,FUSE BOX	39	BLADE(MINI) TYPE,RED,10A
			MS810880	FUSE,FUSE BOX	2	BLADE(MINI) TYPE,GREEN,30A

**FK74R
54-620 FUSE & RELAY BOX**

SPN	Repl Part	PNC	Part No	Part Name	Qty	Part Spec
		83699B	MF140003	BOLT,FUSE BOX	2	FLANGE,6X12
			MF140025	BOLT,FUSE BOX	4	FLANGE,8X20
	85918J		MF434103	NUT,CHASSIS ELECTRICALS	2	FLANGE,6
			MF434103	NUT,CHASSIS ELECTRICALS	1	FLANGE,6
			MF434103	NUT,CHASSIS ELECTRICALS	1	FLANGE,6
			MF434103	NUT,CHASSIS ELECTRICALS	1	FLANGE,6
	88514		MK512349	BRACKET,FLASHER RELAY	1	
		14935CB	(N.e.c.)			
		83699	(N.e.c.)	BOLT,FUSE BOX		
		82717	(N.e.c.)	BRACKET,RELAY		
		82552	(N.e.c.)	CONTROLLER,WINDSHIELD WIPER		

FK74R
No.1

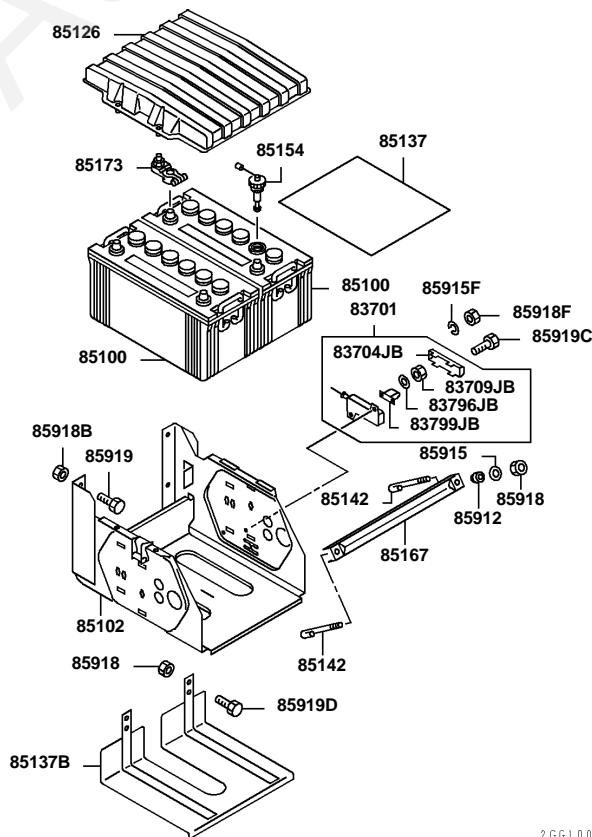


2 G0110

Ref. |2054630

Page

FK74R
No.2

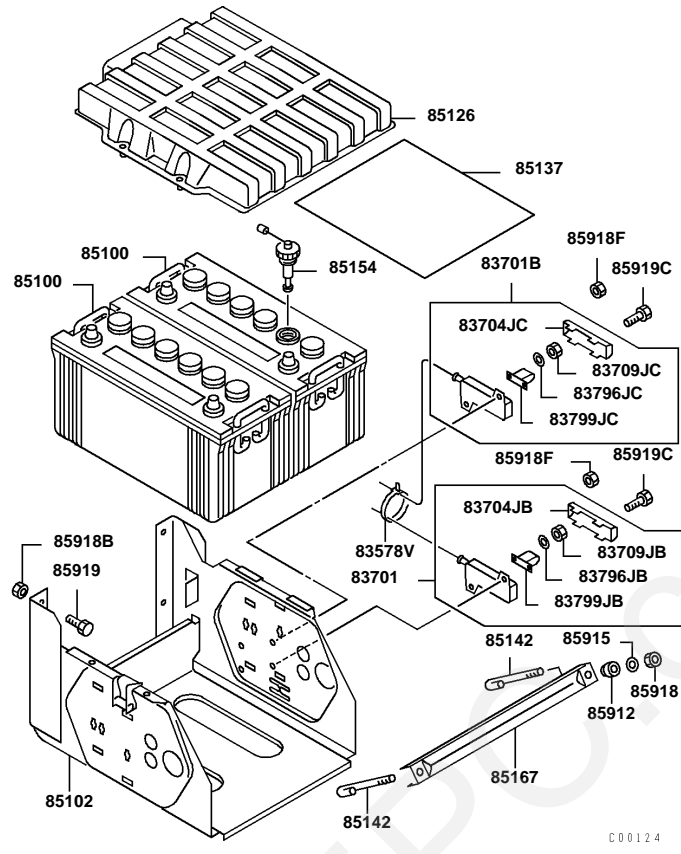


2 G0100

Ref. |2054630

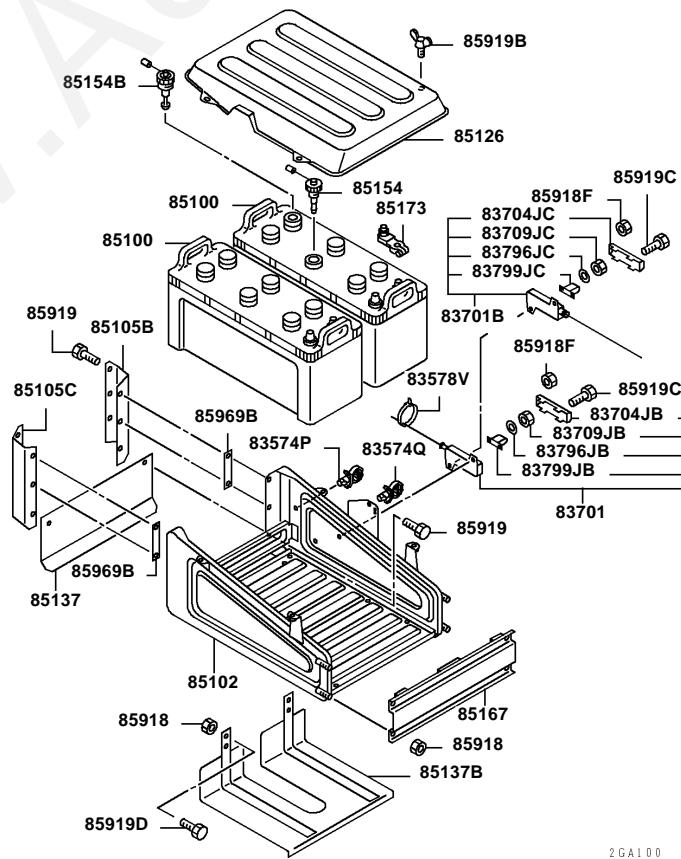
Page

FK74R
No.3



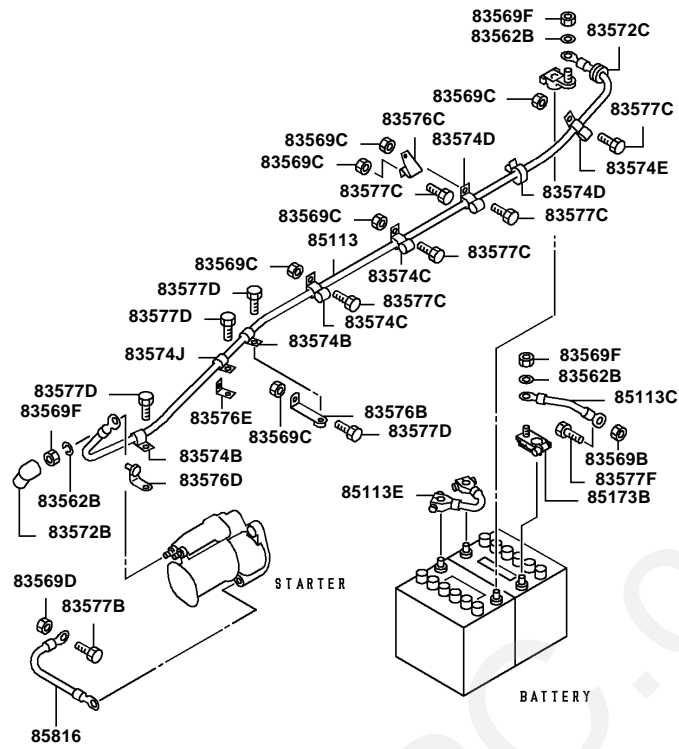
C 00124

FK74R
No.4



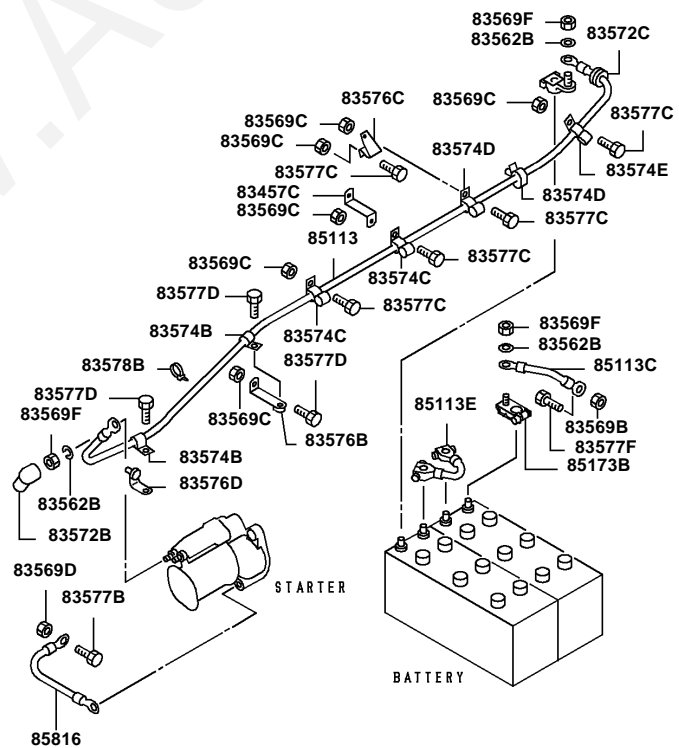
2 G A 1 0 0

FK74R
No.5



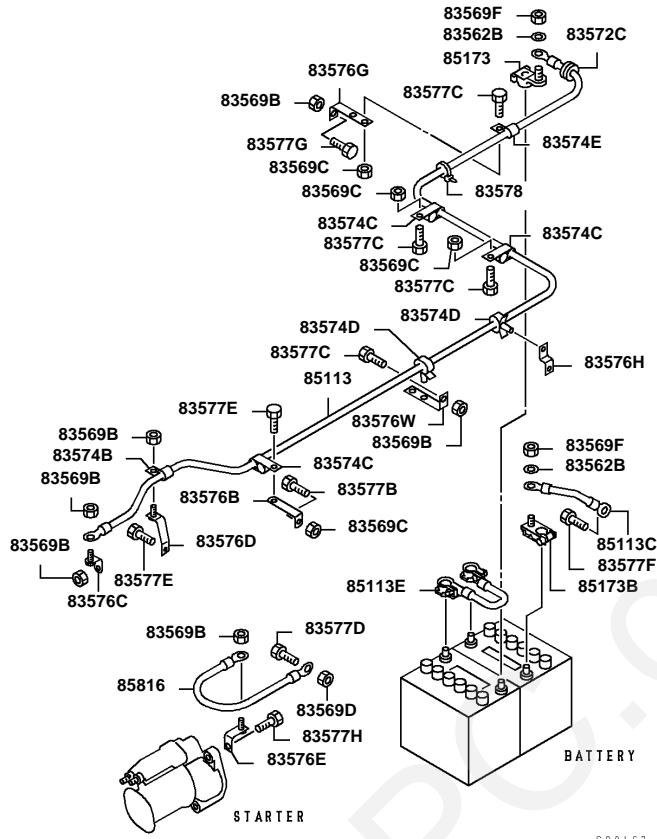
C00125

FK74R
No.6



C00126

FK74R
No.7



C00167

Ref. |2054630

Page

FK74R
54-630 BATTERY,CABLE & BRACKET

SPN	Repl Part	PNC	Part No	Part Name	Qty	Supply Mode	Part Spec	Remarks
		83562B	MF450405	WASHER,BATTERY WIRING	3		SPRING,8	
		83569B	MF434104	NUT,BATTERY WIRING	7		FLANGE,8	
			MF434104	NUT,BATTERY WIRING	7		FLANGE,8	
			MF434104	NUT,BATTERY WIRING	7		FLANGE,8	
			MF434104	NUT,BATTERY WIRING	7		FLANGE,8	
			MF434104	NUT,BATTERY WIRING	4		FLANGE,8	

Ref. |2054630

Page

FK74R
54-630 BATTERY,CABLE & BRACKET

SPN	Repl Part	PNC	Part No	Part Name	Qty	Supply Mode	Part Spec	Remarks
		83569C	MF434103	NUT,BATTERY WIRING	4		FLANGE,6	W/O COATING
		83569D	MF434105	NUT,BATTERY WIRING	2		FLANGE,10	4T
		83569F	MF430005	NUT,BATTERY WIRING	3		8	
			MF434104	NUT,BATTERY WIRING	2		FLANGE,8	
		83572C	MH022570	GROMMET,BATTERY WIRING	1		D=29 T=8	
	RP	83574B	MS476415	CLIP,BATTERY WIRING	1		D=15	
	RP		MS476416	CLIP,BATTERY WIRING	1		D=18	
			MH020426	CLIP,BATTERY WIRING	1		D=30	
			MH020593	CLIP,BATTERY WIRING	1		D=30	
		83574C	MC439872	CLIP,BATTERY WIRING	2		D=14,12	
			MH020286	CLIP,BATTERY WIRING	3		D=16,14	
		83574D	MH020939	CLIP,BATTERY WIRING	1		A=23 B=18	
SP			MH020938	CLIP,BATTERY WIRING	1		A=23 B=14.5	

FK74R
54-630 BATTERY,CABLE & BRACKET

SPN	Repl Part	PNC	Part No	Part Name	Qty	Supply Mode	Part Spec	Remarks
		83574D	MH020956	CLIP,BATTERY WIRING	1		A=36 B=6	
			MH020957	CLIP,BATTERY WIRING	1		A=36 B=9.5	
		83574E	MH020286	CLIP,BATTERY WIRING	3		D=16,14	
	RP		MS476416	CLIP,BATTERY WIRING	1		D=18	
		83576B	MH023212	BRACKET,BATTERY WIRING	1			
			MH023602	BRACKET,BATTERY WIRING	1			
			MH023737	BRACKET,BATTERY WIRING	1			L1=75,L2=23
		83576C	MK465356	BRACKET,BATTERY WIRING	1			
		83576D	MK536811	BRACKET,BATTERY WIRING	1			
			MK465356	BRACKET,BATTERY WIRING	1			
			MK539706	BRACKET,BATTERY WIRING	1			
			MK468693	BRACKET,BATTERY WIRING	1			
		83576E	MK539706	BRACKET,BATTERY WIRING	1			
		83576G	MH023602	BRACKET,BATTERY WIRING	1			

FK74R
54-630 BATTERY,CABLE & BRACKET

SPN	Repl Part	PNC	Part No	Part Name	Qty	Supply Mode	Part Spec	Remarks
		83576G	MH026283	BRACKET,BATTERY WIRING	1			
		83576H	MH023886	BRACKET,BATTERY WIRING	1			H=16
		83577B	MF101285	BOLT,BATTERY WIRING	2		BOLT,10X25	
			MF140056	BOLT,BATTERY WIRING	1		FLANGE,10X16	4T
			MF100029	BOLT,BATTERY WIRING	1		BOLT,6X20	4T
		83577C	MF100055	BOLT,BATTERY WIRING	3		BOLT,8X20	4T
			MF100027	BOLT,BATTERY WIRING	5		BOLT,6X16	4T
		83577D	MF100057	BOLT,BATTERY WIRING	1		BOLT,8X25	4T
			MF140003	BOLT,BATTERY WIRING	1		FLANGE,6X12	4T
			MF101285	BOLT,BATTERY WIRING	1		BOLT,10X25	
		83577E	MF140003	BOLT,BATTERY WIRING	2		FLANGE,6X12	4T
		83577F	MH001262	BOLT,BATTERY WIRING	1		8X25	
		83577G	MF100055	BOLT,BATTERY WIRING	1		BOLT,8X20	4T
			MF100057	BOLT,BATTERY WIRING	1		BOLT,8X25	4T

FK74R
54-630 BATTERY,CABLE & BRACKET

SPN	Repl Part	PNC	Part No	Part Name	Qty	Supply Mode	Part Spec	Remarks
		83577H	MF140056	BOLT,BATTERY WIRING	1		FLANGE,10X16	4T
		83578	MB249340	BAND,BATTERY WIRING	1		L=219.5	BLACK
		83701B	MK465057	BOX,FUSIBLE LINK	1		80A	
			MK465057	BOX,FUSIBLE LINK	1		80A	
			MK465057	BOX,FUSIBLE LINK	1		80A	
			MK465057	BOX,FUSIBLE LINK	1		80A	
			MK536246	BOX,FUSIBLE LINK	1		80A	
			MK574140	BOX,FUSIBLE LINK	1			
			MK574140	BOX,FUSIBLE LINK	1			
			MK574140	BOX,FUSIBLE LINK	1			
			MK637087	BOX,FUSIBLE LINK	1			
		83704JC	MC859758	COVER,FUSIBLE LINK	1			
			MC859758	COVER,FUSIBLE LINK	1			
	RP	83709JC	MC859776	NUT,FUSIBLE LINK	1		5	
	RP		MC859776	NUT,FUSIBLE LINK	1		5	
	RP	83796JC	MC859777	WASHER,FUSIBLE LINK	1		SPRING,5	
		83799JC	MH056173	FUSIBLE LINK	1		BLACK,80A	
			MH056173	FUSIBLE LINK	1		BLACK,80A	
		85100	*	BATTERY	2	NS	65D23R	
			*	BATTERY	2	NS	65D23R	
			*	BATTERY	2	NS	65D23R	
			*	BATTERY	2	NS	65D23R	
			*	BATTERY	2	NS	65D23R	
			*	BATTERY	2	NS	65D23R	
			*	BATTERY	2	NS	65D23R	
			*	BATTERY	2	NS	65D23R	
			*	BATTERY	2	NS	65D23R	

FK74R
54-630 BATTERY,CABLE & BRACKET

SPN	Repl Part	PNC 85100	Part No *	Part Name	Qty	Supply Mode	Part Spec	Remarks
			*	BATTERY	2	NS	65D23R	
			*	BATTERY	2	NS	65D23R	
			*	BATTERY	2	NS	65D23R	
			*	BATTERY	2	NS	65D23R	
			*	BATTERY	2	NS	65D23R	
			*	BATTERY	2	NS	65D23R	
			*	BATTERY	2	NS	65D23R	
			*	BATTERY	2	NS	65D23R	
			*	BATTERY	2	NS	65D23R	
			*	BATTERY	2	NS	65D23R	
			*	BATTERY	2	NS	65D23R	
			*	BATTERY	2	NS	65D23R	
			*	BATTERY	2	NS	65D23R	
			*	BATTERY	2	NS	65D23R	
			*	BATTERY	2	NS	65D23R	
			*	BATTERY	2	NS	65D23R	
			*	BATTERY	2	NS	95E41R(N100) (WET)	
			*	BATTERY	2	NS	95E41R	
			*	BATTERY	2	NS	95E41R	
			*	BATTERY	2	NS	95E41R	
			*	BATTERY	2	NS	115F51(N120)	
			*	BATTERY	2	NS	115F51-SC-1	
			*	BATTERY	2	NS	115F51	
			*	BATTERY	2	NS	115F51	
			*	BATTERY	2	NS	115F51(N120)	
			*	BATTERY	2	NS	115F51-SC-1	
			*	BATTERY	2	NS	115F51	
			*	BATTERY	2	NS	115F51	
			*	BATTERY	2	NS	95E41R	

FK74R
54-630 BATTERY,CABLE & BRACKET

SPN	Repl Part	PNC 85100	Part No	Part Name	Qty	Supply Mode	Part Spec	Remarks
			*	BATTERY	2	NS	65D23R	
			*	BATTERY	2	NS	65D23R	
			*	BATTERY	2	NS	65D23R	
			*	BATTERY	2	NS	65D23R	
			*	BATTERY	2	NS	95E41R	
			*	BATTERY	2	NS	115F51	
			*	BATTERY	2	NS	95E41R(N100) (WET)	
			*	BATTERY	2	NS	95E41R	
			*	BATTERY	2	NS	95E41R	
			*	BATTERY	2	NS	95E41R(N100) (WET)	
			*	BATTERY	2	NS	95E41R	
			*	BATTERY	2	NS	95E41R	
			*	BATTERY	2	NS	115F51(N120)	
			*	BATTERY	2	NS	115F51-SC-1	
			*	BATTERY	2	NS	115F51	
			*	BATTERY	2	NS	95E41R(N100) (WET)	
			*	BATTERY	2	NS	95E41R(N100) (WET)	
			*	BATTERY	2	NS	95E41R(N100) (WET)	
			*	BATTERY	2	NS	95E41R(N100) (WET)	
			*	BATTERY	2	NS	95E41R	
			*	BATTERY	2	NS	95E41R	
			*	BATTERY	2	NS	95E41R	
			*	BATTERY	2	NS	95E41R	
			*	BATTERY	2	NS	95E41R	
			*	BATTERY	2	NS	95E41R	
			*	BATTERY	2	NS	95E41R	
			*	BATTERY	2	NS	95E41R	
			*	BATTERY	2	NS	95E41R	
			*	BATTERY	2	NS	95E41R	

FK74R
54-630 BATTERY,CABLE & BRACKET

SPN	Repl Part	PNC	Part No	Part Name	Qty	Supply Mode	Part Spec	Remarks
		85102	MC433325	BOX,BATTERY	1			
			MC433326	BOX,BATTERY	1			
			MC433326	BOX,BATTERY	1			
			MC443511	BOX,BATTERY	1			
			MC443511	BOX,BATTERY	1			
			MC443511	BOX,BATTERY	1			
			MC443511	BOX,BATTERY	1			
			MC443511	BOX,BATTERY	1			
			MC443511	BOX,BATTERY	1			
			MC443512	BOX,BATTERY	1			
			MC443512	BOX,BATTERY	1			
			MC443512	BOX,BATTERY	1			
			MC443512	BOX,BATTERY	1			
			MC443512	BOX,BATTERY	1			
			MC443512	BOX,BATTERY	1			
			MC433325	BOX,BATTERY	1			
			MC433325	BOX,BATTERY	1			
			MC433326	BOX,BATTERY	1			
			MC433325	BOX,BATTERY	1			
			MC433325	BOX,BATTERY	1			
			MC433325	BOX,BATTERY	1			
			MC433325	BOX,BATTERY	1			
			MC433326	BOX,BATTERY	1			
			MC433325	BOX,BATTERY	1			
		85105B	MC440092	BRACKET,BATTERY BOX	1			
			MC440092	BRACKET,BATTERY BOX	1			
			MC440092	BRACKET,BATTERY BOX	1			

FK74R
54-630 BATTERY,CABLE & BRACKET

SPN	Repl Part	PNC	Part No	Part Name	Qty	Supply Mode	Part Spec	Remarks
		85105B	MC440092	BRACKET,BATTERY BOX	1			
		85105C	MC440093	BRACKET,BATTERY BOX	1			
			MC440093	BRACKET,BATTERY BOX	1			
			MC440093	BRACKET,BATTERY BOX	1			
			MC440093	BRACKET,BATTERY BOX	1			
		85113	MK468998	CABLE,BATTERY WIRING	1		(+)	
			MK468998	CABLE,BATTERY WIRING	1		(+)	
			MK468998	CABLE,BATTERY WIRING	1		(+)	
			MK468998	CABLE,BATTERY WIRING	1		(+)	
			MK468998	CABLE,BATTERY WIRING	1		(+)	
			MK536473	CABLE,BATTERY WIRING	1		(+)	
			MK536473	CABLE,BATTERY WIRING	1		(+)	
			MK570060	CABLE,BATTERY WIRING	1		(+)	
			MK570060	CABLE,BATTERY WIRING	1		(+)	
			MK570060	CABLE,BATTERY WIRING	1		(+)	
			MK570060	CABLE,BATTERY WIRING	1		(+)	
			MK570060	CABLE,BATTERY WIRING	1		(+)	
			MK570060	CABLE,BATTERY WIRING	1		(+)	
			MK570060	CABLE,BATTERY WIRING	1		(+)	
			MK570061	CABLE,BATTERY WIRING	1		(+)	

FK74R
54-630 BATTERY,CABLE & BRACKET

SPN	Repl Part	PNC	Part No	Part Name	Qty	Supply Mode	Part Spec	Remarks
		85113	MK638978	CABLE,BATTERY WIRING	1		(+)	
			MK638978	CABLE,BATTERY WIRING	1		(+)	
			MK638978	CABLE,BATTERY WIRING	1		(+)	
			MK638979	CABLE,BATTERY WIRING	1		(+)	
		85113C	MK467435	CABLE,BATTERY WIRING	1		(-)	
			MK467435	CABLE,BATTERY WIRING	1		(-)	
			MK467435	CABLE,BATTERY WIRING	1		(-)	
			MK467435	CABLE,BATTERY WIRING	1		(-)	
			MK467435	CABLE,BATTERY WIRING	1		(-)	
			MK467435	CABLE,BATTERY WIRING	1		(-)	
			MK536514	CABLE,BATTERY WIRING	1		(-)	
			MK468841	CABLE,BATTERY WIRING	1		(-)	
			MK467434	CABLE,BATTERY WIRING	1		(-)	
			MK467434	CABLE,BATTERY WIRING	1		(-)	
			MK467434	CABLE,BATTERY WIRING	1		(-)	
			MK467434	CABLE,BATTERY WIRING	1		(-)	
			MK467434	CABLE,BATTERY WIRING	1		(-)	
			MK467434	CABLE,BATTERY WIRING	1		(-)	
			MK467434	CABLE,BATTERY WIRING	1		(-)	

FK74R
54-630 BATTERY,CABLE & BRACKET

SPN	Repl Part	PNC	Part No	Part Name	Qty	Supply Mode	Part Spec	Remarks
		85113C	MK467434	CABLE,BATTERY WIRING	1		(-)	
			MK468841	CABLE,BATTERY WIRING	1		(-)	
		85113E	MH054032	CABLE,BATTERY WIRING	1		(+)-(-)	
	RP		MH054032	CABLE,BATTERY WIRING	1		(+)-(-)	
			MK514571	CABLE,BATTERY WIRING	1		(+)-(-)	
	RP		MK514571	CABLE,BATTERY WIRING	1		(+)-(-)	
	RP		MK514571	CABLE,BATTERY WIRING	1		(+)-(-)	
	RP		MK514571	CABLE,BATTERY WIRING	1		(+)-(-)	
	RP		MK514571	CABLE,BATTERY WIRING	1		(+)-(-)	
	RP		MK514571	CABLE,BATTERY WIRING	1		(+)-(-)	
	RP		MK514571	CABLE,BATTERY WIRING	1		(+)-(-)	
	RP		MK514571	CABLE,BATTERY WIRING	1		(+)-(-)	
	RP		MK514571	CABLE,BATTERY WIRING	1		(+)-(-)	
	RP		MK514571	CABLE,BATTERY WIRING	1		(+)-(-)	
	RP		MK514571	CABLE,BATTERY WIRING	1		(+)-(-)	
	RP		MK514571	CABLE,BATTERY WIRING	1		(+)-(-)	
	RP		MK514570	CABLE,BATTERY WIRING	1		(+)-(-)	
			MK600935	CABLE,BATTERY WIRING	1		(+)-(-)	
			MK600935	CABLE,BATTERY WIRING	1		(+)-(-)	
			MK600935	CABLE,BATTERY WIRING	1		(+)-(-)	
			MK639161	CABLE,BATTERY WIRING	1		(+)-(-)	

FK74R
54-630 BATTERY,CABLE & BRACKET

SPN	Repl Part	PNC	Part No	Part Name	Qty	Supply Mode	Part Spec	Remarks
		85126	MC443515	COVER,BATTERY	1			
			MC443515	COVER,BATTERY	1			
			MC443515	COVER,BATTERY	1			
			MC443515	COVER,BATTERY	1			
			MC443515	COVER,BATTERY	1			
			MC618293	COVER,BATTERY	1			
			MC000310	COVER,BATTERY	1			
			MC000310	COVER,BATTERY	1			
			MC618293	COVER,BATTERY	1			
			MC618293	COVER,BATTERY	1			
			MC000310	COVER,BATTERY	1			
			MC443515	COVER,BATTERY	1			
			MC443515	COVER,BATTERY	1			
			MC443515	COVER,BATTERY	1			
			MC443515	COVER,BATTERY	1			
			MC443515	COVER,BATTERY	1			
			MC443515	COVER,BATTERY	1			
			MC443515	COVER,BATTERY	1			
			MC443515	COVER,BATTERY	1			
			MC618293	COVER,BATTERY	1			
			MC618293	COVER,BATTERY	1			
			MC618293	COVER,BATTERY	1			
			MC618293	COVER,BATTERY	1			
			MC618293	COVER,BATTERY	1			
			MC000310	COVER,BATTERY	1			
			MC618293	COVER,BATTERY	1			
		85137	MC419833	INSULATOR,BATTERY HEAT	1			
			MC439099	INSULATOR,BATTERY HEAT	1			
			MC439099	INSULATOR,BATTERY HEAT	1			
			MC419833	INSULATOR,BATTERY HEAT	1			

FK74R
54-630 BATTERY,CABLE & BRACKET

SPN	Repl Part	PNC	Part No	Part Name	Qty	Supply Mode	Part Spec	Remarks
		85137	MC439099	INSULATOR,BATTERY HEAT	1			
			MC419833	INSULATOR,BATTERY HEAT	1			
			MC419833	INSULATOR,BATTERY HEAT	1			
			MC419833	INSULATOR,BATTERY HEAT	1			
			MC419833	INSULATOR,BATTERY HEAT	1			
			MC439099	INSULATOR,BATTERY HEAT	1			
		85142	MC408431	L-BOLT,BATTERY	2		8X125	
			MC408431	L-BOLT,BATTERY	2		8X125	
			MC408431	L-BOLT,BATTERY	2		8X125	
			MC408431	L-BOLT,BATTERY	2		8X125	
			MC404016	L-BOLT,BATTERY	2		8X150	
			MC404016	L-BOLT,BATTERY	2		8X150	
			MC404016	L-BOLT,BATTERY	2		8X150	
			MC408431	L-BOLT,BATTERY	2		8X125	
			MC408431	L-BOLT,BATTERY	2		8X125	
			MC408431	L-BOLT,BATTERY	2		8X125	
			MC408431	L-BOLT,BATTERY	2		8X125	
			MC408431	L-BOLT,BATTERY	2		8X125	
			MC408431	L-BOLT,BATTERY	2		8X125	
			MC404016	L-BOLT,BATTERY	2		8X150	
		85154	MK421400	SENSOR,BATTERY	1			
		85167	MK317309	SUPPORT,BATTERY	1			
			MC000309	SUPPORT,BATTERY	1			
			MC000309	SUPPORT,BATTERY	1			
			MK317309	SUPPORT,BATTERY	1			
			MK317309	SUPPORT,BATTERY	1			
			MK317309	SUPPORT,BATTERY	1			

FK74R
54-630 BATTERY,CABLE & BRACKET

SPN	Repl Part	PNC	Part No	Part Name	Qty	Supply Mode	Part Spec	Remarks
		85816	MK536810	STRAP,EARTH	1			
			MK539705	STRAP,EARTH	1			
		85912	MC404018	BUSHING,CHASSIS ELECTRICALS	2			8.5X10
			MC404018	BUSHING,CHASSIS ELECTRICALS	2			8.5X10
			MC404018	BUSHING,CHASSIS ELECTRICALS	2			8.5X10
			MC404018	BUSHING,CHASSIS ELECTRICALS	2			8.5X10
			MC404018	BUSHING,CHASSIS ELECTRICALS	2			8.5X10
			MC404018	BUSHING,CHASSIS ELECTRICALS	2			8.5X10
			MC404018	BUSHING,CHASSIS ELECTRICALS	2			8.5X10
			MC404018	BUSHING,CHASSIS ELECTRICALS	2			8.5X10
			MC404018	BUSHING,CHASSIS ELECTRICALS	2			8.5X10
			MC404018	BUSHING,CHASSIS ELECTRICALS	2			8.5X10
			MC404018	BUSHING,CHASSIS ELECTRICALS	2			8.5X10
			MC404018	BUSHING,CHASSIS ELECTRICALS	2			8.5X10
			MC404018	BUSHING,CHASSIS ELECTRICALS	2			8.5X10
			MC404018	BUSHING,CHASSIS ELECTRICALS	2			8.5X10
		85915	MF450272	WASHER,CHASSIS ELECTRICALS	2		PLAIN,8	
			MF450272	WASHER,CHASSIS ELECTRICALS	2		PLAIN,8	
			MF450272	WASHER,CHASSIS ELECTRICALS	2		PLAIN,8	
			MF450272	WASHER,CHASSIS ELECTRICALS	2		PLAIN,8	
			MF450272	WASHER,CHASSIS ELECTRICALS	2		PLAIN,8	
			MF450272	WASHER,CHASSIS ELECTRICALS	2		PLAIN,8	
			MF450272	WASHER,CHASSIS ELECTRICALS	2		PLAIN,8	
			MF450272	WASHER,CHASSIS ELECTRICALS	2		PLAIN,8	

FK74R
54-630 BATTERY, CABLE & BRACKET

SPN	Repl Part	PNC	Part No	Part Name	Qty	Supply Mode	Part Spec	Remarks
		85918	MF434104	NUT,CHASSIS ELECTRICALS	4		FLANGE,8	
			MF434104	NUT,CHASSIS ELECTRICALS	2		FLANGE,8	
		85918B	MF434105	NUT,CHASSIS ELECTRICALS	4		FLANGE,10	4T
			MF434105	NUT,CHASSIS ELECTRICALS	4		FLANGE,10	4T
			MF434105	NUT,CHASSIS ELECTRICALS	4		FLANGE,10	4T
			MF434105	NUT,CHASSIS ELECTRICALS	4		FLANGE,10	4T
			MF434105	NUT,CHASSIS ELECTRICALS	4		FLANGE,10	4T
			MF434105	NUT,CHASSIS ELECTRICALS	4		FLANGE,10	4T
			MF434105	NUT,CHASSIS ELECTRICALS	4		FLANGE,10	4T
			MF434105	NUT,CHASSIS ELECTRICALS	4		FLANGE,10	4T
			MF434105	NUT,CHASSIS ELECTRICALS	4		FLANGE,10	4T
			MF434105	NUT,CHASSIS ELECTRICALS	4		FLANGE,10	4T
			MF434105	NUT,CHASSIS ELECTRICALS	4		FLANGE,10	4T
		85918F	MS446181	NUT,CHASSIS ELECTRICALS	1		FLANGE,5	
		85919	MF140260	BOLT,CHASSIS ELECTRICALS	4		FLANGE,10X25	7T
			MF140260	BOLT,CHASSIS ELECTRICALS	12		FLANGE,10X25	7T
			MF140260	BOLT,CHASSIS ELECTRICALS	12		FLANGE,10X25	7T
			MF140260	BOLT,CHASSIS ELECTRICALS	4		FLANGE,10X25	7T
			MF140260	BOLT,CHASSIS ELECTRICALS	4		FLANGE,10X25	7T
			MF140260	BOLT,CHASSIS ELECTRICALS	4		FLANGE,10X25	7T
			MF140260	BOLT,CHASSIS ELECTRICALS	4		FLANGE,10X25	7T
			MF140260	BOLT,CHASSIS ELECTRICALS	4		FLANGE,10X25	7T
			MF140260	BOLT,CHASSIS ELECTRICALS	4		FLANGE,10X25	7T

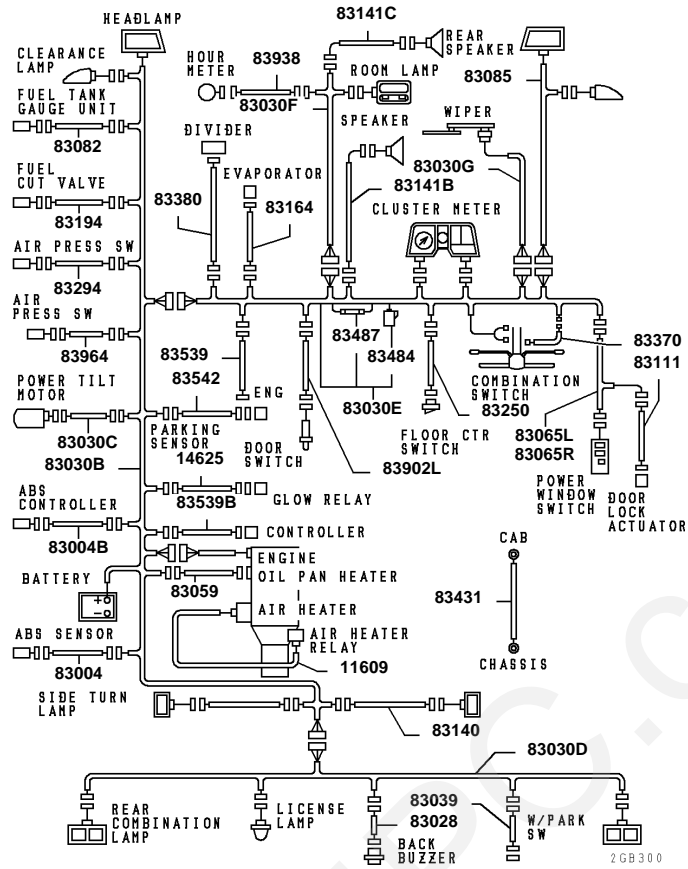
FK74R
54-630 BATTERY,CABLE & BRACKET

SPN	Repl Part	PNC	Part No	Part Name	Qty	Supply Mode	Part Spec	Remarks
		85919	MF140260	BOLT,CHASSIS ELECTRICALS	4		FLANGE,10X25	7T
			MF140260	BOLT,CHASSIS ELECTRICALS	4		FLANGE,10X25	7T
			MF140260	BOLT,CHASSIS ELECTRICALS	4		FLANGE,10X25	7T
			MF140260	BOLT,CHASSIS ELECTRICALS	4		FLANGE,10X25	7T
			MF140260	BOLT,CHASSIS ELECTRICALS	4		FLANGE,10X25	7T
			MF140260	BOLT,CHASSIS ELECTRICALS	4		FLANGE,10X25	7T
			MF140260	BOLT,CHASSIS ELECTRICALS	4		FLANGE,10X25	7T
			MF140260	BOLT,CHASSIS ELECTRICALS	4		FLANGE,10X25	7T
			MF140260	BOLT,CHASSIS ELECTRICALS	12		FLANGE,10X25	7T
			MF140262	BOLT,CHASSIS ELECTRICALS	4		FLANGE,10X30	7T
			MF140262	BOLT,CHASSIS ELECTRICALS	4		FLANGE,10X30	7T
			MF140262	BOLT,CHASSIS ELECTRICALS	4		FLANGE,10X30	7T
			MF140262	BOLT,CHASSIS ELECTRICALS	4		FLANGE,10X30	7T
			MF140262	BOLT,CHASSIS ELECTRICALS	4		FLANGE,10X30	7T
			MF140262	BOLT,CHASSIS ELECTRICALS	4		FLANGE,10X30	7T
			MF140262	BOLT,CHASSIS ELECTRICALS	4		FLANGE,10X30	7T
			MF140262	BOLT,CHASSIS ELECTRICALS	4		FLANGE,10X30	7T
			MF140260	BOLT,CHASSIS ELECTRICALS	6		FLANGE,10X25	7T
			MF140262	BOLT,CHASSIS ELECTRICALS	6		FLANGE,10X30	7T
			MF140262	BOLT,CHASSIS ELECTRICALS	4		FLANGE,10X30	7T
		85919B	MC000321	BOLT,CHASSIS ELECTRICALS	4		WING,8X15	
			MC000321	BOLT,CHASSIS ELECTRICALS	4		WING,8X15	
			MC000321	BOLT,CHASSIS ELECTRICALS	4		WING,8X15	

FK74R
54-630 BATTERY,CABLE & BRACKET

SPN	Repl Part	PNC	Part No	Part Name	Qty	Supply Mode	Part Spec	Remarks
		85919B	MC000321	BOLT,CHASSIS ELECTRICALS	4		WING,8X15	
		85919C	MF243624	BOLT,CHASSIS ELECTRICALS	2		WASHER ASSEMBLED,6X16	
		85969B	MC441722	SPACER,CHASSIS ELECTRICALS	2			
			MC441722	SPACER,CHASSIS ELECTRICALS	2			
			MC441722	SPACER,CHASSIS ELECTRICALS	2			
			MC441722	SPACER,CHASSIS ELECTRICALS	2			
		83799JB	(N.e.c.)	FUSIBLE LINK				
		83704JB	(N.e.c.)	COVER,FUSIBLE LINK				
		85915F	(N.e.c.)	WASHER,CHASSIS ELECTRICALS				
		83709JB	(N.e.c.)	NUT,FUSIBLE LINK				
		83796JB	(N.e.c.)	WASHER,FUSIBLE LINK				
		83701	(N.e.c.)	BOX,FUSIBLE LINK				
		85137B	(N.e.c.)	INSULATOR,BATTERY HEAT				
		85919D	(N.e.c.)	BOLT,CHASSIS ELECTRICALS				
		83578V	(N.e.c.)	BAND,BATTERY WIRING				
		83574P	(N.e.c.)	CLIP,BATTERY WIRING				
		85154B	(N.e.c.)	SENSOR,BATTERY				
		83574Q	(N.e.c.)	CLIP,BATTERY WIRING				
		83572B	(N.e.c.)	GROMMET,BATTERY WIRING				
		83574J	(N.e.c.)	CLIP,BATTERY WIRING				
		83457C	(N.e.c.)					
		83578B	(N.e.c.)	BAND,BATTERY WIRING				
		83576W	(N.e.c.)	BRACKET,BATTERY WIRING				

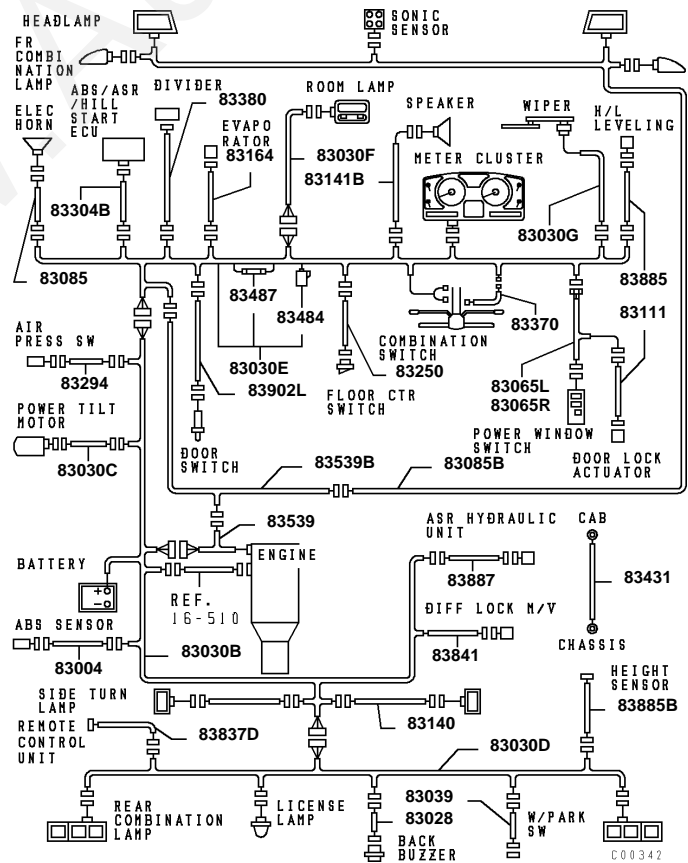
FK74R
No.1



Ref. |2054720

Page

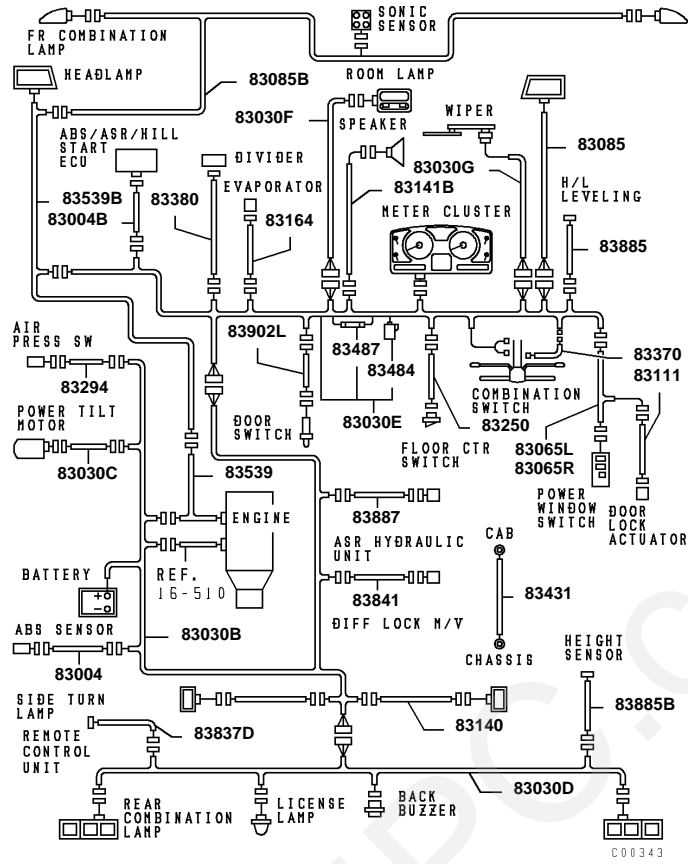
FK74R
No.2



Ref. |2054720

Page

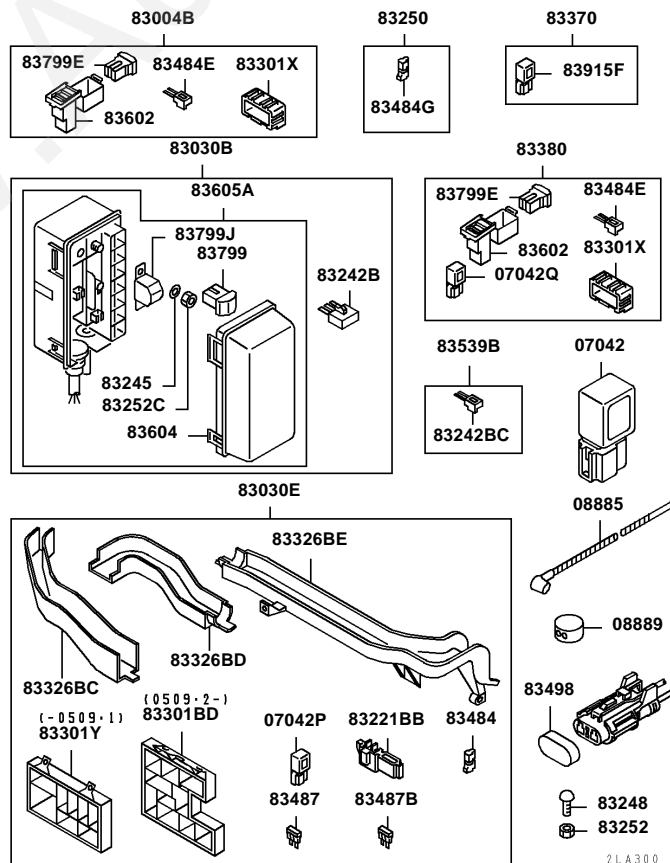
FK74R
No.3



Ref. |2054720

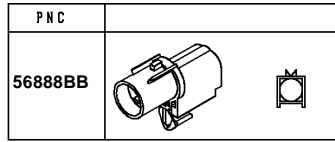
Page

FK74R
No.4



Ref. |2054720

Page



C 0 0 4 8 7

Ref. |2054720

Page

FK74R
54-720 CHASSIS HARNESS

PNC	Part Name	See Page
07042	RESISTOR,INJECTION PUMP SOLENOID CONTROL	(Please refer to the page 1/2)
07042P	RESISTOR,INJECTION PUMP SOLENOID CONTROL	(Please refer to the page 1/2)
07042Q	RESISTOR,INJECTION PUMP SOLENOID CONTROL	(Please refer to the page 1/2)
08885	BAND,ENG CONTROL EQUIP	(Please refer to the page 1/2)
08889	SEAL,ENG CONTROL EQUIP	(Please refer to the page 1/2)
83004	HARNESS,ABS	(Please refer to the page 1/2)
83004B	HARNESS,ABS	(Please refer to the page 1/2)
83030B	HARNESS,CHASSIS	(Please refer to the page 1/2)
83030D	HARNESS,CHASSIS	(Please refer to the page 1/2)
83030E	HARNESS,CHASSIS	(Please refer to the page 1/2)
83030F	HARNESS,CHASSIS	(Please refer to the page 1/2)
83030G	HARNESS,CHASSIS	(Please refer to the page 1/2)
83065L	HARNESS,FR DOOR,LH	(Please refer to the page 1/2)
83065R	HARNESS,FR DOOR,RH	(Please refer to the page 1/2)
83085	HARNESS,HEADLAMP	(Please refer to the page 1/2)
83085B	HARNESS,HEADLAMP	(Please refer to the page 2/2)
83141B	HARNESS,SPEAKER	(Please refer to the page 2/2)
83164	SUB HARNESS,A/C	(Please refer to the page 2/2)
83221BB	HOLDER,BODY WIRING	(Please refer to the page 2/2)
83242B	DIODE,CHASSIS WIRING	(Please refer to the page 2/2)
83245	WASHER,CHASSIS WIRING	(Please refer to the page 2/2)
83250	HARNESS,CTR FLOOR	(Please refer to the page 2/2)
83252C	NUT,CHASSIS WIRING	(Please refer to the page 2/2)
83294	SUB HARNESS,LOCK BRAKE	(Please refer to the page 2/2)
83301BD	BLOCK,CHASSIS HARNESS JUNCTION	(Please refer to the page 2/2)
83301X	BLOCK,CHASSIS HARNESS JUNCTION	(Please refer to the page 2/2)
83301Y	BLOCK,CHASSIS HARNESS JUNCTION	(Please refer to the page 2/2)
83326BC	PROTECTOR,CHASSIS HARNESS	(Please refer to the page 2/2)
83326BD	PROTECTOR,CHASSIS HARNESS	(Please refer to the page 2/2)
83326BE	PROTECTOR,CHASSIS HARNESS	(Please refer to the page 2/2)
83370	SUB HARNESS,COMBINATION SWITCH	(Please refer to the page 2/2)
83380	HARNESS,PULSE DIVIDER	(Please refer to the page 2/2)

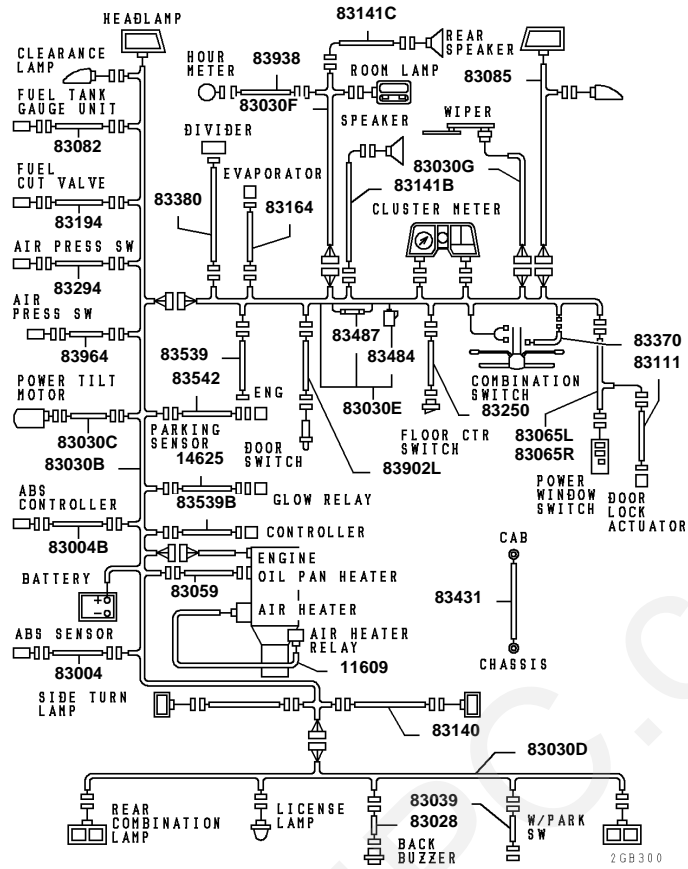
Ref. |2054720

Page

FK74R
54-720 CHASSIS HARNESS

PNC	Part Name	See Page
83431	STRAP,CAB WIRING EARTH	(Please refer to the page 2/2)
83484	DIODE,BODY WIRING	(Please refer to the page 2/2)
83484E	DIODE,BODY WIRING	(Please refer to the page 2/2)
83487	FUSE,BODY WIRING	(Please refer to the page 2/2)
83487B	FUSE,BODY WIRING	(Please refer to the page 2/2)
83539B	HARNESS,ENG CONTROL	(Please refer to the page 2/2)
83602	BOX,FUSE	(Please refer to the page 2/2)
83604	COVER,CHASSIS WIRING SUB FUSE BOX	(Please refer to the page 2/2)
83605A	BOX ASSY,CHASSIS HARNESS HIGH CURRENT FUSE	(Please refer to the page 2/2)
83799	FUSIBLE LINK	(Please refer to the page 2/2)
83799E	FUSIBLE LINK	(Please refer to the page 2/2)
83799J	FUSIBLE LINK	(Please refer to the page 2/2)
83837D	SUB HARNESS,A/SUSP	(Please refer to the page 2/2)
83887	HARNESS,ASR	(Please refer to the page 2/2)
83030C	HARNESS,CHASSIS	(N.e.c.)
83141C	HARNESS,SPEAKER	(N.e.c.)
83082	HARNESS,FUEL GAUGE UNIT	(N.e.c.)
11609	CABLE,INTAKE AIR HEATER	(N.e.c.)
83902L	HARNESS,FLOOR,LH	(N.e.c.)
14625	HARNESS,GLOW PLUG CONTROL RELAY	(N.e.c.)
83964	HARNESS,HILL START CONTROL EQUIP	(N.e.c.)
83039	HARNESS,PARKING BRAKE	(N.e.c.)
83028	HARNESS,BACK BUZZER	(N.e.c.)
83059	HARNESS,ENG OIL PAN HEATER	(N.e.c.)
83938	SUB HARNESS,HOUR METER & OIL TEMPERATURE GAUGE	(N.e.c.)
83542	SUB HARNESS,PARKING BRAKE SWITCH	(N.e.c.)
83194	SUB HARNESS,FUEL TANK	(N.e.c.)
83539	HARNESS,ENG CONTROL	(N.e.c.)
83111	HARNESS,RR DOOR	(N.e.c.)
83140	HARNESS,SIDE TURN SIGNAL LAMP	(N.e.c.)
83885B	SUB HARNESS,HEADLAMP LEVELING SENSOR	(N.e.c.)
83885	SUB HARNESS,HEADLAMP LEVELING SENSOR	(N.e.c.)
83841	SUB HARNESS,INTER DIFF LOCK	(N.e.c.)
83304B		(N.e.c.)
83242BC	DIODE,CHASSIS WIRING	(N.e.c.)
83915F	RESISTOR,CHASSIS HARNESS	(N.e.c.)
83484G	DIODE,BODY WIRING	(N.e.c.)
83248	SCREW,CHASSIS WIRING	(N.e.c.)
83252	NUT,CHASSIS WIRING	(N.e.c.)
83498		(N.e.c.)
56888BB	CAP,BRAKE AIR LINE	(N.e.c.)

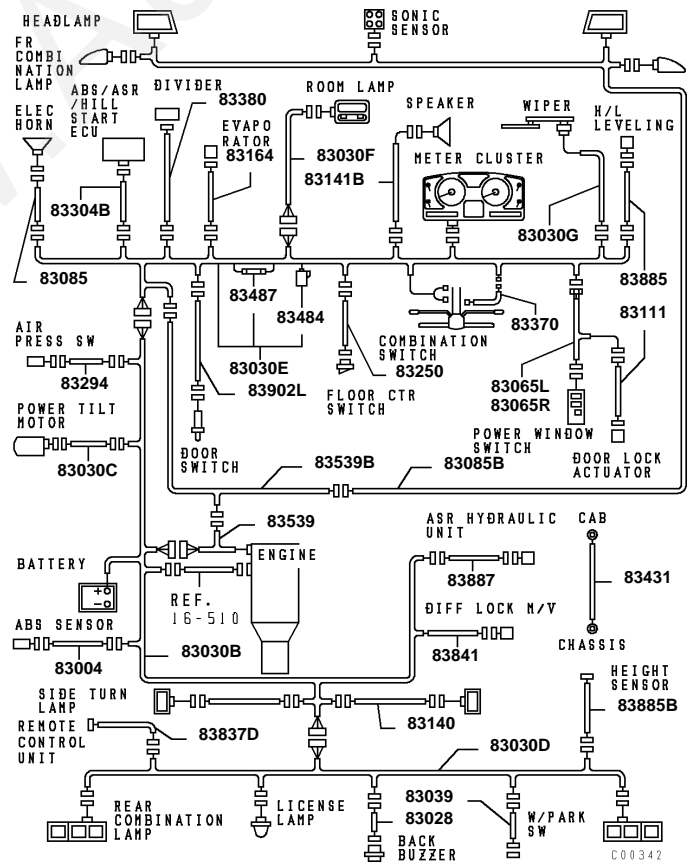
FK74R
No.1



Ref. |2054720-1

Page

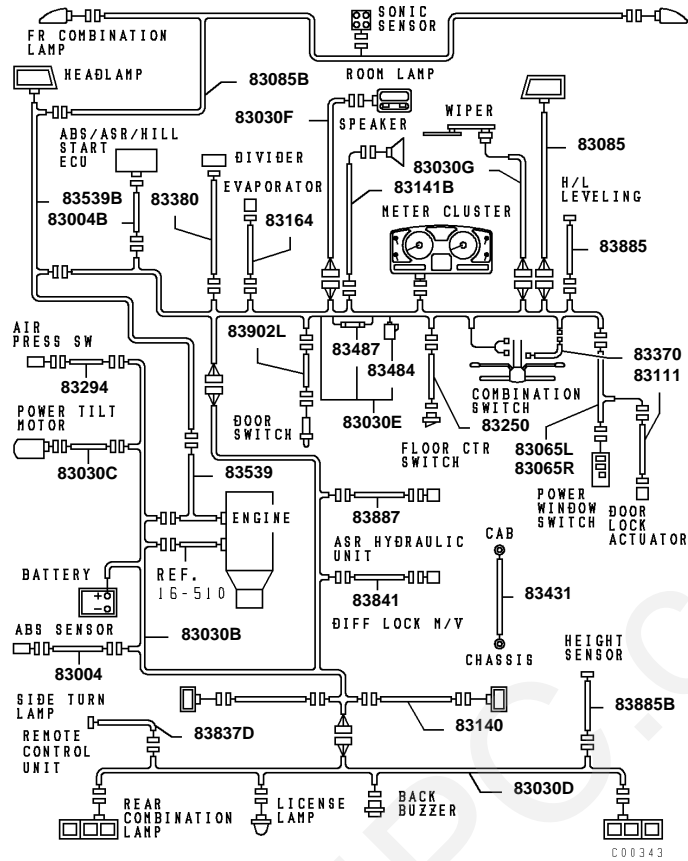
FK74R
No.2



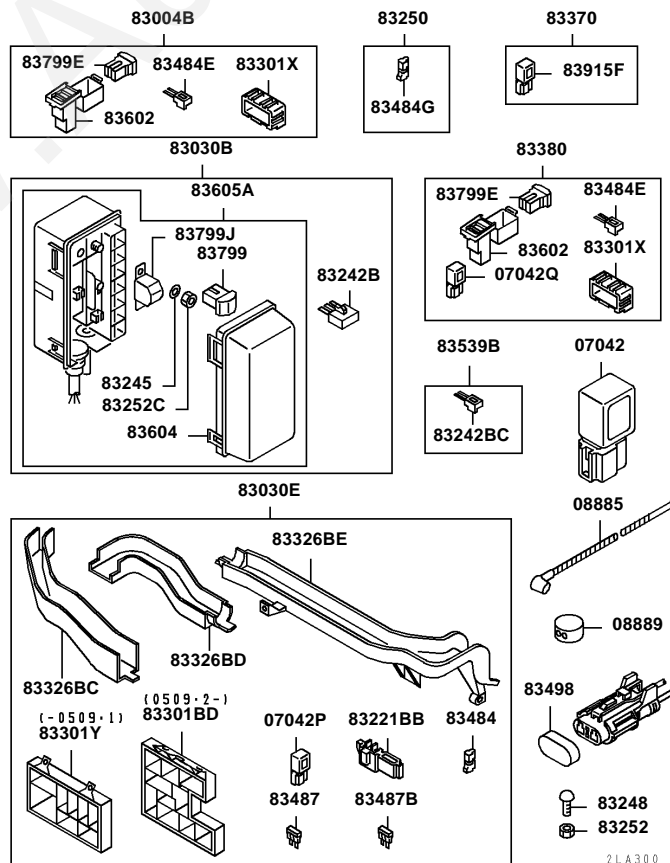
Ref. |2054720-1

Page

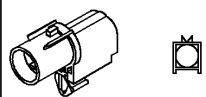
FK74R
No.3



FK74R
No.4



FK74R
No.5

PNC	
56888BB	

C00487

Ref. |2054720-1

Page

FK74R
54-720 CHASSIS HARNESS (1/2)

Repl Part	PNC	Part No	Part Name	Qty	Part Spec
RP	07042	MC854770	RESISTOR,INJECTION PUMP SOLENOID CONTROL	1	LABEL=1 (270 OHM)
RP		MC854771	RESISTOR,INJECTION PUMP SOLENOID CONTROL	1	LABEL=2 (510 OHM)
RP		MC854772	RESISTOR,INJECTION PUMP SOLENOID CONTROL	1	LABEL=3 (820 OHM)
RP		MC854773	RESISTOR,INJECTION PUMP SOLENOID CONTROL	1	LABEL=4 (1.3 K-OHM)
RP		MC854774	RESISTOR,INJECTION PUMP SOLENOID CONTROL	1	LABEL=5 (2 K-OHM)

Ref. |2054720-1

Page

FK74R
54-720 CHASSIS HARNESS (1/2)

Repl Part	PNC	Part No	Part Name	Qty	Part Spec
RP	07042	MC854775	RESISTOR,INJECTION PUMP SOLENOID CONTROL	1	LABEL=6 (3.3 K-OHM)
RP		MC854776	RESISTOR,INJECTION PUMP SOLENOID CONTROL	1	LABEL=7 (5.6 K-OHM)
RP		MC854777	RESISTOR,INJECTION PUMP SOLENOID CONTROL	1	LABEL=8 (15 K-OHM)
		MK320248	RESISTOR,INJECTION PUMP SOLENOID CONTROL	1	LABEL=9 (390 OHM)
		MK320249	RESISTOR,INJECTION PUMP SOLENOID CONTROL	1	LABEL=10 (4.3 K-OHM)
		MK320250	RESISTOR,INJECTION PUMP SOLENOID CONTROL	1	LABEL=11 (9.1 K-OHM)
	07042P	MK327484	RESISTOR,INJECTION PUMP SOLENOID CONTROL	2	LABEL=12 (120 OHM)
		MK327484	RESISTOR,INJECTION PUMP SOLENOID CONTROL	3	LABEL=12 (120 OHM)
		MK327484	RESISTOR,INJECTION PUMP SOLENOID CONTROL	2	LABEL=12 (120 OHM)
		MK327484	RESISTOR,INJECTION PUMP SOLENOID CONTROL	3	LABEL=12 (120 OHM)
		MK327484	RESISTOR,INJECTION PUMP SOLENOID CONTROL	3	LABEL=12 (120 OHM)
		MK327484	RESISTOR,INJECTION PUMP SOLENOID CONTROL	3	LABEL=12 (120 OHM)
		MK327484	RESISTOR,INJECTION PUMP SOLENOID CONTROL	3	LABEL=12 (120 OHM)
		MK327484	RESISTOR,INJECTION PUMP SOLENOID CONTROL	3	LABEL=12 (120 OHM)
		MK327484	RESISTOR,INJECTION PUMP SOLENOID CONTROL	1	LABEL=12 (120 OHM)

FK74R
54-720 CHASSIS HARNESS (1/2)

Repl Part	PNC	Part No	Part Name	Qty	Part Spec
	07042Q	MK327484	RESISTOR,INJECTION PUMP SOLENOID CONTROL	1	LABEL=12 (120 OHM
		MK327484	RESISTOR,INJECTION PUMP SOLENOID CONTROL	1	LABEL=12 (120 OHM
	08885	MC025687	BAND,ENG CONTROL EQUIP	1	L=150
RP	08889	MC025688	SEAL,ENG CONTROL EQUIP	1	
		MK481575	SEAL,ENG CONTROL EQUIP	1	
	83004	MK539733	HARNESS,ABS	1	
	83004B	MK466046	HARNESS,ABS	1	
		MK539793	HARNESS,ABS	1	
		MK539793	HARNESS,ABS	1	
		MK539793	HARNESS,ABS	1	
		MK539793	HARNESS,ABS	1	
		MK539793	HARNESS,ABS	1	
		MK539793	HARNESS,ABS	1	
		MK539793	HARNESS,ABS	1	
		MK539793	HARNESS,ABS	1	
		MK539793	HARNESS,ABS	1	
		MK539793	HARNESS,ABS	1	
		MK539793	HARNESS,ABS	1	
		MK539793	HARNESS,ABS	1	
		MK539793	HARNESS,ABS	1	
		MK539793	HARNESS,ABS	1	
		MK539798	HARNESS,ABS	1	
		MK539793	HARNESS,ABS	1	
		MK539797	HARNESS,ABS	1	
		MK539794	HARNESS,ABS	1	
		MK539794	HARNESS,ABS	1	

FK74R
54-720 CHASSIS HARNESS (1/2)

Repl Part	PNC	Part No	Part Name	Qty	Part Spec
	83004B	MK539793	HARNESS,ABS	1	
		MK638080	HARNESS,ABS	1	
		MK638080	HARNESS,ABS	1	
		MK638080	HARNESS,ABS	1	
		MK638080	HARNESS,ABS	1	
		MK638080	HARNESS,ABS	1	
		MK638080	HARNESS,ABS	1	
		MK638080	HARNESS,ABS	1	
		MK638081	HARNESS,ABS	1	
		MK639690	HARNESS,ABS	1	
		MK638084	HARNESS,ABS	1	
		MK638084	HARNESS,ABS	1	
	83030B	MK468982	HARNESS,CHASSIS	1	
		MK468982	HARNESS,CHASSIS	1	
		MK468982	HARNESS,CHASSIS	1	
		MK536602	HARNESS,CHASSIS	1	
		MK536592	HARNESS,CHASSIS	1	
		MK536592	HARNESS,CHASSIS	1	
		MK536613	HARNESS,CHASSIS	1	
		MK539143	HARNESS,CHASSIS	1	
		MK539143	HARNESS,CHASSIS	1	
		MK539143	HARNESS,CHASSIS	1	
		MK539143	HARNESS,CHASSIS	1	
		MK539143	HARNESS,CHASSIS	1	
		MK539143	HARNESS,CHASSIS	1	
		MK539143	HARNESS,CHASSIS	1	

FK74R
54-720 CHASSIS HARNESS (1/2)

Repl Part	PNC	Part No	Part Name	Qty	Part Spec
	83030B	MK539149	HARNESS,CHASSIS	1	
		MK539146	HARNESS,CHASSIS	1	
		MK539146	HARNESS,CHASSIS	1	
		MK539154	HARNESS,CHASSIS	1	
		MK540604	HARNESS,CHASSIS	1	
		MK540605	HARNESS,CHASSIS	1	
		MK571375	HARNESS,CHASSIS	1	
		MK571375	HARNESS,CHASSIS	1	
		MK571375	HARNESS,CHASSIS	1	
		MK571375	HARNESS,CHASSIS	1	
		MK571376	HARNESS,CHASSIS	1	
		MK571376	HARNESS,CHASSIS	1	
		MK571376	HARNESS,CHASSIS	1	
		MK571376	HARNESS,CHASSIS	1	
		MK571376	HARNESS,CHASSIS	1	
		MK571376	HARNESS,CHASSIS	1	
		MK571379	HARNESS,CHASSIS	1	
		MK571380	HARNESS,CHASSIS	1	
		MK571381	HARNESS,CHASSIS	1	
		MK571382	HARNESS,CHASSIS	1	
		MK540604	HARNESS,CHASSIS	1	
		MK540605	HARNESS,CHASSIS	1	
		MK571375	HARNESS,CHASSIS	1	
		MK571376	HARNESS,CHASSIS	1	
		MK571377	HARNESS,CHASSIS	1	
		MK571378	HARNESS,CHASSIS	1	
		MK571377	HARNESS,CHASSIS	1	
		MK571378	HARNESS,CHASSIS	1	
		MK571383	HARNESS,CHASSIS	1	
		MK571384	HARNESS,CHASSIS	1	
		MK637345	HARNESS,CHASSIS	1	
		MK637345	HARNESS,CHASSIS	1	
		MK637345	HARNESS,CHASSIS	1	
		MK637346	HARNESS,CHASSIS	1	
		MK637346	HARNESS,CHASSIS	1	
		MK637346	HARNESS,CHASSIS	1	
		MK637346	HARNESS,CHASSIS	1	
		MK637346	HARNESS,CHASSIS	1	
		MK637392	HARNESS,CHASSIS	1	
		MK637392	HARNESS,CHASSIS	1	
		MK637392	HARNESS,CHASSIS	1	
		MK637392	HARNESS,CHASSIS	1	
		MK637392	HARNESS,CHASSIS	1	

FK74R
54-720 CHASSIS HARNESS (1/2)

Repl Part	PNC	Part No	Part Name	Qty	Part Spec
	83030B	MK637392	HARNESS,CHASSIS	1	
		MK637393	HARNESS,CHASSIS	1	
		MK637393	HARNESS,CHASSIS	1	
		MK637393	HARNESS,CHASSIS	1	
		MK637393	HARNESS,CHASSIS	1	
		MK637393	HARNESS,CHASSIS	1	
		MK637396	HARNESS,CHASSIS	1	
		MK637396	HARNESS,CHASSIS	1	
		MK637397	HARNESS,CHASSIS	1	
		MK637398	HARNESS,CHASSIS	1	
		MK637399	HARNESS,CHASSIS	1	
		MK637399	HARNESS,CHASSIS	1	
		MK637345	HARNESS,CHASSIS	1	
		MK637346	HARNESS,CHASSIS	1	
		MK637392	HARNESS,CHASSIS	1	
		MK637393	HARNESS,CHASSIS	1	
		MK637394	HARNESS,CHASSIS	1	
		MK637395	HARNESS,CHASSIS	1	
		MK637394	HARNESS,CHASSIS	1	
		MK637395	HARNESS,CHASSIS	1	
		MK637400	HARNESS,CHASSIS	1	
		MK637401	HARNESS,CHASSIS	1	
		MK639420	HARNESS,CHASSIS	1	
		MK639421	HARNESS,CHASSIS	1	
		MK639425	HARNESS,CHASSIS	1	
		MK639426	HARNESS,CHASSIS	1	
		MK639410	HARNESS,CHASSIS	1	
		MK639411	HARNESS,CHASSIS	1	
		MK639410	HARNESS,CHASSIS	1	
		MK639411	HARNESS,CHASSIS	1	
		MK639402	HARNESS,CHASSIS	1	
		MK639403	HARNESS,CHASSIS	1	
		MK638768	HARNESS,CHASSIS	1	
		MK638768	HARNESS,CHASSIS	1	
		MK638768	HARNESS,CHASSIS	1	
		MK638768	HARNESS,CHASSIS	1	
		MK638769	HARNESS,CHASSIS	1	
		MK638769	HARNESS,CHASSIS	1	
		MK638769	HARNESS,CHASSIS	1	
		MK638770	HARNESS,CHASSIS	1	
		MK638770	HARNESS,CHASSIS	1	
		MK638770	HARNESS,CHASSIS	1	
		MK638770	HARNESS,CHASSIS	1	
		MK638771	HARNESS,CHASSIS	1	
		MK638771	HARNESS,CHASSIS	1	
		MK638771	HARNESS,CHASSIS	1	
		MK638773	HARNESS,CHASSIS	1	
		MK639422	HARNESS,CHASSIS	1	
		MK638768	HARNESS,CHASSIS	1	
		MK638769	HARNESS,CHASSIS	1	

FK74R
54-720 CHASSIS HARNESS (1/2)

Repl Part	PNC	Part No	Part Name	Qty	Part Spec
	83030B	MK638770	HARNESS,CHASSIS	1	
		MK638771	HARNESS,CHASSIS	1	
		MK663463	HARNESS,CHASSIS	1	
		MK663464	HARNESS,CHASSIS	1	
		MK663465	HARNESS,CHASSIS	1	
		MK663466	HARNESS,CHASSIS	1	
		MK663461	HARNESS,CHASSIS	1	
		MK663462	HARNESS,CHASSIS	1	
		MK663461	HARNESS,CHASSIS	1	
		MK663462	HARNESS,CHASSIS	1	
		MK663459	HARNESS,CHASSIS	1	
		MK663460	HARNESS,CHASSIS	1	
	83030D	MK536014	HARNESS,CHASSIS	1	
		MK536015	HARNESS,CHASSIS	1	
		MK536016	HARNESS,CHASSIS	1	
		MK536017	HARNESS,CHASSIS	1	
		MK536018	HARNESS,CHASSIS	1	
		MK536281	HARNESS,CHASSIS	1	
		MK536282	HARNESS,CHASSIS	1	
		MK536283	HARNESS,CHASSIS	1	
		MK536284	HARNESS,CHASSIS	1	
		MK536285	HARNESS,CHASSIS	1	
		MK539166	HARNESS,CHASSIS	1	
		MK539166	HARNESS,CHASSIS	1	
		MK539166	HARNESS,CHASSIS	1	
		MK539166	HARNESS,CHASSIS	1	
		MK539167	HARNESS,CHASSIS	1	
		MK539167	HARNESS,CHASSIS	1	
		MK539167	HARNESS,CHASSIS	1	
		MK539168	HARNESS,CHASSIS	1	
		MK539168	HARNESS,CHASSIS	1	
		MK539168	HARNESS,CHASSIS	1	
		MK539169	HARNESS,CHASSIS	1	
		MK539169	HARNESS,CHASSIS	1	
		MK539169	HARNESS,CHASSIS	1	
		MK539170	HARNESS,CHASSIS	1	
		MK539170	HARNESS,CHASSIS	1	
		MK539170	HARNESS,CHASSIS	1	
		MK539170	HARNESS,CHASSIS	1	
		MK539182	HARNESS,CHASSIS	1	
		MK539183	HARNESS,CHASSIS	1	
		MK539184	HARNESS,CHASSIS	1	
		MK539185	HARNESS,CHASSIS	1	
		MK539186	HARNESS,CHASSIS	1	
		MK539494	HARNESS,CHASSIS	1	
		MK539494	HARNESS,CHASSIS	1	
		MK539494	HARNESS,CHASSIS	1	
		MK539494	HARNESS,CHASSIS	1	
		MK539495	HARNESS,CHASSIS	1	
		MK539495	HARNESS,CHASSIS	1	
		MK539495	HARNESS,CHASSIS	1	
		MK539496	HARNESS,CHASSIS	1	
		MK539496	HARNESS,CHASSIS	1	
		MK539496	HARNESS,CHASSIS	1	
		MK539496	HARNESS,CHASSIS	1	
		MK539496	HARNESS,CHASSIS	1	
		MK539497	HARNESS,CHASSIS	1	
		MK539497	HARNESS,CHASSIS	1	
		MK539497	HARNESS,CHASSIS	1	
		MK539497	HARNESS,CHASSIS	1	

FK74R
54-720 CHASSIS HARNESS (1/2)

Repl Part	PNC	Part No	Part Name	Qty	Part Spec
	83030D	MK539498	HARNESS,CHASSIS	1	
		MK539498	HARNESS,CHASSIS	1	
		MK539498	HARNESS,CHASSIS	1	
		MK539498	HARNESS,CHASSIS	1	
		MK570760	HARNESS,CHASSIS	1	
		MK570761	HARNESS,CHASSIS	1	
		MK570762	HARNESS,CHASSIS	1	
		MK570763	HARNESS,CHASSIS	1	
		MK570764	HARNESS,CHASSIS	1	
		MK638236	HARNESS,CHASSIS	1	
		MK638236	HARNESS,CHASSIS	1	
		MK638236	HARNESS,CHASSIS	1	
		MK663092	HARNESS,CHASSIS	1	
		MK663092	HARNESS,CHASSIS	1	
		MK663092	HARNESS,CHASSIS	1	
		MK663093	HARNESS,CHASSIS	1	
		MK663093	HARNESS,CHASSIS	1	
		MK663093	HARNESS,CHASSIS	1	
		MK663094	HARNESS,CHASSIS	1	
		MK663094	HARNESS,CHASSIS	1	
		MK663094	HARNESS,CHASSIS	1	
		MK663095	HARNESS,CHASSIS	1	
		MK663095	HARNESS,CHASSIS	1	
		MK663095	HARNESS,CHASSIS	1	
	83030E	MK468990	HARNESS,CHASSIS	1	
		MK468990	HARNESS,CHASSIS	1	
		MK468990	HARNESS,CHASSIS	1	
		MK468990	HARNESS,CHASSIS	1	
		MK468990	HARNESS,CHASSIS	1	
		MK468990	HARNESS,CHASSIS	1	
		MK468991	HARNESS,CHASSIS	1	
		MK468991	HARNESS,CHASSIS	1	
		MK468991	HARNESS,CHASSIS	1	
		MK468991	HARNESS,CHASSIS	1	
		MK468991	HARNESS,CHASSIS	1	
		MK536721	HARNESS,CHASSIS	1	
		MK536722	HARNESS,CHASSIS	1	
		MK536475	HARNESS,CHASSIS	1	
		MK536727	HARNESS,CHASSIS	1	
		MK468990	HARNESS,CHASSIS	1	
		MK468991	HARNESS,CHASSIS	1	
		MK536715	HARNESS,CHASSIS	1	
		MK536716	HARNESS,CHASSIS	1	
		MK536715	HARNESS,CHASSIS	1	
		MK536716	HARNESS,CHASSIS	1	
		MK540730	HARNESS,CHASSIS	1	
		MK540730	HARNESS,CHASSIS	1	
		MK540730	HARNESS,CHASSIS	1	
		MK540731	HARNESS,CHASSIS	1	

FK74R
54-720 CHASSIS HARNESS (1/2)

Repl Part	PNC	Part No	Part Name	Qty	Part Spec
	83030E	MK540731	HARNESS,CHASSIS	1	
		MK540731	HARNESS,CHASSIS	1	
		MK540731	HARNESS,CHASSIS	1	
		MK571309	HARNESS,CHASSIS	1	
		MK571309	HARNESS,CHASSIS	1	
		MK571309	HARNESS,CHASSIS	1	
		MK571309	HARNESS,CHASSIS	1	
		MK571309	HARNESS,CHASSIS	1	
		MK571310	HARNESS,CHASSIS	1	
		MK571310	HARNESS,CHASSIS	1	
		MK571310	HARNESS,CHASSIS	1	
		MK571310	HARNESS,CHASSIS	1	
		MK571310	HARNESS,CHASSIS	1	
		MK571310	HARNESS,CHASSIS	1	
		MK571310	HARNESS,CHASSIS	1	
		MK571310	HARNESS,CHASSIS	1	
		MK571310	HARNESS,CHASSIS	1	
		MK540730	HARNESS,CHASSIS	1	
		MK540731	HARNESS,CHASSIS	1	
		MK571309	HARNESS,CHASSIS	1	
		MK571310	HARNESS,CHASSIS	1	
		MK571331	HARNESS,CHASSIS	1	
		MK571332	HARNESS,CHASSIS	1	
		MK571333	HARNESS,CHASSIS	1	
		MK571334	HARNESS,CHASSIS	1	
		MK571323	HARNESS,CHASSIS	1	
		MK571324	HARNESS,CHASSIS	1	
		MK571325	HARNESS,CHASSIS	1	
		MK571326	HARNESS,CHASSIS	1	
		MK571314	HARNESS,CHASSIS	1	
		MK571315	HARNESS,CHASSIS	1	
		MK571314	HARNESS,CHASSIS	1	
		MK571315	HARNESS,CHASSIS	1	
		MK639116	HARNESS,CHASSIS	1	
		MK639116	HARNESS,CHASSIS	1	
		MK639116	HARNESS,CHASSIS	1	
		MK639116	HARNESS,CHASSIS	1	
		MK639116	HARNESS,CHASSIS	1	
		MK639116	HARNESS,CHASSIS	1	
		MK639116	HARNESS,CHASSIS	1	
		MK639116	HARNESS,CHASSIS	1	
		MK639116	HARNESS,CHASSIS	1	
		MK639141	HARNESS,CHASSIS	1	
		MK639141	HARNESS,CHASSIS	1	
		MK639141	HARNESS,CHASSIS	1	
		MK639141	HARNESS,CHASSIS	1	
		MK639141	HARNESS,CHASSIS	1	
		MK639141	HARNESS,CHASSIS	1	
		MK639141	HARNESS,CHASSIS	1	
		MK639142	HARNESS,CHASSIS	1	
		MK639142	HARNESS,CHASSIS	1	
		MK639142	HARNESS,CHASSIS	1	
		MK639144	HARNESS,CHASSIS	1	
		MK639144	HARNESS,CHASSIS	1	
		MK639144	HARNESS,CHASSIS	1	
		MK639112	HARNESS,CHASSIS	1	
		MK639114	HARNESS,CHASSIS	1	

FK74R
54-720 CHASSIS HARNESS (1/2)

Repl Part	PNC	Part No	Part Name	Qty	Part Spec															
		MK639115	HARNESS,CHASSIS	1																
		MK639117	HARNESS,CHASSIS	1																
		MK639674	HARNESS,CHASSIS	1																
		MK639675	HARNESS,CHASSIS	1																
			MK639665	HARNESS,CHASSIS	1															
			MK639666	HARNESS,CHASSIS	1															
			MK639665	HARNESS,CHASSIS	1															
			MK639666	HARNESS,CHASSIS	1															
				MC458870	HARNESS,CHASSIS	1														
				MK539709	HARNESS,CHASSIS	1														
				MK539709	HARNESS,CHASSIS	1														
					MC458870	HARNESS,CHASSIS	1													
					MC458870	HARNESS,CHASSIS	1													
					MC458870	HARNESS,CHASSIS	1													
						MK539709	HARNESS,CHASSIS	1												
						MK539709	HARNESS,CHASSIS	1												
						MK539709	HARNESS,CHASSIS	1												
							MK539709	HARNESS,CHASSIS	1											
							MK539709	HARNESS,CHASSIS	1											
								MK539709	HARNESS,CHASSIS	1										
								MK539709	HARNESS,CHASSIS	1										
									MK570626	HARNESS,CHASSIS	1									
									MK539709	HARNESS,CHASSIS	1									
										MK539709	HARNESS,CHASSIS	1								
										MK539709	HARNESS,CHASSIS	1								
											MK638045	HARNESS,CHASSIS	1							
											MK638045	HARNESS,CHASSIS	1							
												MK638045	HARNESS,CHASSIS	1						
												MK638045	HARNESS,CHASSIS	1						
													MK638045	HARNESS,CHASSIS	1					
													MK638045	HARNESS,CHASSIS	1					
														MK638045	HARNESS,CHASSIS	1				
														MK638045	HARNESS,CHASSIS	1				
															MK638045	HARNESS,CHASSIS	1			
															MK638045	HARNESS,CHASSIS	1			
																MK638045	HARNESS,CHASSIS	1		
																MK638045	HARNESS,CHASSIS	1		
																	MK638045	HARNESS,CHASSIS	1	
																	MK638045	HARNESS,CHASSIS	1	
																MK638045	HARNESS,CHASSIS	1		

FK74R
54-720 CHASSIS HARNESS (1/2)

Repl Part	PNC	Part No	Part Name	Qty	Part Spec
	83030F	MK638048	HARNESS,CHASSIS	1	
		MK638045	HARNESS,CHASSIS	1	
		MK638045	HARNESS,CHASSIS	1	
	83030G	MC458877	HARNESS,CHASSIS	1	
		MC458878	HARNESS,CHASSIS	1	
		MK539728	HARNESS,CHASSIS	1	
		MK539728	HARNESS,CHASSIS	1	
		MK539728	HARNESS,CHASSIS	1	
		MK539728	HARNESS,CHASSIS	1	
		MK539728	HARNESS,CHASSIS	1	
		MK539728	HARNESS,CHASSIS	1	
		MK539728	HARNESS,CHASSIS	1	
		MK539728	HARNESS,CHASSIS	1	
		MK539728	HARNESS,CHASSIS	1	
		MK539729	HARNESS,CHASSIS	1	
		MK539729	HARNESS,CHASSIS	1	
		MK638050	HARNESS,CHASSIS	1	
		MK638050	HARNESS,CHASSIS	1	
		MK638050	HARNESS,CHASSIS	1	
		MK638050	HARNESS,CHASSIS	1	
		MK638051	HARNESS,CHASSIS	1	
		MK638051	HARNESS,CHASSIS	1	
		MK638051	HARNESS,CHASSIS	1	
		MK638051	HARNESS,CHASSIS	1	
		MK638051	HARNESS,CHASSIS	1	
		MK638051	HARNESS,CHASSIS	1	
		MK638051	HARNESS,CHASSIS	1	
		MK638051	HARNESS,CHASSIS	1	
		MK638052	HARNESS,CHASSIS	1	
		MK638052	HARNESS,CHASSIS	1	
		MK638052	HARNESS,CHASSIS	1	
		MK638053	HARNESS,CHASSIS	1	
		MK638050	HARNESS,CHASSIS	1	
		MK638051	HARNESS,CHASSIS	1	
	83065L	MK466082	HARNESS,FR DOOR,LH	1	
		MK466082	HARNESS,FR DOOR,LH	1	
		MK466082	HARNESS,FR DOOR,LH	1	

FK74R
54-720 CHASSIS HARNESS (1/2)

Repl Part	PNC	Part No	Part Name	Qty	Part Spec
	83065L	MK466082	HARNESS,FR DOOR,LH	1	
		MK468870	HARNESS,FR DOOR,LH	1	
		MK468869	HARNESS,FR DOOR,LH	1	
		MK539807	HARNESS,FR DOOR,LH	1	
		MK539807	HARNESS,FR DOOR,LH	1	
		MK539807 MK539807	HARNESS,FR DOOR,LH HARNESS,FR DOOR,LH	1 1	
		MK539807	HARNESS,FR DOOR,LH	1	
		MK539807	HARNESS,FR DOOR,LH	1	
		MK540480	HARNESS,FR DOOR,LH	1	
		MK539808	HARNESS,FR DOOR,LH	1	
		MK638087	HARNESS,FR DOOR,LH	1	
		MK638087	HARNESS,FR DOOR,LH	1	
		MK638087	HARNESS,FR DOOR,LH	1	
		MK638089	HARNESS,FR DOOR,LH	1	
		MK638088	HARNESS,FR DOOR,LH	1	

FK74R
54-720 CHASSIS HARNESS (1/2)

Repl Part	PNC	Part No	Part Name	Qty	Part Spec
	83065R	MK466784	HARNESS,FR DOOR,RH	1	
		MK466784	HARNESS,FR DOOR,RH	1	
		MK466784	HARNESS,FR DOOR,RH	1	
		MK466784	HARNESS,FR DOOR,RH	1	
		MK468872	HARNESS,FR DOOR,RH	1	
		MK468871	HARNESS,FR DOOR,RH	1	
		MK539805	HARNESS,FR DOOR,RH	1	
		MK539805	HARNESS,FR DOOR,RH	1	
		MK539805	HARNESS,FR DOOR,RH	1	
		MK539805	HARNESS,FR DOOR,RH	1	
		MK539805	HARNESS,FR DOOR,RH	1	
		MK539805	HARNESS,FR DOOR,RH	1	
		MK540479	HARNESS,FR DOOR,RH	1	
		MK539806	HARNESS,FR DOOR,RH	1	
		MK638091	HARNESS,FR DOOR,RH	1	
		MK638091	HARNESS,FR DOOR,RH	1	
		MK638091	HARNESS,FR DOOR,RH	1	

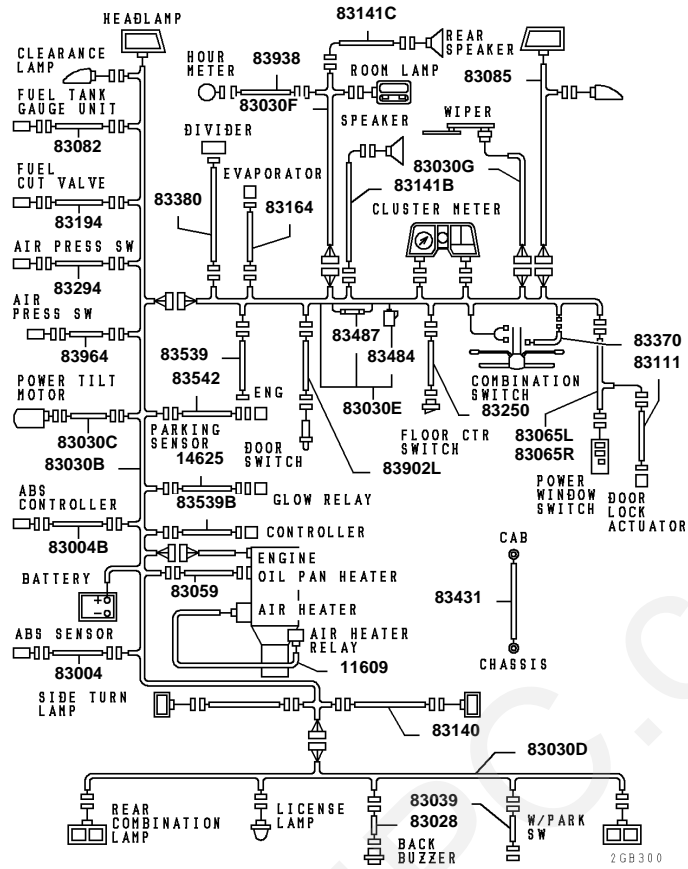
FK74R
54-720 CHASSIS HARNESS (1/2)

Repl Part	PNC	Part No	Part Name	Qty	Part Spec
	83065R	MK638093	HARNESS,FR DOOR,RH	1	
		MK638092	HARNESS,FR DOOR,RH	1	
	83085	MK466076	HARNESS,HEADLAMP	1	
		MK466076	HARNESS,HEADLAMP	1	
		MK466076	HARNESS,HEADLAMP	1	
		MK466076	HARNESS,HEADLAMP	1	
		MK466076	HARNESS,HEADLAMP	1	
		MK466076	HARNESS,HEADLAMP	1	
		MK539716	HARNESS,HEADLAMP	1	
		MK539716	HARNESS,HEADLAMP	1	
		MK539716	HARNESS,HEADLAMP	1	
		MK539716	HARNESS,HEADLAMP	1	
		MK539716	HARNESS,HEADLAMP	1	
		MK539716	HARNESS,HEADLAMP	1	
		MK539716	HARNESS,HEADLAMP	1	
		MK539716	HARNESS,HEADLAMP	1	
		MK539716	HARNESS,HEADLAMP	1	
		MK539717	HARNESS,HEADLAMP	1	
		MK539716	HARNESS,HEADLAMP	1	
		MK539716	HARNESS,HEADLAMP	1	
		MK638054	HARNESS,HEADLAMP	1	
		MK638054	HARNESS,HEADLAMP	1	
		MK638054	HARNESS,HEADLAMP	1	
		MK638058	HARNESS,HEADLAMP	1	
		MK638058	HARNESS,HEADLAMP	1	
		MK638058	HARNESS,HEADLAMP	1	

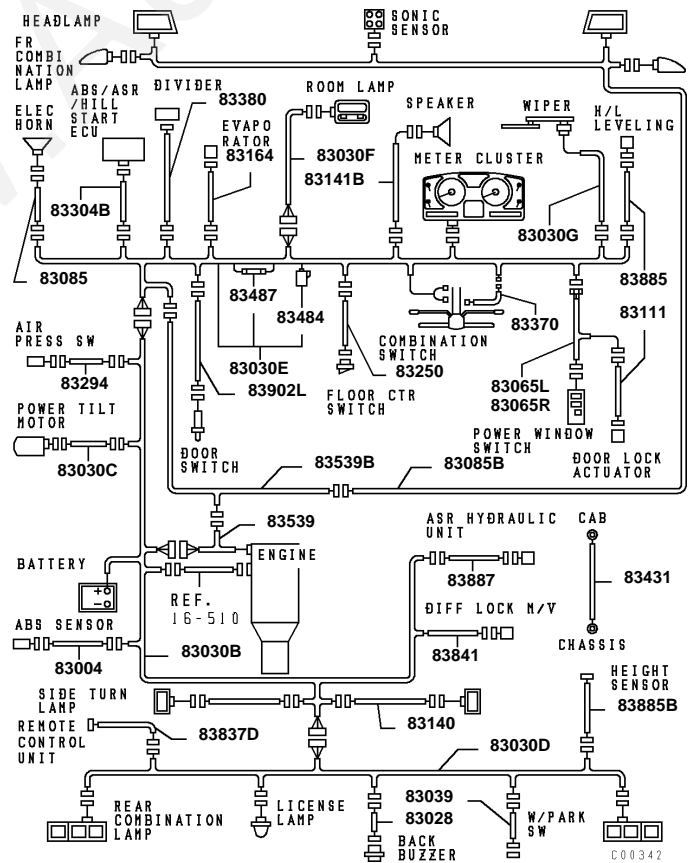
FK74R
54-720 CHASSIS HARNESS (1/2)

Repl Part	PNC	Part No	Part Name	Qty	Part Spec
	83085	MK638055	HARNESS,HEADLAMP	1	
		MK638063	HARNESS,HEADLAMP	1	
		MK638054	HARNESS,HEADLAMP	1	
		MK638058	HARNESS,HEADLAMP	1	
		MK638054	HARNESS,HEADLAMP	1	
	83085B	(Please refer to the page 2/2)	HARNESS,HEADLAMP	1	
	83141B	(Please refer to the page 2/2)	HARNESS,SPEAKER	1	
	83164	(Please refer to the page 2/2)	SUB HARNESS,A/C	1	
	83221BB	(Please refer to the page 2/2)	HOLDER,BODY WIRING	1	
	83242B	(Please refer to the page 2/2)	DIODE,CHASSIS WIRING	1	
	83245	(Please refer to the page 2/2)	WASHER,CHASSIS WIRING	1	
	83250	(Please refer to the page 2/2)	HARNESS,CTR FLOOR	1	
	83252C	(Please refer to the page 2/2)	NUT,CHASSIS WIRING	1	
	83294	(Please refer to the page 2/2)	SUB HARNESS,LOCK BRAKE	1	
	83301BD	(Please refer to the page 2/2)	BLOCK,CHASSIS HARNESS JUNCTION	1	
	83301X	(Please refer to the page 2/2)	BLOCK,CHASSIS HARNESS JUNCTION	1	
	83301Y	(Please refer to the page 2/2)	BLOCK,CHASSIS HARNESS JUNCTION	1	
	83326BC	(Please refer to the page 2/2)	PROTECTOR,CHASSIS HARNESS	1	
	83326BD	(Please refer to the page 2/2)	PROTECTOR,CHASSIS HARNESS	1	
	83326BE	(Please refer to the page 2/2)	PROTECTOR,CHASSIS HARNESS	1	
	83370	(Please refer to the page 2/2)	SUB HARNESS,COMBINATION SWITCH	1	
	83380	(Please refer to the page 2/2)	HARNESS,PULSE DIVIDER	1	
	83431	(Please refer to the page 2/2)	STRAP,CAB WIRING EARTH	1	
	83484	(Please refer to the page 2/2)	DIODE,BODY WIRING	1	
	83484E	(Please refer to the page 2/2)	DIODE,BODY WIRING	1	
	83487	(Please refer to the page 2/2)	FUSE,BODY WIRING	1	
	83487B	(Please refer to the page 2/2)	FUSE,BODY WIRING	1	
	83539B	(Please refer to the page 2/2)	HARNESS,ENG CONTROL	1	
	83602	(Please refer to the page 2/2)	BOX,FUSE	1	
	83604	(Please refer to the page 2/2)	COVER,CHASSIS WIRING SUB FUSE BOX	1	
	83605A	(Please refer to the page 2/2)	BOX ASSY,CHASSIS HARNESS HIGH CURRENT FUSE	1	
	83799	(Please refer to the page 2/2)	FUSIBLE LINK	1	
	83799E	(Please refer to the page 2/2)	FUSIBLE LINK	1	
	83799J	(Please refer to the page 2/2)	FUSIBLE LINK	1	
	83837D	(Please refer to the page 2/2)	SUB HARNESS,A/SUSP	1	
	83887	(Please refer to the page 2/2)	HARNESS,ASR	1	
	83030C	(N.e.c.)	HARNESS,CHASSIS		
	83141C	(N.e.c.)	HARNESS,SPEAKER		
	83082	(N.e.c.)	HARNESS,FUEL GAUGE UNIT		
	11609	(N.e.c.)	CABLE,INTAKE AIR HEATER		
	83902L	(N.e.c.)	HARNESS,FLOOR,LH		
	14625	(N.e.c.)	HARNESS,GLOW PLUG CONTROL RELAY		
	83964	(N.e.c.)	HARNESS,HILL START CONTROL EQUIP		
	83039	(N.e.c.)	HARNESS,PARKING BRAKE		
	83028	(N.e.c.)	HARNESS,BACK BUZZER		
	83059	(N.e.c.)	HARNESS,ENG OIL PAN HEATER		
	83938	(N.e.c.)	SUB HARNESS,HOUR METER & OIL TEMPERATURE GAUGE		
	83542	(N.e.c.)	SUB HARNESS,PARKING BRAKE SWITCH		
	83194	(N.e.c.)	SUB HARNESS,FUEL TANK		
	83539	(N.e.c.)	HARNESS,ENG CONTROL		
	83111	(N.e.c.)	HARNESS,RR DOOR		
	83140	(N.e.c.)	HARNESS,SIDE TURN SIGNAL LAMP		
	83885B	(N.e.c.)	SUB HARNESS,HEADLAMP LEVELING SENSOR		
	83885	(N.e.c.)	SUB HARNESS,HEADLAMP LEVELING SENSOR		
	83841	(N.e.c.)	SUB HARNESS,INTER DIFF LOCK		
	83304B	(N.e.c.)			
	83242BC	(N.e.c.)	DIODE,CHASSIS WIRING		
	83915F	(N.e.c.)	RESISTOR,CHASSIS HARNESS		
	83484G	(N.e.c.)	DIODE,BODY WIRING		
	83248	(N.e.c.)	SCREW,CHASSIS WIRING		
	83252	(N.e.c.)	NUT,CHASSIS WIRING		
	83498	(N.e.c.)			
	56888BB	(N.e.c.)	CAP,BRAKE AIR LINE		

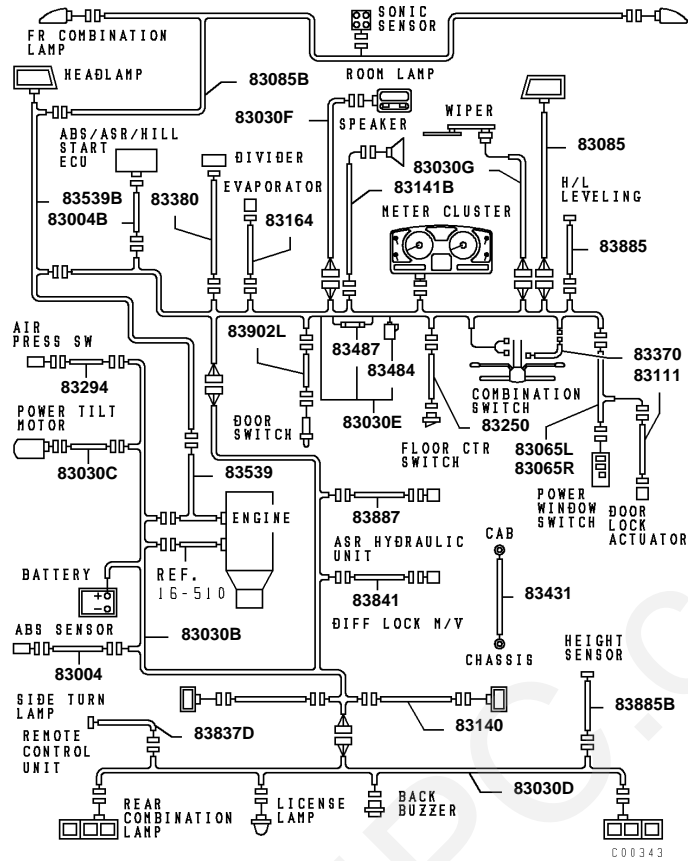
FK74R
No.1



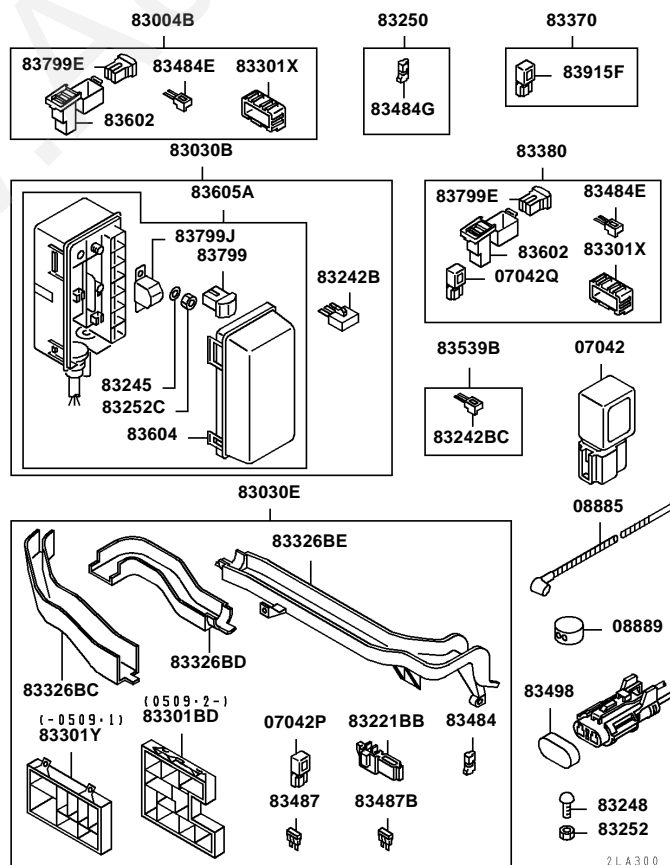
FK74R
No.2



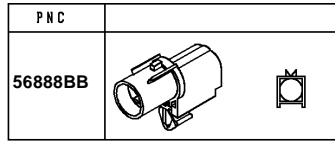
FK74R
No.3



FK74R
No.4



FK74R
No.5



C00487

Ref. |2054720-2

Page

FK74R
54-720 CHASSIS HARNESS (2/2)

Repl Part	PNC	Part No	Part Name	Qty	Part Spec
	83085B	MK539799	HARNESS,HEADLAMP	1	
		MK539799	HARNESS,HEADLAMP	1	
		MK539799	HARNESS,HEADLAMP	1	
		MK539799	HARNESS,HEADLAMP	1	
		MK539799	HARNESS,HEADLAMP	1	
		MK539799	HARNESS,HEADLAMP	1	
		MK539799	HARNESS,HEADLAMP	1	
		MK539800	HARNESS,HEADLAMP	1	
		MK539800	HARNESS,HEADLAMP	1	
		MK539800	HARNESS,HEADLAMP	1	
		MK539800	HARNESS,HEADLAMP	1	
		MK539800	HARNESS,HEADLAMP	1	
		MK539800	HARNESS,HEADLAMP	1	
		MK539800	HARNESS,HEADLAMP	1	
		MK539800	HARNESS,HEADLAMP	1	
		MK539800	HARNESS,HEADLAMP	1	
		MK539800	HARNESS,HEADLAMP	1	
		MK539800	HARNESS,HEADLAMP	1	
		MK539801	HARNESS,HEADLAMP	1	

Ref. |2054720-2

Page

FK74R
54-720 CHASSIS HARNESS (2/2)

Repl Part	PNC	Part No	Part Name	Qty	Part Spec
	83085B	MK539802	HARNESS,HEADLAMP	1	
		MK539799	HARNESS,HEADLAMP	1	
		MK539800	HARNESS,HEADLAMP	1	
		MK539799	HARNESS,HEADLAMP	1	
		MK539800	HARNESS,HEADLAMP	1	
		MK574474	HARNESS,HEADLAMP	1	
		MK574475	HARNESS,HEADLAMP	1	
		MK574474	HARNESS,HEADLAMP	1	
		MK574474	HARNESS,HEADLAMP	1	
		MK574474	HARNESS,HEADLAMP	1	
		MK574474	HARNESS,HEADLAMP	1	
		MK574474	HARNESS,HEADLAMP	1	
		MK574474	HARNESS,HEADLAMP	1	
		MK574474	HARNESS,HEADLAMP	1	
		MK574474	HARNESS,HEADLAMP	1	
		MK574474	HARNESS,HEADLAMP	1	
		MK574475	HARNESS,HEADLAMP	1	
		MK574475	HARNESS,HEADLAMP	1	
		MK574475	HARNESS,HEADLAMP	1	
		MK574475	HARNESS,HEADLAMP	1	
		MK574475	HARNESS,HEADLAMP	1	
		MK574475	HARNESS,HEADLAMP	1	
		MK574475	HARNESS,HEADLAMP	1	
		MK574475	HARNESS,HEADLAMP	1	
		MK574475	HARNESS,HEADLAMP	1	
		MK574475	HARNESS,HEADLAMP	1	
		MK574475	HARNESS,HEADLAMP	1	
		MK574475	HARNESS,HEADLAMP	1	
		MK574474	HARNESS,HEADLAMP	1	
		MK574475	HARNESS,HEADLAMP	1	
		MK574476	HARNESS,HEADLAMP	1	
		MK574477	HARNESS,HEADLAMP	1	
	83141B	MC458879	HARNESS,SPEAKER	2	
	83164	MK466078	SUB HARNESS,A/C	1	
		MK539803	SUB HARNESS,A/C	1	
		MK638387	SUB HARNESS,A/C	1	
	83221BB	MB332449	HOLDER,BODY WIRING	1	
	83242B	MU804024	DIODE,CHASSIS WIRING	1	2P
		MH059824	DIODE,CHASSIS WIRING	1	1.5A

FK74R
54-720 CHASSIS HARNESS (2/2)

Repl Part	PNC	Part No	Part Name	Qty	Part Spec
	83242B	MH059824	DIODE,CHASSIS WIRING	1	1.5A
		MH059824	DIODE,CHASSIS WIRING	1	1.5A
		MH059824	DIODE,CHASSIS WIRING	1	1.5A
		MH059824	DIODE,CHASSIS WIRING	1	1.5A
RP	83245	MC859777	WASHER,CHASSIS WIRING	2	SPRING,5
RP		MC859777	WASHER,CHASSIS WIRING	2	SPRING,5
RP		MC859777	WASHER,CHASSIS WIRING	2	SPRING,5
RP		MC859777	WASHER,CHASSIS WIRING	2	SPRING,5
RP		MC859777	WASHER,CHASSIS WIRING	2	SPRING,5
RP		MC859777	WASHER,CHASSIS WIRING	2	SPRING,5
RP		MC859777	WASHER,CHASSIS WIRING	2	SPRING,5
RP		MC859777	WASHER,CHASSIS WIRING	2	SPRING,5
	83250	MK467422	HARNESS,CTR FLOOR	1	
		MK467422	HARNESS,CTR FLOOR	1	
		MK467422	HARNESS,CTR FLOOR	1	
		MK467422	HARNESS,CTR FLOOR	1	
		MK467422	HARNESS,CTR FLOOR	1	
		MK467422	HARNESS,CTR FLOOR	1	
		MK467422	HARNESS,CTR FLOOR	1	
		MK467422	HARNESS,CTR FLOOR	1	
		MK468948	HARNESS,CTR FLOOR	1	
		MK468948	HARNESS,CTR FLOOR	1	

FK74R
54-720 CHASSIS HARNESS (2/2)

Repl Part	PNC	Part No	Part Name	Qty	Part Spec
	83250	MK539787	HARNESS,CTR FLOOR	1	
		MK539787	HARNESS,CTR FLOOR	1	
		MK539787	HARNESS,CTR FLOOR	1	
		MK539787	HARNESS,CTR FLOOR	1	
		MK539787	HARNESS,CTR FLOOR	1	
		MK539787	HARNESS,CTR FLOOR	1	
		MK539787	HARNESS,CTR FLOOR	1	
		MK539787	HARNESS,CTR FLOOR	1	
		MK539790	HARNESS,CTR FLOOR	1	
		MK539790	HARNESS,CTR FLOOR	1	
		MK574495	HARNESS,CTR FLOOR	1	
		MK574495	HARNESS,CTR FLOOR	1	
		MK574495	HARNESS,CTR FLOOR	1	
		MK574495	HARNESS,CTR FLOOR	1	
		MK574495	HARNESS,CTR FLOOR	1	
		MK574495	HARNESS,CTR FLOOR	1	
		MK574495	HARNESS,CTR FLOOR	1	
		MK574495	HARNESS,CTR FLOOR	1	
		MK639597	HARNESS,CTR FLOOR	1	
		MK639597	HARNESS,CTR FLOOR	1	
RP	83252C	MC859776	NUT,CHASSIS WIRING	2	5
RP		MC859776	NUT,CHASSIS WIRING	2	5
RP		MC859776	NUT,CHASSIS WIRING	2	5
RP		MC859776	NUT,CHASSIS WIRING	2	5
RP		MC859776	NUT,CHASSIS WIRING	2	5
RP		MC859776	NUT,CHASSIS WIRING	2	5
RP		MC859776	NUT,CHASSIS WIRING	2	5
RP		MC859776	NUT,CHASSIS WIRING	2	5

FK74R
54-720 CHASSIS HARNESS (2/2)

Repl Part RP	PNC 83252C	Part No MC859776	Part Name NUT,CHASSIS WIRING	Qty 2	5	Part Spec
RP		MC859776	NUT,CHASSIS WIRING	2	5	
	83294	MK539072	SUB HARNESS,LOCK BRAKE	1		
		MK539072	SUB HARNESS,LOCK BRAKE	1		
	83301BD	MK539425	BLOCK,CHASSIS HARNESS JUNCTION	1		
		MK637009	BLOCK,CHASSIS HARNESS JUNCTION	1		
	83301X	MK637010	BLOCK,CHASSIS HARNESS JUNCTION	1		
		MK637010	BLOCK,CHASSIS HARNESS JUNCTION	1		
		MK637010	BLOCK,CHASSIS HARNESS JUNCTION	1		
		MK637010	BLOCK,CHASSIS HARNESS JUNCTION	1		
		MK637010	BLOCK,CHASSIS HARNESS JUNCTION	1		
		MK637010	BLOCK,CHASSIS HARNESS JUNCTION	1		
		MK637010	BLOCK,CHASSIS HARNESS JUNCTION	1		
		MK637010	BLOCK,CHASSIS HARNESS JUNCTION	1		
	83301Y	MK346165	BLOCK,CHASSIS HARNESS JUNCTION	1		
	83326BC	MK346157	PROTECTOR,CHASSIS HARNESS	1		
	83326BD	MK346158	PROTECTOR,CHASSIS HARNESS	1		
	83326BE	MK346159	PROTECTOR,CHASSIS HARNESS	1		
	83370	MK466484	SUB HARNESS,COMBINATION SWITCH	1		
		MK466484	SUB HARNESS,COMBINATION SWITCH	1		
		MK466484	SUB HARNESS,COMBINATION SWITCH	1		
		MK466484	SUB HARNESS,COMBINATION SWITCH	1		
		MK466484	SUB HARNESS,COMBINATION SWITCH	1		
		MK466484	SUB HARNESS,COMBINATION SWITCH	1		

FK74R
54-720 CHASSIS HARNESS (2/2)

Repl Part	PNC	Part No	Part Name	Qty	Part Spec
	83370	MK466484	SUB HARNESS,COMBINATION SWITCH	1	
		MK466484	SUB HARNESS,COMBINATION SWITCH	1	
		MK466486	SUB HARNESS,COMBINATION SWITCH	1	
		MK539724	SUB HARNESS,COMBINATION SWITCH	1	
		MK539724	SUB HARNESS,COMBINATION SWITCH	1	
		MK539724	SUB HARNESS,COMBINATION SWITCH	1	
		MK539724	SUB HARNESS,COMBINATION SWITCH	1	
		MK539724	SUB HARNESS,COMBINATION SWITCH	1	
		MK539724	SUB HARNESS,COMBINATION SWITCH	1	
		MK539724	SUB HARNESS,COMBINATION SWITCH	1	
		MK539724	SUB HARNESS,COMBINATION SWITCH	1	
		MK539724	SUB HARNESS,COMBINATION SWITCH	1	
		MK539724	SUB HARNESS,COMBINATION SWITCH	1	
		MK539724	SUB HARNESS,COMBINATION SWITCH	1	
		MK539725	SUB HARNESS,COMBINATION SWITCH	1	
		MK539724	SUB HARNESS,COMBINATION SWITCH	1	
		MK539724	SUB HARNESS,COMBINATION SWITCH	1	
		MK540477	SUB HARNESS,COMBINATION SWITCH	1	
		MK638065	SUB HARNESS,COMBINATION SWITCH	1	
		MK638065	SUB HARNESS,COMBINATION SWITCH	1	
		MK638065	SUB HARNESS,COMBINATION SWITCH	1	
		MK638065	SUB HARNESS,COMBINATION SWITCH	1	
		MK638065	SUB HARNESS,COMBINATION SWITCH	1	
		MK638065	SUB HARNESS,COMBINATION SWITCH	1	
		MK638065	SUB HARNESS,COMBINATION SWITCH	1	
		MK638066	SUB HARNESS,COMBINATION SWITCH	1	

FK74R
54-720 CHASSIS HARNESS (2/2)

Repl Part	PNC	Part No	Part Name	Qty	Part Spec
	83370	MK638065	SUB HARNESS,COMBINATION SWITCH	1	
		MK638065	SUB HARNESS,COMBINATION SWITCH	1	
		MK638071	SUB HARNESS,COMBINATION SWITCH	1	
		MK638065	SUB HARNESS,COMBINATION SWITCH	1	
		MK638069	SUB HARNESS,COMBINATION SWITCH	1	
	83380	MK468992	HARNESS,PULSE DIVIDER	1	
		MK468992	HARNESS,PULSE DIVIDER	1	
		MK468992	HARNESS,PULSE DIVIDER	1	
		MK468992	HARNESS,PULSE DIVIDER	1	
		MK468992	HARNESS,PULSE DIVIDER	1	
		MK468992	HARNESS,PULSE DIVIDER	1	
		MK468992	HARNESS,PULSE DIVIDER	1	
		MK468992	HARNESS,PULSE DIVIDER	1	
		MK468992	HARNESS,PULSE DIVIDER	1	
		MK468992	HARNESS,PULSE DIVIDER	1	
		MK468992	HARNESS,PULSE DIVIDER	1	
		MK468992	HARNESS,PULSE DIVIDER	1	
		MK536737	HARNESS,PULSE DIVIDER	1	
		MK468992	HARNESS,PULSE DIVIDER	1	
		MK536742	HARNESS,PULSE DIVIDER	1	
		MK536734	HARNESS,PULSE DIVIDER	1	
		MK536734	HARNESS,PULSE DIVIDER	1	
		MK536746	HARNESS,PULSE DIVIDER	1	
		MK539646	HARNESS,PULSE DIVIDER	1	
		MK539646	HARNESS,PULSE DIVIDER	1	
		MK539646	HARNESS,PULSE DIVIDER	1	
		MK539646	HARNESS,PULSE DIVIDER	1	
		MK539646	HARNESS,PULSE DIVIDER	1	
		MK539646	HARNESS,PULSE DIVIDER	1	
		MK539648	HARNESS,PULSE DIVIDER	1	
		MK539648	HARNESS,PULSE DIVIDER	1	
		MK539648	HARNESS,PULSE DIVIDER	1	

FK74R
54-720 CHASSIS HARNESS (2/2)

Repl Part	PNC	Part No	Part Name	Qty	Part Spec	
	83380	MK539648	HARNESS,PULSE DIVIDER	1		
		MK539646	HARNESS,PULSE DIVIDER	1		
		MK539649	HARNESS,PULSE DIVIDER	1		
		MK539649	HARNESS,PULSE DIVIDER	1		
		MK638040	HARNESS,PULSE DIVIDER	1		
		MK638040	HARNESS,PULSE DIVIDER	1		
		MK638035	HARNESS,PULSE DIVIDER	1		
		MK638035	HARNESS,PULSE DIVIDER	1		
		MK638035	HARNESS,PULSE DIVIDER	1		
		MK638035	HARNESS,PULSE DIVIDER	1		
		MK638035	HARNESS,PULSE DIVIDER	1		
		MK638035	HARNESS,PULSE DIVIDER	1		
		MK638035	HARNESS,PULSE DIVIDER	1		
		MK638035	HARNESS,PULSE DIVIDER	1		
		MK638035	HARNESS,PULSE DIVIDER	1		
		MK638035	HARNESS,PULSE DIVIDER	1		
		MK638035	HARNESS,PULSE DIVIDER	1		
		MK638035	HARNESS,PULSE DIVIDER	1		
		MK638035	HARNESS,PULSE DIVIDER	1		
		83431	MC158985	STRAP,CAB WIRING EARTH	1	
			MC158985	STRAP,CAB WIRING EARTH	1	
	MC158985		STRAP,CAB WIRING EARTH	1		
	MC158985		STRAP,CAB WIRING EARTH	1		
	MC158985		STRAP,CAB WIRING EARTH	1		
	MC158985		STRAP,CAB WIRING EARTH	1		
	MC158985		STRAP,CAB WIRING EARTH	1		
	MC158985		STRAP,CAB WIRING EARTH	1		
	MC158985		STRAP,CAB WIRING EARTH	1		
	MC158985		STRAP,CAB WIRING EARTH	2		
	MC158985	STRAP,CAB WIRING EARTH	2			

FK74R
54-720 CHASSIS HARNESS (2/2)

Repl Part	PNC	Part No	Part Name	Qty	Part Spec
	83431	MC158985	STRAP,CAB WIRING EARTH	1	
		MC158985	STRAP,CAB WIRING EARTH	1	
	83484	MH052538	DIODE,BODY WIRING	1	1.5A
		MH052538	DIODE,BODY WIRING	1	1.5A
		MH052538	DIODE,BODY WIRING	1	1.5A
		MH052538	DIODE,BODY WIRING	1	1.5A
		MH052538	DIODE,BODY WIRING	1	1.5A
		MH052538	DIODE,BODY WIRING	1	1.5A
		MU804009	DIODE,BODY WIRING	2	BLACK,1.5A,3P
		MU804009	DIODE,BODY WIRING	2	BLACK,1.5A,3P
		MU804009	DIODE,BODY WIRING	2	BLACK,1.5A,3P
		MU804009	DIODE,BODY WIRING	2	BLACK,1.5A,3P
		MU804009	DIODE,BODY WIRING	2	BLACK,1.5A,3P
		MU804009	DIODE,BODY WIRING	2	BLACK,1.5A,3P
		MU804024	DIODE,BODY WIRING	12	2P
		MU804024	DIODE,BODY WIRING	12	2P
		MU804024	DIODE,BODY WIRING	12	2P
		MU804024	DIODE,BODY WIRING	12	2P
		MU804024	DIODE,BODY WIRING	12	2P
		MU804024	DIODE,BODY WIRING	12	2P
		MU804024	DIODE,BODY WIRING	12	2P
		MU804024	DIODE,BODY WIRING	12	2P
		MH052538	DIODE,BODY WIRING	1	1.5A
		MU804009	DIODE,BODY WIRING	2	BLACK,1.5A,3P
		MU804024	DIODE,BODY WIRING	8	2P
		MH052538	DIODE,BODY WIRING	1	1.5A
		MH052538	DIODE,BODY WIRING	2	1.5A
		MU804009	DIODE,BODY WIRING	1	BLACK,1.5A,3P
		MU804024	DIODE,BODY WIRING	10	2P
		MH052538	DIODE,BODY WIRING	1	1.5A
		MH052538	DIODE,BODY WIRING	2	1.5A
		MU804009	DIODE,BODY WIRING	1	BLACK,1.5A,3P
		MU804024	DIODE,BODY WIRING	10	2P
		MU804024	DIODE,BODY WIRING	13	2P
		MU804024	DIODE,BODY WIRING	14	2P
		MU804024	DIODE,BODY WIRING	14	2P

FK74R
54-720 CHASSIS HARNESS (2/2)

Repl Part	PNC	Part No	Part Name	Qty	Part Spec
	83484	MU804024	DIODE,BODY WIRING	14	2P
		MU804024	DIODE,BODY WIRING	14	2P
		MU804024	DIODE,BODY WIRING	14	2P
		MU804009	DIODE,BODY WIRING	1	BLACK,1.5A,3P
		MU804009	DIODE,BODY WIRING	1	BLACK,1.5A,3P
		MU804009	DIODE,BODY WIRING	1	BLACK,1.5A,3P
		MU804009	DIODE,BODY WIRING	1	BLACK,1.5A,3P
		MU804009	DIODE,BODY WIRING	1	BLACK,1.5A,3P
		MU804009	DIODE,BODY WIRING	1	BLACK,1.5A,3P
		MU804024	DIODE,BODY WIRING	13	2P
		MU804024	DIODE,BODY WIRING	14	2P
		MU804024	DIODE,BODY WIRING	14	2P
		MU804009	DIODE,BODY WIRING	3	BLACK,1.5A,3P
		MU804012	DIODE,BODY WIRING	2	ORANGE OR BLACK
		MU804024	DIODE,BODY WIRING	16	2P
		MU804009	DIODE,BODY WIRING	3	BLACK,1.5A,3P
		MU804012	DIODE,BODY WIRING	2	ORANGE OR BLACK
		MU804024	DIODE,BODY WIRING	16	2P
		MU804009	DIODE,BODY WIRING	AR	BLACK,1.5A,3P
		MU804009	DIODE,BODY WIRING	AR	BLACK,1.5A,3P
		MU804009	DIODE,BODY WIRING	AR	BLACK,1.5A,3P
		MU804009	DIODE,BODY WIRING	AR	BLACK,1.5A,3P
		MU804012	DIODE,BODY WIRING	AR	ORANGE OR BLACK
		MU804009	DIODE,BODY WIRING	AR	BLACK,1.5A,3P
		MU804009	DIODE,BODY WIRING	AR	BLACK,1.5A,3P
		MU804009	DIODE,BODY WIRING	AR	BLACK,1.5A,3P
		MU804012	DIODE,BODY WIRING	AR	ORANGE OR BLACK

FK74R
54-720 CHASSIS HARNESS (2/2)

Repl Part	PNC	Part No	Part Name	Qty	Part Spec
	83484	MU804012	DIODE,BODY WIRING	AR	ORANGE OR BLACK
		MU804012	DIODE,BODY WIRING	AR	ORANGE OR BLACK
		MU804012	DIODE,BODY WIRING	AR	ORANGE OR BLACK
		MU804024	DIODE,BODY WIRING	AR	2P
		MU804024	DIODE,BODY WIRING	AR	2P
		MU804024	DIODE,BODY WIRING	AR	2P
		MU804024	DIODE,BODY WIRING	AR	2P
	83484E	MU804024	DIODE,BODY WIRING	3	2P
		MU804024	DIODE,BODY WIRING	4	2P
		MU804009	DIODE,BODY WIRING	2	BLACK,1.5A,3P
		MU804012	DIODE,BODY WIRING	2	ORANGE OR BLACK
		MU804024	DIODE,BODY WIRING	5	2P
		MU804009	DIODE,BODY WIRING	2	BLACK,1.5A,3P
		MU804012	DIODE,BODY WIRING	2	ORANGE OR BLACK
		MU804024	DIODE,BODY WIRING	5	2P
		MU804024	DIODE,BODY WIRING	3	2P
		MU804024	DIODE,BODY WIRING	3	2P
		MU804024	DIODE,BODY WIRING	3	2P
		MU804024	DIODE,BODY WIRING	3	2P
		MU804024	DIODE,BODY WIRING	3	2P
		MU804009	DIODE,BODY WIRING	1	BLACK,1.5A,3P
		MU804012	DIODE,BODY WIRING	2	ORANGE OR BLACK
		MU804024	DIODE,BODY WIRING	3	2P
		MU804012	DIODE,BODY WIRING	2	ORANGE OR BLACK

FK74R
54-720 CHASSIS HARNESS (2/2)

Repl Part	PNC	Part No	Part Name	Qty	Part Spec
	83484E	MU804024	DIODE,BODY WIRING	5	2P
		MU804024	DIODE,BODY WIRING	5	2P
83487		MS810966	FUSE,BODY WIRING	1	BLADE TYPE,BLUE,
		MS810876	FUSE,BODY WIRING	AR	BLADE(MINI) TYPE,F
83487B		MS810876	FUSE,BODY WIRING	4	BLADE(MINI) TYPE,F
		MS810876	FUSE,BODY WIRING	5	BLADE(MINI) TYPE,F
		MS810876	FUSE,BODY WIRING	6	BLADE(MINI) TYPE,F
		MS810876	FUSE,BODY WIRING	4	BLADE(MINI) TYPE,F
		MS810876	FUSE,BODY WIRING	6	BLADE(MINI) TYPE,F
		MS810876	FUSE,BODY WIRING	5	BLADE(MINI) TYPE,F
83539B		MK468695	HARNESS,ENG CONTROL	1	
		MK468695	HARNESS,ENG CONTROL	1	
		MK468695	HARNESS,ENG CONTROL	1	
		MK468695	HARNESS,ENG CONTROL	1	
		MK468695	HARNESS,ENG CONTROL	1	
		MK540622	HARNESS,ENG CONTROL	1	
		MK540622	HARNESS,ENG CONTROL	1	
		MK540622	HARNESS,ENG CONTROL	1	
		MK540622	HARNESS,ENG CONTROL	1	
		MK540622	HARNESS,ENG CONTROL	1	
		MK540623	HARNESS,ENG CONTROL	1	
		MK540623	HARNESS,ENG CONTROL	1	
		MK540623	HARNESS,ENG CONTROL	1	
		MK540623	HARNESS,ENG CONTROL	1	
		MK540624	HARNESS,ENG CONTROL	1	
		MK540625	HARNESS,ENG CONTROL	1	
		MK540622	HARNESS,ENG CONTROL	1	
		MK540623	HARNESS,ENG CONTROL	1	
		MK540622	HARNESS,ENG CONTROL	1	
		MK540623	HARNESS,ENG CONTROL	1	
		MK637477	HARNESS,ENG CONTROL	1	

FK74R
54-720 CHASSIS HARNESS (2/2)

Repl Part	PNC	Part No	Part Name	Qty	Part Spec
	83539B	MK637477	HARNESS,ENG CONTROL	1	
		MK637477	HARNESS,ENG CONTROL	1	
		MK637477	HARNESS,ENG CONTROL	1	
		MK637477	HARNESS,ENG CONTROL	1	
		MK637477	HARNESS,ENG CONTROL	1	
		MK637478	HARNESS,ENG CONTROL	1	
		MK637478	HARNESS,ENG CONTROL	1	
		MK637478	HARNESS,ENG CONTROL	1	
		MK637478	HARNESS,ENG CONTROL	1	
		MK637478	HARNESS,ENG CONTROL	1	
		MK637478	HARNESS,ENG CONTROL	1	
		MK637478	HARNESS,ENG CONTROL	1	
		MK637478	HARNESS,ENG CONTROL	1	
		MK637477	HARNESS,ENG CONTROL	1	
		MK637478	HARNESS,ENG CONTROL	1	
		MK637479	HARNESS,ENG CONTROL	1	
		MK637480	HARNESS,ENG CONTROL	1	
		MK637477	HARNESS,ENG CONTROL	1	
		MK637478	HARNESS,ENG CONTROL	1	
		MK637477	HARNESS,ENG CONTROL	1	
		MK637478	HARNESS,ENG CONTROL	1	
		MK638787	HARNESS,ENG CONTROL	1	
		MK638788	HARNESS,ENG CONTROL	1	
		MK638787	HARNESS,ENG CONTROL	1	
		MK638787	HARNESS,ENG CONTROL	1	
		MK638787	HARNESS,ENG CONTROL	1	
		MK638787	HARNESS,ENG CONTROL	1	
		MK638787	HARNESS,ENG CONTROL	1	
		MK638788	HARNESS,ENG CONTROL	1	
		MK638788	HARNESS,ENG CONTROL	1	
		MK638788	HARNESS,ENG CONTROL	1	
		MK638788	HARNESS,ENG CONTROL	1	
		MK638788	HARNESS,ENG CONTROL	1	
		MK638788	HARNESS,ENG CONTROL	1	
		MK638788	HARNESS,ENG CONTROL	1	
		MK638788	HARNESS,ENG CONTROL	1	
		MK638788	HARNESS,ENG CONTROL	1	
		MK638787	HARNESS,ENG CONTROL	1	
		MK638788	HARNESS,ENG CONTROL	1	
		MK638786	HARNESS,ENG CONTROL	1	
		MK639361	HARNESS,ENG CONTROL	1	

FK74R
54-720 CHASSIS HARNESS (2/2)

Repl Part	PNC	Part No	Part Name	Qty	Part Spec
	83602	MK344016	BOX,FUSE	1	30A
		MK344016	BOX,FUSE	1	30A
		MK344016	BOX,FUSE	1	30A
		MK344016	BOX,FUSE	1	30A
		MK344016	BOX,FUSE	1	30A
	83604	MK344505	COVER,CHASSIS WIRING SUB FUSE BOX	1	
		MK638011	COVER,CHASSIS WIRING SUB FUSE BOX	1	
		MK638011	COVER,CHASSIS WIRING SUB FUSE BOX	1	
		MK638011	COVER,CHASSIS WIRING SUB FUSE BOX	1	
		MK638011	COVER,CHASSIS WIRING SUB FUSE BOX	1	
		MK638011	COVER,CHASSIS WIRING SUB FUSE BOX	1	
		MK638011	COVER,CHASSIS WIRING SUB FUSE BOX	1	
	83605A	MK344504	BOX ASSY,CHASSIS HARNESS HIGH CURRENT FUSE	1	
		MK344504	BOX ASSY,CHASSIS HARNESS HIGH CURRENT FUSE	1	
		MK344504	BOX ASSY,CHASSIS HARNESS HIGH CURRENT FUSE	1	
		MK344504	BOX ASSY,CHASSIS HARNESS HIGH CURRENT FUSE	1	
		MK344504	BOX ASSY,CHASSIS HARNESS HIGH CURRENT FUSE	1	
		MK344504	BOX ASSY,CHASSIS HARNESS HIGH CURRENT FUSE	1	
	83799	MH056171	FUSIBLE LINK	1	RED,50A
		MH056171	FUSIBLE LINK	1	RED,50A

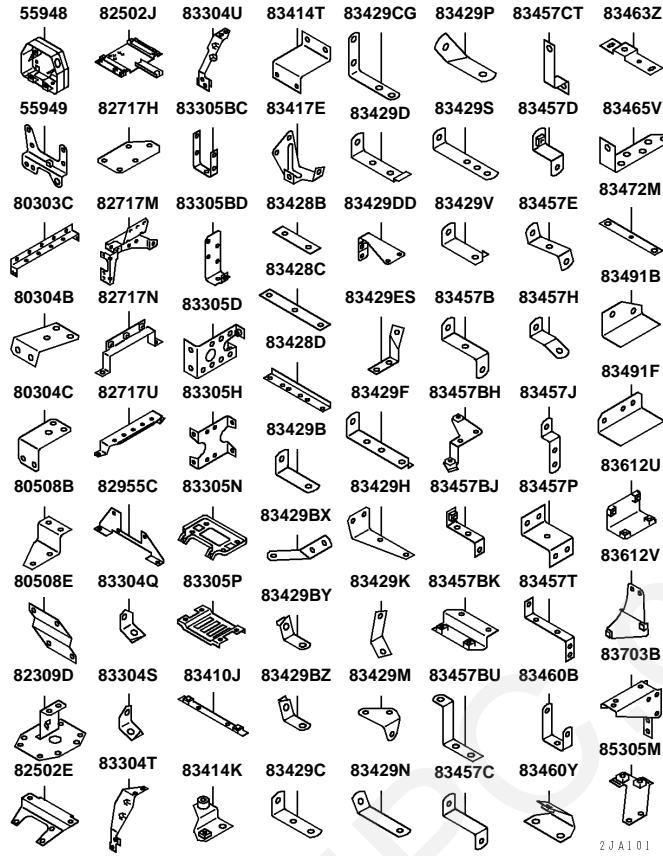
FK74R
54-720 CHASSIS HARNESS (2/2)

Repl Part	PNC	Part No	Part Name	Qty	Part Spec
	83799	MH056171	FUSIBLE LINK	1	RED,50A
		MH056171	FUSIBLE LINK	1	RED,50A
		MH056171	FUSIBLE LINK	1	RED,50A
		MH056172	FUSIBLE LINK	6	YELLOW,60A
		MH056172	FUSIBLE LINK	6	YELLOW,60A
		MH056172	FUSIBLE LINK	6	YELLOW,60A
		MH056172	FUSIBLE LINK	6	YELLOW,60A
		MH056172	FUSIBLE LINK	6	YELLOW,60A
		MH056171	FUSIBLE LINK	1	RED,50A
		MH056172	FUSIBLE LINK	6	YELLOW,60A
		MH056171	FUSIBLE LINK	1	RED,50A
		MH056172	FUSIBLE LINK	6	YELLOW,60A
		MH056169	FUSIBLE LINK	1	PINK,30A
		MH056169	FUSIBLE LINK	1	PINK,30A
		MH056169	FUSIBLE LINK	1	PINK,30A
		MH056169	FUSIBLE LINK	1	PINK,30A
		MH056169	FUSIBLE LINK	1	PINK,30A
	83799J	MH056175	FUSIBLE LINK	1	REDDISH BROWN,1
		MH056175	FUSIBLE LINK	1	REDDISH BROWN,1
		MH056175	FUSIBLE LINK	1	REDDISH BROWN,1

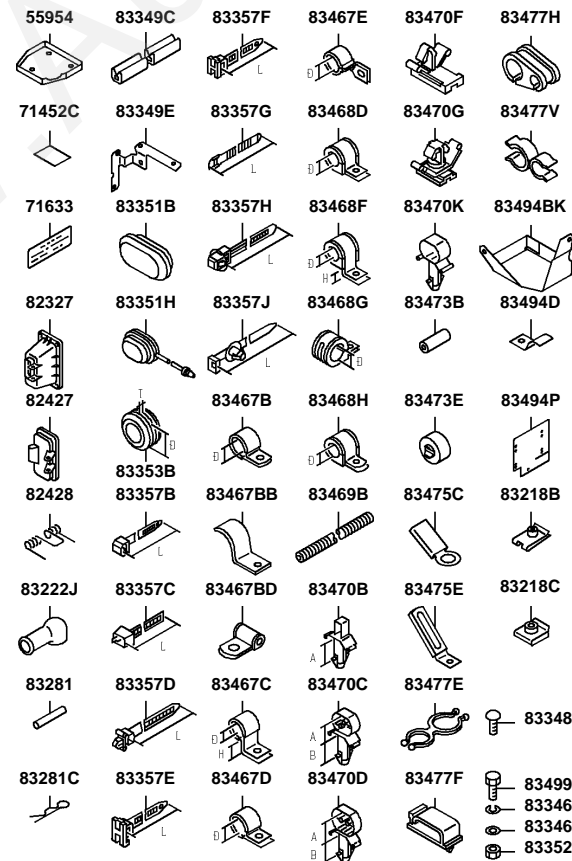
FK74R
54-720 CHASSIS HARNESS (2/2)

Repl Part	PNC	Part No	Part Name	Qty	Part Spec
	83799J	MH056175	FUSIBLE LINK	1	REDDISH BROWN,1
		MH056175	FUSIBLE LINK	1	REDDISH BROWN,1
		MH056175	FUSIBLE LINK	1	REDDISH BROWN,1
		MH056175	FUSIBLE LINK	1	REDDISH BROWN,1
	83837D	MK386782	SUB HARNESS,A/SUSP	1	
	83887	MK574504	HARNESS,ASR	1	
		MK574504	HARNESS,ASR	1	
	07042	(Please refer to the page 1/2)	RESISTOR,INJECTION PUMP SOLENOID CONTROL	1	
	07042P	(Please refer to the page 1/2)	RESISTOR,INJECTION PUMP SOLENOID CONTROL	1	
	07042Q	(Please refer to the page 1/2)	RESISTOR,INJECTION PUMP SOLENOID CONTROL	1	
	08885	(Please refer to the page 1/2)	BAND,ENG CONTROL EQUIP	1	
	08889	(Please refer to the page 1/2)	SEAL,ENG CONTROL EQUIP	1	
	83004	(Please refer to the page 1/2)	HARNESS,ABS	1	
	83004B	(Please refer to the page 1/2)	HARNESS,ABS	1	
	83030B	(Please refer to the page 1/2)	HARNESS,CHASSIS	1	
	83030D	(Please refer to the page 1/2)	HARNESS,CHASSIS	1	
	83030E	(Please refer to the page 1/2)	HARNESS,CHASSIS	1	
	83030F	(Please refer to the page 1/2)	HARNESS,CHASSIS	1	
	83030G	(Please refer to the page 1/2)	HARNESS,CHASSIS	1	
	83065L	(Please refer to the page 1/2)	HARNESS,FR DOOR,LH	1	
	83065R	(Please refer to the page 1/2)	HARNESS,FR DOOR,RH	1	
	83085	(Please refer to the page 1/2)	HARNESS,HEADLAMP	1	
	83030C	(N.e.c.)	HARNESS,CHASSIS		
	83141C	(N.e.c.)	HARNESS,SPEAKER		
	83082	(N.e.c.)	HARNESS,FUEL GAUGE UNIT		
	11609	(N.e.c.)	CABLE,INTAKE AIR HEATER		
	83902L	(N.e.c.)	HARNESS,FLOOR,LH		
	14625	(N.e.c.)	HARNESS,GLOW PLUG CONTROL RELAY		
	83964	(N.e.c.)	HARNESS,HILL START CONTROL EQUIP		
	83039	(N.e.c.)	HARNESS,PARKING BRAKE		
	83028	(N.e.c.)	HARNESS,BACK BUZZER		
	83059	(N.e.c.)	HARNESS,ENG OIL PAN HEATER		
	83938	(N.e.c.)	SUB HARNESS,HOUR METER & OIL TEMPERATURE GAUGE		
	83542	(N.e.c.)	SUB HARNESS,PARKING BRAKE SWITCH		
	83194	(N.e.c.)	SUB HARNESS,FUEL TANK		
	83539	(N.e.c.)	HARNESS,ENG CONTROL		
	83111	(N.e.c.)	HARNESS,RR DOOR		
	83140	(N.e.c.)	HARNESS,SIDE TURN SIGNAL LAMP		
	83885B	(N.e.c.)	SUB HARNESS,HEADLAMP LEVELING SENSOR		
	83885	(N.e.c.)	SUB HARNESS,HEADLAMP LEVELING SENSOR		
	83841	(N.e.c.)	SUB HARNESS,INTER DIFF LOCK		
	83304B	(N.e.c.)			
	83242BC	(N.e.c.)	DIODE,CHASSIS WIRING		
	83915F	(N.e.c.)	RESISTOR,CHASSIS HARNESS		
	83484G	(N.e.c.)	DIODE,BODY WIRING		
	83248	(N.e.c.)	SCREW,CHASSIS WIRING		
	83252	(N.e.c.)	NUT,CHASSIS WIRING		
	83498	(N.e.c.)			
	56888BB	(N.e.c.)	CAP,BRAKE AIR LINE		

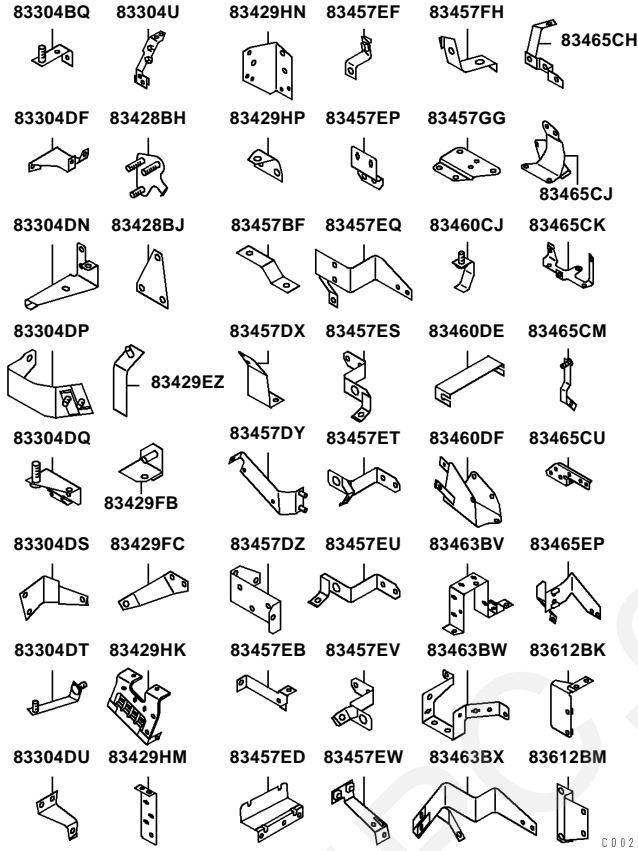
**FK74R
No.1**



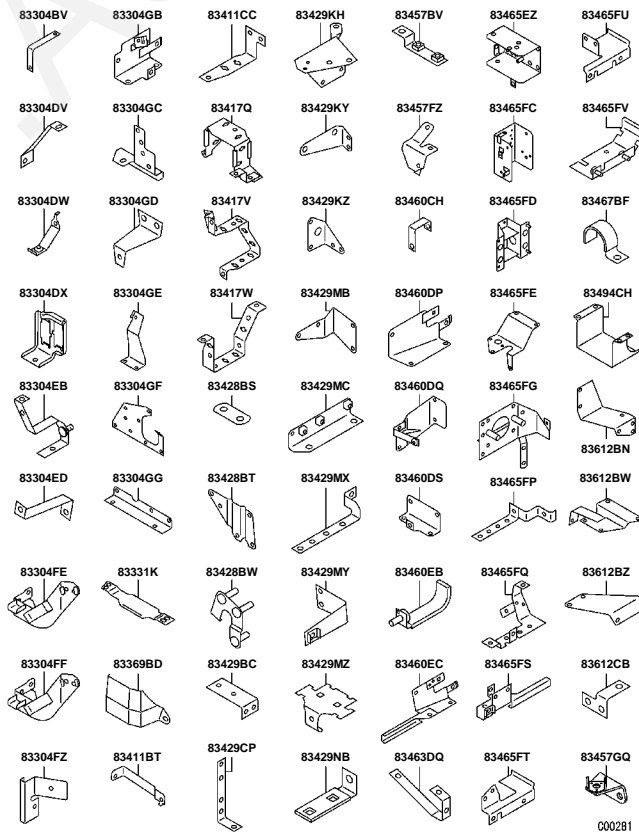
**FK74R
No.2**



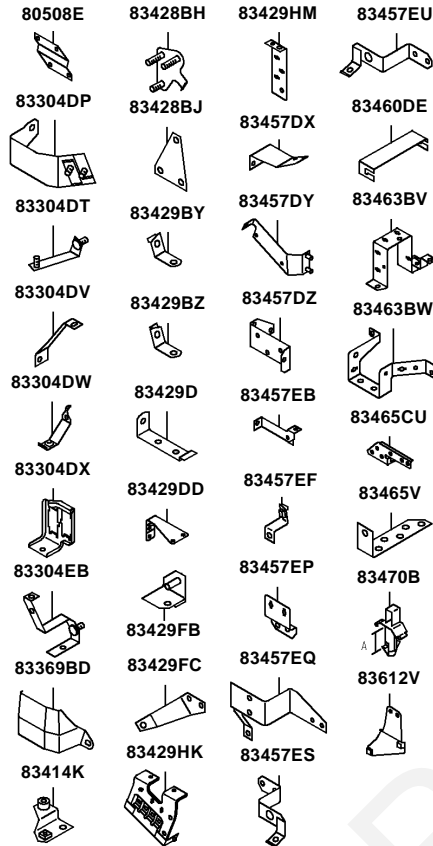
FK74R
No.3



FK74R
No.4



**FK74R
No.5**



C 002 87

Ref. |2054730

Page

**FK74R
54-730 CHASSIS HARNESS EQUIPMENT**

PNC	Part Name	See Page
71452C	TAPE,WIRING	(Please refer to the page 1/4)
80508E	BRACKET,BACKUP LAMP	(Please refer to the page 1/4)
83304BV	BRACKET,HARNESS	(Please refer to the page 1/4)
83304DP	BRACKET,HARNESS	(Please refer to the page 1/4)
83304DT	BRACKET,HARNESS	(Please refer to the page 1/4)
83304DV	BRACKET,HARNESS	(Please refer to the page 1/4)
83304DW	BRACKET,HARNESS	(Please refer to the page 1/4)
83304DX	BRACKET,HARNESS	(Please refer to the page 1/4)
83304EB	BRACKET,HARNESS	(Please refer to the page 1/4)
83304ED	BRACKET,HARNESS	(Please refer to the page 1/4)
83304FE	BRACKET,HARNESS	(Please refer to the page 1/4)
83304GE	BRACKET,HARNESS	(Please refer to the page 1/4)
83304GF	BRACKET,HARNESS	(Please refer to the page 1/4)
83304GG	BRACKET,HARNESS	(Please refer to the page 1/4)
83304U	BRACKET,HARNESS	(Please refer to the page 1/4)
83331K	PROTECTOR,HARNESS	(Please refer to the page 1/4)
83346	WASHER,WIRING	(Please refer to the page 1/4)
83348	SCREW,WIRING	(Please refer to the page 1/4)
83349C	PROTECTOR,WIRING	(Please refer to the page 1/4)
83349E	PROTECTOR,WIRING	(Please refer to the page 1/4)
83352	NUT,WIRING	(Please refer to the page 1/4)
83353B	GROMMET,WIRING	(Please refer to the page 1/4)
83357B	BAND,WIRING	(Please refer to the page 1/4)
83357C	BAND,WIRING	(Please refer to the page 1/4)
83357J	BAND,WIRING	(Please refer to the page 1/4)
83369BD	COVER,CHASSIS HARNESS	(Please refer to the page 1/4)
83411BT	BRACKET,BODY WIRING,NO.2	(Please refer to the page 1/4)
83411CC	BRACKET,BODY WIRING,NO.2	(Please refer to the page 1/4)
83417E	BRACKET,BODY WIRING,NO.8	(Please refer to the page 1/4)
83417Q	BRACKET,BODY WIRING,NO.8	(Please refer to the page 1/4)
83428B	BRACKET,WIRING,NO.1	(Please refer to the page 1/4)
83428BH	BRACKET,WIRING,NO.1	(Please refer to the page 1/4)

Ref. |2054730

Page

FK74R
54-730 CHASSIS HARNESS EQUIPMENT

PNC	Part Name	See Page
83428BJ	BRACKET,WIRING,NO.1	(Please refer to the page 1/4)
83428BS	BRACKET,WIRING,NO.1	(Please refer to the page 1/4)
83429B	BRACKET,WIRING,NO.2	(Please refer to the page 1/4)
83429BC	BRACKET,WIRING,NO.2	(Please refer to the page 2/4)
83429BX	BRACKET,WIRING,NO.2	(Please refer to the page 2/4)
83429BY	BRACKET,WIRING,NO.2	(Please refer to the page 2/4)
83429BZ	BRACKET,WIRING,NO.2	(Please refer to the page 2/4)
83429C	BRACKET,WIRING,NO.2	(Please refer to the page 2/4)
83429CP	BRACKET,WIRING,NO.2	(Please refer to the page 2/4)
83429D	BRACKET,WIRING,NO.2	(Please refer to the page 2/4)
83429DD	BRACKET,WIRING,NO.2	(Please refer to the page 2/4)
83429EZ	BRACKET,WIRING,NO.2	(Please refer to the page 2/4)
83429FB	BRACKET,WIRING,NO.2	(Please refer to the page 2/4)
83429FC	BRACKET,WIRING,NO.2	(Please refer to the page 2/4)
83429HK	BRACKET,WIRING,NO.2	(Please refer to the page 2/4)
83429HM	BRACKET,WIRING,NO.2	(Please refer to the page 2/4)
83429HN	BRACKET,WIRING,NO.2	(Please refer to the page 2/4)
83429KH	BRACKET,WIRING,NO.2	(Please refer to the page 2/4)
83429MB	BRACKET,WIRING,NO.2	(Please refer to the page 2/4)
83429P	BRACKET,WIRING,NO.2	(Please refer to the page 2/4)
83457B	BRACKET,WIRING,NO.5	(Please refer to the page 2/4)
83457C	BRACKET,WIRING,NO.5	(Please refer to the page 2/4)
83457CT	BRACKET,WIRING,NO.5	(Please refer to the page 2/4)
83457D	BRACKET,WIRING,NO.5	(Please refer to the page 2/4)
83457DX	BRACKET,WIRING,NO.5	(Please refer to the page 2/4)
83457DY	BRACKET,WIRING,NO.5	(Please refer to the page 2/4)
83457DZ	BRACKET,WIRING,NO.5	(Please refer to the page 2/4)
83457EB	BRACKET,WIRING,NO.5	(Please refer to the page 2/4)
83457EF	BRACKET,WIRING,NO.5	(Please refer to the page 2/4)
83457EP	BRACKET,WIRING,NO.5	(Please refer to the page 2/4)
83457EQ	BRACKET,WIRING,NO.5	(Please refer to the page 2/4)
83457J	BRACKET,WIRING,NO.5	(Please refer to the page 2/4)
83460CJ	BRACKET,WIRING,NO.7	(Please refer to the page 2/4)
83460DE	BRACKET,WIRING,NO.7	(Please refer to the page 2/4)
83463BV	BRACKET,WIRING,NO.8	(Please refer to the page 2/4)
83463BW	BRACKET,WIRING,NO.8	(Please refer to the page 2/4)
83463Z	BRACKET,WIRING,NO.8	(Please refer to the page 2/4)
83465CH	BRACKET,WIRING,NO.9	(Please refer to the page 2/4)
83465CJ	BRACKET,WIRING,NO.9	(Please refer to the page 2/4)
83465CU	BRACKET,WIRING,NO.9	(Please refer to the page 2/4)
83465EP	BRACKET,WIRING,NO.9	(Please refer to the page 2/4)
83465FC	BRACKET,WIRING,NO.9	(Please refer to the page 2/4)
83465FD	BRACKET,WIRING,NO.9	(Please refer to the page 2/4)
83465V	BRACKET,WIRING,NO.9	(Please refer to the page 2/4)
83467B	CLIP,WIRING,NO.1	(Please refer to the page 2/4)
83467BB	CLIP,WIRING,NO.1	(Please refer to the page 2/4)
83467BD	CLIP,WIRING,NO.1	(Please refer to the page 2/4)
83467BF	CLIP,WIRING,NO.1	(Please refer to the page 2/4)
83467C	CLIP,WIRING,NO.1	(Please refer to the page 2/4)
83467D	CLIP,WIRING,NO.1	(Please refer to the page 2/4)
83467E	CLIP,WIRING,NO.1	(Please refer to the page 2/4)
83468D	CLIP,WIRING,NO.2	(Please refer to the page 2/4)
83468F	CLIP,WIRING,NO.2	(Please refer to the page 2/4)
83468G	CLIP,WIRING,NO.2	(Please refer to the page 2/4)
83468H	CLIP,WIRING,NO.2	(Please refer to the page 2/4)
83470B	CLIP,WIRING,NO.3	(Please refer to the page 3/4)
83470C	CLIP,WIRING,NO.3	(Please refer to the page 3/4)
83470D	CLIP,WIRING,NO.3	(Please refer to the page 3/4)
83470F	CLIP,WIRING,NO.3	(Please refer to the page 3/4)
83470G	CLIP,WIRING,NO.3	(Please refer to the page 3/4)
83470K	CLIP,WIRING,NO.3	(Please refer to the page 3/4)
83473B	SPACER,WIRING	(Please refer to the page 3/4)
83475C	CLIP,WIRING,NO.5	(Please refer to the page 3/4)
83475E	CLIP,WIRING,NO.5	(Please refer to the page 3/4)
83477F	CLIP,WIRING,NO.6	(Please refer to the page 3/4)
83494CH	COVER,WIRING	(Please refer to the page 3/4)
83494D	COVER,WIRING	(Please refer to the page 3/4)
85305M	BRACKET,RADIO	(Please refer to the page 3/4)
83499	BOLT,WIRING	(Please refer to the page 4/4)
55948	BOX,ABS JUMPER CABLE CONNECTOR	(N.e.c.)
80303C	BRACKET,RR COMBINATION LAMP	(N.e.c.)
82309D	BRACKET,HEIGHT CONTROL MAIN SWITCH	(N.e.c.)

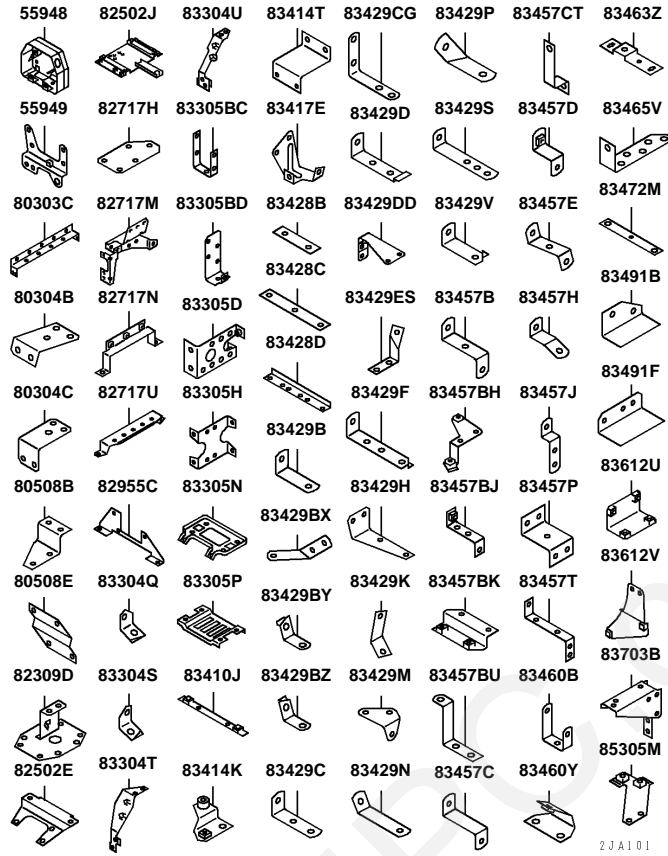
FK74R
54-730 CHASSIS HARNESS EQUIPMENT

PNC	Part Name	See Page
82502E	BRACKET,CONTROL UNIT	(N.e.c.)
82717M	BRACKET,RELAY	(N.e.c.)
82717N	BRACKET,RELAY	(N.e.c.)
83304T	BRACKET,HARNESS	(N.e.c.)
83305BC	BRACKET,HARNESS CONNECTOR	(N.e.c.)
83305N	BRACKET,HARNESS CONNECTOR	(N.e.c.)
83305P	BRACKET,HARNESS CONNECTOR	(N.e.c.)
83414K	BRACKET,BODY WIRING,NO.5	(N.e.c.)
83429F	BRACKET,WIRING,NO.2	(N.e.c.)
83429M	BRACKET,WIRING,NO.2	(N.e.c.)
83429N	BRACKET,WIRING,NO.2	(N.e.c.)
83457BH	BRACKET,WIRING,NO.5	(N.e.c.)
83457H	BRACKET,WIRING,NO.5	(N.e.c.)
83460Y	BRACKET,WIRING,NO.7	(N.e.c.)
83429S	BRACKET,WIRING,NO.2	(N.e.c.)
83703B	BRACKET,FUSIBLE LINK	(N.e.c.)
80304B	BRACKET,RR FOG LAMP	(N.e.c.)
83428C	BRACKET,WIRING,NO.1	(N.e.c.)
80304C	BRACKET,RR FOG LAMP	(N.e.c.)
80508B	BRACKET,BACKUP LAMP	(N.e.c.)
83460B	BRACKET,WIRING,NO.7	(N.e.c.)
82717H	BRACKET,RELAY	(N.e.c.)
83457BK	BRACKET,WIRING,NO.5	(N.e.c.)
82955C	BRACKET,PULSE DIVIDER	(N.e.c.)
55949	BRACKET,ABS JUMPER CABLE CONNECTOR BOX	(N.e.c.)
83429H	BRACKET,WIRING,NO.2	(N.e.c.)
83612U	BRACKET,FUSE BOX	(N.e.c.)
83305BD	BRACKET,HARNESS CONNECTOR	(N.e.c.)
83305H	BRACKET,HARNESS CONNECTOR	(N.e.c.)
83429K	BRACKET,WIRING,NO.2	(N.e.c.)
83429V	BRACKET,WIRING,NO.2	(N.e.c.)
83457T	BRACKET,WIRING,NO.5	(N.e.c.)
83491F	INSULATOR,WIRING	(N.e.c.)
83305D	BRACKET,HARNESS CONNECTOR	(N.e.c.)
83491B	INSULATOR,WIRING	(N.e.c.)
82502J	BRACKET,CONTROL UNIT	(N.e.c.)
83410J	BRACKET,BODY WIRING,NO.1	(N.e.c.)
82717U	BRACKET,RELAY	(N.e.c.)
83414T	BRACKET,BODY WIRING,NO.5	(N.e.c.)
83472M	STAY,WIRING	(N.e.c.)
83612V	BRACKET,FUSE BOX	(N.e.c.)
83304Q	BRACKET,HARNESS	(N.e.c.)
83304S	BRACKET,HARNESS	(N.e.c.)
83457P	BRACKET,WIRING,NO.5	(N.e.c.)
83429CG	BRACKET,WIRING,NO.2	(N.e.c.)
83429ES	BRACKET,WIRING,NO.2	(N.e.c.)
83457BU	BRACKET,WIRING,NO.5	(N.e.c.)
83428D	BRACKET,WIRING,NO.1	(N.e.c.)
83457BJ	BRACKET,WIRING,NO.5	(N.e.c.)
83457E	BRACKET,WIRING,NO.5	(N.e.c.)
55954	COVER,ABS JUMPER CABLE CONNECTOR BOX	(N.e.c.)
71633	LABEL,HEIGHT CONTROL SWITCH CAUTION	(N.e.c.)
82327	COVER,SWITCH BOX,UPR	(N.e.c.)
82427	LID,SWITCH BOX COVER	(N.e.c.)
82428	SPRING,SWITCH BOX COVER LID	(N.e.c.)
83281	PIN,WIRING	(N.e.c.)
83351H	PLUG,WIRING	(N.e.c.)
83357E	BAND,WIRING	(N.e.c.)
83218B	NUT,BODY WIRING	(N.e.c.)
83218C	NUT,BODY WIRING	(N.e.c.)
83494P	COVER,WIRING	(N.e.c.)
83357H	BAND,WIRING	(N.e.c.)
83357G	BAND,WIRING	(N.e.c.)
83357F	BAND,WIRING	(N.e.c.)
83357D	BAND,WIRING	(N.e.c.)
83281C	PIN,WIRING	(N.e.c.)
83351B	PLUG,WIRING	(N.e.c.)
83477H	CLIP,WIRING,NO.6	(N.e.c.)
83222J	GROMMET,BODY WIRING	(N.e.c.)
83494BK	COVER,WIRING	(N.e.c.)
83477E	CLIP,WIRING,NO.6	(N.e.c.)
83477V	CLIP,WIRING,NO.6	(N.e.c.)

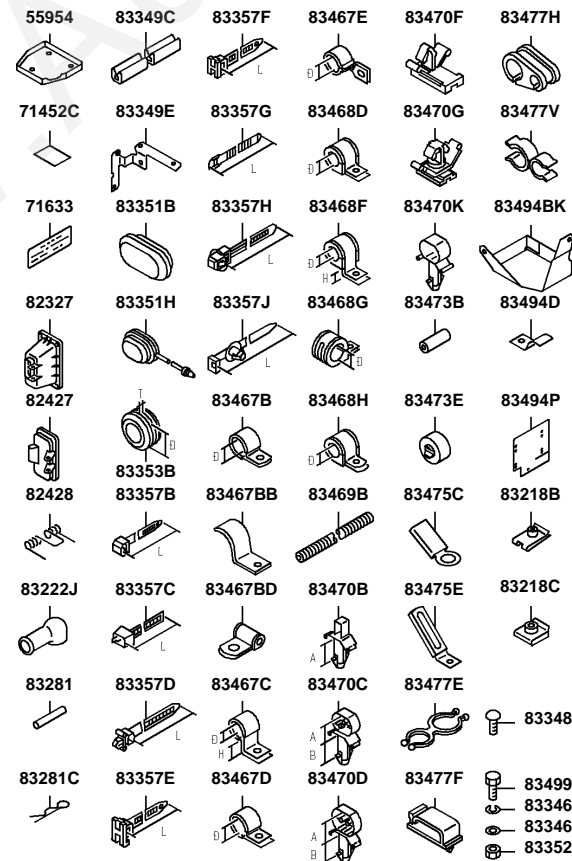
FK74R
54-730 CHASSIS HARNESS EQUIPMENT

PNC	Part Name	See Page
83469B	TUBE,WIRING	(N.e.c.)
83473E	SPACER,WIRING	(N.e.c.)
83465CK	BRACKET,WIRING,NO.9	(N.e.c.)
83465CM	BRACKET,WIRING,NO.9	(N.e.c.)
83457ED	BRACKET,WIRING,NO.5	(N.e.c.)
83304DF	BRACKET,HARNESS	(N.e.c.)
83304DN	BRACKET,HARNESS	(N.e.c.)
83304DQ	BRACKET,HARNESS	(N.e.c.)
83304DS	BRACKET,HARNESS	(N.e.c.)
83304DU	BRACKET,HARNESS	(N.e.c.)
83429HP	BRACKET,WIRING,NO.2	(N.e.c.)
83457BF	BRACKET,WIRING,NO.5	(N.e.c.)
83457ES	BRACKET,WIRING,NO.5	(N.e.c.)
83457ET	BRACKET,WIRING,NO.5	(N.e.c.)
83457EU	BRACKET,WIRING,NO.5	(N.e.c.)
83457EV	BRACKET,WIRING,NO.5	(N.e.c.)
83457EW	BRACKET,WIRING,NO.5	(N.e.c.)
83460DF	BRACKET,WIRING,NO.7	(N.e.c.)
83463BX	BRACKET,WIRING,NO.8	(N.e.c.)
83612BK	BRACKET,FUSE BOX	(N.e.c.)
83612BM	BRACKET,FUSE BOX	(N.e.c.)
83457FH	BRACKET,WIRING,NO.5	(N.e.c.)
83304BQ	BRACKET,HARNESS	(N.e.c.)
83457GG	BRACKET,WIRING,NO.5	(N.e.c.)
83457GQ	BRACKET,WIRING,NO.5	(N.e.c.)
83612CB	BRACKET,FUSE BOX	(N.e.c.)
83612BZ	BRACKET,FUSE BOX	(N.e.c.)
83465FU	BRACKET,WIRING,NO.9	(N.e.c.)
83465FV	BRACKET,WIRING,NO.9	(N.e.c.)
83465FT	BRACKET,WIRING,NO.9	(N.e.c.)
83465FS	BRACKET,WIRING,NO.9	(N.e.c.)
83465FQ	BRACKET,WIRING,NO.9	(N.e.c.)
83465FP	BRACKET,WIRING,NO.9	(N.e.c.)
83463DQ	BRACKET,WIRING,NO.8	(N.e.c.)
83460EC	BRACKET,WIRING,NO.7	(N.e.c.)
83460EB	BRACKET,WIRING,NO.7	(N.e.c.)
83429NB	BRACKET,WIRING,NO.2	(N.e.c.)
83429MZ	BRACKET,WIRING,NO.2	(N.e.c.)
83429MX	BRACKET,WIRING,NO.2	(N.e.c.)
83428BW	BRACKET,WIRING,NO.1	(N.e.c.)
83417W	BRACKET,BODY WIRING,NO.8	(N.e.c.)
83417V	BRACKET,BODY WIRING,NO.8	(N.e.c.)
83460DQ	BRACKET,WIRING,NO.7	(N.e.c.)
83460DP	BRACKET,WIRING,NO.7	(N.e.c.)
83460CH	BRACKET,WIRING,NO.7	(N.e.c.)
83612BW	BRACKET,FUSE BOX	(N.e.c.)
83429KZ	BRACKET,WIRING,NO.2	(N.e.c.)
83429KY	BRACKET,WIRING,NO.2	(N.e.c.)
83428BT	BRACKET,WIRING,NO.1	(N.e.c.)
83304GD	BRACKET,HARNESS	(N.e.c.)
83304GC	BRACKET,HARNESS	(N.e.c.)
83304GB	BRACKET,HARNESS	(N.e.c.)
83304FZ	BRACKET,HARNESS	(N.e.c.)
83465FG	BRACKET,WIRING,NO.9	(N.e.c.)
83460DS	BRACKET,WIRING,NO.7	(N.e.c.)
83457FZ	BRACKET,WIRING,NO.5	(N.e.c.)
83457BV	BRACKET,WIRING,NO.5	(N.e.c.)
83429MC	BRACKET,WIRING,NO.2	(N.e.c.)
83465FE	BRACKET,WIRING,NO.9	(N.e.c.)
83465EZ	BRACKET,WIRING,NO.9	(N.e.c.)
83304FF	BRACKET,HARNESS	(N.e.c.)
83612BN	BRACKET,FUSE BOX	(N.e.c.)
83429MY	BRACKET,WIRING,NO.2	(N.e.c.)

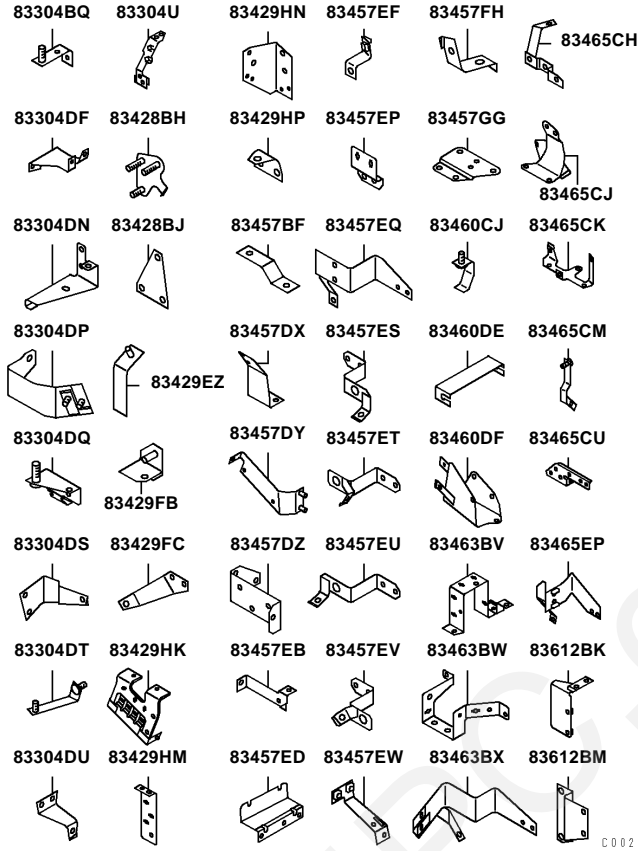
**FK74R
No.1**



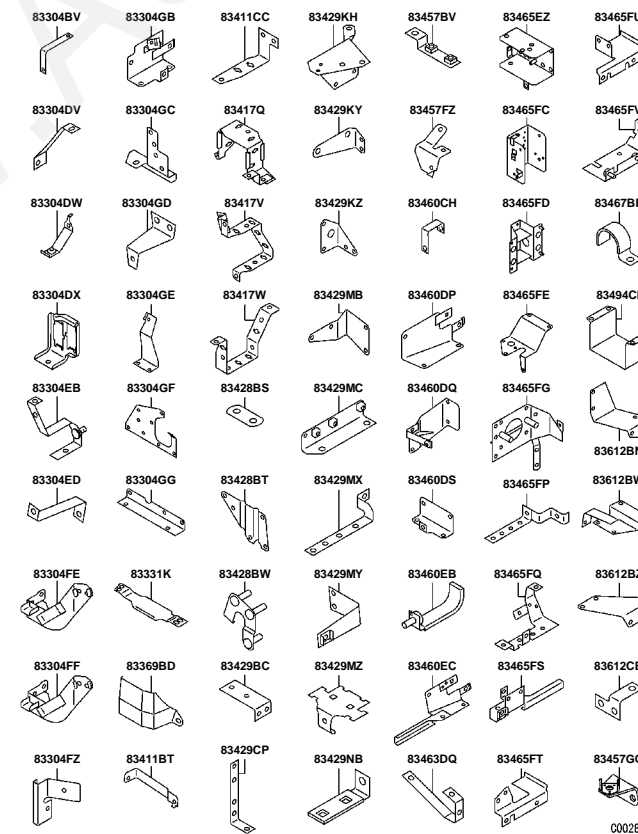
**FK74R
No.2**



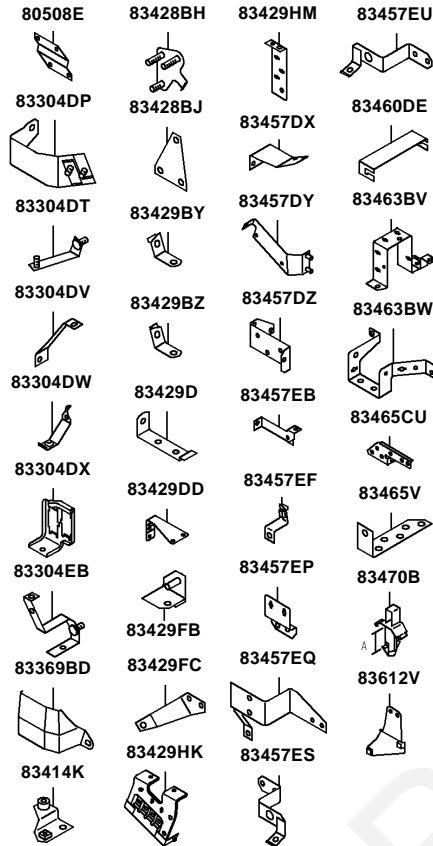
FK74R
No.3



FK74R
No.4



**FK74R
No.5**



C 0 0 2 8 7

Ref. |2054730-1

Page

**FK74R
54-730 CHASSIS HARNESS EQUIPMENT (1/4)**

Repl Part	PNC	Part No	Part Name	Qty	Part Spec
	71452C	MB031945	TAPE,WIRING	2	
		MB031945	TAPE,WIRING	8	
		MB031946	TAPE,WIRING	1	
	80508E	MC447191	BRACKET,BACKUP LAMP	1	
		MC447191	BRACKET,BACKUP LAMP	1	
	83304BV	MH026146	BRACKET,HARNESS	1	
	83304DP	MK539663	BRACKET,HARNESS	1	
		MK571844	BRACKET,HARNESS	1	

Ref. |2054730-1

Page

FK74R
54-730 CHASSIS HARNESS EQUIPMENT (1/4)

Repl Part	PNC	Part No	Part Name	Qty	Part Spec
	83304DT	MK539986	BRACKET,HARNESS	1	
	83304DV	MK540429	BRACKET,HARNESS	1	
	83304DW	MK540432	BRACKET,HARNESS	1	
	83304DX	MK571676	BRACKET,HARNESS	1	
	83304EB	MK538102	BRACKET,HARNESS	1	
	83304ED	MK540296	BRACKET,HARNESS	1	
	83304FE	MK572993	BRACKET,HARNESS	1	
		MK638667	BRACKET,HARNESS	1	
	83304GE	MK571611	BRACKET,HARNESS	1	
	83304GF	MK638982	BRACKET,HARNESS	1	
	83304GG	MK638983	BRACKET,HARNESS	1	
	83304U	MK536847	BRACKET,HARNESS	1	
	83331K	MK571898	PROTECTOR,HARNESS	1	
	83346	MF450004	WASHER,WIRING	1	PLAIN,6

FK74R
54-730 CHASSIS HARNESS EQUIPMENT (1/4)

Repl Part	PNC	Part No	Part Name	Qty	Part Spec
	83346	MF450404	WASHER,WIRING	1	SPRING,6
		MF450004	WASHER,WIRING	1	PLAIN,6
		MF450404	WASHER,WIRING	1	SPRING,6
	83348	MF350790	SCREW,WIRING	1	WASHER ASSEMBLED,6X12
		MF351012	SCREW,WIRING	1	WASHER ASSEMBLED,BLAC
		MF453031	SCREW,WIRING	1	TAPPING,5X12
	83349C	MH022007	PROTECTOR,WIRING	5	BLACK,L=140
		MB536209	PROTECTOR,WIRING	3	L=150
		MB536209	PROTECTOR,WIRING	3	L=150
		MB536209	PROTECTOR,WIRING	3	L=150
		MB536209	PROTECTOR,WIRING	3	L=150
		MH022005	PROTECTOR,WIRING	3	L=150
		MH022005	PROTECTOR,WIRING	3	BLACK,L=60
		MH022005	PROTECTOR,WIRING	3	BLACK,L=60
		MH022005	PROTECTOR,WIRING	3	BLACK,L=60
		MH022010	PROTECTOR,WIRING	3	
		MH022010	PROTECTOR,WIRING	3	
		MH022010	PROTECTOR,WIRING	3	
		MH022010	PROTECTOR,WIRING	3	
		MH022010	PROTECTOR,WIRING	3	

**FK74R
54-730 CHASSIS HARNESS EQUIPMENT (1/4)**

Repl Part	PNC 83349C	Part No	Part Name	Qty	Part Spec
		MH022007	PROTECTOR,WIRING	4	BLACK,L=140
		MH022007	PROTECTOR,WIRING	4	BLACK,L=140
		MH022007	PROTECTOR,WIRING	4	BLACK,L=140
		MH022007	PROTECTOR,WIRING	4	BLACK,L=140
		MH022506	PROTECTOR,WIRING	1	BLACK,L=55
		MH022506	PROTECTOR,WIRING	1	BLACK,L=55
		MH022506	PROTECTOR,WIRING	1	BLACK,L=55
		MH022506	PROTECTOR,WIRING	1	BLACK,L=55
		MH022506	PROTECTOR,WIRING	1	BLACK,L=55
		MH022506	PROTECTOR,WIRING	1	BLACK,L=55
		MH022008	PROTECTOR,WIRING	1	
		MH022008	PROTECTOR,WIRING	1	
		MH022008	PROTECTOR,WIRING	1	
		MH022008	PROTECTOR,WIRING	1	
		MH022008	PROTECTOR,WIRING	1	
		MH022008	PROTECTOR,WIRING	1	
		MH022008	PROTECTOR,WIRING	1	
		MH022008	PROTECTOR,WIRING	1	
		MC000912	PROTECTOR,WIRING	1	
		MC000912	PROTECTOR,WIRING	1	
		MC000912	PROTECTOR,WIRING	1	
		MC000912	PROTECTOR,WIRING	1	
		MH022005	PROTECTOR,WIRING	15	BLACK,L=60
		MH022005	PROTECTOR,WIRING	15	BLACK,L=60
		MH022005	PROTECTOR,WIRING	15	BLACK,L=60
		MH022005	PROTECTOR,WIRING	15	BLACK,L=60

FK74R
54-730 CHASSIS HARNESS EQUIPMENT (1/4)

Repl Part	PNC	Part No	Part Name	Qty	Part Spec
	83349C	MH022007	PROTECTOR,WIRING	12	BLACK,L=140
		MH022007	PROTECTOR,WIRING	12	BLACK,L=140
		MH022007	PROTECTOR,WIRING	12	BLACK,L=140
		MH022007	PROTECTOR,WIRING	12	BLACK,L=140
		MH022010	PROTECTOR,WIRING	19	
		MH022010	PROTECTOR,WIRING	19	
		MH022010	PROTECTOR,WIRING	19	
		MH022010	PROTECTOR,WIRING	19	
		MH022010	PROTECTOR,WIRING	2	
		MH022010	PROTECTOR,WIRING	4	
		MH022005	PROTECTOR,WIRING	16	BLACK,L=60
		MH022005	PROTECTOR,WIRING	16	BLACK,L=60
		MH022005	PROTECTOR,WIRING	16	BLACK,L=60
		MH022005	PROTECTOR,WIRING	16	BLACK,L=60
		MH022007	PROTECTOR,WIRING	14	BLACK,L=140
		MH022007	PROTECTOR,WIRING	14	BLACK,L=140
		MH022007	PROTECTOR,WIRING	14	BLACK,L=140
		MH022007	PROTECTOR,WIRING	14	BLACK,L=140
		MH022010	PROTECTOR,WIRING	15	
		MH022010	PROTECTOR,WIRING	15	
		MH022010	PROTECTOR,WIRING	15	

FK74R
54-730 CHASSIS HARNESS EQUIPMENT (1/4)

Repl Part	PNC	Part No	Part Name	Qty	Part Spec
	83349C	MH022010	PROTECTOR,WIRING	15	
		MC000912	PROTECTOR,WIRING	1	
		MC000912	PROTECTOR,WIRING	1	
		MC000912	PROTECTOR,WIRING	1	
		MC000912	PROTECTOR,WIRING	1	
		MH022005	PROTECTOR,WIRING	2	BLACK,L=60
	83349E	MK347107	PROTECTOR,WIRING	1	
	83352	MC926787	NUT,WIRING	1	SPRING,5
		MC926787	NUT,WIRING	1	SPRING,5
		MC926787	NUT,WIRING	1	SPRING,5
		MC926787	NUT,WIRING	1	SPRING,5
		MC926787	NUT,WIRING	1	SPRING,5
		MC926787	NUT,WIRING	1	SPRING,5
		MF430006	NUT,WIRING	2	10
		MF434105	NUT,WIRING	2	FLANGE,10
		MF434105	NUT,WIRING	1	FLANGE,10
		MF434105	NUT,WIRING	1	FLANGE,10
		MF430006	NUT,WIRING	4	10
		MF430006	NUT,WIRING	4	10
		MF430006	NUT,WIRING	4	10
		MF430006	NUT,WIRING	4	10
		MF430006	NUT,WIRING	4	10
		MF430006	NUT,WIRING	4	10
		MF430006	NUT,WIRING	4	10
		MF430006	NUT,WIRING	4	10
		MF430006	NUT,WIRING	4	10
		MF430006	NUT,WIRING	4	10

FK74R
54-730 CHASSIS HARNESS EQUIPMENT (1/4)

Repl Part	PNC 83352	Part No	Part Name	Qty	Part Spec
		MF430006	NUT,WIRING	4	10
		MF430006	NUT,WIRING	4	10
		MF430006	NUT,WIRING	4	10
		MF430006	NUT,WIRING	4	10
		MF430006	NUT,WIRING	4	10
		MF430006	NUT,WIRING	4	10
		MF430006	NUT,WIRING	4	10
		MF434103	NUT,WIRING	45	FLANGE,6
		MF434103	NUT,WIRING	45	FLANGE,6
		MF434103	NUT,WIRING	45	FLANGE,6
		MF434103	NUT,WIRING	45	FLANGE,6
		MF434103	NUT,WIRING	45	FLANGE,6
		MF434103	NUT,WIRING	45	FLANGE,6
		MF434103	NUT,WIRING	45	FLANGE,6
		MF434103	NUT,WIRING	45	FLANGE,6
		MF434103	NUT,WIRING	45	FLANGE,6
		MF434103	NUT,WIRING	45	FLANGE,6
		MF434103	NUT,WIRING	45	FLANGE,6
		MF434103	NUT,WIRING	45	FLANGE,6
		MF434103	NUT,WIRING	45	FLANGE,6
		MF434103	NUT,WIRING	45	FLANGE,6
		MF434103	NUT,WIRING	45	FLANGE,6
		MF434103	NUT,WIRING	45	FLANGE,6
		MF434103	NUT,WIRING	45	FLANGE,6
		MF434103	NUT,WIRING	45	FLANGE,6
		MF434103	NUT,WIRING	45	FLANGE,6
		MF434103	NUT,WIRING	45	FLANGE,6
		MF434103	NUT,WIRING	45	FLANGE,6
		MF434104	NUT,WIRING	86	FLANGE,8
		MF434104	NUT,WIRING	86	FLANGE,8
		MF434104	NUT,WIRING	86	FLANGE,8
		MF434104	NUT,WIRING	86	FLANGE,8
		MF434104	NUT,WIRING	86	FLANGE,8
		MF434104	NUT,WIRING	86	FLANGE,8
		MF434104	NUT,WIRING	86	FLANGE,8
		MF434104	NUT,WIRING	86	FLANGE,8
		MF434104	NUT,WIRING	86	FLANGE,8
		MF434104	NUT,WIRING	86	FLANGE,8
		MF434104	NUT,WIRING	86	FLANGE,8
		MF434104	NUT,WIRING	86	FLANGE,8
		MF434104	NUT,WIRING	86	FLANGE,8
		MF434104	NUT,WIRING	86	FLANGE,8

FK74R
54-730 CHASSIS HARNESS EQUIPMENT (1/4)

Repl Part	PNC	Part No	Part Name	Qty	Part Spec
	83352	MF434103	NUT,WIRING	5	FLANGE,6
		MF434104	NUT,WIRING	40	FLANGE,8
		MF434105	NUT,WIRING	4	FLANGE,10
		MF430006	NUT,WIRING	2	10
		MF434104	NUT,WIRING	8	FLANGE,8
		MF434105	NUT,WIRING	2	FLANGE,10
		MF434103	NUT,WIRING	10	FLANGE,6
		MF434104	NUT,WIRING	24	FLANGE,8
		MF434103	NUT,WIRING	11	FLANGE,6
		MF434105	NUT,WIRING	4	FLANGE,10
		MF445703	NUT,WIRING	1	WING,6
		MF434103	NUT,WIRING	11	FLANGE,6
		MF434105	NUT,WIRING	4	FLANGE,10
		MF445703	NUT,WIRING	1	WING,6
		MF434103	NUT,WIRING	17	FLANGE,6
		MF434104	NUT,WIRING	39	FLANGE,8
		MF445703	NUT,WIRING	1	WING,6
		MF445703	NUT,WIRING	1	WING,6
		MF445703	NUT,WIRING	1	WING,6
		MF445703	NUT,WIRING	1	WING,6

FK74R
54-730 CHASSIS HARNESS EQUIPMENT (1/4)

Repl Part	PNC	Part No	Part Name	Qty	Part Spec
	83352	MF445703	NUT,WIRING	1	WING,6
		MF445703	NUT,WIRING	1	WING,6
		MF445703	NUT,WIRING	1	WING,6
		MF445703	NUT,WIRING	1	WING,6
		MF445703	NUT,WIRING	1	WING,6
		MF445703	NUT,WIRING	1	WING,6
		MF445703	NUT,WIRING	1	WING,6
		MF445703	NUT,WIRING	1	WING,6
		MF445703	NUT,WIRING	1	WING,6
		MF430004	NUT,WIRING	1	6
		MF434105	NUT,WIRING	3	FLANGE,10
		MF434105	NUT,WIRING	4	FLANGE,10
	83353B	MH022560	GROMMET,WIRING	1	D=19 T=8
		MH022560	GROMMET,WIRING	1	D=19 T=8
		MH022560	GROMMET,WIRING	2	D=19 T=8
		MH022560	GROMMET,WIRING	2	D=19 T=8
		MH022560	GROMMET,WIRING	2	D=19 T=8
		MH022560	GROMMET,WIRING	2	D=19 T=8
		MH022560	GROMMET,WIRING	2	D=19 T=8
		MH022560	GROMMET,WIRING	2	D=19 T=8
		MH022560	GROMMET,WIRING	2	D=19 T=8
		MH022560	GROMMET,WIRING	2	D=19 T=8
		MH022560	GROMMET,WIRING	2	D=19 T=8
		MH022560	GROMMET,WIRING	2	D=19 T=8
		MH022560	GROMMET,WIRING	2	D=19 T=8
		MH022560	GROMMET,WIRING	2	D=19 T=8
		MH022560	GROMMET,WIRING	2	D=19 T=8
		MH022560	GROMMET,WIRING	2	D=19 T=8
		MH022560	GROMMET,WIRING	2	D=19 T=8
		MH022560	GROMMET,WIRING	2	D=19 T=8
		MH022565	GROMMET,WIRING	1	D=23 T=8
		MH022565	GROMMET,WIRING	1	D=23 T=8
		MH022565	GROMMET,WIRING	1	D=23 T=8
		MH022565	GROMMET,WIRING	1	D=23 T=8
		MH022565	GROMMET,WIRING	1	D=23 T=8

FK74R
54-730 CHASSIS HARNESS EQUIPMENT (1/4)

Repl Part	PNC	Part No	Part Name	Qty	Part Spec
	83357J	MH020976	BAND,WIRING	1	L=258.7
		MH020976	BAND,WIRING	5	L=258.7
		MH020976	BAND,WIRING	5	L=258.7
		MH020976	BAND,WIRING	2	L=258.7
		MC151009	BAND,WIRING	4	L=145
		MC151009	BAND,WIRING	4	L=145
		MC151009	BAND,WIRING	4	L=145
		MC151009	BAND,WIRING	4	L=145
		MH020976	BAND,WIRING	6	L=258.7
		MH020976	BAND,WIRING	6	L=258.7
		MH020976	BAND,WIRING	6	L=258.7
		MH020976	BAND,WIRING	6	L=258.7
		MH020976	BAND,WIRING	6	L=258.7
		MH020976	BAND,WIRING	6	L=258.7
		MH020976	BAND,WIRING	6	L=258.7
		MH020976	BAND,WIRING	8	L=258.7
		MH020976	BAND,WIRING	8	L=258.7
		MH020976	BAND,WIRING	8	L=258.7
		MH020976	BAND,WIRING	8	L=258.7
		MH020976	BAND,WIRING	8	L=258.7
		MH020976	BAND,WIRING	8	L=258.7
		MH020976	BAND,WIRING	14	L=258.7
		MH020976	BAND,WIRING	14	L=258.7
		MH020976	BAND,WIRING	14	L=258.7
		MH020976	BAND,WIRING	14	L=258.7
		MH020976	BAND,WIRING	14	L=258.7
		MH020976	BAND,WIRING	14	L=258.7
		MH020976	BAND,WIRING	14	L=258.7
		MH020976	BAND,WIRING	1	L=258.7
		MC151009	BAND,WIRING	4	L=145
		MH020976	BAND,WIRING	7	L=258.7
		MH020976	BAND,WIRING	8	L=258.7
		MH020976	BAND,WIRING	1	L=258.7
		MH020976	BAND,WIRING	7	L=258.7
		MH020976	BAND,WIRING	7	L=258.7
		MH020976	BAND,WIRING	13	L=258.7
		MH020976	BAND,WIRING	7	L=258.7
		MH020976	BAND,WIRING	13	L=258.7
		MH020976	BAND,WIRING	7	L=258.7
		MH020976	BAND,WIRING	7	L=258.7
		MH020976	BAND,WIRING	7	L=258.7
		MH020976	BAND,WIRING	7	L=258.7
		MH020976	BAND,WIRING	7	L=258.7
		MH020976	BAND,WIRING	7	L=258.7
		MH020976	BAND,WIRING	7	L=258.7
		MH020976	BAND,WIRING	7	L=258.7

FK74R
54-730 CHASSIS HARNESS EQUIPMENT (1/4)

Repl Part	PNC	Part No	Part Name	Qty	Part Spec
	83369BD	MK540900	COVER,CHASSIS HARNESS	1	
	83411BT	MK516315	BRACKET,BODY WIRING,NO.2	1	
		MK516315	BRACKET,BODY WIRING,NO.2	1	
	83411CC	MK638389	BRACKET,BODY WIRING,NO.2	1	
	83417E	MC440352	BRACKET,BODY WIRING,NO.8	1	
	83417Q	MK638591	BRACKET,BODY WIRING,NO.8	1	
	83428B	MH023501	BRACKET,WIRING,NO.1	3	
		MK571698	BRACKET,WIRING,NO.1	1	
	83428BH	MK513637	BRACKET,WIRING,NO.1	1	
	83428BJ	MK537639	BRACKET,WIRING,NO.1	1	
	83428BS	MK597193	BRACKET,WIRING,NO.1	1	
	83429B	MH023601	BRACKET,WIRING,NO.2	1	
		MH023601	BRACKET,WIRING,NO.2	1	
		MH023601	BRACKET,WIRING,NO.2	1	
		MH023601	BRACKET,WIRING,NO.2	1	
		MH023601	BRACKET,WIRING,NO.2	2	
		MH023601	BRACKET,WIRING,NO.2	2	
		MH023601	BRACKET,WIRING,NO.2	2	
		MH023601	BRACKET,WIRING,NO.2	2	
		MH023600	BRACKET,WIRING,NO.2	1	
		MH023600	BRACKET,WIRING,NO.2	1	
		MH023600	BRACKET,WIRING,NO.2	1	
		MH023600	BRACKET,WIRING,NO.2	1	
		MH023600	BRACKET,WIRING,NO.2	1	
		MH023600	BRACKET,WIRING,NO.2	1	
		MH023600	BRACKET,WIRING,NO.2	1	

FK74R
54-730 CHASSIS HARNESS EQUIPMENT (1/4)

Repl Part	PNC	Part No	Part Name	Qty	Part Spec
	83429B	MH023600	BRACKET,WIRING,NO.2	1	
		MH023603	BRACKET,WIRING,NO.2	2	
		MH023603	BRACKET,WIRING,NO.2	2	
		MH023603	BRACKET,WIRING,NO.2	2	
		MH023603	BRACKET,WIRING,NO.2	2	
		MH023603	BRACKET,WIRING,NO.2	2	
		MH023603	BRACKET,WIRING,NO.2	2	
		MH023605	BRACKET,WIRING,NO.2	2	
		MH023605	BRACKET,WIRING,NO.2	2	
		MH023605	BRACKET,WIRING,NO.2	2	
		MH023605	BRACKET,WIRING,NO.2	2	
		MH023605	BRACKET,WIRING,NO.2	2	
		MH026114	BRACKET,WIRING,NO.2	1	
		MH026114	BRACKET,WIRING,NO.2	1	
		MH026114	BRACKET,WIRING,NO.2	1	
		MH026114	BRACKET,WIRING,NO.2	1	
		MH026114	BRACKET,WIRING,NO.2	1	
		MH026114	BRACKET,WIRING,NO.2	1	
		MH026114	BRACKET,WIRING,NO.2	1	
		MH026151	BRACKET,WIRING,NO.2	1	
		MH026151	BRACKET,WIRING,NO.2	1	
		MH026151	BRACKET,WIRING,NO.2	1	
		MH026151	BRACKET,WIRING,NO.2	1	
		MH026151	BRACKET,WIRING,NO.2	1	
		MH026151	BRACKET,WIRING,NO.2	1	
		MH023600	BRACKET,WIRING,NO.2	1	
		MH023603	BRACKET,WIRING,NO.2	1	
		MH023605	BRACKET,WIRING,NO.2	1	
		MH023621	BRACKET,WIRING,NO.2	1	

FK74R
54-730 CHASSIS HARNESS EQUIPMENT (1/4)

Repl Part	PNC	Part No	Part Name	Qty	Part Spec
	83429B	MH023600	BRACKET,WIRING,NO.2	4	
		MH023600	BRACKET,WIRING,NO.2	4	
		MH023600	BRACKET,WIRING,NO.2	4	
		MH023600	BRACKET,WIRING,NO.2	4	
		MH023600	BRACKET,WIRING,NO.2	4	
		MH023600	BRACKET,WIRING,NO.2	4	
		MH023600	BRACKET,WIRING,NO.2	1	
		MH023605	BRACKET,WIRING,NO.2	3	
		MH023605	BRACKET,WIRING,NO.2	4	
		MH026150	BRACKET,WIRING,NO.2	1	
		MH026150	BRACKET,WIRING,NO.2	1	
		MH026107	BRACKET,WIRING,NO.2	1	
		MH026153	BRACKET,WIRING,NO.2	1	
		MH023600	BRACKET,WIRING,NO.2	3	
		MH026107	BRACKET,WIRING,NO.2	1	
		MH026153	BRACKET,WIRING,NO.2	1	
		MH023600	BRACKET,WIRING,NO.2	3	
		MH026107	BRACKET,WIRING,NO.2	1	
		MH026153	BRACKET,WIRING,NO.2	1	
		MH023600	BRACKET,WIRING,NO.2	2	
		MH023605	BRACKET,WIRING,NO.2	4	
		MH023605	BRACKET,WIRING,NO.2	5	
		MH023605	BRACKET,WIRING,NO.2	5	
		MH023605	BRACKET,WIRING,NO.2	5	
		MH023605	BRACKET,WIRING,NO.2	5	
		MH023605	BRACKET,WIRING,NO.2	5	

**FK74R
54-730 CHASSIS HARNESS EQUIPMENT (1/4)**

Repl Part	PNC	Part No	Part Name	Qty	Part Spec
	83429B	MH023605	BRACKET,WIRING,NO.2	5	
		MH023603	BRACKET,WIRING,NO.2	4	
		MH023603	BRACKET,WIRING,NO.2	4	
		MH023603	BRACKET,WIRING,NO.2	4	
		MH023603	BRACKET,WIRING,NO.2	4	
		MH023603	BRACKET,WIRING,NO.2	4	
		MH023603	BRACKET,WIRING,NO.2	4	
		MH023603	BRACKET,WIRING,NO.2	4	
		MH023603	BRACKET,WIRING,NO.2	4	
		MH023603	BRACKET,WIRING,NO.2	4	
		MH023603	BRACKET,WIRING,NO.2	4	
		MH023603	BRACKET,WIRING,NO.2	4	
		MH023603	BRACKET,WIRING,NO.2	4	
		MH023603	BRACKET,WIRING,NO.2	4	
		MH026107	BRACKET,WIRING,NO.2	1	
		MH026107	BRACKET,WIRING,NO.2	1	
		MH026107	BRACKET,WIRING,NO.2	1	
		MH026107	BRACKET,WIRING,NO.2	1	
		MH026107	BRACKET,WIRING,NO.2	1	
		MH026107	BRACKET,WIRING,NO.2	1	
		MH026107	BRACKET,WIRING,NO.2	1	
		MH026107	BRACKET,WIRING,NO.2	1	
		MH026107	BRACKET,WIRING,NO.2	1	
		MH026107	BRACKET,WIRING,NO.2	1	
		MH026107	BRACKET,WIRING,NO.2	1	
		MH026107	BRACKET,WIRING,NO.2	1	
		MH026150	BRACKET,WIRING,NO.2	1	
		MH026150	BRACKET,WIRING,NO.2	1	
		MH026150	BRACKET,WIRING,NO.2	1	
		MH026150	BRACKET,WIRING,NO.2	1	
		MH026150	BRACKET,WIRING,NO.2	1	

FK74R
54-730 CHASSIS HARNESS EQUIPMENT (1/4)

Repl Part	PNC	Part No	Part Name	Qty	Part Spec
	83429B	MH023600	BRACKET,WIRING,NO.2	2	
		MH023600	BRACKET,WIRING,NO.2	2	
		MH023600	BRACKET,WIRING,NO.2	2	
		MH023601	BRACKET,WIRING,NO.2	5	
		MH023601	BRACKET,WIRING,NO.2	5	
		MH023601	BRACKET,WIRING,NO.2	5	
		MH023601	BRACKET,WIRING,NO.2	5	
		MH023601	BRACKET,WIRING,NO.2	5	
		MH023616	BRACKET,WIRING,NO.2	1	
		MH023616	BRACKET,WIRING,NO.2	1	
		MH023616	BRACKET,WIRING,NO.2	1	
		MH023616	BRACKET,WIRING,NO.2	1	
		MH023616	BRACKET,WIRING,NO.2	1	
		MH023601	BRACKET,WIRING,NO.2	6	
		MH023601	BRACKET,WIRING,NO.2	6	
		MH023601	BRACKET,WIRING,NO.2	6	
		MH023601	BRACKET,WIRING,NO.2	6	
		MH023601	BRACKET,WIRING,NO.2	6	
		MH023601	BRACKET,WIRING,NO.2	3	
		MH023605	BRACKET,WIRING,NO.2	4	
		MH026150	BRACKET,WIRING,NO.2	1	
		MH023601	BRACKET,WIRING,NO.2	2	
		MH023605	BRACKET,WIRING,NO.2	1	
		MH026153	BRACKET,WIRING,NO.2	1	
		MH023601	BRACKET,WIRING,NO.2	3	
		MH023600	BRACKET,WIRING,NO.2	1	
		MH023605	BRACKET,WIRING,NO.2	3	
		MH026150	BRACKET,WIRING,NO.2	1	
		MH023605	BRACKET,WIRING,NO.2	1	
		MH026153	BRACKET,WIRING,NO.2	1	
		MH023601	BRACKET,WIRING,NO.2	2	
		MH023605	BRACKET,WIRING,NO.2	1	
		MH023605	BRACKET,WIRING,NO.2	2	

FK74R
54-730 CHASSIS HARNESS EQUIPMENT (1/4)

Repl Part	PNC	Part No	Part Name	Qty	Part Spec
	83429B	MH023605	BRACKET,WIRING,NO.2	1	
		MH023605	BRACKET,WIRING,NO.2	2	
		MH023605	BRACKET,WIRING,NO.2	5	
		MH023601	BRACKET,WIRING,NO.2	1	
		MH023601	BRACKET,WIRING,NO.2	1	
		MH023601	BRACKET,WIRING,NO.2	1	
		MH023601	BRACKET,WIRING,NO.2	1	
		MH023601	BRACKET,WIRING,NO.2	1	
	83429BC	(Please refer to the page 2/4)	BRACKET,WIRING,NO.2	1	
	83429BX	(Please refer to the page 2/4)	BRACKET,WIRING,NO.2	1	
	83429BY	(Please refer to the page 2/4)	BRACKET,WIRING,NO.2	1	
	83429BZ	(Please refer to the page 2/4)	BRACKET,WIRING,NO.2	1	
	83429C	(Please refer to the page 2/4)	BRACKET,WIRING,NO.2	1	
	83429CP	(Please refer to the page 2/4)	BRACKET,WIRING,NO.2	1	
	83429D	(Please refer to the page 2/4)	BRACKET,WIRING,NO.2	1	
	83429DD	(Please refer to the page 2/4)	BRACKET,WIRING,NO.2	1	
	83429EZ	(Please refer to the page 2/4)	BRACKET,WIRING,NO.2	1	
	83429FB	(Please refer to the page 2/4)	BRACKET,WIRING,NO.2	1	
	83429FC	(Please refer to the page 2/4)	BRACKET,WIRING,NO.2	1	
	83429HK	(Please refer to the page 2/4)	BRACKET,WIRING,NO.2	1	
	83429HM	(Please refer to the page 2/4)	BRACKET,WIRING,NO.2	1	
	83429HN	(Please refer to the page 2/4)	BRACKET,WIRING,NO.2	1	
	83429KH	(Please refer to the page 2/4)	BRACKET,WIRING,NO.2	1	
	83429MB	(Please refer to the page 2/4)	BRACKET,WIRING,NO.2	1	
	83429P	(Please refer to the page 2/4)	BRACKET,WIRING,NO.2	1	
	83457B	(Please refer to the page 2/4)	BRACKET,WIRING,NO.5	1	
	83457C	(Please refer to the page 2/4)	BRACKET,WIRING,NO.5	1	
	83457CT	(Please refer to the page 2/4)	BRACKET,WIRING,NO.5	1	
	83457D	(Please refer to the page 2/4)	BRACKET,WIRING,NO.5	1	
	83457DX	(Please refer to the page 2/4)	BRACKET,WIRING,NO.5	1	
	83457DY	(Please refer to the page 2/4)	BRACKET,WIRING,NO.5	1	
	83457DZ	(Please refer to the page 2/4)	BRACKET,WIRING,NO.5	1	
	83457EB	(Please refer to the page 2/4)	BRACKET,WIRING,NO.5	1	
	83457EF	(Please refer to the page 2/4)	BRACKET,WIRING,NO.5	1	
	83457EP	(Please refer to the page 2/4)	BRACKET,WIRING,NO.5	1	
	83457EQ	(Please refer to the page 2/4)	BRACKET,WIRING,NO.5	1	
	83457J	(Please refer to the page 2/4)	BRACKET,WIRING,NO.5	1	
	83460CJ	(Please refer to the page 2/4)	BRACKET,WIRING,NO.7	1	
	83460DE	(Please refer to the page 2/4)	BRACKET,WIRING,NO.7	1	
	83463BV	(Please refer to the page 2/4)	BRACKET,WIRING,NO.8	1	
	83463BW	(Please refer to the page 2/4)	BRACKET,WIRING,NO.8	1	
	83463Z	(Please refer to the page 2/4)	BRACKET,WIRING,NO.8	1	
	83465CH	(Please refer to the page 2/4)	BRACKET,WIRING,NO.9	1	
	83465CJ	(Please refer to the page 2/4)	BRACKET,WIRING,NO.9	1	
	83465CU	(Please refer to the page 2/4)	BRACKET,WIRING,NO.9	1	
	83465EP	(Please refer to the page 2/4)	BRACKET,WIRING,NO.9	1	
	83465FC	(Please refer to the page 2/4)	BRACKET,WIRING,NO.9	1	
	83465FD	(Please refer to the page 2/4)	BRACKET,WIRING,NO.9	1	
	83465V	(Please refer to the page 2/4)	BRACKET,WIRING,NO.9	1	
	83467B	(Please refer to the page 2/4)	CLIP,WIRING,NO.1	1	
	83467BB	(Please refer to the page 2/4)	CLIP,WIRING,NO.1	1	
	83467BD	(Please refer to the page 2/4)	CLIP,WIRING,NO.1	1	
	83467BF	(Please refer to the page 2/4)	CLIP,WIRING,NO.1	1	
	83467C	(Please refer to the page 2/4)	CLIP,WIRING,NO.1	1	
	83467D	(Please refer to the page 2/4)	CLIP,WIRING,NO.1	1	
	83467E	(Please refer to the page 2/4)	CLIP,WIRING,NO.1	1	
	83468D	(Please refer to the page 2/4)	CLIP,WIRING,NO.2	1	
	83468F	(Please refer to the page 2/4)	CLIP,WIRING,NO.2	1	
	83468G	(Please refer to the page 2/4)	CLIP,WIRING,NO.2	1	
	83468H	(Please refer to the page 2/4)	CLIP,WIRING,NO.2	1	
	83470B	(Please refer to the page 3/4)	CLIP,WIRING,NO.3	1	
	83470C	(Please refer to the page 3/4)	CLIP,WIRING,NO.3	1	
	83470D	(Please refer to the page 3/4)	CLIP,WIRING,NO.3	1	
	83470F	(Please refer to the page 3/4)	CLIP,WIRING,NO.3	1	
	83470G	(Please refer to the page 3/4)	CLIP,WIRING,NO.3	1	
	83470K	(Please refer to the page 3/4)	CLIP,WIRING,NO.3	1	
	83473B	(Please refer to the page 3/4)	SPACER,WIRING	1	
	83475C	(Please refer to the page 3/4)	CLIP,WIRING,NO.5	1	
	83475E	(Please refer to the page 3/4)	CLIP,WIRING,NO.5	1	

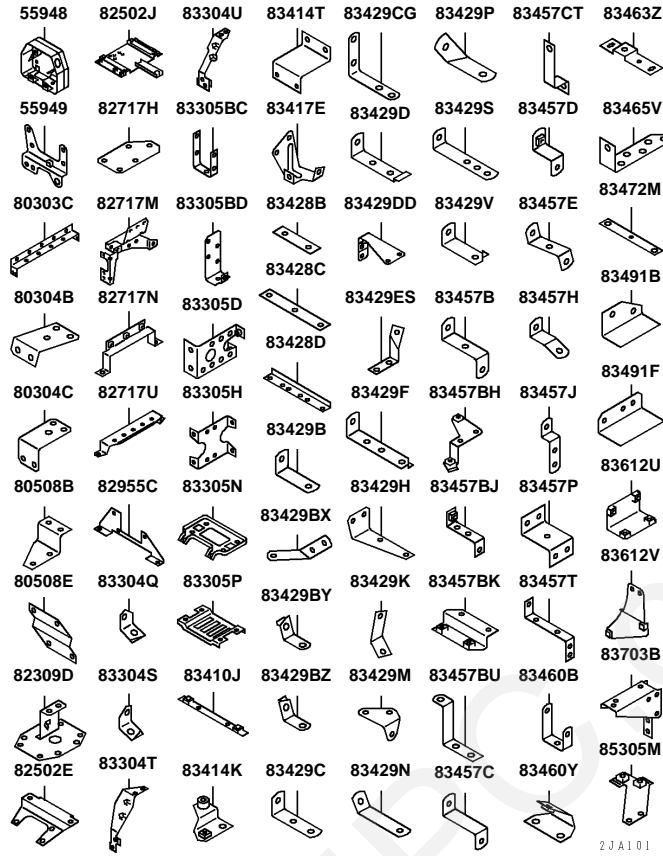
FK74R
54-730 CHASSIS HARNESS EQUIPMENT (1/4)

Repl Part	PNC	Part No	Part Name	Qty	Part Spec
	83477F	(Please refer to the page 3/4)	CLIP,WIRING,NO.6	1	
	83494CH	(Please refer to the page 3/4)	COVER,WIRING	1	
	83494D	(Please refer to the page 3/4)	COVER,WIRING	1	
	85305M	(Please refer to the page 3/4)	BRACKET,RADIO	1	
	83499	(Please refer to the page 4/4)	BOLT,WIRING	1	
	55948	(N.e.c.)	BOX,ABS JUMPER CABLE CONNECTOR		
	80303C	(N.e.c.)	BRACKET,RR COMBINATION LAMP		
	82309D	(N.e.c.)	BRACKET,HEIGHT CONTROL MAIN SWITCH		
	82502E	(N.e.c.)	BRACKET,CONTROL UNIT		
	82717M	(N.e.c.)	BRACKET,RELAY		
	82717N	(N.e.c.)	BRACKET,RELAY		
	83304T	(N.e.c.)	BRACKET,HARNESS		
	83305BC	(N.e.c.)	BRACKET,HARNESS CONNECTOR		
	83305N	(N.e.c.)	BRACKET,HARNESS CONNECTOR		
	83305P	(N.e.c.)	BRACKET,HARNESS CONNECTOR		
	83414K	(N.e.c.)	BRACKET,BODY WIRING,NO.5		
	83429F	(N.e.c.)	BRACKET,WIRING,NO.2		
	83429M	(N.e.c.)	BRACKET,WIRING,NO.2		
	83429N	(N.e.c.)	BRACKET,WIRING,NO.2		
	83457BH	(N.e.c.)	BRACKET,WIRING,NO.5		
	83457H	(N.e.c.)	BRACKET,WIRING,NO.5		
	83460Y	(N.e.c.)	BRACKET,WIRING,NO.7		
	83429S	(N.e.c.)	BRACKET,WIRING,NO.2		
	83703B	(N.e.c.)	BRACKET,FUSIBLE LINK		
	80304B	(N.e.c.)	BRACKET,RR FOG LAMP		
	83428C	(N.e.c.)	BRACKET,WIRING,NO.1		
	80304C	(N.e.c.)	BRACKET,RR FOG LAMP		
	80508B	(N.e.c.)	BRACKET,BACKUP LAMP		
	83460B	(N.e.c.)	BRACKET,WIRING,NO.7		
	82717H	(N.e.c.)	BRACKET,RELAY		
	83457BK	(N.e.c.)	BRACKET,WIRING,NO.5		
	82955C	(N.e.c.)	BRACKET,PULSE DIVIDER		
	55949	(N.e.c.)	BRACKET,ABS JUMPER CABLE CONNECTOR BOX		
	83429H	(N.e.c.)	BRACKET,WIRING,NO.2		
	83612U	(N.e.c.)	BRACKET,FUSE BOX		
	83305BD	(N.e.c.)	BRACKET,HARNESS CONNECTOR		
	83305H	(N.e.c.)	BRACKET,HARNESS CONNECTOR		
	83429K	(N.e.c.)	BRACKET,WIRING,NO.2		
	83429V	(N.e.c.)	BRACKET,WIRING,NO.2		
	83457T	(N.e.c.)	BRACKET,WIRING,NO.5		
	83491F	(N.e.c.)	INSULATOR,WIRING		
	83305D	(N.e.c.)	BRACKET,HARNESS CONNECTOR		
	83491B	(N.e.c.)	INSULATOR,WIRING		
	82502J	(N.e.c.)	BRACKET,CONTROL UNIT		
	83410J	(N.e.c.)	BRACKET,BODY WIRING,NO.1		
	82717U	(N.e.c.)	BRACKET,RELAY		
	83414T	(N.e.c.)	BRACKET,BODY WIRING,NO.5		
	83472M	(N.e.c.)	STAY,WIRING		
	83612V	(N.e.c.)	BRACKET,FUSE BOX		
	83304Q	(N.e.c.)	BRACKET,HARNESS		
	83304S	(N.e.c.)	BRACKET,HARNESS		
	83457P	(N.e.c.)	BRACKET,WIRING,NO.5		
	83429CG	(N.e.c.)	BRACKET,WIRING,NO.2		
	83429ES	(N.e.c.)	BRACKET,WIRING,NO.2		
	83457BU	(N.e.c.)	BRACKET,WIRING,NO.5		
	83428D	(N.e.c.)	BRACKET,WIRING,NO.1		
	83457BJ	(N.e.c.)	BRACKET,WIRING,NO.5		
	83457E	(N.e.c.)	BRACKET,WIRING,NO.5		
	55954	(N.e.c.)	COVER,ABS JUMPER CABLE CONNECTOR BOX		
	71633	(N.e.c.)	LABEL,HEIGHT CONTROL SWITCH CAUTION		
	82327	(N.e.c.)	COVER,SWITCH BOX,UPR		
	82427	(N.e.c.)	LID,SWITCH BOX COVER		
	82428	(N.e.c.)	SPRING,SWITCH BOX COVER LID		
	83281	(N.e.c.)	PIN,WIRING		
	83351H	(N.e.c.)	PLUG,WIRING		
	83357E	(N.e.c.)	BAND,WIRING		
	83218B	(N.e.c.)	NUT,BODY WIRING		
	83218C	(N.e.c.)	NUT,BODY WIRING		
	83494P	(N.e.c.)	COVER,WIRING		
	83357H	(N.e.c.)	BAND,WIRING		
	83357G	(N.e.c.)	BAND,WIRING		
	83357F	(N.e.c.)	BAND,WIRING		

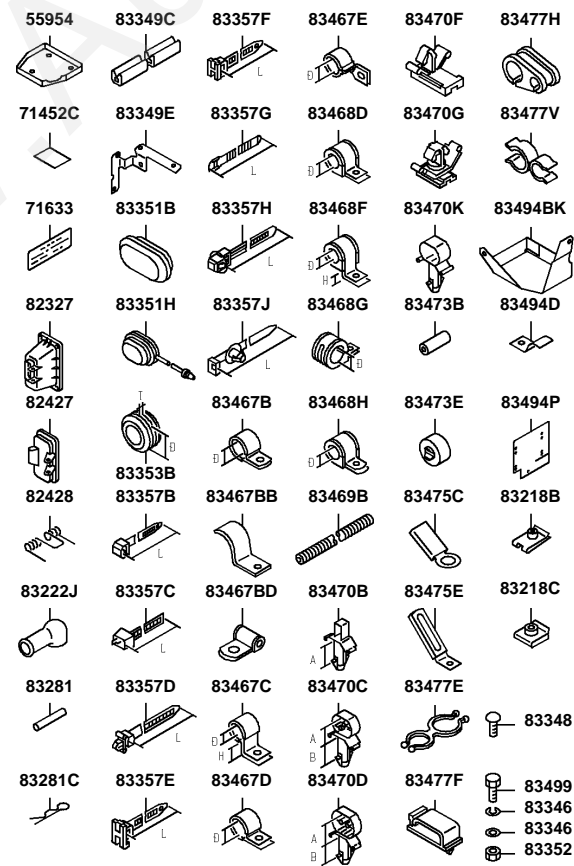
FK74R
54-730 CHASSIS HARNESS EQUIPMENT (1/4)

Repl Part	PNC	Part No	Part Name	Qty	Part Spec
	83357D	(N.e.c.)	BAND,WIRING		
	83281C	(N.e.c.)	PIN,WIRING		
	83351B	(N.e.c.)	PLUG,WIRING		
	83477H	(N.e.c.)	CLIP,WIRING,NO.6		
	83222J	(N.e.c.)	GROMMET,BODY WIRING		
	83494BK	(N.e.c.)	COVER,WIRING		
	83477E	(N.e.c.)	CLIP,WIRING,NO.6		
	83477V	(N.e.c.)	CLIP,WIRING,NO.6		
	83469B	(N.e.c.)	TUBE,WIRING		
	83473E	(N.e.c.)	SPACER,WIRING		
	83465CK	(N.e.c.)	BRACKET,WIRING,NO.9		
	83465CM	(N.e.c.)	BRACKET,WIRING,NO.9		
	83457ED	(N.e.c.)	BRACKET,WIRING,NO.5		
	83304DF	(N.e.c.)	BRACKET,HARNESS		
	83304DN	(N.e.c.)	BRACKET,HARNESS		
	83304DQ	(N.e.c.)	BRACKET,HARNESS		
	83304DS	(N.e.c.)	BRACKET,HARNESS		
	83304DU	(N.e.c.)	BRACKET,HARNESS		
	83429HP	(N.e.c.)	BRACKET,WIRING,NO.2		
	83457BF	(N.e.c.)	BRACKET,WIRING,NO.5		
	83457ES	(N.e.c.)	BRACKET,WIRING,NO.5		
	83457ET	(N.e.c.)	BRACKET,WIRING,NO.5		
	83457EU	(N.e.c.)	BRACKET,WIRING,NO.5		
	83457EV	(N.e.c.)	BRACKET,WIRING,NO.5		
	83457EW	(N.e.c.)	BRACKET,WIRING,NO.5		
	83460DF	(N.e.c.)	BRACKET,WIRING,NO.7		
	83463BX	(N.e.c.)	BRACKET,WIRING,NO.8		
	83612BK	(N.e.c.)	BRACKET,FUSE BOX		
	83612BM	(N.e.c.)	BRACKET,FUSE BOX		
	83457FH	(N.e.c.)	BRACKET,WIRING,NO.5		
	83304BQ	(N.e.c.)	BRACKET,HARNESS		
	83457GG	(N.e.c.)	BRACKET,WIRING,NO.5		
	83457GQ	(N.e.c.)	BRACKET,WIRING,NO.5		
	83612CB	(N.e.c.)	BRACKET,FUSE BOX		
	83612BZ	(N.e.c.)	BRACKET,FUSE BOX		
	83465FU	(N.e.c.)	BRACKET,WIRING,NO.9		
	83465FV	(N.e.c.)	BRACKET,WIRING,NO.9		
	83465FT	(N.e.c.)	BRACKET,WIRING,NO.9		
	83465FS	(N.e.c.)	BRACKET,WIRING,NO.9		
	83465FQ	(N.e.c.)	BRACKET,WIRING,NO.9		
	83465FP	(N.e.c.)	BRACKET,WIRING,NO.9		
	83463DQ	(N.e.c.)	BRACKET,WIRING,NO.8		
	83460EC	(N.e.c.)	BRACKET,WIRING,NO.7		
	83460EB	(N.e.c.)	BRACKET,WIRING,NO.7		
	83429NB	(N.e.c.)	BRACKET,WIRING,NO.2		
	83429MZ	(N.e.c.)	BRACKET,WIRING,NO.2		
	83429MX	(N.e.c.)	BRACKET,WIRING,NO.2		
	83428BW	(N.e.c.)	BRACKET,WIRING,NO.1		
	83417W	(N.e.c.)	BRACKET,BODY WIRING,NO.8		
	83417V	(N.e.c.)	BRACKET,BODY WIRING,NO.8		
	83460DQ	(N.e.c.)	BRACKET,WIRING,NO.7		
	83460DP	(N.e.c.)	BRACKET,WIRING,NO.7		
	83460CH	(N.e.c.)	BRACKET,WIRING,NO.7		
	83612BW	(N.e.c.)	BRACKET,FUSE BOX		
	83429KZ	(N.e.c.)	BRACKET,WIRING,NO.2		
	83429KY	(N.e.c.)	BRACKET,WIRING,NO.2		
	83428BT	(N.e.c.)	BRACKET,WIRING,NO.1		
	83304GD	(N.e.c.)	BRACKET,HARNESS		
	83304GC	(N.e.c.)	BRACKET,HARNESS		
	83304GB	(N.e.c.)	BRACKET,HARNESS		
	83304FZ	(N.e.c.)	BRACKET,HARNESS		
	83465FG	(N.e.c.)	BRACKET,WIRING,NO.9		
	83460DS	(N.e.c.)	BRACKET,WIRING,NO.7		
	83457FZ	(N.e.c.)	BRACKET,WIRING,NO.5		
	83457BV	(N.e.c.)	BRACKET,WIRING,NO.5		
	83429MC	(N.e.c.)	BRACKET,WIRING,NO.2		
	83465FE	(N.e.c.)	BRACKET,WIRING,NO.9		
	83465EZ	(N.e.c.)	BRACKET,WIRING,NO.9		
	83304FF	(N.e.c.)	BRACKET,HARNESS		
	83612BN	(N.e.c.)	BRACKET,FUSE BOX		
	83429MY	(N.e.c.)	BRACKET,WIRING,NO.2		

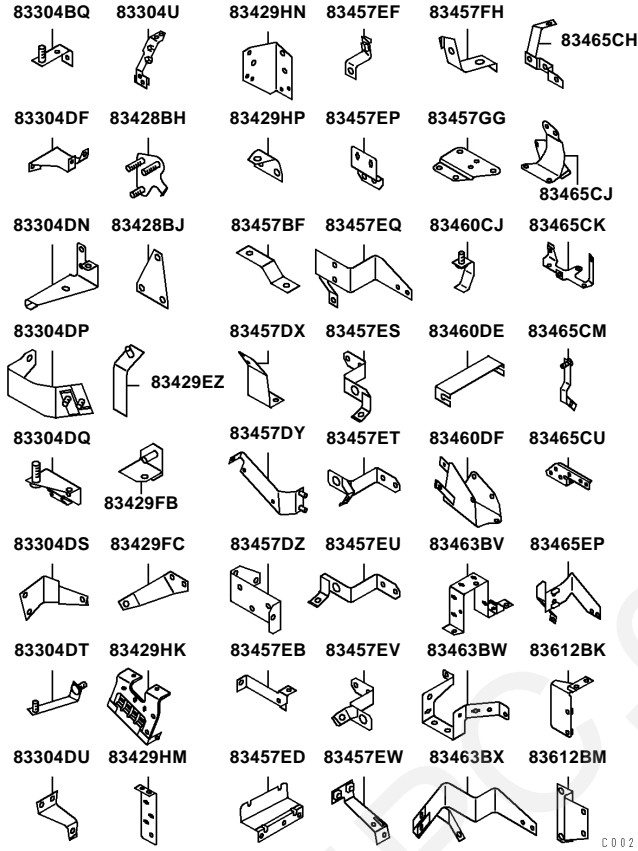
**FK74R
No.1**



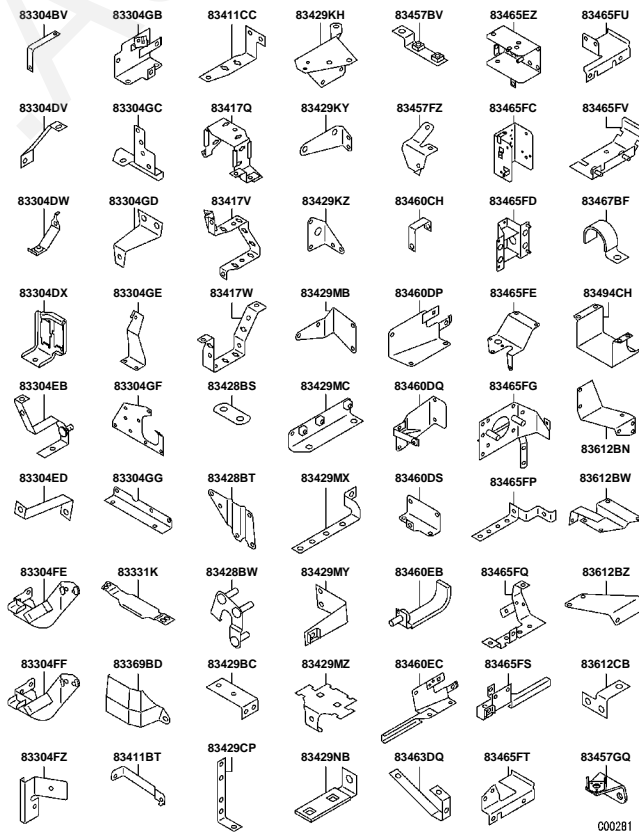
**FK74R
No.2**



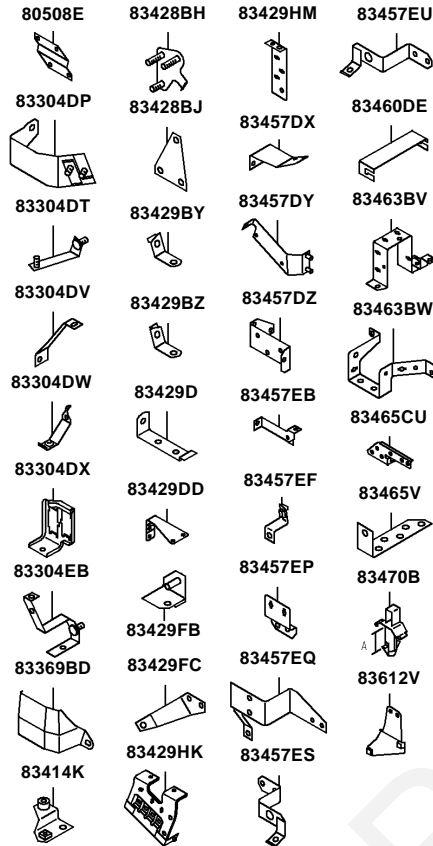
FK74R
No.3



FK74R
No.4



**FK74R
No.5**



C00287

Ref. |2054730-2

Page

**FK74R
54-730 CHASSIS HARNESS EQUIPMENT (2/4)**

Repl Part	PNC	Part No	Part Name	Qty	Part Spec	Remarks
	83429BC	MK637019	BRACKET,WIRING,NO.2	1		
	83429BX	MH023214	BRACKET,WIRING,NO.2	1		
		MH023214	BRACKET,WIRING,NO.2	1		
	83429BY	MC442035	BRACKET,WIRING,NO.2	1		
	83429BZ	MC442034	BRACKET,WIRING,NO.2	1		
	83429C	MH023701	BRACKET,WIRING,NO.2	2		
		MH023701	BRACKET,WIRING,NO.2	2		

Ref. |2054730-2

Page

FK74R
54-730 CHASSIS HARNESS EQUIPMENT (2/4)

Repl Part	PNC	Part No	Part Name	Qty	Part Spec	Remarks
	83429C	MH023701	BRACKET,WIRING,NO.2	2		
		MH023701	BRACKET,WIRING,NO.2	2		
		MH023701	BRACKET,WIRING,NO.2	2		
		MH026284	BRACKET,WIRING,NO.2	1		L1=70,L2=35
		MH026284	BRACKET,WIRING,NO.2	1		L1=70,L2=35
		MH026284	BRACKET,WIRING,NO.2	1		L1=70,L2=35
		MH026284	BRACKET,WIRING,NO.2	1		L1=70,L2=35
		MH026284	BRACKET,WIRING,NO.2	1		L1=70,L2=35
		MH023602	BRACKET,WIRING,NO.2	1		L1=70,L2=35
		MH023602	BRACKET,WIRING,NO.2	4		
		MH023602	BRACKET,WIRING,NO.2	4		
		MH023602	BRACKET,WIRING,NO.2	4		
		MH023602	BRACKET,WIRING,NO.2	4		
		MH023602	BRACKET,WIRING,NO.2	4		
		MH023602	BRACKET,WIRING,NO.2	4		
		MH023602	BRACKET,WIRING,NO.2	4		
		MH023602	BRACKET,WIRING,NO.2	4		
		MH023602	BRACKET,WIRING,NO.2	4		
		MH023602	BRACKET,WIRING,NO.2	4		
		MH023602	BRACKET,WIRING,NO.2	4		
		MH023602	BRACKET,WIRING,NO.2	4		
		MH023602	BRACKET,WIRING,NO.2	4		
		MH023602	BRACKET,WIRING,NO.2	4		
		MH023602	BRACKET,WIRING,NO.2	4		
		MH023701	BRACKET,WIRING,NO.2	1		
		MH023701	BRACKET,WIRING,NO.2	1		
		MH023701	BRACKET,WIRING,NO.2	1		
		MH023701	BRACKET,WIRING,NO.2	1		
		MH023701	BRACKET,WIRING,NO.2	1		
		MH023701	BRACKET,WIRING,NO.2	1		
		MH023701	BRACKET,WIRING,NO.2	1		
		MH023701	BRACKET,WIRING,NO.2	1		
		MH023701	BRACKET,WIRING,NO.2	1		
		MH023701	BRACKET,WIRING,NO.2	1		
		MH023701	BRACKET,WIRING,NO.2	1		
		MH023701	BRACKET,WIRING,NO.2	1		
		MH023701	BRACKET,WIRING,NO.2	1		

FK74R
54-730 CHASSIS HARNESS EQUIPMENT (2/4)

Repl Part	PNC	Part No	Part Name	Qty	Part Spec	Remarks
	83429C	MH023602	BRACKET,WIRING,NO.2	1		
		MH023700	BRACKET,WIRING,NO.2	1		
		MH023701	BRACKET,WIRING,NO.2	1		
		MH023602	BRACKET,WIRING,NO.2	3		
		MH023702	BRACKET,WIRING,NO.2	1		
		MH023602	BRACKET,WIRING,NO.2	1		
		MH023700	BRACKET,WIRING,NO.2	1		
		MH023701	BRACKET,WIRING,NO.2	1		
		MH023602	BRACKET,WIRING,NO.2	3		
		MH023702	BRACKET,WIRING,NO.2	1		
		MH023602	BRACKET,WIRING,NO.2	3		
		MH023702	BRACKET,WIRING,NO.2	1		
		MH023700	BRACKET,WIRING,NO.2	1		
		MH023700	BRACKET,WIRING,NO.2	1		
		MH023700	BRACKET,WIRING,NO.2	1		
		MH023700	BRACKET,WIRING,NO.2	1		
		MH023700	BRACKET,WIRING,NO.2	1		
		MH023700	BRACKET,WIRING,NO.2	1		
		MH023700	BRACKET,WIRING,NO.2	1		
		MH023700	BRACKET,WIRING,NO.2	1		
		MH023700	BRACKET,WIRING,NO.2	1		
		MH023700	BRACKET,WIRING,NO.2	1		
		MH023700	BRACKET,WIRING,NO.2	1		
		MH023700	BRACKET,WIRING,NO.2	1		

FK74R
54-730 CHASSIS HARNESS EQUIPMENT (2/4)

Repl Part	PNC	Part No	Part Name	Qty	Part Spec	Remarks
	83429C	MH023700	BRACKET,WIRING,NO.2	1		
		MH023700	BRACKET,WIRING,NO.2	1		
		MH023702	BRACKET,WIRING,NO.2	1		
		MH023702	BRACKET,WIRING,NO.2	1		
		MH023702	BRACKET,WIRING,NO.2	1		
		MH023702	BRACKET,WIRING,NO.2	1		
		MH023702	BRACKET,WIRING,NO.2	1		
		MH023702	BRACKET,WIRING,NO.2	1		
		MH023702	BRACKET,WIRING,NO.2	1		
		MH023702	BRACKET,WIRING,NO.2	1		
		MH023702	BRACKET,WIRING,NO.2	1		
		MH023702	BRACKET,WIRING,NO.2	1		
		MH023702	BRACKET,WIRING,NO.2	1		
		MH023701	BRACKET,WIRING,NO.2	2		
		MH023701	BRACKET,WIRING,NO.2	2		
		MH023701	BRACKET,WIRING,NO.2	2		
		MH023701	BRACKET,WIRING,NO.2	2		
		MH023701	BRACKET,WIRING,NO.2	2		
		MH023701	BRACKET,WIRING,NO.2	2		
		MH023602	BRACKET,WIRING,NO.2	6		
		MH023602	BRACKET,WIRING,NO.2	6		
		MH023602	BRACKET,WIRING,NO.2	6		
		MH023602	BRACKET,WIRING,NO.2	7		
		MH023602	BRACKET,WIRING,NO.2	7		
		MH023602	BRACKET,WIRING,NO.2	7		
		MH023602	BRACKET,WIRING,NO.2	7		
		MH023602	BRACKET,WIRING,NO.2	3		
		MH023700	BRACKET,WIRING,NO.2	1		

FK74R
54-730 CHASSIS HARNESS EQUIPMENT (2/4)

Repl Part	PNC	Part No	Part Name	Qty	Part Spec	Remarks
	83429C	MH023701	BRACKET,WIRING,NO.2	1		
		MH023602	BRACKET,WIRING,NO.2	4		
		MH023702	BRACKET,WIRING,NO.2	1		
		MH023700	BRACKET,WIRING,NO.2	1		
		MH023701	BRACKET,WIRING,NO.2	1		
	83429CP	MH026283	BRACKET,WIRING,NO.2	1		
	83429D	MH023609	BRACKET,WIRING,NO.2	1		
	83429DD	MC457483	BRACKET,WIRING,NO.2	1		
	83429EZ	MK468693	BRACKET,WIRING,NO.2	1		
	83429FB	MK466528	BRACKET,WIRING,NO.2	1		
	83429FC	MK537376	BRACKET,WIRING,NO.2	1		
	83429HK	MK540233	BRACKET,WIRING,NO.2	1		
	83429HM	MK538093	BRACKET,WIRING,NO.2	1		
		MK572088	BRACKET,WIRING,NO.2	1		
	83429HN	MK537884	BRACKET,WIRING,NO.2	1		

FK74R
54-730 CHASSIS HARNESS EQUIPMENT (2/4)

Repl Part	PNC	Part No	Part Name	Qty	Part Spec	Remarks
	83429KH	MK637027	BRACKET,WIRING,NO.2	1		
	83429MB	MK638985	BRACKET,WIRING,NO.2	1		
	83429P	MH023750	BRACKET,WIRING,NO.2	1		
	83457B	MH023800	BRACKET,WIRING,NO.5	1		BLACK
		MH023800	BRACKET,WIRING,NO.5	1		BLACK
		MH023800	BRACKET,WIRING,NO.5	1		BLACK
		MH023800	BRACKET,WIRING,NO.5	1		BLACK
		MH023800	BRACKET,WIRING,NO.5	1		BLACK
		MH023800	BRACKET,WIRING,NO.5	1		BLACK
		MH023800	BRACKET,WIRING,NO.5	1		BLACK
		MH023800	BRACKET,WIRING,NO.5	1		BLACK
		MH026465	BRACKET,WIRING,NO.5	1		
		MH026465	BRACKET,WIRING,NO.5	1		
		MH026465	BRACKET,WIRING,NO.5	1		
		MH026465	BRACKET,WIRING,NO.5	1		
		MH026465	BRACKET,WIRING,NO.5	1		
		MH026465	BRACKET,WIRING,NO.5	1		
		MH026465	BRACKET,WIRING,NO.5	1		
		MH026465	BRACKET,WIRING,NO.5	1		

FK74R
54-730 CHASSIS HARNESS EQUIPMENT (2/4)

Repl Part	PNC	Part No	Part Name	Qty	Part Spec	Remarks
	83457B	MH023804	BRACKET,WIRING,NO.5	2		
		MH023804	BRACKET,WIRING,NO.5	2		
		MH023804	BRACKET,WIRING,NO.5	2		
		MH023804	BRACKET,WIRING,NO.5	2		
		MH023800	BRACKET,WIRING,NO.5	1		BLACK
		MH023804	BRACKET,WIRING,NO.5	1		
		MH023804	BRACKET,WIRING,NO.5	1		
		MH026513	BRACKET,WIRING,NO.5	1		
		MH026513	BRACKET,WIRING,NO.5	1		
		MH026513	BRACKET,WIRING,NO.5	1		
		MH026513	BRACKET,WIRING,NO.5	1		
		MH023804	BRACKET,WIRING,NO.5	2		
		MH023804	BRACKET,WIRING,NO.5	2		
		MH023804	BRACKET,WIRING,NO.5	2		
		MH023802	BRACKET,WIRING,NO.5	1	H=45	W/O PAINTING
		MH023802	BRACKET,WIRING,NO.5	1	H=45	W/O PAINTING
		MH023802	BRACKET,WIRING,NO.5	1	H=45	W/O PAINTING
		MH023802	BRACKET,WIRING,NO.5	1	H=45	W/O PAINTING
		MH023800	BRACKET,WIRING,NO.5	1		BLACK
		MH023804	BRACKET,WIRING,NO.5	1		
		MH026513	BRACKET,WIRING,NO.5	1		
	83457C	MC440353	BRACKET,WIRING,NO.5	1		
		MC440353	BRACKET,WIRING,NO.5	1		
		MC440353	BRACKET,WIRING,NO.5	1		
		MC440353	BRACKET,WIRING,NO.5	1		
		MH026474	BRACKET,WIRING,NO.5	1		H=40

FK74R
54-730 CHASSIS HARNESS EQUIPMENT (2/4)

Repl Part	PNC	Part No	Part Name	Qty	Part Spec	Remarks
	83457C	MH026474	BRACKET,WIRING,NO.5	1		H=40
		MH026474	BRACKET,WIRING,NO.5	1		H=40
		MH026474	BRACKET,WIRING,NO.5	1		H=40
		MH026474	BRACKET,WIRING,NO.5	1		H=40
		MH026474	BRACKET,WIRING,NO.5	1		H=40
		MH026474	BRACKET,WIRING,NO.5	1		H=40
		MH026474	BRACKET,WIRING,NO.5	1		H=40
		MH026474	BRACKET,WIRING,NO.5	1		H=40
		MH023886	BRACKET,WIRING,NO.5	1		H=16
		MH026474	BRACKET,WIRING,NO.5	1		H=40
		MH023805	BRACKET,WIRING,NO.5	1		H=55
		MH023805	BRACKET,WIRING,NO.5	1		H=55
		MH023805	BRACKET,WIRING,NO.5	1		H=55
		MH023805	BRACKET,WIRING,NO.5	1		H=55
		MH023805	BRACKET,WIRING,NO.5	1		H=55
		MH023886	BRACKET,WIRING,NO.5	1		H=16
		MH026474	BRACKET,WIRING,NO.5	1		H=40

FK74R
54-730 CHASSIS HARNESS EQUIPMENT (2/4)

Repl Part	PNC	Part No	Part Name	Qty	Part Spec	Remarks
	83457CT	MH026553	BRACKET,WIRING,NO.5	1		
	83457D	MH023806	BRACKET,WIRING,NO.5	1		
		MH023806	BRACKET,WIRING,NO.5	1		
		MH023806	BRACKET,WIRING,NO.5	1		
		MH023806	BRACKET,WIRING,NO.5	1		
		MH023806	BRACKET,WIRING,NO.5	1		
		MH023806	BRACKET,WIRING,NO.5	1		
		MH023806	BRACKET,WIRING,NO.5	1		
		MH023806	BRACKET,WIRING,NO.5	1		
		MH023806	BRACKET,WIRING,NO.5	1		
		MH023807	BRACKET,WIRING,NO.5	1		
		MH023807	BRACKET,WIRING,NO.5	1		
		MH023807	BRACKET,WIRING,NO.5	1		
		MH023807	BRACKET,WIRING,NO.5	1		
		MH023807	BRACKET,WIRING,NO.5	1		
		MH023807	BRACKET,WIRING,NO.5	1		
		MH023807	BRACKET,WIRING,NO.5	1		
		MH023807	BRACKET,WIRING,NO.5	1		
		MH023807	BRACKET,WIRING,NO.5	1		
		MH023807	BRACKET,WIRING,NO.5	1		
		MH023806	BRACKET,WIRING,NO.5	1		
	MH023807	BRACKET,WIRING,NO.5	1			
	MH023806	BRACKET,WIRING,NO.5	3			
	MH023806	BRACKET,WIRING,NO.5	1			
	MH023807	BRACKET,WIRING,NO.5	1			
	83457DX	MK537865	BRACKET,WIRING,NO.5	1		

FK74R
54-730 CHASSIS HARNESS EQUIPMENT (2/4)

Repl Part	PNC	Part No	Part Name	Qty	Part Spec	Remarks
	83457DY	MK466525	BRACKET,WIRING,NO.5	1		
	83457DZ	MK537687	BRACKET,WIRING,NO.5	1		
	83457EB	MK466584	BRACKET,WIRING,NO.5	1		
		MK438599	BRACKET,WIRING,NO.5	1		
		MK438599	BRACKET,WIRING,NO.5	1		
		MK438599	BRACKET,WIRING,NO.5	1		
		MK438599	BRACKET,WIRING,NO.5	1		
		MK438599	BRACKET,WIRING,NO.5	1		
	83457EF	MK537374	BRACKET,WIRING,NO.5	1		
	83457EP	MK537514	BRACKET,WIRING,NO.5	1		
	83457EQ	MK539667	BRACKET,WIRING,NO.5	1		
		MK571899	BRACKET,WIRING,NO.5	1		
	83457J	MH023869	BRACKET,WIRING,NO.5	3		
	83460CJ	MK536854	BRACKET,WIRING,NO.7	1		
	83460DE	MK540241	BRACKET,WIRING,NO.7	1		

FK74R
54-730 CHASSIS HARNESS EQUIPMENT (2/4)

Repl Part	PNC	Part No	Part Name	Qty	Part Spec	Remarks
	83463BV	MK538044	BRACKET,WIRING,NO.8	1		
	83463BW	MK540135	BRACKET,WIRING,NO.8	1		
		MK665245	BRACKET,WIRING,NO.8	1		
	83463Z	MC458255	BRACKET,WIRING,NO.8	1		
	83465CH	MK536849	BRACKET,WIRING,NO.9	1		
	83465CJ	MK536851	BRACKET,WIRING,NO.9	1		
	83465CU	MK466533	BRACKET,WIRING,NO.9	1		
	83465EP	MK573002	BRACKET,WIRING,NO.9	1		
	83465FC	MK638019	BRACKET,WIRING,NO.9	1		
	83465FD	MK638015	BRACKET,WIRING,NO.9	1		
	83465V	MC455925	BRACKET,WIRING,NO.9	1		
	83467B	MH020538	CLIP,WIRING,NO.1	4	D=40	
RP		MS476419	CLIP,WIRING,NO.1	2	D=30	
RP		MS476418	CLIP,WIRING,NO.1	1	D=25	
RP		MS476419	CLIP,WIRING,NO.1	4	D=30	

FK74R
54-730 CHASSIS HARNESS EQUIPMENT (2/4)

Repl Part	PNC	Part No	Part Name	Qty	Part Spec	Remarks
RP	83467B	MS476419	CLIP,WIRING,NO.1	7	D=30	
		MH020538	CLIP,WIRING,NO.1	2	D=40	
RP		MS476419	CLIP,WIRING,NO.1	1	D=30	
RP		MS476419	CLIP,WIRING,NO.1	3	D=30	
	83467BB	MK637031	CLIP,WIRING,NO.1	1		
		MK637031	CLIP,WIRING,NO.1	1		
		MK637031	CLIP,WIRING,NO.1	1		
		MK637031	CLIP,WIRING,NO.1	1		
	83467BD	MK637031	CLIP,WIRING,NO.1	1		
		MK637031	CLIP,WIRING,NO.1	1		
		MK637031	CLIP,WIRING,NO.1	1		
		MK637031	CLIP,WIRING,NO.1	1		
	83467BF	MK638843	CLIP,WIRING,NO.1	2	D=32	
	83467C	MH020522	CLIP,WIRING,NO.1	1	D=18 H=15	
		MH020522	CLIP,WIRING,NO.1	3	D=18 H=15	
		MH020522	CLIP,WIRING,NO.1	1	D=18 H=15	
		MH020522	CLIP,WIRING,NO.1	1	D=18 H=15	
		MH020522	CLIP,WIRING,NO.1	1	D=18 H=15	
		MH020522	CLIP,WIRING,NO.1	1	D=18 H=15	
		MH020521	CLIP,WIRING,NO.1	1	D=15 H=15	

FK74R
54-730 CHASSIS HARNESS EQUIPMENT (2/4)

Repl Part	PNC	Part No	Part Name	Qty	Part Spec	Remarks
	83467C	MH020521	CLIP,WIRING,NO.1	1	D=15 H=15	
		MH020521	CLIP,WIRING,NO.1	1	D=15 H=15	
		MH020521	CLIP,WIRING,NO.1	1	D=15 H=15	
		MH020523	CLIP,WIRING,NO.1	1	D=20,H=15	
		MH020523	CLIP,WIRING,NO.1	1	D=20,H=15	
		MH020523	CLIP,WIRING,NO.1	1	D=20,H=15	
		MH020523	CLIP,WIRING,NO.1	1	D=20,H=15	
		MH020523	CLIP,WIRING,NO.1	2	D=20,H=15	
RP	83467D	MS476416	CLIP,WIRING,NO.1	2	D=18	
RP		MS476416	CLIP,WIRING,NO.1	2	D=18	
RP		MS476416	CLIP,WIRING,NO.1	2	D=18	
RP		MS476416	CLIP,WIRING,NO.1	2	D=18	
RP		MS476416	CLIP,WIRING,NO.1	2	D=18	
RP		MS476416	CLIP,WIRING,NO.1	1	D=18	
RP		MS476417	CLIP,WIRING,NO.1	1	D=20	
RP		MS476416	CLIP,WIRING,NO.1	1	D=18	
RP		MS476417	CLIP,WIRING,NO.1	1	D=20	
RP		MS476416	CLIP,WIRING,NO.1	3	D=18	
RP		MS476416	CLIP,WIRING,NO.1	3	D=18	
RP		MS476416	CLIP,WIRING,NO.1	3	D=18	
RP		MS476416	CLIP,WIRING,NO.1	3	D=18	

FK74R
54-730 CHASSIS HARNESS EQUIPMENT (2/4)

Repl Part	PNC	Part No	Part Name	Qty	Part Spec	Remarks	
RP	83467D	MS476416	CLIP,WIRING,NO.1	3	D=18		
RP		MS476416	CLIP,WIRING,NO.1	3	D=18		
RP		MS476416	CLIP,WIRING,NO.1	3	D=18		
RP		MS476417	CLIP,WIRING,NO.1	1	D=20		
RP		MS476417	CLIP,WIRING,NO.1	1	D=20		
RP		MS476417	CLIP,WIRING,NO.1	1	D=20		
RP		MS476417	CLIP,WIRING,NO.1	1	D=20		
RP		MS476417	CLIP,WIRING,NO.1	1	D=20		
RP		MS476417	CLIP,WIRING,NO.1	1	D=20		
RP		MS476417	CLIP,WIRING,NO.1	1	D=20		
RP	83467E	MS476412	CLIP,WIRING,NO.1	1	D=8		
RP		MS476412	CLIP,WIRING,NO.1	1	D=8		
RP		MS476412	CLIP,WIRING,NO.1	1	D=8		
RP		MS476415	CLIP,WIRING,NO.1	1	D=15		
RP		MS476415	CLIP,WIRING,NO.1	1	D=15		
RP		MS476415	CLIP,WIRING,NO.1	1	D=15		
RP		MS476415	CLIP,WIRING,NO.1	1	D=15		
RP		MS476415	CLIP,WIRING,NO.1	1	D=15		
RP		MS476415	CLIP,WIRING,NO.1	1	D=15		
RP		MS476415	CLIP,WIRING,NO.1	1	D=15		
RP	83468D	MS476416	CLIP,WIRING,NO.1	2	D=18		
RP		MS476412	CLIP,WIRING,NO.1	1	D=8		
RP		MS476412	CLIP,WIRING,NO.1	1	D=8		
RP		MS476412	CLIP,WIRING,NO.1	1	D=8		
	83467E	MA275781	CLIP,WIRING,NO.1	1	D=30		
		83468D	MH020801	CLIP,WIRING,NO.2	1	D=6.4	
			MH020801	CLIP,WIRING,NO.2	1	D=6.4	
			MH020801	CLIP,WIRING,NO.2	1	D=6.4	
	MH020801		CLIP,WIRING,NO.2	1	D=6.4		

FK74R
54-730 CHASSIS HARNESS EQUIPMENT (2/4)

Repl Part	PNC	Part No	Part Name	Qty	Part Spec	Remarks
	83468D	MH020801	CLIP,WIRING,NO.2	1	D=6.4	
		MH020801	CLIP,WIRING,NO.2	1	D=6.4	
RP		MH020801	CLIP,WIRING,NO.2	1	D=6.4	
		MH020805	CLIP,WIRING,NO.2	2	D=15	
RP		MH020805	CLIP,WIRING,NO.2	2	D=15	
RP		MH020805	CLIP,WIRING,NO.2	2	D=15	
RP		MH020805	CLIP,WIRING,NO.2	2	D=15	
		MH020805	CLIP,WIRING,NO.2	2	D=15	
		MH020805	CLIP,WIRING,NO.2	2	D=15	
RP		MH020805	CLIP,WIRING,NO.2	2	D=15	
		MH020270	CLIP,WIRING,NO.2	3	D=24	
		MH020801	CLIP,WIRING,NO.2	1	D=6.4	
		MH020802	CLIP,WIRING,NO.2	1	D=8	
RP		MH020805	CLIP,WIRING,NO.2	1	D=15	
		MH020806	CLIP,WIRING,NO.2	1	D=18	
		MH020809	CLIP,WIRING,NO.2	3	D=22	
		MH020808	CLIP,WIRING,NO.2	2	D=20	
		MH020809	CLIP,WIRING,NO.2	2	D=22	
		MH020801	CLIP,WIRING,NO.2	1	D=6.4	
		MH020806	CLIP,WIRING,NO.2	1	D=18	
		MH020808	CLIP,WIRING,NO.2	2	D=20	
		MH020809	CLIP,WIRING,NO.2	2	D=22	
RP		MH020805	CLIP,WIRING,NO.2	2	D=15	
		MH020806	CLIP,WIRING,NO.2	3	D=18	
		MH020270	CLIP,WIRING,NO.2	3	D=24	
		MH020270	CLIP,WIRING,NO.2	3	D=24	

FK74R
54-730 CHASSIS HARNESS EQUIPMENT (2/4)

Repl Part	PNC	Part No	Part Name	Qty	Part Spec	Remarks
	83468D	MH020270	CLIP,WIRING,NO.2	3	D=24	
		MH020270	CLIP,WIRING,NO.2	3	D=24	
		MH020270	CLIP,WIRING,NO.2	3	D=24	
		MH020270	CLIP,WIRING,NO.2	3	D=24	
		MH020270	CLIP,WIRING,NO.2	3	D=24	
		MH020270	CLIP,WIRING,NO.2	3	D=24	
		MH020270	CLIP,WIRING,NO.2	3	D=24	
		MH020270	CLIP,WIRING,NO.2	3	D=24	
		MH020270	CLIP,WIRING,NO.2	3	D=24	
		MH020270	CLIP,WIRING,NO.2	3	D=24	
		MH020270	CLIP,WIRING,NO.2	3	D=24	
		MH020270	CLIP,WIRING,NO.2	3	D=24	
		MH020270	CLIP,WIRING,NO.2	3	D=24	
		MH020270	CLIP,WIRING,NO.2	3	D=24	
		MH020270	CLIP,WIRING,NO.2	3	D=24	
		MH020270	CLIP,WIRING,NO.2	3	D=24	
		MH020270	CLIP,WIRING,NO.2	3	D=24	
		MH020270	CLIP,WIRING,NO.2	3	D=24	
		MH020270	CLIP,WIRING,NO.2	3	D=24	
		MH020270	CLIP,WIRING,NO.2	3	D=24	
		MH020270	CLIP,WIRING,NO.2	3	D=24	
		MH020270	CLIP,WIRING,NO.2	3	D=24	
		MH020806	CLIP,WIRING,NO.2	1	D=18	
		MH020806	CLIP,WIRING,NO.2	1	D=18	
		MH020806	CLIP,WIRING,NO.2	1	D=18	
		MH020806	CLIP,WIRING,NO.2	1	D=18	
		MH020806	CLIP,WIRING,NO.2	1	D=18	
		MH020806	CLIP,WIRING,NO.2	1	D=18	
		MH020806	CLIP,WIRING,NO.2	1	D=18	
		MH020806	CLIP,WIRING,NO.2	1	D=18	
		MH020806	CLIP,WIRING,NO.2	1	D=18	
		MH020806	CLIP,WIRING,NO.2	1	D=18	
		MH020806	CLIP,WIRING,NO.2	1	D=18	
		MH020806	CLIP,WIRING,NO.2	1	D=18	
		MH020806	CLIP,WIRING,NO.2	1	D=18	
		MH020806	CLIP,WIRING,NO.2	1	D=18	
		MH020806	CLIP,WIRING,NO.2	1	D=18	
		MH020806	CLIP,WIRING,NO.2	1	D=18	
		MH020806	CLIP,WIRING,NO.2	1	D=18	
		MH020806	CLIP,WIRING,NO.2	1	D=18	
		MH020806	CLIP,WIRING,NO.2	1	D=18	
		MH020806	CLIP,WIRING,NO.2	1	D=18	
		MH020806	CLIP,WIRING,NO.2	1	D=18	
		MH020806	CLIP,WIRING,NO.2	1	D=18	
		MH020806	CLIP,WIRING,NO.2	1	D=18	
		MH020806	CLIP,WIRING,NO.2	1	D=18	
		MH020806	CLIP,WIRING,NO.2	1	D=18	
		MH020806	CLIP,WIRING,NO.2	1	D=18	
		MH020806	CLIP,WIRING,NO.2	1	D=18	
		MH020806	CLIP,WIRING,NO.2	1	D=18	
		MH020806	CLIP,WIRING,NO.2	1	D=18	
		MH020809	CLIP,WIRING,NO.2	2	D=22	
		MH020809	CLIP,WIRING,NO.2	2	D=22	
		MH020809	CLIP,WIRING,NO.2	2	D=22	
		MH020809	CLIP,WIRING,NO.2	2	D=22	

FK74R
54-730 CHASSIS HARNESS EQUIPMENT (2/4)

Repl Part	PNC	Part No	Part Name	Qty	Part Spec	Remarks
	83468D	MH020809	CLIP,WIRING,NO.2	2	D=22	
		MH020809	CLIP,WIRING,NO.2	2	D=22	
		MH020809	CLIP,WIRING,NO.2	2	D=22	
		MH020809	CLIP,WIRING,NO.2	2	D=22	
		MH020809	CLIP,WIRING,NO.2	2	D=22	
		MH020809	CLIP,WIRING,NO.2	2	D=22	
		MH020809	CLIP,WIRING,NO.2	2	D=22	
		MH020809	CLIP,WIRING,NO.2	2	D=22	
		MH020809	CLIP,WIRING,NO.2	2	D=22	
		MH020809	CLIP,WIRING,NO.2	2	D=22	
		MH020809	CLIP,WIRING,NO.2	2	D=22	
		MH020809	CLIP,WIRING,NO.2	2	D=22	
		MH020809	CLIP,WIRING,NO.2	2	D=22	
		MH020809	CLIP,WIRING,NO.2	2	D=22	
		MH020809	CLIP,WIRING,NO.2	2	D=22	
		MH020809	CLIP,WIRING,NO.2	2	D=22	
		MH020809	CLIP,WIRING,NO.2	2	D=22	
		MH020809	CLIP,WIRING,NO.2	2	D=22	
		MH020809	CLIP,WIRING,NO.2	2	D=22	
RP		MH020805	CLIP,WIRING,NO.2	2	D=15	
RP		MH020805	CLIP,WIRING,NO.2	2	D=15	
RP		MH020805	CLIP,WIRING,NO.2	2	D=15	
RP		MH020805	CLIP,WIRING,NO.2	2	D=15	
RP		MH020805	CLIP,WIRING,NO.2	2	D=15	
RP		MH020805	CLIP,WIRING,NO.2	2	D=15	
RP		MH020805	CLIP,WIRING,NO.2	2	D=15	
RP		MH020805	CLIP,WIRING,NO.2	2	D=15	
RP		MH020805	CLIP,WIRING,NO.2	2	D=15	
RP		MH020805	CLIP,WIRING,NO.2	2	D=15	
RP		MH020805	CLIP,WIRING,NO.2	2	D=15	
RP		MH020805	CLIP,WIRING,NO.2	2	D=15	
RP		MH020805	CLIP,WIRING,NO.2	2	D=15	
RP		MH020805	CLIP,WIRING,NO.2	2	D=15	
		MH020270	CLIP,WIRING,NO.2	3	D=24	
RP		MH020805	CLIP,WIRING,NO.2	1	D=15	
RP		MH020805	CLIP,WIRING,NO.2	2	D=15	
		MH020809	CLIP,WIRING,NO.2	2	D=22	

FK74R
54-730 CHASSIS HARNESS EQUIPMENT (2/4)

Repl Part	PNC	Part No	Part Name	Qty	Part Spec	Remarks
	83468D	MH020276	CLIP,WIRING,NO.2	1	D=26	
		MH020806	CLIP,WIRING,NO.2	1	D=18	
		MH020270	CLIP,WIRING,NO.2	3	D=24	
RP		MH020805	CLIP,WIRING,NO.2	1	D=15	
RP		MH020805	CLIP,WIRING,NO.2	1	D=15	
		MH020809	CLIP,WIRING,NO.2	3	D=22	
		MH020276	CLIP,WIRING,NO.2	1	D=26	
		MH020806	CLIP,WIRING,NO.2	1	D=18	
		MH020276	CLIP,WIRING,NO.2	1	D=26	
RP		MH020805	CLIP,WIRING,NO.2	2	D=15	
		MH020806	CLIP,WIRING,NO.2	1	D=18	
		MH020276	CLIP,WIRING,NO.2	1	D=26	
		MH020276	CLIP,WIRING,NO.2	1	D=26	
		MH020276	CLIP,WIRING,NO.2	1	D=26	
		MH020276	CLIP,WIRING,NO.2	1	D=26	
		MH020276	CLIP,WIRING,NO.2	1	D=26	
		MH020276	CLIP,WIRING,NO.2	1	D=26	
		MH020276	CLIP,WIRING,NO.2	1	D=26	
		MH020276	CLIP,WIRING,NO.2	1	D=26	
		MH020276	CLIP,WIRING,NO.2	1	D=26	
		MH020276	CLIP,WIRING,NO.2	1	D=26	
		MH020276	CLIP,WIRING,NO.2	1	D=26	
		MH020276	CLIP,WIRING,NO.2	1	D=26	
		MH020276	CLIP,WIRING,NO.2	1	D=26	
RP		MH020276 MH020805	CLIP,WIRING,NO.2 CLIP,WIRING,NO.2	1 6	D=26 D=15	
RP		MH020805	CLIP,WIRING,NO.2	6	D=15	
RP		MH020805	CLIP,WIRING,NO.2	6	D=15	
		MH020808	CLIP,WIRING,NO.2	1	D=20	
		MH020808	CLIP,WIRING,NO.2	1	D=20	

FK74R
54-730 CHASSIS HARNESS EQUIPMENT (2/4)

Repl Part	PNC	Part No	Part Name	Qty	Part Spec	Remarks
	83468D	MH020808	CLIP,WIRING,NO.2	1	D=20	
		MH020803	CLIP,WIRING,NO.2	1	D=10 L=17	
		MH020803	CLIP,WIRING,NO.2	1	D=10 L=17	
		MH020803	CLIP,WIRING,NO.2	1	D=10 L=17	
		MH020803	CLIP,WIRING,NO.2	1	D=10 L=17	
		MH020803	CLIP,WIRING,NO.2	1	D=10 L=17	
		MH020803	CLIP,WIRING,NO.2	1	D=10 L=17	
RP		MH020805	CLIP,WIRING,NO.2	7	D=15	
RP		MH020805	CLIP,WIRING,NO.2	7	D=15	
RP		MH020805	CLIP,WIRING,NO.2	7	D=15	
RP		MH020805	CLIP,WIRING,NO.2	7	D=15	
		MH020270	CLIP,WIRING,NO.2	3	D=24	
		MH020803	CLIP,WIRING,NO.2	1	D=10 L=17	
RP		MH020805	CLIP,WIRING,NO.2	1	D=15	
		MH020802	CLIP,WIRING,NO.2	1	D=8	
RP		MH020805	CLIP,WIRING,NO.2	3	D=15	
RP		MH020805	CLIP,WIRING,NO.2	6	D=15	
		MH020808	CLIP,WIRING,NO.2	3	D=20	
		MH020809	CLIP,WIRING,NO.2	2	D=22	
		MH020276	CLIP,WIRING,NO.2	1	D=26	
		MH020806	CLIP,WIRING,NO.2	1	D=18	
		MH020803	CLIP,WIRING,NO.2	1	D=10 L=17	
		MH020270	CLIP,WIRING,NO.2	3	D=24	
		MH020803	CLIP,WIRING,NO.2	1	D=10 L=17	
RP		MH020805	CLIP,WIRING,NO.2	1	D=15	

FK74R
54-730 CHASSIS HARNESS EQUIPMENT (2/4)

Repl Part RP	PNC 83468D	Part No	Part Name	Qty	Part Spec	Remarks
		MH020805	CLIP,WIRING,NO.2	5	D=15	
		MH020808	CLIP,WIRING,NO.2	1	D=20	
		MH020270	CLIP,WIRING,NO.2	1	D=24	
RP		MH020805	CLIP,WIRING,NO.2	8	D=15	
		MH020809	CLIP,WIRING,NO.2	3	D=22	
RP		MH020805	CLIP,WIRING,NO.2	6	D=15	
	83468F	MH020830	CLIP,WIRING,NO.2	1	D=4.8	
		MH020830	CLIP,WIRING,NO.2	1	D=4.8	
		MH020830	CLIP,WIRING,NO.2	1	D=4.8	
		MH020830	CLIP,WIRING,NO.2	1	D=4.8	
		MH020833	CLIP,WIRING,NO.2	1	D=10 H=13	
	83468G	MC021037	CLIP,WIRING,NO.2	2	CLIP,D=25	
		MC021037	CLIP,WIRING,NO.2	2	CLIP,D=25	
		MC021037	CLIP,WIRING,NO.2	2	CLIP,D=25	
		MC021037	CLIP,WIRING,NO.2	2	CLIP,D=25	
		MC021037	CLIP,WIRING,NO.2	2	CLIP,D=25	
		MC033379	CLIP,WIRING,NO.2	1	D=33	
		MC033379	CLIP,WIRING,NO.2	1	D=33	
		MC033379	CLIP,WIRING,NO.2	1	D=33	
		MC033379	CLIP,WIRING,NO.2	1	D=33	
		MK536840	CLIP,WIRING,NO.2	2	D=38	
		MK536840	CLIP,WIRING,NO.2	2	D=38	
		MK536840	CLIP,WIRING,NO.2	2	D=38	

FK74R
54-730 CHASSIS HARNESS EQUIPMENT (2/4)

Repl Part	PNC	Part No	Part Name	Qty	Part Spec	Remarks
	83468G	MK536840	CLIP,WIRING,NO.2	2	D=38	
		MK536840	CLIP,WIRING,NO.2	2	D=38	
		MC033375	CLIP,WIRING,NO.2	2	D=25	
		MC033375	CLIP,WIRING,NO.2	2	D=25	
		MC033375	CLIP,WIRING,NO.2	2	D=25	
		MC033375	CLIP,WIRING,NO.2	2	D=25	
		MC033375	CLIP,WIRING,NO.2	2	D=25	
		MC033379	CLIP,WIRING,NO.2	3	D=33	
		MC033379	CLIP,WIRING,NO.2	4	D=33	
		MC455547	CLIP,WIRING,NO.2	2	D=36	
		MC455547	CLIP,WIRING,NO.2	2	D=36	
		MC455547	CLIP,WIRING,NO.2	2	D=36	
		MC455547	CLIP,WIRING,NO.2	2	D=36	
		MK536840	CLIP,WIRING,NO.2	1	D=38	
		MK571939	CLIP,WIRING,NO.2	2	D=36	
		MK571939	CLIP,WIRING,NO.2	2	D=36	
		MK571939	CLIP,WIRING,NO.2	2	D=36	
		MK571940	CLIP,WIRING,NO.2	2	D=25	
		MK571940	CLIP,WIRING,NO.2	2	D=25	
		MK571940	CLIP,WIRING,NO.2	2	D=25	
		MK571940	CLIP,WIRING,NO.2	2	D=25	
		MK571940	CLIP,WIRING,NO.2	2	D=25	
		MK572330	CLIP,WIRING,NO.2	1	D=38	
		MC455547	CLIP,WIRING,NO.2	2	D=36	
		MK571939	CLIP,WIRING,NO.2	1	D=36	
		MK571940	CLIP,WIRING,NO.2	1	D=25	
		MK536840	CLIP,WIRING,NO.2	2	D=38	
		MK572330	CLIP,WIRING,NO.2	2	D=38	
		MK536840	CLIP,WIRING,NO.2	2	D=38	
		MK572330	CLIP,WIRING,NO.2	2	D=38	
		MC033375	CLIP,WIRING,NO.2	1	D=25	
		MC033375	CLIP,WIRING,NO.2	1	D=25	
		MC033375	CLIP,WIRING,NO.2	1	D=25	
		MC033375	CLIP,WIRING,NO.2	1	D=25	
		MC033375	CLIP,WIRING,NO.2	1	D=25	
		MC033375	CLIP,WIRING,NO.2	1	D=25	
		MC033375	CLIP,WIRING,NO.2	1	D=25	
		MC033375	CLIP,WIRING,NO.2	1	D=25	
		MC033375	CLIP,WIRING,NO.2	1	D=25	
		MC033379	CLIP,WIRING,NO.2	1	D=33	
		MC033379	CLIP,WIRING,NO.2	1	D=33	
		MC033379	CLIP,WIRING,NO.2	1	D=33	
		MC033379	CLIP,WIRING,NO.2	1	D=33	
		MC033379	CLIP,WIRING,NO.2	1	D=33	
		MC033379	CLIP,WIRING,NO.2	1	D=33	
		MC455547	CLIP,WIRING,NO.2	1	D=36	
		MC455547	CLIP,WIRING,NO.2	1	D=36	
		MC455547	CLIP,WIRING,NO.2	1	D=36	
		MC455547	CLIP,WIRING,NO.2	1	D=36	
		MC455547	CLIP,WIRING,NO.2	1	D=36	
		MC455547	CLIP,WIRING,NO.2	1	D=36	
		MC455547	CLIP,WIRING,NO.2	1	D=36	
		MC455547	CLIP,WIRING,NO.2	1	D=36	
		MC455547	CLIP,WIRING,NO.2	1	D=36	

FK74R
54-730 CHASSIS HARNESS EQUIPMENT (2/4)

Repl Part	PNC	Part No	Part Name	Qty	Part Spec	Remarks
	83468G	MC021037	CLIP,WIRING,NO.2	1	CLIP,D=25	
		MC033375	CLIP,WIRING,NO.2	2	D=25	
		MC033375	CLIP,WIRING,NO.2	2	D=25	
		MC033375	CLIP,WIRING,NO.2	2	D=25	
		MC033375	CLIP,WIRING,NO.2	2	D=25	
		MC033375	CLIP,WIRING,NO.2	2	D=25	
		MC033375	CLIP,WIRING,NO.2	2	D=25	
		MC033375	CLIP,WIRING,NO.2	2	D=25	
		MC455547	CLIP,WIRING,NO.2	2	D=36	
		MC455547	CLIP,WIRING,NO.2	2	D=36	
		MC455547	CLIP,WIRING,NO.2	2	D=36	
		MC455547	CLIP,WIRING,NO.2	2	D=36	
		MC455547	CLIP,WIRING,NO.2	2	D=36	
		MC033379	CLIP,WIRING,NO.2	1	D=33	
		MK536843	CLIP,WIRING,NO.2	2	D=44	
		MC021036	CLIP,WIRING,NO.2	1	CLIP,D=22	
		MC021037	CLIP,WIRING,NO.2	1	CLIP,D=25	
		MC033375	CLIP,WIRING,NO.2	1	D=25	
		MC033375	CLIP,WIRING,NO.2	2	D=25	
		MK536840	CLIP,WIRING,NO.2	2	D=38	
		MC021037	CLIP,WIRING,NO.2	1	CLIP,D=25	
		MC033375	CLIP,WIRING,NO.2	2	D=25	
		MK536840	CLIP,WIRING,NO.2	2	D=38	
		MK536840	CLIP,WIRING,NO.2	1	D=38	
	83468H	MH020423	CLIP,WIRING,NO.2	1	D=18	
		MH020423	CLIP,WIRING,NO.2	1	D=18	
		MH020423	CLIP,WIRING,NO.2	1	D=18	
		MH020423	CLIP,WIRING,NO.2	1	D=18	
		MH020423	CLIP,WIRING,NO.2	1	D=18	
		MH020419	CLIP,WIRING,NO.2	1	D=10	
		MH020418	CLIP,WIRING,NO.2	1	D=8	

FK74R
54-730 CHASSIS HARNESS EQUIPMENT (2/4)

Repl Part	PNC	Part No	Part Name	Qty	Part Spec	Remarks
	83468H	MH020423	CLIP,WIRING,NO.2	1	D=18	
		MH020418	CLIP,WIRING,NO.2	1	D=8	
		MH020419	CLIP,WIRING,NO.2	1	D=10	
		MH020423	CLIP,WIRING,NO.2	1	D=18	
		MH020418	CLIP,WIRING,NO.2	1	D=8	
		MH020418	CLIP,WIRING,NO.2	1	D=8	
		MH020418	CLIP,WIRING,NO.2	1	D=8	
		MH020418	CLIP,WIRING,NO.2	1	D=8	
		MH020418	CLIP,WIRING,NO.2	1	D=8	
		MH020418	CLIP,WIRING,NO.2	1	D=8	
		MH020418	CLIP,WIRING,NO.2	1	D=8	
		MH020418	CLIP,WIRING,NO.2	1	D=8	
		MH020418	CLIP,WIRING,NO.2	1	D=8	
		MH020418	CLIP,WIRING,NO.2	1	D=8	
		MH020418	CLIP,WIRING,NO.2	1	D=8	
		MH020418	CLIP,WIRING,NO.2	1	D=8	
		MH020418	CLIP,WIRING,NO.2	1	D=8	
		MH020418	CLIP,WIRING,NO.2	1	D=8	
		MH020418	CLIP,WIRING,NO.2	1	D=8	
		MH020418	CLIP,WIRING,NO.2	1	D=8	
		MH020418	CLIP,WIRING,NO.2	1	D=8	
		MH020418	CLIP,WIRING,NO.2	1	D=8	
		MH020419	CLIP,WIRING,NO.2	2	D=10	
		MH020419	CLIP,WIRING,NO.2	2	D=10	
		MH020419	CLIP,WIRING,NO.2	2	D=10	
		MH020419	CLIP,WIRING,NO.2	2	D=10	
		MH020419	CLIP,WIRING,NO.2	2	D=10	
		MH020419	CLIP,WIRING,NO.2	2	D=10	
		MH020419	CLIP,WIRING,NO.2	2	D=10	
		MH020419	CLIP,WIRING,NO.2	2	D=10	
		MH020419	CLIP,WIRING,NO.2	2	D=10	
		MH020419	CLIP,WIRING,NO.2	2	D=10	
		MH020419	CLIP,WIRING,NO.2	2	D=10	
		MH020419	CLIP,WIRING,NO.2	2	D=10	
		MH020419	CLIP,WIRING,NO.2	2	D=10	
		MH020419	CLIP,WIRING,NO.2	2	D=10	
		MH020419	CLIP,WIRING,NO.2	2	D=10	
		MH020419	CLIP,WIRING,NO.2	2	D=10	
		MH020419	CLIP,WIRING,NO.2	2	D=10	
		MH020419	CLIP,WIRING,NO.2	2	D=10	
		MH020419	CLIP,WIRING,NO.2	2	D=10	
		MH020419	CLIP,WIRING,NO.2	2	D=10	
		MH020419	CLIP,WIRING,NO.2	2	D=10	
		MH020419	CLIP,WIRING,NO.2	2	D=10	
		MH020419	CLIP,WIRING,NO.2	2	D=10	
		MH020419	CLIP,WIRING,NO.2	2	D=10	
		MH020419	CLIP,WIRING,NO.2	2	D=10	
		MH020419	CLIP,WIRING,NO.2	2	D=10	
		MH020419	CLIP,WIRING,NO.2	2	D=10	
		MH020419	CLIP,WIRING,NO.2	2	D=10	
		MH020419	CLIP,WIRING,NO.2	2	D=10	
		MH020419	CLIP,WIRING,NO.2	2	D=10	
		MH020419	CLIP,WIRING,NO.2	2	D=10	
		MH020419	CLIP,WIRING,NO.2	2	D=10	
		MH020419	CLIP,WIRING,NO.2	2	D=10	
		MH020419	CLIP,WIRING,NO.2	2	D=10	
		MH020419	CLIP,WIRING,NO.2	2	D=10	

FK74R
54-730 CHASSIS HARNESS EQUIPMENT (2/4)

Repl Part	PNC	Part No	Part Name	Qty	Part Spec	Remarks
	83468H	MH020419	CLIP,WIRING,NO.2	2	D=10	
		MH020419	CLIP,WIRING,NO.2	2	D=10	
		MH020419	CLIP,WIRING,NO.2	2	D=10	
		MH020419	CLIP,WIRING,NO.2	2	D=10	
		MH020419	CLIP,WIRING,NO.2	2	D=10	
		MH020422	CLIP,WIRING,NO.2	1	D=16	
		MH020422	CLIP,WIRING,NO.2	1	D=16	
		MH020422	CLIP,WIRING,NO.2	1	D=16	
		MH020422	CLIP,WIRING,NO.2	1	D=16	
		MH020422	CLIP,WIRING,NO.2	1	D=16	
		MH020422	CLIP,WIRING,NO.2	1	D=16	
		MH020422	CLIP,WIRING,NO.2	1	D=16	
		MH020422	CLIP,WIRING,NO.2	1	D=16	
		MH020422	CLIP,WIRING,NO.2	1	D=16	
		MH020422	CLIP,WIRING,NO.2	1	D=16	
		MH020422	CLIP,WIRING,NO.2	1	D=16	
		MH020422	CLIP,WIRING,NO.2	1	D=16	
		MH020422	CLIP,WIRING,NO.2	1	D=16	
		MH020422	CLIP,WIRING,NO.2	1	D=16	
		MH020422	CLIP,WIRING,NO.2	1	D=16	
		MH020422	CLIP,WIRING,NO.2	1	D=16	
		MH020422	CLIP,WIRING,NO.2	1	D=16	
		MH020422	CLIP,WIRING,NO.2	1	D=16	
		MH020422	CLIP,WIRING,NO.2	1	D=16	
		MH020422	CLIP,WIRING,NO.2	1	D=16	
		MH020422	CLIP,WIRING,NO.2	1	D=16	
		MH020422	CLIP,WIRING,NO.2	1	D=16	
		MH020422	CLIP,WIRING,NO.2	1	D=16	
		MH020421	CLIP,WIRING,NO.2	2	D=15	
		MH020421	CLIP,WIRING,NO.2	2	D=15	
		MH020421	CLIP,WIRING,NO.2	2	D=15	
		MH020421	CLIP,WIRING,NO.2	2	D=15	
		MH020421	CLIP,WIRING,NO.2	2	D=15	
		MH020421	CLIP,WIRING,NO.2	1	D=15	
		MH020419	CLIP,WIRING,NO.2	1	D=10	

FK74R
54-730 CHASSIS HARNESS EQUIPMENT (2/4)

Repl Part	PNC	Part No	Part Name	Qty	Part Spec	Remarks
	83468H	MH020418	CLIP,WIRING,NO.2	1	D=8	
		MH020419	CLIP,WIRING,NO.2	1	D=10	
		MH020418	CLIP,WIRING,NO.2	1	D=8	
		MH020418	CLIP,WIRING,NO.2	1	D=8	
		MH020419	CLIP,WIRING,NO.2	1	D=10	
		MH020421	CLIP,WIRING,NO.2	1	D=15	
		MH020421	CLIP,WIRING,NO.2	1	D=15	
		MH020421	CLIP,WIRING,NO.2	1	D=15	
		MH020421	CLIP,WIRING,NO.2	1	D=15	
		MH020421	CLIP,WIRING,NO.2	1	D=15	
		MH020421	CLIP,WIRING,NO.2	1	D=15	
		MH020421	CLIP,WIRING,NO.2	1	D=15	
		MH020421	CLIP,WIRING,NO.2	1	D=15	
		MH020459	CLIP,WIRING,NO.2	3	D=26	
		MH020459	CLIP,WIRING,NO.2	3	D=26	
		MH020459	CLIP,WIRING,NO.2	3	D=26	
		MH020459	CLIP,WIRING,NO.2	3	D=26	
		MH020459	CLIP,WIRING,NO.2	3	D=26	
		MH020421	CLIP,WIRING,NO.2	2	D=15	
		MH020421	CLIP,WIRING,NO.2	2	D=15	
		MH020424	CLIP,WIRING,NO.2	1	D=20	
		MH020424	CLIP,WIRING,NO.2	1	D=20	
		MH020424	CLIP,WIRING,NO.2	1	D=20	
		MH020421	CLIP,WIRING,NO.2	1	D=15	
		MH020419	CLIP,WIRING,NO.2	1	D=10	
		MH020418	CLIP,WIRING,NO.2	1	D=8	

FK74R
54-730 CHASSIS HARNESS EQUIPMENT (2/4)

Repl Part	PNC	Part No	Part Name	Qty	Part Spec	Remarks
	83468H	MH020459	CLIP,WIRING,NO.2	3	D=26	
		MH020459	CLIP,WIRING,NO.2	3	D=26	
		MH020459	CLIP,WIRING,NO.2	3	D=26	
	71452C	(Please refer to the page 1/4)	TAPE,WIRING	1		
	80508E	(Please refer to the page 1/4)	BRACKET,BACKUP LAMP	1		
	83304BV	(Please refer to the page 1/4)	BRACKET,HARNESS	1		
	83304DP	(Please refer to the page 1/4)	BRACKET,HARNESS	1		
	83304DT	(Please refer to the page 1/4)	BRACKET,HARNESS	1		
	83304DV	(Please refer to the page 1/4)	BRACKET,HARNESS	1		
	83304DW	(Please refer to the page 1/4)	BRACKET,HARNESS	1		
	83304DX	(Please refer to the page 1/4)	BRACKET,HARNESS	1		
	83304EB	(Please refer to the page 1/4)	BRACKET,HARNESS	1		
	83304ED	(Please refer to the page 1/4)	BRACKET,HARNESS	1		
	83304FE	(Please refer to the page 1/4)	BRACKET,HARNESS	1		
	83304GE	(Please refer to the page 1/4)	BRACKET,HARNESS	1		
	83304GF	(Please refer to the page 1/4)	BRACKET,HARNESS	1		
	83304GG	(Please refer to the page 1/4)	BRACKET,HARNESS	1		
	83304U	(Please refer to the page 1/4)	BRACKET,HARNESS	1		
	83331K	(Please refer to the page 1/4)	PROTECTOR,HARNESS	1		
	83346	(Please refer to the page 1/4)	WASHER,WIRING	1		
	83348	(Please refer to the page 1/4)	SCREW,WIRING	1		
	83349C	(Please refer to the page 1/4)	PROTECTOR,WIRING	1		
	83349E	(Please refer to the page 1/4)	PROTECTOR,WIRING	1		
	83352	(Please refer to the page 1/4)	NUT,WIRING	1		
	83353B	(Please refer to the page 1/4)	GROMMET,WIRING	1		
	83357B	(Please refer to the page 1/4)	BAND,WIRING	1		
	83357C	(Please refer to the page 1/4)	BAND,WIRING	1		
	83357J	(Please refer to the page 1/4)	BAND,WIRING	1		
	83369BD	(Please refer to the page 1/4)	COVER,CHASSIS HARNESS	1		
	83411BT	(Please refer to the page 1/4)	BRACKET,BODY WIRING,NO.2	1		
	83411CC	(Please refer to the page 1/4)	BRACKET,BODY WIRING,NO.2	1		
	83417E	(Please refer to the page 1/4)	BRACKET,BODY WIRING,NO.8	1		
	83417Q	(Please refer to the page 1/4)	BRACKET,BODY WIRING,NO.8	1		
	83428B	(Please refer to the page 1/4)	BRACKET,WIRING,NO.1	1		
	83428BH	(Please refer to the page 1/4)	BRACKET,WIRING,NO.1	1		
	83428BJ	(Please refer to the page 1/4)	BRACKET,WIRING,NO.1	1		
	83428BS	(Please refer to the page 1/4)	BRACKET,WIRING,NO.1	1		
	83429B	(Please refer to the page 1/4)	BRACKET,WIRING,NO.2	1		
	83470B	(Please refer to the page 3/4)	CLIP,WIRING,NO.3	1		
	83470C	(Please refer to the page 3/4)	CLIP,WIRING,NO.3	1		
	83470D	(Please refer to the page 3/4)	CLIP,WIRING,NO.3	1		
	83470F	(Please refer to the page 3/4)	CLIP,WIRING,NO.3	1		
	83470G	(Please refer to the page 3/4)	CLIP,WIRING,NO.3	1		
	83470K	(Please refer to the page 3/4)	CLIP,WIRING,NO.3	1		
	83473B	(Please refer to the page 3/4)	SPACER,WIRING	1		
	83475C	(Please refer to the page 3/4)	CLIP,WIRING,NO.5	1		
	83475E	(Please refer to the page 3/4)	CLIP,WIRING,NO.5	1		
	83477F	(Please refer to the page 3/4)	CLIP,WIRING,NO.6	1		
	83494CH	(Please refer to the page 3/4)	COVER,WIRING	1		
	83494D	(Please refer to the page 3/4)	COVER,WIRING	1		
	85305M	(Please refer to the page 3/4)	BRACKET,RADIO	1		
	83499	(Please refer to the page 4/4)	BOLT,WIRING	1		
	55948	(N.e.c.)	BOX,ABS JUMPER CABLE CONNECTOR			
	80303C	(N.e.c.)	BRACKET,RR COMBINATION LAMP			
	82309D	(N.e.c.)	BRACKET,HEIGHT CONTROL MAIN SWITCH			
	82502E	(N.e.c.)	BRACKET,CONTROL UNIT			
	82717M	(N.e.c.)	BRACKET,RELAY			
	82717N	(N.e.c.)	BRACKET,RELAY			
	83304T	(N.e.c.)	BRACKET,HARNESS			
	83305BC	(N.e.c.)	BRACKET,HARNESS CONNECTOR			
	83305N	(N.e.c.)	BRACKET,HARNESS CONNECTOR			
	83305P	(N.e.c.)	BRACKET,HARNESS CONNECTOR			
	83414K	(N.e.c.)	BRACKET,BODY WIRING,NO.5			
	83429F	(N.e.c.)	BRACKET,WIRING,NO.2			
	83429M	(N.e.c.)	BRACKET,WIRING,NO.2			

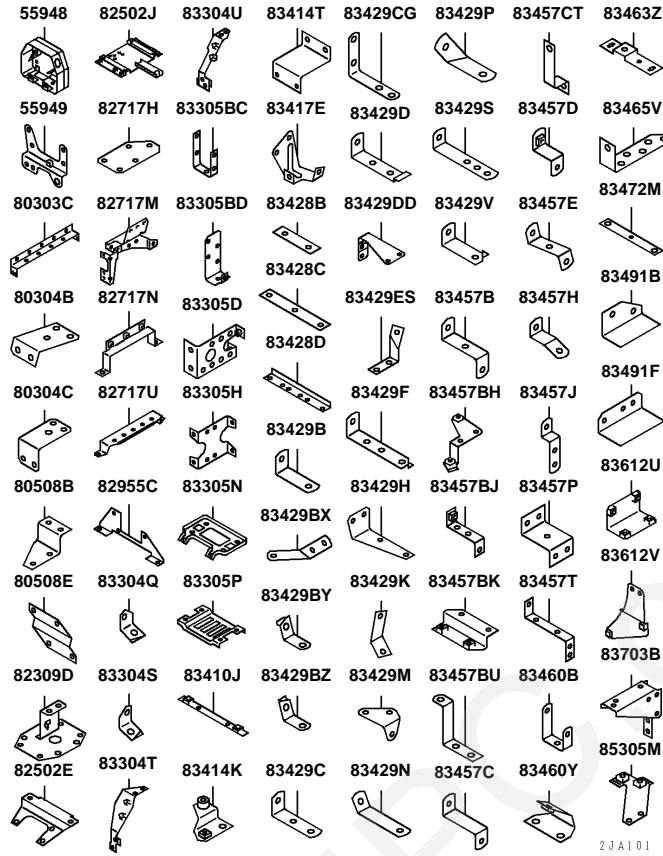
FK74R
54-730 CHASSIS HARNESS EQUIPMENT (2/4)

Repl Part	PNC	Part No	Part Name	Qty	Part Spec	Remarks
	83429N	(N.e.c.)	BRACKET,WIRING,NO.2			
	83457BH	(N.e.c.)	BRACKET,WIRING,NO.5			
	83457H	(N.e.c.)	BRACKET,WIRING,NO.5			
	83460Y	(N.e.c.)	BRACKET,WIRING,NO.7			
	83429S	(N.e.c.)	BRACKET,WIRING,NO.2			
	83703B	(N.e.c.)	BRACKET,FUSIBLE LINK			
	80304B	(N.e.c.)	BRACKET,RR FOG LAMP			
	83428C	(N.e.c.)	BRACKET,WIRING,NO.1			
	80304C	(N.e.c.)	BRACKET,RR FOG LAMP			
	80508B	(N.e.c.)	BRACKET,BACKUP LAMP			
	83460B	(N.e.c.)	BRACKET,WIRING,NO.7			
	82717H	(N.e.c.)	BRACKET,RELAY			
	83457BK	(N.e.c.)	BRACKET,WIRING,NO.5			
	82955C	(N.e.c.)	BRACKET,PULSE DIVIDER			
	55949	(N.e.c.)	BRACKET,ABS JUMPER CABLE CONNECTOR BOX			
	83429H	(N.e.c.)	BRACKET,WIRING,NO.2			
	83612U	(N.e.c.)	BRACKET,FUSE BOX			
	83305BD	(N.e.c.)	BRACKET,HARNESS CONNECTOR			
	83305H	(N.e.c.)	BRACKET,HARNESS CONNECTOR			
	83429K	(N.e.c.)	BRACKET,WIRING,NO.2			
	83429V	(N.e.c.)	BRACKET,WIRING,NO.2			
	83457T	(N.e.c.)	BRACKET,WIRING,NO.5			
	83491F	(N.e.c.)	INSULATOR,WIRING			
	83305D	(N.e.c.)	BRACKET,HARNESS CONNECTOR			
	83491B	(N.e.c.)	INSULATOR,WIRING			
	82502J	(N.e.c.)	BRACKET,CONTROL UNIT			
	83410J	(N.e.c.)	BRACKET,BODY WIRING,NO.1			
	82717U	(N.e.c.)	BRACKET,RELAY			
	83414T	(N.e.c.)	BRACKET,BODY WIRING,NO.5			
	83472M	(N.e.c.)	STAY,WIRING			
	83612V	(N.e.c.)	BRACKET,FUSE BOX			
	83304Q	(N.e.c.)	BRACKET,HARNESS			
	83304S	(N.e.c.)	BRACKET,HARNESS			
	83457P	(N.e.c.)	BRACKET,WIRING,NO.5			
	83429CG	(N.e.c.)	BRACKET,WIRING,NO.2			
	83429ES	(N.e.c.)	BRACKET,WIRING,NO.2			
	83457BU	(N.e.c.)	BRACKET,WIRING,NO.5			
	83428D	(N.e.c.)	BRACKET,WIRING,NO.1			
	83457BJ	(N.e.c.)	BRACKET,WIRING,NO.5			
	83457E	(N.e.c.)	BRACKET,WIRING,NO.5			
	55954	(N.e.c.)	COVER,ABS JUMPER CABLE CONNECTOR BOX			
	71633	(N.e.c.)	LABEL,HEIGHT CONTROL SWITCH CAUTION			
	82327	(N.e.c.)	COVER,SWITCH BOX,UPR			
	82427	(N.e.c.)	LID,SWITCH BOX COVER			
	82428	(N.e.c.)	SPRING,SWITCH BOX COVER LID			
	83281	(N.e.c.)	PIN,WIRING			
	83351H	(N.e.c.)	PLUG,WIRING			
	83357E	(N.e.c.)	BAND,WIRING			
	83218B	(N.e.c.)	NUT,BODY WIRING			
	83218C	(N.e.c.)	NUT,BODY WIRING			
	83494P	(N.e.c.)	COVER,WIRING			
	83357H	(N.e.c.)	BAND,WIRING			
	83357G	(N.e.c.)	BAND,WIRING			
	83357F	(N.e.c.)	BAND,WIRING			
	83357D	(N.e.c.)	BAND,WIRING			
	83281C	(N.e.c.)	PIN,WIRING			
	83351B	(N.e.c.)	PLUG,WIRING			
	83477H	(N.e.c.)	CLIP,WIRING,NO.6			
	83222J	(N.e.c.)	GROMMET,BODY WIRING			
	83494BK	(N.e.c.)	COVER,WIRING			
	83477E	(N.e.c.)	CLIP,WIRING,NO.6			
	83477V	(N.e.c.)	CLIP,WIRING,NO.6			
	83469B	(N.e.c.)	TUBE,WIRING			
	83473E	(N.e.c.)	SPACER,WIRING			
	83465CK	(N.e.c.)	BRACKET,WIRING,NO.9			
	83465CM	(N.e.c.)	BRACKET,WIRING,NO.9			
	83457ED	(N.e.c.)	BRACKET,WIRING,NO.5			
	83304DF	(N.e.c.)	BRACKET,HARNESS			
	83304DN	(N.e.c.)	BRACKET,HARNESS			
	83304DQ	(N.e.c.)	BRACKET,HARNESS			
	83304DS	(N.e.c.)	BRACKET,HARNESS			
	83304DU	(N.e.c.)	BRACKET,HARNESS			

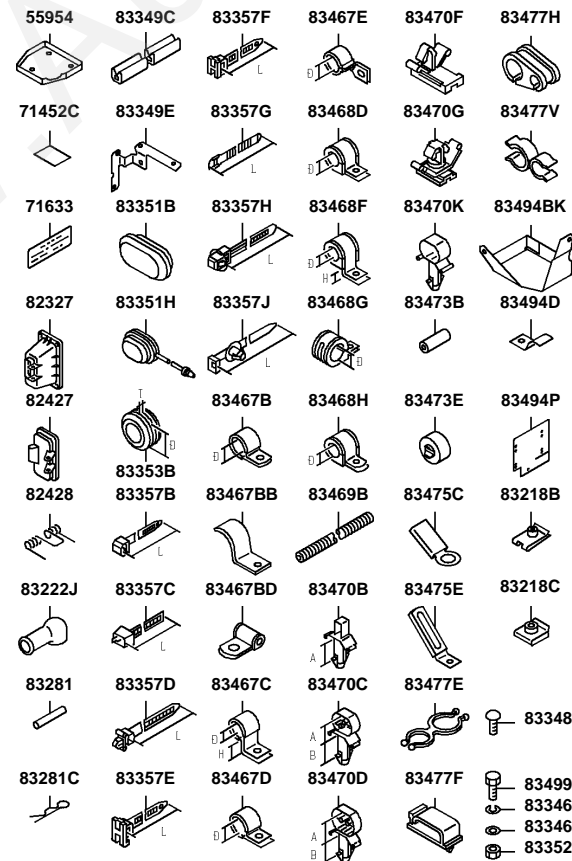
FK74R
54-730 CHASSIS HARNESS EQUIPMENT (2/4)

Repl Part	PNC	Part No	Part Name	Qty	Part Spec	Remarks
	83429HP	(N.e.c.)	BRACKET,WIRING,NO.2			
	83457BF	(N.e.c.)	BRACKET,WIRING,NO.5			
	83457ES	(N.e.c.)	BRACKET,WIRING,NO.5			
	83457ET	(N.e.c.)	BRACKET,WIRING,NO.5			
	83457EU	(N.e.c.)	BRACKET,WIRING,NO.5			
	83457EV	(N.e.c.)	BRACKET,WIRING,NO.5			
	83457EW	(N.e.c.)	BRACKET,WIRING,NO.5			
	83460DF	(N.e.c.)	BRACKET,WIRING,NO.7			
	83463BX	(N.e.c.)	BRACKET,WIRING,NO.8			
	83612BK	(N.e.c.)	BRACKET,FUSE BOX			
	83612BM	(N.e.c.)	BRACKET,FUSE BOX			
	83457FH	(N.e.c.)	BRACKET,WIRING,NO.5			
	83304BQ	(N.e.c.)	BRACKET,HARNESS			
	83457GG	(N.e.c.)	BRACKET,WIRING,NO.5			
	83457GQ	(N.e.c.)	BRACKET,WIRING,NO.5			
	83612CB	(N.e.c.)	BRACKET,FUSE BOX			
	83612BZ	(N.e.c.)	BRACKET,FUSE BOX			
	83465FU	(N.e.c.)	BRACKET,WIRING,NO.9			
	83465FV	(N.e.c.)	BRACKET,WIRING,NO.9			
	83465FT	(N.e.c.)	BRACKET,WIRING,NO.9			
	83465FS	(N.e.c.)	BRACKET,WIRING,NO.9			
	83465FQ	(N.e.c.)	BRACKET,WIRING,NO.9			
	83465FP	(N.e.c.)	BRACKET,WIRING,NO.9			
	83463DQ	(N.e.c.)	BRACKET,WIRING,NO.8			
	83460EC	(N.e.c.)	BRACKET,WIRING,NO.7			
	83460EB	(N.e.c.)	BRACKET,WIRING,NO.7			
	83429NB	(N.e.c.)	BRACKET,WIRING,NO.2			
	83429MZ	(N.e.c.)	BRACKET,WIRING,NO.2			
	83429MX	(N.e.c.)	BRACKET,WIRING,NO.2			
	83428BW	(N.e.c.)	BRACKET,WIRING,NO.1			
	83417W	(N.e.c.)	BRACKET,BODY WIRING,NO.8			
	83417V	(N.e.c.)	BRACKET,BODY WIRING,NO.8			
	83460DQ	(N.e.c.)	BRACKET,WIRING,NO.7			
	83460DP	(N.e.c.)	BRACKET,WIRING,NO.7			
	83460CH	(N.e.c.)	BRACKET,WIRING,NO.7			
	83612BW	(N.e.c.)	BRACKET,FUSE BOX			
	83429KZ	(N.e.c.)	BRACKET,WIRING,NO.2			
	83429KY	(N.e.c.)	BRACKET,WIRING,NO.2			
	83428BT	(N.e.c.)	BRACKET,WIRING,NO.1			
	83304GD	(N.e.c.)	BRACKET,HARNESS			
	83304GC	(N.e.c.)	BRACKET,HARNESS			
	83304GB	(N.e.c.)	BRACKET,HARNESS			
	83304FZ	(N.e.c.)	BRACKET,HARNESS			
	83465FG	(N.e.c.)	BRACKET,WIRING,NO.9			
	83460DS	(N.e.c.)	BRACKET,WIRING,NO.7			
	83457FZ	(N.e.c.)	BRACKET,WIRING,NO.5			
	83457BV	(N.e.c.)	BRACKET,WIRING,NO.5			
	83429MC	(N.e.c.)	BRACKET,WIRING,NO.2			
	83465FE	(N.e.c.)	BRACKET,WIRING,NO.9			
	83465EZ	(N.e.c.)	BRACKET,WIRING,NO.9			
	83304FF	(N.e.c.)	BRACKET,HARNESS			
	83612BN	(N.e.c.)	BRACKET,FUSE BOX			
	83429MY	(N.e.c.)	BRACKET,WIRING,NO.2			

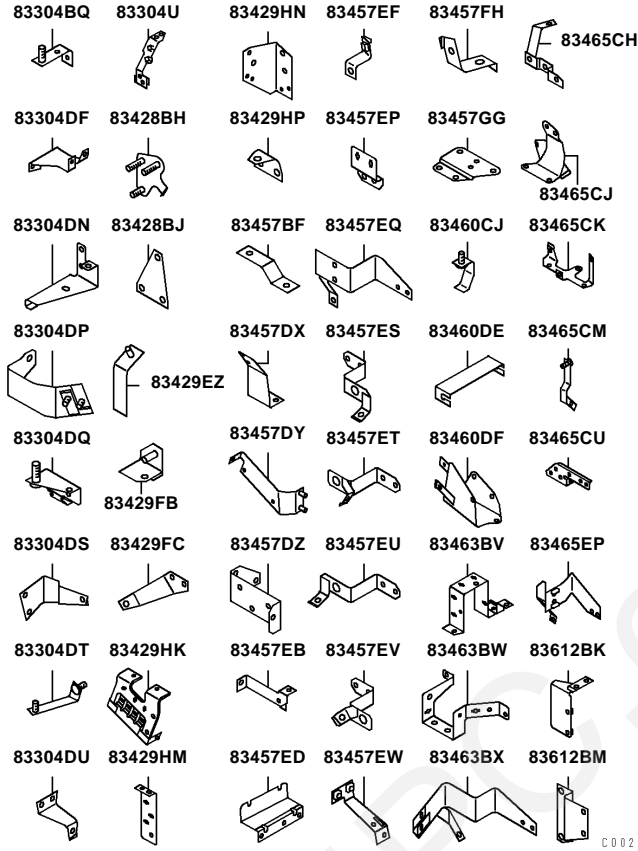
**FK74R
No.1**



**FK74R
No.2**

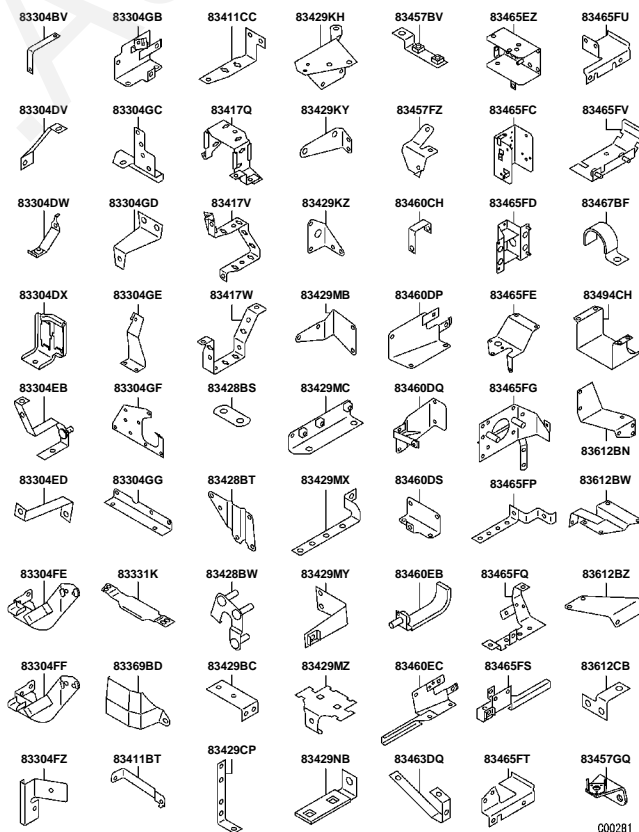


**FK74R
No.3**



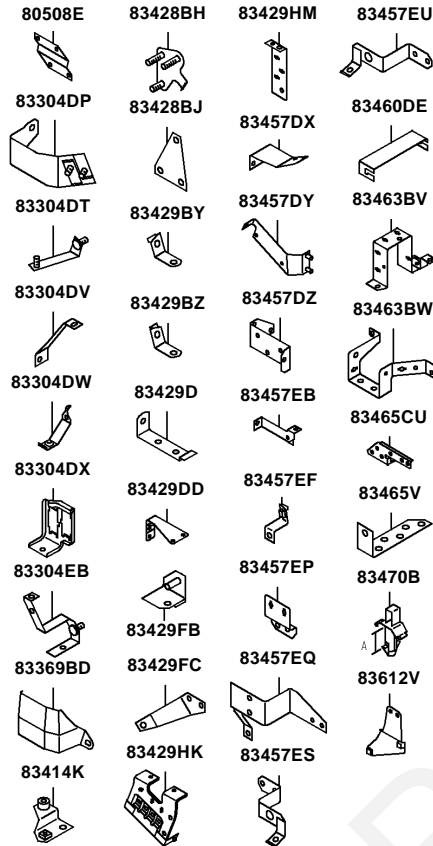
C00215

**FK74R
No.4**



C00281

**FK74R
No.5**



C 002 87

Ref. |2054730-3

Page

**FK74R
54-730 CHASSIS HARNESS EQUIPMENT (3/4)**

SPN	PNC	Part No	Part Name	Qty	Part Spec	NEW1	Classifi
	83470B	MH020930	CLIP,WIRING,NO.3	8	A=6		G6,G6E,H6E,J6,J6K6,K6E,M6E
		MH020930	CLIP,WIRING,NO.3	1	A=6		G6,G6V,H6E,H6V,IJ6,J6E,J6J6VE,K6,K6V,K6VE,M6VE
	83470C	MH020935	CLIP,WIRING,NO.3	2	A=17.5 B=18		G6,G6E,H6E
		MH020935	CLIP,WIRING,NO.3	6	A=17.5 B=18		M6,M6E
		MH020934	CLIP,WIRING,NO.3	18	A=17.5 B=14.5		J6,J6E
		MH020934	CLIP,WIRING,NO.3	18	A=17.5 B=14.5		G6,G6E,H6E,J6,J6G6,G6E,H6E
		MH020934	CLIP,WIRING,NO.3	18	A=17.5 B=14.5		G6,G6E,H6E
		MH020934	CLIP,WIRING,NO.3	19	A=17.5 B=14.5		K6,K6E,M6E
		MH020934	CLIP,WIRING,NO.3	19	A=17.5 B=14.5		K6,K6E
		MH020934	CLIP,WIRING,NO.3	19	A=17.5 B=14.5		M6,M6E
		MH020935	CLIP,WIRING,NO.3	8	A=17.5 B=18		G6,G6E,H6E
		MH020935	CLIP,WIRING,NO.3	8	A=17.5 B=18		G6,G6E,H6E,M6,M6E
		MH020935	CLIP,WIRING,NO.3	8	A=17.5 B=18		M6,M6E
		MH020935	CLIP,WIRING,NO.3	11	A=17.5 B=18		J6,J6E,K6K6E
		MH020936	CLIP,WIRING,NO.3	4	A=17.5 B=22		G6,G6E,H6E

Ref. |2054730-3

Page

FK74R
54-730 CHASSIS HARNESS EQUIPMENT (3/4)

SPN	PNC	Part No	Part Name	Qty	Part Spec	NEW1	Classifi
	83470C	MH020936	CLIP, WIRING, NO.3	4	A=17.5 B=22		J6, J6E, K6
		MH020936	CLIP, WIRING, NO.3	4	A=17.5 B=22		K6E
		MH020936	CLIP, WIRING, NO.3	4	A=17.5 B=22		M6, M6E
		MH020935	CLIP, WIRING, NO.3	5	A=17.5 B=18		G6, G6E, H6E, J6, J6E, K6, K6E, M6E
		MH020935	CLIP, WIRING, NO.3	4	A=17.5 B=18		G6, G6E, H6E, M6, M6E
		MH020935	CLIP, WIRING, NO.3	3	A=17.5 B=18		G6, G6E, H6E, M6, M6E
		MH020935	CLIP, WIRING, NO.3	1	A=17.5 B=18		G6, G6E, H6E, M6, M6E
		MH020935	CLIP, WIRING, NO.3	1	A=17.5 B=18		G6, G6E, H6E, M6, M6E
		MH020935	CLIP, WIRING, NO.3	3	A=17.5 B=18		G6, G6E, H6E, M6, M6E
		MH020935	CLIP, WIRING, NO.3	5	A=17.5 B=18		M6, M6E
		MH020934	CLIP, WIRING, NO.3	20	A=17.5 B=14.5		G6, G6V, H6E, H6V, J6, J6E, J6E, J6VE
		MH020934	CLIP, WIRING, NO.3	20	A=17.5 B=14.5		G6, G6V, H6E, H6V, J6, J6E, J6E, J6VE
		MH020934	CLIP, WIRING, NO.3	20	A=17.5 B=14.5		G6, H6, H6E, H6V, J6, J6E, J6E, J6VE
		MH020934	CLIP, WIRING, NO.3	21	A=17.5 B=14.5		K6, K6E, K6E, K6VE, M6E, M6E, M6E, M6E
		MH020934	CLIP, WIRING, NO.3	21	A=17.5 B=14.5		K6, K6E, K6E, K6VE, M6E, M6E, M6E, M6E
		MH020934	CLIP, WIRING, NO.3	21	A=17.5 B=14.5		K6, K6E, K6E, K6VE, M6E, M6E, M6E, M6E
		MH020934	CLIP, WIRING, NO.3	21	A=17.5 B=14.5		M6E
		MH020935	CLIP, WIRING, NO.3	10	A=17.5 B=18		G6, G6V, H6E, H6V, J6, J6E, J6E, J6VE, K6, K6E, K6E, K6VE
		MH020935	CLIP, WIRING, NO.3	10	A=17.5 B=18		G6, G6V, H6E, H6V, J6, J6E, J6E, J6VE, K6, K6E, K6E, K6VE
		MH020935	CLIP, WIRING, NO.3	12	A=17.5 B=18		M6E, M6VE
		MH020935	CLIP, WIRING, NO.3	12	A=17.5 B=18		M6E, M6VE
		MH020935	CLIP, WIRING, NO.3	12	A=17.5 B=18		M6E
		MH020935	CLIP, WIRING, NO.3	12	A=17.5 B=18		M6VE
		MH020936	CLIP, WIRING, NO.3	3	A=17.5 B=22		G6, G6V, H6E, H6V, J6, J6E, J6E, J6VE, K6, K6E, K6E, K6VE
		MH020936	CLIP, WIRING, NO.3	3	A=17.5 B=22		M6VE
		MH020936	CLIP, WIRING, NO.3	3	A=17.5 B=22		M6E
		MH020936	CLIP, WIRING, NO.3	3	A=17.5 B=22		G6, H6, H6E, H6V, J6, J6E, J6E, J6VE, K6, K6E, K6E, K6VE

FK74R
54-730 CHASSIS HARNESS EQUIPMENT (3/4)

SPN	PNC	Part No	Part Name	Qty	Part Spec	NEW1	Classifi
	83470C	MH020936	CLIP, WIRING, NO.3	3	A=17.5 B=22		G6V, H6V, J6, J6E, J6VE, K6, K6V, K6VE
		MH020935	CLIP, WIRING, NO.3	12	A=17.5 B=18		G6, G6V, H6E, H6V, J6, J6E, J6VE, K6, K6VE
		MH020936	CLIP, WIRING, NO.3	2	A=17.5 B=22		G6, G6V, H6E, H6V, J6, J6E, J6VE, K6, K6VE
		MH020934	CLIP, WIRING, NO.3	21	A=17.5 B=14.5		G6, G6V, H6E, H6V, J6, J6E, J6VE, K6, K6VE, M6E
		MH020934	CLIP, WIRING, NO.3	22	A=17.5 B=14.5		G6, G6V, H6E, H6V, J6, J6E, J6VE, K6, K6E, K6VE, M6E
		MH020935	CLIP, WIRING, NO.3	14	A=17.5 B=18		M6E
	83470D	MH020939	CLIP, WIRING, NO.3	9	A=23 B=18		J6, J6E, M6E
		MH020939	CLIP, WIRING, NO.3	9	A=23 B=18		M6E
		MH020939	CLIP, WIRING, NO.3	9	A=23 B=18		J6, J6E
		MH020938	CLIP, WIRING, NO.3	17	A=23 B=14.5	R	M6, M6E
SP		MH020938	CLIP, WIRING, NO.3	17	A=23 B=14.5	R	K6, K6E
SP		MH020938	CLIP, WIRING, NO.3	17	A=23 B=14.5	R	K6, K6E
SP		MH020938	CLIP, WIRING, NO.3	17	A=23 B=14.5	R	G6, G6E, H6E, K6, K6E
SP		MH020938	CLIP, WIRING, NO.3	17	A=23 B=14.5	R	G6, H6, H6E
SP		MH020938	CLIP, WIRING, NO.3	17	A=23 B=14.5	R	G6E
SP		MH020938	CLIP, WIRING, NO.3	18	A=23 B=14.5	R	M6
SP		MH020938	CLIP, WIRING, NO.3	18	A=23 B=14.5	R	M6E
SP		MH020938	CLIP, WIRING, NO.3	18	A=23 B=14.5	R	J6, J6E, M6E
SP		MH020938	CLIP, WIRING, NO.3	18	A=23 B=14.5	R	M6E
SP		MH020938	CLIP, WIRING, NO.3	18	A=23 B=14.5	R	J6, J6E
SP		MH020938	CLIP, WIRING, NO.3	18	A=23 B=14.5	R	M6, M6E
SP		MH020938	CLIP, WIRING, NO.3	18	A=23 B=14.5	R	J6, J6E
SP		MH020939	CLIP, WIRING, NO.3	5	A=23 B=18		M6
SP		MH020939	CLIP, WIRING, NO.3	5	A=23 B=18		K6, K6E
SP		MH020939	CLIP, WIRING, NO.3	5	A=23 B=18		J6, J6E, K6E, M6, M6E
SP		MH020939	CLIP, WIRING, NO.3	5	A=23 B=18		M6E
SP		MH020939	CLIP, WIRING, NO.3	5	A=23 B=18		K6, K6E
SP		MH020939	CLIP, WIRING, NO.3	5	A=23 B=18		J6, J6E
SP		MH020939	CLIP, WIRING, NO.3	5	A=23 B=18		J6, J6E
SP		MH020939	CLIP, WIRING, NO.3	5	A=23 B=18		M6, M6E
SP		MH020939	CLIP, WIRING, NO.3	12	A=23 B=18		G6E
SP		MH020939	CLIP, WIRING, NO.3	12	A=23 B=18		G6, G6E
SP		MH020939	CLIP, WIRING, NO.3	12	A=23 B=18		G6, G6E
SP		MH020939	CLIP, WIRING, NO.3	12	A=23 B=18		G6
SP		MH020939	CLIP, WIRING, NO.3	12	A=23 B=18		G6
SP		MH020939	CLIP, WIRING, NO.3	14	A=23 B=18		H6, H6E
SP		MH020939	CLIP, WIRING, NO.3	14	A=23 B=18		H6, H6E
SP		MH020939	CLIP, WIRING, NO.3	14	A=23 B=18		H6, H6E
SP		MH020941	CLIP, WIRING, NO.3	1	A=23 B=17.5		M6
SP		MH020941	CLIP, WIRING, NO.3	6	A=23 B=17.5		G6E
SP		MH020946	CLIP, WIRING, NO.3	9	A=30 B=18	R	M6
SP		MH020946	CLIP, WIRING, NO.3	9	A=30 B=18	R	M6E
SP		MH020946	CLIP, WIRING, NO.3	9	A=30 B=18	R	J6, J6E, M6E
SP		MH020946	CLIP, WIRING, NO.3	9	A=30 B=18	R	M6E
SP		MH020946	CLIP, WIRING, NO.3	9	A=30 B=18	R	J6, J6E
SP		MH020946	CLIP, WIRING, NO.3	9	A=30 B=18	R	M6, M6E
SP		MH020946	CLIP, WIRING, NO.3	9	A=30 B=18	R	J6, J6E
SP		MH020946	CLIP, WIRING, NO.3	10	A=30 B=18	R	K6, K6E
SP		MH020946	CLIP, WIRING, NO.3	10	A=30 B=18	R	H6, H6E, K6E
SP		MH020946	CLIP, WIRING, NO.3	10	A=30 B=18	R	H6, H6E
SP		MH020946	CLIP, WIRING, NO.3	10	A=30 B=18	R	H6, H6E
SP		MH020946	CLIP, WIRING, NO.3	10	A=30 B=18	R	K6, K6E
SP		MH020946	CLIP, WIRING, NO.3	12	A=30 B=18	R	G6E

FK74R
54-730 CHASSIS HARNESS EQUIPMENT (3/4)

SPN	PNC	Part No	Part Name	Qty	Part Spec	NEW1	Classifi	
SP	83470D	MH020946	CLIP, WIRING, NO.3	12	A=30 B=18	R	G6, G6E	
SP		MH020946	CLIP, WIRING, NO.3	12	A=30 B=18	R	G6, G6E	
SP		MH020946	CLIP, WIRING, NO.3	12	A=30 B=18	R	G6	
		MH020940	CLIP, WIRING, NO.3	2	A=23 B=13.5		K6, K6E	
		MH020940	CLIP, WIRING, NO.3	2	A=23 B=13.5		J6, J6E	
		MH020940	CLIP, WIRING, NO.3	2	A=23 B=13.5		M6	
		MH020940	CLIP, WIRING, NO.3	2	A=23 B=13.5		G6, G6E, H6E, J6, J6E, K6, K6E, M6E	
		MH020940	CLIP, WIRING, NO.3	2	A=23 B=13.5		M6E	
		MH020940	CLIP, WIRING, NO.3	2	A=23 B=13.5		G6E	
		MH020940	CLIP, WIRING, NO.3	2	A=23 B=13.5		J6, J6E	
		MH020940	CLIP, WIRING, NO.3	2	A=23 B=13.5		G6, G6E, H6E	
		MH020940	CLIP, WIRING, NO.3	2	A=23 B=13.5		K6, K6E	
		MH020940	CLIP, WIRING, NO.3	2	A=23 B=13.5		G6, H6, H6E	
		MH020940	CLIP, WIRING, NO.3	2	A=23 B=13.5		M6, M6E	
		MH020945	CLIP, WIRING, NO.3	8	A=30 B=14.5		K6, K6E	
		MH020945	CLIP, WIRING, NO.3	8	A=30 B=14.5		J6, J6E	
		MH020945	CLIP, WIRING, NO.3	8	A=30 B=14.5		M6	
		MH020945	CLIP, WIRING, NO.3	8	A=30 B=14.5		G6, G6E, H6E, J6, J6E, K6, K6E, M6E	
		MH020945	CLIP, WIRING, NO.3	8	A=30 B=14.5		M6E	
		MH020945	CLIP, WIRING, NO.3	8	A=30 B=14.5		G6E	
		MH020945	CLIP, WIRING, NO.3	8	A=30 B=14.5		J6, J6E	
		MH020945	CLIP, WIRING, NO.3	8	A=30 B=14.5		G6, G6E, H6E	
		MH020945	CLIP, WIRING, NO.3	8	A=30 B=14.5		K6, K6E	
		MH020945	CLIP, WIRING, NO.3	8	A=30 B=14.5		G6, H6, H6E	
		MH020945	CLIP, WIRING, NO.3	8	A=30 B=14.5		M6, M6E	
		MH020939	CLIP, WIRING, NO.3	5	A=23 B=18		J6, J6E, K6E, M6, M6E	
SP			MH020946	CLIP, WIRING, NO.3	6	A=30 B=18	R	J6, J6E, M6E
SP			MH020946	CLIP, WIRING, NO.3	8	A=30 B=18	R	J6, J6E, M6E
SP			MH020946	CLIP, WIRING, NO.3	1	A=30 B=18	R	J6, J6E, M6E
SP			MH020946	CLIP, WIRING, NO.3	1	A=30 B=18	R	J6, J6E
			MH020939	CLIP, WIRING, NO.3	6	A=23 B=18		J6, J6E, K6E, M6, M6E
			MH020941	CLIP, WIRING, NO.3	1	A=23 B=17.5		M6E
			MH020941	CLIP, WIRING, NO.3	1	A=23 B=17.5		K6, K6E
			MH020941	CLIP, WIRING, NO.3	1	A=23 B=17.5		M6E
			MH020941	CLIP, WIRING, NO.3	1	A=23 B=17.5		K6, K6E
			MH020941	CLIP, WIRING, NO.3	1	A=23 B=17.5		M6E
			MH020941	CLIP, WIRING, NO.3	1	A=23 B=17.5		K6, K6E
			MH020941	CLIP, WIRING, NO.3	1	A=23 B=17.5		K6, K6E, M6E
			MH020941	CLIP, WIRING, NO.3	1	A=23 B=17.5		M6E
			MH020941	CLIP, WIRING, NO.3	1	A=23 B=17.5		K6, K6E
			MH020941	CLIP, WIRING, NO.3	6	A=23 B=17.5		G6, H6, H6E
			MH020941	CLIP, WIRING, NO.3	6	A=23 B=17.5		J6, J6E
			MH020941	CLIP, WIRING, NO.3	6	A=23 B=17.5		G6, H6, H6E, J6, J6E
			MH020941	CLIP, WIRING, NO.3	6	A=23 B=17.5		J6, J6E
			MH020941	CLIP, WIRING, NO.3	6	A=23 B=17.5		J6, J6E
			MH020941	CLIP, WIRING, NO.3	6	A=23 B=17.5		G6, H6, H6E
			MH020941	CLIP, WIRING, NO.3	6	A=23 B=17.5		J6, J6E
		MH020941	CLIP, WIRING, NO.3	6	A=23 B=17.5		G6, H6, H6E, J6, J6E	
		MH020941	CLIP, WIRING, NO.3	6	A=23 B=17.5		J6, J6E	
		MH020947	CLIP, WIRING, NO.3	1	A=30 B=22		K6, K6E	
		MH020947	CLIP, WIRING, NO.3	1	A=30 B=22		K6V, M6VE	
		MH020947	CLIP, WIRING, NO.3	1	A=30 B=22		M6E	
		MH020947	CLIP, WIRING, NO.3	1	A=30 B=22		J6, J6E	
		MH020947	CLIP, WIRING, NO.3	1	A=30 B=22		M6E	
		MH020947	CLIP, WIRING, NO.3	1	A=30 B=22		G6, H6, H6E	
		MH020947	CLIP, WIRING, NO.3	1	A=30 B=22		G6V, H6V, J6V, J6VE	
		MH020947	CLIP, WIRING, NO.3	1	A=30 B=22		K6, K6E	
		MH020947	CLIP, WIRING, NO.3	1	A=30 B=22		M6E	

FK74R
54-730 CHASSIS HARNESS EQUIPMENT (3/4)

SPN	PNC	Part No	Part Name	Qty	Part Spec	NEW1	Classifi
	83470D	MH020947	CLIP, WIRING, NO.3	1	A=30 B=22		G6, G6E, G6V, H6, H6E, H6V, J6, J6E, J6V, J6VE, K6E, K6V, K6VE, M6, M6E, M6V, M6VE
		MH020947	CLIP, WIRING, NO.3	1	A=30 B=22		J6, J6E
		MH020947	CLIP, WIRING, NO.3	1	A=30 B=22		G6, H6, H6E, H6V, J6, J6E, J6V, J6VE
		MH020947	CLIP, WIRING, NO.3	1	A=30 B=22		G6E, K6V, K6VE, M6VE
		MH020947	CLIP, WIRING, NO.3	1	A=30 B=22		G6V, H6V, H6VE, J6V, J6VE
		MH020947	CLIP, WIRING, NO.3	1	A=30 B=22		G6, H6, H6E, H6V, J6, J6E, J6V, J6VE
		MH020947	CLIP, WIRING, NO.3	1	A=30 B=22		G6E
		MH020947	CLIP, WIRING, NO.3	1	A=30 B=22		G6V, H6V, H6VE, J6V, J6VE
		MH020947	CLIP, WIRING, NO.3	1	A=30 B=22		K6VE, M6V, M6VE
		MH020947	CLIP, WIRING, NO.3	1	A=30 B=22		M6, M6E
		MH020947	CLIP, WIRING, NO.3	1	A=30 B=22		G6, G6E, G6V, H6, H6E, H6V, J6, J6E, J6V, J6VE
		MH020947	CLIP, WIRING, NO.3	1	A=30 B=22		K6V, K6VE
		MH020947	CLIP, WIRING, NO.3	1	A=30 B=22		J6, J6E
		MH020947	CLIP, WIRING, NO.3	1	A=30 B=22		K6, K6E
		MH020947	CLIP, WIRING, NO.3	1	A=30 B=22		G6E, M6
		MH020947	CLIP, WIRING, NO.3	1	A=30 B=22		J6, J6E
		MH020947	CLIP, WIRING, NO.3	1	A=30 B=22		K6, K6E
		MH020947	CLIP, WIRING, NO.3	1	A=30 B=22		M6E
		MH020947	CLIP, WIRING, NO.3	1	A=30 B=22		J6, J6E
		MH020947	CLIP, WIRING, NO.3	1	A=30 B=22		K6, K6E
		MH020947	CLIP, WIRING, NO.3	1	A=30 B=22		M6
		MH020939	CLIP, WIRING, NO.3	10	A=23 B=18		J6, J6E
		MH020939	CLIP, WIRING, NO.3	10	A=23 B=18		J6, J6E
		MH020939	CLIP, WIRING, NO.3	10	A=23 B=18		J6, J6E
		MH020939	CLIP, WIRING, NO.3	11	A=23 B=18		M6
		MH020939	CLIP, WIRING, NO.3	11	A=23 B=18		M6E
		MH020939	CLIP, WIRING, NO.3	11	A=23 B=18		K6, K6E, M6E
		MH020939	CLIP, WIRING, NO.3	11	A=23 B=18		K6, K6E
		MH020939	CLIP, WIRING, NO.3	11	A=23 B=18		M6, M6E
		MH020939	CLIP, WIRING, NO.3	11	A=23 B=18		K6, K6E
SP		MH020938	CLIP, WIRING, NO.3	44	A=23 B=14.5	R	K6V
SP		MH020938	CLIP, WIRING, NO.3	44	A=23 B=14.5	R	G6V, H6V, H6VE, J6V, J6VE, K6V, K6VE
SP		MH020938	CLIP, WIRING, NO.3	44	A=23 B=14.5	R	G6V, H6V, H6VE, J6V, J6VE, K6V, K6VE
SP		MH020938	CLIP, WIRING, NO.3	44	A=23 B=14.5	R	G6V, H6V, H6VE, J6V, J6VE, K6V, K6VE
SP		MH020938	CLIP, WIRING, NO.3	45	A=23 B=14.5	R	G6, H6, H6E, H6V, J6, J6E, J6V, J6VE
SP		MH020938	CLIP, WIRING, NO.3	45	A=23 B=14.5	R	K6, K6E
SP		MH020938	CLIP, WIRING, NO.3	45	A=23 B=14.5	R	G6, H6, H6E, H6V, J6, J6E, J6V, J6VE
SP		MH020938	CLIP, WIRING, NO.3	45	A=23 B=14.5	R	K6, K6E, M6E
SP		MH020938	CLIP, WIRING, NO.3	45	A=23 B=14.5	R	K6, K6E
SP		MH020938	CLIP, WIRING, NO.3	45	A=23 B=14.5	R	G6, H6, H6E, H6V, J6, J6E, J6V, J6VE
SP		MH020938	CLIP, WIRING, NO.3	45	A=23 B=14.5	R	K6, K6E
SP		MH020938	CLIP, WIRING, NO.3	45	A=23 B=14.5	R	M6VE
SP		MH020938	CLIP, WIRING, NO.3	46	A=23 B=14.5	R	J6V, J6VE
SP		MH020938	CLIP, WIRING, NO.3	46	A=23 B=14.5	R	M6E
SP		MH020938	CLIP, WIRING, NO.3	46	A=23 B=14.5	R	J6V, J6VE
SP		MH020938	CLIP, WIRING, NO.3	46	A=23 B=14.5	R	J6V, J6VE
SP		MH020938	CLIP, WIRING, NO.3	46	A=23 B=14.5	R	M6E
SP		MH020938	CLIP, WIRING, NO.3	46	A=23 B=14.5	R	M6E
SP		MH020938	CLIP, WIRING, NO.3	46	A=23 B=14.5	R	M6E
SP		MH020938	CLIP, WIRING, NO.3	47	A=23 B=14.5	R	J6, J6E
SP		MH020938	CLIP, WIRING, NO.3	47	A=23 B=14.5	R	J6, J6E
SP		MH020938	CLIP, WIRING, NO.3	47	A=23 B=14.5	R	J6, J6E
SP		MH020938	CLIP, WIRING, NO.3	47	A=23 B=14.5	R	J6, J6E
		MH020939	CLIP, WIRING, NO.3	11	A=23 B=18		G6
		MH020939	CLIP, WIRING, NO.3	11	A=23 B=18		G6
		MH020939	CLIP, WIRING, NO.3	11	A=23 B=18		G6V
		MH020939	CLIP, WIRING, NO.3	11	A=23 B=18		G6V
		MH020939	CLIP, WIRING, NO.3	11	A=23 B=18		G6, G6V
		MH020939	CLIP, WIRING, NO.3	13	A=23 B=18		H6, H6E
		MH020939	CLIP, WIRING, NO.3	13	A=23 B=18		H6V, H6VE

FK74R
54-730 CHASSIS HARNESS EQUIPMENT (3/4)

SPN	PNC	Part No	Part Name	Qty	Part Spec	NEW1	Classifi
	83470D	MH020939	CLIP, WIRING, NO.3	13	A=23 B=18		H6V,H6VE
		MH020939	CLIP, WIRING, NO.3	13	A=23 B=18		H6,H6E,H6VE
		MH020939	CLIP, WIRING, NO.3	13	A=23 B=18		H6,H6E
		MH020939	CLIP, WIRING, NO.3	15	A=23 B=18		J6,J6E
		MH020939	CLIP, WIRING, NO.3	15	A=23 B=18		J6V,J6VE
		MH020939	CLIP, WIRING, NO.3	15	A=23 B=18		J6,J6E,J6VE
		MH020939	CLIP, WIRING, NO.3	15	A=23 B=18		J6,J6E
		MH020939	CLIP, WIRING, NO.3	15	A=23 B=18		J6V,J6VE
		MH020939	CLIP, WIRING, NO.3	15	A=23 B=18		J6,J6E
		MH020939	CLIP, WIRING, NO.3	16	A=23 B=18		K6V,M6VE
		MH020939	CLIP, WIRING, NO.3	16	A=23 B=18		K6,K6E
		MH020939	CLIP, WIRING, NO.3	16	A=23 B=18		K6VE
		MH020939	CLIP, WIRING, NO.3	16	A=23 B=18		K6,K6E,K6VE,M6VE
		MH020939	CLIP, WIRING, NO.3	16	A=23 B=18		M6E
		MH020939	CLIP, WIRING, NO.3	16	A=23 B=18		K6V,K6VE
		MH020939	CLIP, WIRING, NO.3	16	A=23 B=18		K6,K6E
		MH020939	CLIP, WIRING, NO.3	16	A=23 B=18		M6E
		MH020939	CLIP, WIRING, NO.3	16	A=23 B=18		M6E
		MH020939	CLIP, WIRING, NO.3	16	A=23 B=18		K6,K6E
		MH020940	CLIP, WIRING, NO.3	2	A=23 B=13.5		K6E
		MH020940	CLIP, WIRING, NO.3	2	A=23 B=13.5		J6E
		MH020940	CLIP, WIRING, NO.3	2	A=23 B=13.5		H6E
		MH020940	CLIP, WIRING, NO.3	2	A=23 B=13.5		M6E
		MH020940	CLIP, WIRING, NO.3	2	A=23 B=13.5		M6E
		MH020940	CLIP, WIRING, NO.3	2	A=23 B=13.5		H6VE,J6V,M6VE
		MH020940	CLIP, WIRING, NO.3	2	A=23 B=13.5		M6VE
		MH020940	CLIP, WIRING, NO.3	2	A=23 B=13.5		H6E
		MH020940	CLIP, WIRING, NO.3	2	A=23 B=13.5		K6E
		MH020940	CLIP, WIRING, NO.3	2	A=23 B=13.5		J6E
		MH020940	CLIP, WIRING, NO.3	2	A=23 B=13.5		H6VE,J6V,M6VE
		MH020940	CLIP, WIRING, NO.3	2	A=23 B=13.5		M6VE
		MH020940	CLIP, WIRING, NO.3	2	A=23 B=13.5		H6E,H6VE
		MH020940	CLIP, WIRING, NO.3	2	A=23 B=13.5		J6VE,K6E,M6E,M6VE
		MH020940	CLIP, WIRING, NO.3	2	A=23 B=13.5		M6E
		MH020940	CLIP, WIRING, NO.3	2	A=23 B=13.5		J6E
		MH020940	CLIP, WIRING, NO.3	2	A=23 B=13.5		K6E
		MH020940	CLIP, WIRING, NO.3	4	A=23 B=13.5		J6
		MH020940	CLIP, WIRING, NO.3	4	A=23 B=13.5		G6V,H6V,G6,H6
		MH020940	CLIP, WIRING, NO.3	4	A=23 B=13.5		G6,H6
		MH020940	CLIP, WIRING, NO.3	4	A=23 B=13.5		K6V
		MH020940	CLIP, WIRING, NO.3	4	A=23 B=13.5		G6,G6V,H6V,J6,J6E
		MH020940	CLIP, WIRING, NO.3	4	A=23 B=13.5		K6,K6V
		MH020940	CLIP, WIRING, NO.3	4	A=23 B=13.5		K6
		MH020940	CLIP, WIRING, NO.3	4	A=23 B=13.5		J6
		MH020940	CLIP, WIRING, NO.3	4	A=23 B=13.5		G6V,H6V,K6V
		MH020940	CLIP, WIRING, NO.3	4	A=23 B=13.5		K6V
		MH020940	CLIP, WIRING, NO.3	4	A=23 B=13.5		G6,H6
		MH020940	CLIP, WIRING, NO.3	4	A=23 B=13.5		J6
		MH020940	CLIP, WIRING, NO.3	4	A=23 B=13.5		K6
		MH020940	CLIP, WIRING, NO.3	4	A=23 B=13.5		K6
		MH020941	CLIP, WIRING, NO.3	1	A=23 B=17.5		K6VE
		MH020941	CLIP, WIRING, NO.3	1	A=23 B=17.5		K6V,K6VE
		MH020941	CLIP, WIRING, NO.3	1	A=23 B=17.5		K6V,K6VE
		MH020941	CLIP, WIRING, NO.3	1	A=23 B=17.5		K6V,M6VE
		MH020941	CLIP, WIRING, NO.3	6	A=23 B=17.5		G6V,H6V,J6V,J6VE
		MH020941	CLIP, WIRING, NO.3	6	A=23 B=17.5		G6V,H6V,J6V,J6VE
		MH020941	CLIP, WIRING, NO.3	6	A=23 B=17.5		G6V,H6V,J6V,J6VE
		MH020941	CLIP, WIRING, NO.3	6	A=23 B=17.5		G6V,H6V,J6V,J6VE
SP		MH020946	CLIP, WIRING, NO.3	12	A=30 B=18	R	J6V,J6VE
SP		MH020946	CLIP, WIRING, NO.3	12	A=30 B=18	R	J6V,J6VE
SP		MH020946	CLIP, WIRING, NO.3	12	A=30 B=18	R	M6VE
SP		MH020946	CLIP, WIRING, NO.3	12	A=30 B=18	R	J6V,J6VE
SP		MH020946	CLIP, WIRING, NO.3	13	A=30 B=18	R	H6V,H6VE
							K6VE
SP		MH020946	CLIP, WIRING, NO.3	13	A=30 B=18	R	H6V,H6VE
							K6VE

FK74R
54-730 CHASSIS HARNESS EQUIPMENT (3/4)

SPN	PNC	Part No	Part Name	Qty	Part Spec	NEW1	Classifi
SP	83470D	MH020946	CLIP, WIRING, NO.3	13	A=30 B=18	R	K6V
SP		MH020946	CLIP, WIRING, NO.3	13	A=30 B=18	R	H6V, H6VE
SP		MH020946	CLIP, WIRING, NO.3	14	A=30 B=18	R	M6E
SP		MH020946	CLIP, WIRING, NO.3	14	A=30 B=18	R	J6, J6E, M6E
SP		MH020946	CLIP, WIRING, NO.3	14	A=30 B=18	R	J6, J6E
SP		MH020946	CLIP, WIRING, NO.3	14	A=30 B=18	R	J6, J6E
SP		MH020946	CLIP, WIRING, NO.3	14	A=30 B=18	R	M6E
SP		MH020946	CLIP, WIRING, NO.3	14	A=30 B=18	R	J6, J6E
SP		MH020946	CLIP, WIRING, NO.3	14	A=30 B=18	R	M6E
SP		MH020946	CLIP, WIRING, NO.3	15	A=30 B=18	R	H6, H6E
SP		MH020946	CLIP, WIRING, NO.3	15	A=30 B=18	R	G6V
SP		MH020946	CLIP, WIRING, NO.3	15	A=30 B=18	R	G6V, H6, H6E, K6, K6E
SP		MH020946	CLIP, WIRING, NO.3	15	A=30 B=18	R	K6, K6E
SP		MH020946	CLIP, WIRING, NO.3	15	A=30 B=18	R	K6, K6E
SP		MH020946	CLIP, WIRING, NO.3	15	A=30 B=18	R	G6V
SP		MH020946	CLIP, WIRING, NO.3	15	A=30 B=18	R	H6, H6E
SP		MH020946	CLIP, WIRING, NO.3	17	A=30 B=18	R	K6, K6E
SP		MH020946	CLIP, WIRING, NO.3	17	A=30 B=18	R	G6
SP		MH020945	CLIP, WIRING, NO.3	17	A=30 B=18	R	G6
SP		MH020945	CLIP, WIRING, NO.3	13	A=30 B=14.5	R	G6V, H6V, J6V, J6VE, K6VE, M6VE
		MH020945	CLIP, WIRING, NO.3	13	A=30 B=14.5		G6, H6, H6E, M6E
		MH020945	CLIP, WIRING, NO.3	13	A=30 B=14.5		M6E
	MH020945	CLIP, WIRING, NO.3	13	A=30 B=14.5		K6, K6E	
	MH020945	CLIP, WIRING, NO.3	13	A=30 B=14.5		J6, J6E	
	MH020945	CLIP, WIRING, NO.3	13	A=30 B=14.5		G6V, H6V, J6V, J6VE, K6VE, M6VE	
	MH020945	CLIP, WIRING, NO.3	13	A=30 B=14.5		G6, G6V, H6E, H6V, J6, J6E, J6VE, K6, K6E, K6VE, M6VE	
	MH020945	CLIP, WIRING, NO.3	13	A=30 B=14.5		M6E	
	MH020945	CLIP, WIRING, NO.3	13	A=30 B=14.5		K6V, M6VE	
	MH020945	CLIP, WIRING, NO.3	13	A=30 B=14.5		G6, H6, H6E, M6E	
	MH020945	CLIP, WIRING, NO.3	13	A=30 B=14.5		K6, K6E	
	MH020945	CLIP, WIRING, NO.3	13	A=30 B=14.5		J6, J6E	
	MH020945	CLIP, WIRING, NO.3	13	A=30 B=14.5		J6, J6E	
	MH020945	CLIP, WIRING, NO.3	13	A=30 B=14.5		M6E	
	MH020945	CLIP, WIRING, NO.3	13	A=30 B=14.5		K6, K6E	
SP	MH020946	CLIP, WIRING, NO.3	10	A=30 B=18	R	J6, J6E, J6VE, M6E	
	MH020945	CLIP, WIRING, NO.3	8	A=30 B=14.5		G6, G6V, H6E, H6V, J6, J6E, J6VE, K6, K6E, K6VE, M6VE	
SP	MH020946	CLIP, WIRING, NO.3	2	A=30 B=18	R	J6V, J6VE	
SP	MH020946	CLIP, WIRING, NO.3	4	A=30 B=18	R	J6, J6E, M6E	
	MH020945	CLIP, WIRING, NO.3	11	A=30 B=14.5		G6, G6V, H6E, H6V, J6, J6E, J6VE, K6, K6E, K6VE, M6VE	
	MH020945	CLIP, WIRING, NO.3	8	A=30 B=14.5		G6, H6, H6E, J6, J6E, K6, K6E, M6E	
SP	MH020946	CLIP, WIRING, NO.3	10	A=30 B=18	R	J6, J6E, M6E	
	MH020945	CLIP, WIRING, NO.3	5	A=30 B=14.5		G6, G6V, H6E, H6V, J6, J6E, J6VE, K6, K6E, K6VE, M6VE	

FK74R
54-730 CHASSIS HARNESS EQUIPMENT (3/4)

SPN	PNC	Part No	Part Name	Qty	Part Spec	NEW1	Classifi
	83470D	MH020945	CLIP, WIRING, NO.3	5	A=30 B=14.5		G6, H6, H6E, J6, J6E, K6E, M6E
		MH020945	CLIP, WIRING, NO.3	5	A=30 B=14.5		G6, H6, H6E, J6, J6E
SP		MH020946	CLIP, WIRING, NO.3	4	A=30 B=18	R	J6, J6E
		MH020945	CLIP, WIRING, NO.3	13	A=30 B=14.5		J6, J6E, M6E
SP		MH020946	CLIP, WIRING, NO.3	12	A=30 B=18	R	J6, J6E, M6E
SP		MH020938	CLIP, WIRING, NO.3	49	A=23 B=14.5	R	H6VE, K6V
SP		MH020938	CLIP, WIRING, NO.3	49	A=23 B=14.5	R	H6VE, K6V
SP		MH020938	CLIP, WIRING, NO.3	49	A=23 B=14.5	R	H6VE, K6V
SP		MH020938	CLIP, WIRING, NO.3	50	A=23 B=14.5	R	K6E
SP		MH020938	CLIP, WIRING, NO.3	50	A=23 B=14.5	R	G6V, H6E, K6E
SP		MH020938	CLIP, WIRING, NO.3	50	A=23 B=14.5	R	K6E
SP		MH020938	CLIP, WIRING, NO.3	50	A=23 B=14.5	R	H6E
SP		MH020938	CLIP, WIRING, NO.3	50	A=23 B=14.5	R	G6V, H6V
SP		MH020938	CLIP, WIRING, NO.3	50	A=23 B=14.5	R	G6V, H6V
SP		MH020938	CLIP, WIRING, NO.3	50	A=23 B=14.5	R	H6E
SP		MH020938	CLIP, WIRING, NO.3	51	A=23 B=14.5	R	K6
SP		MH020938	CLIP, WIRING, NO.3	51	A=23 B=14.5	R	J6VE
SP		MH020938	CLIP, WIRING, NO.3	51	A=23 B=14.5	R	G6, H6, J6V, K6, M6E
SP		MH020938	CLIP, WIRING, NO.3	51	A=23 B=14.5	R	M6E
SP		MH020938	CLIP, WIRING, NO.3	51	A=23 B=14.5	R	G6, H6
SP		MH020938	CLIP, WIRING, NO.3	51	A=23 B=14.5	R	J6VE
SP		MH020938	CLIP, WIRING, NO.3	51	A=23 B=14.5	R	G6, H6
SP		MH020938	CLIP, WIRING, NO.3	51	A=23 B=14.5	R	M6E
SP		MH020938	CLIP, WIRING, NO.3	51	A=23 B=14.5	R	K6
SP		MH020938	CLIP, WIRING, NO.3	52	A=23 B=14.5	R	J6E
SP		MH020938	CLIP, WIRING, NO.3	52	A=23 B=14.5	R	J6V
SP		MH020938	CLIP, WIRING, NO.3	52	A=23 B=14.5	R	J6E
SP		MH020938	CLIP, WIRING, NO.3	52	A=23 B=14.5	R	J6E, J6V
SP		MH020938	CLIP, WIRING, NO.3	52	A=23 B=14.5	R	J6V
SP		MH020938	CLIP, WIRING, NO.3	53	A=23 B=14.5	R	J6
SP		MH020938	CLIP, WIRING, NO.3	53	A=23 B=14.5	R	J6
SP		MH020938	CLIP, WIRING, NO.3	53	A=23 B=14.5	R	J6
SP		MH020946	CLIP, WIRING, NO.3	13	A=30 B=18	R	J6V, J6VE
SP		MH020946	CLIP, WIRING, NO.3	13	A=30 B=18	R	J6V, J6VE
SP		MH020946	CLIP, WIRING, NO.3	13	A=30 B=18	R	J6V, J6VE
SP		MH020946	CLIP, WIRING, NO.3	14	A=30 B=18	R	H6V, H6VE
SP		MH020946	CLIP, WIRING, NO.3	14	A=30 B=18	R	H6V, H6VE
SP		MH020946	CLIP, WIRING, NO.3	14	A=30 B=18	R	H6V, H6VE
SP		MH020946	CLIP, WIRING, NO.3	16	A=30 B=18	R	J6, J6E
SP		MH020946	CLIP, WIRING, NO.3	16	A=30 B=18	R	G6V, J6, J6E, M6E
SP		MH020946	CLIP, WIRING, NO.3	16	A=30 B=18	R	M6E
SP		MH020946	CLIP, WIRING, NO.3	16	A=30 B=18	R	M6E
SP		MH020946	CLIP, WIRING, NO.3	16	A=30 B=18	R	G6V
SP		MH020946	CLIP, WIRING, NO.3	16	A=30 B=18	R	G6V
SP		MH020946	CLIP, WIRING, NO.3	16	A=30 B=18	R	J6, J6E
SP		MH020946	CLIP, WIRING, NO.3	17	A=30 B=18	R	H6, H6E, K6E
SP		MH020946	CLIP, WIRING, NO.3	17	A=30 B=18	R	K6, K6E
SP		MH020946	CLIP, WIRING, NO.3	17	A=30 B=18	R	K6, K6E
SP		MH020946	CLIP, WIRING, NO.3	17	A=30 B=18	R	H6, H6E
SP		MH020946	CLIP, WIRING, NO.3	17	A=30 B=18	R	H6, H6E
SP		MH020946	CLIP, WIRING, NO.3	19	A=30 B=18	R	G6
SP		MH020946	CLIP, WIRING, NO.3	19	A=30 B=18	R	G6
SP		MH020946	CLIP, WIRING, NO.3	19	A=30 B=18	R	G6
		MH020940	CLIP, WIRING, NO.3	2	A=23 B=13.5		K6, K6E
		MH020940	CLIP, WIRING, NO.3	2	A=23 B=13.5		G6V, H6V, J6V, J6VE
		MH020940	CLIP, WIRING, NO.3	2	A=23 B=13.5		J6, J6E
		MH020940	CLIP, WIRING, NO.3	2	A=23 B=13.5		G6, G6V, H6E, H6V, J6, J6E, J6VE, K6, K6E, M6E
		MH020940	CLIP, WIRING, NO.3	2	A=23 B=13.5		M6E
		MH020940	CLIP, WIRING, NO.3	2	A=23 B=13.5		J6, J6E
		MH020940	CLIP, WIRING, NO.3	2	A=23 B=13.5		G6V, H6V, J6V, J6VE

FK74R
54-730 CHASSIS HARNESS EQUIPMENT (3/4)

SPN	PNC	Part No	Part Name	Qty	Part Spec	NEW1	Classifi
	83470D	MH020940	CLIP, WIRING, NO.3	2	A=23 B=13.5		G6, H6, H6E
		MH020940	CLIP, WIRING, NO.3	2	A=23 B=13.5		G6, H6, H6E
		MH020940	CLIP, WIRING, NO.3	2	A=23 B=13.5		M6E
		MH020940	CLIP, WIRING, NO.3	2	A=23 B=13.5		K6, K6E
		MH020945	CLIP, WIRING, NO.3	13	A=30 B=14.5		K6, K6E
		MH020945	CLIP, WIRING, NO.3	13	A=30 B=14.5		M6E
		MH020945	CLIP, WIRING, NO.3	13	A=30 B=14.5		M6E
		MH020945	CLIP, WIRING, NO.3	13	A=30 B=14.5		G6, H6, H6E
		MH020945	CLIP, WIRING, NO.3	13	A=30 B=14.5		J6, J6E, K6E, M6E
		MH020945	CLIP, WIRING, NO.3	13	A=30 B=14.5		J6, J6E
		MH020945	CLIP, WIRING, NO.3	13	A=30 B=14.5		J6, J6E
		MH020945	CLIP, WIRING, NO.3	13	A=30 B=14.5		G6, H6, H6E
		MH020945	CLIP, WIRING, NO.3	13	A=30 B=14.5		G6, H6, H6E
		MH020945	CLIP, WIRING, NO.3	13	A=30 B=14.5		K6, K6E
		MH020945	CLIP, WIRING, NO.3	14	A=30 B=14.5		G6V, H6V, J6V, J6VE
		MH020945	CLIP, WIRING, NO.3	14	A=30 B=14.5		G6V, H6V, J6V, J6VE
		MH020945	CLIP, WIRING, NO.3	14	A=30 B=14.5		G6V, H6V, J6V, J6VE
		MH020939	CLIP, WIRING, NO.3	13	A=23 B=18		G6, G6V
		MH020939	CLIP, WIRING, NO.3	13	A=23 B=18		G6
		MH020939	CLIP, WIRING, NO.3	13	A=23 B=18		G6V
		MH020939	CLIP, WIRING, NO.3	13	A=23 B=18		G6V
		MH020939	CLIP, WIRING, NO.3	13	A=23 B=18		G6
		MH020941	CLIP, WIRING, NO.3	6	A=23 B=17.5		G6V, H6V, J6V, J6VE
		MH020941	CLIP, WIRING, NO.3	6	A=23 B=17.5		J6, J6E
		MH020941	CLIP, WIRING, NO.3	6	A=23 B=17.5		G6, G6V, H6E, H6V, J6, J6E, J6VE
		MH020941	CLIP, WIRING, NO.3	6	A=23 B=17.5		G6V, H6V, J6V, J6VE
		MH020941	CLIP, WIRING, NO.3	6	A=23 B=17.5		G6, H6, H6E
		MH020941	CLIP, WIRING, NO.3	6	A=23 B=17.5		G6, H6, H6E
		MH020941	CLIP, WIRING, NO.3	6	A=23 B=17.5		J6, J6E
		MH020939	CLIP, WIRING, NO.3	15	A=23 B=18		H6V, H6VE
		MH020939	CLIP, WIRING, NO.3	15	A=23 B=18		H6, H6E, H6VE
		MH020939	CLIP, WIRING, NO.3	15	A=23 B=18		H6, H6E
		MH020939	CLIP, WIRING, NO.3	15	A=23 B=18		H6V, H6VE
		MH020939	CLIP, WIRING, NO.3	15	A=23 B=18		H6, H6E
		MH020939	CLIP, WIRING, NO.3	17	A=23 B=18		J6V, J6VE
		MH020939	CLIP, WIRING, NO.3	17	A=23 B=18		J6, J6E, J6VE
		MH020939	CLIP, WIRING, NO.3	17	A=23 B=18		J6, J6E
		MH020939	CLIP, WIRING, NO.3	17	A=23 B=18		J6V, J6VE
		MH020939	CLIP, WIRING, NO.3	17	A=23 B=18		J6, J6E
		MH020939	CLIP, WIRING, NO.3	18	A=23 B=18		K6VE
		MH020939	CLIP, WIRING, NO.3	18	A=23 B=18		M6E
		MH020939	CLIP, WIRING, NO.3	18	A=23 B=18		K6, K6E, K6VE
		MH020939	CLIP, WIRING, NO.3	18	A=23 B=18		M6E
		MH020939	CLIP, WIRING, NO.3	18	A=23 B=18		K6VE
		MH020939	CLIP, WIRING, NO.3	18	A=23 B=18		K6, K6E
		MH020939	CLIP, WIRING, NO.3	18	A=23 B=18		K6, K6E
		MH020941	CLIP, WIRING, NO.3	1	A=23 B=17.5		M6E
		MH020941	CLIP, WIRING, NO.3	1	A=23 B=17.5		K6, K6E
		MH020941	CLIP, WIRING, NO.3	1	A=23 B=17.5		K6VE
		MH020941	CLIP, WIRING, NO.3	1	A=23 B=17.5		M6E
		MH020941	CLIP, WIRING, NO.3	1	A=23 B=17.5		K6, K6E
		MH020941	CLIP, WIRING, NO.3	1	A=23 B=17.5		K6VE
		MH020941	CLIP, WIRING, NO.3	1	A=23 B=17.5		M6E
		MH020941	CLIP, WIRING, NO.3	1	A=23 B=17.5		K6, K6E, K6VE
		MH020941	CLIP, WIRING, NO.3	1	A=23 B=17.5		M6E
		MH020945	CLIP, WIRING, NO.3	9	A=30 B=14.5		G6, H6, H6E
		MH020945	CLIP, WIRING, NO.3	10	A=30 B=14.5		J6, J6E, K6E, M6E
		MH020945	CLIP, WIRING, NO.3	10	A=30 B=14.5		G6V, H6V, J6V, J6VE
SP		MH020946	CLIP, WIRING, NO.3	10	A=30 B=18	R	J6, J6E, J6VE, M6E

FK74R
54-730 CHASSIS HARNESS EQUIPMENT (3/4)

SPN	PNC	Part No	Part Name	Qty	Part Spec	NEW1	Classifi
	83470D	MH020945	CLIP, WIRING, NO.3	2	A=30 B=14.5		G6, H6, H6E, J6, J6E, K6, K6E, M6E
SP		MH020946	CLIP, WIRING, NO.3	3	A=30 B=18	R	J6, J6E, M6E, J6V, J6VE
SP		MH020946	CLIP, WIRING, NO.3	7	A=30 B=18	R	J6, J6E, M6E
		MH020945	CLIP, WIRING, NO.3	9	A=30 B=14.5		G6, H6, H6E, J6, J6E
SP		MH020946	CLIP, WIRING, NO.3	10	A=30 B=18	R	J6, J6E
SP		MH020946	CLIP, WIRING, NO.3	6	A=30 B=18	R	J6, J6E, M6E
		MH020945	CLIP, WIRING, NO.3	4	A=30 B=14.5		G6, G6V, H6E, H6V, J6, J6E, J6VE, K6, K6E, M6E
		MH020945	CLIP, WIRING, NO.3	1	A=30 B=14.5		G6, H6, H6E, J6, J6E, K6, K6E, M6E
		MH020945	CLIP, WIRING, NO.3	4	A=30 B=14.5		G6V, H6V, J6V, J6VE
		MH020945	CLIP, WIRING, NO.3	4	A=30 B=14.5		G6, H6, H6E, J6, J6E, K6, K6E, M6E
		MH020945	CLIP, WIRING, NO.3	4	A=30 B=14.5		G6, H6, H6E, J6, J6E
SP		MH020946	CLIP, WIRING, NO.3	6	A=30 B=18	R	J6, J6E
SP		MH020946	CLIP, WIRING, NO.3	14	A=30 B=18	R	J6, J6E, M6E
	83470F	MH056347	CLIP, WIRING, NO.3	1	D=14.8		G6, G6E, H6E, J6, J6E, K6, K6E, M6E
	83470G	MH050210	CLIP, WIRING, NO.3	1			G6, G6E, H6E, J6, J6E, K6, K6E, M6E
	83470K	MH020956	CLIP, WIRING, NO.3	5	A=36 B=6		K6, K6E, M6E
		MH020956	CLIP, WIRING, NO.3	5	A=36 B=6		G6, G6E, H6E, J6, J6E, K6, K6E, M6E
		MH020956	CLIP, WIRING, NO.3	5	A=36 B=6		G6, H6, H6E, J6, J6E
		MH020956	CLIP, WIRING, NO.3	5	A=36 B=6		G6E, M6E
		MH020956	CLIP, WIRING, NO.3	5	A=36 B=6		G6, G6E, H6E, J6, J6E, K6, K6E, M6E
		MH020957	CLIP, WIRING, NO.3	6	A=36 B=9.5		G6, G6E, H6E, J6, J6E, K6, K6E, M6E
		MH020957	CLIP, WIRING, NO.3	6	A=36 B=9.5		K6, K6E, M6E
		MH020957	CLIP, WIRING, NO.3	6	A=36 B=9.5		G6, G6E, H6E, J6, J6E, K6, K6E, M6E
		MH020957	CLIP, WIRING, NO.3	6	A=36 B=9.5		G6, H6, H6E, J6, J6E
		MH020957	CLIP, WIRING, NO.3	6	A=36 B=9.5		G6E, M6E
		MH020956	CLIP, WIRING, NO.3	9	A=36 B=6		G6V, H6V, J6V, J6VE, K6VE, M6VE
		MH020956	CLIP, WIRING, NO.3	11	A=36 B=6		G6, H6, H6E, J6, J6E
		MH020956	CLIP, WIRING, NO.3	11	A=36 B=6		G6, H6, H6E, J6, J6E, K6, K6E, M6E
		MH020956	CLIP, WIRING, NO.3	11	A=36 B=6		K6, K6E, M6E
		MH020956	CLIP, WIRING, NO.3	11	A=36 B=6		G6, H6, H6E, J6, J6E
		MH020956	CLIP, WIRING, NO.3	11	A=36 B=6		K6, K6E, M6E

FK74R
54-730 CHASSIS HARNESS EQUIPMENT (3/4)

SPN	PNC	Part No	Part Name	Qty	Part Spec	NEW1	Classifi
	83470K	MH020957	CLIP, WIRING, NO.3	9	A=36 B=9.5		G6V, H6V, J6V, J6VE, K6VE, M6V
		MH020957	CLIP, WIRING, NO.3	7	A=36 B=9.5		G6, H6, H6I, J6, J6E, K6E, M6E
		MH020957	CLIP, WIRING, NO.3	7	A=36 B=9.5		G6, H6, H6I, J6, J6E
		MH020957	CLIP, WIRING, NO.3	9	A=36 B=9.5		G6, H6, H6I, J6, J6E, K6E, M6E
		MH020957	CLIP, WIRING, NO.3	7	A=36 B=9.5		K6, K6E, M6E
		MH020957	CLIP, WIRING, NO.3	7	A=36 B=9.5		G6, H6, H6I, J6, J6E
		MH020957	CLIP, WIRING, NO.3	7	A=36 B=9.5		G6, H6, H6I, J6, J6E
		MH020957	CLIP, WIRING, NO.3	7	A=36 B=9.5		G6, H6, H6I, J6, J6E, K6E, M6E
		MH020957	CLIP, WIRING, NO.3	7	A=36 B=9.5		G6, H6, H6I, J6, J6E
		MH020956	CLIP, WIRING, NO.3	11	A=36 B=6		G6, H6, H6I, J6, J6E, K6E, M6E
		MH020956	CLIP, WIRING, NO.3	11	A=36 B=6		G6, H6, H6I, J6, J6E
		MH020956	CLIP, WIRING, NO.3	11	A=36 B=6		K6, K6E, M6E
		MH020956	CLIP, WIRING, NO.3	10	A=36 B=6		G6, H6, H6I, J6, J6E, K6E, M6E
		MH020957	CLIP, WIRING, NO.3	11	A=36 B=9.5		G6V, H6V, J6V, J6VE
		MH020957	CLIP, WIRING, NO.3	6	A=36 B=9.5		G6, H6, H6I, J6, J6E, K6E, M6E
	83473B	MS456731	SPACER, WIRING	1	8X6		G6, G6V, H6E, H6V, J6, J6E, J6I, J6VE, K6, K6E, K6V, K6VE, M6VE
		MS456731	SPACER, WIRING	1	8X6		G6, H6, H6I, J6, J6E, K6E, M6E
		MS456731	SPACER, WIRING	1	8X6		G6, H6, H6I, J6, J6E
		MS456731	SPACER, WIRING	1	8X6		G6V, H6V, J6V, J6VE
		MS456731	SPACER, WIRING	1	8X6		K6, K6E, M6E
		MS456731	SPACER, WIRING	1	8X6		G6, H6, H6I, J6, J6E
		MS456731	SPACER, WIRING	1	8X6		G6V, H6V, J6V, J6VE
		MS456731	SPACER, WIRING	1	8X6		K6, K6E, M6E
		MS456731	SPACER, WIRING	1	8X6		K6V, M6VE
		MS456731	SPACER, WIRING	1	8X6		G6V, H6V, J6V, J6VE
		MS456731	SPACER, WIRING	1	8X6		K6V, M6VE
		MS456731	SPACER, WIRING	1	8X6		G6, H6, H6I, J6, J6E
		MS456731	SPACER, WIRING	1	8X6		G6, G6V, H6E, H6V, J6, J6E, J6I, J6VE, K6, K6E, K6V, K6VE, M6VE

FK74R
54-730 CHASSIS HARNESS EQUIPMENT (3/4)

SPN	PNC	Part No	Part Name	Qty	Part Spec	NEW1	Classifi
	83473B	MS456731	SPACER,WIRING	1	8X6		G6,H6,H6E,J6,J6E
		MS456731	SPACER,WIRING	1	8X6		G6,G6V,H6E,H6V,I6E,J6E,J6VE,K6,K6E,M6E
	83475C	MC410490	CLIP,WIRING,NO.5	1	D=15,1 L=60,3		G6,G6E,H6E,J6,J6E,K6,K6E,M6E
	83475E	MS470069	CLIP,WIRING,NO.5	1	L=80		G6,G6V,H6E,H6V,I6E,J6E,J6VE,K6,K6E,M6E
		MS470059	CLIP,WIRING,NO.5	1	L=80		G6,G6V,H6E,H6V,I6E,J6E,J6VE,K6,K6E,M6E
	83477F	MH020952	CLIP,WIRING,NO.6	1			G6,G6E,H6E,J6,J6E,K6,K6E,M6E
	83494CH	MK638022	COVER,WIRING	1			G6,G6V,H6E,H6V,I6E,J6E,J6VE,K6,K6E,M6E
	83494D	MC025389	COVER,WIRING	2			G6,H6,H6E,J6,J6E,K6E,M6E
		MC025389	COVER,WIRING	2			G6,H6,H6E,J6,J6E,K6E,M6E
		MC025389	COVER,WIRING	2			G6,H6,H6E,J6,J6E,K6E,M6E
		MC025389	COVER,WIRING	1			G6,H6,H6E,J6,J6E,K6E,M6E
		MC025389	COVER,WIRING	2			G6,H6,H6E,J6,J6E,K6E,M6E
		MC025389	COVER,WIRING	2			G6,H6,H6E,J6,J6E,K6E,M6E
		MC025389	COVER,WIRING	2			G6,H6,H6E,J6,J6E,K6E,M6E
	85305M	MK347148	BRACKET,RADIO	1			G6,G6E,H6E,J6,J6E,K6,K6E,M6E
	71452C	(Please refer to the page 1/4)	TAPE,WIRING	1			
	80508E	(Please refer to the page 1/4)	BRACKET,BACKUP LAMP	1			
	83304BV	(Please refer to the page 1/4)	BRACKET,HARNESS	1			
	83304DP	(Please refer to the page 1/4)	BRACKET,HARNESS	1			
	83304DT	(Please refer to the page 1/4)	BRACKET,HARNESS	1			
	83304DV	(Please refer to the page 1/4)	BRACKET,HARNESS	1			
	83304DW	(Please refer to the page 1/4)	BRACKET,HARNESS	1			
	83304DX	(Please refer to the page 1/4)	BRACKET,HARNESS	1			
	83304EB	(Please refer to the page 1/4)	BRACKET,HARNESS	1			
	83304ED	(Please refer to the page 1/4)	BRACKET,HARNESS	1			
	83304FE	(Please refer to the page 1/4)	BRACKET,HARNESS	1			
	83304GE	(Please refer to the page 1/4)	BRACKET,HARNESS	1			
	83304GF	(Please refer to the page 1/4)	BRACKET,HARNESS	1			
	83304GG	(Please refer to the page 1/4)	BRACKET,HARNESS	1			
	83304U	(Please refer to the page 1/4)	BRACKET,HARNESS	1			
	83331K	(Please refer to the page 1/4)	PROTECTOR,HARNESS	1			
	83346	(Please refer to the page 1/4)	WASHER,WIRING	1			

FK74R
54-730 CHASSIS HARNESS EQUIPMENT (3/4)

SPN	PNC	Part No	Part Name	Qty	Part Spec	NEW1	Classifi
	83348	(Please refer to the page 1/4)	SCREW,WIRING	1			
	83349C	(Please refer to the page 1/4)	PROTECTOR,WIRING	1			
	83349E	(Please refer to the page 1/4)	PROTECTOR,WIRING	1			
	83352	(Please refer to the page 1/4)	NUT,WIRING	1			
	83353B	(Please refer to the page 1/4)	GROMMET,WIRING	1			
	83357B	(Please refer to the page 1/4)	BAND,WIRING	1			
	83357C	(Please refer to the page 1/4)	BAND,WIRING	1			
	83357J	(Please refer to the page 1/4)	BAND,WIRING	1			
	83369BD	(Please refer to the page 1/4)	COVER,CHASSIS HARNESS	1			
	83411BT	(Please refer to the page 1/4)	BRACKET,BODY WIRING,NO.2	1			
	83411CC	(Please refer to the page 1/4)	BRACKET,BODY WIRING,NO.2	1			
	83417E	(Please refer to the page 1/4)	BRACKET,BODY WIRING,NO.8	1			
	83417Q	(Please refer to the page 1/4)	BRACKET,BODY WIRING,NO.8	1			
	83428B	(Please refer to the page 1/4)	BRACKET,WIRING,NO.1	1			
	83428BH	(Please refer to the page 1/4)	BRACKET,WIRING,NO.1	1			
	83428BJ	(Please refer to the page 1/4)	BRACKET,WIRING,NO.1	1			
	83428BS	(Please refer to the page 1/4)	BRACKET,WIRING,NO.1	1			
	83429B	(Please refer to the page 1/4)	BRACKET,WIRING,NO.2	1			
	83429BC	(Please refer to the page 2/4)	BRACKET,WIRING,NO.2	1			
	83429BX	(Please refer to the page 2/4)	BRACKET,WIRING,NO.2	1			
	83429BY	(Please refer to the page 2/4)	BRACKET,WIRING,NO.2	1			
	83429BZ	(Please refer to the page 2/4)	BRACKET,WIRING,NO.2	1			
	83429C	(Please refer to the page 2/4)	BRACKET,WIRING,NO.2	1			
	83429CP	(Please refer to the page 2/4)	BRACKET,WIRING,NO.2	1			
	83429D	(Please refer to the page 2/4)	BRACKET,WIRING,NO.2	1			
	83429DD	(Please refer to the page 2/4)	BRACKET,WIRING,NO.2	1			
	83429EZ	(Please refer to the page 2/4)	BRACKET,WIRING,NO.2	1			
	83429FB	(Please refer to the page 2/4)	BRACKET,WIRING,NO.2	1			
	83429FC	(Please refer to the page 2/4)	BRACKET,WIRING,NO.2	1			
	83429HK	(Please refer to the page 2/4)	BRACKET,WIRING,NO.2	1			
	83429HM	(Please refer to the page 2/4)	BRACKET,WIRING,NO.2	1			
	83429HN	(Please refer to the page 2/4)	BRACKET,WIRING,NO.2	1			
	83429KH	(Please refer to the page 2/4)	BRACKET,WIRING,NO.2	1			
	83429MB	(Please refer to the page 2/4)	BRACKET,WIRING,NO.2	1			
	83429P	(Please refer to the page 2/4)	BRACKET,WIRING,NO.2	1			
	83457B	(Please refer to the page 2/4)	BRACKET,WIRING,NO.5	1			
	83457C	(Please refer to the page 2/4)	BRACKET,WIRING,NO.5	1			
	83457CT	(Please refer to the page 2/4)	BRACKET,WIRING,NO.5	1			
	83457D	(Please refer to the page 2/4)	BRACKET,WIRING,NO.5	1			
	83457DX	(Please refer to the page 2/4)	BRACKET,WIRING,NO.5	1			
	83457DY	(Please refer to the page 2/4)	BRACKET,WIRING,NO.5	1			
	83457DZ	(Please refer to the page 2/4)	BRACKET,WIRING,NO.5	1			
	83457EB	(Please refer to the page 2/4)	BRACKET,WIRING,NO.5	1			
	83457EF	(Please refer to the page 2/4)	BRACKET,WIRING,NO.5	1			
	83457EP	(Please refer to the page 2/4)	BRACKET,WIRING,NO.5	1			
	83457EQ	(Please refer to the page 2/4)	BRACKET,WIRING,NO.5	1			
	83457J	(Please refer to the page 2/4)	BRACKET,WIRING,NO.5	1			
	83460CJ	(Please refer to the page 2/4)	BRACKET,WIRING,NO.7	1			
	83460DE	(Please refer to the page 2/4)	BRACKET,WIRING,NO.7	1			
	83463BV	(Please refer to the page 2/4)	BRACKET,WIRING,NO.8	1			
	83463BW	(Please refer to the page 2/4)	BRACKET,WIRING,NO.8	1			
	83463Z	(Please refer to the page 2/4)	BRACKET,WIRING,NO.8	1			
	83465CH	(Please refer to the page 2/4)	BRACKET,WIRING,NO.9	1			
	83465CJ	(Please refer to the page 2/4)	BRACKET,WIRING,NO.9	1			
	83465CU	(Please refer to the page 2/4)	BRACKET,WIRING,NO.9	1			
	83465EP	(Please refer to the page 2/4)	BRACKET,WIRING,NO.9	1			
	83465FC	(Please refer to the page 2/4)	BRACKET,WIRING,NO.9	1			
	83465FD	(Please refer to the page 2/4)	BRACKET,WIRING,NO.9	1			
	83465V	(Please refer to the page 2/4)	BRACKET,WIRING,NO.9	1			
	83467B	(Please refer to the page 2/4)	CLIP,WIRING,NO.1	1			
	83467BB	(Please refer to the page 2/4)	CLIP,WIRING,NO.1	1			
	83467BD	(Please refer to the page 2/4)	CLIP,WIRING,NO.1	1			
	83467BF	(Please refer to the page 2/4)	CLIP,WIRING,NO.1	1			
	83467C	(Please refer to the page 2/4)	CLIP,WIRING,NO.1	1			
	83467D	(Please refer to the page 2/4)	CLIP,WIRING,NO.1	1			
	83467E	(Please refer to the page 2/4)	CLIP,WIRING,NO.1	1			
	83468D	(Please refer to the page 2/4)	CLIP,WIRING,NO.2	1			
	83468F	(Please refer to the page 2/4)	CLIP,WIRING,NO.2	1			
	83468G	(Please refer to the page 2/4)	CLIP,WIRING,NO.2	1			
	83468H	(Please refer to the page 2/4)	CLIP,WIRING,NO.2	1			
	83499	(Please refer to the page 4/4)	BOLT,WIRING	1			
	55948	(N.e.c.)	BOX,ABS JUMPER CABLE CONNECTOR	1			

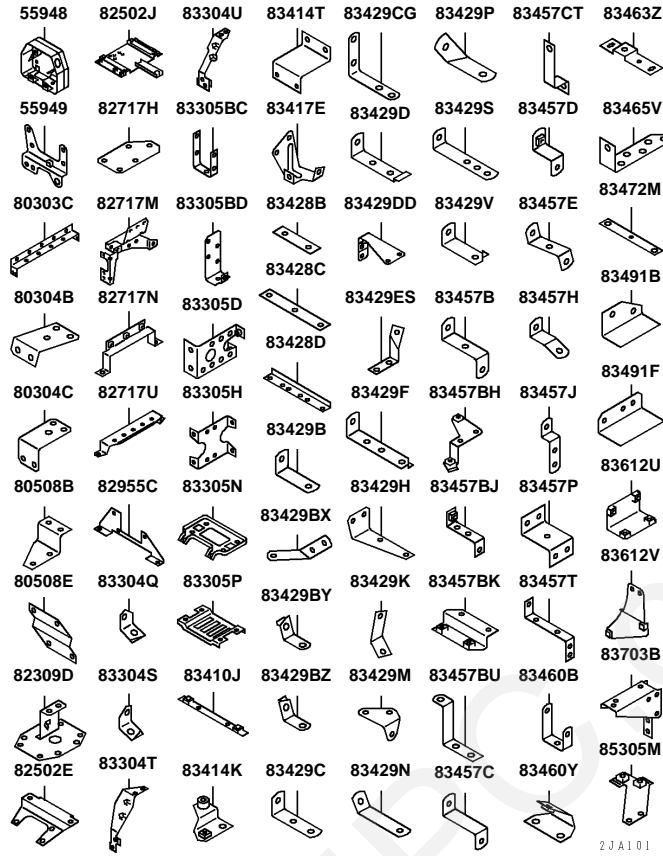
FK74R
54-730 CHASSIS HARNESS EQUIPMENT (3/4)

SPN	PNC	Part No	Part Name	Qty	Part Spec	NEW1	Classifi
	80303C	(N.e.c.)	BRACKET,RR COMBINATION LAMP				
	82309D	(N.e.c.)	BRACKET,HEIGHT CONTROL MAIN SWITCH				
	82502E	(N.e.c.)	BRACKET,CONTROL UNIT				
	82717M	(N.e.c.)	BRACKET,RELAY				
	82717N	(N.e.c.)	BRACKET,RELAY				
	83304T	(N.e.c.)	BRACKET,HARNESS				
	83305BC	(N.e.c.)	BRACKET,HARNESS CONNECTOR				
	83305N	(N.e.c.)	BRACKET,HARNESS CONNECTOR				
	83305P	(N.e.c.)	BRACKET,HARNESS CONNECTOR				
	83414K	(N.e.c.)	BRACKET,BODY WIRING,NO.5				
	83429F	(N.e.c.)	BRACKET,WIRING,NO.2				
	83429M	(N.e.c.)	BRACKET,WIRING,NO.2				
	83429N	(N.e.c.)	BRACKET,WIRING,NO.2				
	83457BH	(N.e.c.)	BRACKET,WIRING,NO.5				
	83457H	(N.e.c.)	BRACKET,WIRING,NO.5				
	83460Y	(N.e.c.)	BRACKET,WIRING,NO.7				
	83429S	(N.e.c.)	BRACKET,WIRING,NO.2				
	83703B	(N.e.c.)	BRACKET,FUSIBLE LINK				
	80304B	(N.e.c.)	BRACKET,RR FOG LAMP				
	83428C	(N.e.c.)	BRACKET,WIRING,NO.1				
	80304C	(N.e.c.)	BRACKET,RR FOG LAMP				
	80508B	(N.e.c.)	BRACKET,BACKUP LAMP				
	83460B	(N.e.c.)	BRACKET,WIRING,NO.7				
	82717H	(N.e.c.)	BRACKET,RELAY				
	83457BK	(N.e.c.)	BRACKET,WIRING,NO.5				
	82955C	(N.e.c.)	BRACKET,PULSE DIVIDER				
	55949	(N.e.c.)	BRACKET,ABS JUMPER CABLE CONNECTOR BOX				
	83429H	(N.e.c.)	BRACKET,WIRING,NO.2				
	83612U	(N.e.c.)	BRACKET,FUSE BOX				
	83305BD	(N.e.c.)	BRACKET,HARNESS CONNECTOR				
	83305H	(N.e.c.)	BRACKET,HARNESS CONNECTOR				
	83429K	(N.e.c.)	BRACKET,WIRING,NO.2				
	83429V	(N.e.c.)	BRACKET,WIRING,NO.2				
	83457T	(N.e.c.)	BRACKET,WIRING,NO.5				
	83491F	(N.e.c.)	INSULATOR,WIRING				
	83305D	(N.e.c.)	BRACKET,HARNESS CONNECTOR				
	83491B	(N.e.c.)	INSULATOR,WIRING				
	82502J	(N.e.c.)	BRACKET,CONTROL UNIT				
	83410J	(N.e.c.)	BRACKET,BODY WIRING,NO.1				
	82717U	(N.e.c.)	BRACKET,RELAY				
	83414T	(N.e.c.)	BRACKET,BODY WIRING,NO.5				
	83472M	(N.e.c.)	STAY,WIRING				
	83612V	(N.e.c.)	BRACKET,FUSE BOX				
	83304Q	(N.e.c.)	BRACKET,HARNESS				
	83304S	(N.e.c.)	BRACKET,HARNESS				
	83457P	(N.e.c.)	BRACKET,WIRING,NO.5				
	83429CG	(N.e.c.)	BRACKET,WIRING,NO.2				
	83429ES	(N.e.c.)	BRACKET,WIRING,NO.2				
	83457BU	(N.e.c.)	BRACKET,WIRING,NO.5				
	83428D	(N.e.c.)	BRACKET,WIRING,NO.1				
	83457BJ	(N.e.c.)	BRACKET,WIRING,NO.5				
	83457E	(N.e.c.)	BRACKET,WIRING,NO.5				
	55954	(N.e.c.)	COVER,ABS JUMPER CABLE CONNECTOR BOX				
	71633	(N.e.c.)	LABEL,HEIGHT CONTROL SWITCH CAUTION				
	82327	(N.e.c.)	COVER,SWITCH BOX,UPR				
	82427	(N.e.c.)	LID,SWITCH BOX COVER				
	82428	(N.e.c.)	SPRING,SWITCH BOX COVER LID				
	83281	(N.e.c.)	PIN,WIRING				
	83351H	(N.e.c.)	PLUG,WIRING				
	83357E	(N.e.c.)	BAND,WIRING				
	83218B	(N.e.c.)	NUT,BODY WIRING				
	83218C	(N.e.c.)	NUT,BODY WIRING				
	83494P	(N.e.c.)	COVER,WIRING				
	83357H	(N.e.c.)	BAND,WIRING				
	83357G	(N.e.c.)	BAND,WIRING				
	83357F	(N.e.c.)	BAND,WIRING				
	83357D	(N.e.c.)	BAND,WIRING				
	83281C	(N.e.c.)	PIN,WIRING				
	83351B	(N.e.c.)	PLUG,WIRING				
	83477H	(N.e.c.)	CLIP,WIRING,NO.6				
	83222J	(N.e.c.)	GROMMET,BODY WIRING				
	83494BK	(N.e.c.)	COVER,WIRING				

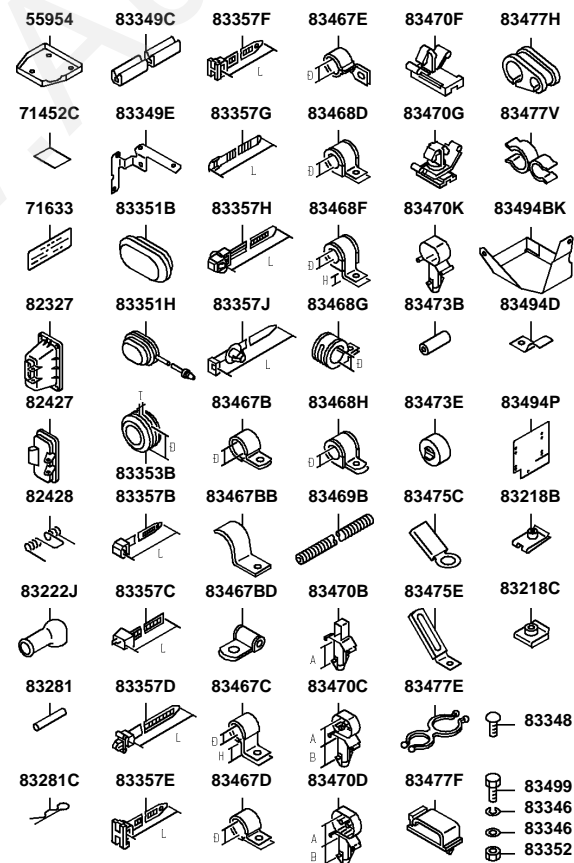
FK74R
54-730 CHASSIS HARNESS EQUIPMENT (3/4)

SPN	PNC	Part No	Part Name	Qty	Part Spec	NEW1	Classifi
	83477E	(N.e.c.)	CLIP,WIRING,NO.6				
	83477V	(N.e.c.)	CLIP,WIRING,NO.6				
	83469B	(N.e.c.)	TUBE,WIRING				
	83473E	(N.e.c.)	SPACER,WIRING				
	83465CK	(N.e.c.)	BRACKET,WIRING,NO.9				
	83465CM	(N.e.c.)	BRACKET,WIRING,NO.9				
	83457ED	(N.e.c.)	BRACKET,WIRING,NO.5				
	83304DF	(N.e.c.)	BRACKET,HARNESS				
	83304DN	(N.e.c.)	BRACKET,HARNESS				
	83304DQ	(N.e.c.)	BRACKET,HARNESS				
	83304DS	(N.e.c.)	BRACKET,HARNESS				
	83304DU	(N.e.c.)	BRACKET,HARNESS				
	83429HP	(N.e.c.)	BRACKET,WIRING,NO.2				
	83457BF	(N.e.c.)	BRACKET,WIRING,NO.5				
	83457ES	(N.e.c.)	BRACKET,WIRING,NO.5				
	83457ET	(N.e.c.)	BRACKET,WIRING,NO.5				
	83457EU	(N.e.c.)	BRACKET,WIRING,NO.5				
	83457EV	(N.e.c.)	BRACKET,WIRING,NO.5				
	83457EW	(N.e.c.)	BRACKET,WIRING,NO.5				
	83460DF	(N.e.c.)	BRACKET,WIRING,NO.7				
	83463BX	(N.e.c.)	BRACKET,WIRING,NO.8				
	83612BK	(N.e.c.)	BRACKET,FUSE BOX				
	83612BM	(N.e.c.)	BRACKET,FUSE BOX				
	83457FH	(N.e.c.)	BRACKET,WIRING,NO.5				
	83304BQ	(N.e.c.)	BRACKET,HARNESS				
	83457GG	(N.e.c.)	BRACKET,WIRING,NO.5				
	83457GQ	(N.e.c.)	BRACKET,WIRING,NO.5				
	83612CB	(N.e.c.)	BRACKET,FUSE BOX				
	83612BZ	(N.e.c.)	BRACKET,FUSE BOX				
	83465FU	(N.e.c.)	BRACKET,WIRING,NO.9				
	83465FV	(N.e.c.)	BRACKET,WIRING,NO.9				
	83465FT	(N.e.c.)	BRACKET,WIRING,NO.9				
	83465FS	(N.e.c.)	BRACKET,WIRING,NO.9				
	83465FQ	(N.e.c.)	BRACKET,WIRING,NO.9				
	83465FP	(N.e.c.)	BRACKET,WIRING,NO.9				
	83463DQ	(N.e.c.)	BRACKET,WIRING,NO.8				
	83460EC	(N.e.c.)	BRACKET,WIRING,NO.7				
	83460EB	(N.e.c.)	BRACKET,WIRING,NO.7				
	83429NB	(N.e.c.)	BRACKET,WIRING,NO.2				
	83429MZ	(N.e.c.)	BRACKET,WIRING,NO.2				
	83429MX	(N.e.c.)	BRACKET,WIRING,NO.2				
	83428BW	(N.e.c.)	BRACKET,WIRING,NO.1				
	83417W	(N.e.c.)	BRACKET,BODY WIRING,NO.8				
	83417V	(N.e.c.)	BRACKET,BODY WIRING,NO.8				
	83460DQ	(N.e.c.)	BRACKET,WIRING,NO.7				
	83460DP	(N.e.c.)	BRACKET,WIRING,NO.7				
	83460CH	(N.e.c.)	BRACKET,WIRING,NO.7				
	83612BW	(N.e.c.)	BRACKET,FUSE BOX				
	83429KZ	(N.e.c.)	BRACKET,WIRING,NO.2				
	83429KY	(N.e.c.)	BRACKET,WIRING,NO.2				
	83428BT	(N.e.c.)	BRACKET,WIRING,NO.1				
	83304GD	(N.e.c.)	BRACKET,HARNESS				
	83304GC	(N.e.c.)	BRACKET,HARNESS				
	83304GB	(N.e.c.)	BRACKET,HARNESS				
	83304FZ	(N.e.c.)	BRACKET,HARNESS				
	83465FG	(N.e.c.)	BRACKET,WIRING,NO.9				
	83460DS	(N.e.c.)	BRACKET,WIRING,NO.7				
	83457FZ	(N.e.c.)	BRACKET,WIRING,NO.5				
	83457BV	(N.e.c.)	BRACKET,WIRING,NO.5				
	83429MC	(N.e.c.)	BRACKET,WIRING,NO.2				
	83465FE	(N.e.c.)	BRACKET,WIRING,NO.9				
	83465EZ	(N.e.c.)	BRACKET,WIRING,NO.9				
	83304FF	(N.e.c.)	BRACKET,HARNESS				
	83612BN	(N.e.c.)	BRACKET,FUSE BOX				
	83429MY	(N.e.c.)	BRACKET,WIRING,NO.2				

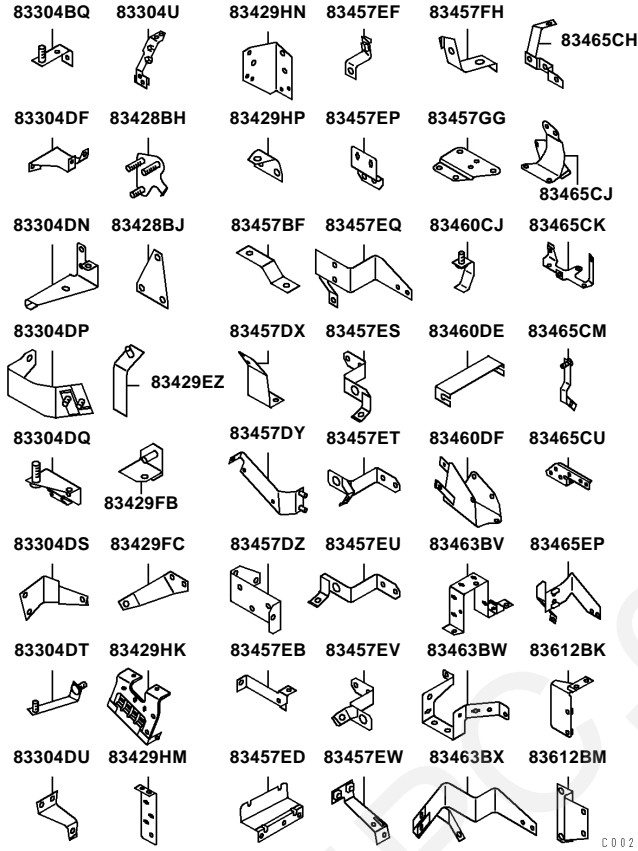
**FK74R
No.1**



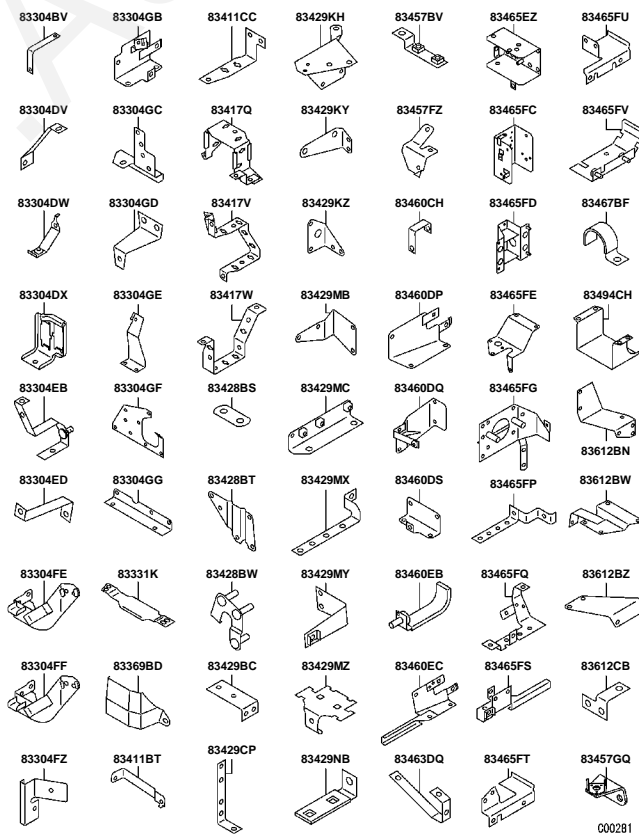
**FK74R
No.2**



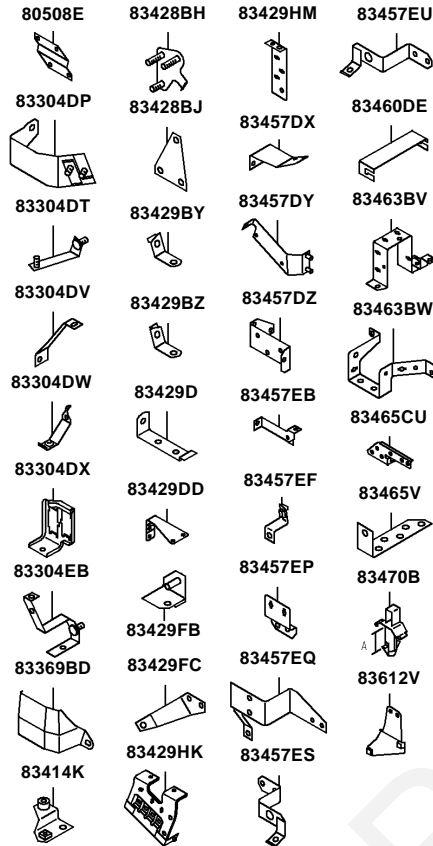
**FK74R
No.3**



**FK74R
No.4**



**FK74R
No.5**



C 002 87

Ref. |2054730-4

Page

**FK74R
54-730 CHASSIS HARNESS EQUIPMENT (4/4)**

SPN	PNC	Part No	Part Name	Qty	Part Spec	Re
	83499	MF140009	BOLT,WIRING	1	FLANGE,6X25	4T
		MF140009	BOLT,WIRING	1	FLANGE,6X25	4T
		MF140009	BOLT,WIRING	1	FLANGE,6X25	4T
		MF140009	BOLT,WIRING	1	FLANGE,6X25	4T
		MF140009	BOLT,WIRING	1	FLANGE,6X25	4T
		MF140027	BOLT,WIRING	3	FLANGE,8X25	4T
		MF140027	BOLT,WIRING	3	FLANGE,8X25	4T
		MF140027	BOLT,WIRING	3	FLANGE,8X25	4T
		MF140027	BOLT,WIRING	3	FLANGE,8X25	4T
		MF140027	BOLT,WIRING	3	FLANGE,8X25	4T
		MF140027	BOLT,WIRING	3	FLANGE,8X25	4T
		MF240049	BOLT,WIRING	2	WASHER ASSEMBLED,8X12	4T
		MF240049	BOLT,WIRING	2	WASHER ASSEMBLED,8X12	4T
		MF240049	BOLT,WIRING	2	WASHER ASSEMBLED,8X12	4T

Ref. |2054730-4

Page

FK74R
54-730 CHASSIS HARNESS EQUIPMENT (4/4)

SPN	PNC	Part No	Part Name	Qty	Part Spec	Re
	83499	MF240049	BOLT,WIRING	2	WASHER ASSEMBLED,8X12	
		MF240049	BOLT,WIRING	2	WASHER ASSEMBLED,8X12	
		MF240049	BOLT,WIRING	2	WASHER ASSEMBLED,8X12	
		MF240049	BOLT,WIRING	2	WASHER ASSEMBLED,8X12	
		MF240051	BOLT,WIRING	1	WASHER ASSEMBLED,8X16	
		MF240051	BOLT,WIRING	1	WASHER ASSEMBLED,8X16	
		MF240051	BOLT,WIRING	1	WASHER ASSEMBLED,8X16	
		MF240051	BOLT,WIRING	1	WASHER ASSEMBLED,8X16	
		MF240051	BOLT,WIRING	1	WASHER ASSEMBLED,8X16	
		MF240051	BOLT,WIRING	1	WASHER ASSEMBLED,8X16	
		MF240051	BOLT,WIRING	1	WASHER ASSEMBLED,8X16	
		MF243622	BOLT,WIRING	1	WASHER ASSEMBLED,6X12	
		MF243622	BOLT,WIRING	1	WASHER ASSEMBLED,6X12	
		MF243622	BOLT,WIRING	1	WASHER ASSEMBLED,6X12	
		MF243622	BOLT,WIRING	1	WASHER ASSEMBLED,6X12	
		MF243622	BOLT,WIRING	1	WASHER ASSEMBLED,6X12	
		MF243622	BOLT,WIRING	1	WASHER ASSEMBLED,6X12	
		MH000540	BOLT,WIRING	1	WASHER ASSEMBLED,10X20	
		MH000540	BOLT,WIRING	1	WASHER ASSEMBLED,10X20	
		MH000540	BOLT,WIRING	1	WASHER ASSEMBLED,10X20	
		MH000540	BOLT,WIRING	1	WASHER ASSEMBLED,10X20	
		MH000540	BOLT,WIRING	1	WASHER ASSEMBLED,10X20	
		MH000540	BOLT,WIRING	1	WASHER ASSEMBLED,10X20	
		MH000540	BOLT,WIRING	1	WASHER ASSEMBLED,10X20	
		MH000540	BOLT,WIRING	1	WASHER ASSEMBLED,10X20	
		MH000540	BOLT,WIRING	1	WASHER ASSEMBLED,10X20	
		MF100055	BOLT,WIRING	7	BOLT,8X20	4T
		MF140007	BOLT,WIRING	1	FLANGE,6X20	4T
		MF240025	BOLT,WIRING	2	WASHER ASSEMBLED,6X16	
		MH000999	BOLT,WIRING	1	FLANGE,6X12	
		MF100055	BOLT,WIRING	2	BOLT,8X20	4T
		MF100059	BOLT,WIRING	1	BOLT,8X30	

FK74R
54-730 CHASSIS HARNESS EQUIPMENT (4/4)

SPN	PNC	Part No	Part Name	Qty	Part Spec	Re
	83499	MF101285	BOLT,WIRING	2	BOLT,10X25	
		MF140029	BOLT,WIRING	4	FLANGE,8X30	4T
		MF100055	BOLT,WIRING	6	BOLT,8X20	4T
		MF100055	BOLT,WIRING	26	BOLT,8X20	4T
		MF101285	BOLT,WIRING	1	BOLT,10X25	
		MF140025	BOLT,WIRING	3	FLANGE,8X20	4T
		MF140027	BOLT,WIRING	3	FLANGE,8X25	4T
		MF240053	BOLT,WIRING	2	WASHER ASSEMBLED,8X20	
		MF100055	BOLT,WIRING	26	BOLT,8X20	4T
		MF101285	BOLT,WIRING	1	BOLT,10X25	
		MF140007	BOLT,WIRING	1	FLANGE,6X20	4T
		MF140025	BOLT,WIRING	3	FLANGE,8X20	4T
		MF140027	BOLT,WIRING	3	FLANGE,8X25	4T
		MF240053	BOLT,WIRING	2	WASHER ASSEMBLED,8X20	
		MH000999	BOLT,WIRING	1	FLANGE,6X12	
		MF100055	BOLT,WIRING	33	BOLT,8X20	4T
		MF140007	BOLT,WIRING	2	FLANGE,6X20	4T
		MH000999	BOLT,WIRING	2	FLANGE,6X12	
SP		MF100025	BOLT,WIRING	8	BOLT,6X12	4T
SP		MF100025	BOLT,WIRING	8	BOLT,6X12	4T
SP		MF100025	BOLT,WIRING	8	BOLT,6X12	4T
SP		MF100025	BOLT,WIRING	8	BOLT,6X12	4T
SP		MF100025	BOLT,WIRING	8	BOLT,6X12	4T

**FK74R
54-730 CHASSIS HARNESS EQUIPMENT (4/4)**

SPN	PNC	Part No	Part Name	Qty	Part Spec	Re
	83499	MF140005	BOLT,WIRING	30	FLANGE,6X16	4T
		MF140005	BOLT,WIRING	30	FLANGE,6X16	4T
		MF140005	BOLT,WIRING	30	FLANGE,6X16	4T
		MF140005	BOLT,WIRING	30	FLANGE,6X16	4T
		MF140005	BOLT,WIRING	30	FLANGE,6X16	4T
		MF140005	BOLT,WIRING	30	FLANGE,6X16	4T
		MF140005	BOLT,WIRING	30	FLANGE,6X16	4T
		MF140005	BOLT,WIRING	30	FLANGE,6X16	4T
		MF140005	BOLT,WIRING	30	FLANGE,6X16	4T
		MF140005	BOLT,WIRING	30	FLANGE,6X16	4T
		MF140005	BOLT,WIRING	30	FLANGE,6X16	4T
		MF140005	BOLT,WIRING	30	FLANGE,6X16	4T
		MF140005	BOLT,WIRING	30	FLANGE,6X16	4T
		MF140007	BOLT,WIRING	10	FLANGE,6X20	4T
		MF140007	BOLT,WIRING	10	FLANGE,6X20	4T
		MF140007	BOLT,WIRING	10	FLANGE,6X20	4T
		MF140007	BOLT,WIRING	10	FLANGE,6X20	4T
		MF140007	BOLT,WIRING	10	FLANGE,6X20	4T
		MF140007	BOLT,WIRING	10	FLANGE,6X20	4T
		MF140007	BOLT,WIRING	10	FLANGE,6X20	4T
		MF140007	BOLT,WIRING	10	FLANGE,6X20	4T
		MF140007	BOLT,WIRING	10	FLANGE,6X20	4T
		MF140007	BOLT,WIRING	10	FLANGE,6X20	4T
		MF140007	BOLT,WIRING	10	FLANGE,6X20	4T
		MF140007	BOLT,WIRING	10	FLANGE,6X20	4T
		MF140007	BOLT,WIRING	10	FLANGE,6X20	4T
		MF140007	BOLT,WIRING	10	FLANGE,6X20	4T
		MF140007	BOLT,WIRING	10	FLANGE,6X20	4T
		MF140007	BOLT,WIRING	10	FLANGE,6X20	4T
		MF140007	BOLT,WIRING	10	FLANGE,6X20	4T
		MF140007	BOLT,WIRING	10	FLANGE,6X20	4T
		MF140007	BOLT,WIRING	10	FLANGE,6X20	4T
		MF140007	BOLT,WIRING	10	FLANGE,6X20	4T
		MF140007	BOLT,WIRING	10	FLANGE,6X20	4T
		MF140023	BOLT,WIRING	14	FLANGE,8X16	4T
		MF140023	BOLT,WIRING	14	FLANGE,8X16	4T

FK74R
54-730 CHASSIS HARNESS EQUIPMENT (4/4)

SPN	PNC	Part No	Part Name	Qty	Part Spec
	83499	MF240023	BOLT,WIRING	2	WASHER ASSEMBLED,6X12
		MF240023	BOLT,WIRING	2	WASHER ASSEMBLED,6X12
		MF240025	BOLT,WIRING	3	WASHER ASSEMBLED,6X16
		MF240025	BOLT,WIRING	3	WASHER ASSEMBLED,6X16
		MF240025	BOLT,WIRING	3	WASHER ASSEMBLED,6X16
		MF240025	BOLT,WIRING	3	WASHER ASSEMBLED,6X16
		MF240025	BOLT,WIRING	3	WASHER ASSEMBLED,6X16
		MF240025	BOLT,WIRING	3	WASHER ASSEMBLED,6X16
		MF240025	BOLT,WIRING	3	WASHER ASSEMBLED,6X16
		MF240025	BOLT,WIRING	3	WASHER ASSEMBLED,6X16
		MF240025	BOLT,WIRING	3	WASHER ASSEMBLED,6X16
		MF240025	BOLT,WIRING	3	WASHER ASSEMBLED,6X16
		MF240025	BOLT,WIRING	3	WASHER ASSEMBLED,6X16
		MF240025	BOLT,WIRING	3	WASHER ASSEMBLED,6X16
		MF240025	BOLT,WIRING	3	WASHER ASSEMBLED,6X16
		MF240025	BOLT,WIRING	3	WASHER ASSEMBLED,6X16
		MF240025	BOLT,WIRING	3	WASHER ASSEMBLED,6X16
		MF240025	BOLT,WIRING	3	WASHER ASSEMBLED,6X16
		MF240025	BOLT,WIRING	3	WASHER ASSEMBLED,6X16
		MF240025	BOLT,WIRING	3	WASHER ASSEMBLED,6X16
		MF240025	BOLT,WIRING	3	WASHER ASSEMBLED,6X16
		MF240025	BOLT,WIRING	3	WASHER ASSEMBLED,6X16
		MF240025	BOLT,WIRING	3	WASHER ASSEMBLED,6X16
		MF240025	BOLT,WIRING	3	WASHER ASSEMBLED,6X16
		MF240053	BOLT,WIRING	2	WASHER ASSEMBLED,8X20
		MF240053	BOLT,WIRING	2	WASHER ASSEMBLED,8X20
		MF240053	BOLT,WIRING	2	WASHER ASSEMBLED,8X20
		MF240053	BOLT,WIRING	2	WASHER ASSEMBLED,8X20
		MF240053	BOLT,WIRING	2	WASHER ASSEMBLED,8X20
		MF240053	BOLT,WIRING	2	WASHER ASSEMBLED,8X20
		MF240053	BOLT,WIRING	2	WASHER ASSEMBLED,8X20
		MF240053	BOLT,WIRING	2	WASHER ASSEMBLED,8X20
		MF240053	BOLT,WIRING	2	WASHER ASSEMBLED,8X20
		MF240053	BOLT,WIRING	2	WASHER ASSEMBLED,8X20
		MF240053	BOLT,WIRING	2	WASHER ASSEMBLED,8X20
		MF240053	BOLT,WIRING	2	WASHER ASSEMBLED,8X20
		MF240053	BOLT,WIRING	2	WASHER ASSEMBLED,8X20
		MF240053	BOLT,WIRING	2	WASHER ASSEMBLED,8X20
		MF240053	BOLT,WIRING	2	WASHER ASSEMBLED,8X20
		MF240053	BOLT,WIRING	2	WASHER ASSEMBLED,8X20
		MF240053	BOLT,WIRING	2	WASHER ASSEMBLED,8X20
		MF240053	BOLT,WIRING	2	WASHER ASSEMBLED,8X20
		MF240053	BOLT,WIRING	2	WASHER ASSEMBLED,8X20
		MF240053	BOLT,WIRING	2	WASHER ASSEMBLED,8X20
		MF240053	BOLT,WIRING	2	WASHER ASSEMBLED,8X20
		MF240053	BOLT,WIRING	2	WASHER ASSEMBLED,8X20

FK74R
54-730 CHASSIS HARNESS EQUIPMENT (4/4)

SPN	PNC	Part No	Part Name	Qty	Part Spec
	83499	MF240053	BOLT,WIRING	2	WASHER ASSEMBLED,8X20
		MF240053	BOLT,WIRING	2	WASHER ASSEMBLED,8X20
		MF240053	BOLT,WIRING	2	WASHER ASSEMBLED,8X20
		MF240053	BOLT,WIRING	2	WASHER ASSEMBLED,8X20
		MH000999	BOLT,WIRING	2	FLANGE,6X12
		MH000999	BOLT,WIRING	2	FLANGE,6X12
		MH000999	BOLT,WIRING	2	FLANGE,6X12
		MH000999	BOLT,WIRING	2	FLANGE,6X12
		MH000999	BOLT,WIRING	2	FLANGE,6X12
		MH000999	BOLT,WIRING	2	FLANGE,6X12
		MH000999	BOLT,WIRING	2	FLANGE,6X12
		MH000999	BOLT,WIRING	2	FLANGE,6X12
		MH000999	BOLT,WIRING	2	FLANGE,6X12
		MH000999	BOLT,WIRING	2	FLANGE,6X12
		MH000999	BOLT,WIRING	2	FLANGE,6X12
		MH000999	BOLT,WIRING	2	FLANGE,6X12
		MH000999	BOLT,WIRING	2	FLANGE,6X12
		MH000999	BOLT,WIRING	2	FLANGE,6X12
		MH000999	BOLT,WIRING	2	FLANGE,6X12
		MH000999	BOLT,WIRING	2	FLANGE,6X12
		MH001262	BOLT,WIRING	9	8X25
		MH001262	BOLT,WIRING	9	8X25
		MH001262	BOLT,WIRING	9	8X25
		MH001262	BOLT,WIRING	9	8X25
		MH001262	BOLT,WIRING	9	8X25
		MH001262	BOLT,WIRING	9	8X25
		MH001262	BOLT,WIRING	9	8X25
		MH001262	BOLT,WIRING	9	8X25
		MH001262	BOLT,WIRING	9	8X25
		MH001262	BOLT,WIRING	9	8X25
		MH001262	BOLT,WIRING	9	8X25
		MH001262	BOLT,WIRING	9	8X25
		MH001262	BOLT,WIRING	9	8X25
		MH001262	BOLT,WIRING	9	8X25
		MH001262	BOLT,WIRING	9	8X25

FK74R
54-730 CHASSIS HARNESS EQUIPMENT (4/4)

SPN	PNC	Part No	Part Name	Qty	Part Spec	Re
	83499	MH001262	BOLT,WIRING	9	8X25	
		MH001262	BOLT,WIRING	9	8X25	
		MH001262	BOLT,WIRING	9	8X25	
		MH001262	BOLT,WIRING	9	8X25	
		MH001262	BOLT,WIRING	9	8X25	
		MH001262	BOLT,WIRING	9	8X25	
		MH001262	BOLT,WIRING	9	8X25	
		MF100027	BOLT,WIRING	5	BOLT,6X16	4T
		MF100053	BOLT,WIRING	7	BOLT,8X16	4T
		MF100055	BOLT,WIRING	12	BOLT,8X20	4T
		MF100057	BOLT,WIRING	1	BOLT,8X25	4T
		MF140005	BOLT,WIRING	6	FLANGE,6X16	4T
		MF140007	BOLT,WIRING	5	FLANGE,6X20	4T
		MF140023	BOLT,WIRING	1	FLANGE,8X16	4T
		MF140025	BOLT,WIRING	3	FLANGE,8X20	4T
		MF240025	BOLT,WIRING	2	WASHER ASSEMBLED,6X16	
		MH000999	BOLT,WIRING	1	FLANGE,6X12	

FK74R
54-730 CHASSIS HARNESS EQUIPMENT (4/4)

SPN	PNC	Part No	Part Name	Qty	Part Spec	Re
	83499	MF100027	BOLT,WIRING	2	BOLT,6X16	4T
		MF100053	BOLT,WIRING	8	BOLT,8X16	4T
		MF100055	BOLT,WIRING	29	BOLT,8X20	4T
		MF101283	BOLT,WIRING	1	BOLT,10X20	7T
		MF101285	BOLT,WIRING	1	BOLT,10X25	
		MF140003	BOLT,WIRING	2	FLANGE,6X12	4T
		MF140005	BOLT,WIRING	4	FLANGE,6X16	4T
		MF140025	BOLT,WIRING	5	FLANGE,8X20	4T
		MF240053	BOLT,WIRING	2	WASHER ASSEMBLED,8X20	
		MF100053	BOLT,WIRING	2	BOLT,8X16	4T
		MF140029	BOLT,WIRING	4	FLANGE,8X30	4T
		MF140060	BOLT,WIRING	2	FLANGE,10X25	4T

FK74R
54-730 CHASSIS HARNESS EQUIPMENT (4/4)

SPN	PNC	Part No	Part Name	Qty	Part Spec	Re
	83499	MF100027	BOLT,WIRING	5	BOLT,6X16	4T
		MF100053	BOLT,WIRING	6	BOLT,8X16	4T
		MF100055	BOLT,WIRING	12	BOLT,8X20	4T
		MF100057	BOLT,WIRING	1	BOLT,8X25	4T
		MF140005	BOLT,WIRING	6	FLANGE,6X16	4T
		MF140007	BOLT,WIRING	5	FLANGE,6X20	4T
		MF140025	BOLT,WIRING	3	FLANGE,8X20	4T
		MF240025	BOLT,WIRING	2	WASHER ASSEMBLED,6X16	
		MH000999	BOLT,WIRING	1	FLANGE,6X12	
		MF100055	BOLT,WIRING	28	BOLT,8X20	4T
		MF100027	BOLT,WIRING	11	BOLT,6X16	4T
		MF100053	BOLT,WIRING	10	BOLT,8X16	4T
		MF100055	BOLT,WIRING	28	BOLT,8X20	4T
		MF101283	BOLT,WIRING	1	BOLT,10X20	7T
		MF101285	BOLT,WIRING	1	BOLT,10X25	
		MF140003	BOLT,WIRING	4	FLANGE,6X12	4T
		MF140005	BOLT,WIRING	8	FLANGE,6X16	4T
		MF140007	BOLT,WIRING	1	FLANGE,6X20	4T
		MF140025	BOLT,WIRING	9	FLANGE,8X20	4T
		MF240023	BOLT,WIRING	1	WASHER ASSEMBLED,6X12	
		MF240053	BOLT,WIRING	2	WASHER ASSEMBLED,8X20	
		MH000607	BOLT,WIRING	1	WASHER ASSEMBLED,6X8	
		MF100027	BOLT,WIRING	11	BOLT,6X16	4T
		MF100053	BOLT,WIRING	10	BOLT,8X16	4T

FK74R
54-730 CHASSIS HARNESS EQUIPMENT (4/4)

SPN	PNC 83499	Part No	Part Name	Qty	Part Spec	Re
		MF100055	BOLT,WIRING	28	BOLT,8X20	4T
		MF100057	BOLT,WIRING	1	BOLT,8X25	4T
		MF101283	BOLT,WIRING	1	BOLT,10X20	7T
		MF101285	BOLT,WIRING	1	BOLT,10X25	
		MF140003	BOLT,WIRING	4	FLANGE,6X12	4T
		MF140005	BOLT,WIRING	8	FLANGE,6X16	4T
		MF140007	BOLT,WIRING	1	FLANGE,6X20	4T
		MF140025	BOLT,WIRING	9	FLANGE,8X20	4T
		MF240023	BOLT,WIRING	1	WASHER ASSEMBLED,6X12	
		MF240053	BOLT,WIRING	2	WASHER ASSEMBLED,8X20	
		MH000607	BOLT,WIRING	1	WASHER ASSEMBLED,6X8	
		MH000999	BOLT,WIRING	1	FLANGE,6X12	
		MF100027	BOLT,WIRING	9	BOLT,6X16	4T
		MF100053	BOLT,WIRING	14	BOLT,8X16	4T
		MF100055	BOLT,WIRING	36	BOLT,8X20	4T
		MF100057	BOLT,WIRING	2	BOLT,8X25	4T
		MF140003	BOLT,WIRING	2	FLANGE,6X12	4T
		MF140005	BOLT,WIRING	10	FLANGE,6X16	4T
		MF140025	BOLT,WIRING	5	FLANGE,8X20	4T
		MH000999	BOLT,WIRING	2	FLANGE,6X12	
		MF100057	BOLT,WIRING	5	BOLT,8X25	4T
		MF100057	BOLT,WIRING	5	BOLT,8X25	4T
		MF100057	BOLT,WIRING	5	BOLT,8X25	4T
		MF100057	BOLT,WIRING	5	BOLT,8X25	4T
		MF100057	BOLT,WIRING	5	BOLT,8X25	4T
		MF100057	BOLT,WIRING	5	BOLT,8X25	4T
		MF100057	BOLT,WIRING	5	BOLT,8X25	4T
		MF100057	BOLT,WIRING	5	BOLT,8X25	4T
		MF100057	BOLT,WIRING	5	BOLT,8X25	4T
		MF100057	BOLT,WIRING	5	BOLT,8X25	4T
		MF100057	BOLT,WIRING	5	BOLT,8X25	4T
		MF100057	BOLT,WIRING	5	BOLT,8X25	4T
		MF100057	BOLT,WIRING	5	BOLT,8X25	4T
		MF100057	BOLT,WIRING	5	BOLT,8X25	4T
		MF100057	BOLT,WIRING	5	BOLT,8X25	4T
		MF100057	BOLT,WIRING	5	BOLT,8X25	4T
		MF100057	BOLT,WIRING	5	BOLT,8X25	4T
		MF100057	BOLT,WIRING	5	BOLT,8X25	4T
		MF100057	BOLT,WIRING	5	BOLT,8X25	4T
		MF100057	BOLT,WIRING	5	BOLT,8X25	4T
		MF100057	BOLT,WIRING	5	BOLT,8X25	4T
		MF100057	BOLT,WIRING	5	BOLT,8X25	4T
		MF100057	BOLT,WIRING	5	BOLT,8X25	4T
		MF100057	BOLT,WIRING	5	BOLT,8X25	4T
		MF100057	BOLT,WIRING	5	BOLT,8X25	4T
		MF100057	BOLT,WIRING	5	BOLT,8X25	4T
		MF100057	BOLT,WIRING	5	BOLT,8X25	4T
		MF100057	BOLT,WIRING	5	BOLT,8X25	4T
		MF100057	BOLT,WIRING	5	BOLT,8X25	4T
		MF100057	BOLT,WIRING	5	BOLT,8X25	4T
		MF100057	BOLT,WIRING	5	BOLT,8X25	4T
		MF100057	BOLT,WIRING	5	BOLT,8X25	4T
		MF100057	BOLT,WIRING	5	BOLT,8X25	4T
		MF100057	BOLT,WIRING	5	BOLT,8X25	4T

FK74R
54-730 CHASSIS HARNESS EQUIPMENT (4/4)

SPN	PNC	Part No	Part Name	Qty	Part Spec	Re
	83499	MF100057	BOLT,WIRING	5	BOLT,8X25	4T
		MF100059	BOLT,WIRING	3	BOLT,8X30	
		MF100059	BOLT,WIRING	3	BOLT,8X30	
		MF100059	BOLT,WIRING	3	BOLT,8X30	
		MF100059	BOLT,WIRING	3	BOLT,8X30	
		MF100059	BOLT,WIRING	3	BOLT,8X30	
		MF100059	BOLT,WIRING	3	BOLT,8X30	
		MF100059	BOLT,WIRING	3	BOLT,8X30	
		MF100059	BOLT,WIRING	3	BOLT,8X30	
		MF100059	BOLT,WIRING	3	BOLT,8X30	
		MF100059	BOLT,WIRING	3	BOLT,8X30	
		MF100059	BOLT,WIRING	3	BOLT,8X30	
		MF101283	BOLT,WIRING	1	BOLT,10X20	7T
		MF101283	BOLT,WIRING	1	BOLT,10X20	7T
		MF101283	BOLT,WIRING	1	BOLT,10X20	7T
		MF101283	BOLT,WIRING	1	BOLT,10X20	7T
		MF101283	BOLT,WIRING	1	BOLT,10X20	7T
		MF101283	BOLT,WIRING	1	BOLT,10X20	7T
		MF101283	BOLT,WIRING	1	BOLT,10X20	7T
		MF101283	BOLT,WIRING	1	BOLT,10X20	7T
		MF101283	BOLT,WIRING	1	BOLT,10X20	7T
		MF101283	BOLT,WIRING	1	BOLT,10X20	7T
		MH000607	BOLT,WIRING	1	WASHER ASSEMBLED,6X8	7T
		MH000607	BOLT,WIRING	1	WASHER ASSEMBLED,6X8	
		MH000607	BOLT,WIRING	1	WASHER ASSEMBLED,6X8	
		MH000607	BOLT,WIRING	1	WASHER ASSEMBLED,6X8	
		MH000607	BOLT,WIRING	1	WASHER ASSEMBLED,6X8	
		MH000607	BOLT,WIRING	1	WASHER ASSEMBLED,6X8	
		MH000607	BOLT,WIRING	1	WASHER ASSEMBLED,6X8	
		MH000607	BOLT,WIRING	1	WASHER ASSEMBLED,6X8	
		MH000607	BOLT,WIRING	1	WASHER ASSEMBLED,6X8	

FK74R
54-730 CHASSIS HARNESS EQUIPMENT (4/4)

SPN	PNC	Part No	Part Name	Qty	Part Spec	Re
	83499	MH000607	BOLT,WIRING	1	WASHER ASSEMBLED,6X8	
		MH000607	BOLT,WIRING	1	WASHER ASSEMBLED,6X8	
		MH000607	BOLT,WIRING	1	WASHER ASSEMBLED,6X8	
		MH000607	BOLT,WIRING	1	WASHER ASSEMBLED,6X8	
		MH000607	BOLT,WIRING	1	WASHER ASSEMBLED,6X8	
		MH000607	BOLT,WIRING	1	WASHER ASSEMBLED,6X8	
		MF140019	BOLT,WIRING	2	FLANGE,6X60	4T
		MF140019	BOLT,WIRING	2	FLANGE,6X60	4T
		MF140019	BOLT,WIRING	2	FLANGE,6X60	4T
		MF140019	BOLT,WIRING	2	FLANGE,6X60	4T
		MF140019	BOLT,WIRING	2	FLANGE,6X60	4T
		MF140019	BOLT,WIRING	2	FLANGE,6X60	4T
		MF100053	BOLT,WIRING	7	BOLT,8X16	4T
		MF140005	BOLT,WIRING	6	FLANGE,6X16	4T
		MF140007	BOLT,WIRING	5	FLANGE,6X20	4T
		MF140023	BOLT,WIRING	1	FLANGE,8X16	4T
		MF140025	BOLT,WIRING	3	FLANGE,8X20	4T
		MF240025	BOLT,WIRING	3	WASHER ASSEMBLED,6X16	
		MH000999	BOLT,WIRING	1	FLANGE,6X12	
		MF100053	BOLT,WIRING	4	BOLT,8X16	4T
		MF101285	BOLT,WIRING	1	BOLT,10X25	

FK74R
54-730 CHASSIS HARNESS EQUIPMENT (4/4)

SPN	PNC	Part No	Part Name	Qty	Part Spec	Re
	83499	MF140003	BOLT,WIRING	2	FLANGE,6X12	4T
		MF140005	BOLT,WIRING	17	FLANGE,6X16	4T
		MF140007	BOLT,WIRING	4	FLANGE,6X20	4T
		MF140019	BOLT,WIRING	2	FLANGE,6X60	4T
		MF140023	BOLT,WIRING	11	FLANGE,8X16	4T
		MF140025	BOLT,WIRING	9	FLANGE,8X20	4T
		MF240053	BOLT,WIRING	2	WASHER ASSEMBLED,8X20	
		MF140023	BOLT,WIRING	1	FLANGE,8X16	4T
		MF240025	BOLT,WIRING	3	WASHER ASSEMBLED,6X16	
		MF100053	BOLT,WIRING	6	BOLT,8X16	4T
		MF140005	BOLT,WIRING	6	FLANGE,6X16	4T
		MF140007	BOLT,WIRING	5	FLANGE,6X20	4T
		MF140023	BOLT,WIRING	1	FLANGE,8X16	4T
		MF140025	BOLT,WIRING	3	FLANGE,8X20	4T
		MF240025	BOLT,WIRING	3	WASHER ASSEMBLED,6X16	
		MF100053	BOLT,WIRING	5	BOLT,8X16	4T
		MF101283	BOLT,WIRING	1	BOLT,10X20	7T
		MF140005	BOLT,WIRING	15	FLANGE,6X16	4T
		MF140005	BOLT,WIRING	16	FLANGE,6X16	4T

FK74R
54-730 CHASSIS HARNESS EQUIPMENT (4/4)

SPN	PNC	Part No	Part Name	Qty	Part Spec	Re
SP	83499	MF100025	BOLT,WIRING	2	BOLT,6X12	4T
		MF100053	BOLT,WIRING	8	BOLT,8X16	4T
		MF140005	BOLT,WIRING	19	FLANGE,6X16	4T
		MF140019	BOLT,WIRING	2	FLANGE,6X60	4T
		MF140023	BOLT,WIRING	12	FLANGE,8X16	4T
		MF140025	BOLT,WIRING	11	FLANGE,8X20	4T
		MF100025	BOLT,WIRING	2	BOLT,6X12	4T
		MF100053	BOLT,WIRING	8	BOLT,8X16	4T
		MF140005	BOLT,WIRING	19	FLANGE,6X16	4T
		MF140019	BOLT,WIRING	2	FLANGE,6X60	4T
		MF140023	BOLT,WIRING	12	FLANGE,8X16	4T
		MF140025	BOLT,WIRING	11	FLANGE,8X20	4T
		MF100053	BOLT,WIRING	11	BOLT,8X16	4T
		MF140005	BOLT,WIRING	21	FLANGE,6X16	4T
		MF140007	BOLT,WIRING	9	FLANGE,6X20	4T
		MF140025	BOLT,WIRING	12	FLANGE,8X20	4T
	71452C	(Please refer to the page 1/4)	TAPE,WIRING	1		
	80508E	(Please refer to the page 1/4)	BRACKET,BACKUP LAMP	1		
	83304BV	(Please refer to the page 1/4)	BRACKET,HARNESS	1		
	83304DP	(Please refer to the page 1/4)	BRACKET,HARNESS	1		
	83304DT	(Please refer to the page 1/4)	BRACKET,HARNESS	1		
	83304DV	(Please refer to the page 1/4)	BRACKET,HARNESS	1		
	83304DW	(Please refer to the page 1/4)	BRACKET,HARNESS	1		
	83304DX	(Please refer to the page 1/4)	BRACKET,HARNESS	1		
	83304EB	(Please refer to the page 1/4)	BRACKET,HARNESS	1		
	83304ED	(Please refer to the page 1/4)	BRACKET,HARNESS	1		
	83304FE	(Please refer to the page 1/4)	BRACKET,HARNESS	1		
	83304GE	(Please refer to the page 1/4)	BRACKET,HARNESS	1		
	83304GF	(Please refer to the page 1/4)	BRACKET,HARNESS	1		
	83304GG	(Please refer to the page 1/4)	BRACKET,HARNESS	1		
	83304U	(Please refer to the page 1/4)	BRACKET,HARNESS	1		
	83331K	(Please refer to the page 1/4)	PROTECTOR,HARNESS	1		
	83346	(Please refer to the page 1/4)	WASHER,WIRING	1		
	83348	(Please refer to the page 1/4)	SCREW,WIRING	1		
	83349C	(Please refer to the page 1/4)	PROTECTOR,WIRING	1		
	83349E	(Please refer to the page 1/4)	PROTECTOR,WIRING	1		
	83352	(Please refer to the page 1/4)	NUT,WIRING	1		
	83353B	(Please refer to the page 1/4)	GROMMET,WIRING	1		
	83357B	(Please refer to the page 1/4)	BAND,WIRING	1		
	83357C	(Please refer to the page 1/4)	BAND,WIRING	1		
	83357J	(Please refer to the page 1/4)	BAND,WIRING	1		
	83369BD	(Please refer to the page 1/4)	COVER,CHASSIS HARNESS	1		
	83411BT	(Please refer to the page 1/4)	BRACKET,BODY WIRING,NO.2	1		
	83411CC	(Please refer to the page 1/4)	BRACKET,BODY WIRING,NO.2	1		
	83417E	(Please refer to the page 1/4)	BRACKET,BODY WIRING,NO.8	1		
	83417Q	(Please refer to the page 1/4)	BRACKET,BODY WIRING,NO.8	1		
	83428B	(Please refer to the page 1/4)	BRACKET,WIRING,NO.1	1		

FK74R
54-730 CHASSIS HARNESS EQUIPMENT (4/4)

SPN	PNC	Part No	Part Name	Qty	Part Spec	Re
	83428BH	(Please refer to the page 1/4)	BRACKET,WIRING,NO.1	1		
	83428BJ	(Please refer to the page 1/4)	BRACKET,WIRING,NO.1	1		
	83428BS	(Please refer to the page 1/4)	BRACKET,WIRING,NO.1	1		
	83429B	(Please refer to the page 1/4)	BRACKET,WIRING,NO.2	1		
	83429BC	(Please refer to the page 2/4)	BRACKET,WIRING,NO.2	1		
	83429BX	(Please refer to the page 2/4)	BRACKET,WIRING,NO.2	1		
	83429BY	(Please refer to the page 2/4)	BRACKET,WIRING,NO.2	1		
	83429BZ	(Please refer to the page 2/4)	BRACKET,WIRING,NO.2	1		
	83429C	(Please refer to the page 2/4)	BRACKET,WIRING,NO.2	1		
	83429CP	(Please refer to the page 2/4)	BRACKET,WIRING,NO.2	1		
	83429D	(Please refer to the page 2/4)	BRACKET,WIRING,NO.2	1		
	83429DD	(Please refer to the page 2/4)	BRACKET,WIRING,NO.2	1		
	83429EZ	(Please refer to the page 2/4)	BRACKET,WIRING,NO.2	1		
	83429FB	(Please refer to the page 2/4)	BRACKET,WIRING,NO.2	1		
	83429FC	(Please refer to the page 2/4)	BRACKET,WIRING,NO.2	1		
	83429HK	(Please refer to the page 2/4)	BRACKET,WIRING,NO.2	1		
	83429HM	(Please refer to the page 2/4)	BRACKET,WIRING,NO.2	1		
	83429HN	(Please refer to the page 2/4)	BRACKET,WIRING,NO.2	1		
	83429KH	(Please refer to the page 2/4)	BRACKET,WIRING,NO.2	1		
	83429MB	(Please refer to the page 2/4)	BRACKET,WIRING,NO.2	1		
	83429P	(Please refer to the page 2/4)	BRACKET,WIRING,NO.2	1		
	83457B	(Please refer to the page 2/4)	BRACKET,WIRING,NO.5	1		
	83457C	(Please refer to the page 2/4)	BRACKET,WIRING,NO.5	1		
	83457CT	(Please refer to the page 2/4)	BRACKET,WIRING,NO.5	1		
	83457D	(Please refer to the page 2/4)	BRACKET,WIRING,NO.5	1		
	83457DX	(Please refer to the page 2/4)	BRACKET,WIRING,NO.5	1		
	83457DY	(Please refer to the page 2/4)	BRACKET,WIRING,NO.5	1		
	83457DZ	(Please refer to the page 2/4)	BRACKET,WIRING,NO.5	1		
	83457EB	(Please refer to the page 2/4)	BRACKET,WIRING,NO.5	1		
	83457EF	(Please refer to the page 2/4)	BRACKET,WIRING,NO.5	1		
	83457EP	(Please refer to the page 2/4)	BRACKET,WIRING,NO.5	1		
	83457EQ	(Please refer to the page 2/4)	BRACKET,WIRING,NO.5	1		
	83457J	(Please refer to the page 2/4)	BRACKET,WIRING,NO.5	1		
	83460CJ	(Please refer to the page 2/4)	BRACKET,WIRING,NO.7	1		
	83460DE	(Please refer to the page 2/4)	BRACKET,WIRING,NO.7	1		
	83463BV	(Please refer to the page 2/4)	BRACKET,WIRING,NO.8	1		
	83463BW	(Please refer to the page 2/4)	BRACKET,WIRING,NO.8	1		
	83463Z	(Please refer to the page 2/4)	BRACKET,WIRING,NO.8	1		
	83465CH	(Please refer to the page 2/4)	BRACKET,WIRING,NO.9	1		
	83465CJ	(Please refer to the page 2/4)	BRACKET,WIRING,NO.9	1		
	83465CU	(Please refer to the page 2/4)	BRACKET,WIRING,NO.9	1		
	83465EP	(Please refer to the page 2/4)	BRACKET,WIRING,NO.9	1		
	83465FC	(Please refer to the page 2/4)	BRACKET,WIRING,NO.9	1		
	83465FD	(Please refer to the page 2/4)	BRACKET,WIRING,NO.9	1		
	83465V	(Please refer to the page 2/4)	BRACKET,WIRING,NO.9	1		
	83467B	(Please refer to the page 2/4)	CLIP,WIRING,NO.1	1		
	83467BB	(Please refer to the page 2/4)	CLIP,WIRING,NO.1	1		
	83467BD	(Please refer to the page 2/4)	CLIP,WIRING,NO.1	1		
	83467BF	(Please refer to the page 2/4)	CLIP,WIRING,NO.1	1		
	83467C	(Please refer to the page 2/4)	CLIP,WIRING,NO.1	1		
	83467D	(Please refer to the page 2/4)	CLIP,WIRING,NO.1	1		
	83467E	(Please refer to the page 2/4)	CLIP,WIRING,NO.1	1		
	83468D	(Please refer to the page 2/4)	CLIP,WIRING,NO.2	1		
	83468F	(Please refer to the page 2/4)	CLIP,WIRING,NO.2	1		
	83468G	(Please refer to the page 2/4)	CLIP,WIRING,NO.2	1		
	83468H	(Please refer to the page 2/4)	CLIP,WIRING,NO.2	1		
	83470B	(Please refer to the page 3/4)	CLIP,WIRING,NO.3	1		
	83470C	(Please refer to the page 3/4)	CLIP,WIRING,NO.3	1		
	83470D	(Please refer to the page 3/4)	CLIP,WIRING,NO.3	1		
	83470F	(Please refer to the page 3/4)	CLIP,WIRING,NO.3	1		
	83470G	(Please refer to the page 3/4)	CLIP,WIRING,NO.3	1		
	83470K	(Please refer to the page 3/4)	CLIP,WIRING,NO.3	1		
	83473B	(Please refer to the page 3/4)	SPACER,WIRING	1		
	83475C	(Please refer to the page 3/4)	CLIP,WIRING,NO.5	1		
	83475E	(Please refer to the page 3/4)	CLIP,WIRING,NO.5	1		
	83477F	(Please refer to the page 3/4)	CLIP,WIRING,NO.6	1		
	83494CH	(Please refer to the page 3/4)	COVER,WIRING	1		
	83494D	(Please refer to the page 3/4)	COVER,WIRING	1		
	85305M	(Please refer to the page 3/4)	BRACKET,RADIO	1		
	55948	(N.e.c.)	BOX,ABS JUMPER CABLE CONNECTOR			
	80303C	(N.e.c.)	BRACKET,RR COMBINATION LAMP			
	82309D	(N.e.c.)	BRACKET,HEIGHT CONTROL MAIN SWITCH			

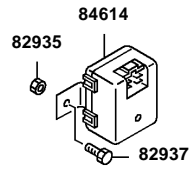
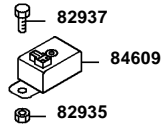
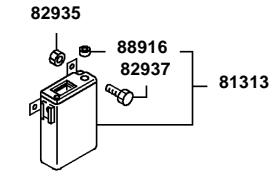
FK74R
54-730 CHASSIS HARNESS EQUIPMENT (4/4)

SPN	PNC	Part No	Part Name	Qty	Part Spec	Re
	82502E	(N.e.c.)	BRACKET,CONTROL UNIT			
	82717M	(N.e.c.)	BRACKET,RELAY			
	82717N	(N.e.c.)	BRACKET,RELAY			
	83304T	(N.e.c.)	BRACKET,HARNESS			
	83305BC	(N.e.c.)	BRACKET,HARNESS CONNECTOR			
	83305N	(N.e.c.)	BRACKET,HARNESS CONNECTOR			
	83305P	(N.e.c.)	BRACKET,HARNESS CONNECTOR			
	83414K	(N.e.c.)	BRACKET,BODY WIRING,NO.5			
	83429F	(N.e.c.)	BRACKET,WIRING,NO.2			
	83429M	(N.e.c.)	BRACKET,WIRING,NO.2			
	83429N	(N.e.c.)	BRACKET,WIRING,NO.2			
	83457BH	(N.e.c.)	BRACKET,WIRING,NO.5			
	83457H	(N.e.c.)	BRACKET,WIRING,NO.5			
	83460Y	(N.e.c.)	BRACKET,WIRING,NO.7			
	83429S	(N.e.c.)	BRACKET,WIRING,NO.2			
	83703B	(N.e.c.)	BRACKET,FUSIBLE LINK			
	80304B	(N.e.c.)	BRACKET,RR FOG LAMP			
	83428C	(N.e.c.)	BRACKET,WIRING,NO.1			
	80304C	(N.e.c.)	BRACKET,RR FOG LAMP			
	80508B	(N.e.c.)	BRACKET,BACKUP LAMP			
	83460B	(N.e.c.)	BRACKET,WIRING,NO.7			
	82717H	(N.e.c.)	BRACKET,RELAY			
	83457BK	(N.e.c.)	BRACKET,WIRING,NO.5			
	82955C	(N.e.c.)	BRACKET,PULSE DIVIDER			
	55949	(N.e.c.)	BRACKET,ABS JUMPER CABLE CONNECTOR BOX			
	83429H	(N.e.c.)	BRACKET,WIRING,NO.2			
	83612U	(N.e.c.)	BRACKET,FUSE BOX			
	83305BD	(N.e.c.)	BRACKET,HARNESS CONNECTOR			
	83305H	(N.e.c.)	BRACKET,HARNESS CONNECTOR			
	83429K	(N.e.c.)	BRACKET,WIRING,NO.2			
	83429V	(N.e.c.)	BRACKET,WIRING,NO.2			
	83457T	(N.e.c.)	BRACKET,WIRING,NO.5			
	83491F	(N.e.c.)	INSULATOR,WIRING			
	83305D	(N.e.c.)	BRACKET,HARNESS CONNECTOR			
	83491B	(N.e.c.)	INSULATOR,WIRING			
	82502J	(N.e.c.)	BRACKET,CONTROL UNIT			
	83410J	(N.e.c.)	BRACKET,BODY WIRING,NO.1			
	82717U	(N.e.c.)	BRACKET,RELAY			
	83414T	(N.e.c.)	BRACKET,BODY WIRING,NO.5			
	83472M	(N.e.c.)	STAY,WIRING			
	83612V	(N.e.c.)	BRACKET,FUSE BOX			
	83304Q	(N.e.c.)	BRACKET,HARNESS			
	83304S	(N.e.c.)	BRACKET,HARNESS			
	83457P	(N.e.c.)	BRACKET,WIRING,NO.5			
	83429CG	(N.e.c.)	BRACKET,WIRING,NO.2			
	83429ES	(N.e.c.)	BRACKET,WIRING,NO.2			
	83457BU	(N.e.c.)	BRACKET,WIRING,NO.5			
	83428D	(N.e.c.)	BRACKET,WIRING,NO.1			
	83457BJ	(N.e.c.)	BRACKET,WIRING,NO.5			
	83457E	(N.e.c.)	BRACKET,WIRING,NO.5			
	55954	(N.e.c.)	COVER,ABS JUMPER CABLE CONNECTOR BOX			
	71633	(N.e.c.)	LABEL,HEIGHT CONTROL SWITCH CAUTION			
	82327	(N.e.c.)	COVER,SWITCH BOX,UPR			
	82427	(N.e.c.)	LID,SWITCH BOX COVER			
	82428	(N.e.c.)	SPRING,SWITCH BOX COVER LID			
	83281	(N.e.c.)	PIN,WIRING			
	83351H	(N.e.c.)	PLUG,WIRING			
	83357E	(N.e.c.)	BAND,WIRING			
	83218B	(N.e.c.)	NUT,BODY WIRING			
	83218C	(N.e.c.)	NUT,BODY WIRING			
	83494P	(N.e.c.)	COVER,WIRING			
	83357H	(N.e.c.)	BAND,WIRING			
	83357G	(N.e.c.)	BAND,WIRING			
	83357F	(N.e.c.)	BAND,WIRING			
	83357D	(N.e.c.)	BAND,WIRING			
	83281C	(N.e.c.)	PIN,WIRING			
	83351B	(N.e.c.)	PLUG,WIRING			
	83477H	(N.e.c.)	CLIP,WIRING,NO.6			
	83222J	(N.e.c.)	GROMMET,BODY WIRING			
	83494BK	(N.e.c.)	COVER,WIRING			
	83477E	(N.e.c.)	CLIP,WIRING,NO.6			
	83477V	(N.e.c.)	CLIP,WIRING,NO.6			

FK74R
54-730 CHASSIS HARNESS EQUIPMENT (4/4)

SPN	PNC	Part No	Part Name	Qty	Part Spec	Re
	83469B	(N.e.c.)	TUBE,WIRING			
	83473E	(N.e.c.)	SPACER,WIRING			
	83465CK	(N.e.c.)	BRACKET,WIRING,NO.9			
	83465CM	(N.e.c.)	BRACKET,WIRING,NO.9			
	83457ED	(N.e.c.)	BRACKET,WIRING,NO.5			
	83304DF	(N.e.c.)	BRACKET,HARNESS			
	83304DN	(N.e.c.)	BRACKET,HARNESS			
	83304DQ	(N.e.c.)	BRACKET,HARNESS			
	83304DS	(N.e.c.)	BRACKET,HARNESS			
	83304DU	(N.e.c.)	BRACKET,HARNESS			
	83429HP	(N.e.c.)	BRACKET,WIRING,NO.2			
	83457BF	(N.e.c.)	BRACKET,WIRING,NO.5			
	83457ES	(N.e.c.)	BRACKET,WIRING,NO.5			
	83457ET	(N.e.c.)	BRACKET,WIRING,NO.5			
	83457EU	(N.e.c.)	BRACKET,WIRING,NO.5			
	83457EV	(N.e.c.)	BRACKET,WIRING,NO.5			
	83457EW	(N.e.c.)	BRACKET,WIRING,NO.5			
	83460DF	(N.e.c.)	BRACKET,WIRING,NO.7			
	83463BX	(N.e.c.)	BRACKET,WIRING,NO.8			
	83612BK	(N.e.c.)	BRACKET,FUSE BOX			
	83612BM	(N.e.c.)	BRACKET,FUSE BOX			
	83457FH	(N.e.c.)	BRACKET,WIRING,NO.5			
	83304BQ	(N.e.c.)	BRACKET,HARNESS			
	83457GG	(N.e.c.)	BRACKET,WIRING,NO.5			
	83457GQ	(N.e.c.)	BRACKET,WIRING,NO.5			
	83612CB	(N.e.c.)	BRACKET,FUSE BOX			
	83612BZ	(N.e.c.)	BRACKET,FUSE BOX			
	83465FU	(N.e.c.)	BRACKET,WIRING,NO.9			
	83465FV	(N.e.c.)	BRACKET,WIRING,NO.9			
	83465FT	(N.e.c.)	BRACKET,WIRING,NO.9			
	83465FS	(N.e.c.)	BRACKET,WIRING,NO.9			
	83465FQ	(N.e.c.)	BRACKET,WIRING,NO.9			
	83465FP	(N.e.c.)	BRACKET,WIRING,NO.9			
	83463DQ	(N.e.c.)	BRACKET,WIRING,NO.8			
	83460EC	(N.e.c.)	BRACKET,WIRING,NO.7			
	83460EB	(N.e.c.)	BRACKET,WIRING,NO.7			
	83429NB	(N.e.c.)	BRACKET,WIRING,NO.2			
	83429MZ	(N.e.c.)	BRACKET,WIRING,NO.2			
	83429MX	(N.e.c.)	BRACKET,WIRING,NO.2			
	83428BW	(N.e.c.)	BRACKET,WIRING,NO.1			
	83417W	(N.e.c.)	BRACKET,BODY WIRING,NO.8			
	83417V	(N.e.c.)	BRACKET,BODY WIRING,NO.8			
	83460DQ	(N.e.c.)	BRACKET,WIRING,NO.7			
	83460DP	(N.e.c.)	BRACKET,WIRING,NO.7			
	83460CH	(N.e.c.)	BRACKET,WIRING,NO.7			
	83612BW	(N.e.c.)	BRACKET,FUSE BOX			
	83429KZ	(N.e.c.)	BRACKET,WIRING,NO.2			
	83429KY	(N.e.c.)	BRACKET,WIRING,NO.2			
	83428BT	(N.e.c.)	BRACKET,WIRING,NO.1			
	83304GD	(N.e.c.)	BRACKET,HARNESS			
	83304GC	(N.e.c.)	BRACKET,HARNESS			
	83304GB	(N.e.c.)	BRACKET,HARNESS			
	83304FZ	(N.e.c.)	BRACKET,HARNESS			
	83465FG	(N.e.c.)	BRACKET,WIRING,NO.9			
	83460DS	(N.e.c.)	BRACKET,WIRING,NO.7			
	83457FZ	(N.e.c.)	BRACKET,WIRING,NO.5			
	83457BV	(N.e.c.)	BRACKET,WIRING,NO.5			
	83429MC	(N.e.c.)	BRACKET,WIRING,NO.2			
	83465FE	(N.e.c.)	BRACKET,WIRING,NO.9			
	83465EZ	(N.e.c.)	BRACKET,WIRING,NO.9			
	83304FF	(N.e.c.)	BRACKET,HARNESS			
	83612BN	(N.e.c.)	BRACKET,FUSE BOX			
	83429MY	(N.e.c.)	BRACKET,WIRING,NO.2			

FK74R
No.1

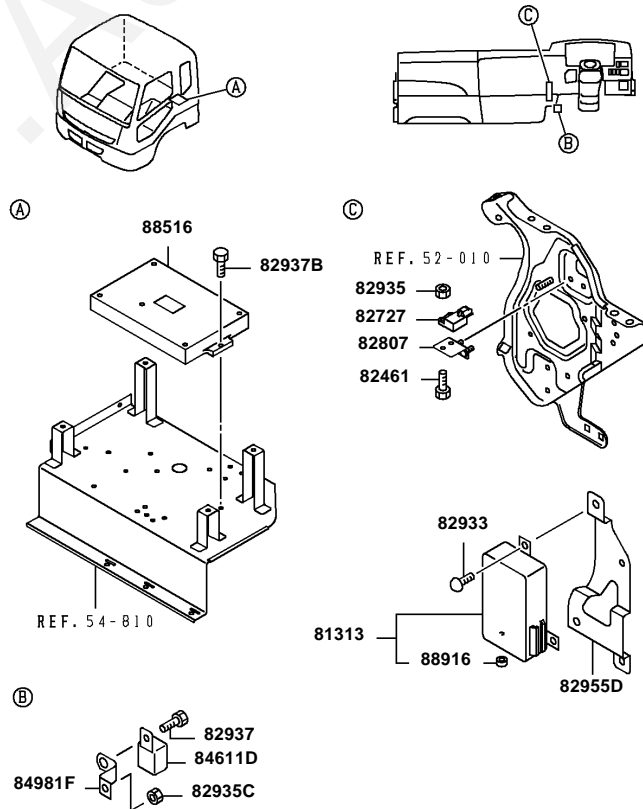


C00023

Ref. |2054760

Page

FK74R
No.2



C00029

Ref. |2054760

Page

FK74R
54-760 ELECTRICAL PARTS(TRANSMISSION

SPN	Repl Part	PNC	Part No	Part Name	Qty	Part Spec	Remarks	NEW1	Classi
		81313	MK387996	CONVERTER,TACHOGRAPH PULSE	1				G6,G6E H6E,J6 K6,K6E M6E
			MK387995	CONVERTER,TACHOGRAPH PULSE	1				G6,G6E H6E,J6 K6,K6E M6E
			MK387993	CONVERTER,TACHOGRAPH PULSE	1				G6,G6E H6E,J6 K6,K6E M6E
			MK541425	CONVERTER,TACHOGRAPH PULSE	1				G6,H6, J6,J6E, K6E,M6E
			MK541424	CONVERTER,TACHOGRAPH PULSE	1				G6,H6, J6,J6E, K6E,M6E
			MK541421	CONVERTER,TACHOGRAPH PULSE	1				G6,H6, J6,J6E, K6E,M6E
		82461	MF140005	BOLT,G-SENSOR	2	FLANGE,6X16	4T		G6,H6, J6,J6E, K6E,M6E
			MF140005	BOLT,G-SENSOR	2	FLANGE,6X16	4T		G6,H6, J6,J6E, K6E,M6E
		82727	MR475078	G-SENSOR	1		G		G6,H6, J6,J6E, K6E,M6E
			MR475078	G-SENSOR	1		G		G6,H6, J6,J6E, K6E,M6E
		82807	MK386694	BRACKET,G-SENSOR	1				G6,H6, J6,J6E, K6E,M6E
			MK386694	BRACKET,G-SENSOR	1				G6,H6, J6,J6E, K6E,M6E
		82933	MF453031	SCREW,EPS CONTROL EQUIP	2	TAPPING,5X12			G6,H6, J6,J6E, K6E,M6E
			MF453031	SCREW,EPS CONTROL EQUIP	2	TAPPING,5X12			G6,H6, J6,J6E, K6E,M6E
		82935	MF434103	NUT,EPS CONTROL EQUIP	2	FLANGE,6	W/O COATING		G6,G6E H6E,J6 K6,K6E M6E
			MF434105	NUT,EPS CONTROL EQUIP	1	FLANGE,10	4T		G6,G6E H6E,J6 K6,K6E M6E
			MS440502	NUT,EPS CONTROL EQUIP	3	WASHER ASSEMBLED,6			G6,G6E H6E,J6 K6,K6E M6E
			MF434103	NUT,EPS CONTROL EQUIP	2	FLANGE,6	W/O COATING		G6,G6E H6E,J6 K6,K6E M6E
			MF434105	NUT,EPS CONTROL EQUIP	1	FLANGE,10	4T		G6,G6E H6E,J6 K6,K6E M6E
			MS440502	NUT,EPS CONTROL EQUIP	3	WASHER ASSEMBLED,6			G6,G6E H6E,J6 K6,K6E M6E
			MF434103	NUT,EPS CONTROL EQUIP	4	FLANGE,6	W/O COATING		G6,G6E H6E,J6 K6,K6E M6E
			MF434103	NUT,EPS CONTROL EQUIP	4	FLANGE,6	W/O COATING		G6,G6E H6E,J6 K6,K6E M6E
			MF434103	NUT,EPS CONTROL EQUIP	4	FLANGE,6	W/O COATING		G6,G6E H6E,J6 K6,K6E M6E
			MF434103	NUT,EPS CONTROL EQUIP	4	FLANGE,6	W/O COATING		G6,G6E H6E,J6 K6,K6E M6E
			MF434103	NUT,EPS CONTROL EQUIP	4	FLANGE,6	W/O COATING		G6,G6E H6E,J6 K6,K6E M6E

FK74R
54-760 ELECTRICAL PARTS(TRANSMISSION

SPN	Repl Part	PNC	Part No	Part Name	Qty	Part Spec	Remarks	NEW1	Classi
		82937B	MF140007	BOLT, EPS CONTROL EQUIP	2	FLANGE, 6X20	4T		G6, G6V, H6E, H6E, J6, J6E, J6VE, K6V, K6V, M6VE
			MF140007	BOLT, EPS CONTROL EQUIP	2	FLANGE, 6X20	4T		K6, K6E
			MF140004	BOLT, EPS CONTROL EQUIP	3	FLANGE, 6X14	4T		G6, H6, J6, J6E, K6E, M6E
			MF140004	BOLT, EPS CONTROL EQUIP	3	FLANGE, 6X14	4T		G6, H6, J6, J6E
		82955D	MK513189	BRACKET, PULSE DIVIDER	1				G6, H6, J6, J6E, K6E, M6E
			MK513189	BRACKET, PULSE DIVIDER	1				G6, H6, J6, J6E
		84609	MC887823	BUZZER, A/T REV SHIFT WARNING	1				G6, G6E, H6E, J6, K6, K6E, M6E
			MC887823	BUZZER, A/T REV SHIFT WARNING	1				G6, G6E, H6E, J6
		84611D	MC855625	BUZZER, WARNING	1				G6V, H6V, J6V, J6V, K6VE, M6E
			MC855625	BUZZER, WARNING	1				G6V, H6V, J6V, J6V
		84614	MC845542	BUZZER, BACK	1				G6, G6E, H6E, J6, K6, K6E, M6E
			MC845542	BUZZER, BACK	1				G6, G6E, H6E, J6
		84981F	ME930048	BRACKET, BUZZER	1				G6V, H6V, J6V, J6V, K6VE, M6E
			ME930048	BRACKET, BUZZER	1				G6V, H6V, J6V, J6V
	RP	88516	MK542338	CONTROL UNIT, MECHANICAL A/T	1			Y	K6V, M6E
	RP		MK542338	CONTROL UNIT, MECHANICAL A/T	1			Y	G6V, H6V, J6V, J6V, K6VE, M6E
	RP		MK542338	CONTROL UNIT, MECHANICAL A/T	1			Y	G6V, H6V, J6V, J6V, K6VE, M6E
	RP		MK542338	CONTROL UNIT, MECHANICAL A/T	1			Y	G6V, H6V, J6V, J6V, K6VE, M6E
	RP		MK542367	CONTROL UNIT, MECHANICAL A/T	1			Y	G6V, H6V, J6V, J6V, K6VE, M6E
	RP		MK542339	CONTROL UNIT, MECHANICAL A/T	1			Y	G6V, H6V, J6V, J6V, K6VE, M6E
	RP		MK542338	CONTROL UNIT, MECHANICAL A/T	1			Y	G6V, H6V, J6V, J6V, K6VE, M6E
			ME524864	CONTROL UNIT, MECHANICAL A/T	1				G6V, H6V, J6V, J6V
			ME524864	CONTROL UNIT, MECHANICAL A/T	1				G6V, H6V, J6V, J6V
			ME524864	CONTROL UNIT, MECHANICAL A/T	1				G6V, H6V, J6V, J6V
	RP		ME524866	CONTROL UNIT, MECHANICAL A/T	1			Y	G6V, H6V, J6V, J6V
	RP		ME524865	CONTROL UNIT, MECHANICAL A/T	1			Y	G6V, H6V, J6V, J6V
	RP		ME524868	CONTROL UNIT, MECHANICAL A/T	1			Y	G6V, H6V, J6V, J6V
			ME524864	CONTROL UNIT, MECHANICAL A/T	1				G6V, H6V, J6V, J6V

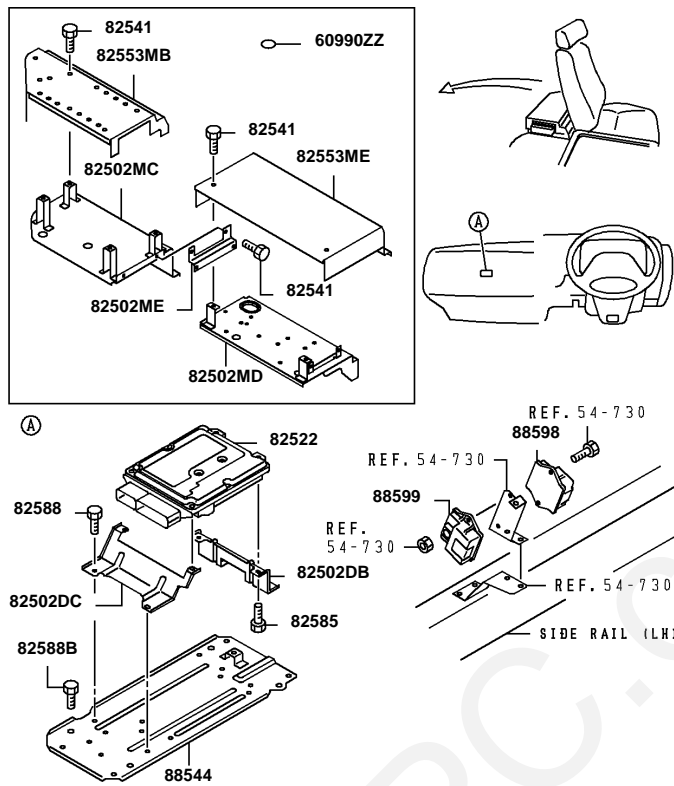
FK74R

54-760 ELECTRICAL PARTS(TRANSMISSION

SPN	Repl Part	PNC	Part No	Part Name	Qty	Part Spec	Remarks	NEW1	Classi
		88916	MK420704	CAP,PULSE DIVIDER	2				G6,H6, J6,J6E, K6E,M6
			MK420704	CAP,PULSE DIVIDER	2				G6,H6, J6,J6E

www.AutoEPC.com

**FK74R
No.1**

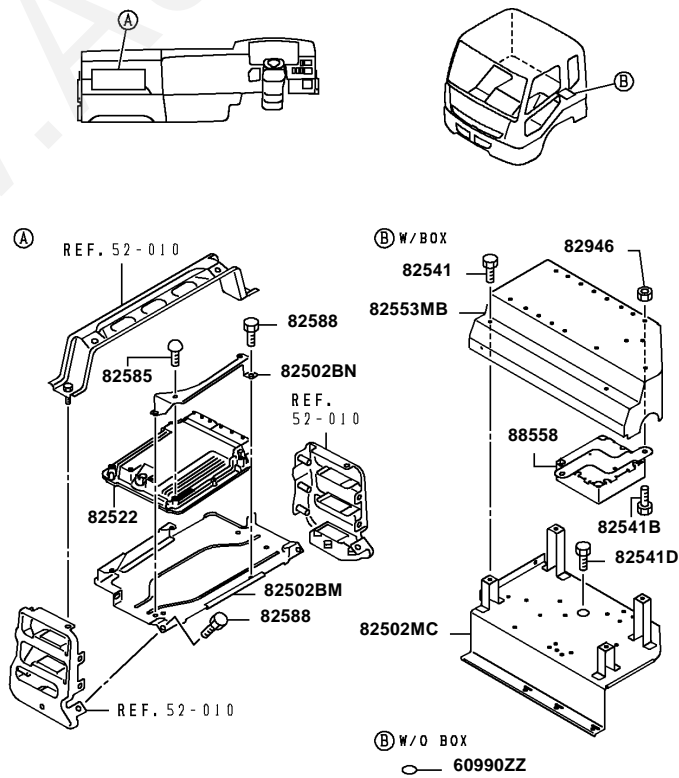


C00079

Ref. |2054810

Page

**FK74R
No.2**

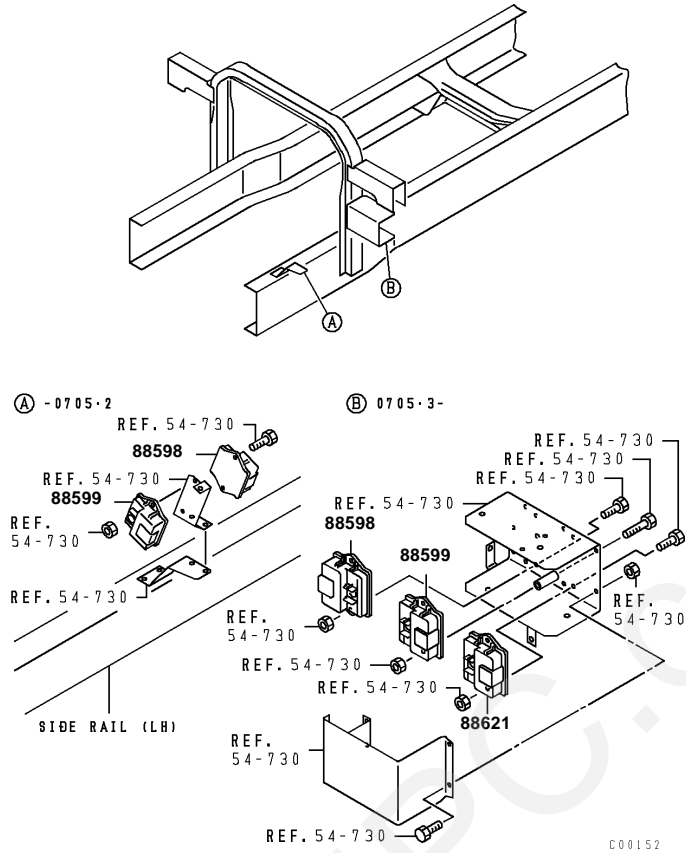


C00109

Ref. |2054810

Page

FK74R
No.3



Ref. |2054810

Page

FK74R
54-810 DRIVE COMPUTER

Repl Part	PNC	Part No	Part Name	Qty	Part Spec	Remarks	NEW1	NEW2	Class
	82502BM	MK510896	BRACKET,CONTROL UNIT	1					G6,G H6E, J6,J6 J6VE K6V, M6V
	82502BN	MK510900	BRACKET,CONTROL UNIT	1					G6,G H6E, J6,J6 J6VE K6V, M6V
	82502DB	MK510058	BRACKET,CONTROL UNIT	1					G6,G H6E, K6,K M6E
	82502DC	MK510065	BRACKET,CONTROL UNIT	1					G6,G H6E, K6,K M6E
	82502MC	MK446193	BRACKET,CONTROL UNIT	1					G6,G H6E, K6,K M6E
RP		MK512545	BRACKET,CONTROL UNIT	1			Y		G6,G H6E, J6,J6 J6VE K6V, M6V

Ref. |2054810

Page

FK74R
54-810 DRIVE COMPUTER

Repl Part	PNC	Part No	Part Name	Qty	Part Spec	Remarks	NEW1	NEW2	Class
	82502MC	MK566623	BRACKET,CONTROL UNIT	1					G6,G H6E, J6,J6 J6VE K6V, M6VI
	82502MD	MK446184	BRACKET,CONTROL UNIT	1					G6,G H6E, K6,K M6E
RP	82522	ME222386	CONTROL UNIT,ENG	1			Y	Y	G6,G H6E, K6,K M6E
RP		ME355766	CONTROL UNIT,ENG	1			Y	Y	G6,G H6E, K6,K M6E
RP		ME224721	CONTROL UNIT,ENG	1			Y	Y	G6,G H6E, K6,K M6E
RP		ME225020	CONTROL UNIT,ENG	1			Y		G6,H J6,J6 K6E,
RP		ME225020	CONTROL UNIT,ENG	1			Y		G6,G H6,H H6VE J6V, K6E, M6,M
RP		ME225020	CONTROL UNIT,ENG	1			Y		G6E, H6VE K6V, M6VI
RP		ME225020	CONTROL UNIT,ENG	1			Y		G6,G H6,H H6VE J6V, K6E, M6,M
RP		ME225021	CONTROL UNIT,ENG	1			Y		G6,H J6,J6 K6E, G6,H J6,J6 K6E, G6,G H6E, J6,J6 J6VE K6V, M6VI
		ME226317	CONTROL UNIT,ENG	1					G6V, J6V, K6VE
		ME226317	CONTROL UNIT,ENG	1					G6,H J6,J6 K6E, G6,H J6,J6 K6E,
		ME226316	CONTROL UNIT,ENG	1					G6,H J6,J6 K6E, G6,H J6,J6 K6E,
RP		ME305300	CONTROL UNIT,ENG	1			Y	Y	G6,H J6,J6 K6E, G6,H J6,J6 K6E,
RP		ME305300	CONTROL UNIT,ENG	1			Y	Y	G6,H J6,J6 K6E, G6,H J6,J6 K6E,
RP		ME305300	CONTROL UNIT,ENG	1			Y	Y	G6V, J6V,

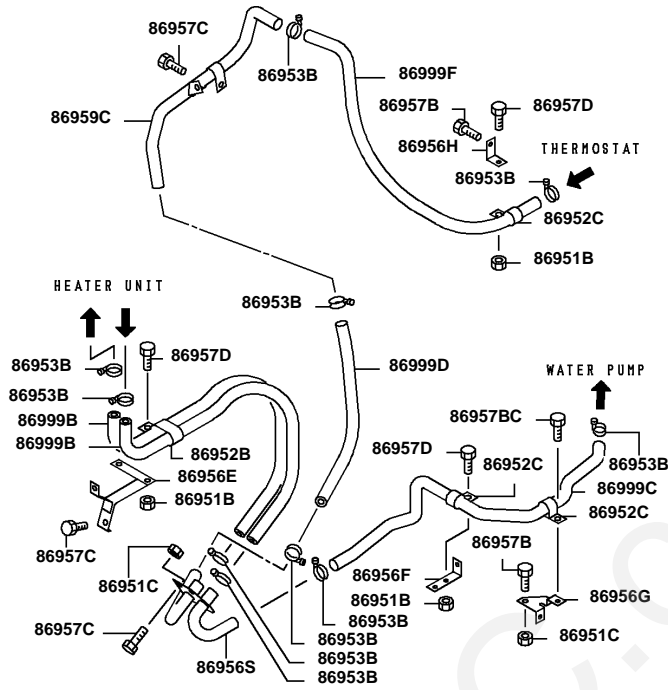
FK74R
54-810 DRIVE COMPUTER

Repl Part RP	PNC 82522	Part No ME305300	Part Name CONTROL UNIT,ENG	Qty 1	Part Spec	Remarks	NEW1 Y	NEW2 Y	Class G6,G H6E, J6,J6 J6VE K6VE
RP		ME305301	CONTROL UNIT,ENG	1			Y	Y	G6,H J6,J6 K6E, G6,H J6,J6 K6E, G6,G H6E, J6,J6 J6VE K6VE
RP		ME305534	CONTROL UNIT,ENG	1			Y	Y	G6V, J6V, G6,H J6,J6 K6E, G6,H J6,J6 K6E, G6V, J6V, G6,G H6E, J6,J6 J6VE K6VE
RP		ME305534	CONTROL UNIT,ENG	1			Y	Y	G6,H J6,J6 K6E, G6,H J6,J6 K6E, G6V, J6V, G6,G H6E, J6,J6 J6VE K6VE
RP		ME305534	CONTROL UNIT,ENG	1			Y	Y	G6V, J6V, G6,H J6,J6 K6E, G6,H J6,J6 K6E, G6V, J6V, G6,G H6E, J6,J6 J6VE K6VE
RP		ME305535	CONTROL UNIT,ENG	1			Y	Y	G6,H J6,J6 K6E, G6,H J6,J6 K6E, G6V, J6V, G6,G H6E, J6,J6 J6VE K6VE
RP		ME305685	CONTROL UNIT,ENG	1			Y	Y	G6,H J6,J6 K6E, G6V, J6V, G6,G H6E, J6,J6 J6VE K6VE
RP		ME305685	CONTROL UNIT,ENG	1			Y	Y	G6,H J6,J6 K6E, G6V, J6V, G6,G H6E, J6,J6 J6VE K6VE
RP		ME305685	CONTROL UNIT,ENG	1			Y	Y	G6,H J6,J6 K6E, G6V, J6V, G6,G H6E, J6,J6 J6VE K6VE
RP		ME305688	CONTROL UNIT,ENG	1			Y	Y	G6,H J6,J6 K6E, G6V, J6V, G6,H J6,J6 K6E, G6V, J6V, G6,G H6E, J6,J6 J6VE K6VE
RP		ME306263	CONTROL UNIT,ENG	1			Y		G6,H J6,J6 K6E, G6V, J6V, G6,H J6,J6 K6E, G6,G H6E, J6,J6 J6VE K6VE
RP		ME306263	CONTROL UNIT,ENG	1			Y		G6,H J6,J6 K6E, G6V, J6V, G6,H J6,J6 K6E, G6,G H6E, J6,J6 J6VE K6VE
RP		ME306263	CONTROL UNIT,ENG	1			Y		G6,H J6,J6 K6E, G6V, J6V, G6,H J6,J6 K6E, G6,G H6E, J6,J6 J6VE K6VE
RP		ME306266	CONTROL UNIT,ENG	1			Y		G6,H J6,J6 K6E, G6V, J6V, G6,G H6E, J6,J6 J6VE K6VE
	82541	MF140023	BOLT,DRIVE CONTROL EQUIP	4	FLANGE,8X16	4T			G6,G H6E, K6,K M6E G6,G H6,H H6VE J6V, K6E, M6,M G6,H J6,J6 G6,G H6E, J6,J6 J6VE K6V, M6V G6,G H6E, K6,K M6E
		MF140003	BOLT,DRIVE CONTROL EQUIP	10	FLANGE,6X12	4T			
	82541B	MF140003	BOLT,DRIVE CONTROL EQUIP	2	FLANGE,6X12	4T			
	82541D	MF140023	BOLT,DRIVE CONTROL EQUIP	2	FLANGE,8X16	4T			
	82553MB	MK446196	COVER,CONTROL UNIT	1					

FK74R
54-810 DRIVE COMPUTER

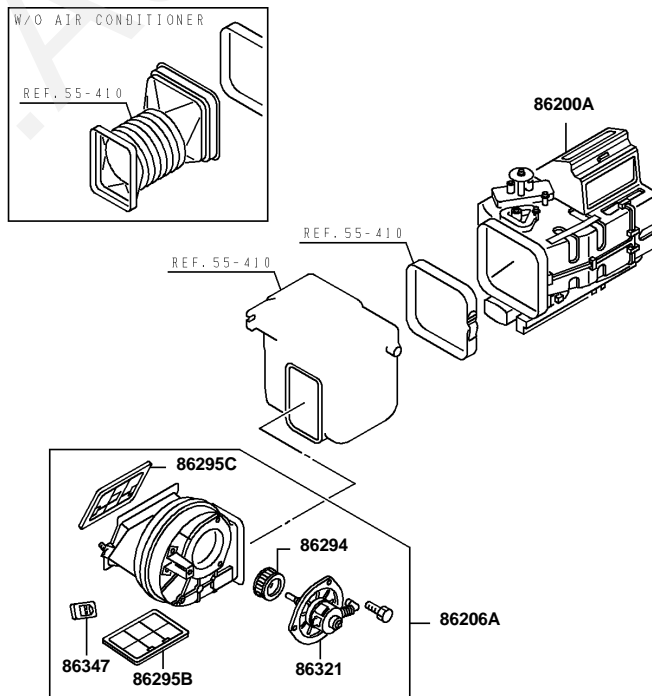
Repl Part RP	PNC	Part No	Part Name	Qty	Part Spec	Remarks	NEW1	NEW2	Class
	82553MB	MK512640	COVER,CONTROL UNIT	1			Y		G6,G H6E, J6,J J6VE K6V, M6VI
		MK566624	COVER,CONTROL UNIT	1					G6,G H6E, J6,J J6VE K6V, M6VI
	82553ME	MK446187	COVER,CONTROL UNIT	1					G6,G H6E, K6,K M6E
	82585	ME223206	SCREW,ENG CONTROL UNIT	4	SCREW,4X10				G6,G H6,H H6VE J6V, K6E, M6,M
	82588	MF140002	BOLT,ENG CONTROL UNIT	4	FLANGE,6X10	4T			G6,G H6,H H6VE J6V, K6E, M6,M
	82588B	MF243649	BOLT,ENG CONTROL UNIT	4	WASHER ASSEMBLED,8X16				G6,G H6E, K6,K M6E
	82946	MF434103	NUT,DRIVE CONTROL EQUIP	2	FLANGE,6	W/O COATING			G6,H J6,J G6,G H6E, K6,K M6E
	88544	MK510059	PLATE,CONTROL UNIT COVER	1					G6,H J6,J G6,G H6E, K6,K M6E
	88558	MK543068	CONTROL UNIT,ISS MONITOR	1					G6,H J6,J G6,G H6,H H6VE J6V, K6E, M6,M
	88598	ME222991	DRIVE UNIT,EGR	1					G6,G H6,H H6VE J6V, K6E, M6,M
		ME224961	DRIVE UNIT,EGR	1					G6,G H6E, J6,J J6VE K6VE
	88599	ME223024	DRIVE UNIT,THROTTLE	1					G6,G H6,H H6VE J6V, K6E, M6,M
		ME223941	DRIVE UNIT,THROTTLE	1					G6,G H6E, J6,J J6VE K6VE
	88621	ME224953	DRIVE UNIT,V/G T/C	1					G6,G H6E, J6,J J6VE K6VE
	60990ZZ 82502ME	(N.e.c.) (N.e.c.)	SEAL,BODY BRACKET,CONTROL UNIT						G6,G H6E, J6,J J6VE K6VE

FK74R
No.1



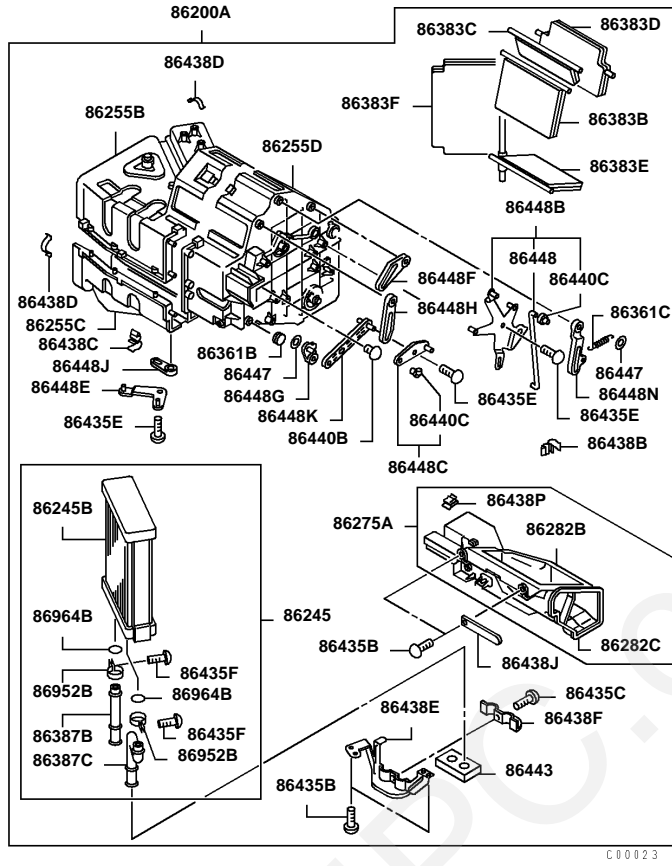
C00184

FK74R
No.2



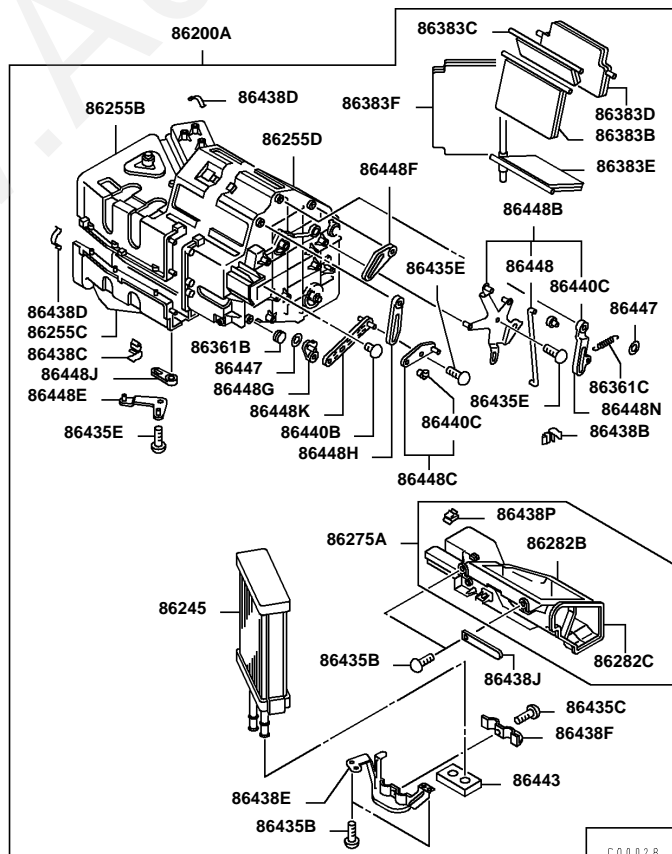
2FR020

FK74R
No.3



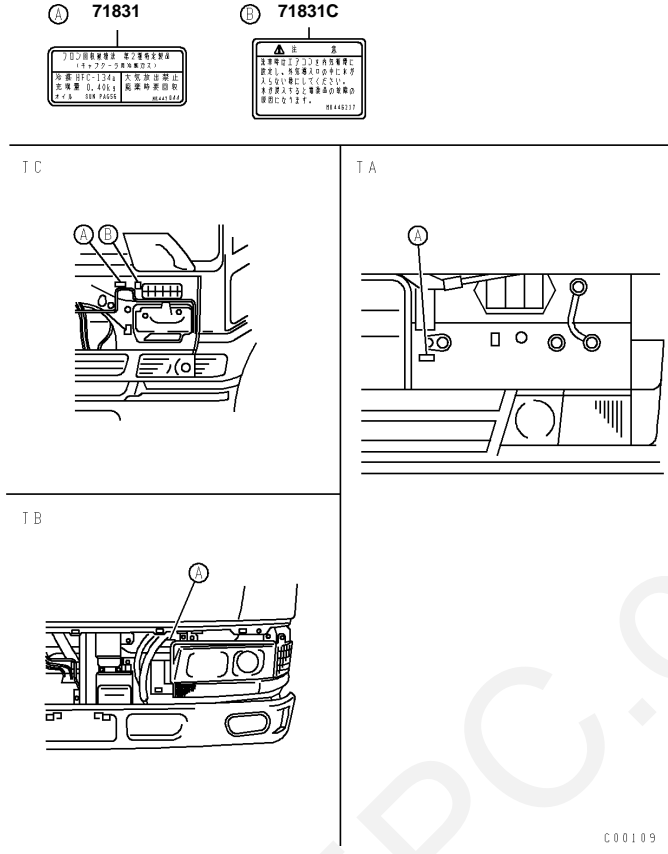
C 0 0 0 2 3

FK74R
No.4



C 0 0 0 2 8

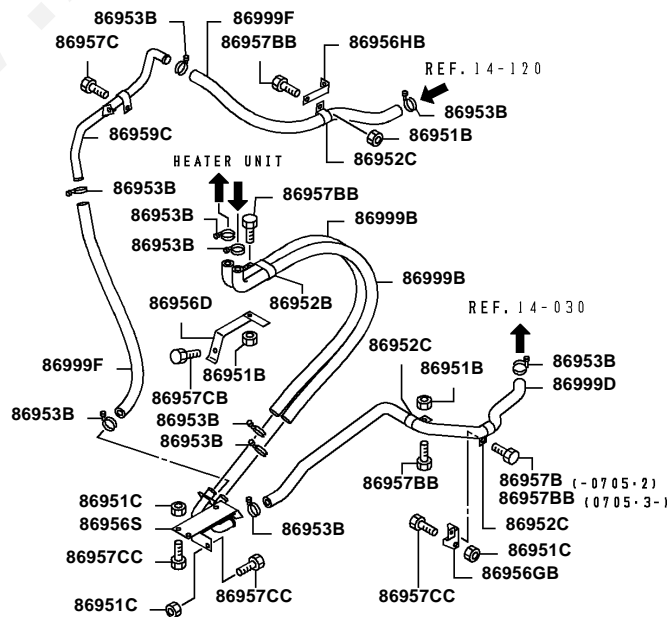
FK74R
No.5



Ref. |2055010

Page

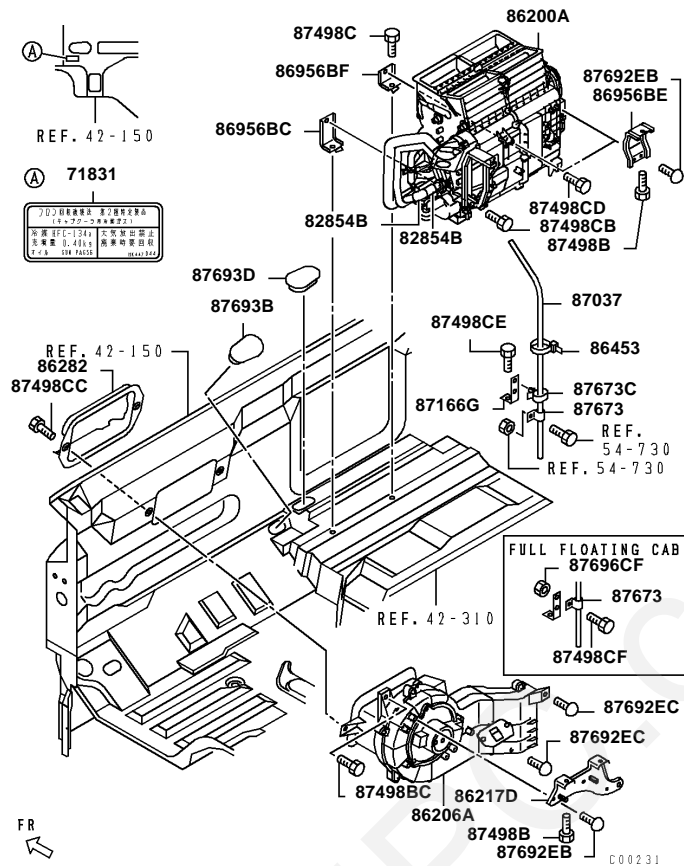
FK74R
No.6



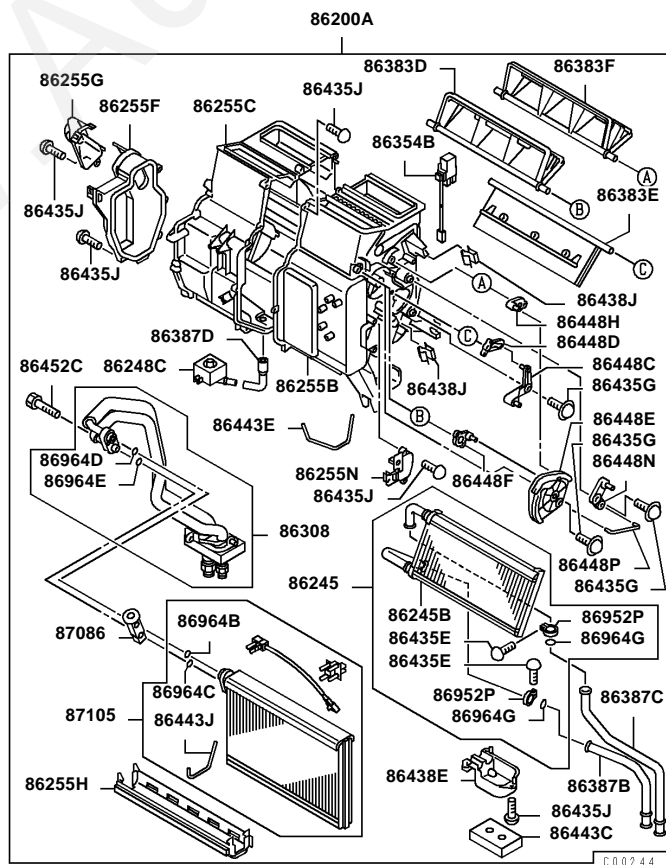
Ref. |2055010

Page

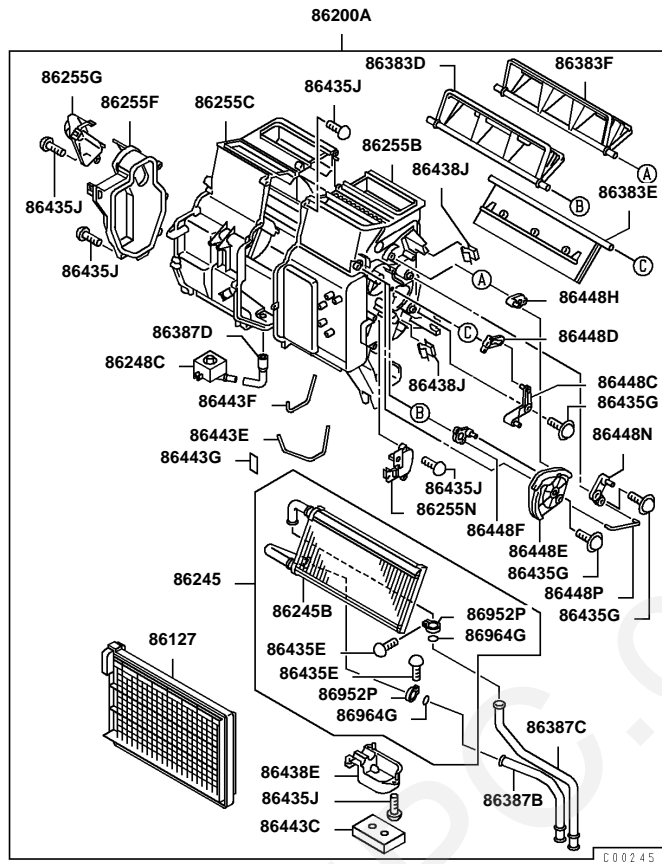
FK74R No.7



FK74R No.8



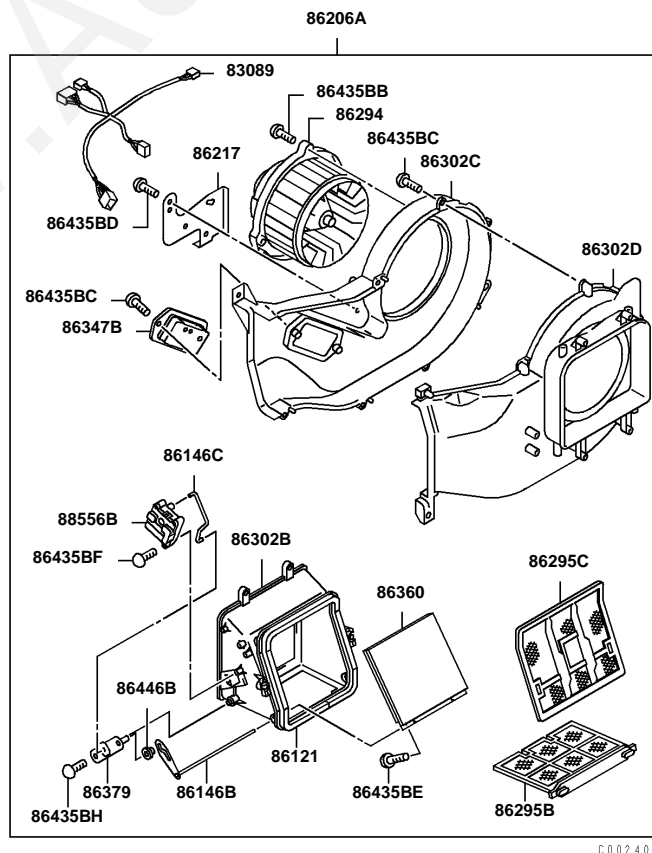
FK74R
No.9



Ref. |2055010

Page

FK74R
No.10



Ref. |2055010

Page

FK74R
55-010 HEATER UNIT & PIPING

SPN	Repl Part	PNC	Part No	Part Name	Qty	Part Spec	Remarks
		71831	MK447045	LABEL,A/C REFRIGERANT CAUTION	1		
			MK447045	LABEL,A/C REFRIGERANT CAUTION	1		
			MK510192	LABEL,A/C REFRIGERANT CAUTION	1		
			MK510192	LABEL,A/C REFRIGERANT CAUTION	1		
			MK510192	LABEL,A/C REFRIGERANT CAUTION	1		
			MK510192	LABEL,A/C REFRIGERANT CAUTION	1		
SP		82854B	MK582006	INSULATOR,HEATER CONTROL SENSOR	2		
		83089	ME751313	HARNESS,HEATER BLOWER	1		
		86121	ME751326	GASKET,HEATER BLOWER	1		
		86127	ME751318	PLATE,HEATER UNIT	1		
		86146B	ME751250	STAY,HEATER BLOWER	1		
		86146C	ME751310	STAY,HEATER BLOWER	1		
		86200A	MC964066	HEATER ASSY	1		
			MC964066	HEATER ASSY	1		
			MC964066	HEATER ASSY	1		

FK74R
55-010 HEATER UNIT & PIPING

SPN	Repl Part	PNC	Part No	Part Name	Qty	Part Spec	Remarks
		86200A	MC964066	HEATER ASSY	1		
			MC966841	HEATER ASSY	1		
			MC964066	HEATER ASSY	1		
			MK512648	HEATER ASSY	1		
			MK510637	HEATER ASSY	1		
			MK510637	HEATER ASSY	1		
			MK510637	HEATER ASSY	1		
			MK510637	HEATER ASSY	1		
			MK510637	HEATER ASSY	1		
		86206A	MC962735	BLOWER ASSY,HEATER	1		
			MK510631	BLOWER ASSY,HEATER	1		
		86217	ME751311	BRACKET,HEATER BLOWER	1		
		86217D	MK513862	BRACKET,HEATER BLOWER	1		
			MK582358	BRACKET,HEATER BLOWER	1		

FK74R
55-010 HEATER UNIT & PIPING

SPN	Repl Part RP	PNC	Part No	Part Name	Qty	Part Spec	Remarks
		86245	ME749414	CORE,HEATER	1		
			MC939342	CORE,HEATER	1		
	RP		ME749414	CORE,HEATER	1		
			MK513923	CORE,HEATER	1		
			MK513923	CORE,HEATER	1		
			MK513923	CORE,HEATER	1		
			MK513923	CORE,HEATER	1		
		86245B	ME749415	CORE,HEATER	1		
			ME749415	CORE,HEATER	1		
			ME751329	CORE,HEATER	1		
			ME751329	CORE,HEATER	1		
			ME751329	CORE,HEATER	1		
		86248C	ME751293	CONNECTOR,HEATER	1		
		86255B	ME749388	CASE,HEATER	1		
			ME751021	CASE,HEATER	1		

FK74R
55-010 HEATER UNIT & PIPING

SPN	Repl Part	PNC	Part No	Part Name	Qty	Part Spec	Remarks
		86255B	ME749388	CASE,HEATER	1		
			ME751263	CASE,HEATER	1		
			ME751263	CASE,HEATER	1		
			ME751263	CASE,HEATER	1		
			ME751263	CASE,HEATER	1		
		86255C	ME749389	CASE,HEATER	1		
			ME751022	CASE,HEATER	1		
			ME749389	CASE,HEATER	1		
			ME751265	CASE,HEATER	1		
			ME751265	CASE,HEATER	1		
			ME751265	CASE,HEATER	1		
			ME751265	CASE,HEATER	1		
		86255D	ME749118	CASE,HEATER	1		
		86255F	ME751266	CASE,HEATER	1		
		86255G	ME751289	CASE,HEATER	1		

FK74R
55-010 HEATER UNIT & PIPING

SPN	Repl Part	PNC	Part No	Part Name	Qty	Part Spec	Remarks
		86255H	ME751286	CASE,HEATER	1		
		86255N	ME751290	CASE,HEATER	1		
		86275A	ME749376	DUCT ASSY,FOOT HEATER	1		
		86282	MK513148	DUCT,HEATER AIR INTAKE	1		
		86282B	ME749142	DUCT,HEATER AIR INTAKE	1		
		86282C	ME749143	DUCT,HEATER AIR INTAKE	1		
		86294	MC930095	FAN,HEATER BLOWER	1		
			MK513961	FAN,HEATER BLOWER	1		
		86295B	MK404905	FILTER,HEATER AIR INTAKE	1		
		86295C	MK404904	FILTER,HEATER AIR INTAKE	1		
		86302B	ME751305	CASE,HEATER BLOWER	1		
		86302C	ME751303	CASE,HEATER BLOWER	1		
		86302D	ME751304	CASE,HEATER BLOWER	1		

FK74R
55-010 HEATER UNIT & PIPING

SPN	Repl Part	PNC	Part No	Part Name	Qty	Part Spec	Remarks
		86308	ME751328	HOSE KIT,HEATER WATER	1		
		86321	MC928629	MOTOR,HEATER BLOWER	1		
		86347	MC935677	RESISTOR,HEATER	1		
		86347B	MK513962	RESISTOR,HEATER	1		
		86354B	MK513925	SENSOR,HEATER WATER TEMPERATURE	1		
		86360	ME751251	DAMPER,HEATER AIR INTAKE DUCT	1		
		86361B	ME749151	SPRING,HEATER CONTROL PANEL SUPPORT	1		
		86361C	ME749149	SPRING,HEATER CONTROL PANEL SUPPORT	1		
		86379	ME751308	LEVER,HEATER CONTROL INSIDE & OUTSIDE AIR	1		
		86383B	ME749119	DAMPER,HEATER AIR BY-PASS	1		
		86383C	ME749122	DAMPER,HEATER AIR BY-PASS	1		
		86383D	ME749121	DAMPER,HEATER AIR BY-PASS	1		
			ME751270	DAMPER,HEATER AIR BY-PASS	1		
		86383E	ME749120	DAMPER,HEATER AIR BY-PASS	1		

FK74R
55-010 HEATER UNIT & PIPING

SPN	Repl Part	PNC	Part No	Part Name	Qty	Part Spec	Remarks
		86383E	ME751269	DAMPER,HEATER AIR BY-PASS	1		
		86383F	ME749123	DAMPER,HEATER AIR BY-PASS	1		
			ME751271	DAMPER,HEATER AIR BY-PASS	1		
		86387B	ME749371	PIPE,HEATER WATER	1		
			ME749371	PIPE,HEATER WATER	1		
			ME751331	PIPE,HEATER WATER	1		
			ME751331	PIPE,HEATER WATER	1		
			ME751331	PIPE,HEATER WATER	1		
			ME751331	PIPE,HEATER WATER	1		
		86387C	ME749372	PIPE,HEATER WATER	1		
			ME749372	PIPE,HEATER WATER	1		
			ME751332	PIPE,HEATER WATER	1		
			ME751332	PIPE,HEATER WATER	1		
			ME751332	PIPE,HEATER WATER	1		
			ME751332	PIPE,HEATER WATER	1		

FK74R
55-010 HEATER UNIT & PIPING

SPN	Repl Part	PNC	Part No	Part Name	Qty	Part Spec	Remarks
		86387D	ME751292	PIPE,HEATER WATER	1		
		86435B	MF453031	SCREW,HEATER	4	TAPPING,5X12	
	RP	86435BB	MF205004	SCREW,HEATER	3	MACHINE CONE POINT,4X16	
	RP	86435BC	MB899699	SCREW,HEATER	14	4X16	
	RP	86435BD	MB899699	SCREW,HEATER	3	4X16	
		86435BE	ME751219	SCREW,HEATER	2	3X8	
		86435BF	ME749382	SCREW,HEATER	3	TAPPING,4X35	
		86435BH	ME749095	SCREW,HEATER	1	TAPPING,4X16	
		86435C	ME749135	SCREW,HEATER	1	4X10	
		86435E	ME749095	SCREW,HEATER	3	TAPPING,4X16	
			ME749112	SCREW,HEATER	2	4X10	
		86435F	ME749112	SCREW,HEATER	2	4X10	
			ME749112	SCREW,HEATER	2	4X10	

FK74R
55-010 HEATER UNIT & PIPING

SPN	Repl Part	PNC	Part No	Part Name	Qty	Part Spec	Remarks
		86435G	ME749095	SCREW,HEATER	3	TAPPING,4X16	
	RP	86435J	MB899699	SCREW,HEATER	25	4X16	
	RP		MB899699	SCREW,HEATER	26	4X16	
	RP		MB899699	SCREW,HEATER	26	4X16	
	RP		MB899699	SCREW,HEATER	26	4X16	
		86438B	MR116199	CLAMP,HEATER	1		
		86438C	MR270015	CLAMP,HEATER	1		
		86438D	MB081308	CLAMP,HEATER	10		
		86438E	ME749418	CLAMP,HEATER	1		
			ME751295	CLAMP,HEATER	1		
		86438F	ME749417	CLAMP,HEATER	1		
		86438J	ME749157	CLAMP,HEATER	1	80	
			MR116199	CLAMP,HEATER	2		
		86438P	MB081308	CLAMP,HEATER	6		

FK74R
55-010 HEATER UNIT & PIPING

SPN	Repl Part	PNC	Part No	Part Name	Qty	Part Spec	Remarks
		86440B	ME749164	BUSHING,HEATER	2		
		86440C	MR398383	BUSHING,HEATER	2		
		86443	ME749097	HOLDER,HEATER	1		
		86443C	ME751299	HOLDER,HEATER	1		
		86443E	ME751298	HOLDER,HEATER	1		
		86443F	ME751168	HOLDER,HEATER	1		
		86443G	ME751319	HOLDER,HEATER	1		
		86443J	ME751168	HOLDER,HEATER	1		
		86446B	ME749096	CLIP,HEATER	1	D=14	
		86447	ME749150	WASHER,HEATER	2		
		86448	ME749131	STAY,HEATER	1		
		86448B	ME749130	STAY,HEATER	1		
		86448C	ME749459	STAY,HEATER	1		
			ME751272	STAY,HEATER	1		

FK74R
55-010 HEATER UNIT & PIPING

SPN	Repl Part	PNC	Part No	Part Name	Qty	Part Spec	Remarks
		86448D	ME751274	STAY,HEATER	1		
		86448E	ME749134	STAY,HEATER	1		
			ME751277	STAY,HEATER	1		
		86448F	ME749127	STAY,HEATER	1		
			ME751275	STAY,HEATER	1		
		86448G	ME749125	STAY,HEATER	1		
		86448H	ME749124	STAY,HEATER	1		
			ME751276	STAY,HEATER	1		
		86448J	ME749133	STAY,HEATER	1		
		86448K	ME749126	STAY,HEATER	1		
		86448N	ME749128	STAY,HEATER	1		
			ME751278	STAY,HEATER	1		
		86448P	ME751279	STAY,HEATER	1		
		86452C	ME751254	BOLT,HEATER	2	5X53	

FK74R
55-010 HEATER UNIT & PIPING

SPN	Repl Part RP	PNC	Part No	Part Name	Qty	Part Spec	Remarks
		86453	MB249338	BAND,HEATER	1	L=129.5	BLACK
		86951B	MF434103	NUT,HEATER PIPING	3	FLANGE,6	W/O COAT
		86951C	MF434104	NUT,HEATER PIPING	4	FLANGE,8	
		86952B	ME749373	CLIP,HEATER PIPING	2	D=24	
			ME749373	CLIP,HEATER PIPING	2	D=24	
			MH020650	CLIP,HEATER PIPING	1	D=23X2	
			MH020650	CLIP,HEATER PIPING	1	D=23X2	
			MH020650	CLIP,HEATER PIPING	1	D=23X2	
			MH020650	CLIP,HEATER PIPING	1	D=23X2	
		86952C	MH020231	CLIP,HEATER PIPING	3	D=23	
		86952P	ME749373	CLIP,HEATER PIPING	2	D=24	
		86953B	MA609047	CLAMP,HEATER PIPING	10	D=25	
		86956BC	MC927473	BRACKET,HEATER PIPING	1		

FK74R
55-010 HEATER UNIT & PIPING

SPN	Repl Part	PNC	Part No	Part Name	Qty	Part Spec	Remarks
		86956BE	MK510783	BRACKET,HEATER PIPING	2		
		86956BF	MK510784	BRACKET,HEATER PIPING	1		
		86956D	MK513720	BRACKET,HEATER PIPING	1		
		86956E	MC439852	BRACKET,HEATER PIPING	1		
		86956F	MH023700	BRACKET,HEATER PIPING	1		
		86956G	MK512094	BRACKET,HEATER PIPING	1		
		86956GB	MK512094	BRACKET,HEATER PIPING	1		
		86956H	MH026143	BRACKET,HEATER PIPING	1		
		86956HB	MH026143	BRACKET,HEATER PIPING	1		
		86956S	MK510203	BRACKET,HEATER PIPING	1		
	RP		MK513506	BRACKET,HEATER PIPING	1		
		86957B	MF140025	BOLT,HEATER PIPING	2	FLANGE,8X20	4T
			MF140003	BOLT,HEATER PIPING	1	FLANGE,6X12	4T
		86957BB	MF140005	BOLT,HEATER PIPING	4	FLANGE,6X16	4T

FK74R
55-010 HEATER UNIT & PIPING

SPN	Repl Part	PNC	Part No	Part Name	Qty	Part Spec	Remarks
		86957BC	MF140003	BOLT,HEATER PIPING	1	FLANGE,6X12	4T
		86957C	MF140023	BOLT,HEATER PIPING	4	FLANGE,8X16	4T
		86957CB	MF140022	BOLT,HEATER PIPING	1	FLANGE,8X14	4T
			MS146952	BOLT,HEATER PIPING	1	F.T,8X20	
		86957CC	MF140025	BOLT,HEATER PIPING	5	FLANGE,8X20	4T
		86957D	MF140005	BOLT,HEATER PIPING	3	FLANGE,6X16	4T
		86959C	MK511375	TUBE,HEATER PIPING	1		
		86964B	MC961485	O-RING,HEATER PIPING	2	D=17	
			MC961485	O-RING,HEATER PIPING	2	D=17	
	RP		MR117055	O-RING,HEATER PIPING	1		
	RP		MR117055	O-RING,HEATER PIPING	1		
	RP		MR117055	O-RING,HEATER PIPING	1		
	RP		MR117055	O-RING,HEATER PIPING	1		
		86964C	MR117054	O-RING,HEATER PIPING	1		

FK74R
55-010 HEATER UNIT & PIPING

SPN	Repl Part RP	PNC 86964D	Part No MR117053	Part Name O-RING,HEATER PIPING	Qty 1	Part Spec D=8	Remarks
	RP	86964E	MR117055	O-RING,HEATER PIPING	1		
		86964G	MC961485	O-RING,HEATER PIPING	2	D=17	
		86999B	MC437252	HOSE,HEATER PIPING	2		
			MK510858	HOSE,HEATER PIPING	2	16	
		86999C	MK511616	HOSE,HEATER PIPING	1	16	
		86999D	MC011336	HOSE,HEATER PIPING	1	16X490	
	RP		MK512798	HOSE,HEATER PIPING	1	16	
			MK636802	HOSE,HEATER PIPING	1	16	
		86999F	MC000873	HOSE,HEATER PIPING	1	16X560	
			MC000873	HOSE,HEATER PIPING	2	16X560	
		87037	MK565660	HOSE,A/C EVAPORATOR DRAIN	1	9.5X1100	
			MK565661	HOSE,A/C EVAPORATOR DRAIN	1	9.5X1265	
			MK565660	HOSE,A/C EVAPORATOR DRAIN	1	9.5X1100	
			MK565661	HOSE,A/C EVAPORATOR DRAIN	1	9.5X1265	

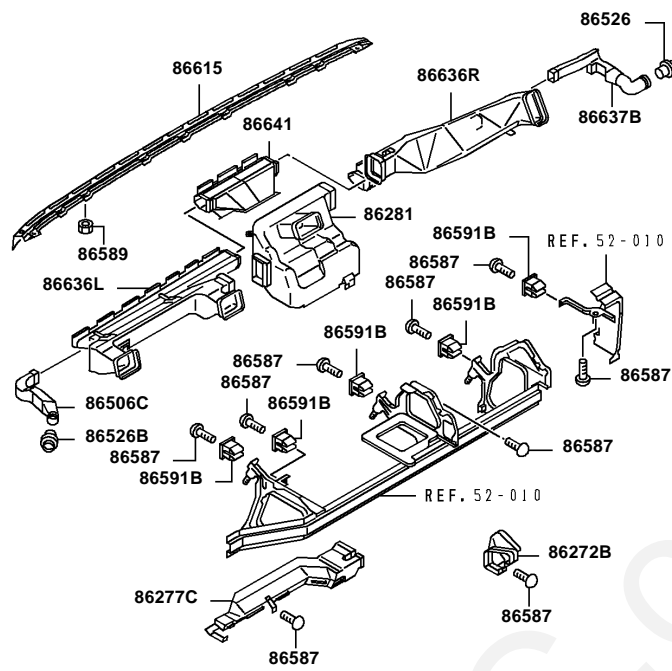
FK74R
55-010 HEATER UNIT & PIPING

SPN	Repl Part	PNC	Part No	Part Name	Qty	Part Spec	Remarks
		87086	ME751287	VALVE,A/C EXPANSION	1		
		87105	MK513924	EVAPORATOR,A/C	1		
		87166G	MH023603	BRACKET,A/C EVAPORATOR UNIT	1		L1=27,L2=6
		87498B	MF140002	BOLT,A/C	4	FLANGE,6X10	4T
		87498BC	MF140007	BOLT,A/C	1	FLANGE,6X20	4T
		87498C	MF140022	BOLT,A/C	2	FLANGE,8X14	4T
		87498CB	MF243651	BOLT,A/C	1	WASHER ASSEMBLED,8X20	
		87498CC	MF243653	BOLT,A/C	4	WASHER ASSEMBLED,8X25	
		87498CD	MF247251	BOLT,A/C	1	WASHER ASSEMBLED,8X20	
		87498CE	MS146950	BOLT,A/C	1	F.T,8X16	4T
		87673	MH020421	CLIP,A/C	1	D=15	
SP		87673C	MH020938	CLIP,A/C	1	A=23 B=14.5	

FK74R
55-010 HEATER UNIT & PIPING

SPN	Repl Part	PNC	Part No	Part Name	Qty	Part Spec	Remarks
		87692EB	MF453031	SCREW,A/C	6	TAPPING,5X12	
		87692EC	MF453033	SCREW,A/C	2	TAPPING,5X16	
		87693B	MC928100	PLUG,A/C	1	RUBBER	
		87693D	MK513261	PLUG,A/C	1		
		88556B	MK513930	CONTROL UNIT,HEATER BLOWER	1		
		71831C	(N.e.c.)	LABEL,A/C REFRIGERANT CAUTION			
		87498CF	(N.e.c.)	BOLT,A/C			
		87696CF	(N.e.c.)	NUT,A/C			

FK74R
No.1

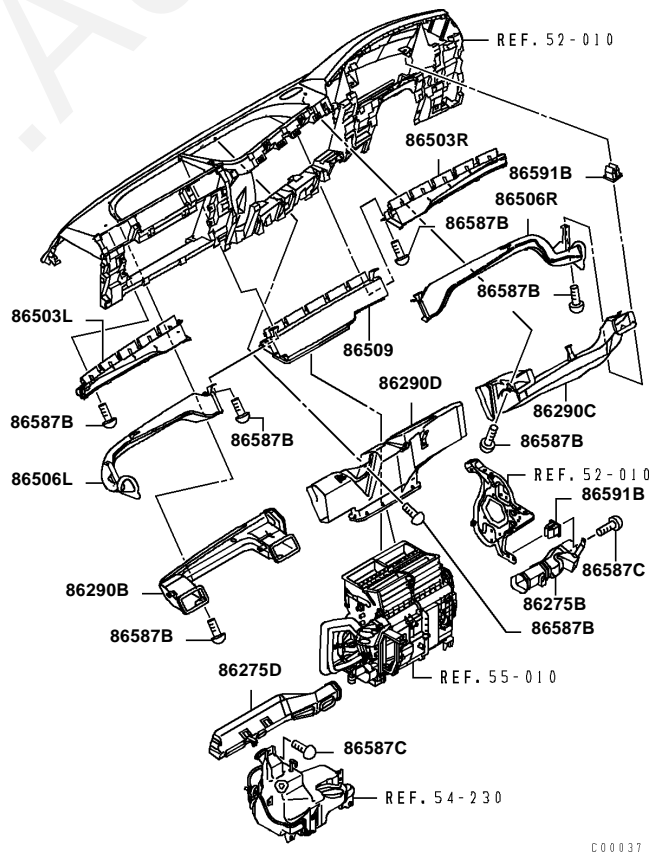


2FR021

Ref. |2055210

Page

FK74R
No.2



C00037

Ref. |2055210

Page

FK74R
55-210 HEATER CONTROL & VENTILATION

SPN	Repl Part	PNC	Part No	Part Name	Qty	Part Spec	Remarks	PREV.1	NEW1
		86272B	MC928430	DUCT,DRIVER FOOT HEATER	1				
			MC928431	DUCT,DRIVER FOOT HEATER	1				
		86275B	MK512592	DUCT,FOOT HEATER	1				
			MK512593	DUCT,FOOT HEATER	1				
			MK512592	DUCT,FOOT HEATER	1				
			MK512593	DUCT,FOOT HEATER	1				
SP	RP	86275D	MK512590	DUCT,FOOT HEATER	1				Y
SP	RP		MK512591	DUCT,FOOT HEATER	1				Y
SP	RP		MK512590	DUCT,FOOT HEATER	1				Y
SP	RP		MK512591	DUCT,FOOT HEATER	1				Y
			MK582843	DUCT,FOOT HEATER	1				
			MK582844	DUCT,FOOT HEATER	1				
	RP	86277C	MC929985	DUCT,FOOT HEATER JOINT	1			O	
	RP		MC929986	DUCT,FOOT HEATER JOINT	1			O	
	RP	86281	MC965101	DUCT,FOOT HEATER,CTR	1				Y
	RP		MC965102	DUCT,FOOT HEATER,CTR	1				Y
		86290B	MK512383	DUCT,FACE HEATER	1				
		86290C	MK512384	DUCT,FACE HEATER	1				
		86290D	MK512381	DUCT,FACE HEATER	1				
			MK512382	DUCT,FACE HEATER	1				
			MK512381	DUCT,FACE HEATER	1				
			MK512382	DUCT,FACE HEATER	1				
		86503L	MK512586	DUCT,DEFROSTER,LH	1				

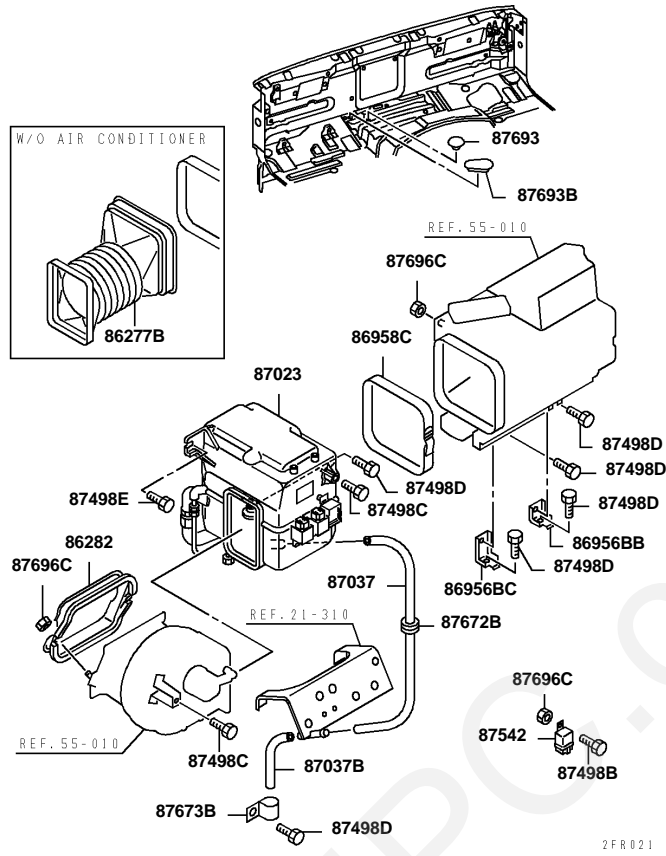
FK74R
55-210 HEATER CONTROL & VENTILATION

SPN	Repl Part	PNC	Part No	Part Name	Qty	Part Spec	Remarks	PREV.1	NEW1
		86503R	MK512587	DUCT,DEFROSTER,RH	1				
		86506C	MC927430	DUCT,SIDE DEFROSTER	1				
		86506L	MK565365	DUCT,SIDE DEFROSTER,LH	1				
		86506R	MK565366	DUCT,SIDE DEFROSTER,RH	1				
		86509	MK512582	DUCT,DEFROSTER,CTR	1				
			MK512583	DUCT,DEFROSTER,CTR	1				
			MK512582	DUCT,DEFROSTER,CTR	1				
			MK512583	DUCT,DEFROSTER,CTR	1				
		86526	MC923877	JOINT,DEFROSTER DUCT	1	BLACK			
		86526B	MC966475	JOINT,DEFROSTER DUCT	1	BLACK			
		86587	MF351010	SCREW,DEFROSTER DUCT	1	WASHER ASSEMBLED,5X16			
			MF453090	SCREW,DEFROSTER DUCT	1	TAPPING,5X10			
			MF453093	SCREW,DEFROSTER DUCT	11	TAPPING,BLACK,5X16			
		86587B	MF453034	SCREW,DEFROSTER DUCT	16	TAPPING,5X20			
		86587C	MF453093	SCREW,DEFROSTER DUCT	2	TAPPING,BLACK,5X16			
		86589	MF434103	NUT,DEFROSTER DUCT	10	FLANGE,6	W/O COATING		

FK74R
55-210 HEATER CONTROL & VENTILATION

SPN	Repl Part RP	PNC 86591B	Part No MB196738	Part Name GROMMET,DEFROSTER DUCT	Qty 5	Part Spec 5	Remarks	PREV.1	NEW1 Y
			MS480002	GROMMET,DEFROSTER DUCT	3	SCREW,5,HOLE=9X9			
		86615	MC920776	COVER,DEFROSTER DUCT	1				
			MC920778	COVER,DEFROSTER DUCT	1				
		86636L	MC963928	DUCT,VENTILATOR,LH	1				
	RP		MC963929	DUCT,VENTILATOR,LH	1				Y
	RP	86636R	MC963926	DUCT,VENTILATOR,RH	1				Y
			MC963927	DUCT,VENTILATOR,RH	1				
		86637B	MC927429	DUCT,VENTILATOR SIDE	1				
		86641	MC927424	DUCT,VENTILATOR,CTR	1				

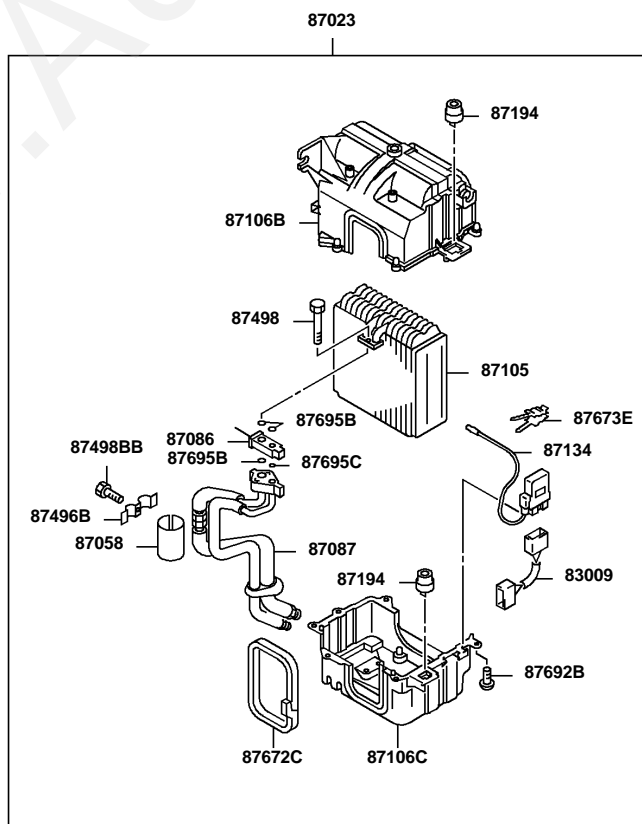
FK74R
No.1



Ref. |2055410

Page

FK74R
No.2



Ref. |2055410

Page

FK74R
55-410 AIR CONDITIONER UNIT

Repl Part	PNC	Part No	Part Name	Qty	Part Spec	PREV.1	Classification	Other
	83009	ME749115	HARNESS,A/C THERMOSTAT	1			G6,G6E,H6, H6E,J6,J6E, K6,K6E,M6, M6E	
		ME749115	HARNESS,A/C THERMOSTAT	1			G6,G6E,H6, H6E,J6,J6E, K6,K6E,M6, M6E	13B
	86277B	MC927437	DUCT,FOOT HEATER JOINT	1			G6,G6E,H6, H6E,J6,J6E, K6,K6E,M6, M6E	1XK
	86282	MC924050	DUCT,HEATER AIR INTAKE	1			G6,G6E,H6, H6E,J6,J6E, K6,K6E,M6, M6E	
	86956BB	MC927472	BRACKET,HEATER PIPING	1			G6,G6E,H6, H6E,J6,J6E, K6,K6E,M6, M6E	
	86956BC	MC927473	BRACKET,HEATER PIPING	1			G6,G6E,H6, H6E,J6,J6E, K6,K6E,M6, M6E	
	86958C	MC927413	BAND,HEATER PIPING	1			G6,G6E,H6, H6E,J6,J6E, K6,K6E,M6, M6E	
	87023	MC966967	COOLING UNIT,A/C	1			G6,G6E,H6, H6E,J6,J6E, K6,K6E,M6, M6E	
		MC966967	COOLING UNIT,A/C	1			G6,G6E,H6, H6E,J6,J6E, K6,K6E,M6, M6E	13B
	87037	MC930400	HOSE,A/C EVAPORATOR DRAIN	1			G6,G6E,H6, H6E,J6,J6E, K6,K6E,M6, M6E	
		MC930400	HOSE,A/C EVAPORATOR DRAIN	1			G6,G6E,H6, H6E,J6,J6E, K6,K6E,M6, M6E	13B
	87037B	MK446216	HOSE,A/C EVAPORATOR DRAIN	1	11X290		G6,G6E,H6, H6E,J6,J6E, K6,K6E,M6, M6E	1XS,1 1XY
		MK446216	HOSE,A/C EVAPORATOR DRAIN	1	11X290		G6,G6E,H6, H6E,J6,J6E, K6,K6E,M6, M6E	1XU,1
	87058	ME749494	INSULATOR,A/C	1			G6,G6E,H6, H6E,J6,J6E, K6,K6E,M6, M6E	
		ME749494	INSULATOR,A/C	1			G6,G6E,H6, H6E,J6,J6E, K6,K6E,M6, M6E	13B
	87086	ME749009	VALVE,A/C EXPANSION	1			G6,G6E,H6, H6E,J6,J6E, K6,K6E,M6, M6E	
		ME749009	VALVE,A/C EXPANSION	1			G6,G6E,H6, H6E,J6,J6E, K6,K6E,M6, M6E	13B
	87087	ME749022	PIPE,A/C EXPANSION VALVE INLET	1			G6,G6E,H6, H6E,J6,J6E, K6,K6E,M6, M6E	

FK74R
55-410 AIR CONDITIONER UNIT

Repl Part	PNC	Part No	Part Name	Qty	Part Spec	PREV.1	Classification	O
	87087	ME749022	PIPE,A/C EXPANSION VALVE INLET	1			G6,G6E,H6, H6E,J6,J6E, K6,K6E,M6, M6E	13B
	87105	ME749020	EVAPORATOR,A/C	1			G6,G6E,H6, H6E,J6,J6E, K6,K6E,M6, M6E	
		ME749020	EVAPORATOR,A/C	1			G6,G6E,H6, H6E,J6,J6E, K6,K6E,M6, M6E	13B
	87106B	ME749113	CASE,A/C	1			G6,G6E,H6, H6E,J6,J6E, K6,K6E,M6, M6E	
		ME749113	CASE,A/C	1			G6,G6E,H6, H6E,J6,J6E, K6,K6E,M6, M6E	13B
	87106C	ME749114	CASE,A/C	1			G6,G6E,H6, H6E,J6,J6E, K6,K6E,M6, M6E	
		ME749114	CASE,A/C	1			G6,G6E,H6, H6E,J6,J6E, K6,K6E,M6, M6E	13B
	87134	ME749495	THERMOSTAT,A/C	1			G6,G6E,H6, H6E,J6,J6E, K6,K6E,M6, M6E	
		ME749495	THERMOSTAT,A/C	1			G6,G6E,H6, H6E,J6,J6E, K6,K6E,M6, M6E	13B
	87194	MC934408	RELAY,A/C CONTROL THERMOSTAT	2			G6,G6E,H6, H6E,J6,J6E, K6,K6E,M6, M6E	
		MC934408	RELAY,A/C CONTROL THERMOSTAT	2			G6,G6E,H6, H6E,J6,J6E, K6,K6E,M6, M6E	13B
	87496B	ME749028	CLAMP,A/C	1			G6,G6E,H6, H6E,J6,J6E, K6,K6E,M6, M6E	
		ME749028	CLAMP,A/C	1			G6,G6E,H6, H6E,J6,J6E, K6,K6E,M6, M6E	13B
	87498	ME749111	BOLT,A/C	2			G6,G6E,H6, H6E,J6,J6E, K6,K6E,M6, M6E	
		ME749111	BOLT,A/C	2			G6,G6E,H6, H6E,J6,J6E, K6,K6E,M6, M6E	13B
	87498BB	MF240002	BOLT,A/C	1	WASHER ASSEMBLED,5X12		G6,G6E,H6, H6E,J6,J6E, K6,K6E,M6, M6E	
		MF240002	BOLT,A/C	1	WASHER ASSEMBLED,5X12		G6,G6E,H6, H6E,J6,J6E, K6,K6E,M6, M6E	13B
	87498C	MF240051	BOLT,A/C	2	WASHER ASSEMBLED,8X16		G6,G6E,H6, H6E,J6,J6E, K6,K6E,M6, M6E	

FK74R
55-410 AIR CONDITIONER UNIT

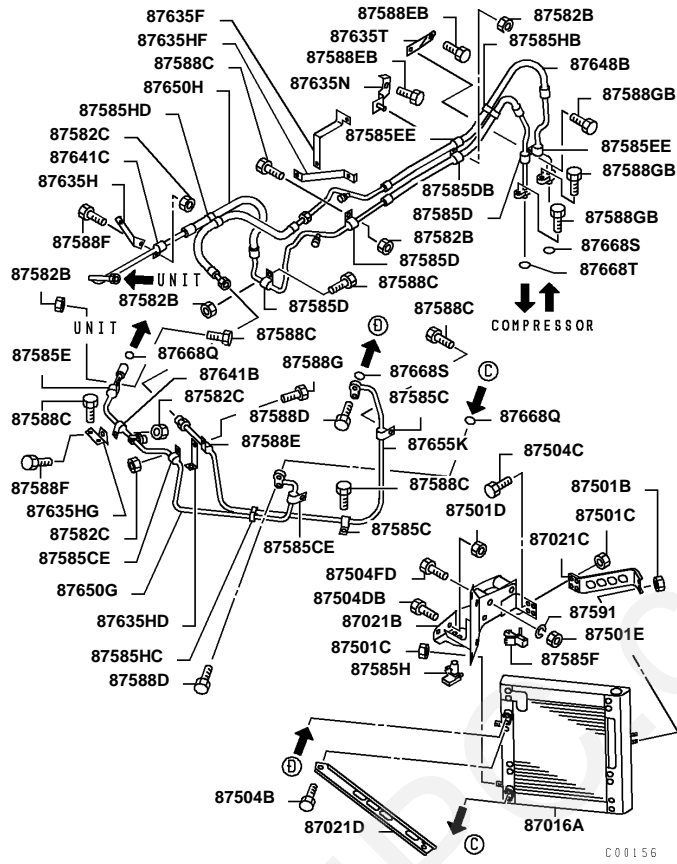
Repl Part	PNC	Part No	Part Name	Qty	Part Spec	PREV.1	Classification	O
	87498C	MF240051	BOLT,A/C	2	WASHER ASSEMBLED,8X16		G6,G6E,H6, H6E,J6,J6E, K6,K6E,M6, M6E	13B
		MF240051	BOLT,A/C	1	WASHER ASSEMBLED,8X16		G6,G6E,H6, H6E,J6,J6E, K6,K6E,M6, M6E	1XK
	87498D	MF243651	BOLT,A/C	5	WASHER ASSEMBLED,8X20		G6,G6E,H6, H6E,J6,J6E, K6,K6E,M6, M6E	
	87498E	MH000540	BOLT,A/C	1	WASHER ASSEMBLED,10X20		G6,G6E,H6, H6E,J6,J6E, K6,K6E,M6, M6E	
	87672B	MC908839	GROMMET,A/C	1	D=24		G6,G6E,H6, H6E,J6,J6E, K6,K6E,M6, M6E	
		MC908839	GROMMET,A/C	1	D=24		G6,G6E,H6, H6E,J6,J6E, K6,K6E,M6, M6E	13B
	87672C	ME749030	GROMMET,A/C	1			G6,G6E,H6, H6E,J6,J6E, K6,K6E,M6, M6E	
		ME749030	GROMMET,A/C	1			G6,G6E,H6, H6E,J6,J6E, K6,K6E,M6, M6E	13B
RP	87673B	MS476415	CLIP,A/C	1	D=15	O	G6,G6E,H6, H6E,J6,J6E, K6,K6E,M6, M6E	1XS,1 1XY
RP		MS476415	CLIP,A/C	1	D=15	O	G6,G6E,H6, H6E,J6,J6E	1XU,1
	87673E	MB878069	CLIP,A/C	1			G6,G6E,H6, H6E,J6,J6E, K6,K6E,M6, M6E	
		MB878069	CLIP,A/C	1			G6,G6E,H6, H6E,J6,J6E, K6,K6E,M6, M6E	13B
RP	87692B	MB899699	SCREW,A/C	6	4X16	O	G6,G6E,H6, H6E,J6,J6E, K6,K6E,M6, M6E	
RP		MB899699	SCREW,A/C	6	4X16	O	G6,G6E,H6, H6E,J6,J6E, K6,K6E,M6, M6E	13B
	87693	MC980847	PLUG,A/C	1	RUBBER,D=29		G6,G6E,H6, H6E,J6,J6E, K6,K6E,M6, M6E	1XK
	87693B	MC928100	PLUG,A/C	1	RUBBER		G6,G6E,H6, H6E,J6,J6E, K6,K6E,M6, M6E	1XK
RP	87695B	MR117055	O-RING,A/C	1		O	G6,G6E,H6, H6E,J6,J6E, K6,K6E,M6, M6E	
RP		MR117055	O-RING,A/C	1		O	G6,G6E,H6, H6E,J6,J6E, K6,K6E,M6, M6E	13B

FK74R
55-410 AIR CONDITIONER UNIT

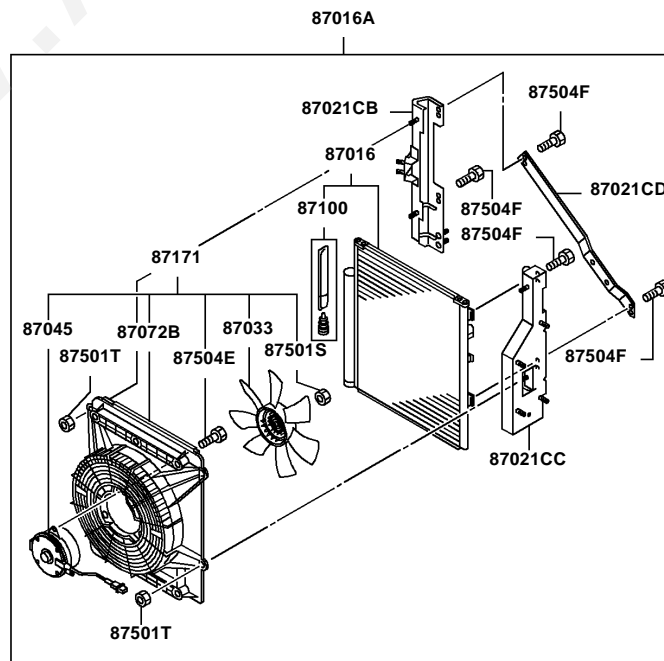
Repl Part RP	PNC 87695C	Part No MR117053	Part Name O-RING,A/C	Qty 1	Part Spec D=8	PREV.1 O	Classification G6,G6E,H6, H6E,J6,J6E, K6,K6E,M6, M6E
RP		MR117053	O-RING,A/C	1	D=8	O	G6,G6E,H6, H6E,J6,J6E, K6,K6E,M6, M6E
	87696C	MF434104	NUT,A/C	2	FLANGE,8		G6,G6E,H6, H6E,J6,J6E, K6,K6E,M6, M6E
		MS440503	NUT,A/C	2	WASHER ASSEMBLED,8		G6,G6E,H6, H6E,J6,J6E, K6,K6E,M6, M6E
	87542 87498B	(N.e.c.) (N.e.c.)	RELAY,A/C CONTROL EQUIP BOLT,A/C				

13B

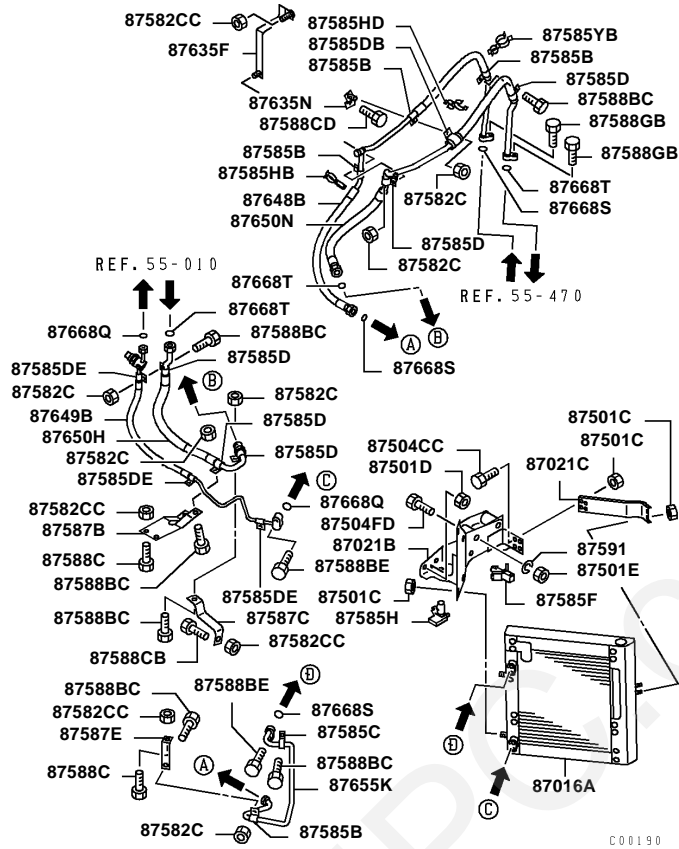
FK74R
No.1



FK74R
No.2



FK74R
No.3

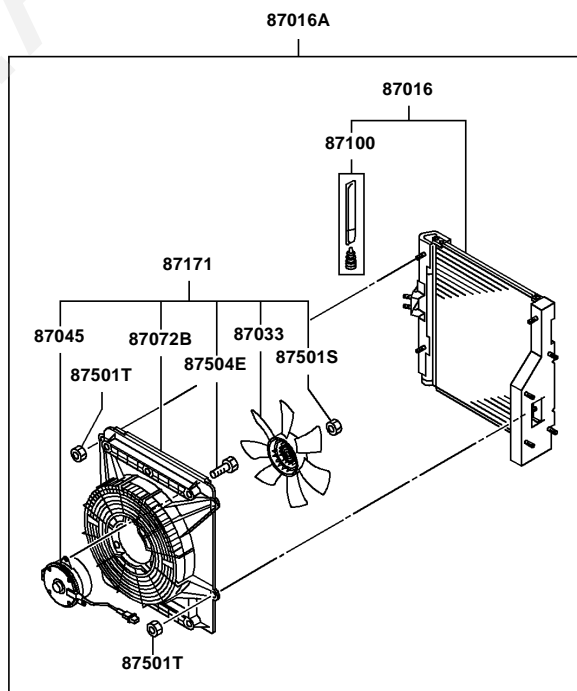


C00190

Ref. |2055430

Page

FK74R
No.4

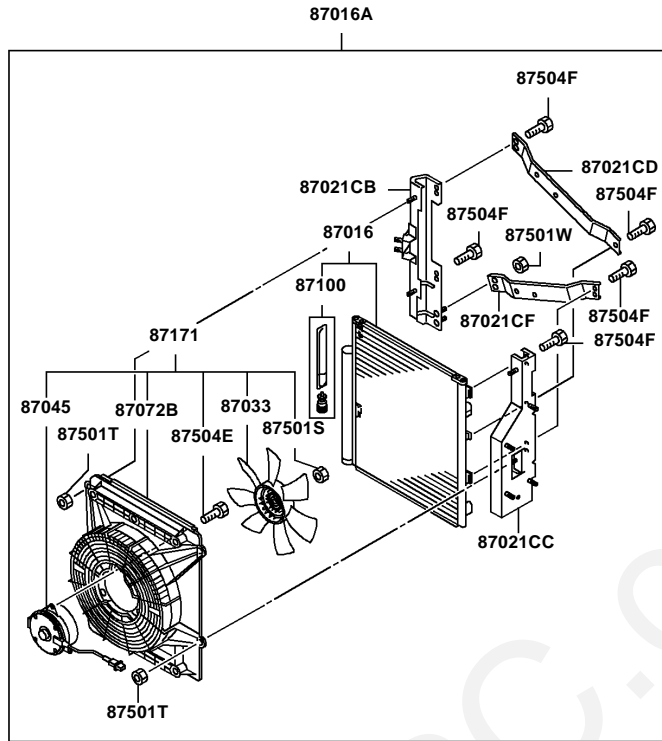


C00195

Ref. |2055430

Page

FK74R
No.5



C00313

Ref. |2055430

Page

FK74R
55-430 A/C CONDENSER & PIPING

Repl Part	PNC	Part No	Part Name	Qty	Part Spec	Remarks	PREV.1	Cl
	87016	ME749555	CONDENSER,A/C REFRIGERANT	1				G6, H6E
		ME749599	CONDENSER,A/C REFRIGERANT	1				K6, M6E
		ME749555	CONDENSER,A/C REFRIGERANT	1				G6, H6E
	87016A	MK511597	CONDENSER ASSY,A/C REFRIGERANT	1				J6, J6V
		MK513535	CONDENSER ASSY,A/C REFRIGERANT	1				K6V
		MK582553	CONDENSER ASSY,A/C REFRIGERANT	1				G6, H6E
								J6, J6V
								K6V
								M6V
								G6, H6E
								J6, J6V
								K6V

Ref. |2055430

Page

FK74R
55-430 A/C CONDENSER & PIPING

Repl Part	PNC	Part No	Part Name	Qty	Part Spec	Remarks	PREV.1	Cl
	87021B	MK511617	BRACKET,A/C CONDENSER	1				G6, H6E
		MK512682	BRACKET,A/C CONDENSER	1				K6, M6E
		MK513537	BRACKET,A/C CONDENSER	1				K6V
		MK512682	BRACKET,A/C CONDENSER	1				M6E
								G6, H6E
								J6, J6V
								K6V
		MK513537	BRACKET,A/C CONDENSER	1				M6E
		MK582547	BRACKET,A/C CONDENSER	1				G6, H6E
								J6, J6V
								K6V
		MK582742	BRACKET,A/C CONDENSER	1				M6E
	87021C	MK512127	BRACKET,A/C CONDENSER	1				G6, H6E
								K6, M6E
		MK512681	BRACKET,A/C CONDENSER	1				G6, H6E
								J6, J6V
								K6V
								M6E
		MK582557	BRACKET,A/C CONDENSER	1				G6, H6E
								J6, J6V
								K6V
	87021CB	ME749560	BRACKET,A/C CONDENSER	1				G6, H6E
								K6, M6E
		ME749646	BRACKET,A/C CONDENSER	1				G6, H6E
								J6, J6V
								K6V
	87021CC	ME749561	BRACKET,A/C CONDENSER	1				G6, H6E
								K6, M6E
		ME749647	BRACKET,A/C CONDENSER	1				G6, H6E
								J6, J6V
								K6V
	87021CD	MK511599	BRACKET,A/C CONDENSER	1				G6, H6E
								K6, M6E
		MK582555	BRACKET,A/C CONDENSER	1				G6, H6E
								J6, J6V
								K6V
	87021CF	MK582556	BRACKET,A/C CONDENSER	1				G6, H6E
								J6, J6V
								K6V
	87021D	MK510211	BRACKET,A/C CONDENSER	1				G6, H6E
								K6, M6E

FK74R
55-430 A/C CONDENSER & PIPING

Repl Part	PNC	Part No	Part Name	Qty	Part Spec	Remarks	PREV.1	Cl
	87033	ME749558	FAN,A/C CONDENSER	1				G6, H6, H6V J6V K6E M6, G6, H6E
	87045	ME749559	MOTOR,A/C CONDENSER FAN	1				K6, M6E G6, H6E
		ME749602	MOTOR,A/C CONDENSER FAN	1				J6, J6V K6V M6V
	87072B	ME749557	SHROUD,A/C CONDENSER FAN	1				G6, H6, H6V J6V K6E
	87100	MN179903	DRYER & FILTER,A/C CONDENSER	1				M6, G6, H6, H6V J6V K6E
	87171	ME749556	FAN & MOTOR,A/C CONDENSER	1				M6, G6, H6E
		ME749601	FAN & MOTOR,A/C CONDENSER	1				K6, M6E G6, H6E
	87501B	MF434103	NUT,A/C CONDENSER	2	FLANGE,6	W/O COATING		J6, J6V K6V M6V
	87501C	MF434104	NUT,A/C CONDENSER	10	FLANGE,8			G6, H6, H6V J6V K6E
	87501D	MF434105	NUT,A/C CONDENSER	1	FLANGE,10	4T		M6, G6, H6, H6V J6V K6E
	87501E	MF430124	NUT,A/C CONDENSER	2	NUT,14	6T		M6, G6, H6, H6V J6V K6E
	87501S	MB906064	NUT,A/C CONDENSER	1				M6, G6, H6, H6V J6V K6E
	87501T	MS446182	NUT,A/C CONDENSER	4	FLANGE,6			M6, G6, H6, H6V J6V K6E

FK74R
55-430 A/C CONDENSER & PIPING

Repl Part	PNC	Part No	Part Name	Qty	Part Spec	Remarks	PREV.1	Cl
	87501W	ME749600	NUT,A/C CONDENSER	2				G6, H6E
	87504B	MF140003	BOLT,A/C CONDENSER	1	FLANGE,6X12	4T		J6, J6V K6V
	87504C	MF140225	BOLT,A/C CONDENSER	4	FLANGE,8X20	7T		G6, H6E K6, M6E
	87504CC	MF140225	BOLT,A/C CONDENSER	4	FLANGE,8X20	7T		G6, H6E K6, M6E
	87504DB	MF140062	BOLT,A/C CONDENSER	1	FLANGE,10X30	4T		G6, H6E K6, M6E
	87504E	MB890293	BOLT,A/C CONDENSER	3	5X11			G6, H6, H6V J6V K6V
	87504F	MZ701024	BOLT,A/C CONDENSER	9	WASHER ASSEMBLED,6X14			M6, G6, H6, H6V J6V K6E
	87504FD	MF106153	BOLT,A/C CONDENSER	2	BOLT,14X85	8T		M6E G6, H6, H6V J6V K6E
	87582B	MF434103	NUT,A/C PIPING	7	FLANGE,6	W/O COATING		M6, G6, H6E
		MF434103	NUT,A/C PIPING	7	FLANGE,6	W/O COATING		K6, M6E
		MF434103	NUT,A/C PIPING	7	FLANGE,6	W/O COATING		G6, H6E K6, M6E
		MF434103	NUT,A/C PIPING	7	FLANGE,6	W/O COATING		G6, H6E K6, M6E
		MF434103	NUT,A/C PIPING	7	FLANGE,6	W/O COATING		G6, H6E K6, M6E
	87582C	MF434104	NUT,A/C PIPING	3	FLANGE,8			G6, H6E K6, M6E
		MF434104	NUT,A/C PIPING	3	FLANGE,8			G6, H6E K6, M6E
		MF434104	NUT,A/C PIPING	3	FLANGE,8			G6, H6E K6, M6E
		MF434104	NUT,A/C PIPING	3	FLANGE,8			G6, H6E K6, M6E
		MF434104	NUT,A/C PIPING	3	FLANGE,8			G6, H6E K6, M6E

FK74R
55-430 A/C CONDENSER & PIPING

Repl Part	PNC	Part No	Part Name	Qty	Part Spec	Remarks	PREV.1	Cl
	87582C	MF434103	NUT,A/C PIPING	7	FLANGE,6	W/O COATING		G6, H6E, J6, J6V, K6V, M6V
		MF434103	NUT,A/C PIPING	7	FLANGE,6	W/O COATING		G6, H6E, J6, J6V, K6V, M6V
		MF434103	NUT,A/C PIPING	7	FLANGE,6	W/O COATING		K6, G6, J6, G6V
		MF434103	NUT,A/C PIPING	7	FLANGE,6	W/O COATING		J6V, K6V
	87582CC	MF434104	NUT,A/C PIPING	5	FLANGE,8			G6, H6E, J6, J6V, K6V
	87585B	MH020804	CLIP,A/C PIPING	4	D=12			M6V, G6, H6E, J6, J6V, K6V
	87585C	MS476414	CLIP,A/C PIPING	1	D=12			M6V, G6, H6E, K6, M6E
		MS476414	CLIP,A/C PIPING	1	D=12			K6, M6E
		MS476414	CLIP,A/C PIPING	1	D=12			G6, H6E
		MS476414	CLIP,A/C PIPING	1	D=12			G6, H6E
		MS476414	CLIP,A/C PIPING	1	D=12			K6, M6E
		MS476414	CLIP,A/C PIPING	1	D=12			G6, H6E
		MS476414	CLIP,A/C PIPING	1	D=12			G6, H6E
RP	87585CE	MS476412	CLIP,A/C PIPING	1	D=8		O	J6, J6V, K6V
RP		MS476412	CLIP,A/C PIPING	1	D=8		O	M6V, G6, H6E
RP		MS476412	CLIP,A/C PIPING	1	D=8		O	K6, M6E
RP		MS476412	CLIP,A/C PIPING	1	D=8		O	G6, H6E
RP		MS476412	CLIP,A/C PIPING	1	D=8		O	K6, M6E
RP		MS476412	CLIP,A/C PIPING	1	D=8		O	G6, H6E
	87585D	MC119771	CLIP,A/C PIPING	3	D=14			K6, M6E
		MC119771	CLIP,A/C PIPING	3	D=14			G6, H6E
		MC119771	CLIP,A/C PIPING	3	D=14			K6, M6E

FK74R
55-430 A/C CONDENSER & PIPING

Repl Part	PNC	Part No	Part Name	Qty	Part Spec	Remarks	PREV.1
	87585D	MC119771	CLIP,A/C PIPING	3	D=14		
		MC119771	CLIP,A/C PIPING	3	D=14		
		MC119771	CLIP,A/C PIPING	5	D=14		
		MC119771	CLIP,A/C PIPING	5	D=14		
		MC119771	CLIP,A/C PIPING	5	D=14		
		MC119771	CLIP,A/C PIPING	5	D=14		
		MC119771	CLIP,A/C PIPING	5	D=14		
	87585DB	MH020270	CLIP,A/C PIPING	1	D=24		
		MH020270	CLIP,A/C PIPING	1	D=24		
		MH020270	CLIP,A/C PIPING	1	D=24		
		MH020270	CLIP,A/C PIPING	1	D=24		
		MH020270	CLIP,A/C PIPING	1	D=24		
		MH020270	CLIP,A/C PIPING	1	D=24		
		MH020270	CLIP,A/C PIPING	1	D=24		
		MH020270	CLIP,A/C PIPING	1	D=24		
	87585DE	MH020802	CLIP,A/C PIPING	3	D=8		
	87585E	MH020802	CLIP,A/C PIPING	2	D=8		
		MH020802	CLIP,A/C PIPING	2	D=8		
		MH020802	CLIP,A/C PIPING	2	D=8		
		MH020802	CLIP,A/C PIPING	2	D=8		
		MH020802	CLIP,A/C PIPING	2	D=8		
	87585EE	MH020804	CLIP,A/C PIPING	4	D=12		
		MH020804	CLIP,A/C PIPING	4	D=12		

FK74R
55-430 A/C CONDENSER & PIPING

Repl Part	PNC	Part No	Part Name	Qty	Part Spec	Remarks	PREV.1	Cl
	87585EE	MH020804	CLIP,A/C PIPING	4	D=12			G6, H6E, K6, M6E
		MH020804	CLIP,A/C PIPING	4	D=12			G6, H6E, K6, M6E
		MH020804	CLIP,A/C PIPING	4	D=12			G6, H6E, K6, M6E
	87585F	MH020935	CLIP,A/C PIPING	1	A=17.5 B=18			G6, H6, H6V, J6V, K6E
	87585H	MH056347	CLIP,A/C PIPING	1	D=14.8			M6, G6, H6, H6V, J6V, K6E
	87585HB	MR133393	CLIP,A/C PIPING	1	20-23			M6, G6, H6E, K6, M6E
		MR133393	CLIP,A/C PIPING	1	20-23			G6, H6E, K6, M6E
		MR133393	CLIP,A/C PIPING	1	20-23			G6, H6, H6V, J6V, K6E
		MR133393	CLIP,A/C PIPING	1	20-23			M6, G6, H6, H6V, J6V, K6E
		MR133393	CLIP,A/C PIPING	1	20-23			M6, K6, M6E
		MR133393	CLIP,A/C PIPING	1	20-23			G6, H6E, K6, M6E
		MR133393	CLIP,A/C PIPING	1	20-23			G6V, J6V, K6V
	87585HC	MB166377	CLIP,A/C PIPING	1	18-13			G6, H6E, K6, M6E
		MB166377	CLIP,A/C PIPING	1	18-13			G6, H6E, K6, M6E
		MB166377	CLIP,A/C PIPING	1	18-13			G6, H6E, K6, M6E
		MB166377	CLIP,A/C PIPING	1	18-13			G6, H6E, K6, M6E
		MB166377	CLIP,A/C PIPING	1	18-13			G6, H6E, K6, M6E
	87585HD	MB193490	CLIP,A/C PIPING	1	18-23			G6, H6E, K6, M6E
		MB193490	CLIP,A/C PIPING	1	18-23			G6, H6E, K6, M6E
		MB193490	CLIP,A/C PIPING	1	18-23			G6, H6, H6V, J6V, K6E
		MB193490	CLIP,A/C PIPING	1	18-23			M6,

FK74R
55-430 A/C CONDENSER & PIPING

Repl Part	PNC	Part No	Part Name	Qty	Part Spec	Remarks	PREV.1	Cl
	87588C	MF140005	BOLT,A/C PIPING	9	FLANGE,6X16	4T		G6, H6E
		MF140025	BOLT,A/C PIPING	3	FLANGE,8X20	4T		G6, H6E
		MF140025	BOLT,A/C PIPING	3	FLANGE,8X20	4T		J6, J6V K6V M6V
		MF140025	BOLT,A/C PIPING	3	FLANGE,8X20	4T		G6, H6E
		MF140025	BOLT,A/C PIPING	3	FLANGE,8X20	4T		J6, J6V K6V M6V
		MF140025	BOLT,A/C PIPING	3	FLANGE,8X20	4T		K6, G6, J6, G6V J6V K6V
		MF140025	BOLT,A/C PIPING	3	FLANGE,8X20	4T		M6V
	87588CB	MF140027	BOLT,A/C PIPING	1	FLANGE,8X25	4T		G6, H6E
								J6, J6V K6V M6V
	87588CD	MF140022	BOLT,A/C PIPING	1	FLANGE,8X14	4T		G6, H6E
								J6, J6V K6V M6V
	87588D	MF140009	BOLT,A/C PIPING	2	FLANGE,6X25	4T		G6, H6E
		MF140009	BOLT,A/C PIPING	2	FLANGE,6X25	4T		K6, M6E
		MF140009	BOLT,A/C PIPING	2	FLANGE,6X25	4T		G6, H6E
		MF140009	BOLT,A/C PIPING	2	FLANGE,6X25	4T		K6, M6E
		MF140009	BOLT,A/C PIPING	2	FLANGE,6X25	4T		G6, H6E
		MF140009	BOLT,A/C PIPING	2	FLANGE,6X25	4T		K6, M6E
	87588EB	MF140022	BOLT,A/C PIPING	2	FLANGE,8X14	4T		G6, H6E
		MF140022	BOLT,A/C PIPING	2	FLANGE,8X14	4T		K6, M6E
		MF140022	BOLT,A/C PIPING	2	FLANGE,8X14	4T		G6, H6E
		MF140022	BOLT,A/C PIPING	2	FLANGE,8X14	4T		K6, M6E
		MF140022	BOLT,A/C PIPING	2	FLANGE,8X14	4T		G6, H6E
		MF140022	BOLT,A/C PIPING	2	FLANGE,8X14	4T		K6, M6E
	87588F	MF140023	BOLT,A/C PIPING	2	FLANGE,8X16	4T		G6, H6E
		MF140023	BOLT,A/C PIPING	2	FLANGE,8X16	4T		K6, M6E
		MF140023	BOLT,A/C PIPING	2	FLANGE,8X16	4T		G6, H6E
		MF140023	BOLT,A/C PIPING	2	FLANGE,8X16	4T		K6, M6E
		MF140023	BOLT,A/C PIPING	2	FLANGE,8X16	4T		G6, H6E
		MF140023	BOLT,A/C PIPING	2	FLANGE,8X16	4T		K6, M6E

FK74R
55-430 A/C CONDENSER & PIPING

Repl Part	PNC	Part No	Part Name	Qty	Part Spec	Remarks	PREV.1	Cl
	87588F	MF140023	BOLT,A/C PIPING	2	FLANGE,8X16	4T		G6, H6E
	87588G	MF140025	BOLT,A/C PIPING	1	FLANGE,8X20	4T		G6, H6E
		MF140025	BOLT,A/C PIPING	1	FLANGE,8X20	4T		K6, M6E
		MF140025	BOLT,A/C PIPING	1	FLANGE,8X20	4T		G6, H6E
		MF140025	BOLT,A/C PIPING	1	FLANGE,8X20	4T		K6, M6E
		MF140025	BOLT,A/C PIPING	1	FLANGE,8X20	4T		G6, H6E
		MF140025	BOLT,A/C PIPING	1	FLANGE,8X20	4T		K6, M6E
	87588GB	MF140209	BOLT,A/C PIPING	2	FLANGE,6X25	7T		G6, H6E
		MF140209	BOLT,A/C PIPING	2	FLANGE,6X25	7T		K6, M6E
		MF140209	BOLT,A/C PIPING	2	FLANGE,6X25	7T		G6, H6E
		MF140209	BOLT,A/C PIPING	2	FLANGE,6X25	7T		G6, H6, H6V
		MF140209	BOLT,A/C PIPING	2	FLANGE,6X25	7T		J6V K6E
		MF140209	BOLT,A/C PIPING	2	FLANGE,6X25	7T		M6, G6, H6, H6V
		MF140209	BOLT,A/C PIPING	2	FLANGE,6X25	7T		J6V K6E
		MF140209	BOLT,A/C PIPING	2	FLANGE,6X25	7T		M6, K6, M6E
		MF140209	BOLT,A/C PIPING	2	FLANGE,6X25	7T		G6, H6E
		MF140209	BOLT,A/C PIPING	2	FLANGE,6X25	7T		G6V J6V
	87591	MF450008	WASHER,A/C CONDENSER	2	PLAIN,14			K6V G6, H6, H6V
		MF450008	WASHER,A/C CONDENSER	2	PLAIN,14			J6V K6E
	87635F	MK509292	BRACKET,A/C PIPING,NO.2	1				M6, G6, H6E
		MK509292	BRACKET,A/C PIPING,NO.2	1				K6, M6E
		MK509292	BRACKET,A/C PIPING,NO.2	1				G6, H6E
		MK509292	BRACKET,A/C PIPING,NO.2	1				G6, H6, H6V
		MK509292	BRACKET,A/C PIPING,NO.2	1				J6V K6E
		MK509292	BRACKET,A/C PIPING,NO.2	1				M6, G6, H6, H6V
		MK509292	BRACKET,A/C PIPING,NO.2	1				J6V K6E
		MK509292	BRACKET,A/C PIPING,NO.2	1				M6, K6, M6E
		MK509292	BRACKET,A/C PIPING,NO.2	1				G6, H6E
		MK509292	BRACKET,A/C PIPING,NO.2	1				G6V J6V K6V

FK74R
55-430 A/C CONDENSER & PIPING

Repl Part	PNC	Part No	Part Name	Qty	Part Spec	Remarks	PREV.1	Cl	
	87635H	MC443885	BRACKET,A/C PIPING,NO.2	1				G6,	
		MC443885	BRACKET,A/C PIPING,NO.2	1				H6E	
		MC443885	BRACKET,A/C PIPING,NO.2	1				K6,	
		MC443885	BRACKET,A/C PIPING,NO.2	1				M6E	
		MC443885	BRACKET,A/C PIPING,NO.2	1				G6,	
	87635HD	MH023604	BRACKET,A/C PIPING,NO.2	1			L1=72,L2=28	H6E	G6,
		MH023604	BRACKET,A/C PIPING,NO.2	1			L1=72,L2=28	K6,	
		MH023604	BRACKET,A/C PIPING,NO.2	1			L1=72,L2=28	M6E	G6,
		MH023604	BRACKET,A/C PIPING,NO.2	1			L1=72,L2=28	H6E	K6,
		MH023604	BRACKET,A/C PIPING,NO.2	1			L1=72,L2=28	M6E	G6,
	87635HF	MK509294	BRACKET,A/C PIPING,NO.2	1				H6E	K6,
		MK509294	BRACKET,A/C PIPING,NO.2	1				M6E	G6,
		MK509294	BRACKET,A/C PIPING,NO.2	1				H6E	K6,
		MK509294	BRACKET,A/C PIPING,NO.2	1				M6E	G6,
		MK509294	BRACKET,A/C PIPING,NO.2	1				H6E	K6,
	87635HG	MK509295	BRACKET,A/C PIPING,NO.2	1				M6E	G6,
		MK509295	BRACKET,A/C PIPING,NO.2	1				H6E	K6,
		MK509295	BRACKET,A/C PIPING,NO.2	1				M6E	G6,
		MK509295	BRACKET,A/C PIPING,NO.2	1				H6E	K6,
		MK509295	BRACKET,A/C PIPING,NO.2	1				M6E	G6,
	87635N	MK509293	BRACKET,A/C PIPING,NO.2	1				H6E	K6,
MK509293		BRACKET,A/C PIPING,NO.2	1				M6E	G6,	
MK509293		BRACKET,A/C PIPING,NO.2	1				H6E	K6,	

FK74R
55-430 A/C CONDENSER & PIPING

Repl Part	PNC	Part No	Part Name	Qty	Part Spec	Remarks	PREV.1	Cl
	87649B	MK513510	HOSE,A/C PIPING,NO.2	1				G6, H6E, J6,- J6V K6V M6V
	87650G	MK511614	HOSE,A/C PIPING,NO.3	1				G6, H6E, K6, M6E
		MK511614	HOSE,A/C PIPING,NO.3	1				G6, H6E, K6, M6E
		MK511614	HOSE,A/C PIPING,NO.3	1				G6, H6E, K6, M6E
		MK511614	HOSE,A/C PIPING,NO.3	1				G6, H6E, K6, M6E
	87650H	MK511614	HOSE,A/C PIPING,NO.3	1				G6, H6E, K6, M6E
		MK511615	HOSE,A/C PIPING,NO.3	1				G6, H6E, K6, M6E
		MK511615	HOSE,A/C PIPING,NO.3	1				G6, H6E, K6, M6E
		MK511615	HOSE,A/C PIPING,NO.3	1				G6, H6E, K6, M6E
		MK511615	HOSE,A/C PIPING,NO.3	1				G6, H6E, K6, M6E
		MK511615	HOSE,A/C PIPING,NO.3	1				G6, H6E, K6, M6E
		MK511615	HOSE,A/C PIPING,NO.3	1				G6, H6E, K6, M6E
		MK511615	HOSE,A/C PIPING,NO.3	1				G6, H6E, K6, M6E
		MK512797	HOSE,A/C PIPING,NO.3	1				G6, H6E, J6,- J6V K6V M6V
		MK512797	HOSE,A/C PIPING,NO.3	1				G6, H6E, J6,- J6V K6V M6V
	87650N	MK513067	HOSE,A/C PIPING,NO.3	1				G6, H6E, J6,- J6V K6V M6V
		MK512797	HOSE,A/C PIPING,NO.3	1				G6, H6E, K6, M6E
		MK512797	HOSE,A/C PIPING,NO.3	1				G6, H6E, K6, M6E
	87655K	MK511613	TUBE,A/C PIPING,NO.1	1				G6, H6E, G6, H6E, K6, M6E
		MK511613	TUBE,A/C PIPING,NO.1	1				G6, H6E, K6, M6E
		MK511613	TUBE,A/C PIPING,NO.1	1				G6, H6E, K6, M6E
		MK511613	TUBE,A/C PIPING,NO.1	1				G6, H6E, K6, M6E
		MK511613	TUBE,A/C PIPING,NO.1	1				G6, H6E, K6, M6E

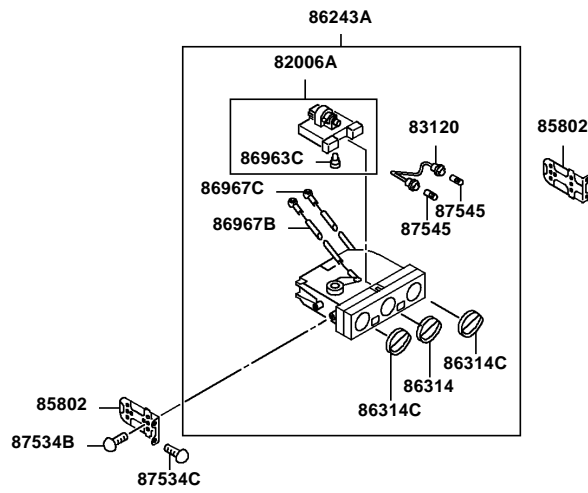
FK74R
55-430 A/C CONDENSER & PIPING

Repl Part	PNC	Part No	Part Name	Qty	Part Spec	Remarks	PREV.1	Cl
	87655K	MK512662	TUBE,A/C PIPING,NO.1	1				G6, H6E
		MK512662	TUBE,A/C PIPING,NO.1	1				J6, J6V
		MK512662	TUBE,A/C PIPING,NO.1	1				K6V
		MK512662	TUBE,A/C PIPING,NO.1	1				M6V
		MK512662	TUBE,A/C PIPING,NO.1	1				G6, H6E
		MK512662	TUBE,A/C PIPING,NO.1	1				J6, J6V
		MK512662	TUBE,A/C PIPING,NO.1	1				K6V
		MK582166	TUBE,A/C PIPING,NO.1	1				M6V
RP	87668Q	MR117053	O-RING,A/C PIPING	2	D=8		O	G6, H6E
RP		MR117053	O-RING,A/C PIPING	2	D=8		O	K6, M6E
RP		MR117053	O-RING,A/C PIPING	2	D=8		O	G6, H6E
RP		MR117053	O-RING,A/C PIPING	2	D=8		O	G6, H6, H6V
RP		MR117053	O-RING,A/C PIPING	2	D=8		O	J6V K6E
RP		MR117053	O-RING,A/C PIPING	2	D=8		O	M6, K6, M6E
RP		MR117053	O-RING,A/C PIPING	2	D=8		O	G6, H6E
RP		MR117053	O-RING,A/C PIPING	2	D=8		O	G6V J6V
	87668S	MR117054	O-RING,A/C PIPING	3				K6V G6, H6E
		MR117054	O-RING,A/C PIPING	3				K6, M6E
		MR117054	O-RING,A/C PIPING	3				G6, H6E
		MR117054	O-RING,A/C PIPING	3				G6, H6, H6V
		MR117054	O-RING,A/C PIPING	3				J6V K6E
		MR117054	O-RING,A/C PIPING	3				M6, G6, H6, H6V
		MR117054	O-RING,A/C PIPING	3				J6V K6E
		MR117054	O-RING,A/C PIPING	3				M6, K6, M6E
		MR117054	O-RING,A/C PIPING	3				G6, H6E

FK74R
55-430 A/C CONDENSER & PIPING

Repl Part	PNC	Part No	Part Name	Qty	Part Spec	Remarks	PREV.1	Cl
	87668S	MR117054	O-RING,A/C PIPING	3				G6V
RP	87668T	MR117055	O-RING,A/C PIPING	2			O	J6V
RP		MR117055	O-RING,A/C PIPING	2			O	K6V
RP		MR117055	O-RING,A/C PIPING	2			O	M6V
RP		MR117055	O-RING,A/C PIPING	2			O	G6,
RP		MR117055	O-RING,A/C PIPING	2			O	H6E
RP		MR117055	O-RING,A/C PIPING	2			O	K6,
RP		MR117055	O-RING,A/C PIPING	3			O	M6E
RP		MR117055	O-RING,A/C PIPING	3			O	G6,
RP		MR117055	O-RING,A/C PIPING	3			O	H6E
RP		MR117055	O-RING,A/C PIPING	3			O	J6,
RP		MR117055	O-RING,A/C PIPING	3			O	J6V
RP		MR117055	O-RING,A/C PIPING	3			O	K6V
RP		MR117055	O-RING,A/C PIPING	3			O	M6V
RP		MR117055	O-RING,A/C PIPING	3			O	K6,
RP		MR117055	O-RING,A/C PIPING	3			O	G6,
RP		MR117055	O-RING,A/C PIPING	3			O	J6,
	87635T	(N.e.c.)	BRACKET ,A/C PIPING,NO.2					G6V
	87588E	(N.e.c.)	BOLT,A/C PIPING					J6V
								K6V

FK74R
No.1

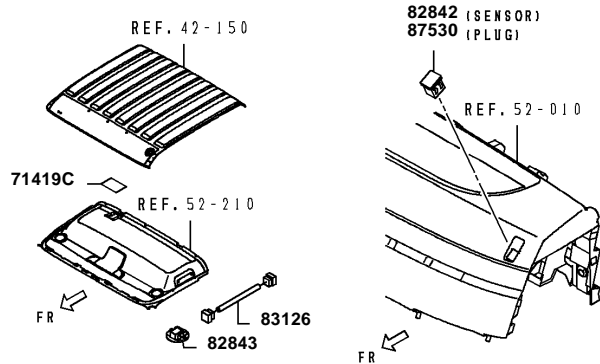
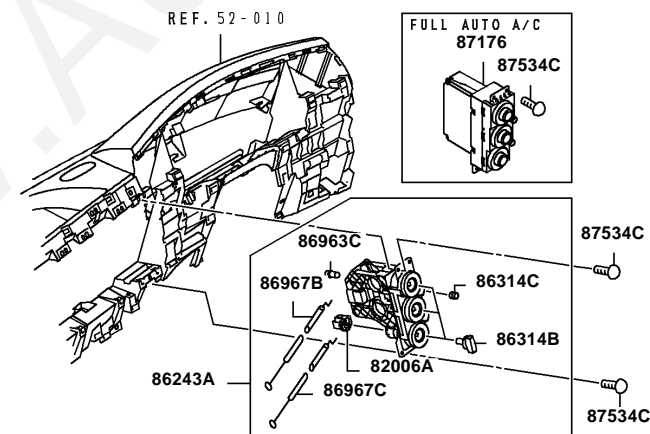


2LZ020

Ref. |2055450

Page

FK74R
No.2



C00021

Ref. |2055450

Page

FK74R
55-450 A/C CONTROL

Repl Part	PNC	Part No	Part Name	Qty	Part Spec	Remarks	NE
	82006A	MC968019	SWITCH ASSY,HEATER BLOWER	1			
		MC968020	SWITCH ASSY,HEATER BLOWER	1			
		MK446877	SWITCH ASSY,HEATER BLOWER	1			
		MK446877	SWITCH ASSY,HEATER BLOWER	1			
		MK446877	SWITCH ASSY,HEATER BLOWER	1			
		MK446877	SWITCH ASSY,HEATER BLOWER	1			
	83120	MK405469	HARNES,HEATER CONTROL	1			
	85802	MC964069	BRACKET,DC CONVERTER	2			
	86243A	MC962537	CONTROLLER ASSY,HEATER	1			
		MC962537	CONTROLLER ASSY,HEATER	1			
		MC962537	CONTROLLER ASSY,HEATER	1			
		MC962537	CONTROLLER ASSY,HEATER	1			
		MC965104	CONTROLLER ASSY,HEATER	1			
RP		MK510652	CONTROLLER ASSY,HEATER	1			Y
RP		MK510652	CONTROLLER ASSY,HEATER	1			Y
RP		MK510652	CONTROLLER ASSY,HEATER	1			Y
RP		MK510652	CONTROLLER ASSY,HEATER	1			Y
RP		MK512834	CONTROLLER ASSY,HEATER	1			Y
RP		MK512834	CONTROLLER ASSY,HEATER	1			Y
RP		MK512834	CONTROLLER ASSY,HEATER	1			Y
RP		MK512834	CONTROLLER ASSY,HEATER	1			Y
RP		MK510651	CONTROLLER ASSY,HEATER	1			Y

FK74R
55-450 A/C CONTROL

Repl Part	PNC	Part No	Part Name	Qty	Part Spec	Remarks	NE
RP	86243A	MK512833	CONTROLLER ASSY,HEATER	1			Y
RP		MK510652	CONTROLLER ASSY,HEATER	1			Y
RP		MK510652	CONTROLLER ASSY,HEATER	1			Y
RP		MK510652	CONTROLLER ASSY,HEATER	1			Y
RP		MK512834	CONTROLLER ASSY,HEATER	1			Y
RP		MK512834	CONTROLLER ASSY,HEATER	1			Y
RP		MK512834	CONTROLLER ASSY,HEATER	1			Y
		MK582776	CONTROLLER ASSY,HEATER	1			
		MK582781	CONTROLLER ASSY,HEATER	1			
	86314	MR398763	KNOB,HEATER CONTROL LEVER	1		A/C MARK LESS	
	86314B	MK446881	KNOB,HEATER CONTROL LEVER	3			
		MK582813	KNOB,HEATER CONTROL LEVER	3			
	86314C	MK582178	KNOB,HEATER CONTROL LEVER	2			
		MK582178	KNOB,HEATER CONTROL LEVER	2			
		MK582178	KNOB,HEATER CONTROL LEVER	2			
		MK582178	KNOB,HEATER CONTROL LEVER	2			
		MK565093	KNOB,HEATER CONTROL LEVER	1			
		MK565092	KNOB,HEATER CONTROL LEVER	1			
		MK565092	KNOB,HEATER CONTROL LEVER	1			

FK74R
55-450 A/C CONTROL

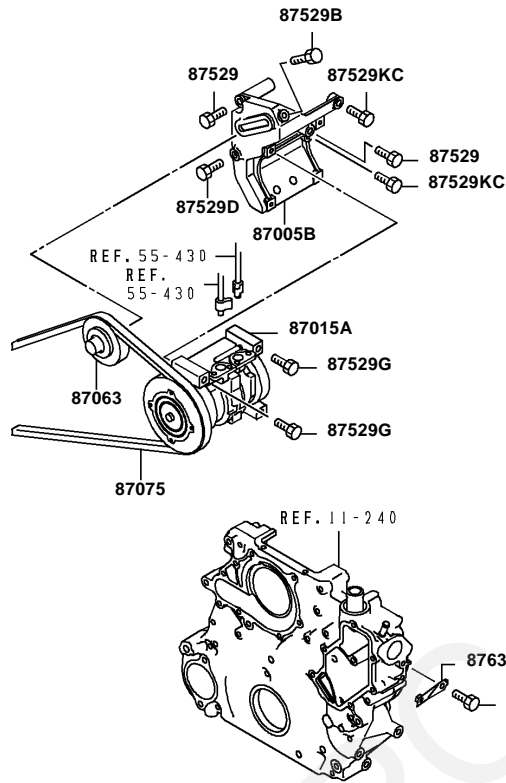
Repl Part	PNC	Part No	Part Name	Qty	Part Spec	Remarks	NE
	86314C	MK565092	KNOB,HEATER CONTROL LEVER	1			
	86963C	MR398386	BULB,HEATER CONTROL EQUIP	4		W/CAP	
		MK565098	BULB,HEATER CONTROL EQUIP	2	24V		
	86967B	MK427785	WIRE,HEATER CONTROL EQUIP	1	MODE,508		
		MK565094	WIRE,HEATER CONTROL EQUIP	1	MODE,332.1		
		MK565095	WIRE,HEATER CONTROL EQUIP	1	MODE,395.1		
		MK565094	WIRE,HEATER CONTROL EQUIP	1	MODE,332.1		
		MK565095	WIRE,HEATER CONTROL EQUIP	1	MODE,395.1		
	86967C	MK427784	WIRE,HEATER CONTROL EQUIP	1	TEMP,969		
		MK565096	WIRE,HEATER CONTROL EQUIP	1	AIR MIX,349.9		
		MK565097	WIRE,HEATER CONTROL EQUIP	1	AIR MIX,424.9		
		MK565096	WIRE,HEATER CONTROL EQUIP	1	AIR MIX,349.9		
		MK565097	WIRE,HEATER CONTROL EQUIP	1	AIR MIX,424.9		
	87530	MK568839	PLUG,A/C CONTROL EQUIP	1			
	87534B	MF453030	SCREW,A/C CONTROL EQUIP	4	TAPPING,5X10		
	87534C	MF453093	SCREW,A/C CONTROL EQUIP	4	TAPPING,BLACK,5X16		
		MF453033	SCREW,A/C CONTROL EQUIP	3	TAPPING,5X16		
	87545	MK405470	BULB,A/C CONTROL EQUIP	2			
	87176	(N.e.c.)	CONTROL UNIT,AUTO A/C				

FK74R
55-450 A/C CONTROL

Repl Part	PNC	Part No	Part Name	Qty	Part Spec	Remarks	NE
	71419C	(N.e.c.)	TAPE,A/C CONTROL EQUIP				
	82843	(N.e.c.)	SENSOR,ROOM TEMPERATURE				
	83126	(N.e.c.)	HARNESS,ROOM TEMPERATURE UPR SENSOR JOINT				
	82842	(N.e.c.)	SENSOR,PHOTO				

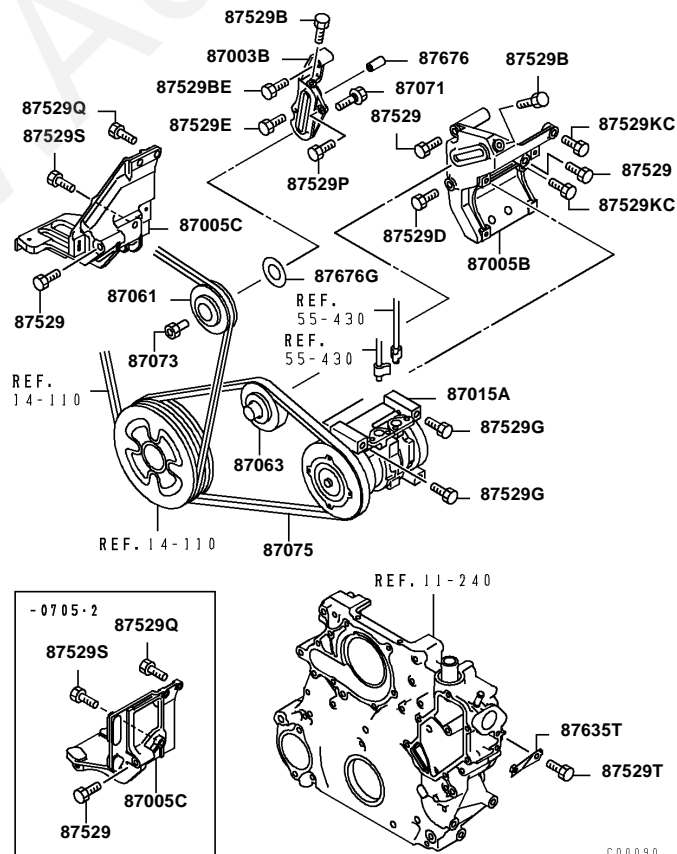
www.AutoEPC.com

FK74R
No.1



C00086

FK74R
No.2



C00090

FK74R
55-470 A/C COMPRESSOR

Repl Part	PNC	Part No	Part Name	Qty	Part Spec	Remarks	NEW1	Classification
	87003B	ME223598	BRACKET,A/C COMPRESSOR TENSION PULLEY	1				G6,G6E,H6, H6E,J6,J6E, K6,K6E,M6, M6E
		ME223598	BRACKET,A/C COMPRESSOR TENSION PULLEY	1				H6
		ME223598	BRACKET,A/C COMPRESSOR TENSION PULLEY	1				G6,G6V,H6, H6E,H6V,H6V J6,J6E,J6V, J6VE,K6,K6E K6V,K6VE,M6 M6VE
	87005B	ME222112	BRACKET,A/C COMPRESSOR	1				G6,G6E,H6, H6E,J6,J6E, K6,K6E,M6, M6E
		ME222112	BRACKET,A/C COMPRESSOR	1				G6,G6E,H6, H6E,J6,J6E
		ME222112	BRACKET,A/C COMPRESSOR	1				H6
		ME222112	BRACKET,A/C COMPRESSOR	1				H6
		ME222112	BRACKET,A/C COMPRESSOR	1				K6,K6E,M6, M6E
		ME222112	BRACKET,A/C COMPRESSOR	1				G6,H6E,J6, J6E
		ME222112	BRACKET,A/C COMPRESSOR	1				G6V,H6V,H6V J6V,J6VE,K6V K6VE,M6VE
		ME222112	BRACKET,A/C COMPRESSOR	1				G6,G6E,G6V, H6,H6E,H6V, H6VE,J6,J6E, J6V,J6VE,K6, K6E,K6V,K6V M6,M6E,M6VE
		ME222112	BRACKET,A/C COMPRESSOR	1				K6,K6E,M6E
		ME222112	BRACKET,A/C COMPRESSOR	1				G6,G6E,H6E, J6,J6E
		ME222112	BRACKET,A/C COMPRESSOR	1				G6E
		ME222112	BRACKET,A/C COMPRESSOR	1				G6,H6,H6E, J6,J6E
		ME222112	BRACKET,A/C COMPRESSOR	1				G6E,M6
		ME222112	BRACKET,A/C COMPRESSOR	1				K6,K6E,M6E
		ME222112	BRACKET,A/C COMPRESSOR	1				M6
		ME222112	BRACKET,A/C COMPRESSOR	1				G6V,H6V,H6V J6V,J6VE,K6V K6VE,M6VE
		ME222112	BRACKET,A/C COMPRESSOR	1				H6
		ME222112	BRACKET,A/C COMPRESSOR	1				K6,K6E,M6E
		ME222112	BRACKET,A/C COMPRESSOR	1				G6,H6,H6E, J6,J6E
		ME222112	BRACKET,A/C COMPRESSOR	1				G6,G6V,H6, H6E,H6V,H6V J6,J6E,J6V, J6VE,K6,K6E K6V,K6VE,M6 M6VE
		ME222112	BRACKET,A/C COMPRESSOR	1				G6,H6,H6E, J6,J6E,K6, K6E,M6E
		ME222112	BRACKET,A/C COMPRESSOR	1				G6,H6,H6E, J6,J6E
		ME226499	BRACKET,A/C COMPRESSOR	1				G6,H6,H6E, J6,J6E,K6, K6E,M6E
		ME226499	BRACKET,A/C COMPRESSOR	1				G6,H6,H6E, J6,J6E
		ME226499	BRACKET,A/C COMPRESSOR	1				K6,K6E,M6E
		ME226499	BRACKET,A/C COMPRESSOR	1				G6,H6,H6E, J6,J6E
		ME226499	BRACKET,A/C COMPRESSOR	1				K6,K6E,M6E
		ME226499	BRACKET,A/C COMPRESSOR	1				G6,H6,H6E, J6,J6E
		ME226499	BRACKET,A/C COMPRESSOR	1				K6,K6E,M6E
		ME226499	BRACKET,A/C COMPRESSOR	1				G6,H6,H6E, J6,J6E
		ME226499	BRACKET,A/C COMPRESSOR	1				G6,H6,H6E, J6,J6E,K6, K6E,M6E

FK74R
55-470 A/C COMPRESSOR

Repl Part	PNC	Part No	Part Name	Qty	Part Spec	Remarks	NEW1	Classification
	87005B	ME226499	BRACKET,A/C COMPRESSOR	1				G6V,H6V,H6V J6V,J6VE,K6V
		ME226499	BRACKET,A/C COMPRESSOR	1				G6V,H6V,H6V J6V,J6VE,K6V
		ME226499	BRACKET,A/C COMPRESSOR	1				G6V,H6V,H6V J6V,J6VE,K6V
	87005C	ME223597	BRACKET,A/C COMPRESSOR	1				G6,G6E,H6, H6E,J6,J6E, K6,K6E,M6, M6E
		ME223597	BRACKET,A/C COMPRESSOR	1				H6
		ME223597	BRACKET,A/C COMPRESSOR	1				G6,G6V,H6, H6E,H6V,H6V J6,J6E,J6V, J6VE,K6,K6E K6V,K6VE,M6E
		ME227690	BRACKET,A/C COMPRESSOR	1				M6VE G6,H6,H6E, J6,J6E,K6, K6E,M6E
		ME227690	BRACKET,A/C COMPRESSOR	1				G6V,H6V,H6V J6V,J6VE,K6V
	87015A	MK509014	COMPRESSOR & CLUTCH ASSY,A/C	1				G6,G6E,H6, H6E,J6,J6E, K6,K6E,M6, M6E
		MK509014	COMPRESSOR & CLUTCH ASSY,A/C	1				G6,G6E,H6, H6E,J6,J6E
		MK509014	COMPRESSOR & CLUTCH ASSY,A/C	1				H6
		MK509014	COMPRESSOR & CLUTCH ASSY,A/C	1				H6
		MK509014	COMPRESSOR & CLUTCH ASSY,A/C	1				K6,K6E,M6, M6E
		MK509014	COMPRESSOR & CLUTCH ASSY,A/C	1				G6,H6E,J6, J6E
		MK509014	COMPRESSOR & CLUTCH ASSY,A/C	1				G6V,H6V,H6V J6V,J6VE,K6V K6VE,M6VE
		MK509014	COMPRESSOR & CLUTCH ASSY,A/C	1				G6,G6E,G6V, H6,H6E,H6V, H6VE,J6,J6E, J6V,J6VE,K6, K6E,K6V,K6V
		MK509014	COMPRESSOR & CLUTCH ASSY,A/C	1				M6,M6E,M6VE
		MK509014	COMPRESSOR & CLUTCH ASSY,A/C	1				K6,K6E,M6E
		MK509014	COMPRESSOR & CLUTCH ASSY,A/C	1				G6,G6E,H6E, J6,J6E
		MK509014	COMPRESSOR & CLUTCH ASSY,A/C	1				G6E
		MK509014	COMPRESSOR & CLUTCH ASSY,A/C	1				G6,H6,H6E, J6,J6E
		MK509014	COMPRESSOR & CLUTCH ASSY,A/C	1				G6E,M6
		MK509014	COMPRESSOR & CLUTCH ASSY,A/C	1				K6,K6E,M6E
		MK509014	COMPRESSOR & CLUTCH ASSY,A/C	1				M6
		MK509014	COMPRESSOR & CLUTCH ASSY,A/C	1				G6V,H6V,H6V J6V,J6VE,K6V K6VE,M6VE
		MK509014	COMPRESSOR & CLUTCH ASSY,A/C	1				H6
		MK509014	COMPRESSOR & CLUTCH ASSY,A/C	1				K6,K6E,M6E
		MK509014	COMPRESSOR & CLUTCH ASSY,A/C	1				G6,H6,H6E, J6,J6E
		MK509014	COMPRESSOR & CLUTCH ASSY,A/C	1				G6,G6V,H6, H6E,H6V,H6V J6,J6E,J6V, J6VE,K6,K6E K6V,K6VE,M6E
		MK509014	COMPRESSOR & CLUTCH ASSY,A/C	1				M6VE
		MK509014	COMPRESSOR & CLUTCH ASSY,A/C	1				G6,H6,H6E, J6,J6E,K6, K6E,M6E
		MK509014	COMPRESSOR & CLUTCH ASSY,A/C	1				G6,H6,H6E, J6,J6E
		MK509014	COMPRESSOR & CLUTCH ASSY,A/C	1				K6,K6E,M6E
		MK509014	COMPRESSOR & CLUTCH ASSY,A/C	1				G6,H6,H6E, J6,J6E

FK74R
55-470 A/C COMPRESSOR

Repl Part	PNC	Part No	Part Name	Qty	Part Spec	Remarks	NEW1	Classification
	87015A	MK509014	COMPRESSOR & CLUTCH ASSY,A/C	1				K6,K6E,M6E
		MK509014	COMPRESSOR & CLUTCH ASSY,A/C	1				G6,H6,H6E, J6,J6E
		MK509014	COMPRESSOR & CLUTCH ASSY,A/C	1				G6,H6,H6E, J6,J6E,K6, K6E,M6E
		MK509014	COMPRESSOR & CLUTCH ASSY,A/C	1				G6V,H6V,H6V J6V,J6VE,K6V
		MK509014	COMPRESSOR & CLUTCH ASSY,A/C	1				G6V,H6V,H6V J6V,J6VE,K6V
		MK509014	COMPRESSOR & CLUTCH ASSY,A/C	1				G6V,H6V,H6V J6V,J6VE,K6V
	87061	ME018673	PULLEY,A/C COMPRESSOR TENSION	1				G6,G6E,H6, H6E,J6,J6E, K6,K6E,M6, M6E
		ME018673	PULLEY,A/C COMPRESSOR TENSION	1				H6
		ME018673	PULLEY,A/C COMPRESSOR TENSION	1				G6,G6V,H6, H6E,H6V,H6V J6,J6E,J6V, J6VE,K6,K6E, K6V,K6VE,M6 M6VE
		ME018673	PULLEY,A/C COMPRESSOR TENSION	1				G6,H6,H6E, J6,J6E,K6, K6E,M6E
		ME018673	PULLEY,A/C COMPRESSOR TENSION	1				G6V,H6V,H6V J6V,J6VE,K6V
	87063	ME077937	PULLEY,A/C COMPRESSOR IDLER	1				G6,G6E,H6, H6E,J6,J6E, K6,K6E,M6, M6E
		ME077937	PULLEY,A/C COMPRESSOR IDLER	1				G6,G6E,H6, H6E,J6,J6E
		ME077937	PULLEY,A/C COMPRESSOR IDLER	1				H6
		ME077937	PULLEY,A/C COMPRESSOR IDLER	1				H6
		ME077937	PULLEY,A/C COMPRESSOR IDLER	1				K6,K6E,M6, M6E
		ME077937	PULLEY,A/C COMPRESSOR IDLER	1				G6,H6E,J6, J6E
		ME077937	PULLEY,A/C COMPRESSOR IDLER	1				G6V,H6V,H6V J6V,J6VE,K6V K6VE,M6VE
		ME077937	PULLEY,A/C COMPRESSOR IDLER	1				G6,G6E,G6V, H6,H6E,H6V, H6VE,J6,J6E, J6V,J6VE,K6, K6E,K6V,K6V
		ME077937	PULLEY,A/C COMPRESSOR IDLER	1				M6,M6E,M6VE
		ME077937	PULLEY,A/C COMPRESSOR IDLER	1				K6,K6E,M6E
		ME077937	PULLEY,A/C COMPRESSOR IDLER	1				G6,G6E,H6E, J6,J6E
		ME077937	PULLEY,A/C COMPRESSOR IDLER	1				G6E
		ME077937	PULLEY,A/C COMPRESSOR IDLER	1				G6,H6,H6E, J6,J6E
		ME077937	PULLEY,A/C COMPRESSOR IDLER	1				G6E,M6
		ME077937	PULLEY,A/C COMPRESSOR IDLER	1				K6,K6E,M6E
		ME077937	PULLEY,A/C COMPRESSOR IDLER	1				M6
		ME077937	PULLEY,A/C COMPRESSOR IDLER	1				G6V,H6V,H6V J6V,J6VE,K6V K6VE,M6VE
		ME077937	PULLEY,A/C COMPRESSOR IDLER	1				H6
		ME077937	PULLEY,A/C COMPRESSOR IDLER	1				K6,K6E,M6E
		ME077937	PULLEY,A/C COMPRESSOR IDLER	1				G6,H6,H6E, J6,J6E
		ME077937	PULLEY,A/C COMPRESSOR IDLER	1				G6,G6V,H6, H6E,H6V,H6V J6,J6E,J6V, J6VE,K6,K6E, K6V,K6VE,M6 M6VE

FK74R
55-470 A/C COMPRESSOR

Repl Part	PNC	Part No	Part Name	Qty	Part Spec	Remarks	NEW1	Classification
	87063	ME077937	PULLEY,A/C COMPRESSOR IDLER	1				G6,H6,H6E, J6,J6E,K6, K6E,M6E
		ME077937	PULLEY,A/C COMPRESSOR IDLER	1				G6,H6,H6E, J6,J6E
		ME077937	PULLEY,A/C COMPRESSOR IDLER	1				K6,K6E,M6E
		ME077937	PULLEY,A/C COMPRESSOR IDLER	1				G6,H6,H6E, J6,J6E
		ME077937	PULLEY,A/C COMPRESSOR IDLER	1				K6,K6E,M6E
		ME077937	PULLEY,A/C COMPRESSOR IDLER	1				G6,H6,H6E, J6,J6E
		ME077937	PULLEY,A/C COMPRESSOR IDLER	1				G6,H6,H6E, J6,J6E,K6, K6E,M6E
		ME077937	PULLEY,A/C COMPRESSOR IDLER	1				G6V,H6V,H6V, J6V,J6VE,K6V
		ME077937	PULLEY,A/C COMPRESSOR IDLER	1				G6V,H6V,H6V, J6V,J6VE,K6V
		ME077937	PULLEY,A/C COMPRESSOR IDLER	1				G6V,H6V,H6V, J6V,J6VE,K6V
		ME077937	PULLEY,A/C COMPRESSOR IDLER	1				G6V,H6V,H6V, J6V,J6VE,K6V
	87071	ME223599	SHAFT,A/C COMPRESSOR TENSION PULLEY	1				G6,G6E,H6, H6E,J6,J6E, K6,K6E,M6, M6E
		ME223599	SHAFT,A/C COMPRESSOR TENSION PULLEY	1				H6
		ME223599	SHAFT,A/C COMPRESSOR TENSION PULLEY	1				G6,G6V,H6, H6E,H6V,H6V, J6,J6E,J6V, J6VE,K6,K6E, K6V,K6VE,M6 M6VE
		ME223599	SHAFT,A/C COMPRESSOR TENSION PULLEY	1				G6,H6,H6E, J6,J6E,K6, K6E,M6E
		ME223599	SHAFT,A/C COMPRESSOR TENSION PULLEY	1				G6V,H6V,H6V, J6V,J6VE,K6V
RP	87073	ME018654	SLEEVE,A/C TENSION PULLEY SHAFT	1			Y	G6,G6E,H6, H6E,J6,J6E, K6,K6E,M6, M6E
RP		ME018654	SLEEVE,A/C TENSION PULLEY SHAFT	1			Y	H6
RP		ME018654	SLEEVE,A/C TENSION PULLEY SHAFT	1			Y	G6,G6V,H6, H6E,H6V,H6V, J6,J6E,J6V, J6VE,K6,K6E, K6V,K6VE,M6 M6VE
RP		ME018654	SLEEVE,A/C TENSION PULLEY SHAFT	1			Y	G6,H6,H6E, J6,J6E,K6, K6E,M6E
RP		ME018654	SLEEVE,A/C TENSION PULLEY SHAFT	1			Y	G6V,H6V,H6V, J6V,J6VE,K6V
	87075	MH014449	BELT,A/C	1	1065X1			G6,G6E,H6, H6E,J6,J6E, K6,K6E,M6, M6E
		MH014449	BELT,A/C	1	1065X1			G6,G6E,H6, H6E,J6,J6E
		MH014449	BELT,A/C	1	1065X1			H6
		MH014449	BELT,A/C	1	1065X1			H6
		MH014449	BELT,A/C	1	1065X1			K6,K6E,M6, M6E
		MH014449	BELT,A/C	1	1065X1			G6,H6E,J6, J6E
		MH014449	BELT,A/C	1	1065X1			G6V,H6V,H6V, J6V,J6VE,K6V, K6VE,M6VE
		MH014449	BELT,A/C	1	1065X1			G6,G6E,G6V, H6,H6E,H6V, H6VE,J6,J6E, J6V,J6VE,K6, K6E,K6V,K6V, M6,M6E,M6VE

FK74R
55-470 A/C COMPRESSOR

Repl Part	PNC	Part No	Part Name	Qty	Part Spec	Remarks	NEW1	Classification
	87075	MH014449	BELT,A/C	1	1065X1			K6,K6E,M6E
		MH014449	BELT,A/C	1	1065X1			G6,G6E,H6E, J6,J6E
		MH014449	BELT,A/C	1	1065X1			G6E
		MH014449	BELT,A/C	1	1065X1			G6,H6,H6E, J6,J6E
		MH014449	BELT,A/C	1	1065X1			G6E,M6
		MH014449	BELT,A/C	1	1065X1			K6,K6E,M6E
		MH014449	BELT,A/C	1	1065X1			M6
		MH014449	BELT,A/C	1	1065X1			G6V,H6V,H6V J6V,J6VE,K6V K6VE,M6VE
		MH014449	BELT,A/C	1	1065X1			H6
		MH014449	BELT,A/C	1	1065X1			K6,K6E,M6E
		MH014449	BELT,A/C	1	1065X1			G6,H6,H6E, J6,J6E
		MH014449	BELT,A/C	1	1065X1			G6,G6V,H6, H6E,H6V,H6V J6,J6E,J6V, J6VE,K6,K6E K6V,K6VE,M6 M6VE
		MH014449	BELT,A/C	1	1065X1			G6,H6,H6E, J6,J6E,K6, K6E,M6E
		MH014449	BELT,A/C	1	1065X1			G6,H6,H6E, J6,J6E
		MH014449	BELT,A/C	1	1065X1			K6,K6E,M6E
		MH014449	BELT,A/C	1	1065X1			G6,H6,H6E, J6,J6E
		MH014449	BELT,A/C	1	1065X1			K6,K6E,M6E
		MH014449	BELT,A/C	1	1065X1			G6,H6,H6E, J6,J6E
		MH014449	BELT,A/C	1	1065X1			G6,H6,H6E, J6,J6E,K6, K6E,M6E
		MH014449	BELT,A/C	1	1065X1			G6V,H6V,H6V J6V,J6VE,K6V
		MH014449	BELT,A/C	1	1065X1			G6V,H6V,H6V J6V,J6VE,K6V
		MH014449	BELT,A/C	1	1065X1			G6V,H6V,H6V J6V,J6VE,K6V
	87529	MH000716	BOLT,A/C DRIVING	3	FLANGE,10X55			G6,G6E,H6, H6E,J6,J6E, K6,K6E,M6, M6E
		MH000716	BOLT,A/C DRIVING	2	FLANGE,10X55			G6,G6E,H6, H6E,J6,J6E, K6,K6E,M6, M6E
		MH000716	BOLT,A/C DRIVING	2	FLANGE,10X55			G6,G6E,H6, H6E,J6,J6E
		MH000716	BOLT,A/C DRIVING	3	FLANGE,10X55			H6
		MH000716	BOLT,A/C DRIVING	2	FLANGE,10X55			K6,K6E,M6E
		MH000716	BOLT,A/C DRIVING	2	FLANGE,10X55			G6,H6,H6E, J6,J6E
		MH000716	BOLT,A/C DRIVING	2	FLANGE,10X55			G6,H6,H6E, J6,J6E
		MH000716	BOLT,A/C DRIVING	2	FLANGE,10X55			G6E,M6
		MH000716	BOLT,A/C DRIVING	2	FLANGE,10X55			G6V,H6V,H6V J6V,J6VE,K6V
		MH000716	BOLT,A/C DRIVING	2	FLANGE,10X55			G6,G6E,G6V, H6,H6E,H6V, H6VE,J6,J6E, J6V,J6VE,K6, K6E,K6V,K6V M6,M6E,M6VE
		MH000716	BOLT,A/C DRIVING	2	FLANGE,10X55			M6
		MH000716	BOLT,A/C DRIVING	2	FLANGE,10X55			K6,K6E,M6E
		MH000716	BOLT,A/C DRIVING	2	FLANGE,10X55			K6V,M6VE
		MH000716	BOLT,A/C DRIVING	2	FLANGE,10X55			G6V,H6V,H6V J6V,J6VE,K6V K6VE,M6VE

FK74R
55-470 A/C COMPRESSOR

Repl Part	PNC	Part No	Part Name	Qty	Part Spec	Remarks	NEW1	Classification
	87529	MH000716	BOLT,A/C DRIVING	2	FLANGE,10X55			G6E
		MH000716	BOLT,A/C DRIVING	2	FLANGE,10X55			K6,K6E,M6E
		MH000716	BOLT,A/C DRIVING	2	FLANGE,10X55			H6
		MH000716	BOLT,A/C DRIVING	2	FLANGE,10X55			G6,H6E,J6, J6E
		MH000716	BOLT,A/C DRIVING	2	FLANGE,10X55			G6V,H6V,H6V, J6V,J6VE,K6V, K6VE,M6VE
		MH000716	BOLT,A/C DRIVING	2	FLANGE,10X55			G6,G6E,H6E, J6,J6E
		MH000716	BOLT,A/C DRIVING	2	FLANGE,10X55			K6,K6E,M6, M6E
		MH000716	BOLT,A/C DRIVING	2	FLANGE,10X55			H6
		MH000716	BOLT,A/C DRIVING	2	FLANGE,10X55			G6,G6V,H6, H6E,H6V,H6V, J6,J6E,J6V, J6VE,K6,K6E
		MH000716	BOLT,A/C DRIVING	3	FLANGE,10X55			K6V,K6VE,M6 M6VE
		MH000716	BOLT,A/C DRIVING	2	FLANGE,10X55			G6,G6V,H6, H6E,H6V,H6V, J6,J6E,J6V, J6VE,K6,K6E
		MH000716	BOLT,A/C DRIVING	2	FLANGE,10X55			K6V,K6VE,M6 M6VE
		MH000716	BOLT,A/C DRIVING	2	FLANGE,10X55			G6,H6,H6E, J6,J6E,K6, K6E,M6E
		MH000716	BOLT,A/C DRIVING	2	FLANGE,10X55			G6,H6,H6E, J6,J6E
		MH000712	BOLT,A/C DRIVING	1	FLANGE,10X65			G6,H6,H6E, J6,J6E,K6, K6E,M6E
		MH000723	BOLT,A/C DRIVING	1	FLANGE,10X70			G6,H6,H6E, J6,J6E,K6, K6E,M6E
		MH000716	BOLT,A/C DRIVING	1	FLANGE,10X55			G6,H6,H6E, J6,J6E,K6, K6E,M6E
		MH000716	BOLT,A/C DRIVING	1	FLANGE,10X55			G6,H6,H6E, J6,J6E
		MH000723	BOLT,A/C DRIVING	1	FLANGE,10X70			G6,H6,H6E, J6,J6E
		MH000716	BOLT,A/C DRIVING	1	FLANGE,10X55			G6V,H6V,H6V, J6V,J6VE,K6V, K6,K6E,M6E
		MH000716	BOLT,A/C DRIVING	1	FLANGE,10X55			G6,H6,H6E, J6,J6E
		MH000716	BOLT,A/C DRIVING	1	FLANGE,10X55			G6,H6,H6E, J6,J6E
		MH000716	BOLT,A/C DRIVING	1	FLANGE,10X55			G6V,H6V,H6V, J6V,J6VE,K6V, G6,G6V,H6, H6E,H6V,H6V, J6,J6E,J6V, J6VE,K6,K6E
		MH000716	BOLT,A/C DRIVING	1	FLANGE,10X55			K6VE,M6E
		MH000723	BOLT,A/C DRIVING	1	FLANGE,10X70			K6,K6E,M6E
		MH000723	BOLT,A/C DRIVING	1	FLANGE,10X70			K6,K6E,M6E
		MH000723	BOLT,A/C DRIVING	1	FLANGE,10X70			G6,H6,H6E, J6,J6E
		MH000723	BOLT,A/C DRIVING	1	FLANGE,10X70			K6,K6E,M6E
		MH000723	BOLT,A/C DRIVING	1	FLANGE,10X70			G6,H6,H6E, J6,J6E
		MH000723	BOLT,A/C DRIVING	1	FLANGE,10X70			G6,H6,H6E, J6,J6E,K6, K6E,M6E
		MH000723	BOLT,A/C DRIVING	1	FLANGE,10X70			G6V,H6V,H6V, J6V,J6VE,K6V
		MH000723	BOLT,A/C DRIVING	1	FLANGE,10X70			G6V,H6V,H6V, J6V,J6VE,K6V
		MH000723	BOLT,A/C DRIVING	1	FLANGE,10X70			G6V,H6V,H6V, J6V,J6VE,K6V

FK74R
55-470 A/C COMPRESSOR

Repl Part	PNC	Part No	Part Name	Qty	Part Spec	Remarks	NEW1	Classification
	87529	MH000712	BOLT,A/C DRIVING	1	FLANGE,10X65			G6V,H6V,H6V J6V,J6VE,K6V
		MH000716	BOLT,A/C DRIVING	2	FLANGE,10X55			G6V,H6V,H6V J6V,J6VE,K6V
		MH000716	BOLT,A/C DRIVING	1	FLANGE,10X55			G6V,H6V,H6V J6V,J6VE,K6V
	87529B	MH001507	BOLT,A/C DRIVING	2	8X120			G6,G6E,H6, H6E,J6,J6E, K6,K6E,M6, M6E
		MH001507	BOLT,A/C DRIVING	1	8X120			G6,G6E,H6, H6E,J6,J6E, K6,K6E,M6, M6E
		MH001507	BOLT,A/C DRIVING	1	8X120			G6,G6E,H6, H6E,J6,J6E
		MH001507	BOLT,A/C DRIVING	2	8X120			H6 G6V,H6V,H6V J6V,J6VE,K6V K6VE,M6VE
		MH001507	BOLT,A/C DRIVING	1	8X120			G6,G6E,H6E, J6,J6E
		MH001507	BOLT,A/C DRIVING	1	8X120			K6,K6E,M6, M6E
		MH001507	BOLT,A/C DRIVING	1	8X120			H6 K6V,M6VE
		MH001507	BOLT,A/C DRIVING	1	8X120			G6,G6E,G6V, H6,H6E,H6V, H6VE,J6,J6E, J6V,J6VE,K6, K6E,K6V,K6V M6,M6E,M6VE
		MH001507	BOLT,A/C DRIVING	1	8X120			G6V,H6V,H6V J6V,J6VE,K6V
		MH001507	BOLT,A/C DRIVING	1	8X120			K6,K6E,M6E
		MH001507	BOLT,A/C DRIVING	1	8X120			G6,H6E,J6, J6E
		MH001507	BOLT,A/C DRIVING	1	8X120			G6,H6,H6E, J6,J6E
		MH001507	BOLT,A/C DRIVING	1	8X120			M6 K6,K6E,M6E
		MH001507	BOLT,A/C DRIVING	1	8X120			G6E,M6
		MH001507	BOLT,A/C DRIVING	1	8X120			G6V,H6V,H6V J6V,J6VE,K6V K6VE,M6VE
		MH001507	BOLT,A/C DRIVING	1	8X120			G6E
		MH001507	BOLT,A/C DRIVING	1	8X120			K6,K6E,M6E
		MH001507	BOLT,A/C DRIVING	1	8X120			H6
		MH001507	BOLT,A/C DRIVING	1	8X120			G6,H6,H6E, J6,J6E
		MH001507	BOLT,A/C DRIVING	2	8X120			G6,G6V,H6, H6E,H6V,H6V J6,J6E,J6V, J6VE,K6,K6E K6V,K6VE,M6 M6VE
		MH001507	BOLT,A/C DRIVING	1	8X120			G6,G6V,H6, H6E,H6V,H6V J6,J6E,J6V, J6VE,K6,K6E K6V,K6VE,M6 M6VE
		MH001507	BOLT,A/C DRIVING	1	8X120			G6,H6,H6E, J6,J6E,K6, K6E,M6E
		MH001507	BOLT,A/C DRIVING	1	8X120			G6,H6,H6E, J6,J6E
		MH001267	BOLT,A/C DRIVING	1	8			G6,H6,H6E, J6,J6E,K6, K6E,M6E
		MH001507	BOLT,A/C DRIVING	1	8X120			K6,K6E,M6E
		MH001507	BOLT,A/C DRIVING	1	8X120			G6,H6,H6E, J6,J6E

FK74R
55-470 A/C COMPRESSOR

Repl Part	PNC	Part No	Part Name	Qty	Part Spec	Remarks	NEW1	Classification
	87529B	MH001507	BOLT,A/C DRIVING	1	8X120			G6,H6,H6E, J6,J6E
		MH001507	BOLT,A/C DRIVING	1	8X120			K6,K6E,M6E
		MH001507	BOLT,A/C DRIVING	1	8X120			G6,H6,H6E, J6,J6E,K6, K6E,M6E
		MH001507	BOLT,A/C DRIVING	1	8X120			G6V,H6V,H6V J6V,J6VE,K6V
		MH001507	BOLT,A/C DRIVING	1	8X120			G6V,H6V,H6V J6V,J6VE,K6V
		MH001507	BOLT,A/C DRIVING	1	8X120			G6V,H6V,H6V J6V,J6VE,K6V
		MH001267	BOLT,A/C DRIVING	1	8			G6V,H6V,H6V J6V,J6VE,K6V
	87529BE	MH001518	BOLT,A/C DRIVING	1	FLANGE,8X155			G6,G6E,H6, H6E,J6,J6E, K6,K6E,M6, M6E
		MH001518	BOLT,A/C DRIVING	1	FLANGE,8X155			H6
		MH001518	BOLT,A/C DRIVING	1	FLANGE,8X155			G6,G6V,H6, H6E,H6V,H6V J6,J6E,J6V, J6VE,K6,K6E K6V,K6VE,M6 M6VE
	87529D	MH000871	BOLT,A/C DRIVING	1	FLANGE,10X100			G6,G6E,H6, H6E,J6,J6E, K6,K6E,M6, M6E
		MH000871	BOLT,A/C DRIVING	1	FLANGE,10X100			G6,G6E,H6, H6E,J6,J6E
		MH000871	BOLT,A/C DRIVING	1	FLANGE,10X100			H6
		MH000871	BOLT,A/C DRIVING	1	FLANGE,10X100			H6
		MH000871	BOLT,A/C DRIVING	1	FLANGE,10X100			K6,K6E,M6, M6E
		MH000871	BOLT,A/C DRIVING	1	FLANGE,10X100			G6,H6E,J6, J6E
		MH000871	BOLT,A/C DRIVING	1	FLANGE,10X100			G6V,H6V,H6V J6V,J6VE,K6V K6VE,M6VE
		MH000871	BOLT,A/C DRIVING	1	FLANGE,10X100			G6,G6E,G6V, H6,H6E,H6V, H6VE,J6,J6E, J6V,J6VE,K6, K6E,K6V,K6V M6,M6E,M6VE
		MH000871	BOLT,A/C DRIVING	1	FLANGE,10X100			K6,K6E,M6E
		MH000871	BOLT,A/C DRIVING	1	FLANGE,10X100			G6,G6E,H6E, J6,J6E
		MH000871	BOLT,A/C DRIVING	1	FLANGE,10X100			G6E
		MH000871	BOLT,A/C DRIVING	1	FLANGE,10X100			G6,H6,H6E, J6,J6E
		MH000871	BOLT,A/C DRIVING	1	FLANGE,10X100			G6E,M6
		MH000871	BOLT,A/C DRIVING	1	FLANGE,10X100			K6,K6E,M6E
		MH000871	BOLT,A/C DRIVING	1	FLANGE,10X100			M6
		MH000871	BOLT,A/C DRIVING	1	FLANGE,10X100			G6V,H6V,H6V J6V,J6VE,K6V K6VE,M6VE
		MH000871	BOLT,A/C DRIVING	1	FLANGE,10X100			H6
		MH000871	BOLT,A/C DRIVING	1	FLANGE,10X100			K6,K6E,M6E
		MH000871	BOLT,A/C DRIVING	1	FLANGE,10X100			G6,H6,H6E, J6,J6E
		MH000871	BOLT,A/C DRIVING	1	FLANGE,10X100			G6,G6V,H6, H6E,H6V,H6V J6,J6E,J6V, J6VE,K6,K6E K6V,K6VE,M6 M6VE
		MH000871	BOLT,A/C DRIVING	1	FLANGE,10X100			G6,H6,H6E, J6,J6E,K6, K6E,M6E
		MH000871	BOLT,A/C DRIVING	1	FLANGE,10X100			G6,H6,H6E, J6,J6E

FK74R
55-470 A/C COMPRESSOR

Repl Part	PNC	Part No	Part Name	Qty	Part Spec	Remarks	NEW1	Classification
87529D		MH000871	BOLT,A/C DRIVING	1	FLANGE,10X100			K6,K6E,M6E
		MH000871	BOLT,A/C DRIVING	1	FLANGE,10X100			G6,H6,H6E, J6,J6E
		MH000871	BOLT,A/C DRIVING	1	FLANGE,10X100			K6,K6E,M6E
		MH000871	BOLT,A/C DRIVING	1	FLANGE,10X100			G6,H6,H6E, J6,J6E
		MH000871	BOLT,A/C DRIVING	1	FLANGE,10X100			G6,H6,H6E, J6,J6E,K6, K6E,M6E
		MH000871	BOLT,A/C DRIVING	1	FLANGE,10X100			G6V,H6V,H6V J6V,J6VE,K6V
		MH000871	BOLT,A/C DRIVING	1	FLANGE,10X100			G6V,H6V,H6V J6V,J6VE,K6V
		MH000871	BOLT,A/C DRIVING	1	FLANGE,10X100			G6V,H6V,H6V J6V,J6VE,K6V
		MH000871	BOLT,A/C DRIVING	1	FLANGE,10X100			G6V,H6V,H6V J6V,J6VE,K6V
		MH000871	BOLT,A/C DRIVING	1	FLANGE,10X100			G6V,H6V,H6V J6V,J6VE,K6V
		MH000871	BOLT,A/C DRIVING	1	FLANGE,10X100			G6V,H6V,H6V J6V,J6VE,K6V
		MH000871	BOLT,A/C DRIVING	1	FLANGE,10X100			G6V,H6V,H6V J6V,J6VE,K6V
		MH000871	BOLT,A/C DRIVING	1	FLANGE,10X100			G6V,H6V,H6V J6V,J6VE,K6V
		MH000871	BOLT,A/C DRIVING	1	FLANGE,10X100			G6V,H6V,H6V J6V,J6VE,K6V
87529E		MH000836	BOLT,A/C DRIVING	1	FLANGE,10X75			G6,G6E,H6, H6E,J6,J6E, K6,K6E,M6, M6E
		MH000836	BOLT,A/C DRIVING	1	FLANGE,10X75			H6
		MH000836	BOLT,A/C DRIVING	1	FLANGE,10X75			G6,G6V,H6, H6E,H6V,H6V
		MH000836	BOLT,A/C DRIVING	1	FLANGE,10X75			J6,J6E,J6V, J6VE,K6,K6E K6V,K6VE,M6 M6VE
87529G		MF140239	BOLT,A/C DRIVING	4	FLANGE,8X70	7T		G6,G6E,H6, H6E,J6,J6E, K6,K6E,M6, M6E
		MF140239	BOLT,A/C DRIVING	4	FLANGE,8X70	7T		G6,G6E,H6, H6E,J6,J6E
		MF140239	BOLT,A/C DRIVING	4	FLANGE,8X70	7T		H6
		MF140239	BOLT,A/C DRIVING	4	FLANGE,8X70	7T		H6
		MF140239	BOLT,A/C DRIVING	4	FLANGE,8X70	7T		K6,K6E,M6, M6E
		MF140239	BOLT,A/C DRIVING	4	FLANGE,8X70	7T		G6,H6E,J6, J6E
		MF140239	BOLT,A/C DRIVING	4	FLANGE,8X70	7T		G6V,H6V,H6V J6V,J6VE,K6V K6VE,M6VE
		MF140239	BOLT,A/C DRIVING	4	FLANGE,8X70	7T		G6,G6E,G6V, H6,H6E,H6V, H6VE,J6,J6E, J6V,J6VE,K6, K6E,K6V,K6V M6,M6E,M6VE
		MF140239	BOLT,A/C DRIVING	4	FLANGE,8X70	7T		K6,K6E,M6E
		MF140239	BOLT,A/C DRIVING	4	FLANGE,8X70	7T		G6,G6E,H6E, J6,J6E
		MF140239	BOLT,A/C DRIVING	4	FLANGE,8X70	7T		G6E
		MF140239	BOLT,A/C DRIVING	4	FLANGE,8X70	7T		G6,H6,H6E, J6,J6E
		MF140239	BOLT,A/C DRIVING	4	FLANGE,8X70	7T		G6E,M6
		MF140239	BOLT,A/C DRIVING	4	FLANGE,8X70	7T		K6,K6E,M6E
		MF140239	BOLT,A/C DRIVING	4	FLANGE,8X70	7T		M6
		MF140239	BOLT,A/C DRIVING	4	FLANGE,8X70	7T		G6V,H6V,H6V J6V,J6VE,K6V K6VE,M6VE
		MF140239	BOLT,A/C DRIVING	4	FLANGE,8X70	7T		H6
		MF140239	BOLT,A/C DRIVING	4	FLANGE,8X70	7T		K6,K6E,M6E
		MF140239	BOLT,A/C DRIVING	4	FLANGE,8X70	7T		G6,H6,H6E, J6,J6E
		MF140239	BOLT,A/C DRIVING	4	FLANGE,8X70	7T		G6,G6V,H6, H6E,H6V,H6V J6,J6E,J6V, J6VE,K6,K6E K6V,K6VE,M6 M6VE
MF140239	BOLT,A/C DRIVING	4	FLANGE,8X70	7T		G6,H6,H6E, J6,J6E,K6, K6E,M6E		

FK74R
55-470 A/C COMPRESSOR

Repl Part	PNC	Part No	Part Name	Qty	Part Spec	Remarks	NEW1	Classification
	87529G	MF140239	BOLT,A/C DRIVING	4	FLANGE,8X70	7T		G6,H6,H6E, J6,J6E
		MF140239	BOLT,A/C DRIVING	4	FLANGE,8X70	7T		K6,K6E,M6E
		MF140239	BOLT,A/C DRIVING	4	FLANGE,8X70	7T		G6,H6,H6E, J6,J6E
		MF140239	BOLT,A/C DRIVING	4	FLANGE,8X70	7T		K6,K6E,M6E
		MF140239	BOLT,A/C DRIVING	4	FLANGE,8X70	7T		G6,H6,H6E, J6,J6E
		MF140239	BOLT,A/C DRIVING	4	FLANGE,8X70	7T		G6,H6,H6E, J6,J6E,K6, K6E,M6E
		MF140239	BOLT,A/C DRIVING	4	FLANGE,8X70	7T		G6V,H6V,H6V J6V,J6VE,K6V
		MF140239	BOLT,A/C DRIVING	4	FLANGE,8X70	7T		G6V,H6V,H6V J6V,J6VE,K6V
		MF140239	BOLT,A/C DRIVING	4	FLANGE,8X70	7T		G6V,H6V,H6V J6V,J6VE,K6V
	87529KC	MH000707	BOLT,A/C DRIVING	2	FLANGE,10X30			G6,G6E,H6, H6E,J6,J6E, K6,K6E,M6, M6E
		MH000707	BOLT,A/C DRIVING	2	FLANGE,10X30			G6,G6E,H6, H6E,J6,J6E
		MH000707	BOLT,A/C DRIVING	2	FLANGE,10X30			H6
		MH000707	BOLT,A/C DRIVING	2	FLANGE,10X30			H6
		MH000707	BOLT,A/C DRIVING	2	FLANGE,10X30			K6,K6E,M6, M6E
		MH000707	BOLT,A/C DRIVING	2	FLANGE,10X30			G6,H6E,J6, J6E
		MH000707	BOLT,A/C DRIVING	2	FLANGE,10X30			G6V,H6V,H6V J6V,J6VE,K6V K6VE,M6VE
		MH000707	BOLT,A/C DRIVING	2	FLANGE,10X30			G6,G6E,G6V, H6,H6E,H6V, H6VE,J6,J6E, J6V,J6VE,K6, K6E,K6V,K6V
		MH000707	BOLT,A/C DRIVING	2	FLANGE,10X30			M6,M6E,M6V
		MH000707	BOLT,A/C DRIVING	2	FLANGE,10X30			K6,K6E,M6E
		MH000707	BOLT,A/C DRIVING	2	FLANGE,10X30			G6,G6E,H6E, J6,J6E
		MH000707	BOLT,A/C DRIVING	2	FLANGE,10X30			G6E
		MH000707	BOLT,A/C DRIVING	2	FLANGE,10X30			G6,H6,H6E, J6,J6E
		MH000707	BOLT,A/C DRIVING	2	FLANGE,10X30			G6E,M6
		MH000707	BOLT,A/C DRIVING	2	FLANGE,10X30			K6,K6E,M6E
		MH000707	BOLT,A/C DRIVING	2	FLANGE,10X30			M6
		MH000707	BOLT,A/C DRIVING	2	FLANGE,10X30			G6V,H6V,H6V J6V,J6VE,K6V K6VE,M6VE
		MH000707	BOLT,A/C DRIVING	2	FLANGE,10X30			H6
		MH000707	BOLT,A/C DRIVING	2	FLANGE,10X30			K6,K6E,M6E
		MH000707	BOLT,A/C DRIVING	2	FLANGE,10X30			G6,H6,H6E, J6,J6E
		MH000707	BOLT,A/C DRIVING	2	FLANGE,10X30			G6,G6V,H6, H6E,H6V,H6V J6,J6E,J6V, J6VE,K6,K6E
		MH000707	BOLT,A/C DRIVING	2	FLANGE,10X30			K6V,K6VE,M6E M6VE
		MH000707	BOLT,A/C DRIVING	2	FLANGE,10X30			G6,H6,H6E, J6,J6E,K6, K6E,M6E
		MH000707	BOLT,A/C DRIVING	2	FLANGE,10X30			G6,H6,H6E, J6,J6E
		MH000715	BOLT,A/C DRIVING	2	FLANGE,10X35			G6,H6,H6E, J6,J6E,K6, K6E,M6E
		MH000715	BOLT,A/C DRIVING	2	FLANGE,10X35			G6,H6,H6E, J6,J6E
		MH000715	BOLT,A/C DRIVING	2	FLANGE,10X35			K6,K6E,M6E
		MH000715	BOLT,A/C DRIVING	2	FLANGE,10X35			G6,H6,H6E, J6,J6E

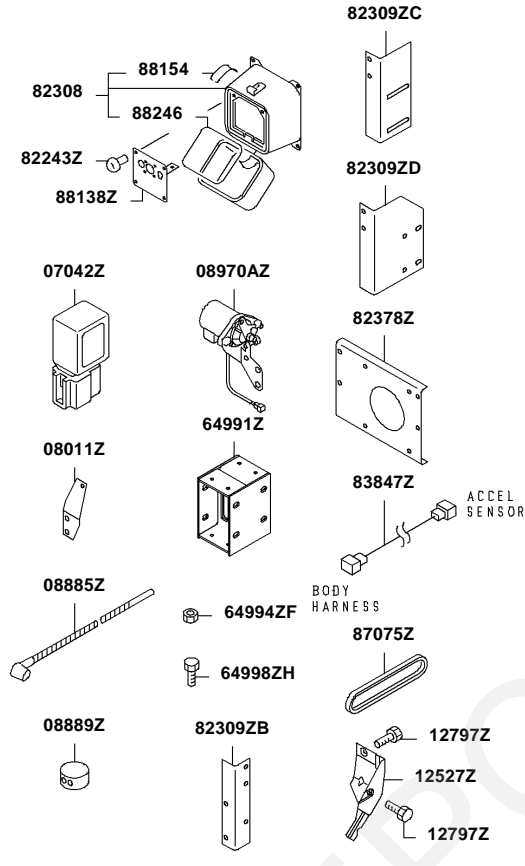
FK74R
55-470 A/C COMPRESSOR

Repl Part	PNC	Part No	Part Name	Qty	Part Spec	Remarks	NEW1	Classification		
87529KC	MH000715	BOLT,A/C DRIVING		2	FLANGE,10X35			K6,K6E,M6E		
		MH000715	BOLT,A/C DRIVING	2	FLANGE,10X35			G6,H6,H6E, J6,J6E		
		MH000715	BOLT,A/C DRIVING	2	FLANGE,10X35			G6,H6,H6E, J6,J6E,K6, K6E,M6E		
		MH000715	BOLT,A/C DRIVING	2	FLANGE,10X35			G6V,H6V,H6V J6V,J6VE,K6V		
		MH000715	BOLT,A/C DRIVING	2	FLANGE,10X35			G6V,H6V,H6V J6V,J6VE,K6V		
		MH000715	BOLT,A/C DRIVING	2	FLANGE,10X35			G6V,H6V,H6V J6V,J6VE,K6V		
	87529P	MF140243	BOLT,A/C DRIVING		1	FLANGE,8X85	7T		G6,G6E,H6, H6E,J6,J6E, K6,K6E,M6, M6E	
			MF140243	BOLT,A/C DRIVING	1	FLANGE,8X85	7T		H6	
		MF140243	BOLT,A/C DRIVING		1	FLANGE,8X85	7T		G6,G6V,H6, H6E,H6V,H6V J6,J6E,J6V, J6VE,K6,K6E	
			M6VE						K6V,K6VE,M6	
		87529Q	MF140227	BOLT,A/C DRIVING		2	FLANGE,8X25	7T		G6,G6E,H6, H6E,J6,J6E, K6,K6E,M6, M6E
				MF140227	BOLT,A/C DRIVING	2	FLANGE,8X25	7T		H6
MF140227	BOLT,A/C DRIVING			2	FLANGE,8X25	7T		G6,G6V,H6, H6E,H6V,H6V J6,J6E,J6V, J6VE,K6,K6E		
	M6VE							K6V,K6VE,M6		
87529S	MF140227	BOLT,A/C DRIVING		2	FLANGE,8X25	7T		G6,H6,H6E, J6,J6E,K6, K6E,M6E		
		MF140227	BOLT,A/C DRIVING	2	FLANGE,8X25	7T		G6V,H6V,H6V J6V,J6VE,K6V		
	MH000715	BOLT,A/C DRIVING		2	FLANGE,10X35			G6,G6E,H6, H6E,J6,J6E, K6,K6E,M6, M6E		
		MH000715	BOLT,A/C DRIVING	2	FLANGE,10X35			H6		
	MH000715	BOLT,A/C DRIVING		2	FLANGE,10X35			G6,G6V,H6, H6E,H6V,H6V J6,J6E,J6V, J6VE,K6,K6E		
		M6VE						K6V,K6VE,M6		
	MH000715	BOLT,A/C DRIVING		3	FLANGE,10X35			G6,H6,H6E, J6,J6E,K6, K6E,M6E		
		MH000715	BOLT,A/C DRIVING	3	FLANGE,10X35			G6V,H6V,H6V J6V,J6VE,K6V		
87529T	MF140223	BOLT,A/C DRIVING		1	FLANGE,8X16	7T		K6,K6E,M6E		
		M6VE					G6,G6E,G6V, H6,H6E,H6V, H6VE,J6,J6E, J6V,J6VE,K6, K6E,K6V,K6V			
	MF140223	BOLT,A/C DRIVING		1	FLANGE,8X16	7T		M6,M6E,M6VE		
		M6VE						G6E,G6V,H6V H6VE,J6V,J6V K6V,K6VE,M6		
MF140223	BOLT,A/C DRIVING		1	FLANGE,8X16	7T		M6VE			
	M6VE						G6,G6E,G6V, H6,H6E,H6V, H6VE,J6,J6E, J6V,J6VE,K6, K6E,K6V,K6V			
MF140223	BOLT,A/C DRIVING		1	FLANGE,8X16	7T		M6,M6E,M6VE			
	M6VE									

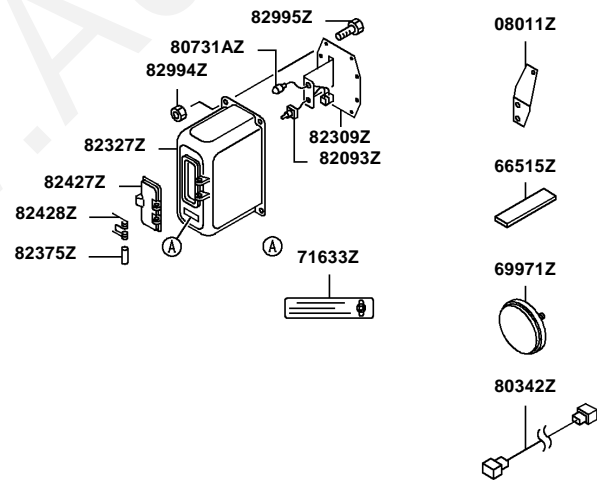
FK74R
55-470 A/C COMPRESSOR

Repl Part	PNC	Part No	Part Name	Qty	Part Spec	Remarks	NEW1	Classification	
87635T	MK509616	MK509616	BRACKET,A/C PIPING,NO.2	1				G6V,H6V,H6V	
		MK509616	BRACKET,A/C PIPING,NO.2	1				J6V,J6VE,K6V	
		MK509616	BRACKET,A/C PIPING,NO.2	1				G6V,H6V,H6V	
	87676	MS456777	MS456777	SPACER,A/C COMPRESSOR	1	T=45			J6V,J6VE,K6V
			MS456777	SPACER,A/C COMPRESSOR	1	T=45			G6,G6E,H6,
			MS456777	SPACER,A/C COMPRESSOR	1	T=45			H6E,J6,J6E,
	87676G	ME223618	ME223618	SPACER,A/C COMPRESSOR	1	T=3			K6,K6E,M6,
			ME223618	SPACER,A/C COMPRESSOR	1	T=3			M6E
		ME223618	ME223618	SPACER,A/C COMPRESSOR	1	T=3			H6
			ME223618	SPACER,A/C COMPRESSOR	1	T=3			G6,G6V,H6,
ME223618		ME223618	SPACER,A/C COMPRESSOR	1	T=3			H6E,H6V,H6V	
		ME223618	SPACER,A/C COMPRESSOR	1	T=3			J6,J6E,J6V,	

FK74R
No.1



FK74R
No.2



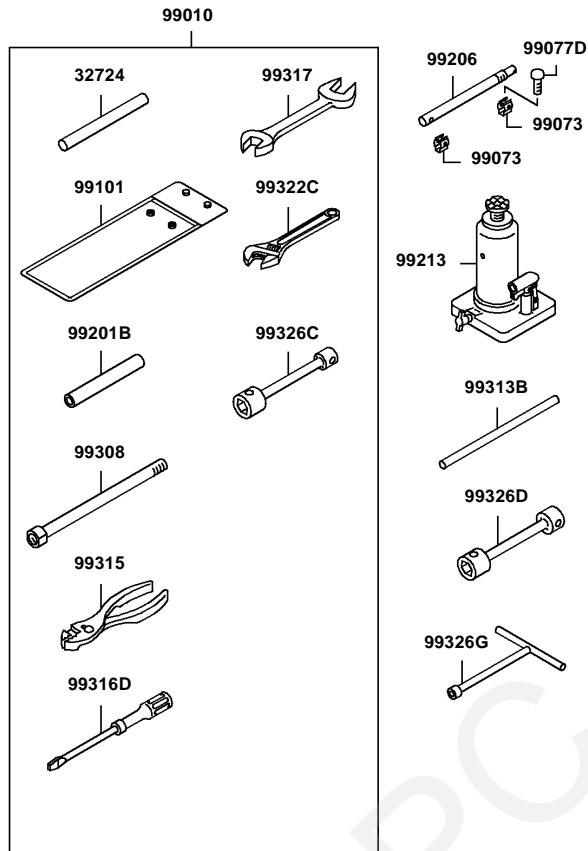
FK74R
61-510 SUPPLY PARTS

Repl Part RP	PNC 07042Z	Part No MC854776	Part Name RESISTOR,INJECTION PUMP SOLENOID CONTROL	Qty 1	Part Spec LABEL=7 (5.6 K-OHM)	PREV.1 O	NEW1	Class
RP		MC854776	RESISTOR,INJECTION PUMP SOLENOID CONTROL	1	LABEL=7 (5.6 K-OHM)	O		G6,G6E, H6E,J6 K6,K6E, M6E
RP		MC854776	RESISTOR,INJECTION PUMP SOLENOID CONTROL	1	LABEL=7 (5.6 K-OHM)	O		G6,G6E, H6E,H6E, J6,J6E, J6VE,K6 K6V,K6E, M6VE
RP		MC854776	RESISTOR,INJECTION PUMP SOLENOID CONTROL	1	LABEL=7 (5.6 K-OHM)	O		G6,G6E, H6E,H6E, J6,J6E, J6VE,K6 K6V,K6E, M6VE
	08885Z	MC025687	BAND,ENG CONTROL EQUIP	1	L=150			G6,G6E, H6E,J6E, K6,K6E, M6E
		MC025687	BAND,ENG CONTROL EQUIP	1	L=150			G6,G6E, H6E,H6E, J6,J6E, J6VE,K6 K6V,K6E, M6VE
		MC025687	BAND,ENG CONTROL EQUIP	1	L=150			G6,G6E, H6E,H6E, J6,J6E, J6VE,K6 K6V,K6E, M6VE
RP	08889Z	MC025688	SEAL,ENG CONTROL EQUIP	1			Y	G6,G6E, H6E,J6E, K6,K6E, M6E
RP		MC025688	SEAL,ENG CONTROL EQUIP	1			Y	G6,G6E, H6E,H6E, J6,J6E, J6VE,K6 K6V,K6E, M6VE
RP		MC025688	SEAL,ENG CONTROL EQUIP	1			Y	G6,G6E, H6E,H6E, J6,J6E, J6VE,K6 K6V,K6E, M6VE
	08970AZ	MK467548	SENSOR ASSY,ACCEL	1				G6,G6E, H6E,J6E, K6,K6E, M6E
		MK467548	SENSOR ASSY,ACCEL	1				G6,G6E, H6E,H6E, J6,J6E, J6VE,K6 K6V,K6E, M6VE
		MK467548	SENSOR ASSY,ACCEL	1				G6,G6E, H6E,H6E, J6,J6E, J6VE,K6 K6V,K6E, M6VE
	82243Z	MR288150	PLUG,SWITCH	4	BLACK			G6,G6E, H6,H6E, H6VE, J6V,J6E, K6E,K6E, M6
	82308	MK341992	BOX,HEIGHT CONTROL SWITCH	1				G6,G6E, H6,H6E, H6VE, J6V,J6E, K6E,K6E, M6

FK74R
61-510 SUPPLY PARTS

Repl Part	PNC	Part No	Part Name	Qty	Part Spec	PREV.1	NEW1	Class
	82309ZB	MK438574	BRACKET,HEIGHT CONTROL MAIN SWITCH	1				G6,G6E, H6E,J6E, K6,K6E, G6,H6E, J6,J6E, K6E
		MK438574	BRACKET,HEIGHT CONTROL MAIN SWITCH	1				K6E
	82309ZC	MK438575	BRACKET,HEIGHT CONTROL MAIN SWITCH	1				H6,H6E, J6E,K6E
	82309ZD	MK438576	BRACKET,HEIGHT CONTROL MAIN SWITCH	1				G6,G6E
		MK438576	BRACKET,HEIGHT CONTROL MAIN SWITCH	1				G6
	82378Z	MK438792	PANEL,INSTRUMENT PANEL SWITCH	1				G6,G6E, H6,H6E, H6VE,-, J6V,J6E, K6E,K6E
	83847Z	MK398197	SUB HARNESS,ACCEL SENSOR	1				M6,M6E, G6,G6E
		MK398197	SUB HARNESS,ACCEL SENSOR	1				H6E,J6E, K6,K6E, M6E
		MK398197	SUB HARNESS,ACCEL SENSOR	1				G6,G6E, H6E,H6E, J6,J6E, J6VE,K6E, K6V,K6E, M6VE
	88138Z	MK342005	PLATE,SWITCH BOX	1				G6,G6E, H6,H6E, H6VE,-, J6V,J6E, K6E,K6E
	88154	MK341966	HOOK,SWITCH BOX	1				M6,M6E, G6,G6E, H6,H6E, H6VE,-, J6V,J6E, K6E,K6E
	88246	MK414775	PACKING,SWITCH BOX	1				M6,M6E, G6,G6E, H6,H6E, H6VE,-, J6V,J6E, K6E,K6E
	87075Z	(N.e.c.)	BELT,A/C					M6,M6E
	08011Z	(N.e.c.)	BRACKET,ACCEL SENSOR					
	12797Z	(N.e.c.)	BOLT,T/C					
	12527Z	(N.e.c.)	COVER,T/C					
	64994ZF	(N.e.c.)	NUT,RR BUMPER					
	64998ZH	(N.e.c.)	BOLT,RR BUMPER					
	64991Z	(N.e.c.)	SPACER,RR BUMPER					
	66515Z	(N.e.c.)	INSULATOR,T/M COVER					
	69971Z	(N.e.c.)	REFLECTOR,RR BODY					
	80342Z	(N.e.c.)	HARNESS,RR COMBINATION LAMP					
	71633Z	(N.e.c.)	LABEL,HEIGHT CONTROL SWITCH CAUTION					
	82375Z	(N.e.c.)	PIN,SWITCH BOX					
	82428Z	(N.e.c.)	SPRING,SWITCH BOX COVER LID					
	82427Z	(N.e.c.)	LID,SWITCH BOX COVER					
	82309Z	(N.e.c.)	BRACKET,HEIGHT CONTROL MAIN SWITCH					
	80731AZ	(N.e.c.)	LAMP ASSY,PILOT					
	82093Z	(N.e.c.)	SWITCH,INSTRUMENT PANEL SNAP,NO.2					
	82995Z	(N.e.c.)	BOLT,SWITCH BOX					
	82327Z	(N.e.c.)	COVER,SWITCH BOX,UPR					
	82994Z	(N.e.c.)	NUT,SWITCH BOX					

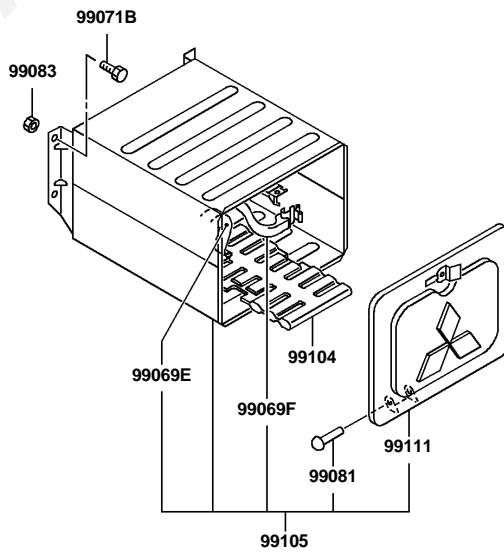
FK74R
No.1



Ref. |2091010

Page

FK74R
No.2



2 B 1 0 1 0

Ref. |2091010

Page

FK74R
91-010 STANDARD TOOL

Repl Part	PNC	Part No	Part Name	Qty	Part Spec	Remarks	PREV.1	Classification
	32724	MH060017	LEVER,SPARE TIRE CARRIER	1				G6,G6E,G6V, H6,H6E,H6V, H6VE,J6,J6E, J6V,J6VE,K6, K6E,K6V,K6VE, M6,M6E,M6VE
	99010	MK465934	TOOL SET,STD	1				G6,G6E,H6, H6E,J6,J6E, K6,K6E,M6, M6E
		MK465931	TOOL SET,STD	1				G6,G6E,H6, H6E,J6,J6E, K6,K6E,M6, M6E
		MK465930	TOOL SET,STD	1				G6E,M6
		MK465930	TOOL SET,STD	1				G6V,H6V,H6VE, J6V,J6VE,K6V, K6VE,M6VE
		MK465930	TOOL SET,STD	1				G6,H6,H6E, J6,J6E,K6, K6E,M6E
		MK465930	TOOL SET,STD	1				G6,G6E,H6, H6E,J6,J6E, K6,K6E,M6, M6E
		MK465930	TOOL SET,STD	1				G6V,H6V,H6VE, J6V,J6VE,K6V, K6VE,M6VE
		MK465930	TOOL SET,STD	1				G6,G6V,H6, H6E,H6V,H6VE, J6,J6E,J6V, J6VE,K6,K6E, K6V,K6VE,M6E, M6VE
		MK465930	TOOL SET,STD	1				G6,G6V,H6, H6E,H6V,H6VE, J6,J6E,J6V, J6VE,K6,K6E, K6VE,M6E
		MK465930	TOOL SET,STD	1				G6E,K6V,M6, M6VE
		MK465930	TOOL SET,STD	1				K6V,M6VE
		MK465930	TOOL SET,STD	1				G6E,M6
		MK465930	TOOL SET,STD	1				G6,G6V,H6, H6E,H6V,H6VE, J6,J6E,J6V, J6VE,K6,K6E, K6VE,M6E
		MK465930	TOOL SET,STD	1				G6,G6E,G6V, H6,H6E,H6V, H6VE,J6,J6E, J6V,J6VE,K6, K6E,K6V,K6VE, M6,M6E,M6VE
		MK465934	TOOL SET,STD	1				G6,G6V,H6, H6E,H6V,H6VE, J6,J6E,J6V, J6VE,K6,K6E, K6V,K6VE,M6E, M6VE
		MK465931	TOOL SET,STD	1				G6,G6V,H6, H6E,H6V,H6VE, J6,J6E,J6V, J6VE,K6,K6E, K6V,K6VE,M6E, M6VE
		MK465934	TOOL SET,STD	1				G6,G6V,H6, H6E,H6V,H6VE, J6,J6E,J6V, J6VE,K6,K6E, K6VE,M6E

FK74R
91-010 STANDARD TOOL

Repl Part	PNC	Part No	Part Name	Qty	Part Spec	Remarks	PREV.1	Classification
	99010	MK465931	TOOL SET,STD	1				G6,G6V,H6, H6E,H6V,H6VE, J6,J6E,J6V, J6VE,K6,K6E, K6VE,M6E
	99069E	MC436515	BAND,TOOL	1	L=210			G6,G6E,H6, H6E,J6,J6E, K6,K6E
		MC436515	BAND,TOOL	1	L=210			G6,H6,H6E, J6,J6E,K6, K6E
	99069F	MK468457	BAND,TOOL	1	L=135			G6,G6E,H6, H6E,J6,J6E, K6,K6E
		MK468457	BAND,TOOL	1	L=135			G6,H6,H6E, J6,J6E,K6, K6E
	99071B	MF140285	BOLT,TOOL	4	FLANGE,12X30	7T		G6,G6E,H6, H6E,J6,J6E, K6,K6E
		MF140285	BOLT,TOOL	4	FLANGE,12X30	7T		G6,H6,H6E, J6,J6E,K6, K6E
	99073	MC910259	CLAMP,TOOL	2	D=18			G6,G6E,G6V, H6,H6E,H6V, H6VE,J6,J6E, J6V,J6VE,K6, K6E,K6V,K6VE, M6,M6E,M6VE
	99077D	MF140003	SCREW,TOOL	2	FLANGE,6X12	4T		G6,G6E,G6V, H6,H6E,H6V, H6VE,J6,J6E, J6V,J6VE,K6, K6E,K6V,K6VE, M6,M6E,M6VE
	99081	MC437087	PIN,TOOL	2	5X46.5			G6,G6E,H6, H6E,J6,J6E, K6,K6E
		MC437087	PIN,TOOL	2	5X46.5			G6,H6,H6E, J6,J6E,K6, K6E
	99083	MF434106	NUT,TOOL	4	FLANGE,12	4T		G6,G6E,H6, H6E,J6,J6E, K6,K6E
		MF434106	NUT,TOOL	4	FLANGE,12	4T		G6,H6,H6E, J6,J6E,K6, K6E
RP	99101	MK315592	BAG,TOOL	1			O	G6,G6E,G6V, H6,H6E,H6V, H6VE,J6,J6E, J6V,J6VE,K6, K6E,K6V,K6VE, M6,M6E,M6VE
	99104	MC414562	BOARD,TOOL BOX DRAIN	1				G6,G6E,H6, H6E,J6,J6E, K6,K6E
		MC414562	BOARD,TOOL BOX DRAIN	1				G6,H6,H6E, J6,J6E,K6, K6E
	99105	MK468456	BOX KIT,TOOL	1				G6,G6E,H6, H6E,J6,J6E, K6,K6E
		MK468456	BOX KIT,TOOL	1				G6,H6,H6E, J6,J6E,K6, K6E
	99111	MC436509	COVER,TOOL BOX	1				G6,G6E,H6, H6E,J6,J6E, K6,K6E
		MC436509	COVER,TOOL BOX	1				G6,H6,H6E, J6,J6E,K6, K6E

FK74R
91-010 STANDARD TOOL

Repl Part	PNC	Part No	Part Name	Qty	Part Spec	Remarks	PREV.1	Classification
	99201B	MC410614	BAR,JACK HANDLE EXTENSION	1				G6,G6E,H6, H6E,J6,J6E, K6,K6E,M6, M6E
		MC410614	BAR,JACK HANDLE EXTENSION	1				G6E,M6
		MC410614	BAR,JACK HANDLE EXTENSION	1				G6V,H6V,H6VE, J6V,J6VE,K6V, K6VE,M6VE
		MC410614	BAR,JACK HANDLE EXTENSION	1				G6,H6,H6E, J6,J6E,K6, K6E,M6E
		MC410614	BAR,JACK HANDLE EXTENSION	1				G6,G6E,H6, H6E,J6,J6E, K6,K6E,M6, M6E
		MC410614	BAR,JACK HANDLE EXTENSION	1				G6V,H6V,H6VE, J6V,J6VE,K6V, K6VE,M6VE
		MC410614	BAR,JACK HANDLE EXTENSION	1				G6,G6V,H6, H6E,H6V,H6VE, J6,J6E,J6V, J6VE,K6,K6E, K6V,K6VE,M6E, M6VE
		MC410614	BAR,JACK HANDLE EXTENSION	1				G6,G6V,H6, H6E,H6V,H6VE, J6,J6E,J6V, J6VE,K6,K6E, K6VE,M6E
		MC410614	BAR,JACK HANDLE EXTENSION	1				G6E,K6V,M6, M6VE
		MC410614	BAR,JACK HANDLE EXTENSION	1				K6V,M6VE
		MC410614	BAR,JACK HANDLE EXTENSION	1				G6E,M6
		MC410614	BAR,JACK HANDLE EXTENSION	1				G6,G6V,H6, H6E,H6V,H6VE, J6,J6E,J6V, J6VE,K6,K6E, K6VE,M6E
		MC410614	BAR,JACK HANDLE EXTENSION	1				G6,G6E,G6V, H6,H6E,H6V, H6VE,J6,J6E, J6V,J6VE,K6, K6E,K6V,K6VE, M6,M6E,M6VE
		MC410614	BAR,JACK HANDLE EXTENSION	1				G6,G6V,H6, H6E,H6V,H6VE, J6,J6E,J6V, J6VE,K6,K6E, K6V,K6VE,M6E, M6VE
		MC410614	BAR,JACK HANDLE EXTENSION	1				G6,G6V,H6, H6E,H6V,H6VE, J6,J6E,J6V, J6VE,K6,K6E, K6VE,M6E
		MC410614	BAR,JACK HANDLE EXTENSION	1				G6,G6V,H6, H6E,H6V,H6VE, J6,J6E,J6V, J6VE,K6,K6E, K6VE,M6E
	99206	MH060033	HANDLE,JACK & TIRE HANGER	1	730			G6,G6E,H6, H6E,J6,J6E, K6,K6E,M6, M6E
		MC410615	HANDLE,JACK & TIRE HANGER	1				G6,G6E,H6, H6E,J6,J6E, K6,K6E,M6, M6E
		MC410615	HANDLE,JACK & TIRE HANGER	1				G6E,M6
		MC410615	HANDLE,JACK & TIRE HANGER	1				G6V,H6V,H6VE, J6V,J6VE,K6V, K6VE,M6VE
		MC410615	HANDLE,JACK & TIRE HANGER	1				G6,H6,H6E, J6,J6E,K6, K6E,M6E

FK74R
91-010 STANDARD TOOL

Repl Part	PNC	Part No	Part Name	Qty	Part Spec	Remarks	PREV.1	Classification
	99206	MC410615	HANDLE,JACK & TIRE HANGER	1				G6,G6E,H6, H6E,J6,J6E, K6,K6E,M6, M6E
		MC410615	HANDLE,JACK & TIRE HANGER	1				G6V,H6V,H6VE, J6V,J6VE,K6V, K6VE,M6VE
		MC410615	HANDLE,JACK & TIRE HANGER	1				G6,G6V,H6, H6E,H6V,H6VE, J6,J6E,J6V, J6VE,K6,K6E, K6V,K6VE,M6E, M6VE
		MC410615	HANDLE,JACK & TIRE HANGER	1				G6,G6V,H6, H6E,H6V,H6VE, J6,J6E,J6V, J6VE,K6,K6E, K6VE,M6E
		MC410615	HANDLE,JACK & TIRE HANGER	1				G6E,K6V,M6, M6VE
		MC410615	HANDLE,JACK & TIRE HANGER	1				K6V,M6VE
		MC410615	HANDLE,JACK & TIRE HANGER	1				G6E,M6
		MC410615	HANDLE,JACK & TIRE HANGER	1				G6,G6V,H6, H6E,H6V,H6VE, J6,J6E,J6V, J6VE,K6,K6E, K6VE,M6E
		MC410615	HANDLE,JACK & TIRE HANGER	1				G6,G6E,G6V, H6,H6E,H6V, H6VE,J6,J6E, J6V,J6VE,K6, K6E,K6V,K6VE, M6,M6E,M6VE
		MH060033	HANDLE,JACK & TIRE HANGER	1	730			G6,G6V,H6, H6E,H6V,H6VE, J6,J6E,J6V, J6VE,K6,K6E, K6V,K6VE,M6E, M6VE
		MC410615	HANDLE,JACK & TIRE HANGER	1				G6,G6V,H6, H6E,H6V,H6VE, J6,J6E,J6V, J6VE,K6,K6E, K6V,K6VE,M6E, M6VE
		MH060033	HANDLE,JACK & TIRE HANGER	1	730			G6,G6V,H6, H6E,H6V,H6VE, J6,J6E,J6V, J6VE,K6,K6E, K6VE,M6E
		MC410615	HANDLE,JACK & TIRE HANGER	1				G6,G6V,H6, H6E,H6V,H6VE, J6,J6E,J6V, J6VE,K6,K6E, K6V,K6VE,M6E, M6VE
	99213	MH060003	JACK,OIL	1	7TON			G6,G6E,G6V, H6,H6E,H6V, H6VE,J6,J6E, J6V,J6VE,K6, K6E,K6V,K6VE, M6,M6E,M6VE
		MC260622	JACK,OIL	1	5TON			G6,G6V,H6, H6E,H6V,H6VE, J6,J6E,J6V, J6VE,K6,K6E, K6VE,M6E
	99308	MC090241	EXTENSION,TIRE VALVE	1				G6,G6E,H6, H6E,J6,J6E, K6,K6E,M6, M6E

FK74R
91-010 STANDARD TOOL

Repl Part	PNC	Part No	Part Name	Qty	Part Spec	Remarks	PREV.1	Classification
	99308	MC090241	EXTENSION,TIRE VALVE	1				G6,G6V,H6, H6E,H6V,H6VE, J6,J6E,J6V, J6VE,K6,K6E, K6V,K6VE,M6E, M6VE
		MC090241	EXTENSION,TIRE VALVE	1				G6,G6V,H6, H6E,H6V,H6VE, J6,J6E,J6V, J6VE,K6,K6E, K6VE,M6E
	99326D	MH061274	WRENCH,SOCKET	1	21X41			M6
		MH061287	WRENCH,SOCKET	1	21X41			G6E
		MH061274	WRENCH,SOCKET	1	21X41			G6,H6,J6, K6
		MH061287	WRENCH,SOCKET	1	21X41			H6E,J6E,K6E, M6E
		MH061274	WRENCH,SOCKET	1	21X41			G6V,H6V,J6V, K6V
		MH061287	WRENCH,SOCKET	1	21X41			H6VE,J6VE,K6VE, M6VE
		MH061274	WRENCH,SOCKET	1	21X41			G6,G6V,H6, H6V,J6,J6V, K6
		MH061287	WRENCH,SOCKET	1	21X41			H6E,H6VE,J6E, J6VE,K6E,K6VE, M6E
	99315	(N.e.c.)	PLIER					
	99313B	(N.e.c.)	LEVER,SPARE TIRE HANGER & OIL PUMP					
	99317	(N.e.c.)	WRENCH,OPEN ENDED					
	99322C	(N.e.c.)	WRENCH,ADJUSTABLE ANGLE					
	99326C	(N.e.c.)	WRENCH,SOCKET					
	99316D	(N.e.c.)	SCREWDRIVER					
	99326G	(N.e.c.)	WRENCH,SOCKET					