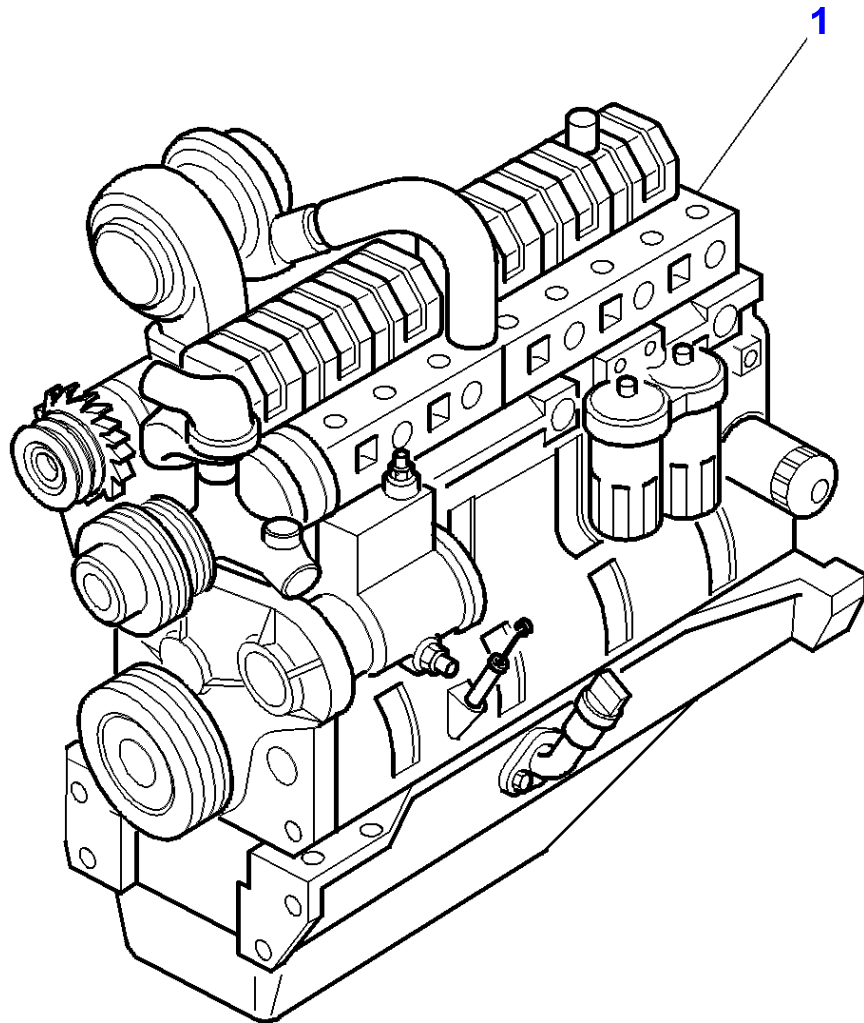


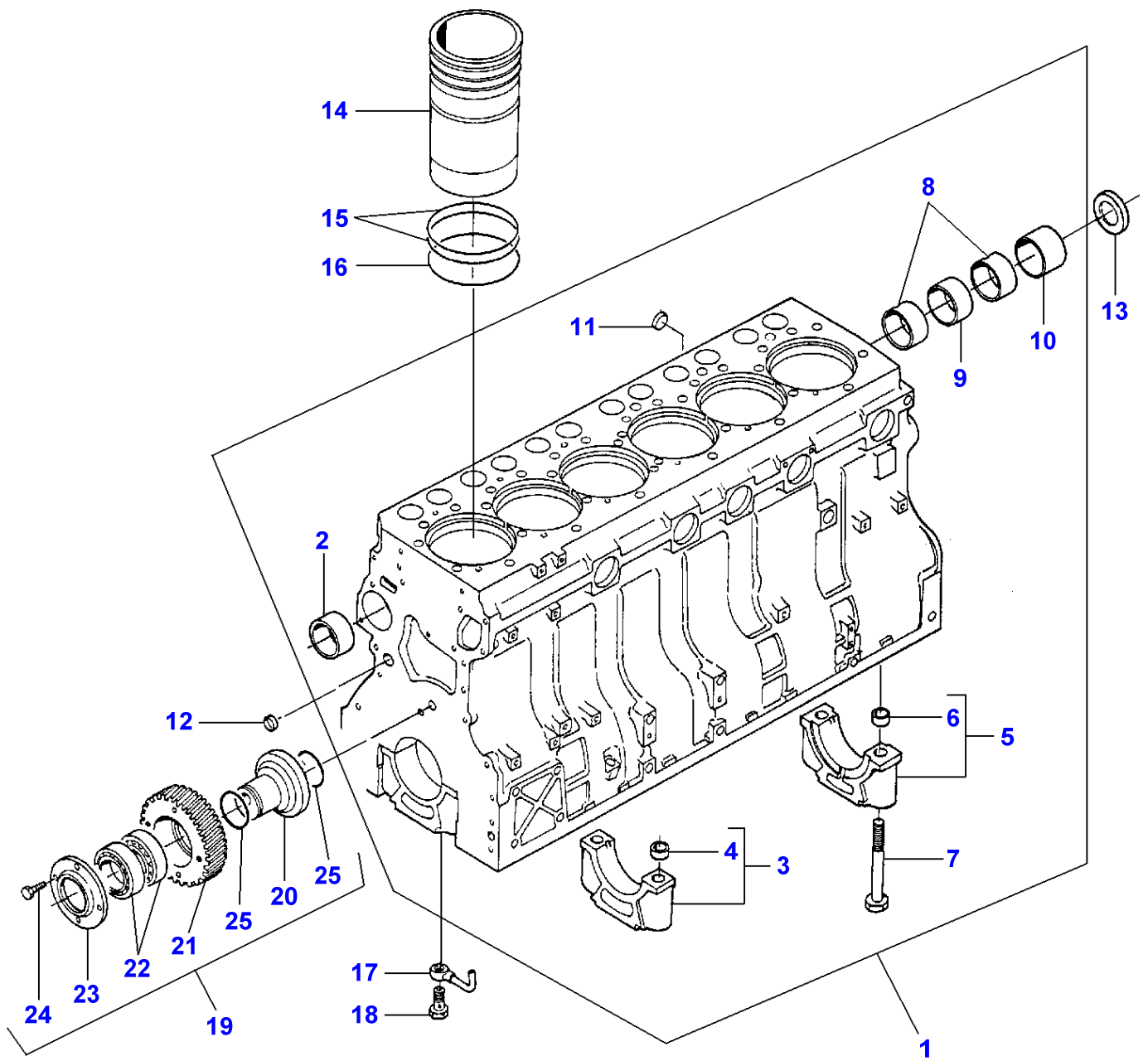
B-AA01-001-A



**MASSEY FERGUSON****MF 7200 SERIES COMBINE ENGINE/VALMET - 1637384****1637384****ENGINE - MF 42****1**

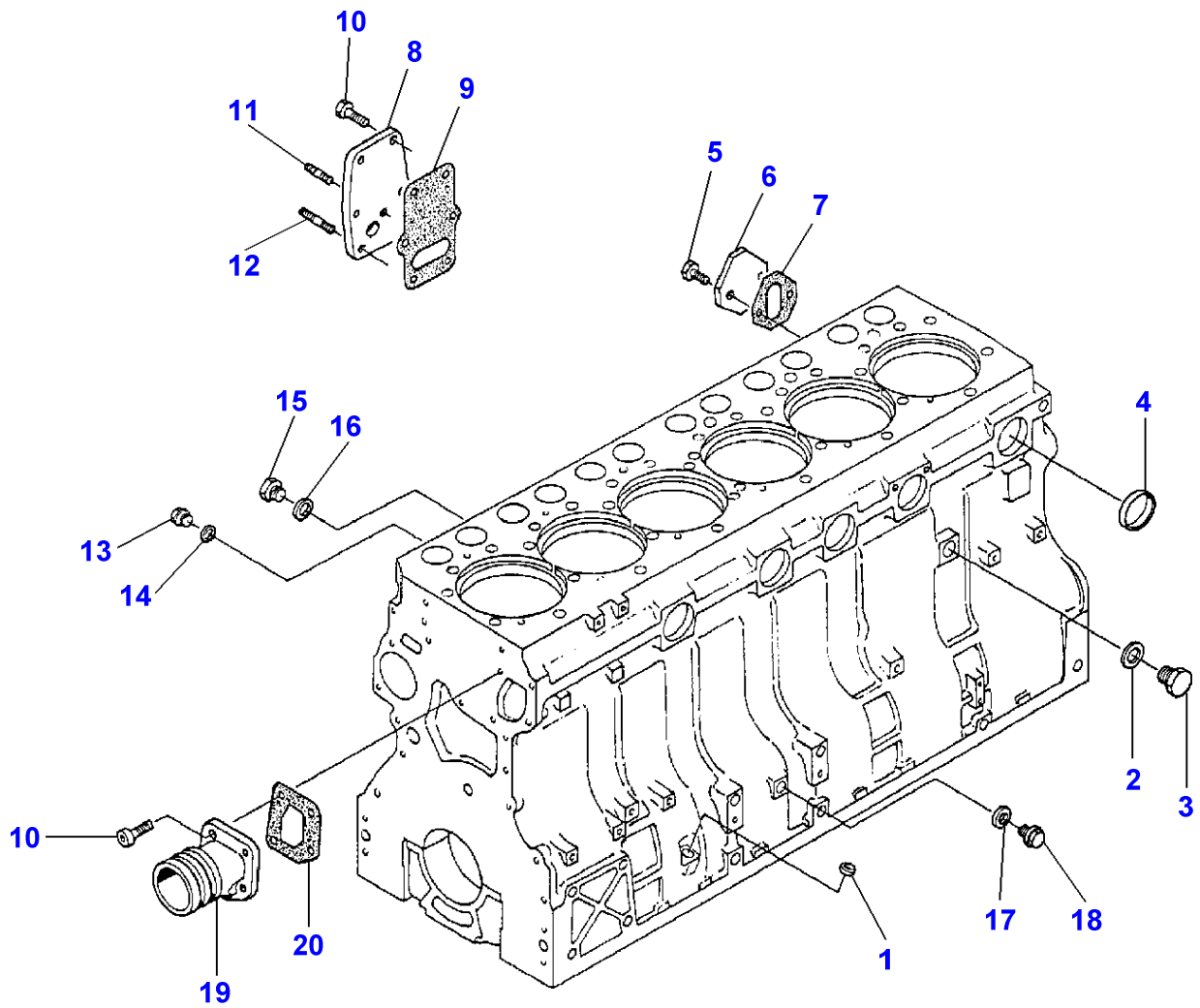
<b>Item</b>	<b>Part Number</b>	<b>Qty</b>	<b>Description</b>	<b>Comments</b>
				MF 42
1	V832957781	1	Engine	645 DSBIL

B-HB02-018-A



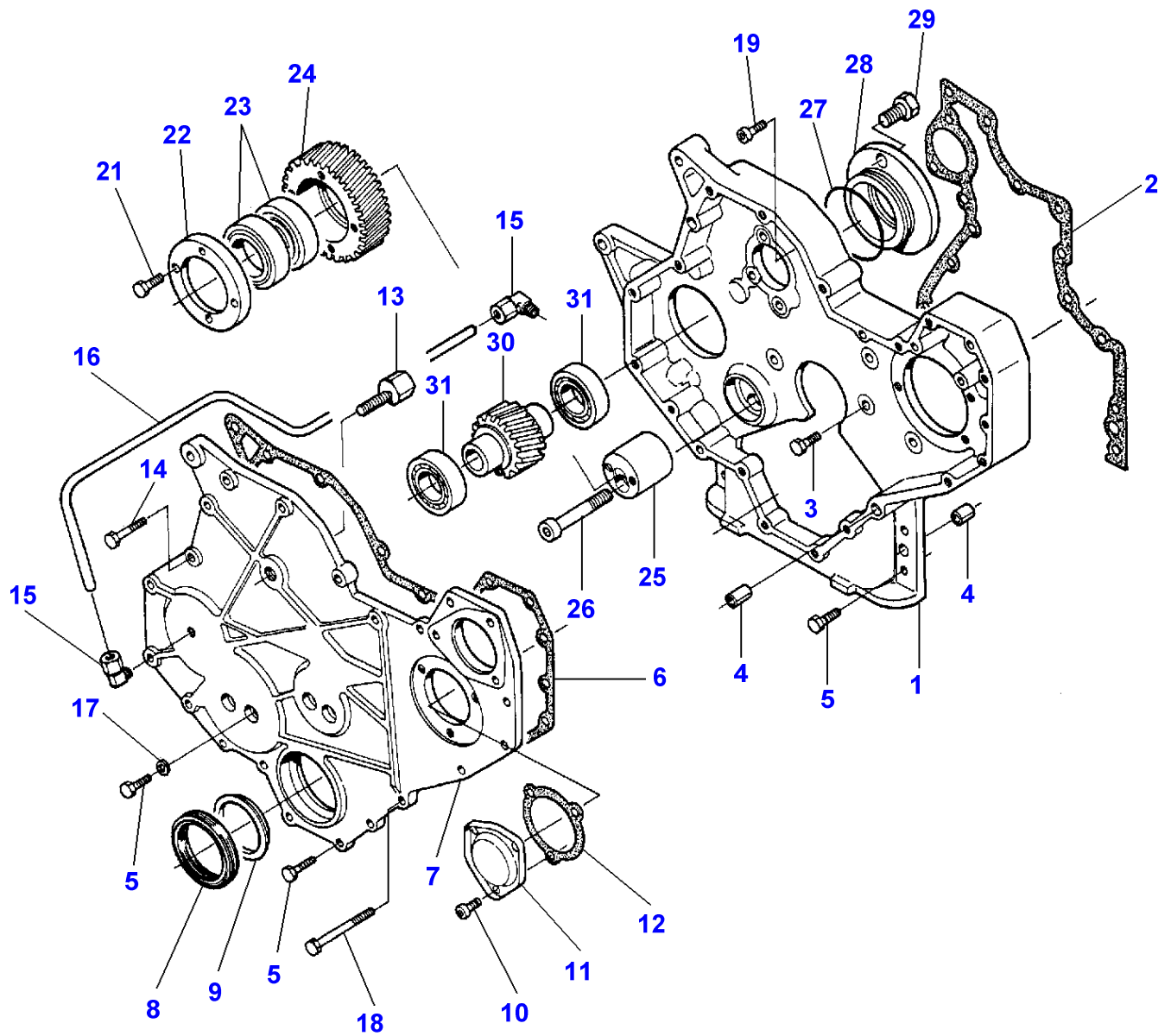
Item	Part Number	Qty	Description	Comments
				MF 42
1	V836859155	1	Cylinder Block	
2	V836322610	1	Bush	(1)
3		6	Bearing Carrier	(1)
				Not serviced, order REF.1
4	V836214478	12	Bush	(3)
5		1	Bearing Carrier	(1)
				Not serviced, order REF.1
6	V836214478	2	Bush	(5)
7	V529903180	14	Screw	(1)
8	V836852460	2	Bush	(1)
9	V836852459	1	Bush	(1)
10	V836852461	1	Bush	(1)
11	V640016018	1	Plug	(1)
12	V640016016	4	Plug	
13	V836852744	1	Plug	
14	V836855445	6	Liner	
15	V836855446	12	O Ring	
16	V836855447	6	O Ring	
17	V836846231	6	Pipe	
18	V836338601	6	Valve	
19	V836855563	1	Gear	
20	V836855562	1	Shaft	(19)
21	V836855560	1	Gear	(19)
22	V610072109	2	Bearing Assy	(19)
23	V836855561	1	Flange	(19)
24	V528801362	4	Screw	(19)
25	V836852744	2	Plug	(19)

B-LA02-001-A



<b>Item</b>	<b>Part Number</b>	<b>Qty</b>	<b>Description</b>	<b>Comments</b>
				MF 42
1	V640016012	1	Plug	
2	V615881824	1	Seal	
3	V836019756	1	Plug	
4	V640016040	5	Plug	
5	V528801362	2	Screw	
6	V836647400	1	Cover	
7	V836647401	1	Gasket	
8	V836855678	1	Cover	
9	V836322852	1	Gasket	
10	V528801380	9	Screw	
11	V546801360	1	Stud	
12	V546801400	1	Bolt	
13	V640325110	5	Plug	
14	V615571014	5	Seal	
15	V836119079	1	Plug	
16	V615881620	1	Seal	
17	V615881418	1	Seal	Replace and repair. Old not interchangeable with new V615571418
18	V640325014	1	Plug	
19	V836855629	1	Sleeve	
20	V836855554	1	Gasket	

B-HB03-010-A



**MASSEY FERGUSON****MF 7200 SERIES COMBINE ENGINE/VALMET - 1637384**

1637384

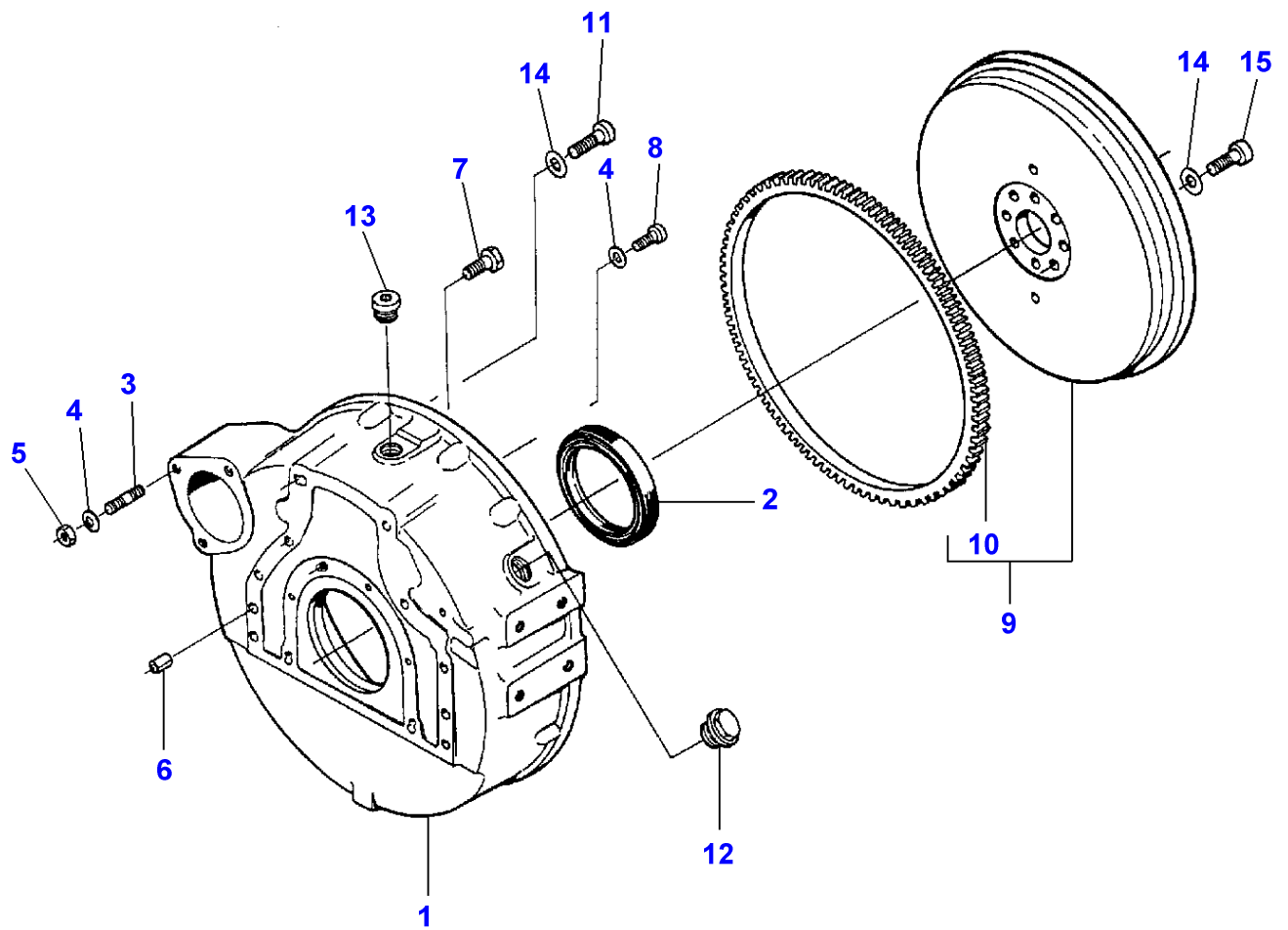
**TIMING GEAR HOUSING - MF 42**

4

Item	Part Number	Qty	Description	Comments
				MF 42
1	V836859199	1	Gear Case Assy.	
2	V836647419	1	Gasket	
3	V528801380	9	Screw	
4	V598359850	4	Pin	
5	V528801400	12	Screw	
6	V836859201	1	Gasket	
7	V836859200	1	Housing	
8	V836840883	1	Gasket	
9	V836855636	1	Gasket	
10	V581804570	3	Screw	
11	V836136717	1	Cover	
12	V836129946	1	Gasket	
13	V836855526	1	Restrictor	
14	V528801410	6	Adjusting Screw	
15	V641166006	2	Elbow Nipple	
16	V836855853	1	Pipe	
17	V615870814	4	Washer	
18	V529801530	2	Screw	
19	V581804600	1	Screw	
20	V836855567	1	Gear	
21	V528801400	4	Screw	(20)
22	V836855565	1	Ring	(20)
23	V610072109	2	Bearing Assy	(20)
24	V836855564	1	Gear	(20)
25	V836855566	1	Sleeve	(20)
26	V581705910	1	Screw	
27	V614609430	1	O Ring	
28	V836855651	1	Cover	
29	V528802602	2	Screw	Replace and repair. Old not interchangeable with new V528802600
30	V836855652	1	Gear	
31	V610060090	2	Bearing Assy	



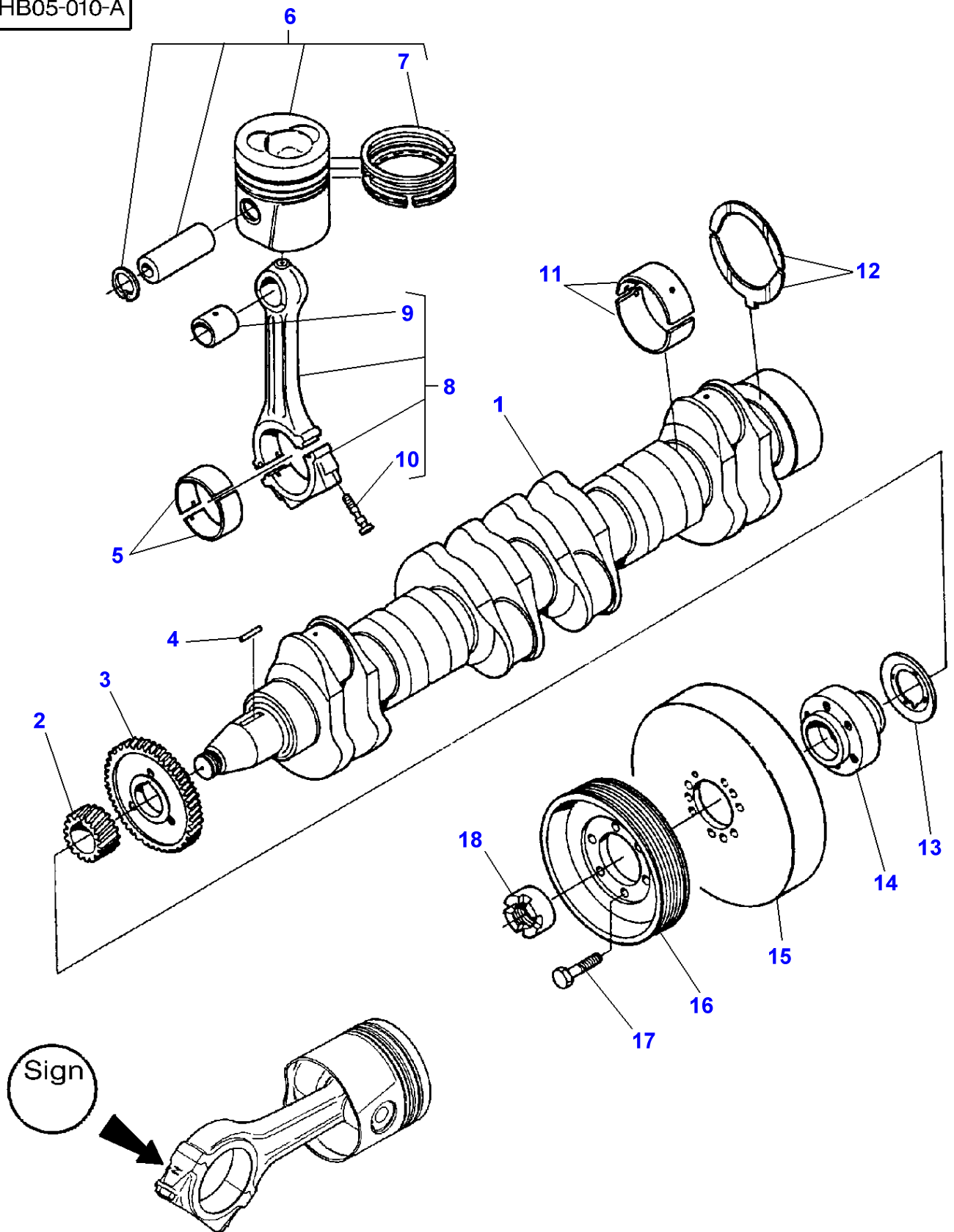
B-HB04-010-A



**MASSEY FERGUSON****MF 7200 SERIES COMBINE ENGINE/VALMET - 1637384****1637384****FLYWHEEL HOUSING - MF 42****5**

<b>Item</b>	<b>Part Number</b>	<b>Qty</b>	<b>Description</b>	<b>Comments</b>
				MF 42
1	V836647440	1	Flywheel Housing	
2	V836840884	1	Seal	
3	V546801800	3	Stud	
4	V500951000	6	Washer	
5	V504801002	3	Nut	
6	V598359850	2	Pin	
7	V529802230	6	Screw	
8	V581705030	6	Screw	
9	V836855909	1	Flywheel	
10	V836117970	1	Annular Gear	(9)
11	V581705440	2	Screw	
12	V640045126	1	Plug	
13	V640325018	1	Plug	
14	V500951200	9	Washer	
15	V581705850	8	Screw	

B-HB05-010-A



**MASSEY FERGUSON**

**MF 7200 SERIES COMBINE ENGINE/VALMET - 1637384**

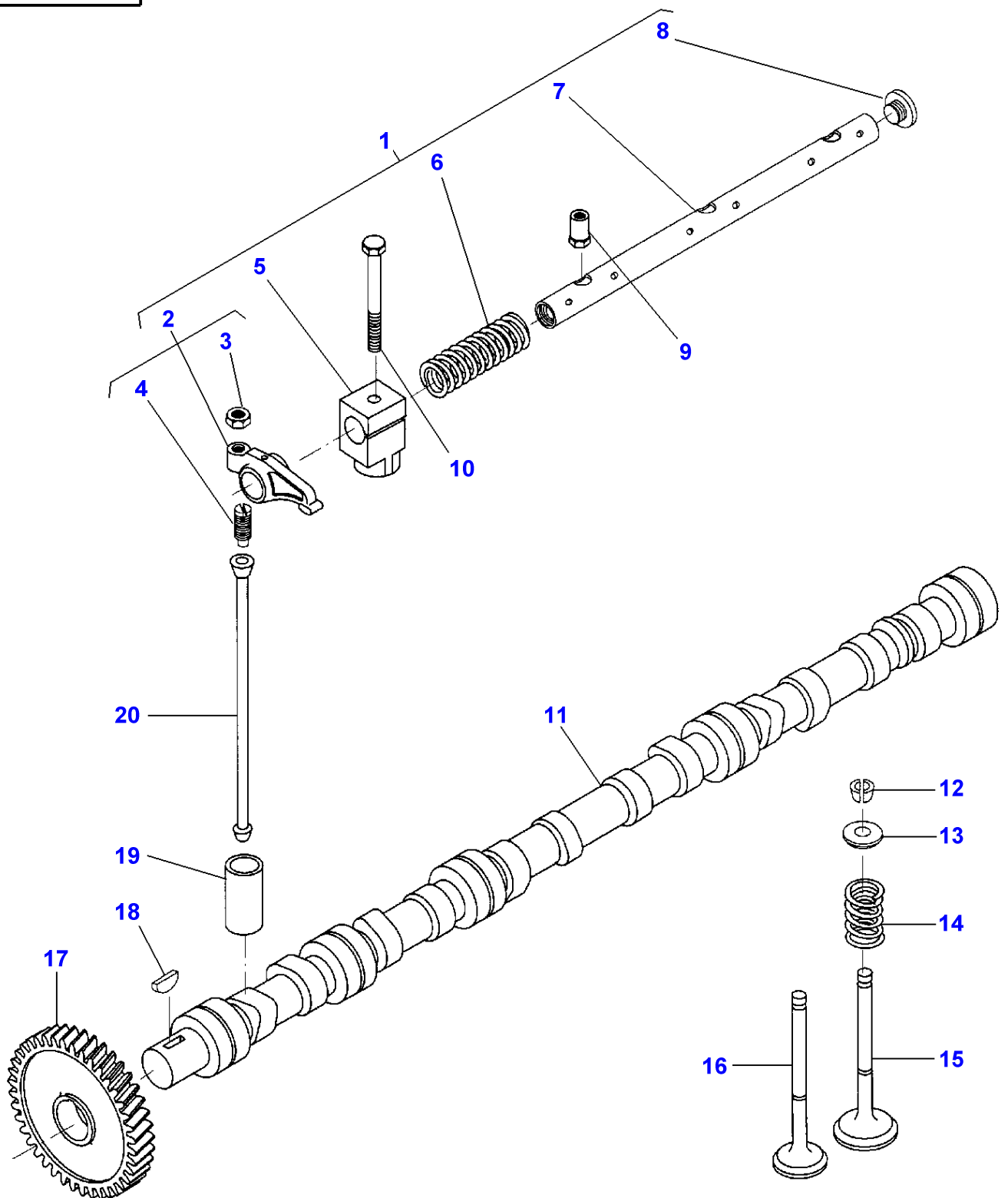
1637384

**CRANKSHAFT, PISTONS AND CONNECTING RODS - MF 42**

6

Item	Part Number	Qty	Description	Comments
				MF 42
1	V836855910	1	Crankshaft	
2	V836855559	1	Gear	
3	V836855558	1	Gear	
4	V836855525	1	Key	
5	V836336302	6	Bearing	STANDARD
	V836338650	X	Bearing	Diameter 72,731MM 72,750MM
5	V836338651	X	Bearing	Diameter 72,481MM 72,500MM
5	V836338652	X	Bearing	Diameter 71,981MM 72,000MM
5	V836338653	X	Bearing	Diameter 71,481MM 71,500MM
6	V836840886	6	Piston	
7	V836840887	1	Kit, Piston Ring	(6)
8	V836355175	X	Conrod	2931-2950g C
	V836355176	X	Conrod	2951-2970g D
	V836352751	X	Conrod	2971-2990g E
	V836352752	X	Conrod	2991-3010g F
	V836352753	X	Conrod	3011-3030g G
	V836352754	X	Conrod	3031-3050g H
	V836352755	X	Conrod	3051-3070g I
	V836352756	X	Conrod	3071-3090g J
	V836352757	X	Conrod	3091-3110g K
	V836352758	X	Conrod	3111-3130g L
	V836352759	X	Conrod	3131-3150g M
	V836352760	X	Conrod	3151-3170g N
	V836352761	X	Conrod	3171-3190g O
	V836352762	X	Conrod	3191-3210g P
	V836352763	X	Conrod	3211-3230g R
	V836352764	X	Conrod	3231-3250g S
	V836352765	X	Conrod	3251-3270g T
	V836352766	X	Conrod	3271-3290g U
	V836352767	X	Conrod	3291-3310g V
	V836352768	X	Conrod	3311-3330g X
	V836352769	X	Conrod	3331-3350g Y
	V836352770	X	Conrod	3351-3370g Z
9	V836336297	6	Bush	(8)
10	V836336298	12	Conrod	(8)
11	V836840944	7	Bearing	STANDARD
	V836840978	X	Bearing	Diameter 89,735MM 89,770MM
11	V836840979	X	Bearing	Diameter 89,485MM 89,520MM
11	V836840980	X	Bearing	Diameter 88,985MM 89,020MM
11	V836840981	X	Bearing	Diameter 88,485MM 88,520MM
12	V836840945	2	Thrust Washer	STANDARD
	V836840982	X	Thrust Washer	0,1MM
	V836840983	X	Thrust Washer	0,2MM
13	V836855637	1	Ring	
14	V836855641	1	Hub	
15	V836840882	1	Shock Absorber	
16	V836855690	1	Pulley	
17	V528802220	6	Screw	
18	V836322221	1	Nut	

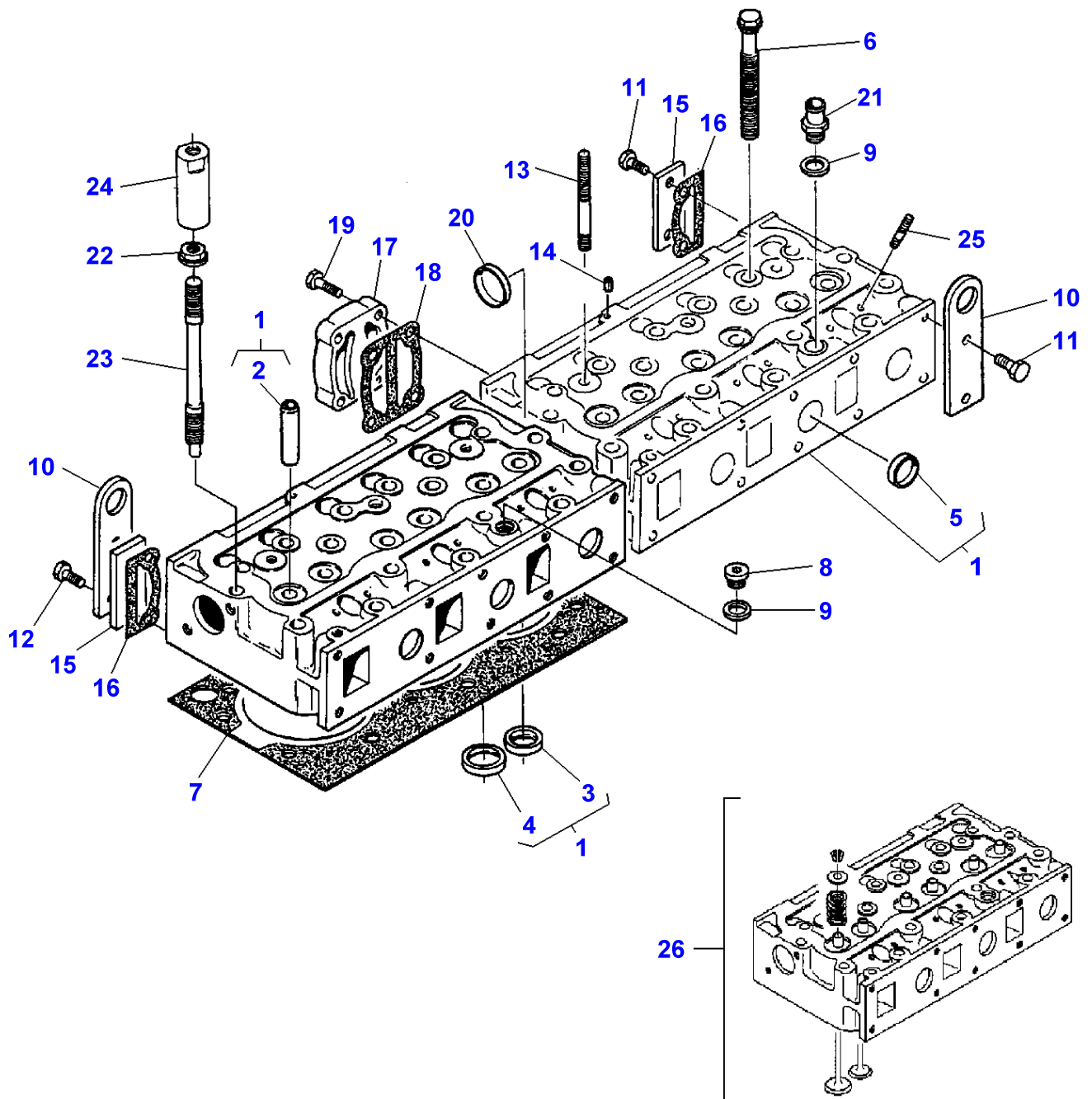
B-HB06-013-A



## VALVE MECHANISM - MF 42

Item	Part Number	Qty	Description	Comments
				MF 42
1	V836655911	2	Rocker Shaft	
2	V836655873	6	Rocker	(1)
3	V512861000	6	Nut	(2)
4	V836655866	6	Screw	(2)
5	V836655869	3	Bracket	(1)
6	V836655884	2	Spring	(1)
7	V836655870	1	Shaft	(1)
8	V836655899	2	Plug	(1)
9	V836655406	4	Nut	
10	V529801910	2	Screw	
11	V836846376	1	Camshaft	
12	V836646382	24	Cotter	
13	V836646381	12	Cup	
14	V836646380	12	Spring	
15	V836646356	6	Valve Inlet	
16	V836646357	6	Valve Exhaust	
17	V836855568	1	Gear	
18	V603305760	1	Key	
19	V836014264	12	Tappet	
20	V836355872	12	Rod	

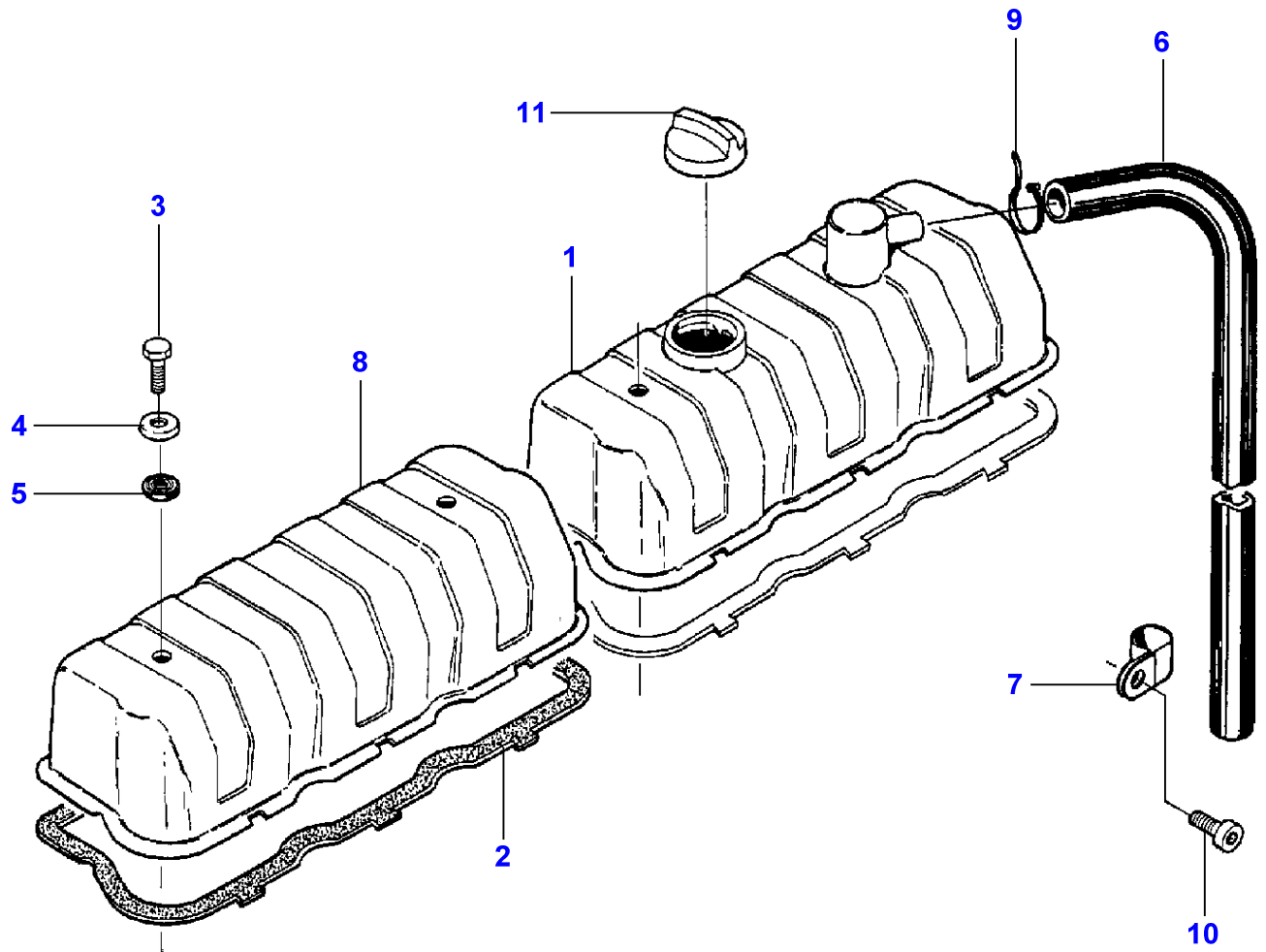
B-HB07-010-A



Item	Part Number	Qty	Description	Comments
				MF 42
1	V836640897	2	Cylinder Head	
2	V836647601	6	Guide	(1)
3	V836647600	3	Kit, Valve	(1)
4	V836647936	3	Kit, Valve	(1)
5	V836647942	5	Plug	(1)
6	V836859104	32	Screw	
7	V836664155	2	Head Gasket	
8	V640325018	1	Plug	
9	V615881822	2	Seal	
10	V836859722	2	Plate	Replace and repair. Old not interchangeable with new V836855349
11	V528801800	4	Screw	M10X25
12	V528801820	2	Screw	M10X35
13	V546801900	4	Stud	M10X75
14	V595953360	2	Pin	
15	V836855350	2	Plate	
16	V836855417	2	Gasket	
17	V836855348	1	Spacer	
18	V836855418	1	Gasket	
19	V528901830	4	Screw	
20	V640016045	1	Plug	
21	V836119837	1	Union	
22	V836859110	2	Nut	
23	V836859109	2	Stud	
24	V836647835	2	Nut Special	
25	V546901435	12	Stud	M8X40
26	V836640897	2	Cylinder Head	



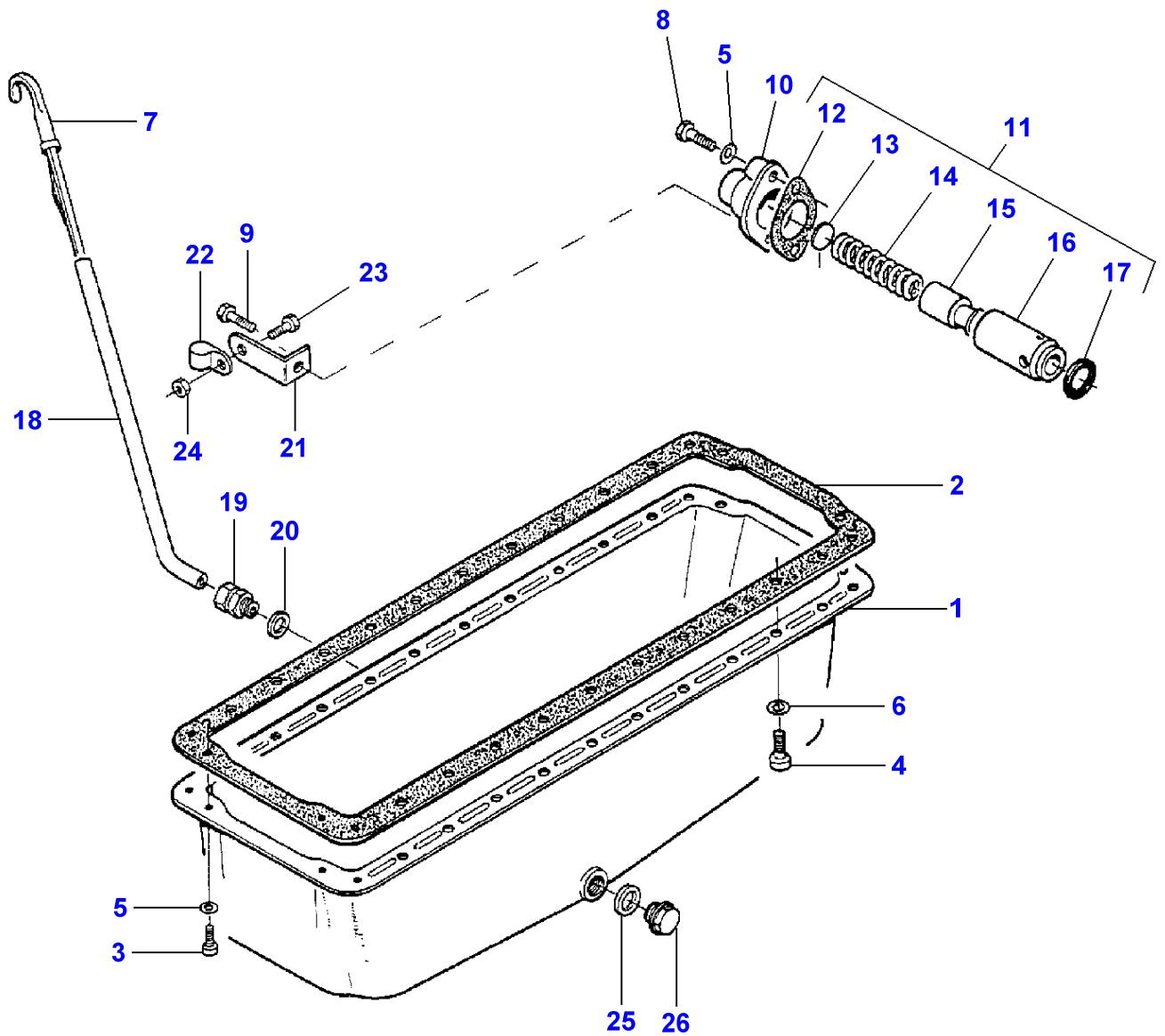
B-HB08-010-A



**CYLINDER HEAD COVER - MF 42**

<b>Item</b>	<b>Part Number</b>	<b>Qty</b>	<b>Description</b>	<b>Comments</b>
				MF 42
1	V836647210	1	Valve Cover	
2	V836646360	2	Gasket	
3	V528801780	4	Screw	
4	V836119855	4	Washer	
5	V836012841	4	Gasket	
6	V836755007	1	Pipe	
7	V602074528	1	Clamp	
8	V836846448	1	Valve Cover	
9	V835329746	1	Clamp	
10	V581804980	1	Screw	
11	V836659697	1	Plug	Replace and repair. Old not interchangeable with new V836640091

B-HB10-014-A



**MASSEY FERGUSON****MF 7200 SERIES COMBINE ENGINE/VALMET - 1637384**

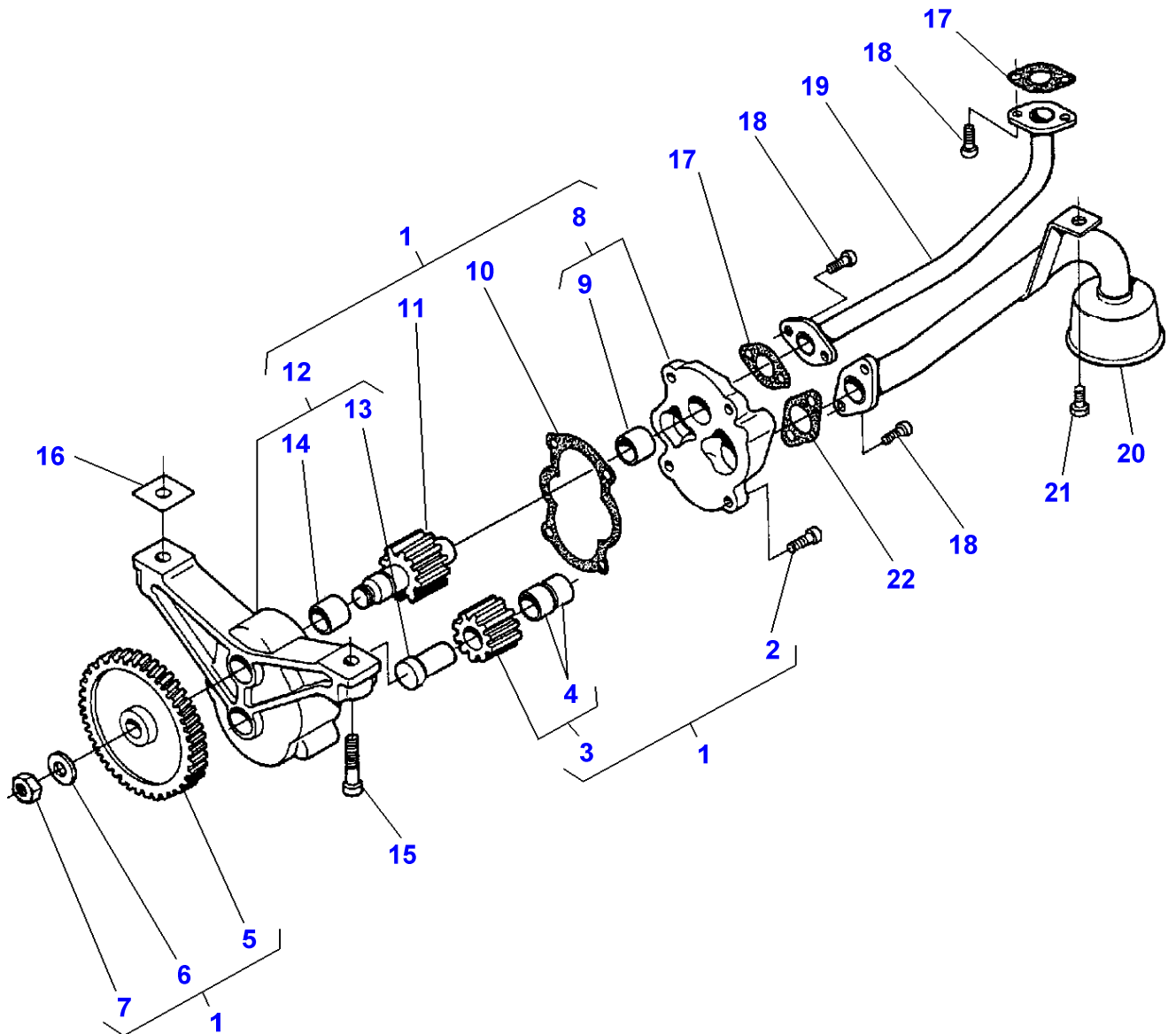
1637384

**LUBRICATING OIL SUMP - MF 42**

10

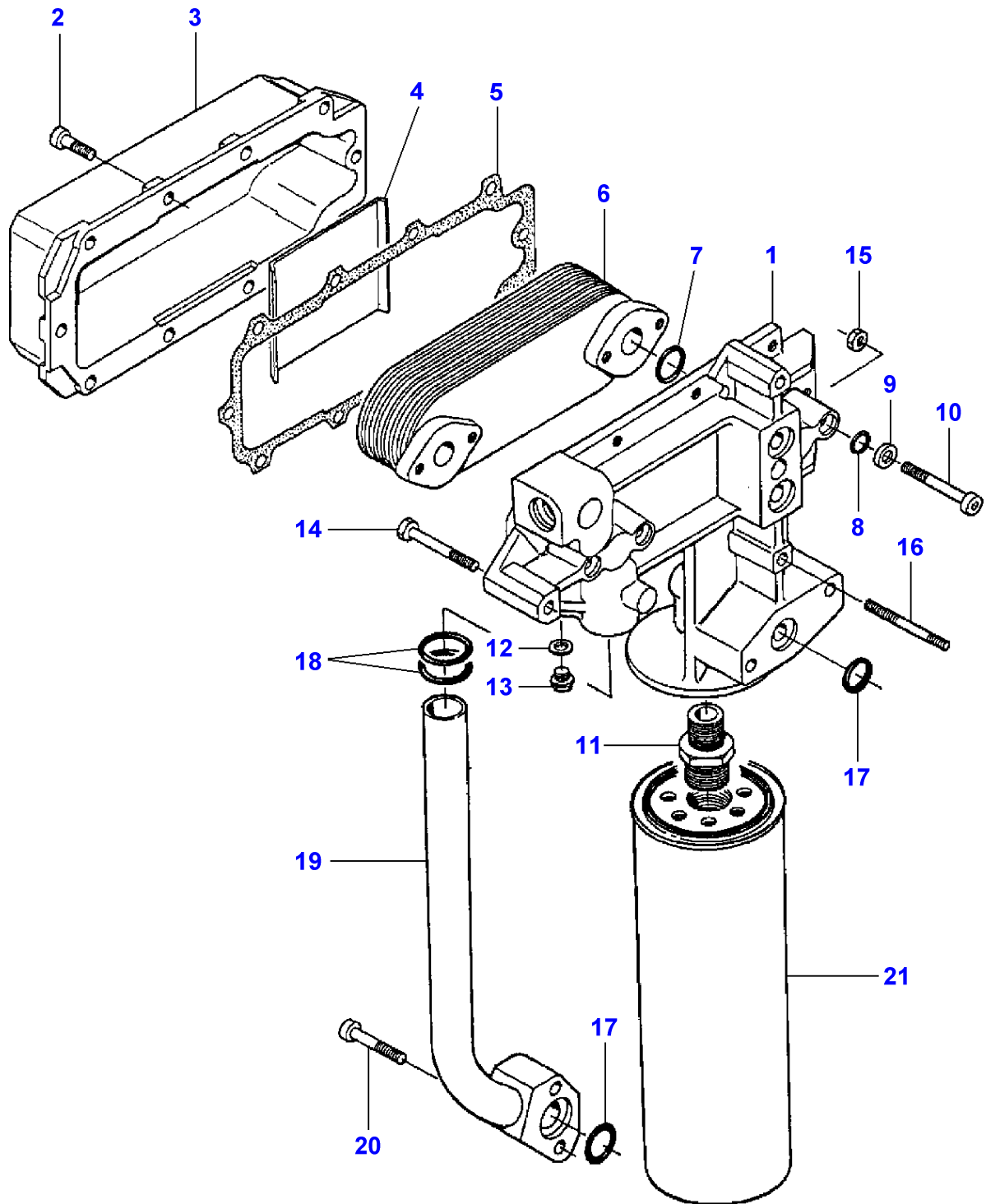
Item	Part Number	Qty	Description	Comments
				MF 42
1	V836347308	1	Sump	
2	V836322538	1	Gasket	
3	V581804600	4	Screw	
4	V581805000	24	Screw	
5	V500950800	6	Washer	
6	V500951000	24	Washer	
7	V836346298	1	Dipstick	
8	V528801420	1	Screw	
9	V529801430	1	Screw	Replace and repair. Old not interchangeable with new V528801430
10	V836129849	1	Cover	
11	V836840851	1	Pressure Valve	
12	V836322190	1	Gasket	(11)
13	V836020290	1	Washer	(11)
14	V836655246	1	Spring	(11)
15	V836338850	1	Piston	(11)
16	V836117834	1	Cylinder	(11)
17	V614601524	1	O Ring	(11)
18	V836859563	1	Pipe	
19	V641086012	1	Union	
20	V615881620	1	Seal	
21	V836855922	1	Support	
22	V602060612	1	Clamp	
23	V528801380	1	Screw	
24	V504800800	1	Nut	
25	V615882227	1	Gasket	
26	V640045022	1	Plug	

B-HB11-010-A



Item	Part Number	Qty	Description	Comments
				MF 42
1	V836855300	1	Oil Pump	
2	V528801380	4	Screw	(1) M8X20
3	V836338180	1	Gear	(1)
4	V836322909	2	Bush	(3)
5	V836338667	1	Gear	(1)
6	V836122910	1	Washer	(1)
7	V504861000	1	Nut	(1)
8	V836855297	1	Cover	(1)
9	V836322909	1	Bush	(8)
10	V836338188	1	Gasket	(1)
11	V836338182	1	Gear	(1)
12	V836338186	1	Housing	(1)
13	V836322906	1	Shaft	(12)
14	V836322909	1	Bush	(12)
15	V581805050	2	Screw	M10X40
16	V836007871	X	Shim	
17	V836008449	2	Gasket	
18	V581804600	6	Screw	M8X20
19	V836855673	1	Pipe	
20	V836855674	1	Strainer	
21	V528801360	1	Screw	M8X16
22	V836338201	1	Gasket	

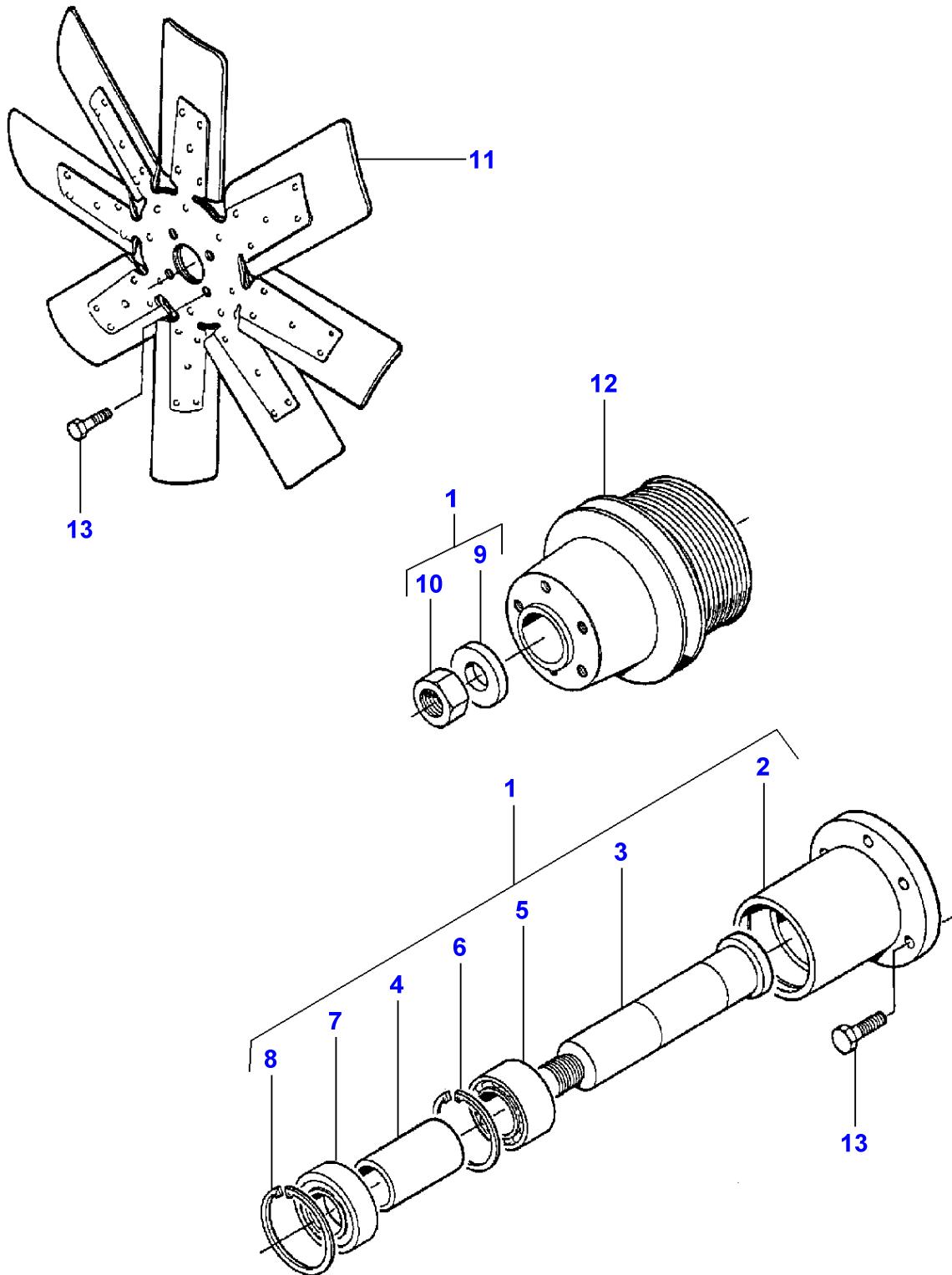
B-HB12-008-A



Item	Part Number	Qty	Description	Comments
				MF 42
1	V836855522	1	Oil Cooler	
2	V581804620	10	Screw	(1)
3	V836855519	1	Housing	(1)
4	V836855521	1	Plate	(1)
5	V836855520	1	Gasket	(1)
6	V836855484	1	Element	(1)
7	V614602030	2	O Ring	(1)
8	V614600724	4	O Ring	(1)
9	V836855517	4	Washer	(1)
10	V581804690	4	Screw	(1)
11	V836338512	1	Union	(1)
12	V615881216	1	Gasket	(1)
13	V640305012	1	Plug	(1)
14	V529801440	4	Screw	
15	V504800800	1	Nut	
16	V546801490	1	Stud	
17	V614602030	4	O Ring	
18	V614602430	2	O Ring	
19	V836855523	1	Pipe	
20	V581804650	2	Screw	
21	V836336459	1	Oil Filter	

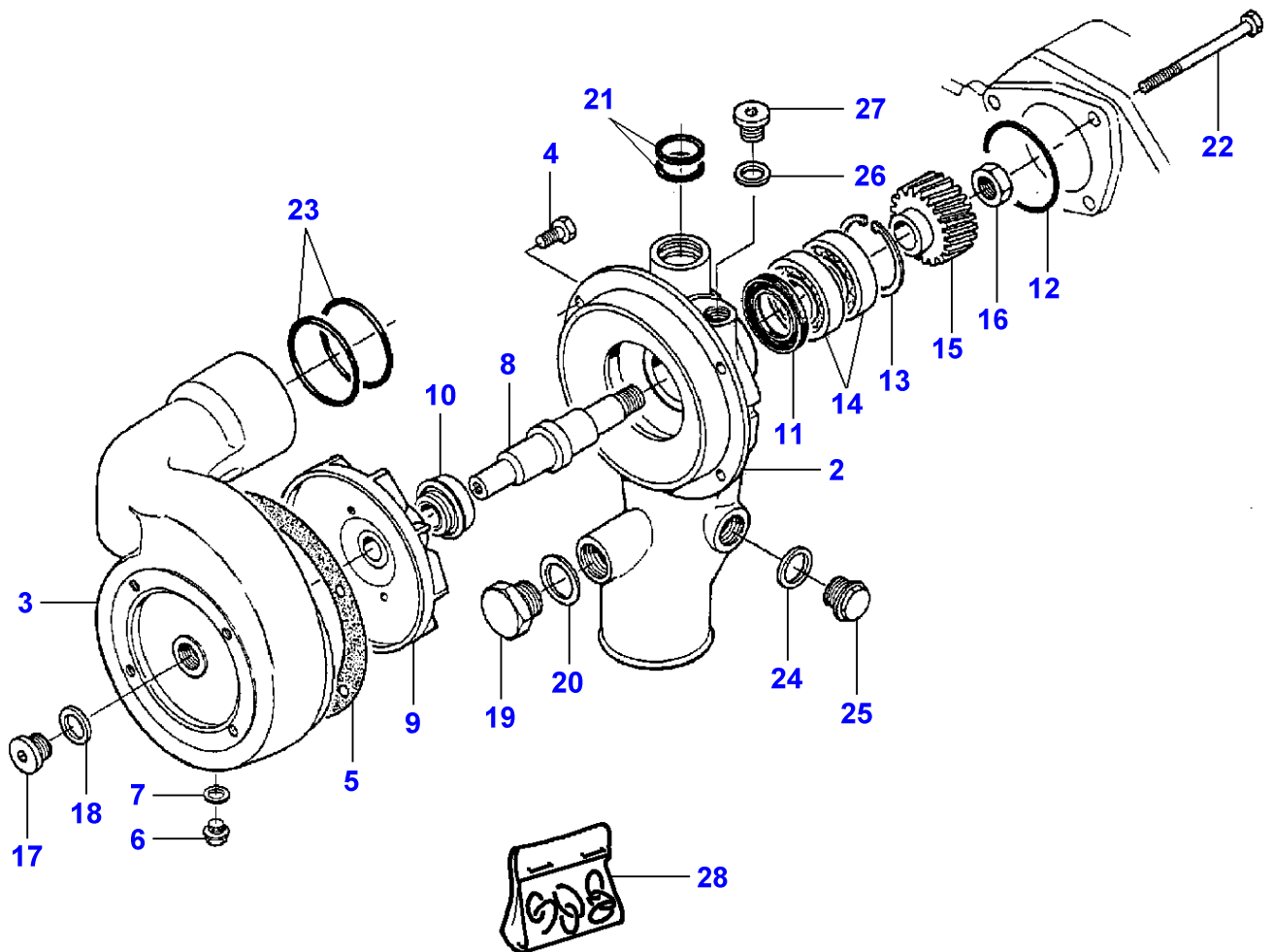


B-HB42-001-A



<b>Item</b>	<b>Part Number</b>	<b>Qty</b>	<b>Description</b>	<b>Comments</b>
				MF 42
1	V836855762	1	Kit, Shaft	
2	V836855758	1	Hub	(1)
3	V836855755	1	Shaft	(1)
4	V836855757	1	Sleeve	(1)
5	V610032060	1	Bearing Assy	(1)
6	V617350062	1	Circlip	(1)
7	V610063064	1	Bearing Assy	(1)
8	V617330072	1	Circlip	(1)
9	V836855756	1	Washer	(1)
10	V504602002	1	Nut	(1)
11	V836855677	1	Fan	
12	V836859288	1	Pulley	
13	V528801810	12	Screw	

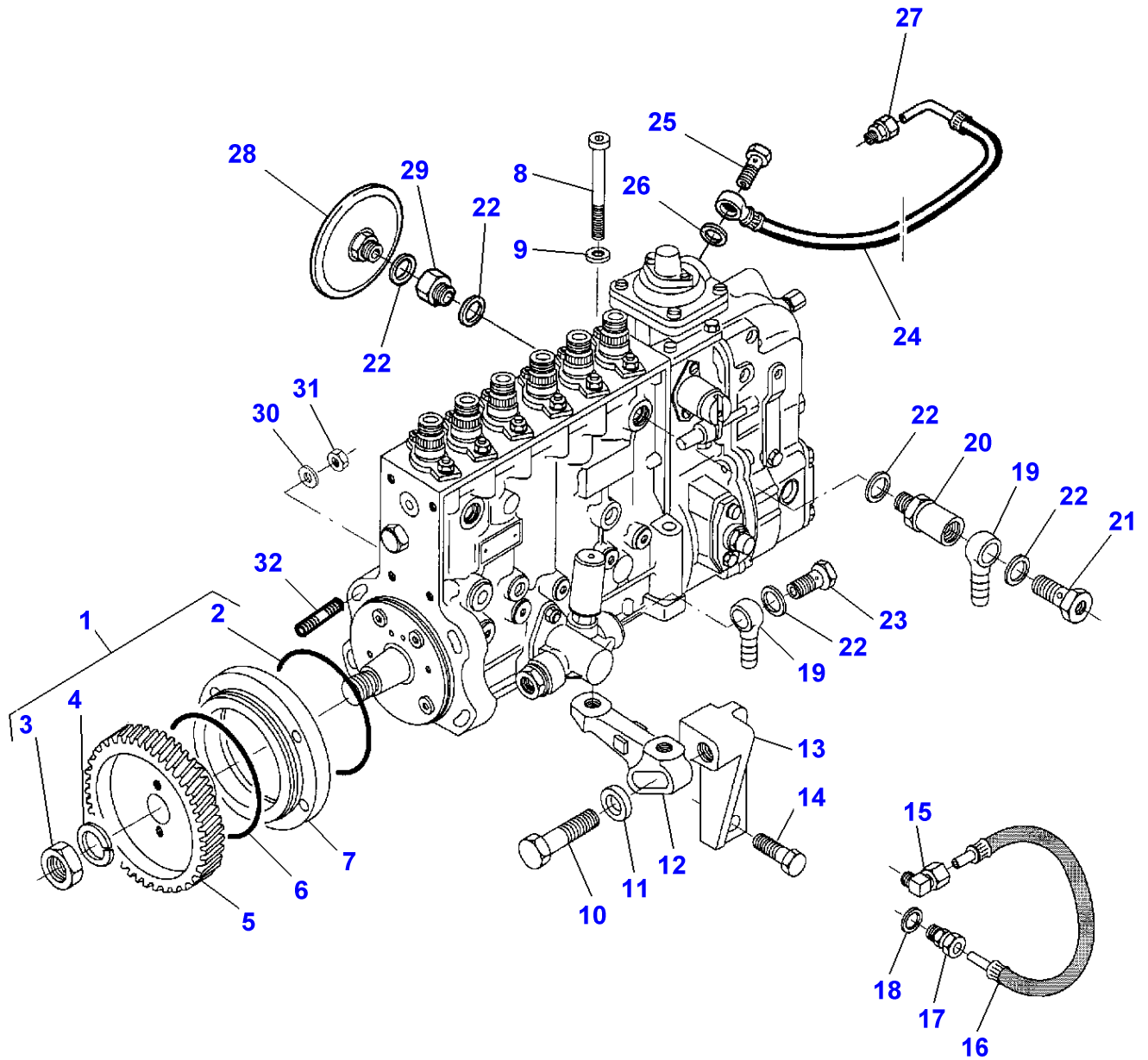
B-HB13-014-A



WATER PUMP - MF 42

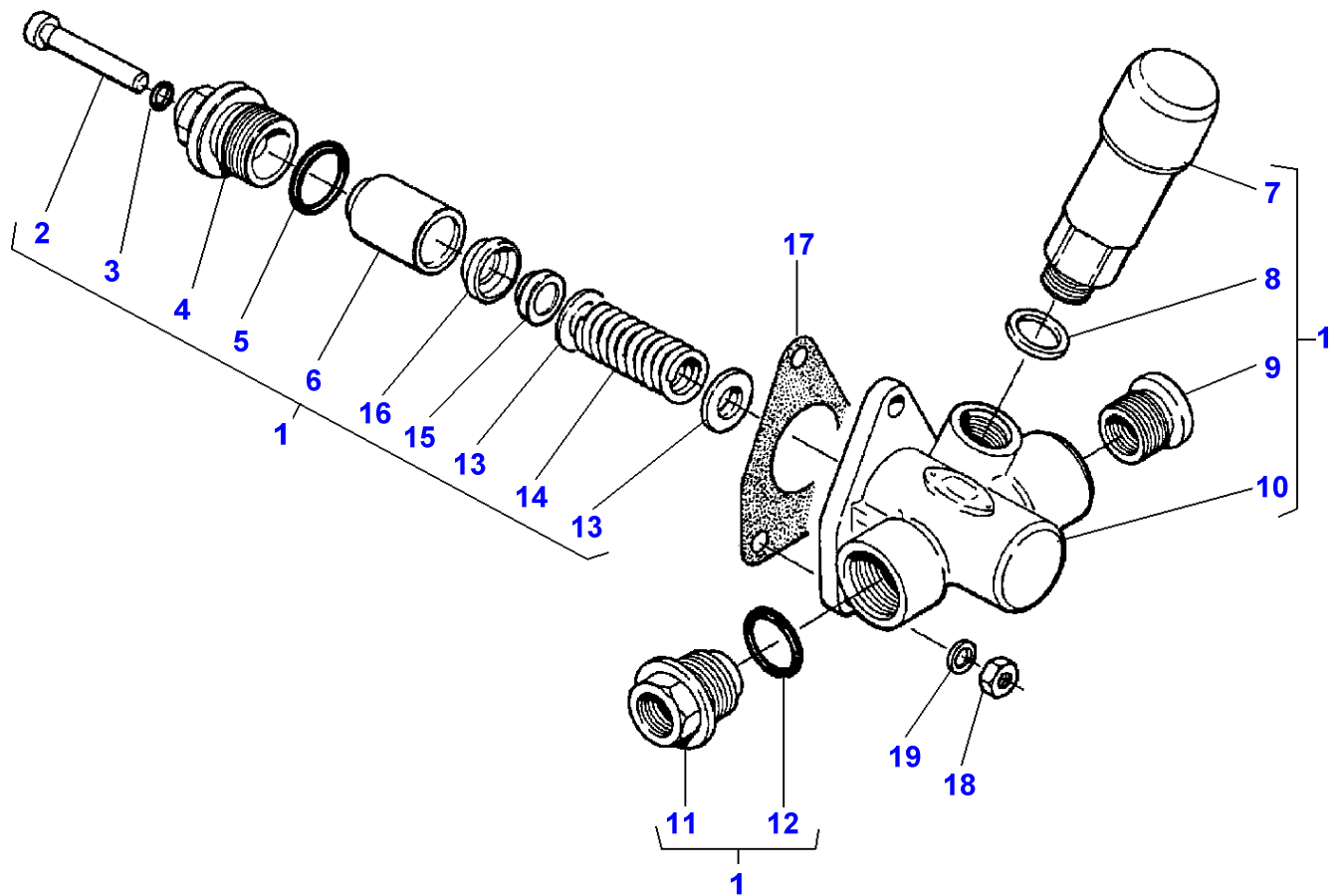
Item	Part Number	Qty	Description	Comments
				MF 42
1	V836859202	1	Water Pump	
2	V836859457	1	Body	(1)
3	V836859168	1	Water Pump	(1)
4	V528801362	4	Screw	(1)
5	V836855625	1	Gasket	(1)
6	V640305012	1	Plug	(1)
7	V615881216	1	Gasket	(1)
				Replace and repair. Old not interchangeable with new V615871216
8	V836859456	1	Shaft	(1)
9	V836336047	1	Impeller	(1)
10	V836859452	1	Gasket	(1)
11	V614103247	1	Gasket	(1)
12	V614606230	1	O Ring	(1)
13	V617330052	1	Circlip	(1)
14	V610072050	2	Bearing Assy	(1)
15	V836855569	1	Gear	(1)
16	V504601600	1	Nut	(1)
17	V640325018	1	Plug	(1)
18	V615881822	1	Seal	(1)
19	V615892631	1	Seal	(1)
21	V614602430	1	O Ring	(1)
22	V529801530	3	Screw	
23	V614604958	2	O Ring	
24	V615882227	1	Gasket	
25	V640045022	1	Plug	
26	V615881822	1	Seal	
27	V640325018	1	Plug	
28	V836840988	1	Kit, Repair	

B-HB14-014-A



Item	Part Number	Qty	Description	Comments
				MF 42
1	V836354708	1	Injection Pump	
2	V614609930	1	O Ring	(1)
3	V505612000	1	Nut	(1)
4	V500452002	1	Washer	(1)
5	V836855986	1	Gear	
6	V614609930	1	O Ring	
7	V836855996	1	Ring	
8	V581805150	2	Screw	M10X90
9	V500151050	2	Washer	
10	V529803072	1	Screw	M16X60
11	V836655994	1	Washer	
12	V836855987	1	Support	
13	V836855993	1	Support	
14	V528802632	2	Screw	M14X40
15	V641166006	1	Elbow Nipple	
16	V836120491	1	Pipe	
17	V641086006	1	Connection	
18	V615871014	1	O Ring	
19	V640255210	2	Pipe	
20	V836330959	1	Valve	
21	V835336944	1	Screw	
22	V615881420	3	Gasket	
23	V640435010	1	Screw	
24	V836659068	4	Pipe	
25	V640435008	4	Screw	
26	V615881216	1	Gasket	
27	V641016008	1	Union	
28	V836316814	1	Pressure Valve	
29	V836336934	1	Union	
30	V500051052	4	Washer	
31	V504801002	4	Nut	
32	V546801860	4	Stud	

B-HB15-012-A

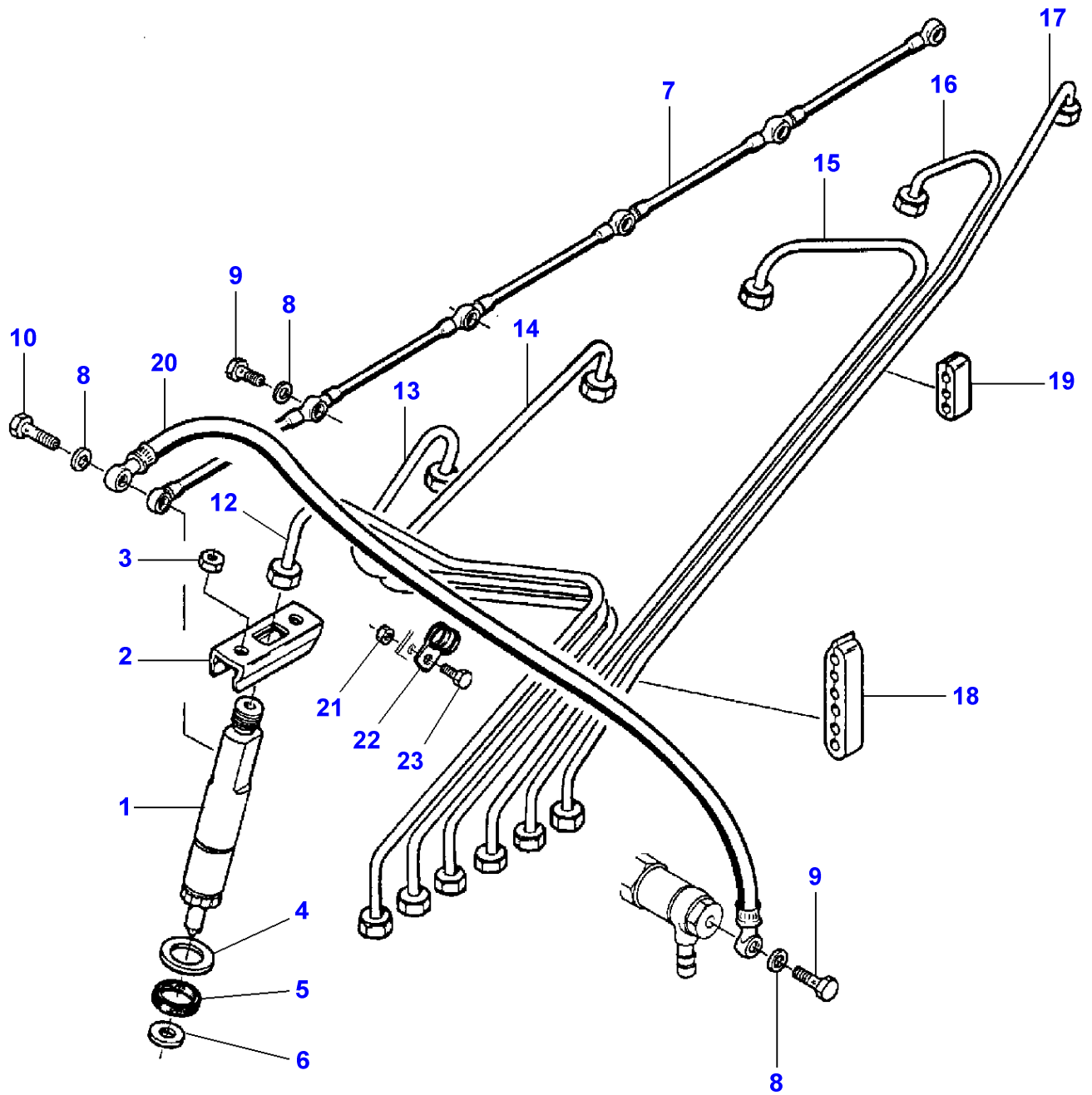


## PUMP - MF 42

Item	Part Number	Qty	Description	Comments
				MF 42
1	V836340066	1	Pump	
2	V836340068	1	Clevis Pin	(1)
3	V836139015	1	O Ring	(1)
4	V836340069	1	Body	(1)
5	V835339876	1	O Ring	(1)
6	V835339877	1	Plunger	(1)
7	V835339884	1	Pump	(1)
8	V615881620	1	Seal	(1)
9	V836340067	1	Union	(1)
10		1	Housing	(1)
				Not serviced, order REF. 1
11	V835340971	1	Union	(1)
12	V835340972	1	O Ring	(1)
13	V835339879	2	Washer	(1)
14	V835339878	1	Spring	(1)
15	V835339880	1	Pressure Valve	(1)
16	V835339882	1	Gasket	(1)
17	V836329194	1	Gasket	
18	V504600602	3	Nut	
19	V500450602	3	Washer	



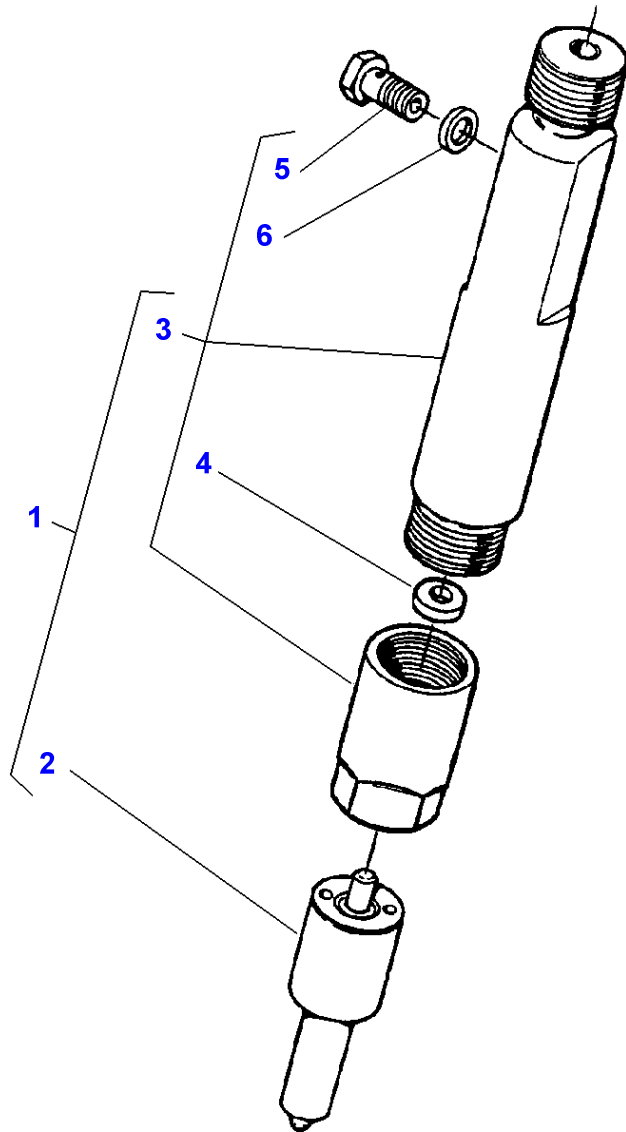
B-HB16-011-A



FUEL PIPINGS - MF 42

Item	Part Number	Qty	Description	Comments
				MF 42
1	V836354615	6	Atomiser	
2	V835331103	6	Retainer	
3	V504800800	12	Nut	
4	V836652170	6	Washer	
5	V835336276	6	Seal	
6	V899901495	6	Washer	
7	V836847522	1	Pipe	
8	V615870710	13	Seal	
9	V835331289	5	Screw	
10	V835336943	1	Screw	
11	V836859297	1	Kit, Pipe	
12	V836859477	1	Exhaust Pipe	(11) CYL.NO 1
13	V836859478	1	Exhaust Pipe	(11) CYL.NO 2
14	V836859479	1	Exhaust Pipe	(11) CYL.NO 3
15	V836859480	1	Exhaust Pipe	(11) CYL.NO 4
16	V836859481	1	Exhaust Pipe	(11) CYL.NO 5
17	V836859482	1	Exhaust Pipe	(11) CYL.NO 6
18	V836640097	1	Clamp	(11)
19	V836640095	1	Clamp	(11)
20	V835336942	1	Tube	
21	V504600502	1	Nut	
22	V602069813	1	Clamp	
23	V528800762	1	Screw	

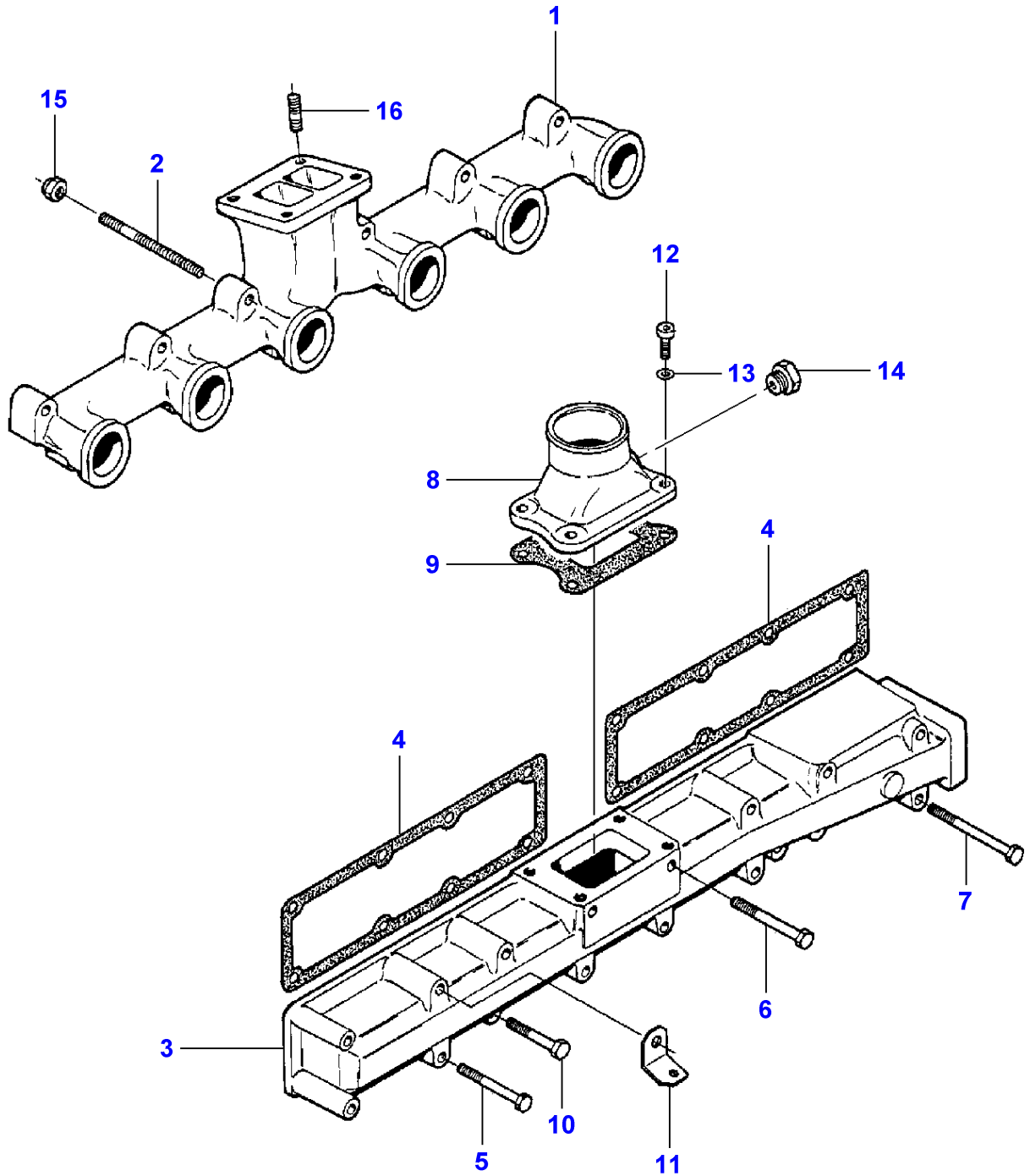
B-HB17-011-A



INJECTOR - MF 42

Item	Part Number	Qty	Description	Comments
				MF 42
1	V836354615	1	Atomiser	
2	V836354611	1	Nozzle	(1)
3		1	Atomiser Body	(1)
				Not serviced, order REF. 1
4	V836340907	X	Chock	(3)
				Thickness 1 MM
4	V836340908	X	Chock	(3)
				Thickness 1,02MM
4	V836340909	X	Chock	(3)
				Thickness 1,04MM
4	V836340910	X	Chock	(3)
				Thickness 1,06MM
4	V836340911	X	Chock	(3)
				Thickness 1,08MM
4	V836340912	X	Chock	(3)
				Thickness 1,10MM
4	V836340913	X	Chock	(3)
				Thickness 1,12MM
4	V836340914	X	Chock	(3)
				Thickness 1,14MM
4	V836340915	X	Chock	(3)
				Thickness 1,16MM
4	V836340916	X	Chock	(3)
				Thickness 1,18MM
4	V836340917	X	Chock	(3)
				Thickness 1,20MM
4	V836340918	X	Chock	(3)
				Thickness 1,26MM
4	V836340919	X	Chock	(3)
				Thickness 1,30MM
4	V836340920	X	Chock	(3)
				Thickness 1,40MM
4	V836340921	X	Chock	(3)
				Thickness 1,90MM
4	V836340922	X	Chock	(3)
				Thickness 1,92MM
4	V836340923	X	Chock	(3)
				Thickness 1,94MM
4	V836340924	X	Chock	(3)
				Thickness 1,96MM
4	V836340925	X	Chock	(3)
				Thickness 1,98MM
5	V615870710	2	Seal	(3)
6	V835331289	1	Screw	(3)

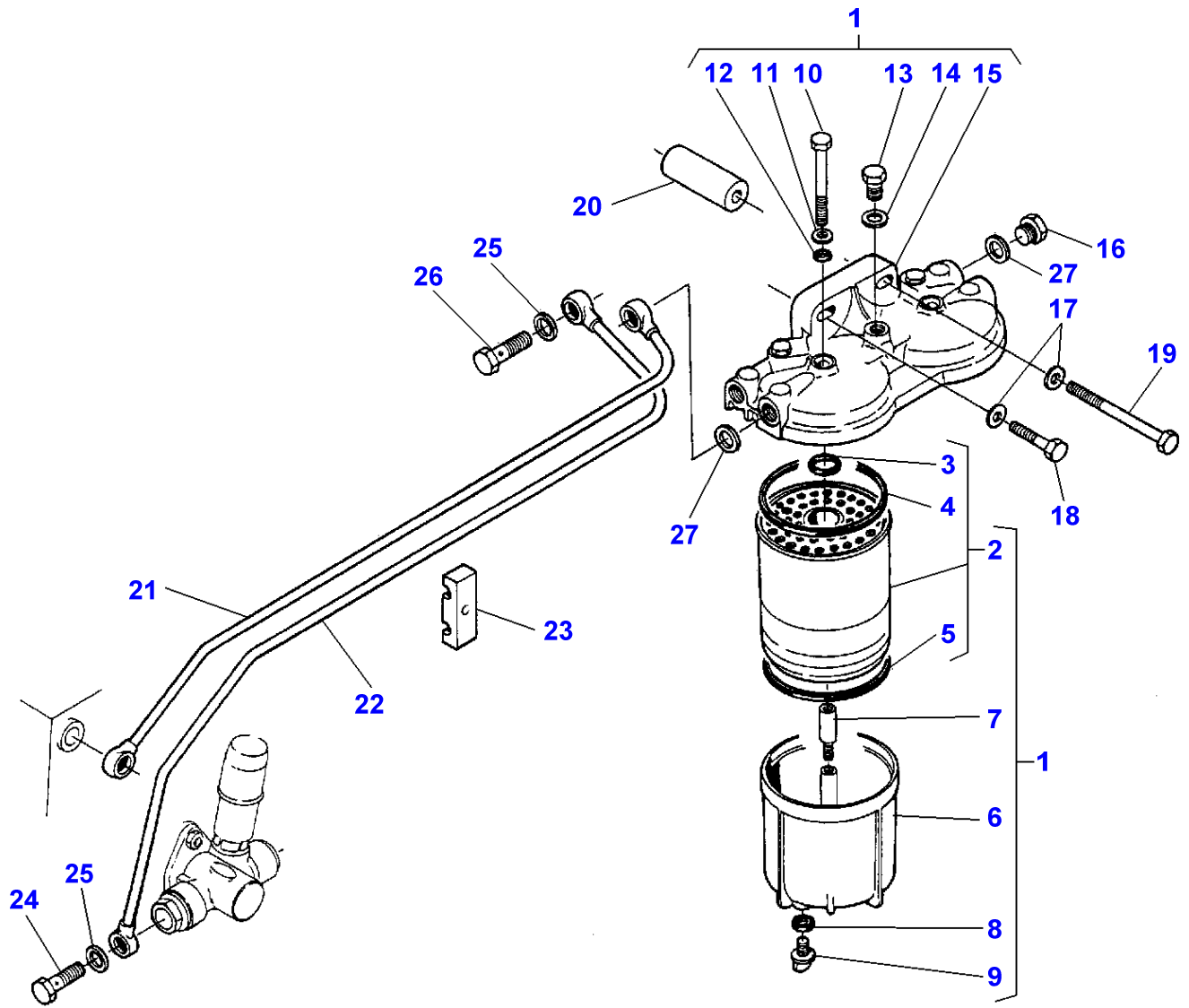
B-HB19-011-A



**MASSEY FERGUSON****MF 7200 SERIES COMBINE ENGINE/VALMET - 1637384****1637384****TURBOCHARGER-INLET AND EXHAUST MANIFOLD - MF 42****19**

<b>Item</b>	<b>Part Number</b>	<b>Qty</b>	<b>Description</b>	<b>Comments</b>
				MF 42
1	V836855506	1	Exhaust Manifold	
2	V836859034	10	Stud	M10x130
	V836859188	2	Bolt	M10x100
3	V836847493	1	Ind.Manifold	
4	V836847496	2	Gasket	
5	V529801510	8	Screw	
6	V529801530	3	Screw	
7	V529801562	2	Screw	
8	V836847531	1	Pipe	
9	V836847532	1	Gasket	
10	V529801470	2	Screw	
11	V836855774	1	Angle	
12	V581804620	4	Screw	
13	V500950800	4	Washer	
14	V836146021	1	Plug	
15	V513601002	12	Nut	
16	V546801800	4	Stud	

B-HB18-021-A

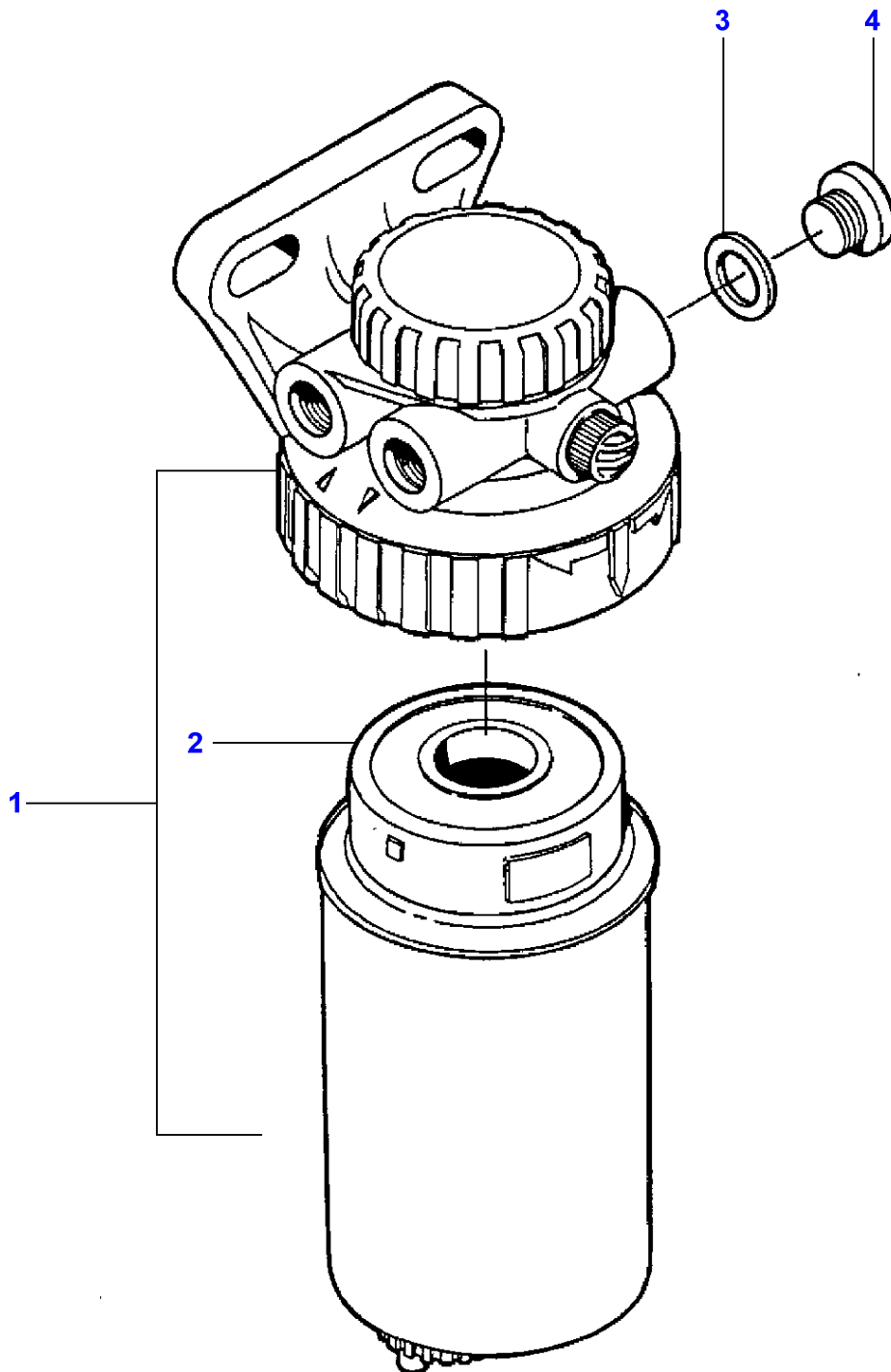


FUEL FILTER - MF 42

Item	Part Number	Qty	Description	Comments
				MF 42
1	V836339370	1	Fuel Filter	
2	1896287M91	2	Fuel Element	(1) CAV Alternative 3405419M1
2	3405419M1	2	Fuel Element	Alternative 1896287M91
3	V836015142	1	O Ring	(2)
4	V835330014	1	Gasket	(2)
5	V835330015	1	Gasket	(2)
6	V836340045	2	Bowl	(1)
7	V836339372	2	Stud	(1)
8	V836015147	2	Gasket	(1)
9	V836015148	2	Plug	(1)
10	V836015149	2	Screw	(1)
11	V836015918	2	Washer	(1)
12	V836015919	2	O Ring	(1)
13	V836015958	1	Screw	(1)
14	V615571014	1	Seal	(1)
15	V836015959	1	Cover	(1)
16	V836117323	2	Plug	
17	V836120989	2	Washer	
18	V528801420	1	Screw	
19	V529801550	1	Screw	
20	V836859009	1	Spacer	
21	V836855989	1	Exhaust Pipe	
22	V836855988	1	Tube	
23	V836655527	2	Clamp	
24	V640435010	2	Screw	
25	V615881418	6	Seal	
26	V836429560	2	Screw	
27	V615581317	4	Seal	



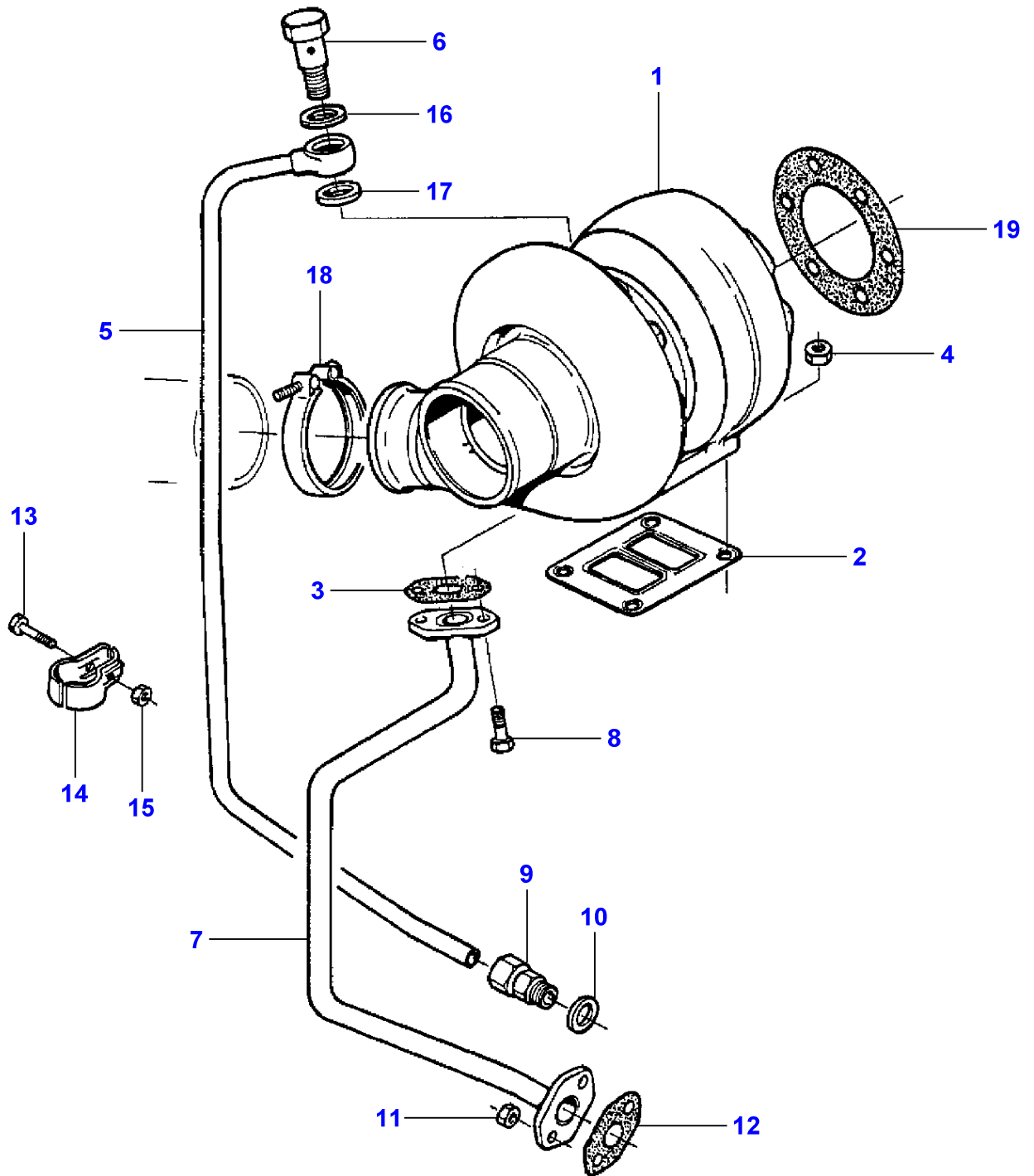
B-HB30-006-A



**MASSEY FERGUSON****MF 7200 SERIES COMBINE ENGINE/VALMET - 1637384****1637384****SEDIMENTER - MF 42****21**

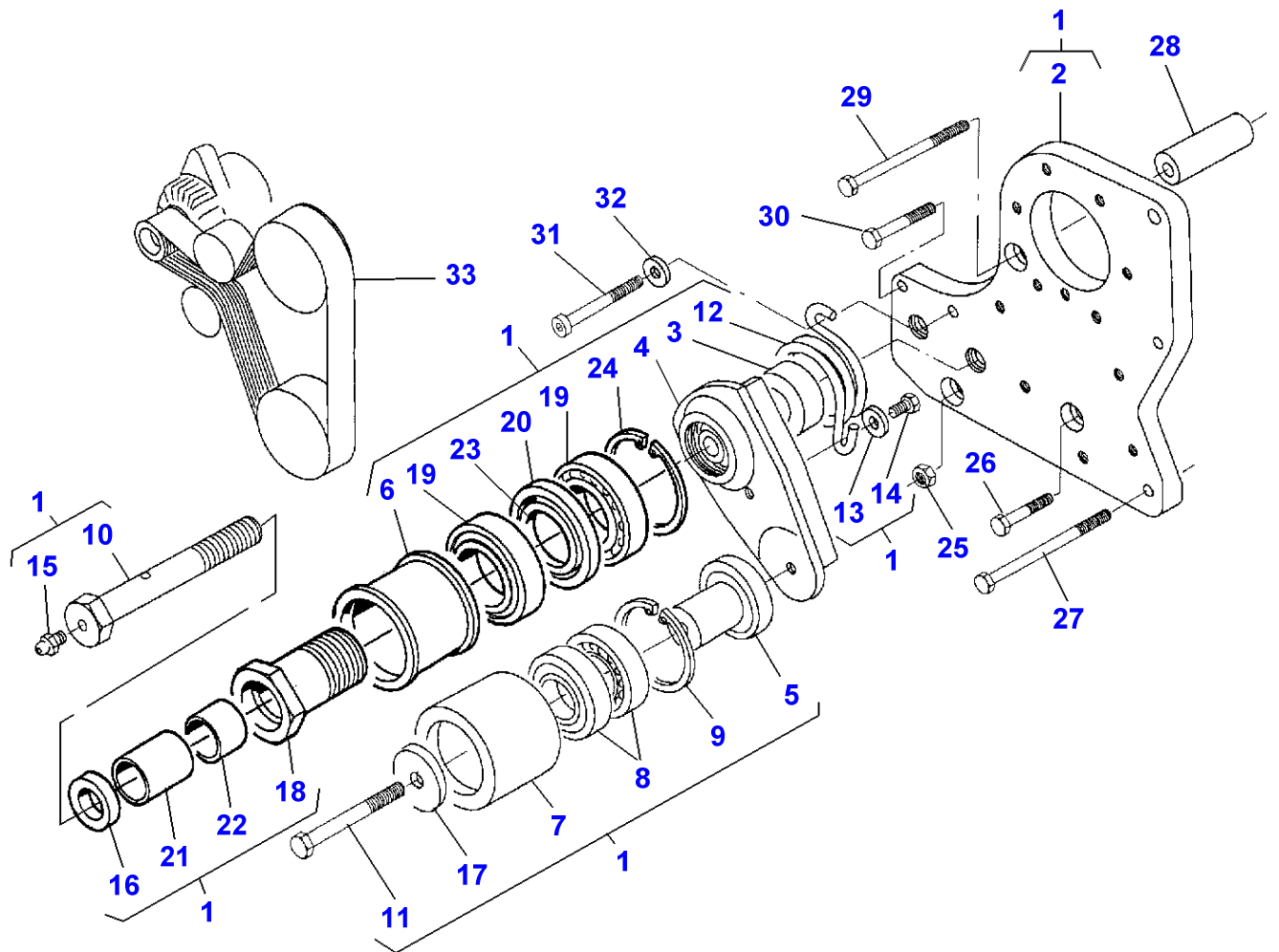
<b>Item</b>	<b>Part Number</b>	<b>Qty</b>	<b>Description</b>	<b>Comments</b>
				MF 42
1	V836859301	1	Cover	
2	V836859302	1	Container	(1)
3	V615881418	2	Seal	
4	V640325014	2	Plug	

B-HB21-011-A



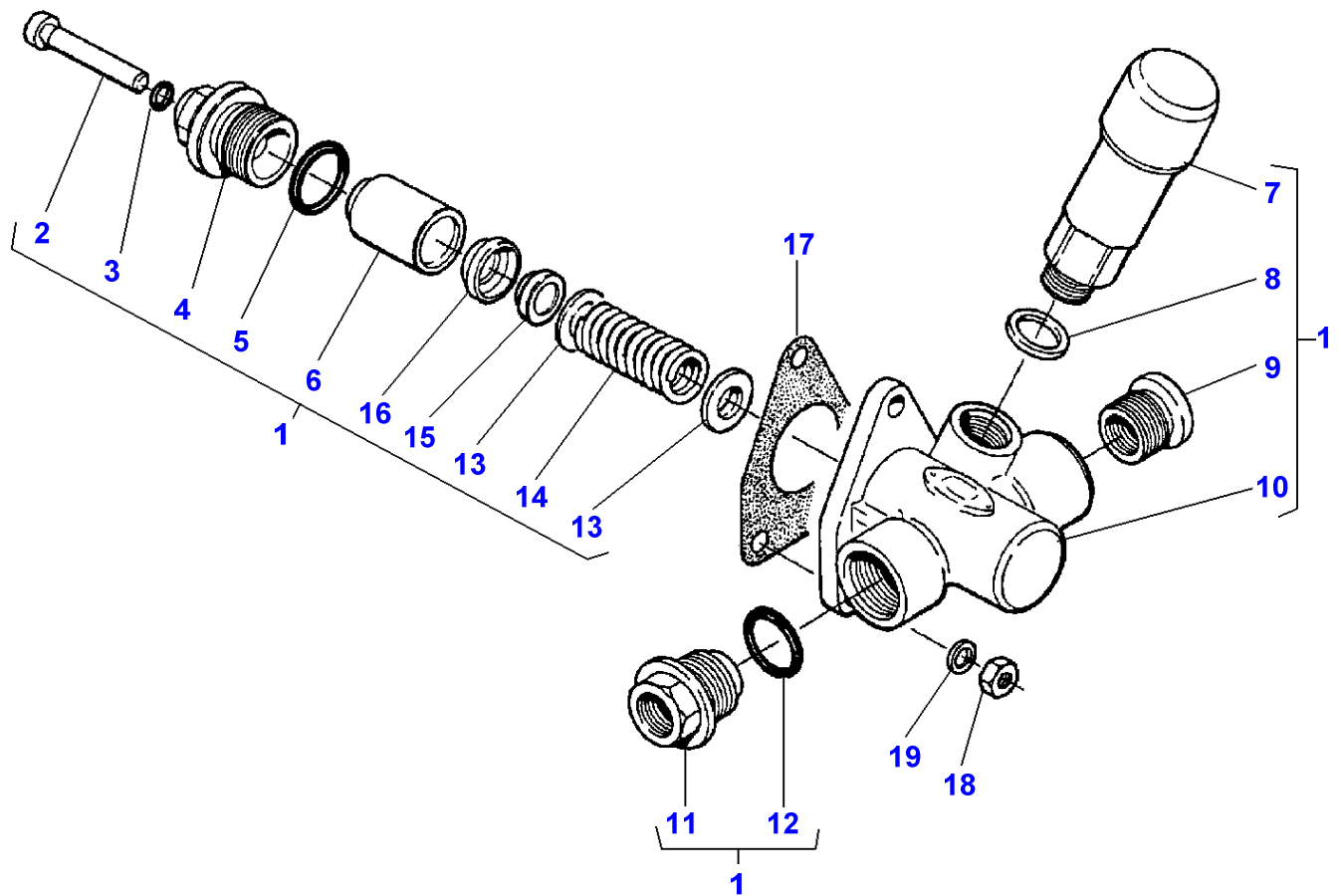
<b>Item</b>	<b>Part Number</b>	<b>Qty</b>	<b>Description</b>	<b>Comments</b>
				MF 42
1	V836840885	1	Turbocharger	
2	V836840992	1	Gasket	
3	V836324580	1	Joint	
4	V521601000	4	Nut	
5	V836859136	1	Exhaust Pipe	
6	V836855714	1	Screw	
7	V836859137	1	Exhaust Pipe	
8	V528801380	2	Screw	
9	V641086012	1	Union	
10	V615881620	1	Seal	
11	V504800800	2	Nut	
12	V836324580	1	Joint	
13	V529801112	1	Screw	
14	V835324324	2	Clamp	
15	V504600602	1	Nut	
16	V615881620	1	Seal	
17	V615881420	1	Gasket	
18	V836840930	1	Clamp	
19	V886325175	1	Gasket	

B-HB23-017-A



Item	Part Number	Qty	Description	Comments
				MF 42
1	V836859350	1	Tensioner	
2	V836855935	1	Plate	(1)
3	V836859348	1	Shaft	(1)
4	V836859347	1	Support	(1)
5	V836855789	1	Shaft	(1)
6	V836859353	1	Roll	(1)
7	V836855666	1	Roll	(1)
8	V610062055	2	Bearing Assy	(1)
9	V617330052	1	Circlip	(1)
10	V836859357	1	Screw	(1)
11	V529701880	1	Screw	(1)
12	V836855689	1	Spring	(1)
13	V836120989	1	Washer	(1)
14	V528801380	1	Screw	(1)
15	V644611006	1	Greaser	(1)
16	V836859356	1	Plate	(1)
17	V836855941	1	Plate	(1)
18	V836859349	1	Shaft	(1)
19	V610619084	2	Bearing Assy	(1)
20	V836859355	1	Ring	(1)
21	V836859364	1	Bush	(1)
22	V836859363	1	Bush	(1)
23	V836859354	1	Ring	(1)
24	V617330062	1	Circlip	(1)
25	V504801002	1	Nut	
26	V529801430	1	Screw	(1)
27	V529801560	2	Screw	
28	V836855934	2	Sleeve	
29	V529801550	1	Screw	
30	V529801550	1	Screw	
31	V529801470	1	Screw	
32	V836120989	1	Washer	
33	V836855711	1	Belt	

B-LA15-001-A



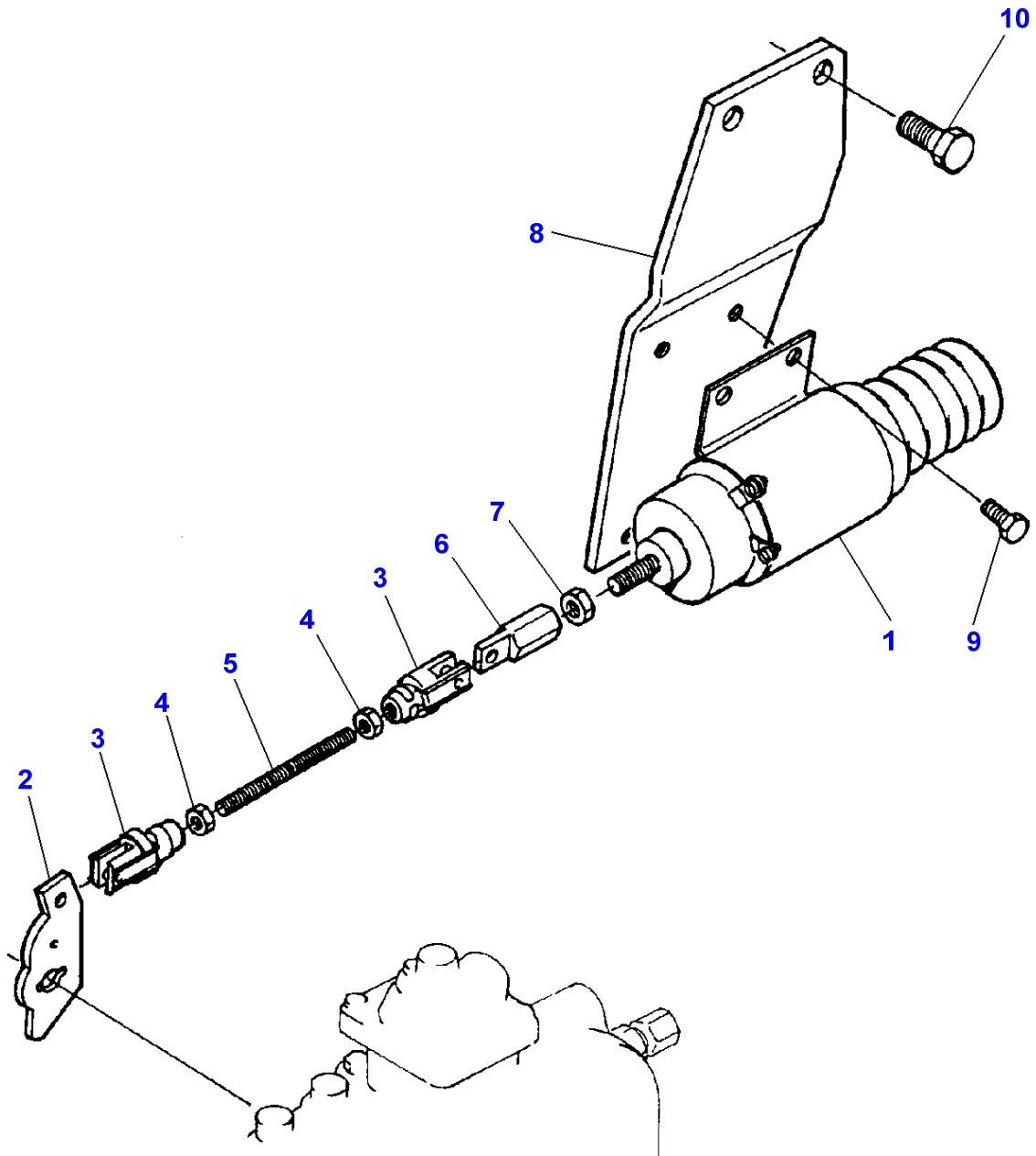
Item	Part Number	Qty	Description	Comments
				MF 42
1	V836340066	1	Pump	
2	V836340068	1	Clevis Pin	(1)
3	V836139015	1	O Ring	(1)
4	V836340069	1	Body	(1)
5	V835339876	1	O Ring	(1)
6	V835339877	1	Plunger	(1)
7	V835339884	1	Pump	(1)
8	V615881620	1	Seal	(1)
9	V836340067	1	Union	(1)
10		1	Housing	(1)
				Not serviced, order REF. 1
11	V835340971	1	Union	(1)
12	V835340972	1	O Ring	(1)
13	V835339879	2	Washer	(1)
14	V835339878	1	Spring	(1)
15	V835339880	1	Pressure Valve	(1)
16	V835339882	1	Gasket	(1)
17	V836329194	1	Gasket	
18	V504600602	3	Nut	
19	V500450602	3	Washer	





<b>Item</b>	<b>Part Number</b>	<b>Qty</b>	<b>Description</b>	<b>Comments</b>
				MF 42
1	V836640940	1	Startermotor	
2	V836640951	1	Bush	(1)
3	V836640952	1	Tie	(1)
4	V836640953	1	Kit, Brush	(1)
5	V836640954	1	Plate	(1)
6	V836640955	1	Kit, Lever	(1)
7	V836640956	1	Drive Gear	(1)
8	V836640957	1	Kit, Bush	(1)
9	V836640958	1	Solenoid	(1)
10	V836640959	1	Bush	(1)

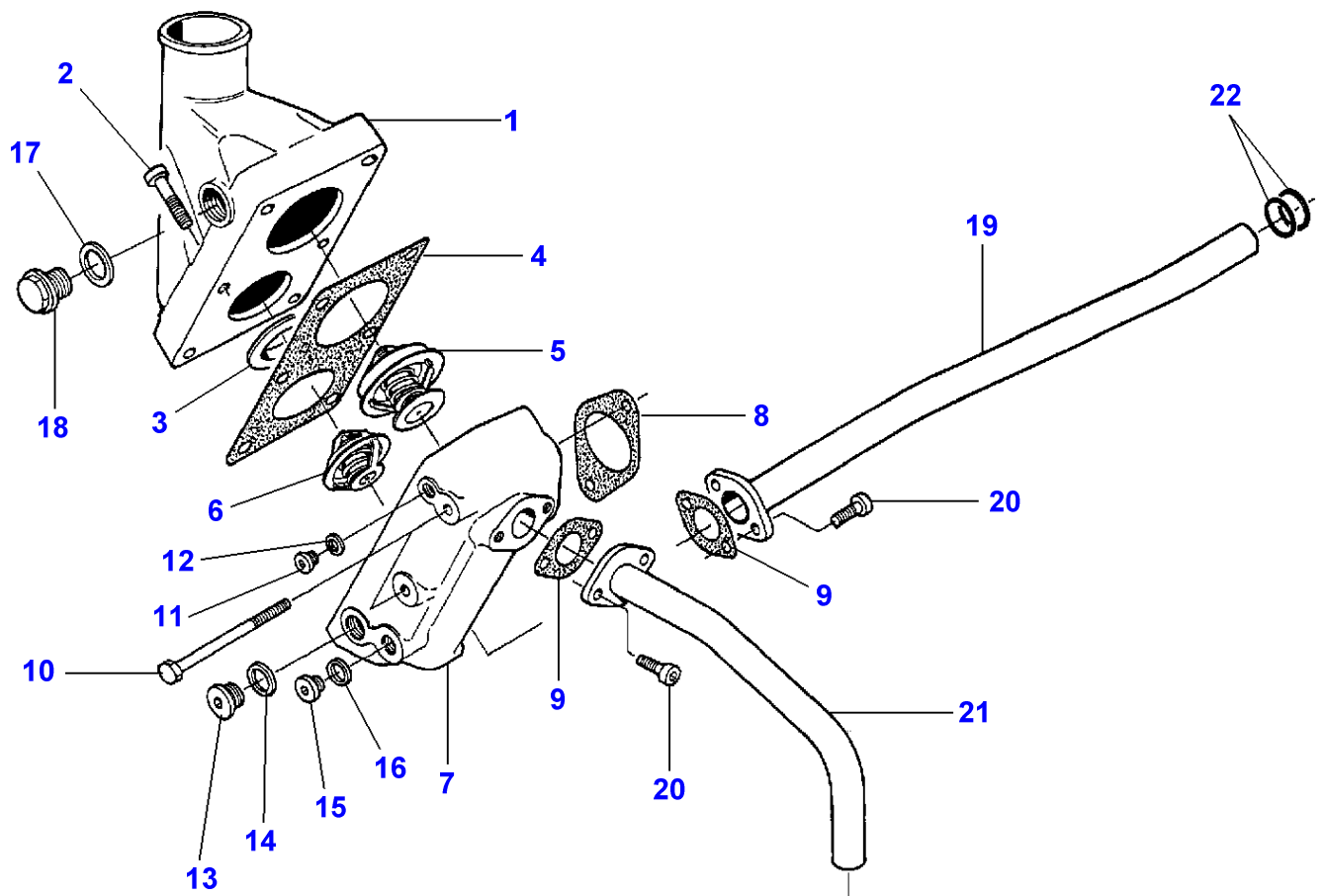
B-HB44-001-A



**MASSEY FERGUSON****MF 7200 SERIES COMBINE ENGINE/VALMET - 1637384****1637384****STOP MAGNET - MF 42****26**

<b>Item</b>	<b>Part Number</b>	<b>Qty</b>	<b>Description</b>	<b>Comments</b>
				MF 42
1	V836640941	1	Solenoid	
2	V835347344	1	Lever	
3	V835339319	2	Fork	
4	V504600502	2	Nut	
5	V836859052	1	Stem	
6	V836346773	1	Clevis	
7	V504600602	1	Nut	
8	V836859051	1	Support	
9	V528801062	4	Screw	
10	V528801782	2	Screw	M10X20

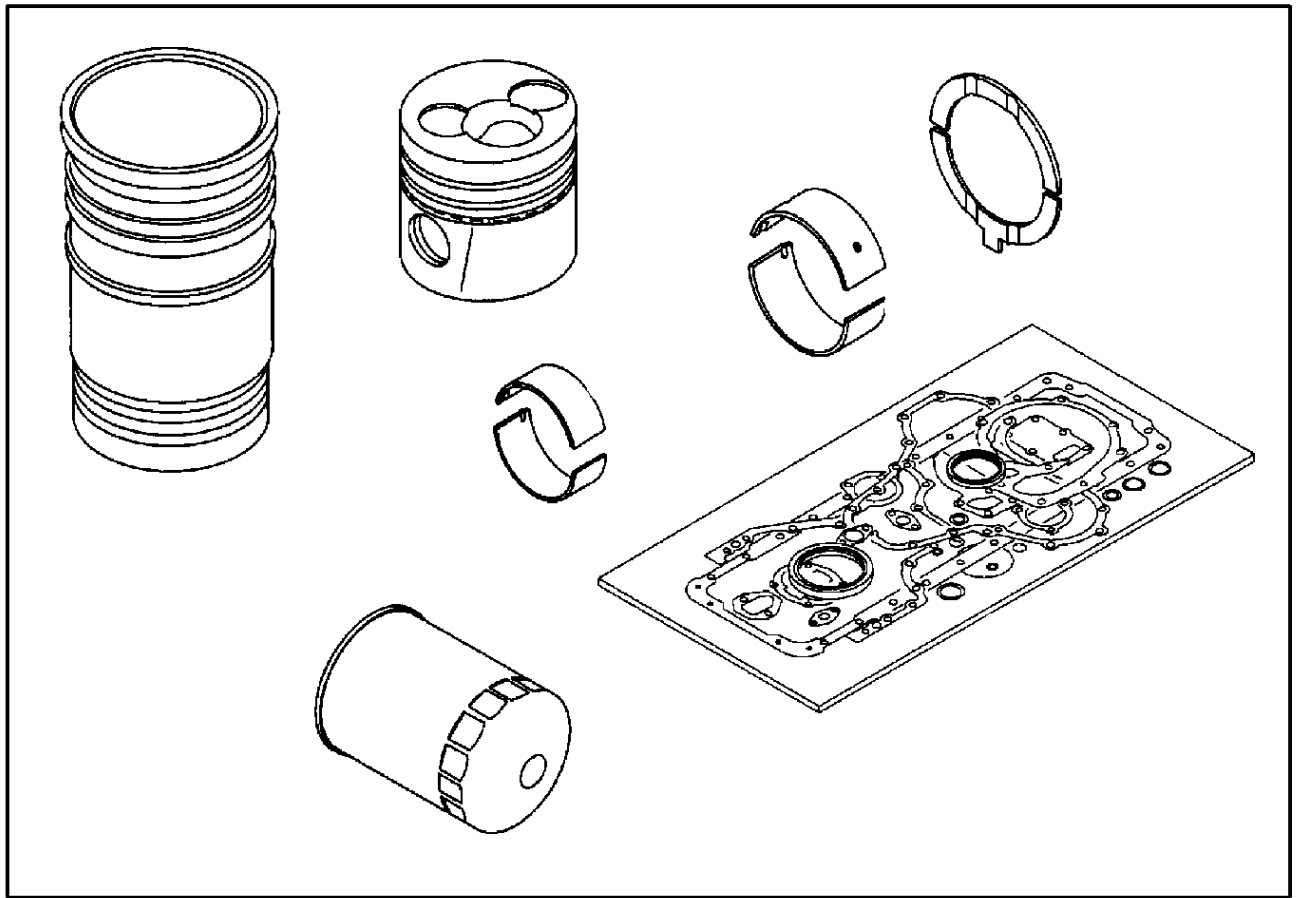
B-HB09-010-A



Item	Part Number	Qty	Description	Comments
				MF 42
1	V836855602	1	Housing	
2	V581804650	6	Screw	
3	V836336425	1	Washer	
4	V836855603	1	Gasket	
5	V836352903	1	Thermostat	[A]
6	V836015156	1	Thermostat	[B]
7	V836855601	1	Housing	
8	V836646393	1	Gasket	
9	V836322190	2	Gasket	
10	V529801550	2	Screw	
11	V640325110	1	Plug	
12	V615571014	1	Seal	
13	V640325018	1	Plug	
14	V615881822	1	Seal	
15	V640325014	1	Plug	
16	V615881418	1	Seal	
17	V615882227	1	Gasket	
18	V640045022	1	Plug	
19	V836855639	1	Pipe	
20	V581804600	4	Screw	
21	V836855672	1	Pipe	
22	V614602430	2	O Ring	

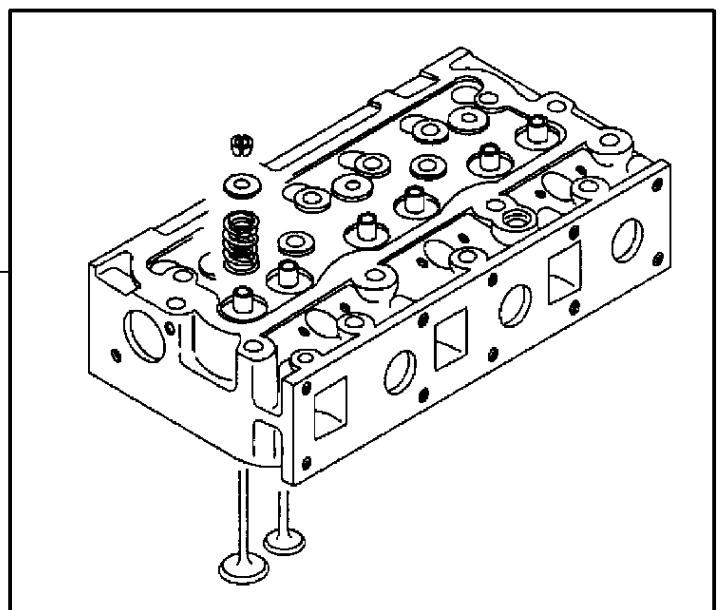
[A]  
OPENS AT 83 DEGREES  
[B]  
OPENS AT 79 DEGREES

B-HB31-002-A



1

2



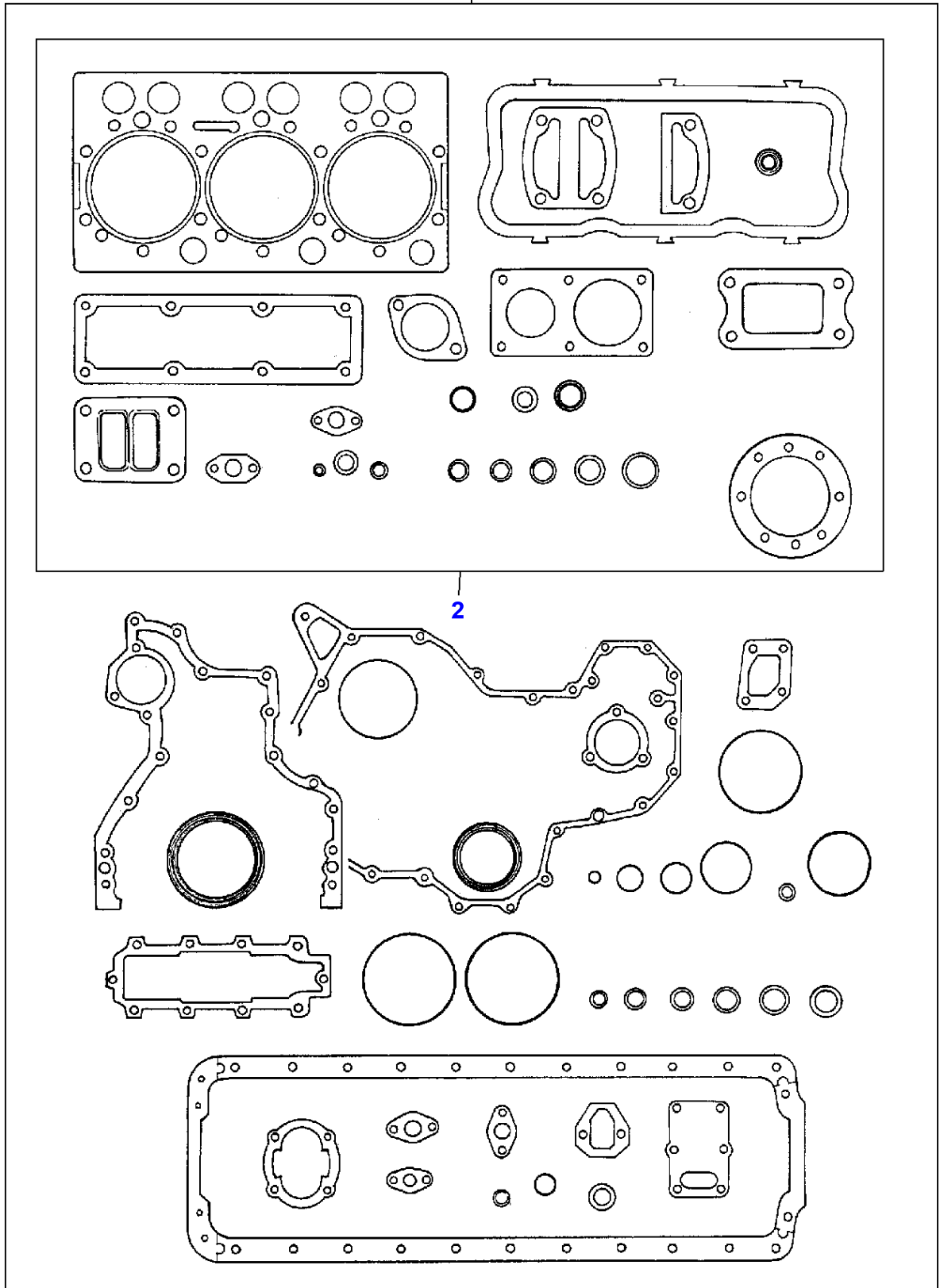
**MASSEY FERGUSON****MF 7200 SERIES COMBINE ENGINE/VALMET - 1637384****1637384****ENGINE REPAIR KITS - MF 42****28**

<b>Item</b>	<b>Part Number</b>	<b>Qty</b>	<b>Description</b>	<b>Comments</b>
				MF 42
1	V836840995	1	Kit, Repair	
2	V836640897	2	Cylinder Head	



B-HB28-008-A

1



**MASSEY FERGUSON****MF 7200 SERIES COMBINE ENGINE/VALMET - 1637384****1637384****JOINTS AND GASKETS - MF 42****29**

<b>Item</b>	<b>Part Number</b>	<b>Qty</b>	<b>Description</b>	<b>Comments</b>
-------------	--------------------	------------	--------------------	-----------------

1	V836840994	1	Kit, Joint	
---	------------	---	------------	--

2	V836840993	1	Kit, Joint	(1)
---	------------	---	------------	-----