



PARTS CATALOGUE

YFM400FWA (5GHM) EUROPE

YFM400FWAP (5GHN) OCEANIA

YFM400FWA/YFM400FWAP
PARTS CATALOGUE
©2001 by Yamaha Motor Co., Ltd.
1st Edition, Aug. 2001
All rights reserved.
Any reprinting or unauthorized use
without the written permission of
Yamaha Motor Co., Ltd.
is expressly prohibited.

A3

FOREWORD

This Parts Catalogue is related to the parts for the model(s) in the below frame. When you are ordering replacement parts, please refer to this Parts Catalogue and quote both part numbers and part names correctly.

YFM400FWA(5GHM), YFM400FWAP(5GHN)

1. Modifications or additions which have been made after issue of the Parts Catalogue will be announced in the Yamaha Parts News. It is advisable that you make necessary corrections to the Parts Catalogue according to the Yamaha Parts News.

2. Abbreviations
The Following abbreviations are used in this Parts Catalogue.

- “UR” Use specified parts number.
- “UN” Use as many as needed.
- “AP” Alternate Parts
- “LM” Local Made (Parts need to be ordered locally)
- “F#” Frame No. (Applicable machine No.)

3. Parts, which are to be supplied in an assembly, are listed with a dot(.) in front of the part name as shown below.

EXAMPLE
 CARBURETOR ASSY
 .JET, PILOT
 .NOZZLE, MAIN

4. Number of component for assembly
 The numeral appearing to the right of each component part indicates the quantity of parts for each assembly unit.

EXAMPLE

PART NO.	DESCRIPTION	Q'TY	REMARKS
2F5-83310-60	FRONT FLASHER LIGHT ASSY	2	
115-83311-60	.BULB (6V-18W)	1	
1M1-83309-60	.REFLECTOR	1	

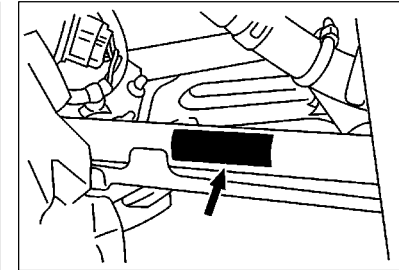
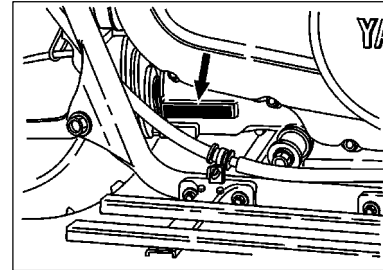
5. Applicable colors of graphics are represented in the “REMARKS” as shown below.

PART NO.	DESCRIPTION	Q'TY	REMARKS
2N4-24110-00-X5	FUEL TANK COMP.	2	MXR
3J1-24240-10	.GRAPHIC, FUEL TANK	1	FOR MXR

6. Applicable Serial No.

Engine Serial No.

Frame Serial No.



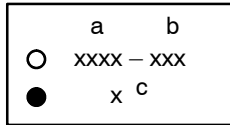
7. Note that the illustrations for reference in finding parts numbers, not to be used for assembling. When assembling, please use the applicable service manual.

8. The asterisk (*) before a reference number indicates modification items after the first edition.

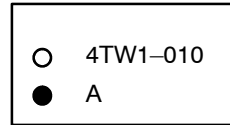
MODEL LABEL

(1) A label called "Model Label" is affixed in the location as indicated in (3) below.
When using this parts catalogue, please be sure to cross-refer the "model code – production code No." in the catalogue to the "model code – production code No." indicated on the Model Label affixed onto the product concerned.

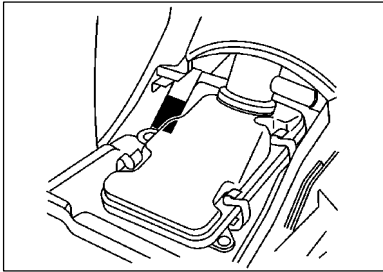
(2) "Model Label" Indication



a: Model Type Code
b: Production Code No.
c: Colouring Type



(3) Model Label Affixing Location



(4) Model Code – Production Code Number of Model Listed in This Parts Catalog

Model Code	Production Code No.	Country (destination)	Model Code	Production Code No.	Country (destination)
5GHM	010	FRANCE			
		SWITZERLAND			
5GHN	010	ENGLAND			
		AUSTRALIA			
		NEWZEALAND			

(5) Colouring Information

Model Code	Colouring type code	Colour code	Colour Name	Abbreviation
5GHM	A	00K0	PASTEL DEEP GREEN	PDG
5GHM	B	00TR	ROMANTIQUE ROUGE	RTR
5GHM 5GHN	D	0583	DEEP PURPLISH BLUE SOLID E	DPBSE

CONTENTS

ENGINE

CYLINDER HEAD	B2
CYLINDER	B4
CRANKSHAFT. PISTON	B5
VALVE	B6
CAMSHAFT. CHAIN	B7
WATER PUMP	B8
RADIATOR. HOSE	B9
OIL PUMP	B11
INTAKE	B12
CARBURETOR	B13
EXHAUST	B15
CRANKCASE	C2
CRANKCASE COVER 1	C4
STARTER	C6
STARTER CLUTCH	C7
CLUTCH	C8
TRANSMISSION	C10
MIDDLE DRIVE GEAR	C12
SHIFT CAM. FORK	C14
SHIFT SHAFT	C15

CHASSIS

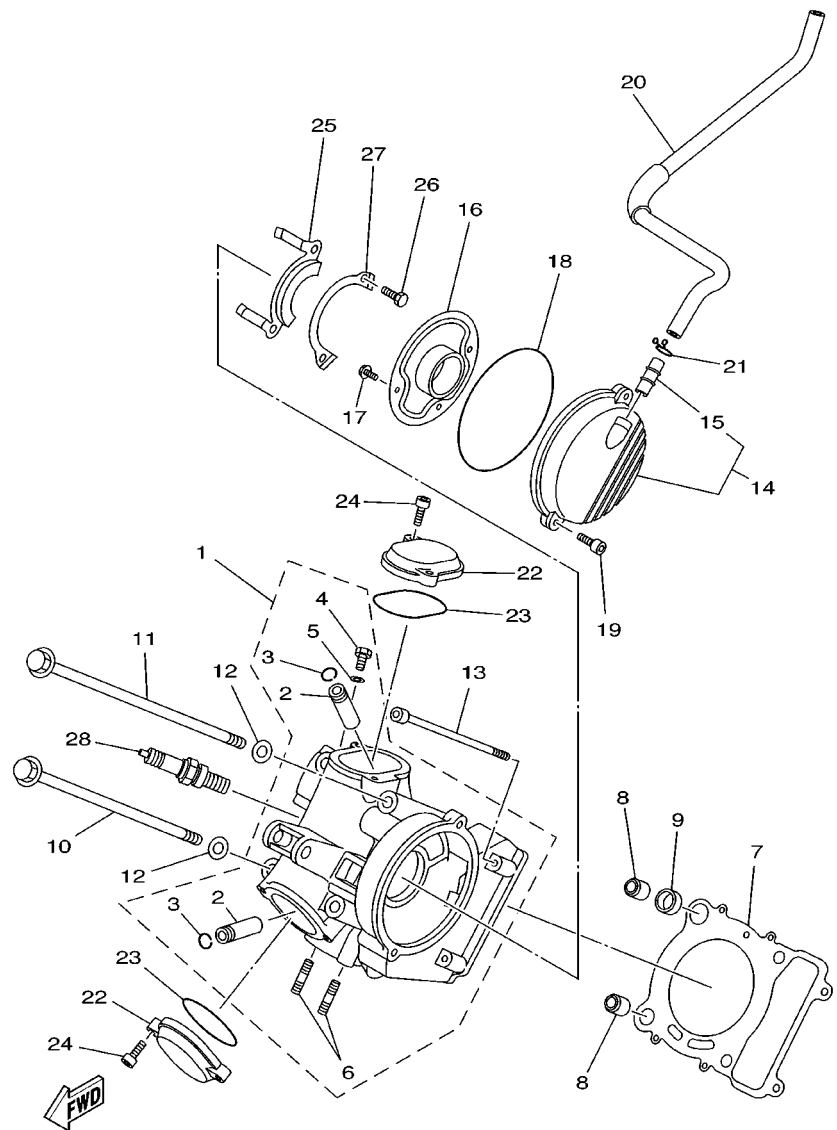
FRAME	D3
FRONT FENDER	D5
REAR FENDER	D6
SIDE COVER	D7
REAR ARM	D8
DRIVE SHAFT	D9
FRONT DIFFERENTIAL	D11

REAR SUSPENSION	D13
STEERING	D14
FRONT SUSPENSION. WHEEL	D15
FUEL TANK	E2
SEAT	E3
FRONT WHEEL	E4
FRONT BRAKE	E7
REAR WHEEL	E8
REAR BRAKE	E10
STEERING HANDLE. CABLE	E11
FRONT MASTER CYLINDER	E12
STAND. FOOTREST	E13
REAR MASTER CYLINDER	E14
GUARD	F2
GENERATOR	F3
STARTING MOTOR	F4
METER	F5
HEADLIGHT	F6
TAILLIGHT	F7
HANDLE SWITCH. LEVER	F8
ELECTRICAL 1	F9
ELECTRICAL 2	F12
EMBLEM.LABEL 1	F13
EMBLEM.LABEL 2	F14

INDEX

NUMERICAL INDEX	M1
-----------------------	----

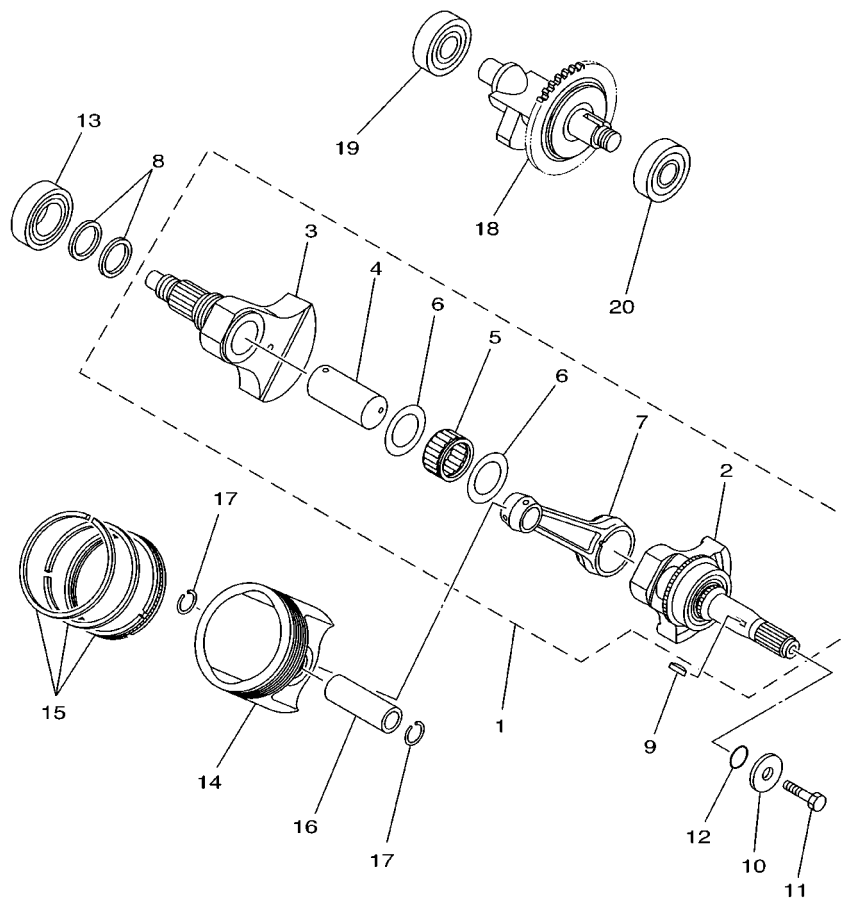
FIG. 1 CYLINDER HEAD



5GHK110-2010

REF. NO.	PART NO.	DESCRIPTION	CHE	GBR	AUS	REMARKS
1	5GH-11110-00	CYLINDER HEAD ASSY	1	1	1	
2	3Y1-11133-11	.GUIDE, INTAKE VALVE	2	2	2	
3	93440-12052	.CIRCLIP	2	2	2	
4	90401-06001	.BOLT, UNION	1	1	1	
5	90430-06192	.GASKET	1	1	1	
6	95617-08620	.BOLT, STUD	2	2	2	
7	5GH-11181-00	GASKET, CYLINDER HEAD 1	1	1	1	
8	99530-14016	PIN, DOWEL	2	2	2	
9	90430-14240	GASKET	1	1	1	
10	90105-10421	BOLT, FLANGE	2	2	2	
11	90105-10422	BOLT, FLANGE	2	2	2	
12	90201-10128	WASHER, PLATE	4	4	4	
13	91317-06140	BOLT	2	2	2	
14	4WU-11160-00	BREATHER ASSY	1	1	1	
15	371-11167-01	.PIPE, BREATHER 2	1	1	1	
16	4KB-11165-00	PLATE, BREATHER	1	1	1	
17	95027-06012	BOLT, FLANGE	2	2	2	
18	93211-06635	O-RING	1	1	1	
19	91317-06025	BOLT	2	2	2	
20	5GH-11166-00	PIPE, BREATHER 1	1	1	1	
21	90467-14015	CLIP	1	1	1	
22	2NL-11186-00	COVER, CYLINDER HEAD SIDE 2	2	2	2	
23	93210-57634	O-RING	2	2	2	
24	91317-06020	BOLT	4	4	4	
25	5GH-1111F-00	PLATE	1	1	1	
26	97007-06012	BOLT	2	2	2	
27	90215-06184	WASHER, LOCK	1	1	1	

FIG. 3 CRANKSHAFT. PISTON

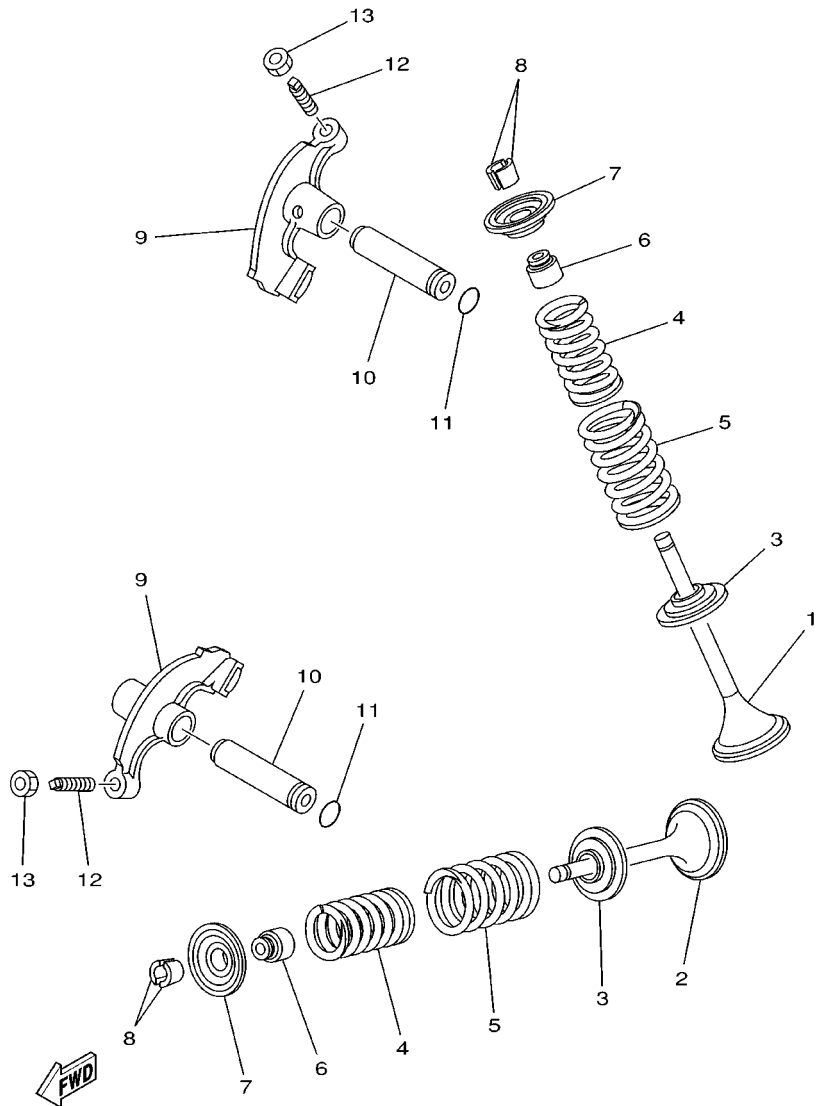


FWD
5GHD171-1030

REF. NO.	PART NO.	DESCRIPTION	CHE	GBR	AUS	REMARKS
1	5GH-11400-10	CRANKSHAFT ASSY	1	1	1	
2	5GH-W1141-00	.CRANK 1	1	1	1	
3	5GH-W1142-00	.CRANK 2	1	1	1	
4	5GH-11681-00	.PIN, CRANK 1	1	1	1	
5	93310-635D4	.BEARING	1	1	1	
6	90201-356K1	.WASHER, PLATE	2	2	2	
7	5GH-11651-01	.ROD, CONNECTING	1	1	1	
8	5GH-11447-00	SEAL, CRANK	2	2	2	
9	90280-05048	KEY, WOODRUFF	1	1	1	
10	90201-10321	WASHER, PLATE	1	1	1	
11	90101-10568	BOLT	1	1	1	
12	93210-16290	O-RING	1	1	1	
13	93306-30629	BEARING	1	1	1	
14	5GH-11631-00	PISTON (STD)	1	1	1	
	5GH-11636-00	PISTON (0.50MM O/S)	1	1	1	AP
	5GH-11638-00	PISTON (1.00MM O/S)	1	1	1	AP
15	5GH-11603-00	PISTON RING SET (STD)	1	1	1	
	5GH-11605-00	PISTON RING SET (0.50MM O/S)	1	1	1	AP
	5GH-11607-00	PISTON RING SET (1.00MM O/S)	1	1	1	AP
16	3LD-11633-00	PIN, PISTON	1	1	1	
17	93450-22027	CIRCLIP	2	2	2	
18	5GH-11500-00	BALANCER ASSY	1	1	1	
19	93306-30315	BEARING	1	1	1	
20	93306-30438	BEARING	1	1	1	

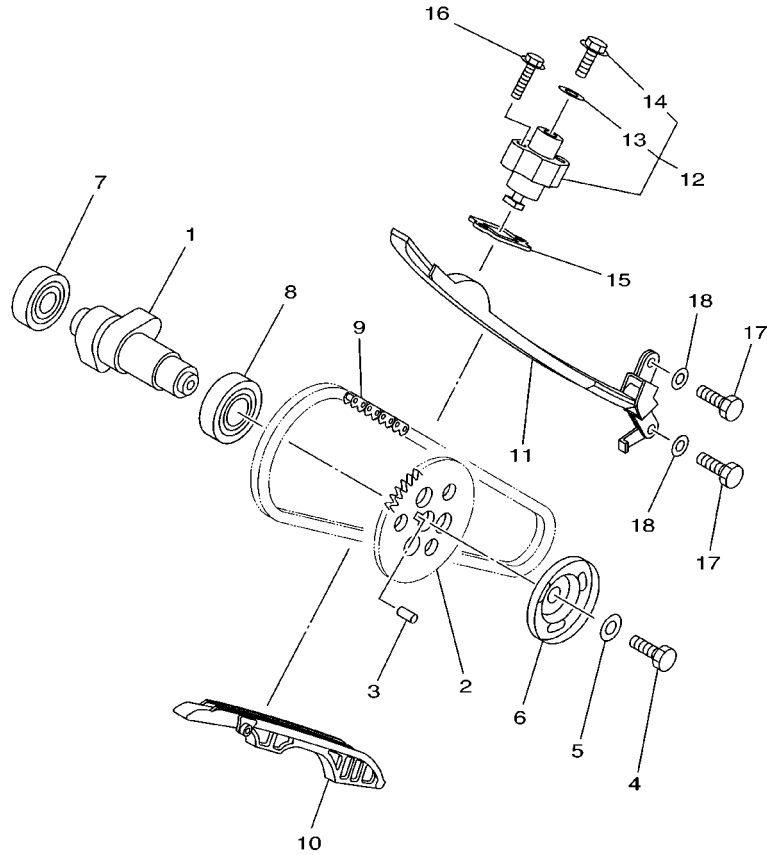
FIG. 4 VALVE

REF. NO.	PART NO.	DESCRIPTION	CHE	GBR	AUS	REMARKS
1	5GH-12111-00	VALVE, INTAKE	1	1	1	
2	5GH-12121-00	VALVE, EXHAUST	1	1	1	
3	3Y1-12116-00	SEAT, VALVE SPRING	2	2	2	
4	22U-12113-00	SPRING, VALVE INNER	2	2	2	
5	1UY-12114-01	SPRING, VALVE OUTER	2	2	2	
6	M01-12129-00	SEAL, VALVE STEM	2	2	2	
7	3Y1-12117-01	RETAINER, VALVE SPRING	2	2	2	
8	1J7-12118-00	COTTER, VALVE	4	4	4	
9	3GD-12151-00	ARM, VALVE ROCKER	2	2	2	
10	3Y1-12156-00	SHAFT, ROCKER 2	2	2	2	
11	93210-09165	O-RING	2	2	2	
12	31G-12159-02	SCREW, VALVE ADJUSTING	2	2	2	
13	31G-12158-00	NUT, LOCK	2	2	2	



5GH1110-0040

FIG. 5 CAMSHAFT. CHAIN

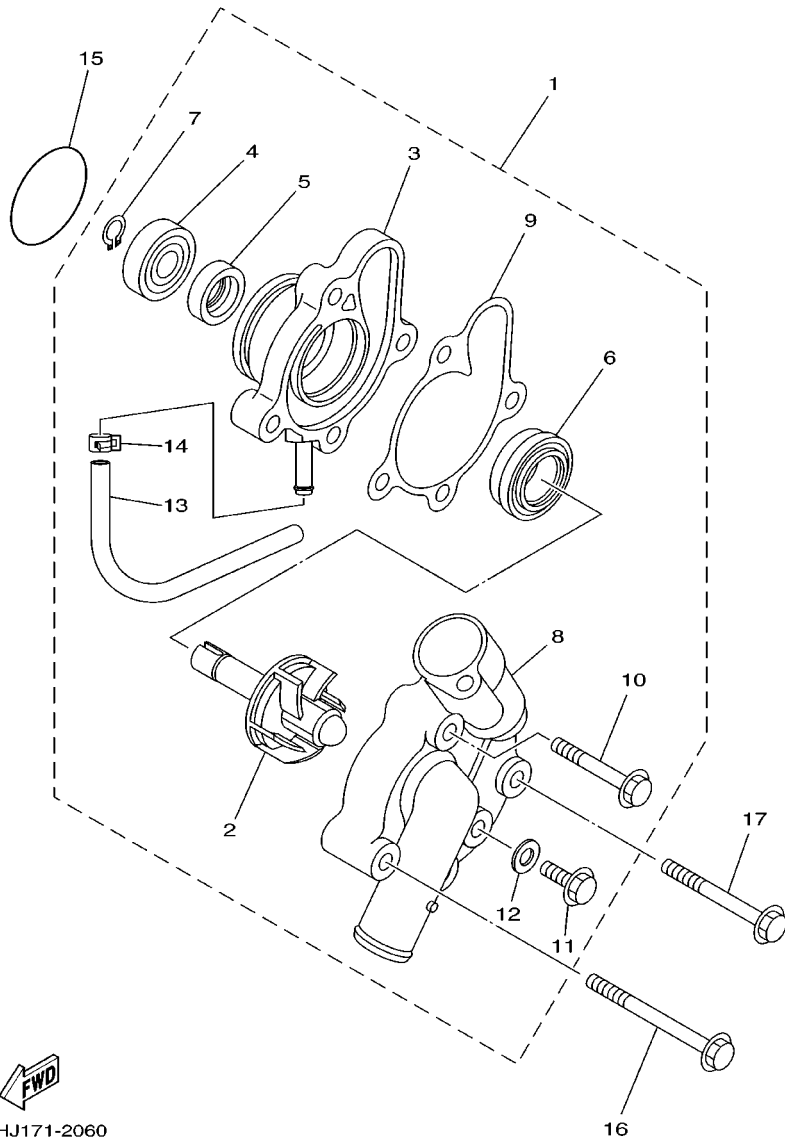


REF. NO.	PART NO.	DESCRIPTION	CHE	GBR	AUS	REMARKS
1	5GH-12171-00	CAMSHAFT 1	1	1	1	
2	5GH-12176-10	SPROCKET, CAM CHAIN	1	1	1	
3	93604-10011	PIN, DOWEL	1	1	1	
4	90101-10303	BOLT	1	1	1	
5	90201-10591	WASHER, PLATE	1	1	1	
6	4KB-11145-00	PLATE, BREATHER 2	1	1	1	
7	93306-00438	BEARING	1	1	1	
8	93306-00515	BEARING	1	1	1	
9	94581-96116	CHAIN	1	1	1	
10	5GH-12231-10	GUIDE, STOPPER 1	1	1	1	
11	5GH-12241-00	GUIDE, STOPPER 2	1	1	1	
12	31G-12210-01	TENSIONER ASSY, CAM CHAIN	1	1	1	
13	31G-12214-00	.GASKET	1	1	1	
14	31G-12222-00	.PLUG	1	1	1	
15	3GD-12213-00	GASKET, TENSIONER CASE	1	1	1	
16	95027-06025	BOLT, FLANGE	2	2	2	
17	97027-06016	BOLT	2	2	2	
18	92907-06600	WASHER, PLATE	2	2	2	



5GHK110-2050

FIG. 6 WATER PUMP

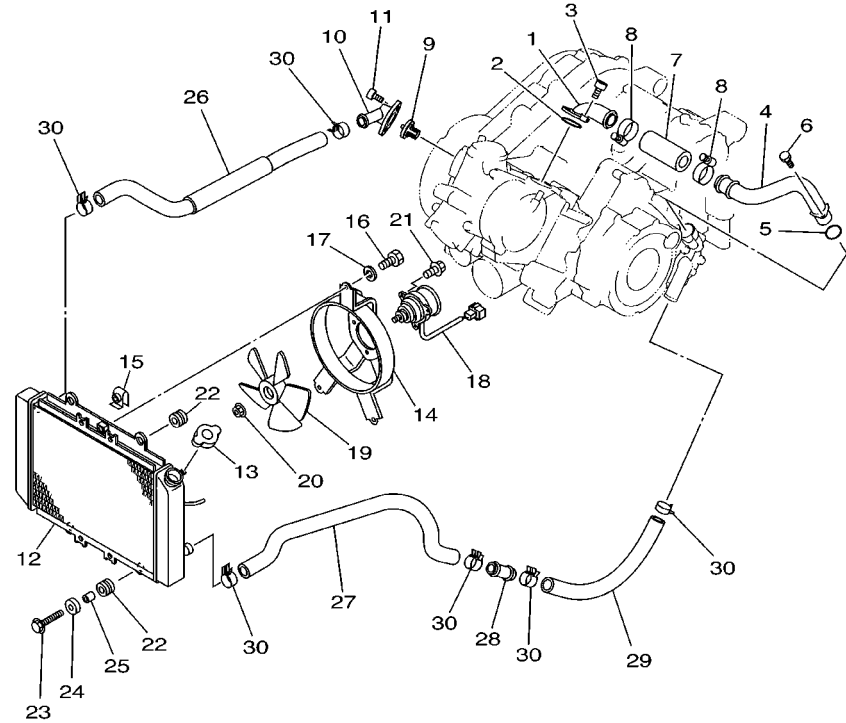


REF. NO.	PART NO.	DESCRIPTION	CHE	GBR	AUS	REMARKS
1	5GH-12420-01	WATER PUMP ASSY	1	1	1	
2	5CG-12450-00	.IMPELLER SHAFT ASSY	1	1	1	
3	5GH-12421-01	.HOUSING, WATER PUMP	1	1	1	
4	93306-00006	.BEARING (B6000)	1	1	1	
5	93101-10090	.OIL SEAL	1	1	1	
6	11H-12438-10	.SEAL, MECHANICAL	1	1	1	
7	99009-10400	.CIRCLIP	1	1	1	
8	5GH-12422-00	.COVER, HOUSING	1	1	1	
9	5GH-12428-00	.GASKET, HOUSING COVER 2	1	1	1	
10	90105-06005	.BOLT, FLANGE	2	2	2	
11	95027-06012	.BOLT, FLANGE	1	1	1	
12	90430-06014	.GASKET	1	1	1	
13	90446-06001	.HOSE	1	1	1	
14	90467-06194	.CLIP	1	1	1	
15	93210-33133	O-RING	1	1	1	
16	95027-06060	BOLT, FLANGE	1	1	1	
17	95027-06050	BOLT, FLANGE	1	1	1	



5GHJ171-2060

FIG. 7 RADIATOR. HOSE

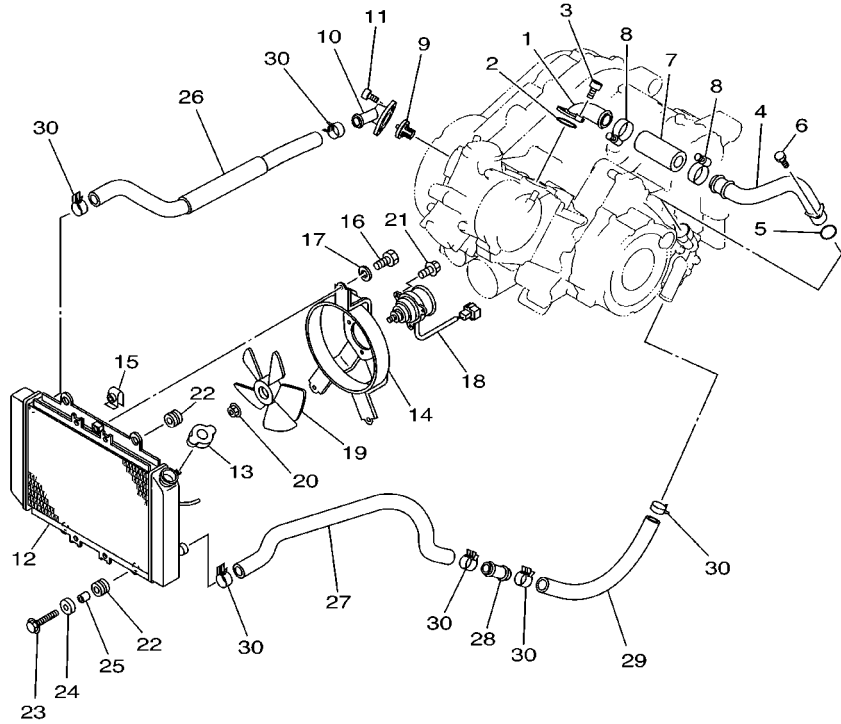



5GHK110-2070

REF. NO.	PART NO.	DESCRIPTION	CHE	GBR	AUS	REMARKS
1	5GH-12446-00	JOINT	1	1	1	
2	93210-33786	O-RING	1	1	1	
3	90110-06136	BOLT, HEXAGON SOCKET HEAD	2	2	2	
4	5GH-12484-00	PIPE 4	1	1	1	
5	93210-18417	O-RING	1	1	1	
6	91317-06012	BOLT	1	1	1	
7	5GH-12481-00	PIPE 1	1	1	1	
8	90450-32015	HOSE CLAMP ASSY	2	2	2	
9	2TV-12411-00	THERMOSTAT	1	1	1	
10	5GH-12413-00	COVER, THERMOSTAT	1	1	1	
11	91317-06020	BOLT	2	2	2	
12	5GH-12461-10	RADIATOR ASSY	1	1	1	
13	22W-12462-00	CAP, RADIATOR	1	1	1	
14	5GH-12620-00	AIR SHROUD ASSY	1	1	1	
15	1AA-12535-00	PLATE	3	3	3	
16	97017-06010	BOLT	3	3	3	
17	92907-06600	WASHER, PLATE	3	3	3	
18	5GH-12630-10	MOTOR ASSY	1	1	1	
19	5GH-12611-00	FAN	1	1	1	
20	33M-12671-00	NUT 1	1	1	1	
21	5GH-12647-00	SCREW, MOTOR HOLDING	3	3	3	
22	90480-15235	GROMMET	4	4	4	
23	95807-06020	BOLT, FLANGE	2	2	2	
24	90209-06174	WASHER	2	2	2	
25	90387-060A7	COLLAR	2	2	2	
26	5GH-12482-00	PIPE 2	1	1	1	
27	5GH-12483-00	PIPE 3	1	1	1	

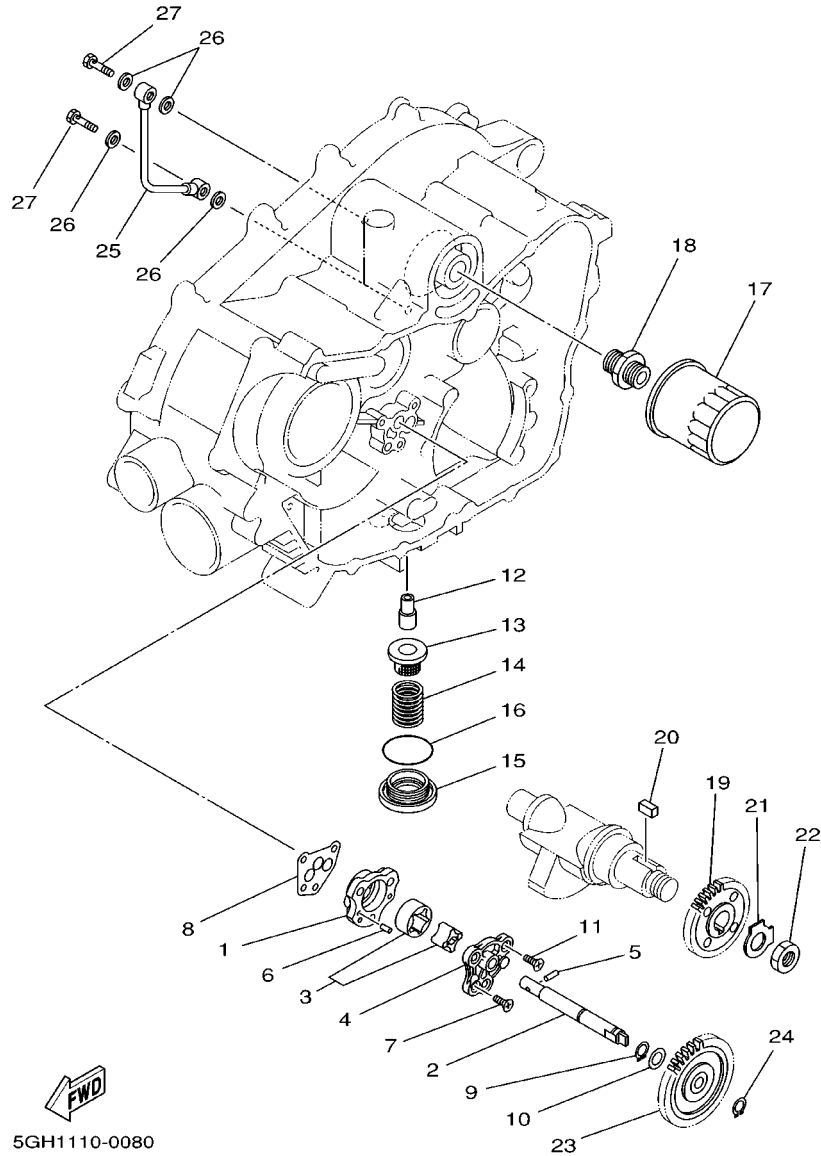
FIG. 7 RADIATOR. HOSE

REF. NO.	PART NO.	DESCRIPTION	CHE	GBR	AUS				REMARKS
28	5GH-12485-00	PIPE 5	1	1	1				
29	5GH-12476-00	PIPE 6	1	1	1				
30	90467-23177	CLIP	6	6	6				



5GHK110-2070

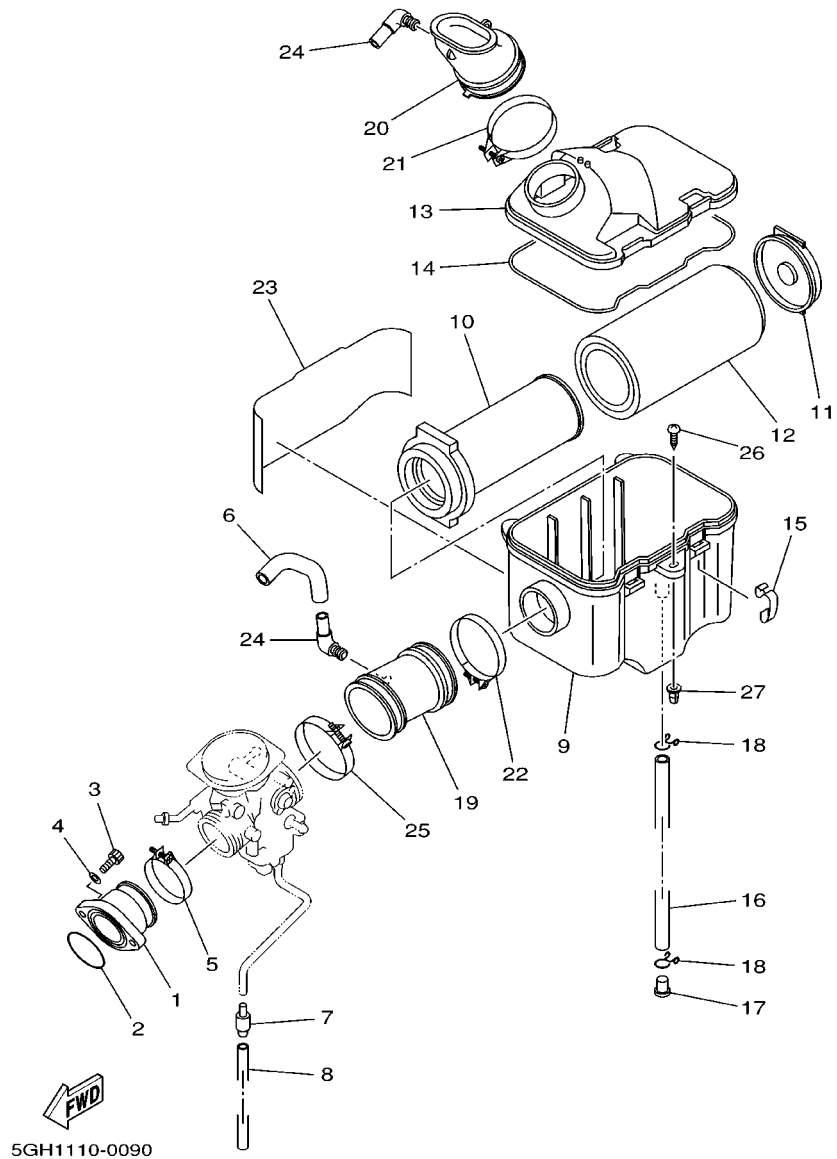
FIG. 8 OIL PUMP



REF. NO.	PART NO.	DESCRIPTION	CHE	GBR	AUS	REMARKS
1	1UY-13336-00	HOUSING, ROTOR	1	1	1	
2	5GH-13314-00	SHAFT, PUMP	1	1	1	
3	3Y1-13310-01	ROTOR ASSY 1	1	1	1	
4	1UY-13316-00	COVER, PUMP	1	1	1	
5	93603-12030	PIN, DOWEL	1	1	1	
6	93603-07073	PIN, DOWEL	2	2	2	
7	98707-06020	SCREW, FLAT HEAD	1	1	1	
8	3GD-13329-00	GASKET, PUMP COVER	1	1	1	
9	99009-11400	CIRCLIP	1	1	1	
10	90201-114P2	WASHER, PLATE (1.0)	1	1	1	
11	98707-06030	SCREW, FLAT HEAD	3	3	3	
12	2XK-13416-00	PIPE, OIL 1	1	1	1	
13	51Y-13411-00	STRAINER, OIL	1	1	1	
14	90501-18576	SPRING, COMPRESSION	1	1	1	
15	4HC-15351-00	PLUG, DRAIN	1	1	1	
16	93210-35520	O-RING	1	1	1	
17	5GH-13440-00	ELEMENT ASSY, OIL CLEANER	1	1	1	
18	90401-20145	BOLT, UNION	1	1	1	
19	5GH-13324-00	GEAR, PUMP DRIVE	1	1	1	
20	90282-05013	KEY, STRAIGHT	1	1	1	
21	90215-14205	WASHER, LOCK	1	1	1	
22	90170-14284	NUT	1	1	1	
23	5GH-13325-00	GEAR, PUMP DRIVEN	1	1	1	
24	99009-11400	CIRCLIP	1	1	1	
25	4KB-13161-01	PIPE, DELIVERY 1	1	1	1	
26	90430-08119	GASKET	4	4	4	
27	90401-08038	BOLT, UNION	2	2	2	

5GH1110-0080

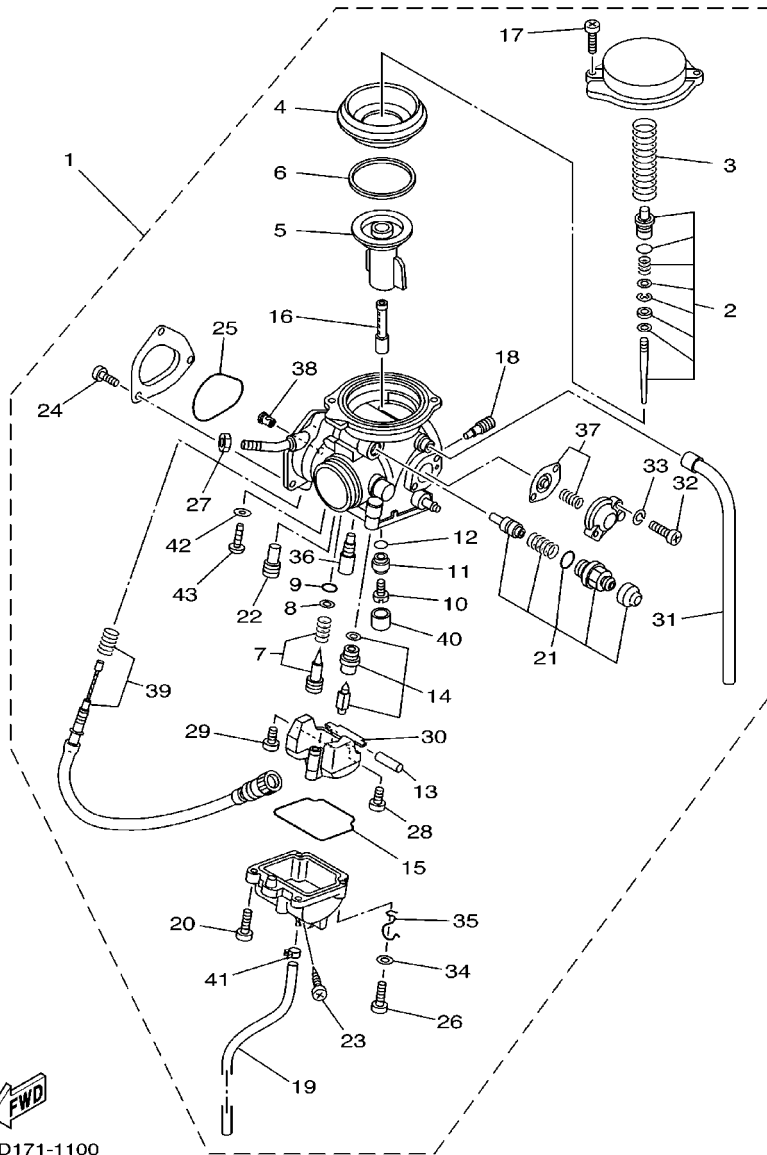
FIG. 9 INTAKE



5GH1110-0090

REF. NO.	PART NO.	DESCRIPTION	CHE	GBR	AUS	REMARKS
1	5GH-13586-00	JOINT, CARBURETOR 1	1	1	1	
2	93210-44545	O-RING	1	1	1	
3	91317-08025	BOLT	2	2	2	
4	90201-08085	WASHER, PLATE	2	2	2	
5	90450-47001	HOSE CLAMP ASSY	1	1	1	
6	5GH-14349-00	PIPE	1	1	1	
7	24W-14193-00	PIPE	1	1	1	
8	91A20-07010	TUBE, FLEXIBLE VINYL	1	1	1	
9	5GH-14411-00	CASE, AIR CLEANER 1	1	1	1	
10	5GH-14458-01	GUIDE	1	1	1	
11	1UY-14468-00	PLATE,ELEMENT FITTING	1	1	1	
12	5GH-14451-00	ELEMENT, AIR CLEANER	1	1	1	
13	5GH-14412-00	CAP, CLEANER CASE 1	1	1	1	
14	5GH-14462-00	SEAL	1	1	1	
15	5GH-14436-00	HOOK	4	4	4	
16	91A20-12026	TUBE, FLEXIBLE VINYL	1	1	1	
17	90338-12081	PLUG	1	1	1	
18	90467-15012	CLIP	2	2	2	
19	5GH-14453-00	JOINT, AIR CLEANER 1	1	1	1	
20	5GH-14437-00	DUCT	1	1	1	
21	90450-60085	HOSE CLAMP ASSY	1	1	1	
22	90460-58015	CLAMP, HOSE	1	1	1	
23	5GH-1442F-00	PROTECTOR	1	1	1	
24	31A-14419-00	PIPE	2	2	2	
25	90460-56105	CLAMP, HOSE	1	1	1	
26	97707-60020	SCREW, TAPPING	3	3	3	
27	90338-08226	PLUG	3	3	3	

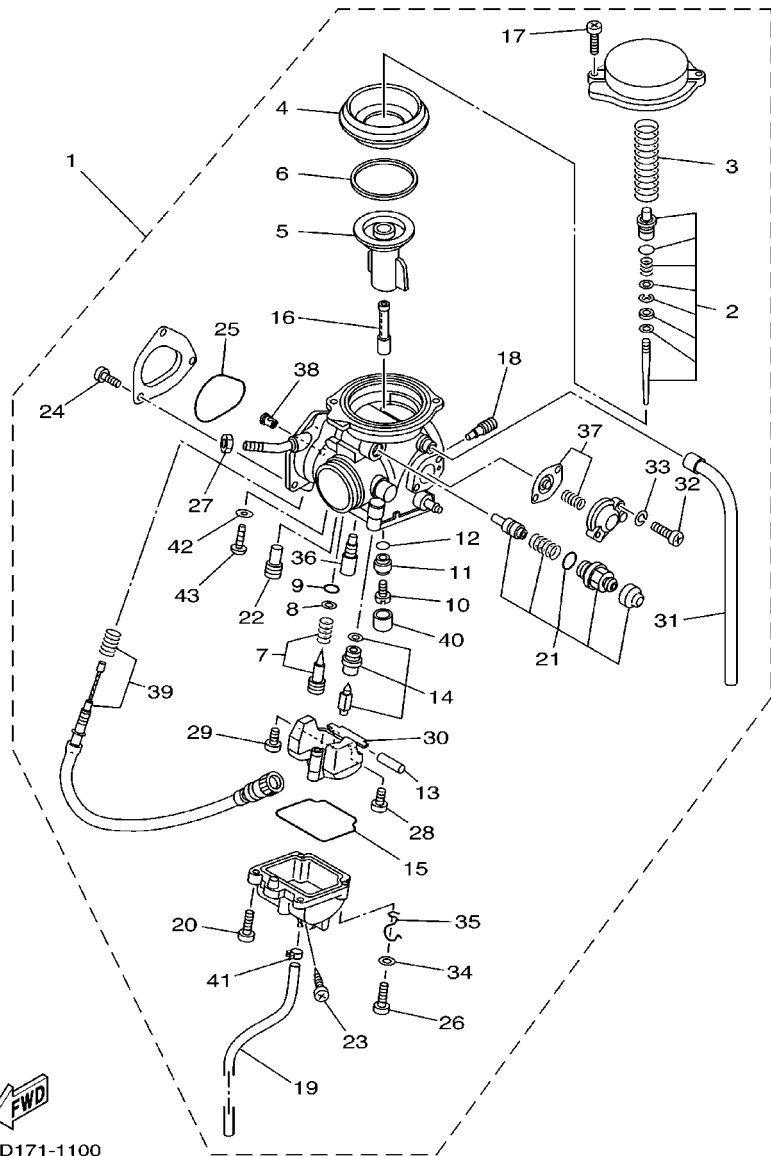
FIG. 10 CARBURETOR



5GHD171-1100

REF. NO.	PART NO.	DESCRIPTION	CHE	GBR	AUS	REMARKS
1	5GH-14101-11	CARBURETOR ASSY 1	1	1	1	
2	5GH-1490J-20	.NEEDLE SET	1	1	1	
3	5DM-14933-00	.SPRING, DIAPHRAGM	1	1	1	
4	5GH-14940-10	.DIAPHRAGM ASSY	1	1	1	
5	5DM-14112-00	.VALVE, THROTTLE 1	1	1	1	
6	5GH-14918-10	.RING	1	1	1	
7	5GH-14105-10	.PILOT SCREW SET	1	1	1	WHITE SPRING
8	3H1-14962-00	.WASHER	1	1	1	
9	3H1-14147-00	.O-RING	1	1	1	
10	3G2-14231-26	.JET, MAIN (#130)	1	1	1	
11	5GH-14261-00	.HOLDER	1	1	1	
12	583-14561-00	.O-RING	1	1	1	
13	127-14186-00	.PIN, FLOAT	1	1	1	
14	4SV-14107-20	.NEEDLE VALVE SET	1	1	1	
15	5DM-14561-00	.O-RING	1	1	1	
16	5DM-14141-40	.NOZZLE, MAIN	1	1	1	
17	4KM-14216-00	.SCREW	1	1	1	
18	1HX-14231-16	.JET, MAIN (# 80)	1	1	1	
19	4KB-14193-20	.PIPE	1	1	1	
20	98580-04010	.SCREW, PAN HEAD	3	3	3	
21	5GH-1410A-00	.STARTER SET	1	1	1	
22	3G2-14231-14	.JET,PILOT AIR(#70)	1	1	1	
23	12R-14191-00	.PLUG, DRAIN	1	1	1	
24	98507-04006	.SCREW, PAN HEAD	3	3	3	
25	4WV-14147-10	.O-RING	1	1	1	
26	98507-04016	.SCREW, PAN HEAD	1	1	1	
27	522-14161-00	.NUT, CABLE ADJUSTING	1	1	1	

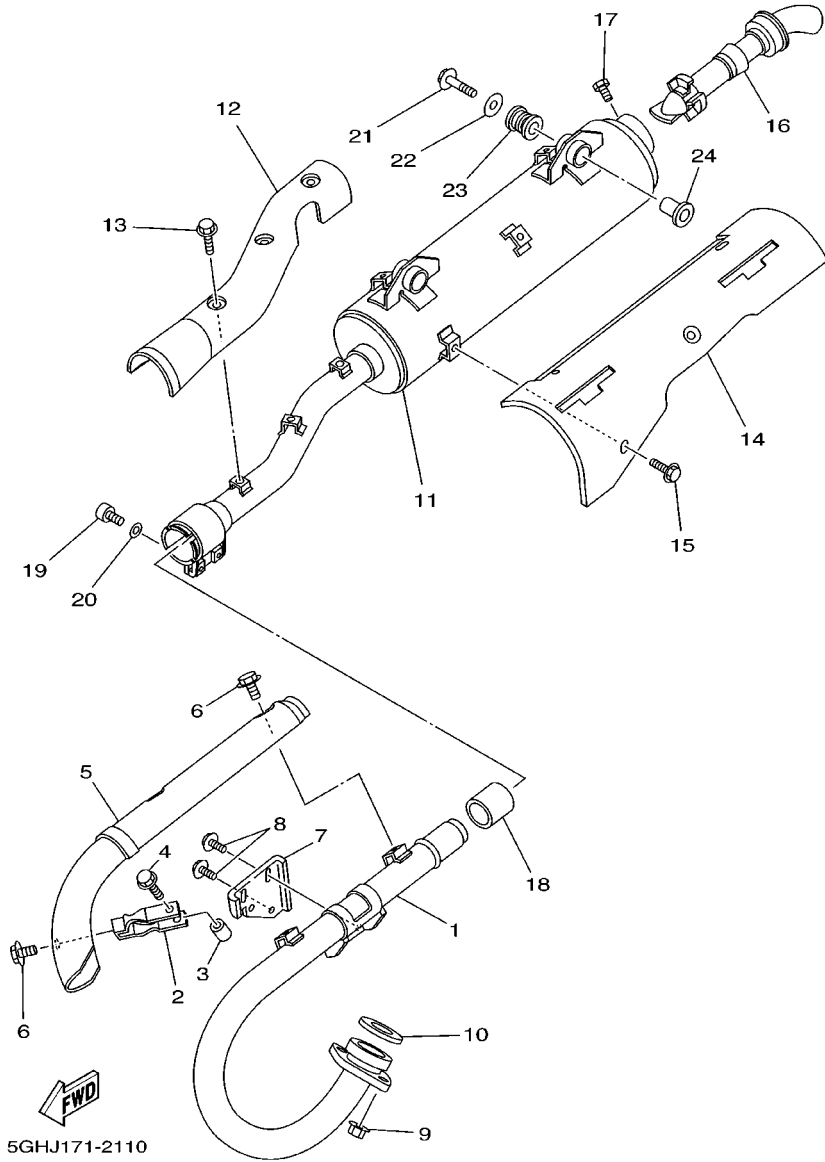
FIG. 10 CARBURETOR



5GHD171-1100

REF. NO.	PART NO.	DESCRIPTION	CHE	GBR	AUS	REMARKS
28	98507-04008	.SCREW, PAN HEAD	1	1	1	
29	1FN-14565-00	.SCREW	1	1	1	
30	5DM-14985-00	.FLOAT	1	1	1	
31	5GH-14197-00	.PIPE	1	1	1	
32	98501-04014	.SCREW, PAN HEAD	2	2	2	
33	92902-04100	.WASHER, SPRING	2	2	2	
34	92907-04600	.WASHER	1	1	1	
35	5GH-14937-00	.CLIP	1	1	1	
36	4KM-14142-17	.JET, PILOT (# 17.5)	1	1	1	
37	5EL-1490H-00	.DIAPHRAGM SET 5	1	1	1	
38	1UY-14155-00	.GUIDE, CABLE	1	1	1	
39	5GH-14103-01	.THROTTLE SCREW SET	1	1	1	
40	5GH-14918-00	.RING	1	1	1	
41	90467-06194	.CLIP	1	1	1	
42	256-14956-01	.WASHER	1	1	1	
43	3DM-14216-00	.SCREW	1	1	1	

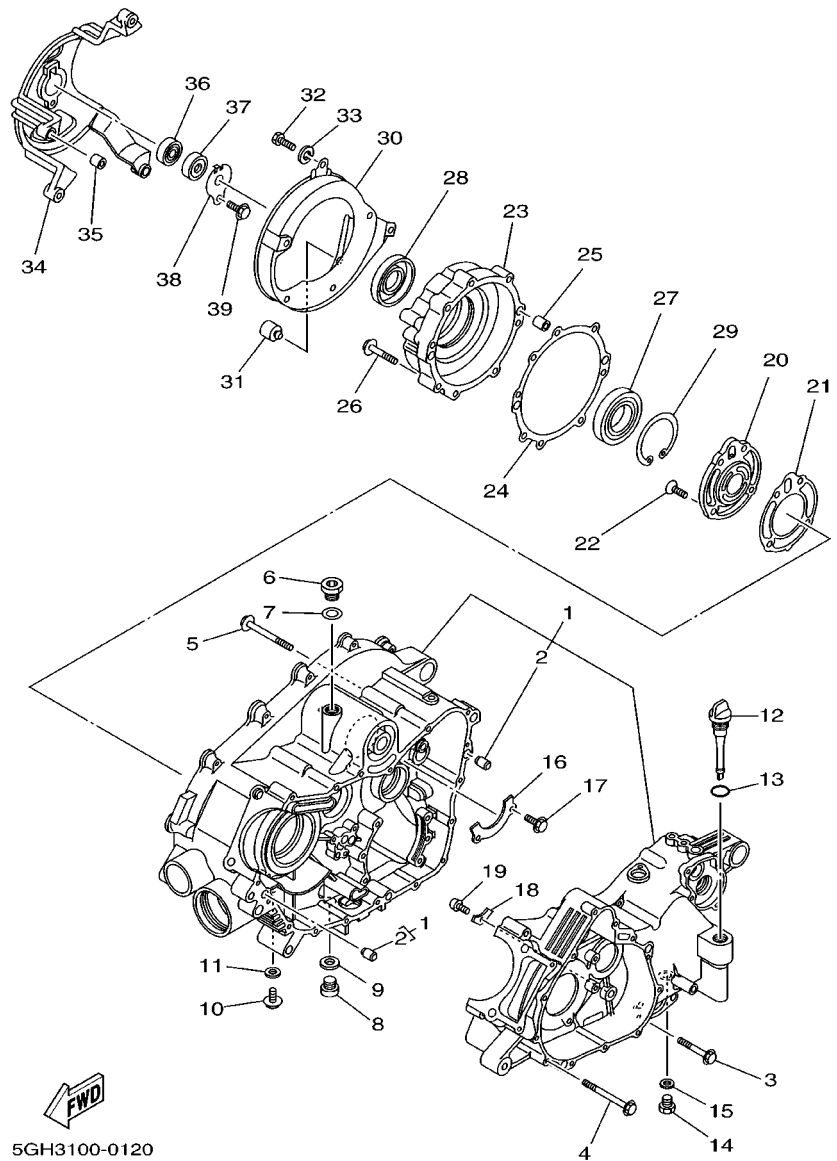
FIG. 11 EXHAUST



5GHJ171-2110

REF. NO.	PART NO.	DESCRIPTION	CHE	GBR	AUS	REMARKS
1	5GH-14611-00	PIPE, EXHAUST 1	1	1	1	
2	5GH-14629-00	STAY, PROTECTOR	1	1	1	
3	90560-06243	SPACER	1	1	1	
4	95827-06040	BOLT, FLANGE	1	1	1	
5	5GH-14628-10	PROTECTOR, EXHAUST PIPE	1	1	1	
6	95817-06010	BOLT, FLANGE	3	3	3	
7	5GH-1477K-00	PLATE 1	1	1	1	
8	95817-06016	BOLT, FLANGE	4	4	4	
9	90179-08410	NUT	2	2	2	
10	3GD-14613-00	GASKET, EXHAUST PIPE	1	1	1	
11	5GH-14711-00	MUFFLER 1	1	1	1	
12	5GH-14728-00	PROTECTOR, MUFFLER 2	1	1	1	
13	95817-06010	BOLT, FLANGE	3	3	3	
14	5GH-14718-00	PROTECTOR, MUFFLER 1	1	1	1	
15	95817-06008	BOLT, FLANGE	4	4	4	
16	5GH-14752-00	PIPE, OUTLET	1	1	1	
17	97007-06008	BOLT	1	1	1	
18	3YF-14714-00	GASKET, MUFFLER	1	1	1	
19	91317-08025	BOLT	2	2	2	
20	90201-086J0	WASHER, PLATE	2	2	2	
21	95827-10040	BOLT, FLANGE	2	2	2	
22	90201-106E0	WASHER, PLATE	2	2	2	
23	5GH-14737-00	DAMPER, MUFFLER	2	2	2	
24	90387-10636	COLLAR	2	2	2	

FIG. 12 CRANKCASE



5GH3100-0120

REF. NO.	PART NO.	DESCRIPTION	CHE	GBR	AUS	REMARKS
1	5GH-15100-00	CRANKCASE ASSY	1	1	1	
2	99530-10014	.PIN, DOWEL	2	2	2	
3	95027-06040	BOLT, FLANGE	12	12	12	
4	95027-06065	BOLT, FLANGE	2	2	2	
5	95027-06065	BOLT, FLANGE	3	3	3	
6	90340-18101	PLUG, STRAIGHT SCREW	1	1	1	
7	90201-186F1	WASHER, PLATE	1	1	1	
8	90340-14046	PLUG, STRAIGHT SCREW	1	1	1	
9	214-11198-01	GASKET	1	1	1	
10	95827-08012	BOLT, FLANGE	1	1	1	
11	90430-08119	GASKET	1	1	1	
12	5GH-15362-00	PLUG, OIL LEVEL	1	1	1	
13	93210-19522	O-RING	1	1	1	
14	90340-14029	PLUG, STRAIGHT SCREW	1	1	1	
15	214-11198-01	GASKET	1	1	1	
16	5GH-15388-00	PLATE, BEARING COVER	1	1	1	
17	95827-06012	BOLT, FLANGE	2	2	2	
18	2K7-15383-00	PLATE, BEARING COVER	1	1	1	
19	90151-06014	SCREW, COUNTERSUNK	1	1	1	
20	5GH-15414-00	COVER, AIR CLEANER	1	1	1	
21	5GH-15454-00	GASKET, AIR CLEANER COVER 1	1	1	1	
22	98707-06020	SCREW, FLAT HEAD	4	4	4	
23	5GH-15163-00	HOUSING, BEARING 1	1	1	1	
24	5GH-15463-00	GASKET, CARBURETOR COVER 2	1	1	1	
25	99530-10114	PIN, DOWEL	2	2	2	
26	95027-06040	BOLT, FLANGE	8	8	8	
27	93316-01003	BEARING	1	1	1	

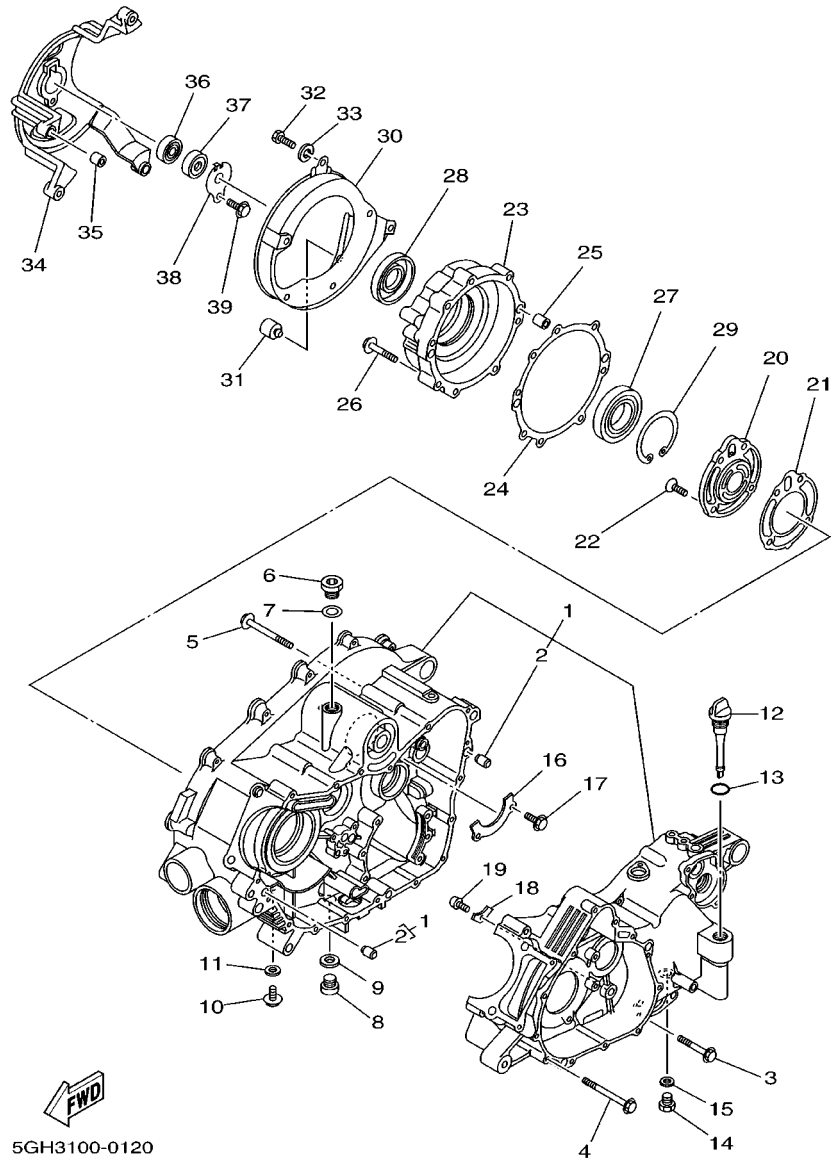
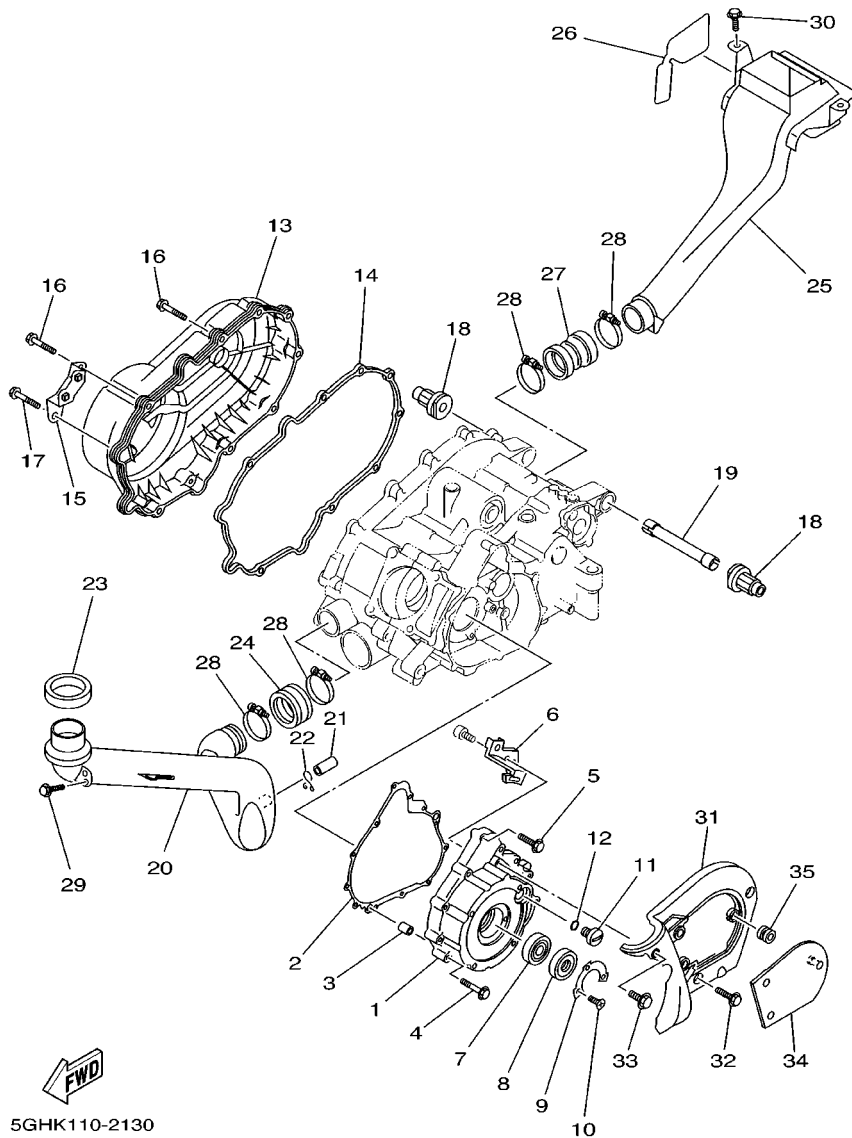


FIG. 12 CRANKCASE

REF. NO.	PART NO.	DESCRIPTION	CHE	GBR	AUS	REMARKS
28	93102-32483	OIL SEAL	1	1	1	
29	99009-80500	CIRCLIP	1	1	1	
30	5GH-15333-00	COVER	1	1	1	
31	5GH-15338-00	DAMPER, ENGINE MOUNT 5	1	1	1	
32	97017-06016	BOLT	6	6	6	
33	92907-06600	WASHER, PLATE	6	6	6	
34	5GH-15442-00	HOUSING, BEARING	1	1	1	
35	91810-20001	PIN, DOWEL	2	2	2	
36	93306-20120	BEARING	1	1	1	
37	93101-12168	OIL SEAL	1	1	1	
38	4WV-15381-00	PLATE, BEARING COVER	1	1	1	
39	95027-06012	BOLT, FLANGE	1	1	1	

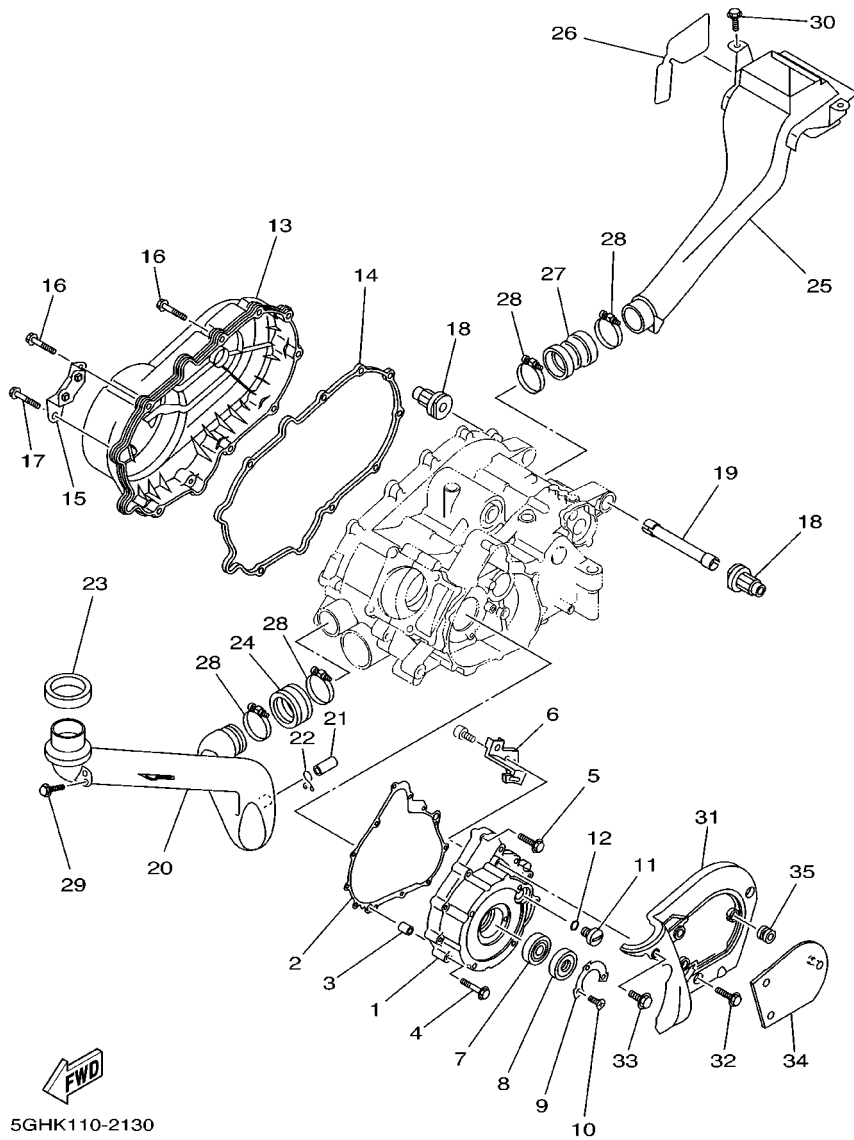
FIG. 13 CRANKCASE COVER 1



5GHK110-2130

REF. NO.	PART NO.	DESCRIPTION	CHE	GBR	AUS	REMARKS
1	5GH-15411-00	COVER, CRANKCASE 1	1	1	1	
2	5GH-15451-00	GASKET, CRANKCASE COVER 1	1	1	1	
3	99530-10114	PIN, DOWEL	2	2	2	
4	95027-06040	BOLT, FLANGE	8	8	8	
5	95027-06030	BOLT, FLANGE	4	4	4	
6	5GH-15113-00	PLATE	1	1	1	
7	93306-07801	BEARING	1	1	1	
8	93102-28476	OIL SEAL	1	1	1	
9	1UY-15719-00	WASHER, THRUST	1	1	1	
10	90151-05023	SCREW, COUNTERSUNK	3	3	3	
11	90340-14117	PLUG, STRAIGHT SCREW	1	1	1	
12	93210-14369	O-RING	1	1	1	
13	5GH-15431-00	COVER, CRANKCASE 3	1	1	1	
14	5GH-15379-00	SEAL, CRANKCASE	1	1	1	
15	5GH-15199-00	BRACKET	1	1	1	
16	95827-06035	BOLT, FLANGE	10	10	10	
17	95827-06045	BOLT, FLANGE	2	2	2	
18	5GH-15336-00	DAMPER, ENGINE MOUNT 3	2	2	2	
19	5GH-15317-00	SPACER, ENGINE MOUNT	1	1	1	
20	5GH-15471-01	DUCT, AIR	1	1	1	
21	5BF-1443E-00	PIPE, DRAIN	1	1	1	
22	90467-16195	CLIP	1	1	1	
23	5GH-15434-00	SEAL, CLEANER COVER	1	1	1	
24	5GH-15472-01	SEAL, AIR DUCT	1	1	1	
25	5GH-15473-00	DUCT, AIR	1	1	1	
26	5GH-15494-00	SEAL, PROTECTOR	1	1	1	
27	5GH-15474-00	SEAL, AIR DUCT	1	1	1	

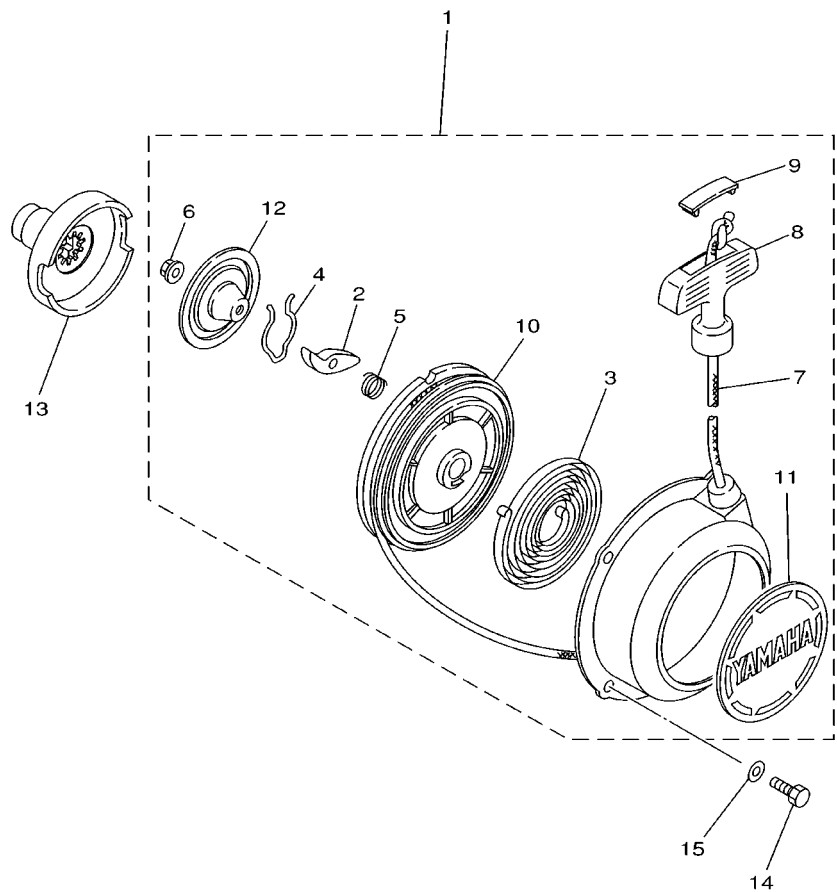
FIG. 13 CRANKCASE COVER 1



5GHK110-2130

REF. NO.	PART NO.	DESCRIPTION	CHE	GBR	AUS	REMARKS
28	90450-64089	HOSE CLAMP ASSY	4	4	4	
29	95807-06014	BOLT, FLANGE	1	1	1	
30	90119-06056	BOLT, WITH WASHER	2	2	2	
31	5GH-15423-00	COVER 2	1	1	1	
32	95027-06014	BOLT, FLANGE	2	2	2	
33	95027-06035	BOLT, FLANGE	1	1	1	
34	5GH-15413-00	COVER	1	1	1	
35	90480-13398	GROMMET	3	3	3	

FIG. 14 STARTER



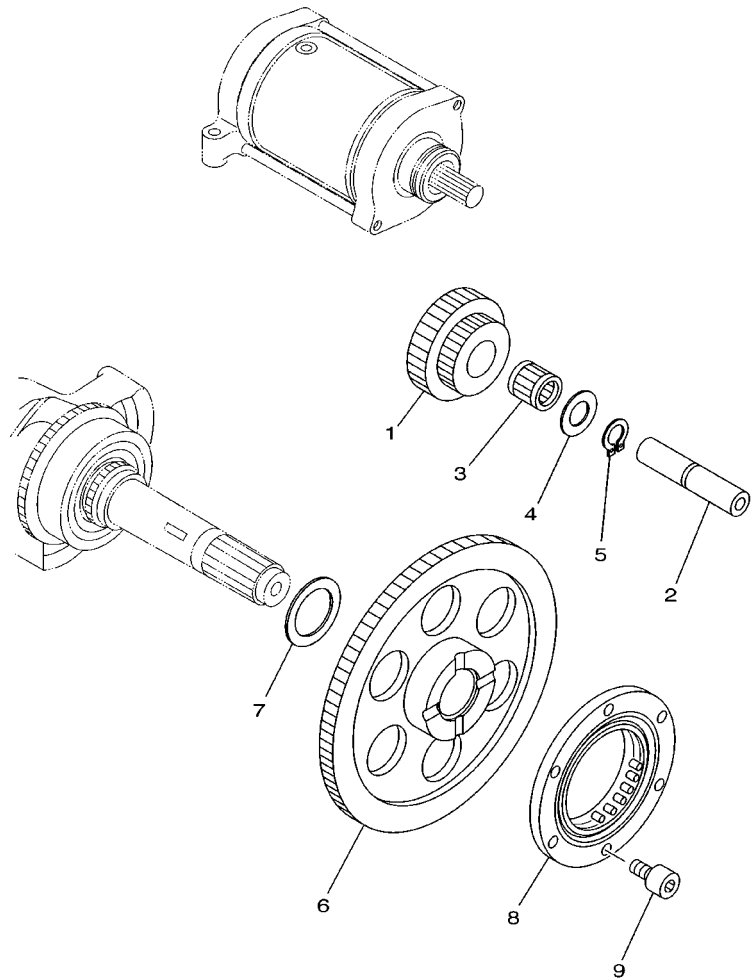
REF. NO.	PART NO.	DESCRIPTION	CHE	GBR	AUS	REMARKS
1	5GH-15710-21	STARTER ASSY	1	1	1	
2	21V-15741-00	.PAWL, DRIVE	1	1	1	
3	21V-15713-00	.SPRING, STARTER	1	1	1	
4	21V-15715-01	.SPRING, FRICTION	1	1	1	
5	21V-15767-00	.SPRING	1	1	1	
6	95702-06500	.NUT, FLANGE	1	1	1	
7	21V-15751-00	.WIRE, STARTER	1	1	1	
8	3X3-15755-00	.HANDLE, STARTER	1	1	1	
9	21V-15779-00	.COVER	1	1	1	
10	24W-15714-00	.DRUM, SHEAVE	1	1	1	
11	5GH-15443-01	.EMBLEM	1	1	1	
12	21V-15716-01	.PLATE, DRIVE	1	1	1	
13	1UY-15723-00	PULLEY, STARTER	1	1	1	
14	97017-06014	BOLT	4	4	4	
15	92907-06600	WASHER, PLATE	4	4	4	



5GH1110-0140

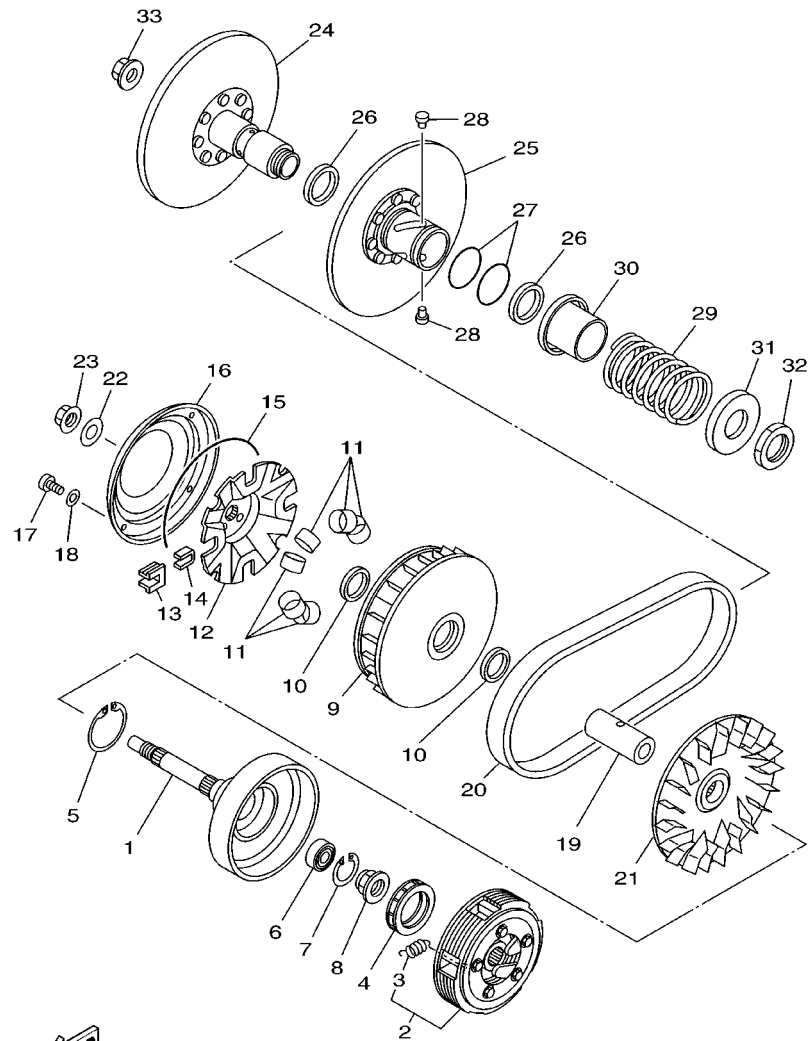
FIG. 15 STARTER CLUTCH

REF. NO.	PART NO.	DESCRIPTION	CHE	GBR	AUS	REMARKS
1	5GH-15512-00	GEAR, IDLER 1	1	1	1	
2	4KB-15522-01	SHAFT 2	1	1	1	
3	93310-212R6	BEARING	1	1	1	
4	90201-123K4	WASHER, PLATE	1	1	1	
5	99009-12400	CIRCLIP	1	1	1	
6	5GH-15517-10	GEAR, IDLER 2	1	1	1	
7	90201-25291	WASHER, PLATE	1	1	1	
8	1UY-15590-01	STARTER ONE-WAY ASSY	1	1	1	
9	91317-08016	BOLT	6	6	6	



5GHK110-2150

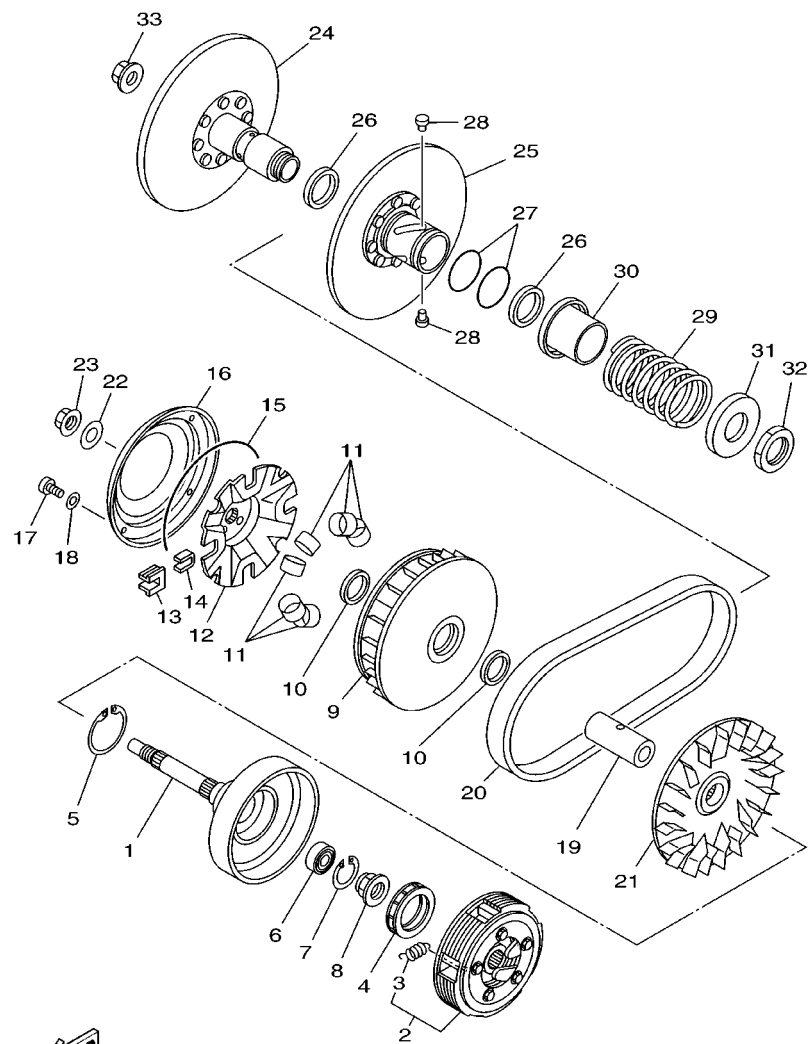
FIG. 16 CLUTCH




5GH1110-0161

REF. NO.	PART NO.	DESCRIPTION	CHE	GBR	AUS	REMARKS
1	5GH-16611-00	CLUTCH HOUSING COMP.	1	1	1	
2	5GH-16620-00	CLUTCH CARRIER ASSY	1	1	1	
3	5GH-16626-00	.SPRING, CLUTCH WEIGHT 1	5	5	5	
4	5GH-16664-00	BEARING, ONE WAY	1	1	1	
5	93410-46079	CIRCLIP	1	1	1	
6	93315-21813	BEARING	1	1	1	
7	93450-24062	CIRCLIP	1	1	1	
8	90179-22640	NUT	1	1	1	
9	5GH-17620-00	PRIMARY SLIDING SHEAVE COMP.	1	1	1	
10	93101-31167	OIL SEAL	2	2	2	
11	5GH-17632-00	WEIGHT	8	8	8	
12	5GH-17623-00	CAM	1	1	1	
13	4WV-17653-00	SLIDER	4	4	4	
14	4WV-17654-01	SPACER 1	4	4	4	
15	93211-52001	O-RING	1	1	1	
16	5GH-17639-00	STOPPER	1	1	1	
17	90157-04088	SCREW, PAN HEAD	4	4	4	
18	90201-047R9	WASHER, PLATE	4	4	4	
19	90387-1914K	COLLAR	1	1	1	
20	5GH-17641-00	V-BELT	1	1	1	
21	5GH-17611-00	SHEAVE, PRIMARY FIXED	1	1	1	
22	90201-190T7	WASHER, PLATE	1	1	1	
23	90179-16690	NUT	1	1	1	
24	5GH-17660-00	SECONDARY FIXED SHEAVE COMP.	1	1	1	
25	5GH-17670-00	SECONDARY SLIDING SHEAVE	1	1	1	
26	93104-41119	OIL SEAL	2	2	2	
27	93210-44545	O-RING	2	2	2	

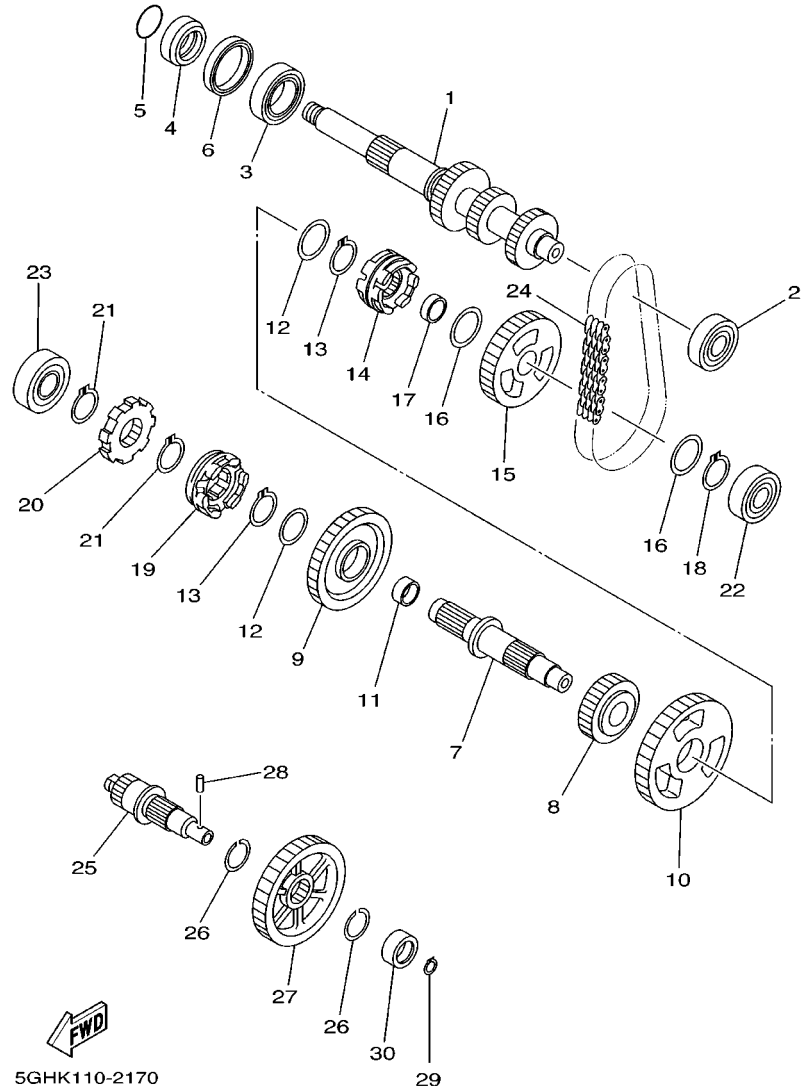
FIG. 16 CLUTCH



FWD
5GH1110-0161

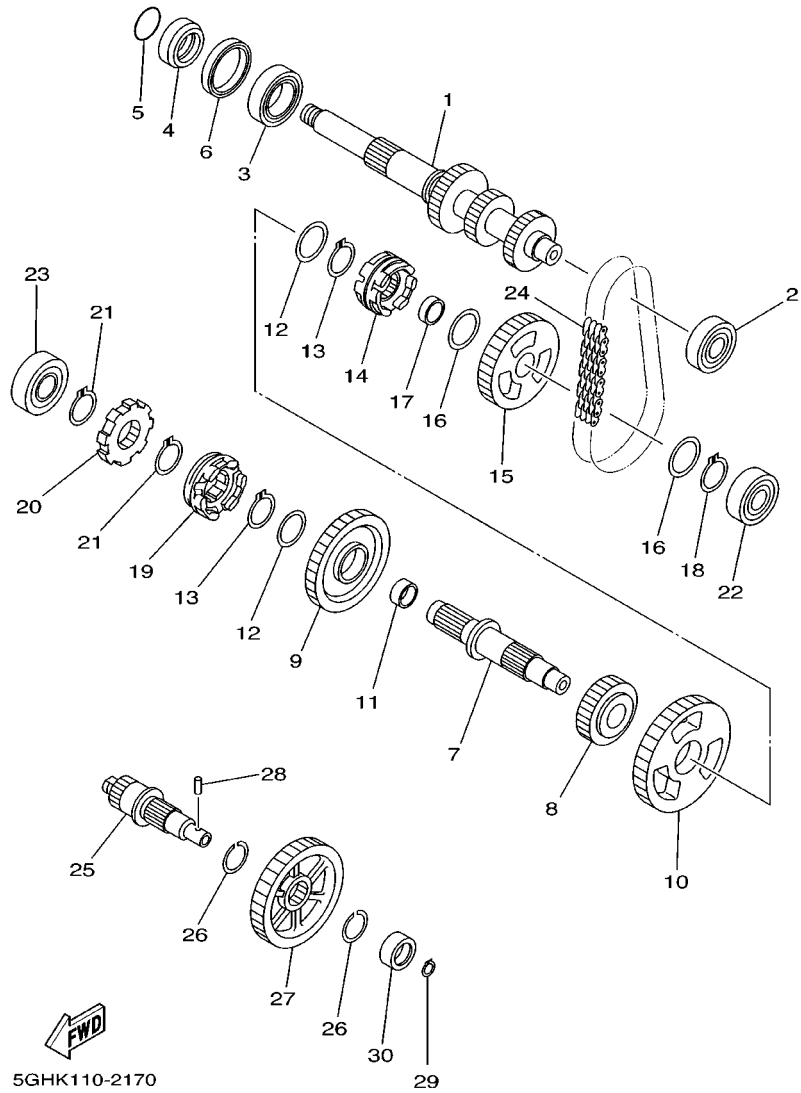
REF. NO.	PART NO.	DESCRIPTION	CHE	GBR	AUS	REMARKS
28	4CW-17664-00	PIN, GUIDE	4	4	4	
29	90501-626L9	SPRING, COMPRESSION	1	1	1	
30	4WV-17684-00	SEAT, SECONDARY SPRING	1	1	1	
31	4WV-17644-00	SEAT,SPRING	1	1	1	
32	90170-36279	NUT	1	1	1	
33	90179-16690	NUT	1	1	1	

FIG. 17 TRANSMISSION



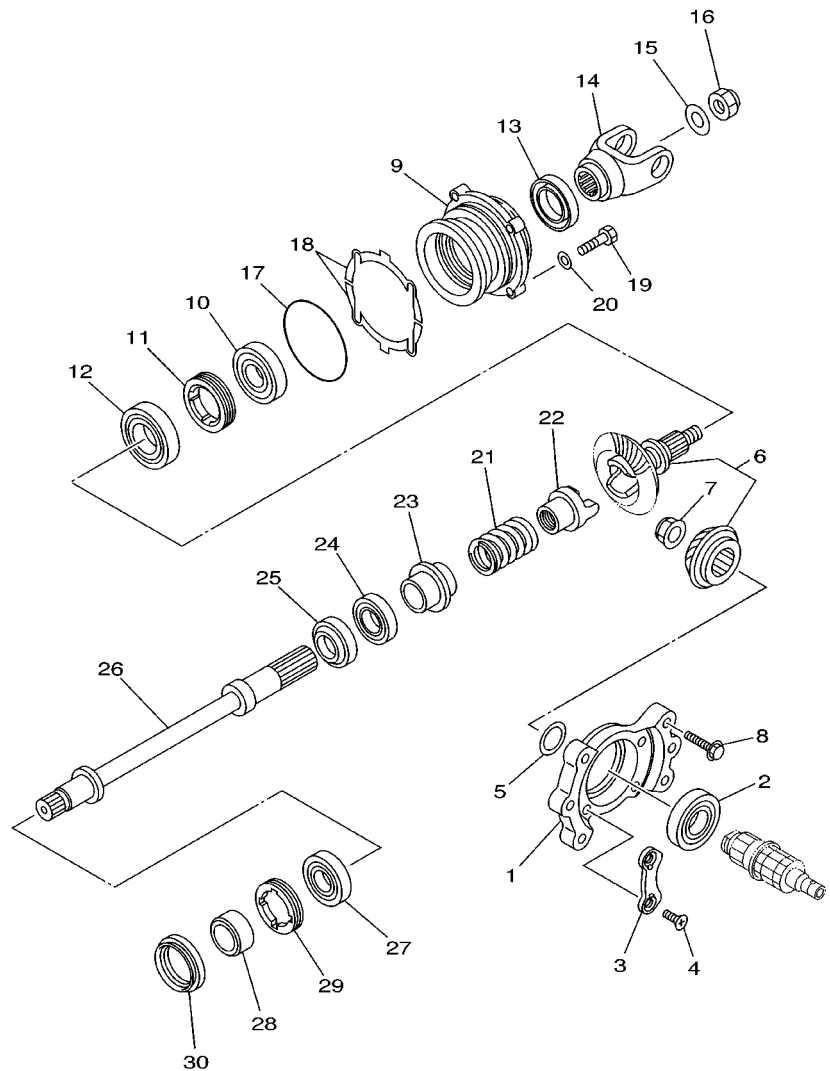
REF. NO.	PART NO.	DESCRIPTION	CHE	GBR	AUS	REMARKS
1	5GH-17681-10	SHAFT, SECONDARY	1	1	1	
2	93306-00415	BEARING (B6004)	1	1	1	
3	93306-20601	BEARING (B6206C3)	1	1	1	
4	90387-26001	COLLAR	1	1	1	
5	93210-26001	O-RING	1	1	1	
6	93102-42004	OIL SEAL	1	1	1	
7	5GH-17421-00	AXLE, DRIVE	1	1	1	
8	5GH-17582-00	GEAR, MIDDLE DRIVE(24T)	1	1	1	
9	5GH-17223-00	GEAR, HIGH WHEEL(38T)	1	1	1	
10	5GH-17233-10	GEAR, LOW WHEEL	1	1	1	
11	93310-32590	BEARING	1	1	1	
12	90201-250R9	WASHER, PLATE	2	2	2	
13	93440-25084	CIRCLIP	2	2	2	
14	5GT-17285-00	CLUTCH, DOG	1	1	1	
15	5GH-17453-10	SPROCKET, DRIVEN	1	1	1	
16	90201-20278	WASHER, PLATE	2	2	2	
17	93310-420F2	BEARING	1	1	1	
18	93410-20038	CIRCLIP	1	1	1	
19	5GH-17285-00	CLUTCH, DOG	1	1	1	
20	5GH-17473-00	STOPPER	1	1	1	
21	93440-25084	CIRCLIP	2	2	2	
22	93306-30201	BEARING (B6302)	1	1	1	
23	93306-20464	BEARING	1	1	1	
24	94591-54038	CHAIN	1	1	1	
25	5GT-17523-00	SHAFT	1	1	1	
26	93440-25084	CIRCLIP	2	2	2	
27	5GH-17583-00	GEAR, MIDDLE DRIVEN(39T)	1	1	1	

FIG. 17 TRANSMISSION



REF. NO.	PART NO.	DESCRIPTION	CHE	GBR	AUS	REMARKS
28	93603-14240	PIN, DOWEL	1	1	1	
29	93440-14155	CIRCLIP	1	1	1	
30	93311-42077	BEARING	1	1	1	

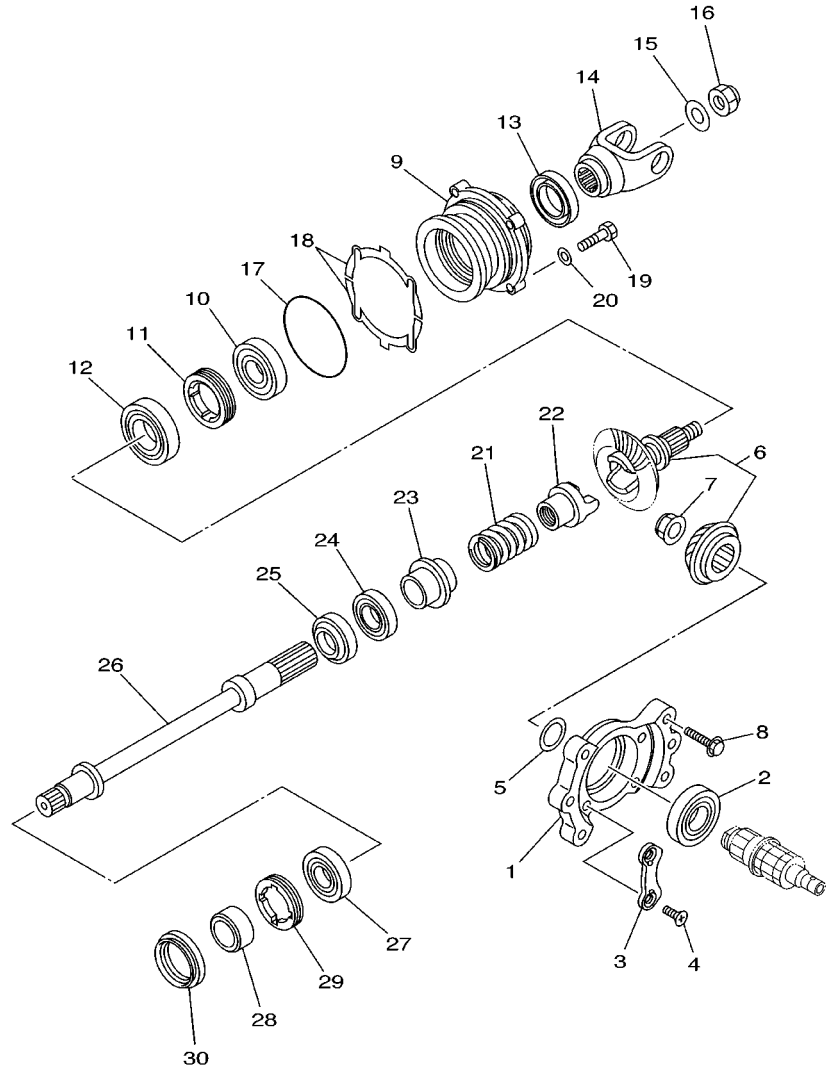
FIG. 18 MIDDLE DRIVE GEAR



FWD
5GHK110-2180

REF. NO.	PART NO.	DESCRIPTION	CHE	GBR	AUS	REMARKS
1	5GH-17521-00	HOUSING, BEARING	1	1	1	
2	93306-20622	BEARING	1	1	1	
3	11H-15383-02	PLATE, BEARING COVER	2	2	2	
4	90149-08152	SCREW	4	4	4	
5	52G-17531-01	SHIM, PINION (0.1T)	1	1	1	UR
	52G-17531-11	SHIM, PINION (0.15T)	1	1	1	UR
	52G-17531-21	SHIM, PINION (0.2T)	1	1	1	UR
	52G-17531-31	SHIM, PINION (0.3T)	1	1	1	UR
	52G-17531-41	SHIM, PINION (0.4T)	1	1	1	UR
	52G-17531-51	SHIM, PINION (0.5T)	1	1	1	UR
6	4WV-Y1754-00	MIDDLE GEAR COMP.	1	1	1	
7	90179-22526	NUT	1	1	1	
8	95817-08030	BOLT, FLANGE	6	6	6	
9	5GH-17551-00	HOUSING, BEARING	1	1	1	
10	93306-30538	BEARING	1	1	1	
11	90179-65305	NUT	1	1	1	
12	93306-20715	BEARING	1	1	1	
13	93101-35097	OIL SEAL	1	1	1	
14	5GH-17556-01	YOKE, JOINT	1	1	1	
15	90201-14633	WASHER, PLATE	1	1	1	
16	90185-14070	NUT, SELF-LOCKING	1	1	1	
17	93210-78544	O-RING	1	1	1	
18	5GH-17531-00	SHIM, PINION (0.1T)	2	2	2	UR
	5GH-17531-10	SHIM, PINION (0.15T)	2	2	2	UR
	5GH-17531-20	SHIM, PINION (0.2T)	2	2	2	UR
	5GH-17531-30	SHIM, PINION (0.3T)	2	2	2	UR
	5GH-17531-40	SHIM, PINION (0.4T)	2	2	2	UR

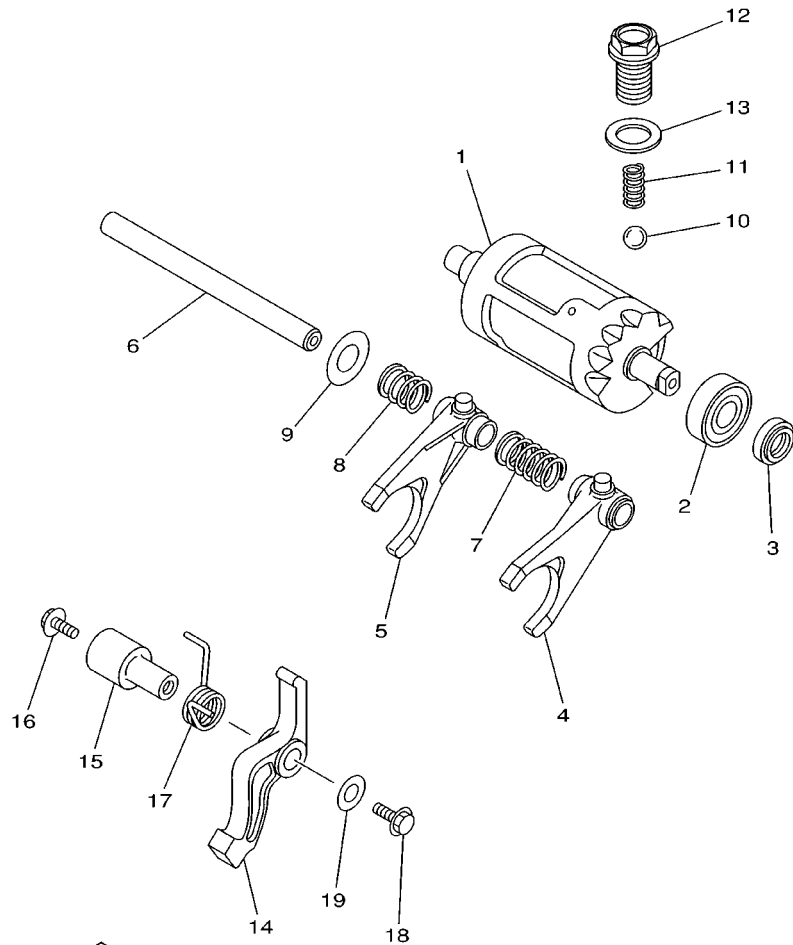
FIG. 18 MIDDLE DRIVE GEAR



FWD
5GHK110-2180

REF. NO.	PART NO.	DESCRIPTION	CHE	GBR	AUS	REMARKS
18	5GH-17531-50	SHIM, PINION (0.5T)	2	2	2	UR
	5GH-17531-60	SHIM, PINION (0.6T)	2	2	2	UR
19	97027-08030	BOLT	4	4	4	
20	92907-08600	WASHER, PLATE	4	4	4	
21	90501-650L5	SPRING, COMPRESSION	1	1	1	
22	4VR-17527-00	CAM, DRIVEN	1	1	1	
23	5GH-17585-00	COLLAR, GEAR	1	1	1	
24	93306-00612	BEARING	1	1	1	
25	93102-30170	OIL SEAL	1	1	1	
26	5GH-1761A-00	SHAFT, 1	1	1	1	
27	93306-20582	BEARING (62052RSC3)	1	1	1	
28	90387-252R2	COLLAR	1	1	1	
29	90179-55660	NUT	1	1	1	
30	93102-35380	OIL SEAL	1	1	1	

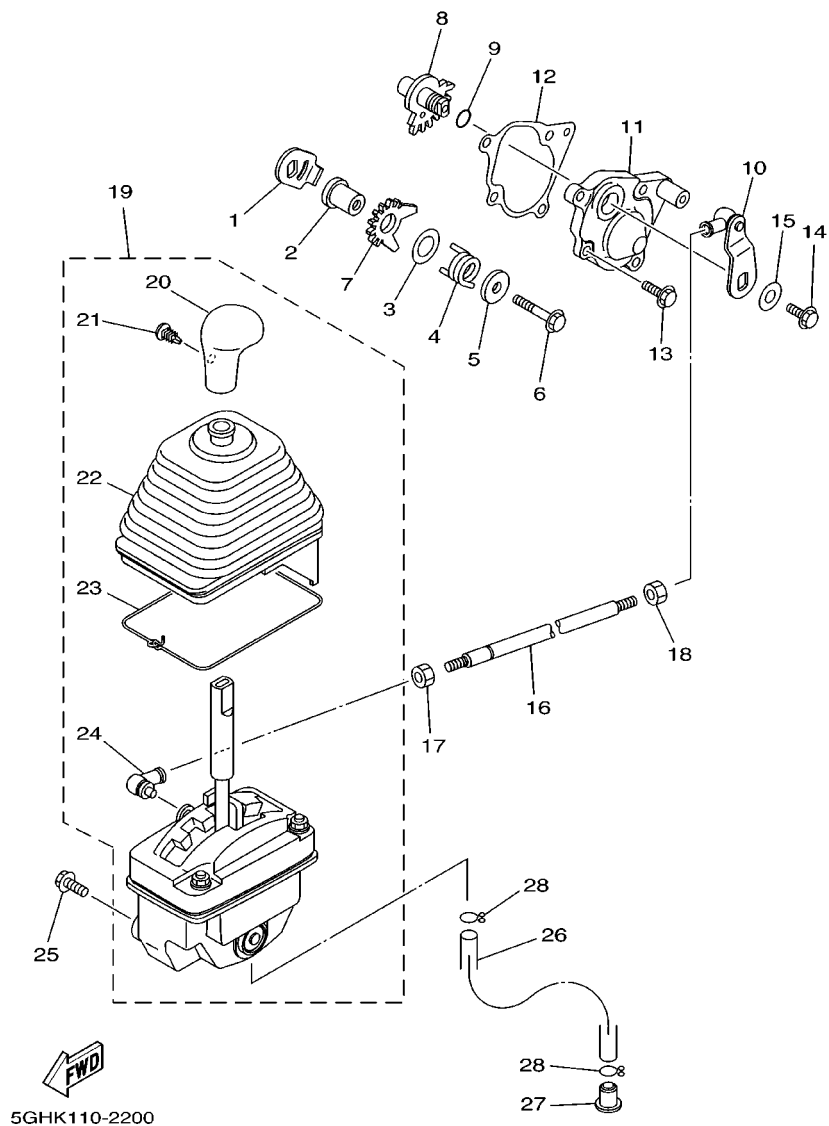
FIG. 19 SHIFT CAM. FORK



5GH1110-0190

REF. NO.	PART NO.	DESCRIPTION	CHE	GBR	AUS	REMARKS
1	5GH-18540-00	SHIFT CAM ASSY	1	1	1	
2	93306-00208	BEARING	1	1	1	
3	93102-15212	OIL SEAL	1	1	1	
4	5GH-18511-00	FORK, SHIFT 1	1	1	1	
5	5GH-18512-00	FORK, SHIFT 2	1	1	1	
6	4KB-18531-01	BAR, SHIFT FORK GUIDE 1	1	1	1	
7	90501-13001	SPRING, COMPRESSION	1	1	1	
8	90501-166L4	SPRING, COMPRESSION	1	1	1	
9	90201-15564	WASHER, PLATE (1.5T)	1	1	1	
10	93503-08007	BALL	1	1	1	
11	90501-10353	SPRING, COMPRESSION	1	1	1	
12	90105-14367	BOLT, FLANGE	1	1	1	
13	90430-14042	GASKET	1	1	1	
14	5GH-18148-00	LEVER, STOPPER	1	1	1	
15	5GH-1812E-00	SHAFT, STOPPER	1	1	1	
16	95027-06016	BOLT, FLANGE	1	1	1	
17	90508-235B7	SPRING, TORSION	1	1	1	
18	95027-06014	BOLT, FLANGE	1	1	1	
19	90201-06060	WASHER, PLATE	1	1	1	

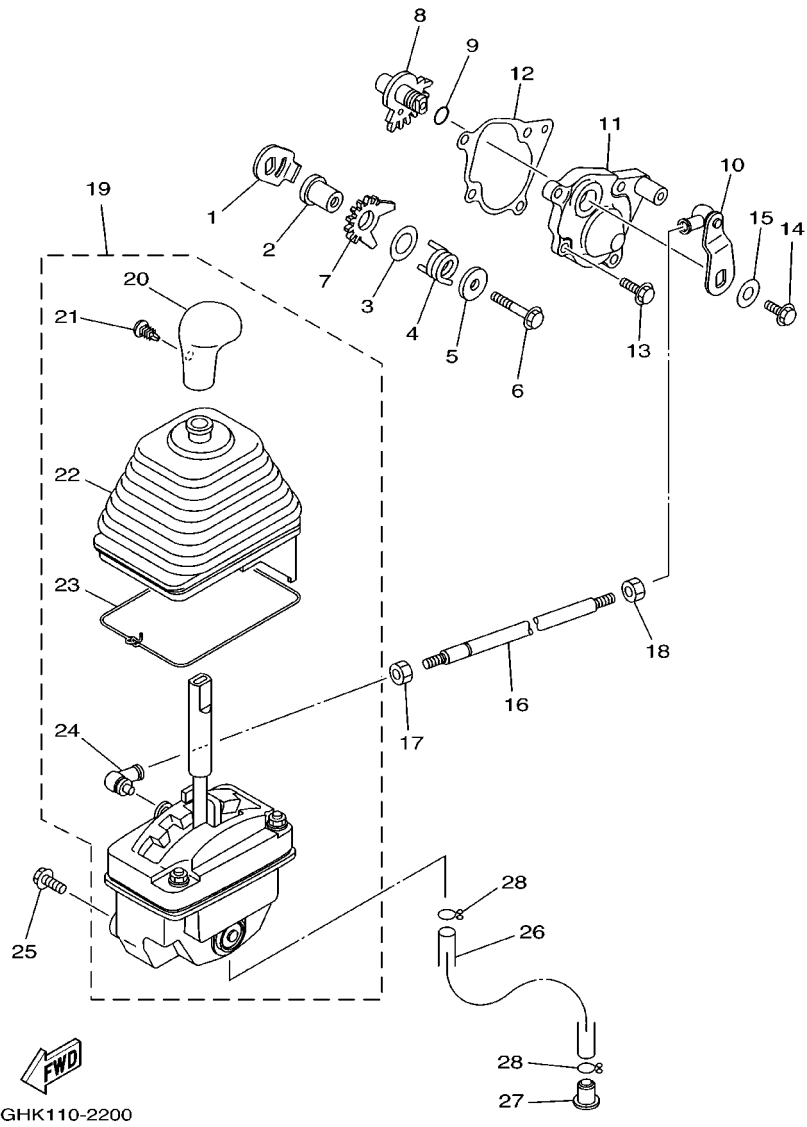
FIG. 20 SHIFT SHAFT



5GHK110-2200

REF. NO.	PART NO.	DESCRIPTION	CHE	GBR	AUS	REMARKS
1	4SH-18198-00	LEVER	1	1	1	
2	90387-0613B	COLLAR	1	1	1	
3	90201-132G5	WASHER, PLATE	1	1	1	
4	90508-35764	SPRING, TORSION	1	1	1	
5	90201-06008	WASHER, PLATE	1	1	1	
6	95817-06035	BOLT, FLANGE	1	1	1	
7	5KM-18191-00	LEVER	1	1	1	
8	5GH-18197-00	SHAFT	1	1	1	
9	93210-11073	O-RING	1	1	1	
10	5GH-18104-00	SHIFT GUIDE COMP.	1	1	1	
11	5GH-18129-00	COVER, SHIFT SHAFT	1	1	1	
12	5GH-18146-00	GASKET	1	1	1	
13	95027-06020	BOLT, FLANGE	4	4	4	
14	95817-06016	BOLT, FLANGE	1	1	1	
15	90201-06008	WASHER, PLATE	1	1	1	
16	5GH-18115-00	ROD, SHIFT	1	1	1	
17	90170-08358	NUT	1	1	1	
18	95307-08700	NUT	1	1	1	
19	5GH-18300-00	SHIFTER ASSY	1	1	1	
20	5GH-18174-00	.KNOB, SHIFT LEVER	1	1	1	
21	90269-05055	.RIVET	1	1	1	
22	5GH-18131-00	.BOOT, SEALING	1	1	1	
23	5GH-18617-00	.STOPPER,RUBBER	1	1	1	
24	1KT-18157-00	.JOINT 2	1	1	1	
25	95807-08020	BOLT, FLANGE	3	3	3	
26	90446-16001	HOSE	1	1	1	
27	90338-12081	PLUG	1	1	1	

FIG. 20 SHIFT SHAFT



REF. NO.	PART NO.	DESCRIPTION	CHE	GBR	AUS	REMARKS
28	90467-15012	CLIP	2	2	2	

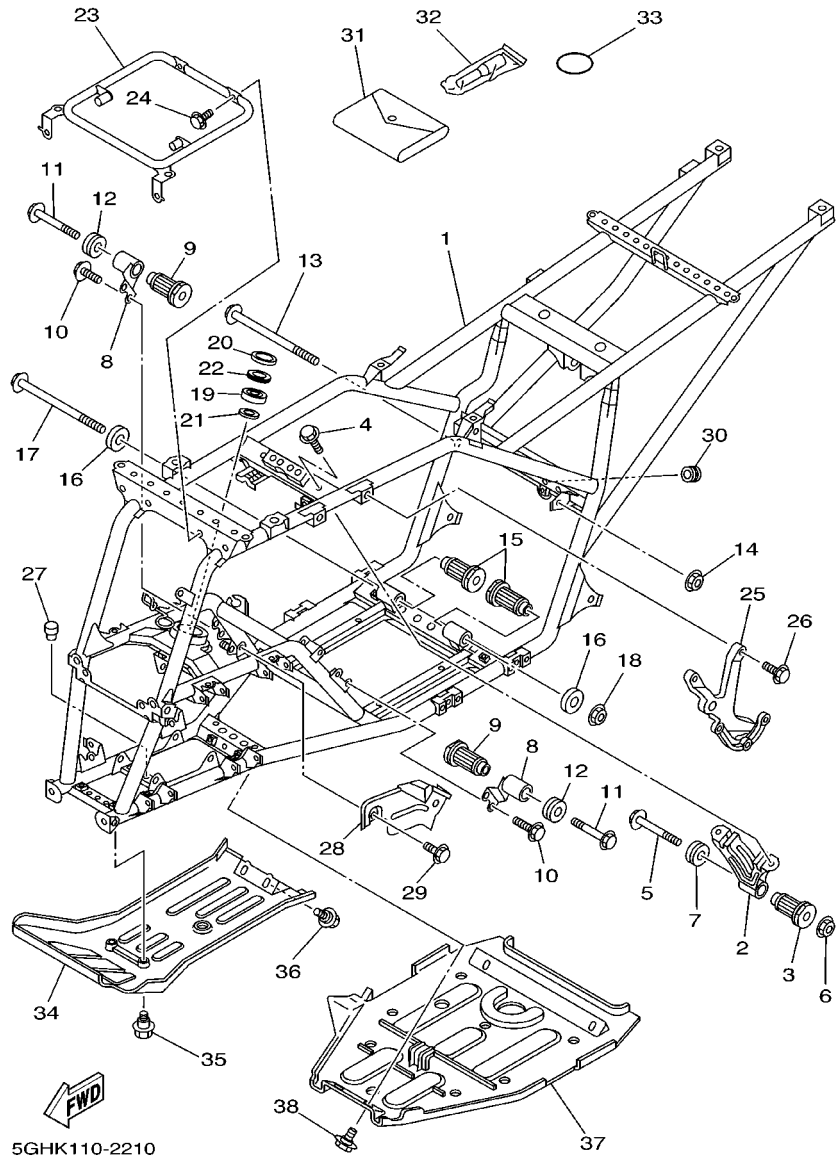


FIG. 21 FRAME

REF. NO.	PART NO.	DESCRIPTION	CHE	GBR	AUS	REMARKS
1	5GH-21110-02	FRAME COMP.	1	1	1	
2	5GH-21315-00	STAY, ENGINE 2	1	1	1	
3	5GH-15336-00	DAMPER, ENGINE MOUNT 3	1	1	1	
4	95817-08012	BOLT, FLANGE	2	2	2	
5	95817-10110	BOLT, FLANGE	1	1	1	
6	95607-10200	NUT, SELF-LOCKING	1	1	1	
7	5GH-21486-00	DAMPER 2	1	1	1	
8	5GH-21316-00	STAY, ENGINE 2	2	2	2	
9	5GH-15336-00	DAMPER, ENGINE MOUNT 3	2	2	2	
10	95817-08012	BOLT, FLANGE	4	4	4	
11	95817-10080	BOLT, FLANGE	2	2	2	
12	5GH-21486-00	DAMPER 2	2	2	2	
13	90105-10055	BOLT, FLANGE	1	1	1	
14	95607-10200	NUT, SELF-LOCKING	1	1	1	
15	5GH-15336-00	DAMPER, ENGINE MOUNT 3	2	2	2	
16	5GH-21488-00	DAMPER	2	2	2	
17	90105-10055	BOLT, FLANGE	1	1	1	
18	95607-10200	NUT, SELF-LOCKING	1	1	1	
19	93306-20331	BEARING	1	1	1	
20	93102-25081	OIL SEAL	1	1	1	
21	93102-25099	OIL SEAL	1	1	1	
22	2GU-23872-00	HOLDER, BEARING	1	1	1	
23	5GH-21513-00	STAY, FENDER 1	1	1	1	
24	95817-06012	BOLT, FLANGE	2	2	2	
25	5GH-21585-00	ARM	1	1	1	
26	95827-08020	BOLT, FLANGE	2	2	2	
27	4N0-27114-00	STOPPER, MAIN STAND	1	1	1	

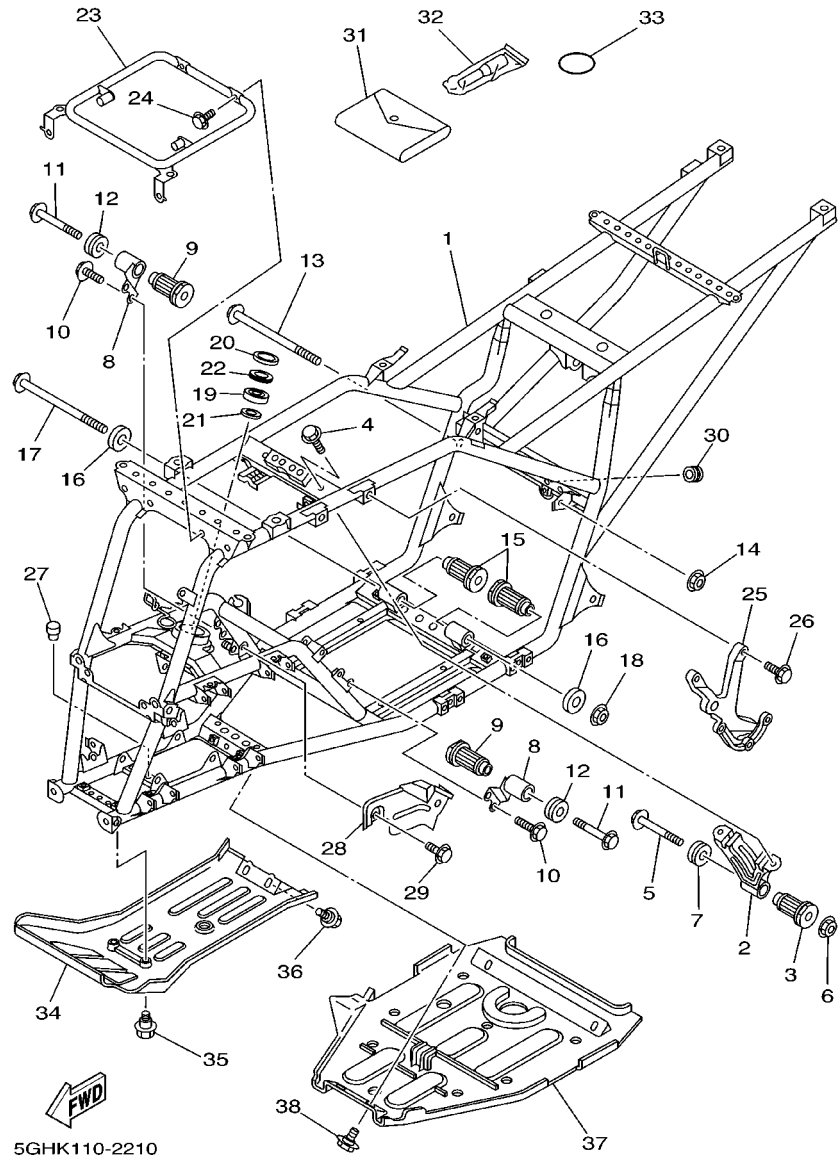
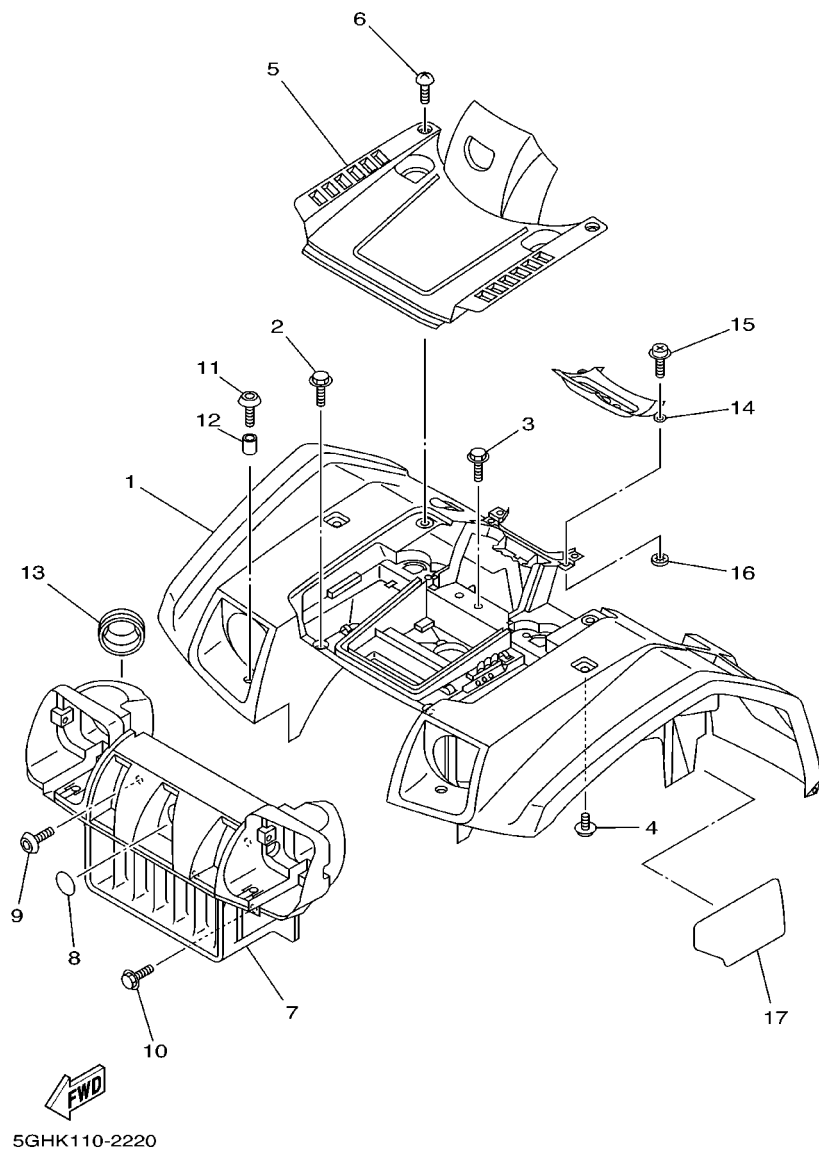


FIG. 21 FRAME

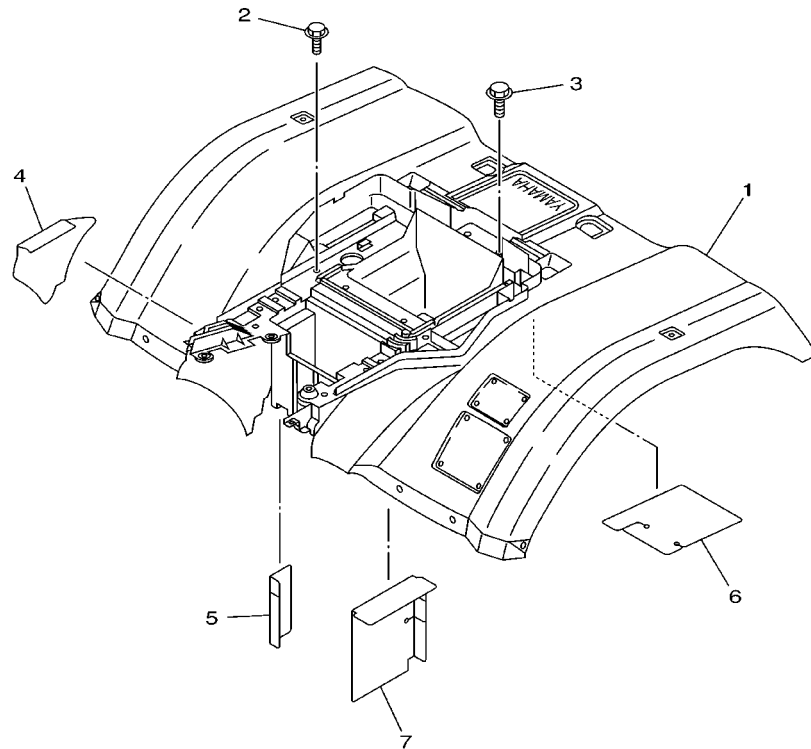
REF. NO.	PART NO.	DESCRIPTION	CHE	GBR	AUS	REMARKS
28	5GH-22825-00	PROTECTOR 1	1	1	1	
29	95817-06010	BOLT, FLANGE	2	2	2	
30	90480-10517	GROMMET	1	1	1	
31	4WV-28100-00	TOOL KIT	1	1	1	
32	1NV-2811A-01	GAUGE, AIR	1	1	1	
33	93210-64297	O-RING	1	1	1	
34	5GH-2147A-00	GUARD, ENGINE 1	1	1	1	
35	90109-063F5	BOLT	2	2	2	
36	90109-063F1	BOLT	4	4	4	
37	5GH-2147E-00	GUARD, ENGINE 2	1	1	1	
38	90109-063F1	BOLT	4	4	4	

FIG. 22 FRONT FENDER



REF. NO.	PART NO.	DESCRIPTION	CHE	GBR	AUS	REMARKS
1	5GH-W215B-31	FRONT FENDER COMP. 2			1	
	5GH-W215B-00	FRONT FENDER COMP. 2	1	1		UR FOR PDG
	5GH-W215B-10	FRONT FENDER COMP. 2	1	1		UR FOR RTR
	5GH-W215B-30	FRONT FENDER COMP. 2	1	1		UR FOR DPBSE
2	90119-06056	BOLT, WITH WASHER	2	2	2	
3	90119-06056	BOLT, WITH WASHER	1	1	1	
4	90119-06056	BOLT, WITH WASHER	2	2	2	
5	5GH-23391-00	PANEL, FRONT	1	1	1	
6	90269-07076	RIVET	2	2	2	
7	5GH-28309-00	GRILLE, FRONT			1	
	5GH-28309-10	GRILLE, FRONT	1	1		
8	5KM-2175B-00	TUNING FORK MARK	1	1	1	
9	90110-06007	BOLT, HEXAGON SOCKET HEAD	2	2	2	
10	90119-06056	BOLT, WITH WASHER	2	2	2	
11	90110-06202	BOLT, HEXAGON SOCKET HEAD	2	2	2	
12	90387-067V1	COLLAR	2	2	2	
13	5GH-28349-00	CAP	2	2	2	
14	5GH-2837L-10	PANEL, CONSOLE 1	1	1	1	
15	90159-05028	SCREW, WITH WASHER	2	2	2	
16	90183-05024	NUT, SPRING	2	2	2	
17	5GH-21575-00	SEAL 1	1	1	1	

FIG. 23 REAR FENDER

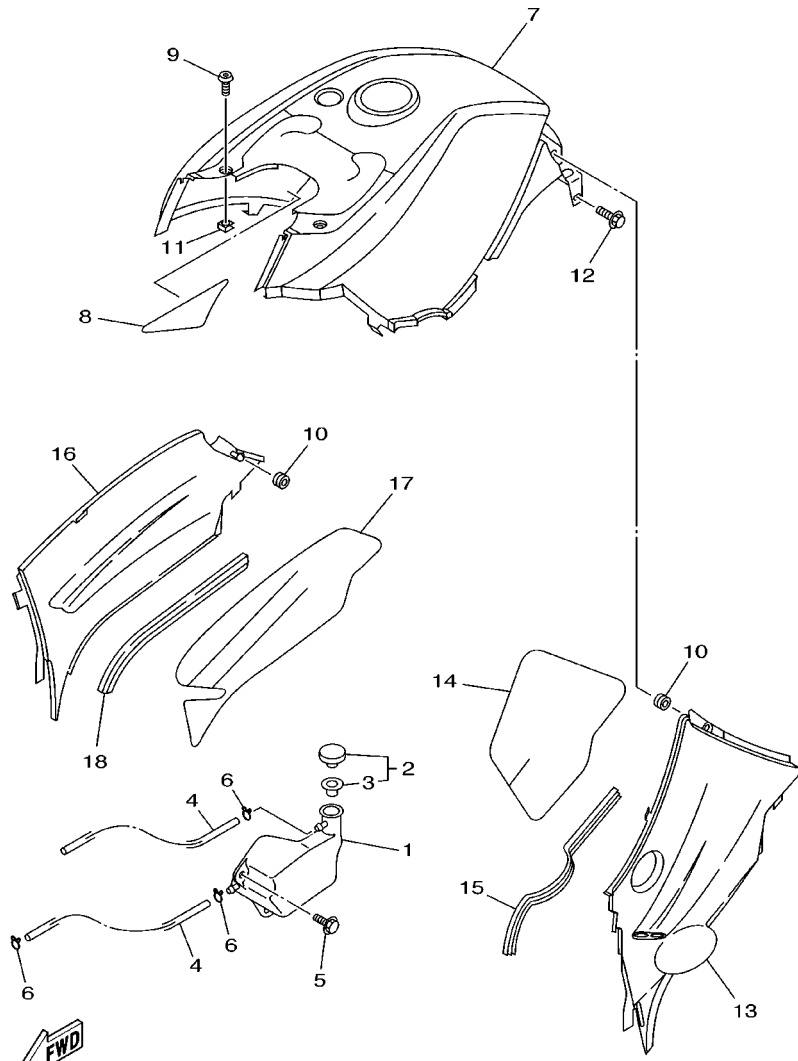


REF. NO.	PART NO.	DESCRIPTION	CHE	GBR	AUS	REMARKS
1	5GH-W2161-31	REAR FENDER COMP.			1	
	5GH-W216B-01	REAR FENDER COMP.2	1	1		UR FOR PDG
	5GH-W216B-11	REAR FENDER COMP.2	1	1		UR FOR RTR
	5GH-W216B-31	REAR FENDER COMP.2	1	1		UR FOR DPBSE
2	90119-06094	BOLT, WITH WASHER	2	2	2	
3	90119-06056	BOLT, WITH WASHER	3	3	3	
4	5GH-2163A-00	COVER, REAR FENDER 1	1	1	1	
5	5GH-2163E-00	COVER, REAR FENDER 2	1	1	1	
6	5GH-21652-00	PROTECTOR	1	1	1	
7	5GH-2163F-00	COVER, REAR FENDER 3	1	1	1	



5GHD171-1230

FIG. 24 SIDE COVER

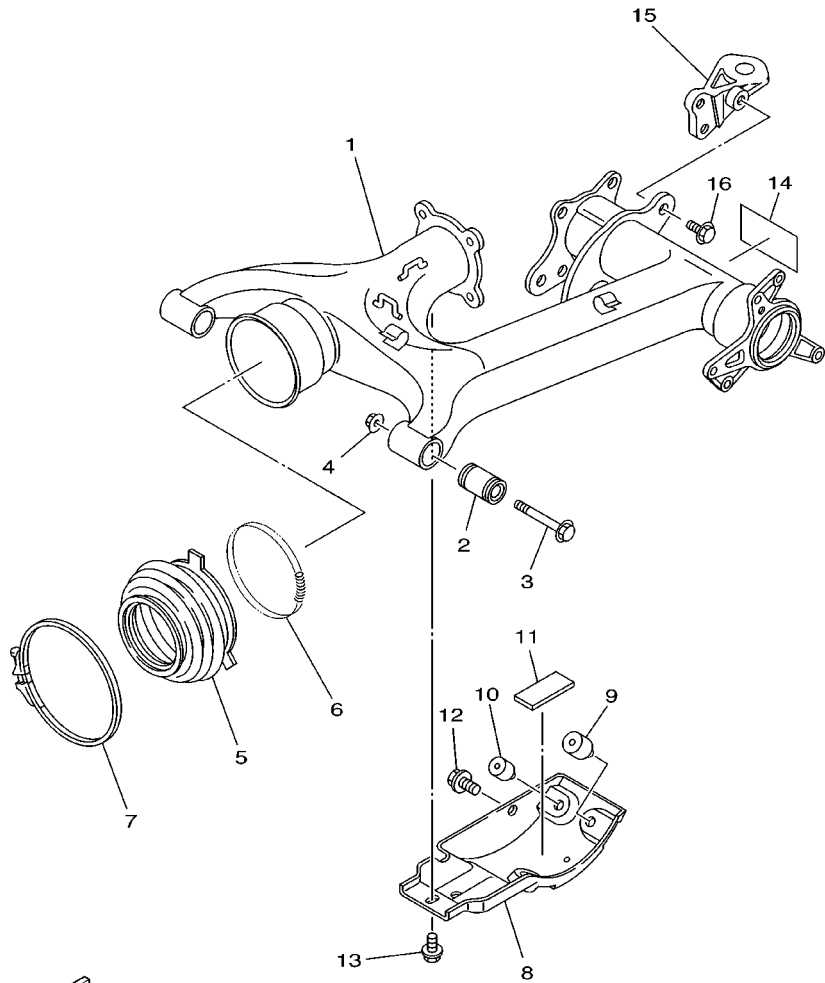


5GH1110-0241

REF. NO.	PART NO.	DESCRIPTION	CHE	GBR	AUS	REMARKS
1	5GH-21871-00	TANK, RECOVERY	1	1	1	
2	1AA-21815-00	CAP	1	1	1	
3	1AA-21874-00	.GASKET	1	1	1	
4	90445-09123	HOSE	2	2	2	
5	90119-06056	BOLT, WITH WASHER	2	2	2	
6	90467-08003	CLIP	3	3	3	
7	5GH-2171A-00	COVER, TOP	1	1		UR FOR PDG
	5GH-2171A-10	COVER, TOP	1	1		UR FOR RTR
	5GH-2171A-30	COVER, TOP	1	1	1	UR FOR DPBSE
8	5GH-2174M-00	CLOTH, PROTECTOR	1	1	1	
9	90110-05201	BOLT, HEXAGON SOCKET HEAD	2	2	2	
10	90480-13567	GROMMET	2	2	2	
11	90183-05024	NUT, SPRING	2	2	2	
12	90119-06056	BOLT, WITH WASHER	2	2	2	
13	5GH-21711-00	COVER, SIDE 1	1	1	1	
14	5GH-2174A-00	INSULATOR, SIDE COVER	1	1	1	
15	5GH-2171L-00	MOLE, SIDE COVER 1	1	1	1	
16	5GH-21721-00	COVER, SIDE 2	1	1	1	
17	5GH-2174T-00	INSULATOR, SIDE COVER 2	1	1	1	
18	5KM-2171L-00	MOLE, SIDE COVER 1	1	1	1	

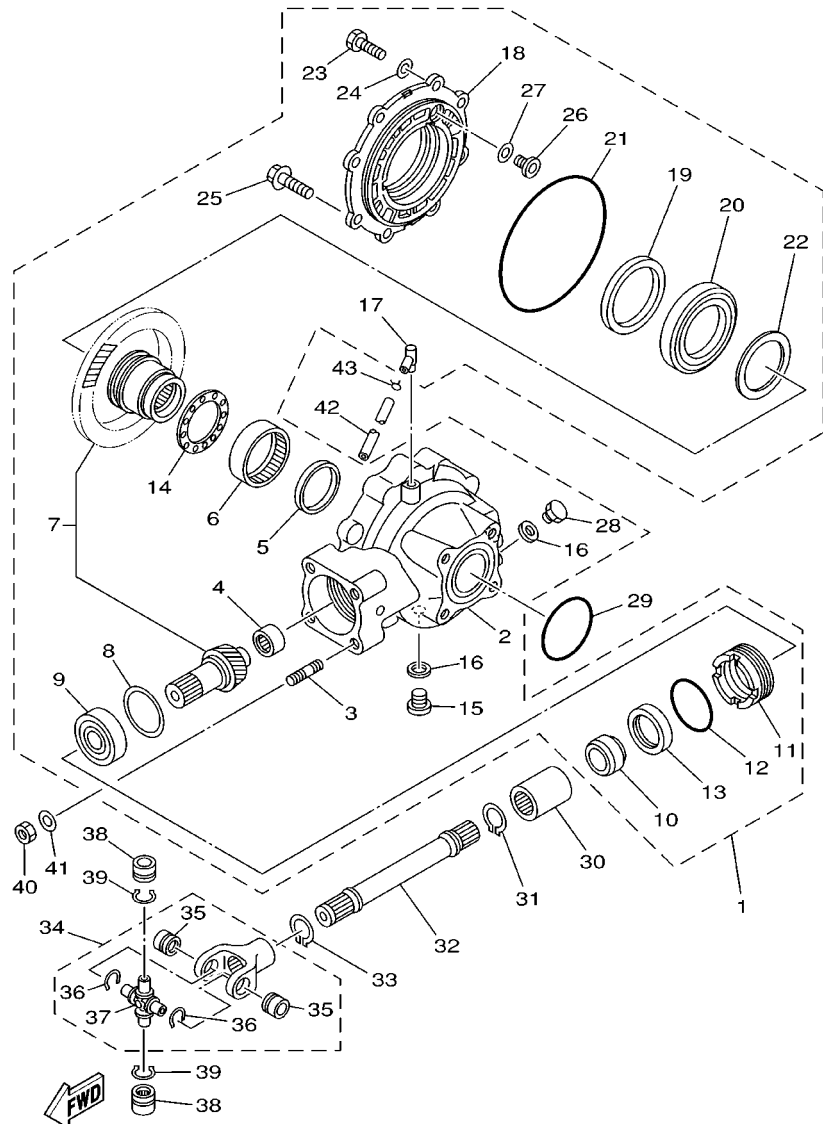
FIG. 25 REAR ARM

REF. NO.	PART NO.	DESCRIPTION	CHE	GBR	AUS	REMARKS
1	5GH-22110-10	REAR ARM COMP.	1	1	1	
2	5GH-22123-00	BUSH 1	2	2	2	
3	90105-12660	BOLT, FLANGE	2	2	2	
4	95607-12200	NUT, SELF-LOCKING	2	2	2	
5	5GH-22189-00	BOOT, RUBBER	1	1	1	
6	90506-07135	SPRING, TENSION	1	1	1	
7	90460-85277	CLAMP, HOSE	1	1	1	
8	4BD-2219X-02	COVER	1	1	1	
9	1A0-27114-00	STOPPER, MAIN STAND	2	2	2	
10	109-27114-00	STOPPER, MAIN STAND	1	1	1	
11	1UJ-21638-00	DAMPER 1	1	1	1	
12	95827-08012	BOLT, FLANGE	1	1	1	
13	95827-10016	BOLT, FLANGE	1	1	1	
14	5GH-2151K-00	LABEL 7	1	1	1	
15	5GH-28488-00	HOOK	1	1		
	5GH-28488-10	HOOK			1	
16	95827-10020	BOLT, FLANGE	3	3	3	



5GHK110-2250

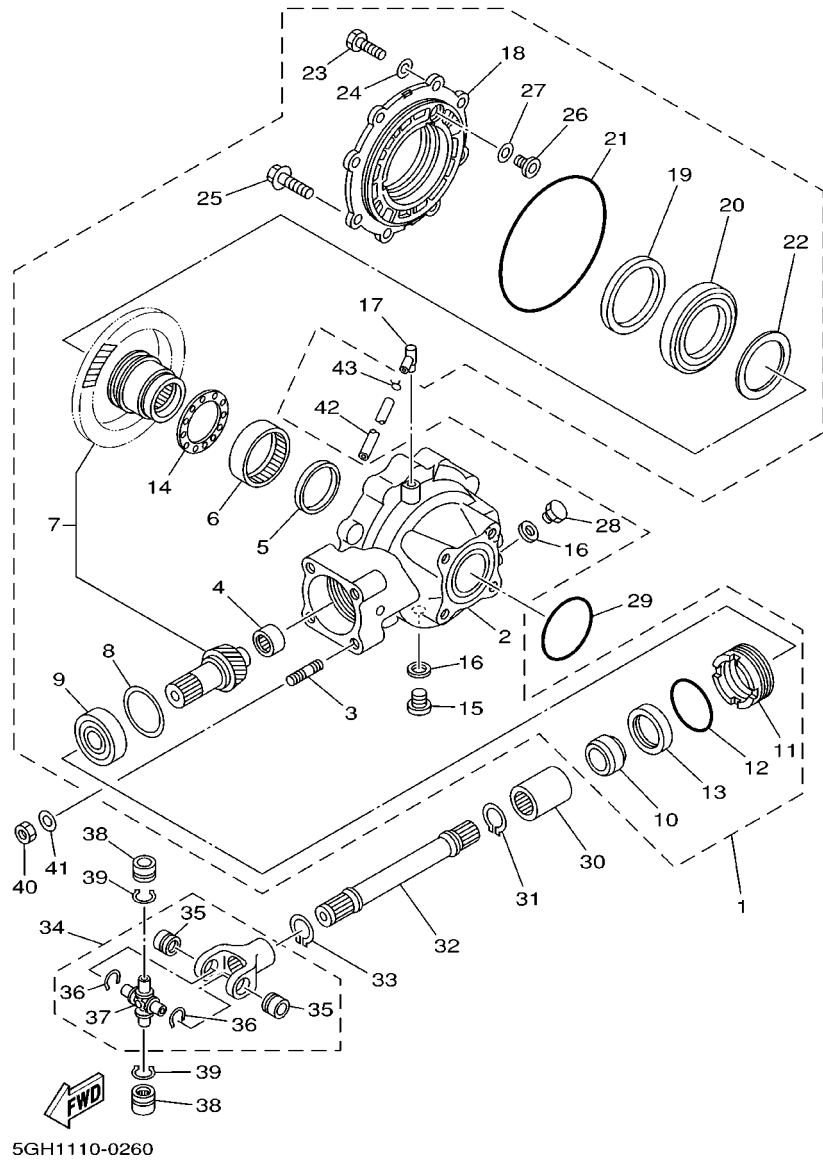
FIG. 26 DRIVE SHAFT



5GH1110-0260

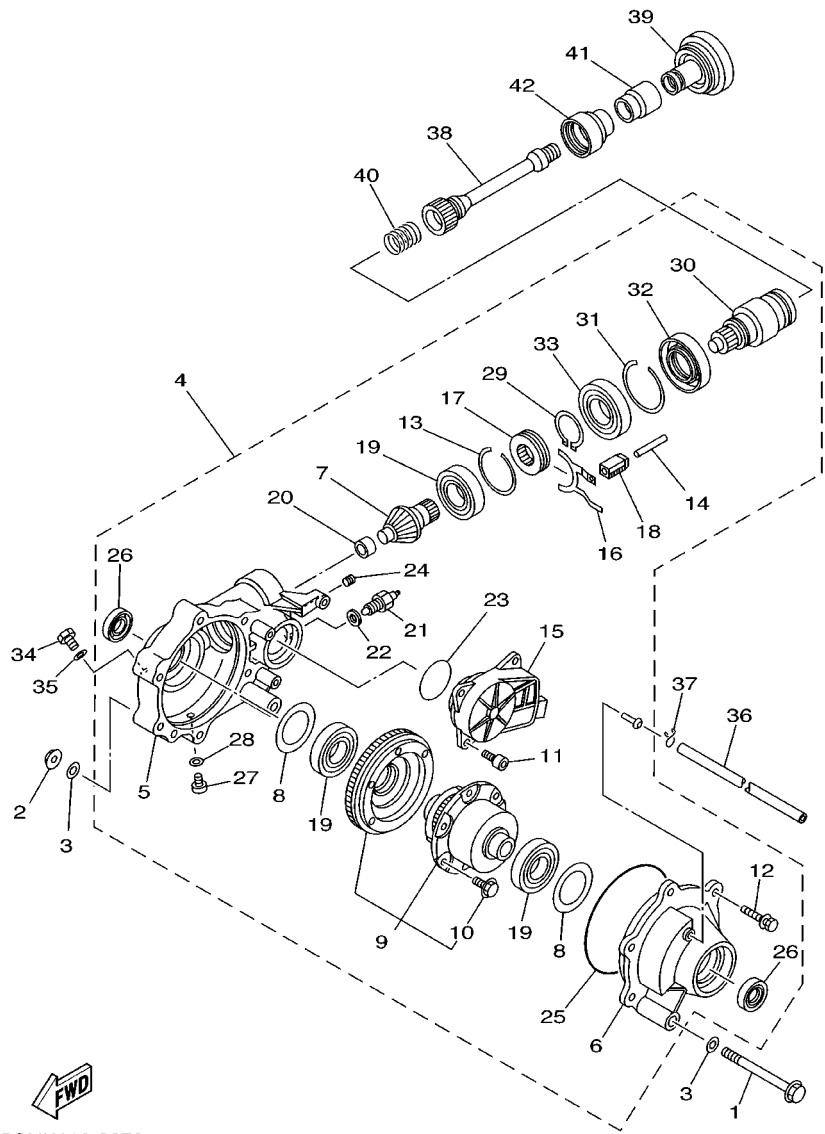
REF. NO.	PART NO.	DESCRIPTION	CHE	GBR	AUS	REMARKS
1	5GH-46101-00	REAR AXLE GEAR CASE ASSY	1	1	1	
2	4WV-46151-00	.HOUSING, DRIVE SHAFT	1	1	1	
3	90116-10593	.BOLT, STUD	4	4	4	
4	2H7-46102-00	.BEARING ASSY	1	1	1	
5	93101-52116	.OIL SEAL	1	1	1	
6	93317-85569	.BEARING	1	1	1	
7	5GT-Y4612-00	.RING GEAR SET	1	1	1	
8	1J7-17537-Y0-30	.SHIM, THRUST (0.30T)	1	1	1	UR
	1J7-17537-Y0-40	.SHIM, THRUST (0.40T)	1	1	1	UR
	1J7-17537-Y0-50	.SHIM, THRUST (0.50T)	1	1	1	UR
9	93306-30568	.BEARING	1	1	1	
10	90387-255H9	.COLLAR	1	1	1	
11	29U-46125-00	.RETAINER, BEARING	1	1	1	
12	93210-59531	.O-RING	1	1	1	
13	93101-38098	.OIL SEAL	1	1	1	
14	24W-46118-00-12	.WASHER, THRUST (1.2T)	1	1	1	UR
	24W-46118-00-14	.WASHER, THRUST (1.4T)	1	1	1	UR
	24W-46118-00-16	.WASHER, THRUST (1.6T)	1	1	1	UR
	24W-46118-00-18	.WASHER, THRUST (1.8T)	1	1	1	UR
	24W-46118-00-20	.WASHER, THRUST (2.0T)	1	1	1	UR
15	90340-14046	.PLUG, STRAIGHT SCREW	1	1	1	
16	214-11198-01	.GASKET	2	2	2	
17	2N4-15371-00	.BREATHER	1	1	1	
18	5GH-46152-00	.HOUSING, BEARING	1	1	1	
19	93102-65386	.OIL SEAL	1	1	1	
20	93316-01301	.BEARING	1	1	1	
21	93211-51749	.O-RING	1	1	1	

FIG. 26 DRIVE SHAFT



REF. NO.	PART NO.	DESCRIPTION	CHE	GBR	AUS	REMARKS
22	24W-46117-00-25	.SHIM, RING GEAR (0.25T)	1	1	1	UR
	24W-46117-00-30	.SHIM, RING GEAR (0.30T)	1	1	1	UR
	24W-46117-00-40	.SHIM, RING GEAR (0.40T)	1	1	1	UR
	24W-46117-00-50	.SHIM, RING GEAR (0.50T)	1	1	1	UR
23	97027-08025	.BOLT	6	6	6	
24	92907-08600	.WASHER, PLATE	6	6	6	
25	95817-10025	.BOLT, FLANGE	2	2	2	
26	1FK-46156-00	.STOPPER, RING GEAR	1	1	1	
27	1FK-46157-00-15	.SHIM, STOPPER (T=0.15)	1	1	1	UR
	1FK-46157-00-20	.SHIM, STOPPER (T=0.20)	1	1	1	UR
28	90340-14029	.PLUG, STRAIGHT SCREW	1	1	1	
29	93210-65705	O-RING	1	1	1	
30	5GT-46123-00	COUPLING, GEAR	1	1	1	
31	99009-24400	CIRCLIP	1	1	1	
32	5GH-46172-00	SHAFT, DRIVE	1	1	1	
33	93410-22039	CIRCLIP	1	1	1	
34	3HN-46108-01	CROSS JOINT COMP. 3	1	1	1	
35	93399-99926	.BEARING	2	2	2	
36	93440-20088	.CIRCLIP	2	2	2	
37	2HR-46187-00	.SPIDER	1	1	1	
38	93399-99926	BEARING	2	2	2	
39	93440-20088	CIRCLIP	2	2	2	
40	90179-10394	NUT	4	4	4	
41	90201-10774	WASHER, PLATE	4	4	4	
42	90445-072J4	HOSE (L1120)	1	1	1	
43	90467-07029	CLIP	1	1	1	

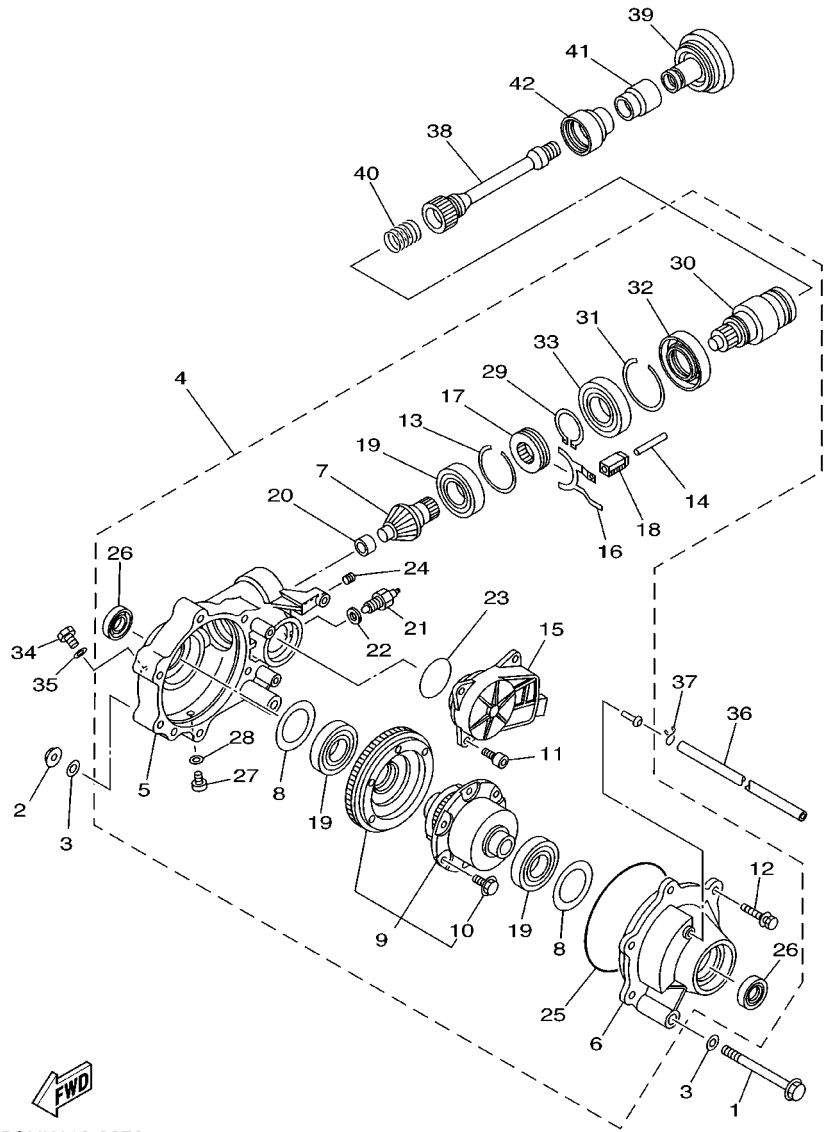
FIG. 27 FRONT DIFFERENTIAL



5GHK110-2270

REF. NO.	PART NO.	DESCRIPTION	CHE	GBR	AUS	REMARKS
1	90105-10051	BOLT, FLANGE	2	2	2	
2	95607-10200	NUT, SELF-LOCKING	2	2	2	
3	90201-101J1	WASHER, PLATE	4	4	4	
4	5GH-46160-02	FRONT AXLE GEAR CASE COMP.	1	1	1	
5	5GH-46161-00	.HOUSING, SHAFT DRIVE 2	1	1	1	
6	5GH-46162-00	.HOUSING, BEARING 2	1	1	1	
7	5GH-46141-00	.PINION, DRIVE 2	1	1	1	
8	4WV-46119-00	.SHIM, THRUST (0.1T)	1	1	1	UR
	4WV-46119-10	.SHIM, THRUST (0.2T)	1	1	1	UR
	4WV-46119-20	.SHIM, THRUST (0.3T)	1	1	1	UR
	4WV-46119-30	.SHIM, THRUST (0.4T)	1	1	1	UR
	4WV-46119-40	.SHIM, THRUST (0.5T)	1	1	1	UR
	4WV-46119-50	.SHIM, THRUST (1.0T)	1	1	1	UR
	4WV-46119-60	.SHIM, THRUST (1.5T)	1	1	1	UR
	4WV-46119-70	.SHIM, THRUST (2.0T)	1	1	1	UR
	4WV-46119-80	.SHIM, THRUST (2.5T)	1	1	1	UR
9	5GH-46470-01	.LIMITED SLIP DIFF. ASSY	1	1	1	
10	4WV-46155-00	..BOLT 1	6	6	6	
11	91317-08020	.BOLT	3	3	3	
12	4WV-46159-00	.BOLT 3	6	6	6	
13	4WV-46143-00	.RING,HOLE SNAP 2	1	1	1	
14	5GH-18318-00	.SHAFT, SHIFTER	1	1	1	
15	5GH-4616A-01	.SERVO MOTOR COMP	1	1	1	
16	5GH-18514-00	.FORK, SHIFT 4	1	1	1	
17	4WV-46441-00	.CLUTCH,DRIVEN	1	1	1	
18	5GH-18319-00	.SHAFT 2	1	1	1	
19	4WV-46165-00	.BEARING 2	3	3	3	

FIG. 27 FRONT DIFFERENTIAL

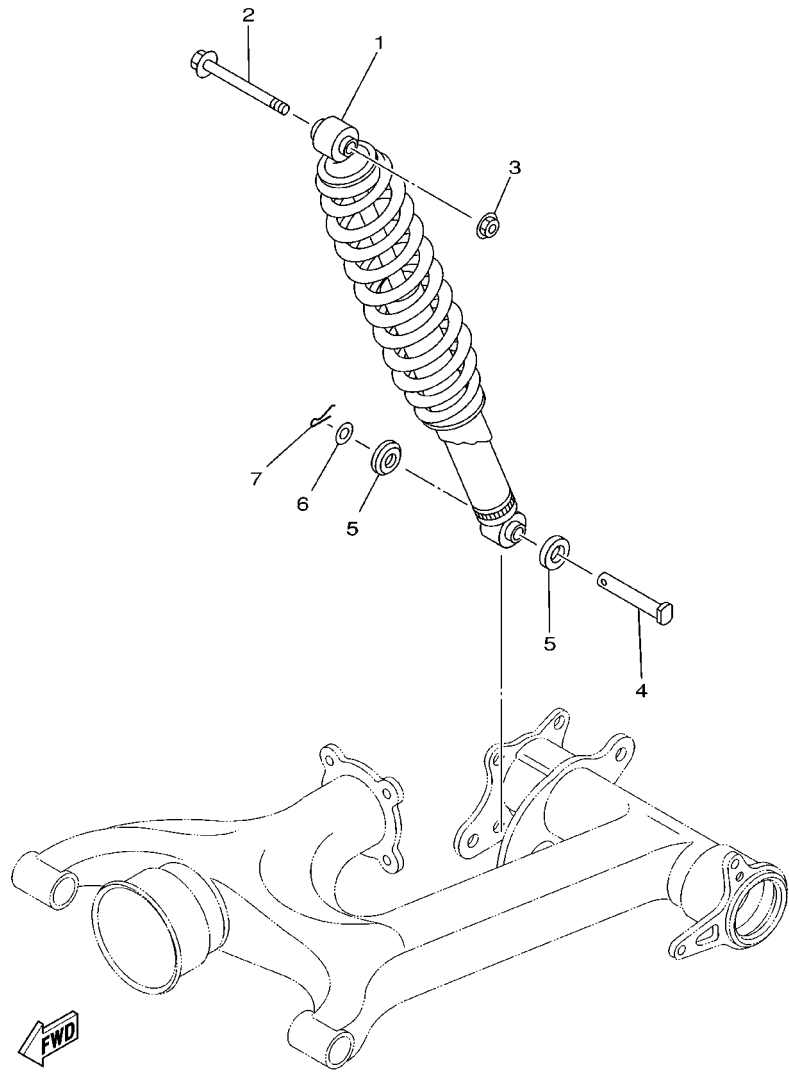


5GHK110-2270

REF. NO.	PART NO.	DESCRIPTION	CHE	GBR	AUS	REMARKS
20	4WV-46167-00	.BEARING 4	1	1	1	
21	3GD-82540-11	.NEUTRAL SWITCH ASSY	1	1	1	
22	4WV-46132-00	.GASKET 1	1	1	1	
23	93210-50768	.O-RING	1	1	1	
24	90113-08004	.BOLT, SET	1	1	1	
25	93211-40040	.O-RING	1	1	1	
26	93102-24034	.OIL SEAL	2	2	2	
27	90340-10001	.PLUG, STRAIGHT SCREW	1	1	1	
28	90430-10003	.GASKET	1	1	1	
29	93450-44141	.CIRCLIP	1	1	1	
30	5GH-46126-00	.COUPLING	1	1	1	
31	93450-71142	.CIRCLIP	1	1	1	
32	93102-50030	.OIL SEAL	1	1	1	
33	93316-00801	.BEARING	1	1	1	
34	90340-14029	PLUG, STRAIGHT SCREW	1	1	1	
35	214-11198-01	GASKET	1	1	1	
36	90445-07246	HOSE	1	1	1	
37	90467-07029	CLIP	1	1	1	
38	5GH-46173-00	SHAFT, DRIVE 2	1	1	1	
39	5GH-46123-00	COUPLING, GEAR	1	1	1	
40	90501-296L7	SPRING, COMPRESSION	1	1	1	
41	5GH-46136-00	SEAL 1	1	1	1	
42	5GH-46137-00	SEAL 2	1	1	1	

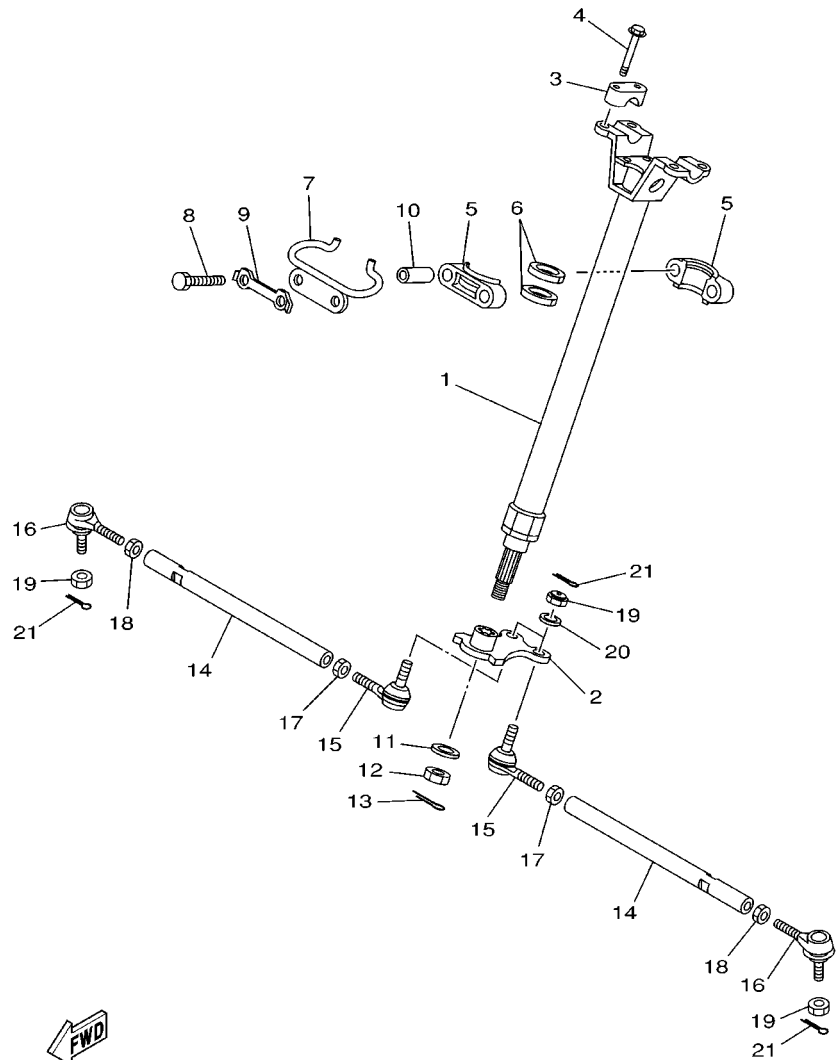
FIG. 28 REAR SUSPENSION

REF. NO.	PART NO.	DESCRIPTION	CHE	GBR	AUS	REMARKS
1	5GH-22210-00	SHOCK ABSORBER ASSY, REAR	1	1	1	
2	90105-12003	BOLT, FLANGE	1	1	1	
3	95607-12200	NUT, SELF-LOCKING	1	1	1	
4	90240-12092	PIN, CLEVIS	1	1	1	
5	1W1-22128-00	COVER, THRUST 1	2	2	2	
6	90201-127J6	WASHER, PLATE	1	1	1	
7	91401-30025	PIN, COTTER	1	1	1	



5GH1110-0280

FIG. 29 STEERING

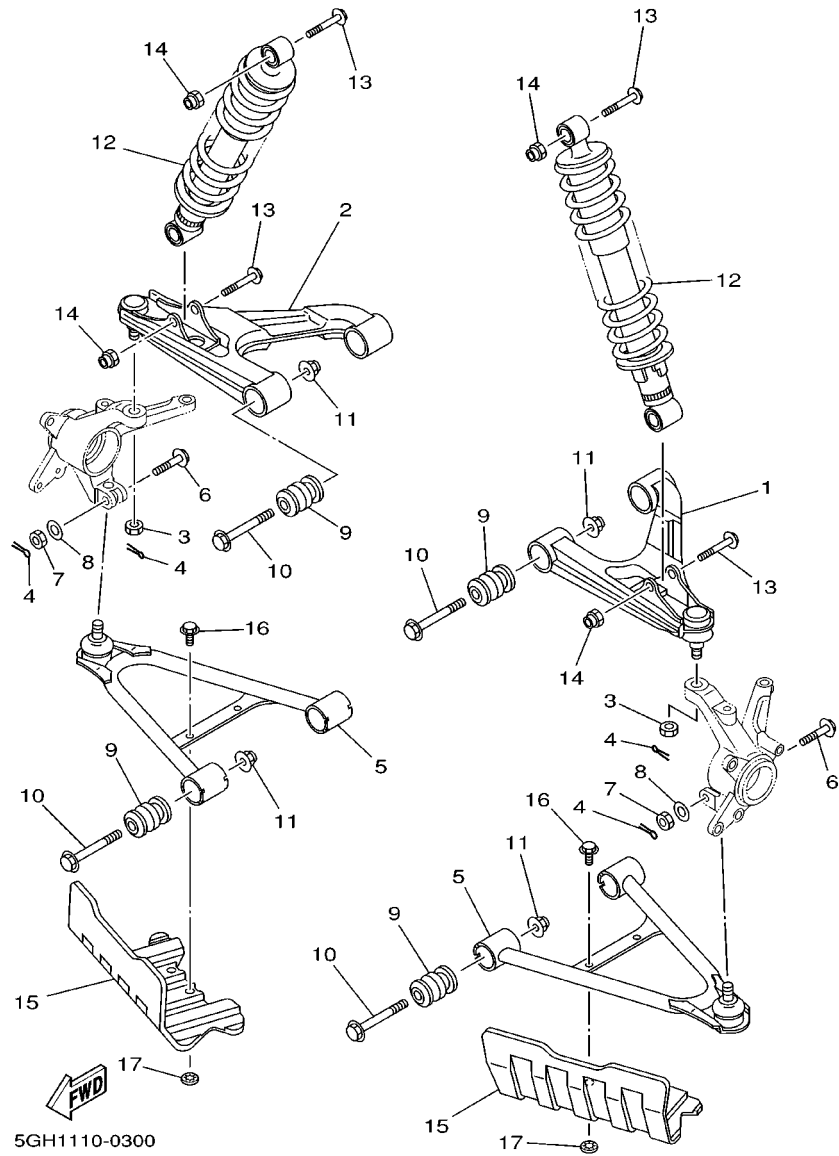


REF. NO.	PART NO.	DESCRIPTION	CHE	GBR	AUS	REMARKS
1	5GH-23813-01	COLUMN, STEERING 2	1	1	1	
2	5GH-23816-01	ARM, PITMAN	1	1	1	
3	8K1-23814-00	HOLDER, HANDLE	2	2	2	
4	95827-08030	BOLT, FLANGE	4	4	4	
5	1UY-23812-00	PLANE BEARING, STEERING	2	2	2	
6	93112-31011	OIL SEAL	2	2	2	
7	5GH-23868-00	BRACKET, STEERING LOWER	1	1	1	
8	97027-08060	BOLT	2	2	2	
9	1UY-23894-01	WASHER, LOCK 1	1	1	1	
10	90387-090R0	COLLAR	2	2	2	
11	90201-14226	WASHER, PLATE	1	1	1	
12	90185-14070	NUT, SELF-LOCKING	1	1	1	
13	90468-16191	CLIP	1	1	1	
14	2HR-23831-01	ROD, TIE	2	2	2	
15	1UY-23841-01	JOINT, UNIVERSAL 1	2	2	2	
16	1UY-23845-01	JOINT, UNIVERSAL 2	2	2	2	
17	95307-10700	NUT	2	2	2	
18	90170-10186	NUT	2	2	2	(L.H. THREAD)
19	90171-10046	NUT, CASTLE	4	4	4	
20	92990-10600	WASHER, PLATE	2	2	2	
21	91401-20020	PIN, COTTER	4	4	4	



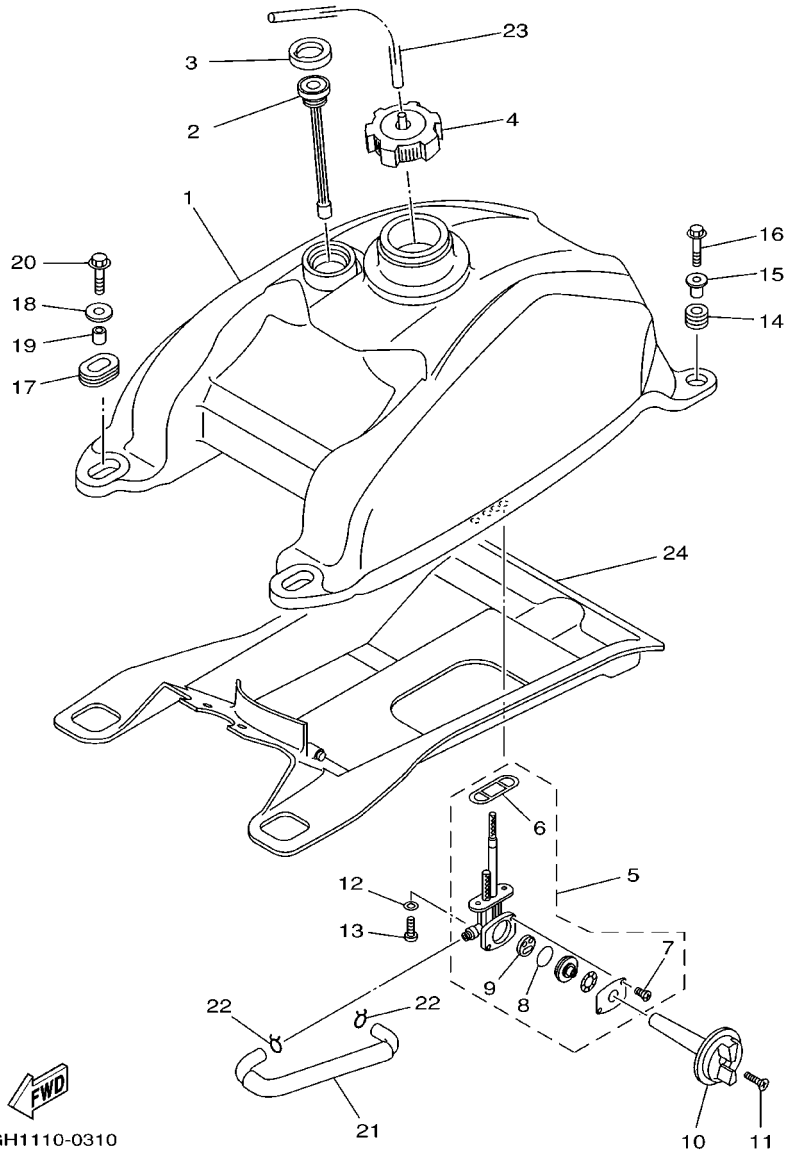
5GH1110-0290

FIG. 30 FRONT SUSPENSION. WHEEL



REF. NO.	PART NO.	DESCRIPTION	CHE	GBR	AUS	REMARKS
1	5GH-23540-00	FRONT UPPER ARM COMP. (LEFT)	1	1	1	
2	5GH-23550-00	FRONT UPPER ARM COMP. (RIGHT)	1	1	1	
3	90171-10046	NUT, CASTLE	2	2	2	
4	91401-20020	PIN, COTTER	4	4	4	
5	5GH-23570-00	FRONT LOWER ARM COMP. (LEFT)	2	2	2	
6	90105-10549	BOLT, FLANGE	2	2	2	
7	95337-10600	NUT	2	2	2	
8	90201-10430	WASHER, PLATE	2	2	2	
9	2HR-23526-00	BUSH	8	8	8	
10	90105-10286	BOLT, FLANGE	8	8	8	
11	90185-10060	NUT, SELF-LOCKING	8	8	8	
12	5GH-23350-00	SHOCK ABSORBER ASSY	2	2	2	
13	90105-10388	BOLT, FLANGE	4	4	4	
14	90185-10060	NUT, SELF-LOCKING	4	4	4	
15	5GH-23123-00	COVER, LOWER 1	2	2	2	
16	95807-06012	BOLT, FLANGE	2	2	2	
17	90183-06053	NUT, SPRING	2	2	2	

FIG. 31 FUEL TANK



FWD
5GH1110-0310

REF. NO.	PART NO.	DESCRIPTION	CHE	GBR	AUS		REMARKS
1	5GH-24110-00	FUEL TANK COMP.	1	1	1		
2	5GH-24260-00	FUEL METER ASSY	1	1	1		
3	4SH-24261-00	HOUSING, FUEL METER	1	1	1		
4	5KM-24610-00	CAP ASSY	1	1	1		
5	5GH-24500-00	FUEL COCK ASSY 1	1	1	1		
6	3AJ-24534-00	.SEAL, COCK	1	1	1		
7	98507-03014	.SCREW, PAN HEAD	2	2	2		
8	4X8-24512-00	.O-RING	1	1	1		
9	3AJ-24523-00	.VALVE PACKING	1	1	1		
10	5GH-24524-00	LEVER, COCK	1	1	1		
11	98707-04018	SCREW, FLAT HEAD	1	1	1		
12	90202-05193	WASHER, PLATE	2	2	2		
13	90149-06011	SCREW	2	2	2		
14	90480-18290	GROMMET	2	2	2		
15	90387-066J1	COLLAR	2	2	2		
16	95807-06030	BOLT, FLANGE	2	2	2		
17	90480-01400	GROMMET	2	2	2		
18	90201-060L5	WASHER, PLATE	2	2	2		
19	90387-07598	COLLAR	2	2	2		
20	90119-06073	BOLT, WITH WASHER	2	2	2		
21	5GH-24311-00	PIPE, FUEL 1	1	1	1		
22	90467-10008	CLIP	2	2	2		
23	90445-084J1	HOSE (L420)	1	1	1		
24	5GH-2414H-00	DAMPER, PLATE 1	1	1	1		

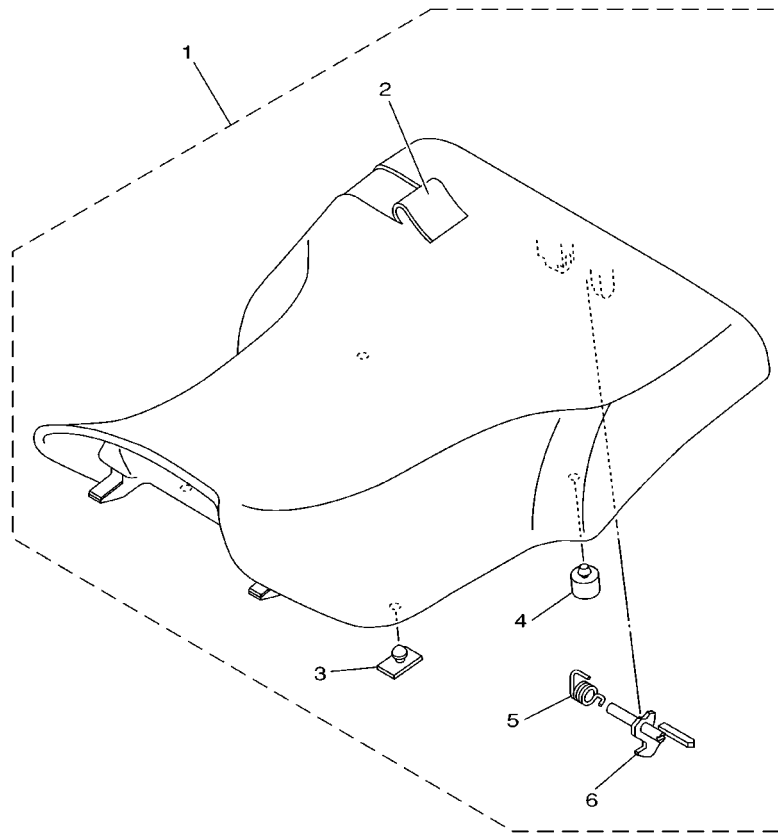
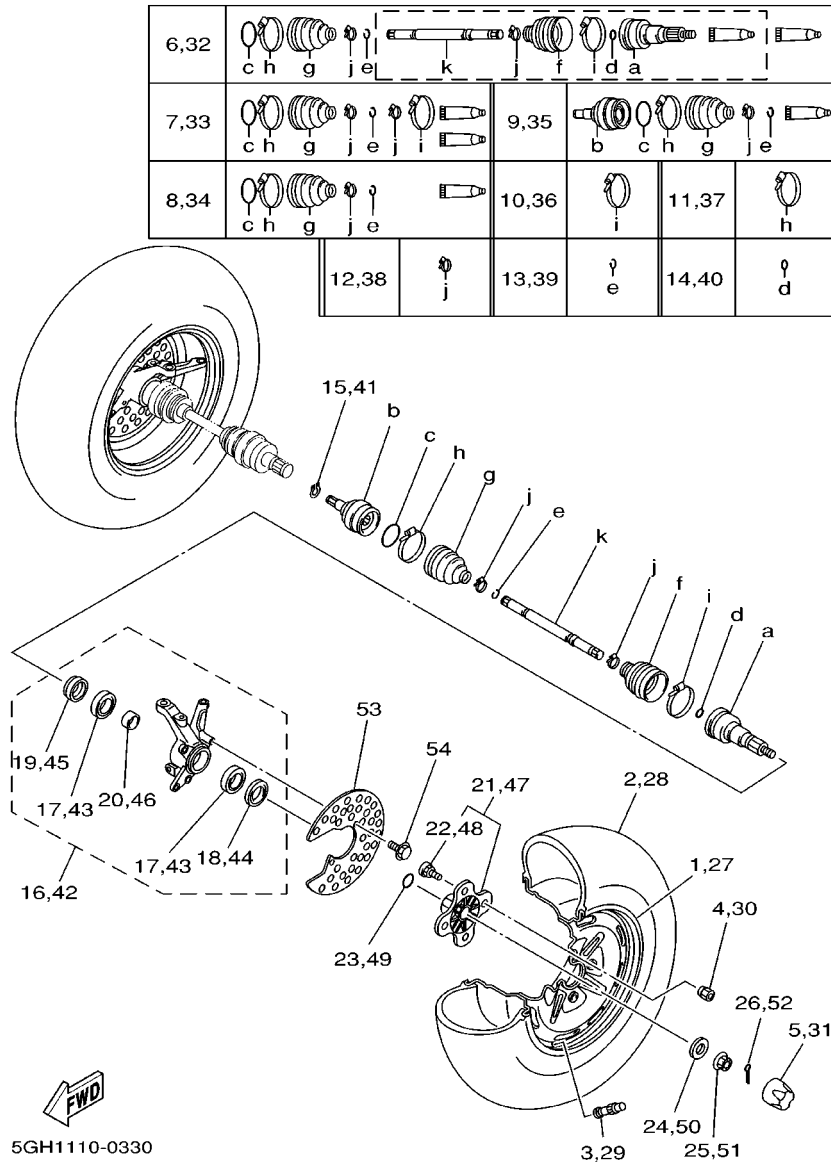


FIG. 32 SEAT

REF. NO.	PART NO.	DESCRIPTION	CHE	GBR	AUS	REMARKS
1	5GH-24710-00	SINGLE SEAT ASSY	1	1		UR FOR PDG,RTR
	5GH-24710-A0	SINGLE SEAT ASSY	1	1		UR FOR DPBSE
	5GH-24710-20	SINGLE SEAT ASSY			1	
2	5GH-24731-00	.COVER, SEAT	1	1		UR FOR PDG,RTR
	5GH-2470F-A0	.COVER, SEAT	1	1		UR FOR DPBSE
	5GH-24731-20	.COVER, SEAT			1	
3	509-24724-00	.DAMPER, SEAT	2	2	2	
4	371-27114-00	.STOPPER, MAIN STAND	2	2	2	
5	90508-23567	.SPRING, TORSION	1	1	1	
6	5GH-24776-00	.LEVER, SEAT	1	1	1	

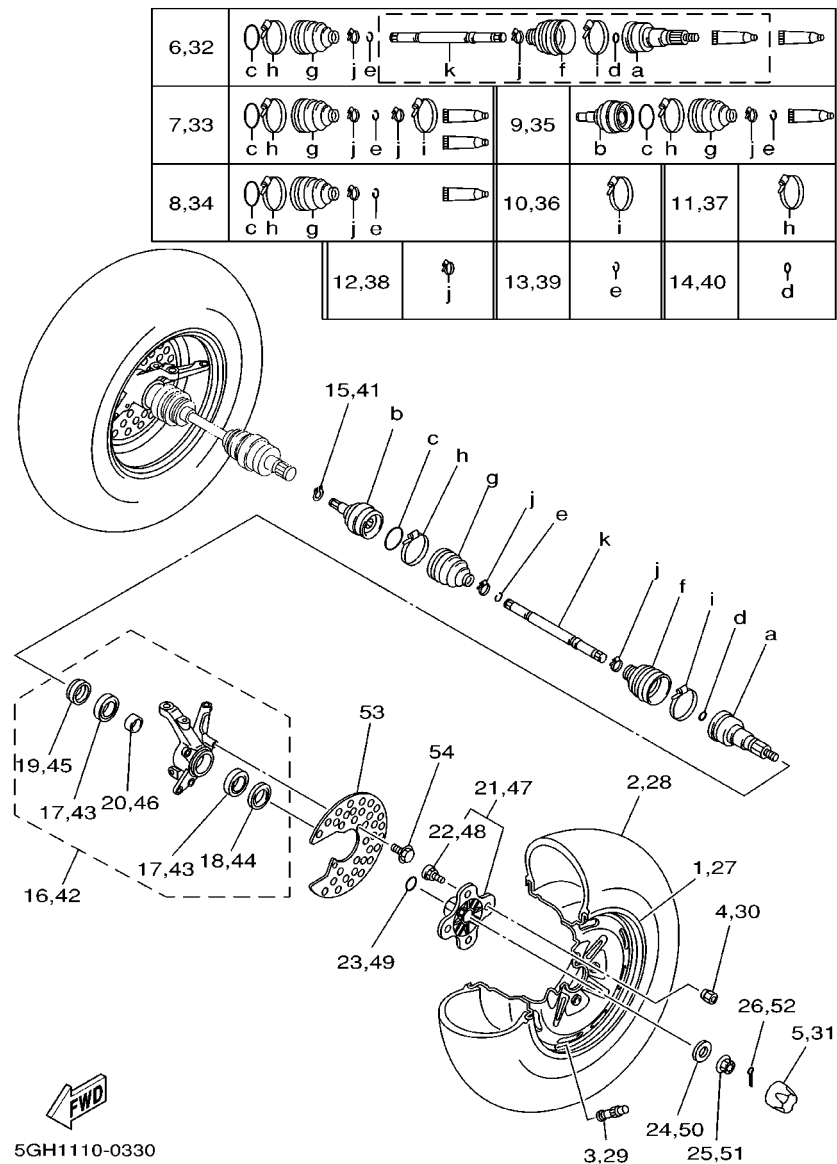

5GH1110-0320

FIG. 33 FRONT WHEEL



REF. NO.	PART NO.	DESCRIPTION	CHE	GBR	AUS	REMARKS
1	5GH-25180-20	WHEEL COMP.(SILVER)	1	1	1	UR FOR DPBSE
	5GH-25180-40	WHEEL COMP.(TITANIC GRAY)	1	1		UR FOR PDG,RTR
2	94108-12008	TIRE(AT25X8-12,CHENG SHIN C828)	1	1	1	UR CHENG SHIN
	94108-1216D	TIRE(AT25 X 8-12,DUNLOP-KT123)	1	1		UR DUNLOP
3	93900-00022	VALVE, RIM	1	1	1	TAIHEIYO
4	90179-10540	NUT	4	4	4	
5	5GT-2512A-00	CAP, WHEEL	1	1	1	
6	5GH-2510F-00	BALL JOINT SET	1	1	1	
7	5GH-2510G-00	BOOT SET (BALL JOINT)	1	1	1	
8	5GH-2510H-00	BOOT SET (DOUBLE OFFSET JOINT)	1	1	1	
9	5GH-2510J-00	DOUBLE OFF SET JOINT	1	1	1	
10	3HN-2511G-01	BOOT BAND (BALL JOINT)	1	1	1	
11	3HN-2511H-01	BOOT BAND (DOUBLE OFFSET JOINT)	1	1	1	
12	3HN-2512G-01	BOOT BAND (SMALL)	2	2	2	
13	2HR-2512J-00	SNAP RING	1	1	1	
14	4KB-2512H-00	CIRCLIP	1	1	1	
15	93450-22119	CIRCLIP	1	1	1	
16	5GH-23501-01	STEERING KNUCKLE ASSY (LEFT)	1	1	1	
17	93306-00615	.BEARING	2	2	2	
18	93106-38046	.OIL SEAL	1	1	1	
19	93106-38047	.OIL SEAL	1	1	1	
20	90560-30325	.SPACER	1	1	1	
21	5GH-25111-00	HUB, FRONT	1	1	1	
22	90114-10010	.BOLT, SERRATION	4	4	4	
23	93210-27666	O-RING	1	1	1	
24	90201-162L6	WASHER, PLATE	1	1	1	
25	90171-16001	NUT, CASTLE	1	1	1	

FIG. 33 FRONT WHEEL



REF. NO.	PART NO.	DESCRIPTION	CHE	GBR	AUS	REMARKS
26	91401-30030	PIN, COTTER	1	1	1	
27	5GH-25180-20	WHEEL COMP.(SILVER)	1	1	1	UR FOR DPBSE
	5GH-25180-40	WHEEL COMP.(TITANIC GRAY)	1	1		UR FOR PDG,RTR
28	94108-12008	TIRE(AT25X8-12,CHENG SHIN C828)	1	1	1	UR CHENG SHIN
	94108-1216D	TIRE(AT25 X 8-12,DUNLOP-KT123)	1	1		UR DUNLOP
29	93900-00022	VALVE, RIM	1	1	1	TAIHEIYO
30	90179-10540	NUT	4	4	4	
31	5GT-2512A-00	CAP, WHEEL	1	1	1	
32	5GH-2510F-00	BALL JOINT SET	1	1	1	
33	5GH-2510G-00	BOOT SET (BALL JOINT)	1	1	1	
34	5GH-2510H-00	BOOT SET (DOUBLE OFFSET JOINT)	1	1	1	
35	5GH-2510J-00	DOUBLE OFF SET JOINT	1	1	1	
36	3HN-2511G-01	BOOT BAND (BALL JOINT)	1	1	1	
37	3HN-2511H-01	BOOT BAND (DOUBLE OFFSET JOINT)	1	1	1	
38	3HN-2512G-01	BOOT BAND (SMALL)	2	2	2	
39	2HR-2512J-00	SNAP RING	1	1	1	
40	4KB-2512H-00	CIRCLIP	1	1	1	
41	93450-22119	CIRCLIP	1	1	1	
42	5GH-23502-01	STEERING KNUCKLE ASSY (RIGHT)	1	1	1	
43	93306-00615	.BEARING	2	2	2	
44	93106-38046	.OIL SEAL	1	1	1	
45	93106-38047	.OIL SEAL	1	1	1	
46	90560-30325	.SPACER	1	1	1	
47	5GH-25111-00	HUB, FRONT	1	1	1	
48	90114-10010	.BOLT, SERRATION	4	4	4	
49	93210-27666	O-RING	1	1	1	
50	90201-162L6	WASHER, PLATE	1	1	1	

FIG. 33 FRONT WHEEL

REF. NO.	PART NO.	DESCRIPTION	CHE	GBR	AUS	REMARKS
51	90171-16001	NUT, CASTLE	1	1	1	
52	91401-30030	PIN, COTTER	1	1	1	
53	4KB-2514A-00	RING, WHEEL 1 (LEFT)	2	2	2	
54	95827-06012	BOLT, FLANGE	4	4	4	

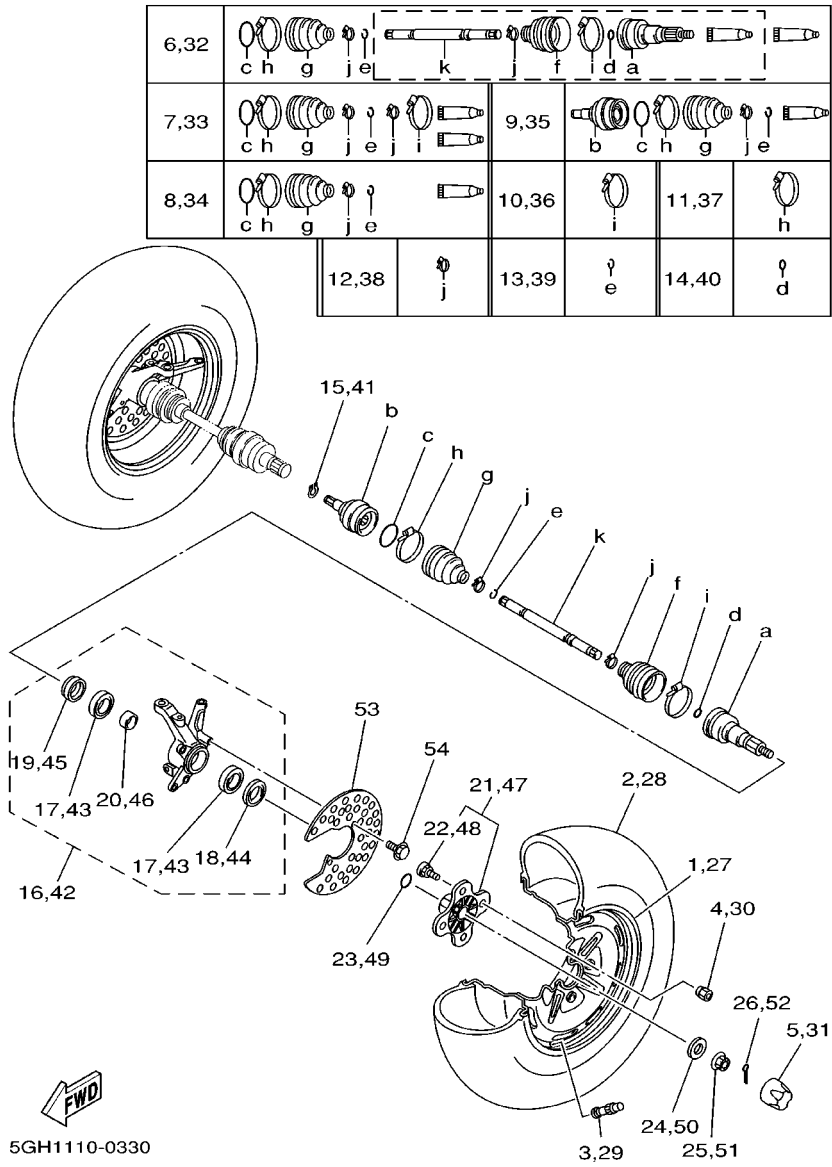
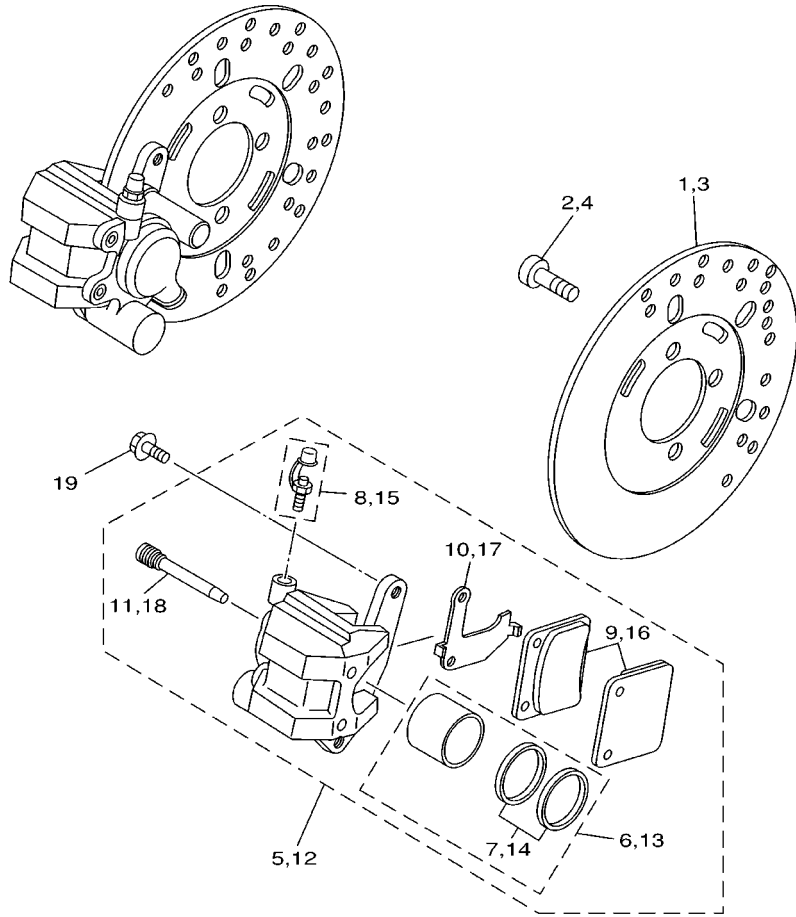


FIG. 34 FRONT BRAKE

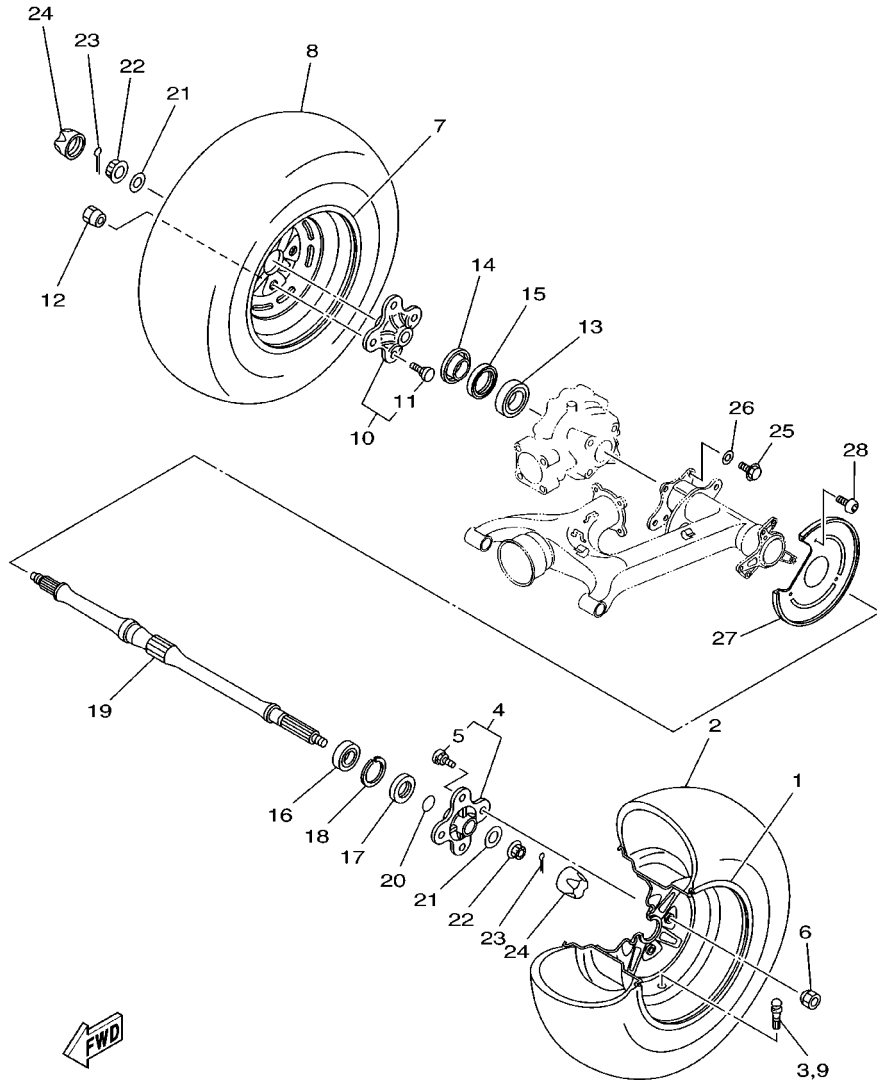


REF. NO.	PART NO.	DESCRIPTION	CHE	GBR	AUS	REMARKS
1	4KB-2582T-00	DISC, BRAKE	1	1	1	
2	90149-08268	SCREW	4	4	4	
3	4KB-2582T-00	DISC, BRAKE	1	1	1	
4	90149-08268	SCREW	4	4	4	
5	3GD-2580T-00	CALIPER ASSY (LEFT)	1	1	1	
6	3GD-W0057-00	.PISTON ASSY, CALIPER	1	1	1	
7	3GD-W0047-00	..CALIPER SEAL KIT	1	1	1	
8	1UY-W0048-50	.BLEED SCREW KIT	1	1	1	
9	3GD-W0045-00	.BRAKE PAD KIT	1	1	1	
10	3GD-25827-00	.SHIM, CALIPER	1	1	1	
11	3GD-25933-00	.PIN, PAD	2	2	2	
12	3GD-2580U-00	CALIPER ASSY (RIGHT)	1	1	1	
13	3GD-W0057-00	.PISTON ASSY, CALIPER	1	1	1	
14	3GD-W0047-00	..CALIPER SEAL KIT	1	1	1	
15	1UY-W0048-50	.BLEED SCREW KIT	1	1	1	
16	3GD-W0045-00	.BRAKE PAD KIT	1	1	1	
17	3GD-25828-00	.SHIM, CALIPER	1	1	1	
18	3GD-25933-00	.PIN, PAD	2	2	2	
19	90105-08538	BOLT, FLANGE	4	4	4	



5GH1110-0340

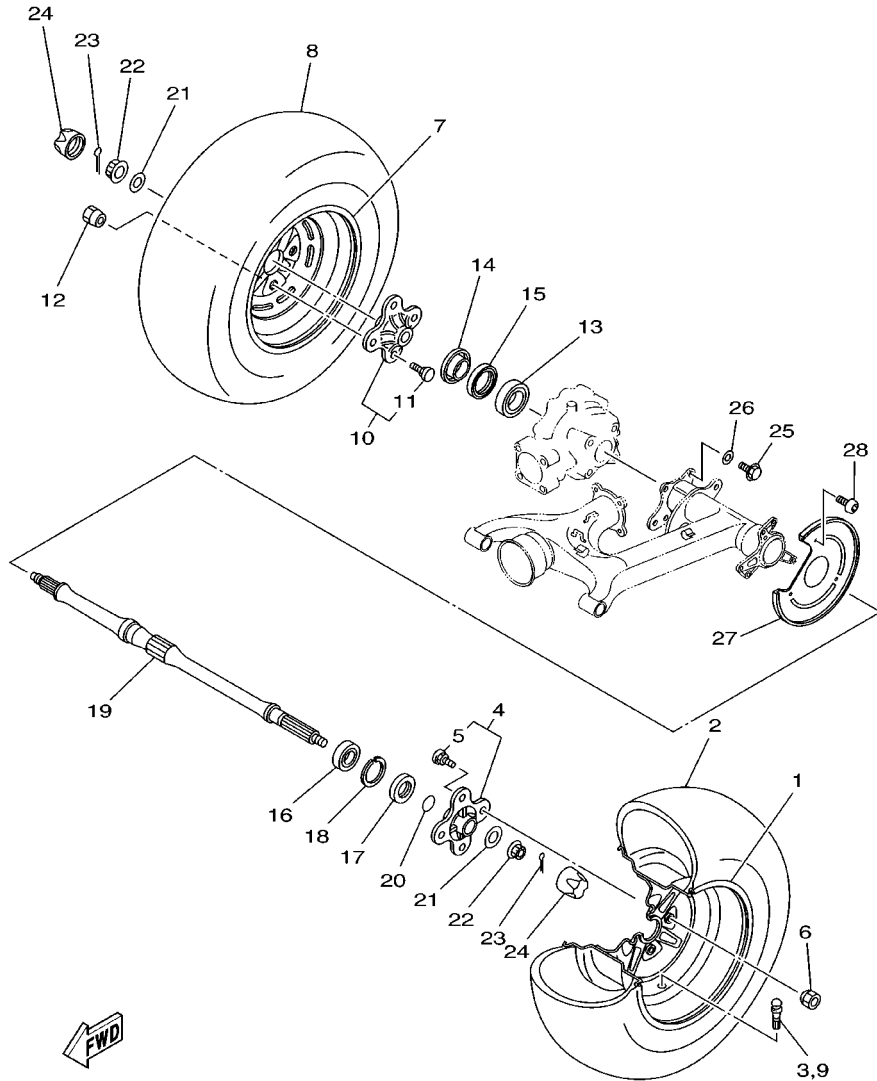
FIG. 35 REAR WHEEL



FWD
5GHK110-2350

REF. NO.	PART NO.	DESCRIPTION	CHE	GBR	AUS	REMARKS
1	5GH-25390-20	REAR WHEEL COMP(SILVER)	1	1	1	UR FOR DPBSE
	5GH-25390-40	REAR WHEEL COMP(TITANIC GRAY)	1	1		UR FOR PDG,RTR
2	94110-12008	TIRE(CHENGSHIN AT25X10-12,C828)	1	1	1	UR CHENG SHIN
	94110-1216E	TIRE(DUNLOP AT25X10-12 KT127)	1	1		UR FOR DUNLOP
3	93900-00022	VALVE, RIM	1	1	1	TAIHEIYO
4	2HR-25383-01	COLLAR, WHEEL	1	1	1	
5	90114-10010	.BOLT, SERRATION	4	4	4	
6	90179-10540	NUT	4	4	4	
7	5GH-25390-20	REAR WHEEL COMP(SILVER)	1	1	1	UR FOR DPBSE
	5GH-25390-40	REAR WHEEL COMP(TITANIC GRAY)	1	1		UR FOR PDG,RTR
8	94110-12008	TIRE(CHENGSHIN AT25X10-12,C828)	1	1	1	UR CHENG SHIN
	94110-1216E	TIRE(DUNLOP AT25X10-12 KT127)	1	1		UR DUNLOP
9	93900-00022	VALVE, RIM	1	1	1	TAIHEIYO
10	2HR-25383-01	COLLAR, WHEEL	1	1	1	
11	90114-10010	.BOLT, SERRATION	4	4	4	
12	90179-10540	NUT	4	4	4	
13	93306-00805	BEARING	1	1	1	
14	4SH-25367-01	COVER, HUB DUST	1	1	1	
15	93106-47040	OIL SEAL	1	1	1	
16	93306-00612	BEARING	1	1	1	
17	93106-38046	OIL SEAL	1	1	1	
18	99009-55500	CIRCLIP	1	1	1	
19	5GH-25381-01	AXLE, WHEEL	1	1	1	
20	93210-27666	O-RING	1	1	1	
21	90201-162L6	WASHER, PLATE	2	2	2	
22	90171-16001	NUT, CASTLE	1	1	1	
23	91401-30030	PIN, COTTER	2	2	2	

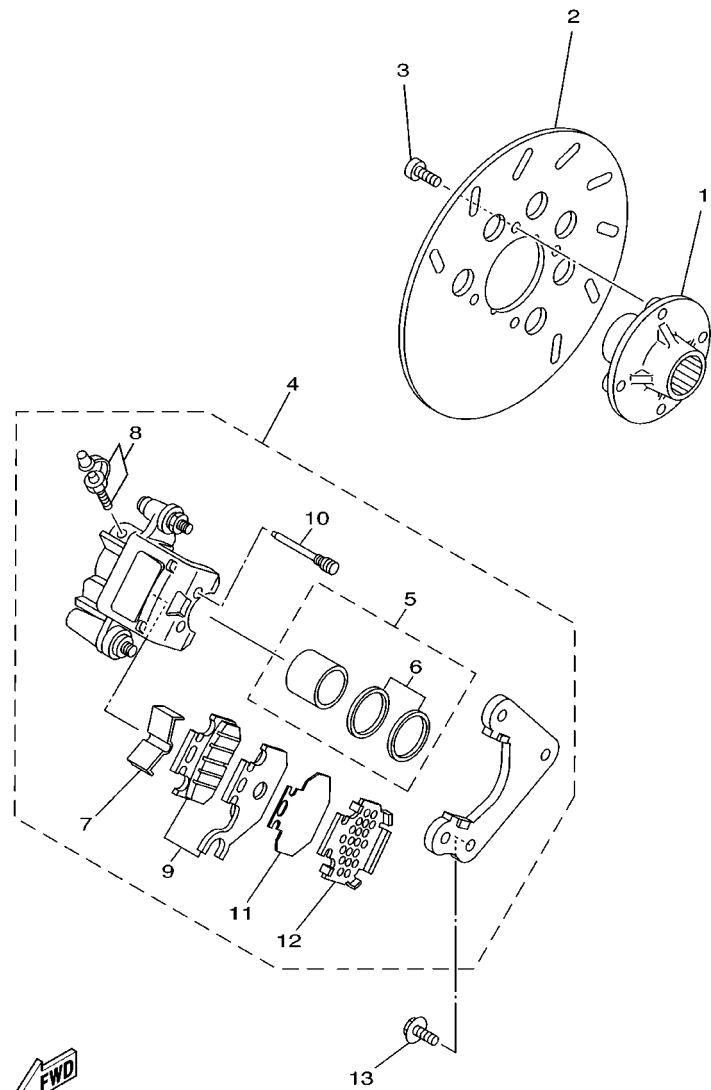
FIG. 35 REAR WHEEL



FWD
5GHK110-2350

REF. NO.	PART NO.	DESCRIPTION	CHE	GBR	AUS	REMARKS
24	5GT-2512A-00	CAP, WHEEL	2	2	2	
25	90105-10751	BOLT, FLANGE	4	4	4	
26	90201-101J1	WASHER, PLATE	4	4	4	
27	5GH-2514A-00	RING, WHEEL 1 (LEFT)	1	1	1	
28	90149-06280	SCREW	3	3	3	

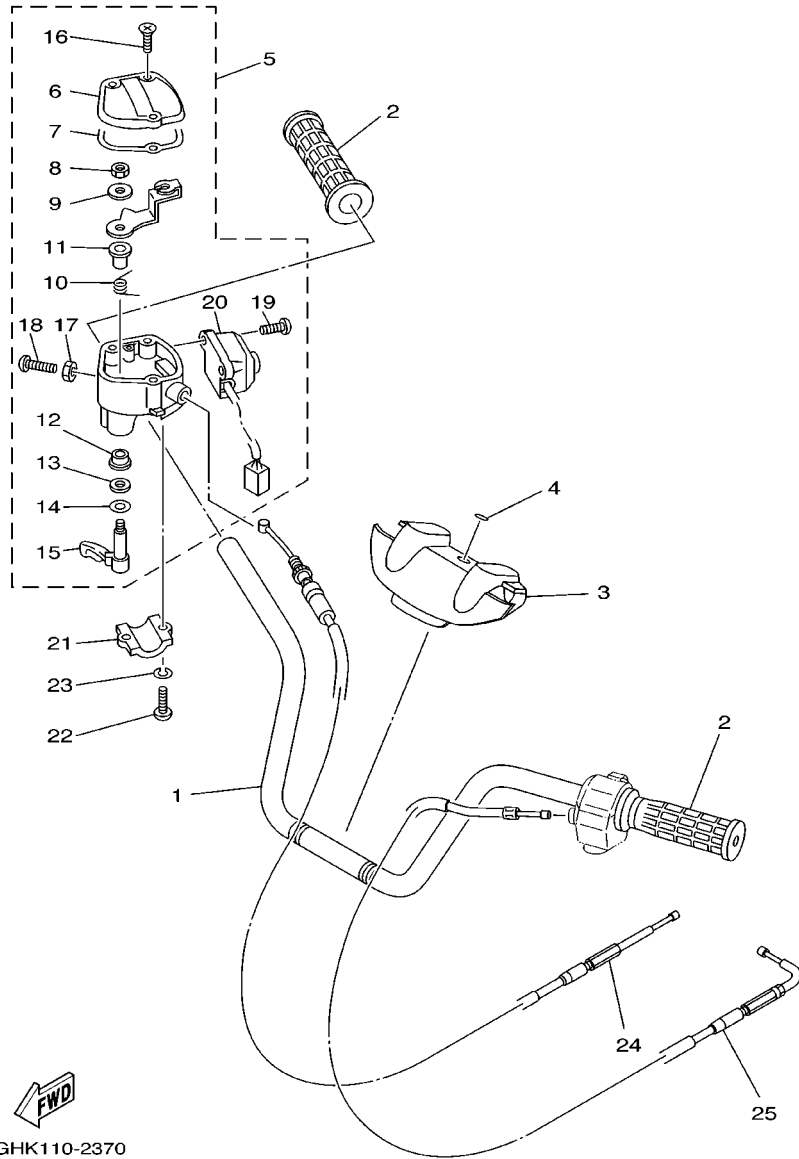
FIG. 36 REAR BRAKE



5GHK110-2360

REF. NO.	PART NO.	DESCRIPTION	CHE	GBR	AUS	REMARKS
1	5GH-25712-00	BRACKET, DISC	1	1	1	
2	5GH-25831-00	DISC, BRAKE (RIGHT)	1	1	1	
3	90109-081F0	BOLT	4	4	4	
4	5GH-2580V-10	CALIPER ASSY, REAR 1	1	1	1	
5	3TB-W0057-00	.PISTON ASSY, CALIPER	1	1	1	
6	3GD-W0047-00	..CALIPER SEAL KIT	1	1	1	
7	4GY-25919-50	.SUPPORT, PAD	1	1	1	
8	1UY-W0048-50	.BLEED SCREW KIT	1	1	1	
9	5GH-W0046-10	.BRAKE PAD KIT 2	1	1	1	
10	5GH-25924-00	.PIN, PAD	2	2	2	
11	4GY-22898-50	.INSULATOR, HEAT	2	2	2	
12	5GH-25828-00	.SHIM, CALIPER	2	2	2	
13	90105-08538	BOLT, FLANGE	2	2	2	

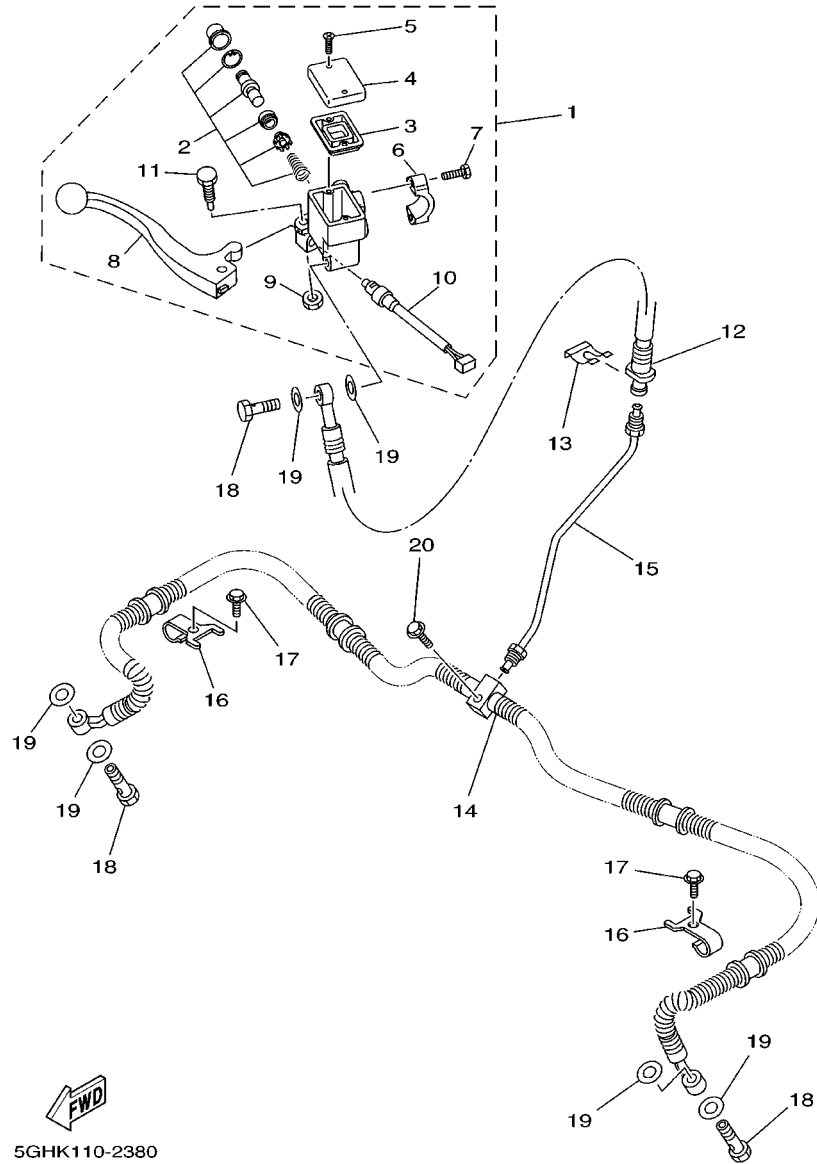
FIG. 37 STEERING HANDLE. CABLE



5GHK110-2370

REF. NO.	PART NO.	DESCRIPTION	CHE	GBR	AUS	REMARKS
1	5GH-26111-00	HANDLEBAR	1	1	1	
2	3GB-26241-00	GRIP	2	2	2	
3	5GH-26124-00	PROTECTOR, HANDLEBAR	1	1	1	
4	5GT-2836B-10	TUNING FORK MARK	1	1	1	
5	4WV-26250-00	THROTTLE LEVER ASSY	1	1	1	
6	4KB-2628F-00	.CAP, GEAR	1	1	1	
7	4KB-2628G-00	.GASKET	1	1	1	
8	95607-05100	.NUT, U	1	1	1	
9	1NV-26398-00	.WASHER	1	1	1	
10	1NV-26304-00	.SPRING	1	1	1	
11	1NV-26259-01	.COLLAR	1	1	1	
12	1NV-2625K-00	.COLLAR	1	1	1	
13	93104-09025	.OIL SEAL	1	1	1	
14	1NV-26129-00	.WASHER	1	1	1	
15	1NV-2625G-01	.LEVER, THROTTLE	1	1	1	
16	90149-04278	.SCREW	3	3	3	
17	95307-05700	.NUT	1	1	1	
18	98507-05020	.SCREW, PAN HEAD	1	1	1	
19	97607-04210	.SCREW, PAN HEAD WITH WASHER	2	2	2	
20	4WV-83976-00	.SWITCH, HANDLE 1	1	1	1	
21	4V4-82913-00	HOLDER, LEVER LOWER 1	1	1	1	
22	98507-05020	SCREW, PAN HEAD	2	2	2	
23	92907-05100	WASHER, SPRING	2	2	2	
24	5GH-26311-01	CABLE, THROTTLE 1	1	1	1	
25	5GH-26331-02	CABLE, STARTER 1	1	1	1	

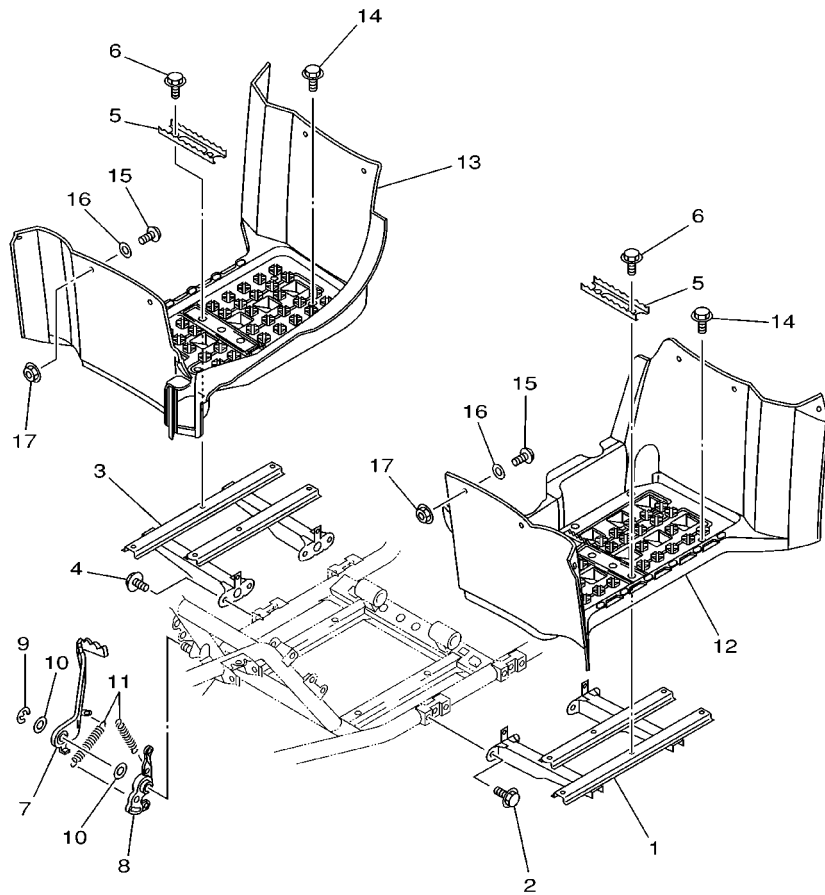
FIG. 38 FRONT MASTER CYLINDER



5GHK110-2380

REF. NO.	PART NO.	DESCRIPTION	CHE	GBR	AUS	REMARKS
1	5KM-2583T-01	MASTER CYLINDER ASSY	1	1	1	
2	8CR-W0041-00	.CYLINDER KIT, MASTER	1	1	1	
3	4L0-25854-00	.DIAPHRAGM, RESERVOIR	1	1	1	
4	5JX-25852-01	.CAP, RESERVOIR	1	1	1	
5	98706-04012	.SCREW, FLAT HEAD	2	2	2	
6	5GH-25867-00	.BRACKET, MASTER CYLINDER	1	1	1	
7	5EB-26332-00	.BOLT	2	2	2	
8	5KM-83922-00	.LEVER 2	1	1	1	
9	95606-06100	.NUT, U	1	1	1	
10	5LP-83980-00	.FRONT STOP SWITCH ASSY	1	1	1	
11	1FK-2589F-00	.BOLT, LEVER	1	1	1	
12	5GH-25872-00	HOSE, BRAKE 1	1	1	1	
13	2GU-25866-00	CIRCLIP	1	1	1	
14	5GH-25873-00	HOSE, BRAKE 2	1	1	1	
15	5GH-25871-00	PIPE, BRAKE	1	1	1	
16	5GH-25875-00	HOLDER, BRAKE HOSE 1	2	2	2	
17	95827-06012	BOLT, FLANGE	2	2	2	
18	90401-10159	BOLT, UNION	3	3	3	
19	90201-10118	WASHER, PLATE	6	6	6	
20	95827-06025	BOLT, FLANGE	1	1	1	

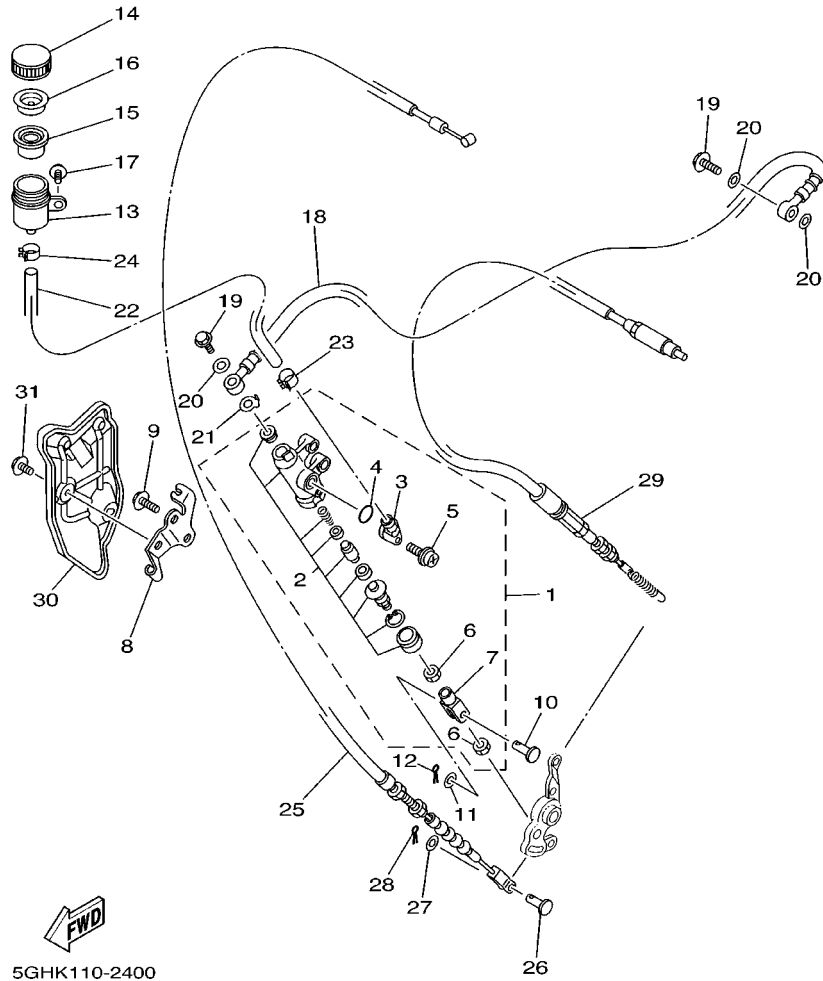
FIG. 39 STAND. FOOTREST



5GH1110-0390

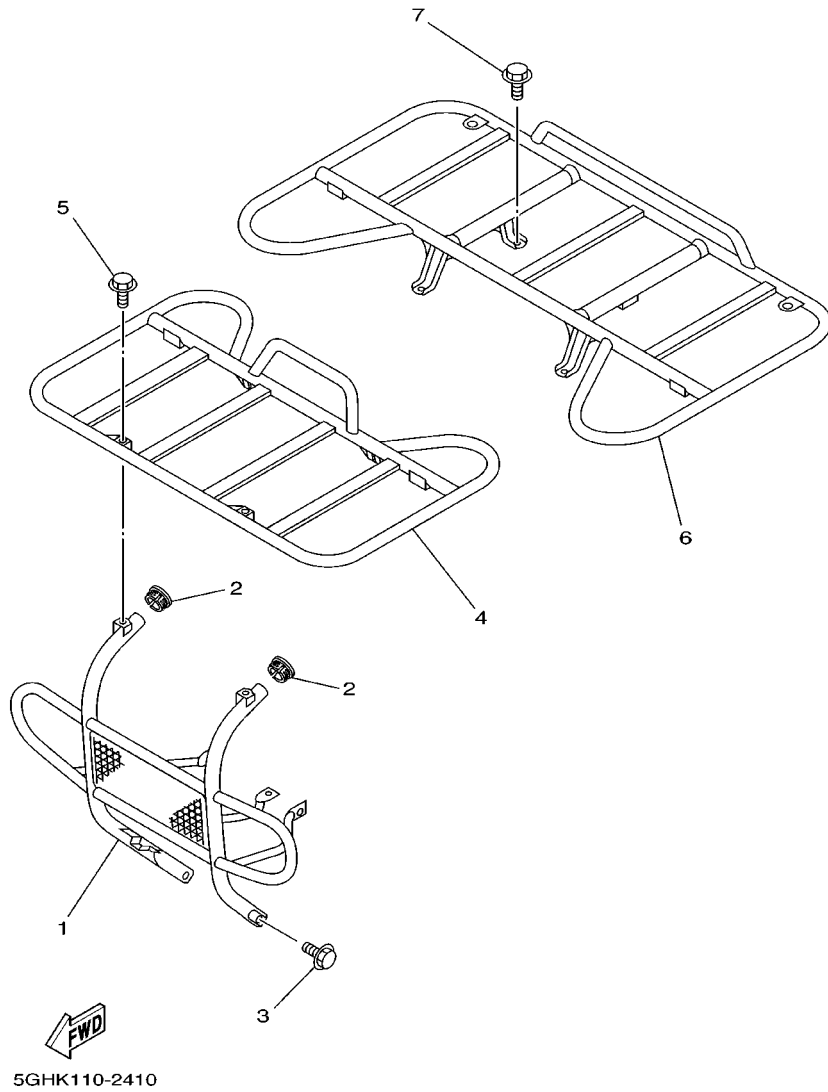
REF. NO.	PART NO.	DESCRIPTION	CHE	GBR	AUS	REMARKS
1	5GH-27481-00	BOARD, FOOTREST	1	1	1	
2	95817-08012	BOLT, FLANGE	4	4	4	
3	5GH-27488-00	BOARD, FOOTREST 2	1	1	1	
4	95817-08012	BOLT, FLANGE	4	4	4	
5	5GH-2741A-00	ARM 1	2	2	2	
6	90109-063F5	BOLT	4	4	4	
7	5GH-27211-00	PEDAL, BRAKE	1	1	1	
8	5GH-27252-00	LEVER, BRAKE PEDAL	1	1	1	
9	93430-10015	CIRCLIP	1	1	1	
10	90201-144J2	WASHER, PLATE	2	2	2	
11	90506-12441	SPRING, TENSION	2	2	2	
12	5GH-27453-00	COVER 1	1	1	1	
13	5GH-27463-00	COVER 2	1	1	1	
14	90109-063F1	BOLT	8	8	8	
15	90154-05005	SCREW, BINDING	12	12	12	
16	90201-05029	WASHER, PLATE	12	12	12	
17	95707-05300	NUT, FLANGE	12	12	12	

FIG. 40 REAR MASTER CYLINDER



REF. NO.	PART NO.	DESCRIPTION	CHE	GBR	AUS	REMARKS
1	5KM-2583V-00	RR. MASTER CYLINDER ASSY.	1	1	1	
2	5KM-W0042-50	.CYLINDER KIT, MASTER	1	1	1	
3	31A-2582A-50	.JOINT	1	1	1	
4	93210-15620	.O-RING	1	1	1	
5	3GM-2589H-00	.SCREW	1	1	1	
6	4SS-27218-00	.NUT	2	2	2	
7	2YK-27222-00	.JOINT	1	1	1	
8	5GH-2637G-00	HOLDER, WIRE	1	1	1	
9	95817-08025	BOLT, FLANGE	2	2	2	
10	90240-08013	PIN, CLEVIS	1	1	1	
11	90201-08083	WASHER, PLATE	1	1	1	
12	91401-16012	PIN, COTTER	1	1	1	
13	2VN-25894-00	TANK, RESERVOIR	1	1	1	
14	4PX-25852-00	CAP, RESERVOIR	1	1	1	
15	2VN-25854-00	DIAPHRAGM, RESERVOIR	1	1	1	
16	2VN-25855-00	BUSH,DIAPHRAGM	1	1	1	
17	90105-06690	BOLT, FLANGE	1	1	1	
18	5GH-25874-00	HOSE, BRAKE	1	1	1	
19	90401-10159	BOLT, UNION	2	2	2	
20	90201-10118	WASHER, PLATE	3	3	3	
21	5GH-25844-00	WASHER, LOCK	1	1	1	
22	5GH-25895-00	HOSE, RESERVOIR	1	1	1	
23	90467-14057	CLIP	1	1	1	
24	90467-11044	CLIP	1	1	1	
25	5GH-26341-01	CABLE, BRAKE	1	1	1	
26	90240-06076	PIN, CLEVIS	1	1	1	
27	90201-06042	WASHER, PLATE	1	1	1	

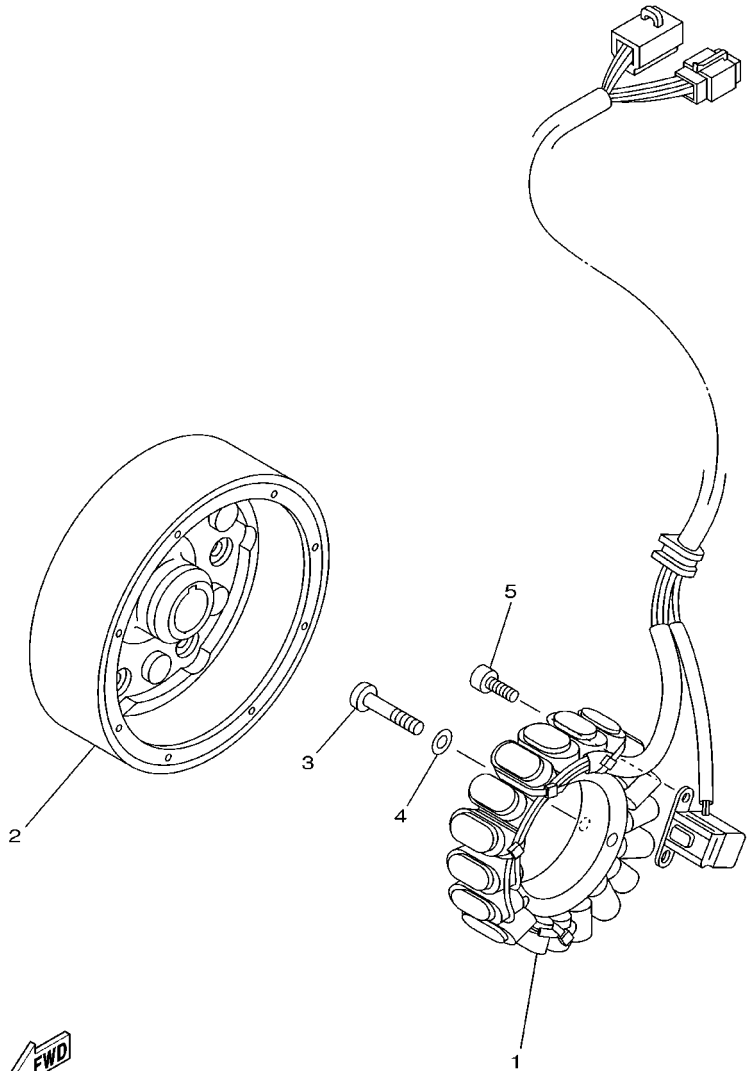
FIG. 41 GUARD



REF. NO.	PART NO.	DESCRIPTION	CHE	GBR	AUS	REMARKS
1	5GH-2845N-20	BAR, CARRY FRONT(SILVER)	1	1	1	UR FOR DPBSE
	5GH-2845N-50	BAR, CARRY FRONT(TITANIC GRAY)	1	1		UR FOR PDG,RTR
2	5KM-2482H-00	CAP	2	2	2	
3	95817-08012	BOLT, FLANGE	4	4	4	
4	5GH-24841-20	CARRIER, FRONT(BLACK)	1	1	1	UR FOR DPBSE
	5GH-24841-60	CARRIER, FRONT(SILVER)	1	1		UR FOR PDG,RTR
5	95817-08012	BOLT, FLANGE	4	4	4	
6	5GH-24842-00	CARRIER, REAR			1	
	5GH-24842-20	CARRIER, REAR(BLACK)	1	1		UR FOR PDG,RTR
	5GH-24842-40	CARRIER, REAR(SILVER)	1	1		UR FOR DPBSE
7	95817-08012	BOLT, FLANGE	4	4	4	

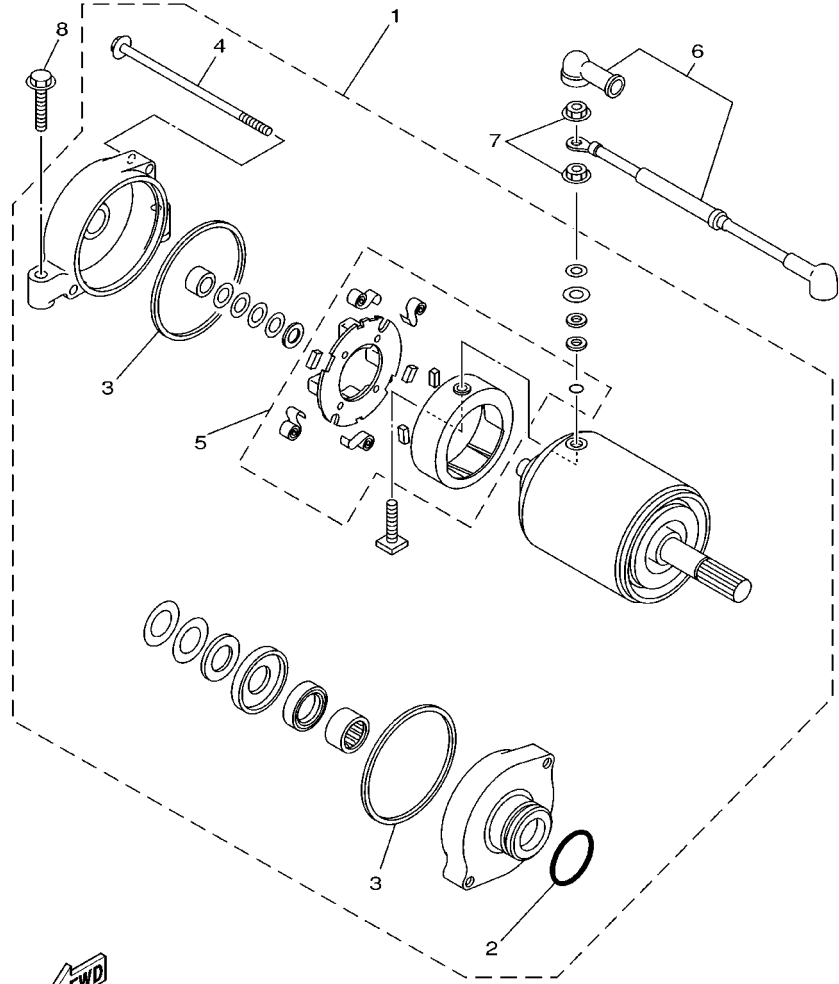
FIG. 42 GENERATOR

REF. NO.	PART NO.	DESCRIPTION	CHE	GBR	AUS	REMARKS
1	5GH-81410-00	STATOR ASSY	1	1	1	
2	5GH-81450-00	ROTOR ASSY	1	1	1	
3	98507-06030	SCREW, PAN HEAD	3	3	3	
4	92907-06600	WASHER, PLATE	3	3	3	
5	91317-05012	BOLT	2	2	2	



5GH1110-0420

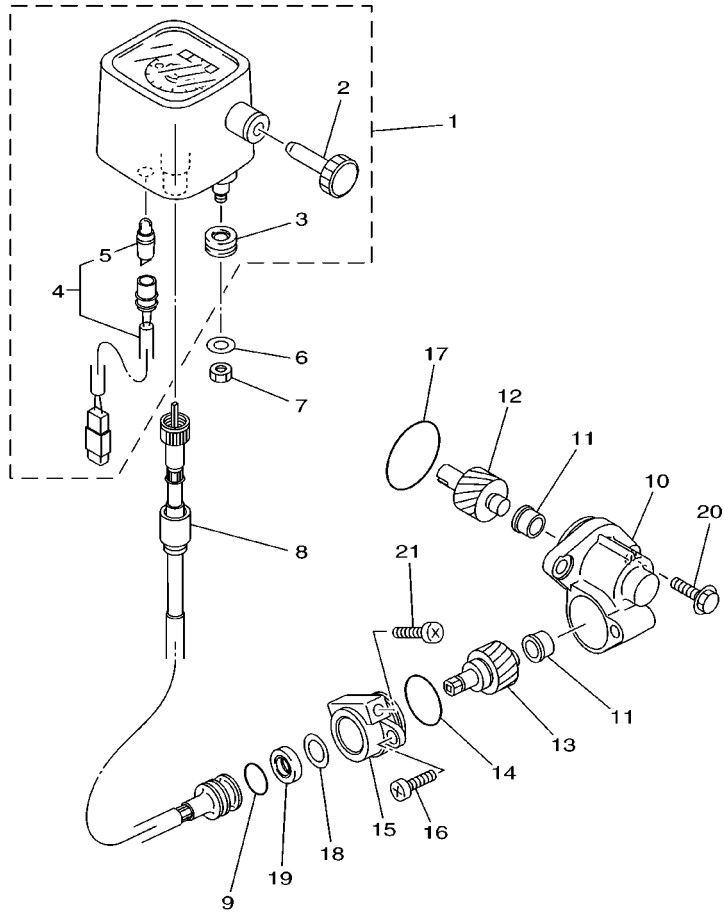
FIG. 43 STARTING MOTOR



FWD
5GH1110-0430

REF. NO.	PART NO.	DESCRIPTION	CHE	GBR	AUS	REMARKS
1	4WV-81890-00	MOTOR ASSY	1	1	1	
2	1FK-81847-00	.O-RING	1	1	1	
3	11H-81844-00	.GASKET	2	2	2	
4	3AJ-81826-00	.BOLT	2	2	2	
5	3AJ-81801-00	.BRUSH SET	1	1	1	
6	5GH-81815-00	CORD, STARTER MOTOR	1	1	1	
7	4XV-8182A-00	NUT	2	2	2	
8	95027-06030	BOLT, FLANGE	2	2	2	

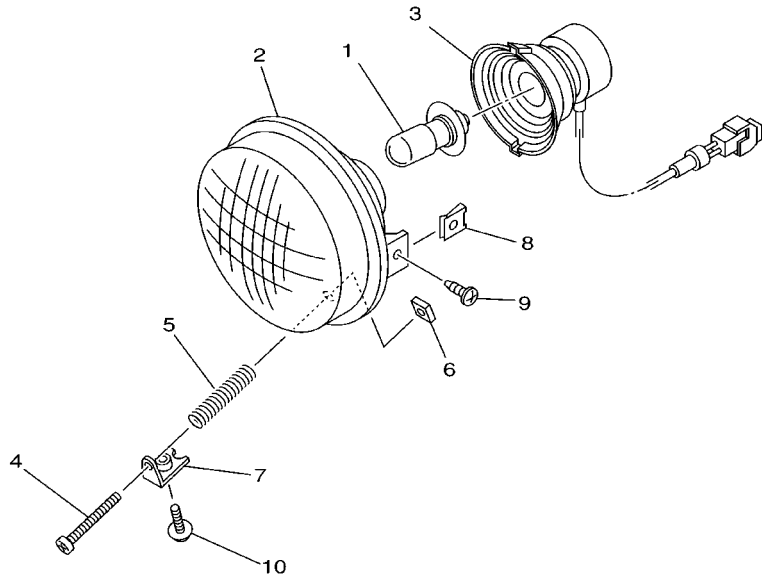
FIG. 44 METER



5GH3100-0520

REF. NO.	PART NO.	DESCRIPTION	CHE	GBR	AUS	REMARKS
1	5GH-83500-00	SPEEDOMETER ASSY		1		
	5GH-83500-10	SPEEDOMETER ASSY	1		1	
2	3GH-83578-00	.KNOB, TRIP METER	1	1	1	
3	3GH-83523-00	.DAMPER	2	2	2	
4	5GH-83520-00	.SOCKET CORD ASSY		1		
	5GH-83520-10	.SOCKET CORD ASSY	1		1	
5	5GH-83517-00	..BULB (14V-3.4W)	1	1	1	
6	90201-05725	WASHER, PLATE	2	2	2	
7	95307-05600	NUT	2	2	2	
8	5GH-83550-00	SPEEDOMETER CABLE ASSY	1	1	1	
9	93210-14104	O-RING	1	1	1	
10	4WV-17811-00	HOUSING, TACHOMETER GEAR	1	1	1	
11	90381-08002	BUSH, SOLID	2	2	2	
12	4WV-17831-00	GEAR, DRIVE	1	1	1	
13	4WV-17841-00	GEAR, DRIVEN	1	1	1	
14	93210-24253	O-RING	1	1	1	
15	59V-17811-00	HOUSING, TACHOMETER GEAR	1	1	1	
16	98507-06016	SCREW, PAN HEAD	1	1	1	
17	93210-32172	O-RING	1	1	1	
18	90201-12163	WASHER, PLATE	1	1	1	
19	93102-08307	OIL SEAL	1	1	1	
20	90110-06005	BOLT, HEXAGON SOCKET HEAD	2	2	2	
21	98507-06030	SCREW, PAN HEAD	1	1	1	

FIG. 45 HEADLIGHT



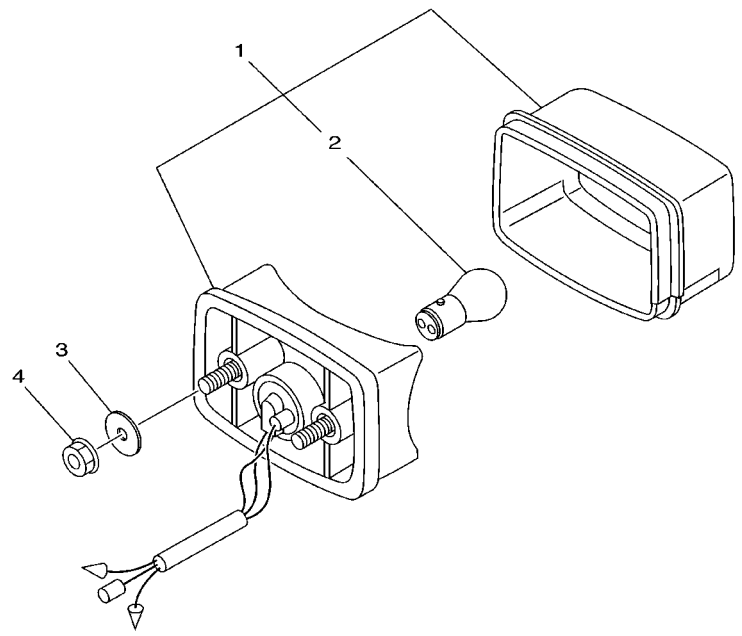
REF. NO.	PART NO.	DESCRIPTION	CHE	GBR	AUS	REMARKS
1	4KB-84314-00	BULB (12V30/30W)	2	2	2	
2	5KM-84320-00	LENS ASSY	2	2	2	
3	5EH-84340-00	SOCKET CORD ASSY 1	2	2	2	
4	98507-03540	SCREW, PAN HEAD	2	2	2	
5	2GU-84332-00	SPRING, SCREW	2	2	2	
6	2GU-84334-00	NUT, ADJUSTING	2	2	2	
7	5GH-84703-00	BRACKET	2	2	2	
8	90183-05008	NUT, SPRING	4	4	4	
9	90154-05004	SCREW, BINDING	4	4	4	
10	90159-05022	SCREW, WITH WASHER	2	2	2	



5GH1110-0440

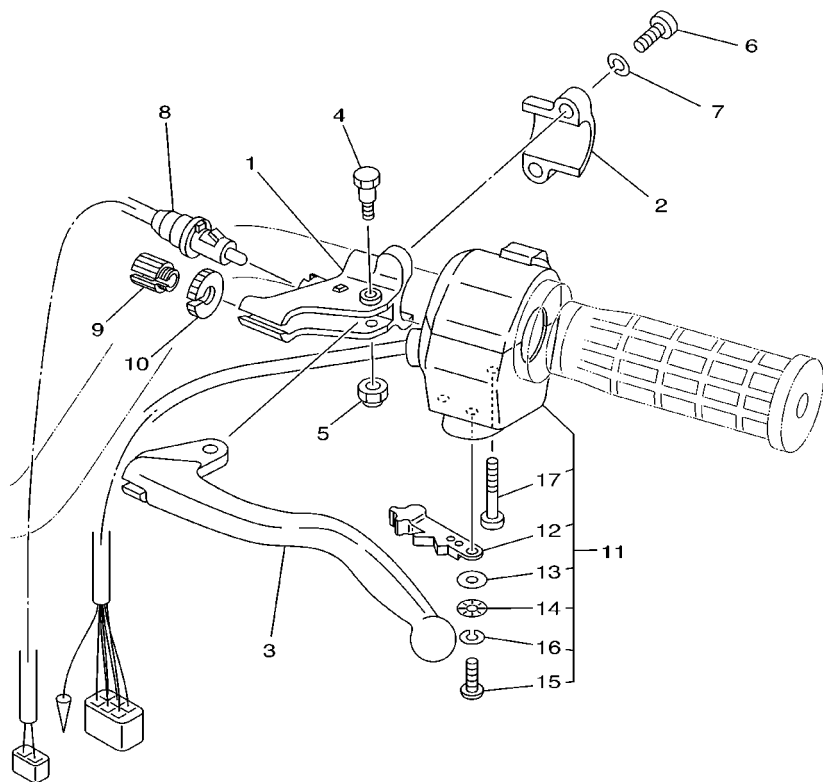
FIG. 46 TAILLIGHT

REF. NO.	PART NO.	DESCRIPTION	CHE	GBR	AUS	REMARKS
1	5KM-84710-00	TAILLIGHT UNIT ASSY	1	1	1	
2	1A2-84714-41	.BULB (12V-21/5W)	1	1	1	
3	90201-06071	WASHER, PLATE	2	2	2	
4	95707-06300	NUT, FLANGE	2	2	2	



5GHK110-2460

FIG. 47 HANDLE SWITCH. LEVER

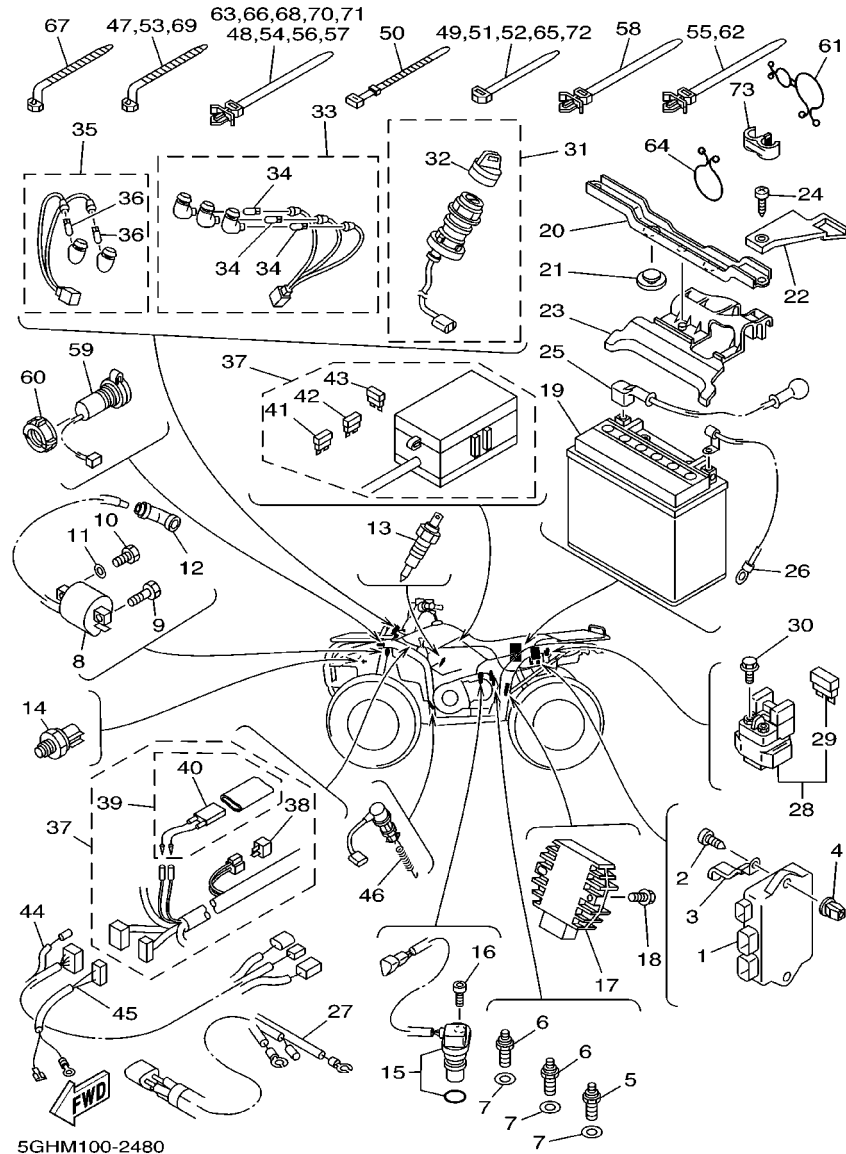


REF. NO.	PART NO.	DESCRIPTION	CHE	GBR	AUS	REMARKS
1	1YW-82911-01	HOLDER, LEVER 1	1	1	1	
2	2XJ-82913-00	HOLDER, LEVER LOWER 1	1	1	1	
3	2HT-83912-00	LEVER 1	1	1	1	
4	90109-06799	BOLT	1	1	1	
5	95607-06100	NUT, U	1	1	1	
6	98507-06020	SCREW, PAN HEAD	2	2	2	
7	92907-06100	WASHER, SPRING	2	2	2	
8	5KM-82917-00	SWITCH	1	1	1	
9	90123-08046	BOLT	1	1	1	
10	90179-08148	NUT	1	1	1	
11	5LP-83973-01	SWITCH, HANDLE 3	1	1	1	
12	5GH-83941-00	.LEVER, STARTER	1	1	1	
13	1UY-83909-00	.WASHER, SPECIAL	1	1	1	
14	3L4-83943-00	.WASHER, STARTER	1	1	1	
15	98517-05012	.SCREW, PAN HEAD	1	1	1	
16	92907-05100	.WASHER, SPRING	1	1	1	
17	98507-05030	.SCREW, PAN HEAD	2	2	2	



5GHK110-2470

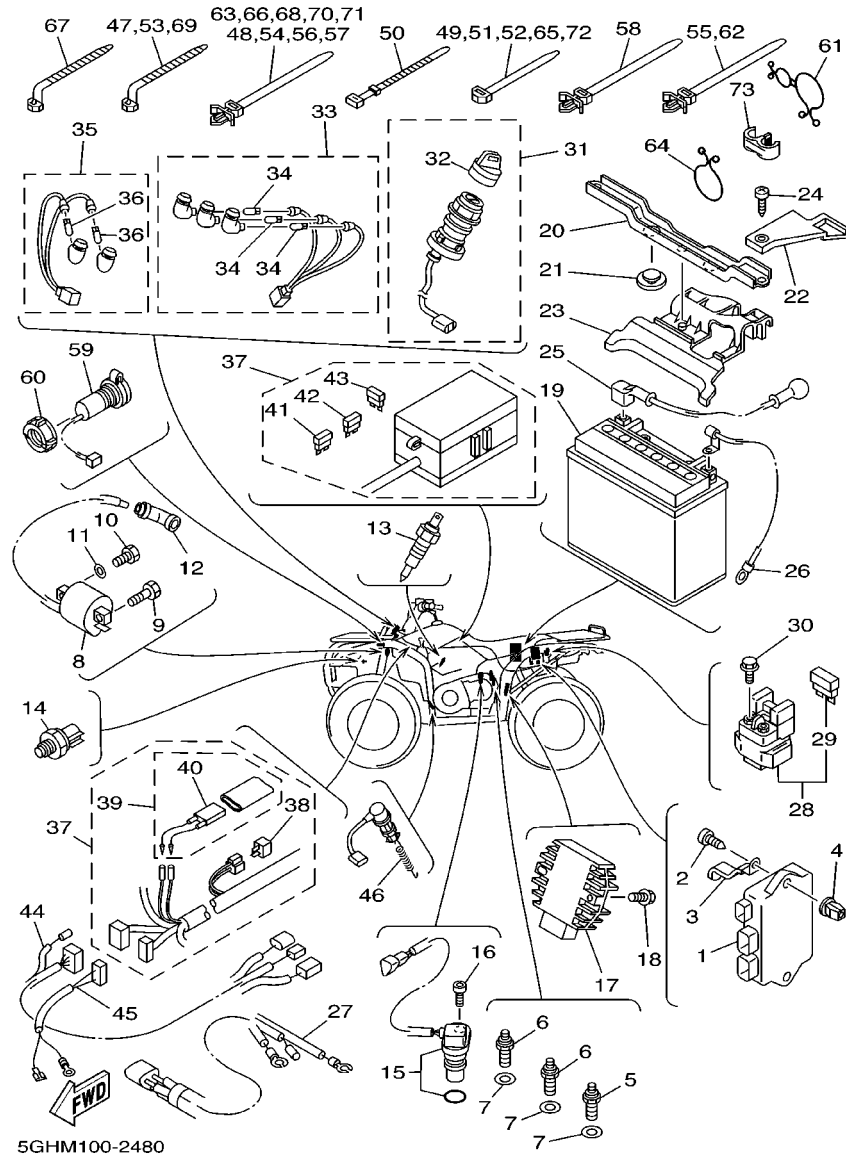
FIG. 48 ELECTRICAL 1



5GHM100-2480

REF. NO.	PART NO.	DESCRIPTION	CHE	GBR	AUS	REMARKS
1	5GH-85540-20	C.D.I. UNIT ASSY	1	1	1	
2	97707-60525	SCREW, TAPPING	1	1	1	
3	90462-06016	CLAMP	1	1	1	
4	90338-08226	PLUG	1	1	1	
5	3GB-82540-01	NEUTRAL SWITCH ASSY	1	1	1	
6	4KM-82540-00	NEUTRAL SWITCH ASSY	2	2	2	
7	90430-10148	GASKET	3	3	3	
8	3KJ-82310-10	IGNITION COIL ASSY	1	1	1	
9	90109-06723	BOLT	1	1	1	
10	97007-06020	BOLT	1	1	1	
11	92907-06600	WASHER, PLATE	1	1	1	
12	1UY-82370-20	PLUG CAP ASSY	1	1	1	
13	4BA-82560-00	THERMO SWITCH ASSY	1	1	1	
14	5GH-82560-00	THERMO SWITCH ASSY	1	1	1	
15	4XV-83755-01	SENSOR, SPEED	1	1	1	
16	90110-06001	BOLT, HEXAGON SOCKET HEAD	1	1	1	
17	5GT-81960-00	RECTIFIER & REGULATOR ASSY	1	1	1	
18	95807-06020	BOLT, FLANGE	1	1	1	
19	4SH-82100-21	BATTERY ASSY (YTX20L-BS)	1	1	1	
20	5GH-82128-00	BRACKET, BATTERY	1	1	1	
21	371-82121-00	PAD, BATTERY	2	2	2	
22	5GH-82119-00	COVER, LEAD WIRE	1	1	1	
23	5GH-82129-00	COVER, BATTERY	1	1	1	
24	97707-50016	SCREW, TAPPING	1	1	1	
25	5GH-82115-00	WIRE, PLUS LEAD	1	1	1	
26	5GH-82116-00	WIRE, MINUS LEAD	1	1	1	
27	5GH-82541-10	WIRE, LEAD	1	1	1	

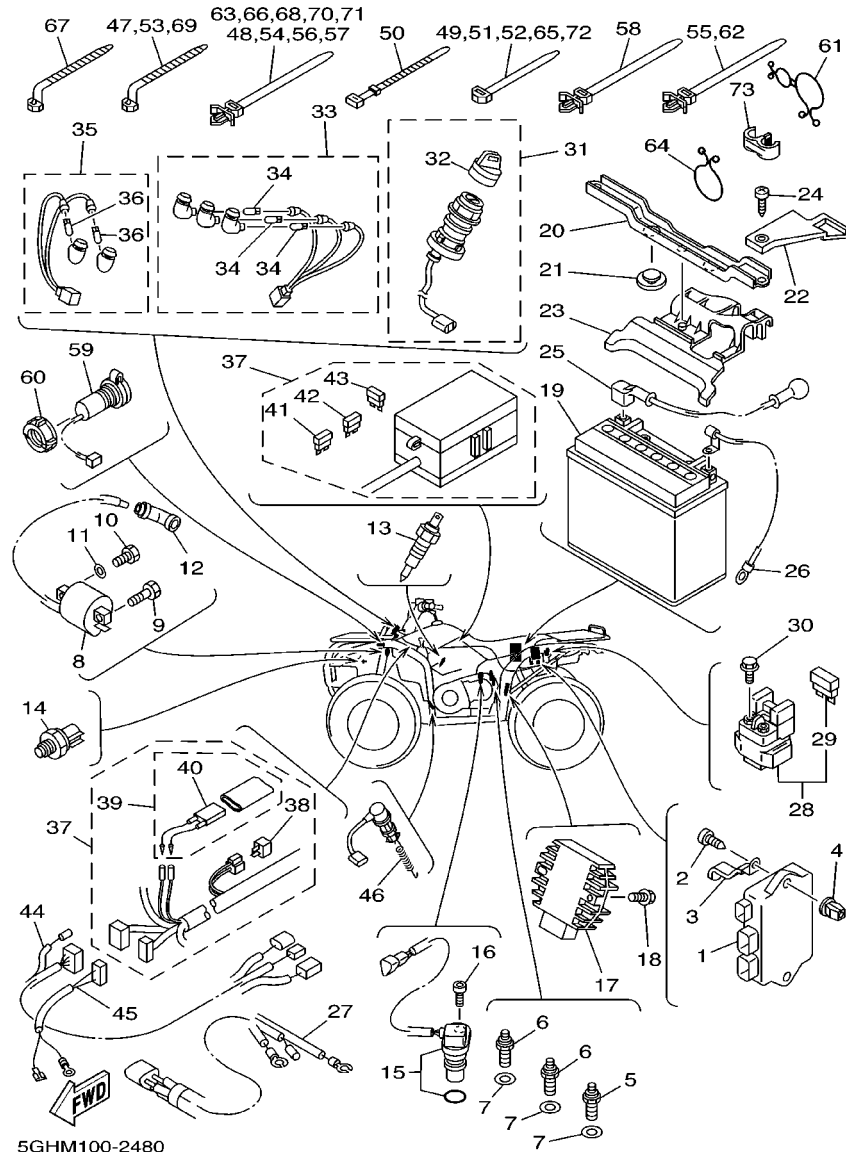
FIG. 48 ELECTRICAL 1



5GHM100-2480

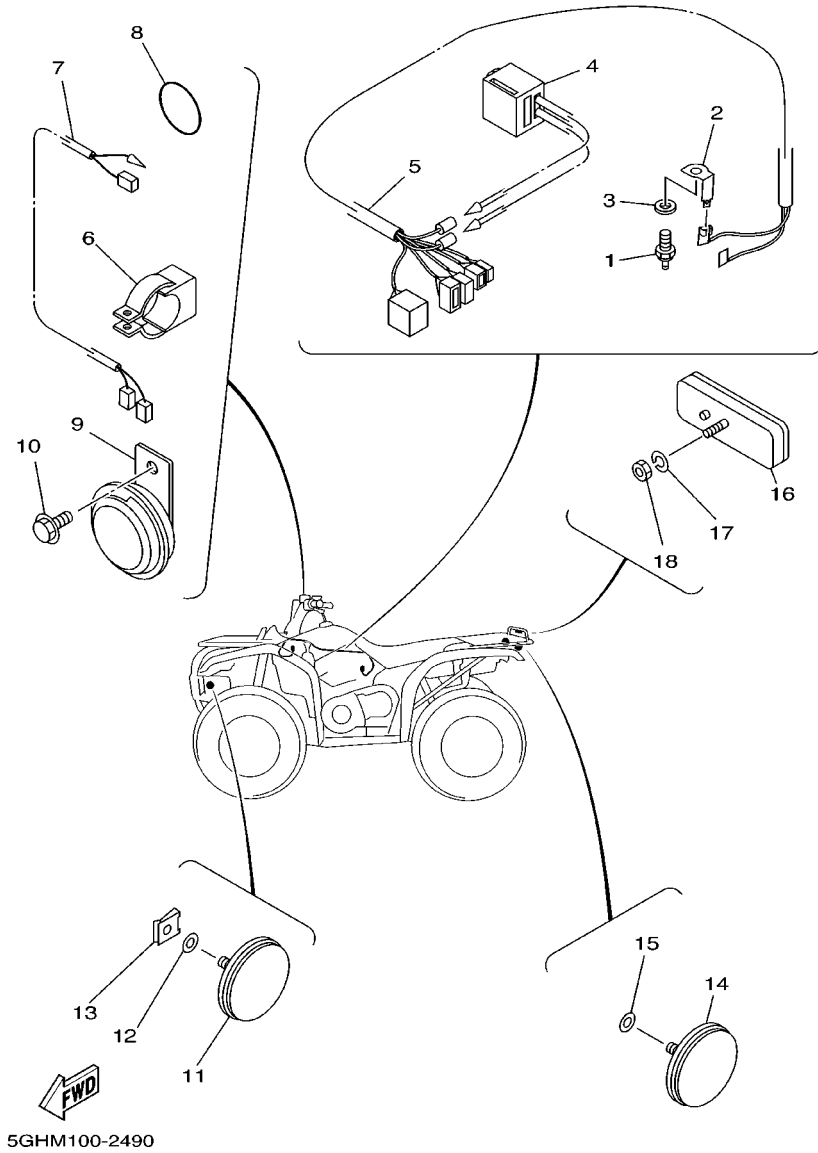
REF. NO.	PART NO.	DESCRIPTION	CHE	GBR	AUS	REMARKS
28	4SV-81940-00	STARTER RELAY ASSY	1	1	1	
29	1AE-82151-00	.FUSE (30A-BL)	2	2	2	
30	95027-06008	BOLT, FLANGE	2	2	2	
31	5KM-82510-00	MAIN SWITCH ASSY	1	1	1	
32	3HN-82579-00	.CAP, KEY	1	1	1	
33	5GH-83530-00	PILOT LIGHT ASSY	1	1	1	
34	5GH-83516-00	.BULB (14V-1.7W)	3	3	3	
35	5GH-83530-10	PILOT LIGHT ASSY	1	1	1	
36	5GH-83516-00	.BULB (14V-1.7W)	2	2	2	
37	5GH-82590-40	WIRE HARNESS ASSY	1	1	1	
38	3WP-81980-00	.DIODE ASSY	2	2	2	
39	5GT-82180-00	.CIRCUIT BREAKER ASSY	1	1	1	
40	5GT-82560-00	..THERMO SWITCH ASSY	1	1	1	
41	5JJ-82151-10	.FUSE (15A-BL)	2	2	2	
42	5JJ-82151-30	.FUSE (10A-BL)	4	4	4	
43	5JJ-82151-50	.FUSE (3A-BL)	2	2	2	
44	5GH-82309-10	WIRE, SUB LEAD	1	1	1	
45	5GH-82509-30	WIRE, SUB LEAD	1	1	1	
46	5GH-82530-00	STOP SWITCH ASSY	1	1	1	
47	90464-15195	CLAMP	1	1	1	
48	90464-12089	CLAMP	1	1	1	
49	90464-13073	CLAMP	1	1	1	
50	437-83936-01	BAND, SWITCH CORD	4	4	4	
51	90464-13073	CLAMP	1	1	1	
52	90464-13073	CLAMP	1	1	1	
53	90464-15195	CLAMP	2	2	2	
54	90464-12089	CLAMP	2	2	2	

FIG. 48 ELECTRICAL 1



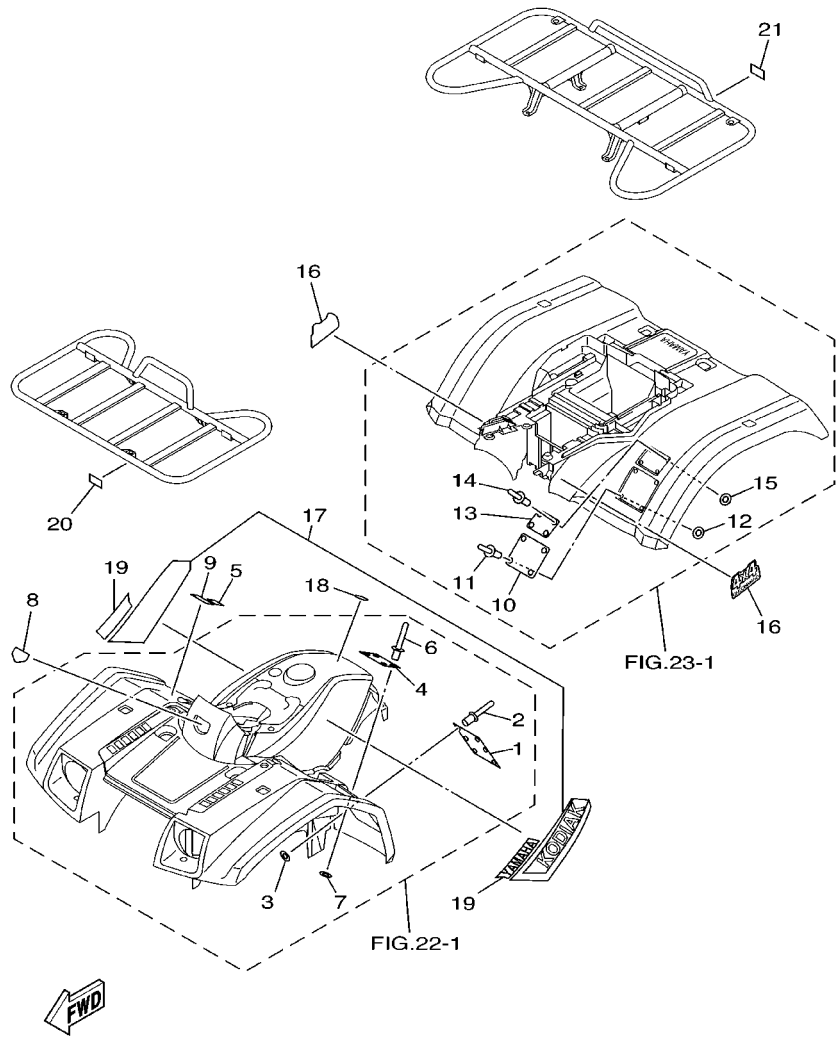
REF. NO.	PART NO.	DESCRIPTION	CHE	GBR	AUS	REMARKS
55	90464-12036	CLAMP	1	1	1	
56	90464-12089	CLAMP	3	3	3	
57	90464-12089	CLAMP	1	1	1	
58	90464-10112	CLAMP	2	2	2	
59	5GH-8254B-00	TERMINAL COMP.	1	1	1	
60	5GH-82114-00	NUT	1	1	1	
61	90464-25098	CLAMP	1	1	1	
62	90464-12036	CLAMP	1	1	1	
63	90464-12089	CLAMP	1	1	1	
64	90465-10098	CLAMP	1	1	1	
65	90464-13073	CLAMP	2	2	2	
66	90464-12089	CLAMP	1	1	1	
67	90464-12045	CLAMP	1	1	1	
68	90464-12089	CLAMP	1	1	1	
69	90464-15195	CLAMP	1	1	1	
70	90464-12089	CLAMP	1	1	1	
71	90464-12089	CLAMP	1	1	1	
72	90464-13073	CLAMP	2	2	2	
73	90464-08002	CLAMP	1	1	1	

FIG. 49 ELECTRICAL 2



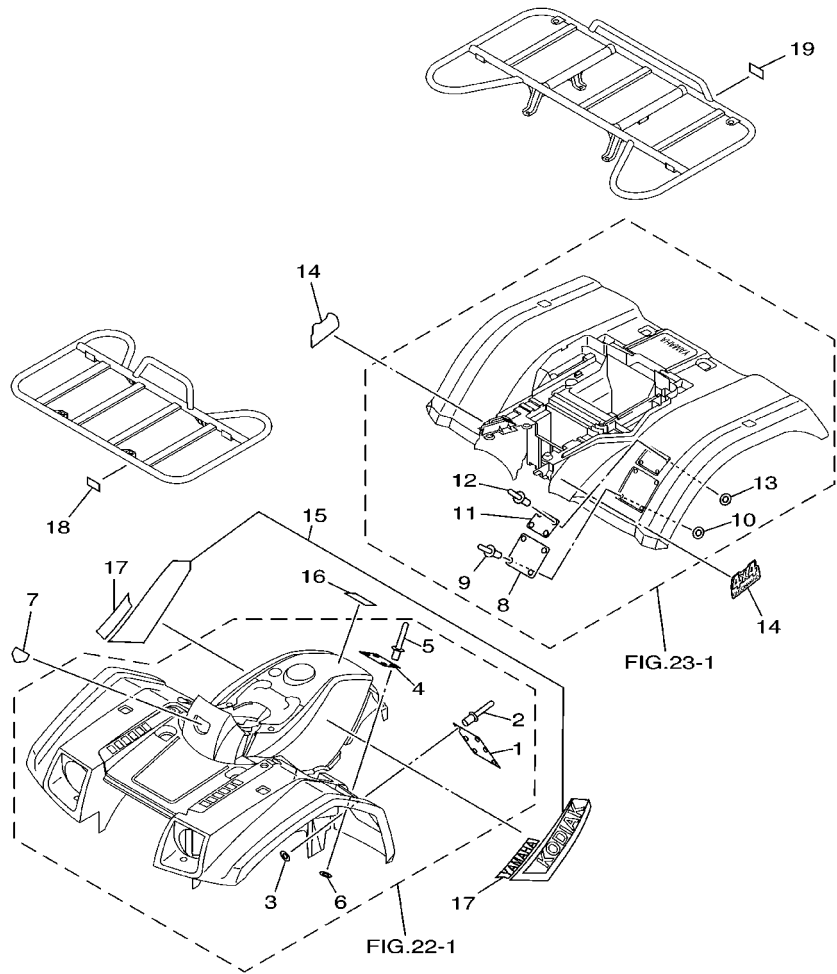
REF. NO.	PART NO.	DESCRIPTION	CHE	GBR	AUS	REMARKS
1	5FU-83790-00	HEATER ASSY	1	1	1	AP
2	5FU-82103-00	TERMINAL 1	1	1	1	AP
3	90201-08016	WASHER, PLATE	1	1	1	AP
4	5FU-82560-20	THERMO SWITCH ASSY	1	1	1	AP
5	5HA-82509-00	WIRE, SUB LEAD	1	1	1	AP
6	4GB-83976-00	SWITCH, HANDLE 1	1	1	1	
7	4SH-82509-20	WIRE, SUB LEAD	1	1	1	
8	93210-45742	O-RING	1	1	1	
9	4WV-83371-00	HORN	1	1	1	
10	95817-06012	BOLT, FLANGE	1	1	1	
11	2EK-85111-00	REFLECTOR, FRONT 1	2	2		
12	92907-05200	WASHER	2	2		
13	90183-05024	NUT, SPRING	2	2		
14	449-85131-02	REFLECTOR, REAR 1	2	2		
15	92907-05200	WASHER	2	2		
16	3Y6-85130-02	REAR REFLECTOR ASSY	1	1		
17	92907-05100	WASHER, SPRING	1	1		
18	95307-05600	NUT	1	1		

FIG. 50 EMBLEM.LABEL 1



REF. NO.	PART NO.	DESCRIPTION	CHE	GBR	AUS	REMARKS
1	5FK-21568-00	LABEL, WARNING	1	1		
2	90267-32004	RIVET, BLIND	6	6		
3	90201-03313	WASHER, PLATE	6	6		
4	5FK-21697-00	LABEL, CAUTION 2	1	1		
5	4GB-2155A-00	MARK, EC	1	1		
6	90267-32004	RIVET, BLIND	4	4		
7	90201-03313	WASHER, PLATE	4	4		
8	5FE-26232-00	EMBLEM 3D	1	1		
9	5GH-2156A-00	PLATE, MD	1	1		
10	4SH-21696-M0	LABEL, CAUTION	1	1		
11	90267-32004	RIVET, BLIND	4	4		
12	90201-03313	WASHER, PLATE	4	4		
13	5FK-2151H-00	LABEL 5	1	1		
14	90267-32004	RIVET, BLIND	4	4		
15	90201-03313	WASHER, PLATE	4	4		
16	5GH-2163G-60	EMBLEM 1	2	2		UR FOR PDG
	5GH-2163G-70	EMBLEM 1	2	2		UR FOR RTR
	5GH-2163G-90	EMBLEM 1	2	2		UR FOR DPBSE
17	5GH-2173L-70	GRAPHIC SET 1	1	1		UR FOR PDG
	5GH-2173L-80	GRAPHIC SET 1	1	1		UR FOR RTR
	5GH-2173L-A0	GRAPHIC SET 1	1	1		UR FOR DPBSE
18	3ME-2415E-00	LABEL, CAUTION		1		GBR ONLY
19	3GD-2153E-10	EMBLEM, YAMAHA	2	2		UR FOR PDG, RTR
	3GD-2153E-20	EMBLEM, YAMAHA	2	2		UR FOR DPBSE
20	4GB-24877-A0	LABEL, CAUTION	1	1		ENGLISH
21	4SH-24877-A0	LABEL, CAUTION	1	1		ENGLISH

FIG. 51 EMBLEM.LABEL 2



REF. NO.	PART NO.	DESCRIPTION	CHE	GBR	AUS	REMARKS
1	5FE-21568-11	LABEL, WARNING			1	
2	90267-32004	RIVET, BLIND			6	
3	90201-03313	WASHER, PLATE			6	
4	5FE-21697-01	LABEL, CAUTION 2			1	
5	90267-32004	RIVET, BLIND			4	
6	90201-03313	WASHER, PLATE			4	
7	5FE-26232-00	EMBLEM 3D			1	
8	5FE-21696-01	LABEL, CAUTION			1	
9	90267-32004	RIVET, BLIND			4	
10	90201-03313	WASHER, PLATE			4	
11	5FE-2151H-01	LABEL 5			1	
12	90267-32004	RIVET, BLIND			4	
13	90201-03313	WASHER, PLATE			4	
14	5GH-2163G-90	EMBLEM 1			2	
15	5GH-2173L-A0	GRAPHIC SET 1			1	
16	5JJ-2415A-00	LABEL, CAUTION			1	
17	3GD-2153E-20	EMBLEM, YAMAHA			2	
18	4GB-24877-A0	LABEL, CAUTION			1	ENGLISH
19	4SH-24877-A0	LABEL, CAUTION			1	ENGLISH

NUMERICAL INDEX

PART NO.	GRID NO.	PART NO.	GRID NO.	PART NO.	GRID NO.	PART NO.	GRID NO.	PART NO.	GRID NO.	PART NO.	GRID NO.
8CR-W0041-00	E - 12	5GH-11681-00	B - 5	5GH-13324-00	B - 11	3GD-14613-00	B - 15	5GH-15471-01	C - 4	1J7-17537-Y0-30	D - 9
5KM-W0042-50	E - 14	5GH-12111-00	B - 6	5GH-13325-00	B - 11	5GH-14628-10	B - 15	5GH-15472-01	C - 4	1J7-17537-Y0-40	D - 9
3GD-W0045-00	E - 7	22U-12113-00	B - 6	3GD-13329-00	B - 11	5GH-14629-00	B - 15	5GH-15473-00	C - 4	1J7-17537-Y0-50	D - 9
5GH-W0046-10	E - 10	1UY-12114-01	B - 6	1UY-13336-00	B - 11	5GH-14711-00	B - 15	5GH-15474-00	C - 4	5GH-17551-00	C - 12
3GD-W0047-00	E - 7	3Y1-12116-00	B - 6	51Y-13411-00	B - 11	3YF-14714-00	B - 15	5GH-15494-00	C - 4	5GH-17556-01	C - 12
	E - 10	3Y1-12117-01	B - 6	2XK-13416-00	B - 11	5GH-14718-00	B - 15	5GH-15512-00	C - 7	5GH-17582-00	C - 10
1UY-W0048-50	E - 7	1J7-12118-00	B - 6	5GH-13440-00	B - 11	5GH-14728-00	B - 15	5GH-15517-10	C - 7	5GH-17583-00	C - 10
	E - 10	5GH-12121-00	B - 6	5GH-13586-00	B - 12	5GH-14737-00	B - 15	4KB-15522-01	C - 7	5GH-17585-00	C - 13
3GD-W0057-00	E - 7	M01-12129-00	B - 6	5GH-1410A-00	B - 13	5GH-14752-00	B - 15	5GH-1761A-00	C - 7	5GH-1761A-00	C - 13
3TB-W0057-00	E - 10	3GD-12151-00	B - 6	5GH-14101-11	B - 13	5GH-1477K-00	B - 15	5GH-15710-21	C - 6	5GH-17611-00	C - 8
5GH-W1141-00	B - 5	3Y1-12156-00	B - 6	5GH-14103-01	B - 14	5EL-1490H-00	B - 14	21V-15713-00	C - 6	5GH-17620-00	C - 8
5GH-W1142-00	B - 5	31G-12158-00	B - 6	5GH-14105-10	B - 13	5GH-1490J-20	B - 13	24W-15714-00	C - 6	5GH-17623-00	C - 8
5GH-W215B-00	D - 5	31G-12159-02	B - 6	4SV-14107-20	B - 13	5GH-14918-00	B - 14	21V-15715-01	C - 6	5GH-17632-00	C - 8
5GH-W215B-10	D - 5	5GH-12171-00	B - 7	5DM-14112-00	B - 13	5GH-14918-10	B - 13	21V-15716-01	C - 6	5GH-17639-00	C - 8
5GH-W215B-30	D - 5	5GH-12176-10	B - 7	5DM-14141-40	B - 13	5DM-14933-00	B - 13	1UY-15719-00	C - 4	5GH-17641-00	C - 8
5GH-W215B-31	D - 5	31G-12210-01	B - 7	4KM-14142-17	B - 14	5GH-14937-00	B - 14	1UY-15723-00	C - 6	4WV-17644-00	C - 9
5GH-W216B-01	D - 6	3GD-12213-00	B - 7	3H1-14147-00	B - 13	5GH-14940-10	B - 13	21V-15741-00	C - 6	4WV-17653-00	C - 8
5GH-W216B-11	D - 6	31G-12214-00	B - 7	4WV-14147-10	B - 13	256-14956-01	B - 14	21V-15751-00	C - 6	4WV-17654-01	C - 8
5GH-W216B-31	D - 6	31G-12222-00	B - 7	1UY-14155-00	B - 14	3H1-14962-00	B - 13	3X3-15755-00	C - 6	5GH-17660-00	C - 8
5GH-W2161-31	D - 6	5GH-12231-10	B - 7	522-14161-00	B - 13	5DM-14985-00	B - 14	21V-15767-00	C - 6	4CW-17664-00	C - 9
4WV-Y1754-00	C - 12	5GH-12241-00	B - 7	127-14186-00	B - 13	5GH-15100-00	C - 2	21V-15779-00	C - 6	5GH-17670-00	C - 8
5GT-Y4612-00	D - 9	2TV-12411-00	B - 9	12R-14191-00	B - 13	5GH-15113-00	C - 4	5GH-16611-00	C - 8	5GH-17681-10	C - 10
5GH-1111F-00	B - 2	5GH-12413-00	B - 9	24W-14193-00	B - 12	5GH-15163-00	C - 2	5GH-16620-00	C - 8	4WV-17684-00	C - 9
5GH-11110-00	B - 2	5GH-12420-01	B - 8	4KB-14193-20	B - 13	5GH-15199-00	C - 4	5GH-16626-00	C - 8	4WV-17811-00	F - 5
3Y1-11133-11	B - 2	5GH-12421-01	B - 8	5GH-14197-00	B - 14	5GH-15317-00	C - 4	5GH-16664-00	C - 8	59V-17811-00	F - 5
4KB-11145-00	B - 7	5GH-12422-00	B - 8	3DM-14216-00	B - 14	5GH-15333-00	C - 3	5GH-17223-00	C - 10	4WV-17831-00	F - 5
4WU-11160-00	B - 2	5GH-12428-00	B - 8	4KM-14216-00	B - 13	5GH-15336-00	C - 4	5GH-17233-10	C - 10	4WV-17841-00	F - 5
4KB-11165-00	B - 2	11H-12438-10	B - 8	1HX-14231-16	B - 13			5GH-17285-00	C - 10	5GH-18104-00	C - 15
5GH-11166-00	B - 2	5GH-12446-00	B - 9	3G2-14231-14	B - 13	5GH-15338-00	C - 3	5GT-17285-00	C - 10	5GH-18115-00	C - 15
371-11167-01	B - 2	5CG-12450-00	B - 8	3G2-14231-26	B - 13	4HC-15351-00	B - 11	5GH-17421-00	C - 10	5GH-1812E-00	C - 14
5GH-11181-00	B - 2	5GH-12461-10	B - 9	5GH-14261-00	B - 13	5GH-15362-00	C - 2	5GH-17453-10	C - 10	5GH-18129-00	C - 15
2NL-11186-00	B - 2	22W-12462-00	B - 9	5GH-14349-00	B - 12	2N4-15371-00	D - 9	5GH-17473-00	C - 10	5GH-18131-00	C - 15
214-11198-01	C - 2	5GH-12476-00	B - 10	5GH-14411-00	B - 12	5GH-15379-00	C - 4	5GH-17521-00	C - 12	5GH-18146-00	C - 15
	D - 9	5GH-12481-00	B - 9	5GH-14412-00	B - 12	4WV-15381-00	C - 3	5GT-17523-00	C - 10	5GH-18148-00	C - 14
	D - 12	5GH-12482-00	B - 9	31A-14419-00	B - 12	11H-15383-02	C - 12	4VR-17527-00	C - 13	1KT-18157-00	C - 15
5GH-11310-00	B - 4	5GH-12483-00	B - 9	5GH-1442F-00	B - 12	2K7-15383-00	C - 2	5GH-17531-00	C - 12	5GH-18174-00	C - 15
5GH-11351-00	B - 4	5GH-12484-00	B - 9	5BF-1443E-00	C - 4	5GH-15388-00	C - 2	5GH-17531-10	C - 12	5KM-18191-00	C - 15
5GH-11400-10	B - 5	5GH-12485-00	B - 10	5GH-14436-00	B - 12	5GH-15411-00	C - 4	5GH-17531-20	C - 12	5GH-18197-00	C - 15
5GH-11447-00	B - 5	1AA-12535-00	B - 9	5GH-14437-00	B - 12	5GH-15413-00	C - 5	5GH-17531-30	C - 12	4SH-18198-00	C - 15
5GH-11500-00	B - 5	5GH-12611-00	B - 9	5GH-14451-00	B - 12	5GH-15414-00	C - 2	5GH-17531-40	C - 12	5GH-18300-00	C - 15
5GH-11603-00	B - 5	5GH-12620-00	B - 9	5GH-14453-00	B - 12	5GH-15423-00	C - 5	5GH-17531-50	C - 13	5GH-18318-00	D - 11
5GH-11605-00	B - 5	5GH-12630-10	B - 9	5GH-14458-01	B - 12	5GH-15431-00	C - 4	5GH-17531-60	C - 13	5GH-18319-00	D - 11
5GH-11607-00	B - 5	5GH-12647-00	B - 9	5GH-14462-00	B - 12	5GH-15434-00	C - 4	52G-17531-01	C - 12	5GH-18511-00	C - 14
5GH-11631-00	B - 5	33M-12671-00	B - 9	1UY-14468-00	B - 12	5GH-15442-00	C - 3	52G-17531-11	C - 12	5GH-18512-00	C - 14
3LD-11633-00	B - 5	4KB-13161-01	B - 11	5DM-14561-00	B - 13	5GH-15443-01	C - 6	52G-17531-21	C - 12	5GH-18514-00	D - 11
5GH-11636-00	B - 5	3Y1-13310-01	B - 11	583-14561-00	B - 13	5GH-15451-00	C - 4	52G-17531-31	C - 12	4KB-18531-01	C - 14
5GH-11638-00	B - 5	5GH-13314-00	B - 11	1FN-14565-00	B - 14	5GH-15454-00	C - 2	52G-17531-41	C - 12	5GH-18540-00	C - 14
5GH-11651-01	B - 5	1UY-13316-00	B - 11	5GH-14611-00	B - 15	5GH-15463-00	C - 2	52G-17531-51	C - 12	5GH-18617-00	C - 15

NUMERICAL INDEX

PART NO.	GRID NO.	PART NO.	GRID NO.	PART NO.	GRID NO.	PART NO.	GRID NO.	PART NO.	GRID NO.	PART NO.	GRID NO.
5GH-21110-02	D - 3	1AA-21815-00	D - 7	5GH-24731-00	E - 3	3GD-2580T-00	E - 7	5GH-2637F-00	E - 15	4WV-46119-80	D - 11
5GH-21315-00	D - 3	5GH-21871-00	D - 7	5GH-24731-20	E - 3	3GD-2580U-00	E - 7	5GH-2637G-00	E - 14	5GH-46123-00	D - 12
5GH-21316-00	D - 3	1AA-21874-00	D - 7	5GH-24776-00	E - 3	5GH-2580V-10	E - 10	1NV-26398-00	E - 11	5GT-46123-00	D - 10
5GH-2147A-00	D - 4	5GH-22110-10	D - 8	5KM-2482H-00	F - 2	31A-2582A-50	E - 14	1A0-27114-00	D - 8	29U-46125-00	D - 9
5GH-2147E-00	D - 4	5GH-22123-00	D - 8	5GH-24841-20	F - 2	4KB-2582T-00	E - 7	109-27114-00	D - 8	5GH-46126-00	D - 12
5GH-21486-00	D - 3	1W1-22128-00	D - 13	5GH-24841-60	F - 2	3GD-25827-00	E - 7	371-27114-00	E - 3	4WV-46132-00	D - 12
5GH-21488-00	D - 3	5GH-22189-00	D - 8	5GH-24842-00	F - 2	3GD-25828-00	E - 7	4N0-27114-00	D - 3	5GH-46136-00	D - 12
5FE-2151H-01	F - 14	4BD-2219X-02	D - 8	5GH-24842-20	F - 2	5GH-25828-00	E - 10	5GH-27211-00	E - 13	5GH-46137-00	D - 12
5FK-2151H-00	F - 13	5GH-22210-00	D - 13	5GH-24842-40	F - 2	5KM-2583T-01	E - 12	4SS-27218-00	E - 14	5GH-46141-00	D - 11
5GH-2151K-00	D - 8	5GH-22825-00	D - 4	4GB-24877-A0	F - 13	5KM-2583V-00	E - 14	2YK-27222-00	E - 14	4WV-46143-00	D - 11
5GH-21513-00	D - 3	4GY-22898-50	E - 10		F - 14	5GH-25831-00	E - 10	5GH-27252-00	E - 13	4WV-46151-00	D - 9
3GD-2153E-10	F - 13	5GH-23123-00	D - 15	4SH-24877-A0	F - 13	5GH-25844-00	E - 14	5GH-2741A-00	E - 13	5GH-46152-00	D - 9
3GD-2153E-20	F - 13	5GH-23350-00	D - 15		F - 14	4PX-25852-00	E - 14	5GH-27453-00	E - 13	4WV-46155-00	D - 11
	F - 14	5GH-23391-00	D - 5	5GH-2510F-00	E - 4	5JX-25852-01	E - 12	5GH-27463-00	E - 13	1FK-46156-00	D - 10
4GB-2155A-00	F - 13	5GH-23501-01	E - 4		E - 5	2VN-25854-00	E - 14	5GH-27481-00	E - 13	1FK-46157-00-15	D - 10
5GH-2156A-00	F - 13	5GH-23502-01	E - 5	5GH-2510G-00	E - 4	4L0-25854-00	E - 12	5GH-27488-00	E - 13	1FK-46157-00-20	D - 10
5FE-21568-11	F - 14	2HR-23526-00	D - 15		E - 5	2VN-25855-00	E - 14	5GH-27491-00	E - 15	4WV-46159-00	D - 11
5FK-21568-00	F - 13	5GH-23540-00	D - 15	5GH-2510H-00	E - 4	2GU-25866-00	E - 12	4WV-28100-00	D - 4	5GH-4616A-01	D - 11
5GH-21575-00	D - 5	5GH-23550-00	D - 15		E - 5	5GH-25867-00	E - 12	1NV-2811A-01	D - 4	5GH-46160-02	D - 11
5GH-21585-00	D - 3	5GH-23570-00	D - 15	5GH-2510J-00	E - 4	5GH-25871-00	E - 12	5GH-28309-00	D - 5	5GH-46161-00	D - 11
5GH-2163A-00	D - 6	1UY-23812-00	D - 14		E - 5	5GH-25872-00	E - 12	5GH-28309-10	D - 5	5GH-46162-00	D - 11
5GH-2163E-00	D - 6	5GH-23813-01	D - 14	3HN-2511G-01	E - 4	5GH-25873-00	E - 12	5GH-28349-00	D - 5	4WV-46165-00	D - 11
5GH-2163F-00	D - 6	8K1-23814-00	D - 14		E - 5	5GH-25874-00	E - 14	5GT-2836B-10	E - 11	4WV-46167-00	D - 12
5GH-2163G-60	F - 13	5GH-23816-01	D - 14	3HN-2511H-01	E - 4	5GH-25875-00	E - 12	5GH-2837L-10	D - 5	5GH-46172-00	D - 10
5GH-2163G-70	F - 13	2HR-23831-01	D - 14		E - 5	1FK-2589F-00	E - 12	5GH-2845N-20	F - 2	5GH-46173-00	D - 12
5GH-2163G-90	F - 13	1UY-23841-01	D - 14	5GH-25111-00	E - 4	3GM-2589H-00	E - 14	5GH-2845N-50	F - 2	2HR-46187-00	D - 10
	F - 14	1UY-23845-01	D - 14		E - 5	2VN-25894-00	E - 14	5GH-28488-00	D - 8	4WV-46441-00	D - 11
1UJ-21638-00	D - 8	5GH-23868-00	D - 14	5GT-2512A-00	E - 4	5GH-25895-00	E - 14	5GH-28488-10	D - 8	5GH-46470-01	D - 11
5GH-21652-00	D - 6	2GU-23872-00	D - 3		E - 5	4GY-25919-50	E - 10	5GH-46101-00	D - 9	5GH-81410-00	F - 3
4SH-21696-M0	F - 13	1UY-23894-01	D - 14		E - 9	5GH-25924-00	E - 10	2H7-46102-00	D - 9	5GH-81450-00	F - 3
5FE-21696-01	F - 14	5GH-24110-00	E - 2	3HN-2512G-01	E - 4	3GD-25933-00	E - 7	3HN-46108-01	D - 10	3AJ-81801-00	F - 4
5FE-21697-01	F - 14	5GH-2414H-00	E - 2		E - 5	5GH-26111-00	E - 11	24W-46117-00-25	D - 10	5GH-81815-00	F - 4
5FK-21697-00	F - 13	5JJ-2415A-00	F - 14	4KB-2512H-00	E - 4	5GH-26124-00	E - 11	24W-46117-00-30	D - 10	4XV-8182A-00	F - 4
5GH-2171A-00	D - 7	3ME-2415E-00	F - 13		E - 5	1NV-26129-00	E - 11	24W-46117-00-40	D - 10	3AJ-81826-00	F - 4
5GH-2171A-10	D - 7	5GH-24260-00	E - 2	2HR-2512J-00	E - 4	5FE-26232-00	F - 13	24W-46117-00-50	D - 10	11H-81844-00	F - 4
5GH-2171A-30	D - 7	4SH-24261-00	E - 2		E - 5		F - 14	24W-46118-00-12	D - 9	1FK-81847-00	F - 4
5GH-2171L-00	D - 7	5GH-24311-00	E - 2	4KB-2514A-00	E - 6	3GB-26241-00	E - 11	24W-46118-00-14	D - 9	4WV-81890-00	F - 4
5KM-2171L-00	D - 7	5GH-24500-00	E - 2	5GH-2514A-00	E - 9	1NV-2625G-01	E - 11	24W-46118-00-16	D - 9	4SV-81940-00	F - 10
5GH-21711-00	D - 7	4X8-24512-00	E - 2	5GH-25180-20	E - 4	1NV-2625K-00	E - 11	24W-46118-00-18	D - 9	5GT-81960-00	F - 9
5GH-21721-00	D - 7	3AJ-24523-00	E - 2		E - 5	4WV-26250-00	E - 11	24W-46118-00-20	D - 9	3WP-81980-00	F - 10
5GH-2173L-A0	F - 13	5GH-24524-00	E - 2	5GH-25180-40	E - 4	1NV-26259-01	E - 11	4WV-46119-00	D - 11	4SH-82100-21	F - 9
	F - 14	3AJ-24534-00	E - 2		E - 5	4KB-2628F-00	E - 11	4WV-46119-10	D - 11	5FU-82103-00	F - 12
5GH-2173L-70	F - 13	5KM-24610-00	E - 2	4SH-25367-01	E - 8	4KB-2628G-00	E - 11	4WV-46119-20	D - 11	5GH-82114-00	F - 11
5GH-2173L-80	F - 13	5GH-2470F-A0	E - 3	5GH-25381-01	E - 8	1NV-26304-00	E - 11	4WV-46119-30	D - 11	5GH-82115-00	F - 9
5GH-2174A-00	D - 7	5GH-24710-A0	E - 3	2HR-25383-01	E - 8	5GH-26311-01	E - 11	4WV-46119-40	D - 11	5GH-82116-00	F - 9
5GH-2174M-00	D - 7	5GH-24710-00	E - 3	5GH-25390-20	E - 8	5GH-26331-02	E - 11	4WV-46119-50	D - 11	5GH-82119-00	F - 9
5GH-2174T-00	D - 7	5GH-24710-20	E - 3	5GH-25390-40	E - 8	5EB-26332-00	E - 12	4WV-46119-60	D - 11	371-82121-00	F - 9
5KM-2175B-00	D - 5	509-24724-00	E - 3	5GH-25712-00	E - 10	5GH-26341-01	E - 14	4WV-46119-70	D - 11	5GH-82128-00	F - 9

NUMERICAL INDEX

PART NO.	GRID NO.	PART NO.	GRID NO.	PART NO.	GRID NO.	PART NO.	GRID NO.	PART NO.	GRID NO.	PART NO.	GRID NO.
5GH-82129-00	F - 9	3L4-83943-00	F - 8	90114-10010	E - 4	90183-05024	F - 12	90209-06174	B - 9	90430-10148	F - 9
1AE-82151-00	F - 10	5LP-83973-01	F - 8		E - 5	90183-06053	D - 15	90215-06184	B - 2	90430-14042	C - 14
5JJ-82151-10	F - 10	4GB-83976-00	F - 12		E - 8	90185-10060	D - 15	90215-14205	B - 11	90430-14240	B - 2
5JJ-82151-30	F - 10	4WV-83976-00	E - 11	90116-10593	D - 9	90185-14070	C - 12	90240-06076	E - 14	90445-072J4	D - 10
5JJ-82151-50	F - 10	5LP-83980-00	E - 12	90119-06056	C - 5		D - 14	90240-08013	E - 14	90445-07246	D - 12
5GT-82180-00	F - 10	4KB-84314-00	F - 6		D - 5	90201-03313	F - 13	90240-12092	D - 13	90445-084J1	E - 2
5GH-82309-10	F - 10	5KM-84320-00	F - 6		D - 6		F - 14	90267-32004	F - 13	90445-09123	D - 7
3KJ-82310-10	F - 9	2GU-84332-00	F - 6		D - 7	90201-047R9	C - 8		F - 14	90446-06001	B - 8
1UY-82370-20	F - 9	2GU-84334-00	F - 6	90119-06073	E - 2	90201-05029	E - 13	90269-05055	C - 15	90446-16001	C - 15
4SH-82509-20	F - 12	5EH-84340-00	F - 6	90119-06094	D - 6	90201-05725	F - 5	90269-07076	D - 5	90450-32015	B - 9
5GH-82509-30	F - 10	5GH-84703-00	F - 6	90123-08046	F - 8	90201-060L5	E - 2	90280-05048	B - 5	90450-47001	B - 12
5HA-82509-00	F - 12	5KM-84710-00	F - 7	90149-04278	E - 11	90201-06008	C - 15	90282-05013	B - 11	90450-60085	B - 12
5KM-82510-00	F - 10	1A2-84714-41	F - 7	90149-06011	E - 2	90201-06042	E - 14	90338-08226	B - 12	90450-64089	C - 5
5GH-82530-00	F - 10	2EK-85111-00	F - 12	90149-06280	E - 9	90201-06060	C - 14		F - 9	90460-56105	B - 12
5GH-8254B-00	F - 11	3Y6-85130-02	F - 12	90149-08152	C - 12	90201-06071	F - 7	90338-12081	B - 12	90460-58015	B - 12
3GB-82540-01	F - 9	449-85131-02	F - 12	90149-08268	E - 7	90201-08016	F - 12		C - 15	90460-85277	D - 8
3GD-82540-11	D - 12	5GH-85540-20	F - 9	90151-05023	C - 4	90201-08083	E - 14	90340-10001	D - 12	90462-06016	F - 9
4KM-82540-00	F - 9	90101-10303	B - 7	90151-06014	C - 2	90201-08085	B - 12	90340-14029	C - 2	90464-08002	F - 11
5GH-82541-10	F - 9	90101-10568	B - 5	90153-06029	B - 4	90201-086J0	B - 15		D - 10	90464-10112	F - 11
4BA-82560-00	F - 9	90105-06005	B - 8	90154-05004	F - 6	90201-101J1	D - 11		D - 12	90464-12036	F - 11
5FU-82560-20	F - 12	90105-06690	E - 14	90154-05005	E - 13		E - 9	90340-14046	C - 2	90464-12045	F - 11
5GH-82560-00	F - 9	90105-08538	E - 7	90157-04088	C - 8	90201-10118	E - 12		D - 9	90464-12089	F - 10
5GT-82560-00	F - 10		E - 10	90159-05022	F - 6		E - 14	90340-14117	C - 4		F - 11
3HN-82579-00	F - 10	90105-10051	D - 11	90159-05028	D - 5	90201-10128	B - 2	90340-18101	C - 2	90464-13073	F - 10
5GH-82590-40	F - 10	90105-10055	D - 3	90170-08358	C - 15	90201-10321	B - 5	90381-08002	F - 5		F - 11
1YW-82911-01	F - 8	90105-10286	D - 15	90170-10186	D - 14	90201-10430	D - 15	90387-060A7	B - 9	90464-15195	F - 10
2XJ-82913-00	F - 8	90105-10388	D - 15	90170-14284	B - 11	90201-10591	B - 7	90387-0613B	C - 15		F - 11
4V4-82913-00	E - 11	90105-10421	B - 2	90170-36279	C - 9	90201-106E0	B - 15	90387-066J1	E - 2	90464-25098	F - 11
5KM-82917-00	F - 8	90105-10422	B - 2	90171-10046	D - 14	90201-10774	D - 10	90387-067V1	D - 5	90465-10098	F - 11
4WV-83371-00	F - 12	90105-10549	D - 15		D - 15	90201-114P2	B - 11	90387-07598	E - 2	90467-06194	B - 8
5GH-83500-00	F - 5	90105-10751	E - 9	90171-16001	E - 4	90201-12163	F - 5	90387-090R0	D - 14		B - 14
5GH-83500-10	F - 5	90105-12003	D - 13		E - 6	90201-123K4	C - 7	90387-10636	B - 15	90467-07029	D - 10
5GH-83516-00	F - 10	90105-12660	D - 8		E - 8	90201-127J6	D - 13	90387-16547	B - 4		D - 12
5GH-83517-00	F - 5	90105-14367	C - 14	90179-08148	F - 8	90201-132G5	C - 15	90387-1914K	C - 8	90467-08003	D - 7
5GH-83520-00	F - 5	90109-063F1	D - 4	90179-08410	B - 15	90201-14226	D - 14	90387-252R2	C - 13	90467-10008	E - 2
5GH-83520-10	F - 5		E - 13	90179-10394	D - 10	90201-144J2	E - 13	90387-255H9	D - 9	90467-11044	E - 14
3GH-83523-00	F - 5	90109-063F5	D - 4	90179-10540	E - 4	90201-14633	C - 12	90387-26001	C - 10	90467-14015	B - 2
5GH-83530-00	F - 10		E - 13		E - 5	90201-15564	C - 14	90401-06001	B - 2	90467-14057	E - 14
5GH-83530-10	F - 10	90109-06723	F - 9		E - 8	90201-162L6	E - 4	90401-08038	B - 11	90467-15012	B - 12
5GH-83550-00	F - 5	90109-06799	F - 8	90179-16690	C - 8		E - 5	90401-10159	E - 12		D - 2
3GH-83578-00	F - 5	90109-081F0	E - 10		C - 9		E - 8		E - 14	90467-16195	C - 4
4XV-83755-01	F - 9	90110-05201	D - 7	90179-22526	C - 12	90201-186F1	C - 2	90401-20145	B - 11	90467-23177	B - 10
5FU-83790-00	F - 12	90110-06001	F - 9	90179-22640	C - 8	90201-190T7	C - 8	90430-06014	B - 4	90468-16191	D - 14
1UY-83909-00	F - 8	90110-06005	F - 5	90179-55660	C - 13	90201-20278	C - 10		B - 8	90480-01400	E - 2
2HT-83912-00	F - 8	90110-06007	D - 5	90179-65305	C - 12	90201-250R9	C - 10	90430-06192	B - 2	90480-10517	D - 4
5KM-83922-00	E - 12	90110-06136	B - 9	90183-05008	F - 6	90201-25291	C - 7	90430-08119	B - 11	90480-13398	C - 5
437-83936-01	F - 10	90110-06202	D - 5	90183-05024	D - 5	90201-356K1	B - 5		C - 2	90480-13567	D - 7
5GH-83941-00	F - 8	90113-08004	D - 12		D - 7	90202-05193	E - 2	90430-10003	D - 12	90480-15235	B - 9

NUMERICAL INDEX

PART NO.	GRID NO.	PART NO.	GRID NO.	PART NO.	GRID NO.	PART NO.	GRID NO.	PART NO.	GRID NO.	PART NO.	GRID NO.
90480-18290	E - 2	92907-06600	F - 3	93210-33786	B - 9	93316-01301	D - 9	95027-06050	B - 8	95827-06040	B - 15
90501-10353	C - 14		F - 9	93210-35520	B - 11	93317-85569	D - 9	95027-06060	B - 8	95827-06045	C - 4
90501-13001	C - 14	92907-08600	C - 13	93210-44545	B - 12	93399-99926	D - 10	95027-06065	C - 2	95827-08012	C - 2
90501-166L4	C - 14		D - 10		C - 8	93410-20038	C - 10	95307-05600	F - 5		D - 8
90501-18576	B - 11	92990-10600	D - 14	93210-45742	F - 12	93410-22039	D - 10		F - 12	95827-08020	D - 3
90501-296L7	D - 12	93101-10090	B - 8	93210-50768	D - 12	93410-46079	C - 8	95307-05700	E - 11	95827-08030	D - 14
90501-626L9	C - 9	93101-12168	C - 3	93210-57634	B - 2	93430-10015	E - 13	95307-08700	C - 15	95827-10016	D - 8
90501-650L5	C - 13	93101-31167	C - 8	93210-59531	D - 9	93440-12052	B - 2	95307-10700	D - 14	95827-10020	D - 8
90506-07135	D - 8	93101-35097	C - 12	93210-64297	D - 4	93440-14155	C - 11	95337-10600	D - 15	95827-10040	B - 15
90506-12441	E - 13	93101-38098	D - 9	93210-65705	D - 10	93440-20088	D - 10	95606-06100	E - 12	97007-06008	B - 15
90508-235B7	C - 14	93101-52116	D - 9	93210-78544	C - 12	93440-25084	C - 10	95607-05100	E - 11	97007-06012	B - 2
90508-23567	E - 3	93102-08307	F - 5	93210-89447	B - 4	93450-22027	B - 5	95607-06100	F - 8	97007-06020	F - 9
90508-35764	C - 15	93102-15212	C - 14	93211-06635	B - 2	93450-22119	E - 4	95607-10200	D - 3	97017-06010	B - 9
90560-06243	B - 15	93102-24034	D - 12	93211-40040	D - 12		E - 5		D - 11	97017-06014	C - 6
90560-30325	E - 4	93102-25081	D - 3	93211-51749	D - 9	93450-24062	C - 8	95607-12200	D - 8	97017-06016	C - 3
	E - 5	93102-25099	D - 3	93211-52001	C - 8	93450-44141	D - 12		D - 13	97027-06016	B - 7
91A20-07010	B - 12	93102-28476	C - 4	93306-00006	B - 8	93450-71142	D - 12	95617-08620	B - 2	97027-08025	D - 10
91A20-12026	B - 12	93102-30170	C - 13	93306-00208	C - 14	93503-08007	C - 14	95707-06500	C - 6	97027-08030	C - 13
91317-05012	F - 3	93102-32483	C - 3	93306-00415	C - 10	93603-07073	B - 11	95707-05300	E - 13	97027-08060	D - 14
91317-06012	B - 9	93102-35380	C - 13	93306-00438	B - 7	93603-12030	B - 11	95707-06300	F - 7	97607-04210	E - 11
91317-06020	B - 2	93102-42004	C - 10	93306-00515	B - 7	93603-14240	C - 11	95807-06012	D - 15	97707-50016	F - 9
	B - 9	93102-50030	D - 12	93306-00612	C - 13	93604-10011	B - 7	95807-06014	C - 5	97707-60020	B - 12
91317-06025	B - 2	93102-65386	D - 9		E - 8	93900-00022	E - 4	95807-06020	B - 9	97707-60525	F - 9
91317-06140	B - 2	93104-09025	E - 11	93306-00615	E - 4		E - 5		F - 9	98501-04014	B - 14
91317-08016	C - 7	93104-41119	C - 8		E - 5		E - 8	95807-06030	E - 2	98507-03014	E - 2
91317-08020	D - 11	93106-38046	E - 4	93306-00805	E - 8	94108-12008	E - 4	95807-08020	C - 15	98507-03540	F - 6
91317-08025	B - 12		E - 5	93306-07801	C - 4		E - 5	95817-06008	B - 15	98507-04006	B - 13
	B - 15		E - 8	93306-20120	C - 3	94108-1216D	E - 4	95817-06010	B - 15	98507-04008	B - 14
91401-16012	E - 14	93106-38047	E - 4	93306-20331	D - 3		E - 5		D - 4	98507-04016	B - 13
91401-20012	E - 15		E - 5	93306-20464	C - 10	94110-12008	E - 8	95817-06012	D - 3	98507-05020	E - 11
91401-20020	D - 14	93106-47040	E - 8	93306-20582	C - 13	94110-1216E	E - 8		F - 12	98507-05030	F - 8
	D - 15	93112-31011	D - 14	93306-20601	C - 10	94581-96116	B - 7	95817-06016	B - 15	98507-06016	F - 5
91401-30025	D - 13	93210-09165	B - 6	93306-20622	C - 12	94591-54038	C - 10		C - 15	98507-06020	F - 8
91401-30030	E - 5	93210-11073	C - 15	93306-20715	C - 12	94701-00333	B - 3	95817-06035	C - 15	98507-06030	F - 3
	E - 6	93210-14104	F - 5	93306-30201	C - 10	95027-06008	F - 10	95817-08012	D - 3		F - 5
	E - 8	93210-14369	C - 4	93306-30315	B - 5	95027-06012	B - 2		E - 13	98517-05012	F - 8
91810-20001	C - 3	93210-15620	E - 14	93306-30438	B - 5		B - 8		F - 2	98580-04010	B - 13
92902-04100	B - 14	93210-16290	B - 5	93306-30538	C - 12		C - 3	95817-08025	E - 14	98706-04012	E - 12
92907-04600	B - 14	93210-18322	B - 4	93306-30568	D - 9	95027-06014	C - 5	95817-08030	C - 12	98707-04018	E - 2
92907-05100	E - 11	93210-18417	B - 9	93306-30629	B - 5		C - 14	95817-10025	D - 10	98707-06020	B - 11
	F - 8	93210-19522	C - 2	93310-212R6	C - 7	95027-06016	C - 14	95817-10080	D - 3		C - 2
	F - 12	93210-24253	F - 5	93310-32590	C - 10	95027-06020	C - 15	95817-10110	D - 3	98707-06030	B - 11
92907-05200	F - 12	93210-26001	C - 10	93310-420F2	C - 10	95027-06025	B - 7	95827-06008	E - 15	99009-10400	B - 8
92907-06100	F - 8	93210-27666	E - 4	93310-635D4	B - 5	95027-06030	C - 4	95827-06012	C - 2	99009-11400	B - 11
92907-06600	B - 7		E - 5	93311-42077	C - 11		F - 4		E - 6	99009-12400	C - 7
	B - 9		E - 8	93315-21813	C - 8	95027-06035	C - 5		E - 12	99009-24400	D - 10
	C - 3	93210-32172	F - 5	93316-00801	D - 12	95027-06040	C - 2	95827-06025	E - 12	99009-55500	E - 8
	C - 6	93210-33133	B - 8	93316-01003	C - 2		C - 4	95827-06035	C - 4	99009-80500	C - 3

NUMERICAL INDEX

PART NO.	GRID NO.	PART NO.	GRID NO.	PART NO.	GRID NO.	PART NO.	GRID NO.	PART NO.	GRID NO.	PART NO.	GRID NO.
99530-10014	C - 2										
99530-10114	C - 2										
	C - 4										
99530-14016	B - 2										
	B - 4										