



PARTS CATALOGUE

YFM80WP (5TH1) USA, OCEANIA

YFM80 (5TH1) JAPAN

YFM80WP (5TH2) CANADA

YFM80WP (5TH3) FRANCE

YFM80WP/YFM80
PARTS CATALOGUE
©2001 by Yamaha Motor Co., Ltd.
1st Edition, Oct. 2001
All rights reserved.
Any reprinting or unauthorized use
without the written permission of
Yamaha Motor Co., Ltd.
is expressly prohibited.
Printed in Japan

A3



A4

FOREWORD

This Parts Catalogue is related to the parts for the model(s) in the below frame. When you are ordering replacement parts, please refer to this Parts Catalogue and quote both part numbers and part names correctly.

YFM80WP/YFM80(5TH1), YFM80WP(5TH2), YFM80WP(5TH3)

1. Modifications or additions which have been made after issue of the Parts Catalogue will be announced in the Yamaha Parts News.
It is advisable that you make necessary corrections to the Parts Catalogue according to the Yamaha Parts News.

2. Abbreviations

The Following abbreviations are used in this Parts Catalogue.

“UR” Use specified parts number.

“UN” Use as many as needed.

“AP” Alternate Parts

“LM” Local Made (Parts need to be ordered locally)

“F#” Frame No. (Applicable machine No.)

3. Parts, which are to be supplied in an assembly, are listed with a dot(.) in front of the part name as shown below.

EXAMPLE

CARBURETOR ASSY

.JET, PILOT

.NOZZLE, MAIN

4. Number of component for assembly

The numeral appearing to the right of each component part indicates the quantity of parts for each assembly unit.

EXAMPLE

PART NO.	DESCRIPTION	Q'TY	REMARKS
2F5-83310-60	FRONT FLASHER LIGHT ASSY	2	
115-83311-60	.BULB (6V-18W)	1	
1M1-83309-60	.REFLECTOR	1	

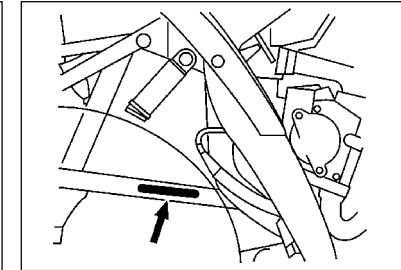
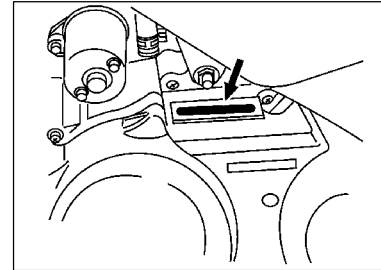
5. Applicable colors of graphics are represented in the “REMARKS” as shown below.

PART NO.	DESCRIPTION	Q'TY	REMARKS
2N4-24110-00-X5	FUEL TANK COMP.	2	MXR
3J1-24240-10	.GRAPHIC, FUEL TANK	1	FOR MXR

6. Applicable Serial No.

Engine Serial No.

Frame Serial No.



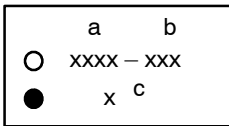
7. Note that the illustrations for reference in finding parts numbers, not to be used for assembling. When assembling, please use the applicable service manual.

8. The asterisk (*) before a reference number indicates modification items after the first edition.

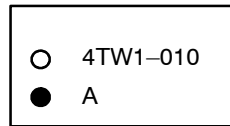
MODEL LABEL

(1) A label called "Model Label" is affixed in the location as indicated in (3) below.
When using this parts catalogue, please be sure to cross-refer the "model code – production code No." in the catalogue to the "model code – production code No." indicated on the Model Label affixed onto the product concerned.

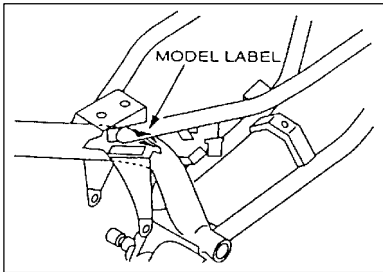
(2) "Model Label" Indication



a: Model Type Code
b: Production Code No.
c: Colouring Type



(3) Model Label Affixing Location



(4) Model Code – Production Code Number of Model Listed in This Parts Catalog

Model Code	Production Code No.	Country (destination)	Model Code	Production Code No.	Country (destination)
5TH1	010	USA			
	020	AUSTRALIA			
	020	NEWZEALAND			
	030	JAPAN			
5TH2	010	CANADA			
5TH3	010	FRANCE			

(5) Colouring Information

Model Code	Colouring type code	Colour code	Colour Name	Abbreviation
5TH1 5TH2 5TH3	A	0583	DEEP PURPLISH BLUE SOLID E	DPBSE

CONTENTS

ENGINE

CYLINDER	B2
CRANKSHAFT. PISTON	B3
VALVE	B4
CAMSHAFT. CHAIN	B5
OIL PUMP	B6
INTAKE	B7
EXHAUST	B9
CRANKCASE	B10
CRANKCASE COVER 1	B11
STARTER CLUTCH	B12
CLUTCH	B13
TRANSMISSION	B15
MIDDLE DRIVE GEAR	C2
SHIFT CAM. FORK	C3
SHIFT SHAFT	C4

CHASSIS

FRAME	C5
FRONT FENDER	C6
REAR FENDER	C8
REAR ARM	C9
DRIVE SHAFT	C10
REAR SUSPENSION	C12
STEERING	C13
FRONT SUSPENSION. WHEEL	C14
FUEL TANK	C15
SEAT	D2
FRONT WHEEL	D3
REAR WHEEL	D5

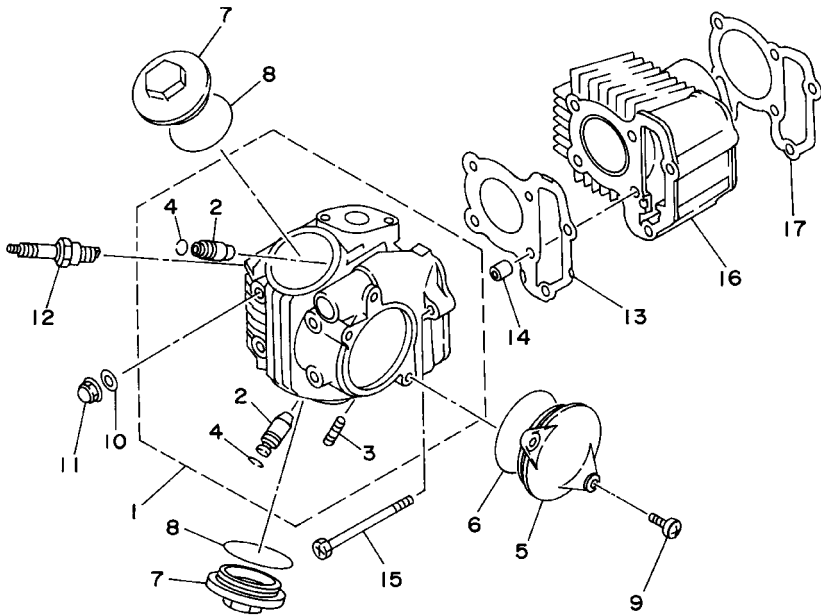
STEERING HANDLE. CABLE	D7
STAND. FOOTREST	D9
GUARD	D10
GENERATOR	D11
STARTING MOTOR	D12
HEADLIGHT	D13
HANDLE SWITCH. LEVER	D14
ELECTRICAL 1	D15
ELECTRICAL 2	E3
EMBLEM.LABEL 1	E4
EMBLEM.LABEL 2	E5
EMBLEM.LABEL 3	E6
EMBLEM.LABEL 4	E7
EMBLEM.LABEL 5	E8

INDEX

NUMERICAL INDEX	M1
-----------------------	----

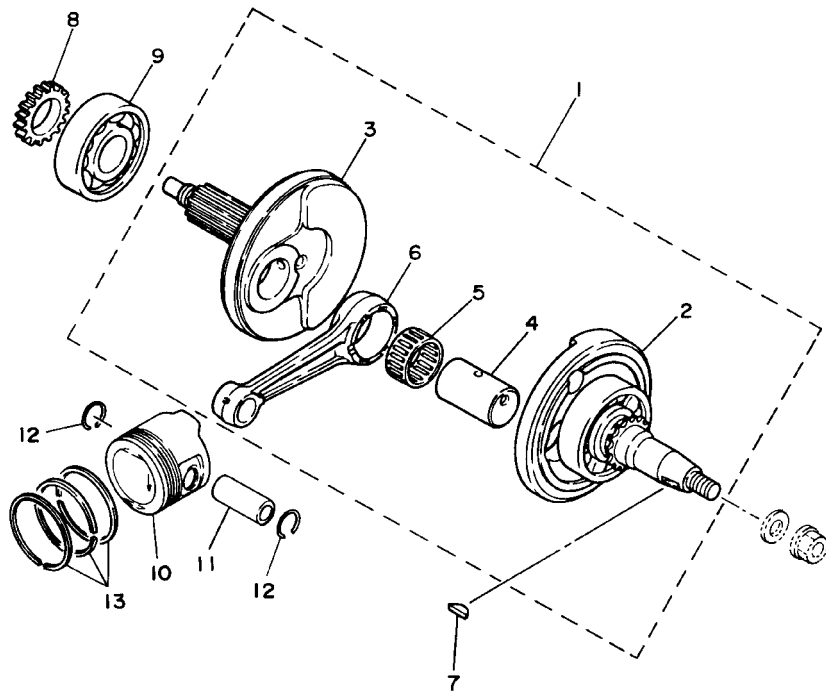
FIG. 1 CYLINDER

REF. NO.	PART NO.	DESCRIPTION	USA	OC	JPN	CAN	FRA	REMARKS
1	35T-11110-01	CYLINDER HEAD ASSY	1	1	1	1	1	
2	22F-11134-10	.GUIDE, EXHAUST VALVE	2	2	2	2	2	
3	22F-14651-00	.BOLT	2	2	2	2	2	
4	93440-10109	.CIRCLIP	2	2	2	2	2	
5	22F-11185-01	COVER, CYLINDER HEAD SIDE 1	1	1	1	1	1	
6	93210-63556	O-RING	1	1	1	1	1	
7	22F-11186-00	COVER, CYLINDER HEAD SIDE 2	2	2	2	2	2	
8	93210-44704	O-RING	2	2	2	2	2	
9	98507-06016	SCREW, PAN HEAD	2	2	2	2	2	
10	90201-066F0	WASHER, PLATE	4	4	4	4	4	
11	90176-06065	NUT, CROWN	4	4	4	4	4	
12	94701-00250	PLUG, SPARK (NGK CR7HS)	1	1		1	1	
	90793-20071	PLUG, SPARK (NGK CR7HS)			1			
13	55X-11181-00	GASKET, CYLINDER HEAD 1	1	1	1	1	1	
14	99530-08012	PIN, DOWEL	2	2	2	2	2	
15	95027-06085	BOLT, FLANGE	2	2	2	2	2	
16	22K-11311-02	CYLINDER 1	1	1	1	1	1	
17	22F-11351-01	GASKET, CYLINDER	1	1	1	1	1	



4EM1100-2010

FIG. 2 CRANKSHAFT. PISTON



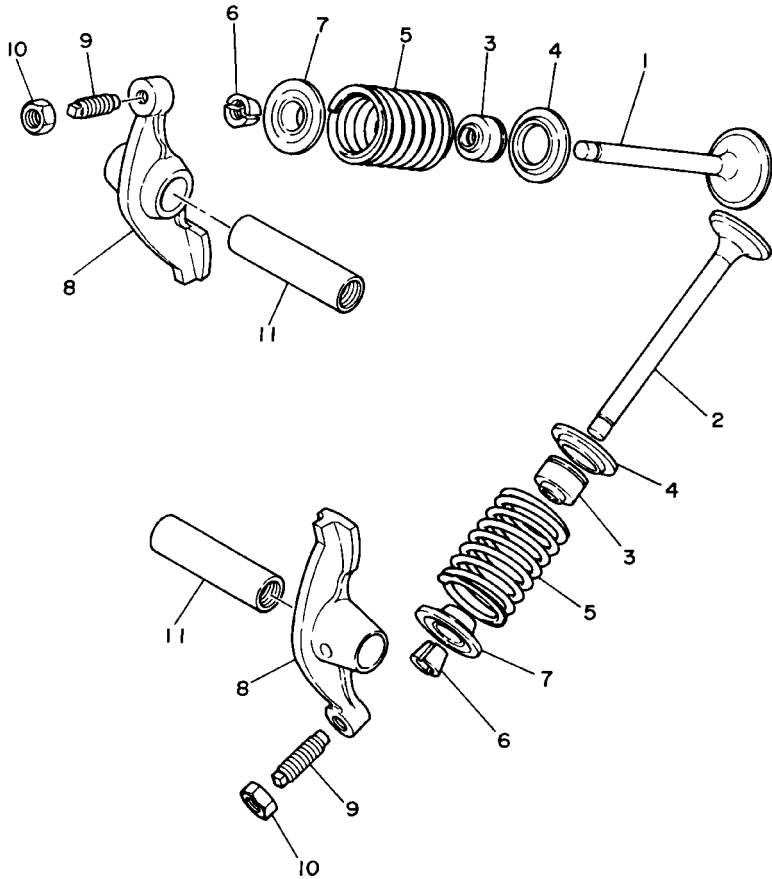
REF. NO.	PART NO.	DESCRIPTION	USA	OCE	JPN	CAN	FRA	REMARKS
1	22K-11400-01	CRANKSHAFT ASSY	1	1	1	1	1	
2	22K-W1141-00	.CRANK 1	1	1	1	1	1	
3	22K-11422-00	.CRANK 2	1	1	1	1	1	
4	22F-11681-00	.PIN, CRANK 1	1	1	1	1	1	
5	93311-32353	.BEARING	1	1	1	1	1	
6	22K-11651-02	.ROD, CONNECTING	1	1	1	1	1	
7	90280-03017	KEY, WOODRUFF	1	1	1	1	1	
8	46J-13324-00	GEAR, PUMP DRIVE	1	1	1	1	1	
9	93306-30433	BEARING	1	1	1	1	1	
10	55X-11631-00-96	PISTON (STD)	1	1	1	1	1	
	55X-11636-00	PISTON (0.50MM O/S)	1	1	1	1	1	AP
	55X-11638-00	PISTON (1.00MM O/S)	1	1	1	1	1	AP
11	22K-11633-01	PIN, PISTON	1	1	1	1	1	
12	93450-14088	CIRCLIP	2	2	2	2	2	
13	55X-11610-00	PISTON RING SET (STD)	1	1	1	1	1	
	55X-11610-20	PISTON RING SET (0.50MM O/S)	1	1	1	1	1	AP
	55X-11610-40	PISTON RING SET (1.00MM O/S)	1	1	1	1	1	AP



55X110-5020

FIG. 3 VALVE

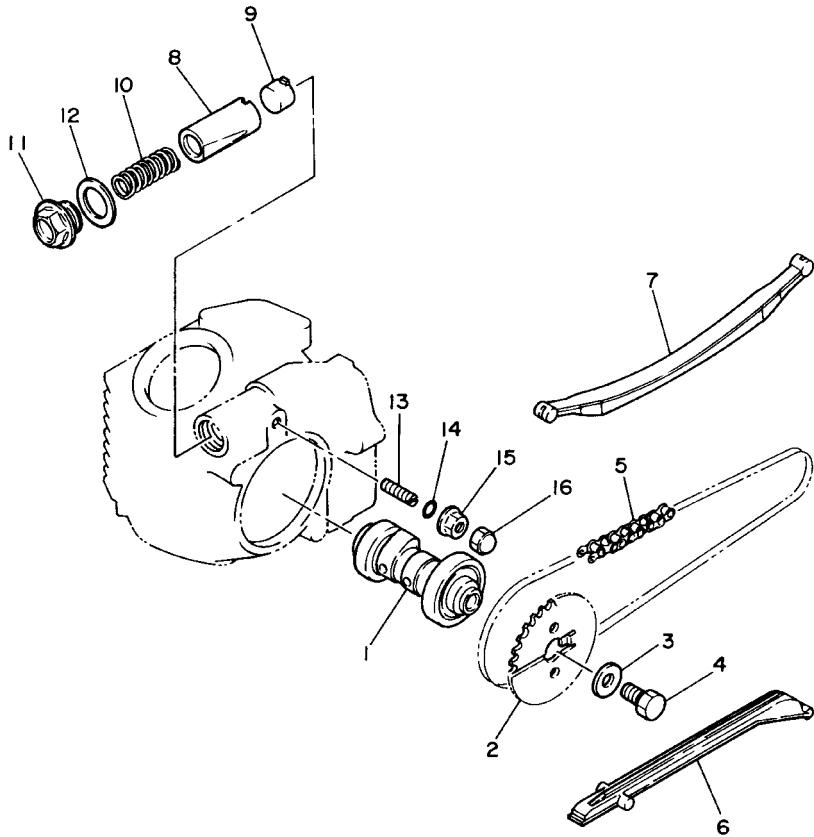
REF. NO.	PART NO.	DESCRIPTION	USA	OCE	JPN	CAN	FRA	REMARKS
1	22K-12111-03	VALVE, INTAKE	1	1	1	1	1	
2	22K-12121-02	VALVE, EXHAUST	1	1	1	1	1	
3	2HX-12119-00	SEAL, VALVE STEM	2	2	2	2	2	
4	22F-12116-00	SEAT, VALVE SPRING	2	2	2	2	2	
5	22F-12114-00	SPRING, VALVE OUTER	2	2	2	2	2	
6	22F-12118-01	COTTER, VALVE	4	4	4	4	4	
7	22F-12117-02	RETAINER, VALVE SPRING	2	2	2	2	2	
8	50M-12151-00	ARM, VALVE ROCKER	2	2	2	2	2	
9	22F-12159-00	SCREW, VALVE ADJUSTING	2	2	2	2	2	
10	90170-05302	NUT	2	2	2	2	2	
11	22F-12156-00	SHAFT, ROCKER 2	2	2	2	2	2	



55X110-5030

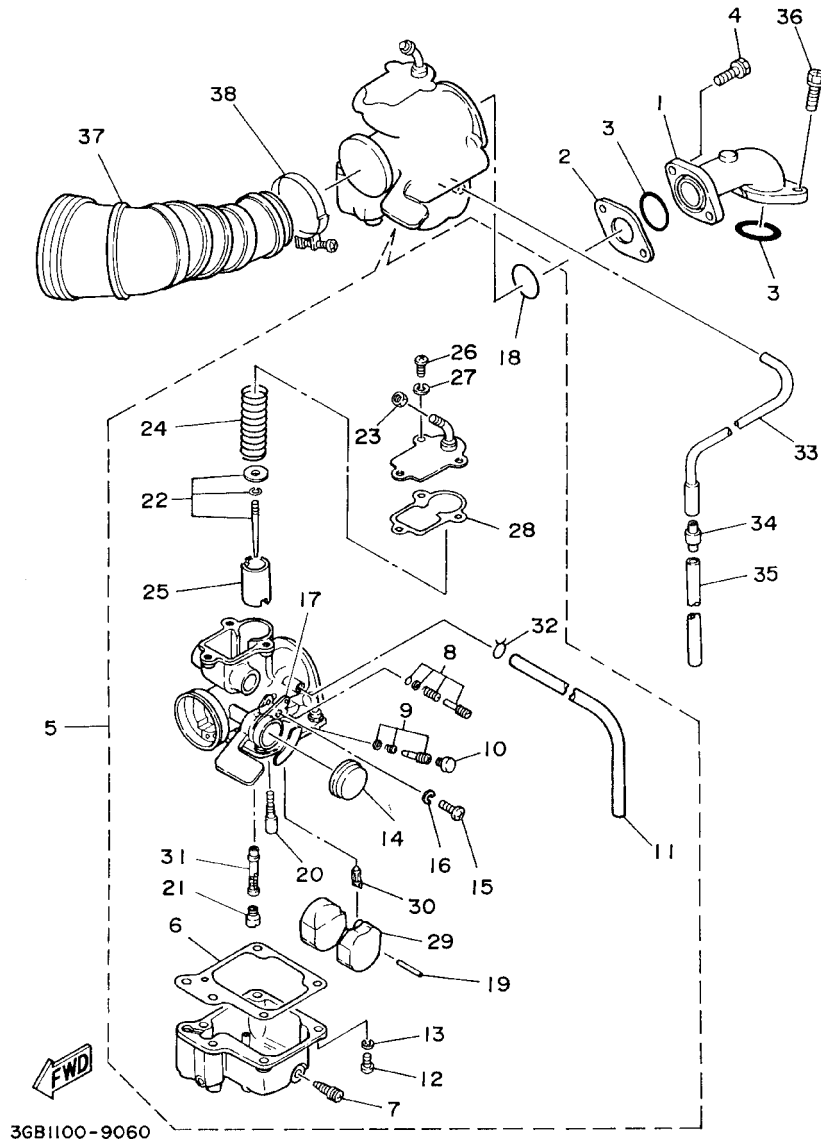
FIG. 4 CAMSHAFT. CHAIN

REF. NO.	PART NO.	DESCRIPTION	USA	OC	JPN	CAN	FRA	REMARKS
1	55X-12170-00	CAMSHAFT ASSY 1	1	1	1	1	1	
2	50M-12176-00	SPROCKET, CAM CHAIN (28T)	1	1	1	1	1	
3	90201-08326	WASHER, PLATE	1	1	1	1	1	
4	90101-08590	BOLT	1	1	1	1	1	
5	94580-25082	CHAIN	1	1	1	1	1	
6	22F-12231-01	GUIDE, STOPPER 1	1	1	1	1	1	
7	22F-12241-00	GUIDE, STOPPER 2	1	1	1	1	1	
8	22F-12217-01	ROD, CHAIN TENSIONER	1	1	1	1	1	
9	90334-14037	PLUG, STRAIGHT	1	1	1	1	1	
10	90501-10710	SPRING, COMPRESSION	1	1	1	1	1	
11	90340-18092	PLUG, STRAIGHT SCREW	1	1	1	1	1	
12	90201-186F1	WASHER, PLATE	1	1	1	1	1	
13	90113-06009	BOLT, SET	1	1	1	1	1	
14	93210-06564	O-RING	1	1	1	1	1	
15	90179-06387	NUT	1	1	1	1	1	
16	95307-06800	NUT	1	1	1	1	1	



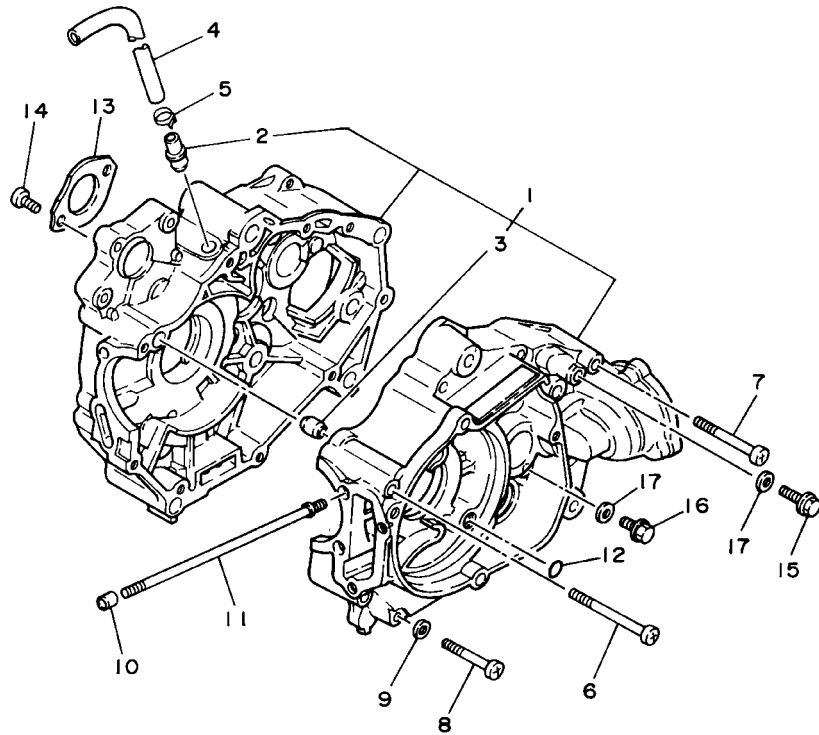
55X110-5040

FIG. 6 INTAKE



REF. NO.	PART NO.	DESCRIPTION	USA	OC	JPN	CAN	FRA	REMARKS
1	55X-13586-00	JOINT, CARBURETOR 1	1	1	1	1	1	
2	22K-13595-00	JOINT	1	1	1	1	1	
3	93210-25552	O-RING	2	2	2	2	2	
4	90159-06076	SCREW, WITH WASHER	2	2	2	2	2	
5	5TH-14101-00	CARBURETOR ASSY 1	1	1	1	1	1	
6	22F-14184-00	.GASKET, FLOAT CHAMBER	1	1	1	1	1	
7	12R-14191-00	.PLUG, DRAIN	1	1	1	1	1	
8	22F-14103-00	.THROTTLE SCREW SET	1	1	1	1	1	
9	22K-14104-00	.AIR SCREW SET	1	1	1	1	1	
10	22F-14991-00	.CAP	1	1	1	1	1	
11	26H-14197-00	.PIPE	1	1	1	1	1	
12	98502-04014	.SCREW, PAN HEAD	4	4	4	4	4	
13	92902-04100	.WASHER, SPRING	4	4	4	4	4	
14	22F-14169-00	.CAP	1	1	1	1	1	
15	98502-04008	.SCREW, PAN HEAD	1	1	1	1	1	
16	92902-04100	.WASHER, SPRING	1	1	1	1	1	
17	55X-14146-00	.PLATE	1	1	1	1	1	
18	22K-14147-00	.O-RING	1	1	1	1	1	
19	127-14186-00	.PIN, FLOAT	1	1	1	1	1	
20	22F-14142-12	.JET, PILOT (#12.5)	1	1	1	1	1	
21	18A-1414E-30	.JET, MAIN(#76.3)	1	1	1	1	1	
22	2HX-1490J-20	.NEEDLE SET	1	1	1	1	1	
23	802-14161-00	.NUT, CABLE ADJUSTING	1	1	1	1	1	
24	260-14131-00	.SPRING, THROTTLE VALVE	1	1	1	1	1	
25	2HX-14112-35	.VALVE, THROTTLE 1	1	1	1	1	1	
26	98502-04010	.SCREW, PAN HEAD	3	3	3	3	3	
27	92902-04100	.WASHER, SPRING	3	3	3	3	3	

FIG. 8 CRANKCASE

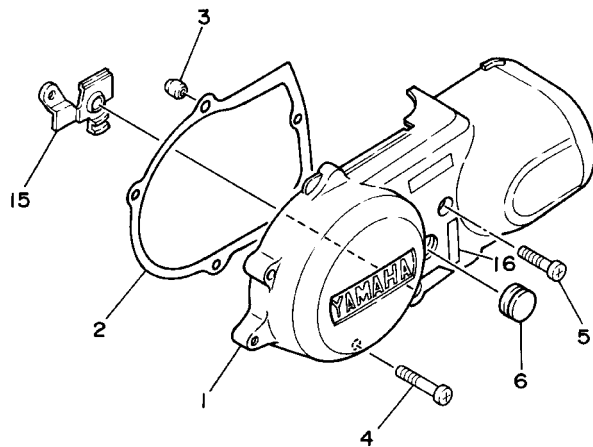
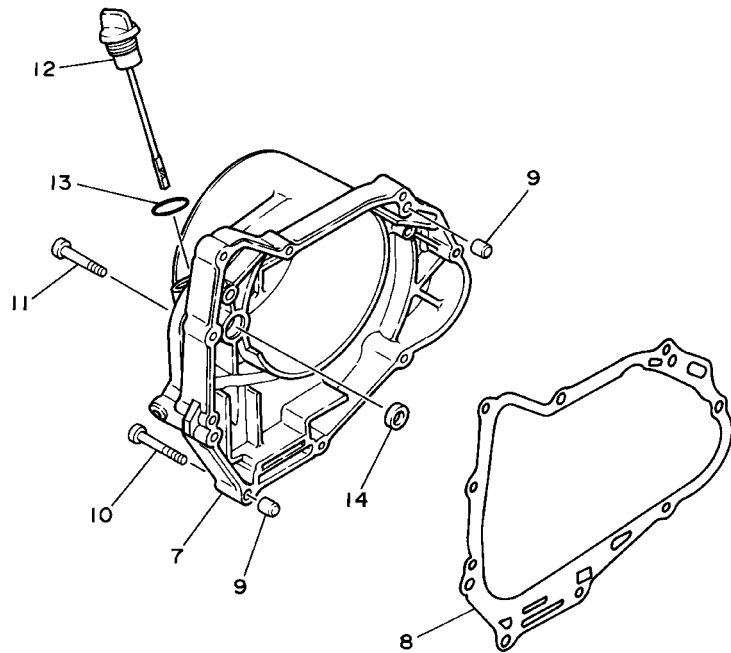


REF. NO.	PART NO.	DESCRIPTION	USA	OCE	JPN	CAN	FRA	REMARKS
1	2FJ-15100-01	CRANKCASE ASSY	1	1	1	1	1	
2	59V-11167-00	.PIPE, BREATHER 2	1	1	1	1	1	
3	99530-12016	.PIN, DOWEL	2	2	2	2	2	
4	90445-121F6	HOSE (L700)	1	1	1	1	1	
5	90467-13064	CLIP	1	1	1	1	1	
6	98507-06075	SCREW, PAN HEAD	1	1	1	1	1	
7	98507-06060	SCREW, PAN HEAD	2	2	2	2	2	
8	98507-06045	SCREW, PAN HEAD	6	6	6	6	6	
9	90430-06014	GASKET	2	2	2	2	2	
10	99530-08012	PIN, DOWEL	2	2	2	2	2	
11	90116-06399	BOLT, STUD	4	4	4	4	4	
12	93210-06564	O-RING	2	2	2	2	2	
13	22F-15383-01	PLATE, BEARING COVER	1	1	1	1	1	
14	98507-06012	SCREW, PAN HEAD	2	2	2	2	2	
15	95817-06025	BOLT, FLANGE	2	2	2	2	2	
16	95817-06016	BOLT, FLANGE	1	1	1	1	1	
17	90430-06166	GASKET	3	3	3	3	3	



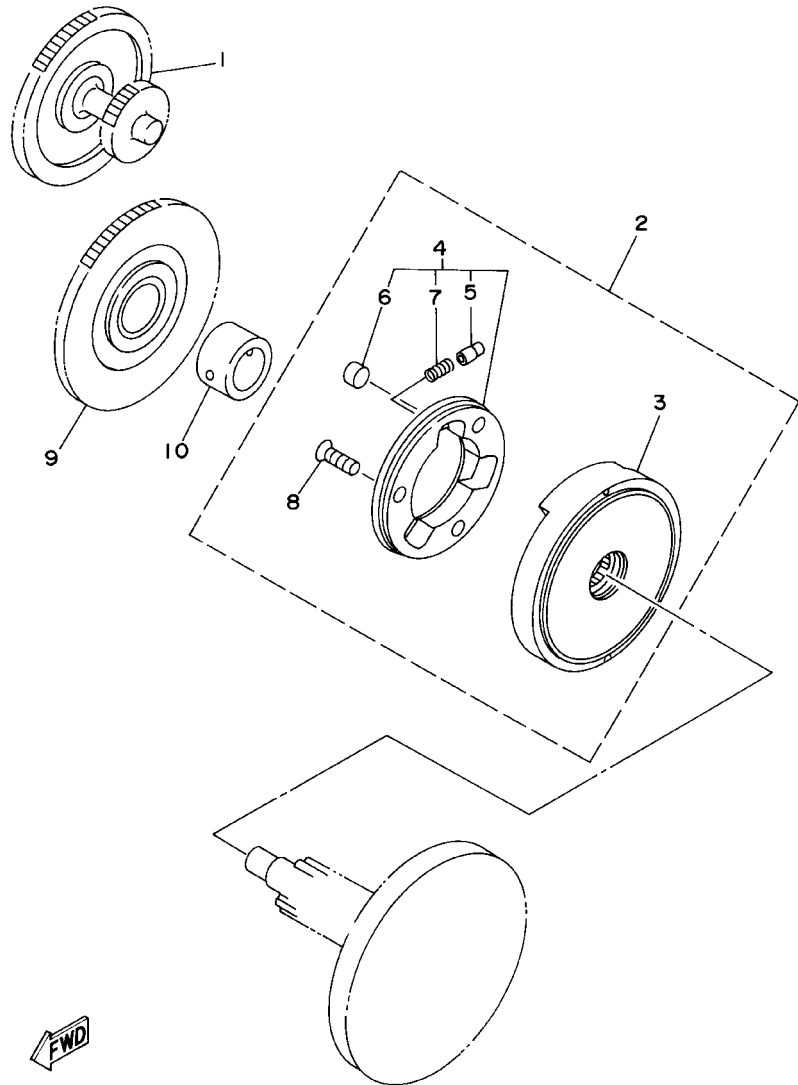
4EMK100-8080

FIG. 9 CRANKCASE COVER 1



2FJ110-7090

REF. NO.	PART NO.	DESCRIPTION	USA	OC	JPN	CAN	FRA	REMARKS
1	22F-15411-01	COVER, CRANKCASE 1	1	1	1	1	1	
2	3GB-15451-00	GASKET, CRANKCASE COVER 1	1	1	1	1	1	
3	99530-10114	PIN, DOWEL	2	2	2	2	2	
4	98507-06040	SCREW, PAN HEAD	1	1	1	1	1	
5	98507-06030	SCREW, PAN HEAD	2	2	2	2	2	
6	22F-15417-00	COVER, CAP	1	1	1	1	1	
7	2FJ-15421-00	COVER, CRANKCASE 2	1	1	1	1	1	
8	3GB-15461-00	GASKET, CRANKCASE COVER 2	1	1	1	1	1	
9	99530-10120	PIN, DOWEL	2	2	2	2	2	
10	98507-06045	SCREW, PAN HEAD	1	1	1	1	1	
11	98507-06035	SCREW, PAN HEAD	8	8	8	8	8	
12	55X-15362-02	PLUG, OIL LEVEL	1	1	1	1	1	
13	93210-19123	O-RING	1	1	1	1	1	
14	93101-10142	OIL SEAL	1	1	1	1	1	
15	90209-11269	WASHER	1	1	1	1	1	
16	4EM-15443-01	EMBLEM	1	1	1	1	1	

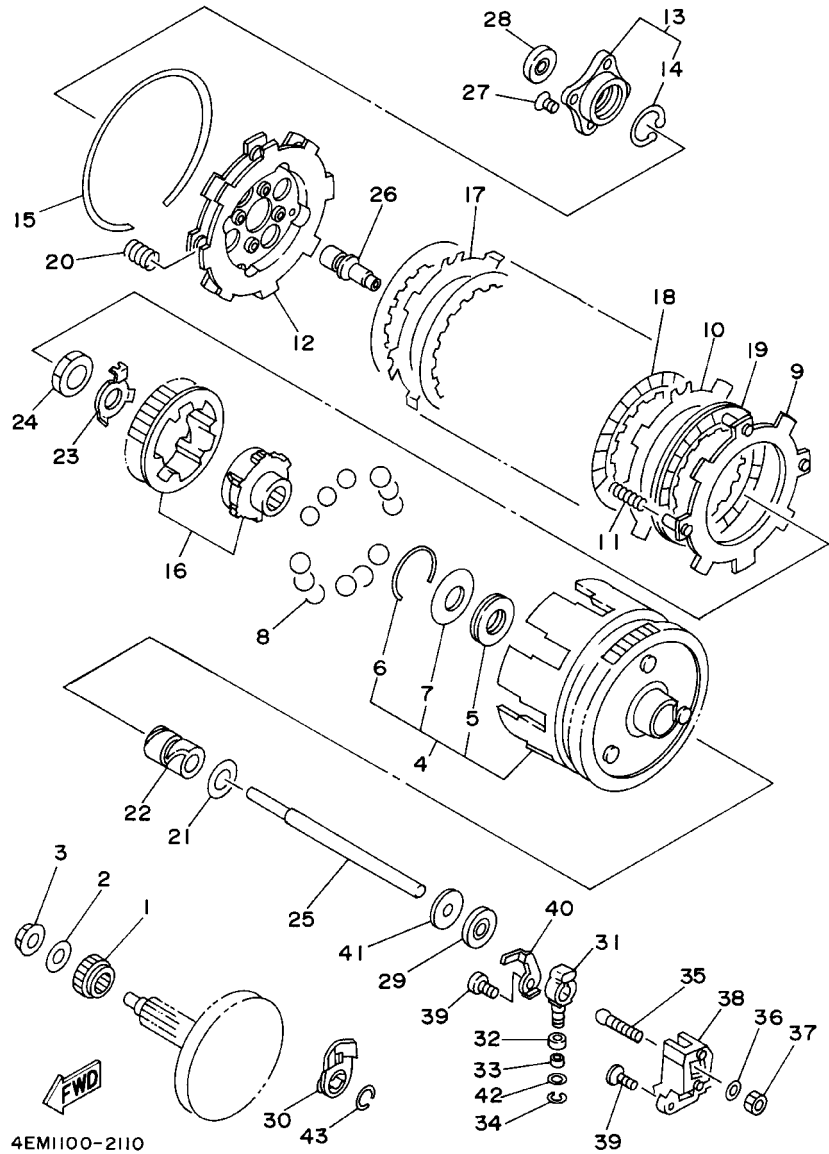


4EM1100-2100

FIG. 10 STARTER CLUTCH

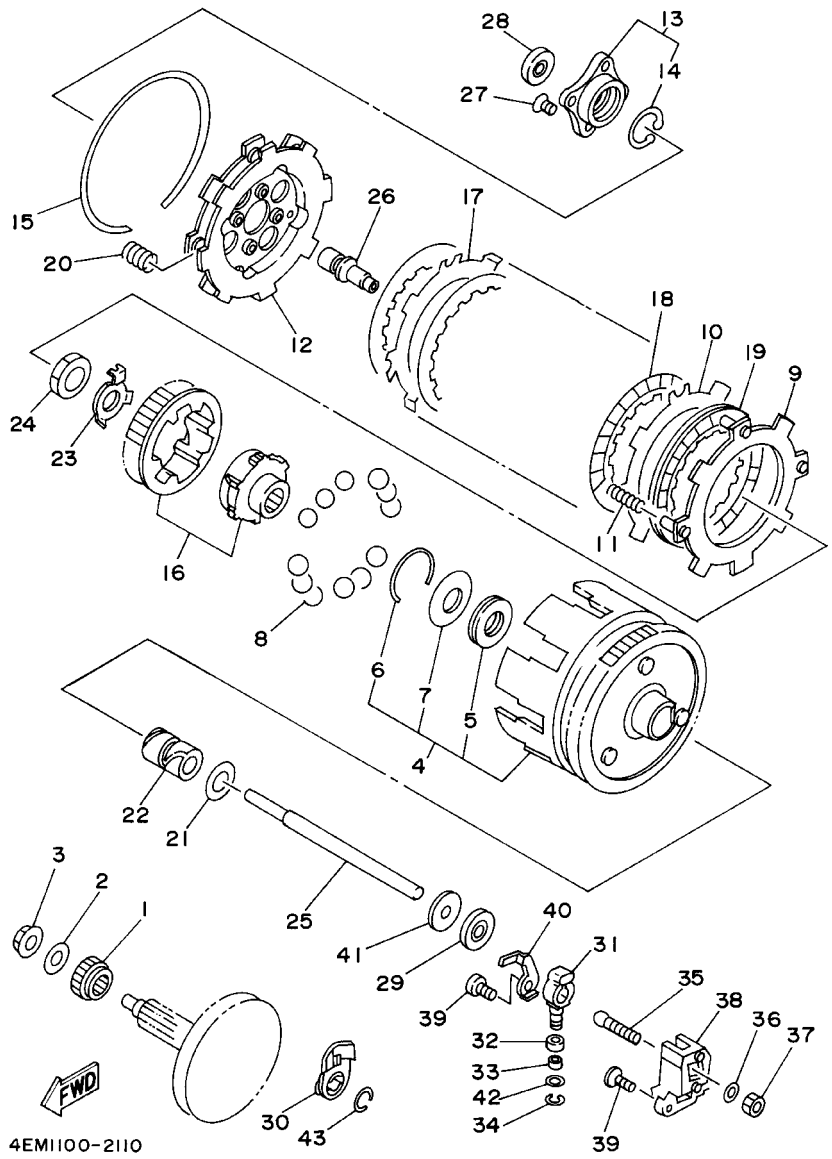
REF. NO.	PART NO.	DESCRIPTION	USA	OCE	JPN	CAN	FRA	REMARKS
1	2HX-15520-00	STARTER WHEEL ASSY	1	1	1	1	1	
2	22M-15570-10	STARTER CLUTCH ASSY	1	1	1	1	1	
3	22M-13450-10	.ROTARY FILTER ASSY	1	1	1	1	1	
4	22M-15580-10	.STARTER CLUTCH OUTER ASSY	1	1	1	1	1	
5	3AY-15583-00	..CAP, STARTER CLUTCH SPRING	3	3	3	3	3	
6	93610-10174	..PIN, DOWEL	3	3	3	3	3	
7	90501-03799	..SPRING, COMPRESSION	3	3	3	3	3	
8	98701-06018	.SCREW, FLAT HEAD	3	3	3	3	3	
9	2HX-15517-10	GEAR, IDLER 2	1	1	1	1	1	
10	90560-20196	SPACER	1	1	1	1	1	

FIG. 11 CLUTCH



REF. NO.	PART NO.	DESCRIPTION	USA	OC	JPN	CAN	FRA	REMARKS
1	22K-16111-00	GEAR, PRIMARY DRIVE	1	1	1	1	1	
2	90208-12015	WASHER, CONICAL SPRING	1	1	1	1	1	
3	90179-12659	NUT	1	1	1	1	1	
4	3GB-16150-00	PRIMARY DRIVEN GEAR COMP.	1	1	1	1	1	
5	93341-22302	.BEARING	1	1	1	1	1	
6	93450-42112	.CIRCLIP	1	1	1	1	1	
7	22F-16153-10	.WASHER, THRUST (1.9T)	1	1	1	1	1	UR
	22F-16153-20	.WASHER, THRUST (2.1T)	1	1	1	1	1	UR
	22F-16153-30	.WASHER, THRUST (2.3T)	1	1	1	1	1	UR
	22F-16153-40	.WASHER, THRUST (1.7T)	1	1	1	1	1	UR
8	93505-08030	BALL	12	12	12	12	12	
9	22K-16520-00	PLATE, THRUST WEIGHT	1	1	1	1	1	
10	517-16524-10	PLATE, CLUTCH 1 (1.2T)	4	4	4	4	4	UR
	517-16524-20	PLATE, CLUTCH 1 (1.4T)	4	4	4	4	4	UR
	517-16524-30	PLATE, CLUTCH 1 (1.6T)	4	4	4	4	4	UR
11	90501-105A5	SPRING, COMPRESSION	4	4	4	4	4	
12	22F-16550-00	PRESSURE PLATE ASSY	1	1	1	1	1	
13	22K-16590-00	PUSH PLATE ASSY	1	1	1	1	1	
14	93420-26077	.CIRCLIP	1	1	1	1	1	
15	93451-08094	CIRCLIP	1	1	1	1	1	
16	22K-W1657-00	CLUTCH BOSS SET	1	1	1	1	1	
17	22F-16524-01	PLATE, CLUTCH 1	1	1	1	1	1	
18	3E5-16521-00	PLATE, FRICTION	5	5	5	5	5	
19	22F-16521-00	PLATE, FRICTION	1	1	1	1	1	
20	90501-135A4	SPRING, COMPRESSION	8	8	8	8	8	
21	122-16164-00	PLATE, THRUST 2	1	1	1	1	1	
22	90560-17146	SPACER	1	1	1	1	1	

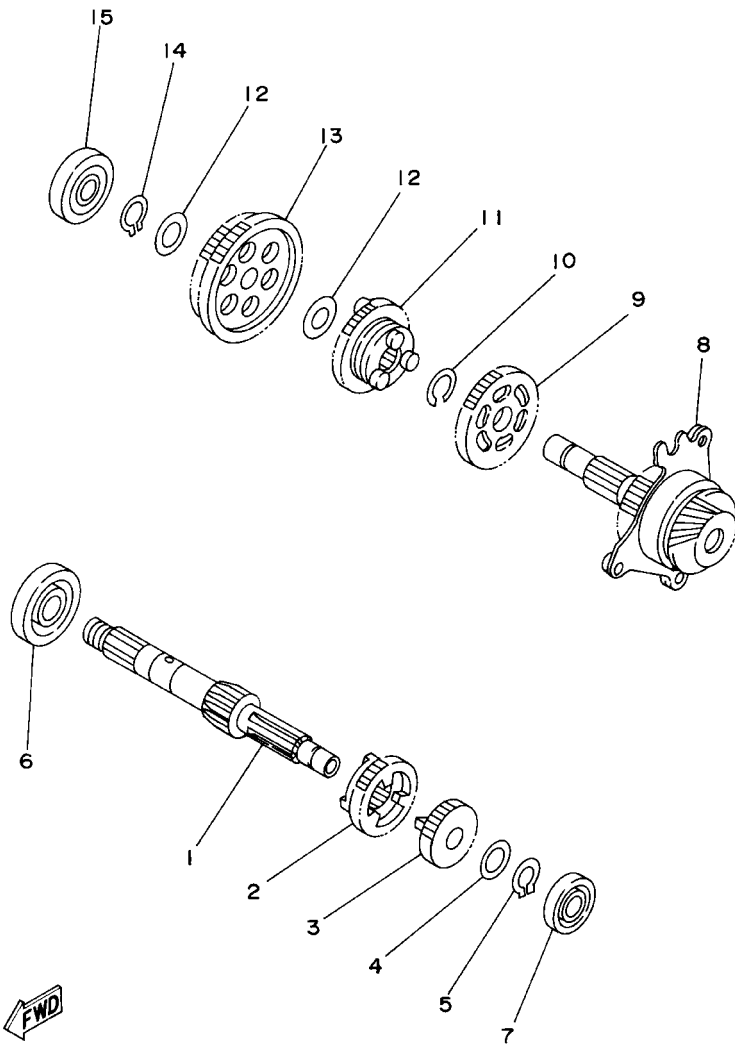
FIG. 11 CLUTCH



4EM1100-2110

REF. NO.	PART NO.	DESCRIPTION	USA	OC	JPN	CAN	FRA	REMARKS
23	90215-14249	WASHER, LOCK	1	1	1	1	1	
24	90170-14284	NUT	1	1	1	1	1	
25	22F-16357-01	ROD, PUSH 2	1	1	1	1	1	
26	22K-16356-00	ROD, PUSH 1	1	1	1	1	1	
27	90151-06028	SCREW, COUNTERSUNK	4	4	4	4	4	
28	93104-10076	OIL SEAL	1	1	1	1	1	
29	93102-07292	OIL SEAL	1	1	1	1	1	
30	22F-16362-01	LEVER, PUSH 2	1	1	1	1	1	
31	22F-16342-01	LEVER, PUSH	1	1	1	1	1	
32	90387-062G9	COLLAR	1	1	1	1	1	
33	90387-062G8	COLLAR	1	1	1	1	1	
34	99001-04600	CIRCLIP	1	1	1	1	1	
35	22F-16382-00	AXLE, PUSH LEVER	1	1	1	1	1	
36	92907-06600	WASHER, PLATE	1	1	1	1	1	
37	95307-06600	NUT	1	1	1	1	1	
38	22F-16399-00	GUIDE, PUSH ROD	1	1	1	1	1	
39	98507-06016	SCREW, PAN HEAD	2	2	2	2	2	
40	22F-16383-00	SPRING, CLUTCH BOSS	1	1	1	1	1	
41	90380-07118	BUSH, SOLID	1	1	1	1	1	
42	22F-16163-00	WASHER, THRUST 2	1	1	1	1	1	
43	93440-11128	CIRCLIP	1	1	1	1	1	

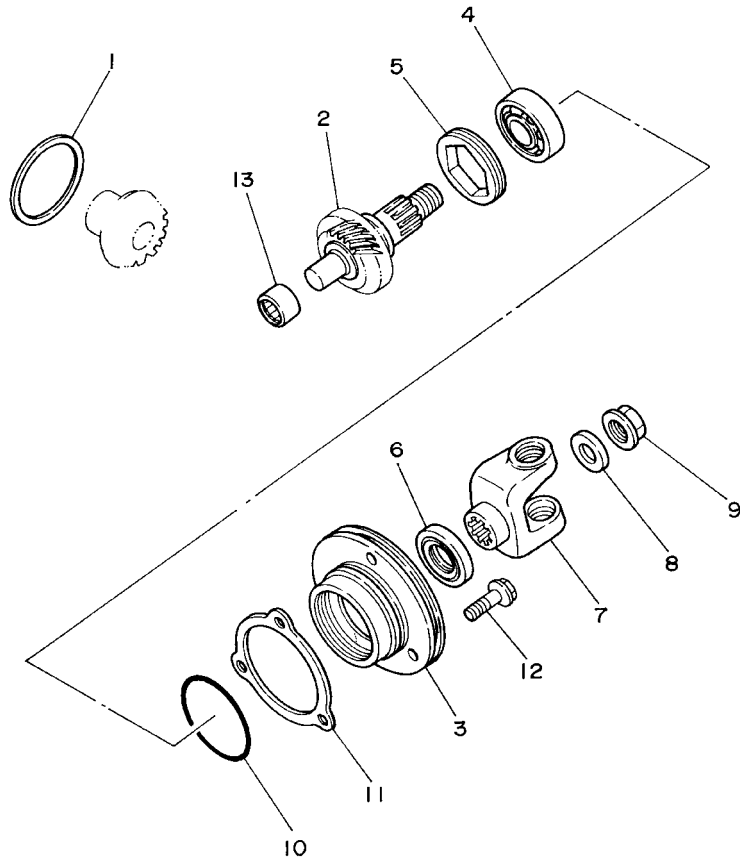
FIG. 12 TRANSMISSION



4EM1100-2120

REF. NO.	PART NO.	DESCRIPTION	USA	OCE	JPN	CAN	FRA	REMARKS
1	2HX-17411-01	AXLE, MAIN	1	1	1	1	1	
2	55X-17131-00	GEAR, 3RD PINION (22T)	1	1	1	1	1	
3	2HX-17121-00	GEAR, 2ND PINION (17T)	1	1	1	1	1	
4	90201-124F8	WASHER, PLATE	1	1	1	1	1	
5	99009-12400	CIRCLIP	1	1	1	1	1	
6	93306-20301	BEARING	1	1	1	1	1	
7	93306-00105	BEARING (B6001)	1	1	1	1	1	
8	3GB-17402-00	DRIVE AXLE ASSY	1	1	1	1	1	
9	55X-17231-00	GEAR, 3RD WHEEL (31T)	1	1	1	1	1	
10	93440-16089	CIRCLIP	1	1	1	1	1	
11	55X-17241-00	GEAR, 4TH WHEEL (27T)	1	1	1	1	1	
12	90201-132G5	WASHER, PLATE	2	2	2	2	2	
13	3GB-17211-00	GEAR, 1ST WHEEL (39T)	1	1	1	1	1	
14	99009-12400	CIRCLIP	1	1	1	1	1	
15	93306-30101	BEARING (B6301)	1	1	1	1	1	

FIG. 13 MIDDLE DRIVE GEAR

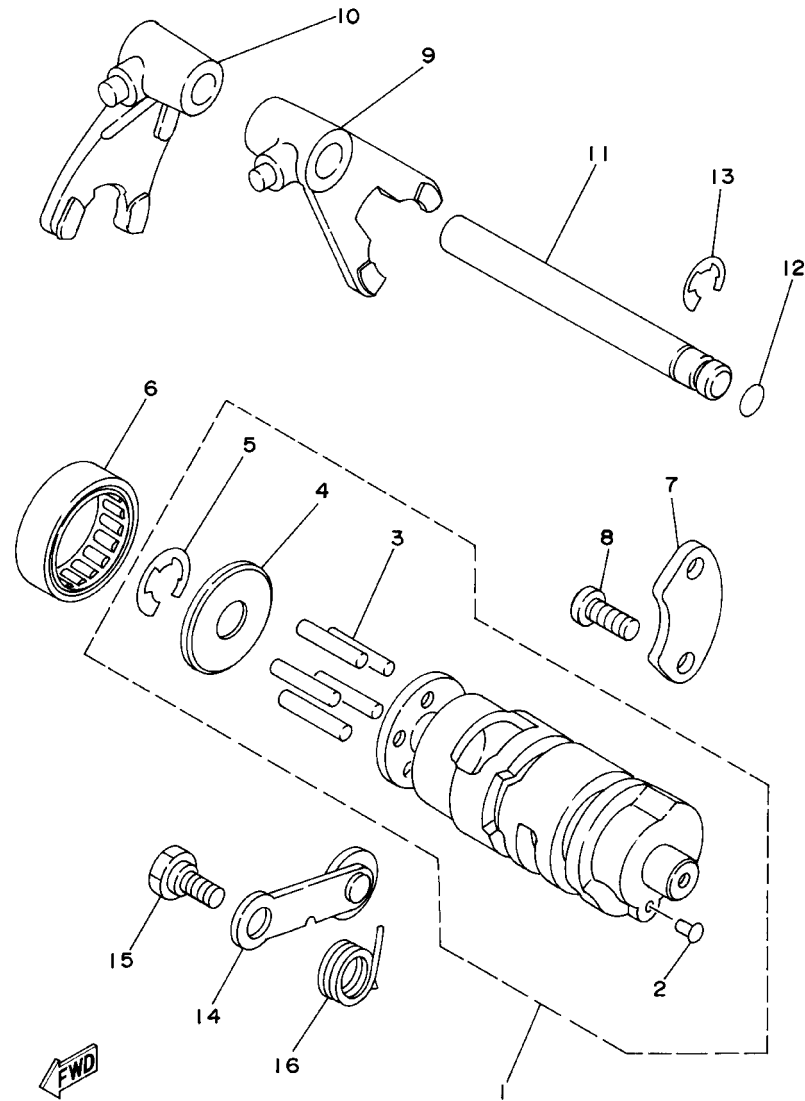


REF. NO.	PART NO.	DESCRIPTION	USA	OC	JPN	CAN	FRA	REMARKS
1	22F-17537-00	SHIM, THRUST	1	1	1	1	1	
2	3GB-17508-00	MIDDLE DRIVEN GEAR COMP.	1	1	1	1	1	
3	22F-17551-00	HOUSING, BEARING	1	1	1	1	1	
4	93306-20309	BEARING (B6203)	1	1	1	1	1	
5	90179-42480	NUT	1	1	1	1	1	
6	93101-24110	OIL SEAL	1	1	1	1	1	
7	22F-17556-01	YOKE, JOINT	1	1	1	1	1	
8	90201-125F7	WASHER, PLATE	1	1	1	1	1	
9	90179-12248	NUT	1	1	1	1	1	
10	93210-50553	O-RING	1	1	1	1	1	
11	22F-17531-00-15	SHIM, PINION (0.15T)	1	1	1	1	1	UR
	22F-17531-00-30	SHIM, PINION (0.30T)	1	1	1	1	1	UR
	22F-17531-00-50	SHIM, PINION (0.50T)	1	1	1	1	1	UR
12	95827-06020	BOLT, FLANGE	3	3	3	3	3	
13	93317-21236	BEARING	1	1	1	1	1	



3GB100-9130

FIG. 14 SHIFT CAM. FORK



4EMK100-8140

REF. NO.	PART NO.	DESCRIPTION	USA	OCE	JPN	CAN	FRA	REMARKS
1	4EM-18540-00	SHIFT CAM ASSY	1	1	1	1	1	
2	136-18542-00	.POINT, NEUTRAL	1	1	1	1	1	
3	93604-22050	.PIN, DOWEL	5	5	5	5	5	
4	296-18561-00	.PLATE, SIDE 1	1	1	1	1	1	
5	99001-09600	.CIRCLIP	1	1	1	1	1	
6	93315-23208	BEARING	1	1	1	1	1	
7	22F-18562-01	PLATE, STOPPER 2	1	1	1	1	1	
8	98507-06014	SCREW, PAN HEAD	2	2	2	2	2	
9	2MK-18511-00	FORK, SHIFT 1	1	1	1	1	1	
10	29F-18512-00	FORK, SHIFT 2	1	1	1	1	1	
11	22F-18531-00	BAR, SHIFT FORK GUIDE 1	1	1	1	1	1	
12	93210-07003	O-RING	1	1	1	1	1	
13	93430-08007	CIRCLIP	1	1	1	1	1	
14	29F-18140-00	STOPPER LEVER ASSY	1	1	1	1	1	
15	90109-063F6	BOLT	1	1	1	1	1	
16	90508-20576	SPRING, TORSION	1	1	1	1	1	

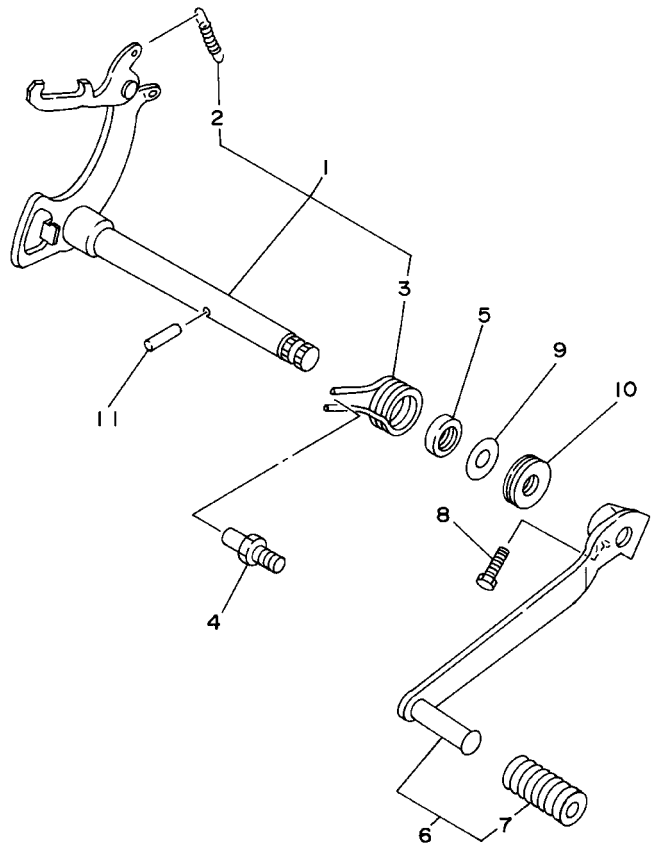


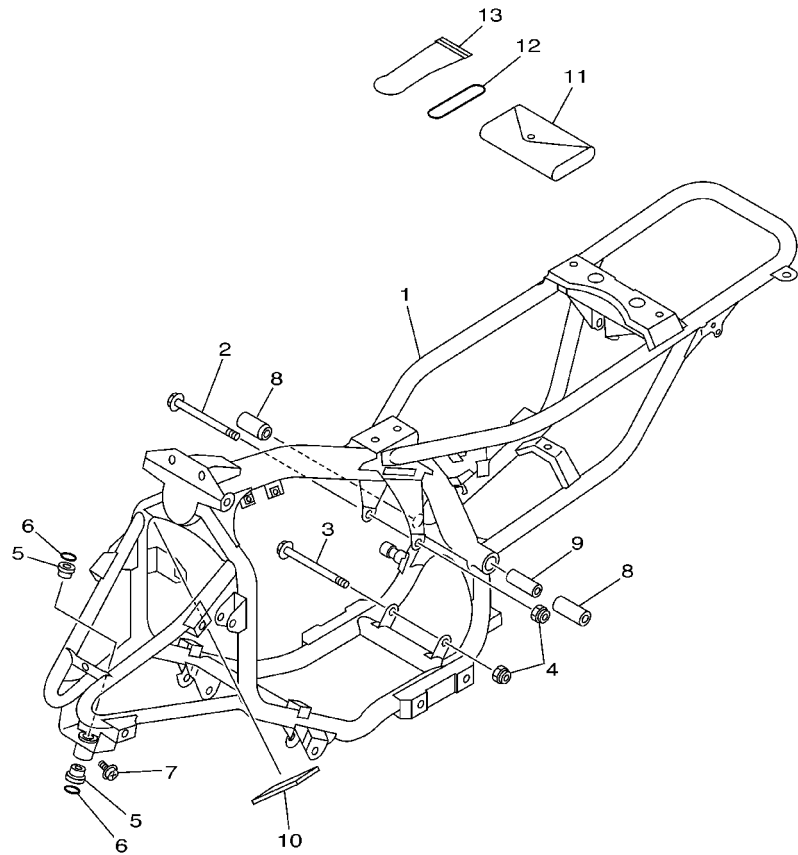
FIG. 15 SHIFT SHAFT

REF. NO.	PART NO.	DESCRIPTION	USA	OC	JPN	CAN	FRA	REMARKS
1	22F-18101-02	SHIFT SHAFT ASSY	1	1	1	1	1	
2	90506-08122	.SPRING, TENSION	1	1	1	1	1	
3	90508-32563	.SPRING, TORSION	1	1	1	1	1	
4	278-18127-01	STOPPER, SCREW	1	1	1	1	1	
5	93102-12106	OIL SEAL (SD 12-22-5 HS)	1	1	1	1	1	
6	2HX-18110-00	SHIFT PEDAL ASSY	1	1	1	1	1	
7	132-18113-01	.COVER, SHIFT PEDAL	1	1	1	1	1	
8	97027-06020	BOLT	1	1	1	1	1	
9	90201-127F4	WASHER, PLATE	1	1	1	1	1	
10	93340-21209	BEARING	1	1	1	1	1	
11	93604-20156	PIN, DOWEL	1	1	1	1	1	



4EM1100-2150

FIG. 16 FRAME

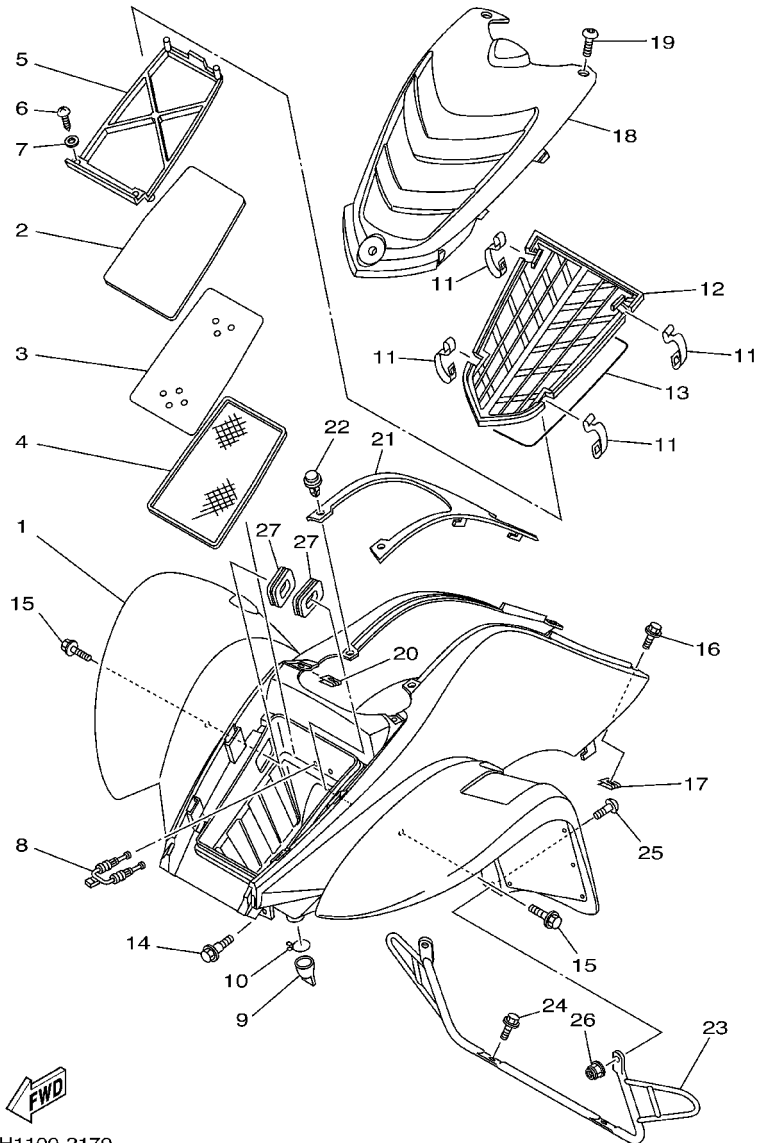


REF. NO.	PART NO.	DESCRIPTION	USA	OCE	JPN	CAN	FRA	REMARKS
1	5TH-21110-00	FRAME COMP.	1	1	1			
	5TH-21110-10	FRAME COMP.				1	1	
2	95817-08115	BOLT, FLANGE	1	1	1	1	1	
3	95817-08120	BOLT, FLANGE	1	1	1	1	1	
4	95607-08200	NUT, SELF-LOCKING	2	2	2	2	2	
5	90381-15040	BUSH, SOLID	2	2	2	2	2	
6	93210-15414	O-RING	2	2	2	2	2	
7	93700-06004	NIPPLE, GREASE	1	1	1	1	1	
8	3GB-22123-00	BUSH 1	2	2	2	2	2	
9	3GB-22155-00	PIPE	1	1	1	1	1	
10	5TH-21268-00	SEAL	1	1	1	1	1	
11	3GB-28100-00	TOOL KIT	1	1	1	1	1	
12	93210-40407	O-RING	1	1	1	1	1	
13	1NV-2811A-01	GAUGE, AIR	1	1	1	1	1	



5TH1100-2160

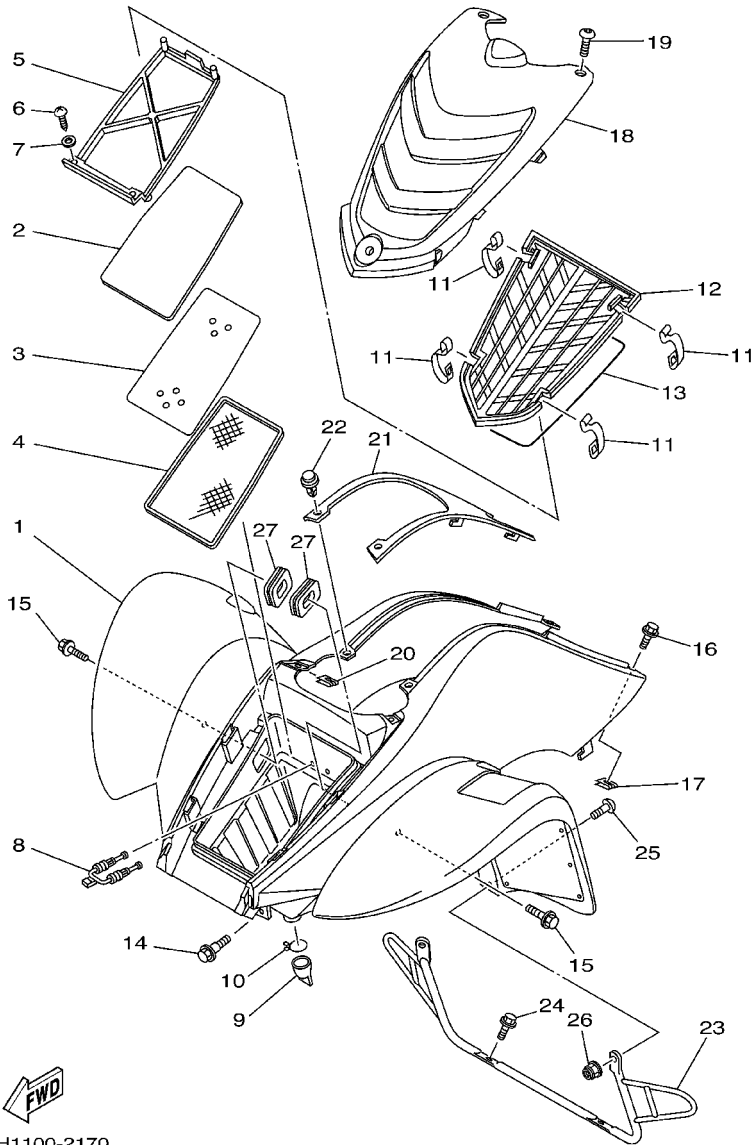
FIG. 17 FRONT FENDER



5TH1100-2170

REF. NO.	PART NO.	DESCRIPTION	USA	OCÉ	JPN	CAN	FRA	REMARKS
1	5TH-W2151-00	FRONT FENDER COMP.	1					
	5TH-W215D-00	FRONT FENDER COMP.		1	1			
	5TH-W215C-00	FRONT FENDER COMP 2				1		
	5TH-W215B-00	FRONT FENDER COMP. 2					1	
2	55X-14451-00	ELEMENT, AIR CLEANER	1	1	1	1	1	
3	5TH-14477-00	PLATE	1	1	1	1	1	
4	55X-14472-01	PLATE, ELEMENT	1	1	1	1	1	
5	55X-14458-00	GUIDE	1	1	1	1	1	
6	97707-40116	SCREW, TAPPING	2	2	2	2	2	
7	92907-04200	WASHER	2	2	2	2	2	
8	55X-14436-00	HOOK	1	1	1	1	1	
9	59V-14457-00	SEAL	1	1	1	1	1	
10	90467-22080	CLIP	1	1	1	1	1	
11	5TH-14436-00	HOOK	4	4	4	4	4	
12	5TH-14412-00	CAP, CLEANER CASE 1	1	1	1	1	1	
13	5TH-14452-00	SEAL	1	1	1	1	1	
14	90109-063F1	BOLT	1	1	1	1	1	
15	90119-06044	BOLT, WITH WASHER	2	2	2	2	2	
16	90119-05193	BOLT, WITH WASHER	2	2	2	2	2	
17	90183-05008	NUT, SPRING	2	2	2	2	2	
18	5TH-21556-00	FENDER, FRONT 2	1	1	1	1	1	
19	90110-05201	BOLT, HEXAGON SOCKET HEAD	2	2	2	2	2	
20	90183-05008	NUT, SPRING	2	2	2	2	2	
21	5TH-2171A-00	COVER, TOP	1	1	1	1	1	
22	90269-06002	RIVET	2	2	2	2	2	
23	5TH-21513-00	STAY, FENDER 1	1	1	1	1	1	
24	95807-06010	BOLT, FLANGE	2	2	2	2	2	

FIG. 17 FRONT FENDER

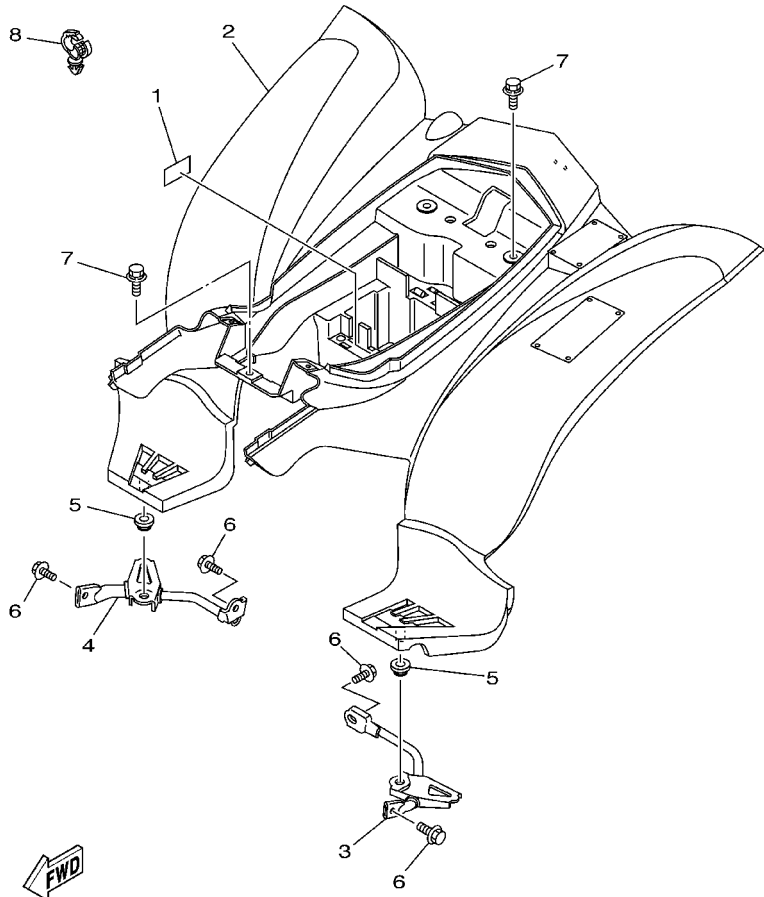


5TH1100-2170

REF. NO.	PART NO.	DESCRIPTION	USA	OCE	JPN	CAN	FRA	REMARKS
25	90154-05052	SCREW, BINDING	2	2	2	2	2	
26	90185-05007	NUT, SELF-LOCKING	2	2	2	2	2	
27	2HX-14437-01	DUCT	2	2	2	2	2	

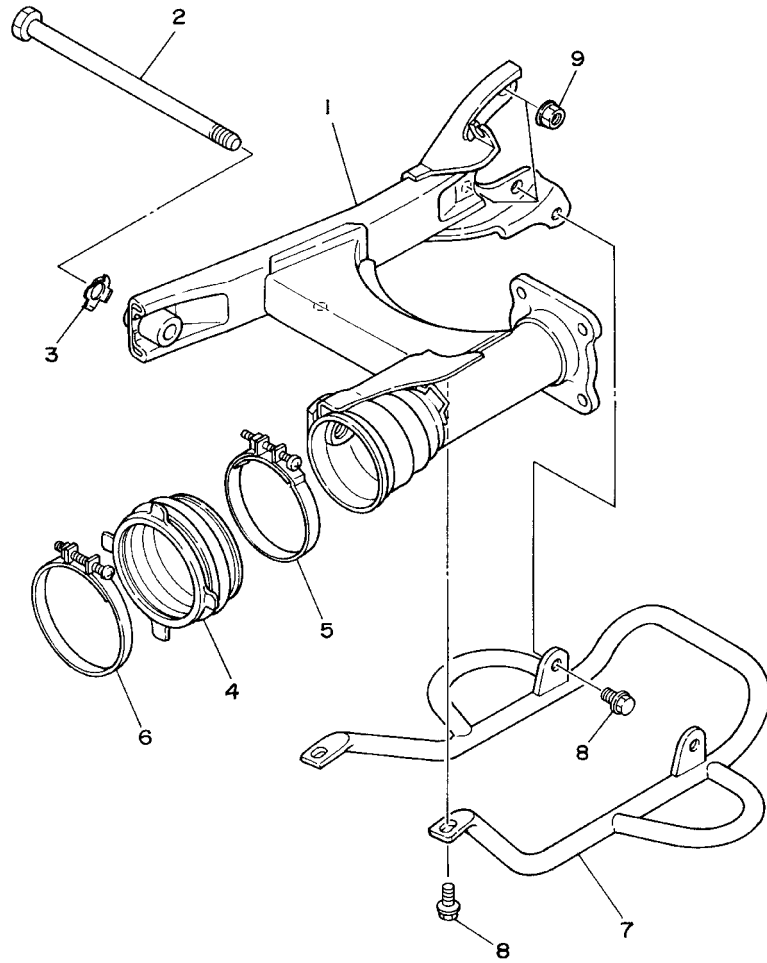
FIG. 18 REAR FENDER

REF. NO.	PART NO.	DESCRIPTION	USA	OCE	JPN	CAN	FRA	REMARKS
1	5TH-2179T-00	PLATE, EPA 3(CALIFORNIA)	1					FOR CALIFORNIA
2	5TH-W2161-00	REAR FENDER COMP.	1	1	1			
	5TH-W216C-00	REAR FENDER COMP 2				1		
	5TH-W216B-00	REAR FENDER COMP.2					1	
3	3GB-21613-00	STAY, FENDER 1	1	1	1	1	1	
4	3GB-21614-00	STAY, FENDER 2	1	1	1	1	1	
5	90480-18171	GROMMET	2	2	2	2	2	
6	95807-08012	BOLT, FLANGE	4	4	4	4	4	
7	90119-06056	BOLT, WITH WASHER	4	4	4	4	4	
8	90464-13249	CLAMP	1	1	1	1	1	



5TH1100-2180

FIG. 19 REAR ARM

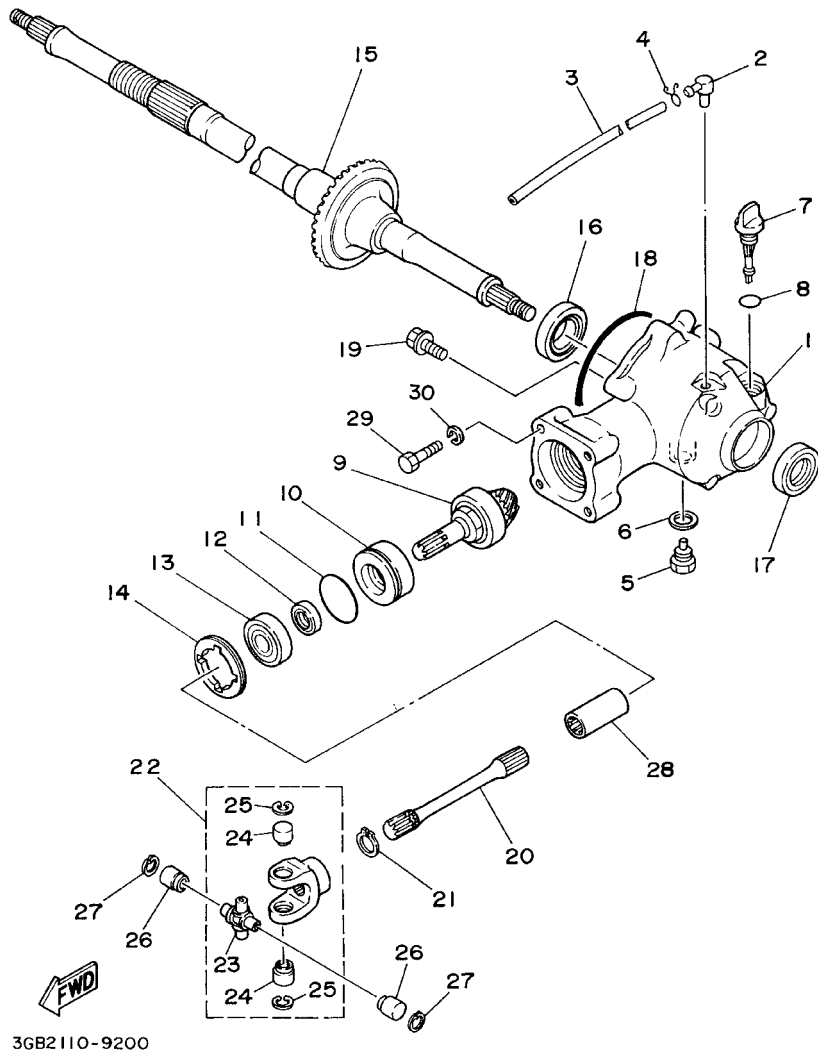


REF. NO.	PART NO.	DESCRIPTION	USA	OCE	JPN	CAN	FRA	REMARKS
1	3GB-22110-00-33	REAR ARM COMP.	1	1	1	1	1	
2	22W-25181-01	AXLE, WHEEL	1	1	1	1	1	
3	3GB-22156-00	WASHER, PLATE	1	1	1	1	1	
4	55X-22189-00	BOOT, RUBBER	1	1	1	1	1	
5	90460-75020	CLAMP, HOSE	1	1	1	1	1	
6	90460-85135	CLAMP, HOSE	1	1	1	1	1	
7	3GB-2219X-00	COVER	1	1	1	1	1	
8	95817-08014	BOLT, FLANGE	4	4	4	4	4	
9	90185-10115	NUT, SELF-LOCKING	3	3	3	3	3	



3GB1100-9190

FIG. 20 DRIVE SHAFT



3GB2110-9200

REF. NO.	PART NO.	DESCRIPTION	USA	OC	JPN	CAN	FRA	REMARKS
1	3GB-46151-00	HOUSING, DRIVE SHAFT	1	1	1	1	1	
2	2N4-15371-00	BREATHER	1	1	1	1	1	
3	90445-073F9	HOSE (L1200)	1	1	1	1	1	
4	90467-07029	CLIP	1	1	1	1	1	
5	90340-14132	PLUG, STRAIGHT SCREW	1	1	1	1	1	
6	214-11198-01	GASKET	1	1	1	1	1	
7	3GB-15362-00	PLUG, OIL LEVEL	1	1	1	1	1	
8	93210-14104	O-RING	1	1	1	1	1	
9	3GB-46120-00	DRIVE PINION COMP.	1	1	1	1	1	
10	90560-23355	SPACER	1	1	1	1	1	
11	93210-43713	O-RING	1	1	1	1	1	
12	93102-17271	OIL SEAL	1	1	1	1	1	
13	93306-30306	BEARING (B6303)	1	1	1	1	1	
14	90179-55464	NUT	1	1	1	1	1	
15	3GB-46110-10	RING GEAR COMP.	1	1	1	1	1	
16	93306-07801	BEARING	1	1	1	1	1	
17	93102-28022	OIL SEAL	1	1	1	1	1	
18	93211-066A9	O-RING	1	1	1	1	1	
19	95817-06016	BOLT, FLANGE	6	6	6	6	6	
20	3GB-46172-01	SHAFT, DRIVE	1	1	1	1	1	
21	99009-17400	CIRCLIP	1	1	1	1	1	
22	2HX-46180-00	CROSS JOINT COMP.	1	1	1	1	1	
23	22F-46187-00	.SPIDER	1	1	1	1	1	
24	93311-20952	.BEARING	2	2	2	2	2	
25	99009-17500	.CIRCLIP	2	2	2	2	2	
26	93311-20952	BEARING	2	2	2	2	2	
27	99009-17500	CIRCLIP	2	2	2	2	2	

FIG. 20 DRIVE SHAFT

REF. NO.	PART NO.	DESCRIPTION	USA	OCE	JPN	CAN	FRA	REMARKS
28	22F-46123-01	COUPLING, GEAR	1	1	1	1	1	
29	90101-08461	BOLT	4	4	4	4	4	
30	92907-08100	WASHER, SPRING	4	4	4	4	4	

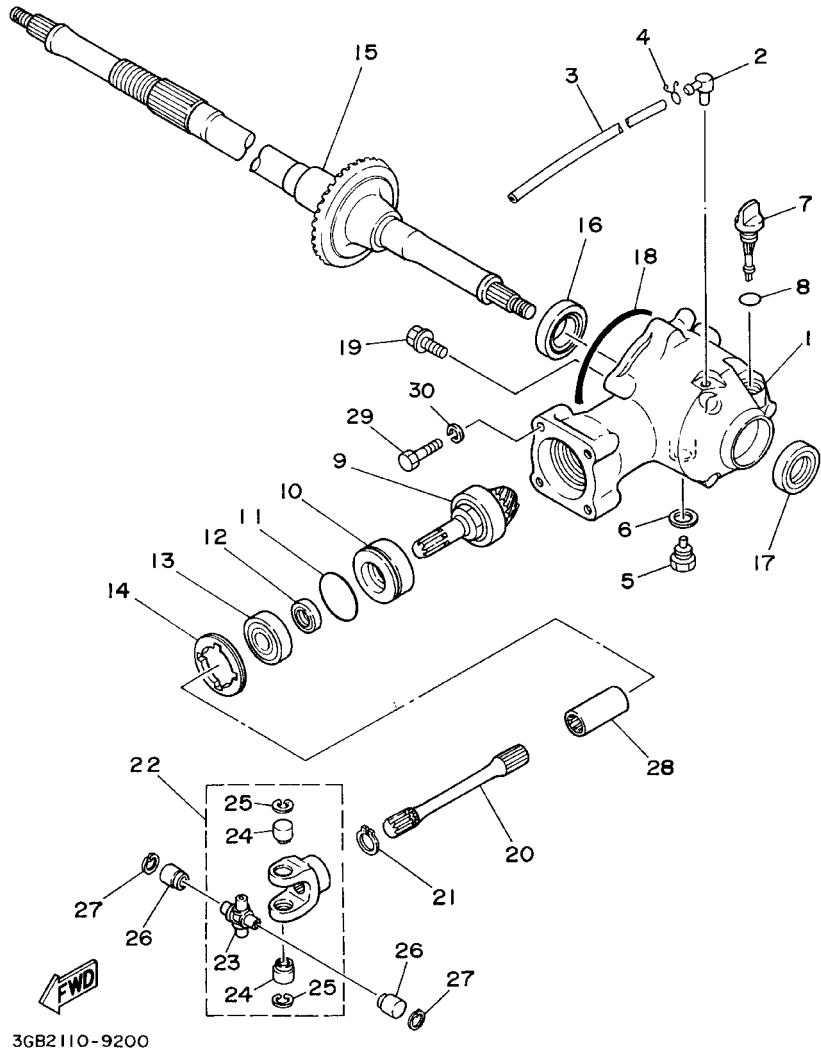
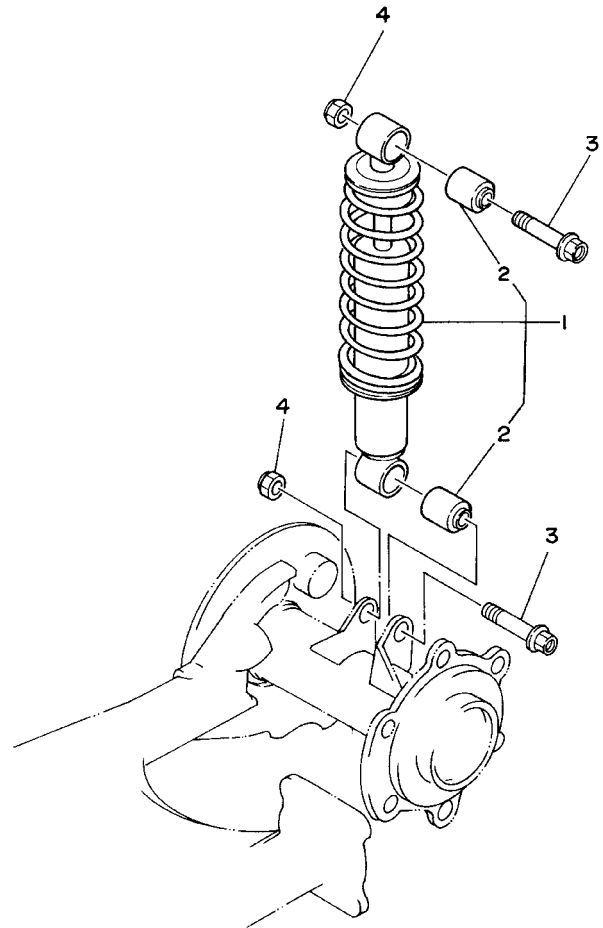


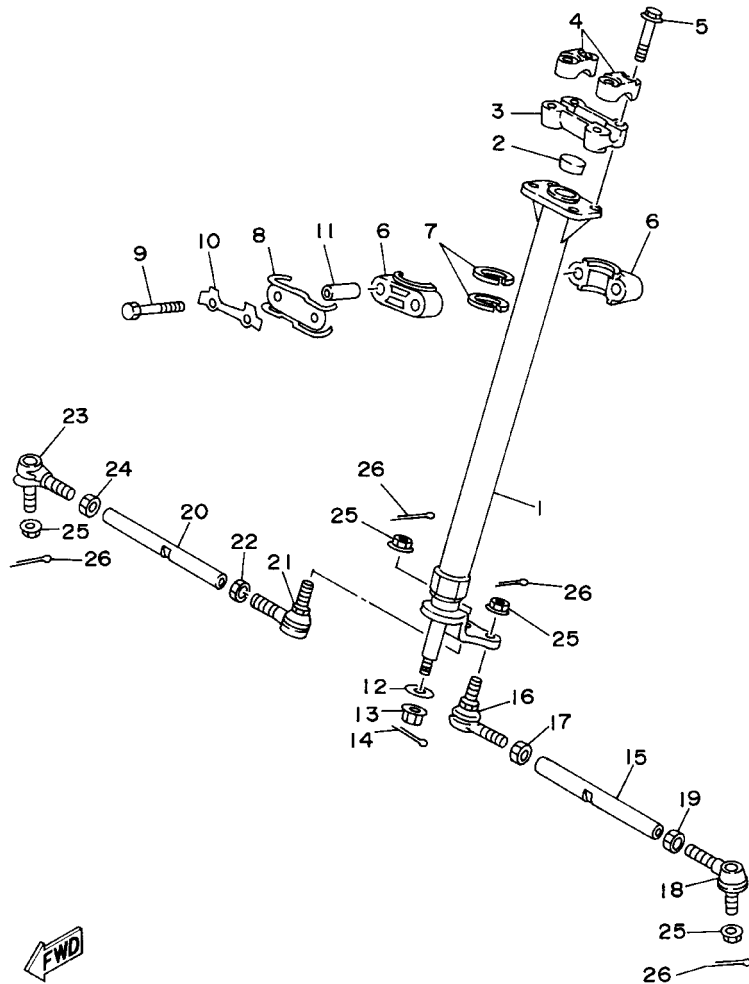
FIG. 21 REAR SUSPENSION

REF. NO.	PART NO.	DESCRIPTION	USA	OCE	JPN	CAN	FRA	REMARKS
1	3GB-22210-00-36	SHOCK ABSORBER ASSY, REAR	1	1	1	1	1	
2	59V-22216-00	.BUSH, REAR SHOCK ABSORBER	2	2	2	2	2	
3	90105-10388	BOLT, FLANGE	2	2	2	2	2	
4	90185-10091	NUT, SELF-LOCKING	2	2	2	2	2	




3GB1100-9210

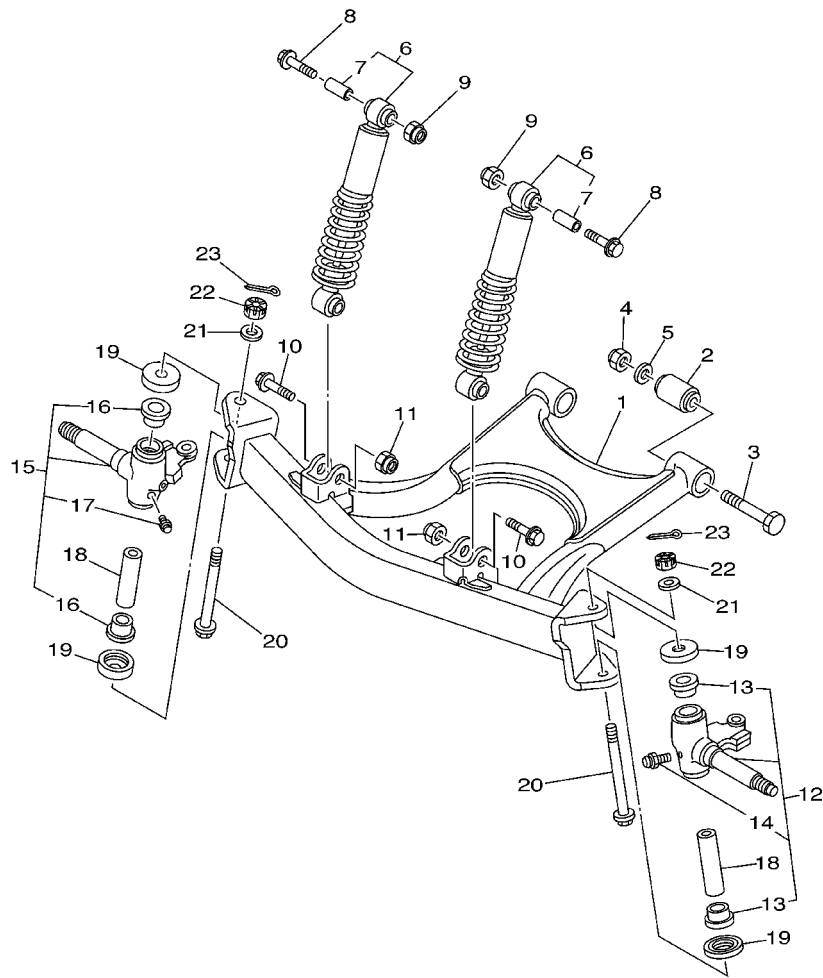
FIG. 22 STEERING



4EMF100-7230

REF. NO.	PART NO.	DESCRIPTION	USA	OC	JPN	CAN	FRA	REMARKS
1	4EM-23813-01	COLUMN, STEERING 2	1	1	1	1	1	
2	90336-28053	PLUG, TAPER	1	1	1	1	1	
3	8G5-23814-00	HOLDER, HANDLE UNDER	1	1	1	1	1	
4	8K1-23814-00	HOLDER, HANDLE	2	2	2	2	2	
5	95827-08055	BOLT, FLANGE	4	4	4	4	4	
6	1UY-23812-00	PLANE BEARING, STEERING	2	2	2	2	2	
7	93112-31011	OIL SEAL	2	2	2	2	2	
8	3GB-23868-00	BRACKET, STEERING LOWER	1	1	1	1	1	
9	97027-08060	BOLT	2	2	2	2	2	
10	1UY-23894-01	WASHER, LOCK 1	1	1	1	1	1	
11	90387-090R0	COLLAR	2	2	2	2	2	
12	90201-10774	WASHER, PLATE	1	1	1	1	1	
13	90185-10115	NUT, SELF-LOCKING	1	1	1	1	1	
14	91401-20020	PIN, COTTER	1	1	1	1	1	
15	3GB-23831-00	ROD, TIE	1	1	1	1	1	
16	55X-23841-01	JOINT, UNIVERSAL 1	1	1	1	1	1	
17	95307-10700	NUT	1	1	1	1	1	
18	52H-23845-01	JOINT, UNIVERSAL 2	1	1	1	1	1	
19	90170-10186	NUT	1	1	1	1	1	(L.H. THREAD)
20	3GB-23831-00	ROD, TIE	1	1	1	1	1	
21	55X-23841-01	JOINT, UNIVERSAL 1	1	1	1	1	1	
22	95307-10700	NUT	1	1	1	1	1	
23	52H-23845-01	JOINT, UNIVERSAL 2	1	1	1	1	1	
24	90170-10186	NUT	1	1	1	1	1	(L.H. THREAD)
25	90185-10115	NUT, SELF-LOCKING	4	4	4	4	4	
26	91401-20020	PIN, COTTER	4	4	4	4	4	

FIG. 23 FRONT SUSPENSION. WHEEL

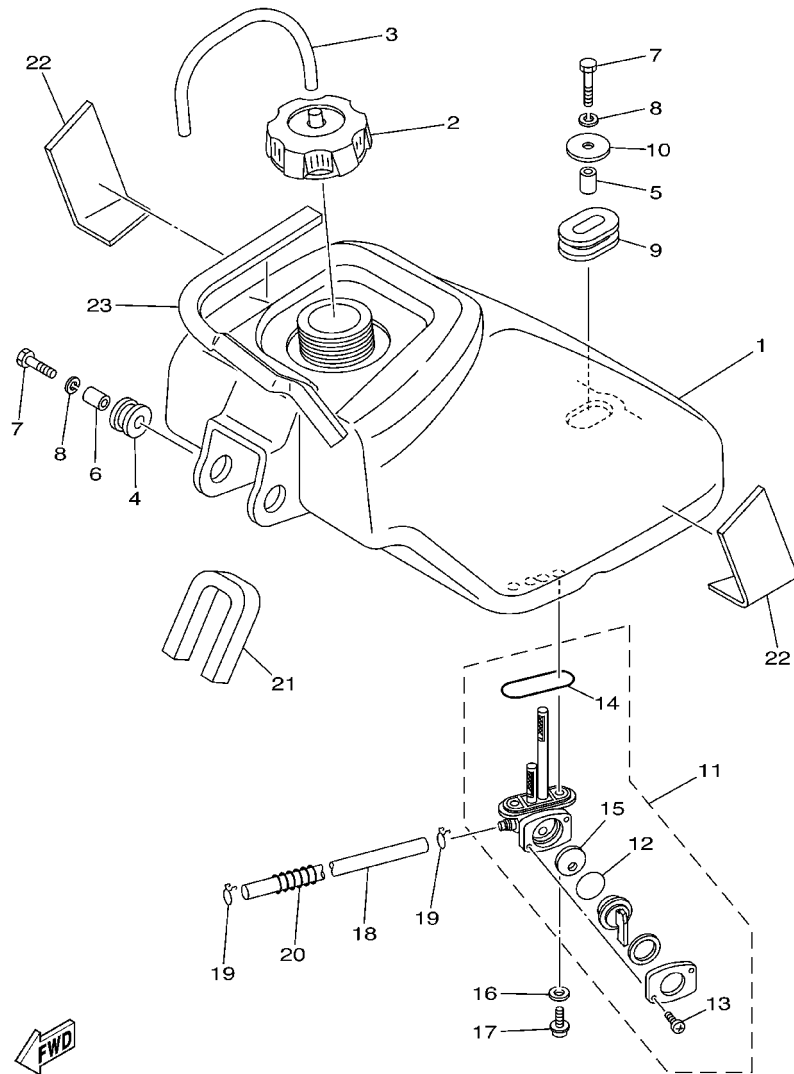


REF. NO.	PART NO.	DESCRIPTION	USA	OC	JPN	CAN	FRA	REMARKS
1	3GB-23570-00-33	FRONT LOWER ARM COMP.	1	1	1	1	1	
2	307-22123-00	BUSH 1	2	2	2	2	2	
3	90101-12498	BOLT	2	2	2	2	2	
4	90185-12046	NUT, SELF-LOCKING	2	2	2	2	2	
5	90201-12688	WASHER, PLATE	2	2	2	2	2	
6	2HX-23350-00-36	SHOCK ABSORBER ASSY	2	2	2	2	2	
7	2HX-2331U-00	.COLLAR, DISTANCE	1	1	1	1	1	
8	90105-10561	BOLT, FLANGE	2	2	2	2	2	
9	90185-10091	NUT, SELF-LOCKING	2	2	2	2	2	
10	90105-12460	BOLT, FLANGE	2	2	2	2	2	
11	90185-12046	NUT, SELF-LOCKING	2	2	2	2	2	
12	3GB-23501-10	STEERING KNUCKLE ASSY (LEFT)	1	1	1	1	1	
13	90381-17067	.BUSH, SOLID	2	2	2	2	2	
14	93700-06004	.NIPPLE, GREASE	1	1	1	1	1	
15	3GB-23502-10	STEERING KNUCKLE ASSY (RIGHT)	1	1	1	1	1	
16	90381-17067	.BUSH, SOLID	2	2	2	2	2	
17	93700-06004	.NIPPLE, GREASE	1	1	1	1	1	
18	3GB-23448-00	SPACER	2	2	2	2	2	
19	2NL-23517-00	COVER, THRUST 1	4	4	4	4	4	
20	90109-104A8	BOLT	2	2	2	2	2	
21	90201-08759	WASHER, PLATE	2	2	2	2	2	
22	90171-10004	NUT, CASTLE	2	2	2	2	2	
23	91401-20020	PIN, COTTER	2	2	2	2	2	



4EMT100-0230

FIG. 24 FUEL TANK

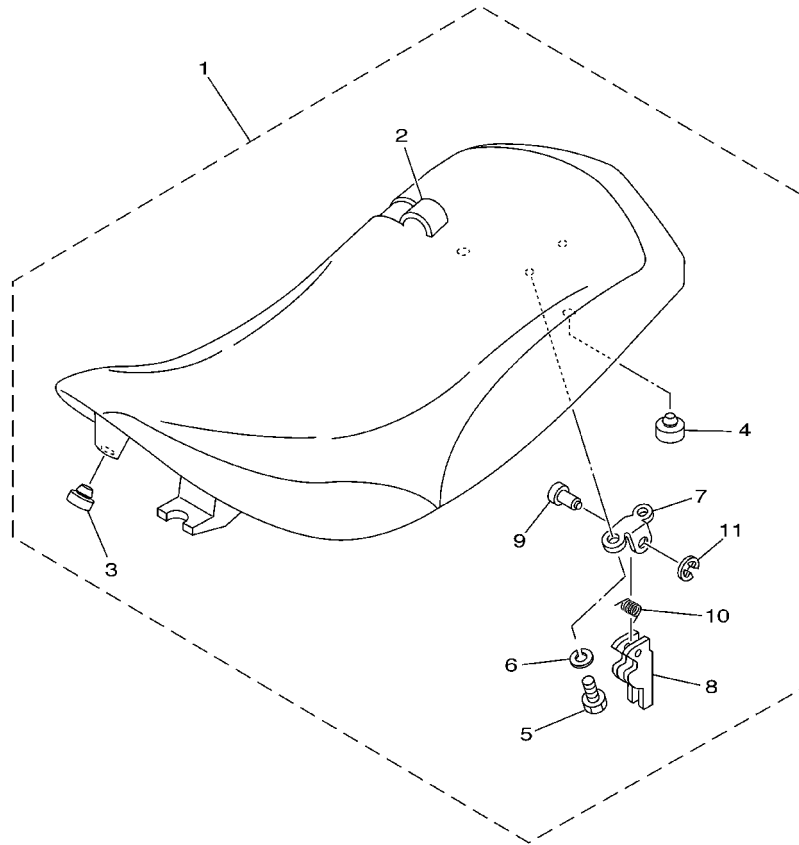


REF. NO.	PART NO.	DESCRIPTION	USA	OC	JPN	CAN	FRA	REMARKS
1	2HX-24110-00	FUEL TANK COMP.	1	1	1	1	1	
2	2FJ-24610-00	CAP ASSY	1	1	1	1	1	
3	90445-083J4	HOSE (L340)	1	1	1	1	1	
4	90480-18290	GROMMET	2	2	2	2	2	
5	90387-07598	COLLAR	1	1	1	1	1	
6	90387-066J1	COLLAR	2	2	2	2	2	
7	97027-06030	BOLT	3	3	3	3	3	
8	92907-06100	WASHER, SPRING	3	3	3	3	3	
9	90480-01400	GROMMET	1	1	1	1	1	
10	90201-060L5	WASHER, PLATE	1	1	1	1	1	
11	55X-24500-01	FUEL COCK ASSY 1	1	1	1	1	1	
12	3AJ-24534-00	.SEAL, COCK	1	1	1	1	1	
13	97801-03008	.SCREW, PAN HEAD	2	2	2	2	2	
14	4X8-24512-00	.O-RING	1	1	1	1	1	
15	3AJ-24523-00	.VALVE PACKING	1	1	1	1	1	
16	90202-05193	WASHER, PLATE	2	2	2	2	2	
17	90149-06011	SCREW	2	2	2	2	2	
18	90445-10638	HOSE (L145)	1	1	1	1	1	
19	90467-09006	CLIP	2	2	2	2	2	
20	90504-06030	SPRING, COMPRESSION	1	1	1	1	1	
21	2HX-24181-00	DAMPER, LOCATING 1	1	1	1	1	1	
22	12R-21747-00	DAMPER	2	2	2	2	2	
23	5TH-2414H-00	DAMPER, PLATE 1	1	1	1	1	1	



5TH1100-2240

FIG. 25 SEAT

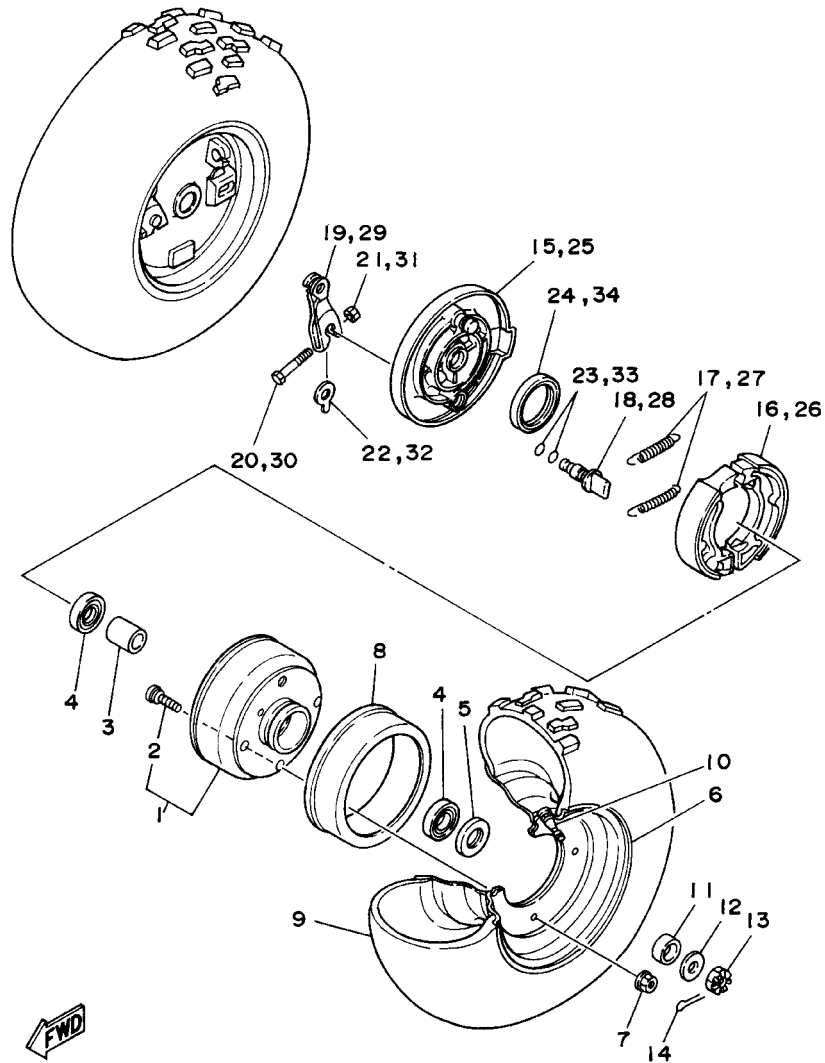


REF. NO.	PART NO.	DESCRIPTION	USA	OCE	JPN	CAN	FRA	REMARKS
1	5TH-24710-00	SINGLE SEAT ASSY	1	1	1	1	1	
2	5TH-2470F-00	.SEAT COVER COMP.	1	1	1	1	1	
3	22W-24741-00	.PAD, SEAT	1	1	1	1	1	
4	371-27114-00	.STOPPER, MAIN STAND	2	2	2	2	2	
5	97007-06012	.BOLT	2	2	2	2	2	
6	92907-06100	.WASHER, SPRING	2	2	2	2	2	
7	4K0-24775-A0	.BRACKET, SEAT LEVER	1	1	1	1	1	
8	29U-24776-00	.LEVER, SEAT	1	1	1	1	1	
9	4K0-24774-A0	.PIN	1	1	1	1	1	
10	90508-20454	.SPRING, TORSION	1	1	1	1	1	
11	93430-04002	.CIRCLIP	1	1	1	1	1	

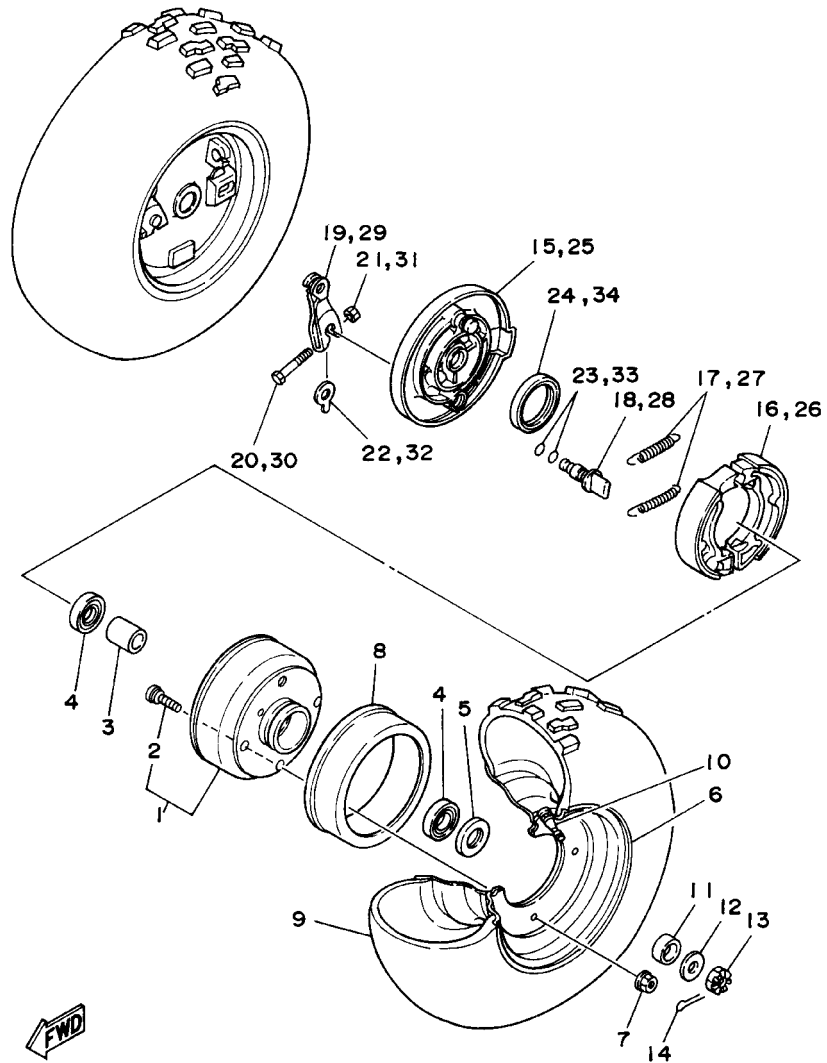


5TH1100-2250

FIG. 26 FRONT WHEEL



REF. NO.	PART NO.	DESCRIPTION	USA	OC	JPN	CAN	FRA	REMARKS
1	2FJ-25111-00	HUB, FRONT	2	2	2	2	2	
2	90109-08745	.BOLT	4	4	4	4	4	
3	3FA-25117-00	SPACER, BEARING	2	2	2	2	2	
4	93306-00308	BEARING (B6003)	4	4	4	4	4	
5	93102-23275	OIL SEAL	2	2	2	2	2	
6	2FJ-25180-00-35	WHEEL COMP.	2	2	2	2	2	
7	95707-08500	NUT, FLANGE	8	8	8	8	8	
8	3GB-25185-00	RING 1	2	2	2	2	2	
9	94107-073Y9	TIRE (AT18X7-7 *KT586T/L N)	2	2	2	2	2	DUNLOP
10	93900-00022	VALVE, RIM	2	2	2	2	2	TAIHEIYO
11	90387-175R2	COLLAR	2	2	2	2	2	
12	90201-14586	WASHER, PLATE	2	2	2	2	2	
13	90171-14020	NUT, CASTLE	2	2	2	2	2	
14	91401-30025	PIN, COTTER	2	2	2	2	2	
15	2FJ-25121-00	PLATE, BRAKE SHOE	1	1	1	1	1	
16	4KN-W2536-11	BRAKE SHOE SET	1	1	1	1	1	
17	90506-15260	SPRING, TENSION	2	2	2	2	2	
18	3GB-25151-00	CAMSHAFT	1	1	1	1	1	
19	2FJ-25155-00	LEVER, CAMSHAFT 1	1	1	1	1	1	
20	90101-06278	BOLT	1	1	1	1	1	
21	95307-06600	NUT	1	1	1	1	1	
22	52H-2513A-00	PLATE, INDICATOR	1	1	1	1	1	
23	93210-12327	O-RING	2	2	2	2	2	
24	93102-40367	OIL SEAL	1	1	1	1	1	
25	2FJ-25169-00	PLATE, BRAKE SHOE 2	1	1	1	1	1	
26	4KN-W2536-11	BRAKE SHOE SET	2	2	2	2	2	
27	90506-15260	SPRING, TENSION	2	2	2	2	2	

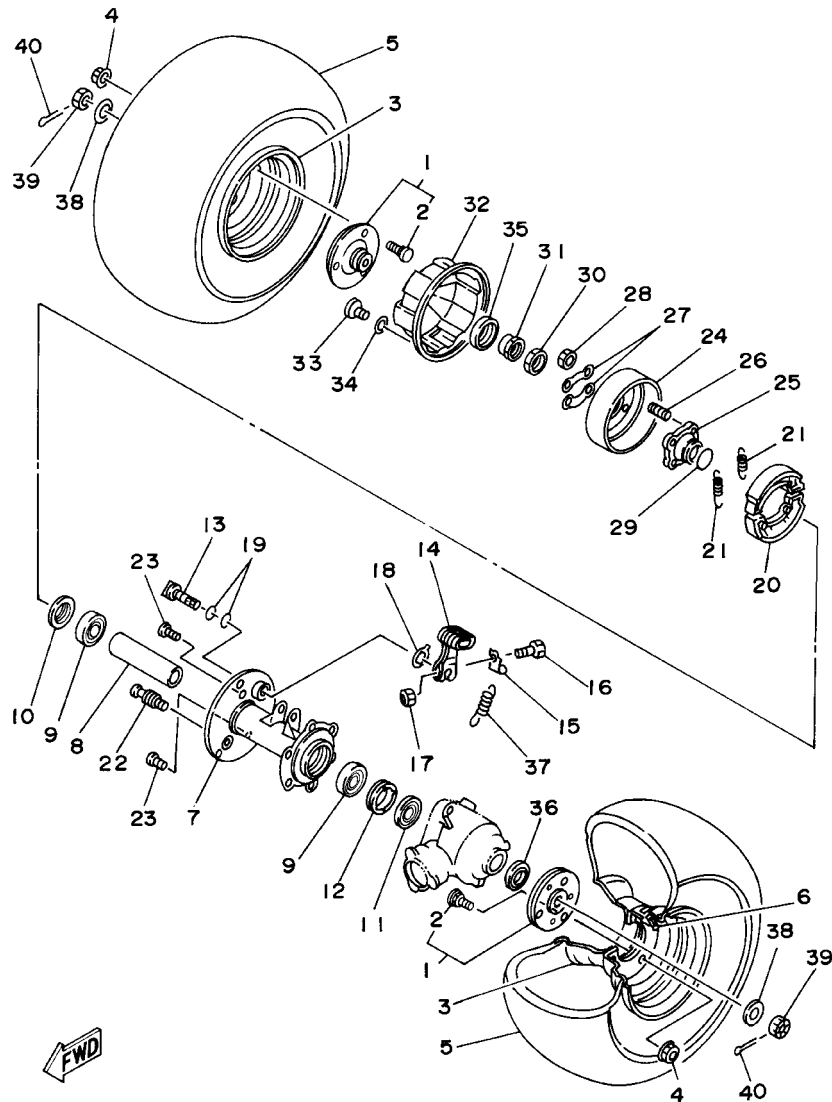


4EMK100-8260

FIG. 26 FRONT WHEEL

REF. NO.	PART NO.	DESCRIPTION	USA	OCE	JPN	CAN	FRA	REMARKS
28	3GB-25151-00	CAMSHAFT	1	1	1	1	1	
29	2FJ-25156-00	LEVER, CAMSHAFT 2	1	1	1	1	1	
30	90101-06278	BOLT	1	1	1	1	1	
31	95307-06600	NUT	1	1	1	1	1	
32	52H-2513A-00	PLATE, INDICATOR	1	1	1	1	1	
33	93210-12327	O-RING	2	2	2	2	2	
34	93102-40367	OIL SEAL	1	1	1	1	1	

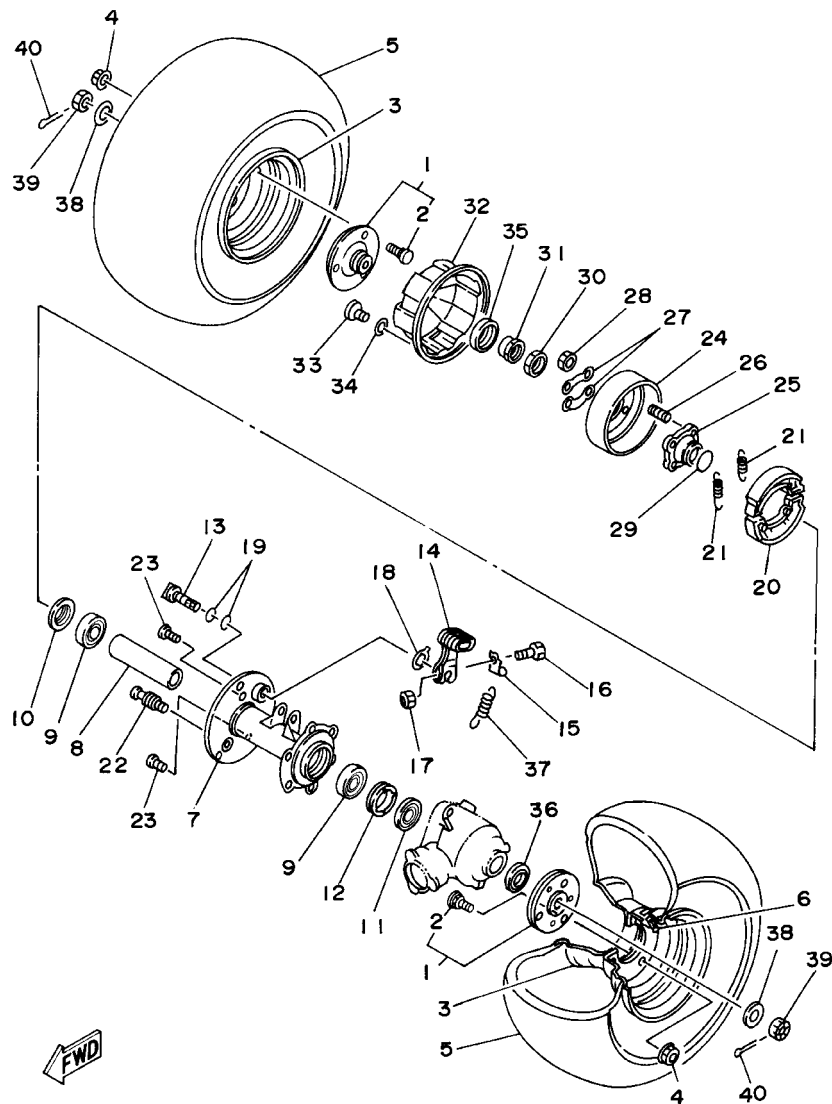
FIG. 27 REAR WHEEL



4EMK100-8270

REF. NO.	PART NO.	DESCRIPTION	USA	OC	JPN	CAN	FRA	REMARKS
1	55X-25383-00	COLLAR, WHEEL	2	2	2	2	2	
2	90109-08745	.BOLT	3	3	3	3	3	
3	2FJ-25390-00-35	REAR WHEEL COMP.	2	2	2	2	2	
4	95707-08500	NUT, FLANGE	6	6	6	6	6	
5	94108-073Y8	TIRE (AT18X8-7**KT587T/L N)	2	2	2	2	2	DUNLOP
6	93900-00022	VALVE, RIM	2	2	2	2	2	TAIHEIYO
7	3GB-25311-00-33	HUB, REAR	1	1	1	1	1	
8	3GB-25317-00	SPACER, BEARING	1	1	1	1	1	
9	93306-00612	BEARING	2	2	2	2	2	
10	93102-38383	OIL SEAL	1	1	1	1	1	
11	93102-36409	OIL SEAL	1	1	1	1	1	
12	3GB-25382-00	NUT, AXLE	1	1	1	1	1	
13	3Y6-25351-00	CAMSHAFT	1	1	1	1	1	
14	55X-25355-00	LEVER, CAMSHAFT	1	1	1	1	1	
15	55X-2533H-00	HOOK, SPRING	1	1	1	1	1	
16	90101-06562	BOLT	1	1	1	1	1	
17	95307-06600	NUT	1	1	1	1	1	
18	23F-2533A-00	PLATE, INDICATOR	1	1	1	1	1	
19	93210-14104	O-RING	2	2	2	2	2	
20	3KG-W2536-00	BRAKE SHOE SET	1	1	1	1	1	
21	90506-15260	SPRING, TENSION	2	2	2	2	2	
22	3GB-25326-00	PIN, PIVOT	1	1	1	1	1	
23	90114-10005	BOLT, SERRATION	2	2	2	2	2	
24	3GB-2531E-00	DRUM, BRAKE	1	1	1	1	1	
25	3GB-25343-00	BOSS	1	1	1	1	1	
26	90116-08507	BOLT, STUD	4	4	4	4	4	
27	390-25412-01	WASHER	2	2	2	2	2	

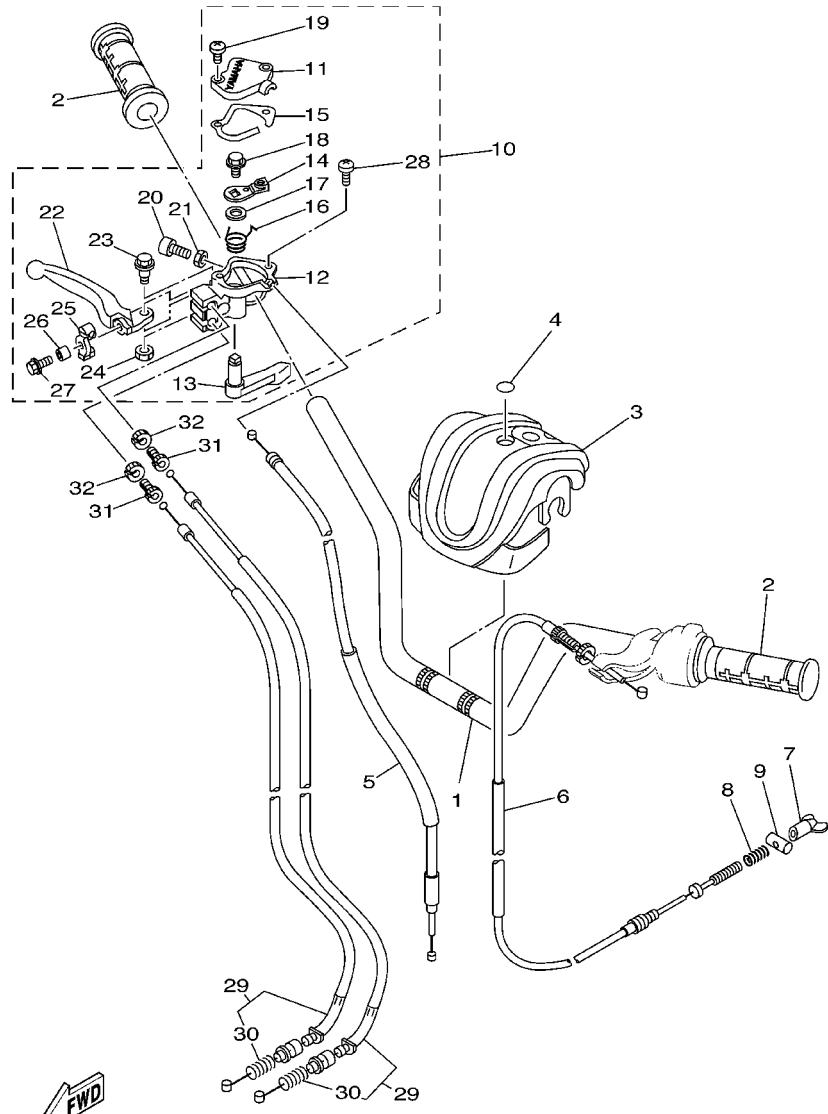
FIG. 27 REAR WHEEL



4EMK100-8270

REF. NO.	PART NO.	DESCRIPTION	USA	OC	JPN	CAN	FRA	REMARKS
28	95307-08600	NUT	4	4	4	4	4	
29	93210-26606	O-RING	1	1	1	1	1	
30	90170-28379	NUT	1	1	1	1	1	
31	90179-28573	NUT	1	1	1	1	1	
32	3GB-25715-00	COVER 1	1	1	1	1	1	
33	98507-06012	SCREW, PAN HEAD	3	3	3	3	3	
34	92907-06100	WASHER, SPRING	3	3	3	3	3	
35	93102-35349	OIL SEAL	1	1	1	1	1	
36	3GB-25367-00	COVER, HUB DUST	1	1	1	1	1	
37	90507-15038	SPRING, TENSION	1	1	1	1	1	
38	90201-126A7	WASHER, PLATE	2	2	2	2	2	
39	90171-12039	NUT, CASTLE	2	2	2	2	2	
40	91401-25025	PIN, COTTER	2	2	2	2	2	

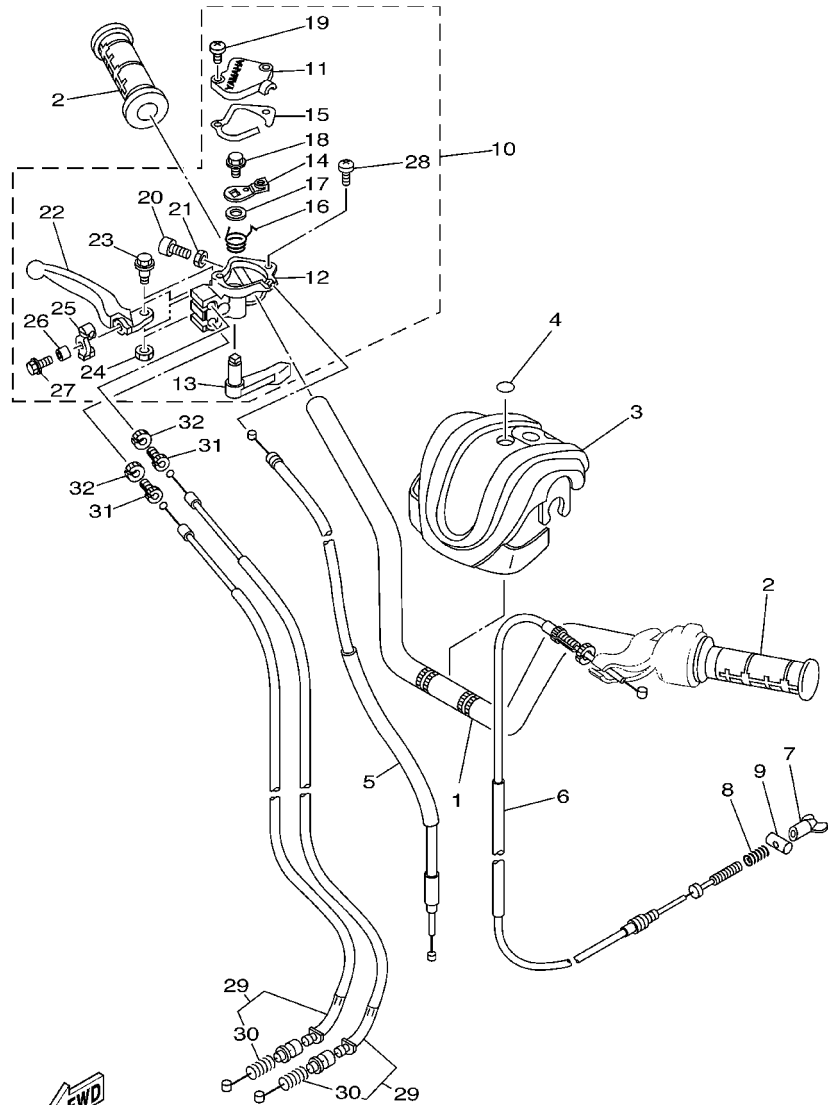
FIG. 28 STEERING HANDLE. CABLE



5TH1100-2280

REF. NO.	PART NO.	DESCRIPTION	USA	OCÉ	JPN	CAN	FRA	REMARKS
1	5TH-26111-00	HANDLEBAR	1	1	1	1	1	
2	5LP-26241-00	GRIP	2	2	2	2	2	
3	5TH-26124-00	PROTECTOR, HANDLEBAR	1	1	1	1	1	
4	5GT-2836B-10	TUNING FORK MARK	1	1	1	1	1	
5	3GB-26311-02	CABLE, THROTTLE 1	1	1	1	1	1	
6	3GB-26341-01	CABLE, BRAKE	1	1	1	1	1	
7	20E-26343-00	NUT, ADJUSTING	1	1	1	1	1	
8	90501-10782	SPRING, COMPRESSION	1	1	1	1	1	
9	90249-12008	PIN	1	1	1	1	1	
10	5TH-26250-00	THROTTLE LEVER ASSY	1	1	1	1	1	
11	3GB-2628F-00	.CAP, GEAR	1	1	1	1	1	
12	3GB-2625E-01	.BODY, THROTTLE	1	1	1	1	1	
13	3GB-2625G-00	.LEVER, THROTTLE	1	1	1	1	1	
14	3GB-2625H-00	.ARM, THROTTLE	1	1	1	1	1	
15	3GB-2628G-01	.GASKET	1	1	1	1	1	
16	90508-10775	.SPRING, TORSION	1	1	1	1	1	
17	90201-145M4	.WASHER, PLATE	1	1	1	1	1	
18	95807-08012	.BOLT, FLANGE	1	1	1	1	1	
19	98507-04016	.SCREW, PAN HEAD	2	2	2	2	2	
20	91317-05025	.BOLT	1	1	1	1	1	
21	95307-05700	.NUT	1	1	1	1	1	
22	5TH-83922-00	.LEVER 2	1	1	1	1	1	
23	90109-061F3	.BOLT	1	1	1	1	1	
24	95607-06100	.NUT, U	1	1	1	1	1	
25	3GB-26347-00	.JOINT, CABLE	1	1	1	1	1	
26	90387-066V8	.COLLAR	1	1	1	1	1	
27	95807-06016	.BOLT, FLANGE	1	1	1	1	1	

FIG. 28 STEERING HANDLE. CABLE

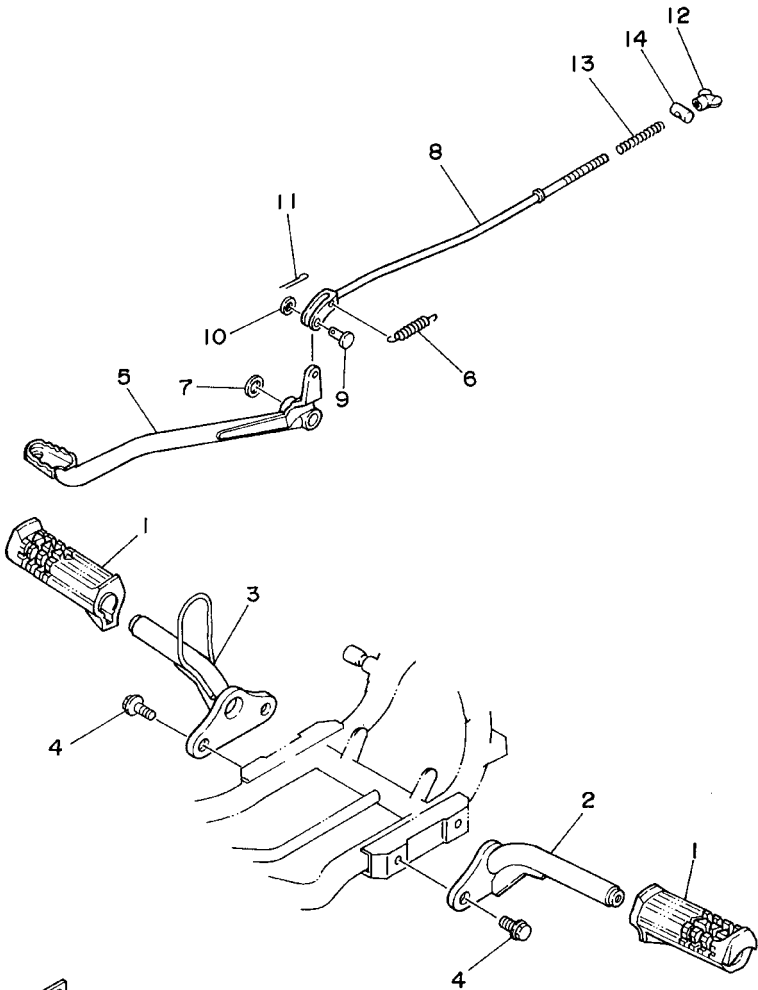


5TH1100-2280

REF. NO.	PART NO.	DESCRIPTION	USA	OCE	JPN	CAN	FRA	REMARKS
28	98507-06020	.SCREW, PAN HEAD	1	1	1	1	1	
29	3GB-26361-03	CABLE, BRAKE	2	2	2	2	2	
30	90501-08511	.SPRING, COMPRESSION	1	1	1	1	1	
31	90123-08106	BOLT	2	2	2	2	2	
32	90179-08148	NUT	2	2	2	2	2	

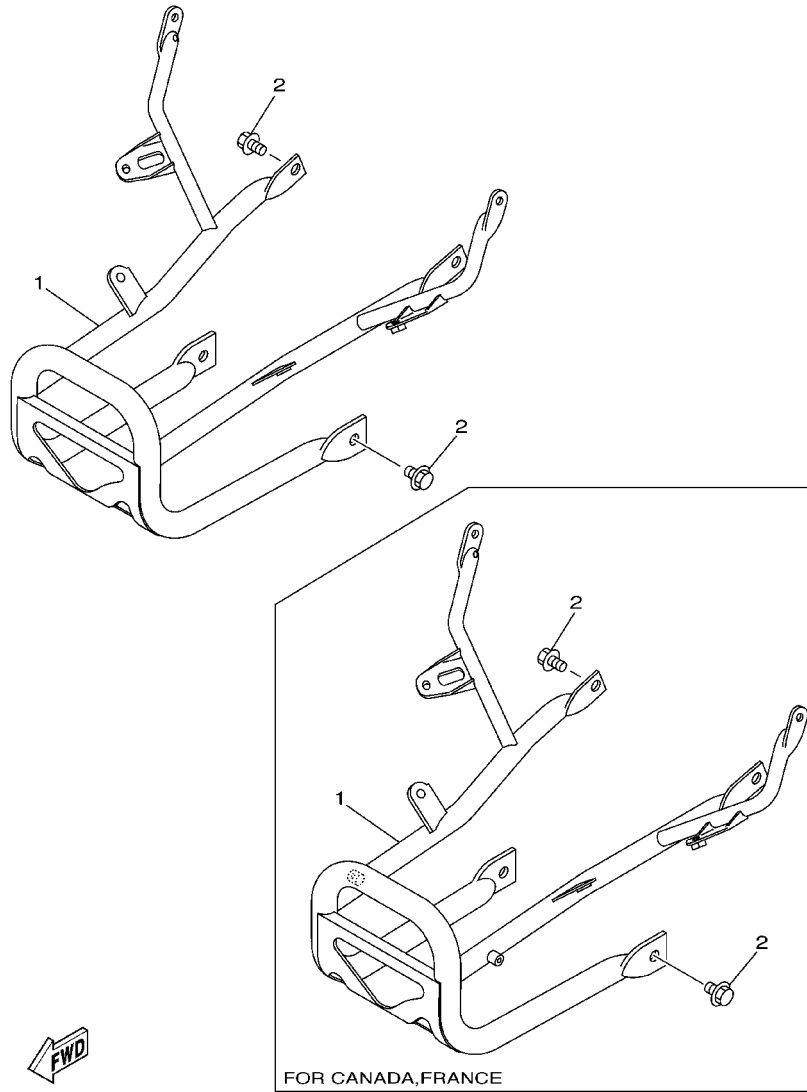
FIG. 29 STAND. FOOTREST

REF. NO.	PART NO.	DESCRIPTION	USA	OCÉ	JPN	CAN	FRA	REMARKS
1	55X-27413-00	COVER, FOOTREST	2	2	2	2	2	
2	3GB-27411-10	FOOTREST 1	1	1	1	1	1	
3	3GB-27421-10	FOOTREST 2	1	1	1	1	1	
4	95817-12020	BOLT, FLANGE	4	4	4	4	4	
5	3GB-27211-00	PEDAL, BRAKE	1	1	1	1	1	
6	90506-16318	SPRING, TENSION	1	1	1	1	1	
7	90201-15797	WASHER, PLATE	1	1	1	1	1	
8	3GB-27231-00	ROD, BRAKE	1	1	1	1	1	
9	90240-06076	PIN, CLEVIS	1	1	1	1	1	
10	92907-06200	WASHER	1	1	1	1	1	
11	91401-20012	PIN, COTTER	1	1	1	1	1	
12	20E-26343-00	NUT, ADJUSTING	1	1	1	1	1	
13	90501-10245	SPRING, COMPRESSION	1	1	1	1	1	
14	90249-12008	PIN	1	1	1	1	1	



 3GB1100-9290

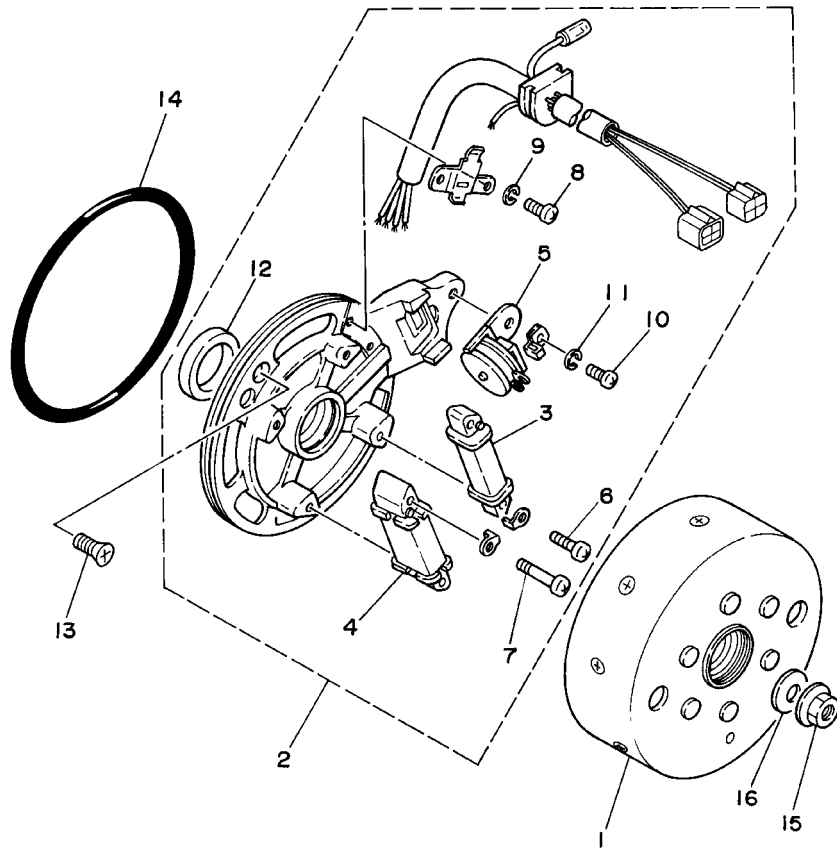
FIG. 30 GUARD



5TH1100-2300

REF. NO.	PART NO.	DESCRIPTION	USA	OCE	JPN	CAN	FRA	REMARKS
1	5TH-2845N-00	BAR, CARRY FRONT	1	1	1			
	5TH-2845N-10	BAR, CARRY FRONT				1	1	
2	95817-08014	BOLT, FLANGE	4	4	4	4	4	

FIG. 31 GENERATOR

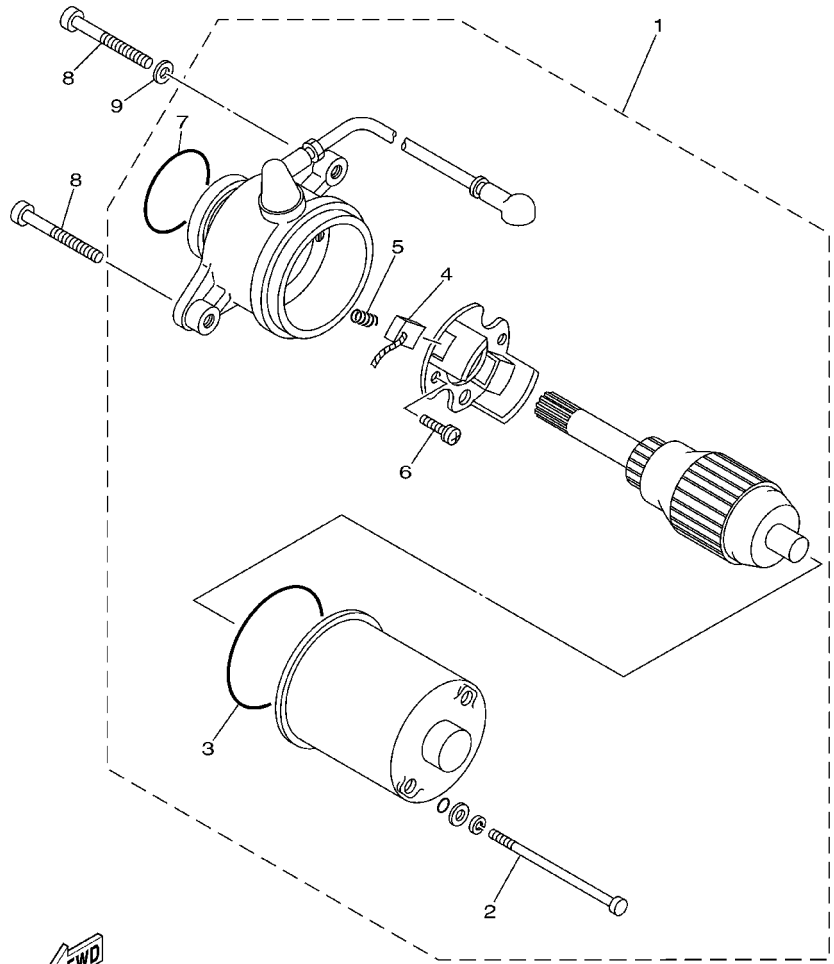


REF. NO.	PART NO.	DESCRIPTION	USA	OC	JPN	CAN	FRA	REMARKS
1	2FM-85550-M0	ROTOR ASSY	1	1	1	1	1	
2	4EM-85560-10	BASE ASSY	1	1	1	1	1	
3	5G3-85520-M1	.COIL, CHARGE	1	1	1	1	1	
4	55X-81313-M0	.COIL, LIGHTING 1	1	1	1	1	1	
5	22K-85595-M0	.COIL, PULSER	1	1	1	1	1	
6	98511-04012	.SCREW, PAN HEAD	2	2	2	2	2	
7	98511-04020	.SCREW, PAN HEAD	2	2	2	2	2	
8	98501-04006	.SCREW, PAN HEAD	2	2	2	2	2	
9	92901-04100	.WASHER, SPRING	2	2	2	2	2	
10	98501-05010	.SCREW, PAN HEAD	1	1	1	1	1	
11	92901-05100	.WASHER, SPRING	1	1	1	1	1	
12	93102-19276	.OIL SEAL	1	1	1	1	1	
13	98707-06016	SCREW, FLAT HEAD	2	2	2	2	2	
14	93211-02703	O-RING	1	1	1	1	1	
15	90179-10394	NUT	1	1	1	1	1	
16	90201-101A4	WASHER, PLATE	1	1	1	1	1	



4EM9100-5320

FIG. 32 STARTING MOTOR



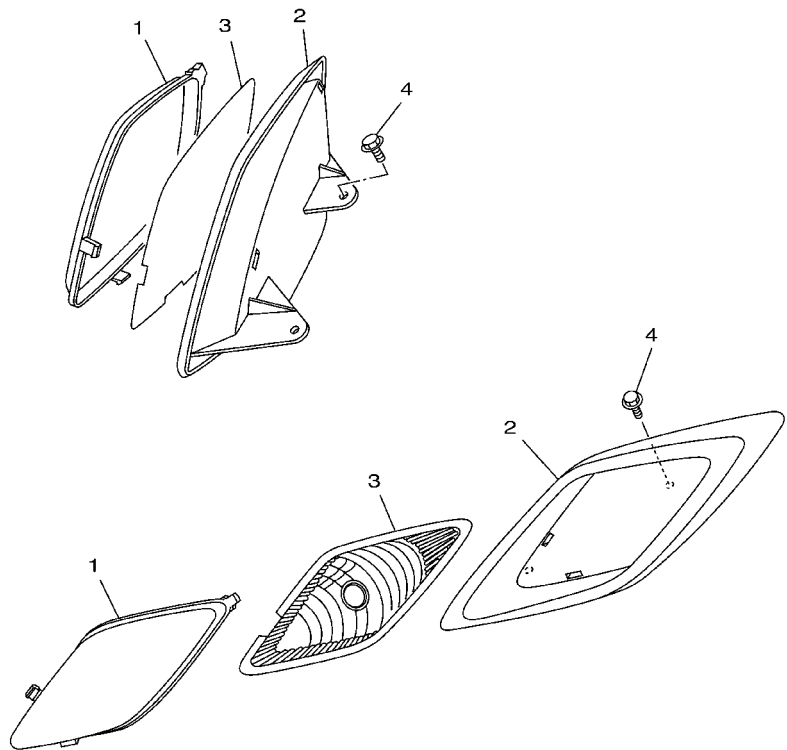
REF. NO.	PART NO.	DESCRIPTION	USA	OCE	JPN	CAN	FRA	REMARKS
1	55X-81800-51	STARTING MOTOR ASSY	1	1	1	1	1	
2	55X-81826-50	.BOLT	2	2	2	2	2	
3	5J3-81847-50	.O-RING	1	1	1	1	1	
4	22J-81801-50	.BRUSH SET	1	1	1	1	1	
5	55X-81855-50	.SPRING, BRUSH	2	2	2	2	2	
6	5J3-81846-50	.SCREW	2	2	2	2	2	
7	22J-81847-50	.O-RING	1	1	1	1	1	
8	91317-06035	BOLT	2	2	2	2	2	
9	92907-06200	WASHER	1	1	1	1	1	



2HX110-7291

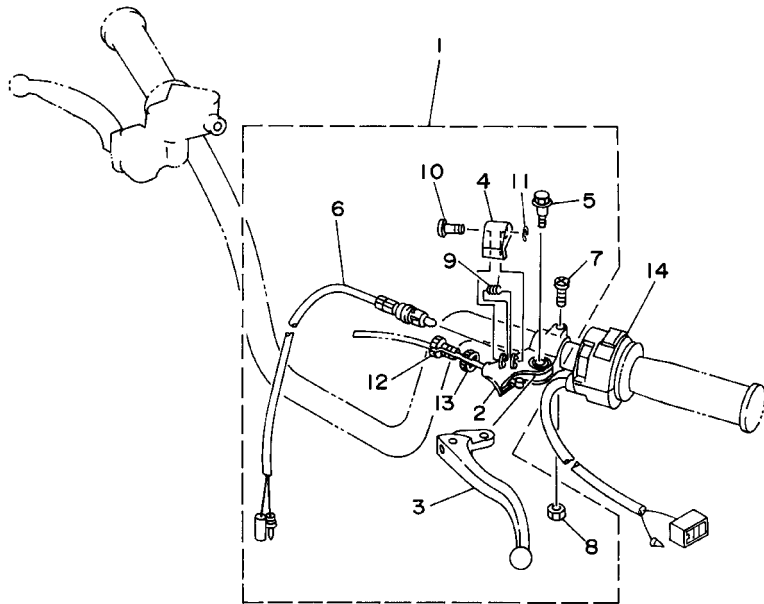
FIG. 33 HEADLIGHT

REF. NO.	PART NO.	DESCRIPTION	USA	OCE	JPN	CAN	FRA	REMARKS
1	5TH-84121-00	LENS, HEADLIGHT	2	2	2	2	2	
2	5TH-84111-00	BODY, HEADLIGHT	2	2	2	2	2	
3	5TH-8411B-00	GRAPHIC	2	2	2	2	2	
4	90119-06044	BOLT, WITH WASHER	4	4	4	4	4	



5TH1100-2330

FIG. 34 HANDLE SWITCH. LEVER

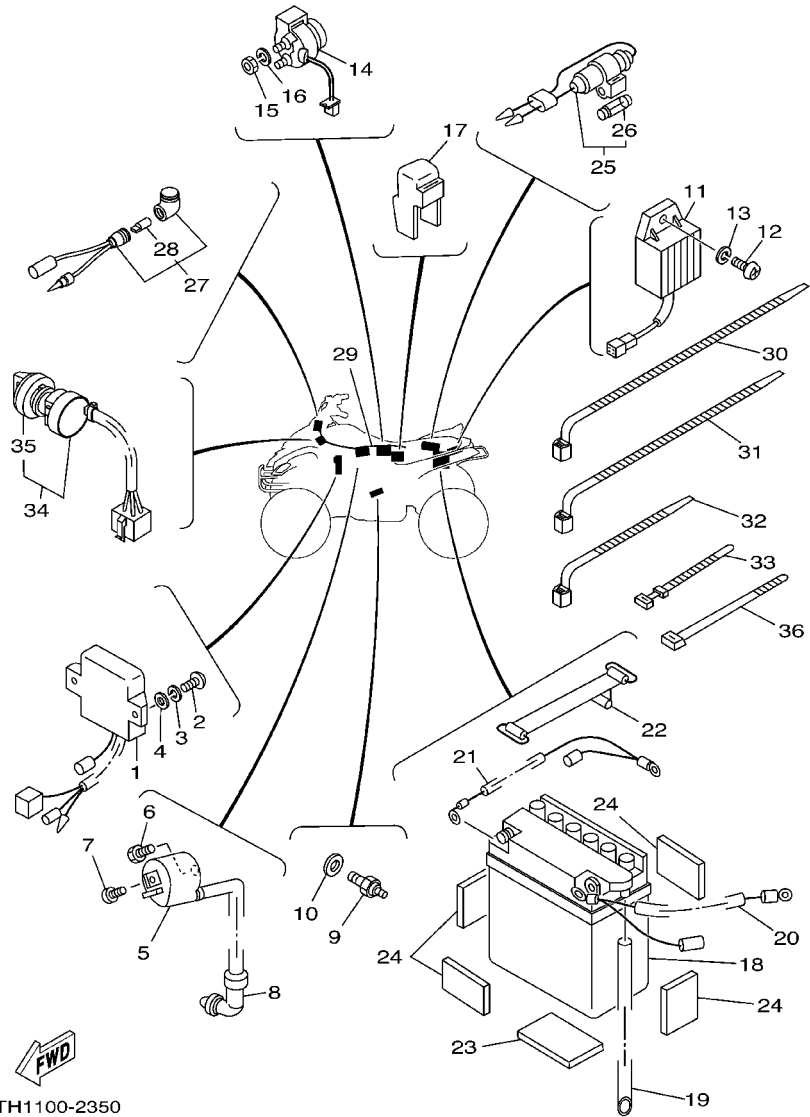


REF. NO.	PART NO.	DESCRIPTION	USA	OC	JPN	CAN	FRA	REMARKS
1	5TH-82910-00	LEVER HOLDER ASSY (LEFT)	1	1	1	1	1	
2	3FA-82911-00	.HOLDER, LEVER 1	1	1	1	1	1	
3	23X-83912-00	.LEVER 1	1	1	1	1	1	
4	3FA-83965-00	.LEVER, LOCK	1	1	1	1	1	
5	90109-06799	.BOLT	1	1	1	1	1	
6	1YW-83980-00	.FRONT STOP SWITCH ASSY	1	1	1	1	1	
7	98507-06020	.SCREW, PAN HEAD	1	1	1	1	1	
8	95607-06100	.NUT, U	1	1	1	1	1	
9	3FA-83966-00	.SPRING, RETURN	1	1	1	1	1	
10	3FA-83967-00	.PIN, LOCK 1	1	1	1	1	1	
11	3FA-26466-00	.RING, SNAP	1	1	1	1	1	
12	90123-08046	.BOLT	1	1	1	1	1	
13	90179-08148	.NUT	1	1	1	1	1	
14	4EM-83975-00	SWITCH, HANDLE 2	1	1	1	1	1	



4EM9100-5340

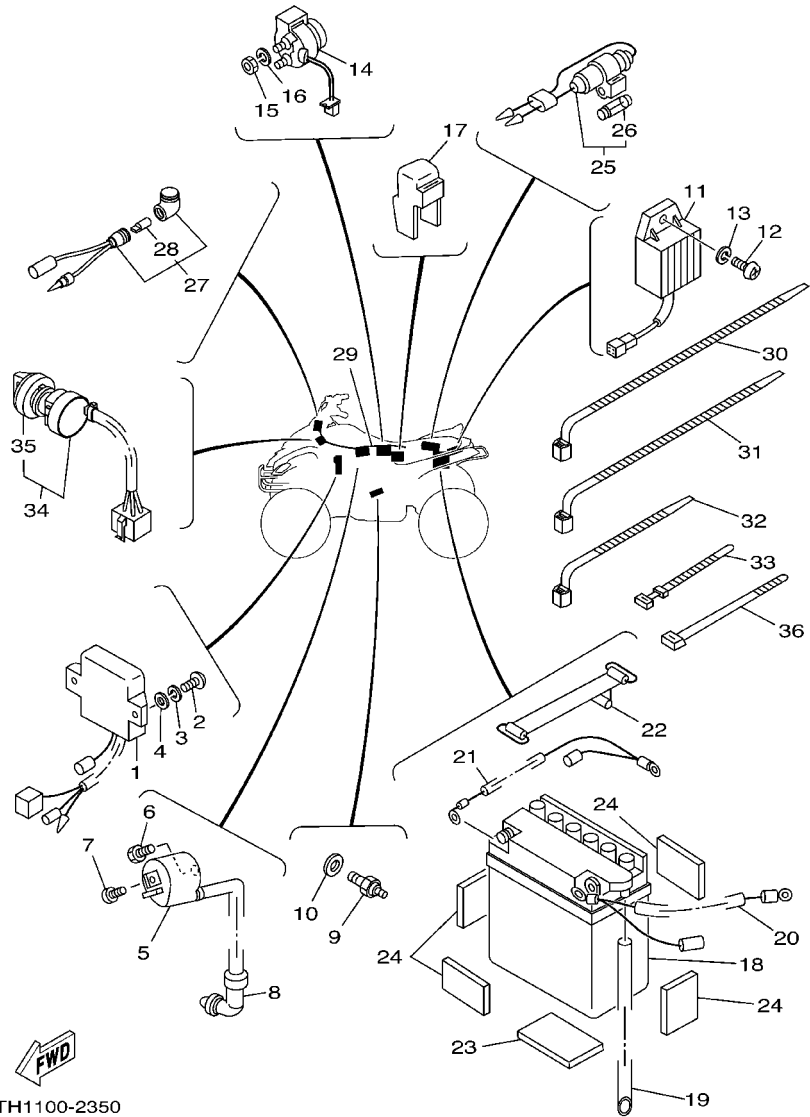
FIG. 35 ELECTRICAL 1



5TH1100-2350

REF. NO.	PART NO.	DESCRIPTION	USA	OC	JPN	CAN	FRA	REMARKS
1	4EM-85540-10	C.D.I. UNIT ASSY	1	1	1	1	1	
2	98507-06020	SCREW, PAN HEAD	2	2	2	2	2	
3	92907-06100	WASHER, SPRING	2	2	2	2	2	
4	92907-06600	WASHER, PLATE	2	2	2	2	2	
5	4KJ-82310-10	IGNITION COIL ASSY	1	1	1	1	1	
6	97007-06016	BOLT	1	1	1	1	1	
7	90153-06034	SCREW, HEXAGON	1	1	1	1	1	
8	55X-82370-00	PLUG CAP ASSY	1	1	1	1	1	
9	3GB-82540-01	NEUTRAL SWITCH ASSY	1	1	1	1	1	
10	90430-10148	GASKET	1	1	1	1	1	
11	5TH-81960-00	RECTIFIER & REGULATOR ASSY	1	1	1	1	1	
12	98507-06016	SCREW, PAN HEAD	1	1	1	1	1	
13	92907-06100	WASHER, SPRING	1	1	1	1	1	
14	4KD-81940-00	STARTER RELAY ASSY	1	1	1	1	1	
15	95307-06700	NUT	2	2	2	2	2	
16	92907-06100	WASHER, SPRING	2	2	2	2	2	
17	1RL-81950-92	RELAY ASSY	1	1	1	1	1	
18	55X-82110-61	BATTERY ASSY	1	1		1	1	
	90793-25013	BATTERY ASSY (GS 12N7D-3B)			1			
19	90445-085E0	HOSE (L450)	1	1	1	1	1	
20	55X-82115-00	WIRE, PLUS LEAD	1	1	1	1	1	
21	3GB-82116-00	WIRE, MINUS LEAD	1	1	1	1	1	
22	4J2-82131-01	BAND, BATTERY	1	1	1	1	1	
23	55X-82122-00	SEAT, BATTERY	1	1	1	1	1	
24	29W-82123-00	SEAT, BATTERY	4	4	4	4	4	
25	3GB-82150-00	FUSE HOLDER ASSY	1	1	1	1	1	
26	3GB-82151-00	.FUSE (5A)	2	2	2	2	2	

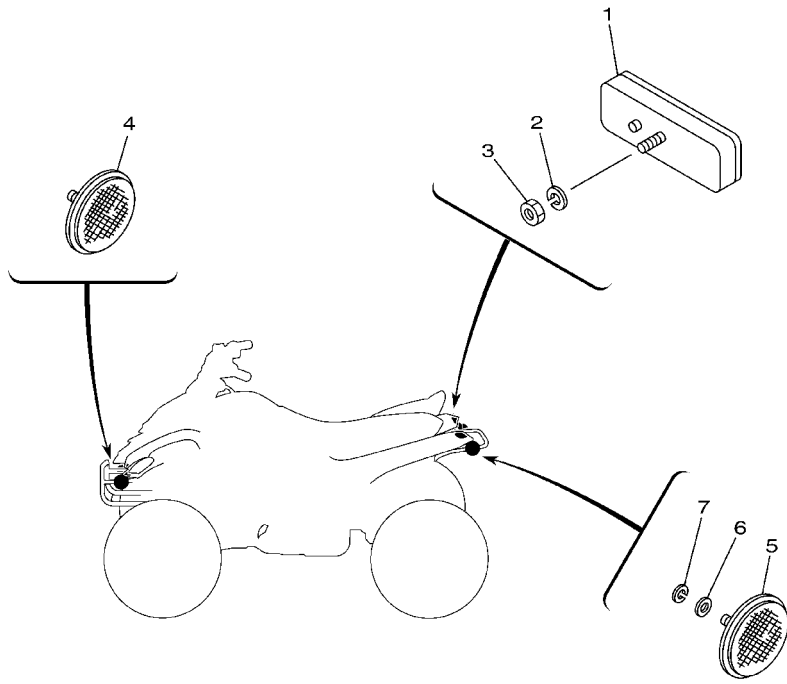
FIG. 35 ELECTRICAL 1



REF. NO.	PART NO.	DESCRIPTION	USA	OCE	JPN	CAN	FRA	REMARKS
27	4KB8353000	PILOT LIGHT ASSY	1	1	1	1	1	GREEN (NEUTRAL INDICATOR)
28	5GH8351600	.BULB (14V1.7W)	1	1	1	1	1	
29	5TH8259000	WIRE HARNESS ASSY	1	1	1	1	1	
30	9046015126	CLAMP, HOSE	1	1	1	1	1	
31	9046412045	CLAMP	1	1	1	1	1	
32	9046413073	CLAMP	3	3	3	3	3	
33	4378393601	BAND, SWITCH CORD	1	1	1	1	1	
34	4GB8251011	MAIN SWITCH ASSY	1	1	1	1	1	
35	3HN8257900	.CAP, KEY	1	1	1	1	1	
36	9046510098	CLAMP	1	1	1	1	1	

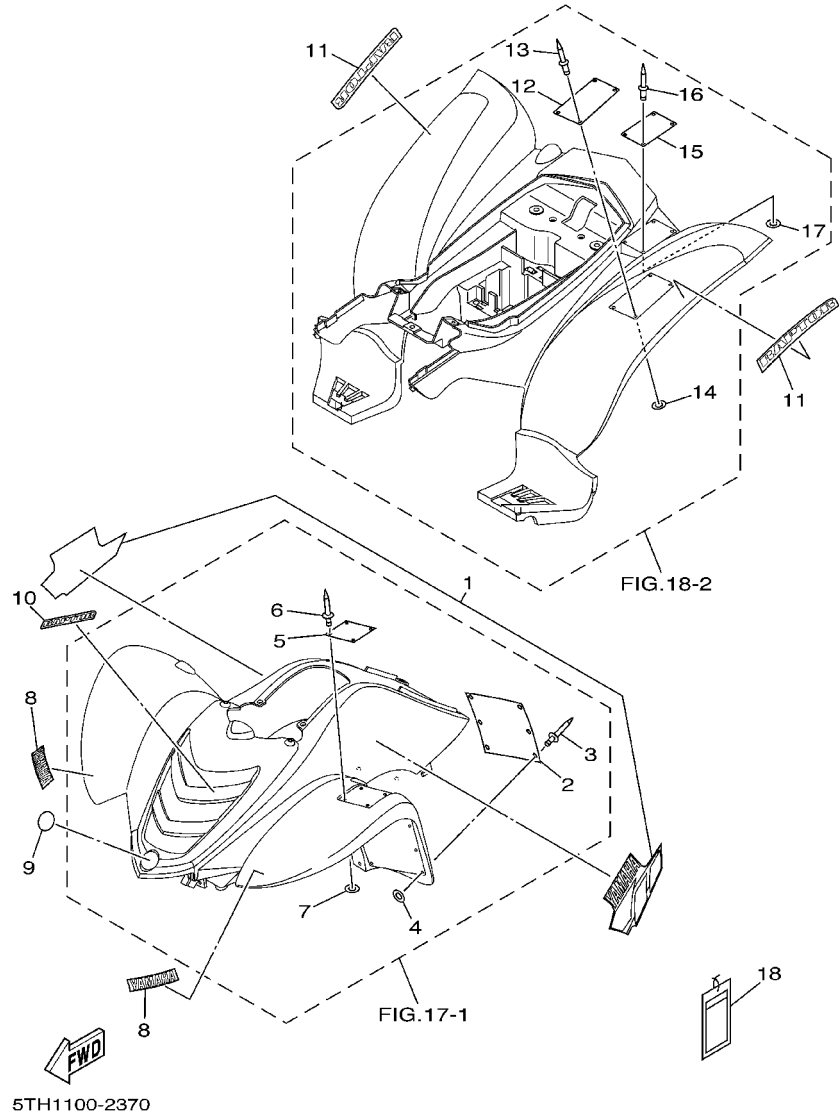
FIG. 36 ELECTRICAL 2

REF. NO.	PART NO.	DESCRIPTION	USA	OCE	JPN	CAN	FRA	REMARKS
1	3Y68513002	REAR REFLECTOR ASSY	1	1	1	1	1	
2	9290705100	WASHER, SPRING	1	1	1	1	1	
3	9530705600	NUT	1	1	1	1	1	
4	2EK8511100	REFLECTOR, FRONT 1				2	2	
5	4498513102	REFLECTOR, REAR 1				2	2	
6	9290705200	WASHER				4	4	
7	9290705100	WASHER, SPRING				4	4	



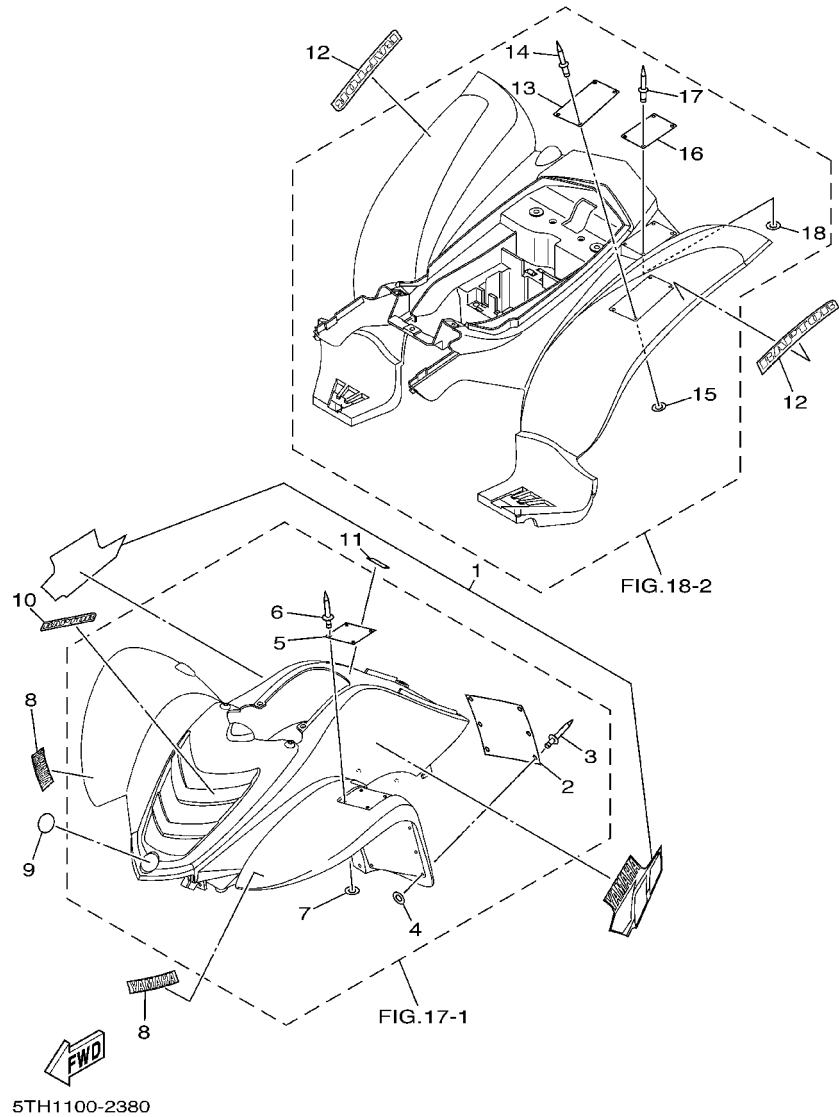
5TH1100-2360

FIG. 37 EMBLEM.LABEL 1



REF. NO.	PART NO.	DESCRIPTION	USA	OCE	JPN	CAN	FRA	REMARKS
1	5TH2157000	GRAPHIC SET, FRONT FENDER	1					
2	5FE2156801	LABEL, WARNING	1					
3	9026732004	RIVET, BLIND	6					
4	9020103313	WASHER, PLATE	6					
5	4EM2169731	LABEL, CAUTION 2	1					
6	9026732004	RIVET, BLIND	4					
7	9020103313	WASHER, PLATE	4					
8	4ES2153E01	EMBLEM, YAMAHA	2					
9	5KM2175B00	TUNING FORK MARK	1					
10	5TH2156500	EMBLEM, 2	1					
11	5TH2160900	EMBLEM	2					
12	4EM2169611	LABEL, CAUTION	1					
13	9026732004	RIVET, BLIND	4					
14	9020103313	WASHER, PLATE	4					
15	5FE2151H01	LABEL 5	1					
16	9026732004	RIVET, BLIND	4					
17	9020103313	WASHER, PLATE	4					
18	4EM2819R00	TAG, WARNING	1					

FIG. 38 EMBLEM.LABEL 2



REF. NO.	PART NO.	DESCRIPTION	USA	OCE	JPN	CAN	FRA	REMARKS
1	5TH2157000	GRAPHIC SET, FRONT FENDER		1				
2	5FE2156811	LABEL, WARNING		1				
3	9026732004	RIVET, BLIND		6				
4	9020103313	WASHER, PLATE		6				
5	4EM2169731	LABEL, CAUTION 2		1				
6	9026732004	RIVET, BLIND		4				
7	9020103313	WASHER, PLATE		4				
8	4ES2153E01	EMBLEM, YAMAHA		2				
9	5KM2175B00	TUNING FORK MARK		1				
10	5TH2156500	EMBLEM, 2		1				
11	5JJ2415A00	LABEL, CAUTION		1				
12	5TH2160900	EMBLEM		2				
13	4EM2169611	LABEL, CAUTION		1				
14	9026732004	RIVET, BLIND		4				
15	9020103313	WASHER, PLATE		4				
16	5FE2151H01	LABEL 5		1				
17	9026732004	RIVET, BLIND		4				
18	9020103313	WASHER, PLATE		4				

FIG. 39 EMBLEM.LABEL 3

REF. NO.	PART NO.	DESCRIPTION	USA	OCE	JPN	CAN	FRA	REMARKS
1	5TH2157000	GRAPHIC SET, FRONT FENDER			1			
2	5FE2156811	LABEL, WARNING			1			
3	9026732004	RIVET, BLIND			6			
4	9020103313	WASHER, PLATE			6			
5	4SH2156800	LABEL, WARNING			1			
6	4EM2169731	LABEL, CAUTION 2			1			
7	9026732004	RIVET, BLIND			4			
8	9020103313	WASHER, PLATE			4			
9	4EM2169700	LABEL, CAUTION 2			1			
10	4ES2153E01	EMBLEM, YAMAHA			2			
11	5KM2175B00	TUNING FORK MARK			1			
12	5TH2160911	EMBLEM			2			
13	4EM2169611	LABEL, CAUTION			1			
14	9026732004	RIVET, BLIND			4			
15	9020103313	WASHER, PLATE			4			
16	4EM2169600	LABEL, CAUTION			1			
17	5FE2151H01	LABEL 5			1			
18	9026732004	RIVET, BLIND			4			
19	9020103313	WASHER, PLATE			4			
20	4LB2151H01	LABEL 5			1			

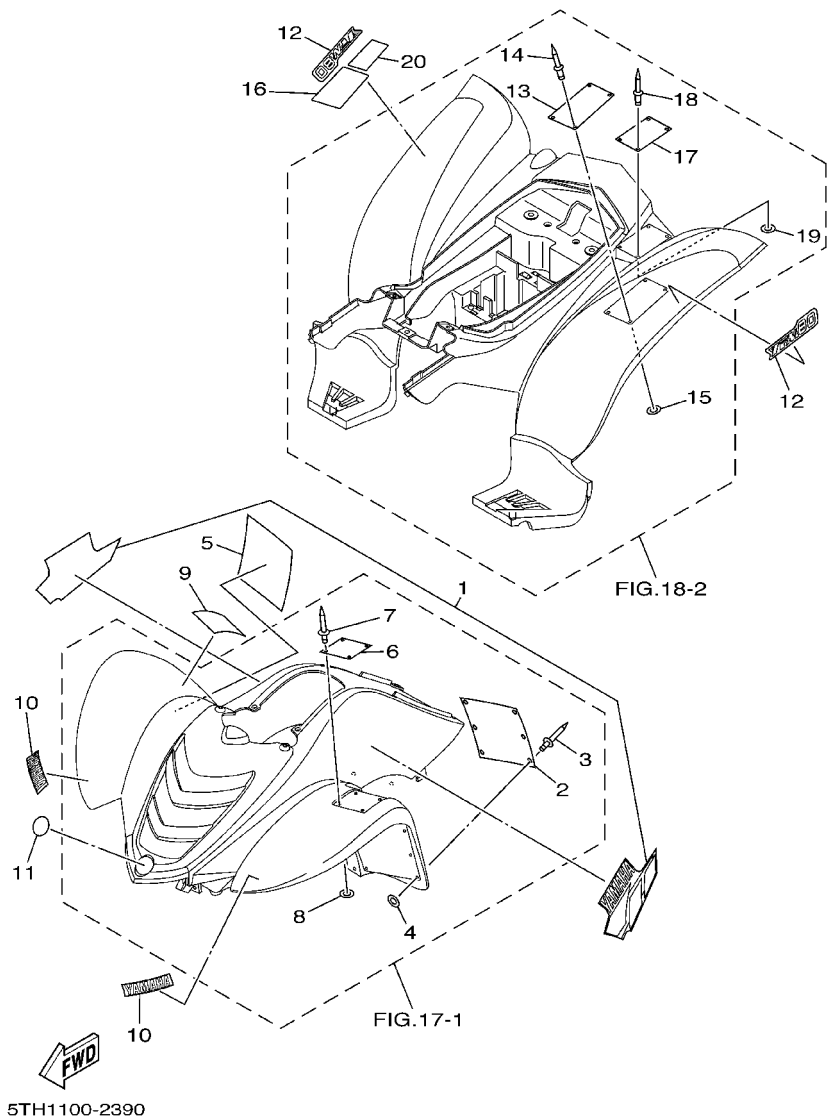
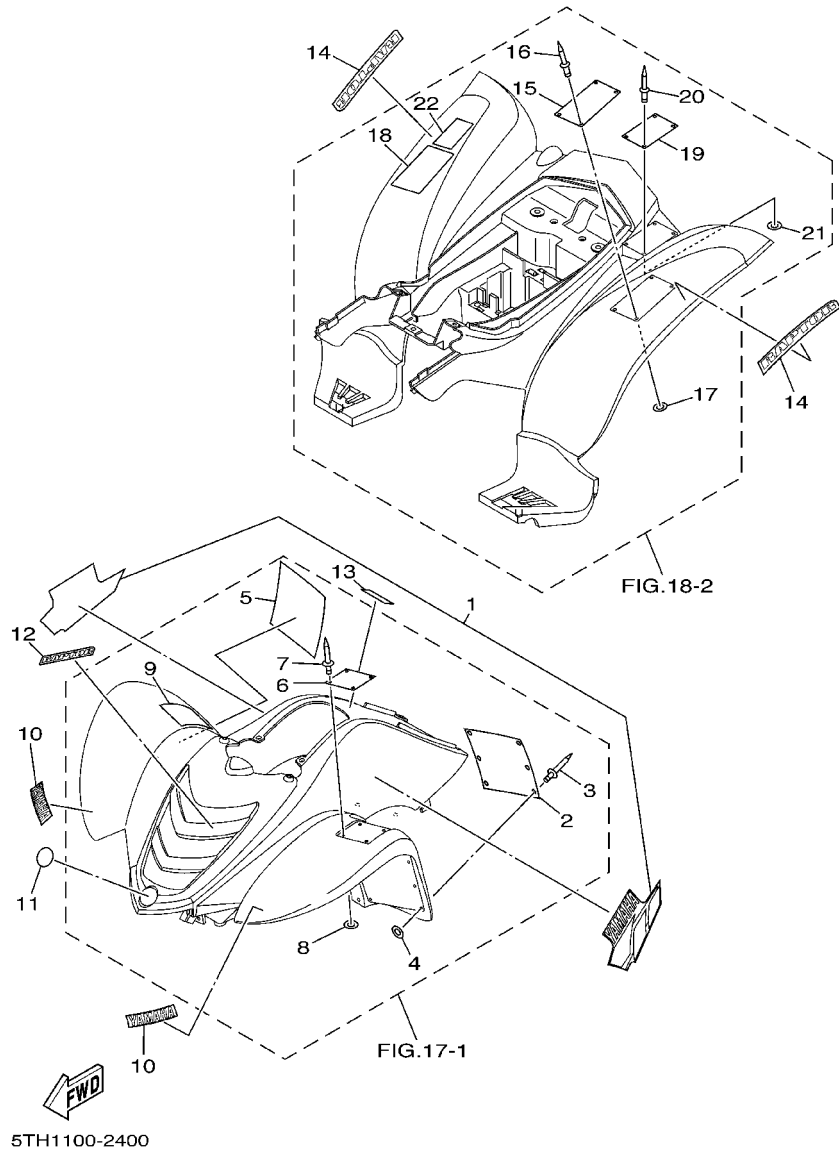


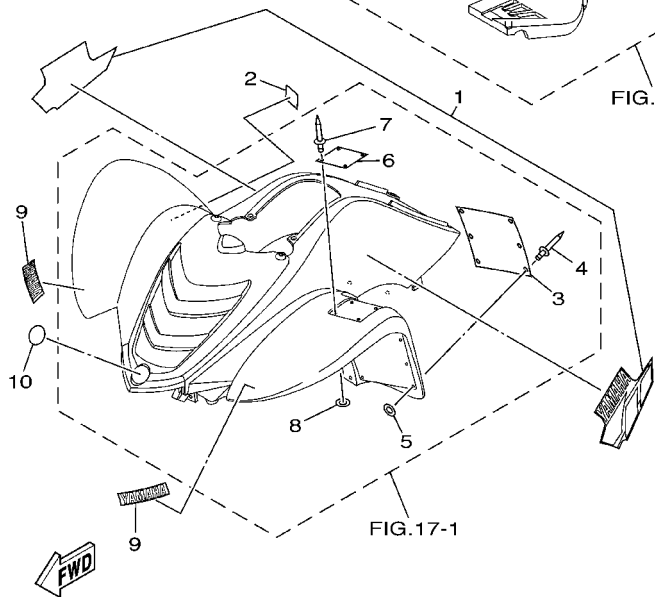
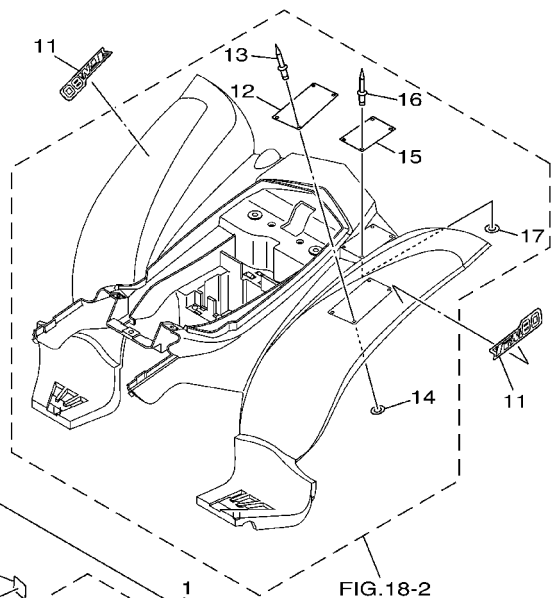
FIG. 40 EMBLEM.LABEL 4



REF. NO.	PART NO.	DESCRIPTION	USA	OCE	JPN	CAN	FRA	REMARKS
1	5TH2157000	GRAPHIC SET, FRONT FENDER				1		
2	5FE2156801	LABEL, WARNING				1		
3	9026732004	RIVET, BLIND				6		
4	9020103313	WASHER, PLATE				6		
5	4WU2156810	LABEL, WARNING				1		FRENCH
6	4EM2169731	LABEL, CAUTION 2				1		
7	9026732004	RIVET, BLIND				4		
8	9020103313	WASHER, PLATE				4		
9	4EM2169720	LABEL, CAUTION 2				1		IN FRENCH
10	4ES2153E01	EMBLEM, YAMAHA				2		
11	5KM2175B00	TUNING FORK MARK				1		
12	5TH2156500	EMBLEM, 2				1		
13	4SH2416E00	LABEL, CAUTION CANADA				1		
14	5TH2160900	EMBLEM				2		
15	4EM2169611	LABEL, CAUTION				1		
16	9026732004	RIVET, BLIND				4		
17	9020103313	WASHER, PLATE				4		
18	4EM21696B0	LABEL, CAUTION				1		
19	5FE2151H01	LABEL 5				1		
20	9026732004	RIVET, BLIND				4		
21	9020103313	WASHER, PLATE				4		
22	4WU2151H10	LABEL 5				1		FRENCH

FIG. 41 EMBLEM.LABEL 5

REF. NO.	PART NO.	DESCRIPTION	USA	OCE	JPN	CAN	FRA	REMARKS
1	5TH2157000	GRAPHIC SET, FRONT FENDER					1	
2	4GB2155A00	MARK,EC					1	
3	5FK2156800	LABEL, WARNING					1	
4	9026732004	RIVET, BLIND					6	
5	9020103313	WASHER, PLATE					6	
6	5NE2169700	LABEL, CAUTION 2					1	
7	9026732004	RIVET, BLIND					4	
8	9020103313	WASHER, PLATE					4	
9	4ES2153E01	EMBLEM, YAMAHA					2	
10	5KM2175B00	TUNING FORK MARK					1	
11	5TH2160911	EMBLEM					2	
12	5NE21696M0	LABEL, CAUTION					1	
13	9026732004	RIVET, BLIND					4	
14	9020103313	WASHER, PLATE					4	
15	5FK2151H00	LABEL 5					1	
16	9026732004	RIVET, BLIND					4	
17	9020103313	WASHER, PLATE					4	



5TH1100-2410

NUMERICAL INDEX

PART NO.	GRID NO.	PART NO.	GRID NO.	PART NO.	GRID NO.	PART NO.	GRID NO.	PART NO.	GRID NO.	PART NO.	GRID NO.
22K-W1141-00	B - 3	46J-13324-00	B - 3	55X-15362-02	B - 11	22F-17531-00-50	C - 2	5TH-21570-00	E - 8	8G5-23814-00	C - 13
22K-W1657-00	B - 13	46J-13325-00	B - 6	2N4-15371-00	C - 10	22F-17537-00	C - 2	5TH-21609-00	E - 4	8K1-23814-00	C - 13
5TH-W215B-00	C - 6	22F-13329-01	B - 6	22F-15383-01	B - 10	22F-17551-00	C - 2		E - 5	3GB-23831-00	C - 13
5TH-W215C-00	C - 6	22F-13411-01	B - 6	22F-15411-01	B - 11	22F-17556-01	C - 2		E - 7	55X-23841-01	C - 13
5TH-W215D-00	C - 6	22M-13450-10	B - 12	22F-15417-00	B - 11	22F-18101-02	C - 4	5TH-21609-11	E - 6	52H-23845-01	C - 13
5TH-W2151-00	C - 6	55X-13586-00	B - 7	22F-15421-00	B - 11	2HX-18110-00	C - 4		E - 8	3GB-23868-00	C - 13
5TH-W216B-00	C - 8	22K-13595-00	B - 7	4EM-15443-01	B - 11	132-18113-01	C - 4	3GB-21613-00	C - 8	1UY-23894-01	C - 13
5TH-W216C-00	C - 8	5TH-14101-00	B - 7	3GB-15451-00	B - 11	278-18127-01	C - 4	3GB-21614-00	C - 8	2HX-24110-00	C - 15
5TH-W2161-00	C - 8	22F-14103-00	B - 7	29F-18140-00	B - 11	29F-18140-00	C - 3	4EM-21696-B0	E - 7	5TH-2414H-00	C - 15
3KG-W2536-00	D - 5	22K-14104-00	B - 7	2HX-15517-10	B - 12	2MK-18511-00	C - 3	4EM-21696-00	E - 6	5JJ-2415A-00	E - 5
4KN-W2536-11	D - 3	2HX-14112-35	B - 7	2HX-15520-00	B - 12	29F-18512-00	C - 3	4EM-21696-11	E - 4	4SH-2416E-00	E - 7
35T-11110-01	B - 2	260-14131-00	B - 7	22M-15570-10	B - 12	22F-18531-00	C - 3		E - 5	2HX-24181-00	C - 15
22F-11134-10	B - 2	18A-1414E-30	B - 7	22M-15580-10	B - 12	4EM-18540-00	C - 3		E - 6	55X-24500-01	C - 15
59V-11167-00	B - 10	4EM-14141-78	B - 8	3AY-15583-00	B - 12	136-18542-00	C - 3		E - 7	4X8-24512-00	C - 15
55X-11181-00	B - 2	22F-14142-12	B - 7	22K-16111-00	B - 13	296-18561-00	C - 3	5NE-21696-M0	E - 8	3AJ-24523-00	C - 15
22F-11185-01	B - 2	55X-14146-00	B - 7	3GB-16150-00	B - 13	22F-18562-01	C - 3	4EM-21697-00	E - 6	3AJ-24534-00	C - 15
22F-11186-00	B - 2	22K-14147-00	B - 7	22F-16153-10	B - 13	5TH-21110-00	C - 5	4EM-21697-20	E - 7	2FJ-24610-00	C - 15
214-11198-01	C - 10	22F-14150-00	B - 8	22F-16153-20	B - 13	5TH-21110-10	C - 5	4EM-21697-31	E - 4	5TH-2470F-00	D - 2
812-11198-00	B - 6	802-14161-00	B - 7	22F-16153-30	B - 13	5TH-21268-00	C - 5		E - 5	5TH-24710-00	D - 2
22K-11311-02	B - 2	22F-14169-00	B - 7	22F-16153-40	B - 13	4LB-2151H-01	E - 6		E - 6	22W-24741-00	D - 2
22F-11351-01	B - 2	22F-14184-00	B - 7	22F-16163-00	B - 14	4WU-2151H-10	E - 7		E - 7	4K0-24774-A0	D - 2
22K-11400-01	B - 3	22F-14185-00	B - 8	122-16164-00	B - 13	5FE-2151H-01	E - 4	5NE-21697-00	E - 8	4K0-24775-A0	D - 2
22K-11422-00	B - 3	127-14186-00	B - 7	22F-16342-01	B - 14		E - 5	5TH-2171A-00	C - 6	29U-24776-00	D - 2
55X-11610-00	B - 3	12R-14191-00	B - 3	22K-16356-00	B - 14		E - 6	12R-21747-00	C - 15	2FJ-25111-00	D - 3
55X-11610-20	B - 3	24W-14193-00	B - 8	22F-16357-01	B - 14		E - 7	5KM-2175B-00	E - 4	3FA-25117-00	D - 3
55X-11610-40	B - 3	55X-14196-00	B - 8	22F-16362-01	B - 14	5FK-2151H-00	E - 8		E - 5	2FJ-25121-00	D - 3
55X-11631-00-96	B - 3	26H-14197-00	B - 7	22F-16382-00	B - 14	5TH-21513-00	C - 6		E - 6	52H-2513A-00	D - 3
22K-11633-01	B - 3	55X-14198-00	B - 8	22F-16383-00	B - 14	4ES-2153E-01	E - 4		E - 7		D - 4
55X-11636-00	B - 3	5TH-14412-00	C - 6	22F-16399-00	B - 14		E - 5		E - 8	3GB-25151-00	D - 3
55X-11638-00	B - 3	5TH-14436-00	C - 6	22K-16520-00	B - 13		E - 6	5TH-2179T-00	C - 8		D - 4
22K-11651-02	B - 3	55X-14436-00	C - 6	22F-16521-00	B - 13		E - 7	3GB-22110-00-33	C - 9	2FJ-25155-00	D - 3
22F-11681-00	B - 3	2HX-14437-01	C - 7	3E5-16521-00	B - 13		E - 8	3GB-22123-00	C - 5	2FJ-25156-00	D - 4
22K-12111-03	B - 4	55X-14451-00	C - 6	22F-16524-01	B - 13	4GB-2155A-00	E - 8	307-22123-00	C - 14	2FJ-25169-00	D - 3
22F-12114-00	B - 4	5TH-14452-00	C - 6	517-16524-10	B - 13	5TH-21556-00	C - 6	3GB-22155-00	C - 5	2FJ-25180-00-35	D - 3
22F-12116-00	B - 4	3GB-14453-00	B - 8	517-16524-20	B - 13	5TH-21565-00	E - 4	3GB-22156-00	C - 9	22W-25181-01	C - 9
22F-12117-02	B - 4	59V-14457-00	C - 6	517-16524-30	B - 13		E - 5	55X-22189-00	C - 9	3GB-25185-00	D - 3
22F-12118-01	B - 4	55X-14458-00	C - 6	22F-16550-00	B - 13		E - 7	3GB-2219X-00	C - 9	3GB-2531E-00	D - 5
2HX-12119-00	B - 4	55X-14472-01	C - 6	22K-16590-00	B - 13	4SH-21568-00	E - 6	3GB-22210-00-36	C - 12	3GB-25311-00-33	D - 5
22K-12121-02	B - 4	5TH-14477-00	C - 6	2HX-17121-00	B - 15	4WU-21568-10	E - 7	59V-22216-00	C - 12	3GB-25317-00	D - 5
50M-12151-00	B - 4	3DM-14613-00	B - 9	55X-17131-00	B - 15	5FE-21568-01	E - 4	2HX-2331U-00	C - 14	3GB-25326-00	D - 5
22F-12156-00	B - 4	22F-14651-00	B - 2	3GB-17211-00	B - 15		E - 7	2HX-23350-00-36	C - 14	23F-2533A-00	D - 5
22F-12159-00	B - 4	5TH-14711-00	B - 9	55X-17231-00	B - 15	5FE-21568-11	E - 5	3GB-23448-00	C - 14	55X-2533H-00	D - 5
55X-12170-00	B - 5	55X-14752-00	B - 9	55X-17241-00	B - 15		E - 6	3GB-23501-10	C - 14	3GB-25343-00	D - 5
50M-12176-00	B - 5	2HX-1490J-20	B - 7	3GB-17402-00	B - 15	5FK-21568-00	E - 8	3GB-23502-10	C - 14	3Y6-25351-00	D - 5
22F-12217-01	B - 5	55X-14937-00	B - 8	2HX-17411-01	B - 15	5TH-21570-00	E - 4	2NL-23517-00	C - 14	55X-25355-00	D - 5
22F-12231-01	B - 5	22F-14991-00	B - 7	3GB-17508-00	C - 2		E - 5	3GB-23570-00-33	C - 14	3GB-25367-00	D - 6
22F-12241-00	B - 5	2FJ-15100-01	B - 10	22F-17531-00-15	C - 2		E - 6	1UY-23812-00	C - 13	3GB-25382-00	D - 5
2FJ-13300-00	B - 6	3GB-15362-00	C - 10	22F-17531-00-30	C - 2		E - 7	4EM-23813-01	C - 13	55X-25383-00	D - 5

NUMERICAL INDEX

PART NO.	GRID NO.	PART NO.	GRID NO.	PART NO.	GRID NO.	PART NO.	GRID NO.	PART NO.	GRID NO.	PART NO.	GRID NO.
2FJ-25390-00-35	D - 5	5TH-81960-00	D - 15	90109-061F3	D - 7	90185-12046	C - 14	90387-066V8	D - 7	90793-25013	D - 15
390-25412-01	D - 5	55X-82110-61	D - 15	90109-063F1	C - 6	90201-03313	E - 4	90387-07598	C - 15	91A20-07010	B - 8
3GB-25715-00	D - 6	55X-82115-00	D - 15	90109-063F6	C - 3		E - 5	90387-090R0	C - 13	91317-05025	D - 7
5TH-26111-00	D - 7	3GB-82116-00	D - 15	90109-06799	D - 14		E - 6	90387-175R2	D - 3	91317-06035	D - 12
5TH-26124-00	D - 7	55X-82122-00	D - 15	90109-08745	D - 3		E - 7	90430-06014	B - 10	91401-20012	D - 9
5LP-26241-00	D - 7	29W-82123-00	D - 15		D - 5		E - 8	90430-06166	B - 10	91401-20020	C - 13
3GB-2625E-01	D - 7	4J2-82131-01	D - 15	90109-104A8	C - 14	90201-060L5	C - 15	90430-10148	D - 15		C - 14
3GB-2625G-00	D - 7	3GB-82150-00	D - 15	90110-05201	C - 6	90201-066F0	B - 2	90445-073F9	C - 10	91401-25025	D - 6
3GB-2625H-00	D - 7	3GB-82151-00	D - 15	90113-06009	B - 5	90201-08326	B - 5	90445-083J4	C - 15	91401-30025	D - 3
5TH-26250-00	D - 7	4KJ-82310-10	D - 15	90114-10005	D - 5		B - 9	90445-085E0	D - 15	92901-04100	D - 11
3GB-2628F-00	D - 7	55X-82370-00	D - 15	90116-06399	B - 10	90201-08759	C - 14	90445-10638	C - 15	92901-05100	D - 11
3GB-2628G-01	D - 7	4GB-82510-11	E - 2	90116-08507	D - 5	90201-101A4	D - 11	90445-121F6	B - 10	92902-04100	B - 7
3GB-26311-02	D - 7	3GB-82540-01	D - 15	90119-05193	C - 6	90201-10774	C - 13	90460-15126	E - 2	92907-04200	C - 6
3GB-26341-01	D - 7	3HN-82579-00	E - 2	90119-06044	C - 6	90201-124F8	B - 15	90460-43053	B - 8	92907-05100	E - 3
20E-26343-00	D - 9	5TH-82590-00	E - 2		D - 13	90201-125F7	C - 2	90460-75020	C - 9	92907-05200	E - 3
		5TH-82910-00	D - 14	90119-06056	C - 8	90201-126A7	D - 6	90460-85135	C - 9	92907-06100	C - 15
3GB-26347-00	D - 7	3FA-82911-00	D - 14	90123-08046	D - 14	90201-12688	C - 14	90464-12045	E - 2		D - 15
3GB-26361-03	D - 8	5GH-83516-00	E - 2	90123-08106	D - 8	90201-127F4	C - 4	90464-13073	E - 2		D - 2
3FA-26466-00	D - 14	4KB-83530-00	E - 2	90149-06011	C - 15	90201-132G5	B - 15	90464-13249	C - 8		D - 6
371-27114-00	D - 2	23X-83912-00	D - 14	90151-06028	B - 14	90201-145M4	D - 7	90465-10098	E - 2	92907-06200	D - 12
3GB-27211-00	D - 9	5TH-83922-00	D - 7	90153-06034	D - 15	90201-14586	D - 3	90467-07029	C - 10		D - 9
3GB-27231-00	D - 9	437-83936-01	E - 2	90154-05052	C - 7	90201-15797	D - 9	90467-09006	C - 15	92907-06600	B - 14
3GB-27411-10	D - 9	3FA-83965-00	D - 14	90155-06007	B - 6	90201-186F1	B - 5	90467-13064	B - 10		B - 9
55X-27413-00	D - 9	3FA-83966-00	D - 14	90159-06076	B - 7	90202-05193	C - 15	90467-22080	C - 6		D - 15
3GB-27421-10	D - 9	3FA-83967-00	D - 14		B - 8	90208-12015	B - 13	90480-01400	C - 15	92907-08100	C - 11
3GB-28100-00	C - 5	4EM-83975-00	D - 14	90170-05302	B - 4	90209-11269	B - 11	90480-18171	C - 8	93101-10142	B - 11
1NV-2811A-01	C - 5	1YW-83980-00	D - 14	90170-10186	C - 13	90215-14249	B - 14	90480-18290	C - 15	93101-24110	C - 2
4EM-2819R-00	E - 4	5TH-8411B-00	D - 13	90170-14284	B - 14	90240-06076	D - 9	90501-03799	B - 12	93102-07292	B - 14
5GT-2836B-10	D - 7	5TH-84111-00	D - 13	90170-28379	D - 6	90249-12008	D - 7	90501-08511	D - 8	93102-12106	C - 4
5TH-2845N-00	D - 10	5TH-84121-00	D - 13	90171-10004	C - 14		D - 9	90501-10245	D - 9	93102-17271	C - 10
5TH-2845N-10	D - 10	2EK-85111-00	E - 3	90171-12039	D - 6	90267-32004	E - 4	90501-105A5	B - 13	93102-19276	D - 11
3GB-46110-10	C - 10	3Y6-85130-02	E - 3	90171-14020	D - 3		E - 5	90501-10710	B - 5	93102-23275	D - 3
3GB-46120-00	C - 10	449-85131-02	E - 3	90176-06065	B - 2		E - 6	90501-10782	D - 7	93102-28022	C - 10
22F-46123-01	C - 11	5G3-85520-M1	D - 11	90179-06387	B - 5		E - 7	90501-135A4	B - 13	93102-35349	D - 6
3GB-46151-00	C - 10	4EM-85540-10	D - 15	90179-08148	D - 14		E - 8	90504-06030	C - 15	93102-36409	D - 5
3GB-46172-01	C - 10	2FM-85550-M0	D - 11		D - 8	90269-06002	C - 6	90506-08122	C - 4	93102-38383	D - 5
2HX-46180-00	C - 10	4EM-85560-10	D - 11	90179-10394	D - 11	90280-03017	B - 3	90506-15260	D - 3	93102-40367	D - 3
22F-46187-00	C - 10	22K-85595-M0	D - 11	90179-12248	C - 2	90334-14037	B - 5		D - 5		D - 4
55X-81313-M0	D - 11	90101-06278	D - 3	90179-12659	B - 13	90336-28053	C - 13	90506-16318	D - 9	93104-10076	B - 14
55X-81800-51	D - 12		D - 4	90179-28573	D - 6	90340-12097	B - 6	90507-15038	D - 6	93112-31011	C - 13
22J-81801-50	D - 12	90101-06562	D - 5	90179-42480	C - 2	90340-14132	C - 10	90508-10775	D - 7	93210-06564	B - 10
55X-81826-50	D - 12	90101-06576	B - 9	90179-55464	C - 10	90340-18092	B - 5	90508-20454	D - 2		B - 5
5J3-81846-50	D - 12	90101-08461	C - 11	90183-05008	C - 6	90380-07118	B - 14	90508-20576	C - 3	93210-07003	C - 3
22J-81847-50	D - 12	90101-08590	B - 5	90185-05007	C - 7	90381-15040	C - 5	90508-32563	C - 4	93210-12327	D - 3
5J3-81847-50	D - 12	90101-12498	C - 14	90185-10091	C - 12	90381-17067	C - 14	90560-17146	B - 13		D - 4
55X-81855-50	D - 12	90105-10388	C - 12		C - 14	90387-062G8	B - 14	90560-20196	B - 12	93210-14104	C - 10
4KD-81940-00	D - 15	90105-10561	C - 14	90185-10115	C - 13	90387-062G9	B - 14	90560-23355	C - 10		D - 5
1RL-81950-92	D - 15	90105-12460	C - 14		C - 9	90387-066J1	C - 15	90793-20071	B - 2	93210-15414	C - 5

NUMERICAL INDEX

PART NO.	GRID NO.	PART NO.	GRID NO.	PART NO.	GRID NO.	PART NO.	GRID NO.	PART NO.	GRID NO.	PART NO.	GRID NO.
93210-19123	B - 11	95307-05700	D - 7	98507-06016	B - 2						
93210-25552	B - 7	95307-06600	B - 14		D - 15						
93210-26606	D - 6		D - 3	98507-06020	D - 14						
93210-40407	C - 5		D - 4		D - 15						
93210-43713	C - 10		D - 5		D - 8						
93210-44704	B - 2	95307-06700	D - 15	98507-06030	B - 11						
93210-50553	C - 2	95307-06800	B - 5	98507-06035	B - 11						
93210-63556	B - 2	95307-08600	D - 6	98507-06040	B - 11						
93211-02703	D - 11	95307-10700	C - 13	98507-06045	B - 10						
93211-066A9	C - 10	95607-06100	D - 14		B - 11						
93306-00105	B - 15		D - 7	98507-06060	B - 10						
93306-00308	D - 3	95607-08200	C - 5	98507-06075	B - 10						
93306-00612	D - 5	95707-06500	B - 9	98511-04012	D - 11						
93306-07801	C - 10	95707-08500	D - 3	98511-04020	D - 11						
93306-20301	B - 15		D - 5	98701-06018	B - 12						
93306-20309	C - 2	95807-06010	C - 6	98707-06016	D - 11						
93306-30101	B - 15	95807-06016	D - 7	99001-04600	B - 14						
93306-30306	C - 10	95807-08012	C - 8	99001-05600	B - 6						
93306-30433	B - 3		D - 7	99001-09600	C - 3						
93311-20952	C - 10	95817-06016	B - 10	99009-12400	B - 15						
93311-32353	B - 3		C - 10	99009-17400	C - 10						
93315-23208	C - 3	95817-06025	B - 10	99009-17500	C - 10						
93317-21236	C - 2	95817-08014	C - 9	99530-08012	B - 10						
93340-21209	C - 4		D - 10		B - 2						
93341-22302	B - 13	95817-08016	B - 9	99530-10114	B - 11						
93420-26077	B - 13	95817-08115	C - 5	99530-10120	B - 11						
93430-04002	D - 2	95817-08120	C - 5	99530-12016	B - 10						
93430-08007	C - 3	95817-12020	D - 9								
93440-10109	B - 2	95827-06020	C - 2								
93440-11128	B - 14	95827-08055	C - 13								
93440-16089	B - 15	97007-06012	D - 2								
93450-14088	B - 3	97007-06016	D - 15								
93450-42112	B - 13	97027-06020	C - 4								
93451-08094	B - 13	97027-06030	C - 15								
93505-08030	B - 13	97027-08060	C - 13								
93604-20156	C - 4	97707-40116	C - 6								
93604-22050	C - 3	97801-03008	C - 15								
93610-10174	B - 12	98501-04006	D - 11								
93700-06004	C - 14	98501-05010	D - 11								
	C - 5	98502-04008	B - 7								
93900-00022	D - 3	98502-04010	B - 7								
	D - 5	98502-04014	B - 7								
94107-073Y9	D - 3	98507-04016	D - 7								
94108-073Y8	D - 5	98507-06010	B - 9								
94580-25082	B - 5	98507-06012	B - 10								
94701-00250	B - 2		D - 6								
95027-06085	B - 2	98507-06014	C - 3								
95307-05600	E - 3	98507-06016	B - 14								