

PARTS CATALOGUE

XVS650 (4VRE) EUROPE

XVS650 (4XRE) EUROPE

XVS650
PARTS CATALOGUE
©2001 by Yamaha Motor Co., Ltd.
1st Edition, Jul. 2001
All rights reserved.
Any reprinting or unauthorized use
without the written permission of
Yamaha Motor Co., Ltd.
is expressly prohibited.
Printed in Japan

A3



A4

FOREWORD

This Parts Catalogue is related to the parts for the model(s) in the below frame. When you are ordering replacement parts, please refer to this Parts Catalogue and quote both part numbers and part names correctly.

XVS650(4VRE/4XRE)

1. Modifications or additions which have been made after issue of the Parts Catalogue will be announced in the Yamaha Parts News.
It is advisable that you make necessary corrections to the Parts Catalogue according to the Yamaha Parts News.

2. Abbreviations

The Following abbreviations are used in this Parts Catalogue.

- “UR” Use specified parts number.
- “UN” Use as many as needed.
- “AP” Alternate Parts
- “LM” Local Made (Parts need to be ordered locally)
- “F#” Frame No. (Applicable machine No.)

3. Parts, which are to be supplied in an assembly, are listed with a dot(.) in front of the part name as shown below.

EXAMPLE

- CARBURETOR ASSY
- .JET, PILOT
- .NOZZLE, MAIN

4. Number of component for assembly

The numeral appearing to the right of each component part indicates the quantity of parts for each assembly unit.

EXAMPLE

PART NO.	DESCRIPTION	Q'TY	REMARKS
2F5-83310-60	FRONT FLASHER LIGHT ASSY	2	
115-83311-60	.BULB (6V-18W)	1	
1M1-83309-60	.REFLECTOR	1	

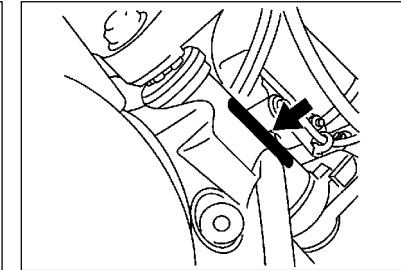
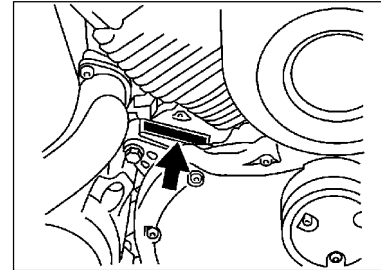
5. Applicable colors of graphics are represented in the “REMARKS” as shown below.

PART NO.	DESCRIPTION	Q'TY	REMARKS
2N4-24110-00-X5	FUEL TANK COMP.	1	MXR
3J1-24240-10	.GRAPHIC, FUEL TANK	1	FOR MXR

6. Applicable Serial No.

Engine Serial No.

Frame Serial No.



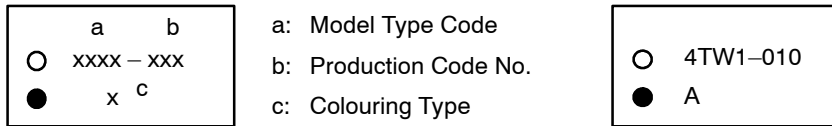
7. Note that the illustrations for reference in finding parts numbers, not to be used for assembling. When assembling, please use the applicable service manual.

8. The asterisk (*) before a reference number indicates modification items after the first edition.

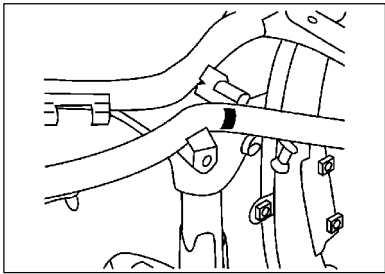
MODEL LABEL

(1) A label called "Model Label" is affixed in the location as indicated in (3) below.
When using this parts catalogue, please be sure to cross-refer the "model code – production code No." in the catalogue to the "model code – production code No." indicated on the Model Label affixed onto the product concerned.

(2) "Model Label" Indication



(3) Model Label Affixing Location



(4) Model Code – Production Code Number of Model Listed in This Parts Catalog

Model Code	Production Code No.	Country (destination)	Model Code	Production Code No.	Country (destination)
4VRE	020	AUSTRIA			
	030	BELGIUM			
	040	SWITZERLAND			
	050	DENMARK			
		FINLAND			
		NORWAY			
	070	ENGLAND			
	080	GREECE			
	090	ITALY			
	100	HOLLAND			
	110	PORTUGAL			
120	SWEDEN				
4XRE	040	ENGLAND			
	050	HOLLAND			

(5) Colouring Information

Model Code	Colouring type code	Colour code	Colour Name	Abbreviation
4VRE	A	0033	YAMAHA BLACK	YB
4XRE	B	0660	SILVER METALLIC 1	SM1

CONTENTS

ENGINE

CYLINDER HEAD	B2
CYLINDER	B4
CRANKSHAFT. PISTON	B5
VALVE	B6
CAMSHAFT. CHAIN	B7
OIL PUMP	B8
INTAKE	B9
CARBURETOR	B11
EXHAUST	B13
CRANKCASE	B15
CRANKCASE COVER 1	C3
STARTER CLUTCH	C5
CLUTCH	C6
TRANSMISSION	C8
MIDDLE DRIVE GEAR	C9
SHIFT CAM. FORK	C10
SHIFT SHAFT	C11

CHASSIS

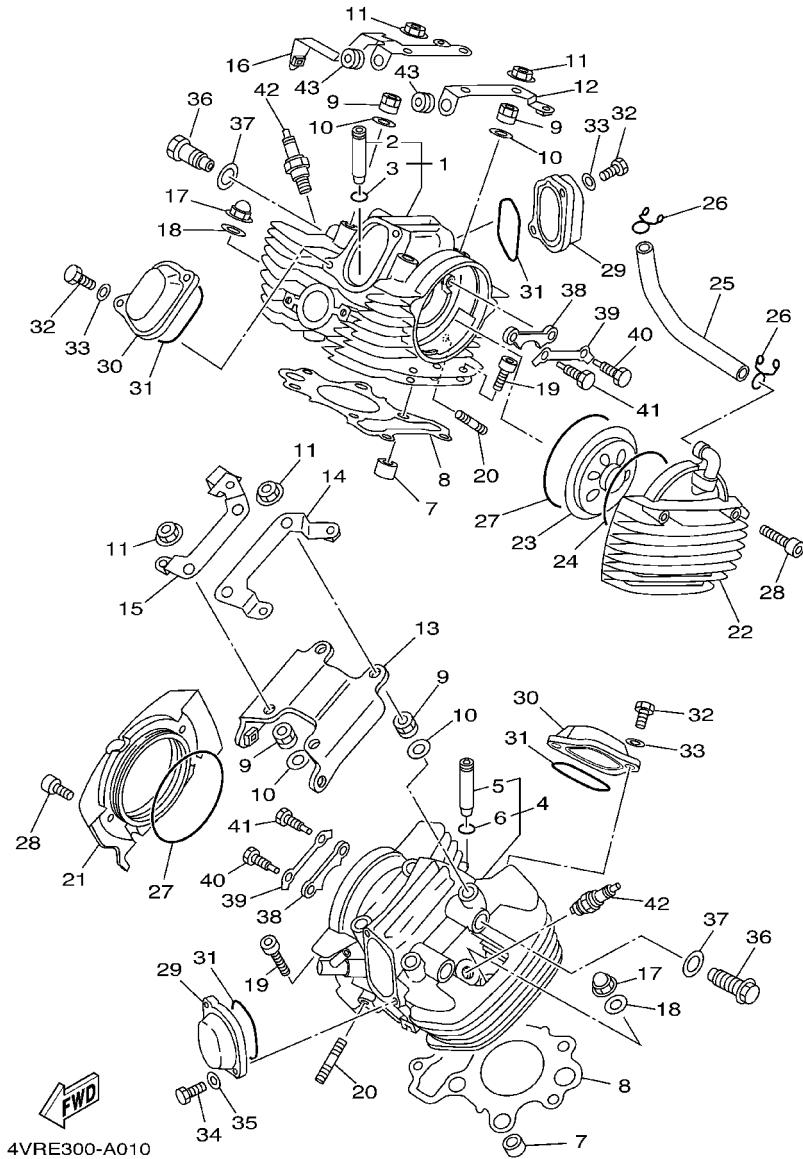
FRAME	C12
FENDER	C14
SIDE COVER	D2
REAR ARM. SUSPENSION	D4
DRIVE SHAFT	D5
STEERING	D7
FRONT FORK	D8
FUEL TANK	D10
SEAT	D12
FRONT WHEEL	D13

FRONT BRAKE CALIPER	D14
REAR WHEEL	D15
STEERING HANDLE. CABLE	E3
FRONT MASTER CYLINDER	E4
STAND. FOOTREST	E5
GENERATOR	E8
FLASHER LIGHT	E9
METER	E11
HEADLIGHT	E12
TAILLIGHT	E13
HANDLE SWITCH. LEVER	E14
ELECTRICAL 1	E15
ELECTRICAL 2	F3

INDEX

NUMERICAL INDEX	M1
-----------------------	----

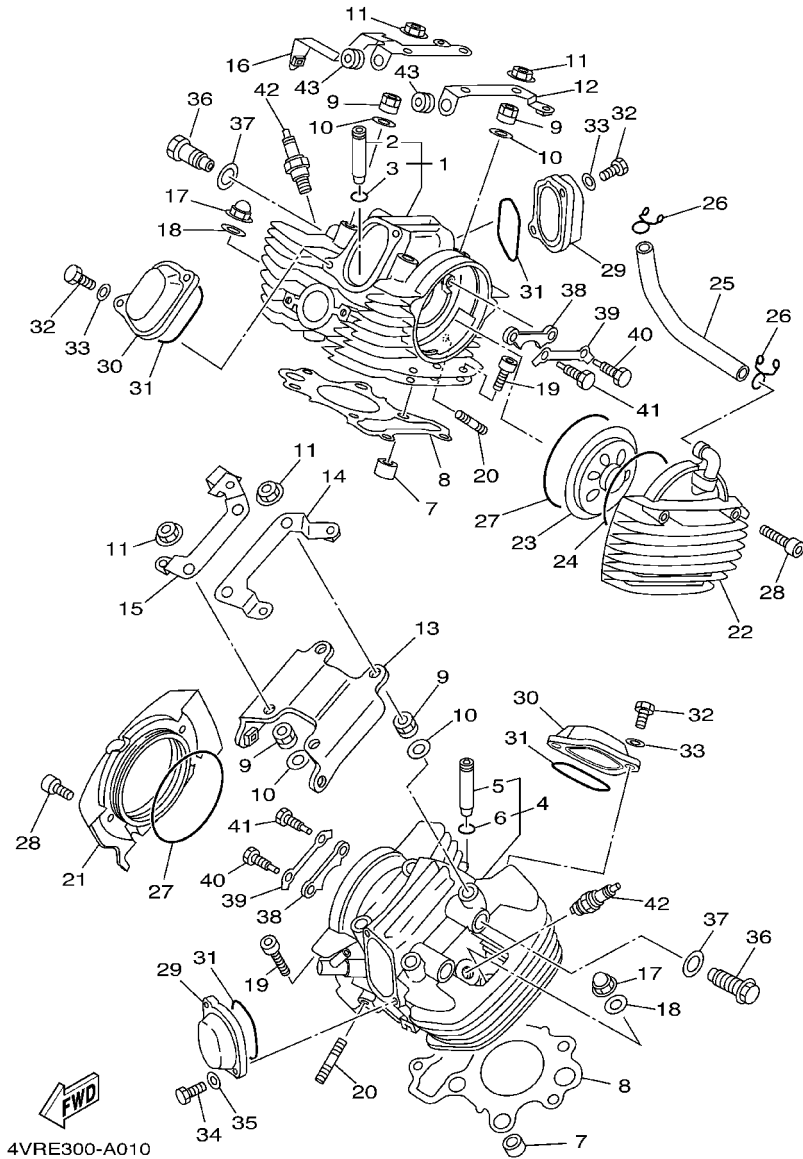
FIG. 1 CYLINDER HEAD



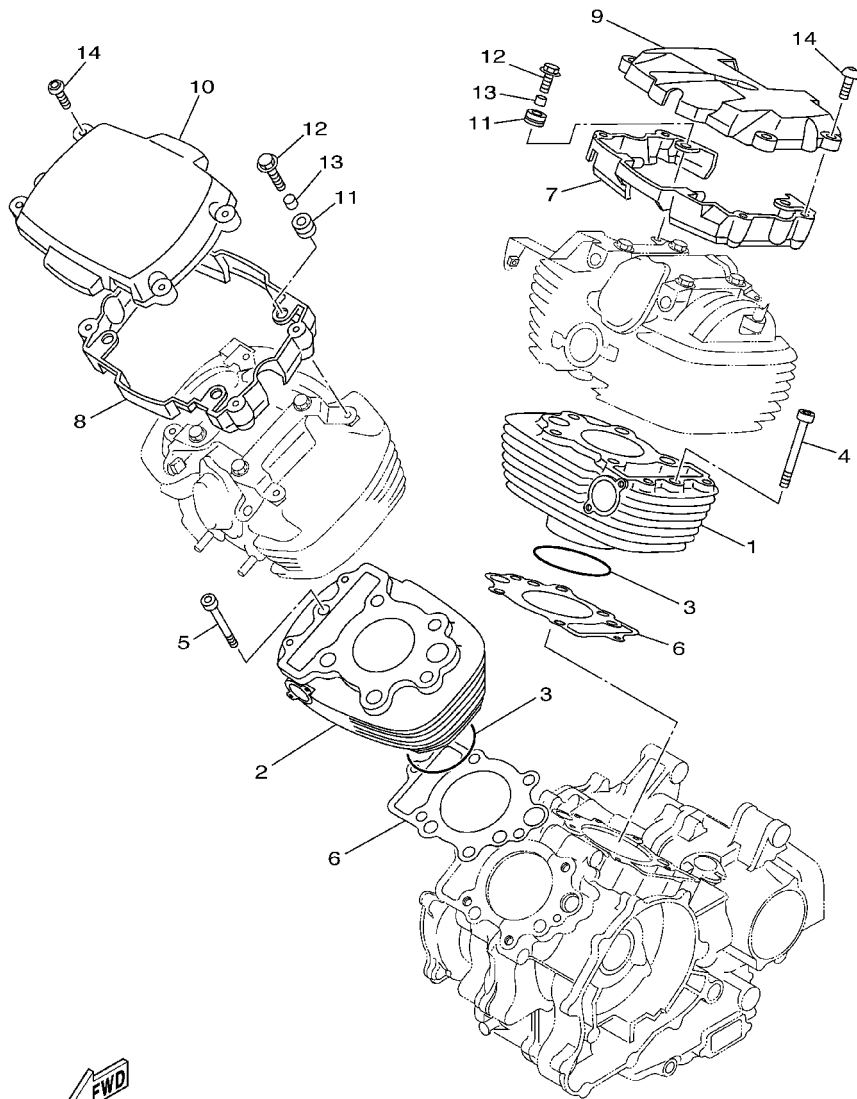
4VRE300-A010

REF. NO.	PART NO.	DESCRIPTION	4VRE	4XRE	REMARKS
1	5BN-11101-10	CYLINDER HEAD ASSY	1	1	
2	4H7-11133-10	.GUIDE, INTAKE VALVE	2	2	
3	93440-12052	.CIRCLIP	2	2	
4	4XP-11101-11	CYLINDER HEAD ASSY	1	1	
5	4H7-11133-10	.GUIDE, INTAKE VALVE	2	2	
6	93440-12052	.CIRCLIP	2	2	
7	99530-17016	PIN, DOWEL	4	4	
8	4VR-11181-10	GASKET, CYLINDER HEAD 1	2	2	
9	90179-10395	NUT	8	8	
10	90201-10131	WASHER, PLATE	8	8	
11	95707-10500	NUT, FLANGE	8	8	
12	4TR-11142-00	BRACKET, CYLINDER HEAD COVER 2	1	1	
13	4TR-11152-00	BRACKET, CYLINDER HEAD COVER	1	1	
14	4TR-1111F-00	PLATE	1	1	
15	4TR-1112F-00	PLATE 2	1	1	
16	4TR-1135A-00	BRACKET	1	1	
17	90176-08080	NUT, CROWN	2	2	
18	90201-08609	WASHER, PLATE	2	2	
19	90110-08019	BOLT, HEXAGON SOCKET HEAD	4	4	
20	95617-08630	BOLT, STUD	4	4	
21	4TR-11187-11	COVER, CYLINDER HEAD SIDE 3	1	1	
22	4TR-11186-11	COVER, CYLINDER HEAD SIDE 2	1	1	
23	22U-11165-00	PLATE, BREATHER	1	1	
24	93210-89568	O-RING	1	1	
25	4TR-11166-00	PIPE, BREATHER 1	1	1	
26	90467-14015	CLIP	2	2	
27	93211-00612	O-RING	2	2	

FIG. 1 CYLINDER HEAD



REF. NO.	PART NO.	DESCRIPTION	4VRE	4XRE	REMARKS
28	91314-06035	BOLT	4	4	
29	22U-11186-00	COVER, CYLINDER HEAD SIDE 2	2	2	
30	22U-11187-00	COVER, CYLINDER HEAD SIDE 3	2	2	
31	93210-62446	O-RING	4	4	
32	97027-06016	BOLT	6	6	
33	92907-06600	WASHER, PLATE	6	6	
34	97024-06016	BOLT	2	2	
35	92904-06600	WASHER	2	2	
36	90401-16166	BOLT, UNION	4	4	
37	90430-17168	GASKET	4	4	
38	22U-1111F-01	PLATE	2	2	
39	90215-08229	WASHER, LOCK	2	2	
40	90109-08782	BOLT	2	2	
41	90109-08781	BOLT	2	2	
42	94701-00262	PLUG, SPARK (NGK DPR7EA 9)	2	2	
43	90480-13018	GROMMET	2	2	

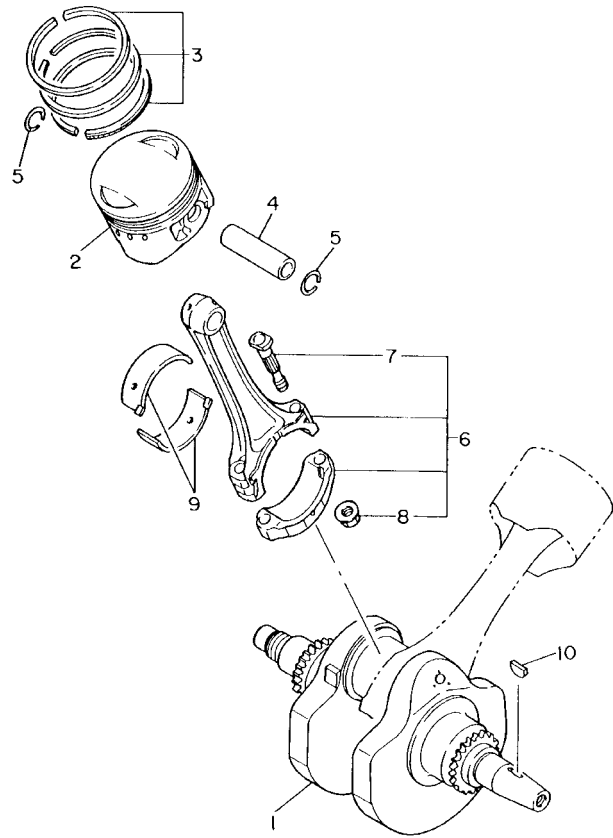



5KP1010-0020

FIG. 2 CYLINDER

REF. NO.	PART NO.	DESCRIPTION	4VRE	4XRE			REMARKS
1	4VR-11310-11	CYLINDER	1	1			
2	4VR-11320-11	CYLINDER 2	1	1			
3	93210-84724	O-RING	2	2			
4	91317-06085	BOLT	1	1			
5	90110-06011	BOLT, HEXAGON SOCKET HEAD	1	1			
6	4VR-11351-00	GASKET, CYLINDER	2	2			
7	4VR-11191-00	COVER, CYLINDER HEAD 1	1	1			
8	4VR-11192-00	COVER, CYLINDER HEAD 2	1	1			
9	4VR-11190-00	COVER, CYLINDER HEAD 1	1	1			
10	4VR-1111N-00	COVER 2	1	1			
11	90480-13018	GROMMET	6	6			
12	90119-06118	BOLT, WITH WASHER	6	6			
13	90387-06043	COLLAR	4	4			
14	90149-06302	SCREW	8	8			

FIG. 3 CRANKSHAFT. PISTON

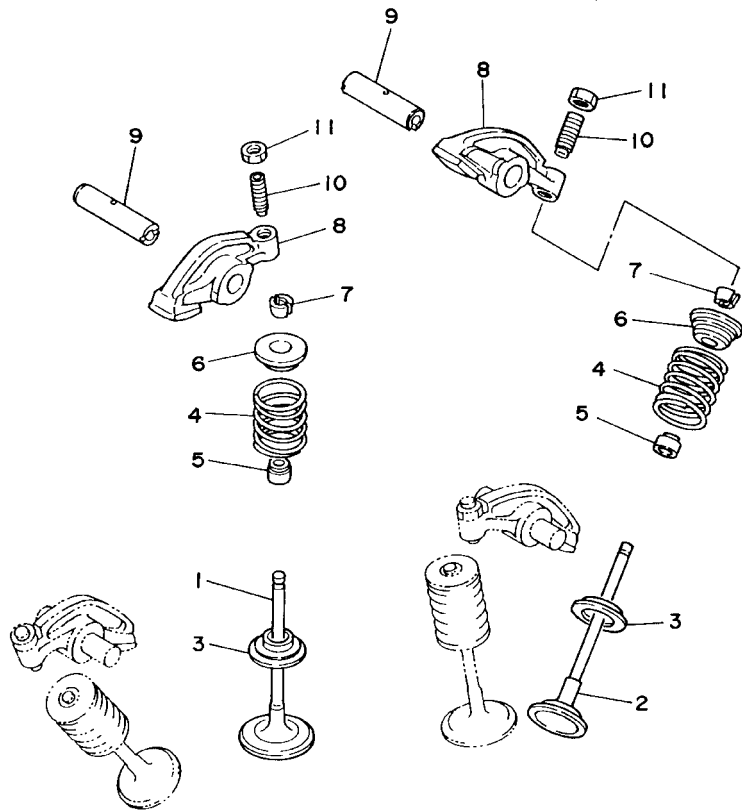


REF. NO.	PART NO.	DESCRIPTION	4VRE	4XRE				REMARKS
1	4VR-11411-00	CRANKSHAFT	1	1				
2	4VR-11631-01-A0	PISTON (STD)	2	2				
	4VR-11636-00	PISTON (0.50MM O/S)	2	2				AP
	4VR-11638-00	PISTON (1.00MM O/S)	2	2				AP
3	4VR-11603-00	PISTON RING SET (STD)	2	2				
	4VR-11605-00	PISTON RING SET (0.50MM O/S)	2	2				AP
	4VR-11607-00	PISTON RING SET (1.00MM O/S)	2	2				AP
4	3LD-11633-00	PIN, PISTON	2	2				
5	93450-22027	CIRCLIP	4	4				
6	4VR-11650-00	CONNECTING ROD ASSY	2	2				
7	22U-11654-00	.BOLT, CONNECTING ROD	2	2				
8	90179-08327	.NUT	2	2				
9	3LD-11656-00	PLANE BEARING, CONNECTING ROD	4	4				UR BLUE
	3LD-11656-10	PLANE BEARING, CONNECTING ROD	4	4				UR BLACK
	3LD-11656-20	PLANE BEARING, CONNECTING ROD	4	4				UR BROWN
	3LD-11656-30	PLANE BEARING, CONNECTING ROD	4	4				UR GREEN
10	90280-05048	KEY, WOODRUFF	1	1				



2GV110-7030

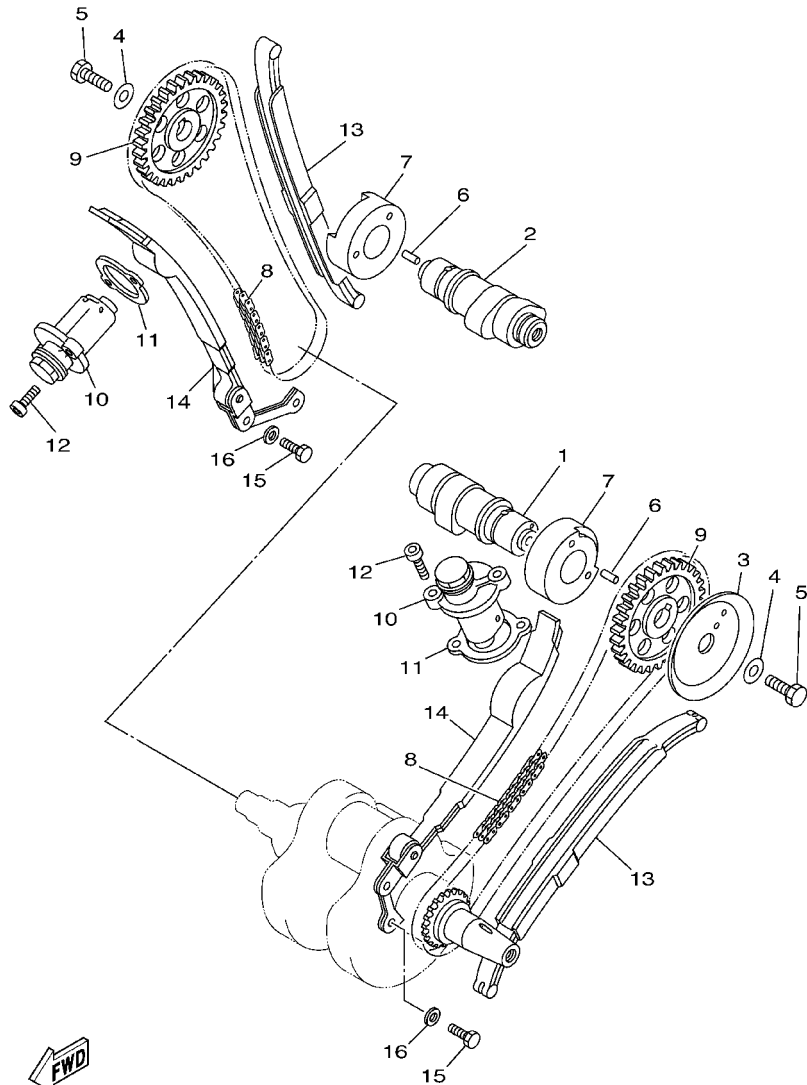
FIG. 4 VALVE



REF. NO.	PART NO.	DESCRIPTION	4VRE	4XRE			REMARKS
1	4VR-12111-00	VALVE, INTAKE	2	2			
2	4VR-12121-00	VALVE, EXHAUST	2	2			
3	3Y1-12116-00	SEAT, VALVE SPRING	4	4			
4	3Y1-12114-01	SPRING, VALVE OUTER	4	4			
5	1J7-12119-01	SEAL, VALVE STEM	4	4			
6	3Y1-12117-01	RETAINER, VALVE SPRING	4	4			
7	1J7-12118-00	COTTER, VALVE	8	8			
8	22U-12151-00	ARM, VALVE ROCKER	4	4			
9	22U-12156-01	SHAFT, ROCKER 2	4	4			
10	22U-12159-00	SCREW, VALVE ADJUSTING	4	4			
11	90170-06128	NUT	4	4			


4TR1010-6040

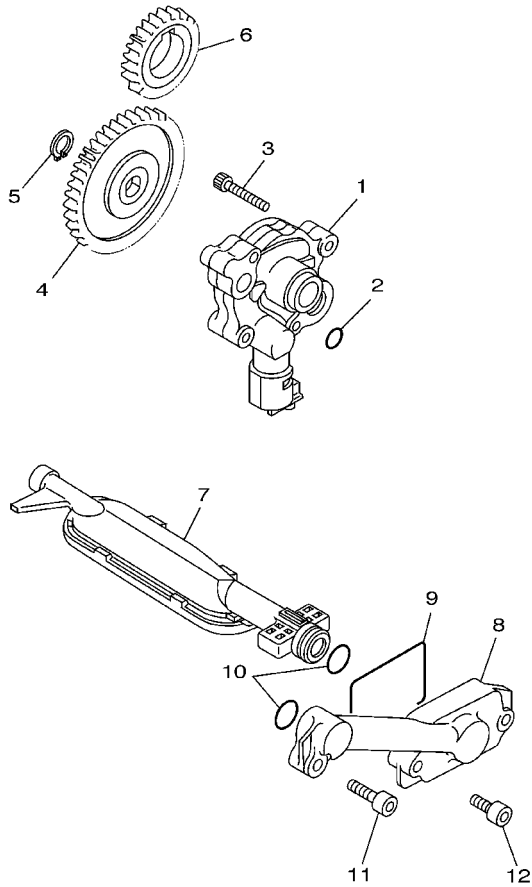
FIG. 5 CAMSHAFT. CHAIN



REF. NO.	PART NO.	DESCRIPTION	4VRE	4XRE				REMARKS
1	4VR-12171-00	CAMSHAFT 1	1	1				
2	4VR-12181-00	CAMSHAFT 2	1	1				
3	22U-11145-00	PLATE, BREATHER 2	1	1				
4	90201-10591	WASHER, PLATE	2	2				
5	90101-10303	BOLT	2	2				
6	93605-10108	PIN, DOWEL	2	2				
7	90380-28131	BUSH, SOLID	2	2				
8	94591-41118	CHAIN	2	2				
9	22U-12176-01	SPROCKET, CAM CHAIN	2	2				
10	11H-12210-02	TENSIONER ASSY, CAM CHAIN	2	2				
11	3BT-12213-00	GASKET, TENSIONER CASE	2	2				
12	91314-06025	BOLT	4	4				
13	4VR-12231-00	GUIDE, STOPPER 1	2	2				
14	22U-12241-00	GUIDE, STOPPER 2	2	2				
15	97027-06016	BOLT	4	4				
16	92907-06600	WASHER, PLATE	4	4				



4VR1300-7050

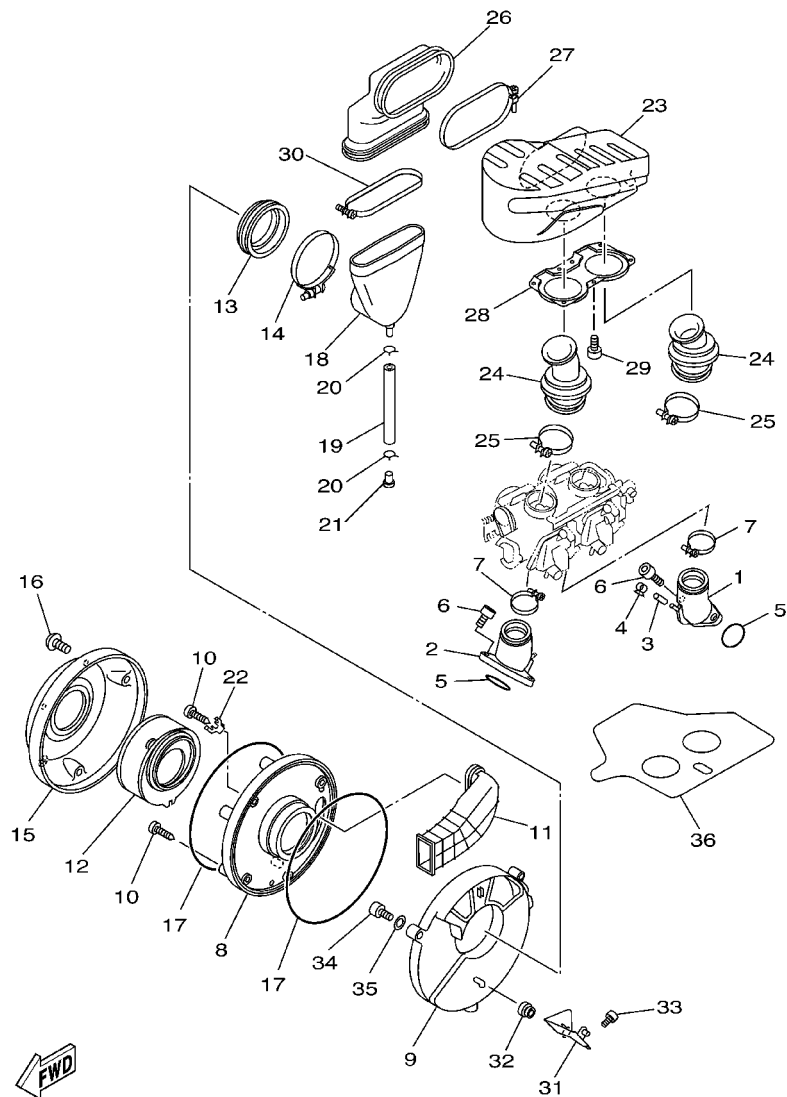


4VR1300-7060

FIG. 6 OIL PUMP

REF. NO.	PART NO.	DESCRIPTION	4VRE	4XRE				REMARKS
1	4VR-13300-00	OIL PUMP ASSY	1	1				
2	93210-10096	O-RING	1	1				
3	91317-06030	BOLT	3	3				
4	4VR-13325-00	GEAR, PUMP DRIVEN	1	1				
5	99009-11400	CIRCLIP	1	1				
6	22U-13324-00	GEAR, DRIVE (24T)	1	1				
7	4TR-13410-00	STRAINER HOUSING ASSY	1	1				
8	4VR-13417-00	COVER, STRAINER	1	1				
9	22U-13415-00	SEAL, OIL STRAINER	1	1				
10	93210-15151	O-RING	2	2				
11	91314-06025	BOLT	1	1				
12	91314-06020	BOLT	2	2				

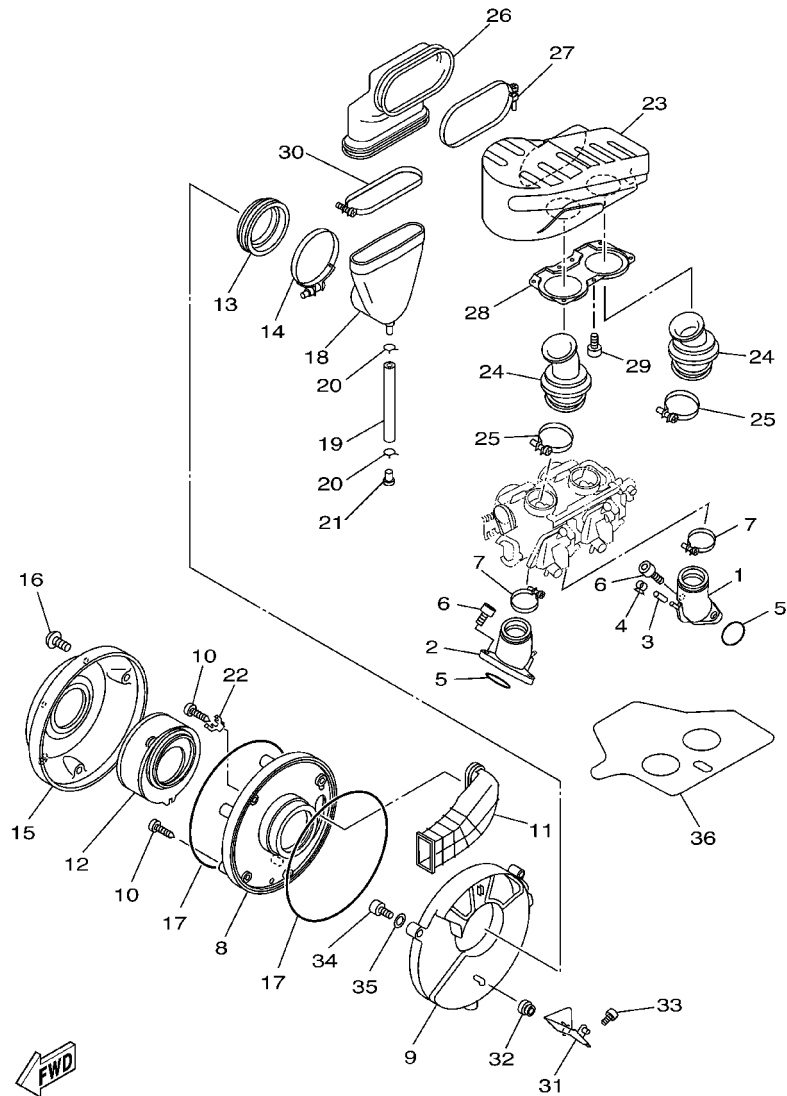
FIG. 7 INTAKE



4XP3361-8070

REF. NO.	PART NO.	DESCRIPTION	4VRE	4XRE	REMARKS
1	4TR-13586-01	JOINT, CARBURETOR 1	1	1	
2	4TR-13596-01	JOINT, CARBURETOR 2	1	1	
3	16G-13569-00	PLUG, BLIND	1	1	
4	90467-10039	CLIP	1	1	
5	93210-36769	O-RING	2	2	
6	91317-06020	BOLT	4	4	
7	4TR-13474-00	BAND	2	2	
8	4TR-14411-00	CASE, AIR CLEANER 1	1	1	
9	4TR-14417-00	COVER 1	1	1	
10	97707-50125	SCREW, TAPPING	4	4	
11	4TR-14437-00	DUCT	1	1	
12	4TR-14451-00	ELEMENT, AIR CLEANER	1	1	
13	4TR-14463-00	JOINT, AIR CLEANER 2	1	1	
14	4TR-14456-00	BAND	1	1	
15	4TR-14421-00	CASE, AIR CLEANER 2	1	1	
16	92014-05016	BOLT, BUTTON HEAD	3	3	
17	4TR-14452-00	SEAL	2	2	
18	4TR-1440G-00	JOINT, AIR FILTER 2	1	1	
19	90445-11587	HOSE (L100)	1	1	
20	90467-11106	CLIP	2	2	
21	90338-08174	PLUG	1	1	
22	4TR-14413-00	STAY	1	1	
23	4VR-14431-00	SILENCER, INTAKE 1	1	1	
24	4TR-14453-00	JOINT, AIR CLEANER 1	2	2	
25	90460-53200	CLAMP, HOSE	2	2	
26	4TR-1440F-00	JOINT, AIR FILTER 1	1	1	
27	4TR-13575-00	BAND	1	1	

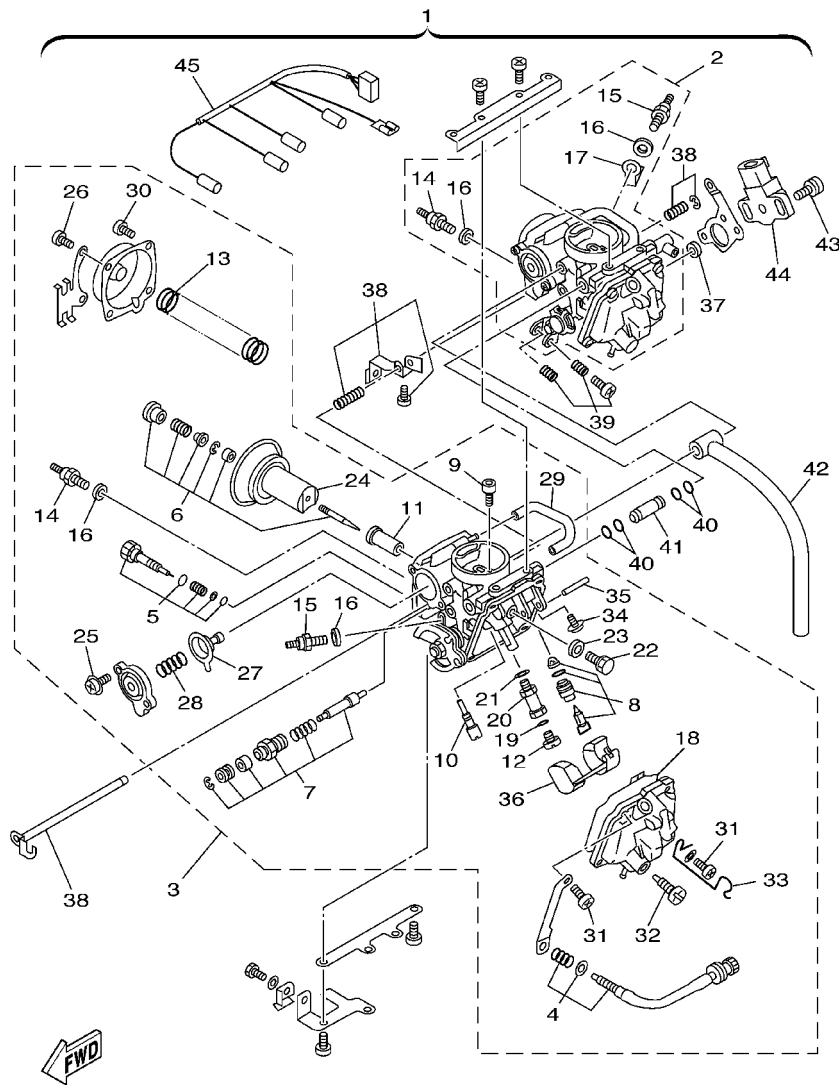
FIG. 7 INTAKE



4XP3361-8070

REF. NO.	PART NO.	DESCRIPTION	4VRE	4XRE	REMARKS
28	4VR-13594-00	COVER, MANIFOLD 2	1	1	
29	97707-40106	SCREW, TAPPING	7	7	
30	4TR-14455-00	BAND	1	1	
31	4TR-14499-00	STAY 2	1	1	
32	90480-13398	GROMMET	1	1	
33	91317-06016	BOLT	2	2	
34	91317-06020	BOLT	2	2	
35	92907-06600	WASHER, PLATE	2	2	
36	4TR-12682-00	PROTECTOR, HEAT	1	1	

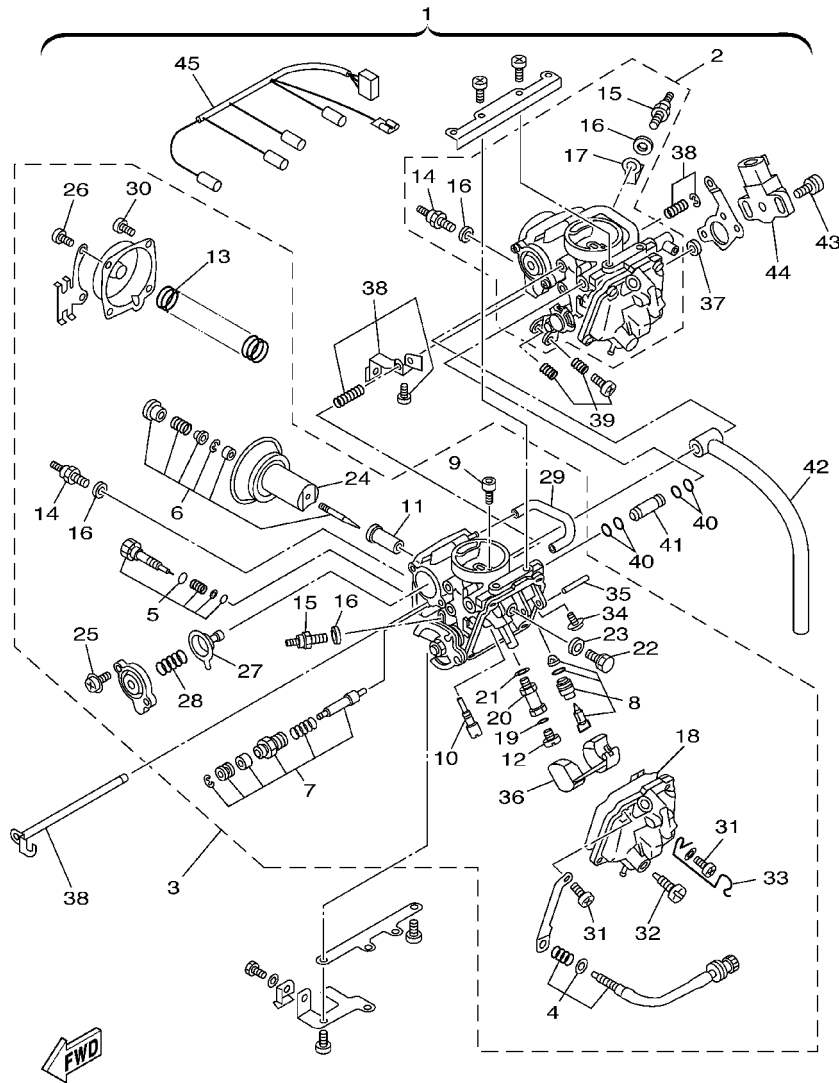
FIG. 8 CARBURETOR



4VRD300-1080

REF. NO.	PART NO.	DESCRIPTION	4VRE	4XRE	REMARKS
1	5BN-14900-31	CARBURETOR ASSY	1		
	5BN-14900-21	CARBURETOR ASSY		1	
2	5BN-14901-31	..CARBURETOR ASSY 1	1		(#1)REAR
	5BN-14901-21	..CARBURETOR ASSY 1		1	(#1)REAR
3	5BN-14902-31	..CARBURETOR ASSY 2	1		(#2)FRONT
	5BN-14902-21	..CARBURETOR ASSY 2		1	(#2)FRONT
4	4TR-14103-00	..THROTTLE SCREW SET	1	1	(#2)FRONT
5	4TR-14105-00	..PILOT SCREW SET	1	1	
6	4XP-1490J-00	..NEEDLE SET	1	1	
7	4DN-1410A-01	..STARTER SET	1	1	
8	3CF-14107-10	..NEEDLE VALVE SET	1	1	
9	1HX-14231-20	..JET,PILOT AIR (#100)	1	1	
10	4KM-14142-20	..JET, PILOT (#20)	1	1	
11	3DM-14141-34	..NOZZLE, MAIN	1	1	
12	3G2-14231-18	..JET, MAIN (#90)	1	1	
13	4VR-14933-00	..SPRING, DIAPHRAGM	1	1	
14	5FU-83790-00	..HEATER ASSY	1	1	
15	5FU-83790-20	..HEATER ASSY	1	1	
16	90201-08016	..WASHER, PLATE	2	2	
17	4DH-82103-00	..TERMINAL 1	1	1	(#1)REAR
18	1HX-14147-00	..O-RING	1	1	
19	1AE-14227-00	..O-RING	1	1	
20	1AE-14261-00	..HOLDER	1	1	
21	1AE-14237-00	..GASKET	1	1	
22	1HX-14565-00	..SCREW	1	1	
23	137-14153-00	..WASHER, MAIN JET	1	1	
24	4TR-14940-00	..DIAPHRAGM ASSY	1		

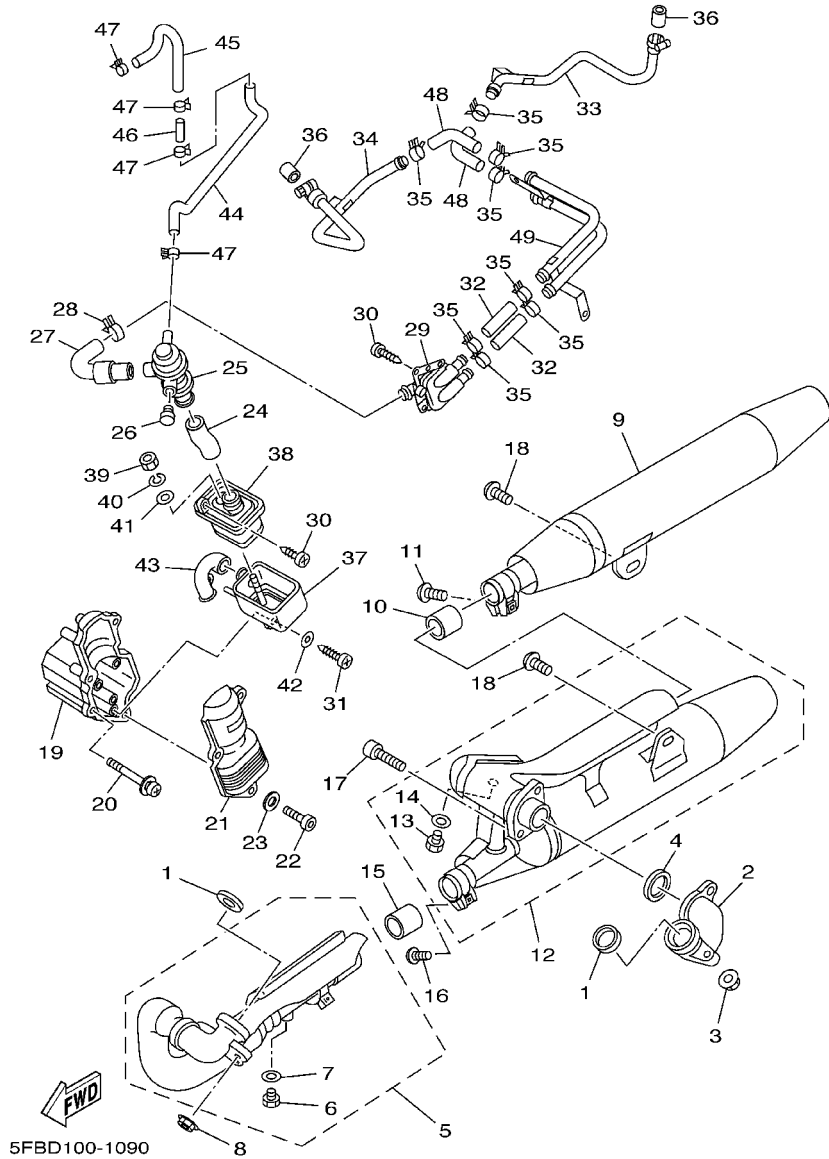
FIG. 8 CARBURETOR



4VRD300-1080

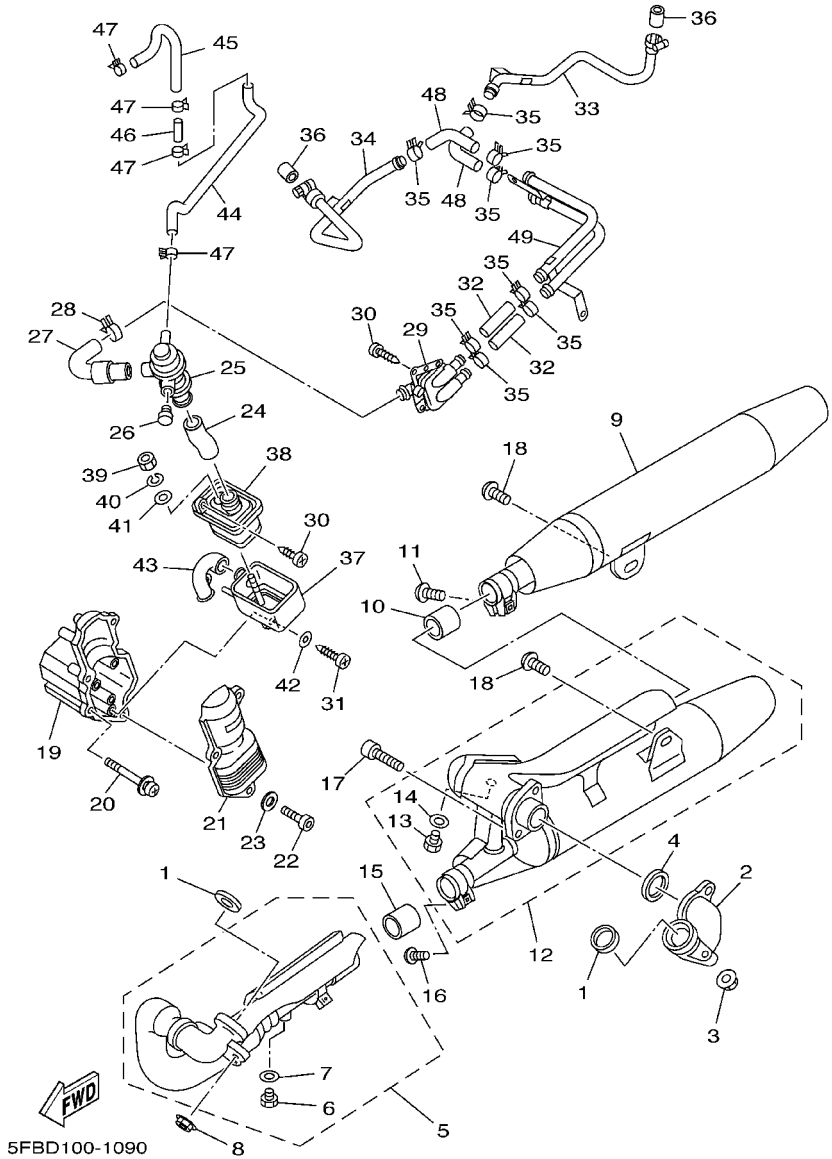
REF. NO.	PART NO.	DESCRIPTION	4VRE	4XRE	REMARKS
24	4XR-14940-00	..DIAPHRAGM ASSY		1	
25	1UY-14565-00	..SCREW	2	2	
26	3KW-14486-00	..SCREW, ROD	2	2	(#2) FRONT
27	22V-14940-00	..DIAPHRAGM ASSY	1	1	
28	26H-14275-00	..SPRING	1	1	
29	4TR-14348-00	..PIPE 1	1	1	
30	98507-04008	..SCREW, PAN HEAD	4	4	UR (#1) REAR
	98507-04008	..SCREW, PAN HEAD	2	2	UR (#2) FRONT
31	98507-04014	..SCREW, PAN HEAD	4	4	
32	12R-14191-00	..PLUG, DRAIN	1	1	
33	4TR-14937-00	..CLIP	1	1	
34	1FN-14565-00	..SCREW	1	1	
35	353-14186-00	..PIN, FLOAT	1	1	
36	1HX-14985-00	..FLOAT	1	1	
37	4HM-14239-00	..SEAL	1	1	
38	4TR-1490L-00	..STARTER LEVER SET, 1	1	1	
39	3KW-1490K-00	..STOP SCREW SET	1	1	
40	36Y-14147-00	..O-RING	4	4	
41	1WG-14251-00	..NIPPLE	1	1	
42	4TR-14987-00	..HOSE	1	1	
43	4KM-24453-00	..SCREW	2	2	
44	4NK-85885-00	..THROTTLE POSITION SENSOR ASSY	1	1	
45	4TR-81517-00	..WIRE, SUB LEAD	1	1	

FIG. 9 EXHAUST



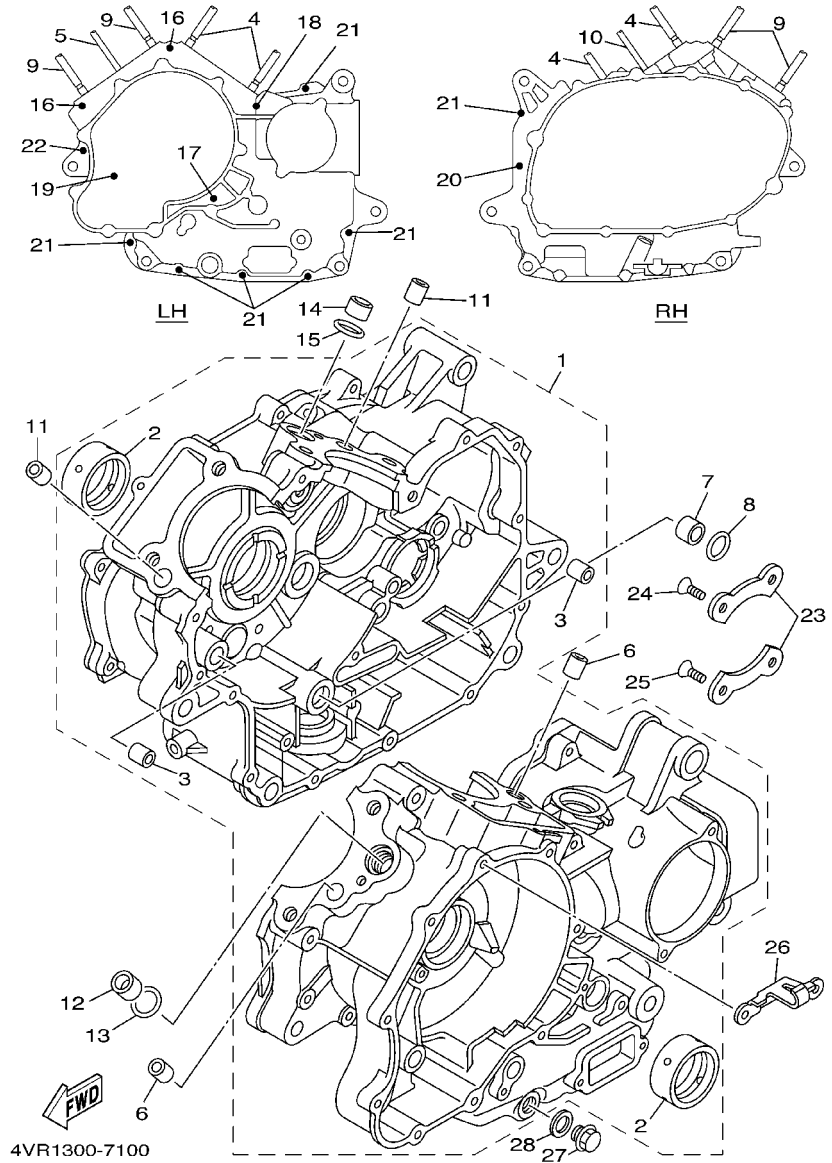
REF. NO.	PART NO.	DESCRIPTION	4VRE	4XRE			REMARKS
1	4TR-14613-00	GASKET, EXHAUST PIPE	2	2			
2	4TR-14615-02	JOINT, EXHAUST 1	1	1			
3	90185-08097	NUT, SELF-LOCKING	2	2			
4	4BR-14613-00	GASKET, EXHAUST PIPE	1	1			
5	4XP-14620-00	EXHAUST PIPE ASSY 2	1	1			
6	90101-06576	.BOLT	1	1			
7	92990-06600	.WASHER, PLATE	1	1			
8	90185-08097	NUT, SELF-LOCKING	2	2			
9	4VR-14703-03	MUFFLER COMP. 1	1	1			
10	4BH-14714-00	GASKET, MUFFLER	1	1			
11	92017-08025	BOLT, BUTTON HEAD	1	1			
12	4VR-14704-03	MUFFLER COMP. 2	1	1			
13	90101-06576	.BOLT	1	1			
14	92990-06600	.WASHER, PLATE	1	1			
15	4BH-14714-00	GASKET, MUFFLER	1	1			
16	92017-08025	BOLT, BUTTON HEAD	1	1			
17	91314-08035	BOLT	2	2			
18	92017-10020	BOLT, BUTTON HEAD	2	2			
19	5BN-14604-00	COVER, AIR 1	1	1			
20	90159-06200	SCREW, WITH WASHER	3	3			
21	5BN-14603-00	COVER 1	1	1			
22	91314-06020	BOLT	3	3			
23	92907-06200	WASHER	3	3			
24	5BN-14882-00	HOSE, BEND 2	1	1			
25	5BN-14840-00	AIR CUT VALVE ASS'Y	1	1			
26	90338-10132	PLUG	1	1			
27	5BN-14883-00	HOSE, BEND 3	1	1			

FIG. 9 EXHAUST



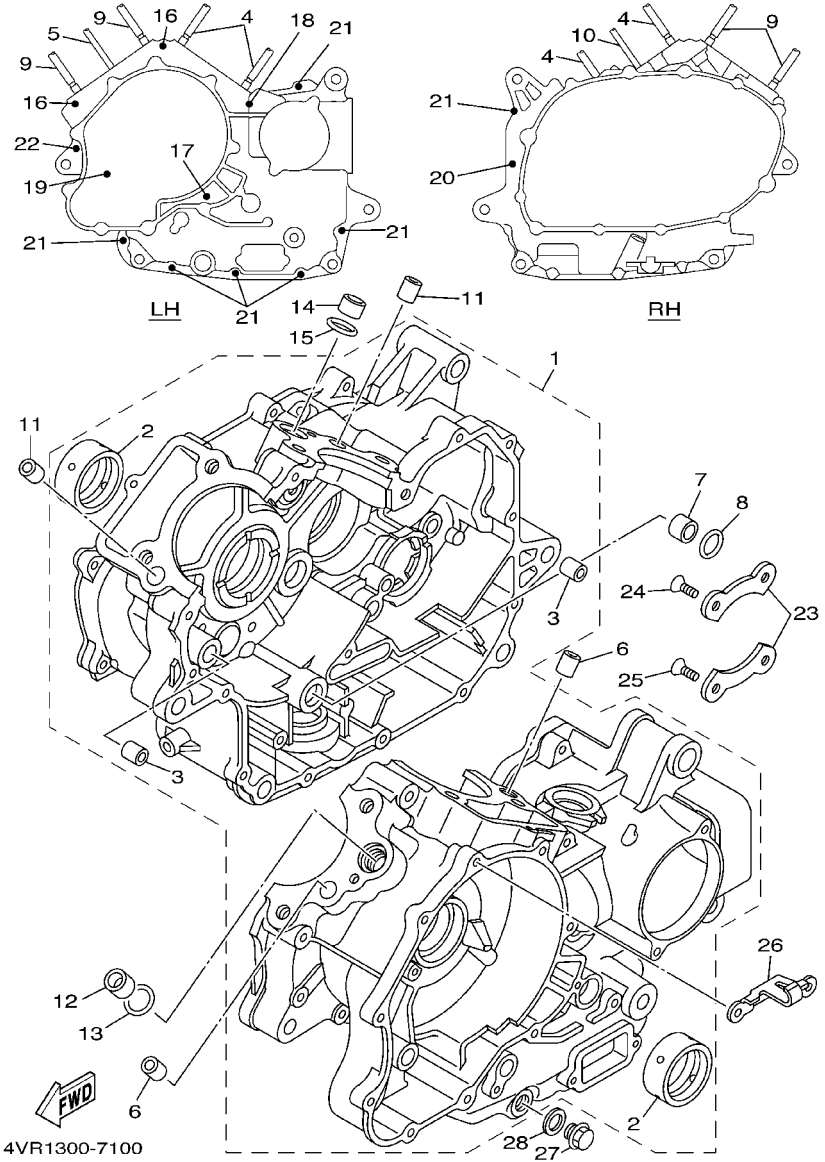
REF. NO.	PART NO.	DESCRIPTION	4VRE	4XRE	REMARKS
28	90467-19065	CLIP	1	1	
29	5BN-14808-00	REED VALVE ASSY	1	1	
30	97707-60114	SCREW, TAPPING	4	4	
31	97707-60120	SCREW, TAPPING	1	1	
32	5BN-14884-00	HOSE, BEND 4	2	2	
33	5BN-14871-00	PIPE 1	1	1	
34	5BN-14872-00	PIPE 2	1	1	
35	90468-08104	CLIP	8	8	
36	42H-14714-10	GASKET, MUFFLER	2	2	
37	5BN-14857-01	CASE, AIR CLEANER	1	1	
38	5BN-14858-00	CAP, CASE	1	1	
39	95607-05100	NUT, U	1	1	
40	92907-05200	WASHER	1	1	
41	90202-05057	WASHER, PLATE	1	1	
42	90201-062P7	WASHER, PLATE	1	1	
43	5BN-14885-00	HOSE, BEND 5	1	1	
44	5BN-13542-00	HOSE, VACUUM SENSING 1	1	1	
45	5BN-13544-00	HOSE, VACUUM SENSING 2	1	1	
46	4MM-13582-00	PIPE	1	1	
47	90467-08092	CLIP	4	4	
48	5BN-14881-00	HOSE, BEND 1	2	2	
49	5BN-14875-00	PIPE 5	1	1	

FIG. 10 CRANKCASE



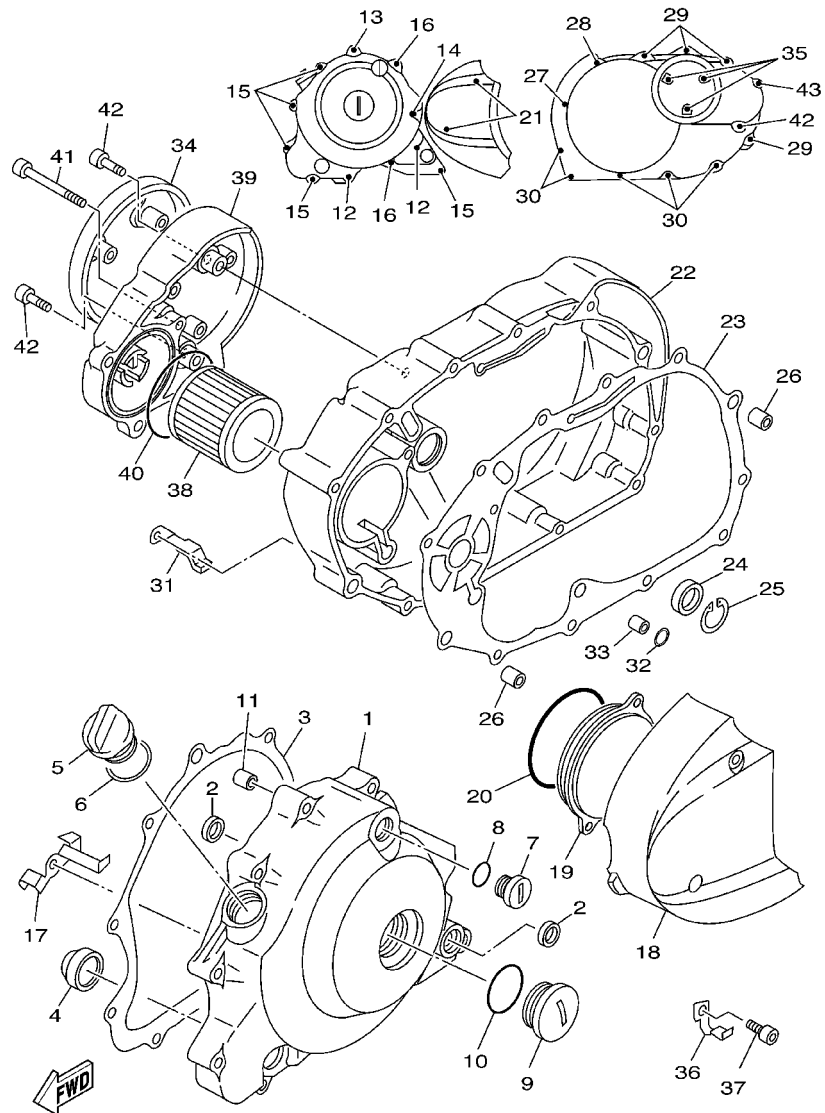
REF. NO.	PART NO.	DESCRIPTION	4VRE	4XRE	REMARKS
1	4TR-15100-15	CRANKCASE ASSY	1	1	
2	22U-11416-80	.PLANE BEARING, CRANKSHAFT 1	2	2	UR BLUE
	22U-11416-90	.PLANE BEARING, CRANKSHAFT 1	2	2	UR GREEN
3	91815-16017	.PIN, DOWEL	2	2	
4	90116-10611	BOLT, STUD	4	4	
5	90116-08404	BOLT, STUD	1	1	
6	99530-14016	PIN, DOWEL	2	2	
7	90387-16547	COLLAR	1	1	
8	93210-18322	O-RING	1	1	
9	90116-10405	BOLT, STUD	4	4	
10	90116-08404	BOLT, STUD	1	1	
11	99530-14016	PIN, DOWEL	2	2	
12	90387-16547	COLLAR	1	1	
13	93210-18322	O-RING	1	1	
14	90387-16547	COLLAR	1	1	
15	93210-18322	O-RING	1	1	
16	91314-08060	BOLT	2	2	
17	91317-08080	BOLT	1	1	
18	91314-08100	BOLT	1	1	
19	91317-06095	BOLT	1	1	
20	91380-06045	BOLT	1	1	
21	91317-06045	BOLT	7	7	
22	91314-06055	BOLT	1	1	
23	11H-15383-02	PLATE, BEARING COVER	2	2	
24	90151-08022	SCREW, COUNTERSUNK	1	1	
25	90149-08152	SCREW	3	3	
26	22U-15441-01	HOLDER, CLUTCH CABLE	1	1	

FIG. 10 CRANKCASE



REF. NO.	PART NO.	DESCRIPTION	4VRE	4XRE	REMARKS
27	90340-14132	PLUG, STRAIGHT SCREW	1	1	
28	214-11198-01	GASKET	1	1	

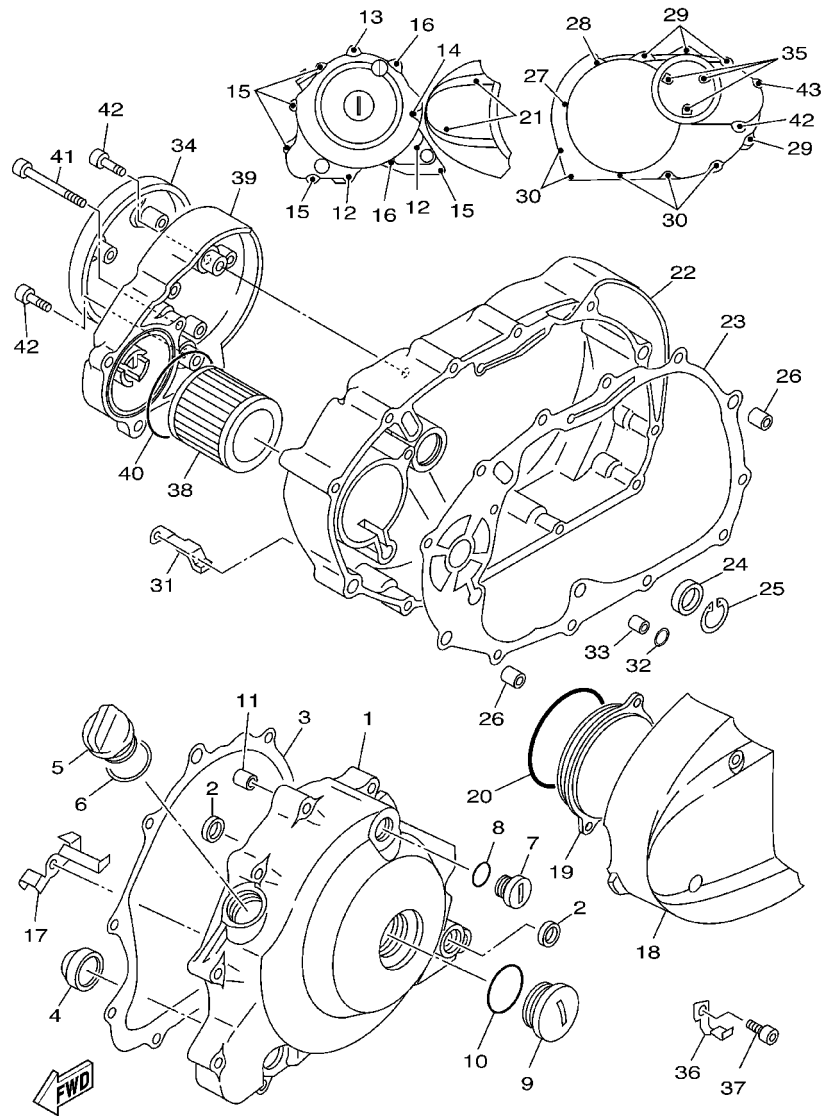
FIG. 11 CRANKCASE COVER 1



4TR1010-6110

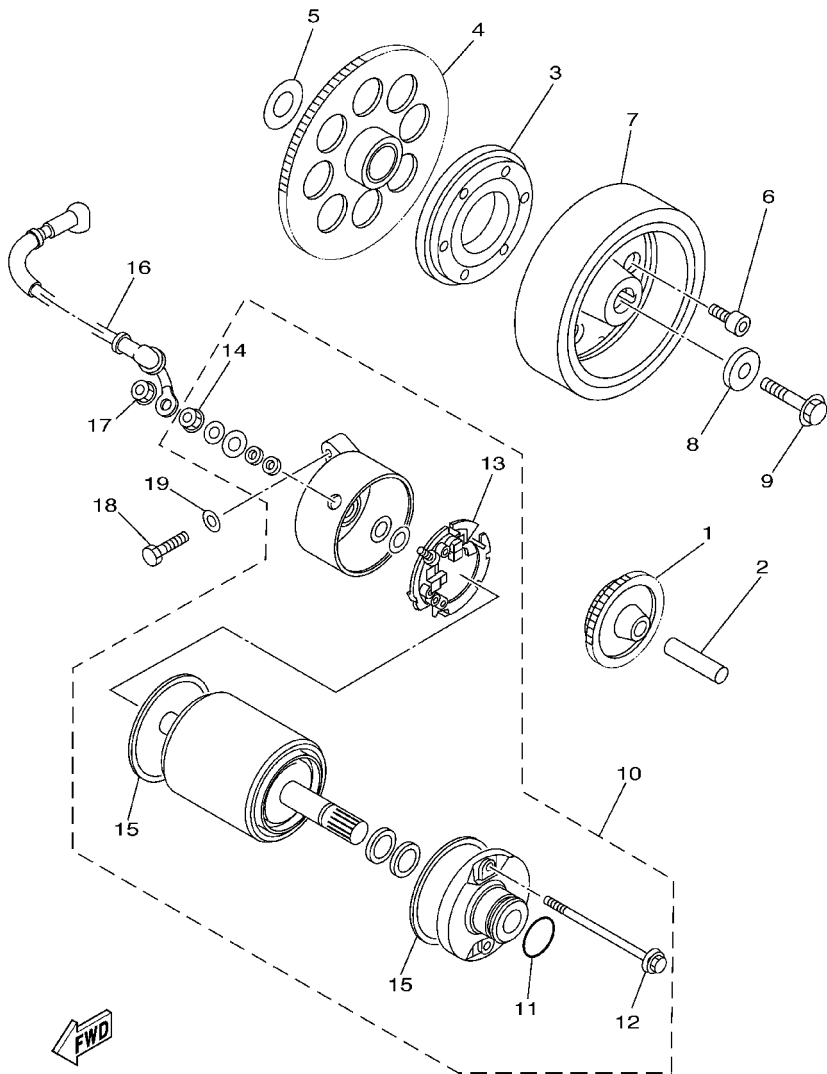
REF. NO.	PART NO.	DESCRIPTION	4VRE	4XRE	REMARKS
1	4TR-15411-00	COVER, CRANKCASE 1	1	1	
2	93109-12075	OIL SEAL	2	2	
3	4VR-15451-00	GASKET, CRANKCASE COVER 1	1	1	
4	2H7-15361-00	GAUGE, LEVEL	1	1	
5	3F9-15362-00	PLUG, OIL LEVEL	1	1	
6	93210-27370	O-RING	1	1	
7	90340-14153	PLUG, STRAIGHT SCREW	1	1	
8	93210-14369	O-RING	1	1	
9	90340-32154	PLUG, STRAIGHT SCREW	1	1	
10	93210-32172	O-RING	1	1	
11	99530-10114	PIN, DOWEL	2	2	
12	91314-06040	BOLT	2	2	
13	91314-06045	BOLT	1	1	
14	91314-06055	BOLT	1	1	
15	91314-06030	BOLT	5	5	
16	91314-06035	BOLT	2	2	
17	3BT-15484-00	CLAMP 2	1	1	
18	4TR-15415-00	COVER, GENERATOR	1	1	
19	4TR-15424-00	COVER 2	1	1	
20	93210-74316	O-RING	1	1	
21	91314-06025	BOLT	2	2	
22	4TR-15421-00	COVER, CRANKCASE 2	1	1	
23	4VR-15461-00	GASKET, CRANKCASE COVER 2	1	1	
24	93101-14089	OIL SEAL	1	1	
25	99009-25500	CIRCLIP	1	1	
26	99530-10120	PIN, DOWEL	2	2	
27	91314-06065	BOLT	1	1	

FIG. 11 CRANKCASE COVER 1



4TR1010-6110

REF. NO.	PART NO.	DESCRIPTION	4VRE	4XRE			REMARKS
28	91314-06055	BOLT	1	1			
29	91314-06045	BOLT	4	4			
30	91314-06030	BOLT	5	5			
31	90462-10115	CLAMP	4	4			
32	93210-15566	O-RING	1	1			
33	91815-16017	PIN, DOWEL	1	1			
34	4VR-15423-00	COVER 2	1	1			
35	92014-06035	BOLT, BUTTON HEAD	3	3			
36	90462-08070	CLAMP	1	1			
37	91317-06012	BOLT	1	1			
38	4X7-13440-01	ELEMENT ASSY, OIL CLEANER	1	1			
39	4TR-13447-00	COVER, OIL ELEMENT	1	1			
40	93210-64297	O-RING	1	1			
41	90110-06010	BOLT, HEXAGON SOCKET HEAD	1	1			
42	91314-06025	BOLT	3	3			
43	91314-06070	BOLT	1	1			

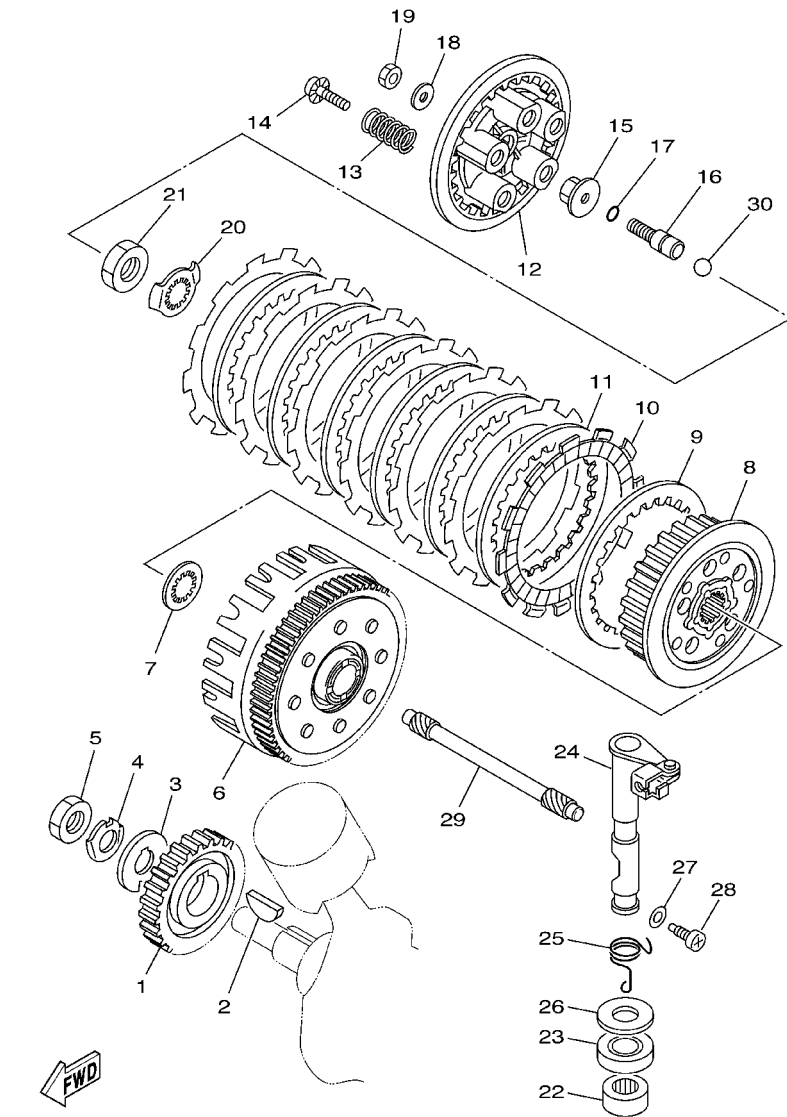


5EW1300-8120

FIG. 12 STARTER CLUTCH

REF. NO.	PART NO.	DESCRIPTION	4VRE	4XRE				REMARKS
1	22U-15512-00	GEAR, IDLER 1 (12T-50T)	1	1				
2	5H0-15521-00	SHAFT 1	1	1				
3	4TR-15590-00	STARTER ONE-WAY ASSY	1	1				
4	4VR-15517-01	GEAR, IDLER 2	1	1				
5	90201-25290	WASHER, PLATE	1	1				
6	90110-08212	BOLT, HEXAGON SOCKET HEAD	6	6				
7	4VR-81450-00	ROTOR ASSY	1	1				
8	90201-107E9	WASHER, PLATE	1	1				
9	90105-10152	BOLT, FLANGE	1	1				
10	3JB-81890-00	MOTOR ASSY	1	1				
11	1FK-81847-00	.O-RING	1	1				
12	3HE-81826-00	.BOLT	2	2				
13	3KS-81840-00	.BRUSH HOLDER ASSY	1	1				
14	4XV-8182A-00	.NUT	1	1				
15	11H-81844-00	.GASKET	2	2				
16	4VR-81815-00	CORD, STARTER MOTOR	1	1				
17	4XV-8182A-00	NUT	1	1				
18	97070-06025	BOLT	2	2				
19	92990-06600	WASHER, PLATE	2	2				

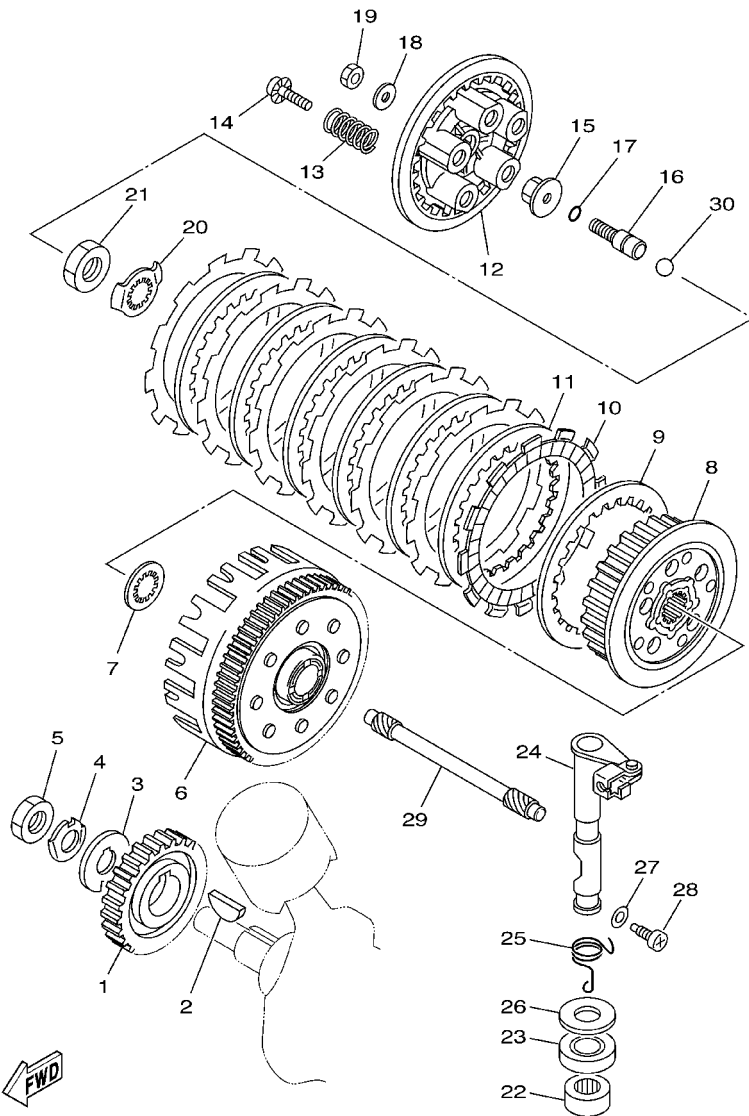
FIG. 13 CLUTCH



4VR1300-7130

REF. NO.	PART NO.	DESCRIPTION	4VRE	4XRE	REMARKS
1	4VR-16111-00	GEAR, PRIMARY DRIVE	1	1	
2	90280-07036	KEY, WOODRUFF	1	1	
3	90214-16026	WASHER, CLAW	1	1	
4	90215-16157	WASHER, LOCK	1	1	
5	90170-16256	NUT	1	1	
6	5BN-16150-00	PRIMARY DRIVEN GEAR COMP.	1	1	
7	22U-16154-00	PLATE, THRUST 1	1	1	
8	4VR-16371-00	BOSS, CLUTCH	1	1	
9	4X7-16324-00	PLATE, CLUTCH 1	1	1	
10	22U-16321-00	PLATE, FRICTION	7	7	
11	4X7-16325-00	PLATE, CLUTCH 2	6	6	
12	22U-16351-00	PLATE, PRESSURE 1	1	1	
13	90501-23738	SPRING, COMPRESSION	5	5	
14	90159-06016	SCREW, WITH WASHER	5	5	
15	1W1-16358-01	PLATE, PUSH	1	1	
16	4VR-16356-00	ROD, PUSH 1	1	1	
17	93210-09525	O-RING	1	1	
18	92907-06200	WASHER	1	1	
19	95307-06600	NUT	1	1	
20	90215-22210	WASHER, LOCK	1	1	
21	90170-20310	NUT	1	1	
22	93315-21813	BEARING	1	1	
23	93102-18278	OIL SEAL	1	1	
24	22U-16380-00	PUSH LEVER ASSY	1	1	
25	90508-16577	SPRING, TORSION	1	1	
26	90201-18262	WASHER, PLATE	1	1	
27	90430-08119	GASKET	1	1	

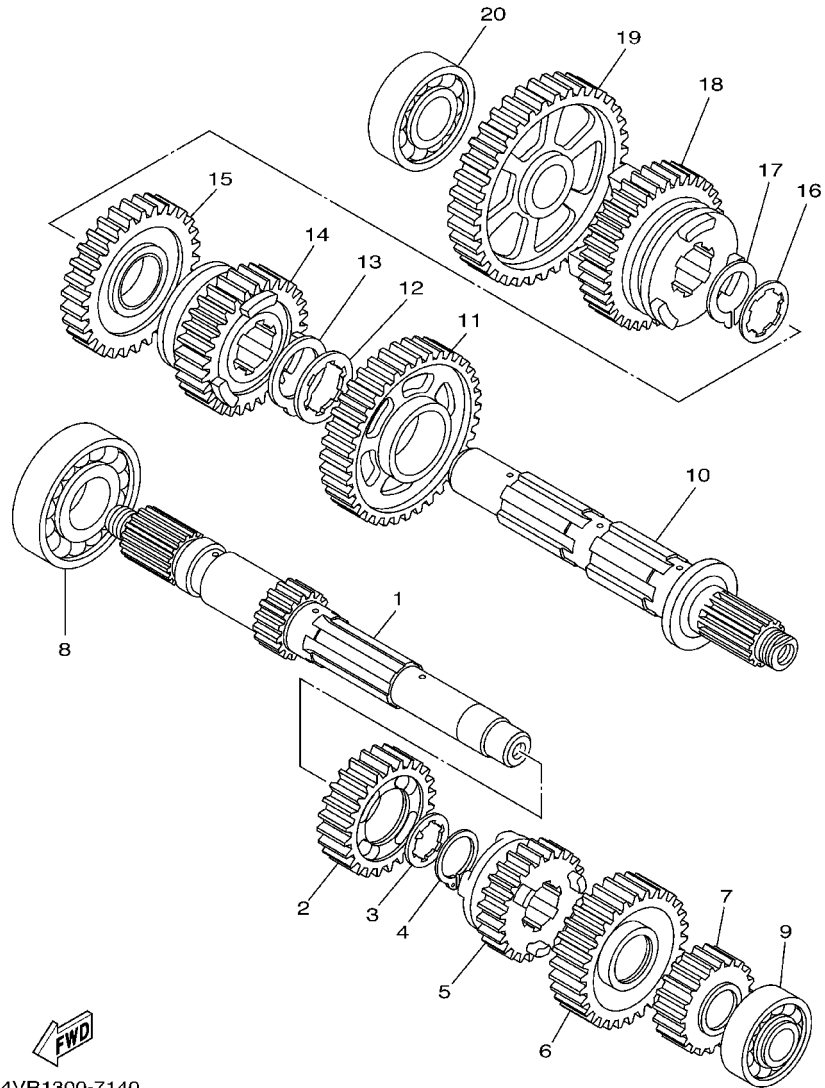
FIG. 13 CLUTCH



4VR1300-7130

REF. NO.	PART NO.	DESCRIPTION	4VRE	4XRE	REMARKS
28	90149-08067	SCREW	1	1	
29	22U-16357-00	ROD, PUSH 2	1	1	
30	93515-32029	BALL	1	1	

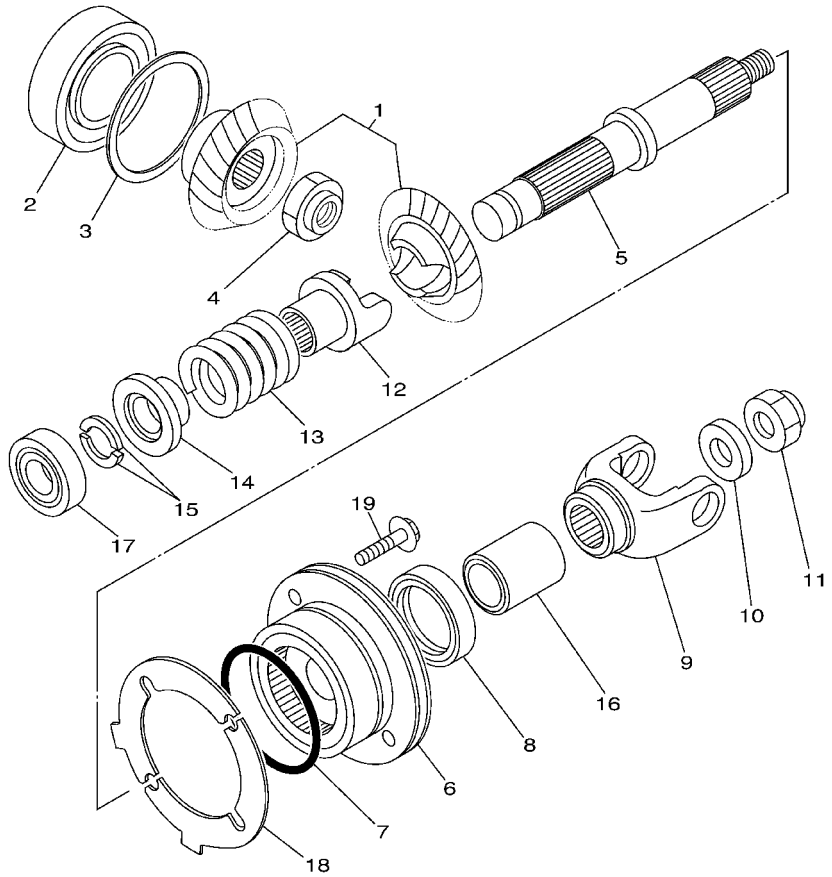
FIG. 14 TRANSMISSION



4VR1300-7140

REF. NO.	PART NO.	DESCRIPTION	4VRE	4XRE				REMARKS
1	4VR-17411-00	AXLE, MAIN	1	1				
2	3JB-17141-00	GEAR, 4TH PINION (24T)	1	1				
3	90209-22191	WASHER	1	1				
4	93440-25084	CIRCLIP	1	1				
5	4VR-17131-00	GEAR, 3RD PINION (24T)	1	1				
6	4VR-17151-00	GEAR, 5TH PINION (30T)	1	1				
7	4KU-17121-00	GEAR, 2ND PINION (20T)	1	1				
8	93306-30525	BEARING (B6305)	1	1				
9	93306-00401	BEARING (B6004)	1	1				
10	22U-17402-00	DRIVE AXLE ASSY	1	1				
11	4KU-17221-00	GEAR, 2ND WHEEL (38T)	1	1				
12	90209-27192	WASHER	1	1				
13	93440-30077	CIRCLIP	1	1				
14	4VR-17251-00	GEAR, 5TH WHEEL (29T)	1	1				
15	4VR-17231-00	GEAR, 3RD WHEEL (35T)	1	1				
16	90209-22191	WASHER	1	1				
17	93440-25084	CIRCLIP	1	1				
18	4TR-17241-00	GEAR, 4TH WHEEL (28T)	1	1				
19	22U-17211-00	GEAR, 1ST WHEEL (38T)	1	1				
20	93306-00428	BEARING	1	1				

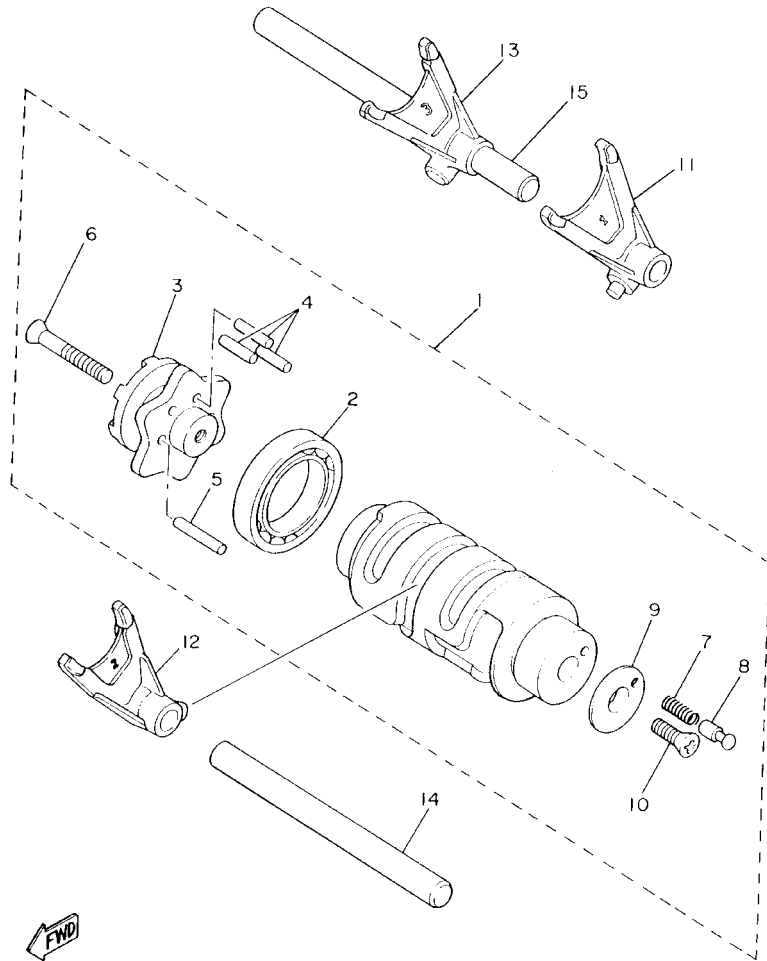
FIG. 15 MIDDLE DRIVE GEAR



FWD
4TR1010-6150

REF. NO.	PART NO.	DESCRIPTION	4VRE	4XRE	REMARKS
1	4VR-Y1754-00	MIDDLE GEAR COMP.	1	1	
2	93306-20711	BEARING	1	1	
3	4H7-17537-00-20	SHIM, THRUST (0.20T)	1	1	UR
	4H7-17537-00-30	SHIM, THRUST (0.30T)	1	1	UR
	4H7-17537-00-40	SHIM, THRUST (0.40T)	1	1	UR
4	90179-18396	NUT	1	1	
5	4VR-17553-00	SHAFT, MIDDLE DRIVEN	1	1	
6	4VR-W1752-00	HOUSHING COMP.	1	1	
7	93210-71360	O-RING	1	1	
8	93101-35097	OIL SEAL	1	1	
9	22U-17556-00	YOKE, JOINT	1	1	
10	90201-14633	WASHER, PLATE	1	1	
11	90185-14070	NUT, SELF-LOCKING	1	1	
12	4VR-17527-00	CAM, DRIVEN	1	1	
13	90501-60716	SPRING, COMPRESSION	1	1	
14	22U-17524-00	HOLDER	1	1	
15	3H5-17529-00	WASHER, THRUST	2	2	
16	90387-2511R	COLLAR	1	1	
17	93306-00401	BEARING (B6004)	1	1	
18	3JB-17531-00	SHIM, PINION (0.10T)	2	2	UR
	3JB-17531-10	SHIM, PINION (0.15T)	2	2	UR
	3JB-17531-20	SHIM, PINION (0.20T)	2	2	UR
	3JB-17531-30	SHIM, PINION (0.30T)	2	2	UR
	3JB-17531-40	SHIM, PINION (0.40T)	2	2	UR
	3JB-17531-50	SHIM, PINION (0.50T)	2	2	UR
19	95827-08035	BOLT, FLANGE	4	4	

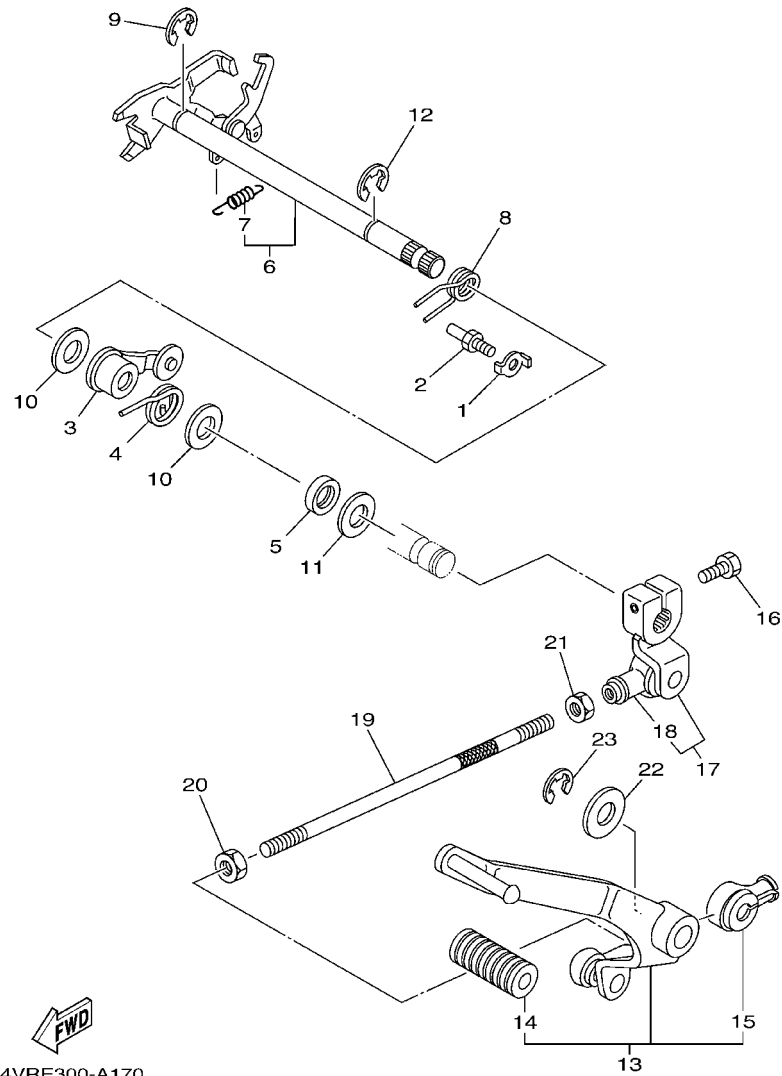
FIG. 16 SHIFT CAM. FORK



22U110-3190

REF. NO.	PART NO.	DESCRIPTION	4VRE	4XRE				REMARKS
1	4TR-18540-02	SHIFT CAM ASSY	1	1				
2	93306-90602	.BEARING	1	1				
3	4H7-18185-00	.SEGMENT	1	1				
4	93604-16092	.PIN, DOWEL	3	3				
5	93604-20156	.PIN, DOWEL	1	1				
6	98707-05035	.SCREW, FLAT HEAD	1	1				
7	90501-06022	.SPRING, COMPRESSION	1	1				
8	4UN-18542-00	.POINT, NEUTRAL	1	1				
9	4UN-18566-00	.PLATE, SIDE 2	1	1				
10	90149-05321	.SCREW	1	1				
11	4TR-18511-00	FORK, SHIFT 1	1	1				
12	4TR-18512-00	FORK, SHIFT 2	1	1				
13	4TR-18513-00	FORK, SHIFT 3	1	1				
14	3YF-18531-00	BAR, SHIFT FORK GUIDE 1	1	1				
15	4TR-18535-00	BAR, SHIFT FORK GUIDE 2	1	1				

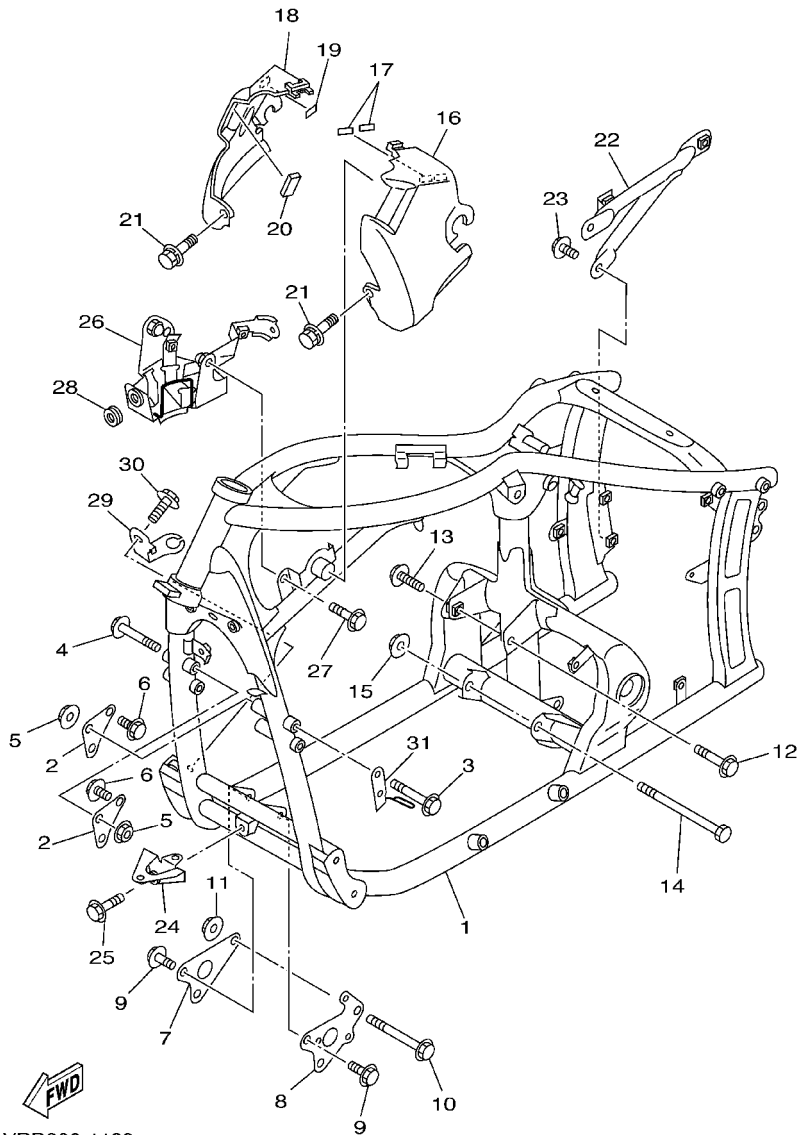
FIG. 17 SHIFT SHAFT



4VRE300-A170

REF. NO.	PART NO.	DESCRIPTION	4VRE	4XRE			REMARKS
1	90215-18178	WASHER, LOCK	1	1			
2	4G0-18127-00	STOPPER, SCREW	1	1			
3	4TR-18140-00	STOPPER LEVER ASSY	1	1			
4	90508-290B5	SPRING, TORSION	1	1			
5	93102-12106	OIL SEAL (SD 12-22-5 HS)	1	1			
6	4TR-18120-00	SHIFT LEVER ASSY	1	1			
7	90506-08227	.SPRING, TENSION	1	1			
8	90508-32536	SPRING, TORSION	1	1			
9	99001-10600	CIRCLIP	1	1			
10	90201-12588	WASHER, PLATE	2	2			
11	90201-12575	WASHER, PLATE	1	1			
12	99001-10600	CIRCLIP	1	1			
13	4TR-18110-00	SHIFT PEDAL ASSY	1	1			
14	22N-18113-00	.COVER, SHIFT PEDAL	1	1			
15	2H9-18154-00	.COVER, DUST	1	1			
16	97024-06020	BOLT	1	1			
17	4TR-18112-00	ARM, SHIFT	1	1			
18	2H9-18154-00	.COVER, DUST	1	1			
19	3SX-18115-01	ROD, SHIFT	1	1			
20	90170-06228	NUT (COUNTER CLOCKWISE)	1	1			
21	95304-06700	NUT	1	1			
22	90201-12362	WASHER, PLATE	1	1			
23	99009-12400	CIRCLIP	1	1			

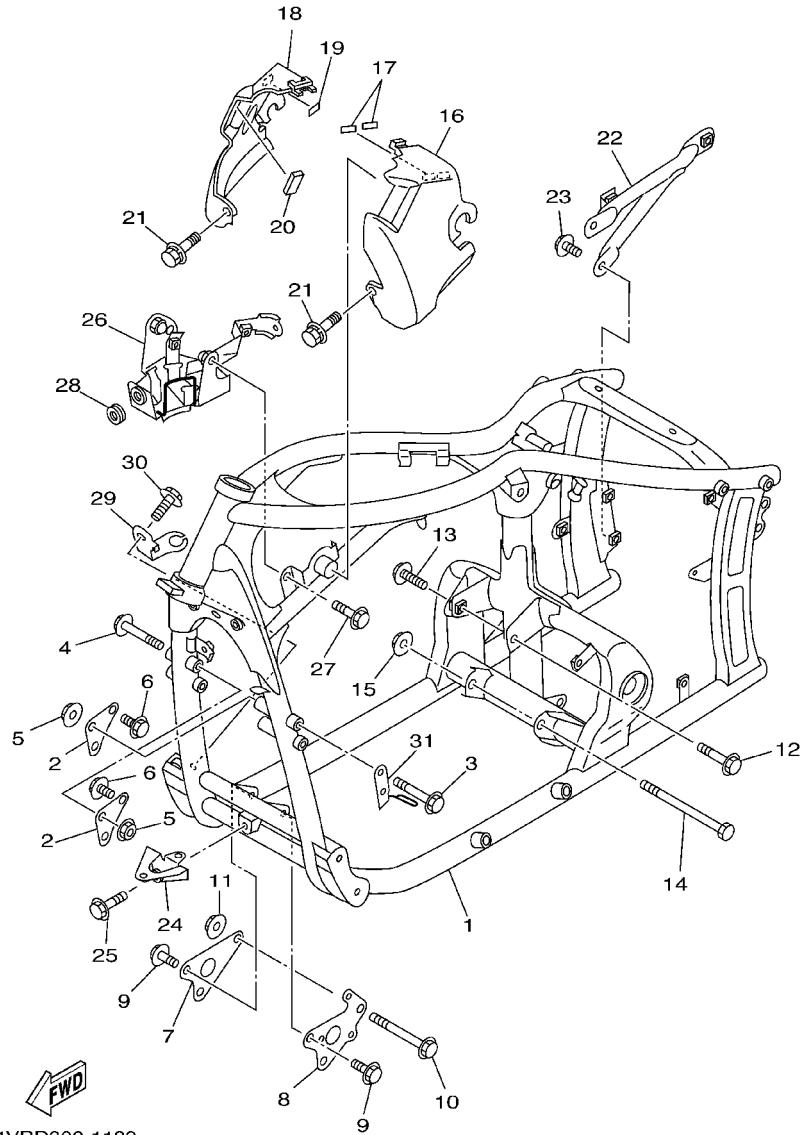
FIG. 18 FRAME



4VRD300-1180

REF. NO.	PART NO.	DESCRIPTION	4VRE	4XRE			REMARKS
1	4VR-21110-20	FRAME COMP.	1	1			
2	4VR-21315-00	STAY, ENGINE 2	2	2			
3	90105-082A4	BOLT, FLANGE	2	2			
4	90105-084A1	BOLT, FLANGE	2	2			
5	90179-08684	NUT	4	4			
6	95817-10025	BOLT, FLANGE	2	2			
7	4VR-21317-00	STAY, ENGINE 3	1	1			
8	5BN-21317-00	STAY, ENGINE 3	1	1			
9	90105-08307	BOLT, FLANGE	4	4			
10	95814-10100	BOLT, FLANGE	1	1			
11	90179-10658	NUT	1	1			
12	90105-10253	BOLT, FLANGE	1	1			
13	90105-10232	BOLT, FLANGE	1	1			
14	90101-12694	BOLT	1	1			
15	90179-12248	NUT	1	1			
16	4TR-2171E-00	COVER, SIDE 5	1	1			
17	3BN-21747-00	DAMPER	2	2			
18	4TR-2171X-00	COVER, SIDE 6	1	1			
19	3BN-21747-00	DAMPER	1	1			
20	4SV-28372-00	DAMPER	1	1			
21	90119-06236	BOLT, WITH WASHER	2	2			
22	4TR-21460-01	STAY, MUFFLER	1	1			
23	95817-08014	BOLT, FLANGE	2	2			
24	4VR-28356-01	STAY 1	1	1			
25	90105-062A2	BOLT, FLANGE	1	1			
26	4TR-24491-02	BRACKET, FUEL PUMP	1	1			
27	95807-06014	BOLT, FLANGE	2	2			

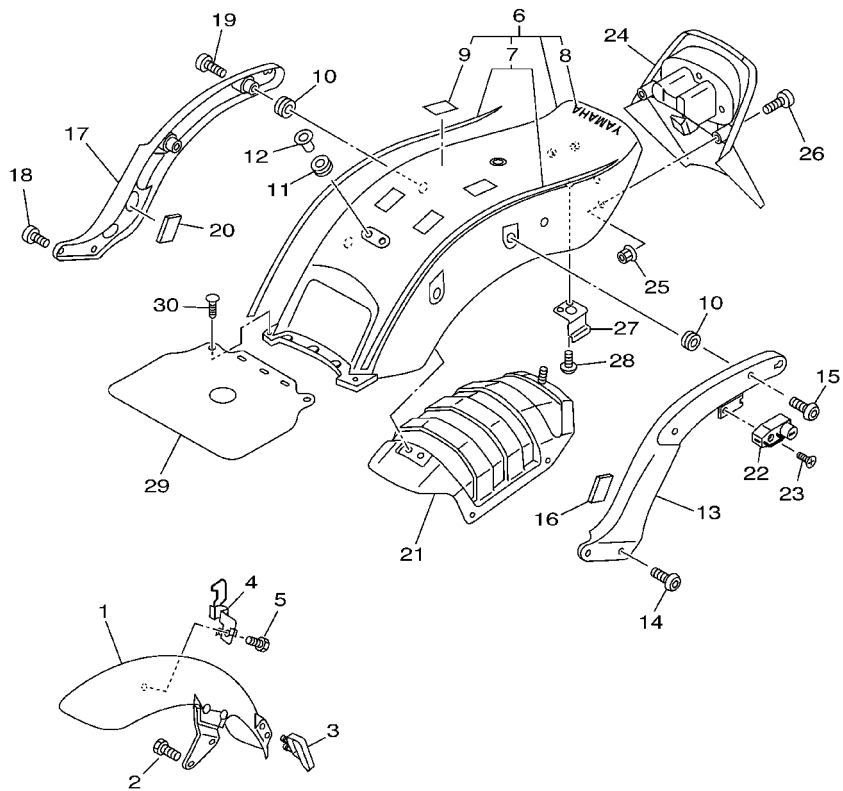
FIG. 18 FRAME



4VRD300-1180

REF. NO.	PART NO.	DESCRIPTION	4VRE	4XRE			REMARKS
28	90480-12320	GROMMET	1	1			
29	5KP-2144G-00	STAY, STOP SWITCH	1	1			
30	95807-06012	BOLT, FLANGE	1	1			
31	4VR-21161-00	HOLDER, CABLE	1	1			

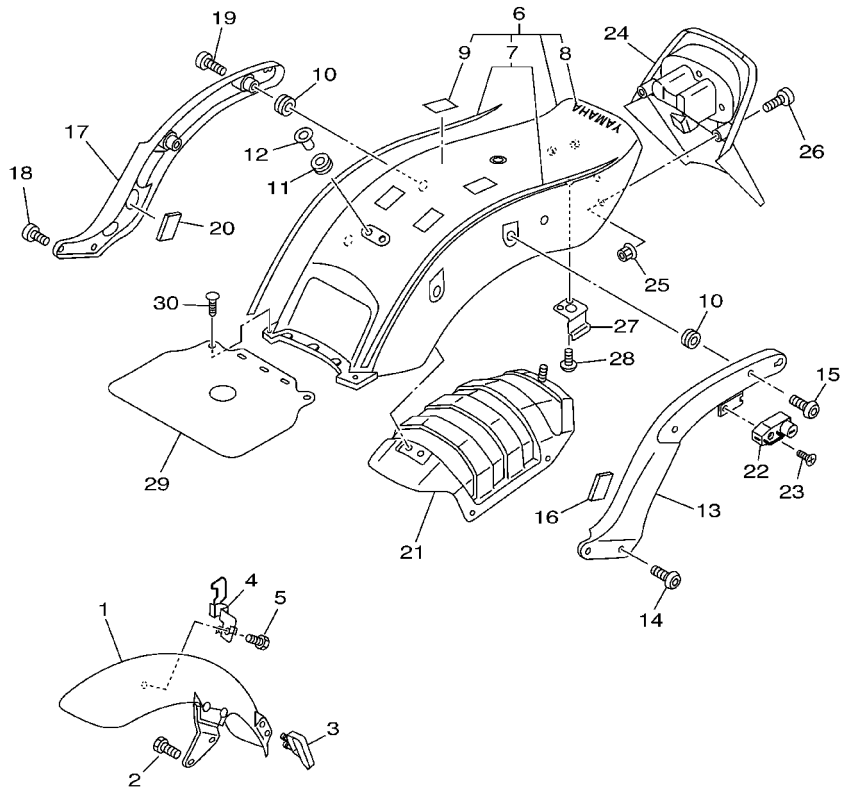
FIG. 19 FENDER



REF. NO.	PART NO.	DESCRIPTION	4VRE	4XRE	REMARKS
1	4TR-21510-02-33	FRONT FENDER COMP.	1	1	UR YB
	4TR-21510-02-PB	FRONT FENDER COMP.	1	1	UR SM1
2	95027-08012	BOLT, FLANGE	4	4	
3	4VR-21518-00	HOLDER, CABLE	1	1	
4	4TR-21598-02	HOLDER, WIRE 2	1	1	
5	95807-06012	BOLT, FLANGE	1	1	
	4TR-Y2161-W1-33	REAR FENDER COMP.	1	1	UR YB
6	4TR-Y2161-X1-PC	REAR FENDER COMP.	1	1	UR SM1
	4VR-2165A-00	.GRAPHIC SET,REAR FENDER	1	1	UR FOR YB
7	4VR-2165A-10	.GRAPHIC SET,REAR FENDER	1	1	UR FOR SM1
	8	99247-00080	.EMBLEM, YAMAHA	1	1
9	3SP-21732-00	.SEAL 1	4	4	
10	90480-18418	GROMMET	4	4	
11	90480-13398	GROMMET	3	3	
12	90387-067N5	COLLAR	3	3	
13	4TR-21613-01	STAY, FENDER 1	1	1	
14	92014-10025	BOLT, BUTTON HEAD	2	2	
15	92014-08040	BOLT, BUTTON HEAD	2	2	
16	3SX-2139X-00	DAMPER	1	1	
17	4TR-21614-01	STAY, FENDER 2	1	1	
18	92014-10025	BOLT, BUTTON HEAD	2	2	
19	92014-08040	BOLT, BUTTON HEAD	2	2	
20	3SX-2139X-00	DAMPER	1	1	
21	4TR-21643-00	STAY, REAR	1	1	
22	4R8-21308-00	HELMET HANGER ASSY	1	1	
23	90149-06154	SCREW	1	1	
24	4TR-2162R-01	FENDER 2	1	1	

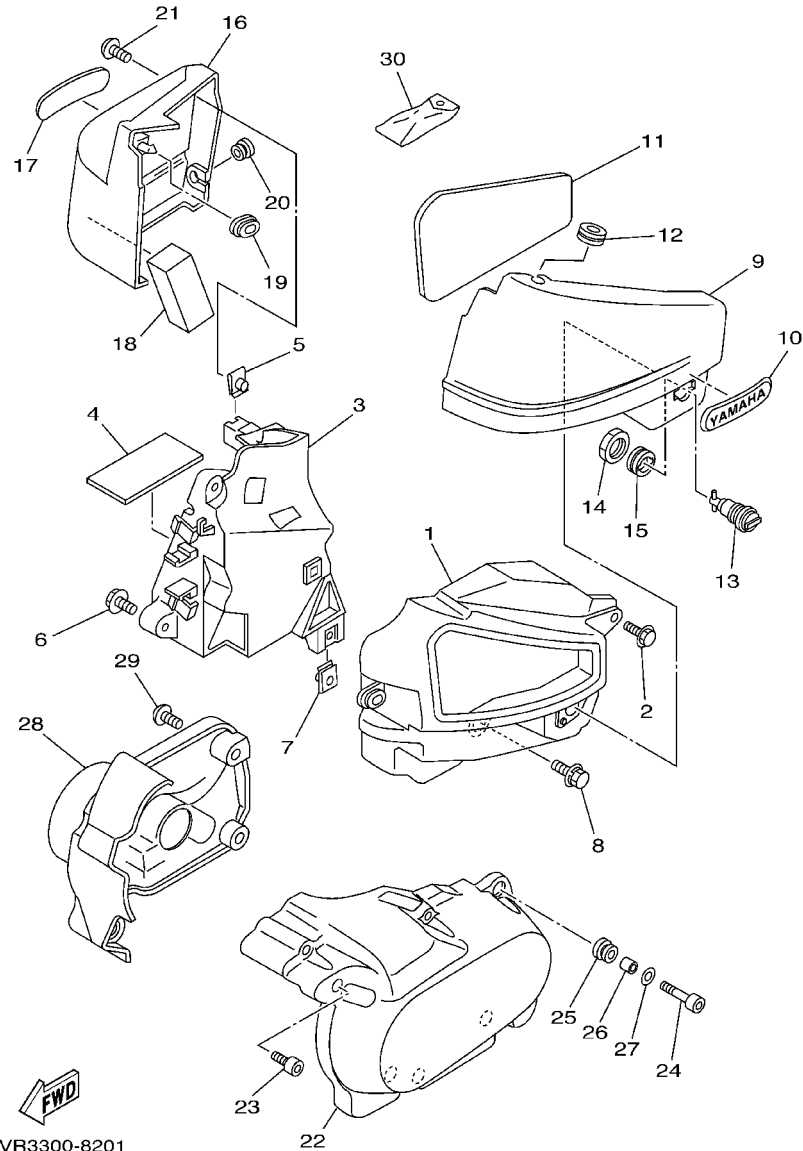
FIG. 19 FENDER

REF. NO.	PART NO.	DESCRIPTION	4VRE	4XRE			REMARKS
25	90179-05523	NUT	2	2			
26	90154-05011	SCREW, BINDING	2	2			
27	4TR-21679-00	HOLDER, HARNESS	2	2			
28	90167-05025	SCREW, TAPPING	2	2			
29	4TR-21629-00	GUARD, MUD	1	1			
30	90269-05039	RIVET	2	2			



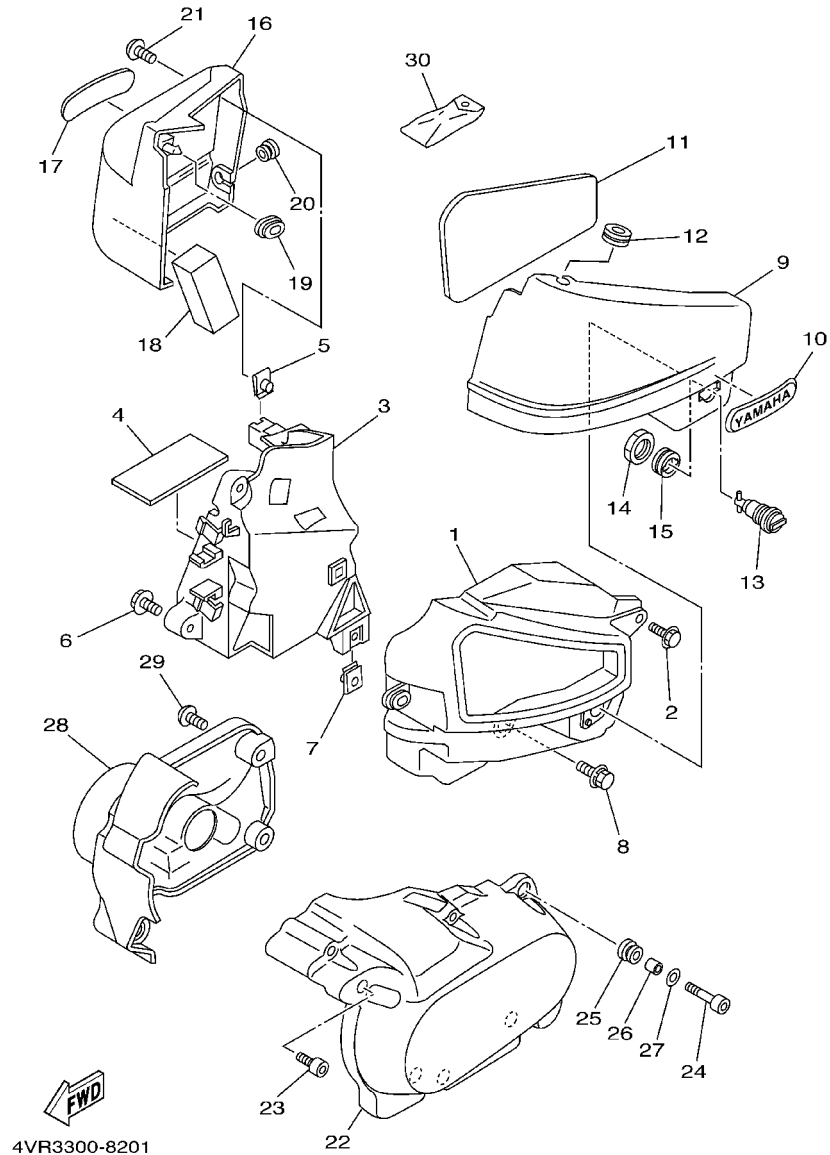
4VRE300-A190

FIG. 20 SIDE COVER



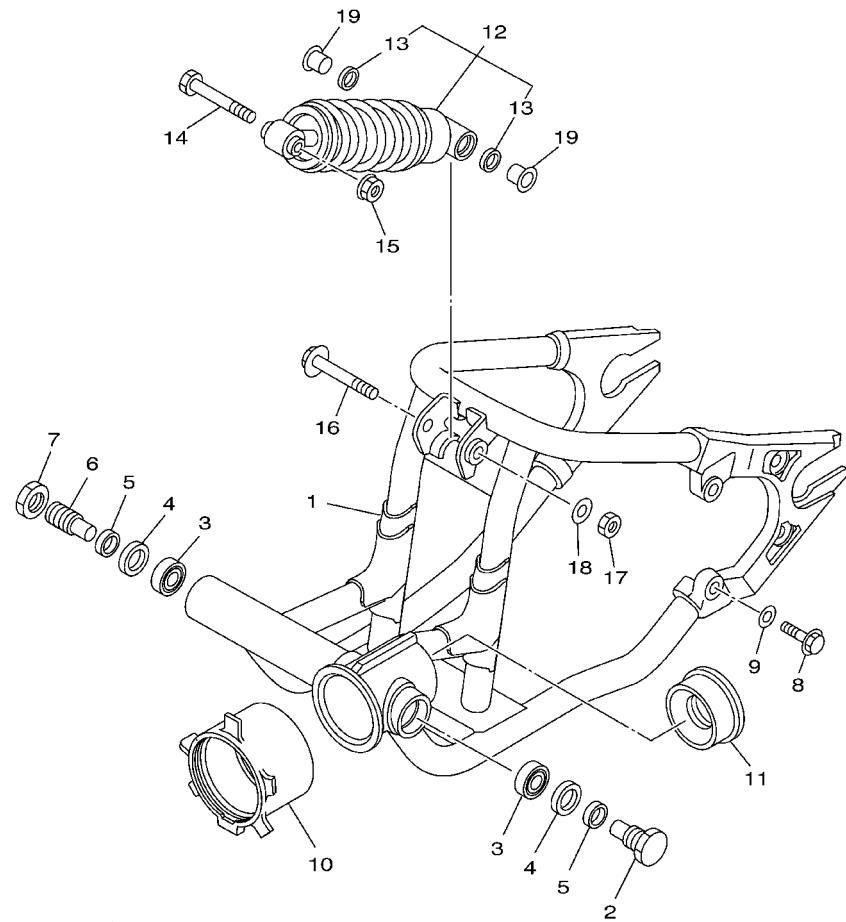
REF. NO.	PART NO.	DESCRIPTION	4VRE	4XRE				REMARKS
1	4TR-2160A-00	BOX COMP.	1	1				
2	90119-06118	BOLT, WITH WASHER	1	1				
3	4TR-2177G-02	BOX, BATTERY	1	1				
4	5Y1-82122-00	SEAT, BATTERY	1	1				
5	90183-06053	NUT, SPRING	1	1				
6	90119-06118	BOLT, WITH WASHER	3	3				
7	90183-06023	NUT, SPRING	1	1				
8	90119-06097	BOLT, WITH WASHER	1	1				
9	4TR-21711-00	COVER, SIDE 1	1	1				
10	3LS-21781-10	EMBLEM 1	1	1				
11	4TR-21717-00	DAMPER	1	1				
12	90480-12320	GROMMET	1	1				
13	55K-21708-00	LOCK ASSY 2	1	1				
14	90170-22187	NUT	1	1				
15	90480-24186	GROMMET	1	1				
16	4TR-21721-00	COVER, SIDE 2	1	1				
17	3LS-21781-10	EMBLEM 1	1	1				
18	84M-77555-00	PROTECTOR 5	1	1				
19	90480-01559	GROMMET	1	1				
20	90480-12320	GROMMET	1	1				
21	90149-06302	SCREW	1	1				
22	5BN-21731-00	COVER, SIDE 3	1	1				
23	90110-06254	BOLT, HEXAGON SOCKET HEAD	2	2				
24	91314-06020	BOLT	4	4				
25	90480-10289	GROMMET	4	4				
26	90387-0600V	COLLAR	4	4				
27	90201-06062	WASHER, PLATE	4	4				

FIG. 20 SIDE COVER



REF. NO.	PART NO.	DESCRIPTION	4VRE	4XRE				REMARKS
			1	1				
28	4VR-21741-00	COVER, SIDE 4	1	1				
29	90110-06200	BOLT, HEXAGON SOCKET HEAD	4	4				
30	4TR-28100-00	TOOL KIT	1	1				

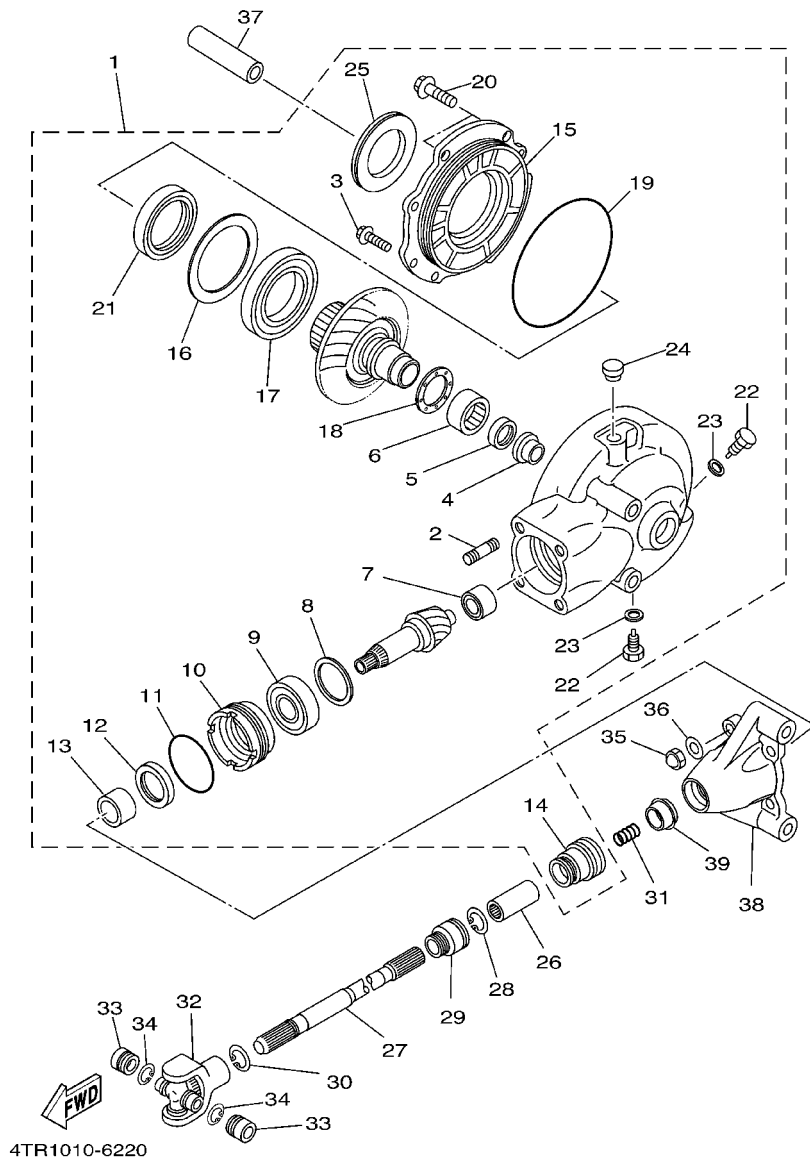
FIG. 21 REAR ARM. SUSPENSION



4VR1300-7210

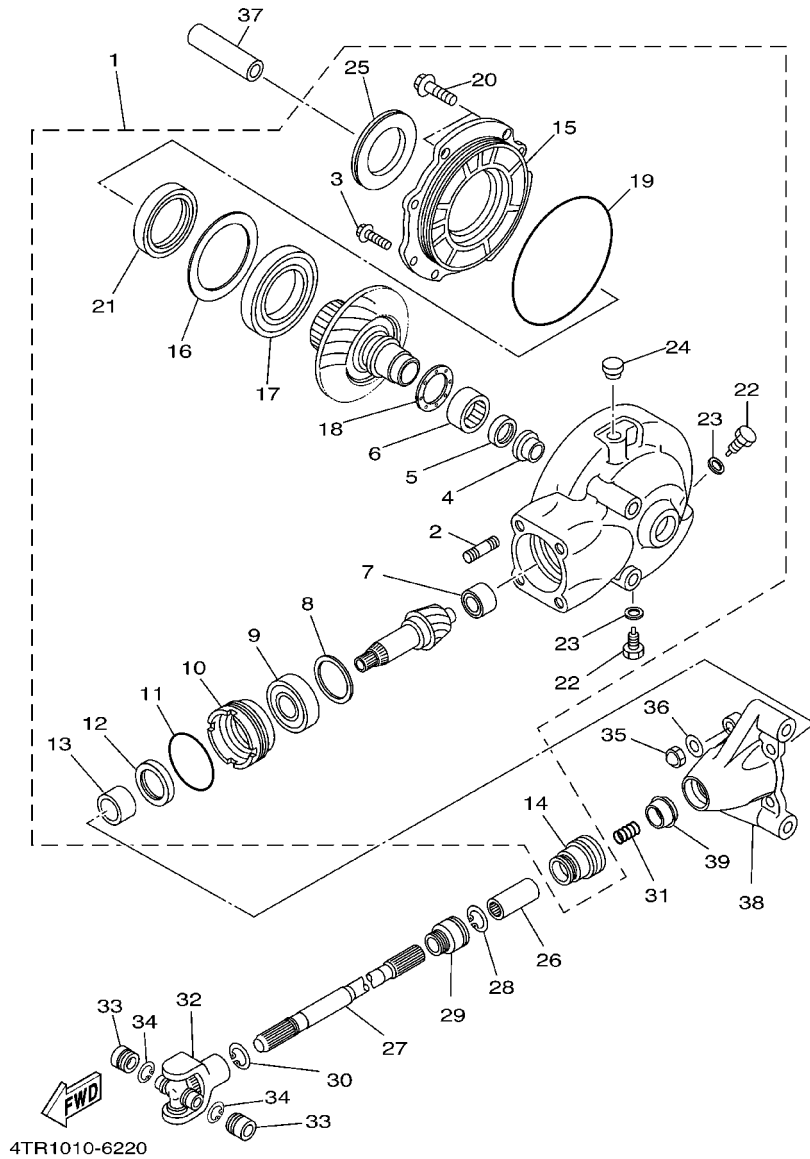
REF. NO.	PART NO.	DESCRIPTION	4VRE	4XRE	REMARKS
1	4VR-22110-01	REAR ARM COMP.	1	1	
2	4KM-22141-00	SHAFT, PIVOT	1	1	
3	93332-00010	BEARING	2	2	
4	93102-25017	OIL SEAL	2	2	
5	90387-17543	COLLAR	2	2	
6	1J7-22141-00	SHAFT, PIVOT	1	1	
7	1J7-22143-00	NUT	1	1	
8	90109-10006	BOLT	4	4	
9	90201-112U0	WASHER, PLATE	4	4	
10	4TR-22189-00	BOOT, RUBBER	1	1	
11	4VR-22184-00	BUSH	1	1	
12	4VR-22210-00	SHOCK ABSORBER ASSY, REAR	1	1	
13	93109-18020	.OIL SEAL	2	2	
14	90109-125F1	BOLT	1	1	
15	95607-12200	NUT, SELF-LOCKING	1	1	
16	90109-125F1	BOLT	1	1	
17	95607-12100	NUT, U	1	1	
18	90201-120E6	WASHER, PLATE	1	1	
19	90387-123X6	COLLAR	2	2	

FIG. 22 DRIVE SHAFT



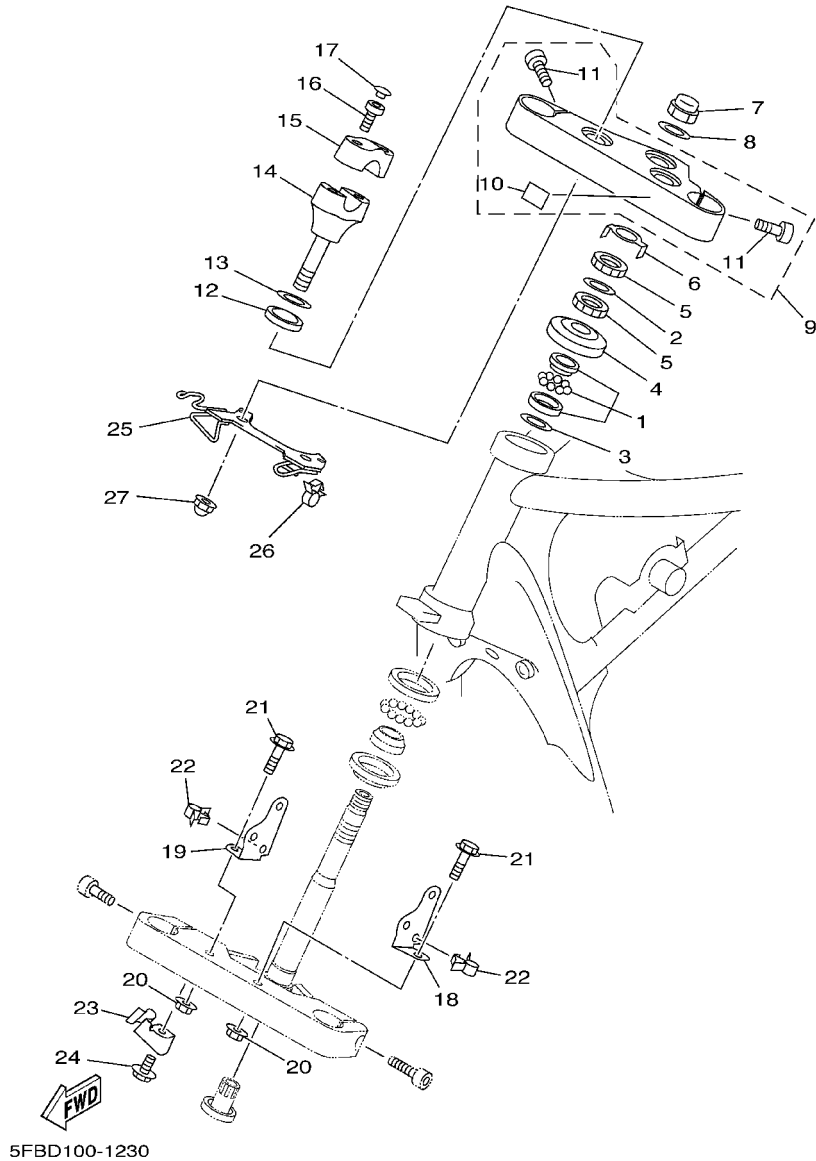
REF. NO.	PART NO.	DESCRIPTION	4VRE	4XRE			REMARKS
1	4TR-46101-00	REAR AXLE GEAR CASE ASSY	1	1			
2	90116-10593	.BOLT, STUD	4	4			
3	90119-08126	.BOLT, WITH WASHER	6	6			
4	22U-46153-00	.COLLAR, GUIDE	1	1			
5	93101-30084	.OIL SEAL	1	1			
6	93311-43729	.BEARING	1	1			
7	2H7-46102-00	.BEARING ASSY	1	1			
8	1J7-17537-Y0-30	.SHIM, THRUST (0.30T)	1	1			UR
	1J7-17537-Y0-40	.SHIM, THRUST (0.40T)	1	1			UR
	1J7-17537-Y0-50	.SHIM, THRUST (0.50T)	1	1			UR
9	93306-30539	.BEARING	1	1			
10	4H7-46125-00	.RETAINER, BEARING	1	1			
11	93210-60426	.O-RING	1	1			
12	93101-38098	.OIL SEAL	1	1			
13	90387-256G9	.COLLAR	1	1			
14	22U-46136-00	.SEAL 1	1	1			
15	22U-46152-00	.HOUSING, BEARING	1	1			
16	22U-46117-00-25	.SHIM, RING GEAR (0.25T)	1	1			UR
	22U-46117-00-30	.SHIM, RING GEAR (0.30T)	1	1			UR
	22U-46117-00-40	.SHIM, RING GEAR (0.40T)	1	1			UR
17	93316-01301	.BEARING	1	1			
18	22U-46118-00-12	.SHIM, THRUST (1.2T)	1	1			UR
	22U-46118-00-14	.SHIM, THRUST (1.4T)	1	1			UR
	22U-46118-00-16	.SHIM, THRUST (1.6T)	1	1			UR
	22U-46118-00-18	.SHIM, THRUST (1.8T)	1	1			UR
	22U-46118-00-20	.SHIM, THRUST (2.0T)	1	1			UR
19	93211-39569	.O-RING	1	1			

FIG. 22 DRIVE SHAFT



REF. NO.	PART NO.	DESCRIPTION	4VRE	4XRE	REMARKS
20	90105-10285	.BOLT, FLANGE	2	2	
21	93102-65277	.OIL SEAL	1	1	
22	90340-14132	.PLUG, STRAIGHT SCREW	2	2	
23	214-11198-01	.GASKET	2	2	
24	56W-17590-00	.BREATHER COMP.	1	1	
25	1J7-25319-02	.SEAL, HUB DUST	1	1	
26	22U-46123-00	COUPLING, GEAR	1	1	
27	5BN-46171-00	SHAFT DRIVE ASSY	1	1	
28	99009-18400	CIRCLIP	1	1	
29	22U-46137-00	SEAL 2	1	1	
30	93410-22039	CIRCLIP	1	1	
31	90501-15722	SPRING, COMPRESSION	1	1	
32	4X7-46180-00	CROSS JOINT COMP.	1	1	
33	93311-21044	BEARING	2	2	
34	93440-20088	CIRCLIP	2	2	
35	90176-10075	NUT, CROWN	4	4	
36	92990-10600	WASHER, PLATE	4	4	
37	90387-1510D	COLLAR	1	1	
38	4TR-46154-00	COVER, HOUSING	1	1	
39	4TR-46297-00	COVER, DUST	1	1	

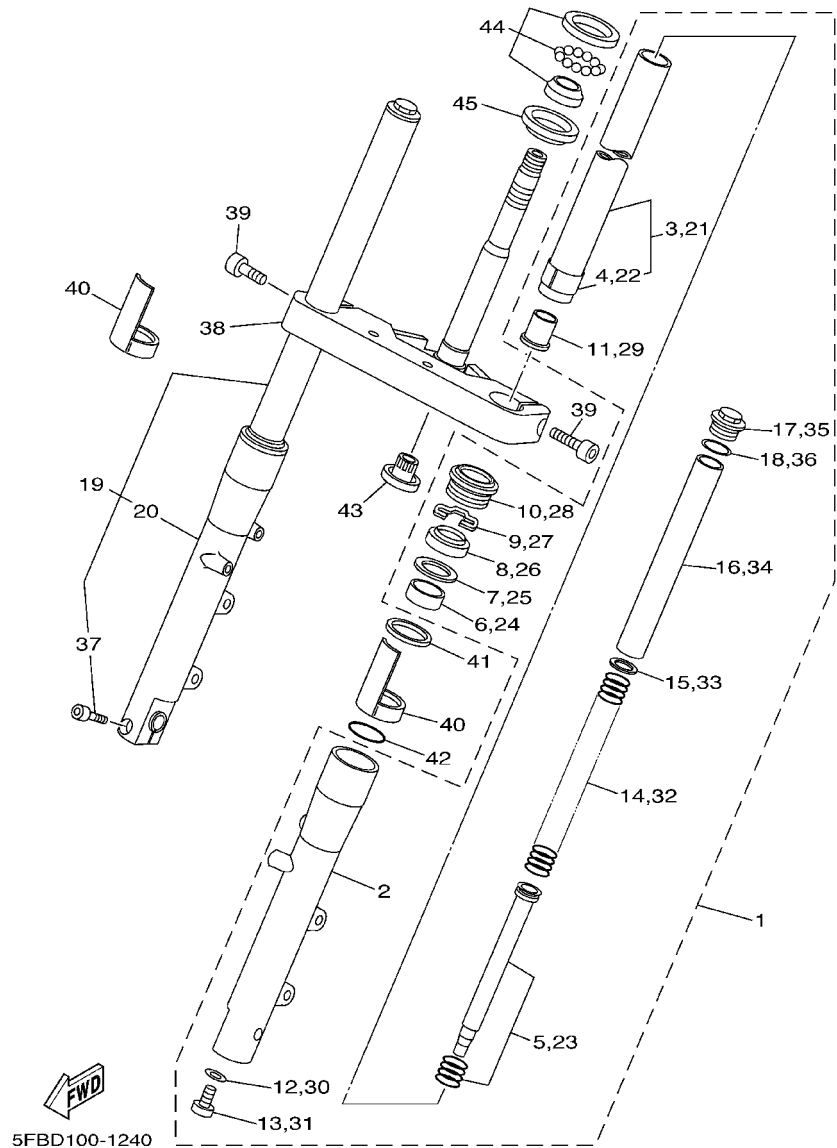
FIG. 23 STEERING



5FBD100-1230

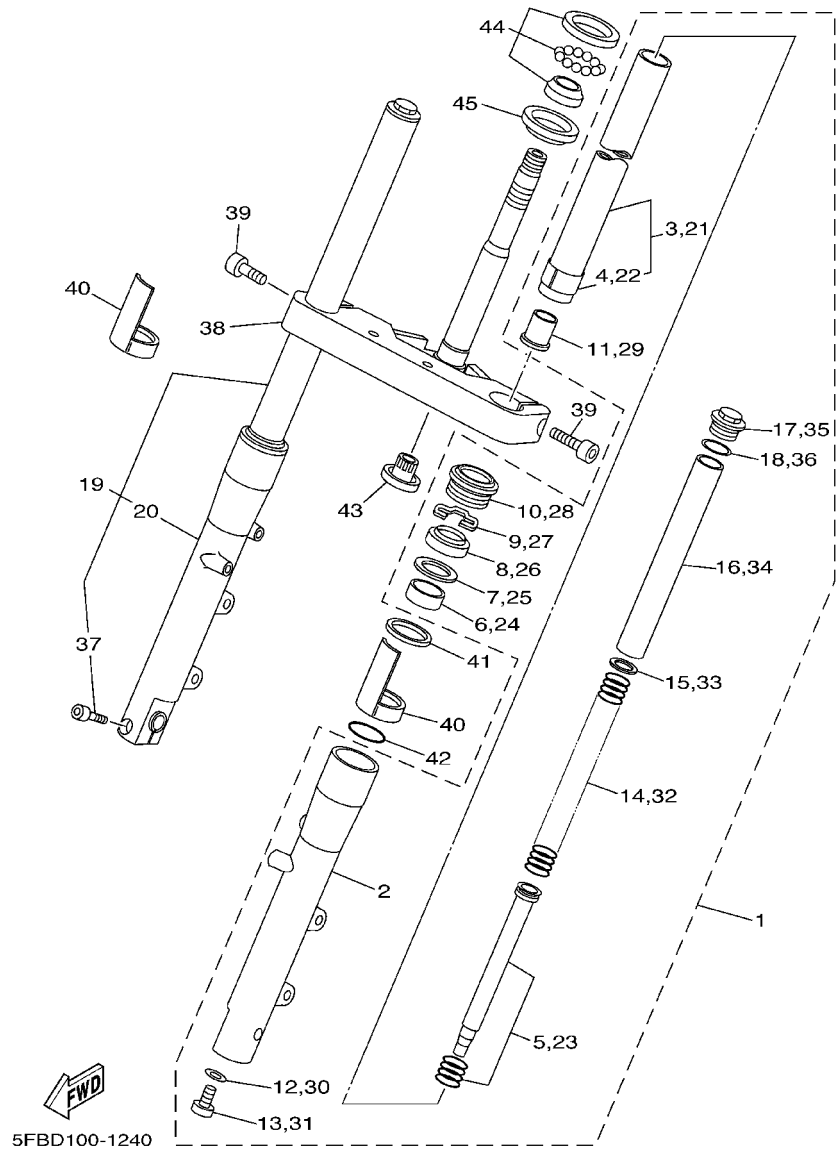
REF. NO.	PART NO.	DESCRIPTION	4VRE	4XRE	REMARKS
1	93399-99931	BEARING	1	1	
2	90202-26142	WASHER, PLATE	1	1	
3	90202-24190	WASHER, PLATE	1	1	
4	1W1-23416-00	COVER, BALL RACE 2	1	1	
5	90179-25033	NUT	2	2	
6	26H-23418-01	WASHER, SPECIAL	1	1	
7	90176-22081	NUT, CROWN	1	1	
8	90201-220T0	WASHER, PLATE	1	1	
9	4VR-Y2343-60	CROWN, HANDLE	1	1	
10	2AL-84553-00	.DAMPER	1	1	
11	91314-08030	.BOLT	2	2	
12	3DM-23445-00	DAMPER	2	2	
13	90201-14220	WASHER, PLATE	2	2	
14	4VR-23442-00	HOLDER, HANDLE LOWER	2	2	
15	4VR-23441-00	HOLDER, HANDLE UPPER	2	2	
16	91314-08025	BOLT	4	4	
17	90338-08163	PLUG	4	4	
18	4TR-23175-01	BRACKET, HEADLIGHT STAY 1	1	1	
19	4TR-23176-01	BRACKET, HEADLIGHT STAY 2	1	1	
20	95707-06500	NUT, FLANGE	2	2	
21	95024-06025	BOLT, FLANGE	2	2	
22	90464-15157	CLAMP	2	2	
23	4TR-25886-00	HOLDER, BRAKE HOSE	1	1	
24	95027-06010	BOLT, FLANGE	1	1	
25	5BN-23389-00	GUIDE, CABLE	1	1	
26	90464-18246	CLAMP	2	2	
27	90176-12052	NUT, CROWN	2	2	

FIG. 24 FRONT FORK



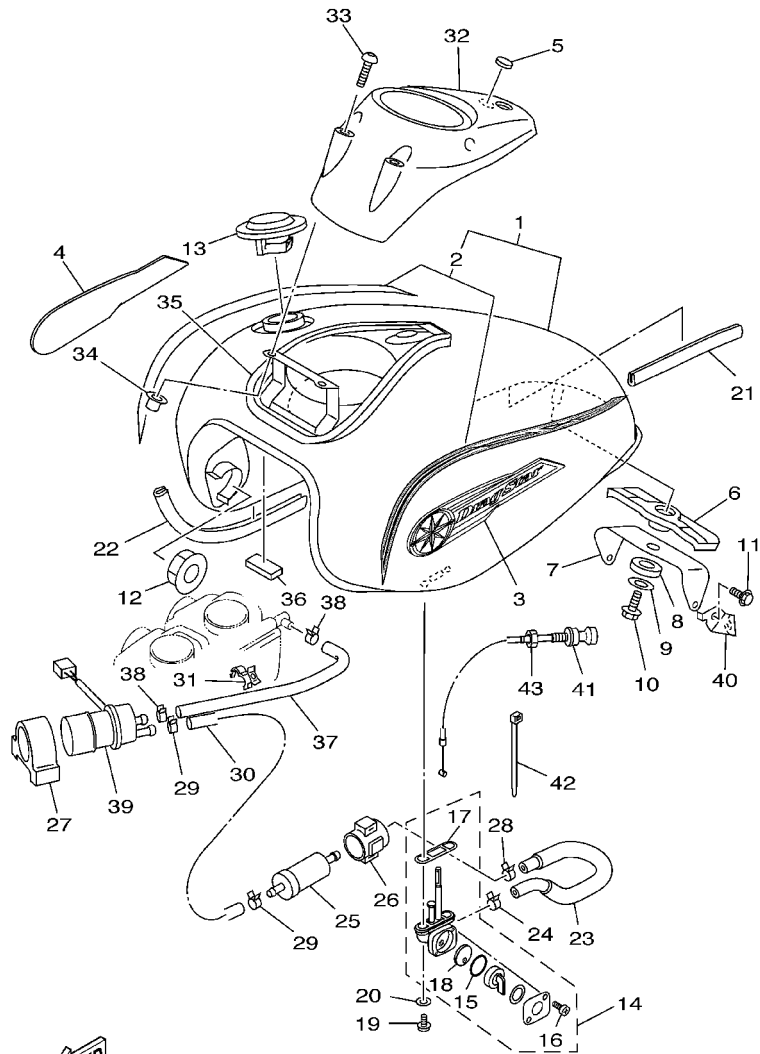
REF. NO.	PART NO.	DESCRIPTION	4VRE	4XRE	REMARKS
1	5KP-23102-10	FRONT FORK ASSY (L.H)	1	1	
2	5KP-23126-10	.TUBE, OUTER (LEFT)	1	1	
3	5KP-23110-00	.INNER TUBE COMP.1	1	1	
4	5BN-23171-00	..PISTON, FRONT FORK	1	1	
5	5KP-23170-00	.CYLINDER COMP., FRONT FORK	1	1	
6	4FM-23125-40	.METAL, SLIDE 1	1	1	
7	36Y-23146-10	.WASHER, OIL SEAL	1	1	
8	4EB-23145-00	.OIL SEAL	1	1	
9	26H-23156-00	.CLIP, OIL SEAL	1	1	
10	4EB-23144-00	.SEAL, DUST	1	1	
11	4YR-23173-00	.SPINDLE, TAPER	1	1	
12	509-23158-L0	.GASKET	1	1	
13	278-23181-50	.BOLT, HEXAGON SOCKET HEAD	1	1	
14	5KP-23141-00	.SPRING, FRONT FORK	1	1	
15	4DW-23149-40	.WASHER, SPRING UPPER	1	1	
16	4TR-23118-00	.SPACER	1	1	
17	3EN-23111-51	.BOLT, CAP	1	1	
18	43F-23188-10	.O-RING	1	1	
19	5KP-23103-10	FRONT FORK ASSY (R.H)	1	1	
20	5KP-23136-10	.TUBE, OUTER (RIGHT)	1	1	
21	5KP-23110-00	.INNER TUBE COMP.1	1	1	
22	5BN-23171-00	..PISTON, FRONT FORK	1	1	
23	5KP-23170-00	.CYLINDER COMP., FRONT FORK	1	1	
24	4FM-23125-40	.METAL, SLIDE 1	1	1	
25	36Y-23146-10	.WASHER, OIL SEAL	1	1	
26	4EB-23145-00	.OIL SEAL	1	1	
27	26H-23156-00	.CLIP, OIL SEAL	1	1	

FIG. 24 FRONT FORK



REF. NO.	PART NO.	DESCRIPTION	4VRE	4XRE	REMARKS
28	4EB-23144-00	.SEAL, DUST	1	1	
29	4YR-23173-00	.SPINDLE, TAPER	1	1	
30	509-23158-L0	.GASKET	1	1	
31	278-23181-50	.BOLT, HEXAGON SOCKET HEAD	1	1	
32	5KP-23141-00	.SPRING, FRONT FORK	1	1	
33	4DW-23149-40	.WASHER, SPRING UPPER	1	1	
34	4TR-23118-00	.SPACER	1	1	
35	3EN-23111-51	.BOLT, CAP	1	1	
36	43F-23188-10	.O-RING	1	1	
37	91314-08040	.BOLT	1	1	
38	5KP-23340-10	UNDER BRACKET COMP.	1	1	
39	91314-10030	BOLT	2	2	
40	5EL-2331G-00	COVER	2	2	
41	5EL-23376-00	STOPPER	2	2	
42	5EL-23147-00	O-RING	2	2	
43	4KM-23123-01	COVER, LOWER 1	1	1	
44	93399-99932	BEARING	1	1	
45	3FV-23462-00	SEAL, STEERING	1	1	

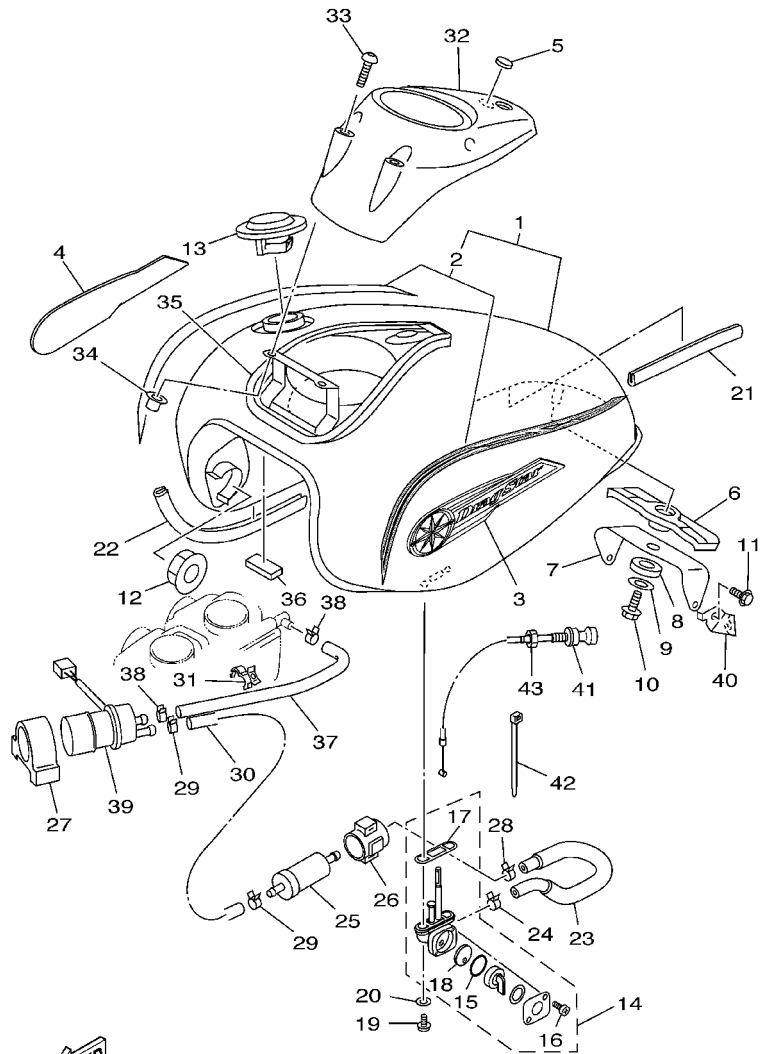
FIG. 25 FUEL TANK



FWD
4VRE300-A250

REF. NO.	PART NO.	DESCRIPTION	4VRE	4XRE			REMARKS
1	4TR-Y2410-U1-02	FUEL TANK COMP.	1	1			UR YB
	4TR-Y2410-U1-03	FUEL TANK COMP.	1	1			UR SM1
2	4VR-24240-80	.GRAPHIC SET	1	1			UR FOR YB
	4VR-24240-90	.GRAPHIC SET	1	1			UR FOR SM1
3	4VR-24161-10	EMBLEM 1	1	1			UR FOR YB
	4VR-24161-20	EMBLEM 1	1	1			UR FOR SM1
4	4VR-24162-10	EMBLEM 2	1	1			UR FOR YB
	4VR-24162-20	EMBLEM 2	1	1			UR FOR SM1
5	4TR-2413B-00	EMBLEM	1	1			
6	4TR-24182-00	DAMPER, LOCATING 2	1	1			
7	4TR-2413Y-00	BRACKET, TANK FITTING	1	1			
8	4TR-24183-00	DAMPER, LOCATING 3	1	1			
9	90201-060S9	WASHER, PLATE	1	1			
10	92017-06012	BOLT, BUTTON HEAD	1	1			
11	95817-08016	BOLT, FLANGE	2	2			
12	4H7-24181-00	DAMPER, LOCATING 1	2	2			
13	4TR-24602-10	CAP ASSY	1	1			
14	21V-24500-10	FUEL COCK ASSY 1	1	1			
15	3AJ-24534-00	.SEAL, COCK	1	1			
16	97801-03008	.SCREW, PAN HEAD	2	2			
17	4X8-24512-00	.O-RING	1	1			
18	3AJ-24523-00	.VALVE PACKING	1	1			
19	90149-06011	SCREW	2	2			
20	90202-05193	WASHER, PLATE	2	2			
21	1FK-2171L-00	MOLE, SIDE COVER 1	1	1			
22	4BP-24188-00	MOLD, FUEL TANK	1	1			
23	4TR-24313-00	PIPE 3	1	1			

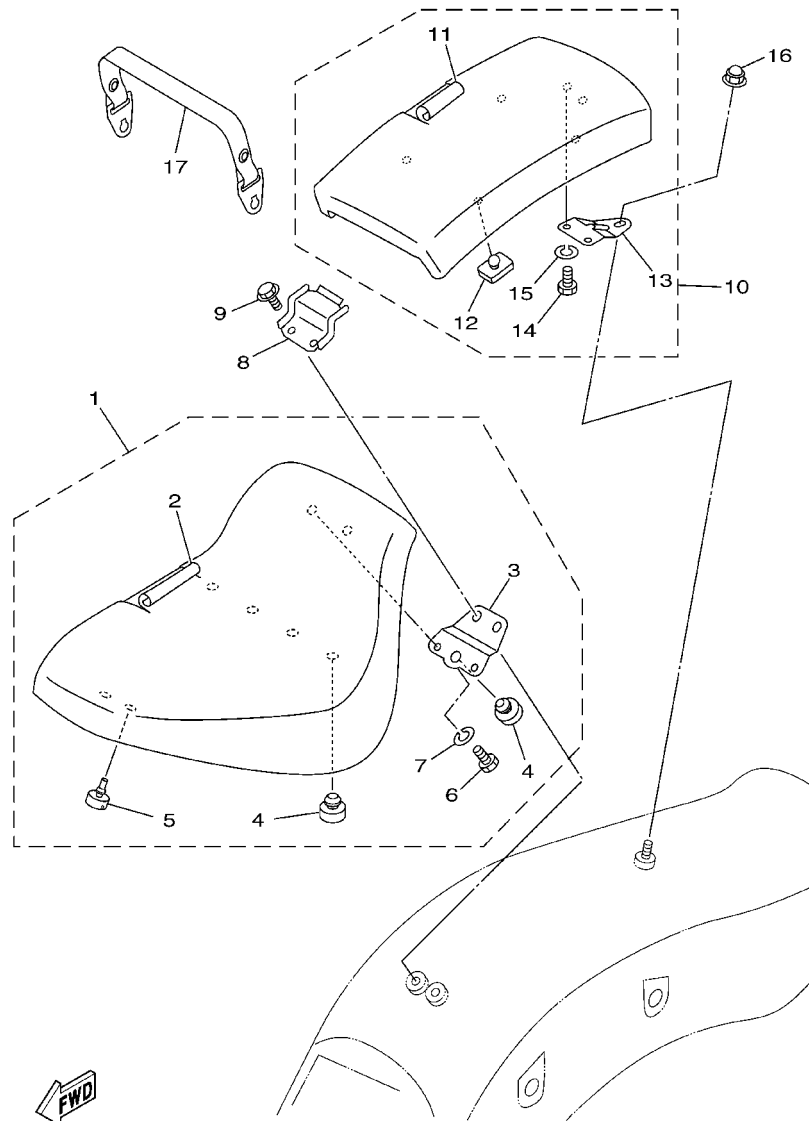
FIG. 25 FUEL TANK



FWD
4VRE300-A250

REF. NO.	PART NO.	DESCRIPTION	4VRE	4XRE			REMARKS
24	90467-10038	CLIP	1	1			
25	1FK-24560-10	FILTER ASSY	1	1			
26	1FK-24566-00	BRACKET, FILTER	1	1			
27	4EB-24398-00	BAND 1	1	1			
28	90467-11032	CLIP	1	1			
29	90467-12053	CLIP	2	2			
30	4TR-24311-00	PIPE, FUEL 1	1	1			
31	90464-15192	CLAMP	1	1			
32	4TR-2171A-00	COVER, TOP	1	1			
33	90149-05299	SCREW	3	3			
34	90179-05523	NUT	3	3			
35	4TR-2414G-00	SEAL	2	2			
36	3XV-21717-00	DAMPER	1	1			
37	4TR-14294-00	HOSE	1	1			
38	90467-12053	CLIP	2	2			
39	3LN-13907-00	FUEL PUMP COMP.	1	1			
40	4TR-2637G-00	HOLDER, WIRE	1	1			
41	4TR-26331-00	CABLE, STARTER 1	1	1			
42	1UA-82591-00	BAND	1	1			
43	1VJ-26333-00	NUT	1	1			

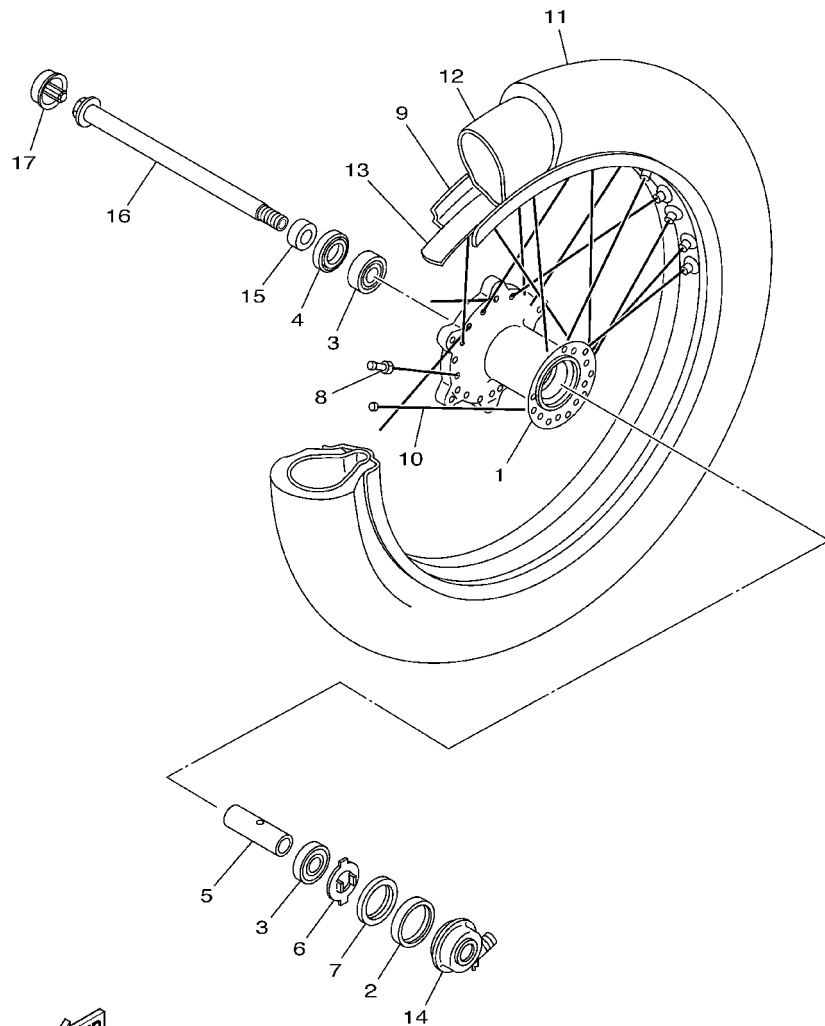
FIG. 26 SEAT



4VR1300-7261

REF. NO.	PART NO.	DESCRIPTION	4VRE	4XRE				REMARKS
1	4VR-24710-10	SINGLE SEAT ASSY	1	1				
2	4VR-24711-00	.COVER, SINGLE SEAT	1	1				
3	4TR-2475H-00	.BRACKET, SEAT LEVER 1	1	1				
4	22W-24741-00	.PAD, SEAT	5	5				
5	35T-24724-00	.DAMPER, SEAT	2	2				
6	97007-06012	.BOLT	2	2				
7	92907-06100	.WASHER, SPRING	2	2				
8	4TR-2475K-00	BRACKET 3	1	1				
9	91317-06025	BOLT	2	2				
10	4TR-24750-00	TANDEM SEAT ASSY	1	1				
11	4TR-24751-00	.COVER, TANDEM SEAT	1	1				
12	509-24724-00	.DAMPER, SEAT	4	4				
13	4TR-2475J-00	.BRACKET, SEAT LEVER 2	1	1				
14	97007-06012	.BOLT	2	2				
15	92907-06100	.WASHER, SPRING	2	2				
16	90176-06047	NUT, CROWN	1	1				
17	4TR-24720-00	SEAT BAND ASSY	1	1				

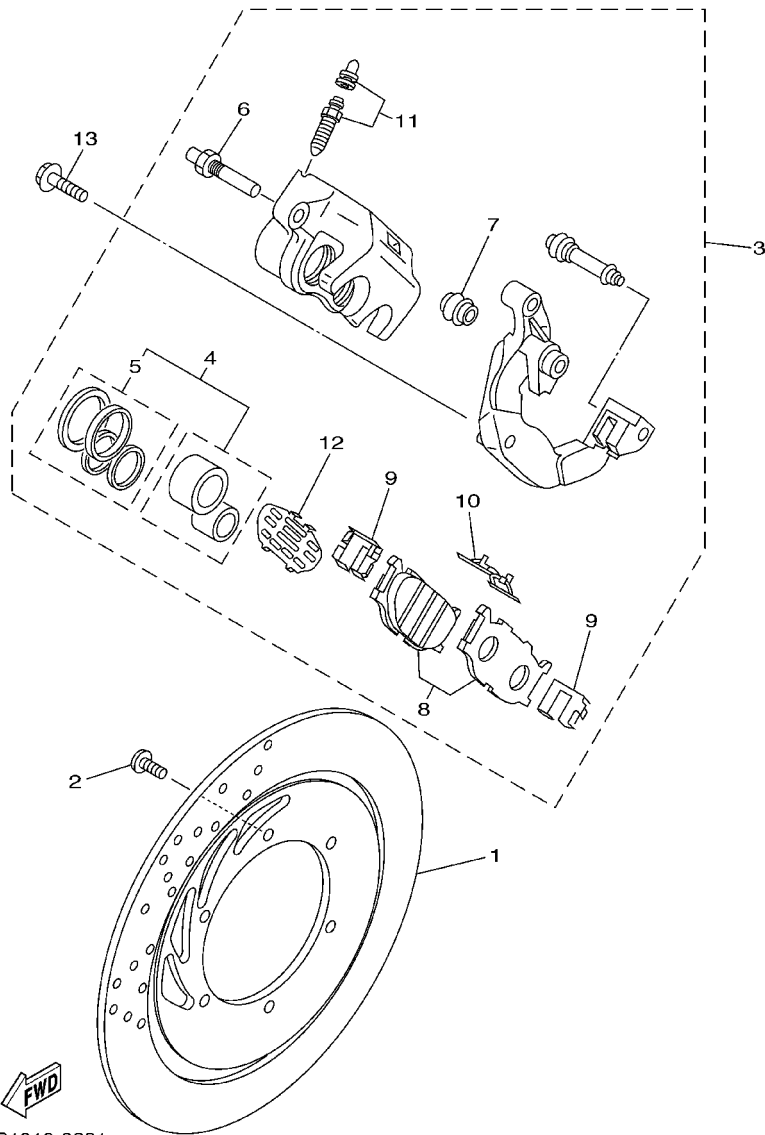
FIG. 27 FRONT WHEEL



REF. NO.	PART NO.	DESCRIPTION	4VRE	4XRE				REMARKS
1	4TR-25111-00	HUB, FRONT	1	1				
2	93105-45017	OIL SEAL	1	1				
3	93306-30317	BEARING	2	2				
4	93102-28022	OIL SEAL	1	1				
5	90387-173M5	COLLAR	1	1				
6	341-25149-00	CLUTCH, METER	1	1				
7	341-25846-00	RETAINER, CLUTCH	1	1				
8	5V4-25398-00	BALANCER, WHEEL	1	1				UN
9	94425-19585	RIM (2.50-19)	1	1				
10	4VR-25104-02	SPOKE SET, FRONT	1	1				
11	94110-1908V	TIRE (100/90-19 57S F24)	1	1				UR DUNLOP
	94110-1908T	TIRE (100/90-19 57S L309)	1	1				UR BRIDGESTONE
12	94210-19224	TUBE(100/90-19 TR4 BTL)	1	1				UR DUNLOP
	94210-19222	TUBE (100/90-19)	1	1				UR BRIDGESTONE
13	94321-19135	BAND, RIM (90-100/90-19)	1	1				UR DUNLOP
	94321-19157	BAND, RIM (2.15-19)	1	1				UR BRIDGESTONE
14	4TR-25190-10	GEAR UNIT ASSY	1	1				
15	90387-173R6	COLLAR	1	1				
16	5KS-25181-00	AXLE, WHEEL	1	1				
17	5KS-25188-00	CAP	1	1				


4VRD300-1270

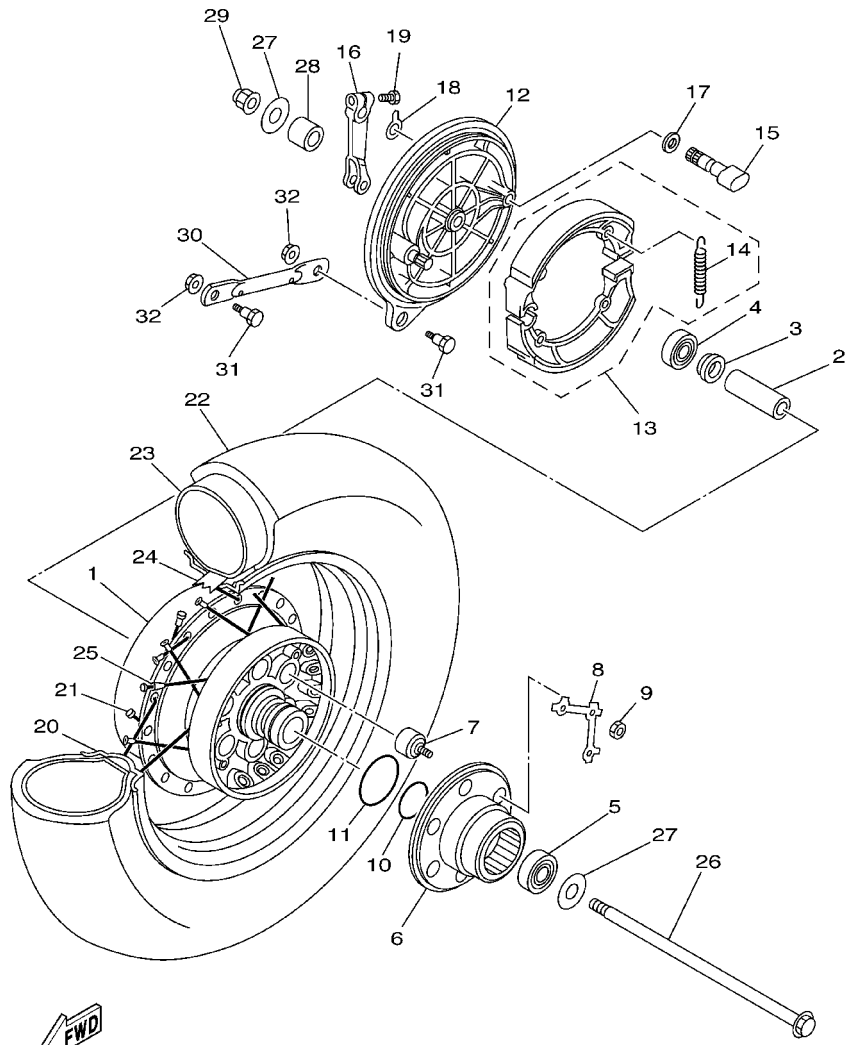
FIG. 28 FRONT BRAKE CALIPER



5KP1010-0281

REF. NO.	PART NO.	DESCRIPTION	4VRE	4XRE	REMARKS
1	5BN-2582U-00	DISC, BRAKE (RIGHT)	1	1	
2	90109-083G4	BOLT	6	6	
3	4WM-2580U-00	CALIPER ASSY (RIGHT)	1	1	
4	3JB-W0057-00	.PISTON ASSY, CALIPER	1	1	
5	3JB-W0047-00	..CALIPER SEAL KIT	1	1	
6	4TT-25914-00	.PIN, SLIDE	1	1	
7	4TT-25937-00	.BOOT 2	1	1	
8	4WM-W0045-00	.BRAKE PAD KIT	1	1	
9	4BP-25919-00	.SUPPORT, PAD	2	2	
10	3YX-25929-00	.SPRING, ANTI RATTLE	1	1	
11	51L-W0048-00	.BLEED SCREW KIT	1	1	
12	5BN-25827-00	.SHIM, CALIPER	1	1	
13	90105-10638	BOLT, FLANGE	2	2	

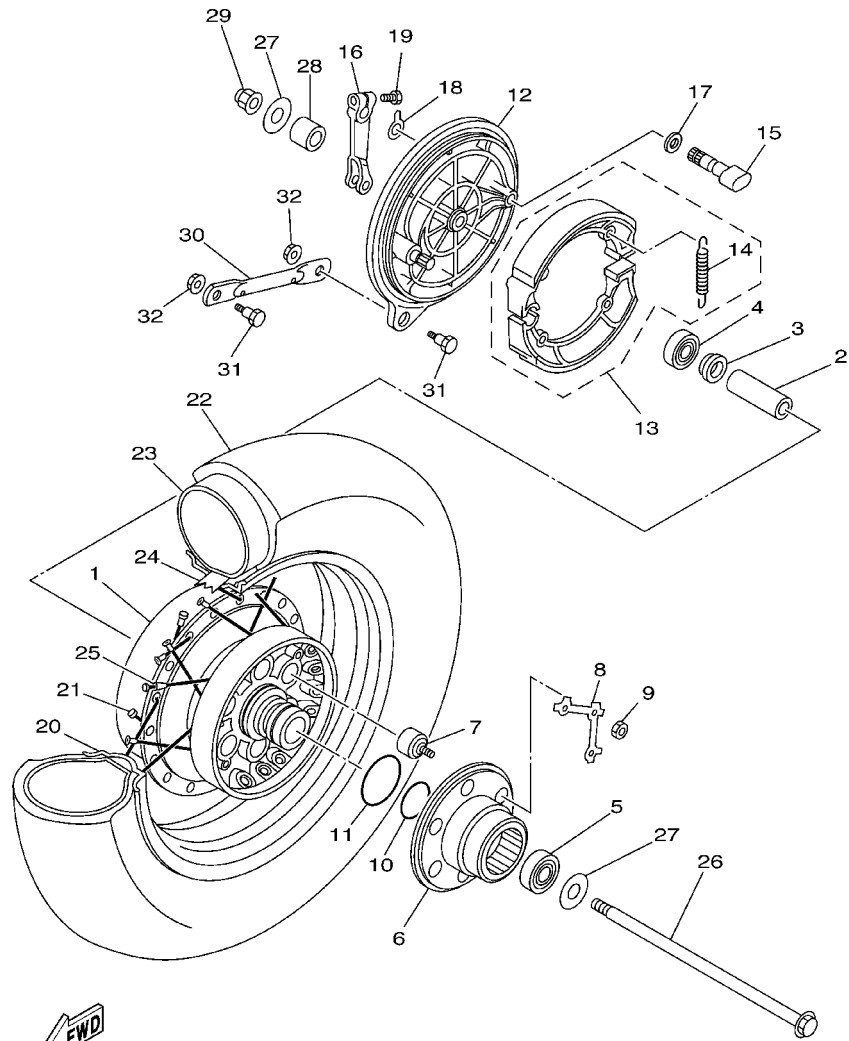
FIG. 29 REAR WHEEL



FWD
4VRE300-A290

REF. NO.	PART NO.	DESCRIPTION	4VRE	4XRE			REMARKS
1	3JB-25311-00-35	HUB, REAR	1	1			SL
2	2GV-25317-00	SPACER, BEARING	1	1			
3	2GV-25315-00	FLANGE, SPACER	1	1			
4	93306-30213	BEARING	1	1			
5	93306-30212	BEARING	1	1			
6	4TR-25366-00	CLUTCH, HUB	1	1			
7	4TR-25364-00	DAMPER	6	6			
8	16G-25412-00	WASHER	2	2			
9	90170-10219	NUT	6	6			
10	93210-48530	O-RING	1	1			
11	93210-61750	O-RING	1	1			
12	4TR-25321-00	PLATE, BRAKE SHOE	1	1			
13	3DR-W253E-00	BRAKE SHOE KIT	1	1			
14	90507-20002	SPRING, TENSION	2	2			
15	4H7-25351-00	CAMSHAFT	1	1			
16	214-25355-00	LEVER, CAMSHAFT	1	1			
17	90201-14577	WASHER, PLATE	1	1			
18	4H7-2533A-02	PLATE, INDICATOR	1	1			
19	90101-06764	BOLT	1	1			
20	94435-15586	RIM	1	1			
21	4VR-25304-02	SPOKE SET, REAR	1	1			
22	94117-1508W	TIRE (170/80-15M/C 77S K555)	1	1			UR DUNLOP
	94117-1508U	TIRE (170/80-15M/C 77S G546)	1	1			UR BRIDGESTONE
23	94217-15299	TUBE (150/170-90/80-15)	1	1			UR DUNLOP
	94217-15298	TUBE (170/80-15)	1	1			UR BRIDGESTONE
24	94317-15173	BAND, RIM (170/80-15)	1	1			UR DUNLOP
	94317-15172	BAND, RIM (3.00-15)	1	1			UR BRIDGESTONE

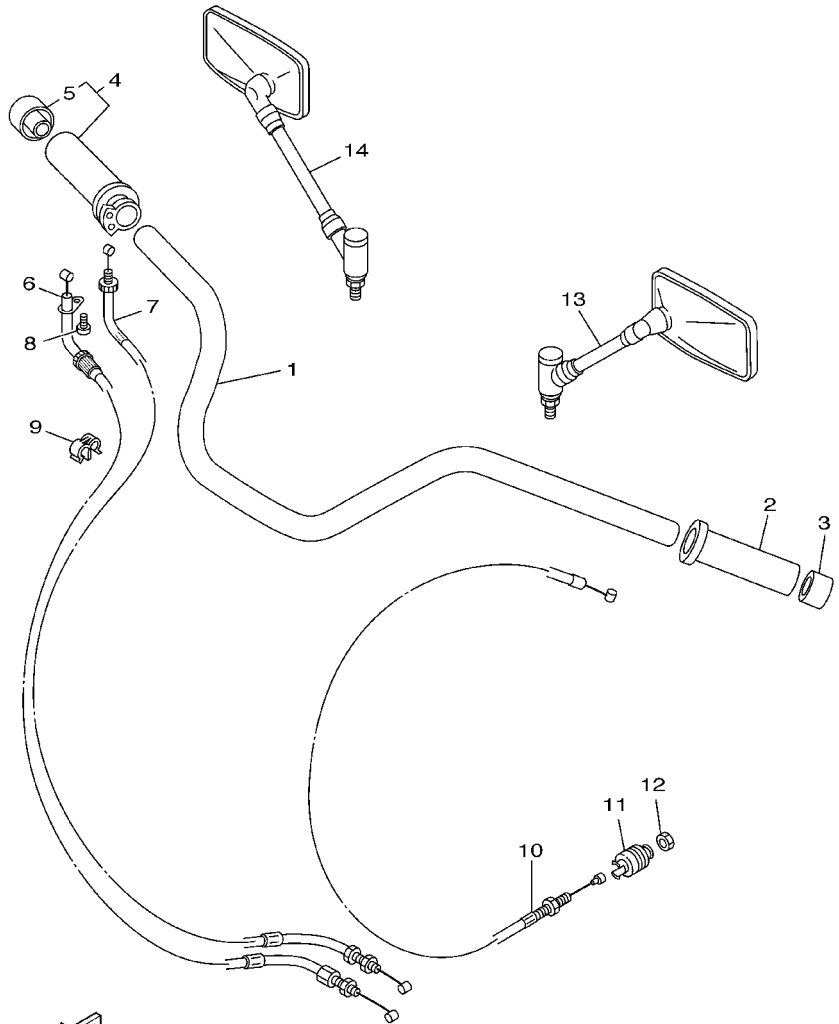
FIG. 29 REAR WHEEL



FWD
4VRE300-A290

REF. NO.	PART NO.	DESCRIPTION	4VRE	4XRE	REMARKS
25	5V4-25398-00	BALANCER, WHEEL	1	1	UN
26	4TR-25381-00	AXLE, WHEEL	1	1	
27	90201-152L7	WASHER, PLATE	2	2	
28	90387-151R1	COLLAR	1	1	
29	95604-14200	NUT, SELF-LOCKING	1	1	
30	4TR-25371-00	BAR, TENSION	1	1	
31	90109-085G1	BOLT	2	2	
32	95604-08200	NUT, U FLANGE	2	2	

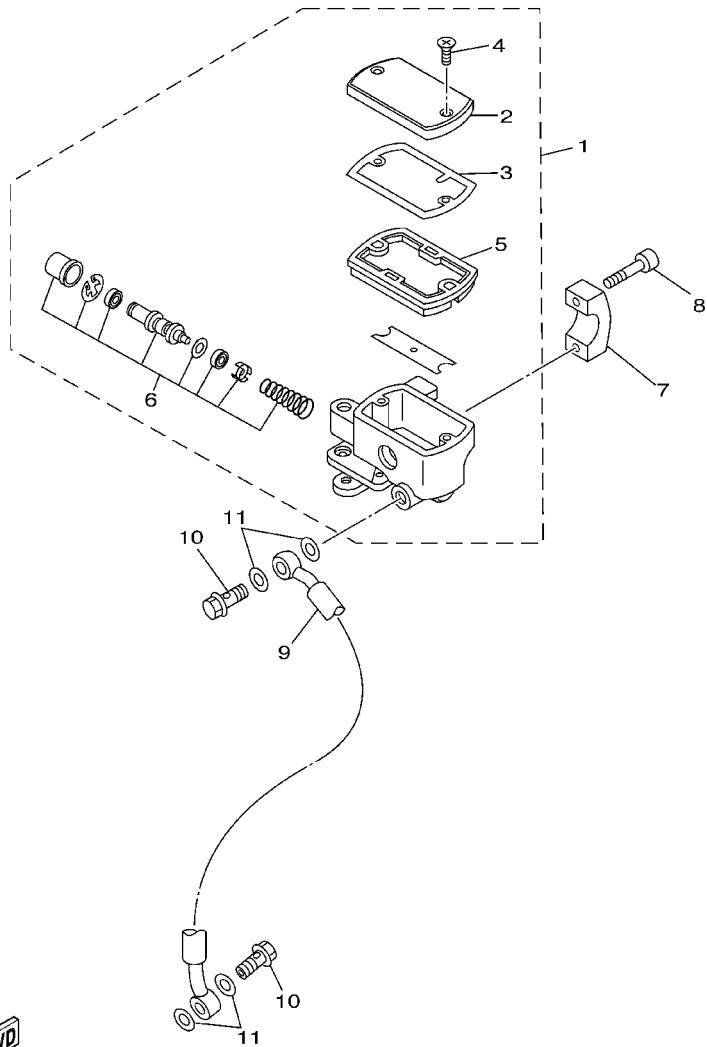
FIG. 30 STEERING HANDLE. CABLE



5FBD100-1300

REF. NO.	PART NO.	DESCRIPTION	4VRE	4XRE			REMARKS
1	4VR-26111-10	HANDLEBAR	1	1			
2	4NK-26241-00	GRIP	1	1			
3	4NK-2628J-00	CAP, GRIP	1	1			
4	4NK-26240-00	GRIP ASSY	1	1			
5	4NK-2635J-00	.CAP 2	1	1			
6	5KP-26311-02	CABLE, THROTTLE 1	1	1			
7	5KP-26312-01	CABLE, THROTTLE 2	1	1			
8	98507-05008	SCREW, PAN HEAD	1	1			
9	90464-06214	CLAMP	1	1			
10	5KP-26335-00	CABLE, CLUTCH	1	1			
11	1E6-26342-00	BOOT, CABLE	1	1			
12	95304-08700	NUT	1	1			
13	4VR-26280-01	REAR VIEW MIRROR ASSY (LEFT)	1	1			
14	4VR-26290-01	REAR VIEW MIRROR ASSY (RIGHT)	1	1			

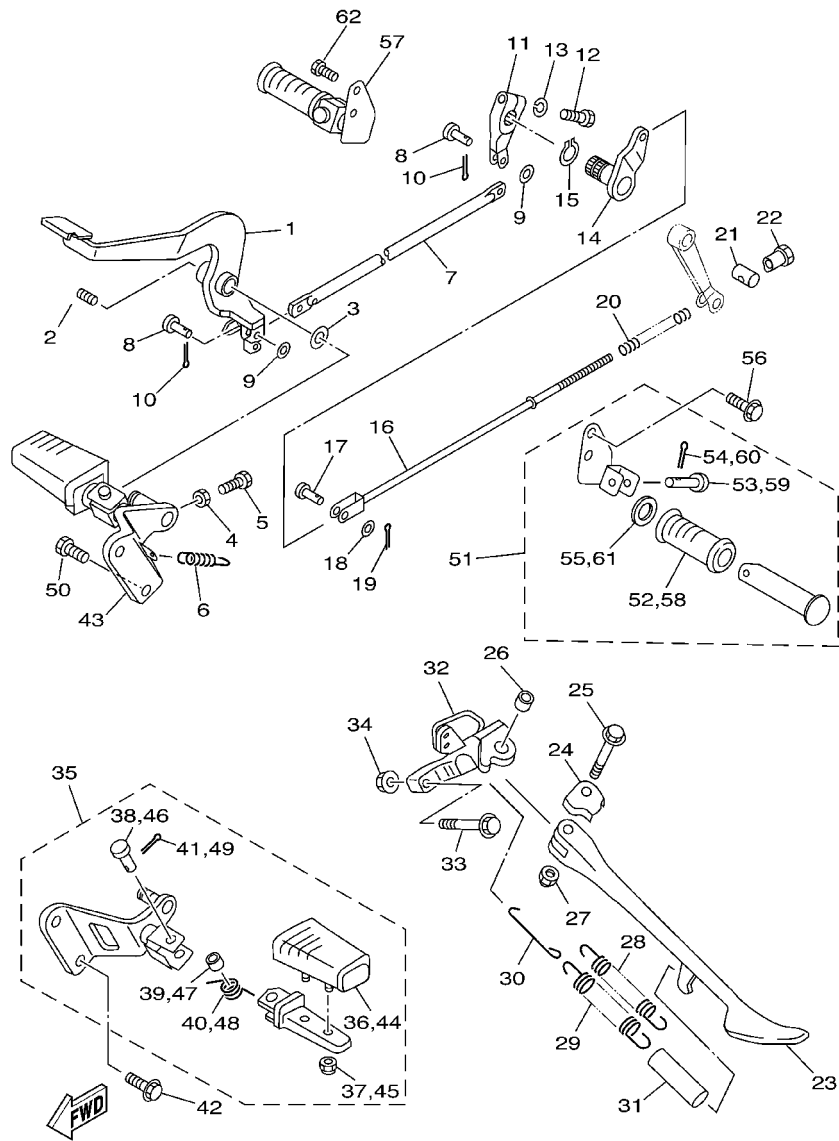
FIG. 31 FRONT MASTER CYLINDER



5KP1010-0310

REF. NO.	PART NO.	DESCRIPTION	4VRE	4XRE				REMARKS
1	4TR-25870-01	MASTER CYLINDER SUB ASSY	1	1				
2	4TR-25852-01	.CAP, RESERVOIR	1	1				
3	4BH-25815-00	.SEAL, PISTON	1	1				
4	4TR-2589H-00	.SCREW	2	2				
5	4BH-25854-02	.DIAPHRAGM, RESERVOIR	1	1				
6	2KR-W0041-00	.CYLINDER KIT, MASTER	1	1				
7	4TR-25867-00	BRACKET, MASTER CYLINDER	1	1				
8	91314-06025	BOLT	2	2				
9	5KP-25872-00	HOSE, BRAKE 1	1	1				
10	90401-10159	BOLT, UNION	2	2				
11	90201-10118	WASHER, PLATE	4	4				

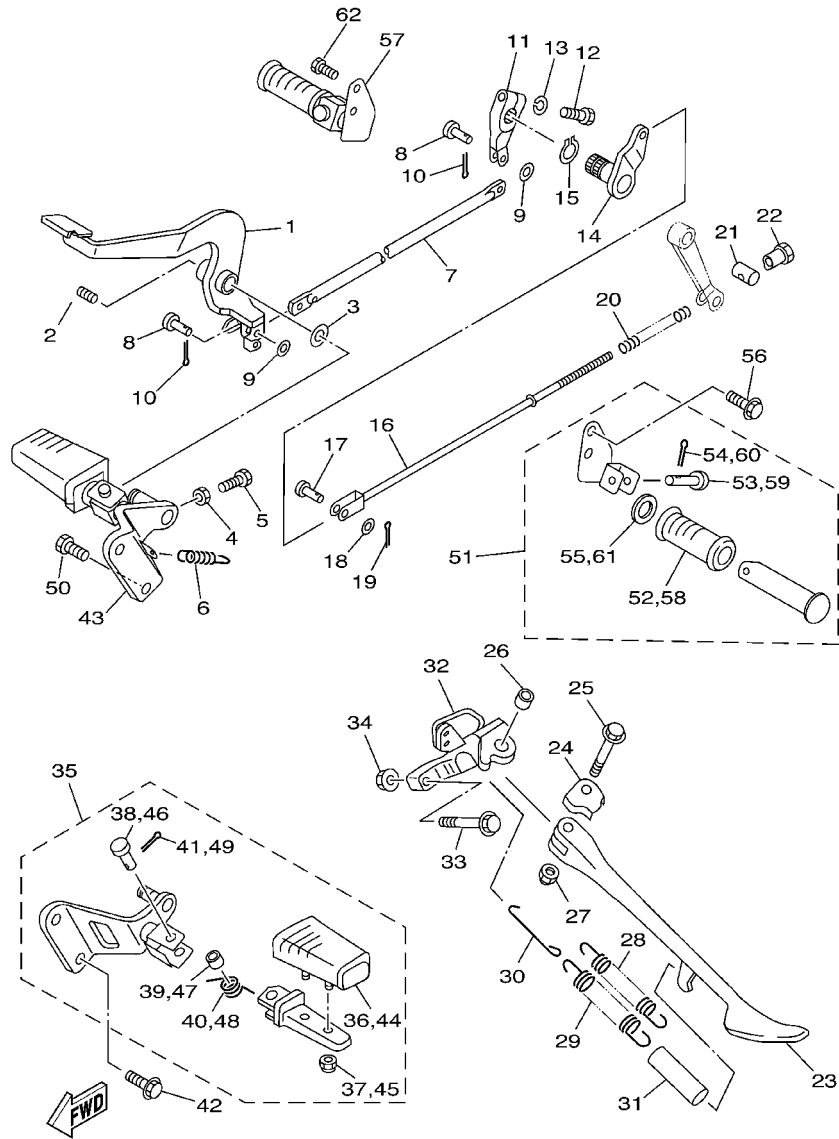
FIG. 32 STAND. FOOTREST



4VRE300-A320

REF. NO.	PART NO.	DESCRIPTION	4VRE	4XRE			REMARKS
1	5KP-27211-00	PEDAL, BRAKE	1	1			
2	90110-06249	BOLT, HEXAGON SOCKET HEAD	1	1			
3	90206-14086	WASHER, WAVE	1	1			
4	95307-06700	NUT	1	1			
5	90101-06534	BOLT	1	1			
6	90506-20193	SPRING, TENSION	1	1			
7	5KP-27247-00	ROD 1	1	1			
8	90240-06108	PIN, CLEVIS	2	2			
9	90201-062P7	WASHER, PLATE	2	2			
10	91401-20012	PIN, COTTER	2	2			
11	4TR-27243-00	BOSS, BRAKE PEDAL	1	1			
12	90109-06468	BOLT	1	1			
13	92907-06100	WASHER, SPRING	1	1			
14	4TR-27212-00	SHAFT, BRAKE PEDAL	1	1			
15	99009-19400	CIRCLIP	1	1			
16	4TR-27231-00	ROD, BRAKE	1	1			
17	90240-06108	PIN, CLEVIS	1	1			
18	90201-062P7	WASHER, PLATE	1	1			
19	91401-20012	PIN, COTTER	1	1			
20	90501-10245	SPRING, COMPRESSION	1	1			
21	90249-12008	PIN	1	1			
22	90179-06411	NUT	1	1			
23	4KU-27311-13	STAND, SIDE	1	1			
24	5KP-27322-00	WASHER	1	1			
25	90105-102A6	BOLT, FLANGE	1	1			
26	90387-1003G	COLLAR	1	1			
27	95607-10200	NUT, SELF-LOCKING	1	1			

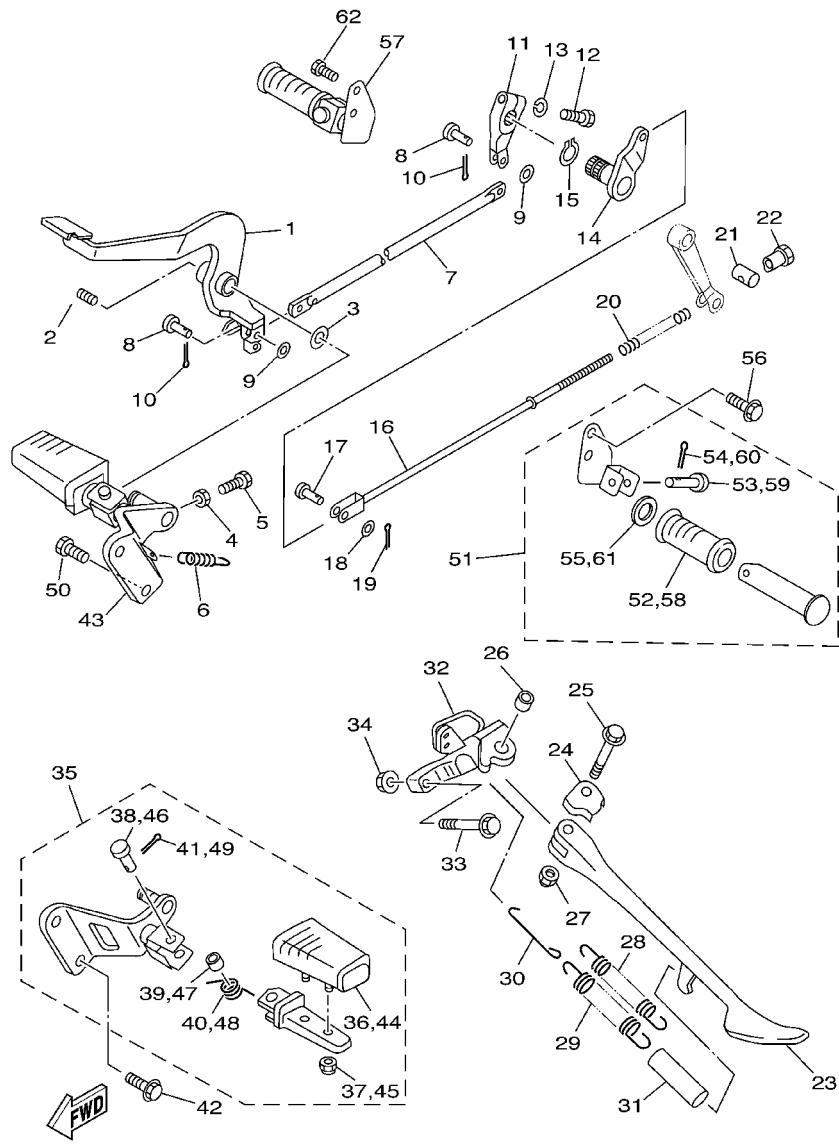
FIG. 32 STAND, FOOTREST



4VRE300-A320

REF. NO.	PART NO.	DESCRIPTION	4VRE	4XRE	REMARKS
28	90506-23490	SPRING, TENSION	1	1	
29	90506-29507	SPRING, TENSION	1	1	
30	5EL-27315-00	LINK, SIDE STAND	1	1	
31	90445-16641	HOSE (L60)	1	1	
32	5KP-27321-00	BRACKET, SIDE STAND	1	1	
33	90105-10727	BOLT, FLANGE	2	2	
34	95607-10200	NUT, SELF-LOCKING	2	2	
35	5KP-27410-00	FRONT FOOTREST ASSY (LEFT)	1	1	
36	4VR-27413-00	.COVER, FOOTREST	1	1	
37	95607-06100	.NUT, U	2	2	
38	90240-08084	.PIN, CLEVIS	1	1	
39	90387-087K5	.COLLAR	1	1	
40	90508-18696	.SPRING, TORSION	1	1	
41	91401-25015	.PIN, COTTER	1	1	
42	90105-102A3	BOLT, FLANGE	2	2	
43	5KP-27420-00	FRONT FOOTREST ASSY (RIGHT)	1	1	
44	4VR-27413-00	.COVER, FOOTREST	1	1	
45	95607-06100	.NUT, U	2	2	
46	90240-08084	.PIN, CLEVIS	1	1	
47	90387-087K5	.COLLAR	1	1	
48	90508-18696	.SPRING, TORSION	1	1	
49	91401-25015	.PIN, COTTER	1	1	
50	90105-102A3	BOLT, FLANGE	2	2	
51	4TR-27430-10	REAR FOOTREST ASSY 1	1	1	
52	120-27433-00	.COVER, REAR FOOTREST	1	1	
53	91701-06032	.PIN, CLEVIS	1	1	
54	91401-20015	.PIN, COTTER	1	1	

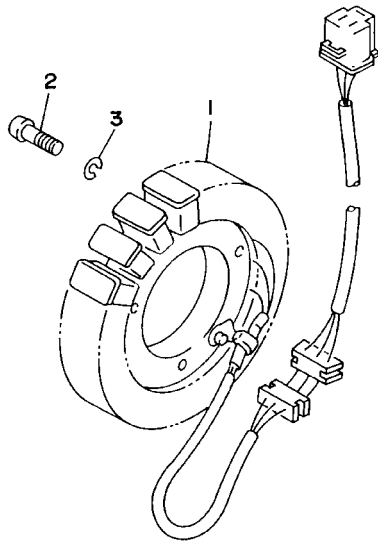
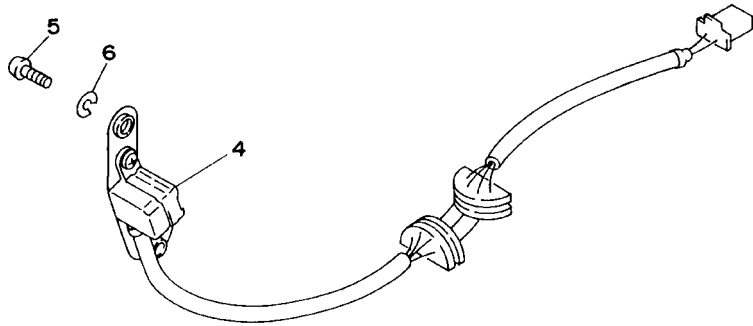
FIG. 32 STAND. FOOTREST



4VRE300-A320

REF. NO.	PART NO.	DESCRIPTION	4VRE	4XRE	REMARKS
55	90201-20279	.WASHER, PLATE	1	1	
56	90105-082A5	BOLT, FLANGE	2	2	
57	4TR-27440-10	REAR FOOTREST ASSY 2	1	1	
58	120-27433-00	.COVER, REAR FOOTREST	1	1	
59	91701-06032	.PIN, CLEVIS	1	1	
60	91401-20015	.PIN, COTTER	1	1	
61	90201-20279	.WASHER, PLATE	1	1	
62	90105-082A5	BOLT, FLANGE	2	2	

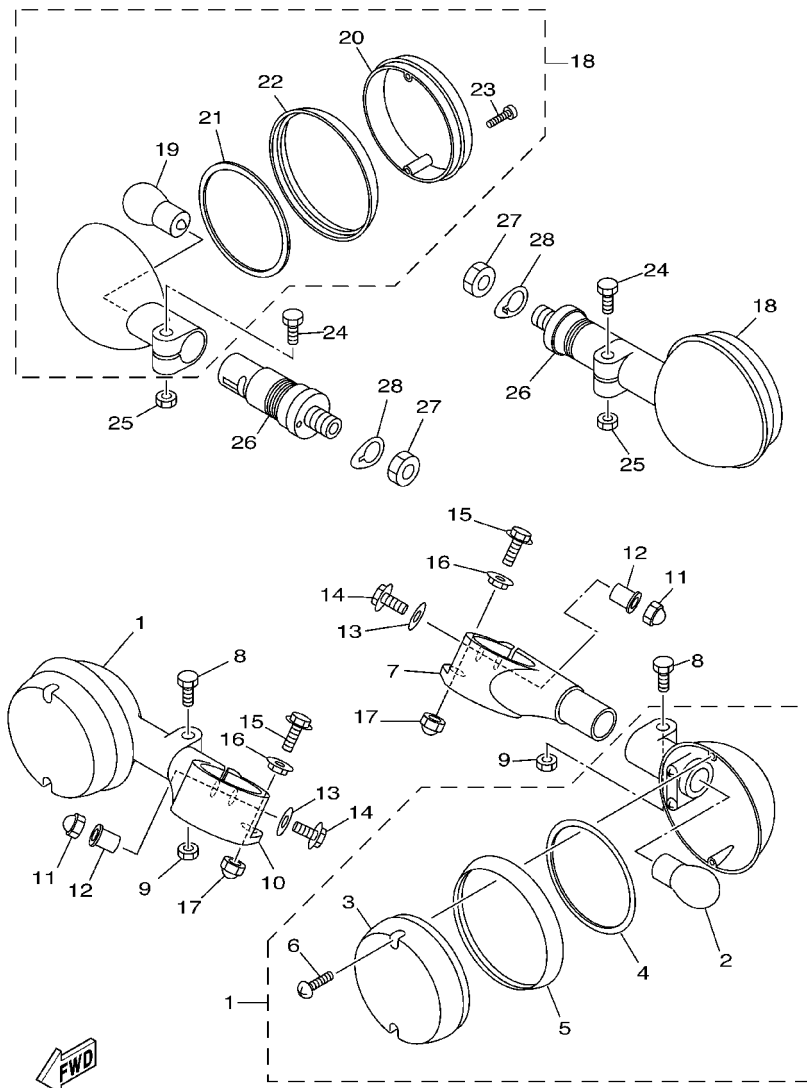
FIG. 33 GENERATOR



REF. NO.	PART NO.	DESCRIPTION	4VRE	4XRE			REMARKS
1	4VR-81410-00	STATOR ASSY	1	1			
2	98507-06030	SCREW, PAN HEAD	3	3			
3	92907-06600	WASHER, PLATE	3	3			
4	4TR-81670-00	PICK-UP ASSY	1	1			
5	98507-06020	SCREW, PAN HEAD	3	3			
6	92907-06600	WASHER, PLATE	3	3			


4TR1010-6330

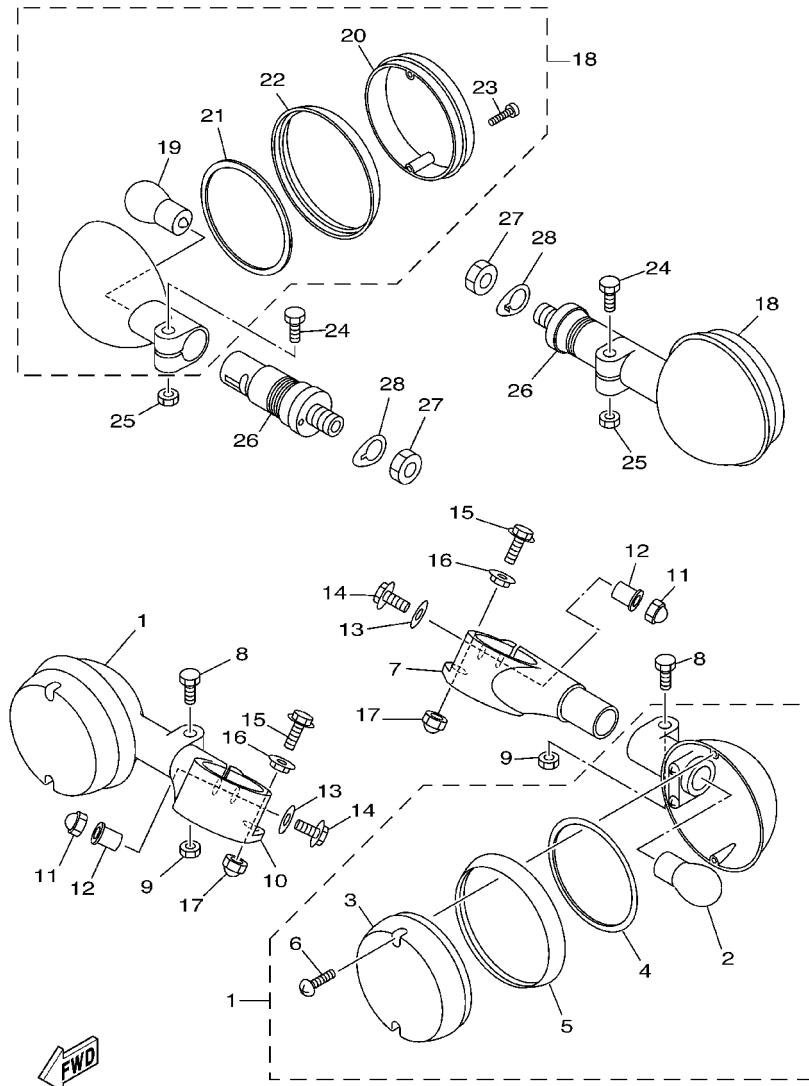
FIG. 34 FLASHER LIGHT



4VR1300-7340

REF. NO.	PART NO.	DESCRIPTION	4VRE	4XRE			REMARKS
1	2EN-83310-00	FRONT FLASHER LIGHT ASSY 1	2	2			
2	2AE-83311-00	.BULB, FLASHER (12V-21W)	1	1			
3	42X-83312-00	.LENS, FLASHER	1	1			
4	42X-83313-00	.GASKET, FLASHER LENS	1	1			
5	42X-83363-00	.LENS, RIM	1	1			
6	57M-83358-00	.SCREW, SPECIAL	2	2			
7	4VR-83314-00	BASE, FLASHER 1	1	1			
8	95024-06030	BOLT, FLANGE	2	2			
9	95704-06500	NUT, FLANGE	2	2			
10	4VR-83324-00	BASE, FLASHER 2	1	1			
11	90176-06055	NUT, CROWN	2	2			
12	90387-063Y3	COLLAR	2	2			
13	90201-06045	WASHER, PLATE	2	2			
14	95807-06025	BOLT, FLANGE	2	2			
15	95027-06030	BOLT, FLANGE	2	2			
16	90560-06244	SPACER	2	2			
17	95304-06800	NUT, CROWN	2	2			
18	2EN-83330-00	REAR FLASHER LIGHT ASSY 1	2	2			
19	2AE-83311-00	.BULB, FLASHER (12V-21W)	1	1			
20	2AE-83312-00	.LENS, FLASHER	1	1			
21	42X-83313-00	.GASKET, FLASHER LENS	1	1			
22	42X-83363-00	.LENS, RIM	1	1			
23	57M-83358-00	.SCREW, SPECIAL	2	2			
24	95024-06030	BOLT, FLANGE	2	2			
25	95704-06500	NUT, FLANGE	2	2			
26	1AA-83318-00	STAY, FLASHER 1	2	2			
27	95307-12700	NUT	2	2			

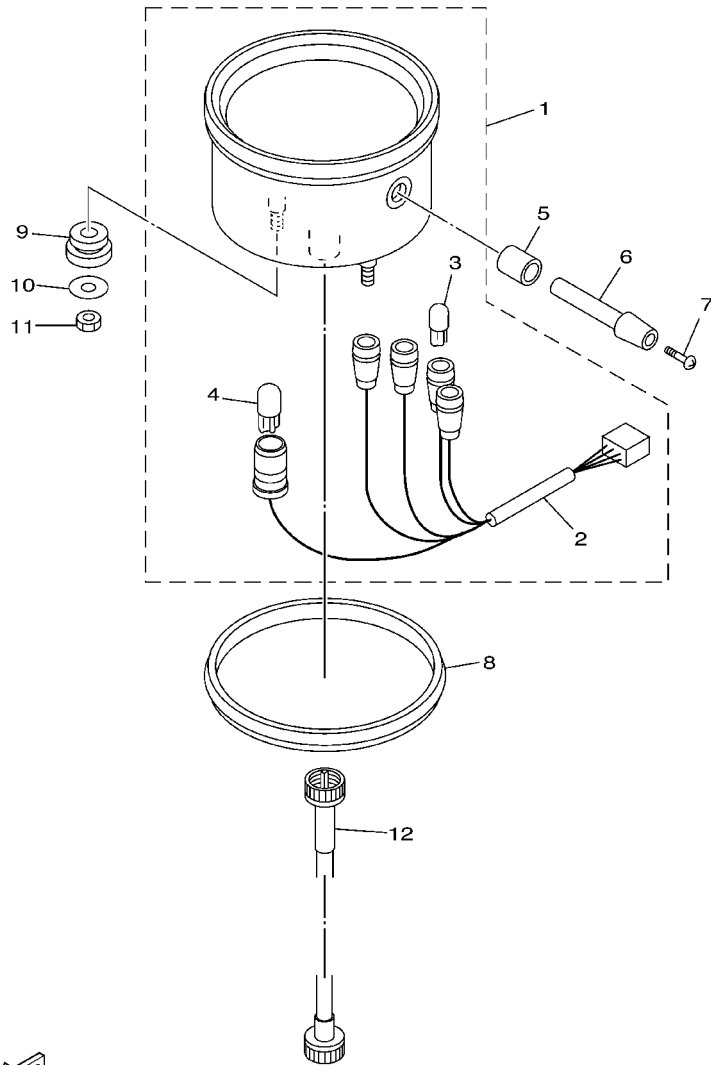
FIG. 34 FLASHER LIGHT




4VR1300-7340

REF. NO.	PART NO.	DESCRIPTION	4VRE	4XRE	REMARKS
28	4TR-83348-00	WASHER	2	2	

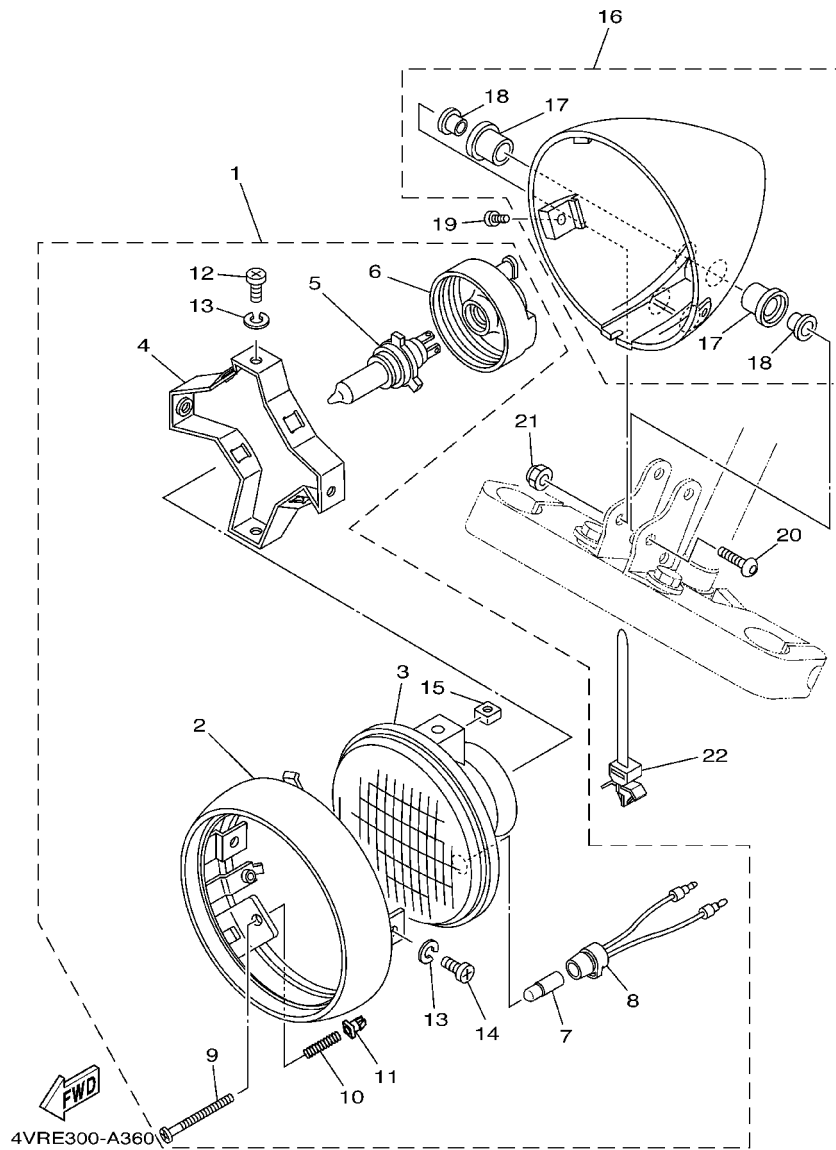
FIG. 35 METER



REF. NO.	PART NO.	DESCRIPTION	4VRE	4XRE	REMARKS
1	4TR-83580-00	SPEEDOMETER ASSY	1	1	FOR GBR
	4TR-83580-21	SPEEDOMETER ASSY	1	1	
2	4TR-83520-00	.SOCKET CORD ASSY	1	1	
3	2GV-83517-00	.BULB (12V-1.7W, T6.5)	4	4	
4	1YT-83517-00	.BULB (12V-1.7W, T10)	1	1	
5	4TR-83535-00	TUBE	1	1	
6	1JK-83578-00	KNOB, TRIP METER	1	1	
7	90157-02031	SCREW, PAN HEAD	1	1	
8	4TR-83513-00	DAMPER	1	1	
9	4TR-83526-00	DAMPER 2	2	2	
10	90201-05033	WASHER, PLATE	2	2	
11	95307-05700	NUT	2	2	
12	4VR-83550-00	SPEEDOMETER CABLE ASSY	1	1	

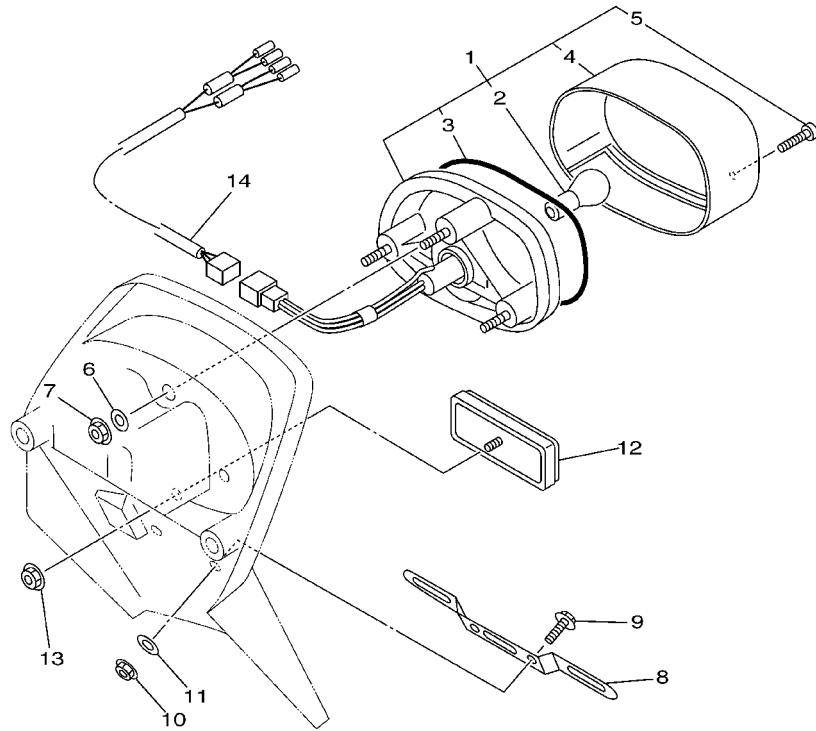

4VR1300-7350

FIG. 36 HEADLIGHT



REF. NO.	PART NO.	DESCRIPTION	4VRE	4XRE	REMARKS
1	5JX-84310-01	HEADLIGHT UNIT ASSY	1	1	
	5JX-84310-11	HEADLIGHT UNIT ASSY	1	1	FOR GBR
2	5JX-84315-01	.RIM, HEADLIGHT	1	1	
3	5JX-84321-00	.LENS ASSY	1	1	
	5JX-84321-10	.LENS ASSY	1	1	FOR GBR
4	5JX-84316-00	.BRACKET	1	1	
5	2F9-84314-00	.BULB (12V-60/55W)	1	1	(H4) HALOGEN
6	4JG-84397-00	.COVER, SOCKET	1	1	
7	4E2-84347-00	.BULB (12V-4W)	1	1	
8	5JX-84312-00	.HOLDER, SOCKET	1	1	
9	341-84331-60	.SCREW, RIM ADJUSTING	2	2	
10	5G2-84332-60	.SPRING, SCREW	2	2	
11	47J-84334-00	.NUT, ADJUSTING	2	2	
12	50W-84333-00	.SCREW	2	2	
13	92902-06100	.WASHER, SPRING	4	4	
14	4KG-84365-00	.SCREW	2	2	
15	4KG-84334-00	.NUT, ADJUSTING	2	2	
16	5JX-84330-00	BODY ASSY	1	1	
17	42X-84345-00	.DAMPER, HEADLIGHT	4	4	
18	1FK-84338-00	.COLLAR, BODY FITTING	4	4	
19	90157-05011	SCREW, PAN HEAD	2	2	
20	92014-06045	BOLT, BUTTON HEAD	2	2	
21	90176-06047	NUT, CROWN	2	2	
22	90464-12089	CLAMP	1	1	

FIG. 37 TAILLIGHT

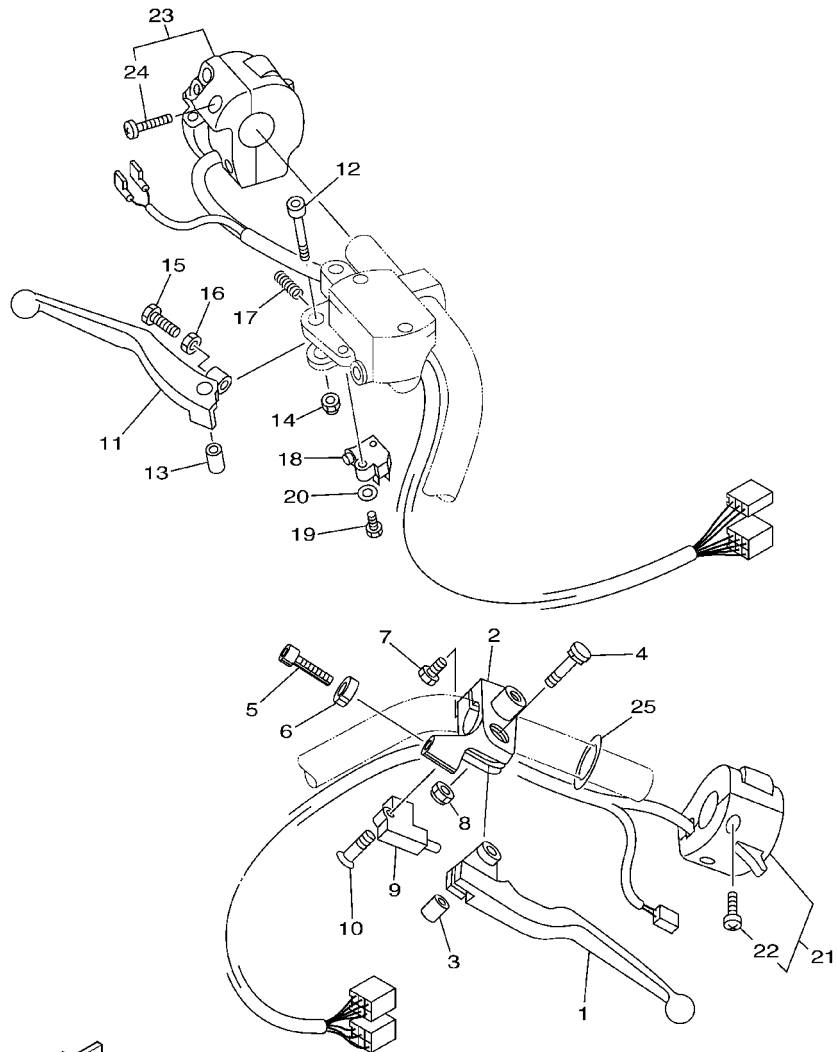


REF. NO.	PART NO.	DESCRIPTION	4VRE	4XRE	REMARKS
1	4TR-84700-00	TAILLIGHT ASSY	1	1	
2	31L-84714-00	.BULB, TAILLIGHT (12V-21/5W)	1	1	
3	4TR-84723-00	.GASKET, TAIL LENS	1	1	
4	4TR-84733-00	.LENS, TAILLIGHT	1	1	
5	97706-40620	.SCREW, TAPPING	2	2	
6	90201-06380	WASHER, PLATE	3	3	
7	95607-06100	NUT, U	3	3	
8	3YF-84751-00	BRACKET, LICENSE	1	1	
9	95027-06012	BOLT, FLANGE	2	2	
10	95607-06100	NUT, U	2	2	
11	90201-06063	WASHER, PLATE	2	2	
12	3Y6-85130-02	REAR REFLECTOR ASSY	1	1	
13	95707-05500	NUT, FLANGE	1	1	
14	4TR-84717-00	CORD, TAILLIGHT	1	1	



4TR1010-6370

FIG. 38 HANDLE SWITCH. LEVER

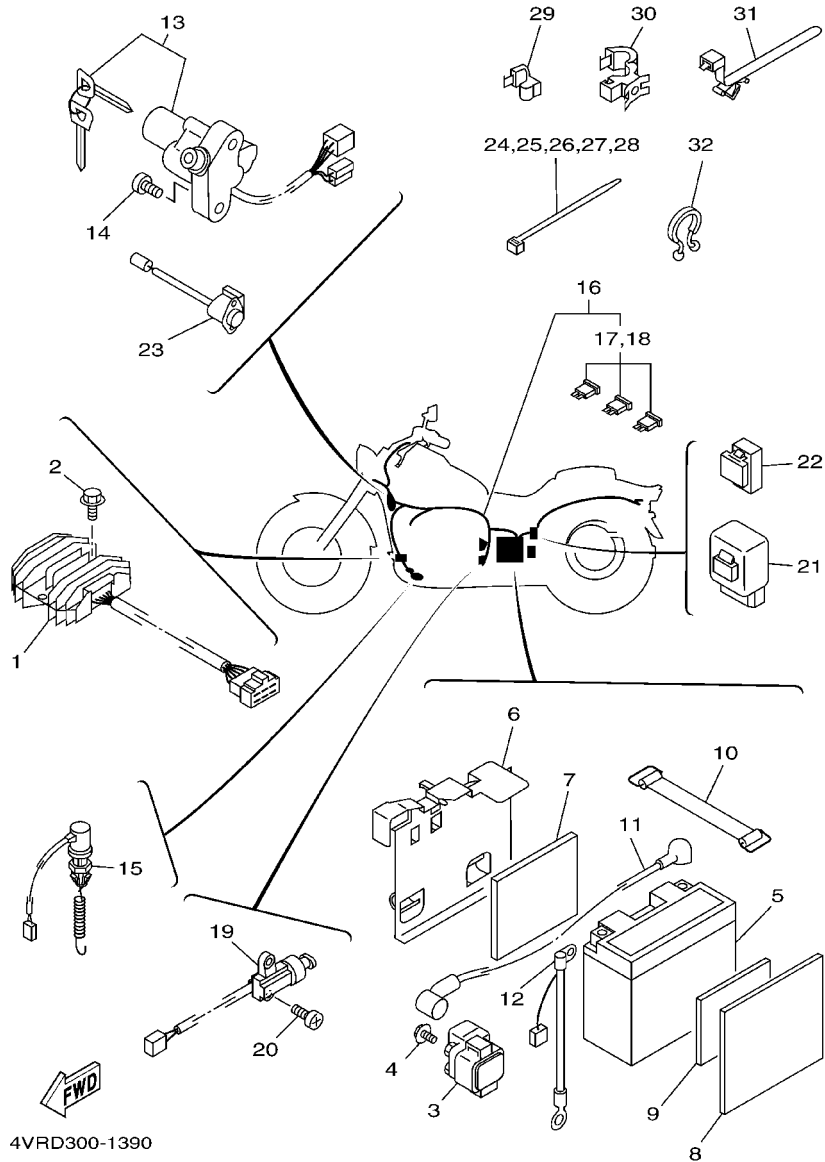


REF. NO.	PART NO.	DESCRIPTION	4VRE	4XRE			REMARKS
1	4TR-83912-00	LEVER 1	1	1			
2	4TR-82911-00	HOLDER, LEVER 1	1	1			
3	4TR-83913-00	COLLAR, LEVER 1	1	1			
4	4TR-83945-00	BOLT, LEVER	1	1			
5	90123-08046	BOLT	1	1			
6	90179-08148	NUT	1	1			
7	97004-06020	BOLT	1	1			
8	95604-06100	NUT, U	1	1			
9	3YX-82917-00	SWITCH	1	1			
10	98707-03020	SCREW, FLAT HEAD	1	1			
11	1FK-83922-00	LEVER 2	1	1			
12	90110-06074	BOLT, HEXAGON SOCKET HEAD	1	1			
13	36Y-83913-01	COLLAR, LEVER 1	1	1			
14	95607-06100	NUT, U	1	1			
15	90149-06131	SCREW	1	1			
16	90170-06010	NUT	1	1			
17	90501-10312	SPRING, COMPRESSION	1	1			
18	36Y-83980-01	FRONT STOP SWITCH ASSY	1	1			
19	98507-04016	SCREW, PAN HEAD	1	1			
20	92907-04600	WASHER	1	1			
21	4TR-83972-00	SWITCH, HANDLE 4	1	1			
22	98504-05025	.SCREW, PAN HEAD	2	2			
23	5EL-83963-00	SWITCH, HANDLE 3 (RIGHT)	1	1			
24	98507-05025	.SCREW, PAN HEAD	2	2			
25	90202-26142	WASHER, PLATE	1	1			



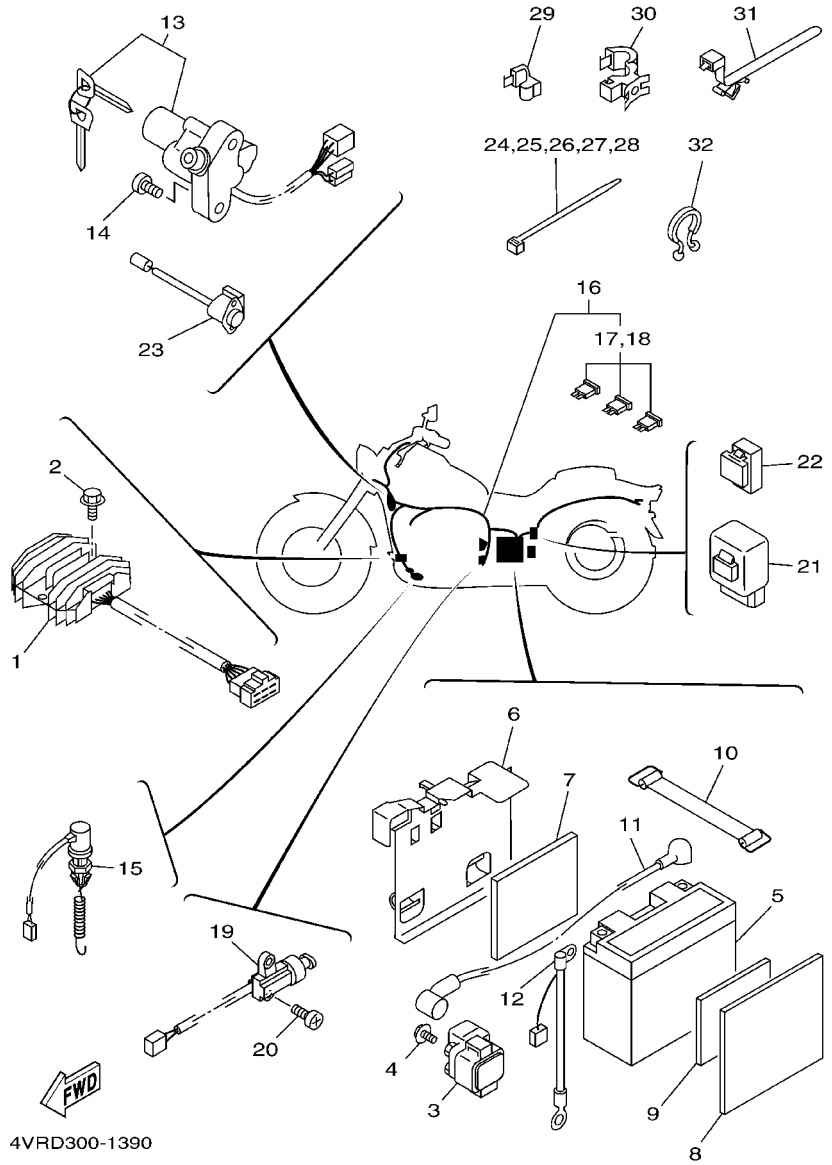
4VRD300-1380

FIG. 39 ELECTRICAL 1



REF. NO.	PART NO.	DESCRIPTION	4VRE	4XRE	REMARKS
1	5KP-81960-00	RECTIFIER & REGULATOR ASSY	1	1	
2	95804-06020	BOLT, FLANGE	2	2	
3	4BH-81940-00	STARTER RELAY ASSY	1	1	
4	95027-06008	BOLT, FLANGE	2	2	
5	4TX-82100-01	BATTERY ASSY (GT12B-4)	1	1	
6	5BN-82129-00	COVER, BATTERY	1	1	
7	29N-14425-00	DAMPER 1	1	1	
8	4VR-2176E-00	PLATE	1	1	
9	29N-14425-00	DAMPER 1	1	1	
10	133-82131-00	BAND, BATTERY	1	1	
11	5BN-82115-00	WIRE, PLUS LEAD	1	1	
12	5BN-82116-00	WIRE, MINUS LEAD	1	1	
13	4VR-82501-01	MAIN SWITCH STEERING LOCK	1	1	
14	90149-08002	SCREW	2	2	
15	5KP-82530-00	STOP SWITCH ASSY	1	1	
16	4VR-82590-20	WIRE HARNESS ASSY	1	1	
17	36Y-82151-00	.FUSE (15A-BL)	3	3	
18	42X-82151-00	.FUSE (10A-BL)	3	3	
19	3LD-82566-90	SWITCH, SIDE STAND	1	1	
20	90157-05079	SCREW, PAN HEAD	2	2	
21	5KP-81950-00	RELAY ASSY	1	1	
22	1UY-81950-92	RELAY ASSY	1	1	
23	5FU-82560-30	THERMO SWITCH ASSY	1	1	
24	1UA-82591-00	BAND	4	4	
25	1UA-82591-00	BAND	1	1	
26	1UA-82591-00	BAND	11	11	
27	1UA-82591-00	BAND	1	1	

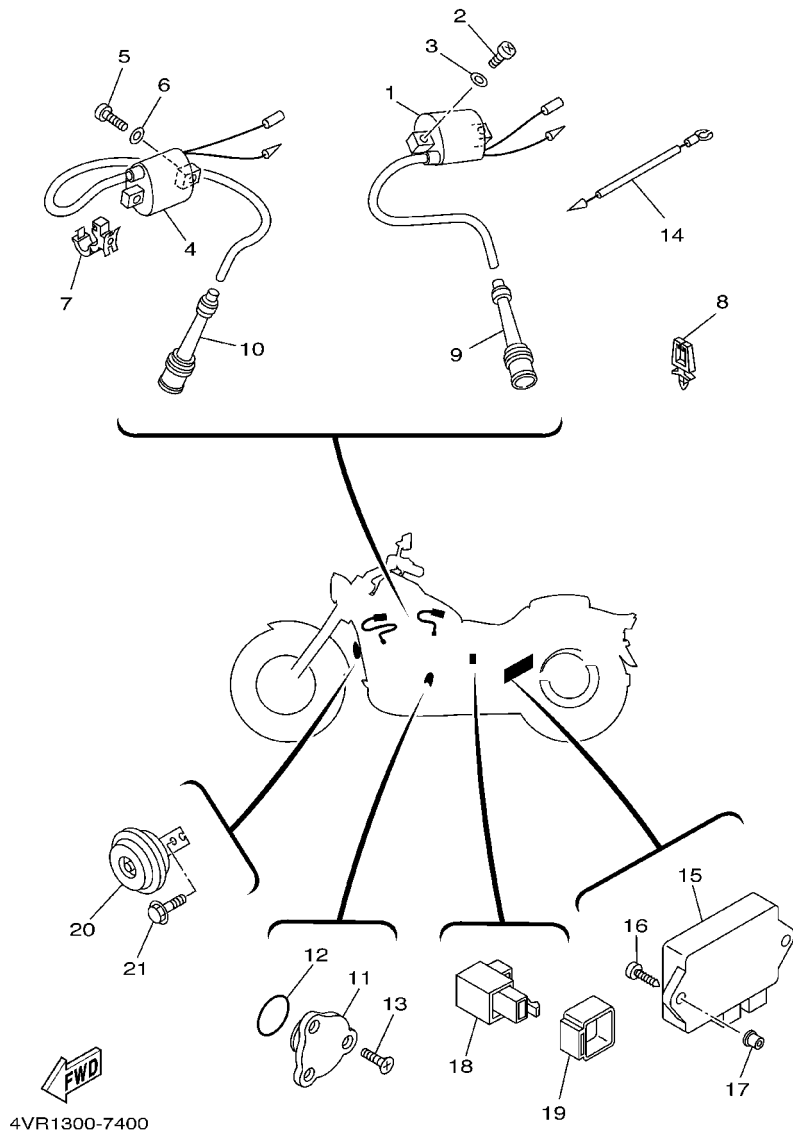
FIG. 39 ELECTRICAL 1



4VRD300-1390

REF. NO.	PART NO.	DESCRIPTION	4VRE	4XRE			REMARKS
28	1UA-82591-00	BAND	1	1			
29	90464-05188	CLAMP	3	3			
30	90464-20191	CLAMP	1	1			
31	90464-20213	CLAMP	1	1			
32	90464-23041	CLAMP	1	1			

FIG. 40 ELECTRICAL 2



REF. NO.	PART NO.	DESCRIPTION	4VRE	4XRE	REMARKS
1	4VR-82310-00	IGNITION COIL ASSY	1	1	FRONT
2	98507-05020	SCREW, PAN HEAD	2	2	
3	92907-05600	WASHER, PLATE	2	2	
4	4VR-82320-00	IGNITION COIL ASSY	1	1	REAR
5	98507-05020	SCREW, PAN HEAD	2	2	
6	92907-05600	WASHER, PLATE	2	2	
7	90464-10190	CLAMP	1	1	
8	90464-05141	CLAMP	1	1	
9	1FK-82370-00	PLUG CAP ASSY	1	1	
10	4TR-82370-00	PLUG CAP ASSY	1	1	
11	1L9-82540-00	NEUTRAL SWITCH ASSY	1	1	
12	93210-29196	O-RING	1	1	
13	90149-05321	SCREW	3	3	
14	4TR-82509-00	WIRE, SUB LEAD	1	1	
15	4VR-82305-10	IGNITOR UNIT ASSY	1	1	
16	97707-60020	SCREW, TAPPING	2	2	
17	90338-08226	PLUG	2	2	
18	4VR-83350-00	FLASHER RELAY ASSY	1	1	
19	4VR-8338V-00	DAMPER	1	1	
20	55V-83371-00	HORN	1	1	
21	90105-082A5	BOLT, FLANGE	1	1	

NUMERICAL INDEX

PART NO.	GRID NO.	PART NO.	GRID NO.	PART NO.	GRID NO.	PART NO.	GRID NO.	PART NO.	GRID NO.	PART NO.	GRID NO.
2KR-W0041-00	D-4	4VR-11638-00	B-5	4KM-14142-20	B-11	5BN-14857-01	B-14	4X7-16325-00	C-6	3YF-18531-00	C-10
4WM-W0045-00	D-14	4VR-11650-00	B-5	1HX-14147-00	B-11	5BN-14858-00	B-14	22U-16351-00	C-6	4TR-18535-00	C-10
3JB-W0047-00	D-14	22U-11654-00	B-5	36Y-14147-00	B-12	5BN-14871-00	B-14	4VR-16356-00	C-6	4TR-18540-02	C-10
51L-W0048-00	D-14	3LD-11656-00	B-5	137-14153-00	B-11	5BN-14872-00	B-14	22U-16357-00	C-7	4UN-18542-00	C-10
3JB-W0057-00	D-14	3LD-11656-10	B-5	353-14186-00	B-12	5BN-14875-00	B-14	1W1-16358-01	C-6	4UN-18566-00	C-10
4VR-W1752-00	C-9	3LD-11656-20	B-5	12R-14191-00	B-12	5BN-14881-00	B-14	4VR-16371-00	C-6	4VR-21110-20	C-12
3DR-W253E-00	D-15	3LD-11656-30	B-5	1AE-14227-00	B-11	5BN-14882-00	B-13	22U-16380-00	C-6	4VR-21161-00	C-13
4VR-Y1754-00	C-9	4VR-12111-01	B-6	1HX-14231-20	B-11	5BN-14883-00	B-13	4KU-17121-00	C-8	4R8-21308-00	C-14
4TR-Y2161-W1-33	C-14	3Y1-12114-01	B-6	3G2-14231-18	B-11	5BN-14884-00	B-14	4VR-17131-00	C-8	4VR-21315-00	C-12
4TR-Y2161-X1-PC	C-14	3Y1-12116-00	B-6	1AE-14237-00	B-11	5BN-14885-00	B-14	3JB-17141-00	C-8	4VR-21317-00	C-12
4VR-Y2343-60	D-7	3Y1-12117-01	B-6	4HM-14239-00	B-12	4XP-1490J-00	B-11	4VR-17151-01	C-8	5BN-21317-00	C-12
4TR-Y2410-U1-02	D-10	1J7-12118-00	B-6	1WG-14251-00	B-12	3KW-1490K-00	B-12	22U-17211-00	C-8	3SX-2139X-00	C-14
4TR-Y2410-U1-03	D-10	1J7-12119-01	B-6	1AE-14261-00	B-11	4TR-1490L-00	B-12	4KU-17221-00	C-8	5KP-2144G-00	C-13
4XP-11101-11	B-2	4VR-12121-01	B-6	26H-14275-00	B-12	5BN-14900-21	B-11	4VR-17231-00	C-8	4TR-21460-01	C-12
5BN-11101-10	B-2	22U-12151-00	B-6	4TR-14294-00	D-11	5BN-14900-31	B-11	4TR-17241-00	C-8	4TR-21510-02-PB	C-14
22U-1111F-01	B-3	22U-12156-01	B-6	4TR-14348-00	B-12	5BN-14901-21	B-11	4VR-17251-01	C-8	4TR-21510-02-33	C-14
4TR-1111F-00	B-2	22U-12159-00	B-6	4TR-1440F-00	B-9	5BN-14901-31	B-11	22U-17402-00	C-8	4VR-21518-00	C-14
4VR-1111N-00	B-4	4VR-12171-00	B-7	4TR-1440G-00	B-9	5BN-14902-21	B-11	4VR-17411-00	C-8	4TR-21598-02	C-14
4TR-1112F-00	B-2	22U-12176-01	B-7	4TR-14411-00	B-9	5BN-14902-31	B-11	22U-17524-00	C-9	4TR-2160A-00	D-2
4H7-11133-10	B-2	4VR-12181-00	B-7	4TR-14413-00	B-9	4VR-14933-00	B-11	4VR-17527-00	C-9	4TR-21613-01	C-14
4TR-11142-00	B-2	11H-12210-02	B-7	4TR-14417-00	B-9	4TR-14937-00	B-12	3H5-17529-00	C-9	4TR-21614-01	C-14
22U-11145-00	B-7	3BT-12213-00	B-7	4TR-14421-00	B-9	22V-14940-00	B-12	3JB-17531-00	C-9	4TR-2162R-01	C-14
4TR-11152-00	B-2	4VR-12231-00	B-7	29N-14425-00	D-15	4TR-14940-00	B-11	3JB-17531-10	C-9	4TR-21629-00	C-15
22U-11165-00	B-2	22U-12241-00	B-7	4VR-14431-00	B-9	4XR-14940-00	B-12	3JB-17531-20	C-9	4TR-21643-00	C-14
4TR-11166-00	B-2	4TR-12682-00	B-10	4TR-14437-00	B-9	1HX-14985-00	B-12	3JB-17531-30	C-9	4VR-2165A-00	C-14
4VR-11181-10	B-2	4VR-13300-00	B-8	4TR-14451-00	B-9	4TR-14987-00	B-12	3JB-17531-40	C-9	4VR-2165A-10	C-14
22U-11186-00	B-3	22U-13324-00	B-8	4TR-14452-00	B-9	4TR-15100-15	B-15	3JB-17531-50	C-9	4TR-21679-00	C-15
4TR-11186-12	B-2	4VR-13325-00	B-8	4TR-14453-00	B-9	2H7-15361-00	C-3	1J7-17537-Y0-30	D-5	55K-21708-00	D-2
22U-11187-00	B-3	4TR-13410-00	B-8	4TR-14455-00	B-10	3F9-15362-00	C-3	1J7-17537-Y0-40	D-5	4TR-2171A-00	D-11
4TR-11187-12	B-2	22U-13415-00	B-8	4TR-14456-00	B-9	11H-15383-02	B-15	1J7-17537-Y0-50	D-5	4TR-2171E-00	C-12
4VR-11190-00	B-4	4VR-13417-00	B-8	4TR-14463-00	B-9	4TR-15411-00	C-3	4H7-17537-00-20	C-9	1FK-2171L-00	D-10
4VR-11191-00	B-4	4X7-13440-01	C-4	3KW-14486-00	B-12	4TR-15415-00	C-3	4H7-17537-00-30	C-9	4TR-2171X-00	C-12
4VR-11192-00	B-4	4TR-13447-00	C-4	4TR-14499-00	B-10	4TR-15421-00	C-3	4H7-17537-00-40	C-9	4TR-21711-00	D-2
214-11198-01	C-2	4TR-13474-00	B-9	1FN-14565-00	B-12	4VR-15423-00	C-4	4VR-17553-00	C-9	3XV-21717-00	D-11
		5BN-13542-00	B-14	1HX-14565-00	B-11	4TR-15424-00	C-3	22U-17556-00	C-9	4TR-21717-00	D-2
4VR-11310-11	B-4	5BN-13544-00	B-14	1UY-14565-00	B-12	22U-15441-01	B-15	56W-17590-00	D-6	4TR-21721-00	D-2
4VR-11320-11	B-4	16G-13569-00	B-9	5BN-14603-00	B-13	4VR-15451-00	C-3	4TR-18110-00	C-11	5BN-21731-00	D-2
4TR-1135A-00	B-2	4TR-13575-00	B-9	5BN-14604-00	B-13	4VR-15461-00	C-3	4TR-18112-00	C-11	3SP-21732-00	C-14
4VR-11351-00	B-4	4MM-13582-00	B-14	4BR-14613-00	B-13	3BT-15484-00	C-3	22N-18113-00	C-11	4VR-21741-00	D-3
4VR-11411-00	B-5	4TR-13586-01	B-9	4TR-14613-00	B-13	22U-15512-00	C-5	3SX-18115-01	C-11	3BN-21747-00	C-12
22U-11416-80	B-15	4VR-13594-00	B-10	4TR-14615-02	B-13	4VR-15517-01	C-5	4TR-18120-00	C-11	4VR-2176E-00	D-15
22U-11416-90	B-15	4TR-13596-01	B-9	4XP-14620-01	B-13	5H0-15521-00	C-5	4G0-18127-00	C-11	4TR-2177G-02	D-2
4VR-11603-00	B-5	3LN-13907-00	D-11	4VR-14703-03	B-13	4TR-15590-00	C-5	4TR-18140-00	C-11	3LS-21781-10	D-2
4VR-11605-00	B-5	4DN-1410A-01	B-11	4VR-14704-03	B-13	4VR-16111-00	C-6	2H9-18154-00	C-11	4VR-2210-01	D-4
4VR-11607-00	B-5	4TR-14103-00	B-11	4BH-14714-00	B-13	5BN-16150-00	C-6	4H7-18185-00	C-10	1J7-22141-00	D-4
4VR-11631-01-A0	B-5	4TR-14105-00	B-11	42H-14714-10	B-14	22U-16154-00	C-6	4TR-18511-00	C-10	4KM-22141-00	D-4
3LD-11633-00	B-5	3CF-14107-10	B-11	5BN-14808-00	B-14	22U-16321-00	C-6	4TR-18512-00	C-10	1J7-22143-00	D-4
4VR-11636-00	B-5	3DM-14141-34	B-11	5BN-14840-00	B-13	4X7-16324-00	C-6	4TR-18513-00	C-10	4VR-22184-00	D-4

NUMERICAL INDEX

PART NO.	GRID NO.	PART NO.	GRID NO.	PART NO.	GRID NO.	PART NO.	GRID NO.	PART NO.	GRID NO.	PART NO.	GRID NO.
4TR-22189-00	D-4	4VR-24161-10	D-10	4TR-25364-00	D-15	5KP-27420-00	D-6	5Y1-82122-00	D-2	5FU-83790-20	B-11
4VR-22210-00	D-4	4VR-24161-20	D-10	4TR-25366-00	D-15	4TR-27430-10	D-6	5BN-82129-00	D-15	4TR-83912-00	D-14
5KP-23102-10	D-8	4VR-24162-10	D-10	4TR-25371-00	D-2	120-27433-00	D-6	133-82131-00	D-15	36Y-83913-01	D-14
5KP-23103-10	D-8	4VR-24162-20	D-10	4TR-25381-00	D-2		D-7	36Y-82151-00	D-15	4TR-83913-00	D-14
5KP-23110-00	D-8	4H7-24181-00	D-10	5V4-25398-00	D-13	4TR-27440-10	D-7	42X-82151-00	D-15	1FK-83922-00	D-14
3EN-23111-51	D-8	4TR-24182-00	D-10		D-2	4TR-28100-00	D-3	4VR-82305-10	F-3	4TR-83945-00	D-14
	D-9	4TR-24183-00	D-10	16G-25412-00	D-15	4VR-28356-01	C-12	4VR-82310-00	F-3	5EL-83963-00	D-14
4TR-23118-00	D-8	4BP-24188-00	D-10	4WM-2580U-00	D-14	4SV-28372-00	C-12	4VR-82320-00	F-3	4TR-83972-00	D-14
	D-9	4VR-24240-80	D-10	4BH-25815-00	D-4	4TR-46101-00	D-5	1FK-82370-00	F-3	4TR-83980-01	D-14
	D-8	4VR-24240-90	D-10	5BN-2582U-00	D-14	2H7-46102-00	D-5	4TR-82370-00	F-3	5JX-84310-01	D-12
4KM-23123-01	D-9	4TR-24311-00	D-11	5BN-25827-00	D-14	22U-46117-00-25	D-5	4VR-82501-01	D-15	5JX-84310-11	D-12
4FM-23125-40	D-8	4TR-24313-00	D-10	341-25846-00	D-13	22U-46117-00-30	D-5	4TR-82509-00	F-3	5JX-84312-00	D-12
5KP-23126-10	D-8	4EB-24398-00	D-11	4TR-25852-01	D-4	22U-46117-00-40	D-5	5KP-82530-00	D-15	2F9-84314-00	D-12
5KP-23136-10	D-8	4KM-24453-00	B-12	4BH-25854-02	D-4	22U-46118-00-12	D-5	1L9-82540-00	F-3	5JX-84315-01	D-12
5KP-23141-00	D-8	4TR-24491-02	C-12	4TR-25867-00	D-4	22U-46118-00-14	D-5	5FU-82560-30	D-15	5JX-84316-00	D-12
	D-8	21V-24500-10	D-10	4TR-25870-01	D-4	22U-46118-00-16	D-5	3LD-82566-90	D-15	5JX-84321-00	D-12
4EB-23144-00	D-8	4X8-24512-00	D-10	5KP-25872-00	D-4	22U-46118-00-18	D-5	4VR-82590-20	D-15	5JX-84321-10	D-12
	D-9	3AJ-24523-00	D-10	4TR-25886-00	D-7	22U-46118-00-20	D-5	1UA-82591-00	D-11	5JX-84330-00	D-12
4EB-23145-00	D-8	3AJ-24534-00	D-10	4TR-2589H-00	D-4	22U-46123-00	D-6		D-15	341-84331-60	D-12
36Y-23146-10	D-8	1FK-24560-10	D-11	4TT-25914-00	D-14	4H7-46125-00	D-5	4TR-82911-00	D-14	5G2-84332-60	D-12
5EL-23147-00	D-9	1FK-24566-00	D-11	4BP-25919-00	D-14	22U-46136-00	D-5	3YX-82917-00	D-14	50W-84333-00	D-12
4DW-23149-40	D-8	4TR-24602-10	D-10	3YX-25929-00	D-14	22U-46137-00	D-6	2EN-83310-00	D-9	4KG-84334-00	D-12
	D-9	4VR-24710-10	D-12	4TT-25937-00	D-14	22U-46152-00	D-5	2AE-83311-00	D-9	47J-84334-00	D-12
26H-23156-00	D-8	4TR-24720-00	D-12	4VR-26111-10	D-3	22U-46153-00	D-5	2AE-83312-00	D-9	1FK-84338-00	D-12
509-23158-L0	D-8	35T-24724-00	D-12	4NK-26240-00	D-3	4TR-46154-00	D-6	42X-83312-00	D-9	42X-84345-00	D-12
	D-9	509-24724-00	D-12	4NK-26241-00	D-3	5BN-46171-00	D-6	4X7-83313-00	D-9	4E2-84347-00	D-12
5KP-23170-00	D-8	22W-24741-00	D-12	4VR-26280-01	D-3	4TR-46297-00	D-6	4VR-83314-00	D-9	4KG-84365-00	D-12
5BN-23171-00	D-8	4TR-2475H-00	D-12	4VR-26290-01	D-3	84M-77555-00	D-2	1AA-83318-00	D-9	4JG-84397-00	D-12
4YR-23173-00	D-8	4TR-2475J-00	D-12	5KP-26311-02	D-3	4VR-81410-00	D-8	4TR-83324-00	D-9	2AL-84553-00	D-7
	D-9	4TR-24751-00	D-12	5KP-26312-01	D-3	4VR-81450-00	C-5	2EN-83330-00	D-9	4TR-84700-00	D-13
4TR-23175-01	D-7	4TR-2475K-00	D-12	4TR-26331-00	D-11	4TR-81517-00	B-12	4TR-83348-00	D-10	31L-84714-00	D-13
4TR-23176-01	D-7	4TR-24750-00	D-12	1VJ-26333-00	D-11	4TR-81670-00	D-8	4VR-83350-00	F-3	4TR-84717-00	D-13
278-23181-50	D-8	4TR-24751-00	D-12	5KP-26335-00	D-3	4VR-81815-00	C-5	57M-83358-00	D-9	4TR-84733-00	D-13
	D-9	4VR-25104-02	D-13	1E6-26342-00	D-3	4XV-8182A-00	C-5	42X-83363-00	D-9	3YF-84751-00	D-13
43F-23188-10	D-8	4TR-25111-00	D-13	4NK-2635J-00	D-3	3HE-81826-00	C-5	55V-83371-00	F-3	3Y6-85130-02	D-13
	D-9	341-25149-00	D-13	4TR-2637G-00	D-11	3KS-81840-00	C-5	4VR-8338V-00	F-3	4NK-85885-00	B-12
5EL-2331G-00	D-9	5KS-25181-00	D-13	5KP-27211-00	D-5	11H-81844-00	C-5	4TR-83513-00	D-11	90101-06534	B-5
5KP-23340-10	D-9	5KS-25188-00	D-13	4TR-27212-00	D-5	1FK-81847-00	C-5	1YT-83517-00	D-11	90101-06576	B-13
5EL-23376-00	D-9	4TR-25190-10	D-13	4TR-27231-00	D-5	3JB-81890-00	C-5	2GV-83517-00	D-11	90101-06764	D-15
5BN-23389-00	D-7	4VR-25304-02	D-15	4TR-27243-00	D-5	4BH-81940-00	D-15	4TR-83520-00	D-11	90101-10303	B-7
1W1-23416-00	D-7	3JB-25311-00-35	D-15	5KP-27247-00	D-5	1UY-81950-92	D-15	4TR-83526-00	D-11	90101-12694	C-12
26H-23418-01	D-7	2GV-25315-00	D-15	4KU-27311-13	D-5	5KP-81950-00	D-15	4TR-83535-00	D-11	90105-062A2	C-12
4VR-23441-00	D-7	1J7-25319-01	D-6	5EL-27315-00	D-6	5KP-81960-00	D-15	4VR-83550-00	D-11	90105-082A4	C-12
4VR-23442-00	D-7	4TR-25321-00	D-15	5KP-27321-00	D-6	4TX-82100-01	D-15	1JK-83578-00	D-11	90105-082A5	D-7
3DM-23445-00	D-7	4H7-2533A-02	D-15	4H7-27322-00	D-5	4DH-82103-00	B-11	4TR-83580-00	D-11		F-3
3FV-23462-00	D-9	4H7-25351-00	D-15	5KP-27410-00	D-6	5BN-82115-00	D-15	4TR-83580-21	D-11	90105-08307	C-12
4TR-2413B-00	D-10	214-25355-00	D-15	4VR-27413-00	D-6	5BN-82116-00	D-15	5FU-83790-00	B-11	90105-084A1	C-12
4TR-2413Y-00	D-10										
4TR-2414G-00	D-11										

NUMERICAL INDEX

PART NO.	GRID NO.	PART NO.	GRID NO.	PART NO.	GRID NO.	PART NO.	GRID NO.	PART NO.	GRID NO.	PART NO.	GRID NO.
90105-10152	C- 5	90157-05079	D- 15	90201-12362	C- 11	90387-16547	B- 15	90501-15722	D- 6	91317-06095	B- 15
90105-102A3	D- 6	90159-06016	C- 6	90201-12575	C- 11	90387-173M5	D- 13	90501-23738	C- 6	91317-08080	B- 15
90105-102A6	D- 5	90159-06200	B- 13	90201-12588	C- 11	90387-173R6	D- 13	90501-60716	C- 9	91380-06045	B- 15
90105-10232	C- 12	90167-05025	C- 15	90201-14220	D- 7	90387-17543	D- 4	90506-08227	C- 11	91401-20012	D- 5
90105-10253	C- 12	90170-06010	D- 14	90201-14577	D- 15	90387-2511R	C- 9	90506-20193	D- 5	91401-20015	D- 6
90105-10285	D- 6	90170-06128	B- 6	90201-14633	C- 9	90387-256G9	D- 5	90506-23490	D- 5	91401-20015	D- 7
90105-10638	D- 14	90170-06228	C- 11	90201-152L7	D- 2	90401-10159	D- 4	90506-29507	D- 6	91401-25015	D- 6
90105-10727	D- 6	90170-10219	D- 15	90201-18262	C- 6	90401-16166	B- 3	90507-20002	D- 15	91701-06032	D- 6
90109-06468	D- 5	90170-16256	C- 6	90201-20279	D- 7	90430-08119	C- 6	90508-16577	C- 15	91701-06032	D- 7
90109-083G4	D- 14	90170-20310	C- 6	90201-22070	D- 7	90430-17168	B- 3	90508-18696	D- 6	91815-16017	B- 15
90109-085G1	D- 2	90170-22187	D- 2	90201-25290	C- 5	90445-11587	B- 9	90508-290B5	C- 11	91815-16017	B- 15
90109-08781	B- 3	90176-06047	D- 12	90202-05057	B- 14	90445-16641	D- 6	90508-32536	C- 11	92014-05016	B- 9
90109-08782	B- 3	90176-06055	D- 9	90202-05193	D- 10	90460-53200	B- 9	90560-06244	D- 9	92014-06035	C- 4
90109-10006	D- 4	90176-08080	B- 2	90202-24190	D- 7	90462-08070	C- 4	91314-06020	B- 13	92014-06045	D- 12
90109-125F1	D- 4	90176-10075	D- 6	90202-26142	D- 14	90462-10115	C- 4		B- 8	92014-08040	C- 14
90110-06010	C- 4	90176-12052	D- 7		D- 7	90464-05141	F- 3		D- 2	92014-10025	C- 14
90110-06011	B- 4	90176-22081	D- 7	90206-14086	D- 5	90464-05188	F- 2	91314-06025	B- 7	92017-06012	D- 10
90110-06074	D- 14	90179-05523	C- 15	90209-22191	C- 8	90464-06214	D- 3		B- 8	92017-08025	B- 13
90110-06200	D- 3		D- 11	90209-27192	C- 8	90464-10190	F- 3		C- 3	92017-10020	B- 13
90110-06249	D- 5	90179-06411	D- 5	90214-16026	C- 6	90464-12089	D- 12		C- 4	92902-06100	D- 12
90110-06254	D- 2	90179-08148	D- 14	90215-08229	B- 3	90464-15157	D- 7		D- 4	92904-06600	B- 3
90110-08019	B- 2	90179-08327	B- 5	90215-16157	C- 6	90464-15192	D- 11	91314-06030	C- 3	92907-04600	D- 14
90110-08212	C- 5	90179-08684	C- 12	90215-18178	C- 11	90464-18246	D- 7		C- 4	92907-05200	B- 14
90116-08404	B- 15	90179-10395	B- 2	90215-22210	C- 6	90464-20191	F- 2	91314-06035	B- 3	92907-05600	F- 3
90116-10405	B- 15	90179-10658	C- 12	90240-06108	D- 5	90464-20213	F- 2		C- 3	92907-06100	D- 12
90116-10593	D- 5	90179-12248	C- 12	90240-08084	D- 6	90464-23041	F- 2	91314-06040	C- 3		D- 5
90116-10611	B- 15	90179-18396	C- 9	90249-12008	D- 5	90467-08092	B- 14	91314-06045	C- 3	92907-06200	B- 13
90119-06097	D- 2	90179-25033	D- 7	90269-05039	C- 15	90467-10038	D- 11		C- 4		C- 6
90119-06118	B- 4	90183-06023	D- 2	90280-05048	B- 5	90467-10039	B- 9	91314-06055	B- 15	92907-06600	B- 10
	D- 2	90183-06053	D- 2	90280-07036	C- 6	90467-11032	D- 11		C- 3		B- 3
	C- 12	90185-08097	B- 13	90338-08163	D- 7	90467-11106	B- 9		C- 4		B- 7
90119-06236	D- 5	90185-14070	C- 9	90338-08174	B- 9	90467-12053	D- 11	91314-06065	C- 3		D- 8
90123-08046	D- 14	90201-05033	D- 11	90338-08226	F- 3	90467-14015	B- 2	91314-06070	C- 4	92990-06600	B- 13
90149-05299	D- 11	90201-060S9	D- 10	90338-10132	B- 13	90467-19065	B- 14	91314-08025	D- 7		C- 5
90149-05321	C- 10	90201-06045	D- 9	90340-14132	C- 2	90468-08104	B- 14	91314-08030	D- 7	92990-10600	D- 6
	F- 3	90201-06062	D- 2		D- 6	90480-01559	D- 2	91314-08035	B- 13	93101-14089	C- 3
90149-06011	D- 10	90201-06063	D- 13	90340-14153	C- 3	90480-10289	D- 2	91314-08040	D- 9	93101-30084	D- 5
90149-06131	D- 14	90201-062P7	B- 14	90340-32154	C- 3	90480-12320	C- 13	91314-08060	B- 15	93101-35097	C- 9
90149-06154	C- 14		D- 5	90380-28131	B- 7		D- 2	91314-08100	B- 15	93101-38098	D- 5
90149-06302	B- 4	90201-06380	D- 13	90387-0600V	D- 2	90480-13018	B- 3	91314-10030	D- 9	93102-12106	C- 11
	D- 2	90201-08016	B- 11	90387-06043	B- 4		B- 4	91317-06012	C- 4	93102-18278	C- 6
90149-08002	D- 15	90201-08609	B- 2	90387-063Y3	D- 9	90480-13398	B- 10	91317-06016	B- 10	93102-25017	D- 4
90149-08067	C- 7	90201-10118	D- 4	90387-067N5	C- 14		C- 14	91317-06020	B- 10	93102-28022	D- 13
90149-08152	B- 15	90201-10131	B- 2	90387-087K5	D- 6	90480-18418	C- 14		B- 9	93102-65277	D- 6
90151-08022	B- 15	90201-10591	B- 7	90387-1003G	D- 5	90480-24186	D- 2	91317-06025	D- 12	93105-45017	D- 13
90154-05011	C- 15	90201-107E9	C- 5	90387-123X6	D- 4	90501-06022	C- 10	91317-06030	B- 8	93109-12075	C- 3
90157-02031	D- 11	90201-112U0	D- 4	90387-151R1	D- 2	90501-10245	D- 5	91317-06045	B- 15	93109-18020	D- 4
90157-05011	D- 12	90201-120E6	D- 4	90387-1510D	D- 6	90501-10312	D- 14	91317-06085	B- 4	93210-09525	C- 6

NUMERICAL INDEX

PART NO.	GRID NO.	PART NO.	GRID NO.	PART NO.	GRID NO.	PART NO.	GRID NO.	PART NO.	GRID NO.	PART NO.	GRID NO.
93210-10096	B- 8	94110-1908V	D- 13	95807-06014	C- 12						
93210-14369	C- 3	94117-1508U	D- 15	95807-06025	D- 9						
93210-15151	B- 8	94117-1508W	D- 15	95814-10100	C- 12						
93210-15566	C- 4	94210-19222	D- 13	95817-08014	C- 12						
93210-18322	B- 15	94210-19224	D- 13	95817-08016	D- 10						
93210-27370	C- 3	94217-15298	D- 15	95817-10025	C- 12						
93210-29196	F- 3	94217-15299	D- 15	95827-08035	C- 9						
93210-32172	C- 3	94317-15172	D- 15	97004-06020	D- 14						
93210-36769	B- 9	94317-15173	D- 15	97007-06012	D- 12						
93210-48530	D- 15	94321-19135	D- 13	97024-06016	B- 3						
93210-60426	D- 5	94321-19157	D- 13	97024-06020	C- 11						
93210-61750	D- 15	94425-19585	D- 13	97027-06016	B- 3						
93210-62446	B- 3	94435-15586	D- 15		B- 7						
93210-64297	C- 4	94591-41118	B- 7	97070-06025	C- 5						
93210-71360	C- 9	94701-00262	B- 3	97706-40620	D- 13						
93210-74316	C- 3	95024-06025	D- 7	97707-40106	B- 10						
93210-84724	B- 4	95024-06030	D- 9	97707-50125	B- 9						
93210-89568	B- 2	95027-06008	D- 15	97707-60020	F- 3						
93211-00612	B- 2	95027-06010	D- 7	97707-60114	B- 14						
93211-39569	D- 5	95027-06012	D- 13	97707-60120	B- 14						
93306-00401	C- 8	95027-06030	D- 9	97801-03008	D- 10						
	C- 9	95027-08012	C- 14	98504-05025	D- 14						
93306-00428	C- 8	95304-06700	C- 11	98507-04008	B- 12						
93306-20711	C- 9	95304-06800	D- 9	98507-04014	B- 12						
93306-30212	D- 15	95304-08700	D- 3	98507-04016	D- 14						
93306-30213	D- 15	95307-05700	D- 11	98507-05008	D- 3						
93306-30317	D- 13	95307-06600	C- 6	98507-05020	F- 3						
93306-30525	C- 8	95307-06700	D- 5	98507-05025	D- 14						
93306-30539	D- 5	95307-12700	D- 9	98507-06020	D- 8						
93306-90602	C- 10	95604-06100	D- 14	98507-06030	D- 8						
93311-21044	D- 6	95604-08200	D- 2	98707-03020	D- 14						
93311-43729	D- 5	95604-14200	D- 2	98707-05035	C- 10						
93315-21813	C- 6	95607-05100	B- 14	99001-10600	C- 11						
93316-01301	D- 5	95607-06100	D- 13	99009-11400	B- 8						
93332-00010	D- 4		D- 14	99009-12400	C- 11						
93399-99931	D- 7		D- 6	99009-18400	D- 6						
93399-99932	D- 9	95607-10200	D- 5	99009-19400	D- 5						
93410-22039	D- 6		D- 6	99009-25500	C- 3						
93440-12052	B- 2	95607-12100	D- 4	99247-00080	C- 14						
93440-20088	D- 6	95607-12200	D- 4	99530-10114	C- 3						
93440-25084	C- 8	95617-08630	B- 2	99530-10120	C- 3						
93440-30077	C- 8	95704-06500	D- 9	99530-14016	B- 15						
93450-22027	B- 5	95707-05500	D- 13	99530-17016	B- 2						
93515-32029	C- 7	95707-06500	D- 7								
93604-16092	C- 10	95707-10500	B- 2								
93604-20156	C- 10	95804-06020	D- 15								
93605-10108	B- 7	95807-06012	C- 13								
94110-1908T	D- 13		C- 14								