

**PARTS
CATALOGUE
CATALOGO
DE REPUESTOS**

F100BET'03(60C3)

2B60C-200S1

YAMAHA
GENUINE
Parts & Accessories

A1

FOREWORD

This Parts Catalogue is related to the parts for the model(s) in the below frame. When you are ordering replacement parts, please refer to this Parts Catalogue and quote both part numbers and part names correctly.

F100BET'03(60C3)

1. Modifications or additions which have been made after issue of the Parts Catalogue will be announced in the Yamaha Parts News.
It is advisable that you make necessary corrections to the Parts Catalogue according to the Yamaha Parts News.

2. Abbreviations

The Following abbreviations are used in this Parts Catalogue.

“UR” Use specified parts number.

“UN” Use as many as needed.

“AP” Alternate Parts

“LM” Local Made
(Parts need to be ordered locally)

“O/S” Over Size

3. Parts, which are to be supplied in an assembly, are listed with a dot(.) in front of the part name as shown below.

EXAMPLE

CARBURETOR ASSY

.JET, PILOT

.NOZZLE, MAIN

4. Number of component for assembly

The numeral appearing to the right of each component part indicates the quantity of parts for each assembly unit.

EXAMPLE

PART NO.	DESCRIPTION	□	□	□	□	□	REMARKS
6E0-85500-70	C.D.I. MAGNETO ASSY	1					
6E0-85550-70	.ROTOR ASSY	1					
6E0-15723-00-94	.PULLY, STARTER	1					

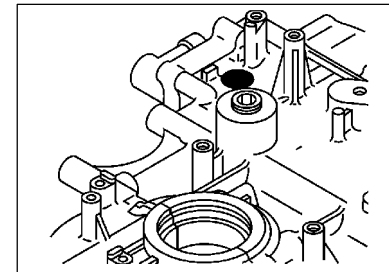
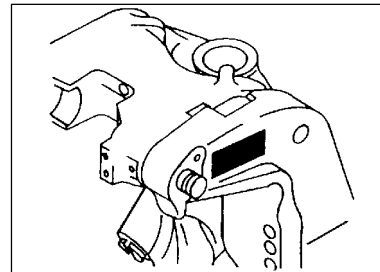
5. Quantity Column Information

NAME for Q'TY COLUMN	APPLICABLE MODEL
60C3	F100BET

6. Applicable Starting Serial No. and Color Code

1) Engine Starting Sserial No.

F100BET L/X 60C : 1000001



2) Color Code

Color Code	Color Name	Abbreviation
004D	DARK BLUISH GRAY METALLIC 2	DBNM2

7. Note that the illustrations for reference in finding parts numbers, not to be used for assembling. When assembling, please use the applicable service manual.
8. The asterisk (*) before a reference number indicates modification items after the first edition.

CONTENTS

SHEET 1/2

TOP COWLING	A4
CYLINDER. CRANKCASE 1	A5
CRANKSHAFT. PISTON	A7
CYLINDER. CRANKCASE 2	B1
VALVE	B3
INTAKE	B6
CARBURETOR 1	B7
CARBURETOR 2	C2
FUEL	C3
GENERATOR	C5
ELECTRICAL 1	C6
ELECTRICAL 2	D1
ELECTRICAL 3	D3
ELECTRICAL 4	D5
STARTING MOTOR	D6
BOTTOM COWLING	E1
STEERING 1	E3
STEERING 2	E6
STEERING FRICTION	F1
CONTROL	F2
BRACKET 1	F4
BRACKET 2	F6

INDEX

NUMERICAL INDEX	G1
-----------------------	----

SHEET 2/2

POWER TRIM & TILT ASSY 1	A4*
POWER TRIM & TILT ASSY 2	A6*
UPPER CASING	B1*
OIL PAN	B3*
LOWER CASING. DRIVE 1	B5*
LOWER CASING. DRIVE 2	C2*
FUEL TANK	C4*
STEERING GUIDE	C5*
REMOTE CONTROL BOX	C6*
REMOTE CONTROL ASSY	C7*
METER	D3*
REPAIR KIT 1	D4*
REPAIR KIT 2	D5*
REPAIR KIT 3	D6*

INDEX

NUMERICAL INDEX	G1*
-----------------------	-----

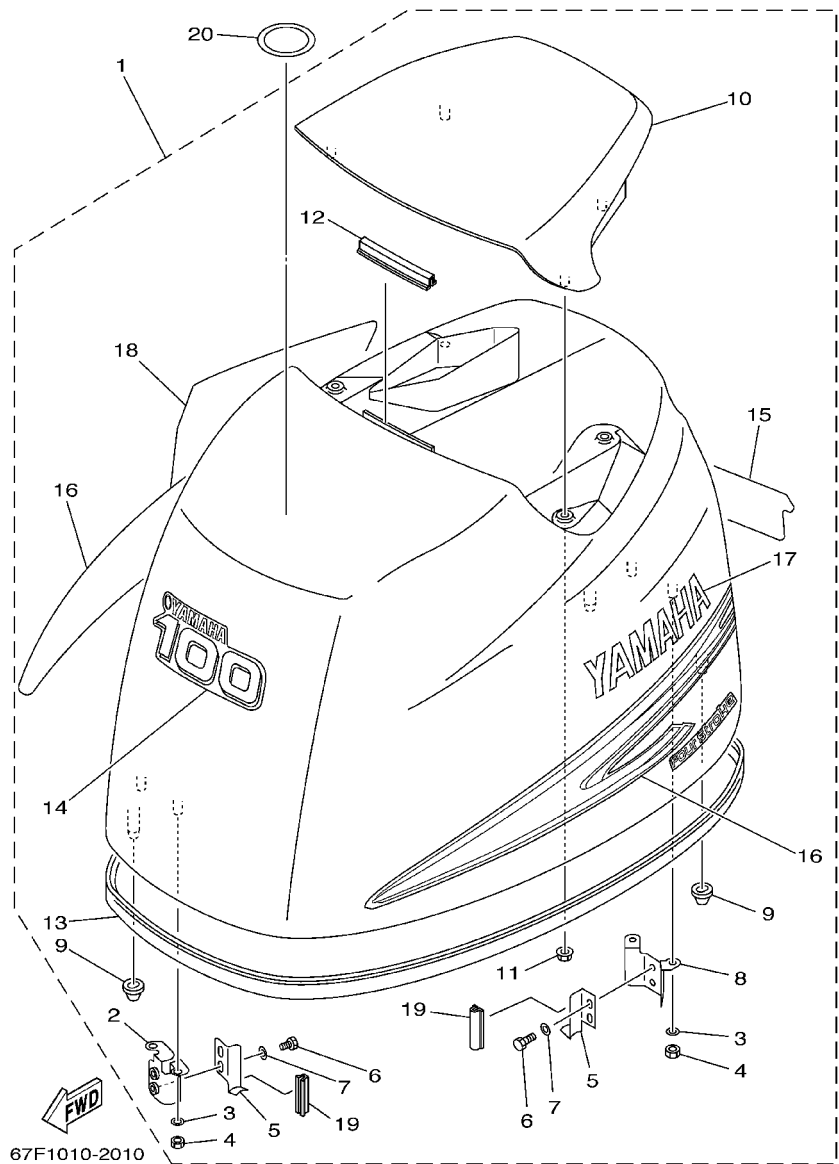
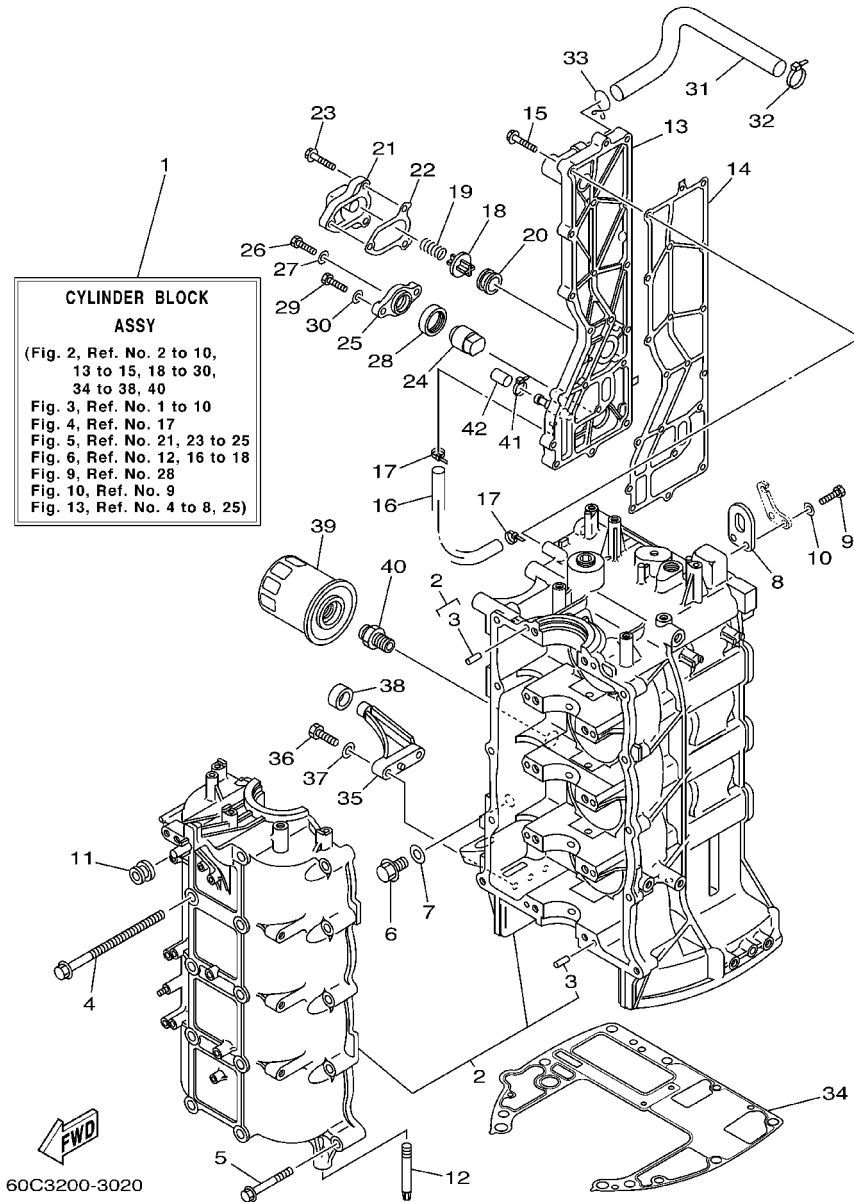


FIG. 1 TOP COWLING

SOPORTE SUPERIOR

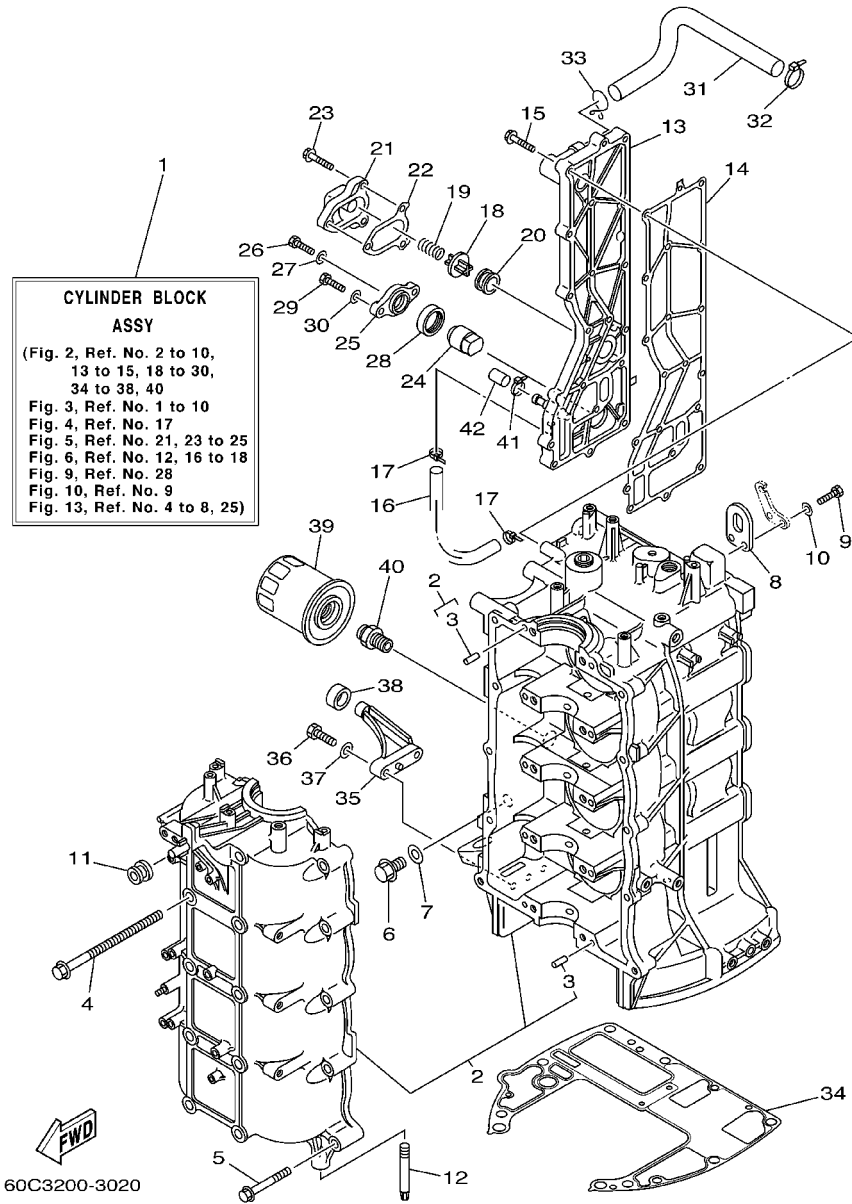
REF. NO.	PART NO. CODIGO NO.	DESCRIPTION DESCRIPTION	60C3				REMARKS OBSERVACION
1	67F-42610-10-4D	TOP COWLING ASSY SOPORTE SUPERIOR COMPL.	1				
2	67F-42647-00	.HOLDER, CLAMP BAND .MORDAZA DE ABRAZADERA	1				
3	92990-06100	.WASHER, SPRING .ARANDELA GROWER	4				
4	95380-06600	.NUT, HEXAGON .TUERCA	4				
5	67F-42652-00	.HOOK .GANCHO	2				
6	97095-06012	.BOLT .PERNO	4				
7	92995-06600	.WASHER .ARANDELA	4				
8	67F-42649-00	.HOLDER, CLAMP BAND .MORDAZA DE ABRAZADERA	1				
9	67F-42662-00	.DAMPER .AMORTIGUADOR	3				
10	67F-42613-00-4D	.MOLDING, AIR DUCT .MOLDURA CONDUCTO AIRE	1				
11	90179-06M24	.NUT .TUERCA	4				
12	61N-42628-00	.SEAL .SELLO DE GOMA	1				
13	67F-42615-00	.SEAL .SELLO	1				
14	67F-42677-10	.GRAPHIC, FRONT .CALCAMONIA FRONTAL	1				
15	67F-42678-10	.GRAPHIC, REAR .CALCAMONIA TRASERA	1				
16	67F-W0070-10	.GRAPHIC SET .JUEGO DE EMBLEMA	1				
17	67F-42681-10	.MARK, COWLING .MARCA DE CUBIERTA	1				
18	67F-42682-10	.MARK, COWLING .MARCA DE CUBIERTA	1				
19	67F-42628-00	.SEAL .SELLO DE GOMA	2				
20	67F-13434-02	LABEL, CAUTION ETIQUETA DE PRECAUCION	1				

FIG. 2 CYLINDER. CRANKCASE 1 CYLINDRO. CARTER 1



REF. NO.	PART NO. CODIGO NO.	DESCRIPTION DESCRIPTION	60C3				REMARKS OBSERVACION
1	60C-W009B-01-1S	CYLINDER BLOCK ASSY CYLINDRO BLOQUE COMPLETO	1				
2	67F-15100-03-1S	CRANKCASE ASSY CARTER COMPLETO	1				
3	93606-12019	.PIN, DOWEL .PASADOR DE CLAVIJA	10				
4	90119-10M88	BOLT, WITH WASHER TORNILLO CON ARANDELA	10				
5	90119-08M66	BOLT, WITH WASHER TORNILLO CON ARANDELA	10				
6	90340-14M06	PLUG, STRAIGHT SCREW TORNILLO, DE DRENAJE	1				
7	90430-14115	GASKET JUNTA	1				
8	62Y-11119-00	HANGER, ENGINE SOPORTE DEL MOTOR	2				
9	97095-06020	BOLT PERNO	4				
10	92995-06600	WASHER ARANDELA	4				
11	90480-12072	GROMMET TAPON	1				
12	67F-15142-00	GUIDE 1 GUIA 1.	2				
13	67F-41113-01-1S	OUTER COVER, EXHAUST CUBIERTA EXTERIOR DE ESCAPE	1				
14	67F-41114-A0	GASKET, EXHAUST OUTER COVER EMPAQUE	1				
15	90119-06MA4	BOLT, WITH WASHER TORNILLO CON ARANDELA	18				
16	90445-10M40	HOSE (L330) TUBO (L330)	1				
17	90465-11M10	CLAMP BRIDA	2				
18	6G5-12416-00	VALVE, PRESSURE CONTROL VALVULA DE CONTROL DE PRESION	1				
19	90501-16M11	SPRING, COMPRESSION RESORTE DE COMPRESION	1				
20	90480-20M05	GROMMET TAPON	1				
21	67F-1246A-00-1S	COVER 1 CUBIERTA 1	1				
22	67F-12435-A0	GASKET EMPAQUE	1				
23	90119-06MA2	BOLT, WITH WASHER TORNILLO CON ARANDELA	3				
24	68V-11325-00	ANODE ANODO	1				
25	67F-11327-00-94	COVER, ANODE CUBIERTA	1				
26	97075-06020	BOLT PERNO	1				
27	92995-06600	WASHER ARANDELA	1				

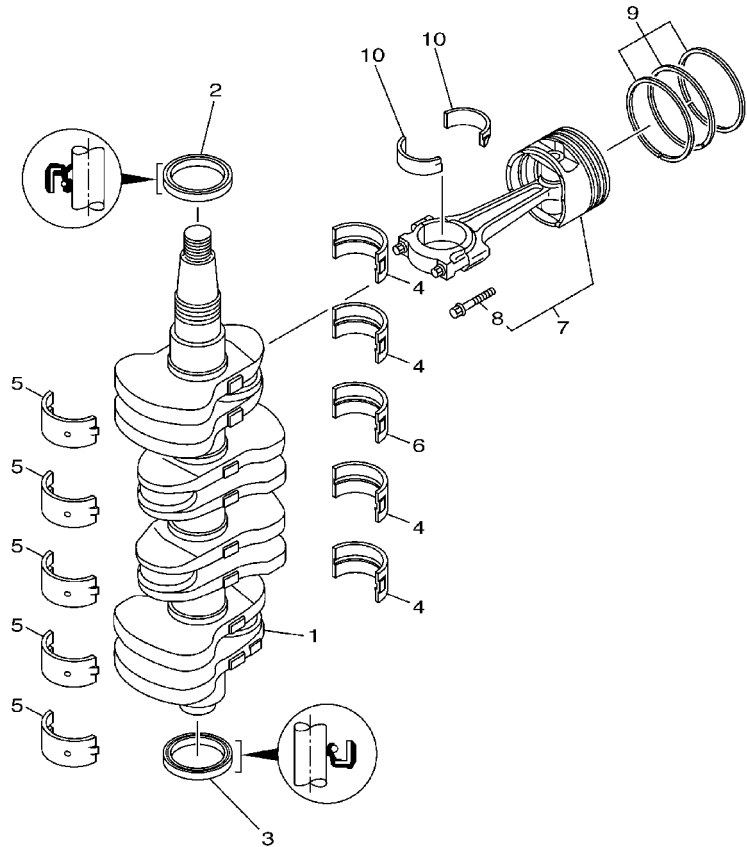
FIG. 2 CYLINDER. CRANKCASE 1 CYLINDRO. CARTER 1



REF. NO.	PART NO. CODIGO NO.	DESCRIPTION DESCRIPTION	60C3				REMARKS OBSERVACION
28	67F-11328-00	GROMMET, ANODE TAPON	1				
29	97075-08025	BOLT PERNO	2				
30	92995-08600	WASHER ARANDELA	2				
31	67F-1243A-00	HOSE 1 TUBO 1	1				
32	90465-11M10	CLAMP BRIDA	1				
33	90467-20M15	CLIP PRESILLA	1				
34	68V-11351-00	GASKET, CYLINDER JUNTA, DE CILINDRO	1				
35	67F-42761-00-94	STOPPER RETEN 1	2				
36	97095-06025	BOLT PERNO	4				
37	92995-06600	WASHER ARANDELA	4				
38	68F-44533-00	DAMPER, UPPER MOUNT RUBBER AMORTIGUADOR SUPERIOR	2				
39	5GH-13440-00	ELEMENT ASSY, OIL CLEANER ELEMENTO FILTRO DE ACEITE	1				
40	90401-20145	BOLT, UNION PERNO DE UNION	1				
41	90465-11M10	CLAMP BRIDA	1				
42	67F-13448-00	CAP TAPA	1				

FIG. 3 CRANKSHAFT. PISTON

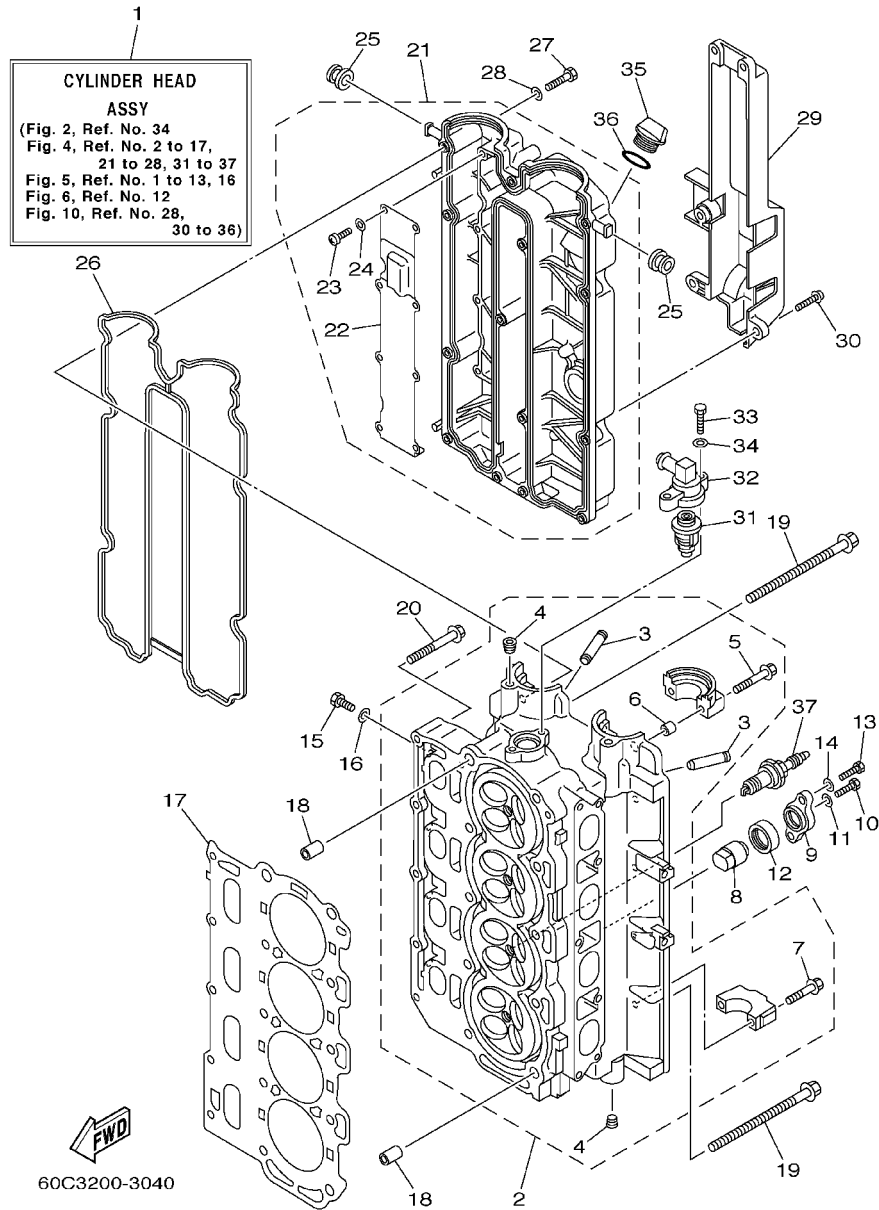
CIGUENAL. PISTON



60C1200-1031

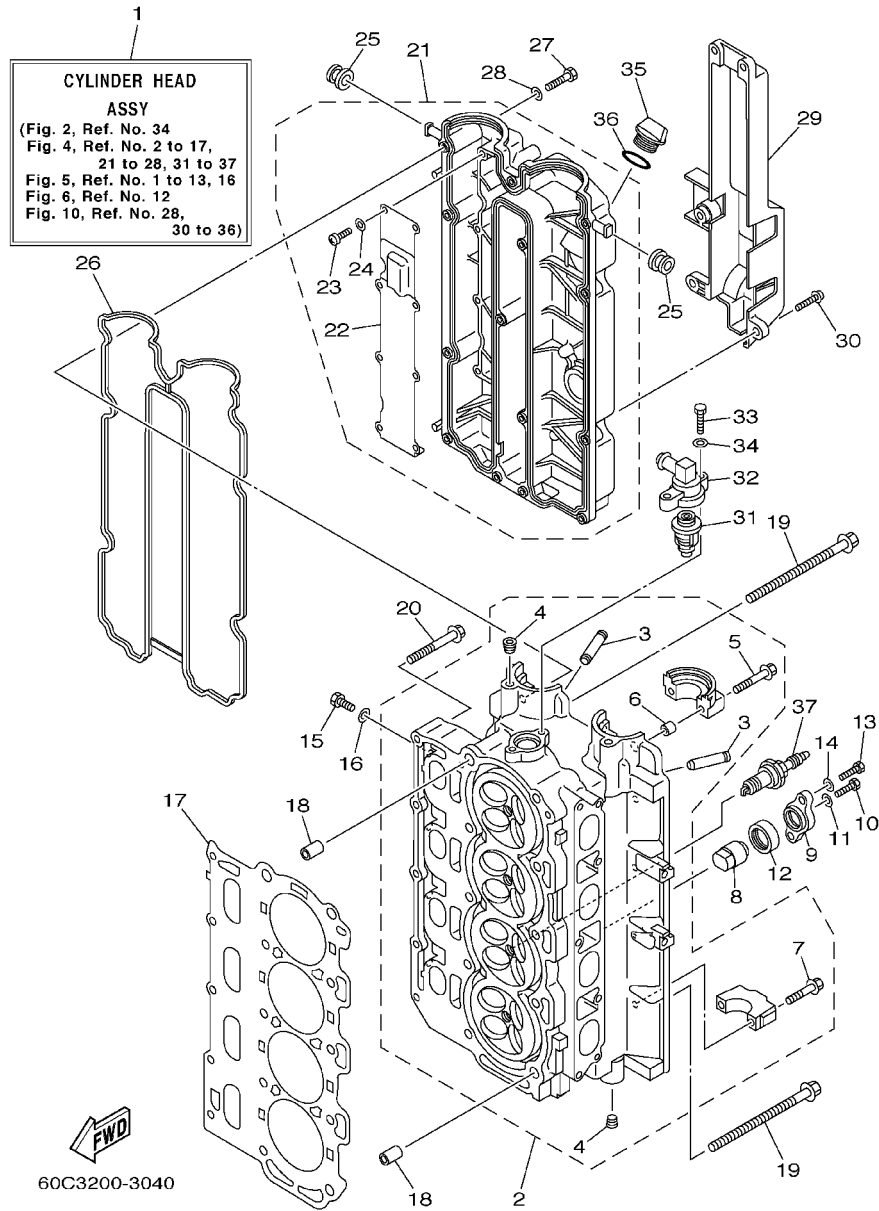
REF. NO.	PART NO. CODIGO NO.	DESCRIPTION DESCRIPTION	60C3				REMARKS OBSERVACION
1	67F-11411-00	CRANKSHAFT CIGUENAL	1				
2	93102-48008	OIL SEAL RETEN DE ACEITE	1				
3	93101-48001	OIL SEAL RETEN DE ACEITE	1				
4	67F-11416-00	PLANE BEARING, CRANKSHAFT 1 COJINETE PLANO 1	4				UR GREEN
	67F-11416-10	PLANE BEARING, CRANKSHAFT 1 COJINETE PLANO 1	4				UR BLUE
	67F-11416-20	PLANE BEARING, CRANKSHAFT 1 COJINETE PLANO 1	4				UR RED
5	67F-11417-00	PLANE BEARING, CRANKSHAFT 2 COJINETE PLANO 2	5				UR YELLOW
	67F-11417-10	PLANE BEARING, CRANKSHAFT 2 COJINETE PLANO 2	5				UR GREEN
	67F-11417-20	PLANE BEARING, CRANKSHAFT 2 COJINETE PLANO 2	5				UR BLUE
	67F-11417-30	PLANE BEARING, CRANKSHAFT 2 COJINETE PLANO 2	5				UR RED
6	67F-11418-00	PLANE BEARING, CRANKSHAFT 3 COJINETE PLANO 3	1				UR GREEN
	67F-11418-10	PLANE BEARING, CRANKSHAFT 3 COJINETE PLANO 3	1				UR BLUE
	67F-11418-20	PLANE BEARING, CRANKSHAFT 3 COJINETE PLANO 3	1				UR RED
7	60C-W1164-00	PISTON/CONNECTING ROD ASSY (STD) PISTON/BIELA COMPLETA (STD)	4				
	60C-W1164-10	PISTON/CONNECTING ROD ASSY (0.25MM PISTON/BIELA COMPLETA (0.25MM O/S)	4				AP
8	67F-11654-00	.BOLT, CONNECTING ROD .TORNILLO DE BIELA	2				
9	60C-11603-00	PISTON RING SET (STD) JUEGO DE ANILLOS (NORMA)	4				
	60C-11604-00	PISTON RING SET (0.25MM O/S) JUEGO DE ANILLOS (0.25MM O/S)	4				AP
10	67F-11656-00	PLANE BEARING, CONNECTING ROD COJINETE PLANO	8				UR YELLOW
	67F-11656-10	PLANE BEARING, CONNECTING ROD COJINETE PLANO	8				UR GREEN
	67F-11656-20	PLANE BEARING, CONNECTING ROD COJINETE PLANO	8				UR BLUE
	67F-11656-30	PLANE BEARING, CONNECTING ROD COJINETE PLANO	8				UR RED

FIG. 4 CYLINDER. CRANKCASE 2 CYLINDRO. CARTER 2



REF. NO.	PART NO. CODIGO NO.	DESCRIPTION DESCRIPTION	60C3				REMARKS OBSERVACION
1	60C-W009A-01-1S	CYLINDER HEAD ASSY CILINDRO CULATA COMPLETO	1				
2	67F-11110-10-94	CYLINDER HEAD ASSY CULATA DE CILINDRO COMPLETA	1				
3	67F-11133-10	.GUIDE, INTAKE VALVE .GUIA VALV.DE ADM.	16				
4	90344-51019	.PLUG, TAPER SCREW .TAPON DE TORNILLO AHUSADO	4				
5	90119-07235	.BOLT, WITH WASHER .TORNILLO CON ARANDELA	4				
6	91809-08006	.PIN, DOWEL .PASADOR DE CLAVIJA	4				
7	90119-07234	.BOLT, WITH WASHER .TORNILLO CON ARANDELA	16				
8	68V-11325-00	ANODE ANODO	2				
9	67F-11327-00-94	COVER, ANODE CUBIERTA	2				
10	97075-06020	BOLT PERNO	2				
11	92995-06600	WASHER ARANDELA	2				
12	67F-11328-00	GROMMET, ANODE TAPON	2				
13	97075-08025	BOLT PERNO	4				
14	92995-08600	WASHER ARANDELA	4				
15	97095-08014	BOLT PERNO	4				
16	90430-08143	GASKET JUNTA	4				
17	67F-11181-01	GASKET, CYLINDER HEAD 1 JUNTA, DE CULATA 1	1				
18	90387-10M08	COLLAR COLLAR	2				
19	90105-10M89	BOLT, FLANGE TORNILLO	10				
20	90119-08M91	BOLT, WITH WASHER TORNILLO CON ARANDELA	5				
21	68V-11191-00-1S	COVER, CYLINDER HEAD 1 TAPA CULATA DE CILINDRO 1	1				
22	67F-11168-00	.COVER, BREATHER .CUBIERTA RESPIRADERO	1				
23	98507-04008	.SCREW, PAN HEAD .TORNILLO DE CABEZA CON PLANA	8				
24	92907-04600	.WASHER .ARANDELA	8				
25	90480-12072	GROMMET TAPON	2				
26	67F-11356-00	SEAL, CYLINDER 2 RETEN ACEITE CILINDRO 2	1				
27	97095-06030	BOLT PERNO	14				

FIG. 4 CYLINDER. CRANKCASE 2 CYLINDRO. CARTER 2



REF. NO.	PART NO. CODIGO NO.	DESCRIPTION DESCRIPTION	60C3				REMARKS OBSERVACION
28	92995-06600	WASHER ARANDELA	14				
29	67F-11192-00	COVER, CYLINDER HEAD 2 TAPA CULATA DE CILINDRO 2	1				
30	90159-06M29	SCREW, WITH WASHER TORNILLO CON VALONA	5				
31	68V-12411-00	THERMOSTAT TERMOSTAT	1				
32	68V-12413-00-1S	COVER, THERMOSTAT CUBIERTA TERMOSTATO	1				
33	97095-06025	BOLT PERNO	2				
34	92995-06600	WASHER ARANDELA	2				
35	6G8-15363-00	PLUG, OIL TAPON DE ACEITE	1				
36	93210-24M79	O-RING JUNTA TORICA	1				
37	94702-00391	PLUG, SPARK (NGK LFR5A-11) BUJIA (NGK LFR5A-11)	4				

67F0010-9050

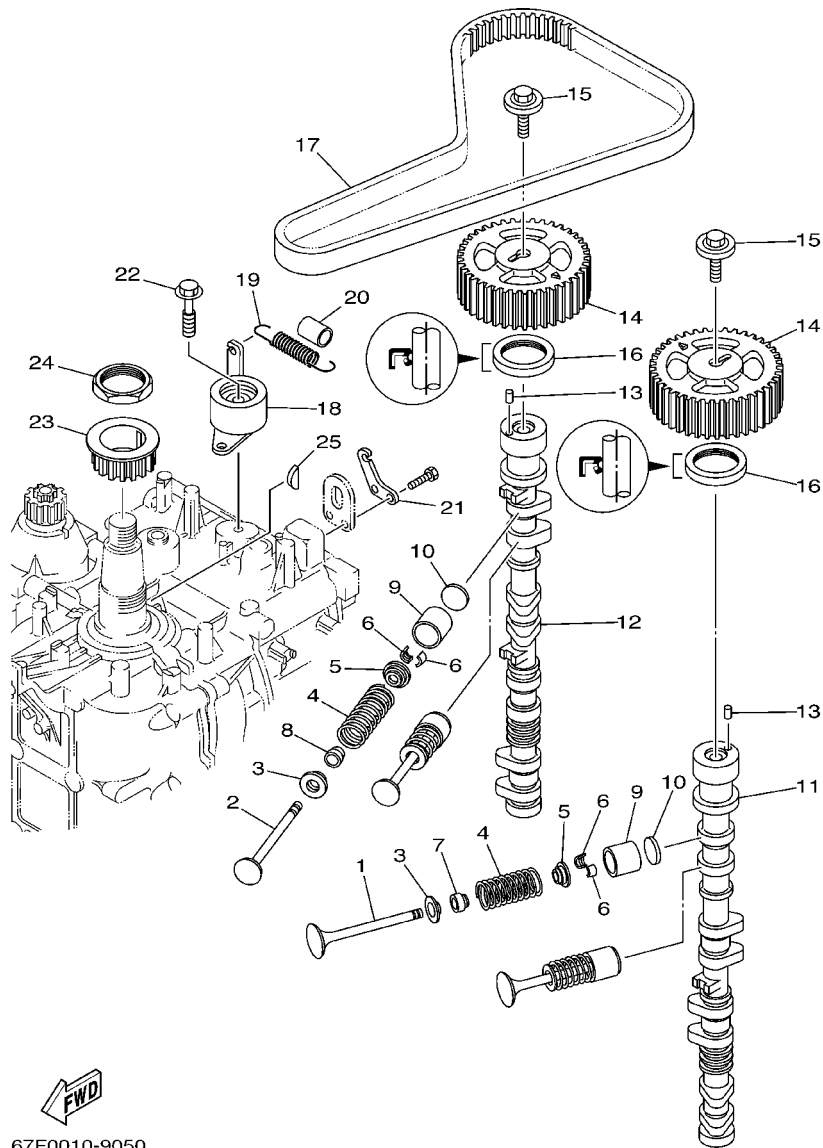


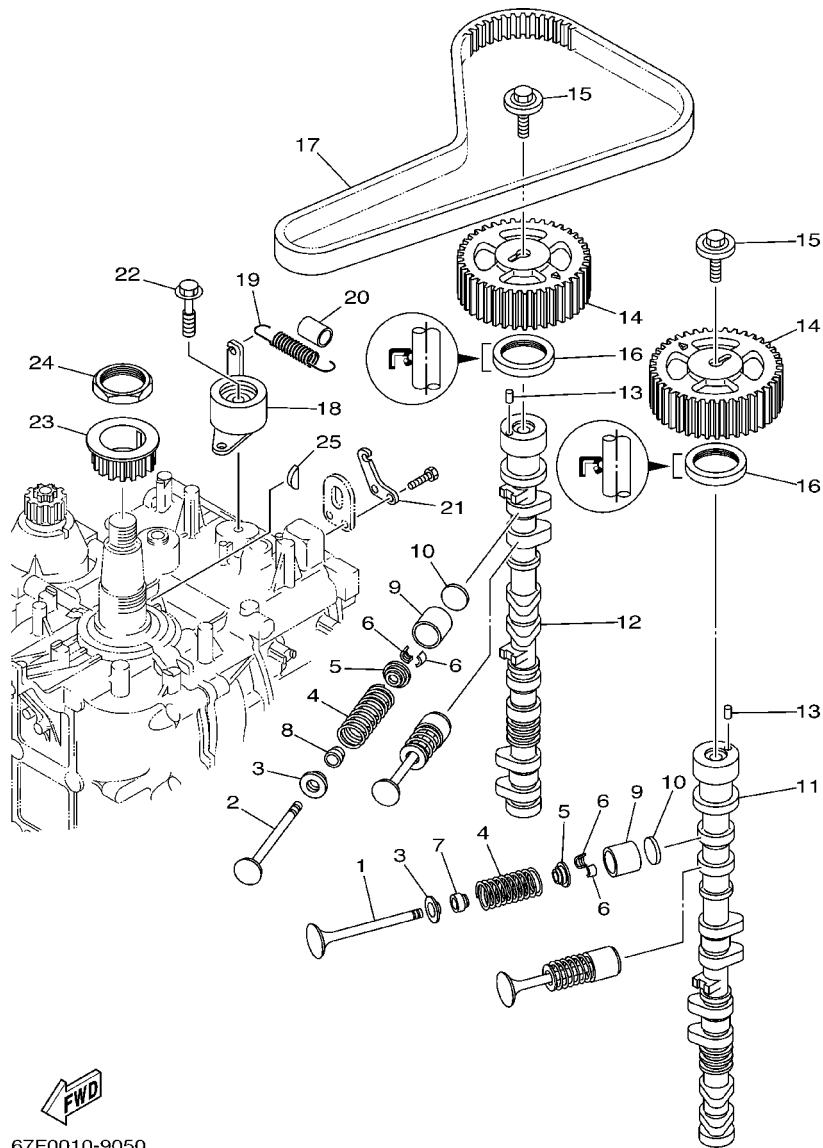
FIG. 5 VALVE

VALVULA

REF. NO.	PART NO. CODIGO NO.	DESCRIPTION DESCRIPTION	60C3			REMARKS OBSERVACION
1	68V-12111-00	VALVE, INTAKE VALVULA DE ADMISION	8			
2	68V-12121-00	VALVE, EXHAUST VALVULA DE ESCAPE	8			
3	67F-12116-00	SEAT, VALVE SPRING ASIENTO RESORTE DE VALVULA	16			
4	67F-12114-00	SPRING, VALVE OUTER RESORTE VALVULA EXTERIOR	16			
5	67F-12117-00	RETAINER, VALVE SPRING RETEN RESORTE DE VALVULA	16			
6	67F-12118-00	COTTER, VALVE SEGURO DE VALVULA	32			
7	K0A-A3721-00	SEAL, VALVE STEM SELLO DE ACEITE VALVULA	8			
8	K0A-A3722-00	SEAL, VALVE STEM 2 SELLO DE ACEITE VALVULA 2	8			
9	67F-12153-00	LIFTER, VALVE LEVANTADOR DE VALVULA	16			
10	67F-12168-00	PAD, ADJUSTING (2.000) COJIN, AJUSTADOR (2.000)	16			UR
	67F-12168-10	PAD, ADJUSTING (2.025) COJIN, AJUSTADOR (2.025)	16			UR
	67F-12168-20	PAD, ADJUSTING (2.050) COJIN, AJUSTADOR (2.050)	16			UR
	67F-12168-30	PAD, ADJUSTING (2.075) COJIN, AJUSTADOR (2.075)	16			UR
	67F-12168-40	PAD, ADJUSTING (2.100) COJIN, AJUSTADOR (2.100)	16			UR
	67F-12168-50	PAD, ADJUSTING (2.125) COJIN, AJUSTADOR (2.125)	16			UR
	67F-12168-60	PAD, ADJUSTING (2.150) COJIN, AJUSTADOR (2.150)	16			UR
	67F-12168-70	PAD, ADJUSTING (2.175) COJIN, AJUSTADOR (2.175)	16			UR
	67F-12168-80	PAD, ADJUSTING (2.200) COJIN, AJUSTADOR (2.200)	16			UR
	67F-12168-A0	PAD, ADJUSTING (2.225) COJIN, AJUSTADOR (2.225)	16			UR
	67F-12168-B0	PAD, ADJUSTING (2.250) COJIN, AJUSTADOR (2.250)	16			UR
	67F-12168-C0	PAD, ADJUSTING (2.275) COJIN, AJUSTADOR (2.275)	16			UR
	67F-12168-D0	PAD, ADJUSTING (2.300) COJIN, AJUSTADOR (2.300)	16			UR
	67F-12168-E0	PAD, ADJUSTING (2.325) COJIN, AJUSTADOR (2.325)	16			UR
	67F-12168-F0	PAD, ADJUSTING (2.350) COJIN, AJUSTADOR (2.350)	16			UR
	67F-12168-G0	PAD, ADJUSTING (2.375) COJIN, AJUSTADOR (2.375)	16			UR
	67F-12168-H0	PAD, ADJUSTING (2.400) COJIN, AJUSTADOR (2.400)	16			UR
	67F-12168-J0	PAD, ADJUSTING (2.425) COJIN, AJUSTADOR (2.425)	16			UR

FIG. 5 VALVE

VALVULA

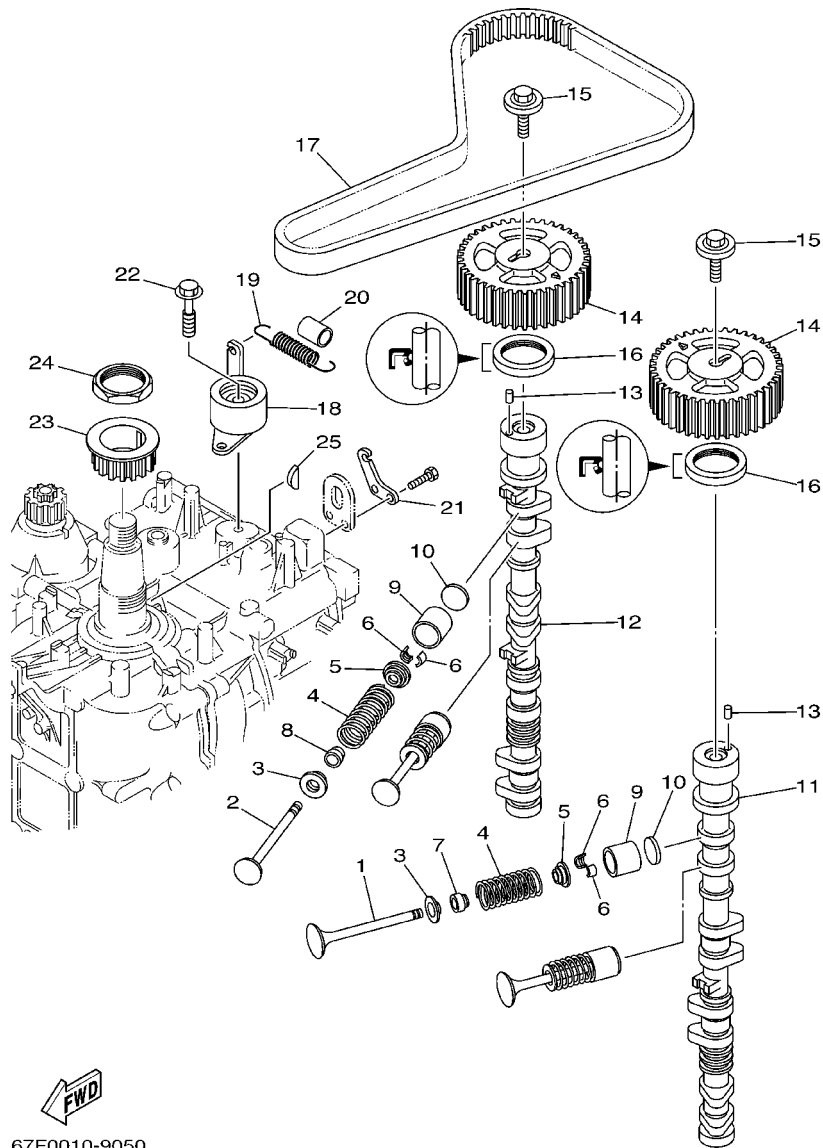


67F0010-9050

REF. NO.	PART NO. CODIGO NO.	DESCRIPTION DESCRIPTION	60C3			REMARKS OBSERVACION
10	67F-12168-K0	PAD, ADJUSTING (2.450) COJIN, AJUSTADOR (2.450)	16			UR
	67F-12168-L0	PAD, ADJUSTING (2.475) COJIN, AJUSTADOR (2.475)	16			UR
	67F-12168-M0	PAD, ADJUSTING (2.500) COJIN, AJUSTADOR (2.500)	16			UR
	67F-12168-N0	PAD, ADJUSTING (2.525) COJIN, AJUSTADOR (2.525)	16			UR
	67F-12168-P0	PAD, ADJUSTING (2.550) COJIN, AJUSTADOR (2.550)	16			UR
	67F-12168-R0	PAD, ADJUSTING (2.575) COJIN, AJUSTADOR (2.575)	16			UR
	67F-12168-S0	PAD, ADJUSTING (2.600) COJIN, AJUSTADOR (2.600)	16			UR
	67F-12168-T0	PAD, ADJUSTING (2.625) COJIN, AJUSTADOR (2.625)	16			UR
	67F-12168-U0	PAD, ADJUSTING (2.650) COJIN, AJUSTADOR (2.650)	16			UR
	67F-12168-V0	PAD, ADJUSTING (2.675) COJIN, AJUSTADOR (2.675)	16			UR
	67F-12168-W0	PAD, ADJUSTING (2.700) COJIN, AJUSTADOR (2.700)	16			UR
	67F-12168-X0	PAD, ADJUSTING (2.725) COJIN, AJUSTADOR (2.725)	16			UR
	67F-12168-Y0	PAD, ADJUSTING (2.750) COJIN, AJUSTADOR (2.750)	16			UR
	67F-12169-00	PAD, ADJUSTING (2.775) COJIN, AJUSTADOR (2.775)	16			UR
	67F-12169-10	PAD, ADJUSTING (2.800) COJIN, AJUSTADOR (2.800)	16			UR
	67F-12169-20	PAD, ADJUSTING (2.825) COJIN, AJUSTADOR (2.825)	16			UR
	67F-12169-30	PAD, ADJUSTING (2.850) COJIN, AJUSTADOR (2.850)	16			UR
	67F-12169-40	PAD, ADJUSTING (2.875) COJIN, AJUSTADOR (2.875)	16			UR
	67F-12169-50	PAD, ADJUSTING (2.900) COJIN, AJUSTADOR (2.900)	16			UR
	67F-12169-60	PAD, ADJUSTING (2.925) COJIN, AJUSTADOR (2.925)	16			UR
	67F-12169-70	PAD, ADJUSTING (2.950) COJIN, AJUSTADOR (2.950)	16			UR
	67F-12169-80	PAD, ADJUSTING (2.975) COJIN, AJUSTADOR (2.975)	16			UR
	67F-12169-A0	PAD, ADJUSTING (3.000) COJIN, AJUSTADOR (3.000)	16			UR
	67F-12169-B0	PAD, ADJUSTING (3.025) COJIN, AJUSTADOR (3.025)	16			UR
	67F-12169-C0	PAD, ADJUSTING (3.050) COJIN, AJUSTADOR (3.050)	16			UR
	67F-12169-D0	PAD, ADJUSTING (3.075) COJIN, AJUSTADOR (3.075)	16			UR
	67F-12169-E0	PAD, ADJUSTING (3.100) COJIN, AJUSTADOR (3.100)	16			UR

FIG. 5 VALVE

VALVULA



REF. NO.	PART NO. CODIGO NO.	DESCRIPTION DESCRIPTION	60C3				REMARKS OBSERVACION
10	67F-12169-F0	PAD, ADJUSTING (3.125) COJIN, AJUSTADOR (3.125)	16				UR
	67F-12169-G0	PAD, ADJUSTING (3.150) COJIN, AJUSTADOR (3.150)	16				UR
	67F-12169-H0	PAD, ADJUSTING (3.175) COJIN, AJUSTADOR (3.175)	16				UR
	67F-12169-J0	PAD, ADJUSTING (3.200) COJIN, AJUSTADOR (3.200)	16				UR
	67F-12169-K0	PAD, ADJUSTING (3.225) COJIN, AJUSTADOR (3.225)	16				UR
	67F-12169-L0	PAD, ADJUSTING (3.250) COJIN, AJUSTADOR (3.250)	16				UR
	67F-12169-M0	PAD, ADJUSTING (3.275) COJIN, AJUSTADOR (3.275)	16				UR
	67F-12169-N0	PAD, ADJUSTING (3.300) COJIN, AJUSTADOR (3.300)	16				UR
11	67F-12171-00	CAMSHAFT 1 ARBOL DE LEVAS 1	1				
12	67F-12181-00	CAMSHAFT 2 ARBOL DE LEVAS 2	1				
13	93605-10108	PIN, DOWEL PASADOR DE CLAVIJA	2				
14	67F-11537-00	GEAR, DRIVEN ENGRANAJE TRACCION	2				
15	90119-10M06	BOLT, WITH WASHER TORNILLO CON ARANDELA	2				
16	93102-38M59	OIL SEAL RETEN DE ACEITE	2				
17	67F-46241-00	BELT CORREA	1				
18	67F-11590-00	TENSIONER ASSY TENSOR COMPLET	1				
19	90506-16M39	SPRING, TENSION RESORTE DE TENSION	1				
20	90445-15M03	HOSE (L23) TUBO (L23)	1				
21	67F-11595-00	PLATE, VALVE PLACA DE VALVULA	1				
22	90119-10M72	BOLT, WITH WASHER TORNILLO CON ARANDELA	1				
23	67F-11536-00	GEAR, DRIVE ENGRANAJE TRACCION	1				
24	90170-40003	NUT TUERCA	1				
25	90280-04008	KEY, WOODRUFF CUNA WOODRUFF	1				

FWD
67F0010-9050

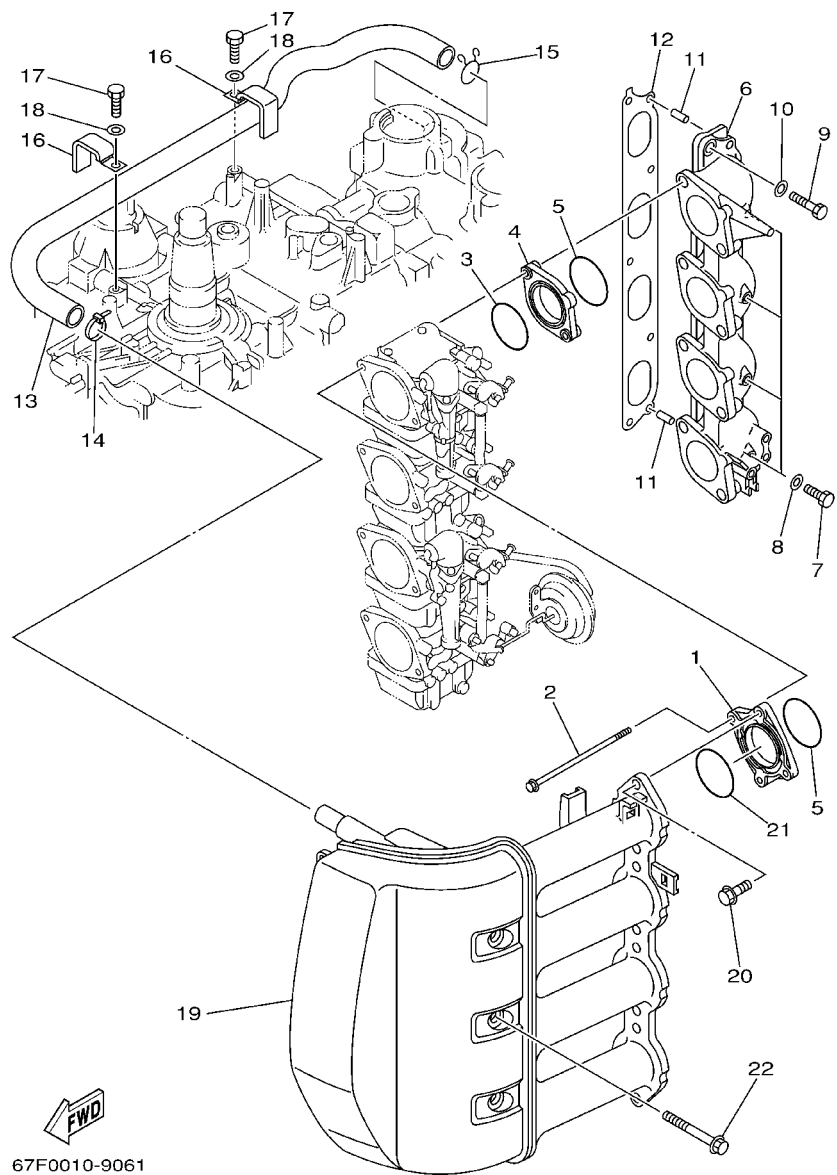


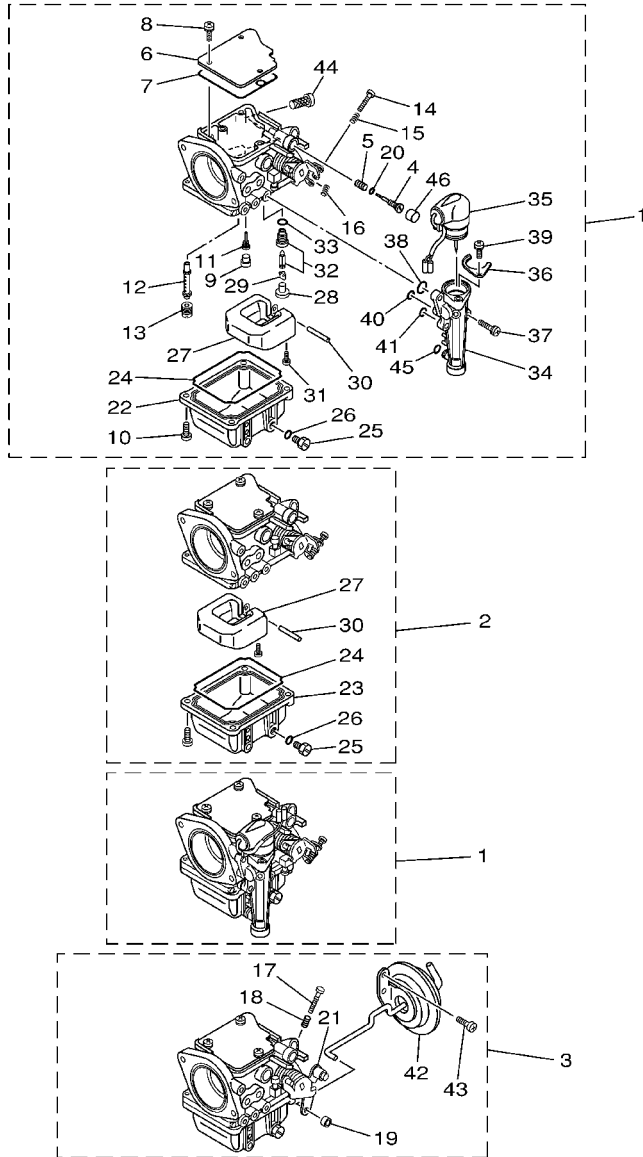
FIG. 6 INTAKE

ADMISION

REF. NO.	PART NO. CODIGO NO.	DESCRIPTION DESCRIPTION	60C3				REMARKS OBSERVACION
1	67F-14243-00	PLATE PLACA	4				
2	67F-14216-00	BOLT PERNO	8				
3	67F-14239-00	SEAL SELLO	4				
4	67F-14271-00	INSULATOR AISLANTE	4				
5	93210-40M10	O-RING JUNTA TORICA	8				
6	67F-13641-00-94	MANIFOLD 1 MULTIPLE 1	1				
7	97095-06010	BOLT PERNO	4				
8	90430-06014	GASKET JUNTA	4				
9	97075-08035	BOLT PERNO	5				
10	92995-08600	WASHER ARANDELA	5				
11	91690-50014	PIN, SPRING PASADOR DE RESORTE	2				
12	67F-13645-00	GASKET, MANIFOLD 1 EMPAQUE	1				
13	67F-15373-00	PIPE, BREATHER MANGUELA DE RESPIRADERO	1				
14	90465-11M10	CLAMP BRIDA	1				
15	90467-20M15	CLIP PRESILLA	1				
16	90465-12M03	CLAMP BRIDA	2				
17	97095-06012	BOLT PERNO	2				
18	92995-06600	WASHER ARANDELA	2				
19	67F-14440-00	SILENCER ASSY, INTAKE SILENCIADOR COMPL. DE ADMISION	1				
20	90119-06M82	BOLT, WITH WASHER TORNILLO CON ARANDELA	8				
21	93210-41MJ2	O-RING JUNTA TORICA	4				
22	90119-08M59	BOLT, WITH WASHER TORNILLO CON ARANDELA	3				

FIG. 7 CARBURETOR 1

CARBURADOR 1

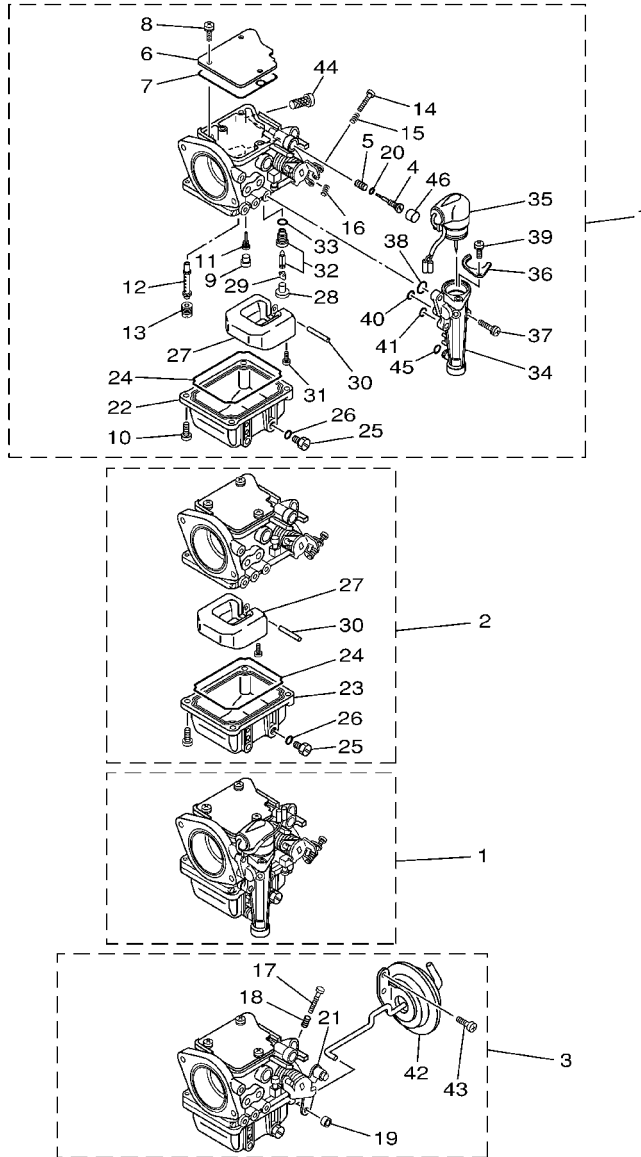


67F0100-9071

REF. NO.	PART NO. CODIGO NO.	DESCRIPTION DESCRIPTION	60C3	REMARKS OBSERVACION
1	60C-14901-00	CARBURETOR ASSY 1 CARBURADOR COMPLETO 1	2	#1,3
	60C-14901-10	CARBURETOR ASSY 1 CARBURADOR COMPLETO 1	2	#1,3-FOR EPA
2	60C-14902-00	CARBURETOR ASSY 2 CARBURADOR COMPLETO 2	1	#2
	60C-14902-10	CARBURETOR ASSY 2 CARBURADOR COMPLETO 2	1	#2-FOR EPA
3	60C-14904-00	CARBURETOR ASSY 4 CARBURADOR COMPLETO 4	1	#4
	60C-14904-10	CARBURETOR ASSY 4 CARBURADOR COMPLETO 4	1	#4-FOR EPA
4	67F-14923-00	.SCREW, PILOT .TORNILLO DE AJUSTE	4	
5	697-14555-00	.SPRING .RESORTE	4	
6	67F-14146-00	.PLATE .PLACA SOPORTE	4	
7	67F-14147-00	.O-RING .ANILLO O	4	
8	97803-04010	.SCREW, PAN HEAD .TORNILLO CABEZA ABULTADA	12	
9	676-14966-00	.CAP .TAPA	4	
10	97980-04114	.SCREW, WITH WASHER .TORNILLO, CON ARANDELA	16	
11	67F-14948-04	.JET (#42) .INJECTOR (#42)	4	
12	67F-14947-00	.JET, NEEDLE .INJECTOR DE AGUJA	4	
13	67F-14943-83	.JET, MAIN (#128) .INJECTOR PRINCIPAL (#128)	4	
14	67F-14567-00	.SCREW .TORNILLO	3	#1,2,3
15	67F-14555-00	.SPRING .RESORTE	3	#1,2,3
16	67F-14556-00	.SPRING .RESORTE	3	#1,2,3
17	63V-14523-00	.SCREW, STOP .TORNILLO DE TOPE	1	#4
18	90501-10326	.SPRING, COMPRESSON .RESORTE DE COMPRESION	1	#4
19	67F-14998-00	.BUSH .BUJE	1	#4
20	67F-14397-00	.O-RING .ANILLO O	4	
21	6H2-14578-00	.COLLAR .COLLAR	1	#4
22	67F-14980-00	.BODY, FLOAT CHAMBER .CUERPO CAMARA DE BOIA	2	#1,3
23	67F-14980-10	.BODY, FLOAT CHAMBER .CUERPO CAMARA DE BOIA	2	#2,4
24	67F-14984-00	.GASKET, FLOAT CHAMBER .EMPAQUE CAMARA DE BOIA	4	

FIG. 7 CARBURETOR 1

CARBURADOR 1

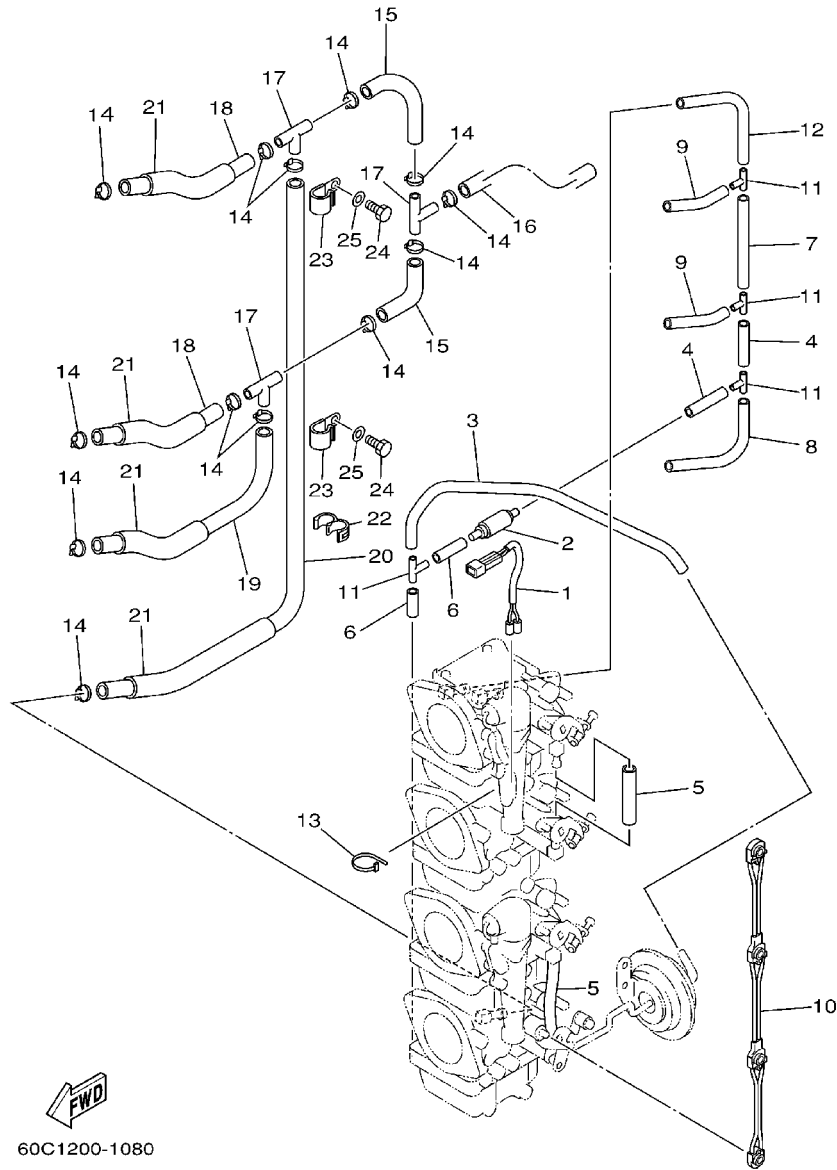


REF. NO.	PART NO. CODIGO NO.	DESCRIPTION DESCRIPTION	60C3	REMARKS OBSERVACION
25	6H3-14992-00	.SCREW, DRAIN .TORNILLO, SEGURO	4	
26	93210-04230	.O-RING .JUNTA TORICA	4	
27	6H4-14985-01	.FLOAT .BOIA	4	
28	676-14186-00	.PIN, FLOAT .PASADOR DE LA BOYA	4	
29	663-14159-00	.CLIP .PRESILLA	4	
30	6H4-14548-00	.PIN, FLOAT ARM .PASADOR DE BRAZO DE BOIA	4	
31	98580-04008	.SCREW, PAN HEAD .TORNILLO DE CABEZA CRUZADA	4	
32	60C-14590-01	.NEEDLE VALVE ASSY .VALVULA DE AGUJA COMPLETA	4	
33	93210-04228	.O-RING .JUNTA TORICA	4	
34	67F-14378-00	.BODY, STARTER .CUERPO CAMARA DE ARRANQUE	2	#1,3
35	67F-14380-01	.PRIME STARTER ASSY .JUEGO DE VALVULA DE ARRANQUE	2	#1,3
36	67F-14178-00	.PLATE, STARTER LEVER .PLACA DE PALANCA DE ARRANQUE	2	#1,3
37	67F-14592-00	.SCREW .TORNILLO	6	#1,3
38	67F-14398-00	.O-RING .ANILLO O	2	#1,3
39	67F-14565-00	.SCREW .TORNILLO	2	#1,3
40	67F-14398-10	.O-RING .ANILLO O	2	#1,3
41	67F-14398-20	.O-RING .ANILLO O	2	#1,3
42	67F-14369-00	.DIAPHRAGM ASSY 2 .DIAFRAGMA COMPLETO 2	1	#4
43	67F-14325-00	.SCREW, PAN HEAD .TORNILLO CABEZA REDONDA	2	#4
44	67F-14371-01	.ELEMENT, FILTER .ELEMENTO DEL FILTRO	4	
45	67F-14398-30	.O-RING .ANILLO O	2	#1,3
46	67F-14355-00	.PLUG .TAPON	4	FOR EPA


67F0100-9071

FIG. 8 CARBURETOR 2

CARBURADOR 2

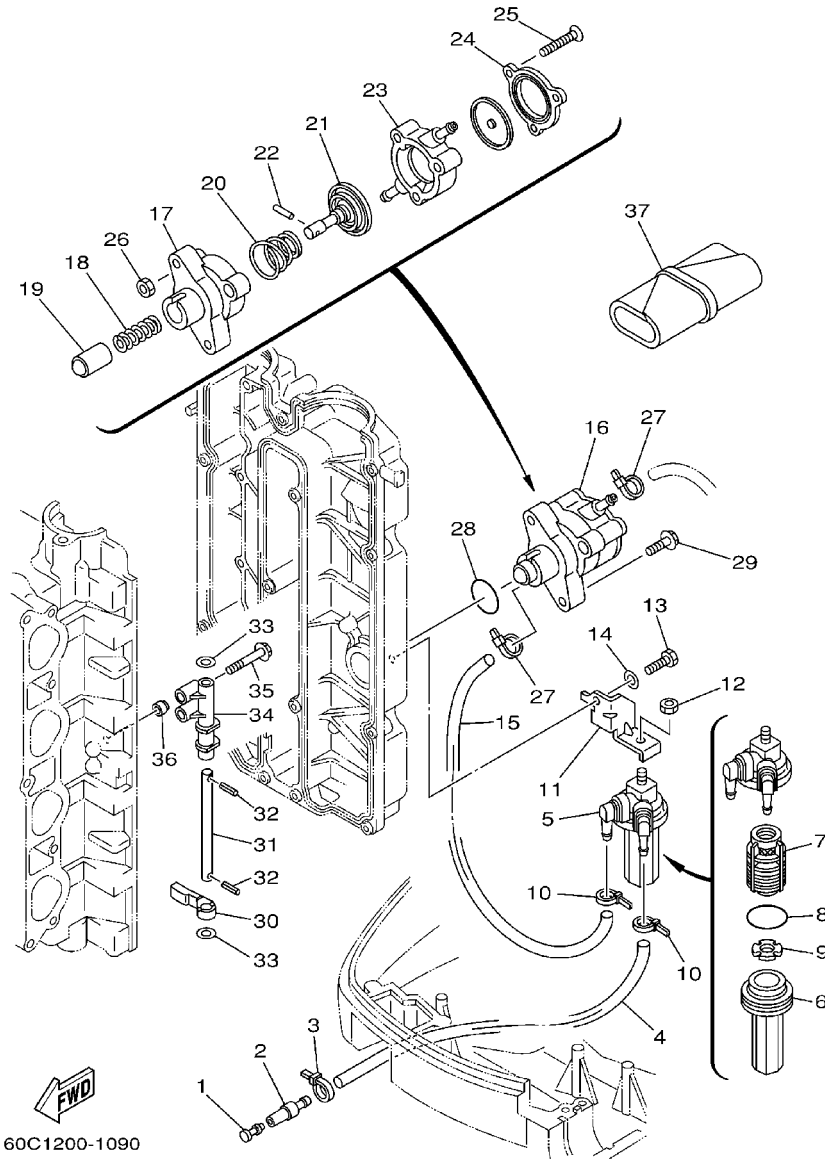


60C1200-1080

REF. NO.	PART NO. CODIGO NO.	DESCRIPTION DESCRIPTION	60C3				REMARKS OBSERVACION
1	67F-1412A-00	WIRE HARNESS ASSY CONJUNTO DE CABLES	1				
2	67F-13183-00	VALVE, CHECK VALVULA DE RETENTION	1				
3	67F-14349-00	PIPE TUBO	1				
4	67F-14349-10	PIPE TUBO	2				
5	67F-14349-20	PIPE TUBO	2				
6	67F-14349-30	PIPE TUBO	2				
7	67F-14349-40	PIPE TUBO	1				
8	67F-14349-50	PIPE TUBO	1				
9	67F-14349-60	PIPE TUBO	2				
10	67F-14585-00	ROD, CHOKE VARILLA DE CEBADOR	1				
11	67F-14189-00	CONNECTOR CONECTOR	4				
12	67F-14349-70	PIPE TUBO	1				
13	90465-11M59	CLAMP BRIDA	1				
14	68F-24356-00	CLIP, PIPE 1 PRESILLA DE TUBO 1	13				
15	60C-14294-00	HOSE MANGUERA	2				
16	60C-14298-00	PIPE TUBO	1				
17	688-24378-00	PIPE, JOINT 4 TUBO DE UNION 4	3				
18	90445-10M16	HOSE (L120) TUBO (L120)	3				
19	90445-10MG6	HOSE (L180) TUBO (L180)	1				
20	90445-10MG7	HOSE (L350) TUBO (L350)	1				
21	90445-16M07	HOSE (L80) TUBO (L80)	4				
22	90464-10M57	CLAMP BRIDA	1				
23	90465-08M83	CLAMP BRIDA	2				
24	97095-06012	BOLT PERNO	2				
25	92995-06600	WASHER ARANDELA	2				

FIG. 9 FUEL

COMBUSTIBLE

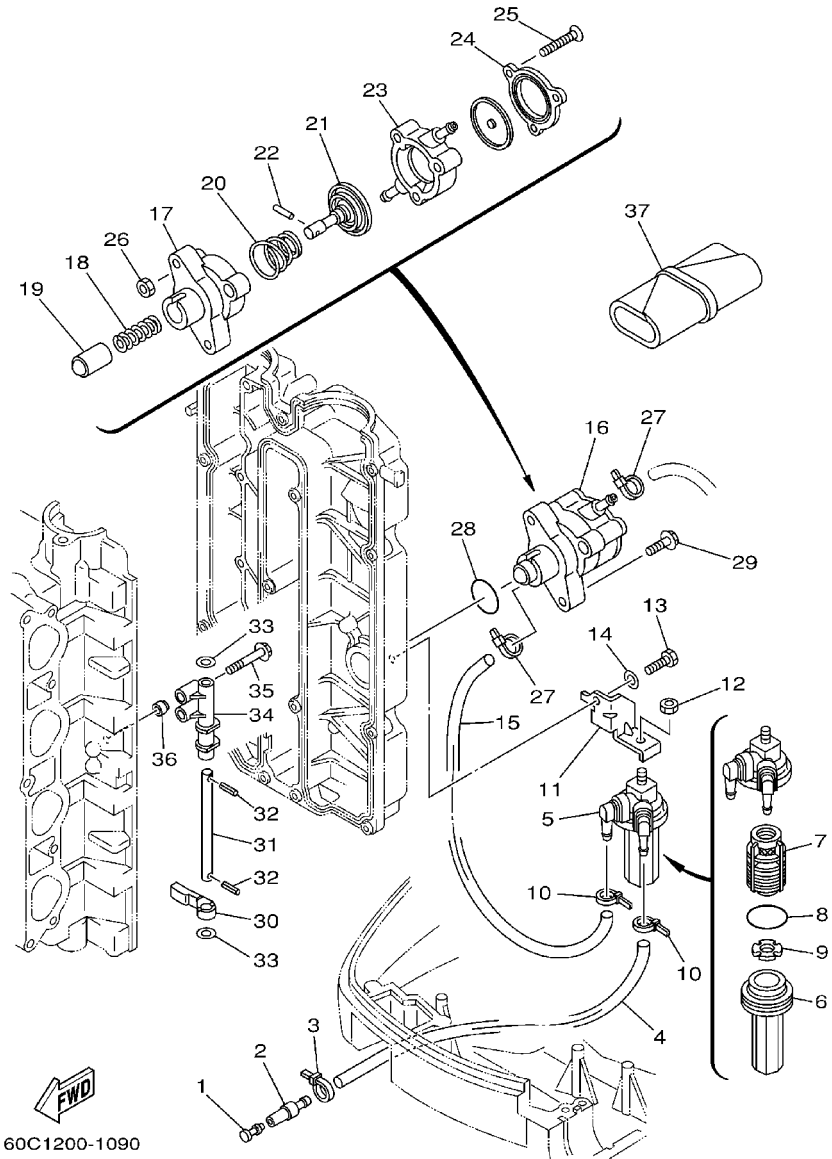


60C1200-1090

REF. NO.	PART NO. CODIGO NO.	DESCRIPTION DESCRIPTION	60C3				REMARKS OBSERVACION
1	689-85547-00	DAMPER AMORTIGUADOR	1				
2	6R3-24377-00	PIPE, JOINT 3 TUBO DE UNION 3	1				
3	90465-11M10	CLAMP BRIDA	1				
4	90445-13M27	HOSE (L950) TUBO (L950)	1				
5	60C-24560-00	FILTER ASSY FILTRO COMPLETO	1				
6	68V-24521-01	.CUP, FILTER .COPA DE FILTRO	1				
7	61N-24563-00	.ELEMENT, FILTER .ELEMENTO DEL FILTRO	1				
8	93210-32738	.O-RING .JUNTA TORICA	1				
9	68V-24469-01	.FLOAT, WATER LEVEL .BOIA	1				
10	90465-11M10	CLAMP BRIDA	2				
11	68V-24566-00	BRACKET, FILTER SOPORTE DEL FILTRO	1				
12	95380-08600	NUT TUERCA	1				
13	97095-06016	BOLT PERNO	1				
14	92995-06600	WASHER ARANDELA	1				
15	90445-13M11	HOSE (L300) TUBO (L300)	1				
16	68V-24410-00	FUEL PUMP ASSY BOMBA DE COMBUSTIBLE COMPLETA	1				
17	68V-24412-00	.BODY 1 .CUERPO 1	1				
18	68V-24454-00	.SPRING .RESORTE	1				
19	68V-13131-00	.PLUNGER .ESPACIADOR	1				
20	68V-24423-00	.SPRING, DIAPHRAGM .RESORTE DE DIAFRAGMA	1				
21	68V-24411-00	.DIAPHRAGM .DIAFRAGMA	1				
22	68V-24374-00	.PIN .PASADOR	1				
23	68V-24413-00	.BODY 2 .CUERPO 2	1				
24	68V-24414-00	.BODY 3 .CUERPO 3	1				
25	68V-24444-00	.SCREW .TORNILLO	3				
26	68V-24149-00	.NUT .TUERCA	3				
27	90465-11M10	CLAMP BRIDA	2				

FIG. 9 FUEL

COMBUSTIBLE

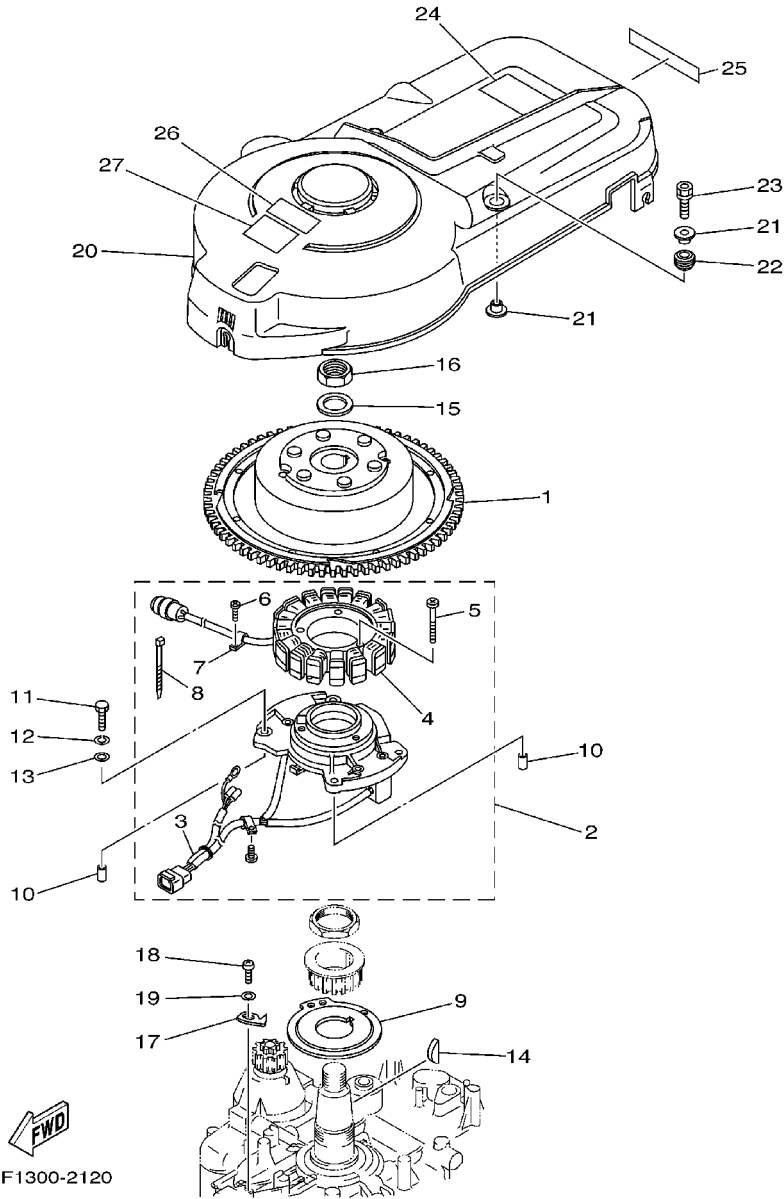


60C1200-1090

REF. NO.	PART NO. CODIGO NO.	DESCRIPTION DESCRIPTION	60C3				REMARKS OBSERVACION
28	93210-30682	O-RING JUNTA TORICA	1				
29	90119-06M83	BOLT, WITH WASHER TORNILLO CON ARANDELA	2				
30	67F-24575-00	LEVER, FUEL CHANGE PALANCA SELECTOR COMBUSTIBLE	1				
31	68V-24495-00	SHAFT EJE	1				
32	91609-25014	PIN, SPRING PASADOR DE RESORTE	2				
33	90201-08M12	WASHER, PLATE ARANDELA PLANA	2				
34	67F-24491-00	BRACKET, FUEL PUMP SOPORTE BOMBA COMBUSTIBLE	1				
35	90119-07235	BOLT, WITH WASHER TORNILLO CON ARANDELA	2				
36	91809-08006	PIN, DOWEL PASADOR DE CLAVIJA	2				
37	67F-28100-00	TOOL KIT JUEGO DE HERRAMIENTAS	1				

FIG. 10 GENERATOR

GENERADOR

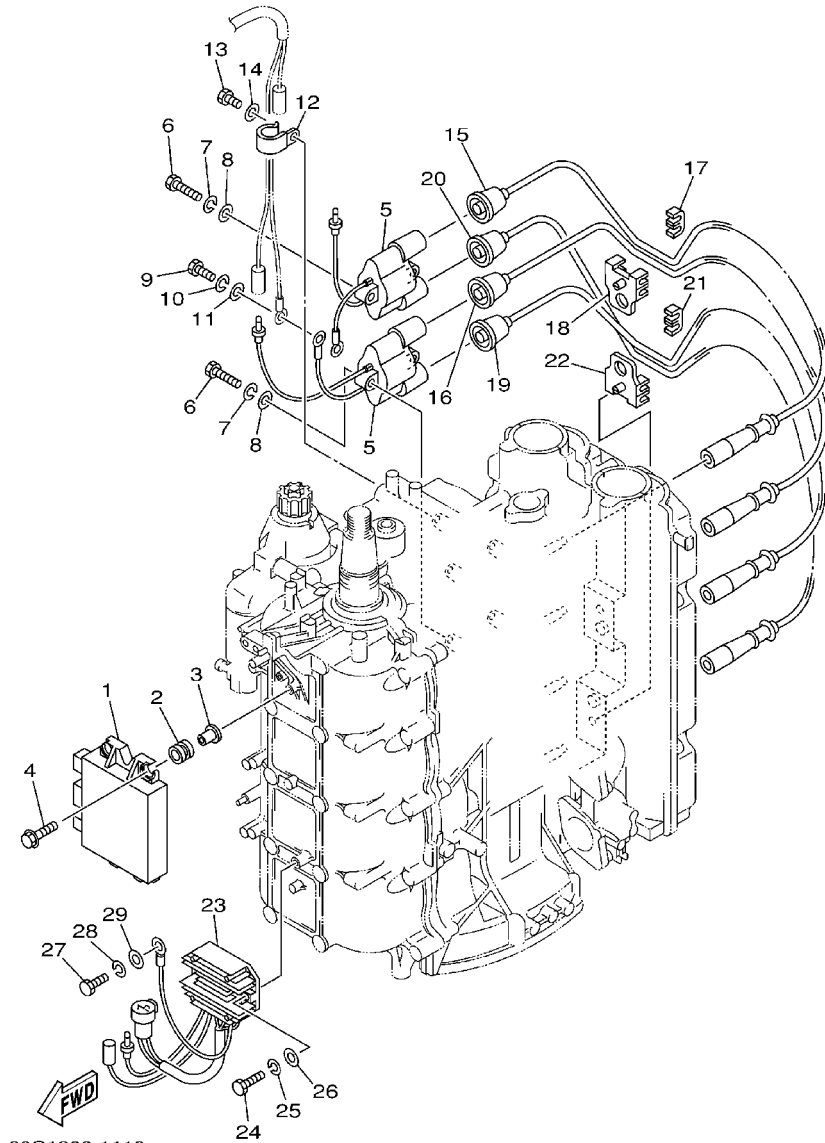


67F1300-2120

REF. NO.	PART NO. CODIGO NO.	DESCRIPTION DESCRIPTION	60C3				REMARKS OBSERVACION
1	67F-85550-00	ROTOR ASSY ROTOR COMPLETO	1				
2	67F-85560-01	BASE ASSY CONJUNTO BASE	1				
3	67F-85580-00	.COIL, PULSER .BOBINA DE PULSACION	1				
4	67F-85510-01	.STATOR ASSY .ESTATOR COMPLET	1				
5	63D-81345-20	.SCREW, WITH WASHER (M6X30) .TORNILLO, CON ARANDELA (M6X30)	3				
6	97607-04110	.SCREW, WITH WASHER .TORNILLO CAB CON PLANA C/ARAN	1				
7	445-81328-20	.CLAMP .GRAMPA	1				
8	66T-81328-00	.CLAMP .GRAMPA	1				
9	67F-81673-00	ROTOR ROTOR	1				
10	99530-08012	PIN, DOWEL PASADOR, DE CLAVIJA	2				
11	97095-06030	BOLT PERNO	4				
12	92995-06100	WASHER, SPRING ARANDELA	4				
13	92995-06600	WASHER ARANDELA	4				
14	90280-05015	KEY, WOODRUFF CUNA WOODRUFF	1				
15	90201-24014	WASHER, PLATE ARANDELA PLANA	1				
16	90179-24002	NUT TUERCA	1				
17	67F-81332-00	PLATE, TIMING PLACA REGULADOR DE TIEMPO	1				
18	97885-06010	SCREW, PAN HEAD TORNILLO A MUESCA	1				
19	92995-06600	WASHER ARANDELA	1				
20	67F-81337-01	COVER, FLYWHEEL CUBIERTA DE VOLANTE	1				
21	90387-06M71	COLLAR COLLAR	4				
22	90480-15M31	GROMMET TAPON	2				
23	90119-06M92	BOLT, WITH WASHER TORNILLO CON ARANDELA	2				
24	67F-12138-60	MARK, CAUTION MARKER	1				
25	67F-13437-61	MARK, CAUTION MARKER	1				
26	6A1-83625-41	MARK 5 MARCA 5	1				
27	6A1-83625-51	MARK 5 MARCA 5	1				

FIG. 11 ELECTRICAL 1

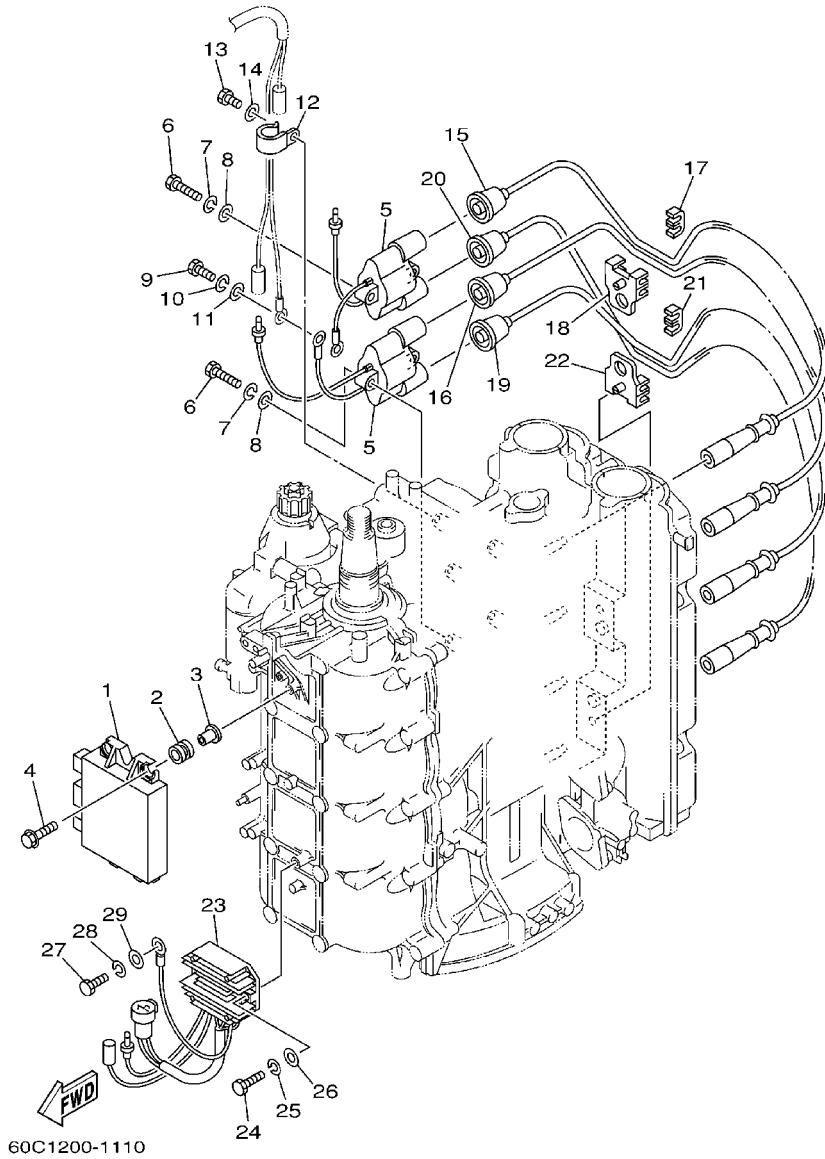
EQUIPO ELECTRICO 1



REF. NO.	PART NO. CODIGO NO.	DESCRIPTION DESCRIPTION	60C3				REMARKS OBSERVACION
1	67F-85540-02	C.D.I. UNIT ASSY UNIDAD C.D.I. COMPLETA	1				
2	68V-82317-00	DAMPER, IGNITION COIL AMORTIGUADOR BOBINA ENCENDIDO	4				
3	624-42542-00	PIPE TUBO	4				
4	90119-06M59	BOLT, WITH WASHER TORNILLO CON ARANDELA	4				
5	67F-85570-00	IGNITION COIL ASSY BOBINA DE IGNICION COMPLETO	2				
6	97095-06030	BOLT PERNO	4				
7	92995-06100	WASHER, SPRING ARANDELA	4				
8	92995-06600	WASHER ARANDELA	4				
9	97095-06020	BOLT PERNO	1				
10	92995-06100	WASHER, SPRING ARANDELA	1				
11	92995-06600	WASHER ARANDELA	1				
12	90465-06M86	CLAMP BRIDA	1				
13	97095-06012	BOLT PERNO	1				
14	92995-06600	WASHER ARANDELA	1				
15	67F-82341-00	CORD, HIGH TENSION 1 CABLE DE ALTA TENSION 1	1				#1
16	67F-82342-00	CORD, HIGH TENSION 2 CABLE DE ALTA TENSION 2	1				#2
17	67F-82361-00	CLAMP, CORD GRAMPA DE CABLE	1				
18	67F-82362-00	CLAMP, CORD 2 GRAMPA DE CABLE 2	1				
19	67F-82343-00	CORD, HIGH TENSION 3 CABLE DE ALTA TENSION 3	1				#3
20	67F-82344-00	CORD, HIGH TENSION 4 CABLE DE ALTA TENSION 4	1				#4
21	67F-82361-00	CLAMP, CORD GRAMPA DE CABLE	1				
22	67F-82362-00	CLAMP, CORD 2 GRAMPA DE CABLE 2	1				
23	67F-81960-10	RECTIFIER & REGULATOR ASSY RECTIFICADOR Y REGULADOR	1				
24	97095-06025	BOLT PERNO	2				
25	92995-06100	WASHER, SPRING ARANDELA	2				
26	92995-06600	WASHER ARANDELA	2				
27	97095-06020	BOLT PERNO	1				

FIG. 11 ELECTRICAL 1

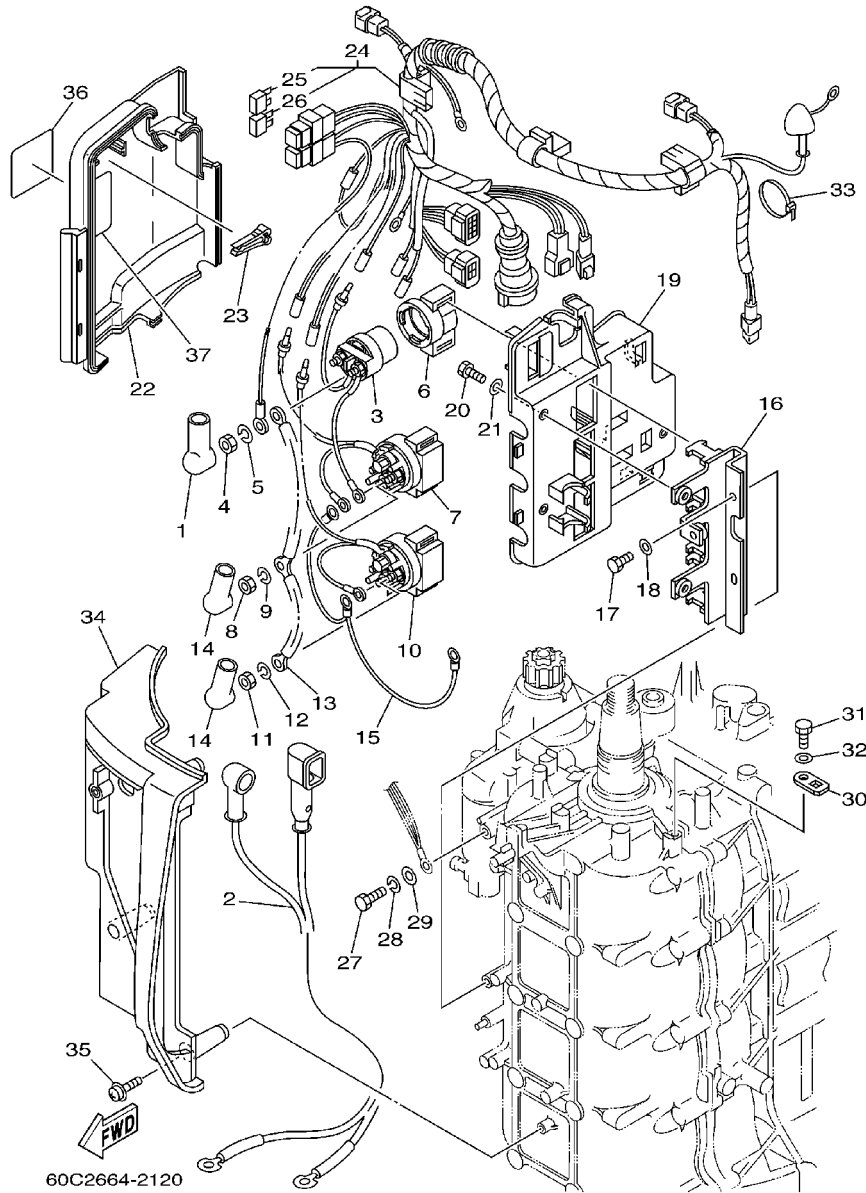
EQUIPO ELECTRICO 1



REF. NO.	PART NO. CODIGO NO.	DESCRIPTION DESCRIPTION	60C3				REMARKS OBSERVACION
28	92995-06100	WASHER, SPRING ARANDELA	1				
29	92995-06600	WASHER ARANDELA	1				

FIG. 12 ELECTRICAL 2

EQUIPO ELECTRICO 2



60C2664-2120

REF. NO.	PART NO. CODIGO NO.	DESCRIPTION DESCRIPTION	60C3				REMARKS OBSERVACION
1	682-82119-01	COVER, LEAD WIRE CUBIERTA DE CABLE CONDUCTOR	2				
2	67F-82105-00	WIRE HARNESS ARNES DE CABLES	1				
3	6G1-8194A-10	RELAY RELE	1				
4	90170-06M30	NUT TUERCA	2				
5	90204-06M00	WASHER, SPRING ARANDELA DE RESORTE	2				
6	6G1-81952-00	HOLDER, RELAY SOSTEN DE RELE	1				
7	6E5-8195B-01	RELAY ASSY RELE COMPLETO	1				
8	90170-06M30	NUT TUERCA	3				
9	90204-06M00	WASHER, SPRING ARANDELA DE RESORTE	3				
10	6E5-8195C-01	RELAY ASSY RELE COMPLETO	1				
11	90170-06M30	NUT TUERCA	3				
12	90204-06M00	WASHER, SPRING ARANDELA DE RESORTE	3				
13	66T-87149-00	CONNECTOR CONECTOR	1				
14	6G5-82119-00	COVER, LEAD WIRE CUBIERTA DE CABLE CONDUCTOR	2				
15	67F-82116-00	WIRE, MINUS LEAD CABLE CONDUCTOR NEGATIVO	1				
16	67F-81953-00	STAY, RELAY SOPORTE DE RELE	1				
17	97095-06016	BOLT PERNO	2				
18	92995-06600	WASHER ARANDELA	2				
19	67F-81948-00	BRACKET SOPORTE	1				
20	97095-06016	BOLT PERNO	3				
21	92995-06600	WASHER ARANDELA	3				
22	67F-81942-00	COVER CUBIERTA	1				
23	67F-2812A-00	PULLER, FUSE TIRADOR DE FUSIBLE	1				
24	67F-82590-03	WIRE HARNESS ASSY CONJUNTO DE CABLES	1				
25	67F-82151-00	.FUSE (20A) .FUSIBLE (20A)	2				
26	67F-82151-10	.FUSE (30A) .FUSIBLE (30A)	2				
27	97095-06020	BOLT PERNO	1				

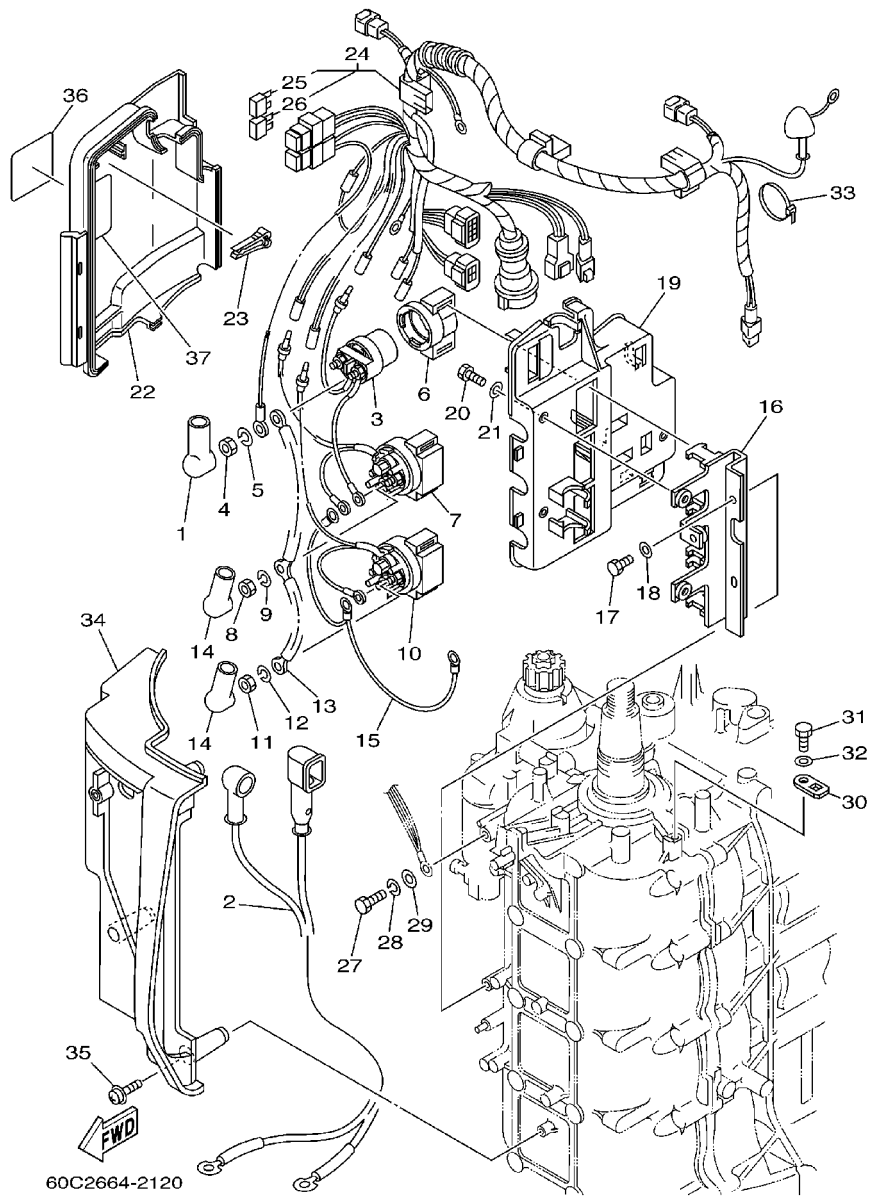


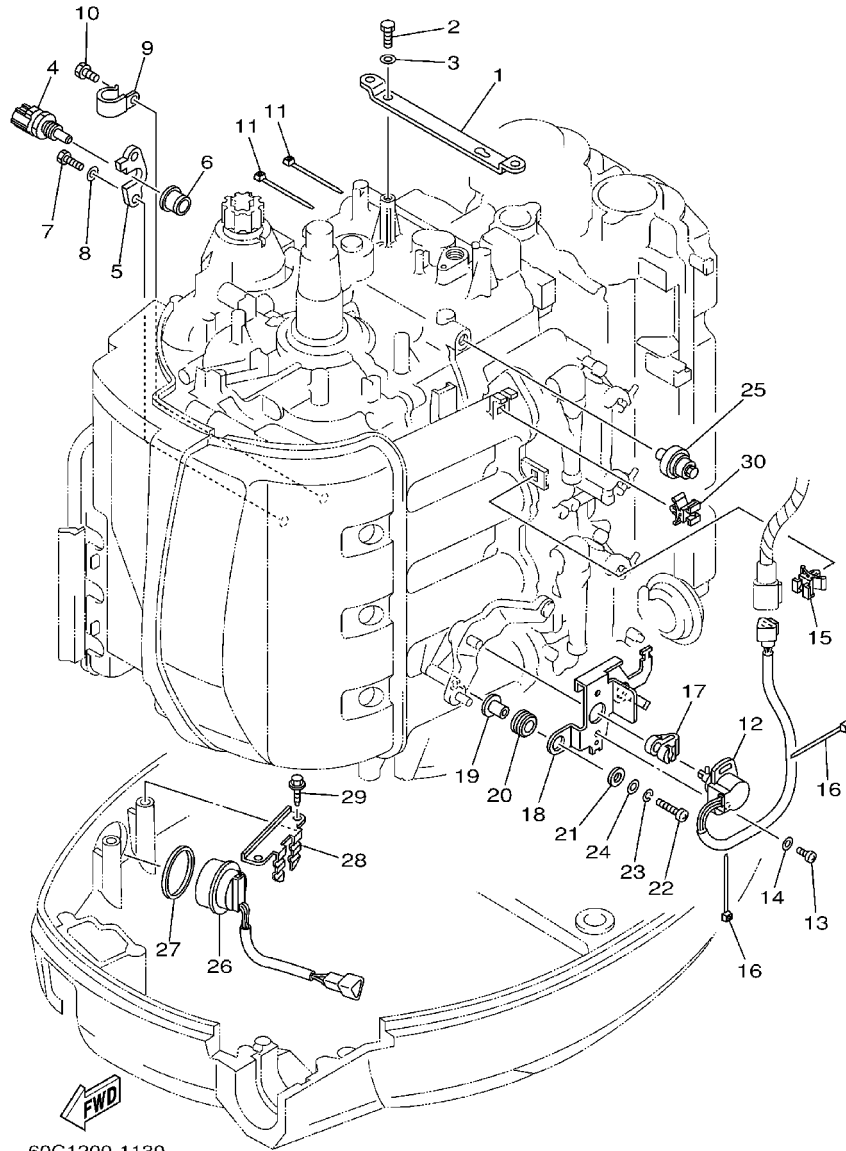
FIG. 12 ELECTRICAL 2

EQUIPO ELECTRICO 2

REF. NO.	PART NO. CODIGO NO.	DESCRIPTION DESCRIPTION	60C3			REMARKS OBSERVACION
28	92995-06100	WASHER, SPRING ARANDELA	1			
29	92995-06600	WASHER ARANDELA	1			
30	67F-82588-00	PLATE PLACA	3			
31	97095-06012	BOLT PERNO	3			
32	92995-06600	WASHER ARANDELA	3			
33	90465-13M11	CLAMP BRIDA	1			
34	60C-81916-00	COVER, TERMINAL CUBIERTA DE TERMINAL	1			
35	90159-06M29	SCREW, WITH WASHER TORNILLO CON VALONA	3			
36	67F-83626-00	MARK 6 MARCA 6	1			
37	67F-81919-00	GRAPHIC, REGULATOR CALCAMONIA DE REGULADOR	1			

FIG. 13 ELECTRICAL 3

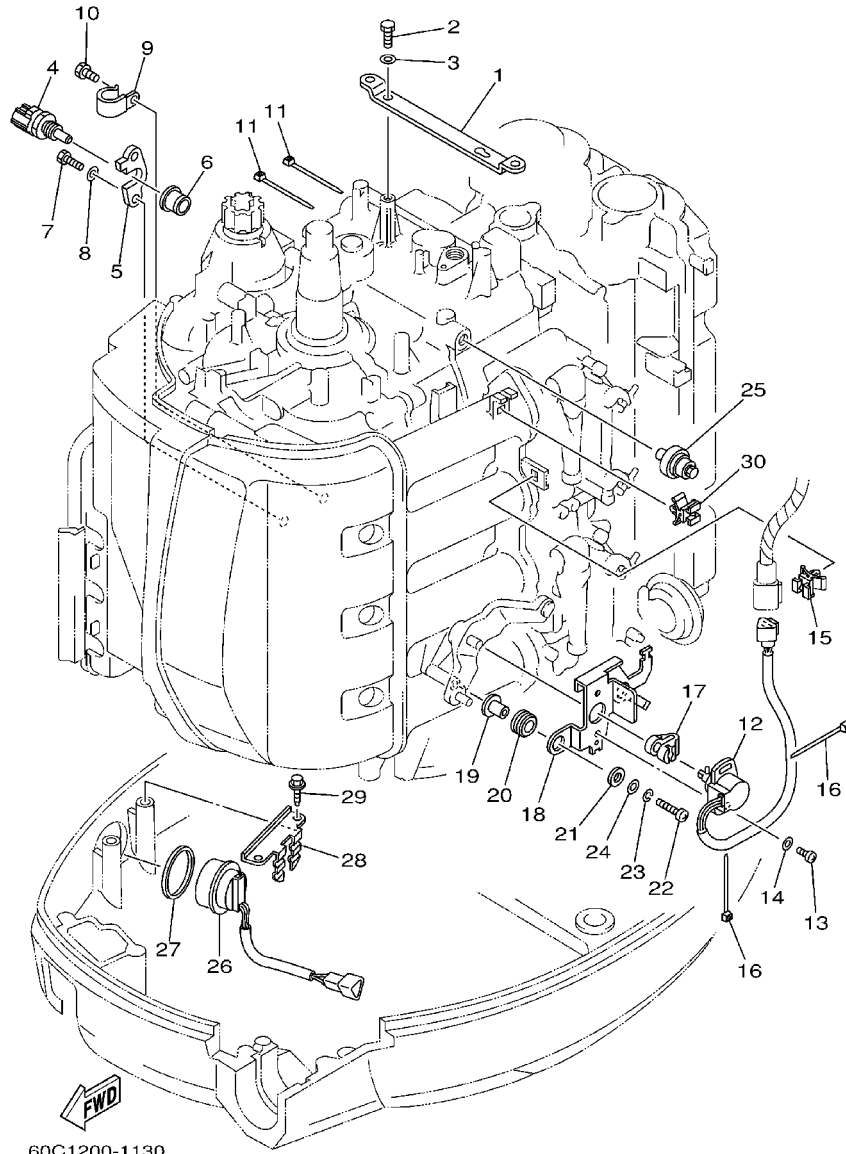
EQUIPO ELECTRICO 3



REF. NO.	PART NO. CODIGO NO.	DESCRIPTION DESCRIPTION	60C3				REMARKS OBSERVACION
1	67F-8132G-01	PLATE PLACA	1				
2	97095-06016	BOLT PERNO	2				
3	92995-06600	WASHER ARANDELA	2				
4	67F-85790-00	THERMOSENSOR ASSY TERMICA SENSORIO	1				
5	67F-85757-00	RETAINER SEGURO	1				
6	68V-85753-00	GASKET, SENDER UNIT EMPAQUE DE UNIDAD TRANSMISORA	1				
7	97095-06016	BOLT PERNO	2				
8	92995-06600	WASHER ARANDELA	2				
9	90465-06M86	CLAMP BRIDA	1				
10	97095-06010	BOLT PERNO	1				
11	90465-11M10	CLAMP BRIDA	2				
12	61A-85885-00	THROTTLE SENSOR ASSY TERMICA SENSORIO	1				
13	97885-05010	SCREW, PAN HEAD TORNILLO A MUESCA	2				
14	92995-05600	WASHER ARANDELA	2				
15	90464-09M47	CLAMP BRIDA	1				
16	90465-11M10	CLAMP BRIDA	2				
17	6K7-14573-00	LEVER PALANCA	1				
18	67F-83635-00	BRACKET SOPORTE	1				
19	90387-05M00	COLLAR COLLAR	2				
20	90480-10M23	GROMMET TAPON	2				
21	90201-05M03	WASHER, PLATE ARANDELA PLANA	2				
22	97885-05025	SCREW, PAN HEAD TORNILLO A MUESCA	2				
23	92995-05100	WASHER ARANDELA	2				
24	92995-05600	WASHER ARANDELA	2				
25	68V-82504-00	OIL PRESSURE SWITCH ASSY INTERRUPTOR PRESION DE ACEITE	1				
26	63D-82563-10	TRIM & TILT SWITCH ASSY INTERRUPTOR DE INCLINACION	1				
27	6E5-82587-00	GASKET EMPAQUETADURA	1				

FIG. 13 ELECTRICAL 3

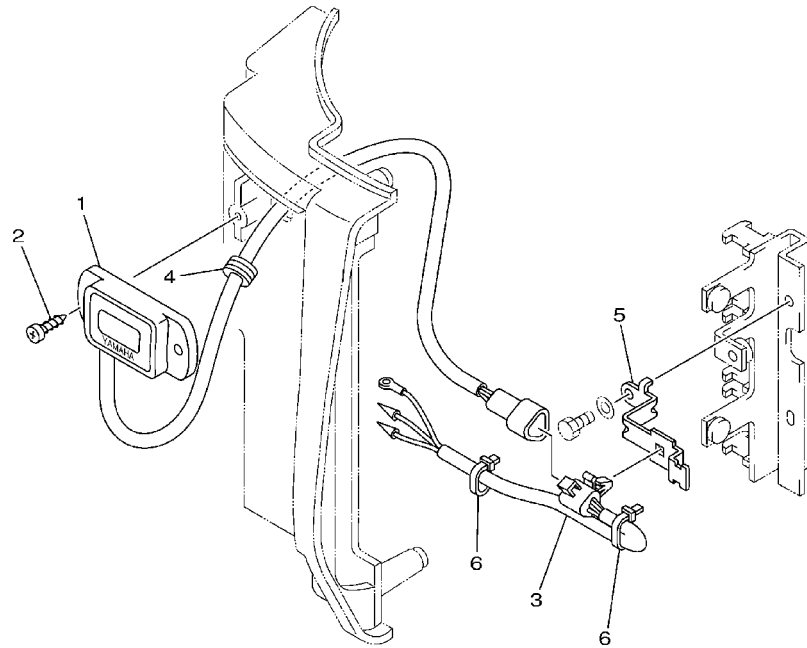
EQUIPO ELECTRICO 3



REF. NO.	PART NO. CODIGO NO.	DESCRIPTION DESCRIPTION	60C3				REMARKS OBSERVACION
28	67F-83614-00	BRACKET SOPORTE	1				
29	90109-06M86	BOLT PERNO	2				
30	90464-09M47	CLAMP BRIDA	1				

FIG. 14 ELECTRICAL 4

EQUIPO ELECTRICO 4



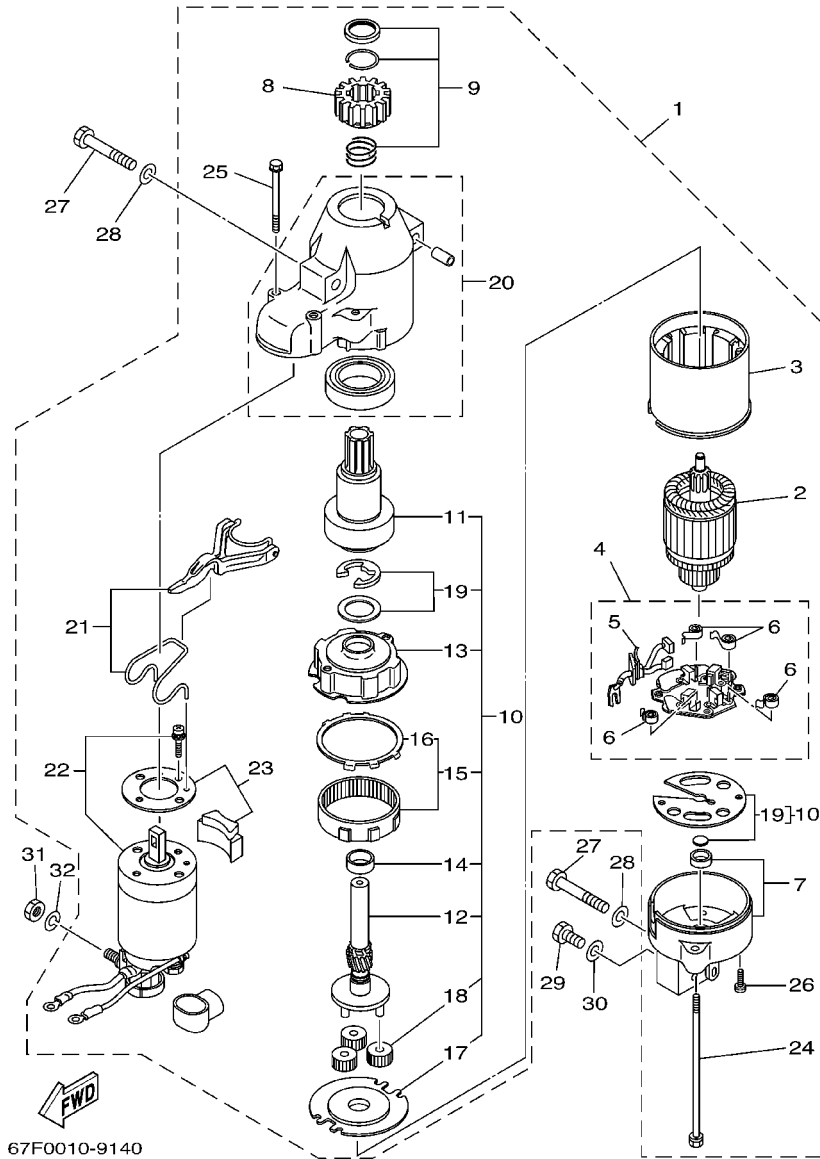
REF. NO.	PART NO. CODIGO NO.	DESCRIPTION DESCRIPTION	60C3				REMARKS OBSERVACION
1	6Y5-83504-20	HOUR METER ASSY MEDIDOR DE HORAS COMPLETO	1				
2	90167-05009	SCREW, TAPPING TORNILLO DE ROSCA HEMBRA	2				
3	60C-82586-00	EXTENSION, WIRE HARNESS EXTENSION, CONJ. DE CABLES	1				
4	90480-01008	GROMMET TAPON	1				
5	60C-8431R-00	STAY, SETTING SOPORTE	1				
6	90465-11M10	CLAMP BRIDA	2				



60C1200-1140

FIG. 15 STARTING MOTOR

MOTOR DE ARRANQUE

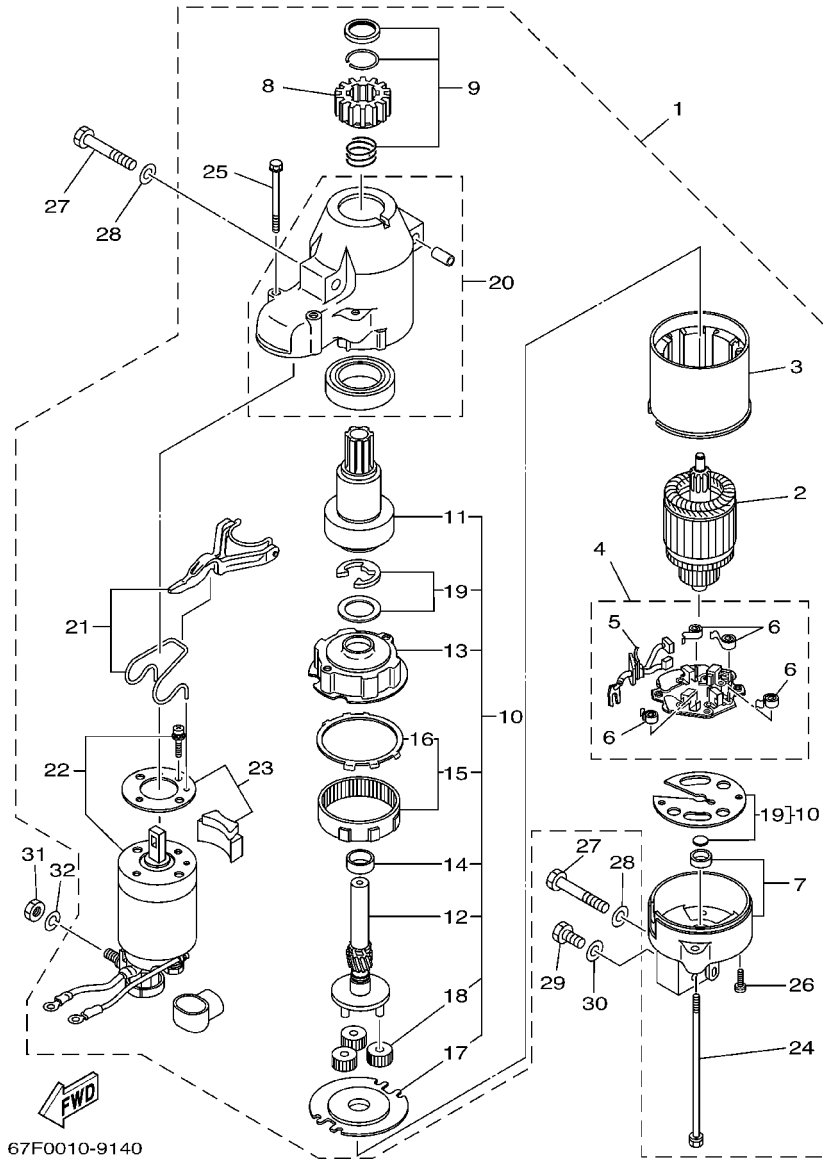


67F0010-9140

REF. NO.	PART NO. CODIGO NO.	DESCRIPTION DESCRIPTION	60C3				REMARKS OBSERVACION
1	67F-81800-02	STARTING MOTOR ASSY MOTOR DE ARRANQUE COMPLETO	1				
2	67F-81850-00	.ARMATURE ASSY .INDUCIDO COMPLETO	1				
3	67F-81810-00	.STATOR ASSY .ESTATOR COMPLETO	1				
4	67F-81840-00	.BRUSH HOLDER ASSY .SOSTEN DE ESCOBILLA COMPLETO	1				
5	67F-81801-00	..BRUSH SET ..JUEGO DE ESCOBILLA	1				
6	67F-81813-00	..SPRING, BRUSH ..RESORTE DE ESCOBILLA	4				
7	67F-81820-00	.REAR BRACKET ASSY .CUBIERTA TRASERA COMPL	1				
8	67F-81808-00	.PINION ASSY .PINON	1				
9	67F-81857-00	.PINION STOPPER SET .JUEGO TAPON PINON	1				
10	67F-81807-00	.GEAR ASSY, STARTING MOTOR .PINON CONJUNTO	1				
11	67F-81832-00	..CLUTCH, OVER RUN ..PINON COMPL	1				
12	67F-81836-00	..SHAFT, PINION ..ARBOL, PINON	1				
13	67F-81821-00	..BRACKET, CENTER 1 ..SOPORTE, CENTRO 1	1				
14	67F-81841-00	..BEARING ..PORTADOR	1				
15	67F-81891-00	..GEAR, RING ..ENGRANAJE ANILLO	1				
16	67F-8183R-00	...GASKET ...EMPAQUETADURA	1				
17	67F-81830-00	..BRACKET, CENTER 2 ..SOPORTE, CENTRO 2	1				
18	67F-8183T-00	..GEAR, IDLER ..ENGRENAJE NEUTRO	3				
19	67F-81809-00	..WASHER KIT ..JUEGO DE ARANDELA	1				
20	67F-81842-00	.COVER .TAPA	1				
21	67F-81839-00	.LEVER ASSY .PALANCA COMPL.	1				
22	67F-81941-01	.STARTER RELAY ASSY .RELE DE ARRANQUE	1				
23	67F-81869-00	.COVER, DUST .CUBIERTA PARA POLVO	1				
24	6K7-81826-10	.BOLT .PERNO	2				
25	67F-81828-00	.BOLT 2 .ARANDELA DE EMPUJE 2	2				
26	67F-81846-00	.SCREW .TORNILLO	2				
27	97013-08045	BOLT PERNO	3				

FIG. 15 STARTING MOTOR

MOTOR DE ARRANQUE

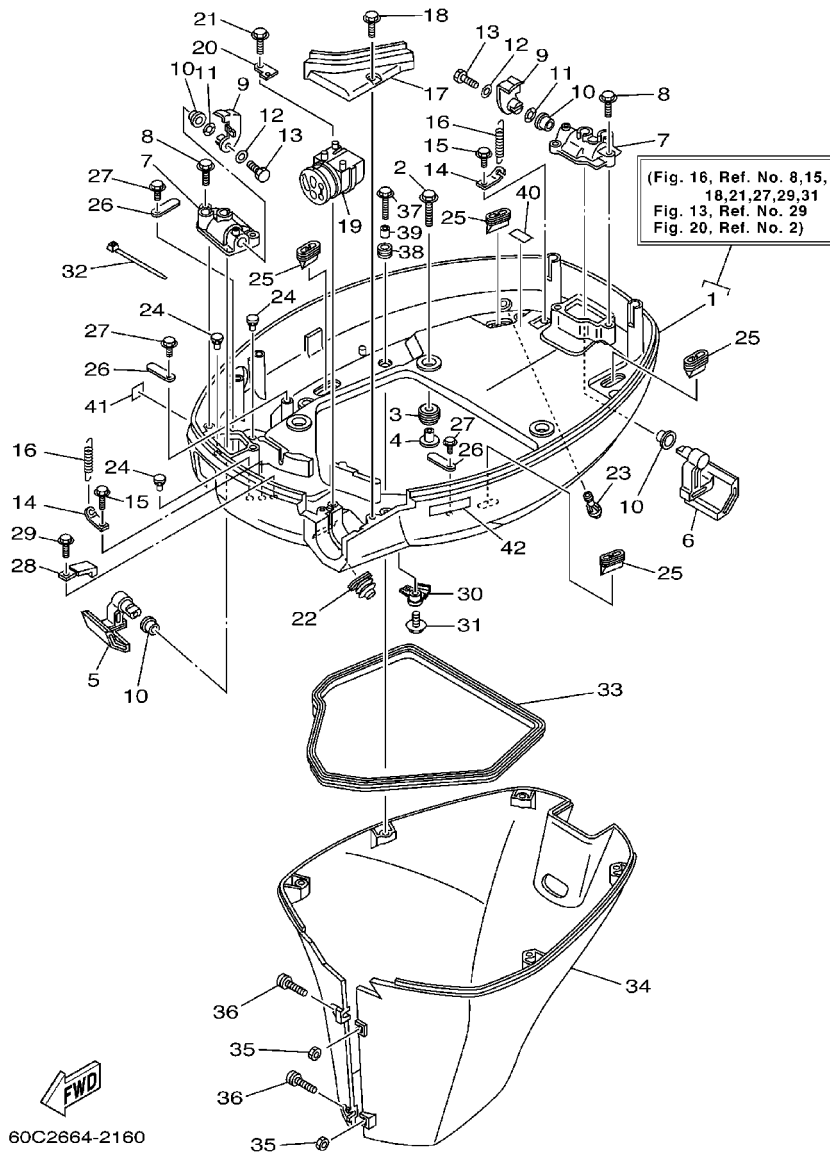


67F0010-9140

REF. NO.	PART NO. CODIGO NO.	DESCRIPTION DESCRIPTION	60C3				REMARKS OBSERVACION
28	92903-08600	WASHER, PLATE ARANDELA PLANA	3				
29	97013-08016	BOLT PERNO	1				
30	92903-08600	WASHER, PLATE ARANDELA PLANA	1				
31	95333-08600	NUT TUERCA	1				
32	92903-08100	WASHER, SPRING RONDANA SENCILLA	1				

FIG. 16 BOTTOM COWLING

CUBIERTA INFERIOR

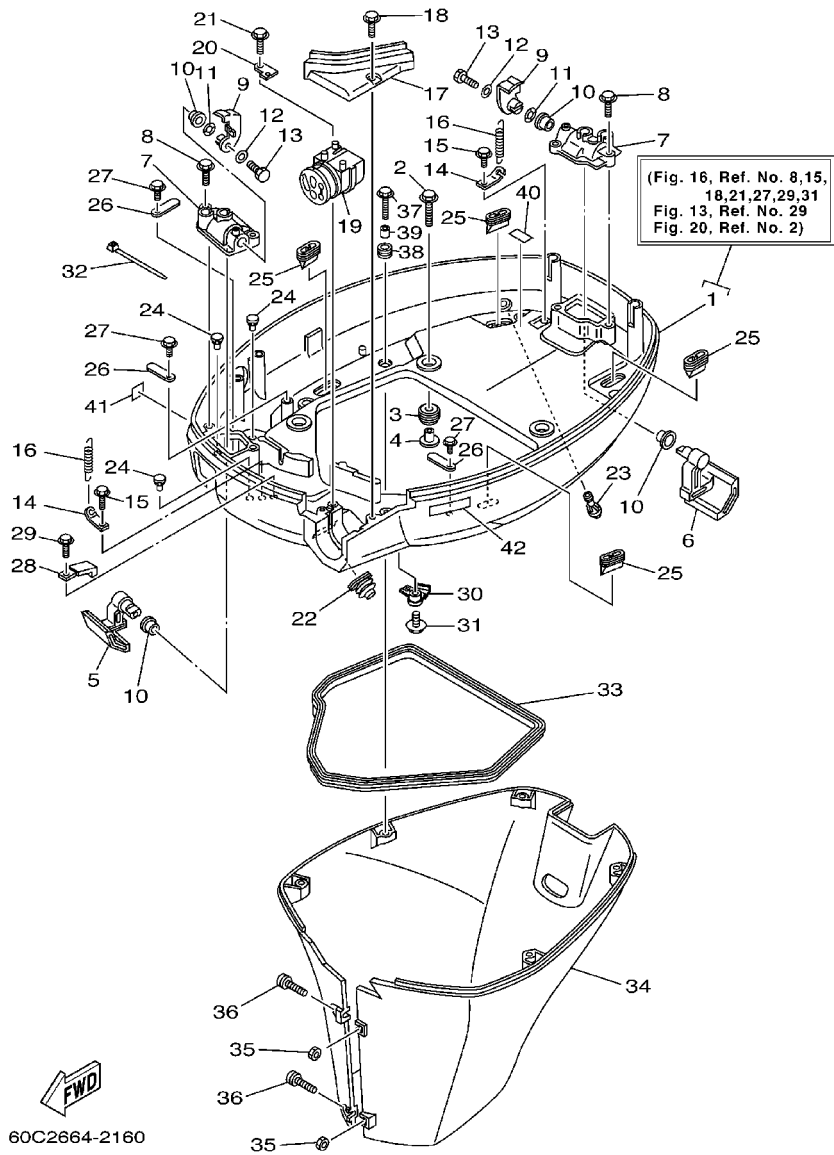


60C2664-2160

REF. NO.	PART NO. CODIGO NO.	DESCRIPTION DESCRIPTION	60C3				REMARKS OBSERVACION
1	67F-42710-01-4D	BOTTOM COWLING ASSY CUBIERTA INFERIOR COMPL.	1				
2	90119-08M22	BOLT, WITH WASHER TORNILLO CON ARANDELA	4				
3	90480-22M15	GROMMET TAPON	4				
4	90387-08M37	COLLAR COLLAR	4				
5	67F-42815-00-4D	LEVER, CLAMP PALANCA ABRAZADERA	1				
6	67F-42816-00-4D	LEVER, CLAMP PALANCA ABRAZADERA	1				
7	67F-42828-00-5B	PLATE, CLAMP PLACA, GRAMPA	2				
8	90109-06M82	BOLT PERNO	4				
9	67F-42818-00	LEVER, CLAMP PALANCA, ABRAZADERA	2				
10	90386-15M73	BUSH BUJE	4				
11	90206-15M18	WASHER, WAVE ARANDELA ONDULADA	2				
12	90201-06068	WASHER, PLATE ARANDELA PLANA	2				
13	97095-06016	BOLT PERNO	2				
14	64D-43144-00	HOOK, SPRING GANCHO	2				
15	90109-06M86	BOLT PERNO	2				
16	90506-16M34	SPRING, TENSION RESORTE DE TENSION	2				
17	67F-42738-00-5B	PLATE, FITTING PLACA DE AJUSTE	1				
18	90109-06M96	BOLT PERNO	2				
19	68V-42725-10	GROMMET TAPON	1				
20	67F-42756-00	STAY, CLAMP SOPORTE DE GRAMPA	1				
21	90109-06M86	BOLT PERNO	1				
22	688-42726-10	GROMMET TAPON	1				
23	6H3-44391-01	NIPPLE, HOSE NIPLE MANGUERA	1				
24	6H4-42748-00	GROMMET TAPON	3				
25	67F-42717-00	RUBBER, SEAL 2 GOMA	4				
26	6E5-82588-00	PLATE PLACA	3				
27	90109-06M81	BOLT PERNO	3				

FIG. 16 BOTTOM COWLING

CUBIERTA INFERIOR



60C2664-2160

REF. NO.	PART NO. CODIGO NO.	DESCRIPTION DESCRIPTION	60C3				REMARKS OBSERVACION
28	90465-08M23	CLAMP BRIDA	1				
29	90109-06M86	BOLT PERNO	1				
30	67F-24367-00	CLAMP, FUEL PIPE 2 GRAMPA DE TUBO DE COMBUST.2	1				
31	90109-06M82	BOLT PERNO	1				
32	90465-13M18	CLAMP BRIDA	1				
33	61A-42716-00	RUBBER, SEAL 1 SELLO DE GOMA 1	1				
34	67F-42741-00-4D	APRON MANDIL	1				
35	95380-06600	NUT, HEXAGON TUERCA	2				
36	90159-06M28	SCREW, WITH WASHER TORNILLO CON VALONA	2				
37	90109-06M80	BOLT PERNO	5				
38	90480-13M24	GROMMET TAPON	5				
39	90387-06M43	COLLAR COLLAR	5				
40	67F-82377-00	LABEL ETIQUETA	1				
41	6A1-28176-00	LABEL, CAUTION ETIQUETA DE PRECAUCION	1				
42	6E3-8257H-00	PLATE, MARK PLACA DE MARCA	1				

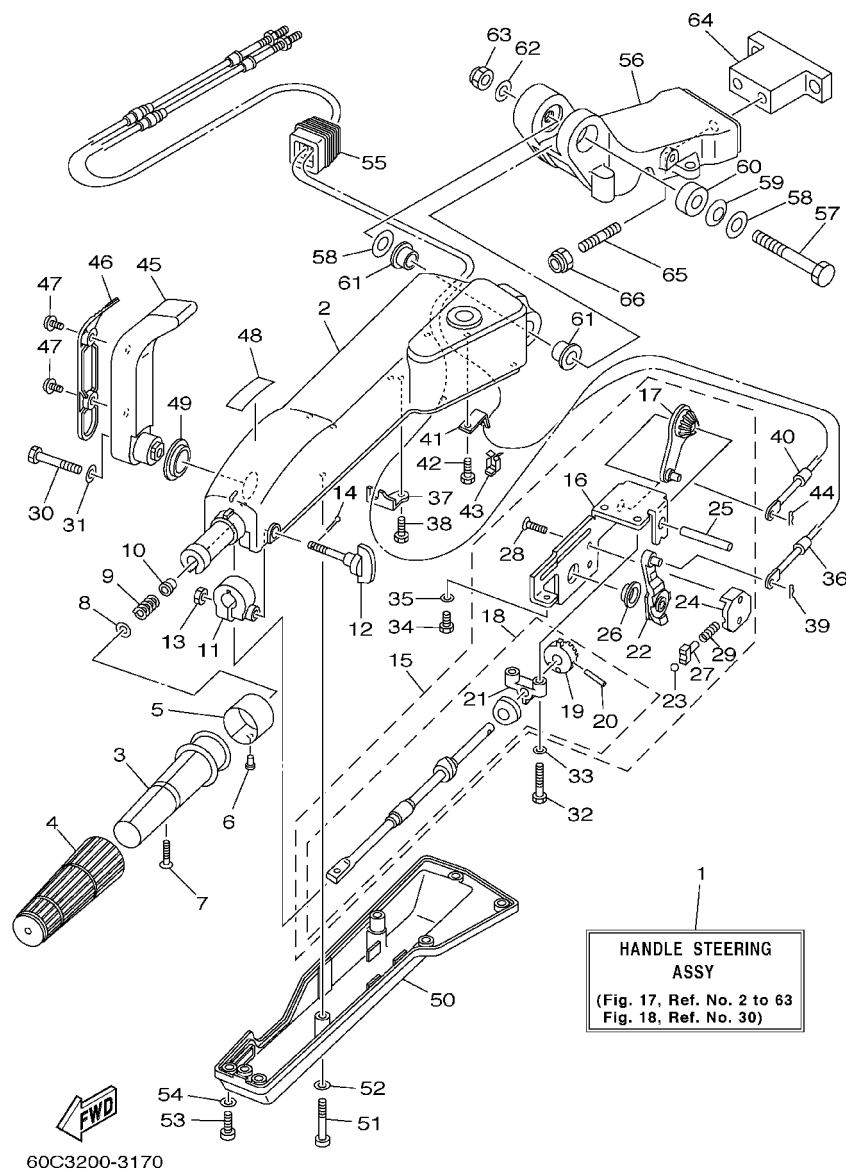


FIG. 17 STEERING 1

DIRECCION 1

REF. NO.	PART NO. CODIGO NO.	DESCRIPTION DESCRIPTION	60C3				REMARKS OBSERVACION
1	67G-W0084-02-4D	HANDLE STEERING ASSY CONJUNTO DE MANIJA	1				AP
2	67G-42111-00-4D	HANDLE, STEERING MANIJA DE DIRECCION	1				
3	664-42119-00	GRIP, STEERING HANDLE MANGO, MANIJA DE DIRRECCION	1				
4	6G1-42177-00	RUBBER, HANDLE HULE DE MANIJA	1				
5	6H2-42137-00	INDICATOR, THROTTLE INDICADOR ACELERADOR	1				
6	90269-02M09	RIVET REMACHE	1				
7	90149-05M13	SCREW TORNILLO DE REGLAJE	1				
8	92903-10600	WASHER, PLATE RONDANA SENCILLA	1				
9	90501-23215	SPRING, COMPRESSION RESORTE DE COMPRESION	1				
10	90386-08032	BUSH BUJE	1				
11	63D-42126-00	FRICITION, STEERING HANDLE GRIP FRICCION DE MANGO DIRECCION	1				
12	63D-48154-00	KNOB, THROTTLE PERILLA DE ACELERADOR	1				
13	95380-06600	NUT, HEXAGON TUERCA	1				
14	91490-20010	PIN, COTTER CHAVETA	1				
15	67G-44100-00	SHIFT LINK ASSY ESLABON DE SLECTOR COMLETO	1				
16	67G-44104-00	.PLATE COMP. .PLACA COMPLET	1				
17	67G-48261-00	.ARM, THROTTLE .BRAZO ACELERADOR	1				
18	67G-42115-00	.SHAFT, STEERING HANDLE .EJE MANIJA DE DIRECCION	1				
19	650-42152-00-94	..GEAR ..ENGRANE	1				
20	91690-30025	..PIN, SPRING ..PASADOR DE RESORTE	1				
21	67G-42159-00	..STAY ..SOPORTE	1				
22	67G-44113-00	.CAM PLATE, HANDLE .PLACA DE LA LEVA DEL MANGO	1				
23	63D-48236-00	.ROLLER, DETENT ..RODILLO	1				
24	63D-48119-00	.COVER .CUBIERTA	1				
25	67G-42153-00	.SHAFT, THROTTLE CONTROL ..EJE CONTROL DEL ACELERADOR	1				
26	67G-44132-00	.BUSHING ..BUJE	1				
27	63D-48237-00	.ADAPTOR ..ADAPTADOR	1				

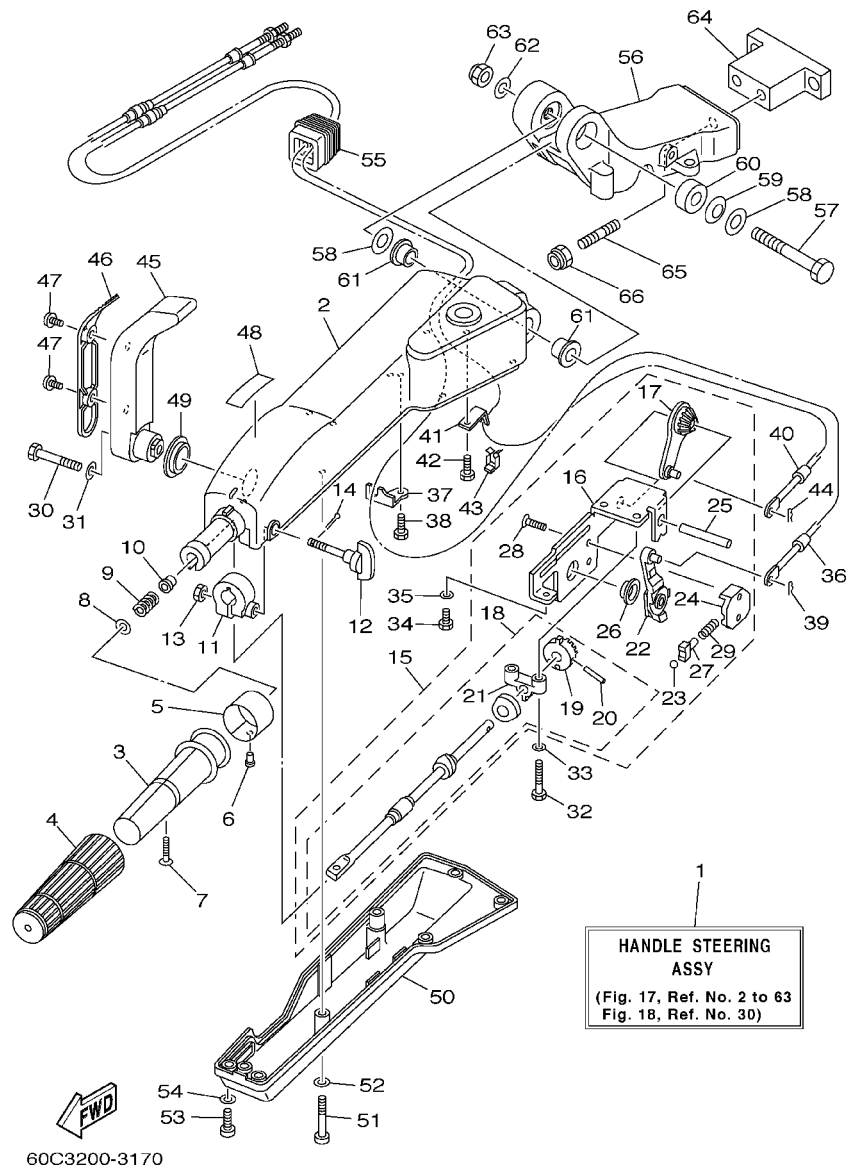
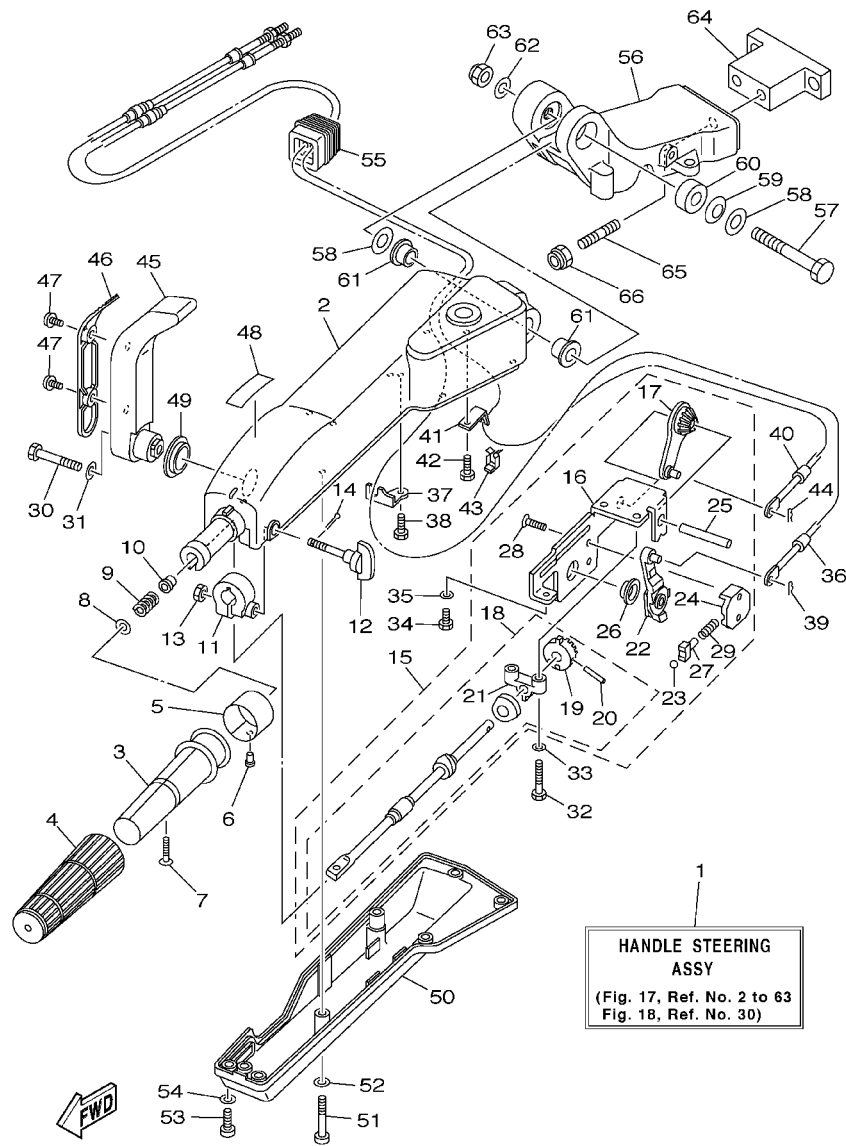


FIG. 17 STEERING 1

DIRECCION 1

REF. NO.	PART NO. CODIGO NO.	DESCRIPTION DESCRIPTION	60C3				REMARKS OBSERVACION
28	98785-05014	.SCREW, FLAT HEAD .TORNILLO DE CABEZA PLANA	2				
29	63D-48238-00	.SPRING, DETENT .RESORTE	1				
30	97095-08040	BOLT PERNO	1				
31	92995-08600	WASHER ARANDELA	1				
32	97095-06030	BOLT PERNO	2				
33	92995-06600	WASHER ARANDELA	2				
34	97095-06014	BOLT PERNO	1				
35	92995-06600	WASHER ARANDELA	1				
36	67G-48321-10	CABLE CABLE CONTROL REMOTO	1				
37	67G-48531-00	BRACKET, REMOTE CONTROL 1 SOPORTE DE CONTROL REMOTO	1				
38	97095-06014	BOLT PERNO	1				
39	90468-10005	CLIP PRESILLA	1				
40	67G-26301-10	THROTTLE CABLE ASSY CABLE DE ACELERADOR COMPLETO	1				
41	66R-48538-00	CLAMP, CABLE 1 GRAMPA DE CABLE	1				
42	97095-06014	BOLT PERNO	1				
43	63D-48538-00	CLAMP, CABLE 1 GRAMPA DE CABLE	1				
44	90468-10005	CLIP PRESILLA	1				
45	67G-44159-00-4D	HANDLE, GEAR SHIFT MANIJA DE CAMBIO DE MARCHAS	1				
46	67G-44173-00	LEVER, SHIFT CONTROL PALANCA CONTROL CAMBIOS	1				
47	90159-06M18	SCREW, WITH WASHER TORNILLO CON VALONA	2				
48	6G8-44191-00	INDICATOR, SHIFT INDICADOR DE CAMBIOS	1				
49	90386-26MA3	BUSH BUJE	1				
50	67G-42131-00	COVER, HANDLE STEERING CUBIERTA MANIJA DIRRECCION	1				
51	97885-06040	SCREW, PAN HEAD TORNILLO A MUESCA	2				
52	92995-06600	WASHER ARANDELA	2				
53	97885-06016	SCREW, PAN HEAD TORNILLO A MUESCA	5				
54	92995-06600	WASHER ARANDELA	5				



60C3200-3170

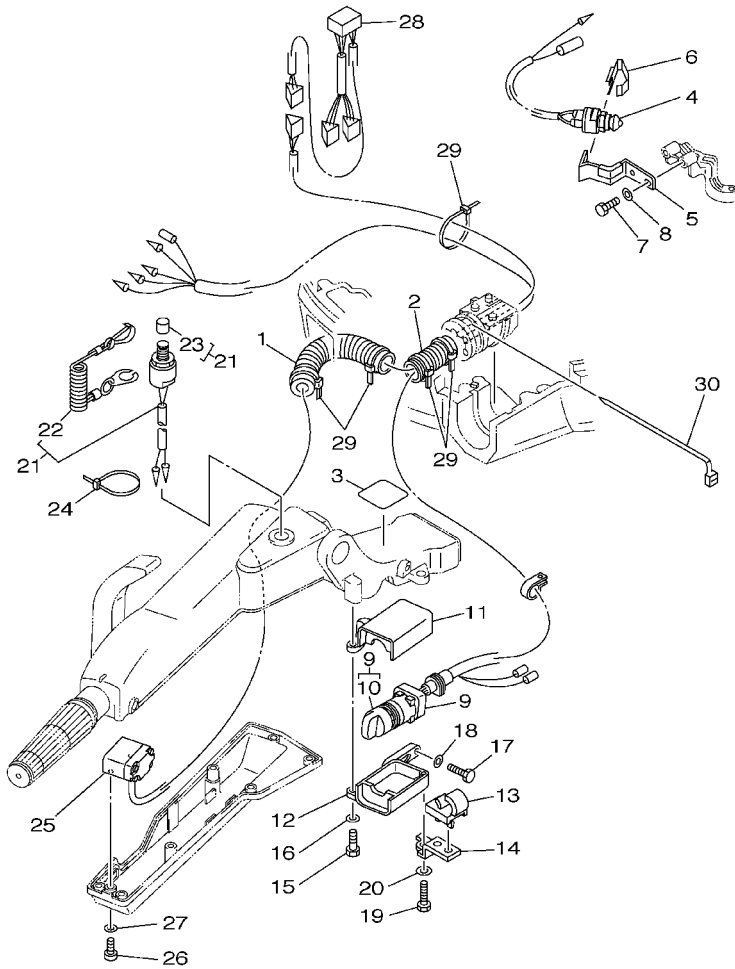
FIG. 17 STEERING 1

DIRECCION 1

REF. NO.	PART NO. CODIGO NO.	DESCRIPTION DESCRIPTION	60C3				REMARKS OBSERVACION
55	63D-42725-00	GROMMET TAPON	1				
56	63D-42121-30-4D	BRACKET SOPORTE	1				
57	90101-12M09	BOLT TORNILLO	1				
58	92990-12200	WASHER, PLAIN ARANDELA PLANA	2				
59	90206-12M22	WASHER, WAVE ARANDELA ONDULADA	1				
60	90387-12M02	COLLAR COLLAR	1				
61	90386-12M93	BUSH BUJE	2				
62	92990-12600	WASHER, PLATE ARANDELA PLANA	1				
63	90185-12M12	NUT, SELF-LOCKING TUERCA AUTOBLOCANTE	1				
64	68V-42121-00-4D	BRACKET SOPORTE	1				AP
65	90116-10175	BOLT, STUD ESPARRAGO	2				AP
66	90185-10051	NUT, SELF-LOCKING TUERCA AUTOBLOCANTE	2				AP

FIG. 18 STEERING 2

DIRECCION 2



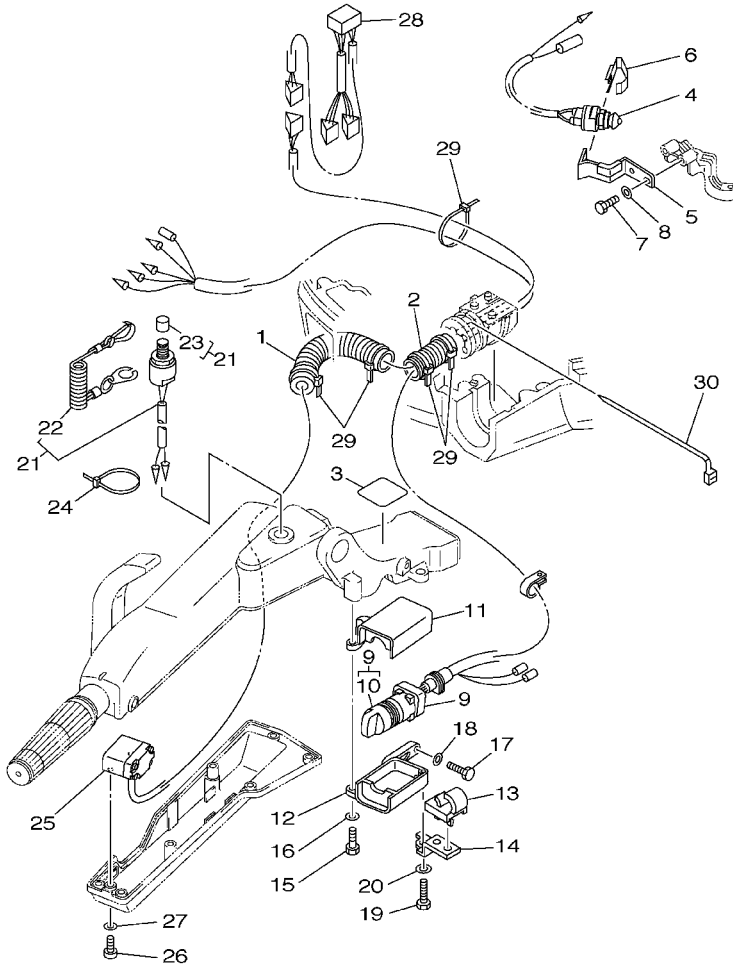
REF. NO.	PART NO. CODIGO NO.	DESCRIPTION DESCRIPTION	60C3			REMARKS OBSERVACION
1	90446-24M79	HOSE TUBO RESEIRADERO	1			AP
2	6G5-83557-00	TUBE ENCHUFE DE ACEITE	1			AP
3	67G-42735-00	PROTECTOR SEGURO RONDANA	1			AP
4	688-82540-11	NEUTRAL SWITCH ASSY INTERRUPTOR NEUTRAL COMPL	1			AP
5	67G-82554-01	STAY, NEUTRAL SWITCH SOPORTE INTERRUPTOR DE NEUTRAL	1			AP
6	62Y-82555-00	DAMPER, MAIN SWITCH 1 AMORT.DE INTER.PPAL.1	1			AP
7	97095-06014	BOLT PERNO	2			AP
8	92995-06600	WASHER ARANDELA	2			AP
9	67G-82510-50	MAIN SWITCH ASSY CONJUNTO DE LLAVE IGNICION	1			AP
10	676-82577-00	.CAP, KEY .TAPA	1			
11	63D-8252E-01-4D	COVER, MAIN SWITCH CUBIELA INTERRUPTOR PRINC.2	1			AP
12	63D-8252F-01-4D	COVER, MAIN SWITCH CUBIELA INTERRUPTOR PRINC.2	1			AP
13	63D-24367-00	CLAMP, FUEL PIPE 2 GRAMPA DE TUBO DE COMBUST.2	1			AP
14	63D-24364-00	STAY SOPORTE	1			AP
15	97095-06025	BOLT PERNO	1			AP
16	92995-06600	WASHER ARANDELA	1			AP
17	97095-06020	BOLT PERNO	1			AP
18	92995-06600	WASHER ARANDELA	1			AP
19	97095-06030	BOLT PERNO	1			AP
20	92995-06600	WASHER ARANDELA	1			AP
21	69W-82575-00	ENGINE STOP SWITCH ASSY INTERRUPTOR DE PARADA COMPL	1			AP
22	682-82556-00	.STOPPER .RETENER	1			
23	689-8257Y-00	.CAP .CASQUILLO	1			
24	90465-13M11	CLAMP BRIDA	1			AP
25	67G-82563-00	TRIM & TILT SWITCH ASSY INTERRUPTOR DE INCLINACION	1			AP
26	97885-06016	SCREW, PAN HEAD TORNILLO A MUESCA	2			AP
27	92995-06600	WASHER ARANDELA	2			AP



60C3200-3180

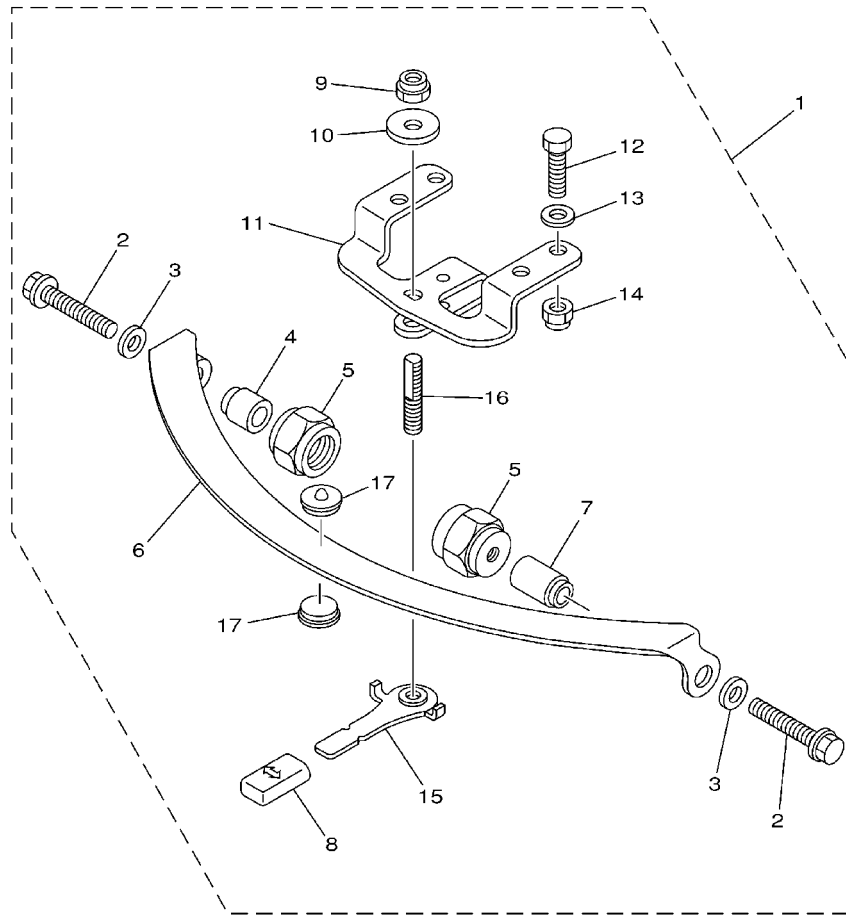
FIG. 18 STEERING 2

DIRECCION 2



60C3200-3180

REF. NO.	PART NO. CODIGO NO.	DESCRIPTION DESCRIPTION	60C3				REMARKS OBSERVACION
28	63D-83728-00	CONNECTOR ASSY CONEXION COMPLET	1				AP
29	90465-13M24	CLAMP BRIDA	5				AP
30	90465-13M30	CLAMP BRIDA	1				AP

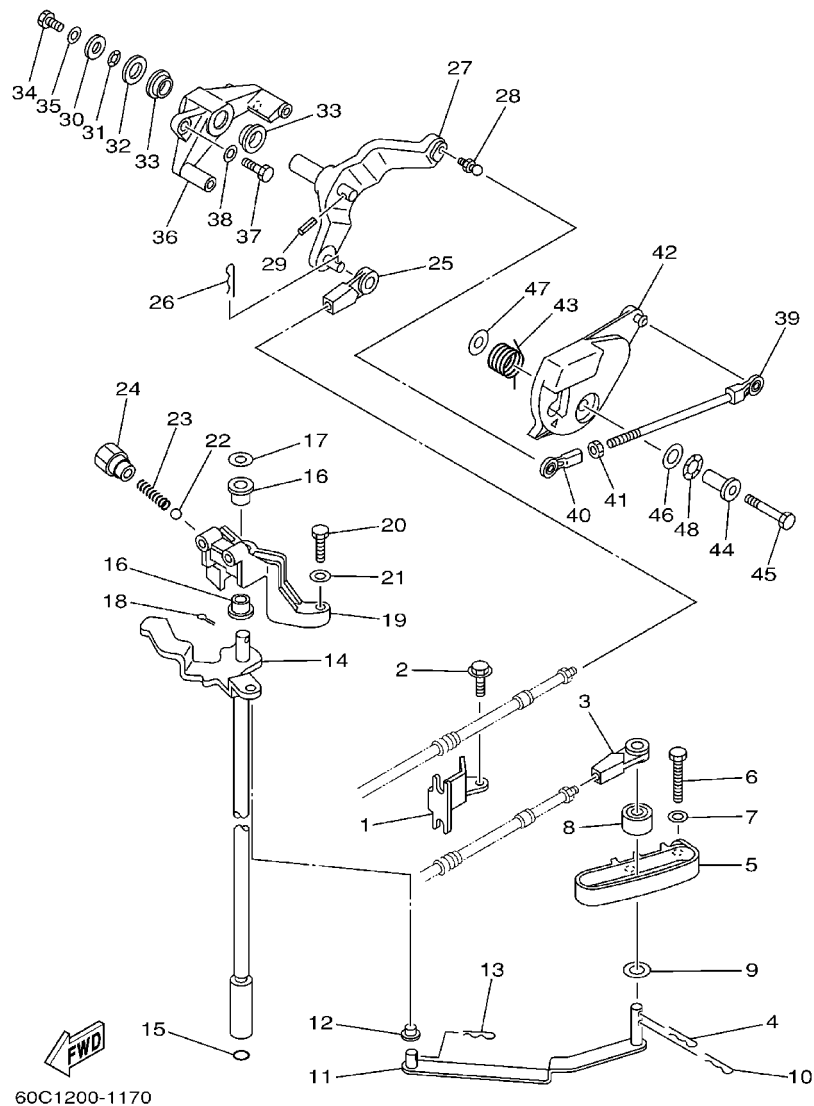


67F1100-2200

FIG. 19 STEERING FRICTION

FRICCION DE DIRECCION

REF. NO.	PART NO. CODIGO NO.	DESCRIPTION DESCRIPTION	80C3				REMARKS OBSERVACION
1	67G-42508-00	STEERING FRICTION ASSY DIRECCION FRICCION COMP.	1				AP
2	90119-08M74	.BOLT, WITH WASHER .TORNILLO CON ARANDELA	2				
3	90201-08M01	.WASHER, PLATE .ARANDELA PLANA	2				
4	67G-42541-00	.DAMPER .HULE	1				
5	67G-42546-00	.NUT .TUERCA	2				
6	63D-42527-00	.PLATE, FRICTION .PLACA DE FRICCION	1				
7	67G-42541-10	.DAMPER .HULE	1				
8	682-43318-01	.COVER .CUBIERTA	1				
9	90185-10M14	.NUT, SELF-LOCKING .TUERCA AUTOBLOCANTE	1				
10	90201-10M76	.WASHER, PLATE .ARANDELA PLANA	1				
11	67G-42526-00	.PLATE, FRICTION .PLACA DE FRICCION	1				
12	97095-08025	.BOLT .PERNO	2				
13	92995-08600	.WASHER .ARANDELA	2				
14	90185-08057	.NUT, SELF-LOCKING .TUERCA AUTOBLOCANTE	2				
15	67G-42561-00	.KNOB, STEERING LOCK .PERILLA	1				
16	67G-42562-00	.SHAFT, STEERING LOCK .EJE, CERRADURA DE DIRECCION	1				
17	63D-42528-00	.PLATE, FRICTION .PIEZA DE FRICCION	2				

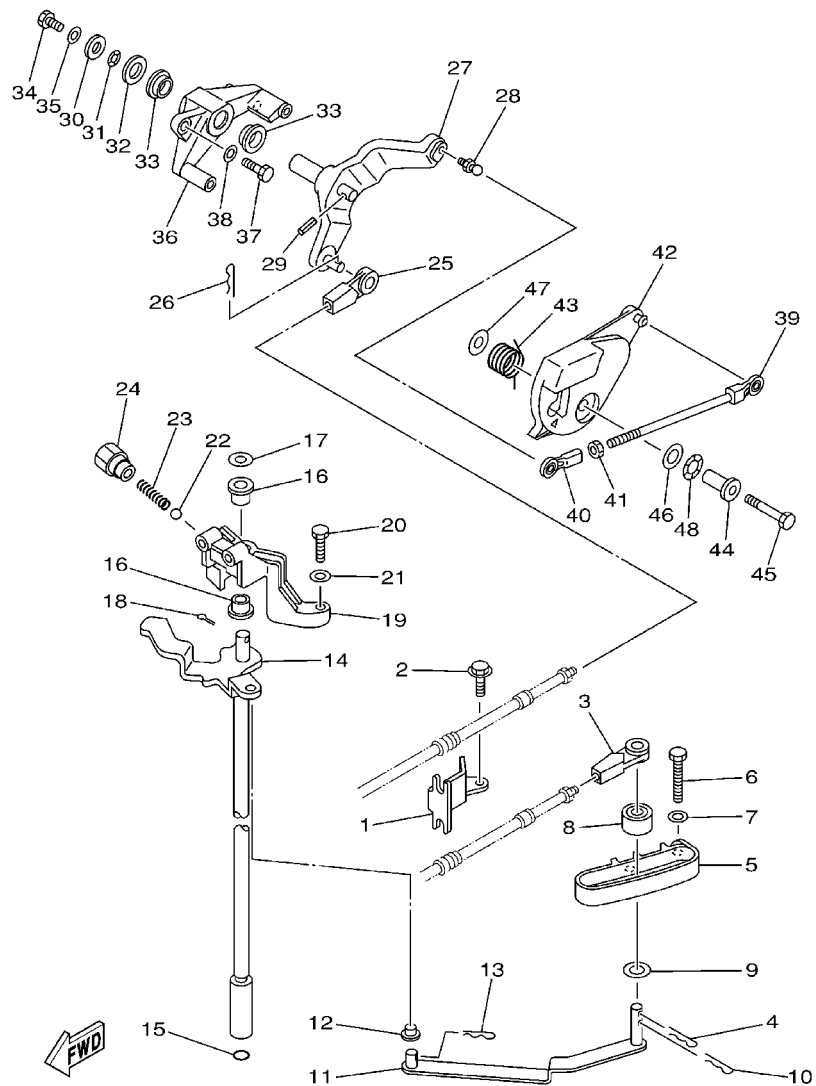


60C1200-1170

FIG. 20 CONTROL

CONTROL

REF. NO.	PART NO. CODIGO NO.	DESCRIPTION DESCRIPTION	60C3				REMARKS OBSERVACION
1	67F-48538-00	CLAMP, CABLE 1 GRAMPA DE CABLE	1				
2	90109-06M86	BOLT PERNO	1				
3	663-48344-00	CABLE END, REMOTE CONTROL BASE CONTROL	1				
4	90468-18008	CLIP PRESILLA	1				
5	67F-44117-00	BRACKET SOPORTE	1				
6	97095-06040	BOLT PERNO	2				
7	92995-06600	WASHER ARANDELA	2				
8	688-44122-00	BUSHING, SHIFT ROD LEVER BUJE PALANCA VARILLA DE CAMBIO	1				
9	90202-07M07	WASHER, PLATE ARANDELA DE PLANA	1				
10	90468-18008	CLIP PRESILLA	1				
11	67F-44121-00	LEVER, SHIFT ROD PALANCA VARILLA CAMBIOS	1				
12	90386-06M12	BUSH BUJE	1				
13	90468-18008	CLIP PRESILLA	1				
14	60C-44120-10	HANDLE GEAR SHIFT ASSY MANIJA DE CAMBIO COMPL	1				L
	60C-44120-30	HANDLE GEAR SHIFT ASSY MANIJA DE CAMBIO COMPL	1				X
15	93210-09165	O-RING JUNTA TORICA	1				
16	90386-90M90	BUSH BUJE	2				
17	90201-09M02	WASHER, PLATE ARANDELA PLANA	1				
18	91490-20015	PIN, COTTER CHAVETA	1				
19	68V-44118-00	BRACKET SOPORTE	1				
20	97075-06025	BOLT PERNO	2				
21	92995-06600	WASHER ARANDELA	2				
22	93501-04M02	BALL ESFERA	1				
23	90501-12082	SPRING, COMPRESSION RESORTE DE COMPRESION	1				
24	648-42715-00	BUSHING BUJE	1				
25	663-48344-00	CABLE END, REMOTE CONTROL BASE CONTROL	1				
26	90468-18008	CLIP PRESILLA	1				



60C1200-1170

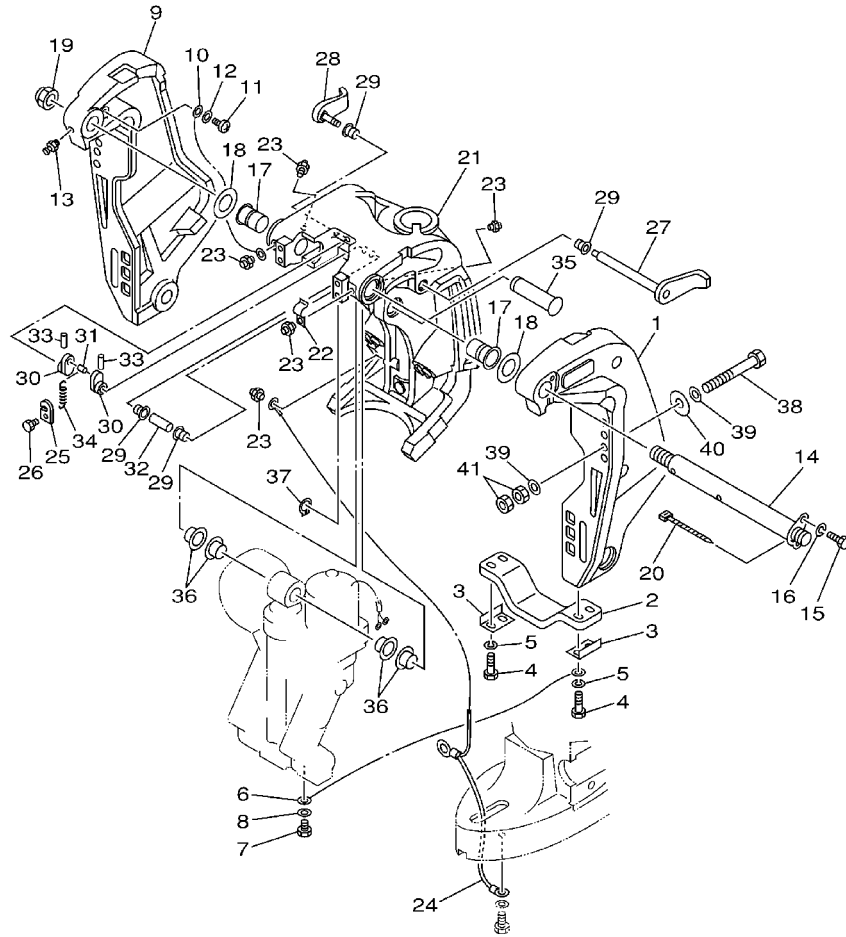
FIG. 20 CONTROL

CONTROL

REF. NO.	PART NO. CODIGO NO.	DESCRIPTION DESCRIPTION	60C3				REMARKS OBSERVACION
27	67F-42154-00-94	LEVER, THROTTLE CONTROL PALANCA CONTROL ACELERADOR	1				
28	663-85518-00	JOINT, BALL CONECTOR	1				
29	91690-30018	PIN, SPRING PASADOR DE RESORTE	1				
30	90201-06068	WASHER, PLATE ARANDELA PLANA	1				
31	90206-12M00	WASHER, WAVE ARANDELA ONDULADA	1				
32	92990-12600	WASHER, PLATE ARANDELA PLANA	1				
33	90386-12069	BUSH BUJE	2				
34	97095-06012	BOLT PERNO	1				
35	92995-06600	WASHER ARANDELA	1				
36	67F-41661-00-94	BRACKET SOPORTE	1				
37	97095-06025	BOLT PERNO	2				
38	92995-06600	WASHER ARANDELA	2				
39	67F-41237-00	JOINT, LINK CONECTOR	1				
40	682-41237-00	JOINT, LINK CONECTOR	1				
41	95380-05600	NUT TUERCA	1				
42	67F-41213-01	CAM, ACCEL. LEVA ACELERADOR	1				
43	67F-44135-00	SPRING RESORTE	1				
44	90387-06M82	COLLAR COLLAR	1				
45	97095-06035	BOLT PERNO	1				
46	90201-10M02	WASHER, PLATE ARANDELA PLANA	1				
47	90201-06M31	WASHER, PLATE ARANDELA PLANA	1				
48	90206-10M04	WASHER, WAVE ARANDELA ONDULADA	1				

FIG. 21 BRACKET 1

SOPORTE 1

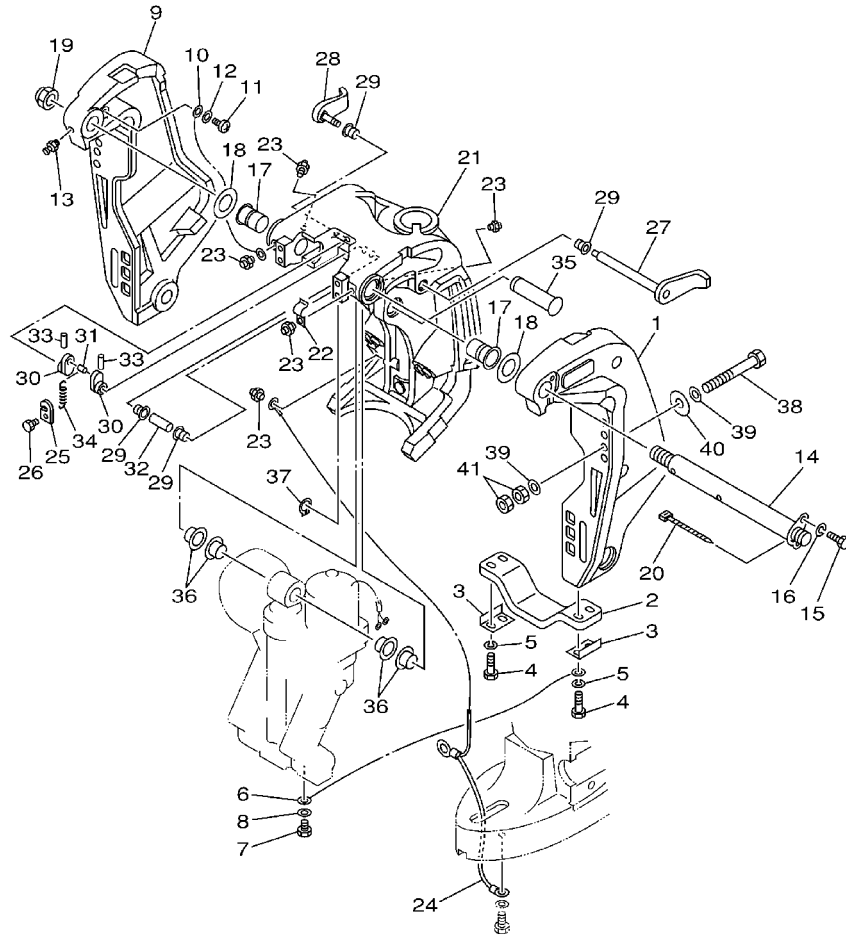


60C1200-1180

REF. NO.	PART NO. CODIGO NO.	DESCRIPTION DESCRIPTION	60C3				REMARKS OBSERVACION
1	68V-43111-01-8D	BRACKET, CLAMP SOPORTE DE LA ABRAZADERA	1				
2	6G5-45251-02	ANODE CATODE	1				
3	6G5-44526-00	PLATE PLACA 1	2				
4	97095-06030	BOLT PERNO	4				
5	92995-06100	WASHER, SPRING ARANDELA	4				
6	6E5-82148-00	WIRE, LEAD 4 CABLE CONDUCTOR 4	1				
7	97095-06010	BOLT PERNO	1				
8	92995-06600	WASHER ARANDELA	1				
9	68V-43112-01-8D	BRACKET, CLAMP SOPORTE DE LA ABRAZADERA	1				
10	6E5-82148-00	WIRE, LEAD 4 CABLE CONDUCTOR 4	1				
11	97880-06012	SCREW, PAN HEAD TORNILLO DE CABEZA CON PLANA	1				
12	92990-06600	WASHER, PLATE ARANDELA PLANA	1				
13	93700-06M03	NIPPLE, GREASE BOQUILLA DE ENGRASAR	1				
14	64E-43131-01	BOLT, CLAMP BRACKET TORNILLO DE ABRAZADERA DEL SOP	1				
15	97095-08020	BOLT PERNO	1				
16	92995-08100	WASHER ARANDELA	1				
17	90386-25M31	BUSH BUJE	2				
18	90201-26M59	WASHER, PLATE ARANDELA PLANA	2				
19	90185-22M11	NUT, SELF-LOCKING TUERCA AUTOBLOCANTE	1				
20	90465-11M10	CLAMP BRIDA	1				
21	64E-43311-10-4D	BRACKET, SWIVEL 1 SOPORTE GIRATORIO 1	1				L
	64E-43311-20-4D	BRACKET, SWIVEL 1 SOPORTE GIRATORIO 1	1				X
22	90465-08M63	CLAMP BRIDA	1				
23	93700-06M03	NIPPLE, GREASE BOQUILLA DE ENGRASAR	5				
24	66K-82149-00	WIRE, LEAD 3 CABLE CONDUCTOR 3	1				L
	68V-82149-30	WIRE, LEAD 3 CABLE CONDUCTOR 3	1				X
25	66T-43144-00	HOOK, SPRING GANCHO	1				

FIG. 21 BRACKET 1

SOPORTE 1



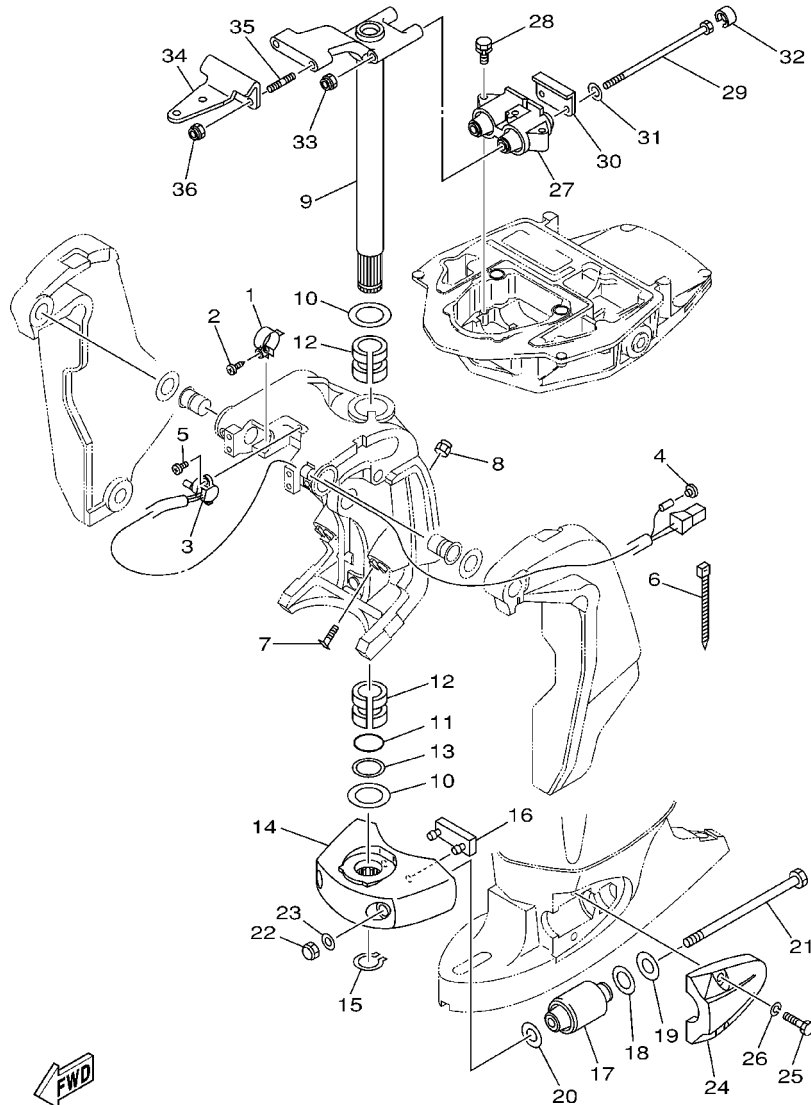
REF. NO.	PART NO. CODIGO NO.	DESCRIPTION DESCRIPTION	60C3				REMARKS OBSERVACION
26	97095-06010	BOLT PERNO	1				
27	6G5-43181-02	LEVER, TILT STOP PALANCA TOPE INCLINACION	1				
28	6G5-43185-02	LEVER, TILT STOP PALANCA TOPE INCLINACION	1				
29	90386-10M16	BUSH BUJE	4				
30	6G5-43148-00	COLLAR, DISTANCE COLLAR	2				
31	90249-06M19	PIN PASADOR	1				
32	90387-10M05	COLLAR COLLAR	1				
33	91690-30020	PIN, SPRING PASADOR DE RESORTE	2				
34	90506-14M24	SPRING, TENSION RESORTE DE TENSION	1				
35	64E-43126-00	PIN, UPPER SHOCK MOUNT PASADOR DE AMORTIGUADOR SUPERIOR	1				
36	90386-22M98	BUSH BUJE	4				
37	93410-22M11	CIRCLIP SEGURO	1				
38	90101-12M05	BOLT (L:130MM) TORNILLO (L:130MM)	4				
39	90201-13M01	WASHER, PLATE ARANDELA PLANA	8				
40	90201-12M05	WASHER, PLATE ARANDELA PLANA	4				
41	95380-12600	NUT TUERCA	8				



60C1200-1180

FIG. 22 BRACKET 2

SOPORTE 2

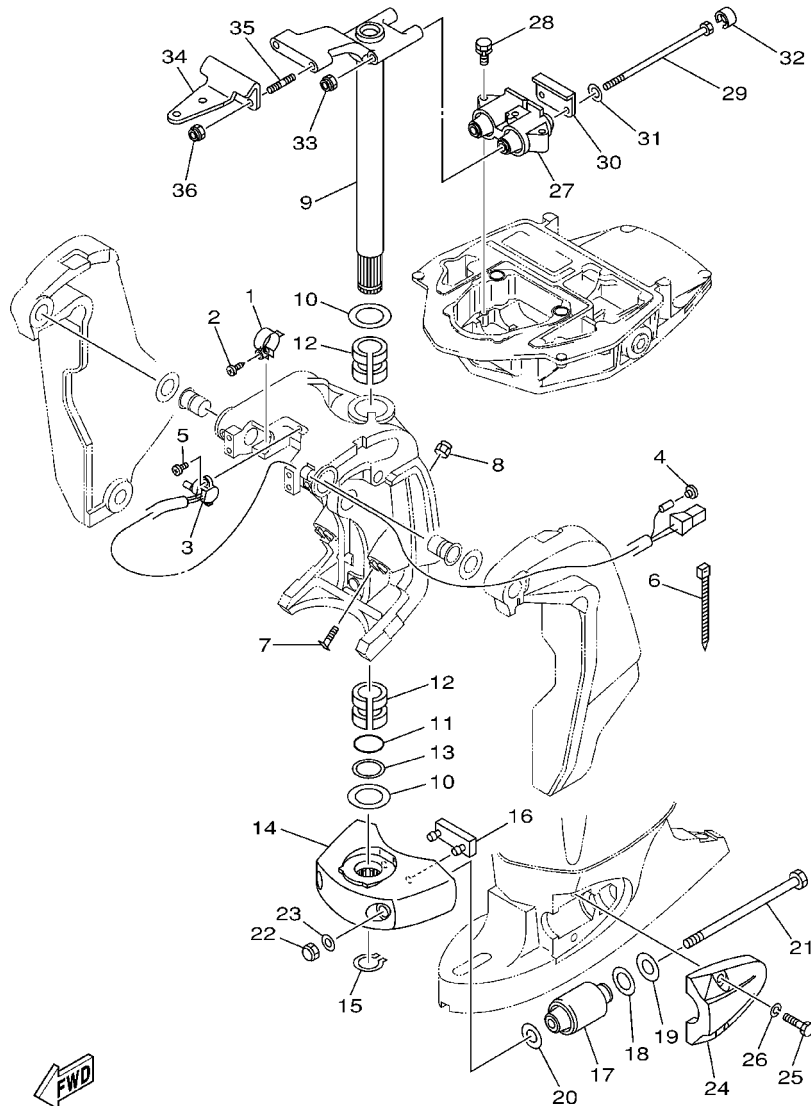


68V0010-0220

REF. NO.	PART NO. CODIGO NO.	DESCRIPTION DESCRIPTION	60C3				REMARKS OBSERVACION
1	64E-43139-02	CAM, TRIM SENDER LEVA TRANSMISOR DE INCLINDOR	1				
2	97780-60525	SCREW, TAPPING TORNILLO DE CABEZA DE CONO ACH	1				
3	64E-83672-02	TRIM SENDER TRANSMISOR DE INCLINADOR	1				
4	703-82119-00	COVER, LEAD WIRE CUBIERTA DE CABLE CONDUCTOR	1				
5	97885-06016	SCREW, PAN HEAD TORNILLO A MUESCA	2				
6	90465-11M10	CLAMP BRIDA	3				
7	61A-43376-00	BOLT, THRUST RECEIVER TORNILLO RECEPTOR	2				
8	95780-10300	NUT, FLANGE TUERCA	2				
9	68V-42510-10-8D	STEERING BRACKET ASSY SOPORTE DIRECCION COMPL.	1				L
	68V-42510-30-8D	STEERING BRACKET ASSY SOPORTE DIRECCION COMPL.	1				X
10	90201-38M60	WASHER, PLATE ARANDELA PLANA	2				
11	93210-37MH7	O-RING JUNTA TORICA	1				
12	90386-38M32	BUSH BUJE	2				
13	90202-40M47	WASHER, PLATE ARANDELA DE PLANA	1				
14	68V-44551-00-8D	HOUSING, LOWER MOUNT RUBBER CAJA AMORTIGUADOR INFERIOR HU	1				
15	93410-37M04	CIRCLIP SEGURO	1				
16	61A-44575-00	DAMPER, LOWER MOUNT RUBBER AMORTIGUADOR INFERIOR	1				
17	61A-44555-01-94	MOUNT DAMPER, LOWER SIDE AMORTIGUADOR DE HULE LADO INFE	2				
18	90202-32M19	WASHER, PLATE ARANDELA DE PLANA	2				
19	90201-16M55	WASHER, PLATE ARANDELA PLANA	2				
20	90201-15M58	WASHER, PLATE ARANDELA PLANA	2				
21	90109-14MA7	BOLT PERNO	2				
22	95380-14600	NUT TUERCA	2				
23	92995-14600	WASHER ARANDELA	2				
24	68V-44553-00-8D	COVER, LOWER MOUNT CUBIERTA, AMORTIGUADOR INFERIOR	2				
25	97075-10040	BOLT PERNO	4				
26	92995-10100	WASHER ARANDELA	4				

FIG. 22 BRACKET 2

SOPORTE 2

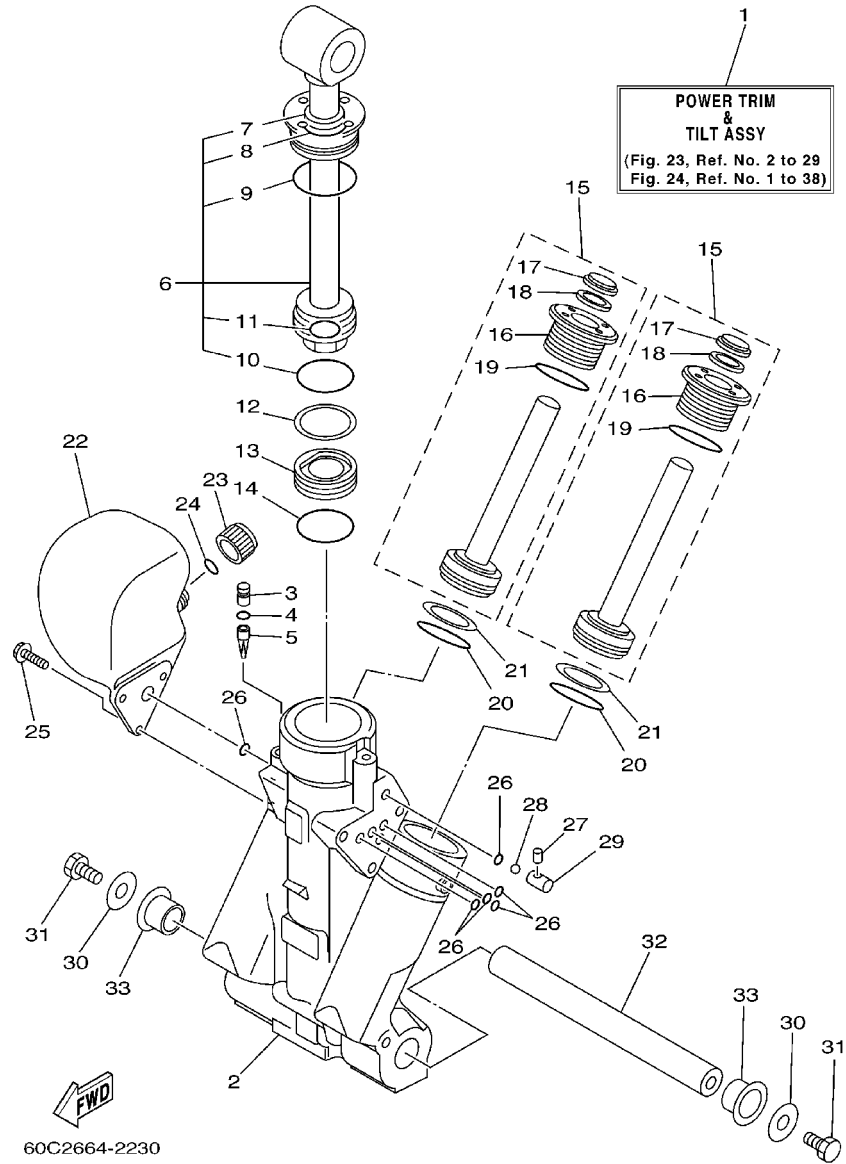


REF. NO.	PART NO. CODIGO NO.	DESCRIPTION DESCRIPTION	60C3	REMARKS OBSERVACION
27	67F-44514-00-94	MOUNT DAMPER, UPPER SIDE AMORTIGUADOR LADO SUPERIOR	1	
28	97575-08445	BOLT, WITH WASHER PERNO CON ARANDELA RONDELLE	3	
29	90109-12M37	BOLT PERNO	2	
30	67F-44526-00	PLATE PLACA 1	1	
31	90201-12M09	WASHER, PLATE ARANDELA PLANA	2	
32	67F-44533-00	DAMPER, UPPER MOUNT RUBBER AMORTIGUADOR SUPERIOR	2	
33	90185-12M12	NUT, SELF-LOCKING TUERCA AUTOBLOCANTE	2	
34	68V-48511-00-8D	HOOK, STEERING GANCHO DIRECCION	1	
35	90116-10175	BOLT, STUD ESPARRAGO	2	
36	90185-10051	NUT, SELF-LOCKING TUERCA AUTOBLOCANTE	2	



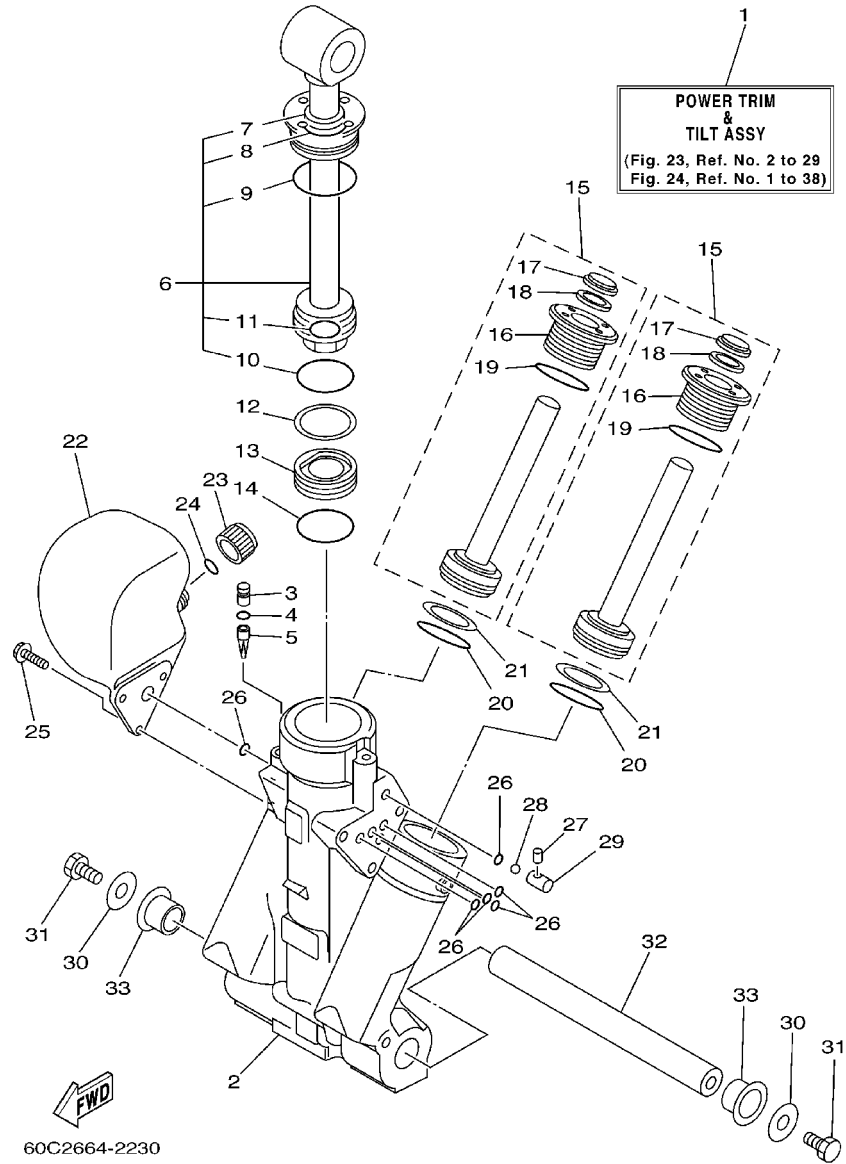
68V0010-0220

FIG. 23 POWER TRIM & TILT ASSY 1 COMPONER Y PODER VARILLA 1



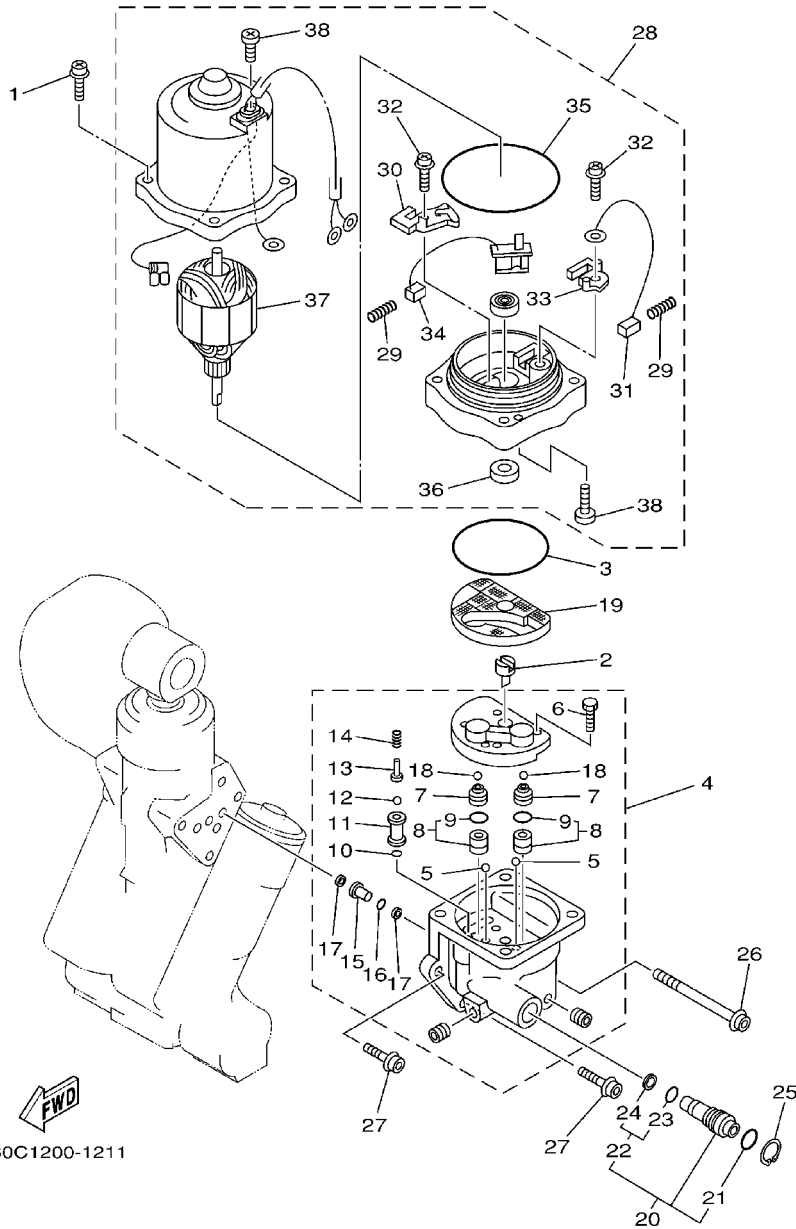
REF. NO.	PART NO. CODIGO NO.	DESCRIPTION DESCRIPTION	60C3				REMARKS OBSERVACION
1	68V-43800-01-4D	POWER TRIM & TILT ASSY ELEVADOR HIDRAULICO COMPL	1				
2	64E-43825-01	HOUSING, TRIM & TILT CAJA INCLINACION Y ADRNO	1				
3	64E-4388J-00	PLUG 2 TAPON 2	1				
4	93210-10M74	O-RING JUNTA TORICA	1				
5	64E-43817-00	FILTER 2 FILTRO 2	1				
6	64E-43810-00	TILT PISTON SUB ASSY ELEVADOR SUB-PISTON COMPL	1				
7	64E-43898-00	.SEAL ,DUST 2 .SELLO ANTIPOLVO	1				
8	64E-43867-00	.O-RING .ANILLO EN O 7	1				
9	64E-43866-00	.O-RING .ANILLO EN O 6	1				
10	6E5-43862-00	.O-RING .ANILLO EN O 2	1				
11	64E-43883-00	.O-RING .ANILLO EN O 10	1				
12	6E5-43872-00	RING, BACK UP ANILLO	1				
13	6E5-43814-02	PISTON, FREE PISTON LIBRE	1				
14	6E5-43862-00	O-RING ANILLO EN O 2	1				
15	64E-43820-00	TRIM PISTON SUB ASSY ELEVADOR PISTON COMPL	2				
16	64E-43821-00	.SCREW, TRIM CYLINDER END .TORNILLO CILINDURO EXTREMO	1				
17	64E-43822-00	.SEAL, TRIM DUST .SELLO DE POLVO	1				
18	64E-4384J-00	.SEAL, TRIM DOWN .SELLO	1				
19	6G5-43864-00	.O-RING .ANILLO EN O 4	1				
20	6E5-43864-00	O-RING ANILLO EN O 4	2				
21	6E5-43874-01	RING, BACK UP ANILLO	2				
22	64E-43828-00	BODY, RESERVOIR CUERPO DEPOSITO	1				
23	64E-43829-00	PLUG, RESERVOIR TAPON DEPOSITO	1				
24	64E-43897-00	O-RING ANILLO EN O	1				
25	64E-4388E-00	BOLT ,SCREW (L:14MM) PERNO (L:14MM)	3				
26	64E-43869-00	O-RING ANILLO EN O 9	6				
27	64E-4381G-00	PIN PASADOR 1	1				

FIG. 23 POWER TRIM & TILT ASSY 1 COMPONER Y PODER VARILLA 1



REF. NO.	PART NO. CODIGO NO.	DESCRIPTION DESCRIPTION	60C3				REMARKS OBSERVACION
28	6E5-43858-00	BALL ESFERA	1				
29	64E-4382G-00	VALVE, SEAT JUEGO ASIENTO VALVULA	1				
30	90201-08M14	WASHER, PLATE ARANDELA PLANA	2				
31	97080-08016	BOLT PERNO	2				
32	64E-43818-01	PIN, LOWER SHOCK MOUNT PASADOR AMORTIGUADOR INFERIOR	1				
33	90386-22M98	BUSH BUJE	2				

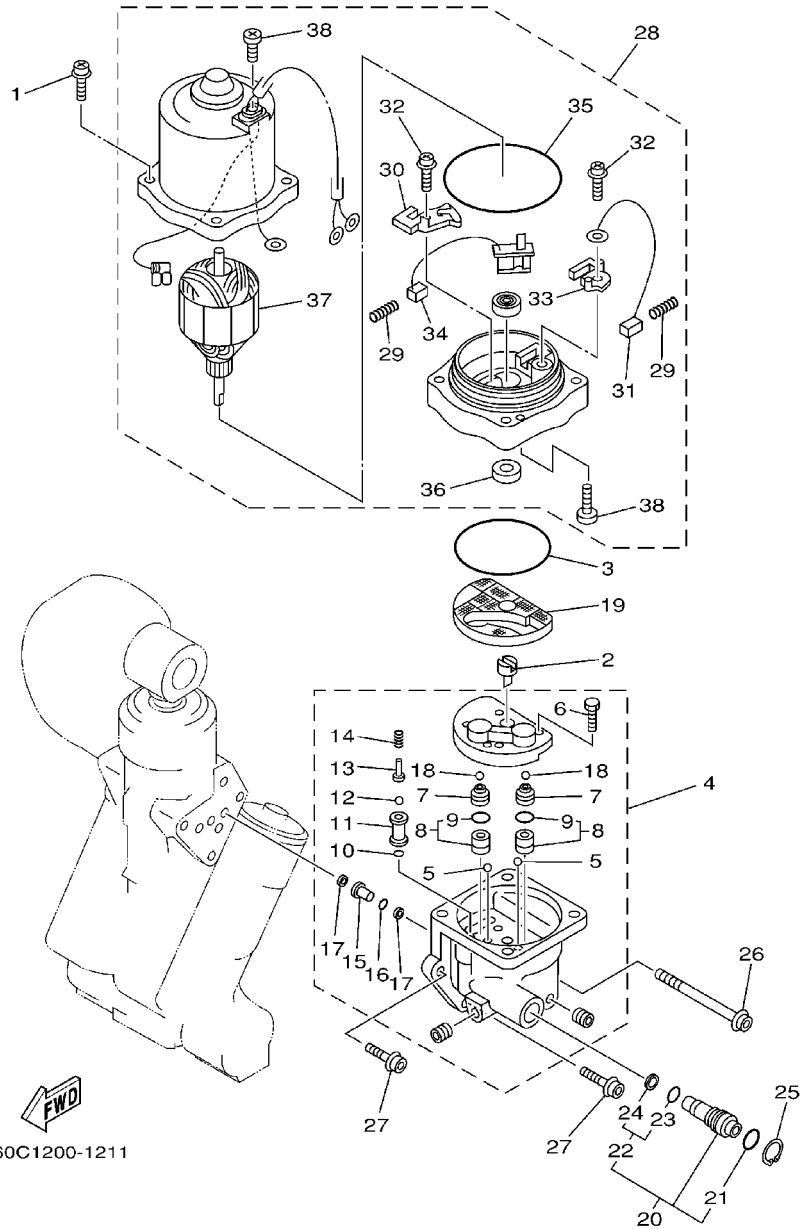
FIG. 24 POWER TRIM & TILT ASSY 2 COMPONER Y PODER VARILLA 2



60C1200-1211

REF. NO.	PART NO. CODIGO NO.	DESCRIPTION DESCRIPTION	60C3	REMARKS OBSERVACION
1	64E-4388E-10	BOLT ,SCREW (L:34.7MM) PERNO (L:34.7MM)	4	
2	64E-43831-00	CONNECTOR, SHAFT CONEXION EJE	1	
3	64E-43868-00	O-RING ANILLO EN O 8	1	
4	68V-43830-00	GEAR PUMP ASSY ENGRANAJE BOMBA COMPL.	1	
5	72X-43858-00	.BALL .ESFERA	2	
6	64E-43843-00	.SCREW, VALVE LOCK .TORNILLO	4	
7	64E-43841-00	.PISTON, SHUTTLE .PISTON	2	
8	64E-43802-00	.VALVE SUB ASSY .VALVULA PRINCIPAL COMPL.	2	
9	6E5-43896-00	..O-RING ..ANILLO EN O	1	
10	6G5-43863-00	.O-RING ANILLO EN O 3	1	
11	66Y-43851-00	.SEAT, RELIEF VALVE .ASIENTO VALVULA DE DESCARGA	1	
12	64E-43858-00	BALL .ESFERA	1	
13	64E-43859-00	.PIN, VALVE SUPPORT .PASADOR VALVULA SOPORTE	1	
14	68V-43855-00	.SPRING, UP RELIEF .RESORTE SEGURIDAD SUPERIOR	1	
15	64E-43850-00	.VALVE SUB ASSY .VALVULA COMPL.	1	
16	64E-43865-00	.O-RING ANILLO EN O 5	1	
17	64E-43816-00	.FILTER 1 .FIELTRO 1	2	
18	64E-43858-00	.BALL .ESFERA	2	
19	64E-43817-10	FILTER 2 FIELTRO 2	1	
20	64E-43860-00	MANUAL VALVE SUB-ASSY VALVULA SUB-COMPL.	1	
21	72X-85075-L0	.O-RING ANILLO EN O 5	1	
22	64E-43827-00	.RING SET .ESFERA	1	
23	64E-4387A-00	..O-RING ..ANILLO O	1	
24	64E-43873-00	..RING, BACK UP ..ANILLO	1	
25	64E-43875-00	RING, SNAP ANILLO	1	
26	64E-43879-10	SCREW, WITH WASHER TORNILLO CON RONDANA	1	
27	64E-43879-00	SCREW, WITH WASHER TORNILLO CON RONDANA	2	

FIG. 24 POWER TRIM & TILT ASSY 2 COMPONER Y PODER VARILLA 2

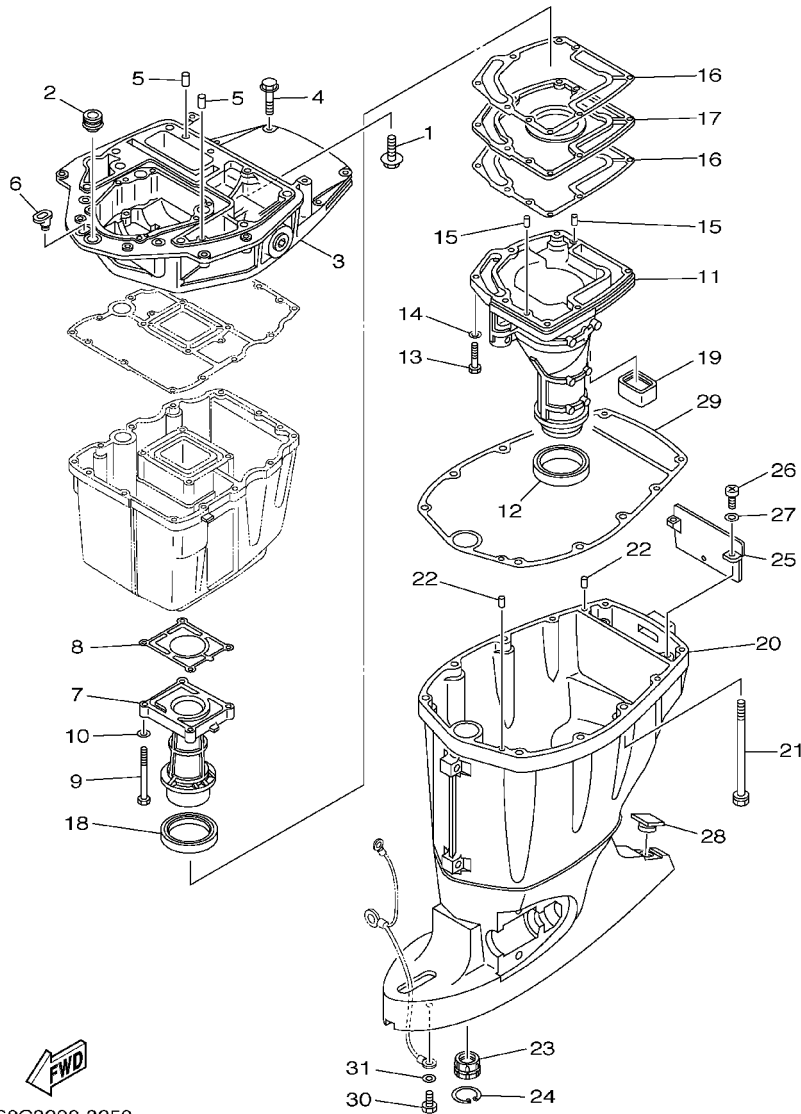


60C1200-1211

REF. NO.	PART NO. CODIGO NO.	DESCRIPTION DESCRIPTION	60C3				REMARKS OBSERVACION
28	68V-43880-01	MOTOR ASSY MOTOR COMPL.	1				
29	6H1-4386K-10	.SPRING, BRUSH .RESORTE, ESCOBILLA	2				
30	64E-4380J-00	.HOLDER, BRUSH .PORTAESCOBILLA	1				
31	64E-43891-00	.BRUSH 1 .ESCOBILLA 1	1				
32	97607-04310	.SCREW, WITH WASHER .TORNILLO CAB CON PLANA C/ARAN	2				
33	64E-4380F-00	.HOLDER, BRUSH 2 .PORTAESCOBILLA 2	1				
34	64E-43892-00	.BRUSH 2 .ESCOBILLA 2	1				
35	6G5-43865-00	.O-RING .ANILLO EN O 5	1				
36	93102-08M43	.OIL SEAL .RETEN DE ACEITE	1				
37	64E-43805-00	.ARMATURE ASSY .INDUCIDO COMPL.	1				
38	64E-43843-10	.SCREW, VALVE LOCK .TORNILLO	3				

FIG. 25 UPPER CASING

FUNDA SUPERIOR



60C3200-3250

REF. NO.	PART NO. CODIGO NO.	DESCRIPTION DESCRIPTION	60C3				REMARKS OBSERVACION
1	90119-08M58	BOLT, WITH WASHER TORNILLO CON ARANDELA	2				
2	67F-42724-00	GROMMET TAPON	1				
3	67F-41137-02-94	GUIDE, EXHAUST GUIA DE ESCAPE	1				
4	97575-08540	BOLT, WITH WASHER PERNO CON ARANDELA RONDELLE	4				
5	93608-16M16	PIN, DOWEL PASADOR DE CLAVIJA	2				
6	6G1-42727-00	GROMMET TAPON	1				
7	60C-41131-01-5B	MANIFOLD, EXT. 1 TUBO MULTIPLE DE ESCAPE	1				
8	67F-41133-A1	GASKET, EXHAUST MANIFOLD 1 EMPAQUE ESCAPE MULTIPLE	1				
9	97075-06070	BOLT PERNO	4				
10	92995-06600	WASHER ARANDELA	4				
11	60C-14711-10-5B	MUFFLER 1 SILENCIADOR 1	1				L
	60C-14711-30-5B	MUFFLER 1 SILENCIADOR 1	1				X
12	68V-45123-00	GASKET, MUFFLER EMPAQUE SILENCIADOR	1				
13	97075-06030	BOLT PERNO	7				
14	92995-06600	WASHER ARANDELA	7				
15	93606-19M23	PIN, DOWEL PASADOR DE CLAVIJA	2				
16	67F-41134-A0	GASKET, EXHAUST MANIFOLD EMPAQUE	2				
17	67F-45181-00-5B	PLATE PLACA	1				
18	67F-41138-00	SEAL, EXT. 1 SELLO, ESCAPE 1	1				
19	67F-45127-00	SEAL SELLO DE GOMA	1				
20	68V-45111-11-8D	CASING, UPPER CAJA SUPERIOR	1				L
	68V-45111-31-8D	CASING, UPPER CAJA SUPERIOR	1				X
21	90119-10M08	BOLT, WITH WASHER TORNILLO CON ARANDELA	6				
22	93608-16M16	PIN, DOWEL PASADOR DE CLAVIJA	2				
23	6E5-45318-00	BUSHING, DRIVE SHAFT BUJE, EJE DE MANDO	1				
24	93420-36M01	CIRCLIP BOLA	1				
25	67F-45151-00	COVER, UPPER CASING CUBIERTA FUNDA SUPERIOR	1				


 60C3200-3250

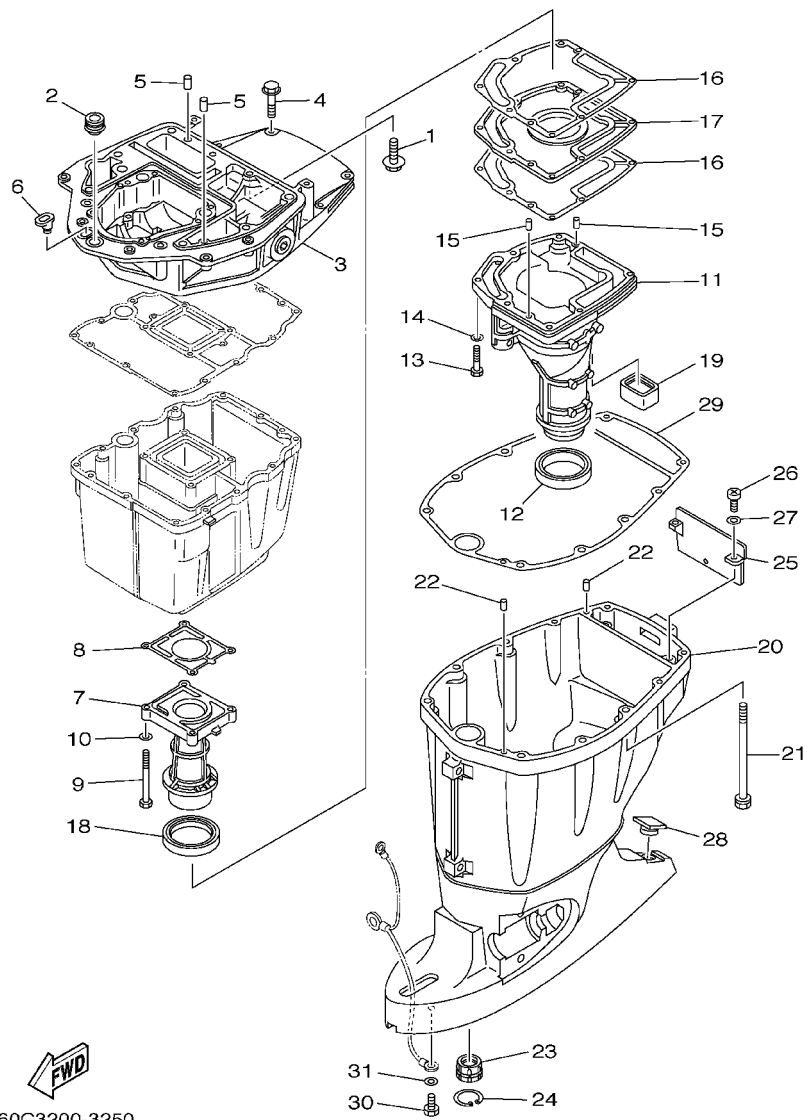


FIG. 25 UPPER CASING FUNDA SUPERIOR

REF. NO.	PART NO. CODIGO NO.	DESCRIPTION DESCRIPTION	60C3		REMARKS OBSERVACION
26	97880-06016	SCREW, PAN HEAD TORNILLO DE CABEZA CON PLANA	2		
27	92990-06600	WASHER, PLATE ARANDELA PLANA	2		
28	6H3-45155-00	CAP TAPA	1		
29	67F-45113-00	GASKET, UPPER CASING EMPAQUE	1		
30	97095-06010	BOLT PERNO	1		
31	92995-06600	WASHER ARANDELA	1		
<hr/>					
<hr/>					
<hr/>					
<hr/>					
<hr/>					
<hr/>					
<hr/>					
<hr/>					
<hr/>					

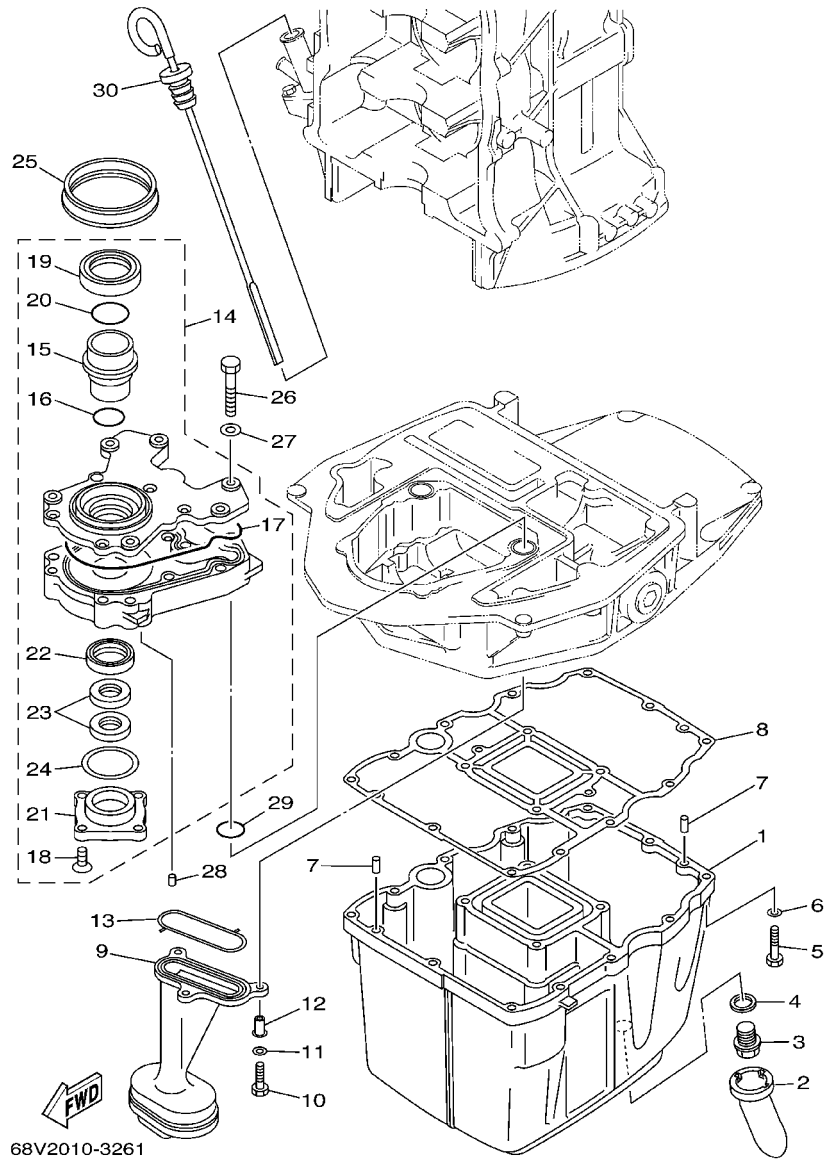


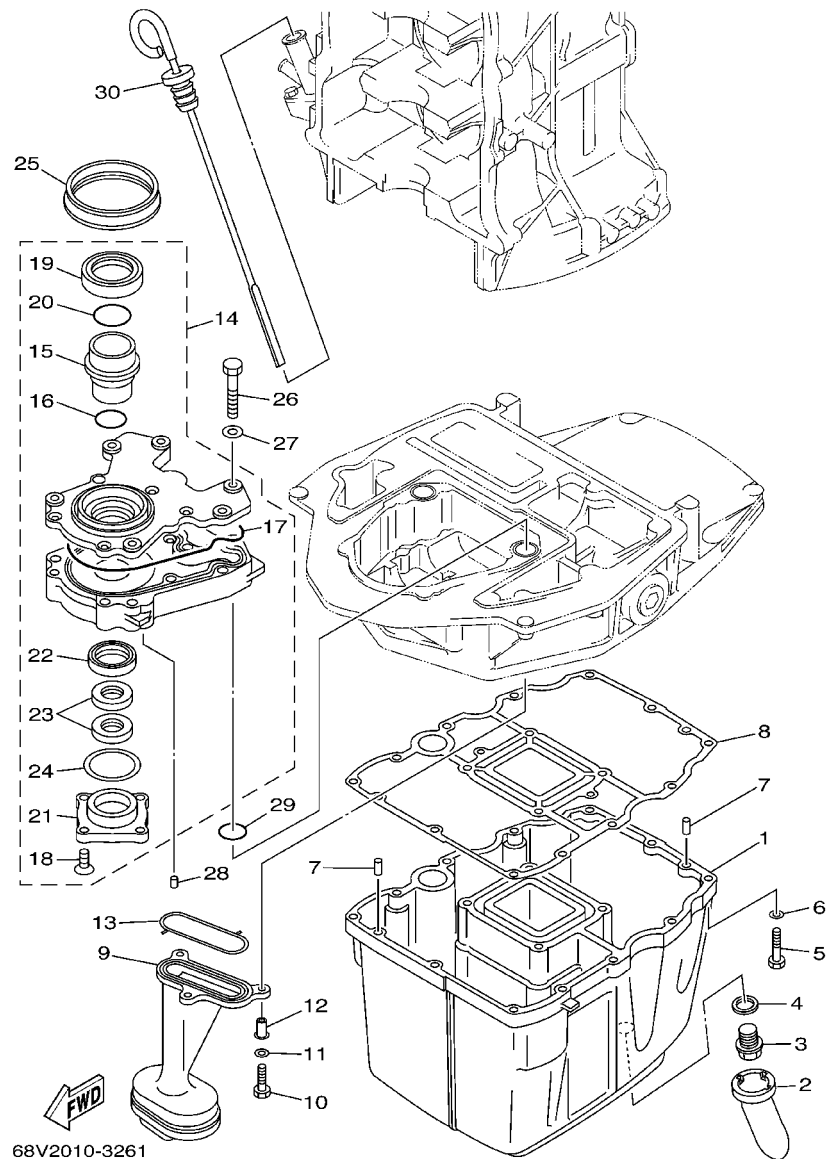
FIG. 26 OIL PAN

OIL PAN

REF. NO.	PART NO. CODIGO NO.	DESCRIPTION DESCRIPTION	60C3				REMARKS OBSERVACION
1	67F-15311-01-5B	OIL PAN BANDEJA DE ACEITE	1				
2	67F-15316-00	DAMPER 1 AMORT 1	1				
3	90340-14M06	PLUG, STRAIGHT SCREW TORNILLO, DE DRENAJE	1				
4	90430-14M09	GASKET JUNTA	1				
5	97075-06025	BOLT PERNO	12				
6	92995-06600	WASHER ARANDELA	12				
7	93606-12019	PIN, DOWEL PASADOR DE CLAVIJA	2				
8	68V-15312-00	GASKET, OIL PAN EMPAQ BANDEJA DE ACEITE	1				
9	67F-13411-00	STRAINER, OIL FILTRO DE ACEITE	1				
10	97027-06025	BOLT PERNO	3				
11	92907-06600	WASHER, PLATE ARANDELA	3				
12	90387-06M64	COLLAR COLLAR	3				
13	67F-13415-00	SEAL, OIL STRAINER SELLO COLADOR ACEITE	1				
14	67F-13300-10	OIL PUMP ASSY BOMBA DE ACEITE COMPLETA	1				
15	67F-13314-02	.SHAFT, PUMP .EJE DE BOMBA	1				
16	67F-13473-01	.O-RING .ANILLO O	1				
17	67F-13329-00	.GASKET, PUMP COVER .EMPAQUE TAPA DE BOMBA	1				
18	67F-13495-00	.SCREW .TORNILLO	1				
19	67F-13119-01	.OIL SEAL .SELLO ACEITE	1				
20	67F-13769-00	.O-RING .ANILLO O	1				
21	67F-13914-00	.HOUSING, PUMP .CAJA DE BOMBA	1				
22	67F-13631-03	.OIL SEAL .SELLO ACEITE	1				
23	67F-13149-00	.OIL SEAL .SELLO ACEITE	2				
24	67F-13339-00	.GASKET, PUMP COVER .EMPAQUETADURA, CUBIERTA BOMBA	1				
25	67F-13338-00	SEAL SELLO	1				
26	97095-06045	BOLT PERNO	6				
27	92995-06600	WASHER ARANDELA	6				

FIG. 26 OIL PAN

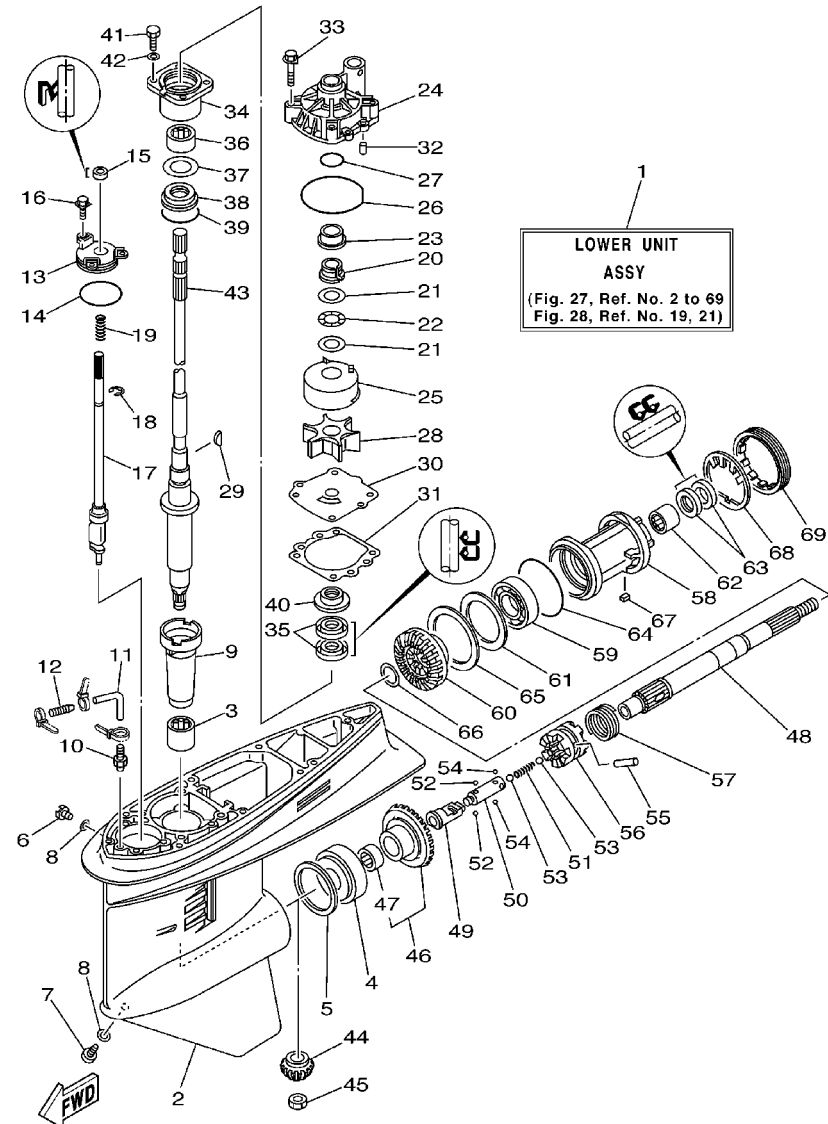
OIL PAN



REF. NO.	PART NO. CODIGO NO.	DESCRIPTION DESCRIPTION	60C3			REMARKS OBSERVACION
28	93604-12M07	PIN, DOWEL PASADOR DE CLAVIJA	2			
29	93210-19MJ1	O-RING JUNTA TORICA	2			
30	68V-15362-00	PLUG, OIL LEVEL TAPON DEL NIVEL DE ACEITE	1			

FIG. 27 LOWER CASING. DRIVE 1

IMPULSOR E INFERIOR 1

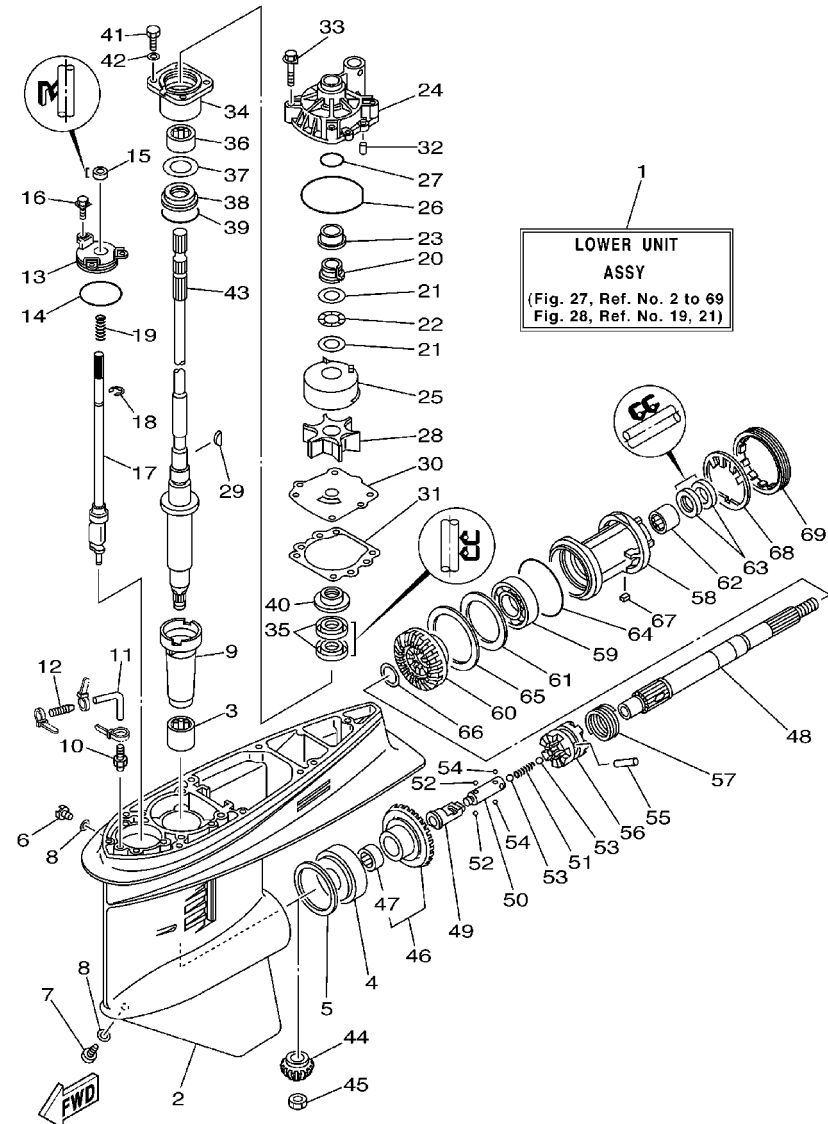


60C2664-2270

REF. NO.	PART NO. CODIGO NO.	DESCRIPTION DESCRIPTION	60C3				REMARKS OBSERVACION
1	60C-45300-11-4D	LOWER UNIT ASSY CONJUNTO UNIDAD INFERIOR	1				L
	60C-45300-31-4D	LOWER UNIT ASSY CONJUNTO UNIDAD INFERIOR	1				X
2	6E5-45301-05-8D	CASING, LOWER FUNDA INFERIOR COMPLETA	1				
3	93315-628U9	BEARING COJINETE DE RODILLOS	1				
4	93332-000U7	BEARING COJINETE DE RODILLOS AHUSADO	1				
5	6E5-45567-01-10	SHIM (T:0.10MM) LAMINA (T:0.10MM)	1				UR
	6E5-45567-01-12	SHIM (T:0.12MM) LAINA (T:0.12MM)	1				UR
	6E5-45567-01-15	SHIM (T:0.15MM) LAINA (T:0.15MM)	1				UR
	6E5-45567-01-18	SHIM (T:0.18MM) LAINA (T:0.18MM)	1				UR
	6E5-45567-01-30	SHIM (T:0.30MM) LAINA (T:0.30MM)	1				UR
	6E5-45567-01-40	SHIM (T:0.40MM) LAINA (T:0.40MM)	1				UR
	6E5-45567-01-50	SHIM (T:0.50MM) LAINA (T:0.50MM)	1				UR
6	90340-08002	PLUG, STRAIGHT SCREW TORNILLO, DE DRENAJE	1				
7	688-45341-10	PLUG, DRAIN TAPON, DREN	1				
8	90430-08020	GASKET JUNTA	2				
9	6E5-45536-00	SLEEVE, DRIVE SHAFT CAMISA EJE DE MANDO	1				
10	6E5-45378-00	NIPPLE, HOSE NIPLE MANGUERA	1				
11	90445-07ME8	HOSE (L80) TUBO (L80)	1				L
	90445-07ME9	HOSE (L120) TUBO (L120)	1				X
12	6E5-83558-10	END, NIPPLE EXTREMO DE NIPLE	1				
13	6E5-45321-00	PLATE PLACA	1				
14	93210-58144	O-RING JUNTA TORICA	1				
15	93106-09014	OIL SEAL RETEN DE ACEITE	1				
16	90119-06M10	BOLT, WITH WASHER TORNILLO CON ARANDELA	3				
17	6L6-44150-01	SHIFT CAM ASSY CONJUNTO EJE LEVA COMPL.	1				
18	99001-08600	CIRCLIP PRESILLA REDONDA	1				
19	90501-11M10	SPRING, COMPRESSION RESORTE DE COMPRESION	1				

FIG. 27 LOWER CASING. DRIVE 1

IMPULSOR E INFERIOR 1

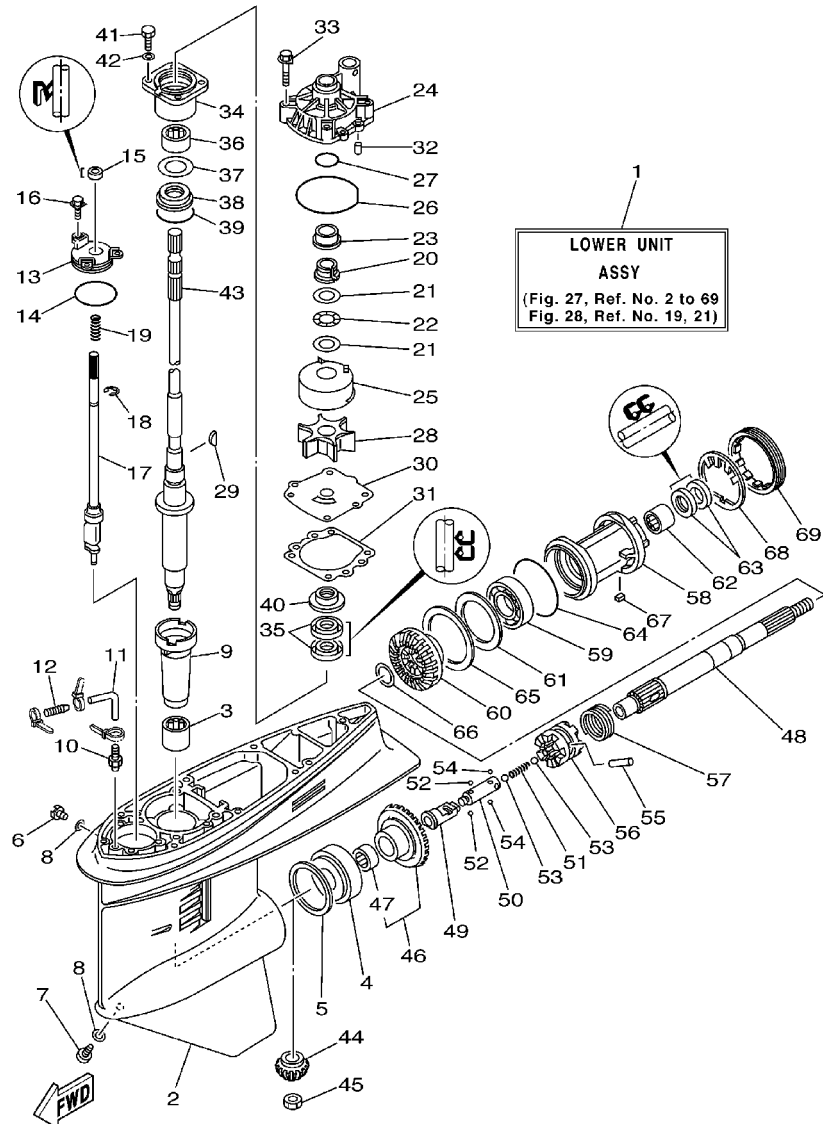


60C2664-2270

REF. NO.	PART NO. CODIGO NO.	DESCRIPTION DESCRIPTION	60C3				REMARKS OBSERVACION
20	61A-45538-00	SPACER 1 ESPACIADOR 1	1				
21	90201-22M01	WASHER, PLATE ARANDELA PLANA	2				
22	90206-22M19	WASHER, WAVE ARANDELA ONDULADA	1				
23	61A-45527-00	COLLAR, DRIVE SHAFT COLLAR EJE FLECHA DE PROPULSION	1				
24	61A-44311-01	HOUSING, WATER PUMP CAJA BOMBA DE AGUA	1				
25	6R3-44322-42	INSERT, CARTRIDGE CARTUCHO	1				FOR CHROMATE
26	93210-86M38	O-RING JUNTA TORICA	1				
27	93210-37160	O-RING JUNTA TORICA	1				
28	6E5-44352-01	IMPELLER IMPULSOR	1				
29	90280-04M05	KEY, WOODRUFF CUNA WOODRUFF	1				
30	60C-44323-40	OUTER PLATE, CARTRIDGE PLACA EXTERIOR DEL CARTUCHO	1				FOR CHROMATE
31	6E5-44315-A0	GASKET, WATER PUMP EMPAQUE	1				
32	93606-12019	PIN, DOWEL PASADOR DE CLAVIJA	2				
33	90119-08M14	BOLT, WITH WASHER TORNILLO CON ARANDELA	4				
34	6E5-45331-00-94	HOUSING, BEARING CAJA DE COJINETE	1				
35	93101-28M16	OIL SEAL RETEN DE ACEITE	2				
36	93317-330U2	BEARING COJINETE DE RODILLOS	1				
37	6E5-45587-01-10	SHIM (T:0.10MM) LAINA (T:0.10MM)	1				UR
	6E5-45587-01-12	SHIM (T:0.12MM) LAINA (T:0.12MM)	1				UR
	6E5-45587-01-15	SHIM (T:0.15MM) LAINA (T:0.15MM)	1				UR
	6E5-45587-01-18	SHIM (T:0.18MM) LAINA (T:0.18MM)	1				UR
	6E5-45587-01-30	SHIM (T:0.30MM) LAINA (T:0.30MM)	1				UR
	6E5-45587-01-40	SHIM (T:0.40MM) LAINA (T:0.40MM)	1				UR
	6E5-45587-01-50	SHIM (T:0.50MM) LAINA (T:0.50MM)	1				UR
38	93341-930V2	BEARING COJINETES CON RODAMIENTOS	1				
39	93210-55M14	O-RING JUNTA TORICA	1				
40	6E5-45344-00	COVER, OIL SEAL CUBIERTA SELLO ACEITE	1				

FIG. 27 LOWER CASING. DRIVE 1

IMPULSOR E INFERIOR 1

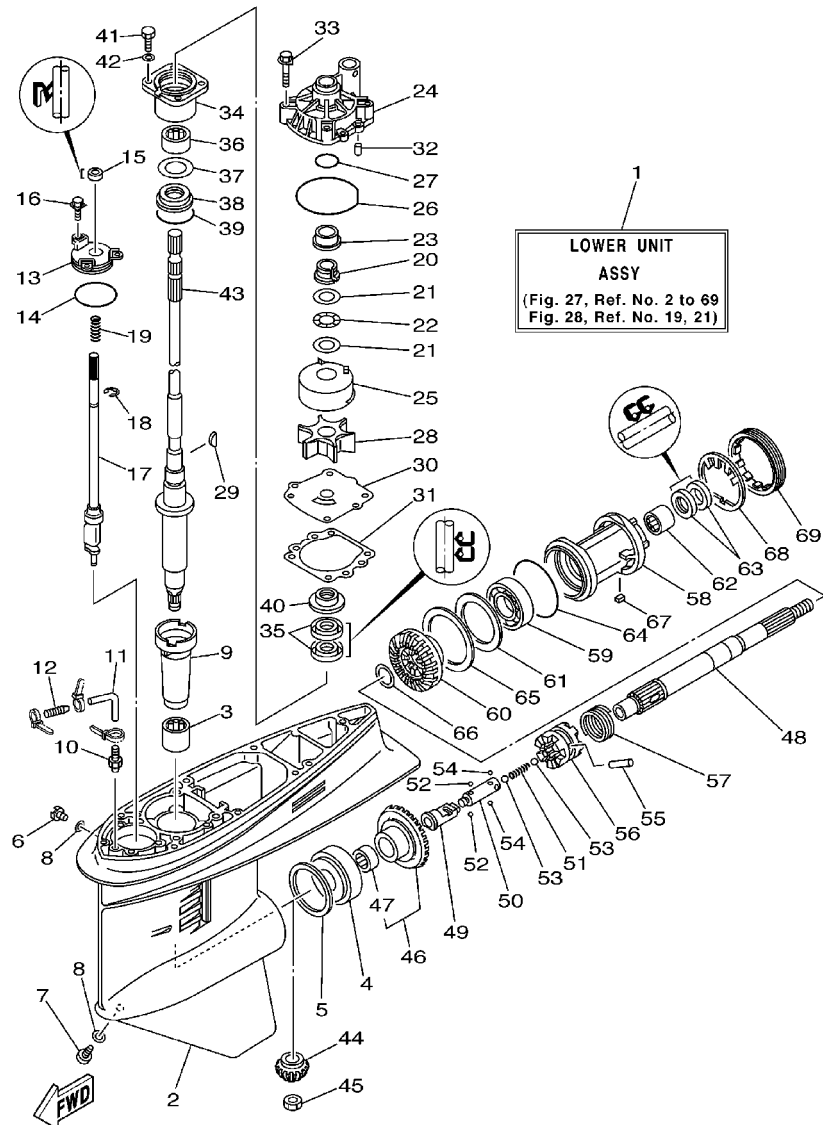


60C2664-2270

REF. NO.	PART NO. CODIGO NO.	DESCRIPTION DESCRIPTION	60C3				REMARKS OBSERVACION
41	97095-08025	BOLT PERNO	4				
42	92995-08600	WASHER ARANDELA	4				
43	68V-45501-10	DRIVE SHAFT COMP. EJE DE MANDO COMPL.	1				L
	68V-45501-30	DRIVE SHAFT COMP. EJE DE MANDO COMPL.	1				X
44	68V-45551-00	PINION PINON	1				
45	90170-16M01	NUT TUERCA	1				
46	68V-45560-00	GEAR ENGRANE COMPLE 1	1				
47	93315-425U7	.BEARING .COJINETE DE RODILLOS	1				
48	6E5-45611-01	SHAFT, PROPELLER EJE PROPUSOR	1				
49	6K1-45641-01	SHIFTER CAMBIO	1				
50	6E5-45634-01	SLIDE, SHIFT DESLIZADOR, CAMBIO	1				
51	90501-16M37	SPRING, COMPRESSION RESORTE DE COMPRESION	1				
52	93507-32009	BALL ESFERA	2				
53	93511-32017	BALL ESFERA	2				
54	93503-16003	BALL ESFERA	2				
55	90250-08M07	PIN, STRAIGHT PASADOR CILINDRICO	1				
56	68V-45631-01	CLUTCH, DOG EMBRAGUE DE GARRA	1				
57	6E5-45633-01	RING, CROSS PIN ANILLO DE PASADOR	1				
58	6E5-45332-00-94	HOUSING, BEARING CAJA BALERO 2	1				
59	93306-208U0	BEARING COJINETE	1				
60	68V-45571-00	GEAR ENGRANAJE	1				
61	6E5-45576-00	WASHER, THRUST ARANDELA DE EMPUJE AXIAL	1				
62	93315-430U8	BEARING COJINETE DE RODILLOS	1				
63	93101-30M17	OIL SEAL RETEN DE ACEITE	2				
64	93210-86M39	O-RING JUNTA TORICA	1				
65	6L6-45577-00-10	SHIM (T:0.10MM) LAINA (T:0.10MM)	1				UR
	6L6-45577-00-12	SHIM (T:0.12MM) LAINA (:0.12MM)	1				UR

FIG. 27 LOWER CASING. DRIVE 1

IMPULSOR E INFERIOR 1

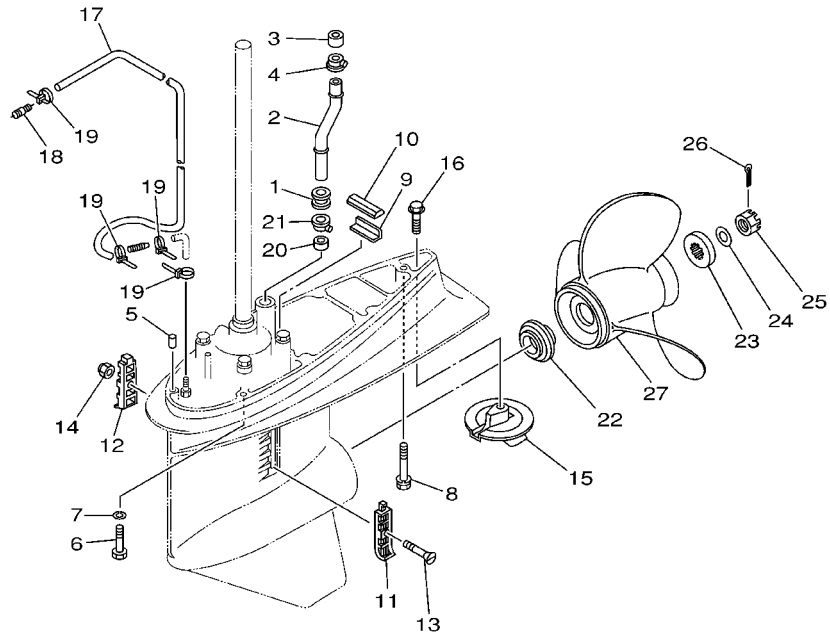


60C2664-2270

REF. NO.	PART NO. CODIGO NO.	DESCRIPTION DESCRIPTION	60C3				REMARKS OBSERVACION
65	6L6-45577-00-15	SHIM (T:0.15MM) LAINA (T:0.15MM)	1				UR
	6L6-45577-00-18	SHIM (T:0.18MM) LAINA (T:0.18MM)	1				UR
	6L6-45577-00-30	SHIM (T:0.30MM) LAINA (T:0.30MM)	1				UR
	6L6-45577-00-40	SHIM (T:0.40MM) LAINA (T:0.40MM)	1				UR
	6L6-45577-00-50	SHIM (T:0.50MM) LAINA (T:0.50MM)	1				UR
66	90201-30M92	WASHER, PLATE ARANDELA PLANA	2				
67	90282-04010	KEY, STRAIGHT CHAVETA, RECTA	1				
68	688-45383-02	WASHER, CLAW ARANDELA DE UNA	1				
69	688-45384-00	NUT TUERCA	1				

FIG. 28 LOWER CASING. DRIVE 2

IMPULSOR E INFERIOR 2

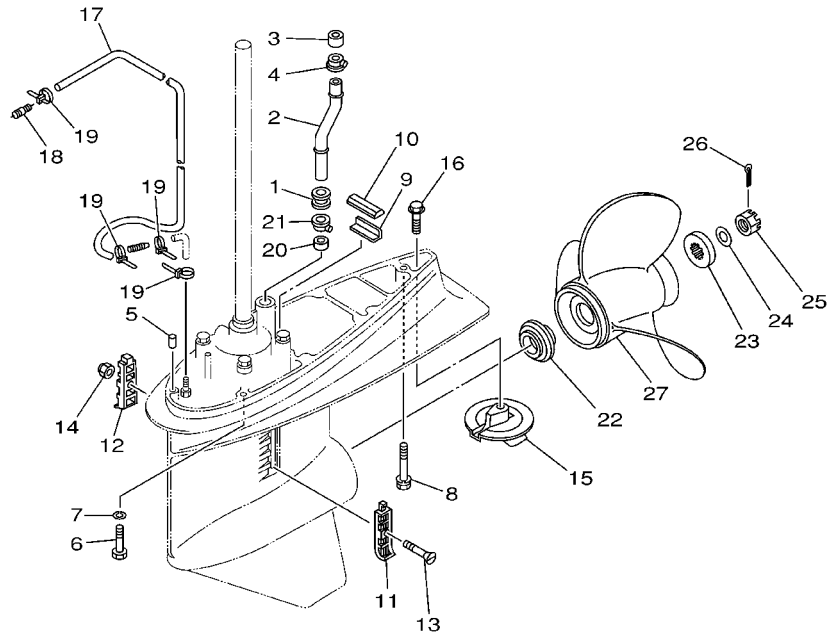



68V0010-0280

REF. NO.	PART NO. CODIGO NO.	DESCRIPTION DESCRIPTION	60C3				REMARKS OBSERVACION
1	6E5-44366-00	DAMPER, WATER SEAL GOMA DEL SELLO DE AGUA	1				
2	68V-44361-10	TUBE, WATER TUBO DE AGUA	1				L
	68V-44361-30	TUBE, WATER TUBO DE AGUA	1				X
3	6E5-44365-00	DAMPER, WATER SEAL HULE DE SELLO DE AGUA	1				
4	6E5-44312-00	COVER, WATER PUMP HOUSING CUBIERTA CAJA BOMBA DE AGUA	1				
5	93608-12M05	PIN, DOWEL PASADOR DE CLAVIJA	2				
6	97075-10045	BOLT PERNO	6				
7	92995-10100	WASHER ARANDELA	6				
8	90119-10M89	BOLT, WITH WASHER TORNILLO CON ARANDELA	1				
9	663-45376-00-94	GUIDE, SEAL DAMPER GUIA DE SELLO GOMA	1				
10	688-45375-00	DAMPER, SEAL GOMA DE SELLO	1				
11	688-45214-02	COVER, WATER INLET CUBIERTA ENTRADA AGUA	1				
12	688-45215-02	COVER, WATER INLET CUBIERTA ENTRADA AGUA	1				
13	90152-05M07	SCREW, COUNTERSUNK TORNILLO EMBUTIDO	1				
14	90185-05002	NUT, SELF-LOCKING TUERCA AUTOBLOCANTE	1				
15	6E5-45371-01	TAB-TRIM QUILLA ESTABILIZADOR	1				
16	90105-10M00	BOLT, FLANGE TORNILLO	1				
17	90445-076K2	HOSE (L1550) MANGUERA (L1550)	1				
18	6E5-83558-00	END, NIPPLE EXTREMO DE NIPLE	1				
19	90465-11M10	CLAMP BRIDA	4				
20	6E5-44365-00	DAMPÉR, WATER SEAL HULE DE SELLO DE AGUA	1				
21	6E5-44312-00	COVER, WATER PUMP HOUSING CUBIERTA CAJA BOMBA DE AGUA	1				
22	6E5-45987-01	SPACER ESPACIADOR	1				
23	688-45997-01	SPACER ESPACIADOR	1				
24	92990-18200	WASHER ARANDELA PLANA	1				
25	90171-18M04	NUT, CASTLE TUERCA ENTALLADA	1				
26	91490-40030	PIN, COTTER CHAVETA	1				

FIG. 28 LOWER CASING. DRIVE 2

IMPULSOR E INFERIOR 2

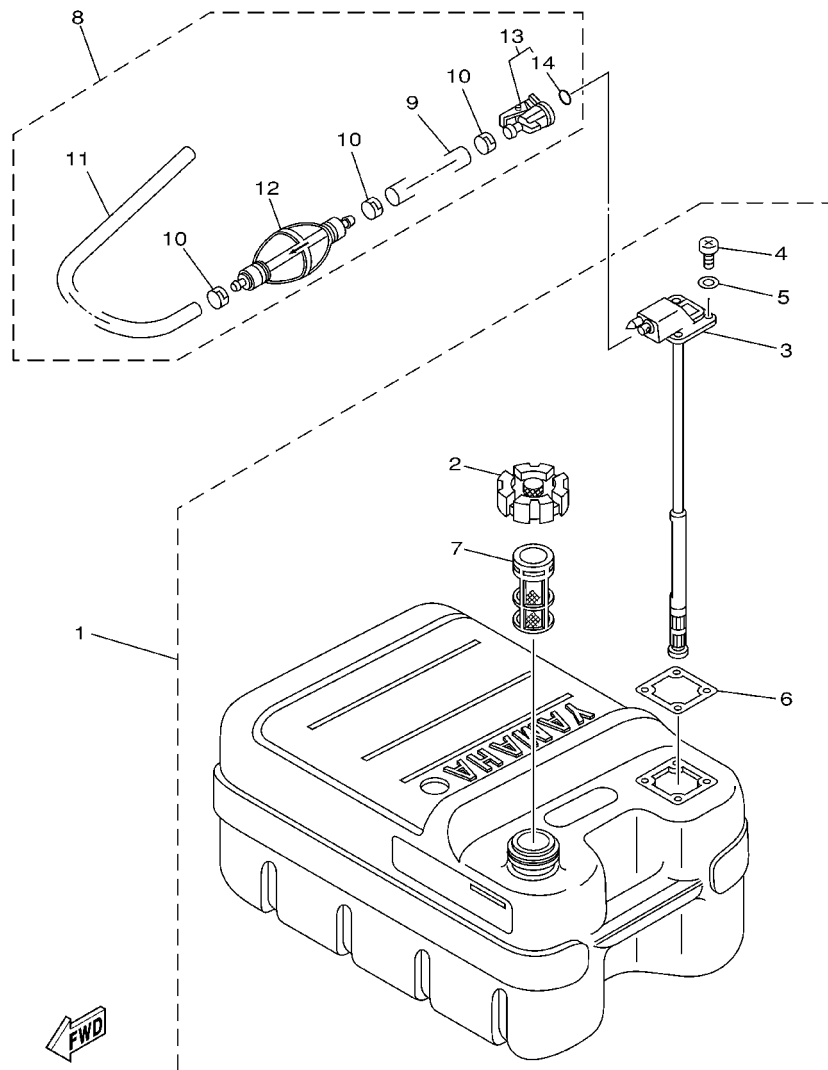


REF. NO.	PART NO. CODIGO NO.	DESCRIPTION DESCRIPTION	60C3				REMARKS OBSERVACION
27	6E5-45941-00-EL	PROPELLER (3X13"X19"-K) PROPELA (3X13"X19"-K)	1				UR
	6E5-45943-00-EL	PROPELLER (3X12-5/8"X21"-K) PROPELA (3X12-5/8"X21"-K)	1				UR
	6E5-45945-01-EL	PROPELLER (3X13-1/4"X17"-K) PROPELA (3X13-1/4"X17"-K)	1				UR
	6E5-45947-00-EL	PROPELLER (3X13-1/2"X15"-K) PROPELA (3X13-1/2"X15"-K)	1				UR
	6E5-45949-00-EL	PROPELLER (3X13-5/8"X13"-K) PROPELA (3X13-5/8"X13"-K)	1				UR
	6E5-45952-00-EL	PROPELLER (3X13"X23"-K) PROPELA (3X13"X23"-K)	1				UR
	6E5-45954-00-EL	PROPELLER (3X14"X11"-K) PROPELA (3X14"X11"-K)	1				UR
	6E5-45956-00-EL	PROPELLER (3X13"X25"-K) PROPELA (3X13"X25"-K)	1				UR
		STAINLESS STEEL PROPELLER LIMPIO-ACERO DEL PROPELA					
	688-45930-02-98	PROPELLER (3X13"X17"-K) PROPELA (3X13"X17"-K)	1				UR
	688-45932-60-98	PROPELLER (3X13-1/2"X14"-K) PROPELA (3X13-1/2"X14"-K)	1				UR
	688-45970-03-98	PROPELLER (3X13"X19"-K) PROPELA (3X13"X19"-K)	1				UR
	688-45972-02-98	PROPELLER (3X13"X21"-K) PROPELA (3X13"X21"-K)	1				UR
	688-45974-02-98	PROPELLER (3X13"X23"-K) PROPELA (3X13"X23"-K)	1				UR
	688-45976-01-98	PROPELLER (3X13"X25"-K) PROPELA (3X13"X25"-K)	1				UR
	688-45978-60-98	PROPELLER (3X13-1/2"X16"-K) PROPELA (3X13-1/2"X16"-K)	1				UR


68V0010-0280

FIG. 29 FUEL TANK

DEPOSITO DE COMBUSTIBLE

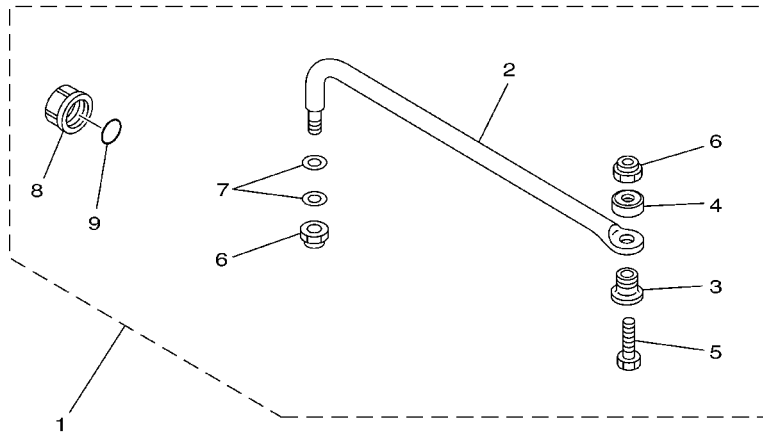


67F0100-9310

REF. NO.	PART NO. CODIGO NO.	DESCRIPTION DESCRIPTION	60C3			REMARKS OBSERVACION
1	6YJ-24201-10	FUEL TANK ASSY (24L) TANQUE DEL COMBUSTIBLE (24L)	1			AP WITH INDICATOR
2	6YJ-24610-01	.CAP ASSY .TAPA COMPLETA	1			
3	6Y1-24260-12	.FUEL METER ASSY .MEDIDOR DE COMBUSTIBLE COMPL.	1			WITH INDICATOR
4	98586-05016	.SCREW, PAN HEAD .TORNILLO DE CABEZA CON PLANA	4			
5	6Y1-24329-00	.SEAL .SELLO	4			
6	6Y1-24268-00	.GASKET, FUEL METER .EMPAQ. MEDIDOR DE COMBUSTIBLE	1			
7	6YJ-24167-00	.STRAINER .COLADOR	1			
8	6Y2-24306-42	FUEL PIPE COMP. 1 TUBO COMBUST. COMPL 1	1			AP
9	90445-13M01	.HOSE (L2050) .MANGUERA (L2050)	1			
10	6E5-24351-51	.BAND 1 .ABRAZADERA 1	3			
11	90445-13M35	.HOSE (L250) .MANGUERA (L250)	1			
12	6Y2-24360-52	.PRIMER PUMP ASSY .SOPORTE BOMBA	1			
13	6Y2-24305-04	.FUEL PIPE JOINT COMP. 2 .CONECTOR MANGUERA COMBUST. 2	1			
14	93210-08287	.O-RING .JUNTA TORICA	1			

FIG. 30 STEERING GUIDE

DIRECCIONGUIAR

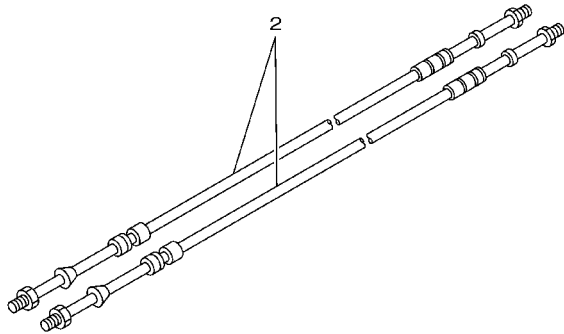
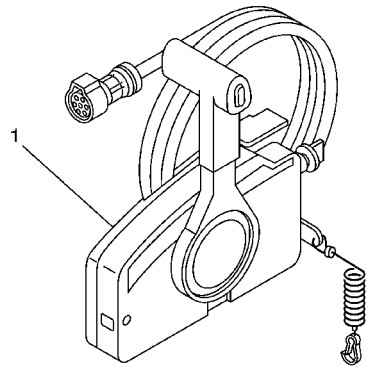


REF. NO.	PART NO. CODIGO NO.	DESCRIPTION DESCRIPTION	80C3				REMARKS OBSERVACION
1	6E5-61350-02	STEERING GUIDE ATTACHMENT KIT ESTUCHE ADITAMENTO GUIA DE TIM	1				AP EXCEPT TAIWAN
2	6E5-61351-01	.ROD, STEERING LINK .VARILLA ESLABON DIRECCION	1				
3	90387-10M61	.COLLAR .COLLAR	1				
4	90560-12M01	.SPACER .SEPARADOR	1				
5	6E5-61355-00	.BOLT .TORNILLO	1				
6	90185-09M01	.NUT, SELF-LOCKING .TUERCA AUTOBLOCANTE	2				
7	90201-10M20	.WASHER, PLATE .ARANDELA PLANA	2				
8	6E5-43145-01	.CAP, CLAMP BRACKET .TAPA	1				
9	93210-16275	.O-RING .JUNTA TORICA	1				

67H0100-9290

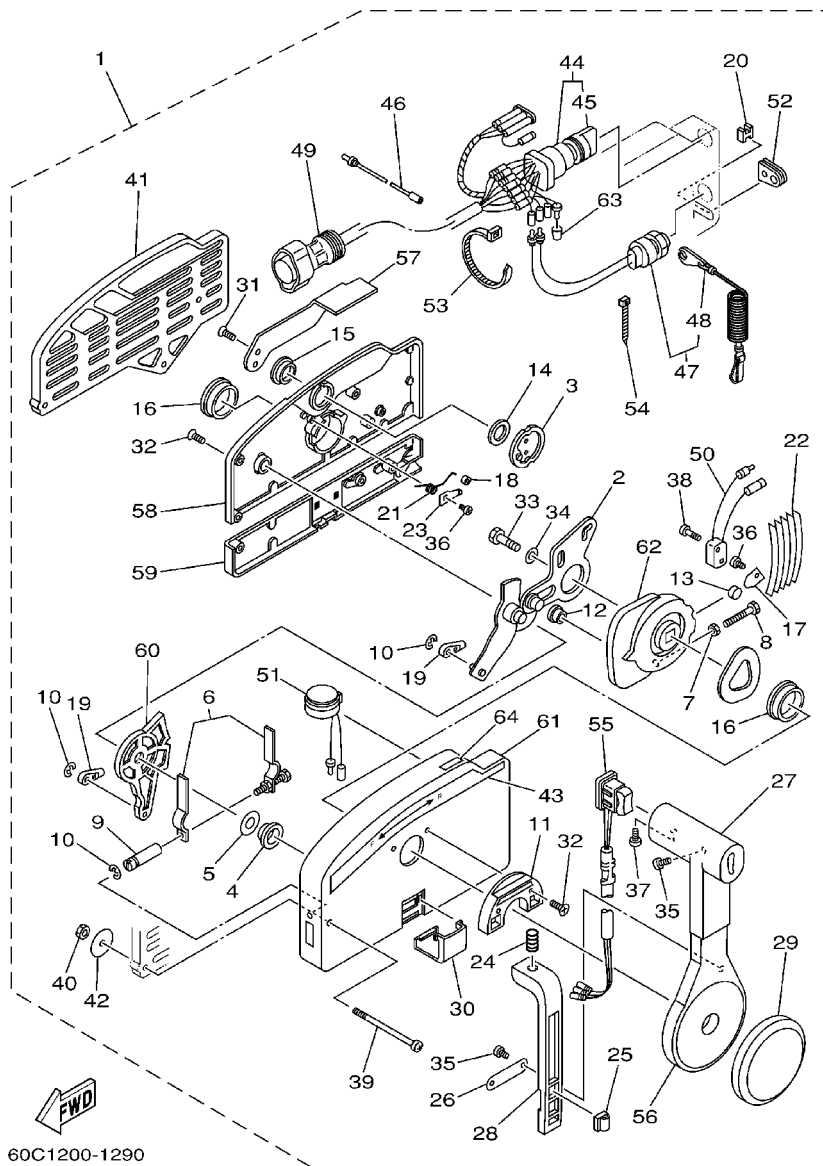
FIG. 31 REMOTE CONTROL BOX

CONTROL REMOTO COMPL.



REF. NO.	PART NO. CODIGO NO.	DESCRIPTION DESCRIPTION	60C3				REMARKS OBSERVACION
1	703-48205-A4	REMOTE CONTROL ASSY REMOTO CONTROL COMPL.	1				AP WITH PT/T SW.
2	701-48320-70	CABLE, REMOTE CONTROL L=20F CABLE CONTROL REMOTO L=20F	2				


67M0100-8280



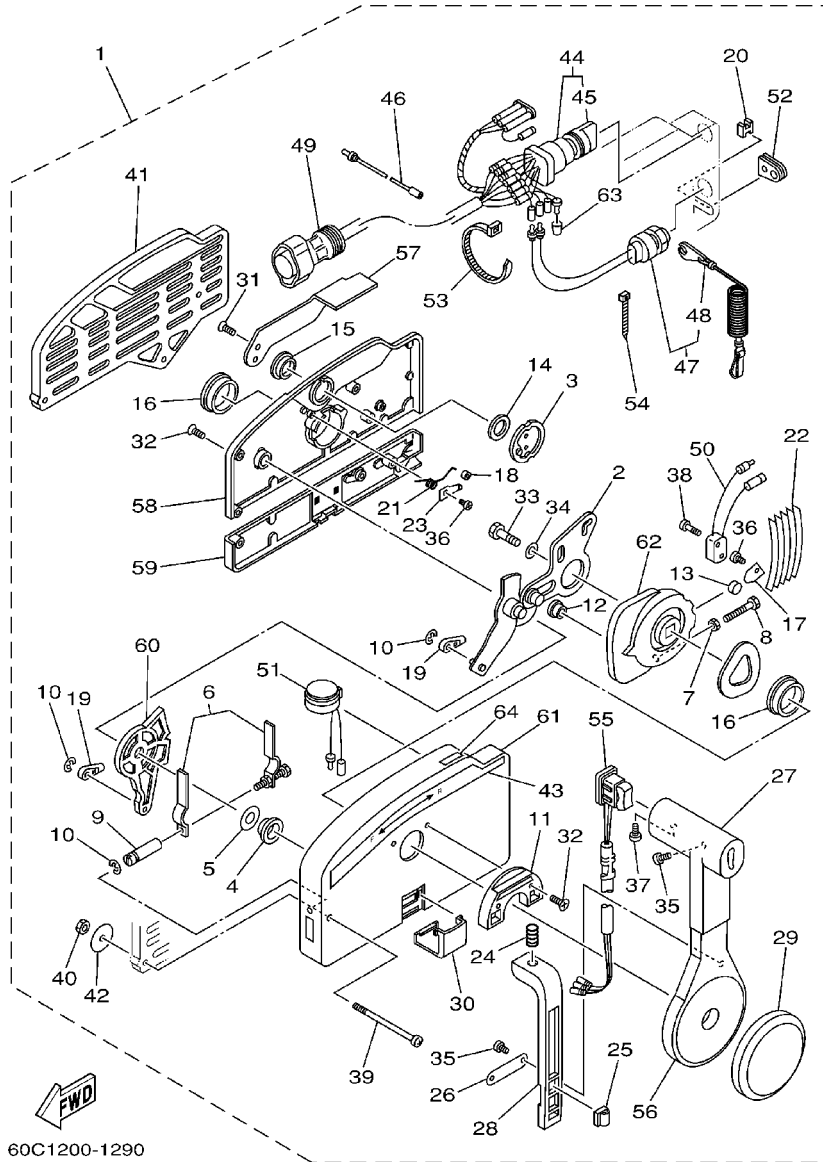
60C1200-1290

FIG. 32 REMOTE CONTROL ASSY CONTROL REMOTO COMPL.

REF. NO.	PART NO. CODIGO NO.	DESCRIPTION DESCRIPTION	60C3				REMARKS OBSERVACION
1	703-48205-A4	REMOTE CONTROL ASSY REMOTO CONTROL COMPL.	1				AP WITH PT/T SW.
2	703-48261-01	.ARM, THROTTLE .BRAZO ACELERADOR	1				
3	703-48153-00	.SHAFT, FREE ACCEL. .EJE	1				
4	703-48235-00	.BUSHING .BUJE	1				
5	703-48268-00	.SPACER .ESPACIADOR.3	1				
6	703-48264-00	.THROTTLE, FRICTION .FRICCION ACELERADOR	1				
7	95380-05600	.NUT .TUERCA	1				
8	97380-05025	.BOLT .TORNILLO HEXAGONAL	1				
9	703-48265-00	.SHAFT, FRICTION .EJE FRICCION	1				
10	93430-06024	.CIRCLIP .SEGURO	3				
11	703-48245-00	.PLATE, LOCK .PLACA CERRADURA	1				
12	703-48252-00	.ROLLER, CAM .RODILLO LEVA	1				
13	701-48248-00	.ROLLER, FREE ACCEL. .RODILLO ACELERADOR LIBRE	1				
14	703-48198-00	.WASHER, WAVE .RONDANA ONDULADA 3	1				
15	703-48243-00	.BUSHING .BUJE 3	1				
16	703-48236-00	.BUSHING 1 .BUJE	2				
17	703-48189-00	.RETAINER .RETENEDOR	1				
18	703-48234-00	.ROLLER, DETENT .RODILLO	1				
19	703-48345-01	.CABLE END, REMOTE CONTROL 2 .TERMINAL CABLE DE CONTROL REM	2				
20	703-48358-00	.ANCHOR, CABLE .ABRAZADERA CABLE	1				
21	703-48244-00	.SPRING, FREE ACCEL. .RESORTE ACELERADOR LIBRE	1				
22	703-48238-00	.SPRING, DETENT .RESORTE	5				
23	703-48246-00	.SPACER .ESPACIADOR	1				
24	703-48227-00	.SPRING, NEUTRAL LOCK .RESORTE DE SEGURO	1				
25	703-82594-00	.CLAMP .GRAMPA	1				WITH PT/T SW.
26	703-48226-00	.PLATE, STOPPER .PLACA RETEN	1				
27	703-48222-00	.GRIP, CONTROL LEVER .MANGO DE PALANCA CONTROL	1				SINGLE

FIG. 32 REMOTE CONTROL ASSY

CONTROL REMOTO COMPL.

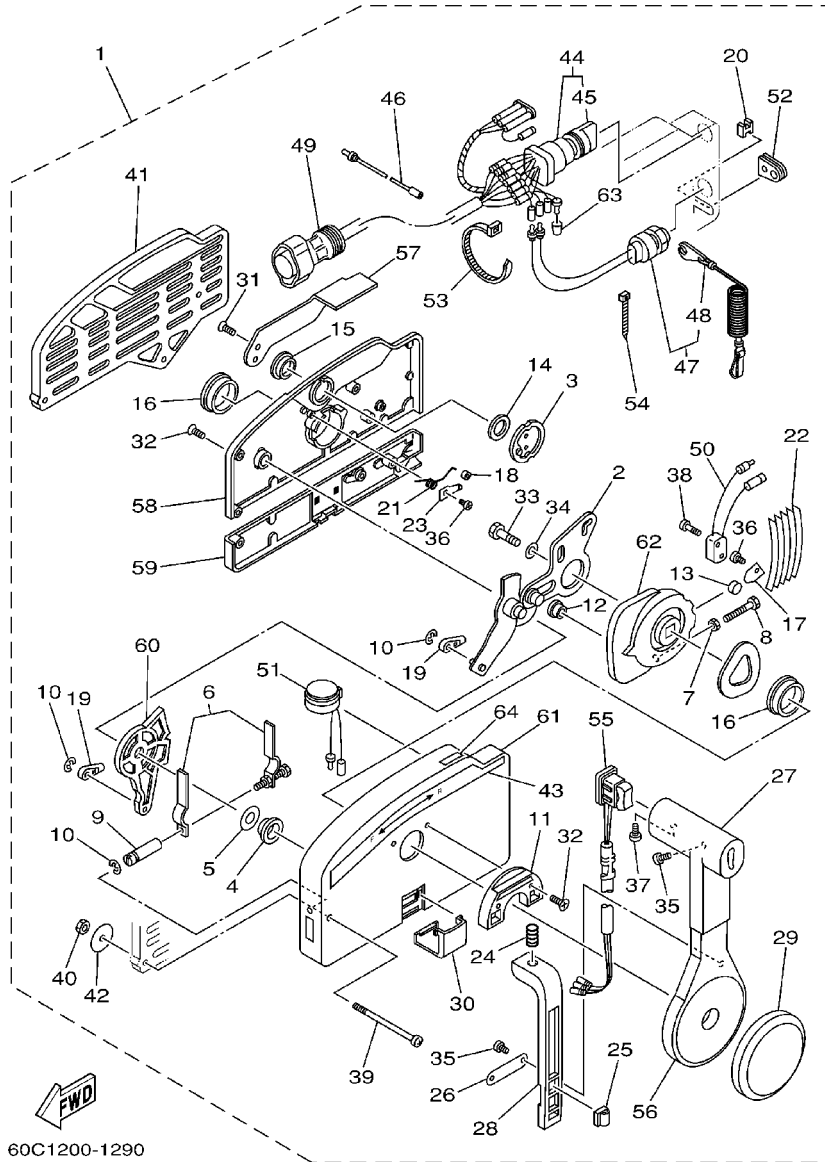


60C1200-1290

REF. NO.	PART NO. CODIGO NO.	DESCRIPTION DESCRIPTION	60C3				REMARKS OBSERVACION
28	703-48223-00	.LOCK, NEUTRAL .GERRADURA NEUTRO	1				
29	703-48225-00	.COVER .CUBIERTA	1				
30	703-48219-00	.COVER, LEAD .CUBIERTA	1				
31	703-48281-00	.SCREW .TORNILLO 1	2				
32	703-48282-00	.SCREW .TORNILLO 2	7				
33	97380-08030	.BOLT .TORNILLO HEXAGONAL	1				
34	92990-08600	.WASHER, PLATE .ARANDELA PLANA	1				
35	98580-04010	.SCREW, PAN HEAD .TORNILLO DE CABEZA CRUZADA	3				
36	98580-04006	.SCREW, PAN HEAD .TORNILLO DE CABEZA CRUZADA	2				
37	98580-05010	.SCREW, PAN HEAD .TORNILLO DE CABEZA CRUZADA	1				
38	98580-03015	.SCREW, PAN HEAD .TORNILLO DE CABEZA CRUZADA	2				
39	703-48291-10	.SCREW (M6) .TORNILLO (M6)	3				
40	95380-06600	.NUT, HEXAGON .TUERCA	3				
41	703-48293-10	.SPACER, REMOTE CONTROL .ESPACIADOR	1				SINGLE
42	701-48287-00	.WASHER .ARANDELA	3				
43	703-48215-00	.GRAPHIC .CALCOMANIA 1	1				
44	703-82510-12	.MAIN SWITCH ASSY .CONJUNTO DE LLAVE IGNICION	1				FOR PRIME START
45	676-82577-00	.CAP, KEY .TAPA	1				
46	703-82531-00	.WIRE, LEAD .CABLE CONDUCTOR	1				
47	688-82575-01	.ENGINE STOP SWITCH ASSY .INTERRUPTOR DE PARADA COMPL	1				
48	682-82556-00	.STOPPER .RETENER	1				
49	688-8258A-20	.EXTENSION, WIRE HARNESS .EXTENSION, ARNES DE CABLES	1				L:5M (10P)
50	703-82540-00	.NEUTRAL SWITCH ASSY .INTERRUPTOR NEUTRAL COMPL	1				
51	703-83383-A0	.BUZZER .ZUMBADOR	1				
52	703-48284-00	.GROMMET .TAPON 1	1				
53	703-82591-00	.BAND .BANDA	1				
54	703-82592-00	.BAND .BANDA	1				

FIG. 32 REMOTE CONTROL ASSY

CONTROL REMOTO COMPL.

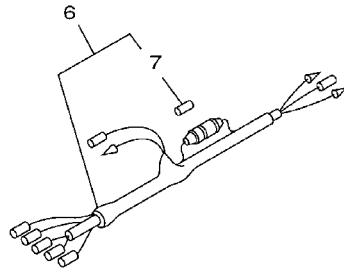
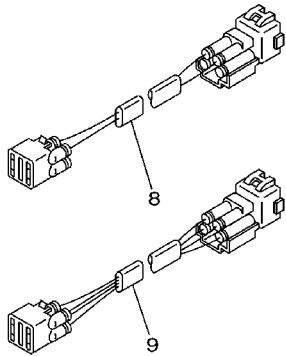
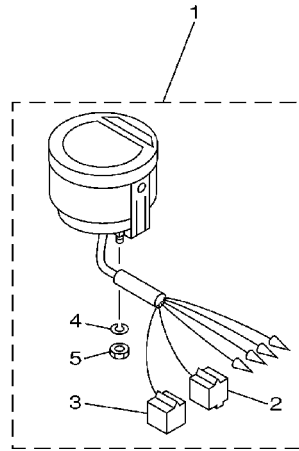


60C1200-1290

REF. NO.	PART NO. CODIGO NO.	DESCRIPTION DESCRIPTION	60C3				REMARKS OBSERVACION
55	703-82563-02	.TRIM & TILT SWITCH ASSY .INTERRUPTOR DE INCLINACION	1				WITH PT/T SW.
56	703-48221-00	.LEVER, CONTROL .PALANCA CONTROL	1				
57	703-48152-00	.KNOB, FREE ACCEL. .PERILLA	1				
58	703-48212-00	.BACK PLATE 1 .PLACA TRASERA 1	1				
59	703-48213-00	.BACK PLATE 2 .PLACA TRASERA 2	1				
60	703-48271-00	.ARM, SHIFT .BRAZO CAMBIADOR	1				
61	703-48211-01	.HOUSING,1 .CAJA	1				
62	703-48232-00	.GEAR .ENGRANAJE 1	1				
63	703-82542-00	.CAP .TAPA	1				
64	703-48218-00	.GRAPHIC .CALCAMONIA	1				

FIG. 33 METER

MEDIDOR

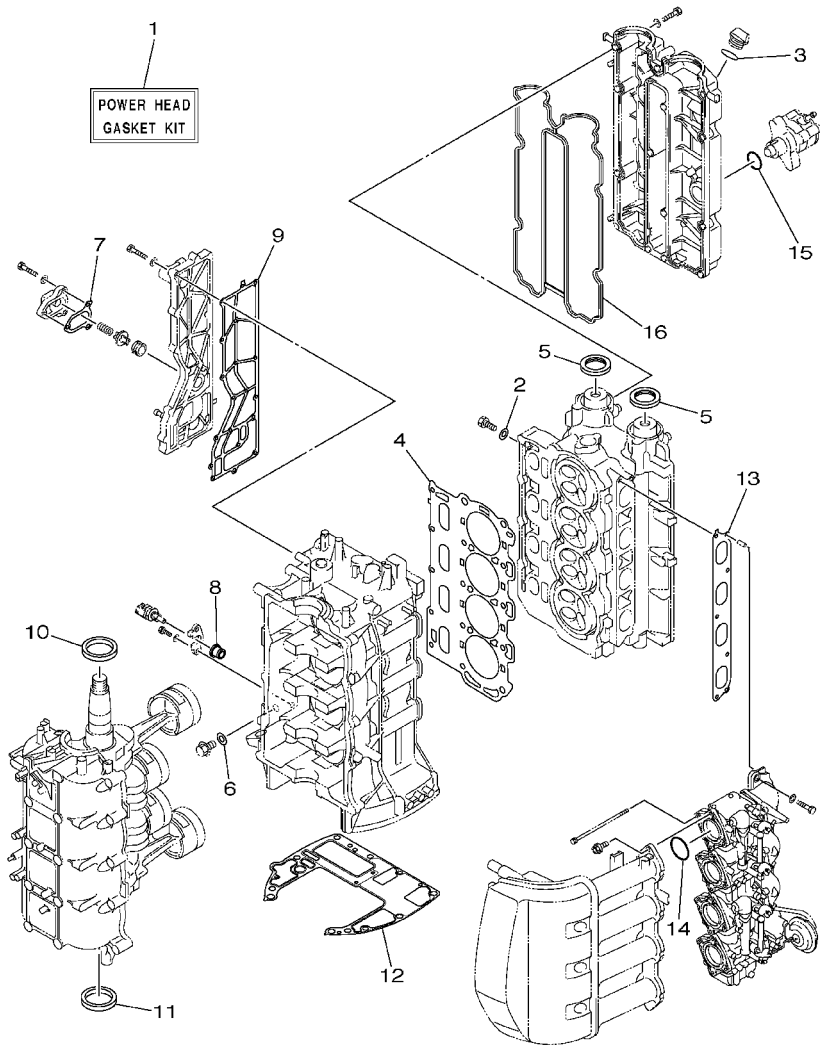


REF. NO.	PART NO. CODIGO NO.	DESCRIPTION DESCRIPTION	60C3				REMARKS OBSERVACION
1	6Y5-8350T-02	TACHOMETER ASSY TACOMETRO COMPLETO	1				AP
2	9E450-04433	.CONNECTOR .CONECTOR	1				M-4-W
3	9E450-04533	.CONNECTOR .CONECTOR	1				F-4-W
4	92990-04100	.WASHER, SPRING .ARANDELA, GROWER	2				
5	95380-04600	.NUT .TUERCA	2				
6	6Y5-83553-00	WIRE, LEAD CABLE CONDUCTOR	1				AP
7	1E6-82151-00	.FUSE (10A) .FUSIBLE (10A)	1				
8	6R3-82521-70	WIRE, LEAD CABLE CONDUCTOR	1				AP 7M
9	6R3-82553-70	EXTENSION, WIRE LEAD CABLE	1				AP 4P,7M

60C1200-1300

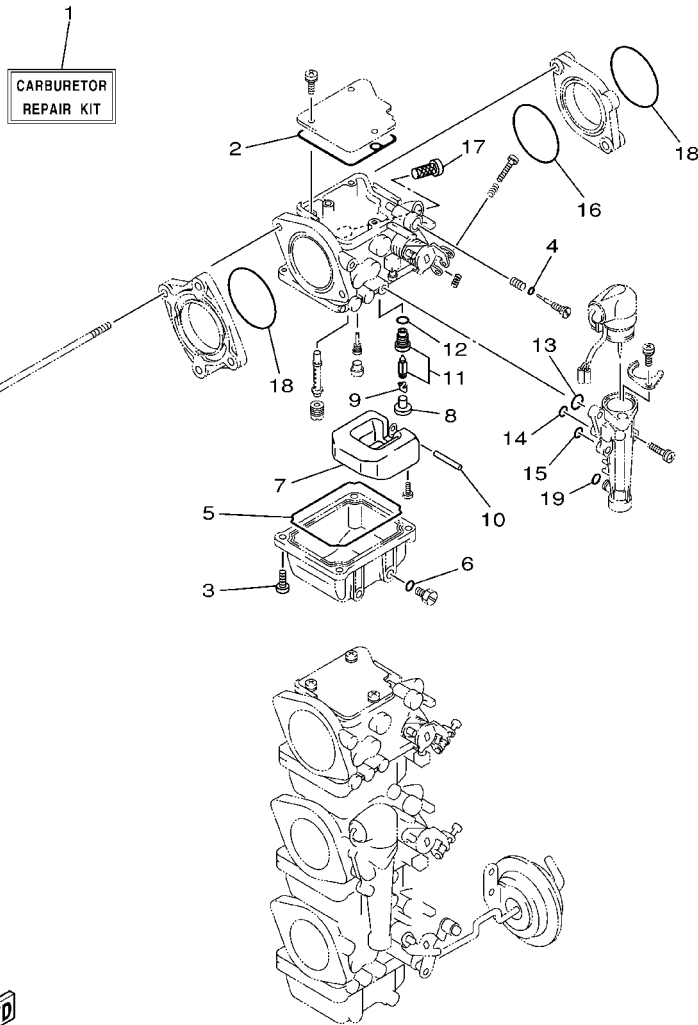
FIG. 34 REPAIR KIT 1

ESTUCHE REPARATION 1



60C3200-3340

REF. NO.	PART NO. CODIGO NO.	DESCRIPTION DESCRIPTION	60C3				REMARKS OBSERVACION
1	60C-W0001-01	POWER HEAD GASKET KIT JUEGO DE EMPAQUE DE MOTOR	1				
2	90430-08143	.GASKET .JUNTA	4				
3	93210-24M79	.O-RING .JUNTA TORICA	1				
4	67F-11181-01	.GASKET, CYLINDER HEAD 1 .JUNTA, DE CULATA 1	1				
5	93102-38M59	.OIL SEAL .RETEN DE ACEITE	2				
6	90430-14115	.GASKET .JUNTA	1				
7	67F-12435-A0	.GASKET .EMPAQUE	1				
8	68V-85753-00	.GASKET, SENDER UNIT .EMPAQUE DE UNIDAD TRANSMISORA	1				
9	67F-41114-A0	.GASKET, EXHAUST OUTER COVER .EMPAQUE	1				
10	93102-48008	.OIL SEAL .RETEN DE ACEITE	1				
11	93101-48001	.OIL SEAL .RETEN DE ACEITE	1				
12	68V-11351-00	.GASKET, CYLINDER .JUNTA, DE CILINDRO	1				
13	67F-13645-00	.GASKET, MANIFOLD 1 .EMPAQUE	1				
14	93210-41MJ2	.O-RING .JUNTA TORICA	4				
15	93210-30682	.O-RING .JUNTA TORICA	1				
16	67F-11356-00	.SEAL, CYLINDER 2 .RETEN ACEITE CILINDRO 2	1				



67F0100-9380

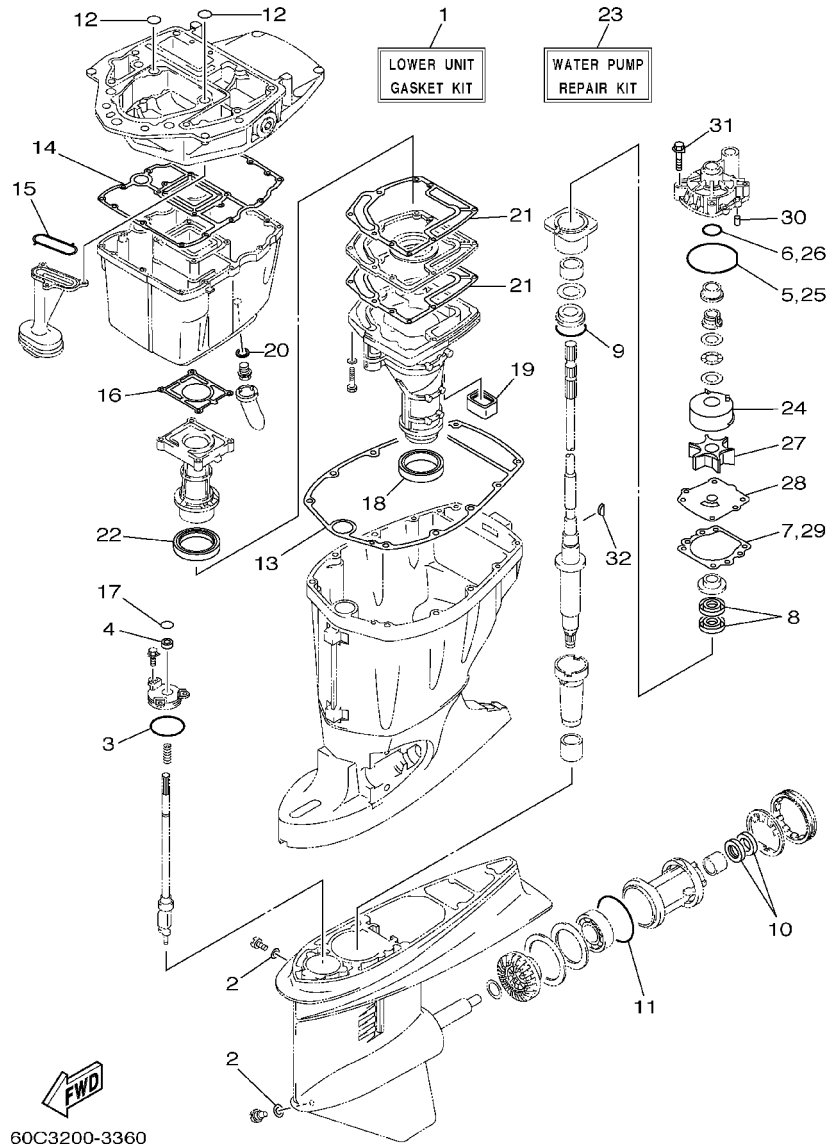
FIG. 35 REPAIR KIT 2

ESTUCHE REPARATION 2

REF. NO.	PART NO. CODIGO NO.	DESCRIPTION DESCRIPTION	60C3				REMARKS OBSERVACION
1	67F-W0093-01	CARBURETOR REPAIR KIT KIT REPARACION CARBURADOR	1				
2	67F-14147-00	.O-RING .ANILLO O	1				
3	97980-04114	.SCREW, WITH WASHER .TORNILLO, CON ARANDELA	4				
4	67F-14397-00	.O-RING .ANILLO O	1				
5	67F-14984-00	.GASKET, FLOAT CHAMBER .EMPAQUE CAMARA DE BOIA	1				
6	93210-04230	.O-RING .JUNTA TORICA	1				
7	6H4-14985-01	.FLOAT .BOIA	1				
8	676-14186-00	.PIN, FLOAT .PASADOR DE LA BOYA	1				
9	663-14159-00	.CLIP .PRESILLA	1				
10	6H4-14548-00	.PIN, FLOAT ARM .PASADOR DE BRAZO DE BOIA	1				
11	60C-14590-01	.NEEDLE VALVE ASSY .VALVULA DE AGUJA COMPLETA	1				
12	93210-04228	.O-RING .JUNTA TORICA	1				
13	67F-14398-00	.O-RING .ANILLO O	1				
14	67F-14398-10	.O-RING .ANILLO O	1				
15	67F-14398-20	.O-RING .ANILLO O	1				
16	67F-14239-00	.SEAL .SELLO	1				
17	67F-14371-01	.ELEMENT, FILTER .ELEMENTO DEL FILTRO	1				
18	93210-40M10	.O-RING .JUNTA TORICA	2				
19	67F-14398-30	.O-RING .ANILLO O	1				

FIG. 36 REPAIR KIT 3

ESTUCHE REPARATION 3

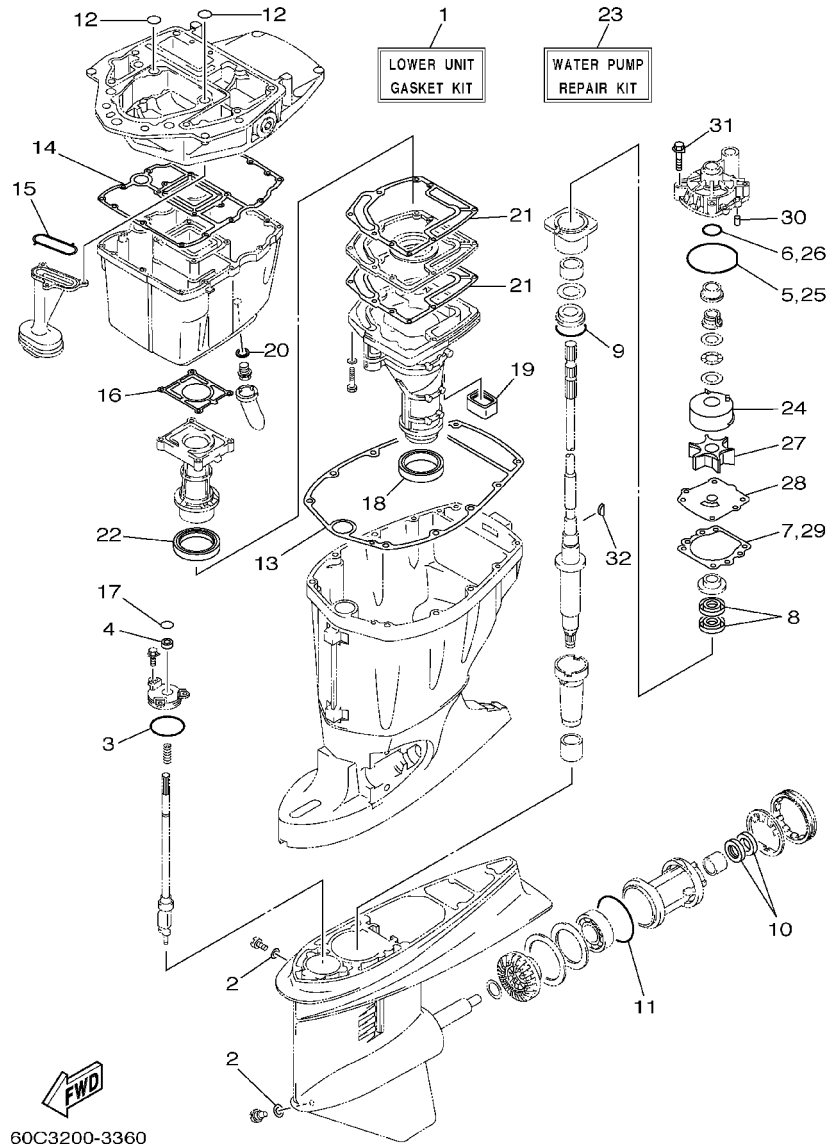


60C3200-3360

REF. NO.	PART NO. CODIGO NO.	DESCRIPTION DESCRIPTION	60C3				REMARKS OBSERVACION
1	68V-W0001-21	LOWER UNIT GASKET KIT JUEGO DE EMPAQUE UNIDAD INFER.	1				
2	90430-08020	.GASKET .JUNTA	2				
3	93210-58144	.O-RING .JUNTA TORICA	1				
4	93106-09014	.OIL SEAL .RETEN DE ACEITE	1				
5	93210-86M38	.O-RING .JUNTA TORICA	1				
6	93210-37160	.O-RING .JUNTA TORICA	1				
7	6E5-44315-A0	.GASKET, WATER PUMP .EMPAQUE	1				
8	93101-28M16	.OIL SEAL .RETEN DE ACEITE	2				
9	93210-55M14	.O-RING .JUNTA TORICA	1				
10	93101-30M17	.OIL SEAL .RETEN DE ACEITE	2				
11	93210-86M39	.O-RING .JUNTA TORICA	1				
12	93210-19MJ1	.O-RING .JUNTA TORICA	2				
13	67F-45113-00	.GASKET, UPPER CASING .EMPAQUE	1				
14	68V-15312-00	.GASKET, OIL PAN .EMPAQ BANDEJA DE ACEITE	1				
15	67F-13415-00	.SEAL, OIL STRAINER .SELLO COLADOR ACEITE	1				
16	67F-41133-A1	.GASKET, EXHAUST MANIFOLD 1 .EMPAQUE ESCAPE MULTIPLE	1				
17	93210-09165	.O-RING .JUNTA TORICA	1				
18	68V-45123-00	.GASKET, MUFFLER .EMPAQUE SILENCIADOR	1				
19	67F-45127-00	.SEAL .SELLO DE GOMA	1				
20	90430-14M09	.GASKET .JUNTA	1				
21	67F-41134-A0	.GASKET, EXHAUST MANIFOLD .EMPAQUE	2				
22	67F-41138-00	.SEAL, EXT. 1 .SELLO, ESCAPE 1	1				
23	60C-W0078-00	WATER PUMP REPAIR KIT ESTUCHE REPARACION BOMBA AGUA	1				
24	6R3-44322-42	.INSERT, CARTRIDGE .CARTUCHO	1				
25	93210-86M38	.O-RING .JUNTA TORICA	1				
26	93210-37160	.O-RING .JUNTA TORICA	1				
27	6E5-44352-01	.IMPELLER .IMPULSOR	1				

FIG. 36 REPAIR KIT 3

ESTUCHE REPARATION 3



REF. NO.	PART NO. CODIGO NO.	DESCRIPTION DESCRIPTION	60C3				REMARKS OBSERVACION
28	60C-44323-40	.OUTER PLATE, CARTRIDGE .PLACA EXTERIOR DEL CARTUCHO	1				
29	6E5-44315-A0	.GASKET, WATER PUMP EMPAQUE	1				
30	93606-12019	.PIN, DOWEL .PASADOR DE CLAVIJA	2				
31	90119-08M14	.BOLT, WITH WASHER .TORNILLO CON ARANDELA	4				
32	90280-04M05	.KEY, WOODRUFF .CUNA WOODRUFF	1				
<hr/>							
<hr/>							
<hr/>							
<hr/>							
<hr/>							
<hr/>							
<hr/>							
<hr/>							
<hr/>							
<hr/>							

**NUMERICAL INDEX
INDICE NUMERICO**

PART NO. CODIGO NO.	REF. NO.	PART NO. CODIGO NO.	REF. NO.	PART NO. CODIGO NO.	REF. NO.	PART NO. CODIGO NO.	REF. NO.	PART NO. CODIGO NO.	REF. NO.	PART NO. CODIGO NO.	REF. NO.
K0A-A3721-00	5 - 7	67F-11656-00	3 - 10	67F-12169-F0	5 - 10	67F-13769-00	26 - 20	67F-14555-00	7 - 15	6Y1-24329-00	29 - 5
K0A-A3722-00	5 - 8	67F-11656-10	3 - 10	67F-12169-G0	5 - 10	67F-13914-00	26 - 21	697-14555-00	7 - 5	6E5-24351-51	29 - 10
60C-W0001-01	34 - 1	67F-11656-20	3 - 10	67F-12169-H0	5 - 10	67F-1412A-00	8 - 1	67F-14556-00	7 - 16	68F-24356-00	8 - 14
68V-W0001-21	36 - 1	67F-11656-30	3 - 10	67F-12169-J0	5 - 10	67F-14146-00	7 - 6	67F-14565-00	7 - 39	6Y2-24360-52	29 - 12
67F-W0070-10	1 - 16	68V-12111-00	5 - 1	67F-12169-K0	5 - 10	67F-14147-00	7 - 7	67F-14567-00	7 - 14	63D-24364-00	18 - 14
60C-W0078-00	36 - 23	67F-12114-00	5 - 4	67F-12169-L0	5 - 10		35 - 2	6K7-14573-00	13 - 17	63D-24367-00	18 - 13
67G-W0084-02-4D17	1 - 1	67F-12116-00	5 - 3	67F-12169-M0	5 - 10	663-14159-00	7 - 29	6H2-14578-00	7 - 21	67F-24367-00	16 - 30
60C-W009A-01-1S	4 - 1	67F-12117-00	5 - 5	67F-12169-N0	5 - 10		35 - 9	67F-14585-00	8 - 10	68V-24374-00	9 - 22
60C-W009B-01-1S	2 - 1	67F-12118-00	5 - 6	67F-12169-00	5 - 10	67F-14178-00	7 - 36	60C-14590-01	7 - 32	6R3-24377-00	9 - 2
67F-W0093-01	35 - 1	68V-12121-00	5 - 2	67F-12169-10	5 - 10	676-14186-00	7 - 28		35 - 11	688-24378-00	8 - 17
60C-W1164-00	3 - 7	67F-12138-60	10 - 24	67F-12169-20	5 - 10		35 - 8	67F-14592-00	7 - 37	68V-24410-00	9 - 16
60C-W1164-10	3 - 7	67F-12153-00	5 - 9	67F-12169-30	5 - 10	67F-14189-00	8 - 11	60C-14711-10-5B	25 - 11	68V-24411-00	9 - 21
67F-11110-10-94	4 - 2	67F-12168-A0	5 - 10	67F-12169-40	5 - 10	67F-14216-00	6 - 2	60C-14711-30-5B	25 - 11	68V-24412-00	9 - 17
62Y-11119-00	2 - 8	67F-12168-B0	5 - 10	67F-12169-50	5 - 10	67F-14239-00	6 - 3	60C-14901-00	7 - 1	68V-24413-00	9 - 23
67F-11133-10	4 - 3	67F-12168-C0	5 - 10	67F-12169-60	5 - 10		35 - 16	60C-14901-10	7 - 1	68V-24414-00	9 - 24
67F-11168-00	4 - 22	67F-12168-D0	5 - 10	67F-12169-70	5 - 10	67F-14243-00	6 - 1	60C-14902-00	7 - 2	68V-24423-00	9 - 20
67F-11181-01	4 - 17	67F-12168-E0	5 - 10	67F-12169-80	5 - 10	67F-14271-00	6 - 4	60C-14902-10	7 - 2	68V-24444-00	9 - 25
	34 - 4	67F-12168-F0	5 - 10	67F-12171-00	5 - 11	60C-14294-00	8 - 15	60C-14904-00	7 - 3	68V-24454-00	9 - 18
68V-11191-00-1S	4 - 21	67F-12168-G0	5 - 10	67F-12181-00	5 - 12	60C-14298-00	8 - 16	60C-14904-10	7 - 3	68V-24469-01	9 - 9
67F-11192-00	4 - 29	67F-12168-H0	5 - 10	68V-12411-00	4 - 31	67F-14325-00	7 - 43	67F-14923-00	7 - 4	67F-24491-00	9 - 34
68V-11325-00	2 - 24	67F-12168-J0	5 - 10	68V-12413-00-1S	4 - 32	67F-14349-00	8 - 3	67F-14943-83	7 - 13	68V-24495-00	9 - 31
	4 - 8	67F-12168-K0	5 - 10	6G5-12416-00	2 - 18	67F-14349-10	8 - 4	67F-14947-00	7 - 12	68V-24521-01	9 - 6
67F-11327-00-94	2 - 25	67F-12168-L0	5 - 10	67F-1243A-00	2 - 31	67F-14349-20	8 - 5	67F-14948-04	7 - 11	60C-24560-00	9 - 5
	4 - 9	67F-12168-M0	5 - 10	67F-12435-A0	2 - 22	67F-14349-30	8 - 6	676-14966-00	7 - 9	61N-24563-00	9 - 7
67F-11328-00	2 - 28	67F-12168-N0	5 - 10		34 - 7	67F-14349-40	8 - 7	67F-14980-00	7 - 22	68V-24566-00	9 - 11
	4 - 12	67F-12168-P0	5 - 10	67F-1246A-00-1S	2 - 21	67F-14349-50	8 - 8	67F-14980-10	7 - 23	67F-24575-00	9 - 30
68V-11351-00	2 - 34	67F-12168-R0	5 - 10	67F-13119-01	26 - 19	67F-14349-60	8 - 9	67F-14984-00	7 - 24	6YJ-24610-01	29 - 2
	34 - 12	67F-12168-S0	5 - 10	68V-13131-00	9 - 19	67F-14349-70	8 - 12		35 - 5	67G-26301-10	17 - 40
67F-11356-00	4 - 26	67F-12168-T0	5 - 10	67F-13149-00	26 - 23	67F-14349-80	7 - 46	6H4-14985-01	7 - 27	67F-28100-00	9 - 37
	34 - 16	67F-12168-U0	5 - 10	67F-13183-00	8 - 2	67F-14355-00	7 - 42		35 - 7	67F-2812A-00	12 - 23
67F-11411-00	3 - 1	67F-12168-V0	5 - 10	67F-13300-10	26 - 14	67F-14369-00	7 - 42	6H3-14992-00	7 - 25	6A1-28176-00	16 - 41
67F-11416-00	3 - 4	67F-12168-W0	5 - 10	67F-13314-02	26 - 15	67F-14371-01	7 - 44	67F-14998-00	7 - 19	67F-41113-01-1S	2 - 13
67F-11416-10	3 - 4	67F-12168-X0	5 - 10	67F-13329-00	26 - 17		35 - 17	67F-15100-03-1S	2 - 2	67F-41114-A0	2 - 14
67F-11416-20	3 - 4	67F-12168-Y0	5 - 10	67F-13338-00	26 - 25	67F-14378-00	7 - 34	67F-15142-00	2 - 12		34 - 9
67F-11417-00	3 - 5	67F-12168-00	5 - 10	67F-13339-00	26 - 24	67F-14380-01	7 - 35	67F-15311-01-5B	26 - 1	60C-41131-01-5B	25 - 7
67F-11417-10	3 - 5	67F-12168-10	5 - 10	67F-13339-00	26 - 24	67F-14397-00	7 - 20	68V-15312-00	26 - 8	67F-41133-A1	25 - 8
67F-11417-20	3 - 5	67F-12168-20	5 - 10	67F-13411-00	26 - 9		35 - 4		36 - 14		36 - 16
67F-11417-30	3 - 5	67F-12168-30	5 - 10	67F-13415-00	26 - 13	67F-14398-00	7 - 38				
67F-11418-00	3 - 6	67F-12168-40	5 - 10		36 - 15		35 - 13	67F-15316-00	26 - 2	67F-41134-A0	25 - 16
67F-11418-10	3 - 6	67F-12168-50	5 - 10	67F-13434-02	1 - 20	67F-14398-10	7 - 40	68V-15362-00	26 - 30		36 - 21
67F-11418-20	3 - 6	67F-12168-60	5 - 10	67F-13437-61	10 - 25		35 - 14	6G8-15363-00	4 - 35	67F-41137-02-94	25 - 3
67F-11536-00	5 - 23	67F-12168-70	5 - 10	5GH-13440-00	2 - 39	67F-14398-20	7 - 41	67F-15373-00	6 - 13	67F-41138-00	25 - 18
67F-11537-00	5 - 14	67F-12168-80	5 - 10	67F-13448-00	2 - 42		35 - 15	68V-24149-00	9 - 26		36 - 22
67F-11590-00	5 - 18	67F-12168-90	5 - 10	67F-13473-01	26 - 16	67F-14398-30	7 - 45	6YJ-24167-00	29 - 7	67F-41213-01	20 - 42
67F-11595-00	5 - 21	67F-12169-A0	5 - 10	67F-13495-00	26 - 18		35 - 19	6YJ-24201-10	29 - 1	67F-41237-00	20 - 39
60C-11603-00	3 - 9	67F-12169-B0	5 - 10	67F-13631-03	26 - 22	67F-14440-00	6 - 19	6Y1-24260-12	29 - 3	682-41237-00	20 - 40
60C-11604-00	3 - 9	67F-12169-C0	5 - 10	67F-13641-00-94	6 - 6	63V-14523-00	7 - 17	6Y1-24268-00	29 - 6	67F-41661-00-94	20 - 36
67F-11654-00	3 - 8	67F-12169-D0	5 - 10	67F-13645-00	6 - 12	6H4-14548-00	7 - 30	6Y2-24305-04	29 - 13	67G-42111-00-4D	17 - 2
		67F-12169-E0	5 - 10		34 - 13		35 - 10	6Y2-24306-42	29 - 8	67G-42115-00	17 - 18

NUMERICAL INDEX
 INDICE NUMERICO

PART NO. CODIGO NO.	REF. NO.	PART NO. CODIGO NO.	REF. NO.	PART NO. CODIGO NO.	REF. NO.	PART NO. CODIGO NO.	REF. NO.	PART NO. CODIGO NO.	REF. NO.	PART NO. CODIGO NO.	REF. NO.
664-42119-00	17 - 3	6H4-42748-00	16 - 24	64E-43850-00	24 - 15	67F-44135-00	20 - 43	6E5-45301-05-8D	27 - 2	688-45930-02-98	28 - 27
63D-42121-30-4D	17 - 56	67F-42756-00	16 - 20	66Y-43851-00	24 - 11	6L6-44150-01	27 - 17	6E5-45318-00	25 - 23	688-45932-60-98	28 - 27
68V-42121-00-4D	17 - 64	67F-42761-00-94	2 - 35	68V-43855-00	24 - 14	67G-44159-00-4D	17 - 45	6E5-45321-00	27 - 13	6E5-45941-00-EL	28 - 27
63D-42126-00	17 - 11	67F-42815-00-4D	16 - 5	6E5-43858-00	23 - 28	67G-44173-00	17 - 46	6E5-45331-00-94	27 - 34	6E5-45943-00-EL	28 - 27
67G-42131-00	17 - 50	67F-42816-00-4D	16 - 6	64E-43858-00	24 - 12	6G8-44191-00	17 - 48	6E5-45332-00-94	27 - 58	6E5-45945-01-EL	28 - 27
6H2-42137-00	17 - 5	67F-42818-00	16 - 9		24 - 18	61A-44311-01	27 - 24	688-45341-10	27 - 7	6E5-45947-00-EL	28 - 27
650-42152-00-94	17 - 19	67F-42828-00-5B	16 - 7	72X-43858-00	24 - 5	6E5-44312-00	28 - 4	6E5-45344-00	27 - 40	6E5-45949-00-EL	28 - 27
67G-42153-00	17 - 25	68V-43111-01-8D	21 - 1	64E-43859-00	24 - 13		28 - 21	6E5-45371-01	28 - 15	6E5-45952-00-EL	28 - 27
67F-42154-00-94	20 - 27	68V-43112-01-8D	21 - 9	6H1-4386K-10	24 - 29	6E5-44315-A0	27 - 31	688-45375-00	28 - 10	6E5-45954-00-EL	28 - 27
67G-42159-00	17 - 21	64E-43126-00	21 - 35	64E-43860-00	24 - 20		36 - 7	663-45376-00-94	28 - 9	6E5-45956-00-EL	28 - 27
6G1-42177-00	17 - 4	64E-43131-01	21 - 14	6E5-43862-00	23 - 10		36 - 29	6E5-45378-00	27 - 10	688-45970-03-98	28 - 27
67G-42508-00	19 - 1	64E-43139-02	22 - 1		23 - 14	6R3-44322-42	27 - 25	688-45383-02	27 - 68	688-45972-02-98	28 - 27
68V-42510-10-8D	22 - 9	64D-43144-00	16 - 14	6G5-43863-00	24 - 10		36 - 24	688-45384-00	27 - 69	688-45974-Q2-98	28 - 27
68V-42510-30-8D	22 - 9	66T-43144-00	21 - 25	6E5-43864-00	23 - 20	60C-44323-40	27 - 30	68V-45501-10	27 - 43	688-45976-01-98	28 - 27
67G-42526-00	19 - 11	6E5-43145-01	30 - 8	6G5-43864-00	23 - 19		36 - 28	68V-45501-30	27 - 43	688-45978-60-98	28 - 27
63D-42527-00	19 - 6	6G5-43148-00	21 - 30	6G5-43865-00	24 - 35	6E5-44352-01	27 - 28	61A-45527-00	27 - 23	6E5-45987-01	28 - 22
63D-42528-00	19 - 17	6G5-43181-02	21 - 27	64E-43865-00	24 - 16		36 - 27	6E5-45536-00	27 - 9	688-45997-01	28 - 23
67G-42541-00	19 - 4	6G5-43185-02	21 - 28	64E-43866-00	23 - 9	68V-44361-10	28 - 2	61A-45538-00	27 - 20	67F-46241-00	5 - 17
67G-42541-10	19 - 7	64E-43311-10-4D	21 - 21	64E-43867-00	23 - 8	68V-44361-30	28 - 2	68V-45551-00	27 - 44	63D-48119-00	17 - 24
624-42542-00	11 - 3	64E-43311-20-4D	21 - 21	64E-43868-00	24 - 3	6E5-44365-00	28 - 3	68V-45560-00	27 - 46	703-48152-00	32 - 57
67G-42546-00	19 - 5	682-43318-01	19 - 8	64E-43869-00	23 - 26		28 - 20	6E5-45567-01-10	27 - 5	703-48153-00	32 - 3
67G-42561-00	19 - 15	61A-43376-00	22 - 7	64E-4387A-00	24 - 23	6E5-44366-00	28 - 1	6E5-45567-01-12	27 - 5	63D-48154-00	17 - 12
67G-42562-00	19 - 16	64E-4380F-00	24 - 33	6E5-43872-00	23 - 12	6H3-44391-01	16 - 23	6E5-45567-01-15	27 - 5	703-48189-00	32 - 17
67F-42610-10-4D	1 - 1	64E-4380J-00	24 - 30	64E-43873-00	24 - 24	67F-44514-00-94	22 - 27	6E5-45567-01-18	27 - 5	703-48198-00	32 - 14
67F-42613-00-4D	1 - 10	68V-43800-01-4D	23 - 1	6E5-43874-01	23 - 21	6G5-44526-00	21 - 3	6E5-45567-01-30	27 - 5	703-48205-A4	31 - 1
67F-42615-00	1 - 13	64E-43802-00	24 - 8	64E-43875-00	24 - 25	67F-44526-00	22 - 30	6E5-45567-01-40	27 - 5		32 - 1
61N-42628-00	1 - 12	64E-43805-00	24 - 37	64E-43879-00	24 - 27	67F-44533-00	22 - 32	6E5-45567-01-50	27 - 5	703-48211-01	32 - 61
67F-42628-00	1 - 19	64E-4381G-00	23 - 27	64E-43879-10	24 - 26	68F-44533-00	2 - 38	68V-45571-00	27 - 60	703-48212-00	32 - 58
67F-42647-00	1 - 2	64E-43810-00	23 - 6	64E-4388E-00	23 - 25	68V-44551-00-8D	22 - 14	6E5-45576-00	27 - 61	703-48213-00	32 - 59
67F-42649-00	1 - 8	6E5-43814-02	23 - 13	64E-4388E-10	24 - 1	68V-44553-00-8D	22 - 24	6L6-45577-00-10	27 - 65	703-48215-00	32 - 43
67F-42652-00	1 - 5	64E-43816-00	24 - 17	64E-4388J-00	23 - 3	61A-44555-01-94	22 - 17	6L6-45577-00-12	27 - 65	703-48218-00	32 - 64
67F-42662-00	1 - 9	64E-43817-00	23 - 5	68V-43880-01	24 - 28	61A-44575-00	22 - 16	6L6-45577-00-15	27 - 65	703-48219-00	32 - 30
67F-42677-10	1 - 14	64E-43817-10	24 - 19	64E-43883-00	23 - 11	68V-45111-11-8D	25 - 20	6L6-45577-00-18	27 - 65	703-48221-00	32 - 56
67F-42678-10	1 - 15	64E-43818-01	23 - 32	64E-43891-00	24 - 31	68V-45111-31-8D	25 - 20	6L6-45577-00-30	27 - 65	703-48222-00	32 - 27
67F-42681-10	1 - 17	64E-4382G-00	23 - 29	64E-43892-00	24 - 34	67F-45113-00	25 - 29	6L6-45577-00-40	27 - 65	703-48223-00	32 - 28
67F-42682-10	1 - 18	64E-43820-00	23 - 15	6E5-43896-00	24 - 9		36 - 13	6L6-45577-00-50	27 - 65	703-48225-00	32 - 29
67F-42710-01-4D	16 - 1	64E-43821-00	23 - 16	64E-43897-00	23 - 24	68V-45123-00	25 - 12	6E5-45587-01-10	27 - 37	703-48226-00	32 - 26
648-42715-00	20 - 24	64E-43822-00	23 - 17	64E-43898-00	23 - 7		36 - 18	6E5-45587-01-12	27 - 37	703-48227-00	32 - 24
61A-42716-00	16 - 33	64E-43825-01	23 - 2	67G-44100-00	17 - 15	67F-45127-00	25 - 19	6E5-45587-01-15	27 - 37	703-48232-00	32 - 62
67F-42717-00	16 - 25	64E-43827-00	24 - 22	67G-44104-00	17 - 16		36 - 19	6E5-45587-01-18	27 - 37	703-48234-00	32 - 18
67F-42724-00	25 - 2	64E-43828-00	23 - 22	67G-44113-00	17 - 22	67F-45151-00	25 - 25	6E5-45587-01-30	27 - 37	703-48235-00	32 - 4
63D-42725-00	17 - 55	64E-43829-00	23 - 23	67F-44117-00	20 - 5	6H3-45155-00	25 - 28	6E5-45587-01-40	27 - 37	63D-48236-00	17 - 23
68V-42725-10	16 - 19	68V-43830-00	24 - 4	68V-44118-00	20 - 19	67F-45181-00-5B	25 - 17	6E5-45587-01-50	27 - 37	703-48236-00	32 - 16
688-42726-10	16 - 22	64E-43831-00	24 - 2	60C-44120-10	20 - 14	688-45214-02	28 - 11	6E5-45611-01	27 - 48	63D-48237-00	17 - 27
6G1-42727-00	25 - 6	64E-4384J-00	23 - 18	60C-44120-30	20 - 14	688-45215-02	28 - 12	68V-45631-01	27 - 56	63D-48238-00	17 - 29
67G-42735-00	18 - 3	64E-43841-00	24 - 7	67F-44121-00	20 - 11	6G5-45251-02	21 - 2	6E5-45633-01	27 - 57	703-48238-00	32 - 22
67F-42738-00-5B	16 - 17	64E-43843-00	24 - 6	688-44122-00	20 - 8	60C-45300-11-4D	27 - 1	6E5-45634-01	27 - 50	703-48243-00	32 - 15
67F-42741-00-4D	16 - 34	64E-43843-10	24 - 38	67G-44132-00	17 - 26	60C-45300-31-4D	27 - 1	6K1-45641-01	27 - 49	703-48244-00	32 - 21



NUMERICAL INDEX
INDICE NUMERICO

PART NO. CODIGO NO.	REF. NO.	PART NO. CODIGO NO.	REF. NO.	PART NO. CODIGO NO.	REF. NO.	PART NO. CODIGO NO.	REF. NO.	PART NO. CODIGO NO.	REF. NO.	PART NO. CODIGO NO.	REF. NO.
703-48245-00	32 - 11	67F-8183R-00	15 - 16	67G-82510-50	18 - 9	67F-85510-01	10 - 4	90119-08M59	6 - 22	90201-16M55	22 - 19
703-48246-00	32 - 23	67F-8183T-00	15 - 18	703-82510-12	32 - 44	663-85518-00	20 - 28	90119-08M66	2 - 5	90201-22M01	27 - 21
701-48248-00	32 - 13	67F-81830-00	15 - 17	63D-8252E-01-4D	18 - 11	67F-85540-02	11 - 1	90119-08M74	19 - 2	90201-24014	10 - 15
703-48252-00	32 - 12	67F-81832-00	15 - 11	63D-8252F-01-4D	18 - 12	689-85547-00	9 - 1	90119-08M91	4 - 20	90201-26M59	21 - 18
67G-48261-00	17 - 17	67F-81836-00	15 - 12	6R3-82521-70	33 - 8	67F-85550-00	10 - 1	90119-10M06	5 - 15	90201-30M92	27 - 66
703-48261-01	32 - 2	67F-81839-00	15 - 21	703-82531-00	32 - 46	67F-85560-01	10 - 2	90119-10M08	25 - 21	90201-38M60	22 - 10
703-48264-00	32 - 6	67F-81840-00	15 - 4	688-82540-11	18 - 4	67F-85570-00	11 - 5	90119-10M72	5 - 22	90202-07M07	20 - 9
703-48265-00	32 - 9	67F-81841-00	15 - 14	703-82540-00	32 - 50	67F-85580-00	10 - 3	90119-10M88	2 - 4	90202-32M19	22 - 18
703-48268-00	32 - 5	67F-81842-00	15 - 20	703-82542-00	32 - 63	68V-85753-00	13 - 6	90119-10M89	28 - 8	90202-40M47	22 - 13
703-48271-00	32 - 60	67F-81846-00	15 - 26	6R3-82553-70	33 - 9		34 - 8	90149-05M13	17 - 7	90204-06M00	12 - 5
703-48281-00	32 - 31	67F-81850-00	15 - 2	67G-82554-01	18 - 5	67F-85757-00	13 - 5	90152-05M07	28 - 13		12 - 9
703-48282-00	32 - 32	67F-81857-00	15 - 9	62Y-82555-00	18 - 6	67F-85790-00	13 - 4	90159-06M18	17 - 47		12 - 12
703-48284-00	32 - 52	67F-81869-00	15 - 23	682-82556-00	18 - 22	61A-85885-00	13 - 12	90159-06M28	16 - 36	90206-10M04	20 - 48
701-48287-00	32 - 42	67F-81891-00	15 - 15		32 - 48	66T-87149-00	12 - 13	90159-06M29	4 - 30	90206-12M00	20 - 31
703-48291-10	32 - 39	60C-81916-00	12 - 34	63D-82563-10	13 - 26	9E450-04433	33 - 2		12 - 35	90206-12M22	17 - 59
703-48293-10	32 - 41	67F-81919-00	12 - 37	67G-82563-00	18 - 25	9E450-04533	33 - 3	90167-05009	14 - 2	90206-15M18	16 - 11
701-48320-70	31 - 2	6G1-8194A-10	12 - 3	703-82563-02	32 - 55	90101-12M05	21 - 38	90170-06M30	12 - 4	90206-22M19	27 - 22
67G-48321-10	17 - 36	67F-81941-01	15 - 22	6E3-8257H-00	16 - 42	90101-12M09	17 - 57		12 - 8	90249-06M19	21 - 31
663-48344-00	20 - 3	67F-81942-00	12 - 22	689-8257Y-00	18 - 23	90105-10M00	28 - 16		12 - 11	90250-08M07	27 - 55
	20 - 25	67F-81948-00	12 - 19	688-82575-01	32 - 47	90105-10M89	4 - 19	90170-16M01	27 - 45	90269-02M09	17 - 6
703-48345-01	32 - 19	6E5-8195B-01	12 - 7	69W-82575-00	18 - 21	90109-06M80	16 - 37	90170-40003	5 - 24	90280-04M05	27 - 29
703-48358-00	32 - 20	6E5-8195C-01	12 - 10	676-82577-00	18 - 10	90109-06M81	16 - 27	90171-18M04	28 - 25		36 - 32
68V-48511-00-8D	22 - 34	6G1-81952-00	12 - 6		32 - 45	90109-06M82	16 - 8	90179-06M24	1 - 11	90280-04008	5 - 25
67G-48531-00	17 - 37	67F-81953-00	12 - 16	688-8258A-20	32 - 49		16 - 31	90179-24002	10 - 16	90280-05015	10 - 14
63D-48538-00	17 - 43	67F-81960-10	11 - 23	60C-82586-00	14 - 3	90109-06M86	13 - 29	90185-05002	28 - 14	90282-04010	27 - 67
66R-48538-00	17 - 41	67F-82105-00	12 - 2	6E5-82587-00	13 - 27		16 - 15	90185-08057	19 - 14	90340-08002	27 - 6
67F-48538-00	20 - 1	67F-82116-00	12 - 15	6E5-82588-00	16 - 26		16 - 21	90185-09M01	30 - 6	90340-14M06	2 - 6
6E5-61350-02	30 - 1	6G5-82119-00	12 - 14	67F-82588-00	12 - 30		16 - 29	90185-10M14	19 - 9		26 - 3
6E5-61351-01	30 - 2	682-82119-01	12 - 1	67F-82590-03	12 - 24		20 - 2	90185-10051	17 - 66	90344-51019	4 - 4
6E5-61355-00	30 - 5	703-82119-00	22 - 4	703-82591-00	32 - 53	90109-06M96	16 - 18		22 - 36	90386-06M12	20 - 12
67F-8132G-01	13 - 1	6E5-82148-00	21 - 6	703-82592-00	32 - 54	90109-12M37	22 - 29	90185-12M12	17 - 63	90386-08032	17 - 10
445-81328-20	10 - 7		21 - 10	703-82594-00	32 - 25	90109-14MA7	22 - 21		22 - 33	90386-10M16	21 - 29
66T-81328-00	10 - 8	66K-82149-00	21 - 24	703-83383-A0	32 - 51	90116-10175	17 - 65	90185-22M11	21 - 19	90386-12M93	17 - 61
67F-81332-00	10 - 17	68V-82149-30	21 - 24	6Y5-8350T-02	33 - 1		22 - 35	90201-05M03	13 - 21	90386-12069	20 - 33
67F-81337-01	10 - 20	1E6-82151-00	33 - 7	6Y5-83504-20	14 - 1	90119-06MA2	2 - 23	90201-06M31	20 - 47	90386-15M73	16 - 10
63D-81345-20	10 - 5	67F-82151-00	12 - 25	6Y5-83553-00	33 - 6	90119-06MA4	2 - 15	90201-06068	16 - 12	90386-22M98	21 - 36
67F-81673-00	10 - 9	67F-82151-10	12 - 26	6G5-83557-00	18 - 2	90119-06M10	27 - 16		20 - 30		23 - 33
67F-81800-02	15 - 1	68V-82317-00	11 - 2	6E5-83558-00	28 - 18	90119-06M59	11 - 4	90201-08M01	19 - 3	90386-25M31	21 - 17
67F-81801-00	15 - 5	67F-82341-00	11 - 15	6E5-83558-10	27 - 12	90119-06M82	6 - 20	90201-08M12	9 - 33	90386-26MA3	17 - 49
67F-81807-00	15 - 10	67F-82342-00	11 - 16	67F-83614-00	13 - 28	90119-06M83	9 - 29	90201-08M14	23 - 30	90386-38M32	22 - 12
67F-81808-00	15 - 8	67F-82343-00	11 - 19	6A1-83625-41	10 - 26	90119-06M92	10 - 23	90201-09M02	20 - 17	90386-90M90	20 - 16
67F-81809-00	15 - 19	67F-82344-00	11 - 20	6A1-83625-51	10 - 27	90119-07234	4 - 7	90201-10M02	20 - 46	90387-05M00	13 - 19
67F-81810-00	15 - 3	67F-82361-00	11 - 17	67F-83626-00	12 - 36	90119-07235	4 - 5	90201-10M20	30 - 7	90387-06M43	16 - 39
67F-81813-00	15 - 6		11 - 21	67F-83635-00	13 - 18		9 - 35	90201-10M70	19 - 10	90387-06M64	26 - 12
67F-81820-00	15 - 7	67F-82362-00	11 - 18	64E-83672-02	22 - 3	90119-08M14	27 - 33	90201-12M05	21 - 40	90387-06M71	10 - 21
67F-81821-00	15 - 13		11 - 22	63D-83728-00	18 - 28		36 - 31	90201-12M09	22 - 31	90387-06M82	20 - 44
6K7-81826-10	15 - 24	67F-82377-00	16 - 40	60C-8431R-00	14 - 5	90119-08M22	16 - 2	90201-13M01	21 - 39	90387-08M37	16 - 4
67F-81828-00	15 - 25	68V-82504-00	13 - 25	72X-85075-L0	24 - 21	90119-08M58	25 - 1	90201-15M58	22 - 20	90387-10M05	21 - 32



NUMERICAL INDEX
INDICE NUMERICO

PART NO. CODIGO NO.	REF. NO.	PART NO. CODIGO NO.	REF. NO.	PART NO. CODIGO NO.	REF. NO.	PART NO. CODIGO NO.	REF. NO.	PART NO. CODIGO NO.	REF. NO.	PART NO. CODIGO NO.	REF. NO.
90387-10M08	4 - 18	90465-11M59	8 - 13	92907-06600	26 - 11	92995-06600	18 - 16	93210-24M79	4 - 36	93700-06M03	21 - 23
90387-10M61	30 - 3	90465-12M03	6 - 16	92990-04100	33 - 4		18 - 18		34 - 3	94702-00391	4 - 37
90387-12M02	17 - 60	90465-13M11	12 - 33	92990-06100	1 - 3		18 - 20	93210-30682	9 - 28	95333-08600	15 - 31
90401-20145	2 - 40		18 - 24	92990-06600	21 - 12		18 - 27		34 - 15	95380-04600	33 - 5
90430-06014	6 - 8	90465-13M18	16 - 32		25 - 27		20 - 7	93210-32738	9 - 8	95380-05600	20 - 41
90430-08020	27 - 8	90465-13M24	18 - 29	92990-08600	32 - 34		20 - 21	93210-37MH7	22 - 11		32 - 7
	36 - 2	90465-13M30	18 - 30	92990-12200	17 - 58		20 - 35	93210-37160	27 - 27	95380-06600	1 - 4
90430-08143	4 - 16	90467-20M15	2 - 33	92990-12600	17 - 62		20 - 38		36 - 6		16 - 35
	34 - 2		6 - 15		20 - 32		21 - 8		36 - 26		17 - 13
90430-14M09	26 - 4	90468-10005	17 - 39	92990-18200	28 - 24		25 - 10	93210-40M10	6 - 5		32 - 40
	36 - 20		17 - 44	92995-05100	13 - 23		25 - 14		35 - 18	95380-08600	9 - 12
90430-14115	2 - 7	90468-18008	20 - 4	92995-05600	13 - 14		25 - 31	93210-41MJ2	6 - 21	95380-12600	21 - 41
	34 - 6		20 - 10		13 - 24		26 - 6		34 - 14	95380-14600	22 - 22
90445-07ME8	27 - 11		20 - 13	92995-06100	10 - 12		26 - 27	93210-55M14	27 - 39	95780-10300	22 - 8
90445-07ME9	27 - 11		20 - 26		11 - 7	92995-08100	21 - 16		36 - 9	97013-08016	15 - 29
90445-076K2	28 - 17	90480-01008	14 - 4		11 - 10	92995-08600	2 - 30	93210-58144	27 - 14	97013-08045	15 - 27
90445-10MG6	8 - 19	90480-10M23	13 - 20		11 - 25		4 - 14		36 - 3	97027-06025	26 - 10
90445-10MG7	8 - 20	90480-12072	2 - 11		11 - 28		6 - 10	93210-86M38	27 - 26	97075-06020	2 - 26
90445-10M16	8 - 18		4 - 25		12 - 28		17 - 31		36 - 5		4 - 10
90445-10M40	2 - 16	90480-13M24	16 - 38		21 - 5		19 - 13		36 - 25	97075-06025	20 - 20
90445-13M01	29 - 9	90480-15M31	10 - 22	92995-06600	1 - 7		27 - 42	93210-86M39	27 - 64		26 - 5
90445-13M11	9 - 15	90480-20M05	2 - 20		2 - 10	92995-10100	22 - 26		36 - 11	97075-06030	25 - 13
90445-13M27	9 - 4	90480-22M15	16 - 3		2 - 27		28 - 7	93306-208U0	27 - 59	97075-06070	25 - 9
90445-13M35	29 - 11	90501-10326	7 - 18		2 - 37	92995-14600	22 - 23	93315-425U7	27 - 47	97075-08025	2 - 29
90445-15M03	5 - 20	90501-11M10	27 - 19		4 - 11	93101-28M16	27 - 35	93315-430U8	27 - 62		4 - 13
90445-16M07	8 - 21	90501-12082	20 - 23		4 - 28		36 - 8	93315-628U9	27 - 3	97075-08035	6 - 9
90446-24M79	18 - 1	90501-16M11	2 - 19		4 - 34	93101-30M17	27 - 63	93317-330U2	27 - 36	97075-10040	22 - 25
90464-09M47	13 - 15	90501-16M37	27 - 51		6 - 18		36 - 10	93332-000U7	27 - 4	97075-10045	28 - 6
	13 - 30	90501-23215	17 - 9		8 - 25	93101-48001	3 - 3	93341-930V2	27 - 38	97080-08016	23 - 31
90464-10M57	8 - 22	90506-14M24	21 - 34		9 - 14		34 - 11	93410-22M11	21 - 37	97095-06010	6 - 7
90465-06M86	11 - 12	90506-16M34	16 - 16		10 - 13	93102-08M43	24 - 36	93410-37M04	22 - 15		13 - 10
	13 - 9	90506-16M39	5 - 19		10 - 19	93102-38M59	5 - 16	93420-36M01	25 - 24		21 - 7
90465-08M23	16 - 28	90560-12M01	30 - 4		11 - 8		34 - 5	93430-06024	32 - 10		21 - 26
90465-08M63	21 - 22	91490-20010	17 - 14		11 - 11	93102-48008	3 - 2	93501-04M02	20 - 22		25 - 30
90465-08M83	8 - 23	91490-20015	20 - 18		11 - 14		34 - 10	93503-16003	27 - 54	97095-06012	1 - 6
90465-11M10	2 - 17	91490-40030	28 - 26		11 - 26	93106-09014	27 - 15	93507-32009	27 - 52		6 - 17
	2 - 32	91609-25014	9 - 32		11 - 29		36 - 4	93511-32017	27 - 53		8 - 24
	2 - 41	91690-30018	20 - 29		12 - 18	93210-04228	7 - 33	93604-12M07	26 - 28		11 - 13
	6 - 14	91690-30020	21 - 33		12 - 21		35 - 12	93605-10108	5 - 13		12 - 31
	9 - 3	91690-30025	17 - 20		12 - 29	93210-04230	7 - 26	93606-12019	2 - 3		20 - 34
	9 - 10	91690-50014	6 - 11		12 - 32		35 - 6		26 - 7		17 - 34
	9 - 27	91809-08006	4 - 6		13 - 3	93210-08287	29 - 14		27 - 32	97095-06014	17 - 38
	13 - 11		9 - 36		13 - 8	93210-09165	20 - 15		36 - 30		17 - 42
	13 - 16	92903-08100	15 - 32		17 - 33		36 - 17	93606-19M23	25 - 15		18 - 7
	14 - 6	92903-08600	15 - 28		17 - 35	93210-10M74	23 - 4	93608-12M05	28 - 5	97095-06016	9 - 13
	21 - 20		15 - 30		17 - 52	93210-16275	30 - 9	93608-16M16	25 - 5		12 - 17
	22 - 6	92903-10600	17 - 8		17 - 54	93210-19MJ1	26 - 29		25 - 22		12 - 20
	28 - 19	92907-04600	4 - 24		18 - 8		36 - 12	93700-06M03	21 - 13		13 - 2

NUMERICAL INDEX
INDICE NUMERICO

PART NO. CODIGO NO.	REF. NO.	PART NO. CODIGO NO.	REF. NO.	PART NO. CODIGO NO.	REF. NO.	PART NO. CODIGO NO.	REF. NO.	PART NO. CODIGO NO.	REF. NO.
97095-06016	13 - 7	98580-04008	7 - 31						
	16 - 13	98580-04010	32 - 35						
97095-06020	2 - 9	98580-05010	32 - 37						
	11 - 9	98586-05016	29 - 4						
	11 - 27	98785-05014	17 - 28						
	12 - 27	99001-08600	27 - 18						
	18 - 17	99530-08012	10 - 10						
97095-06025	2 - 36								
	4 - 33								
	11 - 24								
	18 - 15								
	20 - 37								
97095-06030	4 - 27								
	10 - 11								
	11 - 6								
	17 - 32								
	18 - 19								
	21 - 4								
97095-06035	20 - 45								
97095-06040	20 - 6								
97095-06045	26 - 26								
97095-08014	4 - 15								
97095-08020	21 - 15								
97095-08025	19 - 12								
	27 - 41								
97095-08040	17 - 30								
97380-05025	32 - 8								
97380-08030	32 - 33								
97575-08445	22 - 28								
97575-08540	25 - 4								
97607-04110	10 - 6								
97607-04310	24 - 32								
97780-60525	22 - 2								
97803-04010	7 - 8								
97880-06012	21 - 11								
97880-06016	25 - 26								
97885-05010	13 - 13								
97885-05025	13 - 22								
97885-06010	10 - 18								
97885-06016	17 - 53								
	18 - 26								
	22 - 5								
97885-06040	17 - 51								
97980-04114	7 - 10								
	35 - 3								
98507-04008	4 - 23								
98580-03015	32 - 38								
98580-04006	32 - 36								

F100BET
PARTS CATALOGUE
©2002 by Yamaha Motor Co., Ltd.
1st Edition, Aug. 2002
All rights reserved.
Any reprinting or unauthorized use
without the written permission of
Yamaha Motor Co., Ltd.
is expressly prohibited.

F100BET
CATALOGO DE REPUESTOS
©2002, Yamaha Motor Co., Ltd.
1ª edición, Ag. 2002
Reservados todos los derechos.
Se prohíbe expresamente toda reimpresión
o utilización no autorizada de este manual
sin el consentimiento por escrito de
Yamaha Motor Co., Ltd.