

**PARTS
CATALOGUE
CATALOGUE
DE PIÈCES DÉTACHÉES**

F200A '02_(60L1)

F225A '02_(69J1)

FL200A '02_(60M1)

FL225A '02_(69K1)

FOREWORD

This Parts Catalogue is related to the parts for the model(s) in the below frame. When you are ordering replacement parts, please refer to this Parts Catalogue and quote both part numbers and part names correctly.

F200A'02(60L1), F225A'02(69J1),
FL200A'02(60M1), FL225A'02(69K1)

1. Modifications or additions which have been made after issue of the Parts Catalogue will be announced in the Yamaha Parts News.
It is advisable that you make necessary corrections to the Parts Catalogue according to the Yamaha Parts News.

2. Abbreviations

The Following abbreviations are used in this Parts Catalogue.

“UR” Use specified parts number.

“UN” Use as many as needed.

“AP” Alternate Parts

“LM” Local Made
(Parts need to be ordered locally)

“O/S” Over Size

3. Parts, which are to be supplied in an assembly, are listed with a dot(.) in front of the part name as shown below.

EXAMPLE

CARBURETOR ASSY
.JET, PILOT
.NOZZLE, MAIN

4. Number of component for assembly

The numeral appearing to the right of each component part indicates the quantity of parts for each assembly unit.

EXAMPLE

PART NO.	DESCRIPTION	ω	⊕	⊖	REMARKS
6E0-85500-70	C.D.I. MAGNETO ASSY	1			
6E0-85550-70	.ROTOR ASSY	1			
6E0-15723-00-94.	.PULLY, STARTER	1			

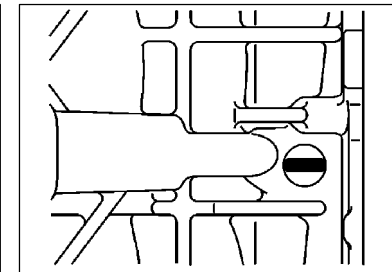
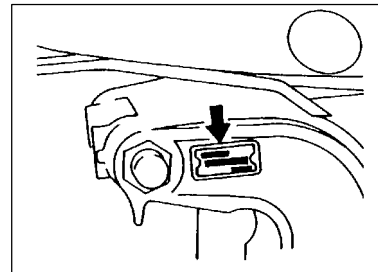
5. Quantity Column Information

NAME for Q'TY COLUMN	APPLICABLE MODEL
69J1	F225AET
60L1	F200AET
69K1	FL225AET
60M1	FL200AET

6. Applicable Starting Serial No. and Color Code

1) Engine Starting Sserial No.

F200AET 60L X : 600101	FL200AET 60M X : 600101
F225AET 69J X : 000101	FL225AET 69K X : 000101



2) Color Code

Color Code	Color Name	Abbreviation
004D	DARK BLUISH GRAY METALLIC 2	DBNM2

7. Note that the illustrations for reference in finding parts numbers, not to be used for assembling. When assembling, please use the applicable service manual.

8. The asterisk (*) before a reference number indicates modification items after the first edition.

CONTENTS

SHEET 1/2

TOP COWLING	A4
CYLINDER. CRANKCASE 1	A6
CRANKSHAFT. PISTON	B2
CYLINDER. CRANKCASE 2	B3
CYLINDER. CRANKCASE 3	B5
VALVE	B6
INTAKE	C2
THROTTLE BODY ASSY 1	C4
THROTTLE BODY ASSY 2	C6
THROTTLE BODY ASSY 3	D1
FUEL INJECTION PUMP 1	D2
FUEL INJECTION PUMP 2	D4
FUEL 1	D5
FUEL 2	D6
GENERATOR	D7
ELECTRICAL 1	E2
ELECTRICAL 2	E4
ELECTRICAL 3	E6
STARTING MOTOR	E7
BOTTOM COWLING 1	F2
BOTTOM COWLING 2	F4
CONTROL 1	F5
CONTROL 2	F7

INDEX

NUMERICAL INDEX	G1
-----------------------	----

SHEET 2/2

CONTROL 3	A4*
BRACKET 1	A5*
BRACKET 2	A7*
POWER TRIM & TILT ASSY 1	B2*
POWER TRIM & TILT ASSY 2	B6*
UPPER CASING	B7*
OIL PAN	C2*
LOWER CASING. DRIVE 1	C3*
LOWER CASING. DRIVE 2	C7*
LOWER CASING. DRIVE 3	D2*
LOWER CASING. DRIVE 4	D6*
STEERING GUIDE ATTACHMENT 1	E1*
STEERING GUIDE ATTACHMENT 2	E2*
REMOTE CONTROL BOX	E3*
METER	E4*
SWITCH. PANEL	E6*
REPAIR KIT 1	E7*
REPAIR KIT 2	F1*

INDEX

NUMERICAL INDEX	G1*
-----------------------	-----

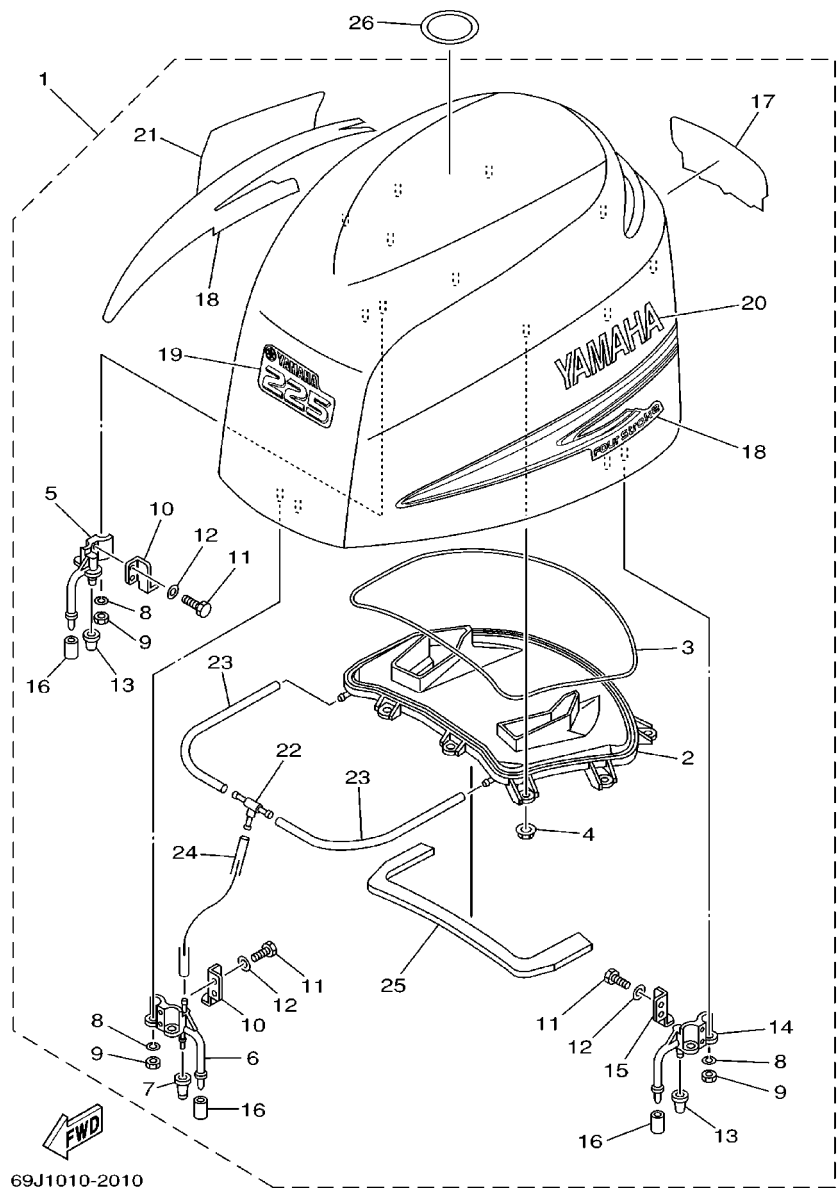


FIG. 1 TOP COWLING

CAPOT SUPERIEUR

REF. NO.	PART NO. NO. PIECES	DESCRIPTION DESCRIPTION	69J1	60L1	69K1	60M1	REMARKS REMARQUES
1	69J-42610-00-8D	TOP COWLING ASSY CAPOT (ENS.)	1		1		
	60L-42610-00-8D	TOP COWLING ASSY CAPOT (ENS.)		1		1	
2	69J-42613-00	.MOLDING, AIR DUCT .MANCHON A AIR	1	1	1	1	
3	69J-42629-00	.SEAL JOINT	1	1	1	1	
4	90179-06M28	.NUT ECROU	9	9	9	9	
5	68F-42647-01-94	.HOLDER, CLAMP BAND .SUPPORT, SANDOW DE SERRAGE	1	1	1	1	
6	69J-42647-00-94	.HOLDER, CLAMP BAND .SUPPORT, SANDOW DE SERRAGE	1	1	1	1	
7	69J-42663-00	.DAMPER .AMORTISSEUR	1	1	1	1	
8	92990-06100	.WASHER, SPRING .RONDELLE, GROWER	6	6	6	6	
9	95380-06600	.NUT, HEXAGON ECROU	6	6	6	6	
10	68F-42651-00	.HOOK .CROCHET	2	2	2	2	
11	97095-06016	.BOLT .BOULON	6	6	6	6	
12	92995-06600	.WASHER .RONDELLE	6	6	6	6	
13	68F-42663-00	.DAMPER .AMORTISSEUR	2	2	2	2	
14	68F-42648-01-94	.HOLDER, CLAMP BAND .SUPPORT, SANDOW DE SERRAGE	1	1	1	1	
15	67F-42652-00	.HOOK .CROCHET	1	1	1	1	
16	67F-13448-00	.CAP .CAPUCHON	3	3	3	3	
17	69J-42678-00	.GRAPHIC, REAR .ADHESIF, ARRIERE	1		1		
	60L-42678-00	.GRAPHIC, REAR .ADHESIF, ARRIERE		1		1	
18	69J-W0070-00	.GRAPHIC SET JEU DIEMBLEMES	1	1	1	1	
19	69J-42677-00	.GRAPHIC, FRONT .ADHESIF, AVANT	1		1		
	60L-42677-00	.GRAPHIC, FRONT .ADHESIF, AVANT		1		1	
20	69J-42681-00	.MARK, COWLING .ADHESIF, CAPOT	1	1	1	1	
21	69J-42682-00	.MARK, COWLING .ADHESIF, CAPOT	1	1	1	1	
22	69J-24378-00	.PIPE, JOINT 4 .DURITE RACCORDEMENT 4	1	1	1	1	
23	90445-11020	.HOSE .DURITE	2	2	2	2	
24	90445-11021	.HOSE .DURITE	1	1	1	1	

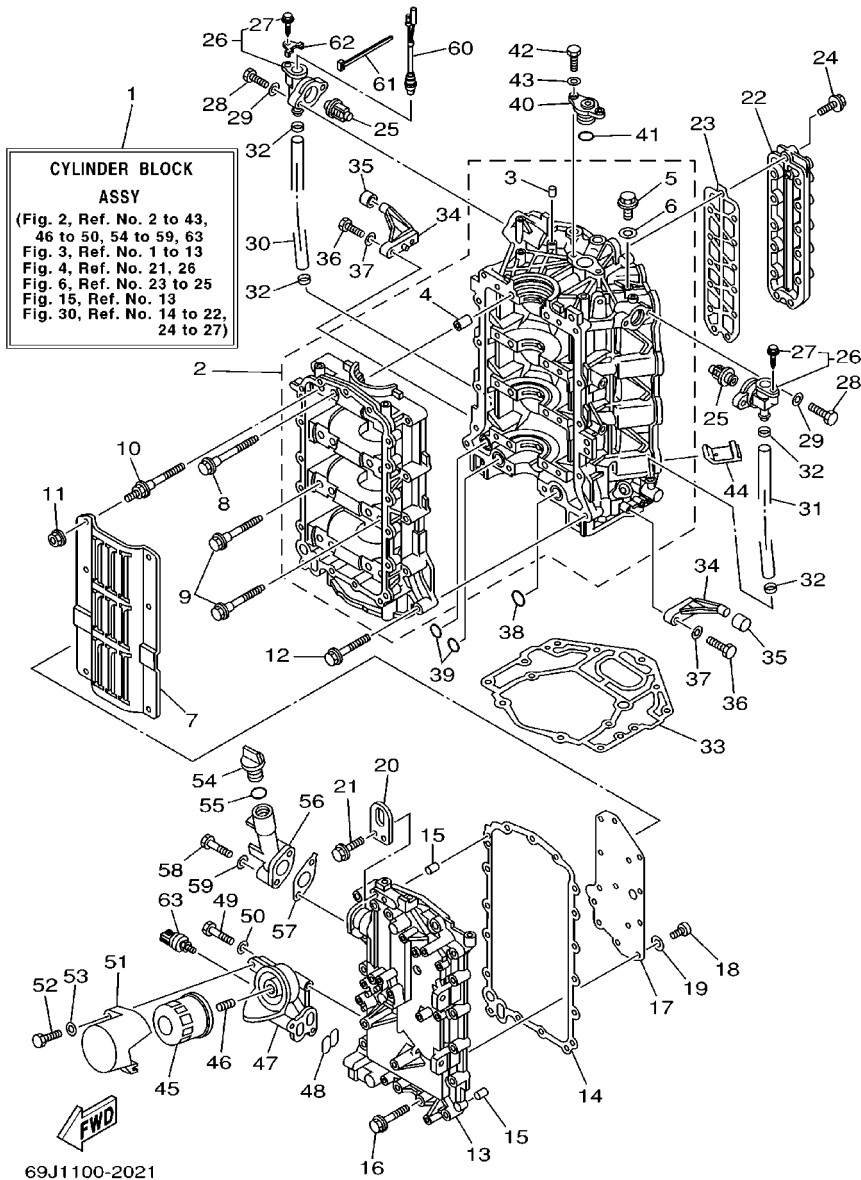


FIG. 2 CYLINDER. CRANKCASE 1 CYLINDRE. CARTER 1

REF. NO.	PART NO. NO. PIECES	DESCRIPTION DESCRIPTION	69J1	60L1	69K1	60M1	REMARKS REMARQUES
1	69J-W009B-01-1S	CYLINDER BLOCK ASSY CYLINDRE GROUPE (ENS.)	1	1	1	1	
2	69J-15100-00-1S	CRANKCASE ASSY CARTER DE MOTEUR COMPLET	1	1	1	1	
3	93606-12019	.PIN, DOWEL .GOUJON	1	1	1	1	
4	91814-18001	.PIN, DOWEL .GOUJON, D'ASSEMBLAGE	8	8	8	8	
5	90340-14M06	.PLUG, STRAIGHT SCREW .PLOT, FILETE DROIT	1	1	1	1	
6	90430-14115	.GASKET .JOINT	1	1	1	1	
7	69J-15123-00	PLATE, BUFFLE 1 PLAQUE DE BUTOIR	1	1	1	1	
8	69J-15187-00	BOLT BOULON	8	8	8	8	
9	69J-15481-00	BOLT 1 BOULON 1	2	2	2	2	
10	69J-15482-00	BOLT 2 BOULON 2	6	6	6	6	
11	95707-06500	NUT, FLANGE ECROU, A COLLERETTE	6	6	6	6	
12	90119-08M66	BOLT, WITH WASHER BOULON, AVEC RONDELLE	13	13	13	13	
13	69J-15411-00-94	COVER, CRANKCASE 1 COUVERCLE1, CARTER MOTEUR	1	1	1	1	
14	69J-15451-00	GASKET, CRANKCASE COVER 1 JOINT, COUVERCLE DE CARTER	1	1	1	1	
15	93606-12019	PIN, DOWEL GOUJON	2	2	2	2	
16	90119-08009	BOLT, WITH WASHER BOULON, AVEC RONDELLE	17	17	17	17	
17	69J-11168-00	COVER, BREATHER COUVERCLE, RENIFLARD	1	1	1	1	
18	98507-04008	SCREW, PAN HEAD VIS, TETE TRONCONIQUE	14	14	14	14	
19	92907-04600	WASHER RONDELLE	14	14	14	14	
20	69J-11119-00	HANGER, ENGINE ANNEAU, LEVAGE	1	1	1	1	
21	90119-06MA2	BOLT, WITH WASHER BOULON, AVEC RONDELLE	2	2	2	2	
22	69J-1131C-00-1S	COVER, JOINT COUVERCLE, RACCORDEMENT	1	1	1	1	
23	69J-1131B-00	GASKET, COVER JOINT, COUVERCLE	1	1	1	1	
24	90119-06MA4	BOLT, WITH WASHER BOULON, AVEC RONDELLE	13	13	13	13	
25	67F-12411-00	THERMOSTAT THERMOSTAT	2	2	2	2	
26	69J-1240H-00-1S	COVER ASSEMBLY BOITIER DISTRIBUTEUR COMPLET	2	2	2	2	
27	90109-06M86	.BOLT .BOULON	1	1	1	1	

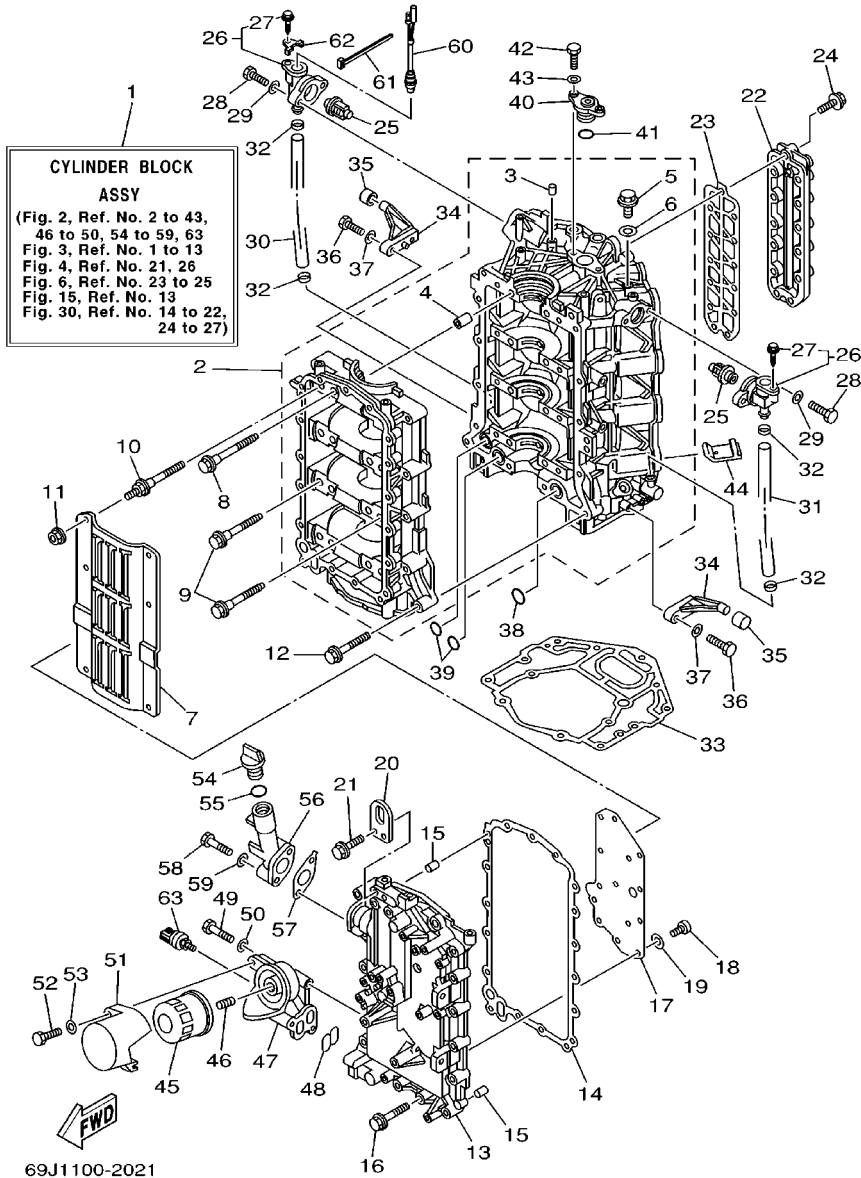


FIG. 2 CYLINDER. CRANKCASE 1 CYLINDRE. CARTER 1

REF. NO.	PART NO. NO. PIECES	DESCRIPTION DESCRIPTION	69J1	60L1	69K1	60M1	REMARKS REMARQUES
28	97095-06025	BOLT BOULON	4	4	4	4	
29	92995-06600	WASHER RONDELLE	4	4	4	4	
30	69J-1243A-00	HOSE 1 DURITE 1	1	1	1	1	
31	69J-1243E-00	HOSE 2 DURITE 2	1	1	1	1	
32	90465-11M10	CLAMP BRIDE	4	4	4	4	
33	69J-11351-00	GASKET, CYLINDER JOINT, D'EMBASE	1	1	1	1	
34	67F-42761-00-94	STOPPER PLAQUETTE	2	2	2	2	
35	68F-44533-00	DAMPER, UPPER MOUNT RUBBER COUVERCLE, SUSPENSION INFERIEU	2	2	2	2	
36	97095-06025	BOLT BOULON	4	4	4	4	
37	92995-06600	WASHER RONDELLE	4	4	4	4	
38	93210-25552	O-RING JOINT TORIQUE	1	1	1	1	
39	93210-19MJ1	O-RING JOINT TORIQUE	2	2	2	2	
40	69J-11313-00-94	PLUG, BLIND PLOT, BORGNE	1	1	1	1	
41	93210-25647	O-RING JOINT TORIQUE	1	1	1	1	
42	97095-06020	BOLT BOULON	2	2	2	2	
43	92995-06600	WASHER RONDELLE	2	2	2	2	
44	69J-14664-00	GROMMET, WATER SHUT PASSE-FIL	2	2	2	2	
45	69J-13440-00	ELEMENT ASSY, OIL CLEANER ELEMENT, FILTRE A HUILE	1	1	1	1	
46	69J-12858-00	BOLT, UNION BOULON, RACCORD	1	1	1	1	
47	69J-13446-00-94	CONNECTOR CONNECTEUR	1	1	1	1	
48	69J-13477-00	GASKET JOINT	1	1	1	1	
49	97095-06045	BOLT BOULON	3	3	3	3	
50	92995-06600	WASHER RONDELLE	3	3	3	3	
51	69J-13447-00	COVER, OIL ELEMENT COUVERCLE, ELEMENT A HUILE	1	1	1	1	
52	97095-06040	BOLT BOULON	1	1	1	1	
53	92995-06600	WASHER RONDELLE	1	1	1	1	
54	6G8-15363-00	PLUG, OIL PLOT, HUILE	1	1	1	1	

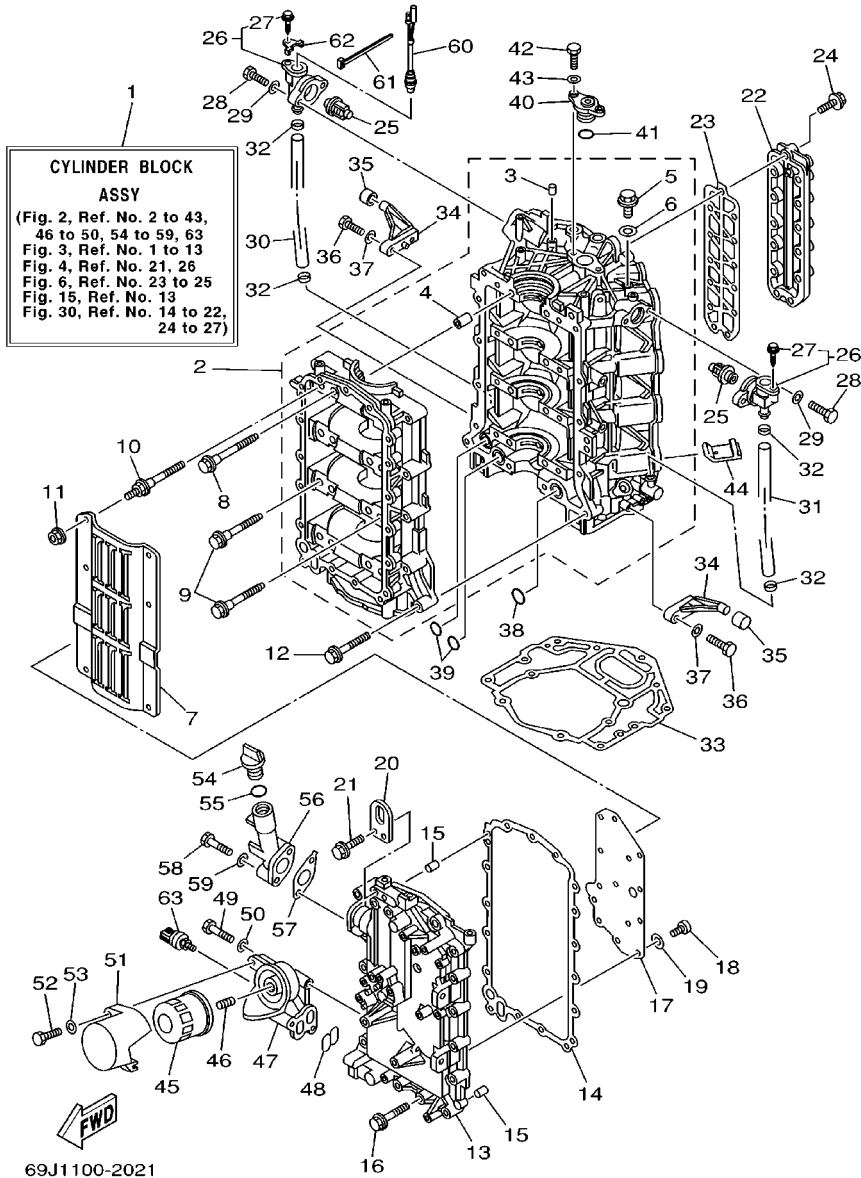
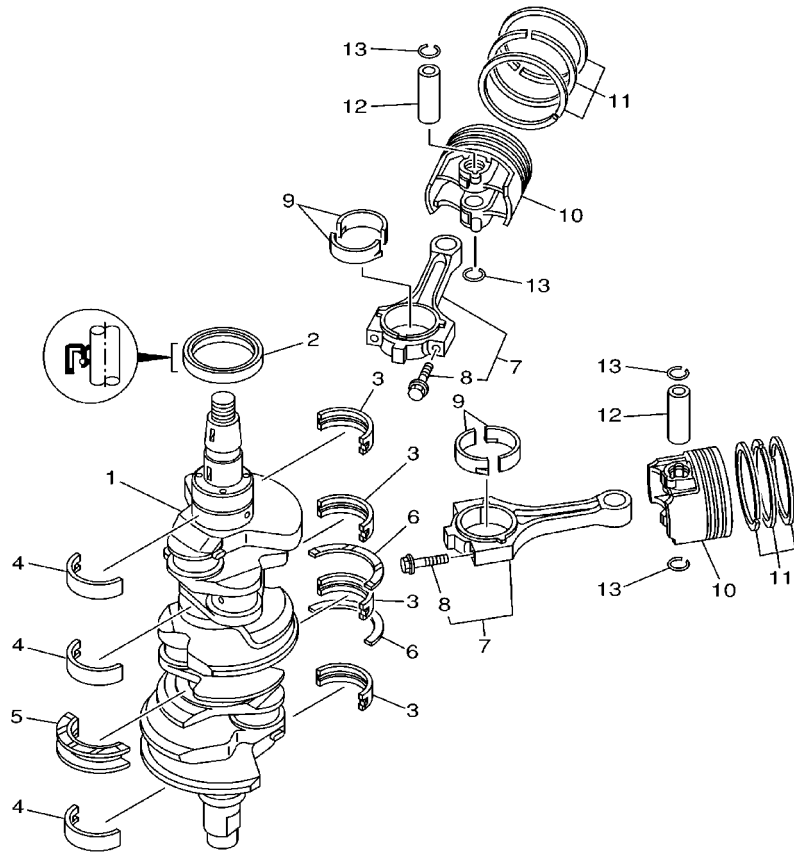


FIG. 2 CYLINDER. CRANKCASE 1 CYLINDRE. CARTER 1

REF. NO.	PART NO. NO. PIECES	DESCRIPTION DESCRIPTION	69J1	60L1	69K1	60M1	REMARKS REMARQUES
55	93210-24M79	O-RING JOINT TORIQUE	1	1	1	1	
56	69J-15319-00-1S	JOINT JOINT	1	1	1	1	
57	69J-15364-A0	GASKET, OIL PLUG JOINT, PLOT D'HUILE	1	1	1	1	
58	97095-06045	BOLT BOULON	2	2	2	2	
59	92995-06600	WASHER RONDELLE	2	2	2	2	
60	69J-82560-00	THERMO SWITCH ASSY THERMO-CONTACT COMPLET	2	2	2	2	
61	90465-11M10	CLAMP BRIDE	2	2	2	2	
62	6E9-82588-00	PLATE PLAQUE	2	2	2	2	
63	69J-83651-00	SENDER, OIL PRESSURE RACCORD, PRESSION D'HUILE	1	1	1	1	

FIG. 3 CRANKSHAFT. PISTON

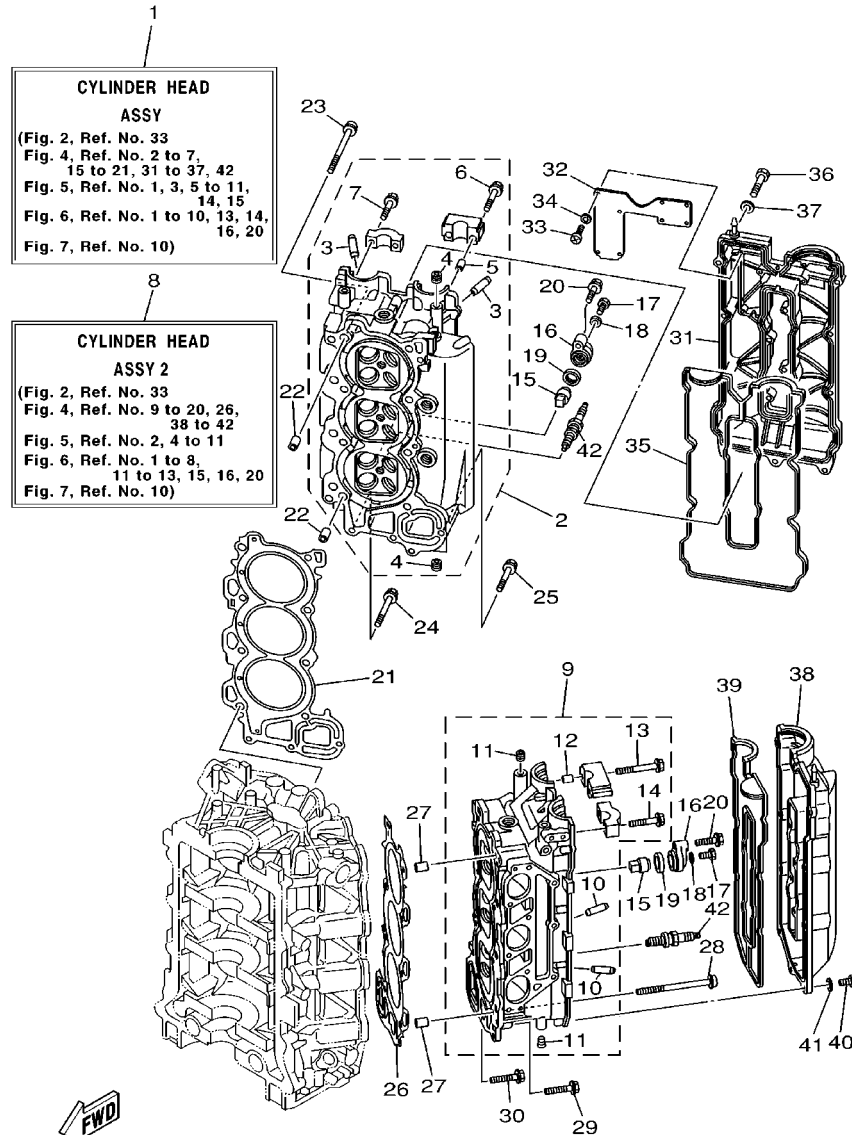
VILEBREQUIN. PISTON



REF. NO.	PART NO. NO. PIECES	DESCRIPTION DESCRIPTION	69J1	60L1	69K1	60M1	REMARKS REMARQUES
1	69J-11411-00	CRANKSHAFT VILEBREQUIN COMPLET	1	1	1	1	
2	93102-63004	OIL SEAL JOINT SPY	1	1	1	1	
3	69J-11416-00	PLANE BEARING, CRANKSHAFT 1 COUSSINET DE VILEBREQUIN	4	4	4	4	UR #1
	69J-11416-10	PLANE BEARING, CRANKSHAFT 1 COUSSINET DE VILEBREQUIN	4	4	4	4	UR #2
	69J-11416-20	PLANE BEARING, CRANKSHAFT 1 COUSSINET DE VILEBREQUIN	4	4	4	4	UR #3
4	69J-11417-00	PLANE BEARING, CRANKSHAFT 2 COUSSINET DE VILEBREQUIN	3	3	3	3	UR #1
	69J-11417-10	PLANE BEARING, CRANKSHAFT 2 COUSSINET DE VILEBREQUIN	3	3	3	3	UR #2
	69J-11417-20	PLANE BEARING, CRANKSHAFT 2 COUSSINET DE VILEBREQUIN	3	3	3	3	UR #3
5	69J-11426-00	PLANE BEARING, CRANKSHAFT 1 COUSSINET, VILEBREQUIN 1	1	1	1	1	UR #1
	69J-11426-10	PLANE BEARING, CRANKSHAFT 1 COUSSINET, VILEBREQUIN 1	1	1	1	1	UR #2
	69J-11426-20	PLANE BEARING, CRANKSHAFT 1 COUSSINET, VILEBREQUIN 1	1	1	1	1	UR #3
6	69J-11427-00	PLANE BEARING, CRANKSHAFT 2 COUSSINET, VILEBREQUIN 2	2	2	2	2	
7	69J-W1165-00	CONNECTING ROD ASSY BIELLE COMPLETE	6	6	6	6	
8	69J-11654-00	.BOLT, CONNECTING ROD .BOULON, BIELLE	2	2	2	2	
9	69J-11656-00	PLANE BEARING, CONNECTING ROD ROULEMENT DE BIELLE	12	12	12	12	UR YELLOW
	69J-11656-10	PLANE BEARING, CONNECTING ROD ROULEMENT DE BIELLE	12	12	12	12	UR GREEN
	69J-11656-20	PLANE BEARING, CONNECTING ROD ROULEMENT DE BIELLE	12	12	12	12	UR BLUE
10	69J-11631-00-B0	PISTON (STD) PISTON (STD)	6	6	6	6	
11	69J-11603-00	PISTON RING SET (STD) JUE DE SEGMENTS (STD)	6	6	6	6	
12	69J-11633-00	PIN, PISTON AXE, PISTON	6	6	6	6	
13	69J-11634-00	CLIP, PISTON PIN AGRAFE, AXE DE PISTON	12	12	12	12	

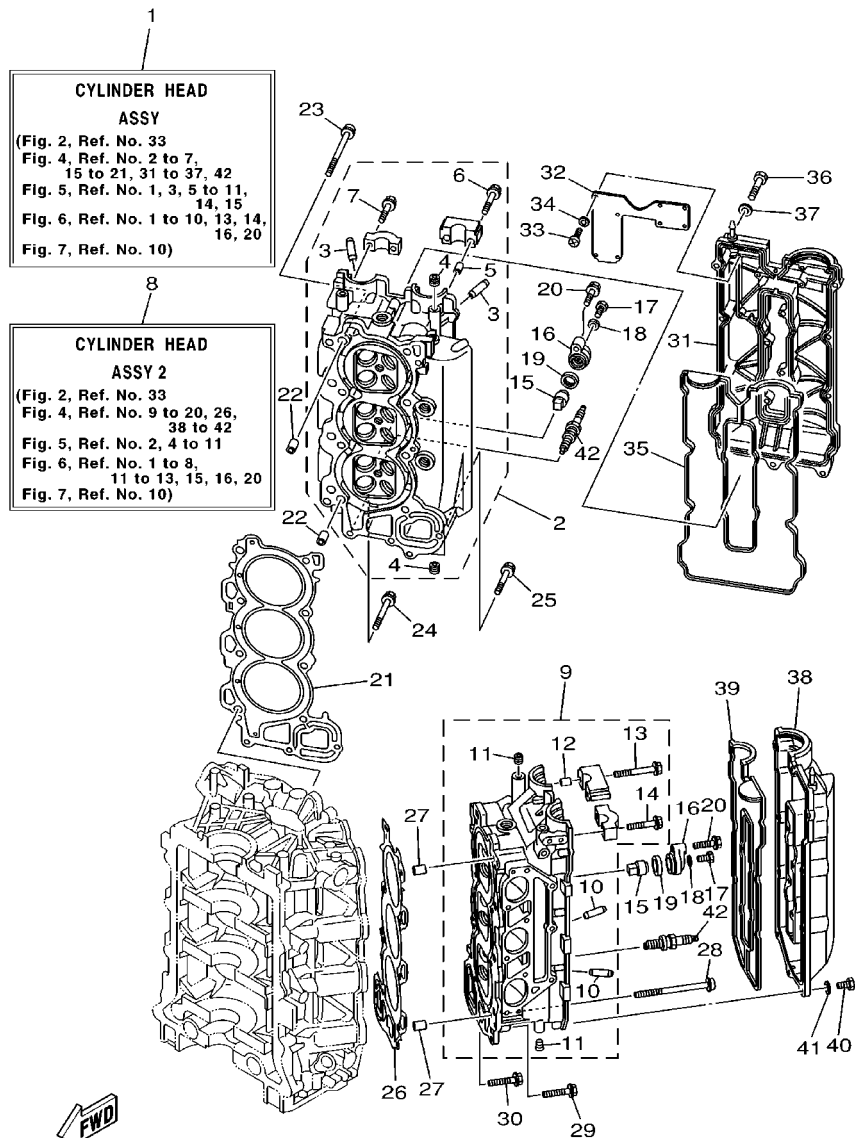

69J1010-2030

FIG. 4 CYLINDER. CRANKCASE 2 CYLINDRE. CARTER 2



69J1100-2041

REF. NO.	PART NO. NO. PIECES	DESCRIPTION DESCRIPTION	69J1	60L1	69K1	60M1	REMARKS REMARQUES
1	69J-W009A-01-1S	CYLINDER HEAD ASSY CULASSE (ENS.)	1	1	1	1	
2	69J-11110-00-94	CYLINDER HEAD ASSY JEU DE CULASSE	1	1	1	1	
3	69J-11133-10	.GUIDE, INTAKE VALVE .GUIDE, SOUP D'ADM	12	12	12	12	
4	90344-51019	.PLUG, TAPER SCREW .PLOT, FILETE CONIQUE	5	5	5	5	
5	91809-08006	.PIN, DOWEL .GOUJON, D'ASSEMBLAGE	2	2	2	2	
6	90119-07235	.BOLT, WITH WASHER .BOULON, AVEC RONDELLE	2	2	2	2	
7	90119-07234	.BOLT, WITH WASHER .BOULON, AVEC RONDELLE	18	18	18	18	
8	69J-W009C-01-1S	CYLINDER HEAD ASSY 2 CULASSE 2	1	1	1	1	
9	69J-11120-00-94	CYLINDER HEAD ASSY 2 CULASSE 2	1	1	1	1	
10	69J-11133-10	.GUIDE, INTAKE VALVE .GUIDE, SOUP D'ADM	12	12	12	12	
11	90344-51019	.PLUG, TAPER SCREW .PLOT, FILETE CONIQUE	5	5	5	5	
12	91809-08006	.PIN, DOWEL .GOUJON, D'ASSEMBLAGE	2	2	2	2	
13	90119-07235	.BOLT, WITH WASHER .BOULON, AVEC RONDELLE	2	2	2	2	
14	90119-07234	.BOLT, WITH WASHER .BOULON, AVEC RONDELLE	14	14	14	14	
15	67F-11325-00	ANODE ANODE	4	4	4	4	
16	69J-11327-00-94	COVER, ANODE COUVERCLE	4	4	4	4	
17	97075-06020	BOLT BOULON	4	4	4	4	
18	92995-06600	WASHER RONDELLE	4	4	4	4	
19	67F-11328-00	GROMMET, ANODE PASSE-FIL	4	4	4	4	
20	97575-08540	BOLT, WITH WASHER VIS HEXAGONAL AVEC RONDELLE	4	4	4	4	
21	69J-11181-01	GASKET, CYLINDER HEAD 1 JOINT, DE CULASSE 1	1	1	1	1	
22	90387-10M08	COLLAR COLLERETTE	2	2	2	2	
23	90155-10001	SCREW, FLAT FILLISTER VIS, TETE OVALE PLATE	8	8	8	8	
24	90119-08M91	BOLT, WITH WASHER BOULON, AVEC RONDELLE	2	2	2	2	
25	90119-08021	BOLT, WITH WASHER BOULON, AVEC RONDELLE	1	1	1	1	
26	69J-11182-01	GASKET, CYLINDER HEAD 2 JOINT, CULASSE 2	1	1	1	1	
27	90387-10M08	COLLAR COLLERETTE	2	2	2	2	

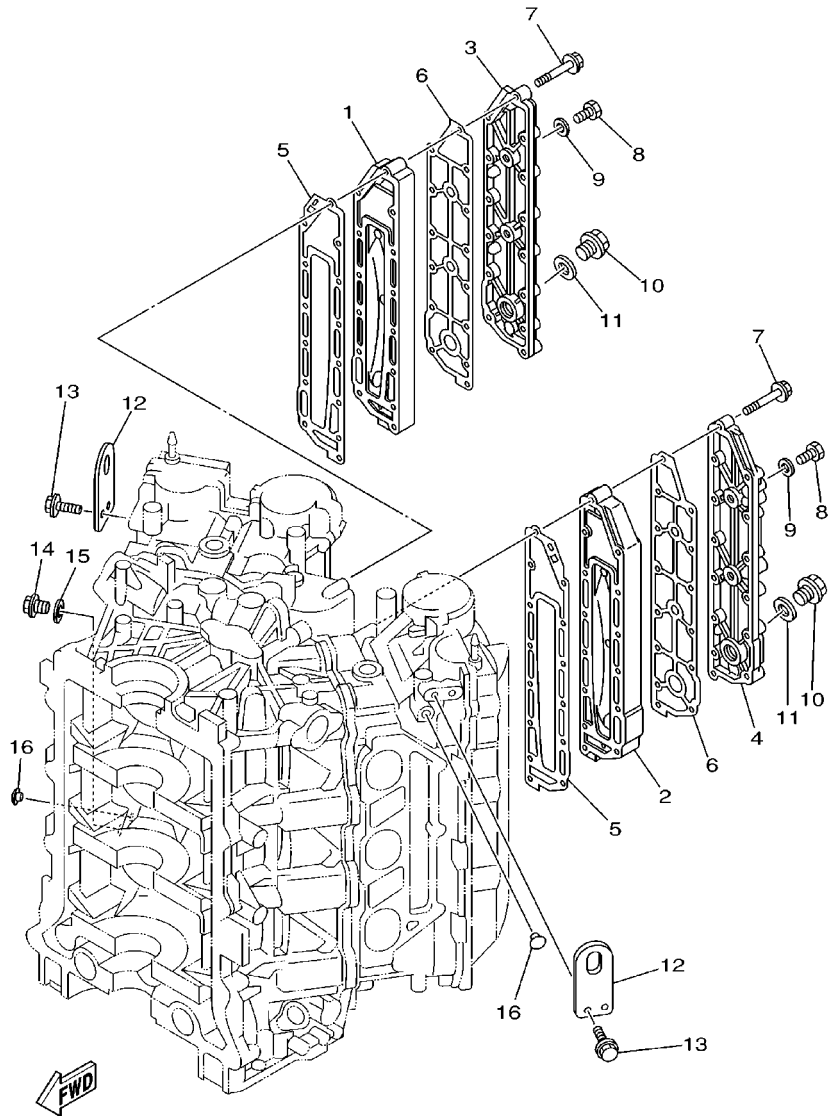


69J1100-2041

FIG. 4 CYLINDER. CRANKCASE 2 CYLINDRE. CARTER 2

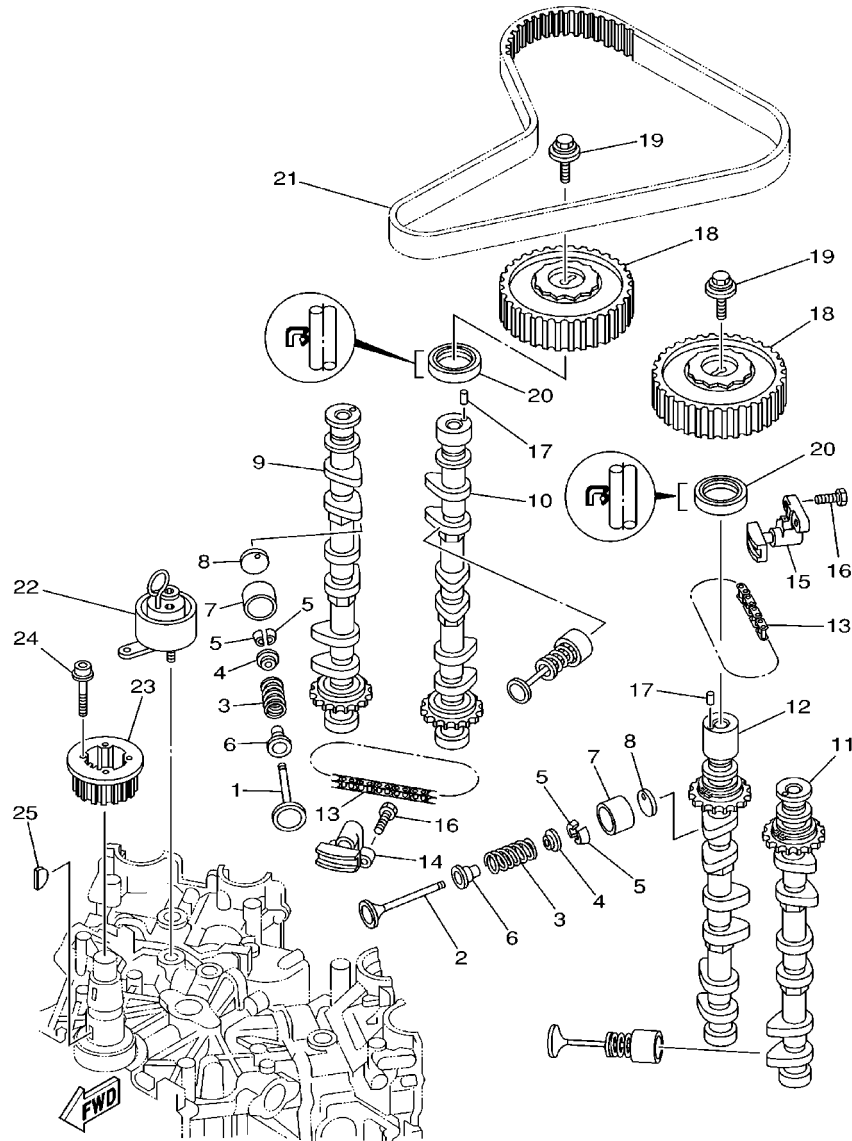
REF. NO.	PART NO. NO. PIECES	DESCRIPTION DESCRIPTION	69J1	60L1	69K1	60M1	REMARKS REMARQUES
28	90155-10001	SCREW, FLAT FILLISTER VIS, TETE OVALE PLATE	8	8	8	8	
29	90119-08M91	BOLT, WITH WASHER BOULON, AVEC RONDELLE	2	2	2	2	
30	90119-08021	BOLT, WITH WASHER BOULON, AVEC RONDELLE	1	1	1	1	
31	69J-11191-00-1S	COVER, CYLINDER HEAD 1 COUVERCLE, CULASSE 1	1	1	1	1	
32	69J-11135-00	PLATE, BREATHER 3 PLAQUE, RENIFLARD 3	1	1	1	1	
33	98507-04008	SCREW, PAN HEAD VIS, TETE TRONCONIQUE	8	8	8	8	
34	92907-04600	WASHER RONDELLE	8	8	8	8	
35	69J-11193-00	GASKET, HEAD COVER 1 JOINT, COUVERCLE DE CULASSE 1	1	1	1	1	
36	97095-06030	BOLT BOULON	14	14	14	14	
37	92995-06600	WASHER RONDELLE	14	14	14	14	
38	69J-11192-00-1S	COVER, CYLINDER HEAD 2 COUVERCLE, CULASSE 2	1	1	1	1	
39	69J-11194-00	GASKET, HEAD COVER 2 JOINT, COUVERCLE DE CULASSE 2	1	1	1	1	
40	97095-06030	BOLT BOULON	14	14	14	14	
41	92995-06600	WASHER RONDELLE	14	14	14	14	
42	94702-00391	PLUG, SPARK (NGK LFR5A-11) BOUGIE D'ALLUMAGE (NGK LFR5A-11)	6	6	6	6	

FIG. 5 CYLINDER. CRANKCASE 3 CYLINDRE. CARTER 3



69J1010-2051

REF. NO.	PART NO. NO. PIECES	DESCRIPTION DESCRIPTION	69J1	60L1	69K1	60M1	REMARKS REMARQUES
1	69J-41111-00-1S	INNER COVER, EXHAUST PLAQUE, ECHAPPEMENT	1	1	1	1	
2	69J-41121-00-1S	INNER COVER, EXHAUST PLAQUE, ECHAPPEMENT	1	1	1	1	
3	69J-41113-00-1S	OUTER COVER, EXHAUST COUVERCLE, ECHAPPEMENT	1	1	1	1	
4	69J-41123-00-1S	OUTER COVER, EXHAUST COUVERCLE, ECHAPPEMENT	1	1	1	1	
5	69J-41112-00	GASKET, EXHAUST INNER COVER JOINT, PLAQUE D'ECHAPPEMENT	2	2	2	2	
6	69J-41114-00	GASKET, EXHAUST OUTER COVER JOINT, COUVERCLE D'ECHAPPEMENT	2	2	2	2	
7	90119-06027	BOLT, WITH WASHER BOULON, AVEC RONDELLE	28	28	28	28	
8	97095-08014	BOLT BOULON	4	4	4	4	
9	90430-08143	GASKET JOINT	4	4	4	4	
10	90340-18M09	PLUG, STRAIGHT SCREW PLOT, FILETE DROIT	2	2	2	2	
11	90430-18130	GASKET JOINT	2	2	2	2	
12	69J-1111E-00	HANGER, ENGINE 2 ANNEAU, LEVAGE 2	2	2	2	2	
13	90119-06MA2	BOLT, WITH WASHER BOULON, AVEC RONDELLE	4	4	4	4	
14	90340-14M06	PLUG, STRAIGHT SCREW PLOT, FILETE DROIT	1	1	1	1	
15	90430-14115	GASKET JOINT	1	1	1	1	
16	90338-06162	PLUG PLOT	2	2	2	2	



69J1010-2060

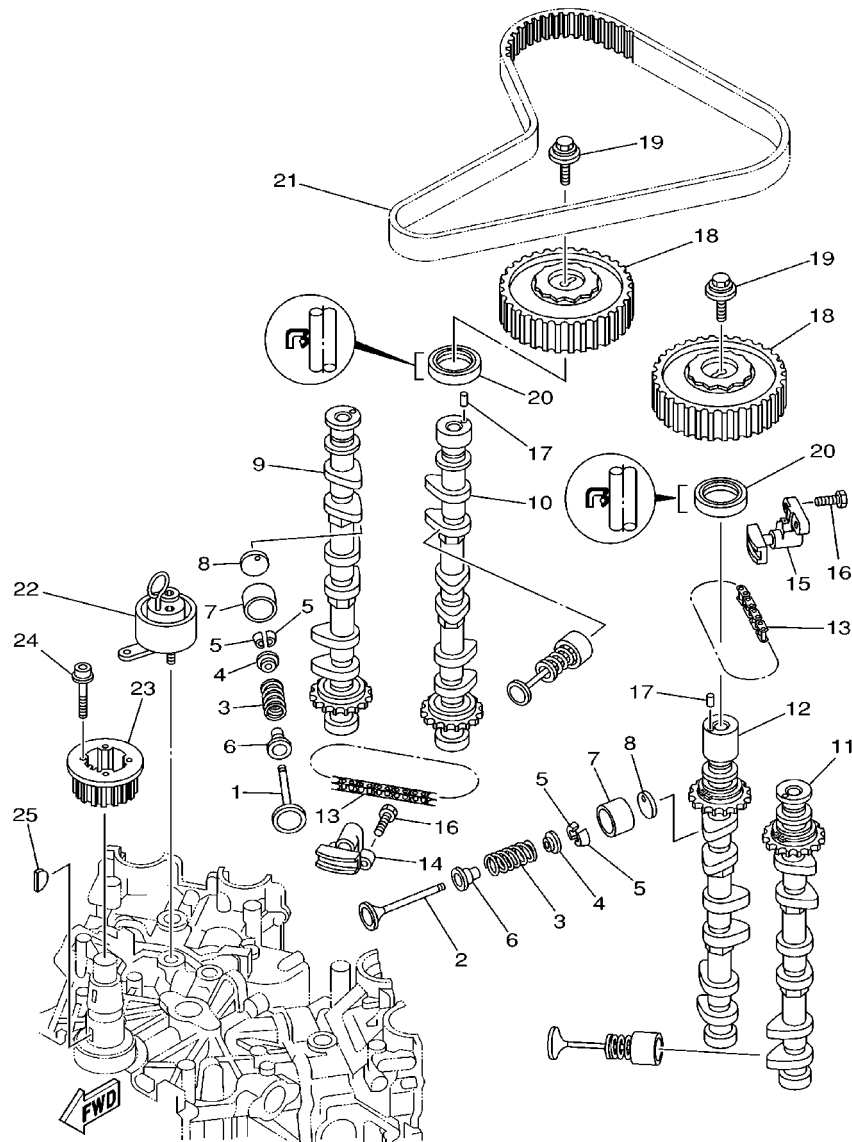
FIG. 6 VALVE

SOUPAPE

REF. NO.	PART NO. NO. PIECES	DESCRIPTION DESCRIPTION	69J1	60L1	69K1	60M1	REMARKS REMARQUES
1	69J-12111-00	VALVE, INTAKE SOUPAPE, ADMISSION	12	12	12	12	
2	69J-12121-00	VALVE, EXHAUST SOUPAPE, ECHAPPEMENT	12	12	12	12	
3	69J-12113-00	SPRING, VALVE INNER RESSORT DE SOUPAPE, INTERNE	24	24	24	24	
4	69J-12117-00	RETAINER, VALVE SPRING BUTEE DE RESSORT DE SOUPAPA	24	24	24	24	
5	69J-12118-00	COTTER, VALVE FRAISE, SOUPAPE	48	48	48	48	
6	69J-12119-00	SEAL, VALVE STEM JOINT, QUEUE DE SOUPAPE	24	24	24	24	
7	69J-12153-00	LIFTER, VALVE LEVE-SOUPAPE	24	24	24	24	
8	69J-12168-00	PAD, ADJUSTING (2.320) PASTILLE, DE REGLAGE (2.320)	24	24	24	24	UR
	69J-12168-10	PAD, ADJUSTING (2.340) PASTILLE, DE REGLAGE (2.340)	24	24	24	24	UR
	69J-12168-20	PAD, ADJUSTING (2.360) PASTILLE, DE REGLAGE (2.360)	24	24	24	24	UR
	69J-12168-30	PAD, ADJUSTING (2.380) PASTILLE, DE REGLAGE (2.380)	24	24	24	24	UR
	69J-12168-40	PAD, ADJUSTING (2.400) PASTILLE, DE REGLAGE (2.400)	24	24	24	24	UR
	69J-12168-50	PAD, ADJUSTING (2.420) PASTILLE, DE REGLAGE (2.420)	24	24	24	24	UR
	69J-12168-60	PAD, ADJUSTING (2.440) PASTILLE, DE REGLAGE (2.440)	24	24	24	24	UR
	69J-12168-70	PAD, ADJUSTING (2.460) PASTILLE, DE REGLAGE (2.460)	24	24	24	24	UR
	69J-12168-80	PAD, ADJUSTING (2.480) PASTILLE, DE REGLAGE (2.480)	24	24	24	24	UR
	69J-12168-90	PAD, ADJUSTING (2.500) PASTILLE, DE REGLAGE (2.500)	24	24	24	24	UR
	69J-12168-A0	PAD, ADJUSTING (2.520) PASTILLE, DE REGLAGE (2.520)	24	24	24	24	UR
	69J-12168-B0	PAD, ADJUSTING (2.540) PASTILLE, DE REGLAGE (2.540)	24	24	24	24	UR
	69J-12168-C0	PAD, ADJUSTING (2.560) PASTILLE, DE REGLAGE (2.560)	24	24	24	24	UR
	69J-12168-D0	PAD, ADJUSTING (2.580) PASTILLE, DE REGLAGE (2.580)	24	24	24	24	UR
	69J-12168-E0	PAD, ADJUSTING (2.600) PASTILLE, DE REGLAGE (2.600)	24	24	24	24	UR
	69J-12168-F0	PAD, ADJUSTING (2.620) PASTILLE, DE REGLAGE (2.620)	24	24	24	24	UR
	69J-12168-G0	PAD, ADJUSTING (2.640) PASTILLE, DE REGLAGE (2.640)	24	24	24	24	UR
	69J-12168-H0	PAD, ADJUSTING (2.660) PASTILLE, DE REGLAGE (2.660)	24	24	24	24	UR
	69J-12168-J0	PAD, ADJUSTING (2.680) PASTILLE, DE REGLAGE (2.680)	24	24	24	24	UR
	69J-12168-K0	PAD, ADJUSTING (2.700) PASTILLE, DE REGLAGE (2.700)	24	24	24	24	UR

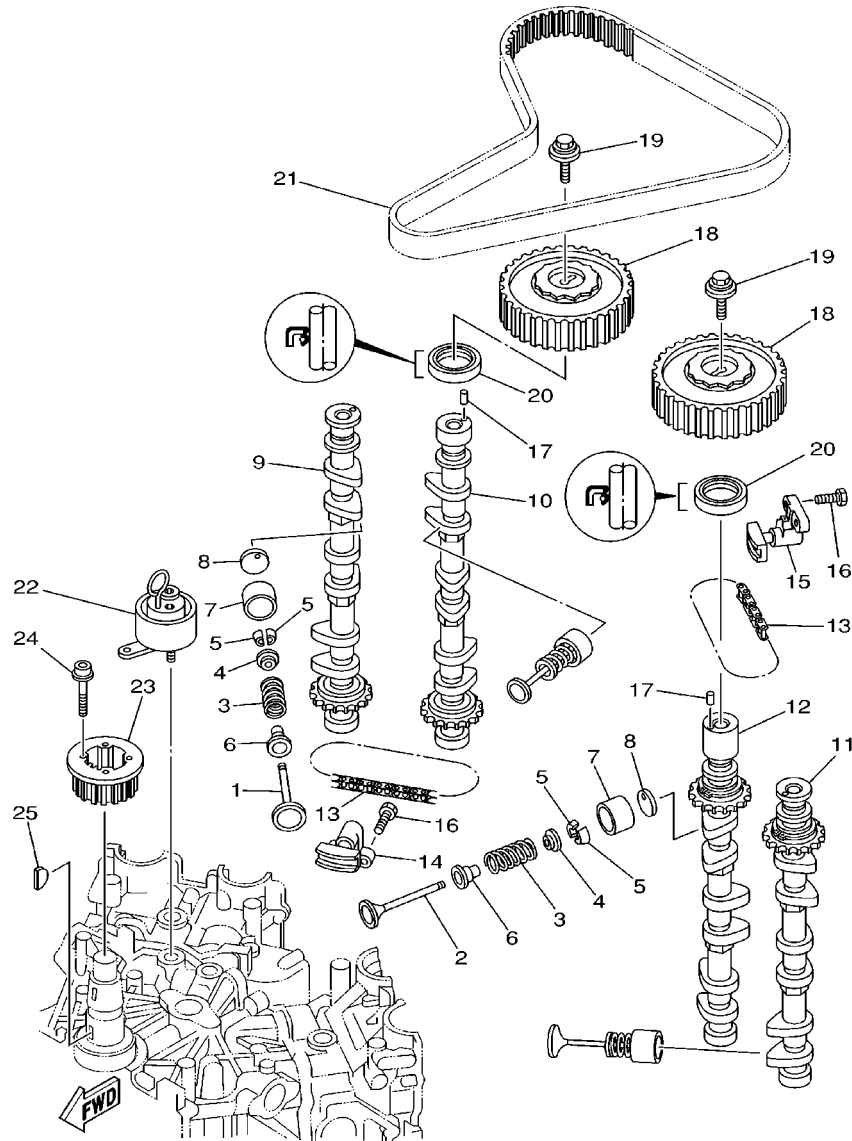
FIG. 6 VALVE

SOUPAPE



69J1010-2060

REF. NO.	PART NO. NO. PIECES	DESCRIPTION DESCRIPTION	69J1	60L1	69K1	60M1	REMARKS REMARQUES
8	69J-12168-L0	PAD, ADJUSTING (2.720) PASTILLE, DE REGLAGE (2.720)	24	24	24	24	UR
	69J-12168-M0	PAD, ADJUSTING (2.740) PASTILLE, DE REGLAGE (2.740)	24	24	24	24	UR
	69J-12168-N0	PAD, ADJUSTING (2.760) PASTILLE, DE REGLAGE (2.760)	24	24	24	24	UR
	69J-12168-P0	PAD, ADJUSTING (2.780) PASTILLE, DE REGLAGE (2.780)	24	24	24	24	UR
	69J-12168-R0	PAD, ADJUSTING (2.800) PASTILLE, DE REGLAGE (2.800)	24	24	24	24	UR
	69J-12168-S0	PAD, ADJUSTING (2.820) PASTILLE, DE REGLAGE (2.820)	24	24	24	24	UR
	69J-12168-T0	PAD, ADJUSTING (2.840) PASTILLE, DE REGLAGE (2.840)	24	24	24	24	UR
	69J-12168-U0	PAD, ADJUSTING (2.860) PASTILLE, DE REGLAGE (2.860)	24	24	24	24	UR
	69J-12168-V0	PAD, ADJUSTING (2.880) PASTILLE, DE REGLAGE (2.880)	24	24	24	24	UR
	69J-12168-W0	PAD, ADJUSTING (2.900) PASTILLE, DE REGLAGE (2.900)	24	24	24	24	UR
	69J-12168-X0	PAD, ADJUSTING (2.920) PASTILLE, DE REGLAGE (2.920)	24	24	24	24	UR
	69J-12168-Y0	PAD, ADJUSTING (2.940) PASTILLE, DE REGLAGE (2.940)	24	24	24	24	UR
	69J-12169-00	PAD, ADJUSTING (2.960) PASTILLE, DE REGLAGE (2.960)	24	24	24	24	UR
9	69J-12171-00	CAMSHAFT 1 ARBRE A CAMES 1	1	1	1	1	
10	69J-12181-00	CAMSHAFT 2 ARBRE A CAMES 2	1	1	1	1	
11	69J-12172-00	CAMSHAFT 3 ARBRE A CAMES 3	1	1	1	1	
12	69J-12182-00	CAMSHAFT 4 ARBRE A CAMES 4	1	1	1	1	
13	94581-99044	CHAIN CHAINE	2	2	2	2	
14	69J-12210-00	TENSIONER ASSY, CAM CHAIN TENDEUR DE CHAINE DISTRIBUTION	1	1	1	1	
15	69J-12230-00	TENSIONER ASSY, CAM CHAIN 2 TENDEUR DE CHAINE DISTRIBUTION	1	1	1	1	
16	97013-06025	BOLT BOULON	4	4	4	4	
17	93605-10108	PIN, DOWEL GOUJON	2	2	2	2	
18	69J-11537-00	GEAR, DRIVEN PIGNON SECONDAIRE	2	2	2	2	
19	90119-10M06	BOLT, WITH WASHER BOULON, AVEC RONDELLE	2	2	2	2	
20	93102-38M59	OIL SEAL JOINT SPY	2	2	2	2	
21	69J-46241-00	V-BELT COURROIE TRAPEZOIDALE	1	1	1	1	
22	69J-11590-00	TENSIONER ASSY TENDEUR (ENS.)	1	1	1	1	

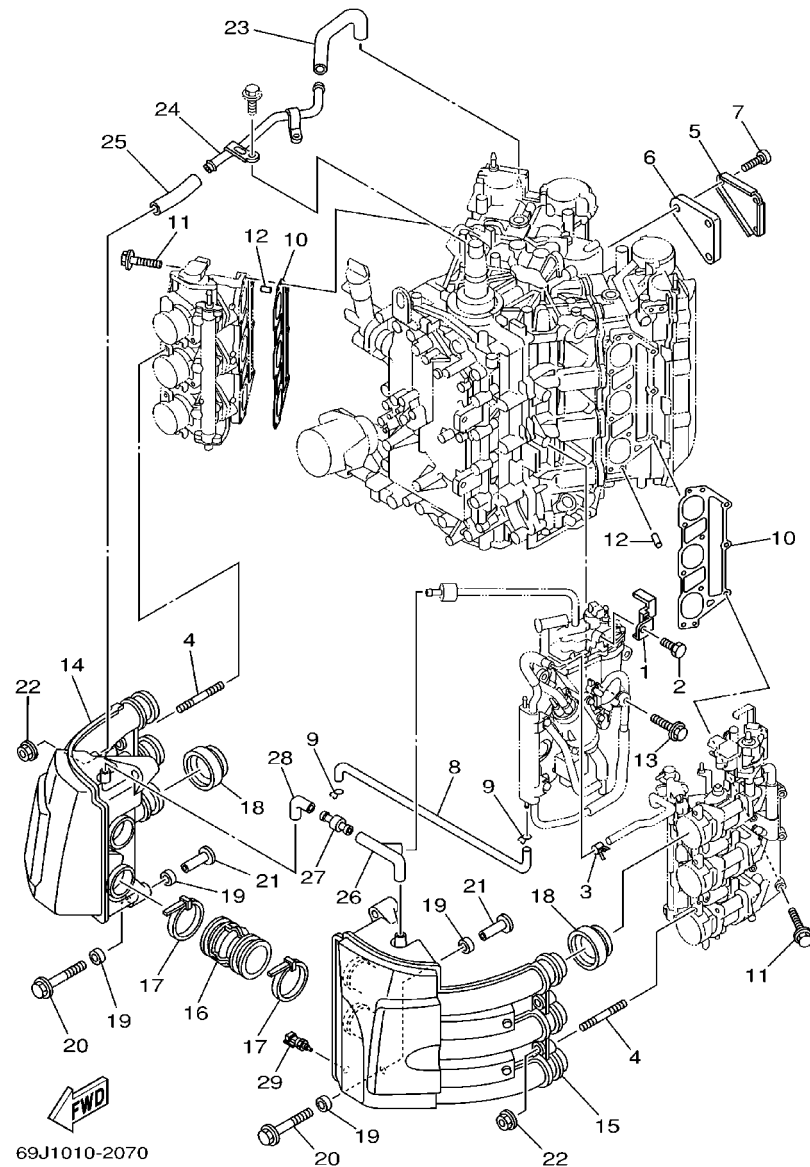


69J1010-2060

FIG. 6 VALVE

SOUPAPE

REF. NO.	PART NO. NO. PIECES	DESCRIPTION DESCRIPTION	69J1	60L1	69K1	60M1	REMARKS REMARQUES
23	69J-11536-00	GEAR, DRIVE ENGRENAGE, MENANT	1	1	1	1	
24	90110-05010	BOLT, HEXAGON SOCKET HEAD BOULON, TETE HEXAGONALE CREUSE	4	4	4	4	
25	90280-04008	KEY, WOODRUFF CLAVETTE, DEMI-LUNE	1	1	1	1	



69J1010-2070

FIG. 7 INTAKE

ADMISSION

REF. NO.	PART NO. NO. PIECES	DESCRIPTION DESCRIPTION	69J1	60L1	69K1	60M1	REMARKS REMARQUES
1	69J-14146-00	PLATE PLAQUE	1	1	1	1	
2	69J-14162-00	BOLT, HOLDING BOULON, FIXATION	1	1	1	1	
3	68V-24519-00	CLIP JONC	1	1	1	1	
4	90116-06032	BOLT, STUD GOUJON	4	4	4	4	
5	69J-1442A-00	COVER, CLEANER CASE 3 COUVERCLE, BOITIER FILTRE 3	1	1	1	1	
6	69J-14409-00	DAMPER AMORTISSEUR	1	1	1	1	
7	97780-60620	SCREW, TAPPING VIS, TETE FRAISEE	3	3	3	3	
8	69J-12483-00	PIPE 3 DURITE 3	1	1	1	1	
9	90467-09M03	CLIP JONC	2	2	2	2	
10	69J-13645-00	GASKET, MANIFOLD 1 JOINT, TUBULURE 1	2	2	2	2	
11	90119-08022	BOLT, WITH WASHER BOULON, AVEC RONDELLE	18	18	18	18	
12	91690-50014	PIN, SPRING GOUPILLE, ELASTIQUE	4	4	4	4	
13	90119-06M24	BOLT, WITH WASHER BOULON, AVEC RONDELLE	4	4	4	4	
14	69J-14440-00	SILENCER ASSY, INTAKE SIENCIEUX D'ADMISSION	1	1	1	1	
15	69J-1444F-00	SILENCER ASSY, INTAKE 2 SIENCIEUX D'ADMISSION 2	1	1	1	1	
16	69J-14419-00	PIPE DURITE	2	2	2	2	
17	90465-11M52	CLAMP BRIDE	4	4	4	4	
18	69J-14457-00	SEAL JOINT	6	6	6	6	
19	90386-08001	BUSH DOUILLE	8	8	8	8	
20	90119-06036	BOLT, WITH WASHER BOULON, AVEC RONDELLE	4	4	4	4	
21	90387-06038	COLLAR COLLERETTE	4	4	4	4	
22	90179-06M28	NUT ECROU	4	4	4	4	
23	69J-15373-00	PIPE, BREATHER DURITE DE RENIFLARD	1	1	1	1	
24	69J-15394-00	PIPE, OIL VENT DURITE	1	1	1	1	
25	69J-15393-00	PIPE, BREATHER 2 DURITE, RENIFLARD 2	1	1	1	1	
26	69J-15397-00	PIPE DURITE	1	1	1	1	
27	5EL-14467-00	SEAL JOINT SPY	1	1	1	1	

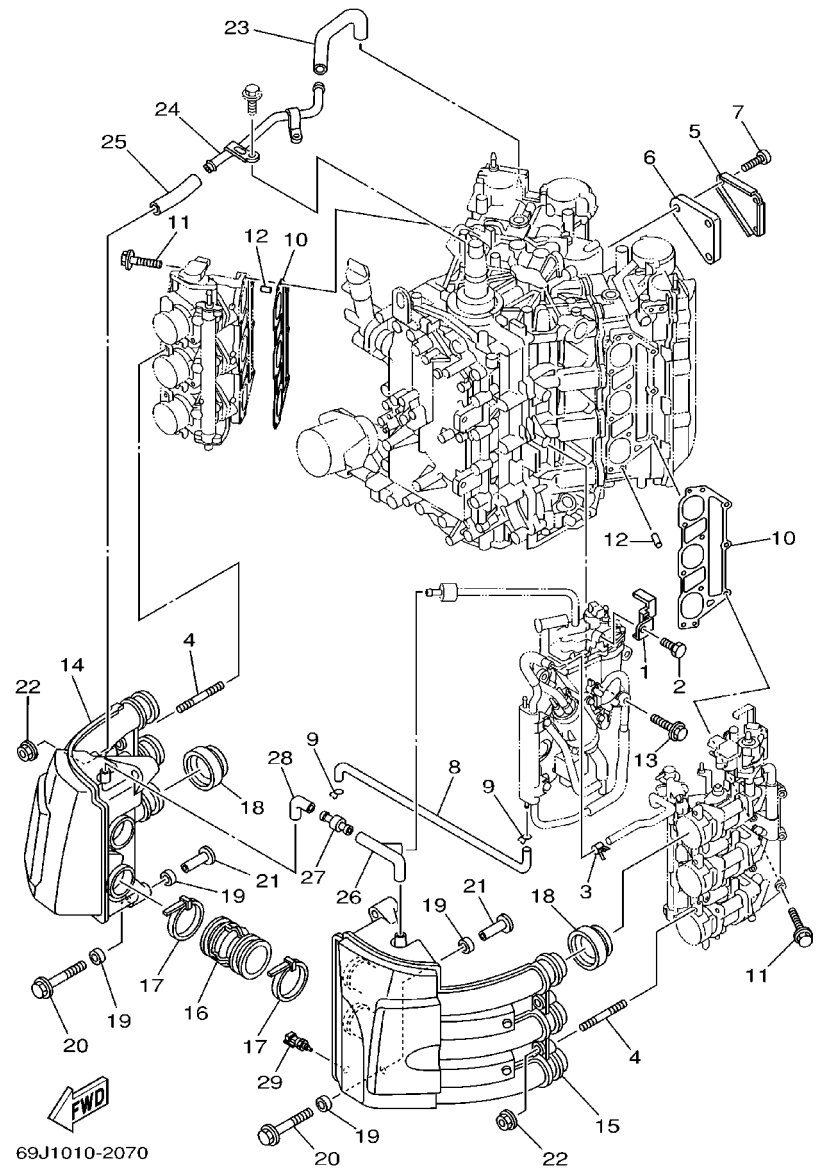


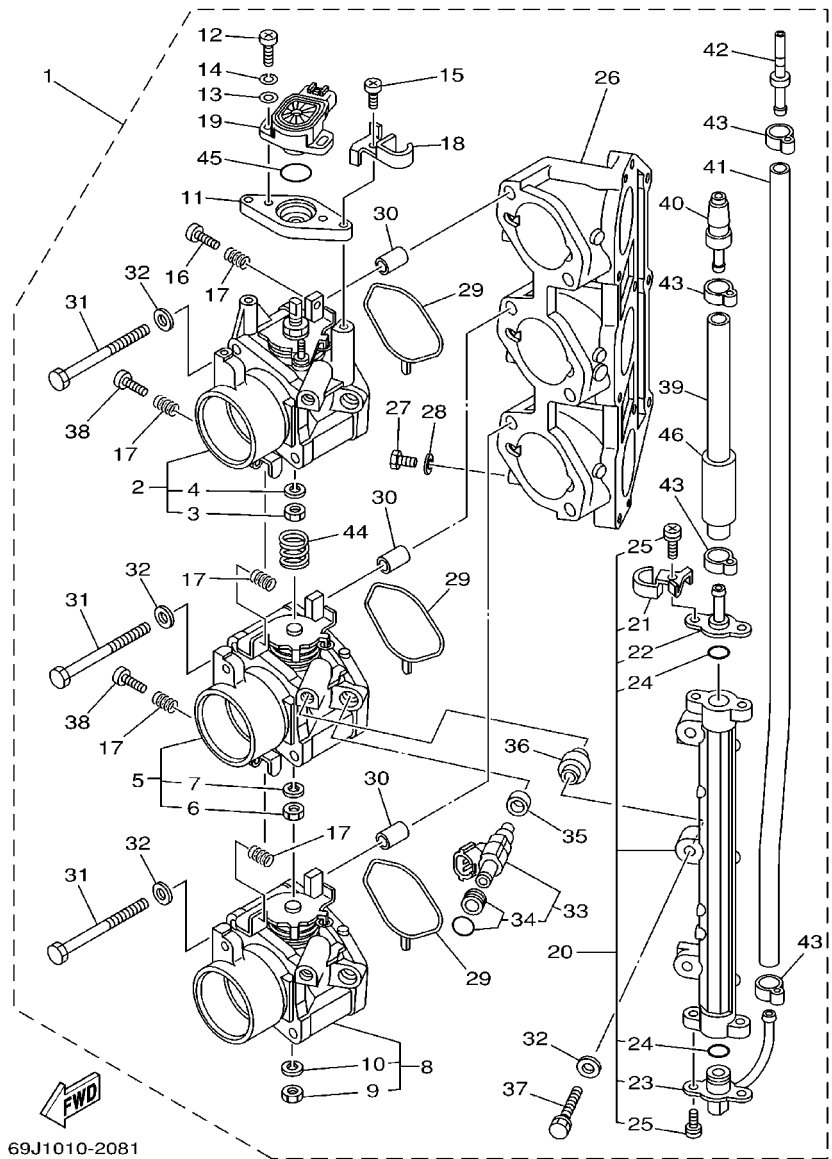
FIG. 7 INTAKE

ADMISSION

REF. NO.	PART NO. NO. PIECES	DESCRIPTION DESCRIPTION	69J1	60L1	69K1	60M1	REMARKS REMARQUES
28	69J-14348-00	PIPE 1 DURITE	1	1	1	1	
29	65L-85886-00	THERMOSENSOR SENSITOMETRE	1	1	1	1	

FIG. 8 THROTTLE BODY ASSY 1

CARTER D'ACCELERATEUR 1

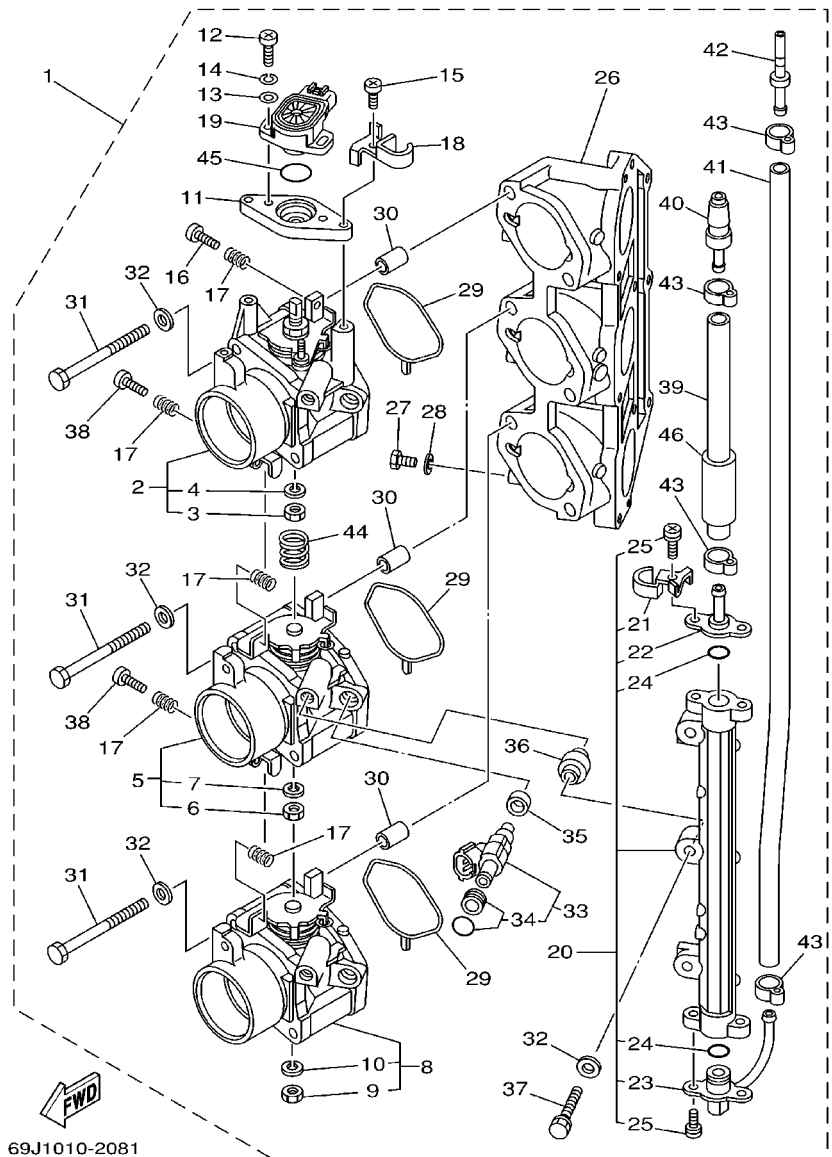


69J1010-2081

REF. NO.	PART NO. NO. PIECES	DESCRIPTION DESCRIPTION	69J1	60L1	69K1	60M1	REMARKS REMARQUES
1	69J-13750-00	THROTTLE BODY ASSY CARTER D'ACCELERATEUR COMPLET	1		1		
	60L-13750-00	THROTTLE BODY ASSY CARTER D'ACCELERATEUR COMPLET		1		1	
2	69J-13751-00	.BODY, THROTTLE 1 .CARTER 1	1		1		
	60L-13751-00	.BODY, THROTTLE 1 .CARTER 1		1		1	
3	3CF-14594-00	..NUT ..ECROU	1	1	1	1	
4	92990-08100	..WASHER, SPRING ..RONDELLE, GROWER	1	1	1	1	
5	69J-13753-00	.BODY, THROTTLE 3 .CARTER 3	1		1		
	60L-13753-00	.BODY, THROTTLE 3 .CARTER 3		1		1	
6	3CF-14594-00	..NUT ..ECROU	1	1	1	1	
7	92990-08100	..WASHER, SPRING ..RONDELLE, GROWER	1	1	1	1	
8	69J-13755-00	.BODY, THROTTLE 5 .CARTER 5	1		1		
	60L-13755-00	.BODY, THROTTLE 5 .CARTER 5		1		1	
9	3CF-14594-00	..NUT ..ECROU	1	1	1	1	
10	92990-08100	..WASHER, SPRING ..RONDELLE, GROWER	1	1	1	1	
11	69J-13576-00	.SPACER ..ENTRETOISE	1	1	1	1	
12	68V-81145-00	.SCREW 1 .VIS 1	2	2	2	2	
13	68V-81162-00	.WASHER, PLAIN ..RONDELLE, PLATE	2	2	2	2	
14	92990-04100	.WASHER, SPRING ..RONDELLE, GROWER	2	2	2	2	
15	68V-14565-00	.SCREW .VIS	2	2	2	2	
16	68V-14323-00	.SCREW, AIR ADJUSTING ..VIS DE DOSEUR D'AIR	1	1	1	1	
17	68V-14331-00	.SPRING, THROTTLE VALVE ..RESSORT, BOISSEAU	5	5	5	5	
18	69J-14261-00	.HOLDER ..SUPPORT	1	1	1	1	
19	69J-85885-00	.THROTTLE SENSOR ASSY ..SENSITOMETRE (ENS.)	1	1	1	1	
20	69J-13160-00	.DELIVERY PIPE ASSY 1 ..ENS. TUBE DE REFOULEMENT 1	1	1	1	1	
21	69J-14261-00	..HOLDER ..SUPPORT	1	1	1	1	
22	69J-14295-00	..PIPE, FUEL ..DURITE A ESSENCE	1	1	1	1	
23	69J-14251-00	..NIPPLE ..RACCORD	1	1	1	1	

FIG. 8 THROTTLE BODY ASSY 1

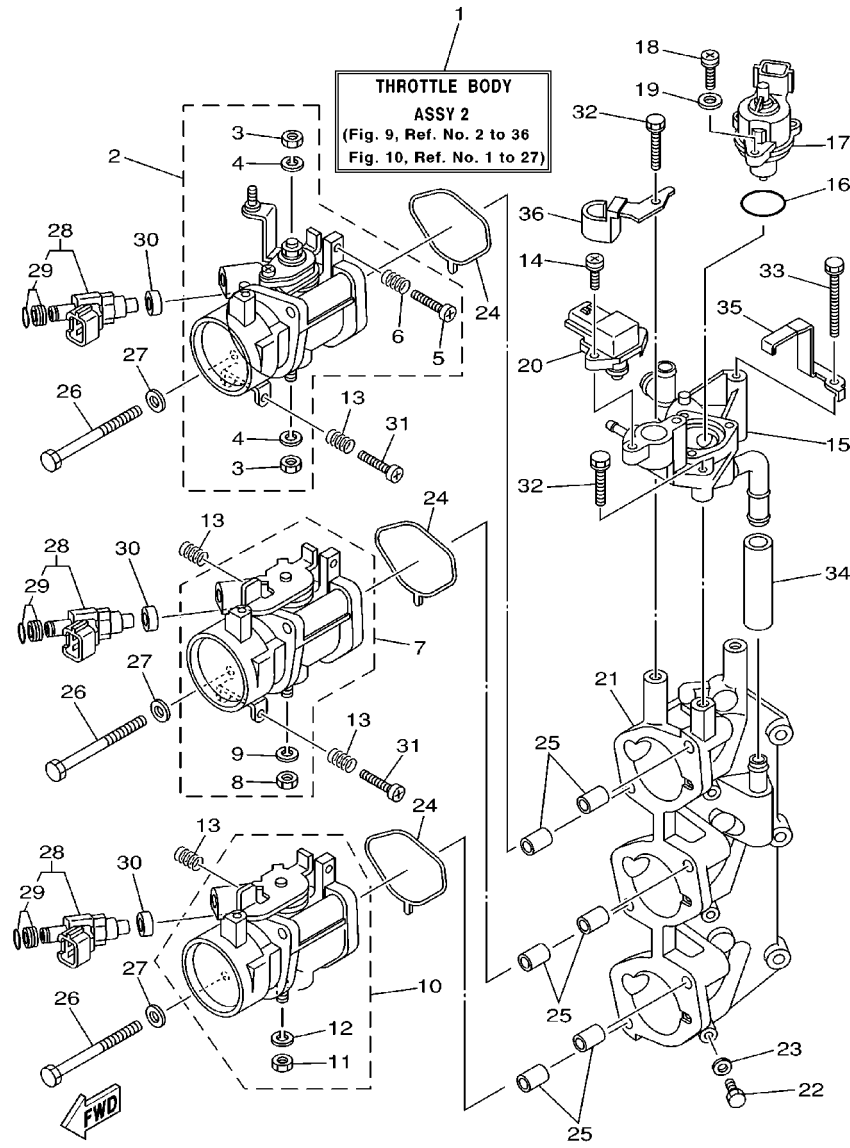
CARTER D'ACCELERATEUR 1



69J1010-2081

REF. NO.	PART NO. NO. PIECES	DESCRIPTION DESCRIPTION	69J1	60L1	69K1	60M1	REMARKS REMARQUES
24	68V-14397-00	..O-RING ..JOINT TORIQUE	2	2	2	2	
25	68V-81147-00	..SCREW 3 ..VIS 3	4	4	4	4	
26	69J-13641-00	..MANIFOLD 1 ..TUBULURE 1	1	1	1	1	
27	97095-06010	..BOLT ..BOULON	3	3	3	3	
28	90430-06014	..GASKET ..JOINT	3	3	3	3	
29	69J-13557-00	..GASKET ..JOINT	3	3	3	3	
30	99530-10114	..PIN, DOWEL ..GOUJON, D'ASSEMBLAGE	6	6	6	6	
31	69J-14496-00	..BOLT ..BOULON	6	6	6	6	
32	68V-14475-00	..WASHER ..RONDELLE	9	9	9	9	
33	69J-13761-00	..INJECTOR ASSY ..INJECTEUR	3	3	3	3	
34	68V-1410B-00	..PACKING KIT ..POCHETTE DE JOINTS	1	1	1	1	
35	68V-13766-00	..RUBBER, INJECTOR ..RONDELLE CAOUTCHOUC	3	3	3	3	
36	68V-14264-00	..COLLAR ..COLLERETTE	3	3	3	3	
37	68V-14428-00	..BOLT ..BOULON	3	3	3	3	
38	69J-14321-00	..SCREW, THROTTLE ..VIS, ACCELERATEUR	2	2	2	2	
39	69J-13973-00	..PIPE, FUEL 3 ..TUBE 3, CARBURANT	1	1	1	1	
40	68F-24300-00	..FUEL PIPE JOINT ..DURITE RACCORDEMT. A ESSENCE	1	1	1	1	
41	69J-13972-00	..PIPE, FUEL 2 ..TUBE 2, CARBURANT	1	1	1	1	
42	69J-24381-00	..SET BAR, FUEL JOINT ..BARRE DE BLOCAGE	1	1	1	1	
43	68V-24387-00	..CLIP ..SANDOW	4	4	4	4	
44	69J-14286-00	..SPRING ..RESSORT	1	1	1	1	
45	68V-8182L-00	..O-RING 1 ..JOINT TORIQUE 1	1	1	1	1	
46	69J-14149-00	..PIPE ..DURITE	1	1	1	1	

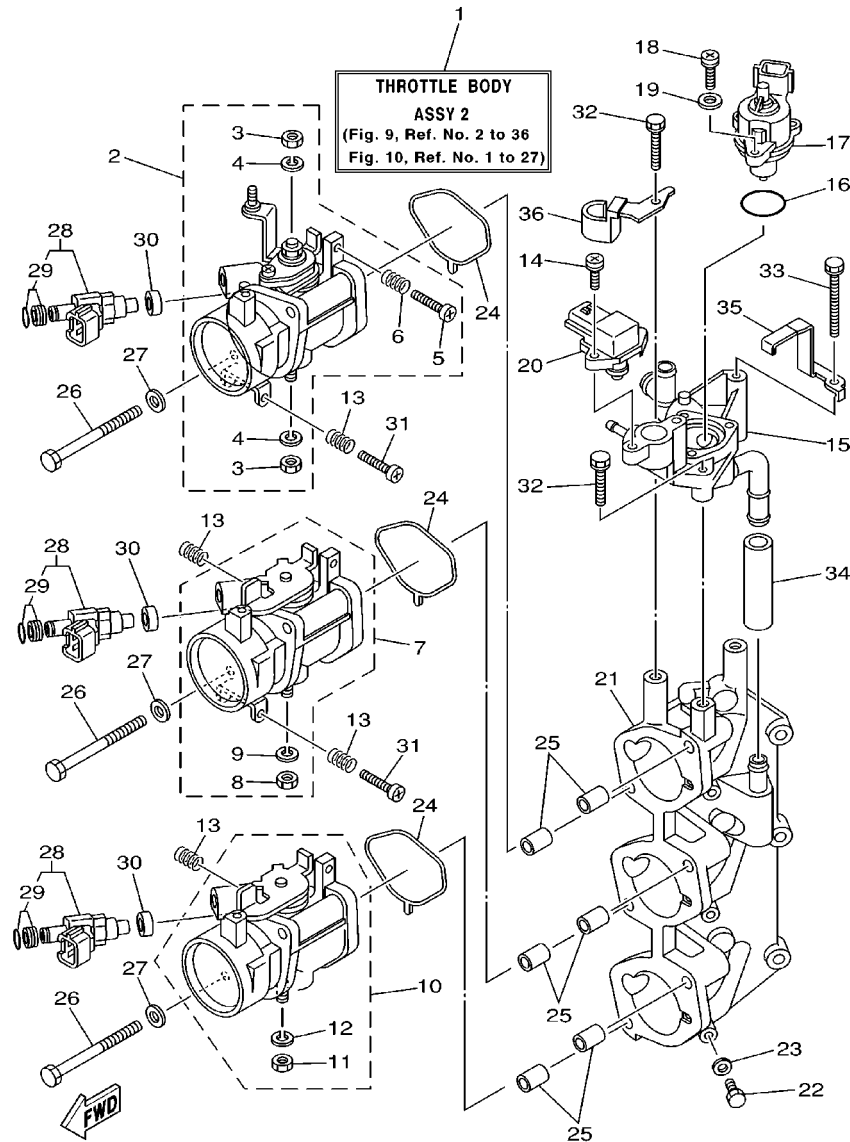
FIG. 9 THROTTLE BODY ASSY 2 CARTER D'ACCELERATEUR 2



69J1100-2091

REF. NO.	PART NO. NO. PIECES	DESCRIPTION DESCRIPTION	69J1	60L1	69K1	60M1	REMARKS REMARQUES
1	69J-1375A-00	THROTTLE BODY ASSY 2 CARTER D'ACCELERATEUR COMPLET2	1		1		
	60L-1375A-00	THROTTLE BODY ASSY 2 CARTER D'ACCELERATEUR COMPLET2		1		1	
2	69J-13752-00	BODY, THROTTLE 2 CARTER 2	1		1		
	60L-13752-00	BODY, THROTTLE 2 CARTER 2		1		1	
3	3CF-14594-00	.NUT .ECROU	2	2	2	2	
4	92990-08100	.WASHER, SPRING .RONDELLE, GROWER	2	2	2	2	
5	68V-14323-00	.SCREW, AIR ADJUSTING .VIS DE DOSEUR D'AIR	1	1	1	1	
6	68V-14331-00	.SPRING, THROTTLE VALVE .RESSORT, BOISSEAU	1	1	1	1	
7	69J-13754-00	BODY, THROTTLE 4 CARTER 4	1		1		
	60L-13754-00	BODY, THROTTLE 4 CARTER 4		1		1	
8	3CF-14594-00	.NUT .ECROU	1	1	1	1	
9	92990-08100	.WASHER, SPRING .RONDELLE, GROWER	1	1	1	1	
10	69J-13756-00	BODY, THROTTLE 6 CARTER 6	1		1		
	60L-13756-00	BODY, THROTTLE 6 CARTER 6		1		1	
11	3CF-14594-00	.NUT .ECROU	1	1	1	1	
12	92990-08100	.WASHER, SPRING .RONDELLE, GROWER	1	1	1	1	
13	68V-14331-00	SPRING, THROTTLE VALVE RESSORT, BOISSEAU	4	4	4	4	
14	68V-81147-00	SCREW 3 VIS 3	2	2	2	2	
15	69J-14960-00	BODY ASSY CARTER (ENS.)	1	1	1	1	
16	68V-13473-00	O-RING JOINT TORIQUE	1	1	1	1	
17	68V-1312A-00	VALVE, CONTROL EMBLEME, YAMAHA	1	1	1	1	
18	68V-81146-00	SCREW 2 VIS 2	3	3	3	3	
19	68V-81162-00	WASHER, PLAIN RONDELLE, PLATE	3	3	3	3	
20	68V-82380-00	SENSOR, PRESSURE SONDE DE PRESSION	1	1	1	1	
21	69J-13642-00	MANIFOLD 2 TUBULURE 2	1	1	1	1	
22	97095-06010	BOLT BOULON	3	3	3	3	
23	90430-06014	GASKET JOINT	3	3	3	3	

FIG. 9 THROTTLE BODY ASSY 2 CARTER D'ACCELERATEUR 2

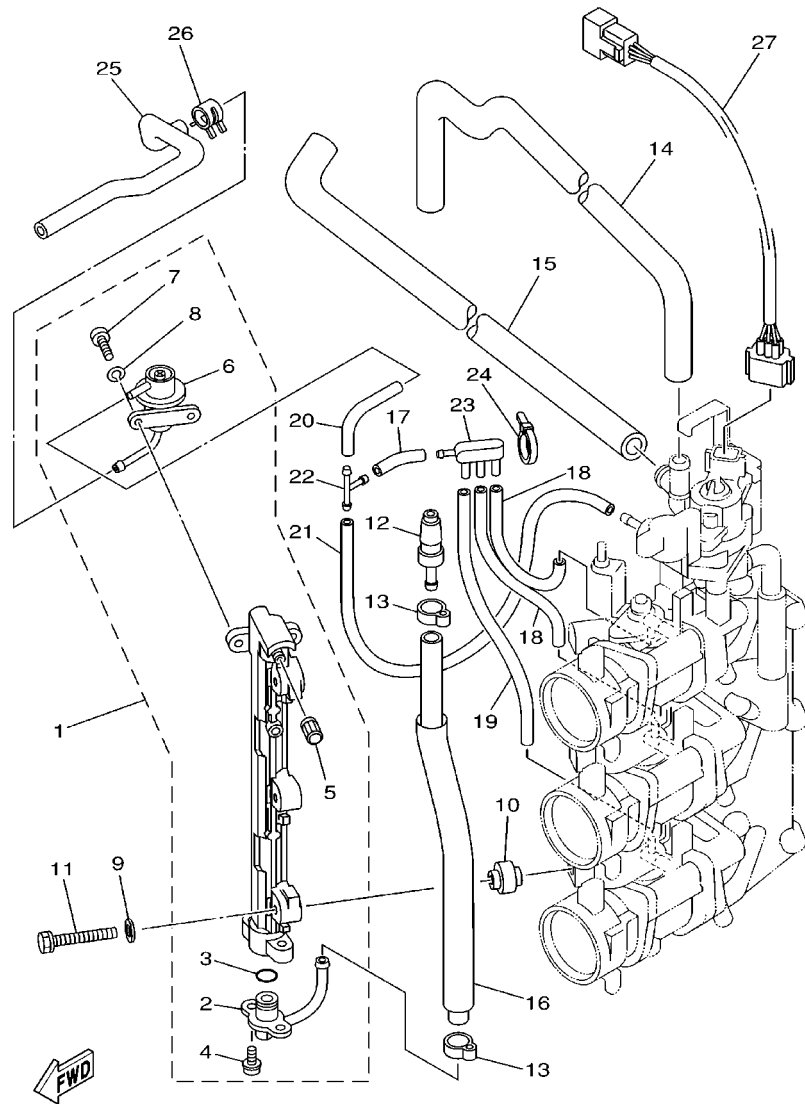


69J1100-2091

REF. NO.	PART NO. NO. PIECES	DESCRIPTION DESCRIPTION	69J1	60L1	69K1	60M1	REMARKS REMARQUES
24	69J-13557-00	GASKET JOINT	3	3	3	3	
25	99530-10114	PIN, DOWEL GOUJON, D'ASSEMBLAGE	6	6	6	6	
26	69J-14496-00	BOLT BOULON	6	6	6	6	
27	68V-14475-00	WASHER RONDELLE	6	6	6	6	
28	69J-13761-00	INJECTOR ASSY INJECTEUR	3	3	3	3	
29	68V-1410B-00	.PACKING KIT .POCHETTE DE JOINTS	1	1	1	1	
30	68V-13766-00	RUBBER, INJECTOR RONDELLE CAOUTCHOUC	3	3	3	3	
31	69J-14321-00	SCREW, THROTTLE VIS, ACCELERATEUR	2	2	2	2	
32	69J-13573-00	BOLT 1 BOULON 1	2	2	2	2	
33	69J-13574-00	BOLT 2 BOULON 2	1	1	1	1	
34	69J-13547-00	HOSE 3 DURITE 3	1	1	1	1	
35	69J-14159-00	CLIP JONC	1	1	1	1	
36	69J-14255-00	PLATE PLAQUE	1	1	1	1	

FIG. 10 THROTTLE BODY ASSY 3

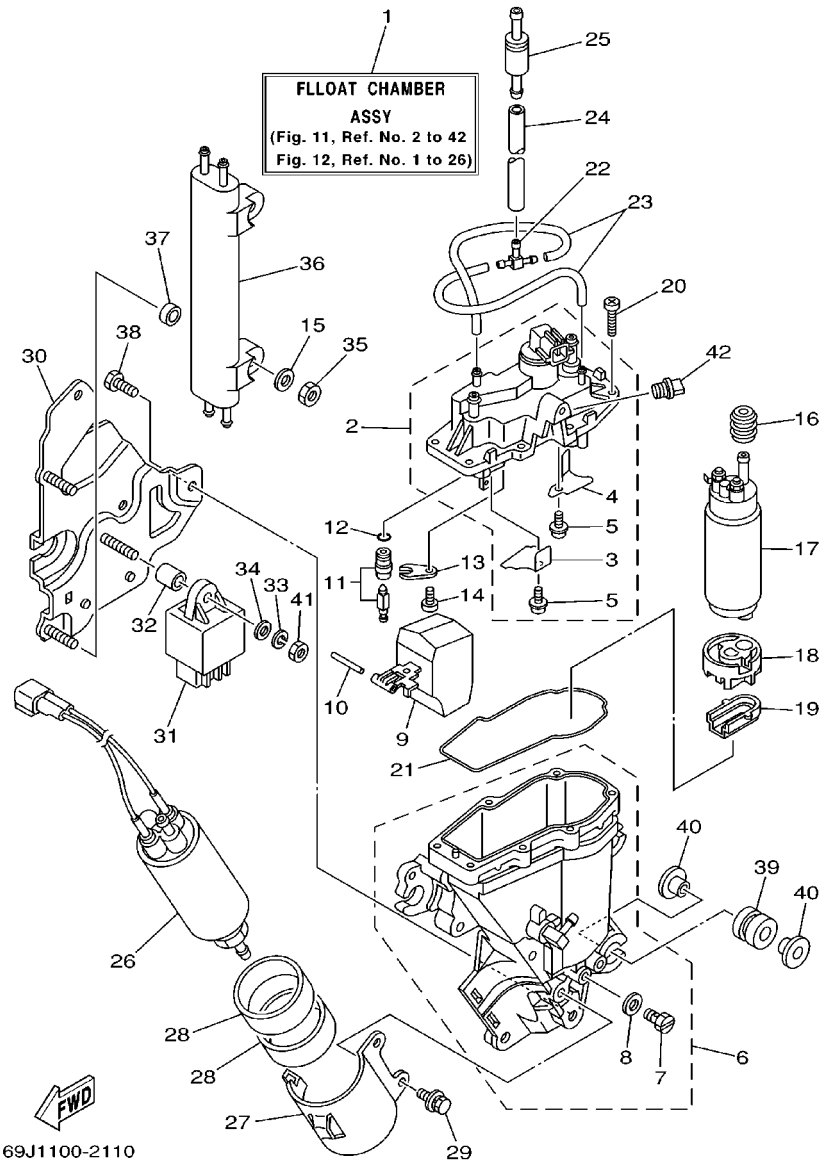
CARTER D'ACCELERATEUR 3



69J1010-2100

REF. NO.	PART NO. NO. PIECES	DESCRIPTION DESCRIPTION	69J1	60L1	69K1	60M1	REMARKS REMARQUES
1	69J-13170-00	DELIVERY PIPE ASSY 2 ENS. TUBE DE REFOULEMENT 2	1	1	1	1	
2	69J-13435-00	.NIPPLE .RACCORD	1	1	1	1	
3	68V-14397-00	.O-RING .JOINT TORIQUE	1	1	1	1	
4	68V-81147-00	.SCREW 3 .VIS 3	2	2	2	2	
5	68V-14225-00	.CAP .COUVERCLE	1	1	1	1	
6	69J-13906-00	.REGULATOR, PRESSURE .REGULATEUR DE PRESSION	1	1	1	1	
7	68V-14565-00	.SCREW .VIS	2	2	2	2	
8	68V-14356-00	.WASHER, SPRING .RONDELLE	2	2	2	2	
9	68V-14475-00	WASHER RONDELLE	3	3	3	3	
10	68V-14264-00	COLLAR COLLERETTE	3	3	3	3	
11	68V-14428-00	BOLT BOULON	3	3	3	3	
12	68F-24300-00	FUEL PIPE JOINT DURITE RACCORDEMT. A ESSENCE	1	1	1	1	
13	68V-24387-00	CLIP SANDOW	2	2	2	2	
14	69J-13546-00	HOSE 2 DURITE 2	1	1	1	1	
15	69J-13545-00	HOSE 1 DURITE 1	1	1	1	1	
16	69J-13974-00	PIPE, FUEL 4 TUBE 4, CARBURANT	1	1	1	1	
17	68V-13544-00	HOSE, VACUUM SENSING 2 DURITE	1	1	1	1	
18	5JW-14349-00	PIPE DURITE	2	2	2	2	
19	69J-13542-00	HOSE, VACUUM SENSING 1 DURITE	1	1	1	1	
20	69J-13532-00	HOSE, VACUUM SENSING 3 DURITE 3	1	1	1	1	
21	69J-13533-00	HOSE, VACUUM SENSING 4 DURITE 4	1	1	1	1	
22	68V-24377-00	PIPE, JOINT 3 DURITE RACCORDEMENT	1	1	1	1	
23	69J-13595-00	JOINT RACCORD	1	1	1	1	
24	69J-14139-00	CLIP, PIPE JONC DE DURITE	1	1	1	1	
25	69J-13975-00	PIPE, FUEL 5 TUBE 5, CARBURANT	1	1	1	1	
26	68V-24519-00	CLIP JONC	1	1	1	1	
27	69J-8259L-00	WIRE HARNESS ASSY 1 FAISCEAU DE FILS COMPLET 1	1	1	1	1	

FIG. 11 FUEL INJECTION PUMP 1 POMPE A INJECTEUR 1

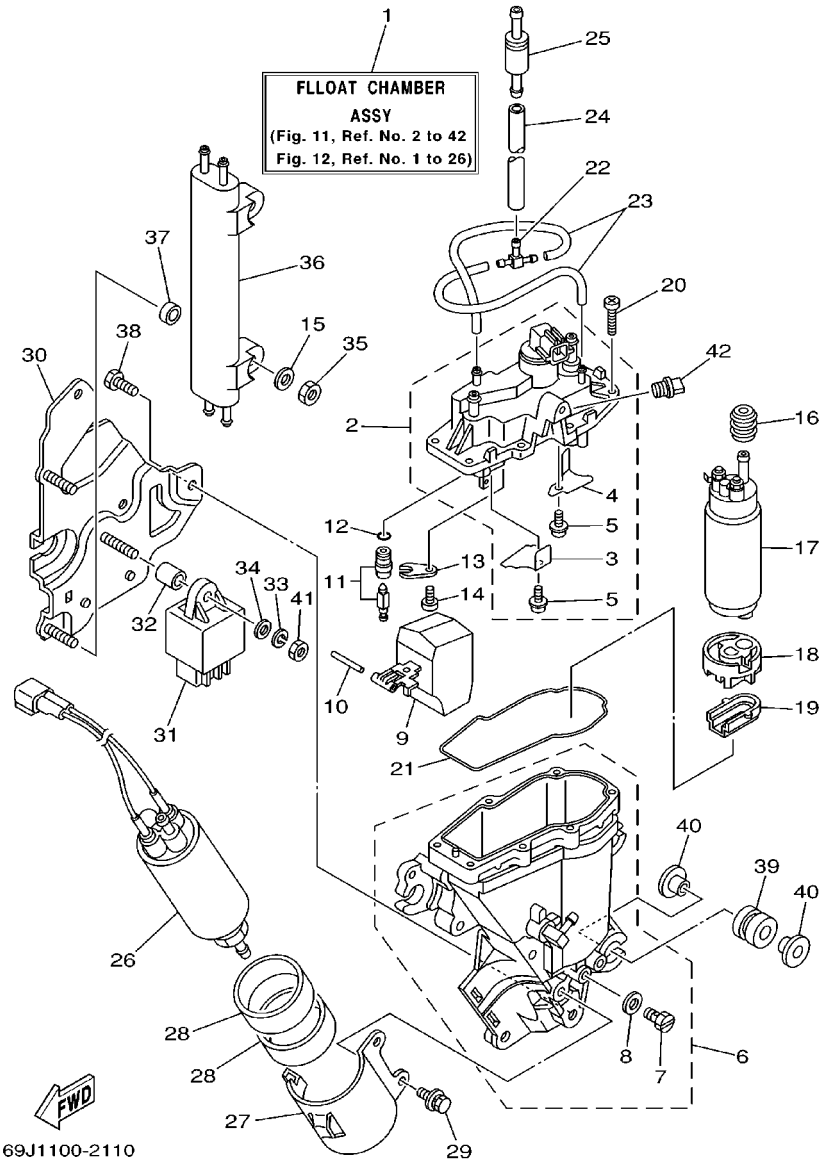


69J1100-2110

REF. NO.	PART NO. NO. PIECES	DESCRIPTION DESCRIPTION	69J1	60L1	69K1	60M1	REMARKS REMARQUES
1	69J-14180-00	FLOAT CHAMBER ASSY CUVE DE FLOTTEUR	1	1	1	1	
2	69J-14182-00	COVER, FLOAT CHAMBER COUVERCLE, CUVE DE FLOTTEUR	1	1	1	1	
3	69J-2411R-00	.PLATE 1 .PLAQUE 1	1	1	1	1	
4	69J-2411T-00	.PLATE 2 .PLAQUE 2	1	1	1	1	
5	4SV-24453-00	.SCREW .VIS	2	2	2	2	
6	69J-14181-00	BODY, FLOAT CHAMBER 1 CORPS, CUVE DE FLOTTEUR 1	1	1	1	1	
7	266-14191-00	.PLUG, DRAIN .PLOT, VIDANGE	1	1	1	1	
8	59V-14962-00	.WASHER .RONDELLE	1	1	1	1	
9	69J-14985-00	FLOAT FLOTTEUR	1	1	1	1	
10	68V-14386-00	PIN, FLOAT AXE, FLOTTEUR	1	1	1	1	
11	69J-14546-00	VALVE, NEEDLE POINTEAU	1	1	1	1	
12	68V-13769-00	O-RING JOINT TORIQUE	1	1	1	1	
13	68V-14255-00	PLATE PLAQUE	1	1	1	1	
14	98507-04008	SCREW, PAN HEAD VIS, TETE TRONCONIQUE	1	1	1	1	
15	68V-14357-00	WASHER, PLAIN RONDELLE PLATE	2	2	2	2	
16	68V-13781-00	DAMPER, PUMP AMORTISSEUR, POMPE	1	1	1	1	
17	69J-13907-00	FUEL PUMP COMP. POMPE A CARBURANT COMP.	1	1	1	1	
18	68V-13915-00	FILTER FILTRE	1	1	1	1	
19	68V-13784-00	COVER, PUMP COUVERCLE, POMPE	1	1	1	1	
20	68V-14567-00	SCREW VIS	7	7	7	7	
21	68V-14984-00	GASKET, FLOAT CHAMBER JOINT, CUVE DE FLOTTEUR	1	1	1	1	
22	69J-24379-00	PIPE, JOINT 4 DURITE RACCORDEMENT	1	1	1	1	
23	69J-14148-00	PIPE DURITE	2	2	2	2	
24	69J-14197-00	PIPE DURITE	1	1	1	1	
25	69J-13490-00	RELIEF VALVE ASSY SOUPAPE DE SECURITE COMPLET	1	1	1	1	
26	69J-24410-00	FUEL PUMP ASSY POMPE A ESSENCE	1	1	1	1	
27	69J-24491-00	BRACKET, FUEL PUMP SUPPORT, POMPE A ESSENCE	1	1	1	1	

FIG. 11 FUEL INJECTION PUMP 1

POMPE A INJECTEUR 1

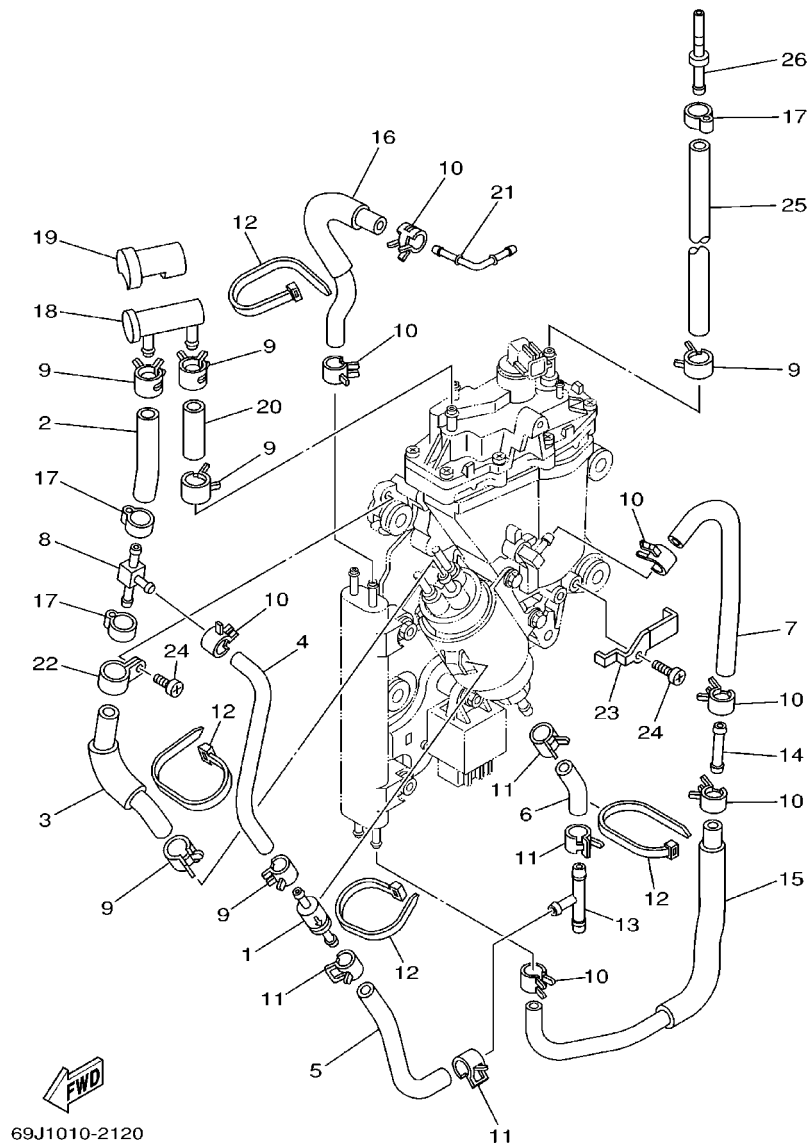


69J1100-2110

REF. NO.	PART NO. NO. PIECES	DESCRIPTION DESCRIPTION	69J1	60L1	69K1	60M1	REMARKS REMARQUES
28	69J-24492-00	BUSH, FULEL PUMP BAGUE	2	2	2	2	
29	69J-24592-00	BOLT BOLTE	2	2	2	2	
30	69J-24422-00	PLATE PLAQUETTE	1	1	1	1	
31	68V-81950-00	RELAY ASSY RELAIS COMPLET	1	1	1	1	
32	69J-14241-00	BUSH DOUILLE	1	1	1	1	
33	68V-14356-00	WASHER, SPRING RONDELLE	1	1	1	1	
34	69J-14243-00	PLATE PLAQUE	1	1	1	1	
35	69J-14164-00	NUT, HOLDING ECROU, FIXATION	2	2	2	2	
36	69J-21841-00	COOLER RADIATEUR	1	1	1	1	
37	68V-14265-00	COLLAR COLLERETTE	2	2	2	2	
38	69J-14446-00	BOLT BOULON	3	3	3	3	
39	69J-13593-00	DAMPER AMORTISSEUR	4	4	4	4	
40	69J-13716-00	COLLAR COLLERETTE	8	8	8	8	
41	95382-06700	NUT ECROU	1	1	1	1	
42	69J-14225-00	CAP COUVERCLE	1	1	1	1	

FIG. 12 FUEL INJECTION PUMP 2

POMPE A INJECTEUR 2

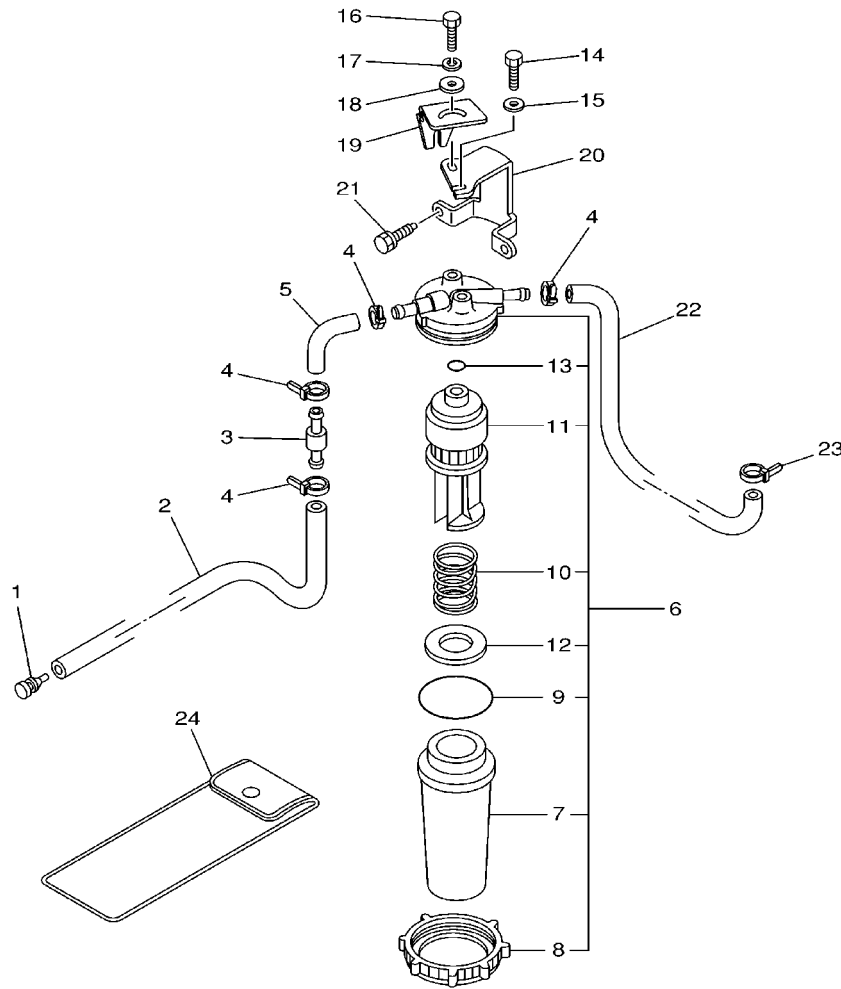


69J1010-2120

REF. NO.	PART NO. NO. PIECES	DESCRIPTION DESCRIPTION	69J1	60L1	69K1	60M1	REMARKS REMARQUES
1	69J-24460-00	RELIEF VALVE ASSY SOUPAPE DE SECURITE COMPLET	1	1	1	1	
2	69J-24324-00	PIPE 13 DURITE	1	1	1	1	
3	69J-24321-00	PIPE 10 DURITE	1	1	1	1	
4	69J-24322-00	PIPE 11 DURITE	1	1	1	1	
5	69J-24323-00	PIPE 12 DURITE	1	1	1	1	
6	69J-24317-00	PIPE 7 DURITE 7	1	1	1	1	
7	69J-24316-00	PIPE 6 DURITE 6	1	1	1	1	
8	69J-24537-00	NIPPLE RACCORD	1	1	1	1	
9	68V-13577-00	CLIP AGRAFE	6	6	6	6	
10	68V-24519-00	CLIP JONC	7	7	7	7	
11	69J-14137-00	CLIP JONC	4	4	4	4	
12	68V-2481H-00	CLAMP BRIDE	4	4	4	4	
13	6E5-24378-00	PIPE, JOINT 3 DURITE, RACCORDEMENT 3	1	1	1	1	
14	69J-24461-00	PIPE, JOINT DURITE, RACCORDEMENT	1	1	1	1	
15	69J-24315-00	PIPE 5 DURITE 5	1	1	1	1	
16	69J-13976-00	PIPE, FUEL 6 TUBE 6, CARBURANT	1	1	1	1	
17	68V-24387-00	CLIP SANDOW	3	3	3	3	
18	69J-24501-00	FILTER, FUEL FILTRE	1	1	1	1	
19	69J-24599-00	CAP CAPUCHON	1	1	1	1	
20	69J-24325-00	PIPE 14 DURITE	1	1	1	1	
21	69J-1410F-00	NIPPLE 1 RACCORD 1	1	1	1	1	
22	69J-24366-00	CLAMP, FUEL PIPE 1 COLLIER DE DURITE A ESSENCE	1	1	1	1	
23	69J-24367-00	CLAMP, FUEL PIPE 2 COLLIER DE DURITE A ESSENCE	1	1	1	1	
24	98582-05008	SCREW, PAN HEAD VIS, TETE TRONCONIQUE	2	2	2	2	
25	69J-13974-00	PIPE, FUEL 4 TUBE 4, CARBURANT	1	1	1	1	
26	69J-24381-00	SET BAR, FUEL JOINT BARRE DE BLOCAGE	1	1	1	1	

FIG. 13 FUEL 1

CARBURANT 1



REF. NO.	PART NO. NO. PIECES	DESCRIPTION DESCRIPTION	69J1	60L1	69K1	60M1	REMARKS REMARQUES
1	689-85547-00	DAMPER AMORTISSEUR	1	1	1	1	
2	90445-13004	HOSE DURITE	1	1	1	1	
3	6R3-24377-00	PIPE, JOINT 3 DURITE RACCORDEMENT	1	1	1	1	
4	90465-11M10	CLAMP BRIDE	4	4	4	4	
5	61A-24311-00	PIPE, FUEL 1 DURITE A ESSENCE	1	1	1	1	
6	65L-24560-00	FILTER ASSY ENS FILTRE	1	1	1	1	
7	61A-24521-00	.CUP, FILTER .CUVETTE, FILTRE	1	1	1	1	
8	65L-24531-01	.NUT .ECROU	1	1	1	1	
9	61A-24564-00	.O-RING .JOINT TORIQUE	1	1	1	1	
10	65L-24577-00	.SPRING .RESSORT	1	1	1	1	
11	65L-24563-00	.ELEMENT, FILTER .ELEMENT, FILTRE	1	1	1	1	
12	61A-24469-00	.FLOAT, WATER LEVEL .FLOTTEUR	1	1	1	1	
13	65L-24564-00	.O-RING .JOINT TORIQUE	1	1	1	1	
14	97095-06014	BOLT BOULON	1	1	1	1	
15	92995-06600	WASHER RONDELLE	1	1	1	1	
16	97095-06016	BOLT BOULON	1	1	1	1	
17	92995-06100	WASHER, SPRING RONDELLE, GROWER	1	1	1	1	
18	90201-06068	WASHER, PLATE RONDELLE, PLATE	1	1	1	1	
19	65L-24558-00	HOLDER, FILTER SUPPORT, FILTRE	1	1	1	1	
20	69J-24566-00	BRACKET, FILTER SUPPORT, FILTRE	1	1	1	1	
21	90119-06037	BOLT, WITH WASHER BOULON, AVEC RONDELLE	2	2	2	2	
22	69J-24313-00	PIPE 3 DURITE 3	1	1	1	1	
23	90465-11M10	CLAMP BRIDE	1	1	1	1	
24	69J-28100-00	TOOL KIT TROUSSE A OUTILS	1	1	1	1	

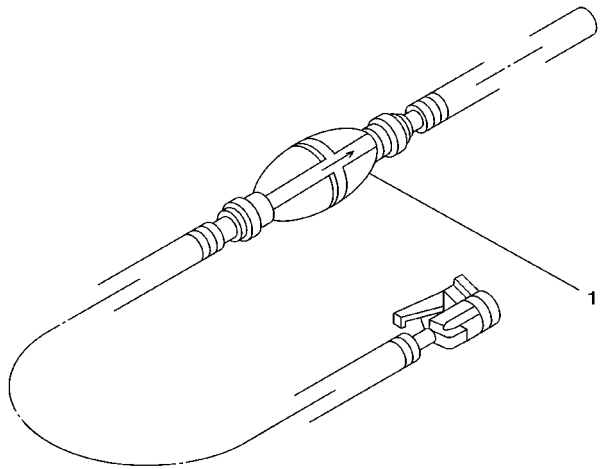


69J1010-2130

FIG. 14 FUEL 2

CARBURANT 2

REF. NO.	PART NO. NO. PIECES	DESCRIPTION DESCRIPTION	69J1	60L1	69K1	60M1	REMARKS REMARQUES
1	6YK-24306-42	FUEL PIPE COMP. 1 DURITE A ESSENCE 1	1	1	1	1	AP

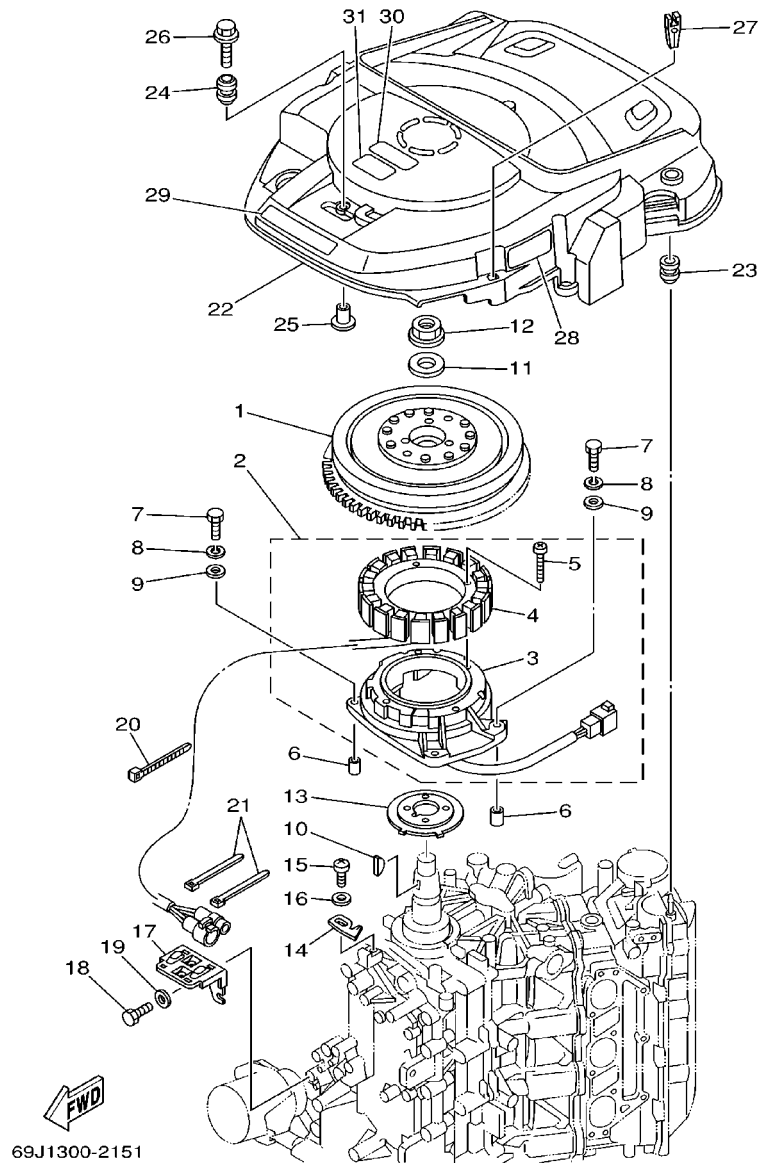



68F0300-0140

D6

FIG. 15 GENERATOR

GENERATRICE

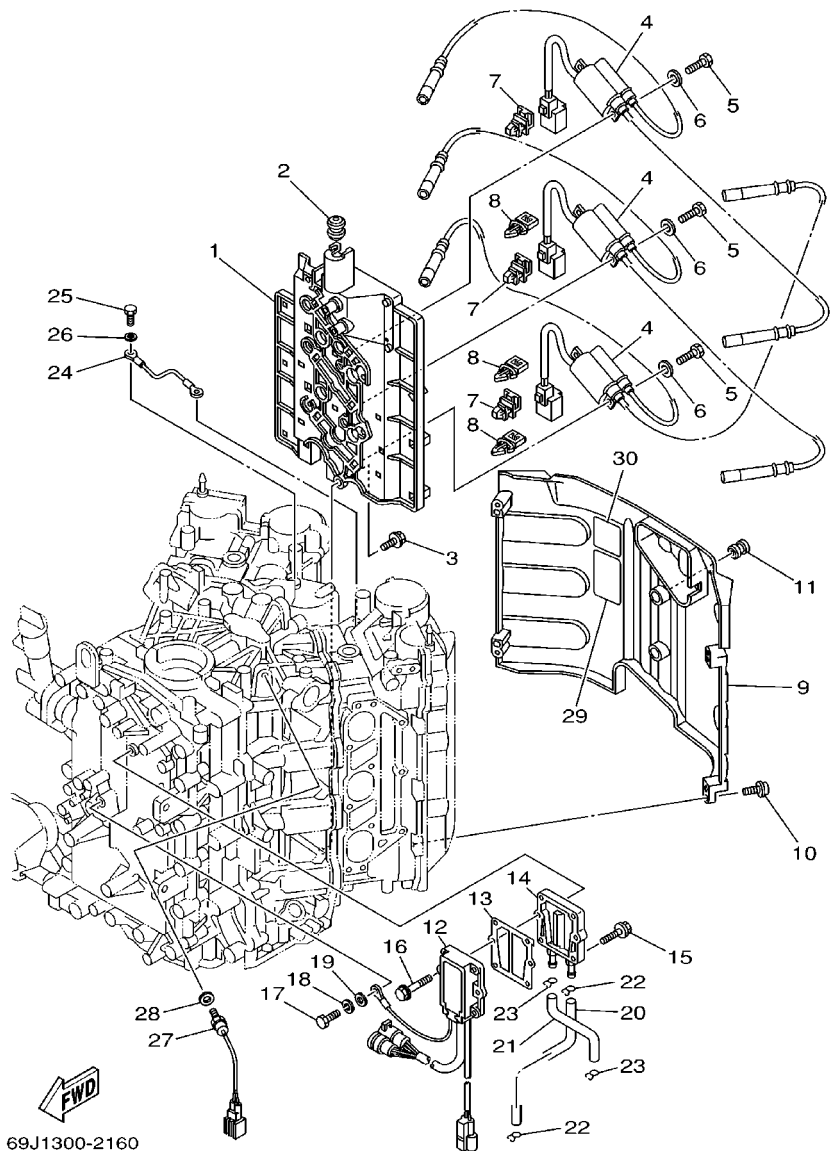


69J1300-2151

REF. NO.	PART NO. NO. PIECES	DESCRIPTION DESCRIPTION	69J1	60L1	69K1	60M1	REMARKS REMARQUES
1	69J-81450-01	ROTOR ASSY ROTOR COMPLET	1	1	1	1	
2	69J-81460-00	BASE ASSY ENS. FLASQUE	1	1	1	1	
3	69J-85580-00	.COIL, PULSER .BOBINE, PULSEUR	1	1	1	1	
4	69J-81410-00	.STATOR ASSY .STATOR COMPLET	1	1	1	1	
5	63D-81345-20	.SCREW, WITH WASHER (M6X30) .VIS, AVEC RONDELLE (M6X30)	4	4	4	4	
6	99530-08012	PIN, DOWEL GOUJON, D'ASSEMBLAGE	2	2	2	2	
7	97095-06035	BOLT BOULON	4	4	4	4	
8	92995-06100	WASHER, SPRING RONDELLE, GROWER	4	4	4	4	
9	92995-06600	WASHER RONDELLE	4	4	4	4	
10	90280-05015	KEY, WOODRUFF CLAVETTE, DEMI-LUNE	1	1	1	1	
11	90201-24014	WASHER, PLATE RONDELLE, PLATE	1	1	1	1	
12	90179-24002	NUT ECROU	1	1	1	1	
13	69J-81673-00	ROTOR ROTOR	1	1	1	1	
14	67F-81332-00	PLATE, TIMING PLATEAU, ALLUMAGE	1	1	1	1	
15	97885-06010	SCREW, PAN HEAD VIS, TETE TRONCONIQUE	1	1	1	1	
16	92995-06600	WASHER RONDELLE	1	1	1	1	
17	69J-8132G-00	PLATE PLAQUE	1	1	1	1	
18	97095-06016	BOLT BOULON	1	1	1	1	
19	92995-06600	WASHER RONDELLE	1	1	1	1	
20	90465-13M18	CLAMP BRIDE	1	1	1	1	
21	90465-14M66	CLAMP BRIDE	2	2	2	2	
22	69J-81337-00	COVER, FLYWHEEL COUVERCLE, VOLANT	1	1	1	1	
23	663-82317-01	DAMPER, IGNITION COIL AMORTISSEUR, BOBINE D'ALLUM	2	2	2	2	
24	6A0-82317-00	DAMPER, IGNITION COIL AMORTISSEUR, BOBINE D'ALLUM	3	3	3	3	
25	624-42542-00	PIPE TUYAU	3	3	3	3	
26	90119-06M59	BOLT, WITH WASHER BOULON, AVEC RONDELLE	3	3	3	3	
27	67F-2812A-00	PULLER, FUSE TENDEUR, FUSIBLE	1	1	1	1	

FIG. 16 ELECTRICAL 1

PARTIE ELECTRIQUE 1



REF. NO.	PART NO. NO. PIECES	DESCRIPTION DESCRIPTION	69J1	60L1	69K1	60M1	REMARKS REMARQUES
1	69J-82316-00	BRACKET, IGNITION COIL SUPPORT, BOBINE D'ALLUMAGE	1	1	1	1	
2	90480-09M21	GROMMET PASSE-FIL	1	1	1	1	
3	90119-06041	BOLT, WITH WASHER BOULON, AVEC RONDELLE	6	6	6	6	
4	69J-82310-00	IGNITION COIL ASSY BOBINE D'ALLUMAGE	3	3	3	3	
5	97095-06020	BOLT BOULON	6	6	6	6	
6	92995-06600	WASHER RONDELLE	6	6	6	6	
7	90464-12002	CLAMP BRIDE	3	3	3	3	
8	90464-07M56	CLAMP BRIDE	3	3	3	3	
9	69J-82314-00	COVER, IGNITION COIL COUVERCLE, BOBINE D'ALLUMAGE	1	1	1	1	
10	90110-06038	BOLT, HEXAGON SOCKET HEAD BOULON, TETE HEXAGONALE CREUSE	4	4	4	4	
11	663-82317-01	DAMPER, IGNITION COIL AMORTISSEUR, BOBINE D'ALLUM	2	2	2	2	
12	69J-81960-01	RECTIFIER & REGULATOR ASSY REDRESSEUR REGULATEUR CPLT	1	1	1	1	
13	69J-81975-A0	PLATE, RECTIFIER FITTING PLAQUE, FIXATION DU REDRESSEUR	1	1	1	1	
14	69J-81972-01-1S	COVER, RECTIFIER COUVERCLE, REDRESSEUR	1	1	1	1	
15	90119-06MA3	BOLT, WITH WASHER BOULON, AVEC RONDELLE	4	4	4	4	
16	90119-06MA5	BOLT, WITH WASHER BOULON, AVEC RONDELLE	2	2	2	2	
17	97095-06020	BOLT BOULON	1	1	1	1	
18	92995-06100	WASHER, SPRING RONDELLE, GROWER	1	1	1	1	
19	92995-06600	WASHER RONDELLE	1	1	1	1	
20	69J-12482-00	PIPE 2 DURITE 2	1	1	1	1	
21	69J-12481-00	PIPE 1 DURITE 1	1	1	1	1	
22	90467-09M03	CLIP JONC	2	2	2	2	
23	90467-08M18	CLIP JONC	2	2	2	2	
24	69J-82519-00	WIRE, EARTH LEAD FIL, MASSE	1	1	1	1	
25	97095-06012	BOLT BOULON	2	2	2	2	
26	92995-06600	WASHER RONDELLE	2	2	2	2	
27	61A-85790-00	THERMOSENSOR ASSY SENSITOMETRE	1	1	1	1	

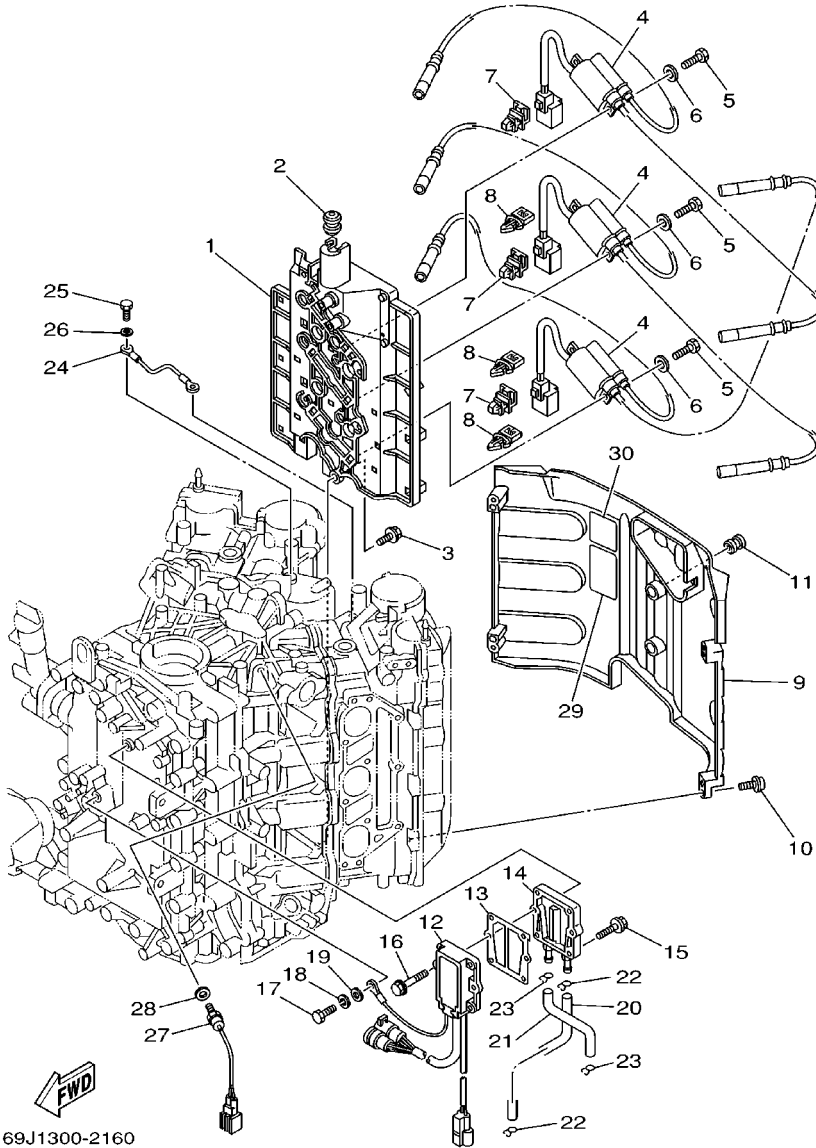


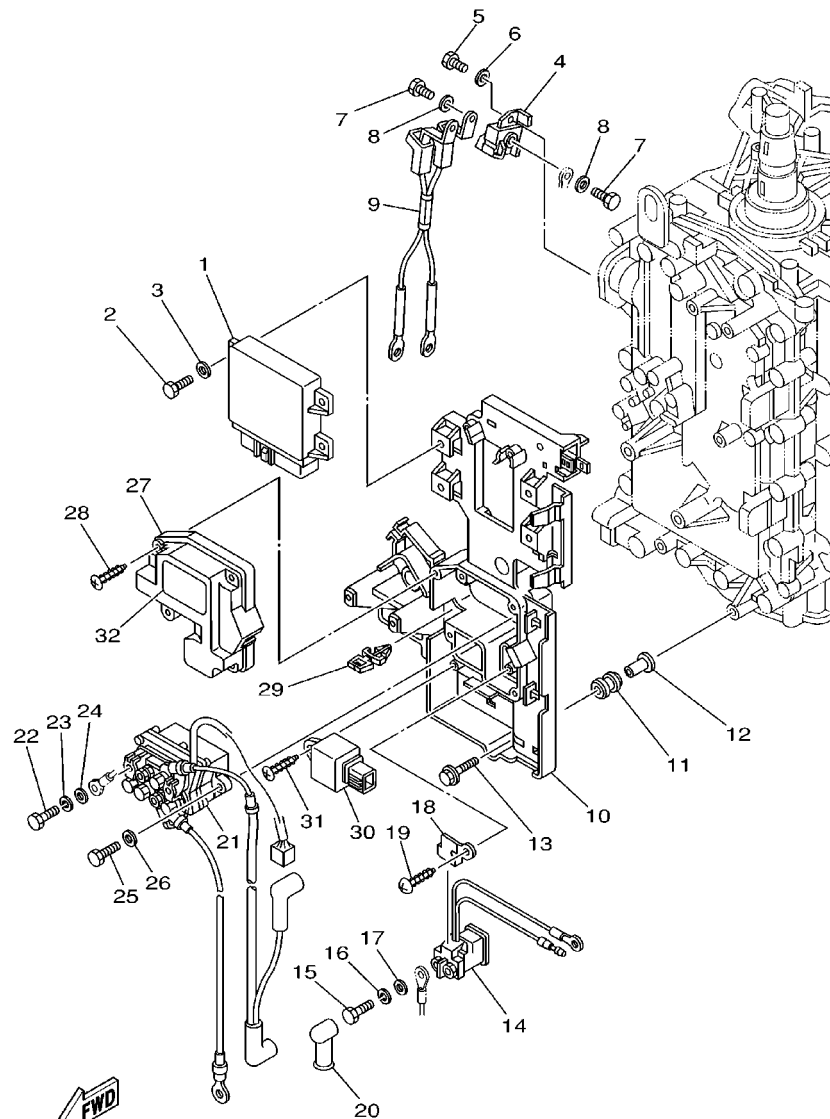
FIG. 16 ELECTRICAL 1

PARTIE ELECTRIQUE 1

REF. NO.	PART NO. NO. PIECES	DESCRIPTION DESCRIPTION	69J1	60L1	69K1	60M1	REMARKS REMARQUES
28	92990-10600	WASHER, PLATE RONDELLE, PLATE	1	1	1	1	
29	69J-83626-00	MARK 6 MARK 6	1	1	1	1	
30	67F-12138-60	MARK, CAUTION MAKER	1	1	1	1	

FIG. 17 ELECTRICAL 2

PARTIE ELECTRIQUE 2

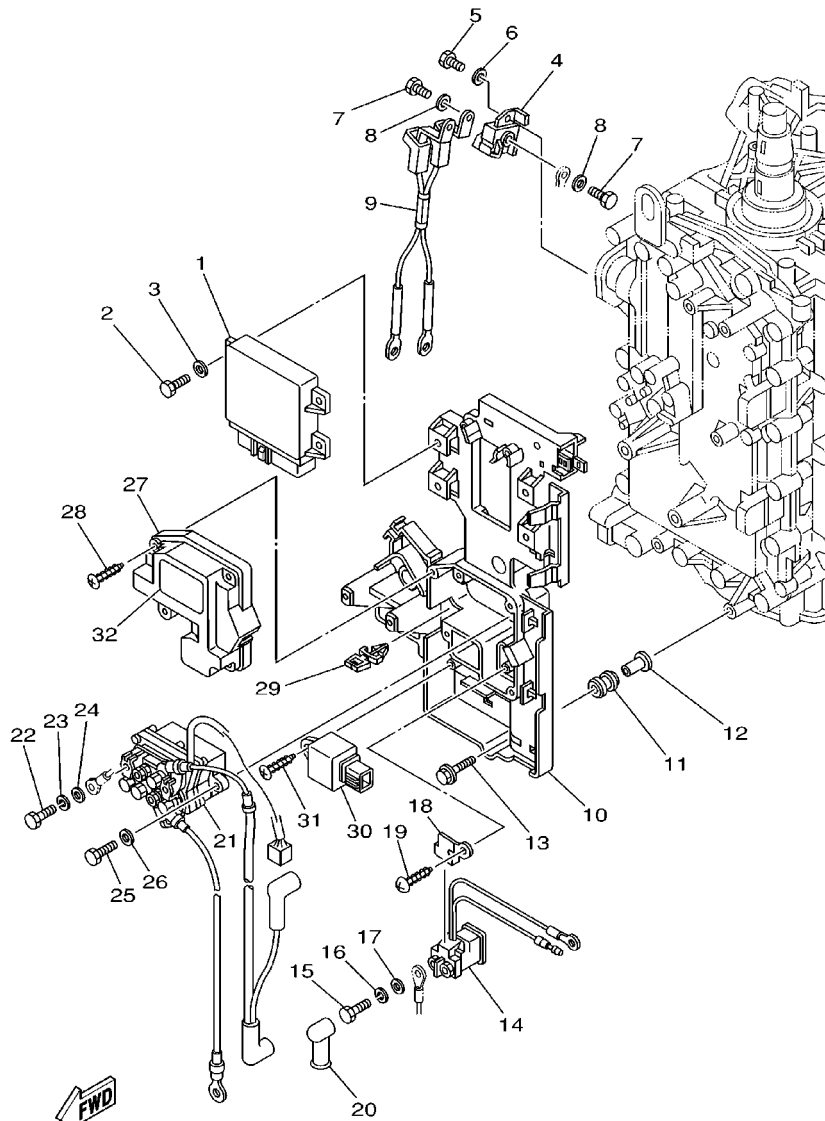


69J1010-2160

REF. NO.	PART NO. NO. PIECES	DESCRIPTION DESCRIPTION	69J1	60L1	69K1	60M1	REMARKS REMARQUES
1	69J-8591A-01	ENGINE CONTROL UNIT ASSY BLOC DE CONTROL	1		1		
	60L-8591A-00	ENGINE CONTROL UNIT ASSY BLOC DE CONTROL		1		1	
2	97095-06016	BOLT BOULON	4	4	4	4	
3	92995-06600	WASHER RONDELLE	4	4	4	4	
4	69J-81925-00	TERMINAL BORNE	1	1	1	1	
5	97095-08020	BOLT BOULON	2	2	2	2	
6	92995-08600	WASHER RONDELLE	2	2	2	2	
7	97095-06014	BOLT BOULON	2	2	2	2	
8	92995-06600	WASHER RONDELLE	2	2	2	2	
9	69J-82105-00	WIRE HARNESS FAISCEAU DE FILS	1	1	1	1	
10	69J-81948-00	BRACKET JOINT TORIQUE	1	1	1	1	
11	6A0-82317-00	DAMPER, IGNITION COIL AMORTISSEUR, BOBINE D'ALLUM	6	6	6	6	
12	624-42542-00	PIPE TUYAU	6	6	6	6	
13	90119-06M59	BOLT, WITH WASHER BOULON, AVEC RONDELLE	6	6	6	6	
14	68V-8194A-00	RELAY RELAIS	1	1	1	1	
15	97095-06010	BOLT BOULON	2	2	2	2	
16	92995-06100	WASHER, SPRING RONDELLE, GROWER	2	2	2	2	
17	92995-06600	WASHER RONDELLE	2	2	2	2	
18	68V-81953-00	STAY, RELAY SUPPORT, RELAIS	1	1	1	1	
19	97780-60620	SCREW, TAPPING VIS, TETE FRAISEE	1	1	1	1	
20	6G5-82119-00	COVER, LEAD WIRE GARNITURE, FIL	1	1	1	1	
21	69J-81950-00	RELAY ASSY RELAIS COMPLET	1	1	1	1	
22	97095-06010	BOLT BOULON	2	2	2	2	
23	92995-06100	WASHER, SPRING RONDELLE, GROWER	2	2	2	2	
24	92995-06600	WASHER RONDELLE	2	2	2	2	
25	97013-06025	BOLT BOULON	2	2	2	2	
26	92903-06600	WASHER, PLATE RONDELLE, PLATE	2	2	2	2	

FIG. 17 ELECTRICAL 2

PARTIE ELECTRIQUE 2

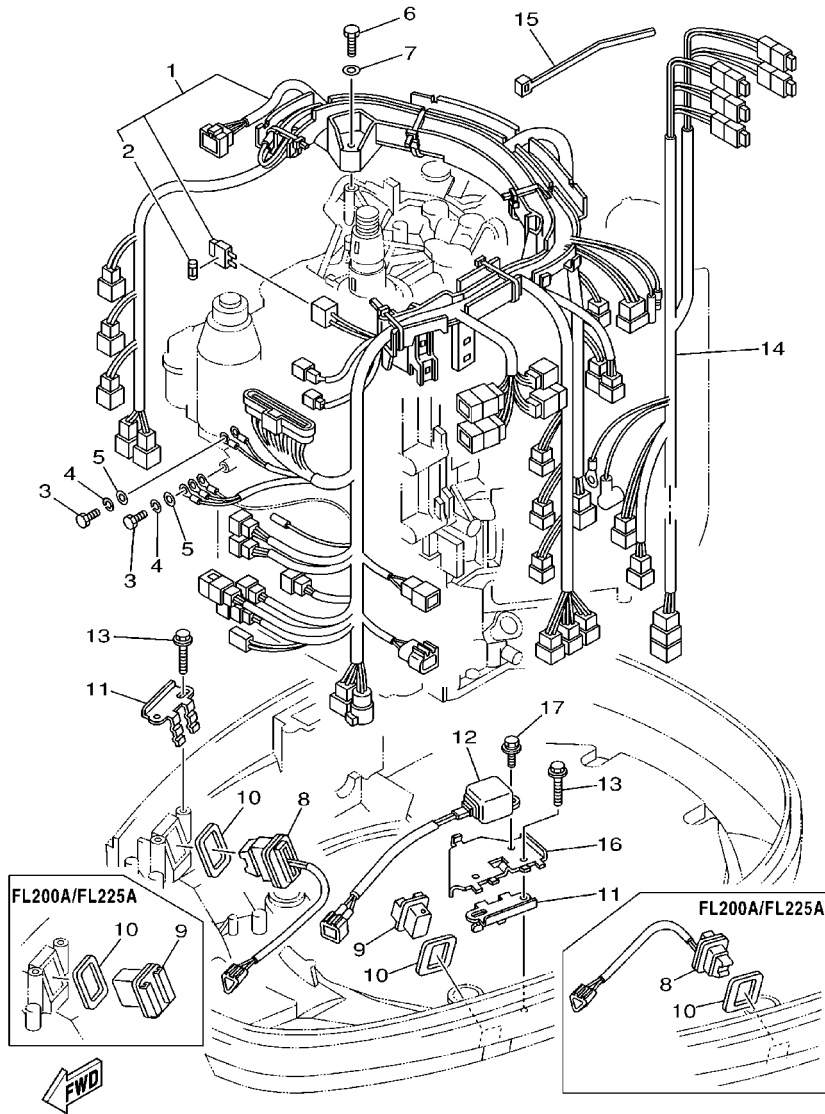


69J1010-2160

REF. NO.	PART NO. NO. PIECES	DESCRIPTION DESCRIPTION	69J1	60L1	69K1	60M1	REMARKS REMARQUES
27	69J-81942-00	COVER COUVERCLE	1	1	1	1	
28	90169-05M00	SCREW, TRUSS HEAD TAPPING VIS, TETE FRAISEE	4	4	4	4	
29	90464-07M56	CLAMP BRIDE	2	2	2	2	
30	68V-81950-00	RELAY ASSY RELAIS COMPLET	1	1	1	1	
31	97780-60625	SCREW, TAPPING VIS, TETE FRAISEE	1	1	1	1	
32	69J-81919-00	GRAPHIC, REGULATOR ADHESIF, REGULATEUR	1	1	1	1	

FIG. 18 ELECTRICAL 3

PARTIE ELECTRIQUE 3

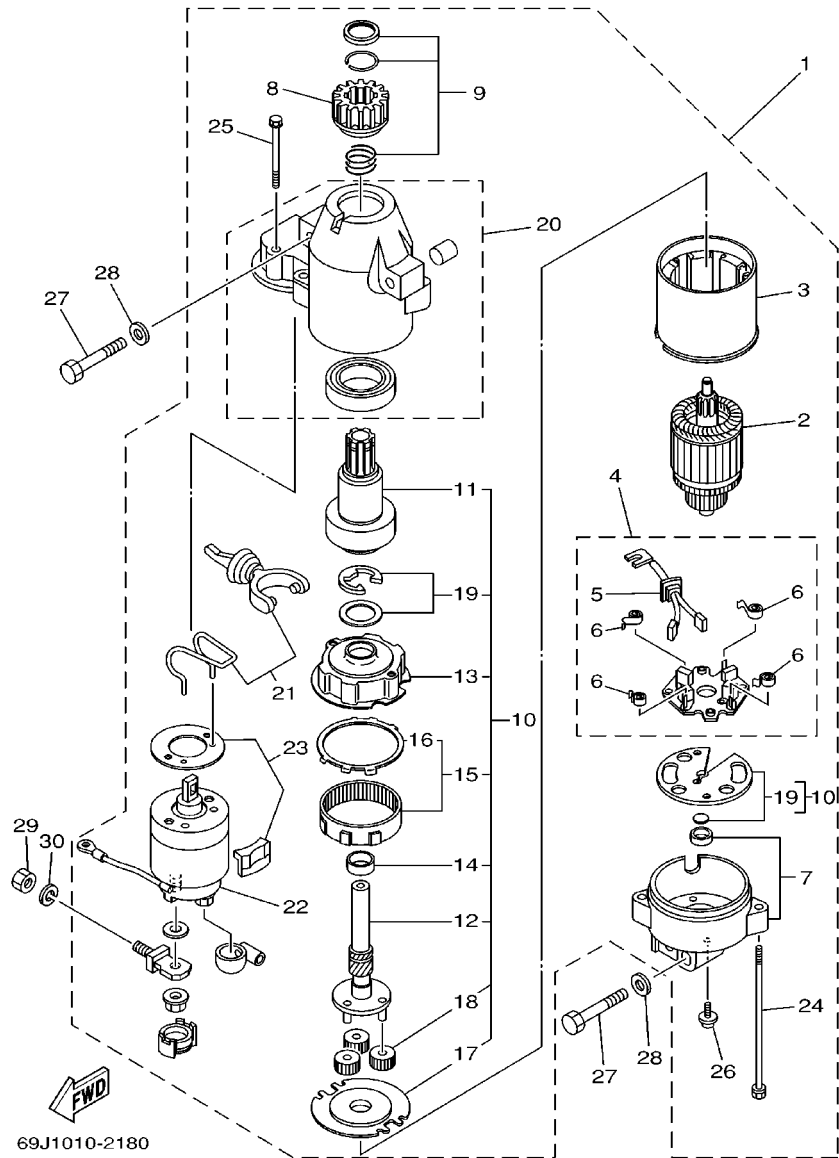


69J1100-2181

REF. NO.	PART NO. NO. PIECES	DESCRIPTION DESCRIPTION	69J1	60L1	69K1	60M1	REMARKS REMARQUES
1	69J-82590-00	WIRE HARNESS ASSY FAISCEAU DE FILS COMPLET	1	1	1	1	
2	67F-82151-20	.FUSE .FUSIBLE	2	2	2	2	
3	97095-06020	BOLT BOULON	2	2	2	2	
4	92995-06100	WASHER, SPRING RONDELLE, GROWER	2	2	2	2	
5	92995-06600	WASHER RONDELLE	2	2	2	2	
6	97095-06035	BOLT BOULON	3	3	3	3	
7	92995-06600	WASHER RONDELLE	3	3	3	3	
8	69J-82563-00	TRIM & TILT SWITCH ASSY INCLINER ET PARER COMMUTATEUR	1	1	1	1	
9	69J-42723-00-8D	COVER, BOTTOM COUVERCLE	1	1	1	1	
10	69J-82587-00	GASKET JOINT	2	2	2	2	
11	69J-83614-00	BRACKET SUPPORT	2	2	2	2	
12	69J-86550-00	DRIVE ASSY CONDUCTEUR (ENS.)	1	1	1	1	
13	90109-06M86	BOLT BOULON	4	4	4	4	
14	69J-8259N-00	WIRE HARNESS ASSY 3 FAISCEAU DE FILS	1	1	1	1	
15	90465-13M18	CLAMP BRIDE	6	6	6	6	
16	69J-86552-00	HOLDER, SWITCH SUPPORT, COMMUTATEUR	1	1	1	1	
17	90119-06M19	BOLT, WITH WASHER BOULON, AVEC RONDELLE	1	1	1	1	

FIG. 19 STARTING MOTOR

DEMARREUR ELECTRIQUE

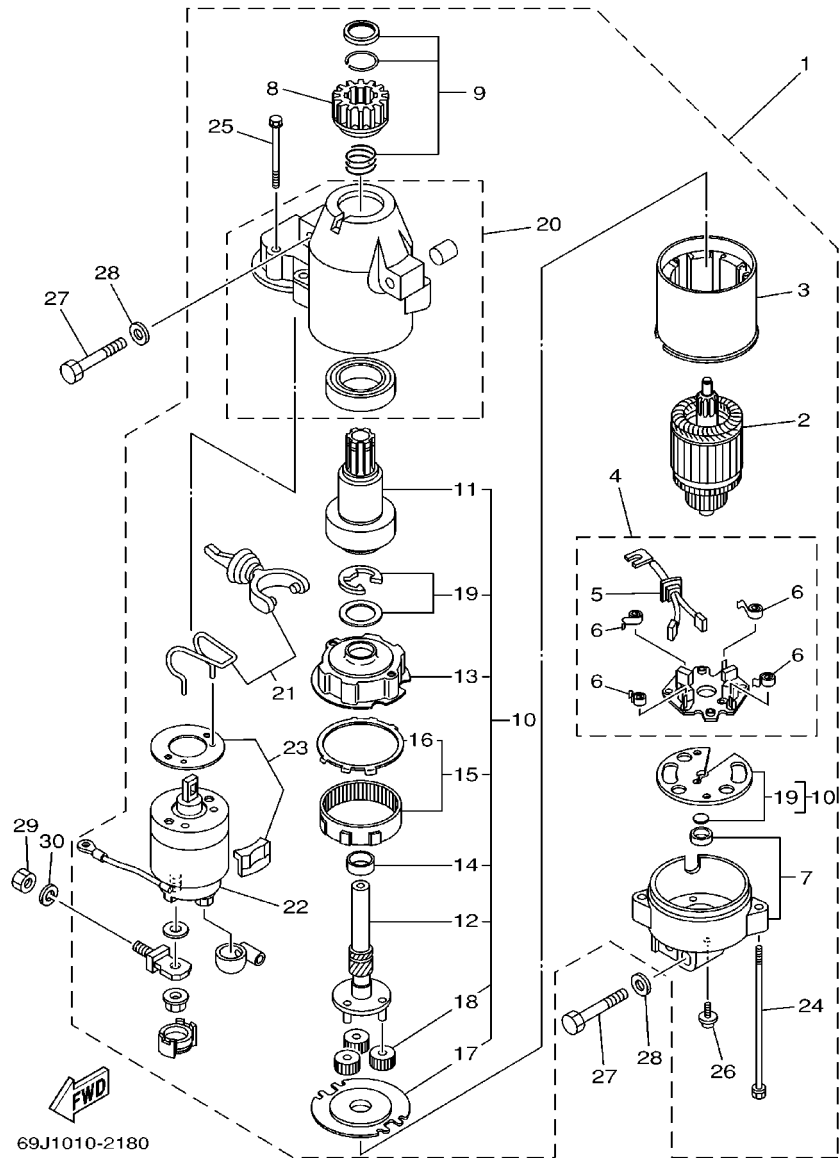


69J1010-2180

REF. NO.	PART NO. NO. PIECES	DESCRIPTION DESCRIPTION	69J1	60L1	69K1	60M1	REMARKS REMARQUES
1	69J-81800-00	STARTING MOTOR ASSY DEMARREUR ELECTRIQUE COMPLET	1	1	1	1	
2	67F-81850-00	..ARMATURE ASSY ..INDUIT	1	1	1	1	
3	67F-81810-00	..STATOR ASSY ..STATOR COMPLET	1	1	1	1	
4	69J-81840-00	..BRUSH HOLDER ASSY ..SUPPORT DE CHARBON	1	1	1	1	
5	69J-81801-00	..BRUSH SET ..CHARBON	1	1	1	1	
6	67F-81813-00	..SPRING, BRUSH ..RESSORT, DE CHARBON	4	4	4	4	
7	68F-81820-00	..REAR BRACKET ASSY ..SUPPORT ARRIERE COMPLET	1	1	1	1	
8	67F-81808-00	..PINION ASSY ..PIGNON	1	1	1	1	
9	67F-81857-00	..PINION STOPPER SET ..BUTEE PIGNON	1	1	1	1	
10	67F-81807-00	..GEAR ASSY, STARTING MOTOR ..PIGNON, DEMARREUR ELECTRIQUE	1	1	1	1	
11	67F-81832-00	..CLUTCH, OVER RUN ..EMBAYAGE, ROUE LIBRE	1	1	1	1	
12	67F-81836-00	..SHAFT, PINION ..AXE, PIGNON	1	1	1	1	
13	67F-81821-00	..BRACKET, CENTER 1 ..SUPPORT, CENTRE 1	1	1	1	1	
14	67F-81841-00	..BEARING ..ROULEMENT	1	1	1	1	
15	67F-81891-00	..GEAR, RING ..ROUE DENTEE	1	1	1	1	
16	67F-8183R-00	..GASKET ..JOINT	1	1	1	1	
17	67F-81830-00	..BRACKET, CENTER 2 ..SUPPORT, CENTRE 2	1	1	1	1	
18	67F-8183T-00	..GEAR, IDLER ..PIGNON, INTERMEDIAIRE	3	3	3	3	
19	67F-81809-00	..WASHER KIT ..JEU DE RONDELLES	1	1	1	1	
20	69J-81842-00	..COVER ..COUVERCLE	1	1	1	1	
21	69J-81839-00	..LEVER ASSY ..LEVIER COMPLET	1	1	1	1	
22	69J-81941-00	..STARTER RELAY ASSY ..LANCEUR RELAIS (ENS.)	1	1	1	1	
23	69J-81869-00	..COVER, DUST ..COUVERCLE, POUSSIERE	1	1	1	1	
24	6K7-81826-10	..BOLT ..BOULON	2	2	2	2	
25	69J-81828-00	..BOLT 2 ..RONDELLE, BUTEE 2	2	2	2	2	
26	67F-81846-00	..SCREW ..VIS	2	2	2	2	
27	97013-08045	BOLT BOULON	3	3	3	3	

FIG. 19 STARTING MOTOR

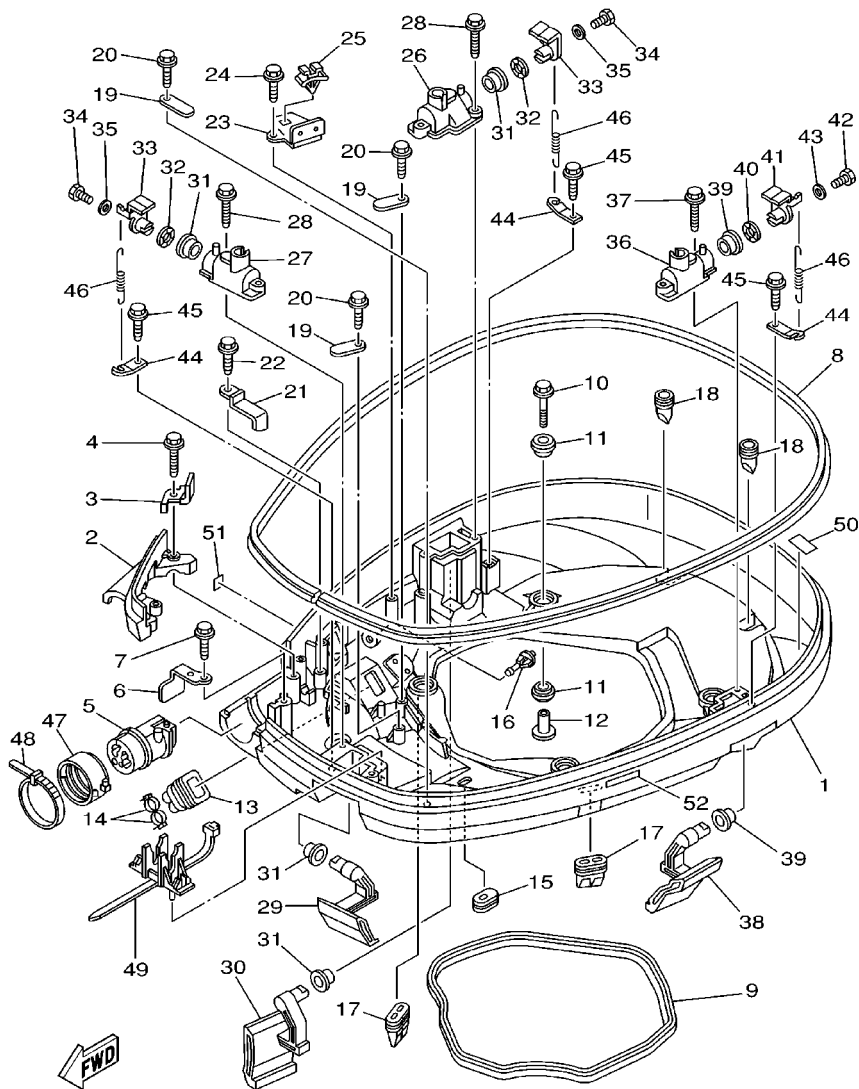
DEMARREUR ELECTRIQUE



REF. NO.	PART NO. NO. PIECES	DESCRIPTION DESCRIPTION	69J1	60L1	69K1	60M1	REMARKS REMARQUES
28	92903-08600	WASHER, PLATE RONDELLE, PLATE	3	3	3	3	
29	95333-08600	NUT ECROU	1	1	1	1	
30	92903-08100	WASHER, SPRING RONDELLE, GROWER	1	1	1	1	

FIG. 20 BOTTOM COWLING 1

CAPOT INFERIEUR 1

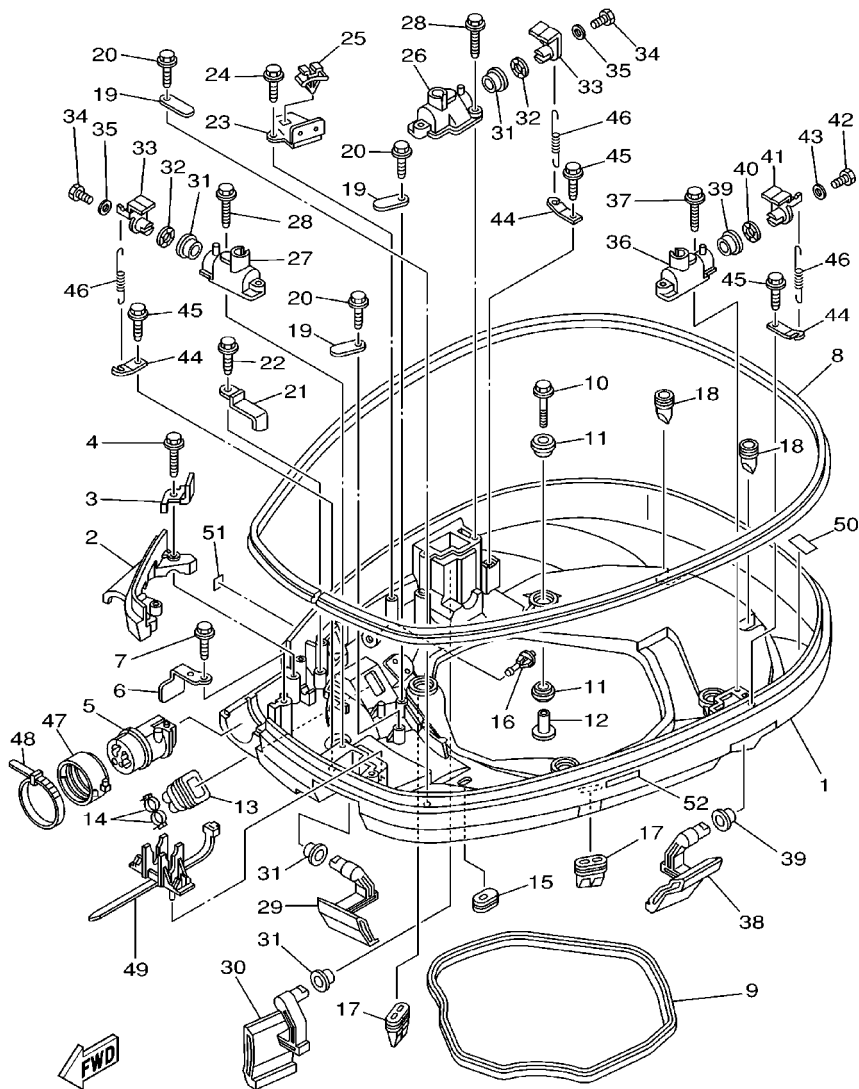


69J1100-2200

REF. NO.	PART NO. NO. PIECES	DESCRIPTION DESCRIPTION	69J1	60L1	69K1	60M1	REMARKS REMARQUES
1	69J-42711-00-8D	COWLING, BOTTOM CUVETTE	1	1	1	1	
2	69J-42738-00-5B	PLATE, FITTING ETRIER	1	1	1	1	
3	69J-42744-00	STAY SUPPORT	1	1	1	1	
4	90109-06M82	BOLT BOULON	2	2	2	2	
5	69J-42725-00	GROMMET PASSE-FIL	1	1	1	1	
6	64D-42738-10-5B	PLATE, FITTING ETRIER	1	1	1	1	
7	90109-06M86	BOLT BOULON	1	1	1	1	
8	69J-42615-00	SEAL JOINT	1	1	1	1	
9	69J-42716-00	RUBBER, SEAL 1 JOINT EN CAOUTCHOUC 1	1	1	1	1	
10	90119-08M22	BOLT, WITH WASHER BOULON, AVEC RONDELLE	4	4	4	4	
11	90480-22M81	GROMMET PASSE-FIL	8	8	8	8	
12	90387-08M37	COLLAR COLLERETTE	4	4	4	4	
13	6H1-42726-20	GROMMET PASSE-FIL	1	1	1	1	
14	90465-11M10	CLAMP BRIDE	2	2	2	2	
15	61A-42727-00	GROMMET PASSE-FIL	1	1	1	1	
16	69J-44391-00	NIPPLE, HOSE RACCORD D'ESSENCE	1	1	1	1	
17	69J-42717-00	RUBBER, SEAL 2 JOINT EN CAOUTCHOUC 2	2	2	2	2	
18	61A-42717-00	RUBBER, SEAL 2 JOINT EN CAOUTCHOUC 2	2	2	2	2	
19	6E5-82588-00	PLATE PLAQUE	3	3	3	3	
20	90109-06M81	BOLT BOULON	3	3	3	3	
21	90462-20001	CLAMP BRIDE	1	1	1	1	
22	90109-06M86	BOLT BOULON	1	1	1	1	
23	69J-82554-00	STAY, NEUTRAL SWITCH SUPPORT, CONT DE POINT-MORT	1	1	1	1	
24	90109-06M86	BOLT BOULON	1	1	1	1	
25	90464-09M47	CLAMP BRIDE	1	1	1	1	
26	68F-42828-00-5B	PLATE, CLAMP PLAQUE, PRESSE	1	1	1	1	
27	69J-42828-00-5B	PLATE, CLAMP PLAQUE, PRESSE	1	1	1	1	

FIG. 20 BOTTOM COWLING 1

CAPOT INFERIEUR 1

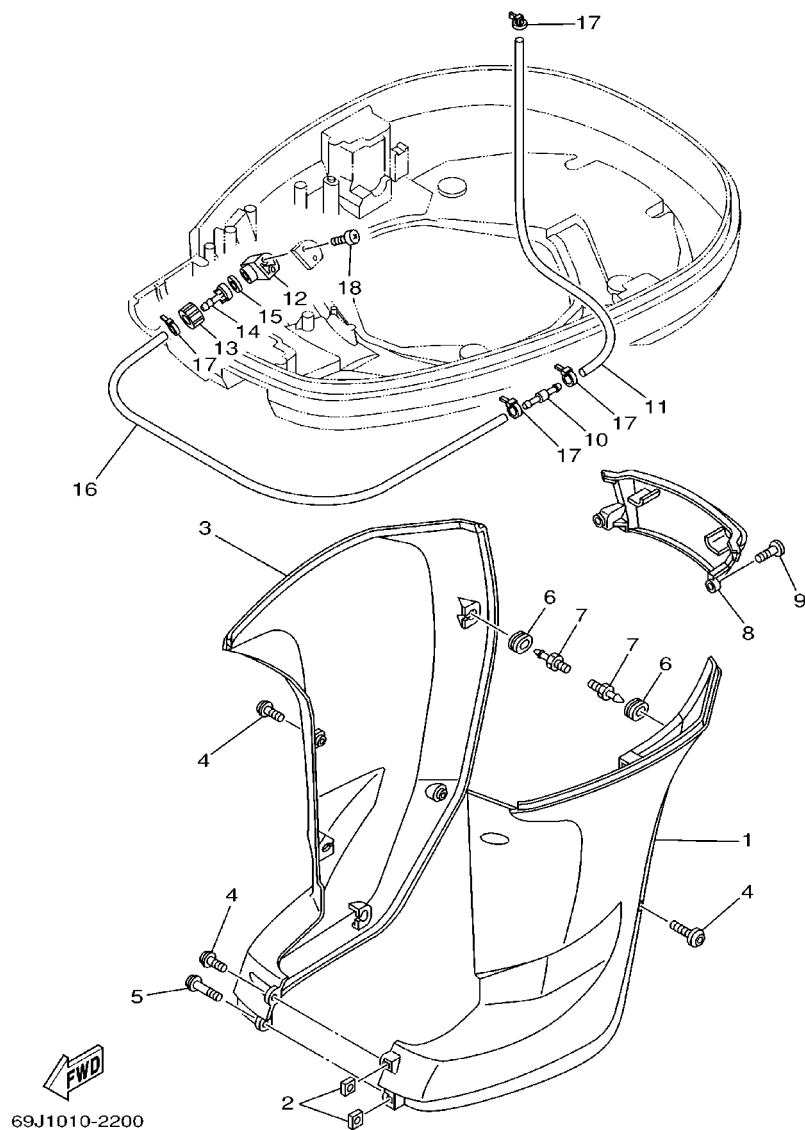


69J1100-2200

REF. NO.	PART NO. NO. PIECES	DESCRIPTION DESCRIPTION	69J1	60L1	69K1	60M1	REMARKS REMARQUES
28	90109-06M82	BOLT BOULON	4	4	4	4	
29	69J-42815-00-8D	LEVER, CLAMP LEVIER, PRESSE	1	1	1	1	
30	69J-42817-00-8D	LEVER, CLAMP LEVIER, PRESSE	1	1	1	1	
31	90386-15M73	BUSH DOUILLE	4	4	4	4	
32	90206-15M18	WASHER, WAVE RONDELLE, ONDULEE	2	2	2	2	
33	68F-42818-00	LEVER, CLAMP LEVIER, PRESSE	2	2	2	2	
34	97095-06020	BOLT BOULON	2	2	2	2	
35	90201-06068	WASHER, PLATE RONDELLE, PLATE	2	2	2	2	
36	68F-42828-10-5B	PLATE, CLAMP PLAQUE, PRESSE	1	1	1	1	
37	90109-06M82	BOULON	2	2	2	2	
38	69J-42816-00-8D	LEVER, CLAMP LEVIER, PRESSE	1	1	1	1	
39	90386-15M73	BUSH DOUILLE	2	2	2	2	
40	90206-15M18	WASHER, WAVE RONDELLE, ONDULEE	1	1	1	1	
41	67F-42818-00	LEVER, CLAMP LEVIER, PRESSE	1	1	1	1	
42	97095-06020	BOLT BOULON	1	1	1	1	
43	90201-06068	WASHER, PLATE RONDELLE, PLATE	1	1	1	1	
44	64D-43144-00	HOOK, SPRING CROCHET	3	3	3	3	
45	90109-06M86	BOLT BOULON	3	3	3	3	
46	90506-16M34	SPRING, TENSION RESSORT, TENSION	3	3	3	3	
47	68F-42753-00	FASTNER ATTACHE	1	1	1	1	AP
48	90464-20258	CLAMP BRIDE	1	1	1	1	AP
49	68V-82594-00	CLAMP BRIDE	1	1	1	1	
50	67F-82377-00	LABEL ETIQUETTE	1	1	1	1	
51	6A1-28176-00	LABEL, CAUTION ETIQUETTE, RECOMMANDATION	1	1	1	1	
52	6E3-8257H-00	PLATE, MARK PLAQUE, ADHESIF	1	1	1	1	

FIG. 21 BOTTOM COWLING 2

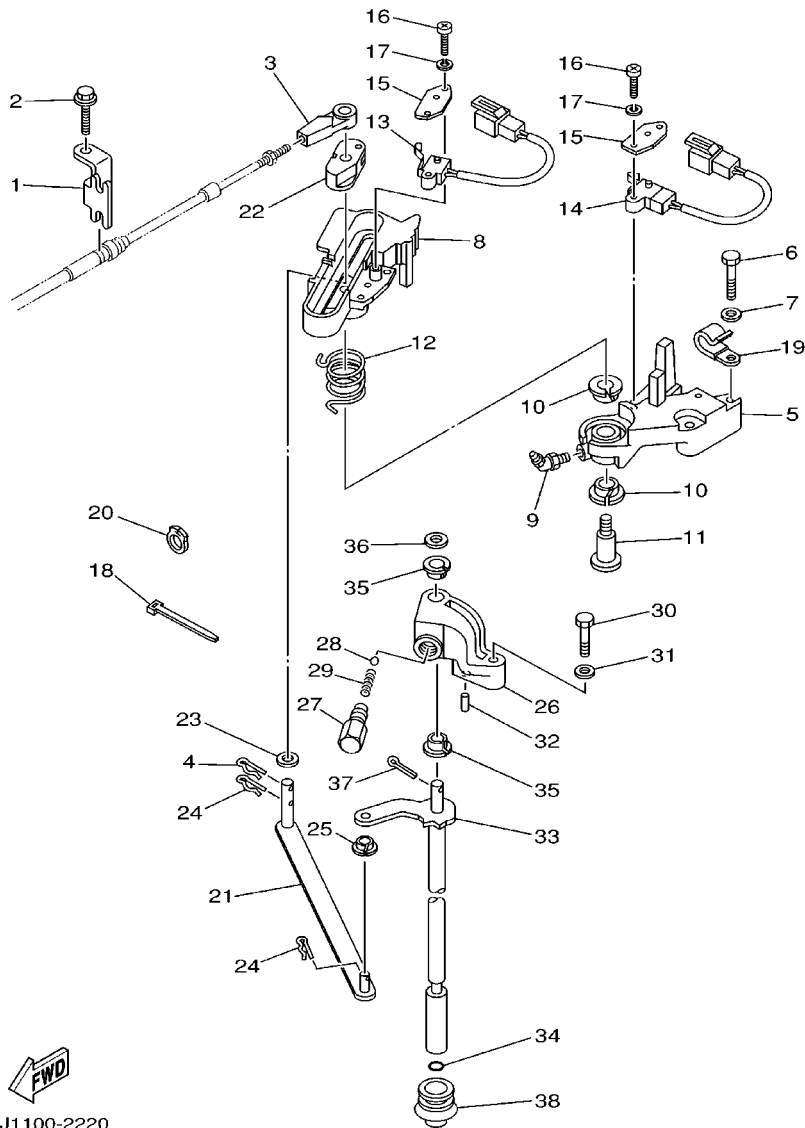
CAPOT INFERIEUR 2



REF. NO.	PART NO. NO. PIECES	DESCRIPTION DESCRIPTION	69J1	60L1	69K1	60M1	REMARKS REMARQUES
1	69J-42741-00-8D	APRON CAPOT LATERAL	1	1	1	1	
2	90173-06001	NUT, SQUARE ECROU, CARRE	2	2	2	2	
3	69J-42771-00-8D	APRON CAPOT LATERAL	1	1	1	1	
4	90111-06025	BOLT BOULON	5	5	5	5	
5	90111-06026	BOLT BOULON	1	1	1	1	
6	90480-14M17	GROMMET PASSE-FIL	6	6	6	6	
7	69J-42774-00	STAY, APRON 1 COUSSINET	6	6	6	6	
8	69J-45151-00-8D	COVER, UPPER CASING CAPUCHON, FOURREAU	1	1	1	1	
9	90111-06025	BOLT BOULON	2	2	2	2	
10	6E5-24379-00	PIPE, JOINT 4 DURITE RACCORDEMENT	1	1	1	1	
11	90445-11024	HOSE DURITE	1	1	1	1	
12	68T-12572-00	ADAPTER ADAPTATEUR	1	1	1	1	
13	6R3-12581-00	JOINT, HOSE 1 JOINT DE TUYAU	1	1	1	1	
14	6R3-12582-00	JOINT, HOSE 2 RACCORD DE TUYAU 1	1	1	1	1	
15	6R3-12583-00	GASKET, HOSE JOINT JOINT	1	1	1	1	
16	90445-11023	HOSE DURITE	1	1	1	1	
17	90465-11M10	CLAMP BRIDE	4	4	4	4	
18	97780-60520	SCREW, TAPPING VIS, TETE FRAISEE	2	2	2	2	

FIG. 22 CONTROL 1

COMMANDE 1

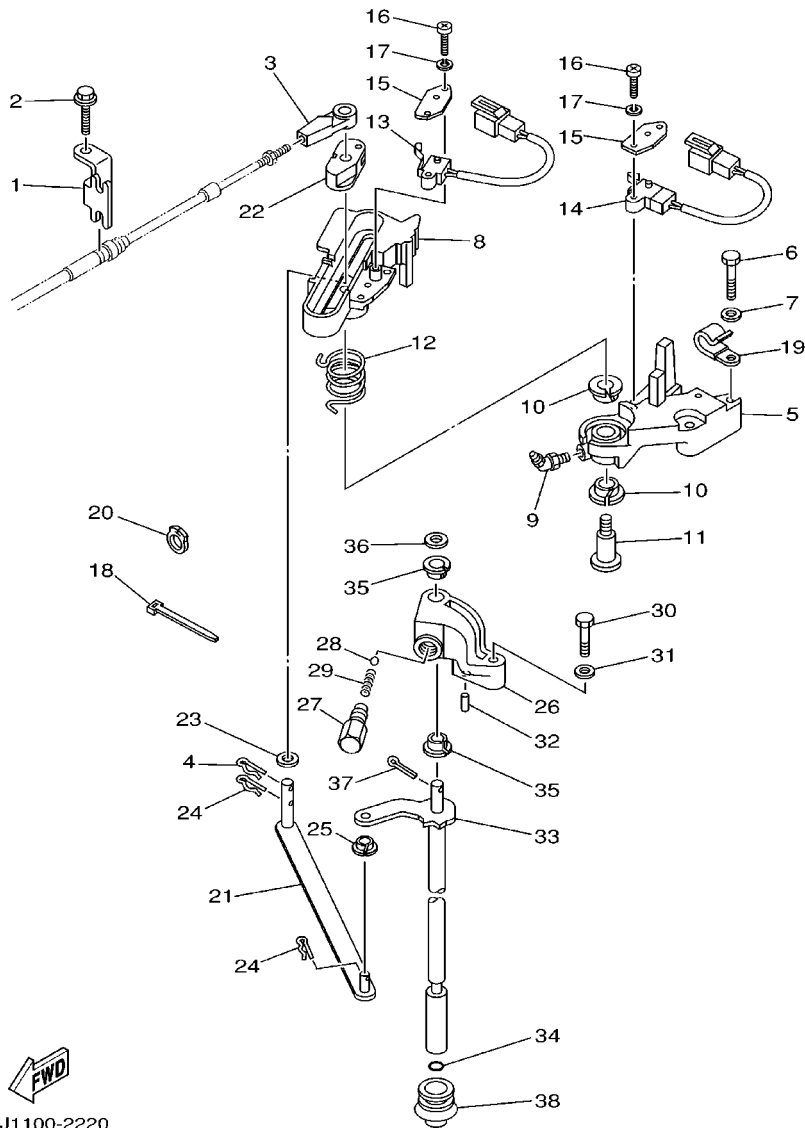


69J1100-2220

REF. NO.	PART NO. NO. PIECES	DESCRIPTION DESCRIPTION	69J1	60L1	69K1	60M1	REMARKS REMARQUES
1	69J-48531-00	BRACKET, REMOTE CONTROL 1 ETRIER 1, COMMANDE A DISTANCE	1	1	1	1	
2	90109-06M86	BOLT BOULON	1	1	1	1	
3	6E5-48344-00	CABLE END, REMOTE CONTROL CHAPE CABLE	1	1	1	1	
4	90468-18008	CLIP JONC	1	1	1	1	
5	69J-44117-00-1S	BRACKET SUPPORT	1	1	1	1	
6	97095-06035	BOLT BOULON	2	2	2	2	
7	92995-06600	WASHER RONDELLE	2	2	2	2	
8	69J-44176-00-1S	BRACKET SUPPORT	1	1	1	1	
9	93700-06M01	NIPPLE, GREASE GRAISSEUR	1	1	1	1	
10	90386-12069	BUSH DOUILLE	2	2	2	2	
11	90109-08019	BOLT BOULON	1	1	1	1	
12	90508-20020	SPRING, TORSION RESSORT, TORSION	1	1	1	1	
13	68F-8259F-00	SWITCH ASSY COMMUTATEUR	1	1	1	1	
14	69J-8259F-00	SWITCH ASSY COMMUTATEUR	1	1	1	1	
15	61A-82588-00	PLATE PLAQUE	2	2	2	2	
16	97885-04016	SCREW, PAN HEAD VIS, TETE TRONCONIQUE	4	4	4	4	
17	92995-04100	WASHER RONDELLE	4	4	4	4	
18	90465-11M10	CLAMP BRIDE	1	1	1	1	
19	90465-06M86	CLAMP BRIDE	1	1	1	1	
20	90464-09010	CLAMP BRIDE	1	1	1	1	
21	69J-44121-00	LEVER, SHIFT ROD LEVIER, TIGE D'INVERSION	1	1	1	1	
22	69J-44122-00	BUSHING, SHIFT ROD LEVER DOUILLE, LEVIER D'EMBRAYAGE	1	1	1	1	
23	90202-08M20	WASHER, PLATE RONDELLE, PLATE	1	1	1	1	
24	90468-18008	CLIP JONC	2	2	2	2	
25	90386-06M12	BUSH DOUILLE	1	1	1	1	
26	69J-44118-00	BRACKET SUPPORT	1	1	1	1	
27	648-42715-00	BUSHING COUSSINET	1	1	1	1	

FIG. 22 CONTROL 1

COMMANDE 1

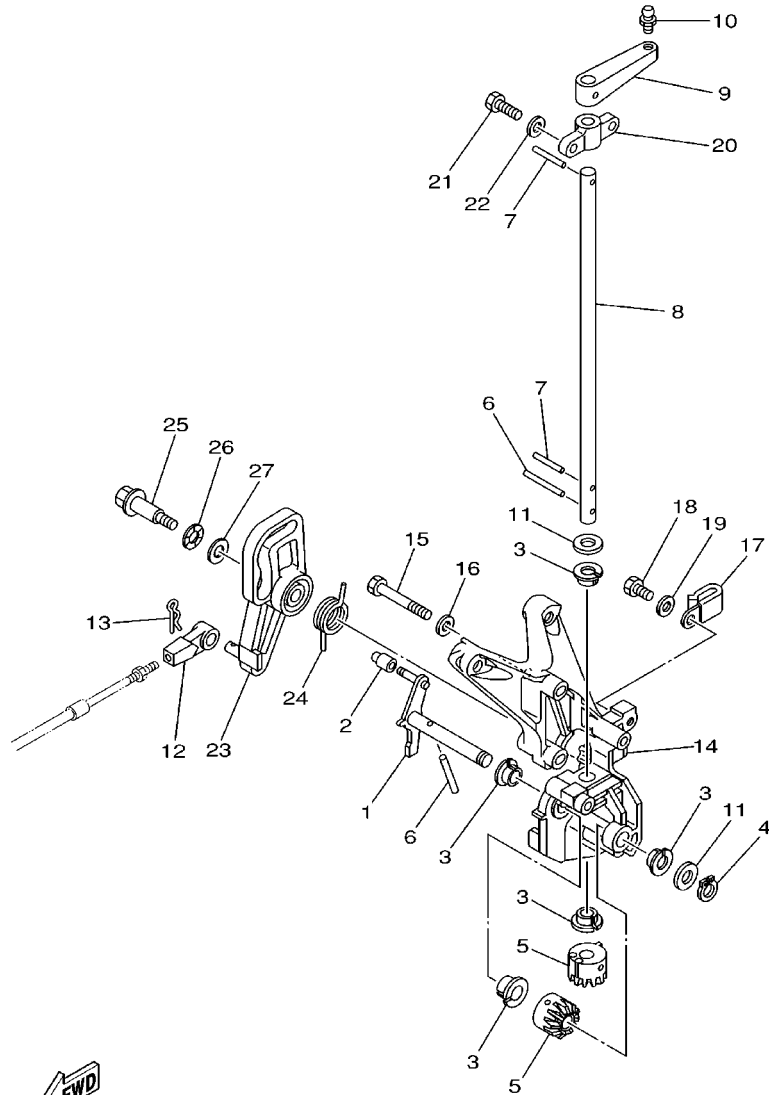


69J1100-2220

REF. NO.	PART NO. NO. PIECES	DESCRIPTION DESCRIPTION	69J1	60L1	69K1	60M1	REMARKS REMARQUES
28	93501-04M02	BALL BILLE	1	1	1	1	
29	90501-12082	SPRING, COMPRESSION RESSORT, COMPRESSION	1	1	1	1	
30	97075-06030	BOLT BOULON	1	1	1	1	
31	92995-06600	WASHER RONDELLE	1	1	1	1	
32	91690-30010	PIN, SPRING GOUILLE, ELASTIQUE	1	1	1	1	
33	69J-44120-00	HANDLE GEAR SHIFT ASSY LEVIER D'EMBRAYAGE	1	1	1	1	X
34	93210-09165	O-RING JOINT TORIQUE	1	1	1	1	
35	90386-90M90	BUSH DOUILLE	2	2	2	2	
36	90201-09M02	WASHER, PLATE RONDELLE, PLATE	1	1	1	1	
37	91490-20015	PIN, COTTER GOUILLE, FENDUE	1	1	1	1	
38	6E5-42724-00	GROMMET PASSE-FIL	1	1	1	1	

FIG. 23 CONTROL 2

COMMANDE 2



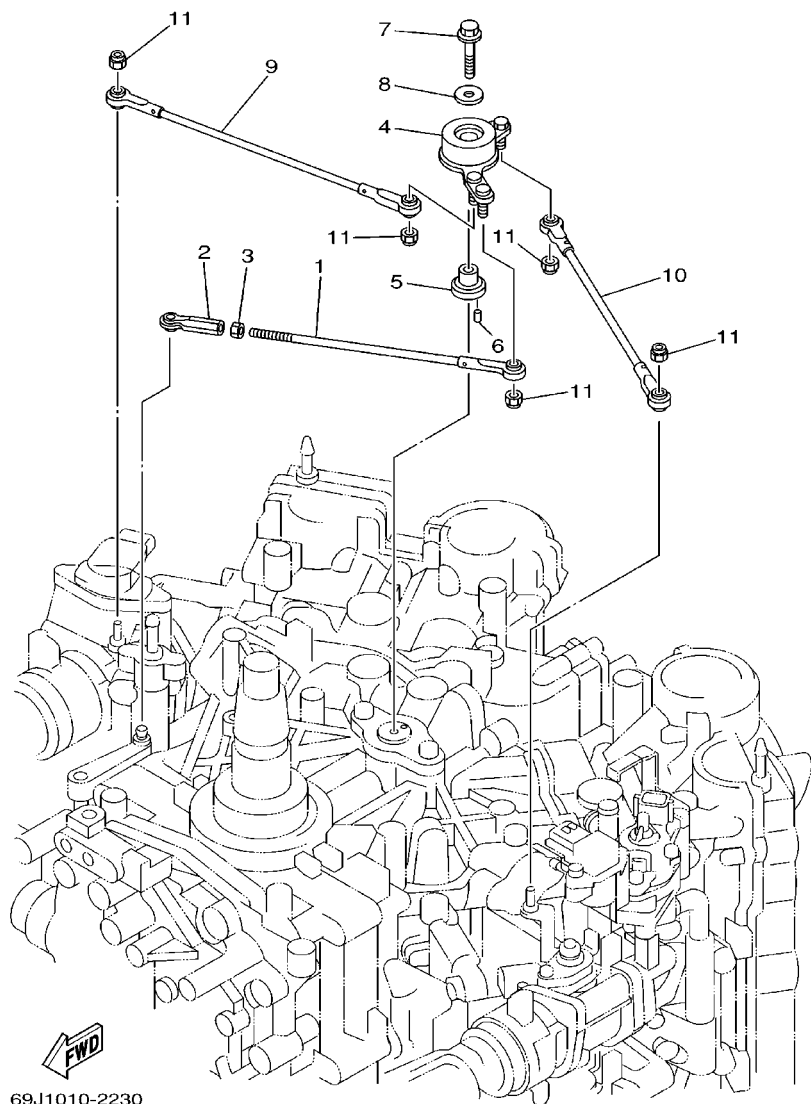

69J1100-2230

REF. NO.	PART NO. NO. PIECES	DESCRIPTION DESCRIPTION	69J1	60L1	69K1	60M1	REMARKS REMARQUES
1	69J-42154-00	LEVER, THROTTLE CONTROL LEVIER DE COMMANDE D'AVANCE	1	1	1	1	
2	68V-42171-00	BUSHING COUSSINET	1	1	1	1	
3	90386-10025	BUSH DOUILLE	5	5	5	5	
4	93410-10082	CIRCLIP CIRCLIP, TYPE S	1	1	1	1	
5	69J-42152-00-94	GEAR PIGNON	2	2	2	2	
6	91690-30025	PIN, SPRING GOUPILLE, ELASTIQUE	2	2	2	2	
7	91690-30018	PIN, SPRING GOUPILLE, ELASTIQUE	2	2	2	2	
8	69J-42153-00	SHAFT, THROTTLE CONTROL AXE, COMMANDE D'ACCELERATION	1	1	1	1	
9	69J-41632-00-94	LEVER, MAGNETO CONTROL LEVIER, COMMANDE D'AVANCE	1	1	1	1	
10	663-85518-00	JOINT, BALL JOINT SPHERIQUE	1	1	1	1	
11	90201-10M02	WASHER, PLATE RONDELLE, PLATE	2	2	2	2	
12	6E5-48344-00	CABLE END, REMOTE CONTROL CHAPE CABLE	1	1	1	1	
13	90468-18008	CLIP JONG	1	1	1	1	
14	69J-41661-00-94	BRACKET SUPPORT	1	1	1	1	
15	97095-06045	BOLT BOULON	5	5	5	5	
16	92995-06600	WASHER RONDELLE	5	5	5	5	
17	90465-06M67	CLAMP BRIDE	2	2	2	2	
18	97095-06014	BOLT BOULON	2	2	2	2	
19	92995-06600	WASHER RONDELLE	2	2	2	2	
20	676-41662-00	BRACKET SUPPORT	1	1	1	1	
21	97095-06020	BOLT BOULON	2	2	2	2	
22	92995-06600	WASHER RONDELLE	2	2	2	2	
23	69J-41213-00	CAM, ACCEL. CAME, ACCELERATION	1	1	1	1	
24	69J-44135-00	SPRING RESSORT	1	1	1	1	
25	90109-06040	BOLT BOULON	1	1	1	1	
26	90206-10M04	WASHER, WAVE RONDELLE, ONDULEE	1	1	1	1	
27	90201-10M02	WASHER, PLATE RONDELLE, PLATE	1	1	1	1	

F7

FIG. 24 CONTROL 3

COMMANDE 3

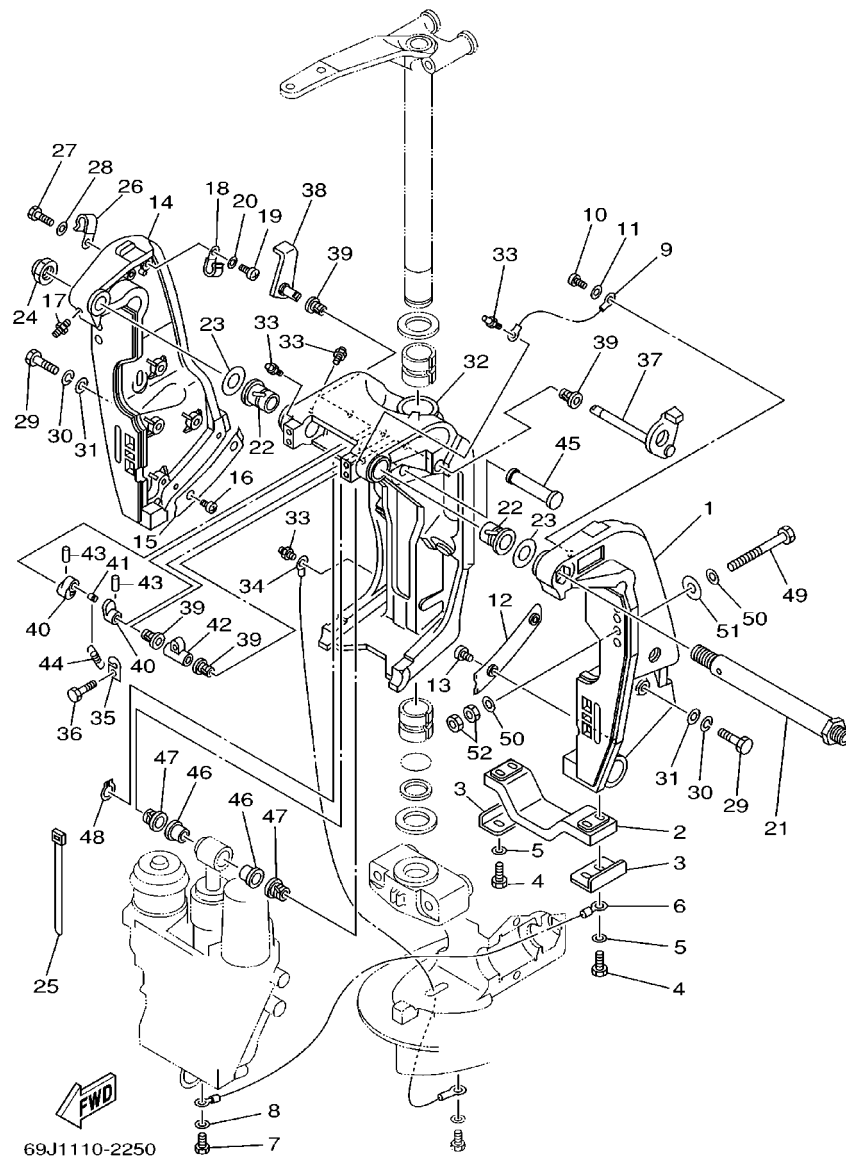


69J1010-2230

REF. NO.	PART NO. NO. PIECES	DESCRIPTION DESCRIPTION	69J1	60L1	69K1	60M1	REMARKS REMARQUES
1	69J-41241-00	ROD, LINK BIELLETTTE	1	1	1	1	
2	682-41237-00	JOINT, LINK RACCORD	1	1	1	1	
3	95380-05600	NUT ECROU	1	1	1	1	
4	69J-41210-00	ACCEL. ARM ASSY LEVIER D'ACCELERATION	1	1	1	1	
5	69J-41635-00	SHAFT, LINK CONNECTING AXE, RACCORD	1	1	1	1	
6	91690-30008	PIN, SPRING GOUPILLE, ELASTIQUE	1	1	1	1	
7	95895-06030	BOLT, FLANGE BOULON, A COLLERETTE	1	1	1	1	
8	90201-06M31	WASHER, PLATE RONDELLE, PLATE	1	1	1	1	
9	69J-41211-00	LINK, ACCEL. BIELLETTTE, ACCELERATION	1	1	1	1	
10	69J-41636-00	ROD, MAGNETO CONTROL BIELLETTTE, COMMANDE D'AVANCE	1	1	1	1	
11	95680-05100	NUT, U ECROU, U	5	5	5	5	

FIG. 25 BRACKET 1

SUPPORT 1



REF. NO.	PART NO. NO. PIECES	DESCRIPTION DESCRIPTION	69J1	60L1	69K1	60M1	REMARKS REMARQUES
1	69J-43111-00-8D	BRACKET, CLAMP PRESSE	1	1	1	1	
2	6G5-45251-02	ANODE ANODE	1	1	1	1	
3	6G5-44526-00	PLATE PLAQUE	2	2	2	2	
4	97095-06025	BOLT BOULON	4	4	4	4	
5	92995-06600	WASHER RONDELLE	4	4	4	4	
6	6H1-82148-00	WIRE, LEAD 4 FIL 4	1	1	1	1	
7	97095-06010	BOLT BOULON	1	1	1	1	
8	92995-06600	WASHER RONDELLE	1	1	1	1	
9	6E5-82148-00	WIRE, LEAD 4 FIL 4	1	1	1	1	
10	97885-06012	SCREW, PAN HEAD VIS, TETE TRONCONIQUE	1	1	1	1	
11	92995-06600	WASHER RONDELLE	1	1	1	1	
12	61A-43132-00	WASHER, FRICTION RONDELLE, FRICTION	1	1	1	1	
13	97885-06010	SCREW, PAN HEAD VIS, TETE TRONCONIQUE	2	2	2	2	
14	69J-43112-00-8D	BRACKET, CLAMP PRESSE	1	1	1	1	
15	61A-43133-00	WASHER, FRICTION RONDELLE	1	1	1	1	
16	97885-06010	SCREW, PAN HEAD VIS, TETE TRONCONIQUE	2	2	2	2	
17	93700-06M03	NIPPLE, GREASE GRAISSEUR	1	1	1	1	
18	90465-08M83	CLAMP BRIDE	1	1	1	1	
19	97885-06012	SCREW, PAN HEAD VIS, TETE TRONCONIQUE	1	1	1	1	
20	92995-06600	WASHER RONDELLE	1	1	1	1	
21	6R3-43131-00	BOLT, CLAMP BRACKET BOULON, PRESSE	1	1	1	1	
22	90386-25M31	BUSH DOUILLE	2	2	2	2	
23	90201-26M59	WASHER, PLATE RONDELLE, PLATE	2	2	2	2	
24	90185-22M11	NUT, SELF-LOCKING ECROU, AUTO-BLOCANT	1	1	1	1	
25	90465-11M10	CLAMP BRIDE	4	4	4	4	
26	90465-08M83	CLAMP BRIDE	1	1	1	1	
27	97095-06014	BOLT BOULON	1	1	1	1	

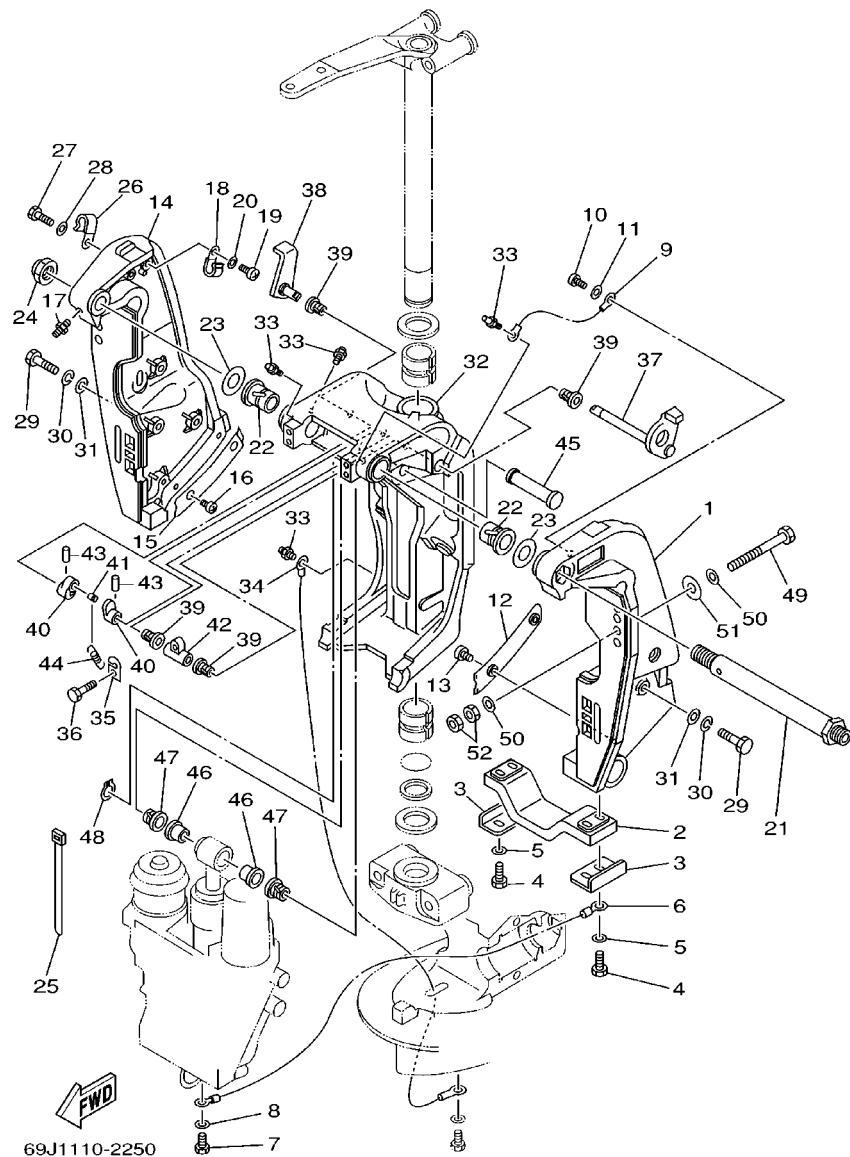


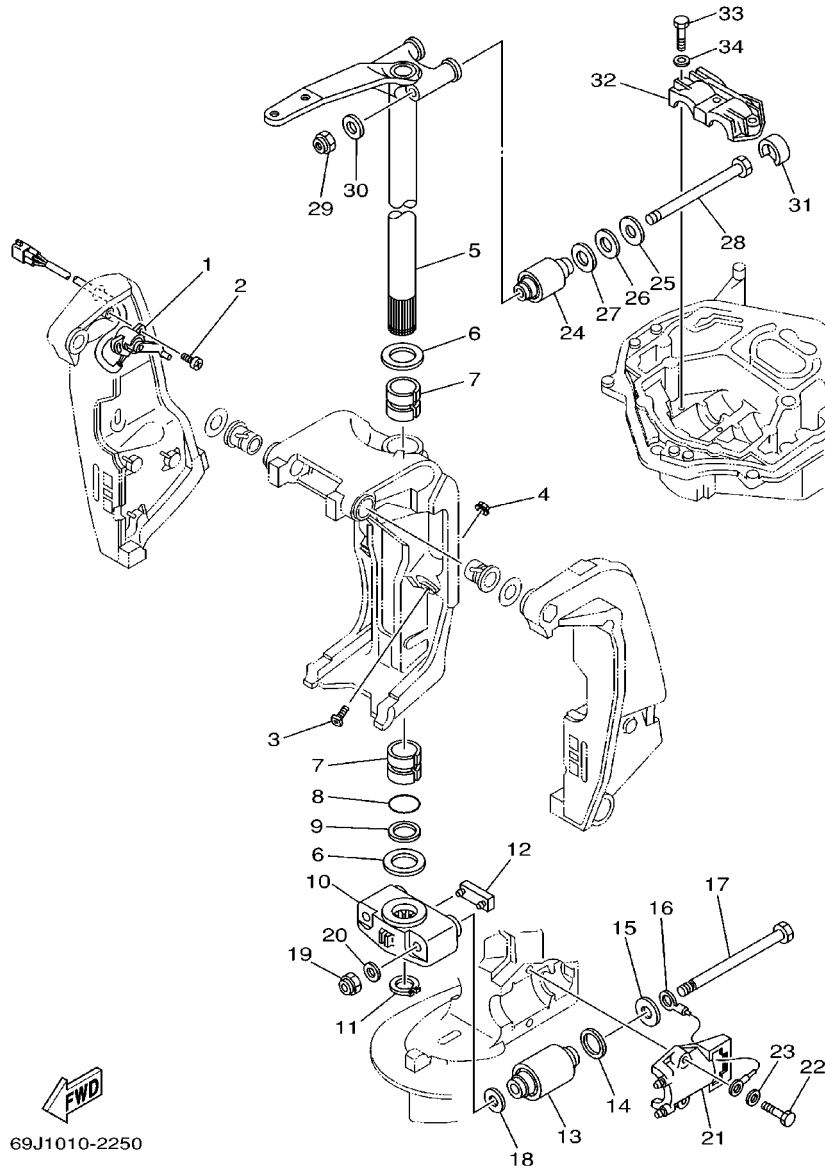
FIG. 25 BRACKET 1

SUPPORT 1

REF. NO.	PART NO. NO. PIECES	DESCRIPTION DESCRIPTION	69J1	60L1	69K1	60M1	REMARKS REMARQUES
28	92995-06600	WASHER RONDELLE	1	1	1	1	
29	97095-10045	BOLT BOULON	8	8	8	8	
30	92995-10100	WASHER RONDELLE	8	8	8	8	
31	92995-10600	WASHER RONDELLE	8	8	8	8	
32	61A-43311-21-8D	BRACKET, SWIVEL 1 SUPPORT, PIVOT 1	1	1	1	1	
33	93700-06M03	NIPPLE, GREASE GRAISSEUR	5	5	5	5	
34	69J-82147-00	WIRE, LEAD 4 FIL 4	1	1	1	1	
35	6G5-43144-00	HOOK, SPRING CROCHET	1	1	1	1	
36	97095-06010	BOLT BOULON	1	1	1	1	
37	61A-43181-01	LEVER, TILT STOP LEVIER, VERROUILLAGE RELEVAGE	1	1	1	1	
38	6G5-43185-02	LEVER, TILT STOP LEVIER, VERROUILLAGE RELEVAGE	1	1	1	1	
39	90386-10M16	BUSH DOUILLE	4	4	4	4	
40	6G5-43148-00	COLLAR, DISTANCE ENTRETOISE	2	2	2	2	
41	90249-06M19	PIN GOUPILLE	1	1	1	1	
42	90387-10M02	COLLAR COLLERETTE	1	1	1	1	
43	91690-30020	PIN, SPRING GOUPILLE, ELASTIQUE	2	2	2	2	
44	90506-16003	SPRING, TENSION RESSORT, TENSION	1	1	1	1	
45	6E5-43126-02	PIN, UPPER SHOCK MOUNT AXE, SUPERIEUR AMORTISSEUR	1	1	1	1	
46	90386-18M63	BUSH DOUILLE	2	2	2	2	
47	90386-18M14	BUSH DOUILLE	2	2	2	2	
48	93410-18M02	CIRCLIP CIRCLIP, TYPE S	1	1	1	1	
49	90101-12M05	BOLT (L:130MM) BOULON (L:130MM)	4	4	4	4	
50	90201-13M01	WASHER, PLATE RONDELLE, PLATE	8	8	8	8	
51	90201-12M05	WASHER, PLATE RONDELLE, PLATE	4	4	4	4	
52	95380-12600	NUT ECROU	8	8	8	8	

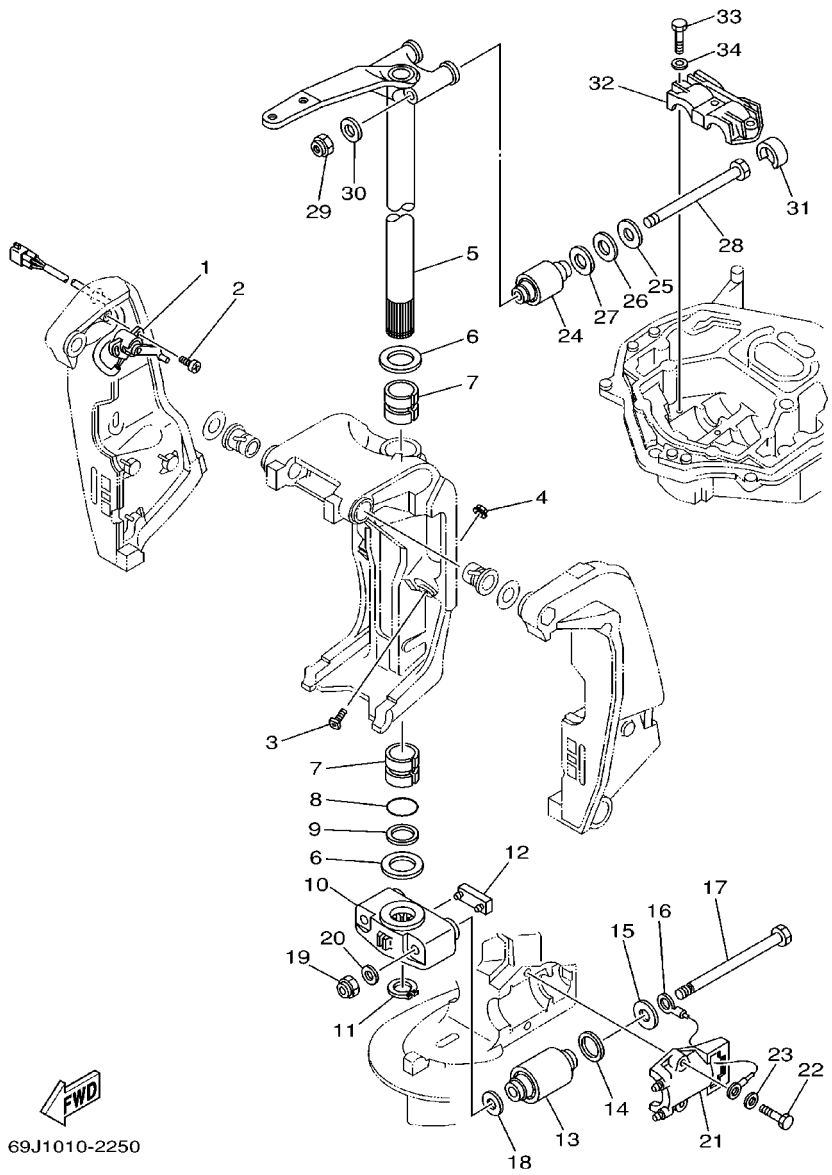
FIG. 26 BRACKET 2

SUPPORT 2



69J1010-2250

REF. NO.	PART NO. NO. PIECES	DESCRIPTION DESCRIPTION	69J1	60L1	69K1	60M1	REMARKS REMARQUES
1	69J-83672-00	TRIM SENDER INCLINER RACCORD	1	1	1	1	
2	97885-06016	SCREW, PAN HEAD VIS, TETE TRONCONIQUE	2	2	2	2	
3	61A-43376-00	BOLT, THRUST RECEIVER BOULON	2	2	2	2	
4	95780-10300	NUT, FLANGE ECROU, A COLLERETTE	2	2	2	2	
5	69J-42510-00-8D	STEERING BRACKET ASSY DIRECTION SUPPORT (ENS.)	1	1	1	1	
6	90201-40M00	WASHER, PLATE RONDELLE, PLATE	2	2	2	2	
7	90386-39M89	BUSH DOUILLE	2	2	2	2	
8	93210-35321	O-RING JOINT TORIQUE	1	1	1	1	
9	90202-40M47	WASHER, PLATE RONDELLE, PLATE	1	1	1	1	
10	69J-44551-00-8D	HOUSING, LOWER MOUNT RUBBER BOITIER, SILENT-BLOC INFERIEUR	1	1	1	1	
11	93410-37M04	CIRCLIP CIRCLIP, TYPE S	1	1	1	1	
12	61A-44575-00	DAMPER, LOWER MOUNT RUBBER SILENT-BLOC, INFERIEUR	1	1	1	1	
13	66K-44555-00-94	MOUNT DAMPER, LOWER SIDE SILENT-BLOC, INFERIEUR LATERAL	2	2	2	2	
14	90202-32M19	WASHER, PLATE RONDELLE, PLATE	2	2	2	2	
15	90201-16M55	WASHER, PLATE RONDELLE, PLATE	2	2	2	2	
16	6E5-82149-00	WIRE, LEAD 3 FIL 3	1	1	1	1	
17	90109-14M48	BOLT BOULON	2	2	2	2	
18	90201-15M58	WASHER, PLATE RONDELLE, PLATE	2	2	2	2	
19	90185-14M00	NUT, SELF-LOCKING ECROU, AUTO-BLOCANT	2	2	2	2	
20	92995-14600	WASHER RONDELLE	2	2	2	2	
21	61A-44552-01-94	HOUSING, LOWER MOUNT RUBBER BOITIER, SILENT-BLOC INFERIEUR	2	2	2	2	
22	97095-10045	BOLT BOULON	4	4	4	4	
23	92995-10600	WASHER RONDELLE	4	4	4	4	
24	66K-44514-00-94	MOUNT DAMPER, UPPER SIDE SILENT-BLOC, SUPERIEUR LATERAL	2	2	2	2	
25	90201-16M01	WASHER, PLATE RONDELLE, PLATE	2	2	2	2	
26	90202-28M46	WASHER, PLATE RONDELLE, PLATE	2	2	2	2	
27	90201-28M01	WASHER, PLATE RONDELLE, PLATE	2	2	2	2	



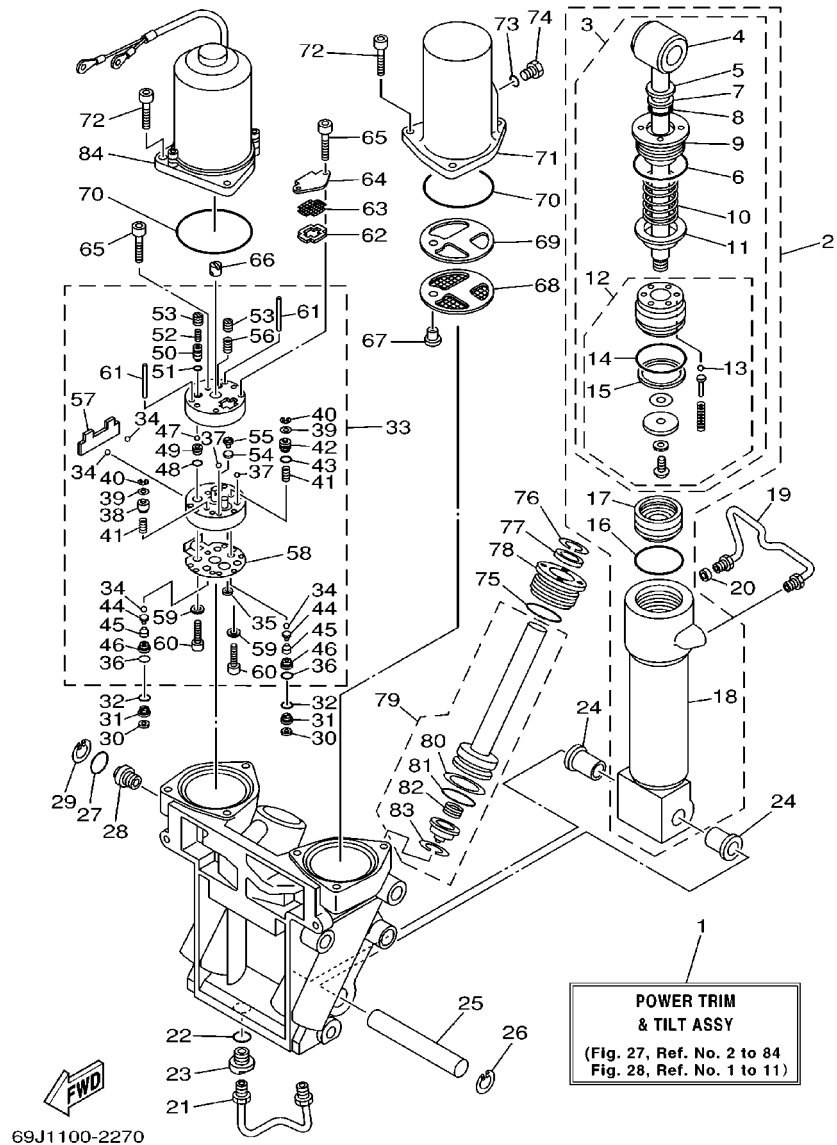
69J1010-2250

FIG. 26 BRACKET 2 SUPPORT 2

REF. NO.	PART NO. NO. PIECES	DESCRIPTION DESCRIPTION	69J1	60L1	69K1	60M1	REMARKS REMARQUES
28	90109-14M10	BOLT BOULON	2	2	2	2	
29	90185-14M00	NUT, SELF-LOCKING ECROU, AUTO-BLOCANT	2	2	2	2	
30	92995-14600	WASHER RONDELLE	2	2	2	2	
31	69J-44533-00	DAMPER, UPPER MOUNT RUBBER COUVERCLE, SUSPENSION INFERIEU	2	2	2	2	
32	61A-44511-00-94	COVER, UPPER MOUNT COUVERCLE, SUSPENSION SUPERIEU	1	1	1	1	
33	97095-10045	BOLT BOULON	3	3	3	3	
34	92995-10600	WASHER RONDELLE	3	3	3	3	

B1

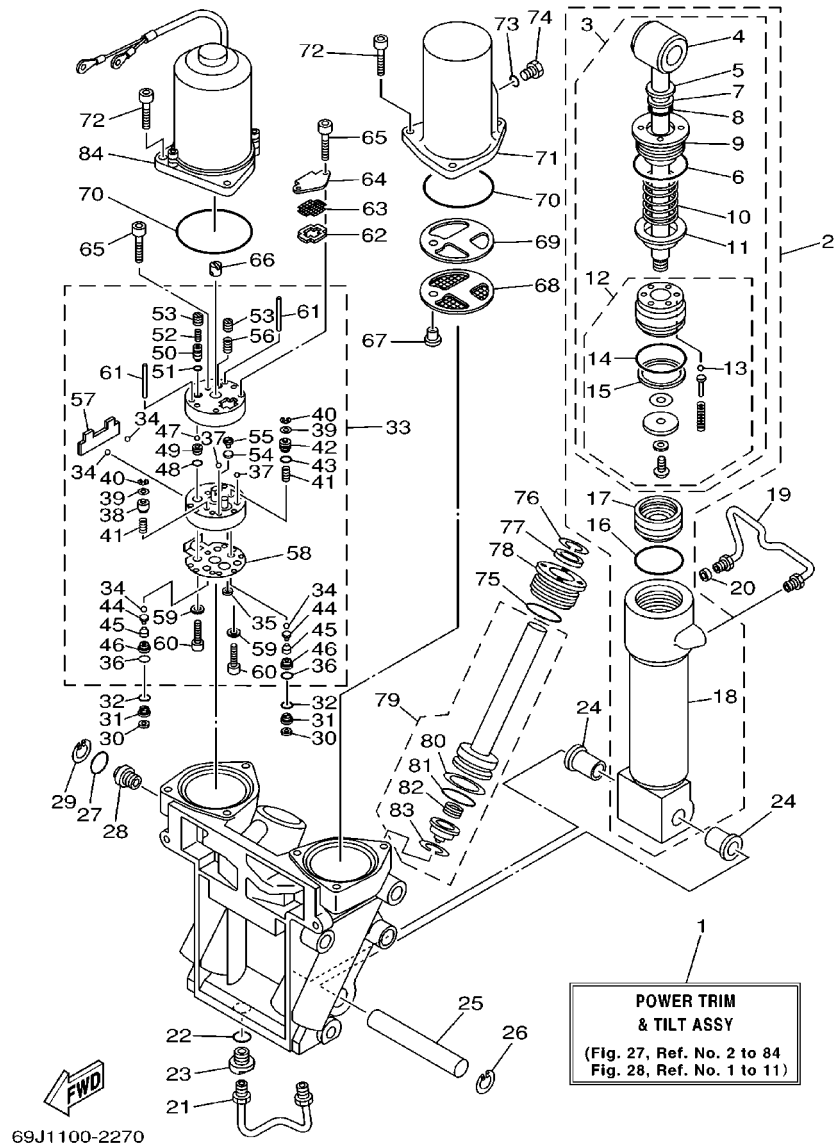
FIG. 27 POWER TRIM & TILT ASSY 1 PUISSANCE PARER ET INCLINER 1



69J1100-2270

REF. NO.	PART NO. NO. PIECES	DESCRIPTION DESCRIPTION	69J1	60L1	69K1	60M1	REMARKS REMARQUES
1	69J-43800-00-4D	POWER TRIM & TILT ASSY PUISSANCE PARER ET INCLINER (ENS.)	1	1	1	1	
2	69J-43840-00	POWER TILT ASSY PUISSANCE INCLINER (ENS.)	1	1	1	1	
3	69J-43810-00	.TILT PISTON SUB ASSY .INCLINER PISTON AUXILIAIRE(ENS.)	1	1	1	1	
4	69J-43801-00	..ROD ..TIGE	1	1	1	1	
5	93106-19N50	..OIL SEAL ..JOINT SPY	1	1	1	1	
6	6H1-43861-00	..O-RING ..JOINT TORIQUE	1	1	1	1	
7	6H1-43872-00	..RING, BACK UP ..RESSORT	1	1	1	1	
8	61A-4389H-00	..O-RING ..JOINT TORIQUE	1	1	1	1	
9	61A-43811-00	..SCREW, CYLINDER END ..VIS, CYLINDRE RACCORD	1	1	1	1	
10	69J-4384H-00	..SPRING ..RESSORT	1	1	1	1	
11	69J-4382E-00	..ADAPTOR 2 ..ADAPTEUR 2	1	1	1	1	
12	69J-4380P-00	..PISTON SUB ASSY ..PISTON AUXILIAIRE (ENS.)	1	1	1	1	
13	93505-32038	...BALL ...BILLE	5	5	5	5	
14	61A-43861-00	...O-RING ...JOINT TORIQUE	1	1	1	1	
15	61A-43871-00	...RING, BACK UP ...SEGMENT	1	1	1	1	
16	61A-43861-00	..O-RING ..JOINT TORIQUE	1	1	1	1	
17	6H1-43814-00	..PISTON, FREE ..PISTON	1	1	1	1	
18	61A-43813-01	..CYLINDER, TILT ..CYLINDRE	1	1	1	1	
19	61A-43835-01	PIPE TUYAU	1	1	1	1	
20	69J-4388J-00	PLUG 2 BOUCHON 2	1	1	1	1	
21	69J-43833-00	PIPE TUYAU	1	1	1	1	
22	93210-17239	O-RING JOINT TORIQUE	1	1	1	1	
23	69J-4388E-00	BOLT ,SCREW VIS	1	1	1	1	
24	90386-18M14	BUSH DOUILLE	2	2	2	2	
25	61A-43818-00	PIN, LOWER SHOCK MOUNT AXE, INFERIEUR AMORTISSEUR	1	1	1	1	
26	61A-43876-00	RING, SNAP RESSORT	1	1	1	1	
27	93210-18397	O-RING JOINT TORIQUE	1	1	1	1	

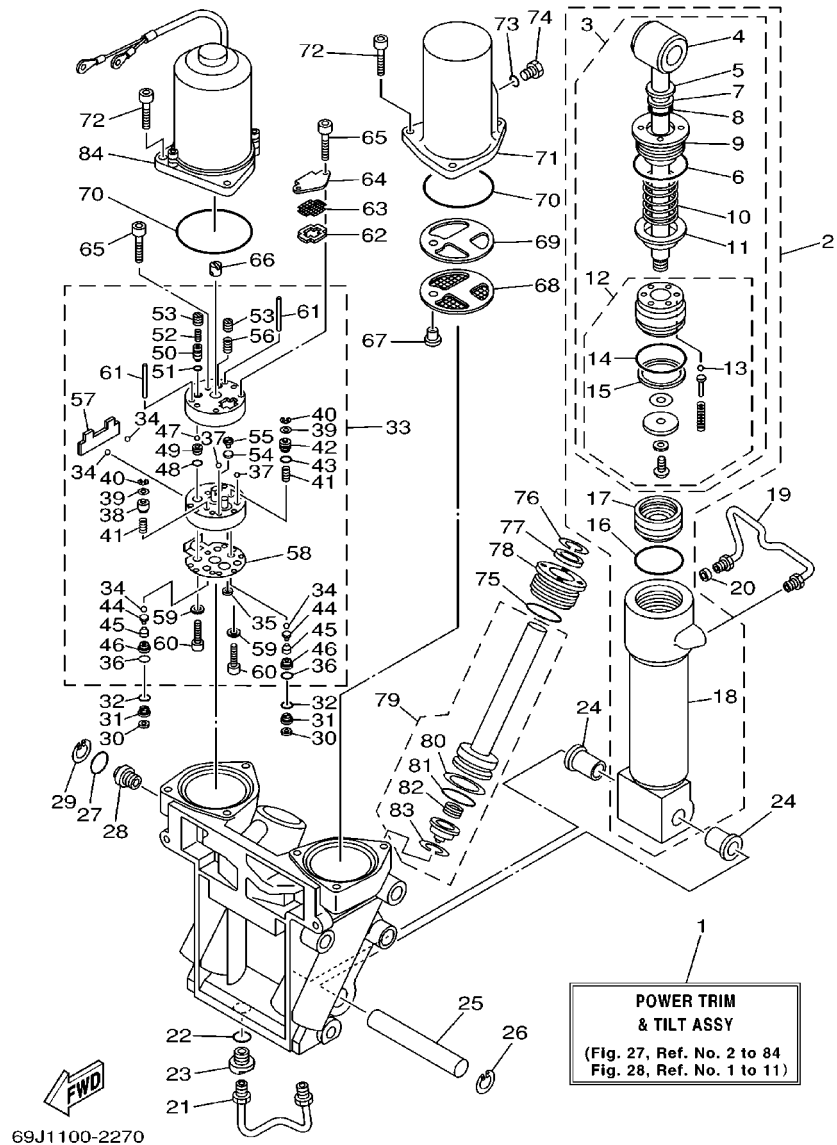
FIG. 27 POWER TRIM & TILT ASSY 1 PUISSANCE PARER ET INCLINER 1



69J1100-2270

REF. NO.	PART NO. NO. PIECES	DESCRIPTION DESCRIPTION	69J1	60L1	69K1	60M1	REMARKS REMARQUES
28	69J-43845-00	SCREW, MANUAL RELEASE VIS	1	1	1	1	
29	6H1-43875-00	RING, SNAP RESSORT	1	1	1	1	
30	69J-4381C-00	FILTER 3 FILTRE 3	2	2	2	2	
31	69J-43899-00	PLATE STOPPER PLAQUETTE	2	2	2	2	
32	69J-4389J-00	O-RING JOINT TORIQUE	2	2	2	2	
33	69J-43830-00	GEAR PUMP ASSY POMPE A PIGNON (ENS.)	1	1	1	1	
34	93505-32038	.BALL .BILLE	4	4	4	4	
35	69J-4381C-00	.FILTER 3 .FILTRE 3	1	1	1	1	
36	69J-4389J-00	.O-RING .JOINT TORIQUE	2	2	2	2	
37	93503-16003	.BALL .BILLE	2	2	2	2	
38	69J-4384M-00	.PISTON, SHUTTLE 2 .PISTON 2	1	1	1	1	
39	69A-4384F-00	.SEAL, MAIN VALVE .JOINT	2	2	2	2	
40	99001-03600	.CIRCLIP .CIRCLIP	2	2	2	2	
41	69J-43894-00	.SPRING, SHUTTLE RETURN .RESSORT	2	2	2	2	
42	69J-43841-00	.PISTON, SHUTTLE .PISTON	1	1	1	1	
43	6H1-43883-00	.O-RING .JOINT TORIQUE	1	1	1	1	
44	65W-4386A-00	.PIN, ABSORBER VALVE .GOUPILLE, SOUPAPE	2	2	2	2	
45	69J-43853-00	.SPRING, MAIN VALVE .RESSORT	2	2	2	2	
46	69J-43893-00	.WASHER .RONDELLE	2	2	2	2	
47	93501-08001	.BALL .BILLE	2	2	2	2	
48	93210-08391	.O-RING .JOINT TORIQUE	1	1	1	1	
49	69J-43851-00	.SEAT, RELIEF VALVE .SIEGE	1	1	1	1	
50	69J-43844-00	.PIN, VALVE SUPPORT .GOUPILLE	1	1	1	1	
51	93210-064A5	.O-RING .JOINT TORIQUE	1	1	1	1	
52	69J-43855-00	.SPRING, UP RELIEF .RESSORT	1	1	1	1	
53	69J-43843-00	.SCREW, VALVE LOCK .VIS	2	2	2	2	
54	6H1-4384G-11	.SEAL, RELIEF VALVE .JOINT	1	1	1	1	

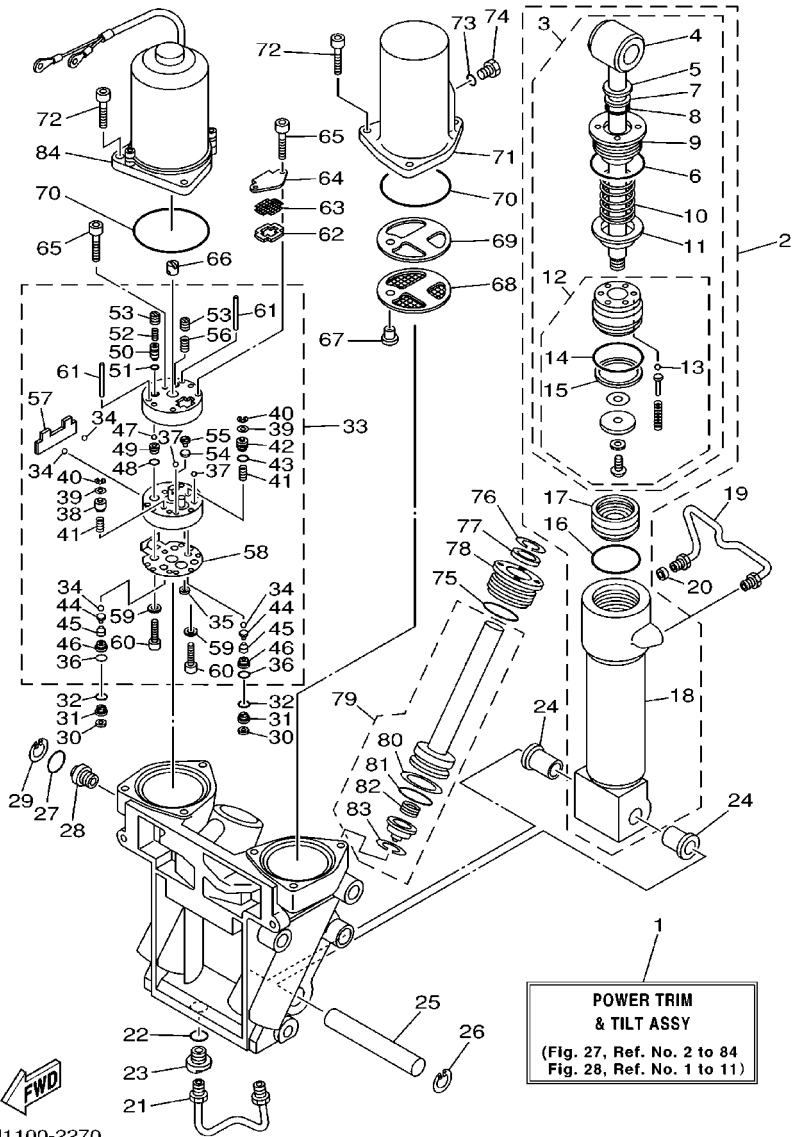
FIG. 27 POWER TRIM & TILT ASSY 1 PUISSANCE PARER ET INCLINER 1



69J1100-2270

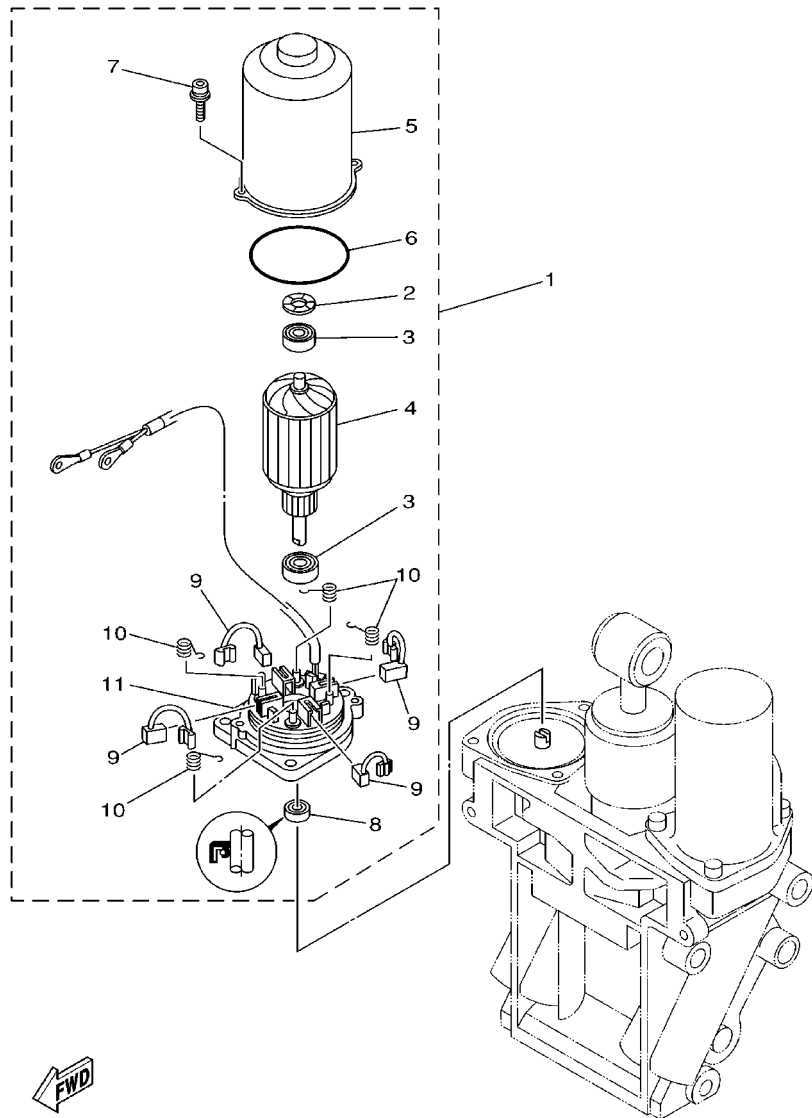
REF. NO.	PART NO. NO. PIECES	DESCRIPTION DESCRIPTION	69J1	60L1	69K1	60M1	REMARKS REMARQUES
55	6H1-43844-10	.PIN, VALVE SUPPORT .GOUILLE	1	1	1	1	
56	6H1-43856-10	.SPRING, DOWN RELIEF .RESSORT	1	1	1	1	
57	69J-43854-00	.SPRING, MANUAL RELEASE .RESSORT	1	1	1	1	
58	69J-4384G-00	.SEAL, RELIEF VALVE .JOINT	1	1	1	1	
59	CS3-4387G-00	.WASHER .RONDELLE	2	2	2	2	
60	91318-05025	.BOLT .BOULON	2	2	2	2	
61	93604-35236	.PIN, DOWEL .GOUJON	2	2	2	2	
62	69J-43871-00	RING, BACK UP SEGMENT	1	1	1	1	
63	69J-43816-00	FILTER 1 FILTRE 1	1	1	1	1	
64	69J-4381J-00	PLATE PLAQUE	1	1	1	1	
65	91318-05040	BOLT BOULON	3	3	3	3	
66	69J-43831-00	CONNECTOR, SHAFT RACCORD	1	1	1	1	
67	69J-4388H-00	PLUG BOUCHON	1	1	1	1	
68	69J-43817-00	FILTER 2 FILTRE 2	1	1	1	1	
69	69J-4388F-00	SPACER ENTRETOISE	1	1	1	1	
70	6H1-43869-00	O-RING JOINT TORIQUE	2	2	2	2	
71	69J-43828-00	BODY, RESERVOIR CORPS	1	1	1	1	
72	69J-43888-00	BOLT, SOCKET BOULON	6	6	6	6	
73	93210-09165	O-RING JOINT TORIQUE	1	1	1	1	
74	6H1-43829-00	PLUG, RESERVOIR BOUCHON	1	1	1	1	
75	61A-43861-00	O-RING JOINT TORIQUE	2	2	2	2	
76	6T4-43875-00	RING, SNAP RESSORT	2	2	2	2	
77	61A-43822-00	SEAL, TRIM DUST JOINT	2	2	2	2	
78	61A-43821-00	SCREW, TRIM CYLINDER END VIS	2	2	2	2	
79	69J-43820-00	TRIM PISTON SUB ASSY PARER PISTON AUXILIAIRE (ENS.)	2	2	2	2	
80	61A-43874-00	.RING, BACK UP .RESSORT	1	1	1	1	
81	61A-43864-00	.O-RING .JOINT TORIQUE	1	1	1	1	

FIG. 27 POWER TRIM & TILT ASSY 1 PUISSANCE PARER ET INCLINER 1



REF. NO.	PART NO. NO. PIECES	DESCRIPTION DESCRIPTION	69J1	60L1	69K1	60M1	REMARKS REMARQUES
82	61A-4384H-10	.SPRING .RESSORT	1	1	1	1	REFER TO FIG.28
83	61A-43875-10	.RING, SNAP .RESSORT	1	1	1	1	
84	69J-43880-00	MOTOR ASSY MOTEUR (ENS.)	1	1	1	1	

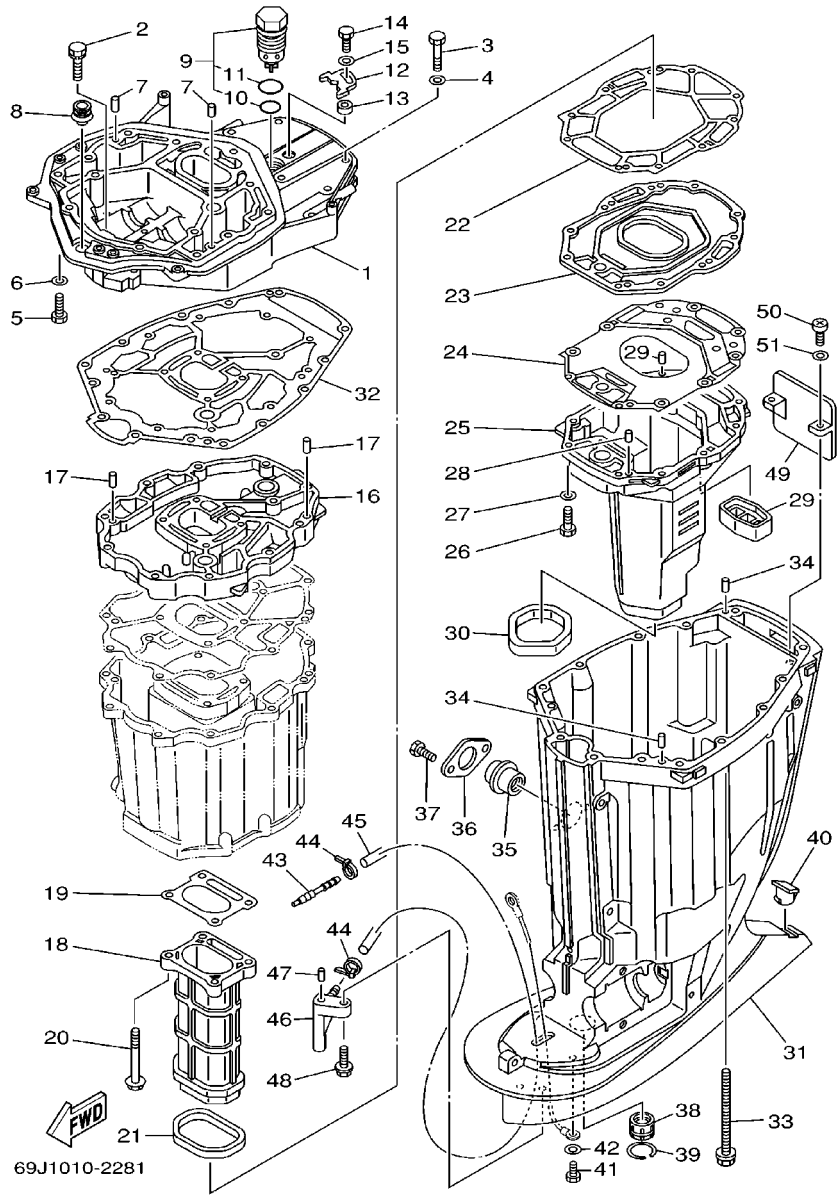
FIG. 28 POWER TRIM & TILT ASSY 2 PUISSANCE PARER ET INCLINER 2



REF. NO.	PART NO. NO. PIECES	DESCRIPTION DESCRIPTION	69J1	60L1	69K1	60M1	REMARKS REMARQUES
1	69J-43880-00	MOTOR ASSY MOTEUR (ENS.)	1	1	1	1	
2	90206-14N50	.WASHER, WAVE .RONDELLE, ONDULEE	1	1	1	1	
3	93399-999T6	.BEARING .ROULEMENT	2	2	2	2	
4	69J-43805-00	.ARMATURE ASSY .INDUIT (ENS.)	1	1	1	1	
5	69J-43804-00	.STATOR ASSY .STATOR (ENS.)	1	1	1	1	
6	69J-43861-00	.O-RING .JOINT TORIQUE	1	1	1	1	
7	69J-43886-00	.BOLT .BOULON	2	2	2	2	
8	69J-43882-00	.OIL SEAL .JOINT SPI	1	1	1	1	
9	69J-43891-00	.BRUSH 1 .BALAI 1	4	4	4	4	
10	69J-4386K-00	.SPRING, BRUSH .RESSORT, BALAI	4	4	4	4	
11	69J-43881-00	.FRAME, END .BATI	1	1	1	1	



69J1010-2270



69J1010-2281

FIG. 29 UPPER CASING

FOURREAU

REF. NO.	PART NO. NO. PIECES	DESCRIPTION DESCRIPTION	69J1	60L1	69K1	60M1	REMARKS REMARQUES
1	69J-41137-00-94	GUIDE, EXHAUST COLLECTEUR D'ECHAPPEMENT	1	1	1	1	
2	90119-08M79	BOLT, WITH WASHER BOULON, AVEC RONDELLE	2	2	2	2	
3	97075-10045	BOLT BOULON	7	7	7	7	
4	92995-10600	WASHER RONDELLE	7	7	7	7	
5	97075-10035	BOLT BOULON	7	7	7	7	
6	92995-10600	WASHER RONDELLE	7	7	7	7	
7	93608-16M16	PIN, DOWEL GOUJON	2	2	2	2	
8	6E5-42724-00	GROMMET PASSE-FIL	1	1	1	1	
9	69J-11371-00	COVER COUVERCLE	1	1	1	1	
10	93210-28543	.O-RING JOINT TORIQUE	1	1	1	1	
11	93210-33MG4	.O-RING JOINT TORIQUE	1	1	1	1	
12	69J-12233-00	PLATE, GUIDE STOPPER 1 PLAQUE, GUIDE BUTEE 1	1	1	1	1	
13	90387-06037	COLLAR COLLERETTE	1	1	1	1	
14	97095-06020	BOLT BOULON	1	1	1	1	
15	92995-06600	WASHER RONDELLE	1	1	1	1	
16	69J-41131-00-94	MANIFOLD, EXT. 1 PIPE D'ECHAPPEMENT	1	1	1	1	
17	93608-16M16	PIN, DOWEL GOUJON	2	2	2	2	
18	69J-41132-00-5B	MANIFOLD, EXHAUST PIPE D'ECHAPPEMENT	1	1	1	1	
19	69J-41134-A0	GASKET, EXHAUST MANIFOLD JOINT, PIPE D'ECHAPPEMENT	1	1	1	1	
20	97575-08590	BOLT, WITH WASHER VIS HEXAGONAL AVEC RONDELLE	4	4	4	4	
21	69J-41138-00	SEAL, EXT. 1 JOINT DE GROUPE 1	1	1	1	1	
22	69J-41135-A0	GASKET, EXHAUST MANIFOLD JOINT, PIPE D'ECHAPPEMENT	1	1	1	1	
23	69J-45181-00-5B	PLATE PLAQUETTE	1	1	1	1	
24	69J-41136-A0	GASKET, EXHAUST MANIFOLD 4 JOINT, PIPE D'ECHAPPEMENT 4	1	1	1	1	
25	69J-14711-00-5B	MUFFLER 1 POT D'ECHAPPEMENT 1	1	1	1	1	
26	97075-08035	BOLT BOULON	10	10	10	10	
27	92995-08600	WASHER RONDELLE	10	10	10	10	

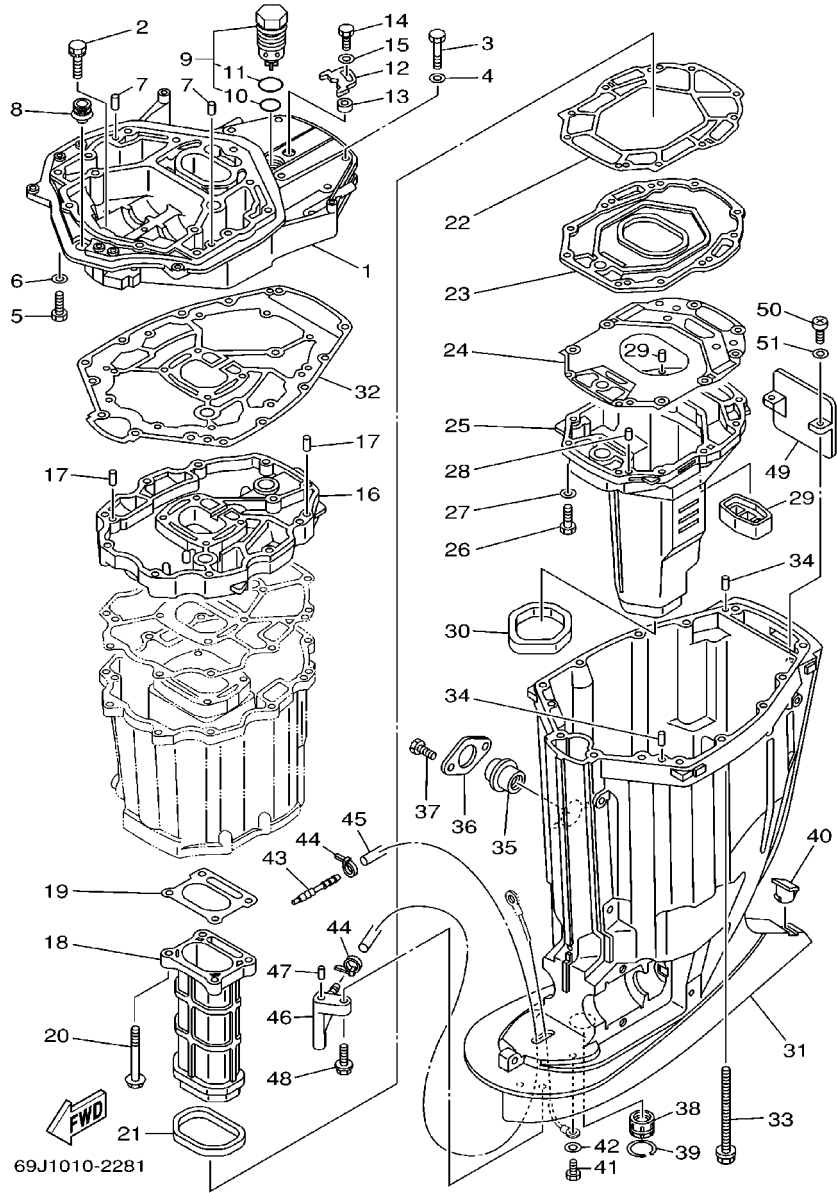


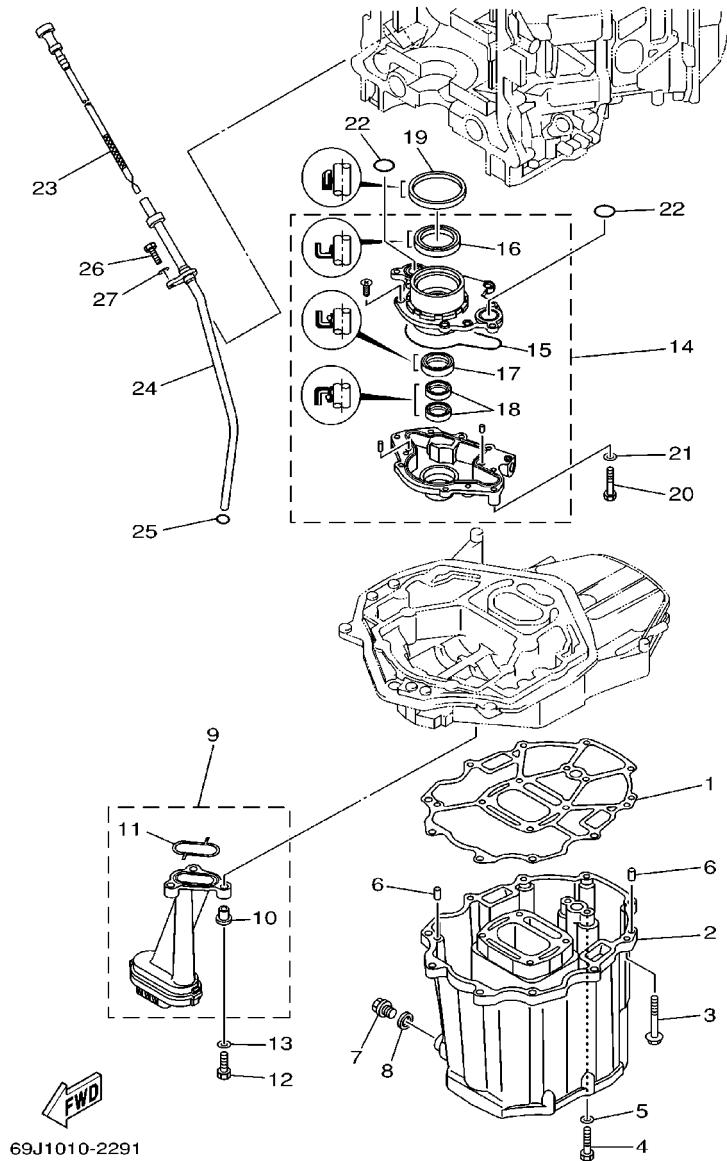
FIG. 29 UPPER CASING

FOURREAU

REF. NO.	PART NO. NO. PIECES	DESCRIPTION DESCRIPTION	69J1	60L1	69K1	60M1	REMARKS REMARQUES
28	93606-19M23	PIN, DOWEL GOUJON	2	2	2	2	
29	69J-45127-00	SEAL JOINT	1	1	1	1	
30	69J-45123-00	GASKET, MUFFLER JOINT, POT DE DETENTE	1	1	1	1	
31	69J-45111-00-8D	CASING, UPPER FOURREAU	1	1	1	1	
32	69J-45113-00	GASKET, UPPER CASING JOINT, TUBE D'ARBRE	1	1	1	1	
33	90119-10007	BOLT, WITH WASHER BOULON, AVEC RONDELLE	6	6	6	6	
34	93608-16M16	PIN, DOWEL GOUJON	2	2	2	2	
35	69J-15316-00	DAMPER, ENGINE MOUNT 1 AMORTISSEUR DE SUPPORT	1	1	1	1	
36	69J-45152-00-8D	COVER, UPPER CASING 2 CAPUCHON FOURREAU	1	1	1	1	
37	97095-06014	BOLT BOULON	2	2	2	2	
38	69J-45318-00	BUSHING, DRIVE SHAFT DOUILLE, ARBRE MOTEUR	1	1	1	1	
39	93420-36M01	CIRCLIP CIRCLIP, TYPE S	1	1	1	1	
40	61A-45155-00	CAP CAPUCHON	1	1	1	1	
41	97095-06010	BOLT BOULON	1	1	1	1	
42	92995-06600	WASHER RONDELLE	1	1	1	1	
43	6E5-83558-00	END, NIPPLE RACCORD DE NIPPLE	1	1	1	1	
44	90465-11M10	CLAMP BRIDE	2	2	2	2	
45	90445-07010	HOSE DURITE	1	1	1	1	X
46	61A-45378-00	NIPPLE, HOSE RACCORD, TUYAU	1	1	1	1	
47	93606-12019	PIN, DOWEL GOUJON	1	1	1	1	
48	90119-06M17	BOLT, WITH WASHER BOULON, AVEC RONDELLE	1	1	1	1	
49	69J-14624-00	COVER, EXHAUST CACHE D'ECHAPPEMENT	1	1	1	1	
50	97880-06016	SCREW, PAN HEAD VIS, TETE TRONCONIQUE	2	2	2	2	
51	92990-06600	WASHER, PLATE RONDELLE, PLATE	2	2	2	2	

FIG. 30 OIL PAN

VENTILATEUR D'HUILE

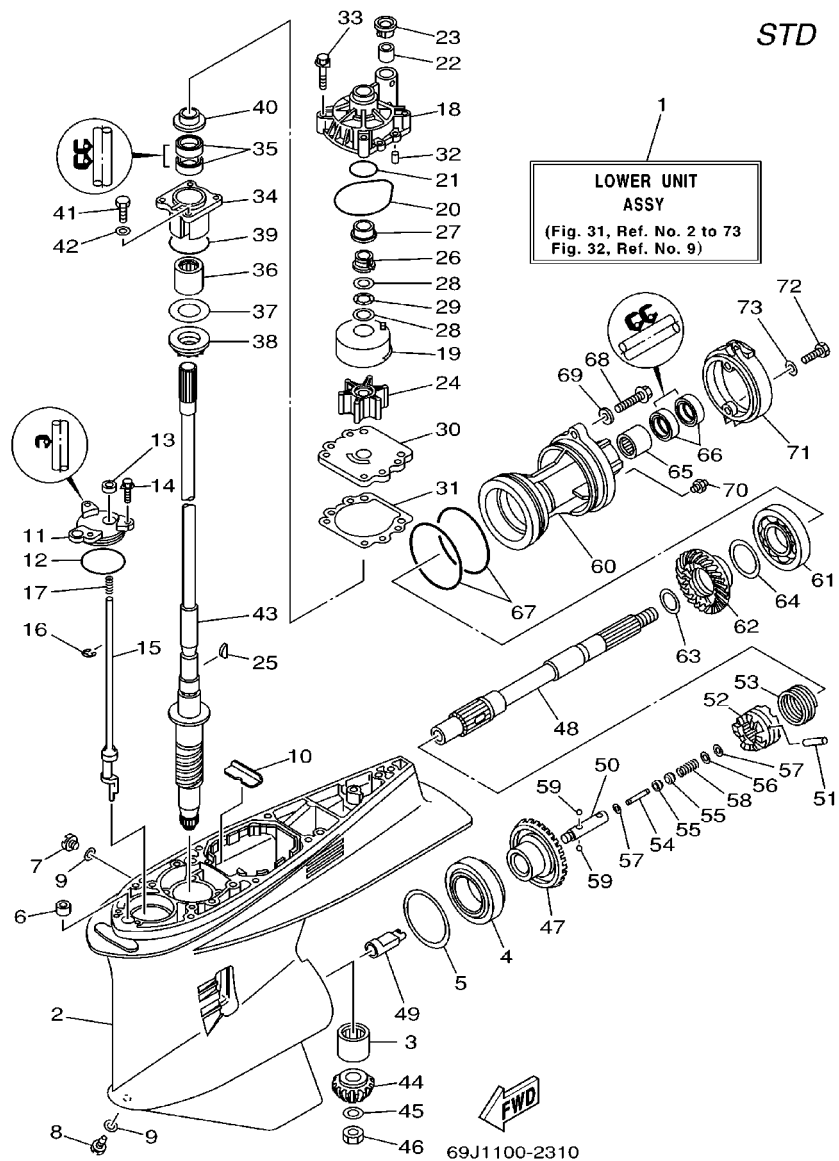


69J1010-2291

REF. NO.	PART NO. NO. PIECES	DESCRIPTION DESCRIPTION	69J1	60L1	69K1	60M1	REMARKS REMARQUES
1	69J-15312-00	GASKET, OIL PAN JOINT DE VENTILATEUR D'HUILE	1	1	1	1	
2	69J-15311-00-5B	OIL PAN VENTILATEUR D'HUILE	1	1	1	1	
3	97575-08560	BOLT, WITH WASHER VIS HEXAGONAL AVC RONDELLE	10	10	10	10	
4	97095-08035	BOULON	2	2	2	2	
5	92995-08600	WASHER RONDELLE	2	2	2	2	
6	93608-16M16	PIN, DOWEL GOIJON	2	2	2	2	
7	90340-14M06	PLUG, STRAIGHT SCREW PLOT, FILETE DROIT	1	1	1	1	
8	90430-14M09	GASKET JOINT	1	1	1	1	
9	69J-13411-00	STRAINER, OIL FILTRE, HUILE	1	1	1	1	
10	90387-06M64	.COLLAR .COLLERETTE	3	3	3	3	
11	69J-13415-00	.SEAL, OIL STRAINER .JOINT, FILTRE A HUILE	1	1	1	1	
12	97027-06025	BOULON	3	3	3	3	
13	92907-06600	WASHER, PLATE RONDELLE	3	3	3	3	
14	69J-13300-00	OIL PUMP ASSY POMPE A HUILE COMPLET	1	1	1	1	
15	69J-13329-00	.GASKET, PUMP COVER .JOINT, COUVERCLE DE POMPE	1	1	1	1	
16	69J-13338-00	.OIL SEAL .JOINT SPY	1	1	1	1	
17	69J-13119-00	.OIL SEAL .JOINT SPY	1	1	1	1	
18	69J-13631-00	.OIL SEAL .JOINT SPY	2	2	2	2	
19	69J-11355-00	SEAL, CYLINDER 1 JOINT, SPY CYLINDRE	1	1	1	1	
20	97095-06040	BOULON	4	4	4	4	
21	92995-06600	WASHER RONDELLE	4	4	4	4	
22	93210-25552	O-RING JOINT TORIQUE	2	2	2	2	
23	69J-15362-00	PLUG, OIL LEVEL PLOT, NIVEAU D'HUILE	1	1	1	1	
24	69J-15377-00	GUIDE, INLET GUIDE D'ADMISSION	1	1	1	1	
25	93210-19MJ3	O-RING JOINT TORIQUE	1	1	1	1	
26	97095-06020	BOULON	1	1	1	1	
27	92995-06600	WASHER RONDELLE	1	1	1	1	

FIG. 31 LOWER CASING, DRIVE 1

BOITIER D'HELICE, TRANSMISSION 1



REF. NO.	PART NO. NO. PIECES	DESCRIPTION DESCRIPTION	69J1	60L1	69K1	60M1	REMARKS REMARQUES
1	69J-45300-20-8D	LOWER UNIT ASSY UNITE INFERIEURE (ENS.)	1	1			X
2	61A-45301-03-8D	CASING, LOWER BEQUILLE	1	1			
3	93311-832V2	BEARING ROULEMENT	1	1			
4	93332-000W1	BEARING ROULEMENT	1	1			
5	61A-45567-00-10	SHIM (T:0.10MM) CALE (T:0.10MM)	1	1			UR
61A-45567-00-12	SHIM (T:0.12MM) CALE (T:0.12MM)	1	1			UR	
61A-45567-00-15	SHIM (T:0.15MM) CALE (T:0.15MM)	1	1			UR	
61A-45567-00-18	SHIM (T:0.18MM) CALE (T:0.18MM)	1	1			UR	
61A-45567-00-30	SHIM (T:0.30MM) CALE (T:0.30MM)	1	1			UR	
61A-45567-00-40	SHIM (T:0.40MM) CALE (T:0.40MM)	1	1			UR	
61A-45567-00-50	SHIM (T:0.50MM) CALE (T:0.50MM)	1	1			UR	
6	663-44366-00	DAMPER, WATER SEAL JOINT, TUBE D'EAU	1	1			
7	90340-08002	PLUG, STRAIGHT SCREW PLOT, FILETE DROIT	1	1			
8	688-45341-10	PLUG, DRAIN BOUCHON DE VIDANGE	1	1			
9	90430-08020	GASKET JOINT	2	2			
10	61A-45376-00-94	GUIDE, SEAL DAMPER BUTEE, JOINT CAOUTCHOUC	1	1			
11	61A-45321-01	PLATE PLAQUETTE	1	1			
12	93210-64488	O-RING JOINT TORIQUE	1	1			
13	93106-09014	OIL SEAL JOINT SPY	1	1			
14	90119-06M10	BOLT, WITH WASHER BOULON, AVEC RONDELLE	3	3			
15	69J-44150-00	SHIFT CAM ASSY CAME D'INVERSION	1	1			
16	99001-08600	CIRCLIP CIRCLIP	1	1			
17	90501-11M10	SPRING, COMPRESSION RESSORT, COMPRESSION	1	1			
18	61A-44311-01	HOUSING, WATER PUMP CORPS, POMPE A EAU	1	1			
19	61A-44322-02	INSERT, CARTRIDGE CUVETTE	1	1			
20	93210-86M38	O-RING JOINT TORIQUE	1	1			
21	93210-37160	O-RING JOINT TORIQUE	1	1			

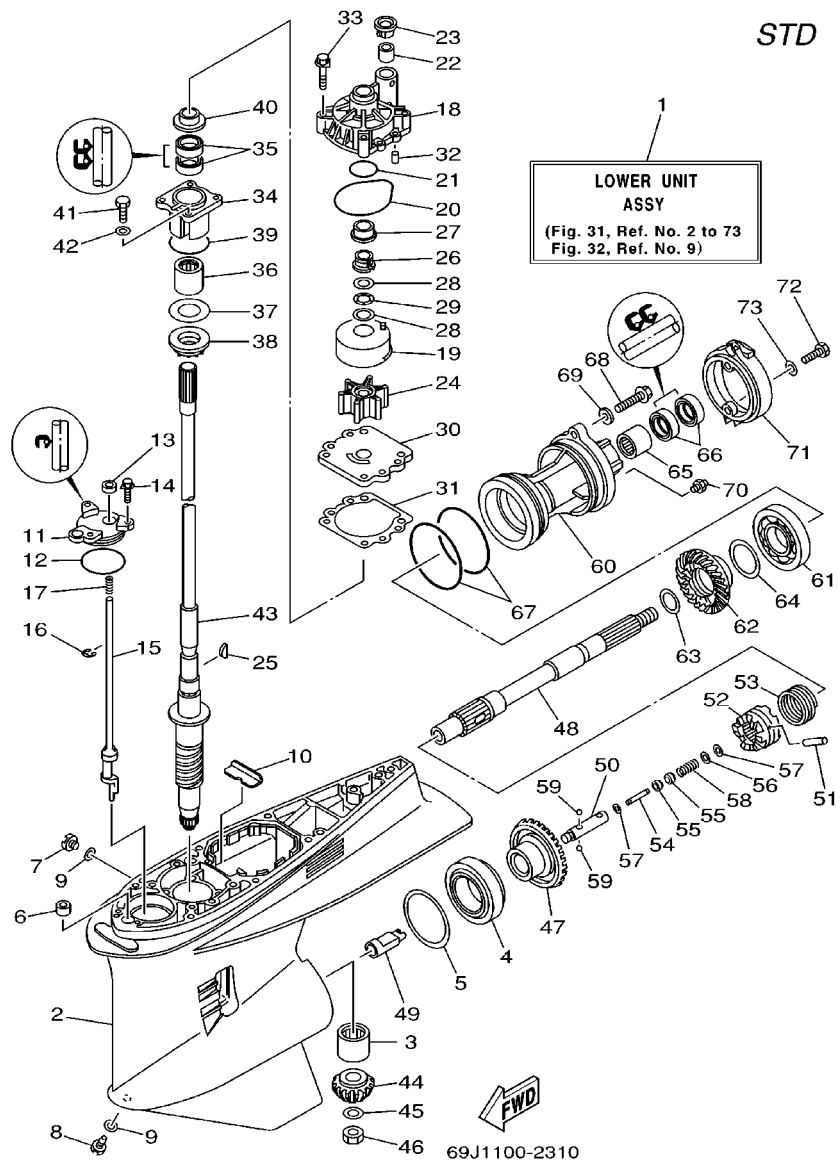


FIG. 31 LOWER CASING, DRIVE 1

BOITIER D'HELICE, TRANSMISSION 1

REF. NO.	PART NO. NO. PIECES	DESCRIPTION DESCRIPTION	69J1	60L1	69K1	60M1	REMARKS REMARQUES
22	6E5-44365-00	DAMPER, WATER SEAL JOINT, TUBE D'EAU	1	1			
23	6E5-44312-00	COVER, WATER PUMP HOUSING COUVERCLE	1	1			
24	6E5-44352-01	IMPELLER TURBINE	1	1			
25	90280-04M05	KEY, WOODRUFF CLAVETTE, DEMI-LUNE	1	1			
26	61A-45538-00	SPACER 1 ENTRETOISE	1	1			
27	61A-45527-00	COLLAR, DRIVE SHAFT ENTRETOISE	1	1			
28	90201-22M01	WASHER, PLATE RONDELLE, PLATE	2	2			
29	90206-22M19	WASHER, WAVE RONDELLE, ONDULEE	1	1			
30	6G5-44323-00	OUTER PLATE, CARTRIDGE PLAQUE EXTERIEURE	1	1			
31	6E5-44315-A0	GASKET, WATER PUMP JOINT, POMPE A EAU	1	1			
32	93806-12019	PIN, DOWEL GOUJON	2	2			
33	90119-08M14	BOLT, WITH WASHER BOULON, AVEC RONDELLE	4	4			
34	61A-45331-00-94	HOUSING, BEARING FLASQUE, ROULEMENT	1	1			
35	93101-28M16	OIL SEAL JOINT SPY	2	2			
36	93317-330U2	BEARING ROULEMENT	1	1			
37	61A-45587-00-10	SHIM (T:0.10MM) CALE (T:0.10MM)	1	1			UR
	61A-45587-00-12	SHIM (T:0.12MM) CALE (T:0.12MM)	1	1			UR
	61A-45587-00-15	SHIM (T:0.15MM) CALE (T:0.15MM)	1	1			UR
	61A-45587-00-18	SHIM (T:0.18MM) CALE (T:0.18MM)	1	1			UR
	61A-45587-00-30	SHIM (T:0.30MM) CALE (T:0.30MM)	1	1			UR
	61A-45587-00-40	SHIM (T:0.40MM) CALE (T:0.40MM)	1	1			UR
	61A-45587-00-50	SHIM (T:0.50MM) CALE (T:0.50MM)	1	1			UR
38	93341-930U9	BEARING ROULEMENT	1	1			
39	93210-55M14	O-RING JOINT TORIQUE	1	1			
40	6E5-45344-00	COVER, OIL SEAL FLASQUE, JOINT D'HUILE	1	1			
41	97095-08025	BOLT BOULON	4	4			
42	92995-08600	WASHER RONDELLE	4	4			

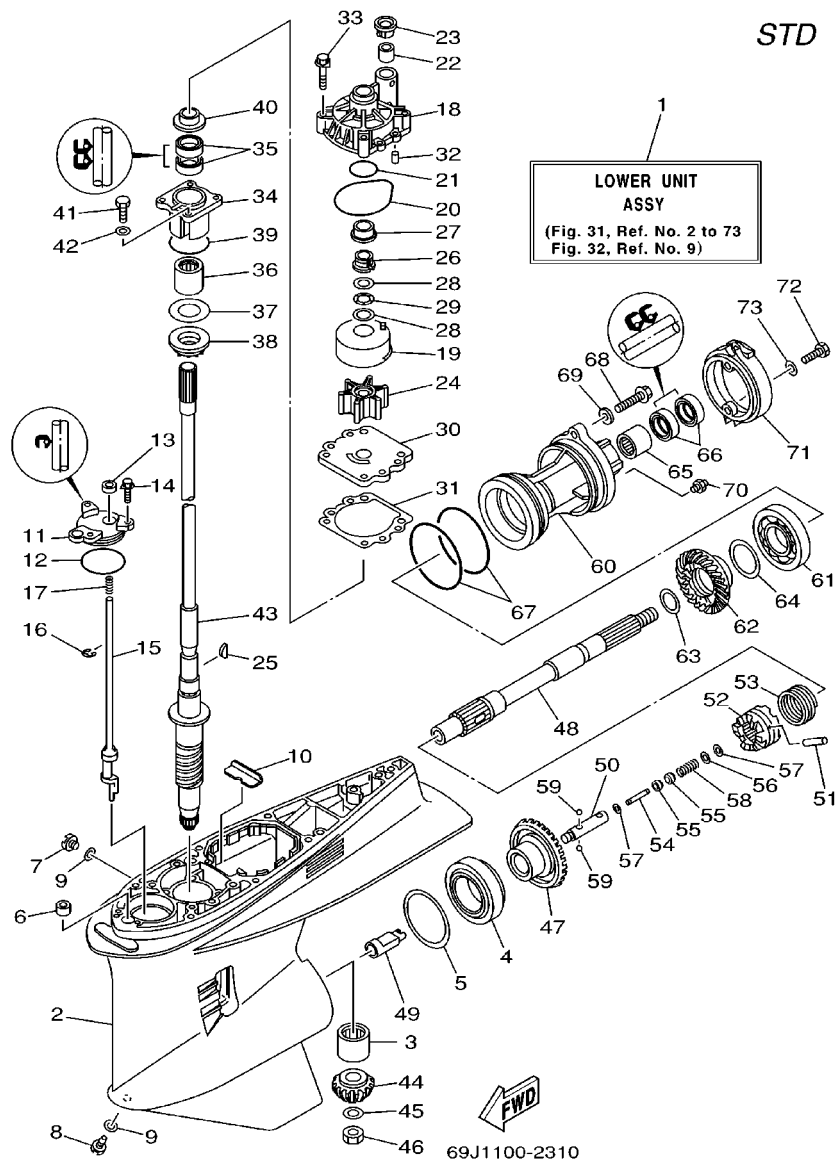


FIG. 31 LOWER CASING, DRIVE 1

BOITIER D'HELICE, TRANSMISSION 1

REF. NO.	PART NO. NO. PIECES	DESCRIPTION DESCRIPTION	69J1	60L1	69K1	60M1	REMARKS REMARQUES
43	69J-45501-00	DRIVE SHAFT COMP. ARBRE MOTEUR COMP.	1	1			X
44	69J-45551-00	PINION PIGNON D'ATTAQUE	1	1			
45	90201-16M00	WASHER, PLATE RONDELLE, PLATE	1	1			
46	90170-16M19	NUT ECROU	1	1			
47	69J-45560-00	GEAR PIGNON	1	1			
48	69J-45611-00	SHAFT, PROPELLER ARBRE, HELICE	1	1			
49	69J-45641-00	SHIFTER EMBRAYAGE	1	1			
50	61A-45634-01	SLIDE, SHIFT CONTRE-POUSSOIR	1	1			
51	61A-45632-00	PIN, CROSS GOUPILLE DE CRABOT	1	1			
52	69J-45631-00	CLUTCH, DOG CRABOT	1	1			
53	61A-45633-00	RING, CROSS PIN JONC, GOUPILLE CRABOT	1	1			
54	6H1-45668-00	SHAFT, FREE AXE	1	1			
55	61A-45635-00	PLUNGER, SHIFT POUSSOIR D'EMBRAYAGE	2	2			
56	90201-02M00	WASHER, PLATE RONDELLE, PLATE	1	1			
57	90183-02M03	NUT, SPRING ECROU, RESSORT	2	2			
58	90501-10M77	SPRING, COMPRESSION RESSORT, COMPRESSION	1	1			
59	93501-04011	BALL BILLE	2	2			
60	69J-45332-00-94	HOUSING, BEARING FLASQUE, ROULEMENT	1	1			
61	93306-210U0	BEARING ROULEMENT	1	1			
62	69J-45571-00	GEAR PIGNON	1	1			
63	90201-31M00	WASHER, PLATE RONDELLE, PLATE	1	1			
64	61A-45577-00-10	SHIM (T:0.10MM) CALE (T:0.10MM)	1	1			UR
	61A-45577-00-12	SHIM (T:0.12MM) CALE (T:0.12MM)	1	1			UR
	61A-45577-00-15	SHIM (T:0.15MM) CALE (T:0.15MM)	1	1			UR
	61A-45577-00-18	SHIM (T:0.18MM) CALE (T:0.18MM)	1	1			UR
	61A-45577-00-30	SHIM (T:0.30MM) CALE (T:0.30MM)	1	1			UR
	61A-45577-00-40	SHIM (T:0.40MM) CALE (T:0.40MM)	1	1			UR

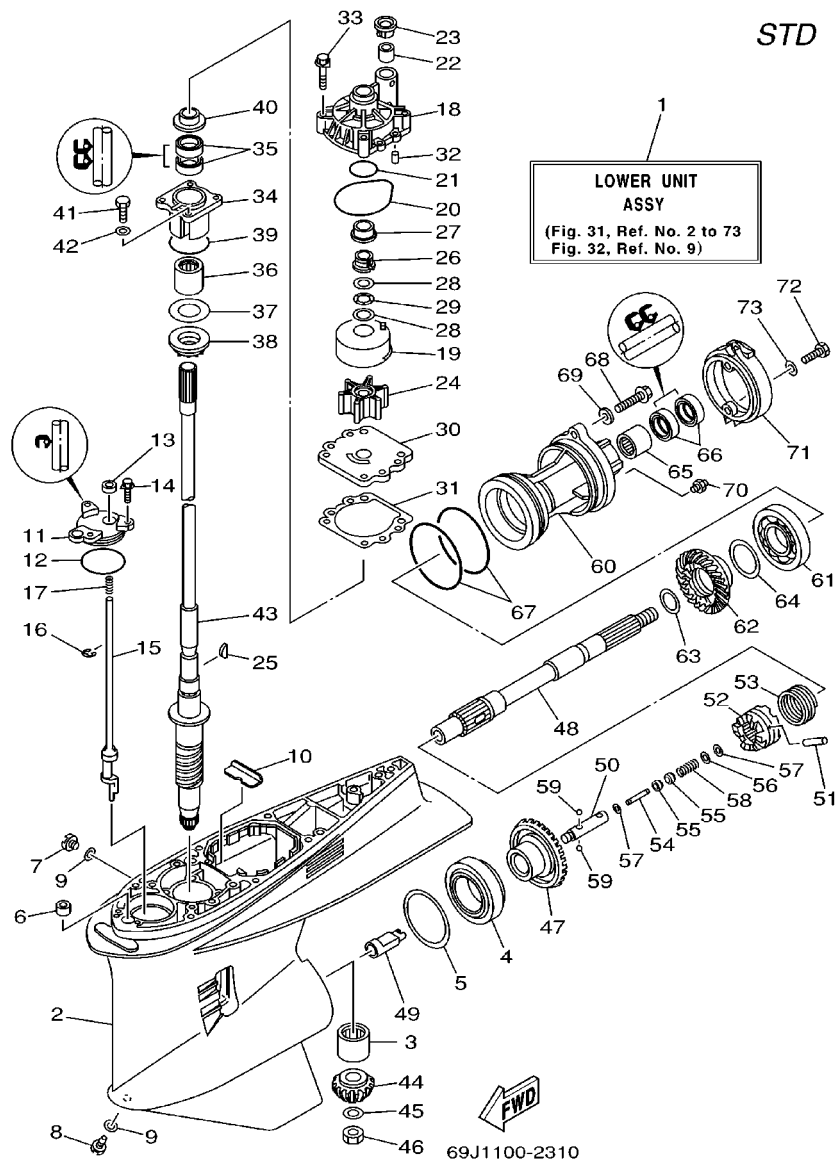


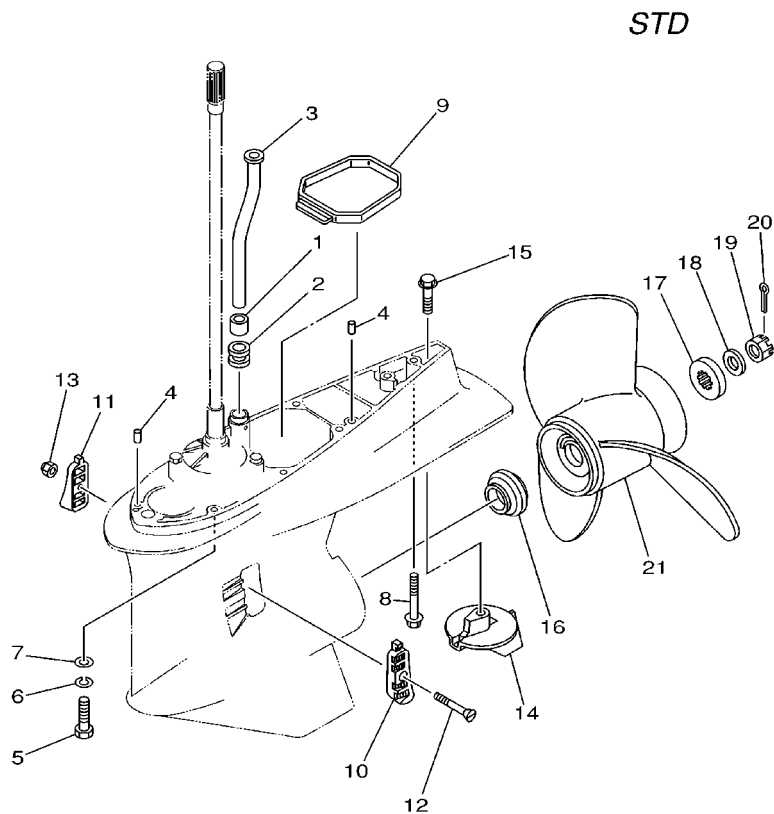
FIG. 31 LOWER CASING, DRIVE 1

BOITIER D'HELICE, TRANSMISSION 1

REF. NO.	PART NO. NO. PIECES	DESCRIPTION DESCRIPTION	69J1	60L1	69K1	60M1	REMARKS REMARQUES
64	61A-45577-00-50	SHIM (T:0.50MM) CALE (T:0.50MM)	1	1			UR
65	93315-43061	BEARING ROULEMENT	1	1			
66	93101-30M17	OIL SEAL JOINT SPY	2	2			
67	93211-04384	O-RING JOINT TORIQUE	2	2			
68	90105-08036	BOLT, FLANGE BOULON	2	2			
69	90201-08023	WASHER, PLATE RONDELLE, PLATE	2	2			
70	93700-09M00	NIPPLE, GREASE GRAISSEUR	1	1			
71	69J-45361-00-8D	CAP, LOWER CASING COUVERCLE, BOITIER D'HELICE	1	1			
72	97095-08020	BOLT BOULON	2	2			
73	92995-08600	WASHER RONDELLE	2	2			

FIG. 32 LOWER CASING, DRIVE 2

BOITIER D'HELICE, TRANSMISSION 2

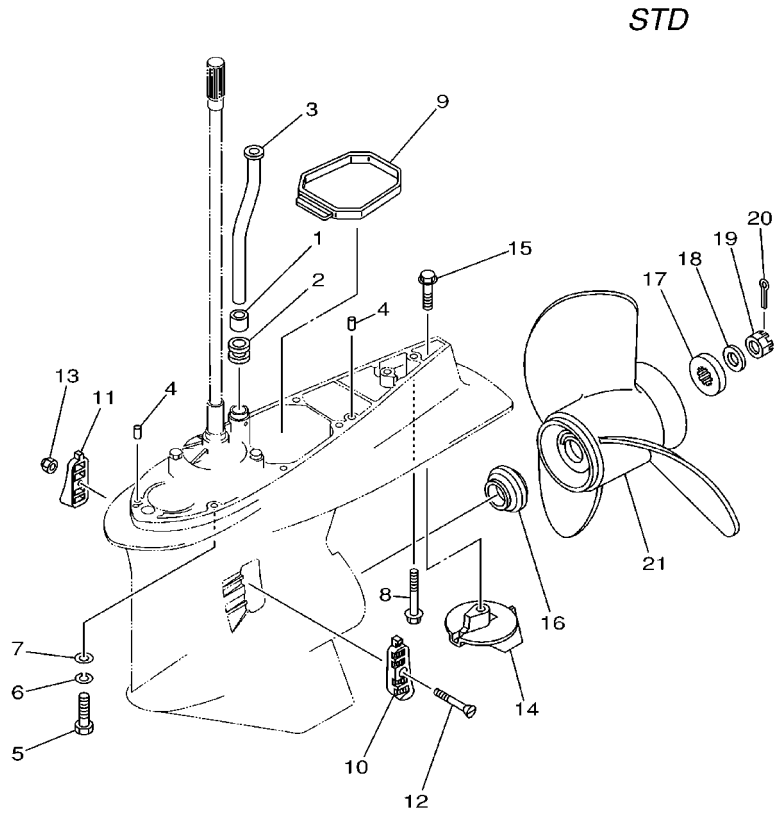


69J1100-2320

REF. NO.	PART NO. NO. PIECES	DESCRIPTION DESCRIPTION	69J1	60L1	69K1	60M1	REMARKS REMARQUES
1	6E5-44365-00	DAMPER, WATER SEAL JOINT, TUBE D'EAU	1	1			
2	6E5-44366-00	DAMPER, WATER SEAL JOINT, TUBE D'EAU	1	1			
3	69J-44361-00	TUBE, WATER TUBE D'EAU	1	1			X
4	93608-12M05	PIN, DOWEL GOUJON	2	2			
5	97095-10045	BOLT BOULON	7	7			X
6	92995-10100	WASHER RONDELLE	7	7			X
7	92995-10600	WASHER RONDELLE	7	7			X
8	90119-10MA2	BOLT, WITH WASHER BOULON, AVEC RONDELLE	1	1			X
9	69J-45375-00	DAMPER, SEAL BOURRELET, CAOUTCHOUC	1	1			
10	61A-45214-00	COVER, WATER INLET GRILLE, ENTREE D'EAU	1	1			
11	61A-45215-00	COVER, WATER INLET GRILLE, ENTREE D'EAU	1	1			
12	90152-05M08	SCREW, COUNTERSUNK VIS, TETE NOYEE	1	1			
13	90185-05002	NUT, SELF-LOCKING ECROU, AUTO-BLOCANT	1	1			
14	61A-45371-00	TAB-TRIM ANODE DERIVE	1	1			
15	90105-10M00	BOLT, FLANGE BOULON	1	1			
16	69J-45987-00	SPACER ENTRETOISE	1	1			
17	688-45997-01	SPACER ENTRETOISE	1	1			
18	92990-18200	WASHER RONDELLE	1	1			
19	90171-18M04	NUT, CASTLE ECROU, CRENELE	1	1			
20	91490-40030	PIN, COTTER GOUPILLE, FENDUE	1	1			
21	6G5-45970-02-98	PROPELLER (3X15-1/4"X15"-M) HELICE (3X15-1/4"X15"-M)	1	1			UR
	6G5-45972-02-98	PROPELLER (3X13-3/4"X21"-M) HELICE (3X13-3/4"X21"-M)	1	1			UR
	6G5-45974-03-98	PROPELLER (3X13-3/4"X19"-M2) HELICE (3X13-3/4"X19"-M2)	1	1			UR
	6G5-45978-03-98	PROPELLER (3X13-3/4"X17"-M2) HELICE (3X13-3/4"X17"-M2)	1	1			UR
	61A-45972-00-98	PROPELLER (3X14-1/2"X21"-T) HELICE (3X14-1/2"X21"-T)	1	1			UR
	61A-45974-00-98	PROPELLER (3X14-1/2"X19"-T) HELICE (3X14-1/2"X19"-T)	1	1			UR
	61A-45978-00-98	PROPELLER (3X15"X17"-T) HELICE (3X15"X17"-T)	1	1			UR

FIG. 32 LOWER CASING, DRIVE 2

BOITIER D'HELICE, TRANSMISSION 2



REF. NO.	PART NO. NO. PIECES	DESCRIPTION DESCRIPTION	69J1	60L1	69K1	60M1	REMARKS REMARQUES
21	6R4-45970-A0	PROPELLER (3X15-1/4"X19"-M) HELICE (3X15-1/4"X19"-M)	1	1			UR
	6R4-45972-A0	PROPELLER (3X14-7/8"X21"-M) HELICE (3X14-7/8"X21"-M)	1	1			UR
	6R4-45974-A0	PROPELLER (3X14-1/2"X23"-M) HELICE (3X14-1/2"X23"-M)	1	1			UR
	6R4-45976-A0	PROPELLER (3X14-1/2"X15"-M) HELICE (3X14-1/2"X15"-M)	1	1			UR
	6R4-45978-A0	PROPELLER (3X15-1/4"X17"-M) HELICE (3X15-1/4"X17"-M)	1	1			UR


69J1100-2320

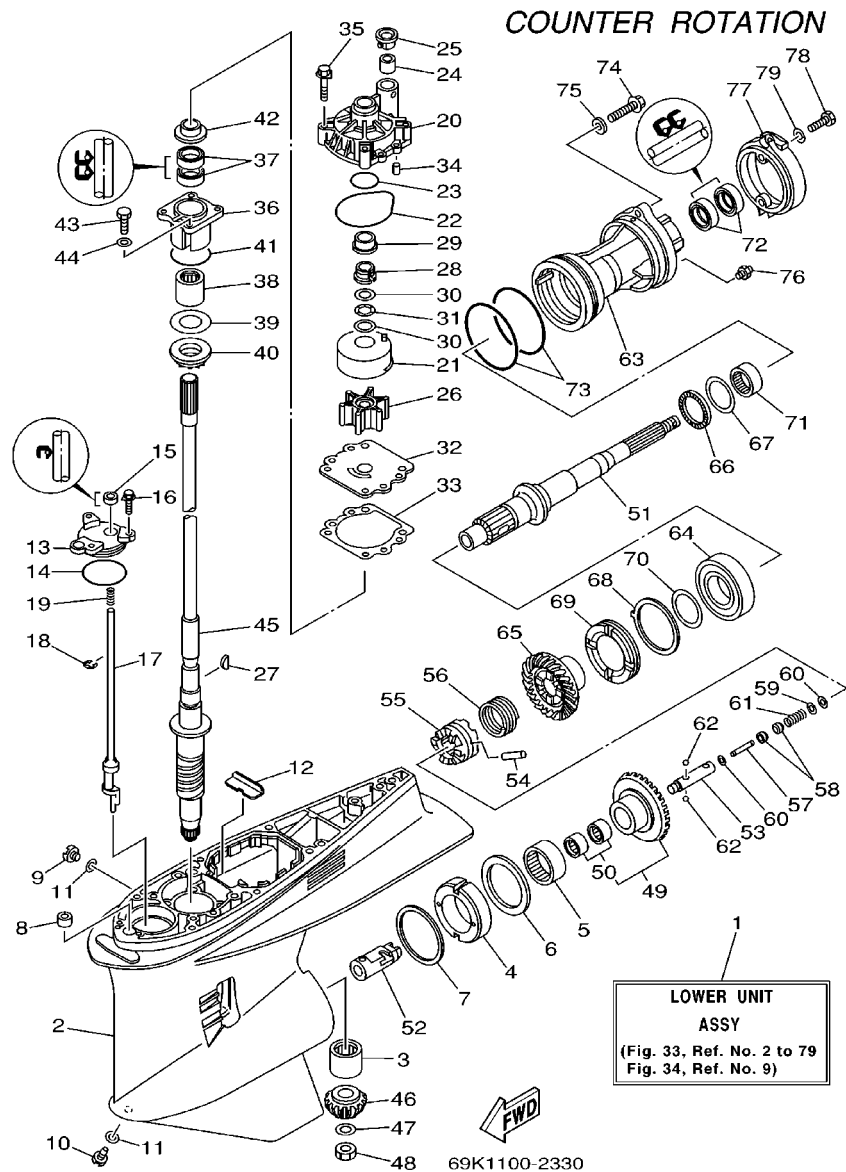


FIG. 33 LOWER CASING, DRIVE 3

BOITIER D'HELICE, TRANSMISSION 3

REF. NO.	PART NO. NO. PIECES	DESCRIPTION DESCRIPTION	69J1	60L1	69K1	60M1	REMARKS REMARQUES
1	69K-45300-20-8D	LOWER UNIT ASSY UNITE INFERIEURE (ENS.)			1	1	X
2	61A-45301-03-8D	CASING, LOWER BEQUILLE			1	1	
3	93311-832V2	BEARING ROULEMENT			1	1	
4	61B-45538-01	SPACER 1 ENTRETOISE			1	1	
5	93315-660W3	BEARING ROULEMENT			1	1	
6	93341-670V0	BEARING ROULEMENT			1	1	
7	61A-45567-00-10	SHIM (T:0.10MM) CALE (T:0.10MM)			1	1	UR
	61A-45567-00-12	SHIM (T:0.12MM) CALE (T:0.12MM)			1	1	UR
	61A-45567-00-15	SHIM (T:0.15MM) CALE (T:0.15MM)			1	1	UR
	61A-45567-00-18	SHIM (T:0.18MM) CALE (T:0.18MM)			1	1	UR
	61A-45567-00-30	SHIM (T:0.30MM) CALE (T:0.30MM)			1	1	UR
	61A-45567-00-40	SHIM (T:0.40MM) CALE (T:0.40MM)			1	1	UR
	61A-45567-00-50	SHIM (T:0.50MM) CALE (T:0.50MM)			1	1	UR
8	663-44366-00	DAMPER, WATER SEAL JOINT, TUBE D'EAU			1	1	
9	90340-08002	PLUG, STRAIGHT SCREW PLOT, FILETE DROIT			1	1	
10	688-45341-10	PLUG, DRAIN BOUCHON DE VIDANGE			1	1	
11	90430-08020	GASKET JOINT			2	2	
12	61A-45376-00-94	GUIDE, SEAL DAMPER BUTEE, JOINT CAOUTCHOUC			1	1	
13	61A-45321-01	PLATE PLAQUETTE			1	1	
14	93210-64488	O-RING JOINT TORIQUE			1	1	
15	93106-09014	OIL SEAL JOINT SPY			1	1	
16	90119-06M10	BOLT, WITH WASHER BOULON, AVEC RONDELLE			3	3	
17	69K-44150-00	SHIFT CAM ASSY CAME D'INVERSION			1	1	
18	99001-08600	CIRCLIP CIRCLIP			1	1	
19	90501-11M10	SPRING, COMPRESSION RESSORT, COMPRESSION			1	1	
20	61A-44311-01	HOUSING, WATER PUMP CORPS, POMPE A EAU			1	1	
21	61A-44322-02	INSERT, CARTRIDGE CUVETTE			1	1	

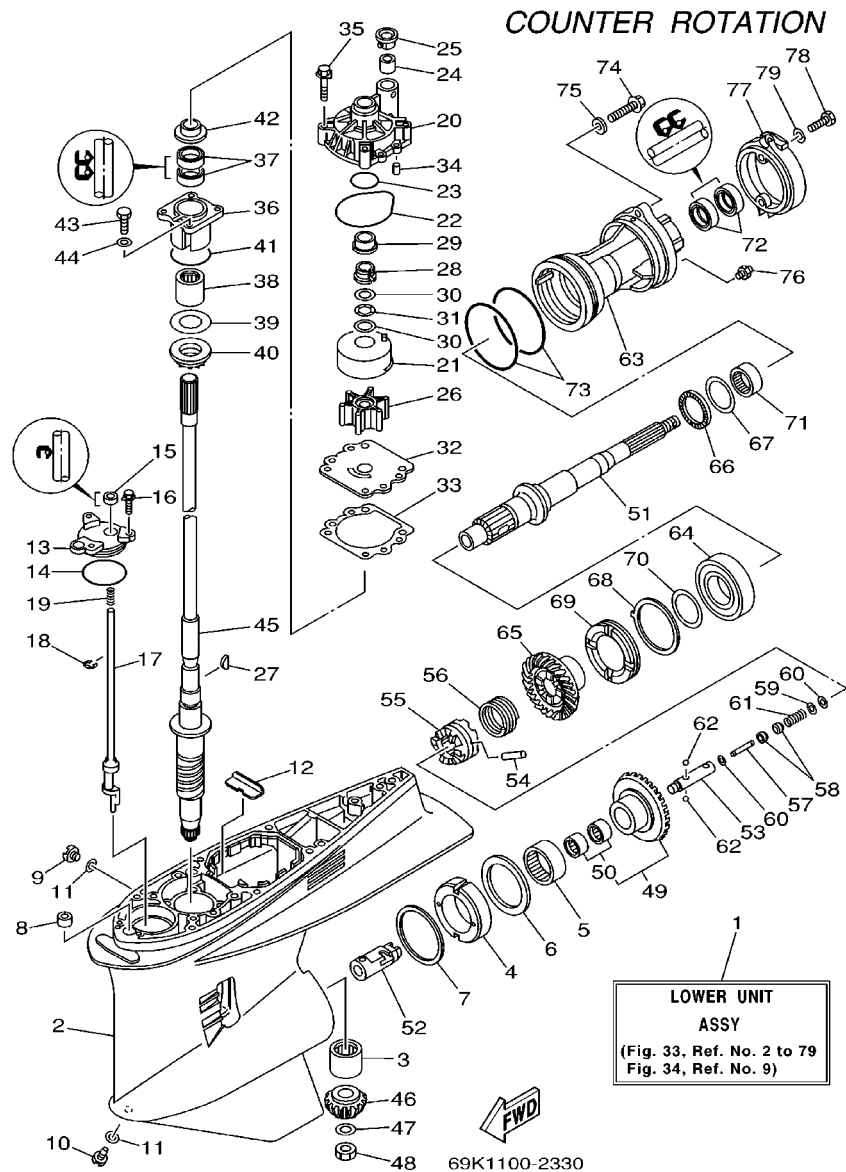


FIG. 33 LOWER CASING, DRIVE 3

BOITIER D'HELICE, TRANSMISSION 3

REF. NO.	PART NO. NO. PIECES	DESCRIPTION DESCRIPTION	69J1	60L1	69K1	60M1	REMARKS REMARQUES
22	93210-86M38	O-RING JOINT TORIQUE			1	1	
23	93210-37160	O-RING JOINT TORIQUE			1	1	
24	6E5-44365-00	DAMPER, WATER SEAL JOINT, TUBE D'EAU			1	1	
25	6E5-44312-00	COVER, WATER PUMP HOUSING COUVERCLE			1	1	
26	6E5-44352-01	IMPELLER TURBINE			1	1	
27	90280-04M05	KEY, WOODRUFF CLAVETTE, DEMI-LUNE			1	1	
28	61A-45538-00	SPACER 1 ENTRETOISE			1	1	
29	61A-45527-00	COLLAR, DRIVE SHAFT ENTRETOISE			1	1	
30	90201-22M01	WASHER, PLATE RONDELLE, PLATE			2	2	
31	90206-22M19	WASHER, WAVE RONDELLE, ONDULEE			1	1	
32	6G5-44323-00	OUTER PLATE, CARTRIDGE PLAQUE EXTERIEURE			1	1	
33	6E5-44315-A0	GASKET, WATER PUMP JOINT, POMPE A EAU			1	1	
34	93606-12019	PIN, DOWEL GOUJON			2	2	
35	90119-08M14	BOLT, WITH WASHER BOULON, AVEC RONDELLE			4	4	
36	61A-45331-00-94	HOUSING, BEARING FLASQUE, ROULEMENT			1	1	
37	93101-28M16	OIL SEAL JOINT SPY			2	2	
38	93317-330U2	BEARING ROULEMENT			1	1	
39	61A-45587-00-10	SHIM (T:0.10MM) CALE (T:0.10MM)			1	1	UR
	61A-45587-00-12	SHIM (T:0.12MM) CALE (T:0.12MM)			1	1	UR
	61A-45587-00-15	SHIM (T:0.15MM) CALE (T:0.15MM)			1	1	UR
	61A-45587-00-18	SHIM (T:0.18MM) CALE (T:0.18MM)			1	1	UR
	61A-45587-00-30	SHIM (T:0.30MM) CALE (T:0.30MM)			1	1	UR
	61A-45587-00-40	SHIM (T:0.40MM) CALE (T:0.40MM)			1	1	UR
	61A-45587-00-50	SHIM (T:0.50MM) CALE (T:0.50MM)			1	1	UR
40	93341-930U9	BEARING ROULEMENT			1	1	
41	93210-55M14	O-RING JOINT TORIQUE			1	1	
42	6E5-45344-00	COVER, OIL SEAL FLASQUE, JOINT D'HUILE			1	1	

D3

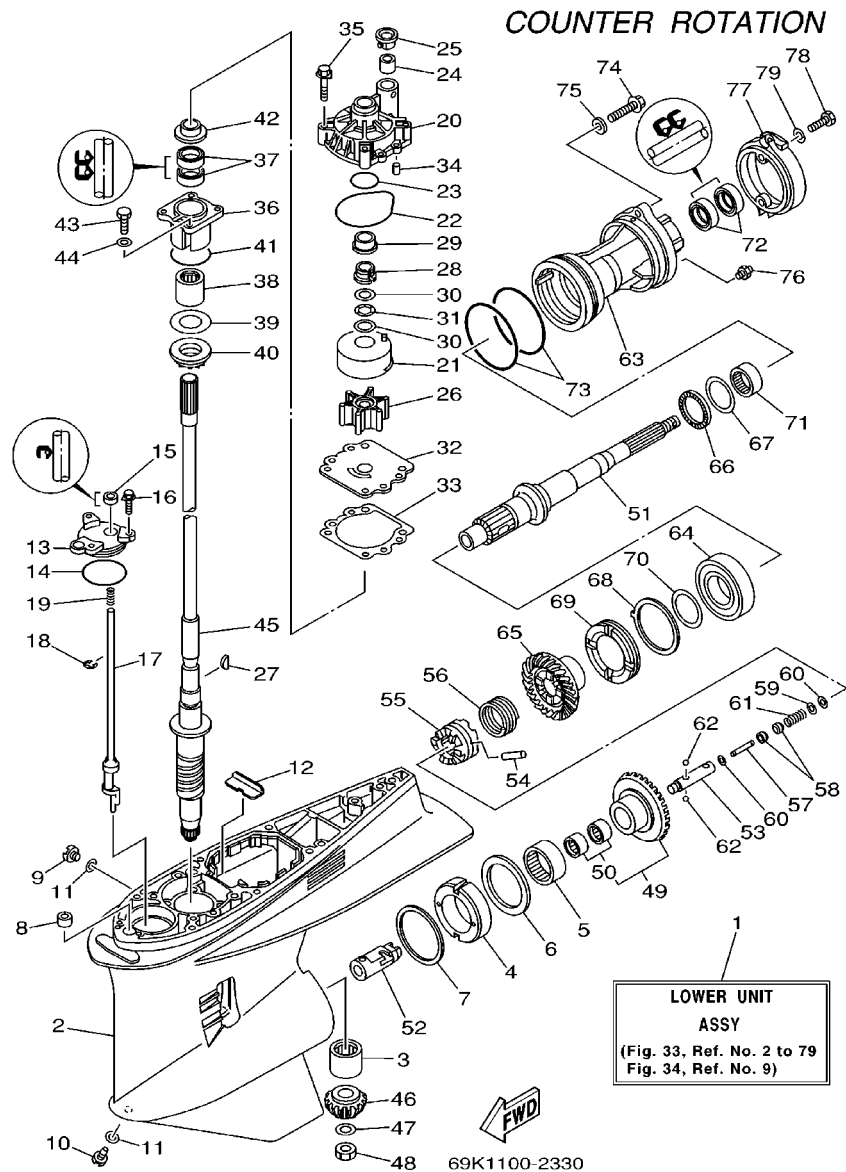


FIG. 33 LOWER CASING, DRIVE 3

BOITIER D'HELICE, TRANSMISSION 3

REF. NO.	PART NO. NO. PIECES	DESCRIPTION DESCRIPTION	69J1	60L1	69K1	60M1	REMARKS REMARQUES
43	97095-08025	BOLT BOULON			4	4	
44	92995-08600	WASHER RONDELLE			4	4	
45	69J-45501-00	DRIVE SHAFT COMP. ARBRE MOTEUR COMP.			1	1	X
46	69J-45551-00	PINION PIGNON D'ATTAQUE			1	1	
47	90201-16M00	WASHER, PLATE RONDELLE, PLATE			1	1	
48	90170-16M19	NUT ECROU			1	1	
49	69K-45560-00	GEAR PIGNON			1	1	
50	93317-428U7	BEARING ROULEMENT			2	2	
51	69K-45611-00	SHAFT, PROPELLER ARBRE, HELICE			1	1	
52	69K-45641-00	SHIFTER EMBRAYAGE			1	1	
53	61A-45634-01	SLIDE, SHIFT CONTRE-POUSSOIR			1	1	
54	61A-45632-00	PIN, CROSS GOUPILLE DE CRABOT			1	1	
55	69J-45631-00	CLUTCH, DOG CRABOT			1	1	
56	61A-45633-00	RING, CROSS PIN JONC, GOUPILLE CRABOT			1	1	
57	6H1-45668-00	SHAFT, FREE AXE			1	1	
58	61A-45635-00	PLUNGER, SHIFT POUSSOIR D'EMBAYAGE			2	2	
59	90201-02M00	WASHER, PLATE RONDELLE, PLATE			1	1	
60	90183-02M03	NUT, SPRING ECROU, RESSORT			2	2	
61	90501-10M77	SPRING, COMPRESSION RESSORT, COMPRESSION			1	1	
62	93501-04011	BALL BILLE			2	2	
63	69K-45332-00-94	HOUSING, BEARING FLASQUE, ROULEMENT			1	1	
64	93332-00048	BEARING ROULEMENT			1	1	
65	69K-45571-00	GEAR PIGNON			1	1	
66	93341-440U5	BEARING ROULEMENT			1	1	
67	6K1-45578-01-10	SHIM (T:0.10MM) CALE (T:0.10MM)			1	1	UR
68	6K1-45578-01-12	SHIM (T:0.12MM) CALE (T:0.12MM)			1	1	UR
69	6K1-45578-01-15	SHIM (T:0.15MM) CALE (T:0.15MM)			1	1	UR

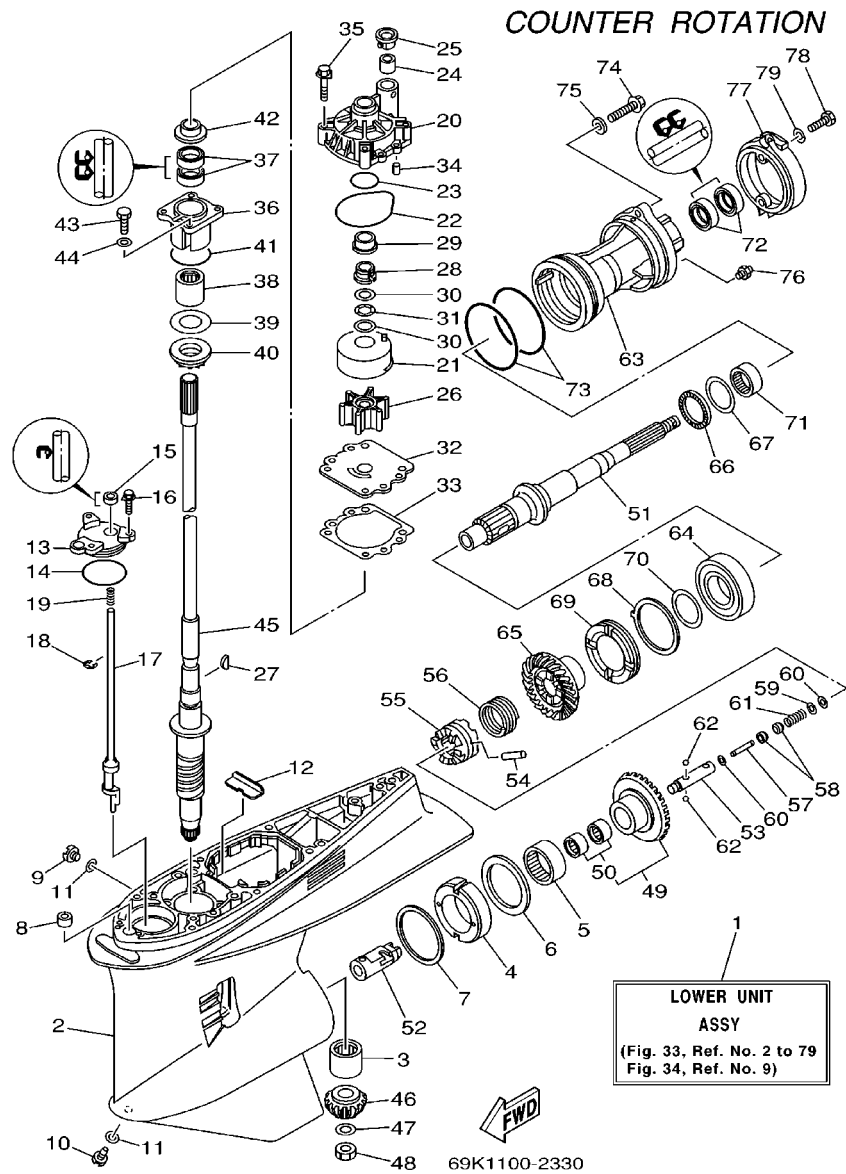


FIG. 33 LOWER CASING, DRIVE 3

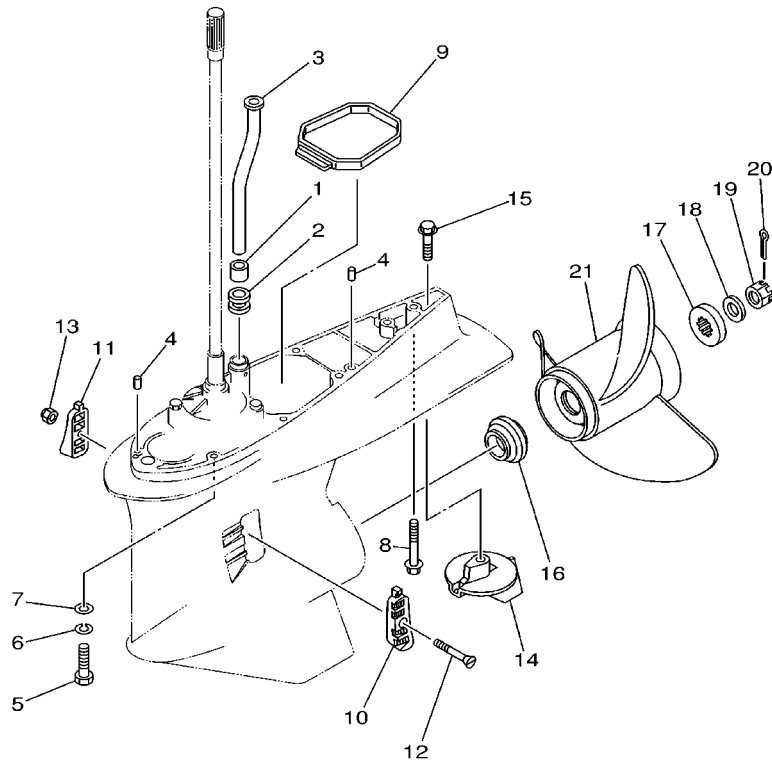
BOITIER D'HELICE, TRANSMISSION 3

REF. NO.	PART NO. NO. PIECES	DESCRIPTION DESCRIPTION	69J1	60L1	69K1	60M1	REMARKS REMARQUES
67	6K1-45578-01-18	SHIM (T:0.18MM) CALE (T:0.18MM)			1	1	UR
	6K1-45578-01-30	SHIM (T:0.30MM) CALE (T:0.30MM)			1	1	UR
	6K1-45578-01-40	SHIM (T:0.40MM) CALE (T:0.40MM)			1	1	UR
	6K1-45578-01-50	SHIM (T:0.50MM) CALE (T:0.50MM)			1	1	UR
68	61B-45383-00	WASHER, CLAW FREIN D'ECROU			1	1	
69	69K-45384-00	NUT ECROU			1	1	
70	69K-45577-00	SHIM (T:0.10MM) CALE (T:0.10MM)			1	1	UR
	69K-45577-10	SHIM (T:0.12MM) CALE (T:0.12MM)			1	1	UR
	69K-45577-20	SHIM (T:0.15MM) CALE (T:0.15MM)			1	1	UR
	69K-45577-30	SHIM (T:0.18MM) CALE (T:0.18MM)			1	1	UR
	69K-45577-40	SHIM (T:0.30MM) CALE (T:0.30MM)			1	1	UR
	69K-45577-50	SHIM (T:0.40MM) CALE (T:0.40MM)			1	1	UR
	69K-45577-60	SHIM (T:0.50MM) CALE (T:0.50MM)			1	1	UR
71	93315-43061	BEARING ROULEMENT			1	1	
72	93101-30M17	OIL SEAL JOINT SPY			2	2	
73	93211-04384	O-RING JOINT TORIQUE			2	2	
74	90105-08036	BOLT, FLANGE BOULON			2	2	
75	90201-08023	WASHER, PLATE RONDELLE, PLATE			2	2	
76	93700-09M00	NIPPLE, GREASE GRAISSEUR			1	1	
77	69J-45361-00-8D	CAP, LOWER CASING COUVERCLE, BOITIER D'HELICE			1	1	
78	97095-08020	BOLT BOULON			2	2	
79	92995-08600	WASHER RONDELLE			2	2	

FIG. 34 LOWER CASING, DRIVE 4

BOITIER D'HELICE, TRANSMISSION 4

COUNTER ROTATION

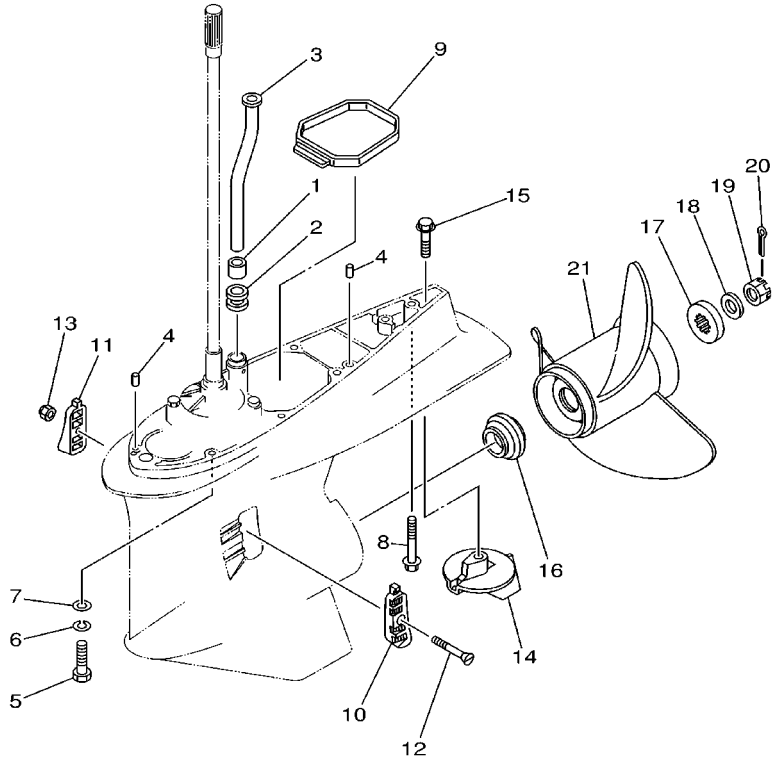


69K1100-2340

REF. NO.	PART NO. NO. PIECES	DESCRIPTION DESCRIPTION	69J1	60L1	69K1	60M1	REMARKS REMARQUES
1	6E5-44365-00	DAMPER, WATER SEAL JOINT, TUBE D'EAU			1	1	
2	6E5-44366-00	DAMPER, WATER SEAL JOINT, TUBE D'EAU			1	1	
3	69J-44361-00	TUBE, WATER TUBE D'EAU			1	1	X
4	93608-12M05	PIN, DOWEL GOUJON			2	2	
5	97095-10045	BOLT BOULON			7	7	X
6	92995-10100	WASHER RONDELLE			7	7	X
7	92995-10600	WASHER RONDELLE			7	7	X
8	90119-10MA2	BOLT, WITH WASHER BOULON, AVEC RONDELLE			1	1	X
9	69J-45375-00	DAMPER, SEAL BOURRELET, CAOUTCHOUC			1	1	
10	61A-45214-00	COVER, WATER INLET GRILLE, ENTREE D'EAU			1	1	
11	61A-45215-00	COVER, WATER INLET GRILLE, ENTREE D'EAU			1	1	
12	90152-05M08	SCREW, COUNTERSUNK VIS, TETE NOYEE			1	1	
13	90185-05002	NUT, SELF-LOCKING ECROU, AUTO-BLOCANT			1	1	
14	61A-45371-00	TAB-TRIM ANODE DERIVE			1	1	
15	90105-10M00	BOLT, FLANGE BOULON			1	1	
16	69J-45987-00	SPACER ENTRETOISE			1	1	
17	688-45997-01	SPACER ENTRETOISE			1	1	
18	92990-18200	WASHER RONDELLE			1	1	
19	90171-18M04	NUT, CASTLE ECROU, CRENELE			1	1	
20	91490-40030	PIN, COTTER GOUPILLE, FENDUE			1	1	
21	6K1-45970-01-98	PROPELLER (3X15-1/4"X15"-ML) HELICE (3X15-1/4"X15"-ML)			1	1	UR
	6K1-45972-01-98	PROPELLER (3X13-3/4"X21"-ML) HELICE (3X13-3/4"X21"-ML)			1	1	UR
	6K1-45974-02-98	PROPELLER (3X13-3/4"X19"-ML1) HELICE (3X13-3/4"X19"-ML1)			1	1	UR
	6K1-45978-02-98	PROPELLER (3X13-3/4"X17"-ML1) HELICE (3X13-3/4"X17"-ML1)			1	1	UR
	61B-45972-00-98	PROPELLER (3X14-1/2"X21"-TL) HELICE (3X14-1/2"X21"-TL)			1	1	UR
	61B-45974-00-98	PROPELLER (3X14-1/2"X19"-TL) HELICE (3X14-1/2"X19"-TL)			1	1	UR
	61B-45978-00-98	PROPELLER (3X15"X17"-TL) HELICE (3X15"X17"-TL)			1	1	UR

D6

COUNTER ROTATION



69K1100-2340

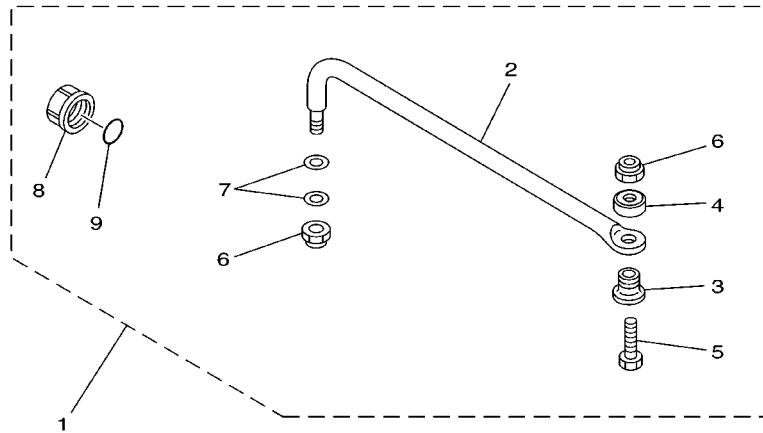
FIG. 34 LOWER CASING, DRIVE 4

BOITIER D'HELICE, TRANSMISSION 4

REF. NO.	PART NO. NO. PIECES	DESCRIPTION DESCRIPTION	69J1	60L1	69K1	60M1	REMARKS REMARQUES
21	6R1-45970-A0	PROPELLER (3X15-1/4"X19"-ML) HELICE (3X15-1/4"X19"-ML)			1	1	UR
	6R1-45972-A0	PROPELLER (3X14-7/8"X21"-ML) HELICE (3X14-7/8"X21"-ML)			1	1	UR
	6R1-45974-A0	PROPELLER (3X14-1/2"X23"-ML) HELICE (3X14-1/2"X23"-ML)			1	1	UR
	6R1-45976-A0	PROPELLER (3X15-1/4"X15"-ML) HELICE (3X15-1/4"X15"-ML)			1	1	UR
	6R1-45978-A0	PROPELLER (3X15-1/4"X17"-ML) HELICE (3X15-1/4"X17"-ML)			1	1	UR

FIG. 35 STEERING GUIDE ATTACHMENT 1

DIRECTION GUIDE ACCESSOIRE 1

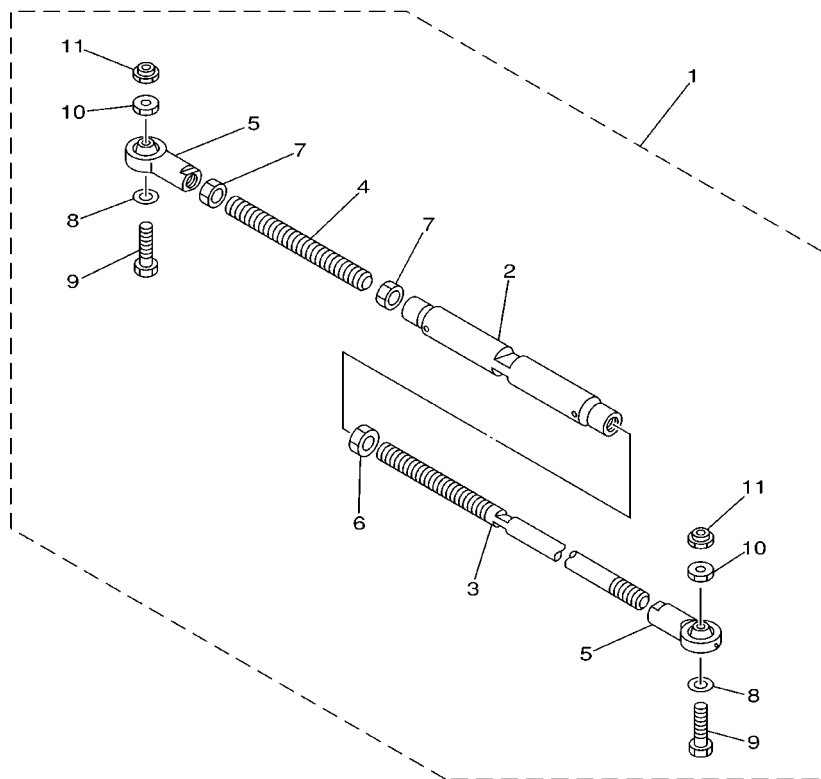


REF. NO.	PART NO. NO. PIECES	DESCRIPTION DESCRIPTION	69J1	60L1	69K1	60M1	REMARKS REMARQUES
1	6E5-61350-02	STEERING GUIDE ATTACHMENT KIT FIXATIONS DE DIRECTION	1	1			AP
2	6E5-61351-01	.ROD, STEERING LINK .RENOI DE DIRECTION	1	1			
3	90387-10M61	.COLLAR .COLLERETTE	1	1			
4	90560-12M01	.SPACER .ENTRETOISE	1	1			
5	6E5-61355-00	.BOLT .BOULON	1	1			
6	90185-09M01	.NUT, SELF-LOCKING .ECROU, AUTO-BLOCANT	2	2			
7	90201-10M20	.WASHER, PLATE .RONDELLE, PLATE	2	2			
8	6E5-43145-01	.CAP, CLAMP BRACKET .CAPUCHON, PRESSE	1	1			
9	93210-16275	.O-RING .JOINT TORIQUE	1	1			

67H0100-9290

FIG. 36 STEERING GUIDE ATTACHMENT 2

DIRECTION GUIDE ACCESSOIRE 2

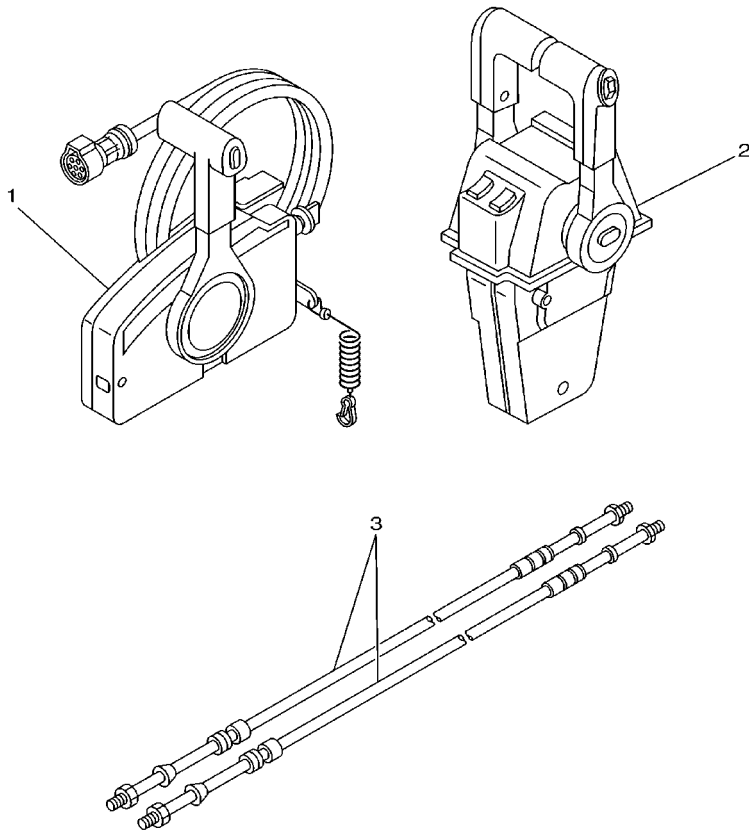


REF. NO.	PART NO. NO. PIECES	DESCRIPTION DESCRIPTION	69J1	60L1	69K1	60M1	REMARKS REMARQUES
1	6E5-61301-01	TWIN KIT (L:600-800MM) JUMELE KIT (L:600-800MM)			1	1	AP
2	6E5-61313-00	.ADJUSTER .TENDEUR			1	1	
3	6E5-61311-11	.TIE BAR .BARRE D'ACCOUPEMENT			1	1	
4	6E5-61315-00	.TIE BAR .BARRE D'ACCOUPEMENT			1	1	
5	6E5-61303-00	.STEERING EYE COMP. .AXE COMP.			2	2	
6	90170-14M06	.NUT .ECROU			1	1	
7	95380-14700	.NUT .ECROU			2	2	
8	90201-10M76	.WASHER, PLATE .RONDELLE, PLATE			2	2	
9	90101-09M70	.BOLT .BOULON			2	2	
10	90170-09M05	.NUT .ECROU			2	2	
11	90185-09M01	.NUT, SELF-LOCKING .ECROU, AUTO-BLOCANT			2	2	

67H0100-0300

FIG. 37 REMOTE CONTROL BOX

BOITIER DE COMMANDE A DISTANCE

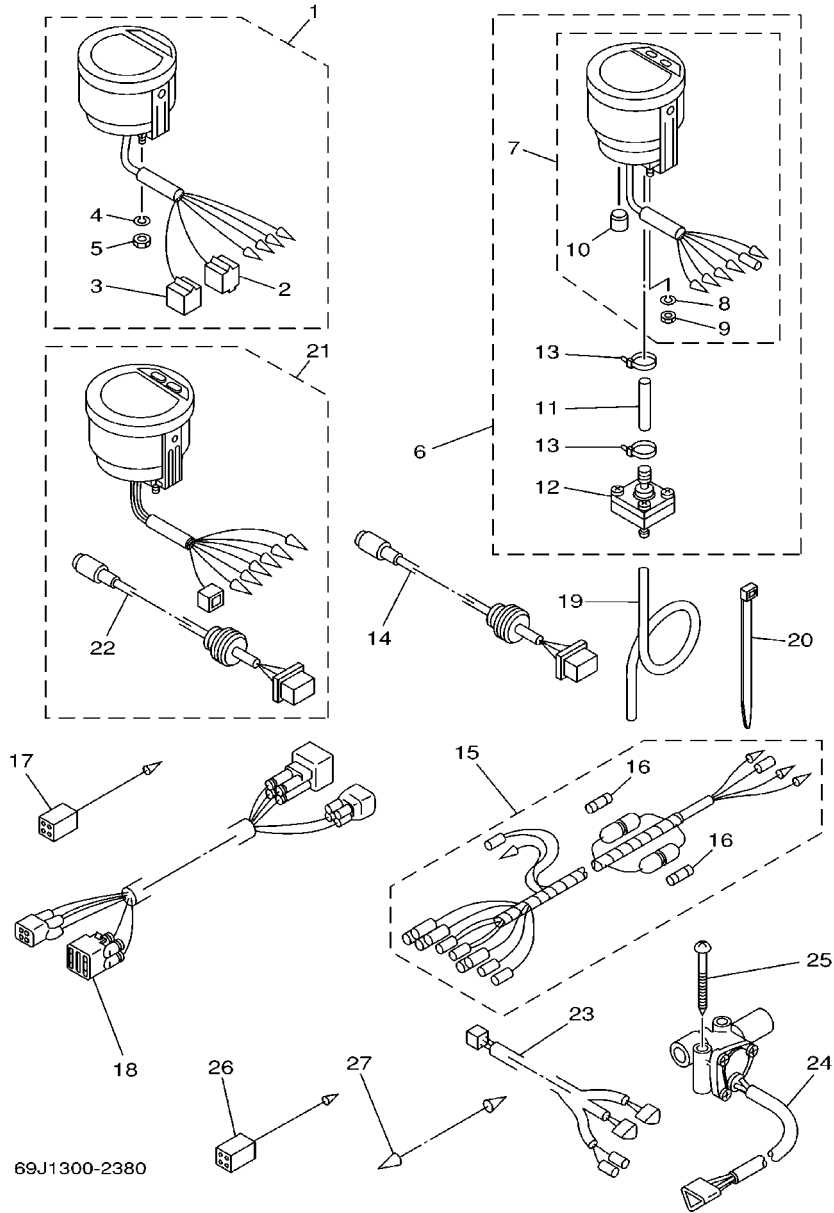


REF. NO.	PART NO. NO. PIECES	DESCRIPTION DESCRIPTION	69J1	60L1	69K1	60M1	REMARKS REMARQUES
1	703-48205-17	REMOTE CONTROL ASSY BOITIER DE COMMANDE A DISTANCE	1	1			AP WITH PT/T SW.
2	704-48207-23	REMOTE CONTROL ASSY BOITIER DE COMMANDE A DISTANCE			1	1	AP WITH PT/T SW.
3	701-48320-50	CABLE, REMOTE CONTROL L=15F CABLE, COMMANDE A DISTANCE:15F	2	2	2	2	UR
	701-48320-60	CABLE, REMOTE CONTROL L=16F CABLE, COMMANDE A DISTANCE:16F	2	2	2	2	UR
	701-48320-80	CABLE, REMOTE CONTROL L=17F CABLE, COMMANDE A DISTANCE:17F	2	2	2	2	UR
	701-48320-40	CABLE, REMOTE CONTROL L=19F CABLE, COMMANDE A DISTANCE:19F	2	2	2	2	UR
	701-48350-00	CABLE, REMOTE CONTROL L=21F CABLE, COMMANDE A DISTANCE:21F	2	2	2	2	UR


67H0100-9310

FIG. 38 METER

COMPTEUR

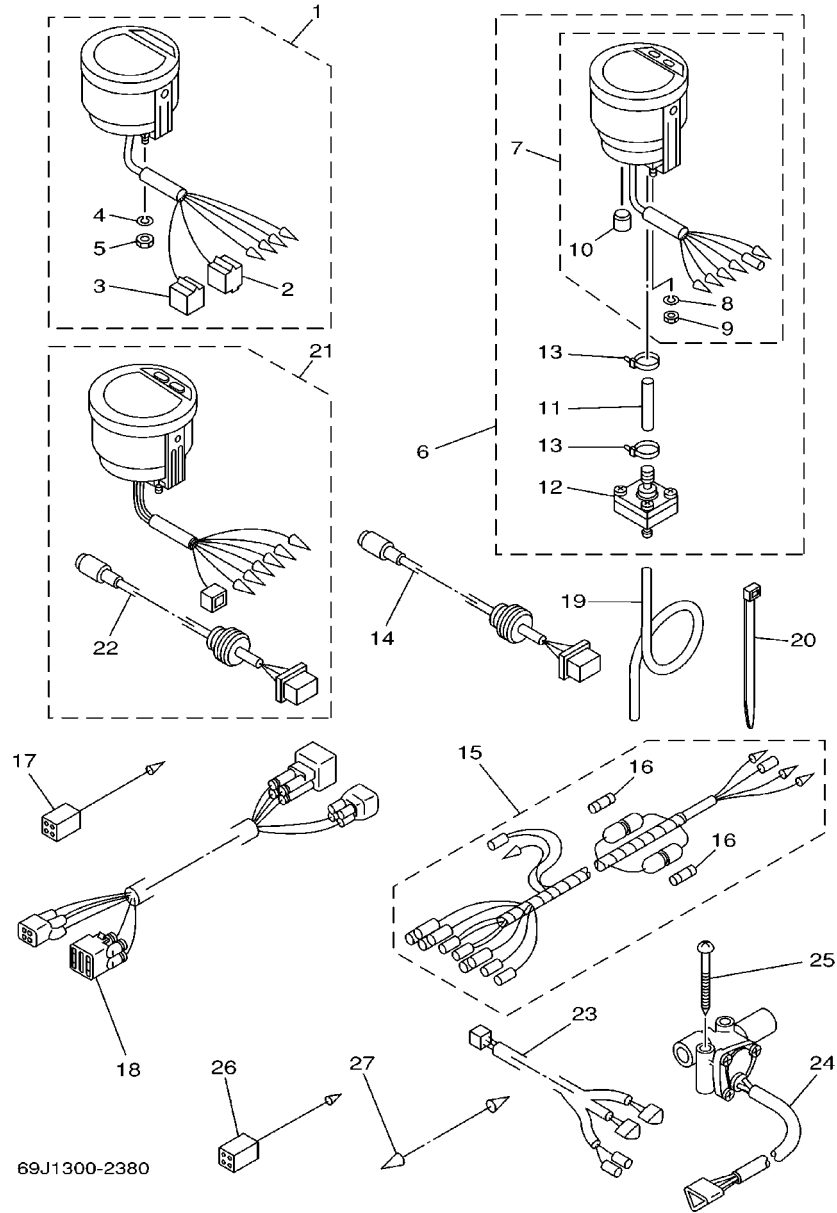


69J1300-2380

REF. NO.	PART NO. NO. PIECES	DESCRIPTION DESCRIPTION	69J1	60L1	69K1	60M1	REMARKS REMARQUES
1	6Y5-8350T-01	DIGITAL TACHOMETER ASSY COMPTE-TOURS NUMERIQUE CPLT	1	1			AP
2	9E450-04433	.CONNECTOR .CONNECTEUR	1	1			M-4-W
3	9E450-04533	.CONNECTOR .CONNECTEUR	1	1			F-4-W
4	92990-04100	.WASHER, SPRING .RONDELLE, GROWER	2	2			
5	95380-04600	.NUT .ECROU	2	2			
6	6Y5-83500-S5	DIGITAL SPEEDOMETER ASSY TACHYMETRE NUMERIQUE CPLT.	1	1			AP
7	6Y5-83570-S5	.SPEEDOMETER ASSY .COMPTEUR DE VITESSE CPLT	1	1			
8	92990-04100	.WASHER, SPRING .RONDELLE, GROWER	2	2			
9	95380-04600	.NUT .ECROU	2	2			
10	6Y5-83533-T2	.GROMMET .RONDELLE CAOUTCHOUC	1	1			
11	6Y5-83557-31	.TUBE .TUBE	1	1			
12	6Y5-83728-00	.CONNECTOR ASSY .CONNEXION COMPLET	1	1			
13	90465-11M10	.CLAMP .BRIDE	2	2			
14	6Y5-87122-S0	CORD ASSY 1 COPDON COMPLET	1	1			AP
15	6Y5-83553-M0	WIRE, LEAD FIL	1	1			AP
	6Y5-83553-00	WIRE, LEAD FIL			1	1	AP
16	1E6-82151-00	.FUSE (10A) .FUSIBLE (10A)	2	2			FOR 6Y5-83553-M0
	1E6-82151-00	.FUSE (10A) .FUSIBLE (10A)			1	1	FOR 6Y5-83553-00
17	6Y5-82117-00	WIRE, LEAD (BLACK) FIL (NOIR)	1	1			AP
18	68F-82553-80	EXTENSION, WIRE LEAD EXTENSION, FAISCEAU	1	1			AP
	68F-82553-90	EXTENSION, WIRE LEAD EXTENSION, FAISCEAU			1	1	AP
19	6Y5-83557-10	TUBE (8M) TUBE (8M)	1	1			AP
20	90465-11M10	CLAMP BRIDE	2	2			AP
21	6Y5-8350F-00	FUEL MANAGEMENT METER COMPT. DE GESTION DU CARBURANT			1	1	AP
22	6Y5-87122-S0	.CORD ASSY 1 .COPDON COMPLET			1	1	
23	6Y5-83553-F1	WIRE, LEAD FIL			1	1	AP
24	6Y5-85752-01	SENDER UNIT ASSY, FUEL METER PERCEPTION DE JAUGE A ESSENCE			2	2	AP

FIG. 38 METER

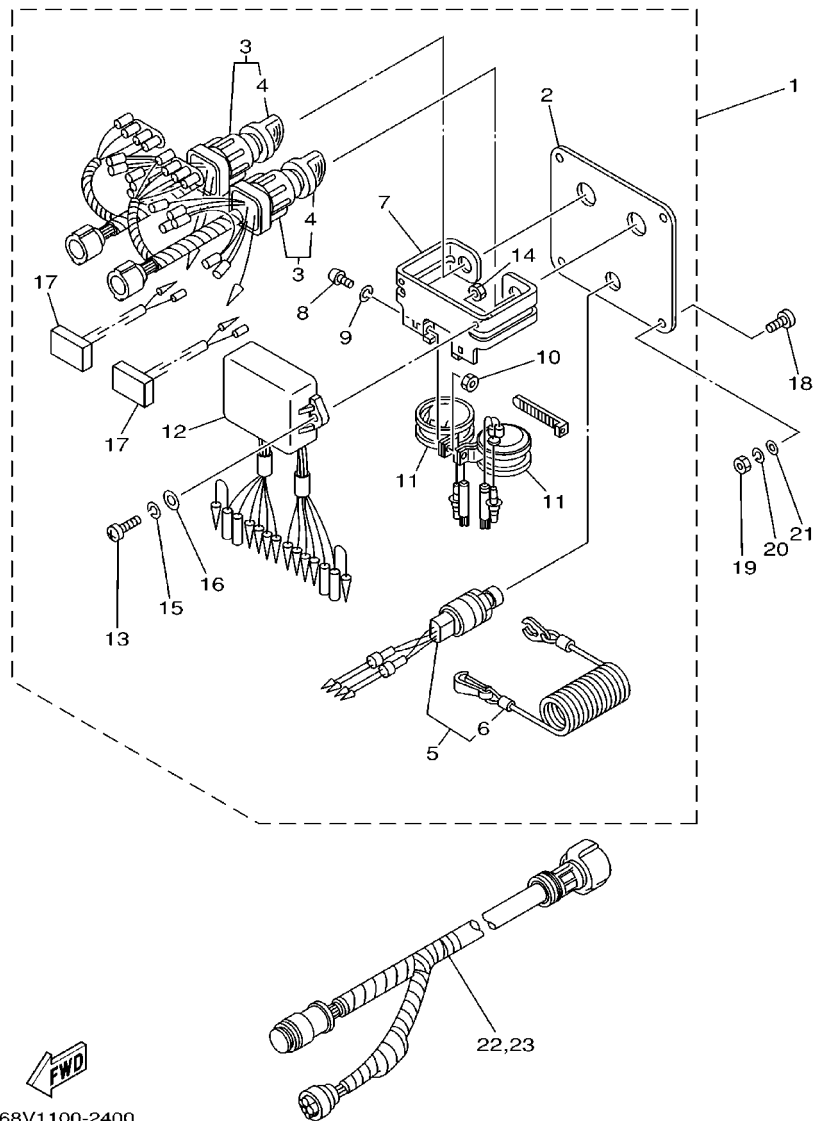
COMPTEUR



REF. NO.	PART NO. NO. PIECES	DESCRIPTION DESCRIPTION	69J1	60L1	69K1	60M1	REMARKS REMARQUES
25	90158-06002	SCREW, WOOD VIS, A BOIS			4	4	AP
26	6Y5-82117-00	WIRE, LEAD (BLACK) FIL (NOIR)			1	1	AP
27	703-82531-00	WIRE, LEAD FIL			1	1	AP

FIG. 39 SWITCH. PANEL

TABLEAU DE CONTACTEUR

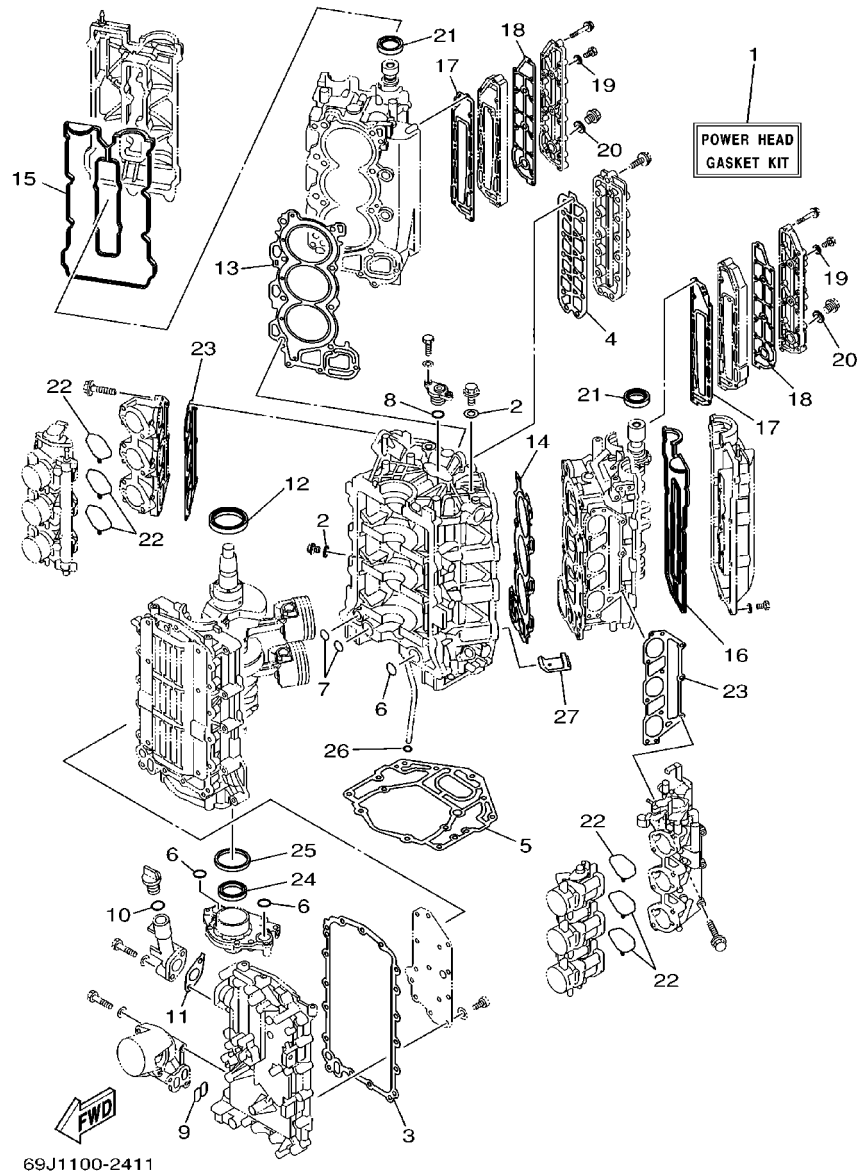


68V1100-2400

REF. NO.	PART NO. NO. PIECES	DESCRIPTION DESCRIPTION	69J1	60L1	69K1	60M1	REMARKS REMARQUES
1	6K1-82570-07	PANEL SWITCH ASSY PLATINE D'INTERRUPEUR CPLT			1	1	AP
2	6K1-82571-01	.PANEL, SWITCH .TABLEAU, CONTACTEUR			1	1	
3	6K1-82510-06	.MAIN SWITCH ASSY .CONTACTEUR A CLEF COMPLET			2	2	
4	703-82577-00	..CAP, KEY ..CABOCHON			1	1	
5	6K1-82575-00	.ENGINE STOP SWITCH ASSY .COUPE CIRCUIT CPLT			1	1	
6	682-82556-00	..STOPPER ..PLAQUETTE			1	1	
7	6K1-83614-01	.BRACKET .SUPPORT			1	1	
8	98980-05010	.SCREW, BIND .VIS, DE PRESSION			2	2	
9	92990-05100	.WASHER, SPRING .RONDELLE, GROWER			2	2	
10	95380-05600	.NUT .ECROU			2	2	
11	688-83383-11	.BUZZER .RONFLEUR			2	2	
12	6K1-85830-01	.CONTROL UNIT ASSY .BLOC DE CONTROLE			1	1	
13	98980-06020	.SCREW, BIND .VIS, DE PRESSION			2	2	
14	95380-06600	.NUT, HEXAGON .ECROU			2	2	
15	92990-06100	.WASHER, SPRING .RONDELLE, GROWER			2	2	
16	92990-06600	.WASHER, PLATE .RONDELLE, PLATE			2	2	
17	6K1-81980-00	.DIODE ASSY .REDRESSEUR 2			2	2	
18	90149-05M05	SCREW VIS			4	4	AP
19	95380-05600	NUT ECROU			4	4	AP
20	92990-05100	WASHER, SPRING RONDELLE, GROWER			4	4	AP
21	92990-05600	WASHER, PLATE RONDELLE, PLATE			4	4	AP
22	6K1-8258A-40	EXTENSION, WIRE HARNESS EXTENSION, FAISCEAU			1	1	AP
23	61B-8258A-01	EXTENSION, WIRE HARNESS EXTENSION, FAISCEAU			1	1	AP

FIG. 40 REPAIR KIT 1

KITS DE REPARATION 1



69J1100-2411

REF. NO.	PART NO. NO. PIECES	DESCRIPTION DESCRIPTION	69J1	60L1	69K1	60M1	REMARKS REMARQUES
1	69J-W0001-01	POWER HEAD GASKET KIT POCHETTE DE JINTS TETE MOTRICE	1	1	1	1	
2	90430-14115	.GASKET JOINT	2	2	2	2	
3	69J-15451-00	.GASKET, CRANKCASE COVER 1 JOINT, COUVERCLE DE CARTER	1	1	1	1	
4	69J-1131B-00	.GASKET, COVER JOINT, COUVERCLE	1	1	1	1	
5	69J-11351-00	.GASKET, CYLINDER JOINT, D'EMBASE	1	1	1	1	
6	93210-25552	.O-RING JOINT TORIQUE	3	3	3	3	
7	93210-19MJ1	.O-RING JOINT TORIQUE	2	2	2	2	
8	93210-25647	.O-RING JOINT TORIQUE	1	1	1	1	
9	69J-13477-00	.GASKET JOINT	1	1	1	1	
10	93210-24M79	.O-RING JOINT TORIQUE	1	1	1	1	
11	69J-15364-A0	.GASKET, OIL PLUG JOINT, PLOT D'HUILE	1	1	1	1	
12	93102-63004	.OIL SEAL JOINT SPY	1	1	1	1	
13	69J-11181-01	.GASKET, CYLINDER HEAD 1 JOINT, DE CULASSE 1	1	1	1	1	
14	69J-11182-01	.GASKET, CYLINDER HEAD 2 JOINT, CULASSE 2	1	1	1	1	
15	69J-11193-00	.GASKET, HEAD COVER 1 JOINT, COUVERCLE DE CULASSE 1	1	1	1	1	
16	69J-11194-00	.GASKET, HEAD COVER 2 JOINT, COUVERCLE DE CULASSE 2	1	1	1	1	
17	69J-41112-00	.GASKET, EXHAUST INNER COVER JOINT, PLAQUE D'ECHAPPEMENT	2	2	2	2	
18	69J-41114-00	.GASKET, EXHAUST OUTER COVER JOINT, COUVERCLE D'ECHAPPEMEN	2	2	2	2	
19	90430-08143	.GASKET JOINT	4	4	4	4	
20	90430-18130	.GASKET JOINT	2	2	2	2	
21	93102-38M59	.OIL SEAL JOINT SPY	2	2	2	2	
22	69J-13557-00	.GASKET JOINT	6	6	6	6	
23	69J-13645-00	.GASKET, MANIFOLD 1 JOINT, TUBULURE 1	2	2	2	2	
24	69J-13338-00	.OIL SEAL JOINT SPY	1	1	1	1	
25	69J-11355-00	.SEAL, CYLINDER 1 JOINT, SPY CYLINDRE	1	1	1	1	
26	93210-19MJ3	.O-RING JOINT TORIQUE	1	1	1	1	
27	69J-14664-00	.GROMMET, WATER SHUT .PASSE-FIL	2	2	2	2	

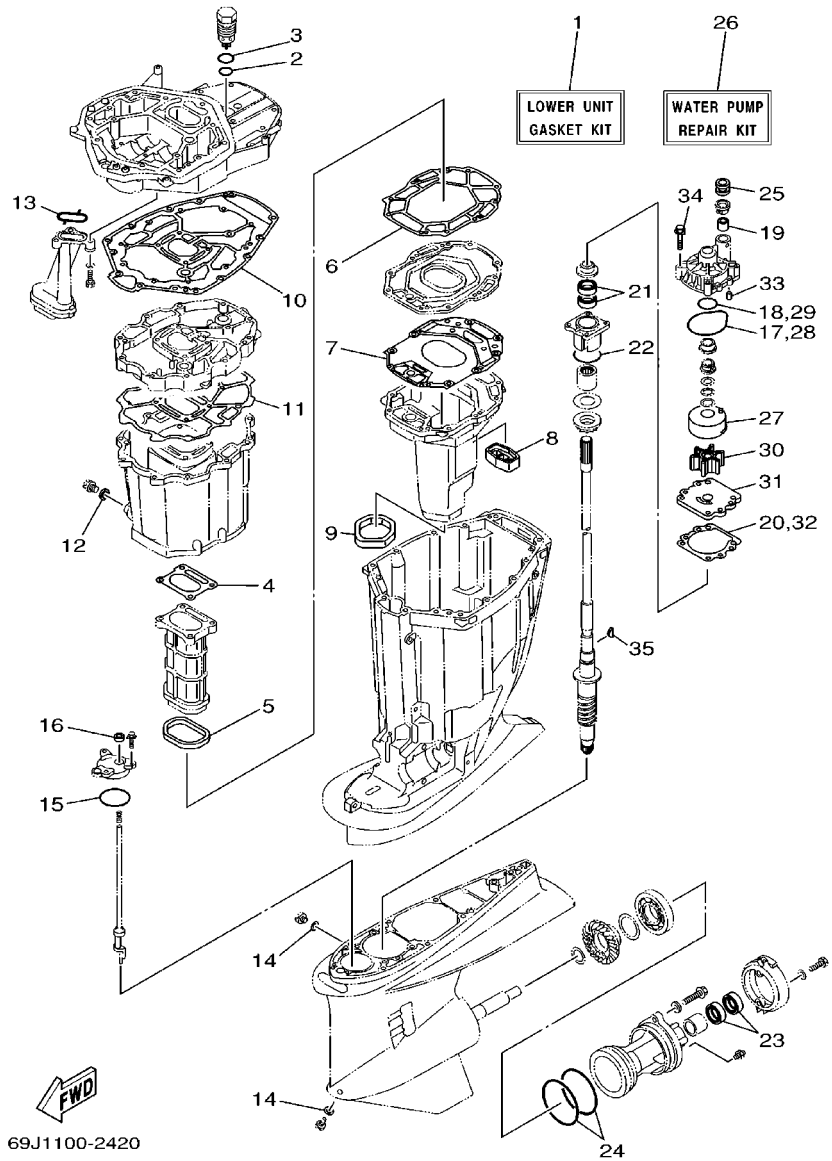


FIG. 41 REPAIR KIT 2

KITS DE REPARATION 2

REF. NO.	PART NO. NO. PIECES	DESCRIPTION DESCRIPTION	69J1	60L1	69K1	60M1	REMARKS REMARQUES
1	69J-W0001-20	LOWER UNIT GASKET KIT POCHETTE DE JOINTS EMBASE	1	1	1	1	
2	93210-28543	.O-RING JOINT TORIQUE	1	1	1	1	
3	93210-33MG4	.O-RING JOINT TORIQUE	1	1	1	1	
4	69J-41134-A0	.GASKET, EXHAUST MANIFOLD JOINT, PIPE D'ECHAPPEMENT	1	1	1	1	
5	69J-41138-00	.SEAL, EXT. 1 JOINT DE GROUPE 1	1	1	1	1	
6	69J-41135-A0	.GASKET, EXHAUST MANIFOLD JOINT, PIPE D'ECHAPPEMENT	1	1	1	1	
7	69J-41136-A0	.GASKET, EXHAUST MANIFOLD 4 JOINT, PIPE D'ECHAPPEMENT 4	1	1	1	1	
8	69J-45127-00	.SEAL JOINT	1	1	1	1	
9	69J-45123-00	.GASKET, MUFFLER JOINT, POT DE DETENTE	1	1	1	1	
10	69J-45113-00	.GASKET, UPPER CASING JOINT, TUBE D'ARBRE	1	1	1	1	
11	69J-15312-00	.GASKET, OIL PAN JOINT DE VENTILATEUR D'HUILE	1	1	1	1	
12	90430-14M09	.GASKET JOINT	1	1	1	1	
13	69J-13415-00	.SEAL, OIL STRAINER JOINT, FILTRE A HUILE	1	1	1	1	
14	90430-08020	.GASKET JOINT	2	2	2	2	
15	93210-64488	.O-RING JOINT TORIQUE	1	1	1	1	
16	93106-09014	.OIL SEAL JOINT SPY	1	1	1	1	
17	93210-86M38	.O-RING JOINT TORIQUE	1	1	1	1	
18	93210-37160	.O-RING JOINT TORIQUE	1	1	1	1	
19	6E5-44365-00	.DAMPER, WATER SEAL JOINT, TUBE D'EAU	1	1	1	1	
20	6E5-44315-A0	.GASKET, WATER PUMP JOINT, POMPE A EAU	1	1	1	1	
21	93101-28M16	.OIL SEAL JOINT SPY	2	2	2	2	
22	93210-55M14	.O-RING JOINT TORIQUE	1	1	1	1	
23	93101-30M17	.OIL SEAL JOINT SPY	2	2	2	2	
24	93211-04384	.O-RING JOINT TORIQUE	2	2	2	2	
25	6E5-44366-00	.DAMPER, WATER SEAL JOINT, TUBE D'EAU	1	1	1	1	
26	61A-W0078-A3	WATER PUMP REPAIR KIT KIT DE REPARATION DE LA POMPE	1	1	1	1	
27	61A-44322-02	.INSERT, CARTRIDGE .CUVETTE	1	1	1	1	

NUMERICAL INDEX
INDEX NUMERIQUE

PART NO. NO. PIECES	REF. NO.	PART NO. NO. PIECES	REF. NO.	PART NO. NO. PIECES	REF. NO.	PART NO. NO. PIECES	REF. NO.	PART NO. NO. PIECES	REF. NO.	PART NO. NO. PIECES	REF. NO.
69J-W0001-01	40 - 1	69J-11427-00	3 - 6	69J-12168-60	6 - 8	69J-13542-00	10 - 19	69J-13974-00	10 - 16	68V-14397-00	10 - 3
69J-W0001-20	41 - 1	69J-11536-00	6 - 23	69J-12168-70	6 - 8	68V-13544-00	10 - 17		12 - 25	69J-14409-00	7 - 6
69J-W0070-00	1 - 18	69J-11537-00	6 - 18	69J-12168-80	6 - 8	69J-13545-00	10 - 15	69J-13975-00	10 - 25	69J-14419-00	7 - 16
61A-W0078-A3	41 - 26	69J-11590-00	6 - 22	69J-12168-90	6 - 8	69J-13546-00	10 - 14	69J-13976-00	12 - 16	69J-1442A-00	7 - 5
69J-W009A-01-1S	4 - 1	69J-11603-00	3 - 11	69J-12169-00	6 - 8	69J-13547-00	9 - 34	68V-1410B-00	8 - 34	68V-14428-00	8 - 37
69J-W009B-01-1S	2 - 1	69J-11631-00-BO	3 - 10	69J-12171-00	6 - 9	69J-13557-00	8 - 29		9 - 29		10 - 11
69J-W009C-01-1S	4 - 8	69J-11633-00	3 - 12	69J-12172-00	6 - 11		9 - 24	69J-1410F-00	12 - 21	69J-1444F-00	7 - 15
69J-W1165-00	3 - 7	69J-11634-00	3 - 13	69J-12181-00	6 - 10		40 - 22	69J-14137-00	12 - 11	69J-14440-00	7 - 14
69J-1111E-00	5 - 12	69J-11654-00	3 - 8	69J-12182-00	6 - 12	69J-13573-00	9 - 32	69J-14139-00	10 - 24	69J-14446-00	11 - 38
69J-11110-00-94	4 - 2	69J-11656-00	3 - 9	69J-12210-00	6 - 14	69J-13574-00	9 - 33	69J-14146-00	7 - 1	69J-14457-00	7 - 18
69J-11119-00	2 - 20	69J-11656-10	3 - 9	69J-12230-00	6 - 15	69J-13576-00	8 - 11	69J-14148-00	11 - 23	5EL-14467-00	7 - 27
69J-11120-00-94	4 - 9	69J-11656-20	3 - 9	69J-12233-00	29 - 12	68V-13577-00	12 - 9	69J-14149-00	8 - 46	68V-14475-00	8 - 32
69J-11133-10	4 - 3	69J-12111-00	6 - 1	69J-1240H-00-1S	2 - 26	69J-13593-00	11 - 39	69J-14159-00	9 - 35		9 - 27
	4 - 10	69J-12113-00	6 - 3	67F-12411-00	2 - 25	69J-13595-00	10 - 23	69J-14162-00	7 - 2		10 - 9
69J-11135-00	4 - 32	69J-12117-00	6 - 4	69J-1243A-00	2 - 30	69J-13631-00	30 - 18	69J-14164-00	11 - 35	69J-14496-00	8 - 31
69J-11168-00	2 - 17	69J-12118-00	6 - 5	69J-1243E-00	2 - 31	69J-13641-00	8 - 26	69J-14180-00	11 - 1		9 - 26
69J-11181-01	4 - 21	69J-12119-00	6 - 6	69J-12481-00	16 - 21	69J-13642-00	9 - 21	69J-14181-00	11 - 6	69J-14546-00	11 - 11
	40 - 13	69J-12121-00	6 - 2	69J-12482-00	16 - 20	69J-13645-00	7 - 10	69J-14182-00	11 - 2	68V-14565-00	8 - 15
69J-11182-01	4 - 26	67F-12138-60	16 - 30	69J-12483-00	7 - 8		40 - 23	266-14191-00	11 - 7		10 - 7
	40 - 14	69J-12153-00	6 - 7	68T-12572-00	21 - 12	69J-13716-00	11 - 40	69J-14197-00	11 - 24	68V-14567-00	11 - 20
69J-11191-00-1S	4 - 31	69J-12168-A0	6 - 8	6R3-12581-00	21 - 13	60L-1375A-00	9 - 1	68V-14225-00	10 - 5	3CF-14594-00	8 - 3
69J-11192-00-1S	4 - 38	69J-12168-B0	6 - 8	6R3-12582-00	21 - 14	69J-1375A-00	9 - 1	69J-14225-00	11 - 42		8 - 6
69J-11193-00	4 - 35	69J-12168-C0	6 - 8	6R3-12583-00	21 - 15	60L-13750-00	8 - 1	69J-14241-00	11 - 32		8 - 9
	40 - 15	69J-12168-D0	6 - 8	69J-12858-00	2 - 46	69J-13750-00	8 - 1	69J-14243-00	11 - 34		9 - 3
69J-11194-00	4 - 39	69J-12168-E0	6 - 8	69J-13119-00	30 - 17	60L-13751-00	8 - 2	69J-14251-00	8 - 23		9 - 8
	40 - 16	69J-12168-F0	6 - 8	68V-1312A-00	9 - 17	69J-13751-00	8 - 2	68V-14255-00	11 - 13		9 - 11
69J-1131B-00	2 - 23	69J-12168-G0	6 - 8	69J-13160-00	8 - 20	60L-13752-00	9 - 2	69J-14255-00	9 - 36	69J-14624-00	29 - 49
	40 - 4	69J-12168-H0	6 - 8	69J-13170-00	10 - 1	69J-13752-00	9 - 2	69J-14261-00	8 - 18	69J-14664-00	2 - 44
69J-1131C-00-1S	2 - 22	69J-12168-J0	6 - 8	69J-13300-00	30 - 14	60L-13753-00	8 - 5		8 - 21		40 - 27
69J-11313-00-94	2 - 40	69J-12168-K0	6 - 8	69J-13329-00	30 - 15	69J-13753-00	8 - 5	68V-14264-00	8 - 36	69J-14711-00-5B	29 - 25
67F-11325-00	4 - 15	69J-12168-L0	6 - 8	69J-13338-00	30 - 16	60L-13754-00	9 - 7		10 - 10	69J-14960-00	9 - 15
69J-11327-00-94	4 - 16	69J-12168-M0	6 - 8		40 - 24	69J-13754-00	9 - 7	68V-14265-00	11 - 37	59V-14962-00	11 - 8
67F-11328-00	4 - 19	69J-12168-N0	6 - 8	69J-13411-00	30 - 9	60L-13755-00	8 - 8	69J-14286-00	8 - 44	68V-14984-00	11 - 21
69J-11351-00	2 - 33	69J-12168-P0	6 - 8	69J-13415-00	30 - 11	69J-13755-00	8 - 8	69J-14295-00	8 - 22	69J-14985-00	11 - 9
	40 - 5	69J-12168-R0	6 - 8		41 - 13	60L-13756-00	9 - 10	69J-14321-00	8 - 38	69J-15100-00-1S	2 - 2
69J-11355-00	30 - 19	69J-12168-S0	6 - 8	67F-13434-02	1 - 26	69J-13756-00	9 - 10		9 - 31	69J-15123-00	2 - 7
	40 - 25	69J-12168-T0	6 - 8	69J-13435-00	10 - 2	69J-13761-00	8 - 33	68V-14323-00	8 - 16	69J-15187-00	2 - 8
69J-11371-00	29 - 9	69J-12168-U0	6 - 8	69J-13437-60	15 - 29		9 - 28		9 - 5	69J-15311-00-5B	30 - 2
69J-11411-00	3 - 1	69J-12168-V0	6 - 8	69J-13440-00	2 - 45	68V-13766-00	8 - 35	68V-14331-00	8 - 17	69J-15312-00	30 - 1
69J-11416-00	3 - 3	69J-12168-W0	6 - 8	69J-13446-00-94	2 - 47		9 - 30		9 - 6		41 - 11
69J-11416-10	3 - 3	69J-12168-X0	6 - 8	69J-13447-00	2 - 51	68V-13769-00	11 - 12		9 - 13	69J-15316-00	29 - 35
69J-11416-20	3 - 3	69J-12168-Y0	6 - 8	67F-13448-00	1 - 16	68V-13781-00	11 - 16	69J-14348-00	7 - 28	69J-15319-00-1S	2 - 56
69J-11417-00	3 - 4	69J-12168-00	6 - 8	68V-13473-00	9 - 16	68V-13784-00	11 - 19	5JW-14349-00	10 - 18	69J-15362-00	30 - 23
69J-11417-10	3 - 4	69J-12168-10	6 - 8	69J-13477-00	2 - 48	69J-13906-00	10 - 6	68V-14356-00	10 - 8	6G8-15363-00	2 - 54
69J-11417-20	3 - 4	69J-12168-20	6 - 8		40 - 9	69J-13907-00	11 - 17		11 - 33	69J-15364-A0	2 - 57
69J-11426-00	3 - 5	69J-12168-30	6 - 8	69J-13490-00	11 - 25	68V-13915-00	11 - 18	68V-14357-00	11 - 15		40 - 11
69J-11426-10	3 - 5	69J-12168-40	6 - 8	69J-13532-00	10 - 20	69J-13972-00	8 - 41	68V-14386-00	11 - 10	69J-15373-00	7 - 23
69J-11426-20	3 - 5	69J-12168-50	6 - 8	69J-13533-00	10 - 21	69J-13973-00	8 - 39	68V-14397-00	8 - 24	69J-15377-00	30 - 24

NUMERICAL INDEX
INDEX NUMERIQUE

PART NO. NO. PIECES	REF. NO.	PART NO. NO. PIECES	REF. NO.	PART NO. NO. PIECES	REF. NO.	PART NO. NO. PIECES	REF. NO.	PART NO. NO. PIECES	REF. NO.	PART NO. NO. PIECES	REF. NO.
69J-15393-00	7 - 25	68V-24519-00	12 - 10	69J-42154-00	23 - 1	68F-42828-00-5B	20 - 26	69J-43840-00	27 - 2	69J-44118-00	22 - 26
69J-15394-00	7 - 24	61A-24521-00	13 - 7	68V-42171-00	23 - 2	68F-42828-10-5B	20 - 36	69J-43841-00	27 - 42	69J-44120-00	22 - 33
69J-15397-00	7 - 26	65L-24531-01	13 - 8	69J-42510-00-8D	26 - 5	69J-42828-00-5B	20 - 27	69J-43843-00	27 - 53	69J-44121-00	22 - 21
69J-15411-00-94	2 - 13	69J-24537-00	12 - 8	624-42542-00	15 - 25	69J-43111-00-8D	25 - 1	6H1-43844-10	27 - 55	69J-44122-00	22 - 22
69J-15451-00	2 - 14	65L-24558-00	13 - 19			69J-43112-00-8D	25 - 14	69J-43844-00	27 - 50	69J-44135-00	23 - 24
	40 - 3	65L-24560-00	13 - 6	60L-42610-00-8D	1 - 1	6E5-43126-02	25 - 45	69J-43845-00	27 - 28	69J-44150-00	31 - 15
69J-15481-00	2 - 9	65L-24563-00	13 - 11	69J-42610-00-8D	1 - 1	6R3-43131-00	25 - 21	69J-43851-00	27 - 49	69K-44150-00	33 - 17
69J-15482-00	2 - 10	61A-24564-00	13 - 9	69J-42613-00	1 - 2	61A-43132-00	25 - 12	69J-43853-00	27 - 45	69J-44176-00-1S	22 - 8
69J-21841-00	11 - 36	65L-24564-00	13 - 13	69J-42615-00	20 - 8	61A-43133-00	25 - 15	69J-43854-00	27 - 57	61A-44311-01	31 - 18
69J-2411R-00	11 - 3	69J-24566-00	13 - 20	69J-42617-00	1 - 25	6G5-43144-00	25 - 35	69J-43855-00	27 - 52		33 - 20
69J-2411T-00	11 - 4	65L-24577-00	13 - 10	69J-42629-00	1 - 3	64D-43144-00	20 - 44	6H1-43856-10	27 - 56	6E5-44312-00	31 - 23
68F-24300-00	8 - 40	69J-24592-00	11 - 29	68F-42647-01-94	1 - 5	6E5-43145-01	35 - 8	65W-4386A-00	27 - 44		33 - 25
	10 - 12	69J-24599-00	12 - 19	69J-42647-00-94	1 - 6	6G5-43148-00	25 - 40	69J-4386K-00	28 - 10	6E5-44315-A0	31 - 31
6YK-24306-42	14 - 1	68V-2481H-00	12 - 12	68F-42648-01-94	1 - 14	61A-43181-01	25 - 37	6H1-43861-00	27 - 6		33 - 33
61A-24311-00	13 - 5	69J-28100-00	13 - 24	69J-42651-00	1 - 10	6G5-43185-02	25 - 38		27 - 14		41 - 20
69J-24313-00	13 - 22	67F-2812A-00	15 - 27	67F-42652-00	1 - 15	61A-43311-21-8D	25 - 32		27 - 16		41 - 32
69J-24315-00	12 - 15	6A1-28176-00	20 - 51	68F-42663-00	1 - 13	61A-43376-00	26 - 3		27 - 75	61A-44322-02	31 - 19
69J-24316-00	12 - 7	69J-41111-00-1S	5 - 1	69J-42663-00	1 - 7	69J-4380P-00	27 - 12	69J-43861-00	28 - 6		33 - 21
69J-24317-00	12 - 6	69J-41112-00	5 - 5	60L-42677-00	1 - 19	69J-43800-00-4D	27 - 1	61A-43864-00	27 - 81		41 - 27
69J-24321-00	12 - 3		40 - 17	69J-42677-00	1 - 19	69J-43801-00	27 - 4	6H1-43869-00	27 - 70	6G5-44323-00	31 - 30
69J-24322-00	12 - 4	69J-41113-00-1S	5 - 3	60L-42678-00	1 - 17	69J-43804-00	28 - 5	CS3-4387G-00	27 - 59		33 - 32
69J-24323-00	12 - 5	69J-41114-00	5 - 6	69J-42678-00	1 - 17	69J-43805-00	28 - 4	61A-43871-00	27 - 15		41 - 31
69J-24324-00	12 - 2		40 - 18	69J-42681-00	1 - 20	69J-4381C-00	27 - 30	69J-43871-00	27 - 62	6E5-44352-01	31 - 24
69J-24325-00	12 - 20	69J-41121-00-1S	5 - 2	69J-42682-00	1 - 21		27 - 35	6H1-43872-00	27 - 7		33 - 26
69J-24366-00	12 - 22	69J-41123-00-1S	5 - 4	69J-42711-00-8D	20 - 1	69J-4381J-00	27 - 64	61A-43874-00	27 - 80		41 - 30
69J-24367-00	12 - 23	69J-41131-00-94	29 - 16	648-42715-00	22 - 27	69J-43810-00	27 - 3	6H1-43875-00	27 - 29	69J-44361-00	32 - 3
6R3-24377-00	13 - 3	69J-41132-00-5B	29 - 18	69J-42716-00	20 - 9	61A-43811-00	27 - 9	6T4-43875-00	27 - 76		34 - 3
68V-24377-00	10 - 22	69J-41134-A0	29 - 19	61A-42717-00	20 - 18	61A-43813-01	27 - 18	61A-43875-10	27 - 83	6E5-44365-00	31 - 22
6E5-24378-00	12 - 13		41 - 4	69J-42717-00	20 - 17	6H1-43814-00	27 - 17	61A-43876-00	27 - 26		32 - 1
69J-24378-00	1 - 22	69J-41135-A0	29 - 22	69J-42723-00-8D	18 - 9	69J-43816-00	27 - 63	69J-4388E-00	27 - 23		33 - 24
6E5-24379-00	21 - 10		41 - 6	6E5-42724-00	22 - 38	69J-43817-00	27 - 68	69J-4388F-00	27 - 69		34 - 1
69J-24379-00	11 - 22	69J-41136-A0	29 - 24		29 - 8	61A-43818-00	27 - 25	69J-4388H-00	27 - 67		41 - 19
69J-24381-00	8 - 42		41 - 7	69J-42725-00	20 - 5	69J-4382E-00	27 - 11	69J-4388J-00	27 - 20	6E5-44366-00	32 - 2
	12 - 26	69J-41137-00-94	29 - 1	6H1-42726-20	20 - 13	69J-43820-00	27 - 79	69J-43880-00	27 - 84		34 - 2
68V-24387-00	8 - 43	69J-41138-00	29 - 21	61A-42727-00	20 - 15	61A-43821-00	27 - 78		28 - 1		41 - 25
	10 - 13		41 - 5	64D-42738-10-5B	20 - 6	61A-43822-00	27 - 77	69J-43881-00	28 - 11	663-44366-00	31 - 6
	12 - 17	69J-41210-00	24 - 4	69J-42738-00-5B	20 - 2	69J-43828-00	27 - 71	69J-43882-00	28 - 8		33 - 8
69J-24410-00	11 - 26	69J-41211-00	24 - 9	69J-42741-00-8D	21 - 1	6H1-43829-00	27 - 74	6H1-43883-00	27 - 43	69J-44391-00	20 - 16
69J-24422-00	11 - 30	69J-41213-00	23 - 23	69J-42744-00	20 - 3	69J-43830-00	27 - 33	69J-43886-00	28 - 7	61A-44511-00-94	26 - 32
45V-24453-00	11 - 5	682-41237-00	24 - 2	68F-42753-00	20 - 47	69J-43831-00	27 - 66	69J-43888-00	27 - 72	66K-44514-00-94	26 - 24
69J-24460-00	12 - 1	69J-41241-00	24 - 1	67F-42761-00-94	2 - 34	69J-43833-00	27 - 21	61A-43889H-00	27 - 8	6G5-44526-00	25 - 3
69J-24461-00	12 - 14	69J-41632-00-94	23 - 9	69J-42771-00-8D	21 - 3	61A-43835-01	27 - 19	69J-4389J-00	27 - 32	68F-44533-00	2 - 35
61A-24469-00	13 - 12	69J-41635-00	24 - 5	69J-42774-00	21 - 7	69A-4384F-00	27 - 39		27 - 36	69J-44533-00	26 - 31
69J-24491-00	11 - 27	69J-41636-00	24 - 10	69J-42815-00-8D	20 - 29	6H1-4384G-11	27 - 54	69J-43891-00	28 - 9	69J-44551-00-8D	26 - 10
69J-24492-00	11 - 28	69J-41661-00-94	23 - 14	69J-42816-00-8D	20 - 38	69J-4384G-00	27 - 58	69J-43893-00	27 - 58	61A-44552-01-94	26 - 21
69J-24501-00	12 - 18	676-41662-00	23 - 20	69J-42817-00-8D	20 - 30	61A-4384H-10	27 - 82	69J-43894-00	27 - 41	66K-44555-00-94	26 - 13
68V-24519-00	7 - 3	69J-42152-00-94	23 - 5	67F-42818-00	20 - 41	69J-4384H-00	27 - 10	69J-43899-00	27 - 31	61A-44575-00	26 - 12
	10 - 26	69J-42153-00	23 - 8	68F-42818-00	20 - 33	69J-4384M-00	27 - 38	69J-44117-00-1S	22 - 5	69J-45111-00-8D	29 - 31

**NUMERICAL INDEX
INDEX NUMERIQUE**

PART NO. NO. PIECES	REF. NO.	PART NO. NO. PIECES	REF. NO.	PART NO. NO. PIECES	REF. NO.	PART NO. NO. PIECES	REF. NO.	PART NO. NO. PIECES	REF. NO.	PART NO. NO. PIECES	REF. NO.
69J-45113-00	29 - 32	69J-45551-00	31 - 44	61A-45587-00-18	33 - 39	69J-45987-00	34 - 16	69J-81828-00	19 - 25	68V-82380-00	9 - 20
	41 - 10		33 - 46	61A-45587-00-30	31 - 37	688-45997-01	32 - 17	67F-8183R-00	19 - 16	6K1-82510-06	39 - 3
69J-45123-00	29 - 30	69J-45560-00	31 - 47		33 - 39		34 - 17	67F-8183T-00	19 - 18	69J-82519-00	16 - 24
	41 - 9	69K-45560-00	33 - 49	61A-45587-00-40	31 - 37	69J-46241-00	6 - 21	67F-81830-00	19 - 17	703-82531-00	38 - 27
69J-45127-00	29 - 29	61A-45567-00-10	31 - 5		33 - 39	703-48205-17	37 - 1	67F-81832-00	19 - 11	68F-82553-80	38 - 18
	41 - 8		33 - 7	61A-45587-00-50	31 - 37	704-48207-23	37 - 2	67F-81836-00	19 - 12	68F-82553-90	38 - 18
69J-45151-00-8D	21 - 8	61A-45567-00-12	31 - 5		33 - 39	701-48320-40	37 - 3	69J-81839-00	19 - 21	69J-82554-00	20 - 23
69J-45152-00-8D	29 - 36		33 - 7	69J-45611-00	31 - 48	701-48320-50	37 - 3	69J-81840-00	19 - 4	682-82556-00	39 - 6
61A-45155-00	29 - 40	61A-45567-00-15	31 - 5	69K-45611-00	33 - 51	701-48320-60	37 - 3	67F-81841-00	19 - 14	69J-82560-00	2 - 60
69J-45181-00-5B	29 - 23		33 - 7	69J-45631-00	31 - 52	701-48320-80	37 - 3	69J-81842-00	19 - 20	69J-82563-00	18 - 8
61A-45214-00	32 - 10	61A-45567-00-18	31 - 5		33 - 55	6E5-48344-00	22 - 3	67F-81846-00	19 - 26	6E3-8257H-00	20 - 52
	34 - 10		33 - 7	61A-45632-00	31 - 51		23 - 12	67F-81850-00	19 - 2	6K1-82570-07	39 - 1
61A-45215-00	32 - 11	61A-45567-00-30	31 - 5		33 - 54	701-48350-00	37 - 3	67F-81857-00	19 - 9	6K1-82571-01	39 - 2
	34 - 11		33 - 7	61A-45633-00	31 - 53	69J-48531-00	22 - 1	69J-81869-00	19 - 23	6K1-82575-00	39 - 5
6G5-45251-02	25 - 2	61A-45567-00-40	31 - 5		33 - 56	6E5-61301-01	36 - 1	67F-81891-00	19 - 15	703-82577-00	39 - 4
69J-45300-20-8D	31 - 1		33 - 7	61A-45634-01	31 - 50	6E5-61303-00	36 - 5	69J-81919-00	17 - 32	6K1-8258A-40	39 - 22
69K-45300-20-8D	33 - 1	61A-45567-00-50	31 - 5		33 - 53	6E5-61311-11	36 - 3	69J-81919-10	15 - 28	61B-8258A-01	39 - 23
61A-45301-03-8D	31 - 2		33 - 7	61A-45635-00	31 - 55	6E5-61313-00	36 - 2	69J-81925-00	17 - 2	69J-82587-00	18 - 10
	33 - 2	69J-45571-00	31 - 62		33 - 58	6E5-61315-00	36 - 4	68V-8194A-00	17 - 14	6E5-82588-00	20 - 19
69J-45318-00	29 - 38	69K-45571-00	33 - 65	69J-45641-00	31 - 49	6E5-61350-02	35 - 1	69J-81941-00	19 - 22	6E9-82588-00	2 - 62
61A-45321-01	31 - 11	61A-45577-00-10	31 - 64	69K-45641-00	33 - 52	6E5-61351-01	35 - 2	69J-81942-00	17 - 27	61A-82588-00	22 - 15
	33 - 13	61A-45577-00-12	31 - 64	6H1-45668-00	31 - 54	6E5-61355-00	35 - 5	69J-81948-00	17 - 10	68F-8259F-00	22 - 13
61A-45331-00-94	31 - 34	61A-45577-00-15	31 - 64		33 - 57	68V-81145-00	8 - 12	68V-81950-00	11 - 31	69J-8259F-00	22 - 14
	33 - 36	61A-45577-00-18	31 - 64	6G5-45970-02-98	32 - 21	68V-81146-00	9 - 18		17 - 30	69J-8259L-00	10 - 27
69J-45332-00-94	31 - 60	61A-45577-00-30	31 - 64	6K1-45970-01-98	34 - 21	68V-81147-00	8 - 25	69J-81950-00	17 - 21	69J-8259N-00	18 - 14
69K-45332-00-94	33 - 63	61A-45577-00-40	31 - 64	6R1-45970-A0	34 - 21		9 - 14	68V-81953-00	17 - 18	69J-82590-00	18 - 1
688-45341-10	31 - 8	61A-45577-00-50	31 - 64	6R4-45970-A0	32 - 21		10 - 4	69J-81960-01	16 - 12	68V-82594-00	20 - 49
	33 - 10	69K-45577-00	33 - 70	6G5-45972-02-98	32 - 21	68V-81162-00	8 - 13	69J-81972-01-1S	16 - 14	688-83383-11	39 - 11
6E5-45344-00	31 - 40	69K-45577-10	33 - 70	6K1-45972-01-98	34 - 21		9 - 19	69J-81975-A0	16 - 13	6Y5-8350F-00	38 - 21
	33 - 42	69K-45577-20	33 - 70	6R1-45972-A0	34 - 21	69J-8132G-00	15 - 17	6K1-81980-00	39 - 17	6Y5-8350T-01	38 - 1
69J-45361-00-8D	31 - 71	69K-45577-30	33 - 70	6R4-45972-A0	32 - 21	67F-81332-00	15 - 14	69J-82105-00	17 - 9	6Y5-83500-S5	38 - 6
	33 - 77	69K-45577-40	33 - 70	61A-45972-00-98	32 - 21	69J-81337-00	15 - 22	6Y5-82117-00	38 - 17	6Y5-83533-T2	38 - 10
61A-45371-00	32 - 14	69K-45577-50	33 - 70	61B-45972-00-98	34 - 21	63D-81345-20	15 - 5		38 - 26	6Y5-83553-F1	38 - 23
	34 - 14	69K-45577-60	33 - 70	6G5-45974-03-98	32 - 21	69J-81410-00	15 - 4	6G5-82119-00	17 - 20	6Y5-83553-M0	38 - 15
69J-45375-00	32 - 9	6K1-45578-01-10	33 - 67	6K1-45974-02-98	34 - 21	69J-81450-01	15 - 1	69J-82147-00	25 - 34	6Y5-83553-00	38 - 15
	34 - 9	6K1-45578-01-12	33 - 67	6R1-45974-A0	34 - 21	69J-81460-00	15 - 2	6E5-82148-00	25 - 9	6Y5-83557-10	38 - 19
61A-45376-00-94	31 - 10	6K1-45578-01-15	33 - 67	6R4-45974-A0	32 - 21	69J-81673-00	15 - 13	6H1-82148-00	25 - 6	6Y5-83557-31	38 - 11
	33 - 12	6K1-45578-01-18	33 - 67	61A-45974-00-98	32 - 21	69J-81800-00	19 - 1	6E5-82149-00	26 - 16	6E5-83558-00	29 - 43
61A-45378-00	29 - 46	6K1-45578-01-30	33 - 67	61B-45974-00-98	34 - 21	69J-81801-00	19 - 5	1E6-82151-00	38 - 16	6Y5-83570-S5	38 - 7
61B-45383-00	33 - 68	6K1-45578-01-40	33 - 67	6R1-45976-A0	34 - 21	67F-81807-00	19 - 10	67F-82151-20	18 - 2	6K1-83614-01	39 - 7
69K-45384-00	33 - 69	6K1-45578-01-50	33 - 67	6R4-45976-A0	32 - 21	67F-81808-00	19 - 8	69J-82310-00	16 - 4	69J-83614-00	18 - 11
69J-45501-00	31 - 43	61A-45587-00-10	31 - 37	6G5-45978-03-98	32 - 21	67F-81809-00	19 - 19	69J-82314-00	16 - 9	6A1-83625-41	15 - 30
	33 - 45		33 - 39	6K1-45978-02-98	34 - 21	67F-81810-00	19 - 3	69J-82316-00	16 - 1	6A1-83625-51	15 - 31
61A-45527-00	31 - 27	61A-45587-00-12	31 - 37	6R1-45978-A0	34 - 21	67F-81813-00	19 - 6	6A0-82317-00	15 - 24	69J-83626-00	16 - 29
	33 - 29		33 - 39	6R4-45978-A0	32 - 21	68V-8182L-00	8 - 45		17 - 11	69J-83651-00	2 - 63
61A-45538-00	31 - 26	61A-45587-00-15	31 - 37	61A-45978-00-98	32 - 21	68F-81820-00	19 - 7	663-82317-01	15 - 23	69J-83672-00	26 - 1
	33 - 28		33 - 39	61B-45978-00-98	34 - 21	67F-81821-00	19 - 13		16 - 11	6Y5-83728-00	38 - 12
61B-45538-01	33 - 4	61A-45587-00-18	31 - 37	69J-45987-00	32 - 16	6K7-81826-10	19 - 24	67F-82377-00	20 - 50	663-85518-00	23 - 10

NUMERICAL INDEX
INDEX NUMERIQUE

PART NO. NO. PIECES	REF. NO.	PART NO. NO. PIECES	REF. NO.	PART NO. NO. PIECES	REF. NO.	PART NO. NO. PIECES	REF. NO.	PART NO. NO. PIECES	REF. NO.	PART NO. NO. PIECES	REF. NO.
689-85547-00	13 - 1	90119-06M10	33 - 16	90183-02M03	33 - 60	90280-04M05	41 - 35	90445-11020	1 - 23	90560-12M01	35 - 4
69J-85580-00	15 - 3	90119-06M17	29 - 48	90185-05002	32 - 13	90280-04008	6 - 25	90445-11021	1 - 24	91318-05025	27 - 60
6Y5-85752-01	38 - 24	90119-06M19	18 - 17			90280-05015	15 - 10	90445-11023	21 - 16	91318-05040	27 - 65
61A-85790-00	16 - 27	90119-06M24	7 - 13	90185-09M01	35 - 6	90338-06162	5 - 16	90445-11024	21 - 11	91490-20015	22 - 37
6K1-85830-01	39 - 12	90119-06M59	15 - 26			90340-08002	31 - 7	90445-13004	13 - 2	91490-40030	32 - 20
69J-85885-00	8 - 19		17 - 13	90185-14M00	26 - 19		33 - 9	90462-20001	20 - 21		34 - 20
65L-85886-00	7 - 29	90119-06027	5 - 7		26 - 29	90340-14M06	2 - 5	90464-07M56	16 - 8	91690-30008	24 - 6
60L-8591A-00	17 - 1	90119-06036	7 - 20	90185-22M11	25 - 24		5 - 14		17 - 29	91690-30010	22 - 32
69J-8591A-01	17 - 1	90119-06037	13 - 21	90201-02M00	31 - 56		30 - 7	90464-09M47	20 - 25	91690-30018	23 - 7
69J-86550-00	18 - 12	90119-06041	16 - 3		33 - 59	90340-18M09	5 - 10	90464-09010	22 - 20	91690-30020	25 - 43
69J-86552-00	18 - 16	90119-07234	4 - 7	90201-06M31	24 - 8	90344-51019	4 - 4	90464-12002	16 - 7	91690-30025	23 - 6
6Y5-87122-S0	38 - 14		4 - 14	90201-06068	13 - 18		4 - 11	90464-20258	20 - 48	91690-50014	7 - 12
	38 - 22	90119-07235	4 - 6		20 - 35	90386-06M12	22 - 25	90465-06M67	23 - 17	91809-08006	4 - 5
9E450-04433	38 - 2		4 - 13		20 - 43	90386-08001	7 - 19	90465-06M86	22 - 19		4 - 12
9E450-04533	38 - 3	90119-08M14	31 - 33	90201-08023	31 - 69	90386-10M16	25 - 39	90465-08M83	25 - 18	91814-18001	2 - 4
90101-09M70	36 - 9		33 - 35		33 - 75	90386-10025	23 - 3		25 - 26	92903-06600	17 - 26
90101-12M05	25 - 49		41 - 34	90201-09M02	22 - 36	90386-12069	22 - 10	90465-11M10	2 - 32	92903-08100	19 - 30
90105-08036	31 - 68	90119-08M22	20 - 10	90201-10M02	23 - 11	90386-15M73	20 - 31		2 - 61	92903-08600	19 - 28
	33 - 74	90119-08M66	2 - 12		23 - 27		20 - 39		13 - 4	92907-04600	2 - 19
90105-10M00	32 - 15	90119-08M79	29 - 2	90201-10M20	35 - 7	90386-18M14	25 - 47		13 - 23		4 - 34
	34 - 15	90119-08M91	4 - 24	90201-10M76	36 - 8		27 - 24		20 - 14	92907-06600	30 - 13
90109-06M81	20 - 20		4 - 29	90201-12M05	25 - 51	90386-18M63	25 - 46		21 - 17	92990-04100	8 - 14
90109-06M82	20 - 4	90119-08009	2 - 16	90201-13M01	25 - 50	90386-25M31	25 - 22		22 - 18		38 - 4
	20 - 28	90119-08021	4 - 25	90201-15M58	26 - 18	90386-39M89	26 - 7		25 - 25		38 - 8
	20 - 37		4 - 30	90201-16M00	31 - 45	90386-90M90	22 - 35		29 - 44	92990-05100	39 - 9
90109-06M86	2 - 27	90119-08022	7 - 11		33 - 47	90387-06M64	30 - 10		38 - 13		39 - 20
	18 - 13	90119-10MA2	32 - 8	90201-16M01	26 - 25	90387-06037	29 - 13		38 - 20	92990-05600	39 - 21
	20 - 7		34 - 8	90201-16M55	26 - 15	90387-06038	7 - 21	90465-11M52	7 - 17	92990-06100	1 - 8
	20 - 22	90119-10M06	6 - 19	90201-16M01	26 - 15	90387-08M37	20 - 12	90465-13M18	15 - 20		39 - 15
	20 - 24	90119-10007	29 - 33	90201-22M01	31 - 28	90387-10M02	25 - 42		18 - 15	92990-06600	29 - 51
	20 - 45	90149-05M05	39 - 18		33 - 30	90387-10M08	4 - 22	90465-14M66	15 - 21		39 - 16
	22 - 2	90152-05M08	32 - 12	90201-24014	15 - 11		4 - 22	90467-08M18	16 - 23	92990-08100	8 - 4
90109-06040	23 - 25		34 - 12	90201-26M59	25 - 23	90387-10M61	35 - 3	90467-09M03	7 - 9		8 - 7
90109-08019	22 - 11	90155-10001	4 - 23	90201-28M01	26 - 27	90430-06014	8 - 28		16 - 22		8 - 10
90109-14M10	26 - 28		4 - 28	90201-31M00	31 - 63		9 - 23	90468-18008	22 - 4		9 - 4
90109-14M48	26 - 17	90158-06002	38 - 25	90201-40M00	26 - 6	90430-08020	31 - 9		22 - 24		9 - 9
90110-05010	6 - 24	90169-05M00	17 - 28	90202-08M20	22 - 23		33 - 11		23 - 13		9 - 12
90110-06038	16 - 10	90170-09M05	36 - 10	90202-28M46	26 - 26		41 - 14	90480-09M21	16 - 2	92990-10600	16 - 28
90111-06025	21 - 4	90170-14M06	36 - 6	90202-32M19	26 - 14		41 - 14	90480-14M17	21 - 6	92990-18200	32 - 18
	21 - 9	90170-16M19	31 - 46	90202-40M47	26 - 9	90430-08143	5 - 9	90480-22M81	20 - 11		34 - 18
	21 - 5		33 - 48	90206-10M04	23 - 26		40 - 19	90501-10M77	31 - 58	92995-04100	22 - 17
90116-06032	7 - 4	90171-18M04	32 - 19	90206-14N50	28 - 2	90430-14M09	30 - 8		33 - 61	92995-06100	13 - 17
90119-06MA2	2 - 21		34 - 19	90206-15M18	20 - 32		41 - 12		31 - 17		15 - 8
	5 - 13	90173-06001	21 - 2		20 - 40	90430-14115	2 - 6	90501-11M10	33 - 19		16 - 18
90119-06MA3	16 - 15	90179-06M28	1 - 4	90206-22M19	33 - 31		40 - 2		22 - 29		17 - 16
90119-06MA4	2 - 24		7 - 22		25 - 41	90430-18130	5 - 11	90506-16M34	20 - 46		17 - 23
90119-06MA5	16 - 16	90179-24002	15 - 12	90249-06M19	25 - 41		40 - 20	90506-16003	25 - 44		18 - 4
90119-06M10	31 - 14	90183-02M03	31 - 57	90280-04M05	31 - 25	90445-07010	29 - 45	90508-20020	22 - 12	92995-06600	1 - 12

NUMERICAL INDEX
INDEX NUMERIQUE

PART NO. NO. PIECES	REF. NO.	PART NO. NO. PIECES	REF. NO.	PART NO. NO. PIECES	REF. NO.	PART NO. NO. PIECES	REF. NO.	PART NO. NO. PIECES	REF. NO.	PART NO. NO. PIECES	REF. NO.
92995-06600	2 - 29	92995-10600	26 - 34	93210-55M14	31 - 39	93606-19M23	29 - 28	97095-06014	23 - 18	97880-06016	29 - 50
	2 - 37		29 - 4		33 - 41	93608-12M05	32 - 4		25 - 27	97885-04016	22 - 16
	2 - 43		29 - 6		41 - 22		34 - 4		29 - 37	97885-06010	15 - 15
	2 - 50		32 - 7	93210-64488	31 - 12	93608-16M16	29 - 7	97095-06016	1 - 11		25 - 13
	2 - 53		34 - 7		33 - 14		29 - 17		13 - 16		25 - 16
	2 - 59	92995-14600	26 - 20		41 - 15		29 - 34		15 - 18	97885-06012	25 - 10
	4 - 18		26 - 30	93210-86M38	31 - 20		30 - 6		17 - 2		25 - 19
	4 - 37	93101-28M16	31 - 35		33 - 22	93700-06M01	22 - 9	97095-06020	2 - 42	97885-06016	26 - 2
	4 - 41		33 - 37		41 - 17	93700-06M03	25 - 17		16 - 5	98507-04008	2 - 18
	13 - 15		41 - 21		41 - 28		25 - 33		16 - 17		4 - 33
	15 - 9	93101-30M17	31 - 66	93211-04384	31 - 67	93700-09M00	31 - 70		18 - 3		11 - 14
	15 - 16		33 - 72		33 - 73		33 - 76		20 - 34	98582-05008	12 - 24
	15 - 19		41 - 23		41 - 24	94581-99044	6 - 13		20 - 42	98980-05010	39 - 8
	16 - 6	93102-38M59	6 - 20	93306-210U0	31 - 61	94702-00391	4 - 42		23 - 21	98980-06020	39 - 13
	16 - 19		40 - 21	93311-832V2	31 - 3	95333-08600	19 - 29		29 - 14	99001-03600	27 - 40
	16 - 26	93102-63004	3 - 2		33 - 3	95380-04600	38 - 5		30 - 26	99001-08600	31 - 16
	17 - 3		40 - 12	93315-43061	31 - 65		38 - 9	97095-06025	2 - 28		33 - 18
	17 - 8	93106-09014	31 - 13		33 - 71	95380-05600	24 - 3		2 - 36	99530-08012	15 - 6
	17 - 17		33 - 15	93315-660W3	33 - 5		39 - 10		25 - 4	99530-10114	8 - 30
	17 - 24		41 - 16	93317-330U2	31 - 36		39 - 19	97095-06030	4 - 36		9 - 25
	18 - 5	93106-19N50	27 - 5		33 - 38	95380-06600	1 - 9		4 - 40		
	18 - 7	93210-064A5	27 - 51	93317-428U7	33 - 50		39 - 14	97095-06035	15 - 7		
	22 - 7	93210-08391	27 - 48	93332-000W1	31 - 4	95380-12600	25 - 52		18 - 6		
	22 - 31	93210-09165	22 - 34	93332-00048	33 - 64	95380-14700	36 - 7		22 - 6		
	23 - 16		27 - 73	93341-440U5	33 - 66	95382-06700	11 - 41	97095-06040	2 - 52		
	23 - 19	93210-16275	35 - 9	93341-670V0	33 - 6	95680-05100	24 - 11		30 - 20		
	23 - 22	93210-17239	27 - 22	93341-930U9	31 - 38	95707-06500	2 - 11	97095-06045	2 - 49		
	25 - 5	93210-18397	27 - 27		33 - 40	95780-10300	26 - 4		2 - 58		
	25 - 8	93210-19MJ1	2 - 39	93399-999T6	28 - 3	95895-06030	24 - 7		23 - 15		
	25 - 11		40 - 7	93410-10082	23 - 4	97013-06025	6 - 16	97095-08014	5 - 8		
	25 - 20	93210-19MJ3	30 - 25	93410-18M02	25 - 48		17 - 25	97095-08020	17 - 5		
	25 - 28		40 - 26	93410-37M04	26 - 11	97013-08045	19 - 27		31 - 72		
	29 - 15	93210-24M79	2 - 55	93420-36M01	29 - 39	97027-06025	30 - 12		33 - 78		
	29 - 42		40 - 10	93501-04M02	22 - 28	97075-06020	4 - 17	97095-08025	31 - 41		
	30 - 21	93210-25552	2 - 38	93501-04011	31 - 59	97075-06030	22 - 30		33 - 43		
	30 - 27		30 - 22		33 - 62	97075-08035	29 - 26	97095-08035	30 - 4		
92995-08600	17 - 6		40 - 6	93501-08001	27 - 47	97075-10035	29 - 5	97095-10045	25 - 29		
	29 - 27	93210-25647	2 - 41	93503-16003	27 - 37	97075-10045	29 - 3		26 - 22		
	30 - 5		40 - 8	93505-32038	27 - 13	97095-06010	8 - 27		26 - 33		
	31 - 42	93210-28543	29 - 10		27 - 34		9 - 22		32 - 5		
	31 - 73		41 - 2	93604-35236	27 - 61		17 - 15		34 - 5		
	33 - 44	93210-33MG4	29 - 11	93605-10108	6 - 17		17 - 22	97575-08540	4 - 20		
	33 - 79		41 - 3	93606-12019	2 - 3		25 - 7	97575-08560	30 - 3		
92995-10100	25 - 30	93210-35321	26 - 8		2 - 15		25 - 36	97575-08590	29 - 20		
	32 - 6	93210-37160	31 - 21		29 - 47		29 - 41	97780-60520	21 - 18		
	34 - 6		33 - 23		31 - 32	97095-06012	16 - 25	97780-60620	7 - 7		
92995-10600	25 - 31		41 - 18		33 - 34	97095-06014	13 - 14		17 - 19		
	26 - 23		41 - 29		41 - 33		17 - 7	97780-60625	17 - 31		

F200A/F225A/FL200A/FL225A
PARTS CATALOGUE
©2001 by Yamaha Motor Co., Ltd.
1st Edition, Sep. 2001
All rights reserved.
Any reprinting or unauthorized use
without the written permission of
Yamaha Motor Co., Ltd.
is expressly prohibited.

F200A/F225A/FL200A/FL225A
CATALOGUE DE PIECES DETACHEES
©2001 Yamaha Motor Co., Ltd.
1ère Edition, Sept. 2001
Tous droits réservés.
Toute réimpression ou utilisation
sans la permission écrite de la
Yamaha Motor Co., Ltd.
est formellement interdite.