

**PARTS
CATALOGUE
CATALOGO
DE REPUESTOS**

E48C '02 (6961)

E55C '02 (6A31)

55B '02 (6971)

FOREWORD

This Parts Catalogue is related to the parts for the model(s) in the below frame. When you are ordering replacement parts, please refer to this Parts Catalogue and quote both part numbers and part names correctly.

E48C'02(6961), E55C'02(6A31), 55B'02(6971)

1. Modifications or additions which have been made after issue of the Parts Catalogue will be announced in the Yamaha Parts News.
It is advisable that you make necessary corrections to the Parts Catalogue according to the Yamaha Parts News.

2. Abbreviations

The Following abbreviations are used in this Parts Catalogue.

“UR” Use specified parts number.

“UN” Use as many as needed.

“AP” Alternate Parts

“LM” Local Made
(Parts need to be ordered locally)

“O/S” Over Size

3. Parts, which are to be supplied in an assembly, are listed with a dot(.) in front of the part name as shown below.

EXAMPLE
CARBURETOR ASSY
.JET, PILOT
.NOZZLE, MAIN

4. Number of component for assembly

The numeral appearing to the right of each component part indicates the quantity of parts for each assembly unit.

EXAMPLE

PART NO.	DESCRIPTION	□	□	□	□	REMARKS
6E0-85500-70	C.D.I. MAGNETO ASSY	1				
6E0-85550-70	.ROTOR ASSY	1				
6E0-15723-00-94.	.PULLY, STARTER	1				

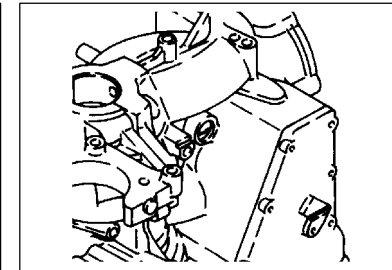
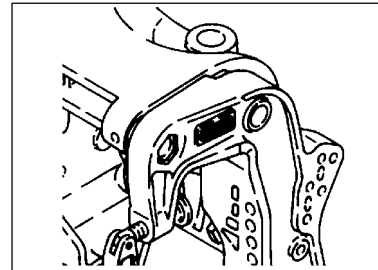
5. Quantity Column Information

NAME for Q'TY COLUMN	APPLICABLE MODEL
E48C	E48CMH
E55C	E55CMH
55B	55BED

6. Applicable Starting Serial No. and Color Code

1) Engine Starting Sserial No.

E48CMH 670K S : 000119 670K L : 300629	55BED 663K S : 150113 663K L : 300150
E55CMH 663K S : 450110 663K L : 600243	



2) Color Code

Color Code	Color Name	Abbreviation
004D	DARK BLUISH GRAY METALLIC 2	DBNM2

7. Note that the illustrations for reference in finding parts numbers, not to be used for assembling. When assembling, please use the applicable service manual.

8. The asterisk (*) before a reference number indicates modification items after the first edition.

CONTENTS

SHEET 1/2

TOP COWLING 1	A4
TOP COWLING 2	A5
CYLINDER. CRANKCASE	A6
INTAKE	B2
FUEL	B5
STARTER	B7
GENERATOR 1	C3
GENERATOR 2	C4
ELECTRICAL 1	C5
ELECTRICAL 2	C7
STARTING MOTOR	D2
BOTTOM COWLING	D4
STEERING	D6
CONTROL	E1
BRACKET 1	E4
BRACKET 2	E7
BRACKET 3	F1
BRACKET 4	F3
BRACKET 5	F7

INDEX

NUMERICAL INDEX	G1
-----------------------	----

SHEET 2/2

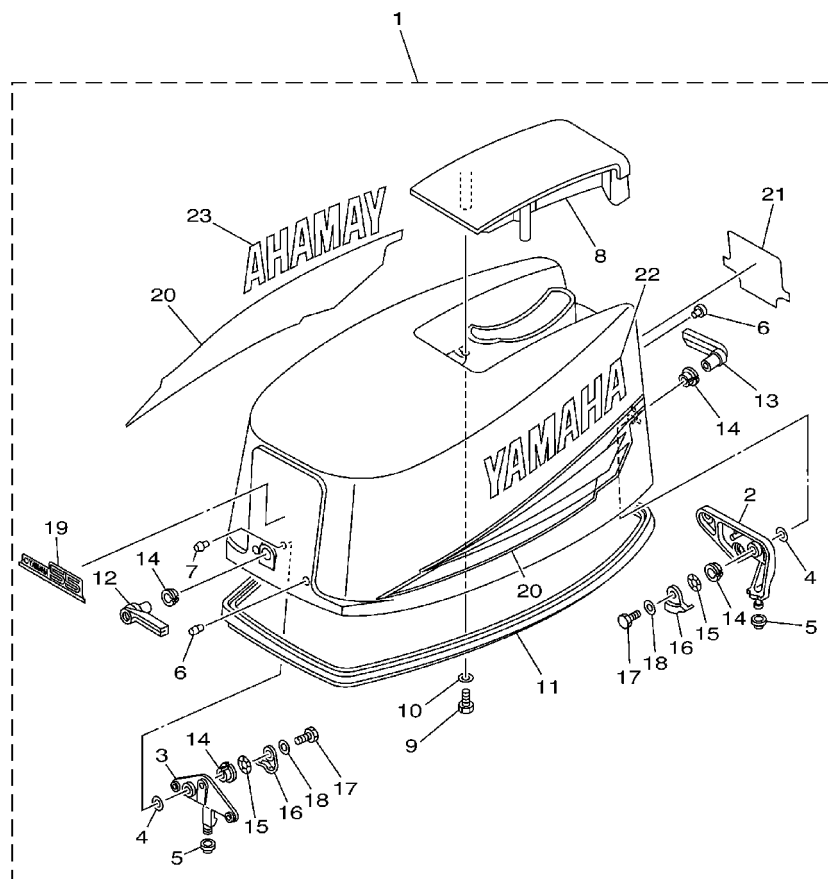
UPPER CASING	A4*
LOWER CASING. DRIVE 1	A6*
LOWER CASING. DRIVE 2	B3*
LOWER CASING. DRIVE 3	B7*
FUEL TANK	C2*
STEERING GUIDE	C3*
REMOTE CONTROL BOX	C4*
REMOTE CONTROL ASSY	C5*
METER	D1*
REPAIR KIT 1	D2*
REPAIR KIT 2	D4*

INDEX

NUMERICAL INDEX	G1*
-----------------------	-----

FIG. 1 TOP COWLING 1

SOPORTE SUPERIOR 1



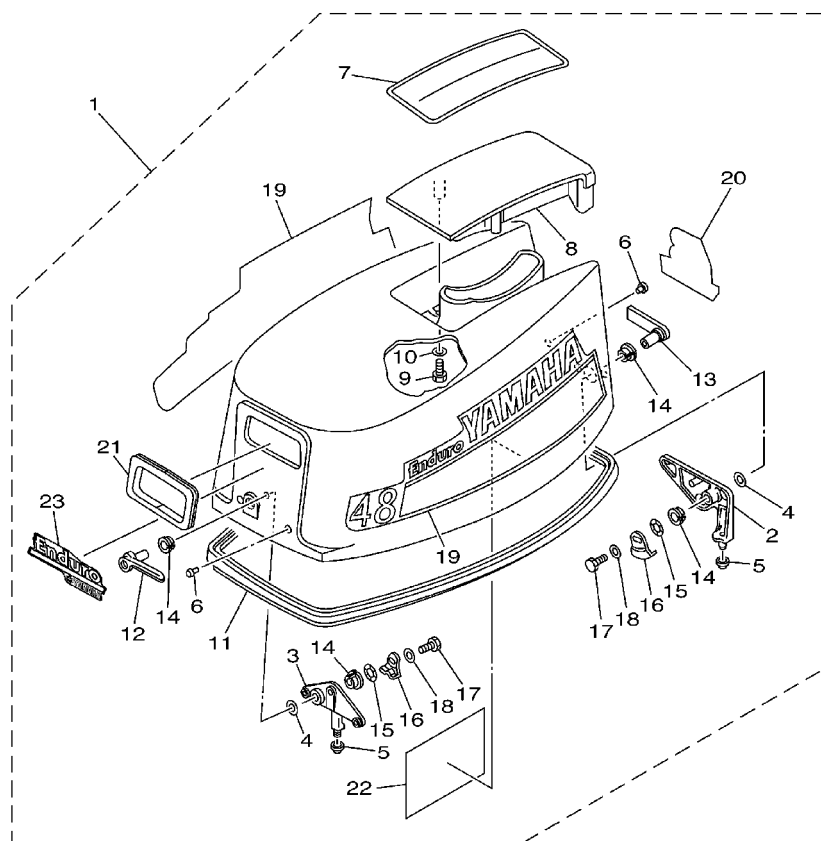
REF. NO.	PART NO. CODIGO NO.	DESCRIPTION DESCRIPTION	E48C	E55C	55B	REMARKS OBSERVACION
1	697-42610-40-4D	TOP COWLING ASSY SOPORTE SUPERIOR COMPL.			1	
2	697-42647-00-94	.HOLDER, CLAMP BAND .MORDAZA DE ABRAZADERA			1	
3	697-42649-00-94	.HOLDER, CLAMP BAND .MORDAZA DE ABRAZADERA			1	
4	90202-19M10	.WASHER, PLATE .ARANDELA DE PLANA			2	
5	663-42662-00	.DAMPER AMORTIGUADOR			2	
6	90266-06009	.RIVET .REMACHE			5	
7	90266-06M02	.RIVET .REMACHE			1	
8	697-42613-01-4D	.MOLDING, AIR DUCT .MOLDURA CONDUCTO AIRE			1	
9	97095-06016	.BOLT .PERNO			4	
10	92995-06600	.WASHER .ARANDELA			4	
11	663-42615-02	.SEAL .SELLO			1	
12	697-42815-11-98	.LEVER, CLAMP .PALANCA ABRAZADERA			1	
13	697-42817-11-98	.LEVER, CLAMP .PALANCA ABRAZADERA			1	
14	90386-13M38	.BUSH .BUJE			4	
15	90206-13019	.WASHER, WAVE .ARANDELA ONDULADA			2	
16	663-42816-02	.LEVER, CLAMP .PALANCA ABRAZADERA			2	
17	97095-06012	.BOLT .PERNO			2	
18	90201-06068	.WASHER, PLATE .ARANDELA PLANA			2	
19	697-42677-40	.GRAPHIC, FRONT .CALCAMONIA FRONTAL			1	
20	697-W0070-31	.GRAPHIC SET JUEGO DE EMBLEMA			1	
21	697-42678-30	.GRAPHIC, REAR .CALCAMONIA TRASERA			1	
22	697-42681-31	.MARK, COWLING .MARCA DE CUBIERTA			1	
23	697-42682-31	.MARK, COWLING .MARCA DE CUBIERTA			1	



6961200-2010

FIG. 2 TOP COWLING 2

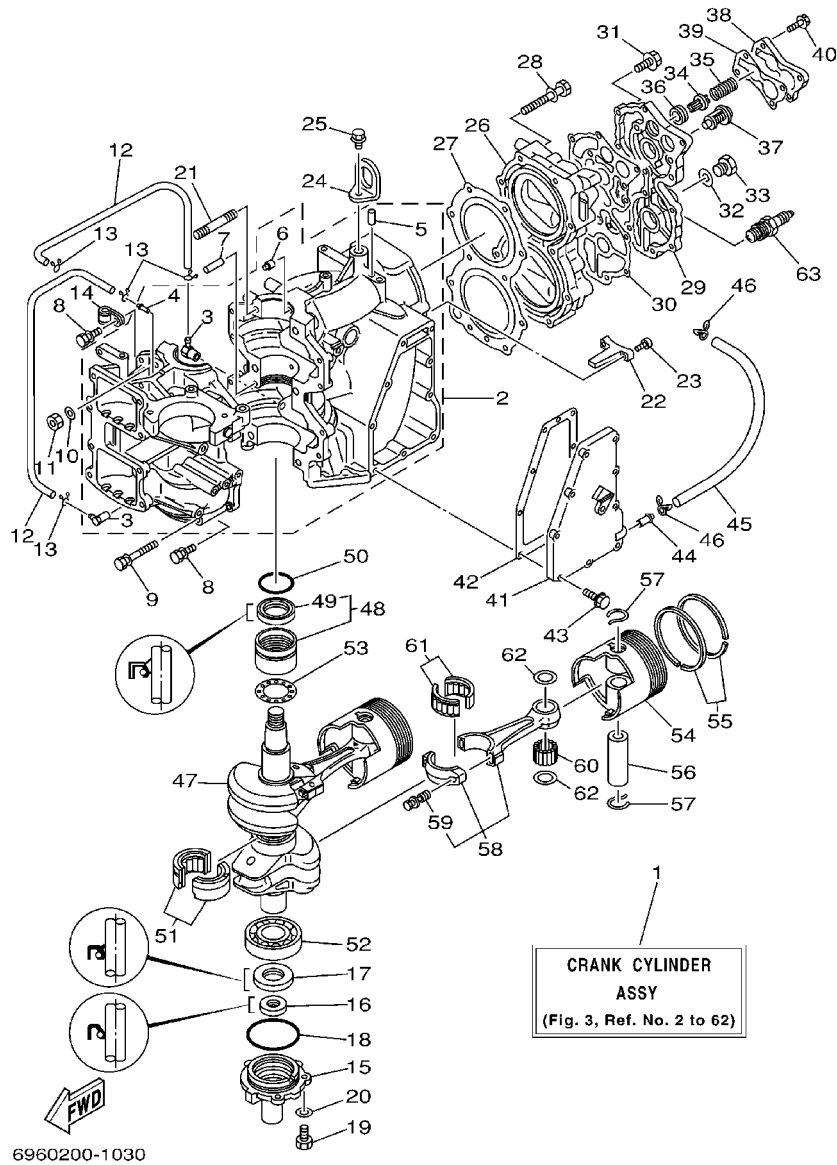
SOPORTE SUPERIOR 2



REF. NO.	PART NO. CODIGO NO.	DESCRIPTION DESCRIPTION	E48C	E55C	55B	REMARKS OBSERVACION
1	696-42610-J0-4D	TOP COWLING ASSY SOPORTE SUPERIOR COMPL.	1			
	6A3-42610-J0-4D	TOP COWLING ASSY SOPORTE SUPERIOR COMPL.		1		
2	697-42647-00-94	.HOLDER, CLAMP BAND .MORDAZA DE ABRAZADERA	1	1		
3	697-42649-00-94	.HOLDER, CLAMP BAND .MORDAZA DE ABRAZADERA	1	1		
4	90202-19M10	.WASHER, PLATE .ARANDELA DE PLANA	2	2		
5	663-42662-00	.DAMPER .AMORTIGUADOR	2	2		
6	90266-06009	.RIVET .REMACHE	6	6		
7	670-43691-00	.INDICATOR, TILT .INDICADOR	1	1		
8	697-42613-11-4D	.MOLDING, AIR DUCT .MOLDURA CONDUCTO AIRE	1	1		
9	97095-06016	.BOLT .PERNO	4	4		
10	92995-06600	.WASHER .ARANDELA	4	4		
11	663-42615-02	.SEAL .SELLO	1	1		
12	697-42815-11-98	.LEVER, CLAMP .PALANCA ABRAZADERA	1	1		
13	697-42817-01-98	.LEVER, CLAMP .PALANCA ABRAZADERA	1	1		
14	90386-13M38	BUSH BUJE	4	4		
15	90206-13019	.WASHER, WAVE .ARANDELA ONDULADA	2	2		
16	663-42816-02	.LEVER, CLAMP .PALANCA ABRAZADERA	2	2		
17	97095-06012	.BOLT .PERNO	2	2		
18	90201-06068	.WASHER, PLATE .ARANDELA PLANA	2	2		
19	696-W0070-H0	.GRAPHIC SET JUEGO DE EMBLEMA	1			
	6A3-W0070-H0	.GRAPHIC SET JUEGO DE EMBLEMA		1		
20	696-42678-H0	.GRAPHIC, REAR .CALCAMONIA TRASERA	1			
	6A3-42678-H0	.GRAPHIC, REAR .CALCAMONIA TRASERA		1		
21	697-15761-01	.SEAL, RUBBER 1 .SELLO DE GOMA 1	1	1		
22	677-13437-08	.MARK, CAUTION .MARKER	1	1		
23	69P-42677-H0	.GRAPHIC, FRONT .CALCAMONIA FRONTAL	1	1		ENDURO



6961200-2020



6960200-1030

FIG. 3 CYLINDER. CRANKCASE CYLINDRO. CARTER

REF. NO.	PART NO. CODIGO NO.	DESCRIPTION DESCRIPTION	E48C	E55C	55B	REMARKS OBSERVACION
1	697-W0090-05-1S	CRANK CYLINDER ASSY BLOQUE MOTOR COMPLETO			1	
	696-W0090-65-1S	CRANK CYLINDER ASSY BLOQUE MOTOR COMPLETO	1			
	6A3-W0090-65-1S	CRANK CYLINDER ASSY BLOQUE MOTOR COMPLETO		1		
2	697-15100-02-1S	CRANKCASE ASSY CARTER COMPLETO			1	
	696-15100-01-1S	CRANKCASE ASSY CARTER COMPLETO	1			
	6A3-15100-01-1S	CRANKCASE ASSY CARTER COMPLETO		1		
3	650-11370-00	.CHECK VALVE ASSY .VALVULA DE CONTROL COMPL.	2	2	2	
4	624-14485-00	.PIPE, JOINT .TUBO DE UNION	1	1	1	
5	93604-08062	.PIN, DOWEL .PASADOR DE CLAVIJA	1	1	1	
6	663-11518-01	.LOCK, BEARING .SEGURO BALERO	2	2	2	
7	93608-12063	PIN, DOWEL PASADOR DE CLAVIJA	1	1	1	
8	90119-06M12	BOLT, WITH WASHER TORNILLO CON ARANDELA	8	8	8	
9	90119-10005	BOLT, WITH WASHER TORNILLO CON ARANDELA	4	4	4	
10	90201-10008	WASHER, PLATE ARANDELA PLANA	2	2	2	
11	95313-10600	NUT TUERCA	2	2	2	
12	90445-07240	HOSE (L330) TUBO (L330)	1	1		
	90445-07240	HOSE (L330) TUBO (L330)			2	
13	90467-06016	CLIP PRESILLA	2	2		
	90467-06016	CLIP PRESILLA			4	
14	90461-04011	CLAMP GRAPA	1	1	1	
15	663-15359-01-94	HOUSING, OIL SEAL CAJA DE SELLO DE ACEITE	1	1	1	
16	93104-18049	OIL SEAL SELLO ACEITE	1	1	1	
17	93102-28135	OIL SEAL SELLO ACEITE	1	1	1	
18	93210-62269	O-RING ANILLO O	1	1	1	
19	97095-06016	BOLT PERNO	3	3	3	
20	92995-06600	WASHER ARANDELA	3	3	3	
21	90116-10177	BOLT, STUD ESPARRAGO	2	2	2	

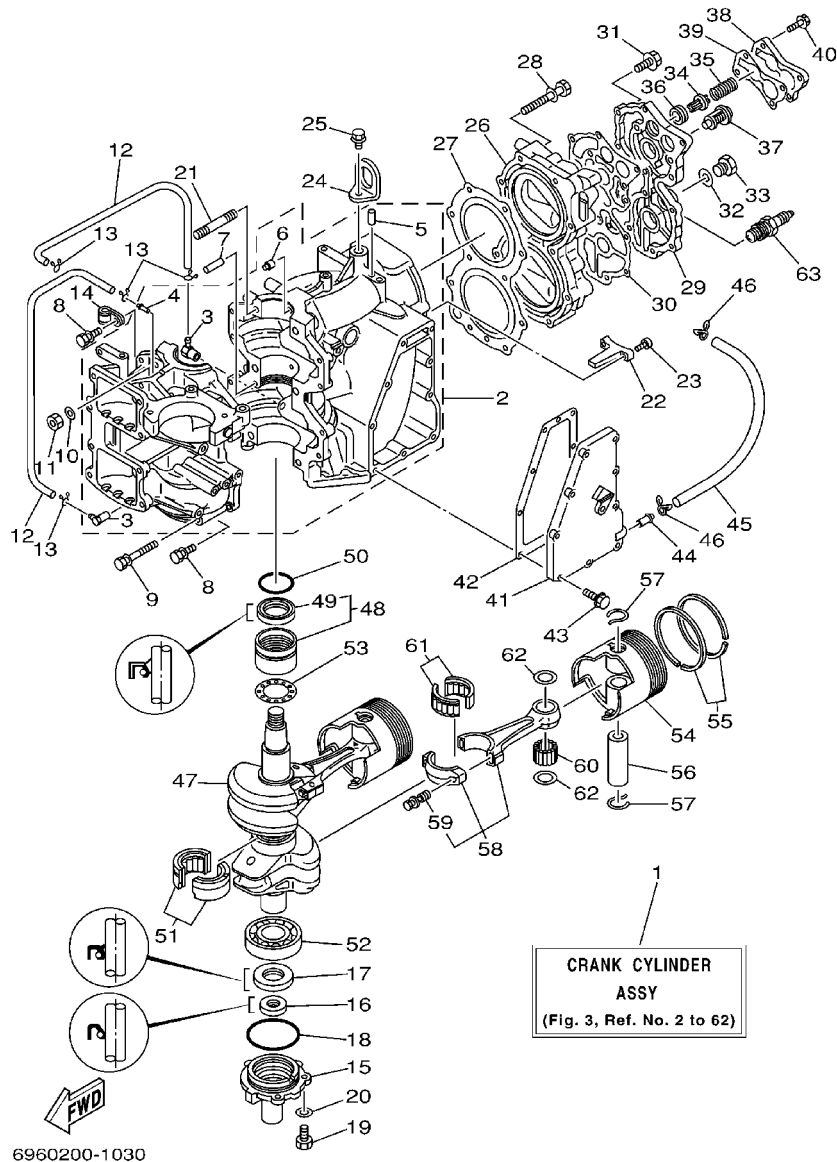
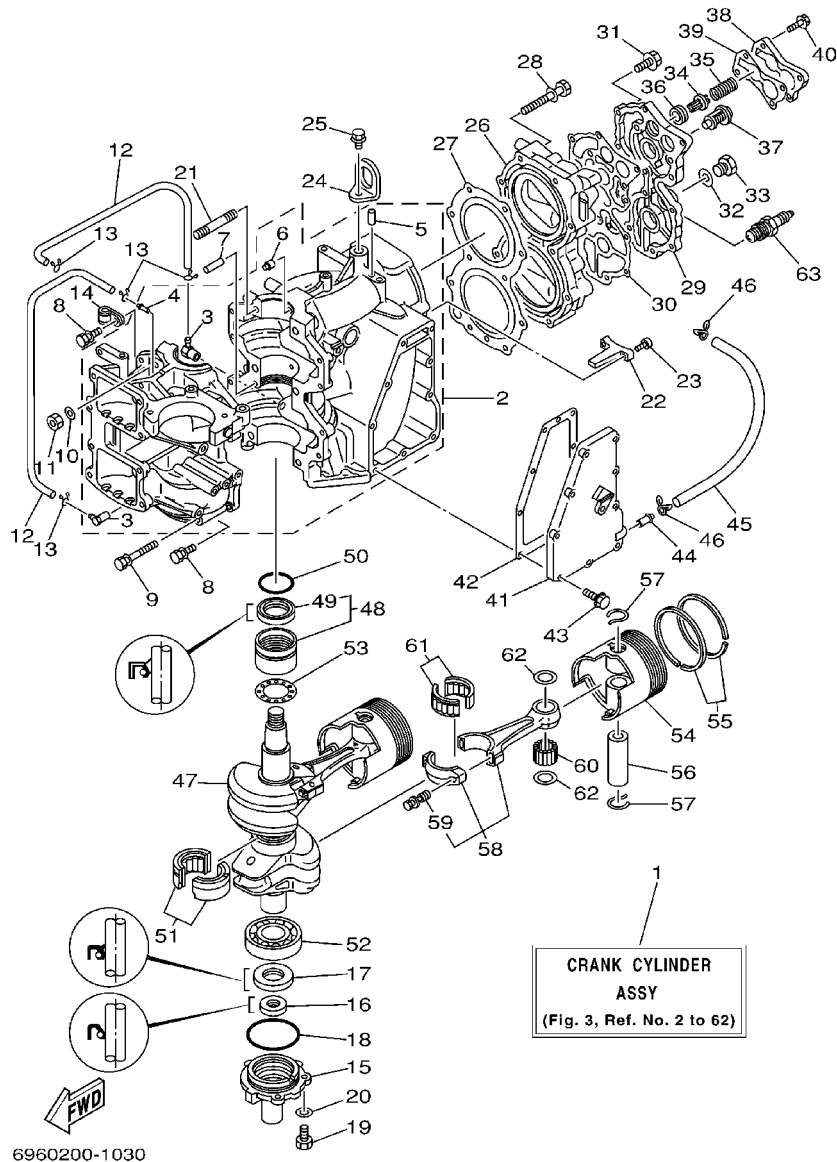


FIG. 3 CYLINDER. CRANKCASE CYLINDRO. CARTER

REF. NO.	PART NO. CODIGO NO.	DESCRIPTION DESCRIPTION	E48C	E55C	55B	REMARKS OBSERVACION
22	663-11325-00	ANODE ANODO	1	1	1	
23	98780-04015	SCREW, FLAT HEAD TORNILLO DE CABEZA PLANA	2	2	2	
24	697-11119-00	HANGER, ENGINE SOPORTE DEL MOTOR			1	
25	90119-08018	BOLT, WITH WASHER TORNILLO CON ARANDELA			1	
26	663-11111-02-1S	HEAD, CYLINDER 1 CULATA CILINDRO 1	1	1	1	
27	697-11181-A1	GASKET, CYLINDER HEAD 1 JUNTA, DE CULATA 1	1	1	1	
28	90119-08MA8	BOLT, WITH WASHER TORNILLO CON ARANDELA	10	10	10	
29	663-11191-00-1S	COVER, CYLINDER HEAD 1 TAPA CULATA DE CILINDRO 1	1	1	1	
30	663-11193-A0	GASKET, HEAD COVER 1 EMPAQUE	1	1	1	
31	90119-06MA2	BOLT, WITH WASHER TORNILLO CON ARANDELA	12	12	12	
32	90430-14115	GASKET JUNTA	1	1	1	
33	90340-14036	PLUG, STRAIGHT SCREW TORNILLO, DE DRENAJE	1	1	1	
34	663-12416-00	VALVE, PRESSURE CONTROL VALVULA DE CONTROL DE PRESION			1	
35	90501-14234	SPRING, COMPRESSION RESORTE DE COMPRESION			1	
36	90480-18065	GROMMET TAPON			1	
37	6F5-12411-02	THERMOSTAT TERMOSTAT			1	
38	663-12413-00-1S	COVER, THERMOSTAT CUBIERTA TERMOSTATO	1	1	1	
39	663-12414-A0	GASKET, COVER EMPAQUE	1	1	1	
40	90119-06MA4	BOLT, WITH WASHER TORNILLO CON ARANDELA	4	4	4	
41	663-41113-00-1S	OUTER COVER, EXHAUST CUBOERTA EXTERIOR DE ESCAPE	1	1	1	
42	663-41114-A0	GASKET, EXHAUST OUTER COVER EMPAQUE	1	1	1	
43	90119-06MA2	BOLT, WITH WASHER TORNILLO CON ARANDELA	9	9	9	
44	650-24378-00	PIPE, JOINT 4 TUBO DE UNION 4	1	1	1	
45	663-24312-01	PIPE 2 TUBO 2	1	1	1	
46	90467-08004	CLIP PRESILLA	2	2	2	AP
47	663-11411-01	CRANKSHAFT CIGUENAL	1	1	1	
48	93311-632U1	BEARING COJINETE	1	1	1	



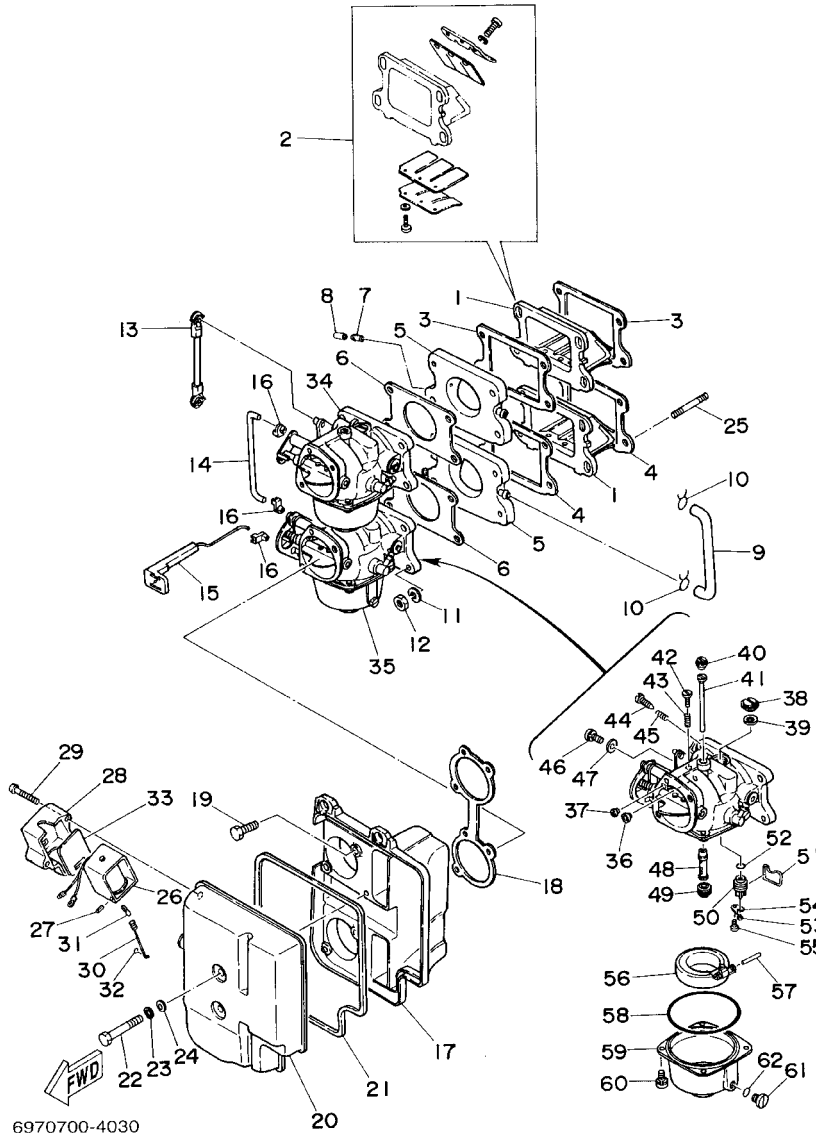
6960200-1030

FIG. 3 CYLINDER. CRANKCASE CYLINDRO. CARTER

REF. NO.	PART NO. CODIGO NO.	DESCRIPTION DESCRIPTION	E48C	E55C	55B	REMARKS OBSERVACION
49	93102-32M07	.OIL SEAL .SELLO ACEITE	1	1	1	
50	93210-42159	O-RING ANILLO O	1	1	1	
51	93311-832U4	BEARING COJINETE	1	1	1	
52	93306-206U3	BEARING COJINETE			1	
	93306-206U4	BEARING COJINETE	1	1		
53	663-11561-00	SHIM, CRANK 1 ARANDELA DE MANIVELA 1	1	1	1	
54	688-11631-03-94	PISTON (STD) PISTON (STD)	2	2	2	
	688-11635-03	PISTON (0.25MM O/S) PISTON (0.25MM O/S)	2	2	2	AP
	688-11636-03	PISTON (0.50MM O/S) PISTON (0.50MM O/S)	2	2	2	AP
55	688-11603-A0	PISTON RING SET (STD) JUEGO DE ANILLOS (STD)	2	2	2	
	688-11604-A0	PISTON RING SET (0.25MM O/S) JUEGO DE ANILLOS (0.25MM O/S)	2	2	2	AP
	688-11605-A0	PISTON RING SET (0.50MM O/S) JUEGO DE ANILLOS (0.50MM O/S)	2	2	2	AP
56	663-11633-00	PIN, PISTON PASADOR, PISTON	2	2	2	
57	688-11634-00	CLIP, PISTON PIN PRESILLA, BULON DE PISTON	4	4	4	
58	688-11650-03	CONNECTING ROD ASSY BIELA COMPLETA	2	2	2	
59	90109-08022	.BOLT .PERNO	2	2	2	
60	93603-21111	PIN, DOWEL PASADOR DE CLAVIJA	56	56	56	
61	93310-730V8	BEARING COJINETE	2	2	2	
62	90201-20417	WASHER, PLATE ARANDELA PLANA	4	4	4	
63	94702-00160	PLUG, SPARK (NGK B8HS-10) BUJIA (NGK B8HS-10)			2	
	94702-00040	PLUG, SPARK (NGK B7HS) BUJIA (NGK B7HS)	2			
	94702-00041	PLUG, SPARK (NGK B8HS) BUJIA (NGK B8HS)		2		
	94702-00247	PLUG, SPARK (NGK BR8HS-10) BUJIA (NGK BR8HS-10)			2	FOR CHINA
	94702-00272	PLUG, SPARK (NGK BR7HS) BUJIA (NGK BR7HS)	2			FOR CARIB,CHINA

FIG. 4 INTAKE

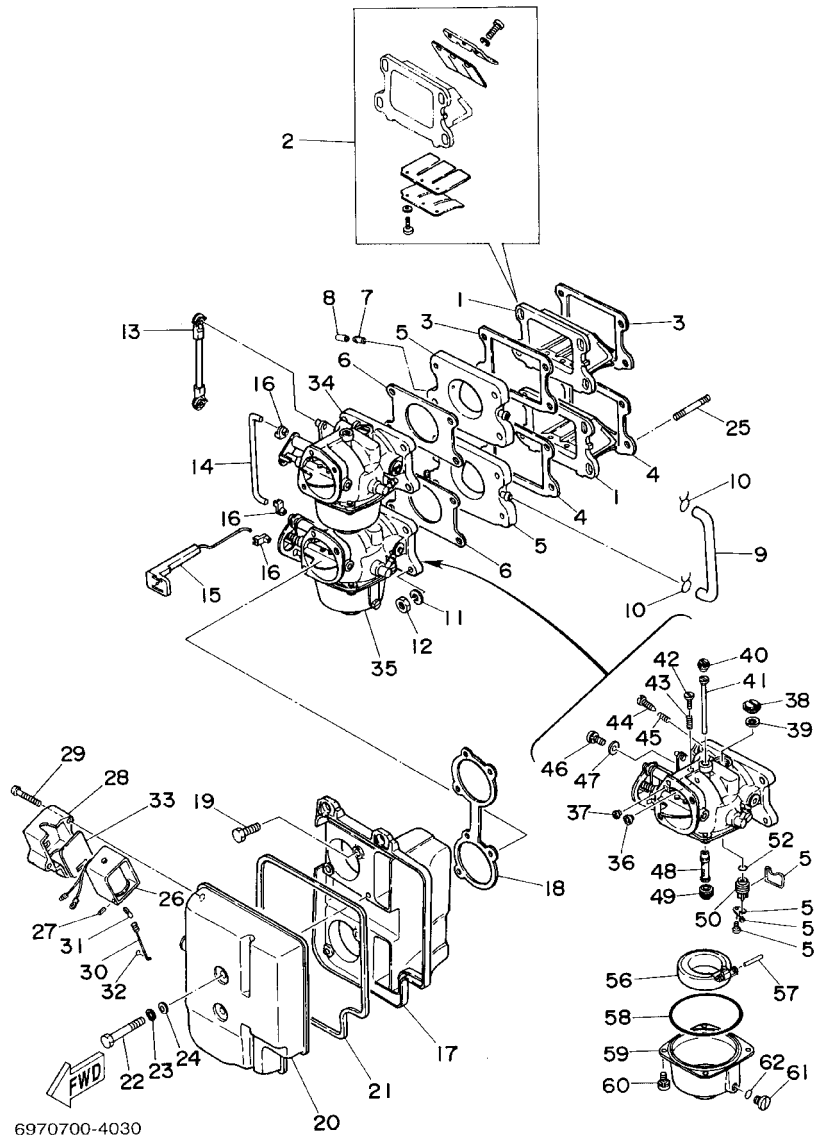
ADMISION



REF. NO.	PART NO. CODIGO NO.	DESCRIPTION DESCRIPTION	E48C	E55C	55B	REMARKS OBSERVACION
1	697-13610-00	REED VALVE ASSY VALVULA DE LAMINAS COMPLETA			2	
	696-13610-00	REED VALVE ASSY VALVULA DE LAMINAS COMPLETA	2			
	698-13610-00	REED VALVE ASSY VALVULA DE LAMINAS COMPLETA		2		
2	692-W0004-00	.REED SET .JUEGO DE VALVULAS DE LENGUETA	1		1	
	688-W0004-00	.REED SET .JUEGO DE VALVULAS DE LENGUETA		1		
3	663-13621-A0	GASKET, VALVE SEAT JUNTA, DE VALV.DE EMPAQUE	2	2	2	
4	663-13622-A0	GASKET, VALVE SEAT EMPAQUE DE ASIENTO VALVULA	2	2	2	
5	663-13641-02-94	MANIFOLD 1 MULTIPLE 1			2	
	670-13641-01-94	MANIFOLD 1 MULTIPLE 1	2	2		
6	663-14198-A0	GASKET EMPAQUE	2	2	2	
7	624-14485-00	PIPE, JOINT TUBO DE UNION	2	2	2	
8	647-14395-60	CAP, OVERFLOW PIPE TAPA DE TUBO REBOSAMIENTO			1	
	647-14395-60	CAP, OVERFLOW PIPE TAPA DE TUBO REBOSAMIENTO	2	2		
9	663-24321-00	PIPE 10 TUBO 10			1	
10	90467-08004	CLIP PRESILLA			2	
11	92995-06100	WASHER, SPRING ARANDELA	8	8	8	
12	95380-06600	NUT, HEXAGON TUERCA	8	8	8	
13	697-41217-01	ROD, ACCEL. LEVER VARILLA PALANCA ACELERADOR	1	1	1	
14	663-41257-02	ROD, CHOKE 2 VARILLA DE AHOGADOR	1	1	1	
15	663-41256-01	ROD, CHOKE 1 VARILLA DE AHOGADOR			1	
	663-41256-41	ROD, CHOKE 1 VARILLA DE AHOGADOR	1	1		
16	661-41262-02	JOINT, CHOKE LEVER CONECTOR DE AHOGADOR	3	3	3	
17	697-14417-00-94	COVER 1 CUBIERTA 1	1	1	1	
18	663-14483-A0	GASKET EMPAQUE	1	1	1	
19	97013-06025	BOLT PERNO	4	4	4	
20	697-14418-00-94	COVER 2 CUBIERTA 2	1	1	1	
21	697-14416-00	GASKET, AIR CLEANER EMPAQUE	1	1	1	

FIG. 4 INTAKE

ADMISION

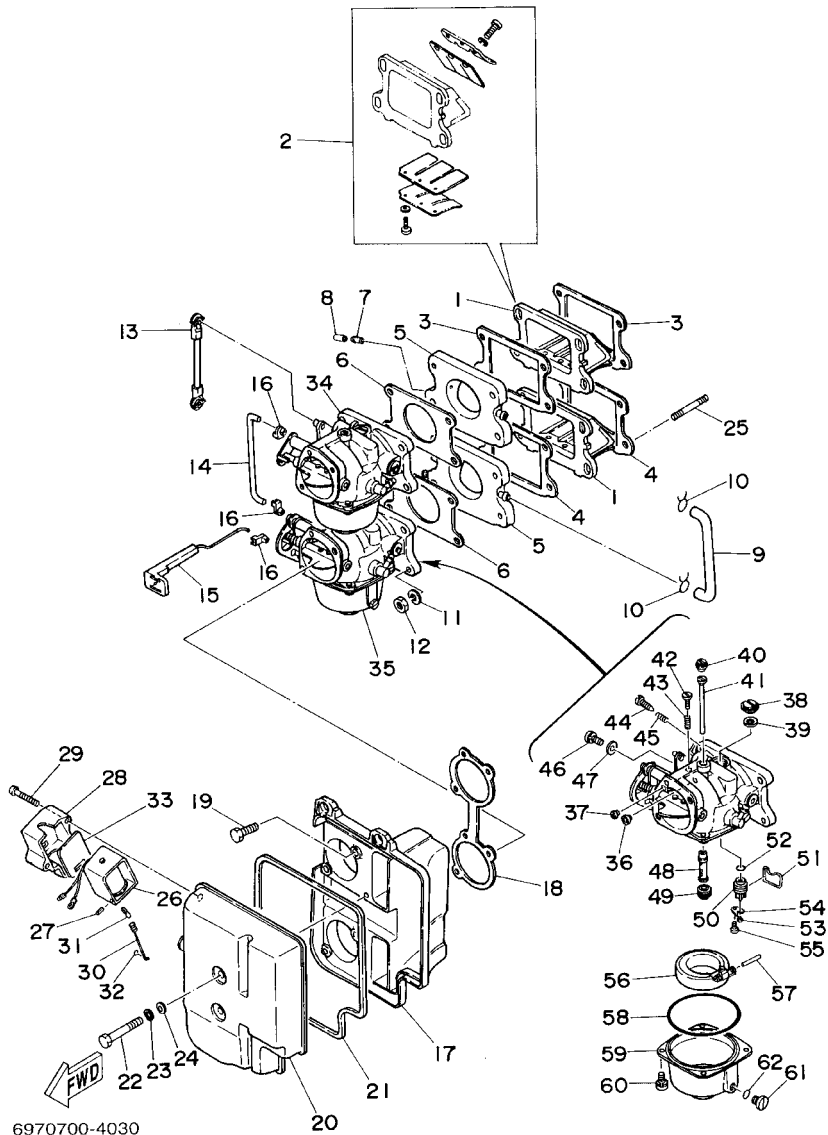


6970700-4030

REF. NO.	PART NO. CODIGO NO.	DESCRIPTION DESCRIPTION	E48C	E55C	55B	REMARKS OBSERVACION
22	97095-06045	BOLT PERNO	2	2	2	
23	92995-06100	WASHER, SPRING ARANDELA	2	2	2	
24	92995-06600	WASHER ARANDELA	2	2	2	
25	90116-06176	BOLT, STUD ESPARRAGO	8	8	8	
26	663-86110-02	SOLENOID SOLENOIDE			1	
27	91690-30010	PIN, SPRING PASADOR DE RESORTE			1	
28	663-86115-00	HOLDER, SOLENOID TAPON PROTECTOR			1	
29	97880-05030	SCREW, PAN HEAD TORNILLO DE CABEZA CON PLANA			2	
30	663-86116-01	WIRE, PULL ALAMBRE-JALADOR			1	
31	676-86117-00	HOOK, WIRE PULL GANCHO JALADOR DE ALAMBRE			1	
32	93210-03261	O-RING ANILLO O			1	
33	663-86118-00	DAMPER AMORTIGUADOR			1	
34	697-14501-04	CARBURETOR ASSY 1 CARBURADOR COMPLETO 1			1	#1
	696-14501-04	CARBURETOR ASSY 1 CARBURADOR COMPLETO 1	1			#1
	6A3-14501-04	CARBURETOR ASSY 1 CARBURADOR COMPLETO 1		1		#1
35	697-14502-04	CARBURETOR ASSY 2 CARBURADOR COMPLETO 2			1	#2
	696-14502-04	CARBURETOR ASSY 2 CARBURADOR COMPLETO 2	1			#2
	6A3-14502-04	CARBURETOR ASSY 2 CARBURADOR COMPLETO 2		1		#2
36	663-14950-27	.PILOT, AIR JET .ESPREA DE AIRE PILOTO			2	
	663-14950-29	.PILOT, AIR JET .ESPREA DE AIRE PILOTO	2			
	663-14950-26	.PILOT, AIR JET .ESPREA DE AIRE PILOTO		2		
37	663-14945-32	.JET (#125) .INYECTOR (#125)			2	
	663-14945-34	.JET (#135) .INYECTOR (#135)	2			
	663-14945-43	.JET (#180) .INYECTOR (#180)		2		
38	697-14991-00	.SCREW .TORNILLO	2	2	2	
39	679-14557-00	.WASHER .ARANDELA	2	2	2	
40	663-14567-01	.SCREW .TORNILLO	2	2	2	

FIG. 4 INTAKE

ADMISION

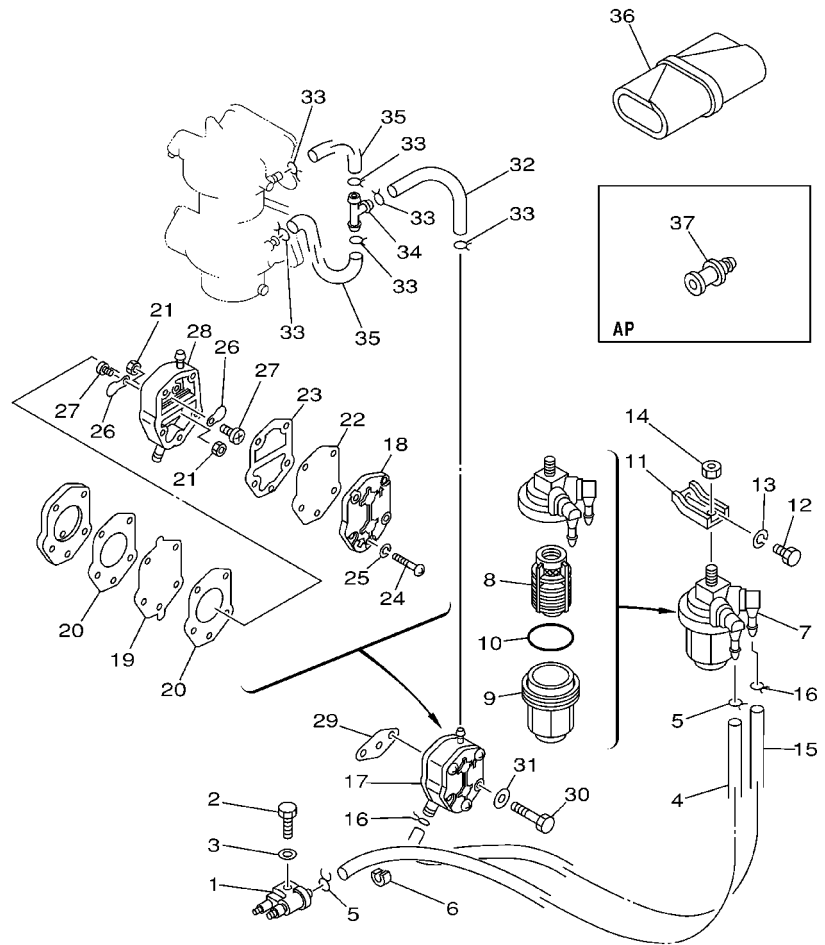


6970700-4030

REF. NO.	PART NO. CODIGO NO.	DESCRIPTION DESCRIPTION	E48C	E55C	55B	REMARKS OBSERVACION
41	663-14942-19	.JET, PILOT .ESPREA DE PILOTO		2	2	
	663-14942-22	.JET, PILOT .ESPREA DE PILOTO	2			
42	63V-14523-00	.SCREW, STOP .TORNILLO DE TOPE	1	1	1	#2
43	90501-10326	.SPRING, COMPRESSION .RESORTE DE COMPRESION	1	1	1	#2
44	663-14923-00	.SCREW, PILOT .TORNILLO DE AJUSTE	2	2	2	
45	90501-08214	.SPRING, COMPRESSION .RESORTE DE COMPRESION	2	2	2	
46	6K5-14592-00	.SCREW .TORNILLO	1	1	1	#1
47	90201-05652	.WASHER, PLATE .ARANDELA PLANA	1	1	1	#1
48	663-14947-01	.JET, NEEDLE .INYECTOR DE AGUJA	2	2		
	6F0-14947-00	.JET, NEEDLE .INYECTOR DE AGUJA		2		
49	663-14943-39	.JET, MAIN (#160) .INYECTOR PRINCIPAL (#160)			2	
	663-14943-40	.JET, MAIN (#165) .INYECTOR PRINCIPAL (#165)	2			
	663-14943-43	.JET, MAIN (#180) .INYECTOR PRINCIPAL (#180)		2		
50	696-14590-00	.NEEDLE VALVE ASSY .VALVULA DE AGUJA COMPLETA	2	2	2	
51	663-14159-00	.CLIP .PRESILLA	2	2	2	
52	93210-07229	.O-RING .ANILLO O	2	2	2	
53	810-14186-00	.PIN, FLOAT .PASADOR DE LA BOYA	2	2	2	
54	371-14919-60	.CLIP .PRESILLA	2	2	2	
55	98580-04006	.SCREW, PAN HEAD .TORNILLO DE CABEZA CON PLANA	2	2	2	
56	6F0-14985-00	.FLOAT .BOIA	2	2	2	
57	663-14548-00	.PIN, FLOAT ARM .PASADOR DE BRAZO DE BOIA	2	2	2	
58	93210-64272	.O-RING .ANILLO O	2	2	2	
59	663-14980-00	.BODY, FLOAT CHAMBER .CUERPO CAMARA DE BOIA	2	2	2	
60	97980-04112	.SCREW, WITH WASHER .TORNILLO, CON ARANDELA	8	8	8	
61	6H3-14992-00	.SCREW, DRAIN .TORNILLO, SEGURO	2	2	2	
62	93210-04230	.O-RING .ANILLO O	2	2	2	

FIG. 5 FUEL

COMBUSTIBLE



6970700-0040

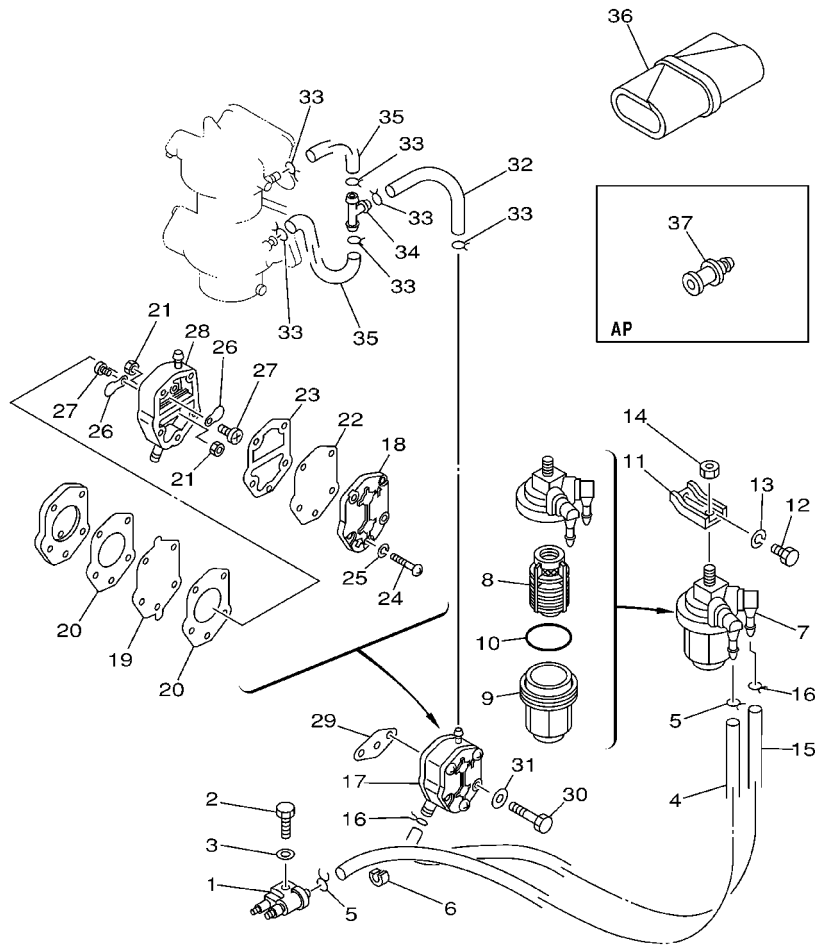
REF. NO.	PART NO. CODIGO NO.	DESCRIPTION DESCRIPTION	E48C	E55C	55B	REMARKS OBSERVACION
1	6G1-24304-02	FUEL PIPE JOINT COMP. 1 CONECTOR MANGUERA COMBUST.1	1	1	1	
2	97095-06020	BOLT PERNO	1	1	1	
3	92995-06600	WASHER ARANDELA	1	1	1	
4	90445-09109	HOSE TUBO	1	1	1	
5	90467-08004	CLIP PRESILLA	2	2	2	
6	90464-04011	CLAMP BRIDA	1	1	1	
7	61N-24560-00	FILTER ASSY FILTRO COMPLETO	1	1	1	
8	61N-24563-00	.ELEMENT, FILTER .ELEMENTO DEL FILTRO	1	1	1	
9	61N-24521-00	.CUP, FILTER .COPA DE FILTRO	1	1	1	
10	93210-32738	.O-RING .ANILLO O	1	1	1	
11	6E9-24566-70	BRACKET, FILTER SOPORTE DEL FILTRO	1	1	1	
12	97013-06014	BOLT PERNO	1	1	1	
13	92903-06100	WASHER, SPRING ARANDELA	1	1	1	
14	95380-08600	NUT TUERCA	1	1	1	
15	90445-09097	HOSE TUBO	1	1	1	
16	90467-08004	CLIP PRESILLA	2	2	2	
17	692-24410-00	FUEL PUMP ASSY BOMBA DE COMBUSTIBLE COMPLETA	1	1	1	
18	6A0-24413-00	.BODY 2 .CUERPO 2	1	1	1	
19	692-24411-00	.DIAPHRAGM .DIAFRAGMA	1	1	1	
20	648-24434-01	.GASKET, BODY .EMPAQUE	2	2	2	
21	95380-03600	.NUT .TUERCA	2	2	2	
22	663-24411-00	.DIAPHRAGM .DIAFRAGMA	1	1	1	
23	648-24435-02	.GASKET, BODY 2 .EMPAQUE	1	1	1	
24	98503-05028	.SCREW, PAN HEAD .TORNILLO DE CABEZA CON PLANA	3	3	3	
25	92990-05100	.WASHER, SPRING .ARANDELA	3	3	3	
26	6A0-24421-01	.VALVE, CHECK .VALVULA DE RETENCION	2	2	2	
27	6A0-14325-00	.SCREW, PAN HEAD .TORNILLO CABEZA REDONDA	2	2	2	

B5

FIG. 5 FUEL

COMBUSTIBLE

REF. NO.	PART NO. CODIGO NO.	DESCRIPTION DESCRIPTION	E48C	E55C	55B	REMARKS OBSERVACION
28	6A0-24412-02	.BODY 1 .CUERPO 1	1	1	1	
29	650-24431-A0	GASKET, FUEL PUMP 1 EMPAQUE BOMBA COMBUST 1	1	1	1	
30	97095-06040	BOLT PERNO	2	2	2	
31	92995-06600	WASHER ARANDELA	2	2	2	
32	90445-09086	HOSE (L170) TUBO (L170)	1	1	1	
33	90467-08004	CLIP PRESILLA	6	6	6	
34	688-24378-00	PIPE, JOINT 4 TUBO DE UNION 4	1	1	1	
35	90445-09061	HOSE (L65) TUBO (L65)	2	2	2	
36	656-W2810-02	TOOL KIT JUEGO DE HERRAMIENTAS	1	1	1	
37	626-28193-01-94	PLUG, WATER CHECK TAPON DE CONTROL DE LA AGUA	1	1	1	AP D:15MM



6970700-0040



6960100-0060

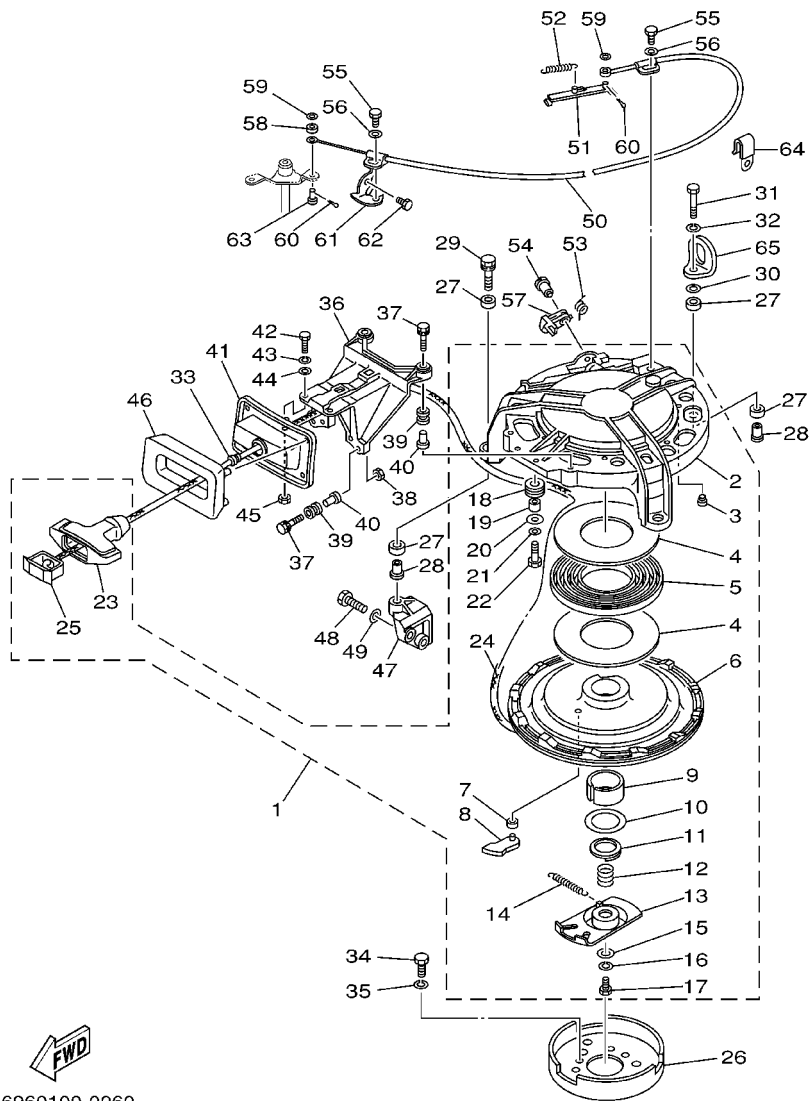


FIG. 6 STARTER

ARRANQUE

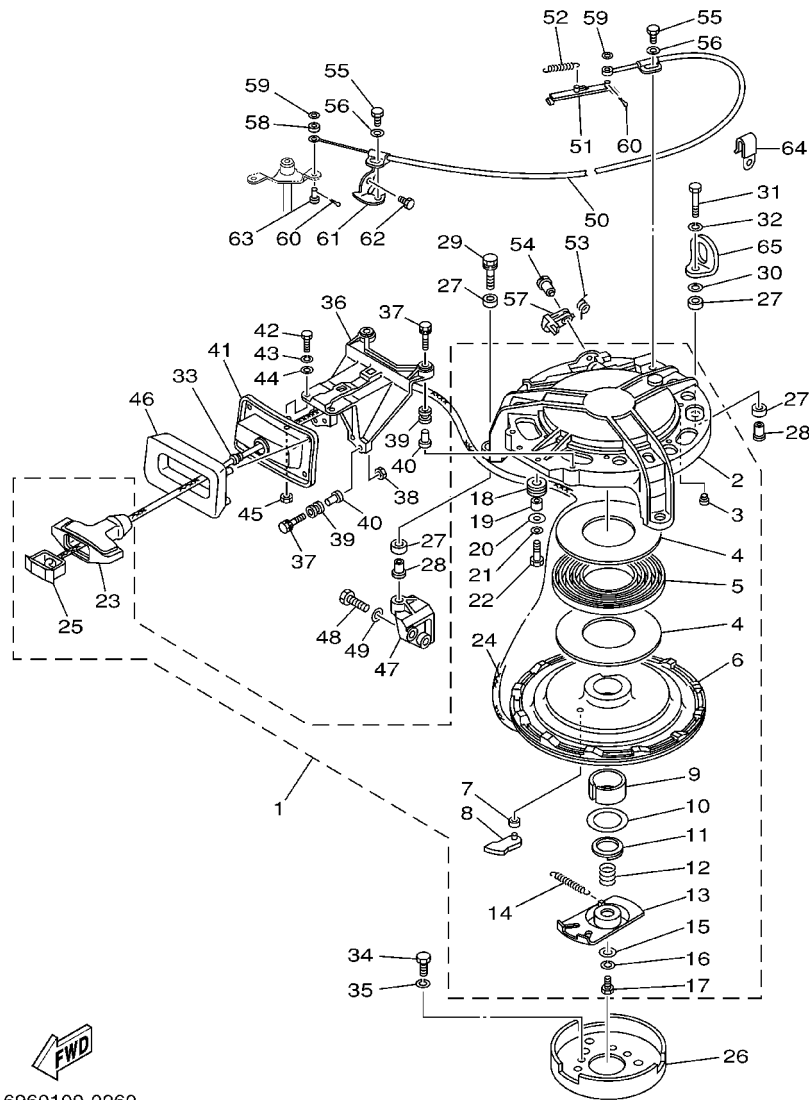
REF. NO.	PART NO. CODIGO NO.	DESCRIPTION DESCRIPTION	E48C	E55C	55B	REMARKS OBSERVACION
1	696-W1571-02	STARTER ASSY ARRANQUE COMPLETO	1	1		
2	663-15711-02	.CASE, STARTER .CAJA DE ARRANQUE	1	1		
3	696-15773-00	.STAY 3 .SOPORTE 3	6	6		
4	663-15739-00	.WASHER, THRUST .ARANDELA DE EMPUJE AXIAL	2	2		
5	663-15713-00	.SPRING, STARTER .RESORTE DE ARRANQUE	1	1		
6	663-15714-01	.DRUM, SHEAVE .TAMBOR ROLDANA	1	1		
7	663-15764-00	.COLLAR 1 .COLLAR 1	1	1		
8	663-15741-02	.PAWL, DRIVE .TRINQUETE DE TRACCION	1	1		
9	663-15754-00	.BUSH 2 .BUJE	1	1		
10	663-15726-01	.WASHER, FLAT .ARANDELA PLANA	1	1		
11	663-15744-00	.CIRCLIP .SEGURO	1	1		
12	663-15715-00	.SPRING, FRICTION .RESORTE PLACA DE TRACCION	1	1		
13	696-15716-00	.PLATE, DRIVE .PLACA DE TRACCION	1	1		
14	696-15734-00	.SPRING, RETURN .RESORTE DE RETORNO	1	1		
15	663-15719-00	.WASHER, THRUST .ARANDELA DE EMPUJE	1	1		
16	92903-06100	.WASHER, SPRING .ARANDELA	1	1		
17	97303-06016	.BOLT .PERNO	1	1		
18	663-15752-00	.ROLLER, WIRE .RODILLO DE CUERDA	1	1		
19	663-15753-00	.BUSH .BUJE	1	1		
20	663-15791-00	.WASHER, LOCK .EMBLEMA	1	1		
21	92903-06100	.WASHER, SPRING .ARANDELA	1	1		
22	97303-06025	.BOLT .PERNO	1	1		
23	689-15755-01	.HANDLE, STARTER .MANIJA DE ARRANQUE	1	1		
24	*	.WIRE (L:2300MM) .CABLE (L:2300MM)	1	1		
25	6F5-15779-02	.COVER .CUBIERTA	1	1		

* CUT FROM 50M ROLLS, PART NO. 90890-44374, CUTTING LENGTH 2.3M

* CORTE DE UN RODILLO DE 50M , PARTS NUMERO 90890-44374, LARGO DEL CORTE 2.3M

FIG. 6 STARTER

ARRANQUE



REF. NO.	PART NO. CODIGO NO.	DESCRIPTION DESCRIPTION	E48C	E55C	55B	REMARKS OBSERVACION
26	6K5-15723-00	PULLEY, STARTER POLEA DE ARRANQUE	1	1		
27	90385-12M04	BUSH BUJE	6	6		
28	90387-08M05	COLLAR COLLAR	3	3		
29	90119-08M26	BOLT, WITH WASHER TORNILLO CON ARANDELA	2	2		
30	90201-08095	WASHER, PLATE ARANDELA PLANA	1	1		
31	97095-08040	BOLT PERNO	1	1		
32	92995-08100	WASHER ARANDELA	1	1		
33	697-15789-00	DAMPER AMORTIGUADOR	1	1		
34	97013-08014	BOLT PERNO	3	3		
35	92903-08100	WASHER, SPRING ARANDELA	3	3		
36	697-15787-00-94	ADAPTOR ADAPTADOR	1	1		
37	90119-06M30	BOLT, WITH WASHER TORNILLO CON ARANDELA	4	4		
38	95303-06600	NUT TUERCA	2	2		
39	6A0-82317-00	DAMPER, IGNITION COIL AMORTIGUADOR BOBINA ENCENDIDO	4	4		
40	624-42542-00	PIPE TUBO	4	4		
41	697-15758-01-4D	GUIDE, ROPE GUIA DE CUERDA	1	1		
42	97095-06020	BOLT PERNO	2	2		
43	92995-06100	WASHER, SPRING ARANDELA	2	2		
44	92995-06600	WASHER ARANDELA	2	2		
45	95303-06600	NUT TUERCA	2	2		
46	697-15762-00	SEAL, RUBBER 2 SELLO DE GOMA 2	1	1		
47	663-15771-00-94	STAY 1 SOPORTE 1	1	1		
48	97013-08030	BOLT PERNO	2	2		
49	92903-08100	WASHER, SPRING ARANDELA	2	2		
50	697-15770-01	CABLE COMP., STARTER STOP CABLECOMPL DE SEGURO ARRANQUE	1	1		
51	663-15735-01	GUIDE, CAM GUIA DE LEVA	1	1		
52	90506-08M23	SPRING, TENSION RESORTE DE TENSION	1	1		

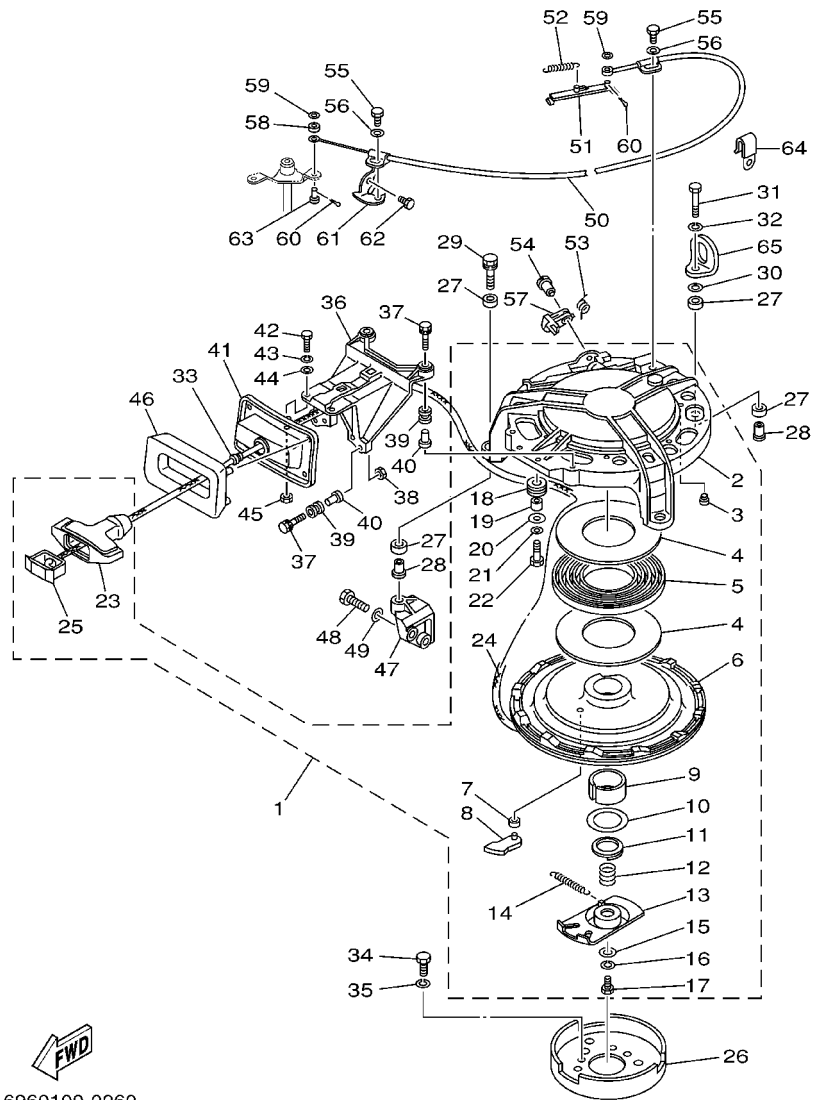


6960100-0060

C1

FIG. 6 STARTER

ARRANQUE

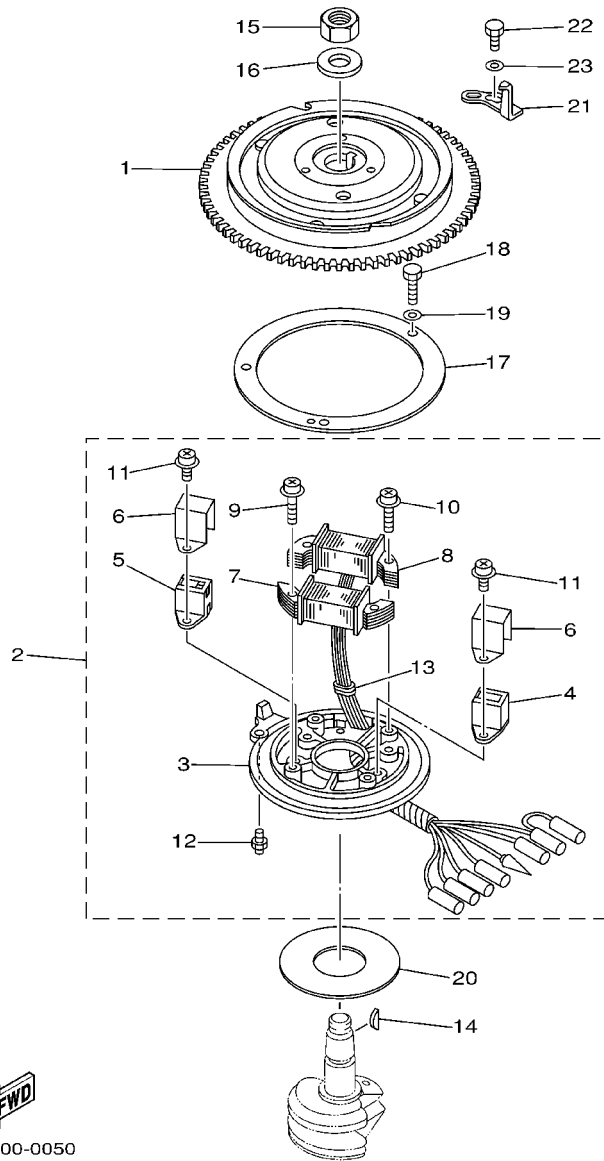


6960100-0060

REF. NO.	PART NO. CODIGO NO.	DESCRIPTION DESCRIPTION	E48C	E55C	55B	REMARKS OBSERVACION
53	90508-12015	SPRING, TORSION RESORTE DE TORSION	1	1		
54	90149-05095	SCREW TORNILLO DE REGLAJE	1	1		
55	97095-06012	BOLT PERNO	2	2		
56	92995-06600	WASHER ARANDELA	2	2		
57	663-15794-00	STOPPER TOPE	1	1		
58	663-15736-00	RING, RETAINING 1 ANILLO DE RETEN	1	1		
59	92995-06200	WASHER ARANDELA	2	2		
60	91490-16012	PIN, COTTER PASADOR DE CHAVETA	2	2		
61	663-15772-01	STAY 2 SOPORTE 2	1	1		
62	97013-08012	BOLT PERNO	1	1		
63	91702-06014	PIN, CLEVIS PASADOR DE ABRAZADERA	1	1		
64	90465-06M90	CLAMP BRIDA	1	1		
65	697-11119-00	HANGER, ENGINE SOPORTE DEL MOTOR	1	1		

FIG. 7 GENERATOR 1

GENERADOR 1

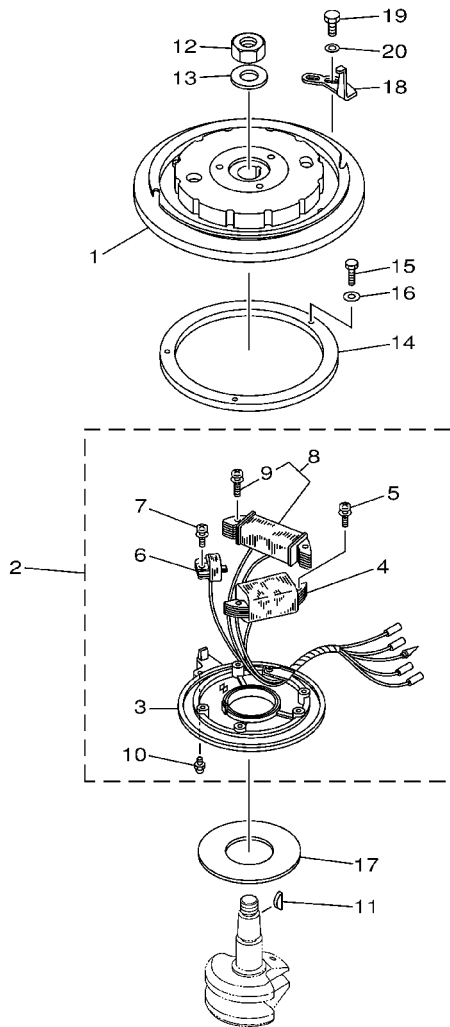


6970700-0050

REF. NO.	PART NO. CODIGO NO.	DESCRIPTION DESCRIPTION	E48C	E55C	55B	REMARKS OBSERVACION
1	697-85550-00	ROTOR ASSY ROTOR COMPLETO			1	
2	697-85560-01	BASE ASSY CONJUNTO BASE			1	
3	697-85561-00	.BASE, MAGNETO .BASE DE MAGNETO			1	
4	697-85580-00	.COIL, PULSER .BOBINA DE PULSACION			1	
5	697-85580-10	.COIL, PULSER .BOBINA DE PULSACION			1	
6	6F0-85599-A0	.COVER .CUBIERTA			2	
7	697-85520-02	.COIL, CHARGE .BOBINA DE CARGA			1	
8	697-85533-00	.COIL, LIGHTING .BOBINA DE LUZ			1	
9	97602-05130	.SCREW, PAN HEAD WITH WASHER .TORNILLO CAB CON PLANA C/ARAN			2	
10	97602-05132	.SCREW, PAN HEAD WITH WASHER .TORNILLO CAB CON PLANA C/ARAN			2	
11	97602-05114	.SCREW, PAN HEAD WITH WASHER .TORNILLO CAB CON PLANA C/ARAN			4	
12	663-85518-00	.JOINT, BALL .CONECTOR			1	
13	90480-06158	.GROMMET .TAPON			1	
14	90280-05015	KEY, WOODRUFF CUNA WOODRUFF			1	
15	90170-20137	NUT TUERCA			1	
16	90201-21M18	WASHER, PLATE ARANDELA PLANA			1	
17	663-41612-00	RETAINER, MAGNETO BASE RETENEDOR BASE MAGNETO			1	
18	97013-06020	BOLT PERNO			3	
19	92903-06600	WASHER, PLATE ARANDELA			3	
20	663-41619-00	WASHER, MAGNETO ARANDELA DE MAGNETO			1	
21	697-81332-00	PLATE, TIMING PLACA REGULADOR DE TIEMPO			1	
22	97095-06016	BOLT PERNO			1	
23	92995-06600	WASHER ARANDELA			1	

FIG. 8 GENERATOR 2

GENERADOR 2



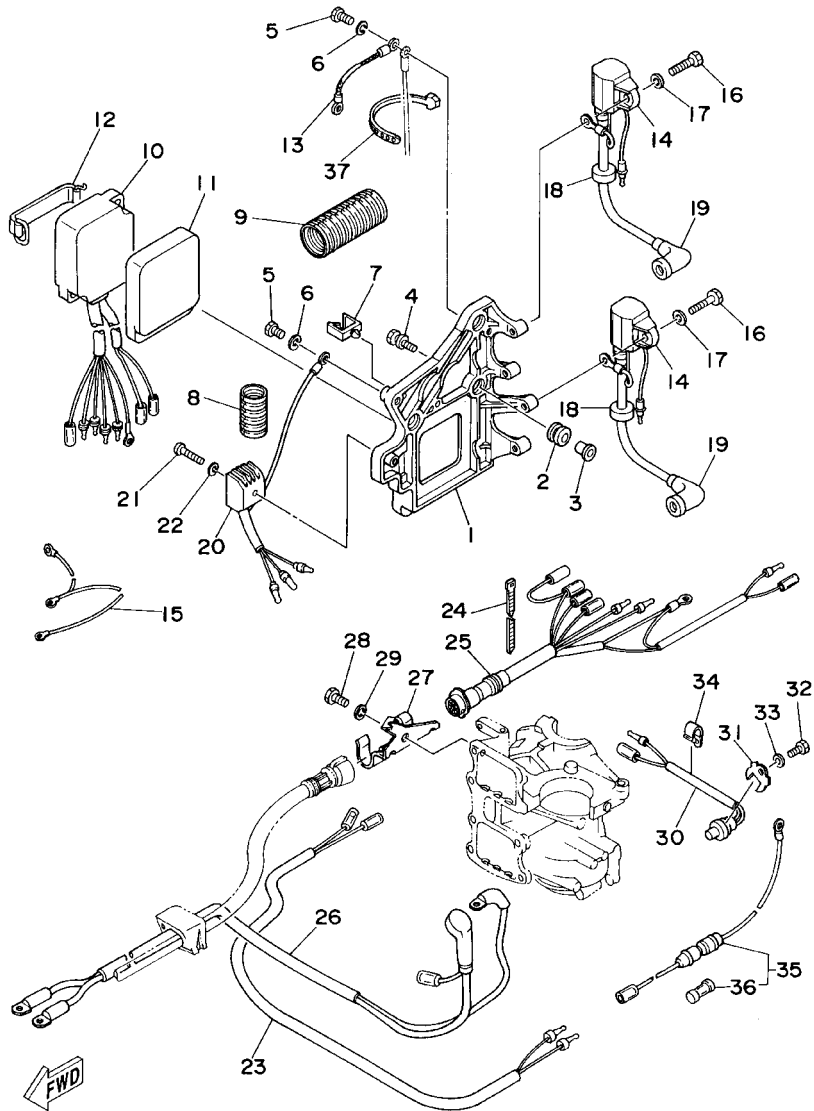
REF. NO.	PART NO. CODIGO NO.	DESCRIPTION DESCRIPTION	E48C	E55C	55B	REMARKS OBSERVACION
1	696-85550-F1	ROTOR ASSY ROTOR COMPLETO	1	1		
2	696-85560-F0	BASE ASSY CONJUNTO BASE	1	1		
3	696-85561-F0	.BASE, MAGNETO .BASE DE MAGNETO	1	1		
4	6E7-85520-70	.COIL, CHARGE .BOBINA DE CARGA	1	1		
5	90159-05039	.SCREW, WITH WASHER .TORNILLO CON VALONA	2	2		
6	6E7-85580-70	.COIL, PULSER .BOBINA DE PULSACION	1	1		
7	90159-05038	.SCREW, WITH WASHER .TORNILLO CON VALONA	1	1		
8	696-81303-F0	.LIGHTING COIL ASSY .BOBINA DE ILUMINACION COMPL.	1	1		
9	90159-05040	.SCREW, WITH WASHER .TORNILLO CON VALONA	2	2		
10	663-85518-00	.JOINT, BALL .CONECTOR	1	1		
11	90280-05015	KEY, WOODRUFF CUNA WOODRUFF	1	1		
12	90170-20137	NUT TUERCA	1	1		
13	90201-21M18	WASHER, PLATE ARANDELA PLANA	1	1		
14	663-41612-00	RETAINER, MAGNETO BASE RETENEDOR BASE MAGNETO	1	1		
15	97013-06020	BOLT PERNO	3	3		
16	92903-06600	WASHER, PLATE ARANDELA	3	3		
17	663-41619-00	WASHER, MAGNETO ARANDELA DE MAGNETO	1	1		
18	663-81332-01	PLATE, TIMING PLACA REGULADOR DE TIEMPO	1	1		
19	97095-06016	BOLT PERNO	1	1		
20	92995-06600	WASHER ARANDELA	1	1		



6960100-0070

FIG. 9 ELECTRICAL 1

EQUIPO ELECTRICO 1

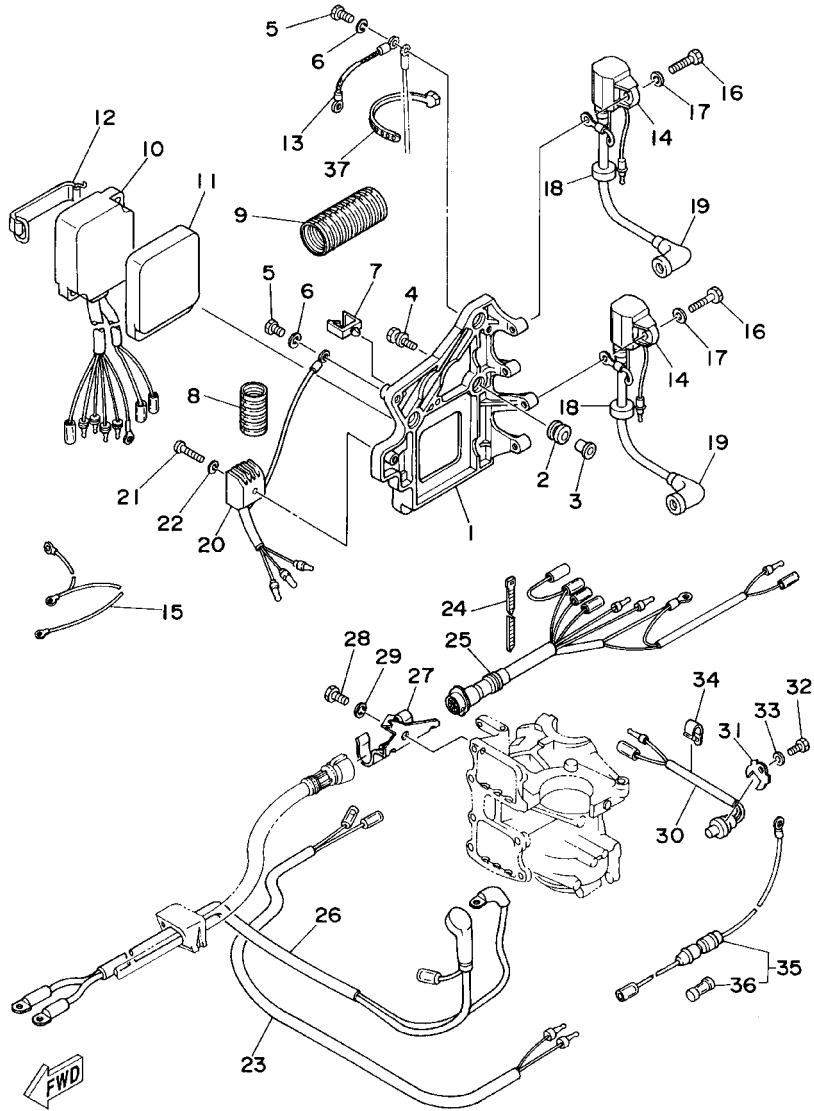


6960200-5090

REF. NO.	PART NO. CODIGO NO.	DESCRIPTION DESCRIPTION	E48C	E55C	55B	REMARKS OBSERVACION
1	663-85542-01-94	BRACKET SOPORTE			1	
2	6A0-82317-00	DAMPER, IGNITION COIL AMORTIGUADOR BOBINA ENCENDIDO			3	
3	624-42542-00	PIPE TUBO			3	
4	90119-06M59	BOLT, WITH WASHER TORNILLO CON ARANDELA			3	
5	97095-06012	BOLT PERNO			2	
6	92995-06100	WASHER, SPRING ARANDELA			2	
7	90464-07M10	CLAMP BRIDA			1	
8	6G5-83557-00	TUBE ENCHUFE DE ACEITE			1	
9	697-83557-00	TUBE ENCHUFE DE ACEITE			1	
10	697-85540-00	C.D.I. UNIT ASSY UNIDAD C.D.I. COMPLETA			1	
11	697-85547-00	DAMPER AMORTIGUADOR			1	
12	663-82131-01	BAND, BATTERY TIRANTE DE BATERIA			1	
13	662-82519-00	WIRE, EARTH LEAD CABLE CONDUCTOR A TIERRA			1	
14	697-85570-00	IGNITION COIL ASSY BOBINA DE IGNICION COMPLETO			2	
15	697-82519-00	WIRE, EARTH LEAD CABLE CONDUCTOR A TIERRA			1	
16	97095-06020	BOLT PERNO			2	
17	92995-06600	WASHER ARANDELA			2	
18	90480-25161	GROMMET TAPON			2	
19	663-82370-01	PLUG CAP ASSY TAPON DE BUJIA COMPLT			2	
20	664-81970-61	RECTIFIER ASSY RECTIFICADOR COMPLETO			1	
21	97880-05030	SCREW, PAN HEAD TORNILLO DE CABEZA CON PLANA			1	
22	92990-05100	WASHER, SPRING ARANDELA			1	
23	697-81971-01	WIRE, LEAD CABLE CONDUCTOR			1	
24	90465-13M11	CLAMP BRIDA			2	
25	697-82590-12	WIRE HARNESS ASSY CONJUNTO DE CABLES			1	
26	697-82105-12	WIRE HARNESS ARNES DE CABLES			1	
27	697-82594-00	CLAMP GRAMPA			1	

FIG. 9 ELECTRICAL 1

EQUIPO ELECTRICO 1



6960200-5090

REF. NO.	PART NO. CODIGO NO.	DESCRIPTION DESCRIPTION	E48C	E55C	55B	REMARKS OBSERVACION
28	97095-08016	BOLT PERNO			1	
29	92995-08600	WASHER ARANDELA			1	
30	688-82560-00	THERMO SWITCH ASSY INTER. DE TERMO			1	
31	663-82588-00	PLATE PLACA			1	
32	97013-06010	BOLT PERNO			1	
33	92903-06100	WASHER, SPRING ARANDELA			1	
34	90465-06M86	CLAMP BRIDA			1	
35	682-82150-10	FUSE HOLDER ASSY PORTA-FUSIBLES COMPLETO			1	
36	663-82151-00	.FUSE (12V-20A) .FUSIBLE (12V-20A)			1	
37	90465-13M39	CLAMP BRIDA			1	

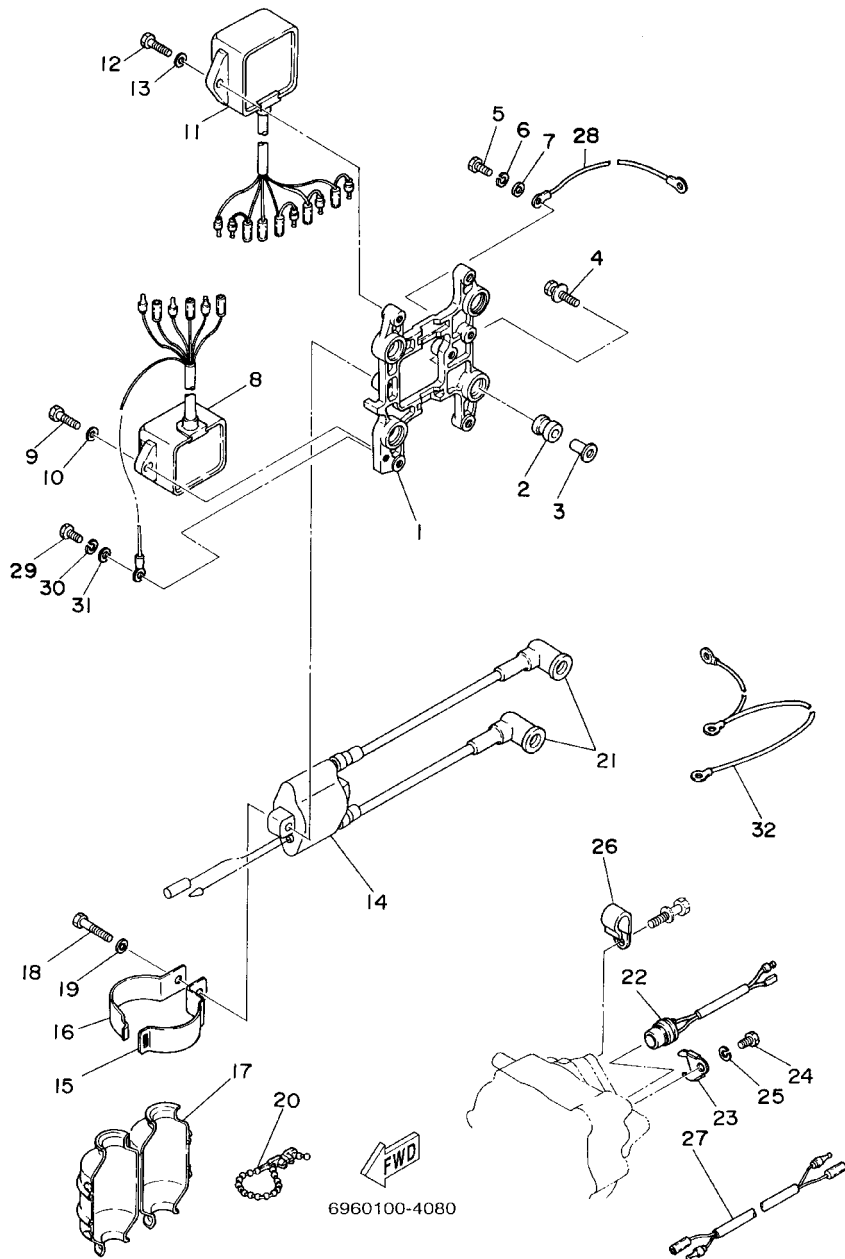


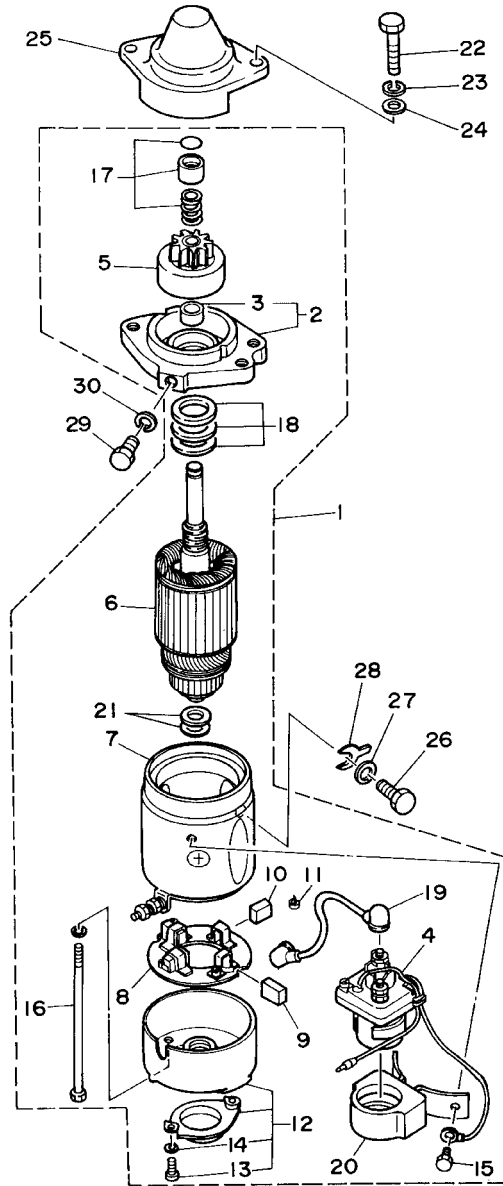
FIG. 10 ELECTRICAL 2

EQUIPO ELECTRICO 2

REF. NO.	PART NO. CODIGO NO.	DESCRIPTION DESCRIPTION	E48C	E55C	55B	REMARKS OBSERVACION
1	696-85542-00-94	BRACKET SOPORTE	1	1		
2	6A0-82317-00	DAMPER, IGNITION COIL AMORTIGUADOR BOBINA ENCENDIDO	4	4		
3	624-42542-00	PIPE TUBO	4	4		
4	90119-06M59	BOLT, WITH WASHER TORNILLO CON ARANDELA	4	4		
5	97013-06012	BOLT PERNO	1	1		
6	92903-06100	WASHER, SPRING ARANDELA	1	1		
7	92903-06600	WASHER, PLATE ARANDELA	1	1		
8	696-85540-11	C.D.I. UNIT ASSY UNIDAD C.D.I. COMPLETA	1	1		
9	97013-06020	BOLT PERNO	2	2		
10	92903-06600	WASHER, PLATE ARANDELA	2	2		
11	696-85590-10	CONTROL UNIT ASSY UNIDAD DE CONTROL COMPLETA	1	1		
12	97013-06020	BOLT PERNO	2	2		
13	92903-06600	WASHER, PLATE ARANDELA	2	2		
14	696-85570-11	IGNITION COIL ASSY BOBINA DE IGNICION COMPLETO	1	1		
15	696-81443-00	CLAMP, LEAD 1 GRAMPA DE CABLE 1	1	1		
16	696-81444-00	CLAMP, LEAD 2 GRAMPA DE CABLE 2	1	1		
17	696-81916-00	COVER, TERMINAL CUBIERTA DE TERMINAL	1	1		
18	97095-06030	BOLT PERNO	2	2		
19	92995-06600	WASHER ARANDELA	2	2		
20	90464-20M04	CLAMP BRIDA	1	1		
21	663-82370-01	PLUG CAP ASSY TAPON DE BUJIA COMPLT	2	2		
	6G1-82370-21	PLUG CAP ASSY TAPON DE BUJIA COMPLT	2			FOR CARIB
22	688-82560-00	THERMO SWITCH ASSY INTER. DE TERMO	1	1		
23	663-82588-00	PLATE PLACA	1	1		
24	97013-06010	BOLT PERNO	1	1		
25	92903-06100	WASHER, SPRING ARANDELA	1	1		
26	90465-06M86	CLAMP BRIDA	1	1		

FIG. 11 STARTING MOTOR

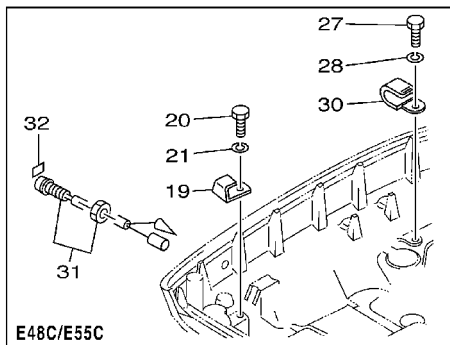
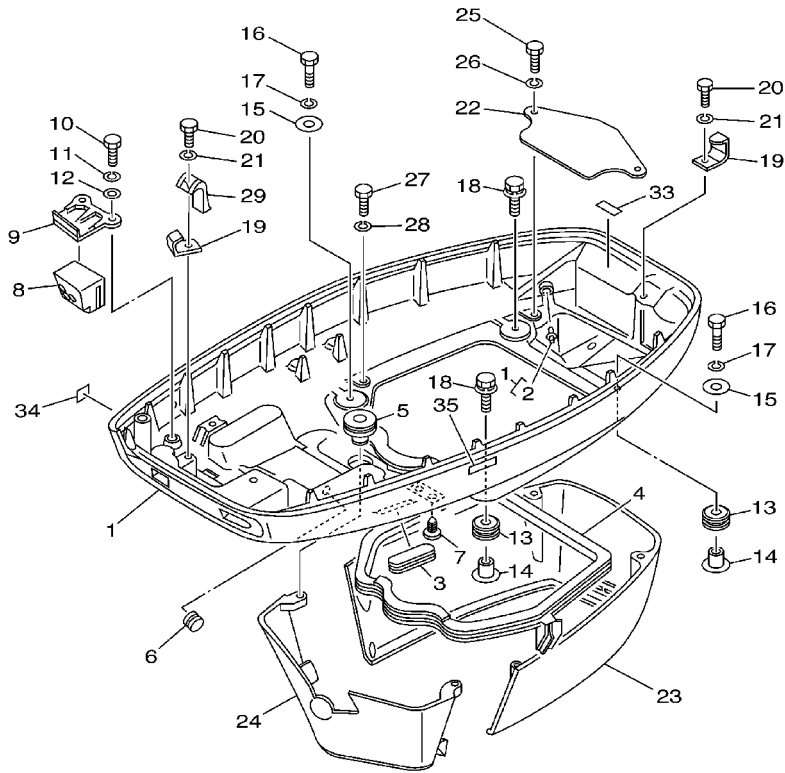
MOTOR DE ARRANQUE



REF. NO.	PART NO. CODIGO NO.	DESCRIPTION DESCRIPTION	E48C	E55C	55B	REMARKS OBSERVACION
1	697-81800-13	STARTING MOTOR ASSY MOTOR DE ARRANQUE COMPLETO			1	
2	676-81830-10	.FRONT BRACKET ASSY .SOPORTE DELANTERO COMPLETO			1	
3	688-81831-00	..METAL, FRONT ..METAL, DELANTERO			1	
4	682-81941-11	.STARTER RELAY ASSY .RELE DE ARRANQUE			1	
5	663-81832-12	.PINION ASSY .PINON COMPL.			1	
6	676-81850-12	.ARMATURE ASSY .INDUCIDO COMPLETO			1	
7	663-81810-11	.STATOR ASSY .ESTATOR COMPLETO			1	
8	663-81840-11	.BRUSH HOLDER ASSY .SOSTEN DE ESCOBILLA COMPLETO			1	
9	663-81811-11	.BRUSH 1 .ESCOBILLA 1			2	
10	663-81812-11	.BRUSH 2 .ESCOBILLA 2			2	
11	663-81813-10	.SPRING, BRUSH .RESORTE DE ESCOBILLA			4	
12	663-81820-12	.REAR BRACKET ASSY .CUBIERTA TRASERA COMPL			1	
13	98503-04012	..SCREW, PAN HEAD ..TORNILLO DE CABEZA CON PLAN			2	
14	92901-04100	..WASHER, SPRING ..ARANDELA			2	
15	97313-06010	BOLT PERNO			2	
16	663-81826-10	BOLT PERNO			2	
17	697-81857-12	.PINION STOPPER SET .JUEGO TAPON PINON			1	
18	697-81809-10	.WASHER KIT .JUEGO DE ARANDELA			1	
19	697-81815-10	.CORD, STARTER MOTOR .CABLE, MOTOR DE ARRANQUE			1	
20	697-81952-10	.HOLDER, RELAY .SOSTEN DE RELE			1	
21	688-81824-00	.WASHER 2 .ARANDELA 2			2	
22	97013-08040	BOLT PERNO			2	
23	92903-08100	WASHER, SPRING ARANDELA			2	
24	92903-08600	WASHER, PLATE ARANDELA			2	
25	663-81842-01-94	COVER TAPA			1	
26	97013-08025	BOLT PERNO			1	
27	92903-08100	WASHER, SPRING ARANDELA			1	

FIG. 12 BOTTOM COWLING

CUBIERTA INFERIOR

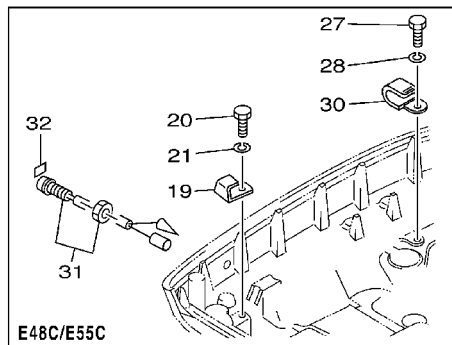
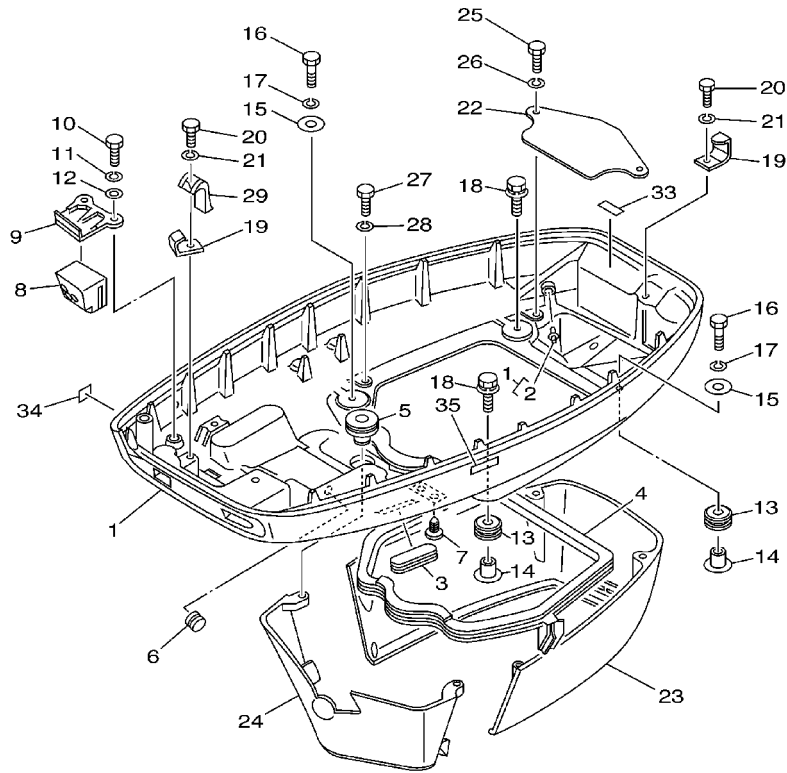


REF. NO.	PART NO. CODIGO NO.	DESCRIPTION DESCRIPTION	E48C	E55C	55B	REMARKS OBSERVACION
1	697-42711-02-4D	COWLING, BOTTOM CUBIERTA INFERIOR			1	
	696-42711-03-4D	COWLING, BOTTOM CUBIERTA INFERIOR	1	1		
2	663-24376-00	.PIPE, JOINT 1 .TUBO DE UNION 1	1	1	1	
3	6H4-42726-00	GROMMET TAPON	1	1	1	
4	663-42716-01	RUBBER, SEAL 1 SELLO DE GOMA 1	1	1	1	
5	663-42724-00	GROMMET TAPON	1	1	1	
6	90480-12004	GROMMET TAPON	1	1	1	
7	90338-05M03	PLUG TAPON	1	1	1	
8	663-42725-01	GROMMET TAPON			1	
	663-42725-11	GROMMET TAPON	1	1		
9	663-42738-03-94	PLATE, FITTING PLACA DE AJUSTE	1	1	1	
10	97095-06016	BOLT PERNO	2	2	2	
11	92995-06100	WASHER, SPRING ARANDELA	2	2	2	
12	92995-06600	WASHER ARANDELA	2	2	2	
13	90480-09M12	GROMMET TAPON	4	4	4	
14	90387-06M03	COLLAR COLLAR	4	4	4	
15	90201-06416	WASHER, PLATE ARANDELA PLANA	2	2	2	
16	97095-06030	BOLT PERNO	2	2	2	
17	92995-06100	WASHER, SPRING ARANDELA	2	2	2	
18	90119-06M08	BOLT, WITH WASHER TORNILLO CON ARANDELA	2	2	2	
19	663-42744-02	STAY SOPORTE	2	2	2	
20	97095-06014	BOLT PERNO	2	2	2	
21	92995-06100	WASHER, SPRING ARANDELA	2	2	2	
22	663-42723-01-94	COVER, BOTTOM CUBIERTA INFERIOR	1	1	1	
23	663-42741-01-4D	APRON MANDIL	1	1	1	
24	663-42771-02-4D	APRON MANDIL	1	1	1	
25	97095-06020	BOLT PERNO	2	2	2	

6961200-2120

FIG. 12 BOTTOM COWLING

CUBIERTA INFERIOR



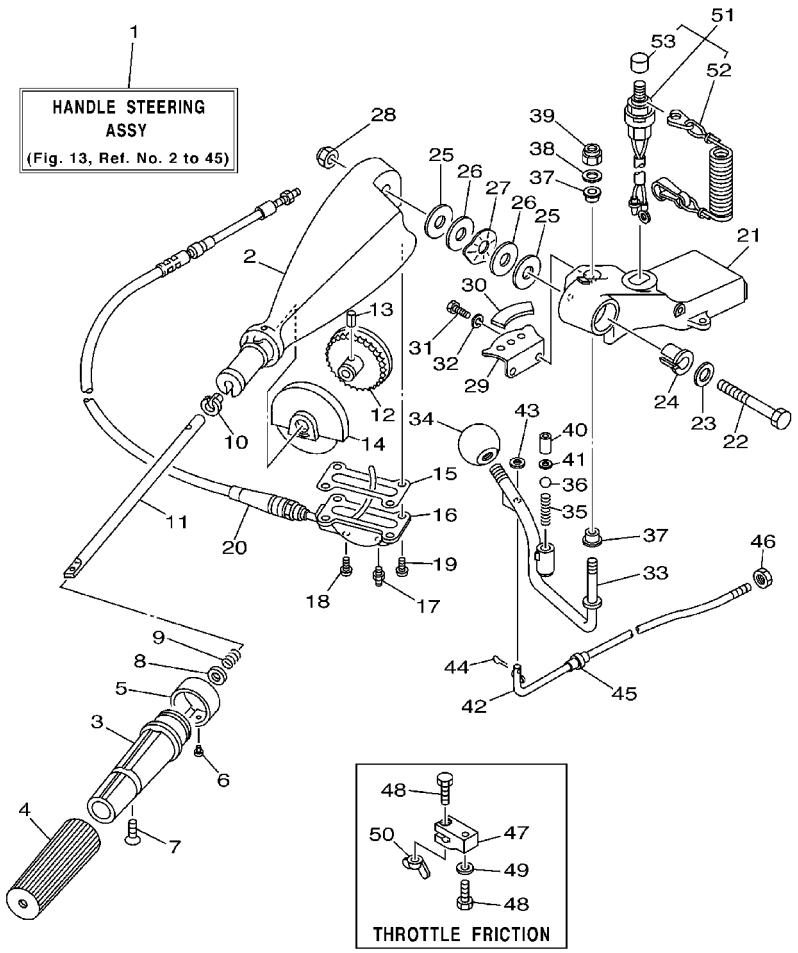
E48C/E55C



6961200-2120

REF. NO.	PART NO. CODIGO NO.	DESCRIPTION DESCRIPTION	E48C	E55C	55B	REMARKS OBSERVACION
26	92995-06100	WASHER, SPRING ARANDELA	2	2	2	
27	97095-06025	BOLT PERNO	2	2	2	
28	92995-06100	WASHER, SPRING ARANDELA	2	2	2	
29	663-82594-03	CLAMP GRAMPA			1	
30	90465-06M86	CLAMP BRIDA	1	1		
31	6E9-85411-00	OVERHEAT WARNING LAMP CALENTAR DEMASIADA DEL LAMPARA	1	1		
32	692-85415-00	MARK, SIGNAL LAMP MARCO DE FOCO DE SENAL	1	1		
33	6G5-42791-00	MARK 1 MARCA 1			1	
	664-42791-00	MARK 1 MARCA 1	1			
	663-42791-00	MARK 1 MARCA 1		1		
	6G5-42791-10	MARK 1 MARCA 1			1	FOR CHINA
	664-42791-10	MARK 1 MARCA 1	1			FOR CARIB, CHINA
34	6A1-28176-00	LABEL, CAUTION ETIQUETA DE PRECAUCION	1			FOR CARIB
35	6E3-8257H-00	PLATE, MARK PLACA DE MARCA	1			FOR CARIB

**HANDLE STEERING
ASSY**
(Fig. 13, Ref. No. 2 to 45)



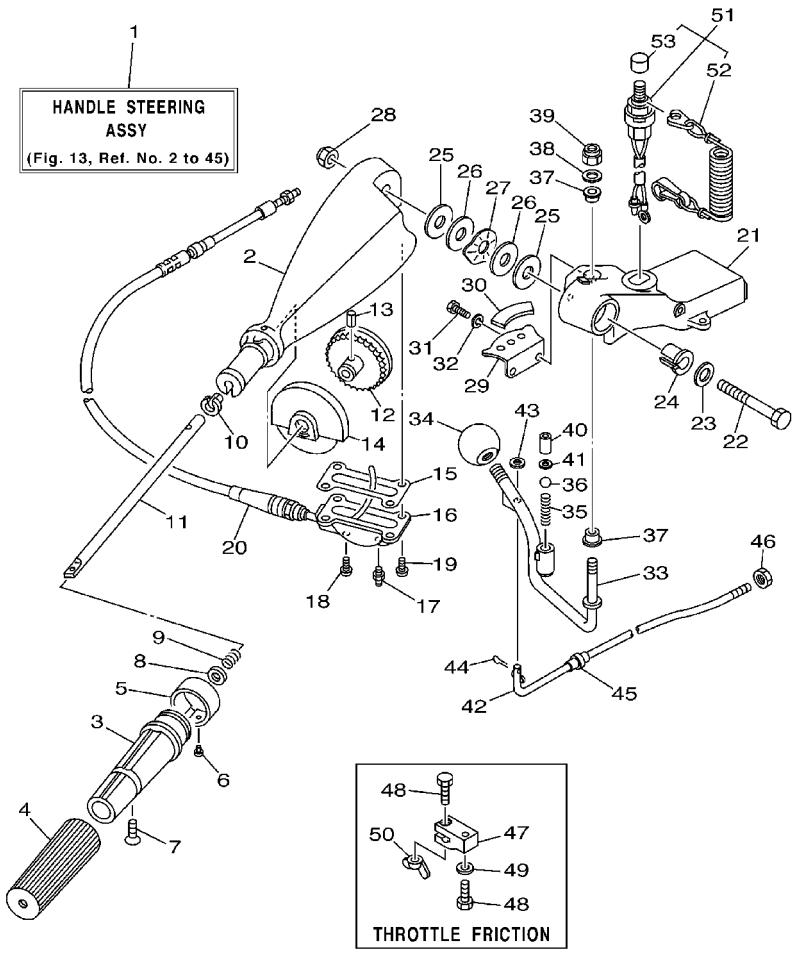
FWD
6961200-2130

FIG. 13 STEERING

DIRECCION

REF. NO.	PART NO. CODIGO NO.	DESCRIPTION DESCRIPTION	E48C	E55C	55B	REMARKS OBSERVACION
1	697-W0084-00-4D	HANDLE STEERING ASSY CONJUNTO DE MANIJA	1	1		
2	663-42111-02-4D	HANDLE, STEERING MANIJA DE DIRECCION	1	1		
3	664-42119-00	GRIP, STEERING HANDLE MANGO, MANIJA DE DIRRECCION	1	1		
4	6F6-42177-A0	RUBBER, HANDLE HULE DE MANIJA	1	1		
5	697-42137-10	INDICATOR, THROTTLE INDICADOR ACELERADOR	1	1		
6	90269-02M09	RIVET REMACHE	1	1		
7	90149-05M13	SCREW TORNILLO DE REGLAJE	1	1		
8	92903-10600	WASHER, PLATE ARANDELA	1	1		
9	90501-23215	SPRING, COMPRESSION RESORTE DE COMPRESION	1	1		
10	90386-08032	BUSH BUJE	1	1		
11	663-42115-00	SHAFT, STEERING HANDLE EJE MANIJA DE DIRECCION	1	1		
12	663-42138-00	LEVER, THROTTLE PLANCA DE ACELERACION	1	1		
13	90254-03003	PIN, SPRING PASADOR DE TIPO A RESORTE	1	1		
14	663-42135-01	HOUSING, THROTTLE LEVER CAJA PALANCA ACELERADOR	1	1		
15	663-42133-01	GASKET EMPAQUE	1	1		
16	663-42134-03-94	COVER, THROTTLE LEVER CUBIERTA PALANCA ACELERADOR	1	1		
17	93700-06M03	NIPPLE, GREASE NIPLE DE ENGRASAR	1	1		
18	97885-06008	SCREW, PAN HEAD TORNILLO DE CABEZA CON PLANA	1	1		
19	97885-05012	SCREW, PAN HEAD TORNILLO DE CABEZA CON PLANA	4	4		
20	692-26301-03	THROTTLE CABLE ASSY CABLE DE ACELERADOR COMPLETO	1	1		
21	697-42121-00-4D	BRACKET SOPORTE	1	1		
22	90101-12M06	BOLT TORNILLO	1	1		
23	92990-12200	WASHER, PLAIN ARANDELA	1	1		
24	90386-12089	BUSH BUJE	1	1		
25	90202-12092	WASHER, PLATE ARANDELA DE PLANA	2	2		
26	90201-12537	WASHER, PLATE ARANDELA PLANA	2	2		
27	90206-12054	WASHER, WAVE ARANDELA ONDULADA	1	1		

**HANDLE STEERING
ASSY**
(Fig. 13, Ref. No. 2 to 45)

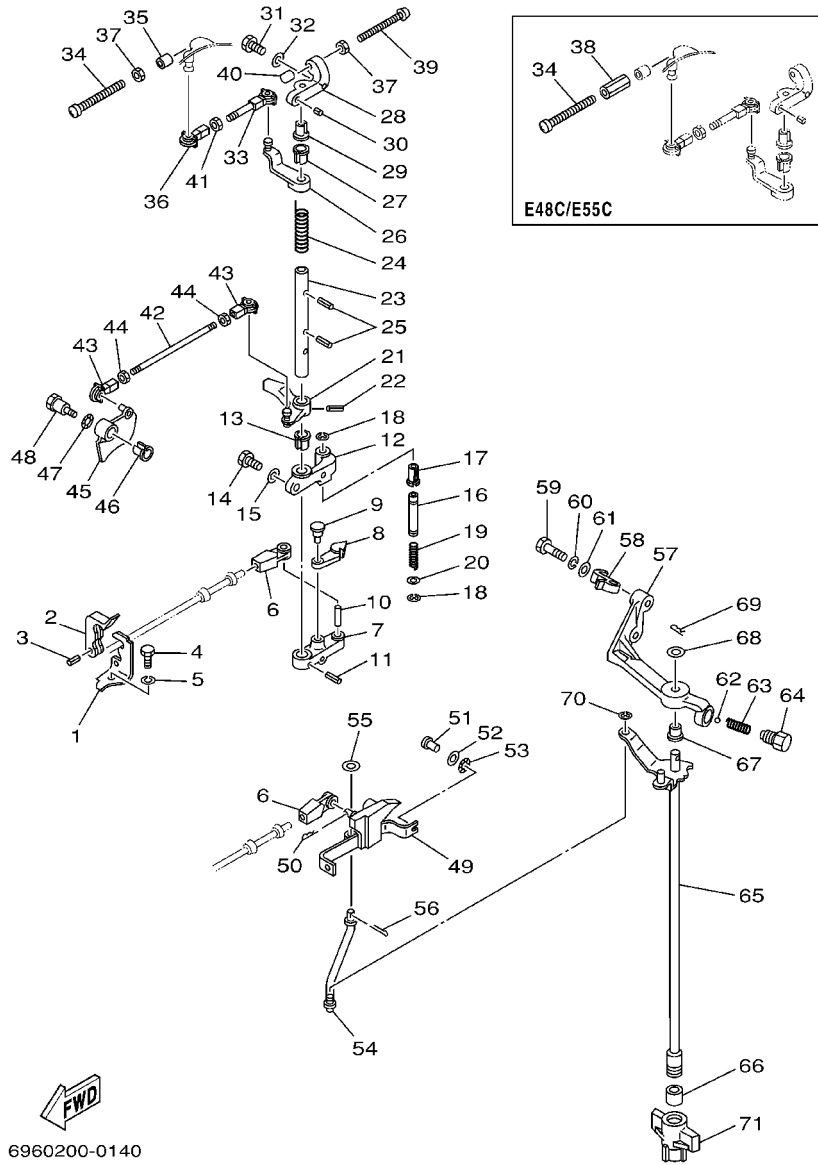


FWD
6961200-2130

FIG. 13 STEERING

DIRECCION

REF. NO.	PART NO. CODIGO NO.	DESCRIPTION DESCRIPTION	E48C	E55C	55B	REMARKS OBSERVACION
28	90185-12058	NUT, SELF-LOCKING TUERCA AUTOBLOCANTE	1	1		
29	697-44113-00	CAM PLATE, HANDLE PLACA DE LA LEVA DEL MANGO	1	1		
30	6K5-44191-00	INDICATOR, SHIFT INDICADOR DE CAMBIOS	1	1		
31	97013-06016	BOLT PERNO	2	2		
32	92903-06100	WASHER, SPRING ARANDELA	2	2		
33	697-44159-00	HANDLE, GEAR SHIFT MANIJA DE CAMBIO DE MARCHAS	1	1		
34	663-44173-00	LEVER, SHIFT CONTROL PALANCA CONTROL CAMBIOS	1	1		
35	90501-16M17	SPRING, COMPRESSION RESORTE DE COMPRESION	1	1		
36	93515-32M01	BALL BOLA	1	1		
37	90386-10009	BUSH BUJE	2	2		
38	90201-10120	WASHER, PLATE ARANDELA PLANA	1	1		
39	90185-10051	NUT, SELF-LOCKING TUERCA AUTOBLOCANTE	1	1		
40	90387-12M30	COLLAR COLLAR	1	1		
41	90201-12M34	WASHER, PLATE ARANDELA PLANA	1	1		
42	663-42164-00	ROD, MANUAL SHIFT VARILLA DE CAMBIOS MANUAL	1	1		
43	92990-06600	WASHER, PLATE ARANDELA	1	1		
44	91490-25012	PIN, COTTER PASADOR DE CHAVETA	1	1		
45	90386-06088	BUSH BUJE	1	1		
46	700-48339-00	NUT, CABLE END TUERCA TERMINAL	1	1		
47	663-42126-01	FRICTION, STEERING HANDLE GRIP FRICCION DE MANGO DIRECCION	1	1		
48	90101-06M27	BOLT TORNILLO	2	2		
49	92990-06600	WASHER, PLATE ARANDELA	1	1		
50	90175-06003	NUT, WING TUERCA MARIPOSA	1	1		
51	6K5-82575-03	ENGINE STOP SWITCH ASSY INTERRUPTOR DE PARADA COMPL	1	1		
52	682-82556-00	.STOPPER .RETENER	1	1		
53	689-8257Y-00	.CAP .CASQUILLO	1	1		

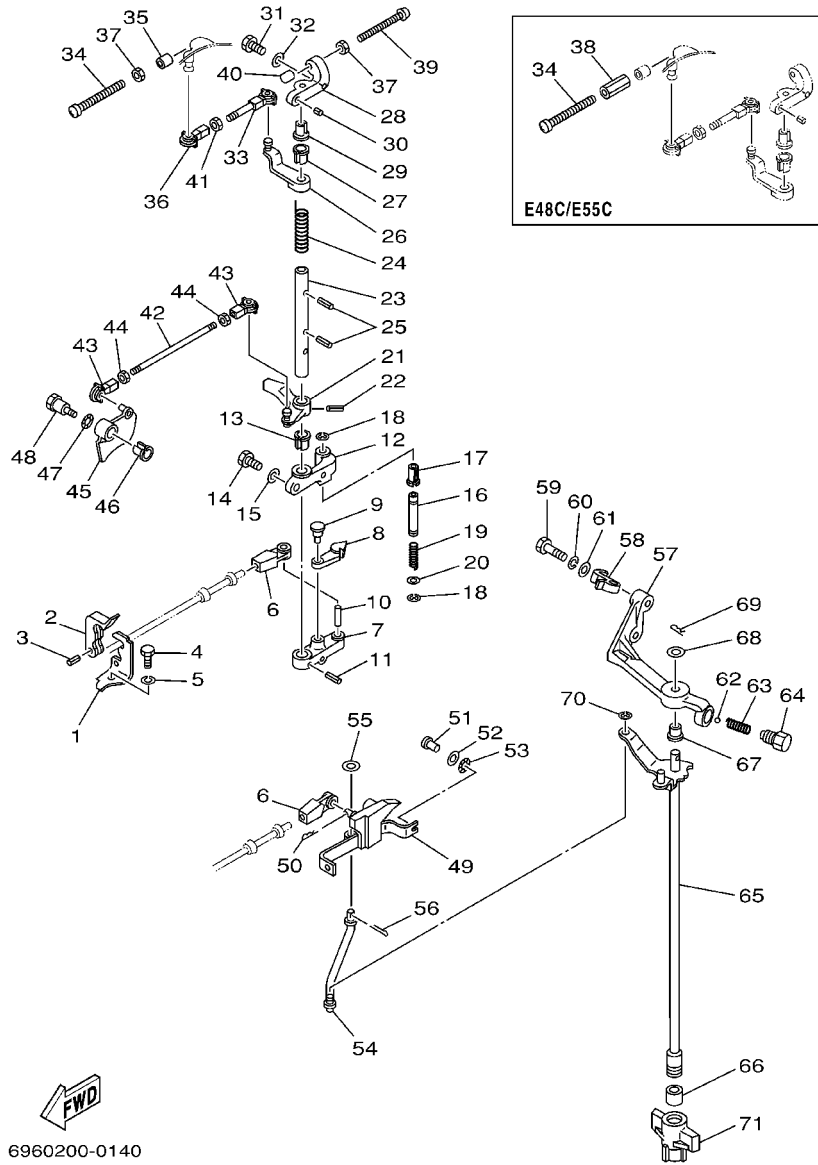


FWD
6960200-0140

FIG. 14 CONTROL

CONTROL

REF. NO.	PART NO. CODIGO NO.	DESCRIPTION DESCRIPTION	E48C	E55C	55B	REMARKS OBSERVACION
1	663-48531-00	BRACKET, REMOTE CONTROL SOPORTE DE CONTROL REMOTO	1	1	1	
2	663-48538-00	CLAMP, CABLE 1 GRAMPA DE CABLE	1	1	1	
3	91690-30012	PIN, SPRING PASADOR DE RESORTE	1	1	1	
4	97095-08016	BOLT PERNO	1	1	1	
5	92995-08100	WASHER ARANDELA	1	1	1	
6	663-48344-00	CABLE END, REMOTE CONTROL BASE CONTROL	2	2	2	
7	663-41632-00-94	LEVER, MAGNETO CONTROL PALANCA DE CONTROL DE MAGNETO	1	1	1	
8	663-41282-00	STOPPER, FREE ACCEL. LINK RETENEDOR, ESLABON ACELERADOR	1	1	1	
9	90249-05125	PIN PASADOR	1	1	1	
10	93607-23110	PIN, DOWEL PASADOR DE CLAVIJA	1	1	1	
11	91690-30018	PIN, SPRING PASADOR DE RESORTE	1	1	1	
12	663-41662-00-94	BRACKET SOPORTE	1	1	1	
13	90386-10009	BUSH BUJE	1	1	1	
14	97095-06018	BOLT PERNO	2	2	2	
15	92995-06600	WASHER ARANDELA	2	2	2	
16	663-44114-00	STOPPER RETEN	1	1	1	
17	90386-06M39	BUSH BUJE	1	1	1	
18	99080-05600	CIRCLIP PRESILLA REDONDA	2	2	2	
19	90501-08232	SPRING, COMPRESSION RESORTE DE COMPRESION	1	1	1	
20	92903-06600	WASHER, PLATE ARANDELA	1	1	1	
21	663-41633-00-94	LEVER, MAGNETO CONTROL PALANCA DE CONTROL DE MAGNETO	1	1	1	
22	91690-30018	PIN, SPRING PASADOR DE RESORTE	1	1	1	
23	663-41635-00	SHAFT, LINK CONNECTING EJE ESLABON CONECTOR	1	1	1	
24	90508-20169	SPRING, TORSION RESORTE DE TORSION	1	1	1	
25	91690-30018	PIN, SPRING PASADOR DE RESORTE	2	2	2	
26	663-41631-00-94	LEVER, MAGNETO CONTROL PALANCA DE CONTROL DE MAGNETO	1	1	1	
27	90386-10009	BUSH BUJE	1	1	1	

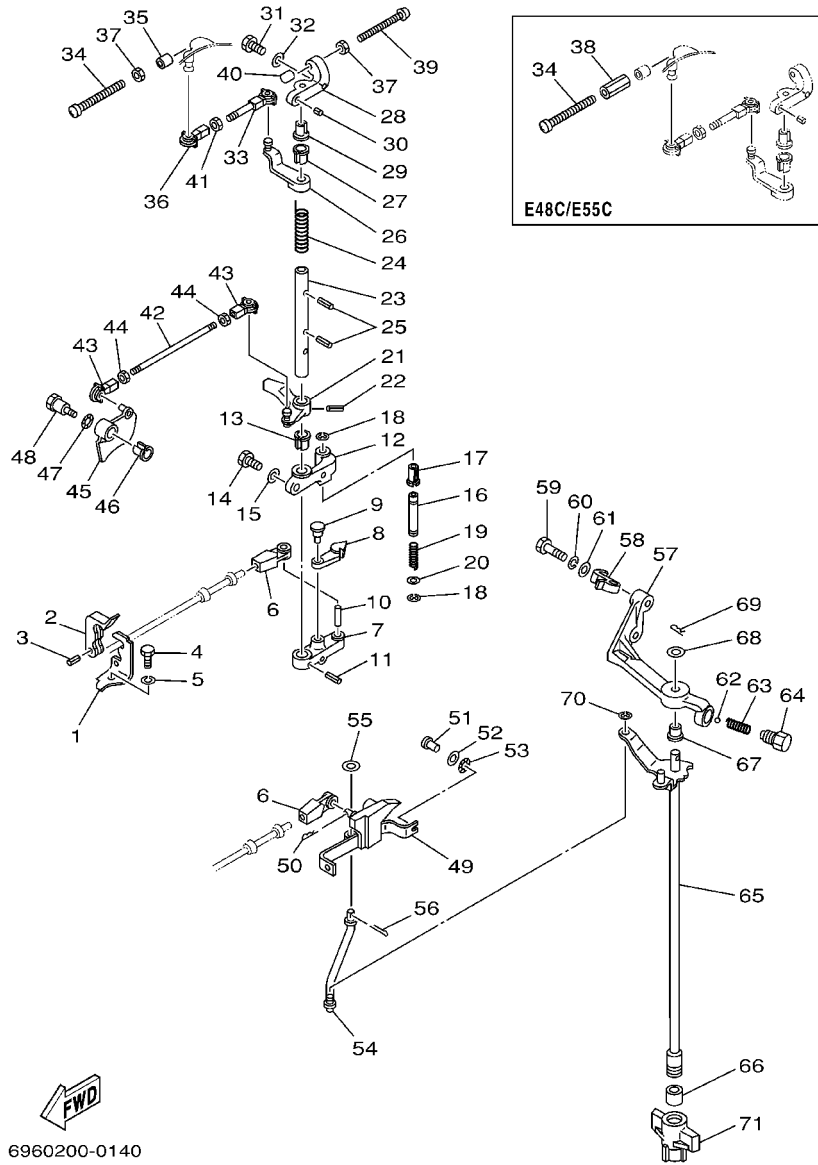


6960200-0140

FIG. 14 CONTROL

CONTROL

REF. NO.	PART NO. CODIGO NO.	DESCRIPTION DESCRIPTION	E48C	E55C	55B	REMARKS OBSERVACION
28	663-41661-00-94	BRACKET SOPORTE	1	1	1	
29	90386-10009	BUSH BUJE	1	1	1	
30	91690-40010	PIN, SPRING PASADOR DE RESORTE	1	1	1	
31	97095-06018	BOLT PERNO	1	1	1	
32	92995-06600	WASHER ARANDELA	1	1	1	
33	688-41636-00	ROD, MAGNETO CONTROL VARILLA DE CONTROL MAGNETO	1	1	1	
34	90157-06M11	SCREW, PAN HEAD TORNILLO CABEZA CONICA PLANA			1	
	90157-06M12	SCREW, PAN HEAD TORNILLO CABEZA CONICA PLANA	1	1		
35	688-44194-00	CAP TAPA	1	1	1	
36	662-41237-01	JOINT, LINK CONECTOR	1	1	1	
37	95380-06700	NUT TUERCA			2	
	90170-06017	NUT TUERCA	1	1		
38	95380-06700	NUT TUERCA	1	1		
39	90157-06M12	SCREW, PAN HEAD TORNILLO CABEZA CONICA PLANA	1	1	1	
40	663-44194-00	CAP TAPA	1	1	1	
41	95380-05600	NUT TUERCA	1	1	1	
42	697-41211-00	LINK, ACCEL. ES LABON, ACELERADOR		1	1	
	663-41211-00	LINK, ACCEL. ES LABON, ACELERADOR	1			
43	6H4-41237-00	JOINT, LINK CONECTOR		2	2	
	662-41237-01	JOINT, LINK CONECTOR	2			
44	95380-05600	NUT TUERCA		2	2	
	95380-05600	NUT TUERCA	1			
45	663-41213-01-94	CAM, ACCEL. LEVA ACELERADOR	1	1	1	
46	90386-10009	BUSH BUJE	1	1	1	
47	90206-10M04	WASHER, WAVE ARANDELA ONDULADA	1	1	1	
48	90109-06260	BOLT PERNO	1	1	1	
49	663-44117-01	BRACKET SOPORTE	1	1	1	



6960200-0140

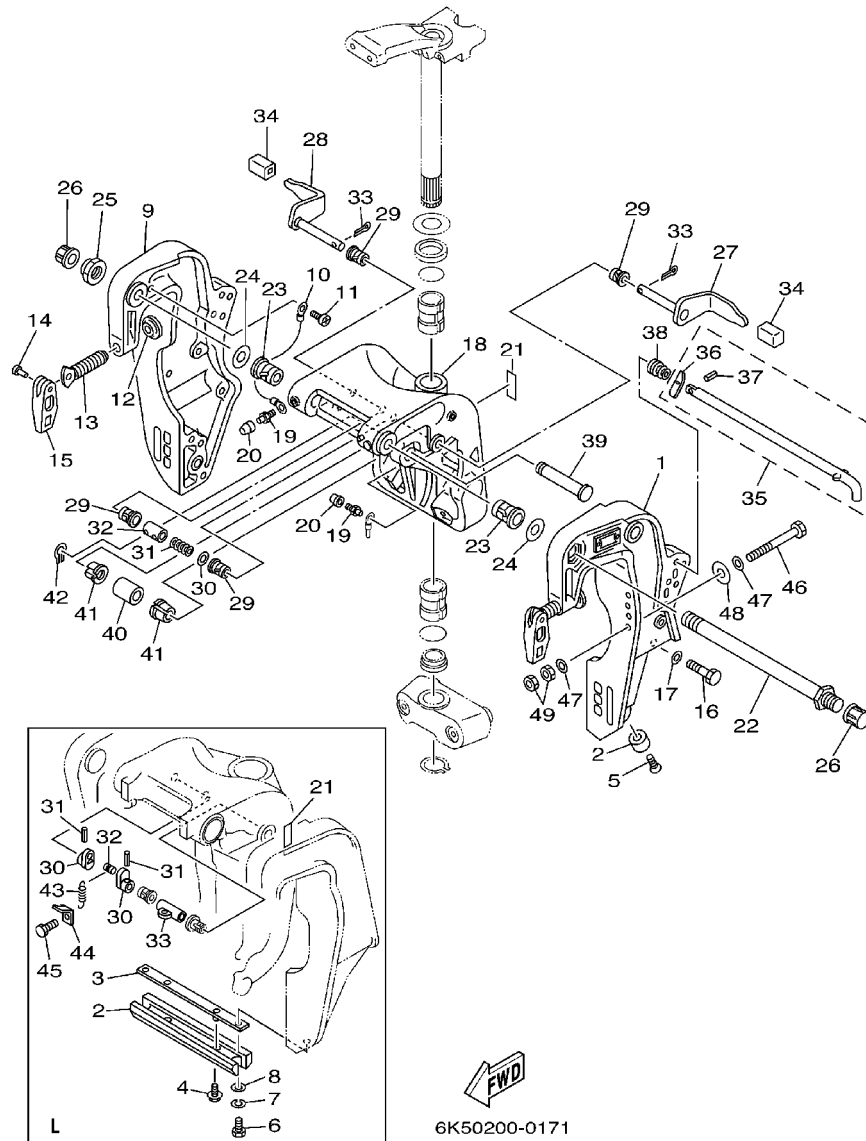
FIG. 14 CONTROL

CONTROL

REF. NO.	PART NO. CODIGO NO.	DESCRIPTION DESCRIPTION	E48C	E55C	55B	REMARKS OBSERVACION
50	90468-18008	CLIP PRESILLA	1	1	1	
51	90241-06M00	PIN PASADOR	1	1	1	
52	92903-06600	WASHER, PLATE ARANDELA	1	1	1	
53	90206-06040	WASHER, WAVE ARANDELA ONDULADA	1	1	1	
54	663-44121-01	LEVER, SHIFT ROD PALANCA VARILLA CAMBIOS	1	1	1	
55	92903-06600	WASHER, PLATE ARANDELA	1	1	1	
56	91490-16012	PIN, COTTER PASADOR DE CHAVETA	1	1	1	
57	688-44118-00-94	BRACKET SOPORTE	1	1	1	
58	90462-05M02	CLAMP BRIDA			1	
59	97013-08030	BOLT PERNO	2	2	2	
60	92903-08100	WASHER, SPRING ARANDELA	2	2	2	
61	92903-08600	WASHER, PLATE ARANDELA	2	2	2	
62	93501-04M02	BALL BOLA	1	1	1	
63	90501-12082	SPRING, COMPRESSION RESORTE DE COMPRESION	1	1	1	
64	648-42715-00	BUSHING BUJE	1	1	1	
65	697-44120-02	HANDLE GEAR SHIFT ASSY MANIJA DE CAMBIO COMPL			1	S
	696-44120-02	HANDLE GEAR SHIFT ASSY MANIJA DE CAMBIO COMPL	1	1		S
	697-44120-12	HANDLE GEAR SHIFT ASSY MANIJA DE CAMBIO COMPL			1	L
	696-44120-12	HANDLE GEAR SHIFT ASSY MANIJA DE CAMBIO COMPL	1	1		L
66	696-44147-00	BOOT, SHIFT ROD HULE DE VARILLA	1	1	1	
67	90386-08006	BUSH BUJE	1	1	1	
68	92990-08200	WASHER, PLAIN ARANDELA	1	1	1	
69	90468-18008	CLIP PRESILLA	1	1	1	
70	99080-05600	CIRCLIP PRESILLA REDONDA	1	1	1	
71	697-43662-00	GUIDE, REVERSE ROD GUIA DE LA VARILLA DE REVERSE			1	
	696-43662-00	GUIDE, REVERSE ROD GUIA DE LA VARILLA DE REVERSE	1	1		

FIG. 15 BRACKET 1

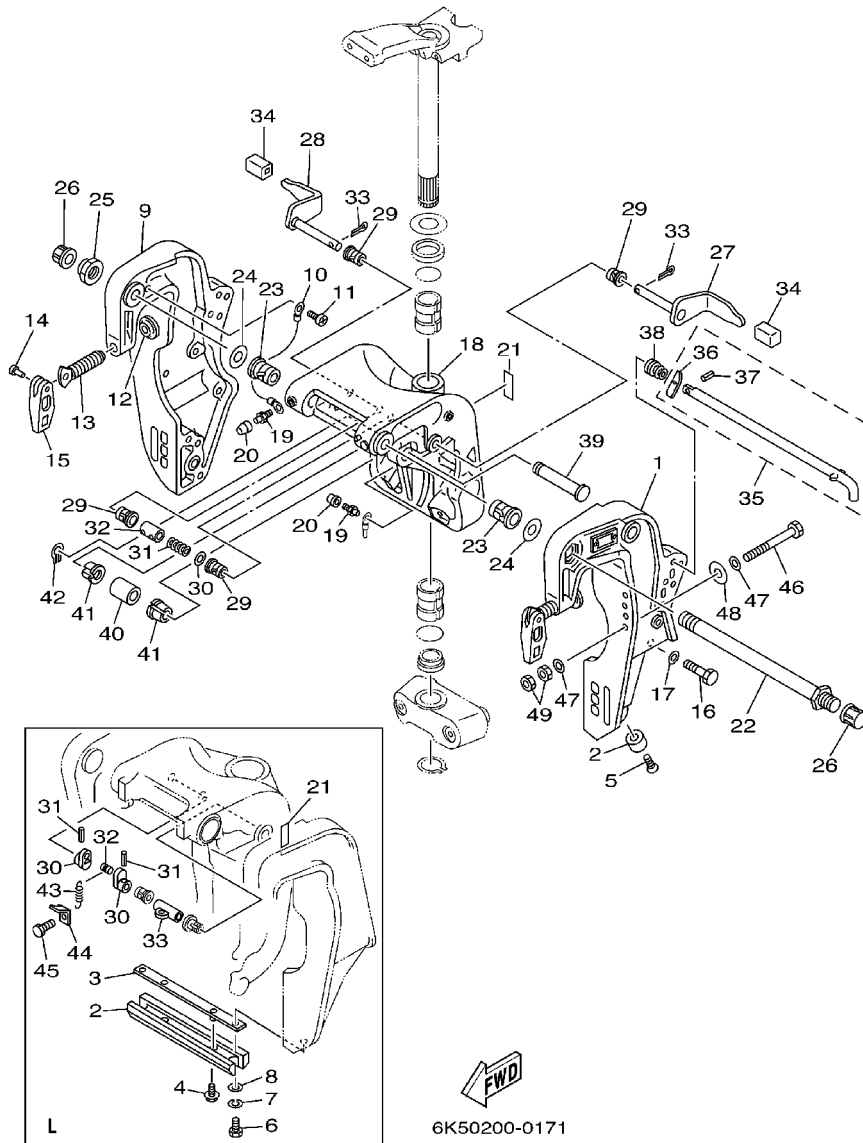
SOPORTE 1



REF. NO.	PART NO. CODIGO NO.	DESCRIPTION DESCRIPTION	E48C	E55C	55B	REMARKS OBSERVACION
1	697-43111-05-4D	BRACKET, CLAMP SOPORTE DE LA ABRAZADERA			1	S
	688-43111-13-4D	BRACKET, CLAMP SOPORTE DE LA ABRAZADERA			1	L
2	663-45251-00	ANODE CATODE			2	S
	6H1-45251-03	ANODE CATODE			1	L
3	6H1-44526-00	PLATE PLACA 1			1	L
4	90119-06M29	BOLT, WITH WASHER TORNILLO CON ARANDELA			2	L
5	90152-06M01	SCREW, COUNTERSUNK TORNILLO EMBUTIDO			2	S
6	97095-06016	BOLT PERNO			2	L
7	92995-06100	WASHER, SPRING ARANDELA			2	L
8	92995-06600	WASHER ARANDELA			2	L
9	697-43112-03-4D	BRACKET, CLAMP SOPORTE DE LA ABRAZADERA			1	S
	688-43112-12-4D	BRACKET, CLAMP SOPORTE DE LA ABRAZADERA			1	L
10	6E5-82148-00	WIRE, LEAD 4 CABLE CONDUCTOR 4			1	
11	97880-06012	SCREW, PAN HEAD TORNILLO DE CABEZA CON PLANA			1	
12	648-43114-01	PAD, TRANSOM CLAMP ARANDELA DE ABRAZADERA			2	
13	663-43116-01	SCREW, TRANSOM CLAMP TORNILLO DE ABRAZADERA			2	
14	90243-04007	PIN PASADOR			2	
15	663-43118-01-4D	HANDLE, TRANSOM CLAMP MANIJA DE LA ABRAZADERA DEL ES			2	
16	97095-10045	BOLT PERNO			6	
17	92995-10100	WASHER ARANDELA			6	
18	697-43311-03-4D	BRACKET, SWIVEL 1 SOPORTE GIRATORIO 1			1	S
	6H1-43311-01-4D	BRACKET, SWIVEL 1 SOPORTE GIRATORIO 1			1	L
19	93700-06M03	NIPPLE, GREASE NIPLE DE ENGRASAR			3	
20	663-45119-00	CAP, GREASE NIPPLE TAPA DE GRASERA			3	AP
21	688-43691-01	INDICATOR, TILT INDICADOR			1	
22	688-43131-03	BOLT, CLAMP BRACKET TORNILLO DE ABRAZADERA DEL SOP			1	
23	90386-22M15	BUSH BUJE			2	

FIG. 15 BRACKET 1

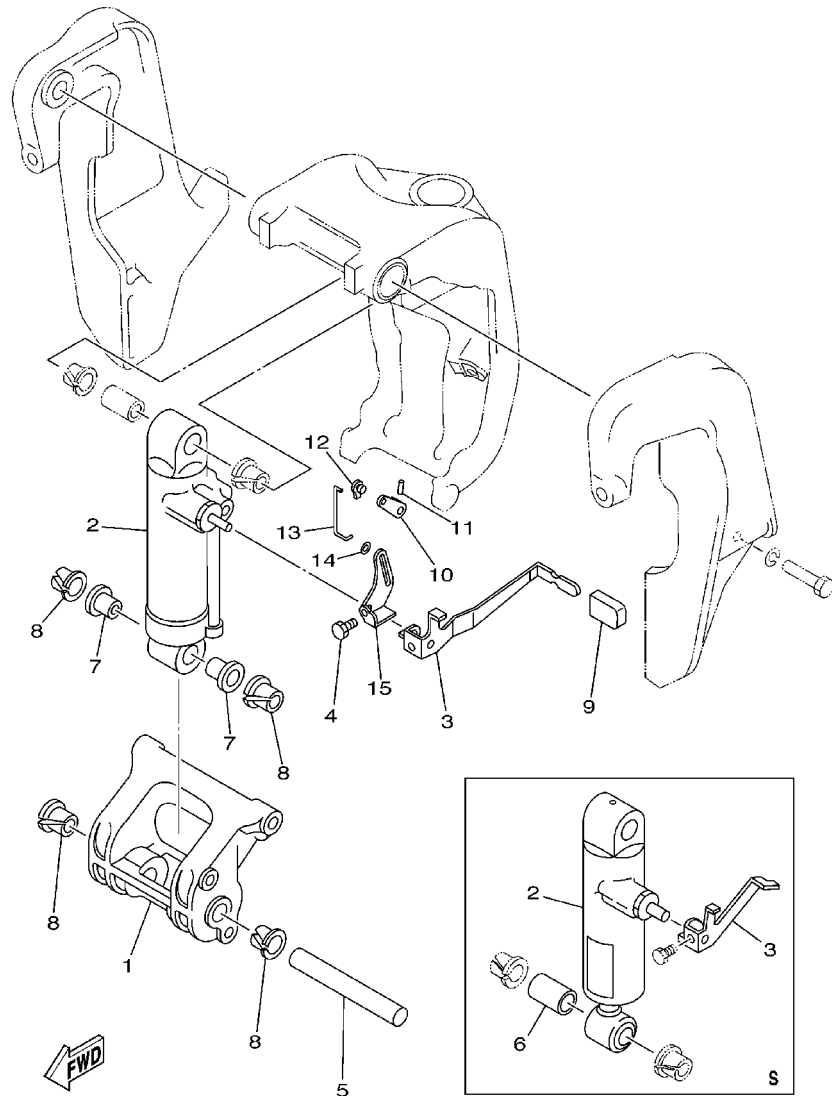
SOPORTE 1



REF. NO.	PART NO. CODIGO NO.	DESCRIPTION DESCRIPTION	E48C	E55C	55B	REMARKS OBSERVACION
24	90201-22M67	WASHER, PLATE ARANDELA PLANA			2	
25	90185-22043	NUT, SELF-LOCKING TUERCA AUTOBLOCANTE			1	
26	6G5-43145-01	CAP, CLAMP BRACKET TAPA			2	
27	688-43181-04	LEVER, TILT STOP PALANCA TOPE INCLINACION			1	S
	688-43181-10	LEVER, TILT STOP PALANCA TOPE INCLINACION			1	L
28	688-43185-04	LEVER, TILT STOP PALANCA TOPE INCLINACION			1	S
	688-43185-10	LEVER, TILT STOP PALANCA TOPE INCLINACION			1	L
29	90386-10M16	BUSH BUJE			4	
30	92990-10600	WASHER, PLATE ARANDELA			1	S
	6G5-43148-00	COLLAR, DISTANCE COLLAR			2	L
31	90501-10M21	SPRING, COMPRESSION RESORTE DE COMPRESION			1	S
	91690-30020	PIN, SPRING PASADOR DE RESORTE			2	L
32	90387-10M38	COLLAR COLLAR			1	S
	90249-06M19	PIN PASADOR			1	L
33	91490-30025	PIN, COTTER PASADOR DE CHAVETA			2	S
	90387-10M02	COLLAR COLLAR			1	L
34	663-43318-00	COVER CUBIERTA			2	
35	697-43160-00	TILT ROD ASSY VARILLA DE BASCULACION COMPL.			1	S
	688-43160-01	TILT ROD ASSY VARILLA DE BASCULACION COMPL.			1	L
36	688-43165-00	.PLATE, TILT LOCK .PLACA DE TOPE, VARILLA SEGUR			1	
37	91690-30012	.PIN, SPRING .PASADOR DE RESORTE			1	
38	90502-20M03	SPRING, CONICAL RESORTE CONICO			1	S
	90502-16M02	SPRING, CONICAL RESORTE CONICO			1	L
39	6E5-43126-02	PIN, UPPER SHOCK MOUNT PASADOR DE AMORTIGUADOR SUPER			1	
40	90386-18M21	BUSH BUJE			1	
41	90386-18M35	BUSH BUJE			2	
42	93410-18M02	CIRCLIP BOLA			1	

FIG. 16 BRACKET 2

SOPORTE 2

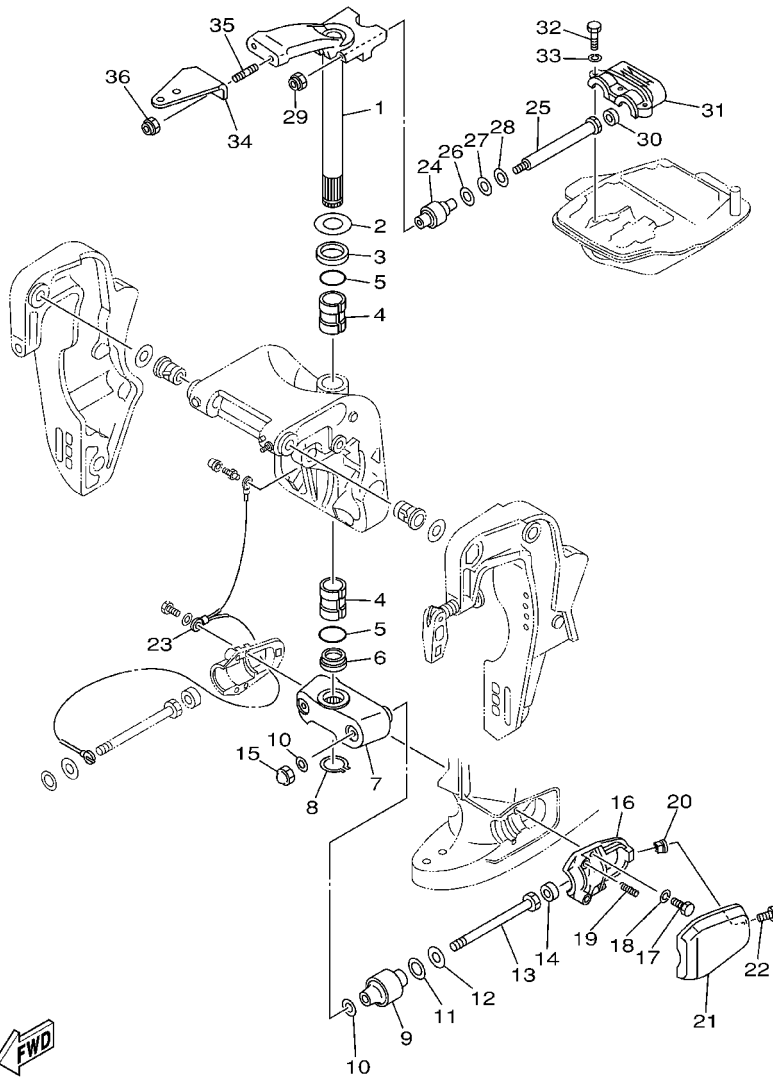


6961200-2160

REF. NO.	PART NO. CODIGO NO.	DESCRIPTION DESCRIPTION	E48C	E55C	55B	REMARKS OBSERVACION
1	697-43128-01-4D	SPACER, CLAMP BRACKET ESPACIADOR ABRAZADERA SOPORTE			1	S
	688-43128-01-4D	SPACER, CLAMP BRACKET ESPACIADOR ABRAZADERA SOPORTE			1	L
2	697-43170-03-4D	SHOCK ABSORBER ASSY AMORTIGUADOR COMPL.			1	S
	688-43170-04-4D	SHOCK ABSORBER ASSY AMORTIGUADOR COMPL.			1	L
3	688-43631-00	LEVER, TILT PALANCA DE INCLINACION			1	S
	688-43631-10	LEVER, TILT PALANCA DE INCLINACION			1	L
4	97080-06010	BOLT PERNO			1	
5	688-43124-02	PIN, LOWER SHOCK MOUNT PASADOR DE AMORTIGUADOR INFERI			1	
6	90386-18M21	BUSH BUJE			1	S
7	90386-18M63	BUSH BUJE			2	L
8	90386-18M35	BUSH BUJE			4	
9	682-43318-01	COVER CUBIERTA			1	L
10	688-43186-00	LEVER PALANCA			1	L
11	91690-30020	PIN, SPRING PASADOR DE RESORTE			1	L
12	6J8-41262-00	JOINT, CHOKE LEVER CONECTOR DE AHOGADOR			1	L
13	688-43616-00	ROD, TILT LOCK VARILLA SEGURO DE INCLINACION			1	L
14	90202-03M51	WASHER, PLATE ARANDELA DE PLANA			1	L
15	688-43651-00	LEVER, REVERSE LOCK 1 PALANCA SEGURO DE RESERVA			1	L

FIG. 17 BRACKET 3

SOPORTE 3

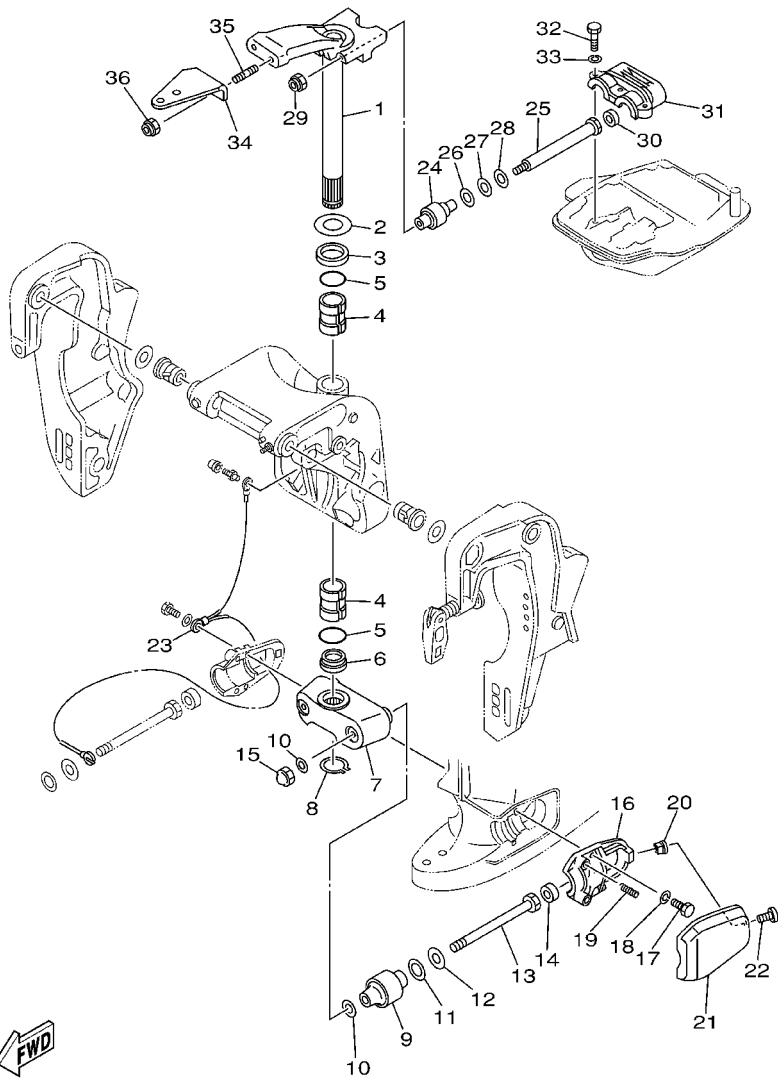


6960200-0170

REF. NO.	PART NO. CODIGO NO.	DESCRIPTION DESCRIPTION	E48C	E55C	55B	REMARKS OBSERVACION
1	663-42510-03-4D	STEERING BRACKET ASSY SOPORTE DIRECCION COMPL.			1	S
	663-42510-13-4D	STEERING BRACKET ASSY SOPORTE DIRECCION COMPL.			1	L
2	90201-30M00	WASHER, PLATE ARANDELA PLANA			1	
3	90386-30M78	BUSH BUJE			1	
4	90386-30M77	BUSH BUJE			2	
5	93210-29M94	O-RING ANILLO O			2	
6	90386-30M60	BUSH BUJE			1	
7	663-44551-02-4D	HOUSING, LOWER MOUNT RUBBER CAJA AMORTIGUADOR INFERIOR HU			1	
8	93410-28M06	CIRCLIP BOLA			1	
9	687-44555-00-94	MOUNT DAMPER, LOWER SIDE AMORTIGUADOR DE HULE LADO INFE			2	
10	90201-12M16	WASHER, PLATE ARANDELA PLANA			4	
11	90202-25M04	WASHER, PLATE ARANDELA DE PLANA			2	
12	90201-13M19	WASHER, PLATE ARANDELA PLANA			2	
13	90109-12261	BOLT PERNO			2	
14	663-44575-00	DAMPER, LOWER MOUNT RUBBER AMORTIGUADOR INFERIOR			2	
15	95380-12800	NUT, CROWN TUERCA			2	
16	687-44552-02-94	HOUSING, LOWER MOUNT RUBBER CAJA AMORTIGUADOR INFERIOR HU			2	
17	97075-08025	BOLT PERNO			4	
18	92995-08100	WASHER ARANDELA			4	
19	90501-14M08	SPRING, COMPRESSION RESORTE DE COMPRESION			4	
20	90179-06066	NUT TUERCA			2	
21	663-44553-01-4D	COVER, LOWER MOUNT CUBIERTA, AMORTIGUADOR INFERIOR			2	
22	97885-06016	SCREW, PAN HEAD TORNILLO DE CABEZA CON PLANA			2	
23	697-82127-01	WIRE, LEAD 2 CABLE CONDUCTOR 2			1	S
	688-82127-02	WIRE, LEAD 2 CABLE CONDUCTOR 2			1	L
24	670-44514-00-94	MOUNT DAMPER, UPPER SIDE AMORTIGUADOR LADO SUPERIOR			2	
25	90109-08262	BOLT PERNO			2	

FIG. 17 BRACKET 3

SOPORTE 3

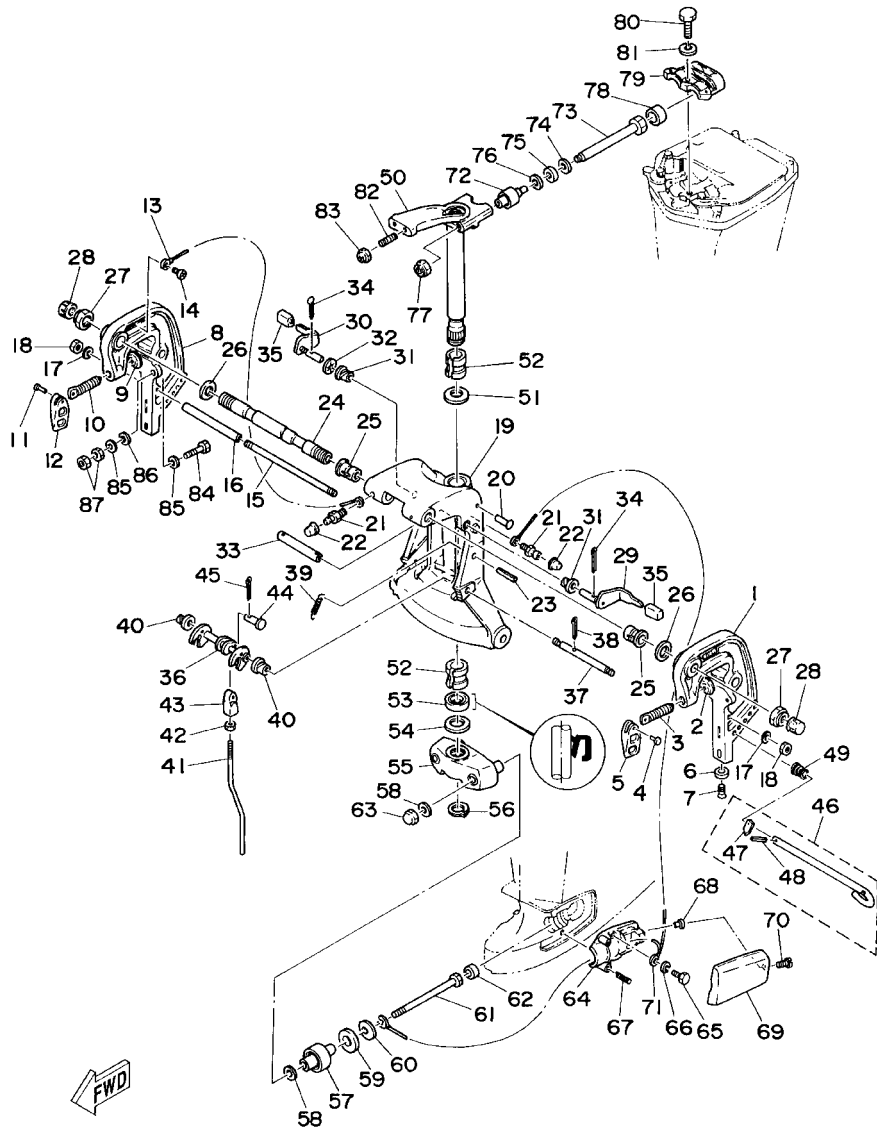


6960200-0170

REF. NO.	PART NO. CODIGO NO.	DESCRIPTION DESCRIPTION	E48C	E55C	55B	REMARKS OBSERVACION
26	90201-15423	WASHER, PLATE ARANDELA PLANA			2	
27	90202-15065	WASHER, PLATE ARANDELA DE PLANA			2	
28	90201-09425	WASHER, PLATE ARANDELA PLANA			2	
29	90185-08045	NUT, SELF-LOCKING TUERCA AUTOBLOCANTE			2	
30	663-44533-00	DAMPER, UPPER MOUNT RUBBER AMORTIGUADOR SUPERIOR			2	
31	663-44511-00-94	COVER, UPPER MOUNT CUBIERTA AMORTIGUADOR SUPERIOR			1	
32	97075-08035	BOLT PERNO			3	
33	92995-08100	WASHER ARANDELA			3	
34	688-48511-51-4D	HOOK, STEERING GANCHO DIRECCION			1	STEERING GUIDE TYPE
35	90116-10175	BOLT, STUD ESPARRAGO			2	
36	90185-10051	NUT, SELF-LOCKING TUERCA AUTOBLOCANTE			2	

FIG. 18 BRACKET 4

SOPORTE 4

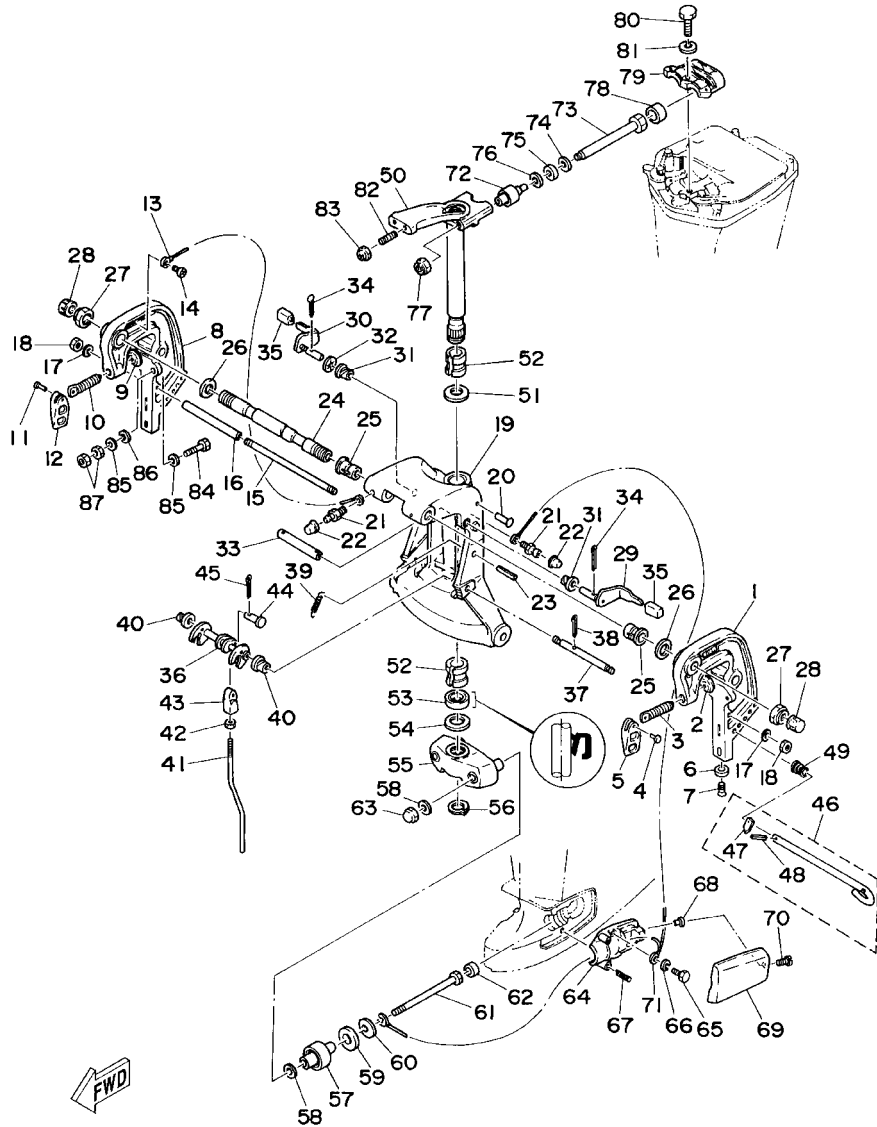


6960100-4120

REF. NO.	PART NO. CODIGO NO.	DESCRIPTION DESCRIPTION	E48C	E55C	55B	REMARKS OBSERVACION
1	696-43111-01-4D	BRACKET, CLAMP SOPORTE DE LA ABRAZADERA	1	1		
2	648-43114-01	PAD, TRANSOM CLAMP ARANDELA DE ABRAZADERA	1	1		
3	663-43116-01	SCREW, TRANSOM CLAMP TORNILLO DE ABRAZADERA	1	1		
4	90243-04007	PIN PASADOR	1	1		
5	663-43118-01-4D	HANDLE, TRANSOM CLAMP MANIJA DE LA ABRAZADERA DEL ES	1	1		
6	663-45251-00	ANODE CATODE	1	1		
7	90152-06M01	SCREW, COUNTERSUNK TORNILLO EMBUTIDO	1	1		
8	696-43112-00-4D	BRACKET, CLAMP SOPORTE DE LA ABRAZADERA	1	1		
9	648-43114-01	PAD, TRANSOM CLAMP ARANDELA DE ABRAZADERA	1	1		
10	663-43116-01	SCREW, TRANSOM CLAMP TORNILLO DE ABRAZADERA	1	1		
11	90243-04007	PIN PASADOR	1	1		
12	663-43118-01-4D	HANDLE, TRANSOM CLAMP MANIJA DE LA ABRAZADERA DEL ES	1	1		
13	6E5-82148-00	WIRE, LEAD 4 CABLE CONDUCTOR 4	1	1		
14	97880-06012	SCREW, PAN HEAD TORNILLO DE CABEZA CON PLANA	1	1		
15	663-43123-00	BOLT, CLAMP BRACKET TORNILLO DE ABRAZADERA DEL SOP	1	1		
16	90387-10M03	COLLAR COLLAR	1	1		
17	92990-10600	WASHER, PLATE ARANDELA	2	2		
18	95380-10600	NUT TUERCA	2	2		
19	696-43311-00-4D 696-43311-10-4D	BRACKET, SWIVEL 1 SOPORTE GIRATORIO 1 BRACKET, SWIVEL 1 SOPORTE GIRATORIO 1	1 1	1 1		S L
20	90269-03010	RIVET REMACHE	1	1		
21	93700-06M03	NIPPLE, GREASE NIPLE DE ENGRASAR	3	3		
22	663-45119-00	CAP, GREASE NIPPLE TAPA DE GRASERA	3	3		AP
23	91690-40040	PIN, SPRING PASADOR DE RESORTE	1	1		
24	696-43131-01	BOLT, CLAMP BRACKET TORNILLO DE ABRAZADERA DEL SOP	1	1		
25	90386-22M15	BUSH BUJE	2	2		
26	90201-22M03	WASHER, PLATE ARANDELA PLANA	2	2		

FIG. 18 BRACKET 4

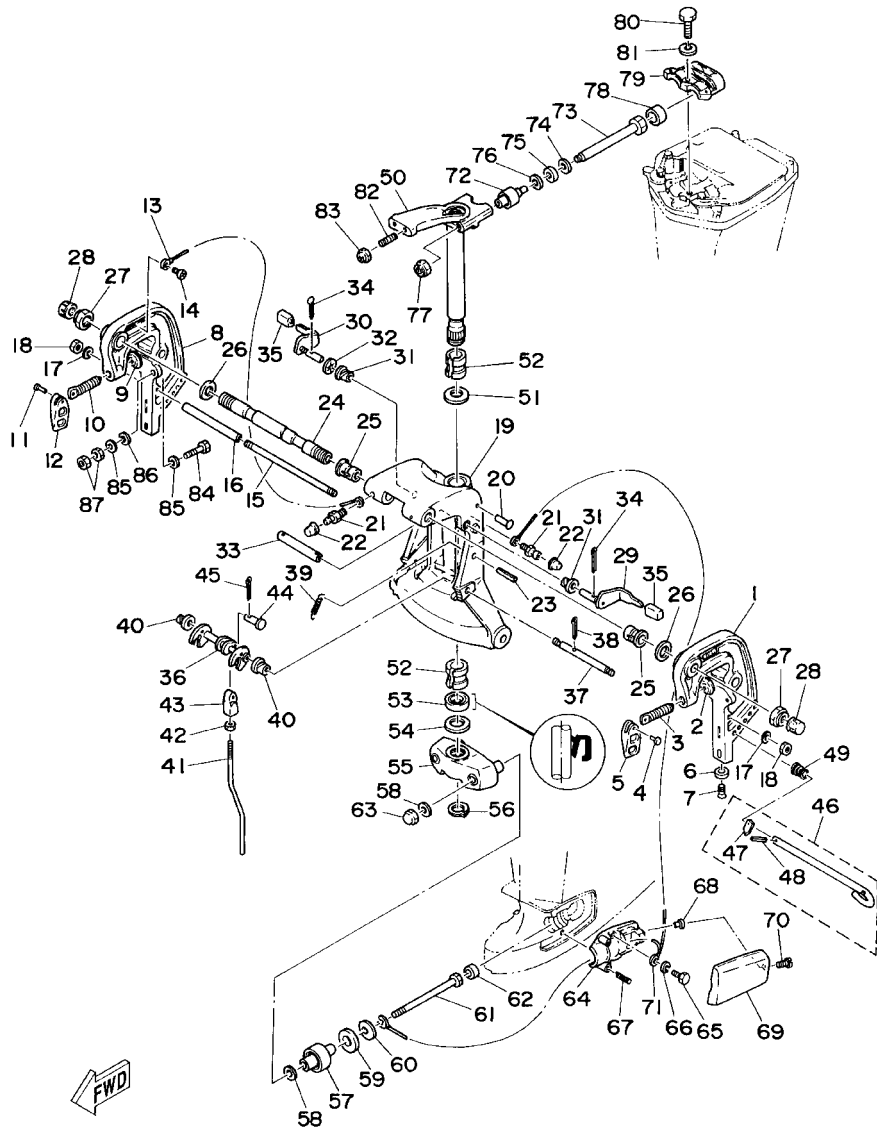
SOPORTE 4



6960100-4120

REF. NO.	PART NO. CODIGO NO.	DESCRIPTION DESCRIPTION	E48C	E55C	55B	REMARKS OBSERVACION
27	90185-22043	NUT, SELF-LOCKING TUERCA AUTOBLOCANTE	2	2		
28	6G5-43145-01	CAP, CLAMP BRACKET TAPA	2	2		
29	697-43181-02	LEVER, TILT STOP PALANCA TOPE INCLINACION	1	1		
30	697-43185-02	LEVER, TILT STOP PALANCA TOPE INCLINACION	1	1		
31	90386-10045	BUSH BUJE	2	2		
32	90206-10M08	WASHER, WAVE ARANDELA ONDULADA	1	1		
33	90387-10269	COLLAR COLLAR	1	1		
34	91490-30025	PIN, COTTER PASADOR DE CHAVETA	2	2		
35	663-43318-00	COVER CUBIERTA	2	2		
36	696-43610-00	TILT LOCK ASSY INCLINADOR COMPL.	1	1		
37	696-43611-00	SHAFT, TILT LOCK EJE SEGURO INCLINACION	1	1		
38	91490-25025	PIN, COTTER PASADOR DE CHAVETA	1	1		
39	90506-12078	SPRING, TENSION RESORTE DE TENSION	1	1		
40	90386-10045	BUSH BUJE	2	2		
41	670-43616-01	ROD, TILT LOCK VARILLA SEGURO DE INCLINACION	1	1		S
	670-43616-11	ROD, TILT LOCK VARILLA SEGURO DE INCLINACION	1	1		L
42	95380-08600	NUT TUERCA	1	1		
43	663-43653-00	NUT, CONNECTION TUERCA CONEXION	1	1		
44	90240-08M21	PIN, CLEVIS PASADOR CON HOYO	1	1		
45	91490-20012	PIN, COTTER PASADOR DE CHAVETA	1	1		
46	676-43160-02	TILT ROD ASSY VARILLA DE BASCULACION COMPL.	1	1		
47	676-43165-00	.PLATE, TILT LOCK .PLACA DE TOPE, VARILLA SEGURO	1	1		
48	91690-30010	.PIN, SPRING .PASADOR DE RESORTE	1	1		
49	90502-10M04	SPRING, CONICAL RESORTE CONICO	1	1		
50	663-42510-03-4D	STEERING BRACKET ASSY SOPORTE DIRECCION COMPL.	1	1		S
	663-42510-13-4D	STEERING BRACKET ASSY SOPORTE DIRECCION COMPL.	1	1		L
51	90201-30M00	WASHER, PLATE ARANDELA PLANA	1	1		

F4



6960100-4120

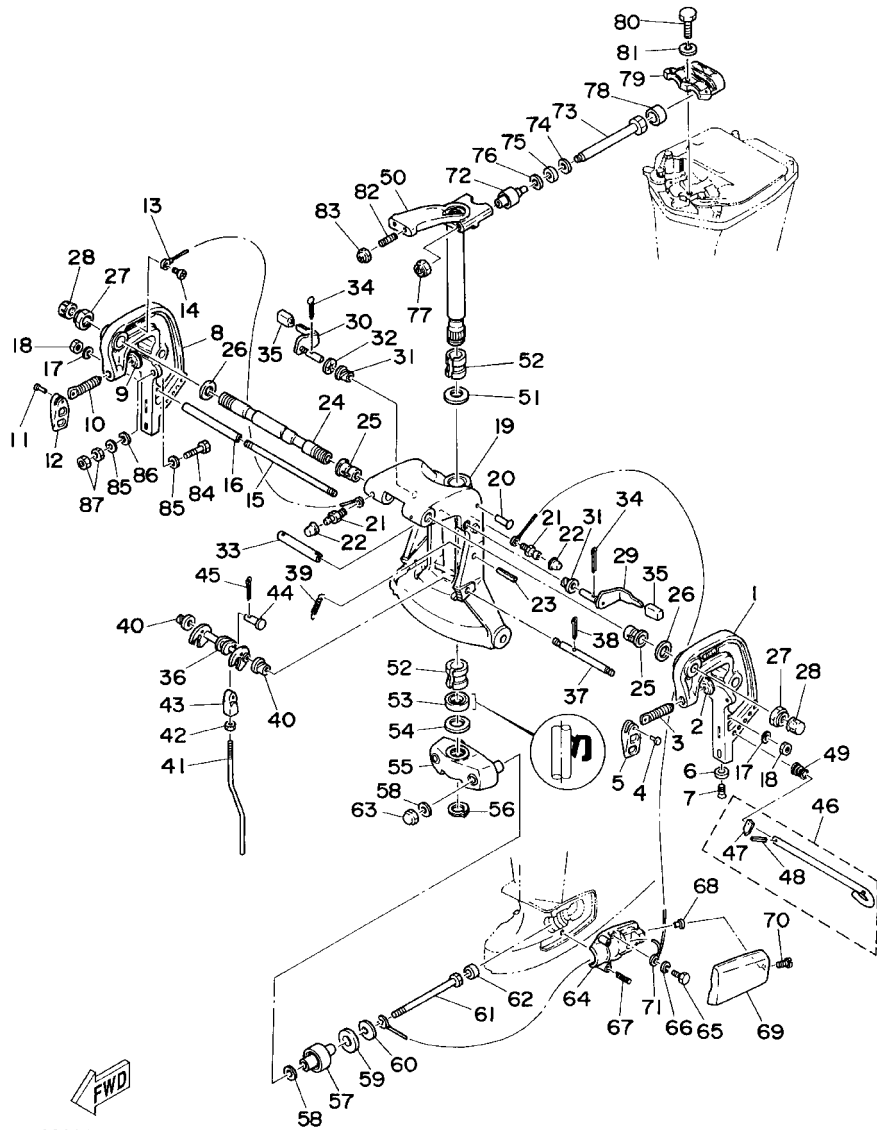
FIG. 18 BRACKET 4

SOPORTE 4

REF. NO.	PART NO. CODIGO NO.	DESCRIPTION DESCRIPTION	E48C	E55C	55B	REMARKS OBSERVACION
52	90386-30048	BUSH BUJE	2	2		
53	93109-30M03	OIL SEAL SELLO ACEITE	1	1		
54	90201-31418	WASHER, PLATE ARANDELA PLANA	1	1		
55	663-44551-02-4D	HOUSING, LOWER MOUNT RUBBER CAJA AMORTIGUADOR INFERIOR HU	1	1		
56	93410-28M06	CIRCLIP BOLA	1	1		
57	670-44555-00-94	MOUNT DAMPER, LOWER SIDE AMORTIGUADOR DE HULE LADO INFE	2	2		
58	90201-12M16	WASHER, PLATE ARANDELA PLANA	4	4		
59	90202-21100	WASHER, PLATE ARANDELA DE PLANA	2	2		
60	90201-13421	WASHER, PLATE ARANDELA PLANA	2	2		
61	90109-12261	BOLT PERNO	2	2		
62	670-44575-00	DAMPER, LOWER MOUNT RUBBER AMORTIGUADOR INFERIOR	2	2		
63	95380-12800	NUT, CROWN TUERCA	2	2		
64	663-44552-01-94	HOUSING, LOWER MOUNT RUBBER CAJA AMORTIGUADOR INFERIOR HU	2	2		
65	97075-08025	BOLT PERNO	4	4		
66	92995-08100	WASHER ARANDELA	4	4		
67	90501-14M08	SPRING, COMPRESSION RESORTE DE COMPRESION	4	4		
68	90179-06066	NUT TUERCA	2	2		
69	663-44553-01-4D	COVER, LOWER MOUNT CUBIERTA, AMORTIGUADOR INFERIOR	2	2		
70	97885-06016	SCREW, PAN HEAD TORNILLO DE CABEZA CON PLANA	2	2		
71	696-82127-00	WIRE, LEAD 2 CABLE CONDUCTOR 2	1	1		S
	696-82127-10	WIRE, LEAD 2 CABLE CONDUCTOR 2	1	1		L
72	670-44514-00-94	MOUNT DAMPER, UPPER SIDE AMORTIGUADOR LADO SUPERIOR	2	2		
73	90109-08262	BOLT PERNO	2	2		
74	90201-15423	WASHER, PLATE ARANDELA PLANA	2	2		
75	90202-15095	WASHER, PLATE ARANDELA DE PLANA	2	2		
76	90201-09425	WASHER, PLATE ARANDELA PLANA	2	2		
77	90185-08045	NUT, SELF-LOCKING TUERCA AUTOBLOCANTE	2	2		

FIG. 18 BRACKET 4

SOPORTE 4

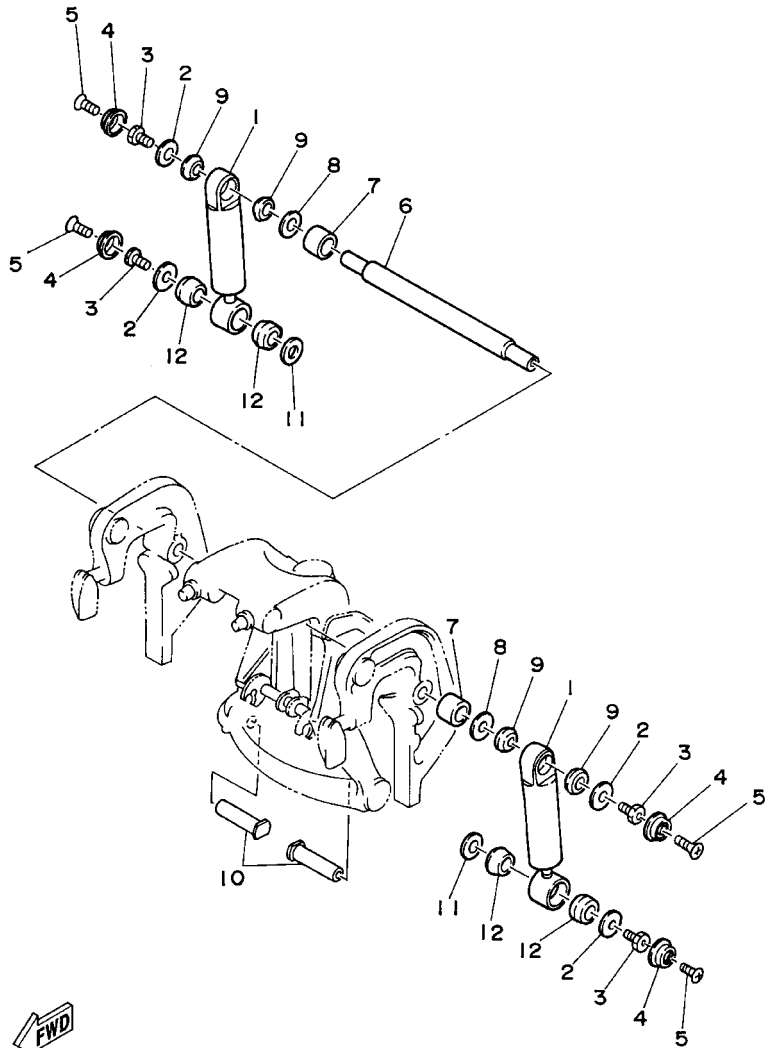


6960100-4120

REF. NO.	PART NO. CODIGO NO.	DESCRIPTION DESCRIPTION	E48C	E55C	55B	REMARKS OBSERVACION
78	663-44533-00	DAMPER, UPPER MOUNT RUBBER AMORTIGUADOR SUPERIOR	2	2		
79	663-44511-00-94	COVER, UPPER MOUNT CUBIERTA AMORTIGUADOR SUPERIOR	1	1		
80	97075-08035	BOLT PERNO	3	3		
81	92995-08100	WASHER ARANDELA	3	3		
82	90116-10175	BOLT, STUD ESPARRAGO	2	2		
83	90185-10051	NUT, SELF-LOCKING TUERCA AUTOBLOCANTE	2	2		
84	90101-10M58	BOLT TORNILLO	4	4		
85	92995-10600	WASHER ARANDELA	8	8		
86	90201-12426	WASHER, PLATE ARANDELA PLANA	4	4		
87	95380-10600	NUT TUERCA	8	8		

FIG. 19 BRACKET 5

SOPORTE 5

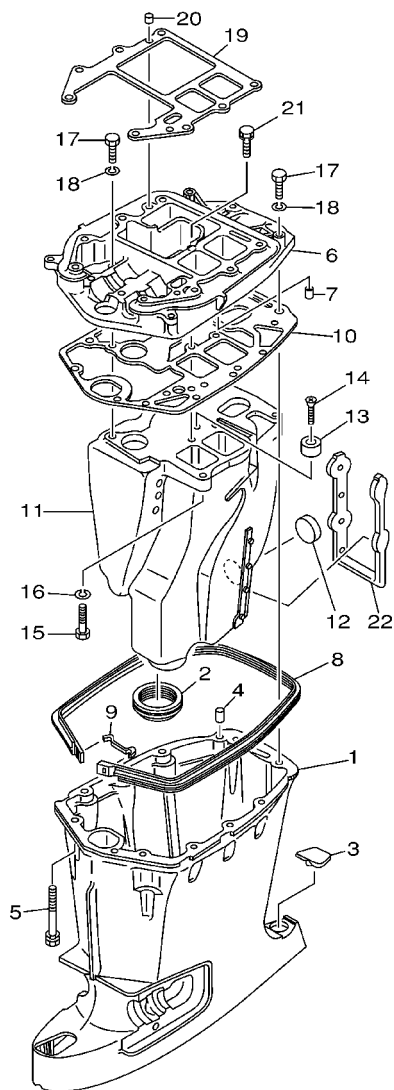
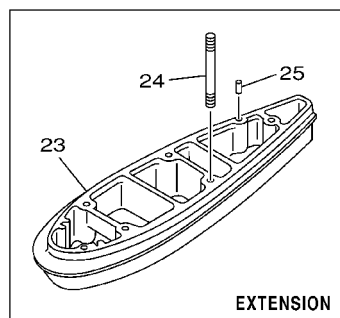


REF. NO.	PART NO. CODIGO NO.	DESCRIPTION DESCRIPTION	E48C	E55C	55B	REMARKS OBSERVACION
1	663-43170-02-4D	SHOCK ABSORBER ASSY AMORTIGUADOR COMPL.			2	
2	90201-12426	WASHER, PLATE ARANDELA PLANA		4		
3	90109-12263	BOLT PERNO		4		
4	663-43125-00	COVER, SHOCK MOUNT CUBIERTA AMORTIGUADOR		4		
5	98780-05015	SCREW, FLAT HEAD TORNILLO DE CABEZA PLANA		4		
6	663-43126-00	PIN, UPPER SHOCK MOUNT PASADOR DE AMORTIGUADOR SUPERI		1		
7	90560-25061	SPACER SEPARADOR		2		
8	90201-19427	WASHER, PLATE ARANDELA PLANA		2		
9	90385-19008	BUSH BUJE		4		
10	663-43124-00	PIN, LOWER SHOCK MOUNT PASADOR DE AMORTIGUADOR INFERI		2		
11	90202-19059	WASHER, PLATE ARANDELA DE PLANA		2		
12	90385-19007	BUSH BUJE		4		


6960100-4130

FIG. 20 UPPER CASING

FUNDA SUPERIOR

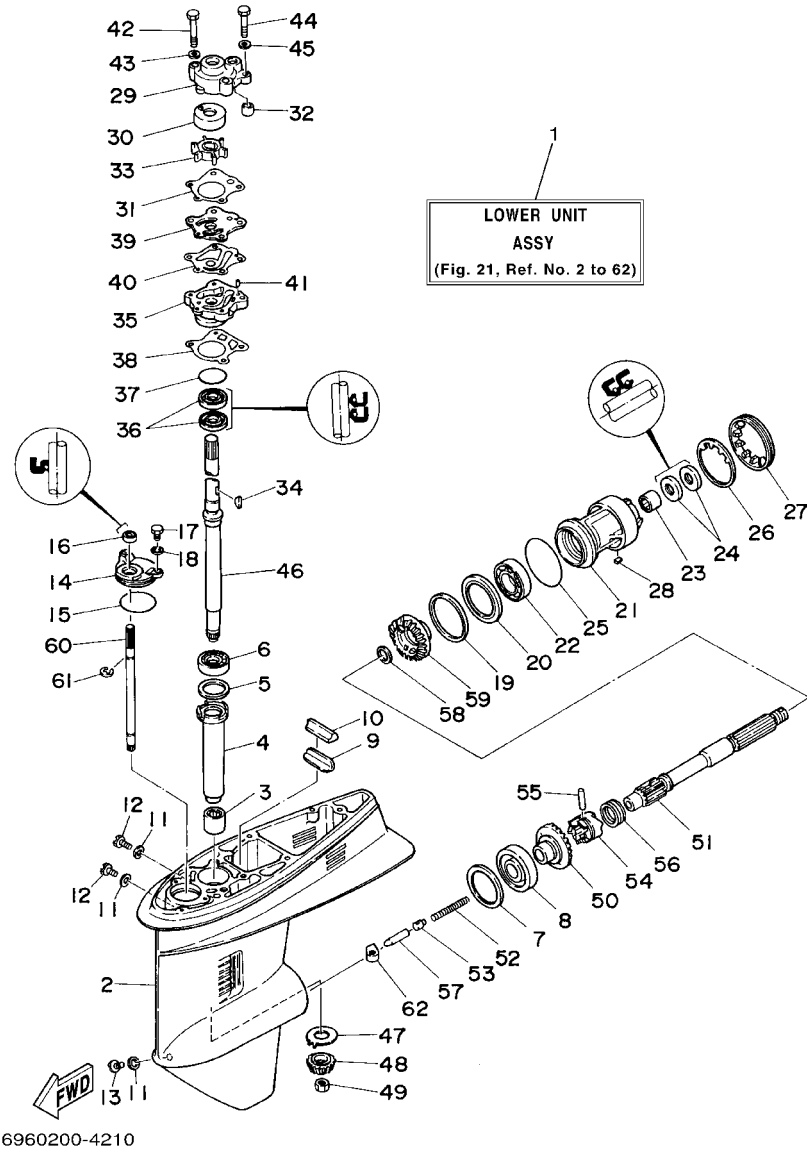


REF. NO.	PART NO. CODIGO NO.	DESCRIPTION DESCRIPTION	E48C	E55C	55B	REMARKS OBSERVACION
1	691-45111-01-4D	CASING, UPPER CAJA SUPERIOR			1	S
	697-45111-01-4D	CASING, UPPER CAJA SUPERIOR	1	1		S
	691-45111-13-4D	CASING, UPPER CAJA SUPERIOR			1	L
	697-45111-13-4D	CASING, UPPER CAJA SUPERIOR	1	1		L
2	663-45123-00	GASKET, MUFFLER EMPAQUE SILENCIADOR	1	1	1	
3	663-45155-10	CAP TAPA	1	1	1	
4	93606-12019	PIN, DOWEL PASADOR DE CLAVIJA	2	2	2	
5	90119-08M82	BOLT, WITH WASHER TORNILLO CON ARANDELA	8	8	8	
6	663-41137-04-5B	GUIDE, EXHAUST GUIA DE ESCAPE	1	1	1	
7	90386-02M04	BUSH BUJE	1	1	1	
8	663-45127-00	SEAL SELLO DE GOMA	1	1	1	
9	663-45129-00	HOOK, DAMPER SEAL GANCHO SELLO HULE	1	1	1	
10	697-45114-A0	GASKET, UPPER CASING EMPAQUE	1	1	1	
11	663-14711-02-5B	MUFFLER 1 SILENCIADOR 1	1	1	1	S
	663-14711-12-5B	MUFFLER 1 SILENCIADOR 1	1	1	1	L
12	90334-30017	PLUG, STRAIGHT TAPON	1	1	1	
13	663-45251-00	ANODE CATODE	1	1	1	
14	90152-06M01	SCREW, COUNTERSUNK TORNILLO EMBUTIDO	1	1	1	
15	97075-08035	BOLT PERNO	1	1	1	
16	92995-08100	WASHER ARANDELA	1	1	1	
17	97075-08030	BOLT PERNO	6	6	6	
18	92995-08100	WASHER ARANDELA	6	6	6	
19	696-45113-A0	GASKET, UPPER CASING EMPAQUE	1	1	1	
20	93606-12019	PIN, DOWEL PASADOR DE CLAVIJA	2	2	2	
21	97575-08440	BOLT, WITH WASHER PERNO CON ARANDELA RONDELLE	1	1	1	
22	663-14737-00	DAMPÉR, MUFFLER AMORTIGUADOR DE SILENCIADOR			1	S
	663-14737-10	DAMPER, MUFFLER AMORTIGUADOR DE SILENCIADOR			1	L

6960200-0200

FIG. 21 LOWER CASING. DRIVE 1

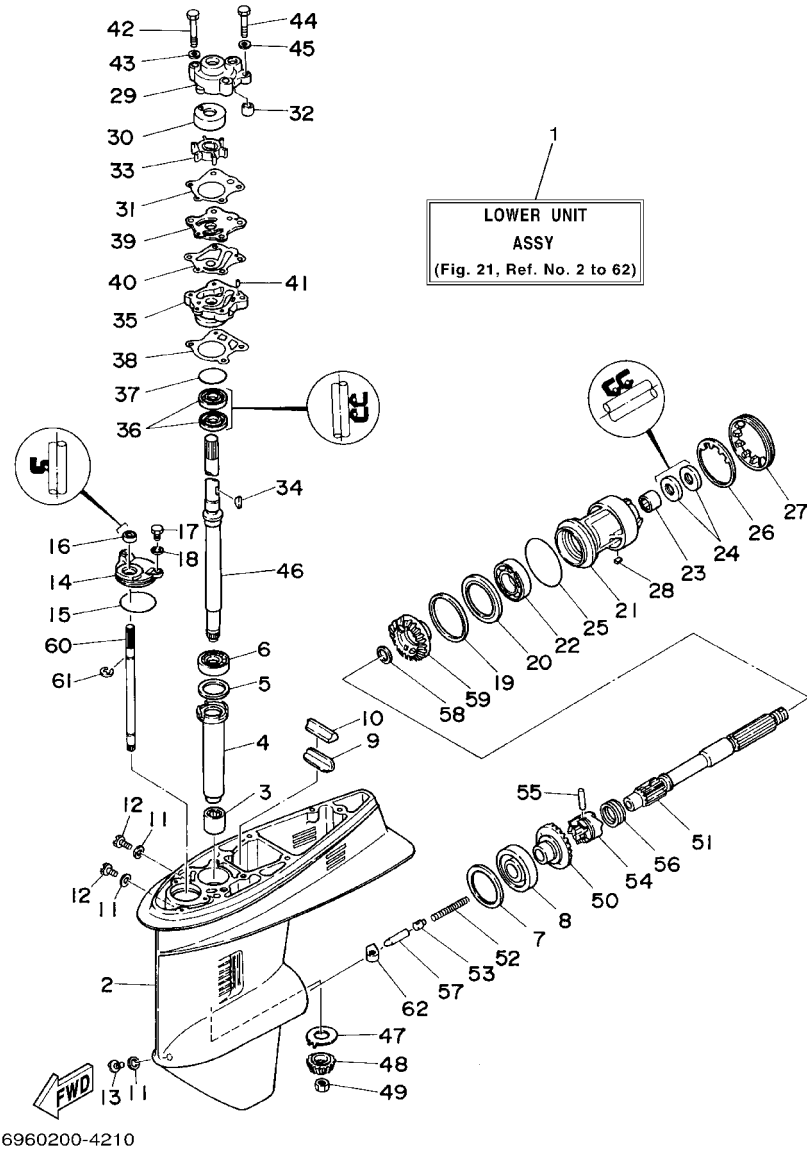
IMPULSOR E INFERIOR 1



REF. NO.	PART NO. CODIGO NO.	DESCRIPTION DESCRIPTION	E48C	E55C	55B	REMARKS OBSERVACION
1	697-45300-01-4D	LOWER UNIT ASSY CONJUNTO UNIDAD INFERIOR			1	S
	697-45300-12-4D	LOWER UNIT ASSY CONJUNTO UNIDAD INFERIOR			1	L
2	697-45311-02-4D	CASING, LOWER FUNDA INFERIOR			1	
3	93315-32224	BEARING COJINETE			1	
4	663-45536-00	SLEEVE, DRIVE SHAFT CAMISA EJE DE MANDO			1	
5	663-45587-01-10	SHIM (T:0.10MM) LAINA (T:0.10MM)			1	UR
	663-45587-01-12	SHIM (T:0.12MM) LAINA (T:0.12MM)			1	UR
	663-45587-01-15	SHIM (T:0.15MM) LAINA (T:0.15MM)			1	UR
	663-45587-01-18	SHIM (T:0.18MM) LAINA (T:0.18MM)			1	UR
	663-45587-01-30	SHIM (T:0.30MM) LAINA (T:0.30MM)			1	UR
	663-45587-01-40	SHIM (T:0.40MM) LAINA (T:0.40MM)			1	UR
	663-45587-01-50	SHIM (T:0.50MM) LAINA (T:0.50MM)			1	UR
6	93332-00001	BEARING COJINETE			1	
7	663-45567-01-10	SHIM (T:0.10MM) LAINA (T:0.10MM)			1	UR
	663-45567-01-12	SHIM (T:0.12MM) LAINA (T:0.12MM)			1	UR
	663-45567-01-15	SHIM (T:0.15MM) LAINA (T:0.15MM)			1	UR
	663-45567-01-18	SHIM (T:0.18MM) LAINA (T:0.18MM)			1	UR
	663-45567-01-30	SHIM (T:0.30MM) LAINA (T:0.30MM)			1	UR
	663-45567-01-40	SHIM (T:0.40MM) LAINA (T:0.40MM)			1	UR
	663-45567-01-50	SHIM (T:0.50MM) LAINA (T:0.50MM)			1	UR
8	93332-00003	BEARING COJINETE			1	
9	663-45376-00-94	GUIDE, SEAL DAMPER GUIA DE SELLO GOMA			1	
10	663-45375-00	DAMPER, SEAL GOMA DE SELLO			1	
11	90430-08020	GASKET JUNTA			3	
12	90340-08002	PLUG, STRAIGHT SCREW TORNILLO, DE DRENAJE			2	
13	688-45341-10	PLUG, DRAIN TAPON, DREN			1	
14	663-45321-00	PLATE PLACA			1	

FIG. 21 LOWER CASING. DRIVE 1

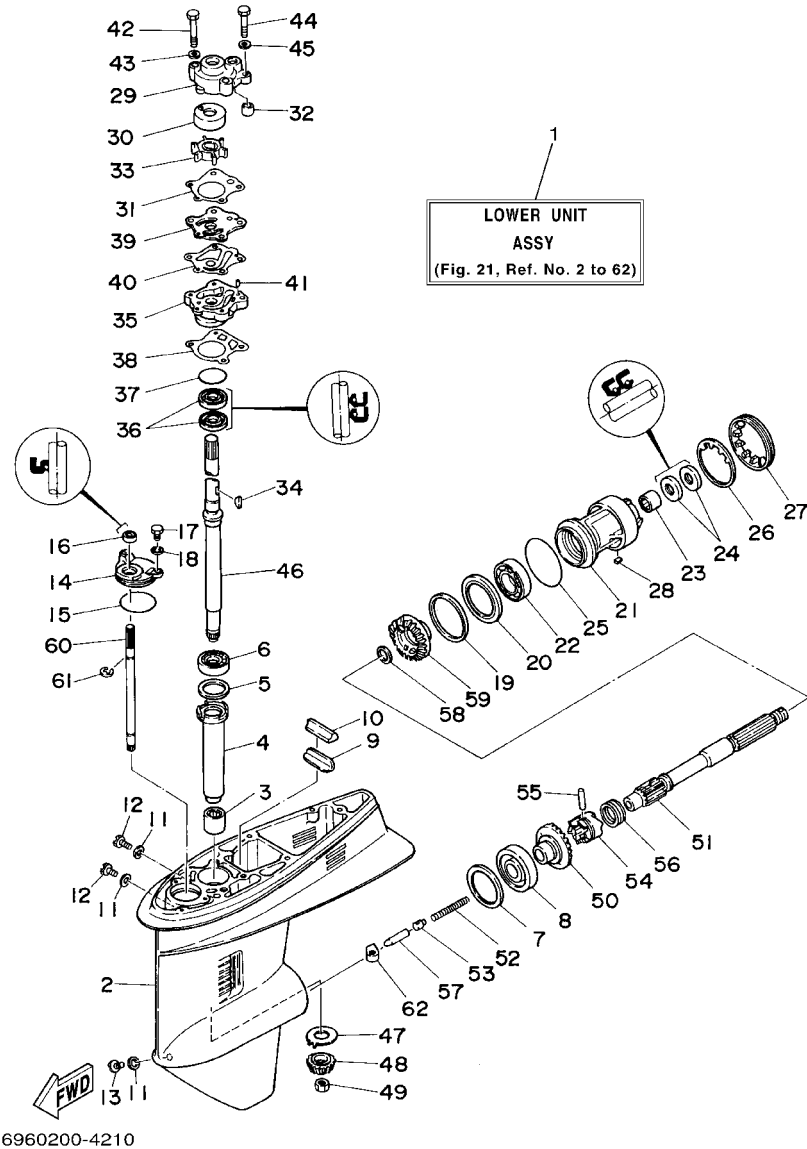
IMPULSOR E INFERIOR 1



REF. NO.	PART NO. CODIGO NO.	DESCRIPTION DESCRIPTION	E48C	E55C	55B	REMARKS OBSERVACION
15	93210-49046	O-RING ANILLO O			1	
16	93106-09014	OIL SEAL SELLO ACEITE			1	
17	97095-06016	BOLT PERNO			2	
18	92995-06600	WASHER ARANDELA			2	
19	663-45577-01-10	SHIM (T:0.10MM) LAINA (T:0.10MM)			1	UR
	663-45577-01-12	SHIM (T:0.12MM) LAINA (:0.12MM)			1	UR
	663-45577-01-15	SHIM (T:0.15MM) LAINA (T:0.15MM)			1	UR
	663-45577-01-18	SHIM (T:0.18MM) LAINA (T:0.18MM)			1	UR
	663-45577-01-30	SHIM (T:0.30MM) LAINA (T:0.30MM)			1	UR
	663-45577-01-40	SHIM (T:0.40MM) LAINA (T:0.40MM)			1	UR
	663-45577-01-50	SHIM (T:0.50MM) LAINA (T:0.50MM)			1	UR
20	663-45576-00	WASHER, THRUST ARANDELA DE EMPUJE AXIAL			1	
21	663-45331-00-94	HOUSING, BEARING CAJA DE COJINETE			1	
22	93306-00702	BEARING COJINETE			1	
23	93317-22204	BEARING COJINETE			1	
24	93101-22067	OIL SEAL SELLO ACEITE			2	
25	93210-66M98	O-RING ANILLO O			1	
26	90214-48M03	WASHER, CLAW ARANDELA DE POSICION			1	
27	697-45384-00	NUT TUERCA			1	
28	90282-04010	KEY, STRAIGHT CHAVETA, RECTA			1	
29	663-44311-02	HOUSING, WATER PUMP CAJA BOMBA DE AGUA			1	
30	663-44322-00	INSERT, CARTRIDGE CARTUCHO			1	
	663-44322-40	INSERT, CARTRIDGE CARTUCHO			1	FOR CHROMATE
31	663-44315-A0	GASKET, WATER PUMP EMPAQUE			1	
32	663-44366-00	DAMPER, WATER SEAL GOMA DEL SELLO DE AGUA			1	
33	697-44352-00	IMPPELLER IMPULSOR			1	
34	90280-03M03	KEY, WOODRUFF CUNA WOODRUFF			1	

FIG. 21 LOWER CASING. DRIVE 1

IMPULSOR E INFERIOR 1

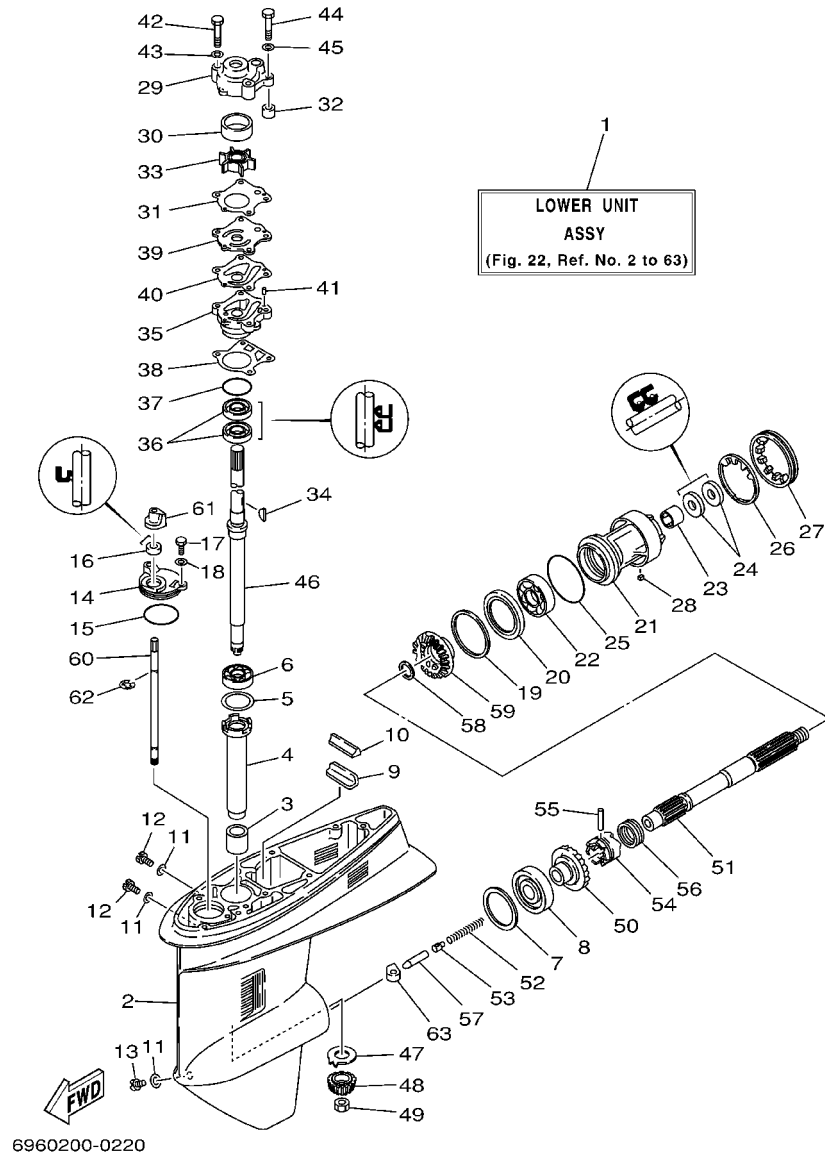


6960200-4210

REF. NO.	PART NO. CODIGO NO.	DESCRIPTION DESCRIPTION	E48C	E55C	55B	REMARKS OBSERVACION
35	663-44341-00-94	HOUSING, WATER PUMP CAJA BOMBA DE AGUA			1	
36	93101-23070	OIL SEAL SELLO ACEITE			2	
37	93210-41042	O-RING ANILLO O			1	
38	663-44316-A0	GASKET, WATER PUMP EMPAQUE			1	
39	663-44323-00	OUTER PLATE, CARTRIDGE PLACA EXTERIOR DEL CARTUCHO			1	
	670-44323-00	OUTER PLATE, CARTRIDGE PLACA EXTERIOR DEL CARTUCHO			1	FOR CHROMATE
40	663-44324-A0	GASKET, CARTRIDGE EMPAQUE			1	
41	93604-08062	PIN, DOWEL PASADOR DE CLAVIJA			2	
42	97095-08055	BOLT PERNO			2	
43	92995-08600	WASHER ARANDELA			2	
44	97095-08045	BOLT PERNO			2	
45	92995-08600	WASHER ARANDELA			2	
46	663-45510-01	DRIVE SHAFT ASSY EJE DE MANDO COMPL.			1	S
	663-45510-11	DRIVE SHAFT ASSY EJE DE MANDO COMPL.			1	L
47	663-45552-00	BEARING, PLAIN COJINETE PLANO			1	
48	697-45551-00	PINION PINON			1	
49	90170-12138	NUT TUERCA			1	
50	697-45560-00	GEAR ENGRANE COMPLE 1			1	
51	697-45611-00	SHAFT, PROPELLER EJE PROPUSOR			1	
52	90501-16233	SPRING, COMPRESSION RESORTE DE COMPRESION			1	
53	663-45634-00	SLIDE, SHIFT DESILIZADOR, CAMBIO			1	
54	663-45631-01	CLUTCH, DOG EMBRAGUE DE GARRA			1	
55	90250-06023	PIN, STRAIGHT PASADOR CILINDRICO			1	
56	663-45633-00	RING, CROSS PIN ANILLO DE PASADOR			1	
57	688-45635-00	PLUNGER, SHIFT EMBOLO DE CAMBIO			1	
58	90201-22429	WASHER, PLATE ARANDELA PLANA			1	
59	697-45571-00	GEAR ENGRANAJE			1	

FIG. 22 LOWER CASING. DRIVE 2

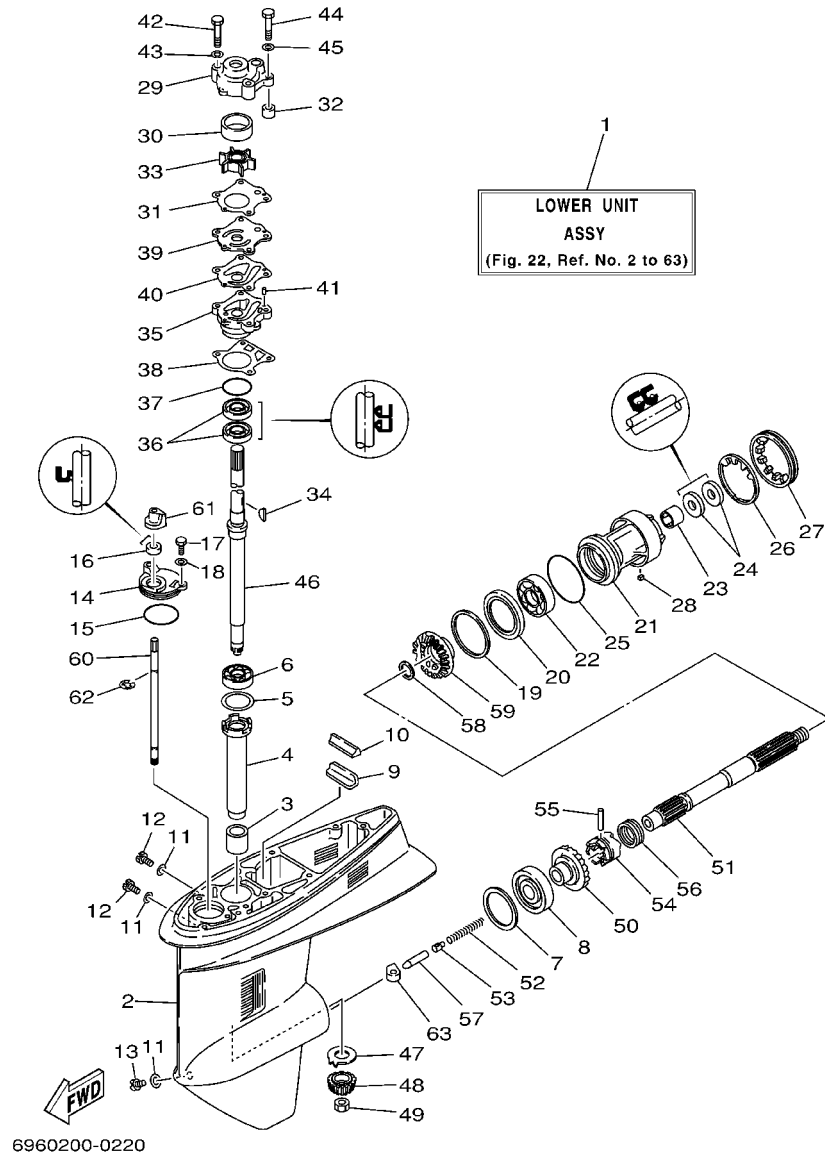
IMPULSOR E INFERIOR 2



REF. NO.	PART NO. CODIGO NO.	DESCRIPTION DESCRIPTION	E48C	E55C	55B	REMARKS OBSERVACION
1	696-45300-02-4D	LOWER UNIT ASSY CONJUNTO UNIDAD INFERIOR	1	1		S
	696-45300-12-4D	LOWER UNIT ASSY CONJUNTO UNIDAD INFERIOR	1	1		L
2	697-45311-02-4D	CASING, LOWER FUNDA INFERIOR	1	1		
3	93315-32224	BEARING COJINETE	1	1		
4	663-45536-00	SLEEVE, DRIVE SHAFT CAMISA EJE DE MANDO	1	1		
5	663-45587-01-10	SHIM (T:0.10MM) LAINA (T:0.10MM)	1	1		UR
	663-45587-01-12	SHIM (T:0.12MM) LAINA (T:0.12MM)	1	1		UR
	663-45587-01-15	SHIM (T:0.15MM) LAINA (T:0.15MM)	1	1		UR
	663-45587-01-18	SHIM (T:0.18MM) LAINA (T:0.18MM)	1	1		UR
	663-45587-01-30	SHIM (T:0.30MM) LAINA (T:0.30MM)	1	1		UR
	663-45587-01-40	SHIM (T:0.40MM) LAINA (T:0.40MM)	1	1		UR
	663-45587-01-50	SHIM (T:0.50MM) LAINA (T:0.50MM)	1	1		UR
6	93332-00001	BEARING COJINETE	1	1		
7	663-45567-01-10	SHIM (T:0.10MM) LAINA (T:0.10MM)	1	1		UR
	663-45567-01-12	SHIM (T:0.12MM) LAINA (T:0.12MM)	1	1		UR
	663-45567-01-15	SHIM (T:0.15MM) LAINA (T:0.15MM)	1	1		UR
	663-45567-01-18	SHIM (T:0.18MM) LAINA (T:0.18MM)	1	1		UR
	663-45567-01-30	SHIM (T:0.30MM) LAINA (T:0.30MM)	1	1		UR
	663-45567-01-40	SHIM (T:0.40MM) LAINA (T:0.40MM)	1	1		UR
	663-45567-01-50	SHIM (T:0.50MM) LAINA (T:0.50MM)	1	1		UR
8	93332-00003	BEARING COJINETE	1	1		
9	663-45376-00-94	GUIDE, SEAL DAMPER GUIA DE SELLO GOMA	1	1		
10	663-45375-00	DAMPER, SEAL GOMA DE SELLO	1	1		
11	90430-08020	GASKET JUNTA	3	3		
12	90340-08002	PLUG, STRAIGHT SCREW TORNILLO, DE DRENAJE	2	2		
13	688-45341-10	PLUG, DRAIN TAPON, DREN	1	1		
14	663-45321-00	PLATE PLACA	1	1		

FIG. 22 LOWER CASING. DRIVE 2

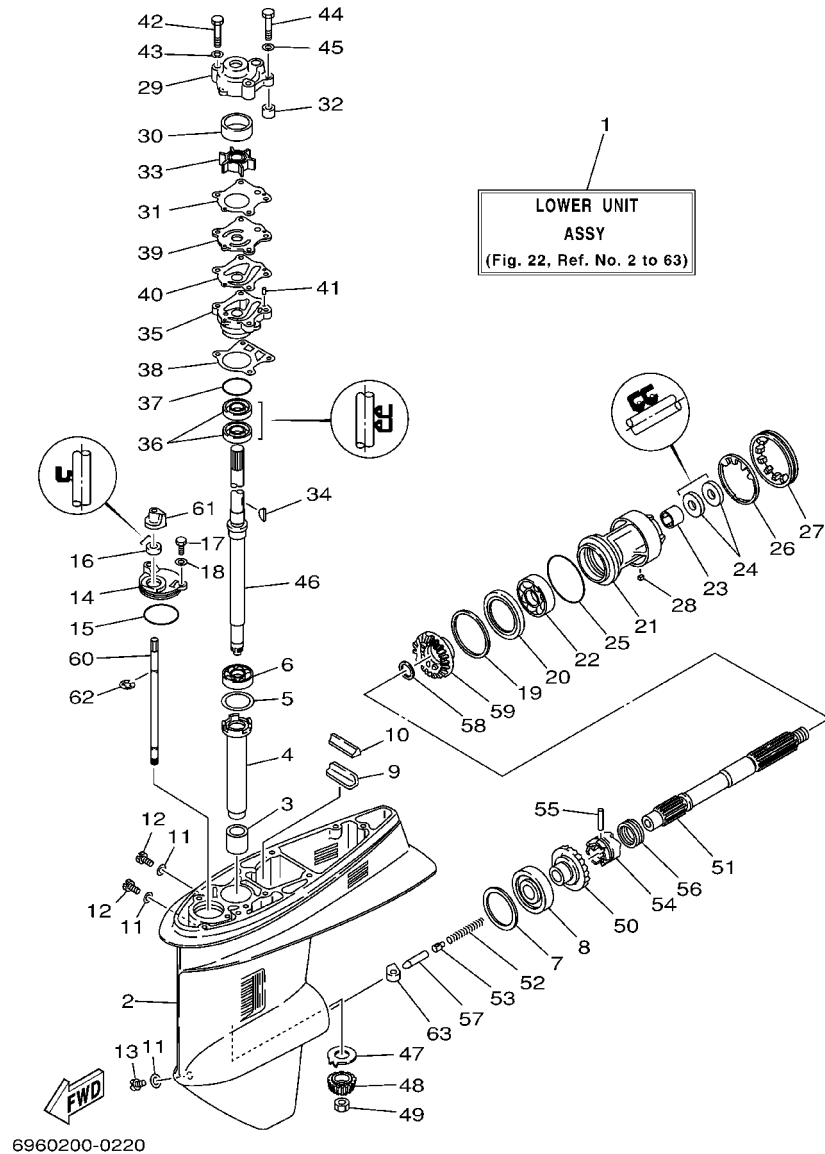
IMPULSOR E INFERIOR 2



REF. NO.	PART NO. CODIGO NO.	DESCRIPTION DESCRIPTION	E48C	E55C	55B	REMARKS OBSERVACION
15	93210-49046	O-RING ANILLO O	1	1		
16	93106-09014	OIL SEAL SELLO ACEITE	1	1		
17	97095-06016	BOLT PERNO	2	2		
18	92995-06600	WASHER ARANDELA	2	2		
19	663-45577-01-10	SHIM (T:0.10MM) LAINA (T:0.10MM)	1	1		
	663-45577-01-12	SHIM (T:0.12MM) LAINA (:0.12MM)	1	1		
	663-45577-01-15	SHIM (T:0.15MM) LAINA (T:0.15MM)	1	1		
	663-45577-01-18	SHIM (T:0.18MM) LAINA (T:0.18MM)	1	1		
	663-45577-01-30	SHIM (T:0.30MM) LAINA (T:0.30MM)	1	1		
	663-45577-01-40	SHIM (T:0.40MM) LAINA (T:0.40MM)	1	1		
	663-45577-01-50	SHIM (T:0.50MM) LAINA (T:0.50MM)	1	1		
20	663-45576-00	WASHER, THRUST ARANDELA DE EMPUJE AXIAL	1	1		
21	663-45331-00-94	HOUSING, BEARING CAJA DE COJINETE	1	1		
22	93306-00702	BEARING COJINETE	1	1		
23	93317-22204	BEARING COJINETE	1	1		
24	93101-22067	OIL SEAL SELLO ACEITE	2	2		
25	93210-66M98	O-RING ANILLO O	1	1		
26	90214-48M03	WASHER, CLAW ARANDELA DE POSICION	1	1		
27	697-45384-00	NUT TUERCA	1	1		
28	90282-04010	KEY, STRAIGHT CHAVETA, RECTA	1	1		
29	663-44311-02	HOUSING, WATER PUMP CAJA BOMBA DE AGUA	1	1		
30	663-44322-40	INSERT, CARTRIDGE CARTUCHO	1	1		FOR CHROMATE
31	663-44315-A0	GASKET, WATER PUMP EMPAQUE	1	1		
32	663-44366-00	DAMPER, WATER SEAL GOMA DEL SELLO DE AGUA	1	1		
33	697-44352-00	IMPELLER IMPULSOR	1	1		
34	90280-03M03	KEY, WOODRUFF CUNA WOODRUFF	1	1		
35	663-44341-00-94	HOUSING, WATER PUMP CAJA BOMBA DE AGUA	1	1		

FIG. 22 LOWER CASING. DRIVE 2

IMPULSOR E INFERIOR 2



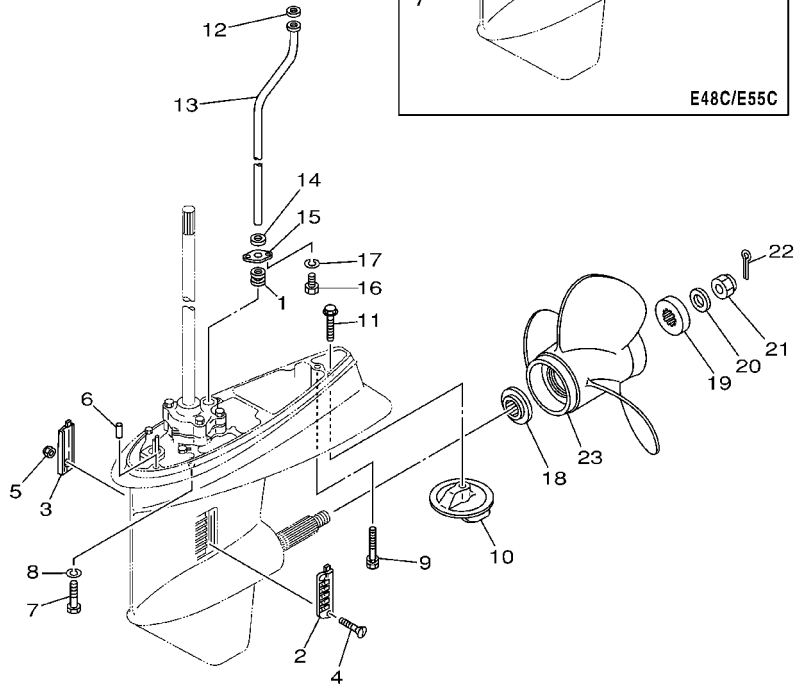
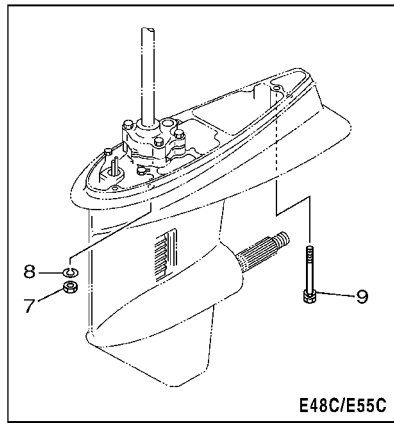
6960200-0220

REF. NO.	PART NO. CODIGO NO.	DESCRIPTION DESCRIPTION	E48C	E55C	55B	REMARKS OBSERVACION
36	93101-23070	OIL SEAL SELLO ACEITE	2	2		
37	93210-41042	O-RING ANILLO O	1	1		
38	663-44316-A0	GASKET, WATER PUMP EMPAQUE	1	1		
39	670-44323-00	OUTER PLATE, CARTRIDGE PLACA EXTERIOR DEL CARTUCHO	1	1		FOR CHROMATE
40	663-44324-A0	GASKET, CARTRIDGE EMPAQUE	1	1		
41	93604-08062	PIN, DOWEL PASADOR DE CLAVIJA	2	2		
42	97095-08055	BOLT PERNO	2	2		
43	92995-08600	WASHER ARANDELA	2	2		
44	97095-08045	BOLT PERNO	2	2		
45	92995-08600	WASHER ARANDELA	2	2		
46	670-45510-00	DRIVE SHAFT ASSY EJE DE MANDO COMPL.	1	1		S
	670-45510-10	DRIVE SHAFT ASSY EJE DE MANDO COMPL.	1	1		L
	696-45510-10	DRIVE SHAFT ASSY EJE DE MANDO COMPL.	1			L-FOR MEXICO
47	663-45552-00	BEARING, PLAIN COJINETE PLANO	1	1		
48	697-45551-00	PINION PINON	1	1		
49	90170-12138	NUT TUERCA	1	1		
50	697-45560-00	GEAR ENGRANE COMPLE 1	1	1		
51	697-45611-00	SHAFT, PROPELLER EJE PROPUSOR	1	1		
52	90501-16233	SPRING, COMPRESSION RESORTE DE COMPRESION	1	1		
53	663-45634-00	SLIDE, SHIFT DESILIZADOR, CAMBIO	1	1		
54	663-45631-01	CLUTCH, DOG EMBRAGUE DE GARRA	1	1		
55	90250-06023	PIN, STRAIGHT PASADOR CILINDRICO	1	1		
56	663-45633-00	RING, CROSS PIN ANILLO DE PASADOR	1	1		
57	688-45635-00	PLUNGER, SHIFT EMBOLO DE CAMBIO	1	1		
58	90201-22429	WASHER, PLATE ARANDELA PLANA	1	1		
59	697-45571-00	GEAR ENGRANAJE	1	1		
60	663-44144-01	ROD, SHIFT VARILLA DE CAMBIO	1	1		

FIG. 23 LOWER CASING. DRIVE 3

IMPULSOR E INFERIOR 3

REF. NO.	PART NO. CODIGO NO.	DESCRIPTION DESCRIPTION	E48C	E55C	55B	REMARKS OBSERVACION
1	663-44367-00	DAMPER, WATER SEAL GOMA DEL SELLO DE AGUA	1	1	1	
2	688-45214-02	COVER, WATER INLET CUBIERTA ENTRADA AGUA	1	1	1	
3	688-45215-02	COVER, WATER INLET CUBIERTA ENTRADA AGUA	1	1	1	
4	90152-05M05	SCREW, COUNTERSUNK TORNILLO EMBUTIDO	1	1	1	
5	90185-05002	NUT, SELF-LOCKING TUERCA AUTOBLOCANTE	1	1	1	
6	93606-12019	PIN, DOWEL PASADOR DE CLAVIJA	2	2	2	
7	97075-10040	BOLT PERNO			4	
	95380-10600	NUT TUERCA	4	4		
8	92990-10100	WASHER, SPRING ARANDELA	4	4	4	
9	90119-08M84	BOLT, WITH WASHER TORNILLO CON ARANDELA			1	
	90119-08M85	BOLT, WITH WASHER TORNILLO CON ARANDELA	1	1		
10	679-45371-00	TAB-TRIM QUILLA ESTABILIZADOR	1	1	1	
11	90105-10M67	BOLT, FLANGE TORNILLO	1	1	1	
12	90202-12060	WASHER, PLATE ARANDELA DE PLANA	1	1	1	
13	663-44361-00	TUBE, WATER TUBO DE AGUA			1	S
	670-44361-00	TUBE, WATER TUBO DE AGUA	1	1		S
	663-44361-10	TUBE, WATER TUBO DE AGUA			1	L
	670-44361-10	TUBE, WATER TUBO DE AGUA	1	1		L
14	90430-12072	GASKET JUNTA	1	1	1	
15	663-44373-00	SET PLATE, WATER TUBE PLACA PARA FIJAR TUBO	1	1	1	
16	97095-06012	BOLT PERNO	2	2	2	
17	92995-06100	WASHER, SPRING ARANDELA	2	2	2	
18	663-45987-02	SPACER ESPACIADOR	1	1	1	
19	670-45997-02	SPACER ESPACIADOR	1	1	1	
20	92990-16200	WASHER, PLAIN ARANDELA	1	1	1	
21	90171-16011	NUT, CASTLE TUERCA ENTALLADA	1	1	1	
22	91490-40025	PIN, COTTER PASADOR DE CHAVETA	1	1	1	

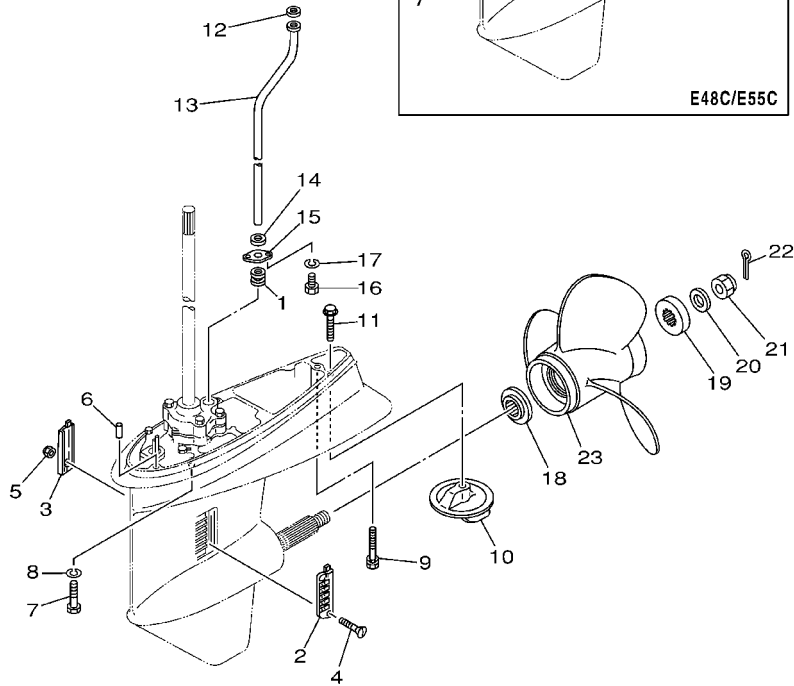
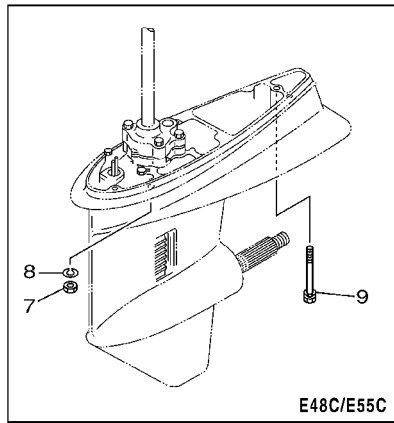


6960200-0230

FIG. 23 LOWER CASING. DRIVE 3

IMPULSOR E INFERIOR 3

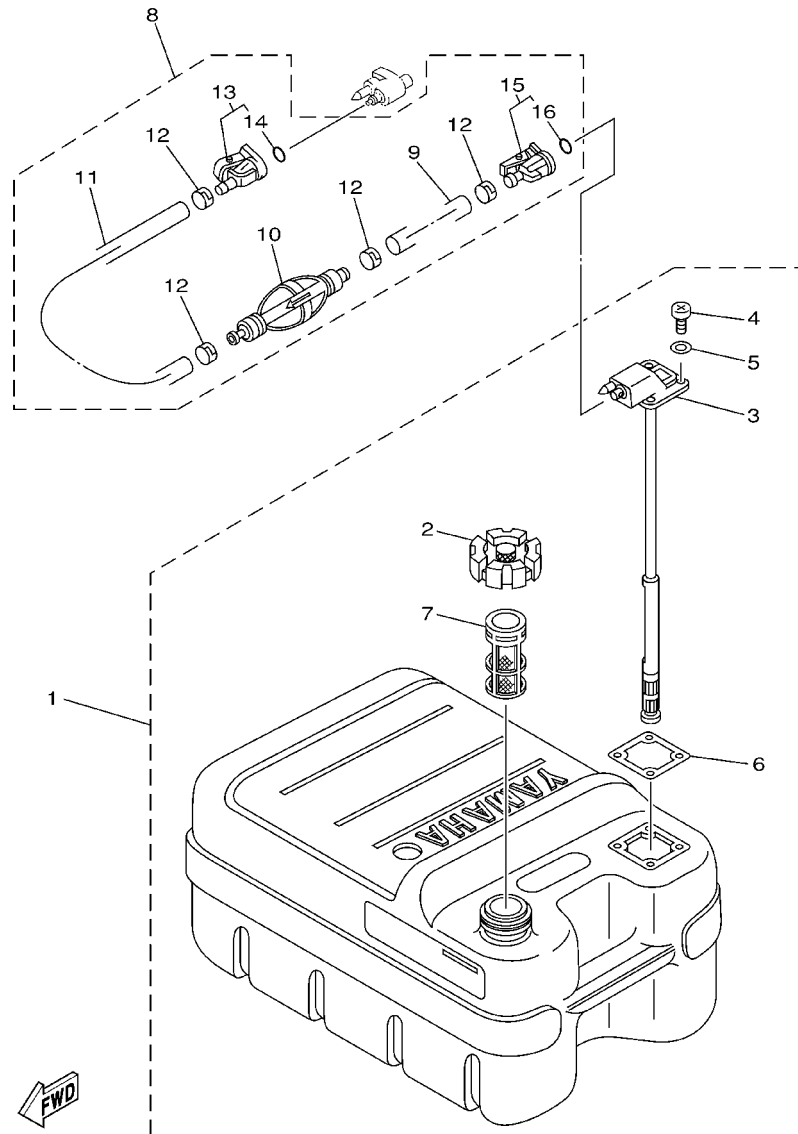
REF. NO.	PART NO. CODIGO NO.	DESCRIPTION DESCRIPTION	E48C	E55C	55B	REMARKS OBSERVACION
23	663-45941-01-EL	PROPELLER (3X10-3/4"X17"-G) PROPELA (3X10-3/4"X17"-G)	1	1	1	UR
	663-45943-02-EL	PROPELLER (3X11"X15"-G) PROPELA (3X11"X15"-G)	1	1	1	UR
	663-45945-02-EL	PROPELLER (3X11-1/8"X13"-G) PROPELA (3X11-1/8"X13"-G)	1	1	1	UR
	663-45947-02-EL	PROPELLER (3X11-5/8"X11"-G) PROPELA (3X11-5/8"X11"-G)	1	1	1	UR
	663-45949-01-EL	PROPELLER (3X10-3/4"X16"-G) PROPELA (3X10-3/4"X16"-G)	1	1	1	UR
	663-45952-02-EL	PROPELLER (3X11-3/8"X12"-G) PROPELA (3X11-3/8"X12"-G)	1	1	1	UR
	663-45954-01-EL	PROPELLER (3X11-3/4"X10"-G) PROPELA (3X11-3/4"X10"-G)	1	1	1	UR
	663-45956-01-EL	PROPELLER (3X12-1/4"X9"-G) PROPELA (3X12-1/4"X9"-G)	1	1	1	UR
	663-45958-01-EL	PROPELLER (3X11-1/4"X14"-G) PROPELA (3X11-1/4"X14"-G)	1	1	1	UR
		STAINLESS STEEL PROPELLER LIMPIO-ACERO DEL PROPELA				
	663-45930-00-98	PROPELLER (3X10-1/4"X14"-G) PROPELA (3X10-1/4"X14"-G)	1	1	1	UR
	663-45976-00-98	PROPELLER (3X10-1/4"X15"-G) PROPELA (3X10-1/4"X15"-G)	1	1	1	UR
	663-45978-00-98	PROPELLER (3X10-1/4"X16"-G) PROPELA (3X10-1/4"X16"-G)	1	1	1	UR
	663-45970-60-98	PROPELLER (3X11-3/4"X12"-G) PROPELA (3X11-3/4"X12"-G)	1	1	1	UR
	663-45972-60-98	PROPELLER (3X12"X11"-G) PROPELA (3X12"X11"-G)	1	1	1	UR
	663-45974-60-98	PROPELLER (3X11-1/2"X13"-G) PROPELA (3X11-1/2"X13"-G)	1	1	1	UR
	697-45970-00-98	PROPELLER (3X11-1/4"X14"-G) PROPELA (3X11-1/4"X14"-G)	1	1	1	UR



6960200-0230

FIG. 24 FUEL TANK

DEPOSITO DE COMBUSTIBLE

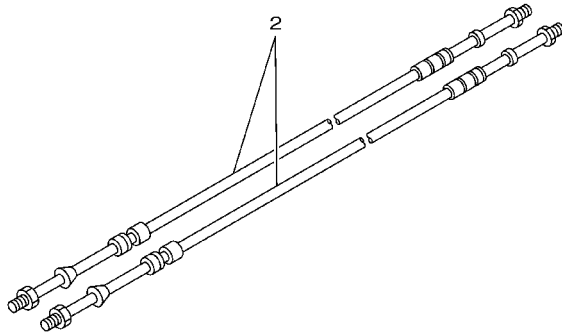
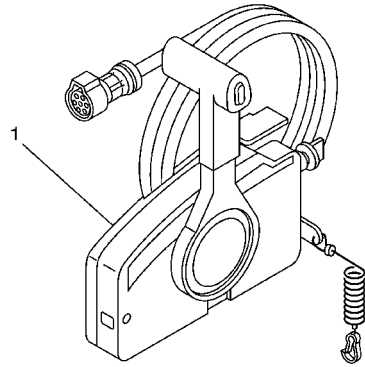


67C0100-9300

REF. NO.	PART NO. CODIGO NO.	DESCRIPTION DESCRIPTION	E48C	E55C	55B	REMARKS OBSERVACION
1	6YJ-24201-00	FUEL TANK ASSY (24L)	1	1	1	AP
	6YJ-24201-10	TANQUE DEL COMBUSTIBLE (24L)	1	1	1	AP FOR CHINA WITH INDICATOR
2	6YJ-24610-01	.CAP ASSY	1	1	1	
		.TAPA COMPLETA				
3	6YJ-24260-00	.FUEL METER ASSY	1	1	1	
		.MEDIDOR DE COMBUSTIBLE COMPL.				
	6Y1-24260-12	.FUEL METER ASSY	1	1	1	FOR CHINA WITH INDICATOR
		.MEDIDOR DE COMBUSTIBLE COMPL.				
4	98586-05016	.SCREW, PAN HEAD	4	4	4	
		.TORNILLO DE CABEZA CON PLANA				
5	6Y1-24329-00	.SEAL	4	4	4	
		.SELLO				
6	6Y1-24268-00	.GASKET, FUEL METER	1	1	1	
		.EMPAQ MEDIDOR DE COMBUSTIBLE				
7	6YJ-24167-00	.STRAINER	1	1	1	
		.COLADOR				
8	61J-24306-02	FUEL PIPE COMP. 1	1	1	1	AP
		TUBO COMBUST. COMPL 1				
9	90445-11M06	.HOSE (L=2050)	1	1	1	
		.MANGUERA (L=2050)				
10	61J-24360-00	.PRIMER PUMP ASSY	1	1	1	
		.SOPORTE BOMBA				
11	90445-11M05	.HOSE (L=850)	1	1	1	
		.MANGUERA (L=850)				
12	650-24351-51	.BAND 1	4	4	4	
		.ABRAZADERA 1				
13	6G1-24305-03	.FUEL PIPE JOINT COMP. 2	1	1	1	
		.CONECTOR MANGUERA COMBUST.2				
14	93210-08287	.O-RING	1	1	1	
		.ANILLO O				
15	6Y1-24305-04	.FUEL PIPE JOINT COMP. 2	1	1	1	
		.CONECTOR MANGUERA COMBUST.2				
16	93210-08287	.O-RING	1	1	1	
		.ANILLO O				

FIG. 26 REMOTE CONTROL BOX

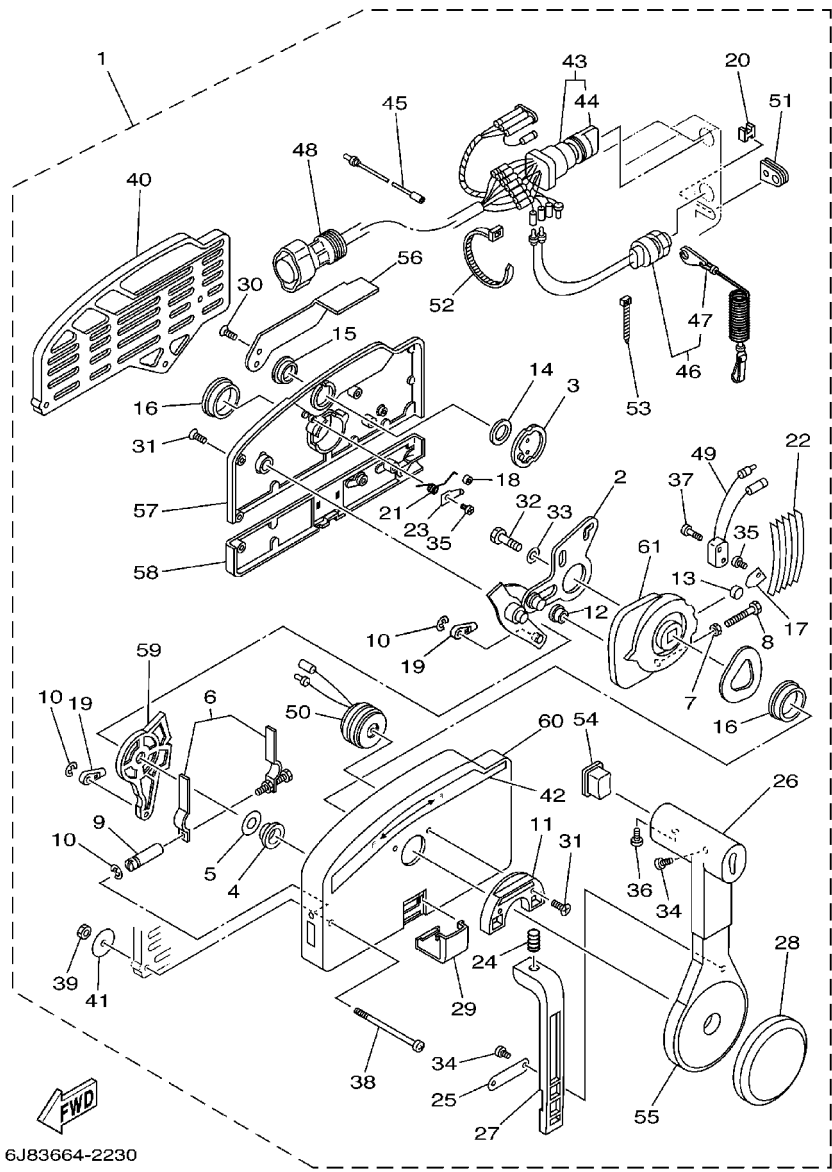
CONTROL REMOTO COMPL.



REF. NO.	PART NO. CODIGO NO.	DESCRIPTION DESCRIPTION	E48C	E55C	55B	REMARKS OBSERVACION
1	703-48230-15	REMOTE CONTROL ASSY CONTROL REMOTO COMPL.			1	AP
2	701-48320-20	CABLE, REMOTE CONTROL L=13F CABLE CONTROL REMOTO L=13F			2	UR
	701-48320-50	CABLE, REMOTE CONTROL L=15F CABLE CONTROL REMOTO L=15F			2	UR



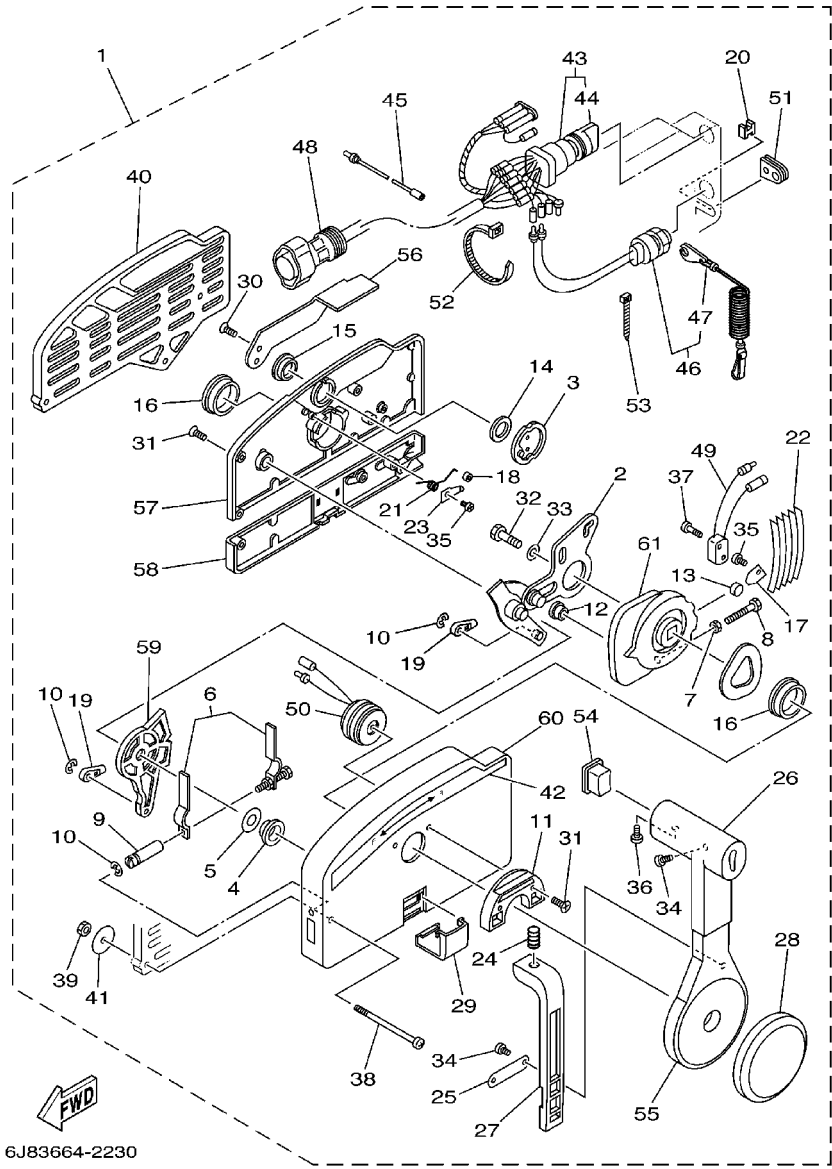
67M0100-8280



6J83664-2230

FIG. 27 REMOTE CONTROL ASSY CONTROL REMOTO COMPL.

REF. NO.	PART NO. CODIGO NO.	DESCRIPTION DESCRIPTION	E48C	E55C	55B	REMARKS OBSERVACION
1	703-48230-15	REMOTE CONTROL ASSY CONTROL REMOTO COMPL.			1	AP
2	703-48261-11	.ARM, THROTTLE .BRAZO ACELERADOR			1	
3	703-48153-00	.SHAFT, FREE ACCEL. .EJE			1	
4	703-48235-00	.BUSHING .BUJE			1	
5	703-48268-00	.SPACER ESPACIADOR 3			1	
6	703-48264-00	.THROTTLE, FRICTION .FRICCION ACELERADOR			1	
7	95380-05600	.NUT .TUERCA			1	
8	97380-05025	.BOLT .PERNO			1	
9	703-48265-00	.SHAFT, FRICTION .EJE FRICCION			1	
10	93430-06024	.CIRCLIP .BOLA			3	
11	703-48245-00	.PLATE, LOCK .PLACA CERRADURA			1	
12	703-48252-00	.ROLLER, CAM .RODILLO LEVA			1	
13	701-48248-00	.ROLLER, FREE ACCEL. .RODILLO ACELERADOR LIBRE			1	
14	703-48198-00	.WASHER, WAVE .RONDANA ONDULADA 3			1	
15	703-48243-00	BUSHING BUJE 3			1	
16	703-48236-00	BUSHING 1 BUJE			2	
17	703-48189-00	.RETAINER .RETENEDOR			1	
18	703-48234-00	.ROLLER, DETENT .RODILLO			1	
19	703-48345-01	.CABLE END, REMOTE CONTROL 2 .TERMINAL CABLE DE CONTROL REM			2	
20	703-48358-00	.ANCHOR, CABLE ABRAZADERA CABLE			1	
21	703-48244-00	.SPRING, FREE ACCEL. RESORTE ACELERADOR LIBRE			1	
22	703-48238-00	.SPRING, DETENT RESORTE			5	
23	703-48246-00	.SPACER ESPACIADOR			1	
24	703-48227-00	.SPRING, NEUTRAL LOCK RESORTE DE SEGURO			1	
25	703-48226-00	.PLATE, STOPPER PLACA RETEN			1	
26	703-48222-00	.GRIP, CONTROL LEVER MANGO DE PALANCA CONTROL			1	SINGLE
27	703-48223-00	.LOCK, NEUTRAL CERRADURA NEUTRO			1	



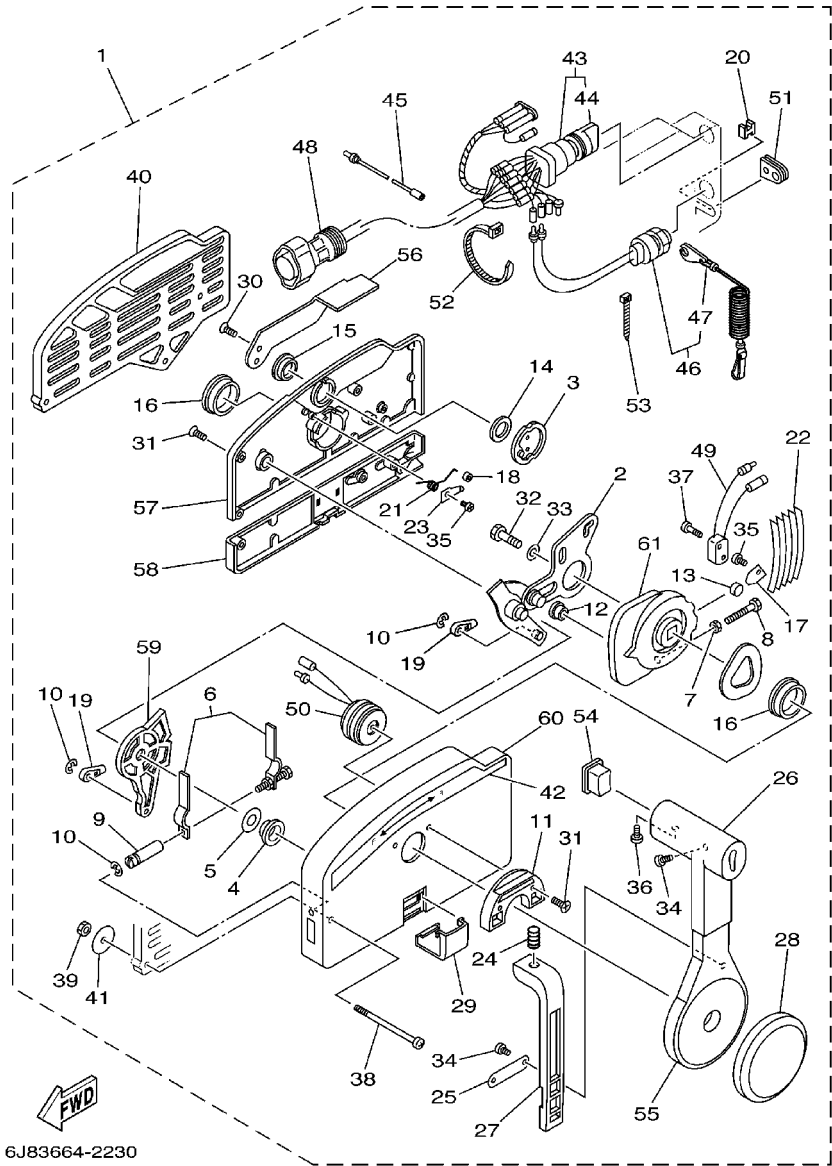
6J83664-2230

FIG. 27 REMOTE CONTROL ASSY CONTROL REMOTO COMPL.

REF. NO.	PART NO. CODIGO NO.	DESCRIPTION DESCRIPTION	E48C	E55C	55B	REMARKS OBSERVACION
28	703-48225-00	.COVER .CUBIERTA			1	
29	703-48219-00	.COVER, LEAD .CUBIERTA			1	
30	703-48281-00	.SCREW .TORNILLO 1			2	
31	703-48282-00	.SCREW .TORNILLO 2			7	
32	97380-08030	.BOLT .PERNO			1	
33	92990-08600	.WASHER, PLATE .ARANDELA			1	
34	98580-04010	.SCREW, PAN HEAD .TORNILLO DE CABEZA CON PLANA			3	
35	98580-04006	.SCREW, PAN HEAD .TORNILLO DE CABEZA CON PLANA			2	
36	98580-05010	.SCREW, PAN HEAD .TORNILLO DE CABEZA CON PLANA			1	
37	98580-03015	.SCREW, PAN HEAD .TORNILLO DE CABEZA CON PLANA			2	
38	703-48291-10	.SCREW (M6) .TORNILLO (M6)			3	
39	95380-06600	.NUT, HEXAGON .TUERCA			3	
40	703-48293-10	.SPACER, REMOTE CONTROL .ESPACIADOR			1	SINGLE
41	701-48287-00	.WASHER .ARANDELA			3	
42	703-48215-00	.GRAPHIC .CALCOMANIA 1			1	
43	703-82510-33	.MAIN SWITCH ASSY .CONJUNTO DE LLAVE IGNICION			1	
44	703-82577-00	.CAP, KEY .TAPA			1	
45	703-82531-00	.WIRE, LEAD .CABLE CONDUCTOR			1	
46	688-82575-01	.ENGINE STOP SWITCH ASSY .INTERRUPTOR DE PARADA COMPL			1	
47	682-82556-00	.STOPPER .RETENER			1	
48	688-82586-21	.EXTENSION, WIRE HARNESS .EXTENSION, CONJ. DE CABLES			1	L:5M (7P)
49	703-82540-00	.NEUTRAL SWITCH ASSY .INTERRUPTOR NEUTRAL COMPL			1	
50	703-83383-02	.BUZZER .ZUMBADOR			1	
51	703-48284-00	.GROMMET .TAPON 1			1	
52	703-82591-00	.BAND .BANDA			1	
53	703-82592-00	.BAND .BANDA			1	
54	703-48224-00	.COVER, CONTROL LEVER .CUBIERTA DE PALANCA CONTROL			1	WITHOUT PT/T SW.

FIG. 27 REMOTE CONTROL ASSY

CONTROL REMOTO COMPL.



6J83664-2230

REF. NO.	PART NO. CODIGO NO.	DESCRIPTION DESCRIPTION	E48C	E55C	55B	REMARKS OBSERVACION
55	703-48221-00	.LEVER, CONTROL .PALANCA CONTROL			1	
56	703-48152-00	.KNOB, FREE ACCEL. .PERILLA			1	
57	703-48212-00	.BACK PLATE 1 .PLACA TRASERA 1			1	
58	703-48213-00	.BACK PLATE 2 .PLACA TRASERA 2			1	
59	703-48271-00	.ARM, SHIFT .BRAZO CAMBIADOR			1	
60	703-48211-01	.HOUSING, 1 .CAJA			1	
61	703-48232-00	.GEAR .ENGRANAJE 1			1	

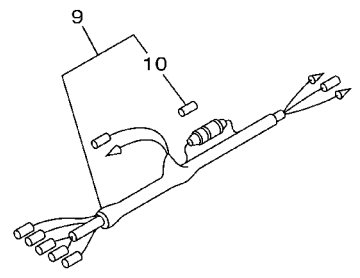
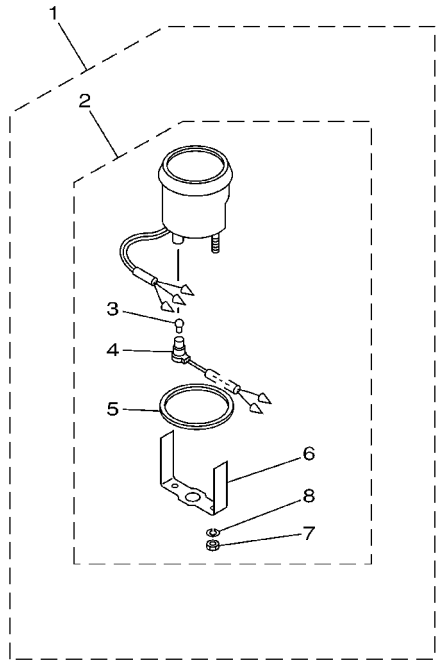


FIG. 28 METER

MEDIDOR

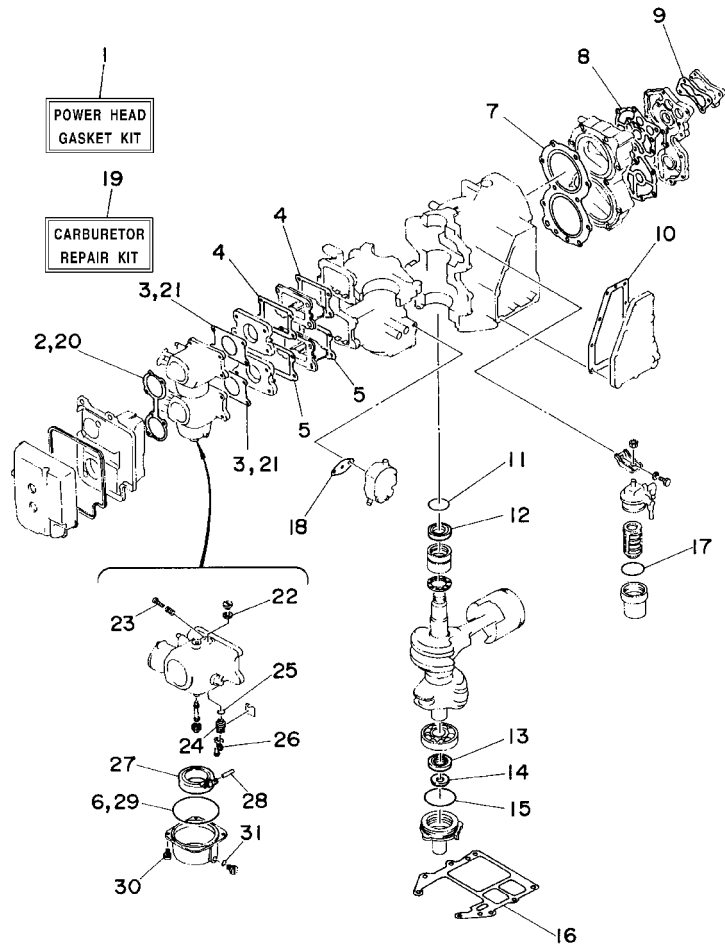
REF. NO.	PART NO. CODIGO NO.	DESCRIPTION DESCRIPTION	E48C	E55C	55B	REMARKS OBSERVACION
1	6Y5-W0080-12	TACHOMETER KIT JUEGO DE TACOMETRO			1	AP
2	6Y5-83540-14	.TACHOMETER ASSY .TACOMETRO COMPLETO			1	WITHOUT OIL LAMP
3	6Y5-83517-00	..BULB (12V-1.7W, T10) ..BOMBILLA (12V-1.7W, T10)			1	
4	6Y5-83536-10	..SOCKET, METER ..ENCASTRE DE MEDIDOR			1	
5	6Y5-83523-00	..DAMPER ..AMORTIGUADOR			1	
6	6Y5-83514-00	..PLATE, FITTING ..PLACA ACCESORIA			1	
7	95380-05600	..NUT ..TUERCA			2	
8	92990-05100	..WASHER, SPRING ..ARANDELA			2	
9	6Y5-83553-00	WIRE, LEAD CABLE CONDUCTOR			1	AP
10	1E6-82151-00	..FUSE (10A) ..FUSIBLE			1	

6K50200-0270

D1

FIG. 29 REPAIR KIT 1

ESTUCHE REPARATION 1



REF. NO.	PART NO. CODIGO NO.	DESCRIPTION DESCRIPTION	E48C	E55C	55B				REMARKS
									OBSERVACION
1	697-W0001-02	POWER HEAD GASKET KIT JUEGO DE EMPAQUE	1	1	1				
2	663-14483-A0	.GASKET .EMPAQUE	1	1	1				
3	663-14198-A0	.GASKET .EMPAQUE	2	2	2				
4	663-13621-A0	.GASKET, VALVE SEAT .JUNTA, DE VALV.DE EMPAQUE	2	2	2				
5	663-13622-A0	.GASKET, VALVE SEAT .EMPAQUE DE ASIENTO VALVULA	2	2	2				
6	93210-64272	.O-RING .ANILLO O	2	2	2				
7	697-11181-A1	.GASKET, CYLINDER HEAD 1 .JUNTA, DE CULATA 1	1	1	1				
8	663-11193-A0	.GASKET, HEAD COVER 1 .EMPAQUE	1	1	1				
9	663-12414-A0	.GASKET, COVER .EMPAQUE	1	1	1				
10	663-41114-A0	.GASKET, EXHAUST OUTER COVER .EMPAQUE	1	1	1				
11	93210-42159	.O-RING .ANILLO O	1	1	1				
12	93102-32M07	.OIL SEAL .SELLO ACEITE	1	1	1				
13	93102-28135	.OIL SEAL .SELLO ACEITE	1	1	1				
14	93104-18049	.OIL SEAL .SELLO ACEITE	1	1	1				
15	93210-62269	.O-RING .ANILLO O	1	1	1				
16	696-45113-A0	.GASKET, UPPER CASING .EMPAQUE	1	1	1				
17	93210-32738	.O-RING .ANILLO O	1	1	1				
18	650-24431-A0	.GASKET, FUEL PUMP 1 .EMPAQUE BOMBA COMBUST 1	1	1	1				
19	696-W0093-02	CARBURETOR REPAIR KIT KIT REPARACION CARBURADOR	1	1	1				
20	663-14483-A0	.GASKET .EMPAQUE	1	1	1				
21	663-14198-A0	.GASKET .EMPAQUE	2	2	2				
22	679-14557-00	.WASHER .ARANDELA	2	2	2				
23	663-14923-00	.SCREW, PILOT .TORNILLO DE AJUSTE	2	2	2				
24	696-14590-00	.NEEDLE VALVE ASSY .VALVULA DE AGUJA COMPLETA	2	2	2				
25	93210-07229	.O-RING .ANILLO O	2	2	2				
26	810-14186-00	.PIN, FLOAT .PASADOR DE LA BOYA	2	2	2				
27	6F0-14985-00	.FLOAT .BOIA	2	2	2				



6970700-4220

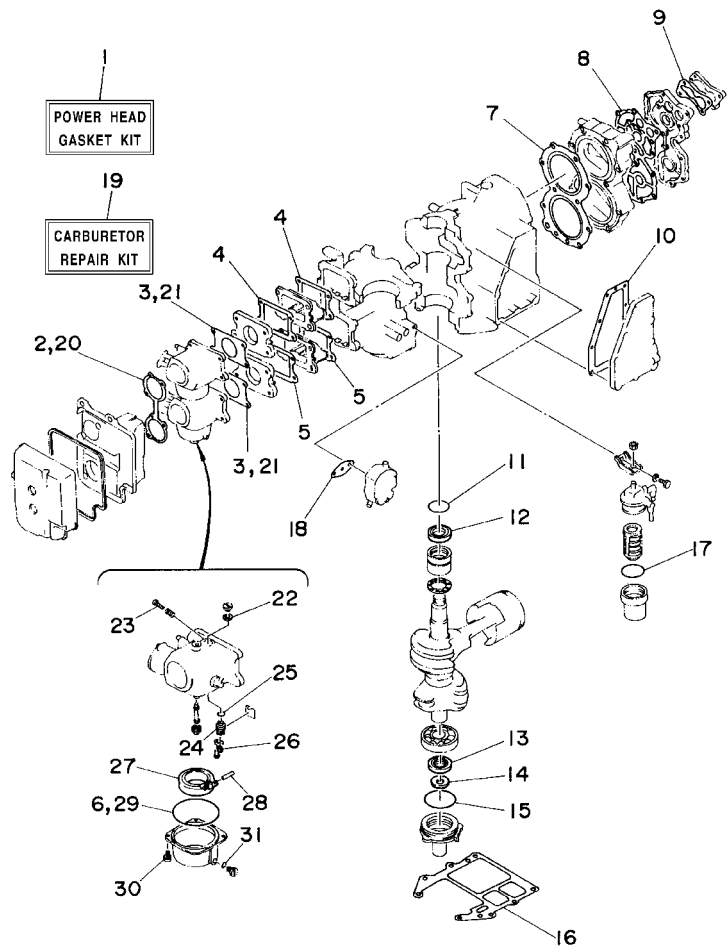


FIG. 29 REPAIR KIT 1

ESTUCHE REPARATION 1

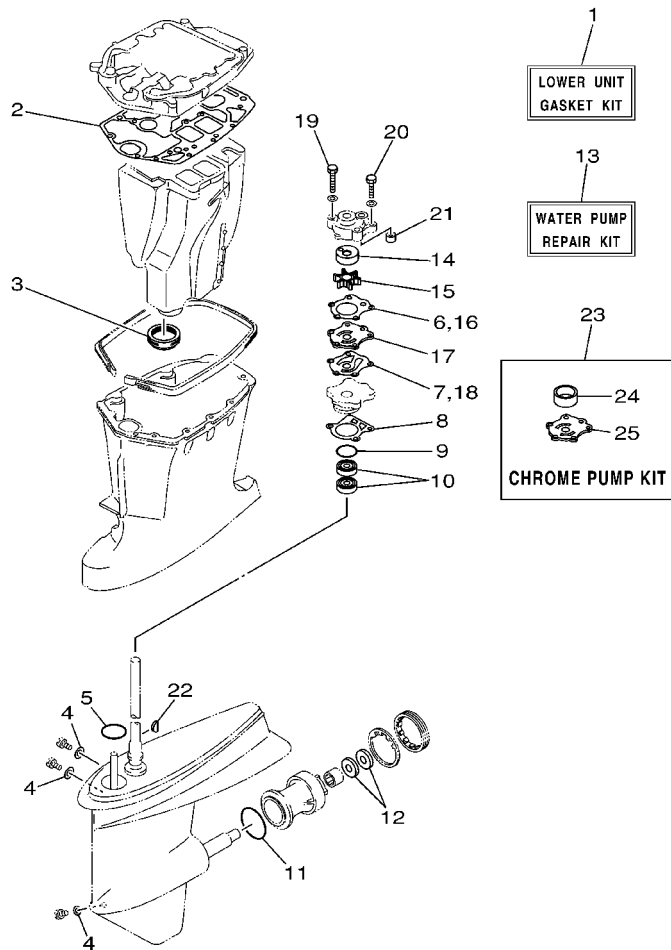
REF. NO.	PART NO. CODIGO NO.	DESCRIPTION DESCRIPTION	E48C	E55C	55B	REMARKS OBSERVACION
28	663-14548-00	.PIN, FLOAT ARM .PASADOR DE BRAZO DE BOIA	2	2	2	
29	93210-64272	.O-RING .ANILLO O	2	2	2	
30	97980-04112	.SCREW, WITH WASHER .TORNILLO, CON ARANDELA	2	2	2	
31	93210-04230	.O-RING .ANILLO O	2	2	2	



6970700-4220

FIG. 30 REPAIR KIT 2

ESTUCHE REPARATION 2




6970700-0230

REF. NO.	PART NO. CODIGO NO.	DESCRIPTION DESCRIPTION	E48C	E55C	55B			REMARKS OBSERVACION
1	698-W0001-21	LOWER UNIT GASKET KIT JUEGO DE JUNTA UNIDAD INFERIOR	1	1	1			
2	697-45114-A0	.GASKET, UPPER CASING .EMPAQUE	1	1	1			
3	663-45123-00	.GASKET, MUFFLER .EMPAQUE SILENCIADOR	1	1	1			
4	90430-08020	.GASKET .JUNTA	3	3	3			
5	93210-49046	.O-RING .ANILLO O	1	1	1			
6	663-44315-A0	.GASKET, WATER PUMP .EMPAQUE	1	1	1			
7	663-44324-A0	.GASKET, CARTRIDGE .EMPAQUE	1	1	1			
8	663-44316-A0	.GASKET, WATER PUMP .EMPAQUE	1	1	1			
9	93210-41042	.O-RING .ANILLO O	1	1	1			
10	93101-23070	.OIL SEAL .SELLO ACEITE	2	2	2			
11	93210-66M98	.O-RING .ANILLO O	1	1	1			
12	93101-22067	.OIL SEAL .SELLO ACEITE	2	2	2			
13	663-W0078-01	WATER PUMP REPAIR KIT ESTUCHE REPARACION BOMBA AGUA						1
	696-W0078-00	WATER PUMP REPAIR KIT ESTUCHE REPARACION BOMBA AGUA	1	1				
14	663-44322-00	.INSERT, CARTRIDGE .CARTUCHO						1
	663-44322-40	.INSERT, CARTRIDGE .CARTUCHO	1	1				
15	697-44352-00	.IMPELLER .IMPULSOR	1	1	1			
16	663-44315-A0	.GASKET, WATER PUMP .EMPAQUE	1	1	1			
17	663-44323-00	.OUTER PLATE, CARTRIDGE .PLACA EXTERIOR DEL CARTUCHO						1
	670-44323-00	.OUTER PLATE, CARTRIDGE .PLACA EXTERIOR DEL CARTUCHO	1	1				
18	663-44324-A0	.GASKET, CARTRIDGE .EMPAQUE	1	1	1			
19	97095-08055	.BOLT .PERNO	2	2	2			
20	97095-08045	.BOLT .PERNO	2	2	2			
21	663-44366-00	.DAMPER, WATER SEAL .GOMA DEL SELLO DE AGUA	1	1	1			
22	90280-03M03	.KEY, WOODRUFF .CUNA WOODRUFF	1	1	1			
23	697-W0078-0A	CHROME PUMP KIT ESTUCHE REPARACION BOMBA AGUA						1
24	663-44322-40	.INSERT, CARTRIDGE .CARTUCHO						1

NUMERICAL INDEX
INDICE NUMERICO

PART NO. CODIGO NO.	REF. NO.	PART NO. CODIGO NO.	REF. NO.	PART NO. CODIGO NO.	REF. NO.	PART NO. CODIGO NO.	REF. NO.	PART NO. CODIGO NO.	REF. NO.	PART NO. CODIGO NO.	REF. NO.
697-W0001-02	29-1	698-13610-00	4-1	663-14943-40	4-49	663-15791-00	6-20	662-41237-01	14-43	663-42662-00	1-5
698-W0001-21	30-1	663-13621-A0	4-3	663-14943-43	4-49	663-15794-00	6-57	663-41256-01	4-15		2-5
688-W0004-00	4-2		29-4	663-14945-32	4-37	6YJ-24167-00	24-7	663-41256-41	4-15	69P-42677-H0	2-23
692-W0004-00	4-2	663-13622-A0	4-4	663-14945-34	4-37	6YJ-24201-00	24-1	663-41257-02	4-14	697-42677-40	1-19
6A3-W0070-H0	2-19		29-5	663-14945-43	4-37	6YJ-24201-10	24-1	6J8-41262-00	16-12	6A3-42678-H0	2-20
696-W0070-H0	2-19	663-13641-02-94	4-5	6F0-14947-00	4-48	6YJ-24260-00	24-3	661-41262-02	4-16	696-42678-H0	2-20
697-W0070-31	1-20	670-13641-01-94	4-5	663-14947-01	4-48	6Y1-24260-12	24-3	663-41282-00	14-8	697-42678-30	1-21
663-W0078-01	30-13	663-14159-00	4-51	663-14950-26	4-36	6Y1-24268-00	24-6	663-41612-00	7-17	697-42681-31	1-22
696-W0078-00	30-13	810-14186-00	4-53	663-14950-27	4-36	6G1-24304-02	5-1		8-14	697-42682-31	1-23
697-W0078-0A	30-23		29-26	663-14950-29	4-36	6G1-24305-03	24-13	663-41619-00	7-20	696-42711-03-4D	12-1
6Y5-W0080-12	28-1	663-14198-A0	4-6	663-14980-00	4-59	6Y1-24305-04	24-15		8-17	697-42711-02-4D	12-1
697-W0084-00-4D	13-1		29-3	6F0-14985-00	4-56	61J-24306-02	24-8	663-41631-00-94	14-26	648-42715-00	14-64
6A3-W0090-65-1S	3-1		29-21		29-27	663-24312-01	3-45	663-41632-00-94	14-7	663-42716-01	12-4
696-W0090-65-1S	3-1	6A0-14325-00	5-27	697-14991-00	4-38	663-24321-00	4-9	663-41633-00-94	14-21	663-42723-01-94	12-22
697-W0090-05-1S	3-1	647-14395-60	4-8	6H3-14992-00	4-61	6Y1-24329-00	24-5	663-41635-00	14-23	663-42724-00	12-5
696-W0093-02	29-19	697-14416-00	4-21	6A3-15100-01-1S	3-2	650-24351-51	24-12	688-41636-00	14-33	663-42725-01	12-8
696-W1571-02	6-1	697-14417-00-94	4-17	696-15100-01-1S	3-2	61J-24360-00	24-10	663-41661-00-94	14-28	663-42725-11	12-8
656-W02810-02	5-36	697-14418-00-94	4-20	697-15100-02-1S	3-2	663-24376-00	12-2	663-41662-00-94	14-12	6H4-42726-00	12-3
663-11111-02-1S	3-26	663-14483-A0	4-18	663-15359-01-94	3-15	650-24378-00	3-44	663-42111-02-4D	13-2	663-42738-03-94	12-9
697-11119-00	3-24		29-2	663-15711-02	6-2	688-24378-00	5-34	663-42115-00	13-11	663-42741-01-4D	12-23
	6-65		29-20	663-15713-00	6-5	692-24410-00	5-17	664-42119-00	13-3	663-42744-02	12-19
697-11181-A1	3-27	624-14485-00	3-4	663-15714-01	6-6	663-24411-00	5-22	697-42121-00-4D	13-21	663-42771-02-4D	12-24
	29-7		4-7	663-15715-00	6-12	692-24411-00	5-19	663-42126-01	13-47	6G5-42791-00	12-33
663-11191-00-1S	3-29	6A3-14501-04	4-34	696-15716-00	6-13	6A0-24412-02	5-28	663-42133-01	13-15	6G5-42791-10	12-33
663-11193-A0	3-30	696-14501-04	4-34	663-15719-00	6-15	6A0-24413-00	5-18	663-42134-03-94	13-16	663-42791-00	12-33
	29-8	697-14501-04	4-34	6K5-15723-00	6-26	6A0-24421-01	5-26	663-42135-01	13-14	664-42791-00	12-33
663-11325-00	3-22	6A3-14502-04	4-35	663-15726-01	6-10	650-24431-A0	5-29	697-42137-10	13-5	664-42791-10	12-33
650-11370-00	3-3	696-14502-04	4-35	696-15734-00	6-14		29-18	663-42138-00	13-12	697-42815-11-98	1-12
663-11411-01	3-47	697-14502-04	4-35	663-15735-01	6-51	648-24434-01	5-20	663-42164-00	13-42		2-12
663-11518-01	3-6	63V-14523-00	4-42	663-15736-00	6-58	648-24435-02	5-23	6F6-42177-A0	13-4	663-42816-02	1-16
663-11561-00	3-53	663-14548-00	4-57	663-15739-00	6-4	61N-24521-00	5-9	663-42510-03-4D	17-1		2-16
688-11603-A0	3-55		29-28	663-15741-02	6-8	61N-24560-00	5-7		18-50	697-42817-01-98	2-13
688-11604-A0	3-55	679-14557-00	4-39	663-15744-00	6-11	61N-24563-00	5-8	663-42510-13-4D	17-1	697-42817-11-98	1-13
688-11605-A0	3-55		29-22	663-15752-00	6-18	6E9-24566-70	5-11		18-50	688-43111-13-4D	15-1
688-11631-03-94	3-54	663-14567-01	4-40	663-15753-00	6-19	6YJ-24610-01	24-2	624-42542-00	6-40	696-43111-01-4D	18-1
663-11633-00	3-56	696-14590-00	4-50	663-15754-00	6-9	692-26301-03	13-20		9-3	697-43111-05-4D	15-1
688-11634-00	3-57		29-24	689-15755-01	6-23	6A1-28176-00	12-34		10-3	688-43112-12-4D	15-9
688-11635-03	3-54	6K5-14592-00	4-46	697-15758-01-4D	6-41	626-28193-01-94	5-37	6A3-42610-J0-4D	2-1	696-43112-00-4D	18-8
688-11636-03	3-54	663-14711-02-5B	20-11	697-15761-01	2-21	663-41113-00-1S	3-41	696-42610-J0-4D	2-1	697-43112-03-4D	15-9
688-11650-03	3-58	663-14711-12-5B	20-11	697-15762-00	6-46	663-41114-A0	3-42	697-42610-40-4D	1-1	697-43112-03-4D	18-8
6F5-12411-02	3-37	663-14737-00	20-22	663-15764-00	6-7		29-10	697-42613-01-4D	1-8	648-43114-01	15-12
663-12413-00-1S	3-38	663-14737-10	20-22	697-15770-01	6-50	663-41137-04-5B	20-6	697-42613-11-4D	2-8		18-2
663-12414-A0	3-39	371-14919-60	4-54	663-15771-00-94	6-47	663-41211-00	14-42	663-42615-02	1-11	663-43116-01	15-13
	29-9	663-14923-00	4-44	663-15772-01	6-61	697-41211-00	14-42		2-11		18-3
663-12416-00	3-34		29-23	696-15773-00	6-3	663-41213-01-94	14-45	697-42647-00-94	1-2		18-10
677-13437-08	2-22	663-14942-19	4-41	6F5-15779-02	6-25	697-41217-01	4-13		2-2	663-43118-01-4D	15-15
696-13610-00	4-1	663-14942-22	4-41	697-15787-00-94	6-36	6H4-41237-00	14-43	697-42649-00-94	1-3		18-5
697-13610-00	4-1	663-14943-39	4-49	697-15789-00	6-33	662-41237-01	14-36		2-3		18-12

NUMERICAL INDEX
INDICE NUMERICO

PART NO. CODIGO NO.	REF. NO.	PART NO. CODIGO NO.	REF. NO.	PART NO. CODIGO NO.	REF. NO.	PART NO. CODIGO NO.	REF. NO.	PART NO. CODIGO NO.	REF. NO.	PART NO. CODIGO NO.	REF. NO.
663-43123-00	18-15	670-43691-00	2-7	663-44341-00-94	22-35	6H1-45251-03	15-2	663-45567-01-50	21-7	663-45947-02-EL	23-23
663-43124-00	19-10	688-43691-01	15-21	697-44352-00	21-33	663-45251-00	15-2		22-7	663-45949-01-EL	23-23
688-43124-02	16-5	697-44113-00	13-29		22-33		18-6	697-45571-00	21-59	663-45952-02-EL	23-23
663-43125-00	19-4	663-44114-00	14-16		30-15		20-13		22-59	663-45954-01-EL	23-23
6E5-43126-02	15-39	663-44117-01	14-49	663-44361-00	23-13	696-45300-02-4D	22-1	663-45576-00	21-20	663-45956-01-EL	23-23
663-43126-00	19-6	688-44118-00-94	14-57	663-44361-10	23-13	696-45300-12-4D	22-1		22-20	663-45958-01-EL	23-23
688-43128-01-4D	16-1	696-44120-02	14-65	670-44361-00	23-13	697-45300-01-4D	21-1	663-45577-01-10	21-19	663-45970-60-98	23-23
697-43128-01-4D	16-1	696-44120-12	14-65	670-44361-10	23-13	697-45300-12-4D	21-1		22-19	697-45970-00-98	23-23
688-43131-03	15-22	697-44120-02	14-65	663-44366-00	21-32	697-45311-02-4D	21-2	663-45577-01-12	21-19	663-45972-60-98	23-23
696-43131-01	18-24	697-44120-12	14-65		22-32		22-2		22-19	663-45974-60-98	23-23
6G5-43144-00	15-44	663-44121-01	14-54		30-21	663-45321-00	21-14	663-45577-01-15	21-19	663-45976-00-98	23-23
6E5-43145-01	25-9	663-44144-01	21-60	663-44367-00	23-1		22-14		22-19	663-45978-00-98	23-23
6G5-43145-01	15-26		22-60	663-44373-00	23-15	663-45331-00-94	21-21	663-45577-01-18	21-19	663-45987-02	23-18
	18-28	696-44147-00	14-66	663-44511-00-94	17-31		22-21		22-19	670-45997-02	23-19
6G5-43148-00	15-30	663-44151-00	21-62		18-79	688-45341-10	21-13	663-45577-01-30	21-19	703-48152-00	27-56
676-43160-02	18-46		22-63	670-44514-00-94	17-24		22-13		22-19	703-48153-00	27-3
688-43160-01	15-35	663-44155-01	22-61		18-72	679-45371-00	23-10	663-45577-01-40	21-19	703-48189-00	27-17
697-43160-00	15-35	697-44159-00	13-33	6H1-44526-00	15-3	663-45375-00	21-10		22-19	703-48198-00	27-14
676-43165-00	18-47	663-44173-00	13-34	663-44533-00	17-30		22-10	663-45577-01-50	21-19	703-48211-01	27-60
688-43165-00	15-36	6K5-44191-00	13-30		18-78	663-45376-00-94	21-9		22-19	703-48212-00	27-57
663-43170-02-4D	19-1	663-44194-00	14-40	663-44551-02-4D	17-7		22-9	663-45587-01-10	21-5	703-48213-00	27-58
688-43170-04-4D	16-2	688-44194-00	14-35		18-55	697-45384-00	21-27		22-5	703-48215-00	27-42
697-43170-03-4D	16-2	663-44311-02	21-29	663-44552-01-94	18-64		22-27	663-45587-01-12	21-5	703-48219-00	27-29
688-43181-04	15-27		22-29	687-44552-02-94	17-16	663-45510-01	21-46		22-5	703-48221-00	27-55
688-43181-10	15-27	663-44315-A0	21-31	663-44553-01-4D	17-21	663-45510-11	21-46	663-45587-01-15	21-5	703-48222-00	27-26
697-43181-02	18-29		22-31		18-69	670-45510-00	22-46		22-5	703-48223-00	27-27
688-43185-04	15-28		30-6	670-44555-00-94	18-57	670-45510-10	22-46	663-45587-01-18	21-5	703-48224-00	27-54
688-43185-10	15-28		30-16	687-44555-00-94	17-9	696-45510-10	22-46		22-5	703-48225-00	27-28
697-43185-02	18-30	663-44316-A0	21-38	663-44575-00	17-14	663-45536-00	21-4	663-45587-01-30	21-5	703-48226-00	27-25
688-43186-00	16-10		22-38	670-44575-00	18-62		22-4		22-5	703-48227-00	27-24
6H1-43311-01-4D	15-18		30-8	691-45111-01-4D	20-1	697-45551-00	21-48	663-45587-01-40	21-5	703-48230-15	26-1
696-43311-00-4D	18-19	663-44322-00	21-30	691-45111-13-4D	20-1		22-48		22-5		27-1
696-43311-10-4D	18-19		30-14	697-45111-01-4D	20-1	663-45552-00	21-47	663-45587-01-50	21-5	703-48232-00	27-61
697-43311-03-4D	15-18	663-44322-40	21-30	697-45111-13-4D	20-1		22-47		22-5	703-48234-00	27-18
663-43318-00	15-34		22-30	696-45113-A0	20-19	697-45560-00	21-50	697-45611-00	21-51	703-48235-00	27-4
	18-35		30-14		29-16		22-50		22-51	703-48236-00	27-16
682-43318-01	16-9		30-24	697-45114-A0	20-10	663-45567-01-10	21-7	663-45631-01	21-54	703-48238-00	27-22
696-43610-00	18-36	663-44323-00	21-39		30-2		22-7		22-54	703-48243-00	27-15
696-43611-00	18-37		30-17	663-45119-00	15-20	663-45567-01-12	21-7	663-45633-00	21-56	703-48244-00	27-21
670-43616-01	18-41		21-39		18-22		22-7		22-56	703-48245-00	27-11
670-43616-11	18-41	670-44323-00	22-39	663-45123-00	20-2	663-45567-01-15	21-7	663-45634-00	21-53	703-48246-00	27-23
688-43616-00	16-13		30-17		30-3		22-7		22-53	701-48248-00	27-13
688-43631-00	16-3		30-25	663-45127-00	20-8	663-45567-01-18	21-7	688-45635-00	21-57	703-48252-00	27-12
688-43631-10	16-3	663-44324-A0	21-40	663-45129-00	20-9		22-7		22-57	703-48261-11	27-2
688-43651-00	16-15		22-40	663-45155-10	20-3	663-45567-01-30	21-7	663-45930-00-98	23-23	703-48264-00	27-6
663-43653-00	18-43		30-7	696-45211-01-4D	20-23		22-7	663-45941-01-EL	23-23	703-48265-00	27-9
696-43662-00	14-71		30-18	688-45214-02	23-2	663-45567-01-40	21-7	663-45943-02-EL	23-23	703-48268-00	27-5
697-43662-00	14-71	663-44341-00-94	21-35	688-45215-02	23-3		22-7	663-45945-02-EL	23-23	703-48271-00	27-59

NUMERICAL INDEX
INDICE NUMERICO

PART NO. CODIGO NO.	REF. NO.	PART NO. CODIGO NO.	REF. NO.	PART NO. CODIGO NO.	REF. NO.	PART NO. CODIGO NO.	REF. NO.	PART NO. CODIGO NO.	REF. NO.	PART NO. CODIGO NO.	REF. NO.
703-48281-00	27-30	696-82127-00	18-71	697-83557-00	9-9	90119-06MA2	3-31	90201-05652	4-47	90206-13019	2-15
703-48282-00	27-31	696-82127-10	18-71	6E9-85411-00	12-31		3-43	90201-06068	1-18	90214-48M03	21-26
703-48284-00	27-51	697-82127-01	17-23	692-85415-00	12-32	90119-06MA4	3-40		2-18		22-26
701-48287-00	27-41	663-82131-01	9-12	663-85518-00	7-12	90119-06M08	12-18	90201-06416	12-15	90240-08M21	18-44
703-48291-10	27-38	6E5-82148-00	15-10		8-10	90119-06M12	3-8	90201-08095	6-30	90241-06M00	14-51
703-48293-10	27-40		18-13	6E7-85520-70	8-4	90119-06M29	15-4	90201-09425	17-28	90243-04007	15-14
701-48320-20	26-2	682-82150-10	9-35	697-85520-02	7-7	90119-06M30	6-37		18-76		18-4
701-48320-50	26-2	1E6-82151-00	28-10	697-85533-00	7-8	90119-06M59	9-4	90201-10M20	25-3		18-11
700-48339-00	13-46	663-82151-00	9-36	696-85540-11	10-8		10-4	90201-10M63	25-7	90249-05125	14-9
663-48344-00	14-6	6A0-82317-00	6-39	697-85540-00	9-10	90119-08MA8	3-28	90201-10008	3-10	90249-06M19	15-32
703-48345-01	27-19		9-2	663-85542-01-94	9-1	90119-08M26	6-29	90201-10120	13-38	90250-06023	21-55
703-48358-00	27-20		10-2	696-85542-00-94	10-1	90119-08M82	20-5	90201-12M16	17-10		22-55
688-48511-51-4D	17-34	6G1-82370-21	10-21	697-85547-00	9-11	90119-08M84	23-9		18-58	90254-03003	13-13
663-48531-00	14-1	663-82370-01	9-19	696-85550-F1	8-1	90119-08M85	23-9	90201-12M34	13-41	90266-06M02	1-7
663-48538-00	14-2		10-21	697-85550-00	7-1	90119-08O18	3-25	90201-12426	15-48	90266-06009	1-6
697-61350-00	25-1	703-82510-33	27-43	696-85560-F0	8-2	90119-10005	3-9		18-86		2-6
697-61351-00	25-2	662-82519-00	9-13	697-85560-01	7-2	90149-05M13	13-7		19-2	90269-02M09	13-6
6E5-61355-00	25-8		10-28	696-85561-F0	8-3	90149-05095	6-54	90201-12537	13-26	90269-03010	18-20
663-81162-00	11-28	697-82519-00	9-15	697-85561-00	7-3	90152-05M05	23-4	90201-13M19	17-12	90280-03M03	21-34
696-81303-F0	8-8		10-32	696-85570-11	10-14	90152-06M01	15-5	90201-13421	18-60		22-34
663-81332-01	8-18	696-82531-00	10-27	697-85570-00	9-14		18-7	90201-15423	17-26		30-22
697-81332-00	7-21	703-82531-00	27-45	6E7-85580-70	8-6		20-14		18-74	90280-05015	7-14
696-81443-00	10-15	703-82540-00	27-49	697-85580-00	7-4	90157-06M11	14-34	90201-19427	19-8		8-11
696-81444-00	10-16	682-82556-00	13-52	697-85580-10	7-5	90157-06M12	14-34	90201-20417	3-62	90282-04010	21-28
697-81800-13	11-1		27-47	696-85590-10	10-11		14-39	90201-21M18	7-16		22-28
697-81809-10	11-18	688-82560-00	9-30	6F0-85599-A0	7-6	90159-05038	8-7		8-13	90334-30017	20-12
663-81810-11	11-7		10-22	663-86110-02	4-26	90159-05039	8-5	90201-22M03	18-26	90338-05M03	12-7
663-81811-11	11-9	6E3-8257H-00	12-35	663-86115-00	4-28	90159-05040	8-9	90201-22M67	15-24	90340-08002	21-12
663-81812-11	11-10	689-8257Y-00	13-53	663-86116-01	4-30	90170-06017	14-37	90201-22429	21-58		22-12
663-81813-10	11-11	6K5-82575-03	13-51	676-86117-00	4-31	90170-09M03	25-5		22-58	90340-14036	3-33
697-81815-10	11-19	688-82575-01	27-46	663-86118-00	4-33	90170-12138	21-49	90201-30M00	17-2	90385-12M04	6-27
663-81820-12	11-12	703-82577-00	27-44	90101-06M27	13-48		22-49		18-51	90385-19007	19-12
688-81824-00	11-21	688-82586-21	27-48	90101-10M58	18-84	90170-20137	7-15	90201-31418	18-54	90385-19008	19-9
663-81826-10	11-16	663-82588-00	9-31	90101-12M06	13-22		8-12	90202-03M51	16-14	90386-02M04	20-7
676-81830-10	11-2		10-23	90101-12M51	15-46	90171-16011	23-21	90202-12060	23-12	90386-06M39	14-17
688-81831-00	11-3	697-82590-12	9-25	90105-10M67	23-11	90175-06003	13-50	90202-12092	13-25	90386-06088	13-45
663-81832-12	11-5	703-82591-00	27-52	90109-06260	14-48	90179-06066	17-20	90202-15065	17-27	90386-08006	14-67
663-81840-11	11-8	703-82592-00	27-53	90109-08022	3-59		18-68	90202-15095	18-75	90386-08032	13-10
663-81842-01-94	11-25	663-82594-03	12-29	90109-08262	17-25	90185-05002	23-5	90202-19M10	1-4	90386-10M16	15-29
676-81850-12	11-6	697-82594-00	9-27		18-73	90185-08045	17-29		2-4	90386-10009	13-37
697-81857-12	11-17	703-83383-02	27-50	90109-12261	17-13		18-77	90202-19059	19-11		14-13
696-81916-00	10-17	6Y5-83514-00	28-6		18-61	90185-09M01	25-4	90202-21100	18-59		14-27
682-81941-11	11-4	6Y5-83517-00	28-3	90109-12263	19-3	90185-10051	13-39	90202-25M04	17-11		14-29
697-81952-10	11-20	6Y5-83523-00	28-5	90116-06176	4-25		17-36	90206-06040	14-53		14-46
664-81970-61	9-20	6Y5-83536-10	28-4	90116-10M31	20-24		18-83	90206-10M04	14-47	90386-10045	18-31
697-81971-01	9-23	6Y5-83540-14	28-2	90116-10175	17-35	90185-12058	13-28	90206-10M08	18-32		18-40
697-82105-12	9-26	6Y5-83553-00	28-9		18-82	90185-22043	15-25	90206-12054	13-27	90386-12089	13-24
688-82127-02	17-23	6G5-83557-00	9-8	90116-10177	3-21		18-27	90206-13019	1-15	90386-13M38	1-14

NUMERICAL INDEX
INDICE NUMERICO

PART NO. CODIGO NO.	REF. NO.	PART NO. CODIGO NO.	REF. NO.	PART NO. CODIGO NO.	REF. NO.	PART NO. CODIGO NO.	REF. NO.	PART NO. CODIGO NO.	REF. NO.	PART NO. CODIGO NO.	REF. NO.
90386-13M38	2 - 14	90467-08004	5 - 33	91702-06014	6 - 63	92995-06100	12 - 28	93104-18049	3 - 16	93410-28M06	17 - 8
90386-18M21	15 - 40	90468-18008	14 - 50	92901-04100	11 - 14		15 - 7		29 - 14		18 - 56
	16 - 6		14 - 69	92903-06100	5 - 13		23 - 17	93106-09014	21 - 16	93430-06024	27 - 10
90386-18M35	15 - 41	90480-06158	7 - 13		6 - 16	92995-06200	6 - 59		22 - 16	93501-04M02	14 - 62
	16 - 8	90480-09M12	12 - 13		6 - 21	92995-06600	1 - 10	93109-30M03	18 - 53	93515-32M01	13 - 36
90386-18M63	16 - 7	90480-12004	12 - 6		9 - 33		2 - 10	93210-03261	4 - 32	93603-21111	3 - 60
90386-22M15	15 - 23	90480-18065	3 - 36		10 - 6		3 - 20	93210-04230	4 - 62	93604-08062	3 - 5
	18 - 25	90480-25161	9 - 18		10 - 25		4 - 24		29 - 31		21 - 41
90386-30M60	17 - 6	90501-08214	4 - 45		10 - 30		5 - 3	93210-07229	4 - 52		22 - 41
90386-30M77	17 - 4	90501-08232	14 - 19		13 - 32		5 - 31		29 - 25	93606-12019	20 - 4
90386-30M78	17 - 3	90501-10M21	15 - 31	92903-06600	7 - 19		6 - 44	93210-08287	24 - 14		20 - 20
90386-30048	18 - 52	90501-10326	4 - 43		8 - 16		6 - 56		24 - 16		20 - 25
90387-06M03	12 - 14	90501-12082	14 - 63		10 - 7		7 - 23	93210-16275	25 - 10		23 - 6
90387-08M05	6 - 28	90501-14M08	17 - 19		10 - 10		8 - 20	93210-29M94	17 - 5	93607-23110	14 - 10
90387-10M02	15 - 33		18 - 67		10 - 13		9 - 17	93210-32738	5 - 10	93608-12063	3 - 7
90387-10M03	18 - 16	90501-14234	3 - 35		10 - 31		10 - 19		29 - 17	93700-06M03	13 - 17
90387-10M38	15 - 32	90501-16M17	13 - 35		14 - 20		12 - 12	93210-41042	21 - 37		15 - 19
90387-10M42	25 - 6	90501-16233	21 - 52		14 - 52		14 - 15		22 - 37		18 - 21
90387-10269	18 - 33		22 - 52		14 - 55		14 - 32		30 - 9	94702-00040	3 - 63
90387-12M30	13 - 40	90501-23215	13 - 9	92903-08100	6 - 35		15 - 8	93210-42159	3 - 50	94702-00041	3 - 63
90430-08020	21 - 11	90502-10M04	18 - 49		6 - 49		21 - 18		29 - 11	94702-00160	3 - 63
	22 - 11	90502-16M02	15 - 38		11 - 23		22 - 18	93210-49046	21 - 15	94702-00247	3 - 63
	30 - 4	90502-20M03	15 - 38		11 - 27	92995-08100	6 - 32		22 - 15	94702-00272	3 - 63
90430-12072	23 - 14	90506-08M23	6 - 52		11 - 30		14 - 5		30 - 5	95303-06600	6 - 38
90430-14115	3 - 32	90506-12078	18 - 39		14 - 60		17 - 18	93210-62269	3 - 18		6 - 45
90445-07240	3 - 12	90506-14M24	15 - 43	92903-08600	11 - 24		17 - 33		29 - 15	95313-10600	3 - 11
90445-09061	5 - 35	90508-12015	6 - 53		14 - 61		18 - 66	93210-64272	4 - 58	95380-03600	5 - 21
90445-09086	5 - 32	90508-20169	14 - 24	92903-10600	13 - 8		18 - 81		29 - 6	95380-05600	14 - 41
90445-09097	5 - 15	90560-25061	19 - 7	92990-05100	5 - 25		20 - 16		29 - 29		14 - 44
90445-09109	5 - 4	91490-16012	6 - 60		9 - 22		20 - 18	93210-66M98	21 - 25		27 - 7
90445-11M05	24 - 11		14 - 56		28 - 8	92995-08600	9 - 29		22 - 25		28 - 7
90445-11M06	24 - 9	91490-20012	18 - 45	92990-06600	13 - 43		21 - 43		30 - 11	95380-06600	4 - 12
90461-04011	3 - 14	91490-25012	13 - 44		13 - 49		21 - 45	93306-00702	21 - 22		27 - 39
90462-05M02	14 - 58	91490-25025	18 - 38	92990-08200	14 - 68		22 - 43		22 - 22	95380-06700	14 - 37
90464-04011	5 - 6	91490-30025	15 - 33	92990-08600	27 - 33		22 - 45	93306-206U3	3 - 52		14 - 38
90464-07M10	9 - 7		18 - 34	92990-10100	23 - 8	92995-10100	15 - 17	93306-206U4	3 - 52	95380-08600	5 - 14
90464-20M04	10 - 20	91490-40025	23 - 22	92990-10600	15 - 30	92995-10600	18 - 85	93310-730V8	3 - 61		18 - 42
90465-06M86	9 - 34	91690-30010	4 - 27		18 - 17	92995-12200	15 - 47	93311-632U1	3 - 48	95380-10600	18 - 18
	10 - 26		18 - 48	92990-12200	13 - 23	93101-22067	21 - 24	93311-832U4	3 - 51		18 - 87
	12 - 30	91690-30012	14 - 3	92990-16200	23 - 20		22 - 24	93315-32224	21 - 3		23 - 7
90465-06M90	6 - 64		15 - 37	92995-06100	4 - 11		30 - 12		22 - 3	95380-12600	15 - 49
90465-13M11	9 - 24	91690-30018	14 - 11		4 - 23	93101-23070	21 - 36	93317-22204	21 - 23	95380-12800	17 - 15
90465-13M39	9 - 37		14 - 22		6 - 43		22 - 36		22 - 23		18 - 63
90467-06016	3 - 13		14 - 25		9 - 6		30 - 10	93332-00001	21 - 6	97013-06010	9 - 32
90467-08004	3 - 46	91690-30020	15 - 31		12 - 11	93102-28135	3 - 17		22 - 6		10 - 24
	4 - 10		16 - 11		12 - 17		29 - 13	93332-00003	21 - 8	97013-06012	10 - 5
	5 - 5	91690-40010	14 - 30		12 - 21	93102-32M07	3 - 49		22 - 8		10 - 29
	5 - 16	91690-40040	18 - 23		12 - 26		29 - 12	93410-18M02	15 - 42	97013-06014	5 - 12

NUMERICAL INDEX
INDICE NUMERICO

PART NO. CODIGO NO.	REF. NO.	PART NO. CODIGO NO.	REF. NO.	PART NO. CODIGO NO.	REF. NO.	PART NO. CODIGO NO.	REF. NO.	PART NO. CODIGO NO.	REF. NO.
97013-06016	13 - 31	97095-08016	9 - 28						
97013-06020	7 - 18		14 - 4						
	8 - 15	97095-08040	6 - 31						
	10 - 9	97095-08045	21 - 44						
	10 - 12		22 - 44						
97013-06025	4 - 19		30 - 20						
97013-08012	6 - 62	97095-08055	21 - 42						
97013-08014	6 - 34		22 - 42						
97013-08016	11 - 29		30 - 19						
97013-08025	11 - 26	97095-10045	15 - 16						
97013-08030	6 - 48	97303-06016	6 - 17						
	14 - 59	97303-06025	6 - 22						
97013-08040	11 - 22	97313-06010	11 - 15						
97075-08025	17 - 17	97380-05025	27 - 8						
	18 - 65	97380-08030	27 - 32						
97075-08030	20 - 17	97575-08440	20 - 21						
97075-08035	17 - 32	97602-05114	7 - 11						
	18 - 80	97602-05130	7 - 9						
	20 - 15	97602-05132	7 - 10						
97075-10040	23 - 7	97880-05030	4 - 29						
97080-06010	16 - 4		9 - 21						
97095-06010	15 - 45	97880-06012	15 - 11						
97095-06012	1 - 17		18 - 14						
	2 - 17	97885-05012	13 - 19						
	6 - 55	97885-06008	13 - 18						
	9 - 5	97885-06016	17 - 22						
	23 - 16		18 - 70						
97095-06014	12 - 20	97980-04112	4 - 60						
97095-06016	1 - 9		29 - 30						
	2 - 9	98503-04012	11 - 13						
	3 - 19	98503-05028	5 - 24						
	7 - 22	98580-03015	27 - 37						
	8 - 19	98580-04006	4 - 55						
	12 - 10		27 - 35						
	15 - 6	98580-04010	27 - 34						
	21 - 17	98580-05010	27 - 36						
	22 - 17	98586-05016	24 - 4						
97095-06018	14 - 14	98780-04015	3 - 23						
	14 - 31	98780-05015	19 - 5						
97095-06020	5 - 2	99001-08600	21 - 61						
	6 - 42		22 - 62						
	9 - 16	99080-05600	14 - 18						
	12 - 25		14 - 70						
97095-06025	12 - 27								
97095-06030	10 - 18								
	12 - 16								
97095-06040	5 - 30								
97095-06045	4 - 22								

E48C/E55C/55B
PARTS CATALOGUE
E2001 by Yamaha Motor Co., Ltd.
1st Edition, Nov. 2001
All rights reserved.
Any reprinting or unauthorized use
without the written permission of
Yamaha Motor Co., Ltd.
is expressly prohibited.

E48C/E55C/55B
CATALOGO DE REPUESTOS
E2001, Yamaha Motor Co., Ltd.
1ª edición, Nov. 2001
Reservados todos los derechos.
Se prohíbe expresamente toda reimpresión
o utilización no autorizada de este manual
sin el consentimiento por escrito de
Yamaha Motor Co., Ltd.