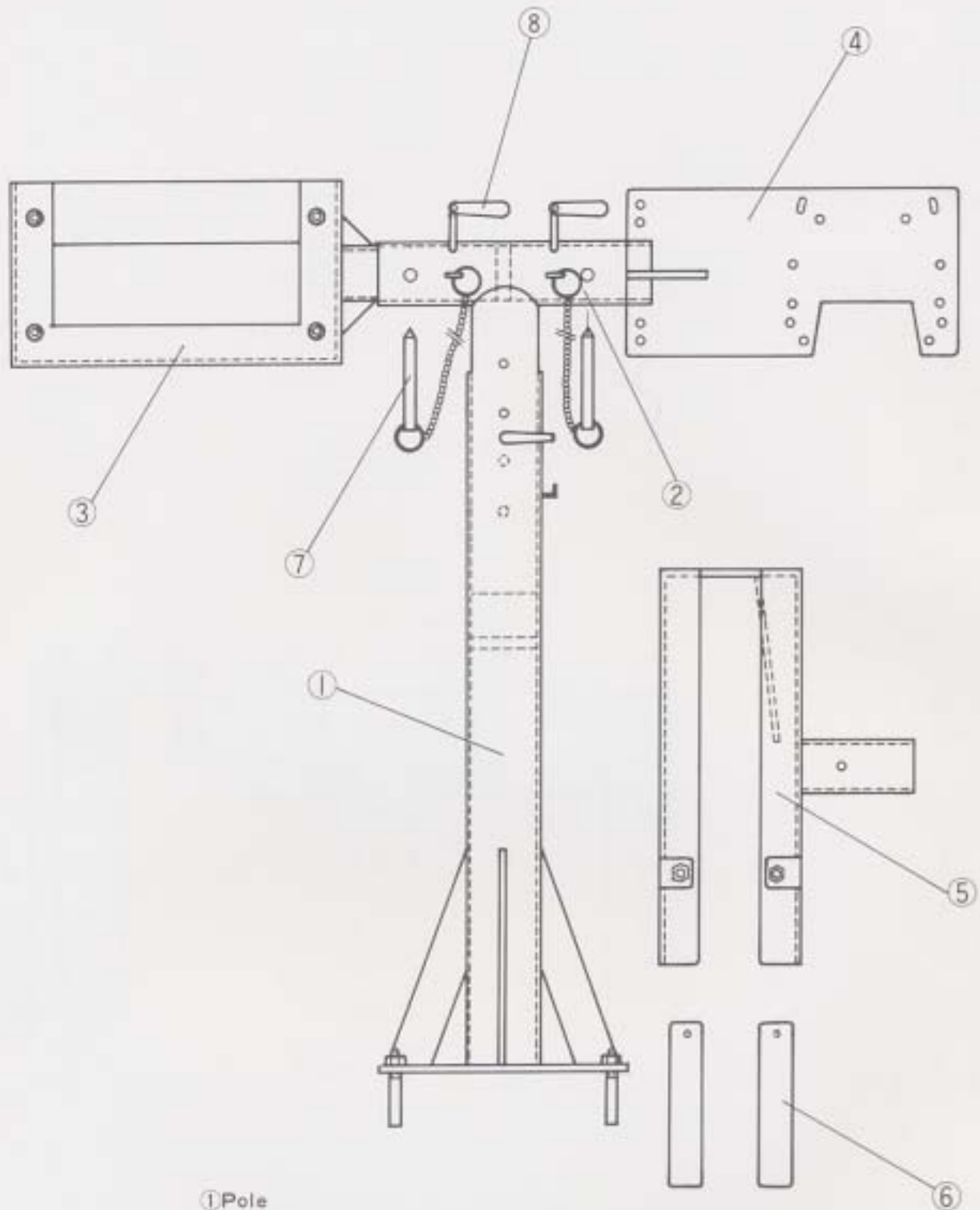
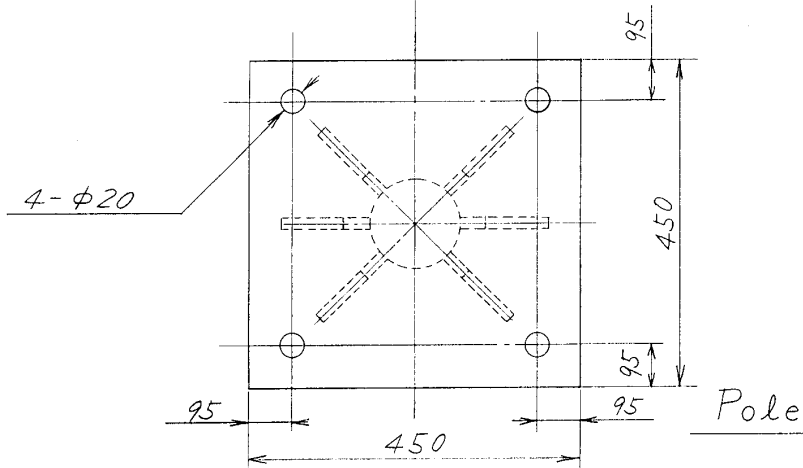
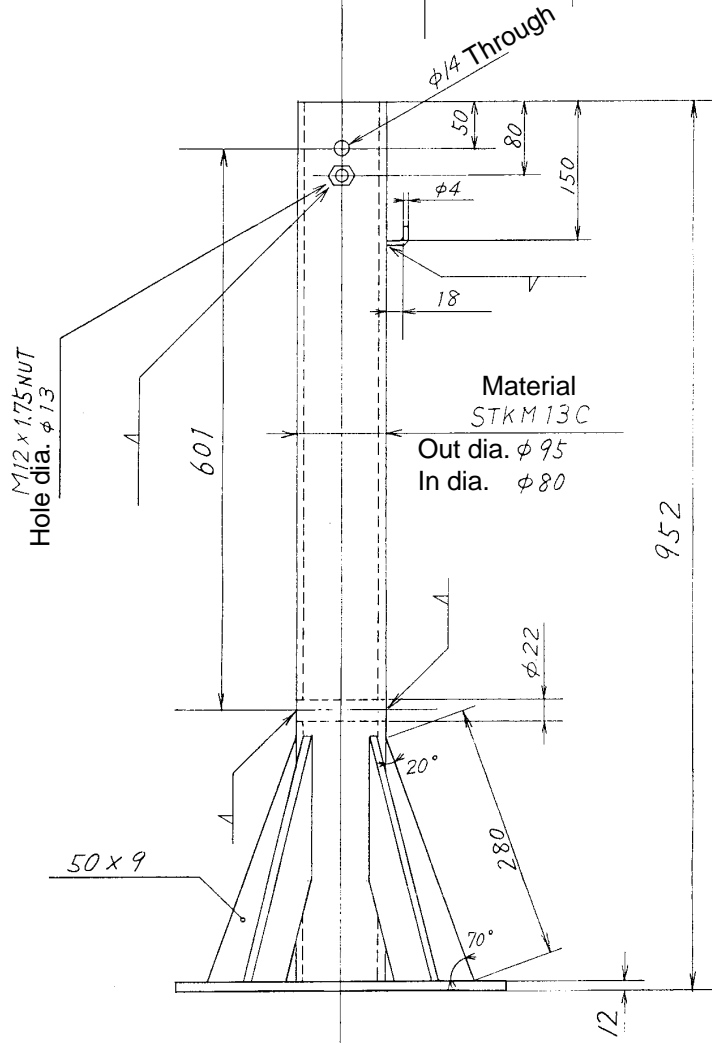
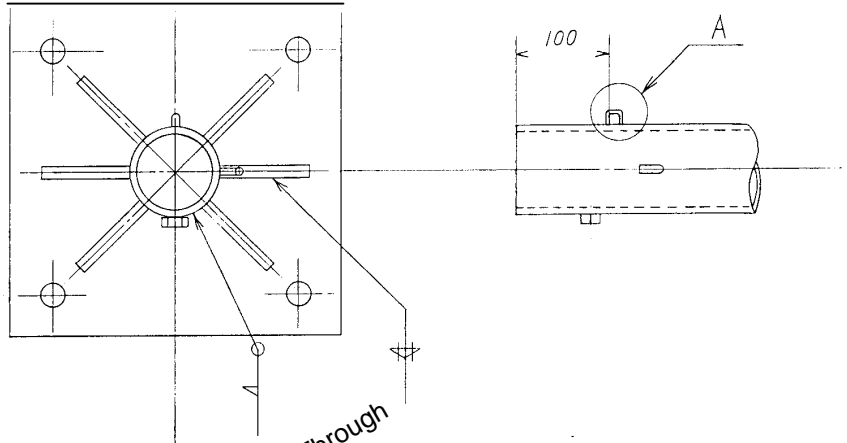
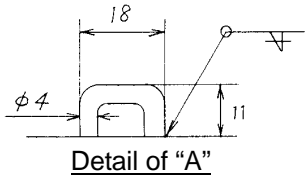
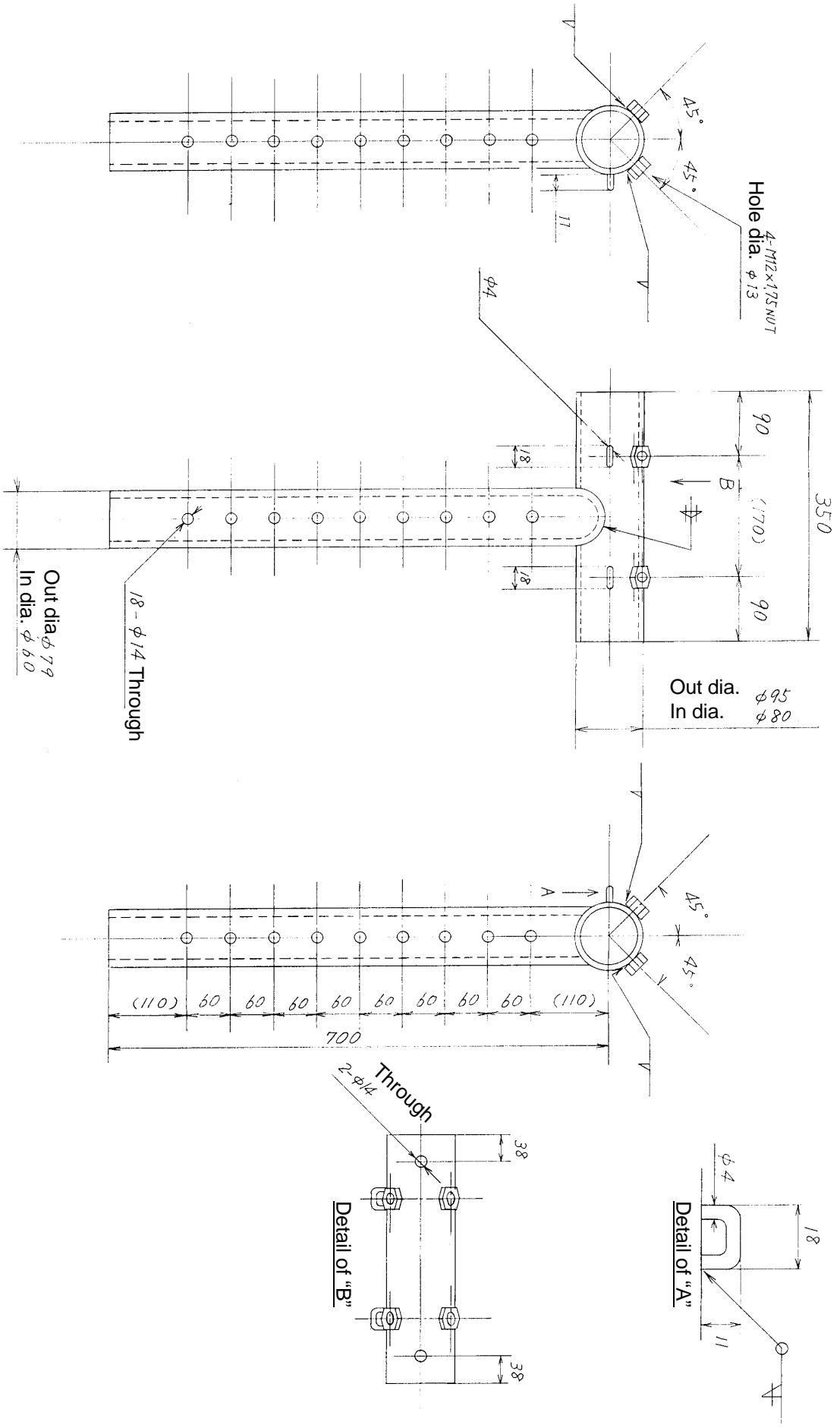


Outboard Motor Repair Stand



- ① Pole
- ② Beam
- ③ Attachment A (Outboard motor rack)
- ④ Attachment B (Power head rack)
- ⑤ Attachment C (Lower unit rack)
- ⑥ Plate, attachment C
- ⑦ Pin
- ⑧ Clamp handle





Beam

Out dia.
In dia.

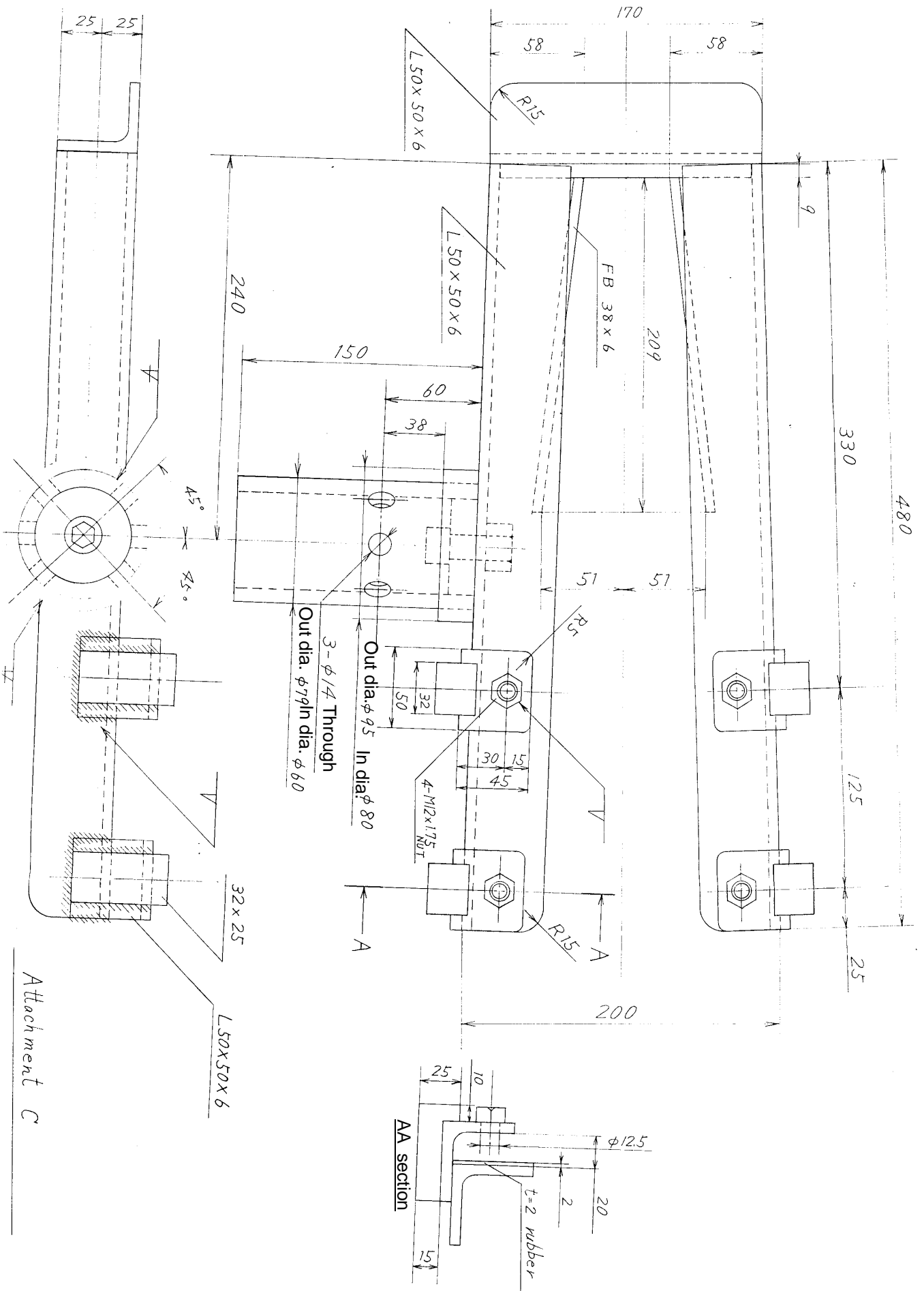
Out dia.
In dia.

Out dia.
In dia.

Out dia.
In dia.

Through

Print



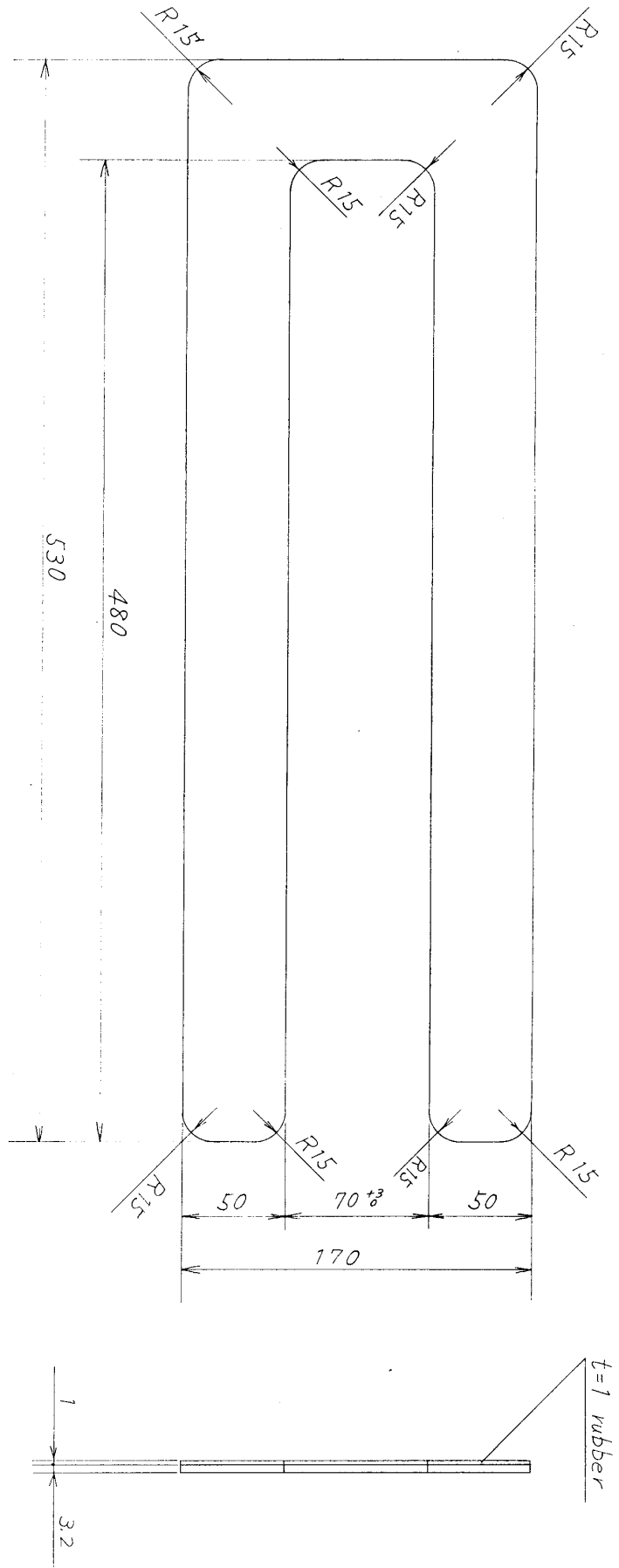


Plate attachment C 2

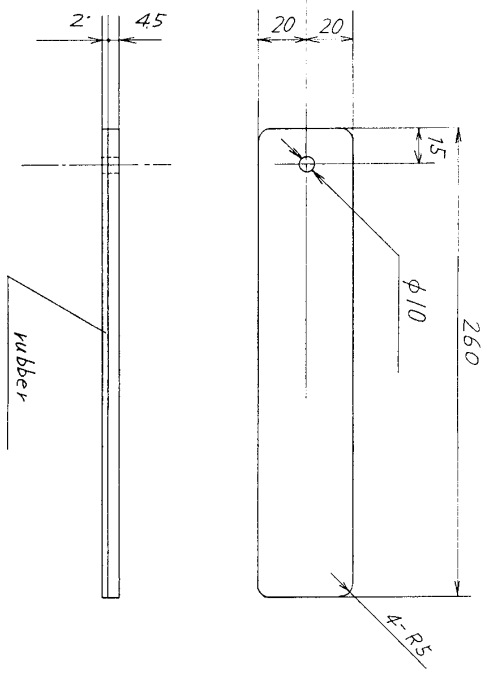
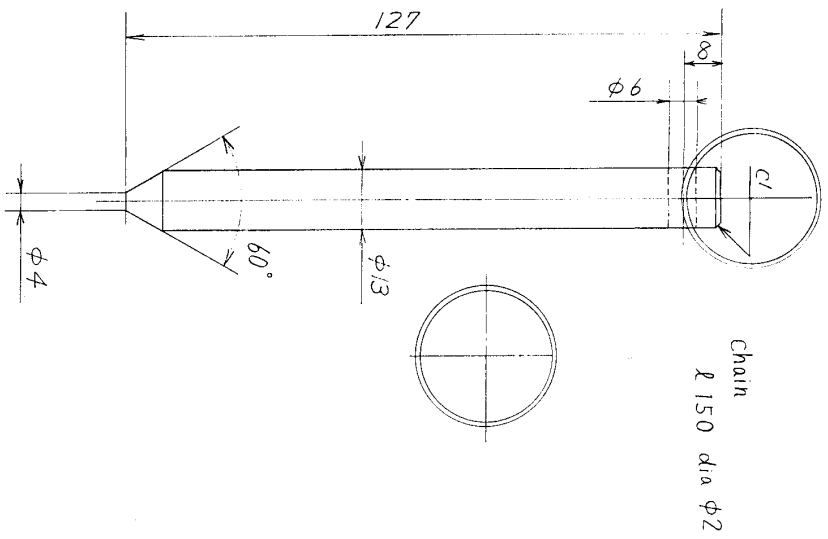
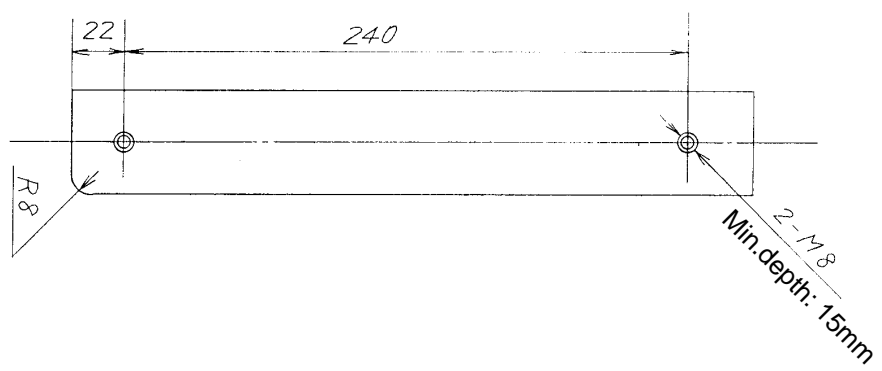
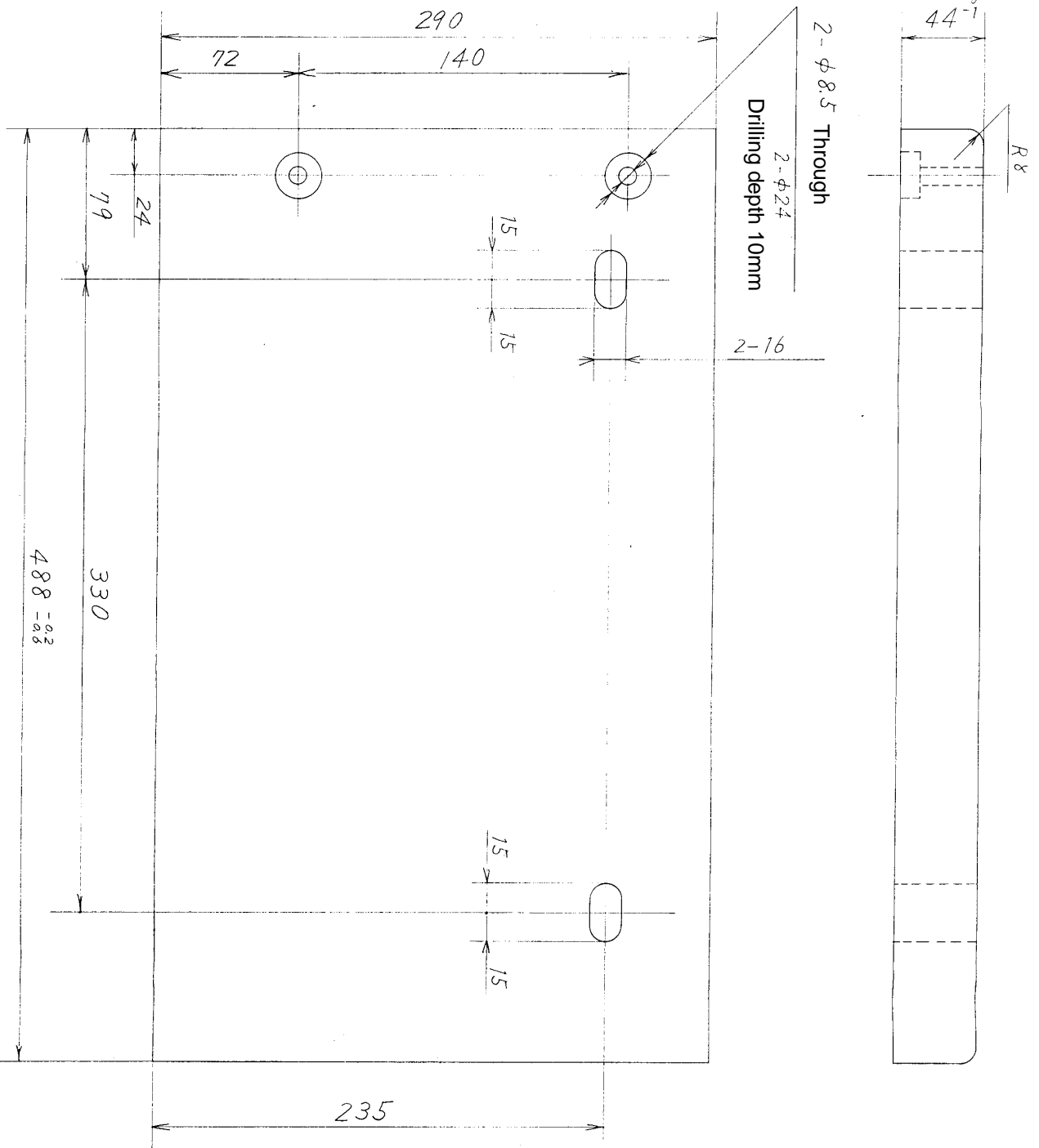


Plate attachment C



Chain
 R 150 dia ϕ 2

Pin
 R 127



Attachment A, Plate