

PARTS CATALOGUE

YAMAHA GENERATOR

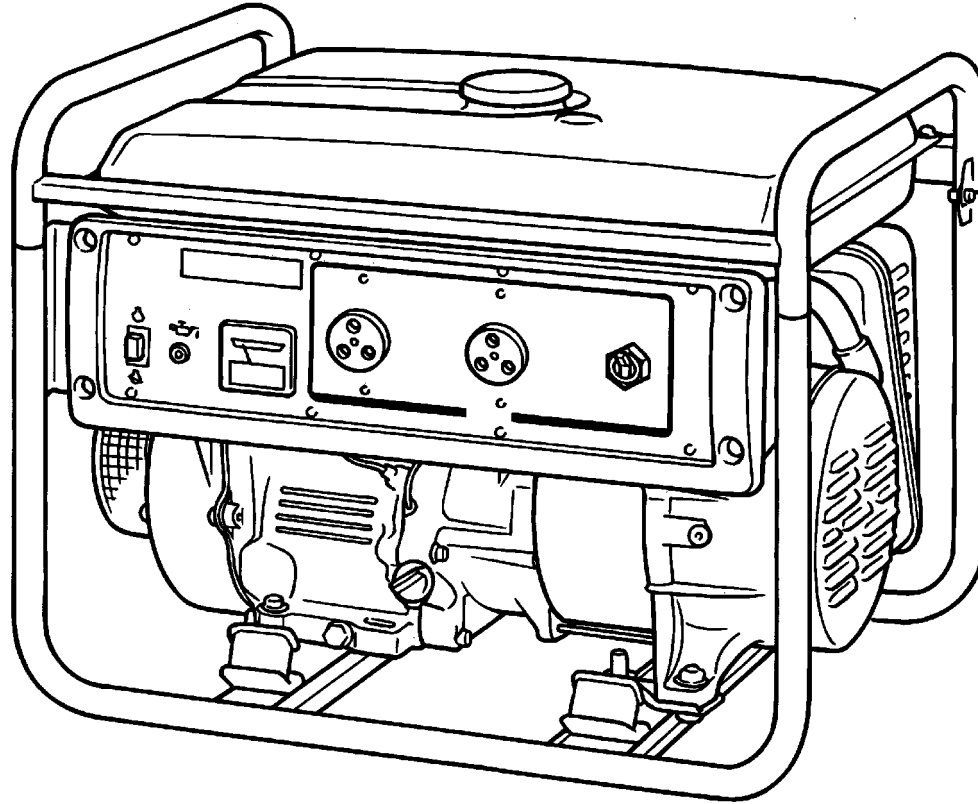
EF5200D (7VX2) (120/240V–60Hz) OTHER

EF5200/E (7VX3) (220V–50Hz/60Hz) CHINA, OTHER

EF5200 (7VX4) (240V–50Hz) AUSTRALIA

EF5200D/EF5200E/EF5200
PARTS CATALOGUE
©2001 by Yamaha Motor Co., Ltd.
1st Edition, Mar. 2001
All rights reserved.
Any reprinting or unauthorized use
without the written permission of
Yamaha Motor Co., Ltd.
is expressly prohibited.

A3



A4

FOREWORD

This Parts Catalogue is related to the parts for the model(s) in the below frame. When you are ordering replacement parts, please refer to this Parts Catalogue and quote both part numbers and part names correctly.

1. Modifications or additions which have been made after issue of the Parts Catalogue will be announced in the Yamaha Parts News.
It is advisable that you make necessary corrections to the Parts Catalogue according to the Yamaha Parts News.

2. Abbreviations
The following abbreviations are used in this Parts Catalogue.

“UR” Use specified parts number.

“UN” Use as many as needed.

“AP” Alternate Parts

“LM” Local Made (Parts need to be ordered locally)

“F#” Frame No. (Applicable machine No.)

3. Parts, which are to be supplied in an assembly, are listed with a dot(.) in front of the part name as shown below.

EXAMPLE

CARBURETOR ASSY

.JET, PILOT

.NOZZLE, MAIN

4. Number of component for assembly
The numeral appearing to the right of each component part indicates the quantity of parts for each assembly unit.

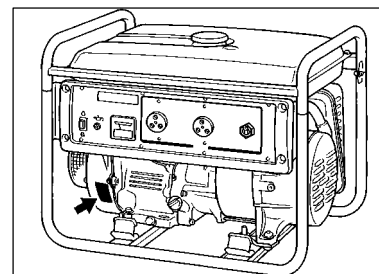
EXAMPLE

PART NO.	DESCRIPTION	Q'TY	REMARKS
2F5-83310-60	FRONT FLASHER LIGHT ASSY	2	
115-83311-60	.BULB (6V-18W)	1	

5. Applicable Starting Serial No. and Color Code

MODEL NAME	MODEL TYPE	DESTINATION	VOLTAGE	FRAME NO.
EF5200D	7VX2	OTHER	120/240V/60Hz	7VX-200101
EF5200	7VX3	OTHER	220V/50Hz	7VX-300101
EF5200E	7VX3	OTHER	220V/50Hz	7VX-330101
EF5200	7VX3	OTHER	220V/60Hz	7VX-340101
EF5200	7VX3	OTHER(ZAF)	220V/50Hz	7VX-350101
EF5200	7VX3	OTHER(CHN)	220V/50Hz	7VX-360101
EF5200E	7VX3	OTHER(CHN)	220V/50Hz	7VX-370101
EF5200	7VX4	AUSTRALIA	240V/50Hz	7VX-400101

Engine Serial No.



Color Code	Color Name	Abbreviation	MODEL	Country (destination)
00NJ	FARAWAY BLUE	FWB	7VX2 7VX3 7VX4	OTHER OTHER AUSTRALIA

6. Note that the illustrations for reference in finding parts numbers, not to be used for assembling. When assembling, please use the applicable service manual.

7. The asterisk (*) before a reference number indicates modification items after the first edition.

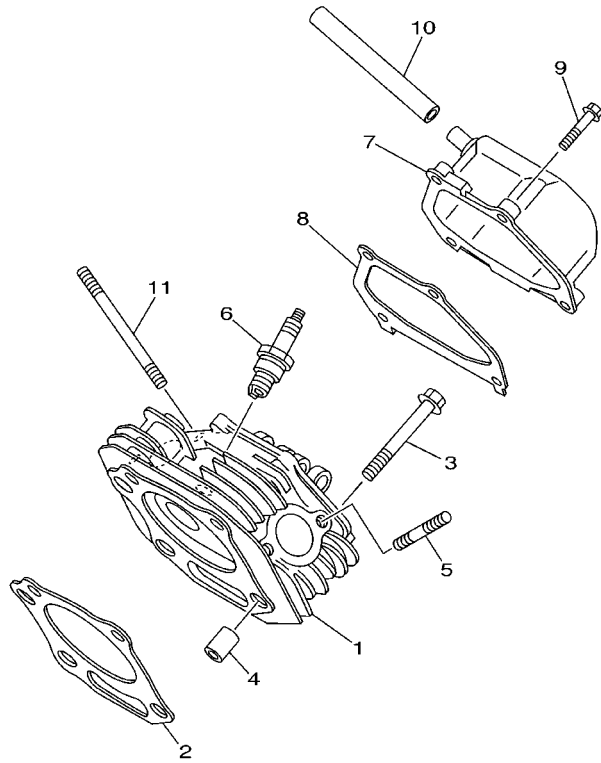


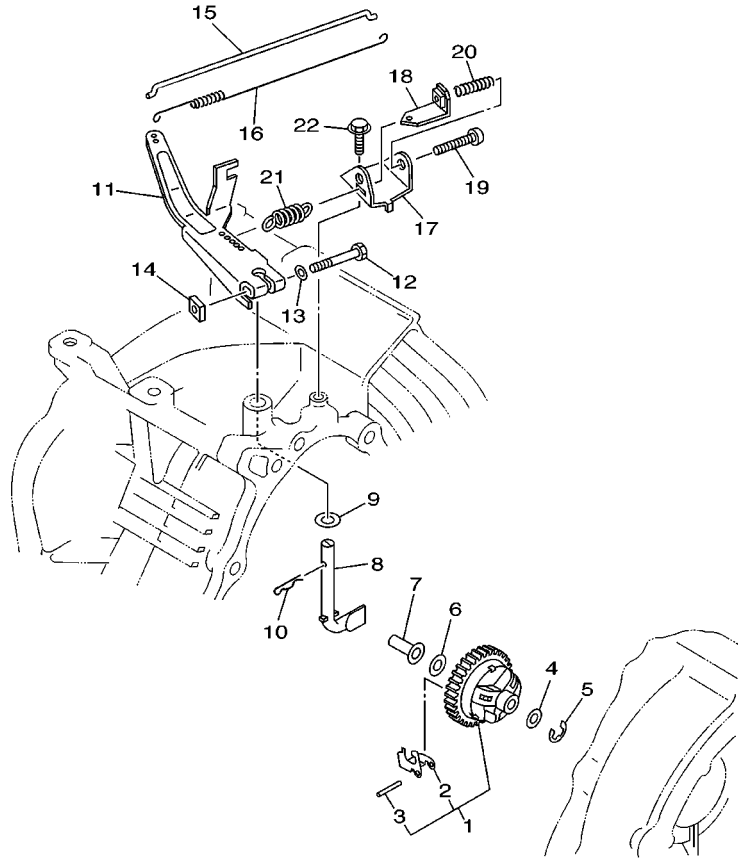
FIG. 1 CYLINDER

REF. NO.	PART NO.	DESCRIPTION	7VX2	7VX3	7VX4	REMARKS
1	7RG-11111-01	HEAD, CYLINDER 1	1	1	1	
2	7RG-11181-02	GASKET, CYLINDER HEAD 1	1	1	1	
3	95817-10070	BOLT, FLANGE	4	4	4	
4	99530-14016	PIN, DOWEL	2	2	2	
5	95627-08618	BOLT, STUD	2	2	2	
6	94702-00331	PLUG, SPARK (NGK BPR4ES)	1	1	1	
7	7RH-11190-00	COVER, CYLINDER HEAD 1	1	1	1	
8	JN6-11193-00	GASKET, HEAD COVER 1	1	1	1	
9	95827-06030	BOLT, FLANGE	4	4	4	
10	7RH-11166-00	PIPE, BREATHER 1	1	1	1	
11	95607-08700	BOLT, STUD	2	2	2	



7UV2171-9010

FIG. 3 GOVERNOR

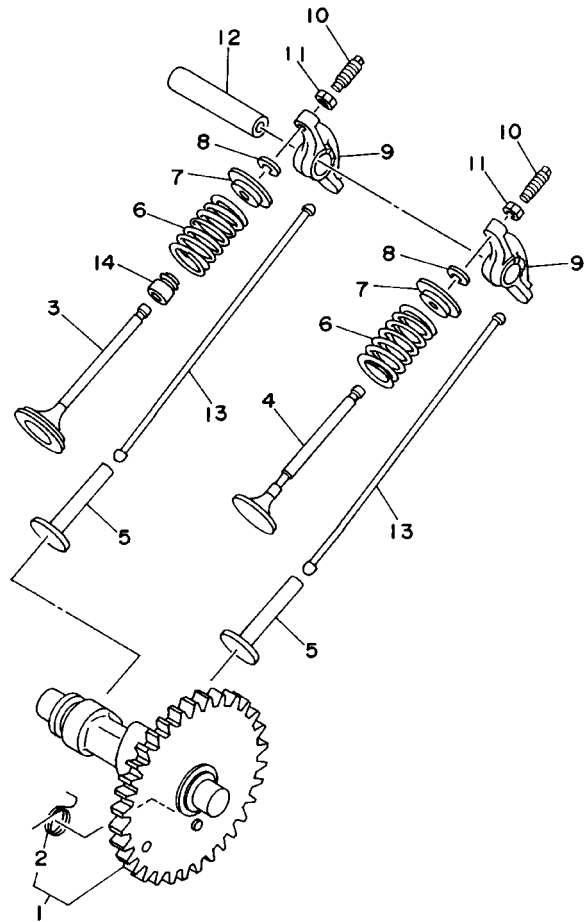


REF. NO.	PART NO.	DESCRIPTION	7VX2	7VX3	7VX4	REMARKS
1	7RH-11970-00	FLYWEIGHT SHAFT ASSY.	1	1	1	
2	7RH-11913-00	.WEIGHT	3	3	3	
3	7FK-11914-00	.SHAFT, WEIGHT	3	3	3	
4	90201-065K7	WASHER, PLATE	1	1	1	
5	93440-06107	CIRCLIP	1	1	1	
6	90201-067L0	WASHER, PLATE	1	1	1	
7	7KY-11917-00	COLLAR	1	1	1	
8	7RH-11922-00	FORK, GOVERNOR	1	1	1	
9	90201-08092	WASHER, PLATE	2	2	2	
10	90468-12006	CLIP	1	1	1	
11	7RH-11901-00	GOVERNOR ASSY	1	1	1	
12	97027-06030	BOLT	1	1	1	
13	92907-06600	WASHER, PLATE	1	1	1	
14	90173-06017	NUT, SQUARE	1	1	1	
15	7RH-11928-00	ROD, LINK	1	1	1	
16	90506-04458	SPRING, TENSION	1	1	1	
17	73A-11941-00	STAY	1	1	1	
18	73A-11931-00	LEVER	1	1	1	
19	98507-06035	SCREW, PAN HEAD	1	1	1	
20	90501-10264	SPRING, COMPRESSION	1	1	1	
21	7VX-11925-00	SPRING, GOVERNOR	1	1	1	
22	95807-06012	BOLT, FLANGE	1	1	1	



7VX3300-1030

FIG. 4 CAMSHAFT.VALVE



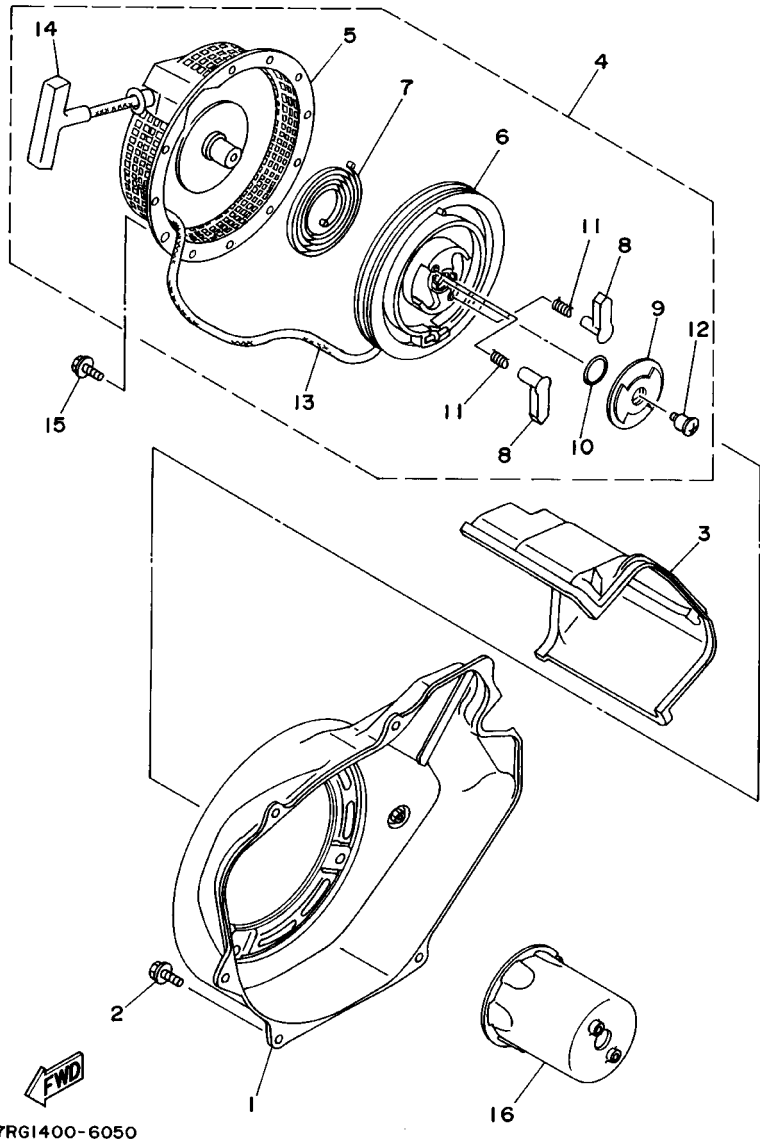
REF. NO.	PART NO.	DESCRIPTION	7VX2	7VX3	7VX4	REMARKS
1	7RH-12170-00	CAMSHAFT ASSY 1	1	1	1	
2	7NJ-12287-00	.SPRING, DECOMPRESSION	1	1	1	
3	JN6-12111-01	VALVE, INTAKE	1	1	1	
4	7RH-12121-00	VALVE, EXHAUST	1	1	1	
5	JN6-12153-00	LIFTER, VALVE	2	2	2	
6	90501-264A9	SPRING, COMPRESSION	2	2	2	
7	J38-12117-01	RETAINER, VALVE SPRING	2	2	2	
8	J38-12118-00	COTTER, VALVE	2	2	2	
9	JN6-12151-00	ARM, VALVE ROCKER	2	2	2	
10	22F-12159-00	SCREW, VALVE ADJUSTING	2	2	2	
11	90170-05302	NUT	2	2	2	
12	J38-12156-00	SHAFT, ROCKER 2	1	1	1	
13	JN6-12154-00	ROD, VALVE PUSH	2	2	2	
14	4G0-12119-00	SEAL, VALVE STEM	1	1	1	



7RGI400-6040

FIG. 5 AIR SHROUD. STARTER

REF. NO.	PART NO.	DESCRIPTION	7VX2	7VX3	7VX4	REMARKS
1	7RH-12621-00	CASE, FAN	1	1	1	
2	95807-06012	BOLT, FLANGE	5	5	5	
3	7RH-12651-01	AIR SHROUD, CYLINDER 1	1	1	1	
4	7RH-15710-00	STARTER ASSY	1	1	1	
5	7RH-15711-00	.CASE, STARTER	1	1	1	
6	7RH-15714-00	.DRUM, SHEAVE	1	1	1	
7	7RH-15713-00	.SPRING, STARTER	1	1	1	
8	7RH-15741-00	.PAWL, DRIVE	2	2	2	
9	7RH-15716-00	.PLATE, DRIVE	1	1	1	
10	7RH-15715-00	.SPRING, FRICTION	1	1	1	
11	JK4-15743-00	.SPRING, RETURN	2	2	2	
12	7NJ-15793-00	.SCREW	1	1	1	
13	7RH-15751-00	.WIRE, STARTER	1	1	1	
14	7RH-15755-00	.HANDLE, STARTER	1	1	1	
15	95807-06008	BOLT, FLANGE	4	4	4	
16	7RH-15723-00	PULLEY, STARTER	1	1	1	



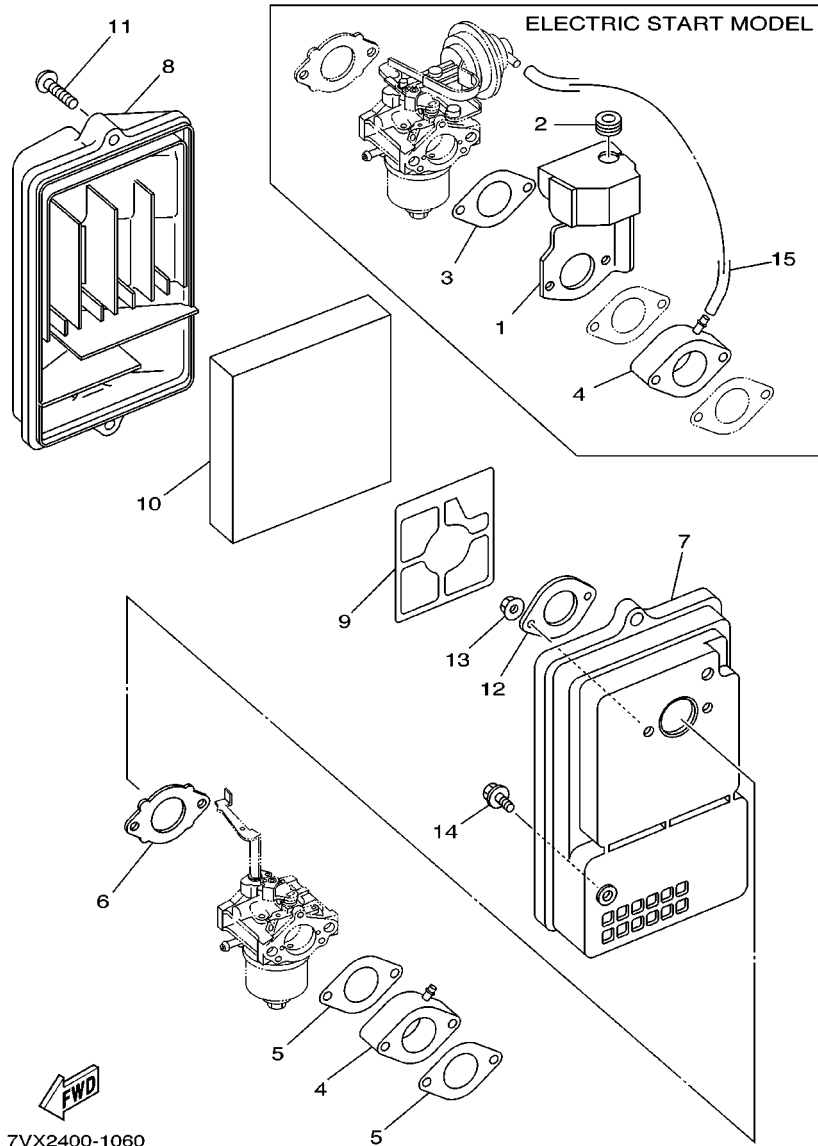
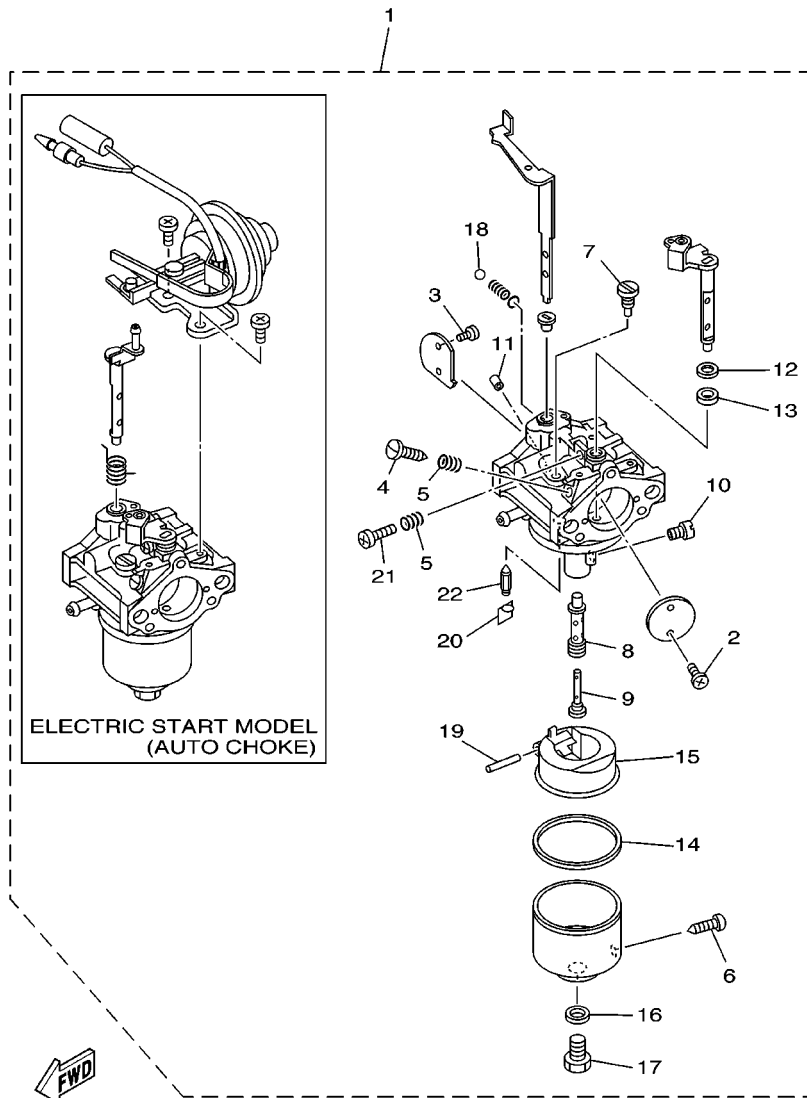


FIG. 6 INTAKE

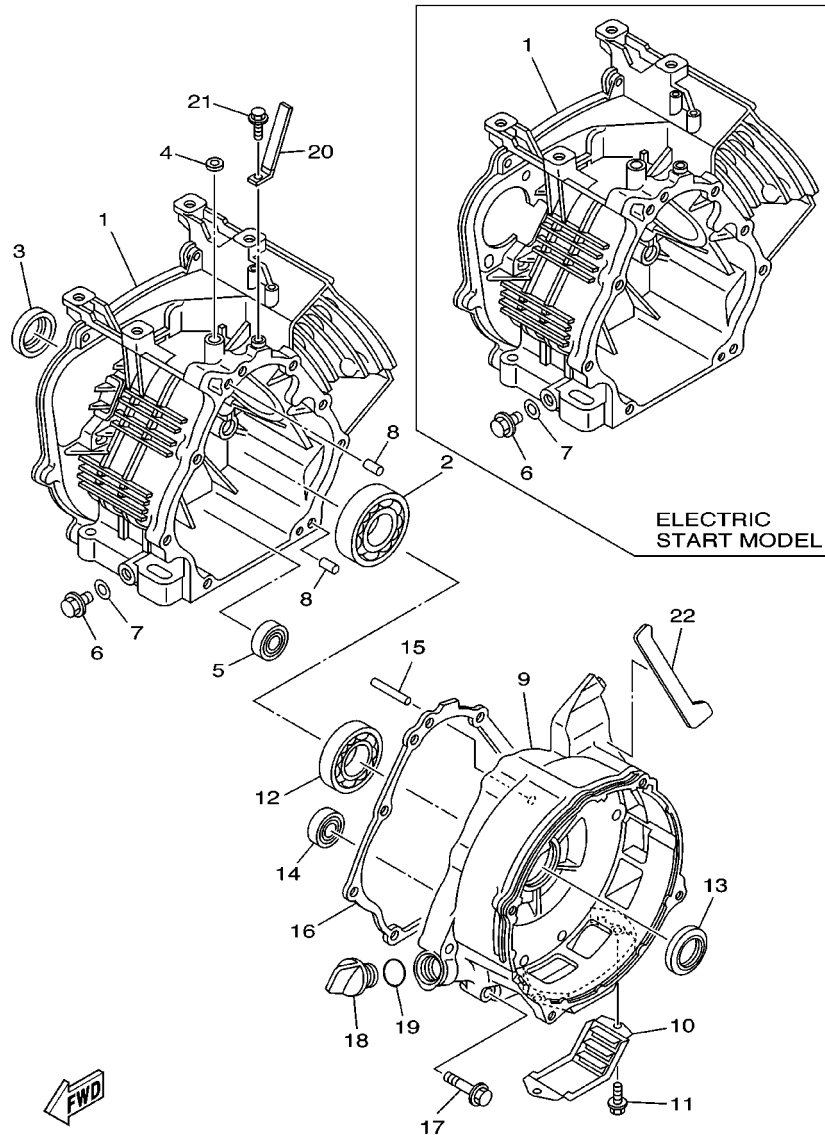
REF. NO.	PART NO.	DESCRIPTION	7VX2	7VX3	7VX4	REMARKS
1	7RH-14283-00	COVER, CARBURETOR 1		1		FOR EL. START
2	90480-13016	GROMMET		1		FOR EL. START
3	7RH-13557-00	GASKET		1		FOR EL. START
4	7RH-13596-10	JOINT, CARBURETOR 2	1	1	1	UR
	7RH-13596-00	JOINT, CARBURETOR 2		1		UR FOR EL. START
5	7RH-13557-00	GASKET	2	2	2	
6	7RH-13567-00	GASKET	1	1	1	
7	7RH-14411-01	CASE, AIR CLEANER 1	1	1	1	
8	7RH-14412-01	CAP, CLEANER CASE 1	1	1	1	
9	7RH-14468-00	PLATE,ELEMENT FITTING	1	1	1	
10	7RH-14451-00	ELEMENT, AIR CLEANER	1	1	1	
11	7RH-14429-00	SCREW	2	2	2	
12	7LV-14477-00	PLATE	1	1	1	
13	95707-08500	NUT, FLANGE	2	2	2	
14	95807-06016	BOLT, FLANGE	1	1	1	
15	90445-08743	HOSE (L120)		1		FOR EL. START

FIG. 7 CARBURETOR



7VX2400-1070

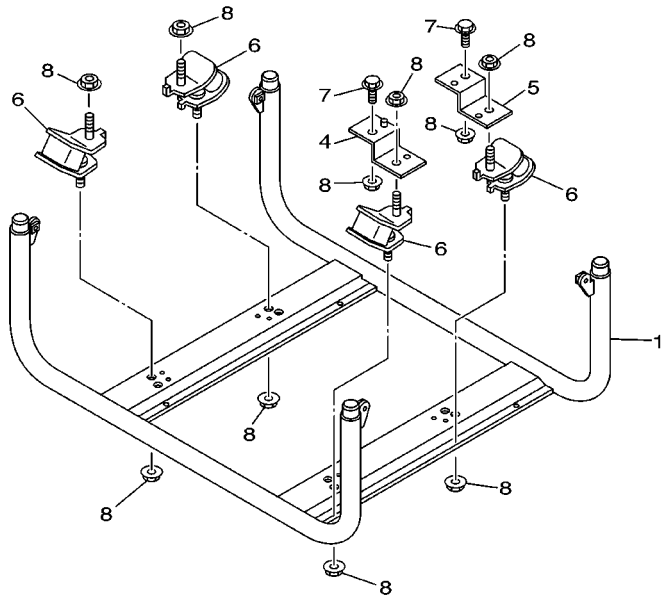
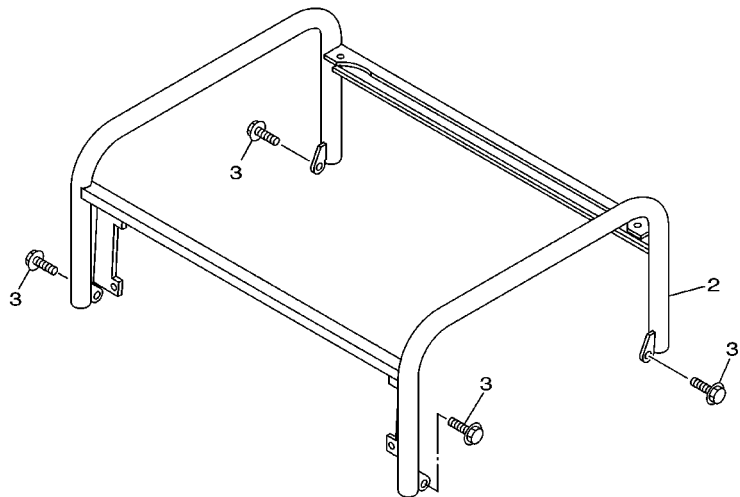
REF. NO.	PART NO.	DESCRIPTION	7VX2	7VX3	7VX4	REMARKS
1	7RG-14101-10	CARBURETOR ASSY 1	1	1	1	UR
	7RG-14101-00	CARBURETOR ASSY 1		1		UR FOR EL. START
2	7RH-14216-00	.SCREW	2	2	2	
3	7RH-14486-00	.SCREW, ROD	2	2	2	
4	7LV-14211-00	.SCREW, PILOT ADJUSTING	1	1	1	
5	73A-14212-00	.SPRING	2	2	2	
6	7E1-14191-00	.PLUG, DRAIN	1	1	1	
7	620-14142-62	.JET, PILOT (#62.5)	1	1	1	
8	7LW-14941-53	.NOZZLE, MAIN	1	1	1	
9	73A-1414G-00	.PIPE, MAIN BREED	1	1	1	
10	3G2-1423E-41	.JET, MAIN (#103.8)	1	1	1	
11	7U6-24462-00	.PILOT AIR JET	1	1	1	
12	4CW-14117-00	.WASHER, PLUG SCREW	1	1	1	
13	7X9-14239-00	.SEAL	1	1	1	
14	796-14184-00	.GASKET, FLOAT CHAMBER	1	1	1	
15	JN6-14185-00	.FLOAT	1	1	1	
16	127-14198-00	.GASKET	1	1	1	
17	7RG-14162-00	.BOLT, HOLDING	1	1	1	
18	93501-08001	.BALL	1	1	1	
19	22F-14186-00	.PIN, FLOAT	1	1	1	
20	7EG-14159-00	.CLIP	1	1	1	
21	1WG-14922-00	.SCREW, THROTTLE	1	1	1	
22	73A-14150-00	.NEEDLE ASSY	1	1	1	



7VX2110-1110

FIG. 9 CRANKCASE

REF. NO.	PART NO.	DESCRIPTION	7VX2	7VX3	7VX4	REMARKS
1	7RG-15111-00	CRANKCASE 1 (MANUAL START)	1	1	1	UR
	7TS-15111-00	CRANKCASE 1		1		UR FOR EL. START
2	93306-30709	BEARING	1	1	1	
3	93102-35191	OIL SEAL	1	1	1	
4	93109-08050	OIL SEAL	1	1	1	
5	93306-20201	BEARING (B6202)	1	1	1	
6	90340-12097	PLUG, STRAIGHT SCREW	1	1	1	
7	812-11198-00	GASKET	1	1	1	
8	99530-08016	PIN, DOWEL	2	2	2	
9	7RH-15411-01	COVER, CRANKCASE 1	1	1	1	
10	7RH-15414-00	COVER, AIR CLEANER	1	1	1	
11	90109-06513	BOLT	2	2	2	
12	93306-20714	BEARING	1	1	1	
13	93102-35191	OIL SEAL	1	1	1	
14	93306-20201	BEARING (B6202)	1	1	1	
15	7RH-11971-00	SHAFT, FLYWEIGHT	1	1	1	
16	7RH-15451-00	GASKET, CRANKCASE COVER 1	1	1	1	
17	95817-08045	BOLT, FLANGE	8	8	8	
18	796-15363-01	PLUG, OIL	1	1	1	
19	93210-22344	O-RING	1	1	1	
20	90462-05061	CLAMP	1	1	1	
21	95807-06010	BOLT, FLANGE	1	1	1	
22	7RH-14757-00	DAMPER, MUFFLER 2	1	1	1	

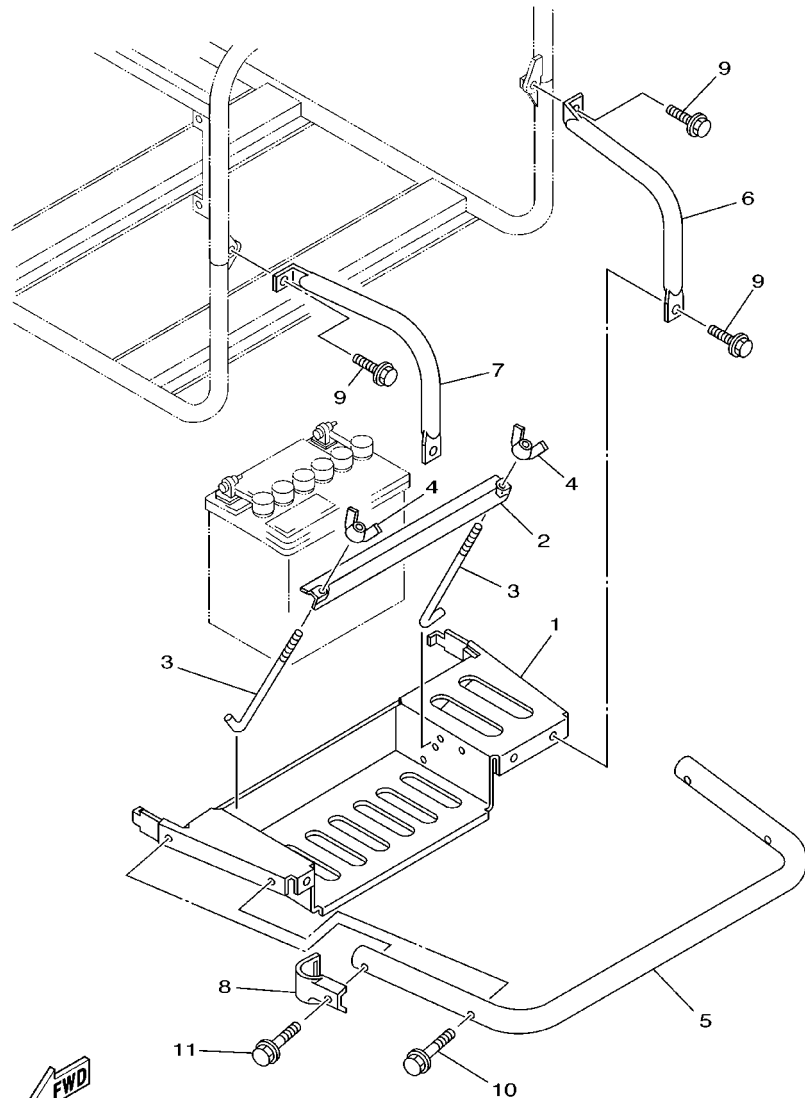


7VX3300-1100

FIG. 10 FRAME

REF. NO.	PART NO.	DESCRIPTION	7VX2	7VX3	7VX4	REMARKS
1	7RH-22840-00	FRAME COMP.	1	1	1	
2	7RH-22850-00	FRAME COMP. 2	1	1	1	
3	95807-06010	BOLT, FLANGE	4	4	4	
4	7RG-11011-00	BRACKET, ENGINE 1	1	1	1	
5	7RG-11012-00	BRACKET, ENGINE 2	1	1	1	
6	7RH-22891-00	INSULATOR, MOUNTING	4	4	4	
7	95807-10030	BOLT, FLANGE	2	2	2	
8	95707-10500	NUT, FLANGE	10	10	10	

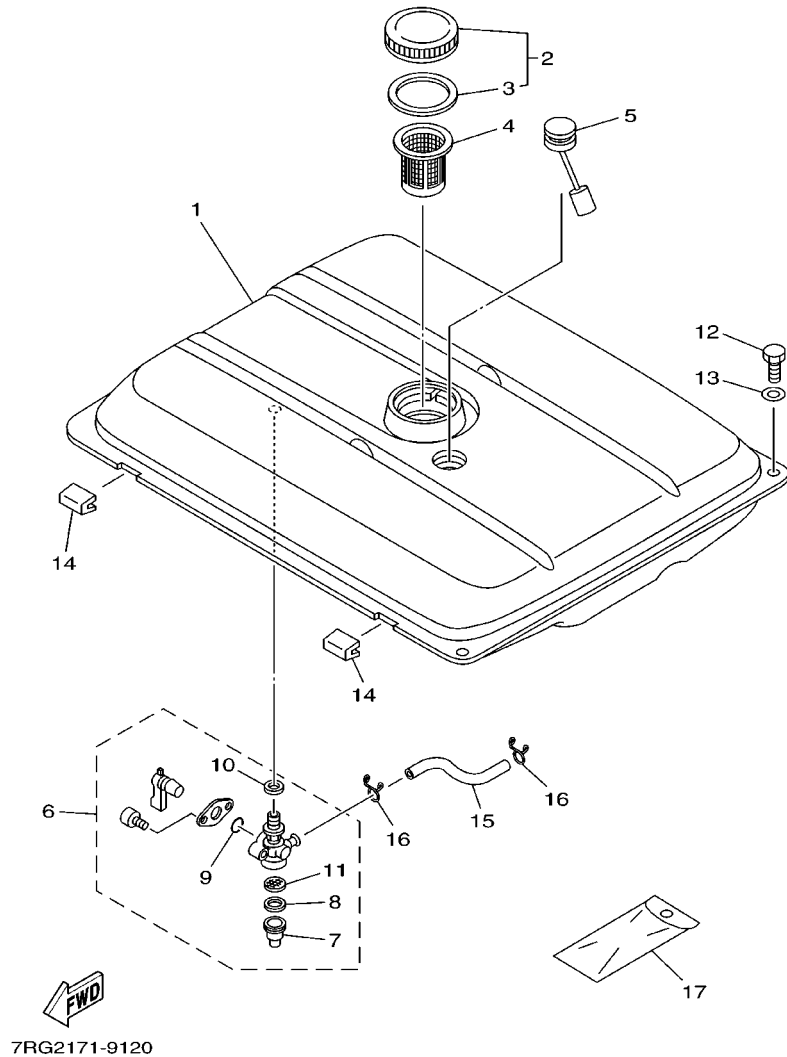
FIG. 11 FRAME 2 (FOR EL. STRAT MODEL)



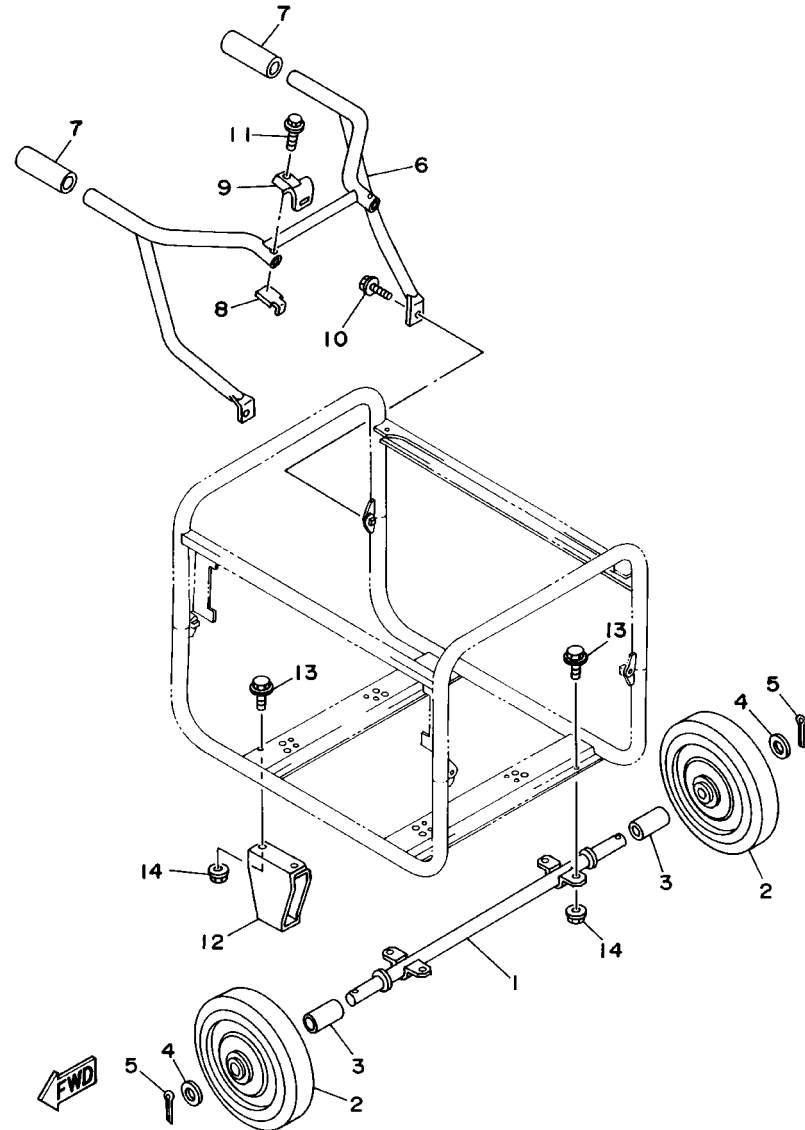
7VW2110-0130

REF. NO.	PART NO.	DESCRIPTION	7VX2	7VX3	7VX4	REMARKS
1	7RH-82122-01	SEAT, BATTERY		1		
2	J10-82136-00	PLATE, BATTERY FITTING		1		
3	7LP-82133-00	SCREW, FITTING		2		
4	90175-06008	NUT, WING		2		
5	7RH-22836-00	STAY, 3		1		
6	7RH-22838-00	STAY 6		1		
7	7RH-22839-00	STAY 7		1		
8	7RH-22864-00	COVER, SIDE 1		2		
9	95807-06012	BOLT, FLANGE		4		
10	95807-06030	BOLT, FLANGE		2		
11	95807-06035	BOLT, FLANGE		2		

FIG. 12 FUEL TANK



REF. NO.	PART NO.	DESCRIPTION	7VX2	7VX3	7VX4	REMARKS
1	7RH-24110-01-NJ	FUEL TANK COMP.	1	1	1	FWB
2	74T-24610-00	CAP ASSY	1	1	1	
3	796-24612-00	.GASKET, CAP	1	1	1	
4	630-24167-00	STRAINER	1	1	1	
5	7F7-85710-02	FUEL LEVEL GAUGE ASSY	1	1	1	
6	7NJ-24500-01	FUEL COCK ASSY 1	1	1	1	
7	7J3-24521-00	.CUP, FILTER	1	1	1	
8	4X8-24565-00	.GASKET	1	1	1	
9	7NJ-24534-00	.SEAL, COCK	1	1	1	
10	7NJ-24532-00	.GASKET	1	1	1	
11	7NJ-24515-00	.NET, FILTER 2	1	1	1	
12	97007-06012	BOLT	2	2	2	
13	90201-06380	WASHER, PLATE	2	2	2	
14	7LG-24181-00	DAMPER, LOCATING 1	2	2	2	
15	90445-100E9	HOSE (L155)	1	1	1	
16	90467-09006	CLIP	2	2	2	
17	7LV-28100-00	TOOL KIT	1	1	1	

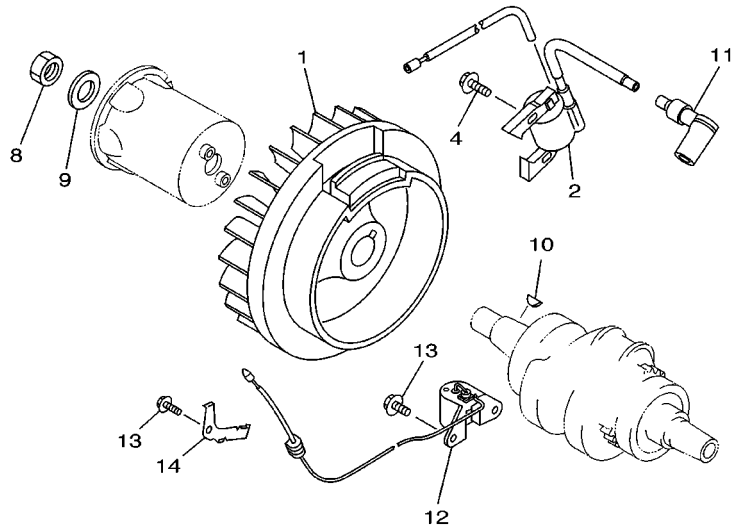
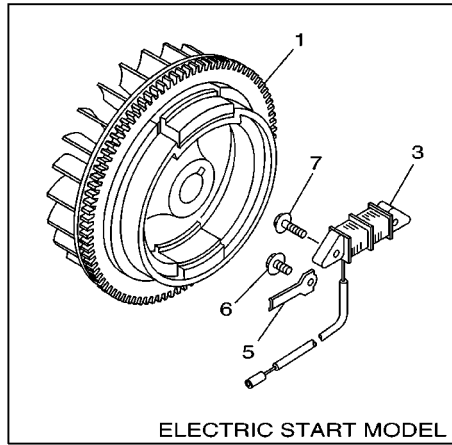


7RG1400-6220

FIG. 13 CARRIER (OPTIONAL PARTS)

REF. NO.	PART NO.	DESCRIPTION	7VX2	7VX3	7VX4	REMARKS
1	7RH-25381-00	AXLE, WHEEL	1	1	1	
2	73A-22846-10	CASTER 2	2	2	2	
3	73A-25322-10	INSERT, SHAFT	2	2	2	
4	92907-20600	WASHER	2	2	2	
5	91401-30040	PIN, COTTER	2	2	2	
6	7RH-26100-00	HANDLE ASSY	1	1	1	
7	801-26241-01	GRIP	2	2	2	
8	7RH-2284F-00	PLATE 3	2	2	2	
9	7RH-22864-00	COVER, SIDE 1	2	2	2	
10	95807-06014	BOLT, FLANGE	2	2	2	
11	95807-06035	BOLT, FLANGE	2	2	2	
12	7LR-27111-01	STAND, MAIN	2	2	2	
13	95807-08016	BOLT, FLANGE	8	8	8	
14	95707-08500	NUT, FLANGE	8	8	8	

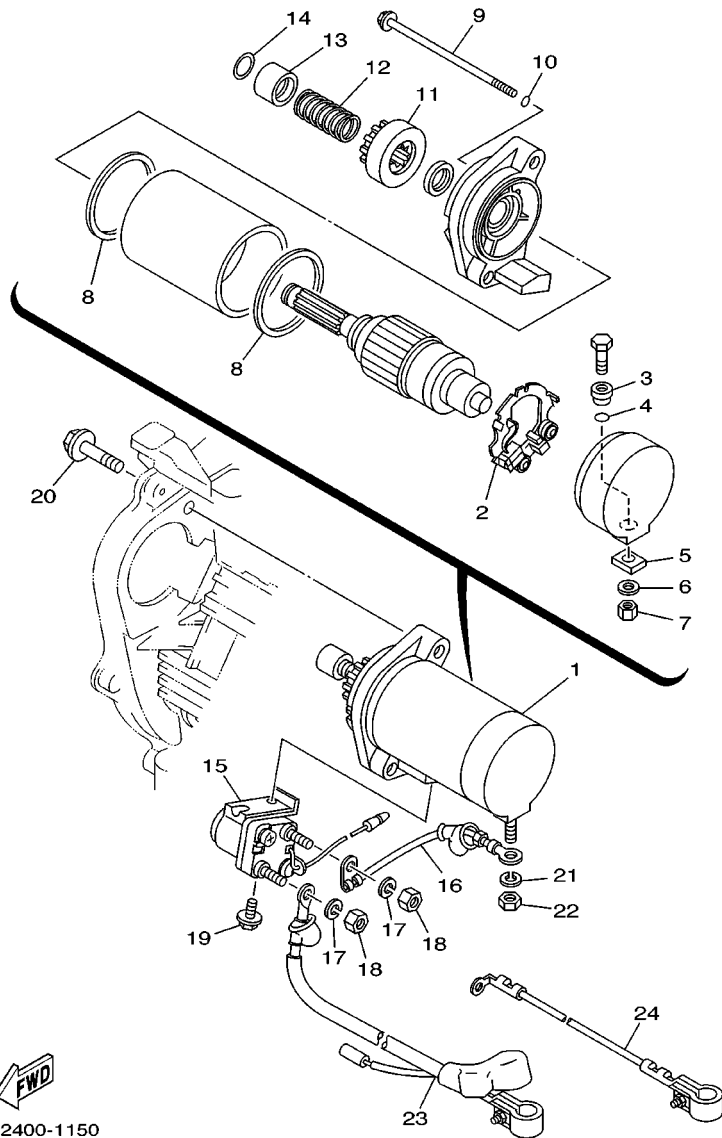
FIG. 14 MAGNETO



7VX2400-1140

REF. NO.	PART NO.	DESCRIPTION	7VX2	7VX3	7VX4	REMARKS
1	7RG-85650-00	ROTOR ASSY (MANUAL START)	1	1	1	UR
	7RH-85650-00	ROTOR ASSY (EL. START)		1		UR EL. START
2	7RH-85640-00	T.C.I. UNIT ASSY	1	1	1	
3	7RH-85521-00	COIL ASSY		1		FOR EL. START
4	95880-06020	BOLT, FLANGE	2	2	2	
5	90462-06232	CLAMP		1		FOR EL. START
6	95807-06012	BOLT, FLANGE		1		FOR EL. START
7	95807-06025	BOLT, FLANGE		2		FOR EL. START
8	90170-18391	NUT	1	1	1	
9	90201-180T9	WASHER, PLATE	1	1	1	
10	90280-04052	KEY, WOODRUFF	1	1	1	
11	JN6-82370-00	PLUG CAP ASSY	1	1	1	
12	7RH-85720-02	OIL LEVEL GAUGE ASSY	1	1	1	
13	95827-06012	BOLT, FLANGE	3	3	3	
14	7NJ-85724-00	CLAMP	1	1	1	

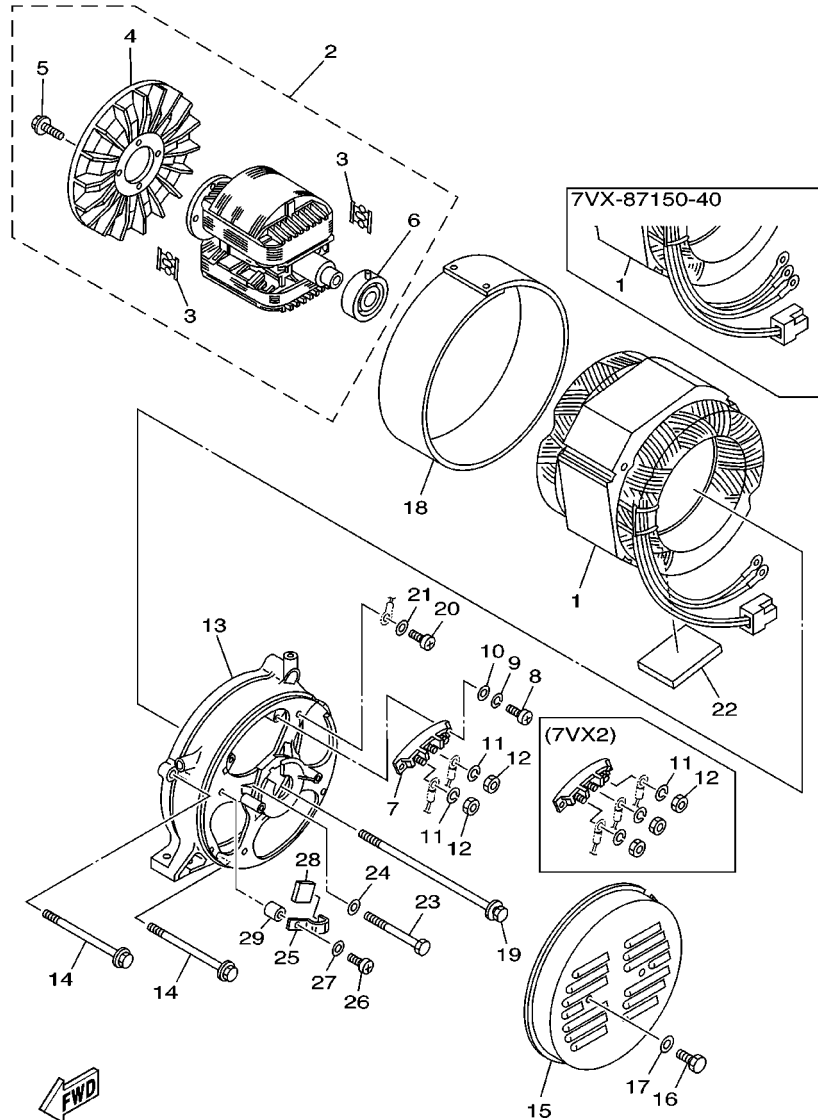
FIG. 15 STARTING MOTOR (FOR EL. STRAT MODEL)



7VX2400-1150

REF. NO.	PART NO.	DESCRIPTION	7VX2	7VX3	7VX4	REMARKS
1	7RH-81800-00	STARTING MOTOR ASSY		1		
2	7RH-81840-00	.BRUSH HOLDER ASSY		1		
3	7RH-8182G-00	.BUSH, TERMINAL		1		
4	93210-06001	.O-RING		1		
5	7RH-8181L-00	.WASHER, PLAIN		1		
6	92907-061A5	.WASHER		1		
7	95304-06700	.NUT		1		
8	7RH-81861-00	.GASKET		2		
9	7RH-81846-00	.SCREW		2		
10	93210-05098	.O-RING		2		
11	7RH-81807-00	.GEAR ASSY, STARTING MOTOR		1		
12	7KA-81858-00	.SPRING, RETURN		1		
13	7KA-81859-00	.STOPPER, PINION		1		
14	7KA-81833-00	.RING, STOP		1		
15	73A-81940-10	STARTER RELAY ASSY		1		
16	73A-81815-00	CORD, STARTER MOTOR		1		
17	92907-06100	WASHER, SPRING		2		
18	95307-06700	NUT		2		
19	95807-06016	BOLT, FLANGE		1		
20	95807-08035	BOLT, FLANGE		2		
21	92907-06100	WASHER, SPRING		1		
22	95307-06700	NUT		1		
23	73E-82115-01	WIRE, PLUS LEAD		1		
24	73E-82116-01	WIRE, MINUS LEAD		1		

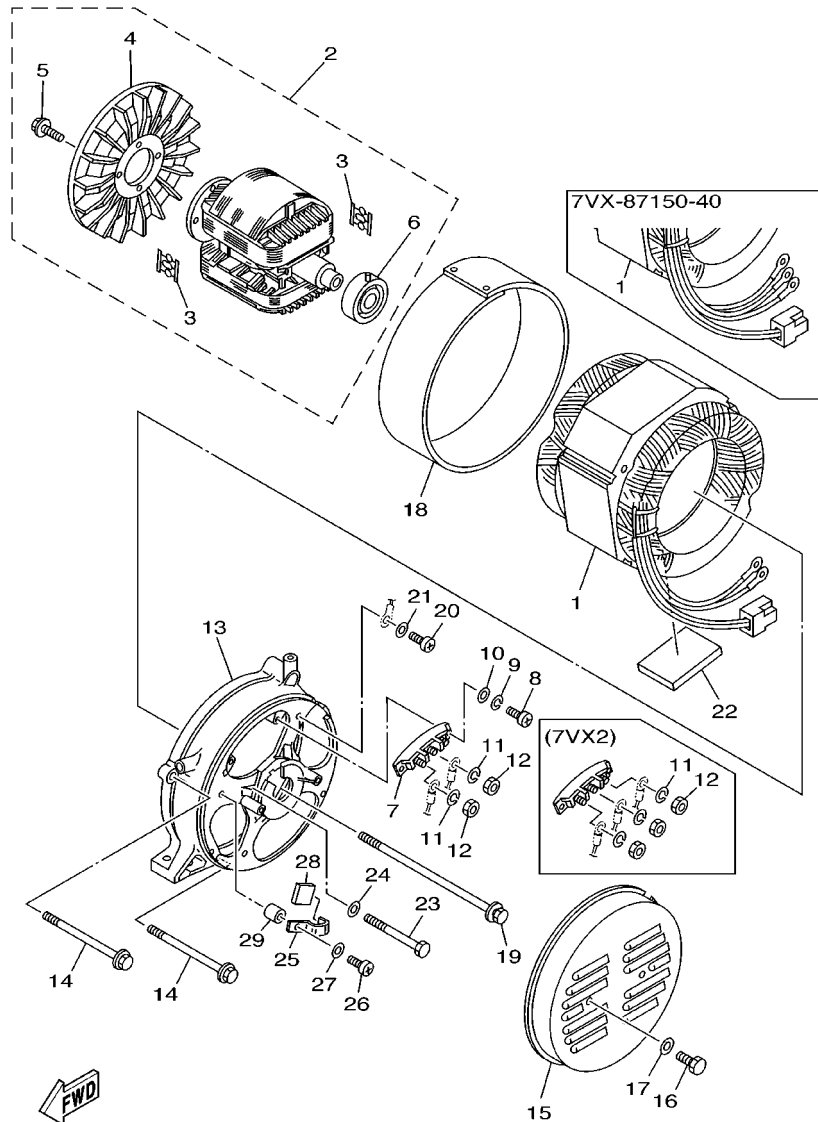
FIG. 16 GENERATOR



7VX2400-1160

REF. NO.	PART NO.	DESCRIPTION	7VX2	7VX3	7VX4	REMARKS
1	7VX-87150-40	STATOR ASSY	1			
	7VX-87150-G0	STATOR ASSY		1		UR 220V/50Hz
	7VX-87150-L0	STATOR ASSY		1		UR 220V/60Hz
	7VX-87150-N0	STATOR ASSY			1	
2	7VX-87160-00	ROTOR ASSY	1	1	1	
3	7FK-87115-01	.RECTIFIER ASSY 2	4	4	4	
4	7LR-87172-01	.FAN, GENERATOR	1	1	1	
5	90159-06032	.SCREW, WITH WASHER	4	4	4	
6	93306-37202	.BEARING	1	1	1	
7	7LR-87220-00	TERMINAL SUB ASSY 1	1	1	1	
8	98507-05014	SCREW, PAN HEAD	2	2	2	
9	92907-05100	WASHER, SPRING	2	2	2	
10	92907-05600	WASHER, PLATE	2	2	2	
11	95307-05700	NUT	3			
	95307-05700	NUT		2	2	
12	92907-05100	WASHER, SPRING	3			
	92907-05100	WASHER, SPRING		2	2	
13	7LR-87131-02	FRAME, REAR	1	1	1	
14	95827-06100	BOLT, FLANGE	4	4	4	
15	7RH-87174-00-98	COVER, REAR END	1	1	1	LGB
16	97007-06010	BOLT	2	2	2	
17	92907-06600	WASHER, PLATE	2	2	2	
18	7RG-87153-00	COVER, STATOR	1	1	1	
19	7RG-81152-00	BOLT	1	1	1	
20	98507-05010	SCREW, PAN HEAD	1	1	1	
21	92907-05600	WASHER, PLATE	1	1	1	
22	7LR-87159-00	SEAL, STATOR	1	1	1	

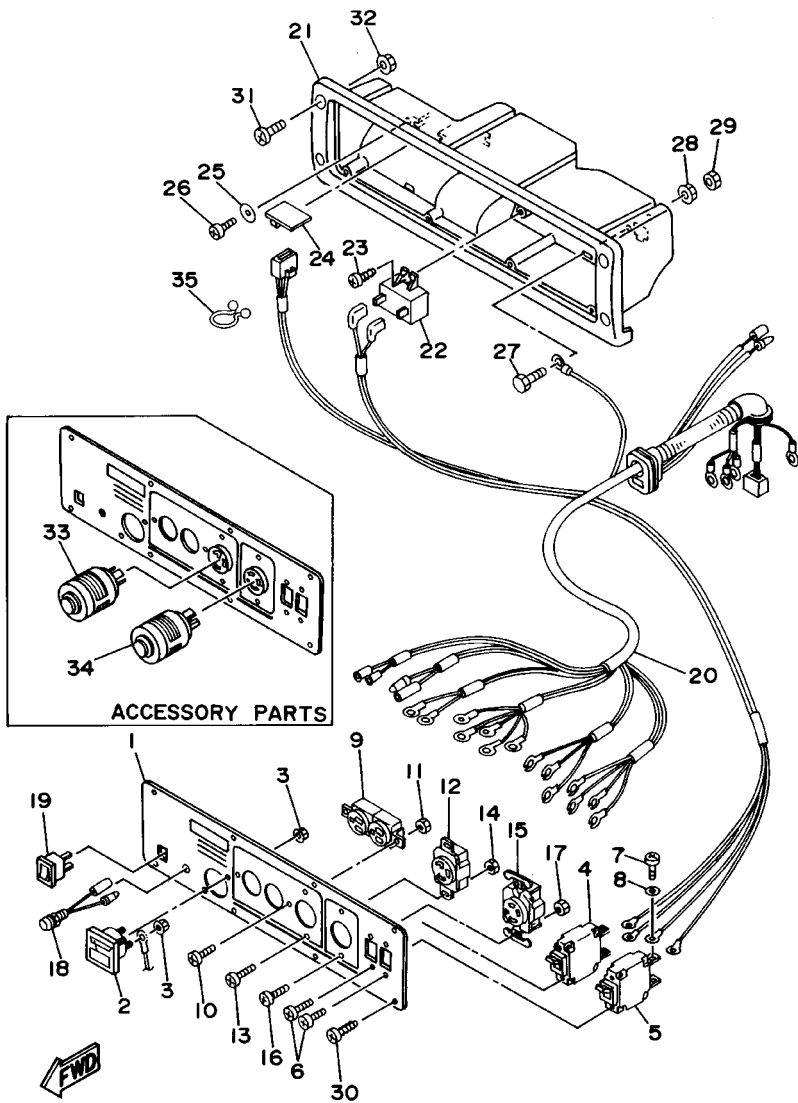
FIG. 16 GENERATOR



7VX2400-1160

REF. NO.	PART NO.	DESCRIPTION	7VX2	7VX3	7VX4	REMARKS
23	97027-06080	BOLT	2	2	2	
24	92907-06600	WASHER, PLATE	2	2	2	
25	7J5-88195-00	HOLDER, CONNECTOR	1	1	1	
26	98507-05020	SCREW, PAN HEAD	1	1	1	
27	92907-05600	WASHER, PLATE	1	1	1	
28	7LV-8713J-00	DAMPER	1	1	1	
29	90387-06N38	COLLAR	1	1	1	

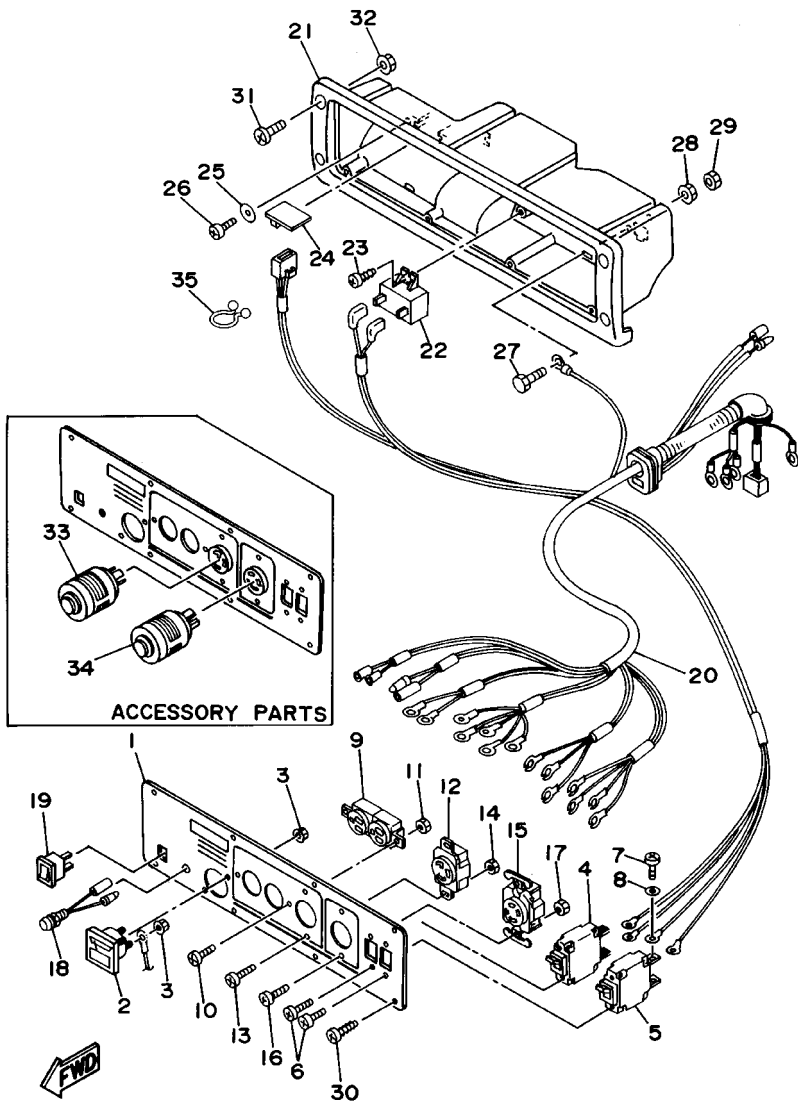
FIG. 17 CONTROL BOX 1



7VX2400-1170

REF. NO.	PART NO.	DESCRIPTION	7VX2	7VX3	7VX4	REMARKS
1	7VX-87249-60	PLATE	1			
2	7LR-8720A-00	VOLTEGE METER COMP.	1			
3	90179-03478	NUT	4			
4	7VX-87204-10	BREAKER COMP. (38A)	1			
5	7VX-87204-40	BREAKER COMP. (19A)	1			
6	98507-04005	SCREW, PAN HEAD	4			
7	98507-06012	SCREW, PAN HEAD	4			
8	92907-06100	WASHER, SPRING	4			
9	77V-87221-00	RECEPTACLE	1			
10	98507-04012	SCREW, PAN HEAD	2			
11	95707-04500	NUT, FLANGE	2			
12	73H-87222-91	RECEPTACLE 2	1			UR P&S L530-R
	7LR-87221-90	RECEPTACLE 1 (WCF63130BO2)	1			UR MATSUSHITA
	7VU-87221-90	RECEPTACLE 1	1			UR MEIKOSHA
13	98507-04012	SCREW, PAN HEAD	2			
14	95707-04500	NUT, FLANGE	2			
15	73H-87222-70	RECEPTACLE 2	1			UR P&S L14-20R
	7UV-87222-40	RECEPTACLE (NEMA L14-20R)	1			UR MEIKOSHA
	7LR-87222-90	RECEPTACLE 2 (WCF63420BO2)	1			UR MATSUSHITA
16	98507-04012	SCREW, PAN HEAD	2			
17	95707-04500	NUT, FLANGE	2			
18	7NJ-85770-00	OIL PILOT LIGHT ASSY	1			
19	7NJ-82550-00	ENGINE STOP SWITCH ASSY	1			
20	7RG-87226-60	WIRE HARNESS ASSY (120/240V-60HZ)	1			
21	7RH-87213-G0	COVER, CONTROL BOX	1			
22	7VX-87107-00	CONDENSER ASSY	1			
23	97707-40516	SCREW, TAPPING	1			

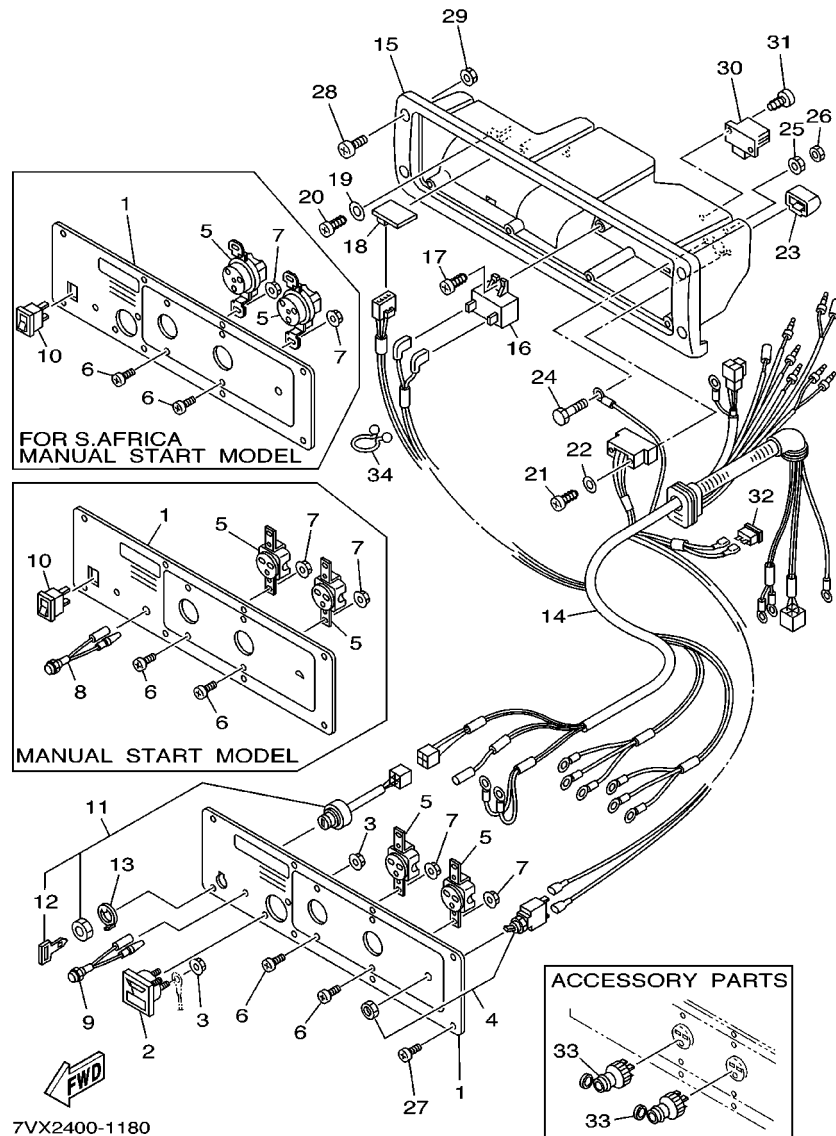
FIG. 17 CONTROL BOX 1



7VX2400-1170

REF. NO.	PART NO.	DESCRIPTION	7VX2	7VX3	7VX4	REMARKS
24	7LG-85690-00	OIL WARNING UNIT	1			
25	90201-03013	WASHER, PLATE	1			
26	97707-30512	SCREW, TAPPING	1			
27	97080-06020	BOLT	1			
28	90179-06511	NUT	1			
29	95380-06700	NUT	1			
30	97707-40516	SCREW, TAPPING	8			
31	98907-06014	SCREW, BIND	4			
32	95707-06500	NUT, FLANGE	2			
33	7RH-87236-00	PLUG, AC RECEPTACLE (30A-125V)	1			ACCESSORY (L5-30P)
34	7RG-87236-10	PLUG, AC RECEPT. (20A-125V/250V)	1			ACCESSORY (L14-20P)
35	90465-18147	CLAMP	1			

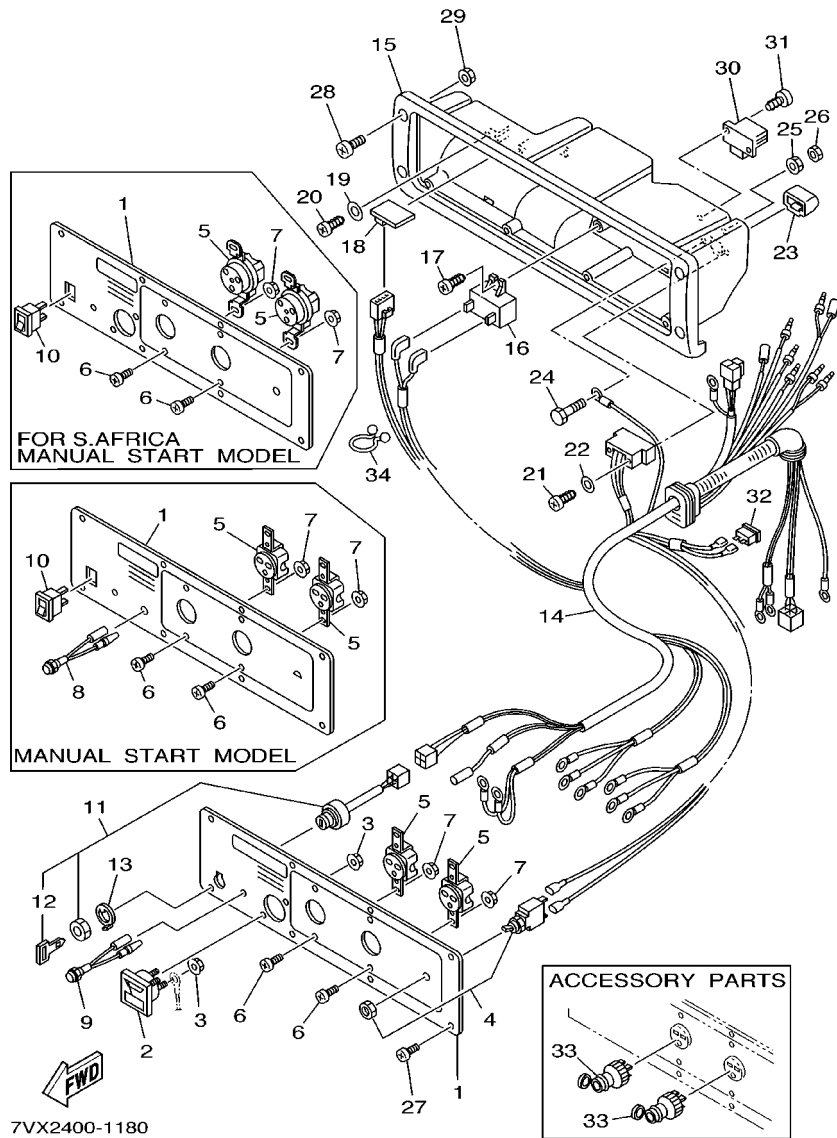
FIG. 18 CONTROL BOX 2



7VX2400-1180

REF. NO.	PART NO.	DESCRIPTION	7VX2	7VX3	7VX4	REMARKS
1	7VX-87249-G0	PLATE		1		UR FOR MANUAL START
	7VX-87249-H0	PLATE		1		UR FOR EL. START
	7VX-87249-J0	PLATE		1		UR FOR ZAF
2	7G7-8720A-00	VOLTEGE METER COMP.		1		FOR ZAF & EL. START
3	90179-03478	NUT		4		FOR ZAF & EL. START
4	7VX-87204-G0	BREAKER COMP.		1		UR 50HZ
	7VX-87204-K0	BREAKER COMP.		1		UR 60HZ
5	73F-87221-A0	RECEPTACLE 1 (LUMEX)		2		UR FOR ZAF
	7G7-87221-01	RECEPTACLE 1		2		UR
6	98507-04012	SCREW, PAN HEAD		4		
7	95707-04500	NUT, FLANGE		4		
8	7NJ-83530-G0	PILOT LIGHT ASSY		1		EXCEPT FOR ZAF & EL. START
9	7NJ-85770-00	OIL PILOT LIGHT ASSY		1		
10	7NJ-82550-00	ENGINE STOP SWITCH ASSY		1		FOR MANUAL START
11	7LP-82510-00	MAIN SWITCH ASSY		1		FOR EL. START
12	73A-82511-00	.KEY, MAIN SWITCH		1		FOR EL. START
13	7RG-82517-00	WASHER, SPECIAL		1		FOR EL. START
14	7RG-87226-G0	WIRE HARNESS ASSY (220V-50HZ/60HZ)		1		UR FOR MANUAL START
	7RG-87226-H0	WIRE HARNESS ASSY (220V-50HZ)		1		UR FOR EL. START
	7RG-87226-J0	WIRE HARNESS ASSY (220V-50HZ)		1		UR FOR ZAF
15	7RH-87213-00	COVER, CONTROL BOX		1		UR FOR EL. START
	7RH-87213-G0	COVER, CONTROL BOX		1		UR
16	7VX-87107-00	CONDENSER ASSY		1		
17	97707-40516	SCREW, TAPPING		1		
18	7LG-85690-00	OIL WARNING UNIT		1		
19	90201-03013	WASHER, PLATE		1		
20	97707-30512	SCREW, TAPPING		1		

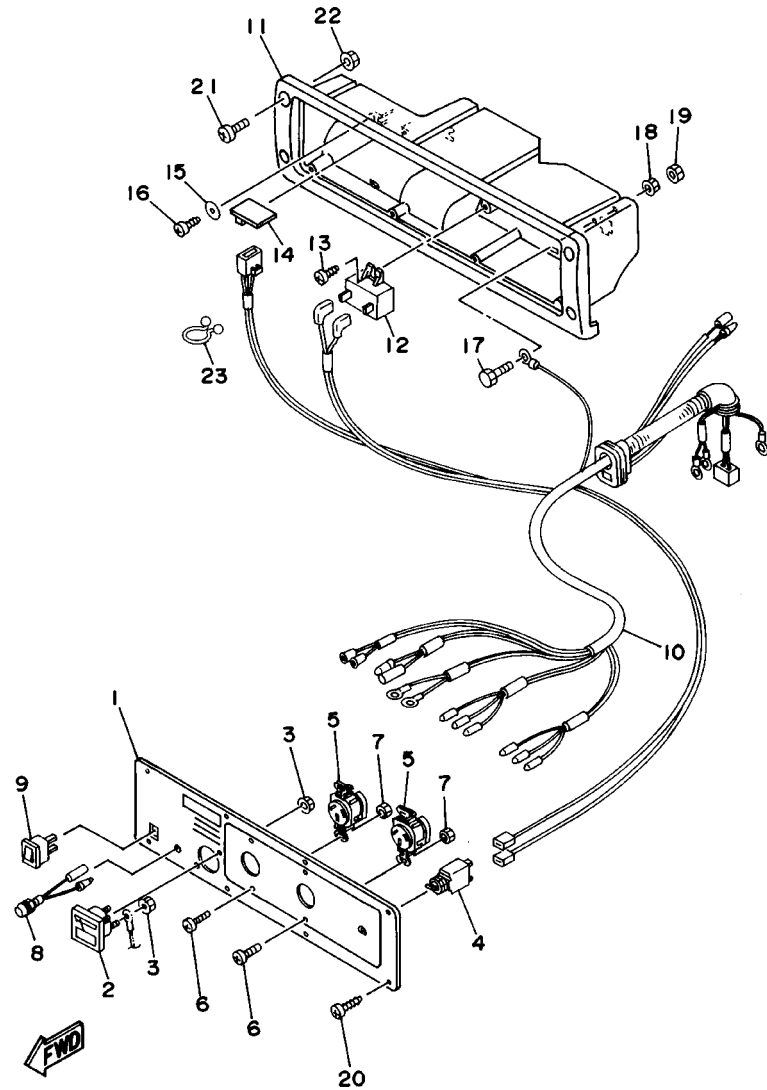
FIG. 18 CONTROL BOX 2



7VX2400-1180

REF. NO.	PART NO.	DESCRIPTION	7VX2	7VX3	7VX4	REMARKS
21	97707-30512	SCREW, TAPPING		2		FOR EL. START
22	92907-03200	WASHER		2		FOR EL. START
23	7LP-82599-00	COVER, CONNECTER		1		FOR EL. START
24	97080-06020	BOLT		1		
25	90179-06511	NUT		1		
26	95380-06700	NUT		1		
27	97707-40516	SCREW, TAPPING		8		
28	98907-06014	SCREW, BIND		4		
29	95707-06500	NUT, FLANGE		2		
30	22J-81960-60	RECTIFIER & REGULATOR ASSY		1		FOR EL. START
31	97707-50520	SCREW, TAPPING		2		FOR EL. START
32	42X-82151-00	FUSE (10A-BL)		1		FOR EL. START
33	7G7-87236-00	PLUG, AC RECEPTACLE (15A-250V)		2		ACCESSORY (41-919) EXCEPT FOR ZAF
34	90465-18147	CLAMP		1		

FIG. 19 CONTROL BOX 3



7VX2400-1190

REF. NO.	PART NO.	DESCRIPTION	7VX2	7VX3	7VX4	REMARKS
1	7VX-87249-N0	PLATE			1	
2	7G7-8720A-00	VOLTEGE METER COMP.			1	
3	90179-03478	NUT			4	
4	7VX-87204-N0	BREAKER COMP.			1	
5	73G-87221-90	RECEPTACLE 1 (CRIPSAL 415/15)			2	
6	98507-04012	SCREW, PAN HEAD			4	
7	95707-04500	NUT, FLANGE			4	
8	7NJ-85770-00	OIL PILOT LIGHT ASSY			1	
9	7NJ-82550-00	ENGINE STOP SWITCH ASSY			1	
10	7RG-87226-N0	WIRE HARNESS ASSY (OCEANIA)			1	
11	7RH-87213-G0	COVER, CONTROL BOX			1	
12	7VX-87107-00	CONDENSER ASSY			1	
13	97707-40516	SCREW, TAPPING			1	
14	7LG-85690-00	OIL WARNING UNIT			1	
15	90201-03013	WASHER, PLATE			1	
16	97707-30512	SCREW, TAPPING			1	
17	97080-06020	BOLT			1	
18	90179-06511	NUT			1	
19	95380-06700	NUT			1	
20	97707-40516	SCREW, TAPPING			8	
21	98907-06014	SCREW, BIND			4	
22	95707-06500	NUT, FLANGE			2	
23	90465-18147	CLAMP			1	

NUMERICAL INDEX

PARTNO.	GRID NO.	PARTNO.	GRID NO.	PARTNO.	GRID NO.	PARTNO.	GRID NO.	PARTNO.	GRID NO.	PARTNO.	GRID NO.
7RG-11011-00	B - 11	7RG-14101-00	B - 8	7RH-15716-00	B - 6	7RH-81840-00	C - 2	7LR-87172-01	C - 3	90179-03478	C - 9
7RG-11012-00	B - 11	7RG-14101-10	B - 8	7RH-15723-00	B - 6	7RH-81846-00	C - 2	7RH-87174-00-98	C - 3	90179-06511	C - 8
7RG-11111-01	B - 2	4CW-14117-00	B - 8	7RH-15741-00	B - 6	7KA-81858-00	C - 2	7G7-8720A-00	C - 7		C - 8
7RH-11166-00	B - 2	73A-1414G-00	B - 8	JK4-15743-00	B - 6	7KA-81859-00	C - 2		C - 9		C - 9
7RG-11181-02	B - 2	620-14142-62	B - 8	7RH-15751-00	B - 6	7RH-81861-00	C - 2	7LR-8720A-00	C - 5	90201-03013	C - 6
7RH-11190-00	B - 2	73A-14150-00	B - 8	7RH-15755-00	B - 6	73A-81940-10	C - 2	7VX-87204-G0	C - 7		C - 7
JN6-11193-00	B - 2	7EG-14159-00	B - 8	7NJ-15793-00	B - 6	22J-81960-60	C - 8	7VX-87204-K0	C - 7		C - 9
812-11198-00	B - 10	7RG-14162-00	B - 8	7RH-22836-00	B - 12	73E-82115-01	C - 2	7VX-87204-N0	C - 9	90201-06380	B - 13
7RH-11400-00	B - 3	796-14184-00	B - 8	7RH-22838-00	B - 12	73E-82116-01	C - 2	7VX-87204-10	C - 5	90201-065K7	B - 4
JN6-11454-00	B - 3	JN6-14185-00	B - 8	7RH-22839-00	B - 12	7RH-82122-01	B - 12	7VX-87204-40	C - 5	90201-067L0	B - 4
JN6-11610-00	B - 3	22F-14186-00	B - 8	7RH-2284F-00	B - 14	7LP-82133-00	B - 12	7RH-87213-G0	C - 5	90201-08092	B - 4
JN6-11610-10	B - 3	7E1-14191-00	B - 8	7RH-22840-00	B - 11	J10-82136-00	B - 12		C - 7	90201-180T9	B - 15
JN6-11610-20	B - 3	127-14198-00	B - 8	73A-22846-10	B - 14	42X-82151-00	C - 8		C - 9	90201-22793	B - 9
JN6-11631-00-A0	B - 3	7LV-14211-00	B - 8	7RH-22850-00	B - 11	JN6-82370-00	B - 15	7RH-87213-00	C - 7	90280-04052	B - 15
447-11633-00	B - 3	73A-14212-00	B - 8	7RH-22864-00	B - 12	7LP-82510-00	C - 7	7LR-87220-00	C - 3	90340-12097	B - 10
JN6-11635-00	B - 3	7RH-14216-00	B - 8		B - 14	73A-82511-00	C - 7	7G7-87221-01	C - 7	90387-06N38	C - 4
JN6-11636-00	B - 3	3G2-1423E-41	B - 8	7RH-22891-00	B - 11	7RG-82517-00	C - 7	7LR-87221-90	C - 5	90445-08743	B - 7
JN6-11650-00	B - 3	7X9-14239-00	B - 8	7RH-24110-01-NJ	B - 13	7NJ-82550-00	C - 5	7VU-87221-90	C - 5	90445-100E9	B - 13
JN6-11654-00	B - 3	7RH-14283-00	B - 7	7LX-2415A-00	C - 10		C - 7	73F-87221-A0	C - 7	90460-31253	B - 9
7RH-11901-00	B - 4	7RH-14411-01	B - 7	7RH-24161-10	C - 10	7LP-82599-00	C - 8	73G-87221-90	C - 9	90462-05061	B - 10
7RH-11913-00	B - 4	7RH-14412-01	B - 7	7NJ-24162-L0	C - 10	7NJ-83530-G0	C - 7	7VX-87221-00	C - 5	90462-06232	B - 15
7FK-11914-00	B - 4	7RH-14429-00	B - 7	7NJ-24162-N0	C - 10	7RH-83530-G0	C - 7	7LR-87222-90	C - 5	90465-18147	C - 6
7KY-11917-00	B - 4	7RH-14451-00	B - 7	7NJ-24162-10	C - 10	7RH-85521-00	B - 15	7UV-87222-40	C - 5		C - 8
7RH-11922-00	B - 4	7RH-14468-00	B - 7	630-24167-00	B - 13	7RH-85640-00	B - 15	73H-87222-70	C - 5		C - 9
7VX-11925-00	B - 4	7LV-14477-00	B - 7	7LG-24181-00	B - 13	7RG-85650-00	B - 15	73H-87222-91	C - 5	90467-09006	B - 13
7RH-11928-00	B - 4	7RH-14486-00	B - 8	7MJ-24237-00	C - 10	7RH-85650-00	B - 15	7RG-87226-G0	C - 7	90468-12006	B - 4
73A-11931-00	B - 4	7RH-14611-00	B - 9	7U6-24462-00	B - 8	7LG-85690-00	C - 6	7RG-87226-H0	C - 7	90480-13016	B - 7
73A-11941-00	B - 4	7KY-14613-01	B - 9	7NJ-24500-01	B - 13		C - 7	7RG-87226-J0	C - 7	90501-10264	B - 4
7RH-11970-00	B - 4	7RH-14623-00	B - 9	7NJ-24515-00	B - 13		C - 9	7RG-87226-N0	C - 9	90501-264A9	B - 5
7RH-11971-00	B - 10	7RG-14711-00	B - 9	7J3-24521-00	B - 13	7F7-85710-02	B - 13	7RG-87226-60	C - 5	90506-04458	B - 4
JN6-12111-01	B - 5	7RH-14718-00	B - 9	7NJ-24532-00	B - 13	7RH-85720-02	B - 15	7G7-87236-00	C - 8	91401-30040	B - 14
J38-12117-01	B - 5	7RH-14737-00	B - 9	7NJ-24534-00	B - 13	7NJ-85724-00	B - 15	7RG-87236-10	C - 6	92907-03200	C - 8
J38-12118-00	B - 5	7RH-14757-00	B - 10	4X8-24565-00	B - 13	7NJ-85770-00	C - 5	7RH-87236-00	C - 6	92907-05100	C - 3
4G0-12119-00	B - 5	7RH-1479E-00	B - 9	74T-24610-00	B - 13		C - 7	7VX-87249-G0	C - 7	92907-05600	C - 3
7RH-12121-00	B - 5	7RH-14799-00	B - 9	796-24612-00	B - 13		C - 9	7VX-87249-H0	C - 7		C - 4
JN6-12151-00	B - 5	1WG-14922-00	B - 8	73A-25322-10	B - 14	7VX-87107-00	C - 5	7VX-87249-J0	C - 7	92907-061A5	C - 2
JN6-12153-00	B - 5	7LW-14941-53	B - 8	7RH-25381-00	B - 14		C - 7	7VX-87249-N0	C - 9	92907-06100	C - 2
JN6-12154-00	B - 5	7RG-15111-00	B - 10	7RH-26100-00	B - 14		C - 9	7VX-87249-60	C - 5		C - 5
J38-12156-00	B - 5	7TS-15111-00	B - 10	801-26241-01	B - 14	7FK-87115-01	C - 3	7NJ-87261-00	C - 10	92907-06600	B - 4
22F-12159-00	B - 5	796-15363-01	B - 10	7LR-27111-01	B - 14	7LV-8713J-00	C - 4	7J5-88195-00	C - 4		C - 3
7RH-12170-00	B - 5	7RH-15411-01	B - 10	7LV-28100-00	B - 13	7LR-87131-02	C - 3	90109-06513	B - 10		C - 4
7NJ-12287-00	B - 5	7RH-15414-00	B - 10	7RG-81152-00	C - 3	7VX-87150-G0	C - 3	90159-06032	C - 3	92907-20600	B - 14
7RH-12621-00	B - 6	7RH-15451-00	B - 10	7RH-81800-00	C - 2	7VX-87150-L0	C - 3	90170-05302	B - 5	93102-35191	B - 10
7RH-12651-01	B - 6	7RH-15710-00	B - 6	7RH-81807-00	C - 2	7VX-87150-N0	C - 3	90170-18391	B - 15	93109-08050	B - 10
7RH-13557-00	B - 7	7RH-15711-00	B - 6	7RH-8181L-00	C - 2	7VX-87150-40	C - 3	90173-06017	B - 4	93210-05098	C - 2
7RH-13567-00	B - 7	7RH-15713-00	B - 6	73A-81815-00	C - 2	7RG-87153-00	C - 3	90175-06008	B - 12	93210-06001	C - 2
7RH-13596-00	B - 7	7RH-15714-00	B - 6	7RH-8182G-00	C - 2	7LR-87159-00	C - 3	90179-03478	C - 5	93210-22344	B - 10
7RH-13596-10	B - 7	7RH-15715-00	B - 6	7KA-81833-00	C - 2	7VX-87160-00	C - 3		C - 7	93306-20201	B - 10

NUMERICAL INDEX

PARTNO.	GRID NO.	PARTNO.	GRID NO.	PARTNO.	GRID NO.	PARTNO.	GRID NO.	PARTNO.	GRID NO.	PARTNO.	GRID NO.
93306-20714	B - 10	95827-06030	B - 2								
93306-30709	B - 10	95827-06100	C - 3								
93306-37202	C - 3	95880-06020	B - 15								
93440-06107	B - 4	97007-06010	C - 3								
93450-21053	B - 3	97007-06012	B - 13								
93501-08001	B - 8	97027-06030	B - 4								
94702-00331	B - 2	97027-06080	C - 4								
95304-06700	C - 2	97080-06020	C - 6								
95307-05700	C - 3		C - 8								
95307-06700	C - 2		C - 9								
95307-08600	B - 9	97707-30512	C - 6								
95380-06700	C - 6		C - 7								
	C - 8		C - 8								
	C - 9		C - 9								
95607-08700	B - 2	97707-40516	C - 5								
95627-08618	B - 2		C - 6								
95707-04500	C - 5		C - 7								
	C - 7		C - 8								
	C - 9		C - 9								
95707-06500	C - 6	97707-50520	C - 8								
	C - 8	98507-04005	C - 5								
	C - 9	98507-04012	C - 5								
95707-08500	B - 7		C - 7								
	B - 14		C - 9								
95707-10500	B - 11	98507-05010	C - 3								
95807-06008	B - 6	98507-05014	C - 3								
	B - 9	98507-05020	C - 4								
95807-06010	B - 10	98507-06012	C - 5								
	B - 11	98507-06035	B - 4								
95807-06012	B - 4	98907-06014	C - 6								
	B - 6		C - 8								
	B - 12		C - 9								
	B - 15	99530-08016	B - 10								
95807-06014	B - 14	99530-14016	B - 2								
95807-06016	B - 7										
	C - 2										
95807-06025	B - 15										
95807-06030	B - 12										
95807-06035	B - 12										
	B - 14										
95807-08016	B - 9										
	B - 14										
95807-08020	B - 9										
95807-08035	C - 2										
95807-10030	B - 11										
95817-08045	B - 10										
95817-10070	B - 2										
95827-06012	B - 15										

CONTENTS

CYLINDER	B2
CRANKSHAFT. PISTON	B3
GOVERNOR	B4
CAMSHAFT.VALVE	B5
AIR SHROUD. STARTER	B6
INTAKE	B7
CARBURETOR	B8
EXHAUST	B9
CRANKCASE	B10
FRAME	B11
FRAME 2 (FOR EL. STRAT MODEL)	B12
FUEL TANK	B13
CARRIER (OPTIONAL PARTS)	B14
MAGNETO	B15
STARTING MOTOR (FOR EL. STRAT MODEL)	C2
GENERATOR	C3
CONTROL BOX 1	C5
CONTROL BOX 2	C7
CONTROL BOX 3	C9
LABELS	C10

INDEX

NUMERICAL INDEX	M1
-----------------------	----