

PARTS CATALOGUE

RX10RH (8ER1/8ER2) U.S.A., CANADA, EUROPE

RX10RSH (8EW1/8EW2) U.S.A., CANADA, EUROPE

RX10RH/RX10RSH
PARTS CATALOGUE
©2002 by Yamaha Motor Co., Ltd.
1st Edition, July 2002
All rights reserved.
Any reprinting or unauthorized use
without the written permission of
Yamaha Motor Co., Ltd.
is expressly prohibited.

A3



RX10RH

A4

FOREWORD

This Parts Catalogue is related to the parts for the model(s) in the below frame. When you are ordering replacement parts, please refer to this Parts Catalogue and quote both part numbers and part names correctly.

RX10RH/RX10RSH(8ER1,8ER2/8EW1,8EW2)

1. Modifications or additions which have been made after issue of the Parts Catalogue will be announced in the Yamaha Parts News.
It is advisable that you make necessary corrections to the Parts Catalogue according to the Yamaha Parts News.

2. Abbreviations

The following abbreviations are used in this Parts Catalogue.

“UR” Use specified parts number.

“UN” Use as many as needed.

“AP” Alternate Parts

“LM” Local Made (Parts need to be ordered locally)

“F#” Frame No. (Applicable machine No.)

3. Parts, which are to be supplied in an assembly, are listed with a dot(.) in front of the part name as shown below.

EXAMPLE

CARBURETOR ASSY

.JET, PILOT

.NOZZLE, MAIN

4. Number of component for assembly

The numeral appearing to the right of each component part indicates the quantity of parts for each assembly unit.

EXAMPLE

PART NO.	DESCRIPTION	Q'TY	REMARKS
2F5-83310-60	FRONT FLASHER LIGHT ASSY	2	
115-83311-60	.BULB (6V-18W)	1	

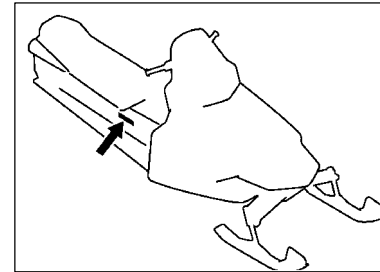
5. Applicable colors of graphics are represented in the “REMARKS” as shown below.

PART NO.	DESCRIPTION	Q'TY	REMARKS
2F5-83310-60	FRONT FLASHER LIGHT ASSY	2	
115-83311-60	.BULB (6V-18W)	1	

6. Applicable Starting Serial No. and Color Code

8ER1	Starting Serial NO.:	JYE8ER0053A000030
8ER2	Starting Serial NO.:	JYE8ER0053A000030
8EW1	Starting Serial NO.:	JYE8EW0023A000002
8EW2	Starting Serial NO.:	JYE8EW0023A000002

Frame Serial No.



MOD-EL	Color Code	Color Name	Abbreviation	Country (destination)
8ER1/ 8ER2	00EY	HEAT RED	HTR	USA, CAN/ EUR
	0564	DEEP PURPLISH BLUE METALLIC C	DPBMC	
8EW1/ 8EW2	0791	SILVER 3	S3	USA, CAN/ EUR

7. Note that the illustration for reference in funding parts numbers, not to be used for assembling. When assembling, please use the applicable service manual.

8. The asterisk (*) before a reference number indicates modification items after the first edition.

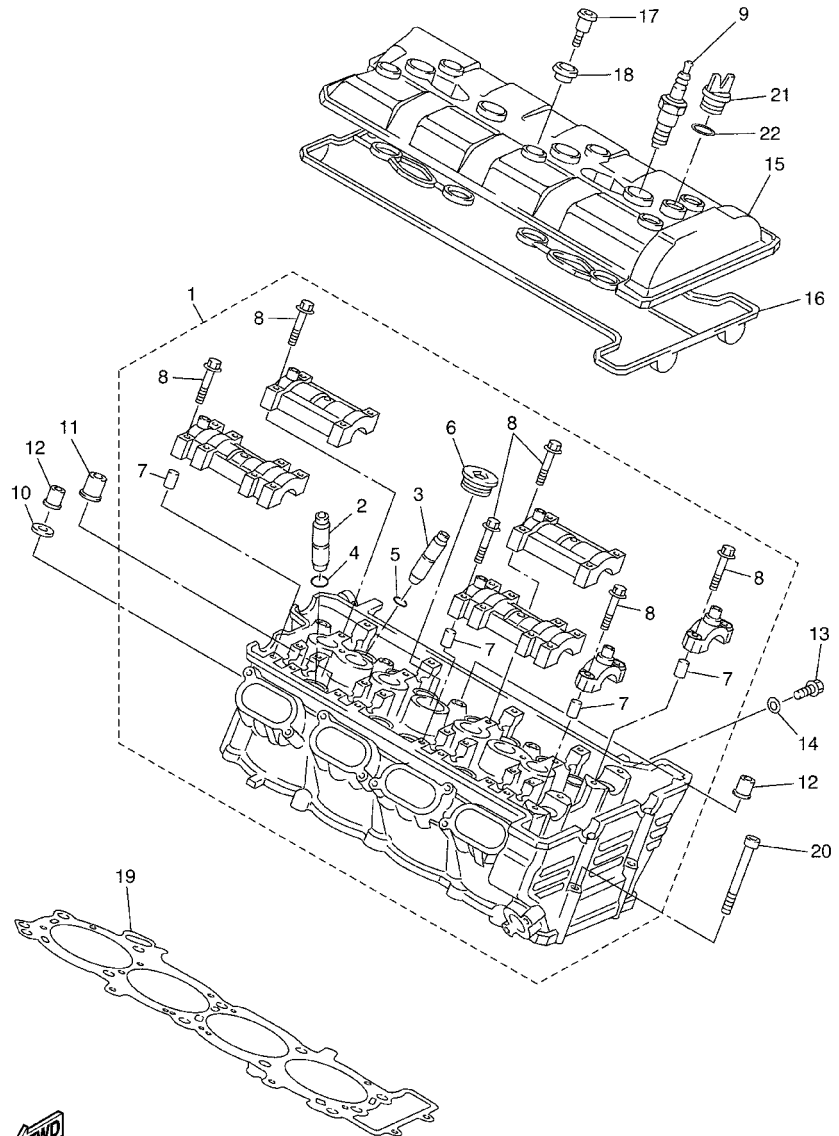


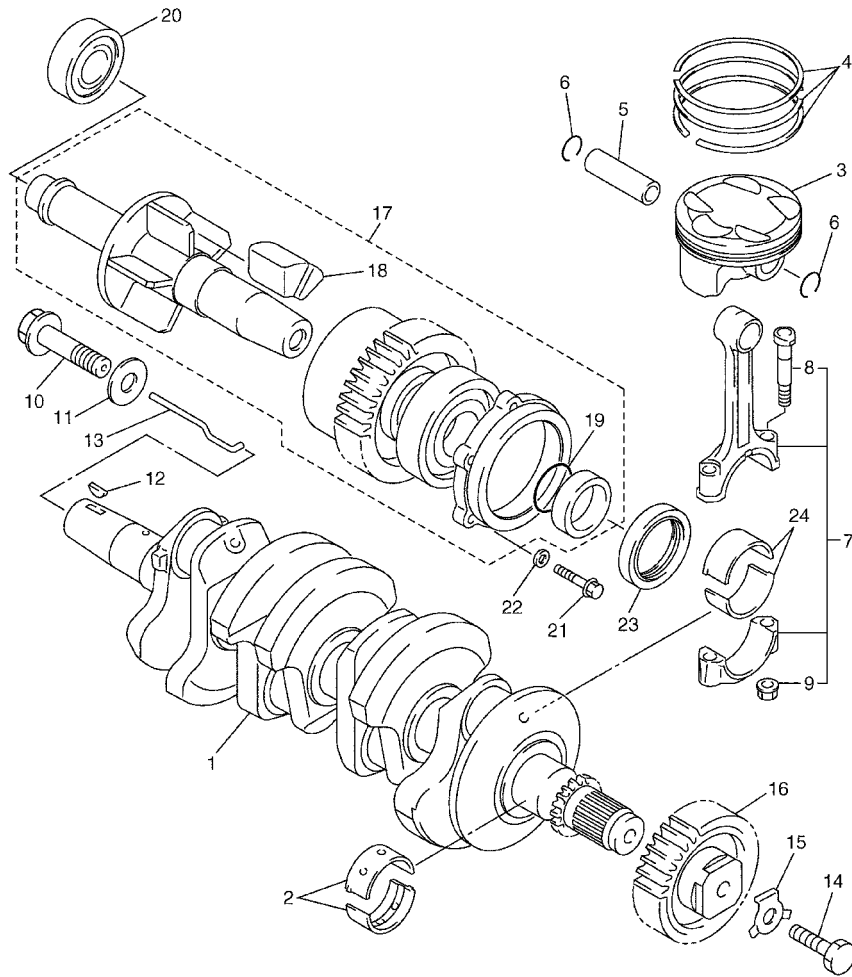
FIG. 1 CYLINDER

REF. NO.	PART NO.	DESCRIPTION	8ER1	8ER2	8EW1	8EW2	REMARKS
1	8FA-11102-01	CYLINDER HEAD ASSY	1	1	1	1	
2	3TJ-11133-10	.GUIDE, INTAKE VALVE	12	12	12	12	
3	1WG-11133-11	.GUIDE, INTAKE VALVE	8	8	8	8	
4	93440-07149	CIRCLIP	12	12	12	12	
5	93440-10153	CIRCLIP	8	8	8	8	
6	90340-27129	.PLUG, STRAIGHT SCREW	1	1	1	1	
7	91808-16023	.PIN, DOWEL	12	12	12	12	
8	90105-06026	.BOLT, FLANGE	28	28	28	28	
9	94701-00410	PLUG, SPARK (NGK R CR9E)	4	4	4	4	
10	90201-10013	WASHER, PLATE	10	10	10	10	
11	90179-10006	NUT	3	3	3	3	
12	90179-10414	NUT	7	7	7	7	
13	95027-06012	BOLT, FLANGE	1	1	1	1	
14	90430-06014	GASKET	1	1	1	1	
15	8FA-11191-00	COVER, CYLINDER HEAD 1	1	1	1	1	
16	8FA-11193-00	GASKET, HEAD COVER 1	1	1	1	1	
17	90109-066F0	BOLT	6	6	6	6	
18	4KG-1111G-00	RUBBER, MOUNT 1	6	6	6	6	
19	8FA-11181-00	GASKET, CYLINDER HEAD 1	1	1	1	1	
20	91317-06060	BOLT	2	2	2	2	
21	3Y1-15363-00	PLUG, OIL	1	1	1	1	
22	93210-19123	O-RING	1	1	1	1	



8FA1100-B010

FIG. 2 CRANKSHAFT. PISTON

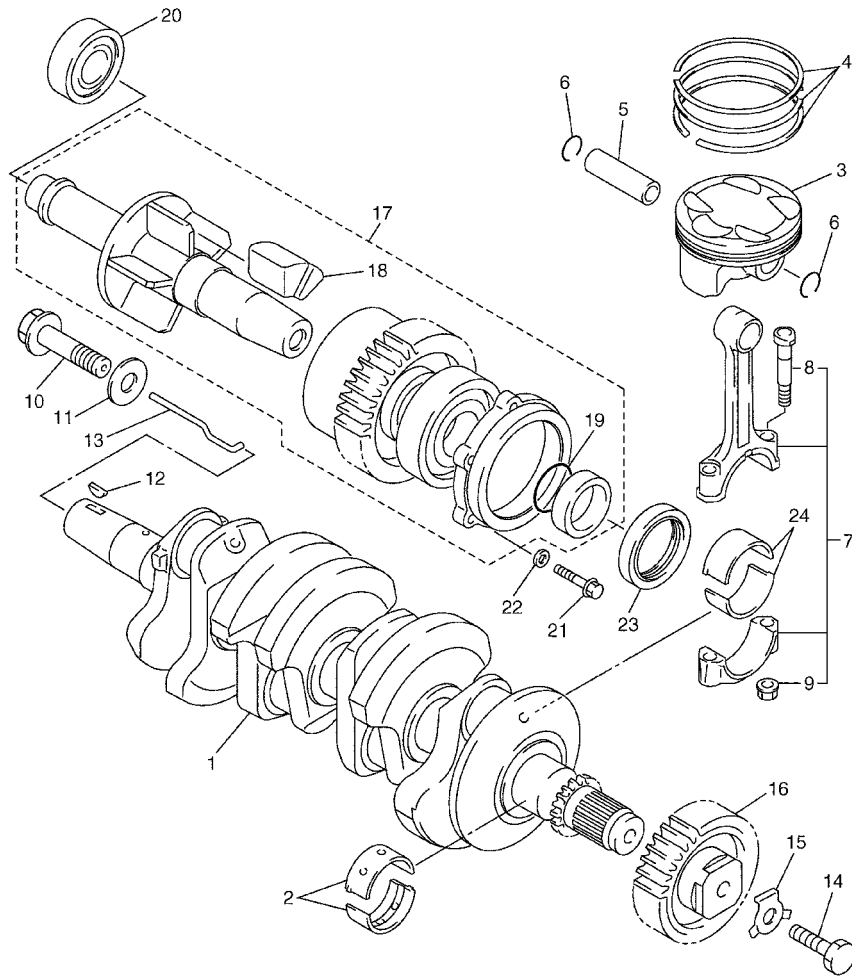


REF. NO.	PART NO.	DESCRIPTION	8ER1	8ER2	8EW1	8EW2	REMARKS
1	8FA-11411-00	CRANKSHAFT	1	1	1	1	
2	3GM-11416-B0	PLANE BEARING, CRANKSHAFT 1	10	10	10	10	UR PURPLE
	3GM-11416-A0	PLANE BEARING, CRANKSHAFT 1	10	10	10	10	UR WHITE
	3GM-11416-00	PLANE BEARING, CRANKSHAFT 1	10	10	10	10	UR BLUE
	3GM-11416-10	PLANE BEARING, CRANKSHAFT 1	10	10	10	10	UR BLACK
	3GM-11416-20	PLANE BEARING, CRANKSHAFT 1	10	10	10	10	UR BROWN
3	4XV-11631-00	PISTON (STD)	4	4	4	4	
4	5LV-11603-00	PISTON RING SET (STD)	4	4	4	4	
5	4XV-11633-00	PIN, PISTON	4	4	4	4	
6	90468-12069	CLIP	8	8	8	8	
7	5PW-11650-00	CONNECTING ROD ASSY	4	4	4	4	
8	5JW-11654-00	.BOLT, CONNECTING ROD	2	2	2	2	
9	90179-08327	.NUT	2	2	2	2	
10	90105-12005	BOLT, FLANGE	1	1	1	1	
11	90201-121H0	WASHER, PLATE	1	1	1	1	
12	90280-05029	KEY, WOODRUFF	1	1	1	1	
13	5JW-11455-00	SHAFT 1	1	1	1	1	
14	90101-10009	BOLT	1	1	1	1	
15	90215-10001	WASHER, LOCK	1	1	1	1	
16	8FA-16111-00	GEAR, PRIMARY DRIVE	1	1	1	1	
17	8FA-11406-00	SHAFT ASSY	1	1	1	1	
18	8FA-16155-00	.ABSORBER 1	5	5	5	5	
19	93210-30660	.O-RING	1	1	1	1	
20	93306-27209	BEARING	1	1	1	1	
21	95817-06025	BOLT, FLANGE	6	6	6	6	
22	90430-06166	GASKET	6	6	6	6	
23	93102-40009	OIL SEAL	1	1	1	1	



8FA1100-B020

FIG. 2 CRANKSHAFT. PISTON

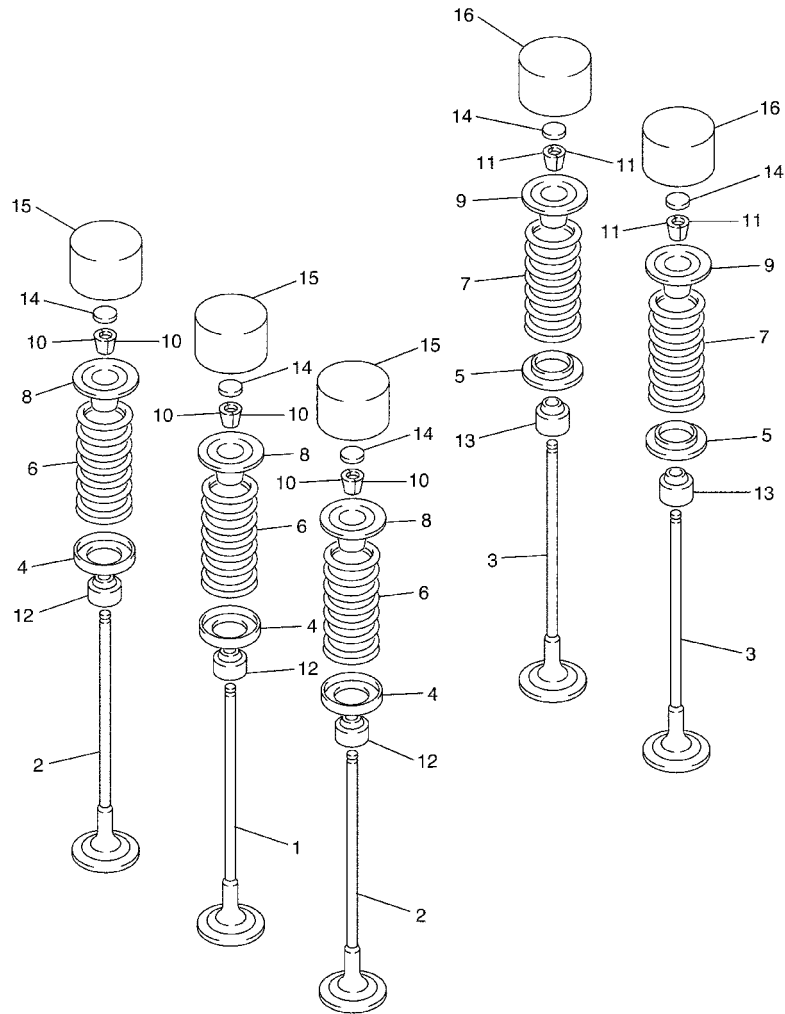


REF. NO.	PART NO.	DESCRIPTION	8ER1	8ER2	8EW1	8EW2	REMARKS
24	3GM-11656-B0	PLANE BEARING, CONNECTING ROD	8	8	8	8	UR PURPLE
	3GM-11656-A0	PLANE BEARING, CONNECTING ROD	8	8	8	8	UR WHITE
	3GM-11656-00	PLANE BEARING, CONNECTING ROD	8	8	8	8	UR BLUE
	3GM-11656-10	PLANE BEARING, CONNECTING ROD	8	8	8	8	UR BLACK



8FA1100-B020

FIG. 3 VALVE



REF. NO.	PART NO.	DESCRIPTION	8ER1	8ER2	8EW1	8EW2	REMARKS
1	4XV-12111-00	VALVE, INTAKE	4	4	4	4	
2	4XV-12112-00	VALVE, INTAKE 2	8	8	8	8	
3	5LV-12121-00	VALVE, EXHAUST	8	8	8	8	
4	1HX-12116-01	SEAT, VALVE SPRING	12	12	12	12	
5	3GM-12126-00	SEAT, VALVE SPRING 2	8	8	8	8	
6	4XV-12113-00	SPRING, VALVE INNER	12	12	12	12	
7	4XV-12114-00	SPRING, VALVE OUTER	8	8	8	8	
8	1HX-12117-00	RETAINER, VALVE SPRING	12	12	12	12	
9	1WG-12117-00	RETAINER, VALVE SPRING	8	8	8	8	
10	1HX-12118-00	COTTER, VALVE	24	24	24	24	
11	1WG-12118-00	COTTER, VALVE	16	16	16	16	
12	4TV-12119-00	SEAL, VALVE STEM	12	12	12	12	
13	4SV-12119-00	SEAL, VALVE STEM	8	8	8	8	
14	1HX-12168-00	PAD, ADJUSTING 2 (1.20)	20	20	20	20	UR
	1HX-12168-20	PAD, ADJUSTING 2 (1.25)	20	20	20	20	UR
	1HX-12168-40	PAD, ADJUSTING 2 (1.30)	20	20	20	20	UR
	1HX-12168-60	PAD, ADJUSTING 2 (1.35)	20	20	20	20	UR
	1HX-12168-80	PAD, ADJUSTING 2 (1.40)	20	20	20	20	UR
	1HX-12168-A0	PAD, ADJUSTING 2 (1.45)	20	20	20	20	UR
	1HX-12168-F0	PAD, ADJUSTING 2 (1.50)	20	20	20	20	UR
	1HX-12168-H1	PAD, ADJUSTING 2 (1.55)	20	20	20	20	UR
	1HX-12168-K1	PAD, ADJUSTING 2 (1.60)	20	20	20	20	UR
	1HX-12168-M1	PAD, ADJUSTING 2 (1.65)	20	20	20	20	UR
	1HX-12168-R1	PAD, ADJUSTING 2 (1.70)	20	20	20	20	UR
	1HX-12168-U1	PAD, ADJUSTING 2 (1.75)	20	20	20	20	UR
	1HX-12168-W1	PAD, ADJUSTING 2 (1.80)	20	20	20	20	UR
	1HX-12168-Y1	PAD, ADJUSTING 2 (1.85)	20	20	20	20	UR



8FA1100-B030

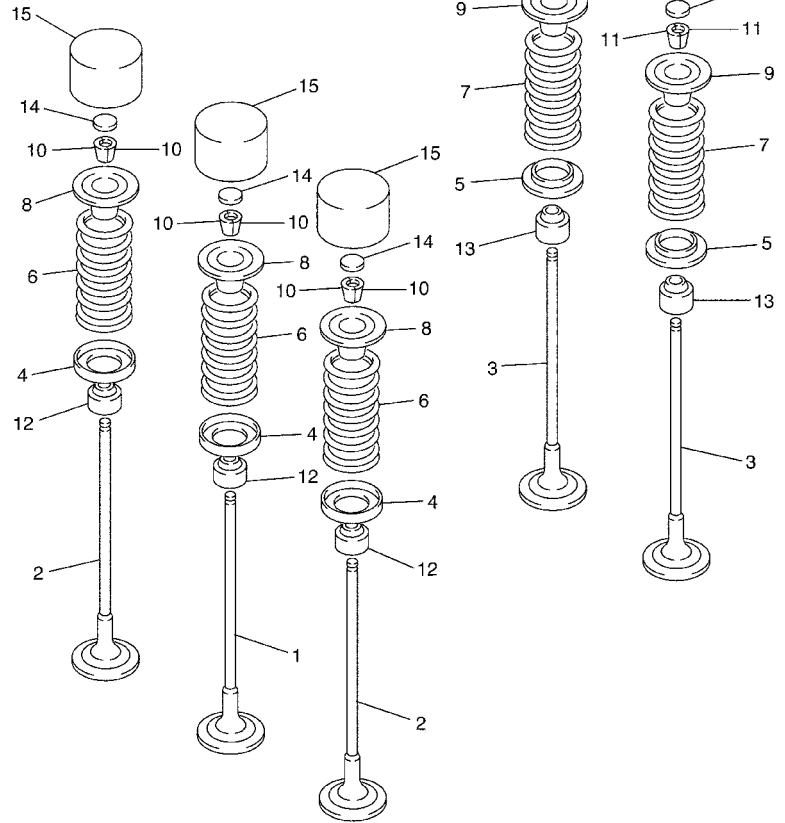
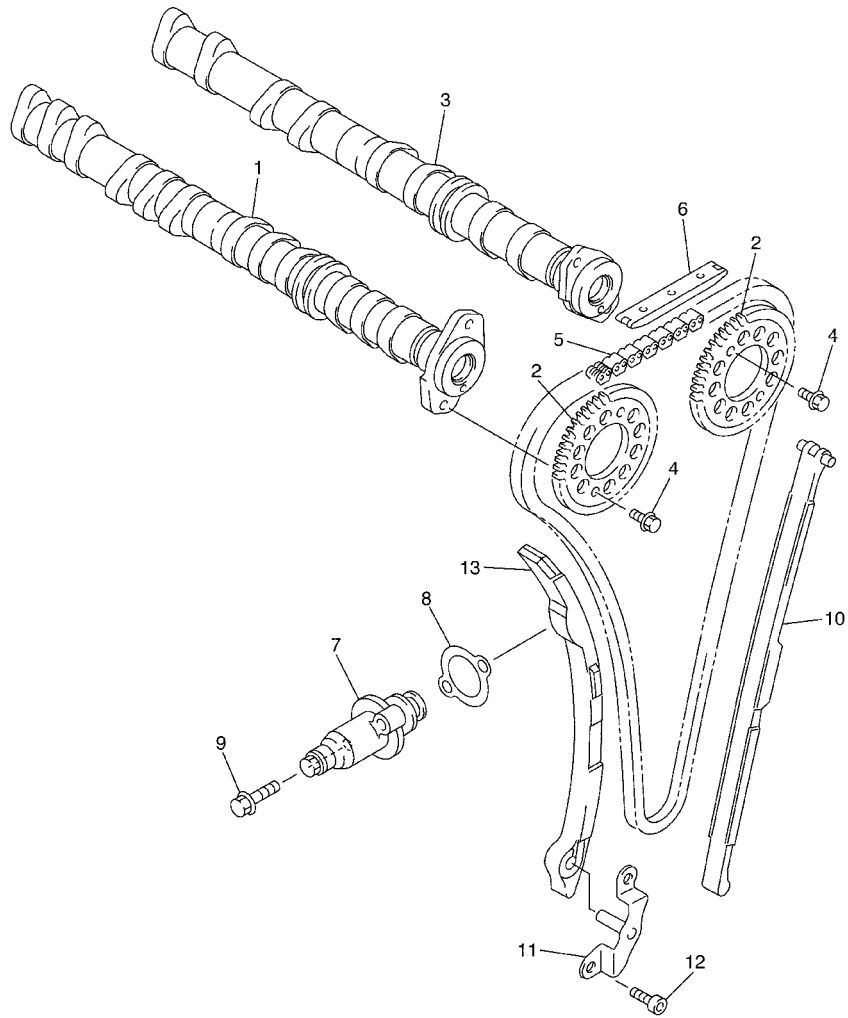


FIG. 3 VALVE

REF. NO.	PART NO.	DESCRIPTION	8ER1	8ER2	8EW1	8EW2	REMARKS
14	1HX-12169-11	PAD, ADJUSTING 2 (1.90)	20	20	20	20	UR
	1HX-12169-31	PAD, ADJUSTING 2 (1.95)	20	20	20	20	UR
	1HX-12169-50	PAD, ADJUSTING 2 (2.00)	20	20	20	20	UR
	1HX-12169-70	PAD, ADJUSTING 2 (2.05)	20	20	20	20	UR
	1HX-12169-90	PAD, ADJUSTING 2 (2.10)	20	20	20	20	UR
	1HX-12169-E0	PAD, ADJUSTING 2 (2.15)	20	20	20	20	UR
	1HX-12169-G0	PAD, ADJUSTING 2 (2.20)	20	20	20	20	UR
	1HX-12169-J0	PAD, ADJUSTING 2 (2.25)	20	20	20	20	UR
	1HX-12169-L0	PAD, ADJUSTING 2 (2.30)	20	20	20	20	UR
	1HX-12169-N0	PAD, ADJUSTING 2 (2.35)	20	20	20	20	UR
	1HX-12169-T0	PAD, ADJUSTING 2 (2.40)	20	20	20	20	UR
15	3LN-12153-20	LIFTER, VALVE	12	12	12	12	UR BLUE
	3LN-12153-09	LIFTER, VALVE (O/S)	12	12	12	12	UR GREEN
16	3FV-12153-20	LIFTER, VALVE	8	8	8	8	UR BLUE
	3FV-12153-30	LIFTER, VALVE	8	8	8	8	UR RED
	3FV-12153-09	LIFTER, VALVE (O/S)	8	8	8	8	UR GREEN


8FA1100-B030

FIG. 4 CAMSHAFT. CHAIN

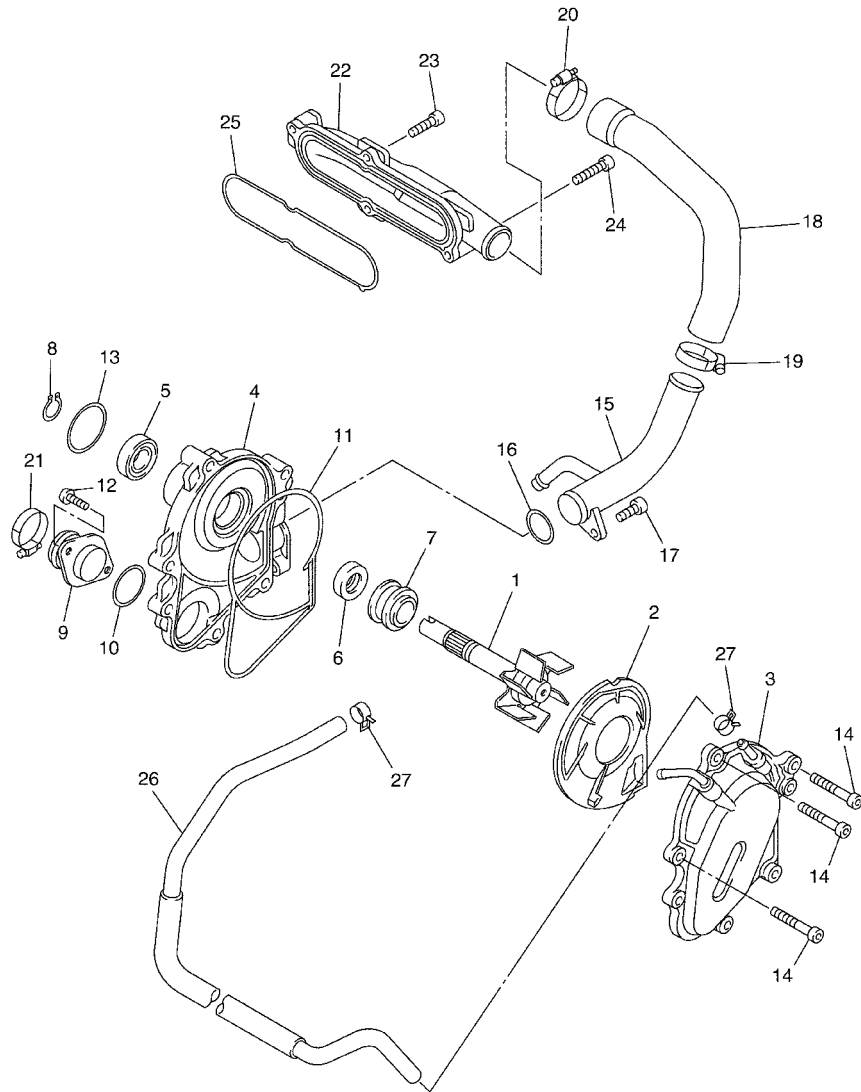


REF. NO.	PART NO.	DESCRIPTION	8ER1	8ER2	8EW1	8EW2	REMARKS
1	5JJ-12171-00	CAMSHAFT 1	1	1	1	1	
2	4XV-12176-00	SPROCKET, CAM CHAIN	2	2	2	2	
3	5JJ-12181-00	CAMSHAFT 2	1	1	1	1	
4	90105-07342	BOLT, FLANGE	4	4	4	4	
5	94591-49130	CHAIN	1	1	1	1	
6	5BE-12241-00	GUIDE, STOPPER 2	1	1	1	1	
7	8FA-12210-00	TENSIONER ASSY, CAM CHAIN	1	1	1	1	
8	4FM-12213-00	GASKET, TENSIONER CASE	1	1	1	1	
9	95027-06025	BOLT, FLANGE	2	2	2	2	
10	4XV-12251-00	DAMPER, CHAIN 1	1	1	1	1	
11	8FA-12233-00	PLATE, GUIDE STOPPER 1	1	1	1	1	
12	91317-06012	BOLT	2	2	2	2	
13	8FA-12252-00	DAMPER, CHAIN 2	1	1	1	1	



8FA1100-B040

FIG. 5 WATER PUMP

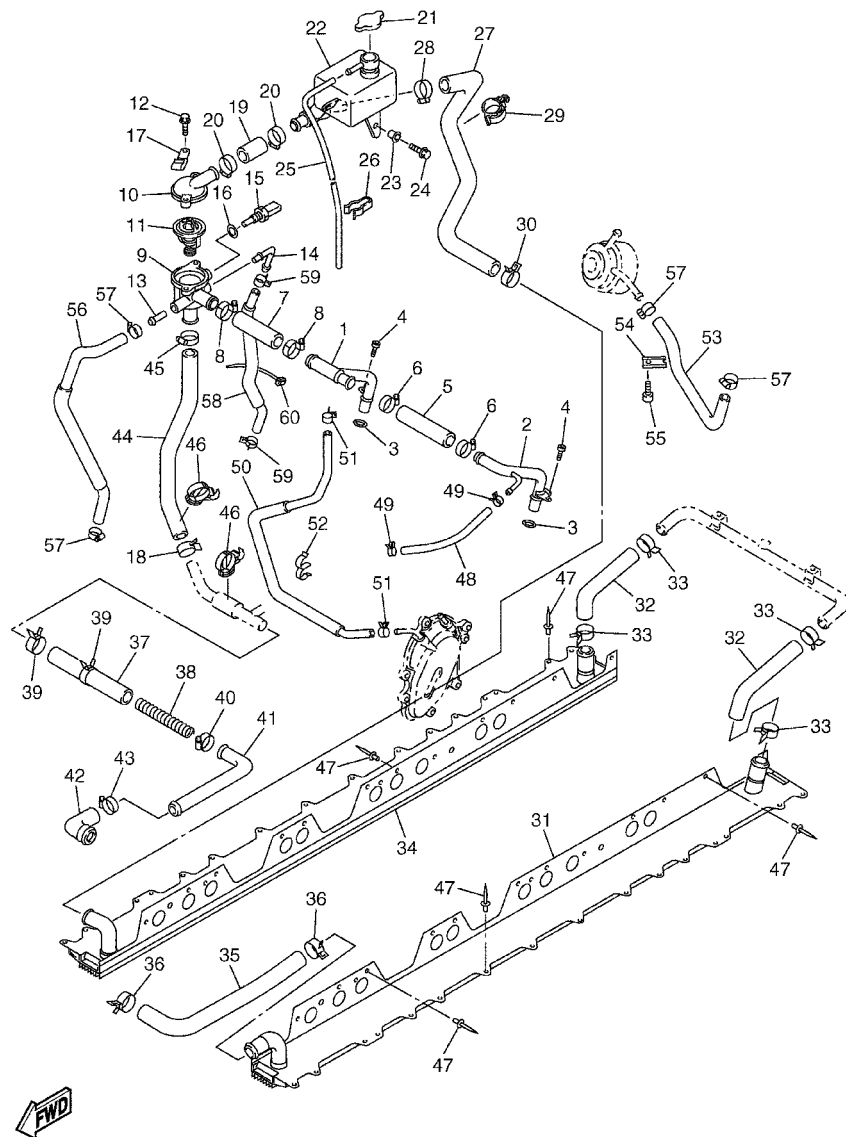


REF. NO.	PART NO.	DESCRIPTION	8ER1	8ER2	8EW1	8EW2	REMARKS
1	8FA-12450-00	IMPELLER SHAFT ASSY	1	1	1	1	
2	8FA-1243G-00	COVER, IMPELLER	1	1	1	1	
3	8FA-12422-00	COVER, HOUSING	1	1	1	1	
4	8FA-12421-00	HOUSING, WATER PUMP	1	1	1	1	
5	93306-00106	BEARING	1	1	1	1	
6	93101-12173	OIL SEAL	1	1	1	1	
7	11H-12438-10	SEAL, MECHANICAL	1	1	1	1	
8	99009-12400	CIRCLIP	1	1	1	1	
9	8FA-1247A-00	JOINT 2	1	1	1	1	
10	93210-22M93	O-RING	1	1	1	1	
11	8FA-12439-00	O-RING	1	1	1	1	
12	90167-05004	SCREW, TAPPING	4	4	4	4	
13	93210-386A6	O-RING	1	1	1	1	
14	91317-06035	BOLT	3	3	3	3	
15	8FA-12481-00	PIPE 1	1	1	1	1	
16	93210-235A1	O-RING	1	1	1	1	
17	91317-06012	BOLT	1	1	1	1	
18	8FA-12552-00	HOSE 8	1	1	1	1	
19	90450-35001	HOSE CLAMP ASSY	1	1	1	1	
20	90450-38040	HOSE CLAMP ASSY	1	1	1	1	
21	90450-35001	HOSE CLAMP ASSY	1	1	1	1	
22	8FA-12469-00	JOINT 1	1	1	1	1	
23	91317-06020	BOLT	3	3	3	3	
24	91317-06035	BOLT	1	1	1	1	
25	8FA-12435-00	GASKET	1	1	1	1	
26	8FA-12485-00	PIPE 5	1	1	1	1	
27	90467-11090	CLIP	2	2	2	2	



8FA1100-B050

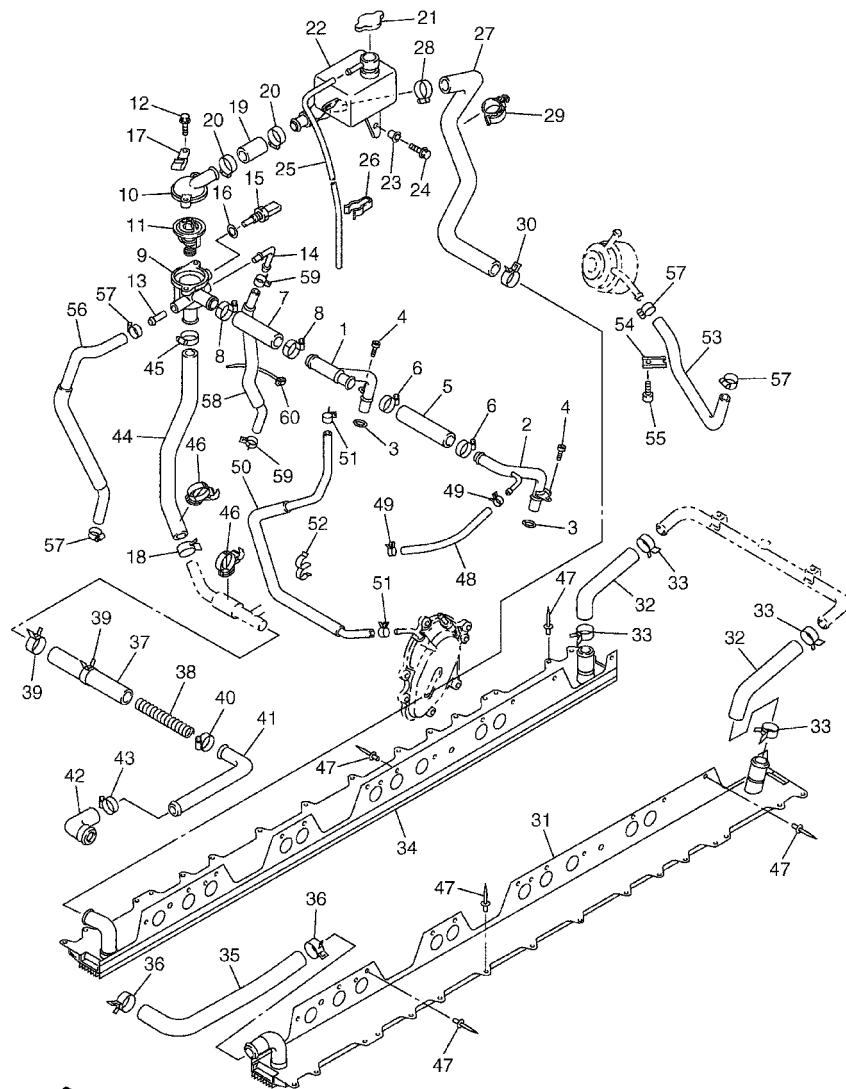
FIG. 6 RADIATOR. HOSE



8ER1100-B060

REF. NO.	PART NO.	DESCRIPTION	8ER1	8ER2	8EW1	8EW2	REMARKS
1	8FA-12482-00	PIPE 2	1	1	1	1	
2	8FA-12483-00	PIPE 3	1	1	1	1	
3	93210-18417	O-RING	2	2	2	2	
4	91317-06016	BOLT	2	2	2	2	
5	8FA-1243A-00	HOSE 1	1	1	1	1	
6	90450-28014	HOSE CLAMP ASSY	2	2	2	2	
7	8FA-1243E-00	HOSE 2	1	1	1	1	
8	90450-35001	HOSE CLAMP ASSY	2	2	2	2	
9	8FA-12417-00	HOUSING, THERMOSTAT	1	1	1	1	
10	5EB-12413-00	COVER, THERMOSTAT	1	1	1	1	
11	8FA-12410-00	THERMOSTAT ASSY	1	1	1	1	
12	95027-06020	BOLT, FLANGE	2	2	2	2	
13	8FA-12584-00	JOINT, HOSE 3	1	1	1	1	
14	8FA-12594-00	JOINT, HOSE 4	1	1	1	1	
15	8CC-85790-01	THERMOSENSOR ASSY	1	1	1	1	
16	90201-12790	WASHER, PLATE	1	1	1	1	
17	90465-06M28	CLAMP	1	1	1	1	
18	90467-28046	CLIP	1	1	1	1	
19	8FA-1243F-00	HOSE,3	1	1	1	1	
20	90450-35001	HOSE CLAMP ASSY	2	2	2	2	
21	22W-12462-00	CAP, RADIATOR	1	1	1	1	
22	8FA-1249B-00	TANK, RESERVE	1	1	1	1	
23	90387-06024	COLLAR	1	1	1	1	
24	95827-06020	BOLT, FLANGE	1	1	1	1	
25	90445-08007	HOSE	1	1	1	1	
26	90464-15065	CLAMP	1	1	1	1	
27	8FA-1244G-00	HOSE, 4	1	1	1	1	

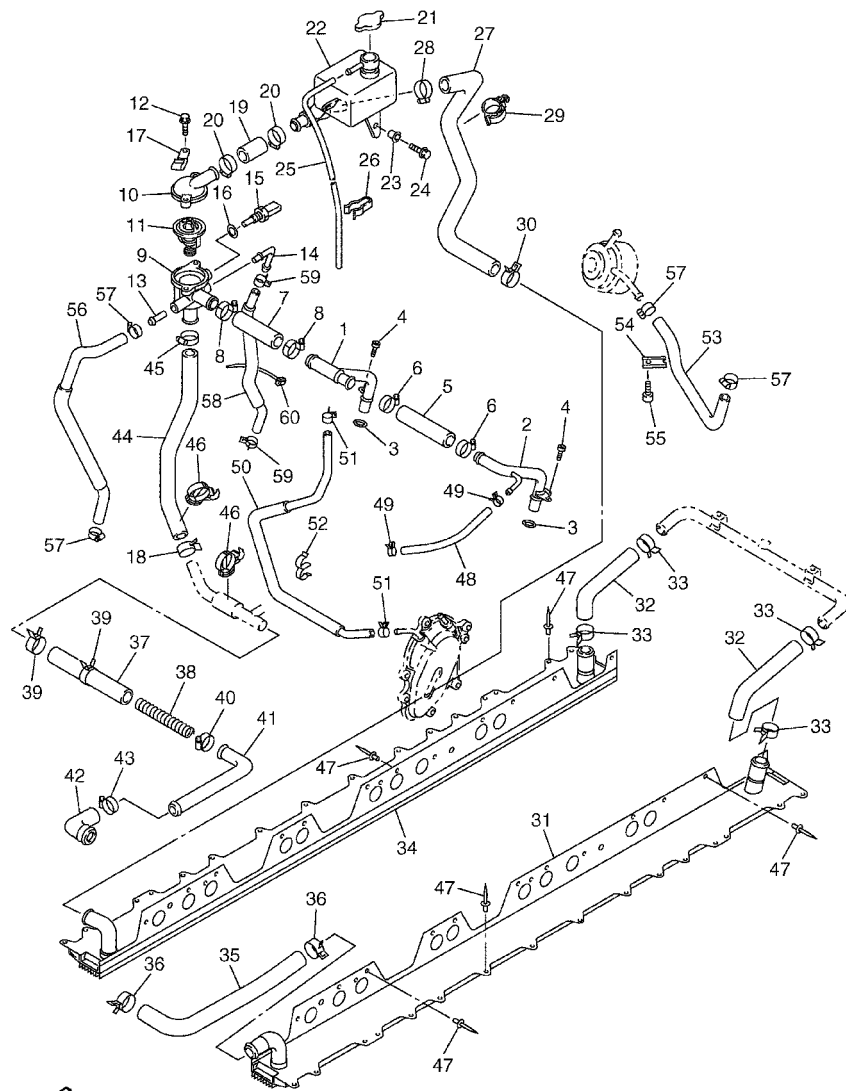
FIG. 6 RADIATOR. HOSE



8ER1100-B060

REF. NO.	PART NO.	DESCRIPTION	8ER1	8ER2	8EW1	8EW2	REMARKS
28	90450-35001	HOSE CLAMP ASSY	1	1	1	1	
29	90464-32002	CLAMP	1	1	1	1	
30	90467-28046	CLIP	1	1	1	1	
31	8FA-1240F-00	HEAT EXCHANGER	1	1	1	1	
32	8FA-12476-00	PIPE 6	2	2	2	2	
33	90467-28046	CLIP	4	4	4	4	
34	8FA-1240E-00	HEAT EXCHANGER	1	1	1	1	
35	8FA-12477-00	PIPE 7	1	1	1	1	
36	90467-28046	CLIP	2	2	2	2	
37	8FA-1248A-00	PIPE 8	1	1	1	1	
38	90501-12002	SPRING, COMPRESSION	1	1	1	1	
39	90467-28046	CLIP	2	2	2	2	
40	90450-35001	HOSE CLAMP ASSY	1	1	1	1	
41	8FA-12564-00	PIPE, WATER	1	1	1	1	
42	8FA-12479-00	JOINT	1	1	1	1	
43	90450-35001	HOSE CLAMP ASSY	1	1	1	1	
44	8FA-1248E-00	PIPE 9	1	1	1	1	
45	90450-35001	HOSE CLAMP ASSY	1	1	1	1	
46	90464-36001	CLAMP	2	2	2	2	
47	90267-47195	RIVET, BLIND	36	36	36	36	
48	8FA-12577-00	HOSE 2	1	1	1	1	
49	90467-11090	CLIP	2	2	2	2	
50	8FA-12578-00	HOSE 3	1	1	1	1	
51	90467-11090	CLIP	2	2	2	2	
52	90464-12238	CLAMP	1	1	1	1	
53	8FA-12588-00	HOSE 5	1	1	1	1	
54	8FA-12491-00	CLAMP 1	1	1	1	1	

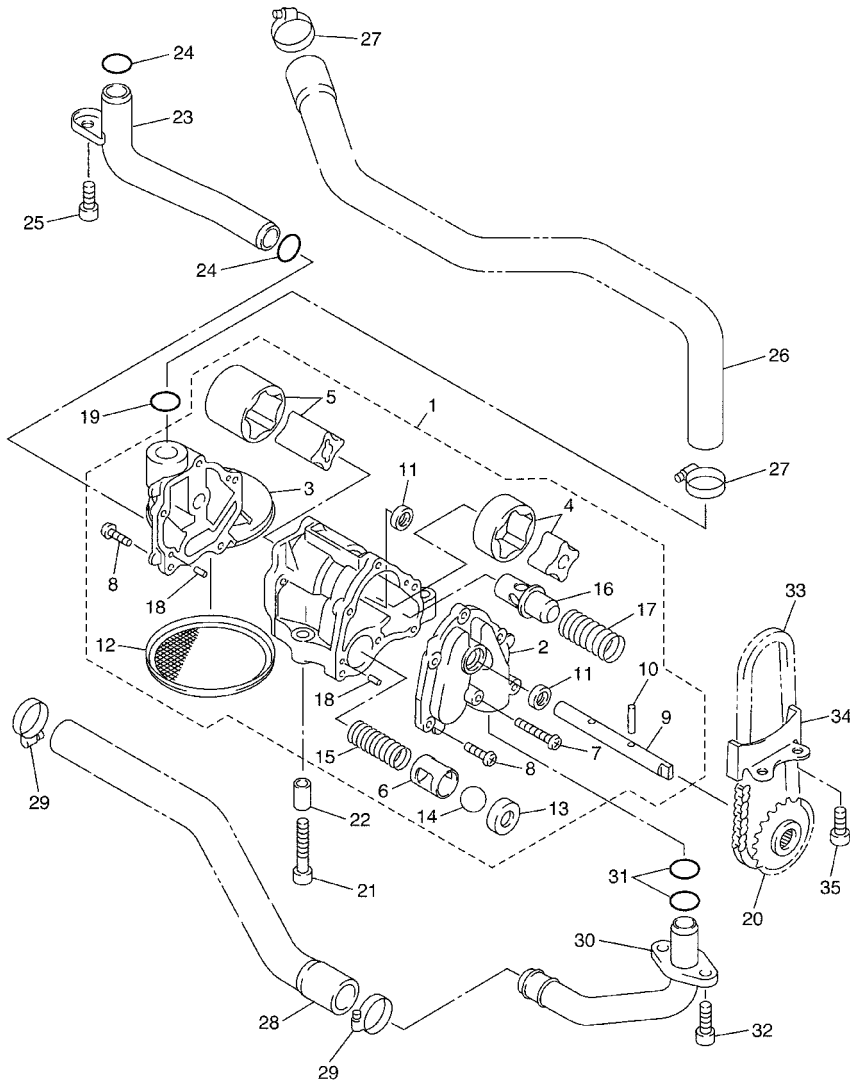
FIG. 6 RADIATOR. HOSE



8ER1100-B060

REF. NO.	PART NO.	DESCRIPTION	8ER1	8ER2	8EW1	8EW2	REMARKS
55	91317-06012	BOLT	1	1	1	1	
56	8FA-12589-00	HOSE 6	1	1	1	1	
57	90450-19001	HOSE CLAMP ASSY	4	4	4	4	
58	8FA-12579-00	HOSE 4	1	1	1	1	
59	90467-11090	CLIP	2	2	2	2	
60	90464-13073	CLAMP	1	1	1	1	

FIG. 7 OIL PUMP



8FA1100-B070

REF. NO.	PART NO.	DESCRIPTION	8ER1	8ER2	8EW1	8EW2	REMARKS
1	8FA-13300-00	OIL PUMP ASSY	1	1	1	1	
2	8FA-13316-00	.COVER, PUMP	1	1	1	1	
3	8FA-13356-00	.COVER, PUMP 2	1	1	1	1	
4	8FA-13310-00	.ROTOR ASSY 1	1	1	1	1	
5	8FA-13320-00	.ROTOR ASSY 2	1	1	1	1	
6	8FA-13284-00	.PIPE	1	1	1	1	
7	98517-05030	.SCREW, PAN HEAD	4	4	4	4	
8	90167-05004	.SCREW, TAPPING	7	7	7	7	
9	8FA-13314-00	.SHAFT, PUMP	1	1	1	1	
10	93603-17070	.PIN, DOWEL	2	2	2	2	
11	93104-11038	.OIL SEAL	2	2	2	2	
12	8FA-13411-00	.STRAINER, OIL	1	1	1	1	
13	5PX-13113-00	.SEAT, CHECK BALL	1	1	1	1	
14	93505-08030	.BALL	1	1	1	1	
15	90501-105L2	.SPRING, COMPRESSION	1	1	1	1	
16	2H7-13483-00	.PLUNGER, RELIEF	1	1	1	1	
17	90501-18499	.SPRING, COMPRESSION	1	1	1	1	
18	93603-07073	.PIN, DOWEL	4	4	4	4	
19	93210-18322	O-RING	1	1	1	1	
20	8FA-13355-00	SPROCKET, DRIVEN	1	1	1	1	
21	91317-06035	BOLT	3	3	3	3	
22	99530-08012	PIN, DOWEL	2	2	2	2	
23	8FA-13416-00	PIPE, OIL 1	1	1	1	1	
24	93210-16629	O-RING	2	2	2	2	
25	91317-06012	BOLT	1	1	1	1	
26	8FA-13464-00	HOSE, OIL 1	1	1	1	1	
27	90467-22097	CLIP	2	2	2	2	

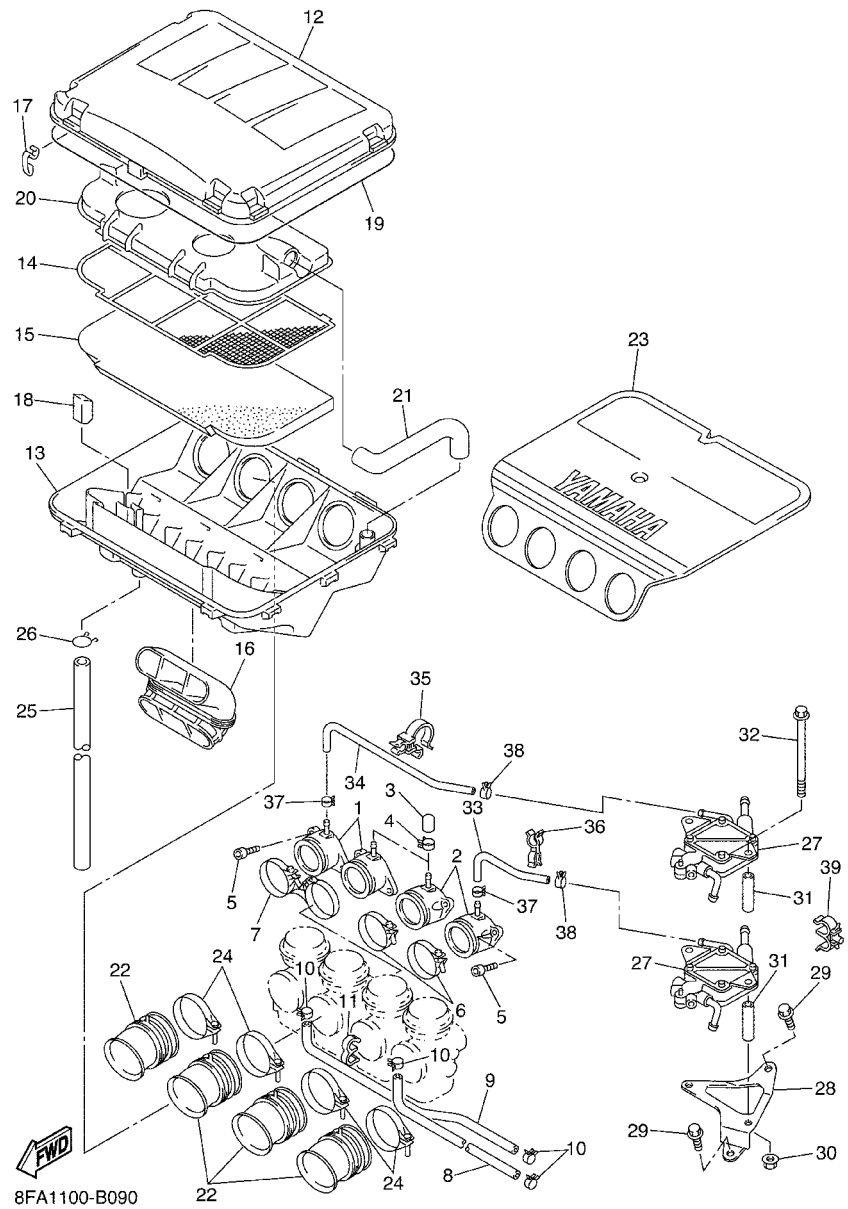


FIG. 9 INTAKE

REF. NO.	PART NO.	DESCRIPTION	8ER1	8ER2	8EW1	8EW2	REMARKS
1	8FA-13586-00	JOINT, CARBURETOR 1	2	2	2	2	
2	8FA-13596-00	JOINT, CARBURETOR 2	2	2	2	2	
3	16G-13569-00	PLUG, BLIND	2	2	2	2	
4	90467-10039	CLIP	2	2	2	2	
5	91317-06020	BOLT	8	8	8	8	
6	5LV-13474-00	BAND	2	2	2	2	
7	8FA-13474-00	BAND	1	1	1	1	
8	8FA-14294-00	HOSE	1	1	1	1	
9	8FA-14298-00	PIPE	1	1	1	1	
10	90467-11028	CLIP	4	4	4	4	
11	90464-09M31	CLAMP	1	1	1	1	
12	8FA-14431-00	SILENCER, INTAKE 1	1	1	1	1	
13	8FA-14441-00	SILENCER, INTAKE 2	1	1	1	1	
14	8FA-14472-00	PLATE, ELEMENT	1	1	1	1	
15	8FA-14451-00	ELEMENT, AIR CLEANER	1	1	1	1	
16	8FA-14437-00	DUCT	1	1	1	1	
17	8FA-14436-00	HOOK	6	6	6	6	
18	8FA-14425-00	DAMPER 1	2	2	2	2	
19	8FA-14452-00	SEAL	1	1	1	1	
20	8FA-14417-00	COVER 1	1	1	1	1	
21	8FA-14419-00	PIPE	1	1	1	1	
22	8FA-14453-00	JOINT, AIR CLEANER 1	4	4	4	4	
23	8FA-14283-00	COVER, CARBURETOR 1	1	1	1	1	
24	90450-63096	HOSE CLAMP ASSY	4	4	4	4	
25	8FA-1443E-00	PIPE, DRAIN	1	1	1	1	
26	90467-10041	CLIP	1	1	1	1	
27	8FA-13910-00	FUEL PUMP ASSY	2	2	2	2	

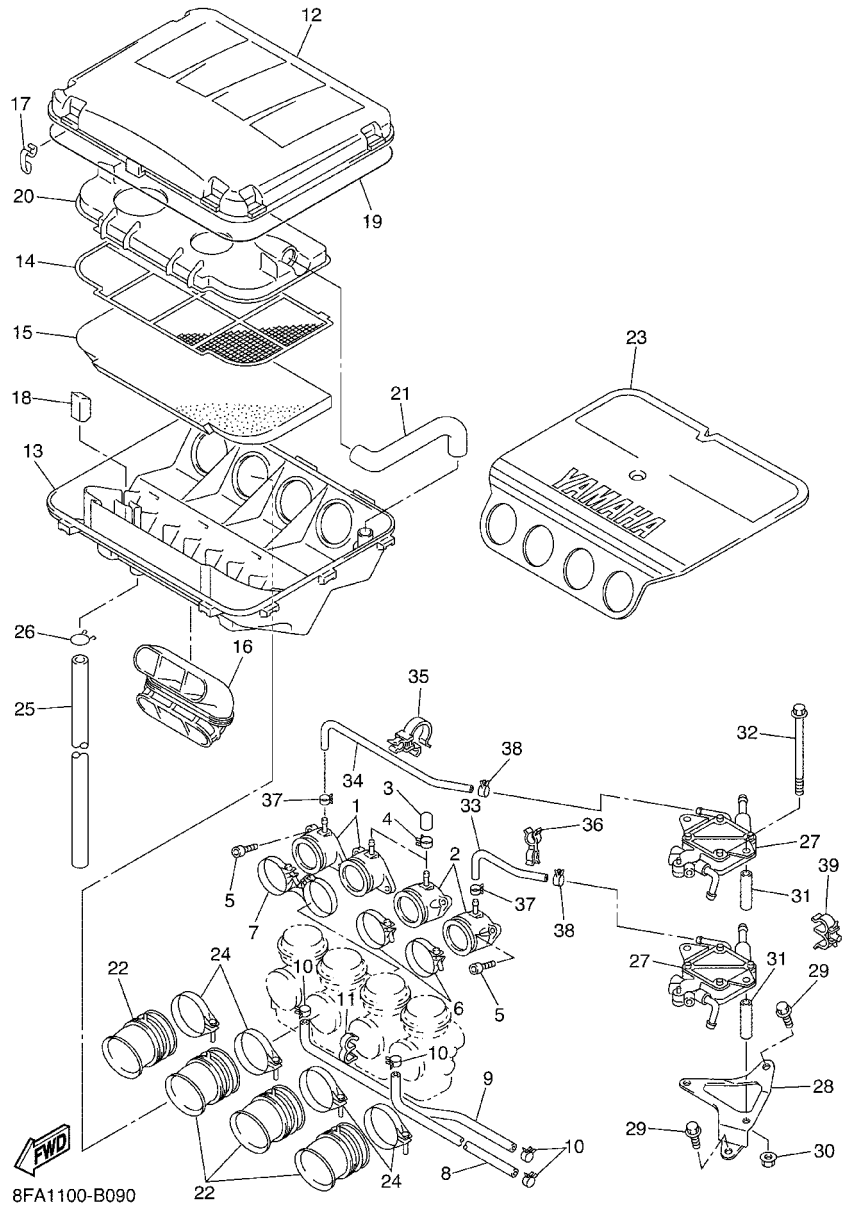
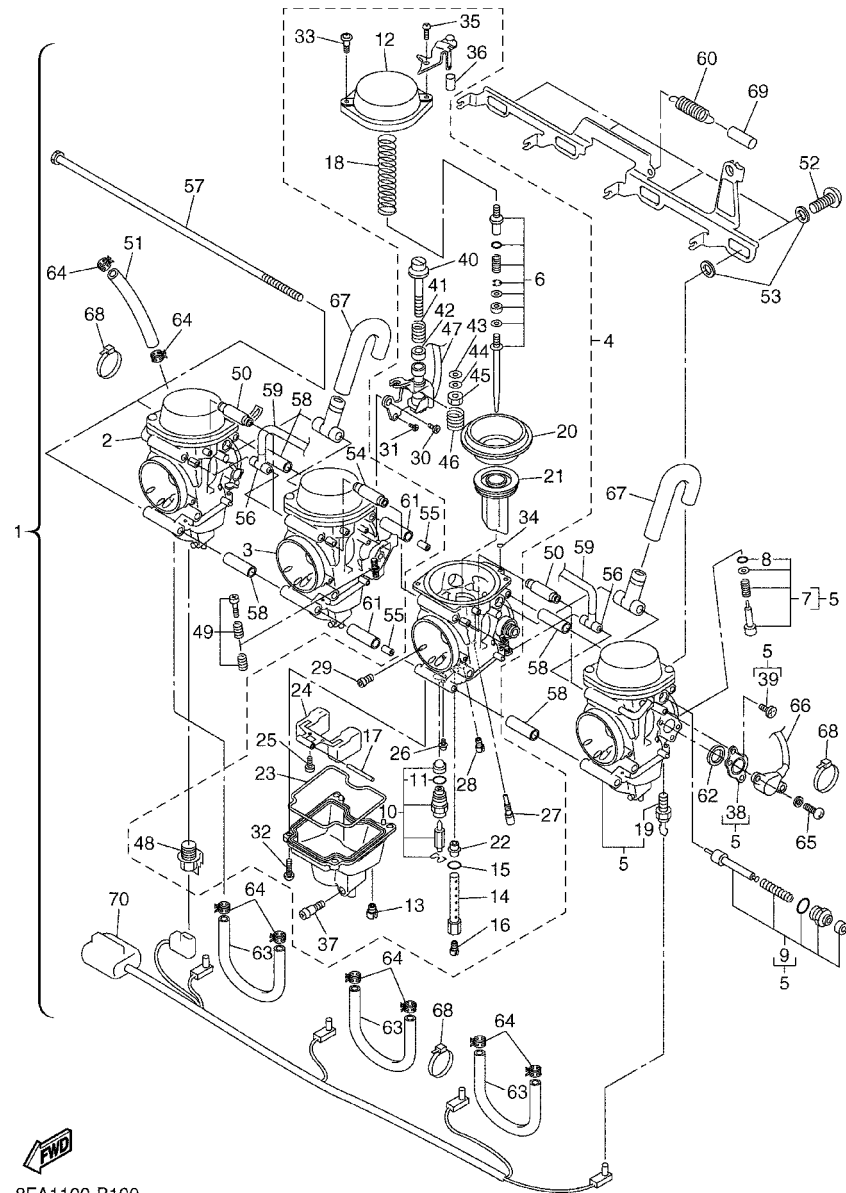


FIG. 9 INTAKE

REF. NO.	PART NO.	DESCRIPTION	8ER1	8ER2	8EW1	8EW2	REMARKS
28	8FA-24491-00	BRACKET, FUEL PUMP	1	1	1	1	
29	95827-06016	BOLT, FLANGE	2	2	2	2	
30	95707-06500	NUT, FLANGE	2	2	2	2	
31	90387-065V0	COLLAR	4	4	4	4	
32	95027-06085	BOLT, FLANGE	2	2	2	2	
33	8FA-13895-00	HOSE, AIR	1	1	1	1	
34	8FA-13892-00	HOSE, AIR 2	1	1	1	1	
35	90464-26245	CLAMP	1	1	1	1	
36	90464-12182	CLAMP	2	2	2	2	
37	90467-08092	CLIP	2	2	2	2	
38	90467-09026	CLIP	2	2	2	2	
39	90464-11007	CLAMP	3	3	3	3	

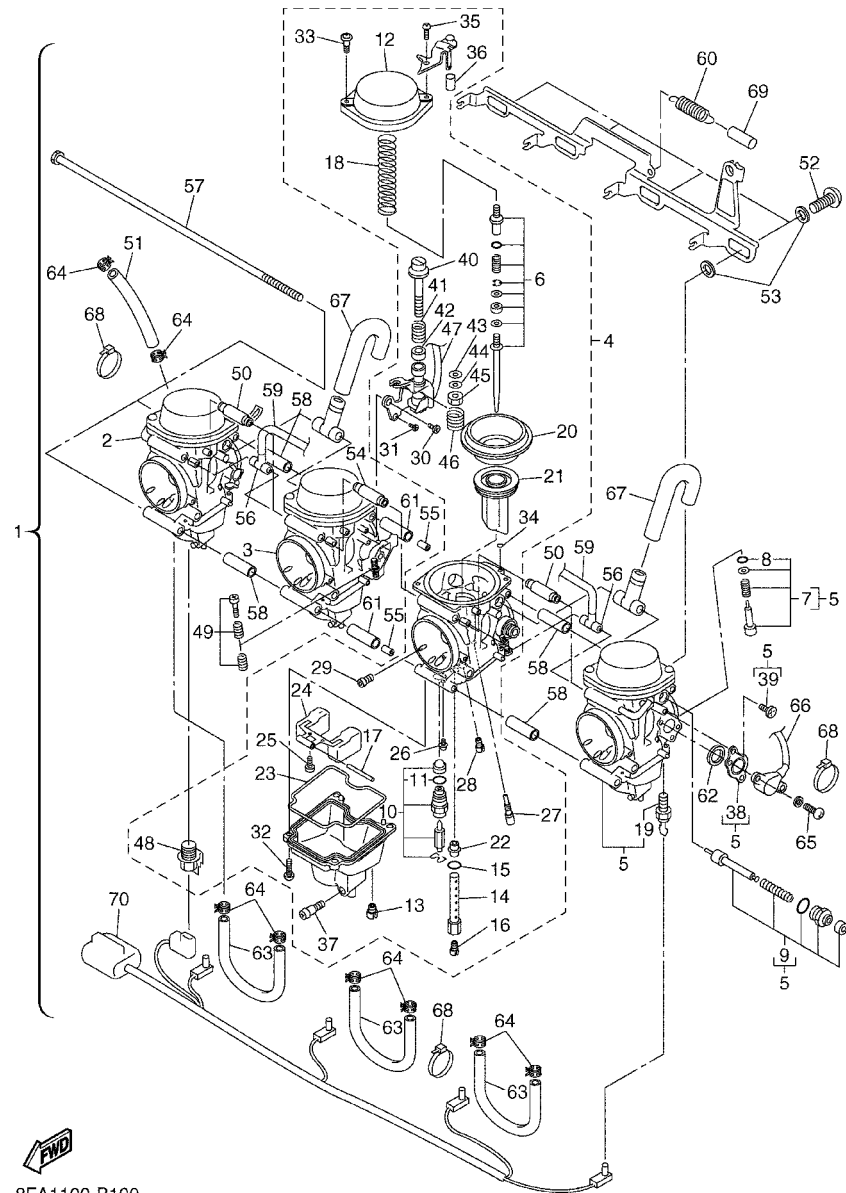
FIG. 10 CARBURETOR




8FA1100-B100

REF. NO.	PART NO.	DESCRIPTION	8ER1	8ER2	8EW1	8EW2	REMARKS
1	8FA-14900-00	CARBURETOR ASSY	1	1	1	1	
2	8FA-14901-00	..CARBURETOR ASSY 1	1	1	1	1	
3	8FA-14902-00	..CARBURETOR ASSY 2	1	1	1	1	
4	8FA-14903-00	..CARBURETOR ASSY 3	1	1	1	1	
5	8FA-14904-00	..CARBURETOR ASSY 4	1	1	1	1	
6	8FA-1490J-00	..NEEDLE SET	1	1	1	1	
7	5MP-14105-00	..PILOT SCREW SET	1	1	1	1	
8	3H1-14147-00	...O-RING	1	1	1	1	
9	4SV-1410A-00	..STARTER SET	1	1	1	1	
10	8FA-14107-00	..NEEDLE VALVE SET	1	1	1	1	
11	8F2-14147-00	...O-RING	1	1	1	1	
12	5EA-14958-00	..COVER, DIAPHRAGM	1	1	1	1	
13	5EA-14991-00	..SCREW	1	1	1	1	
14	8FA-14261-00	..HOLDER	1	1	1	1	
15	583-14561-00	..O-RING	1	1	1	1	
16	3G2-14231-27	..JET, MAIN (#135)	1	1	1	1	STD
	3G2-14231-28	..JET, MAIN (#140)	1	1	1	1	AP
	3G2-1423A-78	..JET, MAIN (#137.5)	1	1	1	1	AP
	3G2-1423A-77	..JET, MAIN (#132.5)	1	1	1	1	AP
	3G2-14231-26	..JET, MAIN (#130)	1	1	1	1	AP
	3G2-1423A-76	..JET, MAIN (#127.5)	1	1	1	1	AP
17	127-14186-00	..PIN, FLOAT	1	1	1	1	
18	5EA-14933-00	..SPRING, DIAPHRAGM	1	1	1	1	
19	5FU-83790-20	..HEATER ASSY	1	1	1	1	
20	8FA-14940-00	..DIAPHRAGM ASSY	1	1	1	1	
21	5EL-14112-00	..VALVE, THROTTLE 1	1	1	1	1	
22	8FA-14141-44	..NOZZLE, MAIN	1	1	1	1	

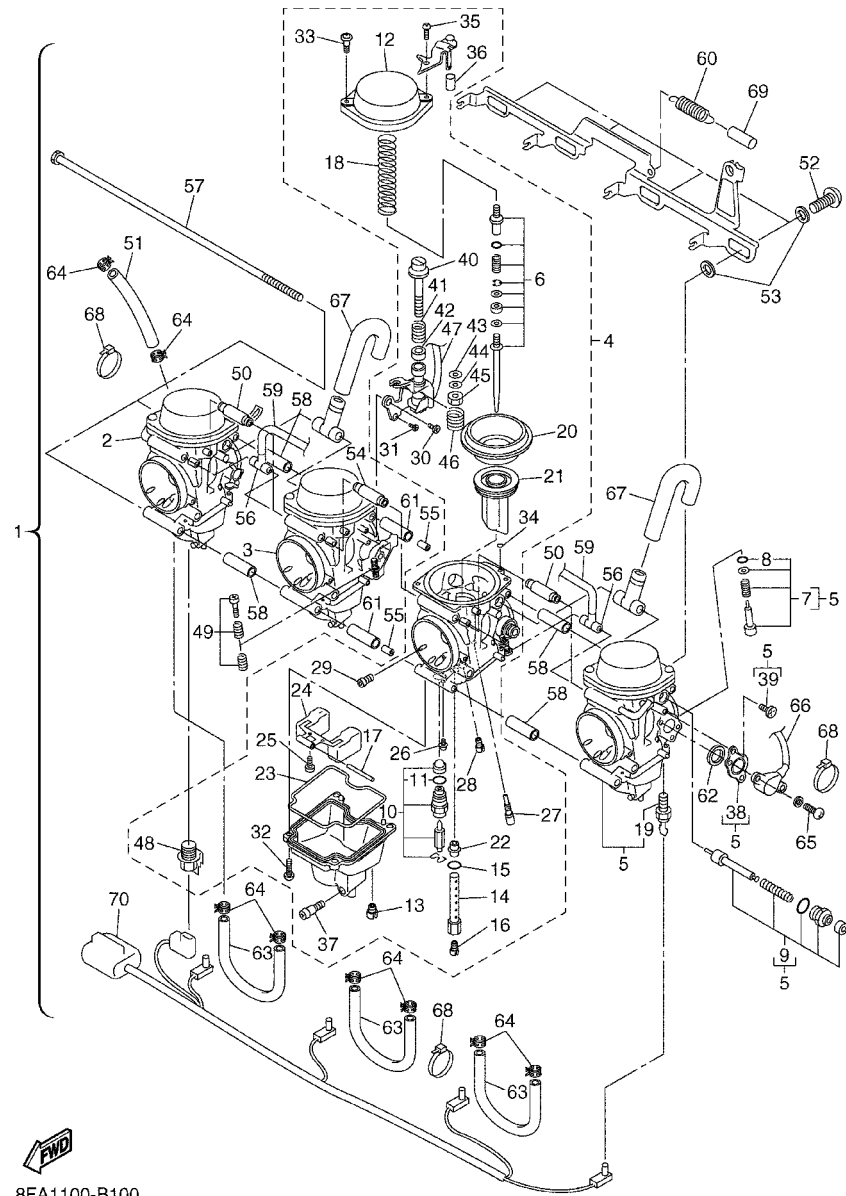
FIG. 10 CARBURETOR



8FA1100-B100

REF. NO.	PART NO.	DESCRIPTION	8ER1	8ER2	8EW1	8EW2	REMARKS
23	5DM-14561-00	..O-RING	1	1	1	1	
24	8FA-14985-00	..FLOAT	1	1	1	1	
25	98507-04008	..SCREW, PAN HEAD	1	1	1	1	
26	1FN-14565-00	..SCREW	1	1	1	1	
27	4KM-14142-17	..JET, PILOT (# 17.5)	1	1	1	1	
28	3G2-14231-15	..JET, POWER (# 75)	1	1	1	1	
29	1HX-14231-28	..JET, MAIN (#140)	1	1	1	1	
30	98702-05008	..SCREW, FLAT HEAD	1	1	1	1	#2
31	98702-04008	..SCREW, FLAT HEAD	1	1	1	1	#2
32	98502-04010	..SCREW, PAN HEAD	4	4	4	4	
33	4KM-14216-00	..SCREW	1	1	1	1	UR #1,3
	4KM-14216-00	..SCREW	2	2	2	2	UR #2,4
34	354-14147-00	..O-RING	1	1	1	1	
35	98502-05016	..SCREW, PAN HEAD	1	1	1	1	#1,3
36	4KM-14194-00	..RING	1	1	1	1	#1,3
37	12R-14191-00	..PLUG, DRAIN	1	1	1	1	
38	5EL-14995-10	..BRACKET	1	1	1	1	#4
39	98702-04008	..SCREW, FLAT HEAD	2	2	2	2	#4
40	8CC-14122-00	..SCREW, THROTTLE	1	1	1	1	#2
41	2J2-14133-00	..SPRING, THROTTLE STOP	1	1	1	1	#2
42	89A-14265-00	..COLLAR	1	1	1	1	#2
43	22F-14117-00	..WASHER, PLUG SCREW	1	1	1	1	#2
44	1UF-14952-00	..WASHER	1	1	1	1	#2
45	89A-14594-00	..NUT	1	1	1	1	#2
46	89A-24529-00	..SPRING	1	1	1	1	#2
47	87S-8259A-00	..SWITCH, CARBURETOR	1	1	1	1	#2
48	8FA-82103-00	..TERMINAL 1	1	1	1	1	#1

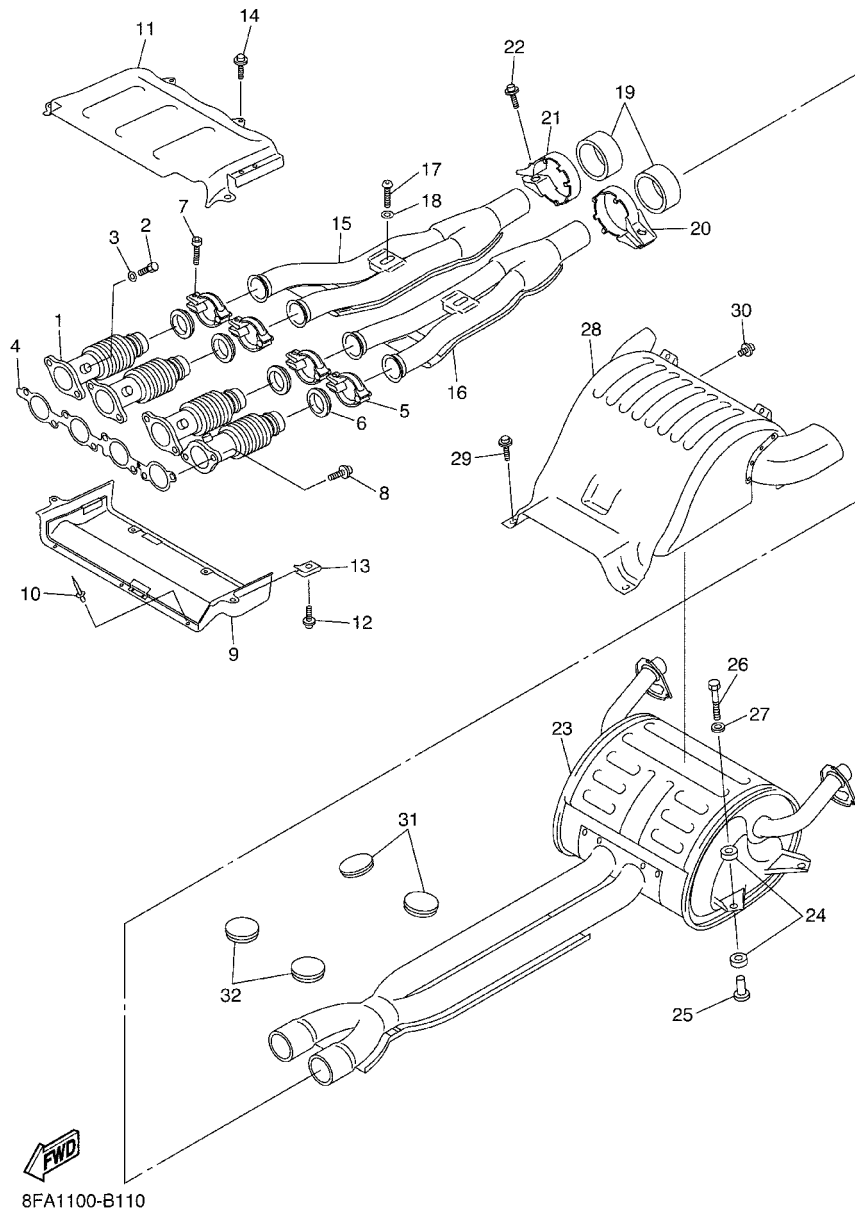
FIG. 10 CARBURETOR



8FA1100-B100

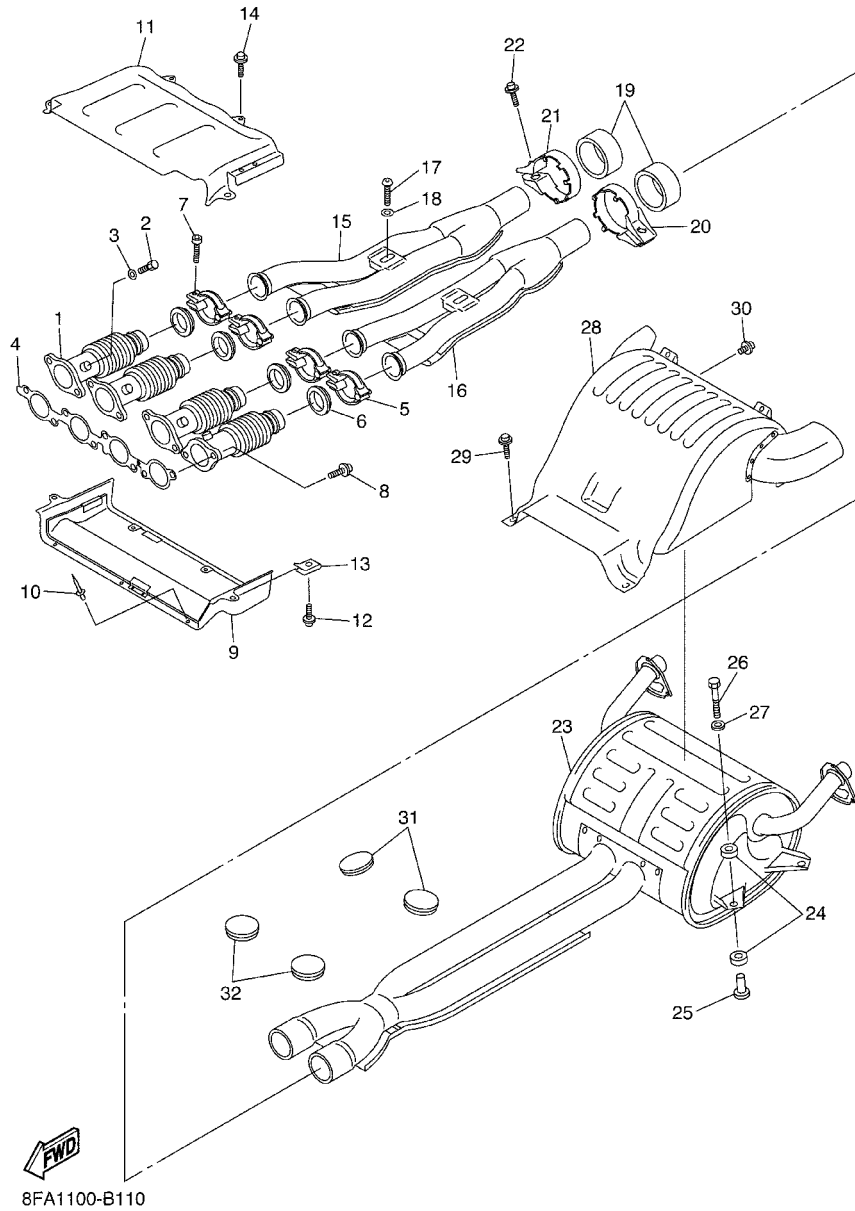
REF. NO.	PART NO.	DESCRIPTION	8ER1	8ER2	8EW1	8EW2	REMARKS
49	3EN-1490K-00	.STOP SCREW SET	3	3	3	3	
50	8FA-14149-00	.PIPE	2	2	2	2	
51	8FA-14987-00	.HOSE	1	1	1	1	
52	4XV-24453-00	.SCREW	4	4	4	4	
53	4NK-14327-00	.PACKING	8	8	8	8	
54	8FA-14148-00	.PIPE	1	1	1	1	
55	5EA-14577-00	.ROD	2	2	2	2	
56	5DM-14396-10	.PIPE	2	2	2	2	
57	4SV-14592-00	.SCREW	2	2	2	2	
58	5EA-14148-00	.PIPE	4	4	4	4	
59	8FA-1410E-00	.HOSE	2	2	2	2	
60	4SV-14935-00	.SPRING	1	1	1	1	
61	5EA-14996-00	.PIPE	2	2	2	2	
62	4KG-14285-00	.WASHER	1	1	1	1	
63	8FA-14987-10	.HOSE	3	3	3	3	
64	90467-10035	.CLIP	8	8	8	8	
65	1UY-14565-00	.SCREW	2	2	2	2	
66	4XY-85885-00	.THROTTLE SENSOR ASSY	1	1	1	1	
67	8FA-14197-00	.PIPE	2	2	2	2	
68	35H-14139-00	.CLIP, PIPE	3	3	3	3	
69	5DM-14936-00	.SEAT, SPRING	1	1	1	1	
70	8FA-81517-00	.WIRE, SUB LEAD	1	1	1	1	

FIG. 11 EXHAUST



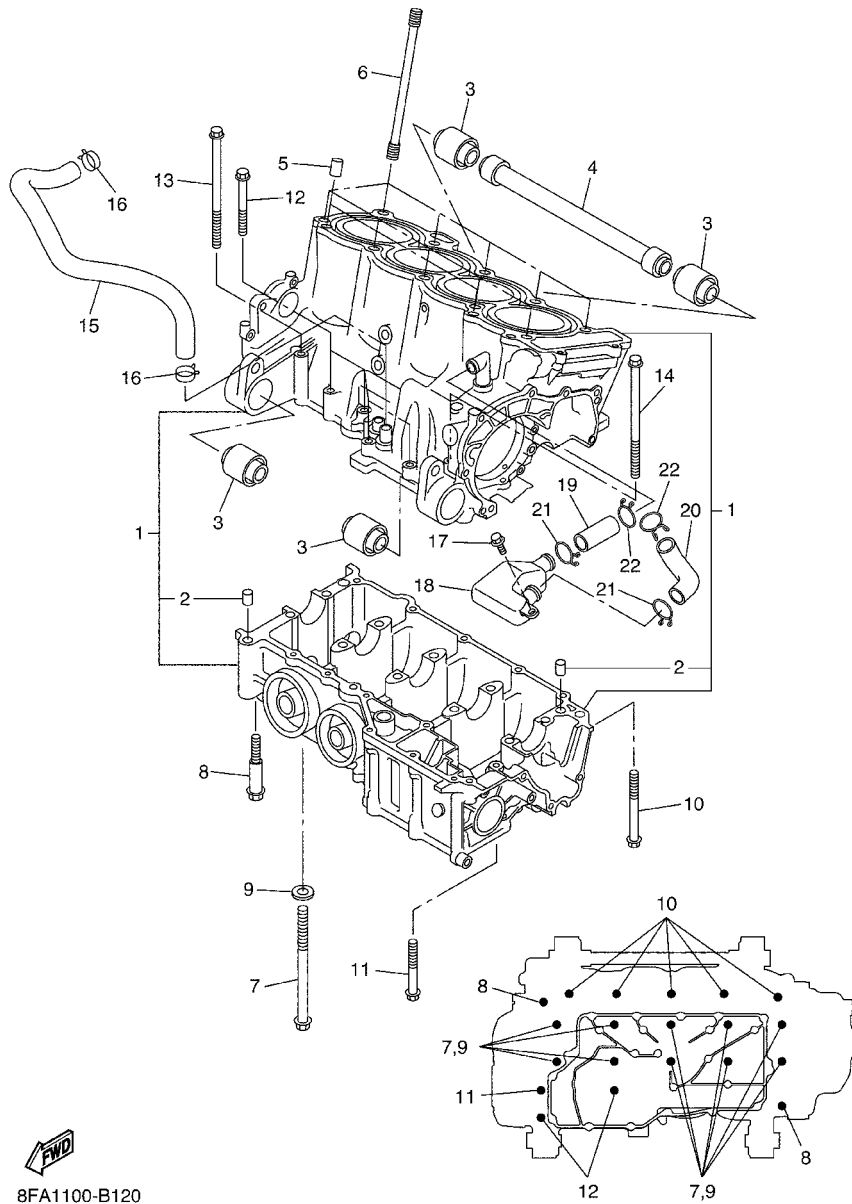
REF. NO.	PART NO.	DESCRIPTION	8ER1	8ER2	8EW1	8EW2	REMARKS
1	8FA-14615-00	JOINT, EXHAUST 1	4	4	4	4	
2	97080-06008	BOLT	4	4	4	4	
3	92990-06600	WASHER, PLATE	4	4	4	4	
4	8FA-14613-00	GASKET, EXHAUST PIPE	1	1	1	1	
5	8FA-14715-00	BAND, MUFFLER	4	4	4	4	
6	8FA-14623-00	GASKET, EXHAUST PIPE	4	4	4	4	
7	91317-06030	BOLT	4	4	4	4	
8	95027-08020	BOLT, FLANGE	8	8	8	8	
9	8FA-14627-00	COVER, EXHAUST	1	1	1	1	
10	90267-47195	RIVET, BLIND	5	5	5	5	
11	8FA-14637-00	EXHAUST COVER ASS'Y 2	1	1	1	1	
12	95817-06008	BOLT, FLANGE	2	2	2	2	
13	90183-060A0	NUT, SPRING	2	2	2	2	
14	95817-06016	BOLT, FLANGE	2	2	2	2	
15	8FA-14610-01	EXHAUST PIPE ASSY 1	1	1	1	1	
16	8FA-14620-01	EXHAUST PIPE ASSY 2	1	1	1	1	
17	92017-08025	BOLT, BUTTON HEAD	2	2	2	2	
18	92990-08200	WASHER, PLAIN	2	2	2	2	
19	8FA-14714-01	GASKET, MUFFLER	2	2	2	2	
20	8FA-14788-00	BAND, SILENCER	1	1	1	1	
21	8FA-14789-00	BAND, SILENCER	1	1	1	1	
22	95817-08020	BOLT, FLANGE	2	2	2	2	
23	8FA-14750-00	SILENCER ASSY	1	1	1	1	
24	8FA-14737-00	DAMPER, MUFFLER	8	8	8	8	
25	90387-0811L	COLLAR	4	4	4	4	
26	97027-08040	BOLT	4	4	4	4	
27	92907-08600	WASHER, PLATE	4	4	4	4	

FIG. 11 EXHAUST



REF. NO.	PART NO.	DESCRIPTION	8ER1	8ER2	8EW1	8EW2	REMARKS
28	8FA-14708-00	PROTECTOR ASSY	1	1	1	1	
29	95817-06016	BOLT, FLANGE	2	2	2	2	
30	95817-06008	BOLT, FLANGE	2	2	2	2	
31	90338-20004	PLUG	2	2	2	2	
32	90338-20007	PLUG	2	2	2	2	

FIG. 12 CRANKCASE

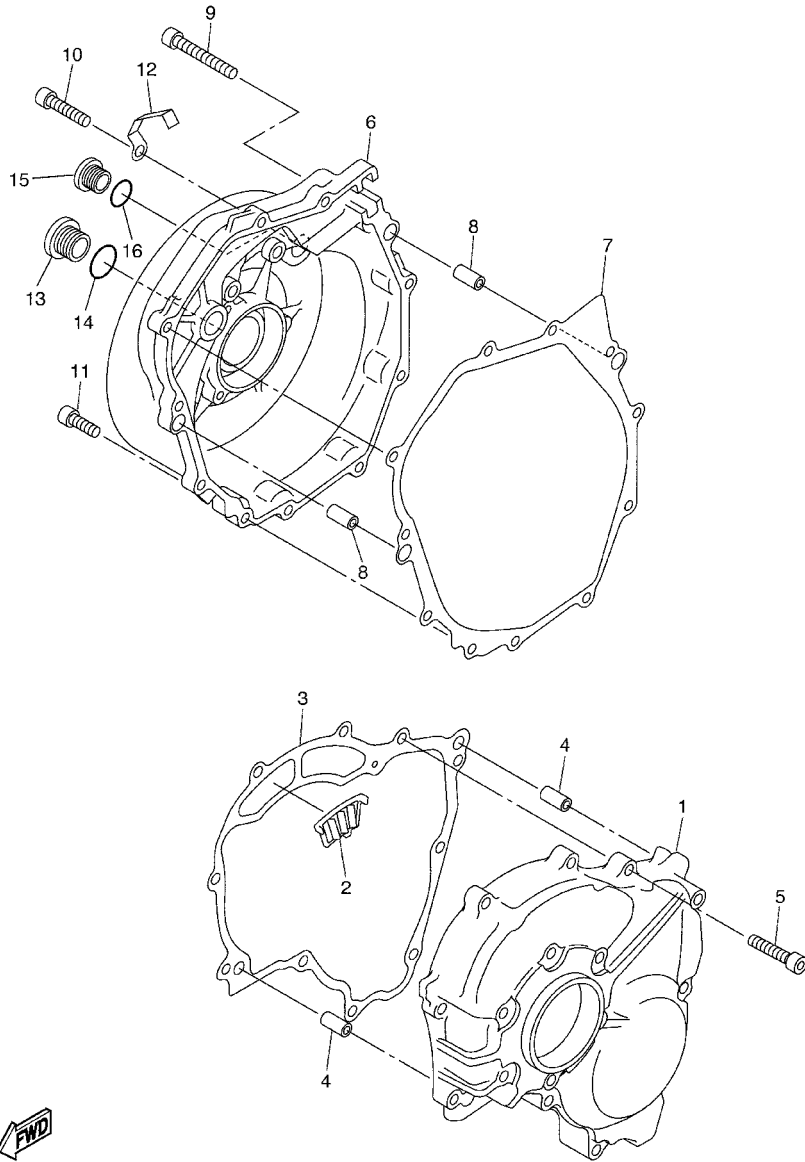


REF. NO.	PART NO.	DESCRIPTION	8ER1	8ER2	8EW1	8EW2	REMARKS
1	8FA-15100-00	CRANKCASE ASSY	1	1	1	1	
2	99530-10014	.PIN, DOWEL	2	2	2	2	
3	8FA-2139X-00	DAMPER	4	4	4	4	
4	8FA-21459-00	SPACER	1	1	1	1	
5	99530-10114	PIN, DOWEL	2	2	2	2	
6	90116-10619	BOLT, STUD	10	10	10	10	
7	90105-093A5	BOLT, FLANGE	10	10	10	10	
8	90109-065G3	BOLT	2	2	2	2	
9	90201-096J9	WASHER, PLATE	10	10	10	10	
10	95817-06055	BOLT, FLANGE	5	5	5	5	
11	95817-06025	BOLT, FLANGE	1	1	1	1	
12	95817-06045	BOLT, FLANGE	6	6	6	6	
13	95817-06080	BOLT, FLANGE	1	1	1	1	
14	95817-06090	BOLT, FLANGE	1	1	1	1	
15	8FA-11166-00	PIPE, BREATHER 1	1	1	1	1	
16	90467-20050	CLIP	2	2	2	2	
17	90109-063F1	BOLT	1	1	1	1	
18	8FA-15371-00	BREATHER	1	1	1	1	
19	8FA-11167-00	PIPE, BREATHER 2	1	1	1	1	
20	8FA-11125-00	PIPE, BREATHER 4	1	1	1	1	
21	90467-22080	CLIP	2	2	2	2	
22	90467-22080	CLIP	2	2	2	2	



8FA1100-B120

FIG. 13 CRANKCASE COVER 1

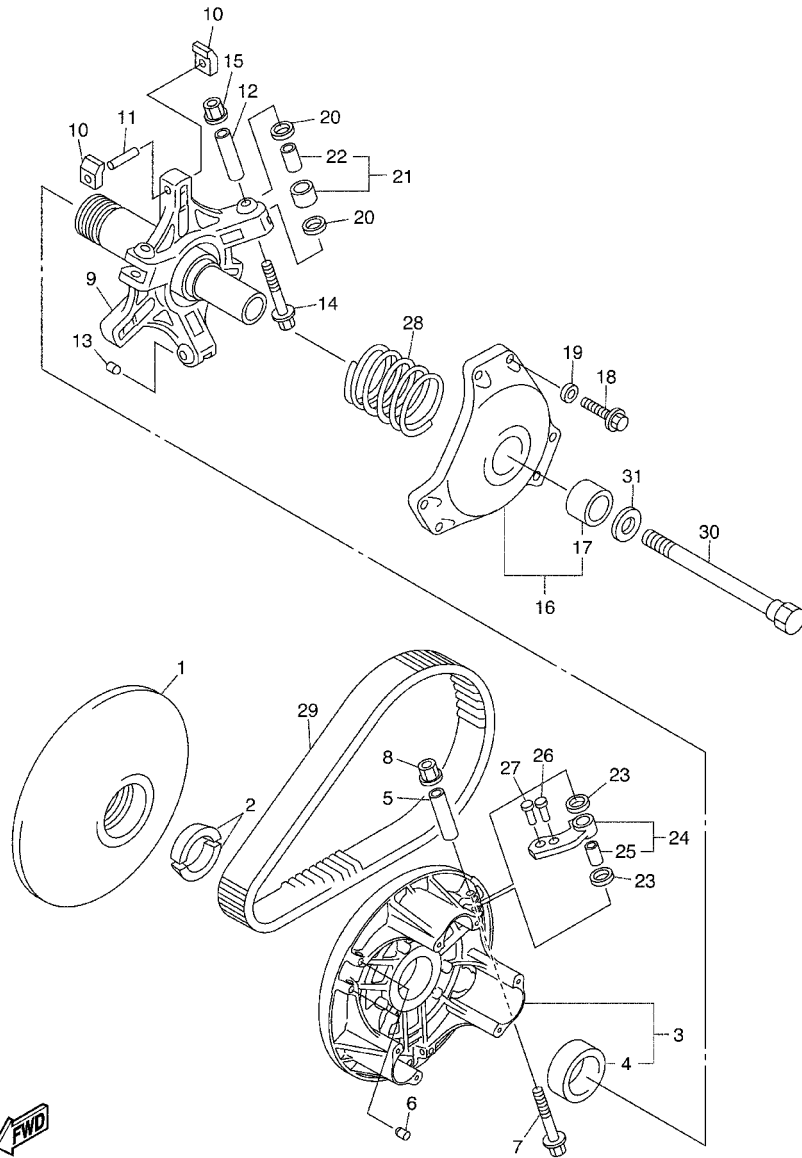


REF. NO.	PART NO.	DESCRIPTION	8ER1	8ER2	8EW1	8EW2	REMARKS
1	8FA-15411-00	COVER, CRANKCASE 1	1	1	1	1	
2	8FA-15358-00	SEPARATOR, OIL	1	1	1	1	
3	8FA-15451-00	GASKET, CRANKCASE COVER 1	1	1	1	1	
4	90250-08017	PIN, STRAIGHT	2	2	2	2	
5	91317-06025	BOLT	10	10	10	10	
6	8FA-15421-00	COVER, CRANKCASE 2	1	1	1	1	
7	8FA-15461-00	GASKET, CRANKCASE COVER 2	1	1	1	1	
8	99530-08012	PIN, DOWEL	2	2	2	2	
9	91317-06035	BOLT	1	1	1	1	
10	91317-06025	BOLT	5	5	5	5	
11	91314-06020	BOLT	5	5	5	5	
12	90462-08225	CLAMP	1	1	1	1	
13	90340-32080	PLUG, STRAIGHT SCREW	1	1	1	1	
14	93210-32172	O-RING	1	1	1	1	
15	90340-14117	PLUG, STRAIGHT SCREW	1	1	1	1	
16	93210-14369	O-RING	1	1	1	1	



8FA1100-B130

FIG. 15 PRIMARY SHEAVE

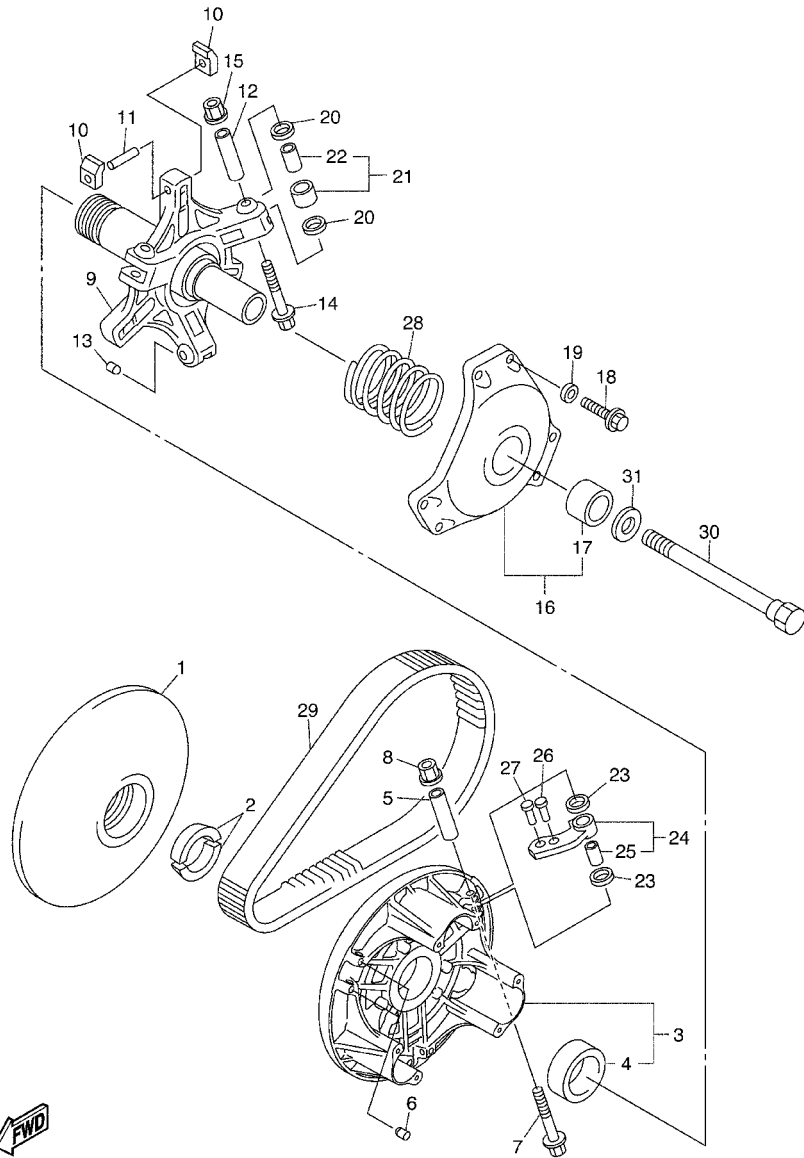


8FA1100-B150

REF. NO.	PART NO.	DESCRIPTION	8ER1	8ER2	8EW1	8EW2	REMARKS
1	8FA-17611-00	SHEAVE, PRIMARY FIXED	1	1	1	1	
2	8V0-17639-00	STOPPER	2	2	2	2	
3	8FA-17620-00	PRIMARY SLIDING SHEAVE COMP.	1	1	1	1	
4	90384-41242	.BUSH, BIMETAL FORMED	1	1	1	1	
5	90387-0514T	COLLAR	3	3	3	3	
6	90113-05053	BOLT, SET	6	6	6	6	
7	90105-05644	BOLT, FLANGE	3	3	3	3	
8	95607-05200	NUT, U FLANGE	3	3	3	3	
9	8FA-17640-00	SPIDER COMPLETE	1	1	1	1	
10	8BW-17653-00	SLIDER	6	6	6	6	
11	91609-50032	PIN, SPRING	3	3	3	3	
12	90387-0514U	COLLAR	3	3	3	3	
13	90113-05053	BOLT, SET	6	6	6	6	
14	90105-05644	BOLT, FLANGE	3	3	3	3	
15	95607-05200	NUT, U FLANGE	3	3	3	3	
16	8DF-17630-00	PRIMARY SHEAVE CAP COMP.	1	1	1	1	
17	90380-28237	.BUSH, SOLID	1	1	1	1	
18	97017-06030	BOLT	6	6	6	6	
19	92907-06600	WASHER, PLATE	6	6	6	6	
20	90202-09227	WASHER, PLATE	6	6	6	6	
21	8CR-17624-10	ROLLER, COMP	3	3	3	3	
22	90380-09245	.BUSH, SOLID	1	1	1	1	
23	90202-08204	WASHER, PLATE	6	6	6	6	
24	8FA-17605-00	WEIGHT COMP	3	3	3	3	
25	90380-08244	.BUSH, SOLID	1	1	1	1	
26	90261-06033	RIVET, COUNTERSUNK (ST17.2MM)	3	3	3	3	IN
27	90269-06006	RIVET	3	3	3	3	OUT

C11

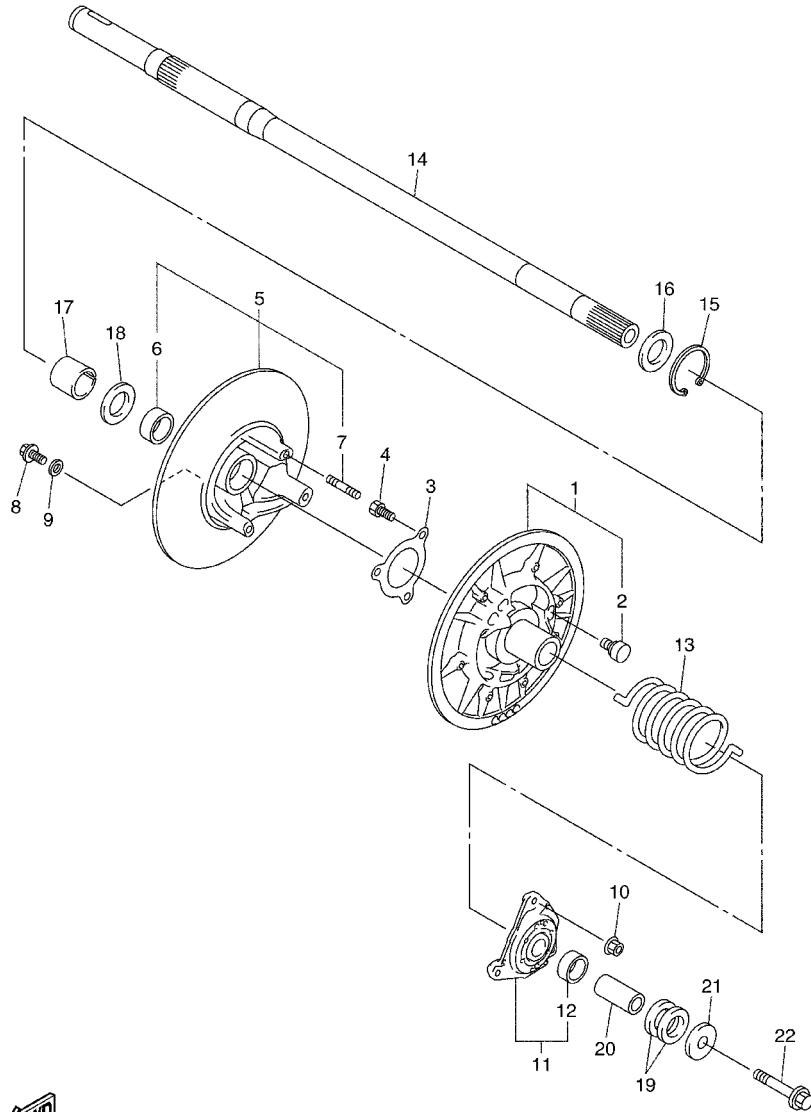
FIG. 15 PRIMARY SHEAVE



8FA1100-B150

REF. NO.	PART NO.	DESCRIPTION	8ER1	8ER2	8EW1	8EW2	REMARKS
28	90501-582L1	SPRING, COMPRESSION	1	1	1	1	(Y-SL-Y)
29	8DN-17641-00	V-BELT	1	1	1	1	
30	8V0-17647-00	BOLT (L=156.5MM)	1	1	1	1	
31	92907-16100	WASHER	1	1	1	1	

FIG. 16 SECONDARY SHEAVE

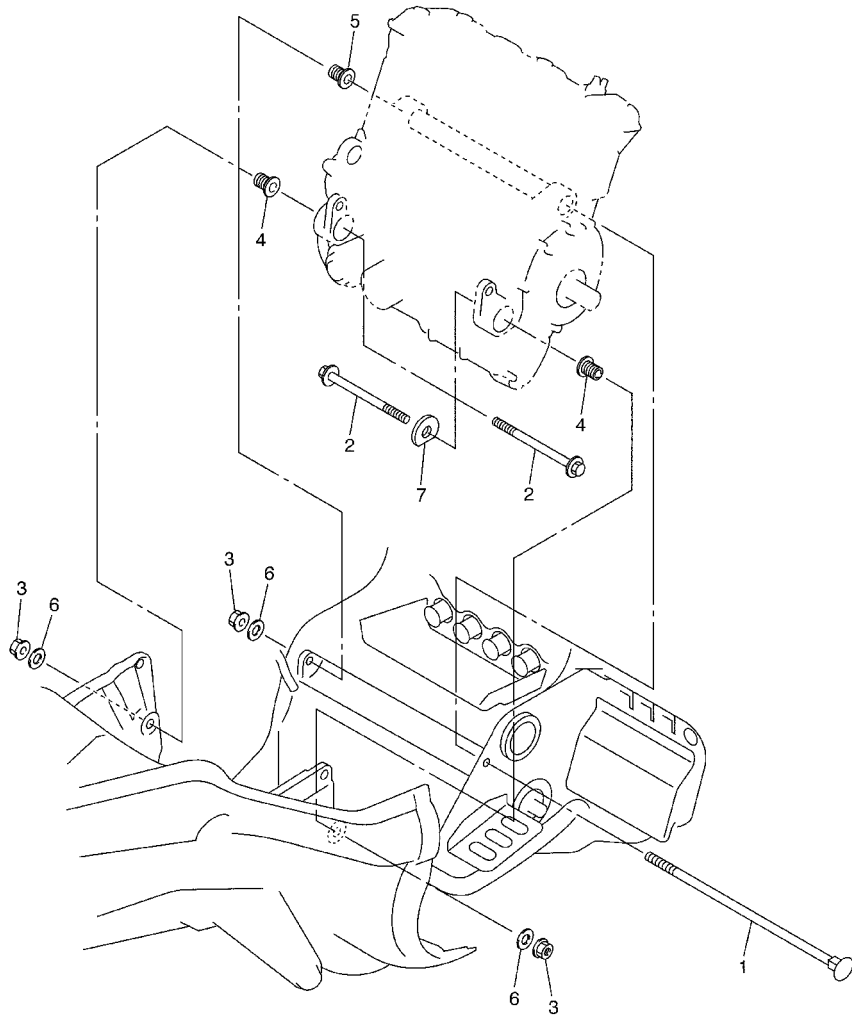


REF. NO.	PART NO.	DESCRIPTION	8ER1	8ER2	8EW1	8EW2	REMARKS
1	8CR-17660-20	SECONDARY FIXED SHEAVE COMP.	1	1	1	1	
2	8AV-17688-10	.SHOE, RAMP	3	3	3	3	
3	8BV-17656-00	STOPPER, HOLDER	1	1	1	1	
4	90154-06062	SCREW, BINDING	3	3	3	3	
5	8BU-17670-20	SECONDARY SLIDING SHEAVE	1	1	1	1	
6	90384-38243	.BUSH, BIMETAL FORMED	1	1	1	1	
7	95617-08630	.BOLT, STUD	3	3	3	3	
8	90105-06734	BOLT, FLANGE	3	3	3	3	
9	90201-06037	WASHER, PLATE (T=1.0)	3	3	3	3	UR UN
	90201-061H1	WASHER, PLATE (T=0.5)	3	3	3	3	UR UN
10	90179-08655	NUT	3	3	3	3	
11	8FA-17604-00	SEAT SPRING SET	1	1	1	1	
12	90384-38243	.BUSH, BIMETAL FORMED	1	1	1	1	
13	90508-60012	SPRING, TORSION	1	1	1	1	
14	8FA-17681-00	SHAFT, SECONDARY	1	1	1	1	
15	99009-30400	CIRCLIP	1	1	1	1	
16	90201-30666	WASHER, PLATE	1	1	1	1	
17	8FA-17645-00	COLLAR	1	1	1	1	
18	90201-25526	WASHER, PLATE (T2.0)	2	2	2	2	
19	90201-225A4	WASHER, PLATE (T1.0)	2	2	2	2	UR UN
	90201-222F0	WASHER, PLATE (T0.5)	1	1	1	1	UR UN
20	90387-1407L	COLLAR	1	1	1	1	
21	90201-141A3	WASHER, PLATE	1	1	1	1	
22	90105-14766	BOLT, FLANGE	1	1	1	1	



8FA1100-B160

FIG. 17 ENGINE BRACKET



REF. NO.	PART NO.	DESCRIPTION	8ER1	8ER2	8EW1	8EW2	REMARKS
1	8FA-21481-00	BOLT, ENGINE MOUNTING 1	1	1	1	1	
2	95817-12100	BOLT, FLANGE	2	2	2	2	
3	90179-12248	NUT	3	3	3	3	
4	8FA-21495-00	BOLT, ENGINE ADJUSTING	2	2	2	2	
5	8FA-2149C-00	BOLT, ENGINE ADJUSTING 2	1	1	1	1	
6	90201-120T5	WASHER, PLATE	3	3	3	3	
7	8FA-15328-00	SPACER, DAMPER	1	1	1	1	

 8FA1100-B170

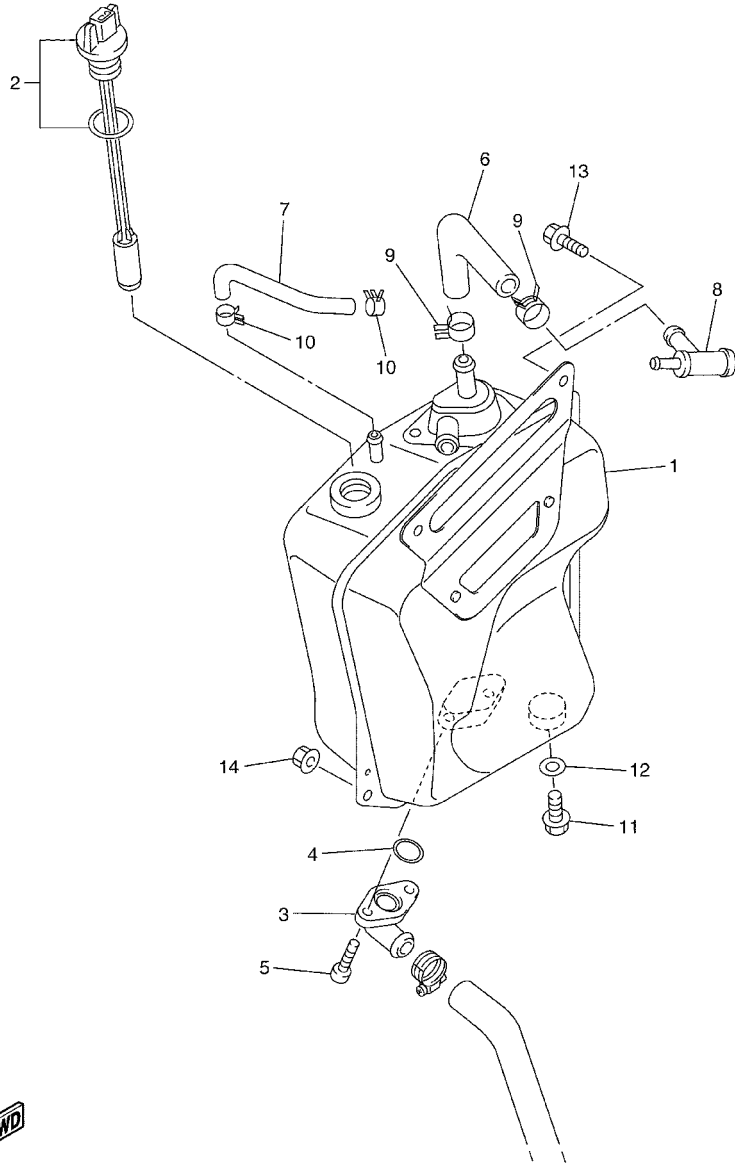
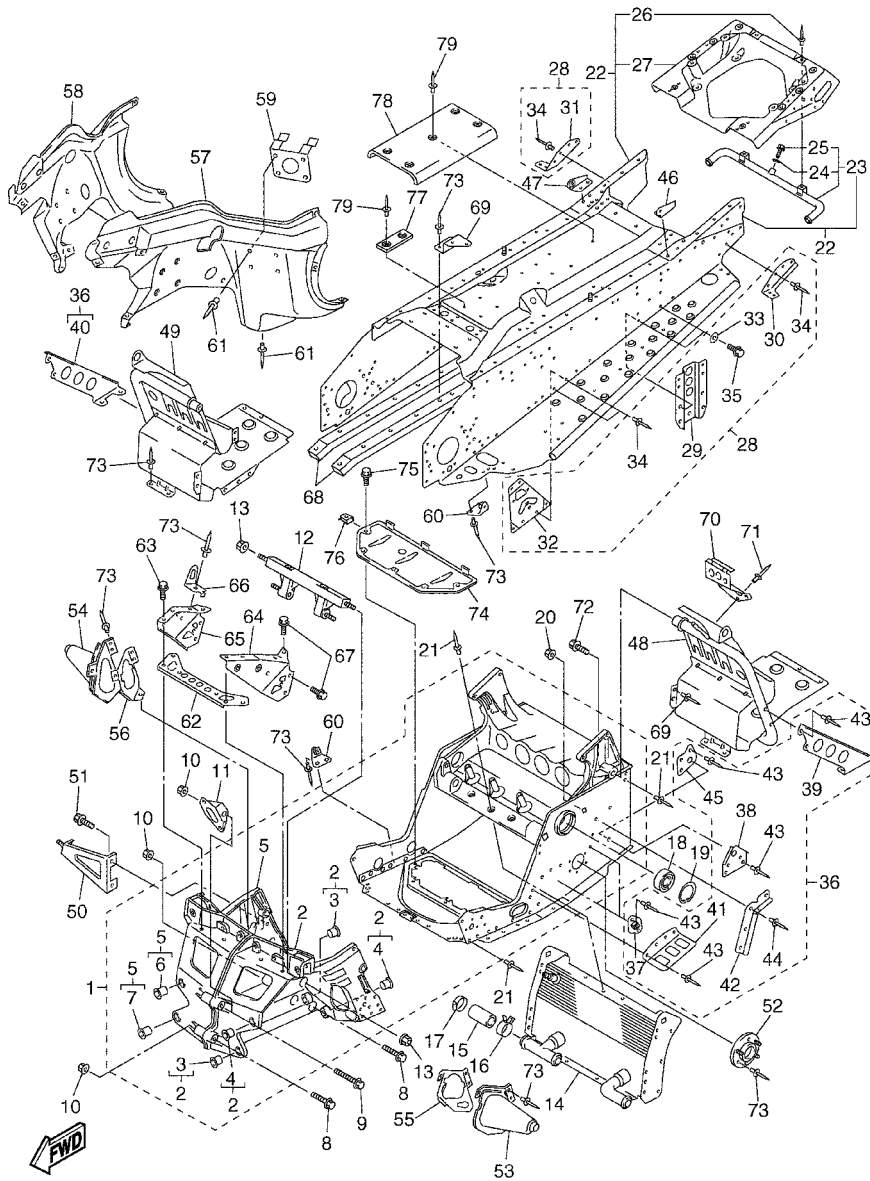


FIG. 18 OIL TANK

REF. NO.	PART NO.	DESCRIPTION	8ER1	8ER2	8EW1	8EW2	REMARKS
1	8FA-21751-00	TANK, OIL	1	1	1	1	
2	8FA-85720-00	OIL LEVEL GAUGE ASSY	1	1	1	1	
3	8FA-13406-00	OIL PIPE COMP. 2	1	1	1	1	
4	93210-19026	O-RING	1	1	1	1	
5	91317-06016	BOLT	2	2	2	2	
6	8FA-21745-00	PIPE, OIL TANK BREATHER	1	1	1	1	
7	8FA-2174N-00	PIPE, OIL TANK	1	1	1	1	
8	8FA-13446-00	CONNECTOR	1	1	1	1	
9	90468-08104	CLIP	2	2	2	2	
10	90467-12053	CLIP	2	2	2	2	
11	95807-08012	BOLT, FLANGE	1	1	1	1	
12	90430-08204	GASKET	1	1	1	1	
13	95817-06016	BOLT, FLANGE	2	2	2	2	
14	95607-08200	NUT, SELF-LOCKING	1	1	1	1	



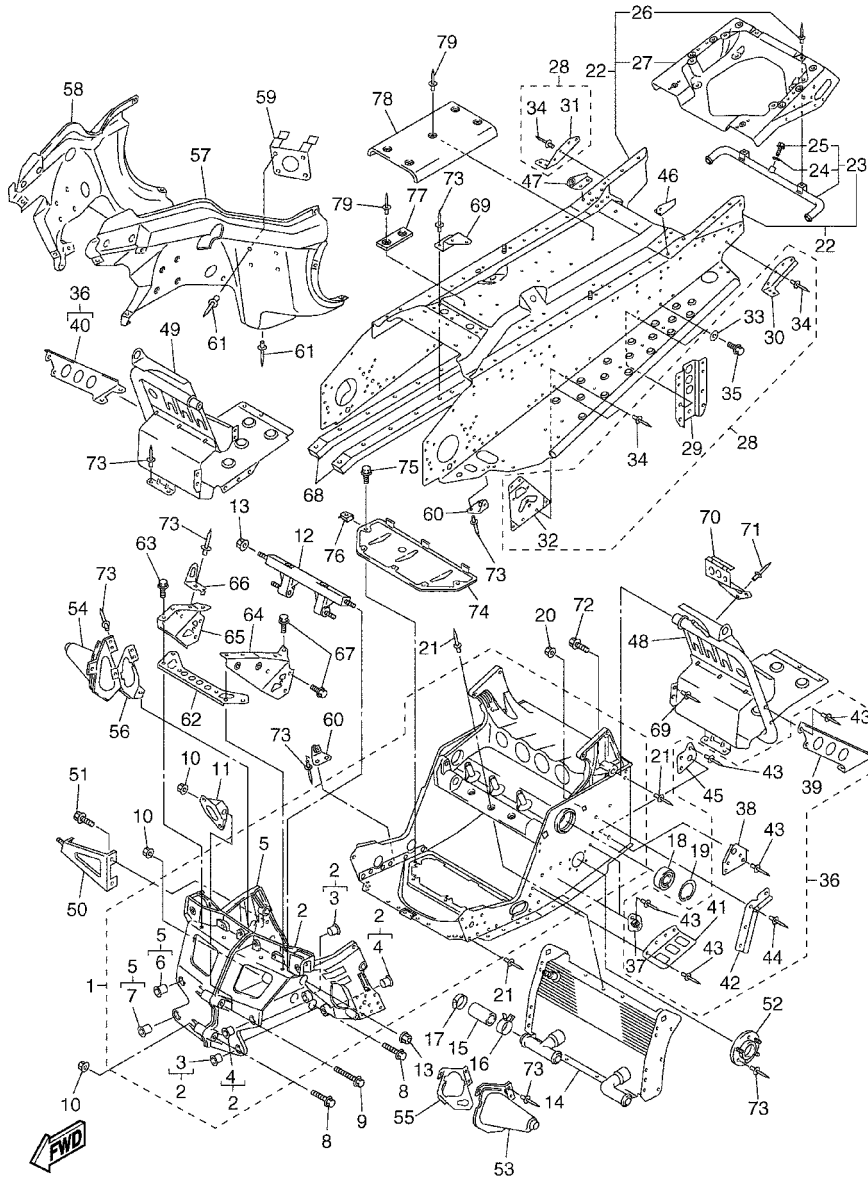
8FA1100-B180



8FA1100-B190

FIG. 19 FRAME

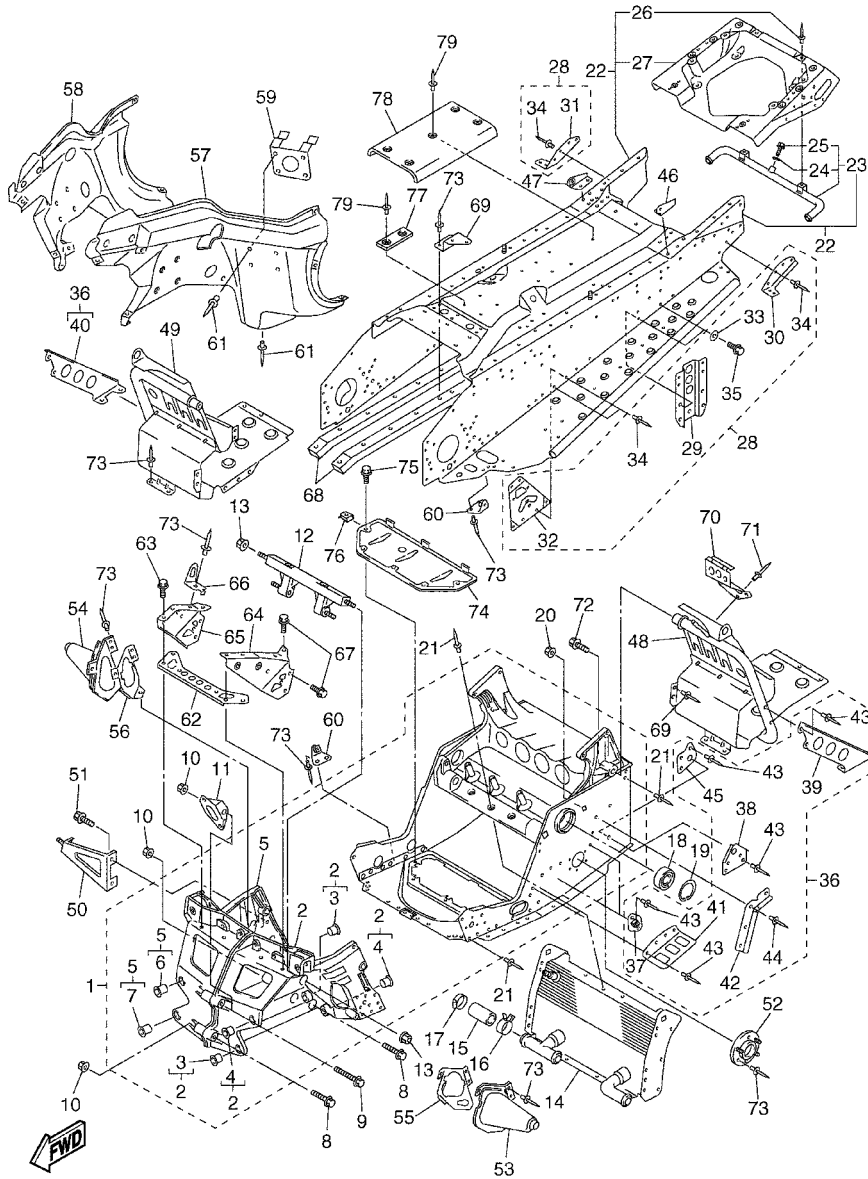
REF. NO.	PART NO.	DESCRIPTION	8ER1	8ER2	8EW1	8EW2	REMARKS
1	8FA-21940-00	FRONT FRAME COMP.	1	1	1	1	
2	8FA-W2197-00	BULKHEAD	1	1	1	1	
3	90381-15001	..BUSH, SOLID	2	2	2	2	
4	90381-16001	..BUSH, SOLID	2	2	2	2	
5	8FA-W2198-00	BULKHEAD 2	1	1	1	1	
6	90381-15001	..BUSH, SOLID	2	2	2	2	
7	90381-16001	..BUSH, SOLID	2	2	2	2	
8	95827-08060	BOLT, FLANGE	3	3	3	3	
9	95827-08065	BOLT, FLANGE	1	1	1	1	
10	95607-08200	NUT, SELF-LOCKING	4	4	4	4	
11	8FA-2128A-00	BRACKET, REGULATOR	1	1	1	1	
12	8FA-21947-00	BRACKET, STEERING 1	1	1	1	1	
13	95607-10200	NUT, U FLANGE	4	4	4	4	
14	8FA-12440-00	HEAT EXCHANGER ASSY	1	1	1	1	
15	8FA-12551-00	HOSE 7	1	1	1	1	
16	90467-28046	CLIP	1	1	1	1	
17	90450-35001	HOSE CLAMP ASSY	1	1	1	1	
18	93306-20650	BEARING	1	1	1	1	
19	99009-62500	CIRCLIP	1	1	1	1	
20	95607-08200	NUT, SELF-LOCKING	1	1	1	1	
21	90267-47195	RIVET, BLIND	43	43	43	43	
22	8FA-21950-09	REAR FRAME COMP.	1	1	1	1	
23	8FA-1241A-00	..HEAT EXCHANGER ASSY 4	1	1	1	1	
24	90210-06006	..WASHER, SEAL	1	1	1	1	
25	95817-06016	..BOLT, FLANGE	1	1	1	1	
26	90267-47195	..RIVET, BLIND	2	2	2	2	
27	8FA-W2199-00	..REINFORCEMENT, FRAME REAR 1	1	1	1	1	



8FA1100-B190

FIG. 19 FRAME

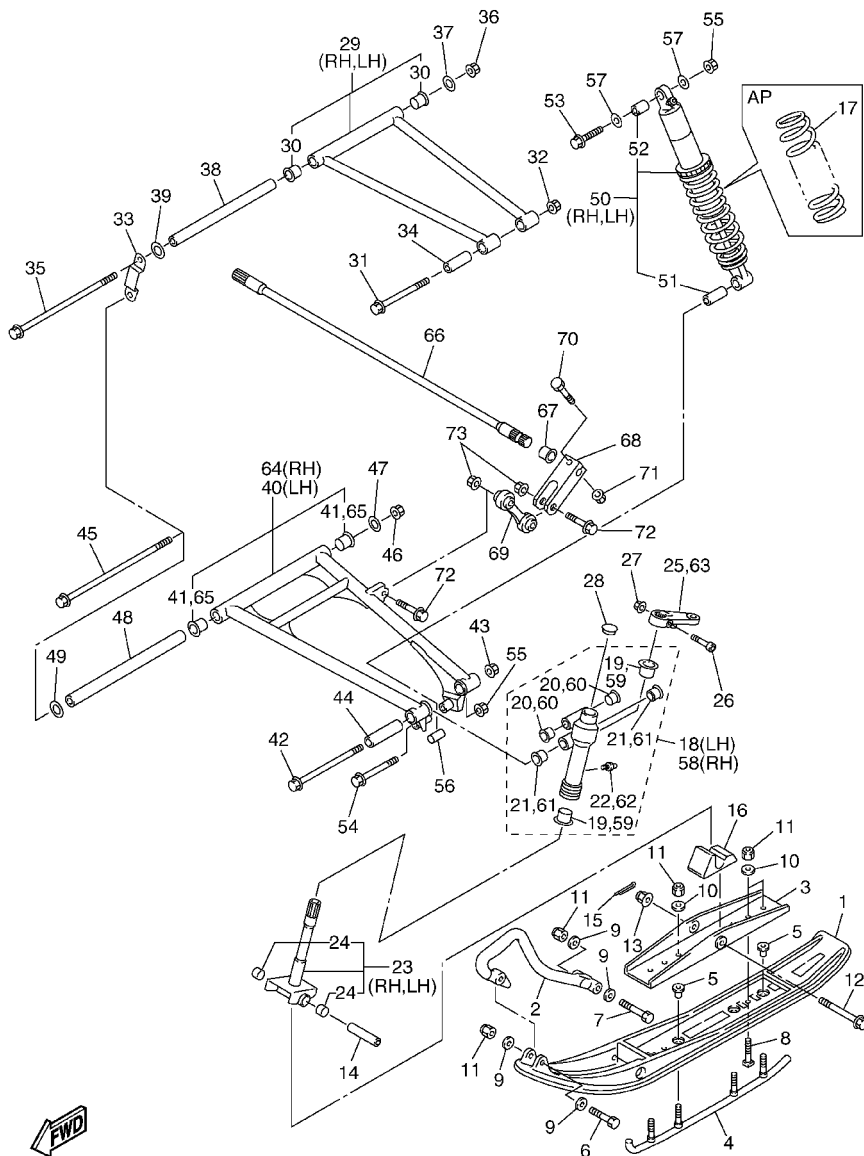
REF. NO.	PART NO.	DESCRIPTION	8ER1	8ER2	8EW1	8EW2	REMARKS
28	8FA-W2196-00	PANEL, SUB-FRAME KIT	1	1	1	1	
29	8FA-21944-00	.BRACKET, RR.TRACK SUSPENTION	2	2	2	2	
30	8FA-21963-00	.PATCH 3	1	1	1	1	
31	8FA-21964-00	.PATCH 4	1	1	1	1	
32	8FA-21965-00	.PATCH 5	2	2	2	2	
33	90201-100S0	.WASHER, PLATE	4	4	4	4	
34	90267-47195	.RIVET, BLIND	36	36	36	36	
35	95817-10022	.BOLT, FLANGE	4	4	4	4	
36	8FA-W2195-00	FRAME CONNECTION KIT	1	1	1	1	
37	8CR-21939-00	.BRACKET, CHAIN HOUSING	2	2	2	2	
38	8CR-21943-01	.BRACKET, MAIN TRACK 1	2	2	2	2	
39	8FA-2196M-00	.BRACKET, 5	1	1	1	1	
40	8FA-2197M-00	.BRACKET, 6	1	1	1	1	
41	8FA-2198G-00	.COVER 2	1	1	1	1	
42	8FA-21999-00	.CLAMP, WIREHARNESS	1	1	1	1	
43	90267-47195	.RIVET, BLIND	78	78	78	78	
44	90267-48018	.RIVET, BLIND	4	4	4	4	
45	8FA-21953-00	.BRACKET, MAIN TRACK 2	2	2	2	2	
46	8FA-2194X-00	BRACKET 1	1	1	1	1	
47	8FA-2195X-00	BRACKET 2	1	1	1	1	
48	8FA-21960-00	FOOTREST COMP. 1	1	1	1	1	
49	8FA-21970-00	FOOTREST COMP. 2	1	1	1	1	
50	8FA-2193E-00	BRACKET, OIL TANK 1	1	1	1	1	
51	95827-08014	BOLT, FLANGE	2	2	2	2	
52	8EK-21920-01	HOUSING, REINF SUB-ASSY(L.H)	1	1	1	1	
53	8FA-2198F-00	COVER 1	1	1	1	1	
54	8FA-2198J-00	COVER 3	1	1	1	1	



8FA1100-B190

FIG. 19 FRAME

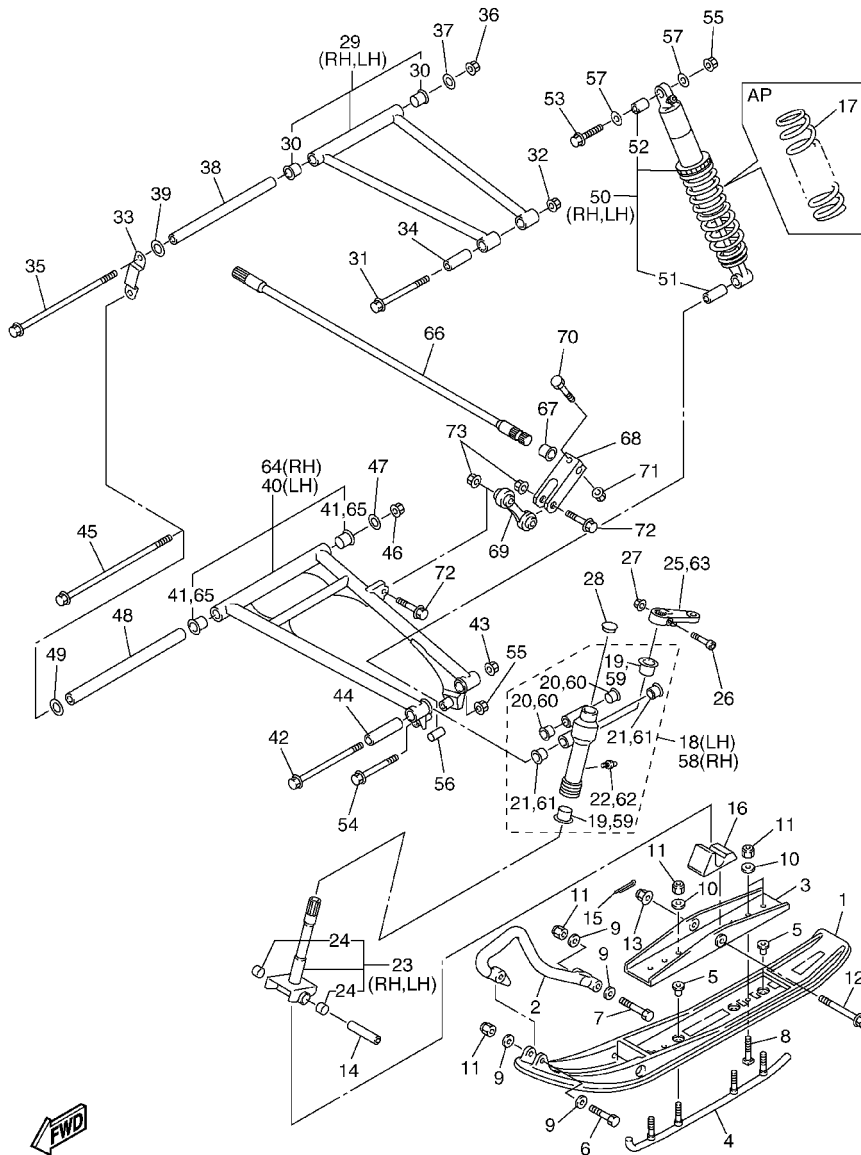
REF. NO.	PART NO.	DESCRIPTION	8ER1	8ER2	8EW1	8EW2	REMARKS
55	8FA-2195E-00	PLATE, STRG BRACKET 1	1	1	1	1	
56	8FA-2195F-00	PLATE, STRG BRACKET 2	1	1	1	1	
57	8FA-2196A-00	FRAME UNDER 1	1	1	1	1	
58	8FA-2196E-00	FRAME, UNDER 2	1	1	1	1	
59	8FA-21972-00	BRACKET, GUARD FITTING	1	1	1	1	
60	8FA-2196F-00	BRACKET 3	6	6	6	6	
61	90267-48018	RIVET, BLIND	18	18	18	18	
62	8FA-77512-00	BUMPER, FRONT 2	1	1	1	1	
63	95827-06012	BOLT, FLANGE	4	4	4	4	
64	8FA-21949-00	BRACKET, FRONT	1	1	1	1	
65	8FA-21959-00	BRACKET, FRONT BUMPER	1	1	1	1	
66	8FA-77125-00	STAY 1	2	2	2	2	
67	95827-08016	BOLT, FLANGE	6	6	6	6	
68	8FA-21978-00	PROTECTOR, FRAME	2	2	2	2	
69	8FA-2197N-00	BRACKET 7	4	4	4	4	
70	8FA-21973-00	HOOK	1	1	1	1	
71	90267-47195	RIVET, BLIND	3	3	3	3	
72	95827-08020	BOLT, FLANGE	2	2	2	2	
73	90267-47195	RIVET, BLIND	26	26	26	26	
74	8FA-2197E-00	PROTECTOR, FRAME	1	1	1	1	
75	90109-065F3	BOLT	5	5	5	5	
76	90183-06053	NUT, SPRING	5	5	5	5	
77	8FA-21998-00	SPACER	4	4	4	4	
78	8FA-23892-00	SHIELD, HEAT	1	1	1	1	
79	90267-48059	RIVET, BLIND	13	13	13	13	



8FA1100-B210

FIG. 20 SKI

REF. NO.	PART NO.	DESCRIPTION	8ER1	8ER2	8EW1	8EW2	REMARKS
1	8EN-F3711-00	SKI 1	2		2		
	8EN-23711-00	SKI 1		2		2	
2	8FB-F3712-00	REINFORCEMENT, HEAD	2				UR HTR
	8EK-F3712-00	REINFORCEMENT, HEAD	2				UR DPBMC
	8FB-23712-00	REINFORCEMENT, HEAD		2			UR HTR
	8EK-23712-00	REINFORCEMENT, HEAD		2			UR DPBMC
	8DM-F3712-00	REINFORCEMENT, HEAD			2		
	8DM-23712-00	REINFORCEMENT, HEAD				2	
3	8EK-F3766-00	SADDLE 1	2		2		
	8EK-23766-00	SADDLE 1		2		2	
4	8EN-F3731-00	RUNNER 1	2		2		
	8EN-23731-00	RUNNER 1		2		2	
5	8EK-F3751-00	BUSH, SKI 1	8		8		
	8EK-23751-00	BUSH, SKI 1		8		8	
6	9702M-08055	BOLT	2		2		
	97027-08055	BOLT		2		2	
7	9702M-08100	BOLT	2		2		
	97027-08100	BOLT		2		2	
8	90108-08002	BOLT, SQUARE	4	4	4	4	
9	90201-08784	WASHER, PLATE	8	8	8	8	
10	90201-086P8	WASHER, PLATE	12	12	12	12	
11	9570M-08300	NUT, FLANGE	16		16		
	95707-08300	NUT, FLANGE		16		16	
12	90105-10712	BOLT, FLANGE	2	2	2	2	
13	95607-10200	NUT, U FLANGE	2	2	2	2	
14	90387-1012H	COLLAR	2	2	2	2	
15	91401-20020	PIN, COTTER	2	2	2	2	

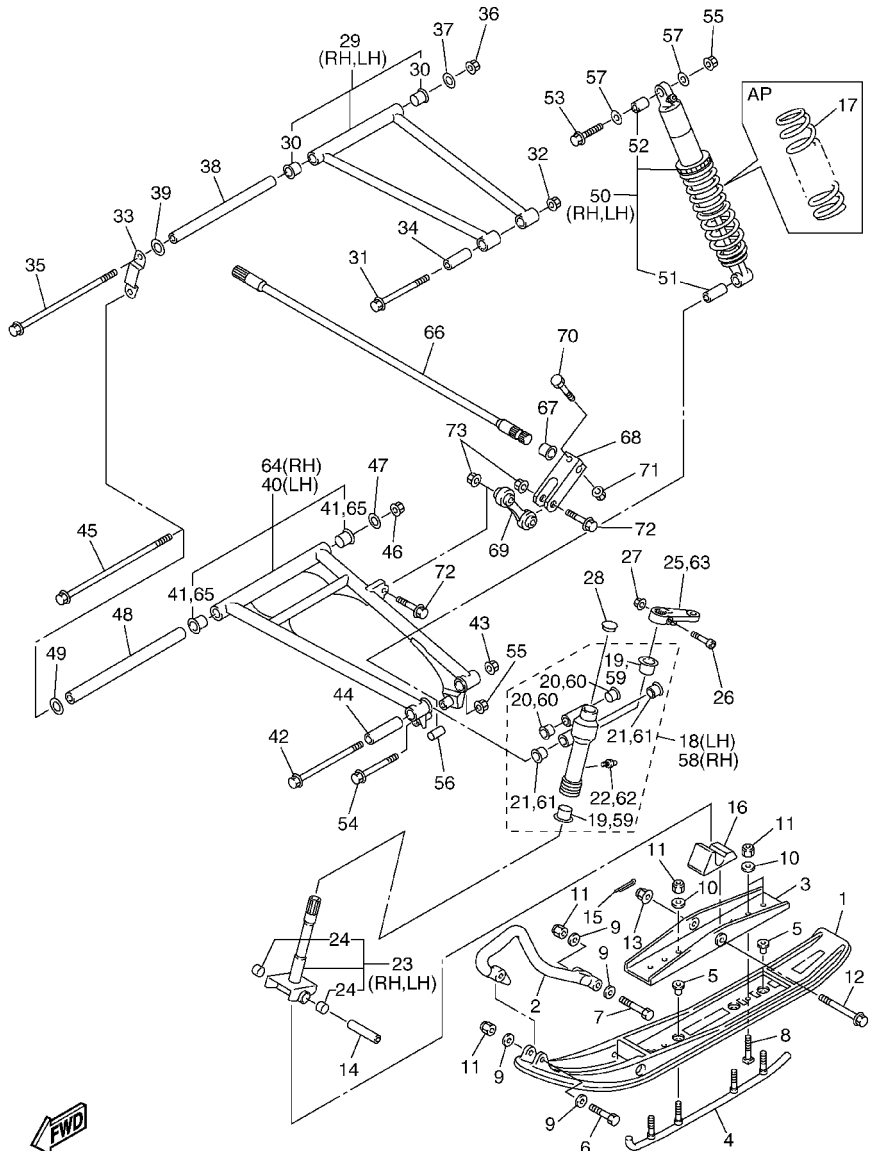


8FA1100-B210

FIG. 20 SKI

REF. NO.	PART NO.	DESCRIPTION	8ER1	8ER2	8EW1	8EW2	REMARKS
16	8CR-23743-10	STOPPER 1	2	2	2	2	
17	8FA-23760-00	SPRING ASSY 1 (K=2.1)	1	1	1	1	AP
	8FA-23760-10	SPRING ASSY 1 (K=1.9)	1	1	1	1	AP
	8FA-23760-20	SPRING ASSY 1 (K=1.7)	1	1	1	1	AP
18	8FA-23501-00	STEERING KNUCKLE ASSY (LEFT)	1	1	1	1	
19	90381-25115	.BUSH, SOLID	2	2	2	2	
20	90381-15088	.BUSH, SOLID	2	2	2	2	
21	90381-18N50	.BUSH, SOLID	2	2	2	2	
22	93700-06004	.NIPPLE, GREASE	1	1	1	1	
23	8FA-23803-00	COLUMN, SKI ASSY	2	2	2	2	
24	90384-16251	.BUSH, BIMETAL FORMED	2	2	2	2	
25	8FA-23851-00	ARM, OUTSIDE 1	1	1	1	1	
26	91317-08045	BOLT	2	2	2	2	
27	95607-08200	NUT, SELF-LOCKING	2	2	2	2	
28	3YK-22472-40	CAP, CASE	2	2	2	2	
29	8FA-23540-00	FRONT UPPER ARM COMP. (LEFT)	2	2	2	2	
30	90381-15088	.BUSH, SOLID	2	2	2	2	
31	90105-10N51	BOLT, FLANGE	2	2	2	2	
32	95607-10200	NUT, U FLANGE	2	2	2	2	
33	8FA-23737-00	WASHER 1	2	2	2	2	
34	90387-10N58	COLLAR	2	2	2	2	
35	90105-10N53	BOLT, FLANGE	2	2	2	2	
36	95607-10200	NUT, U FLANGE	2	2	2	2	
37	90201-106F2	WASHER, PLATE	2	2	2	2	
38	90387-10N52	COLLAR	2	2	2	2	
39	90209-15N50	WASHER	4	4	4	4	
40	8FA-23570-00	FRONT LOWER ARM COMP. (LEFT)	1	1	1	1	

D6

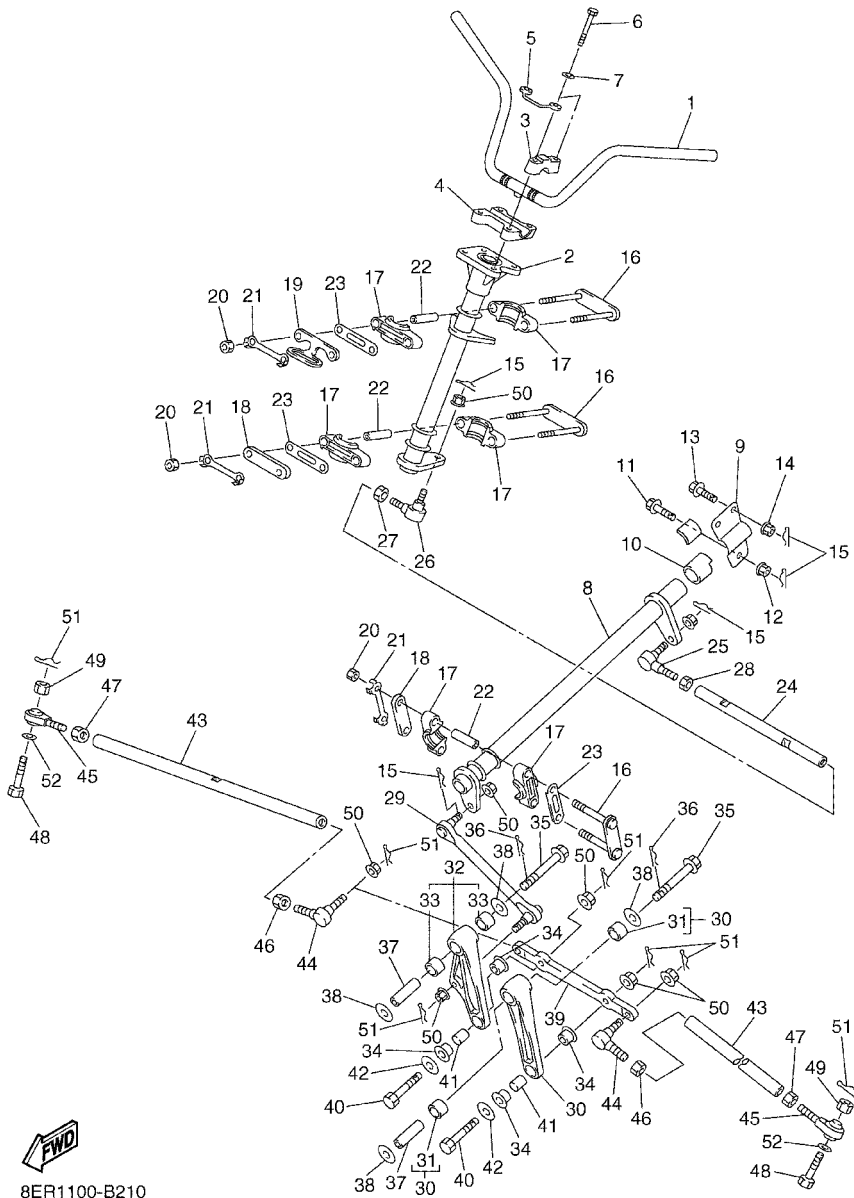


8FA1100-B210

FIG. 20 SKI

REF. NO.	PART NO.	DESCRIPTION	8ER1	8ER2	8EW1	8EW2	REMARKS
41	90381-16N51	.BUSH, SOLID	2	2	2	2	
42	90105-12N54	BOLT, FLANGE	2	2	2	2	
43	95607-12200	NUT, SELF-LOCKING	2	2	2	2	
44	90387-12N54	COLLAR	2	2	2	2	
45	90105-10N52	BOLT, FLANGE	2	2	2	2	
46	95607-10200	NUT, U FLANGE	2	2	2	2	
47	90201-106F2	WASHER, PLATE	2	2	2	2	
48	90387-10N53	COLLAR	2	2	2	2	
49	90209-15N50	WASHER	4	4	4	4	
50	8FA-2376A-00	ABSORBER ASSY 1	2		2		
	8FA-2376A-10	ABSORBER ASSY 1		2		2	
51	90383-12N50	.BUSH, FORMED	1	1	1	1	
52	8FA-2331R-00	.DAMPER, BUSH B	1	1	1	1	
53	90105-10232	BOLT, FLANGE	2	2	2	2	
54	90105-10392	BOLT, FLANGE	2	2	2	2	
55	95607-10200	NUT, U FLANGE	4	4	4	4	
56	90387-10N57	COLLAR	2	2	2	2	
57	90201-106F2	WASHER, PLATE	4	4	4	4	
58	8FA-23502-00	STEERING KNUCKLE ASSY (RIGHT)	1	1	1	1	
59	90381-25115	.BUSH, SOLID	2	2	2	2	
60	90381-15088	.BUSH, SOLID	2	2	2	2	
61	90381-18N50	.BUSH, SOLID	2	2	2	2	
62	93700-06004	.NIPPLE, GREASE	1	1	1	1	
63	8FA-23852-00	ARM, OUTSIDE 2	1	1	1	1	
64	8FA-23580-00	FRONT LOWER ARM COMP. (RIGHT)	1	1	1	1	
65	90381-16N51	.BUSH, SOLID	2	2	2	2	
66	8FA-2386E-00	BAR, STABILIZER FRONT	1	1	1	1	

FIG. 21 STEERING

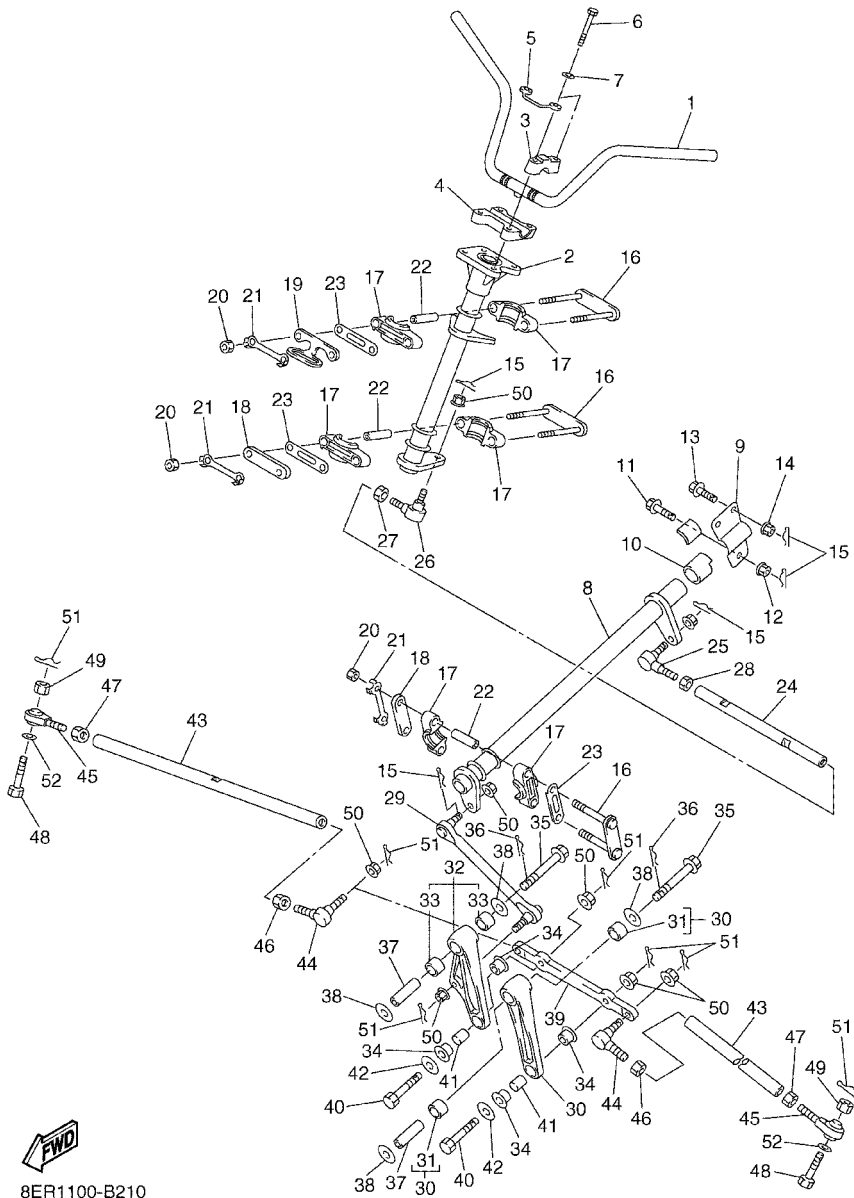


8ER1100-B210

REF. NO.	PART NO.	DESCRIPTION	8ER1	8ER2	8EW1	8EW2	REMARKS
1	8EK-26110-10	HANDLE COMP.	1	1	1	1	
2	8FA-23813-00	COLUMN, STEERING 2	1	1	1	1	
3	8K1-23814-00	HOLDER, HANDLE	2	2	2	2	
4	8ED-23442-00	HOLDER, HANDLE LOWER	1	1	1	1	
5	8DF-23857-00	HOLDER	1	1	1	1	
6	97027-08055	BOLT	4	4	4	4	
7	92907-08600	WASHER, PLATE	4	4	4	4	
8	8FA-23811-00	COLUMN, STEERING	1	1	1	1	
9	8FA-23818-00	COVER, STEERING	1	1	1	1	
10	8FA-23873-00	BEARING, STEERING UPPER	1	1	1	1	
11	90105-10728	BOLT, FLANGE	1	1	1	1	
12	95607-10200	NUT, U FLANGE	1	1	1	1	
13	90105-08552	BOLT, FLANGE	2	2	2	2	
14	95607-08200	NUT, SELF-LOCKING	2	2	2	2	
15	90468-12006	CLIP	6	6	6	6	
16	8FA-23872-00	HOLDER, BEARING	3	3	3	3	
17	8FA-23812-00	BEARING, STEERING	6	6	6	6	
18	8FA-23867-00	HOLDER 2	2	2	2	2	
19	8CJ-23872-00	HOLDER, BEARING	1	1	1	1	
20	95317-08600	NUT	6	6	6	6	
21	1UY-23894-01	WASHER, LOCK 1	3	3	3	3	
22	90387-09006	COLLAR	6	6	6	6	
23	8FA-23843-00	WASHER, PLAIN	3	3	3	3	
24	8FA-23828-00	ROD, STEERING	1	1	1	1	
25	8CR-23847-00	JOINT, UNIVERSAL 3	1	1	1	1	
26	8CR-23845-10	JOINT, UNIVERSAL 2	1	1	1	1	
27	95307-10700	NUT	1	1	1	1	

D9

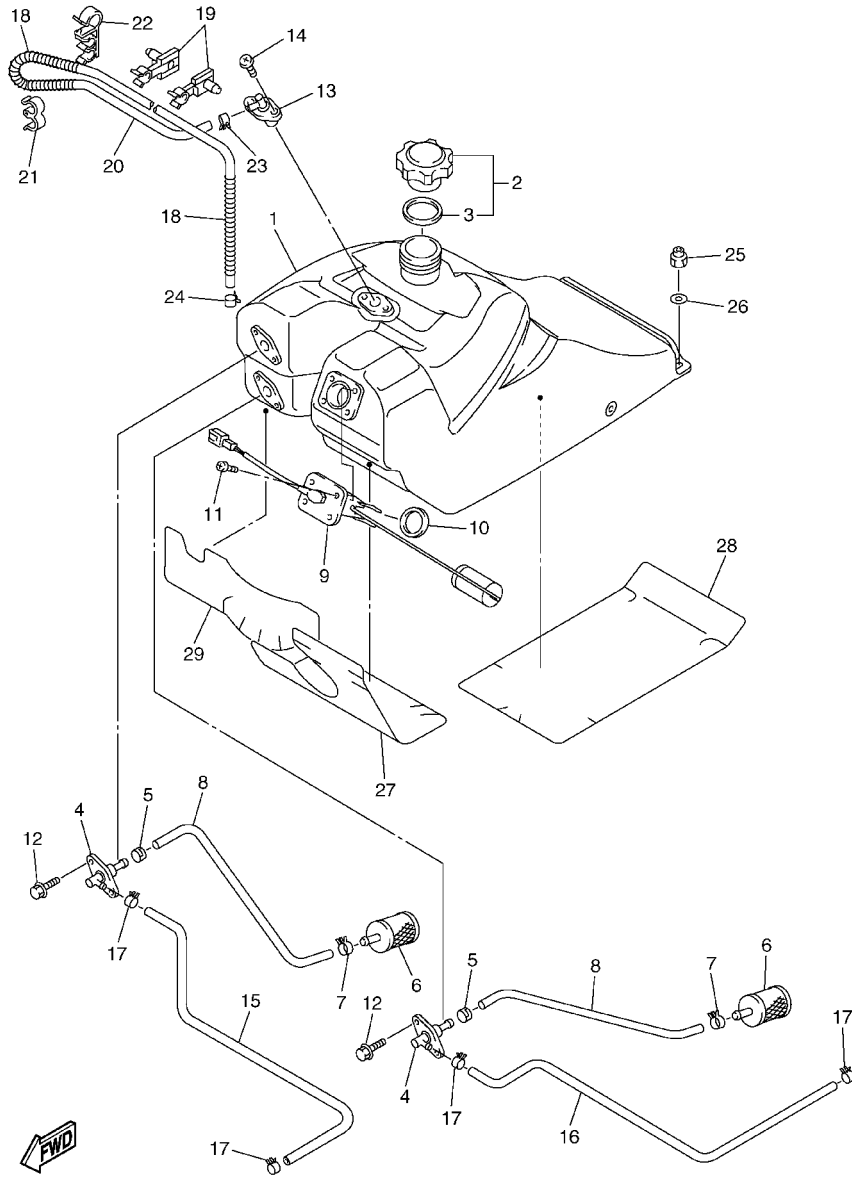
FIG. 21 STEERING



8ER1100-B210

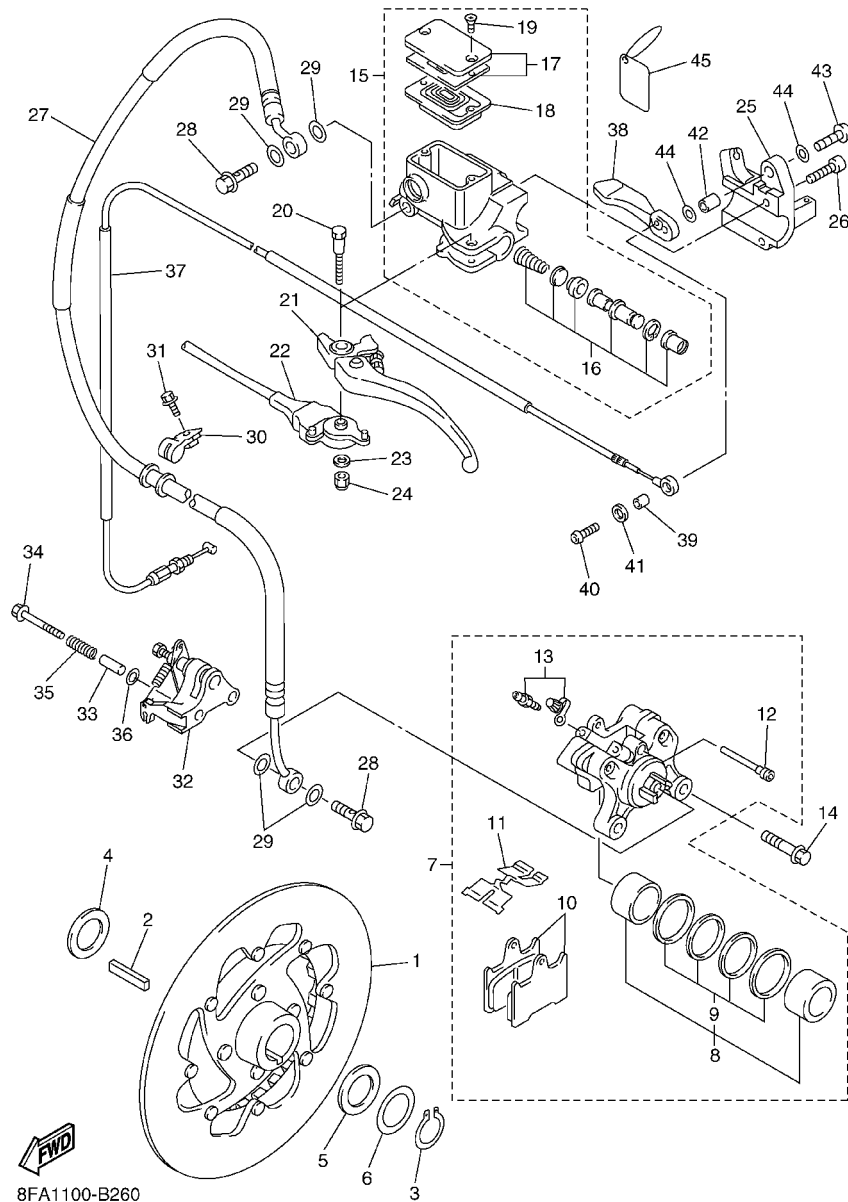
REF. NO.	PART NO.	DESCRIPTION	8ER1	8ER2	8EW1	8EW2	REMARKS
28	90170-10186	NUT	1	1	1	1	(L.H. THREAD)
29	8FA-23821-00	ROD, STEERING RELAY	1	1	1	1	
30	8FA-2389K-00	ARM PIVOT ASSY	1	1	1	1	
31	93317-41785	.BEARING	2	2	2	2	
32	8FA-2389M-00	ARM PIVOT ASSY. , 2	1	1	1	1	
33	93317-41785	.BEARING	2	2	2	2	
34	90381-14001	BUSH, SOLID	4	4	4	4	
35	90105-12017	BOLT, FLANGE	2	2	2	2	
36	8FA-2384N-00	CLIP, RING	2	2	2	2	
37	8FA-2412G-00	COLLAR	2	2	2	2	
38	90201-121U3	WASHER, PLATE	4	4	4	4	
39	8FA-23826-00	ARM, IDLER	1	1	1	1	
40	90102-10044	BOLT, WITH HOLE	2	2	2	2	
41	90387-10008	COLLAR	2	2	2	2	
42	90201-10742	WASHER, PLATE	2	2	2	2	
43	8FA-23831-00	ROD, TIE	2	2	2	2	
44	8CR-23845-10	JOINT, UNIVERSAL 2	2	2	2	2	
45	8FA-23847-00	JOINT, UNIVERSAL 3	2	2	2	2	
46	95307-10700	NUT	2	2	2	2	
47	90170-10186	NUT	2	2	2	2	(L.H. THREAD)
48	90102-10044	BOLT, WITH HOLE	2	2	2	2	
49	95707-10300	NUT, FLANGE	2	2	2	2	
50	95707-10500	NUT, FLANGE	8	8	8	8	
51	91401-20020	PIN, COTTER	7	7	7	7	
52	90201-08759	WASHER, PLATE	2	2	2	2	

FIG. 23 FUEL TANK



8FA1100-B240

REF. NO.	PART NO.	DESCRIPTION	8ER1	8ER2	8EW1	8EW2	REMARKS
1	8FA-24111-00	TANK, FUEL	1	1	1	1	
2	8CW-24610-00	CAP ASSY	1	1	1	1	
3	8CW-24612-00	.GASKET, CAP	1	1	1	1	
4	8CR-24301-00	SUCTION PIPE COMP. 1	2	2	2	2	
5	90468-04092	CLIP	2	2	2	2	
6	8H5-24560-00	FILTER ASSY	2	2	2	2	
7	90467-11032	CLIP	2	2	2	2	
8	8FA-24335-00	PIPE, SUCTION 1	2	2	2	2	
9	8FA-85752-00	SENDER UNIT ASSY, FUEL METER	1	1	1	1	
10	93210-41041	O-RING	1	1	1	1	
11	98907-05008	SCREW, BIND	4	4	4	4	
12	90105-060A6	BOLT, FLANGE	4	4	4	4	
13	8FA-2418A-00	BREATHER COMP.	1	1	1	1	
14	90149-06330	SCREW	2	2	2	2	
15	8FA-24311-00	PIPE, FUEL 1	1	1	1	1	
16	8FA-24311-10	PIPE, FUEL 1	1	1	1	1	
17	90467-11032	CLIP	4	4	4	4	
18	90501-08668	SPRING, COMPRESSION	2	2	2	2	
19	90464-09015	CLAMP	2	2	2	2	
20	91A20-05115	TUBE, FLEXIBLE VINYL	1	1	1	1	
21	90464-13194	CLAMP	1	1	1	1	
22	90464-16010	CLAMP	1	1	1	1	
23	90468-02078	CLIP	1	1	1	1	
24	90467-09026	CLIP	1	1	1	1	
25	95707-08300	NUT, FLANGE	2	2	2	2	
26	90201-08784	WASHER, PLATE	2	2	2	2	
27	8FA-24141-00	PROTECTOR, FUEL TANK	1	1	1	1	



8FA1100-B260

FIG. 25 BRAKE

REF. NO.	PART NO.	DESCRIPTION	8ER1	8ER2	8EW1	8EW2	REMARKS
1	8FA-2581T-00	DISC BRAKE ASSY	1	1	1	1	
2	90281-07004	KEY, SLIDING	1	1	1	1	
3	99009-24400	CIRCLIP	1	1	1	1	
4	90201-25289	WASHER, PLATE	1	1	1	1	
5	90201-25527	WASHER, PLATE (T1.0)	1	1	1	1	UN
6	90201-252F1	WASHER, PLATE (T0.5)	1	1	1	1	UN
7	8FA-2580T-00	CALIPER ASSY (LEFT)	1	1	1	1	
8	8CR-W0057-00	.PISTON ASSY, CALIPER	1	1	1	1	
9	8CR-W0047-00	.CALIPER SEAL KIT	1	1	1	1	
10	8FA-W0046-00	.BRAKE PAD KIT 2	1	1	1	1	
11	8DJ-25919-00	.SUPPORT, PAD	1	1	1	1	
12	8CR-25924-00	.PIN, PAD	1	1	1	1	
13	8CR-W0048-00	.BLEED SCREW KIT	2	2	2	2	
14	90105-10634	BOLT, FLANGE	2	2	2	2	
15	8FA-W2587-00	MASTER CYLINDER SUB ASSY	1	1	1	1	
16	8CR-W0041-00	.CYLINDER KIT, MASTER	1	1	1	1	
17	8CR-W2585-00	.RESERVOIR CAP SET	1	1	1	1	
18	55U-25854-00	.DIAPHRAGM, RESERVOIR	1	1	1	1	
19	98706-04012	.SCREW, FLAT HEAD	2	2	2	2	
20	8CR-2589F-00	BOLT, LEVER	1	1	1	1	
21	8DN-83912-00	LEVER 1	1	1	1	1	
22	8CR-82530-01	STOP SWITCH ASSY	1	1	1	1	
23	8CR-8398X-00	WASHER, PLAIN	1	1	1	1	
24	95707-05300	NUT, FLANGE	1	1	1	1	
25	8FA-25867-00	BRACKET, MASTER CYLINDER	1	1	1	1	
26	91316-06022	BOLT	2	2	2	2	
27	8FA-25872-00	HOSE, BRAKE 1	1	1	1	1	

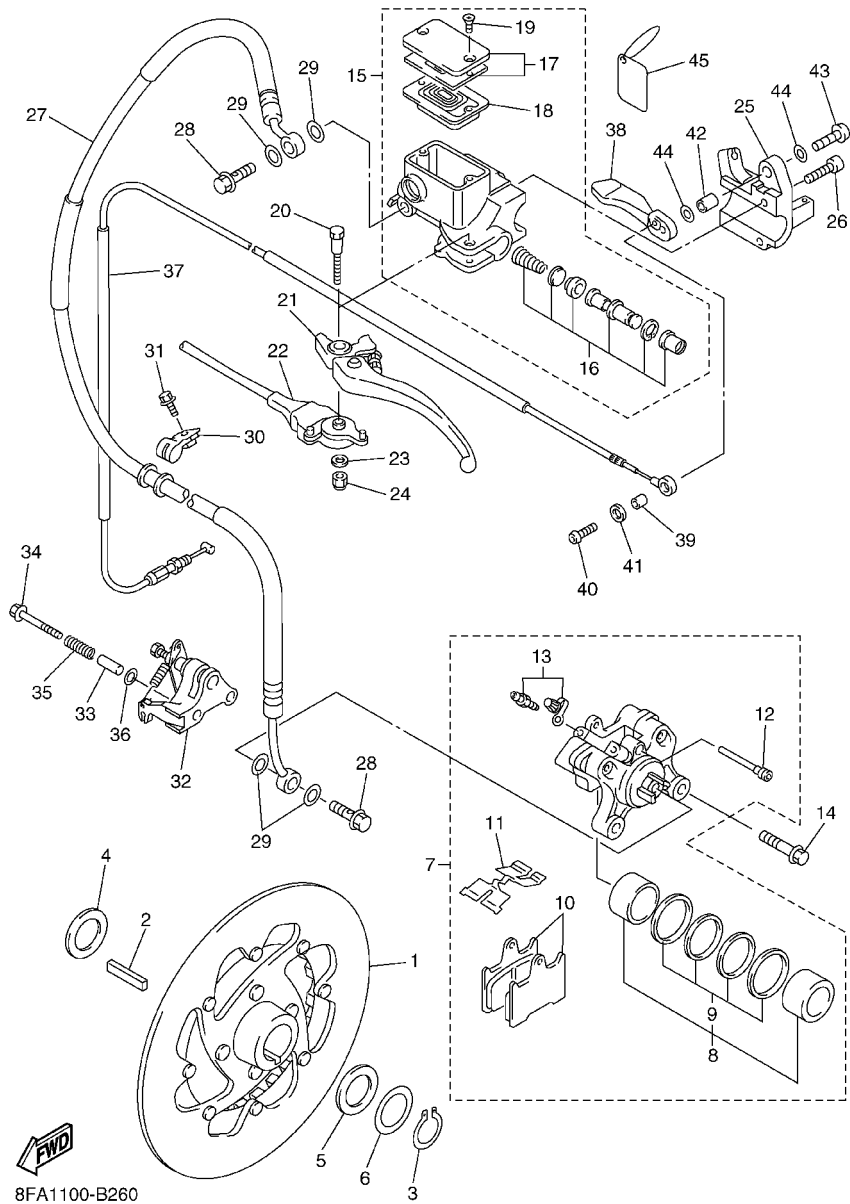
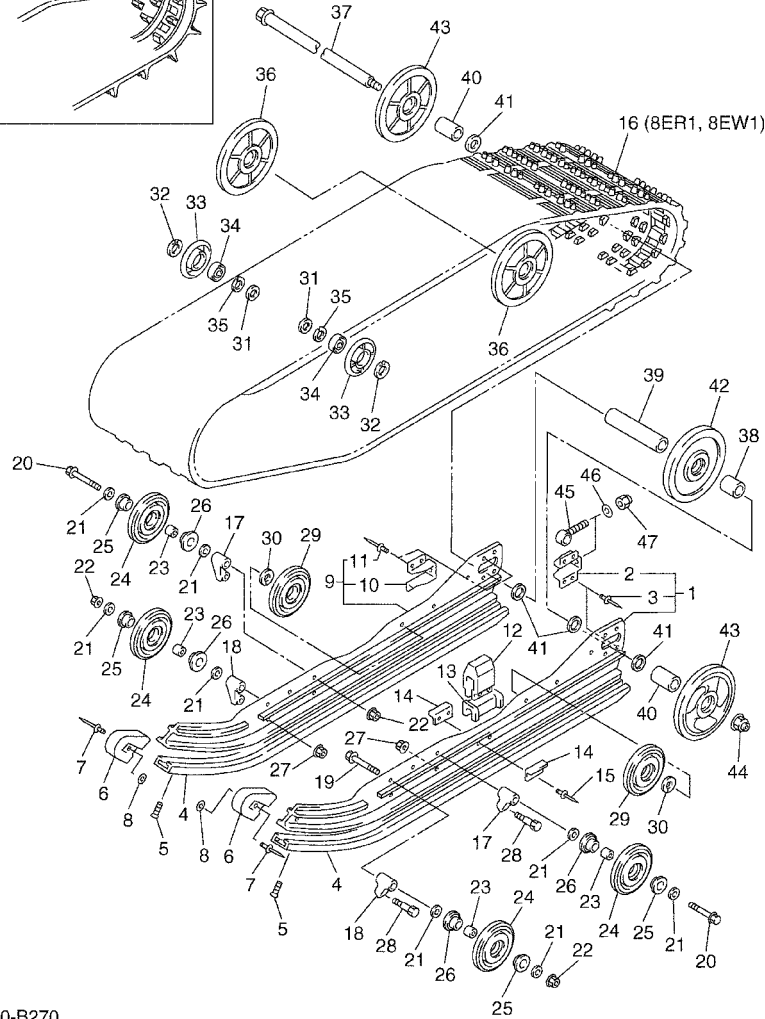
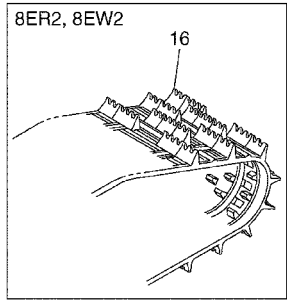


FIG. 25 BRAKE

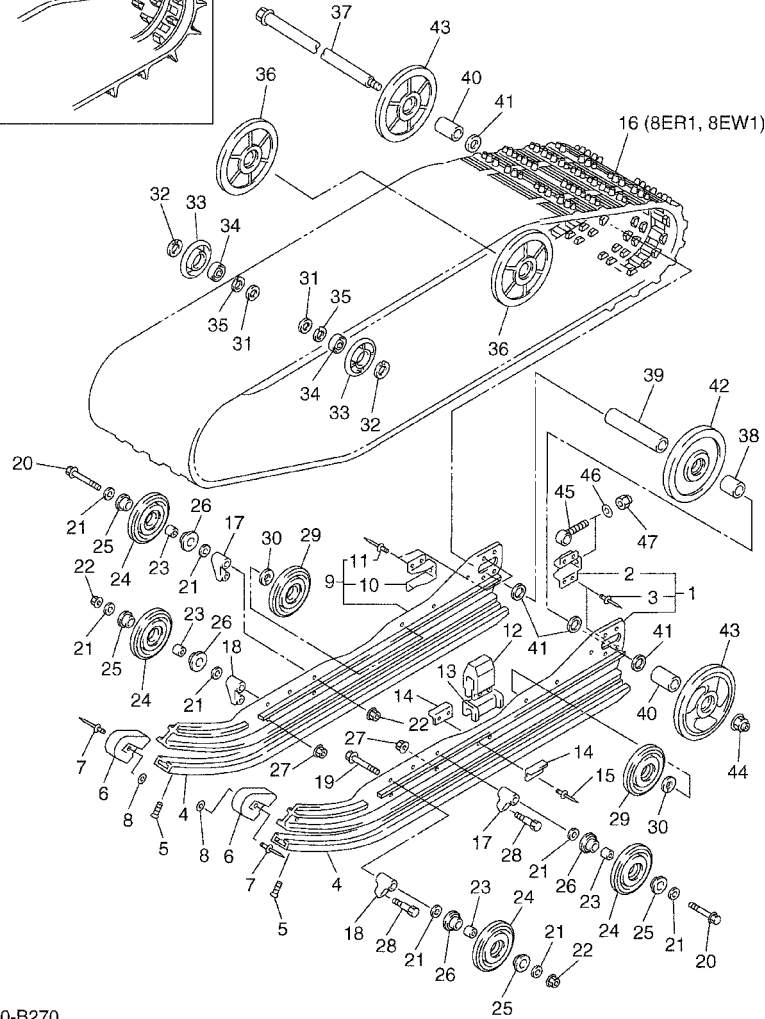
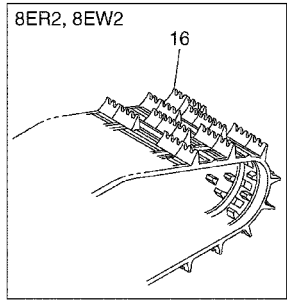
REF. NO.	PART NO.	DESCRIPTION	8ER1	8ER2	8EW1	8EW2	REMARKS
28	90401-10159	BOLT, UNION	2	2	2	2	
29	90201-10118	WASHER, PLATE	4	4	4	4	
30	8FA-25886-00	HOLDER, BRAKE HOSE	1	1	1	1	
31	90109-063F1	BOLT	1	1	1	1	
32	8FA-25970-00	PARKING BRAKE COMP.	1	1	1	1	
33	90387-06058	COLLAR	2	2	2	2	
34	90111-06042	BOLT	2	2	2	2	
35	90501-120A0	SPRING, COMPRESSION	2	2	2	2	
36	90201-12161	WASHER, PLATE	2	2	2	2	
37	8FA-26351-00	CABLE, BRAKE	1	1	1	1	
38	8FA-83922-00	LEVER 2	1	1	1	1	
39	90387-06043	COLLAR	1	1	1	1	
40	92017-06014	BOLT	1	1	1	1	
41	90201-06050	WASHER, PLATE	1	1	1	1	
42	90387-081M9	COLLAR	1	1	1	1	
43	92017-08020	BOLT	1	1	1	1	
44	90201-08403	WASHER, PLATE	2	2	2	2	
45	8CR-23496-00	TAG, CAUTION	1	1	1	1	



8ER1100-B270

FIG. 27 TRACK SUSPENSION 1

REF. NO.	PART NO.	DESCRIPTION	8ER1	8ER2	8EW1	8EW2	REMARKS
1	8FA-47411-00	FRAME, SLIDING 1	1	1	1	1	
2	8DM-4741B-00	.BRACKET	1	1	1	1	
3	8V0-47468-00	.RIVET	4	4	4	4	
4	8CM-47421-60	RUNNER, SLIDING 1	2	2	2	2	
5	90151-06010	SCREW, COUNTERSUNK	2	2	2	2	
6	8ED-47422-00	RUNNER, SLIDING 2	2	2	2	2	
7	90267-48194	RIVET, BLIND	2	2	2	2	
8	90201-047R8	WASHER, PLATE	2	2	2	2	
9	8FA-47412-00	FRAME, SLIDING 2	1	1	1	1	
10	8DM-4741B-00	.BRACKET	1	1	1	1	
11	8V0-47468-00	.RIVET	4	4	4	4	
12	8CM-47457-00	DAMPER 2	2	2	2	2	
13	8CM-47341-00	SPACER	2	2	2	2	
14	8AX-47458-00	PLATE, DAMPER	4	4	4	4	
15	90267-48199	RIVET, BLIND	4	4	4	4	
16	8DY-47110-00	TRACK ASSY	1		1		
	8ER-47110-00	TRACK ASSY		1		1	
17	8DF-47419-00	BRACKET 7	2	2	2	2	
18	8DF-47419-10	BRACKET 7	2	2	2	2	
19	90105-10392	BOLT, FLANGE	2	2	2	2	
20	95817-10085	BOLT, FLANGE	2	2	2	2	
21	90201-100S0	WASHER, PLATE	8	8	8	8	
22	95607-10200	NUT, U FLANGE	4	4	4	4	
23	90387-10079	COLLAR	4	4	4	4	
24	8CR-47310-10	SUSPENSION WHEEL ASSY	4	4	4	4	
25	8CR-47341-01	SPACER	4	4	4	4	
26	8CR-47341-11	SPACER	4	4	4	4	

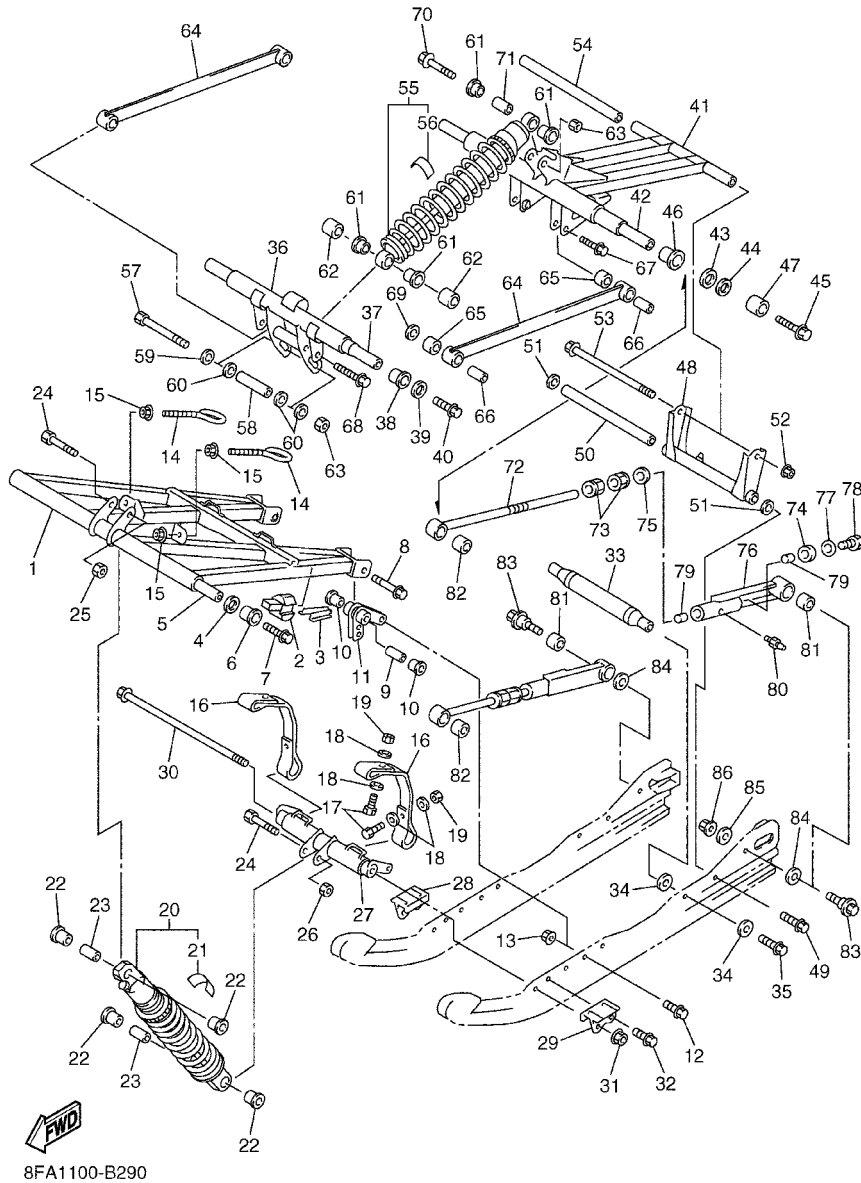


8ER1100-B270

FIG. 27 TRACK SUSPENSION 1

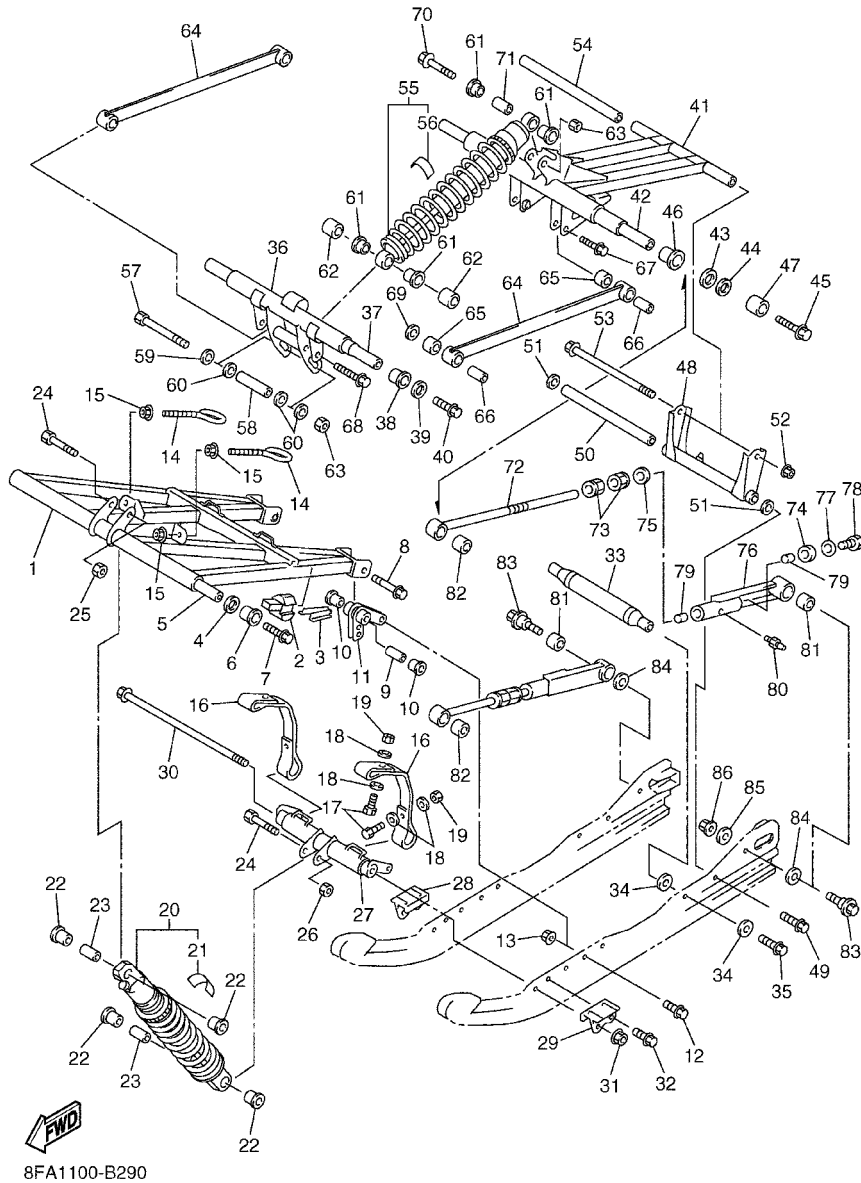
REF. NO.	PART NO.	DESCRIPTION	8ER1	8ER2	8EW1	8EW2	REMARKS
27	95607-08200	NUT, SELF-LOCKING	4	4	4	4	
28	90101-08774	BOLT	4	4	4	4	
29	8CR-47310-10	SUSPENSION WHEEL ASSY	2	2	2	2	
30	99009-25400	CIRCLIP	2	2	2	2	
31	90387-2004V	COLLAR	2	2	2	2	
32	99009-20400	CIRCLIP	2	2	2	2	
33	8H8-47320-00	SUSPENSION WHEEL COMP.	2	2	2	2	
34	93306-00444	BEARING	2	2	2	2	
35	99009-42500	CIRCLIP	2	2	2	2	
36	8CR-47550-00	GUIDE WHEEL ASSY	2	2	2	2	
37	8L8-47520-10	REAR AXLE COMP.	1	1	1	1	
38	90387-2012E	COLLAR	1	1	1	1	
39	90387-2012C	COLLAR	1	1	1	1	
40	90387-2012D	COLLAR	2	2	2	2	
41	90201-205R6	WASHER, PLATE	4	4	4	4	
42	8CR-47550-10	GUIDE WHEEL ASSY	1	1	1	1	
43	8EK-47550-20	GUIDE WHEEL ASSY	2	2			UR HTR
	8EK-47550-10	GUIDE WHEEL ASSY	2	2			UR DPBMC
	8EK-47550-10	GUIDE WHEEL ASSY			2	2	
44	95607-14200	NUT, SELF-LOCKING	1	1	1	1	
45	8DM-47479-00	COLLAR 3	2	2	2	2	
46	92907-10600	WASHER, PLATE	2	2	2	2	
47	95707-10300	NUT, FLANGE	2	2	2	2	

FIG. 28 TRACK SUSPENSION 2



REF. NO.	PART NO.	DESCRIPTION	8ER1	8ER2	8EW1	8EW2	REMARKS
1	8DF-47331-00	ARM, PIVOT 1	1	1	1	1	
2	8DF-47456-30	DAMPER 1	2	2	2	2	
3	8DF-47458-00	PLATE, DAMPER	2	2	2	2	
4	90201-210U0	WASHER, PLATE	2	2	2	2	
5	8CR-47465-00	SHAFT 1	1	1	1	1	
6	90381-19111	BUSH, SOLID	2	2	2	2	
7	90105-103A1	BOLT, FLANGE	2	2	2	2	
8	90105-10769	BOLT, FLANGE	2	2	2	2	
9	90387-1009T	COLLAR	2	2	2	2	
10	90381-15112	BUSH, SOLID	4	4	4	4	
11	8CR-47415-00	BRACKET 1	2	2	2	2	
12	95817-10025	BOLT, FLANGE	2	2	2	2	
13	95607-10200	NUT, U FLANGE	2	2	2	2	
14	8CR-47448-00	HOOK 3	2	2	2	2	
15	95707-08500	NUT, FLANGE	4	4	4	4	
16	8CR-47495-00	STOPPER 1	2	2	2	2	
17	97007-06025	BOLT	4	4	4	4	
18	90201-06747	WASHER, PLATE	8	8	8	8	
19	95707-06300	NUT, FLANGE	4	4	4	4	
20	8FA-47481-00	SHOCK ABSORBER 2	1				
	8FA-47481-10	SHOCK ABSORBER 2			1	1	
21	4AA-22259-70	.LABEL, WARNING	1		1		
	4AA-22259-40	.LABEL, WARNING			1	1	
22	90381-14101	BUSH, SOLID	4	4	4	4	
23	90387-105G5	COLLAR	2	2	2	2	
24	90101-10738	BOLT	2	2	2	2	
25	90185-10110	NUT, SELF-LOCKING	1	1	1	1	

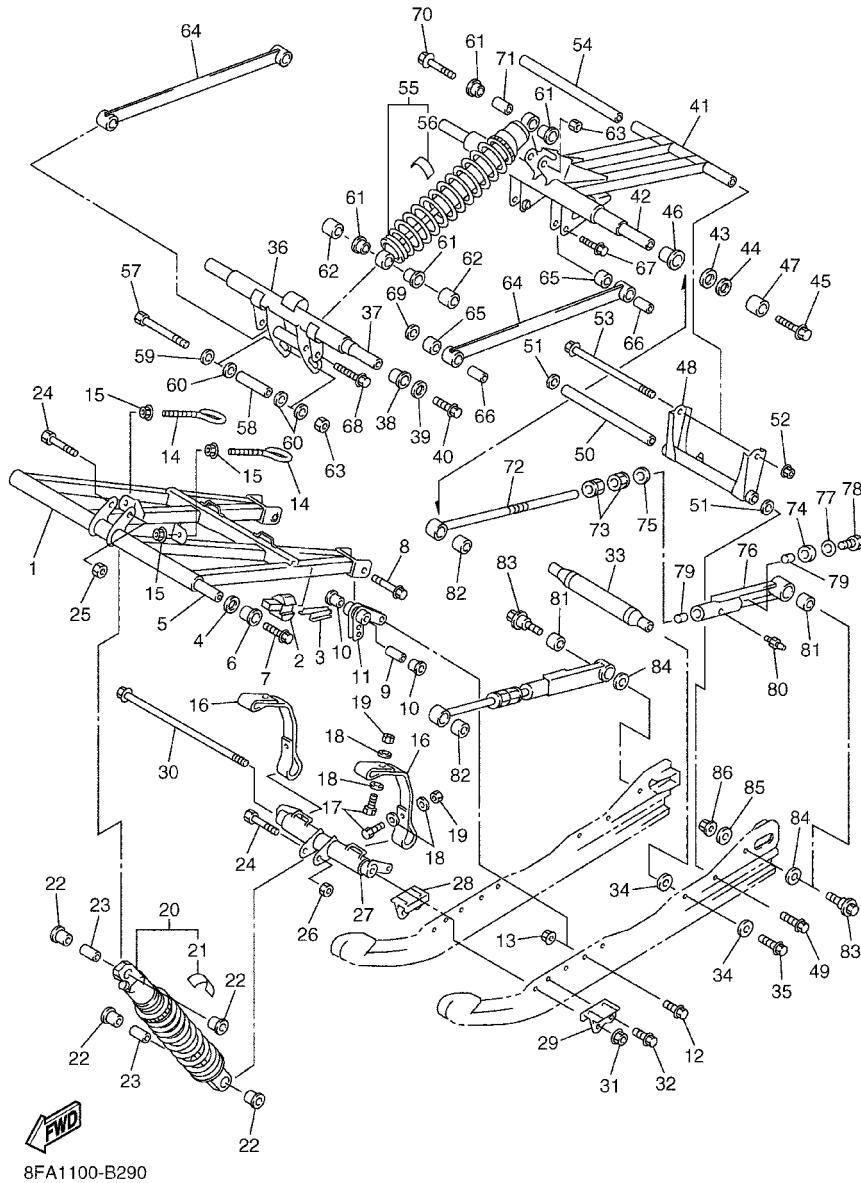
FIG. 28 TRACK SUSPENSION 2



8FA1100-B290

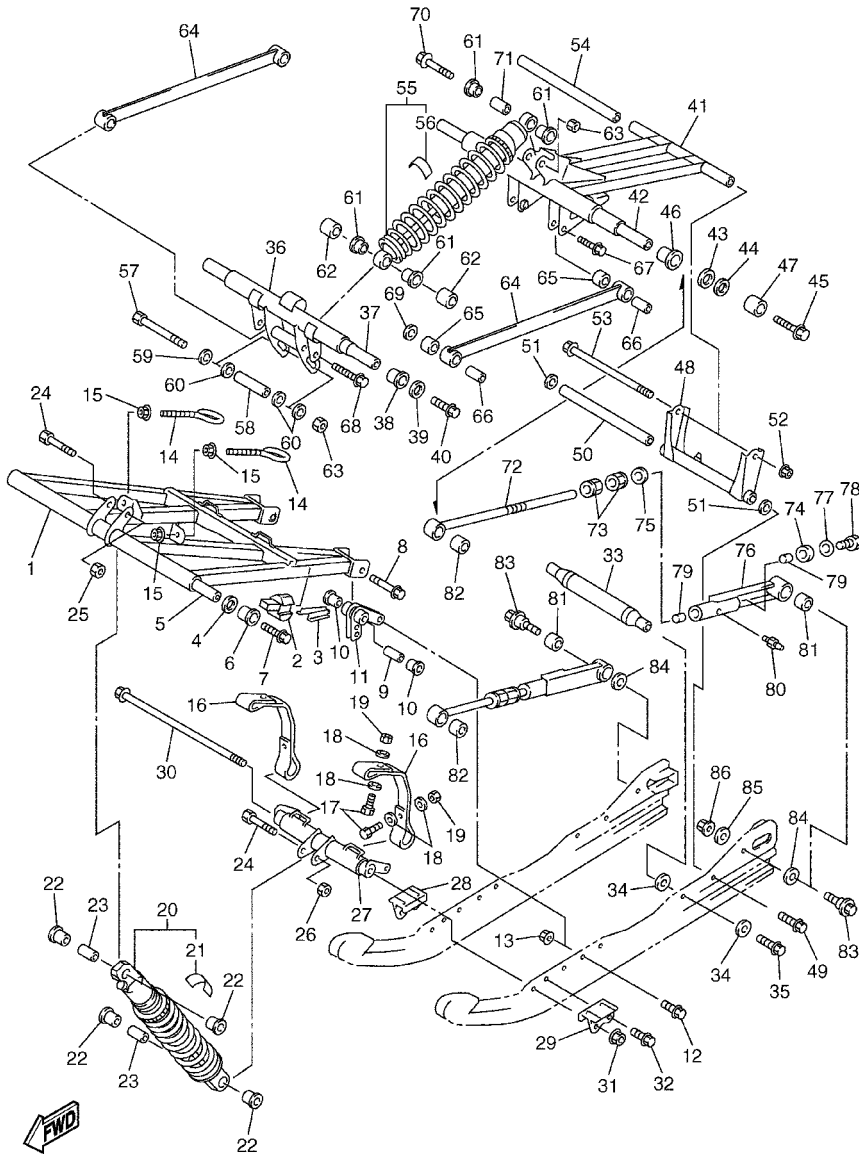
REF. NO.	PART NO.	DESCRIPTION	8ER1	8ER2	8EW1	8EW2	REMARKS
26	95607-10100	NUT, U	1	1	1	1	
27	8EA-47418-10	BRACKET 4	1	1	1	1	
28	8DF-47463-01	BRACKET 5	1	1	1	1	
29	8DF-47464-01	BRACKET 6	1	1	1	1	
30	90105-10023	BOLT, FLANGE	1	1	1	1	
31	95607-10200	NUT, U FLANGE	1	1	1	1	
32	90105-08450	BOLT, FLANGE	2	2	2	2	
33	8FA-47486-00	SHAFT 4	1	1	1	1	
34	90201-100L3	WASHER, PLATE	4	4	4	4	
35	90105-10433	BOLT, FLANGE	2	2	2	2	
36	8CR-47416-10	BRACKET 2	1	1	1	1	
37	8CR-47488-00	SHAFT 6	1	1	1	1	
38	90381-22099	BUSH, SOLID	2	2	2	2	
39	90201-207J5	WASHER, PLATE	2	2	2	2	
40	90105-103A1	BOLT, FLANGE	2	2	2	2	
41	8CR-47332-10	ARM, PIVOT 2	1	1	1	1	
42	8FA-47475-00	SHAFT 2	1	1	1	1	
43	90201-251G8	WASHER, PLATE	2	2	2	2	
44	90201-250T6	WASHER, PLATE	2	2	2	2	
45	90105-103A1	BOLT, FLANGE	2	2	2	2	
46	90381-28108	BUSH, SOLID	2	2	2	2	
47	90387-25005	COLLAR	2	2	2	2	
48	8CR-47417-01	BRACKET 3	1	1	1	1	
49	90105-10433	BOLT, FLANGE	2	2	2	2	
50	82M-47485-02	SHAFT 3	1	1	1	1	
51	90201-10136	WASHER, PLATE	2	2	2	2	
52	95607-08200	NUT, SELF-LOCKING	1	1	1	1	

FIG. 28 TRACK SUSPENSION 2



REF. NO.	PART NO.	DESCRIPTION	8ER1	8ER2	8EW1	8EW2	REMARKS
53	95827-08220	BOLT, FLANGE	1	1	1	1	
54	90387-083G6	COLLAR	1	1	1	1	
55	8FA-47480-00	SHOCK ABSORBER	1		1		
	8FA-47480-10	SHOCK ABSORBER		1		1	
56	4AA-22259-60	.LABEL, WARNING	1		1		
	4AA-22259-40	.LABEL, WARNING		1		1	
57	8AC-4631K-00	BOLT, ADJUSTING	1	1	1	1	
58	90387-1009S	COLLAR	1	1	1	1	
59	90201-103U4	WASHER, PLATE	1	1	1	1	
60	90201-100U1	WASHER, PLATE	3	3	3	3	
61	90381-14101	BUSH, SOLID	4	4	4	4	
62	90387-1404R	COLLAR	2	2	2	2	
63	95607-10100	NUT, U	2	2	2	2	
64	8CR-47494-01	ROD, RELAY	2	2	2	2	
65	90381-14109	BUSH, SOLID	4	4	4	4	
66	90387-100X3	COLLAR	4	4	4	4	
67	90105-10739	BOLT, FLANGE	2	2	2	2	
68	90105-10436	BOLT, FLANGE	2	2	2	2	
69	90201-100U1	WASHER, PLATE	2	2	2	2	
70	90101-10738	BOLT	1	1	1	1	
71	90387-105G5	COLLAR	1	1	1	1	
72	8FA-4745A-00	ROD, CONTROL 1	2	2	2	2	
73	8EK-4745C-00	ROD, CONTROL 3	4	4	4	4	
74	90202-16232	WASHER, PLATE	2	2	2	2	
75	90202-16229	WASHER, PLATE	2	2	2	2	
76	8CR-4745B-00	ROD, CONTROL 2	2	2	2	2	
77	90201-106F2	WASHER, PLATE	2	2	2	2	

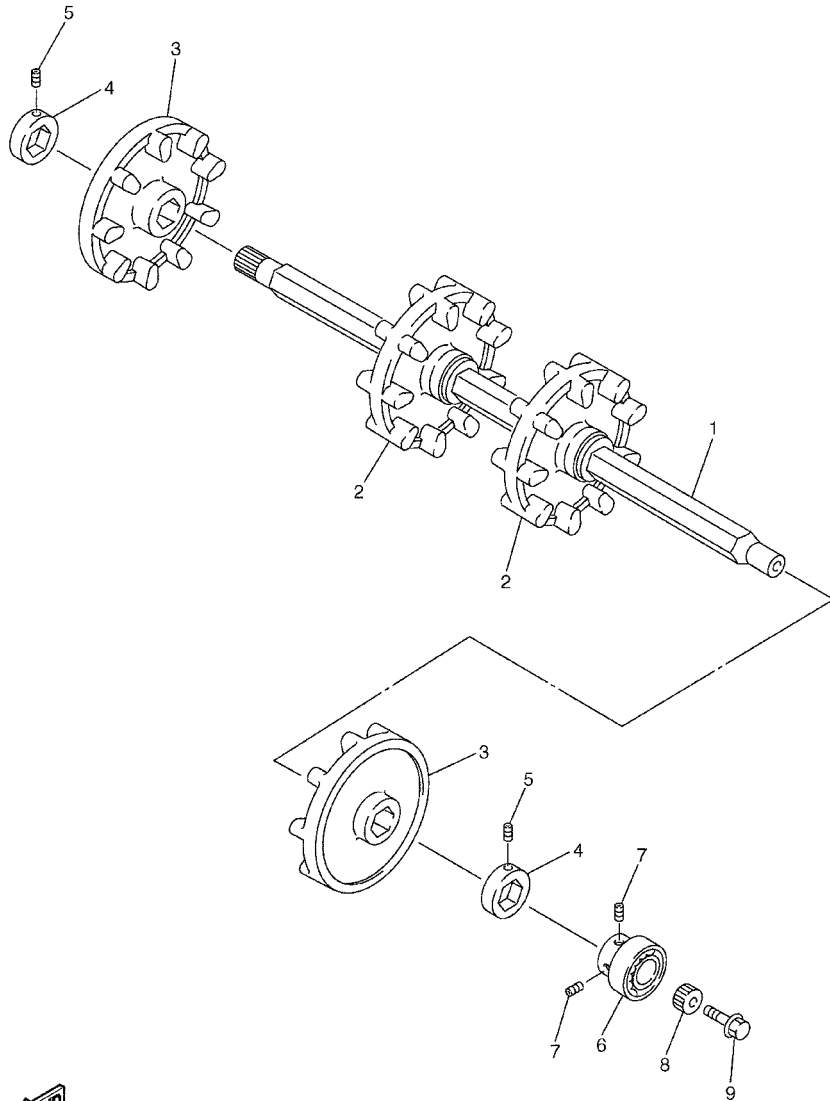
FIG. 28 TRACK SUSPENSION 2



8FA1100-B290

REF. NO.	PART NO.	DESCRIPTION	8ER1	8ER2	8EW1	8EW2	REMARKS
78	97027-10025	BOLT	2	2	2	2	
79	90384-16251	BUSH, BIMETAL FORMED	4	4	4	4	
80	93700-06004	NIPPLE, GREASE	2	2	2	2	
81	90380-22232	BUSH, SOLID	2	2	2	2	
82	90380-28235	BUSH, SOLID	2	2	2	2	
83	8DF-47367-00	SCREW, REAR PIVOT	2	2	2	2	
84	90201-100S2	WASHER, PLATE	2	2	2	2	
85	90201-101U2	WASHER, PLATE	2	2	2	2	
86	95607-10200	NUT, U FLANGE	2	2	2	2	

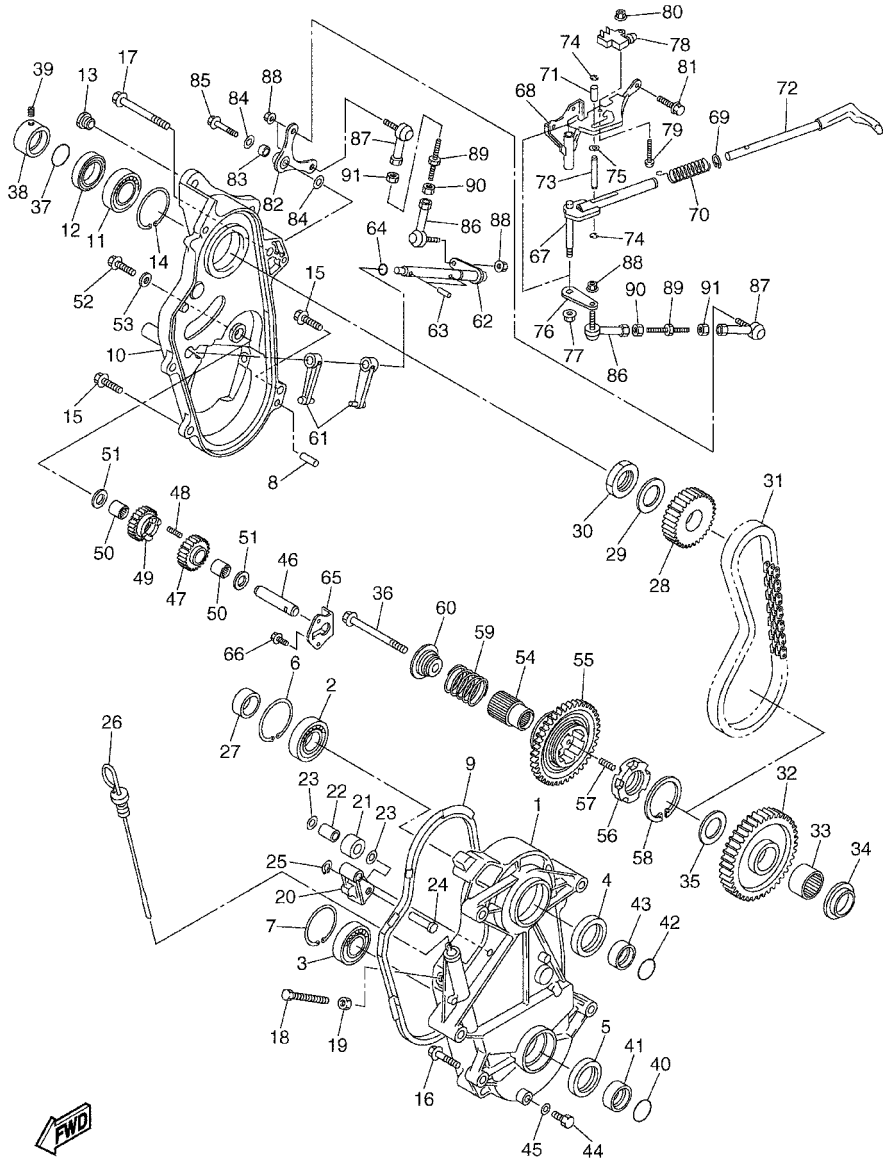
FIG. 29 TRACK DRIVE 1



REF. NO.	PART NO.	DESCRIPTION	8ER1	8ER2	8EW1	8EW2	REMARKS
1	8FA-47511-00	AXLE, FRONT	1	1	1	1	
2	8BW-47531-00	WHEEL, SPROCKET 1	2	2	2	2	
3	8BW-47532-10	WHEEL, SPROCKET 2	2	2	2	2	
4	8BW-47526-00	COLLAR	2	2	2	2	
5	90113-06039	BOLT, SET	2	2	2	2	
6	93306-20589	BEARING	1	1	1	1	
7	90113-06064	BOLT, SET	2	2	2	2	
8	8EK-47715-00	JOINT	1	1	1	1	
9	95827-10025	BOLT, FLANGE	1	1	1	1	

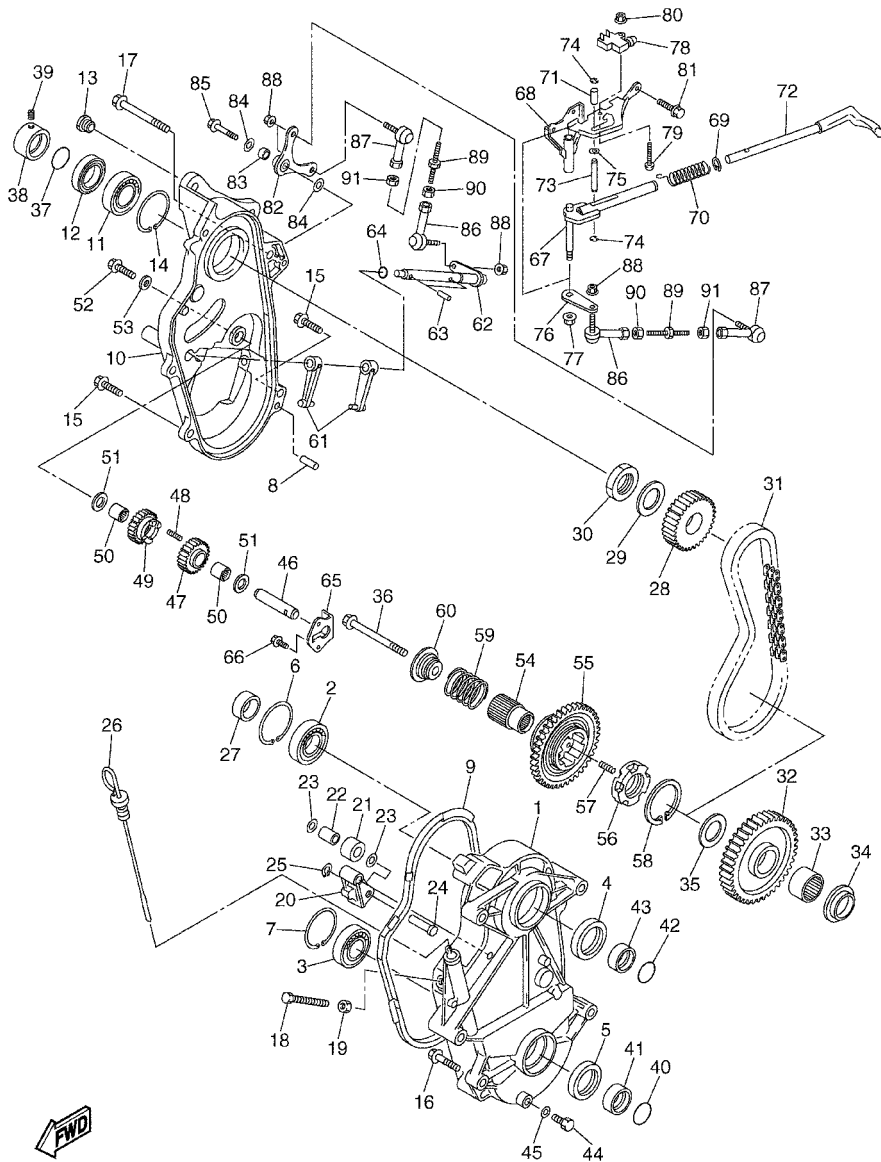

8ER1100-B290

FIG. 30 TRACK DRIVE 2



8ER1100-B300

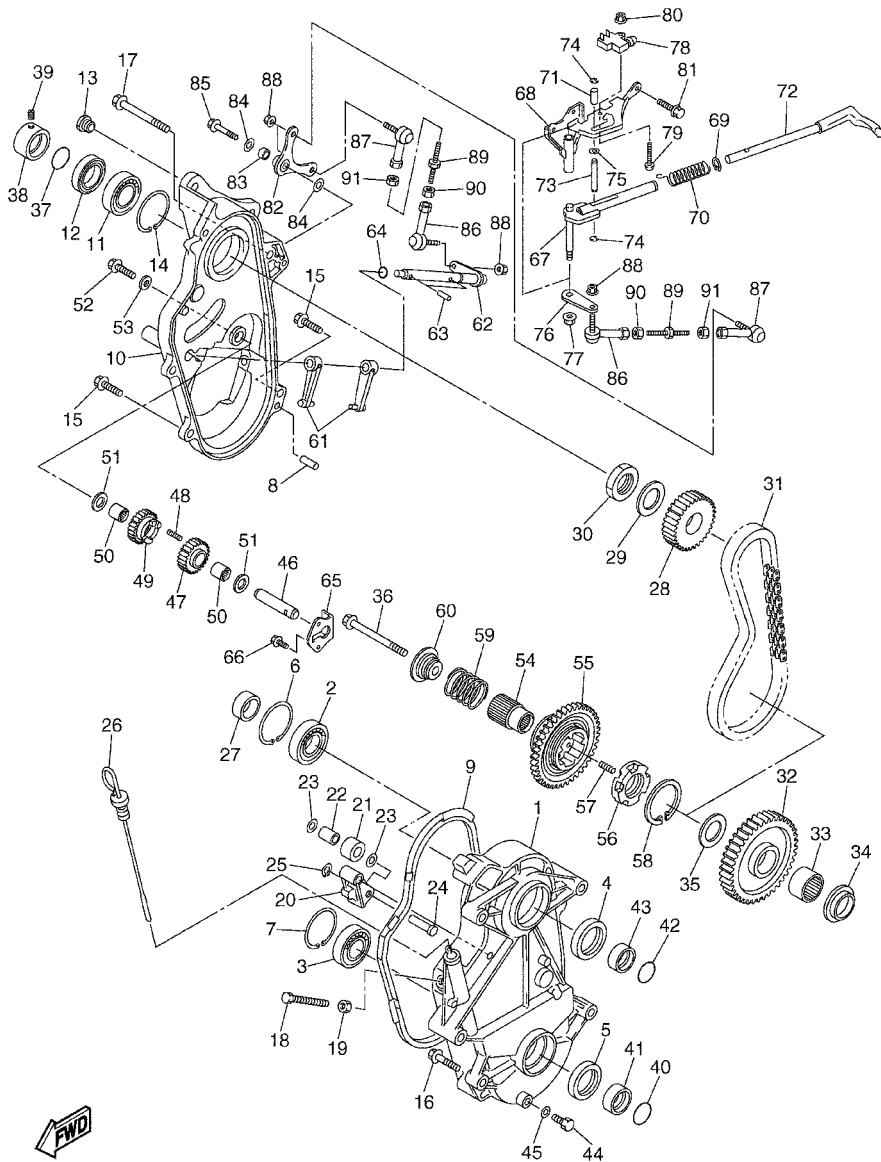
REF. NO.	PART NO.	DESCRIPTION	8ER1	8ER2	8EW1	8EW2	REMARKS
1	8FA-47541-00	HOUSING, CHAIN	1	1	1	1	
2	93306-20601	BEARING (B6206C3)	1	1	1	1	
3	93306-20592	BEARING	1	1	1	1	
4	93102-40367	OIL SEAL	1	1	1	1	
5	93102-35318	OIL SEAL	1	1	1	1	
6	99009-62500	CIRCLIP	1	1	1	1	
7	99009-52500	CIRCLIP	1	1	1	1	
8	93606-20044	PIN, DOWEL	2	2	2	2	
9	8FA-47558-00	RING, HOUSING	1	1	1	1	
10	8ER-47543-00	CAP, HOUSING	1	1	1	1	
11	93306-20511	BEARING	1	1	1	1	
12	93102-35473	OIL SEAL	1	1	1	1	
13	90179-10679	NUT	2	2	2	2	
14	99009-52500	CIRCLIP	1	1	1	1	
15	95827-08030	BOLT, FLANGE	3	3	3	3	
16	95827-10045	BOLT, FLANGE	3	3	3	3	
17	95827-10090	BOLT, FLANGE	2	2	2	2	
18	90101-10357	BOLT	1	1	1	1	
19	95307-10600	NUT	1	1	1	1	
20	8FA-47613-00	HOLDER	1	1	1	1	
21	8FA-47612-00	WHEEL	1	1	1	1	
22	93310-212R6	BEARING	1	1	1	1	
23	90201-127E1	WASHER, PLATE	2	2	2	2	
24	90249-12003	PIN	1	1	1	1	
25	99009-12400	CIRCLIP	1	1	1	1	
26	8FA-47546-00	LEVEL, OIL	1	1	1	1	
27	90387-30005	COLLAR	1	1	1	1	



8ER1100-B300

FIG. 30 TRACK DRIVE 2

REF. NO.	PART NO.	DESCRIPTION	8ER1	8ER2	8EW1	8EW2	REMARKS
28	8FA-17682-40	SPROCKET, CHAIN DRIVE	1	1	1	1	
29	90201-284P7	WASHER, PLATE	1	1	1	1	
30	90170-28009	NUT	1	1	1	1	
31	94890-09070	CHAIN (70L)	1	1	1	1	
32	8FB-47587-80	SPROCKET, CHAIN DRIVEN (38T)	1	1	1	1	
33	93317-33179	BEARING	1	1	1	1	
34	90387-2008G	COLLAR	1	1	1	1	
35	90201-320S3	WASHER, PLATE	1	1	1	1	
36	90105-10068	BOLT, FLANGE	1	1	1	1	
37	93210-25071	O-RING	1	1	1	1	
38	90387-25006	COLLAR	1	1	1	1	
39	90113-06064	BOLT, SET	1	1	1	1	
40	93210-25071	O-RING	1	1	1	1	
41	90387-2508C	COLLAR	1	1	1	1	
42	93210-29282	O-RING	1	1	1	1	
43	90387-30004	COLLAR	1	1	1	1	
44	97007-08014	BOLT	1	1	1	1	
45	90210-08017	WASHER, SEAL	1	1	1	1	
46	8CW-1761A-00	SHAFT, 1	1	1	1	1	
47	8FB-17692-00	SPROCKET, DRIVE	1	1	1	1	
48	90501-06022	SPRING, COMPRESSION	1	1	1	1	
49	8CW-17143-00	GEAR, REVERSE PINION 1	1	1	1	1	
50	93317-21578	BEARING	2	2	2	2	
51	90201-16245	WASHER, PLATE	2	2	2	2	
52	90105-060A6	BOLT, FLANGE	1	1	1	1	
53	90210-06006	WASHER, SEAL	1	1	1	1	
54	8CW-47571-00	JOURNAL 1	1	1	1	1	

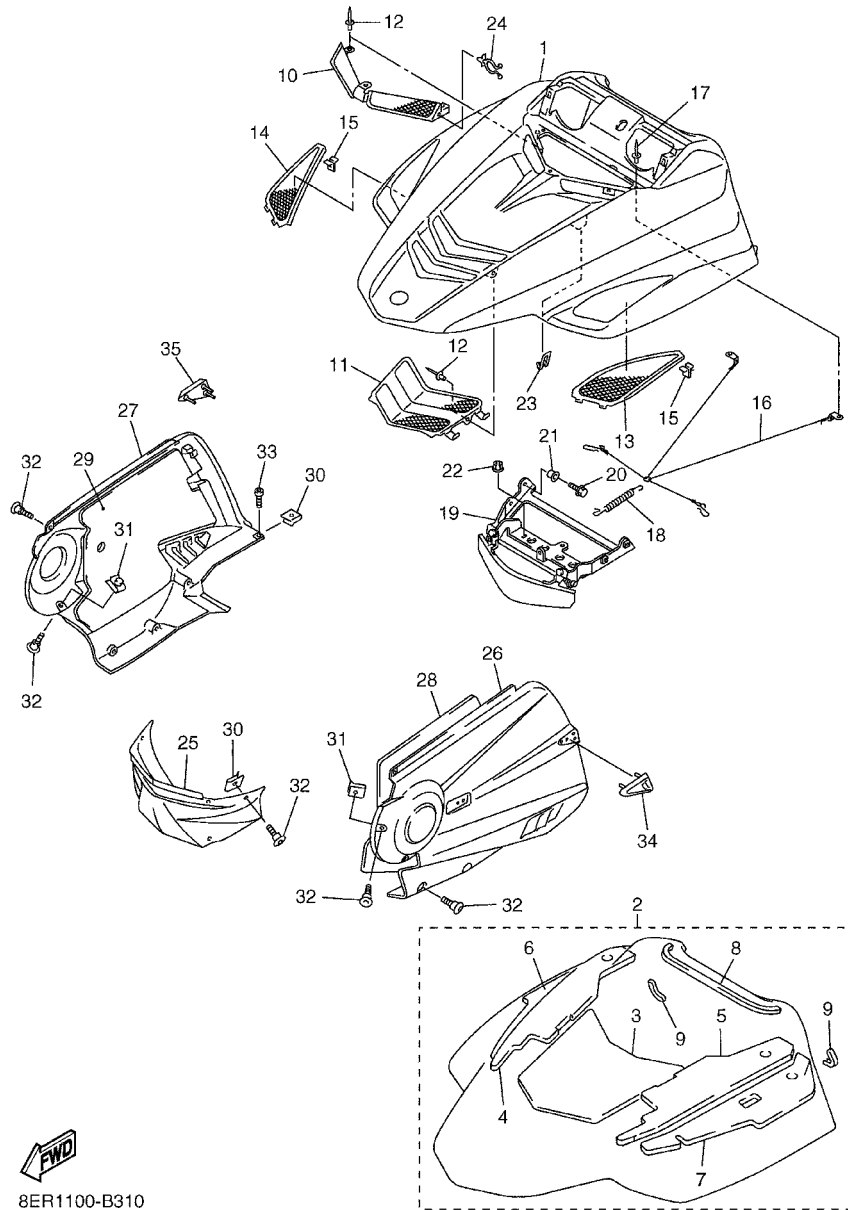


8ER1100-B300

FIG. 30 TRACK DRIVE 2

REF. NO.	PART NO.	DESCRIPTION	8ER1	8ER2	8EW1	8EW2	REMARKS
55	8CW-17243-00	GEAR, REVERSE WHEEL 1	1	1	1	1	
56	8CW-17492-00	DOG, TRANSMISSION SHIFT	1	1	1	1	
57	90501-066J5	SPRING, COMPRESSION	5	5	5	5	
58	93440-39175	CIRCLIP	1	1	1	1	
59	90501-260A0	SPRING, COMPRESSION	1	1	1	1	
60	8CW-47564-00	COLLAR	1	1	1	1	
61	8CW-18511-00	FORK, SHIFT 1	2	2	2	2	
62	8ER-18197-00	SHAFT	1	1	1	1	
63	91609-50022	PIN, SPRING	2	2	2	2	
64	93210-12131	O-RING	1	1	1	1	
65	8CW-47591-00	PLATE	1	1	1	1	
66	90105-060A6	BOLT, FLANGE	2	2	2	2	
67	8ER-18112-00	ARM, SHIFT	1	1	1	1	
68	8ER-18161-00	GUIDE, PLATE STOPPER	1	1	1	1	
69	99009-18400	CIRCLIP	1	1	1	1	
70	90501-130A0	SPRING, COMPRESSION	1	1	1	1	
71	90387-06059	COLLAR	1	1	1	1	
72	8ER-18174-00	KNOB, SHIFT LEVER	1	1	1	1	
73	90249-06002	PIN	1	1	1	1	
74	93410-06053	CIRCLIP	2	2	2	2	
75	90201-067F9	WASHER, PLATE	1	1	1	1	
76	8ER-1811A-00	PLATE, SHIFT ARM	1	1	1	1	
77	95607-08200	NUT, SELF-LOCKING	1	1	1	1	
78	J51-82817-00	SWITCH	1	1	1	1	
79	98907-04020	SCREW, BIND	1	1	1	1	
80	95607-04100	NUT, U	1	1	1	1	
81	95827-08020	BOLT, FLANGE	3	3	3	3	

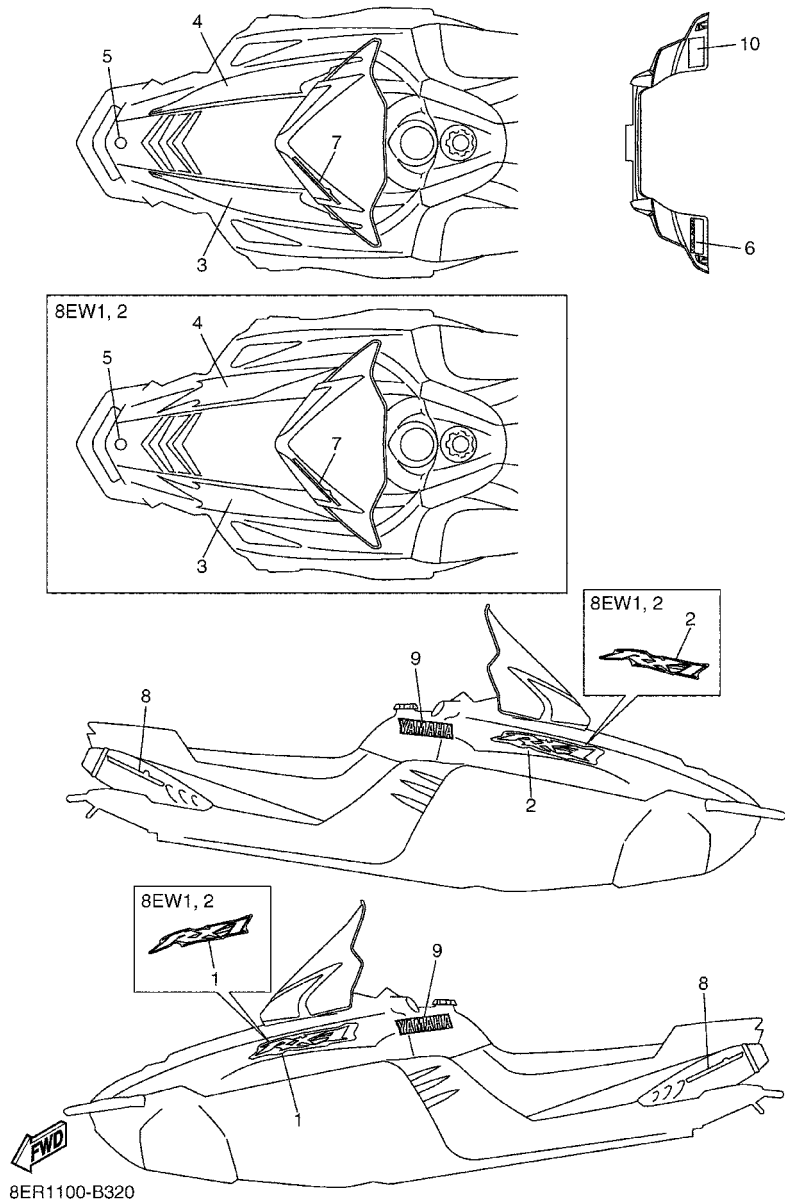
FIG. 31 SHROUD



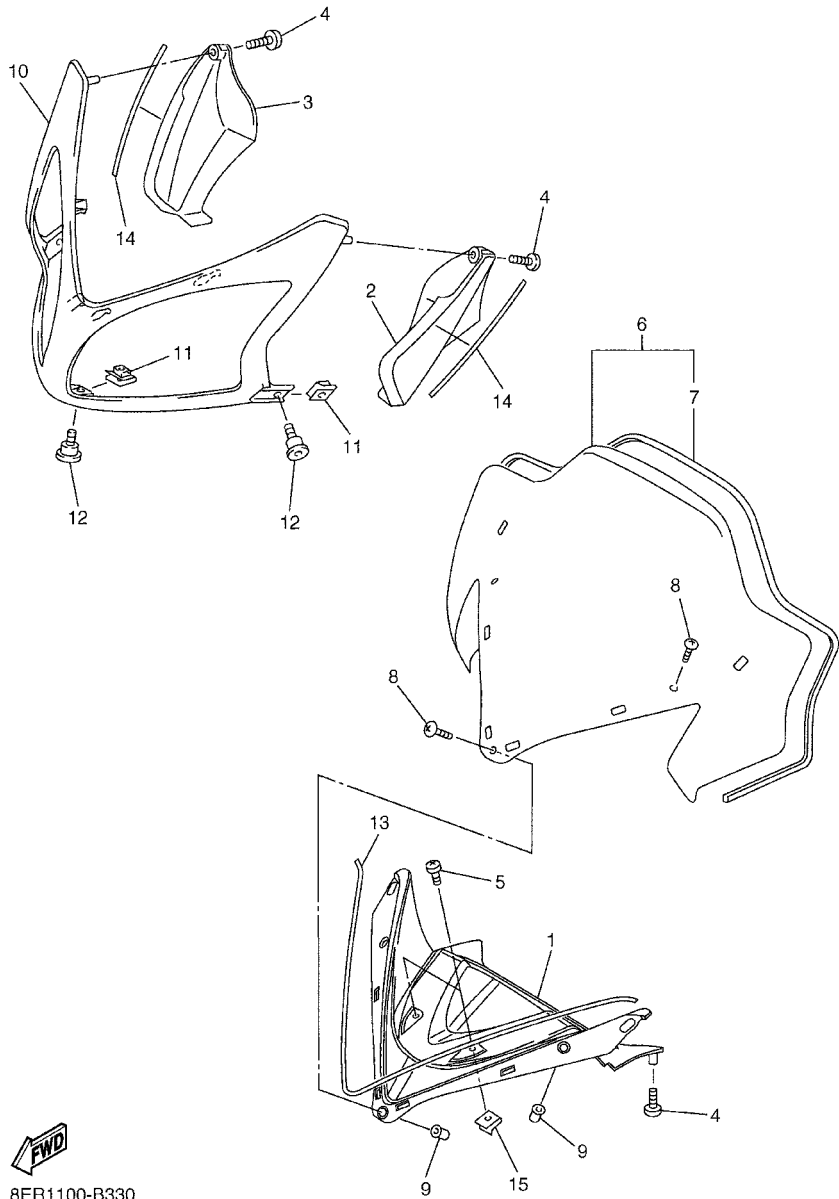
8ER1100-B310

REF. NO.	PART NO.	DESCRIPTION	8ER1	8ER2	8EW1	8EW2	REMARKS
1	8FA-77111-00-EY	SHROUD	1	1			UR HTR
	8FA-77111-00-P1	SHROUD	1	1			UR DPBMC
	8FA-77111-00-P2	SHROUD			1	1	S3
2	8FA-W7726-00	LINING SET	1	1	1	1	
3	8FA-77271-00	.DAMPER, NOISE 11	1	1	1	1	
4	8FA-77272-00	.DAMPER, NOISE 12	1	1	1	1	
5	8FA-77273-00	.DAMPER, NOISE 13	1	1	1	1	
6	8FA-77274-00	.DAMPER, NOISE 14	1	1	1	1	
7	8FA-77275-00	.DAMPER, NOISE 15	1	1	1	1	
8	8FA-77165-00	.TRIM 1	1	1	1	1	
9	8FA-77167-00	.TRIM 3	2	2	2	2	
10	8FA-77133-00	LOUVER 3	1	1	1	1	
11	8FA-77134-00	LOUVER 4	1	1	1	1	
12	90269-06062	RIVET	4	4	4	4	
13	8FA-77109-00	LOUVER 5	1	1	1	1	
14	8FA-77108-00	LOUVER 6	1	1	1	1	
15	90468-06001	CLIP	2	2	2	2	
16	8FA-77118-00	STOPPER, SHROUD	1	1	1	1	
17	90267-48018	RIVET, BLIND	2	2	2	2	
18	89A-77159-00	CLAMP, ROD	1	1	1	1	
19	8FA-77140-00	HINGE ASSY	1	1	1	1	
20	95807-06016	BOLT, FLANGE	4	4	4	4	
21	90387-06681	COLLAR	4	4	4	4	
22	95607-06200	NUT, SELF U-FLANGE	2	2	2	2	
23	8FA-77135-00	CLAMP 1	1	1	1	1	
24	90464-15M27	CLAMP	1	1	1	1	
25	8FA-21912-00	PANEL, SUB FRAME 1	1	1	1	1	

FIG. 32 EMBLEM



REF. NO.	PART NO.	DESCRIPTION	8ER1	8ER2	8EW1	8EW2	REMARKS
1	8FA-77141-20	EMBLEM 1	1	1			UR FOR HTR
	8FA-77141-10	EMBLEM 1	1	1			UR FOR DPBMC
	8EU-7715A-00	EMBLEM 3D			1	1	
2	8FA-77142-20	EMBLEM 2	1	1			UR FOR HTR
	8FA-77142-10	EMBLEM 2	1	1			UR FOR DPBMC
	8EU-7715A-00	EMBLEM 3D			1	1	
3	8ER-7711A-00	GRAPHIC 1	1	1			UR FOR HTR
	8FA-7711A-00	GRAPHIC 1	1	1			UR FOR DPBMC
	8EU-7711A-00	GRAPHIC 1			1	1	
4	8FA-7711B-00	GRAPHIC 2	1	1			UR FOR HTR
	8ER-7711B-00	GRAPHIC 2	1	1			UR FOR DPBMC
	8EU-7711B-00	GRAPHIC 2			1	1	
5	8AC-2414B-01	EMBLEM	1	1	1	1	
	8DM-77761-S0	LABEL, WARNING 1			1	1	
6	8FB-77761-E0	LABEL, WARNING 1	1		1		
	8DM-77761-S0	LABEL, WARNING 1			1	1	
7	8FA-77351-00	EMBLEM 1	1	1			
	8FA-77351-10	EMBLEM 1			1	1	
8	8FA-77351-00	EMBLEM 1	2	2	2	2	
	8FA-2153A-10	EMBLEM, YAMAHA	2	2			UR FOR HTR
9	8FA-2153A-00	EMBLEM, YAMAHA	2	2			UR FOR DPBMC
	8EU-2157B-00	EMBLEM			2	2	
10	8ER-77763-E0	LABEL, WARNING 3	1		1		
	8ER-77763-S0	LABEL, WARNING 3			1	1	

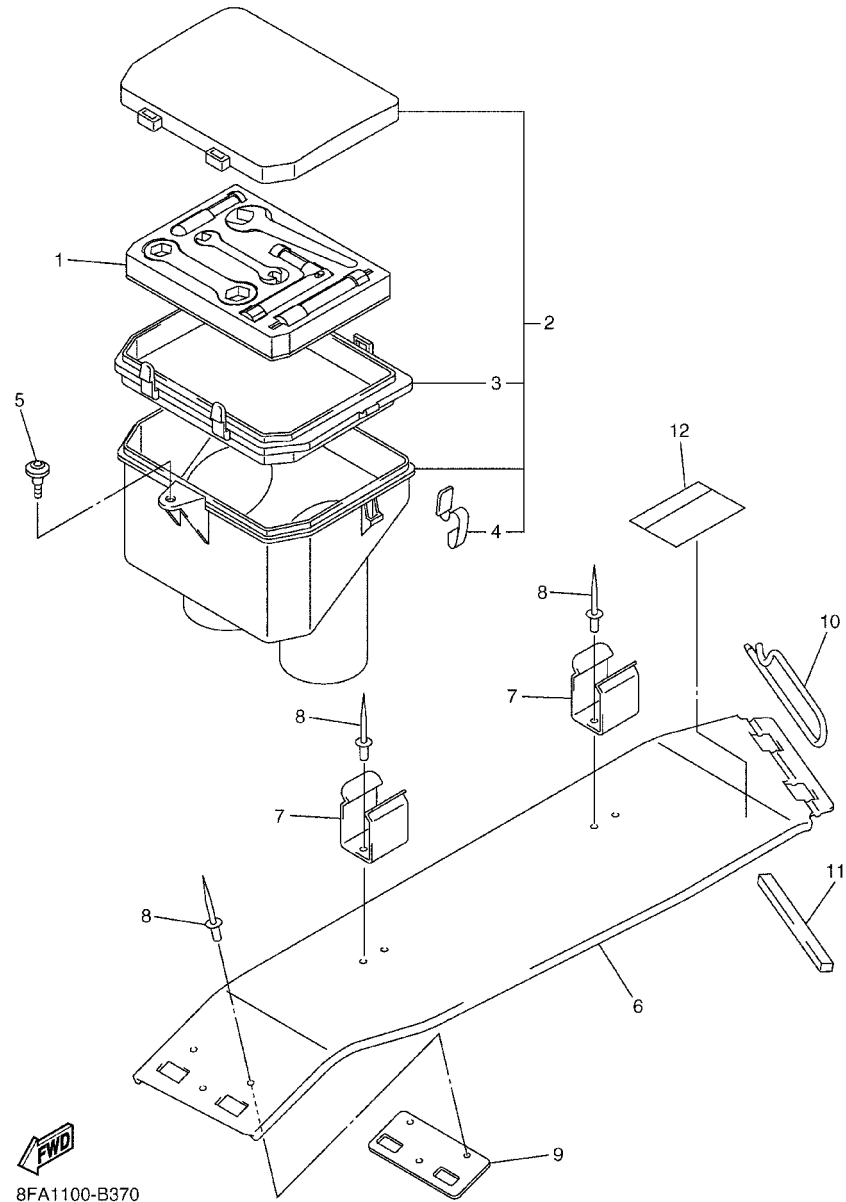


8ER1100-B330

FIG. 33 WINDSHIELD

REF. NO.	PART NO.	DESCRIPTION	8ER1	8ER2	8EW1	8EW2	REMARKS
1	8FA-77251-00	COVER, HEADLIGHT	1	1	1	1	
2	8FA-77185-00	PLATE 1	1	1	1	1	
3	8FA-77186-00	PLATE 2	1	1	1	1	
4	97707-50016	SCREW, TAPPING	4	4	4	4	
5	98907-06014	SCREW, BIND	2	2	2	2	
6	8FA-K7210-00	WINDSHIELD COMP.	1		1		
	8FA-77210-00	WINDSHIELD COMP.		1		1	
7	8FA-K7213-00	.TRIM, UPPER	1		1		
	8FA-77213-00	.TRIM, UPPER		1		1	
8	90150-05024	SCREW, ROUND HEAD	3	3	3	3	
9	90179-05523	NUT	3	3	3	3	
10	8FA-77231-00	FAIRING	1	1			
	8FA-77231-10	FAIRING			1	1	
11	90183-06053	NUT, SPRING	3	3	3	3	
12	90149-06263	SCREW	3	3	3	3	
13	8FA-77214-00	TRIM, LOWER	1	1	1	1	
14	8FA-77215-00	TRIM 3	2	2	2	2	
15	90183-06053	NUT, SPRING	2	2	2	2	

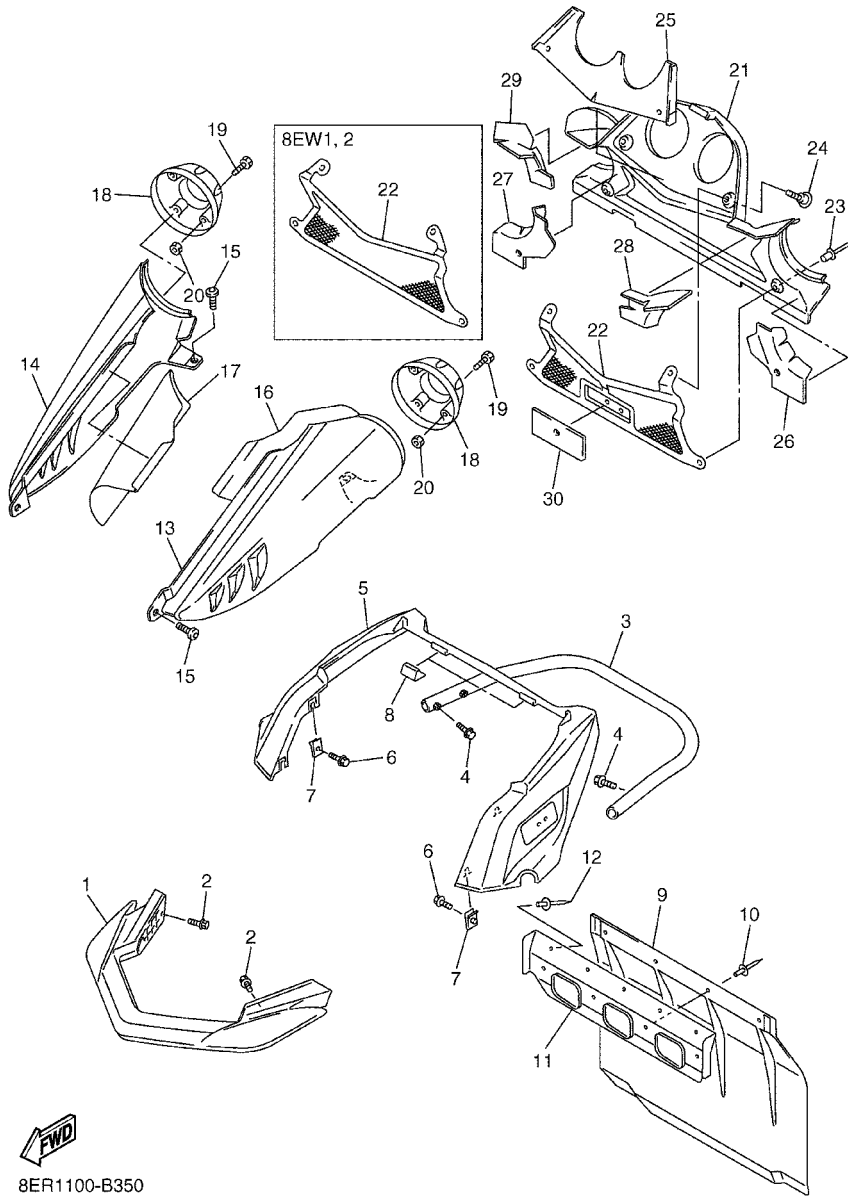
FIG. 34 GUARD, LUGGAGE BOX



8FA1100-B370

REF. NO.	PART NO.	DESCRIPTION	8ER1	8ER2	8EW1	8EW2	REMARKS
1	8FA-28100-00	TOOL KIT	1	1	1	1	
2	8FA-77390-00	LUGGAGE BOX ASSY	1	1	1	1	
3	8FA-77381-00	BOX, TOOL	1	1	1	1	
4	8FA-2814E-00	HOOK	2	2	2	2	
5	90149-06263	SCREW	3	3	3	3	
6	8FA-77311-00	GUARD, DRIVE	1	1	1	1	
7	8CR-77338-00	STAY, BELT	2	2	2	2	
8	90267-48010	RIVET, BLIND	7	7	7	7	
9	8FA-77373-00	PROTECTOR	1	1	1	1	
10	8CR-77384-00	PIN	1	1	1	1	
11	8CR-77319-00	DAMPER 1	1	1	1	1	
12	8BD-77762-00	LABEL, WARNING 2	1		1		
	86D-77762-00	LABEL, WARNING 2		1		1	

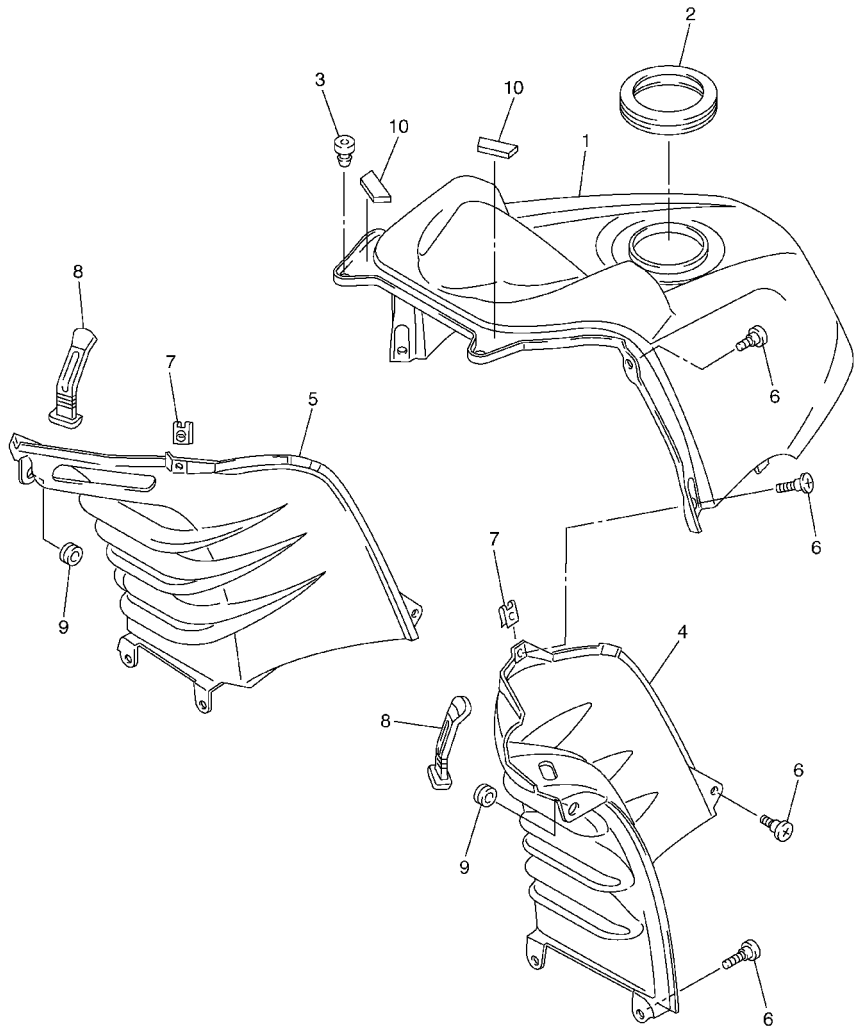
FIG. 35 BUMPER



FWD
8ER1100-B350

REF. NO.	PART NO.	DESCRIPTION	8ER1	8ER2	8EW1	8EW2	REMARKS
1	8FA-77511-00	BUMPER, FRONT 1	1	1	1	1	
2	95807-08016	BOLT, FLANGE	4	4	4	4	
3	8FA-77541-00	BUMPER, REAR 1	1	1	1	1	
4	95827-08020	BOLT, FLANGE	4	4	4	4	
5	8FA-77542-00	BUMPER, REAR 2	1	1	1	1	
6	95807-06016	BOLT, FLANGE	4	4	4	4	
7	90183-06053	NUT, SPRING	4	4	4	4	
8	8FA-7717H-00	TAPE 4	2	2	2	2	
9	8ED-K7595-00	FLAP	1		1		
	8ED-77595-00	FLAP			1	1	
10	90267-47187	RIVET, BLIND	4	4	4	4	
11	8FA-77596-00	STOPPER, FLAP	1	1	1	1	
12	90267-48095	RIVET, BLIND	8	8	8	8	
13	8FA-77551-00	PROTECTOR 1	1	1			
	8FA-77551-10	PROTECTOR 1			1	1	
14	8FA-77552-00	PROTECTOR 2	1	1			
	8FA-77552-10	PROTECTOR 2			1	1	
15	90149-06263	SCREW	4	4	4	4	
16	8FA-77261-00	LINING, SHROUD 1	1	1	1	1	
17	8FA-77262-00	LINING, SHROUD 2	1	1	1	1	
18	8FA-77517-00	CAP	2	2	2	2	
19	91314-06014	BOLT	10	10	10	10	
20	95307-06600	NUT	4	4	4	4	
21	8FA-84516-00	COVER, TAILLIGHT	1	1	1	1	
22	8FA-77553-00	PROTECTOR 3	1	1			
	8EU-77553-00	PROTECTOR 3			1	1	
23	90267-47187	RIVET, BLIND	2	2	2	2	

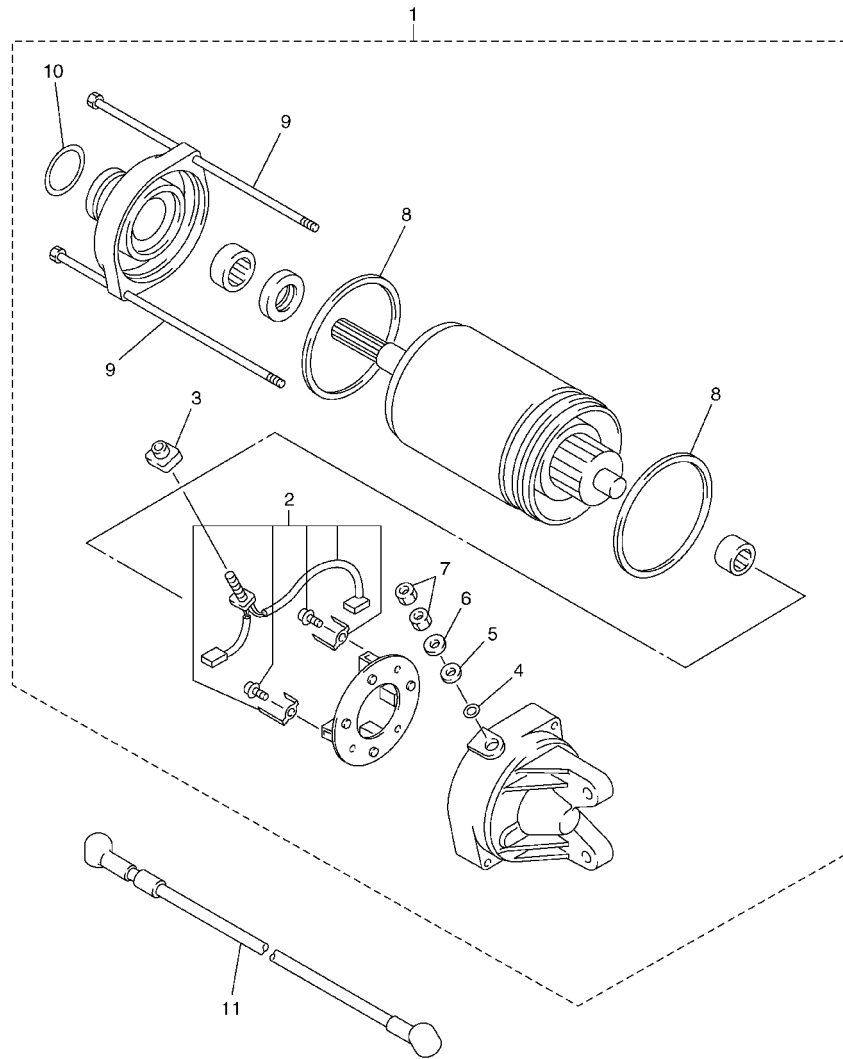
FIG. 36 INSTRUMENT PANEL



REF. NO.	PART NO.	DESCRIPTION	8ER1	8ER2	8EW1	8EW2	REMARKS
1	8FA-77711-00-EY	PANEL, INSTRUMENT	1	1			UR HTR
	8FA-77711-00-P1	PANEL, INSTRUMENT	1	1			UR DPBMC
	8FA-77711-00-P2	PANEL, INSTRUMENT			1	1	S3
2	8FA-77746-00	GROMMET	1	1	1	1	
3	4N0-27114-00	STOPPER, MAIN STAND	2	2	2	2	
4	8FA-77131-00	LOUVER 1	1	1	1	1	
5	8FA-77132-00	LOUVER 2	1	1	1	1	
6	90149-06263	SCREW	10	10	10	10	
7	90183-06100	NUT, SPRING	2	2	2	2	
8	8FA-77171-00	BODY, LATCH 1	2	2	2	2	
9	90480-16278	GROMMET	2	2	2	2	
10	8FA-77737-00	TRIM, INSTRUMENT PANEL 1	2	2	2	2	


8FA1100-B390

FIG. 38 STARTING MOTOR



REF. NO.	PART NO.	DESCRIPTION	8ER1	8ER2	8EW1	8EW2	REMARKS
1	8FA-81890-00	MOTOR ASSY	1	1	1	1	
2	5PX-81801-00	.BRUSH SET	1	1	1	1	
3	5PX-8182G-00	.BUSH, TERMINAL	1	1	1	1	
4	93210-06001	.O-RING	1	1	1	1	
5	8FA-8181L-00	.WASHER, PLAIN	1	1	1	1	
6	90201-06726	.WASHER, PLATE	1	1	1	1	
7	95304-06700	.NUT	2	2	2	2	
8	5PX-81861-00	.GASKET	2	2	2	2	
9	8FA-81846-00	.SCREW	2	2	2	2	
10	93210-24235	.O-RING	1	1	1	1	
11	8FA-8183G-00	CORD COMP.	1	1	1	1	


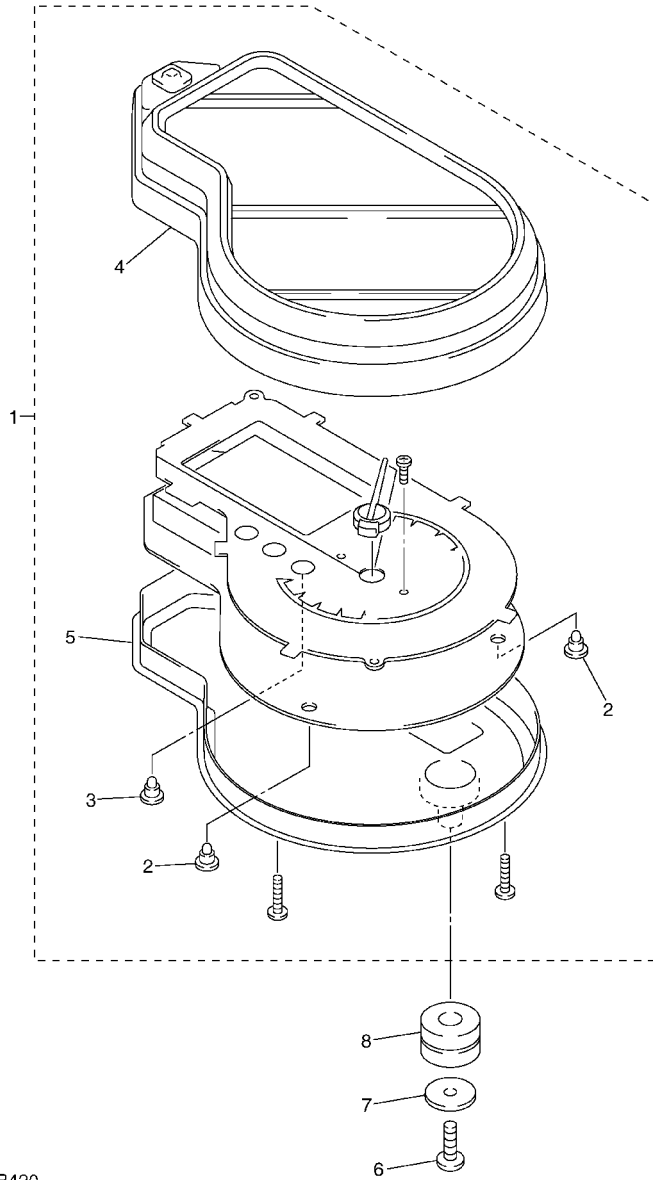

8FA1100-B410

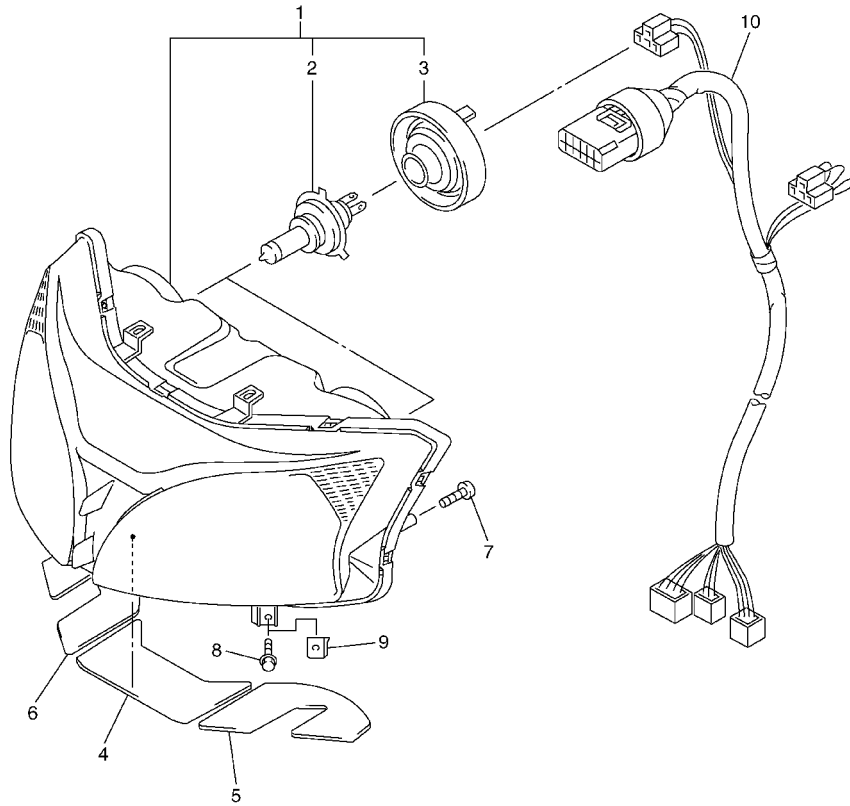
FIG. 39 METER



8FA1100-B420

REF. NO.	PART NO.	DESCRIPTION	8ER1	8ER2	8EW1	8EW2	REMARKS
1	8FA-83500-00	SPEEDOMETER ASSY	1		1		MPH
	8FA-83500-10	SPEEDOMETER ASSY	1	1	1	1	KM/H
2	4WM-83517-00	.BULB (T3 12V-40MA)	6	6	6	6	
3	4WM-83517-10	.BULB (T3.4 14V-0.8A)	3	3	3	3	
4	8EK-8353E-00	.CASE, METER UPPER	1	1	1	1	
5	8EK-83572-00	.CASE, SPEEDOMETER LOWER	1	1	1	1	
6	97707-50016	SCREW, TAPPING	3	3	3	3	
7	90201-05725	WASHER, PLATE	3	3	3	3	
8	4XV-83513-00	DAMPER	3	3	3	3	

FIG. 40 HEADLIGHT

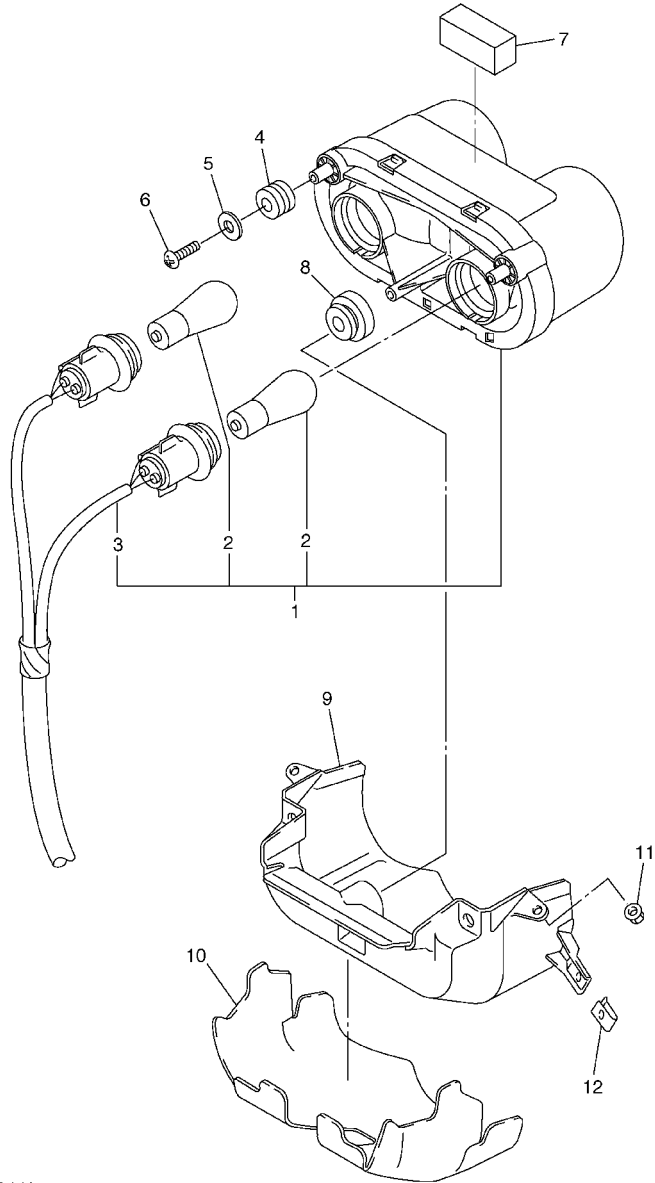


REF. NO.	PART NO.	DESCRIPTION	8ER1	8ER2	8EW1	8EW2	REMARKS
1	8FA-84310-00	HEADLIGHT UNIT ASSY	1	1	1	1	
2	8G9-84314-00	.BULB (12V-60/55W)	2	2	2	2	(H4)HALOGEN
3	8EK-84397-00	.COVER, SOCKET	2	2	2	2	
4	8EK-8399N-00	INSULATOR 1	1	1	1	1	
5	8EK-8368L-00	INSULATOR 2	1	1	1	1	
6	8EK-8368M-00	INSULATOR 3	1	1	1	1	
7	97707-50016	SCREW, TAPPING	2	2	2	2	
8	95807-06016	BOLT, FLANGE	2	2	2	2	
9	90183-06100	NUT, SPRING	2	2	2	2	
10	8FA-84359-00	CORD, HEADLIGHT	1	1	1	1	



8FA1100-B430

FIG. 41 TAILLIGHT

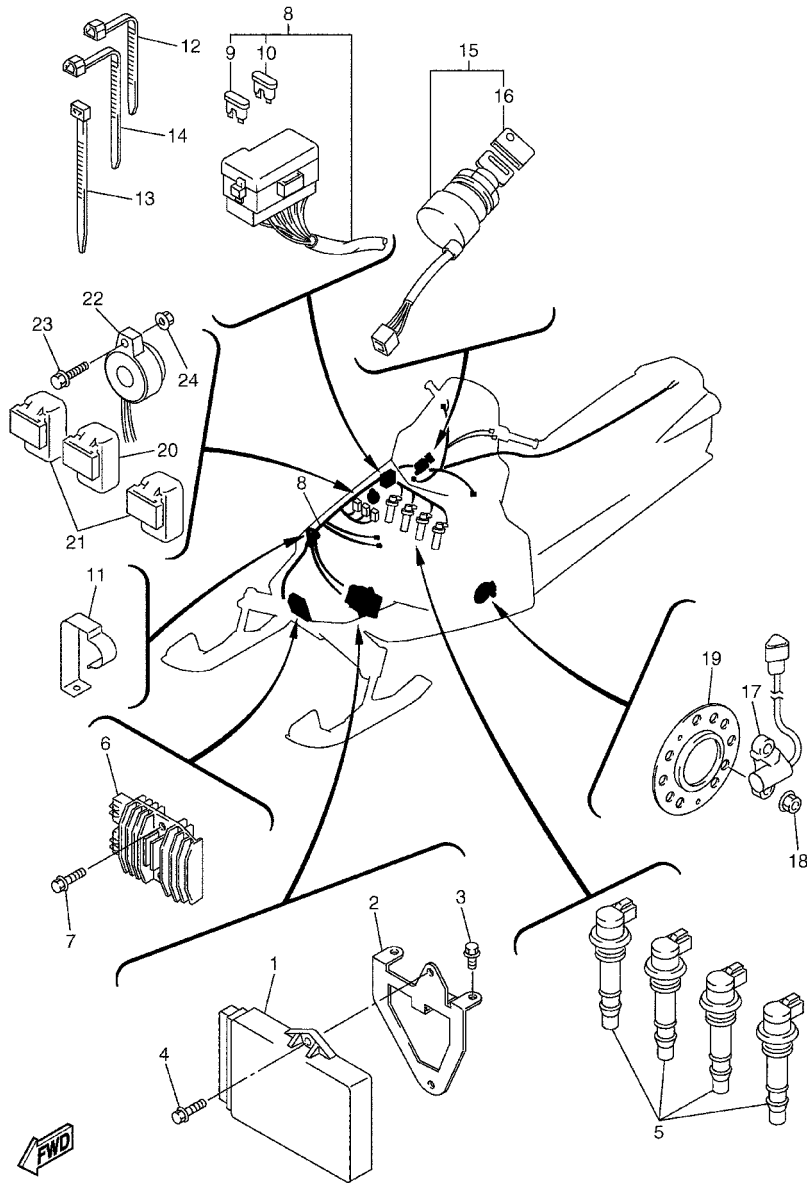


REF. NO.	PART NO.	DESCRIPTION	8ER1	8ER2	8EW1	8EW2	REMARKS
1	5JJ-84710-11	TAILLIGHT UNIT ASSY	1	1	1	1	
2	1A2-84714-41	.BULB (12V-21/5W)	2	2	2	2	
3	5JJ-84735-00	.CORD ASSY	1	1	1	1	
4	4XV-83513-00	DAMPER	2	2	2	2	
5	97707-50016	SCREW, TAPPING	2	2	2	2	
6	90201-05725	WASHER, PLATE	2	2	2	2	
7	5JJ-21747-00	DAMPER	1	1	1	1	
8	90480-18171	GROMMET	1	1	1	1	
9	8FA-2117E-00	BRACKET, TAILLIGHT	1	1	1	1	
10	8FA-77269-00	LINING,SHROUD 9	1	1	1	1	
11	95607-06200	NUT, SELF U-FLANGE	2	2	2	2	
12	90183-06053	NUT, SPRING	2	2	2	2	



8FA1100-B440

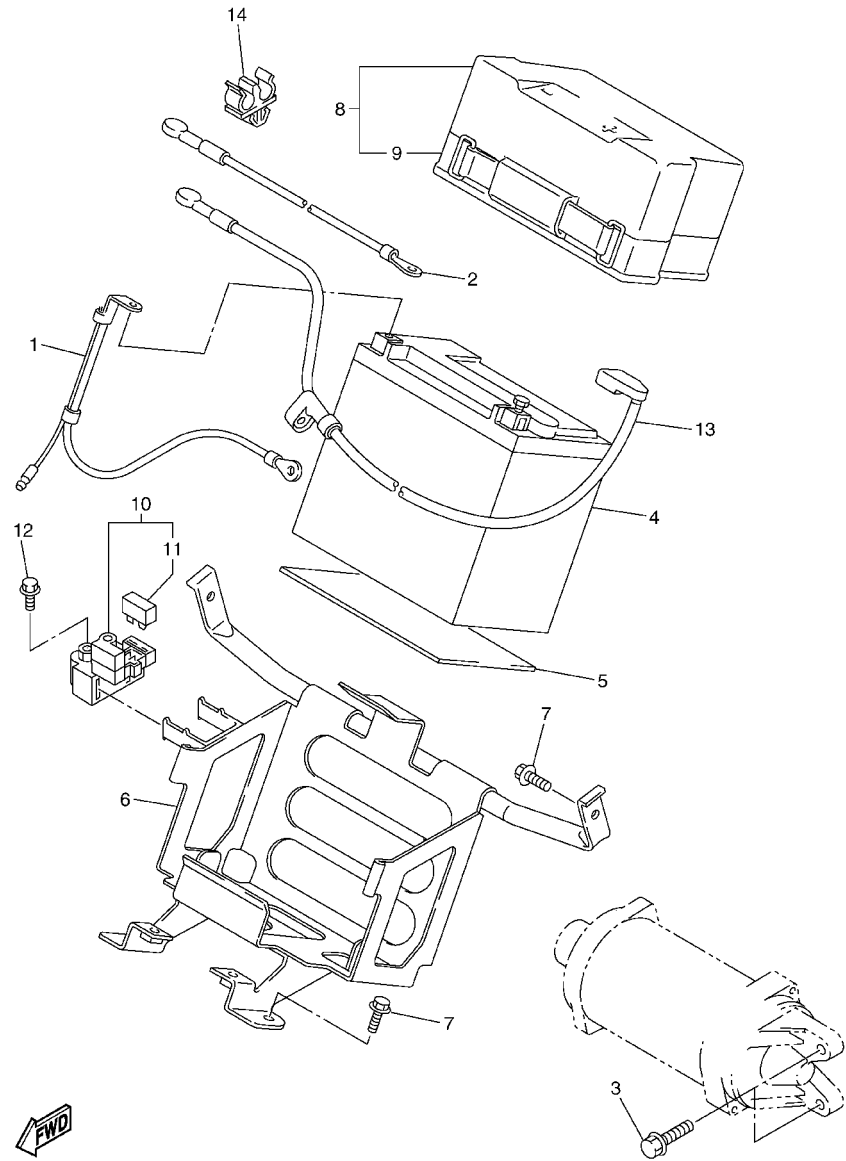
FIG. 43 ELECTRICAL 1



8ER1100-B430

REF. NO.	PART NO.	DESCRIPTION	8ER1	8ER2	8EW1	8EW2	REMARKS
1	8FA-85540-00	C.D.I. UNIT ASSY	1	1	1	1	
2	8FA-85991-00	BRACKET, UNIT	1	1	1	1	
3	95827-06010	BOLT, FLANGE	2	2	2	2	
4	95827-06020	BOLT, FLANGE	2	2	2	2	
5	8FA-82310-00	IGNITION COIL ASSY	4	4	4	4	
6	5JW-81960-00	RECTIFIER & REGULATOR ASSY	1	1	1	1	
7	95807-06025	BOLT, FLANGE	2	2	2	2	
8	8FA-82590-00	WIRE HARNESS ASSY	1	1	1	1	
9	5JJ-82151-20	.FUSE (20A-BL)	3	3	3	3	
10	5JJ-82151-30	.FUSE (10A-BL)	3	3	3	3	
11	8FA-8255V-00	PLATE, COVER	1	1	1	1	
12	90464-15195	CLAMP	3	3	3	3	
13	90464-13073	CLAMP	5	5	5	5	
14	90464-13077	CLAMP	2	2	2	2	
15	8FA-82510-00	MAIN SWITCH ASSY	1	1	1	1	
16	526-82579-00	.CAP, KEY	2	2	2	2	
17	8EK-83755-00	SENSOR, SPEED	1	1	1	1	
18	95707-08300	NUT, FLANGE	4	4	4	4	
19	8EK-47551-00	HOUSING, FRONT AXLE	1	1	1	1	
20	5DM-81950-00	RELAY ASSY	1	1	1	1	
21	8DM-81950-00	RELAY ASSY	2	2	2	2	
22	8CW-83383-00	BUZZER	1	1	1	1	
23	97007-05020	BOLT	1	1	1	1	
24	95707-05500	NUT, FLANGE	1	1	1	1	

FIG. 44 ELECTRICAL 2

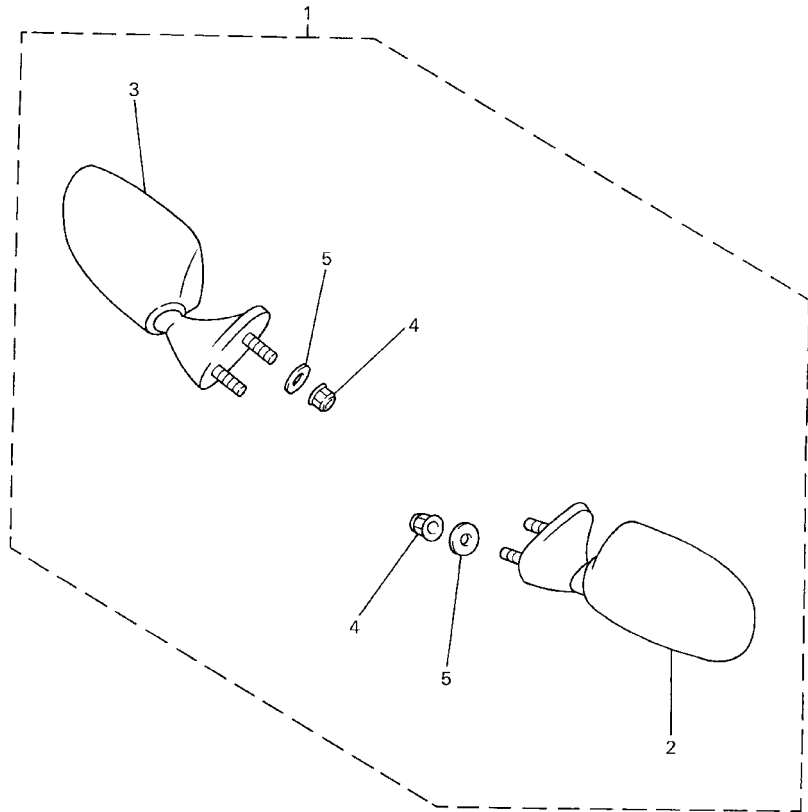



8FA1100-B470

REF. NO.	PART NO.	DESCRIPTION	8ER1	8ER2	8EW1	8EW2	REMARKS
1	8FA-82116-00	WIRE, MINUS LEAD	1	1	1	1	
2	8FA-82116-10	WIRE, MINUS LEAD	1	1	1	1	
3	95817-08030	BOLT, FLANGE	2	2	2	2	
4	4SH-82100-22	BATTERY ASSY (YTX20L-BS)	1	1	1	1	YUASA
5	8FA-82122-00	SEAT, BATTERY	1	1	1	1	
6	8FA-2199G-00	BRACKET, BATTERY	1	1	1	1	
7	95827-08016	BOLT, FLANGE	4	4	4	4	
8	8FA-82129-00	COVER, BATTERY	1	1	1	1	
9	8DM-82131-10	.BAND, BATTERY	1	1	1	1	
10	4DN-81940-00	STARTER RELAY ASSY	1	1	1	1	
11	1AE-82151-00	.FUSE (30A-BL)	2	2	2	2	
12	95027-06008	BOLT, FLANGE	2	2	2	2	
13	8FA-82115-00	WIRE, PLUS LEAD	1	1	1	1	
14	90464-08126	CLAMP	1	1	1	1	

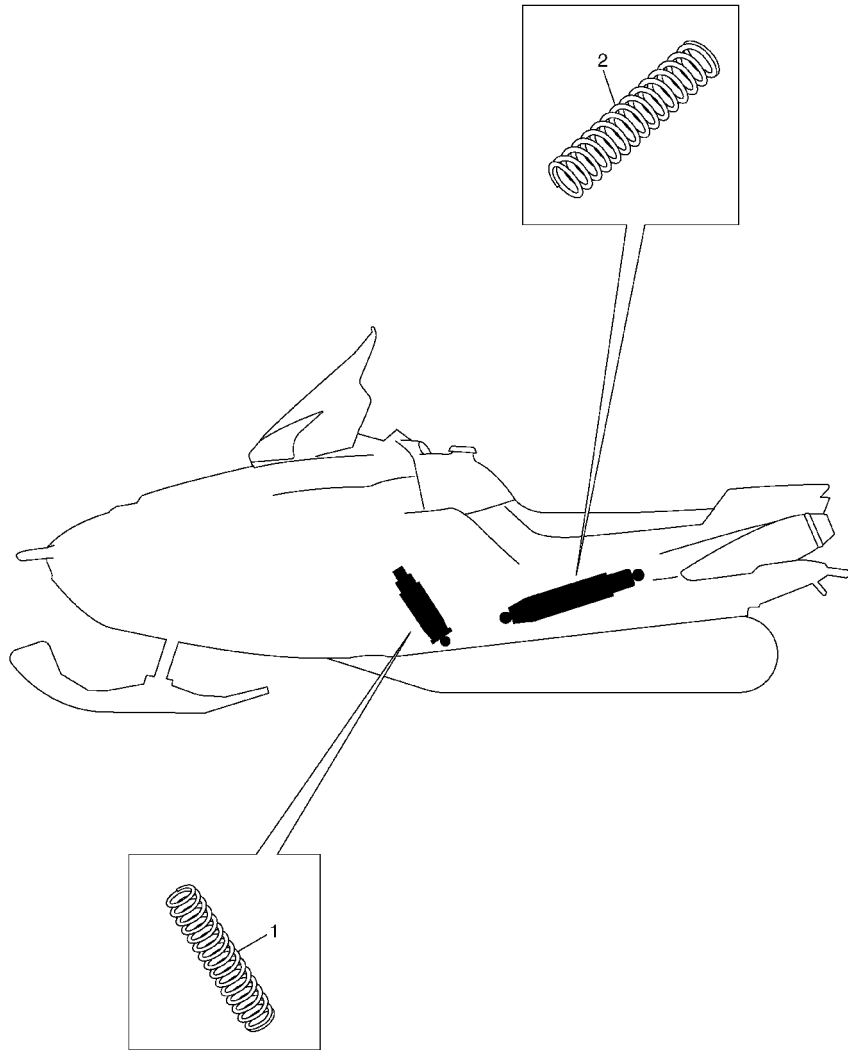
FIG. 46 ALTERNATE (BODY/RIG)

REF. NO.	PART NO.	DESCRIPTION	8ER1	8ER2	8EW1	8EW2	REMARKS
1	8CR-W2628-00	REAR VIEW MIRROR SET	1	1	1	1	AP
2	4SV-26280-00	.REAR VIEW MIRROR ASSY (LEFT)	1	1	1	1	
3	4SV-26290-00	.REAR VIEW MIRROR ASSY (RIGHT)	1	1	1	1	
4	95607-06200	.NUT, SELF U-FLANGE	4	4	4	4	
5	90201-06072	.WASHER, PLATE	4	4	4	4	



8CR100-7430

FIG. 47 ALTERNATE (REAR SUSPENSION)

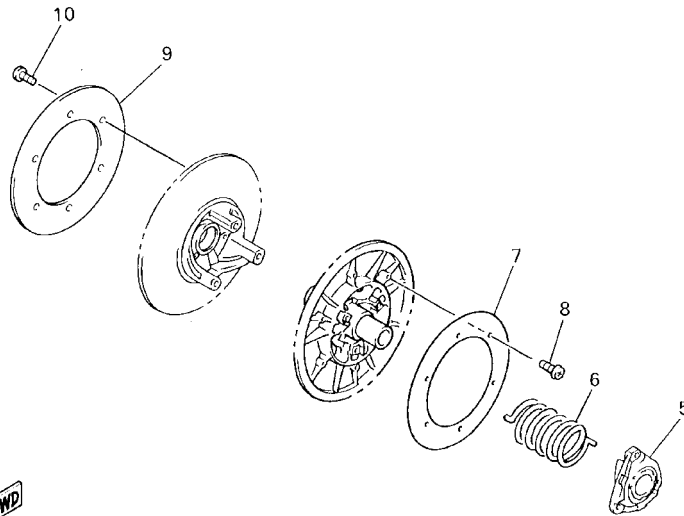
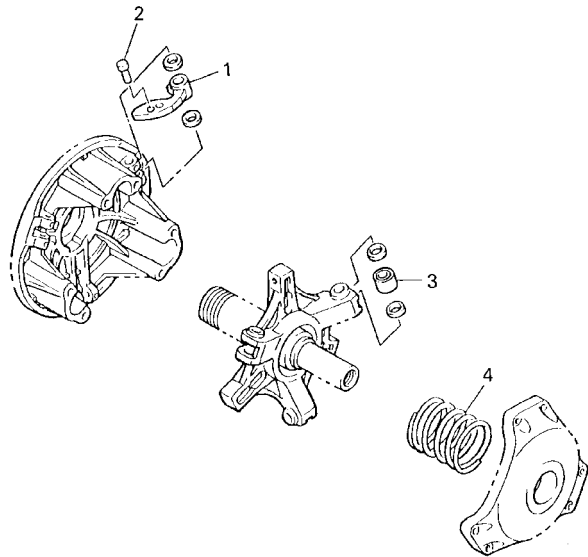


 8FA1100-B500

REF. NO.	PART NO.	DESCRIPTION	8ER1	8ER2	8EW1	8EW2	REMARKS
1	8FA-47336-00	SPRING (K=3.0-5.5)	1	1	1	1	UR
	8FA-47336-10	SPRING (K=2.5-4.5)	1	1	1	1	UR
2	8FA-47489-00	SPRING 1 (K=3.5-6.0)	1	1	1	1	UR
	8FA-47489-10	SPRING 1 (K=2.8-4.8)	1	1	1	1	UR

FIG. 48 ALTERNATE (DRIVE SETTING 1)

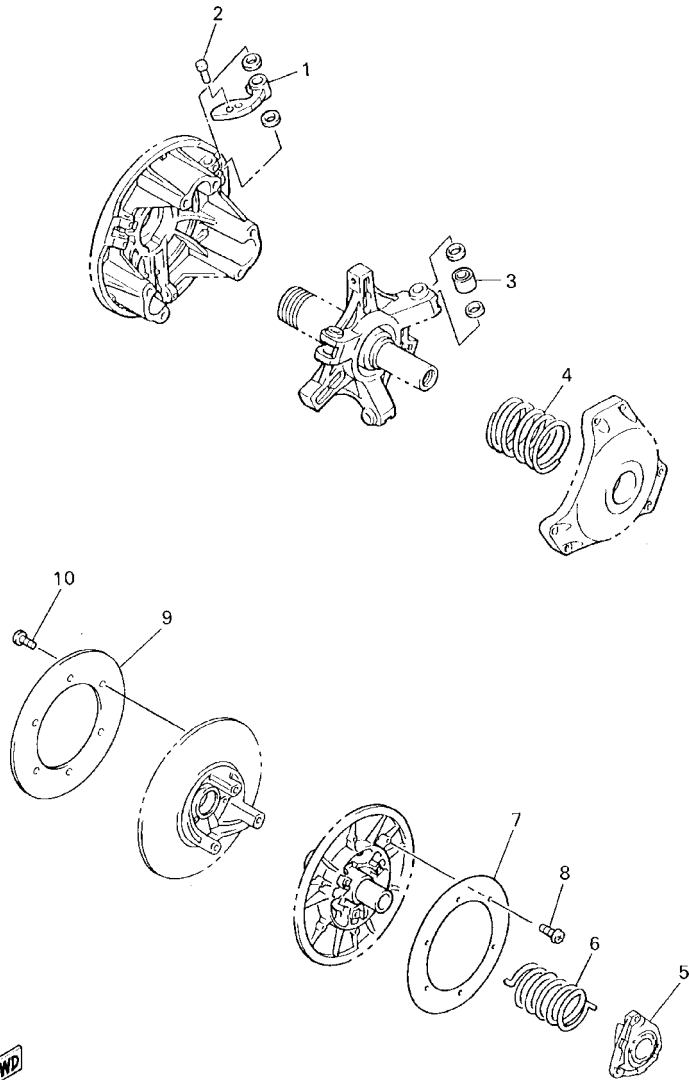
REF. NO.	PART NO.	DESCRIPTION	8ER1	8ER2	8EW1	8EW2	REMARKS
1	8FA-17605-00	WEIGHT COMP	3	3	3	3	UR
	8CH-17605-10	WEIGHT COMP	3	3	3	3	UR
	8DJ-17605-00	WEIGHT COMP	3	3	3	3	UR
	8DG-17605-00	WEIGHT COMP	3	3	3	3	UR
	8DN-17605-20	WEIGHT COMP	3	3	3	3	UR
	8EK-17605-00	WEIGHT COMP	3	3	3	3	UR
2	90266-06002	RIVET	3	3	3	3	UR
	90261-06019	RIVET, COUNTERSUNK (ST13.3MM)	3	3	3	3	UR
	90266-06001	RIVET	3	3	3	3	UR
	90261-06033	RIVET, COUNTERSUNK (ST17.2MM)	3	3	3	3	UR
	90269-06006	RIVET	3	3	3	3	UR
3	8CR-17624-00	ROLLER, COMP	3	3	3	3	UR
	8CR-17624-10	ROLLER, COMP	3	3	3	3	UR
	8CR-17624-20	ROLLER, COMP	3	3	3	3	UR
	8CR-17624-30	ROLLER, COMP	3	3	3	3	UR
4	90501-551L3	SPRING, COMPRESSION	1	1	1	1	UR (BL-P-BL)
	90501-583L5	SPRING, COMPRESSION	1	1	1	1	UR (WH-P-WH)
	90501-581L5	SPRING, COMPRESSION	1	1	1	1	UR (Y-P-Y)
	90501-581L6	SPRING, COMPRESSION	1	1	1	1	UR (GR-P-GR)
	90501-601L7	SPRING, COMPRESSION	1	1	1	1	UR (P-P-P)
	90501-601L8	SPRING, COMPRESSION	1	1	1	1	UR (OR-P-OR)
	90501-551L9	SPRING, COMPRESSION	1	1	1	1	UR (BL-SL-BL)
	90501-583L4	SPRING, COMPRESSION	1	1	1	1	UR (WH-SL-WH)
	90501-582L1	SPRING, COMPRESSION	1	1	1	1	UR (Y-SL-Y)
	90501-582L2	SPRING, COMPRESSION	1	1	1	1	UR (GR-SL-GR)
	90501-602L3	SPRING, COMPRESSION	1	1	1	1	UR (P-SL-P)
	90501-624L8	SPRING, COMPRESSION	1	1	1	1	UR (OR-SL-OR)



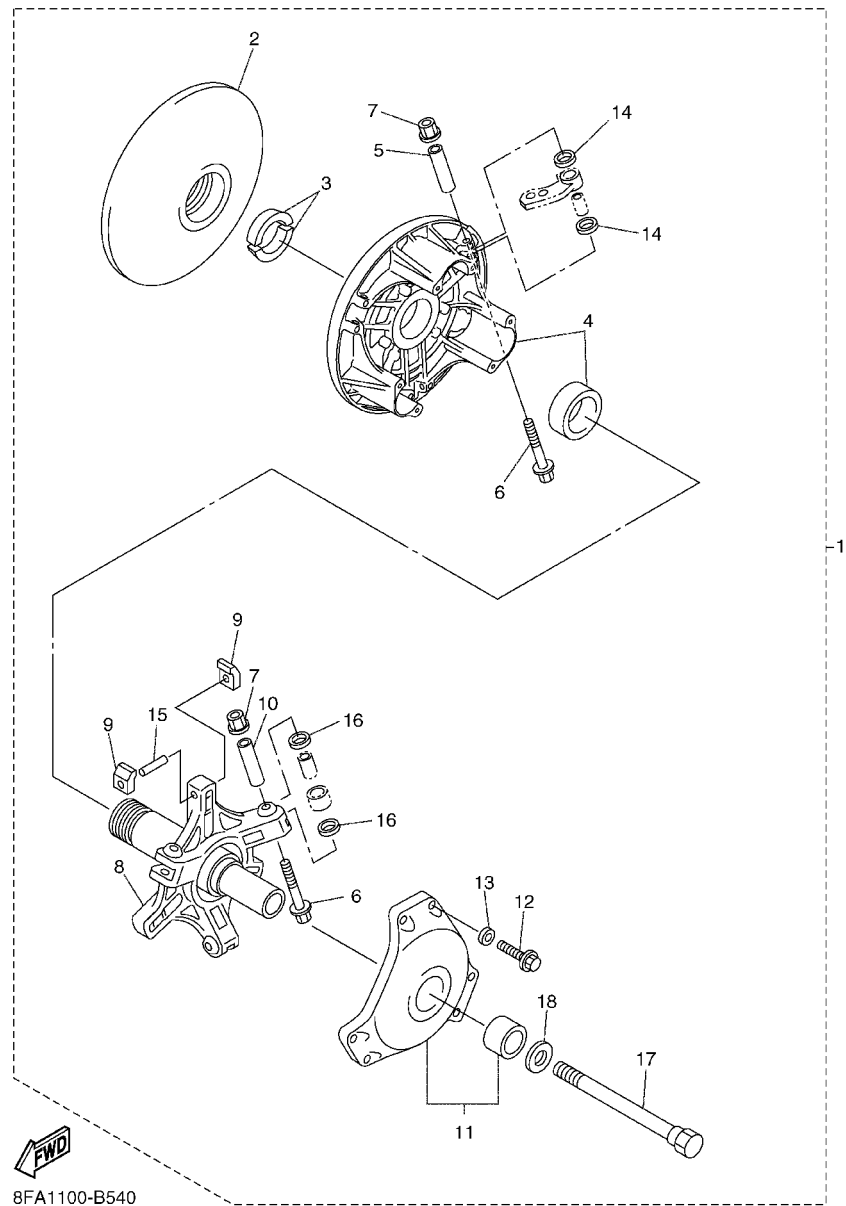
8CR3100-9470

FIG. 48 ALTERNATE (DRIVE SETTING 1)

REF. NO.	PART NO.	DESCRIPTION	8ER1	8ER2	8EW1	8EW2	REMARKS
4	90501-552L5	SPRING, COMPRESSION	1	1	1	1	UR (BL-GR-BL)
	90501-582L6	SPRING, COMPRESSION	1	1	1	1	UR (WH-GR-WH)
	90501-582L7	SPRING, COMPRESSION	1	1	1	1	UR (Y-GR-Y)
	90501-602L8	SPRING, COMPRESSION	1	1	1	1	UR (GR-GR-GR)
	90501-602L9	SPRING, COMPRESSION	1	1	1	1	UR (P-GR-P)
	90501-583L0	SPRING, COMPRESSION	1	1	1	1	UR (BL-WH-BL)
	90501-583L1	SPRING, COMPRESSION	1	1	1	1	UR (WH-WH-WH)
	90501-603L2	SPRING, COMPRESSION	1	1	1	1	UR (Y-WH-Y)
	90501-603L3	SPRING, COMPRESSION	1	1	1	1	UR (GR-WH-GR)
5	8BV-17604-11	SEAT SPRING SET	1	1	1	1	UR
	8BV-17604-31	SEAT SPRING SET	1	1	1	1	UR
	8BV-17604-51	SEAT SPRING SET	1	1	1	1	UR
	8BV-17604-71	SEAT SPRING SET	1	1	1	1	UR
	8BV-17604-91	SEAT SPRING SET	1	1	1	1	UR
	8FA-17604-00	SEAT SPRING SET	1	1	1	1	UR
6	90508-536A9	SPRING, TORSION	1	1	1	1	UR
	90508-556A2	SPRING, TORSION	1	1	1	1	UR
	90508-556A7	SPRING, TORSION	1	1	1	1	UR
	90508-500B1	SPRING, TORSION	1	1	1	1	UR
	90508-60007	SPRING, TORSION	1	1	1	1	UR
	90508-60012	SPRING, TORSION	1	1	1	1	UR
7	8CM-17665-00	PLATE 1	1	1	1	1	UR
8	90150-05040	SCREW, ROUND HEAD	6	6	6	6	UR
9	8CM-17675-00	PLATE 2	1	1	1	1	UR
10	90150-05040	SCREW, ROUND HEAD	6	6	6	6	UR



8CR3100-9470

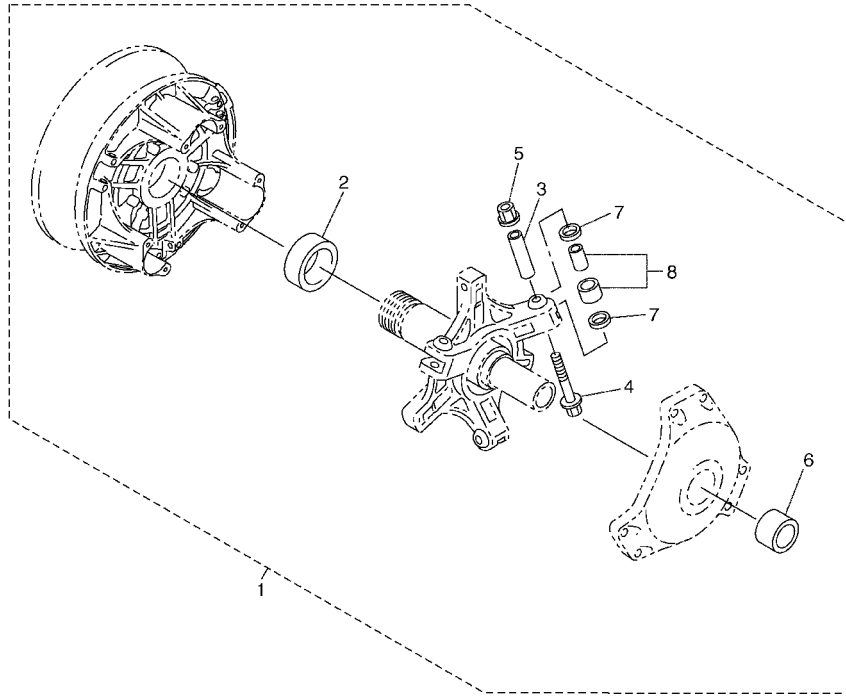


8FA1100-B540

FIG. 50 ALTERNATE (DRIVE)

REF. NO.	PART NO.	DESCRIPTION	8ER1	8ER2	8EW1	8EW2	REMARKS
1	8FA-W176G-00	CLUTCH REPAIR KIT	1	1	1	1	AP
2	8FA-17611-00	.SHEAVE, PRIMARY FIXED	1	1	1	1	
3	8V0-17639-00	.STOPPER	2	2	2	2	
4	8FA-17620-00	.PRIMARY SLIDING SHEAVE COMP.	1	1	1	1	
5	90387-0514T	.COLLAR	3	3	3	3	
6	90105-05644	.BOLT, FLANGE	6	6	6	6	
7	95607-05200	.NUT, U FLANGE	6	6	6	6	
8	8FA-17640-00	.SPIDER COMPLETE	1	1	1	1	
9	8BW-17653-00	.SLIDER	6	6	6	6	
10	90387-0514U	.COLLAR	3	3	3	3	
11	8DF-17630-00	.PRIMARY SHEAVE CAP COMP.	1	1	1	1	
12	97017-06030	.BOLT	6	6	6	6	
13	92907-06600	.WASHER, PLATE	6	6	6	6	
14	90202-08204	.WASHER, PLATE	6	6	6	6	
15	91609-50032	.PIN, SPRING	3	3	3	3	
16	90202-09227	.WASHER, PLATE	6	6	6	6	
17	8V0-17647-00	.BOLT (L=156.5MM)	1	1	1	1	
18	92907-16100	.WASHER	1	1	1	1	

FIG. 51 ALTERNATE (DRIVE)



REF. NO.	PART NO.	DESCRIPTION	8ER1	8ER2	8EW1	8EW2	REMARKS
1	8FA-W176H-00	CLUTC TUNE-UP KIT	1	1	1	1	AP
2	90384-41242	.BUSH, BIMETAL FORMED	1	1	1	1	
3	90387-0514U	.COLLAR	3	3	3	3	
4	90105-05644	.BOLT, FLANGE	3	3	3	3	
5	95607-05200	.NUT, U FLANGE	3	3	3	3	
6	90380-28237	.BUSH, SOLID	1	1	1	1	
7	90202-09227	.WASHER, PLATE	6	6	6	6	
8	8CR-17624-10	.ROLLER, COMP	3	3	3	3	


8FA1100-B550

NUMERICAL INDEX

PART NO.	GRID NO.	PART NO.	GRID NO.	PART NO.	GRID NO.	PART NO.	GRID NO.	PART NO.	GRID NO.	PART NO.	GRID NO.
8EN-F3711-00	D-5	5JW-11654-00	B-3	5JJ-12171-00	B-7	8FA-12588-00	B-10	3H1-14147-00	C-3	8FA-14615-00	C-6
8DM-F3712-00	D-5	3GM-11656-A0	B-4	4XV-12176-00	B-7	8FA-12589-00	B-11	354-14147-00	C-4	8FA-14620-01	C-6
8EK-F3712-00	D-5	3GM-11656-B0	B-4	5JJ-12181-00	B-7	8FA-12594-00	B-9	8F2-14147-00	C-3	8FA-14623-00	C-6
8FB-F3712-00	D-5	3GM-11656-00	B-4	8FA-12210-00	B-7	4XV-12822-00	B-14	5EA-14148-00	C-5	8FA-14627-00	C-6
8EN-F3731-00	D-5	3GM-11656-10	B-4	4FM-12213-00	B-7	8FA-1311A-00	B-13	8FA-14148-00	C-5	8FA-14637-00	C-6
8EK-F3751-00	D-5	4XV-12111-00	B-5	8FA-12233-00	B-7	5PX-13113-00	B-12	8FA-14149-00	C-5	8FA-14708-00	C-7
8EK-F3766-00	D-5	4XV-12112-00	B-5	5BE-12241-00	B-7	8FA-13284-00	B-12	127-14186-00	C-3	8FA-14714-01	C-6
8FA-K7210-00	F-4	4XV-12113-00	B-5	4XV-12251-00	B-7	8FA-13300-00	B-12	12R-14191-00	C-4	8FA-14715-00	C-6
8FA-K7213-00	F-4	4XV-12114-00	B-5	8FA-12252-00	B-7	8FA-13310-00	B-12	4KM-14194-00	C-4	8FA-14737-00	C-6
8ED-K7595-00	F-6	1HX-12116-01	B-5	8FA-1240E-00	B-10	8FA-13314-00	B-12	8FA-14197-00	C-5	8FA-14750-00	C-6
8CR-W0041-00	D-15	1HX-12117-00	B-5	8FA-1240F-00	B-10	8FA-13316-00	B-12	4KM-14216-00	C-4	8FA-14788-00	C-6
8FA-W0046-00	D-15	1WG-12117-00	B-5	8FA-1241A-00	D-2	4XV-13318-00	B-14	3G2-1423A-76	C-3	8FA-14789-00	C-6
8CR-W0047-00	D-15	1HX-12118-00	B-5	8FA-12410-00	B-9	8FA-13320-00	B-12	3G2-1423A-77	C-3	8FA-1490J-00	C-3
8CR-W0048-00	D-15	1WG-12118-00	B-5	5EB-12413-00	B-9	8FA-13355-00	B-12	3G2-1423A-78	C-3	3EN-1490K-00	C-5
8CR-W0057-00	D-15	4SV-12119-00	B-5	8FA-12417-00	B-9	8FA-13356-00	B-12	1HX-14231-28	C-4	8FA-14900-00	C-3
8FA-W176G-00	G-9	4TV-12119-00	B-5	8FA-12421-00	B-8	8FA-13406-00	C-15	3G2-14231-15	C-4	8FA-14901-00	C-3
8FA-W176H-00	G-10	5LV-12121-00	B-5	8FA-12422-00	B-8	8FA-13411-00	B-12	3G2-14231-26	C-3	8FA-14902-00	C-3
8FA-W2195-00	D-3	3GM-12126-00	B-5	8FA-1243A-00	B-9	8FA-13414-00	B-12	3G2-14231-27	C-3	8FA-14903-00	C-3
8FA-W2196-00	D-3	3FV-12153-09	B-6	8FA-1243E-00	B-9	8FA-13416-00	B-12	3G2-14231-28	C-3	8FA-14904-00	C-3
8FA-W2197-00	D-2	3FV-12153-20	B-6	8FA-1243F-00	B-9	8FA-13417-00	B-14	8FA-14261-00	C-3	5EA-14933-00	C-3
8FA-W2198-00	D-2	3FV-12153-30	B-6	8FA-1243G-00	B-8	5GH-13440-00	B-14	89A-14265-00	C-4	4SV-14935-00	C-5
8FA-W2199-00	D-2	3LN-12153-09	B-6	8FA-12435-00	B-8	8FA-13446-00	C-15	8FA-14283-00	B-15	5DM-14936-00	C-5
8CR-W2585-00	D-15	3LN-12153-20	B-6	11H-12438-10	B-8	8FA-13464-00	B-12	4KG-14285-00	C-5	8FA-14940-00	C-3
8FA-W2587-00	D-15	1HX-12168-A0	B-5	8FA-12439-00	B-8	8FA-13465-00	B-13	1UF-14952-00	B-15	1UF-14952-00	C-4
8CR-W2628-00	G-4	1HX-12168-F0	B-5	8FA-1244G-00	B-9	8FA-13470-00	B-14	8FA-14298-00	B-15	5EA-14958-00	C-3
8FA-W7726-00	E-15	1HX-12168-H1	B-5	8FA-12440-00	D-2	4XV-13473-00	B-14	4NK-14327-00	C-5	8FA-14985-00	C-4
8FA-11102-01	B-2	1HX-12168-K1	B-5	8FA-12450-00	B-8	5LV-13474-00	B-15	5DM-14396-10	C-5	8FA-14987-00	C-5
4KG-1111G-00	B-2	1HX-12168-M1	B-5	22W-12462-00	B-9	8FA-13474-00	B-15	8FA-14417-00	B-15	8FA-14987-10	C-5
8FA-11125-00	C-8	1HX-12168-R1	B-5	8FA-12469-00	B-8	4XV-13475-00	B-14	8FA-14419-00	B-15	5EA-14991-10	C-3
1WG-11133-11	B-2	1HX-12168-U1	B-5	8FA-1247A-00	B-8	2H7-13483-00	B-12	8FA-14425-00	B-15	5EL-14995-10	C-4
3TJ-11133-10	B-2	1HX-12168-W1	B-5	8FA-12476-00	B-10	16G-13569-00	B-15	8FA-1443E-00	B-15	5EA-14996-00	C-5
8FA-11166-00	C-8	1HX-12168-Y1	B-5	8FA-12477-00	B-10	8FA-13586-00	B-15	8FA-14431-00	B-15	8FA-15100-00	C-8
8FA-11167-00	C-8	1HX-12168-00	B-5	8FA-12479-00	B-10	8FA-13596-00	B-15	8FA-14436-00	B-15	8FA-15113-00	F-9
8FA-11181-00	B-2	1HX-12168-20	B-5	8FA-1248A-00	B-10	8FA-13892-00	C-2	8FA-14437-00	B-15	8FA-15328-00	C-14
8FA-11191-00	B-2	1HX-12168-40	B-5	8FA-1248E-00	B-10	8FA-13895-00	C-2	8FA-14441-00	B-15	8FA-15358-00	C-9
8FA-11193-00	B-2	1HX-12168-60	B-5	8FA-12481-00	B-8	8FA-13898-00	B-13	8FA-14451-00	B-15	3Y1-15363-00	B-2
8FA-11406-00	B-3	1HX-12168-80	B-5	8FA-12482-00	B-9	8FA-13910-00	B-15	8FA-14452-00	B-15	8FA-15371-00	C-8
8FA-11411-00	B-3	1HX-12169-E0	B-6	8FA-12483-00	B-9	4SV-1410A-00	C-3	8FA-14453-00	B-15	8FA-15411-00	C-9
3GM-11416-A0	B-3	1HX-12169-G0	B-6	8FA-12485-00	B-8	8FA-1410E-00	C-5	8FA-14472-00	B-15	8FA-15421-00	C-9
3GM-11416-B0	B-3	1HX-12169-J0	B-6	8FA-1249B-00	B-9	5MP-14105-00	C-3	5DM-14561-00	C-4	8FA-15451-00	C-9
3GM-11416-00	B-3	1HX-12169-L0	B-6	8FA-12491-00	B-10	8FA-14107-00	C-3	583-14561-00	C-3	8FA-15461-00	C-9
3GM-11416-10	B-3	1HX-12169-N0	B-6	8FA-12551-00	D-2	5EL-14112-00	C-3	1FN-14565-00	C-4	8FA-15512-00	C-10
3GM-11416-20	B-3	1HX-12169-T0	B-6	8FA-12552-00	B-8	22F-14117-00	C-4	1UY-14565-00	C-5	8FA-15515-00	C-10
5JW-11455-00	B-3	1HX-12169-11	B-6	8FA-12564-00	B-10	8CC-14122-00	C-4	5EA-14577-00	C-5	3LD-15521-00	C-10
5LV-11603-00	B-3	1HX-12169-31	B-6	8FA-12577-00	B-10	2J2-14133-00	C-4	4SV-14592-00	C-5	8FA-15570-00	C-10
4XV-11631-00	B-3	1HX-12169-50	B-6	8FA-12578-00	B-10	35H-14139-00	C-5	89A-14594-00	C-4	8FA-16111-00	B-3
4XV-11633-00	B-3	1HX-12169-70	B-6	8FA-12579-00	B-11	8FA-14141-44	C-3	8FA-14610-01	C-6	8FA-16155-00	B-3
5PW-11650-00	B-3	1HX-12169-90	B-6	8FA-12584-00	B-9	4KM-14142-17	C-4	8FA-14613-00	C-6	8CW-17143-00	E-12

NUMERICAL INDEX

PART NO.	GRID NO.	PART NO.	GRID NO.	PART NO.	GRID NO.	PART NO.	GRID NO.	PART NO.	GRID NO.	PART NO.	GRID NO.
8CW-17243-00	E-13	8FA-17682-30	G-8	8FA-21960-00	D-3	8FA-23812-00	D-9	89A-24529-00	C-4	8CR-47415-00	E-6
8CW-17492-00	E-13	8FA-17682-40	E-12	8FA-21963-00	D-3	8FA-23813-00	D-9	8H5-24560-00	D-12	8CR-47416-10	E-7
8BV-17604-11	G-7		G-8	8FA-21964-00	D-3	8K1-23814-00	D-9	8CW-24610-00	D-12	8CR-47417-01	E-7
8BV-17604-31	G-7	8AV-17688-10	C-13	8FA-21965-00	D-3	8FA-23815-00	D-11	8CW-24612-00	D-12	8EA-47418-10	E-7
8BV-17604-51	G-7	8FB-17692-00	E-12	8FA-2197E-00	D-4	8FA-23818-00	D-9	8FA-2470F-00	D-14	8DF-47419-00	E-4
8BV-17604-71	G-7	8ER-1811A-00	E-13	8FA-2197H-00	F-2	8FA-23821-00	D-10	8FA-2470F-10	D-14	8DF-47419-10	E-4
8BV-17604-91	G-7	8ER-18112-00	E-13	8FA-2197M-00	D-3	8FA-23826-00	D-10	8FA-2470F-30	D-14	8CM-47421-60	E-4
8FA-17604-00	C-13	26H-18115-00	E-14	8FA-2197N-00	D-4	8FA-23828-00	D-9	8FA-24710-00	D-14	8ED-47422-00	E-4
	G-7	88T-18157-00	E-14	8FA-21970-00	D-3	8FA-23831-00	D-10	8FA-24710-10	D-14	8CR-47448-00	E-6
8CH-17605-10	G-6	8ER-18161-00	E-13	8FA-21972-00	D-4	8FA-2384N-00	D-10	8FA-24710-30	D-14	8FA-4745A-00	E-8
8DG-17605-00	G-6	8ER-18174-00	E-13	8FA-21973-00	D-4	8FA-23843-00	D-9	8FA-24755-00	D-14	8CR-4745B-00	E-8
8DJ-17605-00	G-6	8ER-18197-00	E-13	8FA-21978-00	D-4	J45-23845-00	E-14	8FA-2580T-00	D-15	8EK-4745C-00	E-8
8DN-17605-20	G-6	8ER-18198-00	E-14	8FA-2198F-00	D-3	8CR-23845-10	D-9	8FA-2581T-00	D-15	8DF-47456-30	E-6
8EK-17605-00	G-6	8CW-18511-00	E-13	8FA-2198G-00	D-3		D-10	55U-25854-00	D-15	8CM-47457-00	E-4
8FA-17605-00	C-11	8FA-2117E-00	F-13	8FA-2198H-00	F-2	8CR-23847-00	D-9	8FA-25867-00	D-15	8AX-47458-00	E-4
	G-6	8FA-2128A-00	D-2	8FA-2198J-00	D-3	8FA-23847-00	D-10	8FA-25872-00	D-15	8DF-47458-00	E-6
8CW-1761A-00	E-12	8FA-2139X-00	C-8	8FA-2199G-00	G-2	8FA-2385L-00	D-8	8FA-25886-00	E-2	8DF-47463-01	E-7
8FA-17611-00	C-11	8FA-21459-00	C-8	8FA-21998-00	D-4	8FA-23851-00	D-6	8CR-2589F-00	D-15	8DF-47464-01	E-7
	G-9	8FA-21481-00	C-14	8FA-21999-00	D-3	8FA-23852-00	D-7	8DJ-25919-00	D-15	8CR-47465-00	E-6
8FA-17620-00	C-11	8FA-2149C-00	C-14	4AA-22259-40	E-6	8DF-23857-00	D-9	8CR-25924-00	D-15	8V0-47468-00	E-4
	G-9	8FA-21495-00	C-14		E-8	8FA-2386E-00	D-7	8FA-25970-00	E-2	8FA-47475-00	E-7
8CR-17624-00	G-6	8FA-2153A-00	F-3	4AA-22259-60	E-8	8FA-2386G-00	D-8	8EK-26110-10	D-9	8DM-47479-00	E-5
8CR-17624-10	C-11	8FA-2153A-10	F-3	4AA-22259-70	E-6	8FA-2386L-00	D-8	8DM-26240-00	E-3	8FA-47480-00	E-8
	G-6	8EU-2157B-00	F-3	3YK-22472-40	D-6	8FA-23867-00	D-9	4SV-26280-00	G-4	8FA-47480-10	E-8
	G-10	8FA-2174N-00	C-15	8FA-2331R-00	D-7	8FA-23870-00	D-11	4SV-26290-00	G-4	8FA-47481-00	E-6
8CR-17624-20	G-6	8FA-21745-00	C-15	8ED-23442-00	D-9	8CJ-23872-00	D-9	8FA-26311-00	E-3	8FA-47481-10	E-6
8CR-17624-30	G-6	5JJ-21747-00	F-13	8CR-23496-00	E-2	8FA-23872-00	D-9	8FA-26330-00	E-3	82M-47485-02	E-7
8DF-17630-00	C-11	8FA-21751-00	C-15	8FA-23501-00	D-6	8FA-23873-00	D-9	8FA-26351-00	E-2	8FA-47486-00	E-7
	G-9	8FA-21912-00	E-15	8FA-23502-00	D-7	8FA-2389C-E0	D-11	4N0-27114-00	F-8	8CR-47488-00	E-7
8V0-17639-00	C-11	8EK-21920-01	D-3	8FA-23540-00	D-6	8FA-2389C-S0	D-11	8FA-28100-00	F-5	8FA-47489-00	G-5
	G-9	8FA-2193E-00	D-3	8FA-23570-00	D-6	8FA-2389E-00	D-11	8FA-2814E-00	F-5	8FA-47489-10	G-5
8FA-17640-00	C-11	8CR-21939-00	D-3	8FA-23580-00	D-7	8FA-2389K-00	D-10	8AC-4631K-00	E-8	8CR-47494-01	E-8
	G-9	8FA-2194X-00	D-3	8EN-23711-00	D-5	8FA-2389M-00	D-10	8DY-47110-00	E-4	8CR-47495-00	E-6
8DN-17641-00	C-12	8FA-21940-00	D-2	8DM-23712-00	D-5	8FA-23892-00	D-4	8ER-47110-00	E-4	8FA-47511-00	E-10
8FA-17645-00	C-13	8CR-21943-01	D-3	8EK-23712-00	D-5	1UY-23894-01	D-9	8CR-47310-10	E-4	8L8-47520-10	E-5
8V0-17647-00	C-12	8FA-21944-00	D-3	8FB-23712-00	D-5	8FA-24111-00	D-12		E-5	8BW-47526-00	E-10
	G-9	8FA-21947-00	D-2	8EN-23731-00	D-5	8FA-2412G-00	D-10	8H8-47320-00	E-5	8BW-47531-00	E-10
8BW-17653-00	C-11	8FA-21949-00	D-4	8FA-23737-00	D-6	8AC-2414B-01	F-3	8DF-47331-00	E-6	8BW-47532-10	E-10
	G-9	8FA-2195E-00	D-4	8CR-23743-10	D-6	8FA-24141-00	D-12	8CR-47332-10	E-7	8FA-47541-00	E-11
8BV-17656-00	C-13	8FA-2195F-00	D-4	8EK-23751-00	D-5	8FA-24141-10	D-13	8FA-47336-00	G-5	8ER-47543-00	E-11
8CR-17660-20	C-13	8FA-2195X-00	D-3	8FA-2376A-00	D-7	8FA-2416F-00	D-13	8FA-47336-10	G-5	8FA-47546-00	E-11
8CM-17665-00	G-7	8FA-21950-09	D-2	8FA-2376A-10	D-7	8FA-2418A-00	D-12	8CM-47341-00	E-4	8CR-47550-00	E-5
8BU-17670-20	C-13	8FA-21953-00	D-3	8FA-23760-00	D-6	8CR-24301-00	D-12	8CR-47341-01	E-4	8CR-47550-10	E-5
8CM-17675-00	G-7	8FA-21959-00	D-4	8FA-23760-10	D-6	8FA-24311-00	D-12	8CR-47341-11	E-4	8EK-47550-10	E-5
8FA-17681-00	C-13	8FA-2196A-00	D-4	8FA-23760-20	D-6	8FA-24311-10	D-12	8DF-47367-00	E-9	8EK-47550-20	E-5
8FA-17682-00	G-8	8FA-2196E-00	D-4	8EK-23766-00	D-5	8FA-24335-00	D-12	8DM-4741B-00	E-4	8EK-47551-00	F-15
8FA-17682-10	G-8	8FA-2196F-00	D-4	8FA-23803-00	D-6	4XV-24453-00	C-5	8FA-47411-00	E-4	8FA-47558-00	E-11
8FA-17682-20	G-8	8FA-2196M-00	D-3	8FA-23811-00	D-9	8FA-24491-00	C-2	8FA-47412-00	E-4	8CW-47564-00	E-13

NUMERICAL INDEX

PART NO.	GRID NO.	PART NO.	GRID NO.	PART NO.	GRID NO.	PART NO.	GRID NO.	PART NO.	GRID NO.	PART NO.	GRID NO.
8CW-47571-00	E-12	8FA-77263-00	F-7	8ER-77763-S0	F-3	5FU-83790-20	C-3	90105-10232	D-7	90179-10006	B-2
8FB-47587-80	E-12	8FA-77264-00	F-7	8FA-81410-00	F-9	8DN-83912-00	D-15	90105-103A1	E-6	90179-10414	B-2
	G-8	8FA-77265-00	F-7	8FA-81450-00	F-9	8FA-83922-00	E-2		E-7	90179-10679	E-11
8FB-47587-90	G-8	8FA-77266-00	F-7	8FA-81517-00	C-5	8FA-83973-00	F-14	90105-10392	D-7	90179-12248	C-14
8CW-47591-00	E-13	8FA-77267-00	F-7	5PX-81801-00	F-10	8CR-8398X-00	D-15		E-4	90183-060A0	C-6
8FA-47612-00	E-11	8FA-77268-00	F-7	8FA-8181L-00	F-10	8R6-8399F-00	F-14	90105-10433	E-7	90183-06053	D-4
8FA-47613-00	E-11	8FA-77269-00	F-13	5PX-8182G-00	F-10	8EK-8399N-00	F-12	90105-10436	E-8		F-2
8EK-47715-00	E-10	8FA-77271-00	E-15	8FA-8183G-00	F-10	8FA-84310-00	F-12	90105-10634	D-15		F-4
8FA-77108-00	E-15	8FA-77272-00	E-15	8FA-81846-00	F-10	8G9-84314-00	F-12	90105-10712	D-5		F-6
8FA-77109-00	E-15	8FA-77273-00	E-15	5PX-81861-00	F-10	8FA-84359-00	F-12	90105-10728	D-9		F-13
8ER-7711A-00	F-3	8FA-77274-00	E-15	8FA-81890-00	F-10	8EK-84397-00	F-12	90105-10739	E-8	90183-06100	F-2
8EU-7711A-00	F-3	8FA-77275-00	E-15	4DN-81940-00	G-2	8FA-84516-00	F-6	90105-10769	E-6		F-8
8FA-7711A-00	F-3	8FA-77276-00	F-2	5DM-81950-00	F-15	5JJ-84710-11	F-13	90105-12N54	D-7		F-12
8ER-7711B-00	F-3	8FA-77277-00	F-2	8DM-81950-00	F-15	1A2-84714-41	F-13	90105-12005	B-3	90185-10110	E-6
8EU-7711B-00	F-3	8FA-77311-00	F-5	5JW-81960-00	F-15	5JJ-84735-00	F-13	90105-12017	D-10	90201-047R8	E-4
8FA-7711B-00	F-3	8CR-77319-00	F-5	4SH-82100-22	G-2	11H-85110-01	G-3	90105-14766	C-13	90201-05036	G-3
8FA-77111-00-EY	E-15	8CR-77338-00	F-5	8FA-82103-00	C-4	3Y6-85130-02	G-3	90108-08002	D-5	90201-05725	F-11
8FA-77111-00-P1	E-15	8FA-77351-00	F-3	8FA-82115-00	G-2	8FA-85540-00	F-15	90109-063F1	C-8		F-13
8FA-77111-00-P2	E-15	8FA-77351-10	F-3	8FA-82116-00	G-2	8FA-85720-00	C-15		E-2	90201-06037	C-13
8FA-77118-00	E-15	8FA-77373-00	F-5	8FA-82116-10	G-2	8FA-85752-00	D-12	90109-065F3	D-4	90201-06050	E-2
8FA-77125-00	D-4	8FA-77381-00	F-5	8FA-82122-00	G-2	8CC-85790-01	B-9	90109-065G3	C-8	90201-06071	E-14
8FA-77131-00	F-8	8CR-77384-00	F-5	8FA-82129-00	G-2	4XY-85885-00	C-5	90109-066F0	B-2	90201-06072	G-4
8FA-77132-00	F-8	8FA-77390-00	F-5	8DM-82131-10	G-2	8FA-85991-00	F-15	90110-06004	C-10	90201-061H1	C-13
8FA-77133-00	E-15	8FA-77511-00	F-6	1AE-82151-00	G-2	90101-06765	D-8	90111-06042	E-2	90201-067F9	E-13
8FA-77134-00	E-15	8FA-77512-00	D-4	5JJ-82151-20	F-15	90101-08774	E-5	90113-05053	C-11	90201-06726	F-10
8FA-77135-00	E-15	8FA-77517-00	F-6	5JJ-82151-30	F-15	90101-10009	B-3	90113-06039	E-10	90201-06747	E-6
8FA-77140-00	E-15	8FA-77541-00	F-6	8FA-82310-00	F-15	90101-10357	E-11	90113-06064	E-10	90201-08326	D-11
8FA-77141-10	F-3	8FA-77542-00	F-6	8FA-82510-00	F-15	90101-10738	E-6		E-12	90201-08403	E-2
8FA-77141-20	F-3	8FA-77551-00	F-6	8CR-82530-01	D-15		E-8	90116-10619	C-8	90201-086P8	D-5
8FA-77142-10	F-3	8FA-77551-10	F-6	8FA-8255V-00	F-15	90102-10044	D-10	90149-06263	F-2	90201-08759	D-10
8FA-77142-20	F-3	8FA-77552-00	F-6	526-82579-00	F-15	90105-05644	C-11		F-4	90201-08784	D-5
8EU-7715A-00	F-3	8FA-77552-10	F-6	87S-8259A-00	C-4		G-9		F-5		D-12
89A-77159-00	E-15	8EU-77553-00	F-6	8FA-82590-00	F-15		G-10		F-6	90201-096J9	C-8
8FA-77165-00	E-15	8FA-77553-00	F-6	8FA-82720-00	F-14	90105-060A6	D-12		F-7	90201-100L3	E-7
8FA-77167-00	E-15	8FA-77561-00	F-2	J51-82817-00	E-13		E-12		F-8	90201-100S0	D-3
8FA-7717H-00	F-6	8FA-77562-00	F-2	8FA-82970-00	F-14		E-13	90149-06330	D-12		E-4
8FA-77171-00	F-8	8ED-77595-00	F-6	8CW-83383-00	F-15	90105-06026	B-2	90150-05024	F-4	90201-100S2	E-9
8FA-77185-00	F-4	8FA-77596-00	F-6	8FA-83500-00	F-11	90105-06734	C-13	90150-05040	G-7	90201-100U1	E-8
8FA-77186-00	F-4	8FA-77711-00-EY	F-8	8FA-83500-10	F-11	90105-07342	B-7	90151-06010	E-4	90201-100I3	B-2
8FA-77210-00	F-4	8FA-77711-00-P1	F-8	4XV-83513-00	F-11	90105-081A7	D-11	90154-06062	C-13	90201-101U2	E-9
8FA-77213-00	F-4	8FA-77711-00-P2	F-8		F-13	90105-08450	E-7	90167-05004	B-8	90201-10118	E-2
8FA-77214-00	F-4	8FA-77737-00	F-8	4WM-83517-00	F-11	90105-08552	D-9		B-12	90201-10136	E-7
8FA-77215-00	F-4	8FA-77746-00	F-8	4WM-83517-10	F-11	90105-093A5	C-8	90170-06289	E-14	90201-103U4	E-8
8FA-77231-00	F-4	8DM-77761-S0	F-3	8EK-8353E-00	F-11	90105-10N51	D-6	90170-10186	D-10	90201-106F2	D-6
8FA-77231-10	F-4	8FB-77761-E0	F-3	8EK-83572-00	F-11	90105-10N52	D-7	90170-28009	E-12		D-7
8FA-77251-00	F-4	8BD-77762-00	F-5	8EK-8368L-00	F-12	90105-10N53	D-6	90179-05523	F-4		E-8
8FA-77261-00	F-6	86D-77762-00	F-5	8EK-8368M-00	F-12	90105-10023	E-7	90179-08327	B-3	90201-10742	D-10
8FA-77262-00	F-6	8ER-77763-E0	F-3	8EK-83755-00	F-15	90105-10068	E-12	90179-08655	C-13	90201-120T5	C-14

NUMERICAL INDEX

PART NO.	GRID NO.	PART NO.	GRID NO.	PART NO.	GRID NO.	PART NO.	GRID NO.	PART NO.	GRID NO.	PART NO.	GRID NO.
90201-121H0	B- 3	90267-48010	F- 5	90387-0514T	C- 11	90450-19001	B- 11	90468-02078	D- 12	91314-06020	C- 9
90201-121U3	D- 10	90267-48014	E- 3		G- 9	90450-28014	B- 9	90468-04092	D- 12	91316-06022	D- 15
90201-12161	E- 2	90267-48018	D- 3	90387-0514U	C- 11		B- 13	90468-06001	E- 15	91317-05016	F- 9
90201-127E1	E- 11		D- 4		G- 9	90450-35001	B- 8	90468-08104	C- 15	91317-06012	B- 7
90201-12790	B- 9		E- 15		G- 10		B- 9	90468-12006	D- 9		B- 8
90201-141A3	C- 13	90267-48059	D- 4	90387-06024	B- 9		B- 10	90468-12069	B- 3		B- 11
90201-16245	E- 12	90267-48095	F- 6	90387-06043	E- 2		D- 2	90480-16278	F- 8		B- 12
90201-205R6	E- 5	90267-48194	E- 4	90387-06058	E- 2	90450-38040	B- 8	90480-18171	F- 13		B- 13
90201-207J5	E- 7	90267-48199	E- 4	90387-06059	E- 13	90450-63096	B- 15	90501-06022	E- 12		F- 9
90201-210U0	E- 6	90269-06006	C- 11	90387-0608T	E- 14	90462-08225	C- 9	90501-066J5	E- 13	91317-06014	B- 13
90201-222F0	C- 13		G- 6	90387-065V0	C- 2	90462-10022	D- 11	90501-08668	D- 12	91317-06016	B- 9
90201-225A4	C- 13	90269-06062	E- 15	90387-06681	E- 15	90464-08126	G- 2	90501-105L2	B- 12		C- 15
90201-250T6	E- 7	90280-05029	B- 3	90387-081M9	E- 2	90464-09M31	B- 15	90501-120A0	E- 2	91317-06020	B- 8
90201-251G8	E- 7	90281-07004	D- 15	90387-0811L	C- 6	90464-09015	D- 12	90501-12002	B- 10		B- 15
90201-252F1	D- 15	90338-20004	C- 7	90387-083G6	E- 8	90464-11007	C- 2	90501-130A0	E- 13	91317-06025	B- 14
90201-25289	D- 15	90338-20007	C- 7	90387-09006	D- 9	90464-12182	C- 2	90501-18499	B- 12		C- 9
90201-25526	C- 13	90340-14117	C- 9	90387-10N52	D- 6	90464-12238	B- 10	90501-260A0	E- 13	91317-06030	C- 6
90201-25527	D- 15	90340-27129	B- 2	90387-10N53	D- 7	90464-13073	B- 11	90501-551L3	G- 6	91317-06035	B- 8
90201-284P7	E- 12	90340-32080	C- 9	90387-10N57	D- 7		E- 3	90501-551L9	G- 6		B- 12
90201-30666	C- 13	90380-08244	C- 11	90387-10N58	D- 6		F- 15	90501-552L5	G- 7		C- 9
90201-320S3	E- 12	90380-09245	C- 11	90387-100X3	E- 8	90464-13077	F- 15	90501-581L5	G- 6		F- 9
90202-08204	C- 11	90380-22232	E- 9	90387-10008	D- 10	90464-13194	D- 12	90501-581L6	G- 6	91317-06060	B- 2
	G- 9	90380-28235	E- 9	90387-10079	E- 4	90464-15M27	E- 15	90501-582L1	C- 12	91317-08045	D- 6
90202-09227	C- 11	90380-28237	C- 11	90387-1009S	E- 8	90464-15065	B- 9		G- 6	91401-20020	D- 5
	G- 9		G- 10	90387-1009T	E- 6	90464-15195	F- 15	90501-582L2	G- 6		D- 10
	G- 10	90381-14001	D- 10	90387-1012H	D- 5	90464-16010	D- 12	90501-582L6	G- 7	91609-50022	E- 13
90202-16229	E- 8	90381-14101	E- 6	90387-105G5	E- 6	90464-26245	C- 2	90501-582L7	G- 7	91609-50032	C- 11
90202-16232	E- 8		E- 8		E- 8	90464-32002	B- 10	90501-583L0	G- 7		G- 9
90209-15N50	D- 6	90381-14109	E- 8	90387-12N54	D- 7	90464-36001	B- 10	90501-583L1	G- 7	91808-16023	B- 2
	D- 7	90381-15001	D- 2	90387-1404R	E- 8	90465-06M28	B- 9	90501-583L4	G- 6	92017-06014	E- 2
90210-06006	D- 2	90381-15088	D- 6	90387-1407L	C- 13	90467-08092	C- 2	90501-583L5	G- 6	92017-08020	E- 2
	E- 12		D- 7	90387-2004V	E- 5	90467-09026	C- 2	90501-601L7	G- 6	92017-08025	C- 6
90210-08017	E- 12	90381-15112	E- 6	90387-2008G	E- 12		D- 12	90501-601L8	G- 6	92017-10016	B- 14
90215-10001	B- 3	90381-16N51	D- 7	90387-2012C	E- 5	90467-10035	C- 5	90501-602L3	G- 6	92907-06600	C- 11
90249-06002	E- 13	90381-16001	D- 2	90387-2012D	E- 5	90467-10039	B- 15	90501-602L8	G- 7		G- 9
90249-12003	E- 11	90381-18N50	D- 6	90387-2012E	E- 5	90467-10041	B- 15	90501-602L9	G- 7	92907-08600	C- 6
90250-08017	C- 9		D- 7	90387-25005	E- 7	90467-11028	B- 15	90501-603L2	G- 7		D- 9
90261-06019	G- 6	90381-19111	E- 6	90387-25006	E- 12	90467-11032	D- 12	90501-603L3	G- 7	92907-10600	E- 5
90261-06033	C- 11	90381-22099	E- 7	90387-2508C	E- 12	90467-11090	B- 8	90501-624L8	G- 6	92907-16100	C- 12
	G- 6	90381-25115	D- 6	90387-30004	E- 12		B- 10	90508-500B1	G- 7		G- 9
90266-06001	G- 6		D- 7	90387-30005	E- 11		B- 11	90508-536A9	G- 7	92990-06600	C- 6
90266-06002	G- 6	90381-28108	E- 7	90401-10159	E- 2	90467-12053	C- 15	90508-556A2	G- 7	92990-08200	C- 6
90267-47187	F- 6	90383-12N50	D- 7	90401-20145	B- 14	90467-20050	C- 8	90508-556A7	G- 7	93101-12173	B- 8
90267-47195	B- 10	90384-16251	D- 6	90430-06014	B- 2	90467-22080	C- 8	90508-60007	G- 7	93102-35318	E- 11
	C- 6		E- 9	90430-06166	B- 3	90467-22097	B- 12	90508-60012	C- 13	93102-35473	E- 11
	D- 2	90384-38243	C- 13	90430-08204	C- 15	90467-28046	B- 9		G- 7	93102-40009	B- 3
	D- 3	90384-41242	C- 11	90430-10188	B- 14		B- 10	91A20-05115	D- 12	93102-40367	E- 11
	D- 4		G- 10	90445-08007	B- 9		D- 2	91314-06014	F- 6	93104-11038	B- 12

NUMERICAL INDEX

PART NO.	GRID NO.	PART NO.	GRID NO.	PART NO.	GRID NO.	PART NO.	GRID NO.	PART NO.	GRID NO.	PART NO.	GRID NO.
93210-06001	F - 10	95027-06012	B - 2	95707-05500	F - 15	95827-08030	D - 11	99009-62500	E - 11		
93210-12131	E - 13	95027-06020	B - 9		G - 3		E - 11	99530-08012	B - 12		
93210-14369	C - 9	95027-06025	B - 7	95707-06300	E - 6	95827-08060	D - 2		B - 14		
93210-16629	B - 12	95027-06085	C - 2	95707-06500	C - 2	95827-08065	D - 2		C - 9		
	B - 13	95027-08020	C - 6	95707-08300	D - 5	95827-08220	E - 8	99530-10014	C - 8		
93210-18322	B - 12	95304-06600	E - 14		D - 12	95827-10025	E - 10	99530-10114	C - 8		
93210-18417	B - 9	95304-06700	F - 10		F - 15	95827-10045	E - 11				
93210-19026	C - 15	95307-06600	F - 6	95707-08500	E - 6	95827-10090	E - 11				
93210-19123	B - 2	95307-10600	E - 11	95707-10300	D - 10	97007-05020	F - 15				
93210-22M93	B - 8	95307-10700	D - 9		E - 5	97007-06025	E - 6				
93210-235A1	B - 8		D - 10	95707-10500	D - 10	97007-08014	E - 12				
93210-24235	F - 10	95317-08600	D - 9	95807-06016	E - 15	97017-06030	C - 11				
93210-25071	E - 12	95604-06200	D - 8		F - 6		G - 9				
93210-29282	E - 12	95604-08200	D - 8		F - 12	9702M-08055	D - 5				
93210-30660	B - 3	95607-04100	E - 13	95807-06025	F - 15	9702M-08100	D - 5				
93210-32172	C - 9	95607-05200	C - 11	95807-08012	C - 15	97027-08040	C - 6				
93210-386A6	B - 8		G - 9	95807-08016	F - 6	97027-08055	D - 5				
93210-41041	D - 12		G - 10	95814-08030	D - 8		D - 9				
93306-00106	B - 8	95607-06200	D - 14	95817-06008	C - 6	97027-08100	D - 5				
93306-00444	E - 5		E - 14		C - 7	97027-10025	E - 9				
93306-20511	E - 11		E - 15	95817-06016	C - 6	97080-06008	C - 6				
93306-20589	E - 10		F - 13		C - 7	97707-50016	F - 4				
93306-20592	E - 11		G - 4		C - 15		F - 11				
93306-20601	E - 11	95607-08200	C - 15		D - 2		F - 12				
93306-20650	D - 2		D - 2	95817-06025	B - 3		F - 13				
93306-27209	B - 3		D - 6		C - 8	98502-04010	C - 4				
93310-212R6	E - 11		D - 9	95817-06030	E - 14	98502-05016	C - 4				
93317-21578	E - 12		D - 11	95817-06045	C - 8	98507-04008	C - 4				
93317-33179	E - 12		E - 5	95817-06055	C - 8	98507-05016	F - 14				
93317-41785	D - 10		E - 7	95817-06080	C - 8	98517-05030	B - 12				
93410-06053	E - 13		E - 13	95817-06090	C - 8	98702-04008	C - 4				
93440-07149	B - 2	95607-10100	E - 7	95817-08020	C - 6	98702-05008	C - 4				
93440-10153	B - 2		E - 8	95817-08030	G - 2	98706-04012	D - 15				
93440-39175	E - 13	95607-10200	D - 2	95817-10022	D - 3	98907-04020	E - 13				
93505-08030	B - 12		D - 5	95817-10025	E - 6	98907-05008	D - 12				
93603-07073	B - 12		D - 6	95817-10085	E - 4	98907-06014	F - 2				
93603-17070	B - 12		D - 7	95817-12100	C - 14		F - 4				
93606-20044	E - 11		D - 9	95827-06010	F - 15	99001-04600	F - 14				
93700-06004	D - 6		E - 4	95827-06012	D - 4	99009-12400	B - 8				
	D - 7		E - 6	95827-06016	C - 2		E - 11				
	E - 9		E - 7	95827-06020	B - 9	99009-18400	E - 13				
94580-25058	B - 13		E - 9		F - 15	99009-20400	E - 5				
94591-49130	B - 7	95607-12200	D - 7	95827-08014	D - 3	99009-24400	D - 15				
94701-00410	B - 2	95607-14200	E - 5	95827-08016	D - 4	99009-25400	E - 5				
94890-09068	G - 8	95617-08630	C - 13		G - 2	99009-30400	C - 13				
94890-09070	E - 12	9570M-08300	D - 5	95827-08020	D - 4	99009-42500	E - 5				
	G - 8	95707-05300	D - 15		E - 13	99009-52500	E - 11				
95027-06008	G - 2		G - 3		F - 6	99009-62500	D - 2				

CONTENTS

ENGINE

CYLINDER	B2
CRANKSHAFT. PISTON	B3
VALVE	B5
CAMSHAFT. CHAIN	B7
WATER PUMP	B8
RADIATOR. HOSE	B9
OIL PUMP	B12
OIL CLEANER	B14
INTAKE	B15
CARBURETOR	C3
EXHAUST	C6
CRANKCASE	C8
CRANKCASE COVER 1	C9
STARTER	C10

DRIVE

PRIMARY SHEAVE	C11
SECONDARY SHEAVE	C13

BODY

ENGINE BRACKET	C14
OIL TANK	C15
FRAME	D2
SKI	D5
STEERING	D9
STEERING GATE	D11
FUEL TANK	D12
SEAT	D14
BRAKE	D15
CONTROL CABLE	E3
TRACK SUSPENSION 1	E4
TRACK SUSPENSION 2	E6
TRACK DRIVE 1	E10

TRACK DRIVE 2	E11
SHROUD	E15
EMBLEM	F3
WINDSHIELD	F4
GUARD. LUGGAGE BOX	F5
BUMPER	F6
INSTRUMENT PANEL	F8

ELECTRICAL

GENERATOR	F9
STARTING MOTOR	F10
METER	F11
HEADLIGHT	F12
TAILLIGHT	F13
HANDLE SWITCH. LEVER	F14
ELECTRICAL 1	F15
ELECTRICAL 2	G2
ELECTRICAL 3	G3
ALTERNATE (BODY/RIG)	G4
ALTERNATE (REAR SUSPENSION)	G5
ALTERNATE (DRIVE SETTING 1)	G6
ALTERNATE (DRIVE SETTING 2)	G8
ALTERNATE (DRIVE)	G9
ALTERNATE (DRIVE)	G10

INDEX

NUMERICAL INDEX	M1
-----------------------	----