

PARTS CATALOGUE

VK540EH (8ACB) U.S.A., CANADA, EUROPE, JAPAN

YAMAHA
GENUINE
Parts & Accessories

2B8AC-100E1

A2

VK540EH
PARTS CATALOGUE
©2002 by Yamaha Motor Co., Ltd.
1st Edition, May 2002
All rights reserved.
Any reprinting or unauthorized use
without the written permission of
Yamaha Motor Co., Ltd.
is expressly prohibited.

A3



A4

FOREWORD

This Parts Catalogue is related to the parts for the model(s) in the below frame. When you are ordering replacement parts, please refer to this Parts Catalogue and quote both part numbers and part names correctly.

VK540EH(8ACB)

1. Modifications or additions which have been made after issue of the Parts Catalogue will be announced in the Yamaha Parts News.
It is advisable that you make necessary corrections to the Parts Catalogue according to the Yamaha Parts News.

2. Abbreviations

The following abbreviations are used in this Parts Catalogue.

“UR” Use specified parts number.

“UN” Use as many as needed.

“AP” Alternate Parts

“LM” Local Made (Parts need to be ordered locally)

“F#” Frame No. (Applicable machine No.)

3. Parts, which are to be supplied in an assembly, are listed with a dot(.) in front of the part name as shown below.

EXAMPLE

CARBURETOR ASSY

.JET, PILOT

.NOZZLE, MAIN

4. Number of component for assembly

The numeral appearing to the right of each component part indicates the quantity of parts for each assembly unit.

EXAMPLE

PART NO.	DESCRIPTION	Q'TY	REMARKS
2F5-83310-60	FRONT FLASHER LIGHT ASSY	2	
115-83311-60	.BULB (6V-18W)	1	

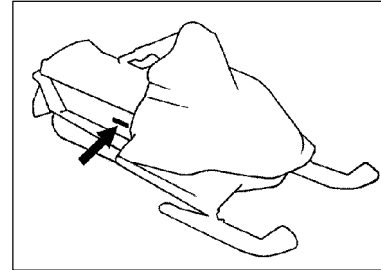
5. Applicable colors of graphics are represented in the “REMARKS” as shown below.

PART NO.	DESCRIPTION	Q'TY	REMARKS
2F5-83310-60	FRONT FLASHER LIGHT ASSY	2	
115-83311-60	.BULB (6V-18W)	1	

6. Applicable Starting Serial No. and Color Code

Starting Serial NO.: JYE8AC00X3A034697

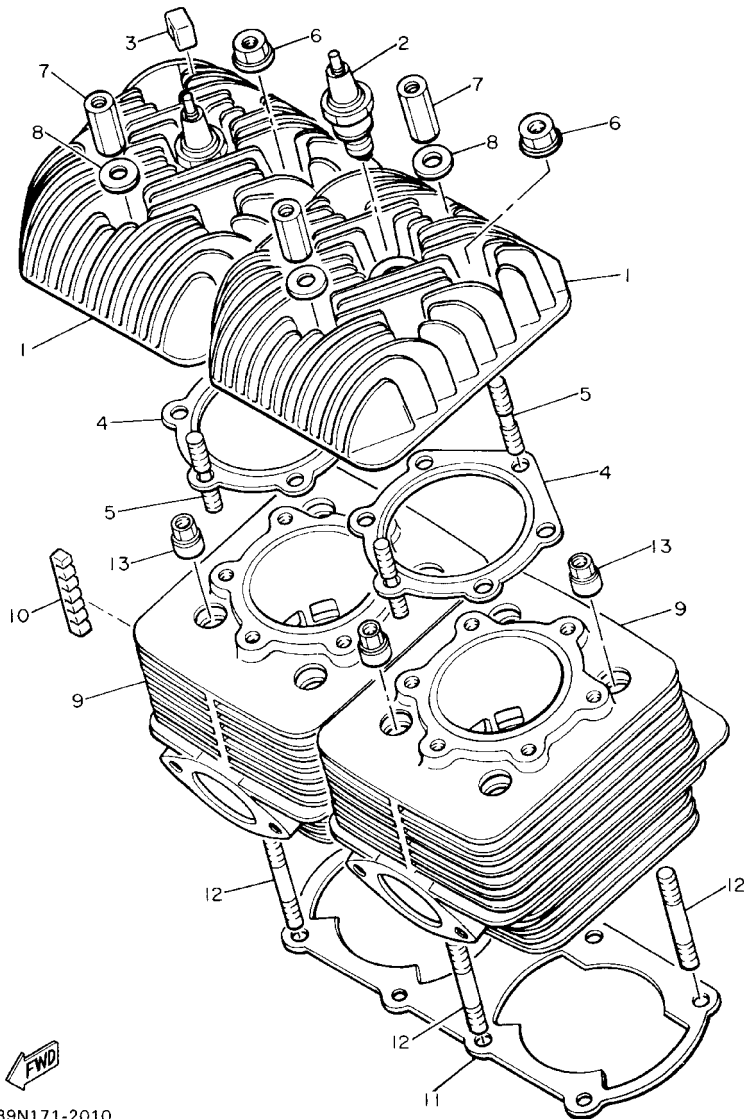
Frame Serial No.



Color Code	MODEL	Color Name	Abbreviation	Country (destination)
0775	8ACB	BLUE METALLIC C	BMC	USA, CAN, EUR JPN

7. Note that the illustration for reference in funding parts numbers, not to be used for assembling. When assembling, pleas use the applicable service manual.

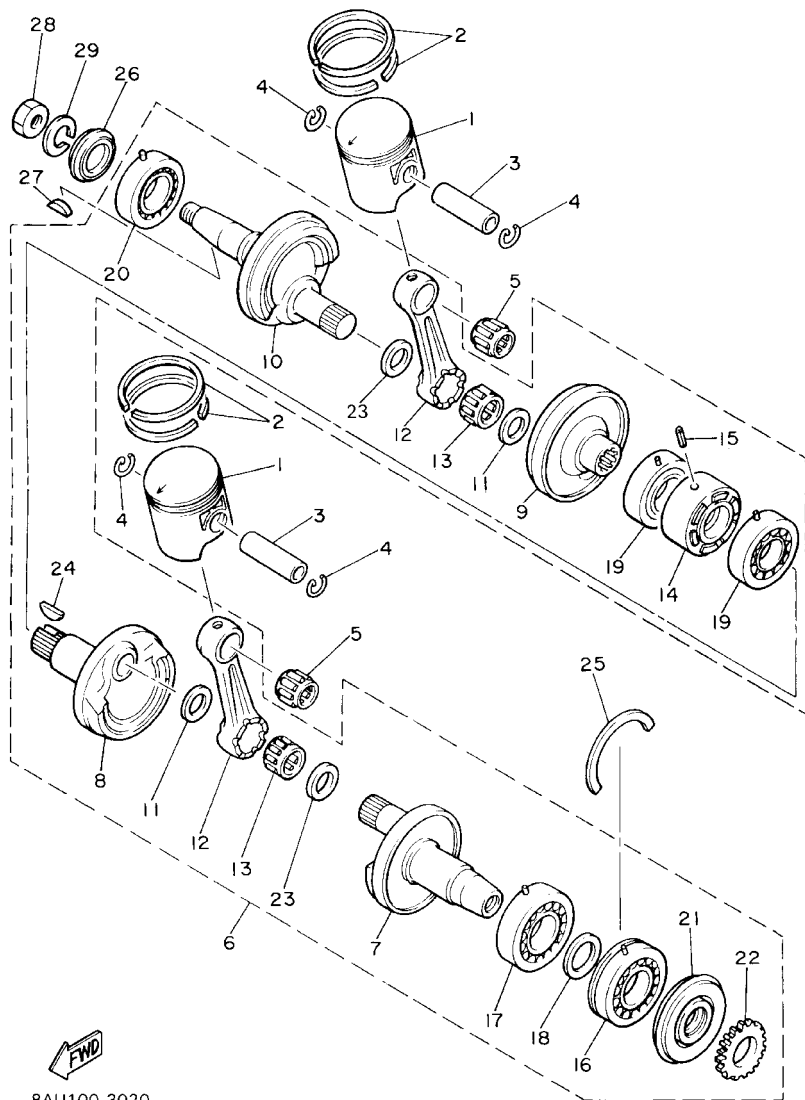
8. The asterisk (*) before a reference number indicates modification items after the first edition.



89N171-2010

FIG. 1 CYLINDER HEAD

REF. NO.	PART NO.	DESCRIPTION	USA	CAN	EUR	JPN	REMARKS
1	8R6-11111-00	HEAD, CYLINDER 1	2	2	2	2	
2	94702-00188	PLUG, SPARK (NGK BR9ES)	2	2	2		
	94709-00188	PLUG, SPARK (NGK BR9ES)				2	
3	83R-11161-00	ABSORBER 1	12	12	12	12	
4	83R-11181-00	GASKET, CYLINDER HEAD 1	2	2	2	2	
5	90116-08104	BOLT, STUD	12	12	12	12	
6	95707-08500	NUT, FLANGE	8	8	8	8	
7	90179-08269	NUT	4	4	4	4	
8	90201-08100	WASHER, PLATE	4	4	4	4	
9	83R-11311-00	CYLINDER 1	2	2	2	2	
10	83R-11162-00	ABSORBER 2	8	8	8	8	
11	89N-11351-00	GASKET, CYLINDER	1	1	1	1	
12	90116-08302	BOLT, STUD	8	8	8	8	
13	90179-08268	NUT	8	8	8	8	

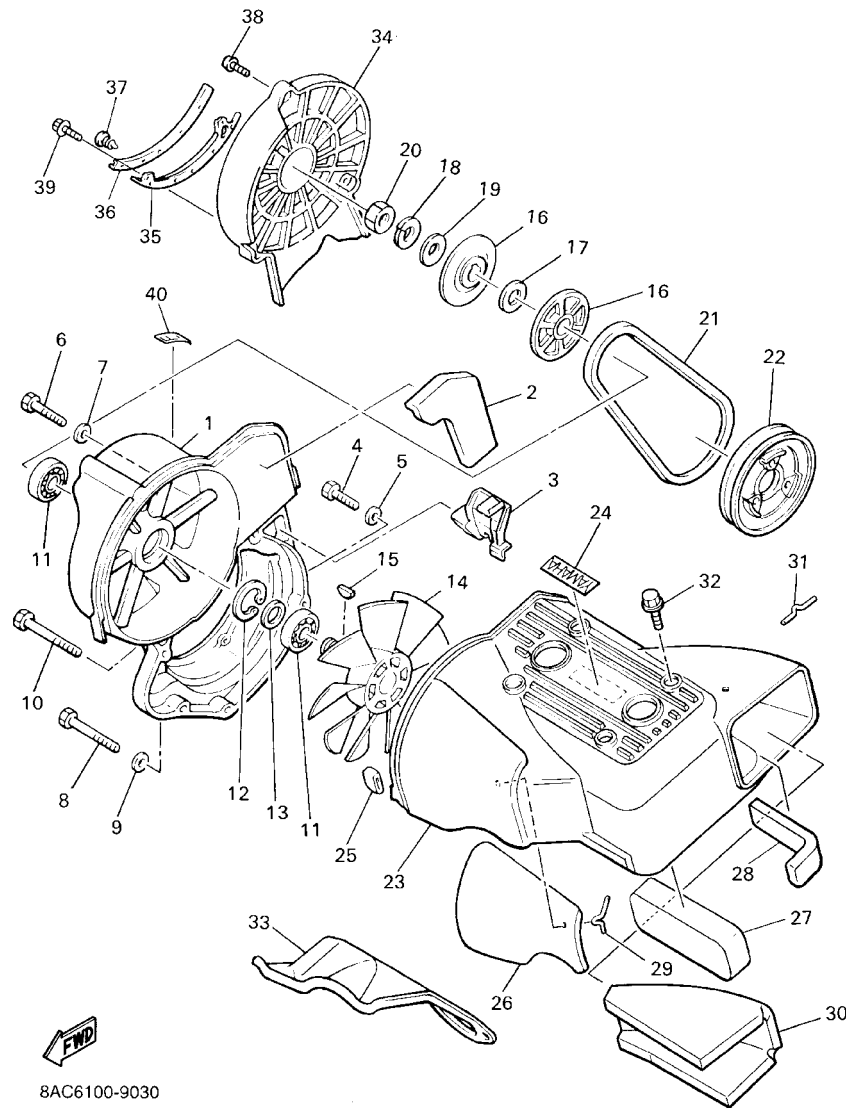


8AU100-3020

FIG. 2 CRANKSHAFT. PISTON

REF. NO.	PART NO.	DESCRIPTION	USA	CAN	EUR	JPN	REMARKS
1	8R6-11631-00-95	PISTON (STD)	2	2	2	2	
	8R6-11635-00	PISTON (0.25MM O/S)	2	2	2	2	AP
	8R6-11636-00	PISTON (0.50MM O/S)	2	2	2	2	AP
2	8R6-11601-00	PISTON RING SET (STD)	2	2	2	2	
	8R6-11601-10	PISTON RING SET (0.25MM O/S)	2	2	2	2	AP
	8R6-11601-20	PISTON RING SET (0.50MM O/S)	2	2	2	2	AP
3	8H8-11633-00	PIN, PISTON	2	2	2	2	
4	93450-21053	CIRCLIP	4	4	4	4	
5	93310-320G0	BEARING	2	2	2	2	
6	8AT-11400-01	CRANKSHAFT ASSY	1	1	1	1	
7	83R-11412-01	.CRANK 1	1	1	1	1	
8	8H8-11422-01	.CRANK 2	1	1	1	1	
9	8H8-11432-01	.CRANK 3	1	1	1	1	
10	8AT-11442-00	.CRANK 4	1	1	1	1	
11	90209-24073	.WASHER	2	2	2	2	
12	8R6-11651-00	.ROD, CONNECTING	2	2	2	2	
13	93310-524K4	.BEARING	2	2	2	2	
14	8H8-11515-00	.SEAL, LABYRINTH 1	1	1	1	1	
15	91609-30010	.PIN, SPRING	1	1	1	1	
16	93306-30627	.BEARING	1	1	1	1	
17	93306-30628	.BEARING	1	1	1	1	
18	90201-33299	.WASHER, PLATE	1	1	1	1	
19	93306-20617	.BEARING (B6206)	2	2	2	2	
20	93306-20620	.BEARING (B6206)	1	1	1	1	
21	93103-32095	.OIL SEAL	1	1	1	1	
22	8K2-13178-00	.GEAR, PUMP DRIVE	1	1	1	1	
23	8A7-11685-00	.WASHER, CRANK PIN	2	2	2	2	

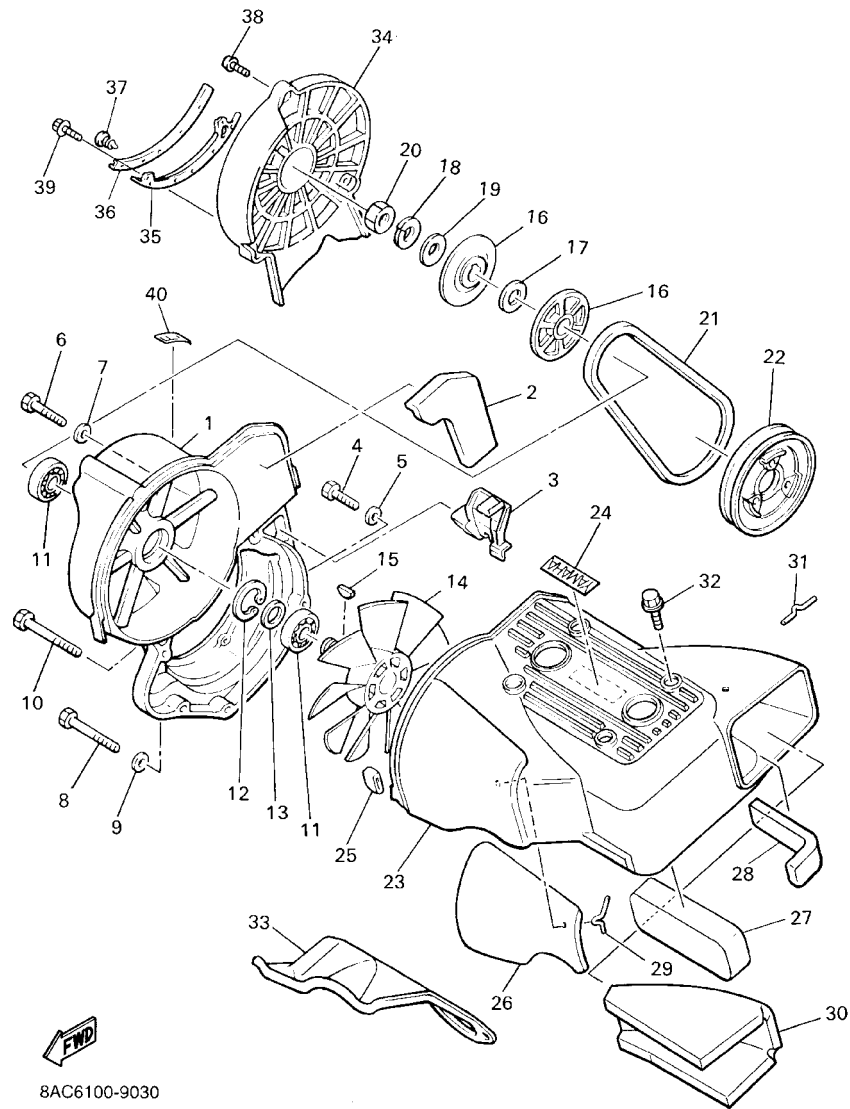
FIG. 3 AIR SHROUD. FAN



8AC6100-9030

REF. NO.	PART NO.	DESCRIPTION	USA	CAN	EUR	JPN	REMARKS
1	88F-12621-02	CASE, FAN	1	1	1	1	
2	8Y0-12679-00	DAMPER, SHROUD 6	1	1	1	1	
3	8Y0-12658-00	DAMPER, AIR SHROUD 1	1	1	1	1	
4	97027-08040	BOLT	2	2	2	2	
5	92907-08600	WASHER, PLATE	2	2	2	2	
6	97027-08055	BOLT	1	1	1	1	
7	92907-08600	WASHER, PLATE	1	1	1	1	
8	97027-08075	BOLT	1	1	1	1	
9	92907-08600	WASHER, PLATE	1	1	1	1	
10	97027-08075	BOLT	1	1	1	1	
11	93306-20315	BEARING (B6203)	2	2	2	2	
12	99009-40500	CIRCLIP	1	1	1	1	
13	90201-17713	WASHER, PLATE	1	1	1	1	
14	8H8-12611-01	FAN	1	1	1	1	
15	90280-05014	KEY, WOODRUFF	1	1	1	1	
16	8H8-12619-01	PULLEY 2	2	2	2	2	
17	90214-17017	WASHER, CLAW (0.5T)	1	1	1	1	UR UN
	90214-17018	WASHER, CLAW (1.0T)	1	1	1	1	UR UN
18	92907-16100	WASHER	1	1	1	1	
19	90201-17713	WASHER, PLATE	1	1	1	1	
20	90170-16425	NUT	1	1	1	1	
21	8H8-12612-00	BELT	1	1	1	1	
22	8H8-12618-01	PULLEY 1	1	1	1	1	
23	8H8-12651-02	AIR SHROUD, CYLINDER 1	1	1	1	1	
24	99236-00080	EMBLEM, YAMAHA	1	1	1	1	
25	8H8-12658-00	DAMPER, AIR SHROUD 1	2	2	2	2	
26	8H8-12659-00	DAMPER, AIR SHROUD 2	1	1	1	1	

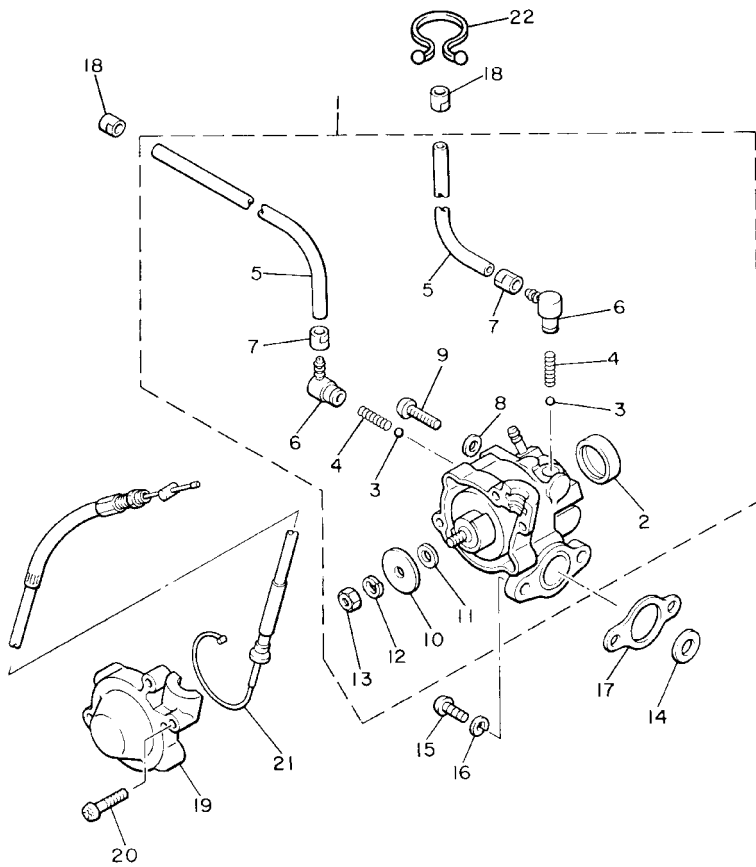
FIG. 3 AIR SHROUD. FAN



8AC6100-9030

REF. NO.	PART NO.	DESCRIPTION	USA	CAN	EUR	JPN	REMARKS
27	8H8-12669-00	DAMPER, AIR SHROUD 4	1	1	1	1	
28	8V8-12678-00	DAMPER, AIR SHROUD 5	1	1	1	1	
29	91401-16025	PIN, COTTER	3	3	3	3	
30	8AT-12679-00	DAMPER, SHROUD 6	1	1	1	1	
31	91401-16025	PIN, COTTER	3	3	3	3	
32	90119-06108	BOLT, WITH WASHER	4	4	4	4	
33	8H8-12652-00	AIR SHROUD, CYLINDER 2	1	1	1	1	
34	8L0-12616-00	COVER, FAN CASE	1	1	1	1	
35	8Y0-12637-02	STAY 1	1	1	1	1	
36	8Y0-12687-02	DAMPER, DUCT 4	1	1	1	1	
37	90269-05051	RIVET	5	5	5	5	
38	98907-06025	SCREW, BIND	2	2	2	2	
39	95807-06025	BOLT, FLANGE	1	1	1	1	
40	8K4-12628-00	LABEL, CAUTION	1	1	1	1	

FIG. 4 OIL PUMP



REF. NO.	PART NO.	DESCRIPTION	USA	CAN	EUR	JPN	REMARKS
1	8AT-13101-00	OIL PUMP ASSY	1	1	1	1	
2	90338-21075	.PLUG	1	1	1	1	
3	93505-32002	.BALL	2	2	2	2	
4	90501-02217	.SPRING, COMPRESSION	2	2	2	2	
5	91A30-03042	.TUBE, FLEXIBLE VINYL	2	2	2	2	
6	353-13552-01	.NOZZLE	2	2	2	2	
7	90468-02025	.CLIP	2	2	2	2	
8	90430-04004	.GASKET	1	1	1	1	
9	98902-04020	.SCREW, BIND	1	1	1	1	
10	137-13138-01	.PLATE, ADJUSTING	1	1	1	1	
11	137-13137-00	.SHIM, PLUNGER	1	1	1	1	
12	92901-05100	.WASHER, SPRING	1	1	1	1	
13	95301-05600	.NUT	1	1	1	1	
14	90201-08624	WASHER, PLATE	1	1	1	1	
15	98507-05016	SCREW	2	2	2	2	
16	92907-05100	WASHER, SPRING	2	2	2	2	
17	8Y0-13116-01	GASKET, PUMP CASE	1	1	1	1	
18	90468-02025	CLIP	2	2	2	2	
19	8A5-13146-01	COVER,ADJUST PULLEY	1	1	1	1	
20	98507-04018	SCREW	3	3	3	3	
21	8L8-26320-04	PUMP CABLE ASSY	1	1	1	1	
22	90464-16039	CLAMP	1	1	1	1	

 8AU100-3040

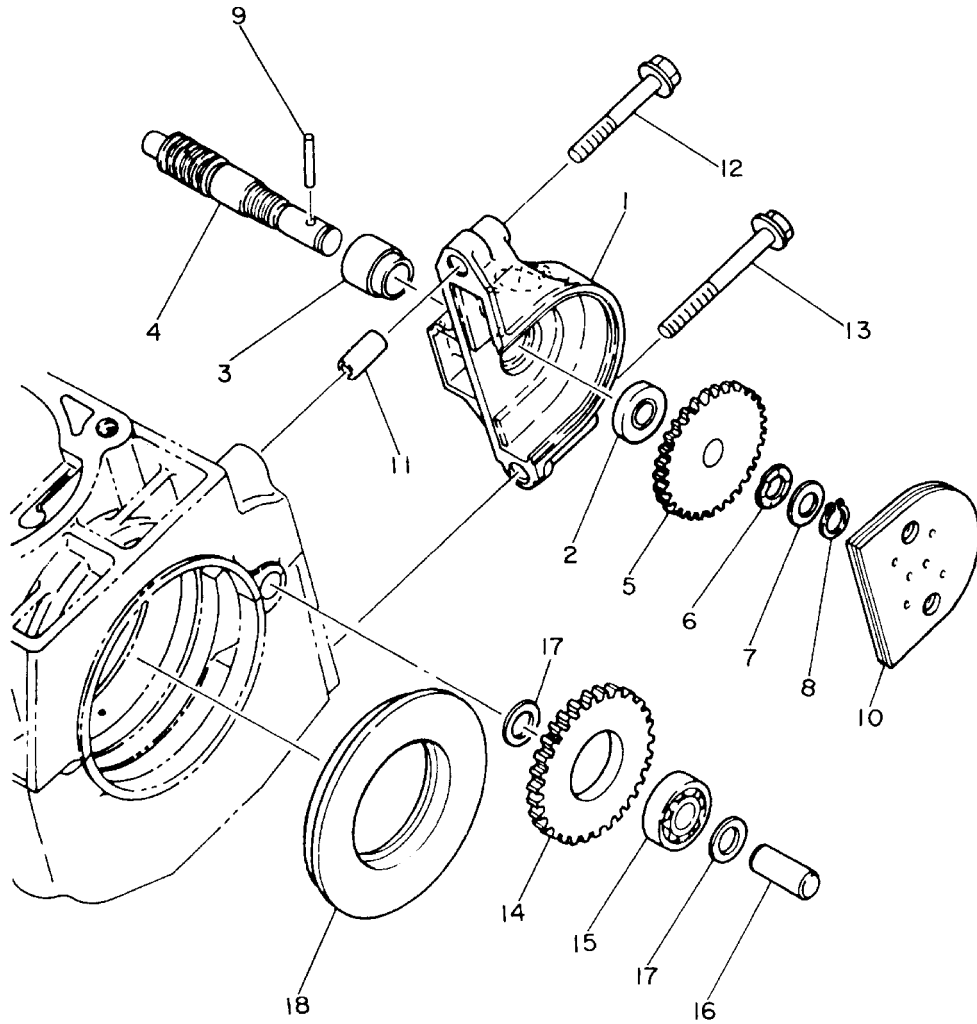


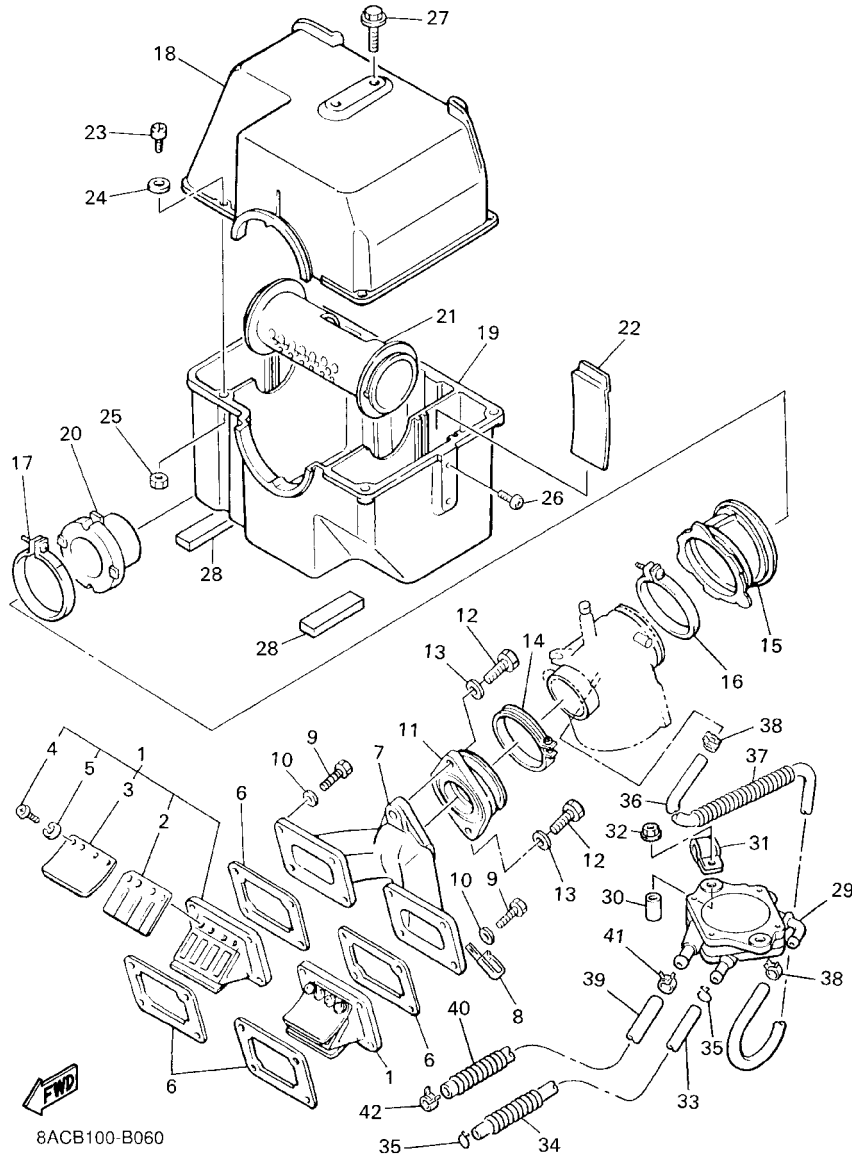
FIG. 5 PUMP DRIVE GEAR

REF. NO.	PART NO.	DESCRIPTION	USA	CAN	EUR	JPN	REMARKS
1	8AT-15416-00	COVER, OIL PUMP	1	1	1	1	
2	93101-10001	OIL SEAL	1	1	1	1	
3	821-13176-00	METAL, WORM SHAFT OUTER	1	1	1	1	
4	866-13175-00	SHAFT, WORM	1	1	1	1	
5	821-13188-00	GEAR, DRIVE (32T)	1	1	1	1	
6	90206-11016	WASHER, WAVE	1	1	1	1	
7	137-13148-00	PLATE, CAM THRUST	1	1	1	1	
8	99009-10400	CIRCLIP	1	1	1	1	
9	93603-22028	PIN, DOWEL	1	1	1	1	
10	8K4-15426-00	COVER, OIL PUMP 2	1	1	1	1	
11	99530-08016	PIN, DOWEL	2	2	2	2	
12	95027-06040	BOLT, FLANGE	1	1	1	1	
13	95027-06055	BOLT, FLANGE	1	1	1	1	
14	8H8-13179-00	GEAR, IDLE (34T)	1	1	1	1	
15	93306-00002	BEARING (B6000RS)	1	1	1	1	
16	8G8-13342-00	SHAFT, IDLE GEAR	1	1	1	1	
17	90201-10119	WASHER, PLATE	2	2	2	2	
18	8K4-13119-00	SEAL, GREASE	1	1	1	1	



8AU100-3050

FIG. 6 INTAKE



REF. NO.	PART NO.	DESCRIPTION	USA	CAN	EUR	JPN	REMARKS
1	8AT-13610-00	REED VALVE ASSY	2	2	2	2	
2	8AT-13613-00	.REED, VALVE	2	2	2	2	
3	8H8-13616-00	.STOPPER, REED VALVE	2	2	2	2	
4	98507-03008	.SCREW	8	8	8	8	
5	92907-03100	.WASHER, SPRING	8	8	8	8	
6	8Y7-13556-01	GASKET, MANIFOLD	4	4	4	4	
7	83R-13565-00	JOINT, CARBURETOR	1	1	1	1	
8	90465-08277	CLAMP	1	1	1	1	
9	97027-06025	BOLT	8	8	8	8	
10	92907-06600	WASHER, PLATE	8	8	8	8	
11	8G8-13555-01	MANIFOLD, INTAKE	1	1	1	1	
12	97007-08025	BOLT	2	2	2	2	
13	92907-08600	WASHER, PLATE	2	2	2	2	
14	90460-56073	CLAMP, HOSE	1	1	1	1	
15	83R-14453-00	JOINT, AIR CLEANER 1	1	1	1	1	
16	90460-68230	CLAMP, HOSE	1	1	1	1	
17	90450-99050	HOSE CLAMP ASSY	1	1	1	1	
18	8H8-14431-00	SILENCER, INTAKE 1	1	1	1	1	
19	8H8-14441-00	SILENCER, INTAKE 2	1	1	1	1	
20	83R-14465-00	PIPE	1	1	1	1	
21	8H8-14466-00	PIPE	1	1	1	1	
22	8H8-14477-00	PLATE	2	2	2	2	
23	98507-05016	SCREW	5	5	5	5	
24	92907-05600	WASHER, PLATE	5	5	5	5	
25	95307-05700	NUT	5	5	5	5	
26	98507-06010	SCREW	2	2	2	2	
27	90109-065E6	BOLT	2	2	2	2	

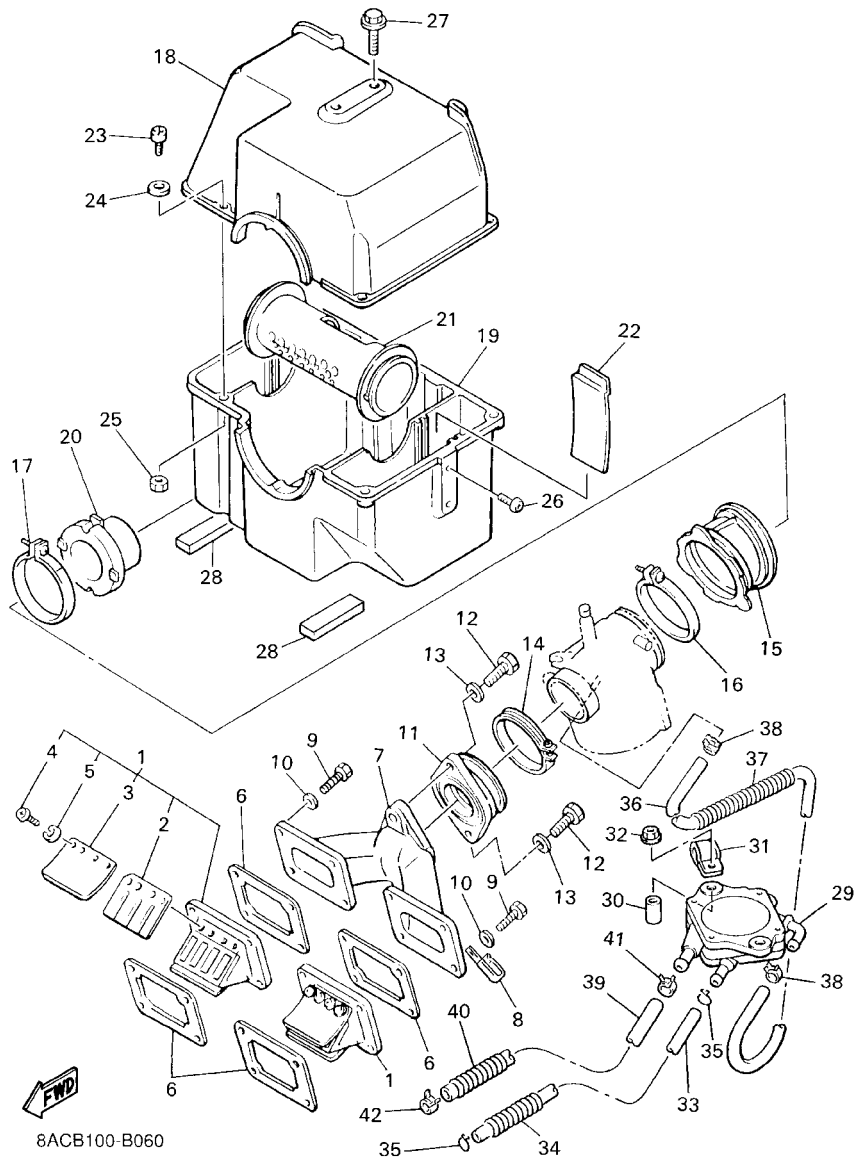
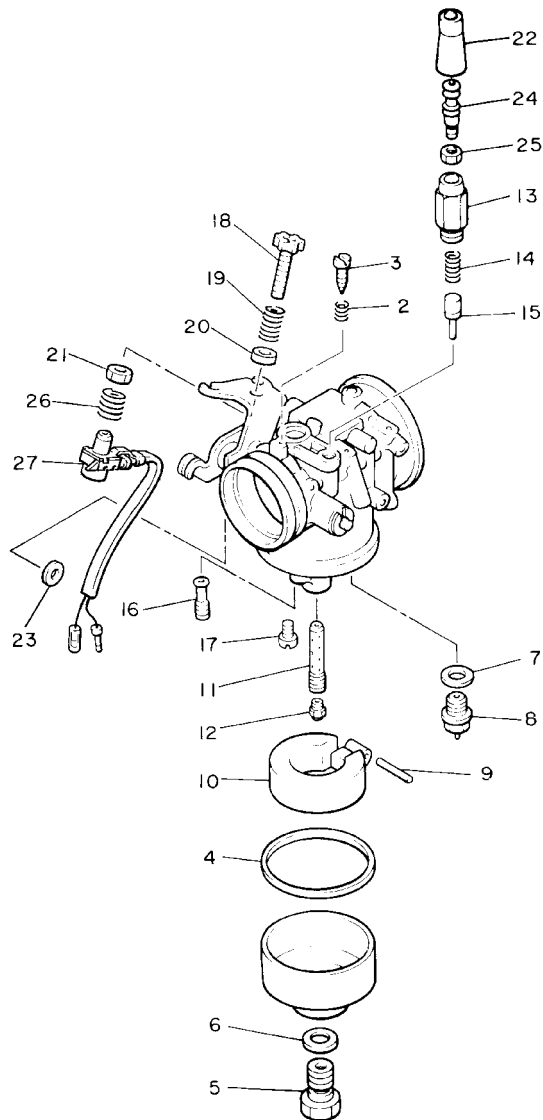


FIG. 6 INTAKE

REF. NO.	PART NO.	DESCRIPTION	USA	CAN	EUR	JPN	REMARKS
28	83R-14425-00	DAMPER 1	2	2	2	2	
29	8AT-24410-00	FUEL PUMP ASSY	1	1	1	1	
30	90387-063W4	COLLAR	2	2	2	2	
31	90465-08316	CLAMP	1	1	1	1	
32	95707-06500	NUT, FLANGE	2	2	2	2	
33	90445-11735	HOSE (L320)	1	1	1	1	
34	90501-084G9	SPRING, COMPRESSION	1	1	1	1	
35	90467-11032	CLIP	2	2	2	2	
36	90445-092K1	HOSE (L420)	1	1	1	1	
37	90501-084J0	SPRING, COMPRESSION	1	1	1	1	
38	90467-09026	CLIP	2	2	2	2	
39	90445-114K5	HOSE (L80)	1	1	1	1	
40	84M-24327-00	PROTECTOR, PIPE	1	1	1	1	
41	90467-11032	CLIP	1	1	1	1	
42	90467-11009	CLIP	1	1	1	1	

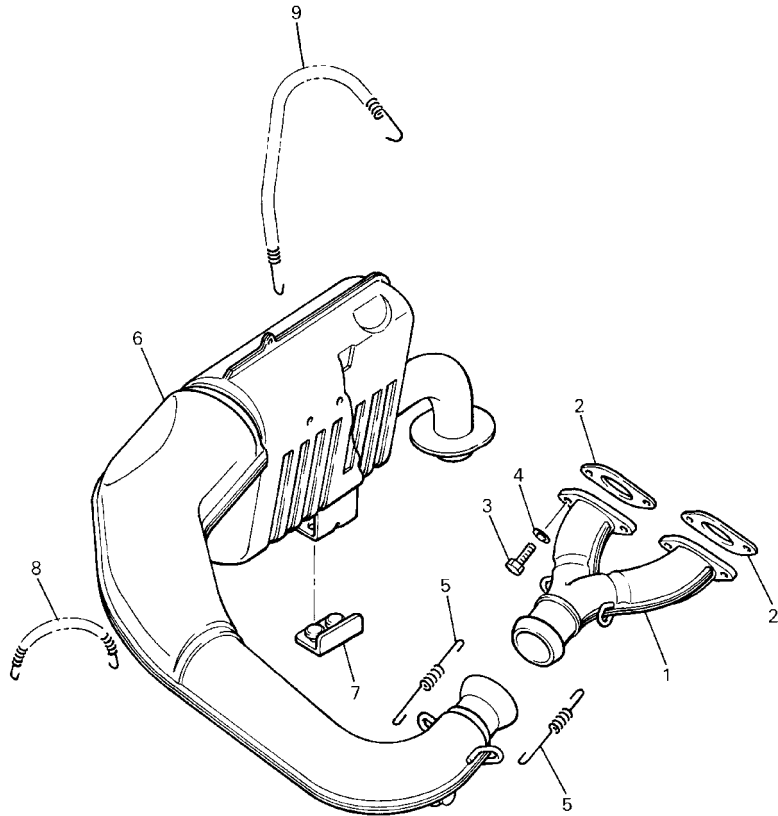
FIG. 7 CARBURETOR



87R100-0070

REF. NO.	PART NO.	DESCRIPTION	USA	CAN	EUR	JPN	REMARKS
1	84R-14101-01	CARBURETOR ASSY 1	1	1	1		
	86R-14101-01	CARBURETOR ASSY 1				1	
2	82A-14134-00	.SPRING, AIR ADJUSTING	1	1	1	1	
3	620-14211-00	.SCREW, PILOT ADJUSTING	1	1	1	1	
4	8M6-14126-00	.GASKET	1	1	1	1	
5	8M6-14261-00	.HOLDER	1	1	1	1	
6	286-14198-00	.GASKET	1	1	1	1	
7	214-14195-00	.WASHER, NEEDLE VALVE	1	1	1	1	
8	83R-14190-15	.NEEDLE VALVE ASSY	1	1	1	1	
9	8M6-14186-00	.PIN, FLOAT	1	1	1	1	
10	8M6-14185-00	.FLOAT	1	1	1	1	
11	83R-14941-4E	.NOZZLE, MAIN	1	1	1	1	
12	3G2-1414E-56	.JET, MAIN (#141.3)	1	1	1	1	STD
	3G2-14231-77	.JET, MAIN (#132.5)	1	1	1	1	AP
	3G2-14231-27	.JET, MAIN (#135)	1	1	1	1	AP
	3G2-14231-78	.JET, MAIN (#137.5)	1	1	1	1	AP
	3G2-14231-28	.JET, MAIN (#140)	1	1	1	1	AP
	3G2-14231-79	.JET, MAIN (#142.5)	1	1	1	1	AP
13	8G8-14174-00	.CAP, PLUNGER	1	1	1	1	
14	127-14135-00	.SPRING, PLUNGER	1	1	1	1	
15	8G8-14171-00	.PLUNGER, STARTER	1	1	1	1	
16	193-14142-90	.JET, PILOT (# 90)	1	1	1	1	STD
	193-1414F-00	.JET, PILOT (# 100)	1	1	1	1	AP
17	8V0-14118-00	.CAP	2	2	2	2	
18	8V0-14122-00	.SCREW, THROTTLE	1	1	1		
	80L-14122-00	.SCREW, THROTTLE				1	
19	8X0-14500-00	.SPRING	1	1	1	1	

FIG. 8 EXHAUST

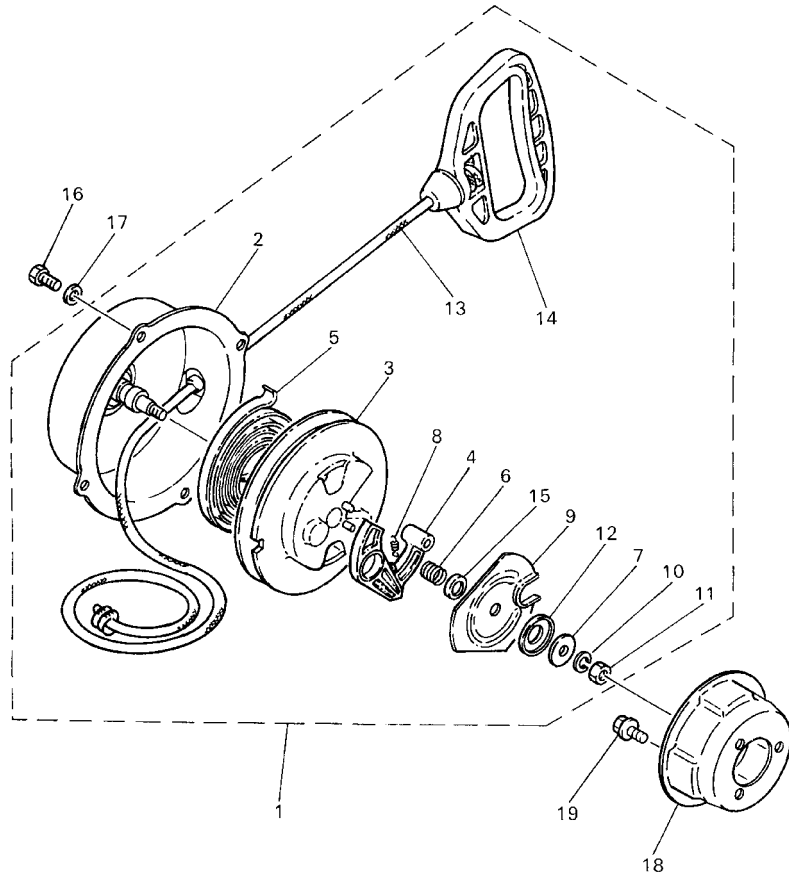


REF. NO.	PART NO.	DESCRIPTION	USA	CAN	EUR	JPN	REMARKS
1	8K4-14610-00	EXHAUST PIPE ASSY 1	1	1	1	1	
2	82M-14613-01	GASKET, EXHAUST PIPE	2	2	2	2	
3	97027-08020	BOLT	4	4	4	4	
4	92907-08600	WASHER, PLATE	4	4	4	4	
5	90506-20272	SPRING, TENSION	2	2	2	2	
6	83R-14710-04	MUFFLER ASSY 1	1	1	1	1	
7	83R-14728-01	PROTECTOR, MUFFLER 2	1	1	1	1	
8	90507-16045	SPRING, TENSION	1	1	1	1	
9	90507-16046	SPRING, TENSION	1	1	1	1	



8AC3100-6090

FIG. 10 STARTER

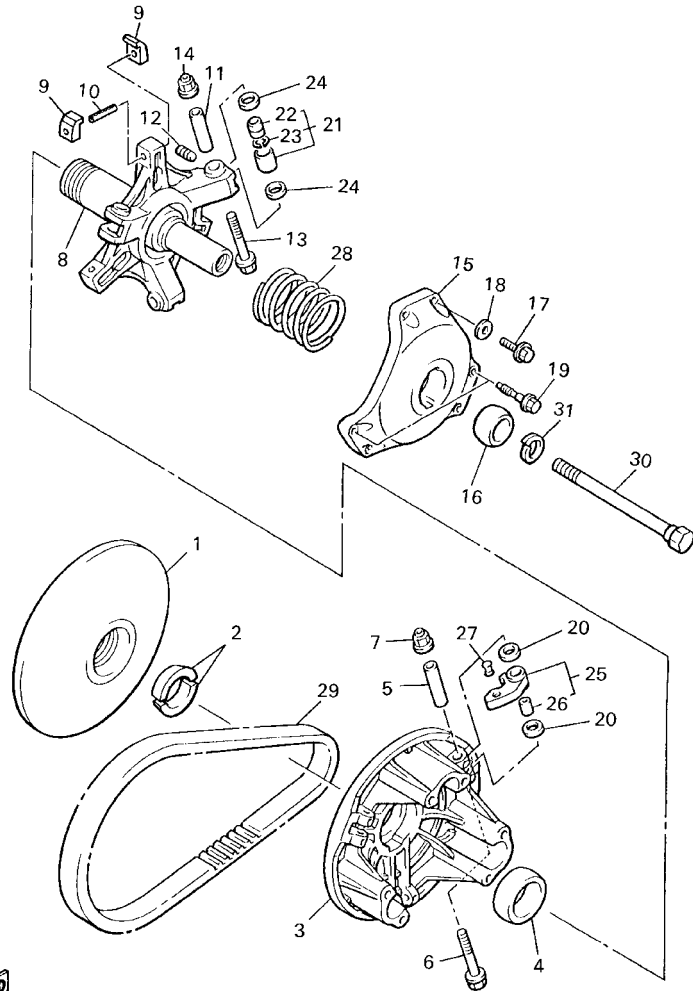


REF. NO.	PART NO.	DESCRIPTION	USA	CAN	EUR	JPN	REMARKS
1	8H8-15710-00	STARTER ASSY	1	1	1	1	
2	8H8-15711-00	.CASE, STARTER	1	1	1	1	
3	8F3-15714-01	.DRUM, SHEAVE	1	1	1	1	
4	8F3-15741-01	.PAWL, DRIVE	1	1	1	1	
5	8F3-15713-01	.SPRING, STARTER	1	1	1	1	
6	8F3-15715-00	.SPRING, FRICTION	1	1	1	1	
7	8F3-15739-01	.WASHER, THRUST	1	1	1	1	
8	8F3-15734-00	.SPRING, RETURN	1	1	1	1	
9	8F3-15716-03	.PLATE, DRIVE	1	1	1	1	
10	92901-06100	.WASHER, SPRING	1	1	1	1	
11	95301-06700	.NUT	1	1	1	1	
12	8G5-15739-00	.WASHER, THRUST	1	1	1	1	
13	8F3-15751-00	.WIRE, STARTER	1	1	1	1	
14	8F3-15755-00	.HANDLE, STARTER	1	1	1	1	
15	8G5-15716-00	.COLLAR	1	1	1	1	
16	97007-06014	BOLT	4	4	4	4	
17	92907-06600	WASHER, PLATE	4	4	4	4	
18	8H8-15723-01	PULLEY, STARTER	1	1	1	1	
19	95827-08016	BOLT, FLANGE	3	3	3	3	



8AC3100-6110

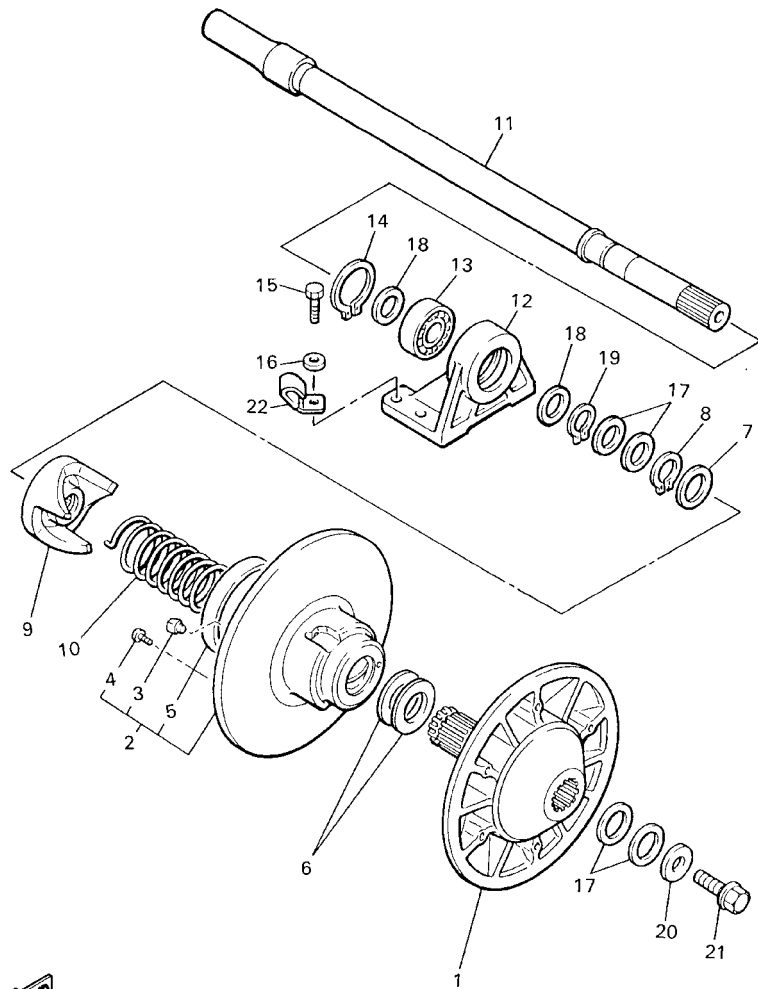
FIG. 11 PRIMARY SHEAVE



8AC6100-9110

REF. NO.	PART NO.	DESCRIPTION	USA	CAN	EUR	JPN	REMARKS
1	88R-17611-02	SHEAVE, PRIMARY FIXED	1	1	1	1	
2	8V0-17639-00	STOPPER	2	2	2	2	
3	89F-17621-00	SHEAVE, PRIMARY SLIDING	1	1	1	1	
4	90389-41031	BUSH	1	1	1	1	
5	90387-0501R	COLLAR	3	3	3	3	
6	90105-05644	BOLT, FLANGE	3	3	3	3	
7	95607-05200	NUT, U FLANGE	3	3	3	3	
8	8BW-17640-11	SPIDER COMPLETE	1	1	1	1	
9	8BW-17653-00	SLIDER	6	6	6	6	
10	91609-50032	PIN, SPRING	3	3	3	3	
11	90387-0501R	COLLAR	3	3	3	3	
12	90113-05053	BOLT, SET	6	6	6	6	
13	90105-05644	BOLT, FLANGE	3	3	3	3	
14	95607-05200	NUT, U FLANGE	3	3	3	3	
15	88R-17631-01	CAP	1	1	1	1	
16	90389-28032	BUSH	1	1	1	1	
17	97017-06030	BOLT	4	4	4	4	
18	92907-06600	WASHER, PLATE	4	4	4	4	
19	90109-066F4	BOLT	2	2	2	2	
20	90202-08204	WASHER, PLATE	6	6	6	6	
21	88R-17624-01	ROLLER, COMP	3	3	3	3	
22	90386-08183	.BUSH	1	1	1	1	
23	93450-13133	.CIRCLIP	1	1	1	1	
24	90202-08204	WASHER, PLATE	6	6	6	6	
25	8AT-17605-00	WEIGHT COMP	3	3	3	3	
26	90386-08182	.BUSH	1	1	1	1	
27	90261-06019	RIVET, COUNTERSUNK (ST13.3MM)	3	3	3	3	STD

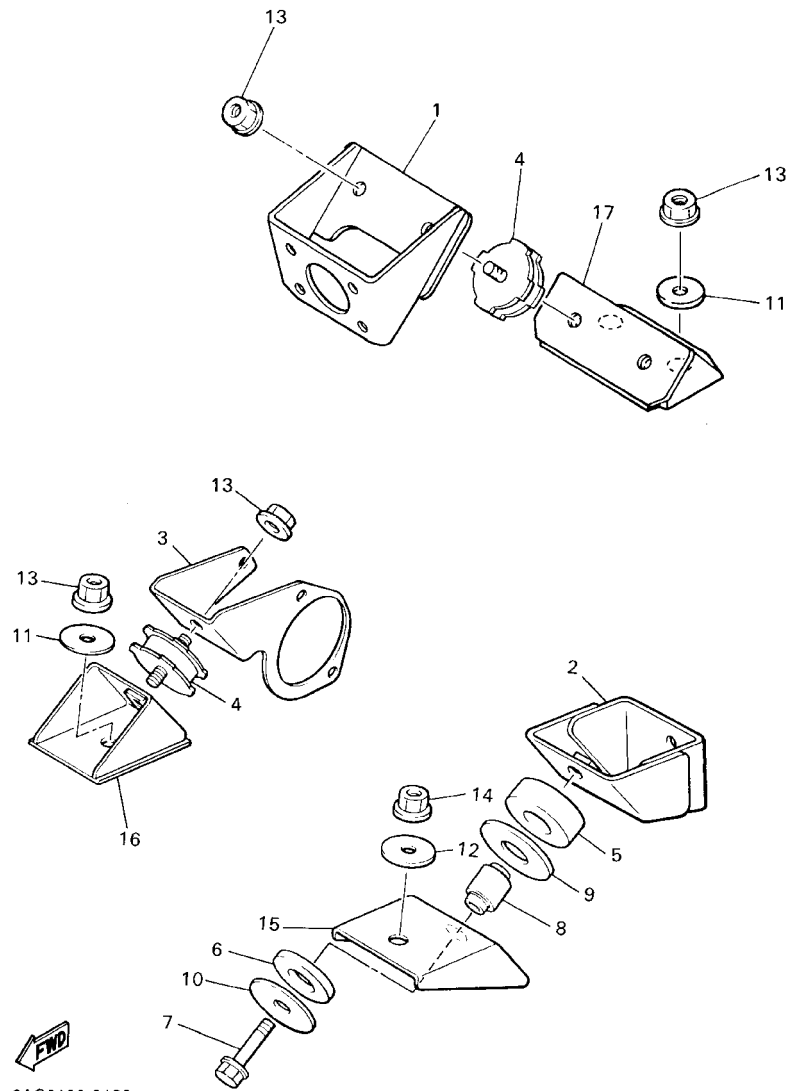
FIG. 12 SECONDARY SHEAVE



8AC6100-9120

REF. NO.	PART NO.	DESCRIPTION	USA	CAN	EUR	JPN	REMARKS
1	88R-17660-02	SECONDARY FIXED SHEAVE COMP.	1	1	1	1	
2	8AT-17670-01	SECONDARY SLIDING SHEAVE	1	1	1	1	
3	8X6-17688-00	.SHOE, RAMP	3	3	3	3	
4	90154-06062	.SCREW, BINDING	3	3	3	3	
5	90384-90081	.BUSH, BIMETAL FORMED	1	1	1	1	
6	90201-345G2	WASHER, PLATE	2	2	2	2	
7	90214-29060	WASHER, CLAW	1	1	1	1	
8	93440-34170	CIRCLIP	1	1	1	1	
9	8AT-17684-00	SEAT, SECONDARY SPRING	1	1	1	1	
10	90508-50746	SPRING, TORSION	1	1	1	1	
11	88N-17680-02	SECONDARY SHAFT COMP.	1	1	1	1	
12	88N-47631-00	HOUSING, BEARING	1	1	1	1	
13	93306-20582	BEARING (62052RSC3)	1	1	1	1	
14	99009-52500	CIRCLIP	1	1	1	1	
15	97027-08020	BOLT	4	4	4	4	
16	92907-08600	WASHER, PLATE	4	4	4	4	
17	90201-252F1	WASHER, PLATE (T0.5)	1	1	1	1	UR UN
	90201-25527	WASHER, PLATE (T1.0)	2	2	2	2	UR UN
	90201-25526	WASHER, PLATE (T=2.0)	2	2	2	2	UR UN
18	90201-257J2	WASHER, PLATE	2	2	2	2	
19	93410-25017	CIRCLIP	1	1	1	1	
20	90201-104A7	WASHER, PLATE	1	1	1	1	
21	95817-10020	BOLT, FLANGE	1	1	1	1	
22	90465-08316	CLAMP	1	1	1	1	

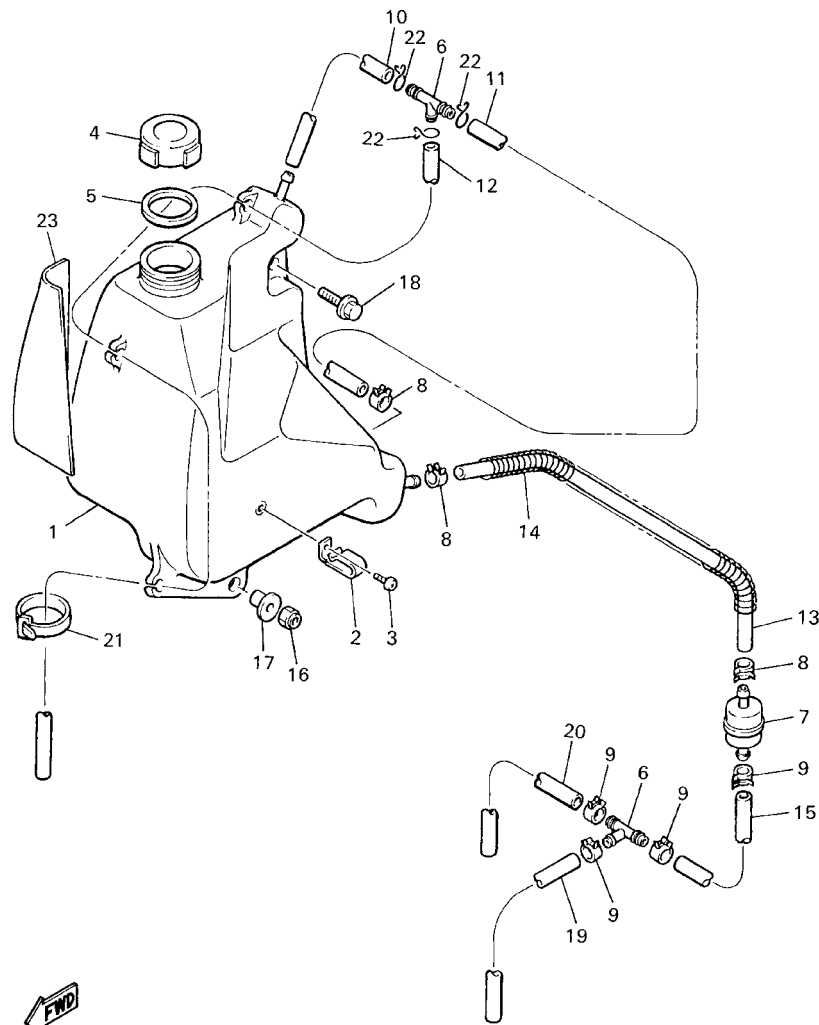
FIG. 13 ENGINE BRACKET



8AC6100-9130

REF. NO.	PART NO.	DESCRIPTION	USA	CAN	EUR	JPN	REMARKS
1	8H8-21411-01	BRACKET, ENGINE 1	1	1	1	1	
2	83R-21419-00	BRACKET, ENGINE 2	1	1	1	1	
3	8H8-21429-01	BRACKET, ENGINE 3	1	1	1	1	
4	8N7-21486-00	DAMPER 2	3	3	3	3	
5	8V9-21485-00	DAMPER, RUBBER 1	1	1	1	1	
6	8V9-21486-00	DAMPER 2	1	1	1	1	
7	95817-10045	BOLT, FLANGE	1	1	1	1	
8	90380-10129	BUSH, SOLID	1	1	1	1	
9	90201-257G7	WASHER, PLATE	1	1	1	1	
10	90201-107G8	WASHER, PLATE	1	1	1	1	
11	90201-10321	WASHER, PLATE	3	3	3	3	
12	90201-12317	WASHER, PLATE	1	1	1	1	
13	95707-10500	NUT, FLANGE	6	6	6	6	
14	95707-12500	NUT, FLANGE	1	1	1	1	
15	8AT-21417-00	BRACKET, FRONT LOWER 1	1	1	1	1	
16	8H8-21418-01	BRACKET, FRONT LOWER 2	1	1	1	1	
17	8H8-21427-00	BRACKET, REAR LOWER 1	1	1	1	1	

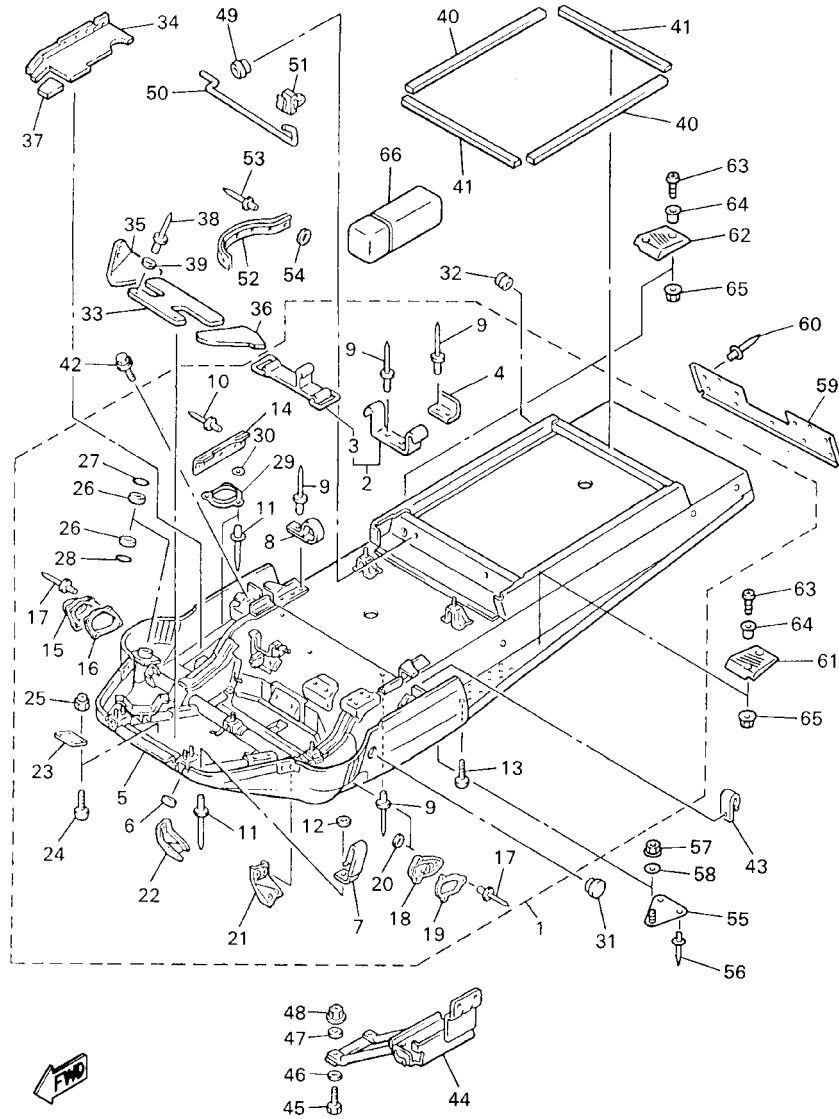
FIG. 14 OIL TANK



8AC6100-9140

REF. NO.	PART NO.	DESCRIPTION	USA	CAN	EUR	JPN	REMARKS
1	83R-21751-00	TANK, OIL	1	1	1	1	
2	90462-10209	CLAMP	1	1	1	1	
3	98907-06010	SCREW, BIND	1	1	1	1	
4	863-21771-00	BODY, CAP	1	1	1	1	
5	90430-31003	GASKET	1	1	1	1	
6	801-24376-00	PIPE, JOINT 1	2	2	2	2	
7	8G8-13410-00	STRAINER HOUSING ASSY	1	1	1	1	
8	90467-11032	CLIP	2	2	2	2	
9	90467-09026	CLIP	4	4	4	4	
10	91A30-05010	TUBE, FLEXIBLE VINYL	1	1	1	1	
11	91A30-05120	TUBE, FLEXIBLE VINYL	1	1	1	1	
12	91A30-05085	TUBE, FLEXIBLE VINYL	1	1	1	1	
13	91A30-07016	TUBE, FLEXIBLE VINYL	1	1	1	1	
14	84M-24327-00	PROTECTOR, PIPE	1	1	1	1	
15	91A30-05004	TUBE, FLEXIBLE VINYL	1	1	1	1	
16	95607-06100	NUT, U	1	1	1	1	
17	90387-061U9	COLLAR	2	2	2	2	
18	95807-06016	BOLT, FLANGE	1	1	1	1	
19	91A30-05052	TUBE, FLEXIBLE VINYL	1	1	1	1	
20	91A30-05060	TUBE, FLEXIBLE VINYL	1	1	1	1	
21	90464-16061	CLAMP	1	1	1	1	
22	90467-08017	CLIP	3	3	3	3	
23	8AT-21747-00	DAMPER	1	1	1	1	

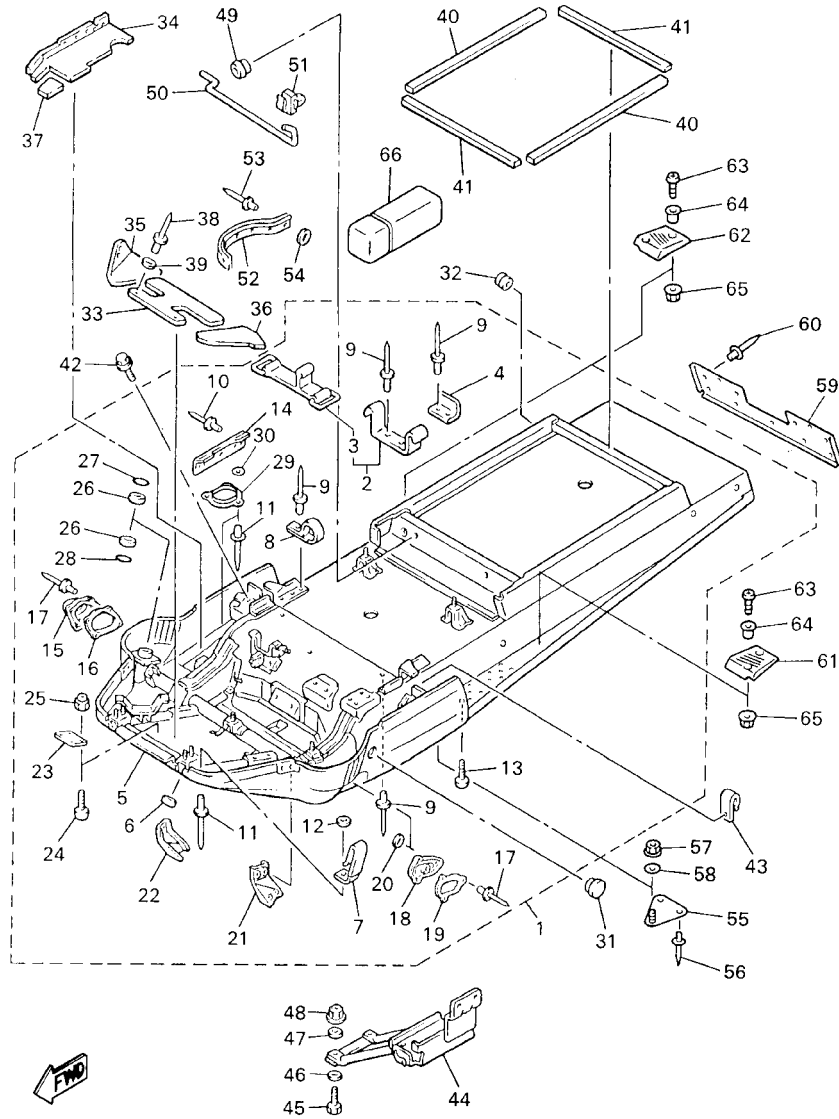
FIG. 15 FRAME



8AC8100-1150

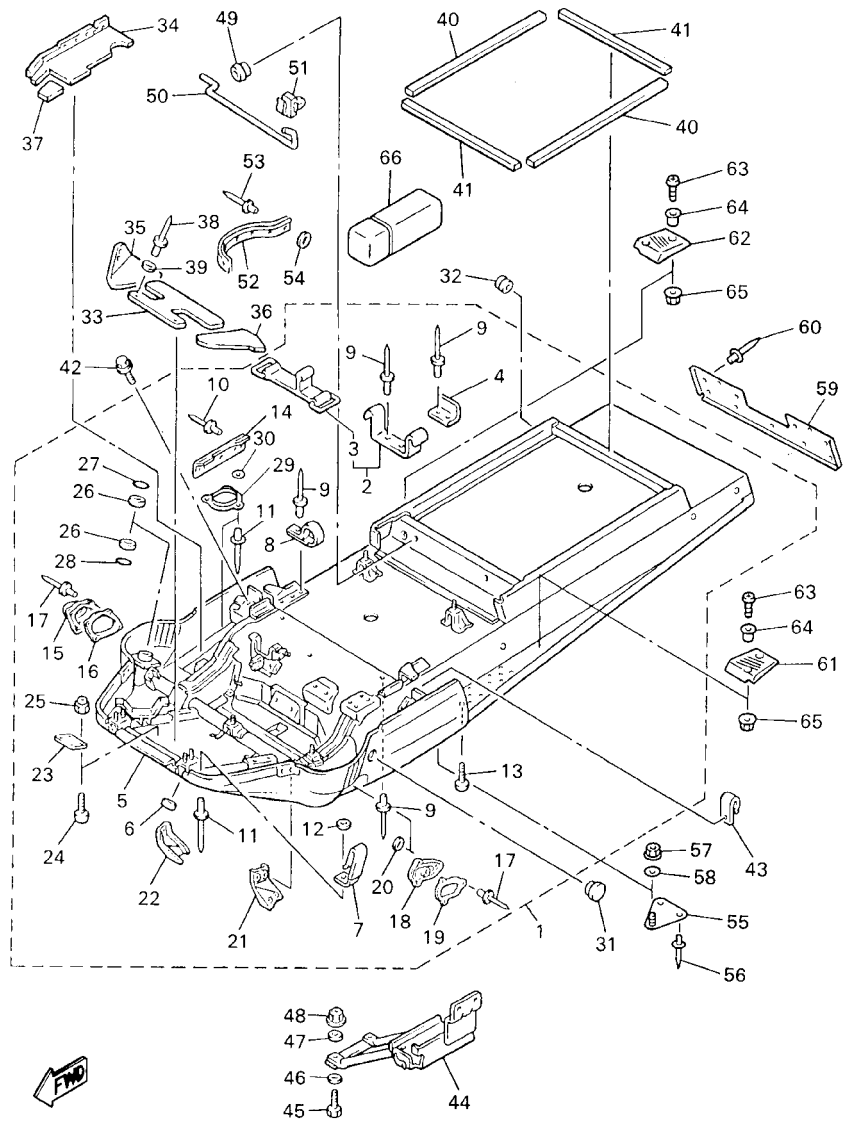
REF. NO.	PART NO.	DESCRIPTION	USA	CAN	EUR	JPN	REMARKS
1	8AC-21910-00	FRAME COMP.	1	1	1	1	
2	81E-21945-00	.BRACKET, TOOL BOX FITTING	1	1	1	1	
3	4J2-82131-01	..BAND, BATTERY	1	1	1	1	
4	83R-21955-00	.BRACKET, TOOL BOX FITTING	1	1	1	1	
5	8AC-21912-00	.PANEL, SUB FRAME 1	1	1	1	1	
6	90387-081R2	.COLLAR	2	2	2	2	
7	90465-08368	.CLAMP	5	5	5	5	
8	90462-05059	.CLAMP	1	1	1	1	
9	90267-48060	.RIVET, BLIND	40	40	40	40	
10	90267-48051	.RIVET, BLIND	14	14	14	14	
11	90267-48141	.RIVET, BLIND	42	42	42	42	
12	90201-04325	.WASHER, PLATE	3	3	3	3	
13	98907-06016	.SCREW, BIND	4	4	4	4	
14	8AT-77527-01	.PLATE, BACK UP	2	2	2	2	
15	8AT-23818-00	.COVER, STEERING	1	1	1	1	
16	8AT-77526-00	.WASHER 2	1	1	1	1	
17	90267-40029	.RIVET, BLIND	7	7	7	7	
18	8M6-2198F-00	.COVER 1	1	1	1	1	
19	8M6-21998-00	.SPACER	1	1	1	1	
20	90201-043H5	.WASHER, PLATE	3	3	3	3	
21	8AT-2194Y-00	.BRACKET, FRONT GUARD 3	1	1	1	1	
22	8AT-2195Y-00	.BRACKET, FRONT GUARD 4	1	1	1	1	
23	89X-21917-00	.PANEL, SUB FRAME 6	2	2	2	2	
24	98907-05014	.SCREW, BIND	8	8	8	8	
25	95707-05300	.NUT, FLANGE	8	8	8	8	
26	90384-36134	.BUSH, BIMETAL FORMED	4	4	4	4	
27	93102-36232	.OIL SEAL	2	2	2	2	

FIG. 15 FRAME



8AC8100-1150

REF. NO.	PART NO.	DESCRIPTION	USA	CAN	EUR	JPN	REMARKS
28	93103-36117	.OIL SEAL	2	2	2	2	
29	83R-2198F-00	.COVER 1	1	1	1	1	
30	90201-04325	.WASHER, PLATE	3	3	3	3	
31	90338-44093	PLUG	3	3	3	3	
32	90480-15061	GROMMET	1	1	1	1	
33	8AT-77271-00	DAMPER, NOISE 11	1	1	1	1	
34	8AC-77272-00	DAMPER, NOISE 12	1	1	1	1	
35	8AT-77273-10	DAMPER, NOISE 13	1	1	1	1	
36	8AT-77274-00	DAMPER, NOISE 14	1	1	1	1	
37	8AT-77275-00	DAMPER, NOISE 15	1	1	1	1	
38	90267-48141	RIVET, BLIND	2	2	2	2	
39	90201-04325	WASHER, PLATE	2	2	2	2	
40	83R-7717E-00	TAPE 1	2	2	2	2	
41	83R-7717F-00	TAPE 2	2	2	2	2	
42	95807-06012	BOLT, FLANGE	4	4	4	4	
43	90465-08125	CLAMP	1	1	1	1	
44	8AT-2199G-01	BRACKET, BATTERY	1	1	1	1	
45	97027-06025	BOLT	2	2	2	2	
46	90201-06778	WASHER, PLATE	2	2	2	2	
47	90201-063A5	WASHER, PLATE	2	2	2	2	
48	95707-06300	NUT, FLANGE	2	2	2	2	
49	90480-10348	GROMMET	1	1	1	1	
50	85R-2471A-00	STAY, SEAT	1	1	1	1	
51	85R-2639F-00	HOLDER, 2	1	1	1	1	
52	8AT-2196T-00	TRIM 1	2	2	2	2	
53	90267-40172	RIVET, BLIND	12	12	12	12	
54	90201-042E0	WASHER, PLATE	12	12	12	12	

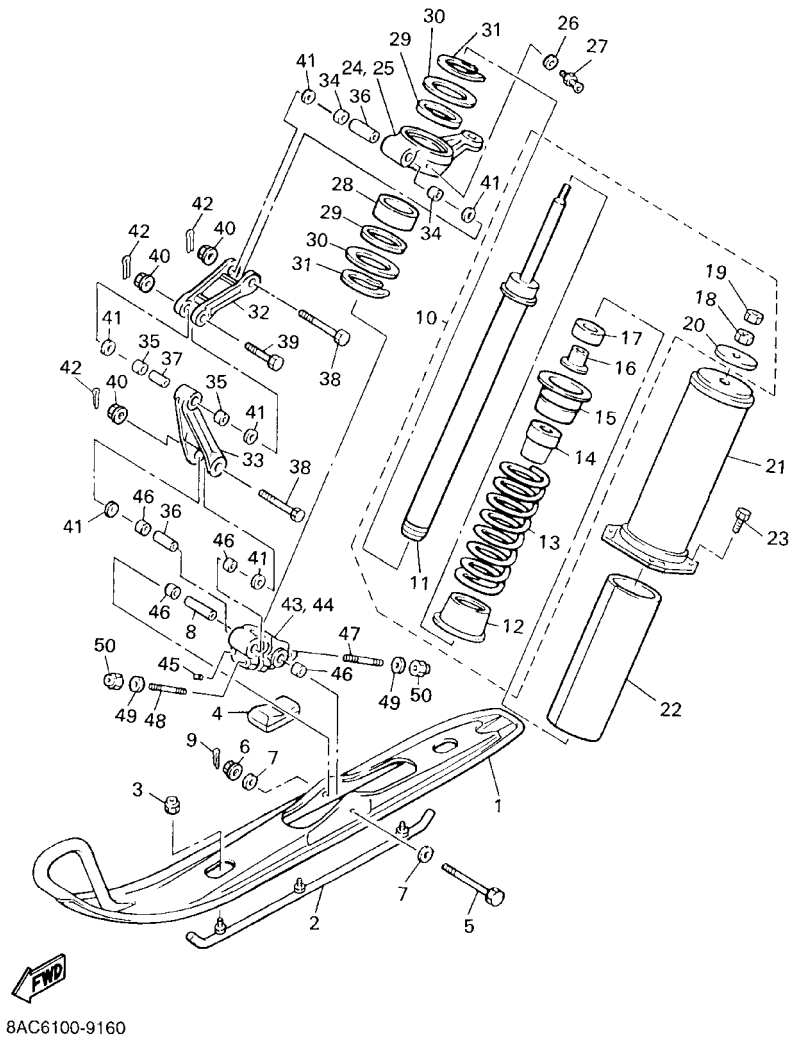


8AC8100-1150

FIG. 15 FRAME

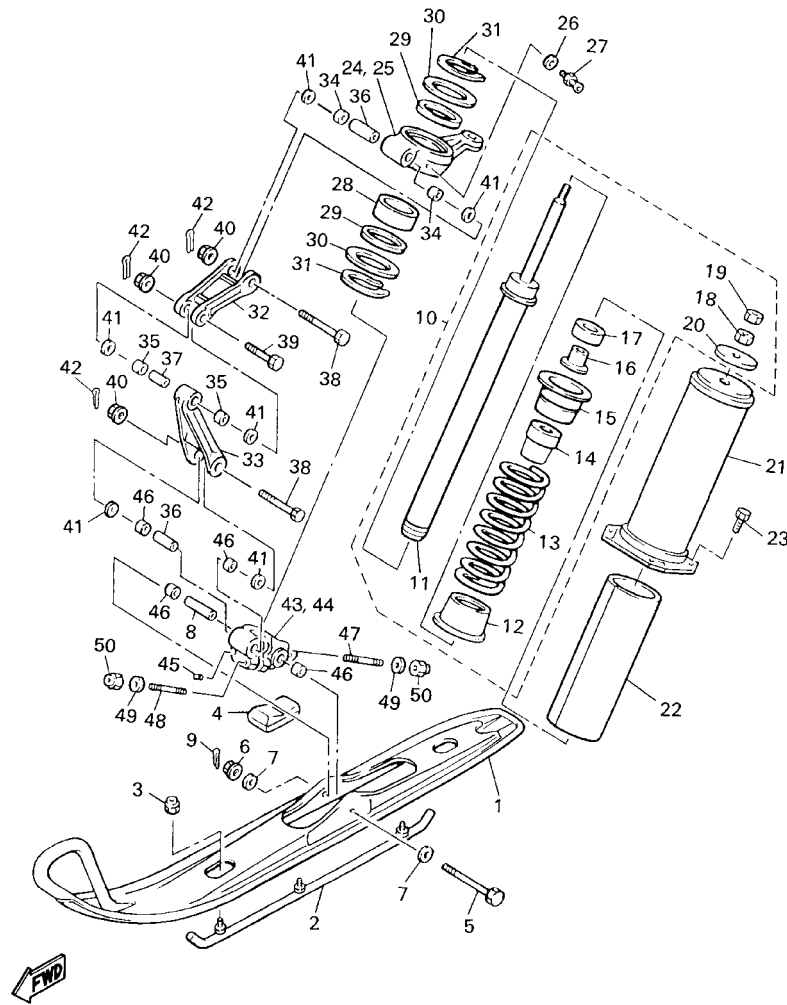
REF. NO.	PART NO.	DESCRIPTION	USA	CAN	EUR	JPN	REMARKS
55	8AC-2198G-00	COVER 2	1	1	1	1	
56	90267-47186	RIVET, BLIND	2	2	2	2	
57	95707-06300	NUT, FLANGE	2	2	2	2	
58	90201-067A0	WASHER, PLATE	1	1	1	1	
59	8AC-21933-00	REINFORCEMENT, FRAME REAR 2	1	1	1	1	
60	90267-47186	RIVET, BLIND	6	6	6	6	
61	88T-27431-10	FOOTREST, REAR 1	1	1	1	1	
62	88T-27441-10	FOOTREST, REAR 2	1	1	1	1	
63	98907-06025	SCREW, BIND	4	4	4	4	
64	90387-063E6	COLLAR	4	4	4	4	
65	95707-06500	NUT, FLANGE	4	4	4	4	
66	85L-28100-00	TOOL KIT	1	1	1	1	

FIG. 16 SKI



REF. NO.	PART NO.	DESCRIPTION	USA	CAN	EUR	JPN	REMARKS
1	8AT-23710-00	SKI COMP. 1	2	2	2	2	
2	8AC-23731-00	RUNNER 1	2	2	2	2	
3	95607-08200	NUT, SELF-LOCKING	6	6	6	6	
4	88T-23743-00	STOPPER 1	2	2	2	2	
5	90102-10050	BOLT, WITH HOLE	2	2	2	2	
6	95707-10300	NUT, FLANGE	2	2	2	2	
7	90201-10430	WASHER, PLATE	4	4	4	4	
8	90387-106J3	COLLAR	2	2	2	2	
9	91401-20020	PIN, COTTER	2	2	2	2	
10	8AC-2376A-00	ABSORBER ASSY 1	2	2	2	2	
11	8AT-22401-00	.DAMPER SUB ASSY	1	1	1	1	
12	82M-23777-00	.SEAT, SPRING 2	1	1	1	1	
13	90501-75612	.SPRING, COMPRESSION	1	1	1	1	
14	89L-22493-00	.BUMP, STOP	1	1	1	1	
15	8L0-23788-00	.PLATE, BACK UP	1	1	1	1	
16	90387-084R1	.COLLAR	1	1	1	1	
17	82M-23779-00	.WASHER	1	1	1	1	
18	90170-08220	.NUT	1	1	1	1	
19	95307-08600	.NUT	1	1	1	1	
20	90201-080L1	.WASHER, PLATE	1	1	1	1	
21	8AT-2376J-00	HOLDER, ABSORBER	2	2	2	2	
22	8L0-2376R-00	PROTECTOR	2	2	2	2	
23	97027-06020	BOLT	8	8	8	8	
24	82M-23851-00	ARM, OUTSIDE 1 (L,H)	1	1	1	1	
25	8AT-23852-00	ARM, OUTSIDE 2	1	1	1	1	
26	90201-067F9	WASHER, PLATE	2	2	2	2	
27	93700-06004	NIPPLE, GREASE	2	2	2	2	

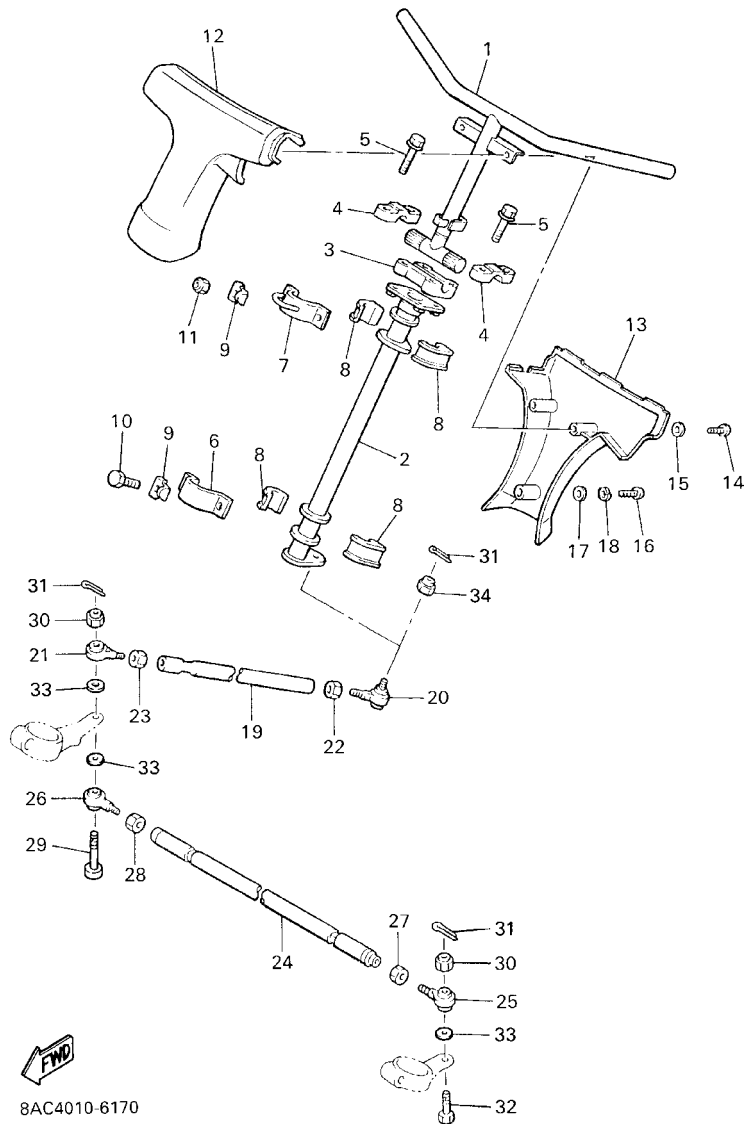
FIG. 16 SKI



8AC6100-9160

REF. NO.	PART NO.	DESCRIPTION	USA	CAN	EUR	JPN	REMARKS
28	90384-53175	BUSH, BIMETAL FORMED	2	2	2	2	
29	93109-53036	O-RING	4	4	4	4	
30	90201-536A1	WASHER, PLATE (T=1.0)	4	4	4	4	UR UN
	90201-535H6	WASHER, PLATE (T=2.0)	4	4	4	4	UR UN
31	93410-52061	CIRCLIP	4	4	4	4	
32	8L0-2382E-01	ARM, FRONT 1	2	2	2	2	
33	8L0-2382F-00	ARM, FRONT 2	2	2	2	2	
34	90384-14091	BUSH, BIMETAL FORMED	4	4	4	4	
35	90384-14096	BUSH, BIMETAL FORMED	4	4	4	4	
36	90387-101Y9	COLLAR	4	4	4	4	
37	90387-100A4	COLLAR	2	2	2	2	
38	90102-10039	BOLT, WITH HOLE	4	4	4	4	
39	90102-10067	BOLT, WITH HOLE	2	2	2	2	
40	95707-10300	NUT, FLANGE	6	6	6	6	
41	90202-14037	WASHER, PLATE	12	12	12	12	
42	91401-20020	PIN, COTTER	6	6	6	6	
43	84M-2376E-00	BRACKET 1	1	1	1	1	
44	84M-2377E-00	BRACKET 2	1	1	1	1	
45	90113-06039	BOLT, SET	2	2	2	2	
46	90384-14091	BUSH, BIMETAL FORMED	8	8	8	8	
47	95617-08655	BOLT, STUD	2	2	2	2	
48	95617-08640	BOLT, STUD	2	2	2	2	
49	92907-08600	WASHER, PLATE	4	4	4	4	
50	95707-08300	NUT, FLANGE	4	4	4	4	

FIG. 17 STEERING



8AC4010-6170

REF. NO.	PART NO.	DESCRIPTION	USA	CAN	EUR	JPN	REMARKS
1	8AU-23811-00	COLUMN, STEERING	1	1	1	1	
2	8AT-23813-01	COLUMN, STEERING 2	1	1	1	1	
3	8G5-23814-00	HOLDER,HANDLE UNDER	1	1	1	1	
4	8K1-23814-00	HOLDER, HANDLE	2	2	2	2	
5	95827-08055	BOLT, FLANGE	4	4	4	4	
6	84M-23868-00	BRACKET, STEERING LOWER	1	1	1	1	
7	84M-23872-00	HOLDER, BEARING	1	1	1	1	
8	8F3-23812-00	PLANE BEARING, STEERING	4	4	4	4	
9	90215-08262	WASHER, LOCK	4	4	4	4	
10	97017-08016	BOLT	2	2	2	2	
11	95707-08300	NUT, FLANGE	2	2	2	2	
12	8W9-23815-00	PAD, STEERING	1	1	1	1	
13	8W9-23817-00	PAD, STEERING	1	1	1	1	
14	98507-05030	SCREW	2	2	2	2	
15	92907-05600	WASHER, PLATE	2	2	2	2	
16	98507-05008	SCREW	1	1	1	1	
17	92907-05200	WASHER	1	1	1	1	
18	92907-05100	WASHER, SPRING	1	1	1	1	
19	8AT-23821-00	ROD, STEERING RELAY	1	1	1	1	
20	86X-23841-00	JOINT, UNIVERSAL 1	1	1	1	1	
21	87S-23847-00	JOINT, UNIVERSAL 3	1	1	1	1	(L.H. THREAD)
22	95307-10700	NUT	1	1	1	1	
23	90170-10186	NUT	1	1	1	1	(L.H. THREAD)
24	8AT-23831-00	ROD, TIE	1	1	1	1	
25	87S-23845-00	JOINT, UNIVERSAL 2	1	1	1	1	
26	87S-23847-00	JOINT, UNIVERSAL 3	1	1	1	1	(L.H. THREAD)
27	95307-10700	NUT	1	1	1	1	

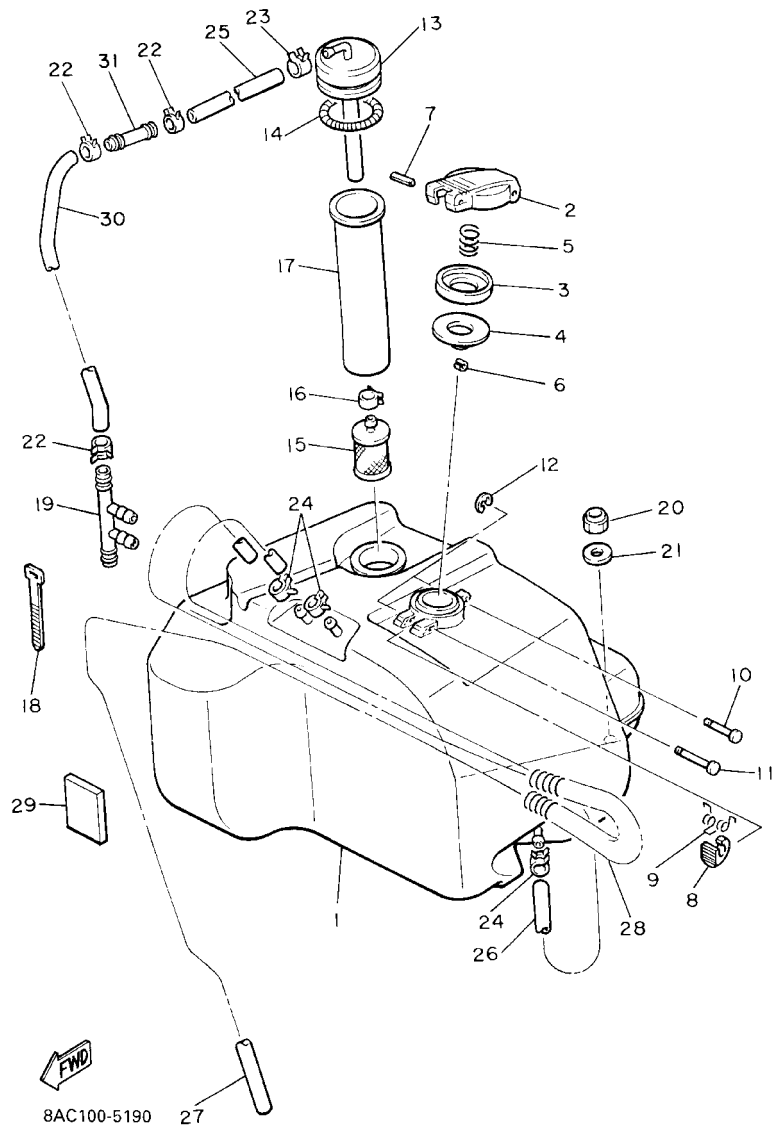
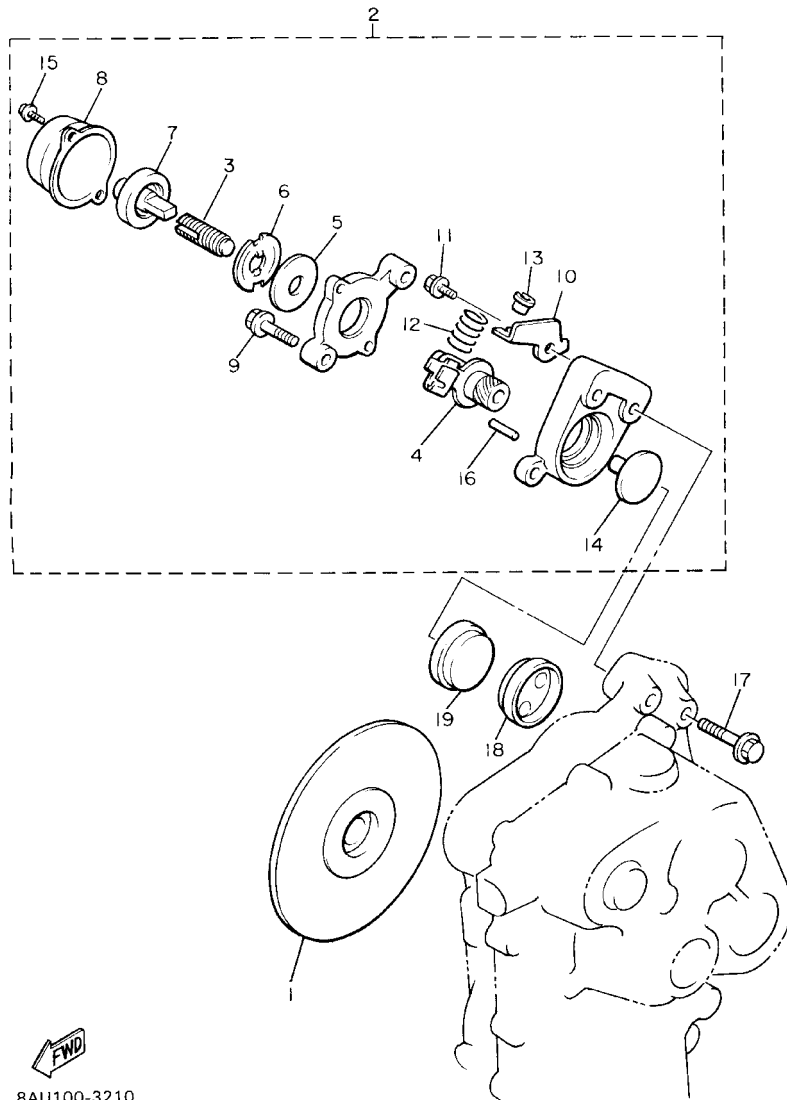


FIG. 19 FUEL TANK

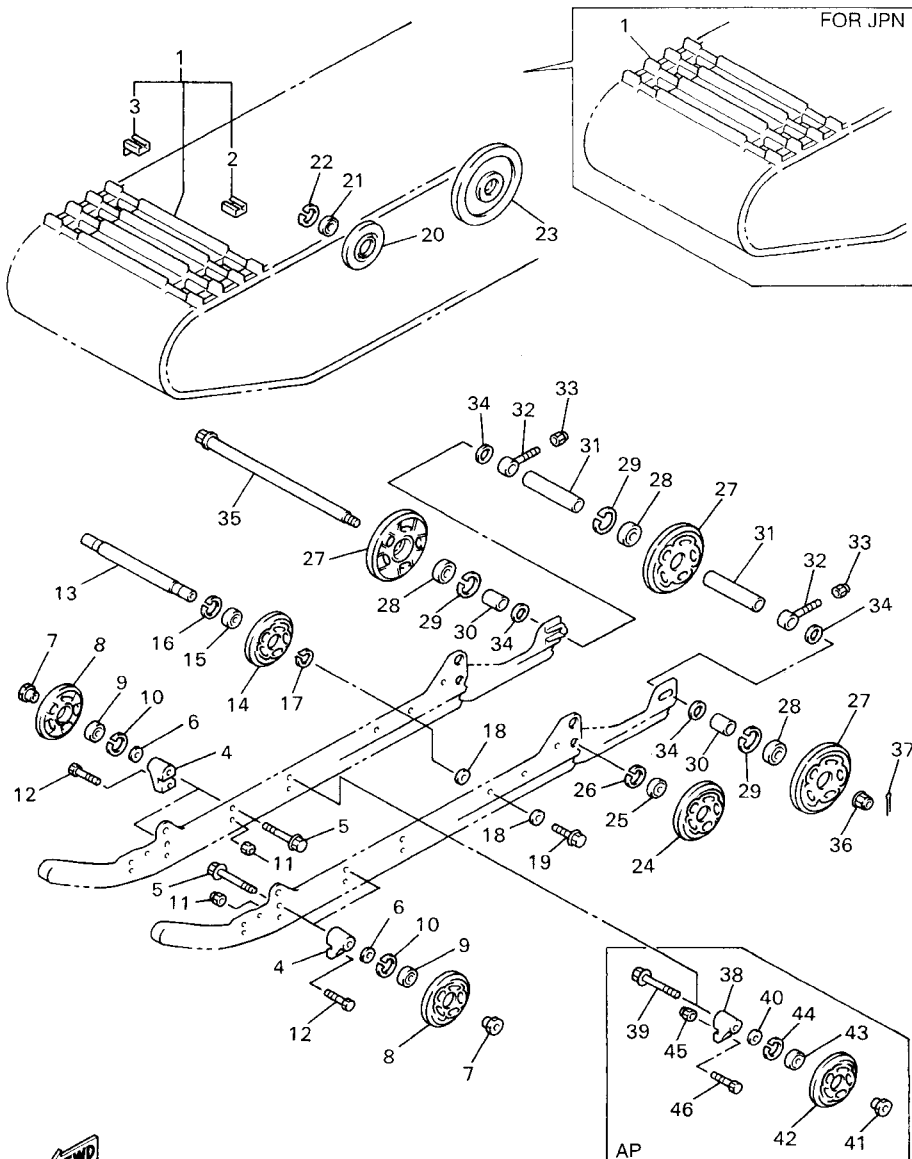
REF. NO.	PART NO.	DESCRIPTION	USA	CAN	EUR	JPN	REMARKS
1	83R-24111-00	TANK, FUEL	1	1	1	1	
2	8W6-24611-00	BODY, CAP	1	1	1	1	
3	813-24613-01	DISC, CAP	1	1	1	1	
4	8F7-24641-00	GASKET, CAP 1	1	1	1	1	
5	90501-20130	SPRING, COMPRESSION	1	1	1	1	
6	91609-30016	PIN, SPRING	1	1	1	1	
7	91609-25050	PIN, SPRING	1	1	1	1	
8	83M-24628-00	HOOK	1	1	1	1	
9	90508-10715	SPRING, TORSION	1	1	1	1	
10	90249-03175	PIN	1	1	1	1	
11	90249-03017	PIN	1	1	1	1	
12	93430-02001	CIRCLIP	2	2	2	2	
13	83R-24335-00	PIPE, SUCTION 1	1	1	1	1	
14	90506-06065	SPRING, TENSION	1	1	1	1	
15	8H5-24560-00	FILTER ASSY	1	1	1	1	
16	90467-11032	CLIP	1	1	1	1	
17	813-24336-00	PIPE, SUCTION 2	1	1	1	1	
18	341-26397-01	BAND	5	5	5	5	
19	82M-24376-00	PIPE, JOINT 1	1	1	1	1	
20	95707-08300	NUT, FLANGE	2	2	2	2	
21	90201-08784	WASHER, PLATE	2	2	2	2	
22	90467-11009	CLIP	3	3	3	3	
23	90467-11032	CLIP	1	1	1	1	
24	90467-09026	CLIP	3	3	3	3	
25	90445-115K6	HOSE (L390)	1	1	1	1	
26	91A20-05065	TUBE, FLEXIBLE VINYL	1	1		1	
	90445-095F1	HOSE (L650)				1	

FIG. 21 BRAKE



8AU100-3210

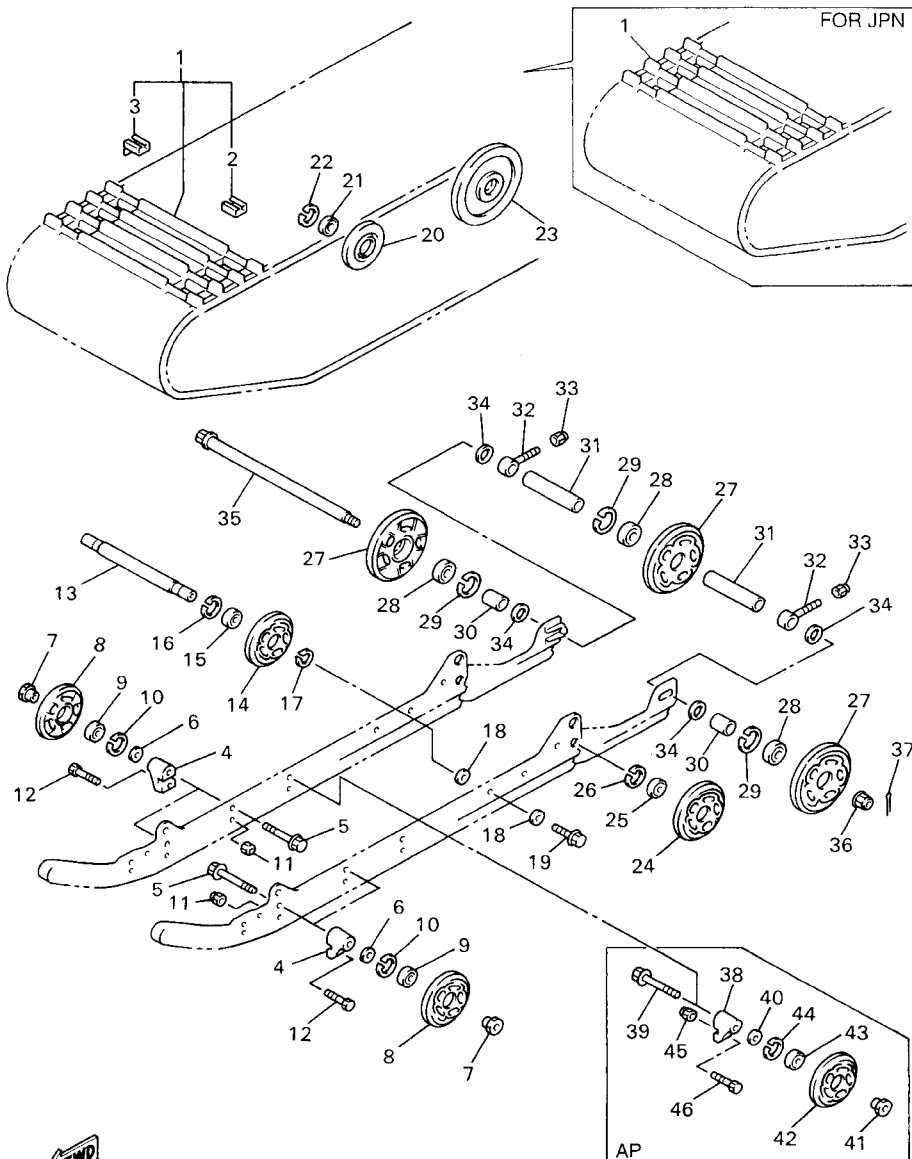
REF. NO.	PART NO.	DESCRIPTION	USA	CAN	EUR	JPN	REMARKS
1	83R-25831-00	DISC, BRAKE (RIGHT)	1	1	1	1	
2	87R-25730-01	CALIPER BODY COMP.1	1	1	1	1	
3	86M-25738-00	.SCREW, ADJUSTING 1	1	1	1	1	
4	87R-25726-01	.LEVER, BRAKE	1	1	1	1	
5	86M-25827-00	.SHIM, CALIPER	1	1	1	1	
6	86M-25773-00	.LOCK, ONE WAY 2	1	1	1	1	
7	86M-25771-00	.RATCHET, ADJUSTING	1	1	1	1	
8	86M-25772-00	.COVER	1	1	1	1	
9	86M-25818-00	.BOLT, CALIPER	2	2	2	2	
10	87R-25721-00	.BRACKET, CALIPER	1	1	1	1	
11	86M-25826-00	.BOLT 3	1	1	1	1	
12	87R-25743-00	.SPRING	1	1	1	1	
13	87R-25722-00	.BRACKET, ADJUSTING	1	1	1	1	
14	86M-25733-00	.PLATE, BACK UP	1	1	1	1	
15	86M-25833-00	.BOLT, FITTING	2	2	2	2	
16	86M-25744-00	.PIN 2	1	1	1	1	
17	95827-10050	BOLT, FLANGE	2	2	2	2	
18	89J-25811-00	PAD, CALIPER 2	1	1	1	1	
19	89J-25911-00	PAD, CALIPER 2	1	1	1	1	



8ACB100-B230

FIG. 23 TRACK SUSPENSION 1

REF. NO.	PART NO.	DESCRIPTION	USA	CAN	EUR	JPN	REMARKS
1	8AC-47110-00	TRACK ASSY	1	1	1		
	8AC-47110-10	TRACK ASSY				1	
2	8A5-47113-00	.PLATE, REINFORCEMENT	62	62	62		
3	89A-47115-01	.METAL, SLIDE	62	62	62		
4	8CM-47419-10	BRACKET 7	4	4	4	4	
5	90105-10769	BOLT, FLANGE	4	4	4	4	
6	90201-100L3	WASHER, PLATE	4	4	4	4	
7	90179-10670	NUT	4	4	4	4	
8	87M-47320-00	SUSPENSION WHEEL COMP.	4	4	4	4	
9	93306-00444	BEARING	4	4	4	4	
10	99009-42500	CIRCLIP	4	4	4	4	
11	95607-08200	NUT, SELF-LOCKING	4	4	4	4	
12	90101-08774	BOLT	4	4	4	4	
13	8AT-47486-00	SHAFT 4	1	1	1	1	
14	87M-47320-00	SUSPENSION WHEEL COMP.	2	2	2	2	
15	93306-00444	BEARING	2	2	2	2	
16	99009-42500	CIRCLIP	2	2	2	2	
17	99009-20400	CIRCLIP	2	2	2	2	
18	90201-100L3	WASHER, PLATE	4	4	4	4	
19	90105-10433	BOLT, FLANGE	2	2	2	2	
20	8AC-47320-00	SUSPENSION WHEEL COMP.	2	2	2	2	
21	93306-00444	BEARING	2	2	2	2	
22	99009-42500	CIRCLIP	2	2	2	2	
23	8AC-47550-00	GUIDE WHEEL ASSY	2	2	2	2	
24	8U7-47320-00	SUSPENSION WHEEL COMP.	2	2	2	2	
25	93306-00444	BEARING	2	2	2	2	
26	99009-42500	CIRCLIP	2	2	2	2	

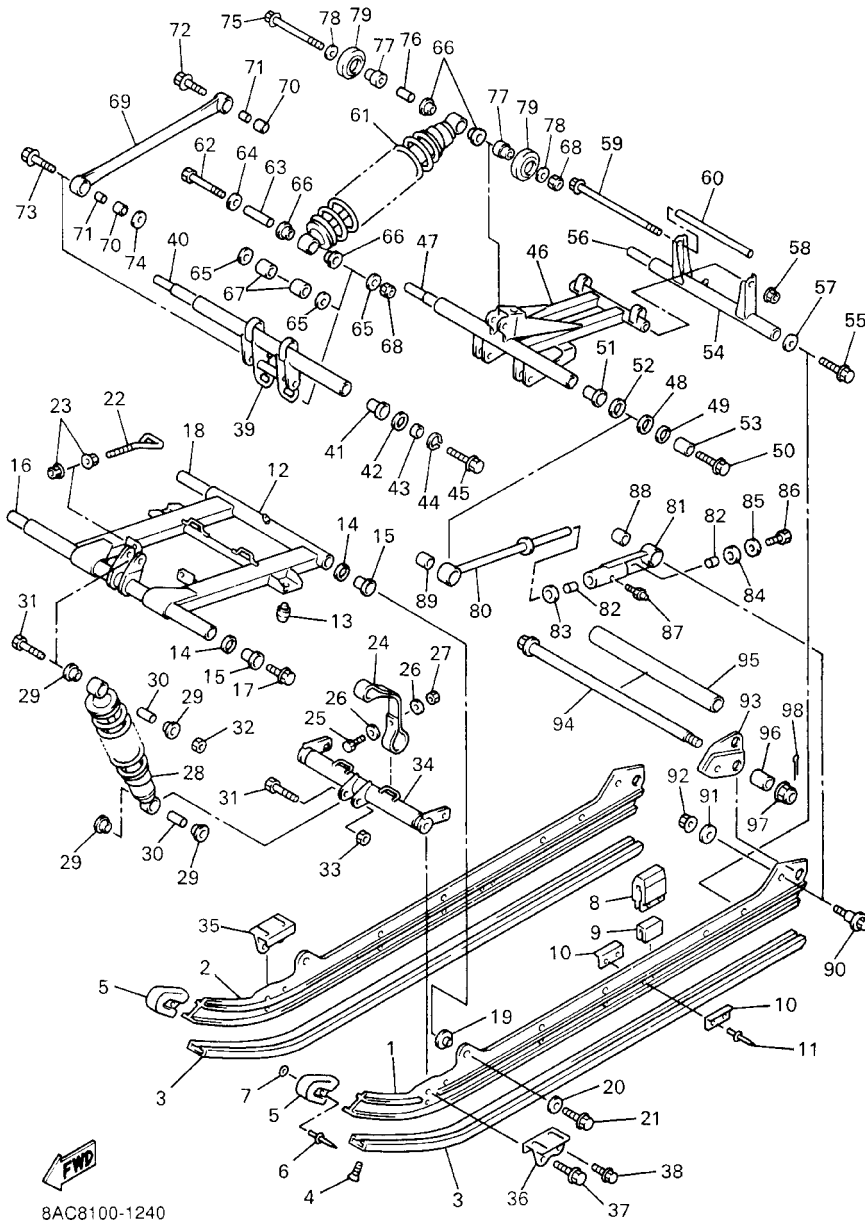


8ACB100-B230

FIG. 23 TRACK SUSPENSION 1

REF. NO.	PART NO.	DESCRIPTION	USA	CAN	EUR	JPN	REMARKS
27	8K2-47530-00	GUIDE WHEEL COMP.	3	3	3	3	
28	93306-20469	BEARING	3	3	3	3	
29	99009-47500	CIRCLIP	3	3	3	3	
30	90387-200U9	COLLAR	2	2	2	2	
31	90387-205T6	COLLAR	2	2	2	2	
32	8K2-47479-01	COLLAR 3	2	2	2	2	
33	95707-10300	NUT, FLANGE	2	2	2	2	
34	90201-205R6	WASHER, PLATE	4	4	4	4	
35	83R-47520-00	REAR AXLE COMP.	1	1	1	1	
36	90185-14142	NUT, SELF-LOCKING	1	1	1	1	
37	91401-30025	PIN, COTTER	1	1	1	1	
38	8CM-47419-10	BRACKET 7	2	2	2	2	AP
39	90105-10769	BOLT, FLANGE	2	2	2	2	AP
40	90201-100L3	WASHER, PLATE	2	2	2	2	AP
41	90179-10670	NUT	2	2	2	2	AP
42	87M-47320-00	SUSPENSION WHEEL COMP.	2	2	2	2	AP
43	93306-00444	BEARING	2	2	2	2	AP
44	99009-42500	CIRCLIP	2	2	2	2	AP
45	95607-08200	NUT, SELF-LOCKING	2	2	2	2	AP
46	90101-08774	BOLT	2	2	2	2	AP

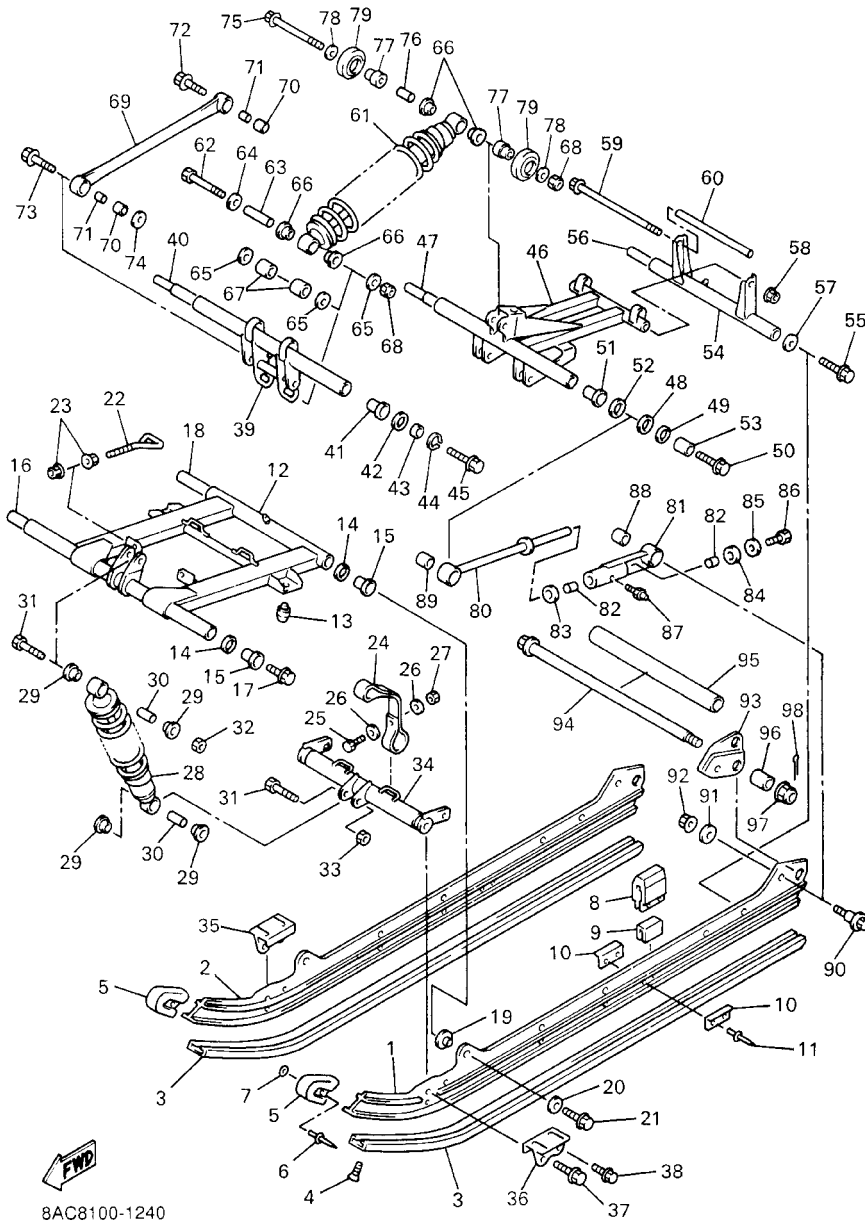
FIG. 24 TRACK SUSPENSION 2



8AC8100-1240

REF. NO.	PART NO.	DESCRIPTION	USA	CAN	EUR	JPN	REMARKS
1	8AC-47411-10	FRAME, SLIDING 1	1	1	1	1	
2	8AC-47414-10	FRAME, SLIDING 4	1	1	1	1	
3	8AC-47421-00	RUNNER, SLIDING 1	2	2	2	2	
4	90151-06010	SCREW, COUNTERSUNK	2	2	2	2	
5	8CM-47422-10	RUNNER, SLIDING 2	2	2	2	2	
6	90267-48194	RIVET, BLIND	2	2	2	2	
7	90201-047R8	WASHER, PLATE	2	2	2	2	
8	8AC-47457-00	DAMPER 2	2	2	2	2	
9	8AC-47341-00	SPACER	2	2	2	2	
10	8AX-47458-00	PLATE, DAMPER	4	4	4	4	
11	90267-48199	RIVET, BLIND	4	4	4	4	
12	8AC-47331-00	ARM, PIVOT 1	1	1	1	1	
13	83M-21488-00	DAMPER	2	2	2	2	
14	90201-210U0	WASHER, PLATE	4	4	4	4	
15	90381-19111	BUSH, SOLID	4	4	4	4	
16	8AC-47465-00	SHAFT 1	1	1	1	1	
17	90105-103A1	BOLT, FLANGE	2	2	2	2	
18	83R-47485-02	SHAFT 3	1	1	1	1	
19	90387-105G6	COLLAR	2	2	2	2	
20	90201-100L3	WASHER, PLATE	2	2	2	2	
21	90105-10433	BOLT, FLANGE	2	2	2	2	
22	8CR-47448-00	HOOK 3	2	2	2	2	
23	95707-08500	NUT, FLANGE	4	4	4	4	
24	8CV-47495-00	STOPPER 1	2	2	2	2	
25	97007-06025	BOLT	4	4	4	4	
26	90201-06747	WASHER, PLATE	8	8	8	8	
27	95707-06300	NUT, FLANGE	4	4	4	4	

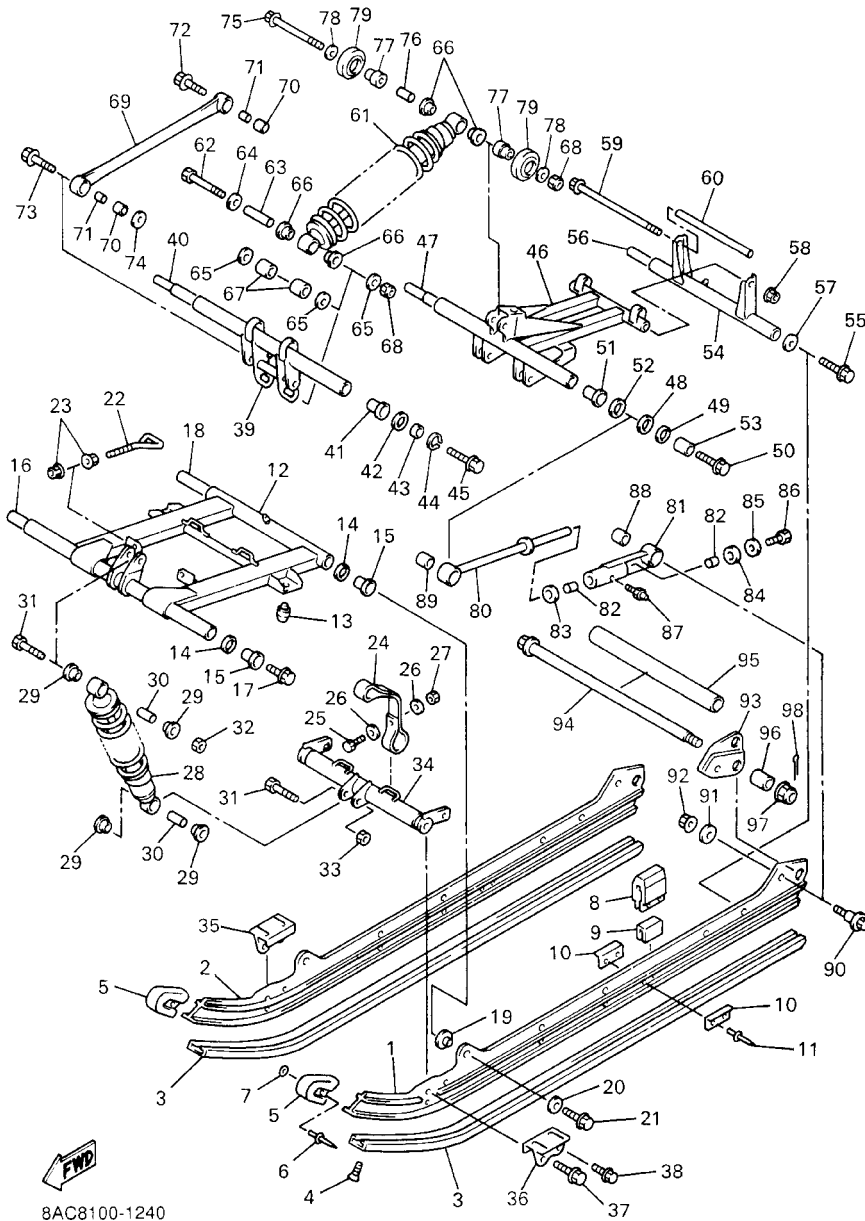
FIG. 24 TRACK SUSPENSION 2



8AC8100-1240

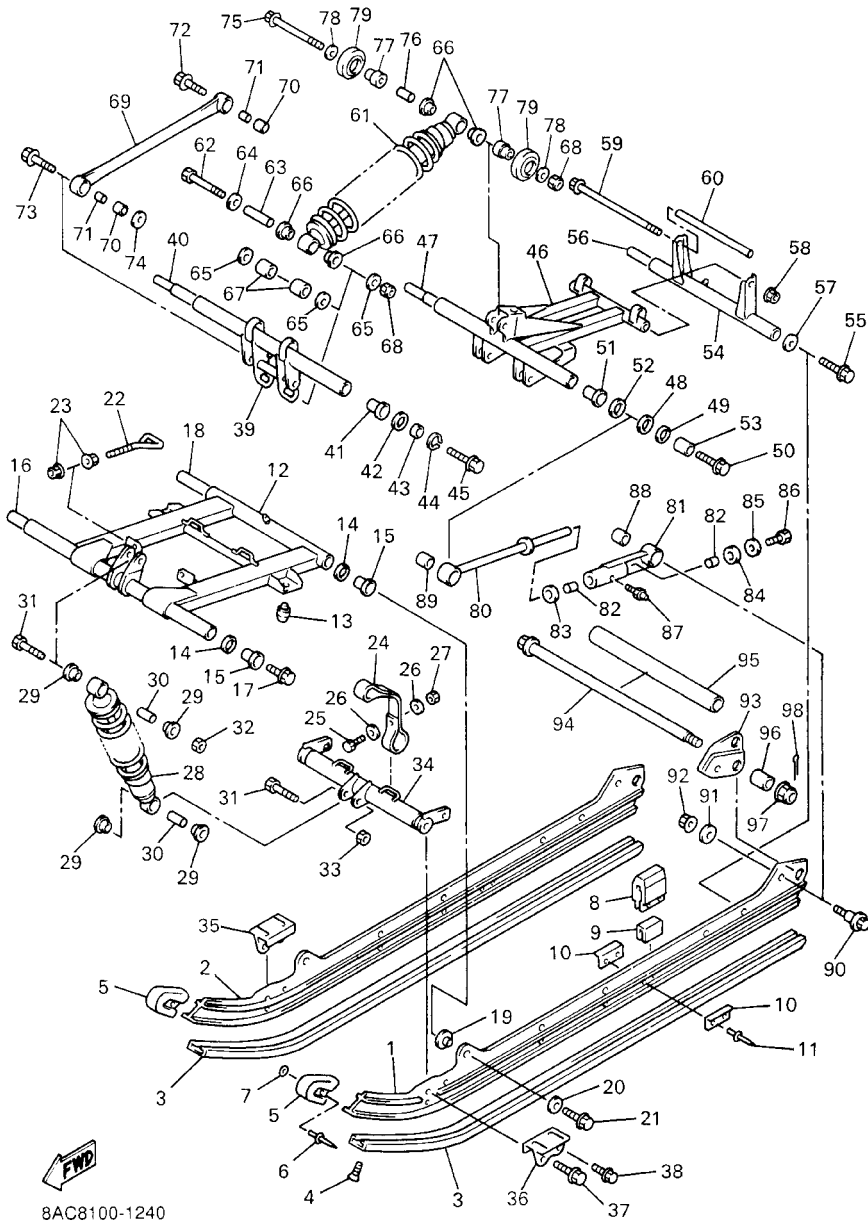
REF. NO.	PART NO.	DESCRIPTION	USA	CAN	EUR	JPN	REMARKS
28	8AC-47481-00	SHOCK ABSORBER 2	1	1	1	1	
29	90381-14101	BUSH, SOLID	4	4	4	4	
30	90387-105G5	COLLAR	2	2	2	2	
31	90101-10738	BOLT	2	2	2	2	
32	90185-10110	NUT, SELF-LOCKING	1	1	1	1	
33	95607-10100	NUT, U	1	1	1	1	
34	8AC-47418-00	BRACKET 4	1	1	1	1	
35	8DF-47463-01	BRACKET 5	1	1	1	1	
36	8DF-47464-01	BRACKET 6	1	1	1	1	
37	90105-10433	BOLT, FLANGE	2	2	2	2	
38	90105-08450	BOLT, FLANGE	2	2	2	2	
39	8AC-47416-00	BRACKET 2	1	1	1	1	
40	8AC-47488-10	SHAFT 6	1	1	1	1	
41	90381-22099	BUSH, SOLID	2	2	2	2	
42	90201-207J5	WASHER, PLATE	2	2	2	2	
43	90387-2004V	COLLAR	2	2	2	2	
44	99009-20400	CIRCLIP	2	2	2	2	
45	90105-103A1	BOLT, FLANGE	2	2	2	2	
46	8AC-47332-00	ARM, PIVOT 2	1	1	1	1	
47	8AC-47475-00	SHAFT 2	1	1	1	1	
48	90201-266L1	WASHER, PLATE	2	2	2	2	
49	90201-250T6	WASHER, PLATE	2	2	2	2	
50	90105-10433	BOLT, FLANGE	2	2	2	2	
51	90381-28108	BUSH, SOLID	2	2	2	2	
52	90201-286K9	WASHER, PLATE	2	2	2	2	
53	90387-2515E	COLLAR	2	2	2	2	
54	8AC-47417-00	BRACKET 3	1	1	1	1	

FIG. 24 TRACK SUSPENSION 2



REF. NO.	PART NO.	DESCRIPTION	USA	CAN	EUR	JPN	REMARKS
55	90105-10433	BOLT, FLANGE	2	2	2	2	
56	83R-47485-02	SHAFT 3	1	1	1	1	
57	90201-10136	WASHER, PLATE	2	2	2	2	
58	95607-08200	NUT, SELF-LOCKING	1	1	1	1	
59	95827-08220	BOLT, FLANGE	1	1	1	1	
60	90387-083G6	COLLAR	1	1	1	1	
61	8AC-47480-30	SHOCK ABSORBER	1	1			
	8AC-47480-40	SHOCK ABSORBER			1		
	8AC-47480-50	SHOCK ABSORBER				1	
62	8AC-4631K-00	BOLT, ADJUSTING	1	1	1	1	
63	90387-1009S	COLLAR	1	1	1	1	
64	90201-103U4	WASHER, PLATE	1	1	1	1	
65	90201-100U1	WASHER, PLATE	3	3	3	3	
66	90381-14101	BUSH, SOLID	4	4	4	4	
67	90387-1404R	COLLAR	2	2	2	2	
68	95607-10100	NUT, U	2	2	2	2	
69	8CR-47494-01	ROD, RELAY	2	2	2	2	
70	90381-14109	BUSH, SOLID	4	4	4	4	
71	90387-100X3	COLLAR	4	4	4	4	
72	90105-10739	BOLT, FLANGE	2	2	2	2	
73	90105-10436	BOLT, FLANGE	2	2	2	2	
74	90201-100U1	WASHER, PLATE	2	2	2	2	
75	90105-10105	BOLT, FLANGE	1	1	1	1	
76	90387-105G5	COLLAR	1	1	1	1	
77	8AC-47366-00	COLLAR 2	2	2	2	2	
78	90201-10136	WASHER, PLATE	2	2	2	2	
79	8AC-47310-10	SUSPENSION WHEEL ASSY	2	2	2	2	

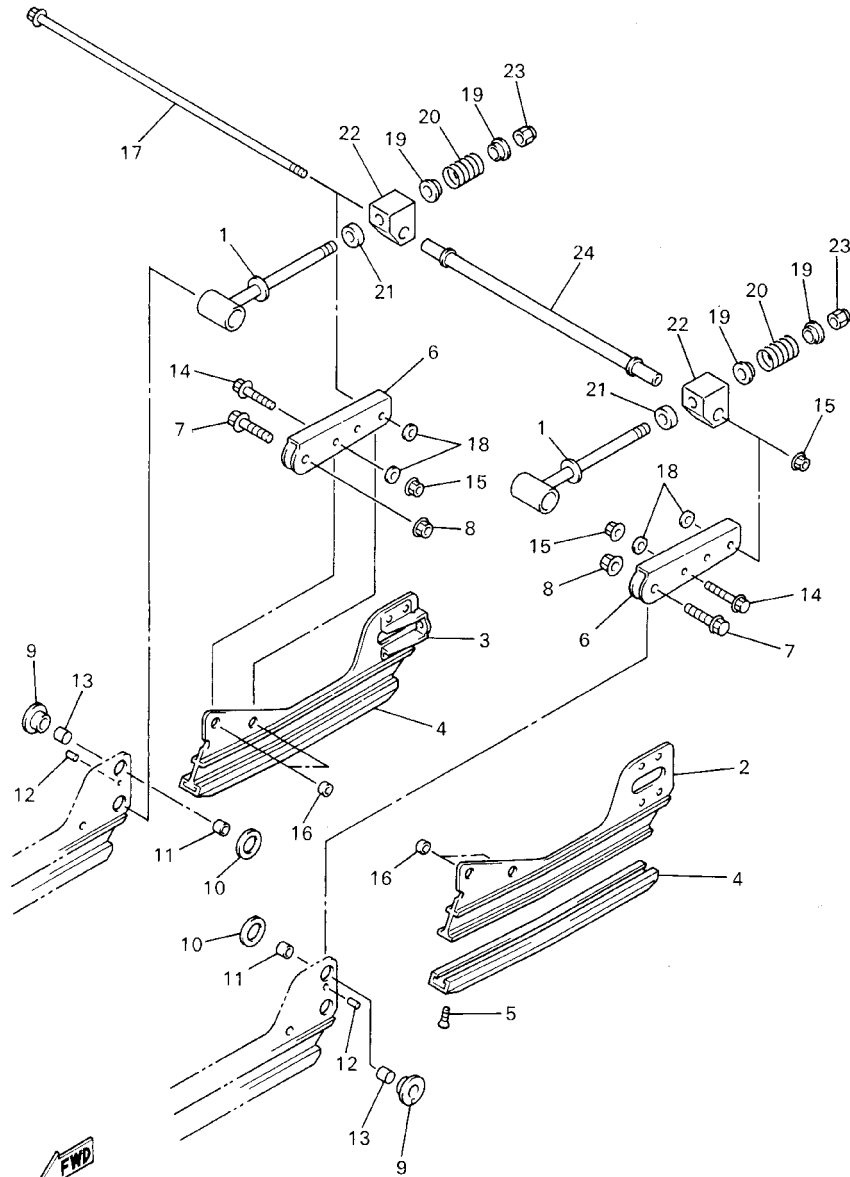
FIG. 24 TRACK SUSPENSION 2



8AC8100-1240

REF. NO.	PART NO.	DESCRIPTION	USA	CAN	EUR	JPN	REMARKS
80	8AC-4745A-00	ROD, CONTROL 1	2	2	2	2	
81	8CR-4745B-00	ROD, CONTROL 2	2	2	2	2	
82	90384-16251	BUSH, BIMETAL FORMED	4	4	4	4	
83	90202-16231	WASHER, PLATE	2	2	2	2	
84	90202-16232	WASHER, PLATE	2	2	2	2	
85	90201-106F2	WASHER, PLATE	2	2	2	2	
86	97027-10025	BOLT	2	2	2	2	
87	93700-06004	NIPPLE, GREASE	2	2	2	2	
88	90380-22232	BUSH, SOLID	2	2	2	2	
89	90380-28235	BUSH, SOLID	2	2	2	2	
90	8DF-47367-00	SCREW, REAR PIVOT	2	2	2	2	
91	90201-101U2	WASHER, PLATE	2	2	2	2	
92	95607-10200	NUT, SELF-LOCKING	2	2	2	2	
93	8AC-47349-00	BRACKET, ARM PIVOT	2	2	2	2	
94	83R-47520-00	REAR AXLE COMP.	1	1	1	1	
95	83R-47469-00	COLLAR 1	1	1	1	1	
96	90387-203H0	COLLAR	2	2	2	2	
97	90185-14142	NUT, SELF-LOCKING	1	1	1	1	
98	91401-30025	PIN, COTTER	1	1	1	1	

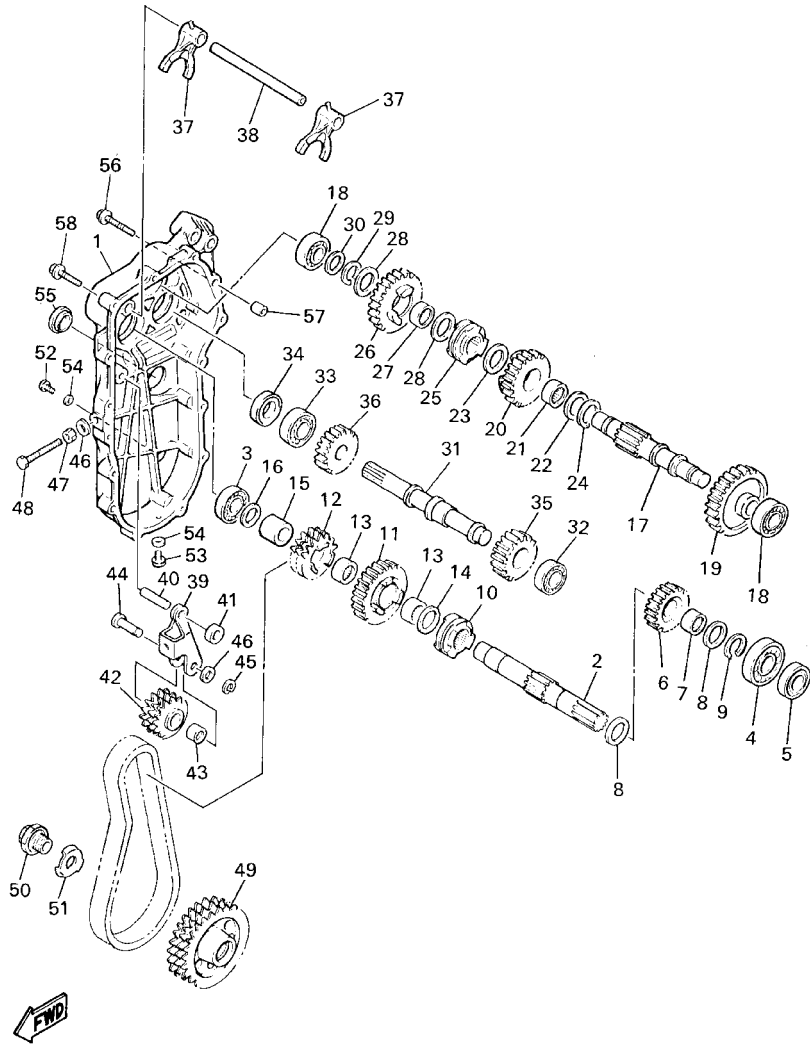
FIG. 25 TRACK SUSPENSION 3



8AC8100-1250

REF. NO.	PART NO.	DESCRIPTION	USA	CAN	EUR	JPN	REMARKS
1	83R-47337-00	SHAFT, PIVOT	2	2	2	2	
2	8AC-W4741-00	FRAME, SLIDING	1	1	1	1	
3	8AC-W4741-00	FRAME, SLIDING	1	1	1	1	
4	8AC-47424-00	RUNNER, SLIDING 4	2	2	2	2	
5	90151-06010	SCREW, COUNTERSUNK	2	2	2	2	
6	8AC-47333-00	ARM, PIVOT 3	2	2	2	2	
7	95817-10030	BOLT, FLANGE	2	2	2	2	
8	90185-10115	NUT, SELF-LOCKING	2	2	2	2	
9	90387-1815A	COLLAR	2	2	2	2	
10	90202-22238	WASHER, PLATE	2	2	2	2	
11	90387-1014Y	COLLAR	2	2	2	2	
12	91609-30008	PIN, SPRING	2	2	2	2	
13	90380-16109	BUSH, SOLID	2	2	2	2	
14	95817-08035	BOLT, FLANGE	2	2	2	2	
15	95607-08200	NUT, SELF-LOCKING	3	3	3	3	
16	90387-082J1	COLLAR	4	4	4	4	
17	90105-08483	BOLT, FLANGE	1	1	1	1	
18	90201-08649	WASHER, PLATE	4	4	4	4	
19	83R-23768-00	SEAT, SPRING 1	4	4	4	4	
20	90501-407E4	SPRING, COMPRESSION	2	2	2	2	
21	83R-47335-00	SPRING	2	2	2	2	
22	83R-47446-00	HOOK 1	2	2	2	2	
23	95707-12300	NUT, FLANGE	2	2	2	2	
24	8AC-47478-00	COLLAR 2	1	1	1	1	

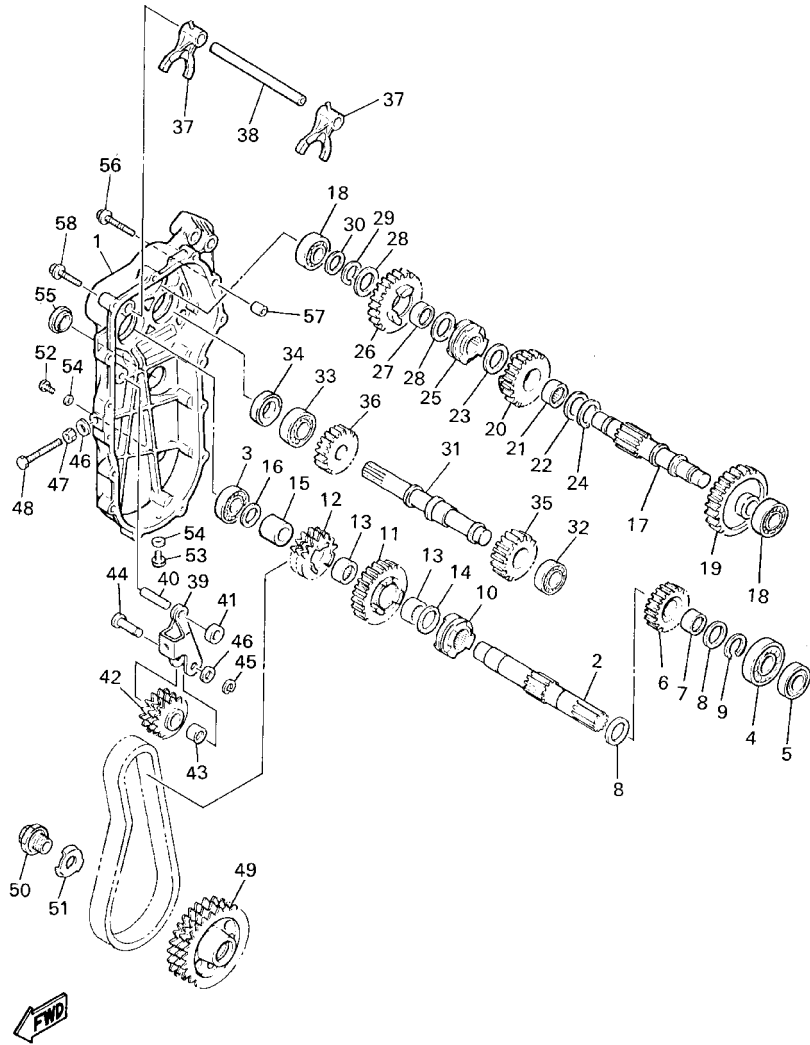
FIG. 27 TRACK DRIVE 2



8AC6100-9270

REF. NO.	PART NO.	DESCRIPTION	USA	CAN	EUR	JPN	REMARKS
1	83R-47543-00	CAP, HOUSING	1	1	1	1	
2	85R-17421-00	AXLE, DRIVE	1	1	1	1	
3	93306-20402	BEARING (B6204JRC3)	1	1	1	1	
4	93306-37206	BEARING	1	1	1	1	
5	93102-22014	OIL SEAL	1	1	1	1	
6	83R-17121-00	GEAR, 2ND PINION	1	1	1	1	
7	93311-42265	BALL BEARING	1	1	1	1	
8	90201-224L4	WASHER, PLATE	2	2	2	2	
9	99009-22400	CIRCLIP	1	1	1	1	
10	83R-17492-10	DOG, TRANSMISSION SHIFT	1	1	1	1	
11	8AT-17131-00	GEAR, 3RD PINION	1	1	1	1	
12	83R-17682-00	SPROCKET, CHAIN DRIVE	1	1	1	1	
13	93317-32241	BEARING, CYLINDRICAL (22BTM2816B)	2	2	2	2	
14	90201-224L4	WASHER, PLATE	1	1	1	1	
15	90387-226V7	COLLAR	1	1	1	1	
16	90201-20792	WASHER, PLATE	1	1	1	1	
17	83R-17431-00	AXLE, COUNTER	1	1	1	1	
18	93306-20321	BEARING	2	2	2	2	
19	8AT-17141-00	GEAR, 4TH PINION	1	1	1	1	
20	83R-17151-00	GEAR, 5TH PINION	1	1	1	1	
21	93317-32241	BEARING, CYLINDRICAL (22BTM2816B)	1	1	1	1	
22	90201-224L4	WASHER, PLATE	1	1	1	1	
23	90201-225L2	WASHER, PLATE	1	1	1	1	
24	99009-22400	CIRCLIP	1	1	1	1	
25	83R-17492-10	DOG, TRANSMISSION SHIFT	1	1	1	1	
26	83R-17143-00	GEAR, REVERSE PINION 1	1	1	1	1	
27	93317-22021	BEARING	1	1	1	1	

FIG. 27 TRACK DRIVE 2

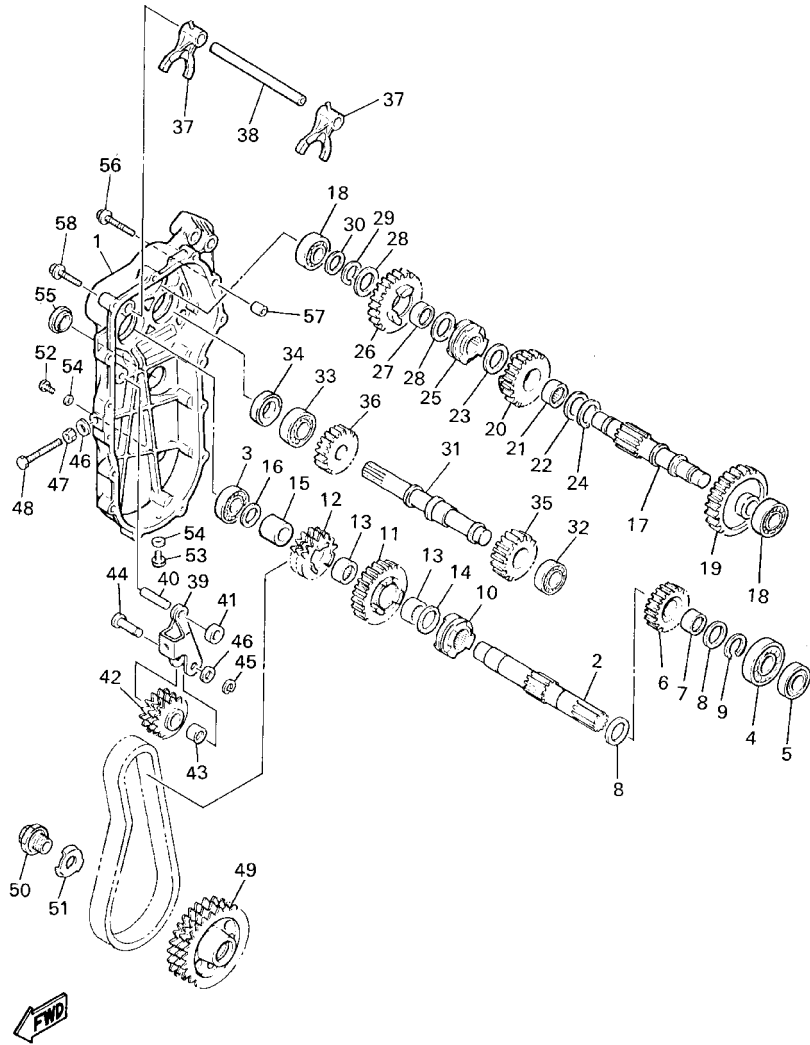


8AC6100-9270

REF. NO.	PART NO.	DESCRIPTION	USA	CAN	EUR	JPN	REMARKS
28	90201-20792	WASHER, PLATE	2	2	2	2	
29	99009-20400	CIRCLIP	1	1	1	1	
30	90201-171J5	WASHER, PLATE	1	1	1	1	
31	83R-17432-01	AXLE, IDLE	1	1	1	1	
32	93306-20321	BEARING	1	1	1	1	
33	93306-20402	BEARING (B6204JRC3)	1	1	1	1	
34	93102-20010	OIL SEAL	1	1	1	1	
35	83R-17243-00	GEAR, REVERSE WHEEL 1	1	1	1	1	
36	83R-17153-00	GEAR, REVERSE PINION 2	1	1	1	1	
37	83R-18511-00	FORK, SHIFT 1	2	2	2	2	
38	83R-18531-00	BAR, SHIFT FORK GUIDE 1	1	1	1	1	
39	83R-47613-00	HOLDER	1	1	1	1	
40	93612-44229	PIN, DOWEL	1	1	1	1	
41	90387-121E8	COLLAR	1	1	1	1	
42	83R-47612-00	WHEEL	1	1	1	1	
43	93315-21227	BEARING	1	1	1	1	
44	90249-12216	PIN	1	1	1	1	
45	99009-12400	CIRCLIP	1	1	1	1	
46	90210-10004	WASHER, SEAL	1	1	1	1	
47	95307-10700	NUT	1	1	1	1	
48	90101-10357	BOLT	1	1	1	1	
49	83R-47548-00	SPROCKET, CHAIN DRIVEN	1	1	1	1	
50	90105-27484	BOLT, FLANGE	1	1	1	1	
51	90215-39268	WASHER, LOCK	1	1	1	1	
52	97007-06010	BOLT	1	1	1	1	
53	98907-06008	SCREW, BIND	1	1	1	1	
54	90430-06016	GASKET	2	2	2	2	

FIG. 27 TRACK DRIVE 2

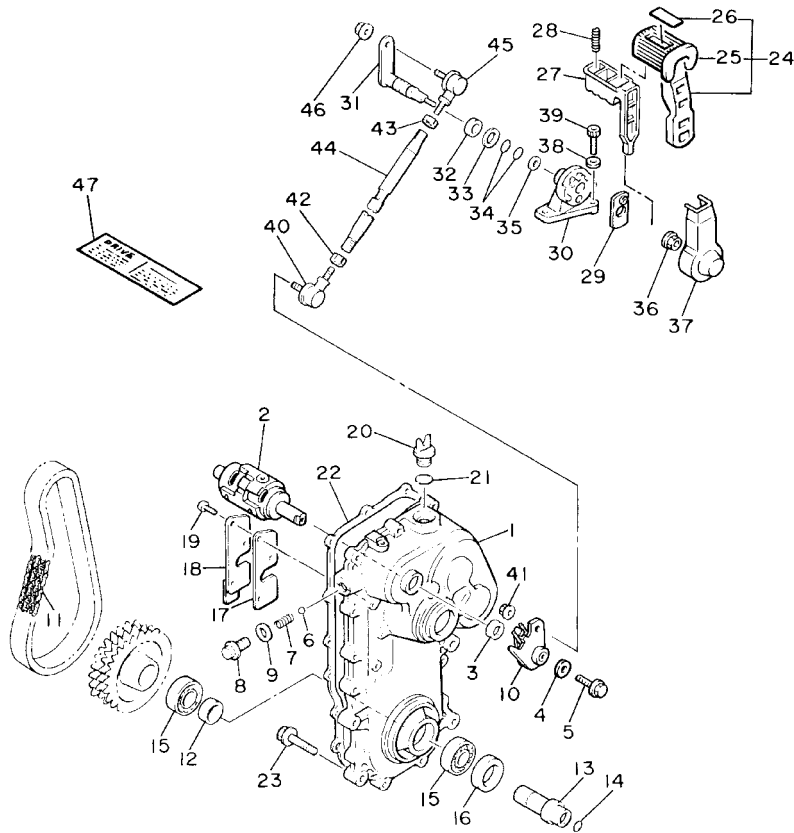
REF. NO.	PART NO.	DESCRIPTION	USA	CAN	EUR	JPN	REMARKS
55	90338-30219	PLUG	1	1	1	1	
56	95827-06045	BOLT, FLANGE	2	2	2	2	
57	99530-10114	PIN, DOWEL	2	2	2	2	
58	95827-06035	BOLT, FLANGE	13	13	13	13	



8AC6100-9270

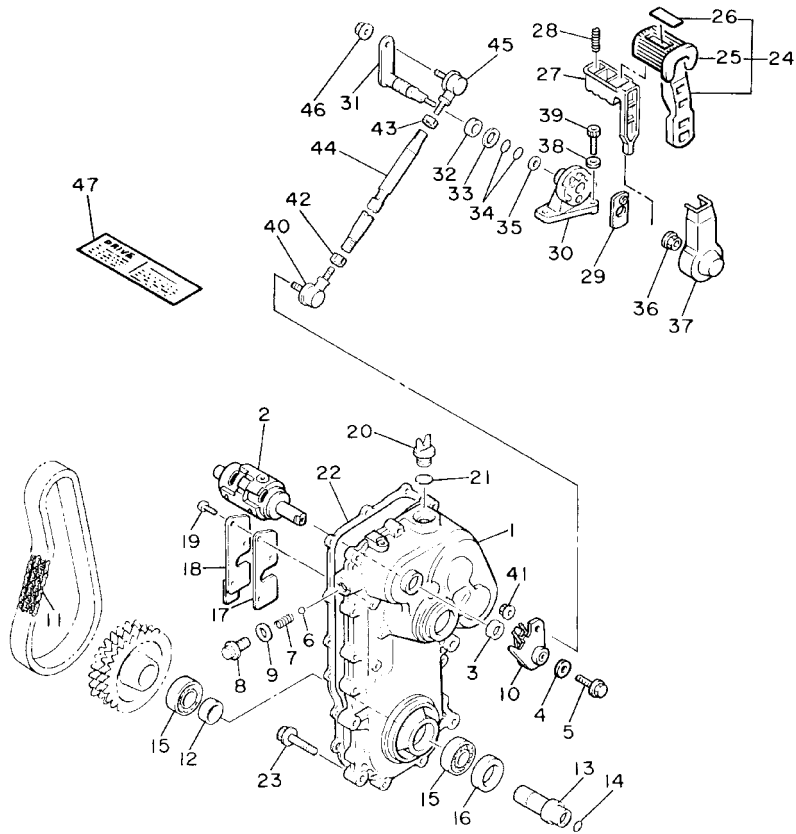
FIG. 28 TRACK DRIVE 3

REF. NO.	PART NO.	DESCRIPTION	USA	CAN	EUR	JPN	REMARKS
1	87R-47541-00	HOUSING, CHAIN	1	1	1	1	
2	89N-18540-00	SHIFT CAM ASSY	1	1	1	1	
3	93102-15212	OIL SEAL	1	1	1	1	
4	90201-06072	WASHER, PLATE	1	1	1	1	
5	90105-06405	BOLT, FLANGE	1	1	1	1	
6	93503-08007	BALL	1	1	1	1	
7	90501-147A6	SPRING, COMPRESSION	1	1	1	1	
8	90105-14367	BOLT, FLANGE	1	1	1	1	
9	90430-14194	GASKET	1	1	1	1	
10	89N-18130-01	SHIFT SHAFT ASSY	1	1	1	1	
11	94880-06070	CHAIN	1	1	1	1	
12	90387-405T8	COLLAR	1	1	1	1	
13	83R-47571-00	JOURNAL 1	1	1	1	1	
14	93210-28763	O-RING	1	1	1	1	
15	93306-90802	BEARING	2	2	2	2	
16	93102-46394	OIL SEAL	1	1	1	1	
17	85R-47544-01	GASKET	1	1	1	1	
18	88N-47591-00	PLATE	1	1	1	1	
19	90154-06050	SCREW, BINDING	3	3	3	3	
20	3Y1-15363-00	PLUG, OIL	1	1	1	1	
21	93210-19123	O-RING	1	1	1	1	
22	85R-47592-00	GASKET	1	1	1	1	
23	95827-08040	BOLT, FLANGE	4	4	4	4	
24	83R-18150-00	SHIFT LEVER ASSY	1	1	1	1	
25	52G-18113-00	.COVER, SHIFT PEDAL	1	1	1	1	
26	83R-1815A-00	.LABEL	1	1	1	1	
27	59V-18174-00	KNOB, SHIFT LEVER	1	1	1	1	



89N010-2280

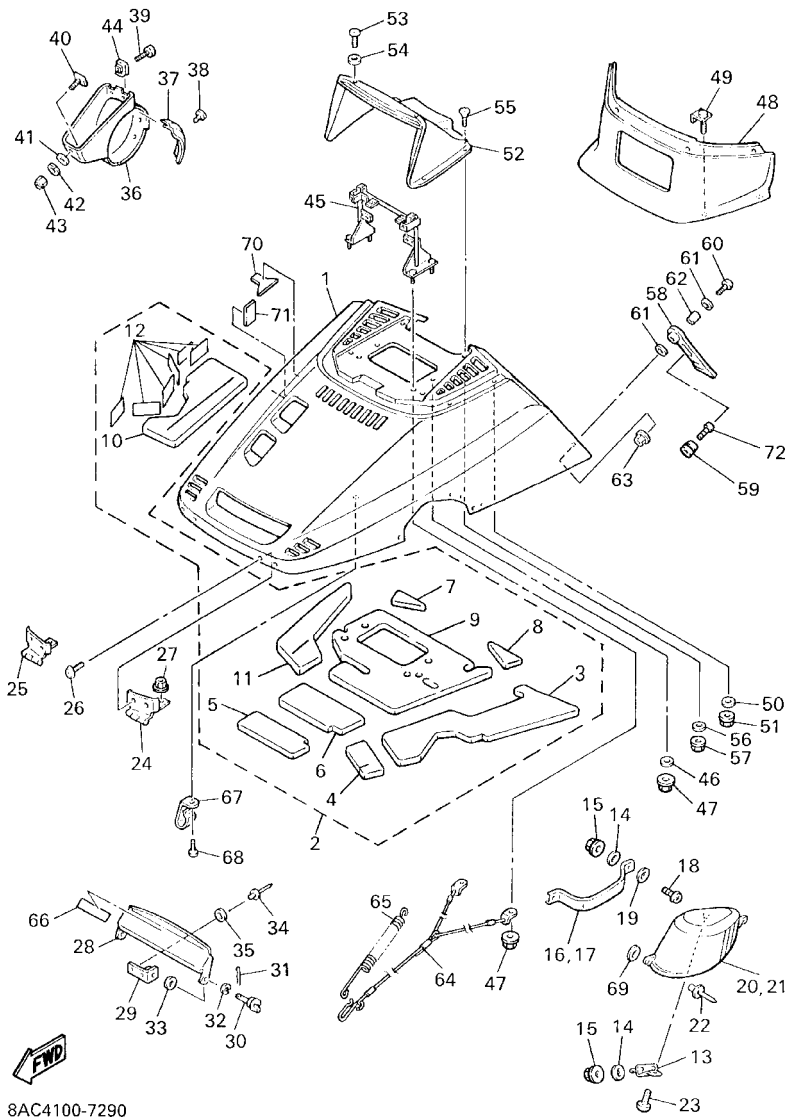
FIG. 28 TRACK DRIVE 3



REF. NO.	PART NO.	DESCRIPTION	USA	CAN	EUR	JPN	REMARKS
28	90501-101A7	SPRING, COMPRESSION	1	1	1	1	
29	59V-18561-00	PLATE, SIDE 1	1	1	1	1	
30	83R-18153-00	GUIDE, SHIFT RETURN SPRING	1	1	1	1	
31	83R-18341-00	SHAFT, RINK	1	1	1	1	
32	90387-145T7	COLLAR	1	1	1	1	
33	90201-144J2	WASHER, PLATE	1	1	1	1	
34	93210-10010	O-RING	2	2	2	2	
35	90201-064J1	WASHER, PLATE	1	1	1	1	
36	95707-06500	NUT, FLANGE	1	1	1	1	
37	59V-18433-00	COVER, SHIFT SPRING	1	1	1	1	
38	92907-06600	WASHER, PLATE	3	3	3	3	
39	91317-06025	BOLT	3	3	3	3	
40	3X3-18157-10	JOINT 2	1	1	1	1	
41	95707-06500	NUT, FLANGE	1	1	1	1	
42	95317-08600	NUT	1	1	1	1	
43	90170-08261	NUT	1	1	1	1	
44	83R-18116-00	JOINT, ROD 1	1	1	1	1	
45	3X3-18156-10	JOINT 1	1	1	1	1	
46	95707-06500	NUT, FLANGE	1	1	1	1	
47	8AT-47578-00	LABEL 1	1	1	1		



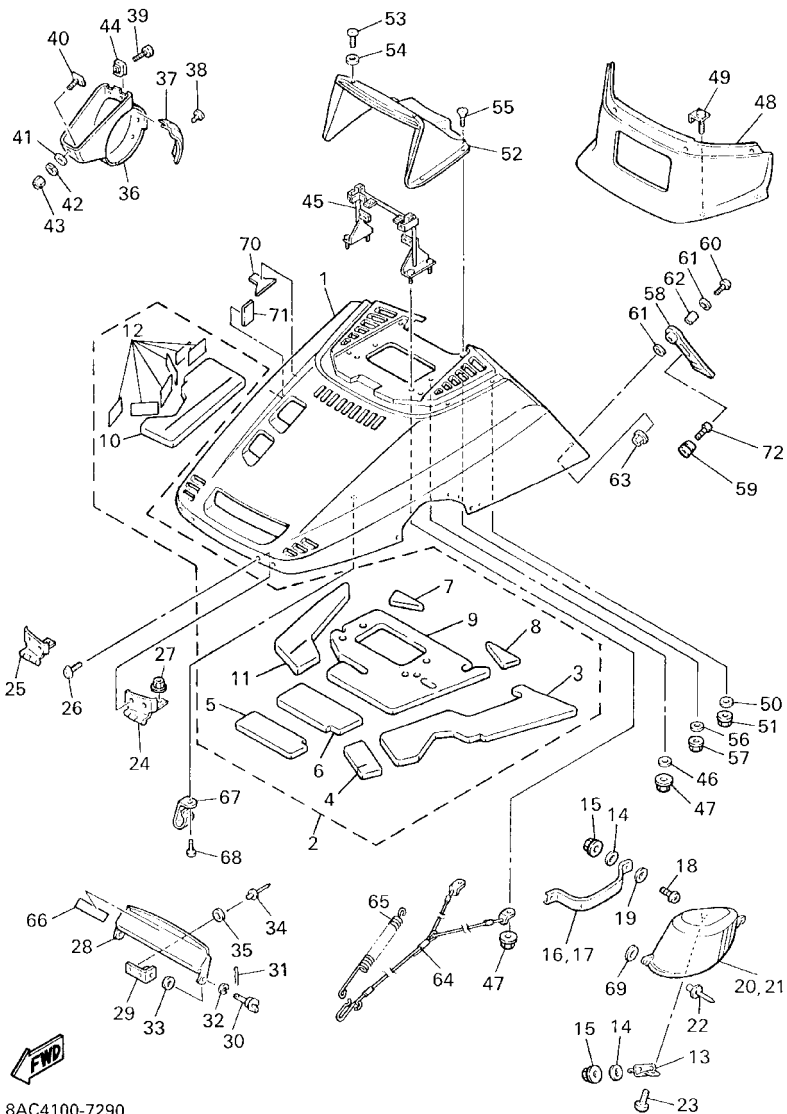
89N010-2280



8AC4100-7290

FIG. 29 SHROUD

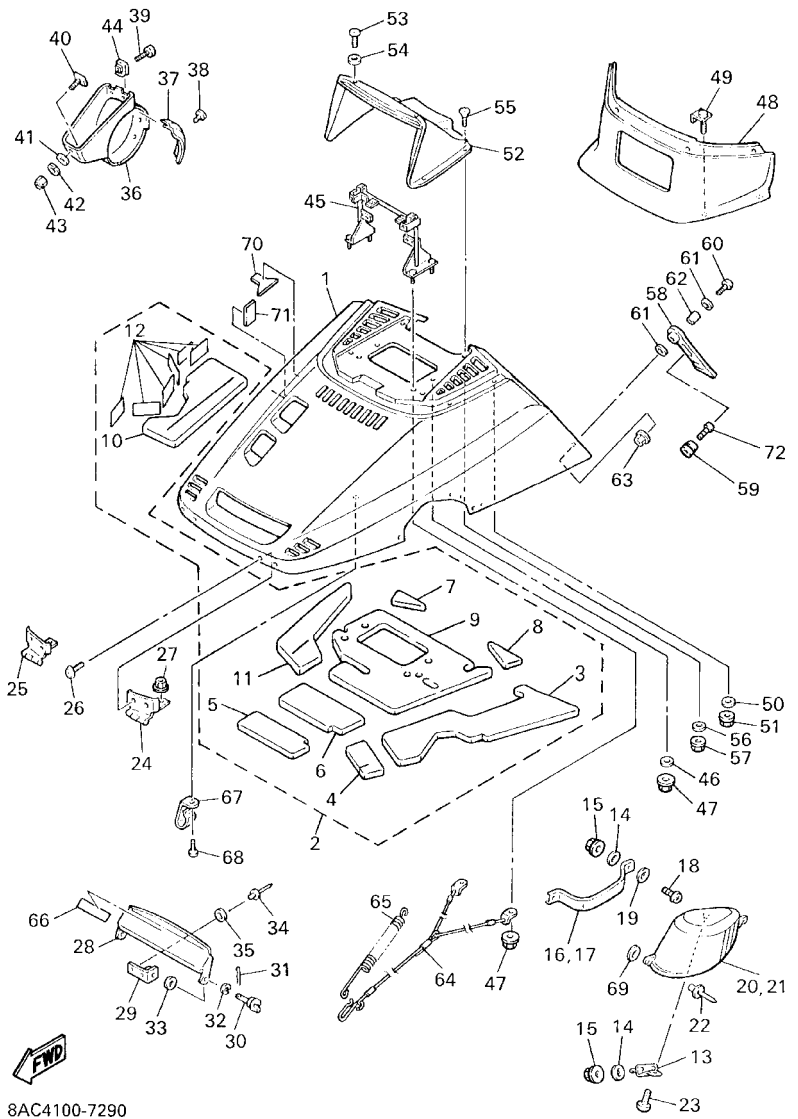
REF. NO.	PART NO.	DESCRIPTION	USA	CAN	EUR	JPN	REMARKS
1	8AC-77111-20	SHROUD	1	1	1	1	
2	8AT-W7726-00	LINING SET	1	1	1	1	
3	8AT-77261-00	.LINING, SHROUD 1	1	1	1	1	
4	8AT-77262-00	.LINING, SHROUD 2	1	1	1	1	
5	8AT-77263-00	.LINING, SHROUD 3	1	1	1	1	
6	8AT-77264-00	.LINING, SHROUD 4	1	1	1	1	
7	8AT-77265-00	.LINING, SHROUD 5	1	1	1	1	
8	8AT-77266-00	.LINING, SHROUD 6	1	1	1	1	
9	8AT-77267-00	.LINING, SHROUD 7	1	1	1	1	
10	8AT-77268-00	.LINING,SHROUD 8	1	1	1	1	
11	8AT-77269-00	.LINING,SHROUD 9	1	1	1	1	
12	82M-7717G-00	.TAPE 3	6	6	6	6	
13	8AT-77125-00	STAY 1	2	2	2	2	
14	92907-06200	WASHER	8	8	8	8	
15	95707-06300	NUT, FLANGE	8	8	8	8	
16	8AT-77153-00	PLATE, BACK UP 1	1	1	1	1	
17	8AT-77154-00	PLATE, BACK UP 2	1	1	1	1	
18	98507-06020	SCREW	4	4	4	4	
19	92907-06600	WASHER, PLATE	4	4	4	4	
20	8AT-77121-00	HOOD 1	1	1	1	1	
21	8AT-77122-00	HOOD 2	1	1	1	1	
22	90267-48141	RIVET, BLIND	4	4	4	4	
23	97707-50016	SCREW, TAPPING	2	2	2	2	
24	83R-77140-00	HINGE ASSY	1	1	1	1	
25	83R-7714A-00	HINGE ASSY 2	1	1	1	1	
26	98904-06016	SCREW, BIND	4	4	4	4	
27	95707-06300	NUT, FLANGE	4	4	4	4	



8AC4100-7290

FIG. 29 SHROUD

REF. NO.	PART NO.	DESCRIPTION	USA	CAN	EUR	JPN	REMARKS
28	83R-77185-00	PLATE 1	1	1	1	1	
29	83R-77125-00	STAY 1	2	2	2	2	
30	90122-05022	BOLT, WING	2	2	2	2	
31	90468-10003	CLIP	2	2	2	2	
32	92907-05100	WASHER, SPRING	2	2	2	2	
33	90202-05088	WASHER, PLATE	2	2	2	2	
34	90267-48079	RIVET, BLIND	4	4	4	4	
35	90201-043H7	WASHER, PLATE	4	4	4	4	
36	83R-77194-00	DUCT	1	1	1	1	
37	83R-77515-00	BUSH, RUBBER 1	1	1	1	1	
38	90269-05039	RIVET	3	3	3	3	
39	98907-06014	SCREW, BIND	2	2	2	2	
40	83R-77186-00	PLATE 2	1	1	1	1	
41	90201-06557	WASHER, PLATE	1	1	1	1	
42	92907-06100	WASHER, SPRING	1	1	1	1	
43	95307-06600	NUT	1	1	1	1	
44	83R-77144-00	NUT	2	2	2	2	
45	83R-77241-00	SRAY,FAIRING	1	1	1	1	
46	90201-06557	WASHER, PLATE	3	3	3	3	
47	95707-06300	NUT, FLANGE	4	4	4	4	
48	8AC-77231-20	FAIRING	1	1	1	1	
49	83R-77212-00	BOLT, WIND SHIELD	4	4	4	4	
50	90201-06557	WASHER, PLATE	2	2	2	2	
51	95707-06300	NUT, FLANGE	4	4	4	4	
52	86V-77251-01	COVER, HEADLIGHT	1	1	1		
	87R-77251-01	COVER, HEADLIGHT				1	
53	98907-05012	SCREW, BIND	2	2	2	2	



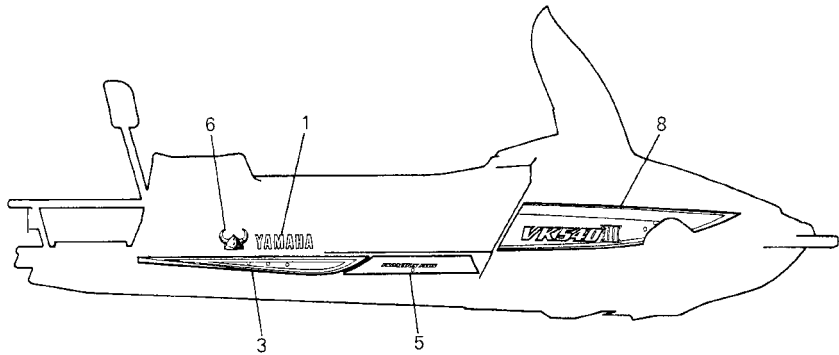
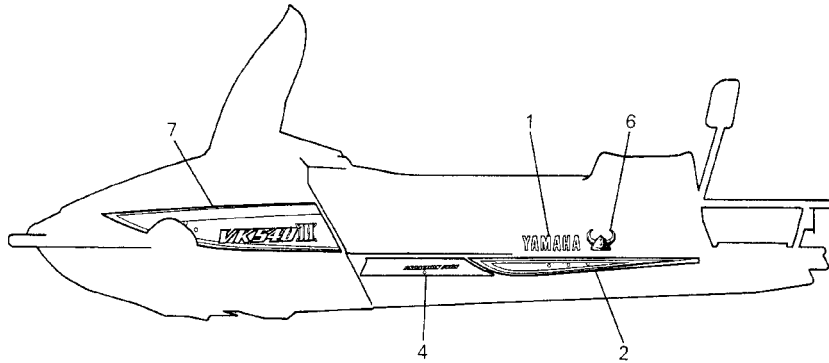
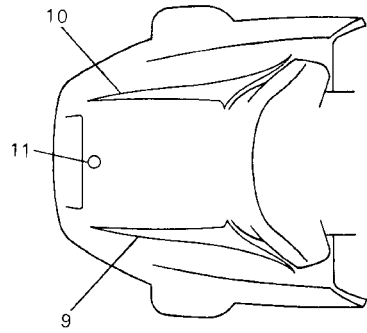
8AC4100-7290

FIG. 29 SHROUD

REF. NO.	PART NO.	DESCRIPTION	USA	CAN	EUR	JPN	REMARKS
54	90201-06042	WASHER, PLATE	2	2	2	2	
55	98707-05016	SCREW, FLAT HEAD	4	4	4	4	
56	90201-05029	WASHER, PLATE	4	4	4	4	
57	95707-05300	NUT, FLANGE	4	4	4	4	
58	8V0-77171-00	BODY, LATCH 1	2	2	2	2	
59	98907-06025	SCREW, BIND	2	2	2	2	
60	90201-06557	WASHER, PLATE	4	4	4	4	
61	90387-06241	COLLAR	2	2	2	2	
62	95707-06500	NUT, FLANGE	2	2	2	2	
63	83R-77118-01	STOPPER, SHROUD	1	1	1	1	
64	838-77159-00	CLAMP, ROD	1	1	1	1	
65	8BE-77762-00	LABEL, WARNING 2	1	1			
	89S-77762-01	LABEL, WARNING 2				1	
	8Y0-77762-90	LABEL, WARNING 2				1	
66	90461-08113	CLAMP	3	3	3	3	
67	97707-50014	SCREW, TAPPING	2	2	2	2	
68	90201-043H7	WASHER, PLATE	4	4	4	4	
69	8AT-2199H-00	SHIELD, HEAT	1	1	1	1	
70	8AT-77196-00	DAMPER, SHROUD	1	1	1	1	
71	8M6-77175-00	HOLDER, LATCH	2	2	2	2	
72	98907-06035	SCREW, BIND	2	2	2	2	

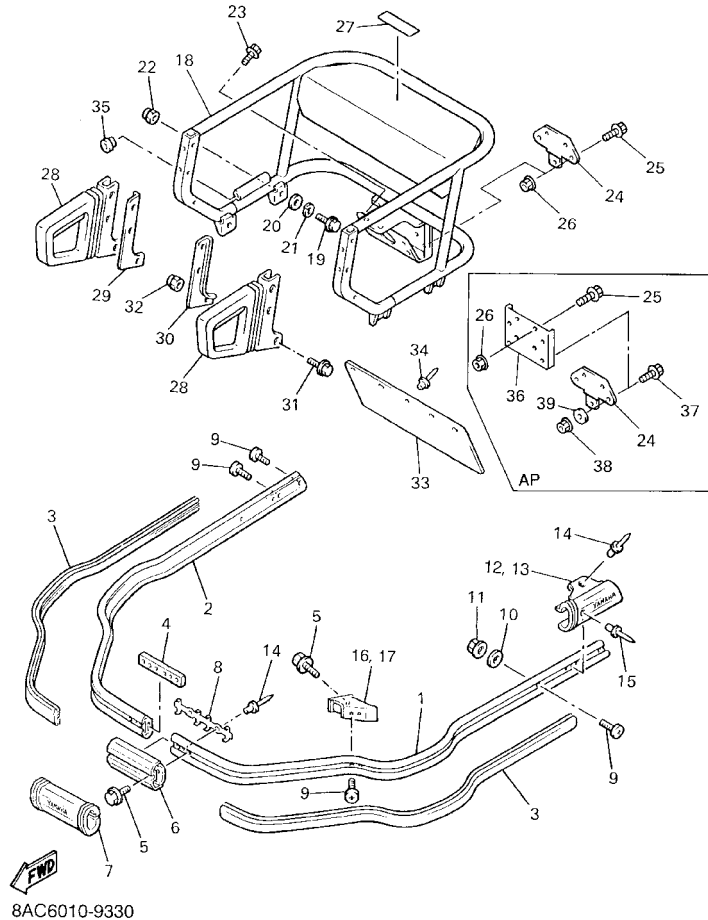
FIG. 30 EMBLEM

REF. NO.	PART NO.	DESCRIPTION	USA	CAN	EUR	JPN	REMARKS
1	99246-00200	EMBLEM, YAMAHA	2	2	2	2	
2	8AC-77351-60	EMBLEM 1	1	1	1	1	
3	8AC-77352-60	EMBLEM 2	1	1	1	1	
4	8AC-77365-20	EMBLEM 10	1	1	1	1	
5	8AC-77366-20	EMBLEM 11	1	1	1	1	
6	8AC-77355-50	EMBLEM 5	2	2	2	2	
7	8AC-77353-60	EMBLEM 3	1	1	1	1	
8	8AC-77354-60	EMBLEM 4	1	1	1	1	
9	8AC-7711A-00	GRAPHIC 1	1	1	1	1	
10	8AC-7711B-00	GRAPHIC 2	1	1	1	1	
11	8AC-2414B-01	EMBLEM	1	1	1	1	



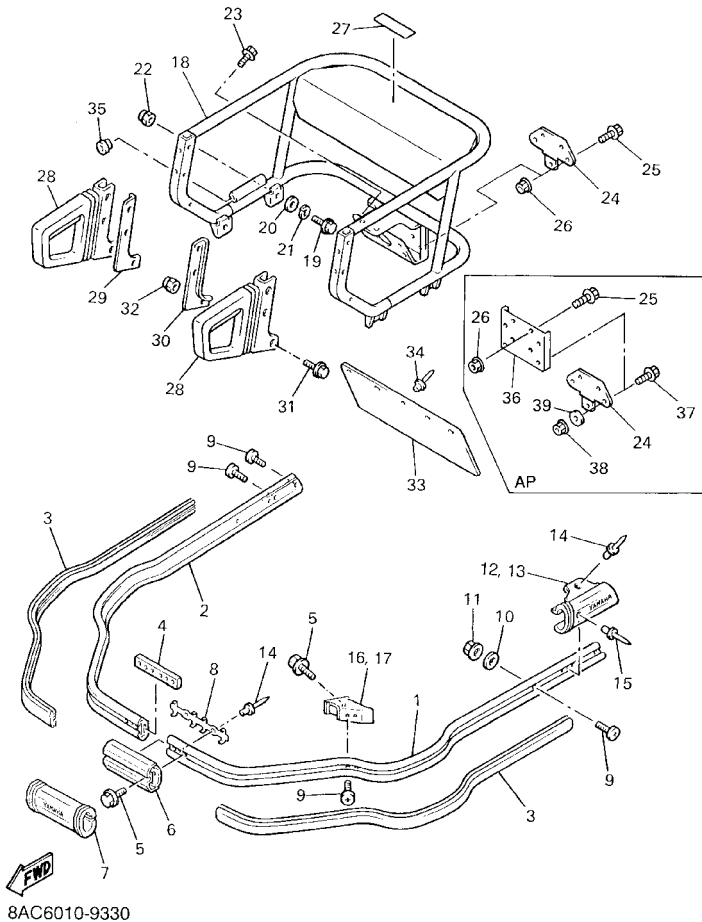
8AC9100-2300

FIG. 33 BUMPER



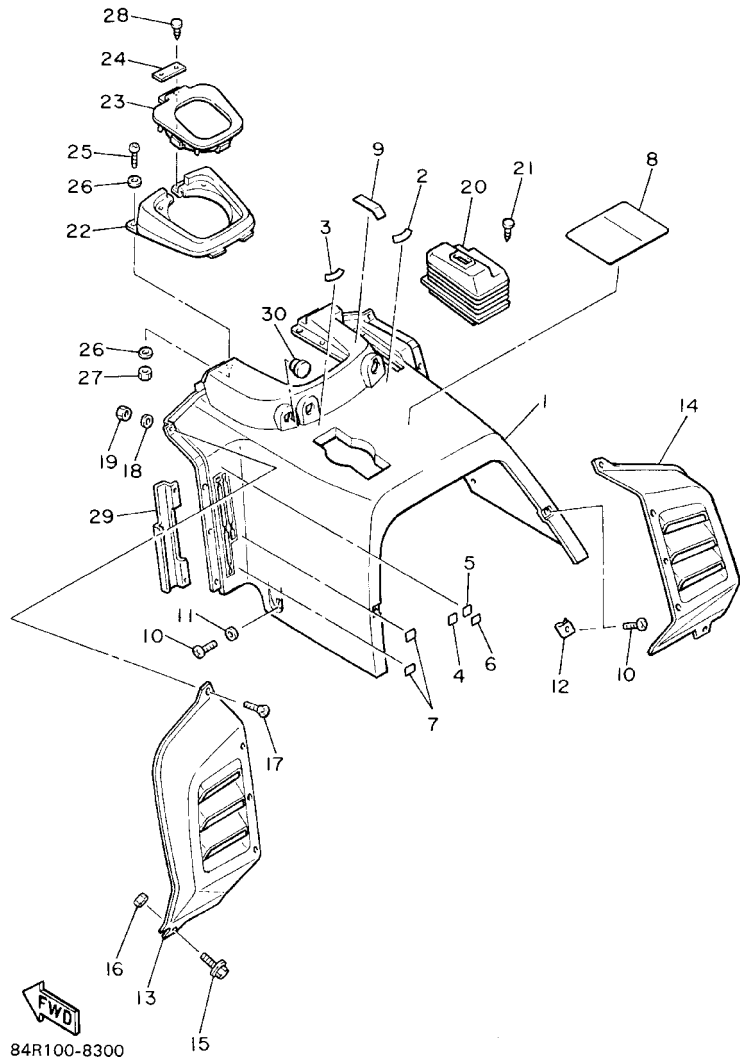
REF. NO.	PART NO.	DESCRIPTION	USA	CAN	EUR	JPN	REMARKS
1	8AT-77511-01	BUMPER, FRONT 1	1	1	1	1	
2	8AT-77512-01	BUMPER, FRONT 2	1	1	1	1	
3	8AT-77516-00	BUSH, RUBBER 2	2	2	2	2	
4	8AT-77529-00	SPACER, BUMPER	1	1	1	1	
5	90105-08408	BOLT, FLANGE	8	8	8	8	
6	8AT-77552-00	PROTECTOR 2	1	1	1	1	
7	8AT-77551-01	PROTECTOR 1	1	1	1	1	
8	8AT-77553-00	PROTECTOR 3	1	1	1	1	
9	90149-08230	SCREW	11	11	11	11	
10	92907-08200	WASHER	3	3	3	3	
11	95307-08600	NUT	3	3	3	3	
12	8AT-77521-00	STOPPER, 1	1	1	1	1	
13	8AT-77522-00	STOPPER 2	1	1	1	1	
14	90267-48141	RIVET, BLIND	4	4	4	4	
15	90267-48149	RIVET, BLIND	2	2	2	2	
16	8AT-77523-00	END, BUMPER	1	1	1	1	
17	8AT-77524-00	END, BUMPER	1	1	1	1	
18	8AC-77540-00	REAR BUMPER COMP.	1	1	1	1	
19	95827-08014	BOLT, FLANGE	4	4	4	4	
20	92907-08200	WASHER	4	4	4	4	
21	92907-08100	WASHER, SPRING	4	4	4	4	
22	95307-08800	NUT	4	4	4	4	
23	95827-08020	BOLT, FLANGE	10	10	10	10	
24	84R-77592-00	BRACKET, HITCH 2	1	1	1	1	
25	95827-08020	BOLT, FLANGE	4	4	4	4	
26	95607-08200	NUT, SELF-LOCKING	4	4	4	4	
27	89X-24897-00	EMBLEM	1	1			

FIG. 33 BUMPER



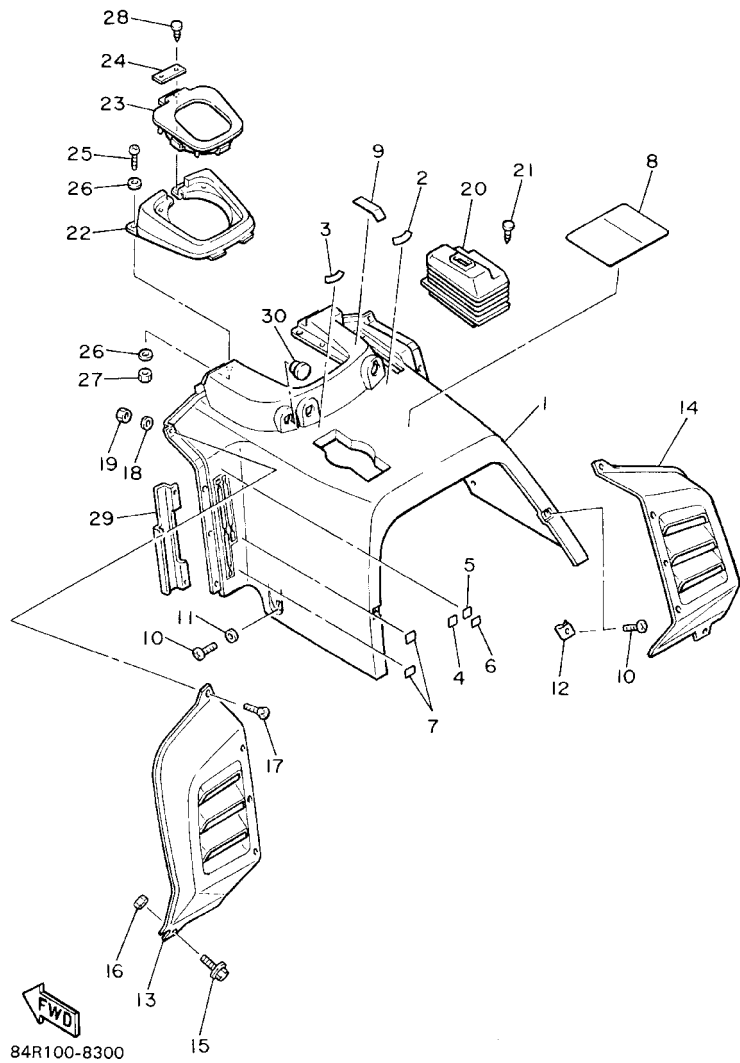
REF. NO.	PART NO.	DESCRIPTION	USA	CAN	EUR	JPN	REMARKS
27	89Y-24897-00	EMBLEM			1		
	4KN-24877-C0	LABEL, CAUTION				1	
28	8X0-77571-00	GRIP, ASSIST 1	2	2	2	2	
29	8X0-77525-00	WASHER 1	1	1	1	1	
30	8X0-77526-00	WASHER 2	1	1	1	1	
31	95807-08040	BOLT, FLANGE	6	6	6	6	
32	90176-08063	NUT, CROWN	6	6	6	6	
33	83R-77595-00	FLAP	1	1	1	1	
34	90267-48086	RIVET, BLIND	5	5	5	5	
35	90480-15268	GROMMET	2	2	2	2	
36	80M-77591-00	BRACKET, HITCH 1				1	AP
37	95827-08025	BOLT, FLANGE				4	AP
38	95717-08300	NUT, FLANGE				4	AP
39	92907-08600	WASHER, PLATE				4	AP

FIG. 34 INSTRUMENT PANEL



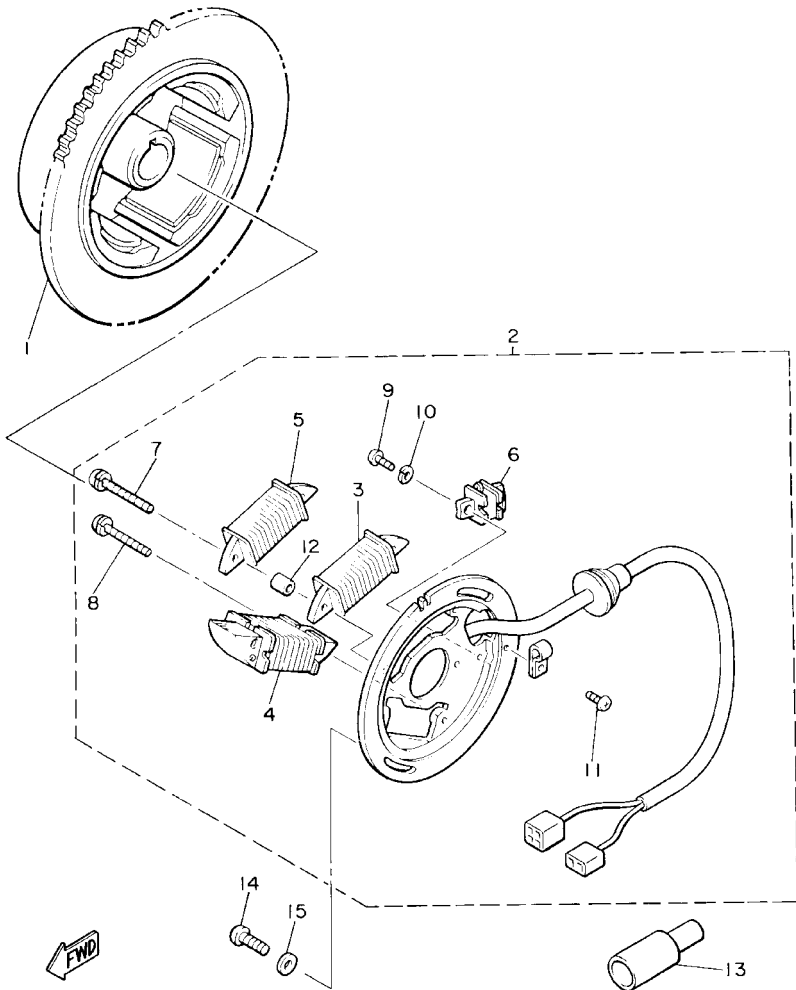
REF. NO.	PART NO.	DESCRIPTION	USA	CAN	EUR	JPN	REMARKS
1	86V-77711-00	PANEL, INSTRUMENT	1	1	1	1	
2	8V0-77741-20	INDICATOR 1	1	1	1	1	
3	8U9-77742-00	INDICATOR 2	1	1	1	1	
4	87A-77743-00	INDICATOR 3	1	1	1	1	
5	87A-77742-00	INDICATOR 2	1	1	1	1	
6	87A-77741-00	INDICATOR 1	1	1	1	1	
7	87A-77745-00	INDICATOR 5	2	2	2	2	
8	87R-77761-10	LABEL, WARNING 1	1	1			
	8AC-77761-10	LABEL, WARNING 1			1		
	8AC-77761-00	LABEL, WARNING 1				1	
9	83R-77741-00	INDICATOR 1	1	1	1	1	
10	98907-06016	SCREW, BIND	4	4	4	4	
11	90387-060U0	COLLAR	2	2	2	2	
12	83R-77144-00	NUT	2	2	2	2	
13	83R-77131-01	LOUVER 1	1	1	1	1	
14	83R-77132-01	LOUVER 2	1	1	1	1	
15	95807-06016	BOLT, FLANGE	2	2	2	2	
16	95707-06300	NUT, FLANGE	2	2	2	2	
17	98707-04016	SCREW, FLAT HEAD	7	7	7	7	
18	90201-047A2	WASHER, PLATE	5	5	5	5	
19	95707-04300	NUT, FLANGE	5	5	5	5	
20	83R-77731-00	SHIELD 1	1	1	1	1	
21	90269-05055	RIVET	4	4	4	4	
22	83R-77712-00	PANEL, INSTRUMENT	1	1	1	1	
23	83R-77740-00	GROMMET, INSTRUMENT PANEL	1	1	1	1	
24	83R-77728-00	WASHER	1	1	1	1	
25	98907-05016	SCREW, BIND	2	2	2	2	

FIG. 34 INSTRUMENT PANEL



REF. NO.	PART NO.	DESCRIPTION	USA	CAN	EUR	JPN	REMARKS
26	90201-054K4	WASHER, PLATE	4	4	4	4	
27	95707-05300	NUT, FLANGE	2	2	2	2	
28	90269-05055	RIVET	2	2	2	2	
29	83R-2419A-00	HOLDER	1	1	1	1	
30	90480-12012	GROMMET	1	1	1	1	

FIG. 35 GENERATOR

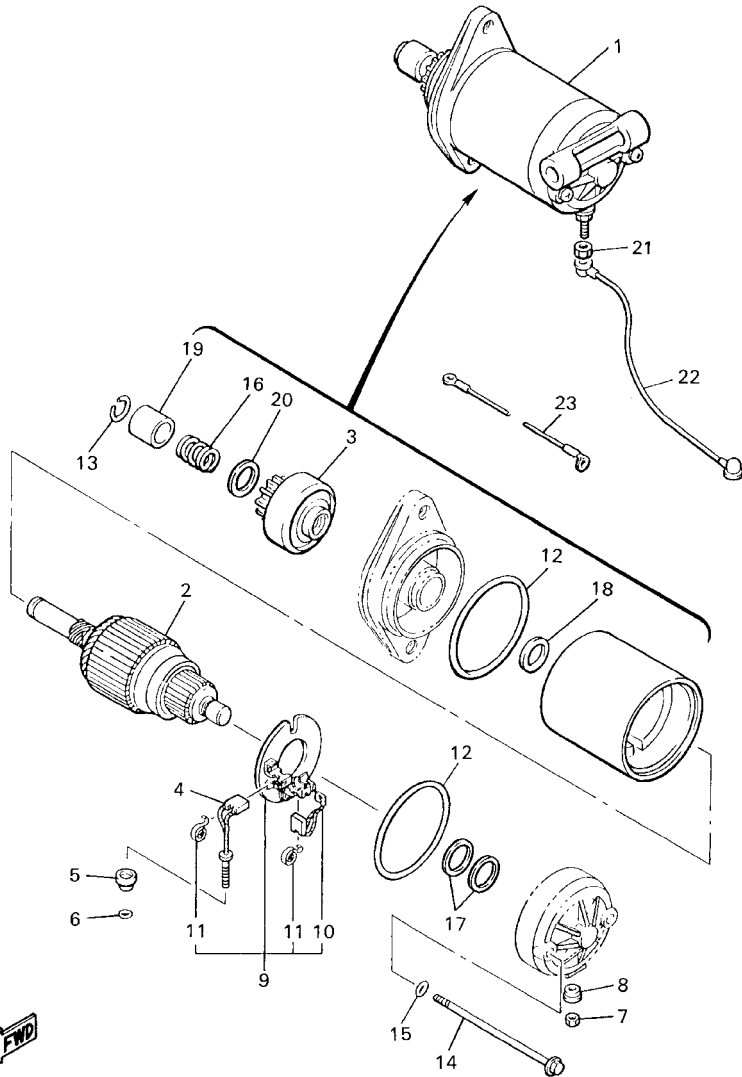


8AU100-3340

REF. NO.	PART NO.	DESCRIPTION	USA	CAN	EUR	JPN	REMARKS
1	8AT-85550-00	ROTOR ASSY	1	1	1	1	
2	8AT-85560-00	BASE ASSY	1	1	1	1	
3	81L-85520-M0	.COIL, CHARGE	1	1	1	1	
4	81L-81313-M0	.COIL, LIGHTING 1	1	1	1	1	
5	81L-81314-M0	.COIL, LIGHTING 2	1	1	1	1	
6	8R4-85580-M0	.COIL, PULSER	1	1	1	1	
7	90159-05130	.SCREW, WITH WASHER	2	2	2	2	
8	90159-05129	.SCREW, WITH WASHER	2	2	2	2	
9	98502-04012	.SCREW, PAN HEAD	2	2	2	2	
10	92902-04100	.WASHER, SPRING	3	3	3	3	
11	98502-04008	.SCREW, PAN HEAD	1	1	1	1	
12	90387-06299	.COLLAR	2	2	2	2	
13	8Y0-82599-00	COVER, CONNECTER	1	1	1	1	
14	98907-06016	SCREW, BIND	2	2	2	2	
15	90201-06043	WASHER, PLATE	2	2	2	2	

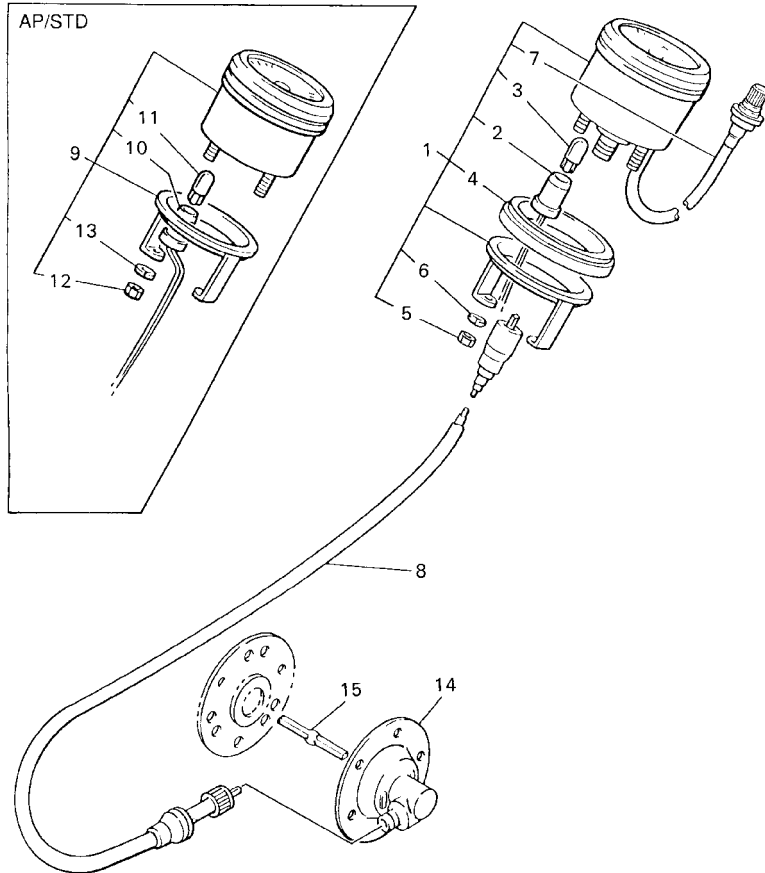
FIG. 36 STARTING MOTOR

REF. NO.	PART NO.	DESCRIPTION	USA	CAN	EUR	JPN	REMARKS
1	8BB-81800-01	STARTING MOTOR ASSY	1	1	1	1	
2	8Y3-81850-50	.ARMATURE ASSY	1	1	1	1	
3	84N-81832-51	.CLUTCH, OVER RUN	1	1	1	1	
4	73A-81811-00	.BRUSH 1	1	1	1	1	
5	73A-81829-50	.GROMMET	1	1	1	1	
6	73A-81847-00	.O-RING	1	1	1	1	
7	4H7-81872-00	.NUT, SPECIAL	1	1	1	1	
8	73A-81829-00	.GROMMET	1	1	1	1	
9	8L6-81840-50	.BRUSH HOLDER ASSY	1	1	1	1	
10	84N-81812-00	..BRUSH 2	1	1	1	1	
11	8L6-81813-50	..SPRING, BRUSH	2	2	2	2	
12	4H7-81844-50	.O-RING	2	2	2	2	
13	8L6-81834-50	.RING	1	1	1	1	
14	84N-81826-00	.BOLT	2	2	2	2	
15	8L6-81847-50	.O-RING	2	2	2	2	
16	8BB-81836-00	.SPRING, LEVER	1	1	1	1	
17	4H7-81843-50	.WASHER 1	2	2	2	2	
18	8L6-81835-50	.WASHER 2	1	1	1	1	
19	8L6-81833-50	.RING, STOP	1	1	1	1	
20	8BB-8185A-00	.WASHER, PLATE	1	1	1	1	
21	95307-06600	NUT	1	1	1	1	
22	83R-82117-01	WIRE, LEAD	1	1	1	1	
23	88N-82116-00	WIRE, MINUS LEAD	1	1	1	1	



8AC6100-9360

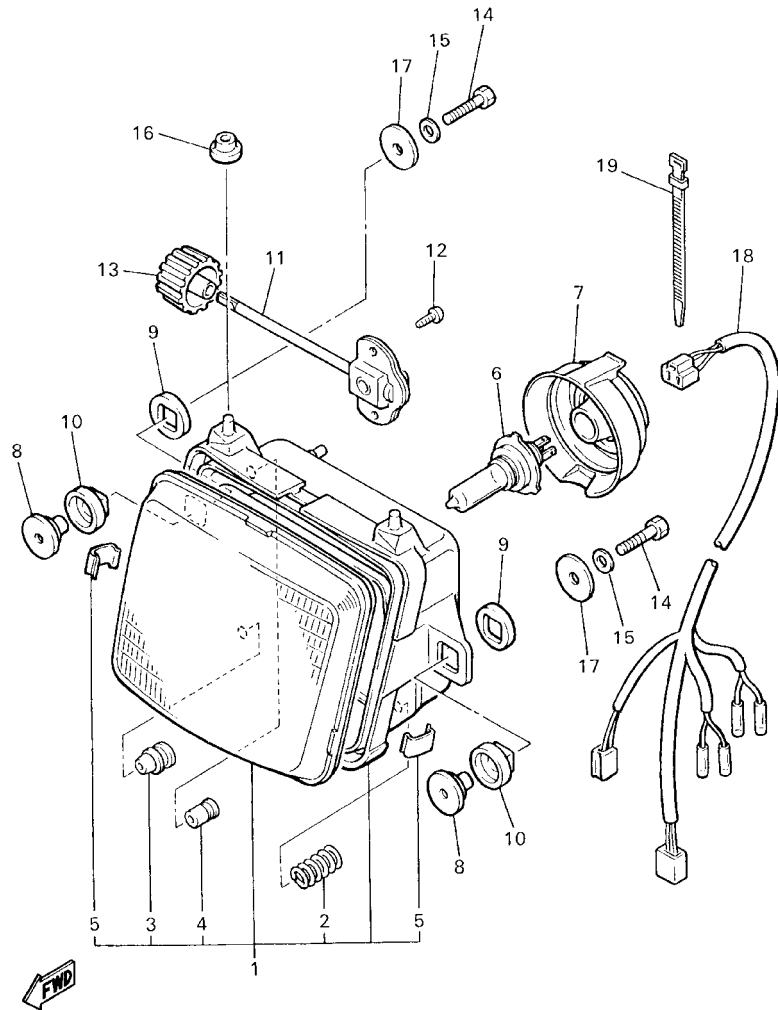
FIG. 37 METER



8AC7100-0370

REF. NO.	PART NO.	DESCRIPTION	USA	CAN	EUR	JPN	REMARKS
1	87R-83510-40	SPEEDOMETER ASSY (MILE/H)	1				
	86V-83510-20	SPEEDOMETER ASSY (KM/H)		1	1	1	
2	8V7-83536-40	.SOCKET, METER	1	1	1	1	
3	4R0-83517-00	.BULB (12V-3.4W T10)	1	1	1	1	
4	8G6-83523-00	.DAMPER	1	1	1	1	
5	95302-05600	.NUT	2	2	2	2	
6	92902-05100	.WASHER, SPRING	2	2	2	2	
7	8K1-83603-00	.TRIP METER CABLE ASSY	1	1	1	1	
8	8H4-83560-00	METER CABLE ASSY	1	1	1	1	
9	85L-83540-00	TACHOMETER ASSY	1	1	1		AP
	85L-83540-00	TACHOMETER ASSY				1	STD
10	85L-83509-00	.SOCKET CORD ASSY	1	1	1		AP
	85L-83509-00	.SOCKET CORD ASSY				1	STD
11	4R0-83517-00	.BULB (12V-3.4W T10)	1	1	1		AP
	4R0-83517-00	.BULB (12V-3.4W T10)				1	STD
12	95380-05600	.NUT	4	4	4		AP
	95380-05600	.NUT				4	STD
13	92990-05100	.WASHER, SPRING	4	4	4		AP
	92990-05100	.WASHER, SPRING				4	STD
14	83R-47700-00	METER GEAR HOUSING COMP.	1	1	1	1	
15	8K4-47715-00	JOINT	1	1	1	1	

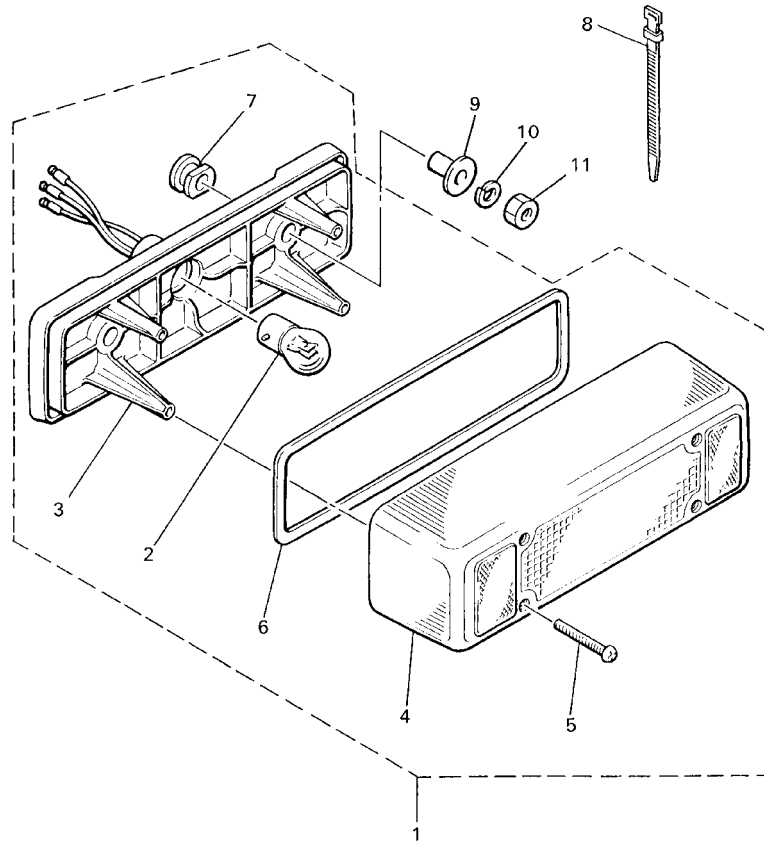
FIG. 38 HEADLIGHT



8AC4100-7380

REF. NO.	PART NO.	DESCRIPTION	USA	CAN	EUR	JPN	REMARKS
1	84R-8430A-A0	HEAD LIGHT UNIT ASSY	1	1		1	
	83R-8430A-G0	HEAD LIGHT UNIT ASSY			1		
2	51L-84332-00	.SPRING, SCREW	1	1	1	1	
3	51L-8431U-00	.HOLDER	1	1	1	1	
4	51L-84334-00	.NUT, ADJUSTING	2	2	2	2	
5	36Y-84324-00	.SPRING, REFLECTOR	3	3	3	3	
6	2F9-84314-00	BULB (12V-60/55W)	1	1	1	1	(H4)HALOGEN
7	36Y-84397-00	COVER, SOCKET	1	1	1	1	
8	498-84145-60	COLLAR, BODY FITTING	2	2	2	2	
9	498-84164-60	DAMPER	2	2	2	2	
10	498-84163-60	DAMPER	2	2	2	2	
11	83R-8430M-00	GEAR UNIT ASSY	1	1	1	1	
12	97707-40616	SCREW, TAPPING	2	2	2	2	
13	26H-8432M-00	KNOB ASSY	1	1	1	1	
14	97007-08040	BOLT	2	2	2	2	
15	92907-08600	WASHER, PLATE	2	2	2	2	
16	36Y-84354-00	GROMMET	2	2	2	2	
17	90201-08766	WASHER, PLATE	2	2	2	2	
18	8AT-84359-00	CORD, HEADLIGHT	1	1	1	1	
19	437-83936-01	BAND, SWITCH CORD	1	1	1	1	

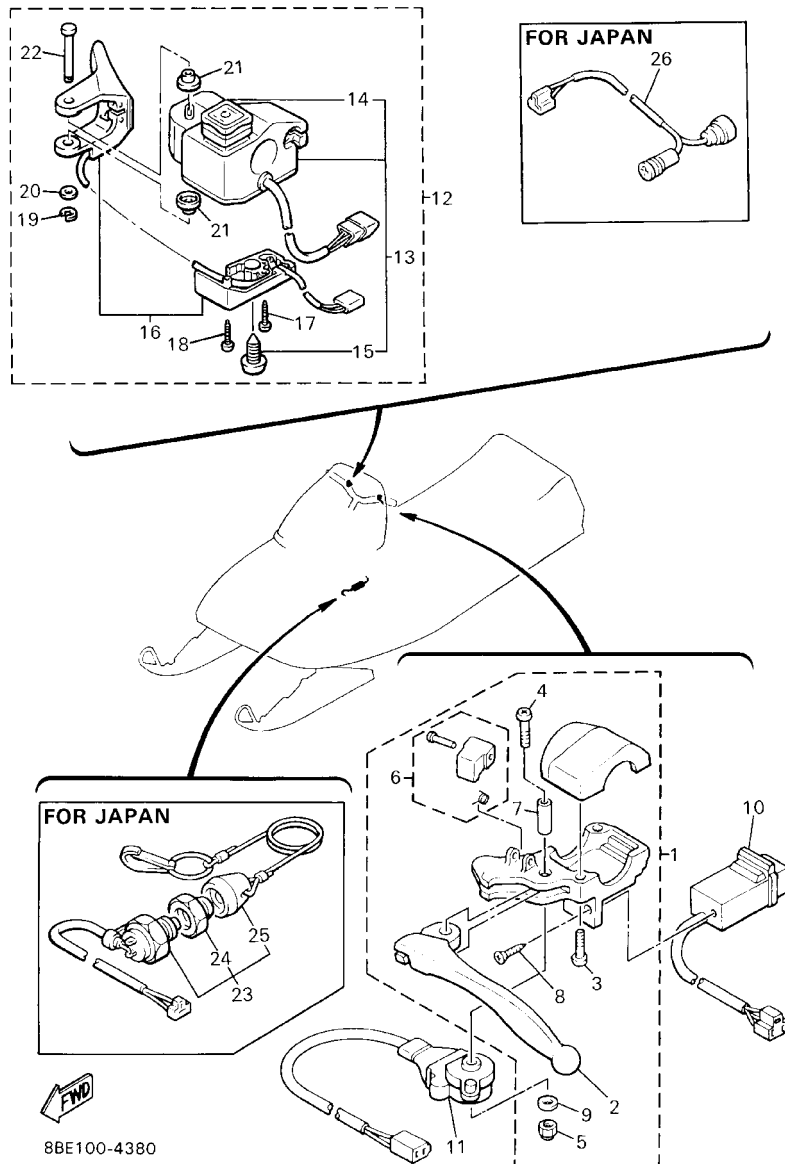
FIG. 39 TAILLIGHT



8AC6100-9390

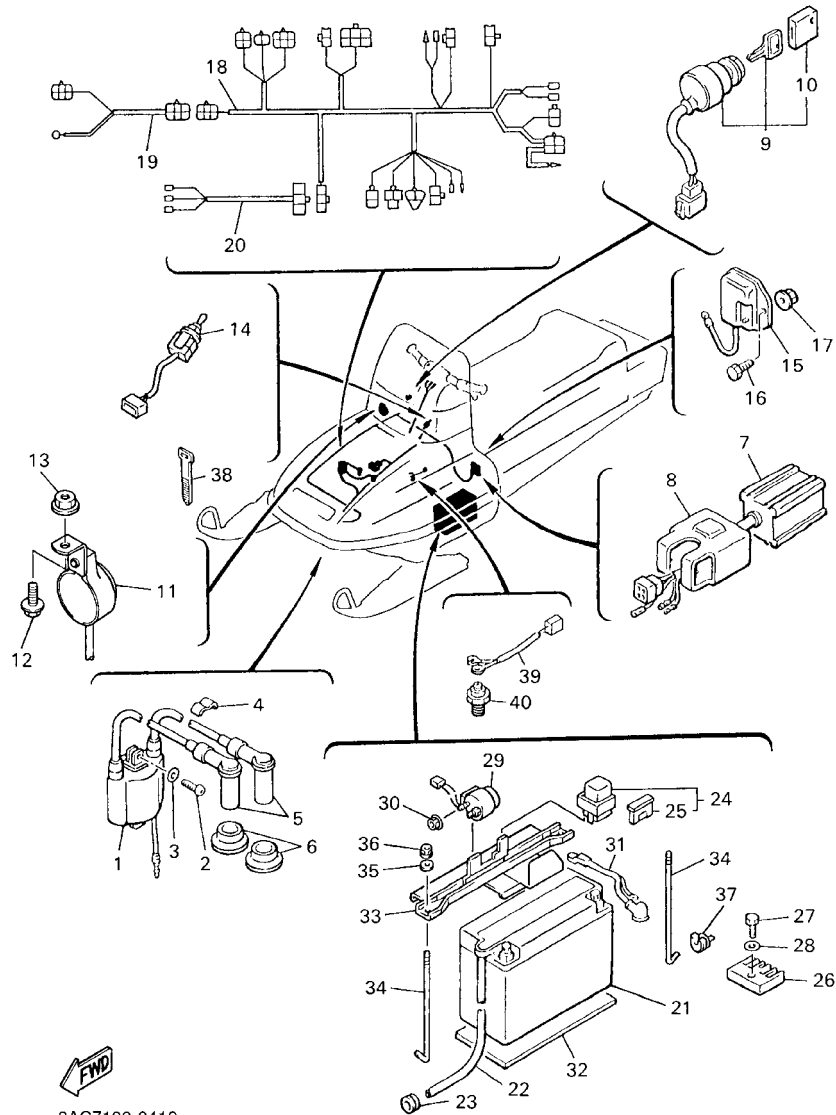
REF. NO.	PART NO.	DESCRIPTION	USA	CAN	EUR	JPN	REMARKS
1	8K4-84710-00	TAILLIGHT UNIT ASSY	1	1	1	1	
2	838-84714-01	.BULB (12V-23/8W)	1	1	1	1	
3	8K4-84711-00	.BASE, TAILLIGHT	1	1	1	1	
4	8K4-84721-00	.LENS, TAILLIGHT	1	1	1	1	
5	97701-40130	.SCREW, PANHEAD TAPPING	4	4	4	4	
6	87M-84723-00	.GASKET, TAIL LENS	1	1	1	1	
7	8K4-84718-00	.GROMMET	2	2	2	2	
8	90465-10098	CLAMP	1	1	1	1	
9	90387-066N1	COLLAR	2	2	2	2	
10	92907-06100	WASHER, SPRING	2	2	2	2	
11	95307-06600	NUT	2	2	2	2	

FIG. 40 HANDLE SWITCH. LEVER



REF. NO.	PART NO.	DESCRIPTION	USA	CAN	EUR	JPN	REMARKS
1	88R-W8291-00	LEVER HOLDER ASSY (LEFT)	1	1	1	1	
2	8H8-83912-00	.LEVER 1	1	1	1	1	
3	90157-05027	.SCREW, PAN HEAD	2	2	2	2	
4	90157-05113	.SCREW, PAN HEAD	1	1	1	1	
5	95707-05300	.NUT, FLANGE	1	1	1	1	
6	8K4-83930-00	.LEVER LOCK ASSY	1	1	1	1	
7	802-83913-00	.COLLAR, LEVER 1	1	1	1	1	
8	97707-30712	.SCREW, TAPPING	1	1	1	1	
9	92907-05200	.WASHER	1	1	1	1	
10	8K4-83950-01	BEAM SWITCH ASSY	1	1	1	1	
11	88R-82530-00	STOP SWITCH ASSY	1	1	1	1	
12	8AU-82720-02	LEVER HOLDER ASSY (RIGHT)	1	1	1	1	
13	8AU-83963-00	.SWITCH, HANDLE 3 (RIGHT)	1	1	1	1	
14	8AU-82575-09	..ENGINE STOP SWITCH ASSY	1	1	1	1	WIRE/L=240MM
15	8R6-83928-00	..SCREW	1	1	1	1	
16	8AU-82970-02	.THUMB WARMER ASSY	1	1	1	1	
17	97706-30620	.SCREW, TAPPING	1	1	1	1	
18	97706-30630	.SCREW, TAPPING	1	1	1	1	
19	99001-04600	.CIRCLIP	1	1	1	1	
20	85G-83663-00	.WASHER, SPECIAL	1	1	1	1	
21	85G-83956-00	.CAP 1	2	2	2	2	
22	88T-8399F-00	.SHAFT	1	1	1	1	
23	8H8-82550-01	ENGINE STOP SWITCH ASSY				1	AP
24	8H8-82557-00	.NUT				1	AP
25	8H7-82552-01	.CAP, SWITCH				1	AP
26	89L-82318-00	WIRE, SUB-LEAD				1	AP

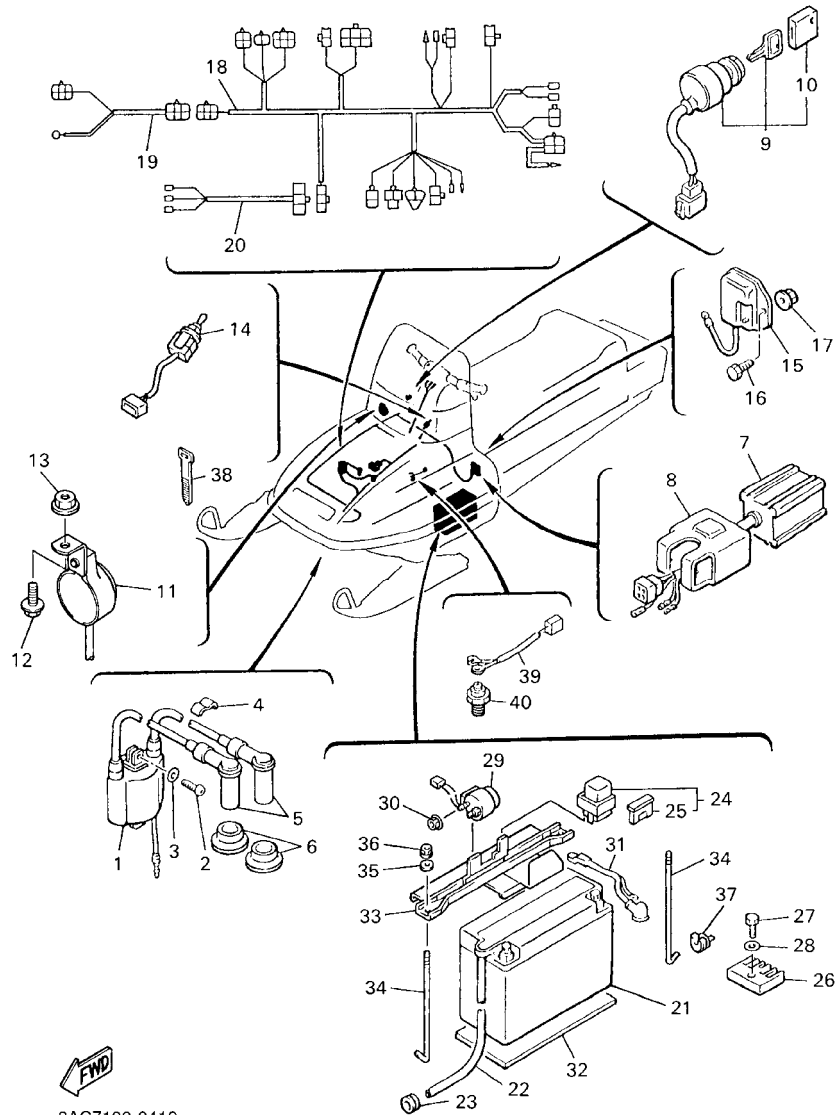
FIG. 41 ELECTRICAL 1



8AC7100-0410

REF. NO.	PART NO.	DESCRIPTION	USA	CAN	EUR	JPN	REMARKS
1	88T-82310-00	IGNITION COIL ASSY	1	1	1	1	
2	97880-06020	SCREW, PAN HEAD	2	2	2	2	
3	92990-06600	WASHER, PLATE	2	2	2	2	
4	861-82361-00	CLAMP, CORD	1	1	1	1	
5	8K1-82370-20	PLUG CAP ASSY (WITH RESISTOR)	2	2	2	2	
6	8G5-82372-00	SEAL, PLUG CAP	2	2	2	2	
7	8AU-85540-00	C.D.I. UNIT ASSY	1	1	1	1	
8	2A7-85546-00	BAND	1	1	1	1	
9	8K1-82510-20	MAIN SWITCH ASSY	1	1	1	1	
10	526-82579-00	.CAP, KEY	2	2	2	2	
11	87L-83383-01	BUZZER	1	1	1	1	
12	95827-06016	BOLT, FLANGE	1	1	1	1	
13	95607-06200	NUT, SELF U-FLANGE	1	1	1	1	
14	8BE-82917-00	SWITCH	1	1	1	1	
15	82M-81910-A0	VOLTAGE REGULATOR ASSY	1	1	1	1	
16	97007-06014	BOLT	1	1	1	1	
17	95707-06300	NUT, FLANGE	1	1	1	1	
18	8AC-82590-00	WIRE HARNESS ASSY	1	1	1	1	
19	8AC-82509-00	WIRE, SUB LEAD	1	1	1	1	
20	8AC-84717-01	CORD, TAILLIGHT	1	1	1	1	
21	5E3-82110-81	BATTERY ASSY (YUASA YB16AL-A2)	1	1	1		
	5E5-82110-T1	BATTERY ASSY (YUASA YB16AL-A2)				1	
22	8AC-8235W-00	PIPE	1	1	1	1	
23	90480-12314	GROMMET	1	1	1	1	
24	8BE-82150-00	FUSE HOLDER ASSY	1	1	1	1	
25	42X-82151-00	.FUSE (10A-BL)	2	2	2	2	
26	1Y8-81970-60	RECTIFIER ASSY	1	1	1	1	

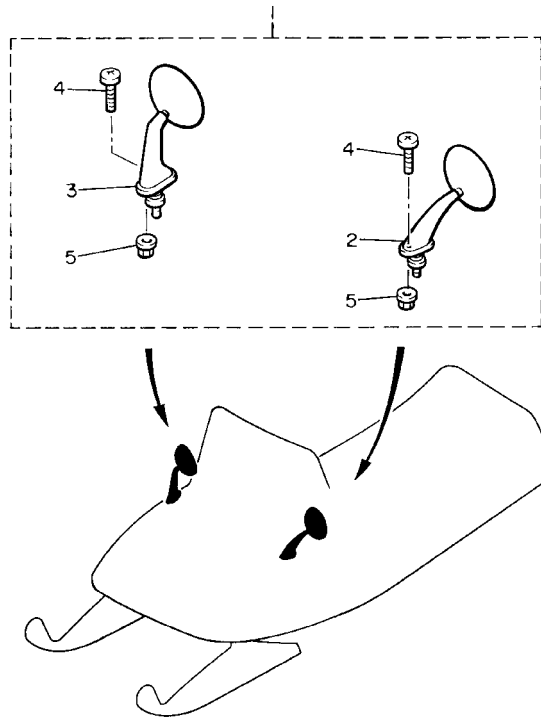
FIG. 41 ELECTRICAL 1



FWD
8AC7100-0410

REF. NO.	PART NO.	DESCRIPTION	USA	CAN	EUR	JPN	REMARKS
27	97007-06020	BOLT	1	1	1	1	
28	92907-06600	WASHER, PLATE	1	1	1	1	
29	50W-81940-10	STARTER RELAY ASSY	1	1	1	1	
30	95707-06500	NUT, FLANGE	2	2	2	2	
31	88N-82115-00	WIRE, PLUS LEAD	1	1	1	1	
32	84N-82122-00	SEAT, BATTERY	1	1	1	1	
33	8AC-82136-10	PLATE, BATTERY FITTING	1	1	1	1	
34	8Y7-82133-00	SCREW, FITTING	2	2	2	2	
35	92907-06600	WASHER, PLATE	2	2	2	2	
36	95707-06300	NUT, FLANGE	1	1	1	1	
37	8AC-82355-00	GROMMET	1	1	1	1	
38	341-26397-01	BAND	1	1	1	1	
39	87L-82318-00	WIRE, SUB-LEAD	1	1	1	1	
40	4KD-82540-00	NEUTRAL SWITCH ASSY	1	1	1	1	

FIG. 43 ALTERNATE (BODY/RIG)

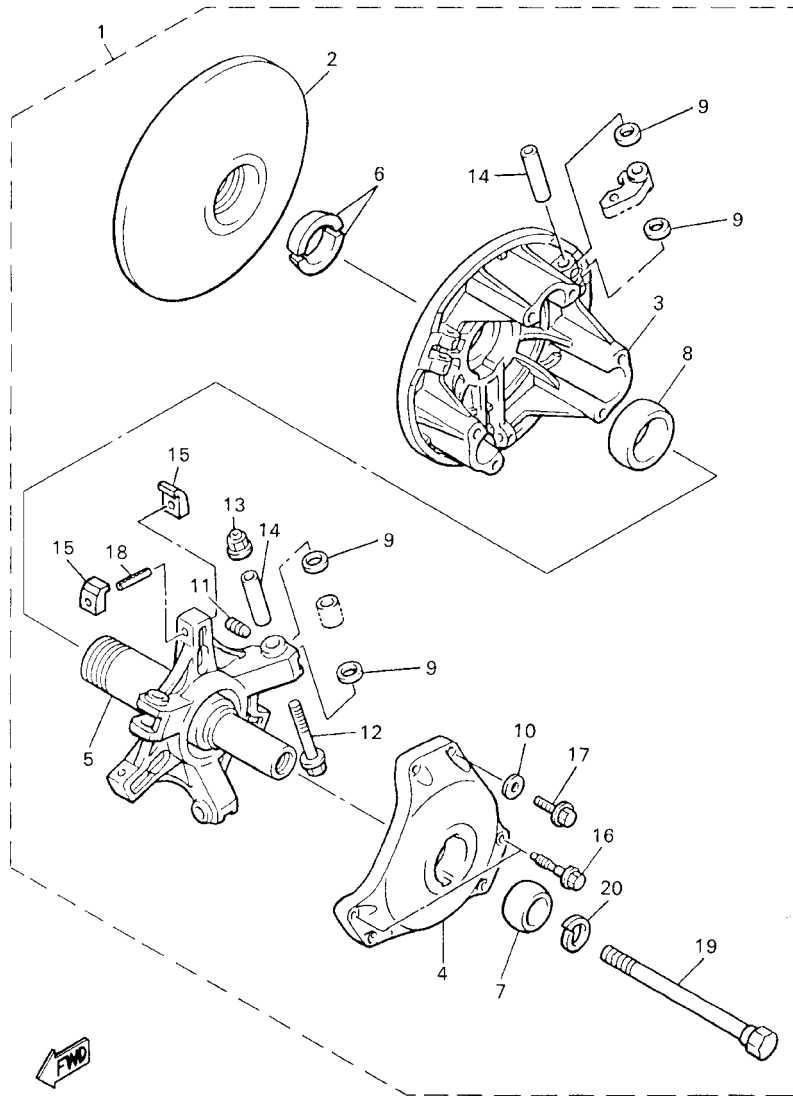


REF. NO.	PART NO.	DESCRIPTION	USA	CAN	EUR	JPN	REMARKS
1	8E1-W2628-00	REAR VIEW MIRROR SET	1	1	1	1	AP
2	8E1-26280-00	.REAR VIEW MIRROR ASSY (LEFT)	1	1	1	1	
3	8E1-26290-00	.REAR VIEW MIRROR ASSY(RIGHT)	1	1	1	1	
4	98507-04016	.SCREW	4	4	4	4	
5	95707-04500	.NUT, FLANGE	4	4	4	4	



88U100-1400

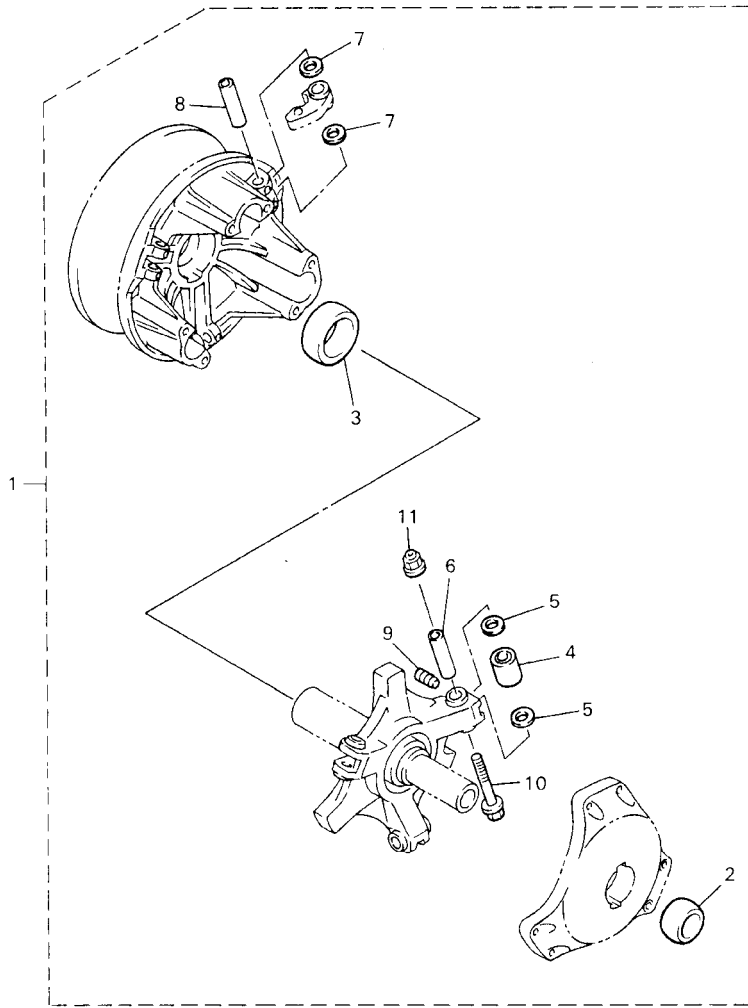
FIG. 44 ALTERNATE (DRIVE)



8AC8100-1440

REF. NO.	PART NO.	DESCRIPTION	USA	CAN	EUR	JPN	REMARKS
1	8AC-17601-09	CLUTCH REPAIR KIT	1	1	1	1	AP
2	88R-17611-02	.SHEAVE, PRIMARY FIXED	1	1	1	1	
3	89F-17621-00	.SHEAVE, PRIMARY SLIDING	1	1	1	1	
4	88R-17631-01	.CAP	1	1	1	1	
5	8BW-17640-11	.SPIDER COMPLETE	1	1	1	1	
6	8V0-17639-00	.STOPPER	2	2	2	2	
7	90389-28032	.BUSH	1	1	1	1	
8	90389-41031	.BUSH	1	1	1	1	
9	90202-08204	.WASHER, PLATE	12	12	12	12	
10	92907-06600	.WASHER, PLATE	4	4	4	4	
11	90113-05053	.BOLT, SET	6	6	6	6	
12	90105-05644	.BOLT, FLANGE	3	3	3	3	
13	95607-05200	.NUT, U FLANGE	3	3	3	3	
14	90387-0501R	.COLLAR	6	6	6	6	
15	8BW-17653-00	.SLIDER	6	6	6	6	
16	90109-066F4	.BOLT	2	2	2	2	
17	97017-06030	.BOLT	4	4	4	4	
18	91609-50032	.PIN, SPRING	3	3	3	3	
19	8V0-17647-00	.BOLT (L=156.5MM)	1	1	1	1	
20	92907-16100	.WASHER	1	1	1	1	

FIG. 45 ALTERNATE (DRIVE)



8BM8100-1450

REF. NO.	PART NO.	DESCRIPTION	USA	CAN	EUR	JPN	REMARKS
1	88R-00000-51	CLUTCH TUNE-UP KIT (R)	1	1	1	1	AP
2	90389-28032	.BUSH	1	1	1	1	
3	90389-41031	.BUSH	1	1	1	1	
4	88R-17624-01	.ROLLER, COMP	3	3	3	3	
5	90202-08204	.WASHER, PLATE	6	6	6	6	
6	90387-0501R	.COLLAR	3	3	3	3	
7	90202-08204	.WASHER, PLATE	6	6	6	6	
8	90387-0501R	.COLLAR	3	3	3	3	
9	90113-05053	.BOLT, SET	6	6	6	6	
10	90105-05644	.BOLT, FLANGE	3	3	3	3	
11	95607-05200	.NUT, U FLANGE	3	3	3	3	

NUMERICAL INDEX

PART NO.	GRID NO.	PART NO.	GRID NO.	PART NO.	GRID NO.	PART NO.	GRID NO.	PART NO.	GRID NO.	PART NO.	GRID NO.
8E1-W2628-00	F - 10	8Y0-13116-01	B - 7	3G2-14231-77	B - 11	8AC-17601-09	F - 11	8V9-21486-00	C - 5	80Y-23843-00	D - 5
8AC-W4741-00	D - 12	8K4-13119-00	B - 8	3G2-14231-78	B - 11	8AT-17605-00	C - 2	83M-21488-00	D - 8	87S-23845-00	C - 12
83R-W4751-00	D - 13	137-13137-00	B - 7	3G2-14231-79	B - 11	88R-17611-02	C - 2	8AT-21747-00	C - 6	87S-23847-00	C - 12
83R-W4753-01	D - 13	137-13138-01	B - 7	8M6-14261-00	B - 11		F - 11	83R-21751-00	C - 6	82M-23851-00	C - 10
8AT-W7726-00	E - 5	8A5-13146-01	B - 7	8V0-14358-00	B - 12	89F-17621-00	C - 2	863-21771-00	C - 6	8AT-23852-00	C - 10
88R-W8291-00	F - 6	137-13148-00	B - 8	8X0-14358-00	B - 12		F - 11	8AC-21910-00	C - 7	8V0-23858-00	D - 2
88R-00000-51	F - 12	866-13175-00	B - 8	83R-14425-00	B - 10	88R-17624-01	C - 2	8AC-21912-00	C - 7	84M-23868-00	C - 12
8R6-11111-00	B - 2	821-13176-00	B - 8	8H8-14431-00	B - 9		F - 12	89X-21917-00	C - 7	83R-23870-00	C - 14
J38-11116-00	B - 14	8K2-13178-00	B - 3	8H8-14441-00	B - 9	88R-17631-01	C - 2	8AC-21933-00	C - 9	84M-23872-00	C - 12
83R-11161-00	B - 2	8H8-13179-00	B - 8	83R-14453-00	B - 9		F - 11	8AT-2194Y-00	C - 7	8AT-23883-00	C - 14
83R-11162-00	B - 2	821-13188-00	B - 8	83R-14465-00	B - 9	8V0-17639-00	C - 2	81E-21945-00	C - 7	8AT-23884-00	C - 14
83R-11181-00	B - 2	8G8-13342-00	B - 8	8H8-14466-00	B - 9		F - 11	8AT-2195Y-00	C - 7	83R-24111-00	C - 15
83R-11311-00	B - 2	8G8-13410-00	C - 6	8H8-14477-00	B - 9	8BW-17640-11	C - 2	83R-21955-00	C - 7	8AC-2414B-01	E - 8
89N-11351-00	B - 2	353-13552-01	B - 7	8X0-14500-00	B - 11		F - 11	8AT-2196T-00	C - 8	83R-2419A-00	E - 14
8AT-11400-01	B - 3	8G8-13555-01	B - 9	8K4-14610-00	B - 13	87X-17641-00	C - 3	8M6-2198F-00	C - 7	84M-24327-00	B - 10
83R-11412-01	B - 3	8Y7-13556-01	B - 9	82M-14613-01	B - 13	8V0-17647-00	C - 3	83R-2198F-00	C - 8		C - 6
8H8-11422-01	B - 3	83R-13565-00	B - 9	83R-14710-04	B - 13		F - 11	8AC-2198G-00	C - 9	81E-24328-00	D - 2
8H8-11432-01	B - 3	8AT-13610-00	B - 9	83R-14728-01	B - 13	8BW-17653-00	C - 2	8AT-2199G-01	C - 8	83R-24335-00	C - 15
8AT-11442-00	B - 3	8AT-13613-00	B - 9	83R-14941-4E	B - 11		F - 11	8AT-2199H-00	E - 7	813-24336-00	C - 15
8H8-11515-00	B - 3	8H8-13616-00	B - 9	8H8-15100-02	B - 14	88R-17660-02	C - 4	8M6-21998-00	C - 7	801-24376-00	C - 6
8R6-11601-00	B - 3	84R-14101-01	B - 11	3Y1-15363-00	E - 3	8AT-17670-01	C - 4	8AT-22401-00	C - 10	82M-24378-00	C - 15
8R6-11601-10	B - 3	86R-14101-01	B - 11	8AT-15416-00	B - 8	88N-17680-02	C - 4	89L-22493-00	C - 10	878-24379-00	D - 2
8R6-11601-20	B - 3	8V0-14118-00	B - 11	8K4-15426-00	B - 8	83R-17682-00	D - 14	4XV-2341B-00	E - 9	8AT-24410-00	B - 10
8R6-11631-00-95	B - 3	8V0-14122-00	B - 11	8H8-15710-00	B - 15	8AT-17684-00	C - 4	8AT-23710-00	C - 10	8H5-24560-00	C - 15
8H8-11633-00	B - 3	80L-14122-00	B - 11	8H8-15711-00	B - 15	8X6-17688-00	C - 4	8AC-23731-00	C - 10	8W6-24611-00	C - 15
8R6-11635-00	B - 3	127-14124-20	B - 12	8F3-15713-01	B - 15	52G-18113-00	E - 3	88T-23743-00	C - 10	813-24613-01	C - 15
8R6-11636-00	B - 3	8M6-14126-00	B - 11	8F3-15714-01	B - 15	83R-18116-00	E - 4	8AC-2376A-00	C - 10	83M-24628-00	C - 15
8R6-11651-00	B - 3	8X0-14133-00	B - 12	8F3-15715-00	B - 15	89N-18130-01	E - 3	84M-2376E-00	C - 11	8F7-24641-00	C - 15
8A7-11685-00	B - 3	82A-14134-00	B - 11	8F3-15716-03	B - 15	83R-1815A-00	E - 3	8AT-2376J-00	C - 10	8AC-2470F-00	D - 3
8H8-12611-01	B - 5	127-14135-00	B - 11	8G5-15716-00	B - 15	83R-18150-00	E - 3	8L0-2376R-00	C - 10	85R-2471A-00	C - 8
8H8-12612-00	B - 5	3G2-1414E-56	B - 11	8H8-15723-01	B - 15	83R-18153-00	E - 4	83R-23768-00	D - 12	83R-24729-00	D - 3
8L0-12616-00	B - 6	193-1414F-00	B - 11	8F3-15734-00	B - 15	3X3-18156-10	E - 4	84M-2377E-00	C - 11	8AC-24730-00	D - 3
8H8-12618-01	B - 5	193-14142-90	B - 11	8F3-15739-01	B - 15	3X3-18157-10	E - 4	82M-23777-00	C - 10	8AT-24778-00	D - 3
8H8-12619-01	B - 5	802-14161-00	B - 12	8G5-15739-00	B - 15	59V-18174-00	E - 3	82M-23779-00	C - 10	8AC-24790-00	D - 3
88F-12621-02	B - 5	8A7-14169-00	B - 12	8F3-15741-01	B - 15	83R-18341-00	E - 4	8L0-23788-00	C - 10	4KN-24877-C0	E - 12
8K4-12628-00	B - 6	8AT-1417E-00	E - 10	8F3-15751-00	B - 15	59V-18433-00	E - 4	8AU-23811-00	C - 12	89X-24897-00	E - 11
8Y0-12637-02	B - 6	8G8-14171-00	B - 11	8F3-15755-00	B - 15	83R-18511-00	D - 15	8F3-23812-00	C - 12	89Y-24897-00	E - 12
8H8-12651-02	B - 5	8G8-14174-00	B - 11	83R-17121-00	D - 14	83R-18531-00	D - 15	8AT-23813-01	C - 12	87R-25721-00	D - 4
8H8-12652-00	B - 6	8X0-14184-00	B - 12	8AT-17131-00	D - 14	89N-18540-00	E - 3	8G5-23814-00	C - 12	87R-25722-00	D - 4
8H8-12658-00	B - 5	8M6-14185-00	B - 11	8AT-17141-00	D - 14	59V-18561-00	E - 4	8K1-23814-00	C - 12	87R-25726-01	D - 4
8Y0-12658-00	B - 5	8M6-14186-00	B - 11	83R-17143-00	D - 14	8H8-21411-01	C - 5	8W9-23815-00	C - 12	87R-25730-01	D - 4
8H8-12659-00	B - 5	83R-14190-15	B - 11	83R-17151-00	D - 14	8AT-21417-00	C - 5	8W9-23817-00	C - 12	86M-25733-00	D - 4
8H8-12669-00	B - 6	214-14195-00	B - 11	83R-17153-00	D - 15	8H8-21418-01	C - 5	8AT-23818-00	C - 7	86M-25738-00	D - 4
8V8-12678-00	B - 6	286-14198-00	B - 11	83R-17243-00	D - 15	83R-21419-00	C - 5	8L0-2382E-01	C - 11	87R-25743-00	D - 4
8AT-12679-00	B - 6	620-14211-00	B - 11	85R-17421-00	D - 14	8H8-21427-00	C - 5	8L0-2382F-00	C - 11	86M-25744-00	D - 4
8Y0-12679-00	B - 5	80L-14227-00	B - 12	83R-17431-00	D - 14	8H8-21429-01	C - 5	8AT-23821-00	C - 12	86M-25771-00	D - 4
8Y0-12687-02	B - 6	3G2-14231-27	B - 11	83R-17432-01	D - 15	8V9-21485-00	C - 5	8AT-23831-00	C - 12	86M-25772-00	D - 4
8AT-13101-00	B - 7	3G2-14231-28	B - 11	83R-17492-10	D - 14	8N7-21486-00	C - 5	86X-23841-00	C - 12	86M-25773-00	D - 4

NUMERICAL INDEX

PART NO.	GRID NO.	PART NO.	GRID NO.	PART NO.	GRID NO.	PART NO.	GRID NO.	PART NO.	GRID NO.	PART NO.	GRID NO.
89J-25811-00	D-4	8CM-47419-10	D-7	8AC-77111-20	E-5	8AC-77351-60	E-8	86D-77762-00	E-10	88R-82530-00	F-6
86M-25818-00	D-4	8AC-47421-00	D-8	83R-77118-01	E-7	8AC-77352-60	E-8	89S-77762-01	E-7	4KD-82540-00	F-8
86M-25826-00	D-4	8CM-47422-10	D-8	8AT-77121-00	E-5	8AC-77353-60	E-8	81L-81313-M0	E-15	8H8-82550-01	F-6
86M-25827-00	D-4	8AC-47424-00	D-12	8AT-77122-00	E-5	8AC-77354-60	E-8	81L-81314-M0	E-15	8H7-82552-01	F-6
83R-25831-00	D-4	83R-47446-00	D-12	8AT-77125-00	E-5	8AC-77355-50	E-8	8BB-81800-01	F-2	8H8-82557-00	F-6
86M-25833-00	D-4	8CR-47448-00	D-8	83R-77125-00	E-6	8AC-77365-20	E-8	73A-81811-00	F-2	8AU-82575-09	F-6
89J-25911-00	D-4	8AC-4745A-00	D-11	83R-77131-01	E-13	8AC-77366-20	E-8	84N-81812-00	F-2	526-82579-00	F-7
88T-26240-00	D-5	8CR-4745B-00	D-11	83R-77132-01	E-13	86V-77384-00	D-3	8L6-81813-50	F-2	87S-8259A-00	B-12
8E1-26280-00	F-10	8AC-47457-00	D-8	83R-7714A-00	E-5	8AT-77511-01	E-11	84N-81826-00	F-2	8AC-82590-00	F-7
8E1-26290-00	F-10	8AX-47458-00	D-8	83R-77140-00	E-5	8AT-77512-01	E-11	73A-81829-00	F-2	8Y0-82599-00	E-15
83R-26311-02	D-5	8DF-47463-01	D-9	83R-77144-00	E-6	83R-77515-00	E-6	73A-81829-50	F-2	8AU-82720-02	F-6
8L8-26320-04	B-7	8DF-47464-01	D-9			8AT-77516-00	E-11	84N-81832-51	F-2	8BE-82917-00	F-7
8U9-26325-00	D-5	8AC-47465-00	D-8	8AT-77153-00	E-5	8AT-77521-00	E-11	8L6-81833-50	F-2	8AU-82970-02	F-6
83R-26331-01	D-5	83R-47469-00	D-11	8AT-77154-00	E-5	8AT-77522-00	E-11	8L6-81834-50	F-2	87L-83383-01	F-7
8G8-26333-00	D-5	8AC-47475-00	D-9	838-77159-00	E-7	8AT-77523-00	E-11	8L6-81835-50	F-2	85L-83509-00	F-3
87R-26340-01	D-5	8AC-47478-00	D-12	83R-7717E-00	C-8	8AT-77524-00	E-11	8BB-81836-00	F-2	86V-83510-20	F-3
85R-2639F-00	C-8	8K2-47479-01	D-7	83R-7717F-00	C-8	8X0-77525-00	E-12	8L6-81840-50	F-2	87R-83510-40	F-3
341-26397-01	C-15	8AC-47480-30	D-10	82M-7717G-00	E-5	8AT-77526-00	C-7	4H7-81843-50	F-2	4R0-83517-00	F-3
	F-8	8AC-47480-40	D-10	8V0-77171-00	E-7	8X0-77526-00	E-12	4H7-81844-50	F-2	8G6-83523-00	F-3
88T-27431-10	C-9	8AC-47480-50	D-10	8M6-77175-00	E-7	8AT-77527-01	C-7	73A-81847-00	F-2	8V7-83536-40	F-3
88T-27441-10	C-9	8AC-47481-00	D-9	83R-77185-00	E-6	8AT-77529-00	E-11	8L6-81847-50	F-2	85L-83540-00	F-3
85L-28100-00	C-9	83R-47485-02	D-8	83R-77186-00	E-6	8AC-77540-00	E-11	8BB-8185A-00	F-2	8H4-83560-00	F-3
80V-2835Y-90	E-9		D-10	83R-77194-00	E-6	8AT-77551-01	E-11	8Y3-81850-50	F-2	8K1-83603-00	F-3
8AC-4631K-00	D-10	8AT-47486-00	D-6	83R-77196-00	E-7	8AT-77552-00	E-11	4H7-81872-00	F-2	85G-83663-00	F-6
8AC-47110-00	D-6	8AC-47488-10	D-9	86V-77210-10	E-9	8AT-77553-00	E-11	82M-81910-A0	F-7	8H8-83912-00	F-6
8AC-47110-10	D-6	8CR-47494-01	D-10	83R-77212-00	E-6	8X0-77571-00	E-12	50W-81940-10	F-8	802-83913-00	F-6
8A5-47113-00	D-6	8CV-47495-00	D-8	87S-77213-10	E-9	80M-77591-00	E-12	1Y8-81970-60	F-7	8R6-83928-00	F-6
89A-47115-01	D-6	83R-47520-00	D-7	8AC-77231-20	E-6	84R-77592-00	E-11	5E3-82110-81	F-7	8K4-83930-00	F-6
8AC-47310-10	D-10		D-11	83R-77241-00	E-6	83R-77595-00	E-12	5E5-82110-T1	F-7	437-83936-01	D-5
8AC-47320-00	D-6	8K2-47530-00	D-7	86V-77251-01	E-6	86V-77711-00	E-13	88N-82115-00	F-8		F-4
8U7-47320-00	D-6	87R-47541-00	E-3	87R-77251-01	E-6	83R-77712-00	E-13	88N-82116-00	F-2	8K4-83950-01	F-6
87M-47320-00	D-7	83R-47543-00	D-14	8AT-77261-00	E-5	83R-77728-00	E-13	83R-82117-01	F-2	85G-83956-00	F-6
	D-6	85R-47544-01	E-3	8AT-77262-00	E-5	83R-77731-00	E-13	84N-82122-00	F-8	8AU-83963-00	F-6
8AC-47331-00	D-8	83R-47548-00	D-15	8AT-77263-00	E-5	83R-77740-00	E-13	4J2-82131-01	C-7	88T-8399F-00	F-6
8AC-47332-00	D-9	8AC-47550-00	D-6	8AT-77264-00	E-5	8V0-77741-20	E-13	8Y7-82133-00	F-8	498-84145-60	F-4
8AC-47333-00	D-12	83R-47551-00	D-13	8AT-77265-00	E-5	83R-77741-00	E-13	8AC-82136-10	F-8	498-84163-60	F-4
83R-47335-00	D-12	83R-47571-00	E-3	8AT-77266-00	E-5	87A-77741-00	E-13	8BE-82150-00	F-7	498-84164-60	F-4
83R-47337-00	D-12	8K4-47577-00	D-13	8AT-77267-00	E-5	8U9-77742-00	E-13	42X-82151-00	F-7	83R-8430A-G0	F-4
8AC-47341-00	D-8	8AT-47578-00	E-4	8AT-77268-00	E-5	87A-77742-00	E-13	88T-82310-00	F-7	84R-8430A-A0	F-4
8AC-47349-00	D-11	88N-47591-00	E-3	8AT-77269-00	E-5	87A-77743-00	E-13	87L-82318-00	F-8	83R-8430M-00	F-4
8AC-47366-00	D-10	85R-47592-00	E-3	8AT-77271-00	C-8	87A-77745-00	E-13	89L-82318-00	F-6	51L-8431U-00	F-4
8DF-47367-00	D-11	83R-47612-00	D-15	8AC-77272-00	C-8	8AC-77761-00	E-13	8AC-8235W-00	F-7	2F9-84314-00	F-4
8AC-47411-10	D-8	83R-47613-00	D-15	8AT-77273-10	C-8	8AC-77761-10	E-13	8AC-82355-00	F-8	26H-8432M-00	F-4
8AC-47414-10	D-8	88N-47631-00	C-4	8AT-77274-00	C-8	87R-77761-10	E-13	861-82361-00	F-7	36Y-84324-00	F-4
8AC-47416-00	D-9	83R-47700-00	F-3	8AT-77275-00	C-8	8BD-77762-00	E-10	8K1-82370-20	F-7	51L-84332-00	F-4
8AC-47417-00	D-9	8K4-47715-00	F-3	8AT-77311-00	E-10	8BD-77762-21	E-10	8G5-82372-00	F-7	51L-84334-00	F-4
8AC-47418-00	D-9	8AC-7711A-00	E-8	8AT-77319-00	E-10	8BE-77762-00	E-7	8AC-82509-00	F-7	36Y-84354-00	F-4
8CM-47419-10	D-6	8AC-7711B-00	E-8	83R-77327-00	E-10	8Y0-77762-90	E-7	8K1-82510-20	F-7	8AT-84359-00	F-4

NUMERICAL INDEX

PART NO.	GRID NO.	PART NO.	GRID NO.	PART NO.	GRID NO.	PART NO.	GRID NO.	PART NO.	GRID NO.	PART NO.	GRID NO.
36Y-84397-00	F- 4	90109-066F4	F- 11	90201-06042	E- 7	90201-266L1	D- 9	90280-05014	B- 4	90387-145T7	E- 4
8K4-84710-00	F- 5	90113-05053	C- 2	90201-06043	E- 15	90201-286K9	D- 9		B- 5	90387-1815A	D- 12
8K4-84711-00	F- 5		F- 11	90201-06072	E- 3	90201-33299	B- 3	90338-21075	B- 7	90387-200U9	D- 7
838-84714-01	F- 5		F- 12	90201-063A5	C- 8	90201-345G2	C- 4	90338-30219	E- 2	90387-2004V	D- 9
8AC-84717-01	F- 7	90113-06039	C- 11	90201-064J1	E- 4	90201-535H6	C- 11	90338-30219	E- 2	90387-203H0	D- 11
8K4-84718-00	F- 5	90116-08104	B- 2	90201-06557	E- 6	90201-536A1	C- 11	90380-10129	C- 5	90387-205T6	D- 7
8K4-84721-00	F- 5	90116-08302	B- 2		E- 7	90202-05088	E- 6	90380-16109	D- 12	90387-226V7	D- 14
87M-84723-00	F- 5	90119-06108	B- 6	90201-067A0	C- 9	90202-08204	C- 2	90380-22232	D- 11	90387-22726	D- 5
86R-85110-00	F- 9	90122-05022	E- 6	90201-067F9	C- 10		F- 11	90380-28235	D- 11	90387-2515E	D- 9
81G-85130-00	F- 9	90149-08230	E- 11	90201-06747	D- 8		F- 12	90381-14101	D- 9	90387-405T8	E- 3
81L-85520-M0	E- 15	90151-06010	D- 8	90201-06778	C- 8	90202-14037	C- 11		D- 10	90387-514Y2	D- 13
8AU-85540-00	F- 7		D- 12	90201-080L1	C- 10	90202-16231	D- 11	90381-14109	D- 10	90389-28032	C- 2
2A7-85546-00	F- 7	90154-05047	E- 9	90201-08100	B- 2	90202-16232	D- 11	90381-19111	D- 8		F- 11
8AT-85550-00	E- 15	90154-06050	E- 3	90201-08624	B- 7	90202-22238	D- 12	90381-22099	D- 9		F- 12
8AT-85560-00	E- 15	90154-06062	C- 4	90201-08649	D- 12	90206-11016	B- 8	90381-28108	D- 9	90389-41031	C- 2
8R4-85580-M0	E- 15	90157-05027	F- 6	90201-08759	C- 13	90208-25045	D- 13	90384-14091	C- 11		F- 11
90101-08774	D- 7	90157-05113	F- 6	90201-08766	F- 4	90209-24073	B- 3	90384-14096	C- 11		F- 12
	D- 6	90159-05129	E- 15	90201-08784	C- 15	90210-10004	D- 15	90384-16251	D- 11	90430-04004	B- 7
90101-10357	D- 15	90159-05130	E- 15	90201-100L3	D- 6	90214-17017	B- 5	90384-36134	C- 7	90430-06016	D- 15
90101-10738	D- 9	90170-08220	C- 10		D- 7	90214-17018	B- 5	90384-53175	C- 11	90430-14194	E- 3
90102-10039	C- 11	90170-08261	E- 4		D- 8	90214-29060	C- 4	90384-90081	C- 4	90430-31003	C- 6
90102-10044	C- 13	90170-10186	C- 12	90201-100U1	D- 10	90215-08262	C- 12	90386-08182	C- 2	90445-092K1	B- 10
90102-10050	C- 10		C- 13	90201-101U2	D- 11	90215-39268	D- 15	90386-08183	C- 2	90445-095F1	C- 15
90102-10067	C- 11	90170-16425	B- 4	90201-10119	B- 8	90249-03017	C- 15	90387-0501R	C- 2	90445-114J9	D- 2
	C- 13		B- 5	90201-10136	D- 10	90249-03175	C- 15		F- 11	90445-114K5	B- 10
90105-05644	C- 2	90170-25367	D- 13	90201-103U4	D- 10	90249-12216	D- 15		F- 12	90445-115K6	C- 15
	F- 11	90176-05059	E- 9	90201-10321	C- 5	90261-06017	C- 3	90387-060U0	E- 13	90445-11735	B- 10
	F- 12	90176-08063	E- 12	90201-104A7	C- 4	90261-06019	C- 2	90387-061U9	C- 6	90450-99050	B- 9
90105-06405	E- 3	90179-08268	B- 2	90201-10430	C- 10	90267-40029	C- 7	90387-06241	E- 7	90460-56073	B- 9
90105-06437	D- 3	90179-08269	B- 2	90201-106F2	D- 11	90267-40076	D- 5	90387-06299	E- 15	90460-68230	B- 9
90105-08408	E- 11	90179-10670	D- 6	90201-107G8	C- 5	90267-40172	C- 8	90387-063E6	C- 9	90461-08113	E- 7
90105-08450	D- 9		D- 7	90201-12317	C- 5	90267-47186	C- 9	90387-063W4	B- 10	90462-05059	C- 7
90105-08483	D- 12	90185-10085	C- 13	90201-144J2	E- 4	90267-48051	C- 7	90387-066N1	F- 5	90462-10209	C- 6
90105-10105	D- 10	90185-10110	D- 9	90201-171J5	D- 15	90267-48060	C- 7	90387-081R2	C- 7	90464-16039	B- 7
90105-103A1	D- 8	90185-10115	D- 12	90201-17713	B- 5		D- 3	90387-082J1	D- 12	90464-16061	C- 6
	D- 9	90185-14142	D- 7	90201-205R6	D- 7	90267-48079	E- 6	90387-083G6	D- 10	90465-08125	C- 8
90105-10433	D- 6		D- 11	90201-207J5	D- 9	90267-48086	E- 12	90387-084R1	C- 10	90465-08277	B- 9
	D- 8	90201-042E0	C- 8	90201-20792	D- 14	90267-48141	C- 7	90387-100A4	C- 11	90465-08316	B- 10
	D- 9	90201-043H5	C- 7		D- 15		C- 8	90387-100X3	D- 10		C- 4
	D- 10	90201-043H7	E- 6	90201-210U0	D- 8		E- 5	90387-1009S	D- 10	90465-08368	C- 7
90105-10436	D- 10		E- 7	90201-224L4	D- 14		E- 11	90387-101Y9	C- 11	90465-10098	F- 5
90105-10739	D- 10	90201-04325	C- 7	90201-225L2	D- 14	90267-48149	E- 11	90387-1014Y	D- 12	90465-10189	D- 5
90105-10769	D- 6		C- 8	90201-250T6	D- 9	90267-48194	D- 8	90387-105G5	D- 9	90467-08017	C- 6
	D- 7	90201-047A2	E- 13	90201-252F1	C- 4	90267-48199	D- 8		D- 10	90467-09026	B- 10
90105-14367	E- 3	90201-047R8	D- 8	90201-25526	C- 4	90269-05039	E- 6	90387-105G6	D- 8		C- 6
90105-27484	D- 15	90201-05029	E- 7	90201-25527	C- 4	90269-05051	B- 6	90387-106J3	C- 10		C- 15
90109-065E6	B- 9	90201-05033	E- 9	90201-257G7	C- 5	90269-05055	E- 13	90387-121E8	D- 15	90467-11009	B- 10
90109-066F4	C- 2	90201-054K4	E- 14	90201-257J2	C- 4		E- 14	90387-1404R	D- 10		C- 15

NUMERICAL INDEX

PART NO.	GRID NO.	PART NO.	GRID NO.	PART NO.	GRID NO.	PART NO.	GRID NO.	PART NO.	GRID NO.	PART NO.	GRID NO.
90467-11032	B - 10	91609-30016	C - 15	93103-32156	B - 4	95301-05600	B - 7	95707-06500	E - 7	97017-06030	C - 2
	C - 6	91609-50032	C - 2	93103-36117	C - 8	95301-06700	B - 15		F - 8		F - 11
	C - 15		F - 11	93109-53036	C - 11	95302-05600	F - 3	95707-08300	C - 11	97017-08016	C - 12
90468-02025	B - 7	91830-22016	B - 14	93210-10010	E - 4	95307-05700	B - 9		C - 12	97027-06020	C - 10
90468-10003	E - 6	92901-05100	B - 7	93210-19123	E - 3	95307-06600	E - 6		C - 15	97027-06025	B - 9
90480-10348	C - 8	92901-06100	B - 15	93210-28763	E - 3		F - 2	95707-08500	B - 2		C - 8
90480-12012	E - 14	92902-04100	E - 15	93306-00002	B - 8		F - 5		D - 8	97027-08020	B - 13
90480-12314	F - 7	92902-05100	F - 3	93306-00444	D - 6	95307-08600	C - 10	95707-10300	C - 10		C - 4
90480-15061	C - 8	92907-03100	B - 9		D - 7		E - 11		C - 11	97027-08040	B - 5
90480-15268	E - 12	92907-05100	B - 7	93306-00507	D - 13	95307-08800	E - 11		C - 13	97027-08055	B - 5
90501-02217	B - 7		C - 12	93306-20315	B - 5	95307-10700	C - 12		D - 7	97027-08075	B - 5
90501-084G9	B - 10		E - 6	93306-20321	D - 14		D - 15	95707-10500	C - 5	97027-10025	D - 11
90501-084J0	B - 10	92907-05200	C - 12		D - 15	95317-08600	E - 4	95707-12300	D - 12	97701-40130	F - 5
90501-101A7	E - 4		F - 6	93306-20402	D - 14	95380-05600	F - 3	95707-12500	C - 5	97706-30620	F - 6
90501-147A6	E - 3	92907-05600	B - 9		D - 15	95607-05200	C - 2	95717-08300	E - 12	97706-30630	F - 6
90501-20130	C - 15		C - 12	93306-20469	D - 7		F - 9	95807-06012	C - 8	97707-30712	F - 6
90501-407E4	D - 12	92907-06100	E - 6	93306-20582	C - 4		F - 11	95807-06016	C - 6	97707-40616	F - 4
90501-481J1	C - 3		F - 5	93306-20617	B - 3		F - 12		E - 13	97707-50014	E - 7
90501-556G6	C - 3	92907-06200	E - 5	93306-20620	B - 3	95607-06100	C - 6	95807-06025	B - 6	97707-50016	E - 5
90501-581J7	C - 3	92907-06600	B - 9	93306-30627	B - 3	95607-06200	F - 7	95807-08016	C - 14	97880-06020	F - 7
90501-75612	C - 10		B - 15	93306-30628	B - 3	95607-08200	C - 10	95807-08040	E - 12	98502-04008	E - 15
90506-06065	C - 15		C - 2	93306-37206	D - 14		D - 6	95817-08035	D - 12	98502-04012	E - 15
90506-20272	B - 13		E - 4	93306-90802	E - 3		D - 7	95817-10020	C - 4	98507-03008	B - 9
90507-16045	B - 13		E - 5	93310-320G0	B - 3		D - 10	95817-10030	D - 12	98507-04016	F - 10
90507-16046	B - 13		F - 8	93310-524K4	B - 3		D - 12	95817-10045	C - 5	98507-04018	B - 7
90508-10715	C - 15		F - 11	93311-42265	D - 14		E - 11	95827-06016	F - 7	98507-05008	C - 12
90508-50746	C - 4	92907-08100	E - 11	93315-21227	D - 15	95607-10100	D - 9	95827-06030	B - 14	98507-05016	B - 7
91A20-05065	C - 15	92907-08200	E - 11	93317-22021	D - 14		D - 10	95827-06035	E - 2	98507-05030	B - 9
91A20-05145	D - 2	92907-08600	B - 5	93317-32241	D - 14	95607-10200	D - 11	95827-06045	E - 2	98507-05030	C - 12
91A30-03042	B - 7		B - 9	93410-25017	C - 4	95617-08640	C - 11	95827-08014	D - 13	98507-06010	B - 9
91A30-05004	C - 6		B - 13	93410-52061	C - 11	95617-08655	C - 11		E - 11	98507-06020	E - 5
91A30-05010	C - 6		C - 4	93430-02001	C - 15	95707-04300	E - 13	95827-08016	B - 14	98707-04016	E - 13
91A30-05052	C - 6		C - 11	93440-34170	C - 4	95707-04500	F - 10		B - 15	98707-05016	E - 7
91A30-05060	C - 6		E - 12	93440-78069	B - 4	95707-05300	C - 7	95827-08020	E - 11	98902-04020	B - 7
91A30-05085	C - 6		F - 4	93450-13133	C - 2		E - 7	95827-08025	E - 12	98904-06016	E - 5
91A30-05120	C - 6	92907-16100	B - 4	93450-21053	B - 3		E - 14	95827-08040	E - 3	98907-05012	E - 6
91A30-07016	C - 6		B - 5	93503-08007	E - 3		F - 6	95827-08055	C - 12	98907-05014	C - 7
91317-06025	E - 4		C - 3	93505-32002	B - 7	95707-06300	C - 8	95827-08075	B - 14	98907-05016	E - 13
91401-16025	B - 6		F - 11	93603-22028	B - 8		C - 9	95827-08085	B - 14	98907-06008	D - 15
91401-20020	C - 10	92990-05100	F - 3	93604-07141	B - 14		D - 8	95827-08220	D - 10	98907-06010	C - 6
	C - 11	92990-06600	F - 7	93612-44229	D - 15		E - 5	95827-10050	D - 4	98907-06014	E - 6
91401-25020	C - 13	93101-10001	B - 8	93700-06004	C - 10		E - 6	97007-06010	D - 15	98907-06016	C - 7
91401-30025	D - 7	93102-15212	E - 3		D - 11		E - 13	97007-06014	B - 15		E - 13
	D - 11	93102-20010	D - 15	94702-00188	B - 2		F - 7		F - 7		E - 15
91609-25050	C - 15	93102-22014	D - 14	94709-00188	B - 2		F - 8	97007-06020	F - 8	98907-06025	B - 6
91609-30008	D - 12	93102-36232	C - 7	94880-06070	E - 3	95707-06500	B - 10	97007-06025	D - 8		C - 9
91609-30010	B - 3	93102-46394	E - 3	95027-06040	B - 8		C - 9	97007-08025	B - 9		E - 7
	D - 5	93103-32095	B - 3	95027-06055	B - 8		E - 4	97007-08040	F - 4	98907-06035	E - 7

NUMERICAL INDEX

PART NO.	GRID NO.	PART NO.	GRID NO.	PART NO.	GRID NO.	PART NO.	GRID NO.	PART NO.	GRID NO.
99001-04600	F - 6								
99009-10400	B - 8								
99009-12400	D - 15								
99009-20400	D - 6								
	D - 9								
	D - 15								
99009-22400	D - 14								
99009-40500	B - 5								
99009-42500	D - 6								
	D - 7								
99009-47500	D - 7								
99009-52500	C - 4								
99236-00080	B - 5								
99246-00120	E - 9								
99246-00200	E - 8								
99530-08016	B - 8								
99530-10114	E - 2								

CONTENTS

ENGINE

CYLINDER HEAD	B2
CRANKSHAFT. PISTON	B3
AIR SHROUD. FAN	B5
OIL PUMP	B7
PUMP DRIVE GEAR	B8
INTAKE	B9
CARBURETOR	B11
EXHAUST	B13
CRANKCASE	B14
STARTER	B15

DRIVE

PRIMARY SHEAVE	C2
SECONDARY SHEAVE	C4

BODY

ENGINE BRACKET	C5
OIL TANK	C6
FRAME	C7
SKI	C10
STEERING	C12
STEERING GATE	C14
FUEL TANK	C15
SEAT	D3
BRAKE	D4
CONTROL CABLE	D5
TRACK SUSPENSION 1	D6
TRACK SUSPENSION 2	D8
TRACK SUSPENSION 3	D12
TRACK DRIVE 1	D13
TRACK DRIVE 2	D14
TRACK DRIVE 3	E3
SHROUD	E5

EMBLEM	E8
WINDSHIELD	E9
GUARD. LUGGAGE BOX	E10
BUMPER	E11
INSTRUMENT PANEL	E13

ELECTRICAL

GENERATOR	E15
STARTING MOTOR	F2
METER	F3
HEADLIGHT	F4
TAILLIGHT	F5
HANDLE SWITCH. LEVER	F6
ELECTRICAL 1	F7
ELECTRICAL 2	F9
ALTERNATE (BODY/RIG)	F10
ALTERNATE (DRIVE)	F11
ALTERNATE (DRIVE)	F12

INDEX

NUMERICAL INDEX	M1
-----------------------	----